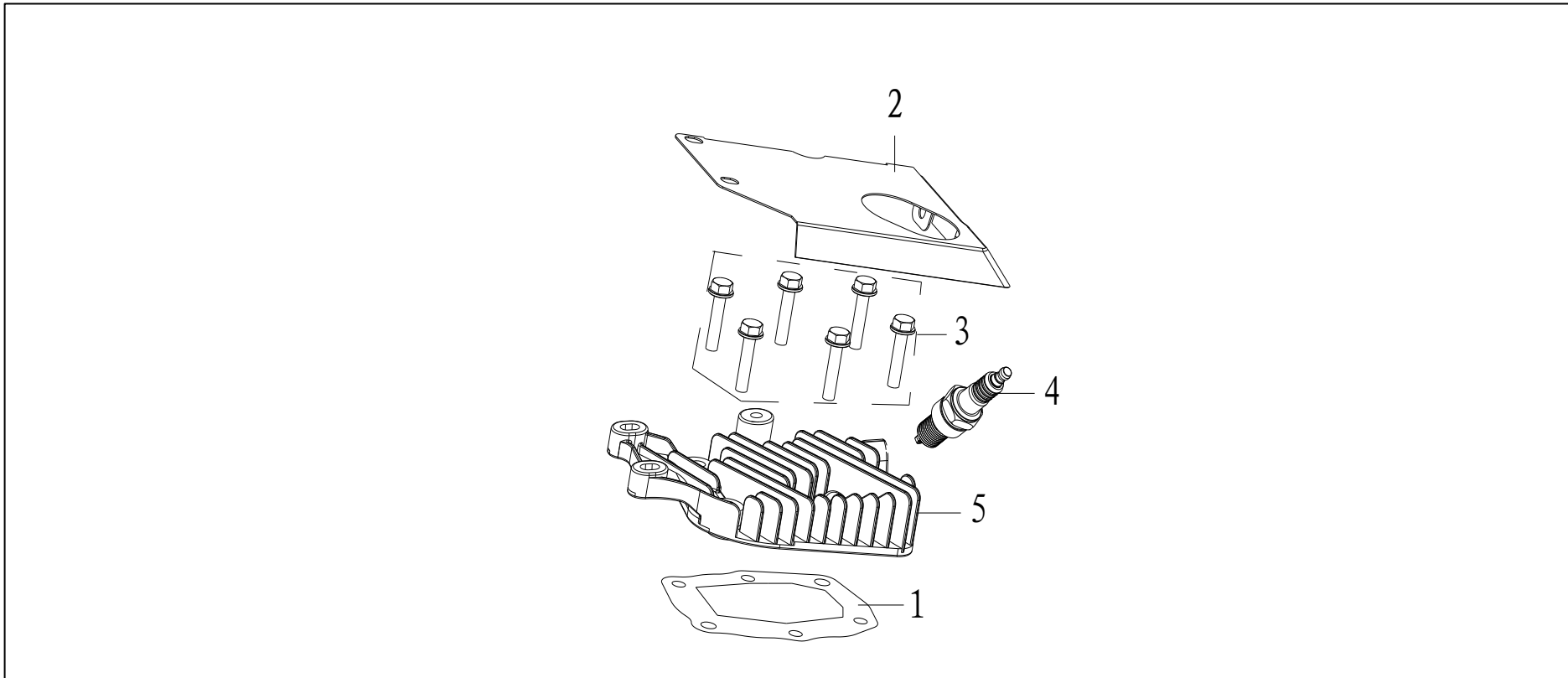


# SPARE PART LIST

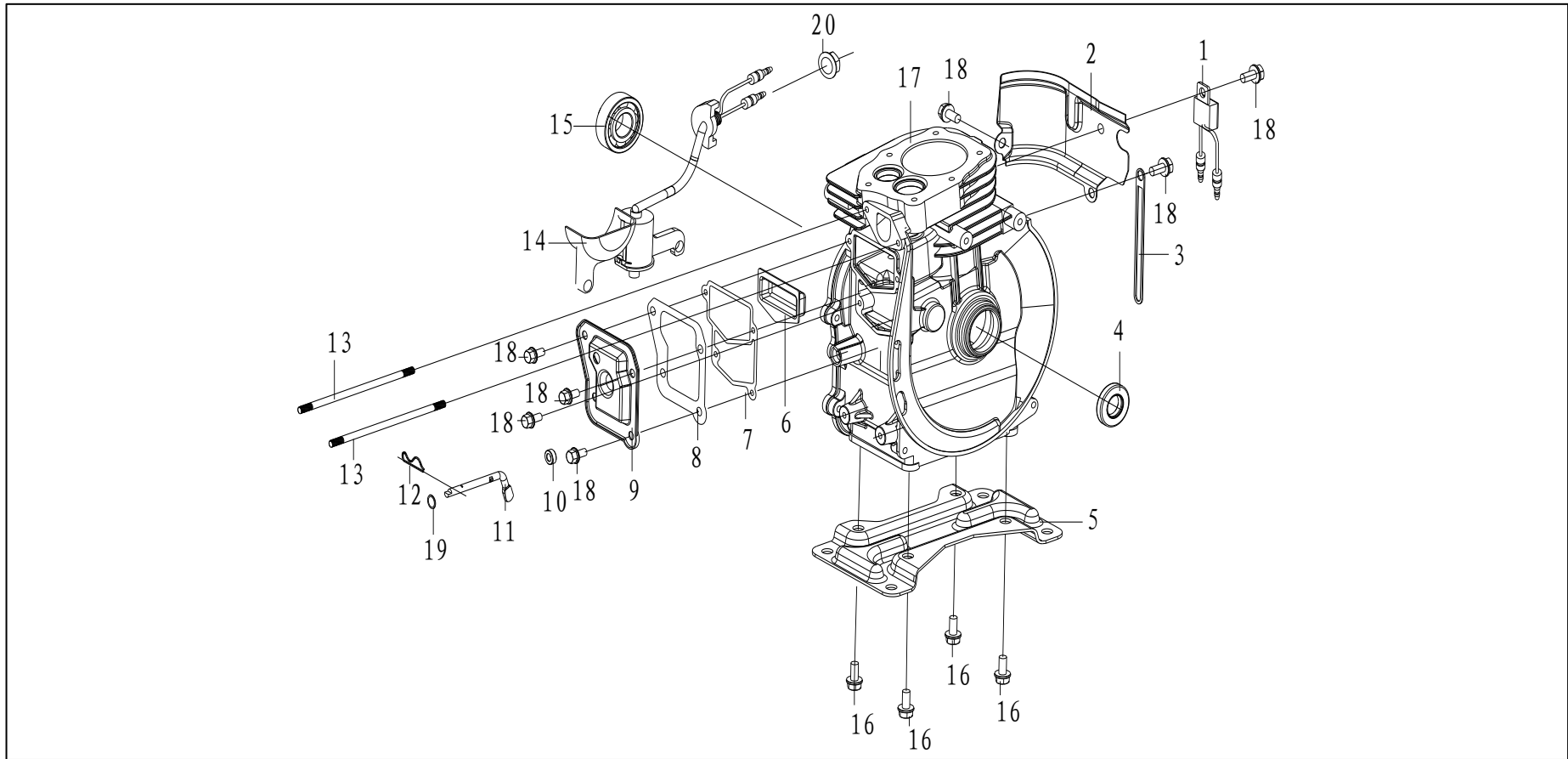
W 40P



HEAD ASSY

NO.	Husqvarna Code	Description	Qty
1	590 82 80-01	Gasket	1
2	590 82 81-01	Plate	1
3	590 82 82-01	Bolt M6×35	6

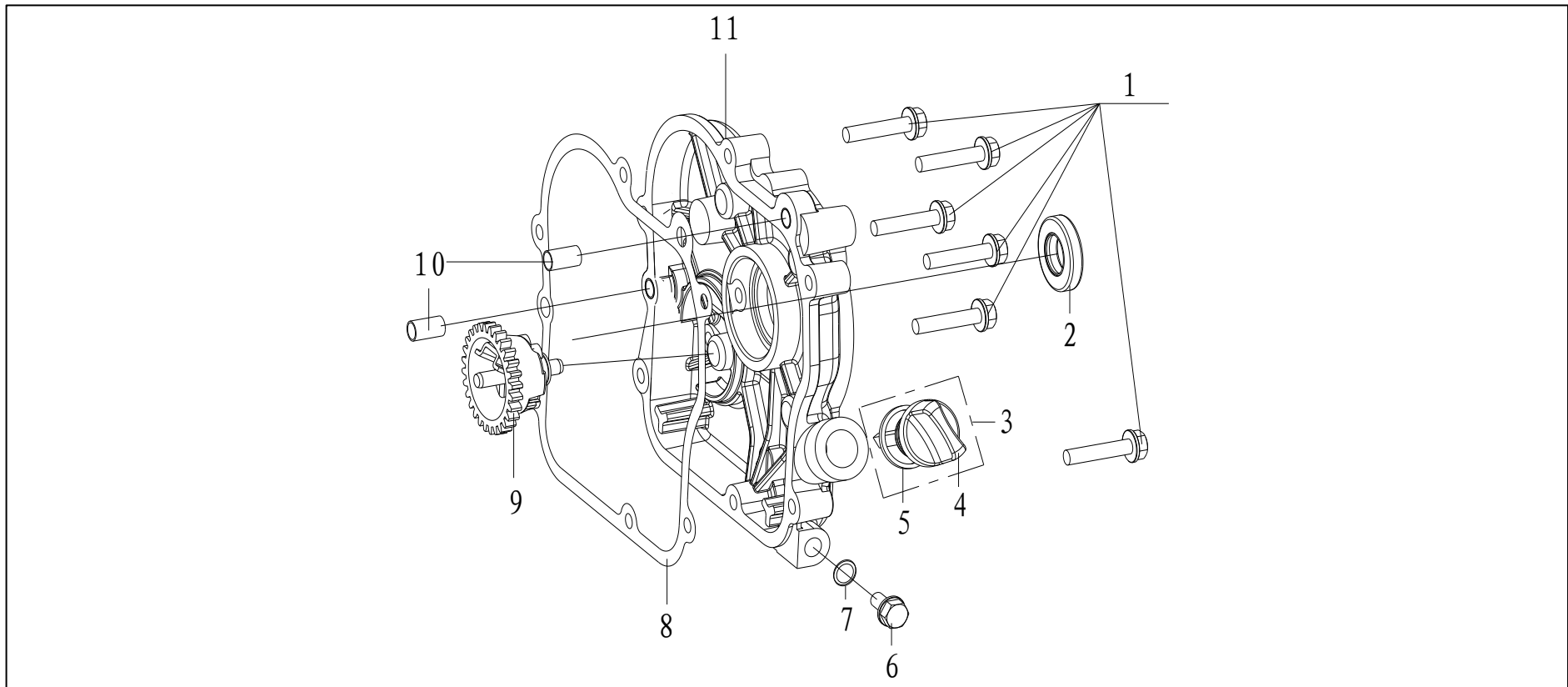
NO.	Husqvarna Code	Description	Qty
4	590 82 83-01	Plug,Spark	1
5	590 82 84-01	Cylinder Cover	1



**CRANKCASE ASSY**

NO.	Husqvarna Code	Description	Qty
1	590 82 85-01	Conductor	1
2	590 82 87-01	Plate	1
3	590 82 88-01	Holder	1
4	590 82 89-01	Seal	1
5	590 82 90-01	Bracket	1
6	590 82 91-01	Cover	1
7	590 82 93-01	Seal	1
8	590 82 95-01	Gasket	1
9	590 82 97-01	Plate	1
10	590 82 98-01	Seal	1

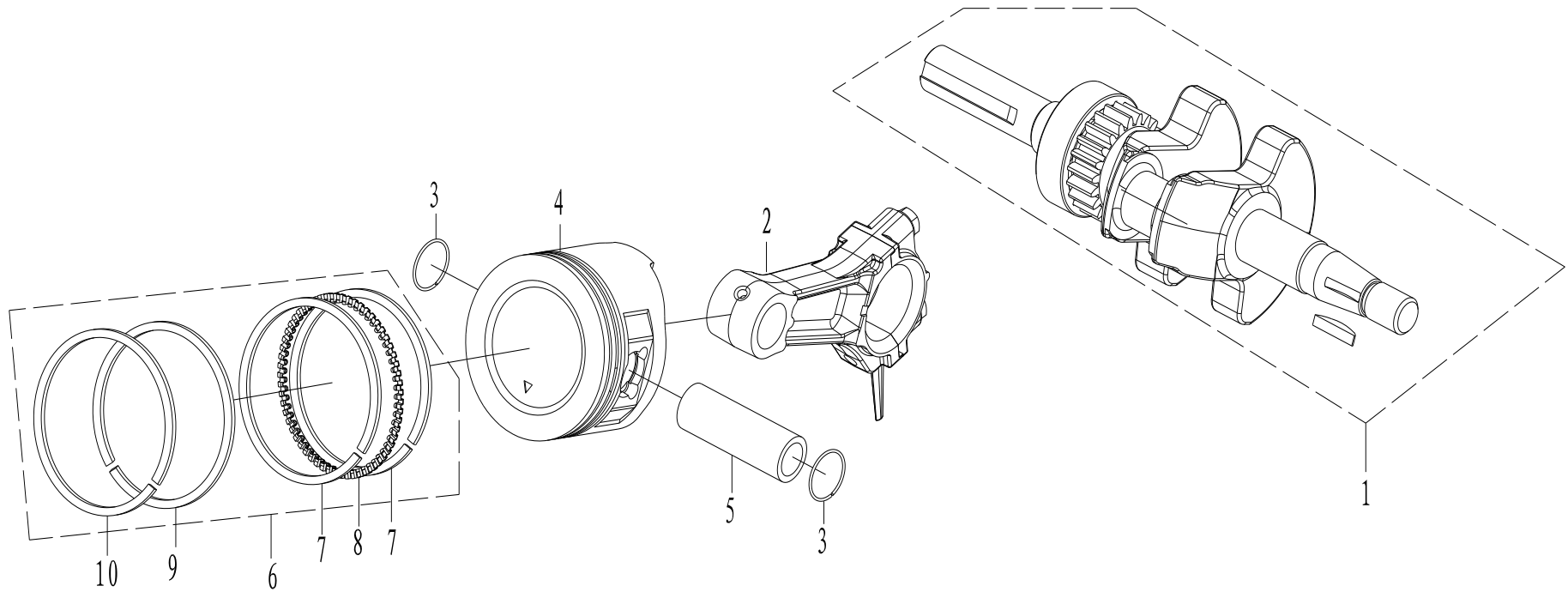
NO.	Husqvarna Code	Description	Qty
11	590 83 00-01	Shaft	1
12	590 83 04-01	Locking Pin	1
13	590 83 08-01	Bolt,Stud	2
14	590 83 15-01	Sensor	1
15	590 83 16-01	Bearing	1
16	590 83 17-01	Bolt M8x16	4
17	590 83 18-01	Crankcase Comp	1
18	590 83 19-01	Bolt M6x12	7
19	590 83 20-01	Washer	1
20	590 83 21-01	Nut M10*1.25	1



CRANKCASE COVER ASSY

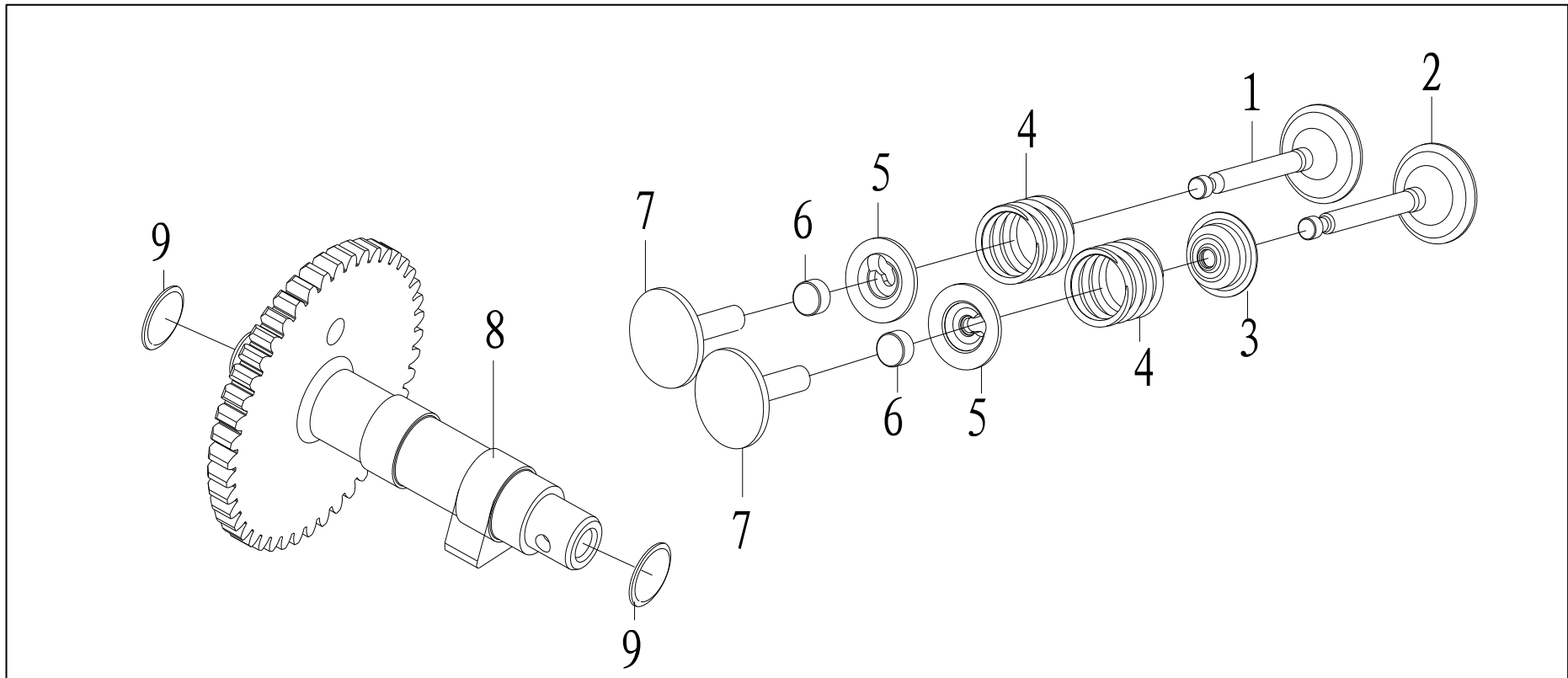
NO.	Husqvarna Code	Description	Qty
1	590 83 23-01	Bolt M6×30	6
2	590 83 24-01	Seal	1
3	590 83 25-01	Dipstick Assy	1
4	590 83 26-01	Dipstick	1
5	590 83 27-01	O-ring	1
6	590 83 32-01	Drain Bolt	1

NO.	Husqvarna Code	Description	Qty
7	590 83 34-01	Washer	1
8	590 83 35-01	Gasket	1
9	590 83 36-01	Gear Assy	1
10	590 83 37-01	Pin 8×14	2
11	590 83 38-01	Crankcase Cover	1



**CRANK-CONNECTING ROD ASSY**

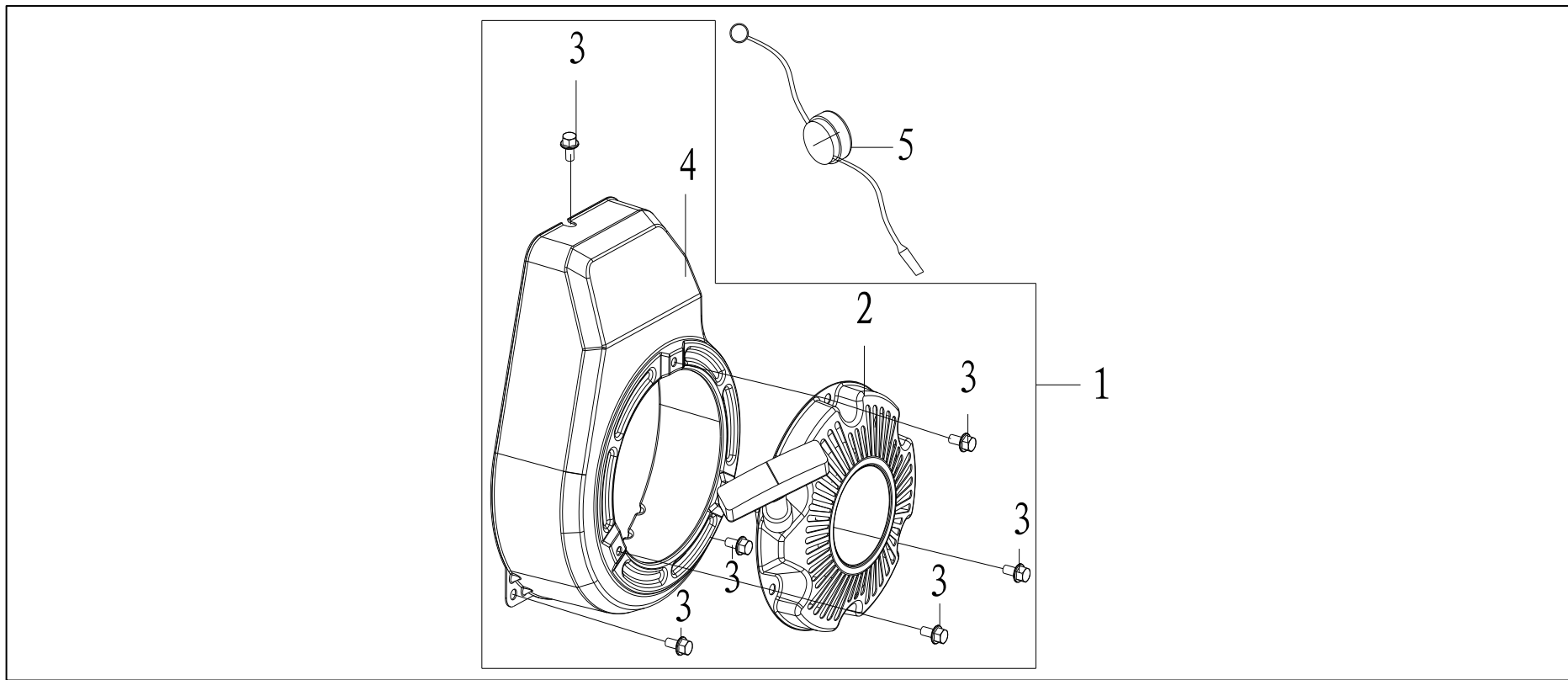
NO.	Husqvarna Code	Description	Qty	NO.	Husqvarna Code	Description	Qty
1	590 83 57-01	Crankshaft Assy	1	6	590 83 64-01	Piston ring kit	1
2	590 83 60-01	Connecting Rod assy	1	7	590 83 68-01	Film Loop	1
3	590 83 61-01	Clip,piston pin	2	8	590 83 69-01	Bush Ring	1
4	590 83 62-01	Piston	1	9	590 83 70-01	Gas Ring Two	1
5	590 83 63-01	Pin,piston	1	10	590 83 71-01	Gas Ring One	1



VALVE TRAIN ASSY

NO.	Husqvarna Code	Description	Qty
1	590 83 72-01	Valve,Inlet	1
2	590 83 73-01	Valve,Exhaust	1
3	590 83 74-01	Valve Seal	1
4	590 83 75-01	Spring,Valve	2
5	590 83 76-01	Intake Valve Spring Seat	2

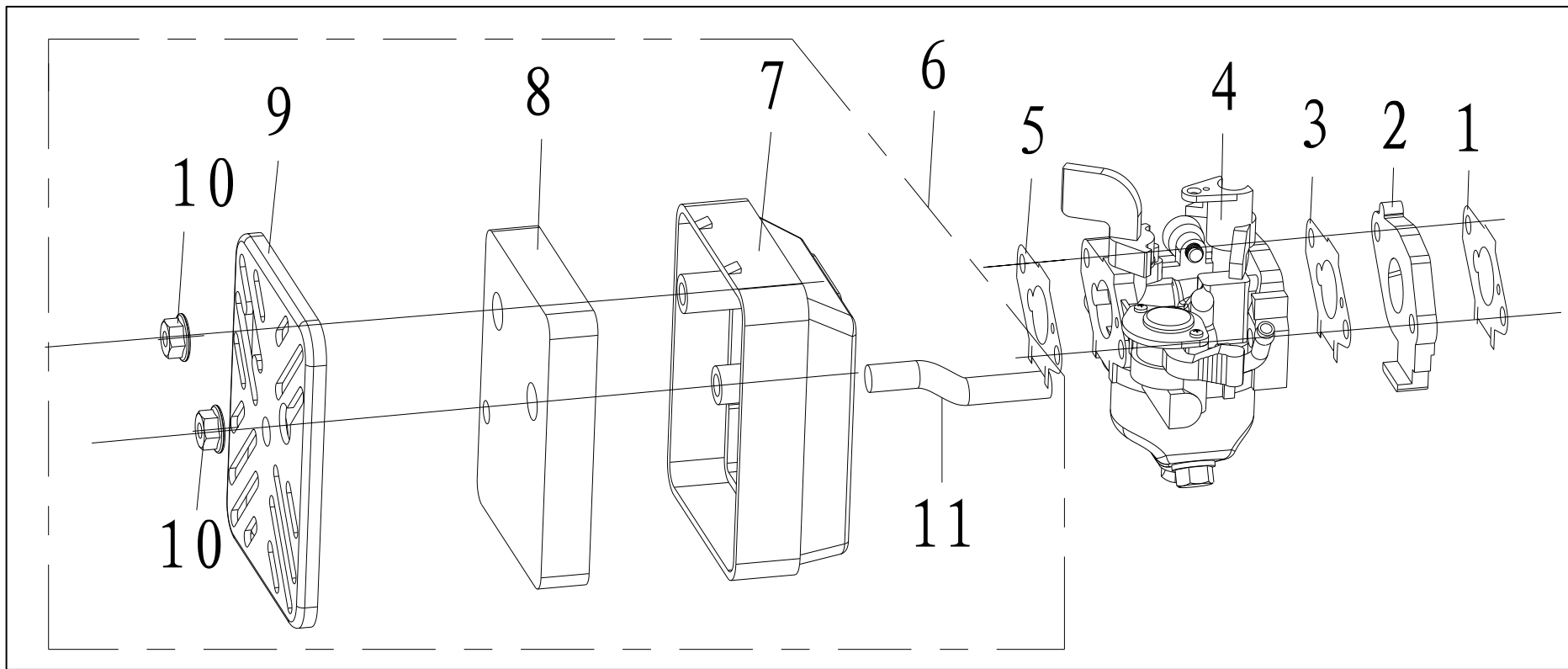
NO.	Husqvarna Code	Description	Qty
6	590 83 77-01	Adjuster,Ex. Valve	2
7	590 83 78-01	Lifter,Valve	2
8	590 83 79-01	Camshaft Assy	1
9	590 83 80-01	Washer $\phi 12 \times \phi 18 \times 1$	2



STARTER ASSY

NO.	Husqvarna Code	Description	Qty
1	590 83 81-01	Recoil Starter Assy	1
2	590 83 83-01	Starter Comp, Recoil	1
3	590 83 84-01	Bolt M6*12	6

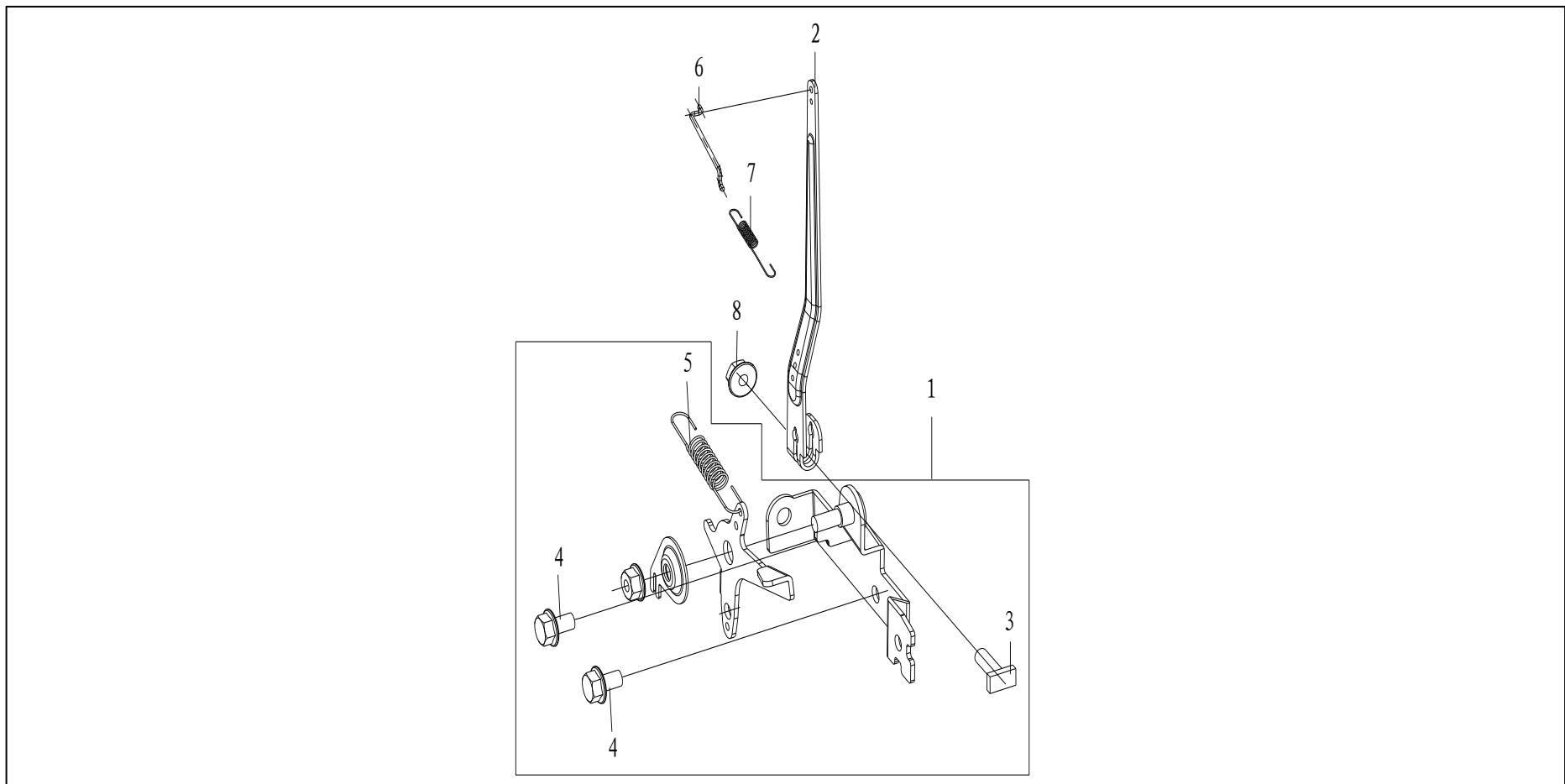
NO.	Husqvarna Code	Description	Qty
4	590 83 85-01	Housing	1
5	590 63 85-01	Stop Switch	1



INLET ASSY

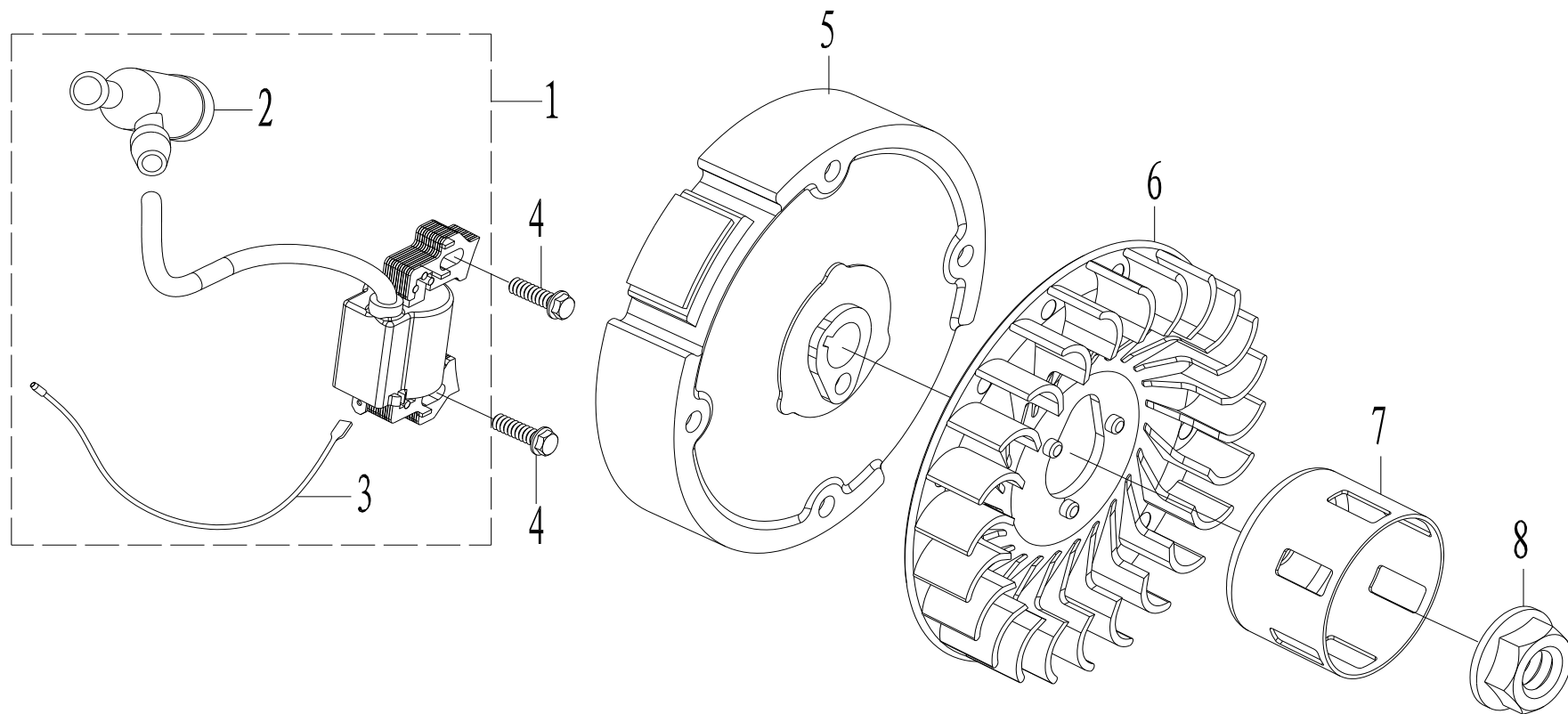
NO.	Husqvarna Code	Description	Qty	NO.	Husqvarna Code	Description	Qty
1	590 83 86-01	Gasket	1	7	590 83 93-01	Cover	1
2	590 83 87-01	Insulator	1	8	590 84 30-01	Filter	1
3	590 83 88-01	Gasket,Carburetor	1	9	590 84 32-01	Plate	1
4	590 83 90-01	Carburetor	1	10	590 84 34-01	Nut M5	2
5	590 83 91-01	Gasket,Air Cleaner	1	11	590 84 35-01	Pipe	1
6	590 83 92-01	Air Cleaner Assy	1	12	590 84 36-01	Screw ST3.5*6	1





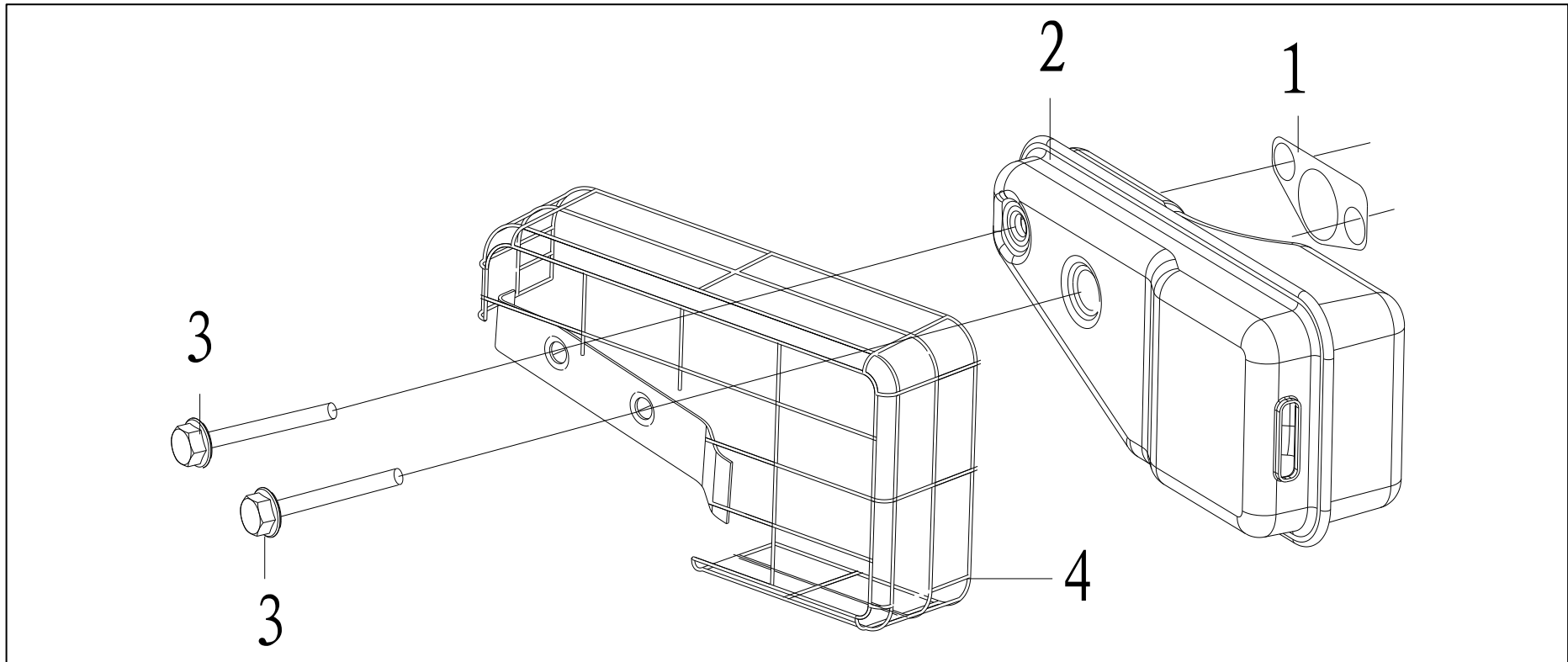
**THROTTLE CONTROL ASSY**

NO.	Husqvarna Code	Description	Qty	NO.	Husqvarna Code	Description	Qty
1	590 84 37-01	Control Assy	1	5	590 84 58-01	Governing Spring	1
2	590 84 46-01	Arm,Governor	1	6	590 84 60-01	Tie Rod	1
3	590 84 56-01	T-Shape Bolt	1	7	590 84 62-01	Fine Adjustment Spring	1
4	590 84 57-01	Bolt M6×12	2	8	590 84 63-01	Nut M6	1



#### FLYWHEEL AND IGNITION ASSY

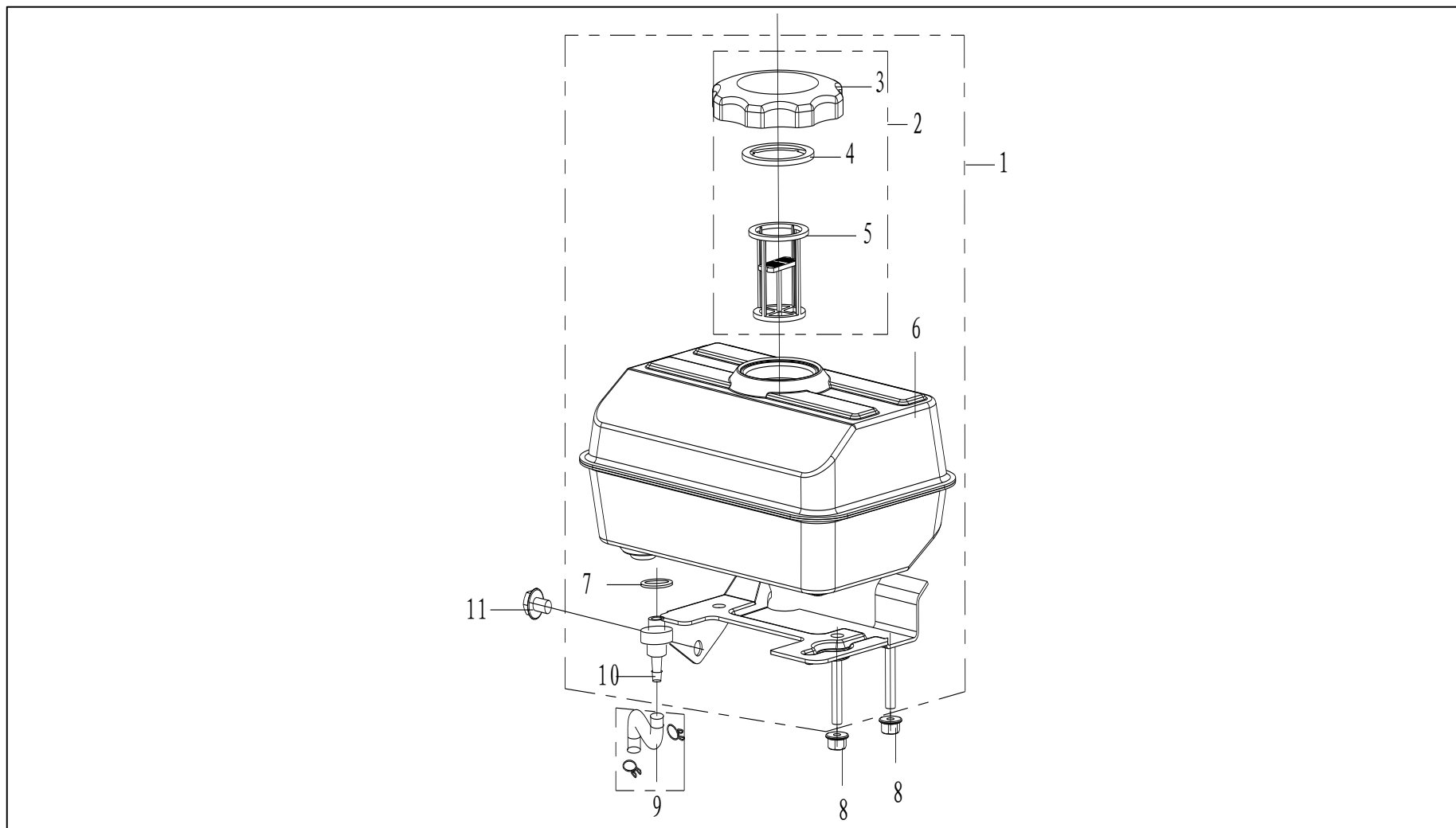
NO.	Husqvarna Code	Description	Qty	NO.	Husqvarna Code	Description	Qty
1	590 84 66-01	Ignition Module Assy	1	5	590 84 72-01	Flywheel	1
2	590 84 67-01	Cap,ignition	1	6	590 84 73-01	Fan,cooling	1
3	590 84 69-01	Cord,stop switch	1	7	590 84 75-01	Pulley,starter	1
4	590 84 71-01	Bolt M6x22	2	8	590 84 76-01	Nut M12x1.25	1



EXHAUST ASSY

NO.	Husqvarna Code	Description	Qty
1	590 88 66-01	Washer	1
2	590 88 67-01	Muffler	1

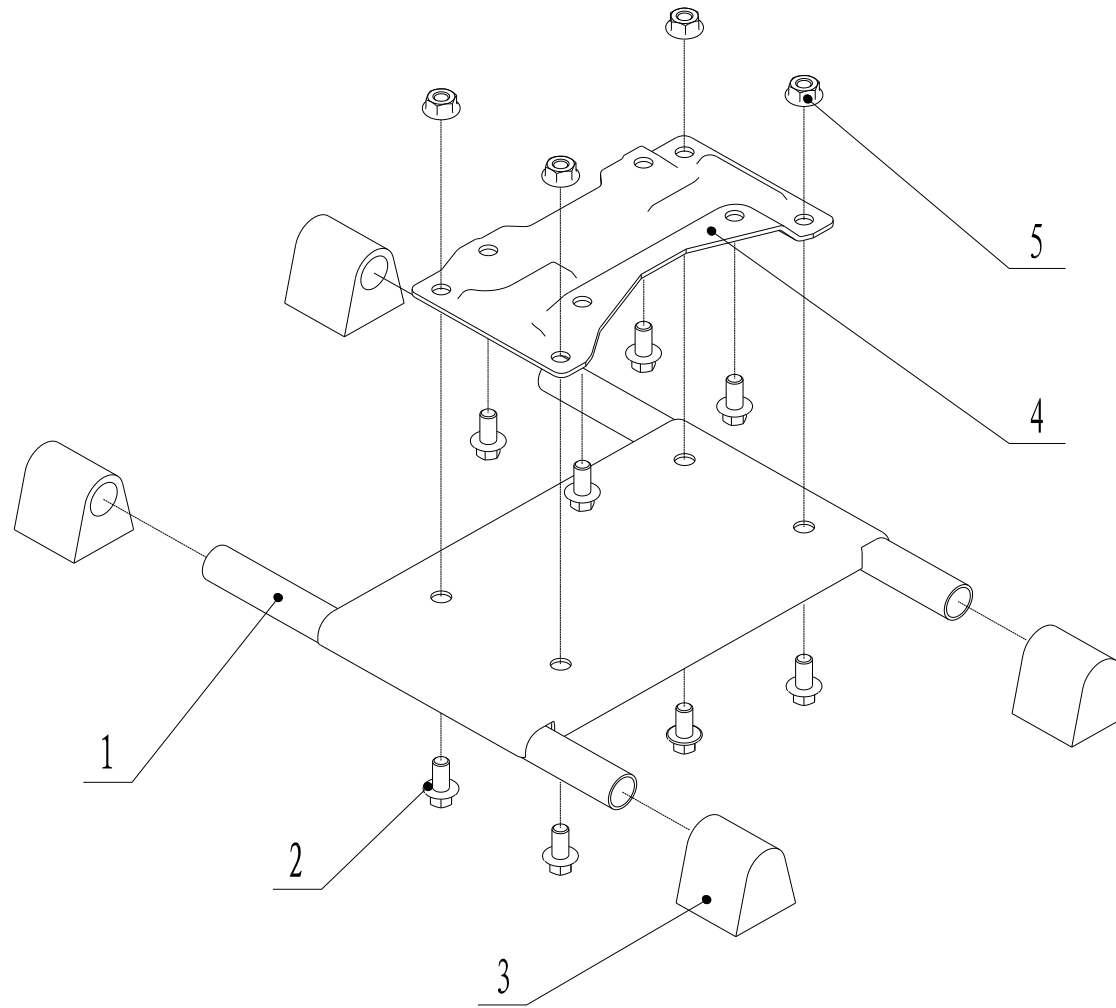
NO.	Husqvarna Code	Description	Qty
3	590 88 68-01	Bolt M6*45	2
4	590 88 69-01	Cover	1



### FUEL TANK ASSY

NO.	Husqvarna Code	Description	Qty
1	590 88 70-01	Fuel Tank Assy	1
2	590 88 71-01	Fuel Tank Cap Assy	1
3	590 88 72-01	Fuel Tank Cap	1
4	590 88 73-01	Seal	1
5	590 88 74-01	Filter	1
6	590 88 75-01	Fuel Tank	1

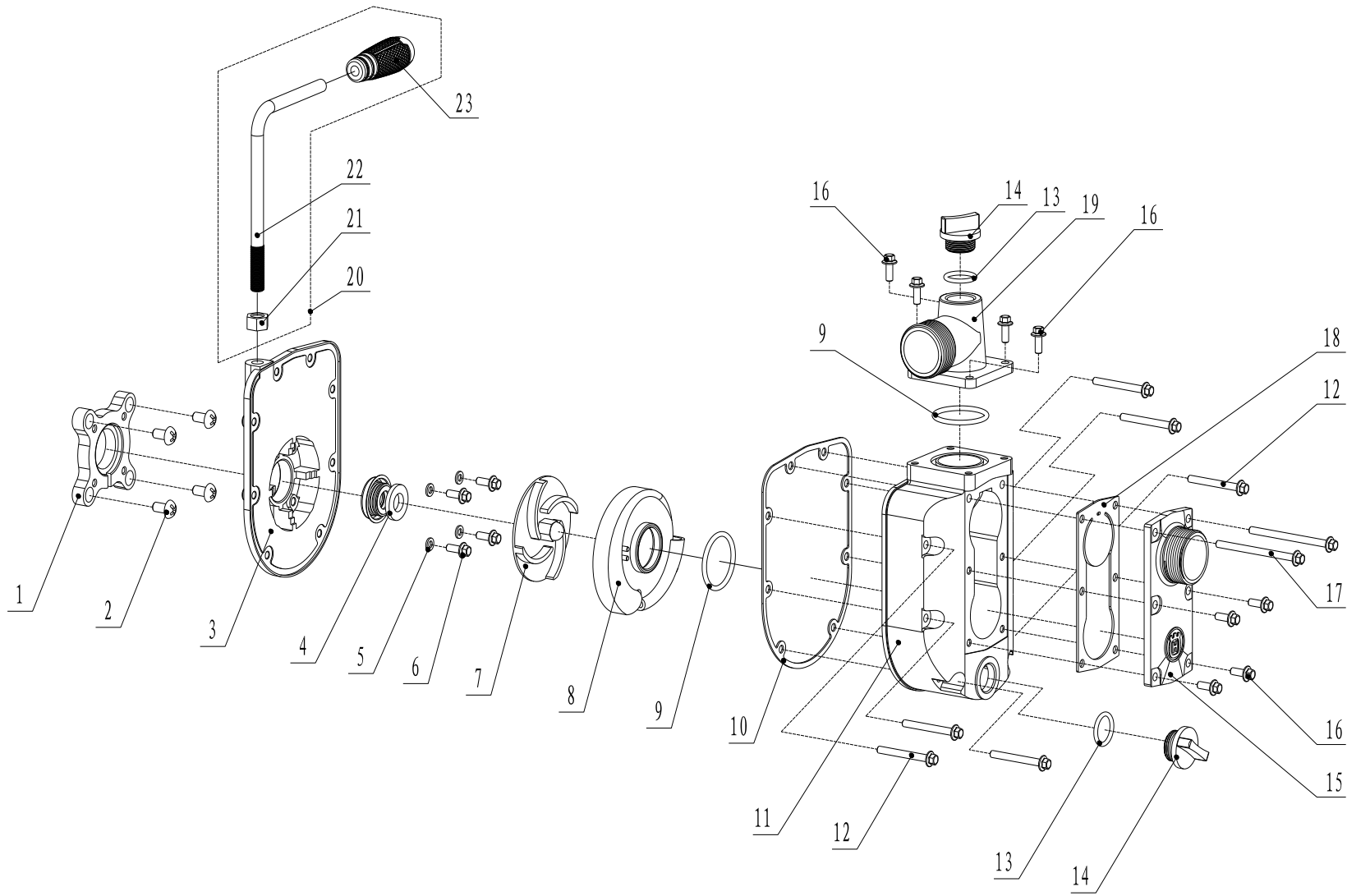
NO.	Husqvarna Code	Description	Qty
7	590 88 76-01	Washer	1
8	590 88 77-01	Nut M6	2
9	590 88 78-01	Fuel Hose	1
10	590 88 79-01	Joint,fuel tank	1
11	590 88 81-01	Bolt M6*12	1



FRAME

NO.	Husqvarna Code	Description	Qty
1	590 88 90-01	Frame	1
2	590 88 91-01	Bolt M8×16	8
3	590 88 92-01	Damper	4

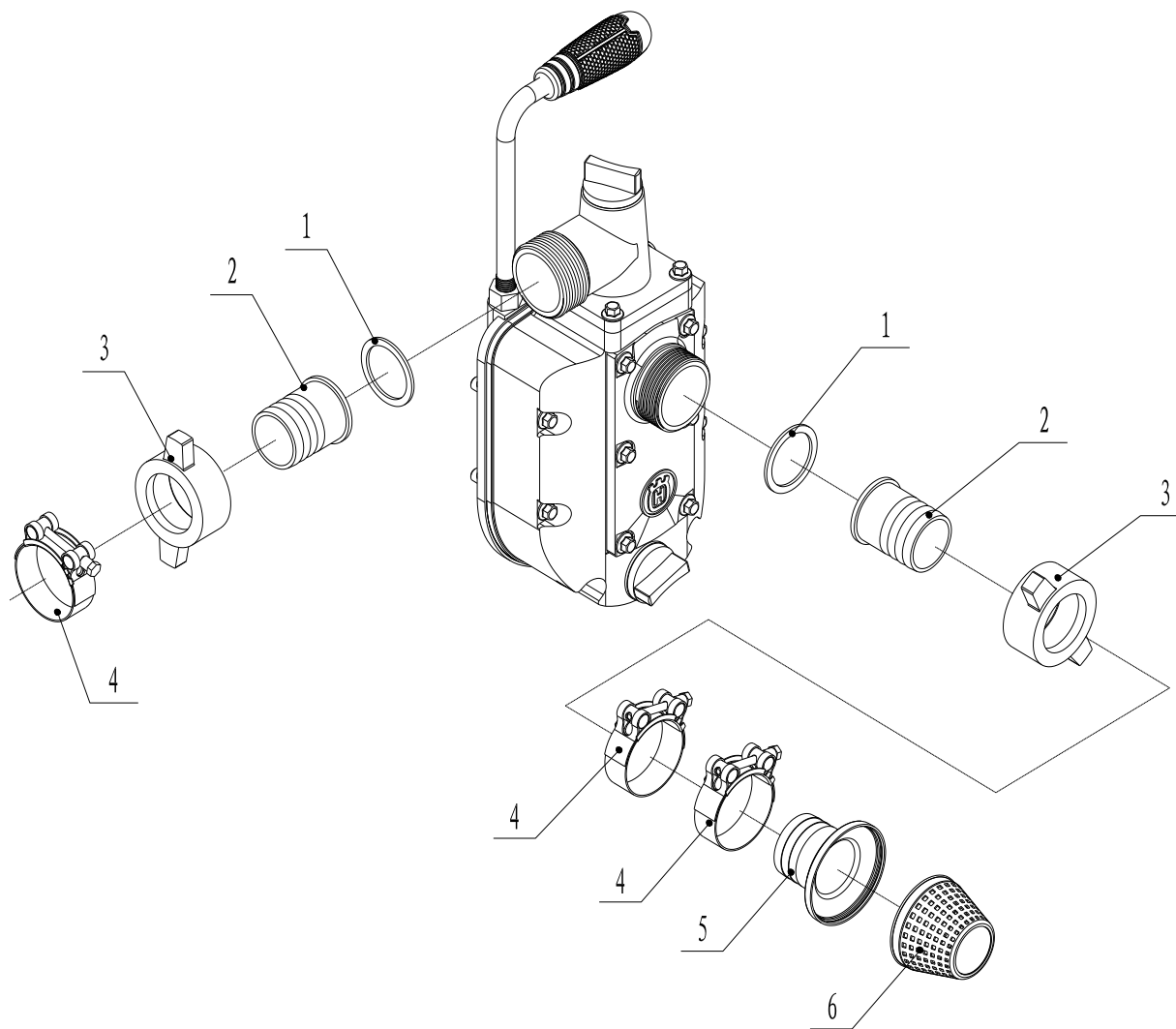
NO.	Husqvarna Code	Description	Qty
4	590 88 93-01	Engine Plate	1
5	590 88 94-01	Nut M8	4



WATER PUMP

NO.	Husqvarna Code	Description	Qty
1	590 88 95-01	Plate	1
2	590 88 96-01	Screw M8×16	4
3	590 88 97-01	Cover	1
4	590 88 98-01	Seal	1
5	590 88 99-01	Gasket	4
6	590 89 00-01	Bolt M6×20	4
7	590 89 01-01	Impeller	1
8	590 89 02-01	Impeller cover	1
9	590 89 04-01	O-Ring	2
10	590 89 05-01	Gasket	1
11	590 89 06-01	Pump body	1
12	590 89 07-01	Botl M6×55	6

NO.	Husqvarna Code	Description	Qty
13	590 61 44-01	O-ring 26×3.5	2
14	590 61 46-01	Plug	2
15	590 89 42-01	Inlet	1
16	590 91 21-01	Bolt M6×16	8
17	590 91 22-01	Bolt M6×85	2
18	590 91 23-01	Check valve	1
19	590 91 31-01	Outlet pipe	1
20	590 91 32-01	Handle Assy	1
21	590 91 33-01	Nut M12×1.25	1
22	590 91 34-01	Handle	1
23	590 91 35-01	Grip	1



### CONNECTOR

NO.	Husqvarna Code	Description	Qty	NO.	Husqvarna Code	Description	Qty
1	590 91 36-01	Seal	2	4	590 91 40-01	Clamp	3
2	590 91 38-01	Connector	2	5	590 91 41-01	Cover	1
3	590 91 39-01	Cover	2	6	590 91 42-01	Strainer	1