

5 YEAR WARRANTY



D-INSP-M

Serving cabinet

Built-in and Flush-fitted – Full Glass door

2-temperatures

ORIGINE FRANCE GARANTIE

BV Cert. 6010761



Wine service area
(11 bottles)
ACMSERVW / ACMSERVB



Sliding shelf
(6 bottles)
ACMSIW / ACMSIB



Half shelf
(5 bottles)
ACMSI-DEMI

CONFIGURATIONS

Service Pack bottle capacity ¹
51 (24 white wines/ 27 red wines)
4 sliding shelves 2 half shelves 1 Wine service area

TECHNICAL FEATURES

REGULATION

- On/Off/Standby of the display button
- Electronic regulation
- Independent temperature setting between both compartments.
 - Temperature setting range from 6 to 11°C for the chilling upper part
 - Temperature setting range from 13 to 18°C for the chamber lower part
- Electronic external display and settings
- LED screen
- Backlit capacitive keys
- Visual and/or sound alarms in case of:
 - Temperature dysfunction (sound and visual)
 - Air vacuum system dysfunction (visual)
 - Sensor fault (sound and visual)
 - Open door (sound and visual)
 - Need to replace charcoal filter (visual)
- Automatic defrost

HOT – COLD – INSULATION TECHNOLOGIES

Cold production:	<ul style="list-style-type: none"> • Ventilated • Compressor R600a
Cords:	<ul style="list-style-type: none"> • CE/UK/AU/CH/US
Heat production:	<ul style="list-style-type: none"> • Heating element
Heat release:	<ul style="list-style-type: none"> • Automatic, adjustable threshold
Inner material:	<ul style="list-style-type: none"> • Stucco aluminum
Exterior coating material:	<ul style="list-style-type: none"> • HDF (High Density Fiber) melamine-faced panels
Insulation type:	<ul style="list-style-type: none"> • Injected polyurethane foam (59mm)

GENERAL FEATURES

	Full Glass door
Gross weight packaged (kg)	87
Empty net weight (kg)	78
Dimensions H x W x D (mm)	1320-1380 x 594 ² x 597
Dimensions packaged H x W x D (mm)	1480 x 645 x 630

EQUIPMENT & ACCESSORIES

EQUIPMENT

- Reversible Full Glass door with soft close and door stop
- 1 removable head for air vacuum system in the lower compartment (red wine)
- Inner lighting : atmosphere lighting with the light strip and 4 LEDs. 2 under the control panel + 2 under the separation shelf (3 options: permanent, open door, disabled)
- 2 charcoal filters
- 4 adjustable feet
- Lock

ACCESSORIES

- Sliding shelves with Mains du Sommelier, open / close locking notch, setting of the Main du Sommelier at the front of the shelf. Wine service area + half shelves.
- 1 insulated separation shelf, fix. (ABS material). Storage area – 6 bts
- 6 removable bottles identifiers per sliding shelf
- 1 erasable felt-tip marker
- 1 microfiber cloth
- 1 EuroCave key ring

ENERGY EFFICIENCY & CONSUMPTION

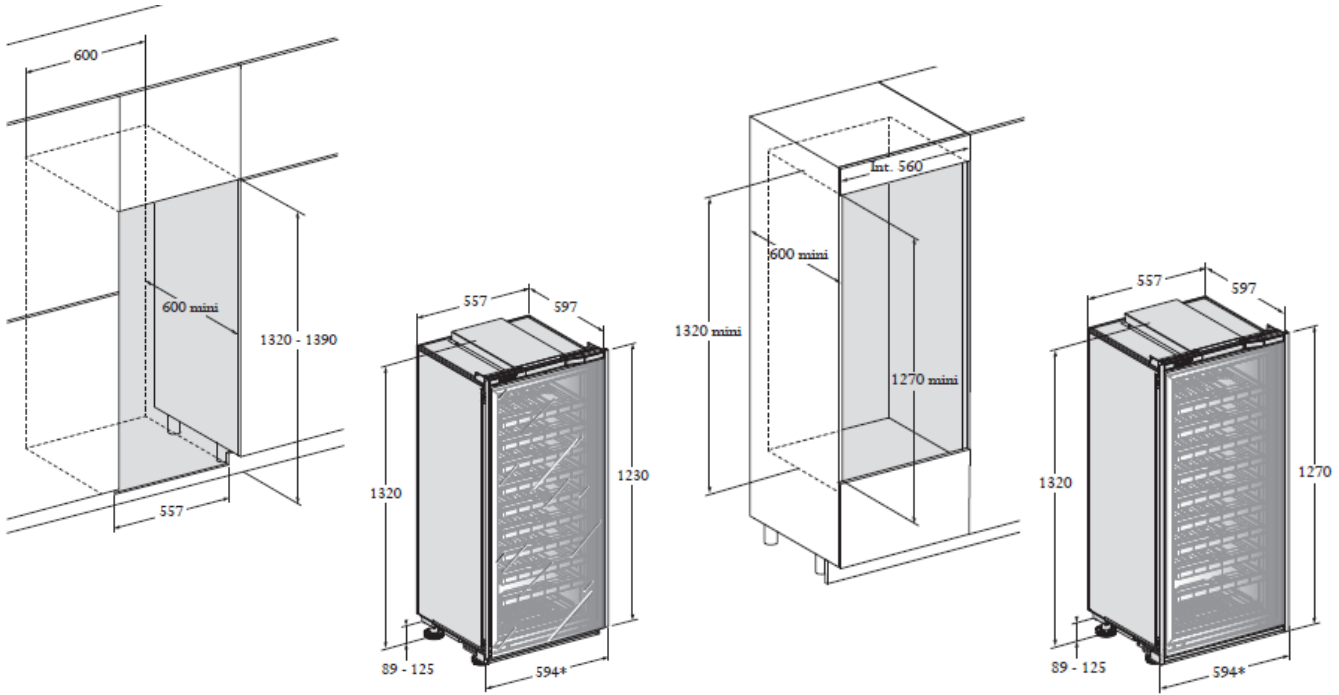
Cords	230V-50Hz (R600a)
Type of door	Full Glass
Energy efficiency class	A
Annual energy consumption AEC ³ (Kwh/year)	139
Useful volume (liters)	175
Sound emission (dB(A))	38
Ambient temperature range (°C)	12-35

¹ Traditional Bordeaux bottles

² With fillers

³ Calculation based on the result obtained over 24 hrs in standard conditions (25°C / 77°F)

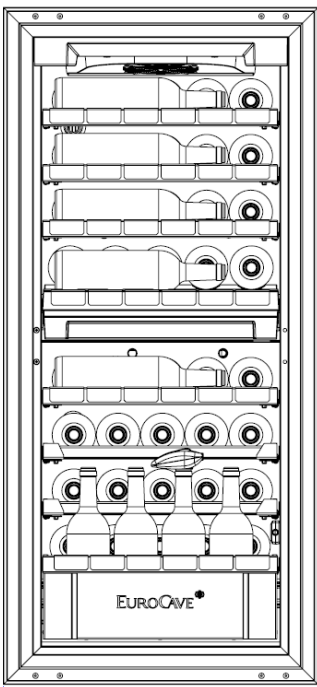
Installation diagrams



Built-in

Flush-fitted

Storage layouts



Service Pack