

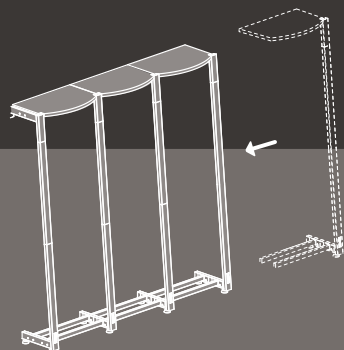


# Modulosteel

The contemporary storage system that can be personalised in an infinite number of ways!

## Modular and adaptable

Can be assembled in an infinite number of ways, the steel modules are easy to attach to each other!



## Display or store!

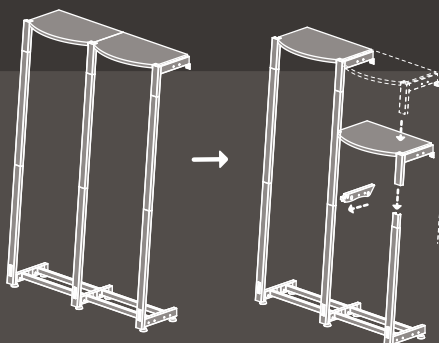
Owing to the flexibility of the support bars, you can position bottles in traditional storage mode and/or display mode.

One storage unit: 136 bottles in storage mode, 72 in display mode.



## Main du Sommelier supports

They are made up of a rigid structure, which holds the bottle, and a flexible material to protect it from vibrations.



## Can be adjusted to half its height

The structure of Modulosteel has been specially designed to be able to be adjusted to half its height. Ideal for vaulted cellars or low ceilings!

**New!**

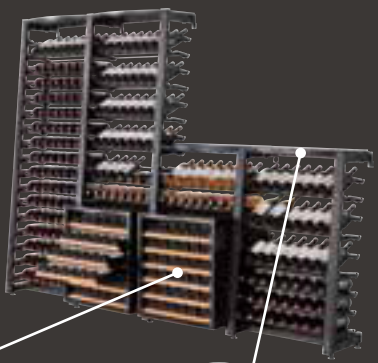
# EuroCave®



# Modulosteel

The contemporary storage system that can be personalised in an infinite number of ways!

## Equip your storage system



### Optional extra no.1

A double-depth wooden body equipped with sliding shelves to increase your storage capacity by 72 bottles.

### Optional extra no.2

A finishing top cover in wood to give the storage system a homely feel. It also protects your bottles and is a handy place for storing accessories.

## Technical features

Dimensions of one storage unit	H2000 x W720 x D505 mm
Dimensions of one storage half unit	H116 x W720 x D505 mm
Centre spacing width	600 mm
Body external dimensions	H664 x W595 x D584 mm
Top cover external dimensions	H25 x W658 x D412 mm
Weight of one metal post	12.5 kg
Weight of one central bottle storage section	13.5 kg
Weight of body + shelves	46.5 kg
Weight of top cover	4.5 kg

EuroCave 01/2011 - Photos non-binding

[www.pro.eurocave.co.uk](http://www.pro.eurocave.co.uk)