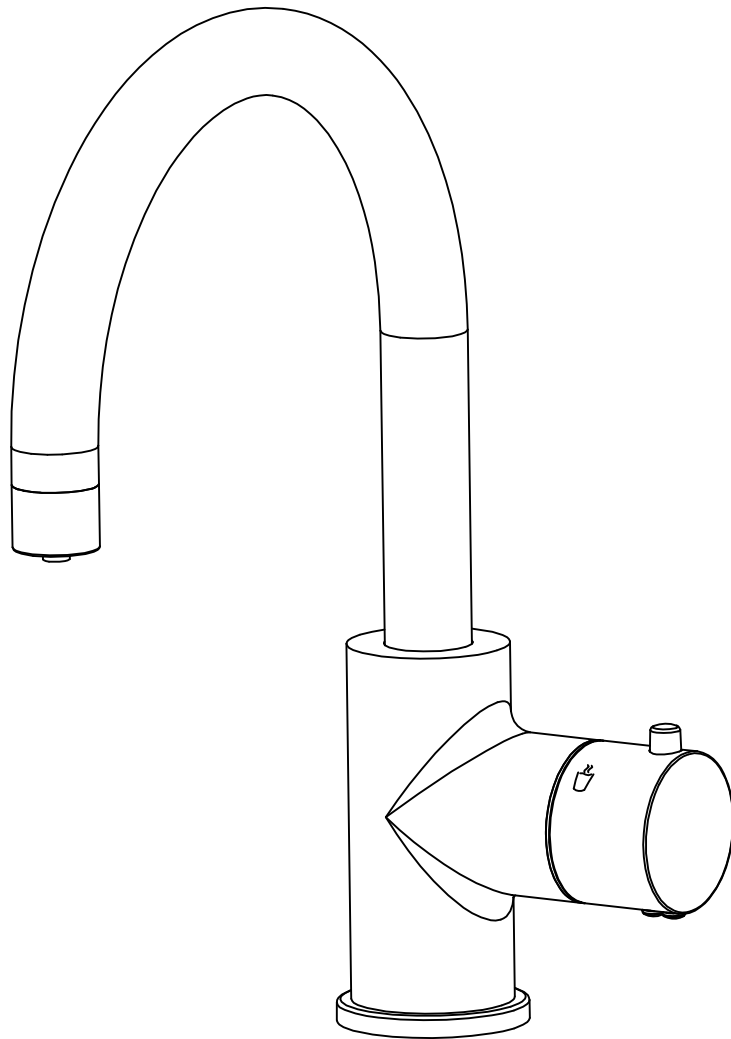
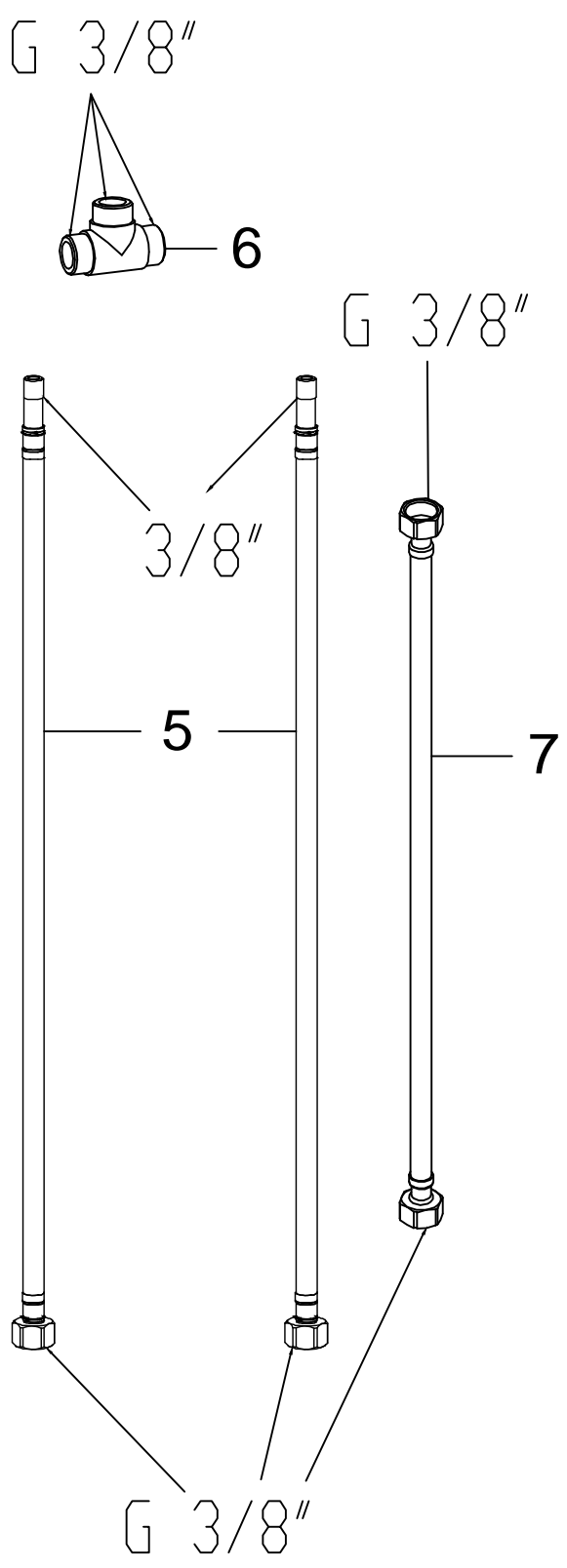
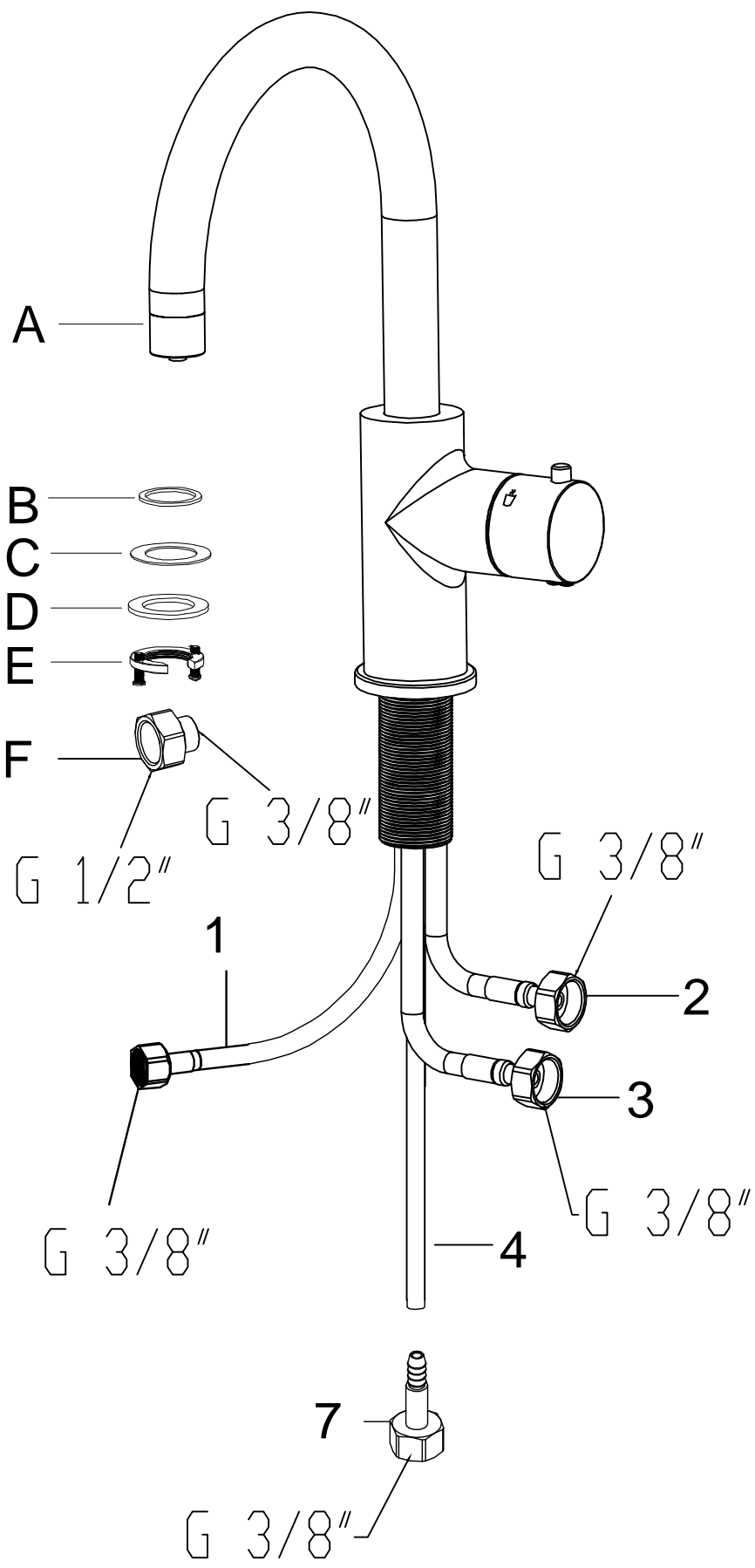


# Installation Manual



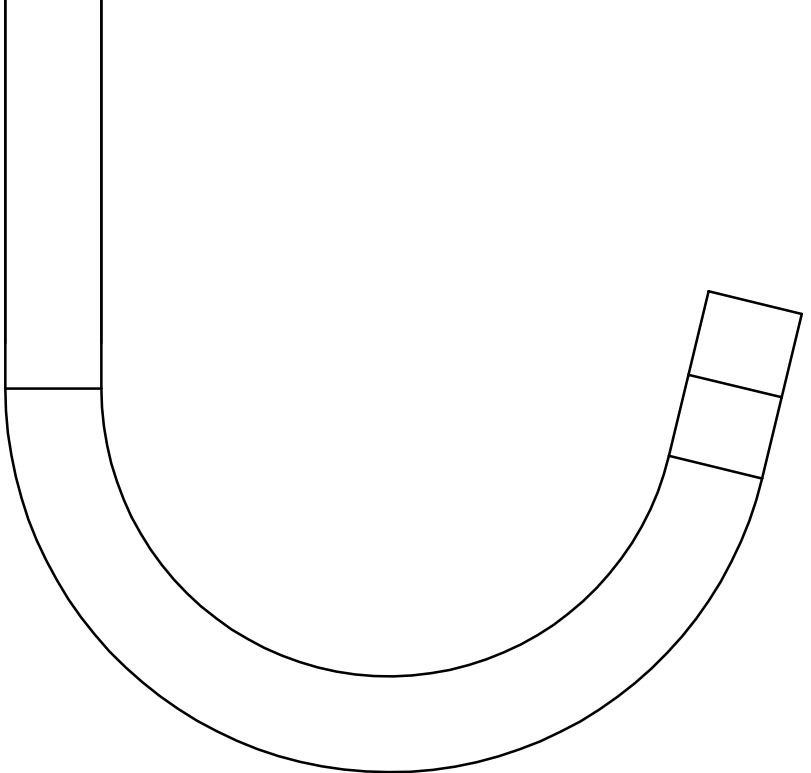
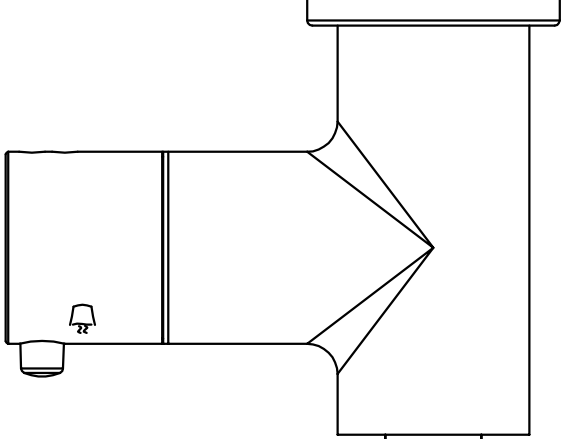
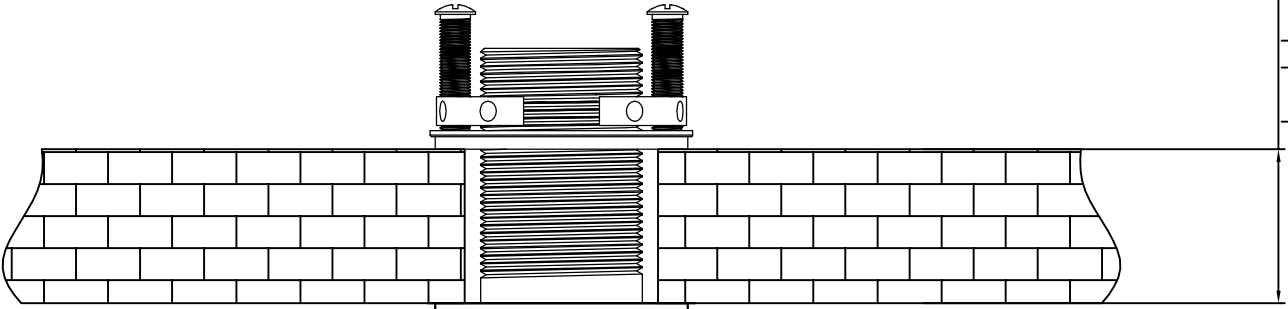
2IN 1 BOILING WATER TAP

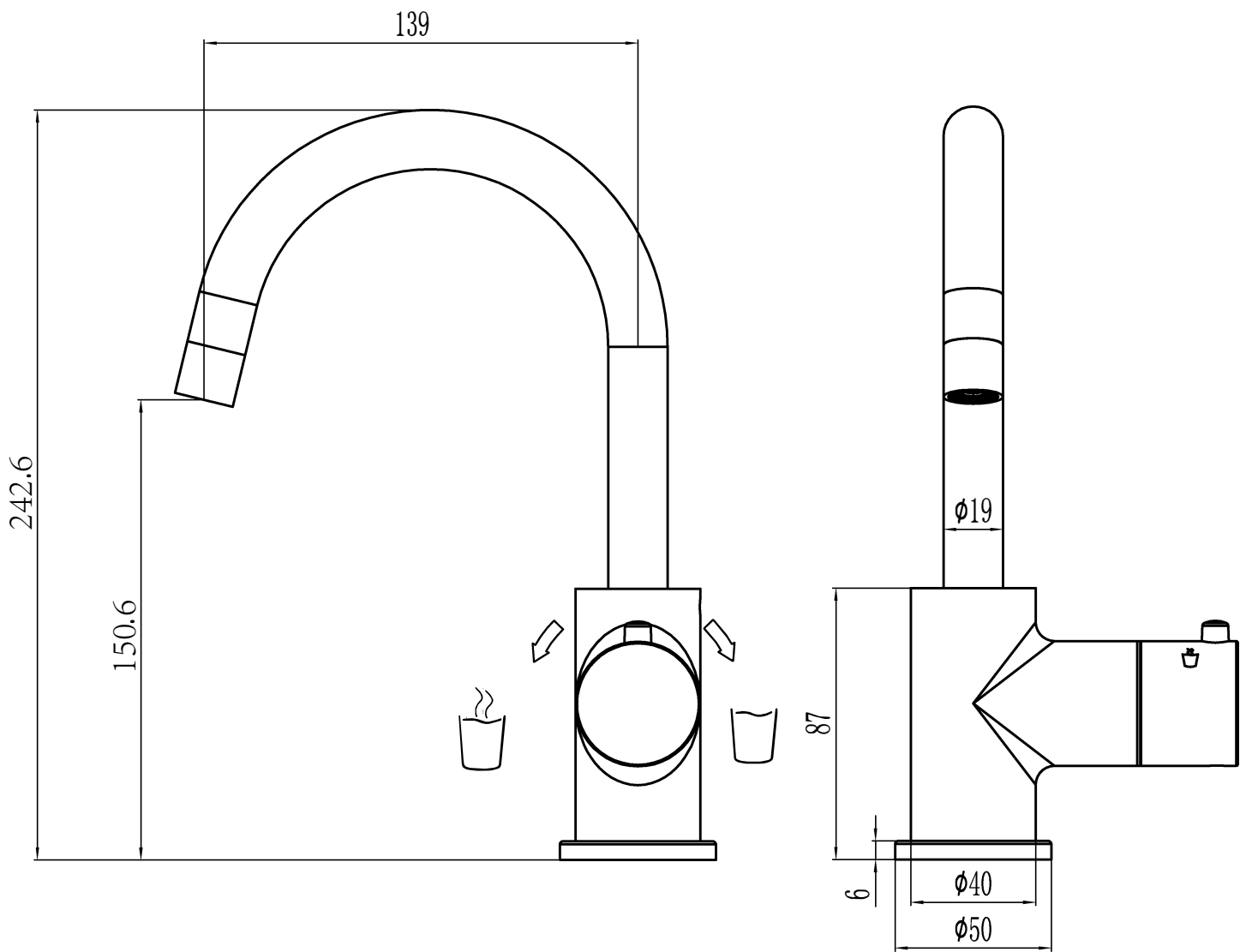


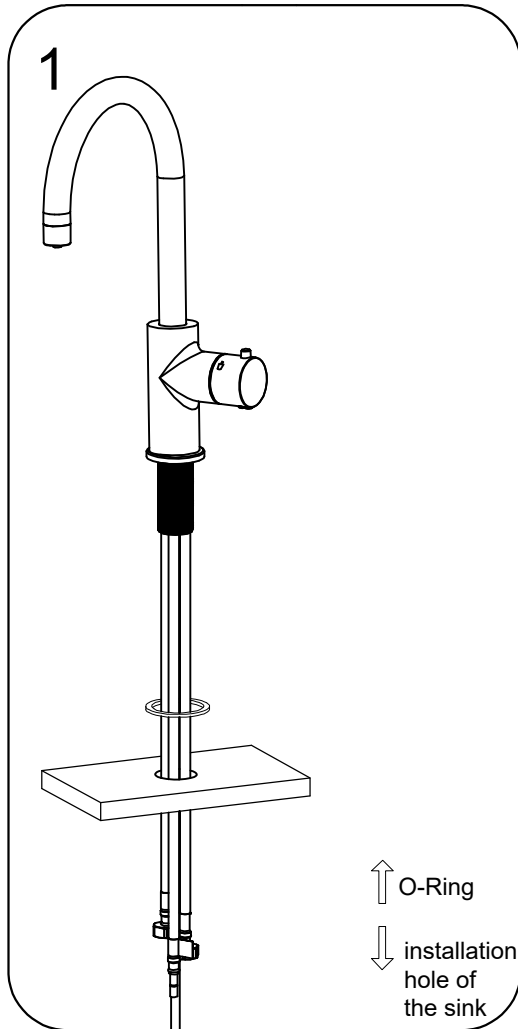
NO.	Description	QTY
A	2IN 1 tap	1
B	O-ring	1
C	Rubber washer	1
D	Metal washer	1
E	Fixing nut	1
F	1/2" to 3/8" connector	1
1	Hose for filtered water	1
2	Hose for chilled water	1
3	Hose for filtered water in	1
4	Silicon hose for boiling water	1
5	Filtered inlet hose	2
6	3-way connector	1
7	Chilled water inlet hose	1
8	Silicone tube connector	1

water pressure	boiling water flow
0.5bar	
1.0bar	
1.5bar	
2.0bar	
3.0bar	

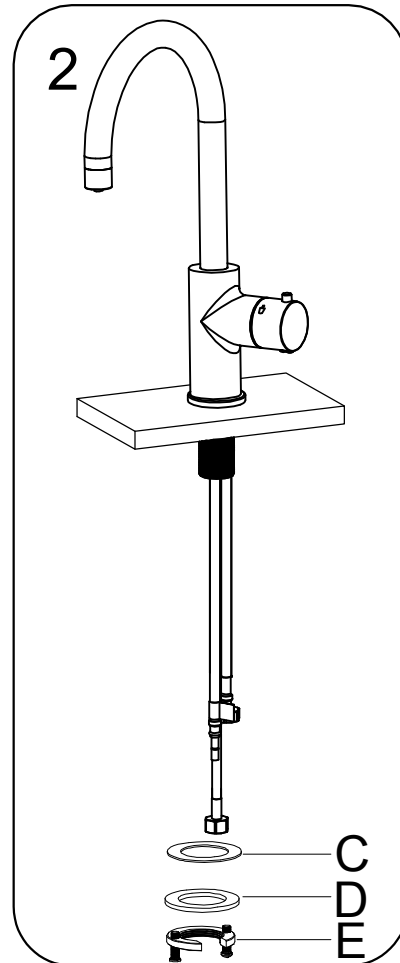
SMM-30MM



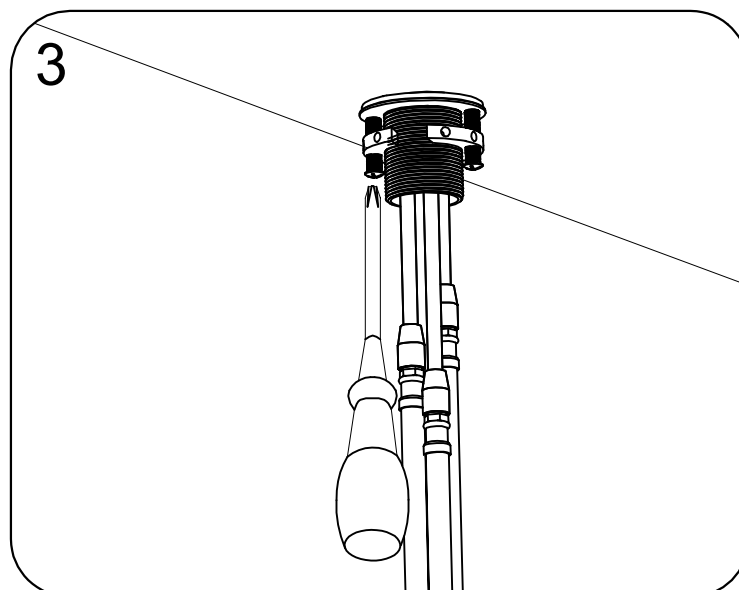




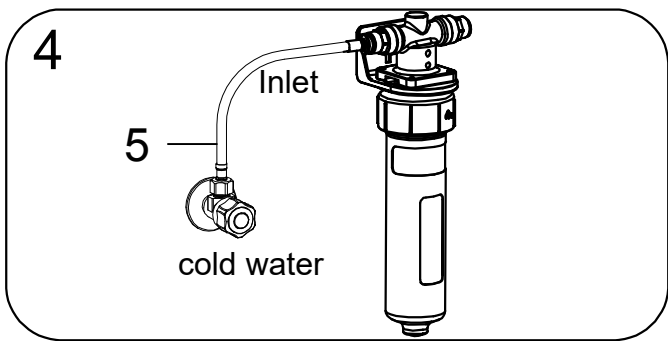
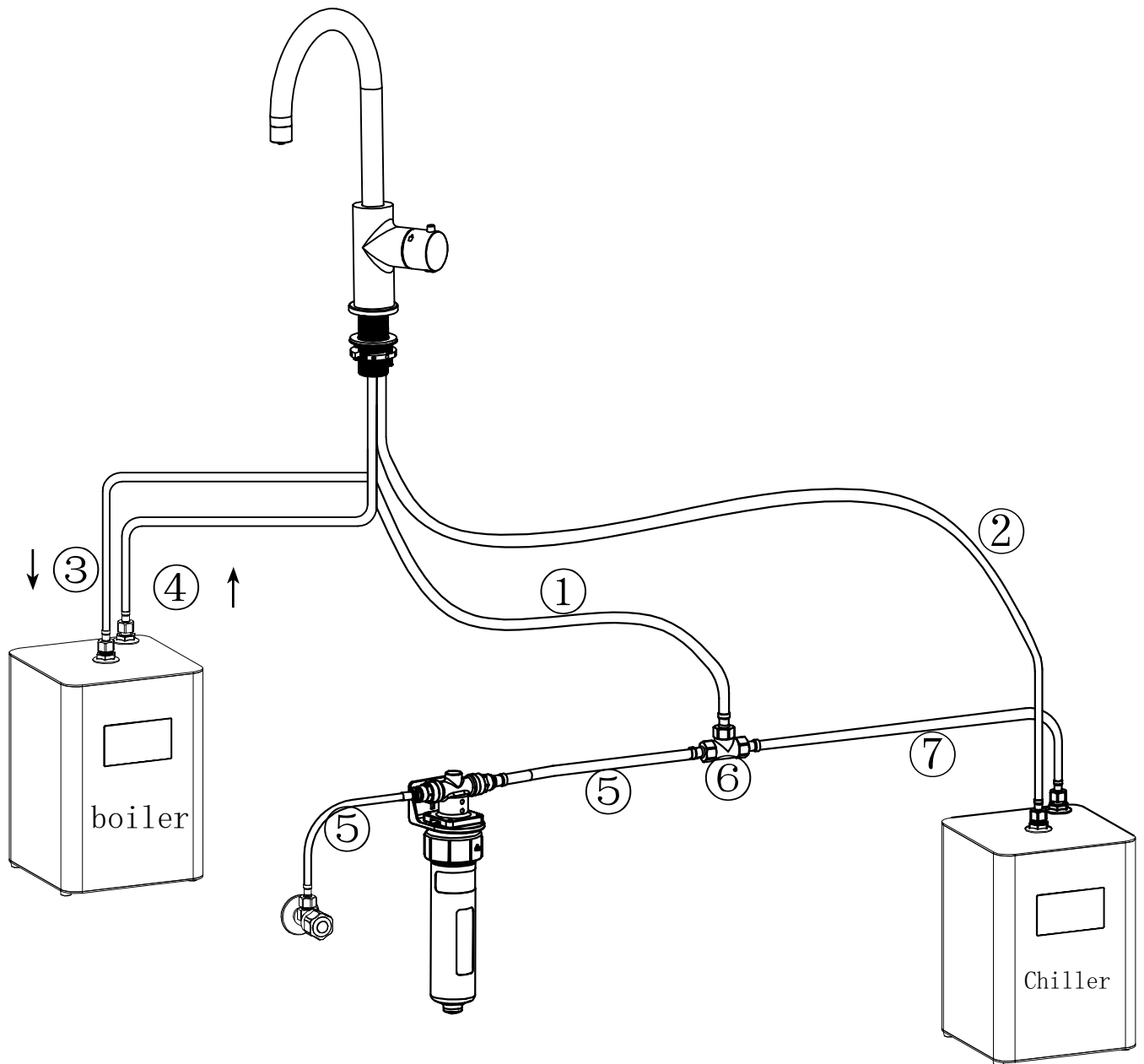
**1.** Put the O-ring (B) on the bottom of the tap, then put two flexible hose and one silicone tube through the sink hole.



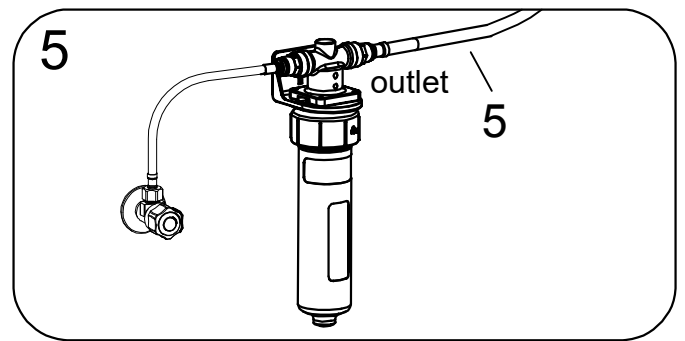
**2.** Put the rubber washer (C), metal washer (D), and fixing nut (E) through the hose in turn, fix them on the thread connector, tighten them by hands.



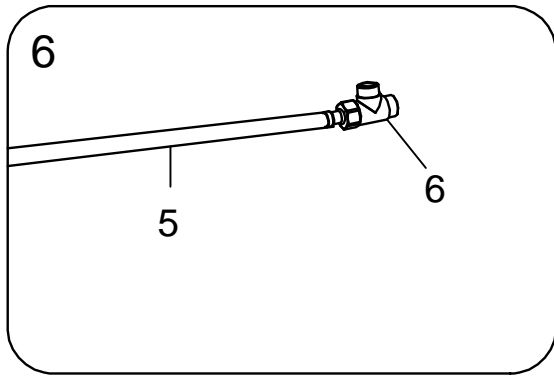
**3.** Use a cross screwdriver to tighten the two fixing screws.



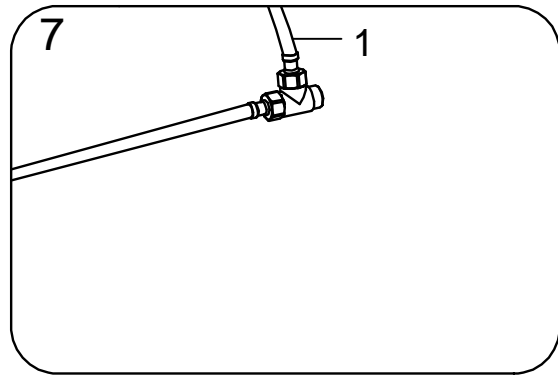
**4.** Connect the filtered water hose(5) to the cold water house valve and tighten it with a wrench, then insert the other end of the hose(5) into the filter's inlet.



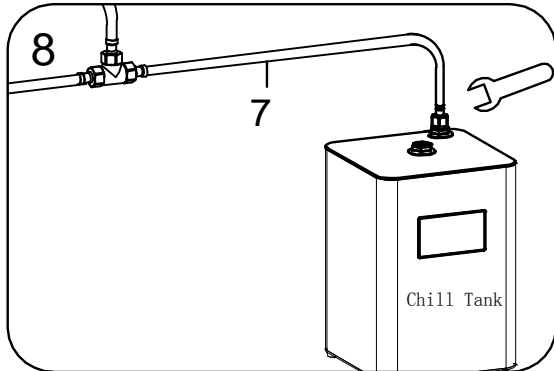
**5.** Insert the filter out hose(5) into the filter's outlet.



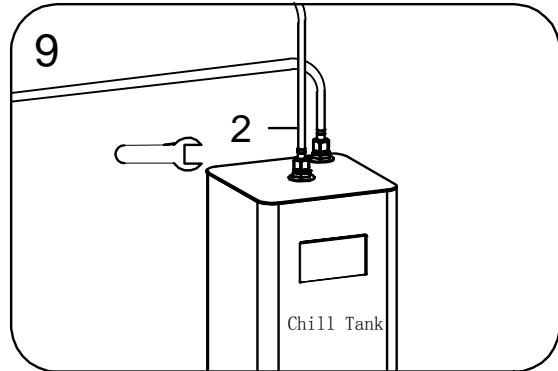
6. Connect the filter outlet hose(5) to the inlet of 3-way connector(6), then tighten it with a wrench.



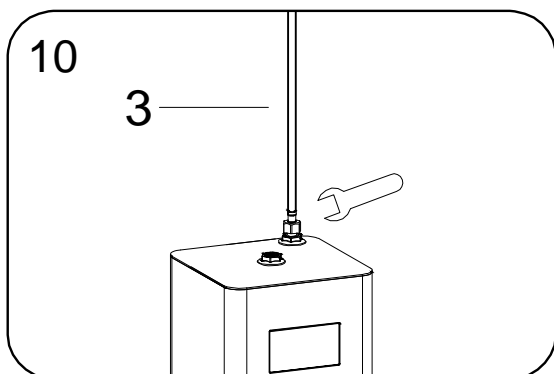
7. Connect the filter water inlet hose(1) to the outlet of 3-way connector, then tighten it with a wrench.



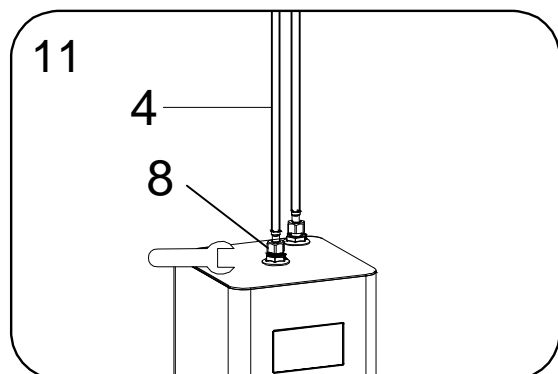
8. Connect the chilled water inlet hose(7) to the side of the 3-way connector, and other side to the chiller, then tighten it with wrench.



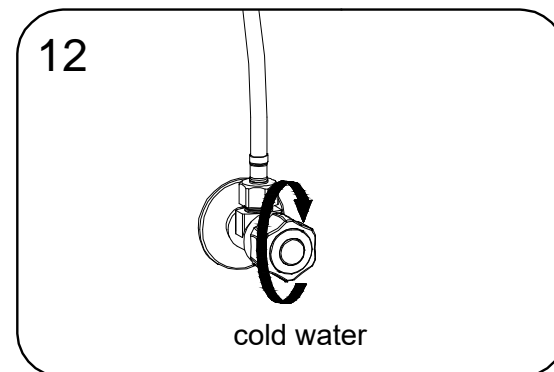
9. Connect the chilled water hose(2) to the outlet of the chiller, and tighten it with a wrench.



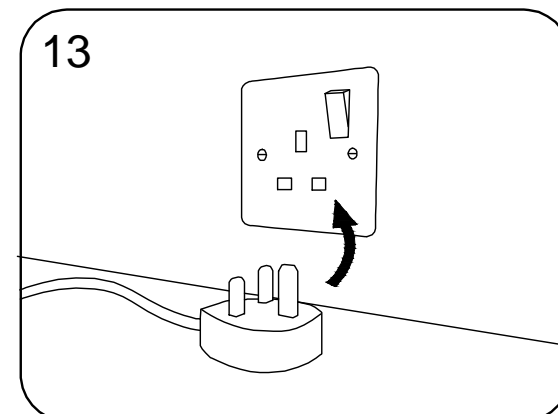
10. Connect the boiling water inlet hose(3) to the boiler's inlet and tighten it with wrench.



11. Connect the boiling water silicone tube (4) and the silicone tube connector (8) to the outlet of the boiler, and tighten it with a wrench.



12. Turn on house valve for cold water, check and ensure no leakage for each connection. Open the handle for boiling water and chilled water to full the water tank and exhaust air in the tank.



13. Insert the plug of the boiler and chiller into the power socket, set according to the machine manual.