

1

2

3

4

PERCo-LBP85.2

PERCo-CL05.1 PERCo-CL201.1 PERCo-CT/L04.

+15°	+1°	+40°	75%
-50°	+50°		12
22x12x4			
19x6x4			
		0,6	
		0,3	



PERCo-BP1 PERCo-BP2.

PERCo-BP1
T34, T53, T81, T85
T72-14 (« »),
(. . 2).

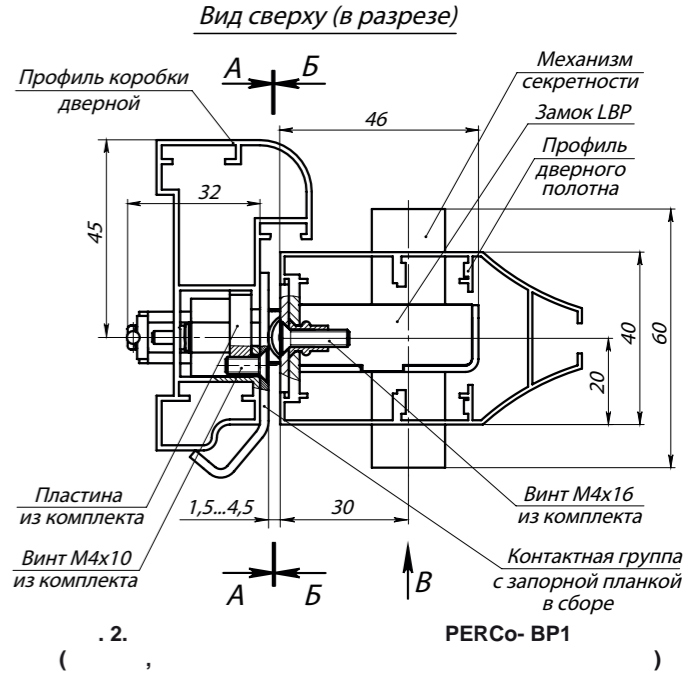
PERCo-BP2
AGS68_6863, AGS50_5213
AGS68_6864, AGS50_5215 (« »),
(. . 3).

PERCo-BP1:

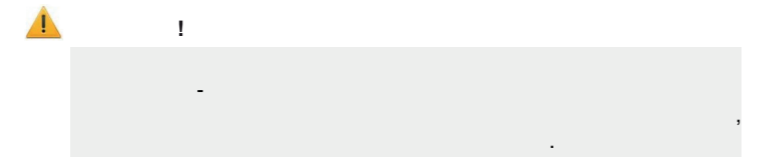
M4 FTS/C,	2
M4 10 DIN965,	2
M4 16 DIN965,	4
M4 16 DIN965,	2

PERCo-BP2:

5,5	2
7,5	2
14	2
M4 FTT/C,	4
M4 16 DIN965,	2
M4 25 DIN965,	2



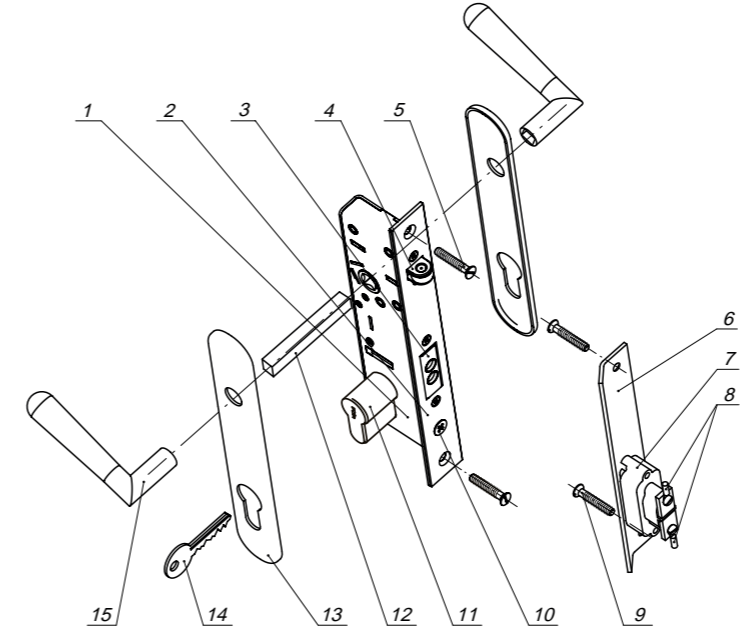
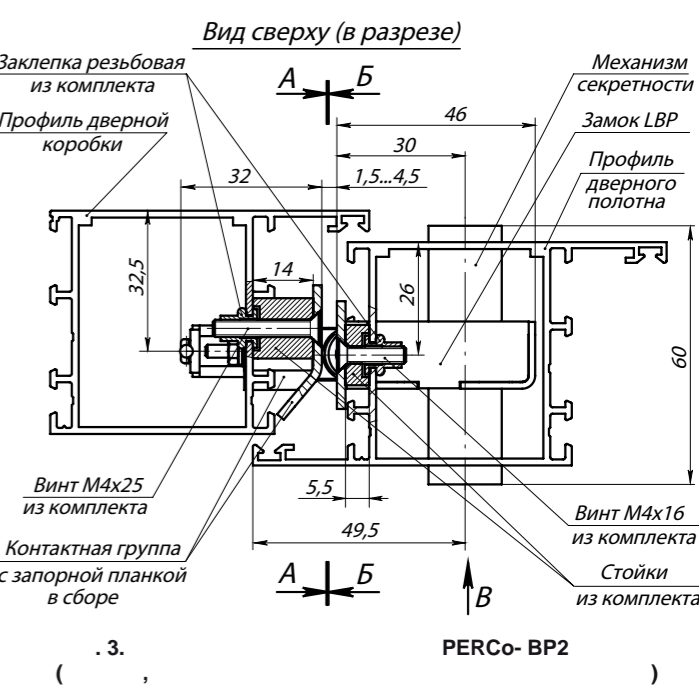
2.



538-2001	5089-2011.	11 - 13
		0,08 - 0,12
		2
		14
		85
		30
		8
		46x25x210
		0,5
		1
		51241-2008
		5089-2011
		335-1-94
		335-1-94
		200 000
		8

3.2

	1
	1
	1
	1
	1



1.	1.	2.	3.
4.	5.	6.	7.
8.	9.	10.	11.
12.	13.	14.	15.

4.

4.1

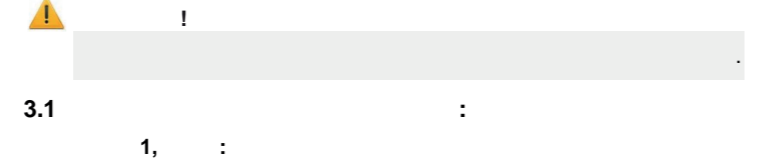
4.2

1,5 ()

1.

1	30	0,75	2	2x0,75
2	30	0,2	2	RAMCRO SS22AF-T 2x0,22 CQR-2

3.



1.	1
2.	1
3.	1
4.	1
5.	1

EuroDIN (V DIN 18254).
ISEO (8809, 8209, 8259), Wilco Supply
D, 254 - 274 - 294, 453, 454, 554)
(-1 -21 R).



Vertical column of text on the left side of the page, containing various characters and symbols.

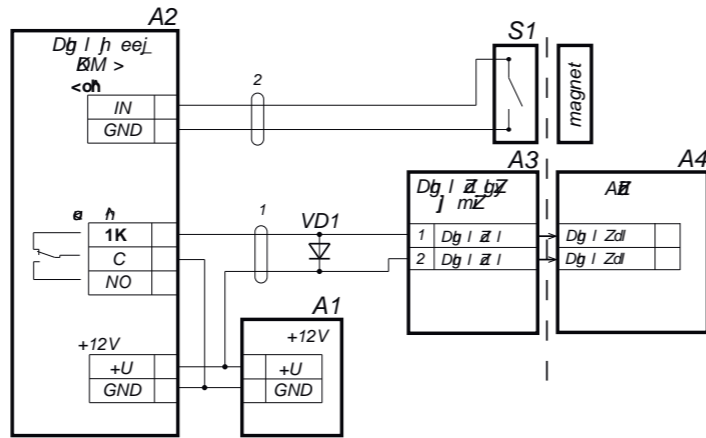


Table with 3 columns and 9 rows, likely a pinout or component list.

Label or identifier for the diagram.

Label or identifier for the diagram.

Label or identifier for the diagram.

Block of text, possibly a title or header for a section.

Label or identifier for the diagram.

Block of text, possibly a title or header for a section.

Label or identifier for the diagram.

Label or identifier for the diagram.

Block of text, possibly a title or header for a section.

Label or identifier for the diagram.

Block of text, possibly a title or header for a section.

Label or identifier for the diagram.

Block of text, possibly a title or header for a section.

Label or identifier for the diagram.

Block of text, possibly a title or header for a section.

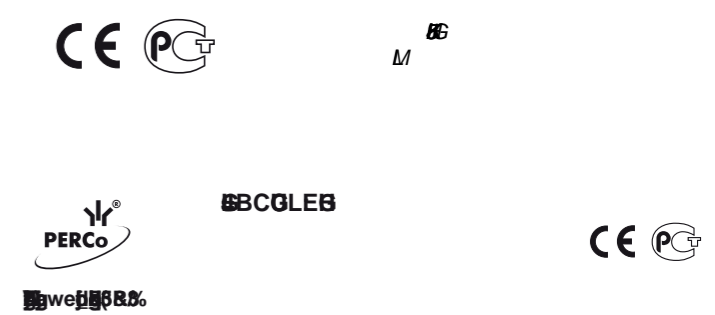
Label or identifier for the diagram.

Block of text, possibly a title or header for a section.



Azgh azh azhby PERCo-LBP85.2

www.perco.ru



PERCo-BP1
PERCo-BP2

Table with 6 columns and 1 row: 6 5 2
BBBBBBBBBBBBBBBBBBBBBBBBBBBBBBBBBBBB



PERCo-BP1
PERCo-BP2

Table with 6 columns and 1 row: 6 5 2
BBBBBBBBBBBBBBBBBBBBBBBBBBBBBBBBBBBB