



Graco InSite™

333276A

Remote Reporting Installation Kit

EN

For remote reporting of actual temperature, temperature setpoint, actual pressure, pressure setpoint, cycles, and GPS location from a Reactor® 2 E-30 or E-XP2 proportioner. For professional use only.

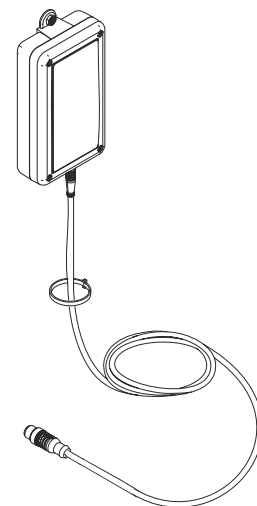
Not approved for use in explosive atmospheres or hazardous locations.

Model 24T280



Important Safety Instructions

Read all warnings and instructions in this manual and in your Reactor 2 system manual. Save all instructions.



ti22922a

Contents

Related Manuals 2
Reactor Compatibility 2
Warnings 2
Installation 3
Operation 4
Troubleshooting 5
Parts 6
Technical Data 7
Graco Standard Warranty 8

Related Manuals

Manuals are available at www.graco.com. Component manuals in English:

Manual	Description
333023	Reactor 2 E-30 and E-XP2 Operation
333024	Reactor 2 E-30 and E-XP2 Repair


Reactor 2 Compatibility

The Graco InSite is compatible with the following Reactor models:



Reactor Model	Part Numbers
E-30	272010
	272011
E-XP2	272012

Warnings

The following warnings are for the setup, use, grounding, maintenance, and repair of this equipment. The exclamation point symbol alerts you to a general warning and the hazard symbols refer to procedure-specific risks. When these symbols appear in the body of this manual or on warning labels, refer back to these Warnings. Product-specific hazard symbols and warnings not covered in this section may appear throughout the body of this manual where applicable.



WARNING

ELECTRIC SHOCK HAZARD

This equipment must be grounded. Improper grounding, setup, or usage of the system can cause electric shock.

- Turn off and disconnect power at main switch before disconnecting any cables and before servicing or installing equipment.
- Connect only to grounded power source.
- All electrical wiring must be done by a qualified electrician and comply with all local codes and regulations.

Installation

NOTICE
To prevent damage to the Graco InSite, do not expose to rain.

1. Shutdown Reactor system. See system manual for instructions.

Install Cellular Module

NOTICE
To prevent cracking the plastic shell of the cellular module (1), do not overtighten bolts (A) when installing onto bracket (2).

1. Use two bolts (A) to secure cellular module (1) to bracket. See FIG. 1.
2. Connect 4-pin end of cable (2) to cellular module (1) connector.
3. Route cellular module cable (2) through wire tie (3) to MCM (B). Secure with wire ties (4) as needed.
4. Connect other end of cellular module cable (2) to MCM (B) connector 14.

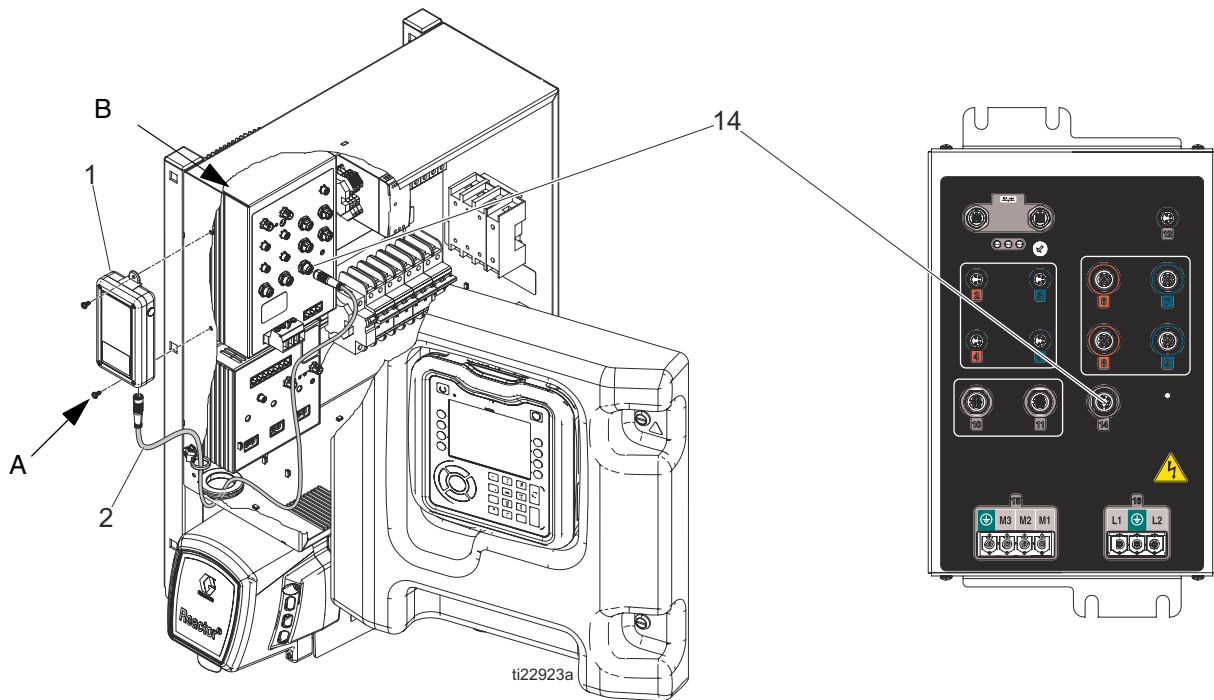


FIG. 1: Install Cellular Module

Operation

Registering and Activating the Graco InSite

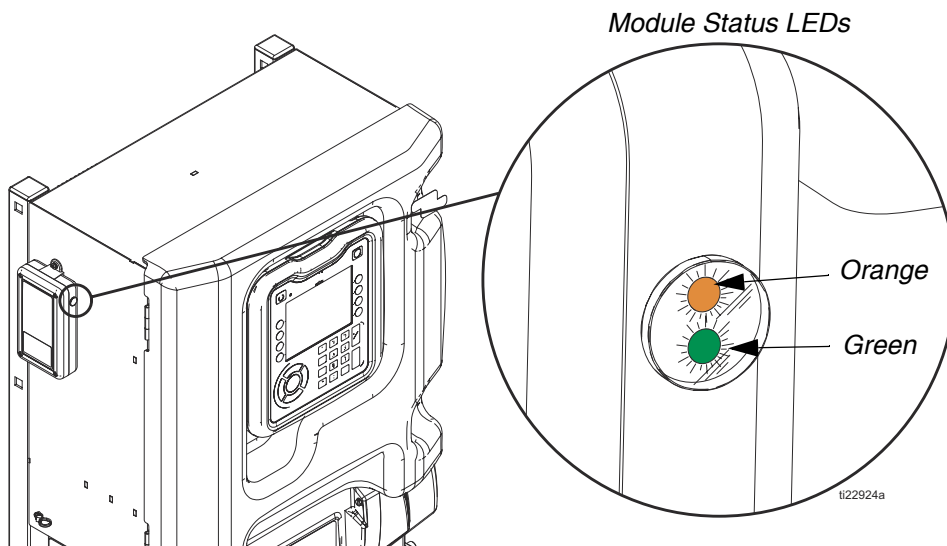
To register and activate the Graco InSite, go to www.GracoInSite.com, click on “InSite Login”, then follow the instructions on the screen.

Find and record the 15 digit serial number from the cellular module below:

Verify Module Status

To check the status of the cellular module, locate the status LEDs on the module then refer to the following chart.

LED Status	Description
Green flashing	Finding GPS location
Green solid	GPS location identified
Orange flashing	Cellular connection in process
Orange solid	Cellular connection established
Green and orange off	Reactor power is OFF



Troubleshooting

Problem	Cause	Solution
No module status LEDs are illuminated.	No power to cellular module.	Turn Reactor ON.
		Ensure unit is properly installed. See Installation on page 3.
		Make sure the M8, 4-pin to M12, 8-pin cable is installed between cellular module and control box.
Has not identified GPS location (green module status LED flashing).	Still identifying location.	Wait a few minutes for the unit to identify the location.
	Unable to identify location. In a location where GPS lock cannot occur. Buildings and warehouses often prevent GPS locks.	Move system to a location with a clear view of the sky.
Has not established a cellular connection (orange module status flashing).	Still establishing cellular connection.	Wait a few minutes for unit to establish the connection.
	Unable to establish cellular connection.	Move system to a location with cellular service to establish cellular connection.
Cannot view data for my unit(s) on website.	Graco InSite unit has not been activated.	Activate unit. See Registering and Activating the Graco InSite on page 4.
Temperature data not displayed on website.	Reactor temperature measurement is not working.	See Reactor repair manual.
Hose zone temperature data not displayed on website.	The RTD is not correctly installed on the hose or is broken.	See Reactor repair manual.
Pressure data not displayed on website.	Reactor pressure measurement is not working.	See Reactor repair manual.

Parts

Ref	Part	Description	Qty
1	16X118	MODULE, cellular and GPS	1
2	16V801	CABLE, M8 4 pin female to M12 8-pin male, 9.8 ft (3 m)	1
3	127377	TIE, cable, 6 in.	1
	125871	TIE, cable, 7.5 in.	3

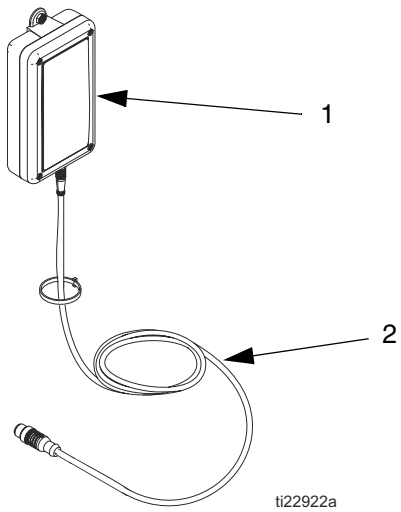


FIG. 2

Technical Data

Graco InSite Remote Reporting Installation Kit		
	US	Metric
Operating Temperature	-22 to 167°F	-30 to 75°C
Storage Temperature	-40 to 185°F	-40 to 85°C
Ambient Temperature during Battery Charging	41 to 104°F	5 to 40°C
FCC ID	FCC (XPYLEONG100), IC-Industry Canada (8595A-LEONG100)	

Graco Standard Warranty

Graco warrants all equipment referenced in this document which is manufactured by Graco and bearing its name to be free from defects in material and workmanship on the date of sale to the original purchaser for use. With the exception of any special, extended, or limited warranty published by Graco, Graco will, for a period of twelve months from the date of sale, repair or replace any part of the equipment determined by Graco to be defective. This warranty applies only when the equipment is installed, operated and maintained in accordance with Graco's written recommendations.

This warranty does not cover, and Graco shall not be liable for general wear and tear, or any malfunction, damage or wear caused by faulty installation, misapplication, abrasion, corrosion, inadequate or improper maintenance, negligence, accident, tampering, or substitution of non-Graco component parts. Nor shall Graco be liable for malfunction, damage or wear caused by the incompatibility of Graco equipment with structures, accessories, equipment or materials not supplied by Graco, or the improper design, manufacture, installation, operation or maintenance of structures, accessories, equipment or materials not supplied by Graco.

This warranty is conditioned upon the prepaid return of the equipment claimed to be defective to an authorized Graco distributor for verification of the claimed defect. If the claimed defect is verified, Graco will repair or replace free of charge any defective parts. The equipment will be returned to the original purchaser transportation prepaid. If inspection of the equipment does not disclose any defect in material or workmanship, repairs will be made at a reasonable charge, which charges may include the costs of parts, labor, and transportation.

THIS WARRANTY IS EXCLUSIVE, AND IS IN LIEU OF ANY OTHER WARRANTIES, EXPRESS OR IMPLIED, INCLUDING BUT NOT LIMITED TO WARRANTY OF MERCHANTABILITY OR WARRANTY OF FITNESS FOR A PARTICULAR PURPOSE.

Graco's sole obligation and buyer's sole remedy for any breach of warranty shall be as set forth above. The buyer agrees that no other remedy (including, but not limited to, incidental or consequential damages for lost profits, lost sales, injury to person or property, or any other incidental or consequential loss) shall be available. Any action for breach of warranty must be brought within two (2) years of the date of sale.

GRACO MAKES NO WARRANTY, AND DISCLAIMS ALL IMPLIED WARRANTIES OF MERCHANTABILITY AND FITNESS FOR A PARTICULAR PURPOSE, IN CONNECTION WITH ACCESSORIES, EQUIPMENT, MATERIALS OR COMPONENTS SOLD BUT NOT MANUFACTURED BY GRACO. These items sold, but not manufactured by Graco (such as electric motors, switches, hose, etc.), are subject to the warranty, if any, of their manufacturer. Graco will provide purchaser with reasonable assistance in making any claim for breach of these warranties.

In no event will Graco be liable for indirect, incidental, special or consequential damages resulting from Graco supplying equipment hereunder, or the furnishing, performance, or use of any products or other goods sold hereto, whether due to a breach of contract, breach of warranty, the negligence of Graco, or otherwise.

FOR GRACO CANADA CUSTOMERS

The Parties acknowledge that they have required that the present document, as well as all documents, notices and legal proceedings entered into, given or instituted pursuant hereto or relating directly or indirectly hereto, be drawn up in English. Les parties reconnaissent avoir convenu que la rédaction du présente document sera en Anglais, ainsi que tous documents, avis et procédures judiciaires exécutés, donnés ou intentés, à la suite de ou en rapport, directement ou indirectement, avec les procédures concernées.

Graco Information

For the latest information about Graco products, visit www.graco.com.

For patent information, see www.graco.com/patents.

TO PLACE AN ORDER, contact your Graco distributor or call to identify the nearest distributor.

Phone: 612-623-6921 **or Toll Free:** 1-800-328-0211 **Fax:** 612-378-3505

All written and visual data contained in this document reflects the latest product information available at the time of publication. Graco reserves the right to make changes at any time without notice.

Original instructions. This manual contains English. MM 333276

Graco Headquarters: Minneapolis

International Offices: Belgium, China, Japan, Korea

GRACO INC. AND SUBSIDIARIES • P.O. BOX 1441 • MINNEAPOLIS MN 55440-1441 • USA

Copyright 2014, Graco Inc. All Graco manufacturing locations are registered to ISO 9001.

www.graco.com