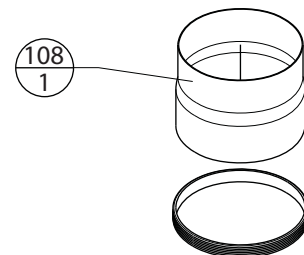
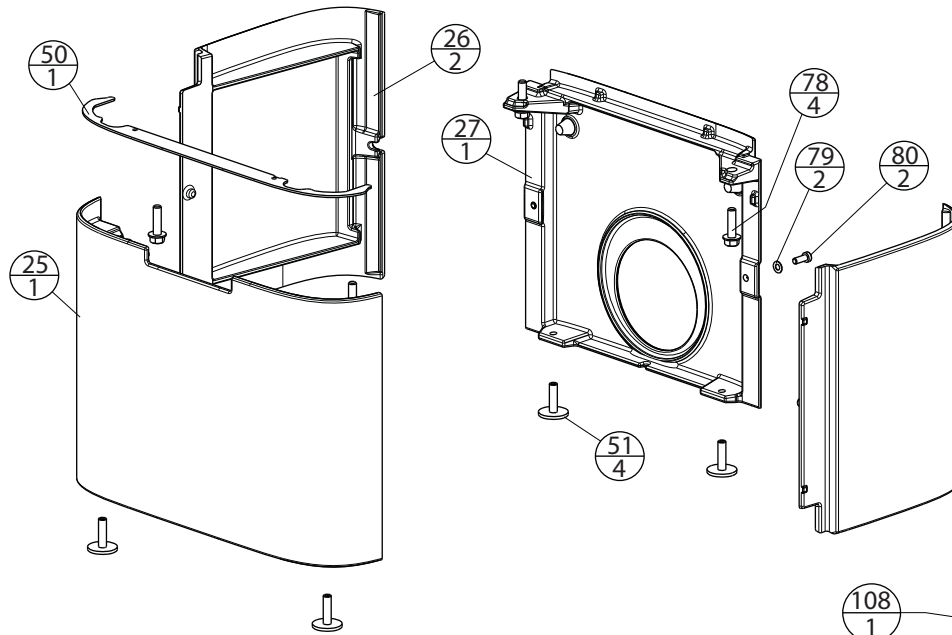
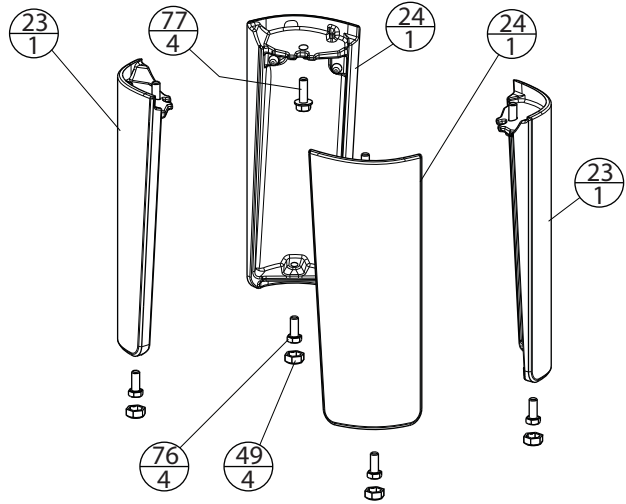


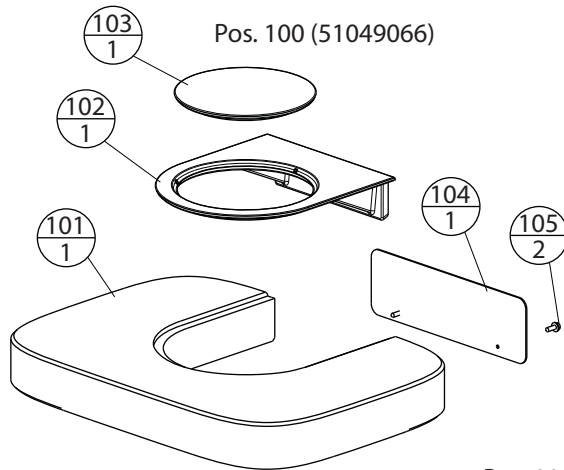
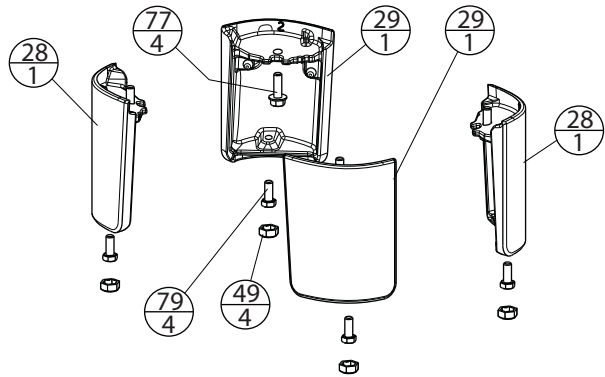
XX - Position number  
 YY - Quantity

Position number:  
 67 - only for United Kingdom

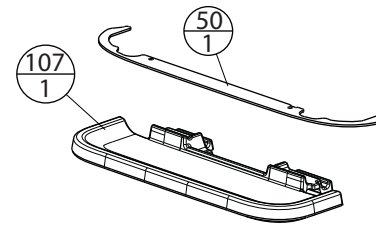
Partlist, Jøtul F 105		
Jøtul AS Fredrikstad, Norway	Draw.no: Sheet 1/3 900182-P02	Date: 27.01.2016



Pos. 106 (51049065)

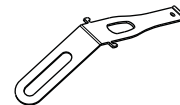


Pos. 100 (51049066)



Pos. 109 (51047509)

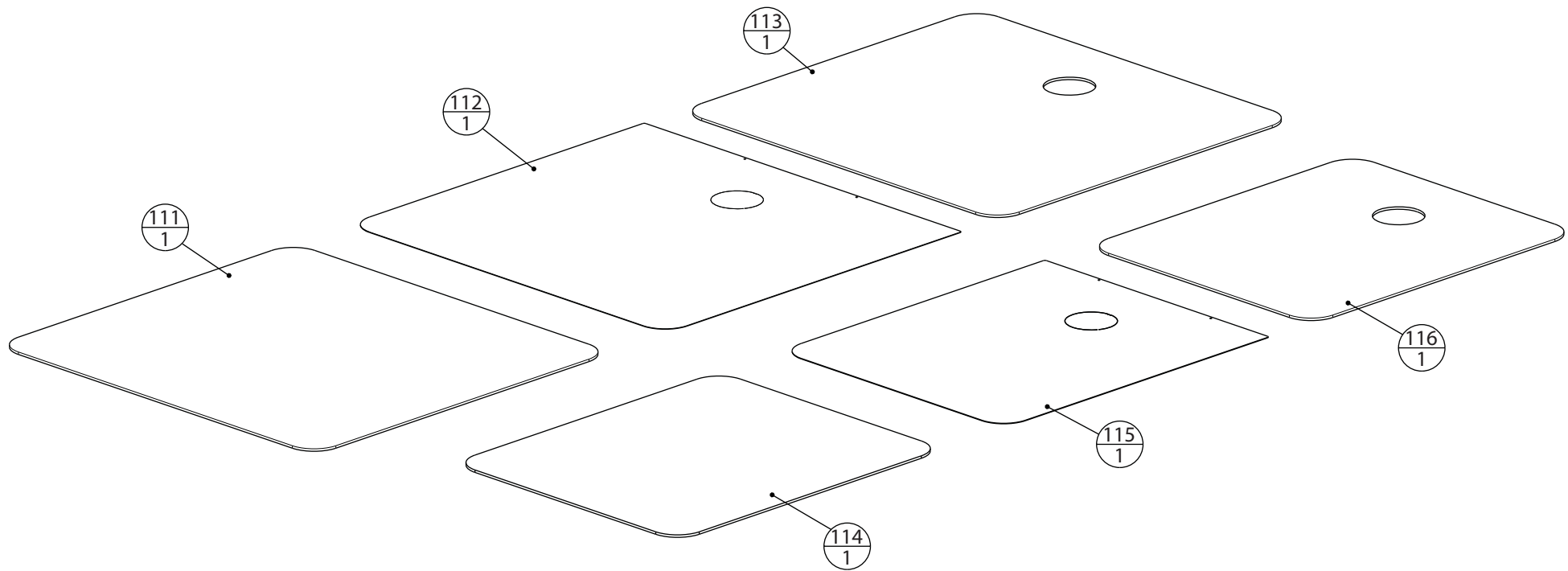
Pos. 110 (51049070)



Partlist, Jøtul F 105

Jøtul AS Fredrikstad, Norway	Draw.no: Sheet 2/3 900182-P02	Date: 27.01.2016
---------------------------------	----------------------------------	---------------------

XX - Position number  
YY - Quantity



XX - Position number  
YY - Quantity

Partlist, Jøtul F 105		
Jøtul AS Fredrikstad, Norway	Draw.no: Sheet 3/3 900182-P02	Date: 27.01.2016