

# Jøtul F 480

Jøtul F480  
Manual Version P03

UK	-	Installation and operating instructions	3
FR	-	Manuel d'installation et d'utilisation	20
ES	-	Instrucciones para instalación	37
IT	-	Manuale di installazione ed uso	54
NL	-	Installatie- en montagehandleiding	71



Jøtul F 481



Jøtul F 483



*The manuals which are enclosed with the product must be kept throughout the product's entire service life. Les manuels fournis avec le produit doivent être conservés pendant toute la durée de vie du produit. I manuali inclusi con il prodotto vanno conservati per l'intera durata di vita del prodotto.*




<b>Requirements / Exigences / Requisitos / Requisiti / Vereisten / Forderungen</b>	
Supplier / Fabricante / Fornitore / Vereisten / Lieferant:	Jøtul AS
Product models Produits concernés Modelos Modelli Product modellen Varianten der Feuerstelle	<b>Jøtul F 480 Series:</b> Jøtul F 481 Jøtul F 483
Energy efficiency class / Classe énergétique / Clase de eficiencia energética / Classe energetica / Energie efficiëncy klasse / Energieeffizienz-Klasse	A
Direct heat output / Puissance réelle de sortie / Potencia calorífica emitida / Emissione di calore diretta / Directe warmte afgifte / Nennwärmeleistung	6,3 kW
Energy efficiency index / Index de rendement énergétique/ Índice de eficiencia energetica / Indice di efficienza energetica / Energie efficiëncy index / Energieeffizienz-Index	99,8
Efficiency at nominal heat output / Rendement à puissance nominale / Eficiencia al rendimiento nominal / Efficienza alla potenza nominale / Efficiency bij nominale warmte afgifte / Wirkungsgrad bei Nennheizleistung	75 %
<ul style="list-style-type: none"> <li>• Any specific precautions that shall be taken when the local space heater is assembled installed or maintained.</li> <li>• Toutes les précautions spécifiques doivent être prises lors de l'assemblage, l'installation ou l'entretien de l'appareil.</li> <li>• Cualquier precaución específica que deba tenerse en cuenta durante el montaje, instalación o mantenimiento del equipo de calefacción</li> <li>• Precauzioni specifiche da prendere quando il riscaldatore viene assemblato, installato o mantenuto in uno spazio.</li> <li>• Eventuele specifieke voorzorgsmaatregelen die worden genomen wanneer de plaatselijke ruimteverwarming wordt gemonteerd, geïnstalleerd of onderhouden.</li> <li>• Besondere Maßnahmen bei Montierung, Installation und Wartung.</li> </ul>	<ul style="list-style-type: none"> <li>• Fire safety precautions such as safety distances when installing, national standards, local codes and regulations. See the Instructions manual.</li> <li>• Les précautions d'incendie telles que les distances de sécurité lors de l'installation, le suivi des normes, les codes locaux et les réglementations nationales. Veuillez lire le manuel d'installation.</li> <li>• Precauciones frente a incendios como distancia de seguridad en la instalación, estándares nacionales, códigos locales y reglamentos. Lea el manual de instalación.</li> <li>• Precauzioni per la sicurezza antincendio come le distanze di sicurezza durante l'installazione, le normative nazionali e locali. Leggere il manual.</li> <li>• Brandveiligheidsmaatregelen, zoals veiligheidsafstanden bij installatie, nationale normen, lokale codes en voorschriften. Lees de installatiehandleiding.</li> <li>• Für brenntechnische Verhältnisse, wie z.B. Aufstellbedingungen und nationale Forderungen. Siehe die Montage- und Bedienungsanleitung.</li> </ul>

## Table of contents

1.0	Technical data .....	3
2.0	Relationship to the authorities .....	3
3.0	Safety .....	4
4.0	Installation .....	7
5.0	Daily Use .....	13
6.0	Maintenance .....	14
7.0	Servicing .....	15
8.0	Operational problems - troubleshooting ....	18
9.0	Optional Extras .....	18
10.0	Recycling .....	19
11.0	Guarantee terms .....	19

Register your fireplace at [www.jotul.com](http://www.jotul.com) for a 25-year warranty.

Product: <b>Jøtul</b> Room heater fired by solid fuel			
			
Standards	Minimum distance to adjacent combustible materials	Minimum distance to adjacent combustible materials	Emission of CO in combustion products
Flue gas temperature	Nominal heat output	Efficiency	Operational range
Fuel type	Operational type	The appliance can be used in a shared flue.	
Country	Classification	Certification standard	Approved by
Norway	Klasse II		
Sweden	00c	SP	SP-Sveriges Provnings- och Forskningsinstitut AB
EU/UK	Intermittent	EN	SP-Sveotsk National Testing and Research Institute
Follow user's instructions. Use only recommended fuels. Montage- und Bedienungsanleitung beachten. Verwenden Sie nur empfohlenen Brennstoffen. Respectez les consignes d'utilisation. Utilisez uniquement les combustibles recommandés.			
Serial no. Y-xxxx- Year- 200x			
Manufacturer:	221546		
Jøtul AS			
POB 1441			
N-1822 Fredrikstad			
Norway			

On all our products there is a label indicating the serial number and year. Write this number in the place indicated in the installation instructions.

Always quote this serial number when contacting your retailer or Jøtul.

Serial no.

## 1.0 Technical data

Material:	Cast iron
Finish:	Black paint
Type of fuel:	Wood
Max. log length:	30 cm
Smoke outlet:	Top, rear
Flue pipe dimension:	Ø 150 mm
Outside air connection:	Alu. flex - Ø 80 mm

### Product weight:

Burn chamber:	119 kg
Base, cast iron	46 kg
Pedestal, cast iron	34 kg
Cast iron sides	33 kg
Optional extra	Floor plates, Outside air connection, Rotating set for the Jøtul F 483

Product dimensions, distances: See Fig. 1

### Technical data in acc. with EN 13240

Nominal heat output:	6,0 kW
Flue gas mass flow:	6,0 g/s
Recommended chimney draught:	12 Pa
Efficiency:	75% @ 6 kW
CO emissions (13% O <sub>2</sub> ):	0,08%
Flue gas temperature:	315°C
Dust:	< 20mg/m <sup>3</sup> n @ 13%O <sub>2</sub>
Burn time:	2.2 kg/h
Operational type:	Intermittent

Intermittent combustion here means normal use of a fireplace, i.e. add more fuel as soon as the fire has burned down to embers.

## 2.0 Relationship to the authorities

- Installation of a fireplace must be carried out in compliance with national laws and regulations. All local ordinances, including those that refer to national and European standards, must be complied with when products are installed.
- The installation can only be put into use after it has been checked by a qualified inspector.
- Contact your local building authorities before installing a new fireplace.

# ENGLISH

## 3.0 Safety

**NB! To guarantee optimal performance and safety, Jøtul recommends that its stoves are fitted by a qualified installer (see [www.jotul.com](http://www.jotul.com) for a complete list of dealers).**

Any modifications to the product by the distributor, installer or consumer may result in the product and safety features not functioning as intended. The same applies to the installation of accessories or optional extras not supplied by Jøtul. This may also be the case if parts that are essential to the functioning and safety of the fireplace have been disassembled or removed.

In all these cases, the manufacturer is not responsible or liable for the product and the right to make a complaint becomes null and void.

### 3.1 Fire Prevention Measures

There is a certain element of danger every time you use your fireplace. The following instructions must therefore be followed:

- The minimum safety distances when installing and using the fireplace are given in **fig. 1**.
- Ensure that furniture and other flammable materials are not too close to the fireplace. Flammable materials should not be placed within 1 metre of the fireplace.
- Allow the fire to burn out. Never extinguish the flames with water.
- The fireplace becomes hot when lit and may cause burns if touched.
- Only remove ash when the fireplace is cold. Ash can contain hot embers and should therefore be placed in a non-flammable container.
- Ash should be placed outdoors or be emptied in a place where it will not present a potential fire hazard.

#### In case of chimney fire:

- Close all hatches and vents.
- Keep the firebox door closed.
- Check the loft and cellar for smoke.
- Call the fire service.
- Before use after a fire an expert must check the fireplace and the chimney in order to ensure that it is fully functional.

### 3.2 Floor

#### Foundation

You need to make sure the foundation is suitable for a fireplace. See **"1.0 Technical Data"** for specified weight.

We recommend the removal of any flooring that is not attached to the foundation ("floating floors") beneath the installation.

#### Requirements for protection of wooden flooring beneath the fireplace

The product has integrated floor protection and may therefore be placed directly on a wooden floor.

Jøtul recommends that any flooring made of combustible material, such as linoleum, carpets, etc. should be removed from under the floor plate.

#### Requirements for protection of inflammable floors in front of the fireplace

The front plate must comply with national laws and regulations. Contact your local building authorities regarding restrictions and installation requirements.

### 3.3 Walls

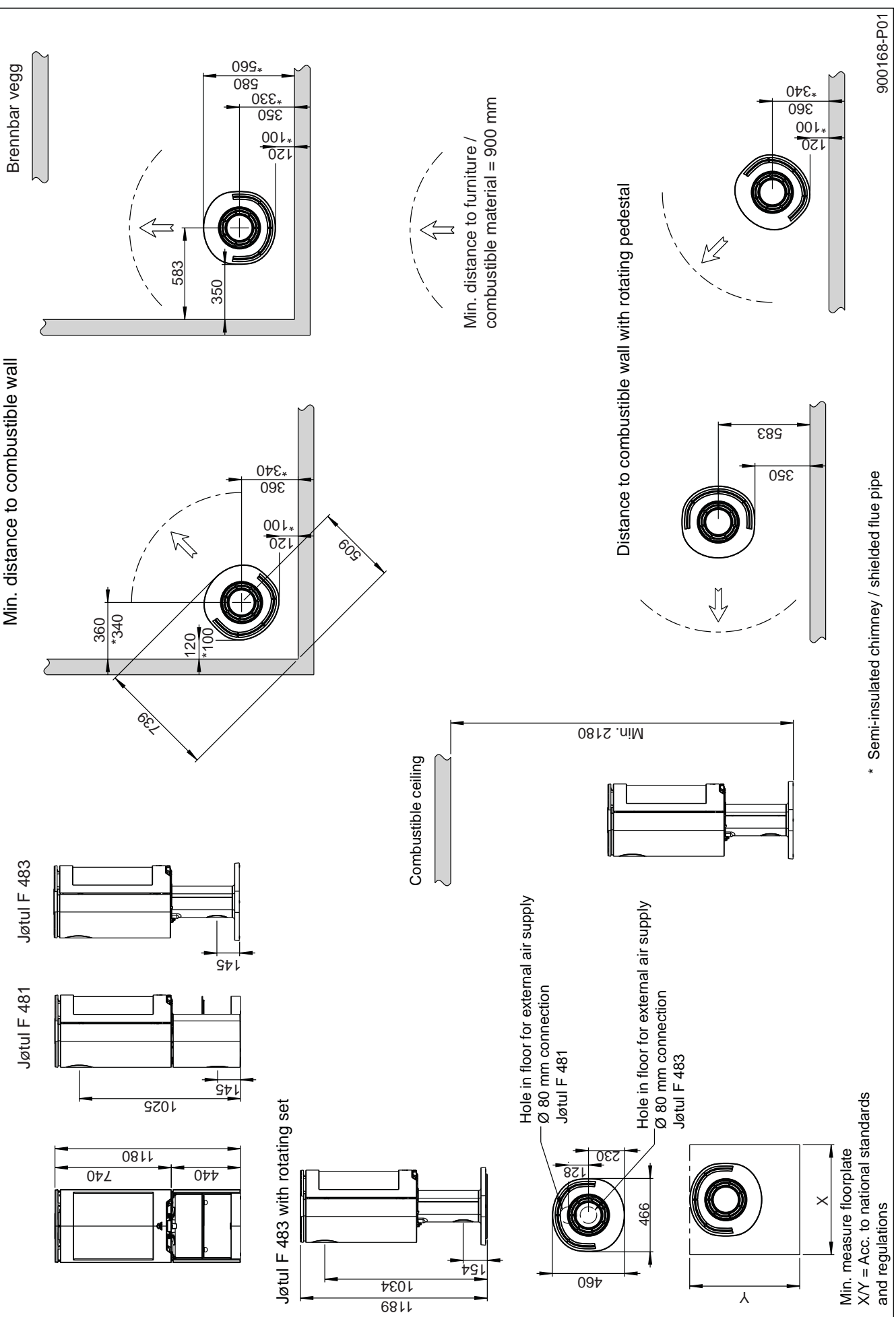
**Distance to walls made of combustible material - see fig. 1a**

**Distance to combustible wall protected by firewall: See fig. 1b**

The fireplace may be used with an uninsulated flue pipe provided the distances between the fireplace and walls made of combustible materials are as shown in **fig. 1a**.

**NB: Pay particular attention to this when using revolving pedestal!**

Fig. 1 a



\* Semi-insulated chimney / shielded flue pipe

Fig. 1 b

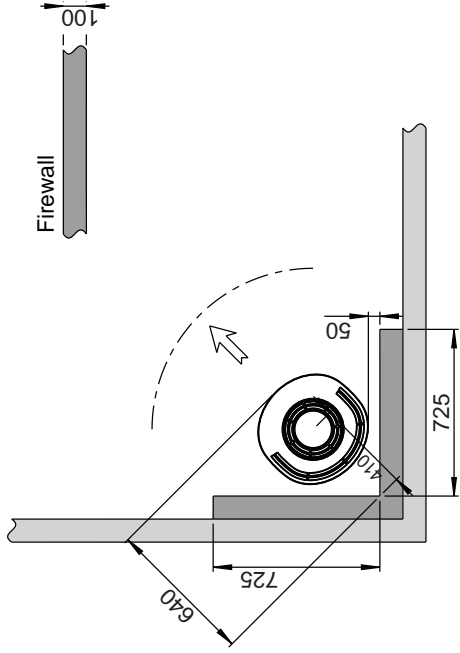
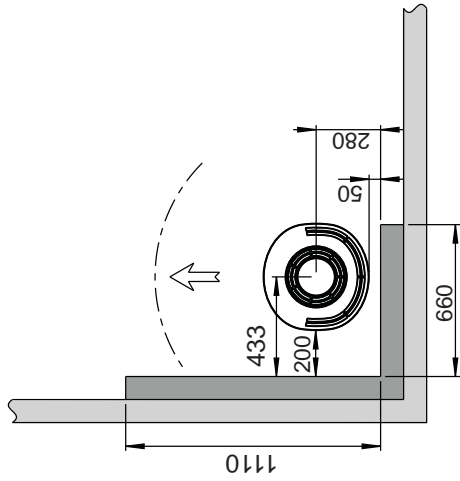
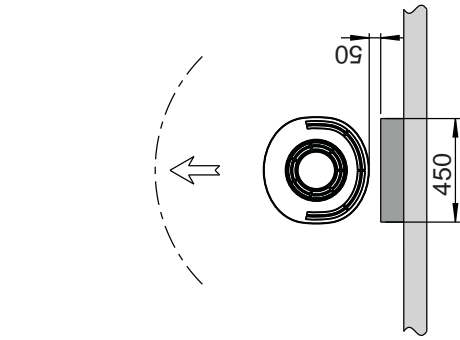
Jøtul F 481 / F 483

Min. distance to combustible wall protected by firewall

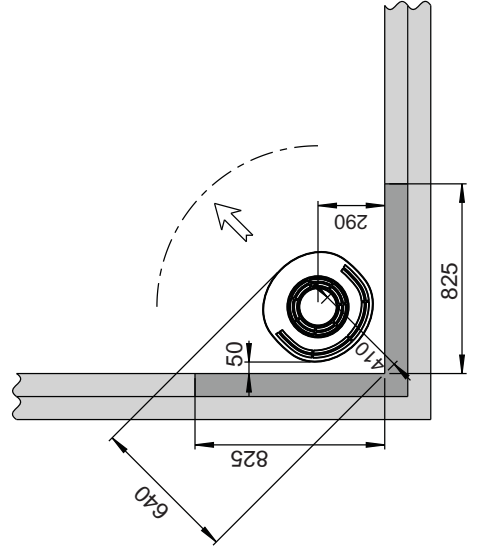
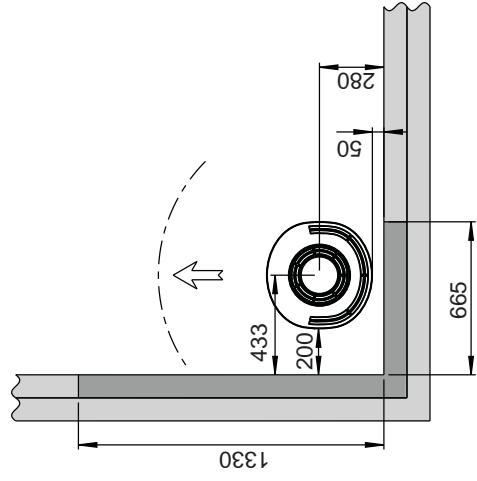
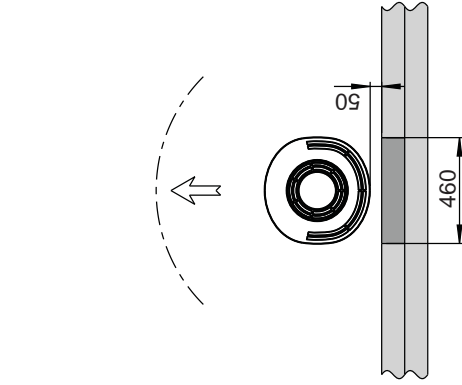
External

Combustible wall

Firewall



Integrated



## Air supply

The amount of combustion air for Jøtul's products is approximately 20-40 m<sup>3</sup>/h. The outside air connection may be fitted directly to the Jøtul F 480 through:

- The base/pedestal or
- through a flexible supply hose from the outside/chimney (only if the chimney has its own duct for external air) and to the product's outside air connector.

Fig. 2A, through an outside wall

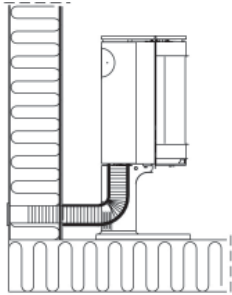


Fig. 2B, through the floor and ground plate

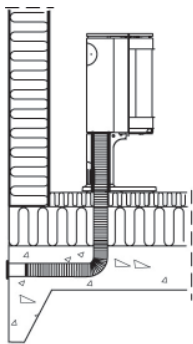


Fig. 2C, through the floor and basement

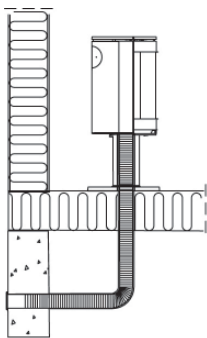
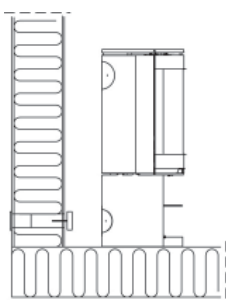


Fig. 2D, indirectly through an outside wall



## 4.0 Installation

**NB:** Check that the fireplace is undamaged before installation begins.

**NB:** The product is heavy! Ensure you have help when positioning and installing it. Make sure the product does not topple over.

**NB:** Do not place anything on the top plate of the stove as this could cause permanent damage to the paint/enamel.

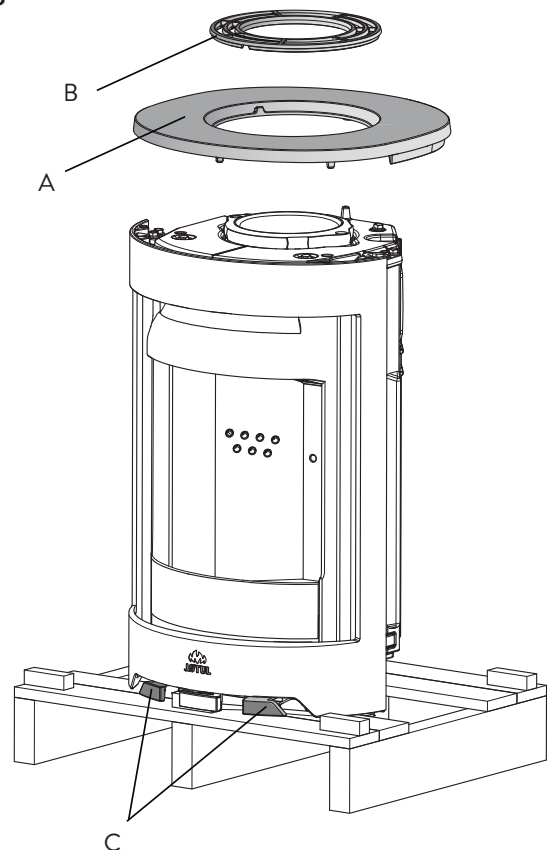
**NB:** Read the Installation and Operating instructions carefully before installing the fireplace!

### 4.1 Prior to installation

The standard product comes in three or more consignments. One with the burnchamber, one with the base or pedestal and side panels.

You will need the following tools to install the product: Spirit level, ratchet with 10 mm and 13 mm sockets, Torx T 20 and hex keys with 5 mm socket.

Fig. 3



1. Remove the packaging (cardboard and wooden frame) and spread the cardboard out on the floor behind the fireplace. Remove the white foam plastic in the top.
2. Remove the screws attaching the burnchamber to the transport pallet.
3. Leave the stove standing on the transport pallet.
4. Remove the top plate (A) with the top grate (B).
5. Remove the gloves and bowl from the ash pan. Place the bowl on the top grate right up to the end if the flue pipe is rear-mounted.
6. Check that the control handles (C) move freely.

# ENGLISH

## 4.2 Installation

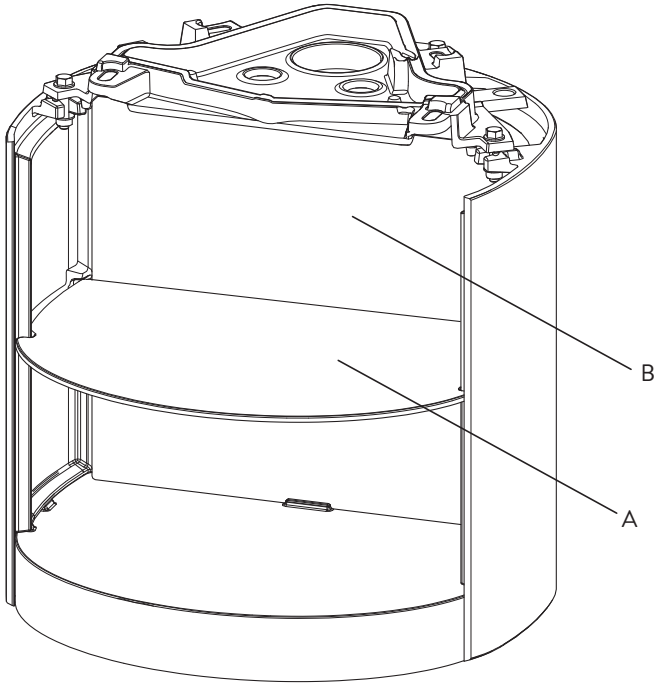
### External air supply through the base

#### Through the floor

1. **NB!** If connecting the Flex Hose through a hole in the floor, do not knock out the removable cover plates (Fig. 5 A).

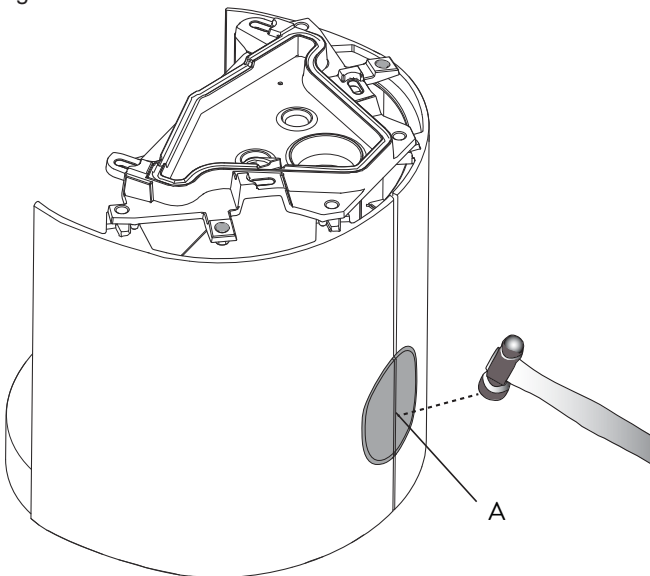
#### Through the rear outlet in the base

Fig. 4



2. If connecting a flex hose through the rear outlet of the base, the shelf (A) and the internal back plate (B) must be removed first.

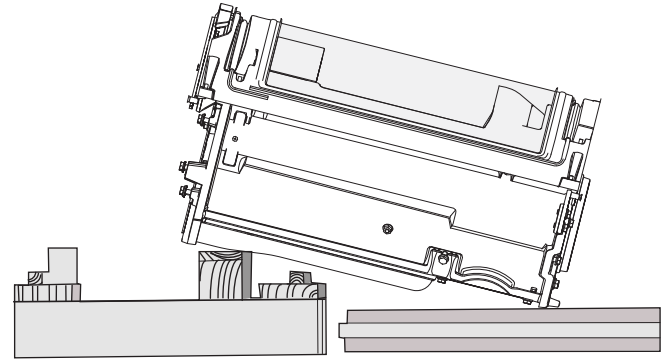
Fig. 5



3. If connecting a flex hose (Ø 80 mm) for external air supply to the external air connector beneath the burn chamber, the removable cover plates (A) must be knocked out first

### Installation of base/pedestal on the burnchamber

Fig. 5



4. Carefully lay the stove down on its back. Rest the stove on a pallet and three packaging frames.

Fig. 6

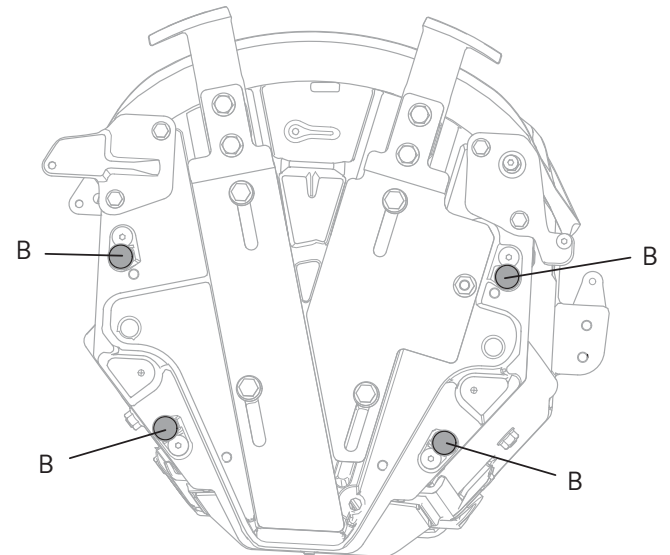
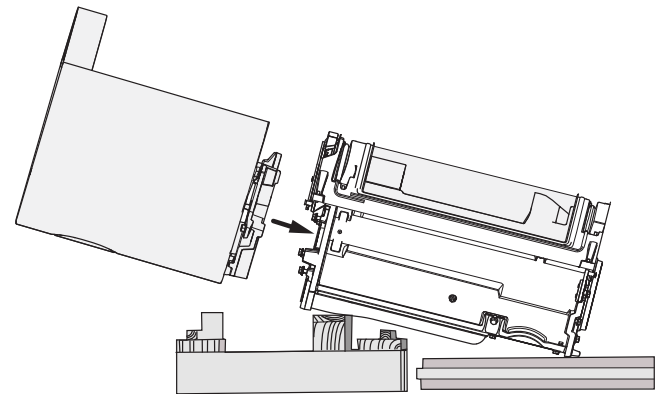


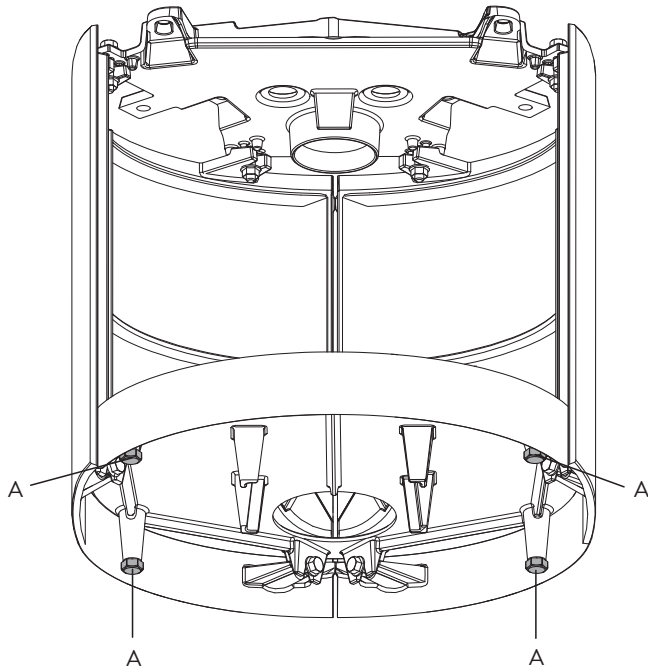
Fig. 7



5. Before installing the base, the shelf (Fig. 4-A) and internal back plate (Fig. 4-B) must be removed. Push the base up to the burn chamber and secure it firmly with the four screws (M8 x 25 mm) and washers provided. See Fig. 7 B.

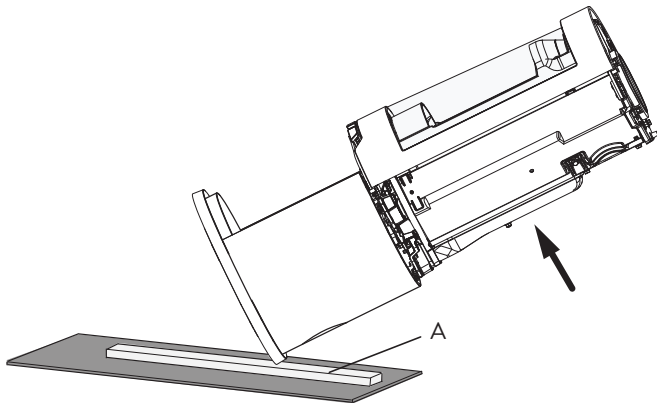


Fig. 9



- Loosen the height adjustment screws slightly (**A**) beneath the product so that they can be screwed by hand. NB: If the optional glass floor plate is to be installed, the base must be raised approximately 8 mm off the floor so that it can be pushed under the front edge of the base.

Fig. 10



- Carefully remove the wooden pallet.
- Place a packaging frame (**A**) crosswise underneath the base/pedestal/leg and cardboard packaging in front of/beneath the product to prevent it from making marks on the floor. Carefully raise the stove and stand it in its proper place (**fig 1**). Remember to position it straight above or behind the external air supply, whichever is applicable.
- Place the top plate (**fig. 3 A**) temporarily in place and level the fireplace. If the stove is not standing level, adjust the screws shown in **fig. 9 A** until the product is perfectly straight.
- If the control handles (**Fig. 3C**) are difficult to pull out, see **step 4.6**

## 4.9 Location of approval label

The approval label must always be affixed to the wire and positioned as illustrated in **fig. 11**.

Fig. 11, Base

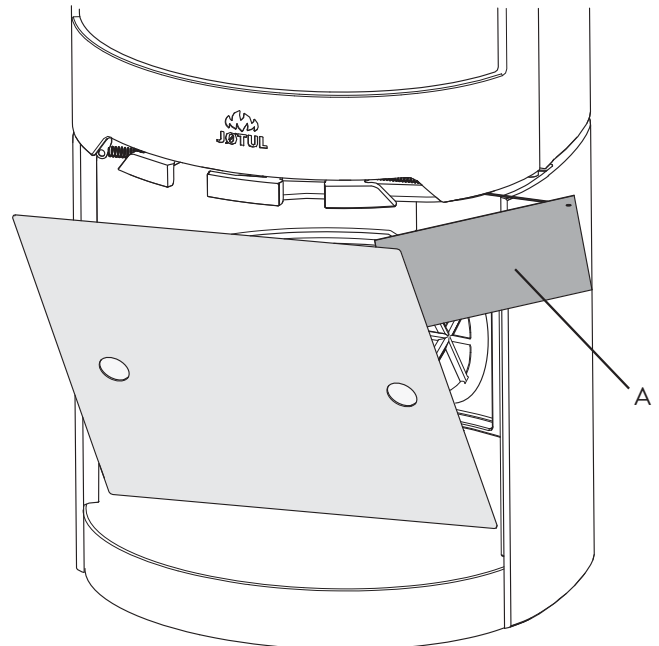
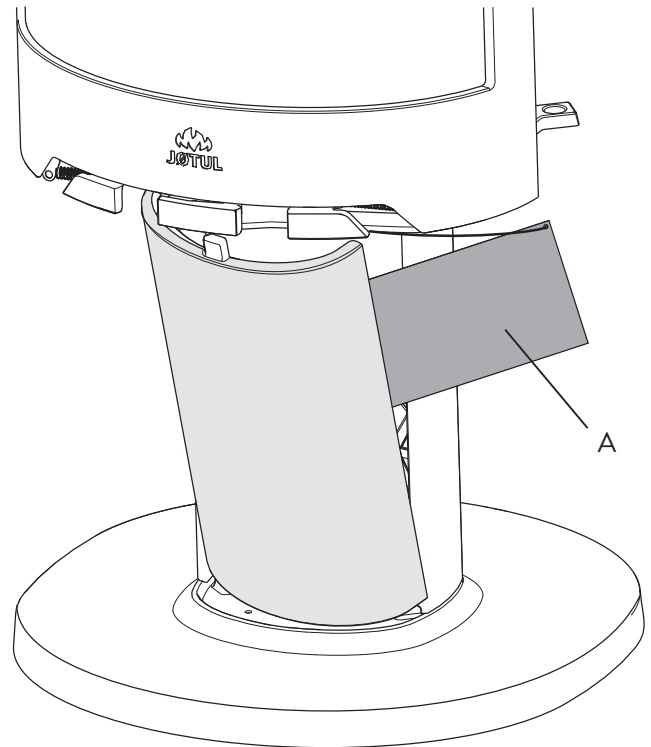


Fig. 11, Pedestal



# ENGLISH

## Installation with external air supply

Fig. 12 - Base

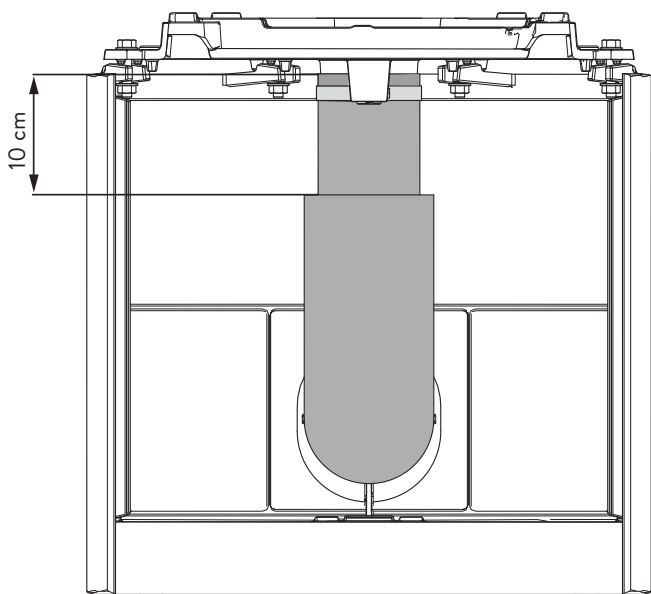
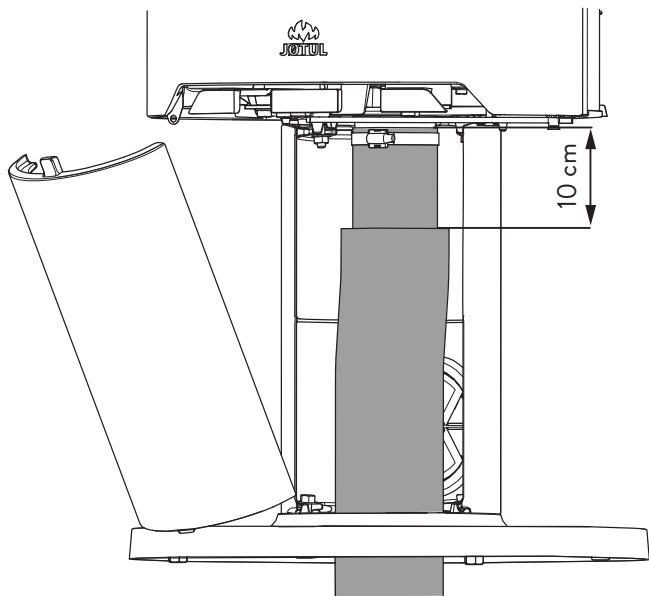


Fig. 12 - Pedestal



1. Attach the hose to the external air connector using a hose clip (**NB!** Do not fit a hose clip onto the Jøtul F483 pedestal with a rotating set as this prevents the set from rotating). **NB!** Make sure the hose is long enough so that joints are not necessary. The external air hose insulation ends approx. 10 cm below the burn chamber.
2. Refit any parts that have been removed from the product.

## 4.3 Chimney and flue pipe

- The fireplace must only be connected to a chimney and flue pipe approved for solid fuel fireplaces with flue gas temperatures as specified in «1.0 Technical Data».
- The cross-section of the chimney must be designed to fit the fireplace. Use «1.0 Technical Data» to calculate the correct chimney cross-section.
- The chimney must be connected in accordance with the installation instructions of the chimney supplier.
- Before a hole is made in the chimney, the product should be test-mounted in order to correctly mark the position of the fireplace and the hole in the chimney. See **fig. 1** for minimum dimensions.
- Make sure that the flue pipe rises all the way up to the chimney.
- With a rear outlet, use a flue pipe bend with a sweep hatch to allow sweeping.
- Please note that it is extremely important for connections to have a degree of flexibility. This is to prevent any movement in the installation leading to the formation of cracks.
- For recommended chimney draught, see «1.0 Technical Data». For flue pipe dimensions with the relevant cross-section, see “1.0 Technical Data”.

**NB!** The minimum recommended chimney length is 3.5 m from the flue pipe insert. If the draught is too strong, a flue pipe damper can be installed and used to reduce the draught.

## Fitting a flue pipe with a top outlet

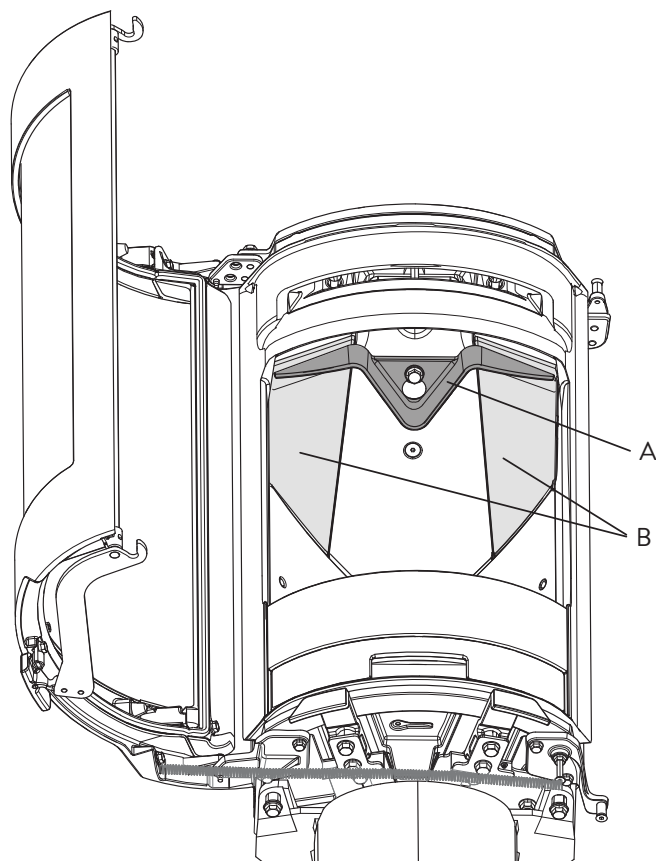
With a top outlet, the flue pipe is installed after the outer sides have been installed. See **Chapter 4.6**.

## Fitting a flue pipe with a rear outlet

The product is supplied from the factory with the smoke outlet fitted for the top outlet. Proceed as follows for installation with a rear outlet:

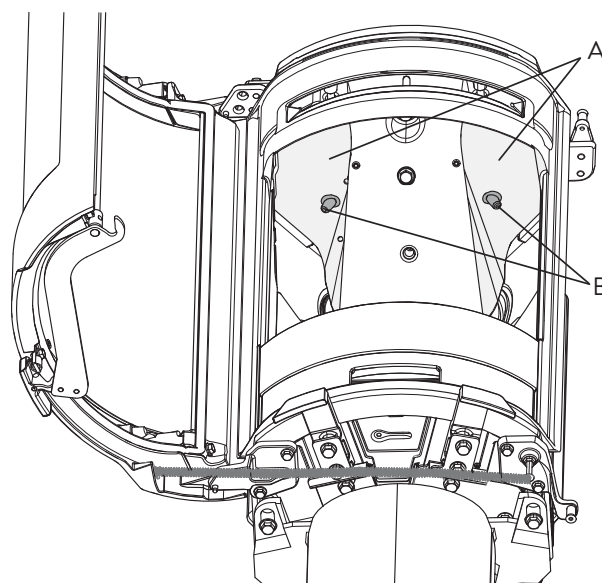
1. Place the product in the correct position. See **Fig. 1**.

**Fig. 13**



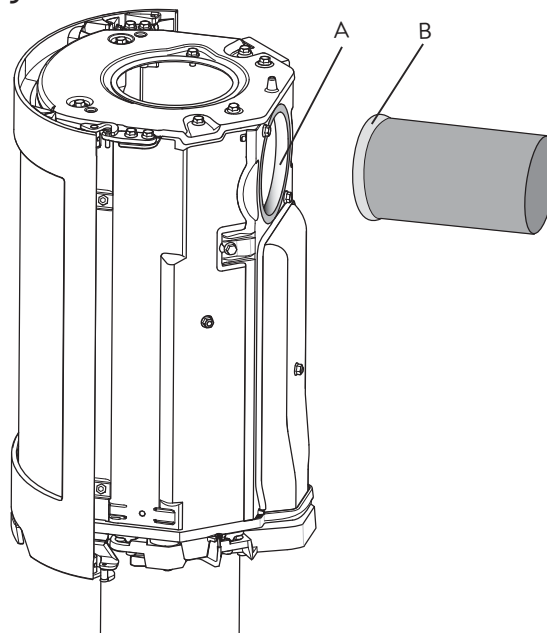
2. Remove the lower exhaust deflector (A) by tapping/sliding it forwards and out. Hold it while doing this so that it does not fall down.
3. Pull the baffles (B) forwards, lift slightly, turn and lower them.

**Fig. 14**



4. Be sure to note how the exhaust deflectors (A) are positioned before removing them to ensure that they are fitted back into exactly the right place. Take hold of the pin (B) on the underside of the exhaust deflectors, lift them up slightly and then sideways before lowering and removing them from the burn chamber.

**Fig. 15**



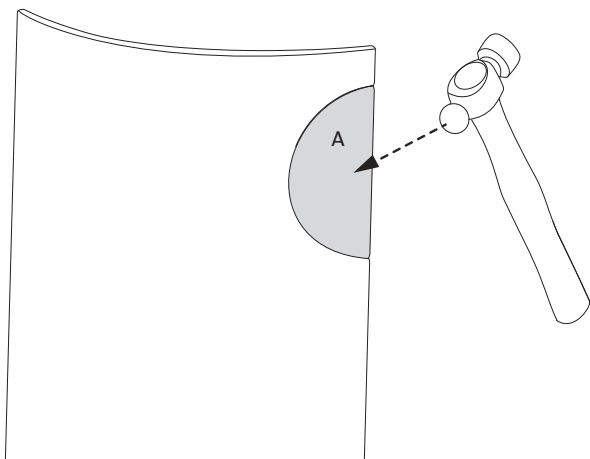
5. Unscrew the cover for the rear outlet on the inside of the burn chamber and take it out through the door opening.
6. Attach the smoke outlet (A) to the inside of the burn chamber where the cover was. Note that it must be turned so that the flue pipe can be pushed into place from the outside.
7. Place the gasket (B) from the bag of screws around the edge of the flue pipe and push it into the smoke outlet.
8. Install the smoke outlet cover where the outlet was.
9. Refit the exhaust deflector and baffle.

**NB: It is important for the joints/flue pipes to be sealed completely. Air leaks may prevent them from operating properly.**

# ENGLISH

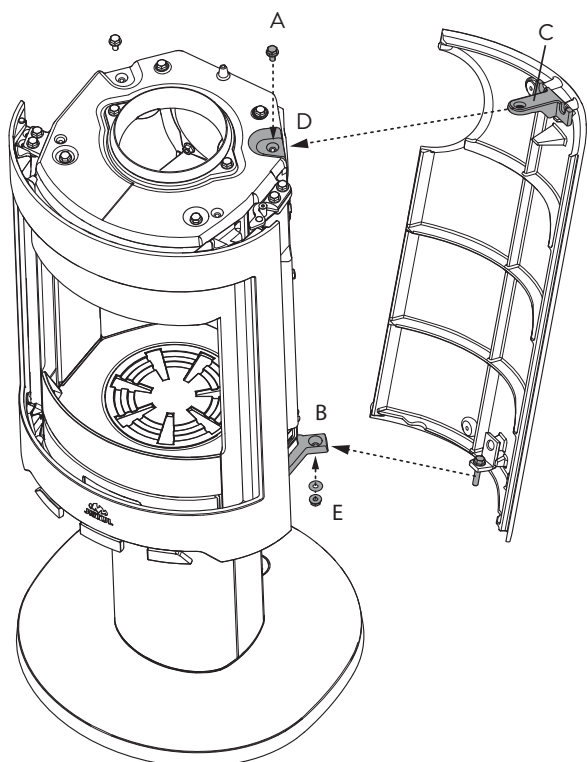
## 4.5 Installing the cast iron sides

Fig. 16



1. If installing the flue pipe at the back, the removable cover plates **(A)** must be knocked out.

Fig. 17



2. Loosen the screw **(A)** for the cast iron side on the top.
3. Unhook the lower part of the side with the screw on the bracket **(B)**. Secure on the underside with a nut and washer **(E)**.
4. Push the upper bracket over the screw hole **(C)** on the top of the burn chamber.
5. Secure the bracket with a screw **(A)** and nut **(D)**.
6. Secure the other side in the same way

## 4.6 Fitting a flue pipe with a top outlet

The product is supplied from the factory with the smoke outlet fitted for the top outlet.

1. Place the product in the correct position (**fig. 1**).
2. Place the top plate and the grate on top of the product.
3. Place the gasket on the edge of the flue pipe as illustrated in **Fig. 15 B**.
4. Move the flue pipe into position.

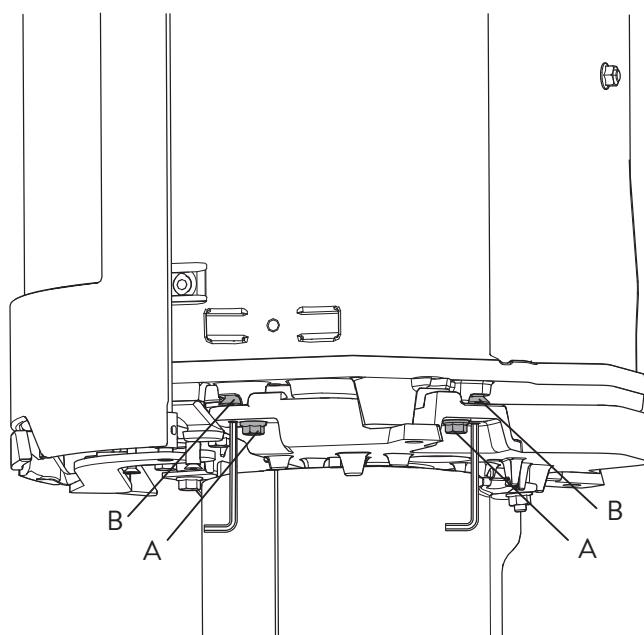
**NB: It is important for the joints/flue pipes to be sealed completely. Air leaks may prevent them from operating properly.**

## 4.7 Adjusting the burn chamber height for the Jøtul F 480

Any unevenness between the burn chamber and the base/ pedestal/foot must be corrected.

This may also be done to reduce pressure on the draught valves (prevents draught valves from becoming stiff).

Fig. 18

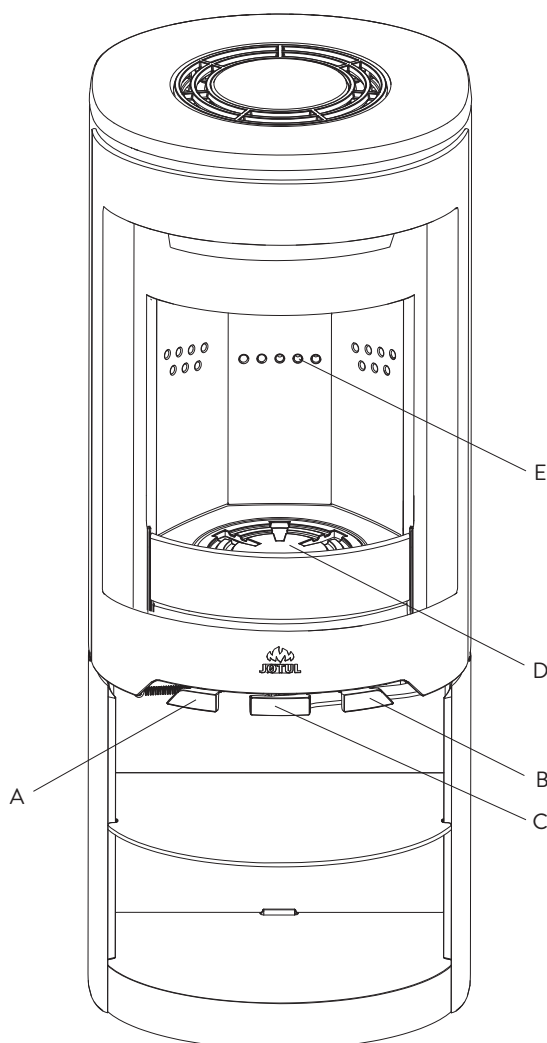


1. If the base has been mounted, the shelf and the inner plate must be removed first.
2. Unscrew the screws **(A)** approx. 4 mm on both sides of the product.
3. Unscrew **B** using an Allen key until you feel resistance in the key. Then turn the adjustment screw to raise the burn chamber as much as required.
4. Finally, tighten screws **A**.
5. Refit the base inner plate and shelf (only for base).

## 4.8 Performance check

Always check the control handles once the product has been assembled. These should move easily and work in a satisfactory manner.

Fig. 19



The Jøtul F 480 is equipped with the following operating options:

### Air vent (A)

Pushed in: Closed

Pulled out completely: Open

*If the valve is difficult to pull out, see step 4.7*

### Ignition vent (B)

Pushed in: Closed

Pulled out completely: Open

*If the valve is difficult to pull out, see step 4.7.*

**Riddling grate (D)** (same handle as for the ignition vent (B)).  
Right-hand handle pulls in and out

### Handle (C) for door

Opens by pulling the handle all the way out and then raising the door.

**Stack height (E)** for firewood (*the firewood must not cover the holes*).

## 5.0 Daily use

### Odours when using the fireplace for the first time

When the fireplace is used for the first time, it may emit an irritating gas which may smell slightly. This happens because the paint dries. The gas is not toxic but the room should be thoroughly ventilated. Let the fire burn with a high draught until all traces of the gas have disappeared and no smoke or odours can be detected.

### Heating advice

**NB:** Logs that have been stored outdoors or in a cold room should be brought indoors 24 hours before use to bring them up to room temperature.

There are various ways of heating the stove but it is always important to be careful about what you put in the stove. See the section on “Wood quality”.

**Important!** An inadequate air supply can lead to poor combustion, high emissions and a lower level of efficiency.

### Wood quality

**By quality wood we mean most well-known types of wood such as birch, spruce and pine.**

**The logs should be dried so that the moisture content is no more than 20%.**

To achieve this, the logs should be cut during the late winter. They should be split and stacked in a way that ensures good ventilation. The wood stacks should be covered to protect the logs from rain. The logs should be brought indoors during early autumn and stacked/stored for use in the coming winter.

**Be especially careful never to use the following materials as fuel in your fireplace:**

- Household rubbish, plastic bags, etc.
- Painted or impregnated timber (which is extremely toxic).
- Laminated wooden planks.
- Driftwood

*These may harm the product and are also pollutants.*

**NB: Never use petrol, paraffin, methylated spirit or similar liquids to light the fire. You may cause serious injury to yourself and damage to the product.**

### Kindling (finely split wood):

Length: approx. 30 cm

Diameter: 2-5 cm

Quantity required each time: 6 - 8 pieces

### Wood (split wood):

Recommended length: 20 - 30 cm

Diameter: Approx. 8 cm

Interval for adding wood: Approx. every 45 minutes

Fire size: 1,6 kg (nominal output)

Quantity required each time: 2

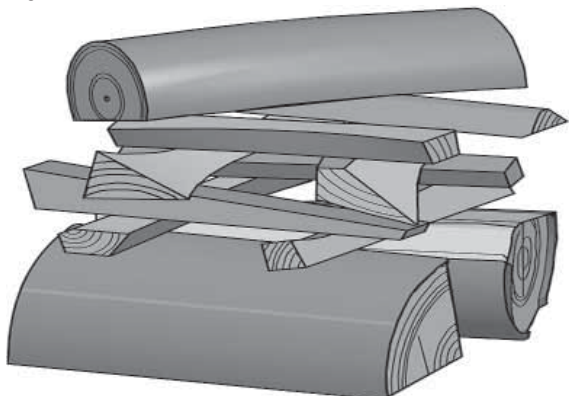
Nominal heat output is achieved when the air vent is open approx. 50% (**fig. 19 A**).

# ENGLISH

## Initial lighting

- Open the air vent and ignition vent by pulling the handles (**fig. 19 A and B**) all the way out. (Use a glove or something similar to protect your hand in case the handles are hot.).

Fig. 20



- Place two logs at the bottom of the burn chamber and pile the kindling in layers.
- Finally, place a medium-sized log on the top of the pile.
- Place 2 or 3 briquettes or kindling sticks under the top layer of kindling and light the fire. **NB: The maximum height of the pile of the wood should be just below the horizontal holes. The holes must not be covered.**
- Close the ignition vent (**Fig. 19 B**) when the wood has caught fire properly and is burning well.
- You can then regulate the rate of combustion to give the heat you want by adjusting the air vent (**fig. 19 A**).
- Check that the afterburning (secondary combustion) starts. This is best indicated by yellow, flickering flames in front of the holes under the baffle.
- If the air flow is normal you will be able to shut the door and the fire will take care of itself.

## Adding firewood

Stoke the stove frequently but only add small amounts of fuel at a time. If the stove is filled too full, the heat created may cause extreme stress in the chimney. Add fuel to the fire in moderation. Avoid smouldering fires as this produces the most pollution. The fire is best when it is burning well and the smoke from the chimney is almost invisible.

## 5.1 Danger of overheating

### The fireplace must never be used in a manner that causes overheating

Overheating occurs when there is too much fuel and/or too much air so that too much heat develops. A sure sign of overheating is when parts of the fireplace glow red. If this happens, reduce the air vent opening immediately.

*Seek professional advice if you suspect that the chimney is not drawing properly (too much/too little draught). For further information, see «4.0 Installation» (Chimney and flue pipe).*

## 5.2 Ash removal

- The Jøtul F 480 has an ash pan that makes it easy to remove the ash.
- Only remove ash when the fireplace is cold.
- Scrape the ash through the grate in the inner bottom and down into the ash pan. Use a glove or something similar to protect your hand. Take hold of the handle of the ash pan and lift out the ash. Make sure that the ash pan never gets so full that it prevents the ash from falling through the grate and down into the pan.
- Make sure that the ash pan is pushed all the way in before closing the door.

## 6.0 Maintenance

### 6.1 Cleaning the glass

The product is equipped with an air wash for the glass. Air is sucked in through the air vent on the top of the product and down along the inside of the glass.

However, some soot will always stick to the glass, but the quantity will depend on the local draught conditions and adjustment of the air vent. Most of the soot layer will normally be burned off when the air vent is opened all the way and a fire is burning briskly in the fireplace.

**Good advice!** For normal cleaning, moisten a paper towel with warm water and add some ash from the burn chamber. Rub it over the glass and then clean the glass with clean water. Dry well. If it is necessary to clean the glass more thoroughly we recommend using a glass cleaner (*follow the instructions on the bottle*).

### 6.2 Cleaning and soot removal

Soot deposits may build up on the internal surfaces of the fireplace during use. Soot is a good insulator and will therefore reduce the fireplace's heat output. If soot deposits accumulate when using the product, they can easily be removed by using a soot remover.

In order to prevent a water and tar layer from forming in the fireplace, you should regularly allow the fire to burn hot in order to remove the layer. An annual internal cleaning is necessary to get the best heating effect from your product. It is a good idea to do this when cleaning the chimney and flue pipes.

### 6.3 Sweeping flue pipes to the chimney

Flue pipes must be swept through the flue pipe sweeping hatch or through the door opening. The baffle and exhaust deflector must be removed first.

### 6.4 Inspection of the fireplace

Jøtul recommends that you carefully inspect your fireplace yourself after it has been swept/cleaned. Check all visible surfaces for cracks. Also check that all joints are sealed and that the gaskets are in the correct position. Any gaskets showing signs of wear or deformation must be replaced.

Thoroughly clean the gasket grooves, apply ceramic glue (available from your local Jøtul dealer) and press the gasket well into place. The joint will dry quickly.

## 6.5 Exterior maintenance

Painted products may change colour after several years' usage. The surface should be cleaned and brushed free of any loose particles before new paint is applied.

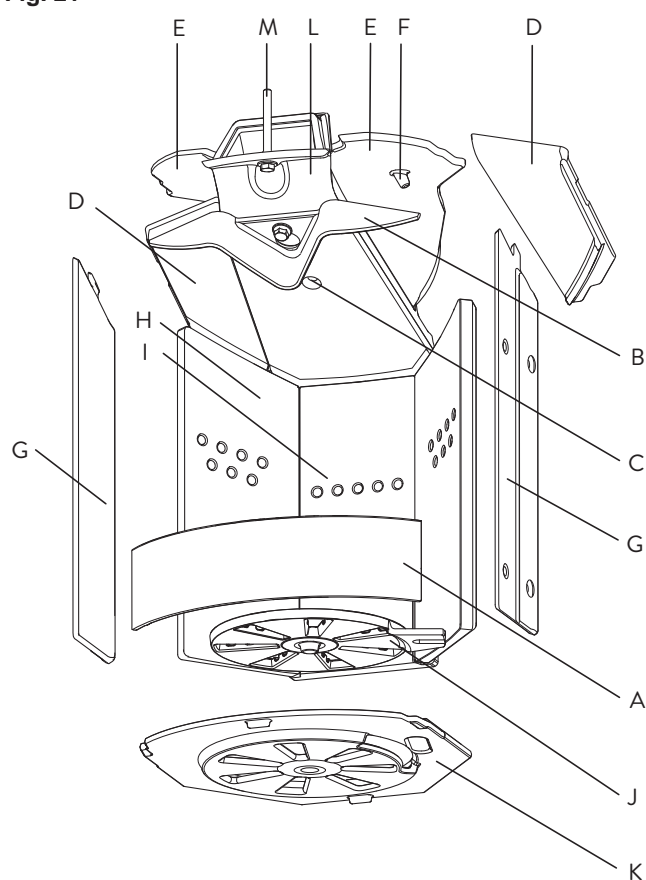
## 7.0 Servicing

**Warning! Any unauthorised changes to the product are illegal! Only original spare parts may be used!**

### 7.1 Service/replacing parts in the burn chamber

**NB:** Use tools with great care! The vermiculite plates may be damaged if treated roughly.

Fig. 21



1. Lift the ash retainer (A) up and out.
2. Slide or tap the lower exhaust deflector (B) out of the key hole (C). Hold it while doing this so that it does not fall down.
3. Pull the baffles (D) forwards, lift slightly, tilt and lower them down.
4. Be sure to note the position of the exhaust deflectors (E) before removing them to ensure that they can be fitted back into exactly the right places. Take hold of the pin (F) on the underside of the exhaust deflectors. Lift them up slightly and then sideways before lowering them.
5. Lift the front side burn plates (G) up and out.
6. Take hold of the upper part of the back side burn plates (H) and turn them in towards the middle of the burn chamber. Then pull them out.
7. Pull out the back burn plate (I). When fitting it back into

place, check that the gasket on the back burn plate is securely attached.

8. Lift out the riddling grate (J) (can be done first when it needs replacing). Make sure that the slot on the riddling grate is against the bar under the inner bottom plate when it is fitted back into place.
9. Lift and move the inner bottom plate (K) out.
10. Hold the upper air duct (L) up at the front edge while loosening the screw (M). Use a ratchet with a 13 mm socket and an extension piece. Tilt the air duct downwards when the screw is loose. This can also be done after point 6. There are gaskets at both the front and back of the air duct. Glue new gaskets on before fitting it back into place.
11. When refitting, follow the same procedure in reverse order.

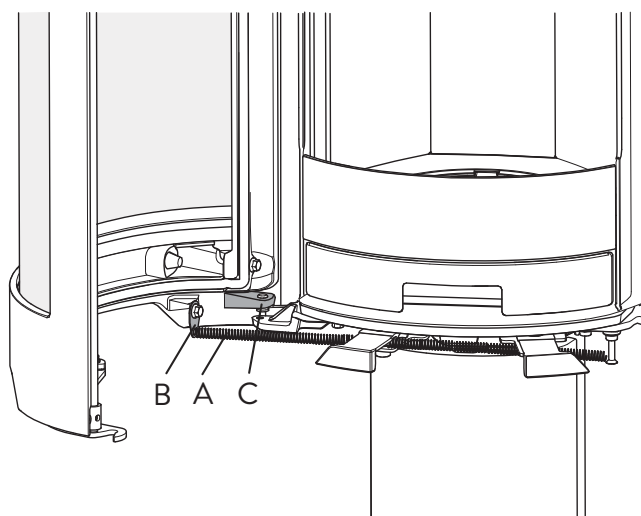
### 7.2 Replacing the side plates

1. Unscrew the screw (fig. 17 A) for the side plate on the top.
2. Unhook the lower part of the side with the screw of the bracket (fig. 17 B).
3. Install new sides as described in Chapter 4.5.

**NB:** If the stove has a smoke outlet on the top, the top plate can be raised to make it easier to get at the screws.

### 7.3 Replacing glass and gaskets in the door

Fig. 22



1. Open the door and unhook the spring (A) from the clip (B).
2. Lift the door off the hinges. Make sure that the washer under the lower hinge (C) does not get lost.
3. Place the door face down on a soft material.

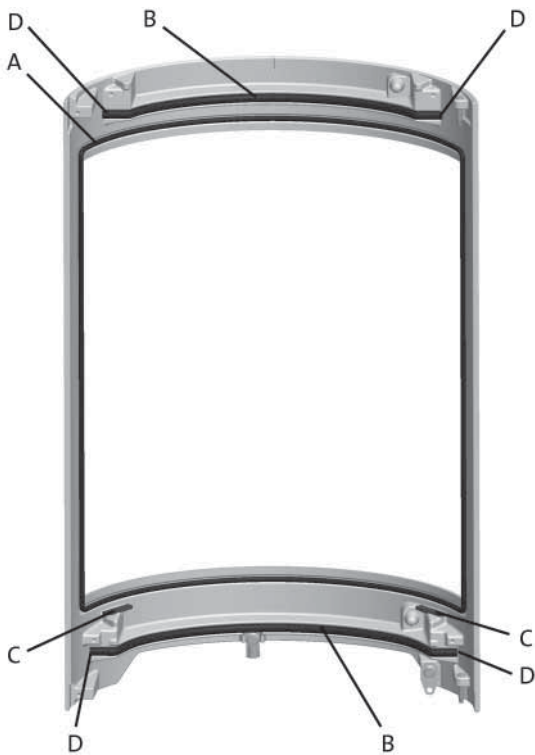
# ENGLISH

Fig. 23



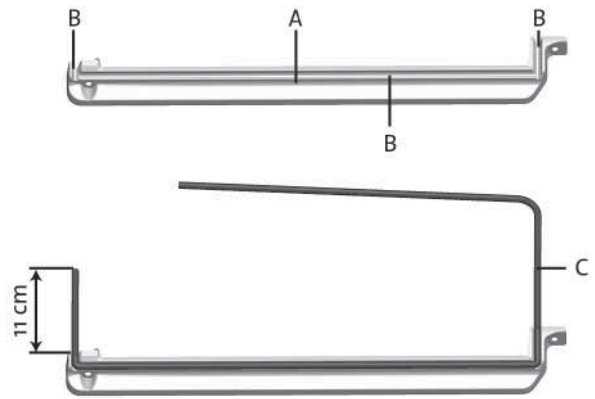
4. If it is just the gasket that goes against the front of the burn chamber that needs to be replaced **(A)**, the gasket groove can be cleaned and a new gasket can be glued into place.
5. If replacing a glass gasket or glass, unscrew the closing mechanism that is attached with screws and washers **(B)**.
6. Remove the glass holders **(C)** that are attached with 4 screws **(D)**.
7. Lift out the glass.

Fig. 24



8. Thoroughly clean the gasket groove and glue new gaskets into place: The glass gasket **(A)**, door gasket **(B)** and the gasket under the glass **(C)**. Make sure the door gaskets fit right into the corners **(D)**.

Fig. 25



9. Place the glass holders on a soft material with the side, as illustrated **(A)**, turned up.
10. Apply a bead of glue into the gasket groove **(B)** which is now facing up.
11. Fit the gasket **(C)** into the groove with the ends sticking out as illustrated (11 cm on one side).

Fig. 26

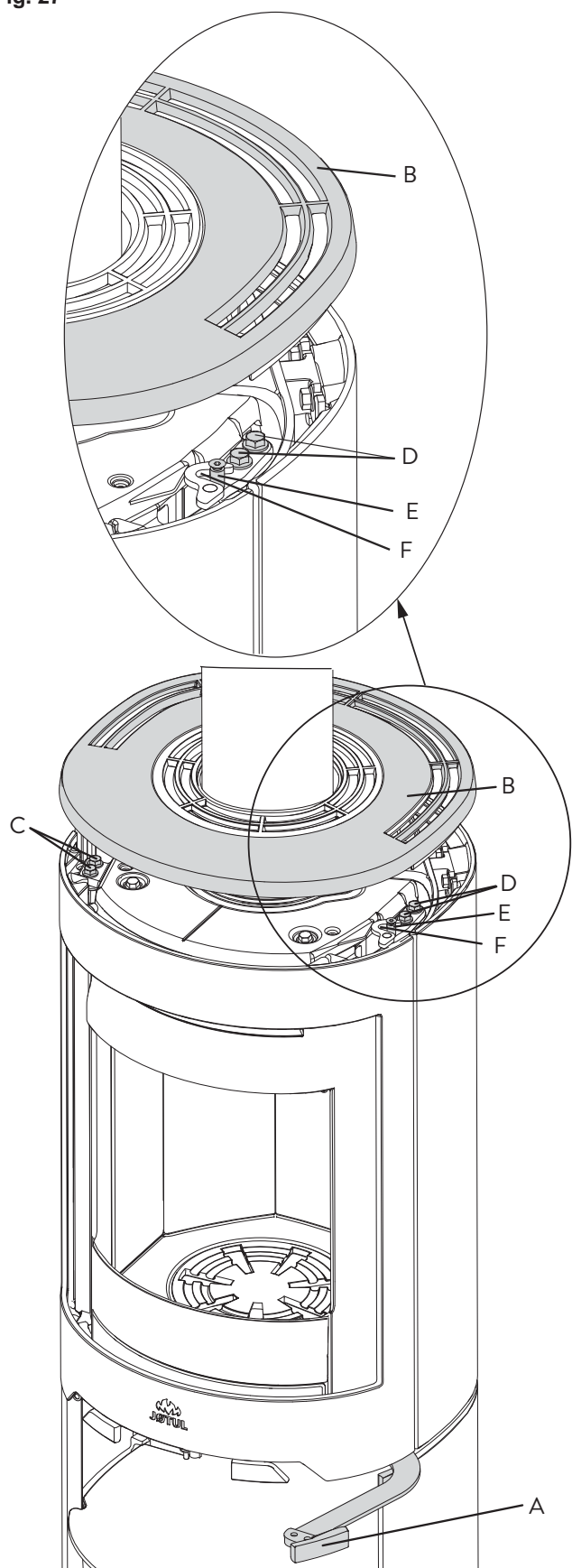


12. Turn the glass holders and apply a bead of glue into the gasket grooves. Note the overlap **(A)**.
13. When refitting, follow the same procedure in reverse order. Remember to place a washer under the hinge.



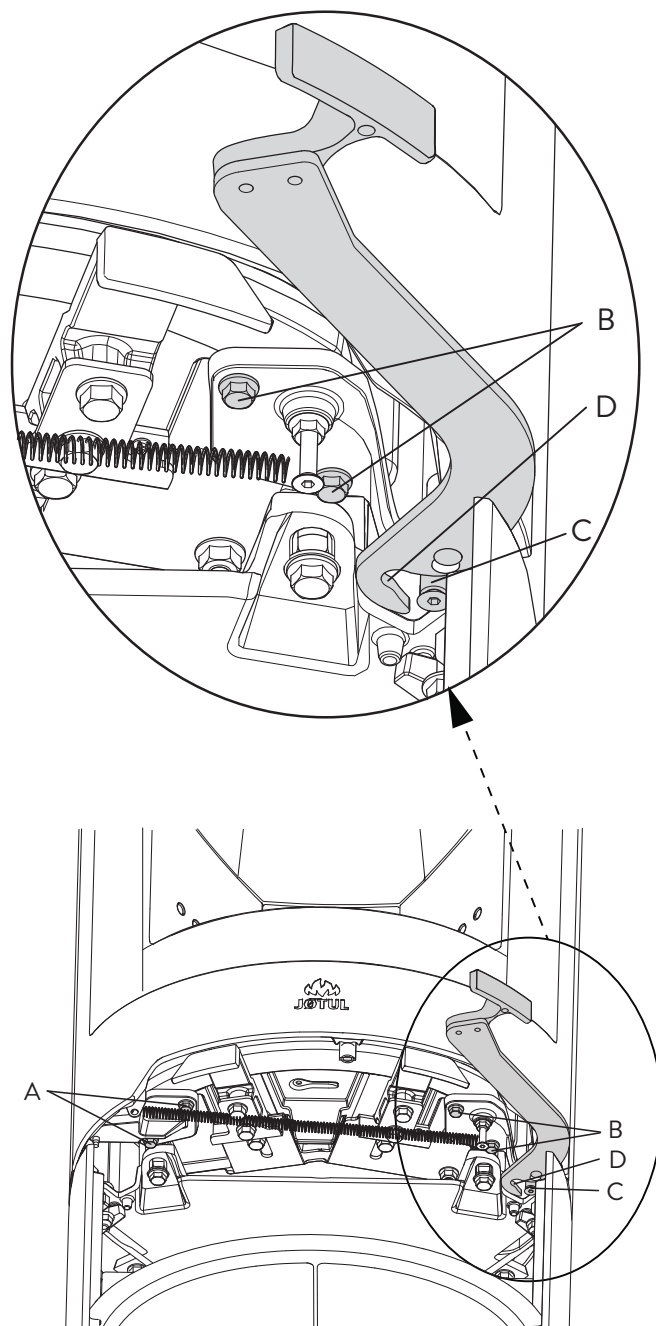
## 7.4 Adjusting the door

Fig. 27



1. Open the door handle (A).
2. Turn or lift off the top plate (B).
3. Loosen the screws (C).

Fig. 28



4. Loosen the screws (Fig. 28 A).
5. Place the door in the required position.
6. Tighten the screws (Fig. 28 A) and in Fig. 27 C.
7. Loosen the screws in Fig. 27 D and Fig. 28 B.
8. Close the handle (Fig. 27 A). Keep the door closed while pushing the upper door lock (Fig. 27 E) and the lower door lock (Fig. 28 C) into the hooks (Fig. 27 F and Fig. 28 D).
9. Keep the door closed while tightening the screws (Fig. 27 D and Fig. 28 B) that hold the door locks.

# ENGLISH

## 8.0 Operational problems - troubleshooting

### Poor draught

Check the length of the chimney and that it complies with national laws and regulations. (See also «**2.0 Technical data**» ). Make sure that the minimum cross section on the chimney is according to «**2.0 Technical data**» in the installation manual. Make sure that there is not anything preventing the smoke gasses from escaping: branches, trees, etc.

Upon suspicion of excessive/poor draught in the chimney, seek professional help for measurement and adjustment.

### The fire extinguishes after a while

- Make sure that the firewood is sufficiently dry.
- Find out whether there is negative pressure in the house, close mechanical fans and open a window close to the fireplace.
- Check that the air vent is open.
- Check that the flue outlet is not clogged by soot.

### Unusual amount of soot accumulates on the glass

Some soot will always stick to the glass, but the quantity depends on:

- Moisture in the fuel.
- The local draught conditions.
- Air vent opening.

Most of the soot will normally burn off when the air vent is opened all the way and a fire is burning briskly in the fireplace. (See «**6.1 Cleaning the glass**».)

## 9.0 Optional extras

### 9.1 Outside air connection

Outside air connection, Ø 80 mm - Cat. no. 51047509

### 9.2 Rotating set

See separate installation instructions (Art. no. 10026061).  
Rotating set for the Jøtul F 363, Jøtul F 373, Jøtul F 473 SHD and Jøtul F 483 - Art. no. 51012254

## 10.0 Recycling

### 10.1 Recycling packaging

Your fireplace is delivered with the following packaging:

- A wooden pallet that can be cut up and burned in the fireplace.
- Cardboard packaging that should be taken to a local recycling facility.
- Plastic bags that should be taken to a local recycling facility.

### 10.2 Recycling the fireplace

The fireplace is made of:

- Metal that should be taken to a local recycling facility.
- Glass that should be disposed of as hazardous waste. The glass in the fireplace must not be placed in a regular source segregation container.
- Vermiculite burn plates that can be disposed of in regular waste containers.

## 11.0 Guarantee terms

### 1. Our guarantee covers:

Jøtul AS guarantees that the external cast-iron parts are free from defects in materials or manufacturing at the time of purchase. You may extend the guarantee on the external cast-iron parts to 25 years from the date of delivery by registering the product on [jotul.com](http://jotul.com), and print out the extended guarantee card within three months of purchase. We recommend that the guarantee card be kept together with the receipt. Jøtul AS also guarantees that steel plate parts are free from defects in materials or manufacturing at the time of purchase for a period of 5 years from the date of delivery.

The guarantee applies on the condition that the stove has been installed by a qualified installer in accordance with applicable laws and regulations and Jøtul's installation and operating instructions. Repaired products and replacement items are guaranteed within the original guarantee period.

### 2. The guarantee does not cover:

- 2.1. Damage to consumables such as burn plates, fire grates, flue baffles, gaskets and similar as these deteriorate over time due to normal wear and tear.
- 2.2. Damage caused as a result of improper maintenance, overheating, use of unsuitable fuel (e.g. of unsuitable fuel are, but not limited to driftwood, impregnated wood, plank offcuts, chipboard ) or too moist / wet wood.
- 2.3. Installation of optional extras for the purpose of rectifying local draught conditions, air supply or other circumstances beyond Jøtul's control.
- 2.4. Cases involving alterations / modifications to the fireplace without Jøtul's consent or the use of non-original parts.
- 2.5. Damage caused during storage at a distributor, transport from a distributor or during installation.
- 2.6. Products sold by unauthorized sellers in areas where Jøtul operates a selective distribution system.
- 2.7. Associated cost (e.g. but not limited to, transport, manpower, travel) or indirect damages.

Pellets stoves, glass, stone, concrete, enamel and paint finish (e.g. but not limited to chipping, cracking, bubbling or discolouration and crazing) are applicable to the national legislation governing the sale of consumer goods. This guarantee is valid for purchases made within the territory of the European Economic Area. All guarantee inquiries must be addressed to your local authorized Jøtul dealer within a reasonable amount of time, which shall not be later than 14 days from the date on which the fault or defect first became apparent. See list of importers and dealers on our web site [www.jotul.com](http://www.jotul.com).

If Jøtul is unable to meet the obligations outlined in the above guarantee terms, Jøtul will offer a replacement product with a similar heating capacity free of charge.

Jøtul reserve the right to decline of any replacement of parts or service in the event that the guarantee is not registered online. This guarantee does not affect any rights under applicable national legislation governing the sale of consumer goods. The national complaint right applies from the purchase date and only in exchange for a receipt / serial number.

# FRANCAIS

## Sommaire

1.0	Données techniques	20
2.0	Relations avec les autorités	20
3.0	Sécurité	21
4.0	Installation	24
5.0	Utilisation au quotidien	30
6.0	Maintenance	32
7.0	Entretien	32
8.0	Dysfonctionnements – Causes et dépannages	35
9.0	Équipements disponibles en option	35
10.0	Recyclage	36
11.0	Conditions de garantie	36

Enregistrez votre insert sur [jotul.com](http://jotul.com) pour la garantie de 25 ans.

Product: Jotul Room heater fired by solid fuel			
CE			
Standard: Minimum distance to adjacent combustible materials: Emission of CO in combustion products: Flue gas temperature: Nominal heat output: Efficiency: Operation range: Fuel type: Operational type: The appliance can be used in a shared flue.			
Country	Classification	Certificate/standard	Approved by
Norway	Klasse II		
Sweden	SP	SP-Sveriges Provnings- och Forskningsinstitut AB	
EUR	Intermittent	EN	SP-Sveinfinn National Testing and Research Institute
Follow user's instructions. Use only recommended fuels. Montage- und Bedienungsanleitung beachten. Verwenden Sie nur empfohlenen Brennstoffen. Respecter les consignes d'utilisation. Utilisez uniquement les combustibles recommandés.			
Serial no. Y-xxxx, Year: 200x			
Manufacturer: Jotul AS POB 1441 N-1602 Fredrikstad Norway			

Tous nos produits sont livrés avec une étiquette reprenant le numéro de série et l'année. Reportez ce numéro à l'endroit indiqué dans les instructions d'installation.

N'oubliez pas de le mentionner à chaque fois que vous contactez votre revendeur ou Jøtul.

Serial no.

## 1.0 Données techniques

Matériau : Fonte  
 Finition : Peinture noire  
 Combustible : Bois exclusivement  
 Longueur maximale des bûches : 30 cm  
 Sortie du conduit de raccordement : Haut, arrière  
 Conduit de raccordement : Ø 150 mm section transversale  
 Raccordement prise d'air extérieur : Alu. flex - Ø 80 mm

### Poids de l'appareil :

Chambre de combustion : 119 kg  
 Base, fonte : 46 kg  
 Piédestal, fonte : 34 kg  
 Plaques latérales fonte : 33 kg  
 Options : Plaques de sol, Raccordement prise d'air extérieur, Ensemble tournant pour le poêle Jøtul F 483, Alu. flex - Ø 80 mm.

Dimensions de l'appareil, distances : Voir Fig. 1

### Données techniques conformes à la norme EN 13240

Puissance nominale : 6,0 kW  
 Débit massique des fumées : 6,0 g/s  
 Tirage de cheminée recommandé : 12 Pa  
 Rendement : 75 % @ 6 kW  
 Émissions CO (13 % O<sub>2</sub>) : 0.08%  
 Température des gaz de fumées : 315°C  
 Température moyenne des fumées à la sortie de fumée : 360°C  
 Poussières : < 20 mg/nm<sup>3</sup> @ 13%O<sub>2</sub>  
 Temps de combustion : 2,2 kg/h  
 Mode de fonctionnement : Intermittent

Par fonctionnement intermittent, on entend une utilisation normale du poêle dans laquelle on ajoute du bois lorsqu'il ne reste plus que des braises.

## 2.0 Relations avec les autorités

- L'installation d'un poêle est soumise aux lois et réglementations nationales en vigueur. Toutes les réglementations locales, y compris celles se rapportant aux normes nationales et européennes, doivent être respectées lors de l'installation du produit.
- L'installation ne pourra être mise en service qu'après contrôle par un inspecteur habilité suivant les réglementations du pays.
- Avant d'installer un nouveau poêle, adressez-vous aux autorités locales compétentes suivant les réglementations du pays.

## 3.0 Sécurité

**Remarque : Afin d'assurer un niveau de rendement et de sécurité optimal, l'installation d'un poêle Jøtul doit être confiée à un installateur qualifié (voir [www.jotul.com](http://www.jotul.com) pour la liste complète de nos revendeurs).**

Toute modification de l'appareil par le distributeur, l'installateur ou l'utilisateur final, risque de compromettre le bon fonctionnement de l'appareil et de ses éléments de sécurité. Ceci s'applique également à l'installation d'accessoires ou d'équipements en option qui ne sont pas fournis par Jøtul. Ce risque peut par ailleurs survenir dans le cas où des pièces ou éléments essentiels pour le bon fonctionnement et la sécurité du poêle, ont été désassemblés ou retirés.

Dans tous ces cas, le fabricant ne pourra être tenu responsable pour le produit et le droit de recours à la garantie sera rendu nul et sans effet.

### 3.1 Mesures de prévention anti-incendie

Toute utilisation du poêle comporte un certain degré de risques. C'est pourquoi, il est indispensable de toujours respecter les consignes de sécurité suivantes :

- Les distances minimales à respecter en utilisant le poêle ressortent de la figure 1.
- Assurez-vous que les meubles et autres matériaux inflammables ne sont pas trop rapprochés du poêle. Pas de matériaux inflammables dans un rayon de 1 mètre du poêle.
- Laissez le feu s'éteindre de lui-même. Ne tentez jamais d'éteindre le feu avec de l'eau.
- Le poêle devient très chaud lorsqu'il est allumé et peut provoquer des brûlures à la personne qui le touche.
- Attendez que le poêle soit froid pour retirer les cendres. Les cendres pouvant encore contenir des braises, il convient de les recueillir dans un réceptacle ininflammable.
- Il convient d'épandre les cendres à l'extérieur ou de les vider dans un endroit ne présentant aucun risque d'incendie.

#### En cas de feu de cheminée:

- Fermer l'ensemble des trappes et des entrées d'air.
- Maintenir la porte de la chambre de combustion fermée.
- Vérifier toute présence de fumée dans le grenier et dans la cave.
- Contacter le service de sécurité incendie.
- Suite à un feu de cheminée, le foyer et la cheminée doivent être contrôlés par un spécialiste avant toute nouvelle utilisation afin de s'assurer que l'installation est opérationnelle.

## 3.2 Le sol

### Sol

Assurez-vous que le sol convient pour un poêle. Se reporter à la section « **1.0 Données techniques** » pour la spécification du poids.

Il est recommandé d'enlever les revêtements situés sous le poêle, si ceux-ci ne sont pas solidaires du sol (parquets flottants).

### Exigences relatives à la protection des sols en bois

Le modèle Jøtul F 480 comporte un bouclier thermique sur le dessous pour protéger le sol du rayonnement. L'appareil a une protection du sol intégrée et peut donc être posée directement sur un sol en bois.

Jøtul recommande de retirer tout revêtement de sol combustible (linoléum, moquette, etc.) sur la surface couverte par la plaque de sol.

### Exigences relatives à la protection d'un revêtement de sol combustible devant le poêle

La plaque frontale doit être conforme aux lois et réglementations nationales en vigueur.

Veuillez contacter les autorités locales compétentes pour connaître les restrictions d'usage et les exigences liées à l'installation.

## 3.3 Les murs

Pour la distance aux murs et aux cloisons inflammables, reportez-vous à **la figure 1 a**.

Distance minimale par rapport au mur en matériau combustible protégé par un pare-feu, **Fig 1 b**.

Le poêle peut être utilisé avec un conduit de fumée non isolé, à condition que les distances entre le poêle et les murs/cloisons inflammables soient conformes à **la figure 1**.

**Remarque : Portez particulièrement attention à cela lors de l'utilisation d'un piétement rotatif !**

Fig. 1 a

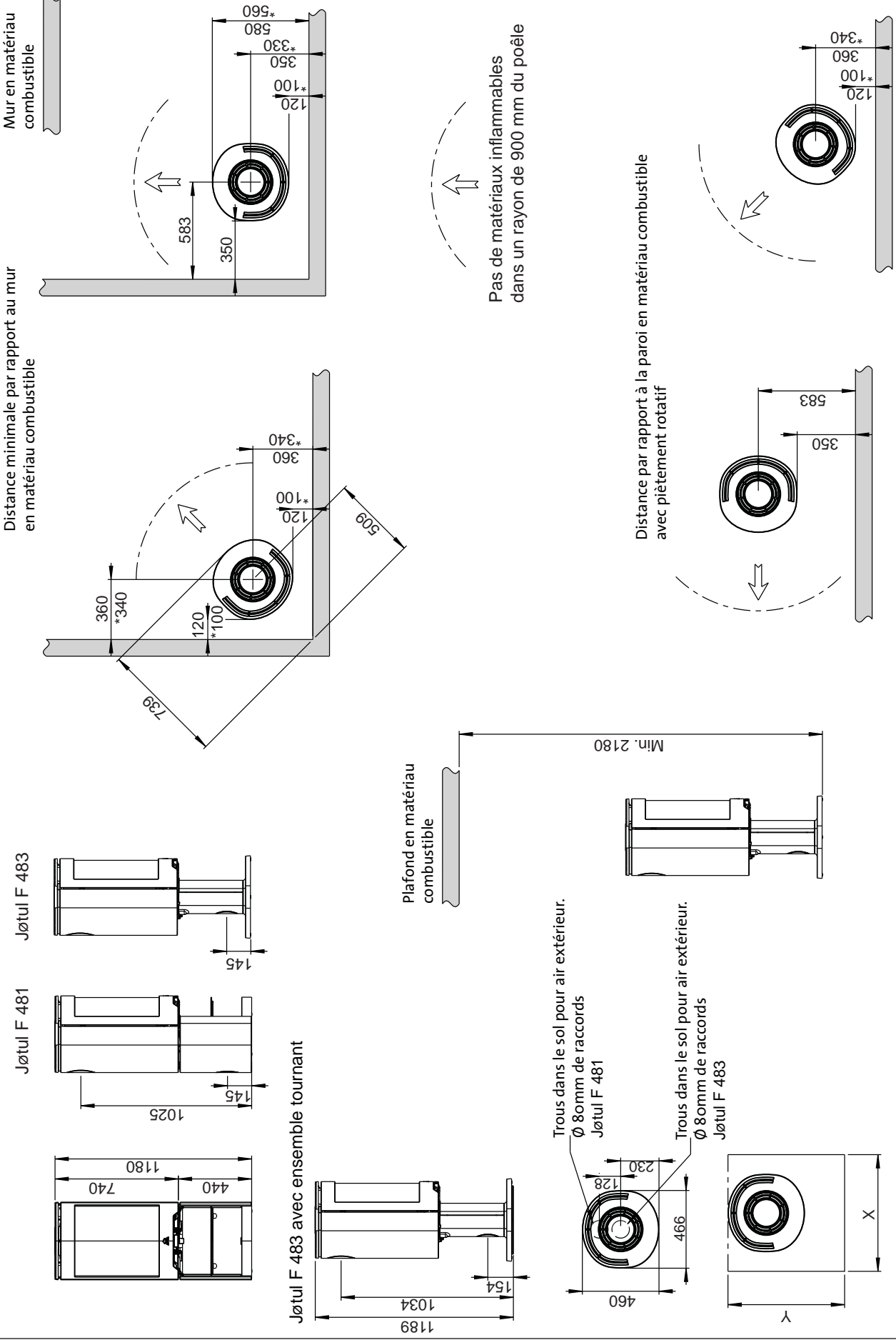


Fig. 1 b

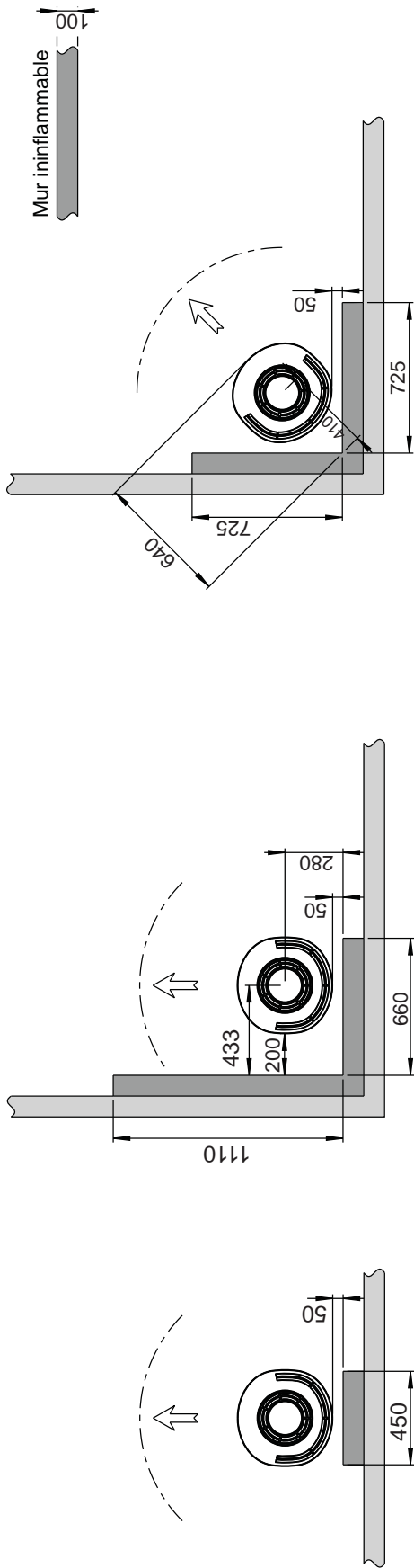
Jøtul F 481 / F 483

Distance minimale par rapport au mur en matériau combustible protégé par un pare-feu

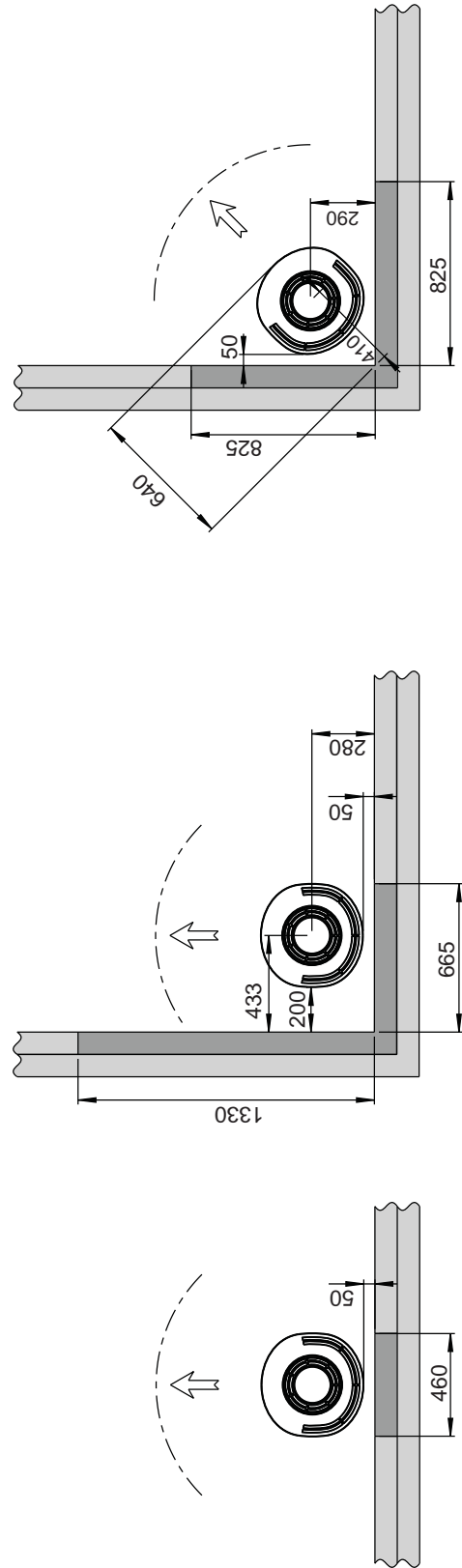
Externe

Mur en matériau combustible

Mur ininflammable



Intégré



# FRANCAIS

## Arrivée d'air

Le volume d'air de combustion des produits Jøtul est d'environ 20 à 40 m<sup>3</sup>/h. L'arrivée d'air frais peut être raccordée directement au poêle Jøtul F 480 par :

- la base, le piédestal, le pied ou
- par un tuyau flexible depuis l'extérieur ou la cheminée (seulement si celle-ci dispose d'une conduite propre pour l'air frais) et vers le raccord d'air frais de l'appareil.

Fig. 2A, par un mur

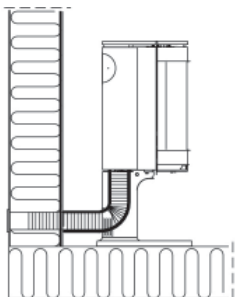


Fig. 2B, par le sol et la plaque de sol

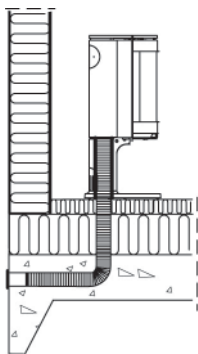


Fig. 2C, par le sol et la cave

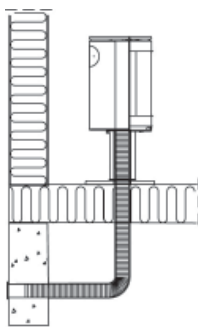
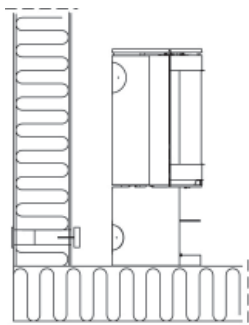


Fig. 2D, indirectement par un mur



## 4.0 Installation

**Remarque :** Assurez-vous que l'appareil est en bon état avant de procéder à l'installation.

**Remarque :** L'appareil est lourd ! Prévoyez de l'aide pour le montage et la mise en place.

**Remarque :** Ne rien placer sur la plaque supérieure du poêle, car cela pourrait causer des dommages permanents à la peinture/l'émail.

Faites en sorte que l'appareil ne puisse pas se renverser.

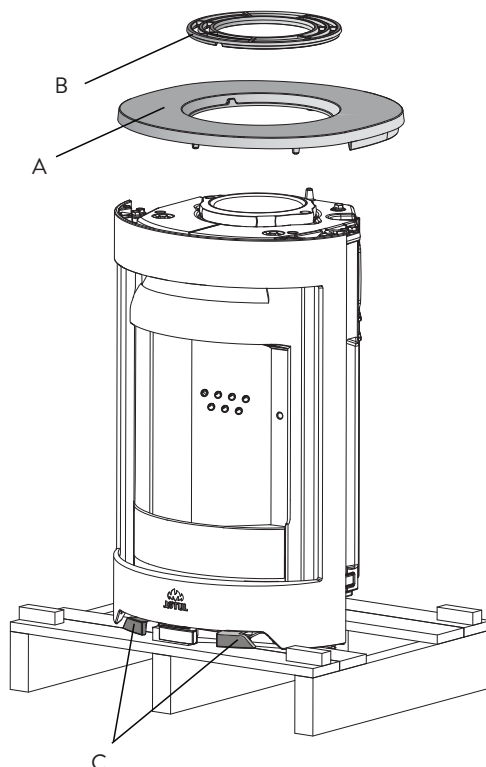
**Remarque :** Lisez attentivement le guide d'installation et d'utilisation avant d'installer le poêle !

### 4.1 Avant l'installation

Le produit standard est livré en trois colis ou plus : un contenant la chambre de combustion, un contenant la base, le piédestal et les plaques latérales.

Vous avez besoin des outils suivants pour installer l'appareil : un niveau à bulle, une clé à cliquet de 10 mm et 13 mm, Torx T 20 et une clé hexagonale de 5 mm.

Fig. 3



1. Déballez (carton et châssis en bois) et étalez le carton sur le sol, derrière le poêle. Veillez à enlever le morceau de mousse plastique blanc au sommet.
2. Retirez les vis qui fixent l'appareil sur la palette.
3. Laissez le poêle reposer sur la palette.
4. Déposez le couvercle (A) et la grille supérieure (B).
5. Sortez les gants et le bol du cendrier. Placez le bol sur la grille supérieure à l'extrémité si la sortie d'évacuation se trouve à l'arrière.
6. Vérifiez que les poignées de commande (C) se meuvent librement.



## 4.2 Installation

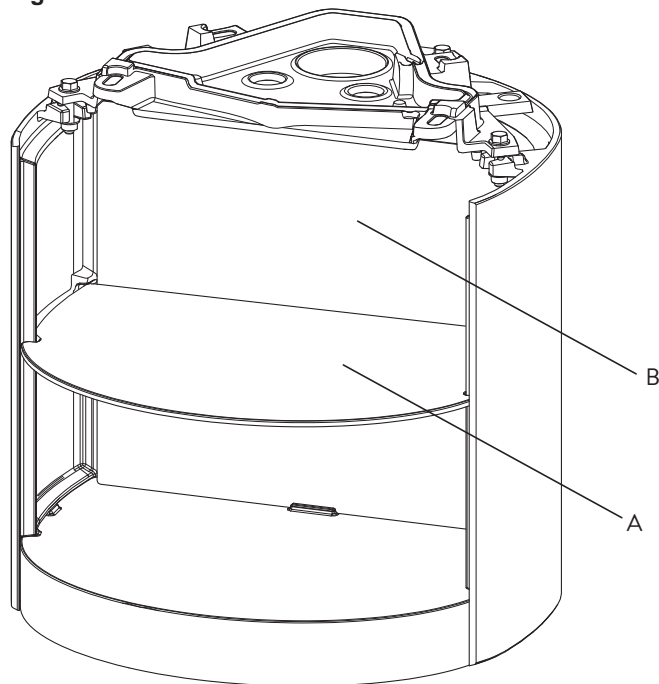
### Air de combustion par la base

#### A travers le sol

1. Remarque : Si vous choisissez de faire passer le conduit flexible à travers le plancher, ne retirez pas les caches amovibles (Fig. 5 A).

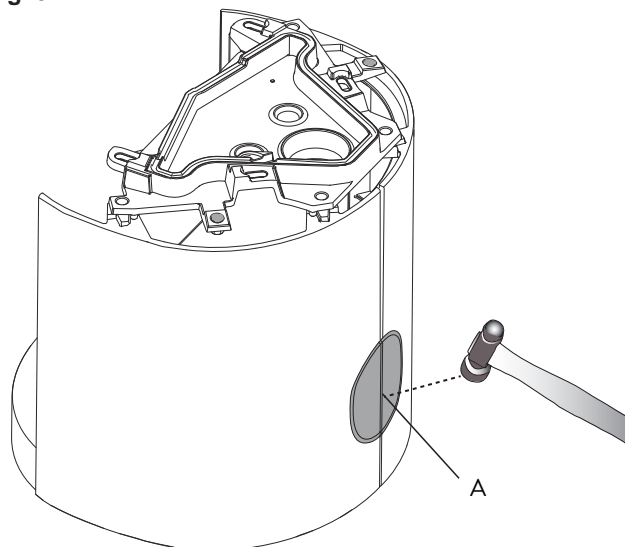
#### A travers la sortie arrière de la base

Fig. 4



2. Pour connecter une gaine flexible passant par l'arrière, retirer d'abord la tablette (A) et l'arrière de la base (B).

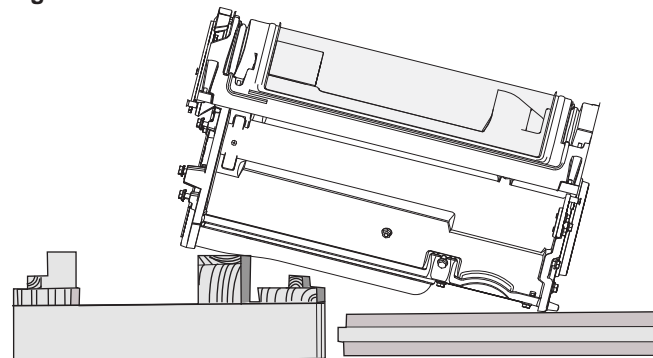
Fig. 5



3. Si vous connectez un conduit flexible (Ø 80 mm) pour l'alimentation en air externe au raccord d'air extérieur sous le poêle, commencez par retirer les caches amovibles (A).

### Montage de la base/du piètement sur le poêle

Fig. 6



4. Couchez délicatement le poêle sur le dos. Le poêle doit reposer sur une palette et trois châssis d'emballage.

Fig. 7

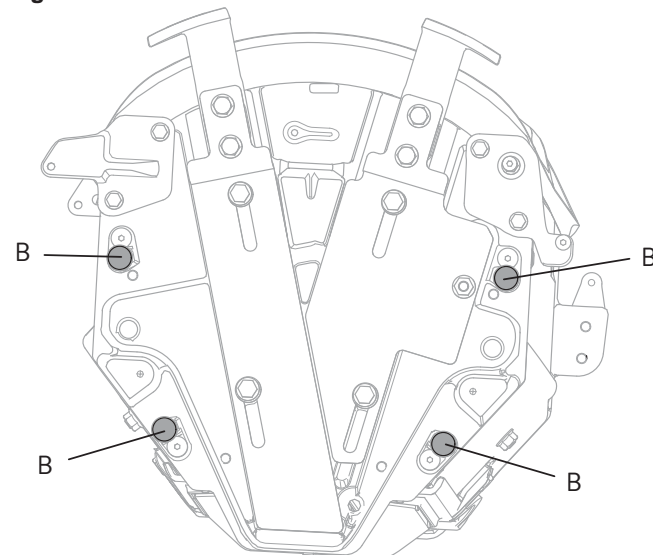
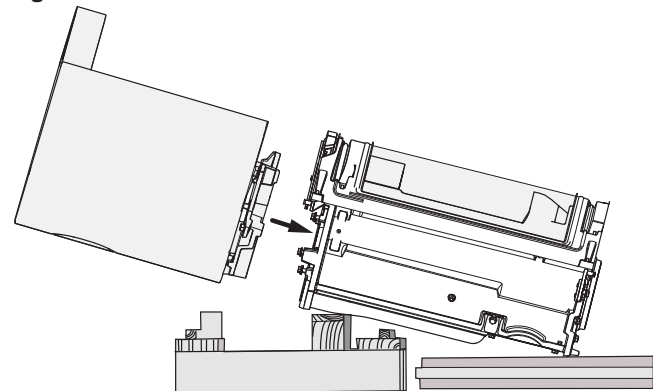


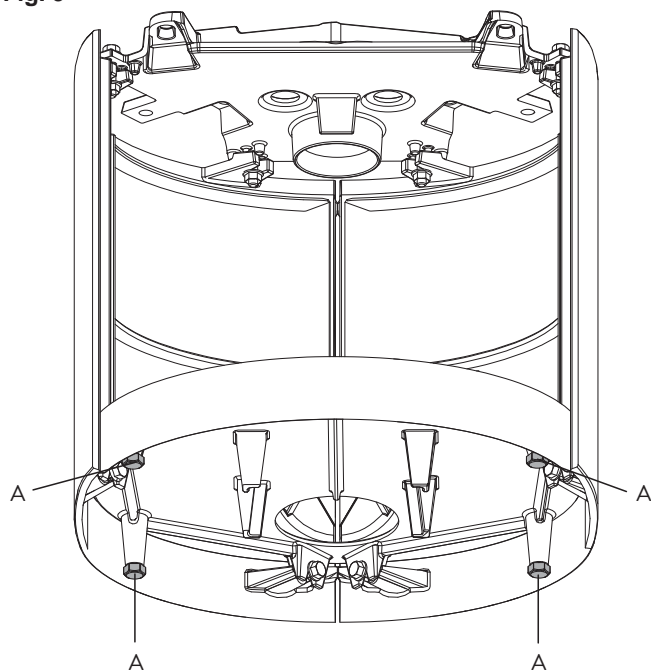
Fig. 8



5. Avant de positionner, retirez l'étagère (Fig. 4 - A) et la plaque arrière interne (figure 4 - B). Remontez la base jusqu'au poêle et fixez-la solidement au moyen des quatre vis (M8 x 25 mm) et des rondelles fournies. Voir Fig. 7 B.

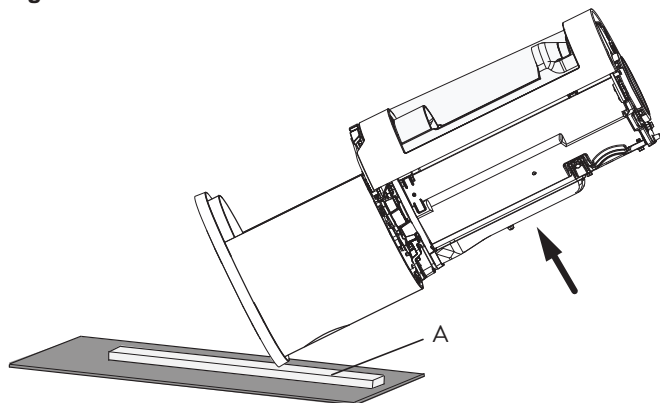
# FRANCAIS

Fig. 9



6. Desserrez légèrement les vis de réglage du niveau (**A**) en dessous de l'appareil de façon à pouvoir les tourner à la main. **Remarque** : Si la plaque de sol en verre en option doit être installée, la base doit être soulevée d'environ 8 mm par rapport au sol, de sorte que la plaque de sol puisse être poussée sous le bord avant de la base.

Fig. 10

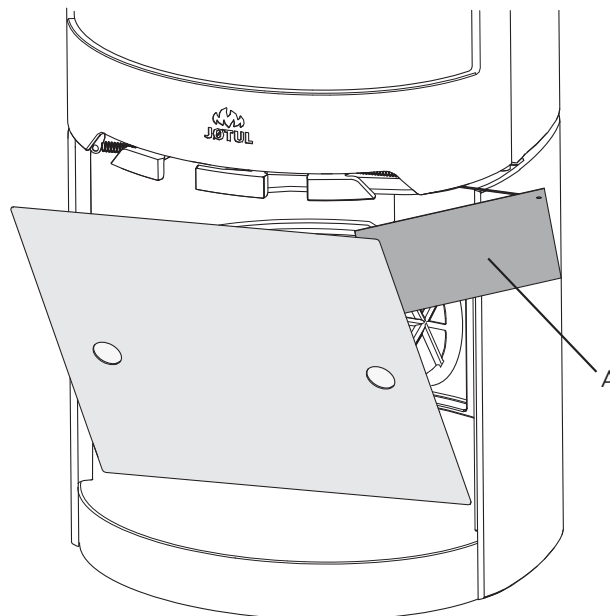


7. Retirez la palette avec précaution.
8. Placez un châssis d'emballage (**A**) transversalement en dessous de la base, du piédestal ou du pied (selon le cas) devant/sous l'appareil pour empêcher qu'il ne fasse des marques sur le sol. Relevez doucement le poêle et positionnez-le à l'endroit prévu (**Fig. 1**). N'oubliez pas de le placer juste au-dessus ou derrière l'arrivée d'air frais, selon le cas.
9. Mettez le couvercle (**Fig. 3 A**) provisoirement à sa place et mettez le poêle à niveau. Si le poêle n'est pas à l'horizontale, utilisez les vis de réglage (**Fig. 9 A**) pour corriger l'inclinaison.
10. Si les poignées de commande (**Fig. 3C**) sont difficiles à tirer, voir le **chapitre 4.6**.

## 4.3 Emplacement de la plaque signalétique

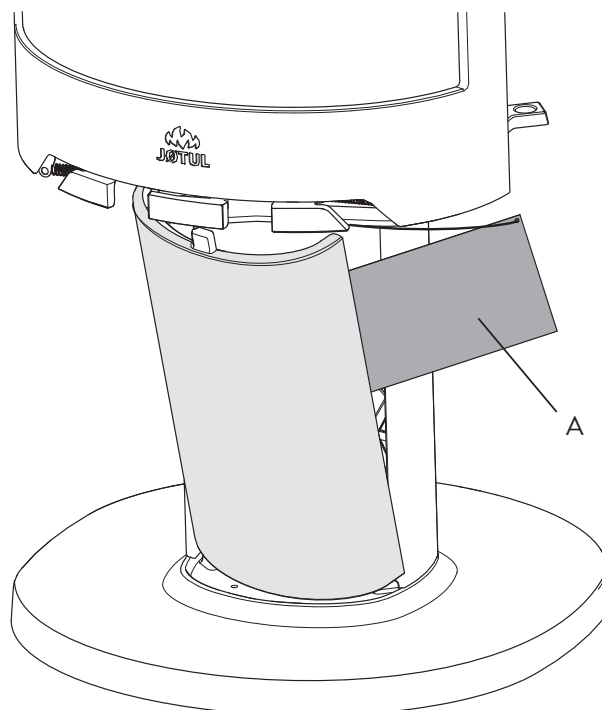
La plaque signalétique doit toujours être apposée sur le fil et positionnée comme illustré dans la **Fig. 11**.

Fig. 11, Base



1. Monter la plaque interne arrière (**Fig. 4 -B**) et l'étagère (**Fig. 4-A**) en position.

Fig. 11, Piètement



## Installation avec une arrivée d'air frais

Fig. 12 - Base

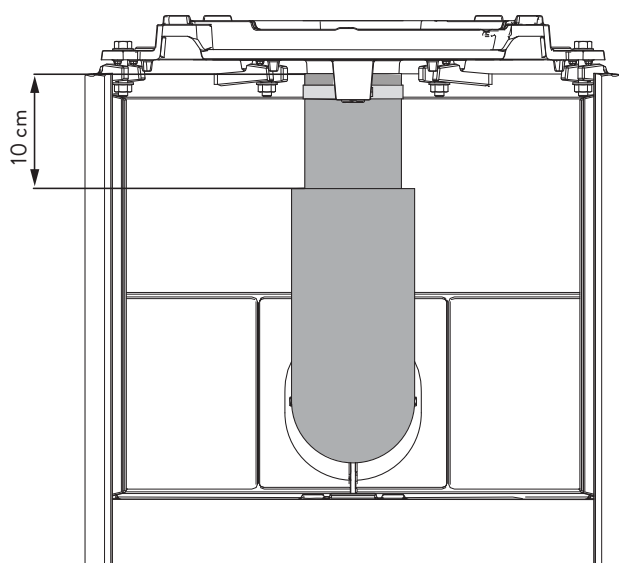
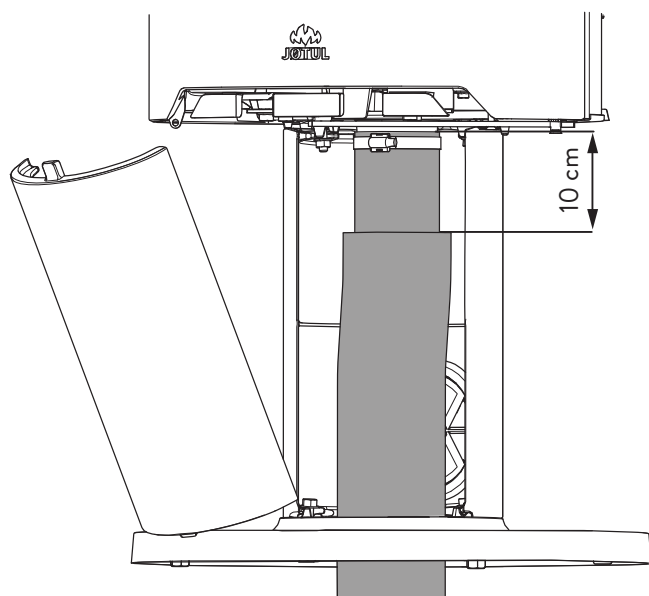


Fig. 12 - Piédestal



1. Fixez le raccord d'arrivée d'air frais à l'aide d'un collier de serrage. **(Remarque : ne mettez pas de collier de serrage sur le piédestal Jøtul F 483 à ensemble tournant car cela empêcherait l'ensemble de tourner).** **Remarque :** Assurez-vous que le tuyau est suffisamment long pour éviter l'utilisation de raccords. L'isolant du conduit d'arrivée d'air frais finit à **environ 10 cm** en dessous du le poêle.
2. Reposez toutes les pièces qui avaient été déposées de l'appareil.

## 4.4 Cheminées et conduits

- Le poêle peut être relié à une cheminée et à un conduit approuvés pour les poêles à combustible solide, avec les températures de fumées spécifiées dans la section « **1.0 Données techniques** ».
- La section minimale de la cheminée doit correspondre à celle du conduit. Pour calculer la section adéquate de la cheminée, voir la section « **1.0 Données techniques** ».
- Le raccordement à la cheminée doit être réalisé conformément aux **D.T.U. 24.1** ; ainsi qu'aux instructions d'installation du fournisseur de la cheminée.
- Procéder à un montage d'essai du poêle avant de percer un trou dans la cheminée. Voir **fig. 1** pour les cotes.
- Raccordement arrière : veiller à ce que le conduit de raccordement soit incliné vers le haut.
- Utiliser un coude de conduit doté d'une trappe ou un té ou siphon afin de permettre les opérations de ramonage suivant règlement.
- Veiller à ce que les raccordements soient souples afin d'empêcher toute fissure lors de l'installation.
- Tirage recommandé; Voir également les sections « **1.0 Données techniques** ». En cas de tirage trop important, utiliser un clapet ou un modérateur de tirage.

# FRANCAIS

## Montage d'un conduit de fumée avec sortie par le haut

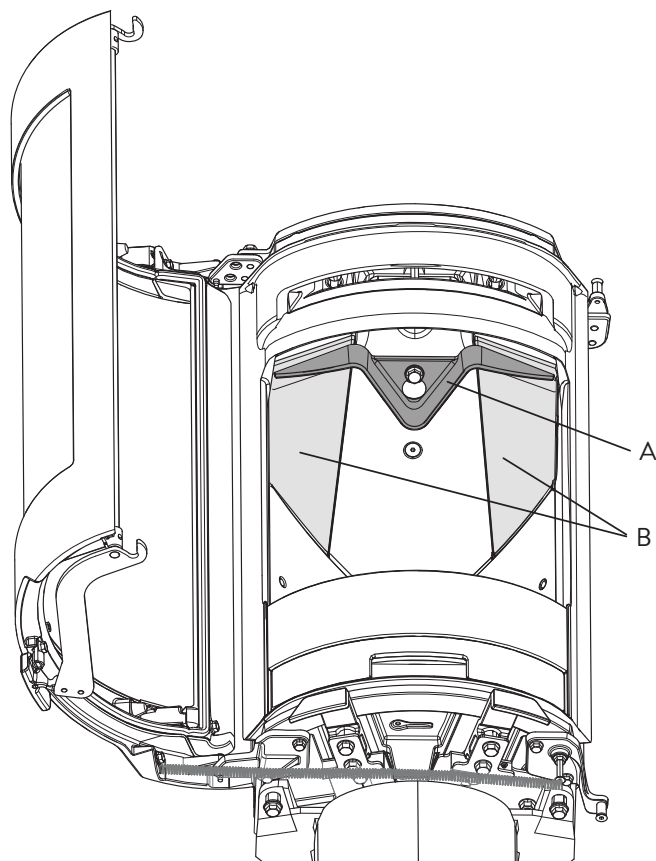
Avec une sortie par le haut, le conduit d'évacuation est monté après que les plaques extérieures aient été installées. Voir Chapitre 4.6.

## Montage d'un conduit de fumée avec sortie arrière

Le produit est livré avec la sortie par le haut. Pour une installation avec une sortie arrière, procédez comme suit :

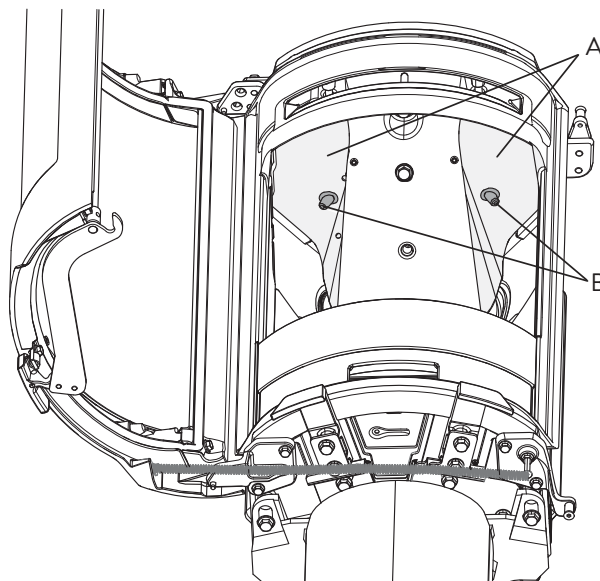
1. Positionnez correctement l'appareil. Voir Fig. 1.
2. Dévissez la buse de la sortie supérieure.
3. Ouvrez la porte.

Fig. 13



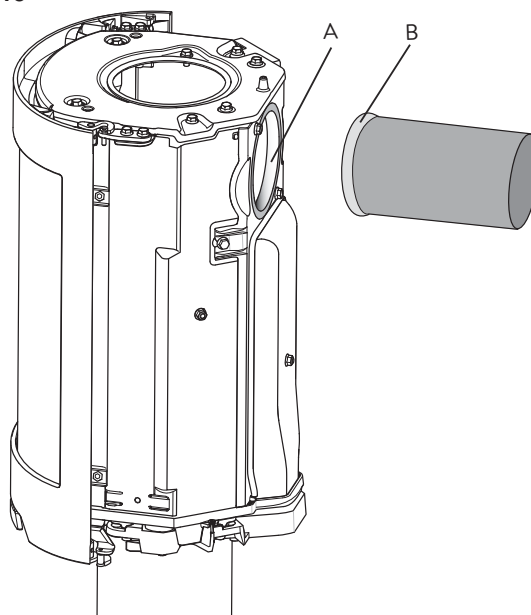
4. Retirez le déflecteur inférieur (A) en le faisant glisser vers l'avant et l'extérieur. Retenez le déflecteur pour qu'il ne tombe pas.
5. Tirez les déflecteurs (B) en avant, soulevez légèrement, tournez et abaissez-les.

Fig. 14



6. Veillez à noter comment les déflecteurs d'évacuation (A) sont positionnés avant de les enlever pour pouvoir les remettre en place correctement. Saisissez la tige (B) en dessous des déflecteurs d'évacuation, soulevez-les légèrement puis vers le côté avant de les abaisser et de les enlever du poêle.

Fig. 15

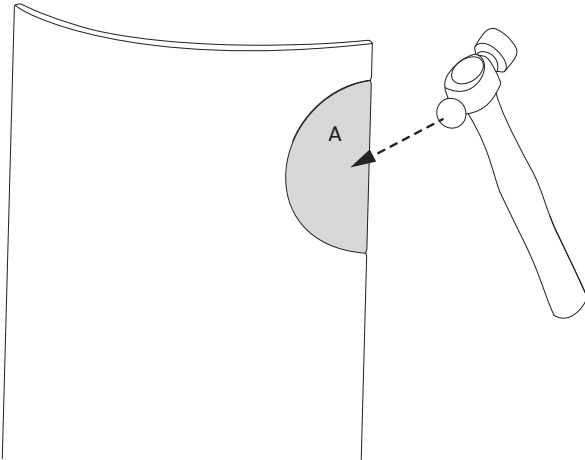


7. Dévissez le couvercle de la sortie arrière à l'intérieur du poêle et sortez-le par l'ouverture de la porte.
8. Attachez la buse (A) à l'intérieur du poêle à l'endroit où se trouvait le couvercle. Notez qu'elle doit être orientée de telle façon que le conduit d'évacuation puisse être mis en place depuis l'extérieur.
9. Collez le joint (B) contenu dans le sachet de vis autour du conduit d'évacuation et glissez-le jusqu'à la sortie de fumée.
10. Installez le couvercle de la sortie de fumée à la place de la buse.
11. Remettez le déflecteur d'évacuation et le déflecteur.

**Remarque : Il est important que les joints/les conduits de fumée soient parfaitement étanches. Des fuites d'air peuvent nuire au bon fonctionnement de l'appareil et à votre sécurité.**

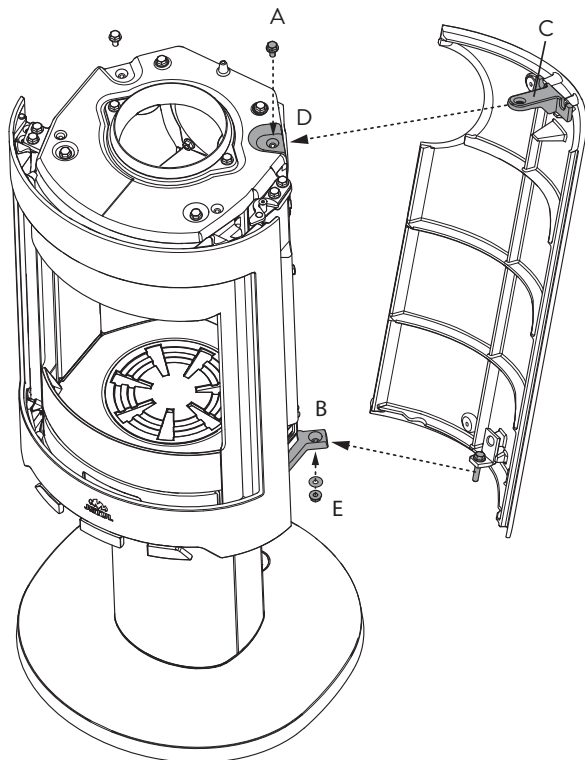
## 4.5 Montage des plaques latérales en fonte

Fig. 16



1. Si le conduit de fumée est monté à l'arrière, les plaques de recouvrement amovibles (A) doivent être retirées.

Fig. 17



2. Desserrez la vis (A) de la plaque latérale en fonte sur le dessus.
3. Décrocher la partie inférieure de la plaque latérale avec la vis sur le support (B). Fixer la partie inférieure avec un écrou et une rondelle (E).
4. Appuyer le support supérieur au-dessus du trou fileté (C) sur la partie supérieure du foyer.
5. Fixer le support avec une vis (A) et un écrou (D).
6. Fixer de l'autre côté en procédant de la même manière.

## 4.6 Montage d'un conduit de fumée avec sortie par le haut

**Remarque :** Avec une sortie par le haut, le conduit d'évacuation est installé après que les plaques extérieures ont été installées.

1. Positionnez correctement l'appareil.
2. Placez la plaque supérieure et la grille au sommet de l'appareil.
3. Placez le joint sur le bord du conduit d'évacuation comme le montre la Fig. 15 B.
4. Mettez en place le conduit d'évacuation.

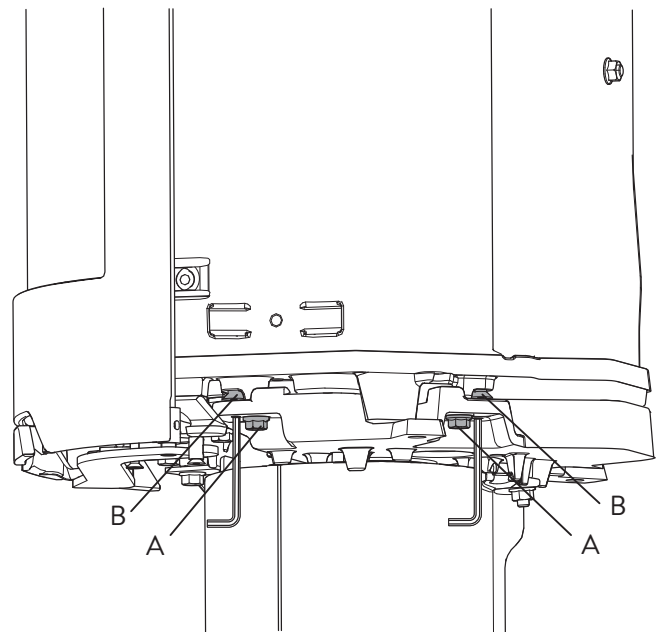
**Remarque :** Il est important que les joints/les conduits de fumée soient parfaitement étanches. Des fuites d'air peuvent nuire au bon fonctionnement de l'appareil et à votre sécurité.

## 4.7 Réglage de la hauteur du poêle sur le Jøtul F 480

Toute inégalité entre le poêle et la base/le piétement/le pied devra être rectifiée.

Ceci peut également permettre de réduire la pression sur les clapets de tirage (ceci évite que les clapets deviennent rigides).

Fig. 18



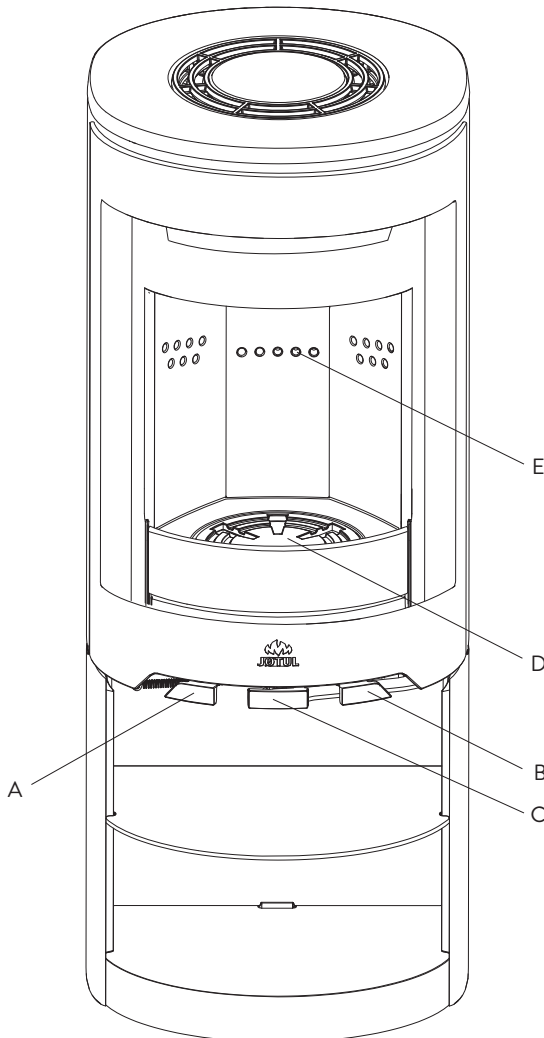
1. Si la base est déjà montée, l'étagère et la plaque intérieure devront être retirées en premier.
2. Desserrez les vis (A) d'environ 4 mm sur les deux côtés du produit.
3. Desserrez B à l'aide d'une clé six pans jusqu'à ce que la clé rencontre une résistance. Tournez ensuite la vis de réglage pour relever le poêle autant que nécessaire.
4. Serrez les vis (A).
5. Remettez en place la plaque intérieure de la base et l'étagère (de la base seulement).

# FRANCAIS

## 4.8 Test de fonctionnement

Inspectez toujours les poignées de commande une fois l'appareil monté. Les éléments mobiles doivent fonctionner librement.

Fig. 19



**Le poêle Jøtul F 480 comporte les commandes suivantes :**

### Registre de combustion (A)

Poussé : Fermé  
Complètement tiré : Ouvert

Si le clapet est difficile à tirer, voir **le point 4.7**.

### Registre d'allumage (B)

Poussé : Fermé  
Complètement tiré : Ouvert

Si le clapet est difficile à tirer, voir **le point 4.7**.

**Grille de décendrage (B)** (même poignée que pour le registre d'allumage). Tirer et pousser la poignée de droite

### Poignée (C) de porte

Pour ouvrir, tirer la poignée à fond et maintenez-la ainsi puis tirez la porte.

**Hauteur d'empilement (D)** pour le bois. (Ne pas dépasser les trous).

## 5.0 Utilisation au quotidien

### Odeurs perceptibles lors de la première utilisation du poêle

Lors de la première utilisation, le poêle peut émettre un gaz irritant et dégager des odeurs désagréables. Ceci se produit lorsque la peinture sèche. Ce gaz n'est pas toxique, mais il est recommandé de bien aérer la pièce. Maintenir un tirage élevé dans le poêle jusqu'à qu'aucun gaz, fumée ou odeur ne puisse être détecté.

### Conseils de chauffage

**Remarque :** Il est recommandé d'entrer les bûches qui ont été stockées à l'extérieur ou dans une pièce froide 24 heures avant de les brûler afin de les amener à température ambiante.

Il existe différentes manières de chauffer le poêle, mais soyez toujours attentif à ce que vous y mettez. Voir le chapitre intitulé « **La qualité du bois** ».

Important ! Une alimentation en air insuffisante entraîne une mauvaise combustion, des émissions élevées et un faible niveau d'efficacité.

### La qualité du bois

Par bois de qualité, nous entendons les essences les plus courantes telles que bouleau, épicéa et pin ou hêtre, chêne, érable. Suivant les pays.

**Les bûches doivent sécher afin que leur teneur en eau ne dépasse pas 20 %.**

Pour cela, il convient de couper le bois à la fin de l'hiver. Fendez-les et empilez-les pour permettre à l'air de bien circuler. Recouvrez les piles afin de protéger les bûches de la pluie. Entrez les bûches dans la maison au début de l'automne en vue de leur utilisation pendant l'hiver qui suit.

**Soyez particulièrement attentif à ne jamais brûler les matériaux suivants dans le poêle :**

- Les déchets ménagers, les sacs en plastique, etc.
- Le bois peint ou imprégné (très toxique).
- Le bois contreplaqué
- Le bois qui est resté dans l'eau
- Les chutes de menuiserie dont le bois est trop sec.
- Le bois de récupération de chantier

*Ceux-ci risquent d'endommager l'appareil et ce sont aussi des polluants.*

**Remarque :** N'employez jamais de l'essence, de la paraffine, de l'alcool (méthylé) ou tout liquide similaire pour allumer le feu. Vous risqueriez de vous blesser sérieusement et d'endommager l'appareil.

**Bois d'allumage (bois fendu menu) :**

Longueur : environ 30 cm  
 Diamètre : 2 à 5 cm  
 Quantité nécessaire à l'allumage : 6 à 8 morceaux

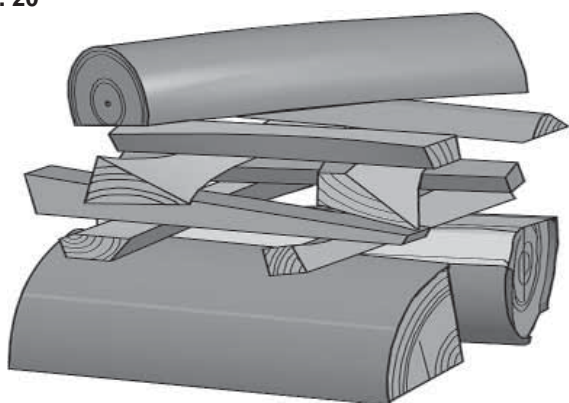
**Bois (bois fendu) :**

Longueur recommandée : 20 à 30 cm  
 Diamètre : Environ 8 cm  
 Ajouter du bois toutes les : 45 minutes environ  
 Taille du feu : 1,6 kg (puissance nominale)  
 Quantité nécessaire à l'allumage : x2

La puissance de chauffage nominale s'obtient lorsque le registre d'air est ouvert à environ 50 % (**Fig. 19 A**).

**Premier allumage**

Ouvrir le registre d'air frais et le registre d'allumage en tirant les poignées (**Fig. 19 A et B**) à fond. Si nécessaire, maintenir la porte légèrement ouverte.

**Fig. 20**

- Disposez deux bûches au fond du poêle et empilez le bois d'allumage en strates successives.
- Pour finir, placez une bûche de taille moyenne au sommet de la pile de bois.
- Placez 2 ou 3 briquettes sous la plus haute strate de bois d'allumage puis allumez le feu. **Remarque : La hauteur maximale de la pile de bois ne doit pas dépasser la ligne de trous horizontale.** Ne pas recouvrir les trous.
- Une fois que le feu a bien pris, fermez le registre d'allumage (**Fig. 19 B**).
- Si le flux d'air est normal, vous pourrez fermer la porte et le feu continuera à brûler de lui-même.
- Vous pouvez régler la vitesse de combustion pour obtenir le degré de chauffage souhaité en ajustant le registre d'air frais (**Fig. 19 A**).
- Vérifiez que la postcombustion (combustion secondaire) démarre. On le voit aux flammes jaunes, dansantes, devant les trous sous le déflecteur.

**Ajouter du bois**

Alimentez le poêle régulièrement mais n'ajoutez que de petites quantités de combustible à la fois. Si la combustion est trop vive, la contrainte thermique dans la cheminée risque de devenir excessive. Faites preuve de modération. Évitez les feux couvants car ils sont les plus polluants. Le feu est parfait lorsque le bois brûle bien et que la fumée qui sort de la cheminée est pratiquement invisible.

**5.1 Risque de surchauffe****Ne surchauffez jamais le poêle**

La surchauffe est provoquée par un excès de combustible et/ou d'air qui donne lieu à un dégagement de chaleur trop important. Lorsque le poêle devient incandescent par endroits, c'est un signe incontestable de surchauffe. Si le cas se produit, réduisez immédiatement l'apport d'air frais. En cas de surchauffe, la garantie ne pourrait pas être assurée.

Si vous pensez que la cheminée tire mal (tirage excessif ou insuffisant), contactez un spécialiste. Pour plus de détails, reportez-vous à «**4.0 Installation** » (**Cheminée et conduit d'évacuation**).

**5.2 Décendrage**

Le poêle Jøtul F 480 est équipé d'un cendrier qui permet de vider facilement les cendres.

- Attendez que le poêle soit froid pour retirer les cendres.
- Raclez les cendres au-dessus de la grille au fond du poêle pour qu'elles tombent dans le cendrier. Portez un gant ou une protection similaire pour vous protéger la main. Saisissez la poignée du cendrier et sortez les cendres. Ne laissez pas le cendrier se remplir complètement, au point d'empêcher les cendres de tomber dans le cendrier à travers la grille.
- Avant de refermer la porte, assurez-vous que le cendrier a été introduit jusqu'au fond.

# FRANCAIS

## 6.0 Maintenance

### 6.1 Nettoyage de la vitre

Le poêle est équipé d'un système d'entrée d'air par le haut. L'air est aspiré au-dessus du foyer et circule le long de la vitre.

L'accumulation de suie sur la vitre est toutefois inévitable, la quantité de dépôts dépendant du taux d'humidité du combustible, des conditions de tirage et du réglage de l'entrée d'air supérieure. Une grande partie de cette suie est normalement consommée lorsque l'entrée d'air est ouverte à son maximum et en présence d'un feu vif dans le foyer.

Un bon conseil ! Pour les opérations courantes de nettoyage, humidifier un essuie-tout ou du papier journal à l'eau chaude et l'imprégner de quelques cendres prélevées dans la chambre de combustion. Frotter la vitre avec ce papier puis rincer à l'eau claire et essuyer. Pour un nettoyage optimal, il est recommandé d'utiliser un nettoyant à vitres. Ne jamais projeter le produit directement sur la vitre : il risque de détériorer les fixations de la vitre et le joint, ce qui peut entraîner la cassure de la vitre.

### 6.2 Nettoyage et élimination de la suie

Pendant l'utilisation, de la suie peut se déposer sur les surfaces internes du poêle. La suie est un bon isolant. Elle réduit donc le rendement thermique du poêle. Utiliser une brosse métallique pour retirer tout dépôt de suie dans le produit sauf sur les plaques en vermiculite.

Laisser brûler vivement afin d'éviter tout dépôt de goudron et d'eau dans le poêle. Un nettoyage annuel de l'intérieur du poêle est requis pour optimiser le rendement du produit. Cette opération peut être réalisée lors du ramonage des conduits et de la cheminée.

### 6.3 Ramonage des conduits d'évacuation vers la cheminée

Le ramonage des conduits doit s'effectuer à partir de la trappe de ramonage ou depuis l'intérieur du produit. Commencez par retirer les déflecteurs inférieur et supérieur.

### 6.4 Inspection du poêle

Jøtul recommande que l'utilisateur contrôle personnellement et soigneusement le poêle suite à une opération de ramonage/nettoyage. Vérifier l'absence de fissures sur toutes les surfaces visibles. Vérifier également l'état et la bonne installation de tous les joints. Tout joint montrant des signes d'usure, de déformation ou de dureté doit être remplacé. Un appareil ne doit jamais fonctionner avec un composant défectueux.

Nettoyer soigneusement les gorges de joint, appliquer de la colle céramique (disponible auprès des distributeurs Jøtul), puis insérer correctement le joint sans tirer dessus. La colle sèche rapidement.

### 6.5 Entretien de la surface externe

La couleur des produits peints peut se ternir après plusieurs années d'utilisation. Avant d'appliquer une nouvelle couche de peinture, brosser et laver la surface peinte pour en éliminer toutes les particules.

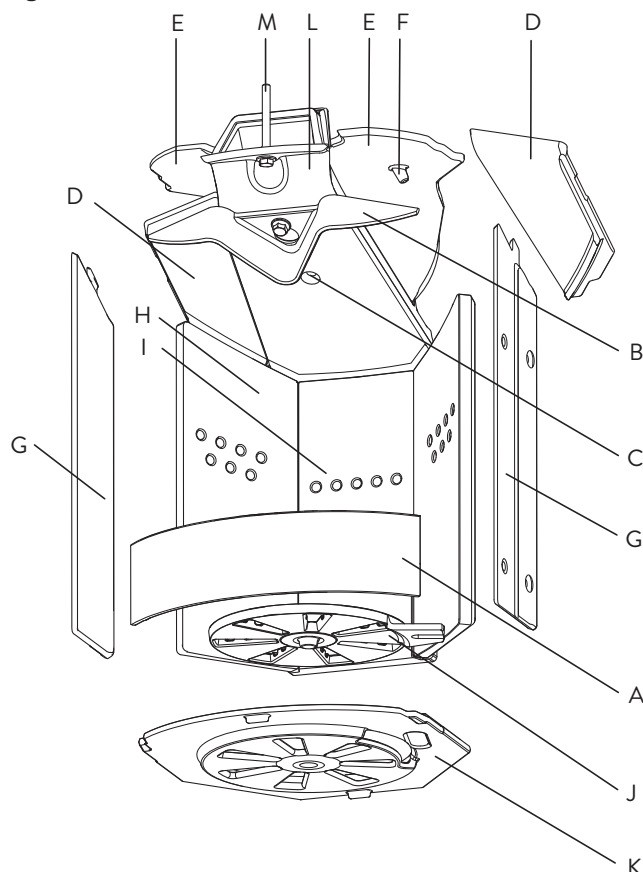
## 7.0 Entretien

**Avertissement ! Toute modification non autorisée du produit est interdite ! Utilisez uniquement des pièces détachées d'origine !**

### 7.1 Entretien/remplacement de pièces du poêle

Remarque : Utilisez les outils avec précaution ! Les plaques de vermiculite sont fragiles et pourraient être endommagées si elles étaient manipulées sans précaution.

Fig. 21



1. Soulevez et retirez le pare-cendres (A).
2. Faites glisser ou soulever le déflecteur (B) de l'encoche en trou de serrure (C). Retenez le déflecteur pour qu'il ne tombe pas.
3. Tirez les déflecteurs (D) en avant, soulevez légèrement, tournez et abaissez-les.
4. Veillez à noter comment les déflecteurs d'évacuation (E) sont positionnés avant de les enlever pour pouvoir les remettre en place correctement. Saisissez la tige (F) située sous les déflecteurs d'évacuation. Soulevez-les quelque peu puis latéralement avant de les abaisser.
5. Soulevez et sortez les plaques de doublage latérales avant (G).
6. Saisissez la partie supérieure des plaques de doublage latérales arrière (H) et tournez-les vers le centre du poêle. Puis sortez-les.
7. Sortez la plaque de doublage arrière (I). Lors de la remise en place, vérifiez que le joint de la plaque de doublage arrière est solidement attaché.
8. Sortez la grille de décendrage (J) (peut être effectué en premier si elle doit être remplacée). Vérifiez que l'encoche



- de la grille de décendrage touche la barre sous la plaque de fond inférieure au moment de la remise en place.
9. Soulevez et sortez la plaque de fond intérieure (K).
  10. Maintenir la conduite d'air supérieure (L) en hauteur au niveau du bord avant en desserrant la vis (M). Utiliser une clé de 13 mm avec une rallonge. Incliner la conduite d'air vers le bas lorsque la vis est desserrée. Vous pouvez aussi l'effectuer après le point 6. Il y a des joints à la fois à l'avant et à l'arrière de la conduite d'air. Collez des joints neufs avant de remettre en place.
  11. Lors de la remise en place, suivez la même procédure en ordre inverse.

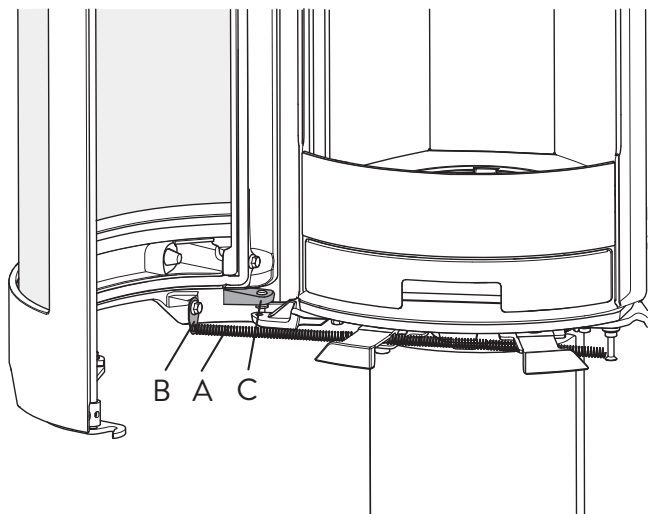
## 7.2 Remplacer les plaques latérales

1. Desserrez la vis (Fig. 17 A) qui retient les plaques latérales sur le dessus.
2. Décrocher la partie inférieure de la plaque latérale avec la vis du support (Fig. 17 B).
3. Monter les nouvelles plaques latérales en suivant les indications données au Chapitre 4.5.

**Remarque :** Si le poêle a une sortie sur le dessus, il est possible de soulever et de tourner la plaque supérieure pour accéder plus facilement aux vis.

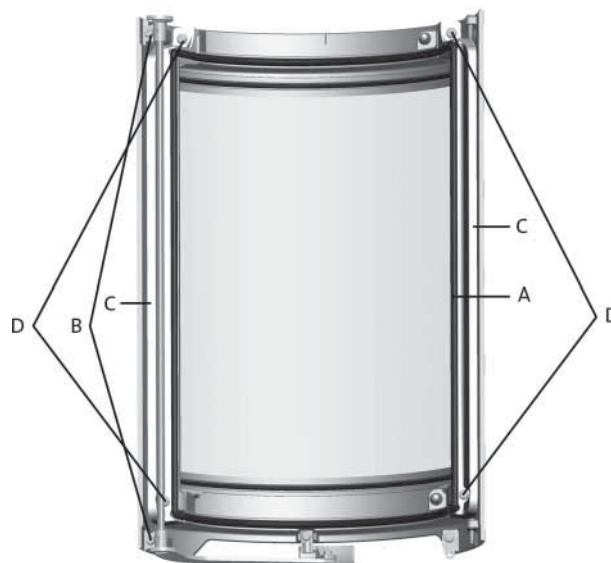
## 7.3 Remplacer la vitre et les joints de la porte

Fig. 22



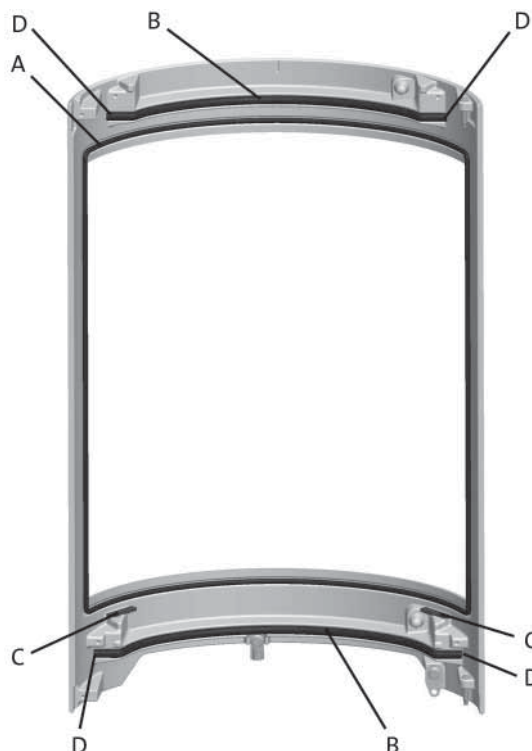
1. Ouvrez la porte et décrochez le ressort (A) du clip (B).
2. Soulevez la porte hors des gonds. Veillez à récupérer la rondelle sous la charnière inférieure (C).
3. Placez la porte vers le bas sur un matériau souple.

Fig. 23



4. Si c'est uniquement le joint qui vient s'appliquer contre la façade du foyer qui doit être remplacé (A), nettoyez la rainure du joint et collez un nouveau joint en place.
5. Pour le remplacement d'un joint de vitre ou d'une vitre, dévissez le mécanisme de fermeture qui est fixé avec des vis et rondelles (B).
6. Retirez les supports de vitre (C) qui sont fixés avec 4 vis (D).
7. Soulevez la vitre.

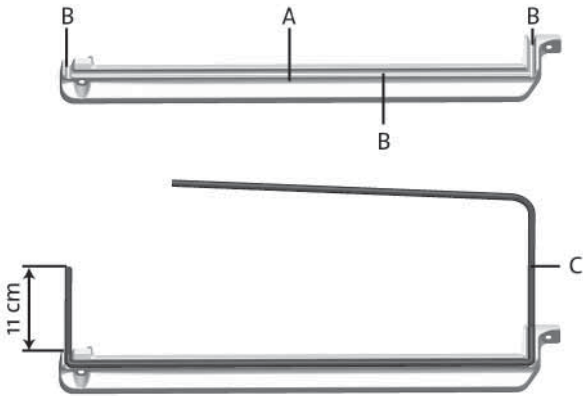
Fig. 24



8. Nettoyez soigneusement la rainure du joint et collez le nouveau joint en place : Le joint de vitre (A), le joint de porte (B) et le joint sous la vitre (C). Assurez-vous que les joints de porte s'insèrent jusque dans les coins (D).

# FRANCAIS

Fig. 25



9. Placez les supports de vitre sur un matériau avec le côté, comme illustré (A) tourné vers le haut.
10. Appliquez un cordon de colle dans la rainure du joint (B) qui est maintenant tournée vers le haut.
11. Remontez le joint (C) dans la gorge avec les extrémités saillantes, comme illustré (11 cm sur un côté).

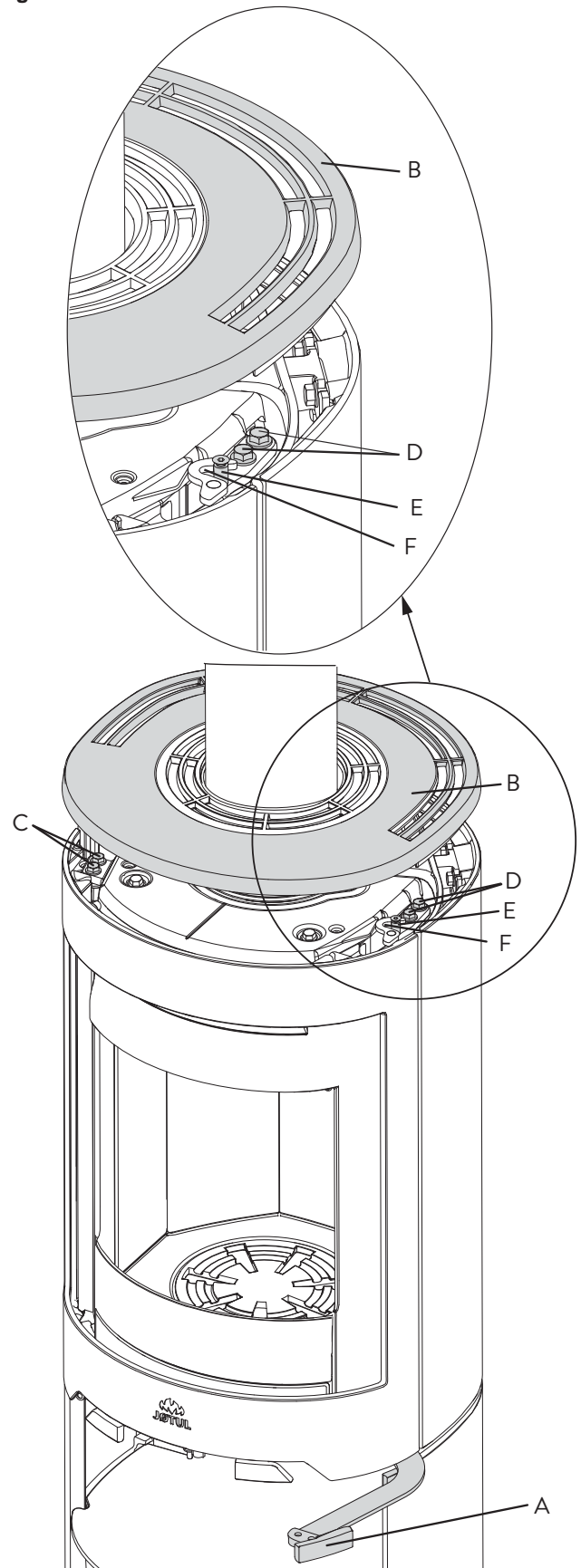
Fig. 26



12. Retournez les supports de vitre et appliquez un cordon de colle dans les rainures du joint. Veuillez noter le chevauchement (A).
13. Lors de la remise en place, suivez la même procédure dans l'ordre inverse. N'oubliez pas de placer une rondelle sous la charnière.

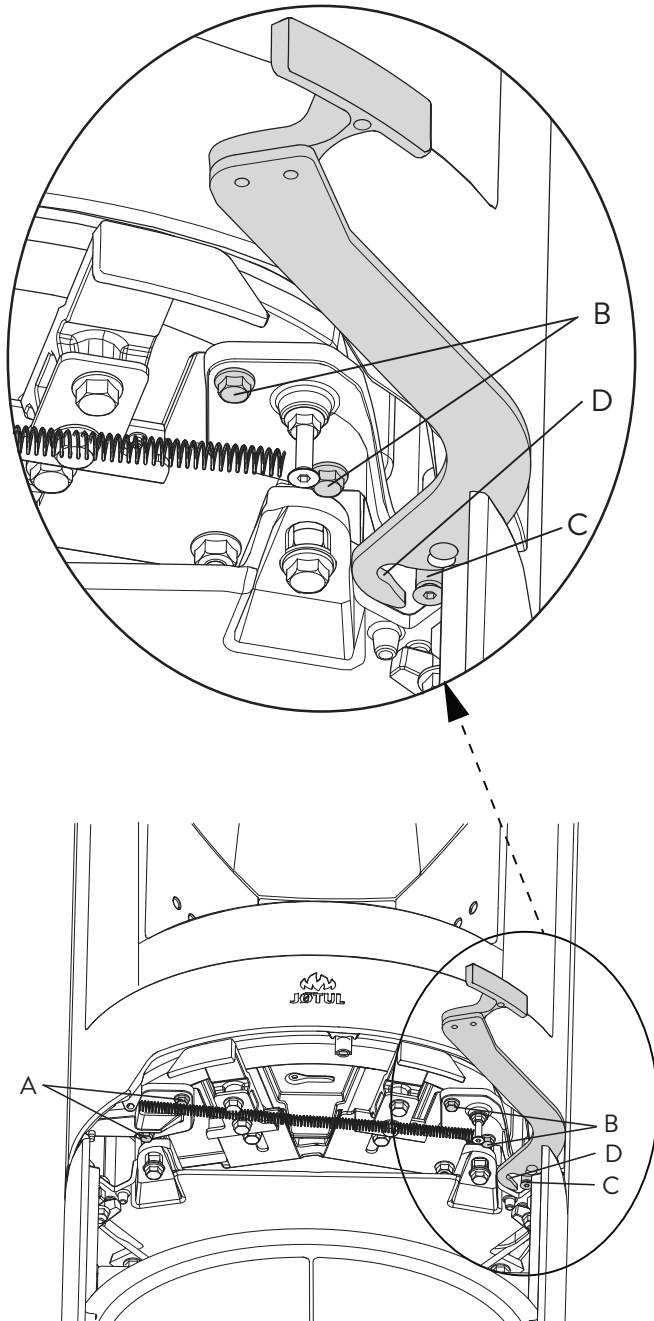
## 7.4 Ajuster la porte

Fig. 27



1. Ouvrez la poignée de porte (A).
2. Tournez ou retirez la plaque supérieure (B).
3. Desserrez les vis (C).

Fig. 28



4. Desserrez les vis (fig. 28 A).
5. Placez la porte dans la position souhaitée.
6. Serrez les vis (fig. 28 A et fig. 27 C).
7. Desserrez les vis (fig. 28 B et fig. 27 B).
8. Fermez la poignée de porte (fig. 27 A). Maintenez la porte fermée tout en poussant le verrou de porte supérieure (fig. 27 E) et le verrou de porte inférieure (fig. 28 C) dans les crochets (fig. 27 F et fig. 28 D).
9. Maintenez la porte fermée tout en serrant les vis (fig. 27 D et fig. 28 B) qui retiennent les verrous de porte.

## 8.0 Dysfonctionnements – Causes et dépannages

### Tirage faible

Vérifier que la longueur de la cheminée est conforme aux législations et aux réglementations nationales en vigueur.

Vérifier que la section minimale de la cheminée est conforme aux spécifications de la section «**2.0 Données techniques**» du manuel d'installation.

Vérifier que rien n'empêche l'évacuation des fumées : branches, arbres, etc.

Pour remédier à tout tirage semblant faible ou excessif, demander à un professionnel de vérifier et éventuellement de redimensionner la cheminée.

### Le feu s'étouffe rapidement

- Vérifier que le bois de chauffage est suffisamment sec.
- Vérifier l'absence d'aspiration dans la pièce. Arrêter toute ventilation mécanique et ouvrir une fenêtre à proximité du foyer.
- Vérifier que l'entrée d'air est ouverte.
- Vérifier que le conduit n'est pas obstrué.

### Important dépôt de suie sur la vitre

L'accumulation de suie sur la vitre est inévitable, mais la quantité de dépôt varie en fonction :

- Du taux d'humidité du combustible.
- Des conditions locales de tirage.
- Du réglage de l'entrée d'air.

Une grande partie de cette suie est normalement consommée lorsque l'entrée d'air est ouverte à son maximum et en présence d'un feu vif dans le poêle pendant une dizaine de minutes.

## 9.0 Équipements disponibles en option

### 9.1 Raccordement prise d'air extérieur

Raccordement prise d'air extérieur, Ø 80 mm - Réf. cat. 51047509.

### 9.2 Ensemble tournant

Voir guide d'installation spécial (réf. cat. 10026061).

Ensemble tournant pour les modèles Jøtul F 363, Jøtul F 373, Jøtul F 483 SHD et Jøtul F 483 – Réf. cat. 51012254

# FRANCAIS

## 10.0 Recyclage

### 10.1 Recyclage de l'emballage

- Votre foyer est livré avec les emballages suivants :
- Une palette en bois qui peut être sciée et brûlée dans le poêle.
- Des emballages en carton qui doivent être déposés dans une station de recyclage près de chez vous.
- Des sacs en plastique qui doivent être déposés dans une station de recyclage près de chez vous.

### 10.2 Recyclage du poêle

#### Le poêle est composé de :

- d'éléments métalliques qui doivent être déposés dans une station de recyclage près de chez vous.
- de verre qui doit être éliminé comme des déchets dangereux. Le verre dans le poêle ne doit pas être placé dans un conteneur de séparation à la source standard.
- de panneaux en vermiculite qui peuvent être déposés dans des conteneurs de déchets classiques.

## 11.0 Conditions de garantie

Applicables à partir du 1<sup>er</sup> Septembre 2016 à tout produit Jøtul acheté auprès du réseau de revendeurs agréés Jøtul.

Félicitations pour votre achat d'un appareil Jøtul ! Depuis 1853, Jøtul est un fabricant renommé de foyers, cheminées et inserts durables et d'excellente qualité. La grande qualité de nos produits nous permet d'offrir à nos clients une garantie longue durée, et ce, sans frais supplémentaires.

#### Notre garantie couvre :

En plus de la garantie légale en vigueur, Jøtul France offre une garantie commerciale étendue à :

- 25 ans à compter de l'achat de l'appareil sur toutes les pièces en fonte des appareils à bûches, si vous enregistrez votre appareil sur le site [www.jotul.com/fr](http://www.jotul.com/fr) dans les 3 mois suivant votre achat. Nous vous conseillons d'imprimer et de conserver votre justificatif d'enregistrement de garantie avec votre preuve d'achat. A défaut d'enregistrement, la garantie commerciale sera de 5 ans à compter de l'achat de l'appareil sur ces mêmes pièces.
- 5 ans sur les pièces en acier des appareils à bûches.

La garantie s'applique uniquement si l'appareil a été installé par un revendeur agréé du réseau Jøtul, conformément à la réglementation en vigueur et aux instructions d'installation et d'utilisation décrites dans le manuel de l'appareil.

Les appareils réparés ou les appareils de remplacement, ne donnent en aucun cas droit à une prolongation de garantie. Ils sont donc garantis pour la durée restante de la garantie initiale.

#### Notre garantie commerciale ne couvre pas :

- Les pièces d'usure, telles que les composants de la chambre de combustion (déflecteurs, joints, plaques de doublage, etc.), car ces pièces s'usent avec le temps lors d'une utilisation normale,
- Les vitres, la peinture, l'émail, les pierres naturelles, les éléments en béton et tous les revêtements décoratifs,
- Les dommages liés à une mauvaise utilisation : combustible inapproprié ou de mauvaise qualité, surchauffe, défaut d'entretien, non respect des instructions d'utilisation décrites dans le manuel de l'appareil, etc,
- Les dommages liés au transport ou à une mauvaise installation de l'appareil,
- Les cas impliquant des modifications de l'appareil sans le consentement de Jøtul ou l'utilisation de pièces qui ne sont pas d'origine,
- Les frais annexes (frais de port, déplacement, main d'œuvre, etc...), ni les dommages indirects.

La demande de garantie doit être effectuée auprès de votre revendeur agréé du réseau Jøtul, dans les 14 jours suivant la survenance du défaut. Voir liste de nos revendeurs sur notre site internet. Elle doit être accompagnée de votre preuve d'achat de l'appareil (facture) et de votre justificatif d'enregistrement de garantie.


Si Jøtul se trouve dans l'incapacité d'assumer la prise en charge sous garantie de votre appareil, Jøtul remplacera gratuitement votre produit par un appareil de puissance similaire.

Cette garantie est exclusive de toute autre garantie et prévaut sur toute autre garantie accordée par toute autre société du groupe Jøtul.

## Índice

1.0	Datos técnicos .....	37
2.0	Relación con las autoridades .....	37
3.0	Seguridad .....	38
4.0	Instalación .....	41
5.0	Uso diario .....	47
6.0	Mantenimiento.....	48
7.0	Servicio .....	49
8.0	Problemas de funcionamiento: Solución de problemas.....	52
9.0	Complementos opcionales.....	52
10.0	Reciclaje.....	53
11.0	Términos de la Garantía.....	53

Registre su chimenea en [jotul.com](http://jotul.com) y disfrute de 25 años de garantía.

Product: <b>Jøtul</b> Room heater fired by solid fuel			
			
Standard Minimum distance to adjacent combustible materials Minimum distance to adjacent non-combustible materials Emission of CO in combustion products Flue gas temperature Nominal heat output Efficiency Operation range Fuel type Operational type The appliance can be used in a shared flue.			
Country	Classification	Certified standard	Approved by
Norway	Klasse II		
Sweden	SEC	SP	SP-Sveagen (Sveagens- och Forskningsinstitutet AB)
EUR	Intermittent	EN	SP Swedish National Testing and Research Institute
Follow user's instructions. Use only recommended fuels. Montage- und Bedienungsanleitung beachten. Verwenden Sie nur empfohlenen Brennstoffen. Respectez les consignes d'utilisation. Utilisez uniquement les combustibles recommandés.			
Serial no. Y-xxxx, Year: 200x			
Manufacturer: Jøtul AS POB 1441 N-1602 Fredrikstad Norway		2215-99	

Todos nuestros productos disponen de una etiqueta que indica su número de serie y año. Escriba este número en el lugar indicado para ello en las instrucciones de instalación.

Indique siempre este número cuando se ponga en contacto con su distribuidor o con Jøtul.

Serial no.

## 1.0 Datos técnicos

Material:	Hierro colado
Acabado:	Pintura negra
Tipo de combustible:	Madera
Longitud máx. de leño:	30 cm
Salida de humo:	Superior, trasera
Tamaño del tubo de tiro:	Ø 150 mm
Conexión de aire exterior:	Alum. flex. Ø 80 mm

### Peso del producto:

Cámara de combustión:	119 kg
Base, hierro colado:	46 kg
Pedestal, hierro colado:	34 kg
Lados de hierro colado:	33 kg
Extras opcionales:	Placas de piso, conexión de aire exterior, Juego giratorio para Jøtul F 483

Tamaños de producto y distancias:

Ver Fig. 1

### Especificaciones técnicas conforme a EN 13240

Potencia calorífica nominal:	6,0 kW
Flujo másico del gas de tiro:	6,0g/s
Corriente recomendada de chimenea:	12 Pa
Rendimiento:	75 % @ 6 kW
Emisiones de CO (13% O <sub>2</sub> ):	0,08 %
Emisiones de OGC (13 % O <sub>2</sub> ):	
Temperatura de gas de tiro:	315 <sup>o</sup> C
Polvo:	< 20 mg/m <sup>3</sup> n @ 13%O <sub>2</sub>
Tiempo de quemado:	2,2 kg/h
Tipo de funcionamiento:	Intermitente

Combustión intermitente se refiere al uso normal de una estufa, es decir, añadida más combustible cuando el fuego haya quedado reducido a rescoldos.

## 2.0 Relación con las autoridades

- La instalación de una estufa debe realizarse con arreglo a la normativa y legislación nacional. En la instalación de los productos deben cumplirse todas las disposiciones locales, incluidas aquellas referentes a las normas nacionales y europeas.
- La instalación deberá ser revisada por un inspector homologado antes de ponerse en servicio.
- Consulte a las autoridades locales en materia de construcción antes de instalar una nueva estufa.

## 3.0 Seguridad

**N. B.:** para garantizar un rendimiento y seguridad óptimos, Jøtul recomienda que sus estufas sean instaladas por un instalador cualificado (consulte la lista íntegra de distribuidores en [www.jotul.com](http://www.jotul.com)).

Cualquier modificación del producto por parte del distribuidor, instalador o usuario puede motivar que el producto y sus prestaciones de seguridad no funcionen del modo previsto. Esto también se aplica a la instalación de accesorios o extras opcionales suministrados por terceros. Lo mismo puede suceder si se desmontan o retiran componentes esenciales para el funcionamiento y la seguridad de la estufa.

En cualquier caso, el fabricante no se hará responsable del producto y el derecho a realizar una reclamación quedará anulado y sin validez.

### 3.1 Medidas de prevención de incendios

Existe un cierto elemento de riesgo cada vez que se usa la estufa. Por lo tanto, deben respetarse las siguientes instrucciones:

- Las distancias mínimas de seguridad al utilizar la estufa se muestran en la **fig. 1**.
- Asegúrese de que no haya muebles ni otros elementos inflamables demasiado cerca de la estufa. Los elementos inflamables no deberían estar a menos de **1000 mm** de la estufa.
- Deje que el fuego se consuma por sí solo. Nunca apague las llamas con agua.
- La estufa se calienta cuando está encendida y puede causar quemaduras si se toca.
- Saque las cenizas solo con la estufa fría. Las cenizas pueden contener rescoldos calientes y, por lo tanto, deberán ponerse en un recipiente no inflamable.
- Las cenizas deberán sacarse al exterior o vaciarse en un lugar donde no supongan un riesgo de incendio.

#### Si se produce un incendio en la chimenea

- Cierre todas las trampillas y los respiraderos.
- Cierre la puerta de la estufa.
- Compruebe si hay humo en el sótano y en la buhardilla.
- Llame a los bomberos.
- Después de producirse un incendio, un experto deberá comprobar la estufa y la chimenea antes de utilizarse para asegurar que funciona correctamente.

## 3.2 Suelo

### Anclaje, base

Debe verificar que la base se adecue a la instalación de una estufa. Compruebe el peso especificado en «**1.0 Especificaciones técnicas**».

Se recomienda retirar el revestimiento del suelo que no vaya fijado a la superficie correspondiente («suelos flotantes»).

### Requisitos para la protección de tarimas de madera bajo la estufa

El producto integra una protección del piso y, por lo tanto, puede colocarse directamente sobre un suelo de madera.

**Si el suelo de debajo de la estufa está revestido de un material combustible, como linóleo, alfombras, etc, recomendamos retirarlo.**

### Requisitos para la protección de suelos inflamables delante de la estufa

La placa delantera debe ajustarse a las leyes y normas nacionales.

Consulte a las autoridades locales en materia de construcción sobre posibles restricciones y requisitos de instalación.

## 3.3 Paredes

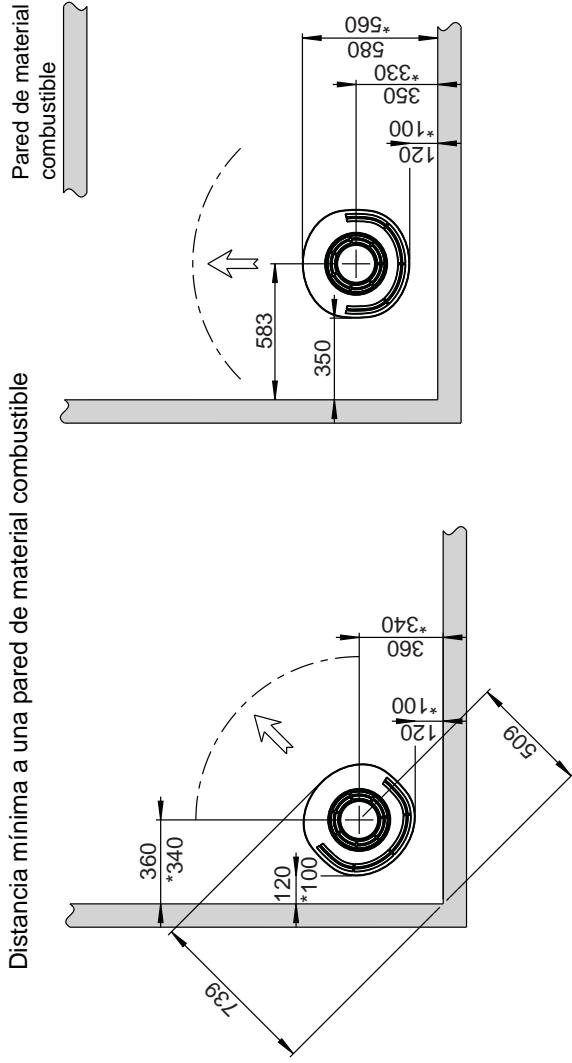
Distancia a paredes hechas de material combustible: ver la **fig. 1a**.

Distancia mínima a una pared de material combustible protegida con cortafuegos: ver la **fig. 1b**.

La estufa puede usarse con un tubo de tiro sin aislar siempre que las distancias entre la misma y las paredes hechas de materiales combustibles sean como las mostradas en la **fig. 1a**.

**Nota:** ¡preste especial atención cuando utilice el pedestal giratorio!

Fig. 1 a

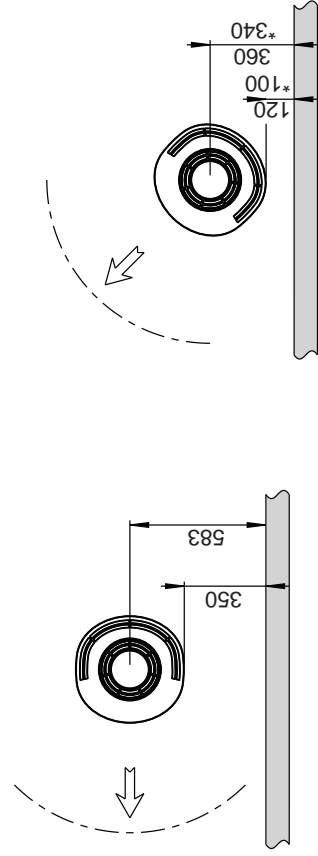


Distancia mínima a una pared de material combustible

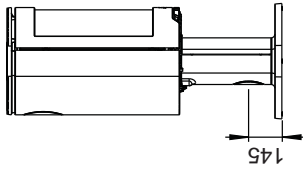
Pared de material combustible

Los elementos inflamables no deberían estar a menos de 900 mm de la estufa

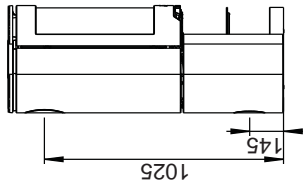
Distancia a la pared de material combustible con pedestal giratorio



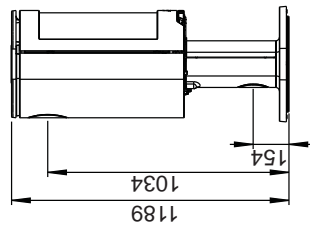
Jøtul F 483



Jøtul F 481

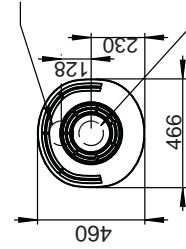


Jøtul F 483 con juego giratorio

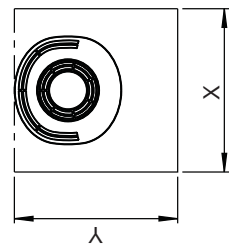


Techo de material combustible

Orificios en el piso para aire externo Ø 80 mm conexión Jøtul F 481



Orificios en el piso para aire externo Ø 80 mm conexión Jøtul F 483



Dimensiones mínimas de la placa de piso X/Y = De conformidad con las leyes y reglamentos nacionales.

\* Chimenea semi-aislada / tubería con protección

900168-P01

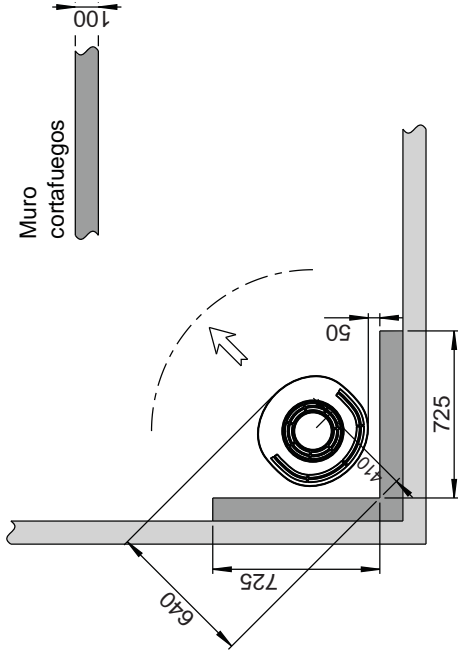
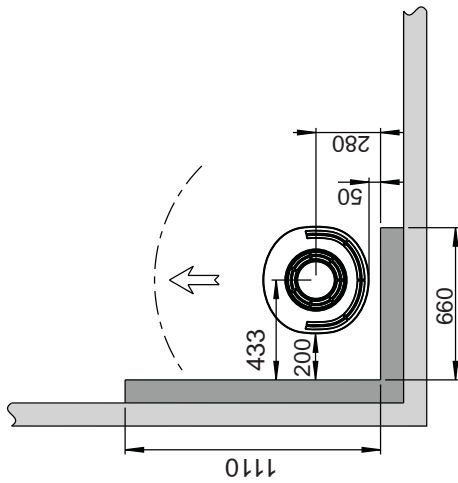
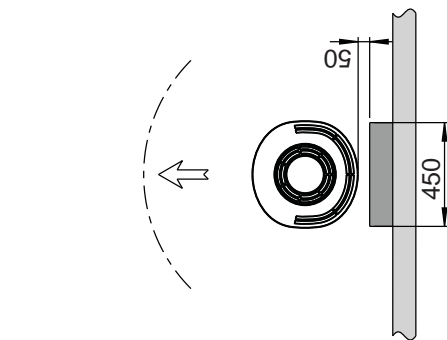
Fig. 1 b

Jøtul F 481 / F 483

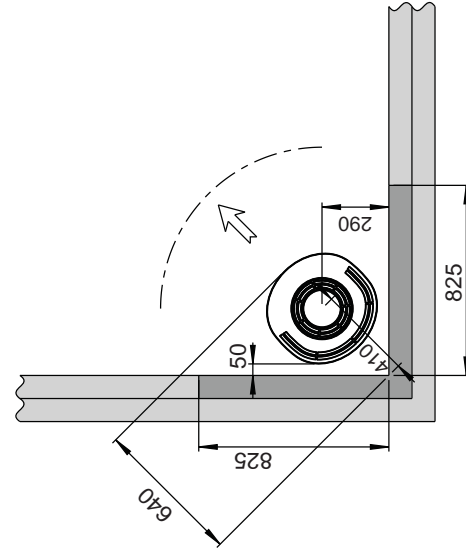
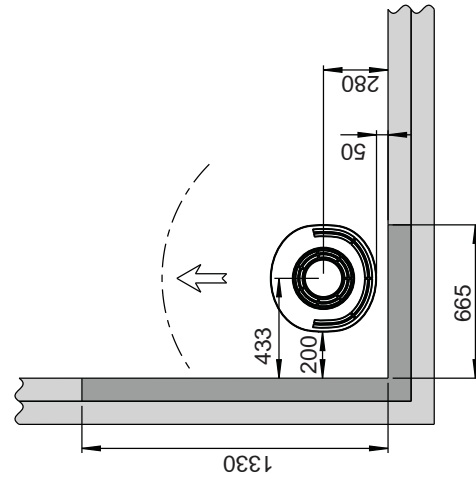
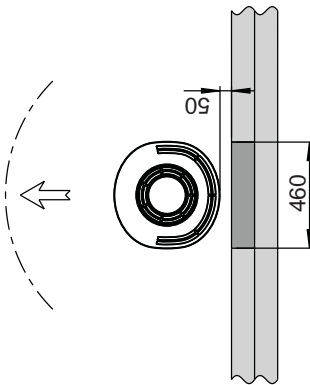
Distancia mínima a una pared de material combustible protegida con cortafuegos

Externo

Pared de material combustible



Integrado





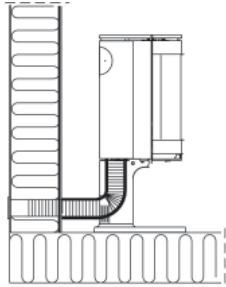
## Suministro de aire

El volumen de aire de combustión para los productos de Jøtul es de aproximadamente 20-40 m<sup>3</sup>/h.

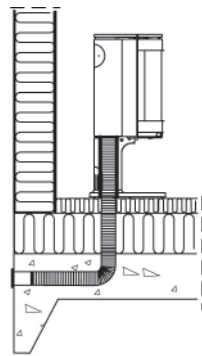
La conexión de aire exterior debe conectarse directamente a la Jøtul F 480 a través de:

- La base/pedestal/pie o
- a través de un tubo flexible desde el exterior/chimenea (solo si la chimenea tiene su propio conducto para aire externo) y al conector de aire externo del producto.

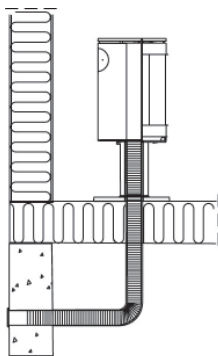
**Fig. 2A**, a través de una pared exterior



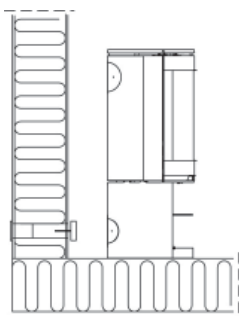
**Fig. 2B**, a través de la placa de piso y el suelo



**Fig. 2C**, a través del suelo y el zócalo



**Fig. 2D**, indirectamente a través de una pared exterior



## 4.0 Instalación

**Nota:** Compruebe que la estufa esté intacta antes de iniciar la instalación.

**Nota:** ¡Atención! El producto es pesado. Utilice ayuda para situar e instalar el producto. La cámara de combustión es pesada. Asegúrese de que el producto no vuelque.

**Nota:** No ponga nada sobre la tapa de la estufa; el acabado de pintura o esmalte podría sufrir daños permanentes.

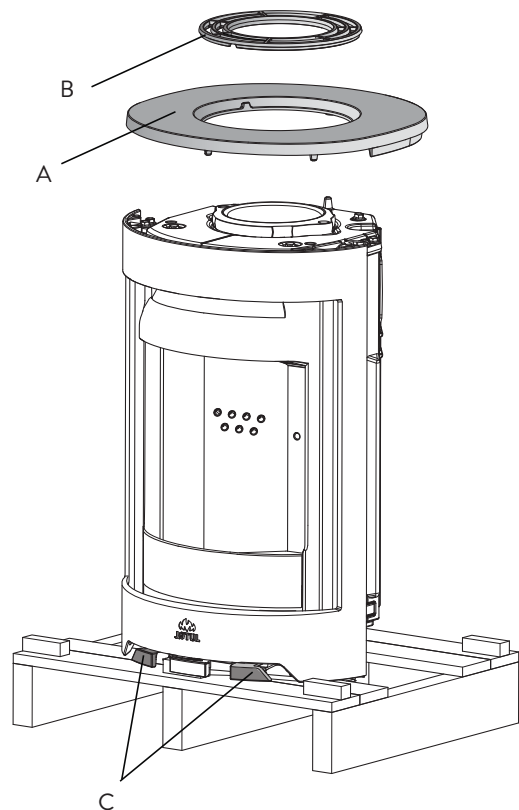
**Nota:** Lea detenidamente las Instrucciones de instalación y funcionamiento antes de instalar la estufa.

### 4.1 Antes de la instalación

El producto estándar se entrega en tres paquetes: uno con la propia estufa, otro con la base, pedestal o pie y los paneles laterales.

Necesitará las siguientes herramientas para instalar el producto: Nivel de alcohol, llave de trinquete con casquillos de 10 y 13 mm, Torx T 20 y llave hexagonal con casquillo de 5 mm.

**Fig. 3**



1. Retire el embalaje (cartón y estructura de madera) y extienda el cartón en el suelo detrás de la estufa. Es importante remover el protector plástico blanco de la parte superior.
2. Remueva los tornillos de transporte que fijan la estufa a el palé de transporte.
3. Mantenga la estufa sobre el palé de transporte.
4. Retire la placa superior (A) con la rejilla superior (B).
5. Retire los guantes y el cuenco de la bandeja de cenizas. Coloque el cuenco sobre la rejilla superior hasta el final si el tubo de tiro es de montaje posterior.
6. Compruebe que los manillares de control (C) se muevan libremente.

# ESPAÑOL

## 4.2 Instalación

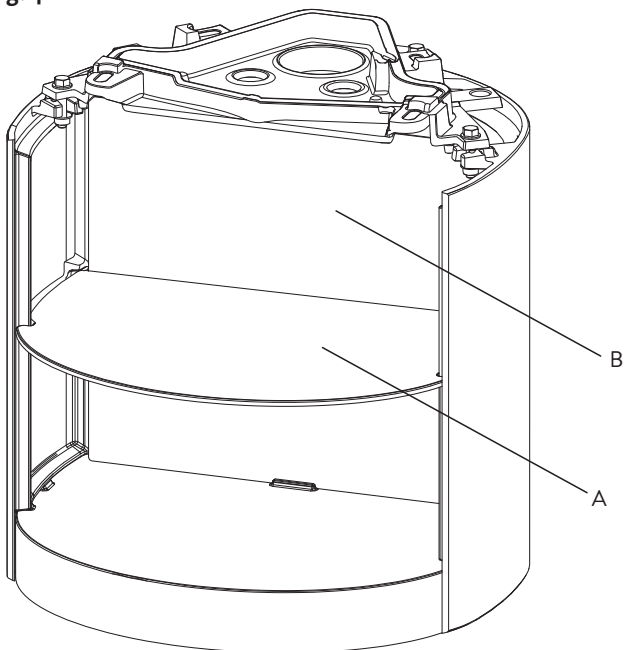
### Conexión de aire exterior a través del sόcalo

#### A traves del suelo

1. **N. B.:** Si conecta el manguito flexible a traves de un agujero en el piso, no retire las placas de cubierta desmontables (**Fig. 5 A**).

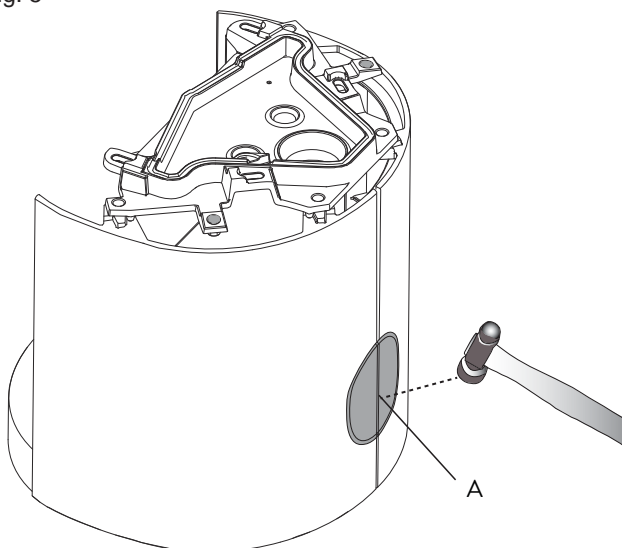
#### A traves de la salida trasera en la base

Fig. 4



2. Con conexion de aire exterior, se tienen que remover primero el anaquel A y la placa interna B.

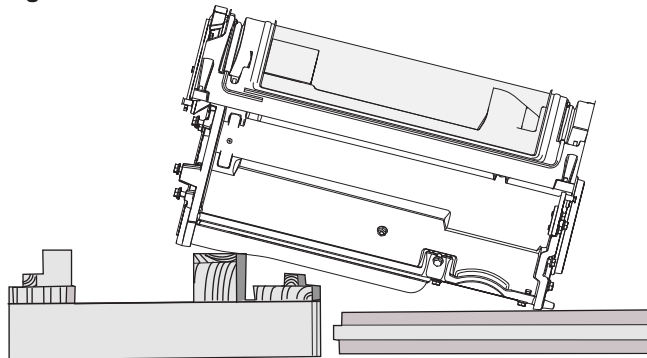
Fig. 5



3. Para conectar un tubo flexible ( $\varnothing$  80 mm) de entrada de aire exterior a la toma de aire exterior situada bajo la camara de combustion es preciso quitar primero las chapas de cierre desmontables (**A**).

### Instalacion de la base/pedestal en la camara de combustion

Fig. 6



4. Coloque la estufa con cuidado sobre su dorso. Apoye la estufa sobre un pae y tres estructuras de embalaje.

Fig.7

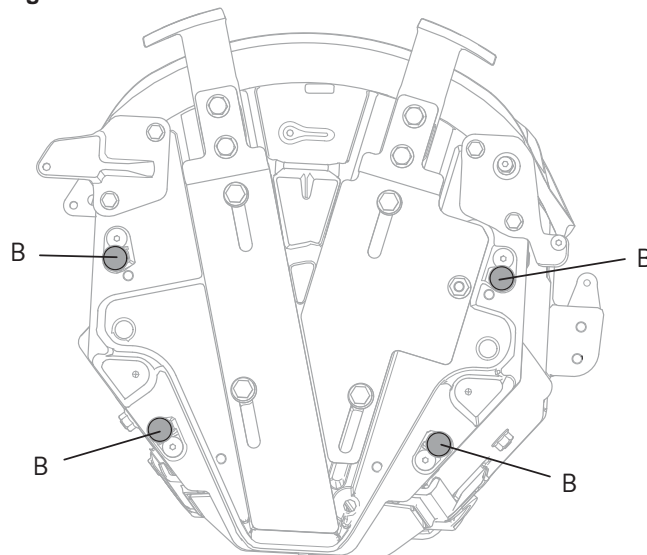
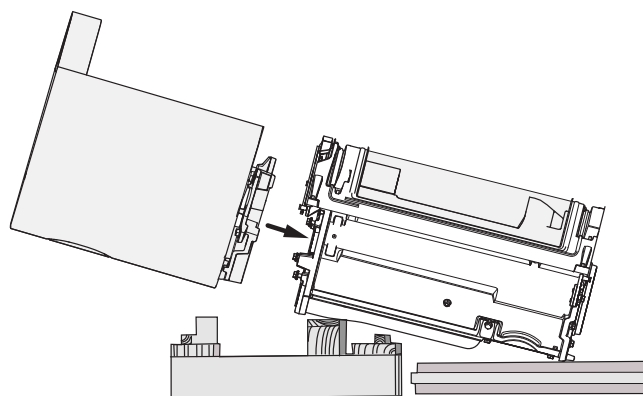
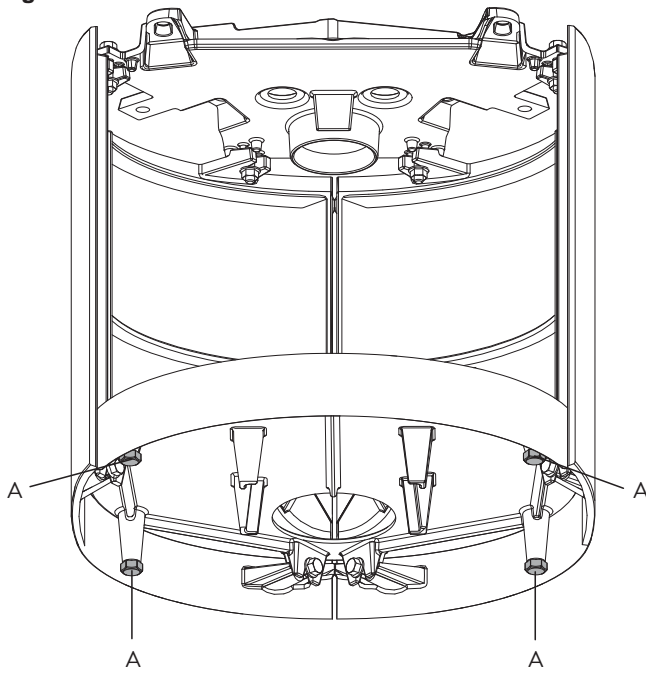


Fig. 8



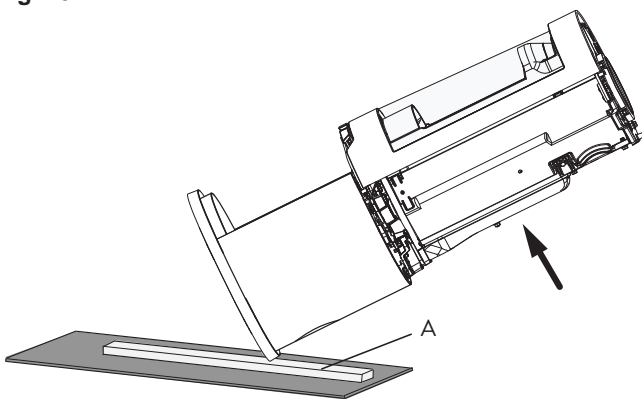
Antes de instalar la base, es preciso quitar la bandeja (**Fig. 4-A**) y la placa trasera interna (**Fig. 4-B**). Coloque la base contra la camara de combustion y fijela bien con los cuatro tornillos (M8 x 25 mm) y las arandelas incluidas. Consulte la **Fig. 7 B**.

Fig. 9



5. Afloje ligeramente los tornillos de ajuste (A) de la altura bajo el producto de forma que puedan girarse con la mano. **Nota: Si va a instalar la placa de suelo de cristal opcional, eleve la base unos 8 mm sobre el suelo de modo que sea posible introducir la placa por la parte delantera de la base.**

Fig. 10

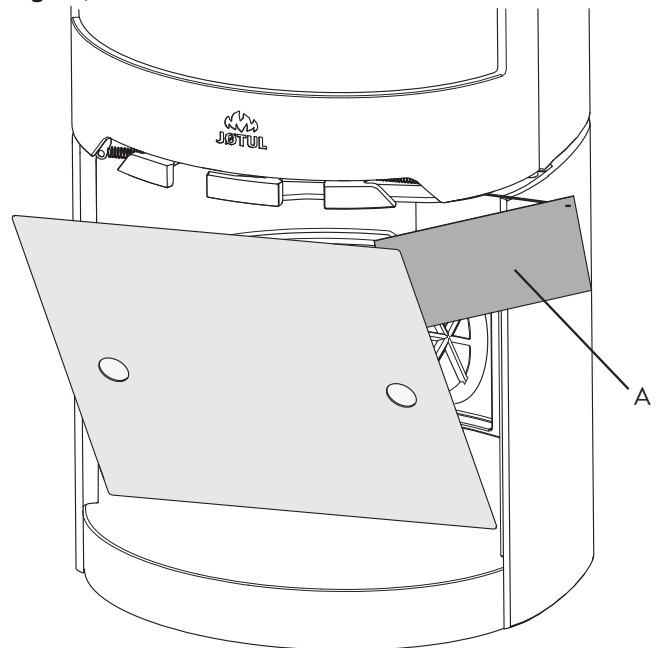


6. Retire con cuidado el palé de madera.
7. Coloque una estructura de embalaje (A) cruzada bajo la base/pedestal/pie y un embalaje de cartón delante/debajo del producto para evitar rayar el suelo. Levante con cuidado la estufa y colóquela en el lugar apropiado (Fig 1). Recuerde colocarla justo encima o detrás del suministro de aire externo, según corresponda.
8. Coloque la placa superior (Fig. 3 A) provisionalmente en su sitio y nivele la estufa. Si la estufa no está nivelada, ajuste los tornillos que se indican en la Fig. 9 A hasta que el producto esté perfectamente recto.
9. Si resulta difícil extraer los manillares de control (Fig. 3 C), consulte el paso 4.7.

## 4.3 Ubicación de la etiqueta de aprobación

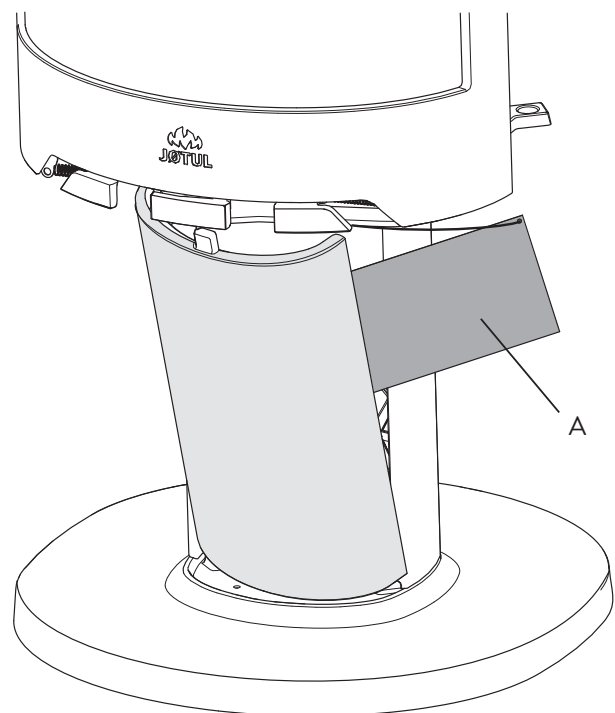
La etiqueta de aprobación debe fijarse siempre al cable y colocarse según se ilustra en la Fig. 11.

Fig. 11, Base



1. Vuelva a colocar en su sitio la placa trasera interna (Fig. 4-B) y la bandeja (Fig. 4-A).

Fig. 11, Pedestal



## Instalación con suministro de aire externo

Fig. 12 - Base

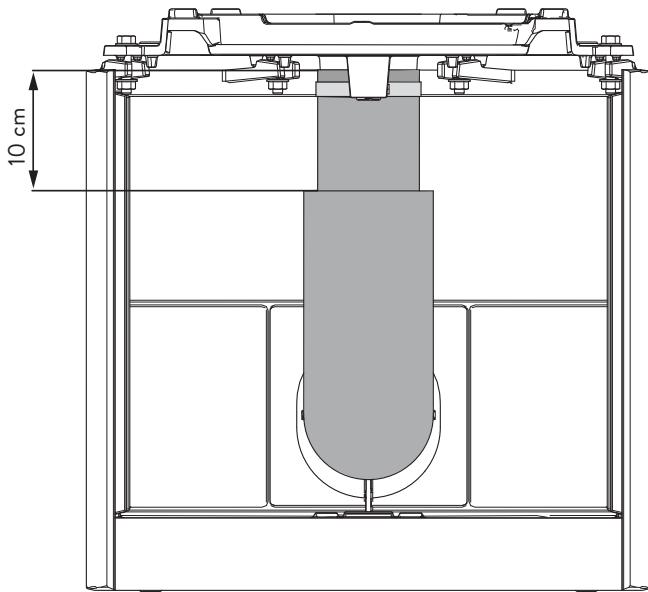
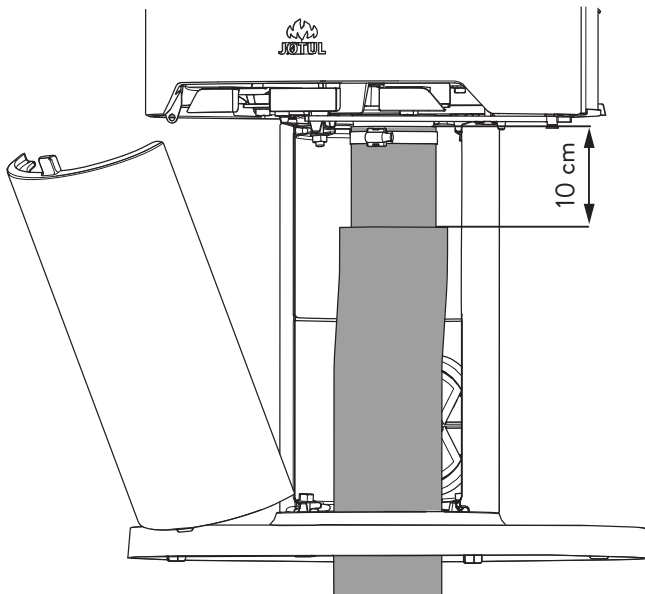


Fig. 12 - Pedestal



1. Fije el tubo al conector de aire externo mediante una abrazadera. (**¡Atención!** No coloque una abrazadera en el pedestal de la Jøtul F 483 con un juego giratorio, pues impedirá que gire). **N. B.:** Compruebe que el tubo flexible sea suficientemente largo, para que no sean necesarias juntas. El aislamiento del tubo de aire externo termina a unos 10 cm por debajo de la cámara de combustión.
2. Vuelva a montar las piezas que se hayan desmontado del producto.

## 4.4 Chimenea y tubo del tiro

- La estufa solo debe conectarse a una chimenea y tubo de tiro homologados para estufas de combustible sólido con temperaturas de gas de tiro conforme a lo especificado en «1.0 Datos técnicos».
- La sección de la chimenea debe estar diseñada para ajustarse a la estufa. Emplee «1.0 Datos técnicos» para calcular la sección correcta de chimenea.
- La chimenea debe conectarse de acuerdo con las instrucciones de instalación del proveedor de la chimenea.
- Antes de practicar un orificio en la chimenea, debe instalarse provisionalmente el producto para marcar correctamente la posición de la estufa y del orificio de la chimenea. Consulte la Fig. 1 para determinar las dimensiones mínimas.
- Asegúrese de que el tubo de tiro suba todo a lo largo de la chimenea.
- Con una salida trasera, emplee un codo de tubo de tiro con una trampilla que permita su deshollinado.
- No olvide que es de suma importancia que las conexiones ofrezcan un cierto grado de flexibilidad. Ello tiene como fin prevenir que el movimiento de la instalación pueda generar grietas.
- Para recomendaciones sobre la corriente de chimenea, consulte el apartado «1.0 Especificaciones técnicas». Para las dimensiones del tubo de tiro con la sección correspondiente, consulte «1.0 Especificaciones técnicas».

**N. B.:** La longitud mínima recomendada de la chimenea es de 3,5 m desde la inserción del tubo de tiro. Si la corriente es demasiado fuerte, podrá instalarse un amortiguador de tubo de tiro y utilizarse para reducir la corriente.

## Instalación de tubo de tiro con salida superior

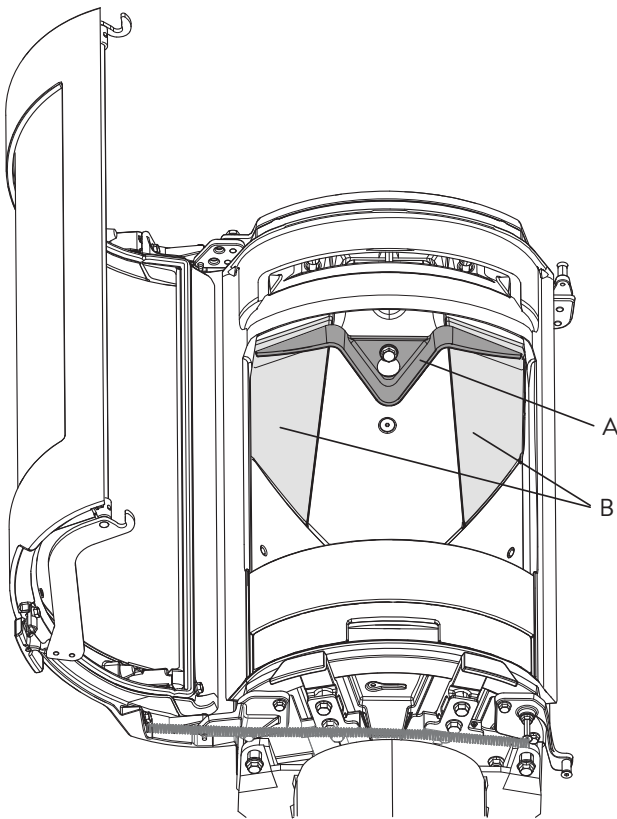
Con una salida superior, el tubo de tiro se instala después de instalar los lados exteriores. Véase el **Capítulo 4.5**.

## Instalación de tubo de tiro con salida trasera

El producto está equipado de fábrica con una salida de humos instalada en la salida superior. **Nota:** Es importante retirar la espuma blanca de la parte superior. Proceda del siguiente modo para la instalación con salida trasera:

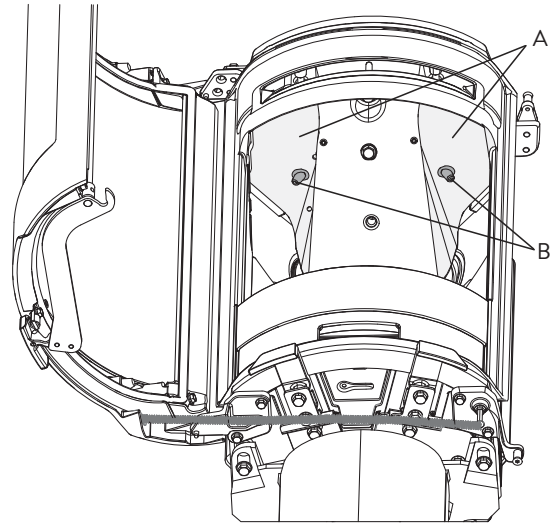
1. Coloque el producto en la posición correcta. Consulte la **Fig. 1**.
2. Desatornille la salida de humos de la salida superior.
3. Abra la puerta.

**Fig. 13**



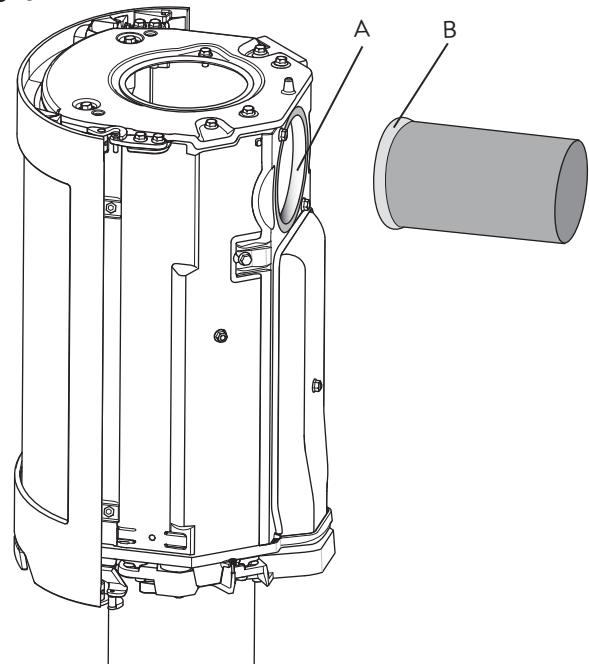
4. Retire el deflector de escape inferior (**A**) golpeando ligeramente y deslizándolo hacia delante y afuera. Sujételo mientras lo hace para que no se caiga.
5. Tire de las placas deflectoras (**B**) hacia delante, levante ligeramente, gire y bájelas.

**Fig. 14**



6. Fíjese bien en cómo están colocados los deflectores de escape (**A**) antes de desmontarlos para estar seguro de volver a montarlos en el lugar correcto. Sujete el pasador (**B**) en la parte inferior de los deflectores de escape, levántelos ligeramente y después de lado antes de bajarlos y desmontarlos de la cámara de combustión.

**Fig. 15**

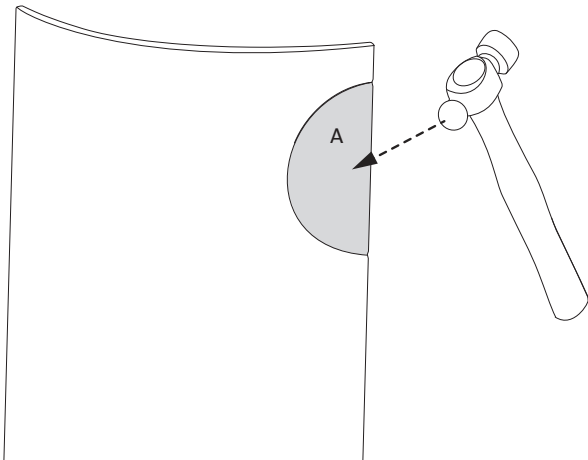


7. Desatornille la cubierta de la salida trasera dentro de la cámara de combustión y sáquela por la apertura de la puerta.
8. Fije la salida de humos (**A**) en el interior de la cámara de combustión, donde estaba la cubierta. Tenga en cuenta que debe colocarse de modo que el tubo de tiro pueda montarse en su sitio desde fuera.
9. Coloque la junta (**B**) que encontrará en la bolsa de tornillos alrededor del borde del tubo de tiro e introdúzcalo en la salida de humos.
10. Instale la cubierta de la salida de humos donde estaba la salida.
11. Vuelva a montar el deflector de salida y la placa deflectora.

**Nota:** es importante que las juntas y los tubos de tiro estén bien sellados. Las fugas de aire pueden impedir que funcionen correctamente.

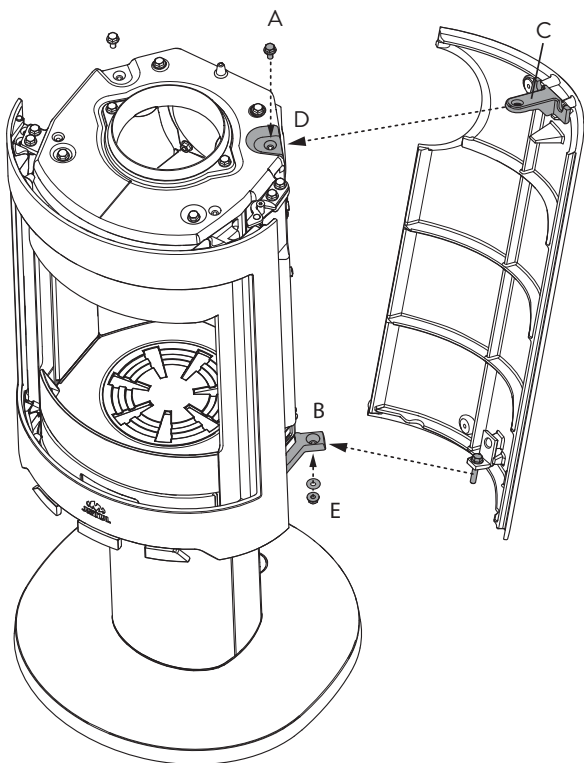
## 4.5 Instalación de laterales de hierro fundido

Fig. 16



1. Para montar el tubo de humos en la parte trasera, es preciso quitar las placas laterales desmontables (**A**).

Fig. 17



2. Quite el tornillo (**A**) del lateral de hierro fundido de la parte superior.
3. Suelte la parte inferior del lateral con el tornillo del soporte (**B**). Sujete la parte inferior con una tuerca y una arandela (**E**).
4. Empuje el soporte superior sobre el agujero del tornillo (**C**) de la parte superior de la cámara de combustión.
5. Sujete el soporte con un tornillo (**A**) y una tuerca (**D**).
6. Sujete el otro lateral de la misma forma.

## 4.6 Instalación de tubo de tiro con salida superior

El producto está equipado de fábrica con una salida de humos instalada en la salida superior.

1. Coloque el producto en la posición correcta (Fig. 1).
2. Coloque la placa superior y la rejilla encima del producto.
3. Coloque la junta en el borde del tubo de tiro, según se indica en la Fig. 15 B.
4. Coloque el tubo de tiro en su sitio.

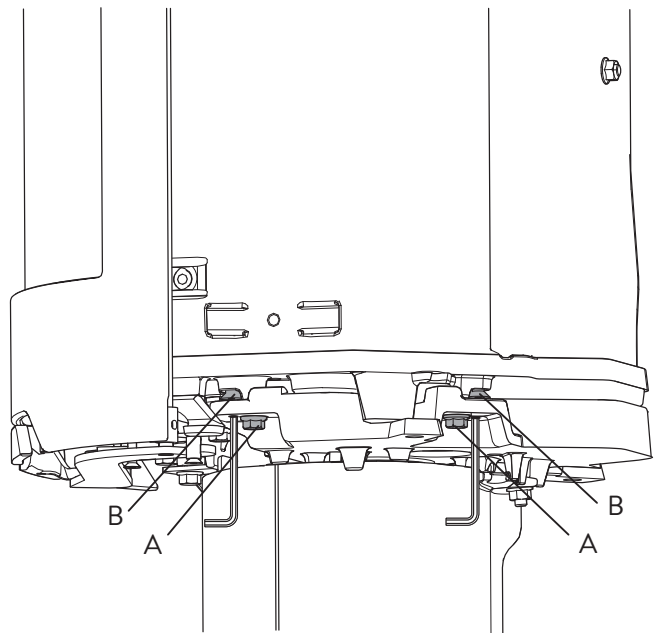
**Nota:** es importante que las juntas y los tubos de tiro estén bien sellados. Las fugas de aire pueden impedir que funcionen correctamente.

## 4.7 Ajustar la altura de la cámara de combustión para la serie Jøtul F 480

Debe corregirse cualquier irregularidad entre la cámara de combustión y la base/pedestal/pie.

Esto puede hacerse también para reducir la presión sobre las válvulas de corriente (evita que las válvulas de corriente se agarroten).

Fig. 18

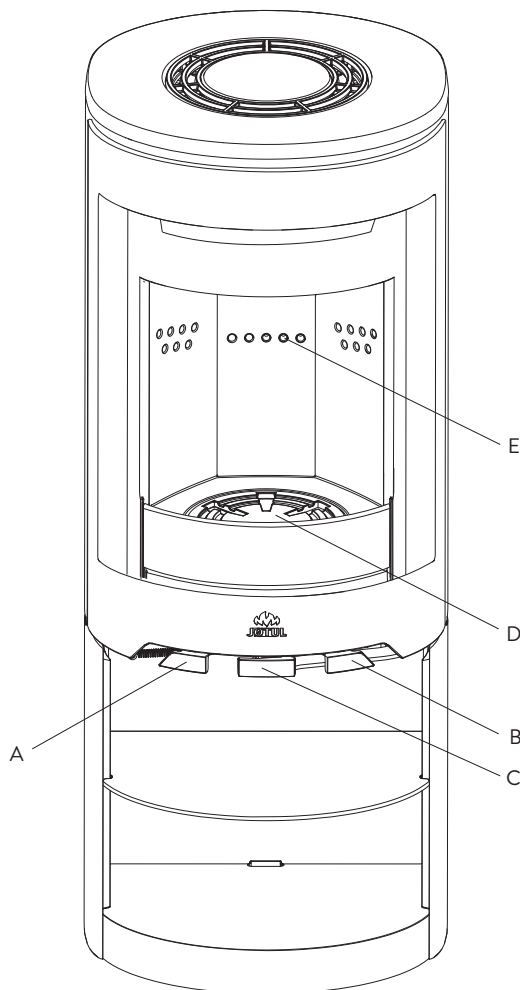


1. Si se ha montado la base, deben desmontarse primero la placa interna y la bandeja.
2. Afloje los tornillos (**A**) unos 4 mm a ambos lados del producto.
3. Afloje **B** con una llave Allen hasta que note resistencia en la llave. Después, gire el tornillo de ajuste para levantar la cámara de combustión tanto como sea necesario.
4. Por último, apriete los tornillos **A**.
5. Vuelva a montar la placa interna de la base y la bandeja (solo para la base).

## 4.8 Comprobación del rendimiento

Compruebe siempre los manillares de control después de ensamblar el producto. Deben moverse con facilidad y operar de modo satisfactorio.

Fig. 19



**Jøtul F 480 Series está equipado con las opciones operacionales siguientes:**

### Respiradero (A)

Pulsado: Cerrado

Extraído por completo: Abierto

Si resulta difícil extraer la válvula, consulte el paso 4.7.

### Respiradero de encendido (B)

Pulsado: Cerrado

Extraído por completo: Abierto

Si resulta difícil extraer la válvula, consulte el paso 4.7.

**Rejilla de criba (D)** (mismo manillar que para el respiradero de encendido (B)). El manillar derecho se pulsa y extrae.

### Manillar (C) de la puerta

Se abre extrayendo por completo el manillar y después levantando la puerta.

**Altura de pila (E)** para madera. (No deben cubrirse los orificios.)

## 5.0 Uso diario

### Olores al usar la estufa por primera vez

Cuando se usa la estufa por primera vez, puede emitir un gas irritante que huele ligeramente. Esto ocurre debido a que se seca la pintura. El gas no es tóxico, pero la habitación deberá ventilarse completamente. Deje que el fuego arda con mucha corriente hasta que haya desaparecido todo rastro del gas y no sea posible detectar humo ni olores.

### Consejos de calentamiento

**Nota:** Los troncos que se hayan almacenado en el exterior o en una habitación fría deberán meterse al interior 24 horas antes de usarlos para que alcancen la temperatura ambiente. Hay varias formas de calentar la estufa, pero siempre es importante tener cuidado con lo que introduce en ella. Consulte la sección sobre “Calidad de la madera”.

**¡Atención!** Un suministro de aire inadecuado puede dar lugar a una combustión deficiente, altas emisiones y un menor nivel de eficiencia.

### Calidad de la madera

Por madera de calidad nos referimos a los tipos más conocidos de madera, como abedul, picea y pino.

**Los troncos deben secarse de forma que su contenido en humedad no supere el 20 %.**

Para esto, los troncos deben cortarse a finales del invierno. Deben partirse y apilarse de forma que se garantice una buena ventilación. Las pilas de madera deben estar cubiertas para proteger los troncos de la lluvia. Los troncos deben ponerse a cubierto a principios del otoño y apilarse para utilizarlos en el próximo invierno.

**Tenga cuidado especialmente de no usar nunca los siguientes materiales como combustible en su estufa:**

- Basura doméstica, bolsas de plástico, etc.
- Madera pintada o impregnada (que es extremadamente tóxica).
- Planchas de madera laminada.
- Restos de madera

*Pueden dañar el producto y también son contaminantes.*

**Nota:** Nunca use gasolina, parafina, alcohol desnaturalizado o líquidos similares para encender el fuego. Puede sufrir lesiones graves y ocasionar serios daños al producto.

### Astillas para encender (madera cortada fina):

Longitud: aprox. 30 cm

Diámetro: 2-5 cm

Cantidad necesaria

en cada ocasión: 6-8 trozos

### Madera (leña):

Longitud recomendada: 20 - 30 cm

Diámetro: aprox. 8 cm

Intervalo de adición

de leña: aprox. cada 45 minutos

Tamaño del fuego: 1,6 kg (potencia nominal)

Cantidad necesaria

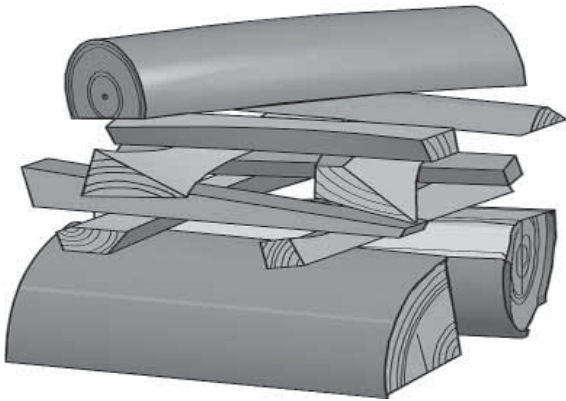
en cada ocasión: x2

La potencia calorífica nominal se obtiene al abrir el respiradero cerca de un 50 % (Fig. 19 A).

## Encendido inicial

- Abra el respiradero de aire y el respiradero de encendido tirando de los manillares (**Fig. 19 A y B**) hasta el tope. (Use un guante o algo similar para protegerse la mano en caso de que los manillares estén calientes).

Fig. 20



- Coloque dos troncos en la parte inferior de la cámara de combustión y apile las astillas para encender en capas.
- Por último, ponga un tronco de tamaño medio en la parte superior de la pila.
- Ponga 2 ó 3 briquetas o astillas para encender debajo de la capa superior de astillas y encienda el fuego. **Nota:** La altura máxima de la pila de madera debe estar justo debajo de los orificios horizontales. No deben cubrirse los orificios.
- Cierre el respiradero de encendido (**Fig. 19 B**) cuando la madera se haya encendido y arda bien.
- Entonces podrá regular el régimen de combustión para obtener el calor que desee ajustando el respiradero (**fig. 19 A**).
- Compruebe que se inicia la postcombustión (combustión secundaria). Se indica mediante llamas amarillas que bailan delante de los agujeros debajo de la placa deflectora.
- Si el caudal de aire es normal, podrá cerrar la puerta y el fuego se mantendrá por sí mismo.

## Añadir madera

Avive la estufa con frecuencia pero añada solo una pequeña cantidad de leña en cada ocasión. Si la estufa está demasiado llena, el calor generado podría causar una elevada tensión en la chimenea. Añada combustible al fuego con moderación. Evite el fuego sin llama, pues es el que produce más contaminación. El fuego irá mejor cuando arda bien y el fuego que salga por la chimenea sea casi invisible.

## 5.1 Peligro de sobrecalentamiento

### La estufa no debe usarse nunca de manera que se sobrecaliente

Se produce sobrecalentamiento cuando hay demasiado combustible y/o demasiado aire y se produce demasiado calor. Un signo seguro de sobrecalentamiento es cuando partes de la estufa se ponen al rojo. Si sucede esto, reduzca de inmediato la abertura del respiradero.

*Solicite la ayuda de un profesional si sospecha que la corriente de la chimenea no es correcta (demasiada corriente o demasiado poca). Para más información, consulte «4.0 Instalación» (chimenea y tubo de tiro).*

## 5.2 Retirada de cenizas

La Jøtul F 480 tiene una bandeja de cenizas que permite retirar las cenizas con facilidad.

- Saque las cenizas solo con la estufa fría.
- Empuje las cenizas a través de la rejilla en la parte inferior para que caigan en la bandeja de cenizas. Use un guante o algo similar para protegerse la mano. Sujete el manillar de la bandeja de cenizas y extraiga la bandeja. Compruebe que la bandeja de cenizas no se llene nunca tanto que impida que las cenizas caigan a través de la rejilla.
- Compruebe que la bandeja de cenizas entre por completo antes de cerrar la puerta.

## 6.0 Mantenimiento

### 6.1 Limpieza del cristal

El producto está equipado con un sistema de inyección de aire para el cristal. El aire se introduce a través del respiradero de la parte superior del producto y se desplaza hacia abajo a lo largo de la cara interior del cristal.

Aunque siempre se adhiere algo de hollín al cristal, la cantidad dependerá de las condiciones de tiro locales y del ajuste del respiradero de ventilación. La mayor parte de la capa de hollín se suele quemar cuando se abre completamente el respiradero de ventilación y arde un fuego vivo en la estufa.

**Un buen consejo!** Para la limpieza normal humedezca una toalla de papel en agua caliente y añádale cenizas de la cámara de combustión. Frote el cristal con la toalla de papel y, a continuación, enjuáguelo con agua limpia. Séquelo bien. Si es necesario limpiar el cristal más a fondo, recomendamos el empleo de un limpiacristales ( *siga las instrucciones de uso del envase*).

### 6.2 Limpieza y retirada del hollín

Pueden acumularse depósitos de hollín en las superficies internas de la estufa durante el uso. El hollín es un buen aislante y, por lo tanto, reducirá la potencia calorífica de la estufa. Si se acumulan depósitos de hollín mientras usa el producto, puede eliminarlos fácilmente mediante un limpiador de hollín.

Para evitar que se forme una capa de agua y alquitrán en la estufa, debe dejar que el fuego arda con intensidad regularmente para eliminar la capa. Es necesario realizar una limpieza interna anual para obtener el mejor rendimiento térmico del producto. Es buena idea hacerlo al limpiar la chimenea y los tubos de tiro.

### 6.3 Deshollinar los tubos de tiro en la chimenea

Los tubos de tiro deben deshollinarse a través de la trampilla del tubo de tiro o a través de la abertura de la puerta. Será necesario desmontar primero una de las placas deflectoras para poder hacerlo.



## 6.4 Inspección de la estufa

Jøtul le recomienda que inspeccione detenidamente la estufa después de limpiarla/deshollinarla. Revise todas las superficies visibles en busca de grietas. Compruebe también que estén selladas todas las uniones y que todas las juntas estén en la posición correcta. Será necesario sustituir cualquier junta que presente signos de desgaste o deformación.

Limpie cuidadosamente las ranuras de la junta, aplique adhesivo cerámico (disponible en su distribuidor de Jøtul más cercano) y coloque la junta en su sitio apretando bien. La unión se secará con rapidez.

## 6.5 Mantenimiento exterior

Los productos pintados pueden cambiar de color tras varios años de uso. Deberá limpiarse y cepillarse la superficie para retirar cualquier partícula suelta antes de aplicar pintura nueva.

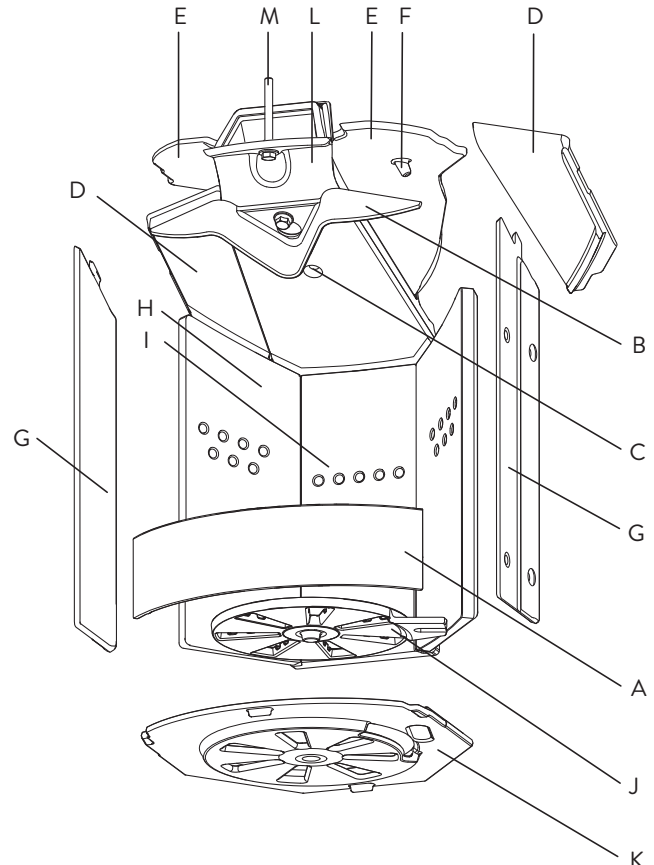
## 7.0 Servicio

**¡Advertencia! Es ilegal cualquier modificación no autorizada del producto. Solo podrán usarse piezas de repuesto originales.**

### 7.1 Mantenimiento/sustitución de piezas de la cámara de combustión

**Nota: Use las herramientas con mucho cuidado. Las placas de vermiculita podrían dañarse si se tratan sin cuidado.**

Fig. 21



1. Levante el fijador de cenizas **(A)** y sáquelo.
2. Deslice o golpee el deflector de escape inferior **(B)** hasta sacarlo de los orificios **(C)**. Sujételo mientras lo hace para que no se caiga.
3. Tire de las placas deflectoras **(D)** hacia delante, levante ligeramente, gire y bájelas.
4. Fíjese bien en cómo están colocados los deflectores de escape **(E)** antes de desmontarlos para estar seguro de volver a montarlos en el lugar correcto. Sujete el pasador **(F)** en la parte inferior de los deflectores de escape. Levántelos ligeramente y después de lado antes de bajarlos.
5. Levante las placas de combustión laterales delanteras **(G)** y sáquelas.
6. Sujete la parte superior de las placas de combustión laterales traseras **(H)** y gírelas hacia la mitad de la cámara de combustión. Después, extráigalas.
7. Extraiga la placa de combustión trasera **(I)**. Al volver a montarla en su sitio, compruebe que la junta de la placa de combustión trasera esté bien fijada.
8. Extraiga la rejilla de criba **(J)** (puede hacerse por primera

# ESPAÑOL

vez cuando sea necesario sustituirla). Compruebe que la ranura de la rejilla de criba esté contra la barra debajo de la placa inferior interna al volver a montarla en su lugar.

- Levante la placa inferior interna (**K**) y sáquela.
- Sujete el conducto de aire superior (**L**) hacia arriba en el extremo delantero mientras afloja el tornillo (**M**). Use una llave de trinquete con un casquillo de 13 mm y un prolongador. Inclíne el conducto de aire hacia abajo cuando el tornillo esté suelto. Puede hacerlo también después del **punto 6**. Hay juntas tanto en la parte delantera como en la trasera del conducto de aire. Adhiera las juntas nuevas antes de volver a montarlo en su sitio.
- Para volver a montarlo, siga el mismo procedimiento en orden inverso.

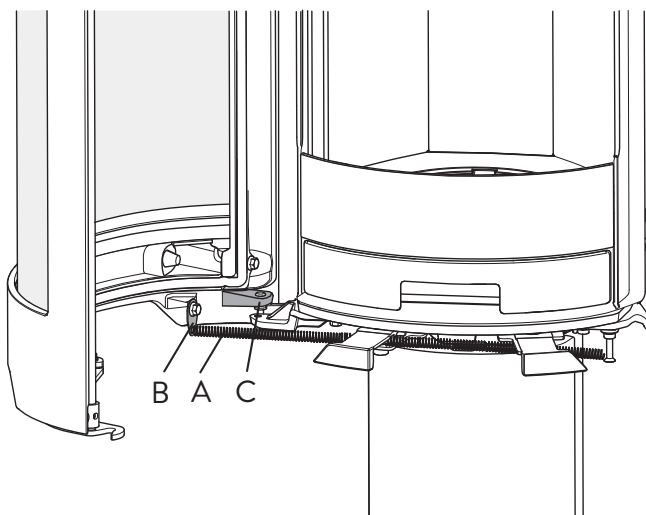
## 7.2 Sustitución de las placas laterales

- Quite el tornillo (**Fig. 17 A**) de la placa lateral de la parte superior.
- Suelte la parte inferior del lateral con el tornillo del soporte (**Fig. 17 B**).
- Monte los nuevos laterales como se indica en el **apartado 4.5**.

**Nota:** Si la estufa tiene la salida de humos por la parte superior, puede levantar la placa superior para acceder mejor a los tornillos.

## 7.3 Sustitución del cristal y las juntas de la puerta

Fig. 22



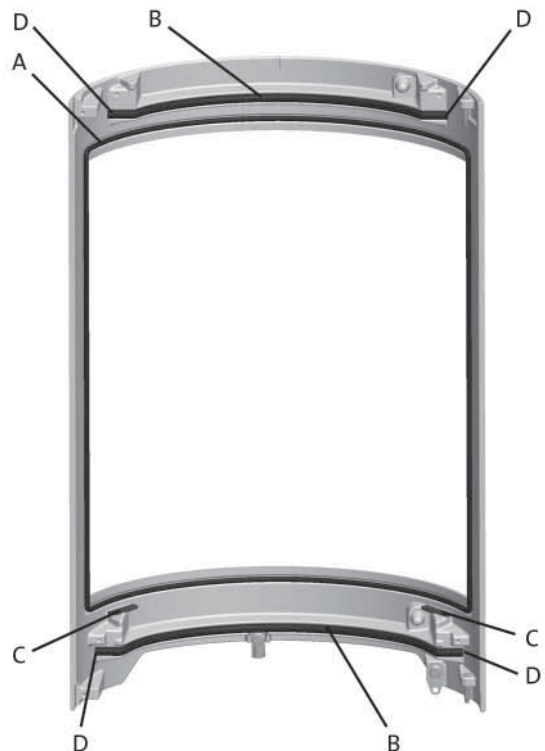
- Abra la puerta y suelte el resorte (**A**) del clip (**B**).
- Levante la puerta hasta sacarla de las bisagras. Compruebe que la arandela situada bajo la bisagra inferior (**C**) no se pierda.
- Coloque la puerta con la cara exterior hacia abajo sobre un material suave.

Fig. 23



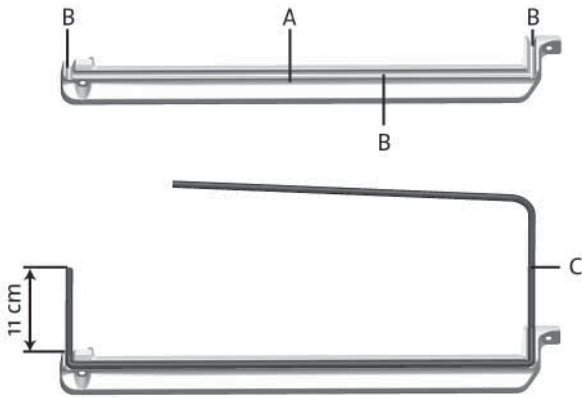
- Si solo es necesario sustituir la junta situada contra la parte delantera de la cámara de combustión (**A**), es posible limpiar la ranura de la junta e instalar una nueva junta en su sitio con adhesivo.
- Si va a sustituir el cristal o su junta, desatornille el mecanismo de cierre que está sujeto con tornillos y arandelas (**B**).
- Retire los soportes del cristal (**C**) que están sujetos con cuatro tornillos (**D**).
- Extraiga el cristal.

Fig. 24



- Limpie minuciosamente la ranura de la junta e instale juntas nuevas en su sitio con adhesivo: la junta del cristal (**A**), la junta de la puerta (**B**) y la junta bajo el cristal (**C**). Asegúrese de que las juntas de la puerta encajen bien en las esquinas (**D**).

Fig. 25



9. Coloque los soportes del cristal sobre un material con el lado hacia arriba, como muestra la ilustración **(A)**.
10. Aplique una gota de adhesivo en la ranura de la junta **(B)** que ahora está orientada hacia arriba.
11. Instale la junta **(C)** en la ranura, con los extremos sobresaliendo, como se muestra (11 cm por cada lado).

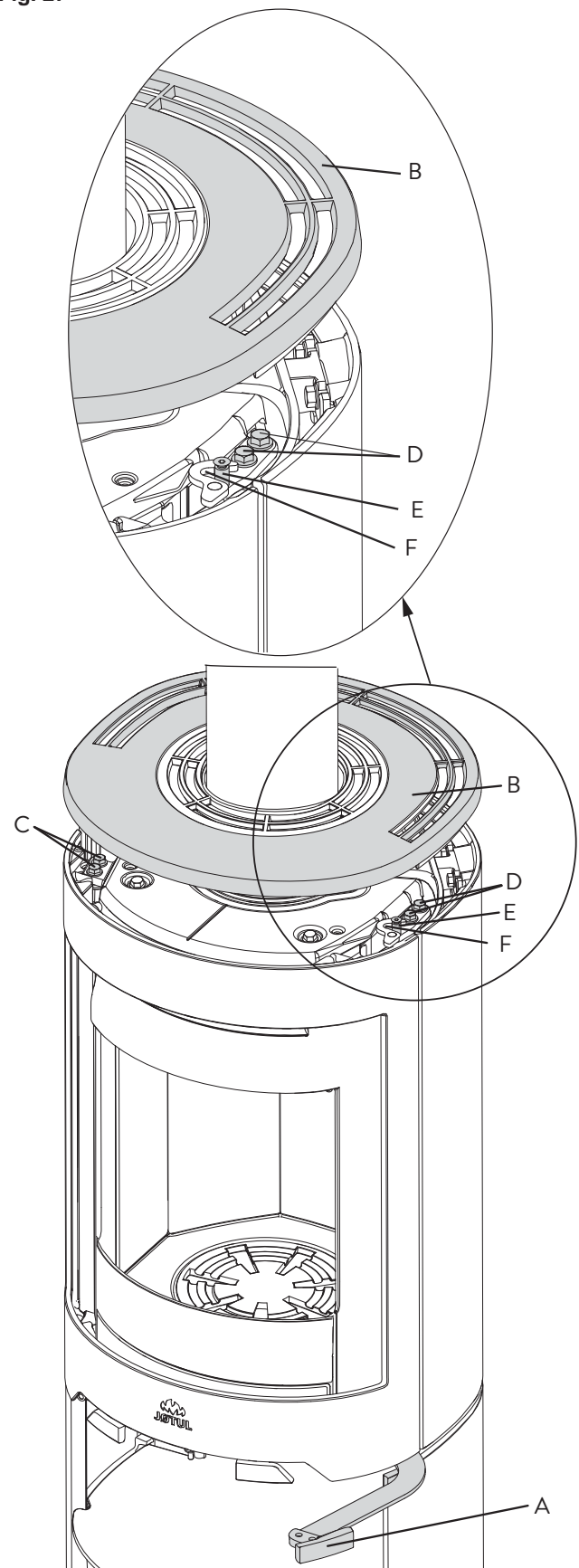
Fig. 26



12. Gire los soportes del cristal y aplique una gota de adhesivo en las ranuras de la junta. Observe la superposición **(A)**.
13. Para volver a montarlo, siga el mismo procedimiento en orden inverso. Recuerde colocar una arandela bajo la bisagra.

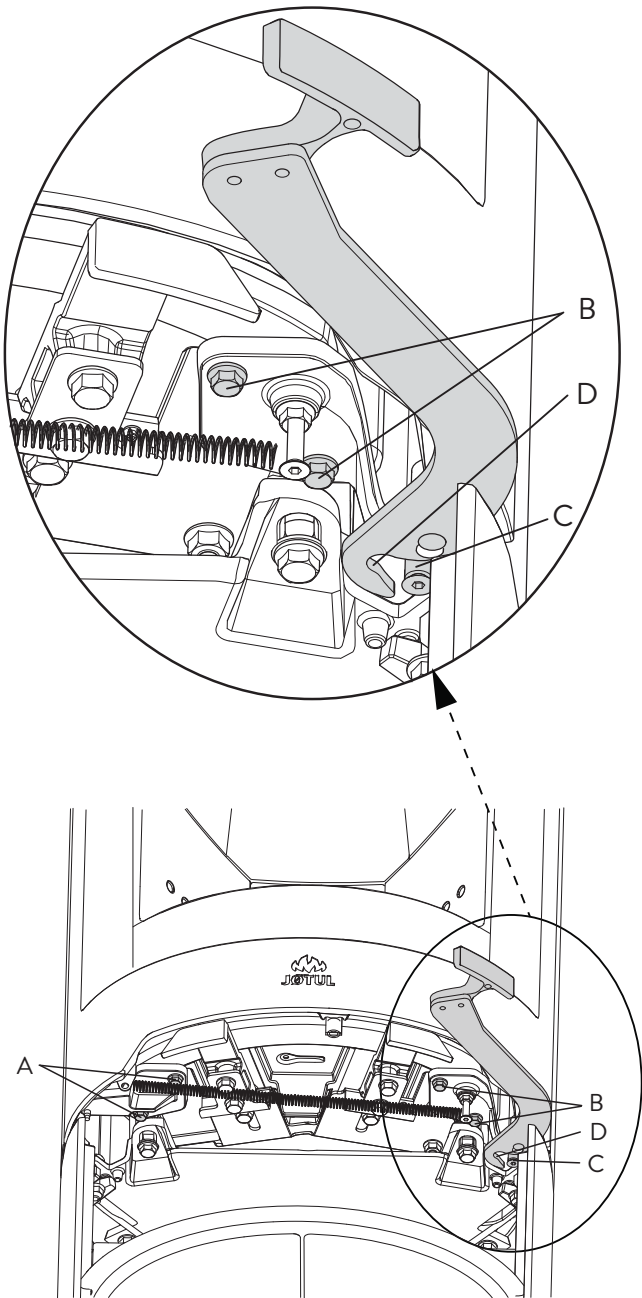
## 7.4 Ajuste de la puerta

Fig. 27



1. Abra el manillar de la puerta **(A)**.
2. Gire o eleve la placa superior **(B)**.
3. Afloje los tornillos **(C)**.

Fig. 28



4. Afloje los tornillos (**Fig. 28 A**).
5. Coloque la puerta en la posición necesaria.
6. Apriete los tornillos (**Fig. 28 A**) y en la (**Fig. 27 C**).
7. Afloje los tornillos en la (**Fig. 27 D** y la **Fig. 28 B**).
8. Cierre el manillar (**Fig. 27 A**). Mantenga la puerta cerrada mientras introduce el pestillo superior (**Fig. 27 E**) y el pestillo inferior de la puerta (**Fig. 28 C**) en los ganchos (**Fig. 27 F** y **Fig. 28 D**).
9. Mantenga la puerta cerrada mientras aprieta los tornillos (**Fig. 27 D** y **fig. 28 B**) que sujetan los pestillos de la puerta.

## 8.0 Problemas de funcionamiento: solución de problemas

### Poco tiro

Compruebe la longitud de la chimenea y que cumple los requisitos y normativas nacionales.

Compruebe que la sección transversal mínima de la chimenea corresponde a lo indicado en la sección «**2.0 Información técnica**».

Cerúese que no hay ningún obstáculo que impida el escape de los gases: ramas, árboles, etc.

Si sospecha que el tiro de la chimenea es excesivo o escaso, solicite ayuda profesional para su medición y ajuste.

### La llama se extingue transcurrido un tiempo

- Asegúrese de que la leña está suficientemente seca.
- Averigüe si existe presión negativa en la vivienda, apague los sistemas de ventilación mecánicos y abra una ventana cercana a la estufa.
- Compruebe que el respiradero está abierto.
- Compruebe que la toma de la salida de humos no está obstruida con hollín.

### Se acumula una cantidad anormal de hollín en el cristal

Siempre se adherirá algo de hollín al cristal, pero la cantidad depende de:

- Humedad del combustible.
- Las condiciones de tiro locales.
- Apertura del respiradero de ventilación.

La mayor parte del hollín se suele quemar cuando se abre completamente el respiradero de ventilación y arde un fuego vivo en la estufa.

## 9.0 Complementos opcionales

### 9.1 Conexión de aire exterior

Conexión de aire exterior, Ø 80 mm - N.º cat. 51047509

### 9.2 Juego giratorio

Consulte las instrucciones de instalación separadas - N.º cat. 10026061.

Juego giratorio para Jøtul F 373, Jøtul F 363, Jøtul F 473 SHD y Jøtul F 483 - N.º cat. 51012254

## 10.0 Reciclaje

### 10.1 Reciclaje del embalaje

- Su estufa se entrega con el siguiente embalaje:
- Un palé de madera que puede cortarse y quemarse en la estufa.
- Embalaje de cartón que debe llevarse a un punto de reciclaje local.
- Bolsas de plástico que deben llevarse a un punto de reciclaje local.

### 10.2 Reciclaje de la estufa

**La estufa se compone de:**

- Metal que debe llevarse a un punto de reciclaje local.
- Cristal que debe desecharse como un residuo peligroso. El cristal de la estufa no debe depositarse en un contenedor de separación convencional.
- Placas de combustión de vermiculita que pueden desecharse en contenedores de desechos convencionales.

## 11.0 Términos de la Garantía

### 1. Nuestra garantía cubre:

Jøtul AS garantiza que las partes exteriores de hierro fundido están libres de defecto en materiales o fabricación en el momento de la compra. Usted puede extender esta garantía sobre las piezas exteriores de fundición hasta 25 años desde la fecha de entrega del producto registrándolo en [jotul.com](http://jotul.com), e imprimiendo la tarjeta de ampliación de la garantía en un plazo de tres meses a contar desde la fecha de compra. Recomendamos conservar la tarjeta de garantía junto con el justificante de compra. Jøtul AS también garantiza que las piezas de acero están libres de defectos de material o fabricación en el momento de la compra y durante un periodo de 5 años a partir de la fecha de entrega.

La garantía solamente tendrá validez si la instalación de la estufa se encarga a un instalador cualificado y se realiza con arreglo a la normativa en vigor y siguiendo las instrucciones de instalación y funcionamiento de Jøtul. Los productos reparados y las piezas sustituidas estarán garantizados durante el tiempo que quede de la garantía original.

### 2. La garantía no cubre:

- 2.1. Los daños en las piezas de desgaste, como placas de combustión, rejillas, deflectores de humos, juntas y similares, puesto que se deterioran con el tiempo debido al uso normal.
- 2.2. Los daños derivados de un mantenimiento inadecuado, sobrecalentamiento o uso de combustibles inadecuados (ejemplos de combustible inadecuado son entre otros: restos de madera extraídos del mar, madera impregnada, recortes de tablas, aglomerado, etc.) o de leña demasiado húmeda
- 2.3. La instalación de accesorios opcionales que rectifiquen el tiro, el suministro de aire u otras circunstancias fuera del control de Jøtul.
- 2.4. Casos derivados de alteraciones o modificaciones de la estufa efectuadas sin el consentimiento de Jøtul, o el uso de piezas no originales.
- 2.5. Daños producidos en el almacén de un distribuidor, en el transporte posterior o durante la instalación
- 2.6. Productos vendidos por distribuidores no autorizados en zonas donde Jøtul opera según distribución selectiva
- 2.7. Costes asociados (por ejemplo, pero no solo, transporte, mano de obra, gastos de viaje) o daños indirectos

Las estufas de pellets, cristal, piedra, hormigón, acabados de pintura y esmalte (por ejemplo, pero no solo golpes, grietas, burbujas, decoloramiento, etc) están sujetos a la legislación nacional de consumo aplicable. Esta garantía es válida para compras realizadas dentro del territorio del Espacio Económico Europeo. Todas las reclamaciones de garantía se tramitarán a través de su distribuidor autorizado Jøtul local en un plazo razonable de tiempo que no excederá de 14 días respecto a la fecha en la que se detecte la falta o defecto por primera vez. Consulte la lista de importadores y distribuidores en nuestra página web [www.jotul.com](http://www.jotul.com)

Si Jøtul no pudiese cumplir con las obligaciones descritas en los términos de la garantía, se ofrecerá un producto alternativo de capacidad calorífica comparable

Jøtul se reserva el derecho a rechazar cualquier reposición de piezas si la garantía no se ha registrado online. Esta extensión de garantía únicamente añade coberturas, y no disminuye en medida alguna los derechos del consumidor y las garantías establecidas por la ley. Los derechos de garantía nacional empezarán a contar desde la fecha de compra y solamente podrán ejercerse previa presentación del justificante de compra/número de serie.

# ITALIANO

## Indice generale

1.0	Dati tecnici.....	54
1.0	Conformità alle normative .....	54
3.0	Sicurezza .....	55
4.0	Installazione .....	58
5.0	Utilizzo giornaliero.....	64
6.0	Manutenzione.....	65
7.0	Assistenza.....	66
8.0	Risoluzione dei problemi .....	69
9.0	Accessori opzionali .....	69
10.0	Riciclaggio.....	70
11.0	Termini della garanzia .....	70

**Registrare il proprio caminetto sul sito [jotul.com](http://jotul.com) per una garanzia di 25 anni.**

Product: Jøtul Room heater fired by solid fuel			
Standard Minimum distance to adjacent combustible materials Emission of CO in combustion products Flue gas temperature Nominal heat output Efficiency Operational range Fuel type Operational type The appliance can be used in a shared flue.			
Country	Classification	Certification/standard	Approved by
Norway	Klasse II		
Sweden	etc.	SP	SP-Sveriges Provnings- och Forskningsinstitut AB
EUR	Intermittent	EN	SP-Swedish National Testing and Research Institute
Follow user's instructions. Use only recommended fuels. Montage- und Bedienungsanleitung beachten. Verwenden Sie nur empfohlenen Brennstoffen. Respecter les consignes d'utilisation. Utilisez uniquement les combustibles recommandés.			
Serial no. Y-xxxxx, Year 200x			
Manufacturer: Jøtul AS POB 1441 N-1602 Fredrikstad Norway		221546	

Su tutti i nostri prodotti è applicata un'etichetta che indica il numero di serie e l'anno. Annotare questo numero dove indicato nelle istruzioni di installazione.

Citare sempre questo numero di serie quando ci si rivolge al rivenditore o a Jøtul.

Serial no.

## 1.0 Dati tecnici

Materiale:	Ghisa
Finitura:	Vernice nera
Tipo di combustibile:	Legna
Lunghezza massima ceppi:	30 cm
Scarico fumi:	Superiore, posteriore
Dimensioni condotto:	Ø 150 mm
Condotto per l'aria esterna:	Alu. flex - Ø 80 mm

### Peso del prodotto:

Camera di combustione:	119 kg
Base in ghisa :	46 kg
Piedistallo in ghisa :	34 kg
Lati in ghisa	33 kg
Accessori opzionali	Piastre di protezione per il pavimento, Condotto per l'aria esterna, Set girevole per Jøtul F 483

Dimensioni prodotto, distanze: Vedere la **fig. 1**

### Dati tecnici conformi alla norma EN 13240

Potenza termica nominale:	6,0 kW
Massa di gas prodotta dai fumi:	6,0 g/s
Tiraggio raccomandato per la canna fumaria:	12 Pa
Efficienza:	75% @6 kW
Emissioni di CO (13% O <sub>2</sub> ):	0,08%
Temperatura dei gas prodotti dai fumi:	315°C
Temperatura media del gas prodotto dal fumo in corrispondenza dello scarico fumi:	360 °C
Polvere:	<20mg/m <sup>3</sup> n al 13% di O <sub>2</sub>
Tempo di combustione:	2.2 kg/h
Tipo di funzionamento:	Intermittente

Per "combustione intermittente" si intende il normale utilizzo di un caminetto, ovvero l'aggiunta di combustibile non appena si sono formate le braci.

## 2.0 Conformità alle normative

- L'installazione di un caminetto deve essere eseguita in conformità alle leggi e alle normative locali di ogni paese. L'installazione del prodotto deve essere conforme a tutte le norme locali, incluse quelle che fanno riferimento agli standard nazionali ed europei.
- L'installazione può essere effettuata solo dopo un'accurata ispezione da parte di un ispettore qualificato.
- Contattare le autorità edili locali prima di installare un nuovo caminetto.

## 3.0 Sicurezza

**Nota: per garantire prestazioni e sicurezza ottimali, le stufe Jøtul devono essere montate da un installatore qualificato (vedere [www.jotul.com](http://www.jotul.com) per un elenco completo di rivenditori).**

Qualunque modifica al prodotto da parte del distributore, installatore o consumatore può comportare un funzionamento imprevisto del prodotto e delle funzionalità di sicurezza. Lo stesso si applica all'installazione di accessori o di extra opzionali non forniti da Jøtul. Ciò può riguardare anche componenti essenziali per il funzionamento e la sicurezza del caminetto eventualmente smontati o rimossi.

In tutti i casi citati, il produttore non potrà essere ritenuto responsabile o punibile per il prodotto, rendendo nullo e non valido ogni reclamo.

### 3.1 Misure di prevenzione antincendio

Ogni utilizzo del caminetto ha in sé un certo elemento di pericolo. Pertanto, è necessario seguire attentamente le seguenti istruzioni:

- Le distanze minime di sicurezza in caso di utilizzo del caminetto sono fornite nella **fig. 1**.
- Assicurarsi che gli arredi e altri materiali infiammabili non siano troppo vicini al caminetto. I materiali infiammabili non devono mai essere posizionati entro 1 metro dal caminetto.
- Attendere l'estinzione del fuoco. Non spegnere mai le fiamme con acqua.
- Il caminetto acceso diventa caldo e può causare bruciate se toccato.
- Rimuovere la cenere solo con il caminetto freddo. La cenere può contenere braci calde, pertanto deve essere collocata in un contenitore ignifugo.
- La cenere deve essere collocata all'esterno o svuotata in un luogo in cui non rappresenterà un pericolo potenziale di incendio.

### In caso di incendio della canna fumaria

- Chiudere tutte le aperture e le prese d'aria.
- Tenere chiusa la porta del camino.
- Verificare la presenza di fumo in cantina e in soffitta.
- Chiamare i vigili del fuoco.
- Prima di utilizzare di nuovo il camino e la canna fumaria dopo un incendio, è necessario che vengano controllati da un tecnico specializzato che ne assicuri l'integrità e il corretto funzionamento.

## 3.2 Pavimento

### Basamento

È importante accertarsi che il basamento sia adatto a un caminetto. Consultare il capitolo "**1.0 Dati tecnici**" per le specifiche sul peso.

Si raccomanda la rimozione dall'area di installazione di ogni eventuale rivestimento non fissato al pavimento ("rivestimenti mobili").

## Requisiti per la protezione del pavimento in legno sotto il caminetto

Il prodotto presenta una protezione integrata del pavimento, pertanto può essere posizionato direttamente su un pavimento in legno.

**Jøtul raccomanda di rimuovere eventuali materiali infiammabili come: linoleum, moquette, ecc. da sotto la pedana di protezione del pavimento.**

## Requisiti per la protezione dei pavimenti infiammabili davanti al caminetto

La piastra anteriore deve risultare conforme alle leggi e alle normative nazionali.

Contattare le autorità edili locali in relazione alle disposizioni e ai requisiti di installazione.

## 3.3 Pareti

Distanza da pareti composte da materiali combustibili : vedere la **fig. 1a**.

Distanza minima dalla parete combustibile protetta da un muro tagliafuoco: vedere la **fig. 1b**.

Il caminetto può essere utilizzato con un condotto non isolato, sempre che le distanze tra il caminetto e le pareti in materiali combustibili rispettino i valori indicati nella **fig. 1a**.

**Nota: Prestare particolare attenzione in caso di utilizzo di un piedistallo girevole!**

Fig. 1 a

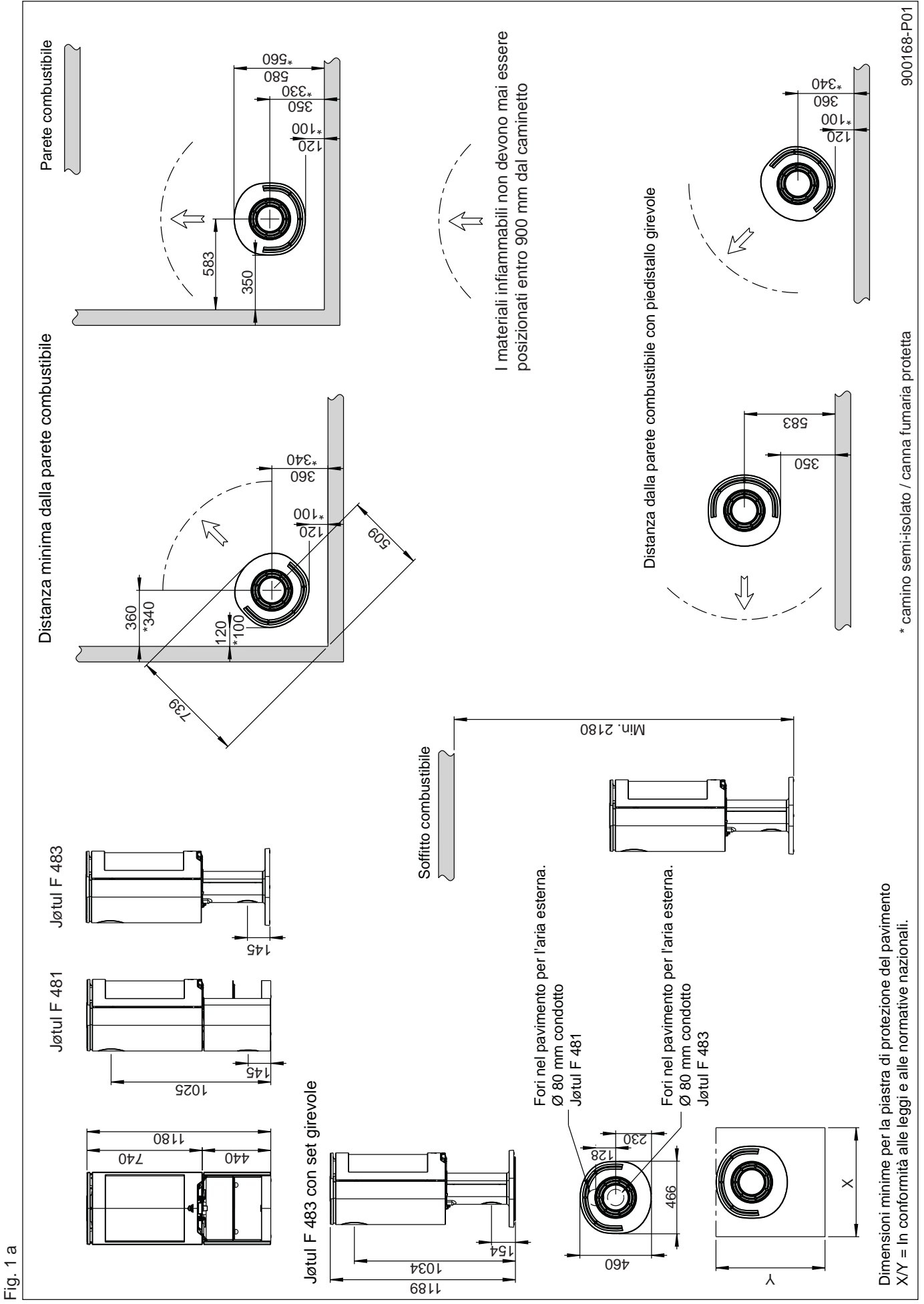




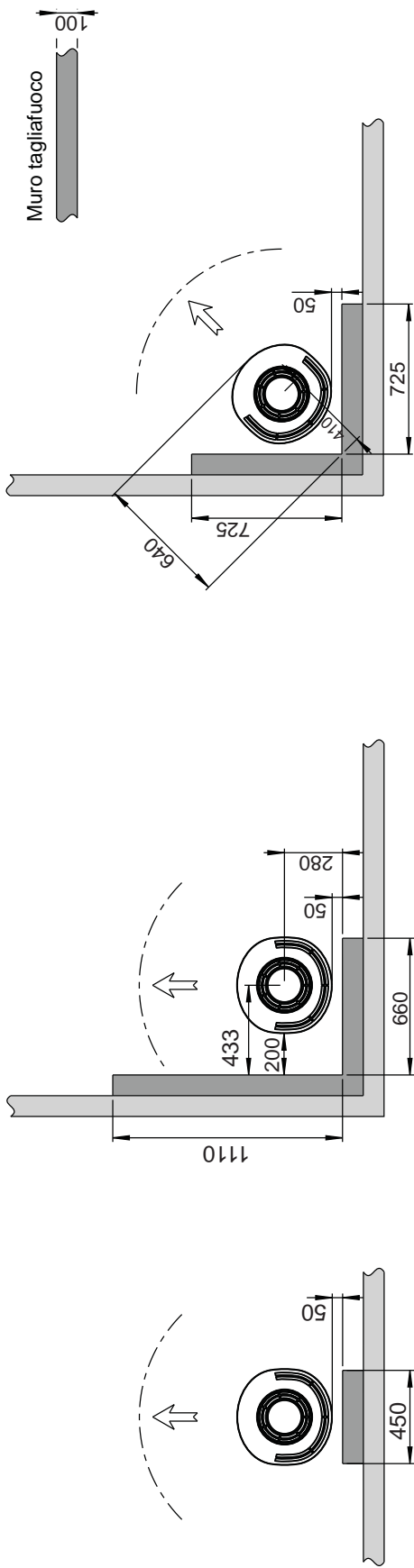
Fig. 1 b

Jøtul F 481 / F 483

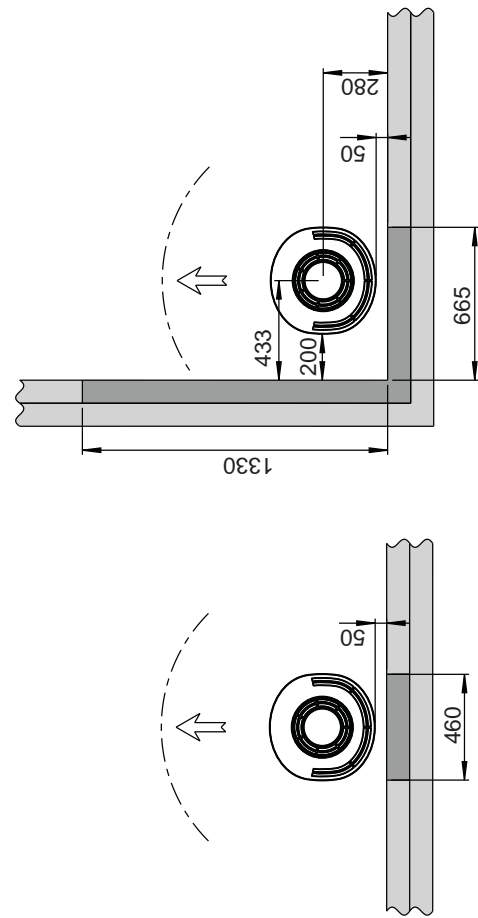
Distanza minima dalla parete combustibile protetta da un muro tagliafuoco.

Esterna

Parete combustibile  
Muro tagliafuoco



Integrata



# ITALIANO

## Circolazione dell'aria

Il quantitativo di aria di combustione per i prodotti Jøtul è di circa 20-40 m<sup>3</sup>/h.

Il condotto per l'aria esterna può essere inserito direttamente in Jøtul F 480 attraverso:

- la base/piedistallo/piede o
- attraverso un tubo flessibile di circolazione dell'aria dall'esterno/dalla canna fumaria (solo se la canna fumaria presenta un proprio condotto per l'aria esterna) diretto al connettore dell'aria esterna del prodotto.

Fig. 2A, attraverso una parete esterna

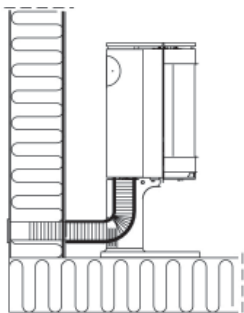


Fig. 2B, attraverso il pavimento e la piastra di terra

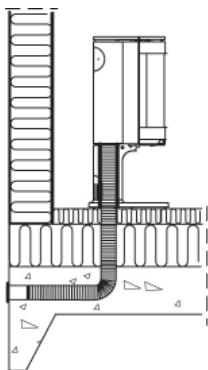


Fig. 2C, attraverso il pavimento e il basamento

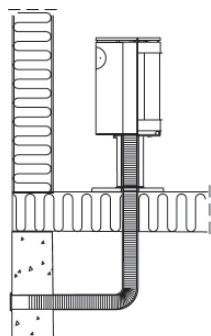
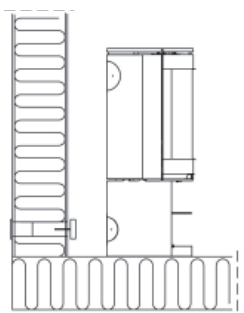


Fig. 2D, indirettamente attraverso una parete esterna



## 4.0 Installazione

**Nota:** prima di iniziare l'installazione, assicurarsi che il caminetto non sia danneggiato.

**Nota:** il prodotto è pesante! Assicurarsi di disporre dell'aiuto necessario in fase di posizionamento e installazione. La camera di combustione è pesante. Fare attenzione a non rovesciare il prodotto.

**Nota:** Non collocare niente sulla piastra superiore della stufa, dal momento che potrebbe causare danni permanenti alla vernice o allo smalto.

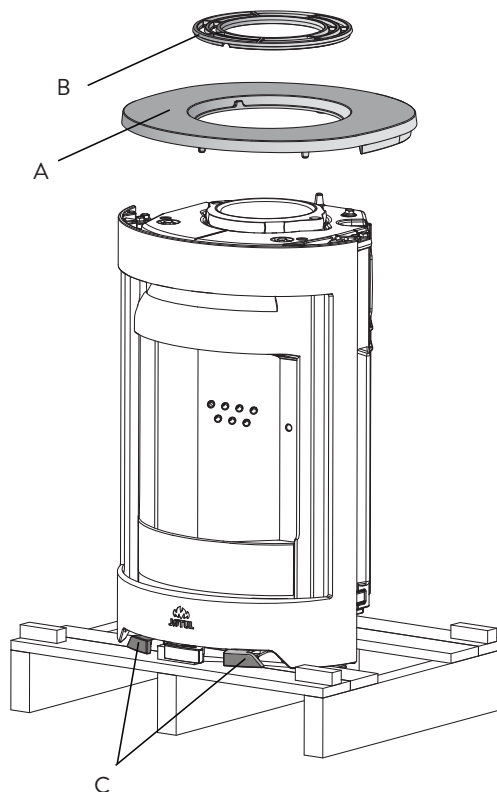
**Nota:** leggere attentamente le Istruzioni di installazione e funzionamento prima di installare il caminetto!

### 4.1 Prima dell'installazione

Il prodotto standard viene consegnato in almeno tre partite: una con il caminetto, una con la base, il piedistallo o il piede e una con i pannelli laterali.

Per installare il prodotto sono richiesti i seguenti utensili: livella ad acqua, cricchetto con attacchi da 10 e 13 mm, Torx T 20 e chiave esagonale con attacchi da 5 mm.

Fig. 3



1. Rimuovere l'imballo (cartone e telaio in legno) e stendere il cartone sul pavimento dietro il camino. **Nota:** è importante rimuovere la schiuma plastica bianca presente in cima.
2. Rimuovere le viti che attaccano il prodotto al pallet per il trasporto.
3. Lasciare la stufa sul pallet di trasporto.
4. Rimuovere la piastra superiore (A) con la grata superiore (B).
5. Rimuovere i guanti e la vaschetta dal ceneraio. Posizionare la vaschetta sulla grata superiore fino alla fine, qualora il condotto sia montato sul retro.
6. Controllare che le manopole di regolazione (C) si muovano liberamente.

## 4.2 Installazione

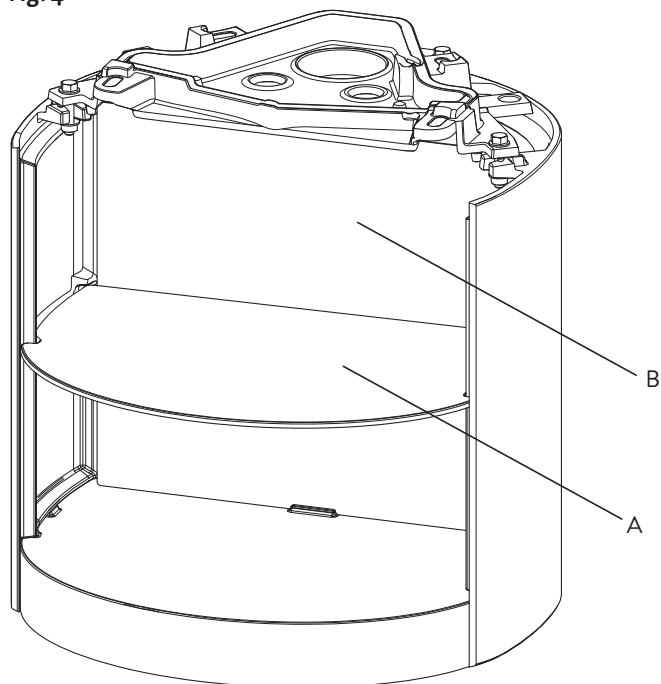
### Aria di combustione diretta attraverso la base.

#### Attraverso il pavimento

1. **Nota:** in caso di collegamento del tubo flessibile attraverso un foro nel pavimento, non estrarre le piastre di copertura rimovibili (**Fig. 5 A**).

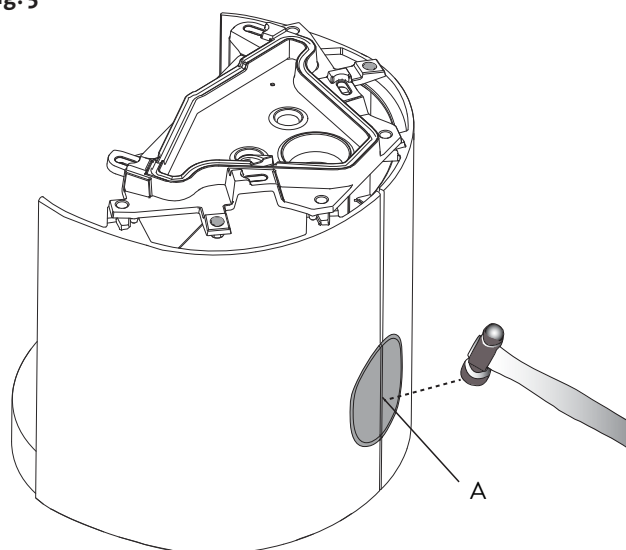
#### Attraverso lo scarico posteriore nella base

Fig. 4



2. Se viene collegato un tubo flessibile All uscita posteriore della base, la mensola (**A**) e la piastra interna posteriore (**B**) devono essere rimossi prima.

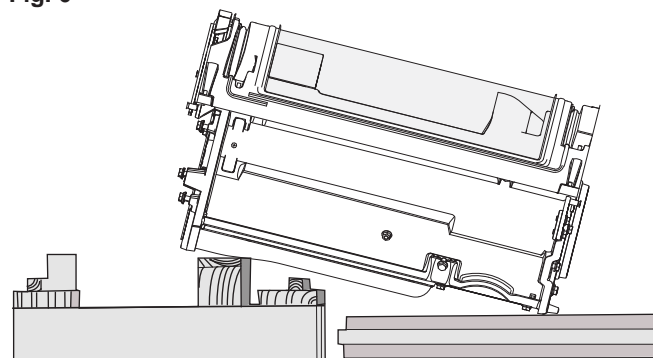
Fig. 5



3. In caso di collegamento di un tubo flessibile (Ø 80 mm) per l'alimentazione dell'aria esterna al connettore, è necessario estrarre prima le piastre di copertura rimovibili (**A**).

### Installazione della base/piedistallo sulla camera di combustione

Fig. 6



4. Posare delicatamente la stufa sul retro. Collocare la stufa su un pallet e tre telai di imballo.

Fig. 7

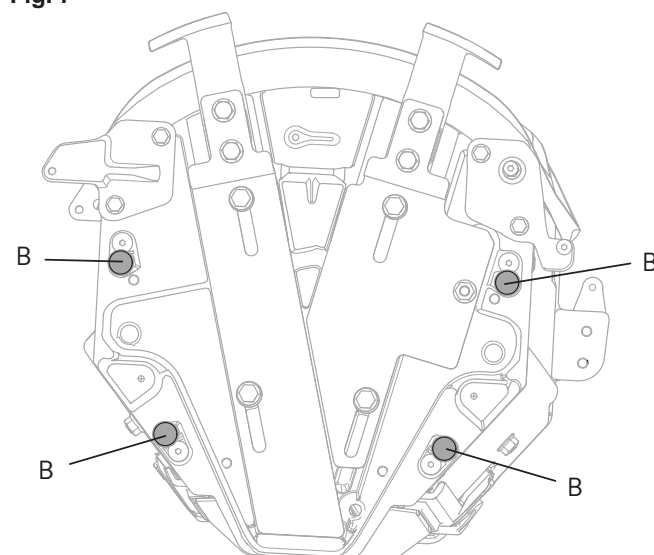
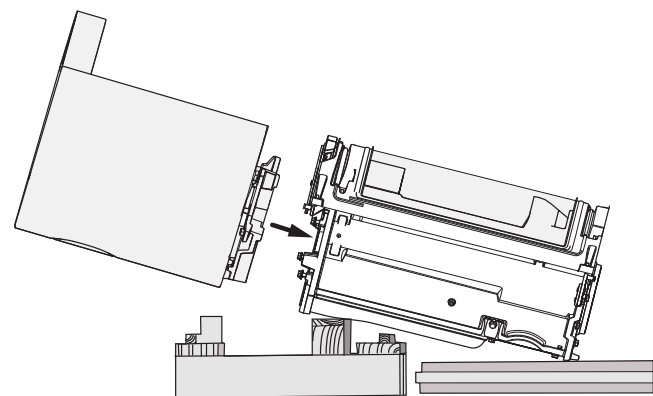
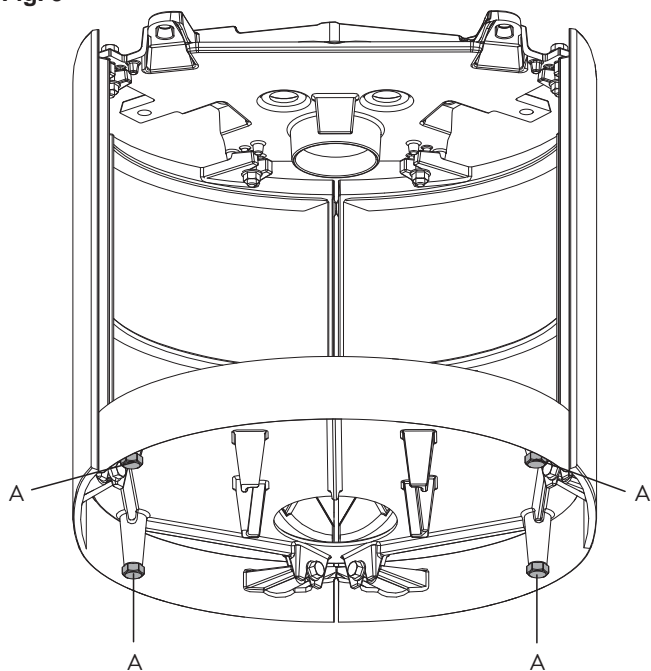


Fig. 8



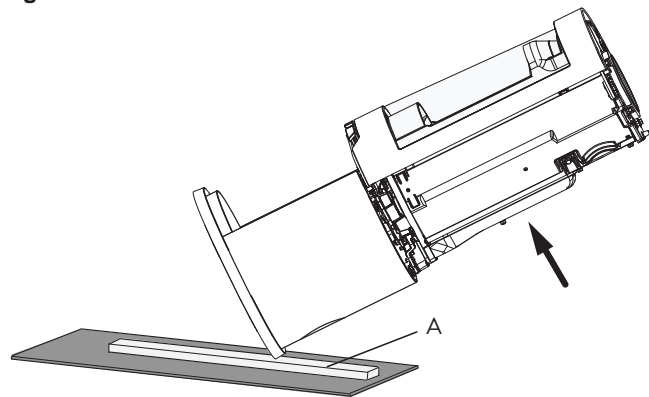
5. Prima di installare la base, è necessario rimuovere la piastra sporgente (**Fig. 4-A**) e la piastra posteriore interna (**Fig. 4-B**). Spingere la base in alto verso la camera di combustione e fissarla saldamente con le quattro viti (M8 x 25 mm) e le rondelle fornite. Vedere la **Fig. 7 B**.

Fig. 9



6. Allentare leggermente le viti di regolazione dell'altezza (**A**) sotto il prodotto, in modo che possano essere avvitate a mano. **Nota:** in caso di installazione della piastra di protezione del pavimento in vetro, è necessario sollevare la base di circa 8 mm dal pavimento in modo da poter spingere la piastra sotto al bordo anteriore della base.

Fig. 10

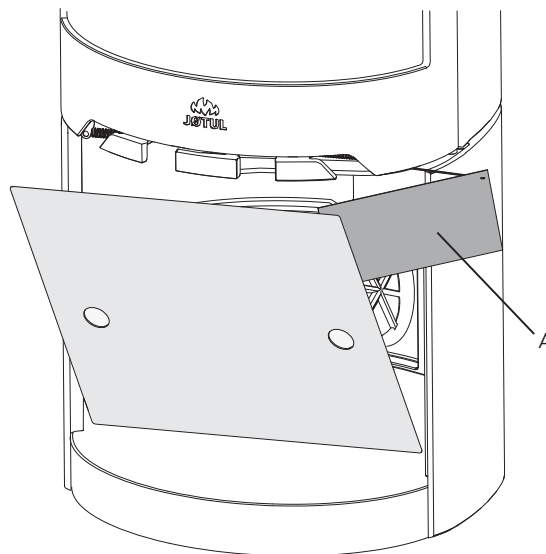


7. Rimuovere con cura il pallet in legno.
8. Posizionare trasversalmente un telaio di imballo (**A**) sotto la base/piedistallo/piede e l'imballo in cartone davanti/ sotto il prodotto per evitare di lasciare segni sul pavimento. Sollevare attentamente la stufa e collocarla nella posizione corretta (**Fig 1**). Ricordarsi di posizionarla direttamente sopra o dietro la presa di circolazione dell'aria esterna, a seconda di quale delle due soluzioni risulta applicabile.
9. Collocare temporaneamente in posizione la piastra superiore (**Fig. 3 A**) e livellare il caminetto. Se la stufa non è a livello, regolare le viti mostrate in **Fig. 9 A** fino a ottenere un prodotto perfettamente livellato.
10. Nel caso in cui le manopole di regolazione (**Fig. 3 C**) dovessero risultare di difficile estrazione, vedere la fase 4.7.

## 4.3 Posizione dell'etichetta di conformità

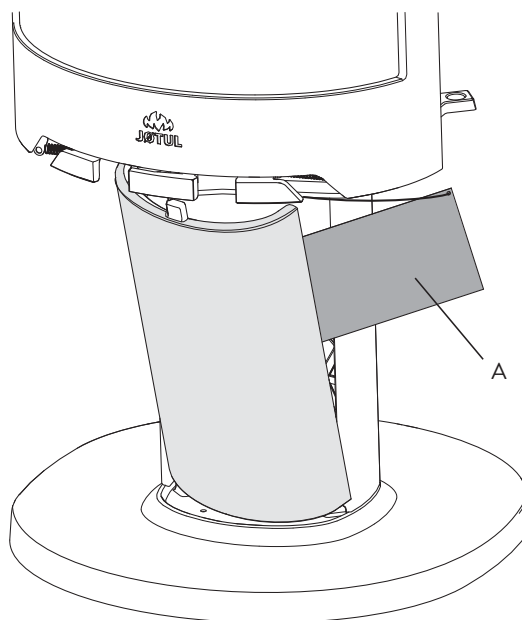
L'etichetta di conformità deve sempre essere applicata al cavo e posizionata come illustrato nella **Fig. 11**.

Fig. 11, Base



1. Riposizionare la piastra posteriore interna (**Fig. 4-B**) e la piastra sporgente (**Fig. 4-A**).

Fig. 11, Piedistallo



## Installazione con circolazione dell'aria esterna

Fig. 12 - Base

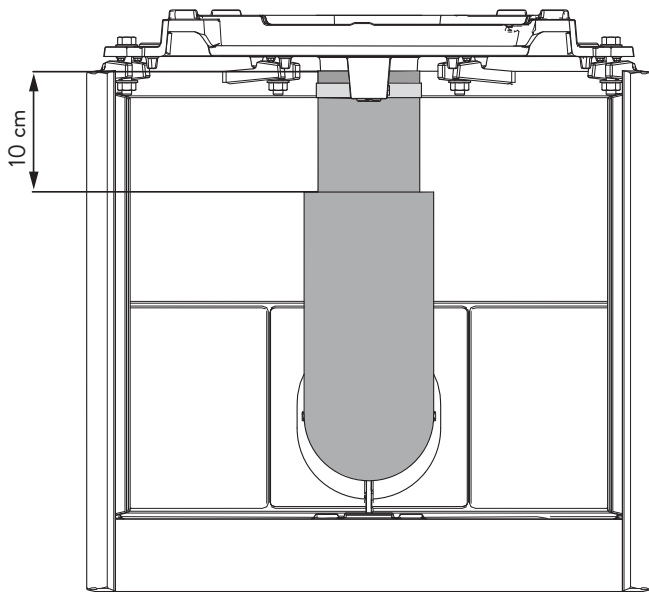
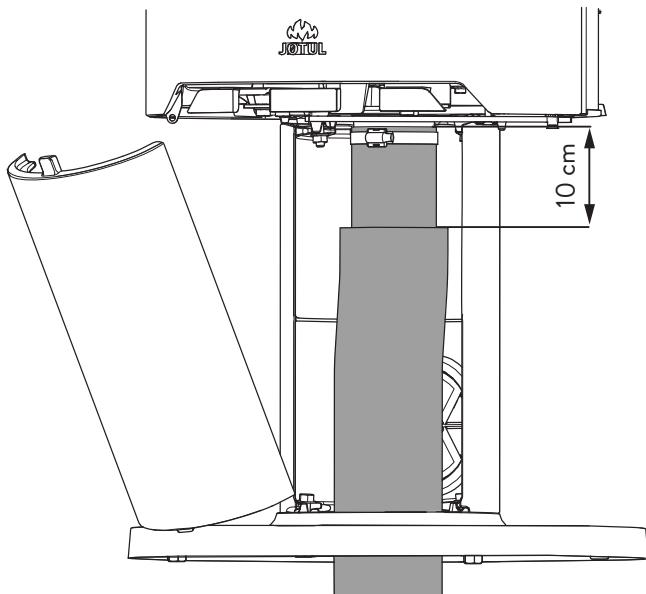


Fig. 12 - Piedistallo



1. Fissare il tubo flessibile al connettore dell'aria esterna usando una fascetta stringitubo. **(Nota: in presenza di un set girevole, non utilizzare la fascetta stringitubo sul piedistallo di Jøtul F 483, dato che ne impedirebbe la rotazione).** Nota: accertarsi che il tubo flessibile sia sufficientemente lungo per evitare il ricorso a giunti. L'isolamento del tubo flessibile dell'aria esterna termina circa 10 cm sotto la camera di combustione.
2. Riposizionare ogni componente precedentemente rimosso dal prodotto.

## 4.4 Canna fumaria e condotto

- Il caminetto deve essere collegato solo a una canna fumaria e a un condotto approvati per caminetti a combustibile solido; le temperature dei gas prodotti dal fumo sono indicate nel capitolo "1.0 Dati tecnici".
- La sezione trasversale della canna fumaria deve essere progettata in modo da adattarsi al caminetto. Consultare il capitolo "1.0 Dati tecnici" per calcolare la sezione trasversale corretta della canna fumaria.
- Il collegamento della canna fumaria deve essere realizzato in conformità alle istruzioni di installazione fornite dal produttore della stessa.
- Prima di praticare un foro nella canna fumaria, montare e posizionare provvisoriamente il prodotto, in modo da individuare la corretta posizione del caminetto e del foro sulla canna fumaria. Vedere la **Fig. 1** per le dimensioni minime.
- Assicurarsi che il condotto si sviluppi verso l'alto, in direzione della canna fumaria.
- Nel caso di uno scarico posteriore utilizzare un condotto provvisto di portello che consenta di effettuarne la pulizia.
- È estremamente importante che i collegamenti abbiano una certa flessibilità, questo per impedire ogni movimento in fase di installazione tale da causare la formazione di crepe.
- Per il tiraggio raccomandato della canna fumaria, consultare il capitolo "1.0 Dati tecnici". Per le dimensioni del condotto con la sezione trasversale rilevante, consultare il capitolo "1.0 Dati tecnici".

**Nota:** la lunghezza minima raccomandata della canna fumaria è 3,5 m dall'insero del condotto. Se il tiraggio risulta eccessivo, installare una valvola di regolazione del tiraggio.

## Inserimento di un condotto con uno scarico superiore

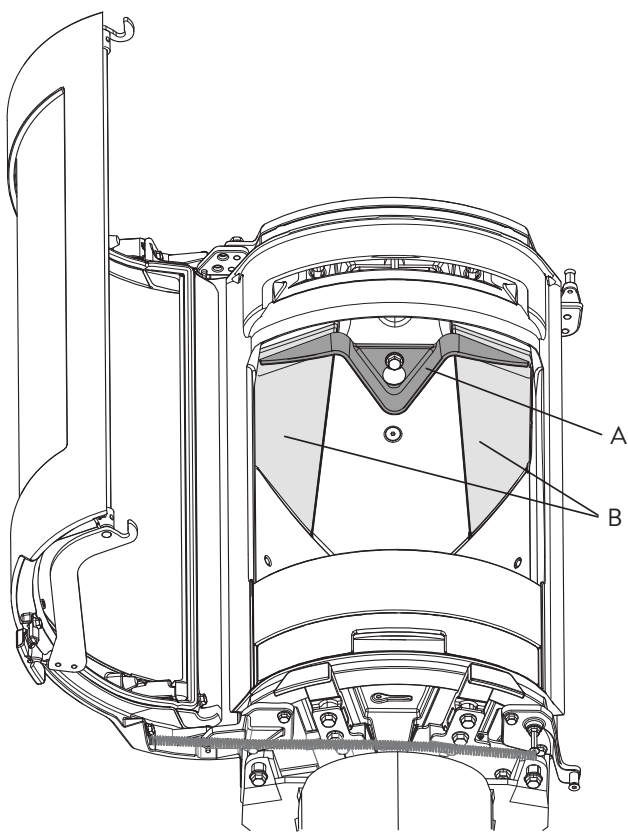
In presenza di uno scarico superiore, il condotto viene montato dopo aver installato i lati esterni. Vedere il **paragrafo 4.5**.

## Inserimento di un condotto con uno scarico posteriore

Il prodotto viene consegnato dalla fabbrica con uno scarico fumi adatto allo scarico superiore. Procedere nel modo seguente per l'installazione di uno scarico posteriore:

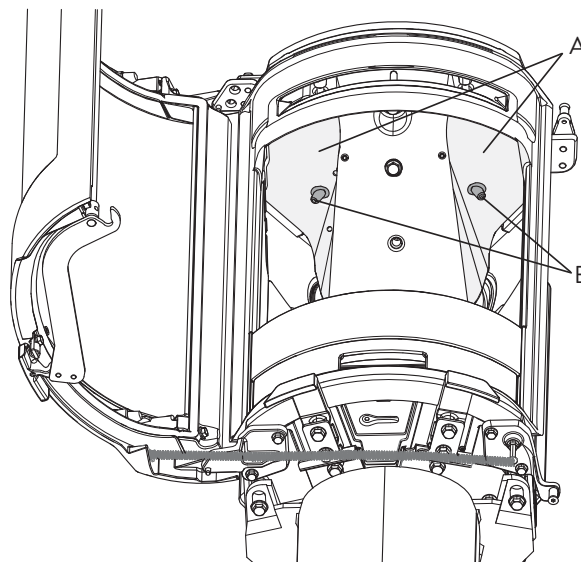
1. Collocare il prodotto nella posizione corretta. Consultare la **Fig. 1**.
2. Svitare lo scarico fumi dallo scarico superiore.
3. Posizionare la guarnizione sul bordo del condotto come indicato in **Fig. 15 B**.
4. Aprire la porta.

**Fig. 13**



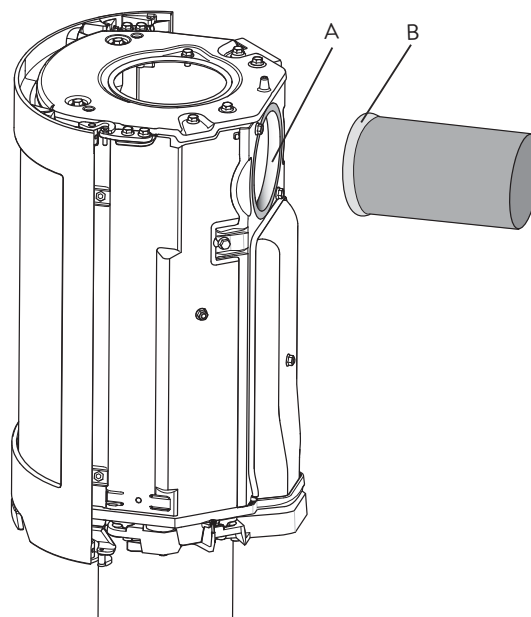
5. Rimuovere il deflettore di aspirazione inferiore (**A**) facendolo scorrere in avanti e verso l'esterno. Tenerlo mentre si procede all'estrazione in modo da impedire che cada.
6. Tirare in avanti i parafiamma (**B**), sollevare leggermente, ruotare e abbassare.

**Fig. 14**



7. Assicurarsi di annotare la posizione dei deflettori di aspirazione (**A**) prima di rimuoverli, in modo da garantire che vengano ricollocati esattamente nella stessa posizione. Fare presa sul perno (**B**) sul lato inferiore dei deflettori di aspirazione, sollevarli leggermente, quindi lateralmente prima di abbassarli e di rimuoverli dalla camera di combustione.

**Fig. 15**

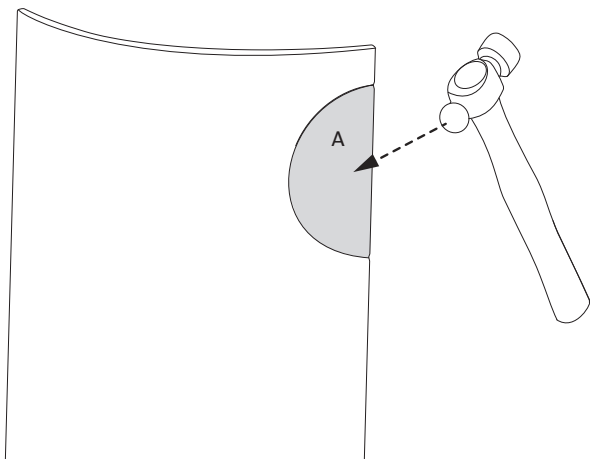


8. Svitare il coperchio per lo scarico posteriore sul lato interno della camera di combustione ed estrarlo attraverso l'apertura della porta.
9. Fissare lo scarico fumi (**A**) all'interno della camera di combustione, nel punto in cui si trovava il coperchio. Notare che deve essere ruotato, in modo che il condotto possa essere spinto in posizione dall'esterno.
10. Posizionare la guarnizione (**B**) contenuta nel sacchetto delle viti intorno al bordo del condotto e spingerla nello scarico fumi.
11. Installare il coperchio dello scarico fumi nel punto in cui si trovava lo scarico.
12. Riposizionare il deflettore di aspirazione e il parafiamma.

**Nota:** è importante che tutti i giunti/condotti siano completamente sigillati. Eventuali fuoriuscite d'aria potrebbero impedirne il corretto funzionamento.

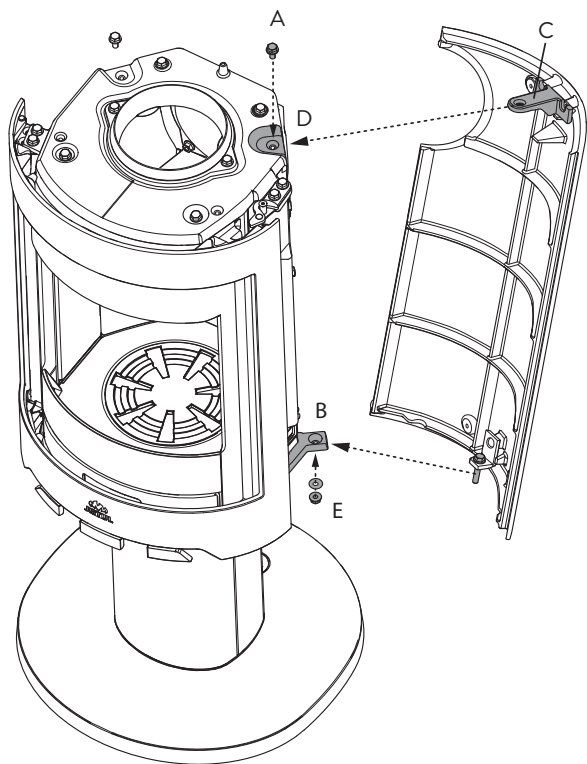
## 4.5 Installazione dei lati in ghisa

Fig. 16



1. In caso di installazione del condotto sul lato posteriore, è necessario estrarre le piastre di copertura rimovibili (A).

Fig. 17



2. Allentare la vite (A) per il lato in ghisa sulla parte superiore.
3. Sganciare la parte inferiore del lato con la vite sulla staffa (B). Fissare sulla parte inferiore con un dado e una rondella (E).
4. Spingere la staffa superiore sul foro della vite (C) sopra alla camera di combustione.
5. Fissare la staffa con una vite (A) e un dado (D).
6. Fissare l'altro lato nello stesso modo.

## 4.6 Inserimento di un condotto con uno scarico superiore

Il prodotto viene consegnato dalla fabbrica con uno scarico fumi adatto allo scarico superiore.

1. Collocare il prodotto nella posizione corretta.
2. Posizionare la piastra superiore e la grata in cima al prodotto.
3. Posizionare la guarnizione sul bordo del condotto come indicato in Fig. 15 B.
4. Spostare in posizione il condotto.

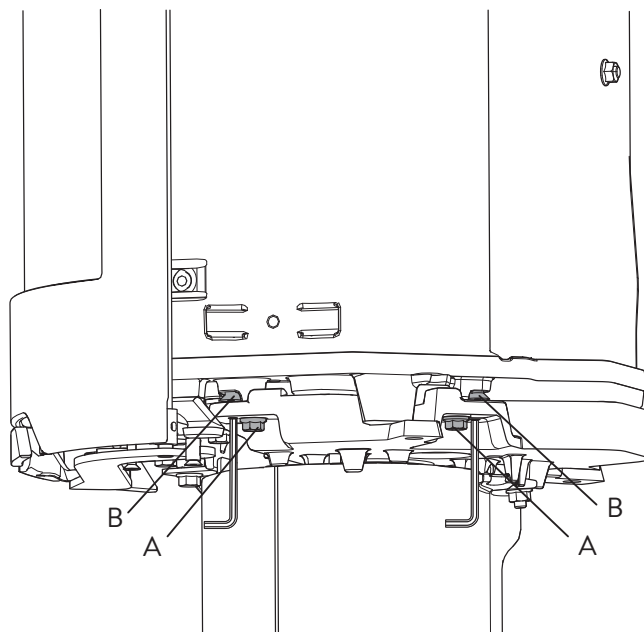
**Nota:** è importante che tutti i giunti/condotti siano completamente sigillati. Eventuali fuoriuscite d'aria potrebbero impedirne il corretto funzionamento.

## 4.7 Regolazione dell'altezza della camera di combustione per Jøtul F 480

È necessario correggere ogni irregolarità presente tra la camera di combustione e la base/il piedistallo/il piede.

Questa operazione può anche essere eseguita al fine di ridurre la pressione a livello delle valvole di tiraggio (impedisce l'irrigidimento delle valvole di tiraggio).

Fig. 18



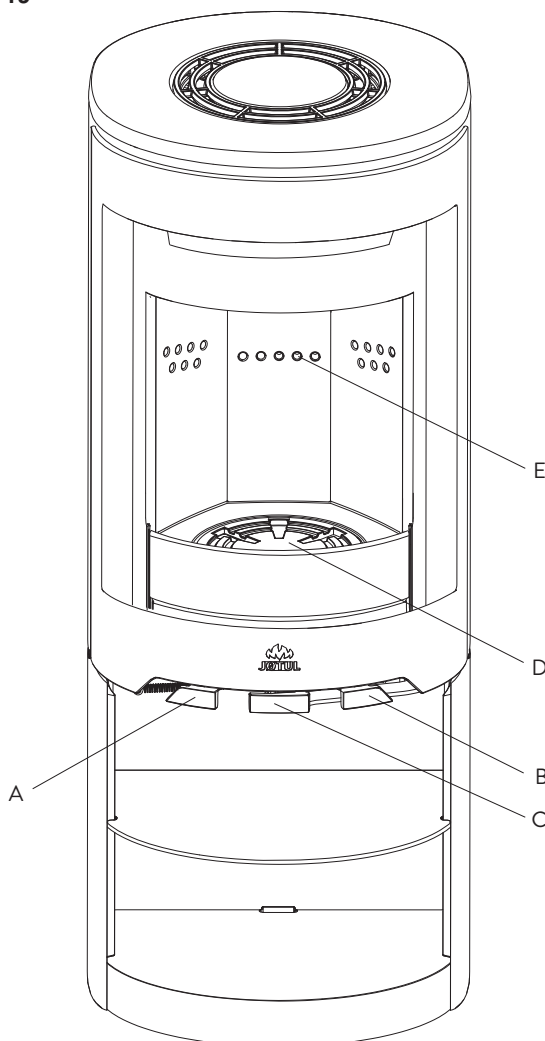
1. Se è stata montata la base, la piastra sporgente e la piastra interna andranno rimosse per prime.
2. Svitare le viti A di circa 4 mm su entrambi i lati del prodotto.
3. Svitare B utilizzando una chiave Allen fino a percepire resistenza a livello della chiave stessa. A questo punto agire sulla vite di regolazione girandola per sollevare la camera di combustione in base alle necessità.
4. Infine serrare le viti A.
5. Riposizionare la piastra interna e la piastra sporgente della base (solo per la base).

# ITALIANO

## 4.8 Controllo delle prestazioni

Una volta assemblato il prodotto, controllare sempre le manopole di regolazione. Devono muoversi facilmente e funzionare in modo soddisfacente.

Fig. 19



Jøtul F 480 è dotato delle seguenti opzioni di funzionamento:

### Presa d'aria (A)

Spinta all'interno: Chiusa  
Estratta completamente: Aperta

In caso di difficoltà nell'estrazione della valvola, vedere **la fase 4.7**.

### Presa di accensione (B)

Spinta all'interno: Chiusa  
Estratta completamente: Aperta

In caso di difficoltà nell'estrazione della valvola, vedere **la fase 4.7**.

**Grata perforata (B)** (stessa manopola della presa di accensione). La manopola di destra si sposta internamente ed esternamente

### Maniglia (C) per la porta

Si apre tirando la maniglia completamente verso l'esterno e sollevando quindi la porta.

**Altezza della pila di legna da ardere (E).** I fori non devono essere coperti.

## 5.0 Utilizzo giornaliero

### Odori al primo utilizzo del caminetto

Quando il caminetto viene utilizzato per la prima volta, può emettere un gas irritante dal lieve odore. Ciò si verifica perché la vernice si secca. Il gas non è tossico, tuttavia il locale deve essere ventilato approfonditamente. Lasciare bruciare il fuoco con un tiraggio elevato, fino a far scomparire ogni traccia di gas, fumo e odore.

### Consiglio per l'alimentazione della stufa

**Nota:** i ceppi conservati all'aperto o in un locale freddo devono essere collocati all'interno 24 ore prima dell'uso, al fine di portarli alla temperatura ambiente.

Ci sono vari modi per alimentare la stufa, tuttavia è sempre importante prestare attenzione a ciò che viene collocato nella stufa. Consultare la sezione "**Qualità della legna**".

**Importante!** Una circolazione dell'aria inadeguata può comportare una combustione insufficiente, emissioni elevate e un basso livello di efficienza.

### Qualità della legna

Per "legna di qualità" si intendono tipi di legna generalmente conosciuti come la betulla, l'abete e il pino.

**I ceppi devono essere asciugati, in modo che il contenuto di umidità non sia superiore al 20%.**

A tal fine, si consiglia di tagliare i ceppi alla fine dell'inverno. Tagliarli e impilarli in modo da garantire una buona ventilazione. Le pile di legna devono essere coperte per proteggere i ceppi dalla pioggia. Portare i ceppi all'interno all'inizio dell'autunno e impilarli/conservarli per utilizzarli in inverno.

**Prestare particolare attenzione a non utilizzare mai i seguenti materiali come combustibile per il caminetto:**

Rifiuti domestici, buste di plastica, ecc.

- Legname verniciato o impregnato (*in quanto estremamente tossico*).
- Assi di legno laminato.
- Cumuli di legname trasportato dalla corrente

*Possono danneggiare il prodotto e sono anche inquinanti.*

**Nota: non utilizzare mai petrolio, paraffina, alcol denaturato o liquidi simili per accendere il fuoco, in quanto potrebbero causare lesioni gravi all'utilizzatore e danni al prodotto.**

### Fascine (legna spaccata finemente):

Lunghezza: circa 30 cm  
Diametro: 2-5 cm  
Quantità richiesta per carico: 6-8 pezzi

### Legna (spaccata):

Lunghezza raccomandata: 20 - 30 cm  
Diametro: circa 8 cm  
Intervallo di aggiunta della legna: circa ogni 45 minuti  
Dimensioni della fiamma: 1,6 kg (potenza nominale)  
Quantità richiesta per carico: x2

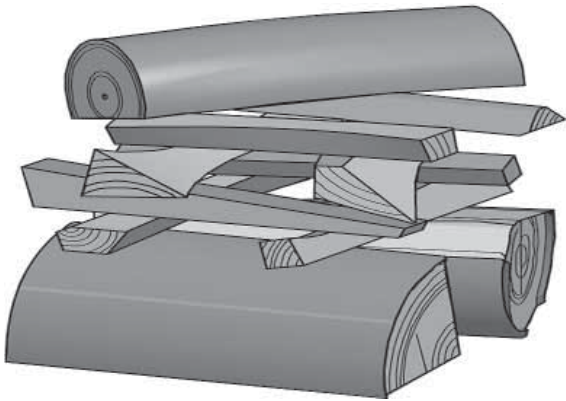
L'emissione di calore nominale si ottiene quando la presa d'aria è aperta circa al 50 % (**fig. 19 A**).



## Accensione iniziale

Aprire le prese d'aria e di accensione estraendo completamente le manopole (**Fig. 19 A e B**). Se necessario, tenere la porta leggermente aperta. (Utilizzare un guanto o simile per proteggere la mano nel caso in cui le manopole siano calde.)

Fig. 20



- Posizionare due ceppi in fondo alla camera di combustione e impilare le fascine in strati.
- Infine, posizionare un ceppo di dimensioni medie in cima alla pila.
- Posizionare 2 o 3 bricchette o ramoscelli sotto lo strato superiore di fascine e accendere il fuoco. **Nota: l'altezza massima della pila di legna deve essere appena inferiore ai fori orizzontali. I fori non devono essere coperti.**
- Chiudere la presa di accensione (**Fig. 19 B**) quando la legna ha preso fuoco e brucia correttamente.
- Dopodiché, è possibile variare il tasso di combustione per ottenere il calore desiderato regolando la presa d'aria (**fig. 19 A**).
- Controllare che abbia inizio la postcombustione (combustione secondaria). Ciò viene indicato dalla presenza di fiamme gialle e guizzanti davanti ai fori sotto il parafiamma.
- Se il flusso d'aria è normale, sarà possibile chiudere la porta e il fuoco si regolerà autonomamente.

## Aggiunta della legna

Alimentare frequentemente la stufa, aggiungendo solo piccoli quantitativi di combustibile alla volta. Se la stufa è troppo piena, il calore creato potrebbe causare sollecitazioni estreme della canna fumaria. Aggiungere con moderazione il combustibile al fuoco. Evitare i fuochi che bruciano senza fiamme, dato che ciò produrrà il massimo inquinamento. Un fuoco ottimale si ottiene con una buona bruciatura e un fumo in uscita dalla canna fumaria quasi invisibile.

## 5.1 Pericolo di surriscaldamento

### Il caminetto non deve mai essere utilizzato in modo tale da causare surriscaldamento

Il surriscaldamento si verifica in presenza di un eccesso di combustibile e/o di aria, causando un calore eccessivo. Un segno evidente di surriscaldamento è la presenza di un bagliore rosso in alcune parti del caminetto. Se ciò dovesse accadere, ridurre immediatamente l'apertura della presa d'aria.

*Consultare un professionista se si sospetta che la canna fumaria non presenti un tiraggio corretto (tiraggio eccessivo o scarso). Per ulteriori informazioni, consultare il capitolo "4.0 Installazione" (Canna fumaria e condotto).*

## 5.2 Rimozione della cenere

Jøtul F 480 include un ceneraio che semplifica la rimozione della cenere.

- Rimuovere la cenere solo con il caminetto freddo.
- Raschiare la cenere attraverso la grata nella parte interna inferiore e in basso all'interno del ceneraio. Utilizzare un guanto o simile per proteggere le mani. Impugnare la maniglia del ceneraio ed estrarlo sollevandolo. Assicurarsi che il ceneraio non sia mai così colmo da impedire la caduta della cenere attraverso la grata fino al ceneraio.
- Assicurarsi che il ceneraio sia spinto fino in fondo prima di chiudere la porta.

## 6.0 Manutenzione

### 6.1 Pulizia del vetro

Il prodotto dispone del sistema di pulizia ad aria del vetro. Attraverso la presa d'aria, l'aria viene risucchiata nella parte superiore del camino e spinta verso il basso lungo la parte interna del vetro.

Sarà comunque inevitabile l'accumulo di un po' fuliggine sul vetro, la cui quantità dipenderà dalle condizioni di tiraggio locale e dalla regolazione della presa d'aria. La maggior parte della fuliggine verrà normalmente bruciata quando si apre completamente la presa d'aria mentre il fuoco brucia vivacemente nel camino.

**Suggerimento utile!** Per la pulizia generale, utilizzare carta da cucina inumidita con acqua calda e aggiungere della cenere presa dalla camera di combustione. Pulire il vetro con la carta, quindi risciacquarlo con acqua pulita e asciugarlo completamente. Se fosse necessario pulire il vetro più a fondo, utilizzare un detergente per vetri (*seguire le istruzioni riportate sul flacone*).

### 6.2 Pulizia e rimozione della fuliggine

I depositi di fuliggine possono accumularsi sulle superfici interne del caminetto durante l'uso. La fuliggine è un buon isolante, pertanto riduce la potenza termica del caminetto. Se si accumulano depositi di fuliggine durante l'utilizzo del prodotto, per rimuoverli è sufficiente utilizzare un detergente specifico.

Al fine di impedire la formazione di acqua e di uno strato di pece liquida nel caminetto, consentire regolarmente la presenza di fiamme particolarmente calde per rimuovere lo strato. È richiesta una pulizia interna annuale per ottenere i migliori risultati termici dal prodotto. Si consiglia di effettuarla insieme alla pulizia della canna fumaria e dei condotti.

### 6.3 Pulizia dei condotti alla canna fumaria

I condotti devono essere spazzati attraverso l'apposito portello o l'apertura della porta. Uno dei parafiamma dovrà prima essere rimosso per consentire l'esecuzione di tale operazione.

## 6.4 Ispezione del caminetto

Jøtul raccomanda di ispezionare attentamente il proprio caminetto dopo averlo spazzato e pulito. Controllare tutte le superfici visibili per individuare eventuali crepe. Controllare anche che tutti i giunti siano sigillati e che tutte le guarnizioni siano nelle posizioni corrette. Qualsiasi guarnizione che mostri segni di usura o deformazione deve essere sostituita.

Pulire accuratamente le scanalature delle guarnizioni, applicare della colla per ceramica (disponibile presso il proprio rivenditore Jøtul locale) e premere la guarnizione in posizione. Il giunto si asciugherà rapidamente.

## 6.5 Manutenzione esterna

Il colore dei prodotti verniciati può alterarsi dopo svariati anni di utilizzo. La superficie deve essere pulita e spazzolata in modo da rimuovere ogni residuo prima di applicare la nuova vernice.

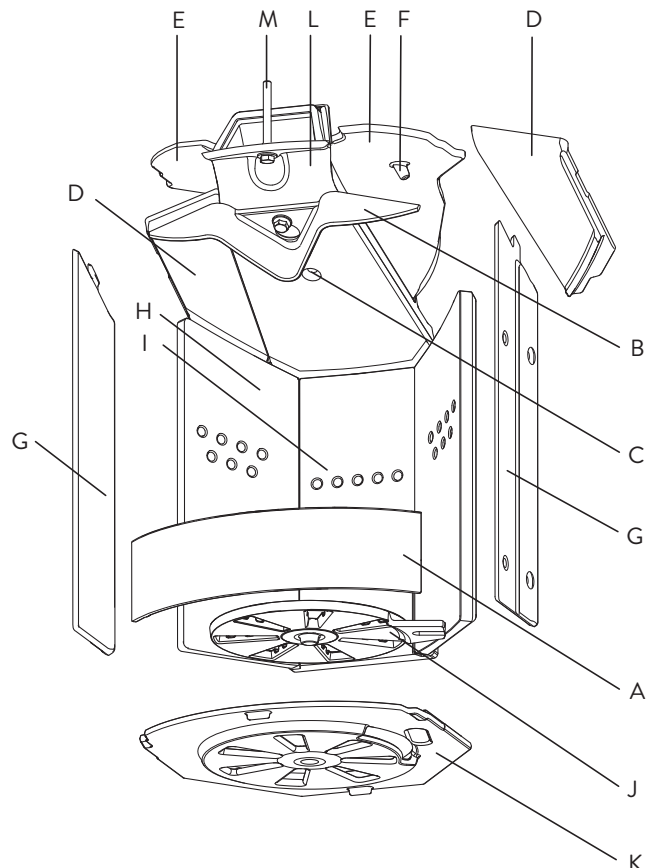
## 7.0 Assistenza

**Avviso: è vietata ogni modifica non autorizzata al prodotto. Utilizzare solo ricambi originali.**

### 7.1 Manutenzione/sostituzione di componenti nella camera di combustione

**Nota: utilizzare gli utensili con grande attenzione! Le piastre in vermiculite possono danneggiarsi se non trattate con cura.**

Fig. 21



1. Sollevare il fermo della cenere (A) ed estrarlo.
2. Far scorrere il deflettore di aspirazione inferiore (B) estraendolo dai fori chiave (C). Tenerlo mentre si procede all'estrazione in modo da impedire che cada.
3. Tirare in avanti i parafiamma (D), sollevarli leggermente, ruotarli e abbassarli.
4. Assicurarsi di annotare le posizioni dei deflettori di aspirazione (E) prima di rimuoverli, in modo da garantire che vengano ricollocati esattamente nelle stesse posizioni. Fare presa sul perno (F) sul lato inferiore dei deflettori di aspirazione. Sollevarli leggermente e lateralmente prima di abbassarli.
5. Sollevare le piastre refrattarie sul lato anteriore (G) ed estrarle.
6. Fare presa sulla parte superiore delle piastre refrattarie sul lato posteriore (H) e ruotarle verso il centro della camera di combustione. Dopodiché estrarle.
7. Estrarre la piastra refrattaria posteriore (I). Quando viene riposizionata, controllare che la guarnizione sulla piastra refrattaria posteriore sia fissata saldamente.

8. Sollevare ed estrarre la grata perforata **(J)** (farlo subito se deve essere sostituita). Accertarsi che l'alloggiamento sulla grata perforata si trovi contro la barra sotto la piastra inferiore interna quando viene reinserita.
9. Sollevare ed estrarre la piastra inferiore interna **(K)**.
10. Sorreggere il condotto dell'aria superiore **(L)** sul bordo anteriore quando si allenta la vite **(M)**. Utilizzare un cricchetto con un attacco da 13 mm e una prolunga. Con la vite allentata, inclinare il condotto dell'aria verso il basso. Tale passaggio può essere effettuato anche dopo **il punto 6**. Vi sono delle guarnizioni sulla parte anteriore e posteriore del condotto dell'aria. Incollare delle nuove guarnizioni prima di reinserirlo in posizione.
11. Per reinserire i componenti estratti, seguire la stessa procedura in ordine inverso.

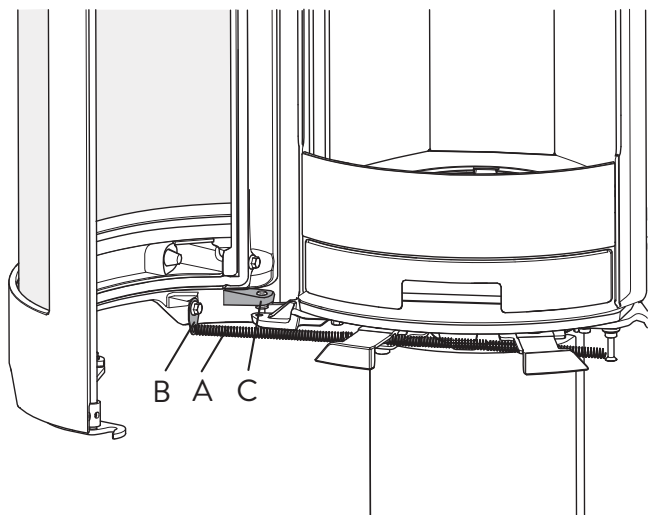
## 7.2 Sostituzione delle piastre laterali

1. Svitare la vite **(Fig. 17 A)** per la piastra laterale sulla parte superiore.
2. Sganciare la parte inferiore del lato con la vite della staffa **(Fig. 17 B)**.
3. Installare nuovi lati come descritto nel **Capitolo 4.5**.

**Nota:** se la stufa ha uno scarico fumi in cima, la piastra superiore può essere sollevata per accedere più facilmente alle viti.

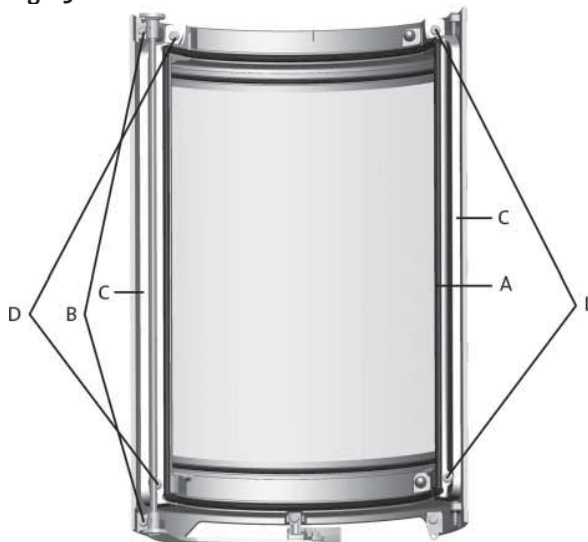
## 7.3 Sostituzione del vetro e delle guarnizioni nella porta

Fig. 22



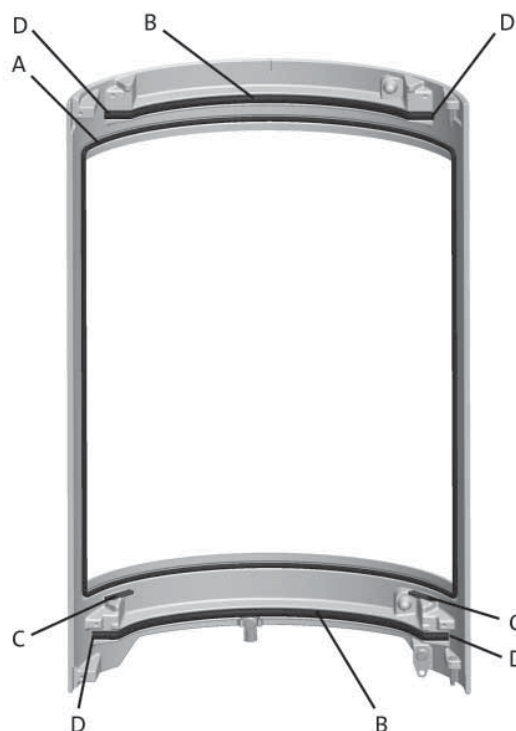
1. Aprire la porta e sganciare la molla **(A)** dalla clip **(B)**.
2. Sollevare la porta estraendola dai cardini. Assicurarsi che la rondella sotto il cardine inferiore **(C)** non vada persa.
3. Collocare la porta a faccia in giù su una superficie morbida.

Fig. 23



4. Se deve essere sostituita solo la guarnizione posta davanti alla camera di combustione **(A)**, pulire la relativa scanalatura e incollare in posizione una nuova guarnizione.
5. In caso di sostituzione di una guarnizione di un vetro o di un vetro, svitare il meccanismo di chiusura fissato con viti e rondelle **(B)**.
6. Rimuovere i supporti del vetro **(C)** fissati con 4 viti **(D)**.
7. Estrarre il vetro.

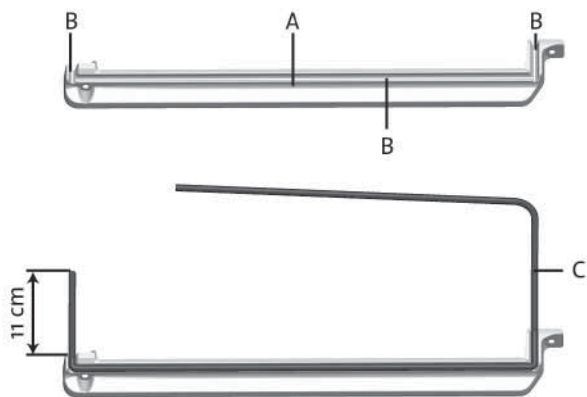
Fig. 24



8. Pulire accuratamente la scanalatura della guarnizione e incollare in posizione le nuove guarnizioni: guarnizione del vetro **(A)**, guarnizione della porta **(B)** e guarnizione sotto il vetro **(C)**. Verificare che le guarnizioni della porta si inseriscano negli angoli **(D)**.

# ITALIANO

Fig. 25



9. Collocare i supporti del vetro su una superficie con il lato, come illustrato **(A)**, e rivolti verso l'alto.
10. Applicare una goccia di colla nella scanalatura della guarnizione **(B)** rivolta adesso verso l'alto.
11. Inserire la guarnizione **(C)** nella scanalatura con le estremità sporgenti come illustrato (11 cm su un lato).

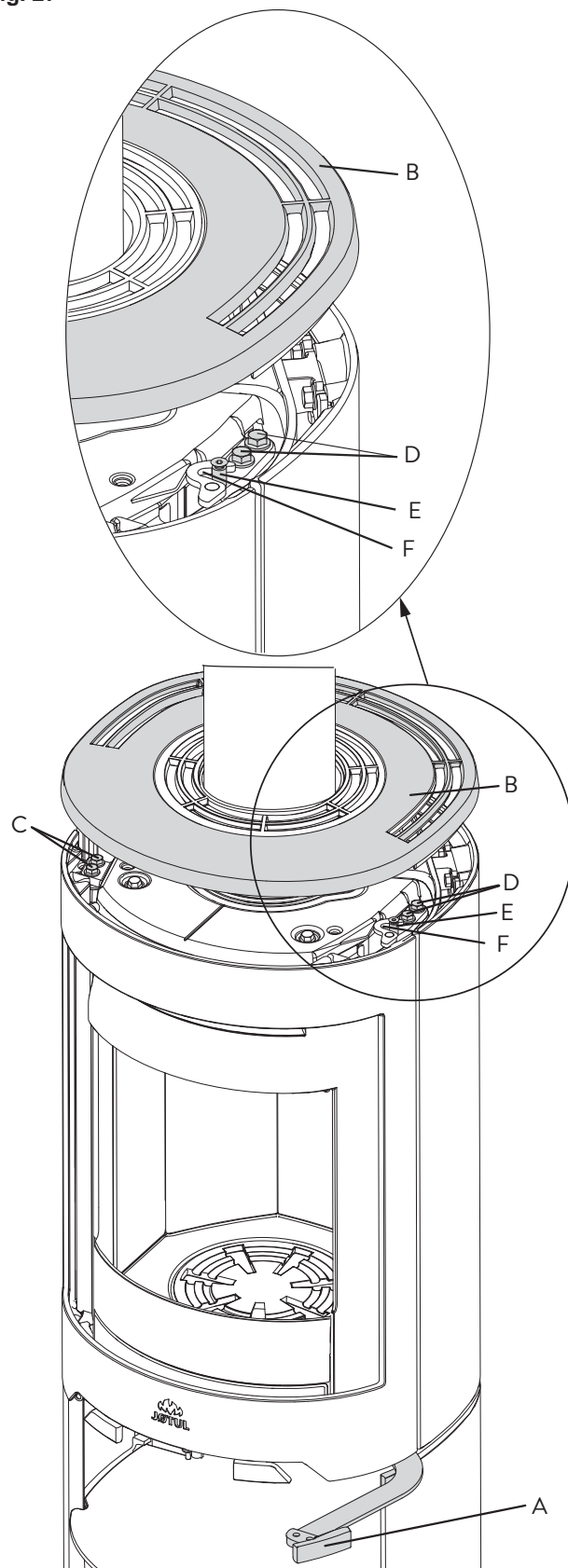
Fig. 24



12. Ruotare i supporti del vetro e applicare una goccia di colla nelle scanalature delle guarnizioni. Notare la sovrapposizione **(A)**.
13. Per reinserire i componenti estratti, seguire la stessa procedura in ordine inverso. Ricordarsi di collocare una rondella sotto il cardine.

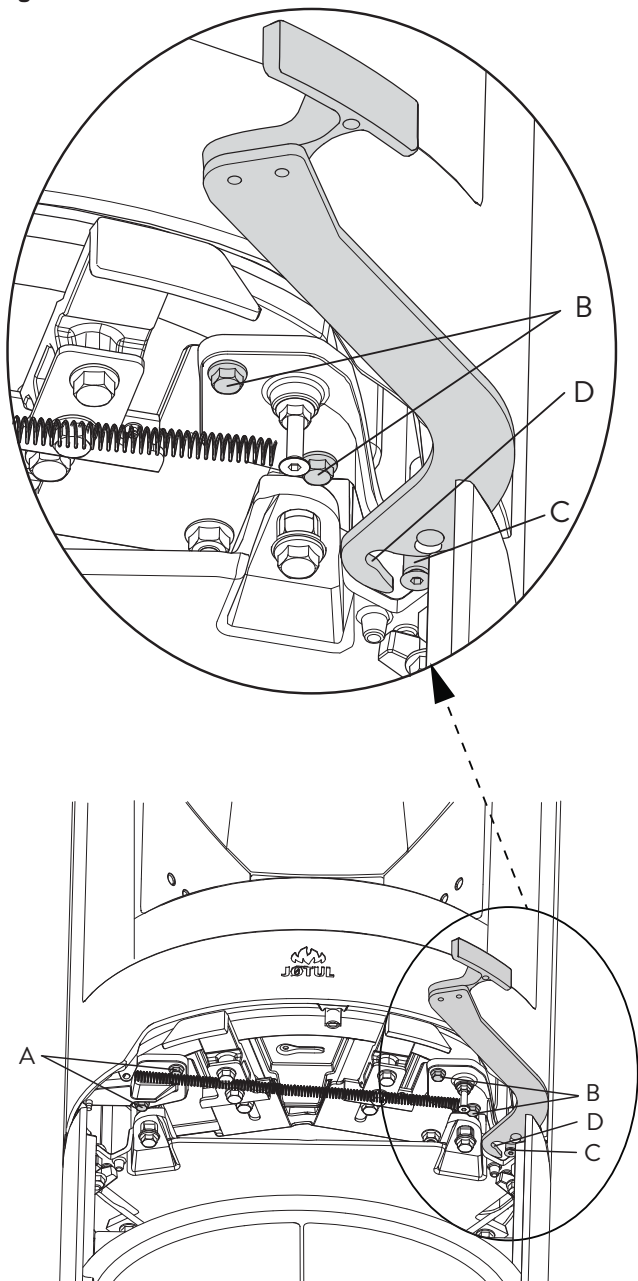
## 7.4 Regolazione della porta

Fig. 27



1. Aprire la maniglia della porta **(A)**.
2. Ruotare o estrarre la piastra superiore **(B)**.
3. Allentare le viti **(C)**.

Fig. 28



4. Allentare le viti (**Fig. 28 A**).
5. Collocare la porta nella posizione richiesta.
6. Serrare le viti (**Fig. 28 A e Fig. 27 C**).
7. Allentare le viti in **Fig. 27 D e Fig. 28 B**.
8. Chiudere la maniglia (**Fig. 27 A**). Tenere la porta chiusa mentre si provvede a spingere il fermo della porta superiore (**Fig. 27 E**) e il fermo della porta inferiore (**Fig. 27 C**) nei ganci (**Fig. 27 F e Fig. 28 D**).
9. Tenere la porta chiusa mentre si serrano le viti (**fig. 27 D e fig. 28 B**) che fissano i fermi della porta.

## 8.0 Risoluzione dei problemi

### Scarso tiraggio

Verificare la lunghezza della canna fumaria e la conformità alle norme nazionali (per informazioni, vedere anche le sezioni «**2.0 Dati tecnici**»).

Accertarsi che la sezione trasversale minima della canna fumaria sia conforme a quanto riportato nella sezione «**2.0 Dati tecnici**» del manuale di installazione.

Verificare che non ci sia nulla che impedisca il deflusso del fumo: rami, alberi e così via.

Se si sospetta un tiraggio eccessivo o insufficiente della canna fumaria, rivolgersi a un tecnico specializzato per la misurazione e la regolazione.

### Il camino e spegnimento del fuoco

- Accertarsi che la legna sia sufficientemente secca.
- Verificare che ci sia una pressione negativa nella stanza, spegnere le ventole meccaniche e aprire una finestra nelle vicinanze del camino.
- Controllare che la presa d'aria sia aperta.
- Controllare che il condotto di scarico dei fumi non sia intasato dalla fuliggine.

### Accumulo anomalo di fuliggine sul vetro

È inevitabile che si accumuli della fuliggine sul vetro, ma la sua quantità dipende da:

- Umidità del combustibile.
- Condizioni di tiraggio del locale.
- Apertura della presa d'aria.

Gran parte della fuliggine viene normalmente bruciata quando la presa d'aria è completamente aperta e il fuoco arde

## 9.0 Accessori opzionali

### 9.1 Condotto per l'aria esterna

Condotto per l'aria esterna, Ø 80 mm - N. cat. 51047509

### 9.2 Set girevole

Consultare le istruzioni di installazione separate - n. cat. 10026061.

Set girevole per Jøtul F 363, Jøtul F 373, Jøtul F 473 SHD e Jøtul F 483, n. cat. 51012254.

## 10.0 Riciclaggio

### 10.1 Riciclaggio dell'imballo

Ogni caminetto viene fornito all'interno del seguente imballo:

- Un pallet di legno che può essere tagliato e bruciato nel caminetto.
- Un imballo in cartone riciclabile da consegnare alle strutture di riciclaggio locali.
- Buste in plastica riciclabili da consegnare alle strutture di riciclaggio locali.

### 10.2 Riciclaggio del caminetto

**Il caminetto è composto dai seguenti materiali:**

- Metallo riciclabile da consegnare alle strutture di riciclaggio locali.
- Vetro da smaltire come rifiuto pericoloso. Il vetro contenuto nel caminetto non deve essere collocato in un normale contenitore per rifiuti domestici.
- Piastre refrattarie in vermiculite da smaltire nei normali contenitori per rifiuti domestici.

## 11.0 Termini della garanzia

### 1. La nostra garanzia copre:

Jøtul AS garantisce che i componenti esterni in ghisa sono esenti da difetti di materiali o lavorazione al momento dell'acquisto. È possibile estendere la garanzia per i componenti esterni in ghisa fino a 25 anni dalla data di consegna registrando il prodotto sul sito [jotul.com](http://jotul.com) e stampando la scheda di garanzia estesa entro tre mesi dall'acquisto. Consigliamo di conservare la scheda della garanzia assieme allo scontrino. Jøtul AS garantisce inoltre che i componenti delle piastre in acciaio sono esenti da difetti di materiali o lavorazione al momento dell'acquisto per un periodo di 5 anni dalla data di consegna.

La garanzia è valida a condizione che la stufa sia stata installata da un installatore qualificato conformemente con le leggi e normative applicabili e con le istruzioni di installazione e operative di Jøtul. I prodotti riparati e gli articoli sostitutivi sono garantiti per il periodo originale della garanzia.

### 2. La garanzia non copre:

- 2.1. Danni ai consumabili come le piastre refrattarie, le grate del fuoco, i parafiamma, le guarnizioni ed elementi simili, essendo soggetti a deterioramento nel tempo a causa della normale usura
- 2.2. Danni causati da manutenzione impropria, surriscaldamento, uso di combustibile non idoneo (esempi di combustibili non idonei sono, senza limitazione, cumuli di legname trasportato dalla corrente, legna impregnata, ritagli di assi, truciolato) o legna troppo umida/bagnata
- 2.3. Installazione di accessori opzionali per la modifica delle condizioni di tiraggio locali, la circolazione dell'aria o altre circostanze al di fuori del controllo di Jøtul
- 2.4. Casi di alterazione / modifica del focolare senza il previo consenso di Jøtul o l'utilizzo di parti non originali
- 2.5. Danni causati durante l'immagazzinaggio presso un distributore, il trasporto dal distributore o durante l'installazione
- 2.6. Prodotti venduti da rivenditori non autorizzati in aree in cui Jøtul opera un sistema di distribuzione selettiva
- 2.7. Costi associati (ad es., senza limitazione, trasporto, manodopera, trasferimento) o danni indiretti

Stufe a pellet, vetro, pietra, cemento, smalto e finitura a vernice (ad es., senza limitazione, scheggiatura, formazione di crepe, bolle o scolorimento e screpolatura) sono applicabili alle normative nazionali che disciplinano la vendita dei prodotti al consumo. La presente garanzia è valida per gli acquisti effettuati all'interno del territorio dello Spazio economico europeo. Qualsiasi domanda relativa alla garanzia deve essere rivolta al rivenditore Jøtul autorizzato di zona entro un periodo di tempo ragionevole, non successivo a 14 giorni dalla data in cui il guasto o il difetto si sono manifestati per la prima volta. Vedere l'elenco dei rivenditori sul nostro sito [Web jotul.com](http://Web.jotul.com).

Se Jøtul non sarà in grado di rispettare i termini della garanzia per la stufe del cliente (fuori produzione), Jøtul offrirà al cliente una stufa di pari capacità di riscaldamento ma di modello differente.

Jøtul si riserva il diritto di rifiutare qualsiasi sostituzione di componenti o attività di assistenza nel caso in cui la garanzia non sia stata registrata online. La presente garanzia non pregiudica alcun diritto previsto dalle normative nazionali che disciplinano la vendita di prodotti al consumo. Il diritto di reclamo del cittadino è valido dalla data di acquisto e solo dietro presentazione di scontrino/numero di serie.

## Inhoudsopgave

1.0	Technische gegevens.....	71
2.0	Wettelijke voorschriften .....	71
3.0	Veiligheid.....	72
4.0	Installatie .....	75
5.0	Dagelijks gebruik.....	81
6.0	Onderhoud .....	82
7.0	Groot onderhoud .....	83
8.0	Gebruiksproblemen - problemen oplossen.....	86
9.0	Optionele extra's .....	86
10.0	Recycling.....	87
11.0	Garantievoorwaarden.....	87

Registreer uw haard op [jotul.com](http://jotul.com) met het oog op de garantie van 25 jaar.

Product: Jøtul Room heater fired by solid fuel				
Standard Minimum distance to adjacent combustible materials: Emission of CO in combustion products: Flue gas temperature Nominal heat output Efficiency Operation range Fuel type Operational type The appliance can be used in a shared flue.				
Country	Classification	Certificate/standard	Approved by	
Norway	Klasse II			
Sweden	etc.	SP	SP-Sveriges Provnings- och forskningsinstitut AB	
EUR	Intermittent	EN	EN-Swedish National Testing and Research Institute	
Follow user's instructions. Use only recommended fuels. Montage- und Bedienungsanleitung beachten. Verwenden Sie nur empfohlenen Brennstoffen. Respecter les consignes d'utilisation. Utilisez uniquement les combustibles recommandés.				
Serial no. Y-xxxx, Year: 200x				
Manufacturer: Jøtul AS POB 1641 N-1602 Fredrikstad Norway				221546

Al onze producten zijn voorzien van een label met een serienummer en een jaartal. Noteer dit nummer op de daarvoor bestemde plaats, zoals aangegeven in de installatie-instructies.

Houd dit serienummer bij de hand als u contact opneemt met uw leverancier of met Jøtul.

Serial no.

## 1.0 Technische gegevens

Materiaal:	Gietijzer
Afwerking:	Zwarte verf
Type brandstof:	Hout
Max. lengte van blokken:	30 cm
Rookuitlaat:	Bovenkant, achterzijde
Afmeting kachelpijp:	Ø 150 mm
Externe luchtaansluiting:	Alu. flex - Ø 80 mm

### Productgewicht:

Verbrandingskamer:	119 kg
Basis, gietijzer	46 kg
Voetstuk, gietijzer	34 kg
Zijkanten, gietijzer	33 kg
Optionele extra's	Vloerplaten, Externe luchtaansluiting, Draaiset voor de Jøtul F 483

Productafmetingen, afstanden: Zie **fig. 1**

### Technische gegevens conform EN 13240:

Nominale warmteafgifte:	6,0 kW
Massastroom rookgas:	6,0 g/s
Aanbevolen schoorsteentrek:	12 Pa
Efficiëntie:	75% @ 6 kW
CO-uitstoot (13% O <sub>2</sub> ):	0,08%
Rookgastemperatuur:	315 <sup>o</sup> C
Stof:	<20 mg/m <sup>3</sup> n@13%O <sub>2</sub>
Brandtijd:	2,2 kg/u
Werkingstype:	cyclisch

Cyclische verbranding betekent in deze context normaal gebruik van een haard, d.w.z. dat u meer brandstof moet toevoegen als het vuur tot sintels is verbrand.

## 2.0 Wettelijke voorschriften

- Een haard moet in overeenstemming met de in uw land geldende wet- en regelgeving worden geïnstalleerd. Bij het installeren van de producten moeten alle lokale voorschriften met betrekking tot nationale en Europese normen worden nageleefd.
- De installatie kan pas in gebruik worden genomen nadat deze door een gekwalificeerde technicus is gecontroleerd.
- Neem contact op met de plaatselijke bouwtoezichtinstanties voordat u een nieuwe haard installeert.

# NEDERLANDS

## 3.0 Veiligheid

**NB! Om optimale prestaties en veiligheid te garanderen, raadt Jøtul aan haar kachels te laten monteren door een gekwalificeerd installateur (zie [www.jotul.com](http://www.jotul.com) voor een volledige dealerlijst).**

Aanpassingen aan het product door de distributeur, installateur of consument kunnen ertoe leiden dat het product en de beveiligingen niet naar behoren functioneren. Hetzelfde geldt voor de installatie van niet door Jøtul geleverde accessoires of optionele extra's. Dit kan ook het geval zijn indien essentiële onderdelen voor het functioneren en de veiligheid van de haard gedemonteerd of verwijderd worden.

In al deze gevallen is de fabrikant niet verantwoordelijk of aansprakelijk voor het product en het recht op reclamatie komt hierdoor te vervallen.

### 3.1 Maatregelen op het gebied van brandpreventie

Elk gebruik van de haard brengt een zeker risico met zich mee. Neem daarom de volgende instructies nauwkeurig in acht:

- De minimale veiligheidsafstanden tijdens het gebruik van de haard zijn weergegeven in **fig. 1**.
- Zorg ervoor dat er geen meubels of andere brandbare materialen te dicht bij de haard staan. Brandbare materialen mogen nooit binnen 1 meter afstand van de haard geplaatst worden.
- Laat het vuur vanzelf uitgaan. Blus het vuur nooit met water.
- De haard wordt tijdens gebruik warm en kan bij aanraking brandwonden veroorzaken.
- Verwijder de as niet voordat de haard koud is. De as kan smeulende resten bevatten en moet daarom in een onbrandbare bak worden bewaard.
- De as moet naar buiten worden afgevoerd of worden weggegooid op een plek waar geen brandgevaar bestaat.

### Bij brand in de schoorsteen

- Sluit alle luiken en ventilatieopeningen.
- Houd de deur van de vlamkast gesloten.
- Controleer of er rook is op zolder en in de kelder.
- Bel de brandweer.
- Voordat u de haard opnieuw in gebruik neemt na een brand, moet een deskundige de haard en de schoorsteen controleren om na te gaan of deze goed werkt.

### 3.2 Vloer

#### Fundering

Controleer of de fundering geschikt is om een haard te dragen. Zie **"1.0 Technische gegevens"** voor het gespecificeerde gewicht.

Wij raden aan om vloeren die niet aan de fundering zijn bevestigd (zgn. "zwevende vloeren") uit het installatiegebied te verwijderen.

### Eisen met betrekking tot het beschermen van een houten vloer onder de haard

Het product beschikt over geïntegreerde vloerbescherming en kan daarom direct op een houten vloer worden geplaatst.

**Jøtul raadt aan dat alle vloeren van brandbaar materiaal, zoals linoleum, tapijt, enz. onder de vloerplaat verwijderd moet worden.**

### Eisen met betrekking tot het beschermen van brandbare vloeren vóór de haard

De voorplaat moet aan nationale wet- en regelgeving voldoen. Neem contact op met de plaatselijke bouwtoezichtinstanties voor informatie over beperkingen en installatievereisten.

### 3.3 Muren

Afstand tot muren van brandbaar materiaal - zie **fig. 1a**.

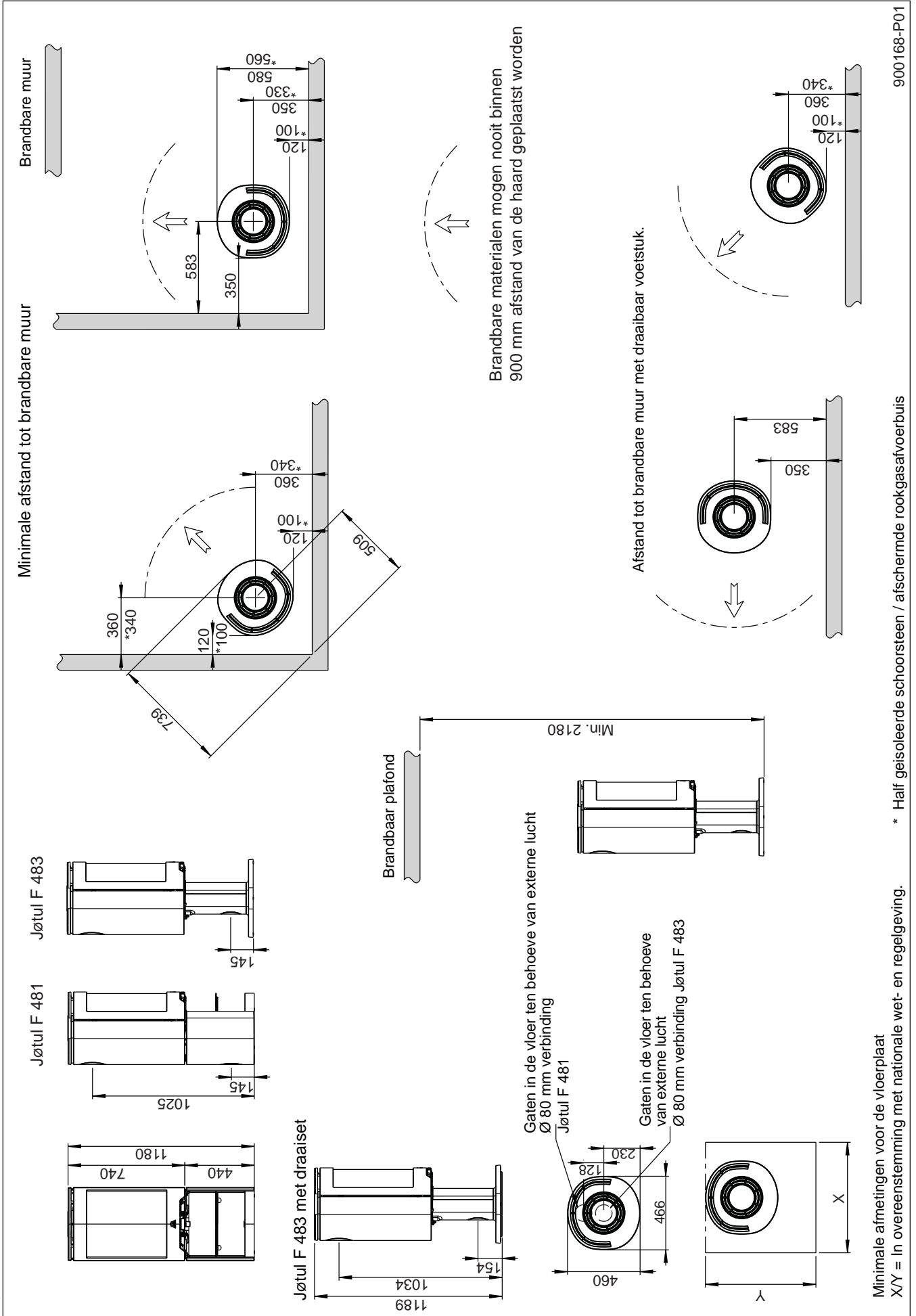
Minimale afstand tot brandbare muur beschermd door brandmuur – zie **fig. 1b**.

De haard mag worden gebruikt met een niet-geïsoleerde kachelpijp op voorwaarde dat de afstanden tussen de haard en de muren van brandbare materialen overeenkomen met de gegevens uit **fig. 1a**.

**NB: Let hier vooral op als u gebruik maakt van een draaibaar voetstuk!**



Fig. 1 a



900168-P01

\* Half geïsoleerde schoorsteen / afschermd rookgasafvoerbuis

Minimale afmetingen voor de vloerplaat  
 X/Y = In overeenstemming met nationale wet- en regelgeving.

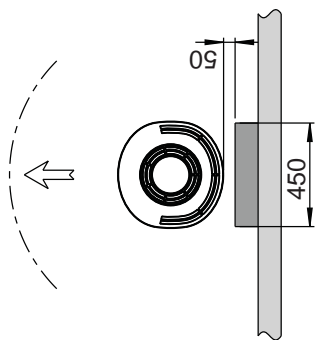
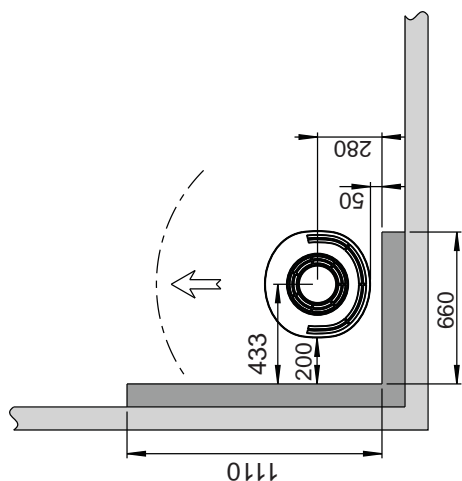
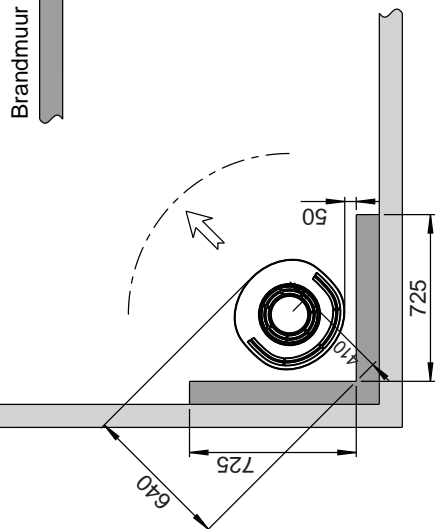
Fig. 1 b

Jøtul F 481 / F 483

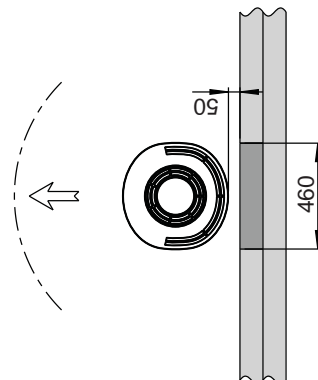
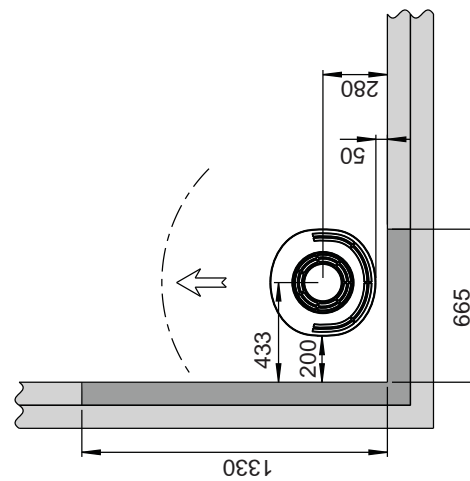
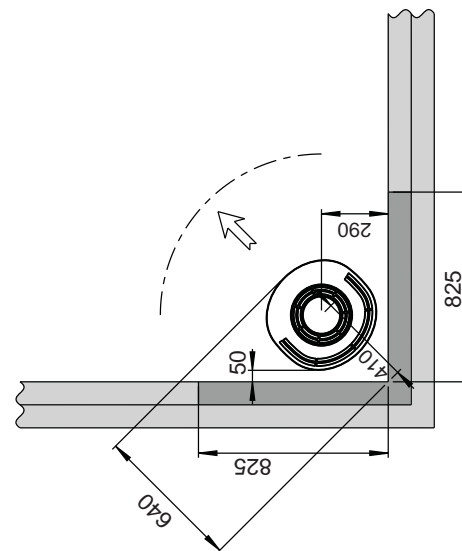
Minimale afstand tot brandbare muur beschermd door brandmuur.

Extern

Brandbare muur



Geïntegreerd



## Luchttoevoer

De hoeveelheid verbrandingslucht voor Jøtul-producten is ongeveer 20-40 m<sup>3</sup>/h. De externe luchtaansluiting kan direct op de Jøtul F 480 worden aangesloten door middel van:

- de basis/het voetstuk/de voet of
- door een flexibele toevoerslang van buitenaf/schoorsteen (alleen als de schoorsteen een eigen kanaal heeft voor externe lucht) op de externe luchtaansluiting van het product.

Fig. 2A, via een buitenmuur

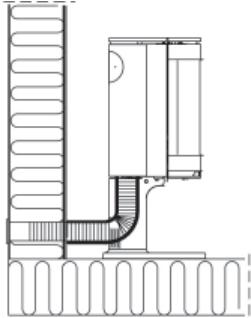


Fig. 2B, via de vloer en grondplaat

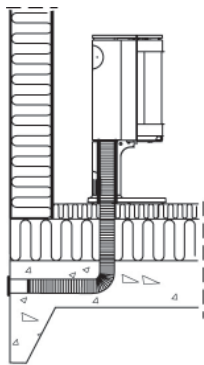


Fig. 2C, via de vloer en kelder

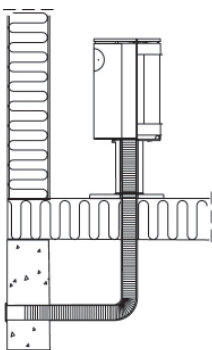
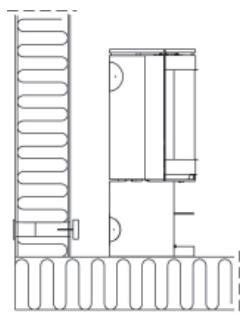


Fig. 2D, indirect via een buitenmuur



## 4.0 Installatie

**NB:** Controleer voordat u met de installatie begint of de haard onbeschadigd is.

**NB: Het product is zwaar! Zorg voor hulp bij het plaatsen en installeren.**

**De verbrandingskamer is zwaar. Zorg dat het product niet kantelt.**

**NB: Zet niets op de bovenplaat van de kachel, aangezien dit de verf/het email permanent kan beschadigen.**

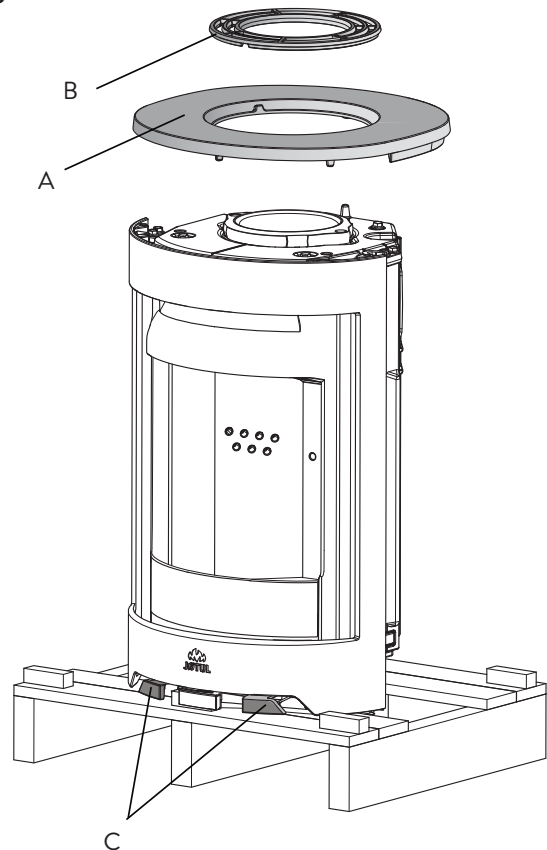
**NB: Lees de installatie- en bedieningsinstructies aandachtig door voordat u de haard plaatst!**

### 4.1 Voorafgaand aan de installatie

Het standaardproduct wordt in drie of meer verpakkingen geleverd: één met de kachel zelf, één met de basis, het voetstuk of de poot en één met de zijpanelen.

U hebt de volgende gereedschappen nodig om dit product te installeren: waterpas, dopsleutel met doppen 10 mm en 13 mm, Torx T 20 en zeshoekige sleutel (5 mm).

Fig. 3



1. Verwijder de verpakking (karton en houten frame) en leg het karton op de vloer achter de haard. **NB:** Het is belangrijk het witte schuimplastic in de bovenkant te verwijderen!
2. Verwijder de schroeven die aan de verbrandingskamer vast zitten om deze los te maken van de pallet.
3. Laat de kachel op de transportpallet staan.
4. Verwijder de bovenplaat (A) met het toprooster (B).
5. Verwijder de handschoenen en de kom uit de aslade. Plaats de kom op het toprooster helemaal tegen het einde als de kachelpijp aan de achterkant is gemonteerd.
6. Controleer of de bedieningshendels (C) vrij kunnen bewegen.

# NEDERLANDS

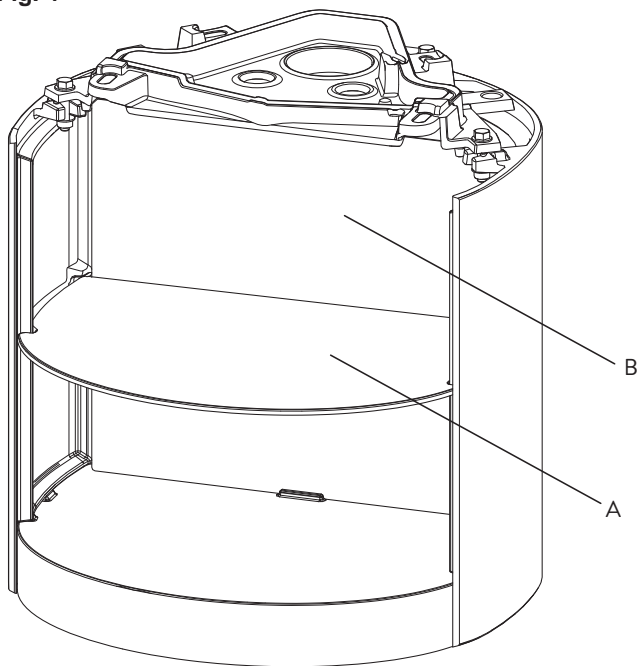
## 4.2 Installatie

### Buitenlucht aansluiting door de sokkel

#### Via de vloer

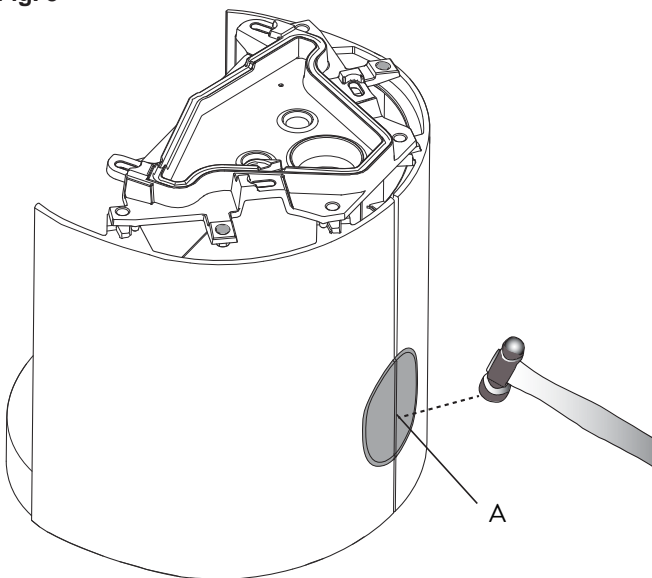
1. **NB!** Sla de verwijderbare afdekplaten er *niet* uit als u de flexibele slang door een gat in de vloer aansluit (**fig. 5 A**).

Fig. 4



2. Wanneer een flexibele buis via de achteraansluiting van de sokkel wordt aangesloten, dan moet de plaat (**A**) en de binnenste achterplaat (**B**) worden verwijderd

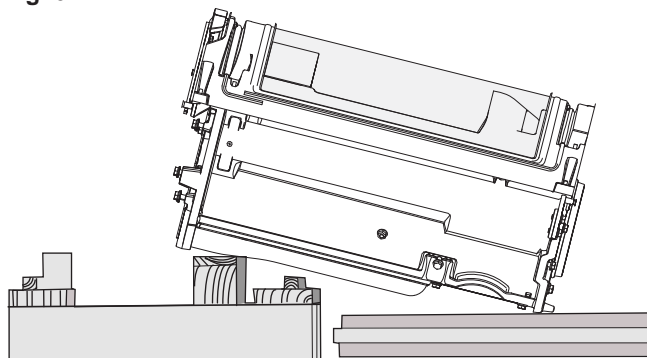
Fig. 5



3. Als u een flexibele slang ( $\varnothing$  80 mm) voor externe luchttoevoer aansluit op de externe luchtaansluiting onder de verbrandingskamer, moet u eerst de verwijderbare afdekplaten (**A**) losslaan.

### Basis/voetstuk op de verbrandingskamer monteren

Fig. 6



4. Leg de kachel voorzichtig op zijn achterkant. Laat de kachel op een pallet en drie verpakingsframes rusten.

Fig. 7

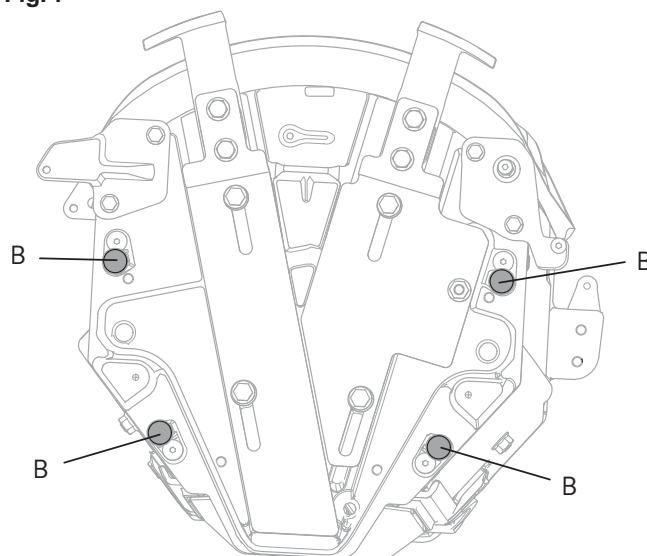
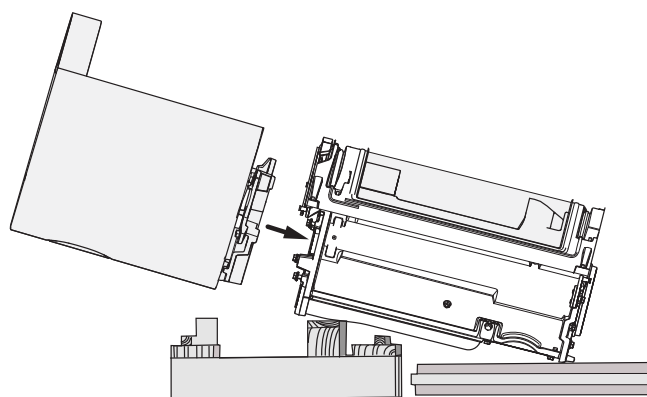
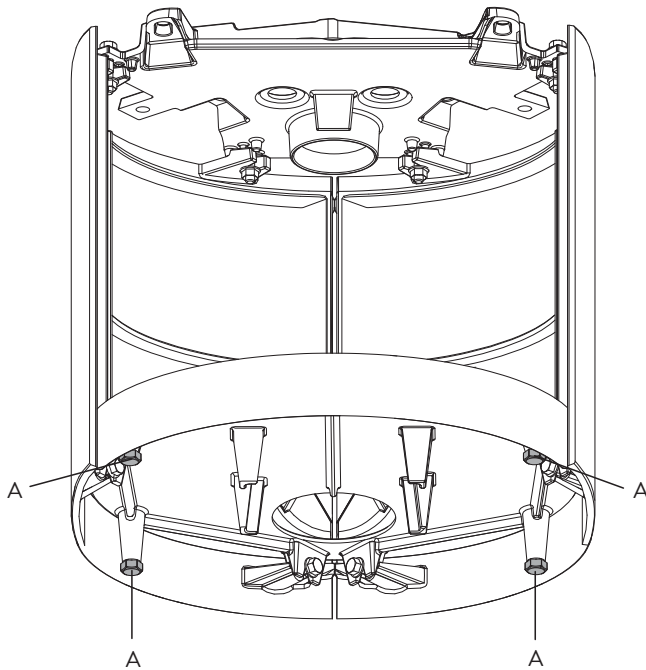


Fig. 8



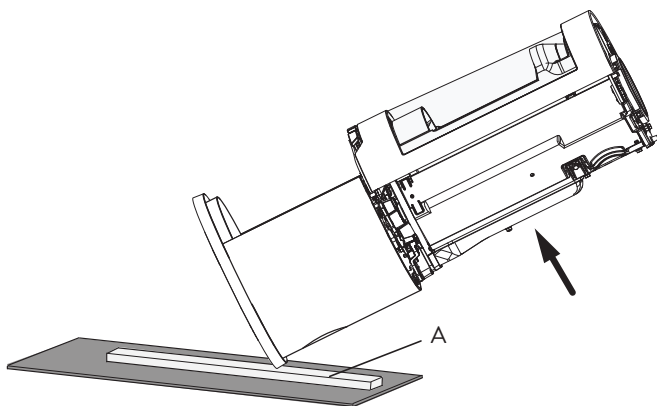
5. Voordat u de basis monteert, moet u eerst de plank (**Fig. 4-A**) en interne achterplaat (**Fig. 4-B**) verwijderen. Druk de basis omhoog naar de verbrandingskamer en zet deze stevig vast met de meegeleverde vier schroeven (M8 x 25 mm) en ringen. Zie **Fig. 7 B**.

Fig. 9



6. Draai de stelschroeven voor de hoogte onder het product iets los (**A**), zodat ze met de hand gedraaid kunnen worden. **NB: Bij gebruik van de optionele glazen vloerplaat moet u de basis ongeveer 8 mm van de vloer optillen, zodat deze onder de voorrand van de basis kan worden geschoven.**

Fig. 10

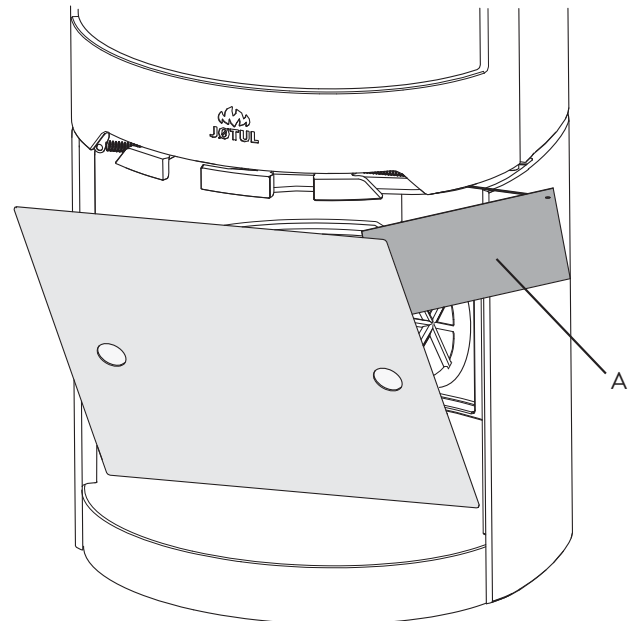


7. Verwijder de houten pallet voorzichtig.  
 8. Plaats een verpakingsframe (**A**) schuin onder de basis/het voetstuk/de voet en de kartonnen verpakking voor of onder het product om te voorkomen dat er krassen op de vloer komen. Zet de kachel voorzichtig rechtop en zet hem op de definitieve plek (**Fig. 1**). Denk eraan de kachel respectievelijk recht boven of achter de externe luchttoevoer te plaatsen.  
 9. Plaats de bovenplaat (**Fig. 3 A**) tijdelijk en zorg dat de haard waterpas staat. Als de kachel niet waterpas staat, zorg er dan met behulp van de schroeven zoals in **Fig. 9 A** voor dat het product perfect recht komt te staan.  
 10. Als de bedieningshendels (**Fig. 3 C**) er lastig uit zijn te trekken, gaat u naar **stap 4.7**.

## 4.3 Locatie van goedkeuringsetiket

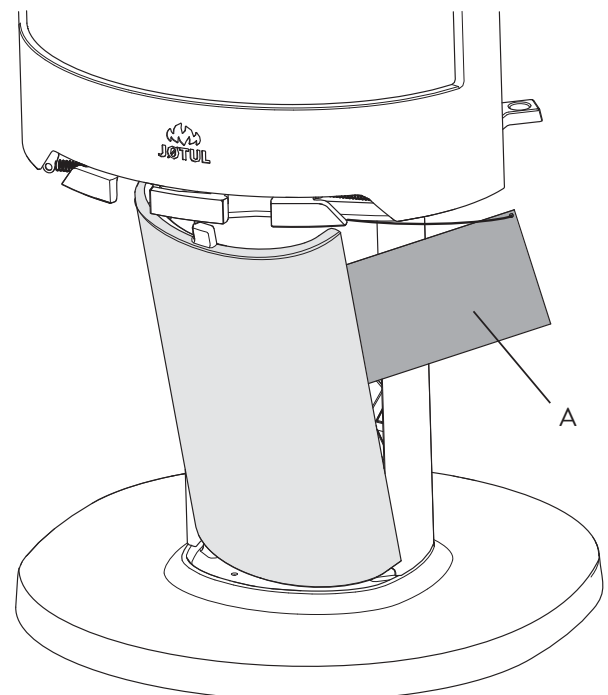
Het goedkeuringsetiket moet altijd aan de draad zijn bevestigd en op de in **Fig. 11** aangegeven plek zitten.

Fig. 11, Basis



1. Plaats de interne achterplaat (**Fig. 4-B**) en plank (**Fig. 4-A**) terug.

Fig. 11, Voetstuk



# NEDERLANDS

## Installatie met externe luchttoevoer

Fig. 12 - Basis

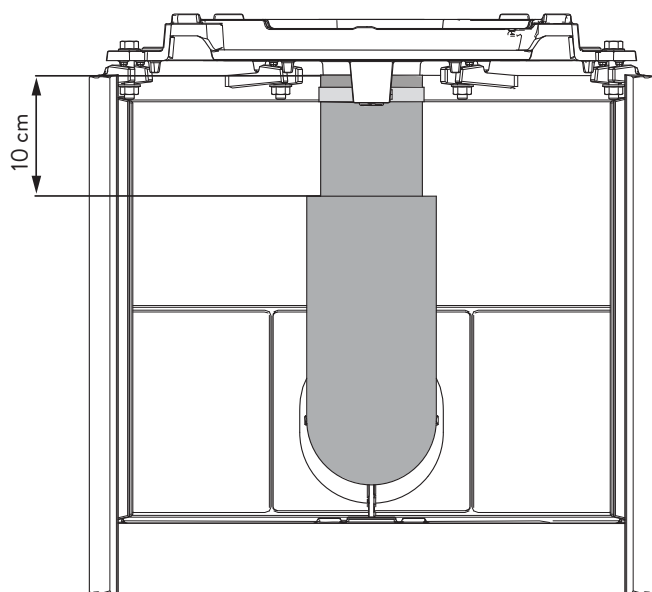
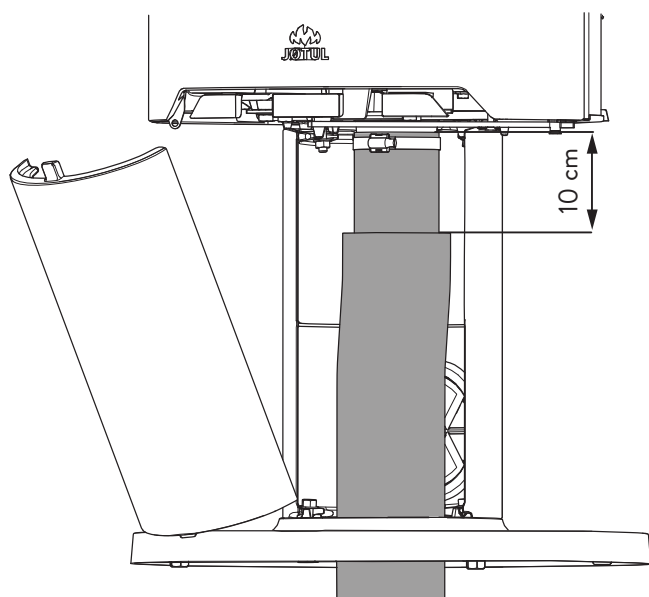


Fig. 12 - Voetstuk



1. Sluit de slang met een slangklem op de externe luchtaansluiting aan (**NB!** Monteer de slangklem niet op een voetstuk voor de Jøtul F 483 met draaiset, omdat dit het draaien van de set onmogelijk maakt). **NB!** Zorg ervoor dat de slang lang genoeg is, zodat verbindingstukken niet nodig zijn. De isolatie van de externe luchtslang eindigt ongeveer 10 cm onder de verbrandingskamer.
2. Plaats alle onderdelen terug die eerder van het product werden verwijderd.

## 4.4 Schoorsteen en kachelpijp

- De haard mag uitsluitend worden aangesloten op een schoorsteen en kachelpijp die zijn goedgekeurd voor haarden op vaste brandstof met rookgastemperaturen zoals gespecificeerd in «1.0 Technische gegevens».
- De doorsnede van de schoorsteen moet geschikt zijn voor een haard. Zie «1.0 Technische gegevens» om de juiste doorsnede van de schoorsteen te berekenen.
- De schoorsteen moet worden aangesloten in overeenstemming met de installatie-instructies van de schoorsteenleverancier.
- Voordat u een opening in de schoorsteen maakt, moet het product als proef worden gemonteerd om de juiste positie van de haard en het gat in de schoorsteen te kunnen markeren. Zie Fig. 1. voor de minimale afmetingen.
- Zorg ervoor dat de kachelpijp omhoog wijst in de richting van de schoorsteen.
- Gebruik bij een achteruitlaat een kachelpijpbocht met een veegluik, zodat de pijp kan worden geveegd.
- Let op: het is zeer belangrijk dat de aansluitingen enigszins flexibel zijn. Zo voorkomt u dat kleine verplaatsingen tijdens de installatie tot vervorming of barsten leiden.
- Zie «1.0 Technische gegevens» voor de aanbevolen schoorsteentrek. Voor afmetingen van de kachelpijp met de relevante doorsnede, zie «1.0 Technische gegevens».

**NB!** De minimaal aanbevolen schoorsteenlengte is 3,5 m, gemeten vanaf de ingang van de kachelpijp. Als de trek te sterk is, kan een demper worden geïnstalleerd om de trek te verminderen.

## Een kachelpijp met een boventuitlaat verbinden

Bij een boventuitlaat wordt de kachelpijp geïnstalleerd nadat de buitenste zijanten zijn geïnstalleerd. Zie **Hoofdstuk 4.6**.

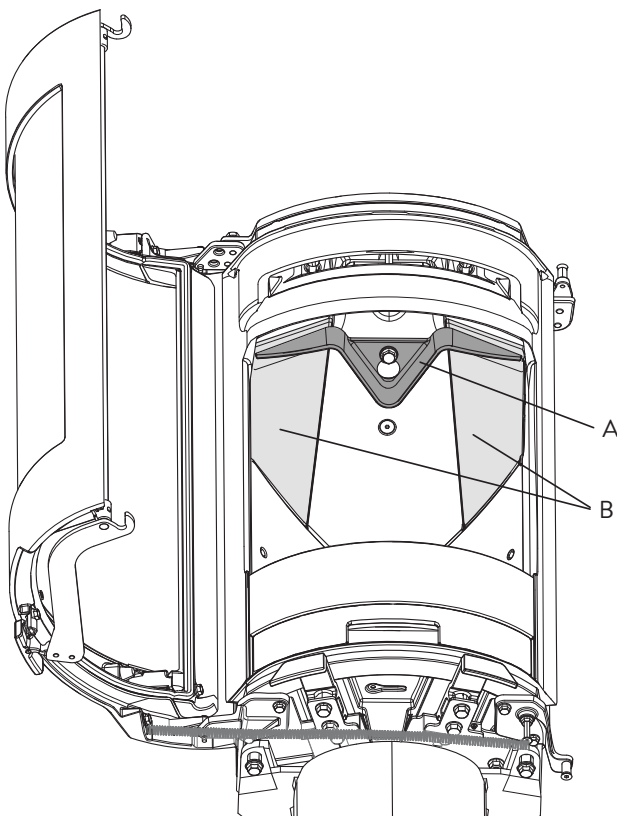
## Een kachelpijp met een achteruitlaat verbinden

Het product wordt door de fabriek geleverd met een rookuitlaat als boventuitlaat. Ga als volgt te werk bij installatie met een achteruitlaat:

1. Plaats het product in de definitieve positie. Zie **Fig. 1**.
2. Plaats de bovenplaat en het rooster bovenop het product.
3. Plaats de pakking op de rand van de kachelpijp zoals weergegeven in **Fig. 15 B**.
4. Plaats de kachelpijp in de definitieve positie.

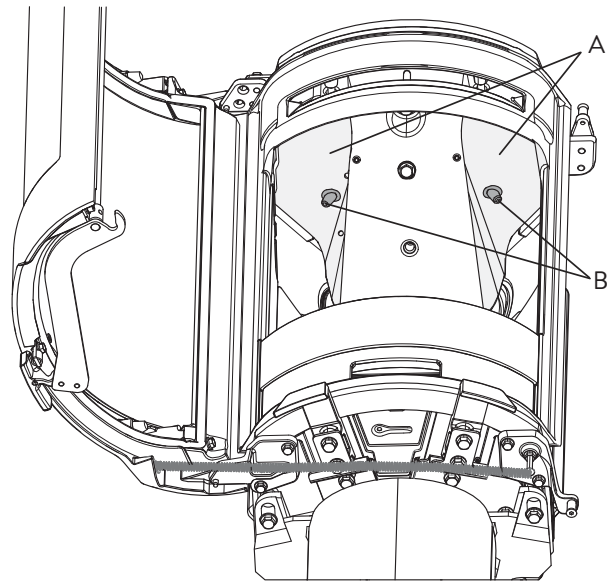
**NB: Het is belangrijk dat de verbindingstukken/kachelpijpen nauw op elkaar aansluiten. Het ontsnappen van lucht kan tot gevolg hebben dat ze niet langer naar behoren functioneren.**

Fig. 13



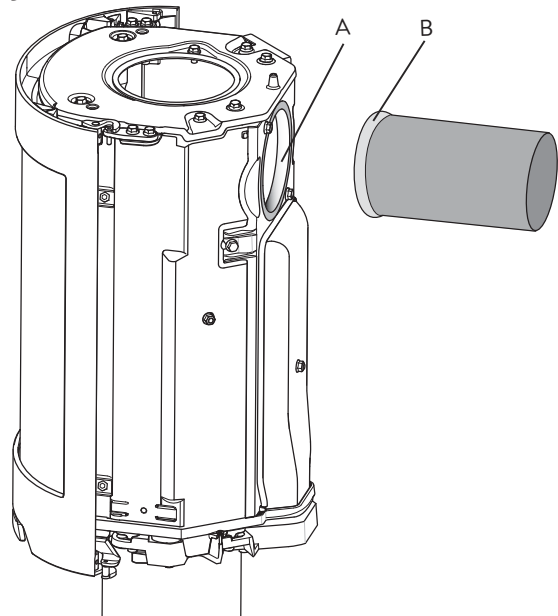
5. Verwijder de onderste uitlaatplaat (**A**) door deze naar voren te duwen/schuiven. Houd de plaat goed vast zodat deze niet valt.
6. Het schot (**B**) naar voren duwen, iets opheffen, draaien en dan omlaag brengen.

Fig. 14



7. Zorg ervoor dat u goed weet hoe de uitlaatplaten (**A**) vastzitten voordat u ze verwijdert, zodat u zeker weet dat u ze weer op precies de goede positie terug kunt plaatsen. Pak de pen (**B**) aan de onderkant van de uitlaatplaten vast, hef deze iets op en beweeg ze vervolgens naar de zijkant voordat u ze omlaag brengt en uit de verbrandingskamer verwijdert.

Fig. 15



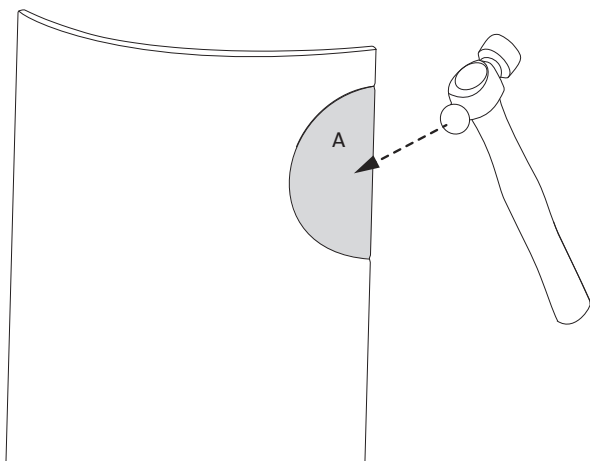
8. Draai de afdekking voor de achteruitlaat vanuit de binnenkant van de verbrandingskamer los en verwijder deze via de deuropening.
9. Bevestig de rookuitlaat (**A**) aan de binnenkant van de verbrandingskamer op de plek waar de afdekking zat. Let erop dat deze gedraaid moet worden, zodat de kachelpijp van de buitenkant in positie gedrukt kan worden.
10. Plaats de pakking (**B**) uit de zak met schroeven rond de hoeken van de kachelpijp en druk deze in de rookuitlaat.
11. Plaats de afdekking voor de rookuitlaat op de plek waar de uitlaat zat.
12. Plaats de uitlaatplaat en het schot terug.

**NB: Het is belangrijk dat de verbindingstukken/kachelpijpen nauw op elkaar aansluiten. Het ontsnappen van lucht kan tot gevolg hebben dat ze niet langer naar behoren functioneren.**

# NEDERLANDS

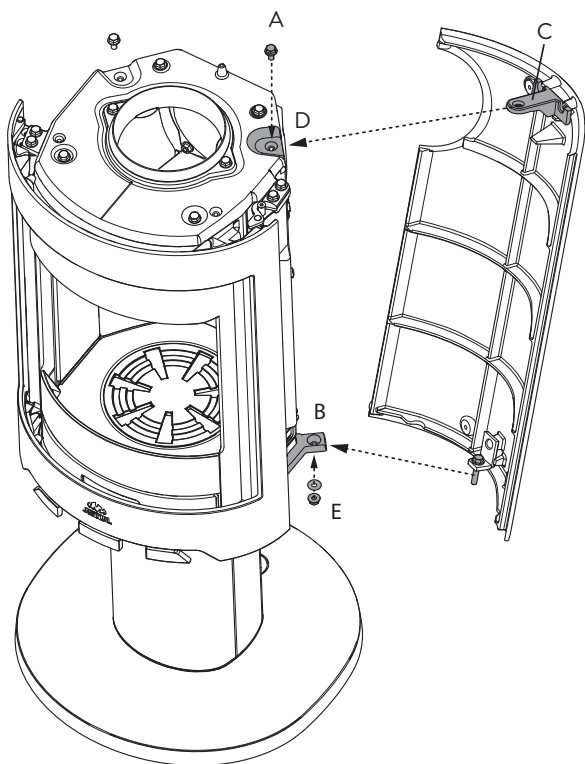
## 4.5 Gietijzeren zijkanten monteren

Fig. 16



1. Als u de kachelpijp aan de achterkant monteert, moet u de verwijderbare afdekplaten (A) losslaan.

Fig. 17



2. Draai de schroef (A) voor de gietijzeren zijkant aan de bovenkant los.
3. Haak het onderste deel van de zijkant los met de schroef op de beugel (B). Aan de onderkant vastzetten met een moer en ring (E).
4. Druk de bovenste beugel over het schroefgat (C) aan de bovenkant van de verbrandingskamer.
5. Zet de beugel met een schroef (A) en een moer (D) vast.
6. Zet de andere kant op dezelfde manier vast.

## 4.6 Een kachelpijp met een bovenuitlaat verbinden

Het product wordt door de fabriek geleverd met een rookuitlaat als bovenuitlaat.

1. Plaats het product in de juiste positie.
2. Plaats de bovenplaat en het rooster bovenop het product.
3. Plaats de pakking op de rand van de kachelpijp zoals weergegeven in Fig. 15 B.
4. Plaats de kachelpijp in de definitieve positie.

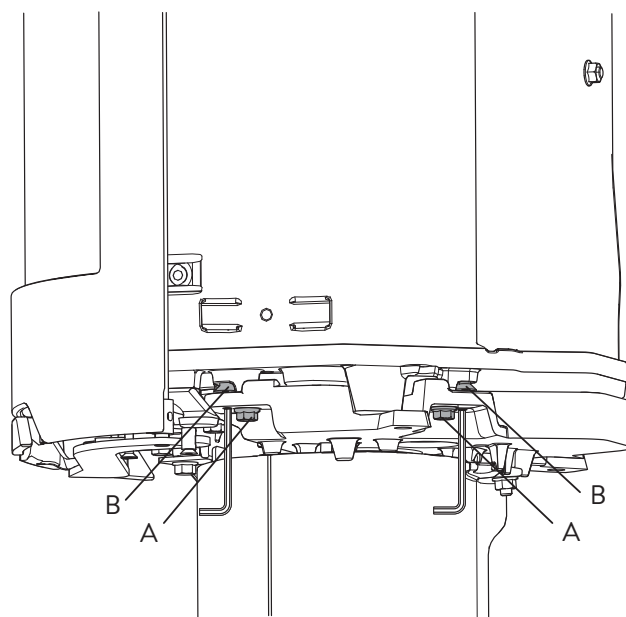
**NB: Het is belangrijk dat de verbindingstukken/kachelpijpen nauw op elkaar aansluiten. Het ontsnappen van lucht kan tot gevolg hebben dat ze niet langer naar behoren functioneren.**

## 4.7 Afstelling van de hoogte van de verbrandingskamer voor de Jøtul F 480

Eventuele oneffenheden tussen de verbrandingskamer en de basis/het voetstuk/de voet moeten worden weggenomen.

Dit kan ook worden gedaan om de druk op de trekkleppen te verminderen (zorgt ervoor dat trekkleppen niet stug gaan bewegen).

Fig. 18



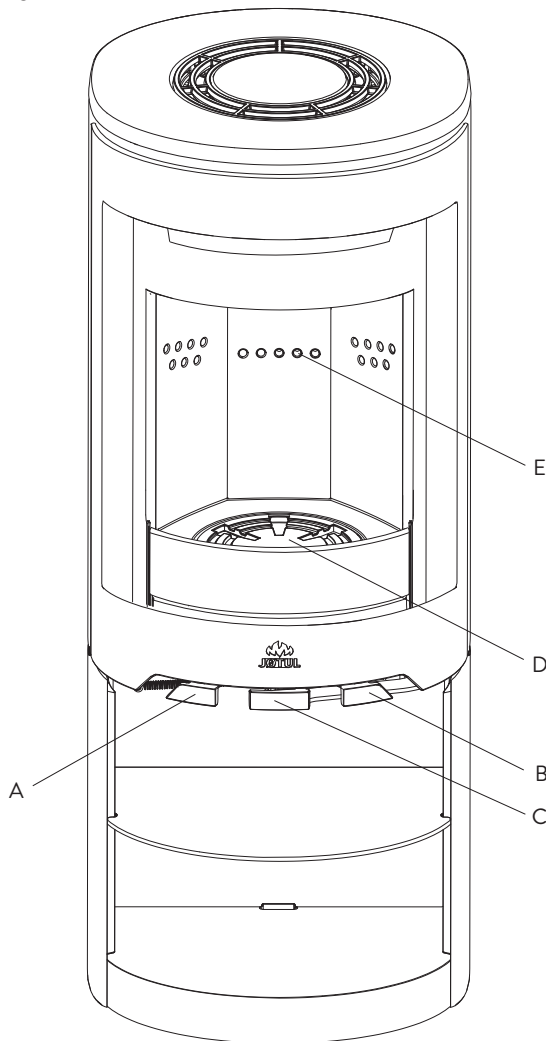
1. Als de basis gemonteerd is, moeten de plank en de binnenplaat eerst worden verwijderd.
2. Draai de schroeven A ca. 4 mm los aan beide kanten van het product.
3. Draai B los met een inbussleutel tot u weerstand voelt in de sleutel. Draai vervolgens aan de stelschroef om de verbrandingskamer zo ver als nodig is omhoog te brengen.
4. Haal tenslotte de schroeven A aan.
5. Plaats de binnenplaat en de plank terug in de basis (uitsluitend bij basis).



## 4.8 Prestatiecontrole

Als het product is gemonteerd, moet u altijd de bedieningshendels controleren. Deze moeten makkelijk bewegen en goed werken.

Fig. 19



De Jøtul F 480 is voorzien van de volgende bedieningsopties:

### Luchtopening (A):

Ingedrukt: Gesloten

Volledig uitgeduwd: Open

*Raadpleeg stap 4.7 als de klep er lastig uit te trekken is.*

### Ontstekingsopening (B):

Ingedrukt: Gesloten

Volledig uitgeduwd: Open

*Raadpleeg stap 4.7 als de klep er lastig uit te trekken is.*

**Rooster met grote gaten (B)** (dezelfde hendel als de ontstekingsopening). De rechter hendel kan worden ingedrukt en uitgeduwd.

### Hendel (C) voor deur

Te openen door de hendel helemaal uit te duwen en de deur te heffen.

**Stapelhoogte (E)** voor brandhout. *De gaten mogen niet worden bedekt.*

## 5.0 Dagelijks gebruik

### Geur bij eerste gebruik van de haard

Als de haard voor de eerste keer wordt gebruikt, kan irriterend gas vrijkomen dat onaangenaam kan ruiken. Dit gebeurt omdat de verf opdroogt. Het gas is niet giftig, maar toch is het beter om de ruimte goed te ventileren. Stook het vuur flink op totdat alle sporen van gas zijn verdwenen en geen rook of geuren meer zijn waar te nemen.

### Brandadvies

**NB:** Blokken hout die buiten of in een koude ruimte zijn opgeslagen moeten 24 uur voor gebruik naar binnen worden gehaald zodat ze op kamertemperatuur kunnen komen.

Er zijn verschillende manieren waarop in de kachel gestookt kan worden, maar het is belangrijk dat u altijd voorzichtig bent met het materiaal dat u in de kachel stopt. Zie het hoofdstuk "Houtkwaliteit".

### Houtkwaliteit

**Met kwaliteitshout bedoelen we de meest bekende soorten hout zoals berk, spar en den.**

**De blokken moeten goed worden gedroogd zodat er niet meer dan 20% vocht in zit.**

Om dit te bereiken moet het hout aan het einde van de winter worden gehakt. De blokken moeten worden gekloofd en dusdanig worden gestapeld dat er voldoende ventilatie is. De houtstapel moet worden afgedekt om de blokken tegen regen te beschermen. De blokken moeten begin herfst naar binnen worden gehaald en worden gestapeld/opgeslagen voor gebruik in de komende winter.

**Let er goed op dat u de volgende materialen nooit als brandstof voor uw haard gebruikt:**

- Huishoudelijk afval, plastic tassen, enz.
- Geverfd of geïmpregneerd hout (dat is uiterst giftig).
- Gelamineerde houten planken.
- Drijfhout

*Deze kunnen schade toebrengen aan het product en zijn ook vervuilend.*

**NB: Gebruik nooit benzine, paraffine, methylalcohol of dergelijke vloeistoffen om het vuur aan te steken. Dit kan leiden tot ernstig persoonlijk letsel en schade aan het product.**

### Aanmaakhout (fijnggehakt hout):

Lengte: ongeveer 30 cm

Diameter: 2-5 cm

Benodigd aantal per keer: 6-8 blokken

### Hout (gehakt hout):

Aanbevolen lengte: 20-30 cm

Diameter: ongeveer 8 cm

Interval voor toevoegen hout: Ongeveer elke 45 minuten

Grootte vuur: 1,6 kg (nominaal vermogen)

Benodigd aantal per keer: x2

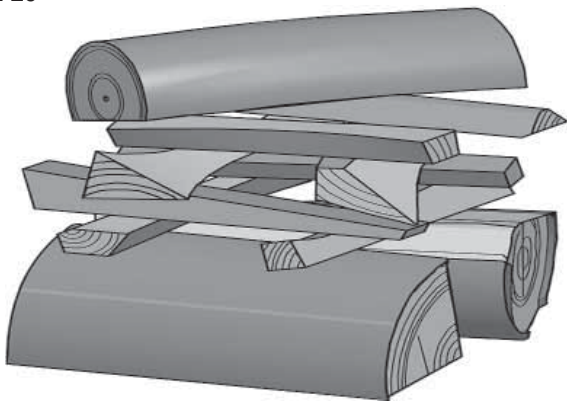
Een nominale warmteafgifte wordt bereikt door de luchtopening ongeveer 50% open te houden (**Fig. 19 A**) en duw de ontstekingsopening (**Fig. 19 B**) is gesloten.

# NEDERLANDS

## Eerste keer stoken

Open de luchtopening en de ontstekingsopening door de hendels (**Fig. 19 A en B**) volledig uit te trekken. (Gebruik een handschoen of iets dergelijks om uw hand te beschermen als de hendels warm zijn.)

Fig. 20



- Plaats twee blokken op de bodem van de verbrandingskamer en stapel het aanmaakhout hier in lagen op.
- Plaats tenslotte een middelgroot blok op deze stapel.
- Plaats 2 of 3 briketten of aanmaakblokken onder de bovenste laag aanmaakhout en steek het vuur aan.  
**NB: De maximale hoogte van de stapel hout moet net onder de horizontale gaten blijven. De gaten mogen niet worden bedekt.**
- Sluit de ontstekingsopening (**Fig. 19 B**) als het hout goed brandt.
- Daarna kunt u de verbranding reguleren en met behulp van de luchtopening voor meer of minder warmte zorgen (**Fig. 19 A**).
- Controleer of de naverbranding (secundaire verbranding) goed op gang komt. Dat is het geval als er gele, flikkerende vlammen voor de gaten onder het schot op gang komen.
- Als de luchtstroom normaal is, kunt u de deur sluiten en zal het vuur automatisch branden.

## Houtblokken toevoegen

Stook de kachel regelmatig op, maar gebruik alleen kleine hoeveelheden brandstof tegelijk. Als de kachel te vol is, kan de hitte voor extreme druk in de schoorsteen zorgen. Voeg altijd met mate brandstof bij. Vermijd smeulend vuur omdat dit het meest vervuilend is. Het vuur is het beste als het goed brandt en de rook uit de schoorsteen nauwelijks zichtbaar is.

## 5.1 Gevaar van oververhitting

De haard mag nooit zo gebruikt worden dat er oververhitting ontstaat.

Oververhitting treedt op als de haard te veel brandstof bevat en/of de luchtopening te ver openstaat zodat er te veel hitte wordt ontwikkeld. Een duidelijk teken van oververhitting is dat er onderdelen van de haard rood gloeien. Als dat gebeurt, moet u de luchtopening direct verkleinen.

*Vraag om professioneel advies als u vermoedt dat er geen goede trek in de schoorsteen zit (te veel of te weinig trek). Voor meer informatie, zie «4.0 Installatie» (Schoorsteen en kachelpijp).*

## 5.2 As verwijderen

De Jøtul F 480 heeft een aslade waarmee het eenvoudig is om as te verwijderen.

- Verwijder de as niet voordat de haard koud is.
- Schraap het as over het rooster op de bodem, zodat het as in de aslade valt. Gebruik een handschoen of iets dergelijks om uw hand te beschermen. Pak de hendel van de aslade vast en haal de aslade eruit. Zorg ervoor dat de aslade nooit zo vol is dat er geen as meer door het rooster in de aslade kan vallen.
- Zorg ervoor dat u de aslade goed aandrukt voordat u de deur sluit.

## 6.0 Onderhoud

### 6.1 Glas reinigen

De haard is uitgerust met een ventilatieopening voor het glas. Lucht wordt aangezogen door de luchttoevoer boven de haard en stroomt langs de binnenkant van het glas naar beneden.

Toch zal zich altijd wel roet op het glas ophopen. De hoeveelheid is afhankelijk van de luchtstroom ter plaatse en de stand van de ventilatieopening. De roetlaag wordt gewoonlijk grotendeels weggebrand wanneer de ventilatieopening helemaal open staat en de haard flink brandt.

**Goed advies!** Maak voor een gewone schoonmaakbeurt een papieren handdoek nat met warm water en voeg er wat as uit de stookplaats aan toe. Wrijf met het papier over het glas en neem het glas daarna af met schoon water. Laat het glas goed drogen. Wanneer het glas grondig moet worden gereinigd, adviseren wij om glasreiniger te gebruiken (*volg de gebruiksaanwijzing op de verpakking*).

### 6.2 Schoonmaken en verwijderen van roet

Tijdens gebruik kan zich roet afzetten op de binnenwanden van de haard. Roet werkt isolerend en kan daardoor de warmteafgifte van de haard verminderen. Als er zich te veel roet ophoopt, kunt u dit met een roetverwijderaar eenvoudig verwijderen.

Als u wilt voorkomen dat zich roet of een teerlaag ophoopt in de haard, moet u regelmatig flink stoken om de gevormde laag te verwijderen. Een jaarlijkse schoonmaakbeurt van de binnenkant is nodig voor een optimale warmteafgifte van uw product. Het is verstandig dit gelijktijdig te doen met het schoonmaken van de schoorsteen en de kachelpijp.

### 6.3 Kachelpijpen vegen tot aan de schoorsteen

Kachelpijpen moeten worden geveegd via een veegluik voor de kachelpijp of via de deuropening.

Eerst moet een van de schotten worden verwijderd om dit te kunnen doen.

## 6.4 Inspectie van de haard

Jøtul raadt u aan om na het reinigen/vegen zelf een grondige inspectie van de haard uit te voeren. Controleer alle zichtbare oppervlakken op scheuren. Controleer ook of alle verbindingstukken goed zijn afgesloten en of de pakkingen zich in de juiste positie bevinden. Een pakking die tekenen van slijtage of vervorming vertoont, moet worden vervangen.

Maak de groeven van de pakking grondig schoon, breng keramische lijm aan (verkrijgbaar bij uw lokale Jøtul-dealer) en druk de pakking stevig aan. De lijm heeft een korte droogtijd.

## 6.5 De buitenkant onderhouden

Bij gelakte producten kan er na een paar jaar verkleuring optreden. Voordat u een nieuwe laag verf aanbrengt, moet u het oppervlak reinigen en alle losse deeltjes wegvegen.

## 7.0 Groot onderhoud

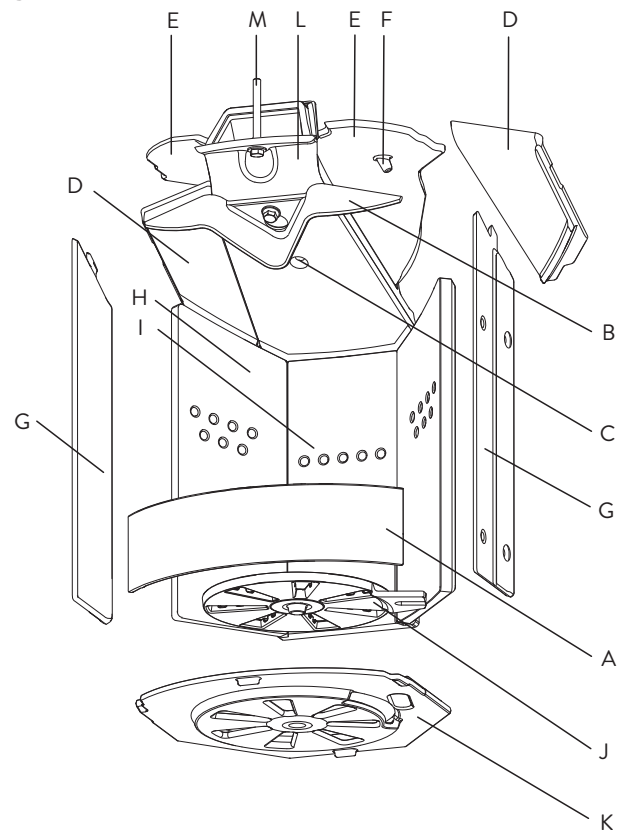
**Waarschuwing!** Er mogen geen wijzigingen aan het product worden uitgevoerd die niet door ons zijn goedgekeurd!

**Gebruik uitsluitend originele reserveonderdelen!**

### 7.1 Onderhoud/onderdelen vervangen in de verbrandingskamer

**NB:** Wees uiterst voorzichtig met het gereedschap! De vermiculietplaten kunnen beschadigd raken als u ze ruw behandelt.

Fig. 21



1. Hef de ashouder (A) op en verwijder deze.
2. Schuif of duw de onderste uitlaatplaat (B) uit de spiegelat (C). Houd de plaat goed vast zodat deze niet valt.
3. Het schot (D) naar voren duwen, iets opheffen, draaien en dan omlaag brengen.
4. Zorg ervoor dat u goed weet hoe de uitlaatplaten (E) vastzitten voordat u ze verwijdert, zodat u zeker weet dat u ze weer op precies de goede positie terug kunt plaatsen. Pak de pen (F) aan de onderkant van de uitlaatplaten vast. Hef ze iets op en beweeg ze vervolgens naar de zijkant voordat u ze verlaagt.
5. Hef de voorkant van de brandplaten (G) omhoog en verwijder deze.
6. Pak het bovenste deel van de achterste zijbrandplaten (H) vast en draai ze naar het midden van de verbrandingskamer. Verwijder ze daarna.
7. Verwijder de achterste brandplaat (I). Let er bij het terugplaatsen op dat de pakking op de achterste brandplaat stevig vastzit.
8. Verwijder het rooster met grote gaten (J) (kan ook eerst worden uitgevoerd als deze moet worden vervangen). Zorg er bij het terugplaatsen voor dat de sleuf op het rooster met grote gaten tegen de balk onder de binnenste bodemplaat ligt.

# NEDERLANDS

9. Hef de binnenste bodemplaat (**K**) op en verwijder deze.
10. Houd het bovenste luchtkanaal (**L**) aan de voorste rand omhoog en draai de schroef los (**M**). Gebruik een dopsleutel (13 mm) en een verlengstuk. Kantel het luchtkanaal naar beneden als de schroef los is. Dit kan ook worden gedaan na **punt 6**. Aan zowel de voor- als achterkant van het luchtkanaal bevinden zich pakkingen. Lijm nieuwe pakkingen vast voordat u het luchtkanaal weer terugplaatst.
11. Voor het installeren volgt u dezelfde procedure in omgekeerde volgorde.

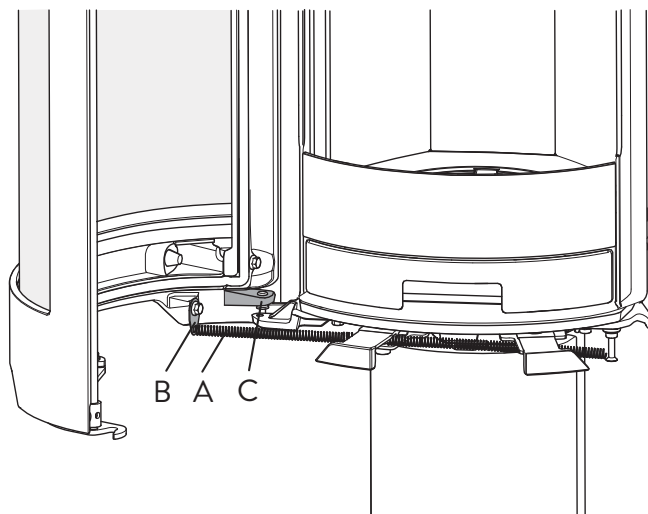
## 7.2 Zijplaten vervangen

1. Draai de schroef (**Fig. 17 A**) voor de zijplaat aan de bovenkant los.
2. Haak het onderste deel van de zijkant los met de schroef van de beugel (**Fig. 17 B**).
3. Monteer nieuwe zijkanten, zie de beschrijving in hoofdstuk 4.5.

**NB:** Als de kachel een rookuitlaat aan de bovenkant heeft, kan de bovenplaat worden opgetild om beter bij de schroeven te kunnen komen.

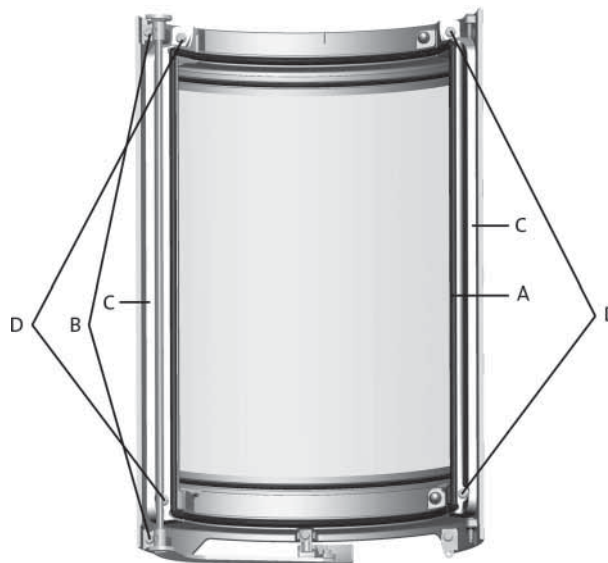
## 7.3 Glas en pakking in de deur vervangen

Fig.22



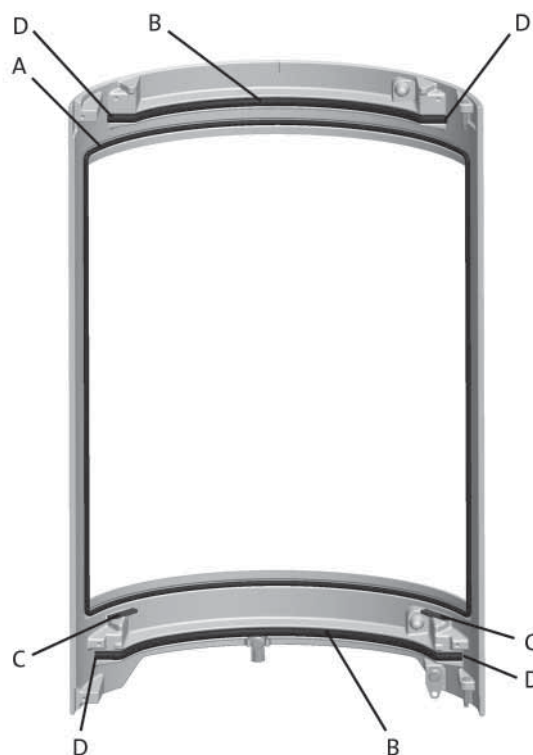
1. Open de deur en haak de veer (**A**) los van de klem (**B**).
2. Til de deur uit de scharnieren. Let op dat de ring onder het onderste scharnier (**C**) niet kwijtraakt.
3. Plaats de deur op de kop op een zacht materiaal.

Fig. 23



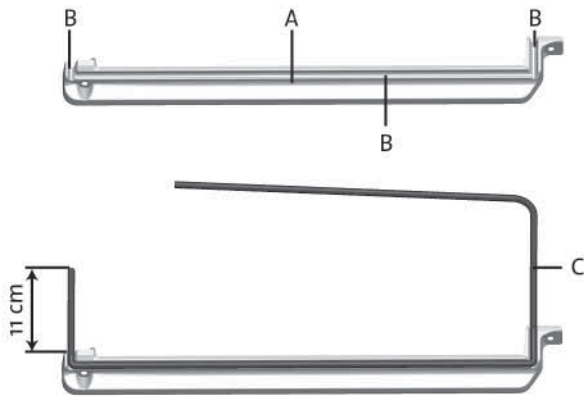
4. Als alleen de pakking tegenover de voorkant van de verbrandingskamer vervangen moet worden (**A**), kan de groef worden gereinigd en een nieuwe pakking worden vastgelijmd.
5. Als een glaspakking of het glas vervangen moet worden, schroef dan het hele met schroeven en ringen bevestigde sluitmechanisme los (**B**).
6. Verwijder de glashouders (**C**) die met 4 schroeven zijn bevestigd (**D**).
7. Til het glas eruit.

Fig. 24



8. Reinig de pakkingsgroeven grondig en lijm de nieuwe pakkingen vast: De glaspakking (**A**), deurpakking (**D**) en de pakking onder het glas (**C**). Controleer of de deurpakkingen goed in de hoeken vallen (**D**).

Fig. 25



9. Plaats de glashouders zoals afgebeeld **(A)** met de zijkant omhoog op een materiaal.
10. Breng een druppel lijm aan in de nu naar boven wijzende groef van de pakking **(B)**.
11. Plaats de pakking **(C)** in de groef en laat beide uiteinden zoals afgebeeld een stuk uitsteken (11 cm aan beide kanten).

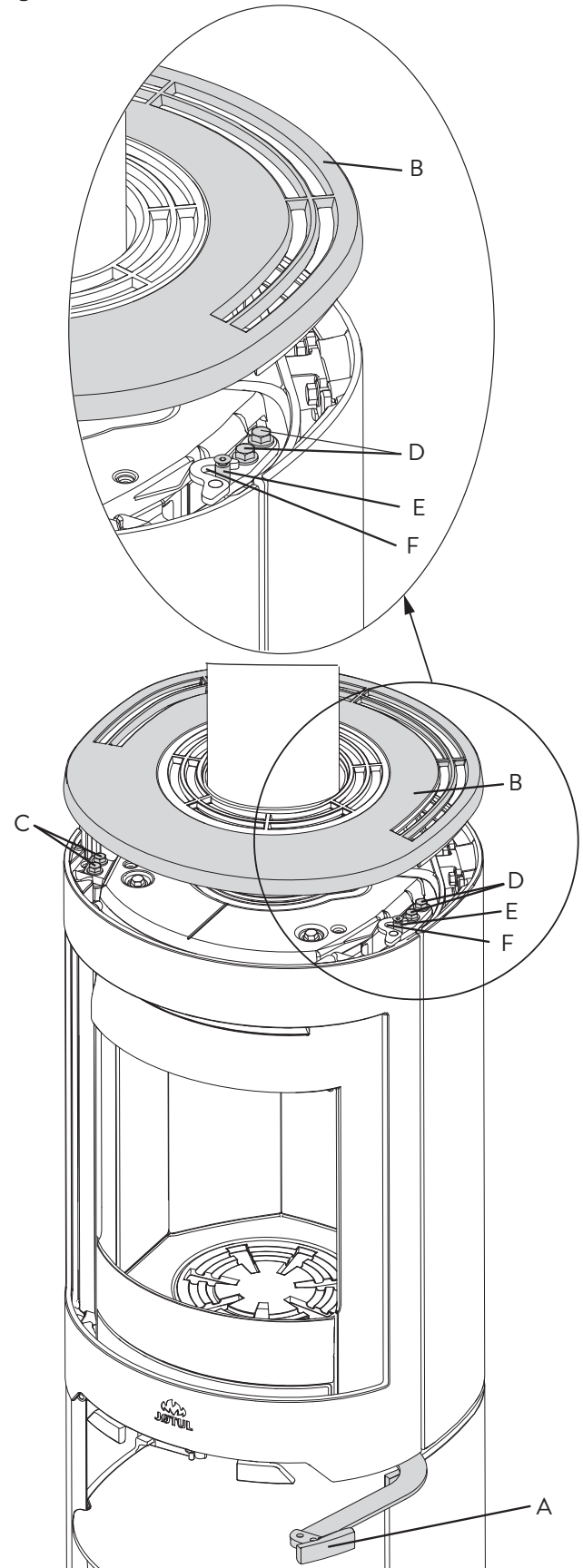
Fig. 26



12. Draai de glashouders om en breng een druppel lijm aan in de groeven van de pakking. Let op de overlap **(A)**.
13. Voor het installeren volgt u dezelfde procedure in omgekeerde volgorde. Denk eraan een ring onder het scharnier te plaatsen.

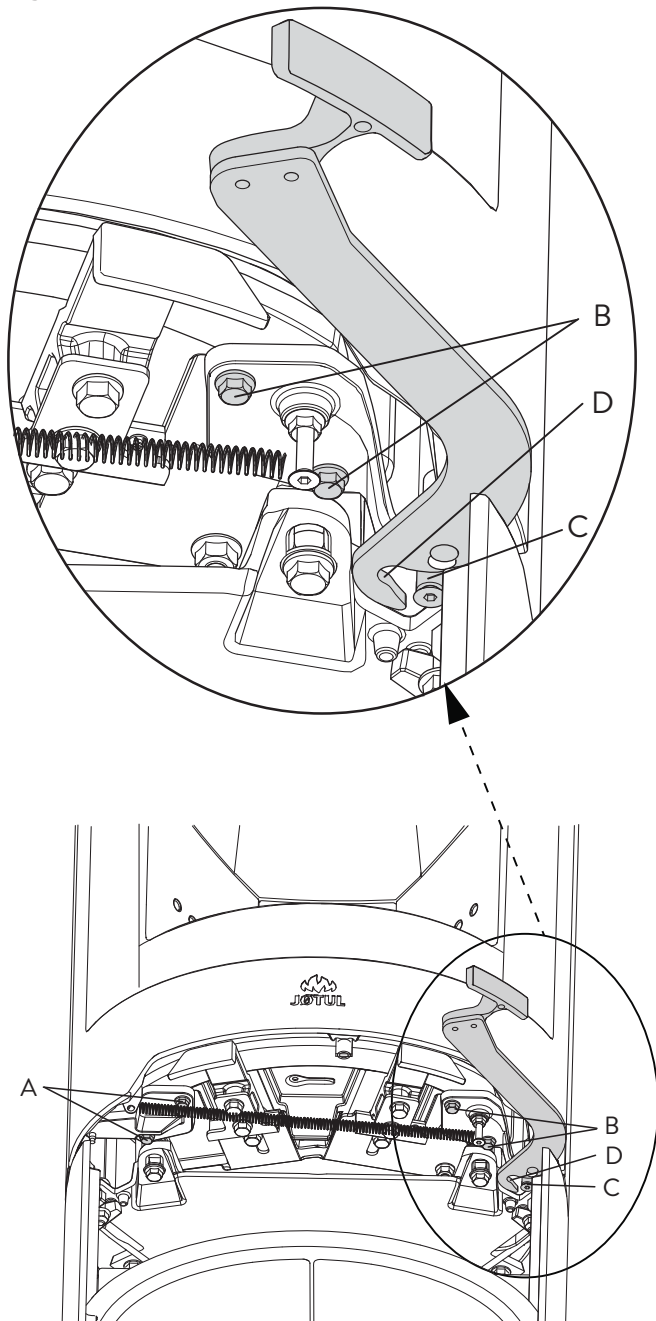
## 6.4 Deur afstellen

Fig. 27



1. Open de deurhendel **(A)**.
2. Draai of verwijder de topplaat **(B)**.
3. Draai de schroeven los **(C)**.

Fig. 28



4. Draai de schroeven los (Fig. 28 A).
5. Plaats de deur in de juiste positie.
6. Haal de schroeven aan (Fig. 28 A) en in Fig. 27 C.
7. Draai de schroeven los zoals in Fig. 27 D en Fig. 28 B.
8. Sluit de deurhendel (Fig. 27 A).
9. Houd de deur gesloten tijdens het plaatsen van de bovenste deurvergrendeling (Fig. 27 E) en de onderste deurvergrendeling (Fig. 28 C) in de haken (Fig. 27 F and Fig. 28 D).
10. Houd de deur gesloten tijdens het aanhalen van de schroeven (fig. 27 D en fig. 28 B) van de deurvergrendelingen.

## 8.0 Gebruiksproblemen - problemen oplossen

### Slechte trek

Controleer de lengte van de schoorsteen en of hij voldoet aan de geldende wetten en voorschriften.

Zorg ervoor dat de minimale afmetingen van de schoorsteen overeenkomen met de beschrijving in «2.0 Technische gegevens».

Controleer of de afvoer van gassen niet wordt belemmerd, zoals bijvoorbeeld door takken of bomen, enzovoort.

Als u vermoedt dat de schoorsteen overmatig of onvoldoende trekt, neemt u contact op met een deskundige die maatregelen kan nemen.

### Het vuur gaat na enige tijd uit

- Controleer of het brandhout droog genoeg is.
- Controleer of er onderdruk is in de woning, sluit mechanische ventilatiesystemen en open een raam dicht bij de haard.
- Controleer of de ventilatieopening is geopend.
- Controleer of de kachelpijp niet verstopt is met roet.

### Als er zich een ongebruikelijke hoeveelheid roet ophoopt op het glas

Er zal zich altijd roet ophopen op het glas, maar de hoeveelheid is afhankelijk van:

- De vochtigheid van de brandstof.
- De luchtstroom ter plaatse.
- De instelling van de ventilatieopening.

De roetlaag wordt gewoonlijk grotendeels weggebrand wanneer de ventilatieopening helemaal open staat en de haard flink brandt.

## 9.0 Optionele extra's

### 9.1 Externe luchtaansluiting

Externe luchtaansluiting, Ø 80 mm - Cat. nr. 51047509.

### 9.2 Draaiset

Zie de aparte installatie-instructies (cat. nr. 10026061). Draaiset voor Jøtul F 363, Jøtul F 373, Jøtul F 473 SHD en Jøtul F 483 - Cat. nr. 51012254.

## 10.0 Recycling

### 10.1 Recyclen van de verpakking

- Uw kachel wordt in de volgende verpakking geleverd:
- Een houten pallet dat in stukken gesneden en in de kachel verbrand kan worden.
- Een kartonnen verpakking die naar een plaatselijke faciliteit voor recyclen van materialen gebracht moet worden.
- Plastic zakken die naar een plaatselijke faciliteit voor recyclen van materialen gebracht moet worden.

### 10.2 Recyclen van de kachel

#### De kachel is gemaakt van:

- Metaal dat naar een plaatselijke faciliteit voor recyclen van materialen gebracht moet worden.
- Glas dat afgedankt moet worden als gevaarlijk afval. Het glas van de kachel mag niet via het normale gescheiden afval worden afgedankt.
- Platen in de verbrandingskamer van vermiculiet die via het normale afval mogen worden afgedankt.

## 11.0 Garantievoorwaarden

### 1. Onze garantie dekt:

Jøtul AS garandeert dat de externe gietijzeren onderdelen vrij zijn van materiaal- en fabricagefouten op het moment van aankoop. U kunt de garantie op de externe gietijzeren onderdelen verlengen tot 25 jaar na de leverdatum door het product te registreren op [jotul.com](http://jotul.com) en het bewijs van deze verlengde garantie binnen drie maanden na aankoop uit te printen. We adviseren u het garantiebewijs samen met de aankoopbon te bewaren. Jøtul AS garandeert tevens dat de staalplaten onderdelen vrij zijn van materiaal- en fabricagefouten op het moment van aankoop en tot 5 jaar na de leverdatum.

Deze garantie geldt op voorwaarde dat de kachel is geïnstalleerd door een erkende installateur, overeenkomstig de geldende wet- en regelgeving en Jøtul's installatie- en gebruiksinstructies. Gerepareerde producten en vervangende onderdelen vallen onder de garantie gedurende het resterende deel van de oorspronkelijke garantieperiode.

### 2. De garantie dekt niet:

- 2.1. Schade aan verbruiksonderdelen zoals brandplaten, vuurroosters, keerschotten, ringen en vergelijkbare onderdelen, aangezien deze onderhevig zijn aan normale slijtage.
- 2.2. Schade veroorzaakt door onjuist onderhoud, oververhitting, gebruik van ongeschikte brandstof (waaronder begrepen maar niet beperkt tot drijfhout, geïmpregneerd hout, houtafval, spaanplaat) of te vochtig hout.
- 2.3. Installatie van optionele extra's teneinde de trek, luchttoevoer en andere externe factoren buiten de invloedssfeer van Jøtul te verbeteren.
- 2.4. Aanpassingen of wijzigingen aan de haard zonder toestemming van Jøtul of het gebruik van niet-originele onderdelen.
- 2.5. Schade veroorzaakt tijdens opslag bij een distributeur, transport vanaf een distributeur of tijdens de installatie
- 2.6. Producten verkocht door niet-erkende verkopers in regio's waar Jøtul met een selectief distributiesysteem werkt.
- 2.7. Bijbehorende kosten (waaronder begrepen maar niet beperkt tot transport-, arbeids- en reiskosten) of indirecte schade.

Voor pelletkachels, glas, steen, beton, email en lak (waaronder begrepen maar niet beperkt tot breuken, scheuren, barsten, blaasjes, verkleuring of craquelé) geldt de nationale wetgeving die van toepassing is op de verkoop van consumentengoederen. Deze garantie is geldig voor aankopen gedaan binnen de Europese Economische Ruimte. Alle garantieaanspraken dienen binnen een redelijke termijn te worden gericht aan uw lokale erkende Jøtul-dealer, uiterlijk 14 dagen nadat de fout of het gebrek is geconstateerd. Zie onze website [www.jotul.com](http://www.jotul.com) voor een overzicht van importeurs en dealers.

Wanneer Jotul niet is staat is om zijn verplichtingen na te komen zoals vermeldt in bovenstaande garantie voorwaarden, Jotul zal dan een alternatief product kosteloos aanbieden met gelijke verwarmingscapaciteit.

Jøtul behoudt zich het recht voor af te zien van reparatie of vervanging van onderdelen in het geval dat de garantie niet online is geregistreerd. Deze garantie doet geen afbreuk aan enig recht krachtens de geldende nationale wetgeving van toepassing op de verkoop van consumentengoederen. Het nationale reclamerecht geldt vanaf de aankoopdatum en uitsluitend onder overlegging van een aankoopbon/serienummer.









## Sluttkontroll av ildsteder

## Quality control of stoves and fireplaces

### Checked

Utført	Kontrollpunkt	Controlled item
✓	Alle deler er med i produktet (ifølge struktur).	All parts are included.
✓	Alle festemidler er av korrekt type, og er korrekt anvendt.	Correct fastener items have been used and correctly applied.
✓	Overflater er i samsvar med Jøtuls kvalitetsstandarder.	Surfaces comply with Jøtul workmanship standards.
✓	Lukkemekanismer fungerer som de skal, og uten behov for unødig stor kraft.	Door locking mechanisms function correctly; excessive force is not needed.
✓	Produktet/serien møter kravet for lekkasjetest.	The product/lot complies with the leakage test requirement.
✓	Lakkerte/emaljerte overflater møter kravene i Jøtuls kvalitetsstandarder.	Paint/enamel surface finish complies with Jøtul workmanship standards.
✓	Produktet er fritt for utvendig kitt- eller limklin.	Surfaces are not contaminated by external stove cement or glue.
✓	Produktet har ingen sprekker i glass, støpejern eller andre deler.	There are no cracks in glass, cast iron or other parts.
✓	Pakninger er riktig lagt, og skjemmer ikke produktet ved stygge ender eller ved at pakningen er unødig synlig.	Gaskets are correctly applied and do not degrade product appearance (i.e. loose ends or excessive visible exposure).
✓	Dørpakninger er godt limt.	Door gaskets are firmly glued/fixed to the door.
✓	Dørpakninger har tilfredsstillende pakningstrykk.	Door gaskets provide satisfactory sealing.
✓	Sjekk at det ikke "lyser gjennom" i dørpakning eller andre sammenføyninger.	Check for "light through" at door seals and other relevant locations.
✓	Trekkhendler osv fungerer normalt.	The function of air valve handle etc is normal.

Jøtul bekrefter herved at dette produktet er kontrollert og funnet å være i samsvar med våre kvalitetsnormer.	Jøtul hereby confirm that this product has been QC inspected and found to comply with our quality standards.
<b>Lot. No. / Serie nr. - Checked by / kontrollert av</b>	

Cat.no. 10047258-P03  
Jøtul AS, Dec - 2017

Jøtul pursue a policy of constant product development. Products supplied may therefore differ in specification, colour and type of accessories from those illustrated and described in the brochure.

Jøtul vise sans cesse à améliorer ses produits. C'est pourquoi, il se réserve le droit de modifier les spécifications, couleurs et équipements sans avis préalable.

#### **Quality**

Jøtul AS has a quality system that conforms to NS-EN ISO 9001 for product development, manufacturing, and distribution of stoves and fireplaces. This policy gives our customers quality and safety piece of mind as a result of Jøtul's vast experience dating back to when the company first started in 1853.

#### **Qualité**

Le système de contrôle de la qualité de Jøtul AS est conforme à la norme NS-EN ISO 9001 relative à la conception, à la fabrication et à la distribution de poêles, foyers et inserts. Cette politique nous permet d'offrir à nos clients une qualité et une sécurité reposant sur la vaste expérience accumulée par Jøtul depuis sa création en 1853.



Jøtul AS,  
P.o. box 1411  
N-1602 Fredrikstad,  
Norway  
[www.jotul.com](http://www.jotul.com)