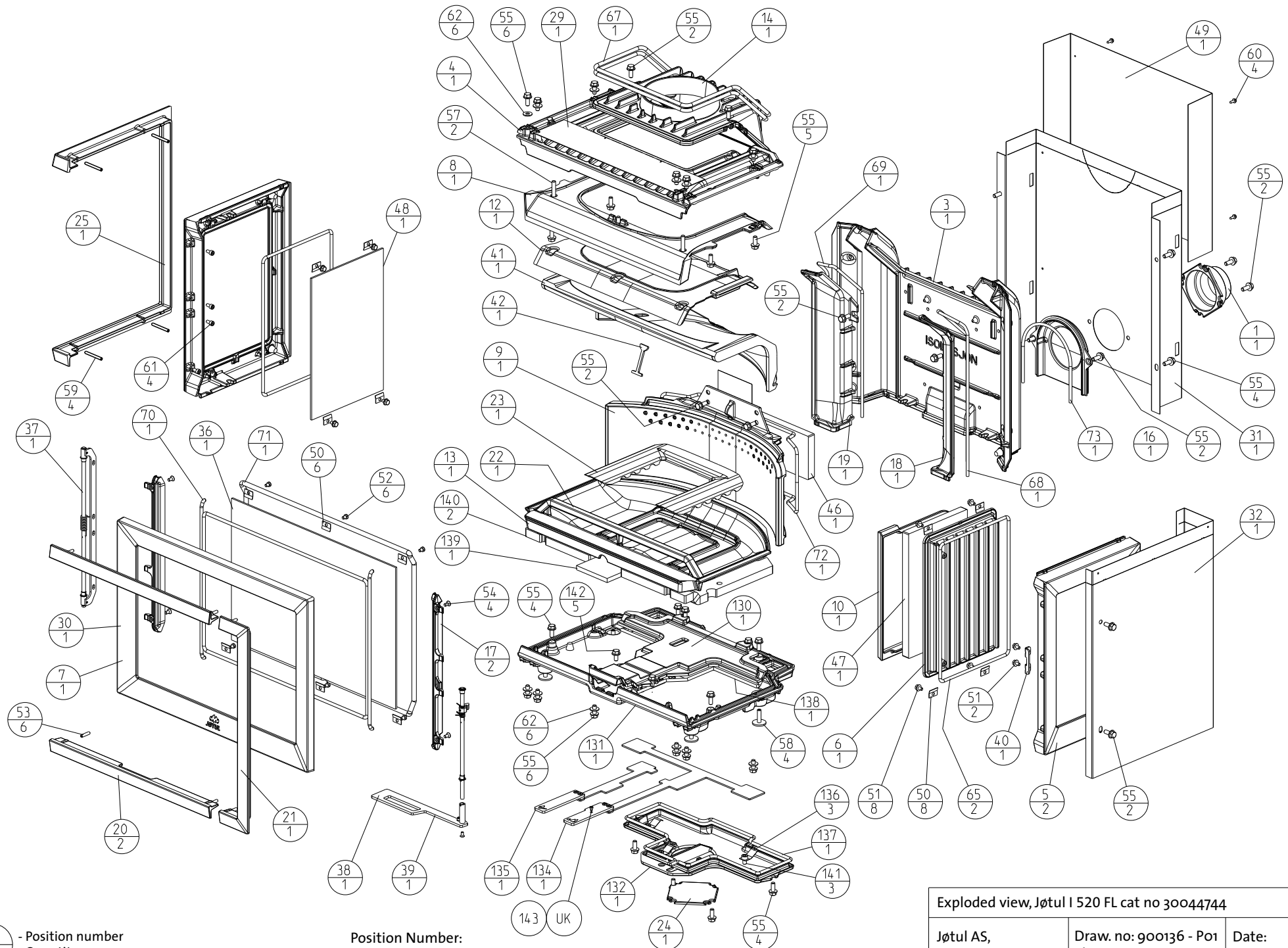


XX - Position number
 YY - Quantity

Position number:
 143 UK - only for United Kingdom

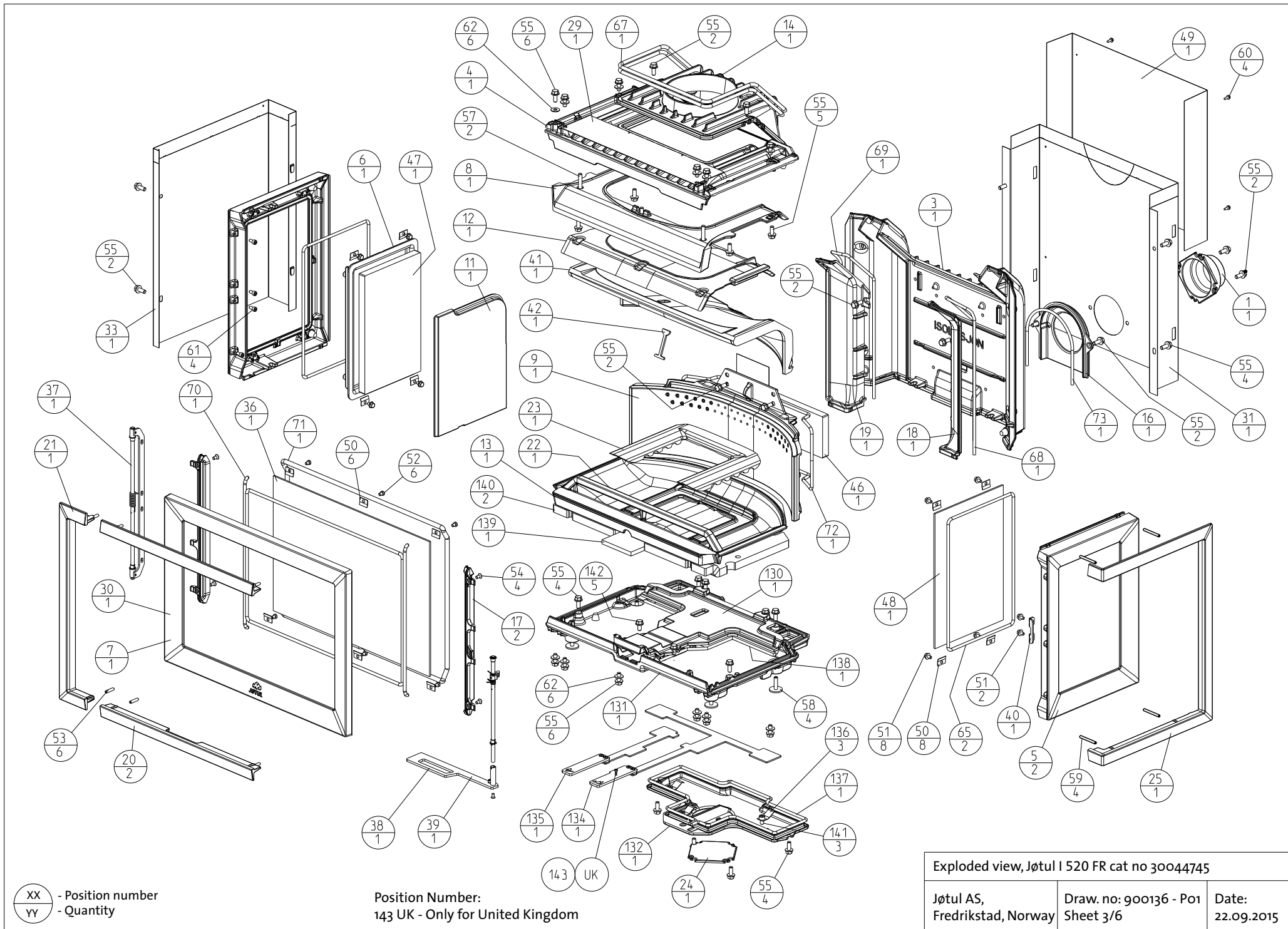
Exploded view, Jøtul I 520 F cat no 30044743		
Jøtul AS, Fredrikstad, Norway	Draw. no: 900136 - Po1 Sheet 1/6	Date: 22.09.2015



XX - Position number
 yy - Quantity

Position Number:
 143 UK - Only for United Kingdom

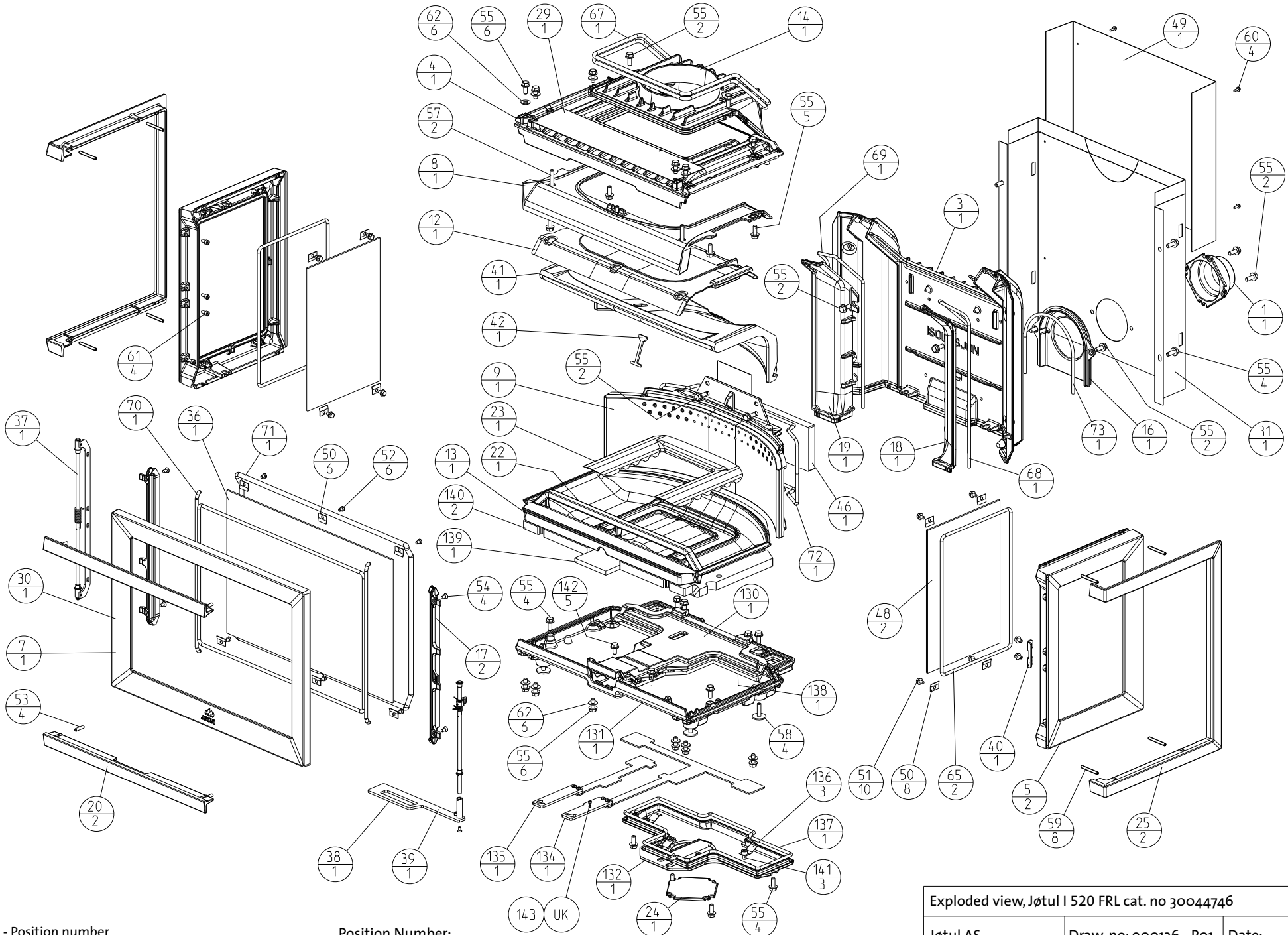
Exploded view, Jøtul I 520 FL cat no 30044744		
Jøtul AS, Fredrikstad, Norway	Draw. no: 900136 - P01 Sheet 2/6	Date: 22.09.2015



XX - Position number
 YY - Quantity

Position Number:
 143 UK - Only for United Kingdom

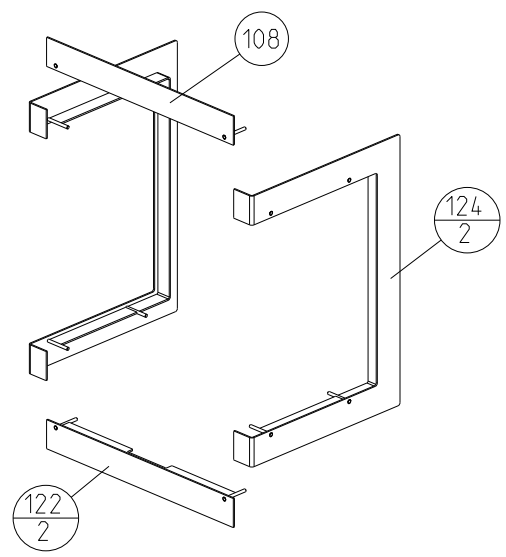
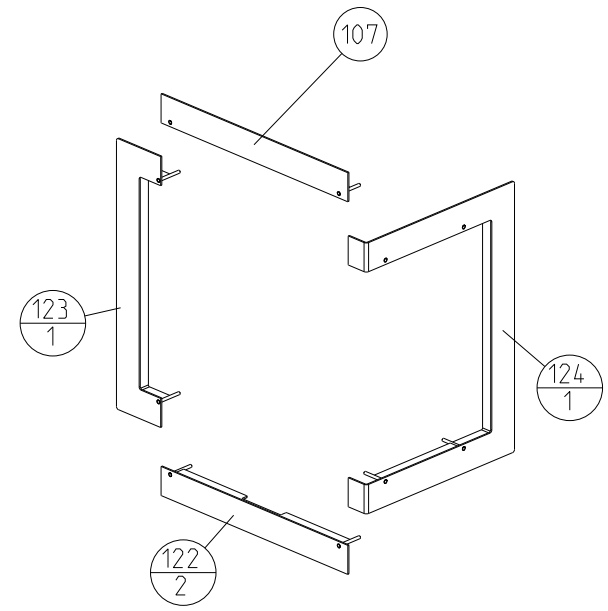
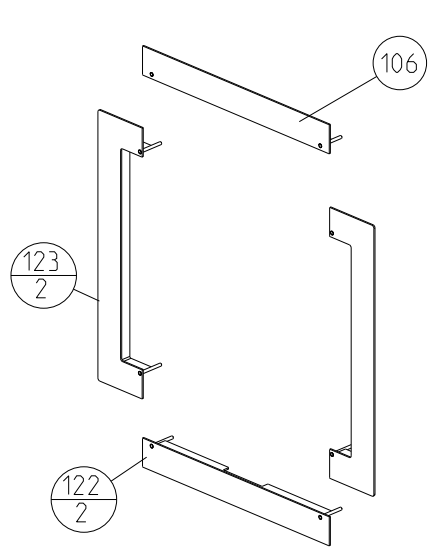
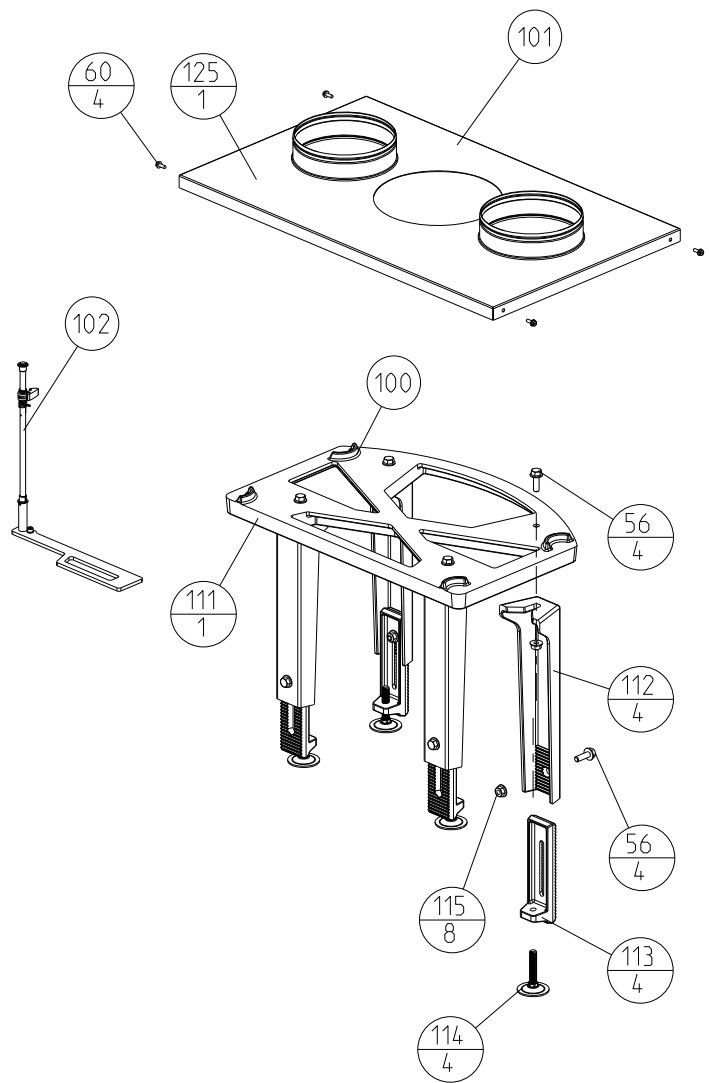
Exploded view, Jøtul I 520 FR cat no 30044745		
Jøtul AS, Fredrikstad, Norway	Draw. no: 900136 - Po1 Sheet 3/6	Date: 22.09.2015



XX - Position number
 YY - Quantity

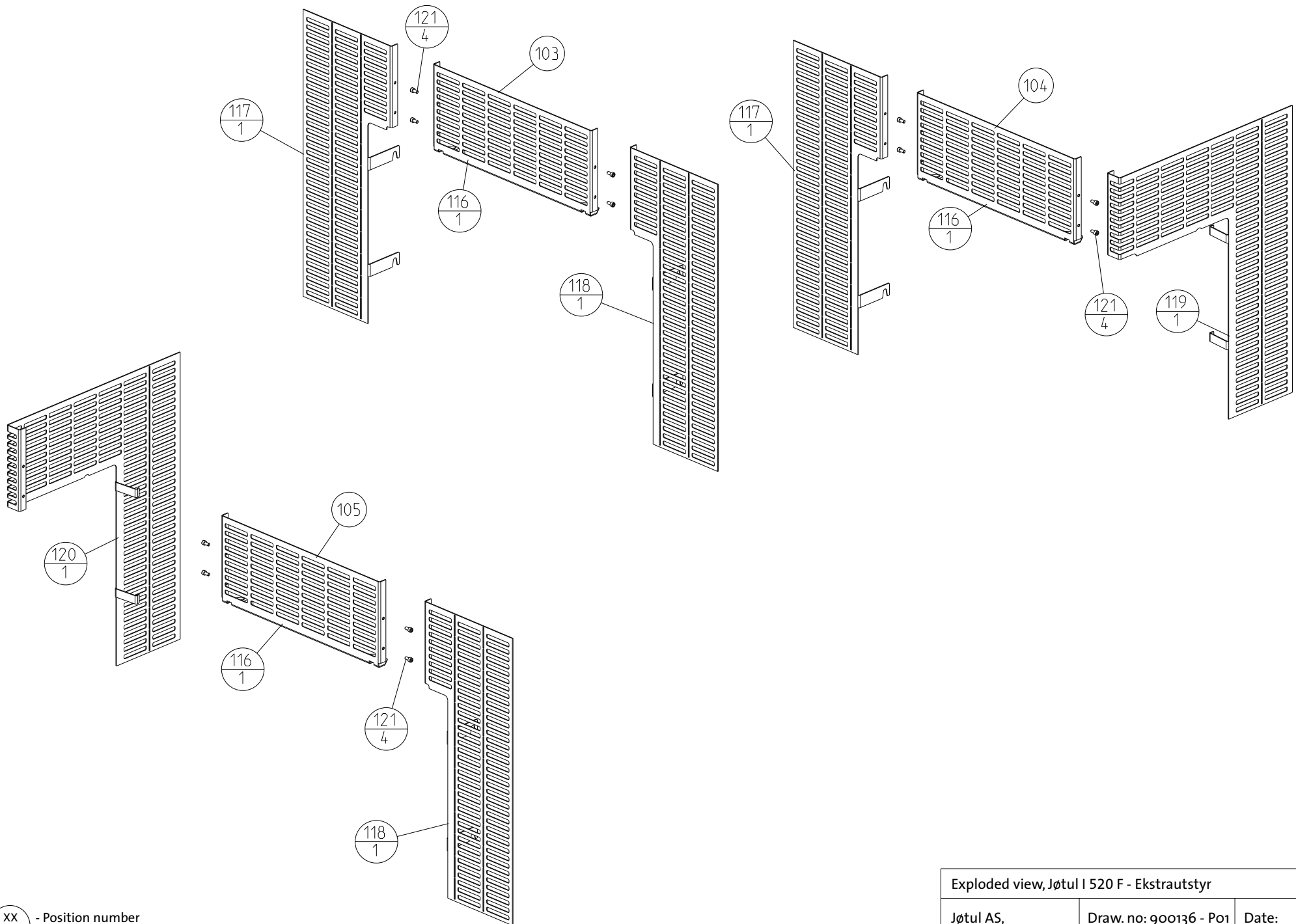
Position Number:
 143 UK - Only for United Kingdom

Exploded view, Jøtul I 520 FRL cat. no 30044746		
Jøtul AS, Fredrikstad, Norway	Draw. no: 900136 - Po1 Sheet 4/6	Date: 22.09.2015



XX - Position number
 YY - Quantity

Exploded view, Jøtul I 520 F - Ekstrauststyr		
Jøtul AS, Fredrikstad, Norway	Draw. no: 900136 - P01 Sheet 5/6	Date: 22.09.2015



XX - Position number
 YY - Quantity

Exploded view, Jøtul I 520 F - Ekstrautstyr		
Jøtul AS, Fredrikstad, Norway	Draw. no: 900136 - Po1 Sheet 6/6	Date: 22.09.2015