

# H.R.UV-C

## Basic

### PARE PARTS LIST

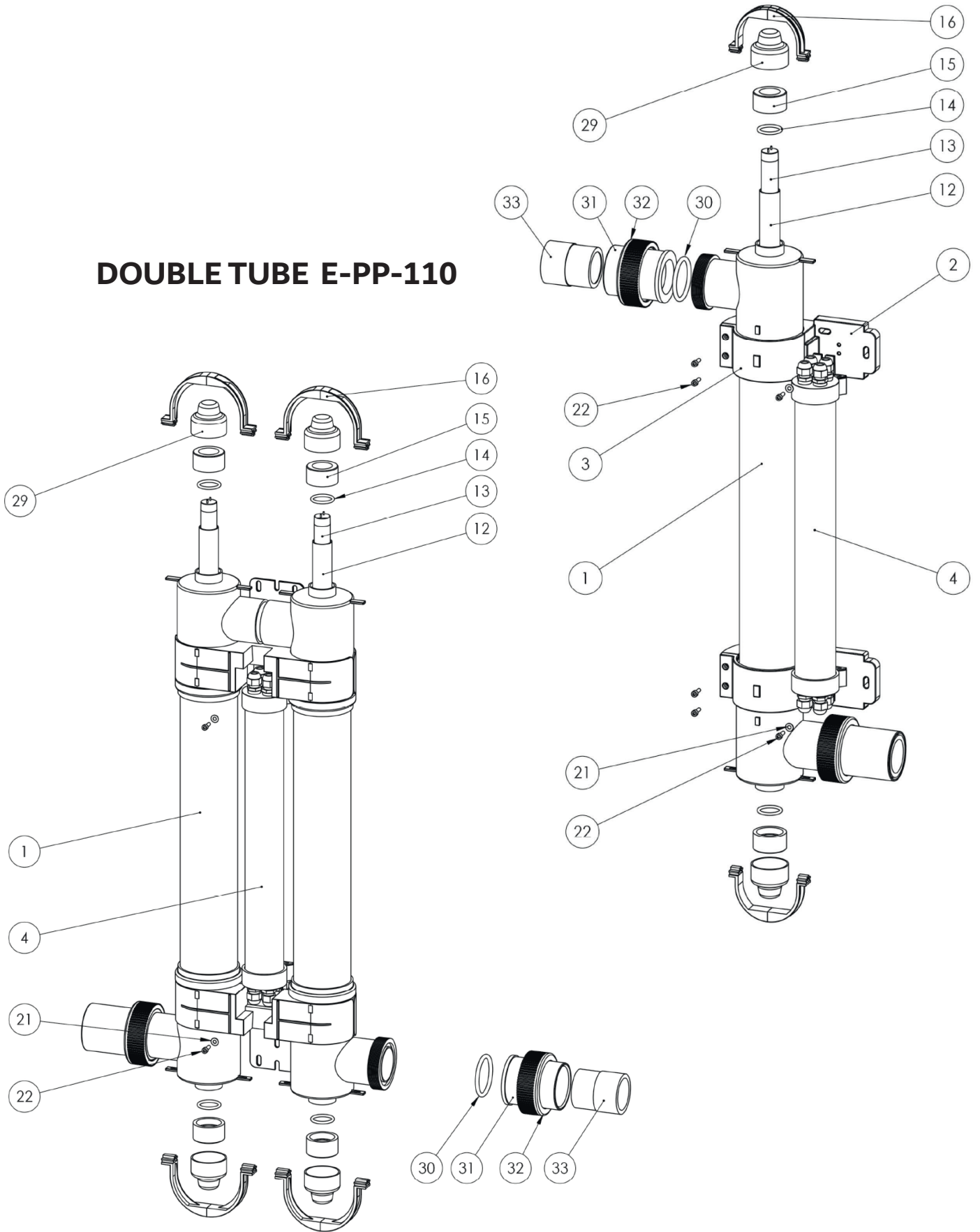
LISTE DES PIÈCES DÉTACHÉES  
ELENCO DEI PEZZI DI RICAMBIO

Reference:  
E-PP-55  
E-PP- 110



# SINGLE TUBE E-PP-55

# DOUBLE TUBE E-PP-110



Item No.:	Description	Description	Pcs/Unit E-PP-55	Pcs/Unit E-PP-110	Electro Part Number E-PP-55	Electro Part Number E-PP-110
1	HR Basic Replacement Body Assembly (Complete with PTFE reflector and T-Piece)	Ensemble de corps de remplacement HR Basic (complet avec réflecteur en PTFE et porte-sonde )	1	1	SP-UV-B-HR-B-55	SP-UV-B-HR-B-110
2	Rear Mounting Bracket	Support de montage arrière	2	-	Z-IM-UV-ST-RB	-
3	Front Mounting Bracket	Support de montage avant	2	-	Z-IM-UV-ST-FB	-
4	HR Basic Control Gear (Complete with lamp LEDs)	Tableau de contrôle pour HR Basic (Complet avec indicateurs LED)	1	1	SP-UV-CG-PPB-55	SP-UV-CG-PPB-110
12	Quartz Sleeve	Manchon Quartz	1	2	SP-UV-QS	
13	Replacement UV Lamp	Lampe de rechange UV	1	2	SP-UV-LAMP-EL	
14	Quartz Sleeve O-Ring Seal	Joint torique pour manchon quartz	2	4	SP-UV-ORS	
15	Quartz Sleeve Locking Nut	Écrou de blocage pour manchon quartz	2	4	SP-UV-LNUT	
16	Lamp Holder / Restraint (2 halves + Screw)	Support lampe (2 moitiés + vis)	2	4	SP-UV-LCR-S	
21	M5 Flat Form C Washer A2	A2 Rondelle M5 forme plate C	2	2	Z-FIX-M5FCW	
22	Ballast Fixing Screw	Vis de fixation Ballast	2	2	Z-FIX-M4.8X19STS-SC	Z-FIX-M5X16BH
29	Lamp Lead Connection	Capuchon d'alimentation	2	4	SP-UV-LLL-S	
30	Large Union O-Ring Seal	Joint torique union	2	2	Z-ORS-UNI-L	
31	Union Socket 2" / 63mm	Manchon union 2" / 63mm	2	2	Z-IM-UNI-2"/63	
32	Union Nut	Bague de serrage union	2	2	Z-IM-UNI-NUT	
33	Union Reducer 1½" / 50mm	Reducteur 1½" / 50-mm	2	2	Z-IM-UV-R	