

A/2 K6PTJ025/030/010 FIXING MENU



1. Product fittings

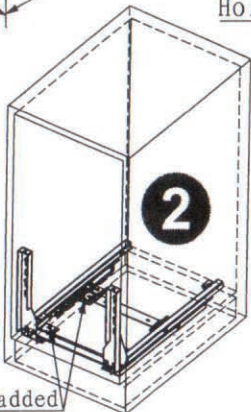
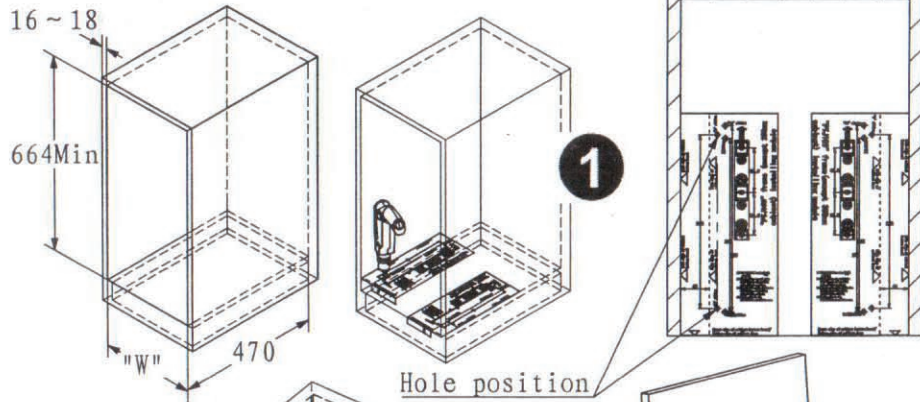
| | | | | | | | |
|---------|---------|---------|-------------------|---------|---------|---------|---------|
| A, 1PCS | B, 1PCS | C, 1PCS | D, 1PCS | E, 1PCS | F, 4PCS | G, 8PCS | J, 1PCS |
| | | | D-1 D-2 D-3 | | H, 8PCS | I, 1PCS | |
| | | | | | | | |

2. Tools



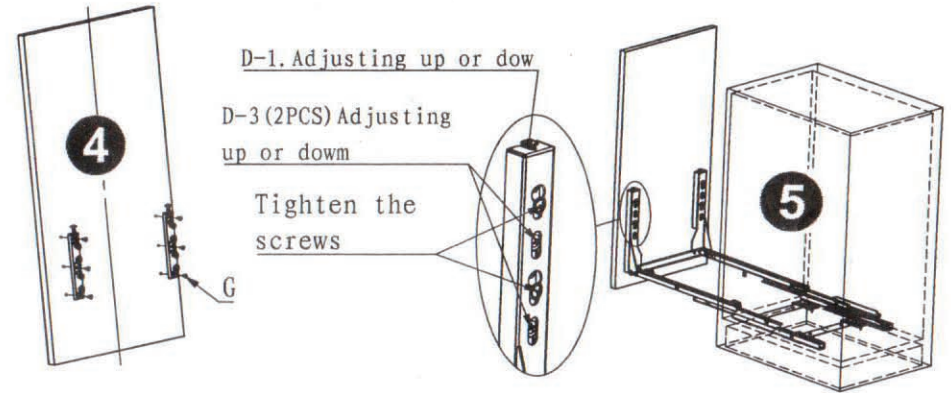
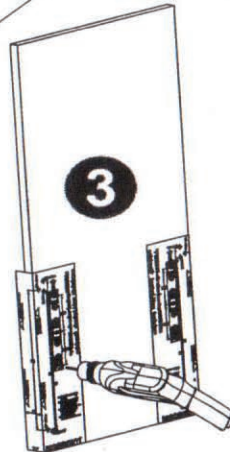
3. Select The suitable Cabinet

4. Fixing steps

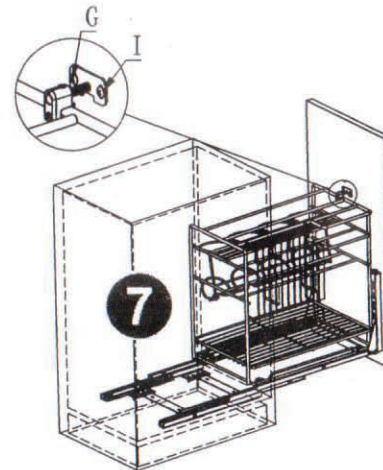
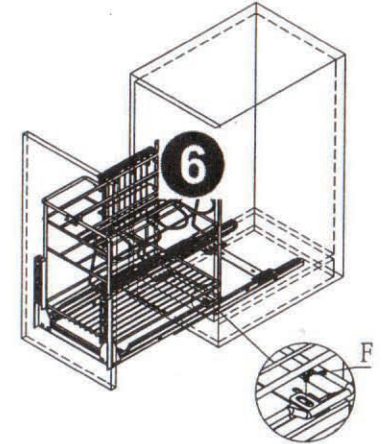


Screws can if necessary be added

2-1



| Item No | Size "W" |
|-------------------------------------|----------|
| K6 (S) PTJ025B-2 | 164 |
| K6 (S) PTJ025P/P-2/P-4/P1 | 264 |
| K6 (S) PTJ030G | 314 |
| K6 (S) PTJ010D | |
| K6 (S) PTJ025G/G1 | 364 |
| K6 (S) PTJ025F2/F5 | |
| K6 (S) PTJ010B/C/D/I, K6 (S) PTJ010 | |
| K6 (S) PTJ030E/E-4 | |
| K6 (S) PTJ025F3-450/F5-450 | 414 |
| K6 (S) PTJ030F | |



2-2

