



Congratulations on the purchase of your new DMI Sports GoalFlex™ hockey table. Our products are designed and manufactured to give you years of game playing enjoyment.

- ▶ *KEEP BOX AND PACKING MATERIAL UNTIL TABLE HAS BEEN COMPLETELY ASSEMBLED.*
- ▶ *ALL DAMAGE MUST BE REPORTED TO DMI WITHIN TEN DAYS OF RECEIPT.*
- ▶ *If you have any problems with your new product*

PLEASE DO NOT RETURN IT TO THE STORE.

Please contact us:

1.800.399.4402

FAX: 215.283.9573

Please have your model number when inquiring about parts.

Or write to:

DMI Sports Customer Service
1300 Virginia Drive, Suite 401
Fort Washington PA, 19034

Please visit our web site at:

www.dmisports.com

When contacting DMI Sports, please provide your model number and item number (if applicable) if requesting a replacement part.

Item numbers can be found inside this owner's manual.

Your model number is: HT22



ASSEMBLY INSTRUCTIONS

HT22

GOALFLEX™ TABLE HOCKEY



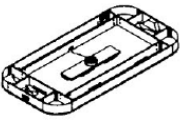


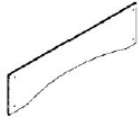








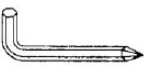
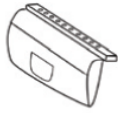


**PLEASE FAMILIARIZE YOURSELF WITH THE HANDLING
AND MAINTENANCE INSTRUCTIONS BEFORE USE.**

PLEASE RETAIN INSTRUCTIONS FOR FUTURE PARTS IDENTIFICATION.

TOOLS REQUIRED FOR ASSEMBLY (Included):

SCREW DRIVER/ALLEN WRENCH TOOL

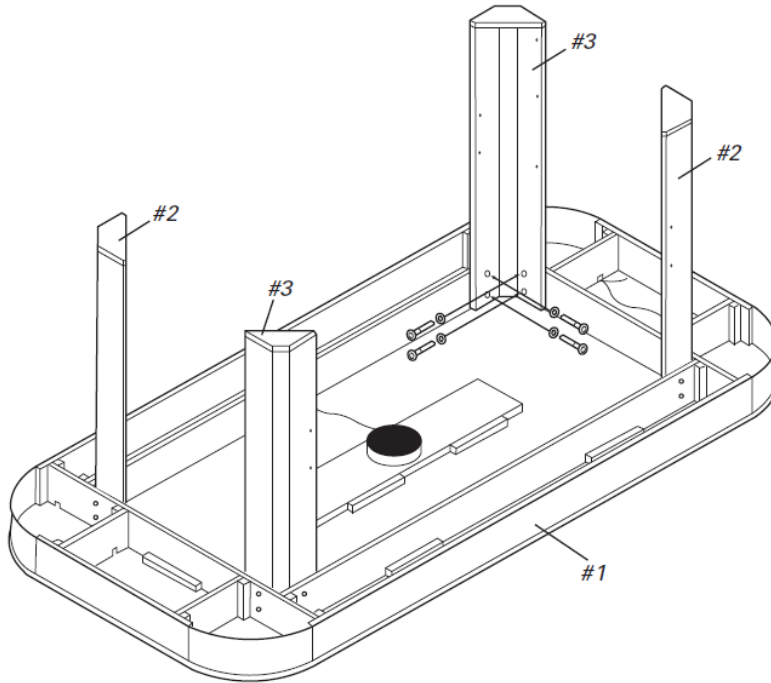
PARTS IDENTIFIER and ASSEMBLY PARTS

P1	RPHT-22-1	P2	RPHT22-2	P3	RPHT22-3	P4	RPHT22-4
 Main Frame		 Leg A (2)		 Leg B (2)		 Leg Side Panels (2)	
P5	RPHT22-5	P6	RPHT22-6	P7	RPHT22-7	P8	RPHT22-8
 Leg End Panels (2)		 Puck (4)		 Pusher (2)		 5/16" Bolt (24)	
P9	RPHT22-9	P10	RPHT22-10	P11	RPHT22-11	P12	RPHT22-12
 5/16" Washer (24)		 1/2" Round Head Screw (12)		 5/8" Round Head Screw (16)		 Leg Leveler (4)	
P13	RPHT22-13	P14	RPHT22-14	P15	RPHT22-15	P16	RPHT22-16
 Tool (1)		 Goal Rail (2)		 Console (1)		 Console Holder (1)	

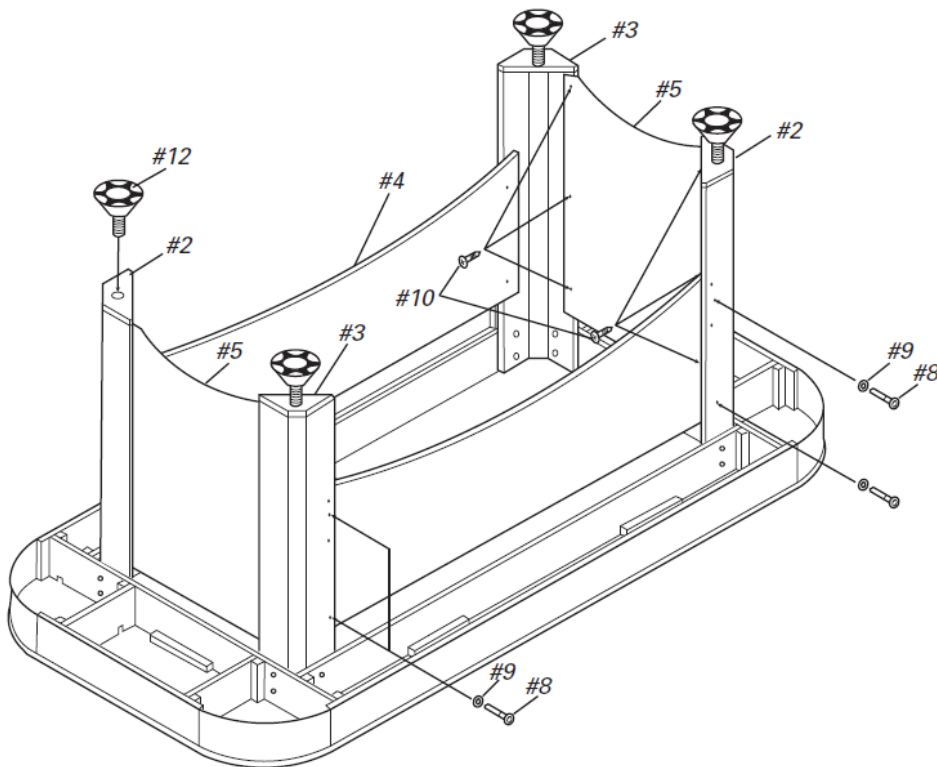
ASSEMBLY INSTRUCTIONS

We recommend that at least two ADULTS assemble this table.

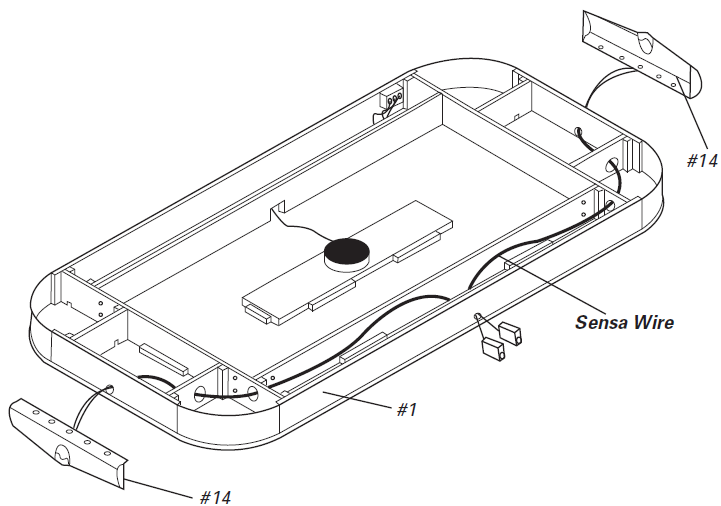
STEP 1: ATTACHING LEGS (FIG. 1)



STEP 2: ATTACHING LEG SUPPORT PANEL (FIG. 2)

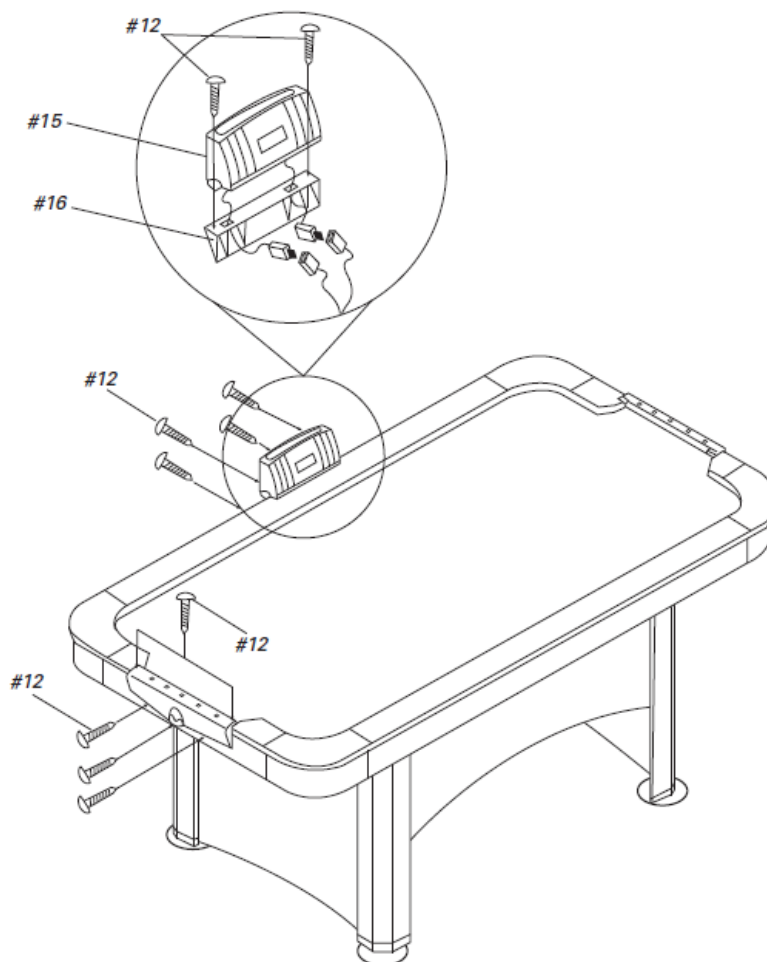


STEP 3: WIRING AND ATTACHING GOAL RAILS (FIG. 3)



STEP 4: CONNECTING CONSOLE AND ATTACHING TO TABLE (FIG. 4)

Connect goal wires to console and test score on table verify that console wiring is connected correctly. Then attach console holder (P16) and console (P15) to table.



MAINTENANCE INSTRUCTIONS

For cleaning use a soft damp (not wet) cloth only.

DO NOT USE ANY CHEMICALS OR ABRASIVE OR CLEANING PRODUCTS on the playing surface.

This table must be stored indoors to avoid damage to the surface. Dampness and temperature changes can cause surface to warp.

This table is for INDOOR USE only.



1. Do not put heavy objects on the table.
2. Do not sit on the table.
3. Do not clean the table with solvents or any other aggressive product because it could damage the paint finish.

Now you are ready to play. Have fun!

Please visit <http://www.dmisports.com> for information on the full line of DMI Sports products.

DMI Sports, Inc., Fort Washington, PA USA

www.dmisports.com

800.399.4402

PARTS RE-ORDER PAYMENT FORM



CHECK or MONEY ORDER CREDIT CARD VISA MASTERCARD AMEX DISCOVER

CREDIT CARD INFORMATION

NAME (AS IT APPEARS ON CARD)

CITY STATE ZIP

SHIPPING ADDRESS (if different from BILLING ADDRESS)

CITY STATE ZIP

CREDIT CARD NUMBER

CREDIT CARD EXPIRATION DATE

SEND THIS FORM PAGE AND ORDER FORM ALONG WITH YOUR CHECK OR MONEY ORDER PAYABLE TO:
DMI SPORTS, INC. 1300 VIRGINIA DRIVE SUITE 401, FORT WASHINGTON, PA 19034
www.dmisports.com