



We strive to ensure that our products are of the highest quality and free of manufacturing defects or missing parts. However, if you have any problems with your new product,

DO NOT RETURN IT TO THE STORE,  
please contact us toll free @:

1-888-996-2729

FAX: 1-866-873-3531

[gamerom@escaladesports.com](mailto:gamerom@escaladesports.com)

Or write to:

Escalade Sports  
Customer Service Department  
P.O. Box 889  
Evansville, IN 47706

Please visit our Web site at:

[www.escaladesports.com](http://www.escaladesports.com)

Please have your date code when inquiring about parts.

When contacting Escalade Sports please provide your model number, date code (if applicable), and part number if requesting a replacement part. These numbers are located on the product, packaging, and in this owners manual.

Your Model Number HT600F220

Date Code: 2 - HT600F220 1114 - MW

Purchase Date: \_\_\_\_\_

PLEASE RETAIN THIS INSTRUCTION MANUAL FOR FUTURE REFERENCE

**IMPORTANT! READ EACH STEP  
IN THIS MANUAL BEFORE YOU  
BEGIN THE ASSEMBLY.**

**IMPORTANT!**

THE DRAWINGS IN THIS  
MANUAL MAY BE  
EXAGGERATED OR MODIFIED  
TO SHOW DETAILS.



## TWO ADULTS ARE REQUIRED TO ASSEMBLE THIS HT600F220 PHAZER 7.5 FT AIR HOCKEY TABLE

### Tools Required:

- T1 - Allen Wrench (Included) and T2 - Wrench (Included)
- Phillips Screwdriver
- Furniture Polish and Cloth

**An electric screwdriver is helpful in assembly. However, please set at low torque and use extreme caution with an electric screwdriver because you could overtighten the hardware and strip the screws.**

## Assembly Tips

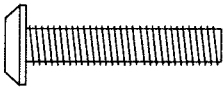
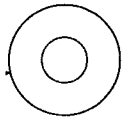

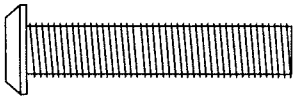
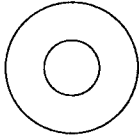






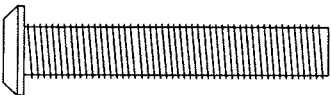
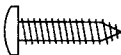
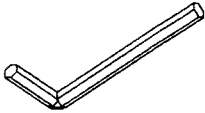

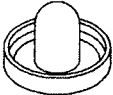


Make sure you understand the following tips before you begin to assemble your hockey table.


1. Start all bolts by hand before tightening.
2. Some drawings or images in this manual may not look exactly like your product. Please read and understand the text before starting each assembly step.

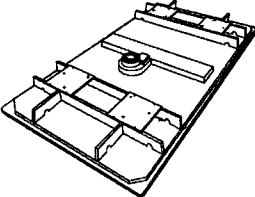
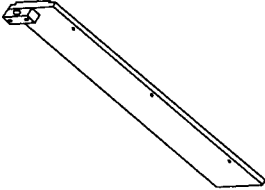
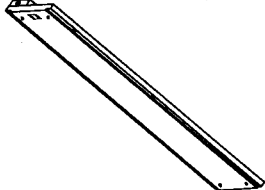
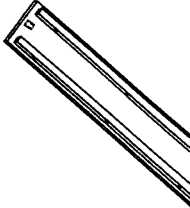
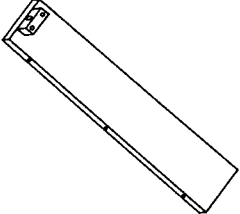
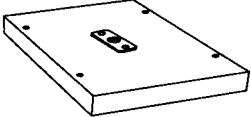
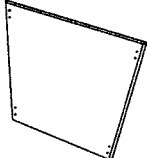
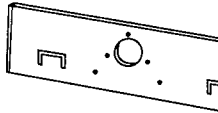
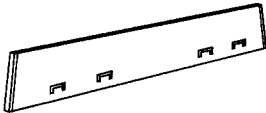
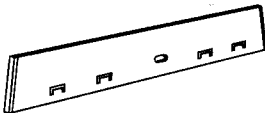
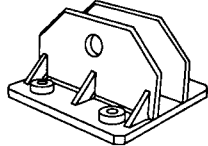
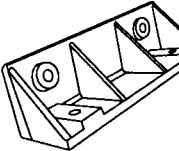
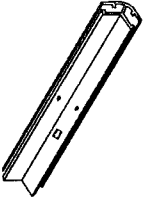
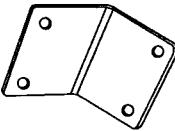
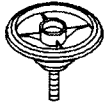
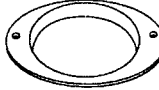



### **WARNING:**

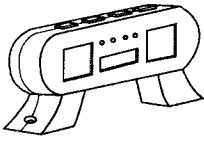
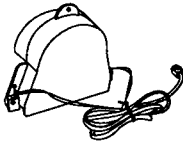
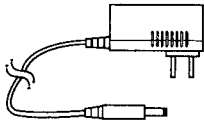
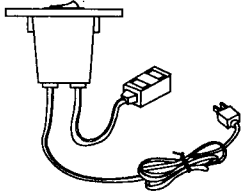
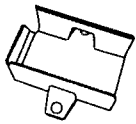
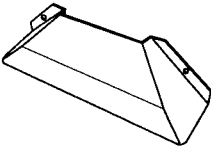
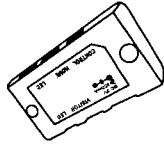
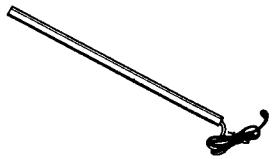
**READ AND FOLLOW ALL ASSEMBLY, OPERATION, AND  
SAFETY INSTRUCTIONS CAREFULLY. AT LEAST TWO  
ADULTS ARE NEEDED TO PUT THIS HOCKEY TABLE  
TOGETHER.**


<p>H1 = 24 pcs 1/4" x 28 mm Allen Head Bolt</p> 	<p>H2 = 24 pcs 1/4" x 16 mm Flat Washer</p> 	<p>H3 = 16 pcs 4 mm x 50 mm Phillips Round Head Screw</p> 	
<p>H4 = 12 pcs 5/16" x 38 mm Allen Head Bolt</p> 	<p>H5 = 36 pcs 5/16" x 19mm Flat Washer</p> 	<p>H6 = 12 pcs 5/16" Lock Washer</p> 	<p>H7 = 12 pcs 5/16" Hex Nut</p> 
<p>H8 = 2 pcs 3/16" x 25 mm Allen Head Bolt</p> 	<p>H9 = 96 pcs 4 mm x 18 mm Phillips Round Head Screw</p> 	<p>H10 = 54 pcs 4 mm x 12 mm Phillips Round Head Screw</p> 	<p>H11 = 24 pcs 4 mm x 44 mm Phillips Flat Head Screw</p> 
<p>H12 = 12 pcs 5/16" x 44 mm Allen Head Bolt</p> 		<p>H13 = 4 pcs 4 mm x 15 mm Phillips Round Head Screw</p> 	<p>T1 = 1 pc Allen Wrench</p> 
<p>T2 = 1 pc 12mm Wrench</p> 	<p>A1 = 4 pcs Striker</p> 	<p>A2 = 4 pcs Puck</p> 	<p>A3 = 4 pcs Felt Pad</p>  <p>NOTE: A3 Felt Pads may already be attached to A1 Strikers.</p>

 **WARNING:**  
CHOKING HAZARD  
Small parts.  
Not for children under  
3 yrs.

<p>P1 = 1 pc Air Hockey Cabinet</p> 	<p>P2 = 4 pcs Left Leg Panel</p> 	<p>P3 = 4 pcs Right Leg Panel</p> 	<p>P4 = 4 pcs Front Leg Panel</p> 
<p>P5 = 4 pcs Back Leg Panel</p> 	<p>P6 = 4 pcs Leg Bottom Board</p> 	<p>P7 = 2 pcs End Leg Panel</p>  <p>NOTE: P7 End Leg Panels are packed under the table cabinet.</p>	<p>P8 = 2 pcs End Apron</p> 
<p>P9 = 1 pc Side Apron</p> 	<p>P10 = 1 pc Side Apron with ON/OFF slot</p> 	<p>P11 = 12 pcs U - Plastic Bracket</p> 	<p>P12 = 12 pcs L - Plastic Bracket</p> 
<p>P13 = 4 pcs Corner Post</p> 	<p>P14 = 8 pcs Leg Panel Connecting Plate</p> 	<p>P15 = 4 pcs Leg Leveler</p> 	<p>P16 = 2 pcs Puck Catcher Hole Trim</p> 

 **WARNING:**  
CHOKING HAZARD  
Small parts.  
Not for children under  
3 yrs.

<p>P17 = 1 pc Scorer Console</p> 	<p>P18 = 2 pcs Lower Puck Catcher with Sensor Wires</p> 	<p>P19 = 1 pc A/C Adapter</p> 	<p>P20 = 1 pc ON/OFF Switch</p> 
<p>P21 = 1 pc Metal Bracket</p> 	<p>P22 = 2 pcs Upper Puck Catcher</p> 	<p>P23 = 1 pc Junction Box</p>  <p>(Factory Installed)</p>	<p>P24 = 2 pcs Lighting LED Rail</p>  <p>(Factory Installed)</p>

 **WARNING:**  
CHOKING HAZARD  
Small parts.  
Not for children under  
3 yrs.

**PARTS REQUIRED:**

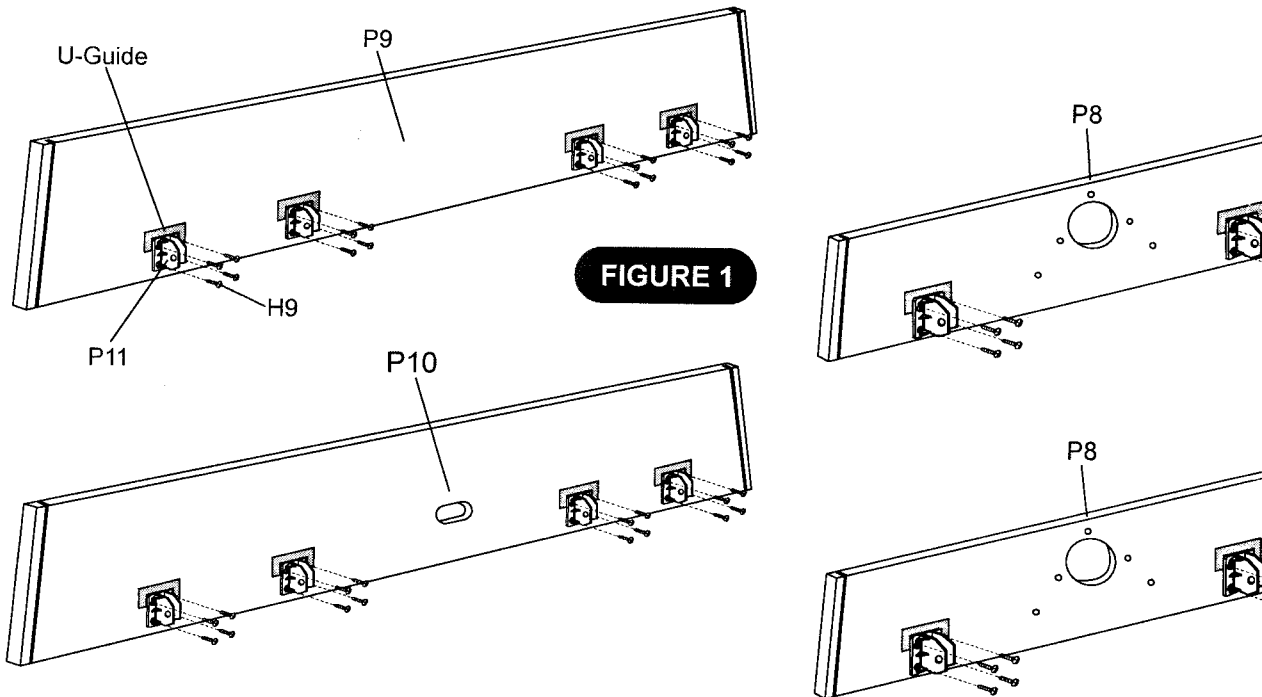
48 pcs - H9 Phillips Round Head Screw 1 pc - P10 Side Apron with ON/OFF Slot  
2 pcs - P8 End Apron  
1 pc - P9 Side Apron  
12 pcs - P11 U-Plastic Bracket

Note: Some parts are packed on under side of Hockey Table Main Cabinet , please carefully remove parts before starting this assembly.

**STEP 1:**

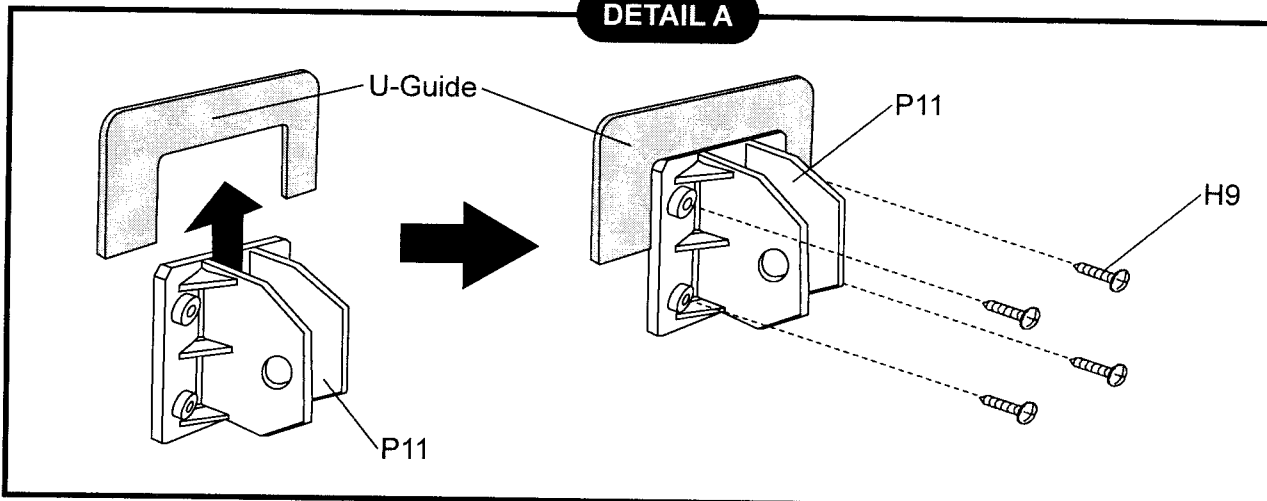
Leave P1 Air Hockey Table Cabinet face down in carton to assemble.  
Install four pieces P11 U-Plastic Bracket onto two pieces P8 End Apron, one piece P9 Side Apron and one piece P10 Side Apron with ON/OFF Slot using U-Guides with four pieces H9 Screws as shown in **FIGURE 1** and **DETAIL A**.

**IMPORTANT NOTE: TIGHTEN, BUT DO NOT STRIP OUT H9 SCREWS.**



**FIGURE 1**

**DETAIL A**



**PARTS REQUIRED:**

- |                             |                                    |
|-----------------------------|------------------------------------|
| 12 pcs - H4 Allen Head Bolt | 1 pc - P1 Air Hockey Table Cabinet |
| 24 pcs - H5 Flat Washer     | 1 pc - T1 Allen Wrench             |
| 12 pcs - H6 Lock Washer     | 1 pc - T2 12mm Wrench              |
| 12 pcs - H7 Hex Nut         |                                    |

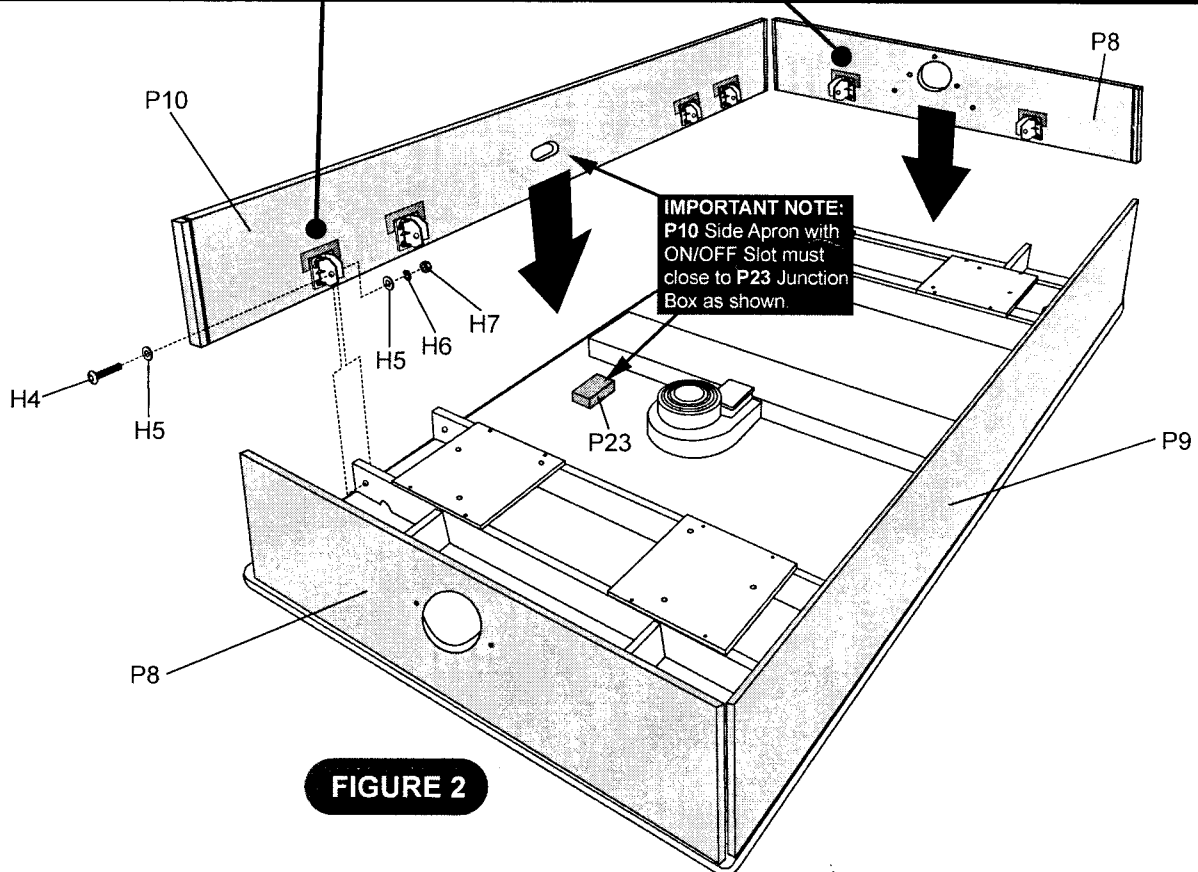
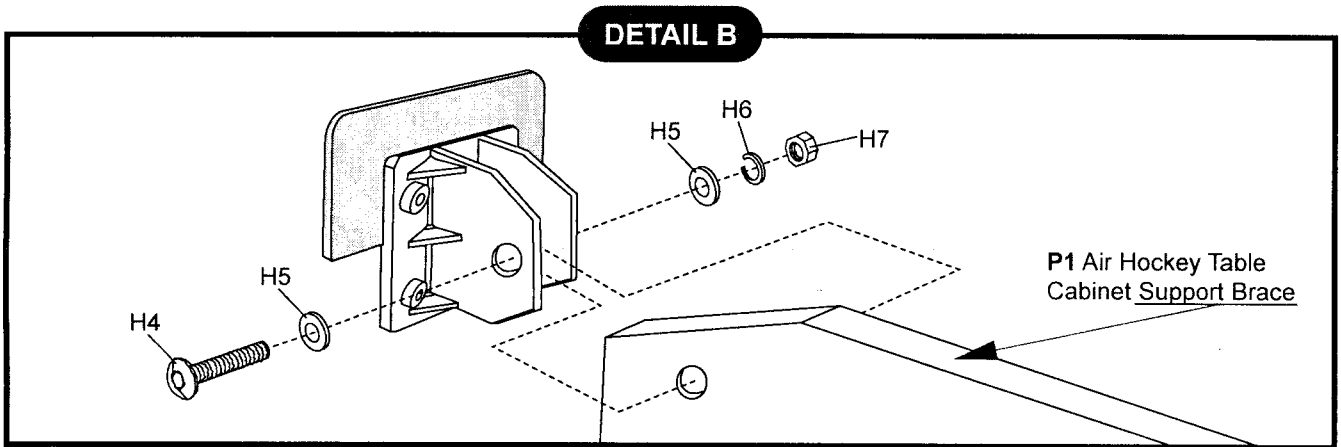
**STEP 2:**

Leave P1 Air Hockey Table Cabinet face down in carton to assemble.

Install P8 End Aprons and P9 / P10 Side Aprons from assembly STEP 1 using H4 Allen Head Bolts, H5 Flat Washers, H6 Lock Nuts and H7 Hex Nuts as shown in FIGURE 2 and DETAIL B.

**IMPORTANT NOTE: DO NOT TIGHTEN H4 BOLTS ON THIS STEP.**

**IMPORTANT NOTE: P10 SIDE APRON WITH ON/OFF SLOT MUST CLOSE TO P23 JUNCTION BOX AS SHOWN IN FIGURE 2.**

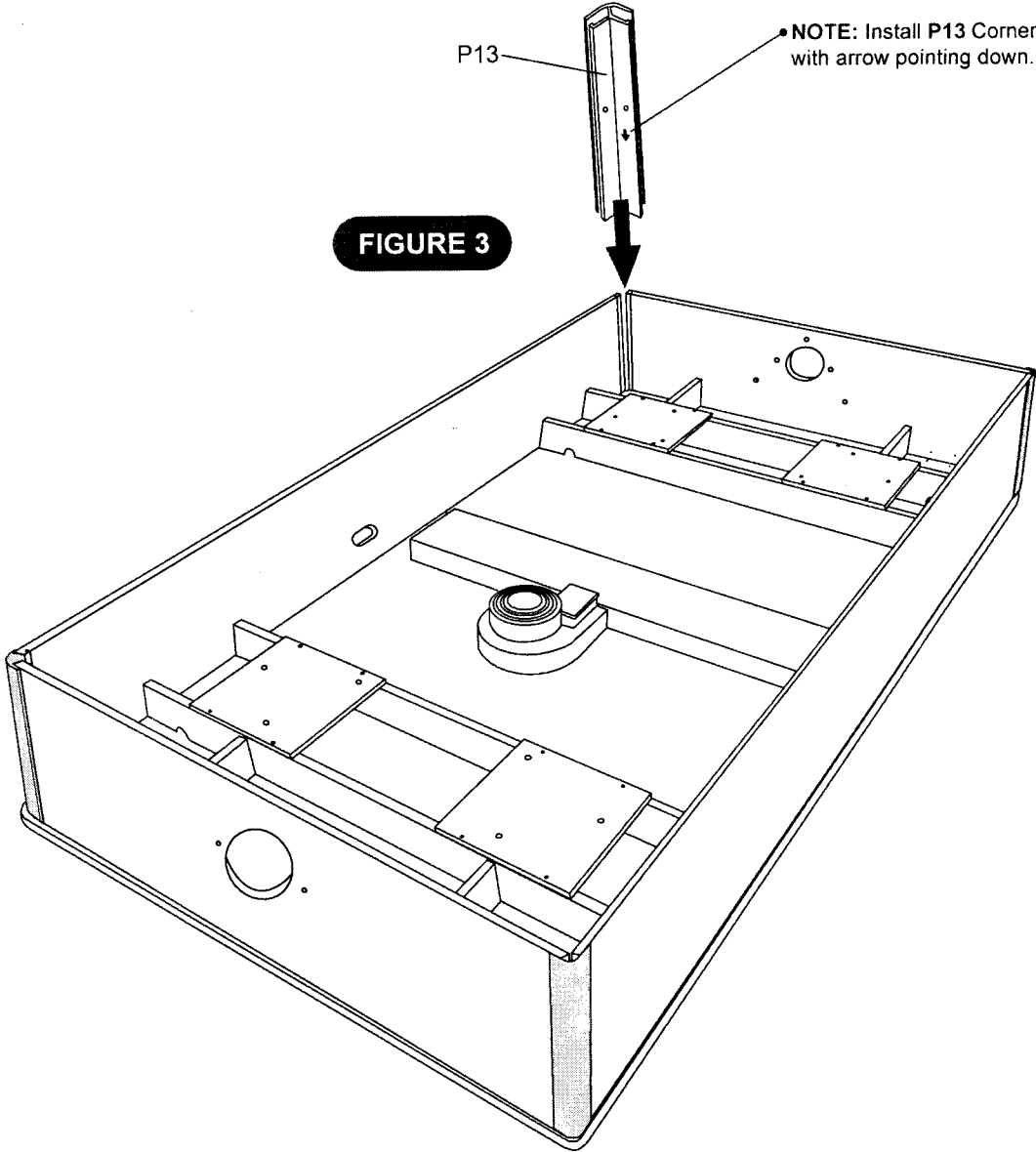


**FIGURE 2**

**PARTS REQUIRED:**  
4 pcs - P13 Corner Post

**STEP 3:**  
Slide P13 Corner Posts to each end of Side Apron and End Apron as shown in **FIGURE 3**.  
**IMPORTANT NOTE: SLIDE P13 CORNER POSTS WITH ARROW POINTING DOWN.**

**TIGHTEN ALL H4 BOLTS ON THIS TIME.**



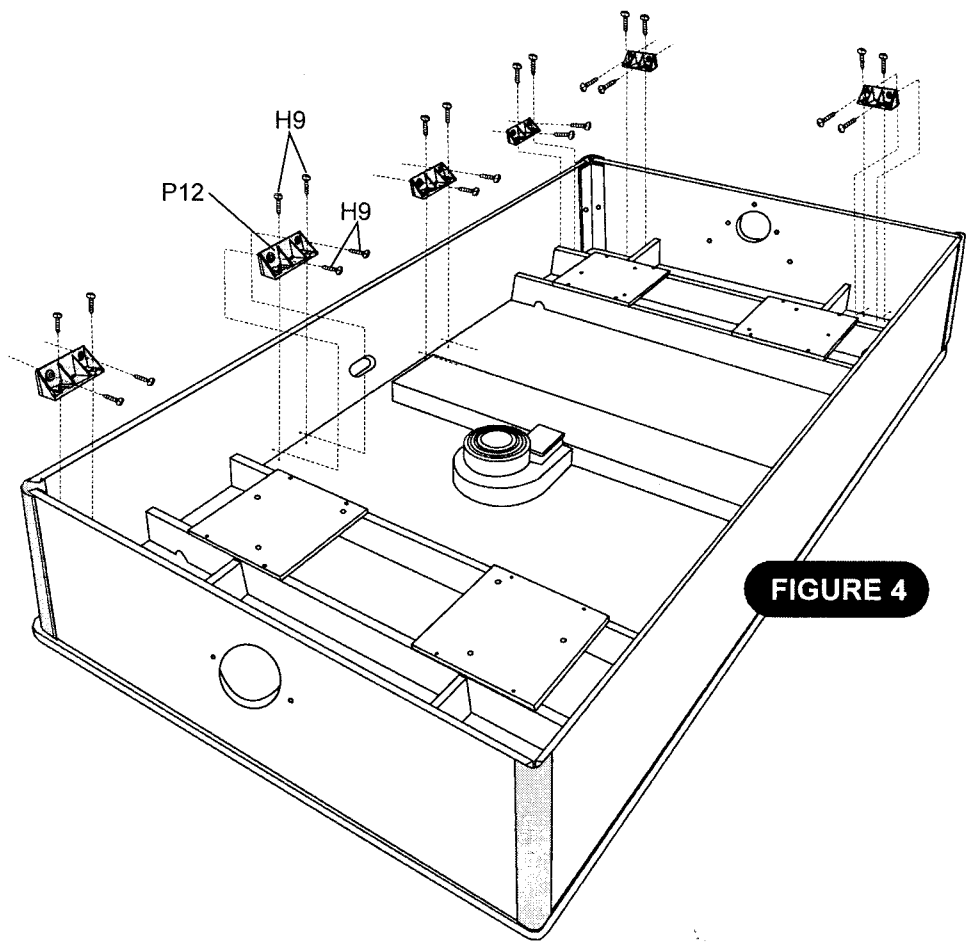
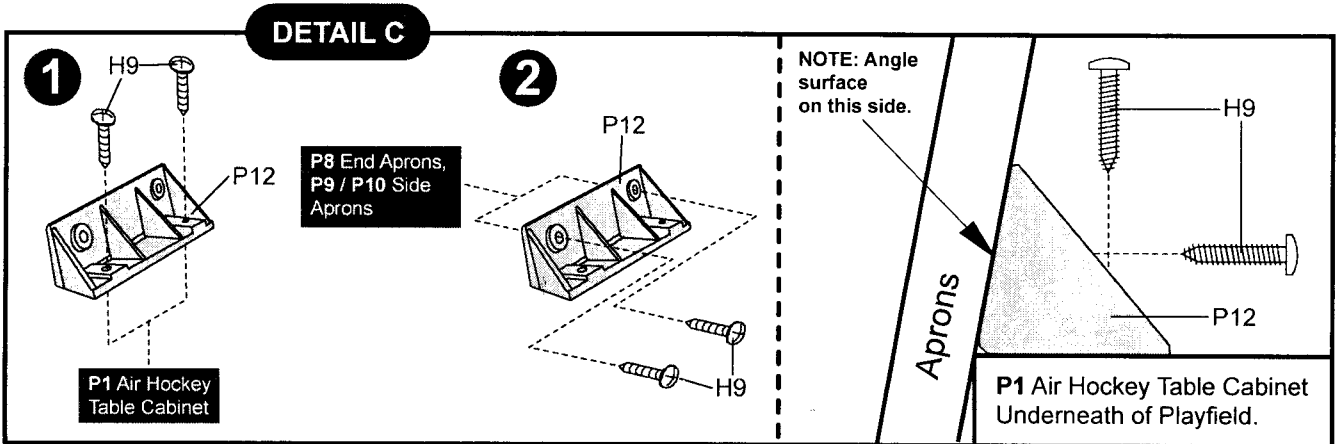


**PARTS REQUIRED:**  
 48 pcs - H9 Phillips Round Head Screw  
 12 pcs - P12 L-Plastic Bracket

**STEP 4:**

With the help of another adult, Install P12 L-Plastic Brackets onto P1 Air Hockey Table Cabinet, P8 End Aprons and P9 / P10 Side Aprons using H9 Phillips Round Head Screws as shown in FIGURE 4 and DETAIL C.

**IMPORTANT NOTE: TIGHTEN, BUT DO NOT STRIP OUT H9 SCREWS.**



### PARTS REQUIRED:

18 pcs - H10 Phillips Round Head Screw  
4 pcs - H13 Phillips Round Head Screw

2 pcs - P16 Puck Catcher Hole Trim  
2 pcs - P18 Lower Puck Catcher with Sensor Wire  
2 pcs - P22 Upper Puck Catcher

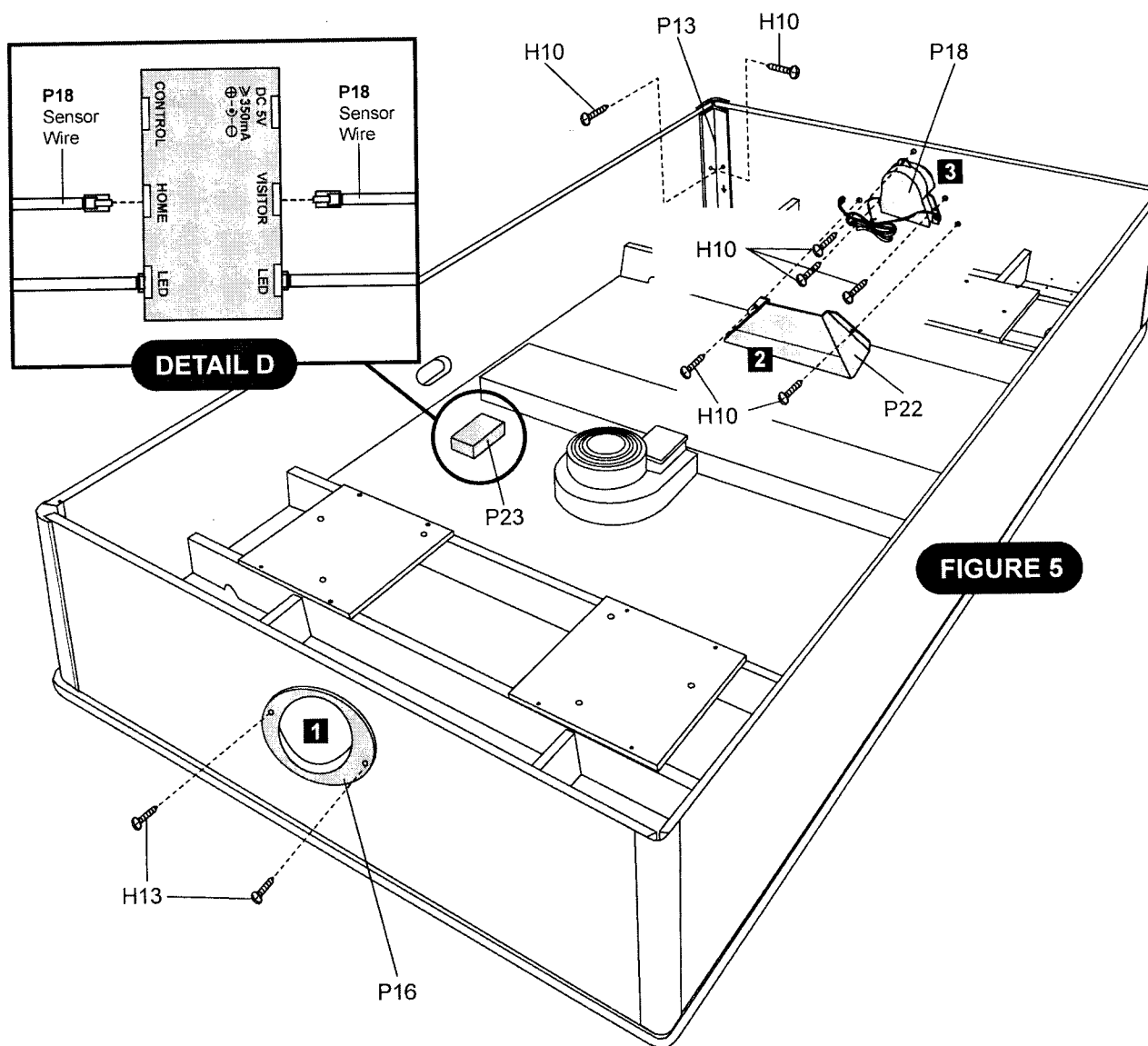
### STEP 5:

Secure P13 Corner Posts using H10 Screws as shown in **FIGURE 5**.

- 1** Install P16 Puck Catcher Hole Trims using pre-drilled holes with H13 Screws as shown in **FIGURE 5**.
- 2** Install P22 Upper Puck Catchers using pre-drilled holes with H10 Screws as shown in **FIGURE 5**.
- 3** Install P18 Lower Puck Catchers with Sensor Wires using pre-drilled holes with H10 Screws as shown in **FIGURE 5**.

**IMPORTANT NOTE: TIGHTEN, BUT DO NOT STRIP OUT H10 AND H13 SCREWS.**

Next, feed the sensor plugs from P18 through underneath support beams and connect to P23 Junction Box (factory installed) as shown in **DETAIL D**.



24 pcs - H1 Allen Head Bolt  
 24 pcs - H2 Flat Washer  
 24 pcs - H11 Phillips Flat  
 Head Screw

**PARTS REQUIRED:**

4 pcs - P2 Left Leg Panel  
 4 pcs - P3 Right Leg Panel  
 4 pcs - P4 Front Leg Panel

4 pcs - P5 Back Leg Panel  
 1 pc - T1 Allen Wrench

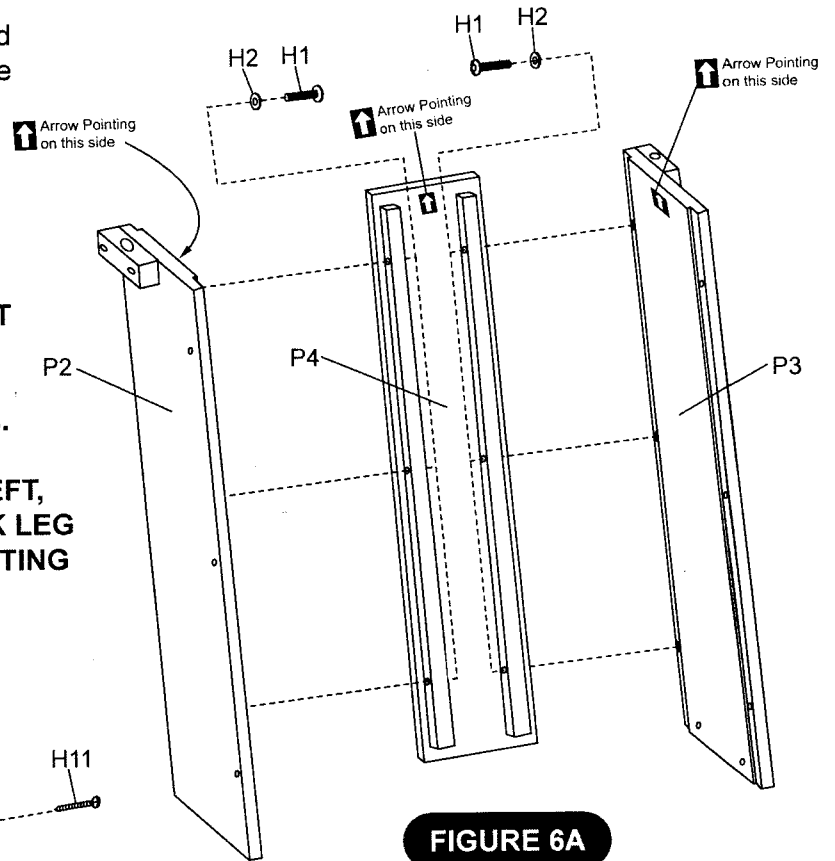
**STEP 6:**

Install one piece P2 Left Leg Panel and one piece P3 Right Leg Panel onto one piece P4 Front Leg Panel using H1 Allen Head Bolts and H2 Flat Washers as shown in FIGURE 6A.

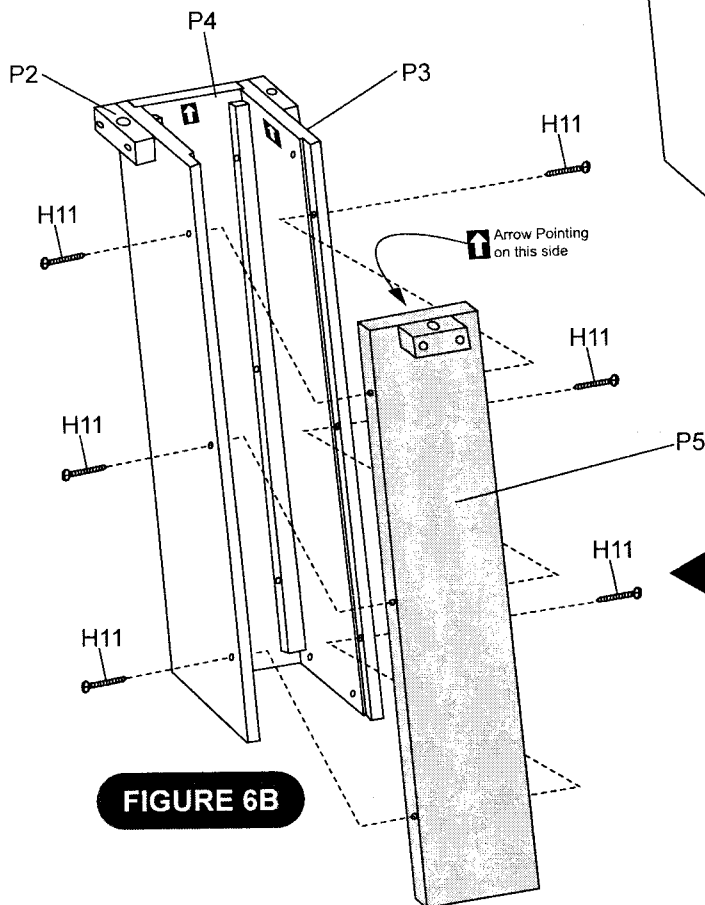
Next, Install one piece P5 Back Leg Panel using H11 Screws as shown in FIGURE 6B. **TIGHTEN, BUT DO NOT STRIP OUT H11 SCREWS.**

Repeat procedure for the other legs.

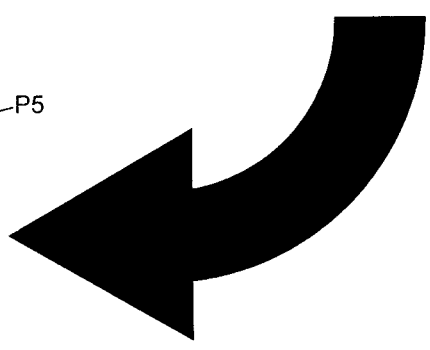
**IMPORTANT NOTE: INSTALL P2 LEFT, P3 RIGHT, P4 FRONT AND P5 BACK LEG PANELS WITH SAME ARROW POINTING DIRECTION AS SHOWN.**



**FIGURE 6A**



**FIGURE 6B**



**PARTS REQUIRED:**

16 pcs - H3 Phillips Round Head Screw

4 pcs - P6 Leg Bottom Board

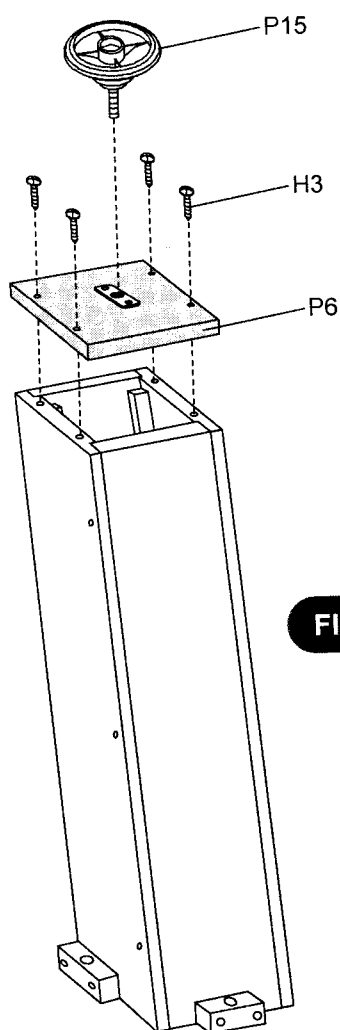
4 pcs - P15 Leg Leveler

**STEP 7:**

Install **P6** Leg Bottom Boards onto each assembled Leg using **H3** Phillips Round Head Screws as shown in **FIGURE 7**.

**IMPORTANT NOTE: TIGHTEN, BUT DO NOT STRIP OUT H3 SCREWS.**

Thread **P15** Leg Levelers onto **P6** Leg Bottom Boards as shown in **FIGURE 7**.



**FIGURE 7**

**PARTS REQUIRED:**

12 pcs - H5 Flat Washer

32 pcs - H10 Phillips Round Head Screw

12 pcs - H12 Allen Head Bolt

2 pcs - P7 End Leg Panel

8 pcs - P14 Leg Panel Connecting Plate

1 pc - T1 Allen Wrench

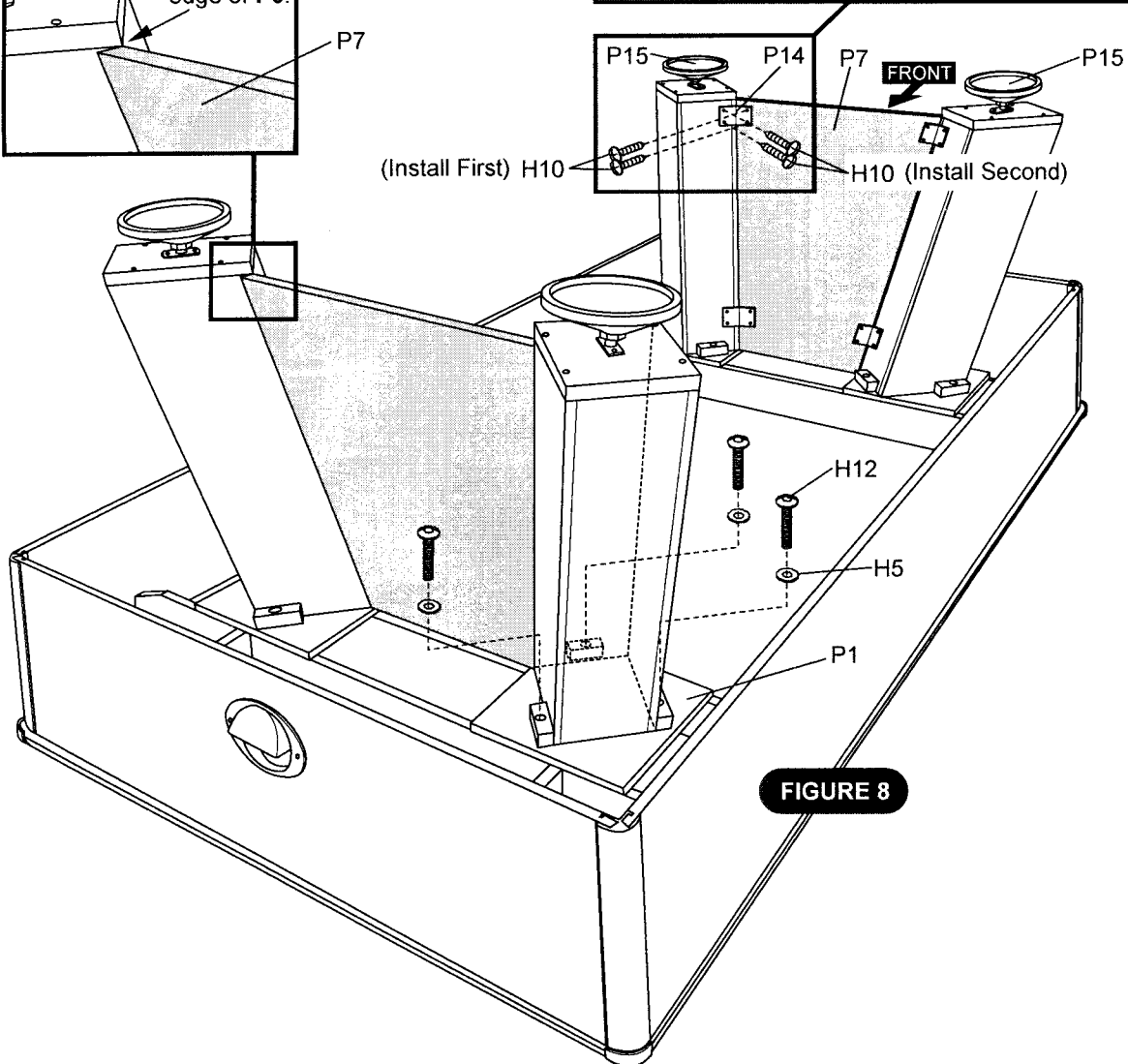
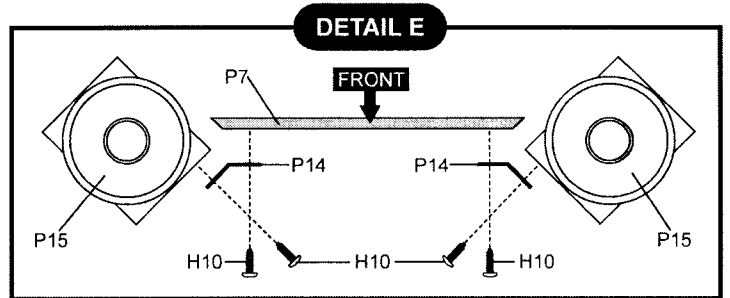
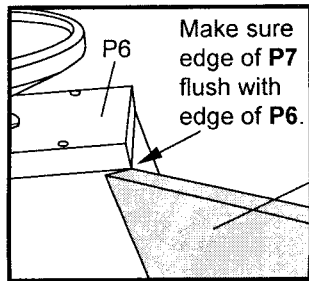
**STEP 8:**

Install each Leg onto P1 Air Hockey Table Cabinet using three H12 Allen Head Bolts with three H5 Flat Washers as shown in FIGURE 8. **DO NOT TIGHTEN H12 BOLTS ON THIS TIME.** Repeat procedure for the other Legs.

With the help of another adult, First install P14 Leg Panel Connecting Plates to P7 End Leg Panels using pre-drilled holes with H10 Screws as shown in FIGURE 8 and DETAIL E.

Next, install P14 Leg Panel Connecting Plates to the Legs using H10 Screws as shown.

**IMPORTANT NOTE: TIGHTEN, BUT DO NOT STRIP OUT H10 SCREWS.**



**FIGURE 8**

**PARTS REQUIRED:**

- 4 pcs - H10 Phillips Round Head Screw
- 1 pc - P19 A/C Adaptor
- 1 pc - P20 ON/OFF Switch
- 1 pc - P21 Metal Bracket

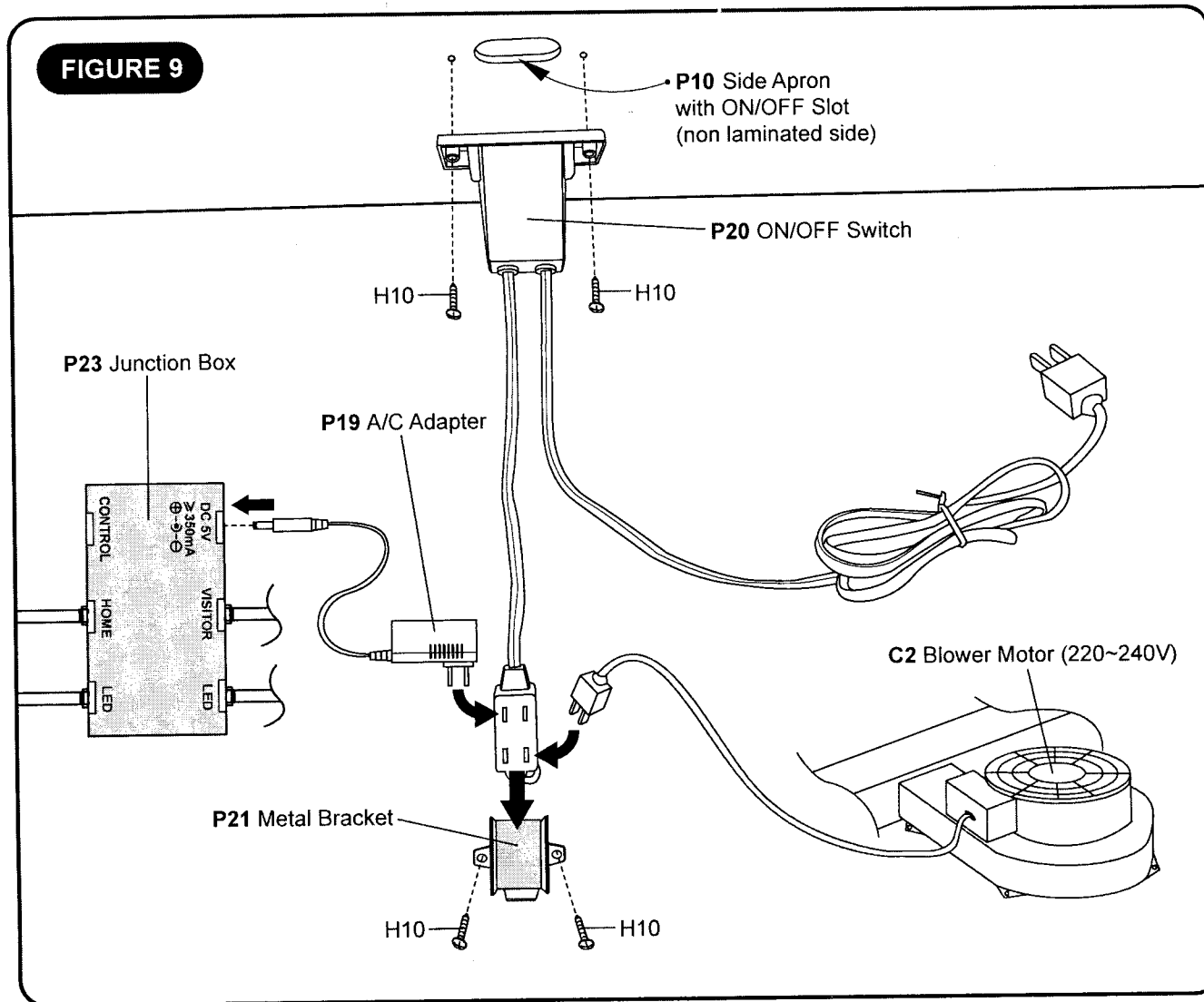
**STEP 9:**

Install P20 ON/OFF Switch onto inside of P10 Side Apron with ON/OFF Slot using pre-drilled holes with H10 Screws as shown in FIGURE 9.

Install P20 ON/OFF Switch Socket using P21 Metal Bracket with H10 Screws as shown in FIGURE 9. **IMPORTANT NOTE: TIGHTEN, BUT DO NOT STRIP OUT H10 SCREWS.**

Connect P19 A/C Adaptor to P20 ON/OFF Switch Socket and P23 Junction Box (factory installed) as shown in FIGURE 9.

Connect C2 Blower Motor (220~240V) plug to P20 ON/OFF Switch Socket as shown in FIGURE 9.





**WARNING:**

THIS STEP REQUIRES FOUR OR MORE ADULTS.  
VERY CAREFULLY TURN THE TABLE OVER AND SET IT ON ITS LEGS. BE CAREFUL, THE TABLE IS HEAVY.

**PARTS REQUIRED:**

- 2 pcs - H8 Allen Head Bolt
- 1 pc - P17 Scorer Console
- 1 pc - T1 Allen Wrench

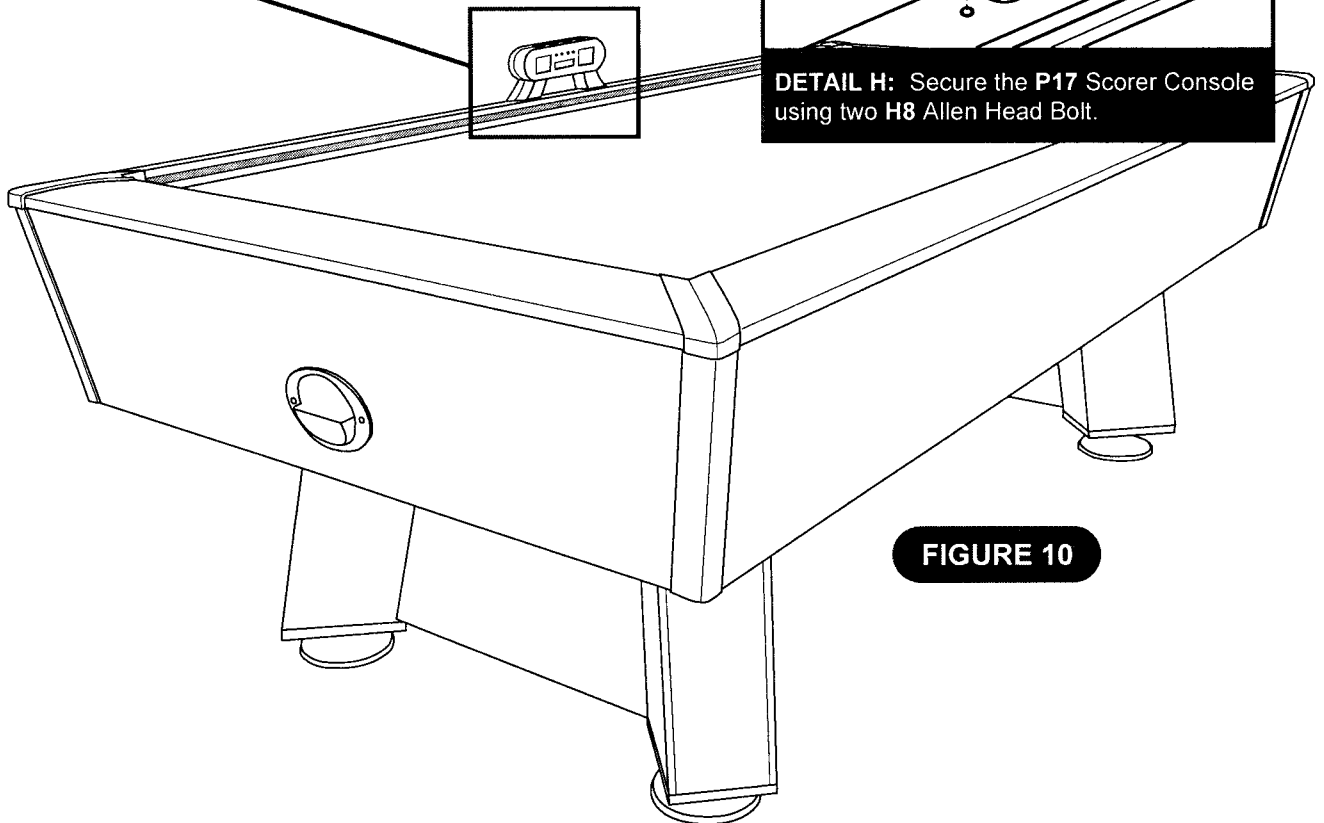
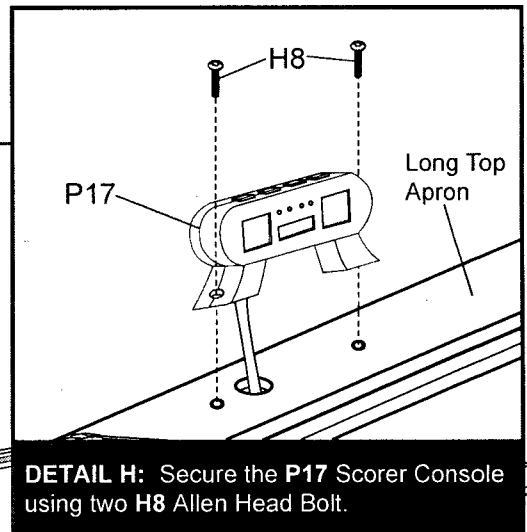
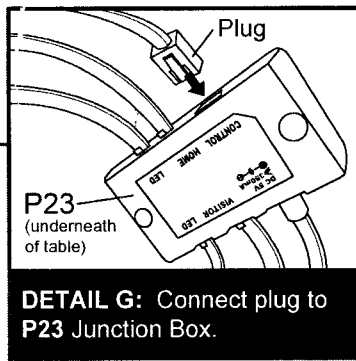
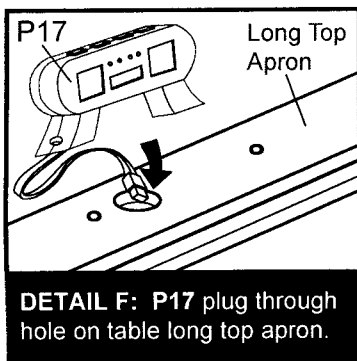
**STEP 10:**

With the help of another adult, carefully lift and rotate table into upright position.

First, feed the **P17 Scorer Console** plug through hole on one side of the long top apron as shown in **FIGURE 10 - DETAIL F**.

Next, connect the **P17 Scorer Console** plug to **P23 Junction Box** as shown in **FIGURE 10 - DETAIL G**.

Next, secure the **P17 Scorer Console** onto long top apron using two **H8 Allen Head Bolts** as shown in **FIGURE 10 - DETAIL H**. Use **T1 Allen Wrench** to tighten **H8 Bolts**.



**FIGURE 10**

**Congratulations! You have now assembled your Hockey Table. Please note the Care and Use instructions below to ensure many years of trouble free use of your Hockey Table.**

## **CARE AND USE OF YOUR HOCKEY TABLE**

1. Use only a suitable 220~240v AC household outlet, and insure the cord is not a trip hazard.
2. For long life and best play from your air hockey table, apply spray furniture polish to a clean cloth and wipe down the playfield with air motor running to make the pucks slide faster before first play and frequently thereafter.
3. This product is intended for **INDOOR** use only.
4. **DO NOT** operate the motor if the cord is damaged in any way.
5. **DO NOT** sit, climb or lean on the table.
6. **DO NOT** drag the table when moving it. This will damage the legs.
7. **DO NOT** set drinks on the table.
8. It is suggested that this table be placed close to wall thus allowing the air motor cord to **NOT** be a trip hazard. Always turn air motor off when table is not in use.

### **HOCKEY GAME RULES:**

1. This game is designed to be played with two (2) players, one at each end, or with four (4) players, two at each end of the game table.
2. Flip a coin to determine who will begin play, or a face-off can be held at the center of the table.
3. Play begins when the puck is placed on the playing surface. Players must hit the puck with the strikers and attempt to shoot into the opponent's goal.
4. One point is awarded when a puck is shot into the opponent's goal.
5. Winning the game: the winning score is accomplished by being the first player to reach a predetermined score or by being the player to score the most points within a given period of time.

### **ELECTRONIC SCORER OPERATION:**

**POWER ON/OFF** = Switch Power ON/OFF button to start or turn off the scoring unit.

**START** = Press START button to START the game. Press START button during game will PAUSE or RESUME the game.

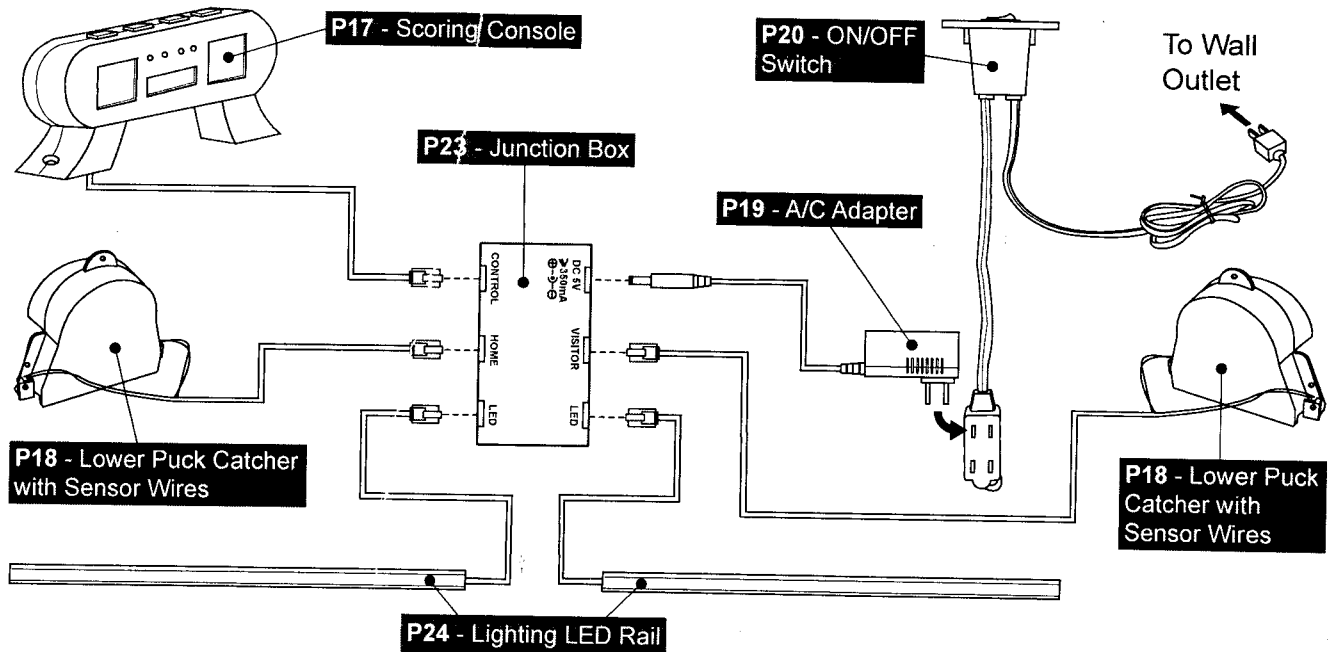
**TIME** = Press TIME button to select time options 15, 10, 5 minutes or No Time Limit.

**SOUND ON/OFF** = Switch Sound ON/OFF button to turn on or turn off the sound.

**NOTE:** If no score has been made for 15 minutes, the scoreboard will automatically SLEEP MODE. You can turn it on again by pressing the "START" button. However we suggest turning the power off when the game will not be used for an extended period of time.



# ELECTRICAL CONNECTIONS & SPARE PARTS DRAWINGS



## PRODUCT PARTS LIST

MODEL: HT600F220

Part#	Description	Qty	Part#	Description	Qty
HT600MWH1	1/4" x 28 mm Allen Head Bolt	24	HT600MWP1	Air Hockey Cabinet (no motor)	1
HT600MWH2	1/4" x 16 mm Flat Washer	24	HT600MWP2	Left Leg Panel	4
HT600MWH3	4 mm x 50 mm Phillips Round Head Screw	16	HT600MWP3	Right Leg Panel	4
HT600MWH4	5/16" x 38 mm Allen Head Bolt	12	HT600MWP4	Front Leg Panel	4
HT600MWH5	5/16" x 19 mm Flat Washer	36	HT600MWP5	Back Leg Panel	4
HT600MWH6	5/16" Lock Washer	12	HT600MWP6	Leg Bottom Board	4
HT600MWH7	5/16" Hex Nut	12	HT600MWP7	End Leg Panel	2
HT600MWH8	3/16" x 25mm Allen Head Bolt	2	HT600MWP8	End Apron	2
HT600MWH9	4 mm x 18 mm Phillips Round Head Screw	96	HT600MWP9	Side Apron	1
HT600MWH10	4 mm x 12 mm Phillips Round Head Screw	54	HT600MWP10	Side Apron with ON/OFF Slot	1
HT600MWH11	4 mm x 44 mm Phillips Flat Head Screw	24	HT600MWP11	U-Plastic Bracket	12
HT600MWH12	5/16" x 44 mm Allen Head Bolt	12	HT600MWP12	L-Plastic Bracket	12
HT600MWH13	4 mm x 15 mm Phillips Round Head Screw	4	HT600MWP13	Corner Post	4
HT600MWT1	Allen Wrench	1	HT600MWP14	Leg Panel Connecting Plate	8
HT600MWT2	Wrench	1	HT600MWP15	Leg Leveler	4
HT600MWA1	Striker	4	HT600MWP16	Puck Catcher Hole Trim	2
HT600MWA2	Puck	2	HT600MWP17	Scorer Console	1
HT600MWA3	Felt Pad	4	HT600MWP18	Lower Puck Catcher with Sensor Wires	2
HT600MWK1	Hardware Kit	1	HT600MWP19	A/C Adapter	1
HT600MWM1	Owner's Manual	1	HT600MWP20	ON/OFF Switch	1
HT600MWC1	----	--	HT600MWP21	Metal Bracket	1
			HT600MWP22	Upper Puck Catcher	2
			HT600MWP23	Junction Box	1
			HT600MWP24	Lighting LED Rail	2
			HT600MWC2	Blower Motor (220~240V)	1

## 90 DAY LIMITED WARRANTY

This customer warranty extends to the original owner, on the purchase of any ESCALADE SPORTS Product (hereinafter referred as the "Product").

**WARRANTY DURATION:** This Product is warranted to the original owner, for a period of 90 days from the original purchase.

**WARRANTY COVERAGE:** ESCALADE SPORTS warrants to the original owner, this product to be free from defects in material and workmanship when used for the intended purpose under normal use and conditions. THIS WARRANTY IS VOID IF THE PRODUCT HAS BEEN DAMAGED BY ACCIDENT, UNREASONABLE USE, NEGLIGENCE, IMPROPER SERVICE, FAILURE TO FOLLOW INSTRUCTIONS PROVIDED WITH THE PRODUCT OR OTHER CAUSES NOT ARISING OUT OF DEFECTS IN MATERIAL AND WORKMANSHIP.

**WARRANTY REPLACEMENT:** During the above 90 day warranty period, ESCALADESPORTS shall provide replacement components or replace with a comparable product at our choosing. If product is defective under normal use and proper care, please contact our Customer Service Dept.

1-888-996-2729 / Customer Service Dept.

Or Write us at:

Escalade® Sports, Inc. - P.O. Box 889, Evansville, IN 47706

Attn: Customer Service Dept.

Or E-mail us at:

gameroom@escaladesports.com

Other than shipping requirements, no charge will be made for such replacement of in-warranty products.

**WARRANTY DISCLAIMERS:** ANY IMPLIED WARRANTIES ARISING OUT OF THIS SALE, INCLUDING BUT NOT LIMITED TO THE IMPLIED WARRANTIES OF MERCHANTABILITY AND FITNESS FOR A PARTICULAR PURPOSE, ARE LIMITED IN DURATION TO THE ABOVE 90 DAY PERIOD. ESCALADE SPORTS SHALL NOT BE LIABLE FOR LOSS OF USE OF THE PRODUCT OR OTHER CONSEQUENTIAL OR INCIDENTAL COSTS, EXPENSES OR DAMAGES INCURRED BY THE CONSUMER OF ANY OTHER USE.

Some states do not allow the exclusion or limitation of implied warranties or consequential or incidental damages, so the above limitations or exclusions may not apply to you.

**LEGAL REMEDIES:** This warranty gives you specific legal rights and you may also have other rights which may vary from state to state.