



Care and use instructions

CAUTION

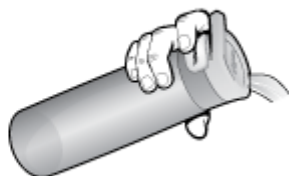
- Product is NOT designed for hot liquids. Use only with cold liquids.
- Not for use with carbonated or pulpy beverages.
- Prior to drinking, make sure the lid is properly threaded to the body and screwed on completely.
- Avoid accidental depressing of the AUTOSEAL® button by keeping the button free and clear of other objects.
- DO NOT overfill. Fill liquids to just below the threading in the body.
- DO NOT microwave or freeze
- DO NOT use cleaners containing bleach, chlorine, abrasives, and/or other harsh chemicals.
- DO NOT continue to use product if damaged.

USER RECOMMENDATIONS

PRESS BUTTON
to open



TIP
to drink



RELEASE BUTTON
to Automatically Seal

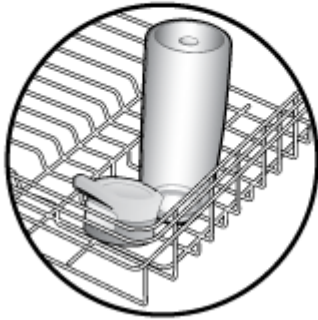


- The AUTOSEAL lid is designed to help prevent spills from accidental tipping.
- The AUTOSEAL lid that came with your new purchase is designed to only fit your Contigo® water bottle. Not for use with other products.

CLEANING INSTRUCTIONS

- Wash thoroughly before first use.
- RINSE LID IMMEDIATELY AFTER EACH USE with warm water, pressing the AUTOSEAL button so water flows through the Drink Spout and Vent Hole.
- Lid, plastic body and straw are top-rack dishwasher safe.

contigo®



- If washing by hand, wash body and lid separately with warm water and a mild detergent. Rinse both lid and body thoroughly before use.
- ALWAYS STORE BOTTLE WITH LID REMOVED to allow parts to dry completely.

