



# Reliable Hand Labelling Systems

## SAMARK 26

With up to 8 characters capability, variable data such as dates, item numbers and sizes etc., can be clearly printed.

### Strong, Durable Casing

- Ability to withstand all types of labelling conditions

### Smooth continuous operation

- Easy media travel without label jamming

### Standard printband layouts

- Choose from a wide selection of layouts

### Special Security Cut Labels

- Tamper proof labels prevent prices from being swapped

### Precise Printout

- High clarity print characters

### Wide variety of label materials

- For various purposes and impact



The SAMARK 26 is an excellent cost performance labeller, offering a compact, dependable & reliable labelling solution.

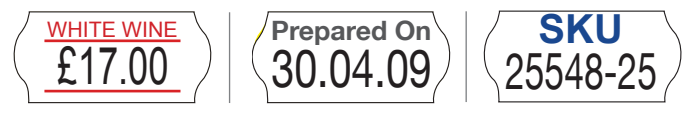
**Manufactured for robustness and durability, the Samark is ideal for both small and high volume applications.**

Along with lightweight design, the SAMARK labeller fits the hand comfortably, making it easy to use for extended periods.

The SAMARK 26 dispenses the highly popular wavy label, which has become a standard in many applications.



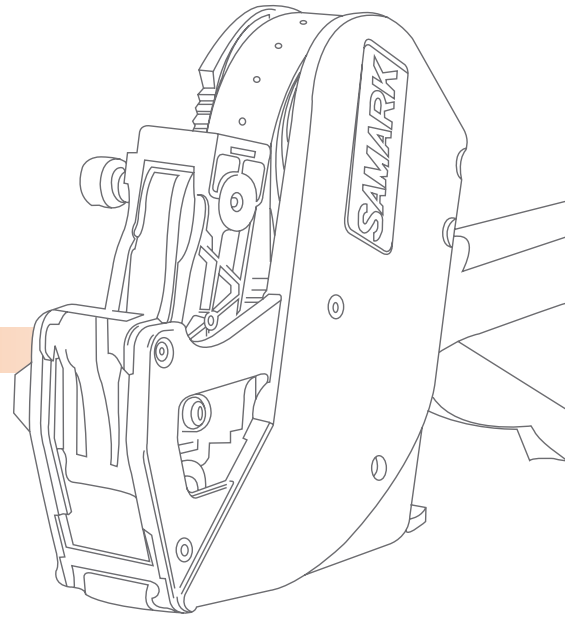
### SAMARK 26 STANDARD LABELS



### SAMARK 26 COLOURED LABELS



*Labels shown here are for illustration purposes only*



## ▶ APPLICATIONS

### Industries

- Retail stores and supermarkets
- Food processing industries
- Manufacturing industries

### Applications

- Price Marking and Promotional Labelling
- Food Control. Best Before dates, Use By, Prepared on
- Inventory Control, Serial number, SKU Code, Supply Date

## General Specifications

## SAMARK 26

MODEL	SAMARK 26
Print characters	6 or 8
Font Height	3.0 to 5.0 mm (0.12" to 0.20")
Label Size	P 12 x W 26 mm (0.47" x 1.02")
Label Type Supported	Wavy
No. Of Pieces Per Roll	1,500 pieces per roll
Labeller Size	W 62 x D 226 x H 135 mm (W 2.5" x D 8.9" x H 5.3")
Labeller Weight	270g (without label)
Body Colour	Red
Label Types	Various colours with Permanent, Peel, Freeze, Permtex (Textile), Wash-off or Outdoor adhesive Plain or Pre-printed with logos and information
Pre-print design	SATO's In-House Studio

*To enable improvement, specifications may change without notice*

**Contact:** For a full list of all offices refer to [www.satoworldwide.com](http://www.satoworldwide.com)

### UK

**SATO UK Ltd.,**  
Valley Road,  
Harwich,  
Essex. CO11 2HE  
T: 01255 24000  
F: 01255240111

E: [enquiries@satouk.com](mailto:enquiries@satouk.com)  
W: [www.satouk.com](http://www.satouk.com)

### Europe

**SATO International Europe NV**  
Leuvensesteenweg 369  
1932 Sint-Stevens-Woluwe  
Brussels  
Belgium

T: 0032 2788 8000  
F: 0032 2788 8080

E: [info@satoeurope.com](mailto:info@satoeurope.com)  
W: [www.satoeurope.com](http://www.satoeurope.com)