

TAG SHA 11*25

TAG SHA 11*25 is a RAIN(UHF) RFID hard tag with a slim structure specially optimized for securing metal assets.

The tag has been specifically designed for applications ranging from RTIs to other industrial metal assets where chances of impacts are higher. It is also tuned for better on-metal functionality as against other types of surfaces.



Applications



Warehouse Management

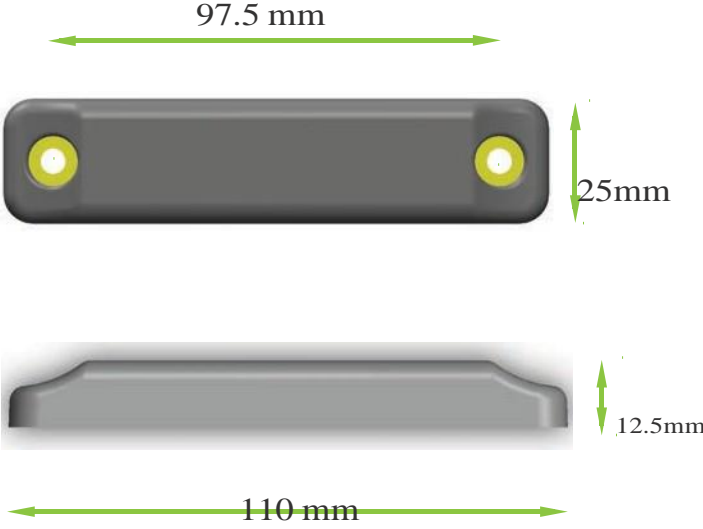


Retail Management



Asset Tracking

Product Drawing:



Electrical Specifications

Operational Frequency	FCC: 902-928MHz ETSI: 865- 868 MHz
Interface Protocol	ISO 18000-63 and EPCglobal Gen2v2
Chip Type*	IMPINJ MONZA M4QT
Memory Configuration	EPC Memory – 128 bits USER Memory – 512 bits
Data Retention	50 Years
Write Cycle Endurance	100,000 cycles
Read Range**	Upto 12 meter

Product Characteristics

Tag Size	110 x 25 x 12.5 mm/4.33 x 0.98 x 0.49 in
Yield	100 %
Material	ABS
Packaging	100 Tags / Packet
Attachment	Screw , Riviting

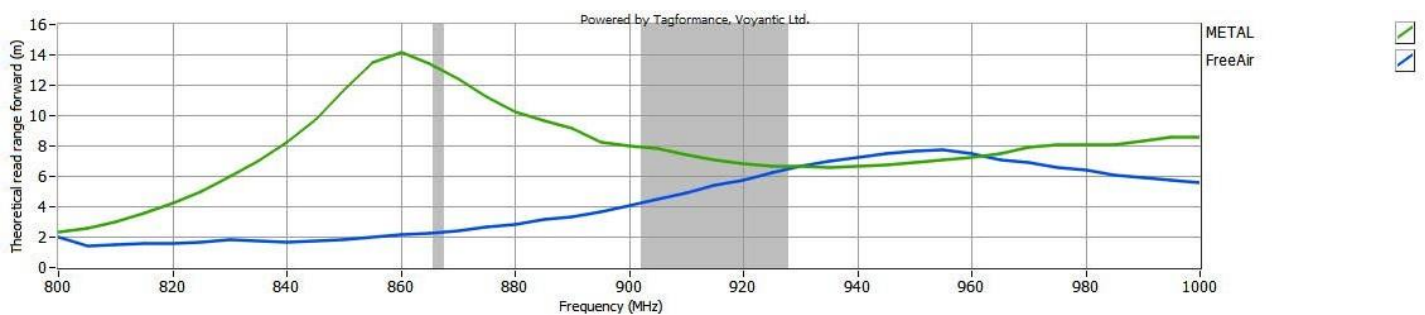
Environmental Specifications

Operating Temperature	-40 to +85 °C
Storage Temperature	-40 to +85°C
IP Rating	IP68

Personalization

- Customer specific encoding of EPC Customised
- printing of logo, text, barcode etc

READ RANGE GRAPH



** The indicated read range values are measured in our laboratory testing environment, where antennas with optimum directivity are used with maximum allowed operatingpower. Different surface materials and environments may exhibit different results.