

MICRO SEIKI

HIGH FIDELITY TURNTABLE SYSTEMS



BELT DRIVE TURNTABLE SYSTEM (ARMLESS)

BL-91



Many manufacturers have been promoting the direct-drive motor at the expense of precision materials and manufacturing techniques. While direct-drive is capable of remarkable speed accuracy, the system does nothing toward maintaining that accuracy against the inevitable destructive effects of aging.

Our philosophy is that there is no substitute for quality, precision and tank-like ruggedness.

The BL-91 (L) turntable is the ultimate expression of that philosophy. Starting with a massive, thick, 12.2 inch platter and employing special-alloy bearings machined and polished with techniques usually reserved for turbojet engines, MICRO's engineers have devised an exclusive oil-bath damping system to support the entire rotating assembly in complete isolation from all mechanical resonances.

A precision-ground drive belt connects the rotating assembly to the brushless, servo-controlled motor with total isolation from motor-generated vibration. In fact, the BL-91 (L) is probably the smoothest, most vibration-free device of its kind ever built.

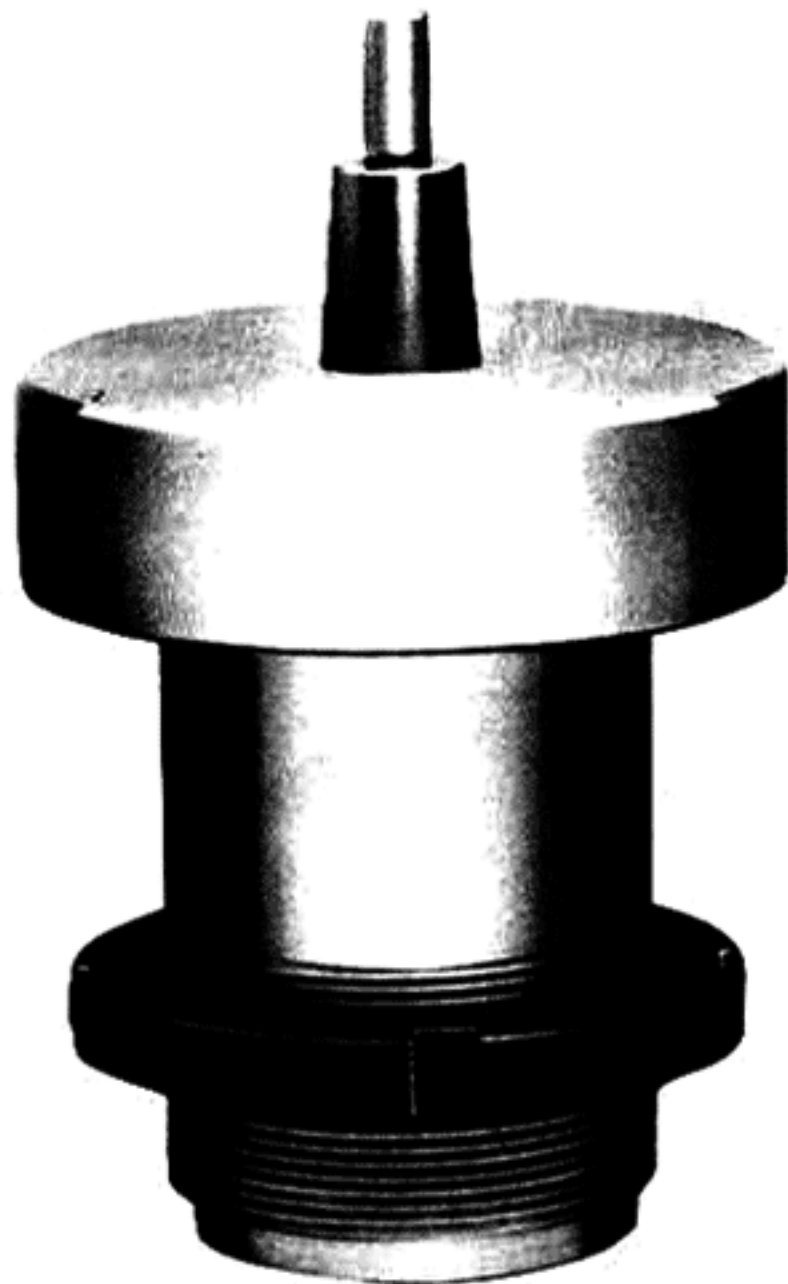
BELT DRIVE TURNTABLE SYSTEM (ARMLESS)

BL-91L

■ Rotating assembly

The massive platter sits atop an incredibly thick, 16mm main shaft. Its concentricity is machined to within 0.4 microns! The bearing material is a special alloy lubricated by and suspended in a unique oil-bath damping system. Not only does the system negate the need for periodic user lubrication, it is unaffected by temperature changes and aging!

Large-sized housing that accommodates the 16 mm diameter shaft



■ Drive system

The brushless, servo-controlled motor is of the outer-rotor design and uses sophisticated electronic circuitry to maintain speed accuracy. The specially-engineered, low-tension drive belt is made of a carbon/urethane compound for maximum longevity and is ground to a precise thickness of 0.45mm. Motor speed is user variable.

■ Electronics power transformer

To service the servo electronics, a special transformer with a cutless core was developed. This extremely low-flux device reduces to near zero magnetically-induced hum when used with a moving-coil phono cartridge.

■ Brass tonearm mounting plate

The tonearm mounting plate on the BL-91 is solid brass. It weighs 1.5 Kilograms! (2 kilograms for BL-91L.) This plate keeps the tonearm fulcrum rigid, assuring accurate tracing angles and minimal tonearm resonances.

The standard plate will fit the following arms:

1. MICRO SEIKI
2. AUDIOCRAFT
3. TECHNICS
4. TEAC
5. DENON
6. JVC

Optional mounting plates are available for SME, GRACE and other quality arms.

■ Usable tonearms for BL-91 mount bases

A-1201	Micro Audio Craft Technics	MA-505X, 505S, 707X AC-300MK-II, AC-300A EPA-99
A-1202	SAEC	WE-308, 308NEW, 308SX
A-1203	FR	FR-64, 64S, 14
A-1204	Denon FR Victor	DA-303, 305, 307, 309 FR-24MK-II, 54 UA-5045
A-1205	Audio Craft	AC-3000MC, 300MKII, 300A
A-1206	SME	3009/S1~3

■ Usable tonearms for BL-91L mount bases

A-1501	Micro SAEC Audio Technica Grace	MA-505LX, LS WE-308L AT-1501 II G-660P
A-1502	Audio Craft Victor FR	AC-4000MC UA-7082 FR-66S
A-1503	STAX	UA-70
A-1504	Denon	DA-302, 304, 308
A-1505	Ortofon	RMG-309
A-1506	SAEC	WE-506/30

Mount bases for other tonearms are supplied on a custom-made basis.

■ Turntable base

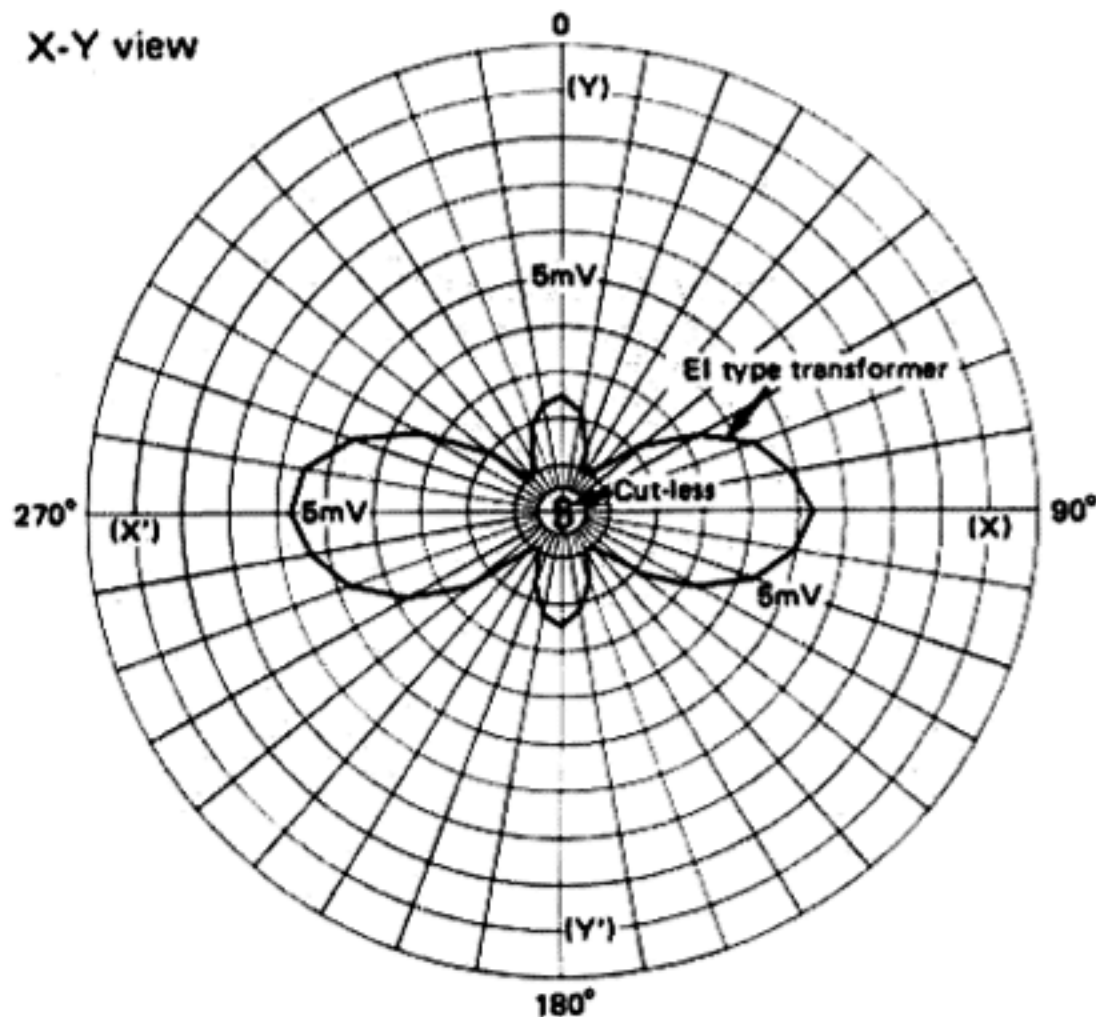
The base of the BL-91 (L) is made completely of multi-laminar natural woods, a dense, sturdy design that prevents the transmission of resonances and distortion caused by rotational and torsional forces. It is finished with hand-rubbed, natural-ebony veneer and suspended on four sophisticated, anti-feedback feet.

SPECIFICATIONS

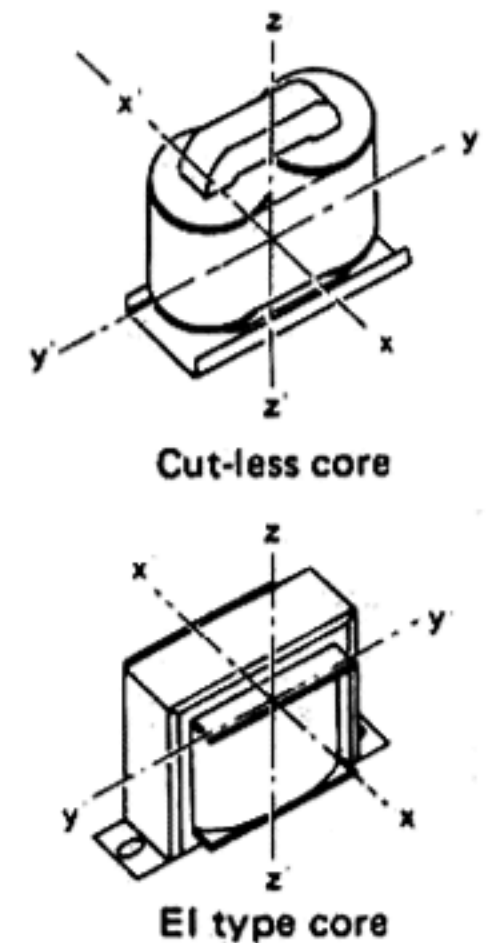
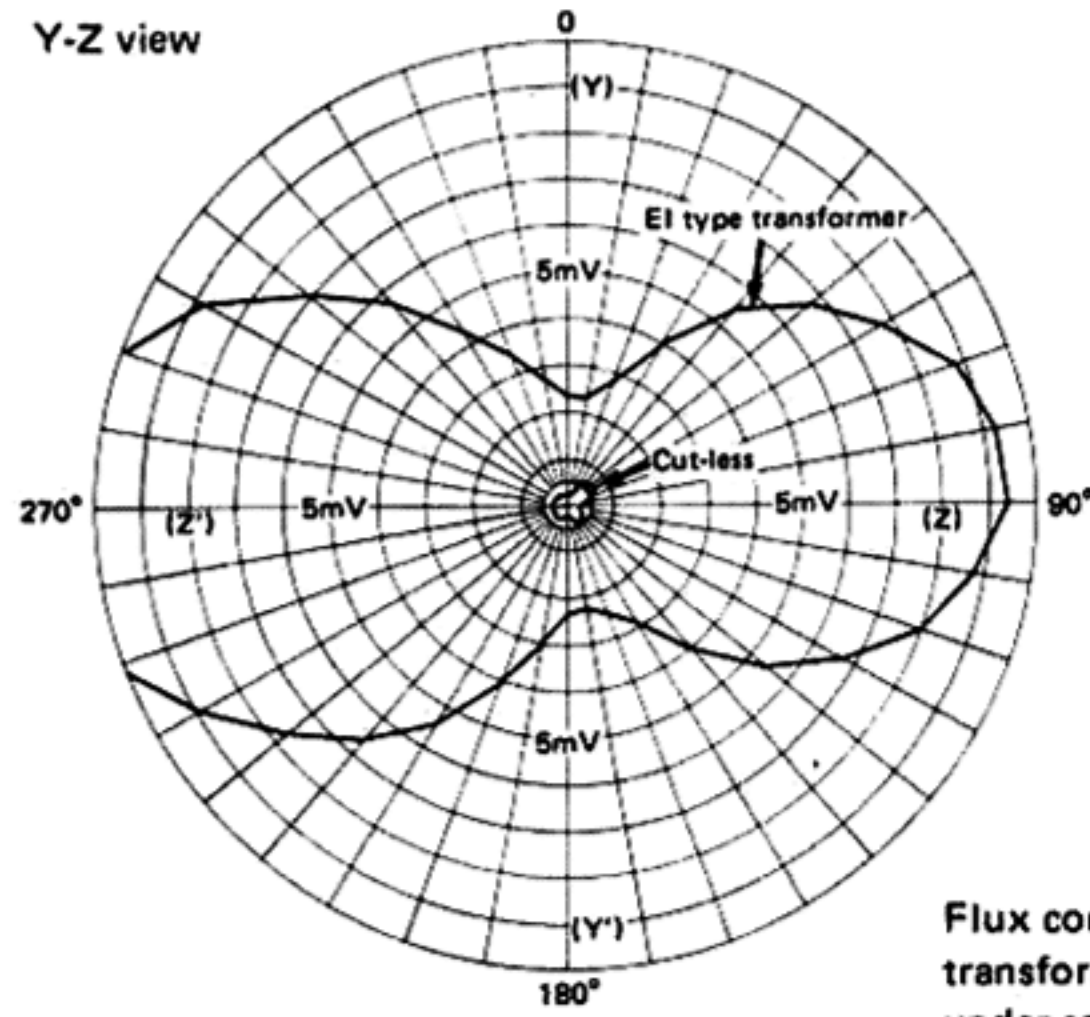
Drive system	Belt drive
Speeds	33-1/3 and 45 RPM (selectable)
Speed variation	User variable to ±6%
Wow and flutter	0.025% WRMS
Signal-to-noise ratio	75dB (DIN B)
Drive motor	4-pole, 6-slot outer rotor brushless type, servo- controlled
Platter diameter	31cm (12.2")
Platter weight	3.5kg incl. rubber mat
Platter material	Diecase aluminum
Platter moment of inertia	600 Kg·cm ² with rubber mat
Base construction	multi-laminar natural wood finished with hand-rubbed natural ebony.
Power	USA & CANADA 120V 50/60Hz; Other areas 220~240V 50/60Hz 4 Watts max.
Dimensions	Weight	
	BL-91 532(W) x 440(D) x 175 (H)mm 16 kg
	BL-91L 600(W) x 472(D) x 186 (H) mm 22 kg

Design and specifications are subject to modification without notice.

X-Y view



Y-Z view



Flux comparison between EI type transformer and cut-less transformer under same standards and conditions.