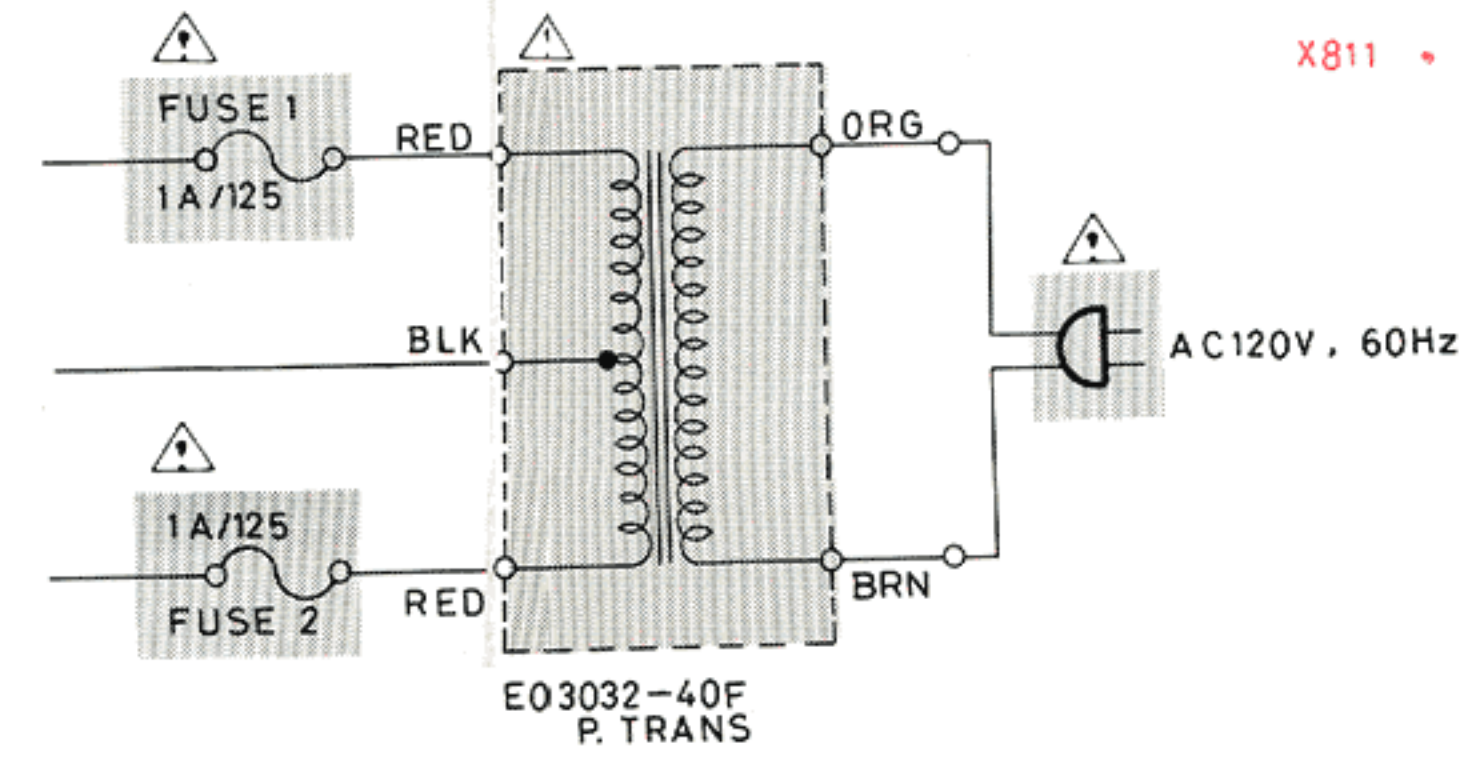


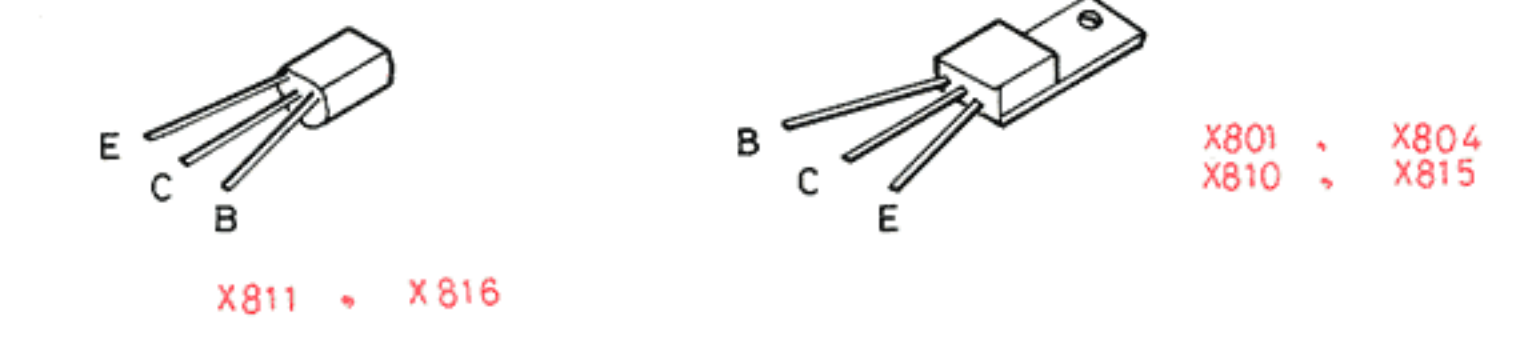
J & C (for USA & Canada)



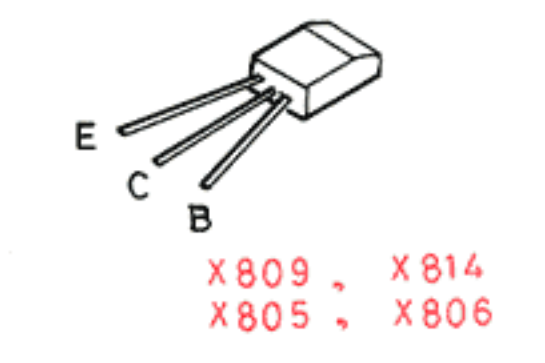
2SD438 (E)
2SB560 (E)

2SD325 (E)
2SB511 (E)
2SB507V(E)

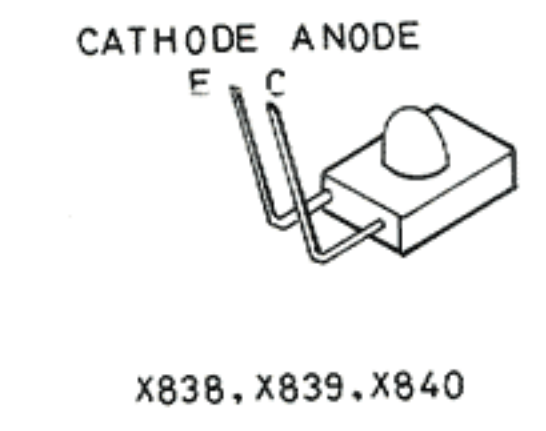
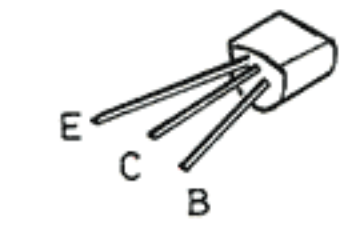
2SD313V (E)



2SD571 (L-K)
2SB605 (K-L)

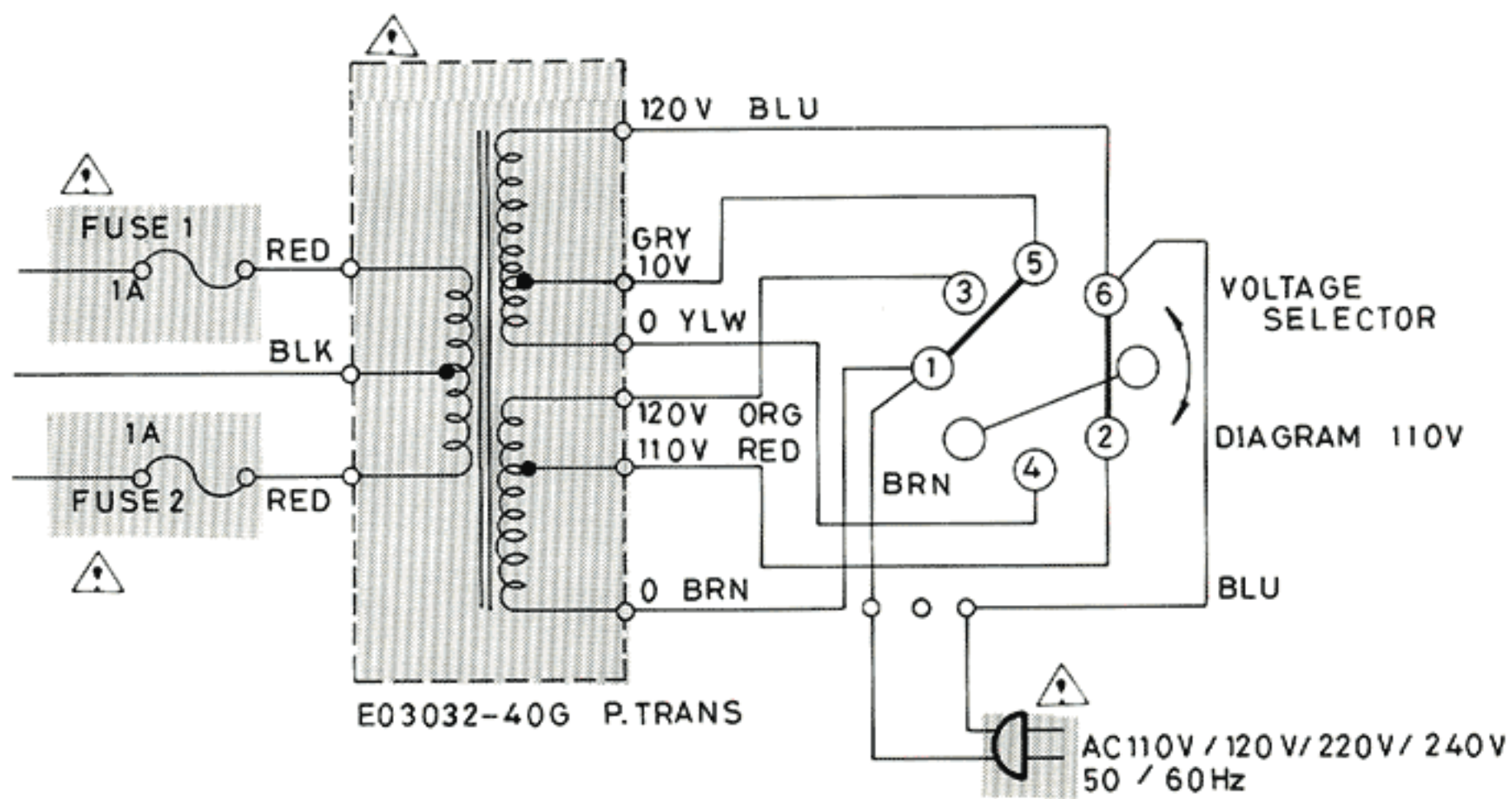


2SC945A (P Q)
2SA733A (P Q)
2SA733A (P K)

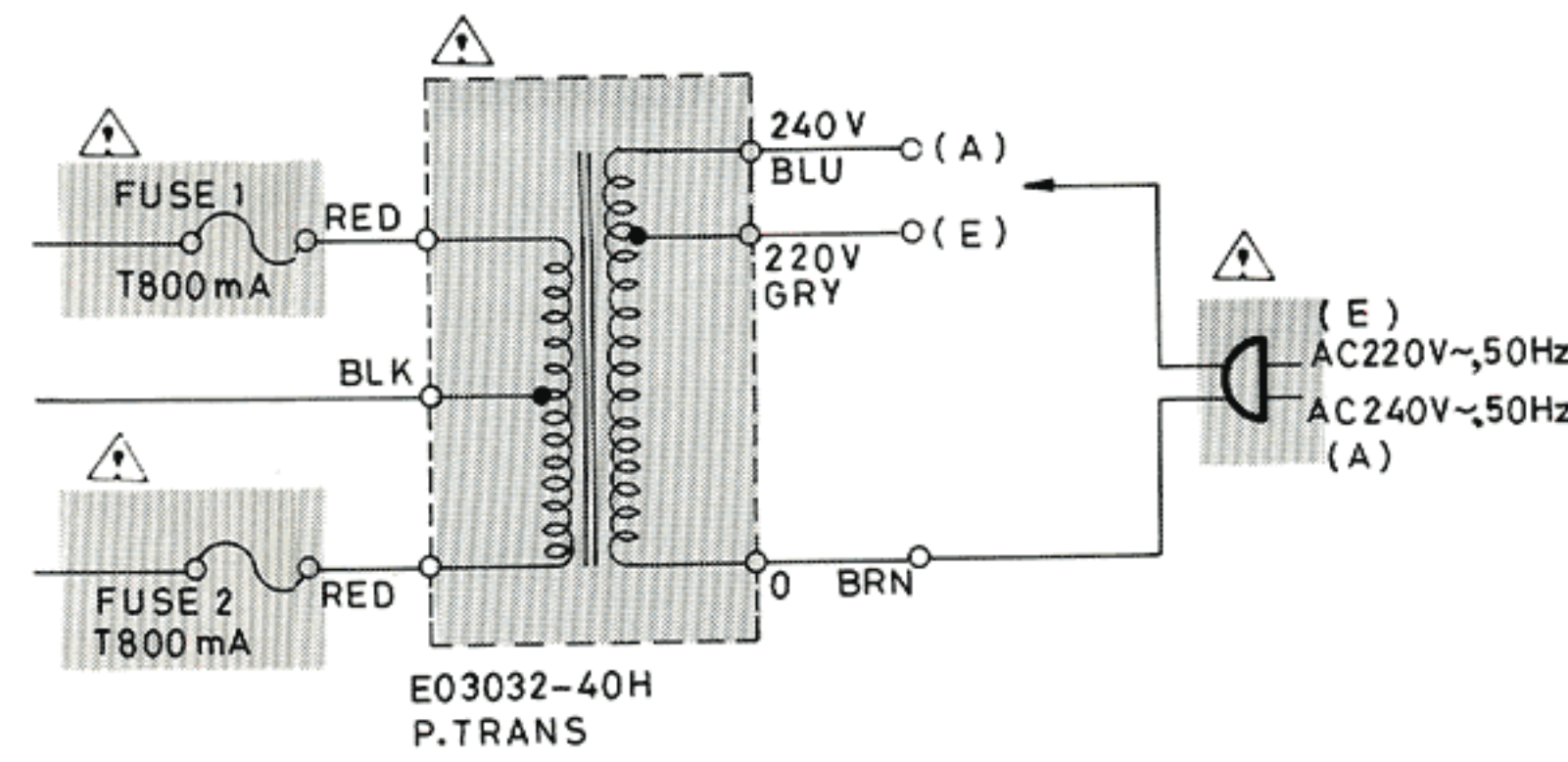


LN221RP, LN321GP

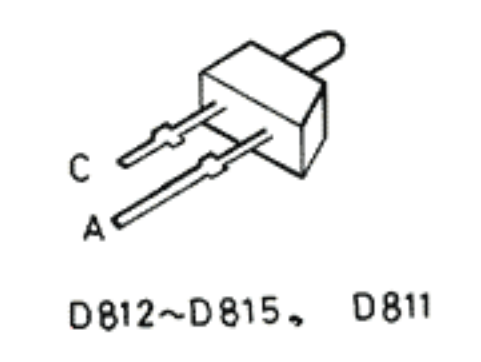
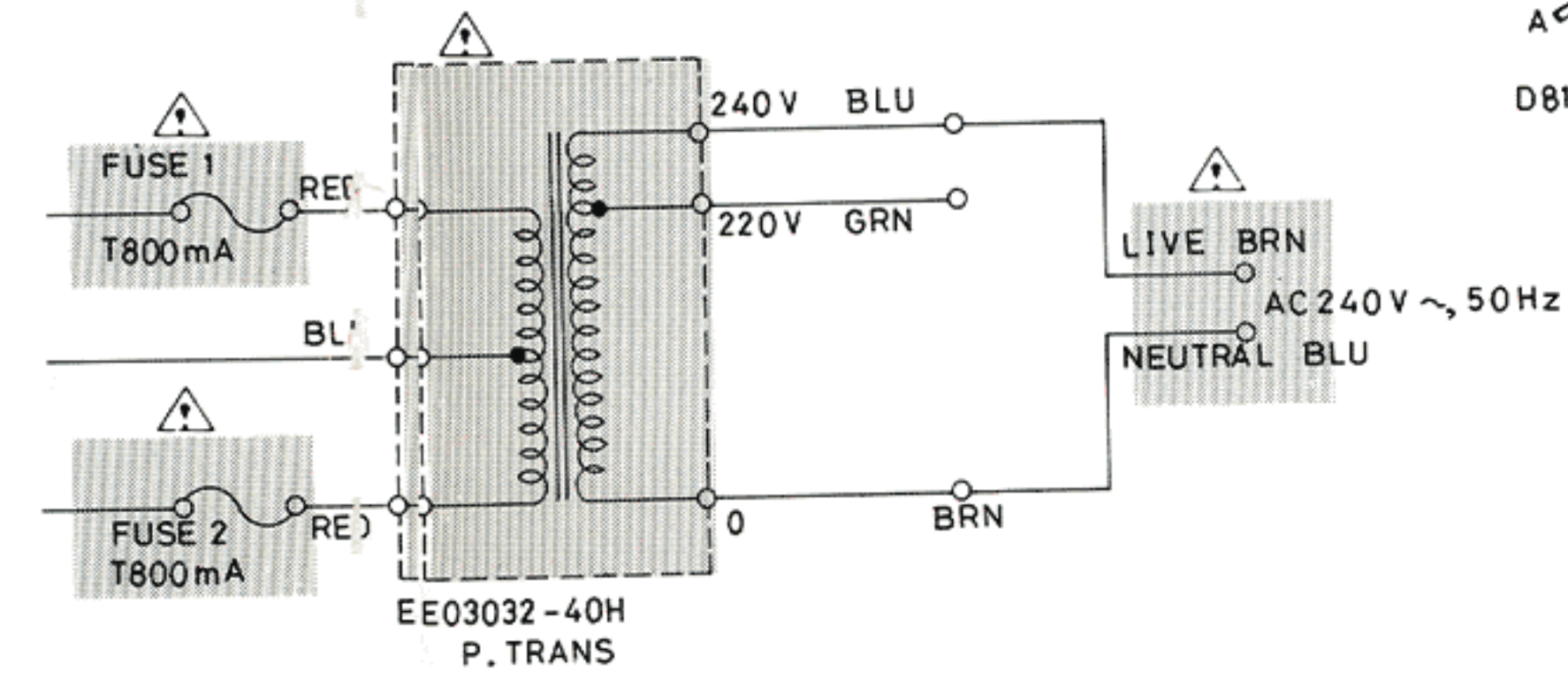
P & U (for Pacex & Other areas)



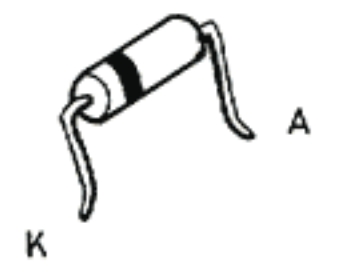
E & A (for Europe & Australia)



BS (for England)

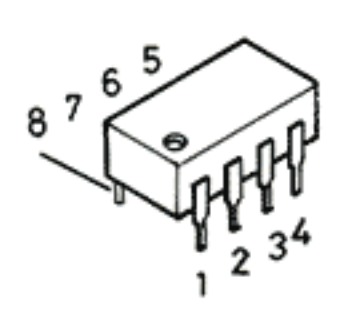


ERB12-02RKL1

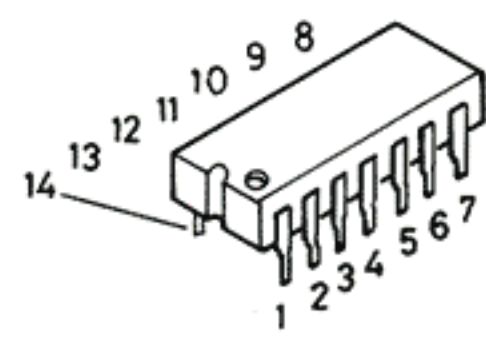


VOLT	110 V	120 V	240 V	220 V
CONNECTION	1-5, 2-6	3-6, 1-4	3-4	2-5

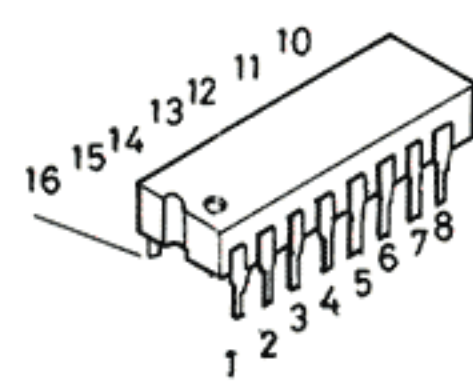
HA17741PS
NJM 4558D
NJM 4558D-D



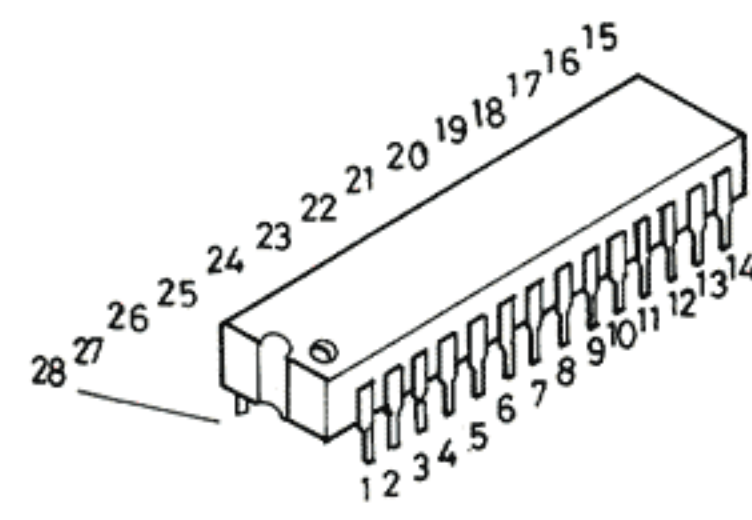
TC4016BP



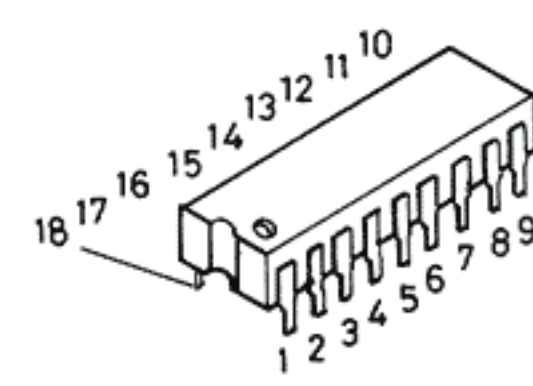
TC4052BP



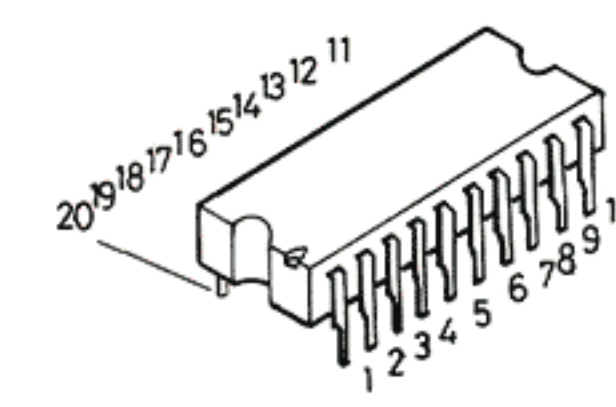
UPD554C-033



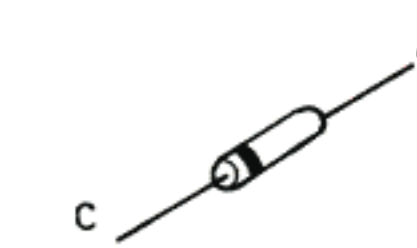
VC 4046



VC 5021



RD5,6EB3



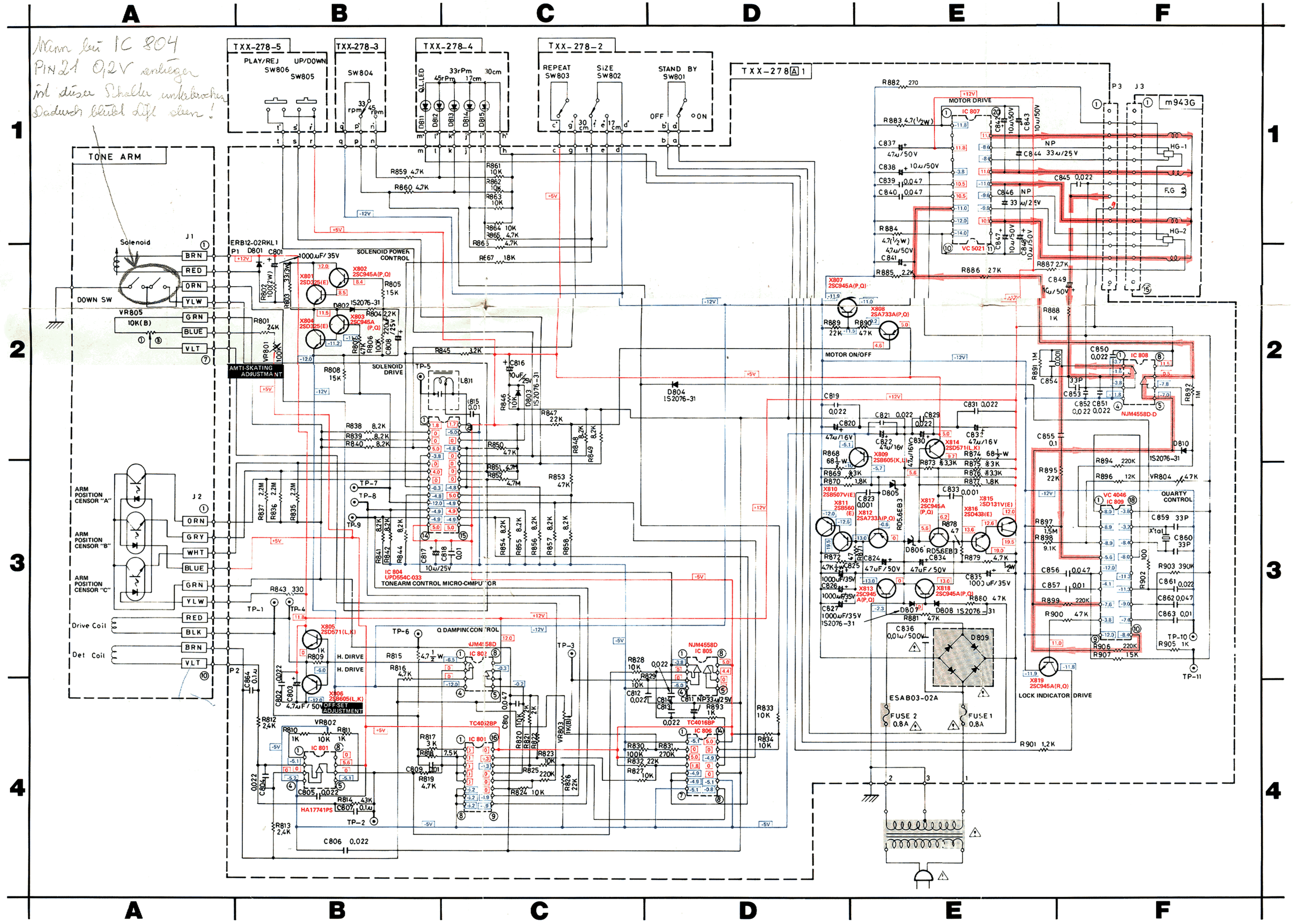
1S2076-31



ESAE



12. QL-Y3F Schematic Diagram



Notes:

1. Voltage values in are positive.
2. Voltage values in are negative.
3. indicates positive B power supply.
4. indicates negative B power supply.
5. indicates signal path.

6. When replacing the parts in the darkened area () and those marked with , be sure to use the designated parts to ensure safety.
7. Parts in red indicate transistors or ICs.
8. This is the standard circuit diagram.
The design and contents are subject to change without notice.