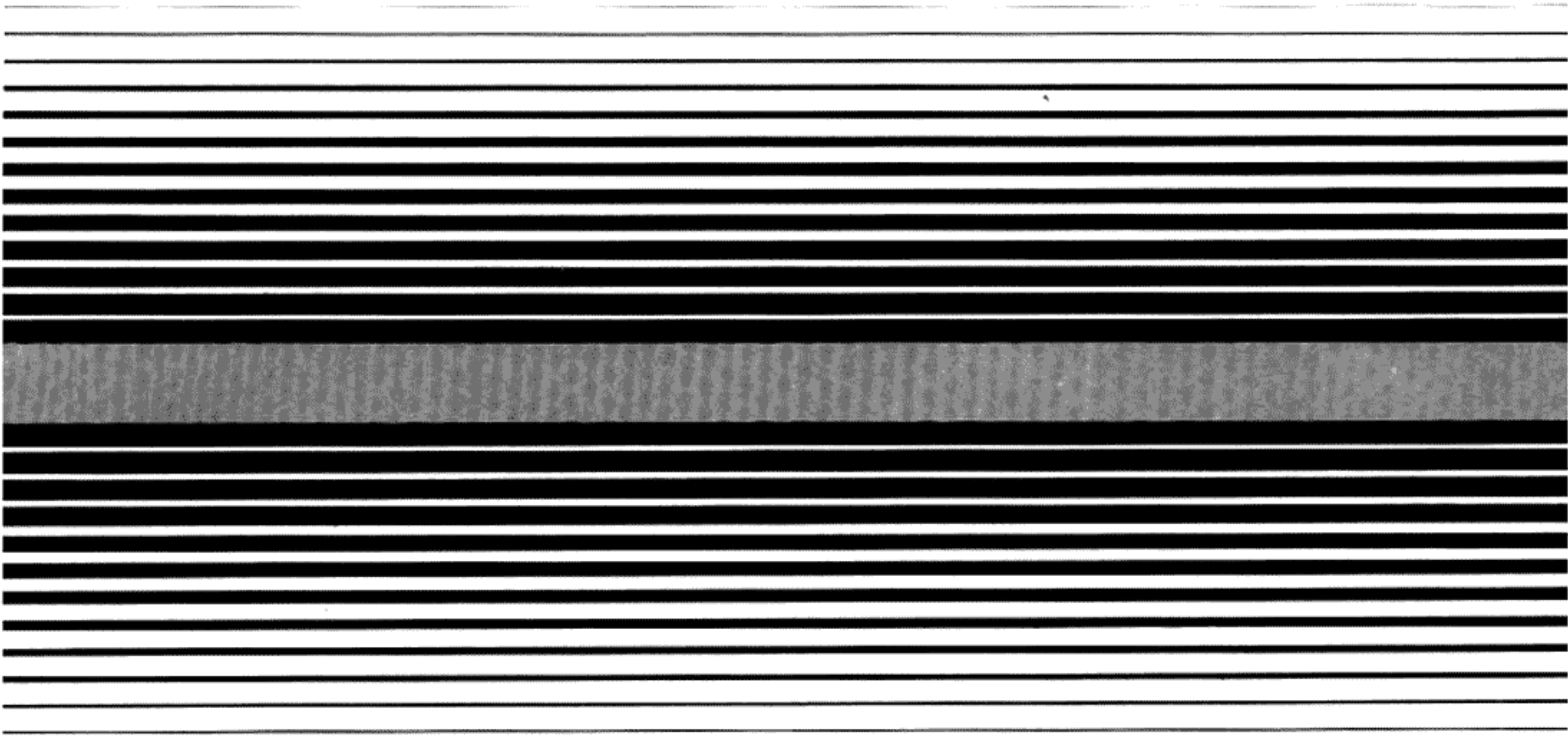


JVC | Instruction Book

QUARTZ-LOCKED AUTOMATIC TURNTABLE **QL-Y7**



WARNING: TO PREVENT FIRE OR SHOCK HAZARD, DO NOT EXPOSE THIS APPLIANCE TO RAIN OR MOISTURE.

For Customer Use:
Enter below the Model No. and Serial No. which is located either on the rear or bottom of the cabinet. Retain this information for future reference.

Model No. _____

Serial No. _____

WARNING

Dangerous voltage inside

CAUTION

To prevent electric shock, do not remove screws, covers or cabinet.

No user-serviceable parts inside. Refer servicing to qualified service personnel.

WARNING

To prevent fire shock hazard, do not expose this appliance to rain or moisture.

NOTE

Disconnect the power cord from wall outlet to cut the power completely off when not in use, as about 3 watts power is consumed even when the READY button is set to OFF

INTRODUCTION

Thank you for purchasing JVC's QL-Y7 Quartz-Locked Automatic turntable. Many advanced features of this turntable will be correctly and efficiently utilized only when you read this instruction book, understand it and operate the turntable correctly. Wishing you happy and successful listening.

CONTENTS

Introduction	1
Preparations	2 - 4
Description and functions	5
Operation	6
Troubleshooting	7
Specifications	7

PREPARATIONS

Note:

Do not connect the power cord to the wall outlet until all preparations are completed.

1. Unpacking and setting up (Figs. 1, 2, 3, 4)

1. Take off the dust cover from the lock plate. (Fig. 2)
2. Unscrew 7 shipping screws (❶ - ❷) off as shown in Fig. 1 & 3.
3. Take off shipping corners (❸ - ❹) and others (❺ - ❻). (Fig. 3)
4. Slide the main weight (❼) onto the weight axis as close to the tonearm base as possible. (Fig. 4)
5. Mount the platter on the center spindle of the motor with care not to damage the motor shaft and place the platter mat on top of the platter.
6. Put the dust cover into the lock plate. (Fig. 2)

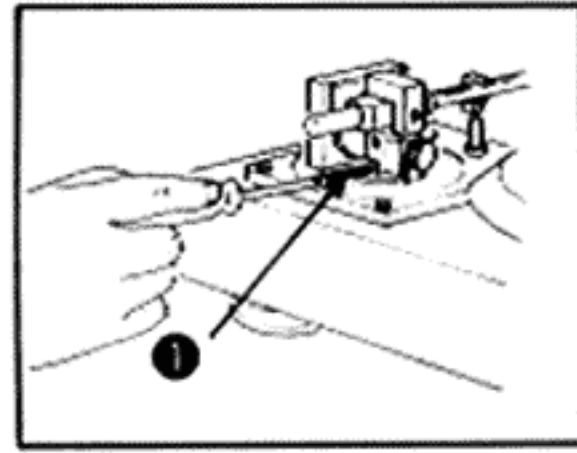


Fig. 1

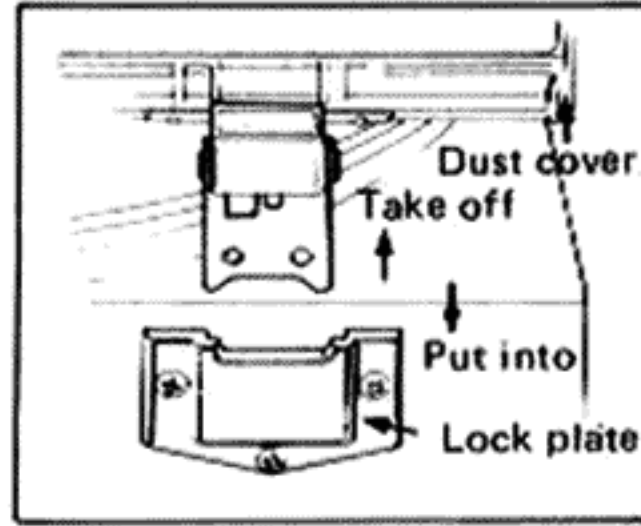


Fig. 2

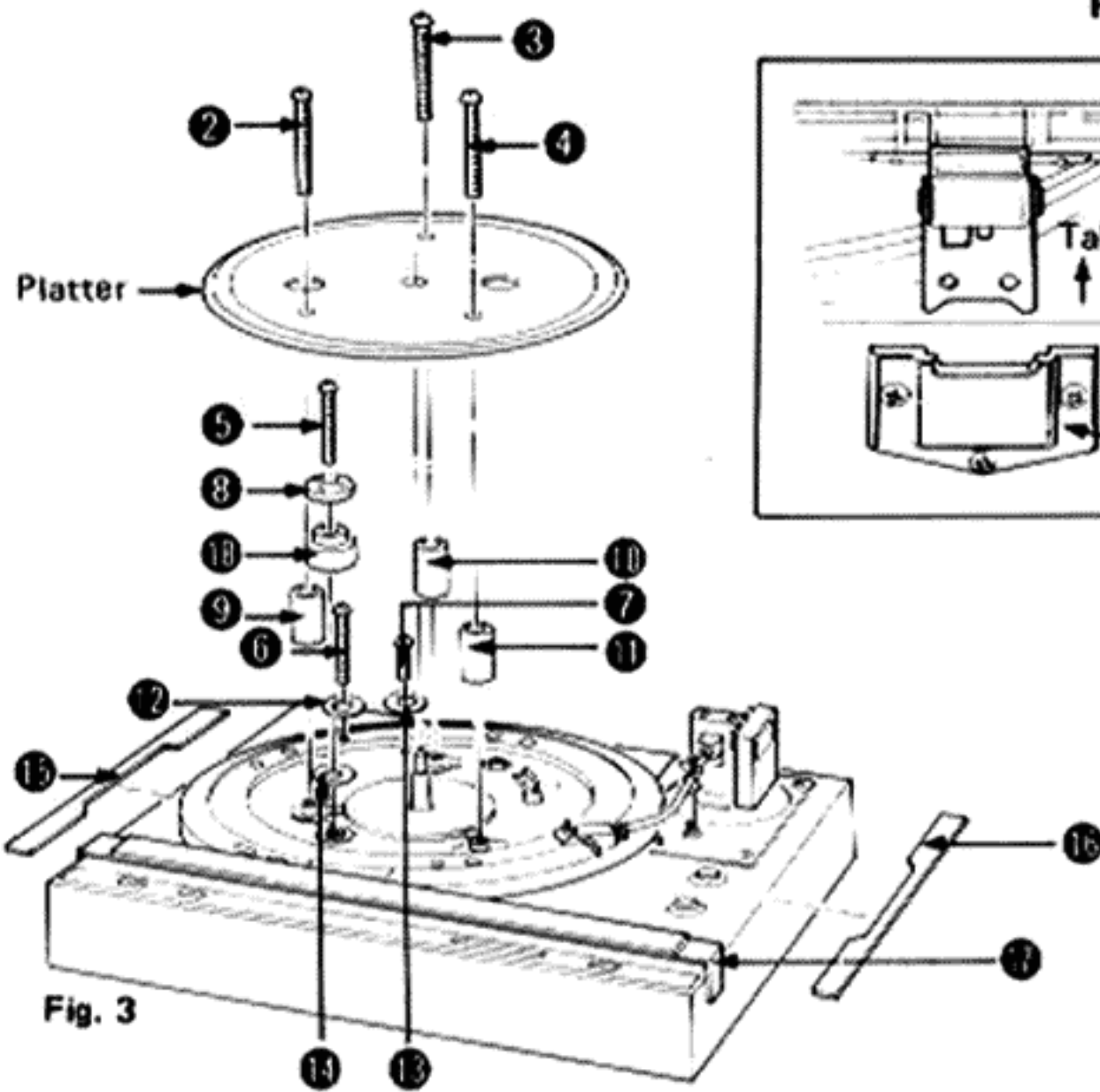


Fig. 3

2. Mounting the cartridge (Figs. 5, 6)

•Removal and mounting of the headshell (Fig. 5)

Turn the connector nut in the direction of "A" to remove the headshell from the tonearm. Turn it in the direction of "B" for mounting the headshell.

•Mounting cartridge (Fig. 6)

1. Remove the 2 screws securing the cartridge on the headshell.
2. Install your cartridge onto the headshell provided or onto a headshell of your selection.
3. The four headshell lead wires are colour-coded as follows, connect them correctly:

White (+)	L	Red (+)	R
Blue (-)	LE	Green (-)	RE
		(Left)			(Right)
4. Mount the cartridge properly onto the headshell and leave the set screws slightly loosened, then, after completing the "overhang adjustment" (see below) tighten them firmly.
5. After each cartridge replacement, be sure to perform the following adjustments.

Note: The cartridge and stylus is not supplied with this turntable.

3. Overhang adjustment (Fig. 7)

Adjust the overhang as shown. The headshell of this model has 1 mm graduations on the top side in the "b" part to make the adjustment easier. If "a" distance is 00 mm, slide the finger lift to a position of the same number as "b" (48 - 00), and fix the screws. Tolerance of ± 1 mm will not harm performance. If a JVC cartridge is used, the designated distance "a" is 8 mm, slide the finger lift of the headshell to a position of 40, according to distance "b", "48 - 8 = 40".

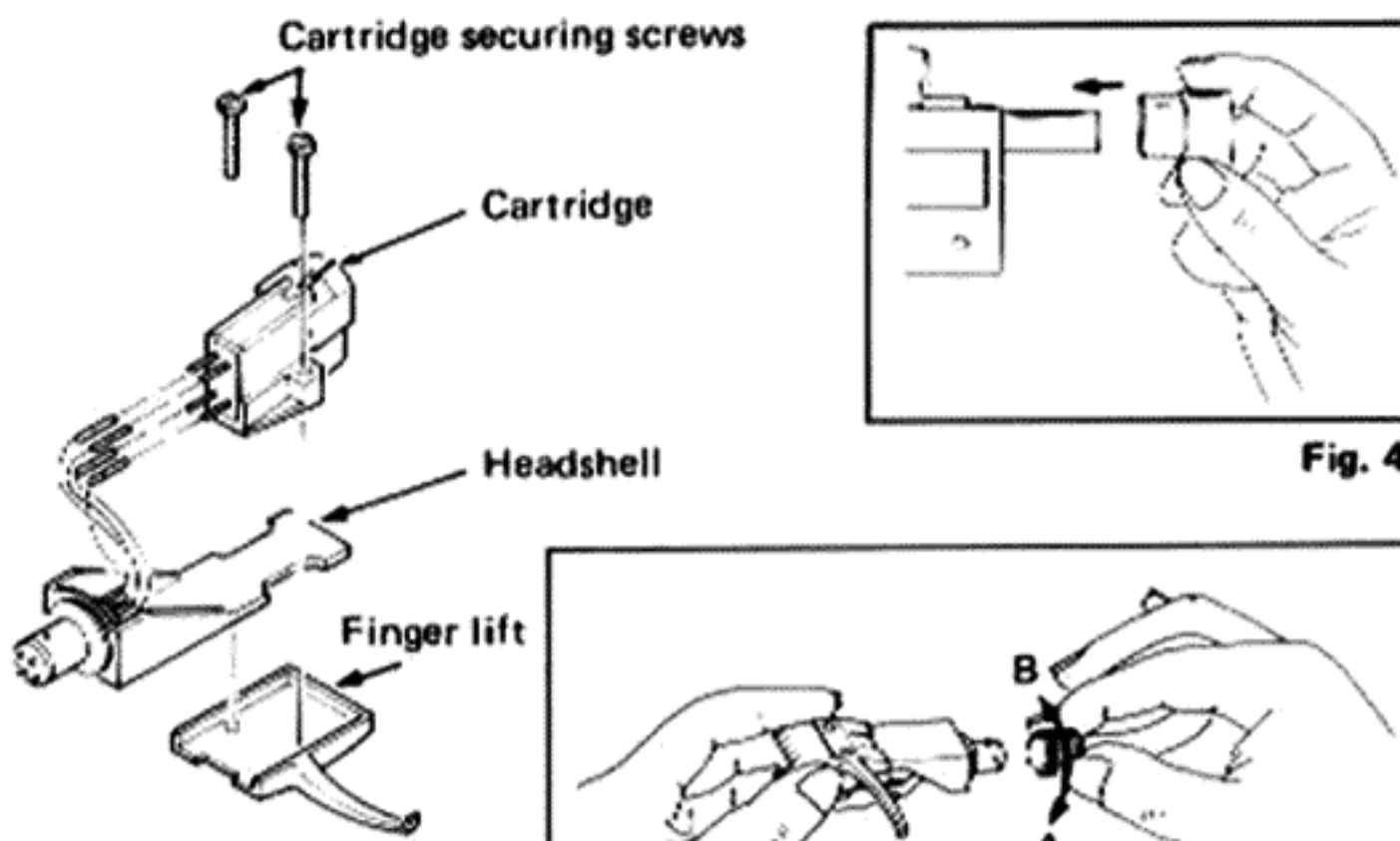


Fig. 4

Fig. 6

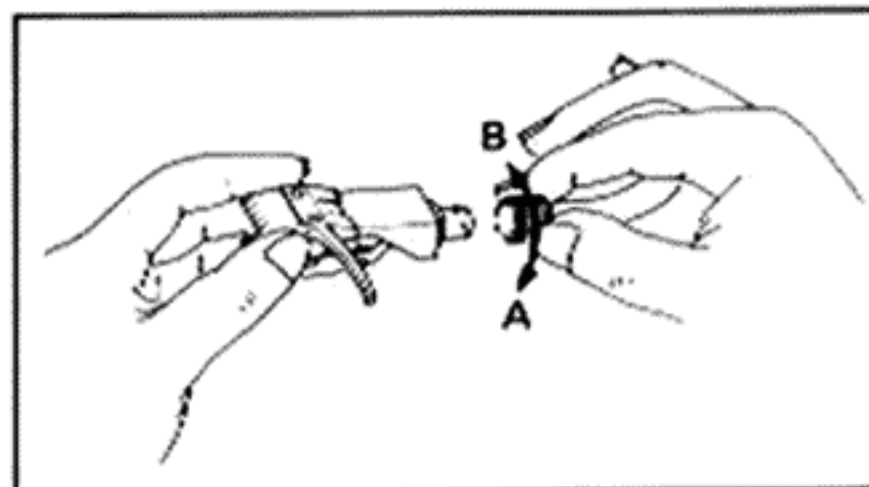


Fig. 5

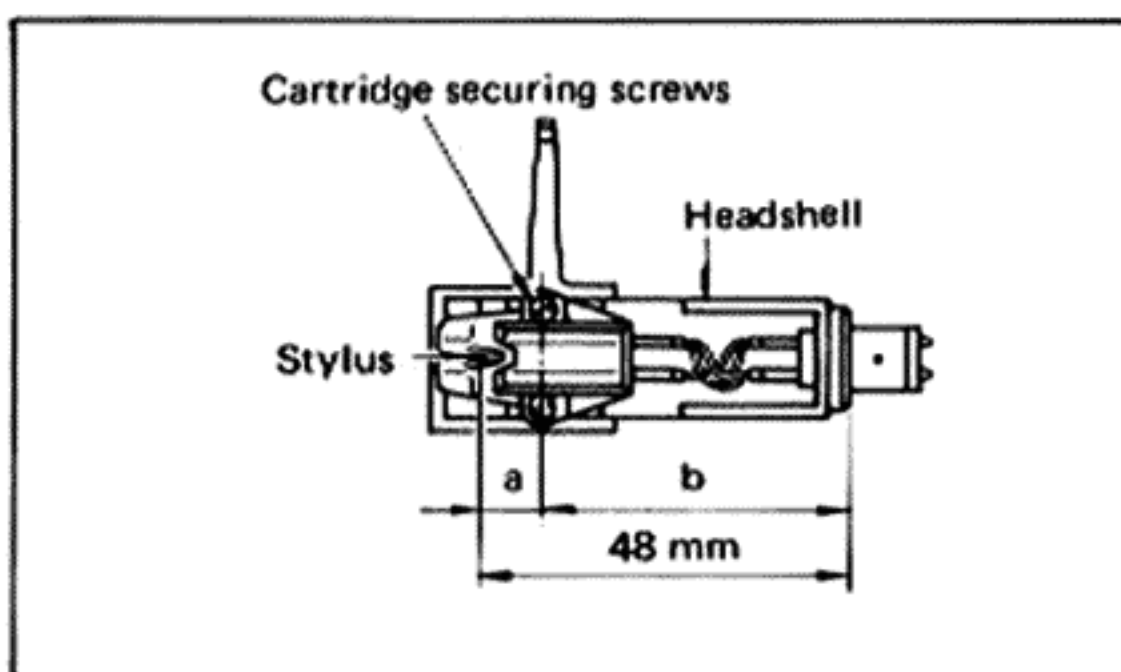
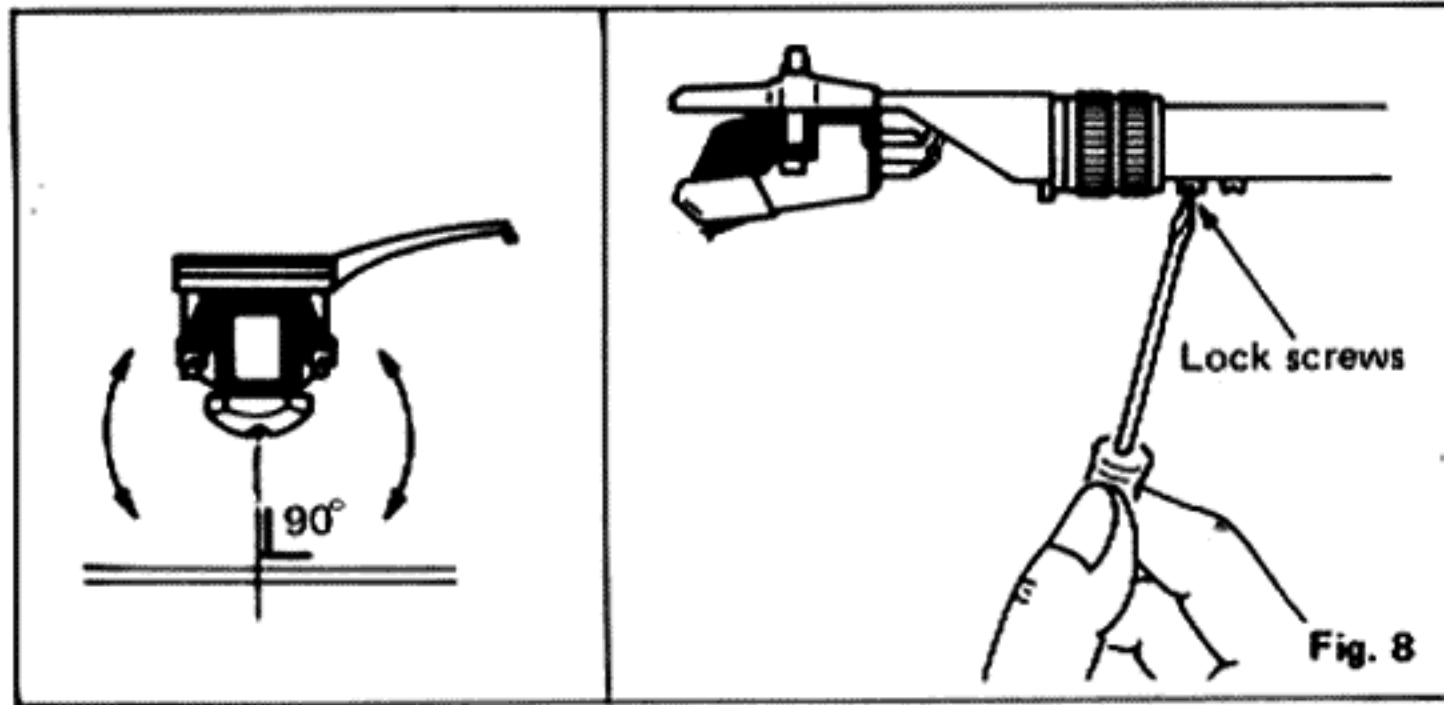
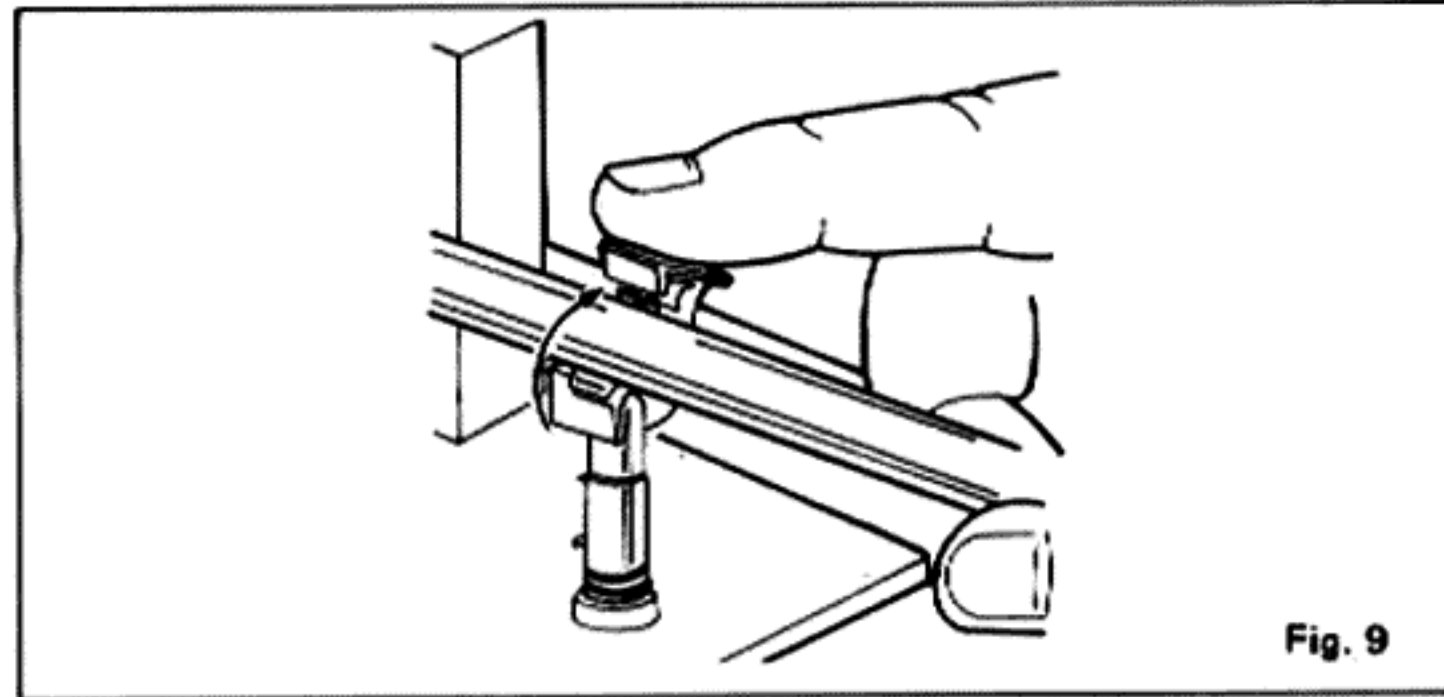


Fig. 7



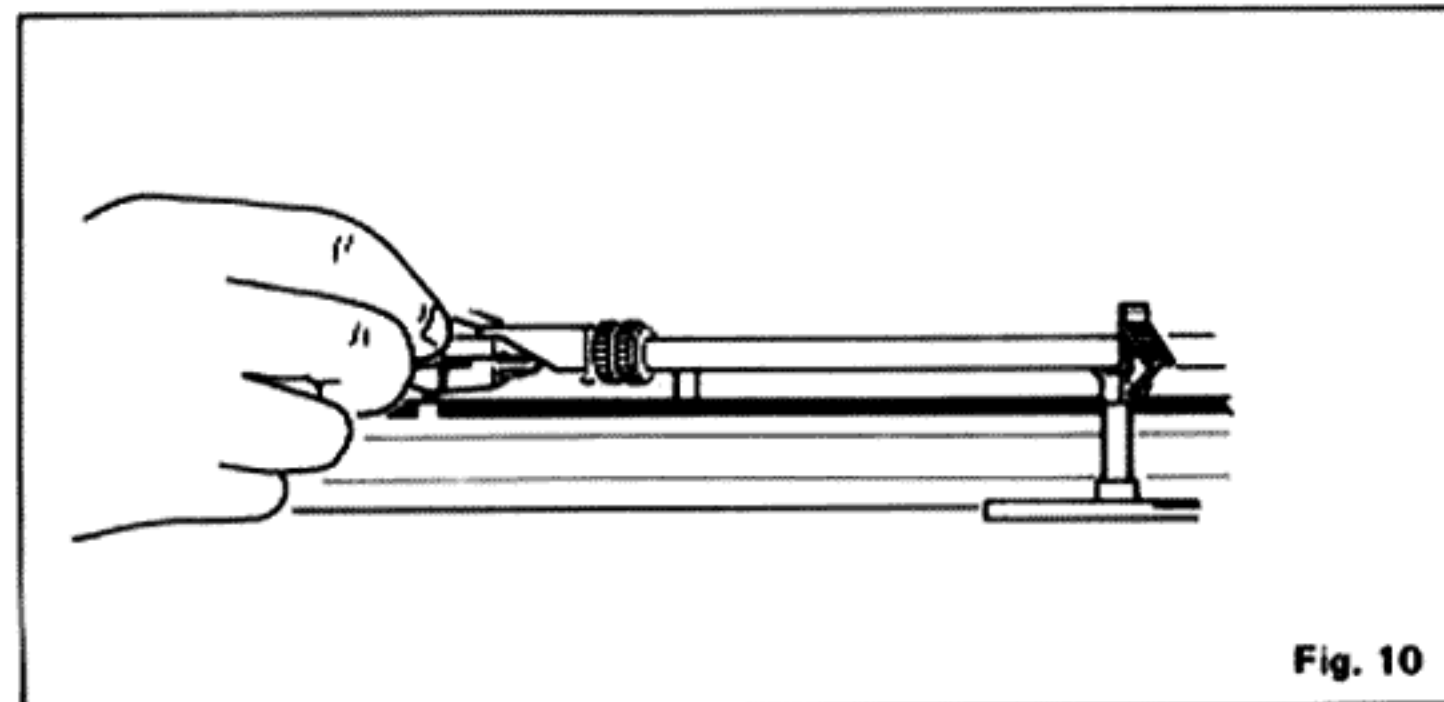
4. Headshell mounting angle adjustment (Fig. 8)

When the headshell is locked into the end of the tonearm the stylus in some cartridges may still not be tangential (90°) to the platter. If such is the case, loosen the locking screws on the lower side of the tonearm using a small screwdriver (as shown) and move the headshell to adjust the stylus at a right angle (90°) to the platter. Measurement by eye is sufficient. After adjustment be sure to tighten the locking screws firmly.

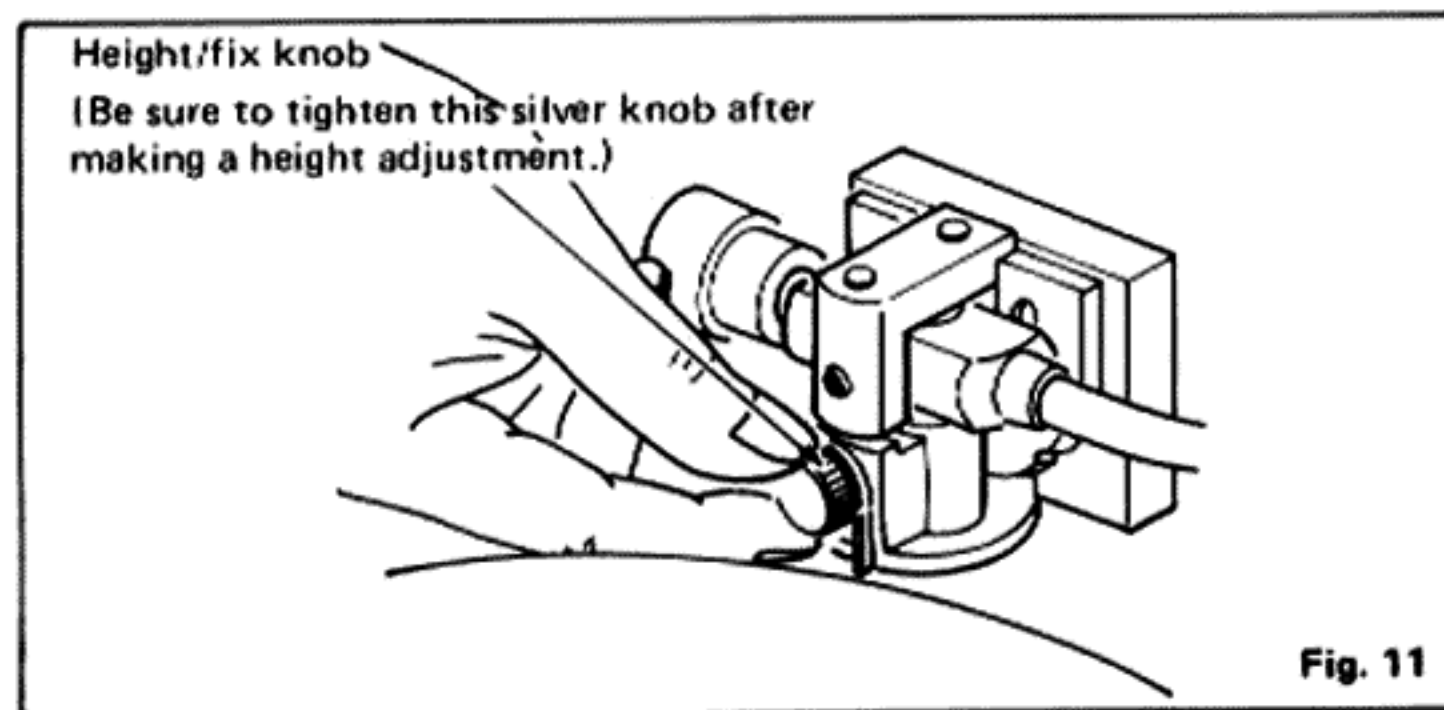


5. Tonearm height adjustment (Figs. 9, 10, 11)

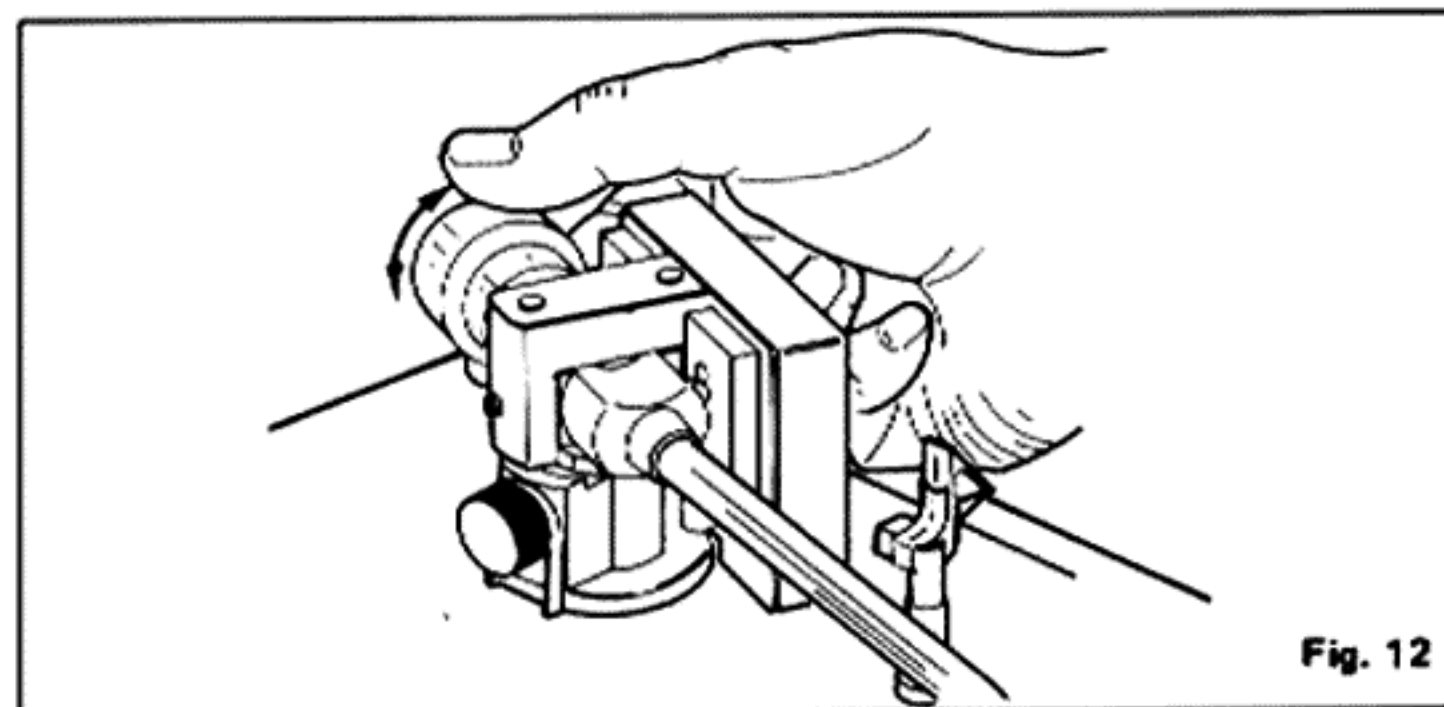
1. Release the clamp. (Fig. 9)



2. Put a disc on the platter and move the tonearm onto the disc. See if the tonearm is horizontal when a stylus tip is nearly touching to the disc surface. (Fig. 10)



3. Adjust the height by hand by loosening the height/fix knob so that the tonearm is horizontal to the disc surface with the stylus tip being nearly touched to the disc. Then, fix the knob firmly. (Fig. 11)



6. Zero balance adjustment (Figs. 12, 13)

1. Place a disc on the platter.
2. Remove the stylus protector cover.
3. Release the tonearm clamp.
4. Turn the main weight so that the tonearm maintains a balance with the stylus tip is almost touching to the disc.
5. Return the tonearm to its rest and clamp it.

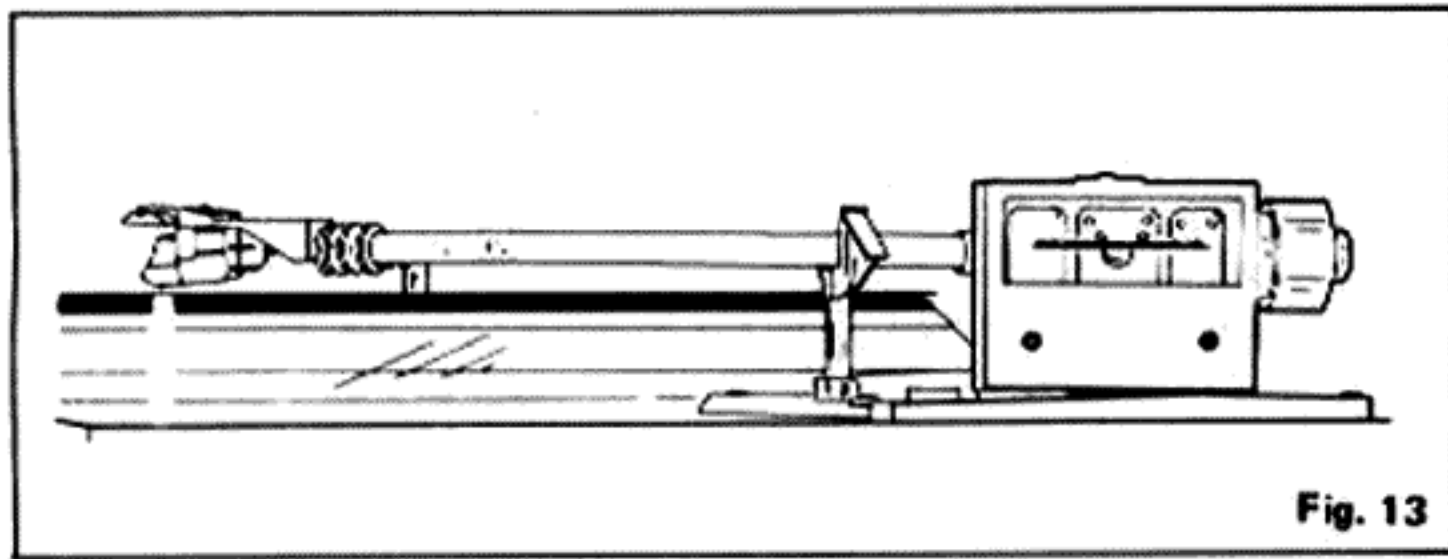


Fig. 13

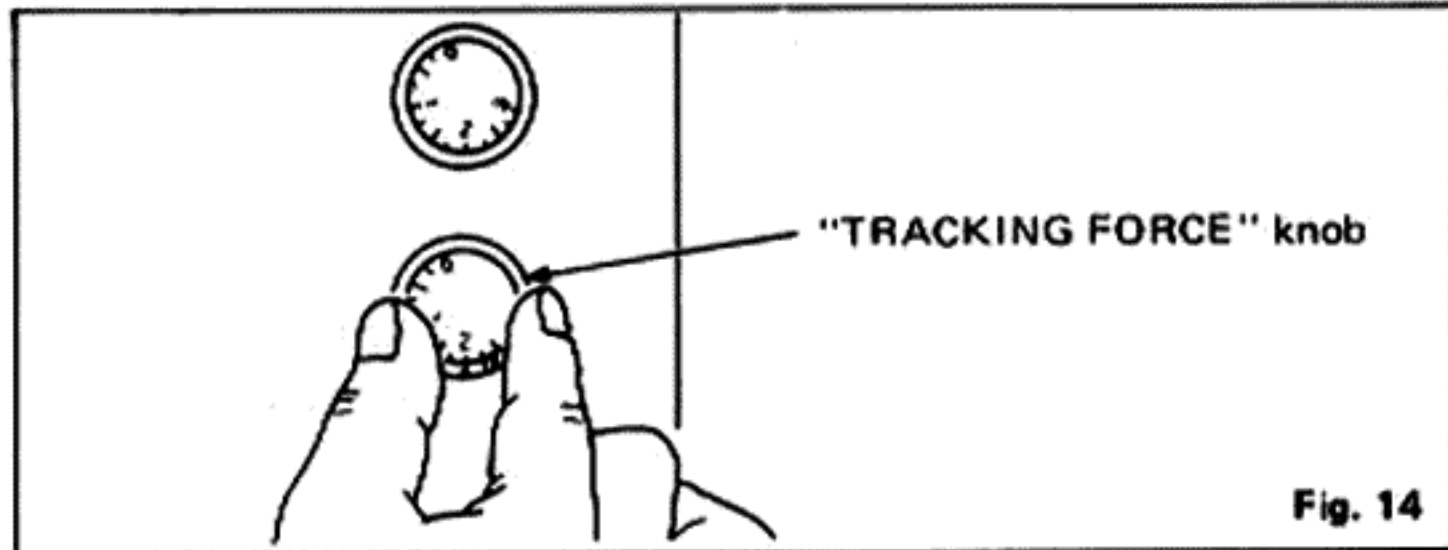


Fig. 14

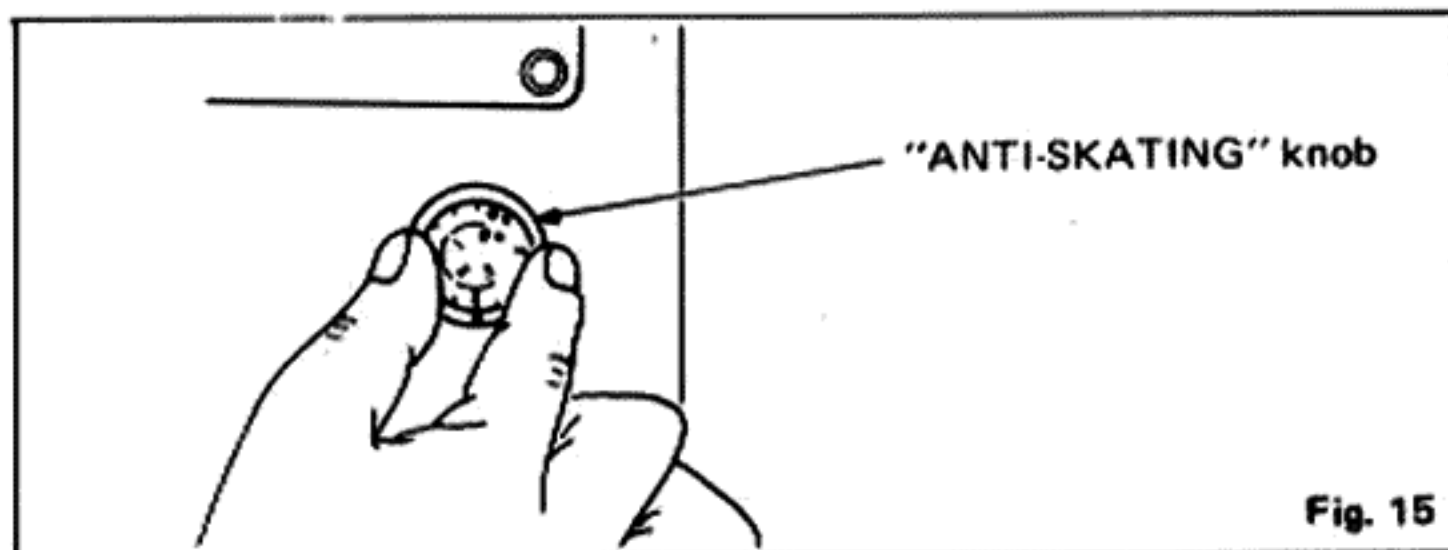


Fig. 15

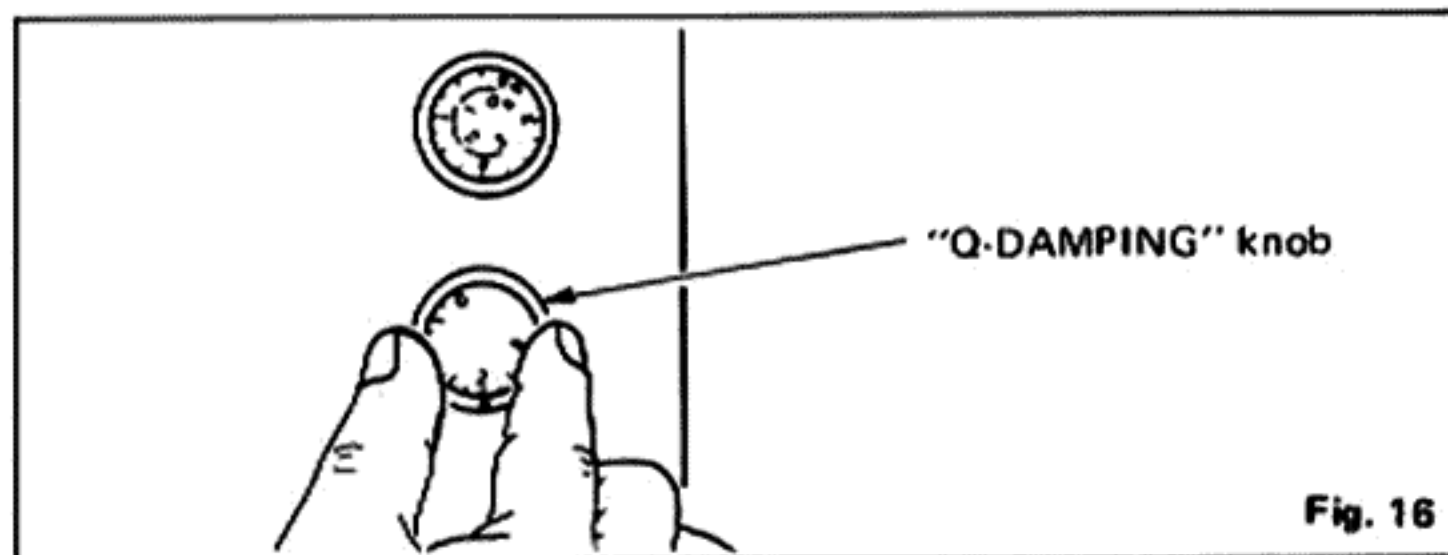


Fig. 16

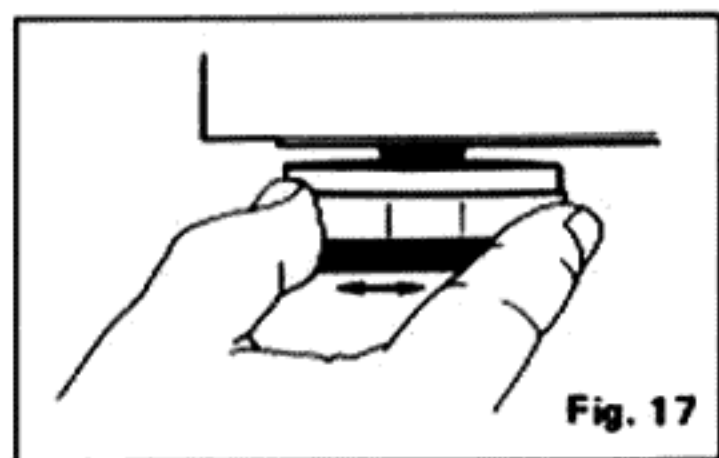


Fig. 17

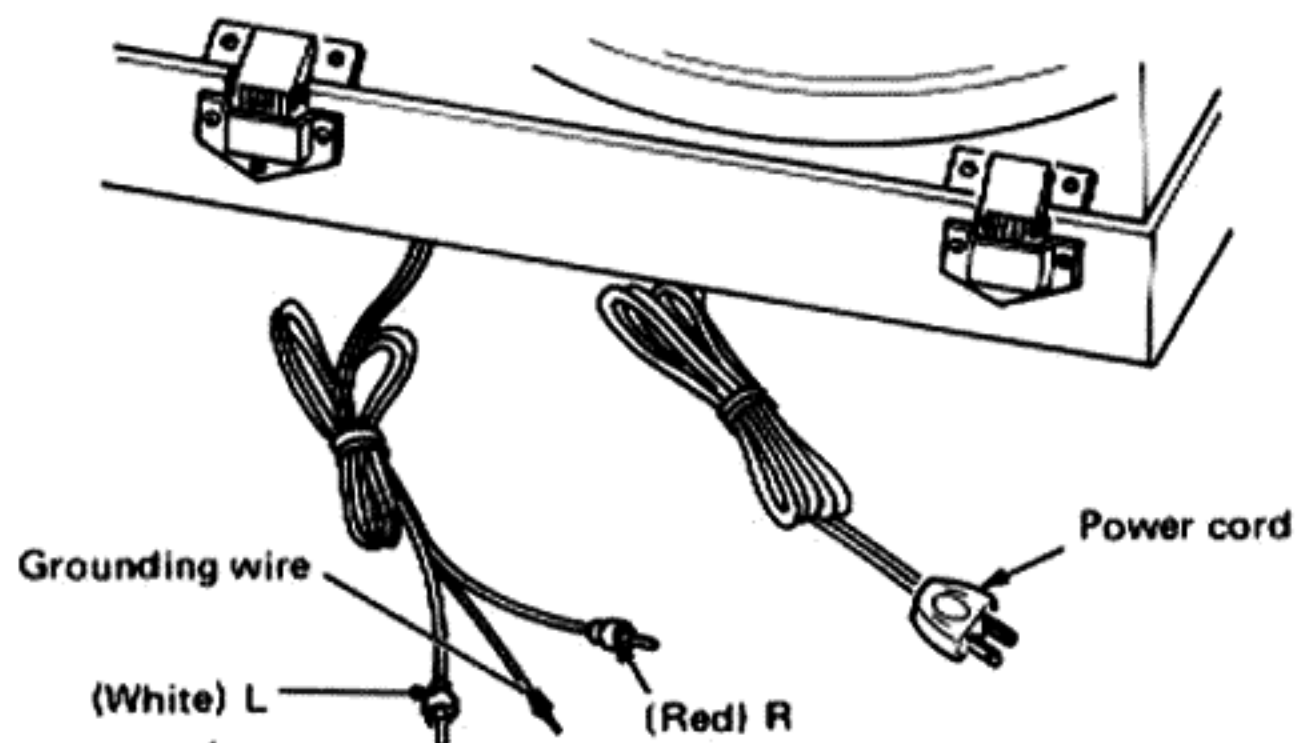


Fig. 18

7. Tracking force, Anti-skating and Q-damping adjustment

1. Tracking force; Turn the "TRACKING FORCE" knob, according to recommended tracking force of the cartridge used.

(If tracking force is 2 grams, set the knob to "2")(Fig. 14)

2. Anti-skating; Turn the "ANTI-SKATING" knob to the same number as the "TRACKING FORCE" knob.

Use the ● marked dial when employing a conical stylus.

Use the ● marked dial when employing an elliptical or a Shibata stylus. (Fig. 15)

3. Q-damping; Turn the "Q-DAMPING" knob to the same number as the "TRACKING FORCE" knob. (Fig. 16)

The tracking force, the anti-skating and Q-damping are applied electronically.

8. Height adjustment of the isolators (Fig. 17)

Varying the height of the turntable is performed by turning the lower part of the supports to adjust the level of the cabinet. Turn counterclockwise to increase the height and clockwise to lower.

9. Connection to a stereo amplifier (Fig. 18)

Firmly connect the white plug of the QL-Y7 output cord to the PHONO L (left) terminal of the stereo amplifier, the red plug to the R (right) terminal and the grounding wire to the ground terminal. If your amplifier or receiver has "Switched" and "Unswitched" AC outlets, connect the power cord of the turntable to the "switched" one.

DESCRIPTION AND FUNCTIONS (Fig. 19)

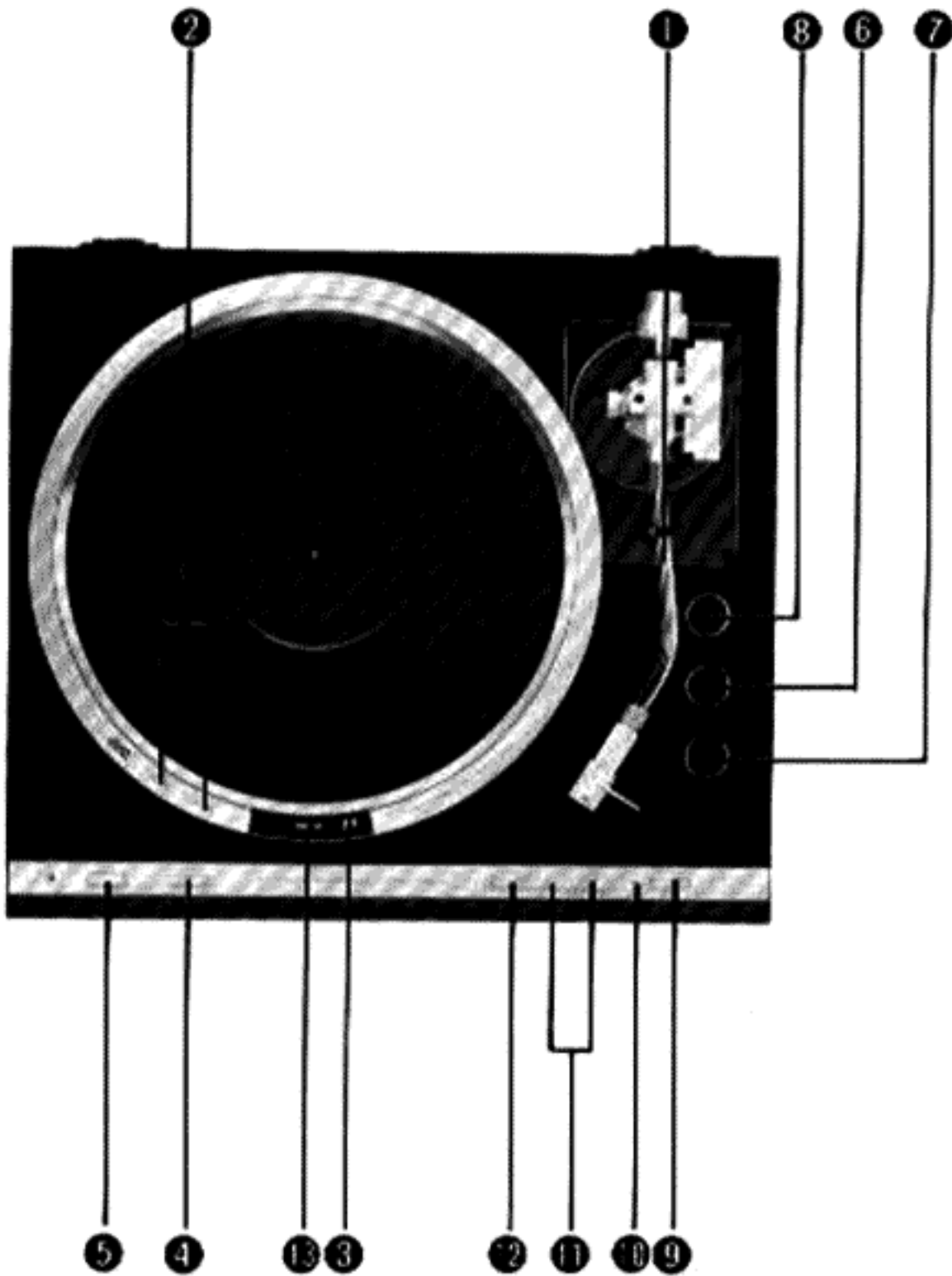


Fig. 19

1. Tonearm

This tonearm is called an Electro-Dynamic Servo Tonearm. All the functions, the tracking force, anti-skating, Q-damping, etc. are done electrically.

2. SPEED buttons

Select the speed depending on disc rpm. The platter rpm is indicated by the SPEED indicators.

3. SPEED indicator

The platter rpm is indicated by the SPEED indicators.

4. TT-START/STOP button

Press this button to start the platter. When the normal speed is reached, the QUARTZ LOCK indicator lights.

Press this button again to stop the platter. The platter will stop within a half turn and QUARTZ LOCK indicator goes out.

5. READY button

ON: Depress this button to power the turntable system on. SPEED indicators light. Tracking force, anti-skating and Q-damping are automatically applied, as already set.

OFF-ARM BALANCE: Re-depress the button to cut the power off. The SPEED, and QUARTZ LOCK indicators go out, and the tracking force, anti-skating and Q-damping become "zero".

Note: When you re-depress the READY button, make sure the tonearm is clamped on the arm rest, otherwise you may damage a disc or the stylus.

Even when the READY button is set to OFF, about 3 watts power is consumed. Accordingly, disconnect the power cord from wall outlet to cut the power completely off.

6. Q-DAMPING knob

This knob is provided to smoothen stylus tracing horizontally and vertically along with the disc grooves and to effectively lower the resonance peak levels of the tonearm. When Q-DAMPING is in operation:

1. Trackability and sound quality are improved,
2. Resistance against howling is much increased,
3. S/N ratio and wow-and-flutter are improved, etc.

7. TRACKING FORCE knob

Turn this knob, according to recommended tracking force of the cartridge used.

8. ANTI-SKATING knob

This knob is provided to cancel the centripetal force (sliding of the tonearm to the center of the record) and to prevent the stylus tip from sliding or exerting unwanted force to the inner side of the record groove.

9. UP/DOWN button

When this button is pressed the tonearm will lower to the disc surface, then the UP/DOWN indicator goes out. Pressing this button again will cause the tonearm to lift up from the disc and the UP/DOWN indicator will come on.

10. UP/DOWN indicator

This indicator lights when the tonearm lifts up and goes out when it is lowered. This does not light during reject or auto-return.

11. Tonearm transport button

The tonearm can be moved manually or can be moved to any position of the disc surface by pressing the following buttons.

< : depressing this button will move the tonearm to the left, releasing it stops travel.

> : depressing this button moves the tonearm to the right, releasing it stops travel.

12. STOP button

To stop disc playback, press this button. The platter will stop within a half turn and the tonearm will return automatically to the rest.

13. QUARTZ LOCK indicator

When the normal speed is reached, the QUARTZ LOCK indicator lights.

OPERATION

1. Put a disc on the platter, release the rest clamp. (Fig. 20)

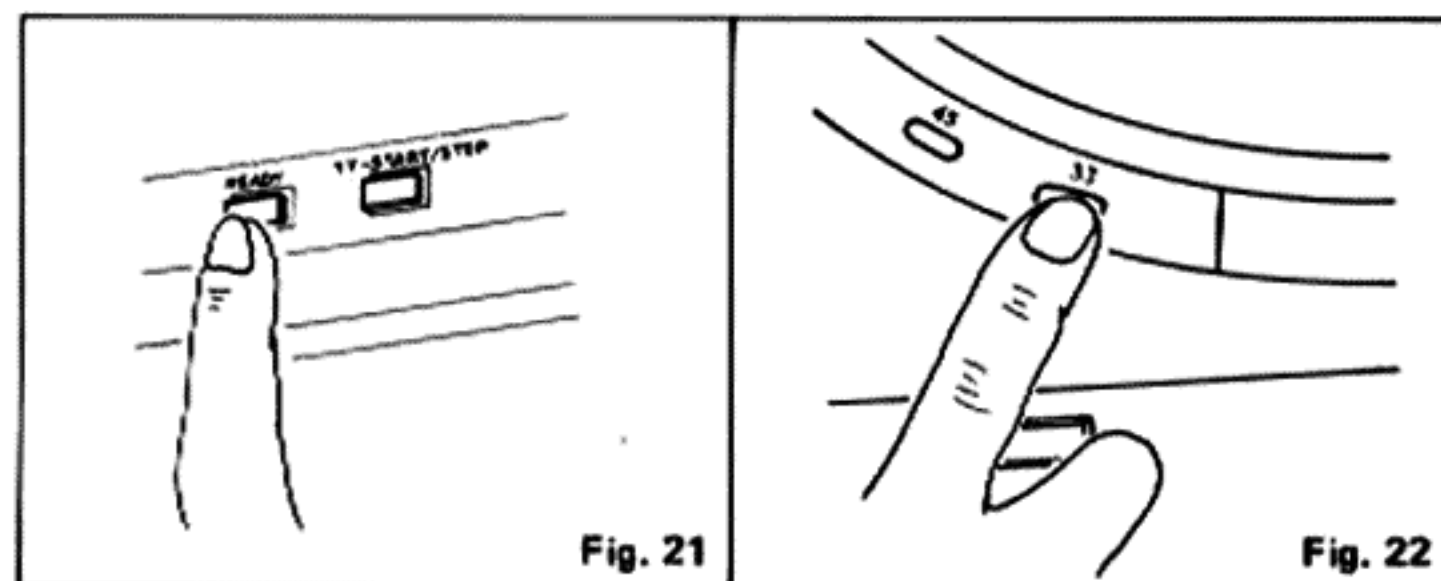
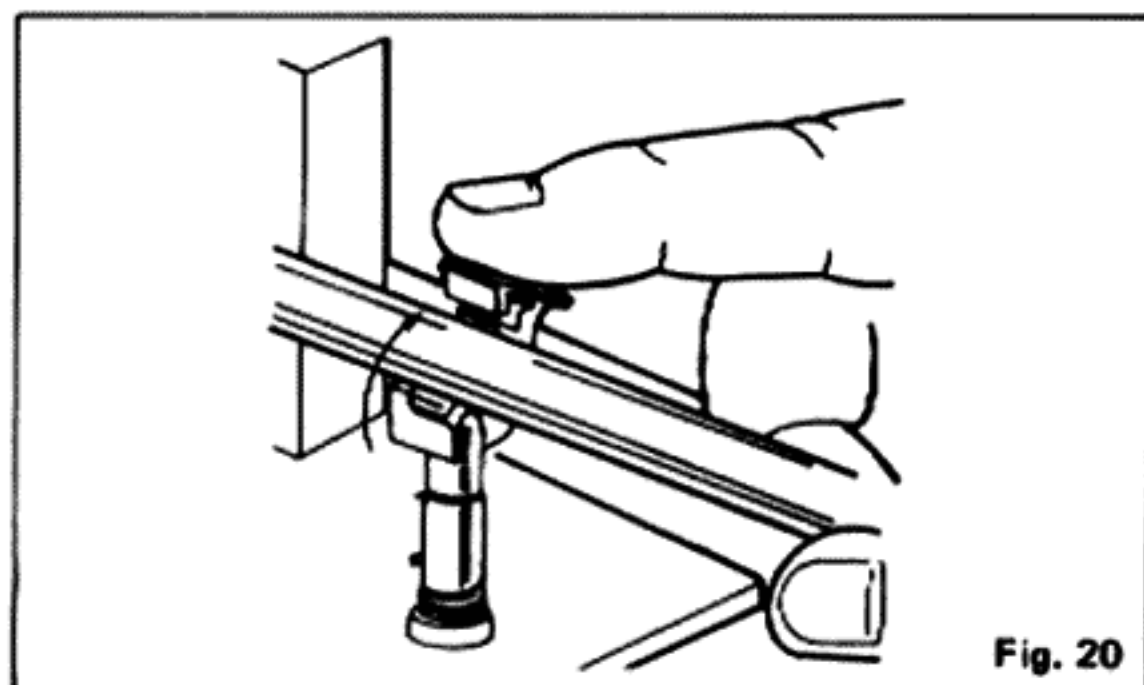


Fig. 21

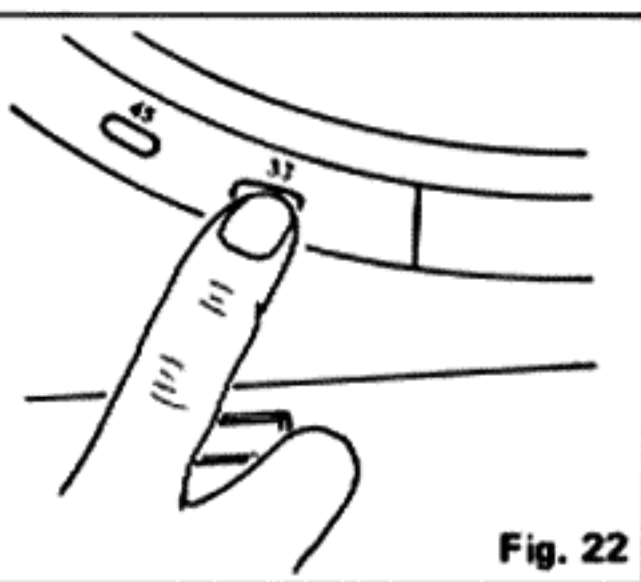


Fig. 22

2. Press the READY button (—) (Fig. 21)
Note: Be sure not to set the READY button to "OFF" while playing a disc. If set to "OFF", disc playing is impossible as the tracking force becomes "0".
3. Select turntable speed with the SPEED button according to the rpm of the disc. (Fig. 22)

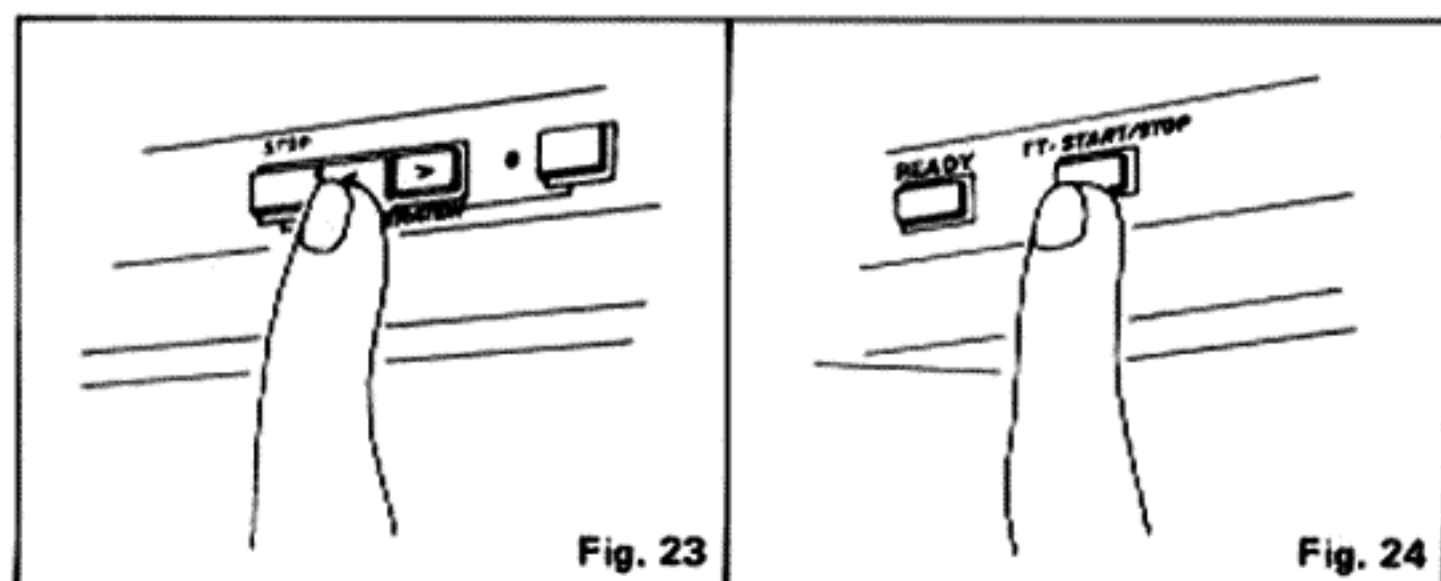


Fig. 23

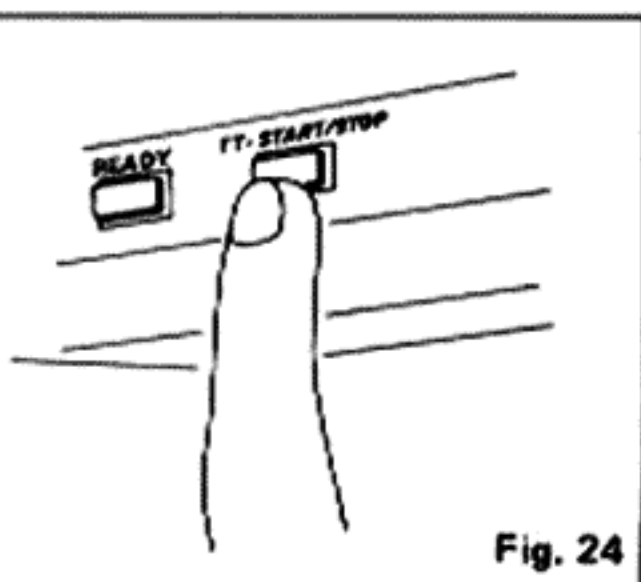


Fig. 24

4. Press the "<" (left) tonearm transport button until the tonearm is at the desired position, release it and tonearm travel stops. (Fig. 23)
5. Press the TT-START/STOP button and the platter starts to rotate. (Upon reaching the correct speed, the "QUARTZ LOCK" indicator lights.) (Fig. 24)

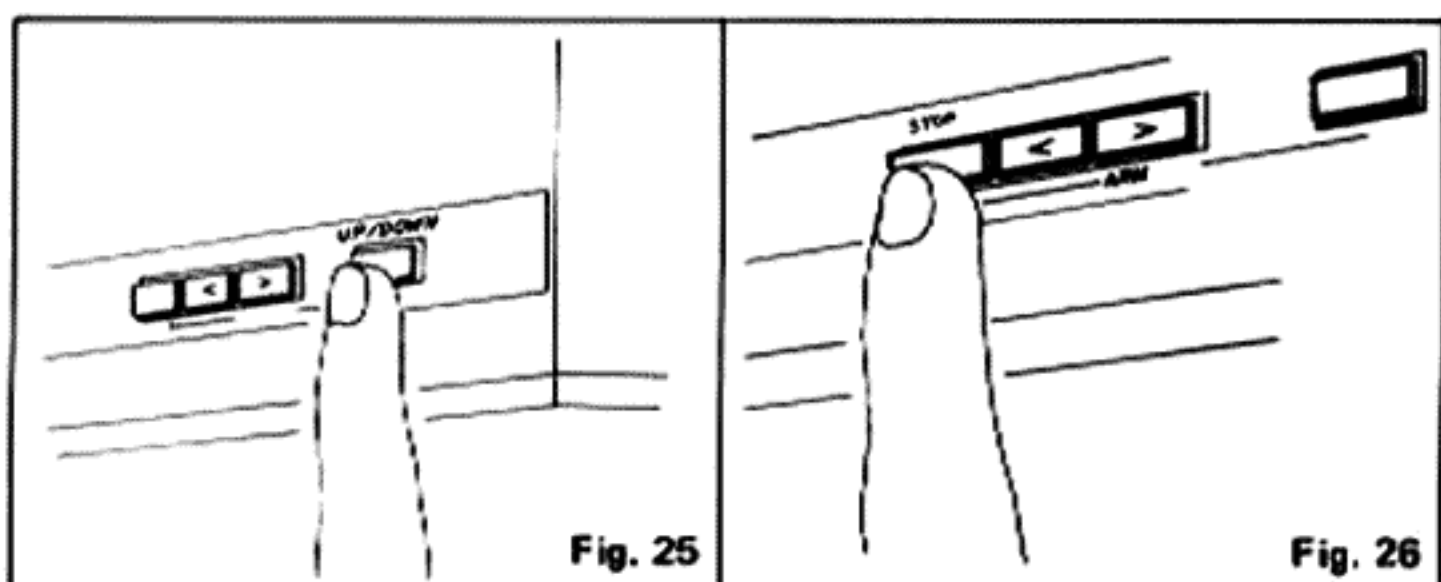


Fig. 25

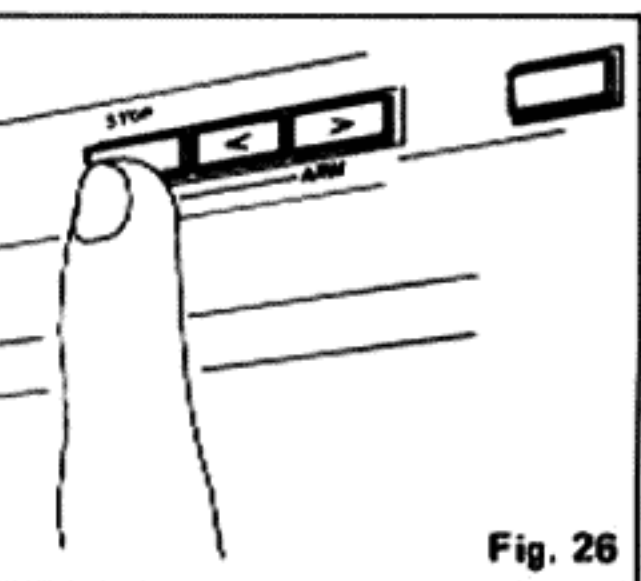


Fig. 26

6. Press the UP/DOWN button, so that the tonearm is lowered gently onto the surface of the disc, disc play will begin. Pressing this button again will cause the tonearm to lift up from the disc and the UP/DOWN indicator will come on. (Fig. 25)
7. At the end of the disc the tonearm returns automatically to the rest and the platter stops. To stop disc playback, press the STOP button. Then the platter stops and the tonearm returns automatically to the rest. (Fig. 26)

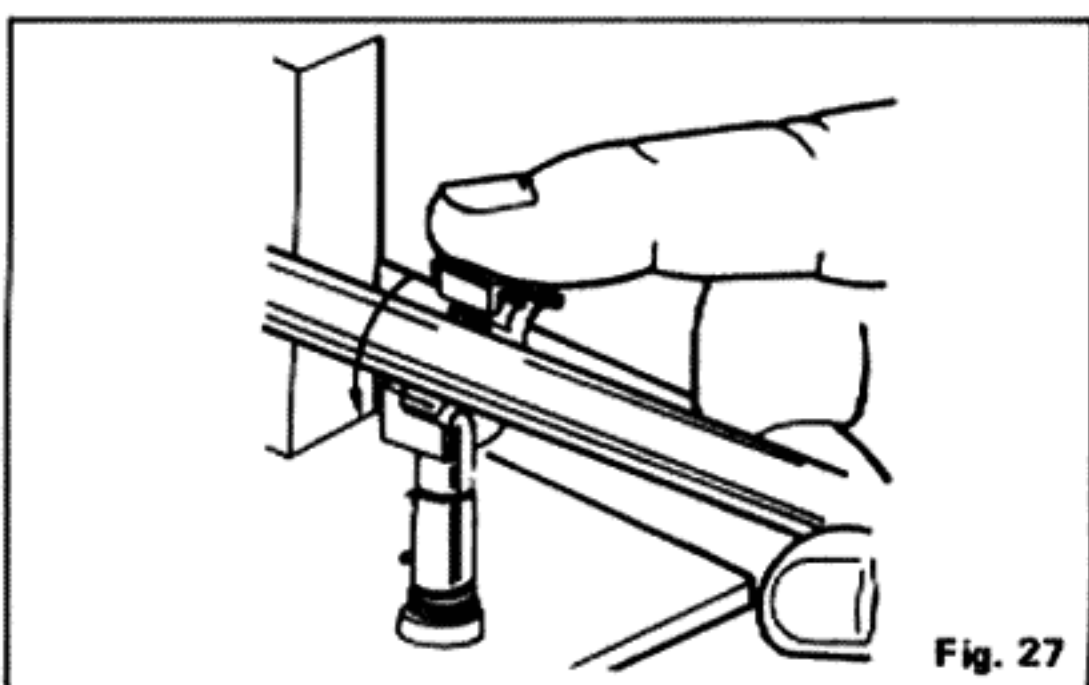


Fig. 27

8. Press the "READY" button again to switch the power off (—). (Fig. 21)
9. Clamp the tonearm. (Fig. 27)

TROUBLESHOOTING

What appears to be trouble may not always be real trouble. Make sure first . . .	
No power	Is the power cable disconnected?
No sound	Are the input terminals of the amplifier properly connected? Is the tape monitor switch of the amplifier turned "ON"? Is the volume control of the amplifier set to "MIN"? Are the cartridge wires poorly connected or is the connection between the headshell and the tonearm loose?
Hum or noise during play	Are the cords with red and white plugs making contact with the "PHONO" terminals of the amplifier? Check that the grounding wire is properly connected.

SPECIFICATIONS

MOTOR SECTION

Motor	: Coreless, DC type, FG servomotor
Drive system	: Direct drive
Speeds	: 33-1/3 & 45 rpm
Wow and flutter	: 0.02 % (WRMS) 0.01 % (by K&K measuring method)
Signal-to-noise ratio	: More than 78 dB (DIN-B)
Speed detection	: Frequency generator
Starting torque	: 1.2 kg.cm
Speed deviation	: Within 0.002 %
Load characteristics	: 0 % (with 130 g total tracking force)
Drift	: 0.0001 %/H
Power characteristics	: 0 % (± 10 V)
Temperature characteristics	: 0.00005 %/ $^{\circ}$ C
Platter	: 32.2 cm

TONEARM SECTION

Type	: Dynamically-balanced electronic servo controlled arm
Effective length	: 245 mm
Overhang	: 15 mm
Weight range	: 14.5 – 25 g (including headshell weight)
Height range	: 45 – 51 mm (preset to 48 mm)
Applicable tracking force	: 0 – 3.0 g

GENERAL

Power source	: AC 120 V, 60 Hz
Power consumption	: 30 watts
Dimensions	: 17.7 cm(H) x 48 cm(W) x 43.6 cm(D) (7 x 18-7/8 x 17-3/16 inches) (Since the dimensions show only the design measurements, consideration is required when installing the unit in a limited space such as a rack, etc.)
Weight	: 13 kg (28.6 lbs) (without corrugated card board case)
Accessories	: EP adaptor 1 Cartridge securing screw 2

Design and specifications subject to change without notice.