

MICRO SEIKI®

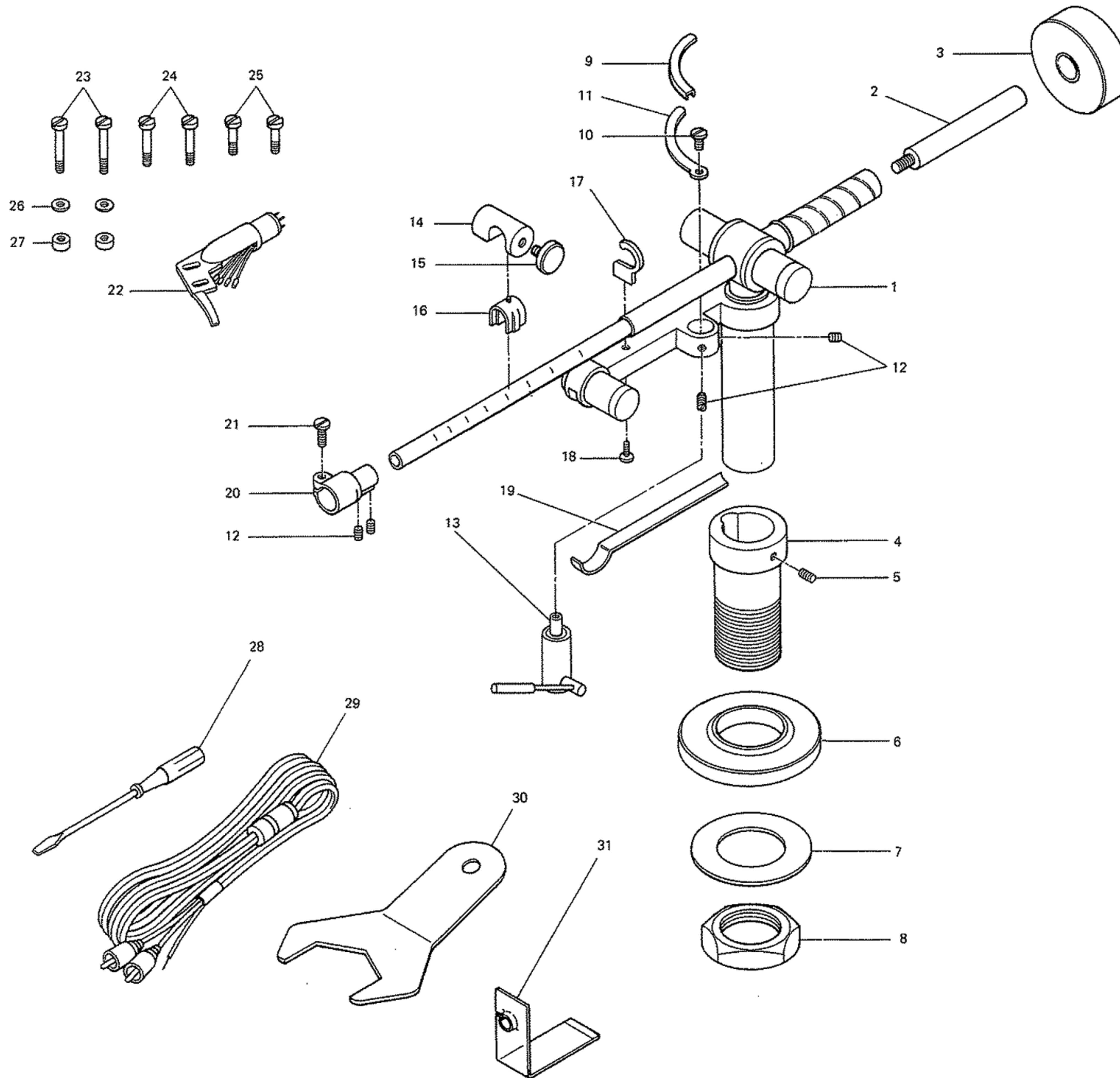
SERVICE MANUAL

DYNAMIC BLANCE TONEARM

MA-707

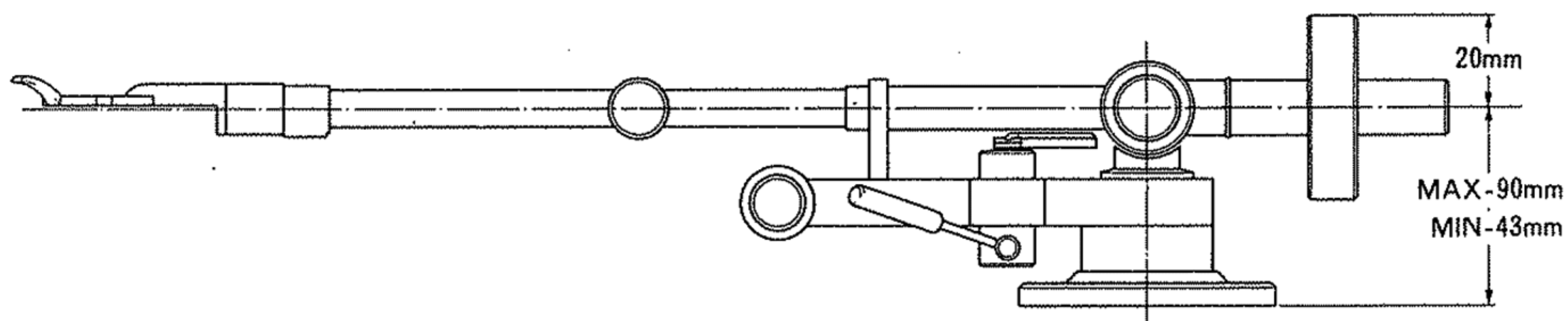
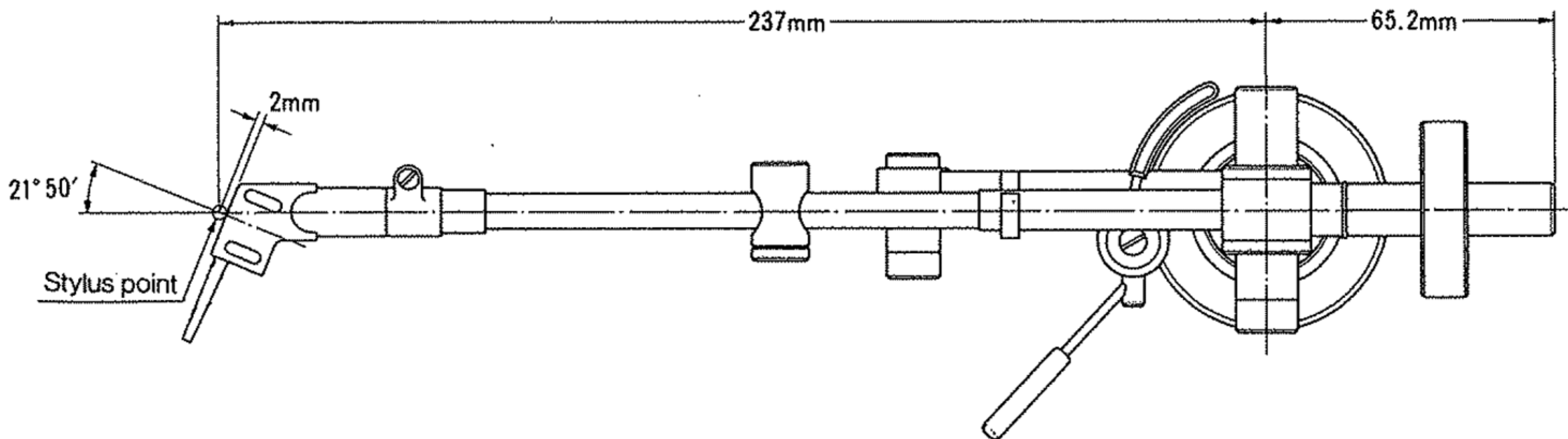


EXPLODED VIEW



PARTS LIST FOR EXPLODED VIEW

REF. NO.	Q'TY	DESCRIPTION	PARTS NO.
1	1	Tonearm A'ssy	
2	1	Sub weight	MT472005
3	1	Main weight A'ssy	MA476639
4	1	Arm base	MT313855
5	1	Set screw M4 x 4	
6	1	Base plate	MT471570
7	1	Arm base washer	MP442810
8	1	Arm base lock nut	MT442007
9	1	Lifter guide rubber	MN470749
10	1	Lifter guide set screw	MT428165
11	1	Lifter guide plate	MP470806
12	4	Set screw M2 x 2	
13	1	Arm lifter A'ssy	MA442050
14	1	Supplement weight	MT471781
15	1	Weight lock knob	MT471796
16	1	Weight liner	MN313766
17	1	Arm rest	MN476624A
18	1	Screw, Tapping 2.3 x 6	
19	1	Bottom plate	MP470810
20		Head lock	MN313930A
21	1	Head lock screw	MT471777
22	1	Head shell	MN313790A
23	2	Screw	MT455120
24	2	Screw	MT420210
25	2	Screw	MT420205
26	2	Cartridge washer	MP418277
27	2	Cartridge lock nut	MT422179
28	1	Screw driver	ZF900085
29	1	Output cord A'ssy	ME208700
30	1	Open ended spanners	MP442030
31	1	Overhang gauge	MP472271



■ MA-707 Specifications

Type	Dynamic balance tonearm
Overall length	315mm (12-3/8 inch)
Effective length	237mm (9-3/8 inch)
Overhang	15mm (5/8 inch)
Offset angle	21° 50'
Tracking error angle	Less than 1.5°
Height range	43~83mm (1-3/4~3 1/4 inch)
Recommended cartridge weights	4~12g (0.14~4.2oz)
Lateral motion sensitivity	10mg
Vertical motion sensitivity	15mg
Anti-skating device	Spring tension type
Establishing of anti-skating force	Relative to stylus pressure
Tonearm lifter	Delayed action type
Output cable	5-connector plug-in low capacity design (55PF/m) shielded cable
Headshell weight	4g (0.14oz)
Connector	Plug-in type, with hard gold plating

*Design and specifications are subject to modification without notice.