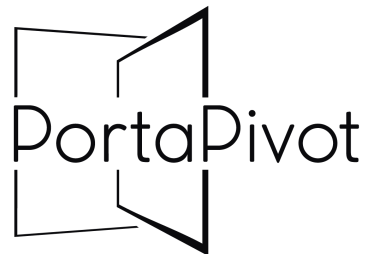
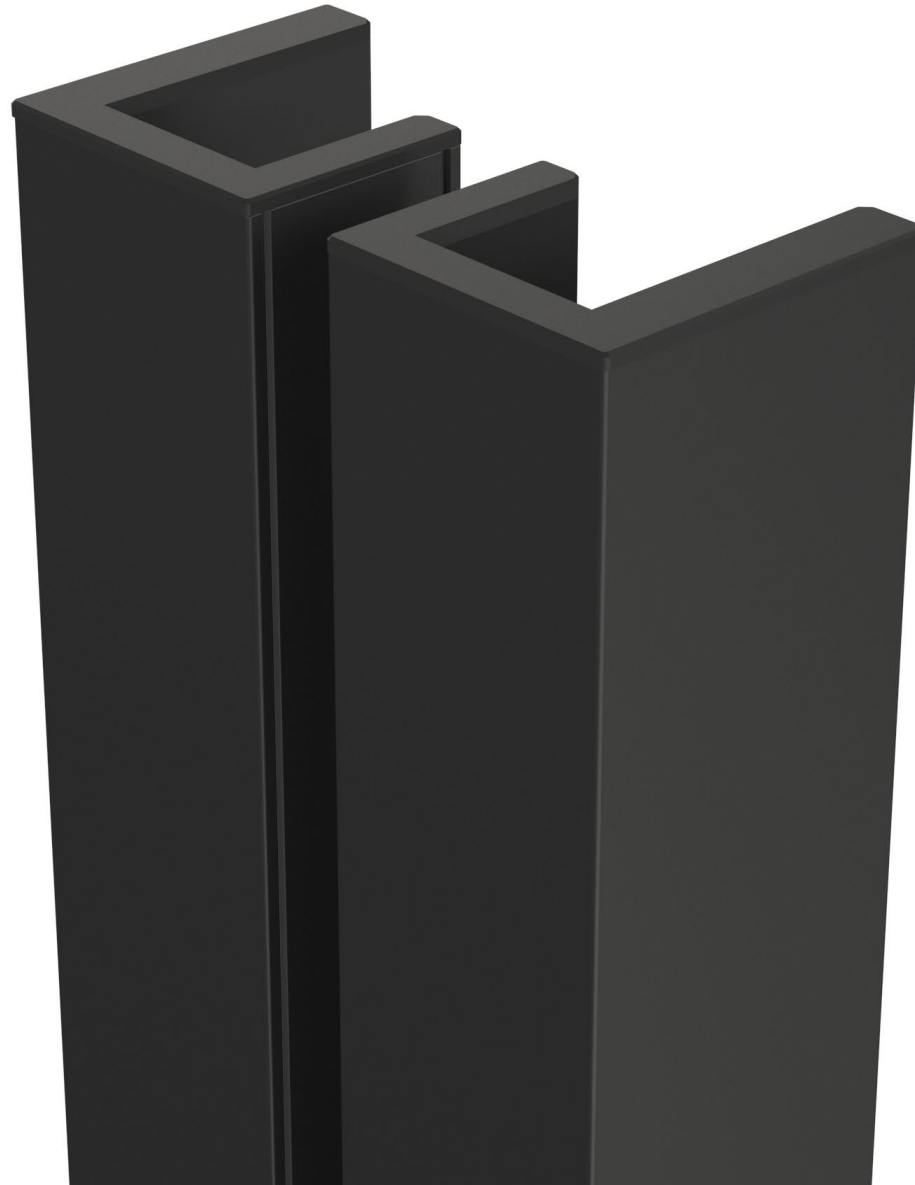


MOUNTING DG10 DOORGRIP

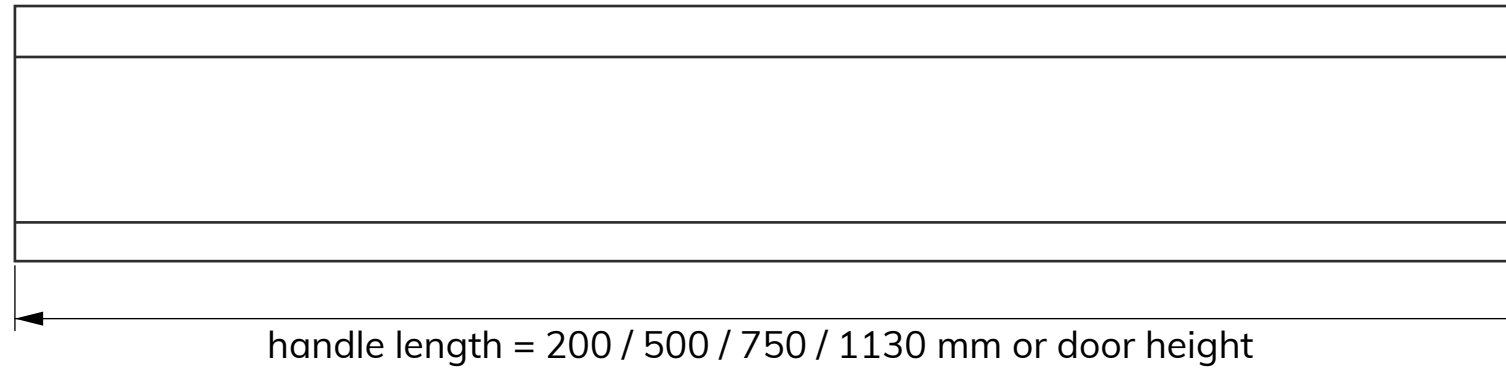
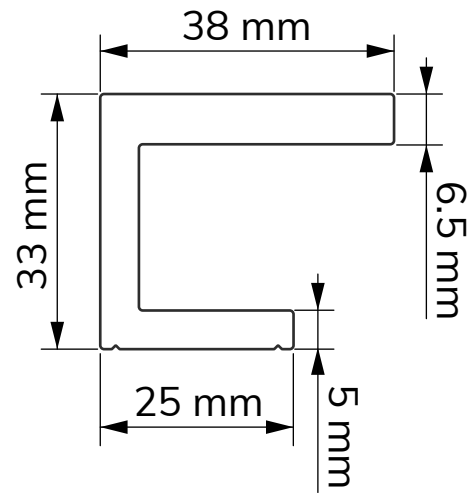


STEALTHPIVOT

By PortaPivot

Patented technology

DG.10 dimensions & colors

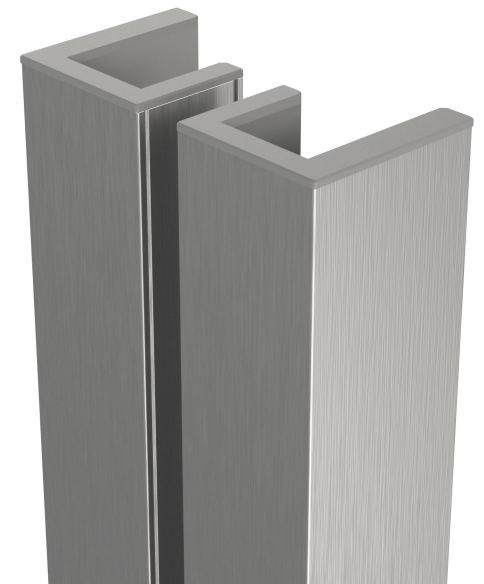
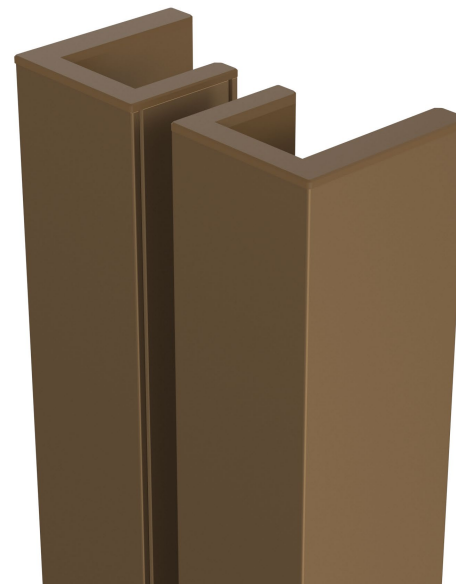
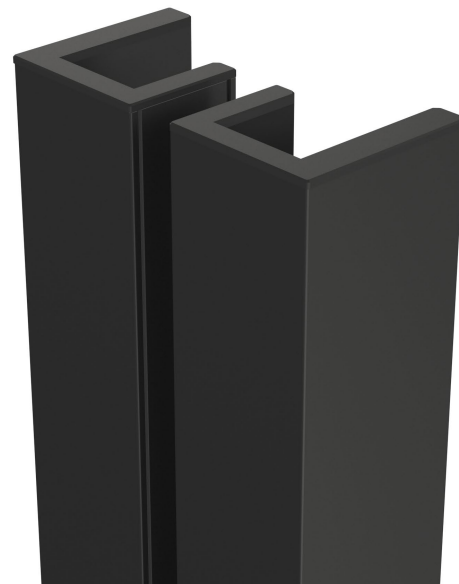
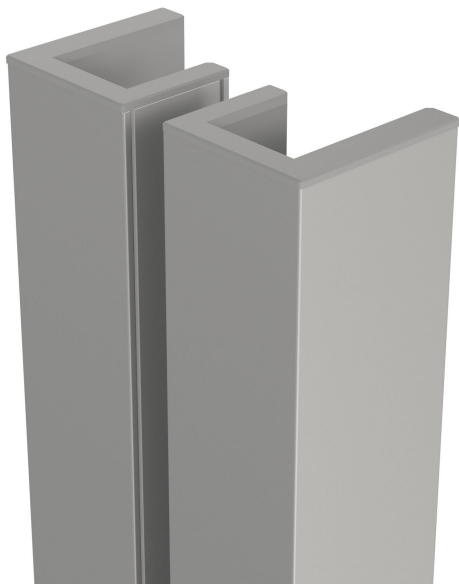


Aluminium

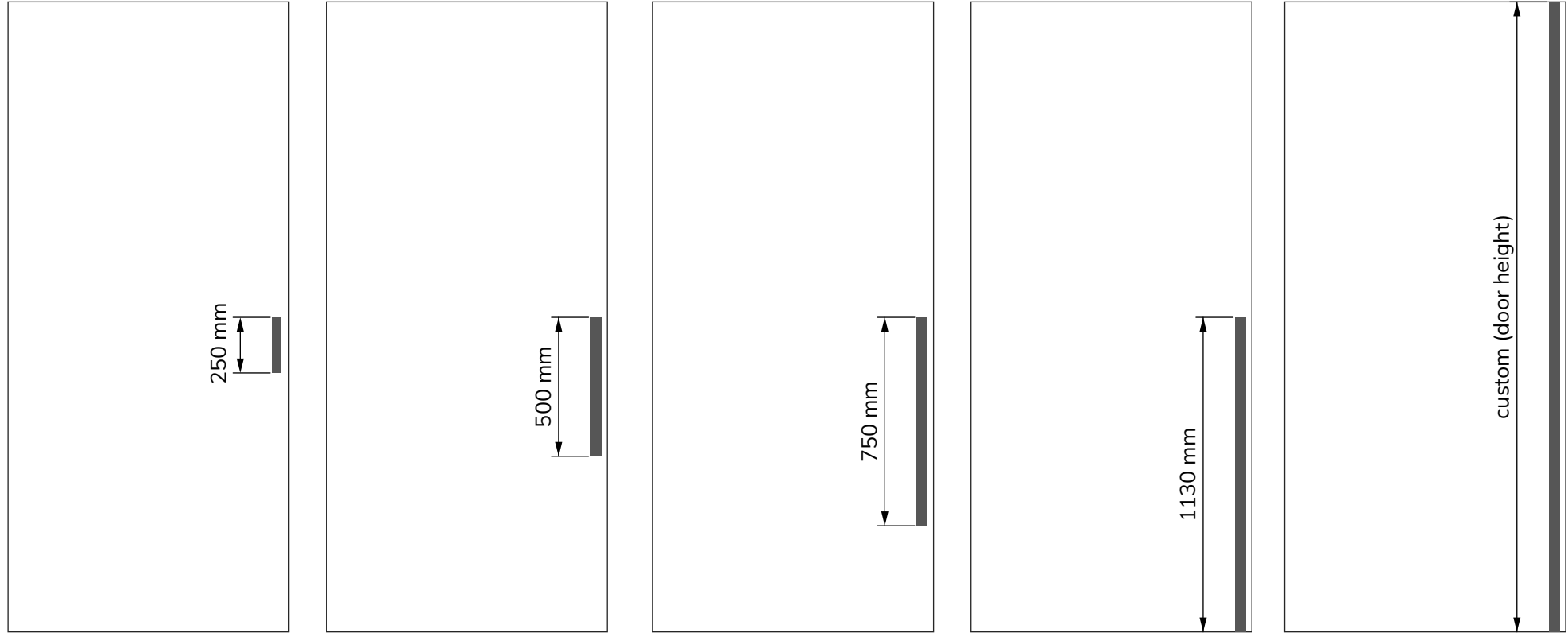
Black

Bronze

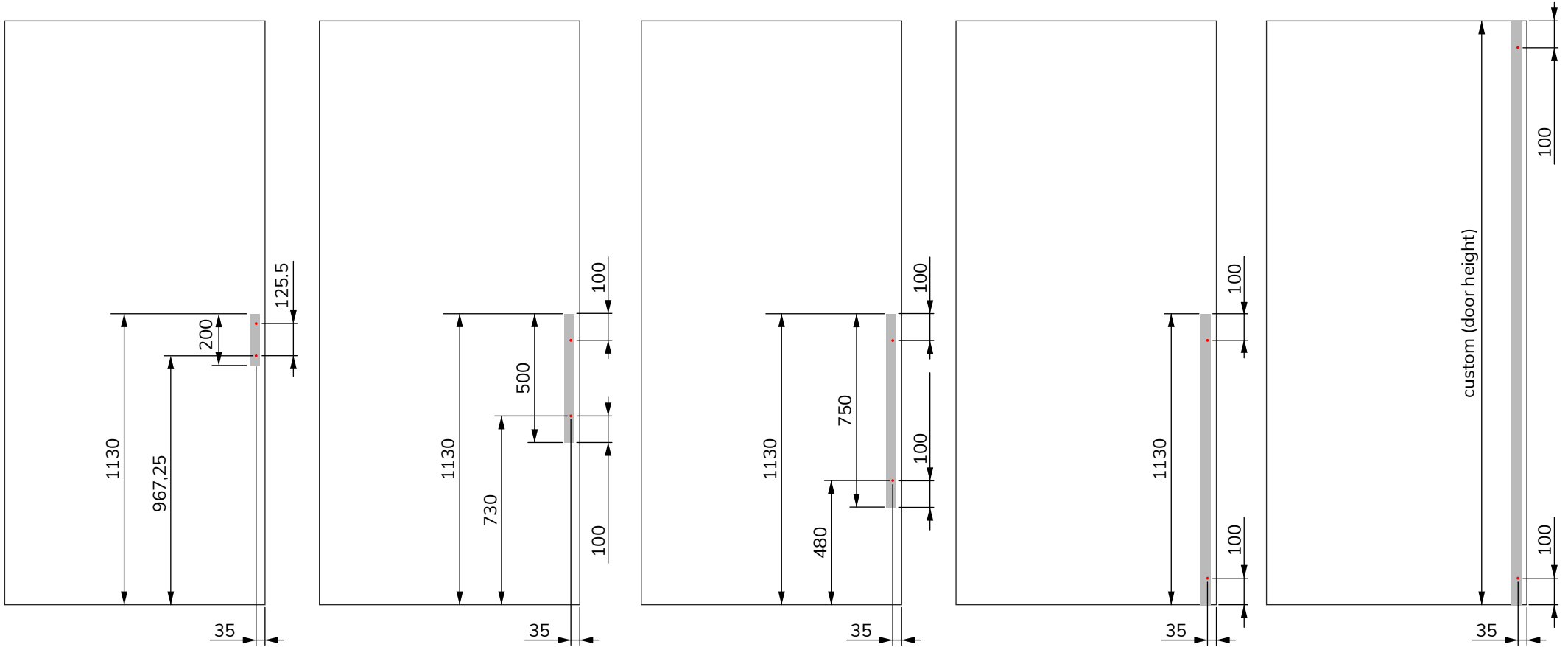
Stainless steel

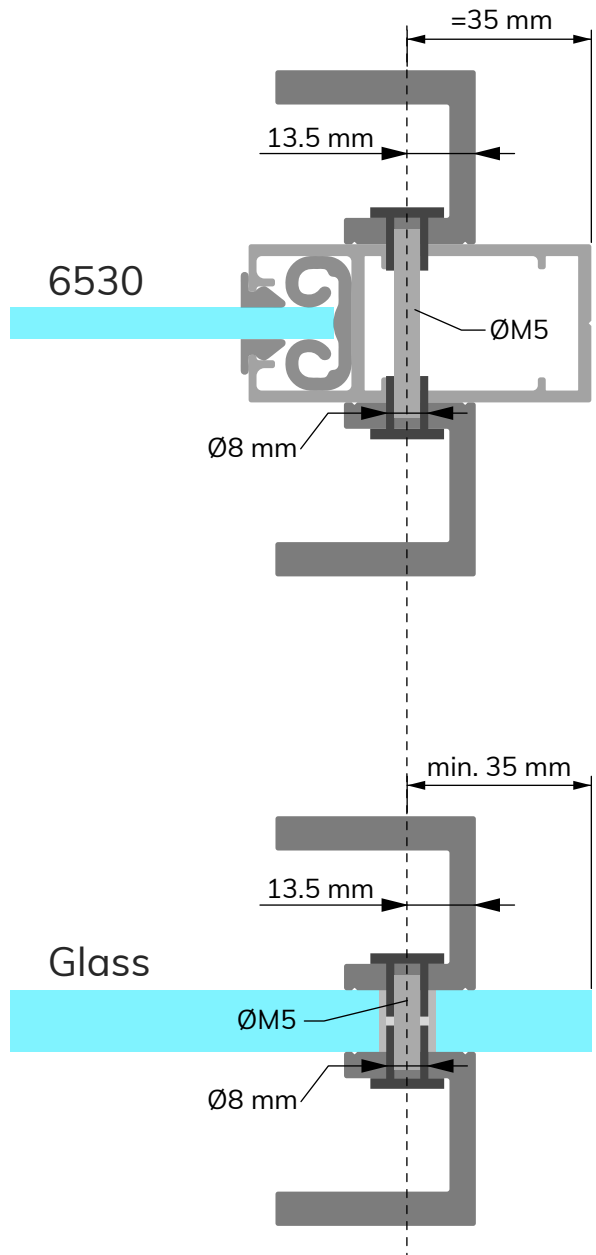
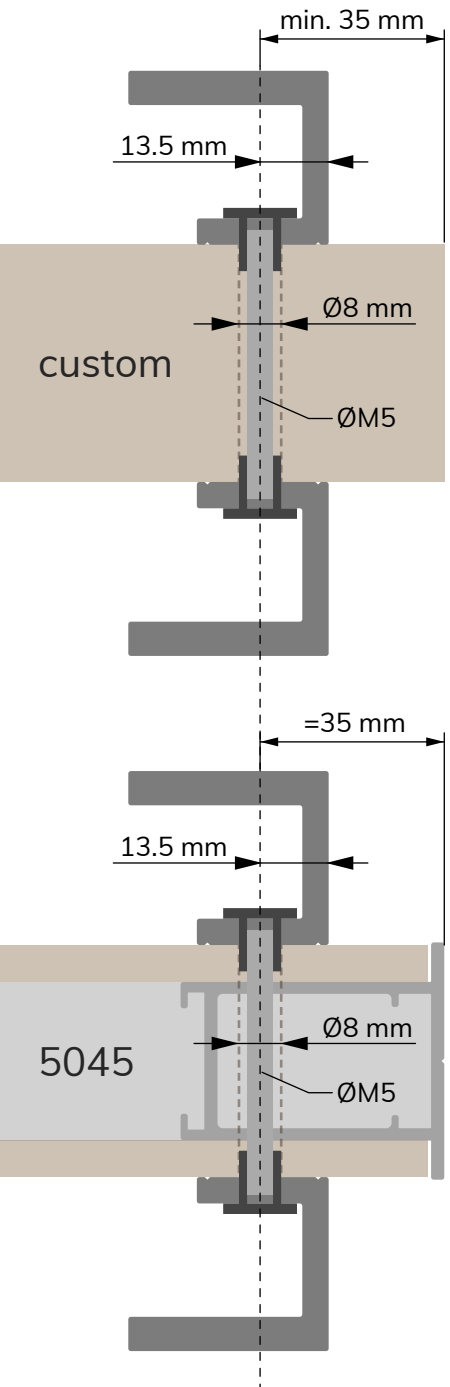


DG10 size variations



DG10 mounting locations (mm)

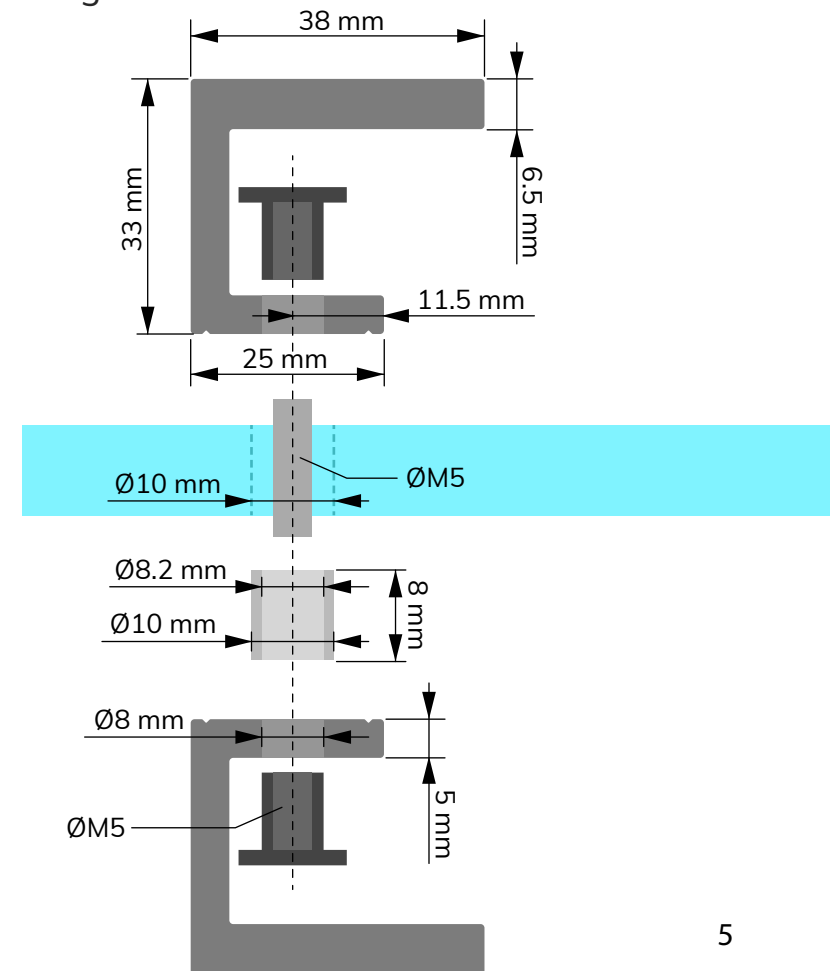


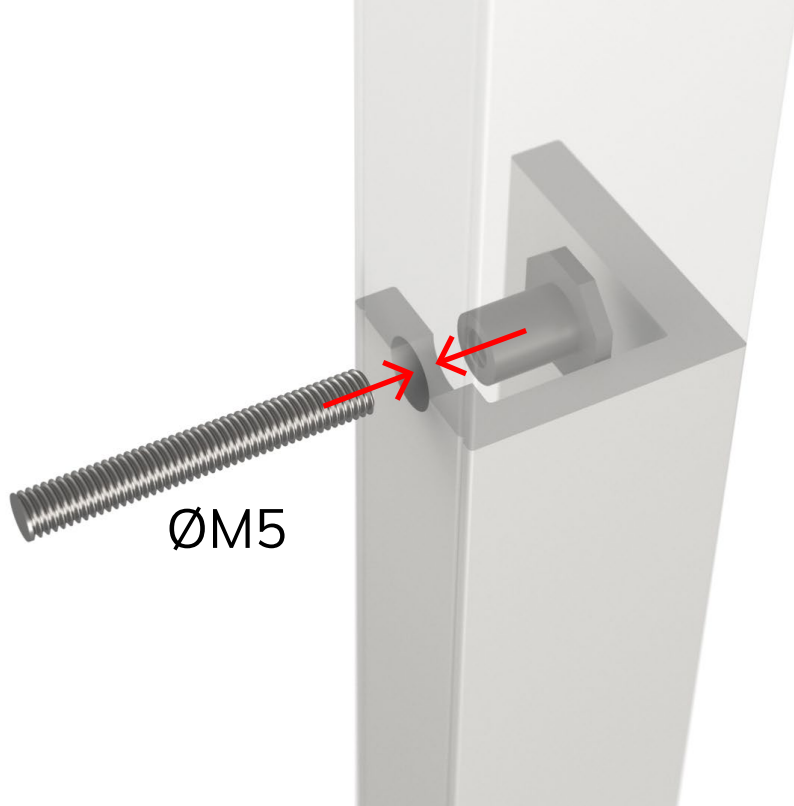


DG10 mounting location

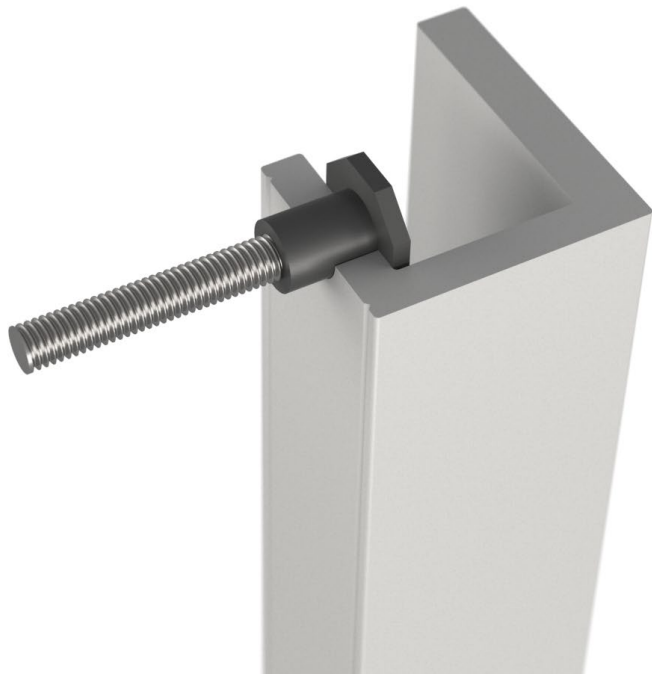
The DG10 doorgrasp is mounted with a threaded rod and custom hexagonal nuts.

The center of the nut is always at 35 mm from the doors edge.





Insert a nut in the hole of one DG10, and install the threaded rod in this nut



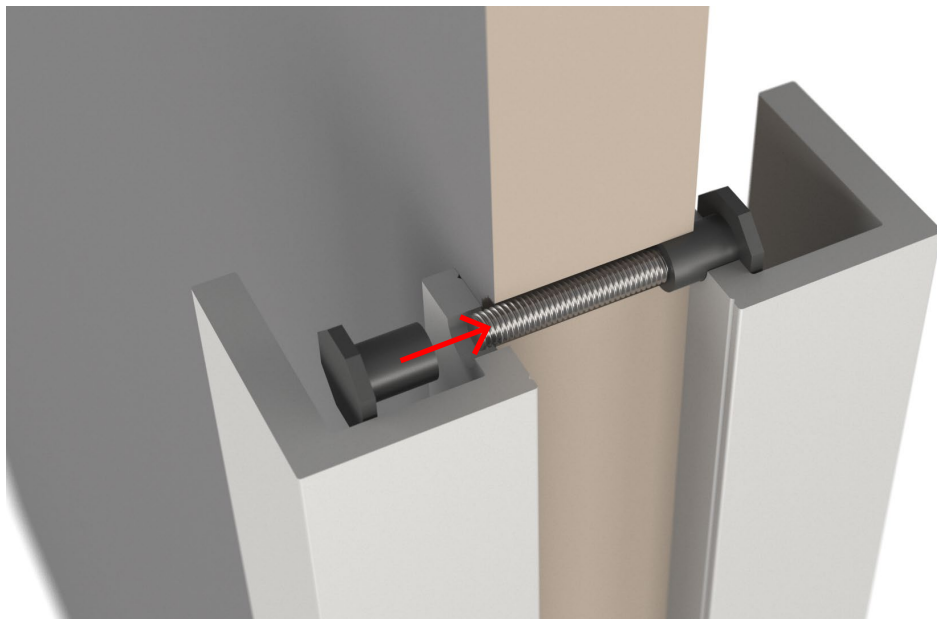


Position the DG10 + nut + rod through the hole in the door leaf.

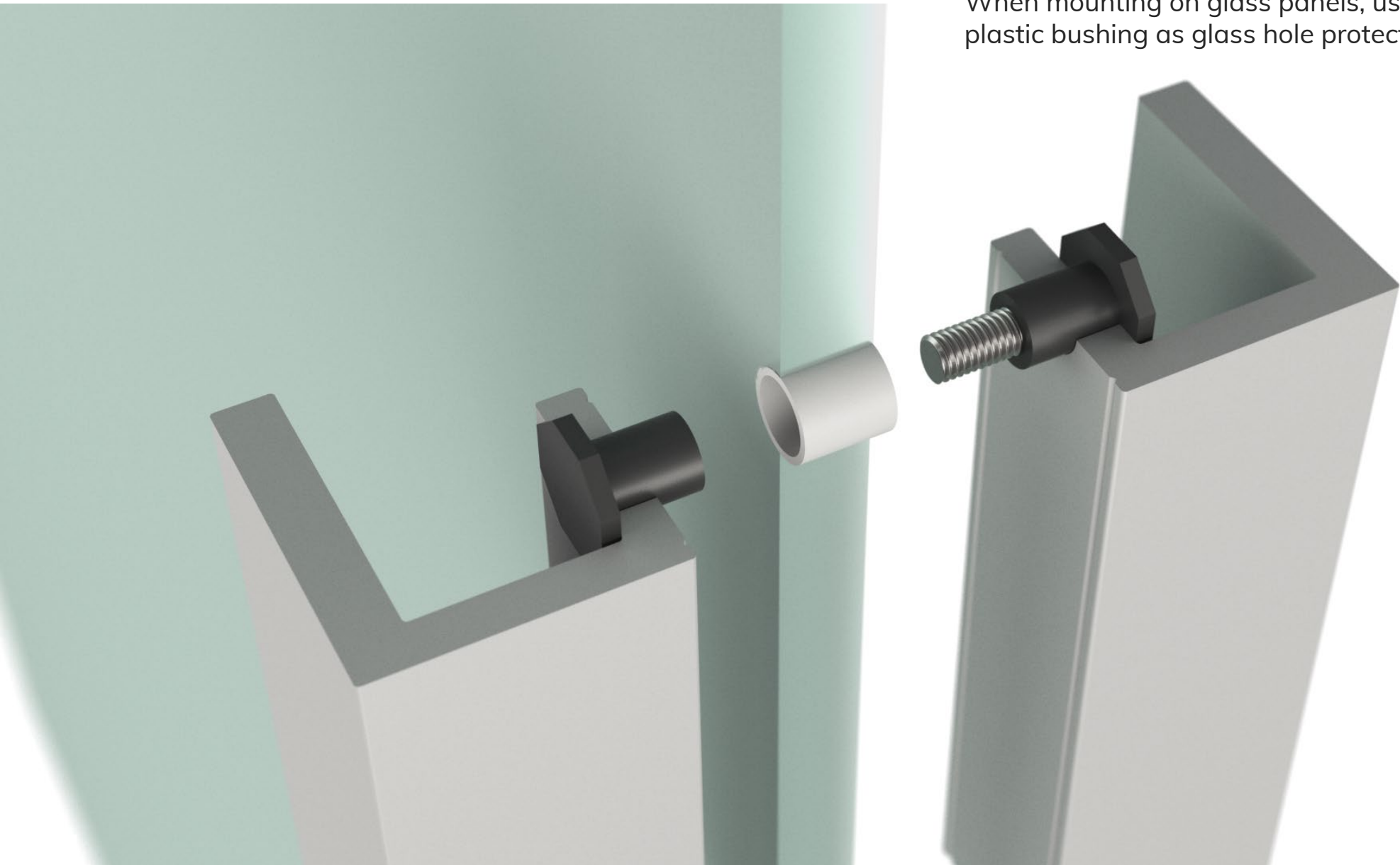
Install a second nut on the other side and tighten it to lock both door grips together.

Repeat the same process for the other mounting hole.

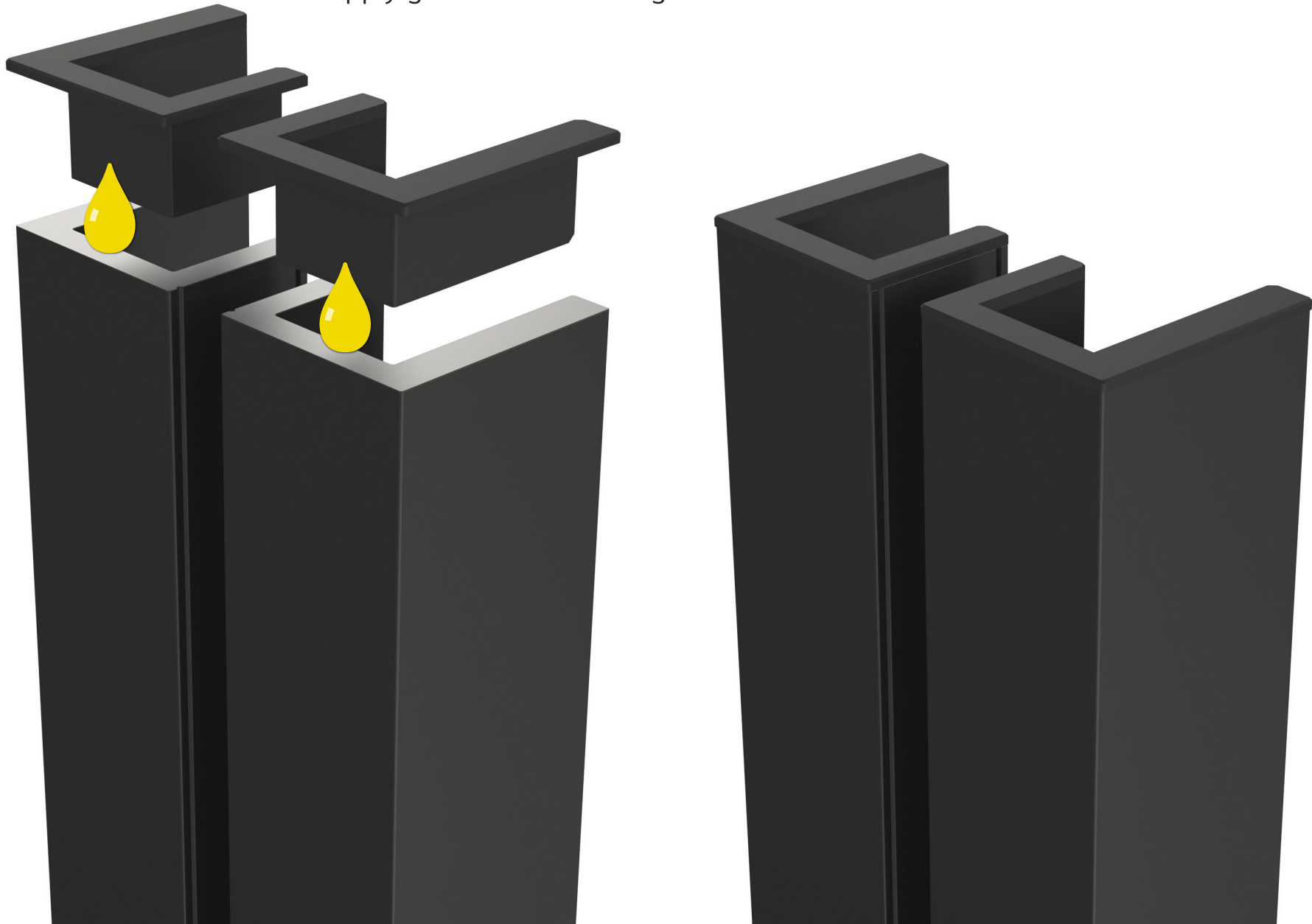
Beware not to scratch the handle!



When mounting on glass panels, use the plastic bushing as glass hole protection.



Place end caps to hide saw cuts and to cover sharp edges.
Apply glue when mounting.



DG10 examples



500 mm DG10
Custom door



250 mm DG10
Portapivot 6530



Full height DG10
Portapivot 5045



250 mm DG10
Portapivot Glass

For instructions on how to install
the fully assembled door in your doorway,
please refer to the DOOR INSTALLATION MANUAL