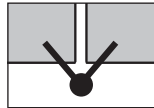
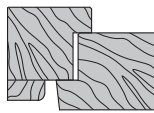


ECLIPSE - Adjustable concealed hinge



Description

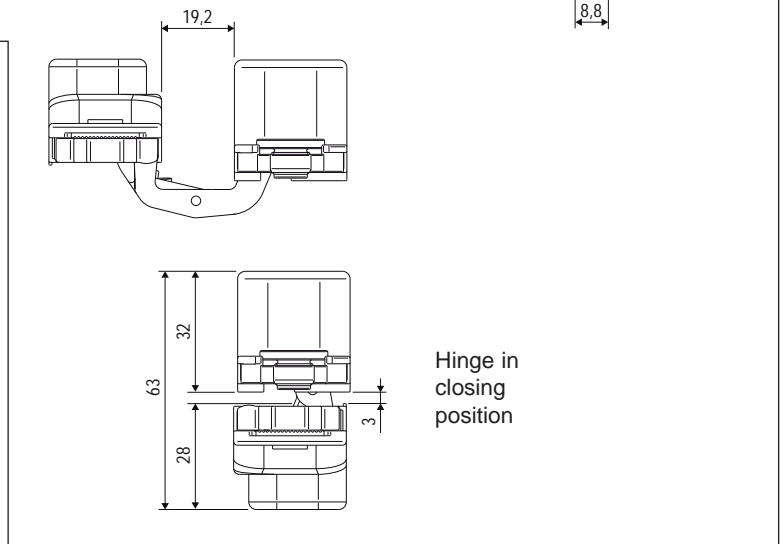
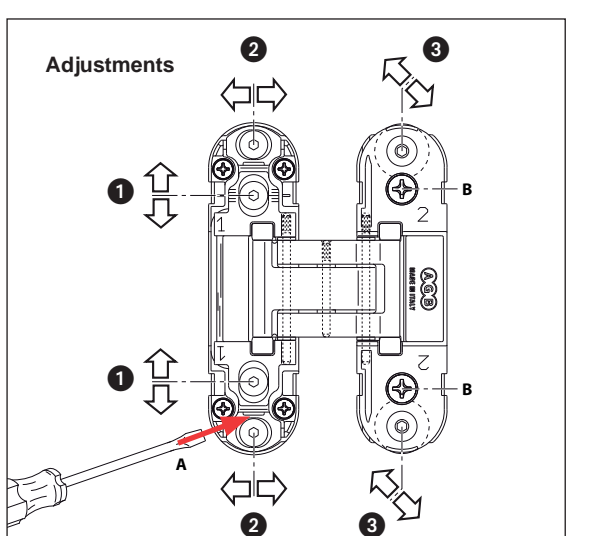
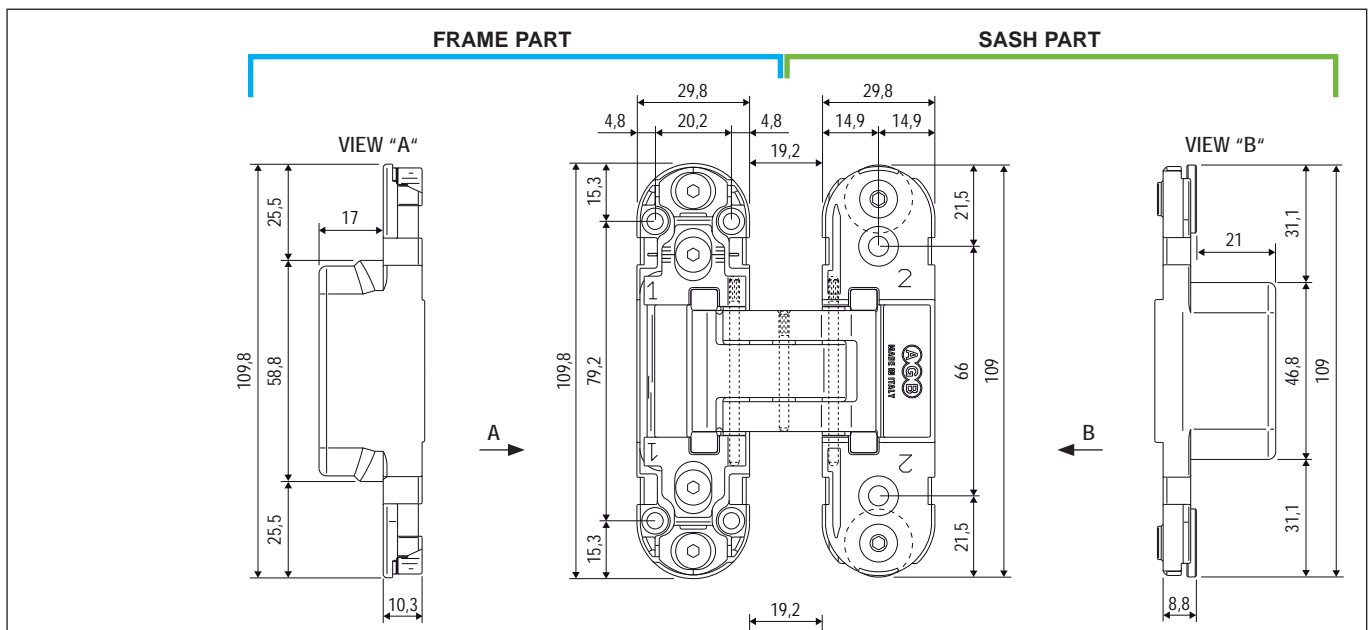
Reversible concealed hinge; adjustable on three axis, up to 180° opening for flush doors with thickness from 40 to 44 mm.

Capacity

40 kg with 2 hinges.

Fitting

Perform pre-holes. Set millings on sash and frame as shown in drilling diagram. Fasten the hinge with 5x40 mm screws for sash part and 4x25 mm screws for frame part.



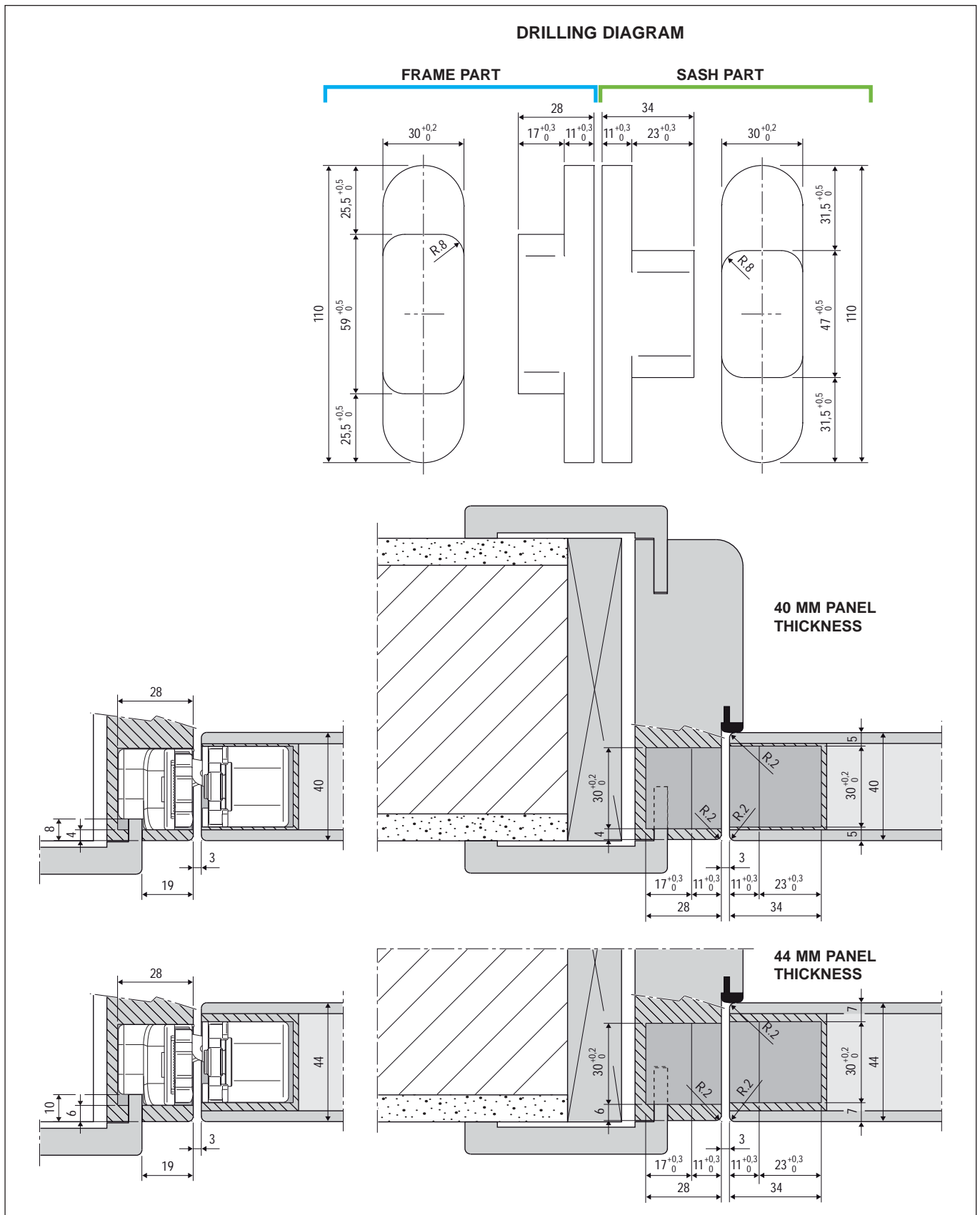
Do the adjustments here below one at a time, with 3 mm Allen key:

- ± 2 mm vertical adjustment: loosen the screws 1 to get the desired adjustment helping yourself with a flat-bladed screwdriver (A). After this operation fasten the screws.
- ± 1 mm pressing adjustment: loosen the screws 2.
- $\pm 1,5$ mm horizontal adjustment: once loosened screws (B) adjust screws 3.

Covers available

FRAME	SASH	ABS: Art. E30200.11.XX

ECLIPSE - Adjustable concealed hinge



Order specifications

Materiale	Article
ZAMAK	E30200.00.XX

NB. Refer to the price list in force to check the availability of the finishes.