

» TAF – Temporary Access Function «



SKA



AZ37A



European profile cylinder (SYMO)

ICS with switch-over access authorisations

A mechanical solution that not only takes care of who is able to enter, but also when someone is authorised. This is unique. How does it work? You can additionally authorise a service key by removing the priority key in **"S" service position**. It is up to you for how long. The function is once again deactivated as soon as you reset the cylinder to **normal "I" position**. The standard key blocks both positions, but cannot alter the locking authorisation (position the key is removed).

- › Lock cylinder in two key removal positions
- › Service key function can be activated/deactivated
- › Can be integrated into an ICS locking system
- › Available in the following designs: European profile cylinder, SKA and AZ37
- › Lock cylinder including three keys (priority, standard and service key)

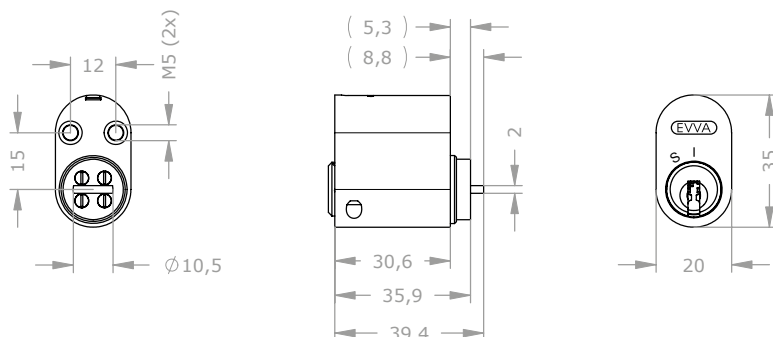
Technical information on ICS

System & technology	Reversible key system with 13 active, spring-loaded locking elements Combination of split and non-split scanning elements Patented, concealed and optimised curve pattern on the key Four levels of scanned locking authorisation on the key Modular cylinder in European profile and Swiss round profile
Functional characteristics	Highly durable thanks to the use of special, particularly robust nickel silver keys Authorisation checks in 13 positions and one reversible key profile
Security features	Scanning and picking protection with specially shaped scanning element Drilling protection thanks to specially aligned, hardened steel protective elements

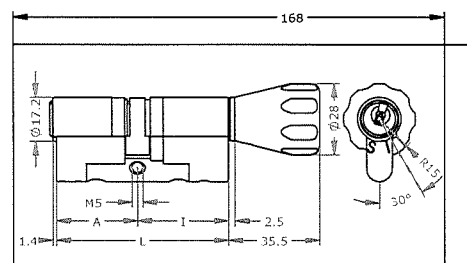
Order

Product code:	KZ../K.., TAF AZ37, TAF SKA, TAF SL, PRIO (key with switch-over priority) SL, (standard key locks in both positions) SL, TAF (service key locks in S position only)
---------------	--

SKA



ICS Thumb turn cylinder (SYMO)



AZ37A

