

Levenhuk Strike PLUS Telescopes

Levenhuk Strike 100 PLUS Telescope

Levenhuk Strike 120 PLUS Telescope

User Manual

Návod k použití

Bedienungsanleitung

Instrukcja obsługi

Инструкция по эксплуатации

Посібник користувача



levenhuk^o
Zoom&Joy

Levenhuk Strike 100/120 PLUS



EN

1. Dust cap
2. Front
3. Declination slow-motion control
4. Right Ascension slow-motion control
5. Counterweight rod
6. Counterweight
7. Accessory tray
8. Tripod locking knob
9. Adjustable rubber feet
10. Fully adjustable aluminum tripod
11. Azimuth locking knob
12. Equatorial mount
13. Back
14. Optical tube
15. Locking knobs
16. Eyepiece
17. Red dot finder

CZ

1. Ochranný kryt
2. Čelo
3. Ovládání jemného nastavení osy deklinace
4. Ovládání jemného nastavení osy rektascenze
5. Tyč protiváhy
6. Protiváha
7. Odkládací přihrádka pro příslušenství
8. Aretační šroub stativu
9. Stavitelná pryžová patka
10. Plně nastavitelný hliníkový stativ
11. Aretační šroub nastavení azimutu
12. Paralaktická montáž
13. Zadní část
14. Optický tubus
15. Aretační šrouby
16. Okulár
17. Hledáček s červenou tečkou

DE

1. Staubschutzkappe
2. Vorderseite
3. Deklinations-Feinabstimmung
4. Rektaszensions-Feinabstimmung
5. Gegengewichtsstange
6. Gegengewicht
7. Zubehörablage
8. Stativ-Verriegelungsknopf
9. Verstellbare Gummifüße
10. Vollständig verstellbares Aluminiumstativ
11. Azimut-Verriegelungsknopf
12. Äquatorialmontierung
13. Rückseite
14. Optischer Tubus
15. Verriegelungsknöpfe
16. Okular
17. Leuchtpunktsucher

PL

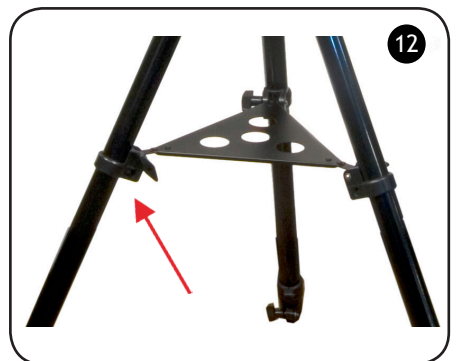
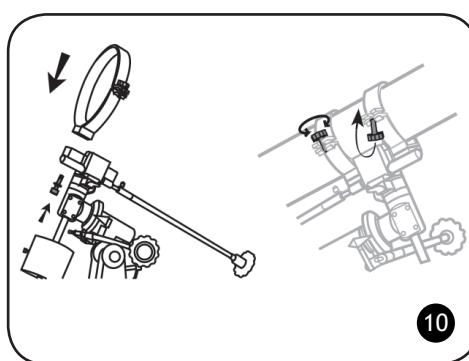
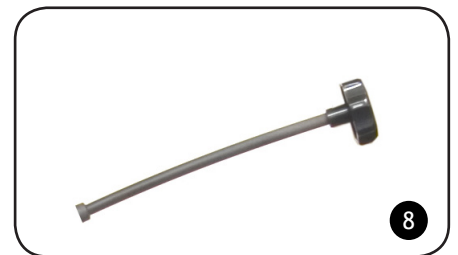
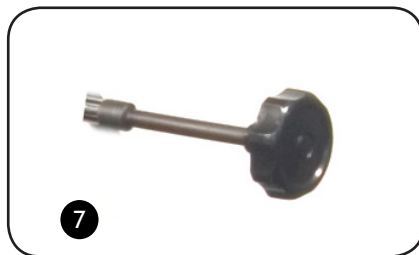
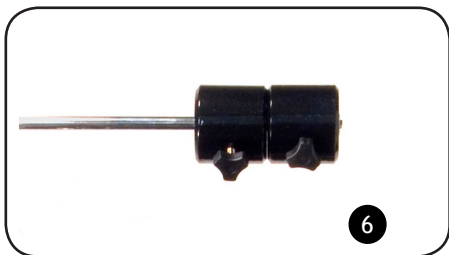
1. Ostrona przeciwpłyowa
2. Przód
3. Pokrętko mikroruchów w osi deklinacji
4. Pokrętko mikroruchów w osi rektascensji
5. Pręt przeciwwagi
6. Przeciwwaga
7. Tacka na akcesoria
8. Pokrętko blokujące statyw
9. Regulowana podkładka gumowa
10. W pełni regulowany statyw aluminiowy
11. Pokrętko blokujące teleskop w poziomie
12. Montaż paralaktyczny
13. Tył
14. Tuba optyczna
15. Pokrętkła blokujące
16. Okular
17. Szukacz Red Dot

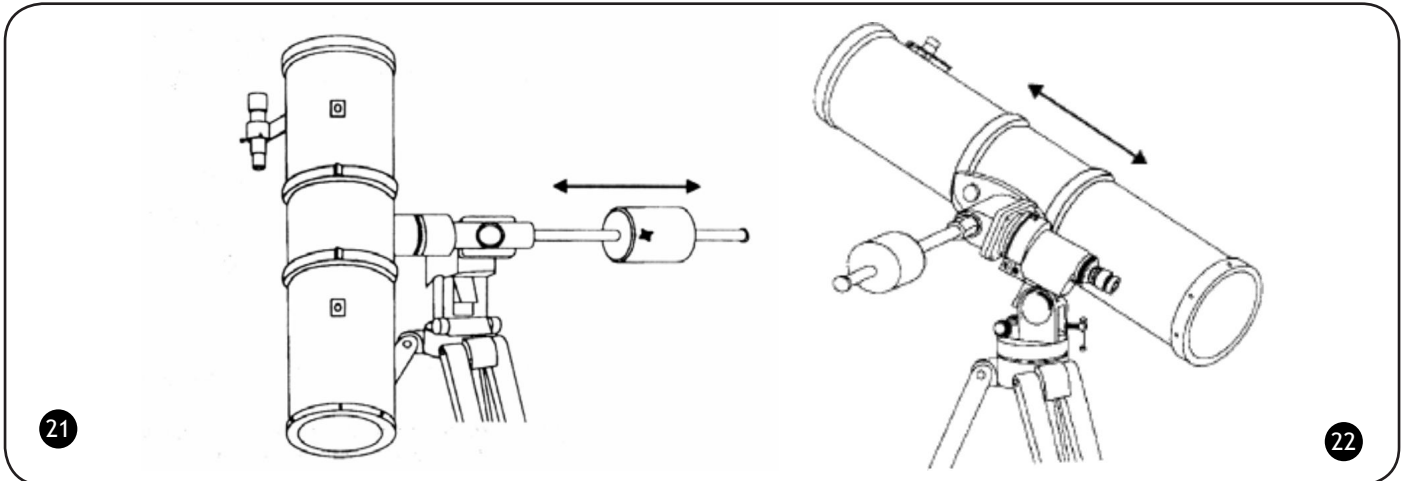
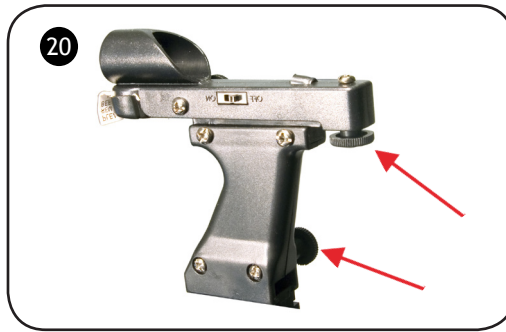
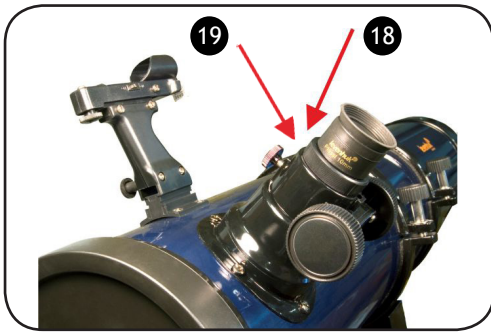
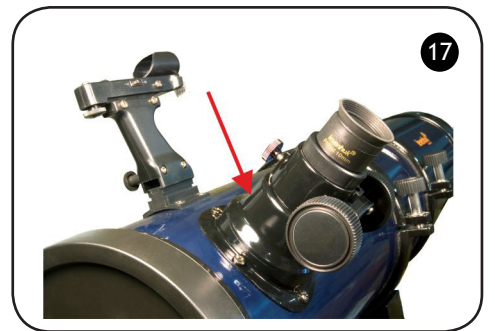
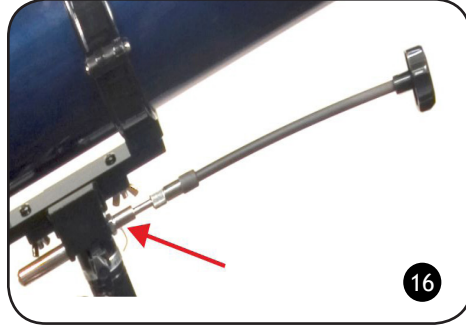
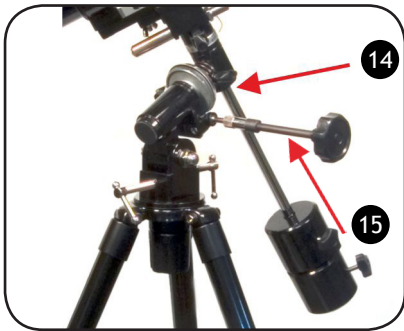
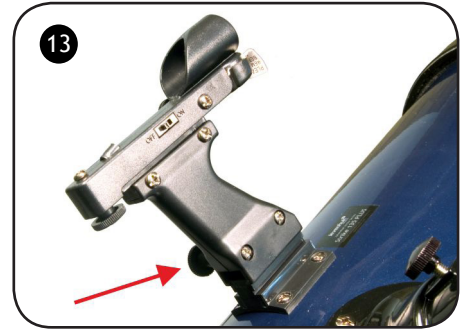
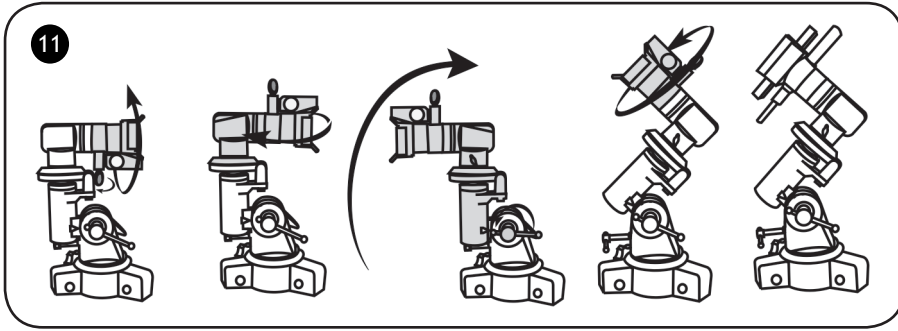
RU

1. Крышка трубы
2. Передняя часть трубы телескопа
3. Ручка тонких движений по оси склонения
4. Ручка тонких движений по оси прямого восхождения
5. Ось противовеса
6. Противовес
7. Лоток для аксессуаров
8. Фиксатор треноги
9. Резиновый наконечник ноги треноги
10. Алюминиевая раздвижная тренога
11. Фиксатор монтировки по азимуту
12. Экваториальная монтировка
13. Задняя часть трубы телескопа
14. Труба телескопа
15. Винты крепежных колец
16. Окуляр
17. Искатель с красной точкой

UA

1. Пилозахисний ковпачок
2. Передня частина труби телескопа
3. Регулятор руху по осі нахилу
4. Регулятор руху по осі прямого сходження
5. Стрижень противаги
6. Противага
7. Лоток для аксесуарів
8. Фіксатор триноги
9. Регульована гумова підніжка
10. Повністю регульована алюмінієва тринога
11. Фіксатор по азимуту
12. Екваторіальне монтування
13. Задня частина труби телескопа
14. Труба телескопа
15. Фіксатори
16. Окуляр
17. Шукач з червоною крапкою





Congratulations on your purchase of a high-quality Levenhuk telescope!

These instructions will help you set up, properly use, and care for your telescope. Please read them thoroughly before getting started.

CAUTION! Never look directly at the Sun – even for an instant – through your telescope or finderscope without a professionally made solar filter that completely covers the front of the instrument, or permanent eye damage may result. To avoid damage to the internal parts of your telescope, make sure the front end of the finderscope is covered with aluminum foil or another non-transparent material. Children should use the telescope under adult supervision only.

All parts of the telescope will arrive in one box. Be careful when unpacking it. We recommend keeping the original shipping containers. In the event that the telescope needs to be shipped to another location, having the proper shipping containers will help ensure that your telescope survives the journey intact. Make sure all the parts are present in the packaging. Be sure to check the box carefully, as some parts are small. No tools are needed other than those provided. All screws should be tightened securely to eliminate flexing and wobbling, but be careful not to overtighten them, as that may strip the threads.

During assembly (and anytime, for that matter), do not touch the surfaces of the optical elements with your fingers. The optical surfaces have delicate coatings on them that can easily be damaged if touched. Never remove mirrors from their housing, or the product warranty will be null and void.

It is important to properly assemble your telescope in order to allow it to function properly. Take the time to become familiar with your new telescope. Learn the names of the various parts, where they are located and their function. It is the best to perform these functions during the day time. When setting up for a viewing session, place the telescope in an area sheltered from the wind if possible. The best night time viewing will be away from city light and when the atmosphere is «steady». With a little practice you will learn to judge when viewing conditions are good. Look for the nights when the stars shine brightly with little or no twinkling.

Consider using the telescope for earth (terrestrial) viewing before attempting to view astronomical objects. This will familiarize you with how powerful each eyepiece will be, as well as introducing you to the functions of your accessory lenses. We recommend you begin with the lowest power eyepiece, 25mm, when using your telescope. As you increase the power, the image will appear darker; this is due to the basic physical properties of the telescope. The higher the power you use the darker the image will appear and your viewing field will be narrower. Please be patient when using your telescope. It is a very sensitive instrument that is capable of using high powers. However, the more power you use, the more sensitive the telescope becomes. As a result, the slightest movement of the telescope could cause you to lose the image you have in your eyepiece. Practice will enable you to know how much movement to expect with each eyepiece and its corresponding power. ❶

Accessories

Red dot finder: ❷

Used to locate objects before using the telescope tube.

Please note that the red dot finder has to be aligned to the telescope tube prior to any observations.

2x Barlow lens: ❸

Used to double the power of any given eyepiece.

Eyepieces: ❹

- 25mm eyepiece. Yields the lowest power, but the resulting images are the brightest
- Zoom eyepiece F6.8-F16mm ❺

Counterweight ❻

Declination slow-motion control ❼

Right ascension slow-motion control ❽

Note: Levenhuk reserves the right to modify or discontinue any product without prior notice.

Assembly Instructions

1. Remove the contents from the box and identify the parts.

- tripod
- red dot finder
- counterweight
- accessory tray
- eyepieces: 1.25" 25mm, F6.8-F16mm zoom
- right ascension slow-motion control
- telescope tube
- 2x Barlow lens
- declination slow-motion control

2. Adjust the tripod height by loosening the locking knobs, adjusting and leveling the tripod, then retightening the locking knobs. **9**

3. Loosen the azimuth locking knob on the equatorial mount (located at the bottom of the mount).

4. Place the equatorial mount on the tripod. **10**

5. Secure the mount by tightening the locking knob

6. Attach the telescope to the mount. **11**

7. Attach accessory tray. **12**

1. Spread tripod legs apart so the accessory tray fits underneath
2. Push the hooks of the tray into the holders on the tripod
3. Tighten the locking knobs to secure the accessory tray in place

8. Loosen the screws of the red dot finder and slide it into the bracket. Tighten locking screws. (Please see further instructions on red dot finder). **13**

9. Attach counterweight to equatorial mount. **14**

10. Attach right ascension slow-motion control to equatorial mount. **15**

11. Attach declination slow-motion control to equatorial mount. **16**

How to use the eyepieces & accessories

It is recommended to follow this order when assembling your telescope for the first time. It will help you better understand what each piece does.

1. **Focuser** **17**

Rotate the focus knob away from you until the focus tube goes no further. To focus the view, slowly rotate the focus knobs toward you until the image is sharp.

Note that the eyepiece has to be inserted otherwise you will not see the image.

2. **Eyepiece** **18**

Insert an eyepiece into the receiving end of the focuser. It is recommended to begin with the lowest power eyepiece. Remember that the longer the focal length, the lower the power the eyepiece yields. Keep in mind that increasing the power will decrease the apparent field of view and the brightness and sharpness of your images.

3. **Barlow lens** **19**

The Barlow lens is used to achieve the highest practical power of your telescope. Insert the Barlow lens into the focuser and then place an eyepiece into the receiving end of your Barlow lens. You will have to refocus the view after this.

Red dot finder assembly

To attach the finder:

1. Remove the red dot finder from the box.
2. Loosen thumbscrews on the side of your finder and slide it into a dovetail mount located at the top of the telescope tube.
3. Tighten thumbscrews.

To align to the telescope:

1. Aim the telescope at an object at least 300 yards away and bring it into focus. This is best done in daylight.
2. Make sure the object is in the center of your view, and tighten all the knobs to prevent any movement.
3. Open the battery compartment underneath the finder and remove the cover from the battery (it is recommended to replace

the battery cover when not using the telescope)

4. Turn the finder on by sliding the On/Off switch forward. The switch is located on the right side of the finder.
5. Look through the finder and locate the red dot.
6. If the object in the finder is not the object you see through the main telescope tube, you have to align it. To move the red dot up and down, simply turn the elevation screw located in the back of the finder. To move the red dot left and right, turn the windage screw located at the front left part of the finder. **20**

Using the Barlow lens

The Barlow lens is used to double the power of the eyepieces. To use it, simply insert the Barlow lens into the focuser and then place the desired eyepiece into the receiving end of the Barlow lens. Note that the higher the power you use the darker the image appears.

Model	Eyepiece	Power	Power with 2x Barlow lens
Levenhuk Strike 100 PLUS	25mm	26x	52x
	F6.8-F16mm	94x-40x	188x-80x
Levenhuk Strike 120 PLUS	25mm	28x	56x
	F6.8-F16mm	103x-44x	206x-88x

Getting the most from your telescope

Take the time to become familiar with your new telescope. Learn the names of various parts and accessories, where they have to go and what they do. It is easier to do this in daylight.

Before beginning your observations, take the telescope outside for around 30 minutes. This allows the telescope to adapt to the outside air temperature and perform at its best during observations.

Try to set up your telescope in an area sheltered from wind. Move as far away from the city lights as possible. The best conditions for observations include still air and clear nights when stars are out and shine brightly with little or no twinkling.

When beginning your observations, use low power eyepieces to take advantage of the wider field of view and higher contrast of the image. High power eyepieces are best used on nights when viewing conditions are perfect for detailed observations.

Balancing the telescope

The telescope should be balanced before each observing session. Balancing reduces stress on the mount and allows precise micro-adjustment control.

R.A. Balancing

1. Before balancing, make sure the telescope is securely attached to the mount.
2. While holding the telescope with one hand, loosen the R.A. and Dec. lock knobs with the other. Rotate the telescope until the counterweight is horizontal to the ground
3. Tighten the Dec. lock knob.
4. Loosen the counterweight thumbscrew and move the counterweight along the rod until the telescope is balanced and remains stationary when released.
5. Tighten the counterweight thumbscrew. Now your telescope is perfectly balanced. **21**

Dec. Balancing

1. Tighten the R.A. lock knob when the counterweight rod is horizontal to the ground.
2. While holding the telescope with one hand, loosen the Dec. lock knob with the other.
3. Loosen the telescope tube rings and slide the telescope forward or backward until it is balanced even when you release the telescope tube. Tighten the tube rings the Dec. lock knob. ²²

Polar alignment

The equatorial mount allows for compensating the rotation of Earth around its axis and easily tracking celestial objects during observations. To achieve this, the R.A. axis has to be aligned to the rotation axis of Earth. This process is known as polar alignment.

Look north and find Polaris. As it is located within 1° of the rotation axis of Earth (North Celestial Pole), you will be aligning your telescope to this star.

1. Loosen one of the adjustment screws and tighten the other until your latitude is shown on the latitude scale by the indicator pin (while doing this the mount ascend or descend. You can look up the latitude of your location on a map.
2. Loosen the Dec. lock knob and rotate the telescope tube until it is parallel to the R.A. axis. Tighten the lock knob. Doing this will make it easier to aim your telescope at Polaris.
3. Loosen the azimuth locking knob and rotate the mount until both the tube and the R.A. axis are pointed at Polaris. Retighten the azimuth locking knob. If you cannot find Polaris, try pointing the telescope and the R.A. axis due north.

Upon doing this, no further adjustments in the azimuth and latitude of the mount should be made during the observing session, nor should you move the tripod. Only movements in R.A. and Dec. axes should be made in order to keep the telescope aligned.

Now, to aim the telescope at an object (the Moon, Jupiter, Saturn, etc.) loosen the R.A. & Dec. lock knobs, point the telescope tube toward the object, and retighten the lock knobs. Look at the object through the finder and aim the telescope precisely with slow-motion controls. Make sure the red dot is pointing at the object. Start observing by using the 25mm eyepiece and focus your view. To study the details of the Moon or planets, just follow this simple procedure.

1. With a low power eyepiece, make sure that the observed object is directly in the center of the eyepiece crosshairs.
2. Remove the eyepiece and replace it with a high power one. You can also use a Barlow lens to achieve maximum power. To do that, first insert the Barlow lens in the focuser and then place an eyepiece into the receiving end of your Barlow lens. ²³

Specifications

	Levenhuk Strike 100 PLUS	Levenhuk Strike 120 PLUS
Optical design	Newtonian reflector	Newtonian reflector
Objective lens diameter (aperture), mm	102	114
Focal length, mm/in	640/25.1	700/27.5
Focal ratio	f/6.27	f/6.14
Highest practical power, x	160	186
Limiting stellar magnitude	12.1	12.4
Resolution threshold	1.14	1.02
Mount	Equatorial EQ1	Equatorial EQ1
Eyepieces diameter	1.25"	1.25"
Eyepieces	KF 25mm, Zoom 6.8-16mm	KF 25mm, Zoom 6.8-16mm
Finder scope	Red dot	Red dot
Tripod	steel	steel
Barlow lens	2x	2x

Batteries safety instructions

- Always purchase the correct size and grade of battery most suitable for the intended use.
- Always replace the whole set of batteries at one time; taking care not to mix old and new ones, or batteries of different types.
- Clean the battery contacts and also those of the device prior to battery installation.
- Make sure the batteries are installed correctly with regard to polarity (+ and -).
- Remove batteries from equipment that is not to be used for an extended period of time.
- Remove used batteries promptly.
- Never attempt to recharge primary batteries as this may cause leakage, fire, or explosion.
- Never short-circuit batteries as this may lead to high temperatures, leakage, or explosion.
- Never heat batteries in order to revive them.
- Remember to switch off devices after use.
- Keep batteries out of the reach of children, to avoid risk of ingestion, suffocation, or poisoning.

Care and maintenance

- Never, under any circumstances, look directly at the Sun through this device without a special filter, or look at another bright source of light or at a laser, as this may cause PERMANENT RETINAL DAMAGE and may lead to BLINDNESS.
- Take necessary precautions when using the device with children or people who have not read or who do not fully understand these instructions.
- Do not try to disassemble the device on your own for any reason, including to clean the mirror. For repairs and cleaning of any kind, please contact your local specialized service center.
- Protect the device from sudden impact and excessive mechanical force.
- Do not touch the optical surfaces with your fingers. To clean the telescope exterior, use only special cleaning wipes and special optics cleaning tools from Levenhuk.
- Store the device in a dry, cool place away from hazardous acids and other chemicals, away from heaters, open fire and other sources of high temperatures.
- Replace the dust cap over the front end of the telescope whenever it is not in use. This prevents dust from settling on the mirror or lens surfaces.
- Seek medical advice immediately if a small part or a battery is swallowed.

Warranty

All Levenhuk telescopes, microscopes, binoculars and other optical products, except for accessories, carry a **lifetime warranty** against defects in materials and workmanship. All Levenhuk accessories are warranted to be free of defects in materials and workmanship for **six months** from date of retail purchase. Levenhuk will repair or replace such product or part thereof which, upon inspection by Levenhuk, is found to be defective in materials or workmanship. As a condition to the obligation of Levenhuk to repair or replace such product, the product must be returned to Levenhuk together with proof of purchase satisfactory to Levenhuk.

This warranty does not cover consumable parts, such as batteries.

A Return Authorization (RA) Number must be obtained in advance of return. Contact the local Levenhuk branch to receive the RA number to be displayed on the outside of your shipping container. All returns must be accompanied by a written statement setting forth the name, address and telephone number of the owner, including a description of any claimed defects. Parts or products for which replacement is made will become the property of Levenhuk.

The customer will be responsible for all costs of transportation and insurance to and from Levenhuk or its authorized dealers and will be required to prepay such costs.

Levenhuk will use reasonable efforts to repair or replace any product covered by this warranty within thirty days of receipt. If a repair or replacement will require more than thirty days, Levenhuk will notify the customer accordingly. Levenhuk reserves the right to replace any product that has been discontinued from its product line with a new product of comparable value and function.

This warranty does not apply to any defects or damages resulting from alteration, modification, neglect, misuse, usage of improper power sources, damage in transportation, abuse, or any cause other than normal use, or to malfunction or deterioration due to normal wear. Levenhuk disclaims all warranties, express or implied, whether of merchantability or fitness for a particular use, except as expressly set forth herein. The sole obligation of Levenhuk under this limited warranty will be to repair or replace the covered product, in accordance with the terms set forth herein. Levenhuk disclaims liability for any loss of profits, loss of information, or for any general, special, direct, indirect or consequential damages which may result from breach of any warranty, or arising out of the use or inability to use any Levenhuk product. Any warranties which are implied and which cannot be disclaimed will be limited in duration to a term of six months for accessories from the date of retail purchase.

Some states/provinces do not allow the exclusion or limitation of incidental or consequential damages, so the above limitations and exclusions may not apply to you. This warranty gives you specific legal rights, and you may have other rights which vary from state to state or province to province.

Levenhuk reserves the right to modify or discontinue any product without prior notice.

NOTE: This warranty is valid to USA and Canadian customers who have purchased this product from an authorized Levenhuk dealer in the USA or Canada. Warranty outside the USA or Canada is valid only to customers who purchased from an authorized Levenhuk dealer in the specific country or international distributor. Please contact them for any warranty service.

If warranty problems arise, or if you need assistance in using your product, contact the local Levenhuk branch:

Levenhuk Worldwide:

USA: www.levenhuk.com

Canada: www.levenhuk.ca

Czech Republic: www.levenhuk.cz

Netherlands: www.levenhuk.nl

Poland: www.levenhukoptics.pl

Russia: www.levenhuk.ru

Ukraine: www.levenhuk.ua

EU: www.levenhuk.eu

Purchase date _____ Signature _____ Stamp _____

Blahopřejeme vám k nákupu vysoce kvalitního teleskopu značky Levenhuk!

Tento návod vám ukáže, jak teleskop sestavit, správně používat a pečovat o něj. Proto si jej nejprve důkladně pročtěte.

VÝSTRAHA! Nikdy – ani na okamžik – se přes teleskop nebo pointační dalekohled (hledáček) nedívejte přímo do slunce, aniž byste použili odborně vyrobený solární filtr, který bude zcela překrývat objektiv přístroje. Nedodržením tohoto pokynu se vystavujete nebezpečí trvalého poškození zraku. Abyste zabránili poškození vnitřních součástí svého teleskopu, zakryjte čelní stranu pointačního dalekohledu (hledáčku) hliníkovou fólií nebo jiným neprůhledným materiálem. Děti by měly teleskop používat pouze pod dohledem dospělé osoby.

Všechny součásti teleskopu jsou dodávány v jediné krabici. Při jejím vybalování postupujte opatrně. Doporučujeme vám uschovat si originální přepravní obaly. V případě, že bude potřeba teleskop přepravit do jiného místa, mohou správné přepravní obaly pomoci předejít poškození teleskopu při přepravě. Přesvědčte se, zda jsou v obalu všechny součásti. Obsah důkladně zkontrolujte, neboť některé součásti jsou malé. Kromě nástrojů, jež jsou součástí dodávky, nepotřebujete žádné jiné pomůcky. Abyste vyloučili deformace a viklání, musejí být všechny šrouby pevně utaženy, ale dbejte na to, abyste je nepřetáhli, neboť může dojít ke stržení závitů.

Během montáže (ani nikdy jindy) se svými prsty nedotýkejte povrchu optických součástí. Povrchy optických prvků jsou potaženy speciální choulostivou vrstvou, kterou lze při doteku snadno poškodit. Zrcadla nikdy nevyjímejte z jejich pouzdra; nedodržení tohoto pokynu má za následek neplatnost záruky.

Pro správnou funkci teleskopu je důležité, aby byl správně sestaven. Teleskop si nejprve dobře prohlédněte. Naučte se pojmenovat jednotlivé části a příslušenství, jejich umístění a funkce. S teleskopem se seznamujte na denním světle. Před samotným pozorováním umístěte teleskop pokud možno na místě chráněném před větrem. Nejlepší podmínky pro noční pozorování jsou mimo městské osvětlení a za klidného počasí. Dobré podmínky pro pozorování se naučíte poznávat, jakmile získáte trochu praxe. Snažte se vybírat takové noci, kdy hvězdy jasně září a téměř neblíkají.

Než začnete pozorovat astronomické objekty, zacvičte se na pozemních objektech. Tak se seznámíte s okuláry různého zvětšení a naučíte se ovládat základní funkce teleskopu a příslušenství. Doporučujeme, abyste při práci s teleskopem začínali od nejmenšího zvětšení okuláru, tj. 25 mm. Při použití 6,8 mm okuláru sice dosáhnete většího přiblížení, ale obraz se bude jevit tmavší, což je dáno základními fyzikálními vlastnostmi teleskopu. Čím vyšší je zvětšení, tím je obraz tmavší a zorné pole užší. S teleskopem zacházejte opatrně. Jedná se o velmi citlivý přístroj, schopný velkého zvětšení. Pamatujte, že čím vyšší je zvětšení, tím je teleskop citlivější. Proto může sebemenší pohyb teleskopu nebo vliv na teleskop (náraz, posun) vést ke ztrátě obrazu ze zorného pole okuláru. Při delší praxi brzy zjistíte, jak určit zvětšení poskytované jednotlivými okuláry a jakou sílu je přípustné vyvíjet na teleskop, aby se neztratil obraz ze zorného pole okuláru. ❶

Příslušenství

Hledáček s červenou tečkou: ❷

Používá se k lokalizaci objektů před použitím tubusu teleskopu.

Upozornění: Hledáček je nutné před zahájením pozorování seřadit s teleskopem

Barlowův člen 2x: ❸

Používá se ke zdvojnásobení zvětšení libovolného okuláru.

Okuláry: ❹

- Okulár 25 mm. Nabízí nejnižší zvětšení, ale výsledný obraz je nejostřejší
- Okulár s proměnlivou ohniskovou vzdáleností F6,8-F16 mm ❺

Protiváha ❻

Ovládání jemného nastavení osy deklinace ❼

Ovládání jemného nastavení osy rektascenze ❽

Poznámka: Společnost Levenhuk si vyhrazuje právo provádět bez předchozího upozornění úpravy.

Návod k sestavení

1. Vyjměte obsah krabice a zkontrolujte jednotlivé součásti.

- stativ
- odkládací přihrádka pro příslušenství
- tubus teleskopu
- hledáček s červenou tečkou
- okuláry: 1,25" 25 mm, zoom F6,8-F16 mm
- Barlowův člen 2x
- protiváha
- ovládání jemného nastavení osy rektascenze
- ovládání jemného nastavení osy deklinace

2. Nastavení výšky stativu se provede tak, že uvolníte aretační šrouby, nastavíte výšku a rovinu stativu a následně aretační šrouby znovu utáhnete. **9**

3. Uvolněte aretační šroub azimutu na paralaktické montáži (nachází se na spodní straně montáže)

4. Paralaktickou montáž uložte na stativ. **10**

5. Utažením aretačního šroubu montáž upevněte.

6. K montáži připevněte teleskop. **11**

7. Připevněte odkládací přihrádku na příslušenství. **12**

1. Nohy stativu roztáhněte tak, aby se mezi ně dala připevnit přihrádka na příslušenství

2. Háčky na přihrádce zasuňte do držáků na stativu

3. Utažením aretačních šroubů přihrádku na příslušenství upevněte

8. Uvolněte šrouby na hledáčku a nasuňte jej na držák. Aretační šrouby opět utáhněte. (Viz další pokyny týkající se hledáčku). **13**

9. K paralaktické montáži připevněte protiváhu. **14**

10. K paralaktické montáži připevněte ovládání jemného nastavení osy rektascenze. **15**

11. K paralaktické montáži připevněte ovládání jemného nastavení osy deklinace. **16**

Jak používat okuláry a příslušenství

Při prvním sestavování teleskopu vám doporučujeme postupovat v uvedeném pořadí. Pomůže vám to lépe porozumět funkci jednotlivých součástí.

1. Mechanismus zaostřování **17**

Zaostřovacím kolečkem otáčejte od sebe tak dlouho, dokud není zaostřovací trubice v krajní poloze. Zaostření pohledu se provádí pomalým otáčením zaostřovacího kolečka směrem k sobě, dokud není obraz ostrý.

Nezapomeňte, že musí být instalován okulár, jinak obraz neuvídíte.

2. Okulár **18**

Okulár vložte do otevřeného konce zaostřovacího mechanismu. K prvnímu pozorování doporučujeme použít nejslabší okulár. Pamatujte, že čím delší je ohnisková vzdálenost, tím nižší zvětšení okulár poskytuje. Mějte prosím na paměti, že s rostoucím zvětšením se snižuje zdánlivé zorné pole i jas a ostrost obrazu.

3. Barlowův člen **19**

Barlowův člen (nazývaný rovněž Barlowův násobič) se používá k dosažení nejvyššího praktického zvětšení vašeho teleskopu. Barlowův člen vložte do volného konce zaostřovacího mechanismu a následně vložte okulár do volného konce Barlowova členu. Po tomto úkonu bude nutné opět zaostřit obraz.

Montáž hledáčku

Připevnění hledáčku:

1. Hledáček vyjměte z krabice.
2. Uvolněte křídlaté šrouby na straně hledáčku a zasuňte jej do rybinového držáku na horní straně tubusu teleskopu.
3. Křídlaté šrouby utáhněte.

Seřízení teleskopu:

1. Teleskop zaměřte na objekt ve vzdálenosti nejméně 300 m a zaostřete jej. To se nejlépe provádí za denního světla.

- Ujistěte se, že je objekt ve středu vašeho zorného pole a utažením všech šroubů zamezte veškerému pohybu.
- Otevřete skříňku na baterie pod hledáčkem a sejměte kryt baterie (pokud teleskop nepoužíváte, doporučujeme kryt vrátit zpět)
- Posunem vypínače ZAP/VYP hledáček zapněte. Tento vypínač se nachází na pravé straně hledáčku.
- Podívejte se do hledáčku a vyhledejte červenou tečku.
- Není-li objekt v hledáčku stejný jako ten, který vidíte přes hlavní tubus teleskopu, musíte jej seřídit. Zvedání a spuštění červené tečky se provádí otáčením elevačního šroubu na zadní straně hledáčku. Posun červené tečky doleva a doprava se provádí pomocí šroubu stranového nastavení na levé straně hledáčku. ²⁰

Použití Barlowova členu

Barlowův člen se používá ke zdvojnásobení zvětšení okuláru. Chcete-li jej použít, vložte Barlowův člen do volného konce zaostřovacího mechanismu a následně vložte do volného konce Barlowova členu okulár. Nezapomeňte na to, že čím vyšší zvětšení používáte, tím tmavší se jeví výsledný obraz.

Model	Okulár	Zvětšení	Zvětšení s Barlowovým členem 2x
Levenhuk Strike 100 PLUS	25 mm	26x	52x
	F6,8-F16 mm	94x-40x	188x-80x
Levenhuk Strike 120 PLUS	25 mm	28x	56x
	F6,8-F16 mm	103x-44x	206x-88x

Tipy pro optimální použití teleskopu

Věnujte čas seznámení se s novým teleskopem. Naučte se názvy jednotlivých součástí a příslušenství, kam patří a jaká je jejich funkce. To je snadnější za denního světla.

Asi 30 minut před zahájením pozorování teleskop přeneste do vnějšího prostředí. Tím umožníte, aby se teleskop adaptoval na teplotu venkovní atmosféry a během pozorování podával optimální výkon.

Je-li to možné, teleskop sestavujte v místě chráněném před větrem. Přesuňte se na místo co nejvzdálenější od veřejného osvětlení. Nejlepší podmínky pro pozorování jsou za jasných nocí při bezvětří, kdy jsou hvězdy viditelné a jasně září s minimálním nebo žádným kolísáním jasu.

Při úvodním pozorování používejte okuláry s malým zvětšením, abyste mohli využít výhod širšího zorného pole a vyššího kontrastu obrazu. Okuláry s vysokým zvětšením lze nejlépe použít za nocí, kdy jsou dokonalé podmínky umožňující detailní pozorování.

Vyvažování teleskopu

Není-li teleskop vyvážen z předchozího pozorování, musí se nejdříve vyvážit. Vyvážením se snižuje namáhání montáže a umožňuje přesné ovládání v drobných krocích.

Vyvažování osy rektascenze

- Před vyvažováním se ujistěte, zda je teleskop řádně upevněn k montáži. ²¹
- Jednou rukou přidržte teleskop a druhou uvolněte aretační šrouby osy rektascenze a deklinace. Teleskopem otáčejte, dokud nebude protiváha horizontálně vůči zemi.
- Utáhněte aretační šroub osy deklinace.
- Uvolněte křídlatý šroub protiváhy a protiváhu posouvejte po tyči tak dlouho, dokud není teleskop vyvážený, tj. když jej pustíte, zůstane v klidu.
- Utáhněte křídlatý šroub protiváhy. Nyní je váš teleskop dokonale vyvážený.

Vyvažování podle deklinační osy

1. Ve chvíli, kdy je tyč protiváhy v horizontální poloze vůči zemi, utáhněte aretační šroub osy rektascenze. **22**
2. Jednou rukou přidržíte teleskop a druhou uvolněte aretační šroub osy deklinace.
3. Uvolněte kroužky tubusu dalekohledu a posuňte jej dopředu nebo dozadu, dokud není v rovnováze, i když tubus teleskopu nepřidržíte. Kroužky na tubusu a aretační šroub osy deklinace utáhněte.

Polární ustavení

Paralaktická montáž umožňuje kompenzovat zemskou rotaci kolem vlastní osy a při pozorování snadno kopírovat pohyb nebeských objektů po obloze. K dosažení tohoto cíle se musí osa rektascenze nastavit podle osy zemské rotace. Tento proces je znám pod názvem „polární ustavení“.

Podívejte se směrem na sever a najděte Polárku. Vzhledem k tomu, že se nachází v rozmezí 1° od rotační osy Země (severní nebeský pól), budete svůj teleskop nastavovat vůči této hvězdě.

1. Uvolňujte jeden ze stavěcích šroubů a utahujte druhý, dokud na stupnici není zeměpisná šířka vaší polohy proti hrotu ukazatele (přitom se bude montáž zvedat nebo klesat). Zeměpisnou šířku své polohy můžete najít na mapě.
2. Uvolněte aretační šroub deklinační osy a teleskopem otáčejte tak dlouho, dokud nebude rovnoběžně s osou rektascenze. Aretační šroub utáhněte. Díky tomu bude snadnější teleskop orientovat na Polárku.
3. Uvolněte aretační šroub azimutu a otáčejte montáží tak dlouho, dokud nebude tubus i osa rektascenze mířit na Polárku. Aretační šroub azimutu opět utáhněte. Nemůžete-li Polárku najít, snažte se teleskop a osu rektascenze namířit přímo na sever.

Po provedení těchto kroků by se během pozorování neměly na montáži provádět žádné další úpravy azimutu ani zeměpisné šířky, ani byste neměli pohybovat stativem. Aby nedošlo k narušení nastavení teleskopu, měly by se pohybovat pouze osy deklinace a rektascenze.

Pokud nyní chcete teleskop namířit na nějaký objekt (Měsíc, Jupiter, Saturn), uvolněte aretační šrouby osy rektascenze a deklinace, namířte tubus teleskopu na objekt a aretační šrouby opět utáhněte. Hledáčkem pozorujte objekt a pomocí ovládní jemného nastavení proved'te přesné zacílení teleskopu. Ujistěte se, že červená tečka ukazuje na objekt. Pozorování zahajte pomocí okuláru 25 mm a zaostřete obraz. Chcete-li pozorovat detaily Měsíce nebo planet, postupujte podle následujících jednoduchých pokynů:

1. Pomocí okuláru s nízkým zvětšením proved'te přesné vycentrování pozorovaného objektu na střed nitkového kříže okuláru.
2. Okulár vyjměte a nahrad'te jej silnějším okulárem. Pro dosažení maximálního zvětšení můžete využít i Barlowův člen. Chcete-li jej použít, vložte nejprve Barlowův člen do volného konce zaostřovacího mechanismu a následně vložte okulár do volného konce Barlowova členu. **23**

Specifikace

	Levenhuk Strike 100 PLUS	Levenhuk Strike 120 PLUS
Optická konstrukce	Newtonův reflektor	Newtonův reflektor
Průměr objektivu (apertura), mm	102	114
Ohnisková vzdálenost, mm	640	700
Světelnost	f/6,27	f/6,14
Maximální zvětšení, x	160	186
Limitní hvězdná velikost	12,1	12,4
Rozlišení	1,14	1,02
Montáž	EQ1	EQ1
Okulárový výtah	1,25"	1,25"

Okuláry	KF 25 mm, Zoom 6,8-16 mm	KF 25 mm, Zoom 6,8-16 mm
Hledáček	s červenou tečkou	s červenou tečkou
Stativ	kovový	kovový

Bezpečnostní pokyny týkající se baterií

- Vždy nakupujte baterie správné velikosti a typu, které jsou nejvhodnější pro zamýšlený účel.
- Při výměně vždy nahrazujte celou sadu baterií a dbejte na to, abyste nemíchali staré a nové baterie, případně baterie různých typů.
- Před instalací baterií vyčistěte kontakty na baterii i na přístroji.
- Ujistěte se, zda jsou baterie instalovány ve správné polaritě (+ resp. -).
- V případě, že zařízení nebudete delší dobu používat, vyjměte z něj baterie.
- Použité baterie včas vyměňujte.
- Baterie se nikdy nepokoušejte dobíjet, mohlo by dojít k úniku obsahu baterie, požáru nebo k explozi.
- Baterie nikdy nezkratujte, mohlo by to vést ke zvýšení teploty, úniku obsahu baterie nebo k explozi.
- Baterie se nikdy nepokoušejte oživit zahříváním.
- Po použití nezapomeňte přístroj vypnout.
- Baterie uchovávejte mimo dosah dětí, abyste předešli riziku spolknutí, vdechnutí nebo otravy.

Péče a údržba

- Nikdy, za žádných okolností, se tímto přístrojem bez speciálního filtru nedívejte přímo do slunce, jiného jasného světelného zdroje nebo laseru, neboť hrozí nebezpečí TRVALÉHO POŠKOZENÍ SÍTNICE a případně i OSLEPNUTÍ.
- Při použití tohoto přístroje dětmi nebo osobami, které tento návod nečetly nebo s jeho obsahem nebyly plně srozuměny, přijměte nezbytná preventivní opatření.
- Z žádného důvodu se nepokoušejte přístroj rozebírat, a to ani za účelem vyčištění zrcadla. S opravami veškerého druhu se obraťte na své místní specializované servisní středisko.
- Přístroj chraňte před prudkými nárazy a nadměrným mechanickým namáháním.
- Nedotýkejte se svými prsty povrchů optických prvků. K vyčištění vnějších částí teleskopu používejte výhradně speciální čisticí ubrousky a speciální nástroje k čištění optiky dodávané společností Levenhuk.
- Přístroj ukládejte na suchém, chladném místě, mimo dosah nebezpečných kyselin nebo jiných chemikálií, topných těles, otevřeného ohně a jiných zdrojů vysokých teplot.
- Pokud teleskop nepoužíváte, zakryjte jeho čelní stranu prachovým víčkem. Tím zabráníte usazování prachu na povrchu zrcadla nebo čoček.
- Při náhodném požití malé součásti nebo baterie ihned vyhledejte lékařskou pomoc.

Mezinárodní záruka

Na veškeré teleskopy, mikroskopy, triedry a další optické výrobky značky Levenhuk, s výjimkou příslušenství, se poskytuje celoživotní záruka pokrývající vady materiálu a provedení. Na veškeré příslušenství značky Levenhuk se poskytuje záruka toho, že je dodáváno bez jakýchkoli vad materiálu a provedení, a to po dobu dvou let od data zakoupení v maloobchodní prodejně. Společnost Levenhuk provede opravu či výměnu výrobku nebo jeho části, u nichž se po provedení kontroly společností Levenhuk prokáže výskyt vad materiálu nebo provedení. Nezbytnou podmínkou toho, aby společnost Levenhuk splnila svůj závazek provést opravu nebo výměnu takového výrobku, je předání výrobku společně s dokladem o nákupu vystaveným ve formě uspokojivé pro Levenhuk.

Tato záruka se nevztahuje na spotřební součásti, jako jsou například baterie.

Ke všem vráceným výrobkům musí být přiloženo písemné prohlášení, na němž bude uvedeno jméno, adresa a telefonní číslo majitele výrobku, včetně popisu veškerých reklamovaných závad. Součásti nebo výrobky, za něž bude poskytnuta výměna, se stávají majetkem společnosti Levenhuk.

Zákazník je povinen předem uhradit veškeré náklady na dopravu a pojištění do společnosti Levenhuk, případně k jejím autorizovaným dealerům, a zpět.

Společnost Levenhuk vyvine přiměřené úsilí k tomu, aby výrobek, na nějž se vztahuje tato záruka, opravila nebo vyměnila do 30 dnů od jeho obdržení. V případě, že bude oprava nebo výměna trvat déle než 30 dní, bude o tom společnost Levenhuk zákazníka informovat. Společnost Levenhuk si vyhrazuje právo jakýkoli výrobek, jehož výroba byla zastavena, nahradit novým výrobkem srovnatelné hodnoty a funkce.

Tato záruka se nevztahuje na závady nebo poškození vyplývající z pozměňování, úprav, nedbalosti, nesprávného použití, použití nevhodných zdrojů napájení, poškození při dopravě, nedodržení pokynů, případně z jakékoliv jiné příčiny mimo rozsah běžného užívání, nebo z důvodu poruchy či zhoršení funkčnosti v důsledku běžného opotřebení.

Společnost Levenhuk odmítá jakékoliv jiné záruky, výslovně uvedené i mlčky předpokládané, týkající se obchodovatelnosti nebo vhodnosti pro konkrétní účel, kromě těch, jež jsou výslovně uvedeny v této omezené záruce. Jediným závazkem společnosti Levenhuk v rámci této omezené záruky bude provedení opravy nebo výměny výrobku, na který se tato záruka vztahuje, a to v souladu s podmínkami v ní uvedenými. Společnost Levenhuk nepřebírá odpovědnost za žádné ušlé zisky, ztrátu informací, ani za žádné všeobecné, speciální, přímé, nepřímé či následné škody, jež mohou vyplynout z porušení jakékoliv záruky, případně nastat v důsledku užívání nebo nemožnosti použití jakéhokoliv výrobku značky Levenhuk. Veškeré mlčky předpokládané záruky, jež nelze vyloučit, budou časově omezeny na období dvou let v případě příslušenství, a to vždy od data zakoupení v maloobchodní prodejně.

Společnost Levenhuk si vyhrazuje právo provádět bez předchozího upozornění úpravy jakéhokoliv výrobku, případně zastavit jeho výrobu.

Záruka mimo území USA nebo Kanady platí pouze pro zákazníky, kteří provedli nákup u autorizovaného dealera společnosti Levenhuk v příslušné zemi nebo od mezinárodního distributora. S veškerými záručními opravami se obraťte na tyto subjekty.

V případě problémů s uplatněním záruky, nebo pokud budete potřebovat pomoc při používání svého výrobku, obraťte se na místní pobočku společnosti Levenhuk:

Levenhuk ve světě:

USA: www.levenhuk.com

Kanada: www.levenhuk.ca

Česká republika: www.levenhuk.cz

Nizozemsko: www.levenhuk.nl

Polsko: www.levenhukoptics.pl

Rusko: www.levenhuk.ru

Ukrajina: www.levenhuk.ua

EU: www.levenhuk.eu

Datum nákupu _____ Podpis _____ Razítko _____

Herzlichen Glückwunsch zum Kauf eines hochwertigen Teleskops von Levenhuk!

Diese Anleitung unterstützt Sie bei der Inbetriebnahme, Bedienung und Pflege Ihres Teleskops. Bitte lesen Sie die Anleitung vor der ersten Verwendung sorgfältig durch.

VORSICHT! Schauen Sie mit dem Teleskop oder Sucherrohr nie – auch nicht kurzzeitig – ohne einen professionell hergestellten Sonnenfilter, der die Vorderseite des Instruments vollständig abdeckt, direkt in die Sonne. Erblindungsgefahr! Achten Sie darauf, dass das vordere Ende des Sucherrohrs mit Aluminiumfolie oder einem anderen nichttransparenten Material abgedeckt ist, um Beschädigungen an den internen Komponenten des Teleskops zu vermeiden. Kinder dürfen das Teleskop nur unter Aufsicht Erwachsener verwenden.

Alle Teile des Teleskops werden in einer Schachtel ausgeliefert. Packen Sie sie vorsichtig aus! Bewahren Sie die Original-Versandverpackung auf. Sollte später ein Transport des Teleskops an einen anderen Standort notwendig werden, trägt die Versandverpackung dazu bei, dass das Teleskop wohlbehalten ankommt. Überprüfen Sie den Lieferumfang auf Vollständigkeit. Sehen Sie sorgfältig in der Schachtel nach, da einige Teile klein sind. Alles erforderliche Werkzeug ist im Lieferumfang enthalten. Ziehen Sie alle Schrauben fest an, um Durchbiegen und Taumelbewegungen zu vermeiden. Achten Sie jedoch auch darauf, das Gewinde nicht durch zu festes Anziehen zu überdrehen.

Berühren Sie bei der Montage (und auch sonst) die Flächen der optischen Elemente nicht mit den Fingern. Die empfindliche Vergütung der optischen Flächen kann bei Berührung leicht Schaden nehmen. Entfernen Sie die Spiegel nicht aus ihrem Gehäuse – dies führt zu Garantieverlust.

Eine ordnungsgemäße Montage ist wichtig, damit Ihr Teleskop korrekt funktionieren kann. Nehmen Sie sich Zeit, um sich mit Ihrem neuen Teleskop vertraut zu machen. Prägen Sie sich die Namen der verschiedenen Teile, ihren Ort und ihre Funktion ein. Das Kennenlernen des Teleskops sollte am besten im Voraus und tagsüber erfolgen. Wenn Sie eine Observation vorbereiten, stellen Sie das Teleskop in einem möglichst windgeschützten Bereich auf. Nächtliche Observationen gelingen am besten abseits beleuchteter Ballungszentren bei „ruhiger“ Atmosphäre. Mit ein wenig Übung wird es Ihnen leicht fallen, zu beurteilen, wann die Bedingungen günstig sind. Wählen Sie Nächte, in denen die Sterne hell leuchten und nicht bzw. kaum funkeln.

Observieren Sie zunächst einige terrestrische Objekte, bevor Sie mit der Beobachtung astronomischer Objekte beginnen. Dies gibt Ihnen die Gelegenheit, sich mit den unterschiedlichen Vergrößerungsstufen der einzelnen Okulare und den Funktionen des Teleskops und der Zubehörlinsen vertraut zu machen. Wir empfehlen Ihnen, bei der Benutzung Ihres Teleskops mit dem schwächsten Okular (Brennweite: 20 mm) zu beginnen. Wenn Sie die Brennweite schrittweise reduzieren, nimmt die Vergrößerung zu, aber das Bild wird dunkler. Dies liegt an den grundlegenden physikalischen Eigenschaften des Teleskops: Je höher die Vergrößerung, desto dunkler das Bild und desto kleiner das Gesichtsfeld. Bitte gehen Sie sorgsam und geduldig mit Ihrem Teleskop um. Es ist ein sehr empfindliches Instrument, das mit sehr hoher Vergrößerung arbeiten kann. Jedoch wird das Teleskop umso empfindlicher, je stärker die eingestellte Vergrößerung ist. Infolgedessen könnte schon die geringste Einwirkung auf das Teleskop (Stoß oder Verschiebung) dazu führen, dass Sie das Zielobjekt aus dem Gesichtsfeld verlieren. Durch Übung finden Sie schnell heraus, welches Okular wie stark vergrößert, und wie viel Kraft Sie jeweils noch auf das Teleskop anwenden können, ohne das anvisierte Objekt aus dem Gesichtsfeld zu verlieren. ❶

Zubehör

Leuchtpunktsucher: ❷

Dient zur Lokalisierung von Objekten vor der Verwendung des Teleskoptubus.

Bitte beachten Sie, dass der Leuchtpunktsucher vor Beginn der Observationen am Teleskoptubus ausgerichtet werden muss.

2x-Barlowlinse: ❸

Verdoppelt die Auflösung des verwendeten Okulars.

Okulare: ❹

- 25-mm-Okular. Liefert die niedrigste Vergrößerung, dafür aber die hellsten Bilder.
- Zoom-Okular, 6,8 bis 16 mm ❺

Gegengewicht ❻

Deklinations-Feinabstimmung 7

Rektaszensions-Feinabstimmung 8

Hinweis: Levenhuk behält sich das Recht vor, Produkte ohne vorherige Ankündigung zu modifizieren oder einzustellen.

Montageanweisungen

1. Nehmen Sie den Inhalt aus der Verpackung und identifizieren Sie die Teile.

- Stativ
- Leuchtpunktsucher
- Gegengewicht
- Zubehörablage
- Okulare: 1,25 Zoll; 25 mm, und Zoom 6,8 bis 16 mm
- Rektaszensions-Feinabstimmung
- Teleskoptubus
- 2x-Barlowlinse
- Deklinations-Feinabstimmung

2. Höhenanpassung des Stativs: Lösen Sie die Verriegelungsknöpfe, stellen Sie die gewünschte Höhe ein und nivellieren Sie das Stativ, und ziehen Sie die Verriegelungsknöpfe wieder an. 9

3. Lösen Sie den Azimut-Verriegelungsknopf an der Äquatorialmontierung (an der Unterseite der Montierung). 10

4. Platzieren Sie die Äquatorialmontierung auf dem Stativ.

5. Arretieren Sie die Montierung durch Anziehen des Verriegelungsknopfes.

6. Bringen Sie das Teleskop an der Montierung an. 11

7. Bringen Sie die Zubehörablage an. 12

1. Spreizen Sie die Beine des Stativs, bis die Ablage eingesetzt werden kann.

2. Drücken Sie die Haken der Ablage in die Halterungen am Stativ.

3. Arretieren Sie die Zubehörablage durch Festziehen der Verriegelungsknöpfe.

8. Lösen Sie die Schrauben des Leuchtpunktsuchers, und schieben Sie ihn in die Halteklammer. Ziehen Sie die Verriegelungsschrauben an. (Beachten Sie die weiteren Hinweise zum Leuchtpunktsucher unten). 13

9. Bringen Sie das Gegengewicht an der Äquatorialmontierung an. 14

10. Befestigen Sie die Rektaszensions-Feinabstimmung an der Äquatorialmontierung. 15

11. Befestigen Sie die Deklinations-Feinabstimmung an der Äquatorialmontierung. 16

Verwendung der Okulare und Zubehörteile

Wenn Sie Ihr Teleskop zum ersten Mal montieren, gehen Sie in der folgenden Reihenfolge vor. Auf diese Weise können Sie die Funktion der einzelnen Teile am besten verstehen.

1. Fokussierer 17

Drehen Sie den Fokussierknopf von sich weg, bis der Fokussiertubus ganz ausgefahren ist. Drehen Sie den Fokussierknopf jetzt langsam wieder zu sich hin, bis das Bild scharf ist.

Achtung: Damit Sie ein Bild sehen können, muss das Okular eingesetzt sein.

2. Okular 18

Setzen Sie ein Okular in das aufnehmende Ende des Fokussierers ein. Beginnen Sie mit dem schwächsten Okular. Merken Sie sich, dass die Vergrößerung des Okulars umso kleiner ist, je größer die Brennweite ist. Denken Sie auch daran, dass sich bei höheren Vergrößerungen das Sichtfeld verkleinert und Helligkeit und Schärfe der Bilder nachlassen.

3. Barlowlinse 19


Mit der Barlowlinse erreichen Sie die maximale sinnvolle Vergrößerung Ihres Teleskops. Setzen Sie die Barlowlinse in den Fokussierer ein und platzieren Sie anschließend ein Okular auf dem aufnehmenden Ende der Barlowlinse. Anschließend müssen Sie das Bild neu fokussieren.

Montage des Leuchtpunktsuchers

So bringen Sie den Sucher an:

1. Nehmen Sie den Leuchtpunktsucher aus der Verpackung.
2. Lösen Sie die Flügelschrauben auf der Seite des Suchers und schieben Sie ihn in die Schwalbenschwanzführung an der Oberseite des Teleskoptubus.
3. Ziehen Sie die Flügelschrauben an.

So richten Sie den Sucher am Teleskop aus:

1. Richten Sie das Teleskop auf ein 300 m oder mehr entferntes Objekt und stellen Sie das Objekt scharf. Dies gelingt am besten bei Tageslicht.
2. Vergewissern Sie sich davon, dass sich das Objekt in der Mitte des Sichtfeldes befindet. Ziehen Sie alle Knöpfe an, um ein Verrutschen zu verhindern.
3. Öffnen Sie das Batteriefach an der Unterseite des Suchers und nehmen Sie die Schutzkappe von der Batterie. (In Zeiten, in denen das Teleskop nicht benutzt wird, sollten Sie die Schutzkappe wieder aufsetzen.)
4. Schieben Sie den ON/OFF-Schalter nach vorn, um den Sucher einzuschalten. Der Schalter befindet sich auf der rechten Seite des Suchers.
5. Sehen Sie durch den Sucher und achten Sie auf den roten Leuchtpunkt.
6. Falls das Objekt im Sucher nicht dasselbe Objekt ist, das Sie durch den Teleskoptubus sehen, müssen Sie den Sucher ausrichten. Drehen Sie einfach an der Höhenschraube hinten am Sucher, um den Leuchtpunkt nach oben oder unten zu bewegen. Um den Leuchtpunkt nach links oder rechts zu bewegen, drehen Sie an der Seitenstellschraube vorne links am Sucher. 

Verwendung der Barlowlinse

Mit der Barlowlinse können Sie die Vergrößerung der Okulare verdoppeln. Setzen Sie dazu einfach die Barlowlinse in den Fokussierer ein und platzieren Sie anschließend das gewünschte Okular auf dem aufnehmenden Ende der Barlowlinse. Achtung: Je höher die Vergrößerungsstufe, desto dunkler wird das Bild.

Modell	Okular	Vergrößerung	Vergrößerung mit 2x-Barlowlinse
Levenhuk Strike 100 PLUS	25 mm	26x	52x
	F6,8-F16 mm	94x-40x	188x-80x
Levenhuk Strike 120 PLUS	25 mm	28x	56x
	F6,8-F16 mm	103x-44x	206x-88x

Hinweise für eine optimale Teleskopleistung

Nehmen Sie sich Zeit, um sich mit Ihrem neuen Teleskop vertraut zu machen. Prägen Sie sich die Namen der verschiedenen Teile und des Zubehörs, ihren Ort und ihre Funktion ein. Am einfachsten gelingt dies bei Tageslicht.

Lassen Sie das Teleskop ca. 30 min im Freien stehen, bevor Sie mit der Observation beginnen. Dadurch kann sich das Teleskop an die Außentemperatur anpassen und während der Observation die besten Ergebnisse liefern.

Stellen Sie das Teleskop in einem möglichst windgeschützten Bereich weitab von städtischer Nachtbeleuchtung auf. Die besten Bedingungen für Observationen liegen in klaren, windstillen Nächten vor, in denen die Sterne hell leuchten und nicht bzw. kaum funkeln.

Machen Sie sich zu Beginn der Observation das breitere Sichtfeld und den höheren Bildkontrast des schwachen Okulars zunutze. Das starke Okular eignet sich für Detailbeobachtungen in Nächten mit perfekter Sicht.

Auswuchten des Teleskops

Das Teleskop muss vor jeder Observation ausgewuchtet werden. Das Auswuchten verringert die auf die Montierung einwirkende Belastung und erlaubt eine präzise Feinjustierung.

Auswuchten um die Stundenachse

1. Vergewissern Sie sich vor dem Auswuchten davon, dass das Teleskop sicher an der Montierung befestigt ist.
2. Halten Sie das Teleskop mit einer Hand und lösen Sie mit der anderen die Verriegelungsknöpfe für Rektaszension und Deklination. Drehen Sie das Teleskop so, dass das Gegengewicht horizontal am Erdboden ausgerichtet ist.
3. Ziehen Sie den Deklinations-Verriegelungsknopf fest.
4. Lösen Sie die Flügelschraube des Gegengewichts und finden Sie diejenige Position des Gegengewichts längs des Stabs, an der sich das Teleskop im Gleichgewicht befindet und seine Position beibehält, wenn Sie es loslassen.
5. Ziehen Sie die Flügelschraube des Gegengewichts fest. Ihr Teleskop ist nun perfekt im Gleichgewicht. **21**

Auswuchten um die Deklinationsachse

1. Richten Sie die Gegengewichtsstange horizontal am Erdboden aus und ziehen Sie den Rektaszensions-Verriegelungsknopf fest.
2. Halten Sie das Teleskop mit einer Hand und lösen Sie mit der anderen den Deklinations-Verriegelungsknopf.
3. Lösen Sie die Tubusringe am Teleskop und schieben Sie das Teleskop nach vorne oder hinten, bis es im Gleichgewicht bleibt, selbst wenn Sie es loslassen. Ziehen Sie die Tubusringe und den Deklinations-Verriegelungsknopf wieder fest. **22**

PolhöhenEinstellung

Die Äquatorialmontierung ermöglicht es, die Erdrotation auszugleichen und vereinfacht dadurch die Verfolgung von Himmelskörpern während ausgedehnter Observationen. Damit dies funktioniert, muss die Stundenachse (Rektaszensionsachse) an der Erdrotationsachse ausgerichtet werden. Dieser Vorgang wird PolhöhenEinstellung genannt.

Schauen Sie nach Norden und finden Sie den Polarstern. Da der Polarstern weniger als 1° von der Rotationsachse der Erde (dem nördlichen Himmelspol) entfernt ist, wird das Teleskop an diesem Stern ausgerichtet.

1. Drehen Sie eine der Polhöhenschrauben auf und die andere zu (die Montierung hebt oder senkt sich dabei), bis der Zeiger auf der Breitenskala Ihren Breitengrad anzeigt. Den Breitengrad Ihres Standorts können Sie einer geografischen Karte entnehmen.
2. Lösen Sie den Deklinations-Verriegelungsknopf und drehen Sie das Teleskop so, dass es parallel zur Stundenachse verläuft. Ziehen Sie den Verriegelungsknopf wieder an. Es wird dadurch einfacher, das Teleskop auf den Polarstern zu richten.
3. Lösen Sie den Azimut-Verriegelungsknopf und drehen Sie die Montierung so, dass der Tubus und die Stundenachse auf den Polarstern zeigen. Ziehen Sie den Azimut-Verriegelungsknopf wieder an. Falls Sie den Polarstern nicht finden können, versuchen Sie, das Teleskop und die Stundenachse exakt nach Norden auszurichten.

Nachdem die PolhöhenEinstellung abgeschlossen ist, sollten während der laufenden Observation Azimut und Polhöhe der Montierung nicht mehr verändert und das Stativ nicht bewegt werden. Nur Bewegungen um die Stundenachse und die Deklinationsachse sind zulässig; bei solchen Bewegungen bleibt die Justierung des Teleskops erhalten.

Richten Sie jetzt das Teleskop auf ein Objekt (Mond, Jupiter, Saturn o. ä.). Lösen Sie dazu die Verriegelungsknöpfe für Rektaszension und Deklination, richten Sie den Teleskoptubus auf das Objekt, und ziehen Sie die Verriegelungsknöpfe wieder an. Betrachten Sie das Objekt im Sucher und richten Sie das Teleskop mit den Feinabstimmungs-Bedienelementen exakt aus. Stellen Sie sicher, dass der Leuchtpunkt auf das Objekt zeigt. Beginnen Sie die Observation mit dem 25-mm-Okular und fokussieren Sie das Sichtfeld. Zum Studium der Details von Mond und Planeten können Sie dieser einfachen Prozedur folgen.

1. Benutzen Sie ein schwaches Okular und vergewissern Sie sich davon, dass sich das beobachtete Objekt direkt in der Mitte des Okular-Fadenkreuzes befindet.
2. Nehmen Sie das Okular ab und setzen Sie an seiner Stelle ein stärkeres Okular ein. Für maximale Vergrößerung können Sie auch eine Barlowlinse nutzen. Setzen Sie dazu zunächst die Barlowlinse in den Fokussierer ein, und platzieren Sie anschließend ein Okular auf dem aufnehmenden Ende der Barlowlinse. **23**

Technische Daten

	Levenhuk Strike 100 PLUS	Levenhuk Strike 120 PLUS
Optische Bauweise	Newton-Reflektor	Newton-Reflektor
Objektivlinsen-durchmesser (Öffnung), mm	102	114
Brennweite, mm	640	700
Lichtstärke	f/6,27	f/6,14
Höchste praktische Vergrößerung	160	186
Scheinbare Grenzhelligkeit	12,1	12,4
Auflösungsschwelle	1,14	1,02
Montierung	EQ1	EQ1
Okulardurchmesser	1,25"	1,25"
Okular	KF 25 mm, Zoom 6,8-16 mm	KF 25mm, Zoom 6,8-16 mm
Sucher	Leuchtpunktsucher	Leuchtpunktsucher
Stativ	Stahl	Stahl

Sicherheitshinweise zum Umgang mit Batterien

- Immer die richtige, für den beabsichtigten Einsatz am besten geeignete Batteriegröße und -art erwerben.
- Stets alle Batterien gleichzeitig ersetzen. Alte und neue Batterien oder Batterien verschiedenen Typs nicht mischen.
- Batteriekontakte und Kontakte am Instrument vor Installation der Batterien reinigen.
- Beim Einlegen der Batterien auf korrekte Polung (+ und -) achten.
- Batterien entnehmen, wenn das Instrument für einen längeren Zeitraum nicht benutzt werden soll.
- Verbrauchte Batterien umgehend entnehmen.
- Primärbatterien nicht wieder aufladen! Beim Aufladen von Primärbatterien können diese auslaufen; außerdem besteht Feuer- und Explosionsgefahr.
- Batterien nicht kurzschließen, um Hitzeentwicklung, Auslaufen oder Explosionen zu vermeiden.
- Batterien dürfen nicht zum Wiederbeleben erwärmt werden.
- Instrumente nach Verwendung ausschalten.
- Batterien für Kinder unzugänglich aufbewahren, um Verschlucken, Ersticken und Vergiftungen zu vermeiden.

Pflege und Wartung

- Richten Sie das Instrument ohne Spezialfilter unter keinen Umständen direkt auf die Sonne, andere helle Lichtquellen oder Laserquellen. Es besteht die Gefahr DAUERHAFTER NETZHAUTSCHÄDEN und ERBLINDUNGSEGEFAHR.
- Treffen Sie geeignete Vorsichtsmaßnahmen, wenn Kinder oder Menschen das Instrument benutzen, die diese Anleitung nicht gelesen bzw. verstanden haben.
- Versuchen Sie egal aus welchem Grunde nicht, das Instrument selbst auseinanderzubauen, auch nicht zum Reinigen des Spiegels. Wenden Sie sich für Reparaturen oder zur Reinigung an ein spezialisiertes Servicecenter vor Ort.
- Schützen Sie das Instrument vor plötzlichen Stößen und übermäßiger mechanischer Krafteinwirkung.
- Berühren Sie die optischen Flächen nicht mit den Fingern. Verwenden Sie zur äußerlichen Reinigung des Teleskops ausschließlich die speziellen Reinigungstücher und das spezielle Optik-Reinigungszubehör von Levenhuk.
- Lagern Sie das Instrument an einem trockenen, kühlen Ort, der frei von gefährlichen Säuren und anderen Chemikalien ist, und in ausreichendem Abstand zu Heizgeräten, offenem Feuer und anderen Hochtemperaturquellen. Das Instrument ist nicht für Dauerbetrieb ausgelegt. Lassen Sie das Instrument nicht in direktem Sonnenlicht zurück.
- Decken Sie das vordere Ende des Teleskops stets mit der Staubschutzkappe ab, wenn es nicht in Verwendung ist. Sie verhindern dadurch, dass sich Staub auf dem Spiegel oder den Linsenflächen absetzen kann.
- Bei Verschlucken eines Kleinteils oder einer Batterie umgehend ärztliche Hilfe suchen!

Internationale Garantie

Levenhuk garantiert für alle Teleskope, Mikroskope, Ferngläser und anderen optischen Erzeugnisse mit Ausnahme von Zubehör lebenslänglich die Freiheit von Material- und Herstellungsfehlern. Für Levenhuk-Zubehör gewährleistet Levenhuk die Freiheit von Material- und Herstellungsfehlern innerhalb von zwei Jahren ab Kaufdatum. Produkte oder Teile davon, bei denen im Rahmen einer Prüfung durch Levenhuk ein Material- oder Herstellungsfehler festgestellt wird, werden von Levenhuk repariert oder ausgetauscht. Voraussetzung für die Verpflichtung von Levenhuk zu Reparatur oder Austausch eines Produkts ist, dass dieses zusammen mit einem für Levenhuk ausreichenden Kaufbeleg an Levenhuk zurückgesendet wird.

Diese Garantie erstreckt sich nicht auf Verbrauchsteile wie Batterien.

Bevor Sie eine Rücksendung vornehmen, müssen Sie eine RA-Nummer (Rücksendeberechtigungsnummer) beantragen. Wenden Sie sich dazu an Ihre lokale Levenhuk-Niederlassung. Die RA-Nummer muss außen auf der Versandverpackung deutlich lesbar vermerkt werden. Legen Sie der Rücksendung ein Begleitschreiben bei, aus dem Name, Anschrift und Telefonnummer des Besitzers hervorgehen und das eine Beschreibung der Defekte enthält, die einen Garantieanspruch begründen sollen. Ausgetauschte Teile oder Produkte gehen in den Besitz von Levenhuk über.

Der Kunde trägt alle Versand- und Versicherungskosten für den Versand an Levenhuk oder einen autorisierten Levenhuk-Händler und für den Versand zurück zum Kunden und muss für diese Kosten in Vorleistung gehen.

Levenhuk bemüht sich, jedes Produkt, für das Garantieansprüche bestehen, innerhalb von 30 Tagen nach Erhalt zu reparieren oder auszutauschen. Wenn eine Reparatur länger als 30 Tage dauert, setzt Levenhuk den Kunden hiervon in Kenntnis. Levenhuk behält sich das Recht vor, ein Produkt, das nicht mehr im Sortiment ist, durch ein neues Produkt mit vergleichbarem Wert und vergleichbaren Funktionen zu ersetzen.

Diese Garantie gilt nicht für Defekte oder Schäden infolge von Veränderungen, Modifikationen, mangelnder Pflege, unsachgemäßem Gebrauch, Verwendung ungeeigneter Stromquellen, Transportschäden, Bedienungsfehlern oder anderen Ursachen, die keine normale Verwendung darstellen, und sie gilt nicht für Versagen oder Verschlechterungen aufgrund normalen Verschleißes.

Levenhuk schließt alle vorstehend nicht ausdrücklich dargelegten ausdrücklichen oder stillschweigenden Gewährleistungen, Garantien oder Zusicherungen einschließlich Gebrauchstauglichkeit oder Eignung für einen bestimmten Zweck aus. Die einzige Verpflichtung von Levenhuk im Rahmen dieser Herstellergarantie ist die Reparatur oder der Austausch von Produkten, die unter die Garantie fallen, gemäß den vorstehend dargelegten Bestimmungen. Jedwede Haftung seitens Levenhuk für entgangenen Gewinn, Datenverlust oder allgemeine, spezielle, direkte, indirekte oder Folgeschäden aufgrund Verletzung einer Garantieverpflichtung oder infolge der Verwendung oder der Nichtverwendbarkeit eines Levenhuk-Produkts ist ausgeschlossen. Stillschweigende Zusicherungen, die nicht ausgeschlossen werden können, sind bei Zubehör auf höchstens zwei Jahre ab Kaufdatum beschränkt.

Levenhuk behält sich das Recht vor, Produkte ohne vorherige Ankündigung zu modifizieren oder einzustellen.

Diese Garantie gilt außerhalb der USA und Kanadas nur für Kunden, die ihr Levenhuk-Produkt bei einem autorisierten inländischen Levenhuk-Händler oder internationalen Distributor erworben haben. Wenden Sie sich direkt an den Händler oder Distributor, wenn Sie Garantieservice benötigen.

Bei Problemen mit der Garantie, oder wenn Sie Unterstützung bei der Verwendung Ihres Produkts benötigen, wenden Sie sich an die lokale Levenhuk-Niederlassung:

Levenhuk weltweit:

USA: www.levenhuk.com

Kanada: www.levenhuk.ca

Tschechische Republik: www.levenhuk.cz

Niederlande: www.levenhuk.nl

Polen: www.levenhukoptics.pl

Russland: www.levenhuk.ru

Ukraine: www.levenhuk.ua

EU: www.levenhuk.eu

Kaufdatum _____ Unterschrift _____ Stempel _____

Gratulujemy zakupu wysokiej jakości teleskopu firmy Levenhuk!

Celem niniejszej instrukcji jest zapewnienie pomocy w konfiguracji, prawidłowym użytkowaniu i pielęgnacji teleskopu. Przed rozpoczęciem pracy dokładnie zapoznaj się z poniższą treścią.

OSTROŻNIE! Nigdy, nawet przez krótką chwilę, nie wolno kierować teleskopu ani szukacza na słońce bez nałożenia profesjonalnego filtra słonecznego, który całkowicie zakrywa przednią część przyrządu. W przeciwnym razie może dojść do trwałego uszkodzenia wzroku. Aby uniknąć uszkodzenia wewnętrznych części teleskopu, należy zakryć przednią część szukacza folią aluminiową lub innym nieprzezroczystym materiałem. Używanie teleskopu przez dzieci może odbywać się tylko pod nadzorem osób dorosłych.

Wszystkie części teleskopu dostarczane są w jednym opakowaniu. Zachowaj ostrożność podczas rozpakowywania. Zalecamy zatrzymanie oryginalnego opakowania. Jeśli konieczne będzie dostarczenie teleskopu w inne miejsce, opakowanie przystosowane do transportu pomoże chronić teleskop przed ewentualnymi uszkodzeniami. Upewnij się, że w opakowaniu znajdują się wszystkie elementy. Należy dokładnie sprawdzić zawartość opakowania, ponieważ niektóre części są małe. Wymagane jest użycie tylko dostarczonych narzędzi. Aby zapobiec zginaniu i chwianiu się poszczególnych elementów, należy dokładnie dokręcić śruby, uważając jednak, by ich nie przekręcić, bowiem mogłoby to spowodować zerwanie gwintów.

Podczas montażu (i w dowolnym momencie) nie dotykaj palcami powierzchni elementów optycznych. Powierzchnie optyczne posiadają delikatne powłoki, które mogą zostać łatwo uszkodzone w wyniku dotknięcia. Nie wyjmować luster z obudów; niespełnienie tego warunku powoduje unieważnienie gwarancji produktu.

Dla prawidłowego działania teleskopu niezwykle istotne jest jego właściwe złożenie. Zapoznaj się z budową swojego nowego teleskopu. Sprawdź nazwy, rozmieszczenie i funkcje poszczególnych elementów. Czynności te najlepiej przeprowadzić w ciągu dnia. Przygotowując sesję obserwacyjną, ustaw teleskop w miejscu chronionym przed podmuchami wiatru (o ile jest to możliwe). Obserwacje nocne najlepiej jest przeprowadzać z dala od świateł miasta, kiedy atmosfera jest „stabilna”. Rozpoznawanie dobrych warunków do obserwacji wymaga pewnej praktyki. Wybieraj noce, kiedy gwiazdy są jasne i niemal nie mrugają.

Przed rozpoczęciem obserwacji astronomicznych spróbuj poobserwować obiekty na ziemi. Pomoże Ci to poznać powiększenie każdego z okularów oraz funkcje soczewek dodatkowych. Zaleca się, aby rozpocząć pracę z teleskopem, wykorzystując okular o najmniejszym powiększeniu (ogniskowa 20 mm). Po zmianie okularu na mocniejszy powiększenie będzie większe, jednak oglądany obraz będzie ciemniejszy - wynika to z podstawowych parametrów fizycznych teleskopu. Im większe powiększenie okularu, tym ciemniejszy obraz i bardziej ograniczone pole widzenia. Podczas korzystania z teleskopu należy uzbroić się w cierpliwość. Teleskop to bardzo czuły przyrząd, w którym wykorzystywane są okulary o dużych powiększeniach. Im większe powiększenie okularu, tym bardziej czuły staje się teleskop. W wyniku tego nawet najmniejszy ruch przyrządu może spowodować utratę obserwowanego obrazu. Tylko dzięki praktyce nauczysz się, jak duże ruchy można wykonywać przy każdym okularze i powiększeniu. **1**

Akcesoria

Szukacz Red Dot: **2**

Służy do lokalizowania obiektów przed rozpoczęciem korzystania z teleskopu. Pamiętaj, że szukacz Red Dot musi być prawidłowo ustawiony względem tubusu teleskopu jeszcze przed rozpoczęciem obserwacji.

Soczewka Barlowa 2x: **3**

Soczewka ta dwukrotnie zwiększa powiększenie dowolnego okularu do 72x.

Okulary: **4**

- Okular o ogniskowej 25 mm. Daje małe powiększenie, jednak uzyskany obraz jest bardzo jasny.
- Okular ze zmiennym powiększeniem F6,8-F16 mm **5**

Przeciwwaga **6**

Pokrętko mikroruchów w osi deklinacji **7**

Pokrętko mikroruchów w osi rektascensji **8**

Uwaga: Levenhuk zastrzega sobie prawo do modyfikowania lub zakończenia produkcji dowolnego produktu bez wcześniejszego powiadomienia.

Instrukcja montażu

1. Wyjmij z opakowania wszystkie elementy i zidentyfikuj je.

- statyw
- soczewka Barlowa 2x
- pokrętło mikroruchów w osi deklinacji
- tacka na akcesoria
- okulary: 1,25" 25 mm i F6,8-F16 mm ze zmiennym powiększeniem
- pokrętło mikroruchów w osi rektascensji
- tubus teleskopu
- przeciwwaga
- szukacz Red Dot

2. Dostosuj wysokość statywu - poluzuj pokrętła blokujące, wyreguluj wysokość i wypoziomuj statyw oraz dokręć pokrętła. **9**

3. Poluzuj pokrętło blokujące teleskop w poziomie znajdujące się na montażu paralaktycznym (w dolnej części montażu).

4. Umieść montaż paralaktyczny na statywie. **10**

5. Zabezpiecz montaż, dokręcając pokrętła blokujące.

6. Zamocuj teleskop na montażu. **11**

7. Zamocuj tackę na akcesoria. **12**

1. Rozstaw nogi statywu tak, aby tacka zmieściła się pomiędzy nimi.

2. Umieść haczyki tacki w uchwytych statywu.

3. Dokręć pokrętła blokujące, aby unieruchomić tackę.

8. Poluzuj śruby szukacza Red Dot i wsuń szukacz na wspornik. Dokręć śruby blokujące. (Więcej informacji znajduje się w instrukcji obsługi szukacza Red Dot). **13**

9. Zamocuj przeciwwagę do montażu paralaktycznego. **14**

10. Zamocuj pokrętło mikroruchów w osi rektascensji w montażu paralaktycznym. **15**

11. Zamocuj pokrętło mikroruchów w osi deklinacji w montażu paralaktycznym. **16**

Korzystanie z okularów i akcesoriów

W przypadku montażu teleskopu po raz pierwszy zaleca się wykonanie czynności montażowych w podanej poniżej kolejności. Dzięki temu lepiej zrozumiesz, jak działają poszczególne akcesoria.

1. Tubus ogniskujący **17**

Obracaj pokrętło regulacji od siebie, aż tubus ogniskujący wysunie się całkowicie. Aby wyostrzyć obraz, powoli obracaj pokrętło do siebie do momentu uzyskania wyraźnego obrazu.

Pamiętaj, że okular musi znajdować się w teleskopie, w przeciwnym razie obraz nie będzie widoczny.

2. Okular **18**

Umieść okular w tubusie ogniskującym. Zaleca się rozpoczęcie pracy, wykorzystując okular o najmniejszym powiększeniu.

Pamiętaj, że im większa ogniskowa, tym mniejsze powiększenie okularu. Pamiętaj także, że zwiększenie powiększenia powoduje zmniejszenie pola widzenia oraz jasności i ostrości obrazu.

3. Soczewka Barlowa **19**

Zadaniem soczewki Barlowa jest maksymalizacja powiększenia teleskopu. Umieść soczewkę Barlowa w tubusie ogniskującym, a następnie umieść w niej okular. Po zamontowaniu soczewki Barlowa konieczne jest ponowne ustawienie ostrości.

Montaż szukacza Red Dot

W celu zamontowania szukacza:

1. Wyjmij szukacz z pudełka.
2. Poluzuj śruby radetkowane znajdujące się z boku szukacza i nasuń go na stopkę znajdującą się na głównym tubusie teleskopu.
3. Dokręć śruby radetkowane.

Regulacja względem teleskopu:

1. Wyceluj teleskop w obiekt znajdujący się w odległości minimum 300 jardów i wyostż obraz. Regulację najlepiej przeprowadzać przy świetle dziennym.
2. Upewnij się, że obiekt znajduje się na środku pola widzenia i dokręć wszystkie pokrętła, tak aby teleskop był stabilny.
3. Otwórz komorę baterii w dolnej części szukacza i zdejmij zabezpieczenie baterii (zaleca się, aby z powrotem założyć je, kiedy teleskop nie jest używany).
4. Włącz szukacz, przesuwając przełącznik ON/OFF w przód. Przełącznik ten znajduje się po prawej stronie szukacza.
5. Spójrz przez szukacz i zlokalizuj czerwoną kropkę.
6. Jeśli obiekt oglądany przez szukacz nie jest obiektem widocznym przez tubus, niezbędna jest regulacja. Aby przesunąć czerwoną kropkę w górę lub w dół, wykorzystaj śrubę regulacji wysokości znajdującą się z tyłu szukacza. Aby przesunąć czerwoną kropkę w prawo lub w lewo, wykorzystaj śrubę regulacji wysokości znajdującą się z przodu po lewej stronie szukacza. **20**

Korzystanie z soczewki Barlowa

Zadaniem soczewki Barlowa jest dwukrotne zwiększenie powiększenia okularu. W tym celu umieść soczewkę Barlowa w tubusie ogniskującym, a następnie umieść w niej okular. Pamiętaj, że im większe powiększenie okularu, tym ciemniejszy jest uzyskany obraz.

Model	Okular	Powiększenie	Powiększenie przy użyciu soczewki Barlowa 2x
Levenhuk Strike 100 PLUS	25 mm	26x	52x
	F6,8-F16 mm	94x-40x	188x-80x
Levenhuk Strike 120 PLUS	25 mm	28x	56x
	F6,8-F16 mm	103x-44x	206x-88x

Efektywne korzystanie z teleskopu

Zapoznaj się z budową swojego nowego teleskopu. Sprawdź nazwy, rozmieszczenie i funkcje poszczególnych elementów, najlepiej przy świetle dziennym.

Przed rozpoczęciem obserwacji teleskop powinien pozostawać na zewnątrz przez około 30 minut. Dzięki temu dostosuje się do temperatury otoczenia, co zapewni najlepszą jakość obserwacji.

Ustaw teleskop w miejscu chronionym przed podmuchami wiatru, możliwie jak najbardziej oddalonym od świateł miasta. Najlepsze do obserwacji są bezwietrzne, bezchmurne noce, kiedy gwiazdy są jasne i niemal nie mrugają.

Na początku obserwacji użyj okularu o mniejszym powiększeniu. Dzięki temu pole widzenia będzie szersze, a obraz będzie miał większy kontrast. Okulary o dużym powiększeniu najlepiej sprawdzają się do obserwacji szczegółowej w noce charakteryzujące się doskonałymi warunkami obserwacyjnymi.

Wyważanie teleskopu

Przed każdą sesją obserwacyjną teleskop należy odpowiednio wyważyć. Wyważenie zmniejsza obciążenie wywierane na montaż i umożliwia precyzyjną mikroregulację.

Wyważanie w osi rektascensji

1. Przed przystąpieniem do wyważania upewnij się, że teleskop jest stabilnie zamocowany do montażu.
2. Przytrzymując teleskop jedną ręką, drugą ręką poluzuj pokrętła blokujące w osiach rektascensji i deklinacji. Obracaj teleskop, dopóki pręt przeciwwagi nie ustawi się poziomo względem podłoża.
3. Dokręć pokrętło blokujące w osi deklinacji.
4. Poluzuj śrubę radełkowaną przeciwwagi i przesuwaj przeciwwagę wzdłuż pręta do momentu, w którym po zwolnieniu chwytu teleskop będzie wyważony i stabilny.
5. Dokręć śruby radełkowane przeciwwagi. Teraz teleskop jest prawidłowo wyważony. **21**

Wyważanie w osi deklinacji

1. Kiedy pręt przeciwwagi ustawi się poziomo względem podłoża, dokręć pokrętło blokujące w osi rektascensji.
2. Przytrzymując teleskop jedną ręką, drugą ręką poluzuj pokrętło blokujące w osi deklinacji.
3. Poluzuj pierścienie utrzymujące tubus teleskopu i przesuwaj teleskop w przód i w tył do momentu, aż teleskop po zwolnieniu chwytu pozostanie wyważony. Dokręć pierścienie utrzymujące tubus i pokrętło blokujące w osi deklinacji. **22**

Przednia śruba regulacji w pionie

Montaż paralaktyczny umożliwia kompensację obrotu Ziemi wokół jej osi i śledzenie obiektów astronomicznych w czasie obserwacji. W tym celu należy wyregulować oś rektascensji względem osi obrotu Ziemi. Procedura ta nazywana jest ustawianiem teleskopu na Gwiazdę Polarną.

Spojrzyj na północ i zlokalizuj Gwiazdę Polarną. Ponieważ znajduje się ona w zakresie 1° obrotu Ziemi względem własnej osi (północnego bieguna niebieskiego), teleskop najlepiej ustawiać właśnie względem tej gwiazdy.

1. Luzuj jedną ze śrub regulacyjnych i dokręcaj drugą do momentu wskazania przez znacznik na podziałce szerokości geograficznej tej szerokości, na jakiej się znajdujesz (w trakcie tej regulacji montaż porusza się względem osi deklinacji i rektascensji). Szerokość geograficzną możesz sprawdzić na mapie.
2. Poluzuj pokrętło blokujące w osi deklinacji i obróć teleskop tak, aby był on ustawiony równolegle względem osi rektascensji. Dokręć pokrętło blokujące. Ułatwi to wycelowanie teleskopu na Gwiazdę Polarną.
3. Poluzuj pokrętło blokujące w poziomie i obracaj montaż, dopóki tubus teleskopu oraz oś rektascensji nie zostaną wycelowane na Gwiazdę Polarną. Ponownie dokręć pokrętło blokujące w poziomie. Jeśli nie możesz znaleźć Gwiazdy Polarnej, spróbuj wycelować teleskop (wraz z osią rektascensji) na północ.

Po przeprowadzeniu tej procedury w trakcie sesji obserwacyjnej nie przeprowadzaj żadnych dodatkowych regulacji montażu w pionie i w poziomie ani nie poruszaj statywem. Do korygowania położenia teleskopu wystarczy regulacja względem osi rektascensji i deklinacji.

Teraz, aby wycelować teleskop na dowolny obiekt (Księżyc, Jowisz, Saturn itd.), poluzuj pokrętła regulacji w osiach rektascensji i deklinacji, nakieruj teleskop na wybrany obiekt i dokręć pokrętła. Spojrzyj na obiekt przez szukacz i precyzyjnie wyceluj teleskop za pomocą pokręteł mikroruchów. Upewnij się, że szukacz nadal skierowany jest na ten obiekt. Rozpocznij obserwację, wykorzystując okular o ogniskowej 25 mm i wyostrz obraz. W celu obserwacji Księżyca lub planet postępuj zgodnie z poniższą procedurą.

1. Przy założonym okularze o najmniejszym powiększeniu upewnij się, że obserwowany obiekt znajduje się dokładnie na środku krzyżyka okularu.
2. Wymień okular na okular o większym powiększeniu. W tym celu możesz też użyć soczewki Barlowa. Najpierw umieść soczewkę Barlowa w tubusie ogniskującym, a następnie umieść w niej okular. **23**

Dane techniczne

	Levenhuk Strike 100 PLUS	Levenhuk Strike 120 PLUS
Konstrukcja optyczna	Reflektor Newtona	Reflektor Newtona
Średnica soczewki obiektywowej (apertura), mm	102	114
Ogniskowa, mm	640	700
Liczba przystony	f/6,27	f/6,14
Maksymalne powiększenie, x	160	186
Ograniczenie wielkości gwiazdowej	12,1	12,4
Próg rozdzielczości	1,14	1,02
Montaż	EQ1	EQ1
Średnica okularu	1,25"	1,25"
Okulary	KF 25 mm, F6,8-16 mm ze zmiennym powiększeniem	KF 25 mm, F6,8-16 mm ze zmiennym powiększeniem
Szukacz	Red Dot	Red Dot
Statyw	stal	stal

Instrukcje dotyczące bezpiecznego obchodzenia się z bateriami

- Należy używać baterii odpowiedniego typu i w odpowiednim rozmiarze.
- Należy wymieniać wszystkie baterie jednocześnie; nie należy łączyć starych i nowych baterii ani baterii różnych typów.
- Przed włożeniem baterii należy wyczyścić styki baterii i urządzenia.
- Podczas wkładania baterii należy zwracać uwagę na ich bieguny (znaki + i -).
- Jeśli sprzęt nie będzie używany przez dłuższy czas, należy wyjąć baterie.
- Zużyte baterie należy natychmiast wyjąć.
- Nie ładować baterii jednorazowych, ponieważ wiąże się to z ryzykiem wycieku, pożaru lub wybuchu.
- Nie doprowadzać do zwarcia baterii, ponieważ wiąże się to z ryzykiem powstania wysokich temperatur, wycieku lub wybuchu.
- Nie ogrzewać baterii w celu przedłużenia czasu ich działania.
- Należy pamiętać o wyłączeniu urządzenia po zakończeniu użytkowania.
- Baterie przechowywać w miejscu niedostępnym dla dzieci, aby uniknąć ryzyka połknięcia, uduszenia lub zatrucia.

Konserwacja i pielęgnacja

- Pod żadnym pozorem nie wolno kierować urządzenia bezpośrednio na słońce, światło laserowe lub inne źródło jasnego światła bez stosowania specjalnego filtra, ponieważ może to spowodować TRWAŁE USZKODZENIE SIATKÓWKI lub doprowadzić do ŚLEPOTY.
- Zachowaj szczególną ostrożność, gdy urządzenia używają dzieci lub osoby, które nie w pełni zapoznały się z instrukcjami.
- Nie podejmuj prób samodzielnego demontażu urządzenia, nawet w celu wyczyszczenia lustra. W celu wszelkich napraw i czyszczenia skontaktuj się z punktem serwisowym.
- Chroń urządzenie przed upadkami z wysokości i działaniem nadmiernej siły mechanicznej.
- Nie dotykaj powierzchni optycznych palcami. Do czyszczenia zewnętrznych powierzchni teleskopu używaj tylko specjalnych ściereczek i narzędzi do czyszczenia optyki Levenhuk.
- Przyrząd powinien być przechowywany w suchym, chłodnym miejscu, z dala od niebezpiecznych kwasów oraz innych substancji chemicznych, grzejników, otwartego ognia i innych źródeł wysokiej temperatury.
- Jeśli teleskop nie jest używany, załóż osłonę przeciwpyłową na jego przednią część. Zapobiegnie to gromadzeniu się kurzu na powierzchni lustra i soczewki.
- W przypadku połknięcia małej części lub baterii należy natychmiast zwrócić się o pomoc medyczną.

Gwarancja międzynarodowa

Wszystkie teleskopy, mikroskopy, lornetki i inne przyrządy optyczne Levenhuk, za wyjątkiem akcesoriów, posiadają dożywotnią gwarancję obejmującą wady materiałowe i wykonawcze. Wszystkie akcesoria Levenhuk są wolne od wad materiałowych i wykonawczych i pozostaną takie przez dwa lata od daty zakupu detalicznego. Firma Levenhuk naprawi lub wymieni produkty lub ich części, w przypadku których kontrola prowadzona przez Levenhuk wykaże obecność wad materiałowych lub wykonawczych. Warunkiem wywiązania się przez firmę Levenhuk z obowiązku naprawy lub wymiany produktu jest dostarczenie danego produktu firmie razem z dowodem zakupu uznawanym przez Levenhuk.

Niniejsza gwarancja nie obejmuje części eksploatacyjnych, np. baterii.

Przed dokonaniem zwrotu produktu należy uzyskać numer zwrotu (RA - Return Authorization). W celu uzyskania numeru zwrotu (RA), który należy umieścić na zewnętrznej części opakowania używanego podczas wysyłki, należy skontaktować się z lokalnym przedstawicielem firmy Levenhuk. Do wszystkich zwrotów należy dołączyć pisemne oświadczenie zawierające imię i nazwisko, adres i numer telefonu właściciela produktu oraz opis wad, z tytułu których dokonywany jest zwrot. Części lub produkty, które zostaną wymienione, stają się własnością firmy Levenhuk.

Klient ponosi wszelkie koszty transportu do i z siedziby firmy Levenhuk lub jej autoryzowanego sprzedawcy oraz związane z tym koszty ubezpieczenia. Klient ma obowiązek pokryć te koszty z wyprzedzeniem.

Levenhuk dąży do wszelkich starań, aby procedura naprawy lub wymiany produktu podlegającego niniejszej gwarancji została zakończona w ciągu trzydziestu dni od daty otrzymania produktu. Jeśli naprawa lub wymiana potrwa więcej niż trzydzieści dni, firma Levenhuk powiadomi o tym klienta. Levenhuk zastrzega sobie prawo do zastąpienia produktu wycofanego z produkcji nowym produktem o zbliżonej wartości i funkcji.

Niniejsza gwarancja nie obejmuje wad i uszkodzeń wynikających z wprowadzenia zmian, modyfikacji, zaniedbania, nieprawidłowego korzystania, użycia nieodpowiednich źródeł zasilania, uszkodzeń powstałych w wyniku transportu, nadużycia lub innych przyczyn związanych z użytkowaniem produktu niezgodnie z zaleceniami bądź z nieprawidłowego działania lub spadku jakości wynikającego ze zużycia produktu.

Levenhuk nie udziela gwarancji, wyraźnej ani dorozumianej, w zakresie przydatności handlowej lub przydatności do określonego celu, za wyjątkiem wszelkich gwarancji określonych w niniejszym dokumencie. Jedynym obowiązkiem firmy Levenhuk w związku z niniejszą ograniczoną gwarancją jest naprawa lub wymiana objętego nią produktu zgodnie z zasadami określonymi w niniejszym dokumencie. Levenhuk nie ponosi odpowiedzialności za jakiegokolwiek straty zysków, straty informacji lub inne szkody ogólne lub specjalne, pośrednie, bezpośrednie lub wynikowe powstałe wskutek naruszenia warunków jakiegokolwiek umowy gwarancyjnej bądź z użycia lub niemożności użycia jakiegokolwiek produktu Levenhuk. Wszelkie dorozumiane gwarancje, w przypadku których firma Levenhuk nie może zrzec się odpowiedzialności, obowiązują przez okres dwóch lat w przypadku akcesoriów, licząc od daty zakupu detalicznego.

Levenhuk zastrzega sobie prawo do modyfikowania lub zakończenia produkcji dowolnego produktu bez wcześniejszego powiadomienia.

Poza granicami USA i Kanady gwarancja obowiązuje tylko w stosunku do klientów, którzy zakupili produkt od autoryzowanego sprzedawcy Levenhuk w danym kraju lub od dystrybutora międzynarodowego. W kwestiach związanych z obsługą gwarancyjną należy kontaktować się z powyższymi podmiotami.

W przypadku wątpliwości związanych z gwarancją lub korzystaniem z produktu, proszę skontaktować się z lokalnym przedstawicielem Levenhuk:

Przedstawiciele Levenhuk na całym świecie:

USA: www.levenhuk.com

Kanada: www.levenhuk.ca

Czechy: www.levenhuk.cz

Niderlandy: www.levenhuk.nl

Polska: www.levenhukoptics.pl

Rosja: www.levenhuk.ru

Ukraina: www.levenhuk.ua

UE: www.levenhuk.eu

Data zakupu _____ Podpis _____ Pieczęć _____

Поздравляем вас с приобретением высококачественного телескопа Levenhuk!

Данная инструкция поможет вам разобраться с настройкой телескопа, а также с правилами его надлежащего использования и обслуживания. Настоятельно рекомендуем полностью прочесть инструкцию перед началом работы с телескопом.

ВНИМАНИЕ! Во избежание повреждения глаз никогда, даже на мгновение, не смотрите на Солнце в телескоп или искатель без профессионального солнечного апертурного фильтра, закрывающего переднюю часть прибора. При этом лицевая часть искателя должна быть закрыта алюминиевой фольгой или другим непрозрачным материалом для предотвращения повреждения внутренних частей телескопа.

Дети могут пользоваться телескопом только под присмотром взрослых.

Все части телескопа поставляются в одной коробке. Распаковывая телескоп, будьте аккуратны и осторожны. Рекомендуем сохранить упаковку: использование оригинальной упаковки во время перевозки гарантирует целостность и сохранность инструмента. Убедитесь в наличии всех частей комплекта поставки. Внимательно осмотрите коробку, так как некоторые детали имеют малые размеры и могут затеряться. В комплект поставки входят все инструменты, необходимые для работы с телескопом, дополнительные инструменты не требуются. Во время сборки телескопа все винты должны быть надежно затянуты для исключения колебаний. **ВНИМАНИЕ! НЕ ПЕРЕТЯНИТЕ ВИНТЫ, ЧТОБЫ НЕ СОРВАТЬ РЕЗЬБУ!**

В процессе сборки и во время использования телескопа **НЕ КАСАЙТЕСЬ** пальцами линз телескопа, искателя или окуляра. Оптические поверхности имеют тонкое покрытие, которое легко повредить при касании. **НЕ ВЫНИМАЙТЕ** зеркала из корпусов, так как это аннулирует гарантийное соглашение.

Чтобы телескоп функционировал как положено, важно правильно его собрать. Подробно изучите телескоп. Выучите названия деталей и аксессуаров, их расположение и функции. Изучение телескопа лучше провести заранее, в дневное время. Готовясь к сеансу наблюдений, по возможности установите телескоп в защищенном от ветра месте. Лучшие условия для ночного наблюдения - вдалеке от городских огней и при спокойной атмосфере. Немного попрактиковавшись, вы научитесь определять хорошие условия для наблюдения. Для наблюдений старайтесь выбирать такие ночи, когда звезды ярко светят и практически не мерцают.

Прежде чем наблюдать астрономические объекты, потренируйтесь на наземных объектах. Так вы освоитесь с окулярами разного увеличения и изучите основные функции телескопа и аксессуаров. Рекомендуем вам начинать с окуляра наименьшего увеличения, 25 мм. При использовании более мощных окуляров увеличение становится выше, а изображение – темнее. Это зависит от основных физических свойств телескопов. Чем выше увеличение, тем темнее изображение и тем меньше поле зрения. Пользуясь телескопом, будьте аккуратны и терпеливы. Это очень чувствительный инструмент, способный на высокие увеличения. Помните: чем больше увеличение, тем более чувствительным становится телескоп. Поэтому малейшее воздействие на телескоп (толчок, сдвиг) может привести к потере изображения в поле зрения окуляра. Благодаря постоянной практике вы вскоре научитесь определять, какое увеличение даст тот или иной окуляр, и какую силу допустимо прикладывать к телескопу, чтобы не потерять изображение из поля зрения окуляра. **1**

Аксессуары

1) Электронный искатель с красной точкой **2** :

Используется для первичного обнаружения объекта с тем, чтобы затем было проще найти данный объект, глядя в окуляр телескопа. Перед наблюдением как земных, так и астрономических объектов следует произвести настройку искателя!

2) Линза Барлоу 2x **3** :

Используется вместе с окулярами для достижения максимального увеличения.

3) Окуляры: **4**

- Окуляр 25 мм. При использовании данного окуляра получается наименьшее увеличение и наиболее контрастное изображение.
- Зум-окуляр F6,8-F16 мм **5**

4) Противовес **6**

5) Ручка тонких движений по оси склонения **7**

6) Ручка тонких движений по оси прямого восхождения **8**

Внимание! Компания Levenhuk оставляет за собой право вносить любые изменения или прекращать производство изделия без предварительного уведомления.

Сборка

1. Выньте из упаковки все детали и определите их:

- треногу
- лоток для аксессуаров
- трубу телескопа
- электронный искатель с красной точкой
- противовес
- линзу Барлоу 2x
- окуляры (25 мм, зум-окуляр F6,8-16 мм, посадочный диаметр – 1,25")
- ручки тонких движений (2 шт)

2. Отрегулируйте высоту треноги, ослабив фиксаторы ножек, вытянув ножки на нужную длину и затянув фиксаторы обратно. Убедитесь, что тренога выровнена относительно горизонта. **9**

3. Ослабьте фиксатор монтировки по азимуту, расположенный на основании экваториальной монтировки.

4. Установите монтировку на треногу. **10**

5. Закрутите фиксатор монтировки.

6. Установите трубу телескопа на монтировку **11**

7. Установите лоток для аксессуаров: **12**

(1) *раздвиньте ножки треноги так, чтобы можно было вставить лоток;*

(2) *вставьте крючки лотка в пазы на треноге;*

(3) *затяните фиксаторы, чтобы прочно закрепить лоток.*

8. Ослабьте винты искателя и вдвиньте его в крепление «ласточкин хвост», расположенное сверху трубы телескопа. Затяните винты. Подробнее см. в разделе «Установка и настройка искателя». **13**

9. Установите противовес на экваториальную монтировку. **14**

10. Закрепите обе ручки тонких движений на монтировке. **15**, **16**

Инструкция по использованию окуляров и аксессуаров

1. Фокусер **17**

Прокрутите ручку фокусера в направлении от себя, пока труба фокусера не зайдет внутрь до конца. Затем сфокусируйте изображение – медленно крутите ручки фокусера на себя, пока изображение не станет четким.

Примечание: операции с фокусером следует выполнять со вставленным окуляром, иначе вы не увидите изображение.

2. Окуляр **18**

Установите окуляр в фокусер. Рекомендуется начинать наблюдения с окуляра наименьшего увеличения. Наименьшее увеличение имеет окуляр с наибольшим обозначением и наоборот. При большем увеличении уменьшается поле зрения, а также снижается яркость и контраст изображения.

3. Линза Барлоу **19**

Линза Барлоу используется для достижения максимальных увеличений. Вставьте линзу Барлоу в фокусер, затем вставьте окуляр в корпус линзы Барлоу. Повторно выполните фокусировку изображения.

Установка и настройка искателя

Установка:

1) выньте искатель с красной точкой из упаковки.

2) ослабьте винты сбоку корпуса искателя и вдвиньте его в крепление «ласточкин хвост», расположенное сверху трубы телескопа.

3) затяните винты.

Настройка:

Учтите, что искатель поставляется без настройки. До начала наблюдений необходимо настроить искатель:

- 1) В дневное время наведите телескоп на объект, расположенный не менее чем в 300 метрах от вас, и сфокусируйтесь на этом объекте.
- 2) Отрегулируйте положение трубы телескопа так, чтобы объект находился в центре поля зрения окуляра, затем затяните все фиксаторы и винты.
- 3) Выньте из батарейного отсека круглый вкладыш, расположенный под передней частью искателя (не выбрасывайте его — рекомендуется устанавливать вкладыш обратно, когда вы не пользуетесь телескопом).
- 4) Включите искатель, переведя переключатель ON/OFF вперед. Переключатель расположен на правой стороне искателя.
- 5) Глядя в искатель, найдите красную точку.
- 6) Если объект, на который указывает красная точка, не совпадает с объектом, который виден в центре поля зрения окуляра, требуется настройка искателя. Для этого нужно правильно позиционировать красную точку: чтобы красная точка передвигалась вверх и вниз, поворачивайте винт вертикальной регулировки, расположенный у заднего края искателя; чтобы красная точка передвигалась влево и вправо, поворачивайте винт горизонтальной регулировки, расположенный у переднего края левой стороны искателя. **20**

Использование линзы Барлоу

Линза Барлоу используется вместе с окулярами для достижения максимального увеличения. Чтобы воспользоваться линзой, вставьте ее в трубу фокусера, затем установите нужный окуляр в корпус линзы Барлоу. Помните, чем выше увеличение, тем ниже контраст и яркость изображения.

Модель	Окуляр	Увеличение	Увеличение с линзой Барлоу 2x
Levenhuk Strike 100 PLUS	25 мм	26x	52x
	F6,8-F16 мм	94x-40x	188x-80x
Levenhuk Strike 120 PLUS	25 мм	28x	56x
	F6,8-F16 мм	103x-44x	206x-88x

Рекомендации по использованию телескопа и проведению наблюдений

Рекомендуем вам подробно изучить телескоп, выучить названия деталей и аксессуаров, их расположение и функции. Это лучше делать в дневное время.

Перед началом наблюдений необходимо заблаговременно вынести телескоп из помещения наружу на 30 минут. Это позволит телескопу адаптироваться к температуре окружающей среды. Такая адаптация (термостабилизация) необходима для достижения максимального качества изображения.

Во время сеансов наблюдения устанавливайте телескоп в защищенном от ветра месте. Наилучшие условия для астрономических наблюдений — вдалеке от городских огней, при спокойной атмосфере и безветренной погоде. Для наблюдений старайтесь выбирать такие ночи, когда звезды светят ярко и практически не мерцают.

При первом наведении на объект используйте окуляры наименьшего увеличения, обеспечивающие широкое поле зрения и высокий контраст изображения. Окуляры большего увеличения лучше использовать при наилучших погодных условиях и ясном небе.

Балансировка трубы

Трубу телескопа следует балансировать перед каждым сеансом наблюдения. Балансировка уменьшает напряжение монтировки и позволяет точнее управлять ручками тонких движений.

Балансировка трубы по оси прямого восхождения

1. Прежде чем выполнять балансировку, убедитесь, что труба телескопа прочно закреплена на креплении монтировки.
2. Придерживая одной рукой трубу телескопа, ослабьте фиксаторы осей прямого восхождения и склонения. Поверните трубу телескопа так, чтобы ось противовеса была направлена параллельно земле.
3. Затяните фиксатор оси склонения. Телескоп будет свободно вращаться вокруг оси прямого восхождения.
4. Теперь ослабьте стопорный винт противовеса и перемещайте противовес по оси до тех пор, пока он не уравновесит телескоп. В этой точке ось противовеса остается в горизонтальном положении, даже если вы совсем отпустите трубу телескопа. Если труба проворачивается, значит, нужно сдвинуть противовес еще немного.
5. Закрутите стопорный винт противовеса. Теперь телескоп сбалансирован по оси прямого восхождения. **21**

Балансировка трубы по оси склонения

1. Затяните фиксатор оси прямого восхождения в положении, когда ось противовеса горизонтальна земле.
2. Придерживая одной рукой трубу телескопа, ослабьте фиксатор оси склонения. Телескоп будет свободно вращаться по оси склонения. Слегка ослабьте винты крепежных колец, чтобы труба могла двигаться вперед-назад. Сбалансируйте трубу так, чтобы она не перевешивалась в какую-либо сторону, даже когда вы полностью отпускаете ее.
3. Закрутите винты крепежных колец. Затяните фиксатор оси склонения. **22**

Установка полярной оси

Экваториальная монтировка позволяет компенсировать движение Земли вокруг своей оси и комфортно отслеживать движение астрономических объектов, не давая им уходить из поля зрения телескопа во время наблюдений. Для этого ось прямого восхождения должна быть выровнена относительно оси вращения Земли. Этот процесс называется установкой полярной оси.

Посмотрите на север и найдите на небе Полярную звезду. Поскольку она находится в пределах 1° от воображаемой оси вращения Земли (астрономический Северный полюс), установка полярной оси выполняется по этой звезде.

1. Раскручивая один регулировочный болт и закручивая второй, добейтесь того, чтобы указатель на широтной шкале показал широту места наблюдения (в процессе настройки монтировка будет подниматься/опускаться). Например, если вы находитесь на широте 56° (Москва), указатель должен указывать на значение 56. Если вы не знаете широту своего местоположения, сверьтесь с географическим атласом.
2. Ослабьте фиксатор оси склонения и поверните трубу телескопа так, чтобы она стала параллельна оси прямого восхождения. Благодаря такому выравниванию трубы вам будет проще навести телескоп на Полярную звезду. Затяните фиксатор.
3. Ослабьте фиксатор монтировки по азимуту. Глядя в искатель, поворачивайте монтировку так, чтобы и труба, и ось прямого восхождения были направлены на Полярную звезду. Если вы не можете обнаружить Полярную звезду, направьте ось прямого восхождения и трубу строго на север. Затяните фиксатор монтировки.

С этого момента вы не должны ни регулировать телескоп по азимуту или высоте, ни перемещать треногу, так как эти действия собьют установку полярной оси. Телескоп можно вращать только вокруг осей прямого восхождения и склонения.

Чтобы навести телескоп на объект (Луну, Юпитер, Сатурн и др.), ослабьте фиксаторы осей прямого восхождения и склонения и наведите трубу на участок неба, в котором находится объект. Затяните фиксаторы. Посмотрите в искатель и, покрутив ручки тонких движений, наведите телескоп на объект более точно (на него должна указывать красная точка). Установите окуляр 25 мм и посмотрите в него. Сфокусируйте изображение. Чтобы рассмотреть детали объекта (Луны и планет) более подробно, сделайте следующее:

- 1) используя окуляр меньшего увеличения, поместите объект точно в центре поля зрения;
- 2) выньте окуляр и вставьте окуляр большего увеличения. Также, вы можете использовать линзу Барлоу для достижения максимального увеличения. Линзу Барлоу необходимо установить в фокусер, а затем в нее установить окуляр. **23**

Технические характеристики

	Levenhuk Strike 100 PLUS	Levenhuk Strike 120 PLUS
Оптическая схема	рефлектор Ньютона	рефлектор Ньютона
Диаметр объектива (апертура), мм	102	114
Фокусное расстояние, мм	640	700 мм
Светосила	f/6,27	f/6,14
Максимальное увеличение, крат	160	186
Предельная звездная величина	12,1	12,4
Разрешающая способность	1,14	1,02
Тип монтировки	экваториальная, EQ1	экваториальная, EQ1
Посадочный диаметр окуляров	1,25"	1,25"
Окуляры в комплекте	KF 25 мм, зум-окуляр F6,8-16 мм	KF 25 мм, зум-окуляр F6,8-16 мм
Искатель	с красной точкой	с красной точкой
Тренога	стальная	стальная

Использование элементов питания

- Всегда используйте элементы питания подходящего размера и соответствующего типа.
- При необходимости замены элементов питания меняйте сразу весь комплект, не смешивайте старые и новые элементы питания и не используйте элементы питания разных типов одновременно.
- Перед установкой элементов питания очистите контакты элементов и контакты в корпусе прибора.
- Устанавливайте элементы питания в соответствии с указанной полярностью (+ и -)
- Если прибор не используется длительное время, следует вынуть из него элементы питания.
- Оперативно вынимайте из прибора использованные элементы питания.
- Не пытайтесь перезарядить гальванические элементы питания - они могут протечь, воспламениться или взорваться.
- Никогда не закорачивайте полюса элементов питания - это может привести к их перегреву, протечке или взрыву.
- Не пытайтесь нагревать элементы питания, чтобы восстановить их работоспособность.
- Выключайте прибор после использования.
- Храните элементы питания в недоступном для детей месте, чтобы избежать риска их проглатывания, удушья или отравления.

Уход и хранение

- Никогда не смотрите в прибор на Солнце или область рядом с ним без специального фильтра, а также на другой источник яркого света или лазерного излучения. **ЭТО ОПАСНО ДЛЯ ЗРЕНИЯ И МОЖЕТ ПРИВЕСТИ К СЛЕПОТЕ!**
- Будьте внимательны, если пользуетесь прибором вместе с детьми или людьми, не знакомыми с инструкцией.
- Не разбирайте прибор (в том числе и для очистки зеркал). Сервисные и ремонтные работы могут проводиться только в специализированном сервисном центре.
- Оберегайте прибор от резких ударов и чрезмерных механических воздействий.
- Не касайтесь пальцами поверхностей линз. Для внешней очистки телескопа используйте специальную салфетку и специальные чистящие средства, например оригинальные средства для чистки оптики компании Levenhuk.
- Храните прибор в сухом прохладном месте, недоступном для влияния кислот или других активных химических веществ, вдали от отопителей (бытовых, автомобильных) и от открытого огня и других источников высоких температур.
- Когда прибор не используется, всегда надевайте на него пылезащитную крышку. Это защищает поверхность линз и зеркал от попадания пыли.
- Если деталь прибора или элемент питания были проглочены, срочно обратитесь за медицинской помощью.

Международная гарантия

Продавец гарантирует соответствие качества приобретенного вами изделия компании Levenhuk требованиям технической документации при соблюдении потребителем условий и правил транспортировки, хранения и эксплуатации изделия. Компания Levenhuk гарантирует отсутствие дефектов в материалах конструкции и дефектов изготовления изделия. В течение гарантийного периода покупатель может вернуть неисправное изделие продавцу либо в Сервисный центр компании Levenhuk. Компания Levenhuk по своему усмотрению отремонтирует или бесплатно заменит неисправное изделие. Претензии по качеству изделия не принимаются при отсутствии правильно оформленного гарантийного талона или при наличии исправлений в нем, а также при непредъявлении данного неисправного изделия.

Гарантия не распространяется на дефекты, не связанные с дефектами материала или изготовления, на случаи, когда, по мнению компании, изделие употреблялось не по назначению, а также когда:

- изделие имеет механические повреждения, царапины, сколы, трещины и повреждения оптики;
- изделие вышло из строя в результате ударов, сжатия, растяжения корпуса;
- дефекты или неисправности возникли при или вследствие неправильной эксплуатации, хранения или транспортировки изделия;
- изделие разбиралось или ремонтировалось лицом, не имеющим на то соответствующих полномочий.

Гарантия не распространяется на комплектующие с ограниченным сроком использования, элементы питания и прочее. Компания Levenhuk оставляет за собой право вносить любые изменения или прекращать производство изделия без предварительного уведомления.

Срок гарантии: на аксессуары — **6 (шесть) месяцев** со дня покупки, на остальные изделия — **пожизненная гарантия** (действует в течение всего срока эксплуатации прибора). Храните гарантийный талон вместе с чеком.

По вопросам гарантийного обслуживания вы можете обратиться в ближайшее представительство компании Levenhuk.

Представительства компании Levenhuk:

США: www.levenhuk.com

Канада: www.levenhuk.ca

Чехия: www.levenhuk.cz

Нидерланды: www.levenhuk.nl

Польша: www.levenhukoptics.pl

Россия: www.levenhuk.ru

Украина: www.levenhuk.ua

Европа: www.levenhuk.eu

Дата продажи _____ Подпись _____ Печать _____

Вітаємо з покупкою високоякісного телескопа Levenhuk!

Ці інструкції допоможуть вам налаштувати, належно використовувати та піклуватися про свій телескоп. Будь ласка, старанно їх прочитайте до початку роботи.

ПОПЕРЕДЖЕННЯ! Ніколи не дивіться прямо на Сонце — навіть на мить — через телескоп або видошукач без спеціального професійного сонячного фільтра, який повністю покриває передню частину приладу, бо це може спричинити незворотнє пошкодження очей. Для уникнення пошкоджень внутрішніх частин телескопа, переконайтеся, що передня частина видошукача покрита алюмінієвою фольгою або іншим непрозорим матеріалом. Діти повинні використовувати телескоп тільки під наглядом дорослих.

Усі частини телескопа доставляються в одній упаковці. Розпакуйте обережно. Рекомендуємо зберігати оригінальне упакування для транспортування. У випадку, якщо телескоп потребує транспортування в інше місце, таке належне упакування допоможе телескопу завершити переміщення неушкодженим. Переконайтеся, що в упаковці присутні усі частини. Старанно перевіряйте упаковку, оскільки деякі частини дуже маленькі. Крім наданих, інші інструменти непотрібні. Усі гвинти потрібно надійно затягнути, щоб виключити згинання і биття, але будьте обережні, щоб не затягнути надмірно, оскільки це може зірвати нарізь.

Під час збірки (і в будь-який інший час) не торкайтеся поверхонь оптичних елементів пальцями. При неухважному поводженні оптичні поверхні з чутливим покриттям можна легко пошкодити. Ніколи не виймайте дзеркала з їх рам, бо це анулює гарантію на виріб.

Для того, щоб телескоп правильно працював, необхідно належно його зібрати. Детально ознайомтеся з новим телескопом. Вивчіть назви різних частин, їхнє розташування і функції. Найкраще це робити вдень. Якщо можливо, під час підготовки до оглядового сеансу розмістіть телескоп в місці, захищеному від вітру. Найкраще нічний огляд проводити далеко від міського освітлення і при «незмінній» атмосфері. За короткий час ви навчитеся визначати хороші оглядові умови. Обирайте ночі, коли зорі світять яскраво без мерехтіння або з легким мерехтінням.

Перед тим, як оглядати астрономічні об'єкти, випробуйте телескоп на наземних об'єктах. Таким чином ви зможете ознайомитися з окулярами різної потужності, а також ознайомитися з функціями додаткових об'єктивів. Рекомендуємо починати з окуляра з найменшою потужністю, 20 мм. Коли потужність збільшується, зображення стає темніше. Це відбувається внаслідок основних фізичних властивостей телескопа. Чим більша потужність, тим темніше зображення і тим вужче оглядове поле. Будьте терплячими при використанні телескопу. Це дуже чутливий пристрій зі здатністю використовувати високі потужності. Проте, чим більшу потужність ви використовуєте, тим чутливішим стає телескоп. Внаслідок цього найменше зміщення телескопу може спричинити втрату зображення в окулярі. Практика допоможе зрозуміти, яке зміщення потрібно для кожного окуляра відповідно до його потужності. **1**

Акcesуари

Шукач з червоною крапкою: **2**

Використовується для пошуку об'єктів до використання труби телескопа. Будь ласка, зверніть увагу, що шукач з червоною крапкою потрібно вирівняти з трубою телескопа перед тим, як робити будь-які спостереження.

Лінза Барлов з 2-кратним збільшенням: **3**

Використовується для збільшення потужності будь-якого окуляра вдвічі, наприклад, 25-мм окуляр дає 36-кратність, але при використанні лінзи Барлов з 2-кратним збільшенням дає збільшення у 72 рази.

Окуляри: **4**

- 25-мм окуляр. Дає найменше збільшення, але кінцеве зображення найяскравіше.
- Зум-окуляр F6,8-F16 мм **5**

Противага **6**

Регулятор руху по осі нахилу **7**

Регулятор руху по осі прямого сходження **8**

Примітка: Levenhuk зберігає за собою право змінювати або знімати з виробництва виріб без попередження.

Інструкція з монтажу

1. Вийміть вміст коробки та визначте частини.

- тринога
- лоток для аксесуарів
- труба телескопа
- шукач з червоною крапкою
- окуляри: 25 мм, зум-окуляр F6,8-F16 мм, з діаметром 1,25"
- 2-кратна лінза Барлов
- протывага
- регулятор руху по осі прямого сходження
- регулятор руху по осі нахилу

2. Налаштуйте висоту триноги, послаблюючи фіксатори, налаштовуючи і вирівнюючи триногу, після чого затягніть фіксатори. **9**

3. Послабте фіксатор азимуту на екваторіальному монтуванні (розташована внизу ніжки).

4. Розташуйте екваторіальне монтування на тринозі. **10**

5. Закріпіть ніжку, затягнувши фіксатор.

6. Встановіть телескоп на ніжку. **11**

7. Встановіть лоток для аксесуарів. **12**

1. Розставте ніжки триноги таким чином, щоб лоток підійшов знизу.

2. Вставте гачки лотка в тримачі на тринозі.

3. Затягніть фіксатори для надійного закріплення лотка.

8. Послабте гвинти шукача і встановіть його у кріплення. Затягніть фіксуєчі гвинти. (Подальшу інформацію дивіться в інструкціях для шукача). **13**

9. Встановіть протывагу на екваторіальне монтування. **14**

10. Встановіть регулятор руху по осі прямого сходження на екваторіальне монтування. **15**

11. Встановіть регулятор руху по осі нахилу на екваторіальне монтування. **16**

Інструкція з використання окулярів і аксесуарів

При першій збірці телескопа рекомендується дотримуватися вказаного нижче порядку. Це допоможе краще зрозуміти функцію кожної частини.

1. Фокусувач **17**

Повертайте ручку фокусувача від себе, доки фокусна труба не зупиниться. Щоб сфокусувати вигляд, повільно повертайте ручки фокусу до себе, доки зображення не стане чітким.

Зверніть увагу, що потрібно вставити окуляр, інакше ви не побачите зображення.

2. Окуляр **18**

Встановіть окуляр у приймальний кінець фокусувача. Рекомендується починати з окуляра найменшого збільшення. Пам'ятайте, що чим більше фокусна відстань, тим менше збільшення дає окуляр. Також пам'ятайте, що збільшення зменшить видиме поле зору, яскравість і різкість зображення.

3. Лінза Барлов **19**

Лінза Барлов використовується для найбільшого збільшення вашого телескопа. Вставте лінзу Барлов у фокусувач, а тоді встановіть окуляр у приймальний кінець лінзи Барлов. Після цього потрібно буде повторно сфокусувати вид.

Збірка шукача з червоною крапкою

Для встановлення шукача:

1. Вийміть шукач з коробки.

2. Послабте гвинти зі сторони шукача і встановіть шукач у кріплення типу «ластівчин хвіст», розміщений зверху труби телескопа.

3. Затягніть гвинти.

Налаштування телескопа:

1. Націльте телескоп на об'єкт принаймні на віддалі 300 метрів і наведіть фокус. Це найкраще робити при денному світлі.

2. Переконайтеся, що об'єкт знаходиться в центрі виду, і затягніть усі ручки, щоб запобігти будь-яким зміщенням.

3. Відкрийте відділ для батарей під шукачем і зніміть кришку з батареї (рекомендується замінити кришку батареї, якщо телескоп не використовується).

4. Увімкніть шукач, перемістивши перемикач включення/виключення вперед. Перемикач розташований справа від шукача.
5. Подивіться у шукач і знайдіть червону крапку.
6. Якщо об'єкт у шукачі не є об'єктом, який ви бачите крізь головну трубу телескопа, потрібно його вирівняти. Щоб переміщати червону крапку вгору і вниз, просто повертайте гвинт вертикального регулювання, розташований позаду шукача. Щоб переміщати червону крапку вправо і вліво, повертайте гвинт горизонтального вирівнювання, розташований на передній частині шукача. ²⁰

Використання лінзи Барлов

Лінза Барлов використовується для подвоєння збільшення окулярів. Для її використання просто вставте лінзу Барлов у фокусувач, після чого встановіть бажаний окуляр у приймальний кінець лінзи Барлов. Пам'ятайте, що чим більше збільшення використовується, тим темнішим здається зображення.

Модель	Окуляр	Збільшення	Збільшення з 2-кратною лінзою Барлов
Levenhuk Strike 100 PLUS	25 мм	26x	52x
	F6,8-F16 мм	94x-40x	188x-80x
Levenhuk Strike 120 PLUS	25 мм	28x	56x
	F6,8-F16 мм	103x-44x	206x-88x

Використання телескопа

Ознайомтеся з телескопом. Вивчіть назви різних частин і аксесуарів, їх розташування і призначення. Це легше робити при денному світлі.

Перед початком спостережень винесіть телескоп назовні на 30 хвилин. Це дозволить телескопу адаптуватися до температури зовнішнього середовища і якнайкраще працювати під час спостережень.

Спробуйте налаштувати телескоп в районі, захищеному від вітру. Віддаліться від вогнів міста якомога далі. Найкращими умовами спостережень вважаються нерухоме повітря і ясні ночі, коли видно зорі, які яскраво світять і майже не миготять.

На початку спостережень використовуйте окуляри з невеликим збільшенням, щоб скористатися перевагами ширшого поля зору і більшого контрасту зображення. Окуляри з найбільшим збільшенням найкраще використовувати при ідеальних нічних умовах.

Балансування телескопа

Телескоп потрібно балансувати при кожному спостереженні. Балансування знижує навантаження на ніжку і дозволяє проводити точне мікрорегулювання.

Балансування регулятора руху по осі прямого сходження

1. Перед балансуванням перевірте, чи телескоп надійно встановлений на ніжці.
2. Тримавши телескоп однією рукою, іншою рукою послабте фіксатори прямого сходження і нахилу. Повертайте телескоп, доки противага не стане горизонтально до землі.
3. Затягніть ручку фіксації нахилу.
4. Послабте гвинт противаги і переміщайте противагу по штоку, доки телескоп не збалансується і не залишатиметься в стабільному стані.
5. Затягніть гвинт противаги. Тепер телескоп ідеально збалансований. ²¹

Балансування нахилу

1. Затягуйте фіксатор прямого сходження, доки стрижень противаги не буде горизонтальним до землі.
2. Тримаючи телескоп однією рукою, послабте фіксатор нахилу іншою рукою.
3. Послабте кільця труби телескопа і переміщайте телескоп вперед або назад, доки він не залишатиметься збалансованим, навіть коли ви відпустите трубу телескопа. Затягніть кільця труби фіксатором нахилу. ²²

Вирівнювання полярної осі

Екваторіальне монтування дозволяє компенсувати обертання Землі навколо своєї осі і легко стежити за небесними об'єктами. Для цього вісь прямого сходження потрібно вирівняти з віссю обертання Землі. Такий процес називають полярним вирівнюванням.

Подивіться на північ і знайдіть Полярну зірку. Оскільки вона розташована в межах 1° від вісі обертання Землі (Північного небесного полюса), то телескоп потрібно налаштовувати на цю зірку.

1. Послабляйте налаштувальні гвинти і затягуйте інші, доки не побачите широту на шкалі, на яку вказує штифт індикатора (під час цього ніжка підніматиметься або опускатиметься). Широту свого розташування можна подивитися на карті.
2. Послабляйте фіксатор нахилу і повертайте трубу телескопа, доки вона не буде паралельна вісі прямого сходження. Затягніть фіксатор. Таким чином буде легше спрямувати телескоп на Полярну зірку.
3. Послабте фіксатор азимуту і повертайте ніжку, доки труба і вісь прямого сходження не вкажуть на Полярну зірку. Повторно затягніть фіксатор азимуту. Якщо неможливо знайти Полярну зірку, спробуйте навести телескоп і вісь прямого сходження на північ.

Після цього протягом спостереження непотрібно робити додаткових налаштувань азимуту і широти, а також непотрібно переміщати триногу. Для підтримання телескопа достатньо його переміщати по вісям прямого сходження і нахилу.

Після цього, щоб налаштувати телескоп на об'єкт (Місяць, Юпітер, Сатурн, і т. д.), послабте фіксатори прямого сходження і нахилу, спрямуйте трубу телескопа на об'єкт, затягніть фіксатори. Уважно подивіться на об'єкт в шукачі і налаштуйте телескоп за допомогою ручок управління. Переконайтеся, що червона крапка вказує на об'єкт. Розпочніть спостереження за допомогою окуляра 25мм і сфокусуйте вид. Щоб вивчати деталі Місяця або планет, дотримуйтеся простої процедури.

1. Використовуючи окуляр, перевірте, щоб спостережений об'єкт знаходився у центрі видошукача окуляра.
2. Зніміть окуляр і замініть його потужнішим. Також, для досягнення максимального збільшення, можна використати лінзу Барлов. Щоб це зробити, спочатку встановіть її у фокусувач, а тоді розмістіть окуляр у приймальний кінець лінзи Барлов. ²³

Технічні характеристики

	Levenhuk Strike 100 PLUS	Levenhuk Strike 120 PLUS
Оптична конструкція	рефлектор Ньютона	рефлектор Ньютона
Діаметр лінзи об'єктива (апертура), мм	102	114
Фокусна відстань, мм	640	700
Світлосила	f/6,27	f/6,14
Найвища практична потужність, разів	160	186
Обмежуюча зоряна величина	12,1	12,4
Поріг роздільної здатності	1,14	1,02
Монтування	екваторіальне, EQ1	екваторіальне, EQ1
Посадковий діаметр окулярів	1,25"	1,25"
Окуляр	KF 25 мм, зум-окуляр 6,8-16 мм	KF 25 мм, зум-окуляр 6,8-16 мм
Шукач	з червоною крапкою	з червоною крапкою
Тринога	сталева	сталева

Інструкції з техніки безпеки по роботі з батареями

- Завжди купуйте відповідний розмір та клас батареї, що найбільше відповідає використанню за призначенням.
- Завжди замінюйте увесь комплект батарей одночасно, звертаючи увагу на те, щоб не змішувати старі та нові батареї або батареї різних типів.
- Очистіть контакти батареї та контакти пристрою до встановлення батареї.
- Переконайтеся, що батареї встановлюються правильно, відповідно до полярності (+ та -).
- Знімайте батареї з обладнання, яке не буде використовуватися впродовж довгого періоду часу.
- Батареї знімайте належним чином.
- Ніколи не намагайтеся перезарядити первинні батареї, оскільки це може спричинити витік, пожежу або вибух.
- Ніколи не закорочуйте батареї, оскільки це може призвести до високих температур, витоку або вибуху.
- Ніколи не нагрівайте батареї, щоб відновити їхнє функціонування.
- Після використання вимикайте пристрій.
- Тримайте батареї поза межами досяжності дітей, щоб уникнути споживання, задухи або отруєння.

Догляд і підтримка

- Ніколи, ні за яких обставин не дивіться через цей пристрій без спеціального фільтра прямо на Сонце або в його напрямку, на інше яскраве джерело світла чи на лазер, бо це може спричинити НЕЗВОРОТНЕ ПОШКОДЖЕННЯ СІТКІВКИ і може призвести до СЛІПОТИ.
- Вживайте необхідних застережних заходів, коли даєте використовувати пристрій дітям або людям, які не прочитали чи не повністю зрозуміли дані інструкції.
- Не намагайтеся розібрати пристрій власноруч з будь-якої причини, включаючи очищення дзеркала. Для ремонту і очищення будь-якого виду, будь ласка, зв'яжіться з місцевим спеціалізованим сервісним центром.
- Захистіть пристрій від випадкових ударів та надмірної механічної сили.
- Не торкайтеся пальцем оптичних поверхонь. Для очищення зовнішніх поверхонь телескопа використовуйте лише спеціальні очищувальні серветки та спеціальні очищувальні інструменти для оптики виробництва компанії Levenhuk.
- Зберігайте пристрій в сухому і прохолодному місці, осторонь від небезпечних кислот та інших хімікатів, далеко від обігрівачів, відкритого вогню та інших джерел високої температури.
- Заміняйте кришку від пилу на передньому кінці телескопа, коли він не використовується. Це не дасть пилу осідати на поверхні дзеркал або лінз.
- негайно звертайтеся по медичну допомогу при ковтанні маленьких частин або батарей.

Міжнародна гарантія

Надається пожиттєва гарантія на відсутність дефектів матеріалів та конструкції для усіх телескопів, мікроскопів, біноклів та інших оптичних продуктів (крім аксесуарів) компанії Levenhuk. Надається гарантія на відсутність дефектів матеріалів та конструкції всіх аксесуарів компанії Levenhuk впродовж шести місяців від дати роздрібного продажу. Компанія Levenhuk відремонтує або замінить такий виріб або його частину, яка після обстеження компанією Levenhuk виявиться з дефектним матеріалом або конструкцією. В якості умови зобов'язання компанії Levenhuk для ремонту чи заміни такого виробу його потрібно повернути в компанію Levenhuk разом із доказом покупки, що задовольняє компанію Levenhuk.

Така гарантія не покриває витратні матеріали, такі, як батареї.

Перед поверненням потрібно отримати Return Authorization (RA) Number (Авторизаційний номер повернення).

Сконтактуйтеся з місцевим відділенням Levenhuk, щоб отримати номер RA, який потрібно вказувати на зовнішній стороні транспортної упаковки. Усі повернення повинні супроводжуватися письмовою заявою, де вказується ім'я, адреса та телефонний номер власника, включно з описом усіх заявлених дефектів. Частини чи вироби, для яких проводиться заміна, стають власністю компанії Levenhuk.

Клієнт несе відповідальність за усі транспортні та страхові витрати для доставки та повернення від компанії Levenhuk чи її уповноважених дилерів і повинен попередньо оплатити такі витрати.

Levenhuk докладе усіх можливих зусиль для ремонту чи заміни будь-якого виробу, що покривається цією гарантією, в межах тридцяти днів з часу отримання. Якщо ремонт чи заміна потребуватиме більше тридцяти днів, Levenhuk повідомить про це клієнта належним чином. Levenhuk зберігає за собою право замінити будь-який виріб, який перестав вироблятися, новим виробом відповідної вартості та функціональності.

Дана гарантія не стосується будь-яких дефектів чи пошкоджень, спричинених зміною, модифікацією, неухважністю, неправильним використанням, використанням неналежних джерел живлення, пошкодженням при транспортуванні, зловживанням, чи будь-якою причиною, крім правильного використання, та несправної роботи чи погіршення роботи внаслідок нормального зношення.

Levenhuk відмовляється від усіх гарантій, явних чи непрямих, щодо товарного вигляду чи відповідності особливому використанню, крім явно виражених у цьому документі. Єдиним зобов'язанням компанії Levenhuk за цією обмеженою гарантією є ремонт чи заміна покритого виробу згідно з термінами, вказаними у цьому документі. Levenhuk відмовляється від відповідальності за будь-яку втрату прибутків, втрату інформації, за будь-які загальні, особливі, прямі, непрямі чи логічно випливаючі збитки, що можуть з'явитися через порушення гарантії, використання чи неможливість використання будь-якого виробу компанії Levenhuk. Будь-які непрямі гарантії, від яких неможливо відмовитися, обмежуються тривалістю на термін шість місяців для аксесуарів від дати роздрібного продажу.

Levenhuk зберігає за собою право змінювати або знімати з виробництва виріб без попередження.

Гарантія за межами України діє лише для тих клієнтів, які купили у уповноваженого дилера компанії Levenhuk в Україні чи міжнародного дистриб'ютора. Будь ласка, контактуйте з ними щодо будь-якого гарантійного обслуговування.

У разі продажу товарів за зразками, поштою, а також у випадках, коли час передачі товару споживачеві не збігаються, гарантійний строк обчислюється починаючи від дня передачі товару споживачеві, або - від дня укладення договору купівлі-продажу.

Гарантійне зобов'язання припиняється на загальних підставах, передбачених Цивільним кодексом України.

Якщо у вас з'явилися проблеми або вам потрібна допомога щодо використання виробу, сконтактуйтеся з місцевим відділенням Levenhuk:

Світові відділення Levenhuk:

США: www.levenhuk.com

Канада: www.levenhuk.ca

Чеська республіка: www.levenhuk.cz

Нідерланди: www.levenhuk.nl

Польща: www.levenhukoptics.pl

Росія: www.levenhuk.ru

Україна: www.levenhuk.ua

ЄС: www.levenhuk.eu

Дата продажу _____ Підпис _____ Печатка _____

Levenhuk optics cleaning tools

For cleaning the binoculars optics the original Levenhuk cleaning accessories are recommended.

Prostředky na čištění optiky Levenhuk

K čištění binokulárních dalekohledů doporučujeme originální čisticí prostředky Levenhuk.

Levenhuk Optik-Reinigungszubehör

Zur Reinigung der Optik Ihres Fernglases empfehlen wir Original-Reinigungszubehör von Levenhuk.

Narzędzia do czyszczenia optyki Levenhuk

Do czyszczenia elementów optycznych lornetki zaleca się stosowanie oryginalnych akcesoriów Levenhuk.

Средства для ухода за оптикой Levenhuk

Серия оригинальных аксессуаров для оптики Levenhuk содержит все необходимое для ухода за оптическими приборами.

Засоби догляду за оптикою Levenhuk

Серія оригінальних аксесуарів для оптики Levenhuk містить все необхідне для догляду за оптичними пристроями.



Radost zaostřit

Mit Vergnügen näher dran!

Radość przybliżania

Приближает с удовольствием

Наближує з радістю

levenhuk
Zoom&Joy

Levenhuk, Inc. 1935 Brandon Court, Suite A-1
Chicago, IL 60139 USA

Levenhuk® is a registered trademark of Levenhuk, Inc.

© 2006-2014 Levenhuk, Inc. All rights reserved.

20140514