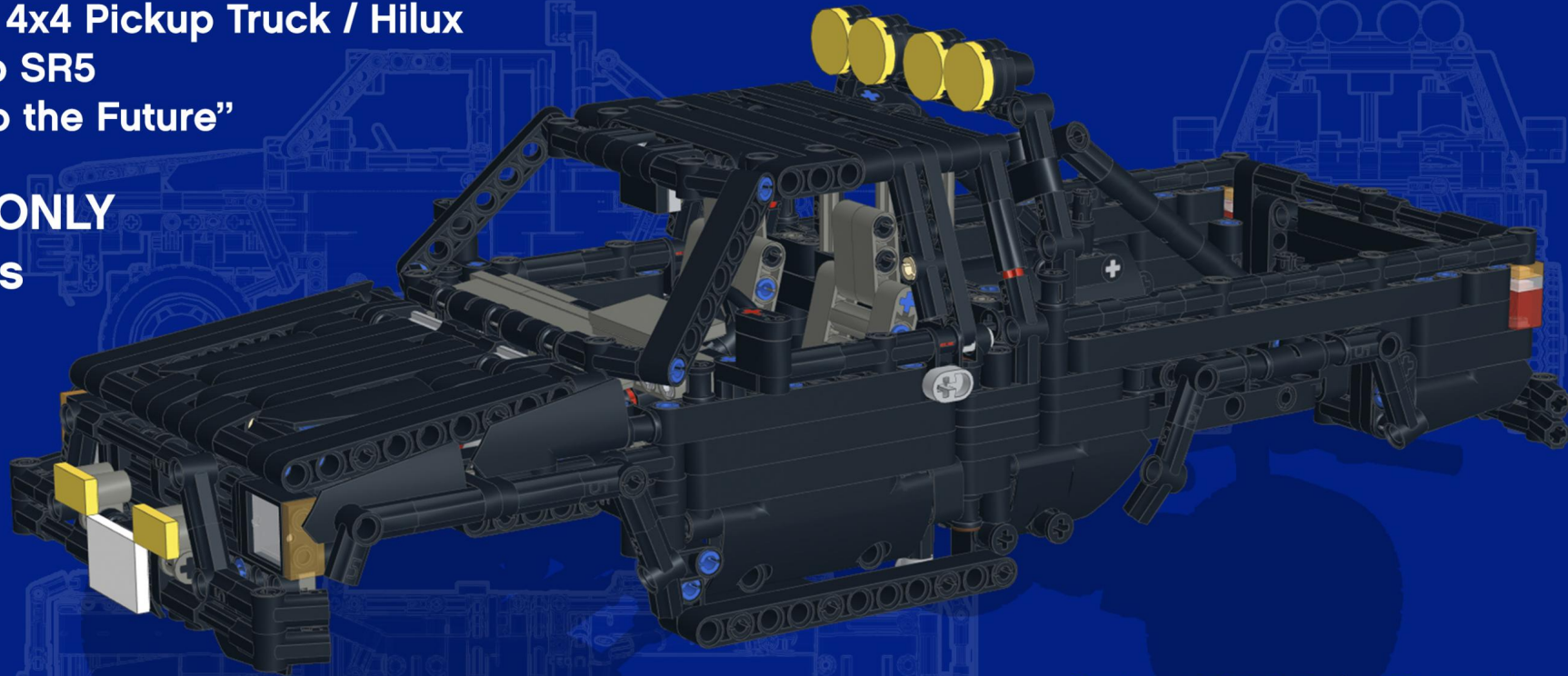




BrickGarage

TOYOTA 4x4 Pickup Truck / Hilux
Xtra cab SR5
“Back to the Future”

BODY ONLY
914 pcs



New body for 4 door
Hilux chassis

- Custom LEGO® Technic™ model
- Live axle suspension
- All wheel drive transmission with 2 differentials
- Power function elements: XL, Servo
- Openable doors, bed, bonnet
- Modular build. Removable bed, doors, arches, cab, bumper



Thank you for purchasing my instruction. Buying it you support my hobby and keep motivation to build and share more models. Please note, that instruction is for personal use only. It is not allowed to share it for free access, modify, and resell. Thank you for understanding.

This is Toyota Hilux 4th generation was produced from 1983 to 1988 with some minor improvements and new independent suspension instead solid axle in the front to fit new V6 motor.

Model is 2 door extra cab SR5 trim version, copy of "Back to the Future" movie Hilux. Partlist does not include power source and remote control+receiver. You can use a lot of variations here: small PF battery block, big PF battery block, infrared receivers, Smart Brick and Buwizz. So, you should fix (or just lay down) selected power source and remote control receiver behind the front seats.

Modular build models are very comfortable when you want to improve them, fix damage, modify. This model have removable body and bed. You can change standard bed to your own cargo platform, or wait for extra instructions. You can also remove or change doors, for example with tubular offroad version. Front arches and bumper can be also removed, because model can be equipped with larger than stock 62 mm wheels: 68 mm or even larger (depending on model). In the end it can be not commercial 4x4 truck, but heavy modified offroader.

Model use the same chassis as previous 4-door version. But body improvement in many things: doors, bonnet, grille, bumpers, and most of all - new better dashboard with higher seats.

Despite model have 4x4 and powerful XL motor, it is still a plastic toy. Hard obstacles can damage transmission, especially when using higher than standard 9V power sources. Lego is not designed to play outdoor. I am not responsible for any damage. Think, build and test

If you have any questions, write me on social accounts or rm88@mail.ru.

Good luck.

*Egor Karshiev
RM8 BrickGarage*

Modular building

1. Chassis



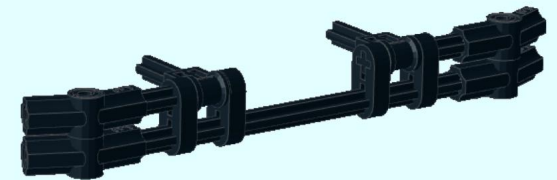
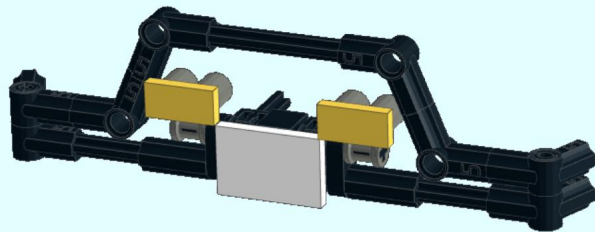
2. Cab



3. Cargo bed

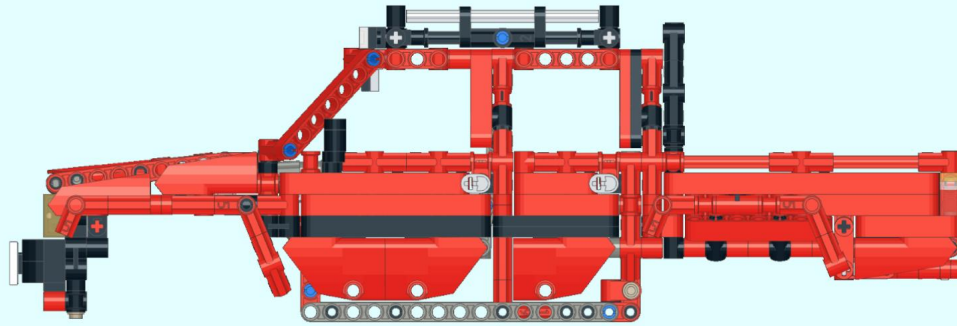


4. Extra

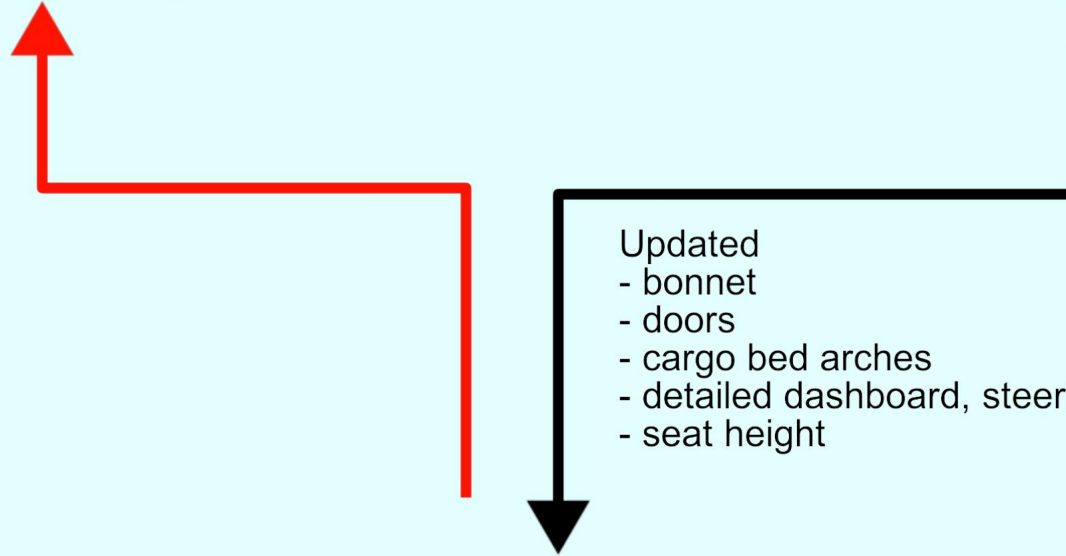
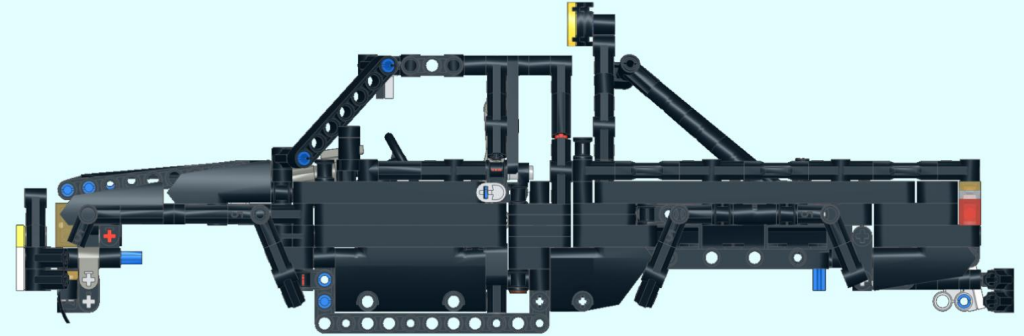


ONE CHASSIS - DIFFERENT BODIES

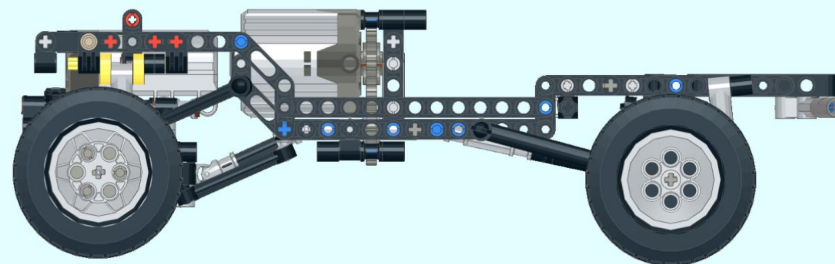
Toyota Hilux 4 door crew cab 4x4 Truck



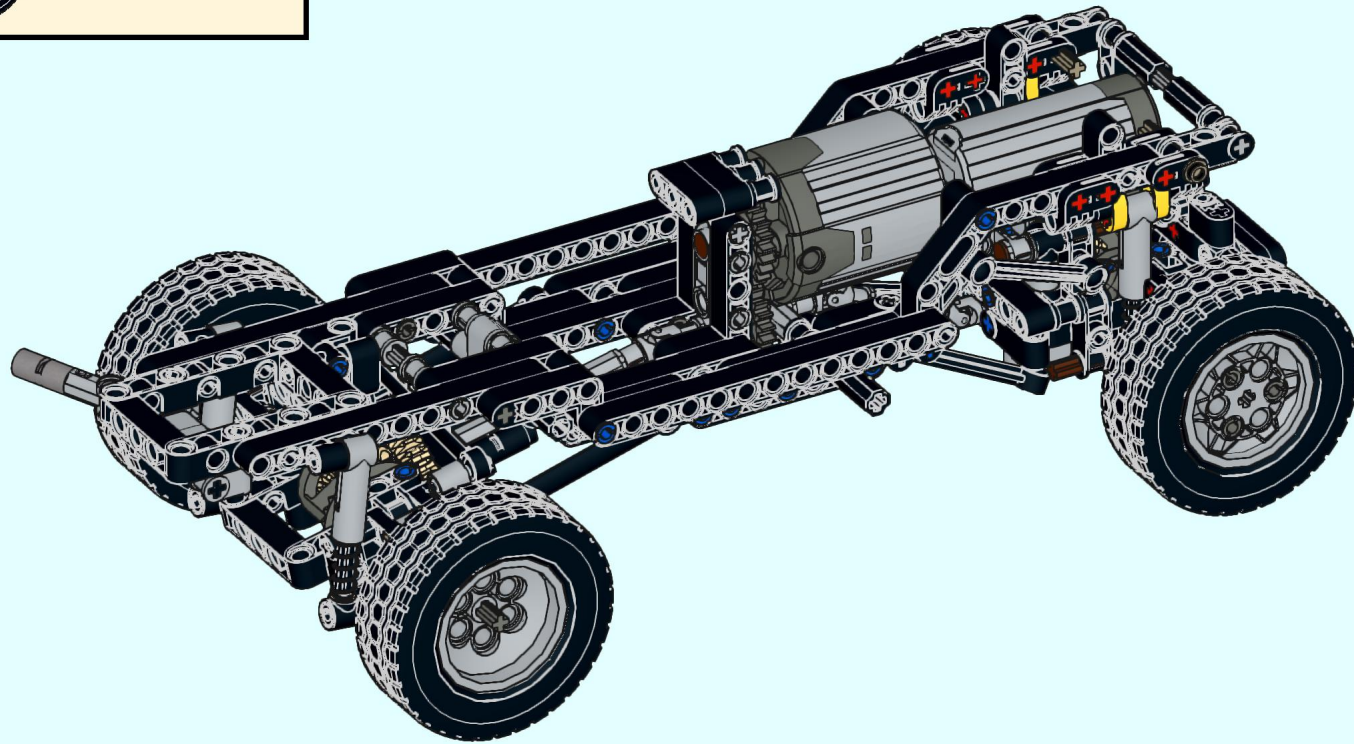
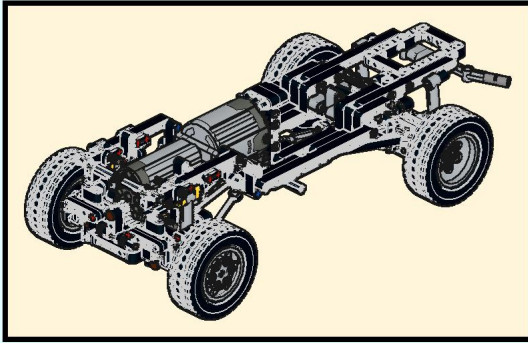
Toyota Hilux 2 door 4x4 xtra cab SR5 Truck / BTTF



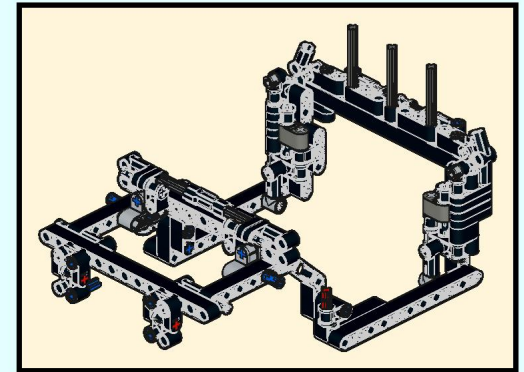
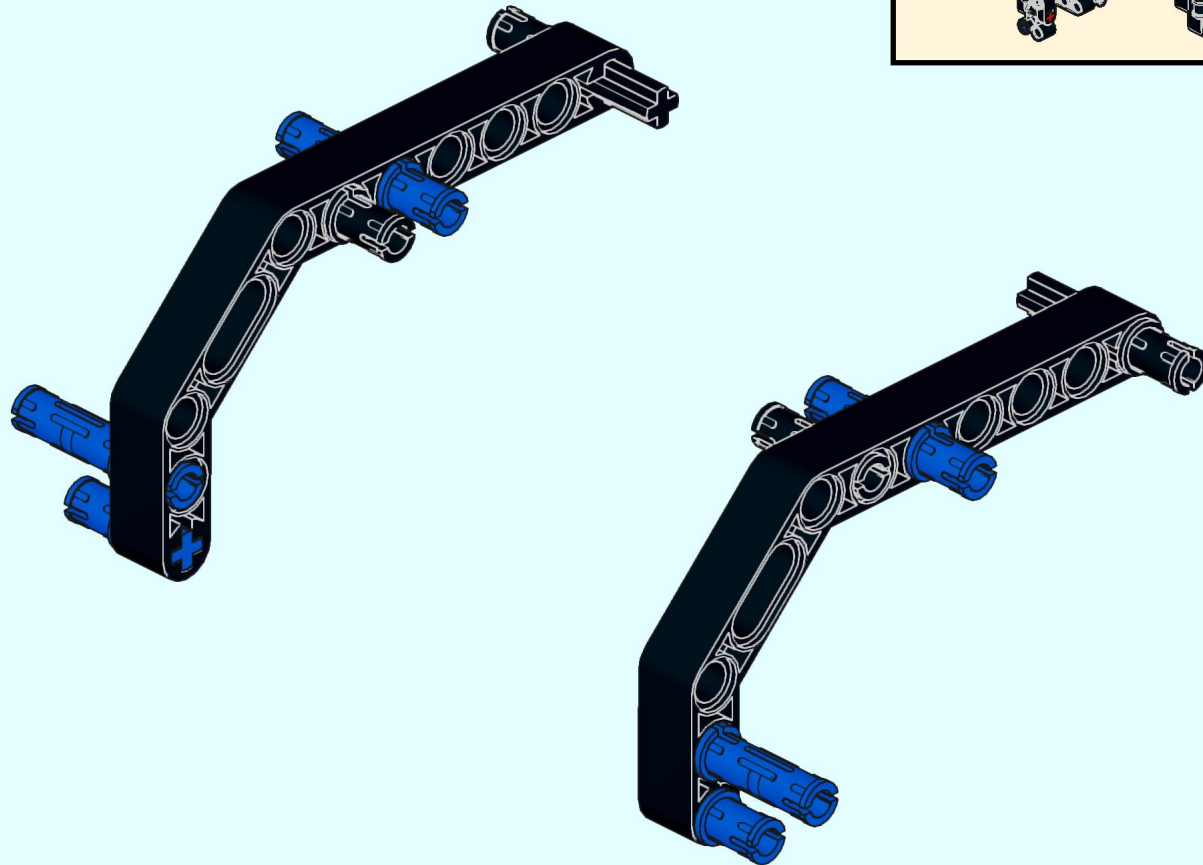
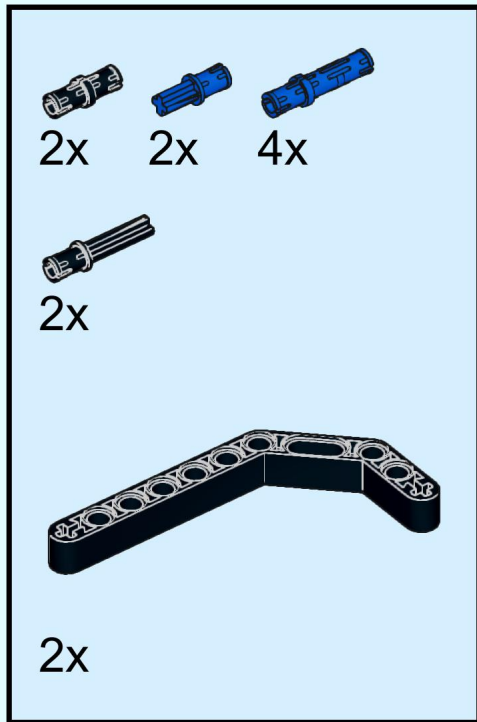
- Updated
- bonnet
 - doors
 - cargo bed arches
 - detailed dashboard, steering wheel height
 - seat height



1



2



3

