

INSTALLATION OF **FLEXIBLE MOULDINGS**

Full warranty coverage if provided instructions have been followed to the letter.

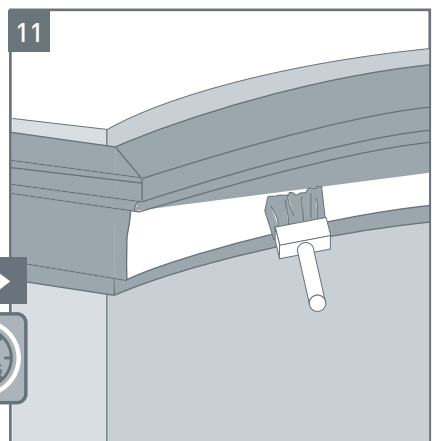
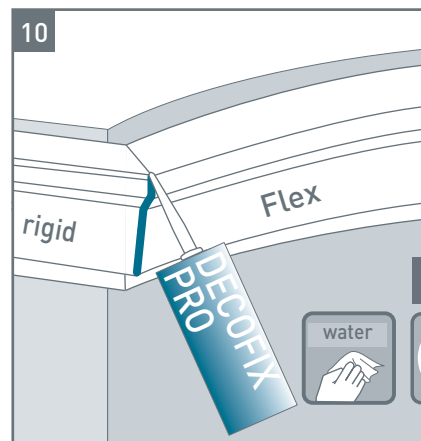
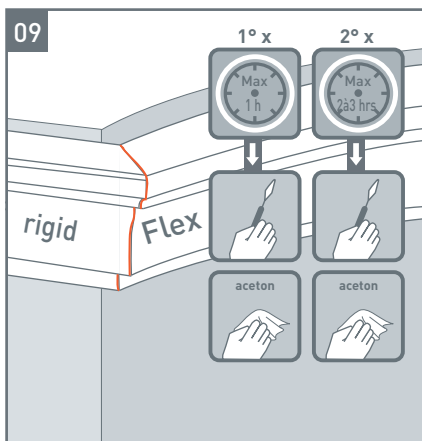
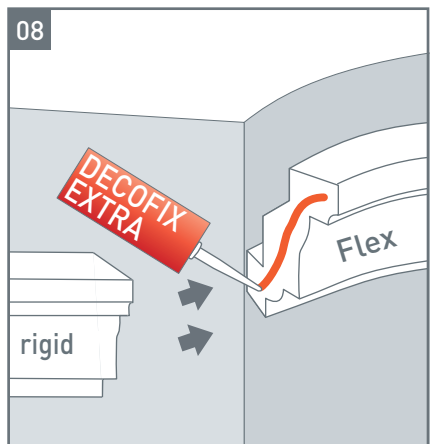
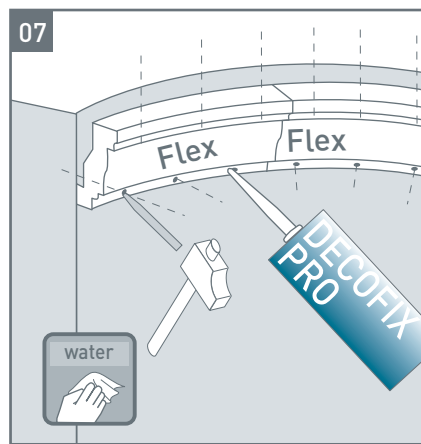
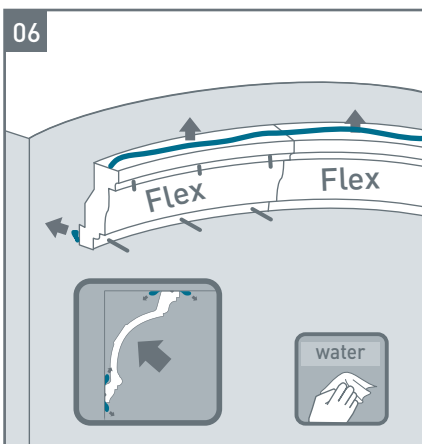
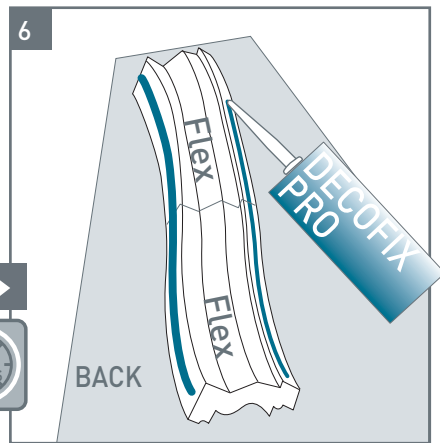
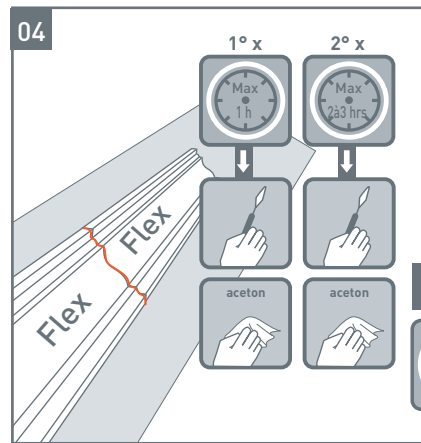
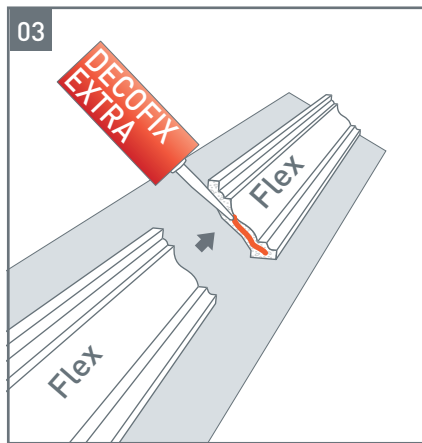
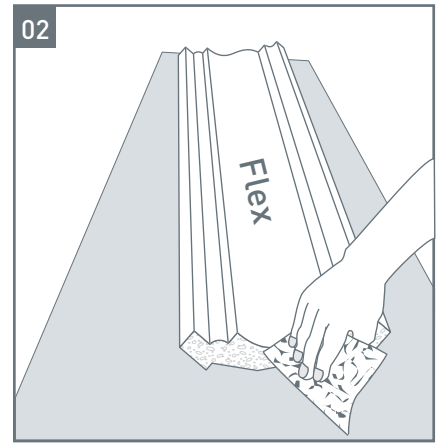
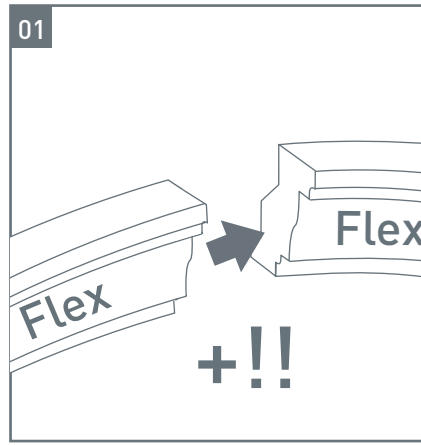
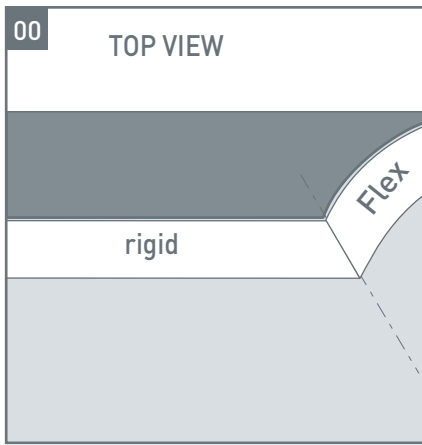
01 ADHESIVES



02 RADIUS

cf. page 3

03 INSTALLATION →→



Kroonlijsten / Corniches / Cornice Mouldings / Eckleisten /
 Cornisas / Stropní Lišty / Карнизы

 Wandlijsten / Cimaises / Panel Mouldings / Wand- und
 Friesleisten / Molduras / Lemovací Lišty / Молдинги

 Plinten / Plinthes / Skirting / Sockelleisten / Zócalos
 / Podlahové Lišty / Плинтус

LUXXUS	cm	AXXENT	cm
	R min		R min
C200F	160	CX100F	200
C201F	200	CX109F	160
C211F	250	CX110F	180
C212F	120	CX124F	160
C213F	280	CX127F	240
C214F	140	CX132F	70
C215F	160	CX148F	180
C216F	340		
C217F	380		
C218F	360		
C220F	400		
C230F	150		
C240F	270		
C250F	70		
C260F	130		
C301F	320		
C302F	250		
C303F	180		
C304F	250		
C308F	120		
C321F	140		
C322F	160		
C331F	420		
C333F	300		
C334F	380		
C339F	380		
C373F	100		
C374F	130		
C341F	400		
C402F	300		
C602F	100		
C901F	600		
C902F	600		

LUXXUS	cm	
	R min	R* min
P1020F	30	80
P2020F	30	80
P3020F	50	180
P4020F	40	200
P5020F	30	
P5021F	20	70
P6020F	30	250
P7010F	20	
P7020F	30	
P7030F	30	250
P7040F	40	320
P7070F	30	230
P8020F	40	130
P8030F	20	70
P8040F	30	
P8050F	80	200
P8060F	80	200
P9010F	40	310
P9020F	30	
P9040F	30	80
P9050F	20	60
P9900F	20	250
P9901F	20	180

AXXENT	cm	
	R min	R* min
DX157F	35	260
PX103F	20	80
PX120F	30	110
PX144F	20	220

LUXXUS	cm
	R min
SX105F	30
SX118F	40
SX155F	30

AXXENT	cm	
	R min	R* min
CX132F	70	
DX157F	35	260
SX165F	40	

