

# Thule Rapid System Kit 1298

# > Instructions

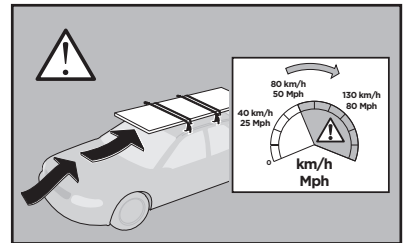
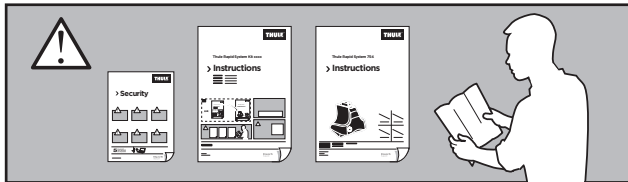
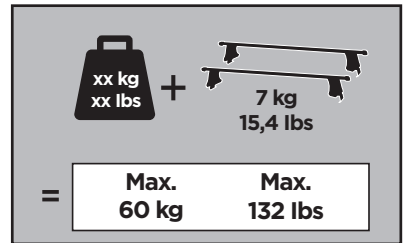
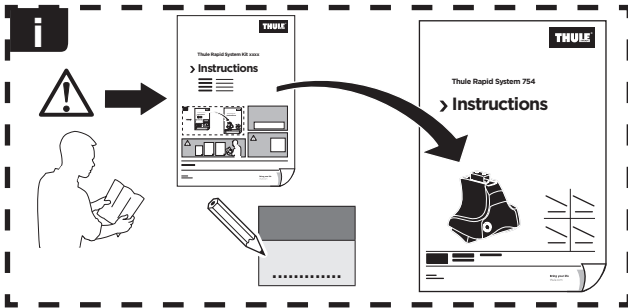
**LEXUS RX 300/400h (Mk II)**, 5-dr SUV, 03-09

**LEXUS RX 350/450h (Mk III)**, 5-dr SUV, 09-15 / \*10-15

**TOYOTA Harrier (Mk II)**, 5-dr SUV, 03-09

**TOYOTA Venza**, 5-dr SUV, \*09-15

\*North America

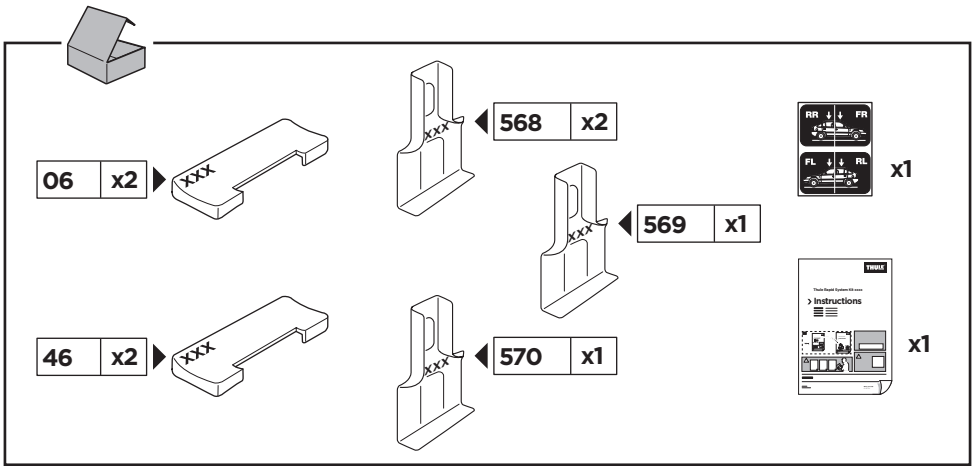


ISO 11154-E

**141298**

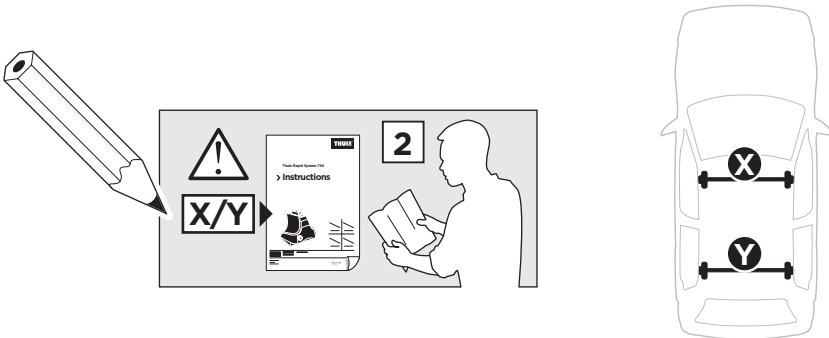
C.20160609  
519-1298-05

**Bring your life**  
thule.com



**1**

	X (scale)	X (mm)	X (inch)
<b>LEXUS RX 300/400h (Mk II)</b> , 5-dr SUV, 03-09	<b>36</b>	<b>1011</b>	<b>39 <sup>3</sup>/<sub>4</sub></b>
<b>LEXUS RX 350/450h (Mk III)</b> , 5-dr SUV, 09-15 / *10-15	<b>40,5</b>	<b>1056</b>	<b>41 <sup>5</sup>/<sub>8</sub></b>
<b>TOYOTA Harrier (Mk II)</b> , 5-dr SUV, 03-09	<b>36</b>	<b>1011</b>	<b>39 <sup>3</sup>/<sub>4</sub></b>
<b>TOYOTA Venza</b> , 5-dr SUV, *09-15	<b>44,5</b>	<b>1096</b>	<b>43 <sup>1</sup>/<sub>8</sub></b>



	Y (scale)	Y (mm)	Y (inch)
<b>LEXUS RX 300/400h (Mk II)</b> , 5-dr SUV, 03-09	<b>35,5</b>	<b>1006</b>	<b>39 <sup>5</sup>/<sub>8</sub></b>
<b>LEXUS RX 350/450h (Mk III)</b> , 5-dr SUV, 09-15 / *10-15	<b>36,5</b>	<b>1016</b>	<b>40</b>
<b>TOYOTA Harrier (Mk II)</b> , 5-dr SUV, 03-09	<b>35,5</b>	<b>1006</b>	<b>39 <sup>5</sup>/<sub>8</sub></b>
<b>TOYOTA Venza</b> , 5-dr SUV, *09-15	<b>44</b>	<b>1091</b>	<b>43</b>

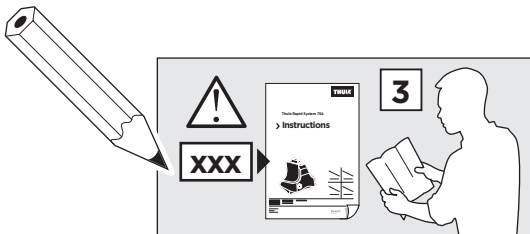
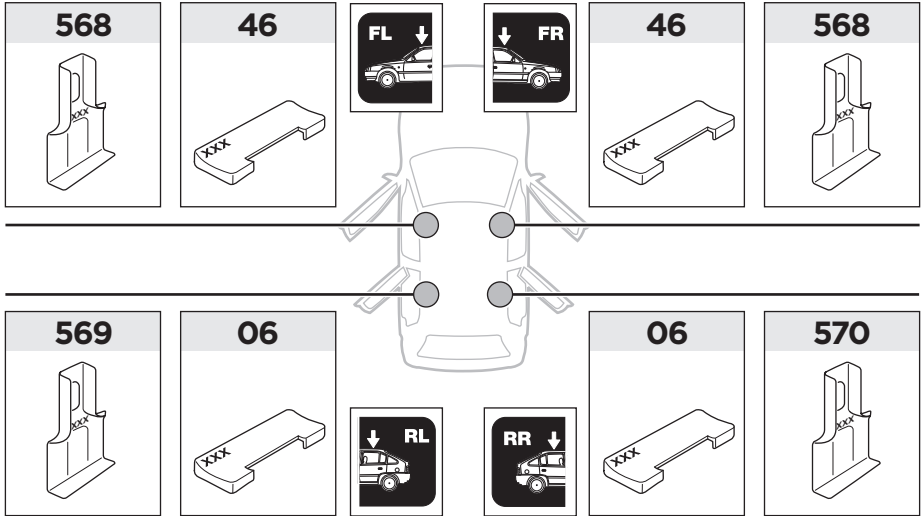
# 2

**LEXUS RX 300/400h (Mk II),** 5-dr SUV, 03-09

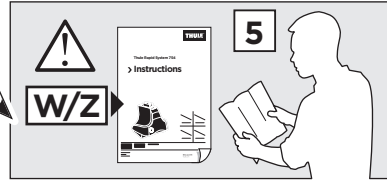
**LEXUS RX 350/450h (Mk III),** 5-dr SUV, 09-15 / \*10-15

**TOYOTA Harrier (Mk II),** 5-dr SUV, 03-09

**TOYOTA Venza,** 5-dr SUV, \*09-15



**3**



	W (mm)	Z (mm)	W (inch)	Z (inch)
<b>LEXUS RX 300/400h (Mk II)</b> , 5-dr SUV, 03-09	<b>215</b>	<b>660</b>	<b>8 1/2</b>	<b>26</b>
<b>LEXUS RX 350/450h (Mk III)</b> , 5-dr SUV, 09-15 /*10-15	<b>280</b>	<b>660</b>	<b>11</b>	<b>26</b>
<b>TOYOTA Harrier (Mk II)</b> , 5-dr SUV, 03-09	<b>215</b>	<b>660</b>	<b>8 1/2</b>	<b>26</b>
<b>TOYOTA Venza</b> , 5-dr SUV, *09-15	<b>300</b>	<b>720</b>	<b>11 3/4</b>	<b>28</b>

