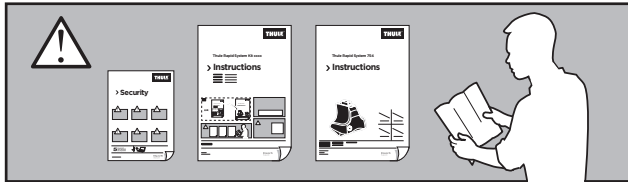
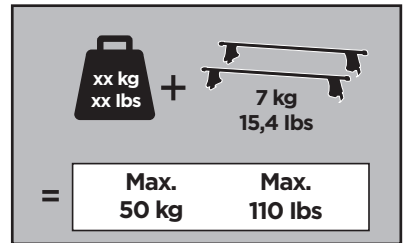


# Thule Rapid System Kit 1527

# > Instructions

**JAGUAR XF (X250)**, 4-dr Sedan, 08-15 / \*09-15

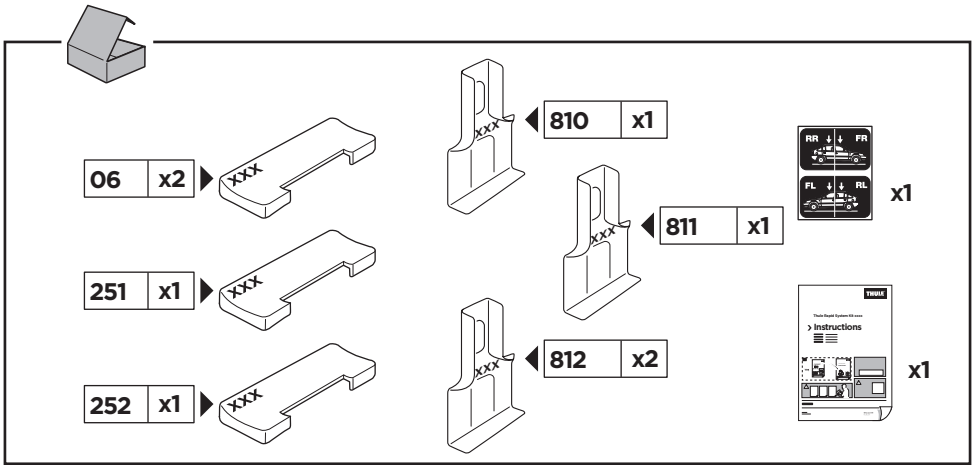
\*North America



ISO 11154-E

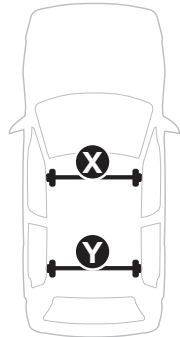
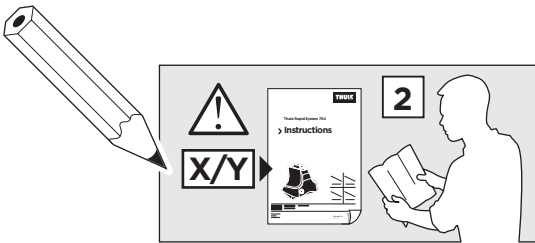
**141527**  
C.20160422  
519-1527-02

**Bring your life**  
thule.com



**1**

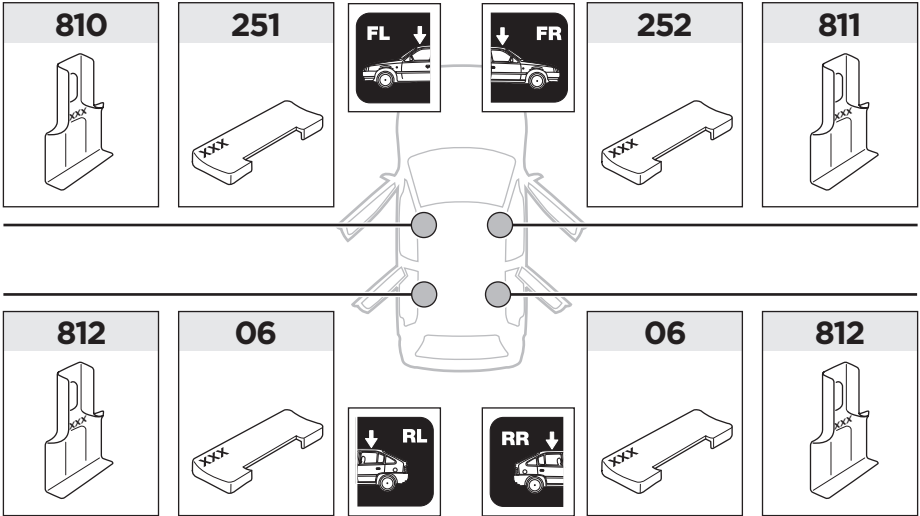
	X (scale)	X (mm)	X (inch)
<b>JAGUAR XF (X250)</b> , 4-dr Sedan, 08-15 / *09-15	<b>39,5</b>	<b>1046</b>	<b>41 1/8</b>

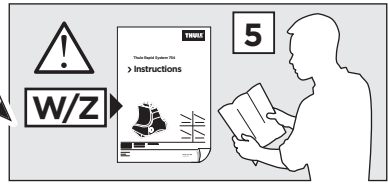


	Y (scale)	Y (mm)	Y (inch)
<b>JAGUAR XF (X250)</b> , 4-dr Sedan, 08-15 / *09-15	<b>40</b>	<b>1051</b>	<b>41 3/8</b>

2

JAGUAR XF (X250), 4-dr Sedan, 08-15 / \*09-15



**3**

	W (mm)	Z (mm)	W (inch)	Z (inch)
<b>JAGUAR XF (X250), 4-dr Sedan, 08-15 / *09-15</b>	<b>200</b>	<b>650</b>	<b>7 <sup>7</sup>/<sub>8</sub></b>	<b>25 <sup>5</sup>/<sub>8</sub></b>

