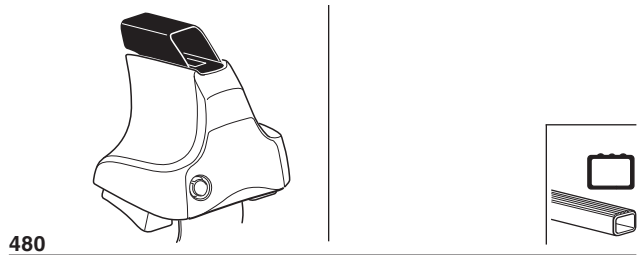
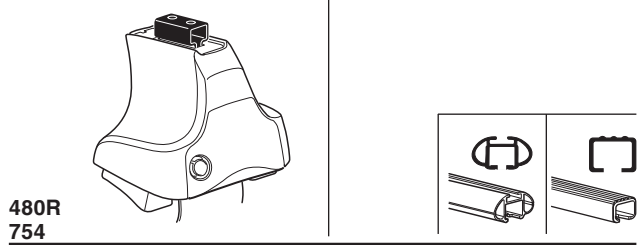




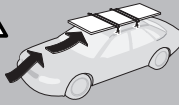

# Kit 1603

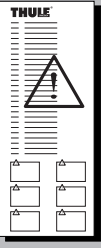



HYUNDAI Santa Fe, 5-dr SUV, 10-12

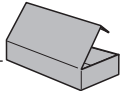

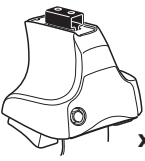



This Kit is only for vehicles without railing.




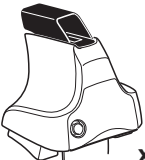


 $xx \text{ kg} + 7 \text{ kg} =$ $xx \text{ lbs} + 15,4 \text{ lbs} =$	<p><b>Max.</b> <b>50 kg</b></p> <p><b>Max.</b> <b>110 lbs</b></p>
--	---

 	 80 km/h 130 km/h 50 Mph 80 Mph 40 km/h 25 Mph <b>km/h</b> <b>Mph</b>
---	---

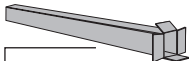












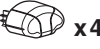
	<p><b>Kit XXXX</b></p>  <p><b>instructions</b></p> 	
--	---	---

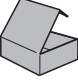

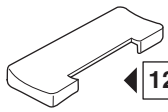
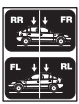
  <b>x1</b>	 <b>x4</b>	 <b>x4</b>	 <b>x4</b>	 <b>x4</b>
--	--	--	--	--

480R/754

 <b>x1</b>	 <b>x4</b>	 <b>x4</b>	 <b>x4</b>
--	--	--	--

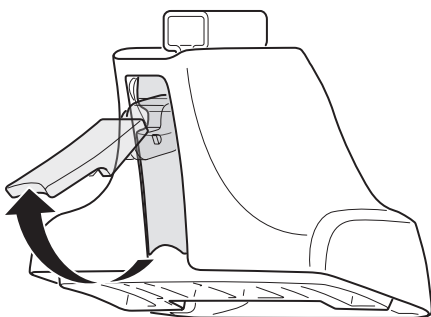
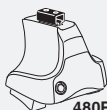
480

	 <b>x2</b>	 <b>x2</b> 23 mm	 <b>x1</b> 17 mm	 <b>x2</b> 23 mm	 <b>x2</b>
	 <b>x2</b>	 <b>x2</b>	 <b>x2</b> 23 mm	 <b>x2</b>	
	 <b>x4</b>	 <b>x2</b>			
	 <b>x4</b>	 <b>x4</b>			

	 <b>990</b> <b>x4</b>	 <b>124</b> <b>x4</b>	 <b>x1</b>
---	---	---	--

**Kit**

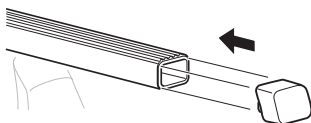
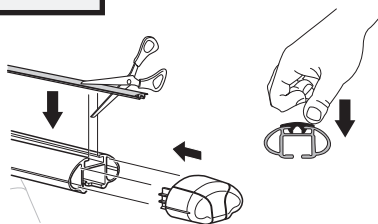
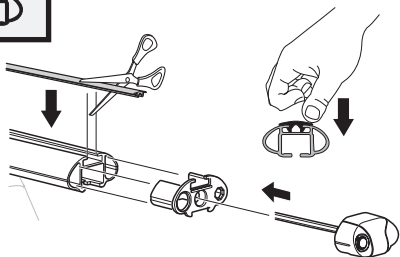
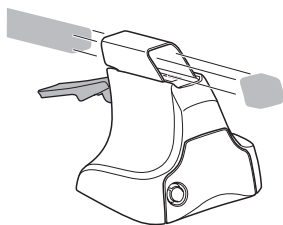
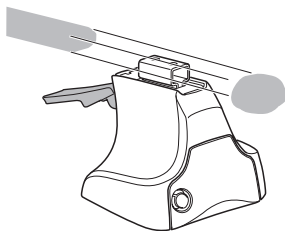
1



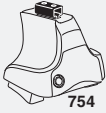
2



+



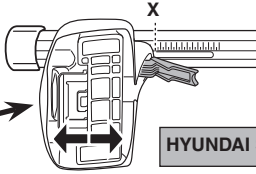
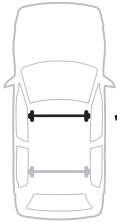
3



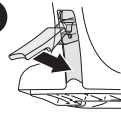
754



1



2

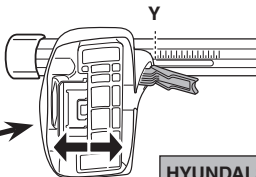
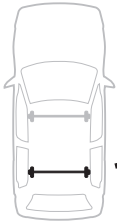


HYUNDAI Santa Fe, 5-dr SUV, 10-12

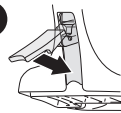
X

45,5

1



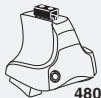
2



HYUNDAI Santa Fe, 5-dr SUV, 10-12

Y

46



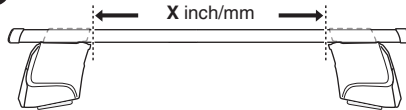
480R



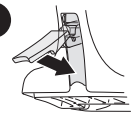
480



1



2



HYUNDAI Santa Fe, 5-dr SUV, 10-12

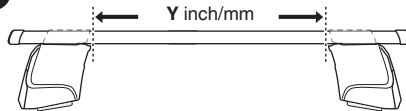
X inch

X mm

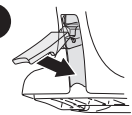
43 1/2"

1106 mm

1



2



HYUNDAI Santa Fe, 5-dr SUV, 10-12

Y inch

Y mm

43 3/4"

1111 mm

4



480R / 754



480

HYUNDAI Santa Fe, 5-dr SUV, 10-12

124



990



124



990



124



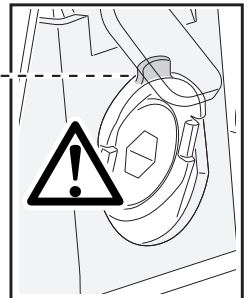
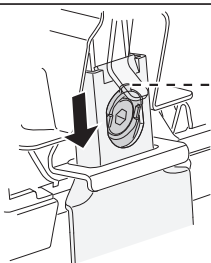
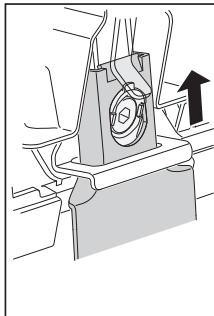
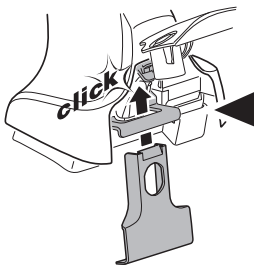
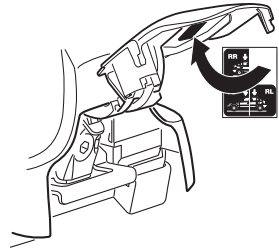
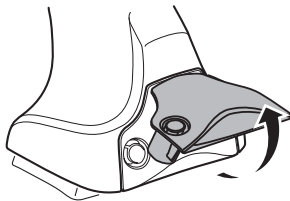
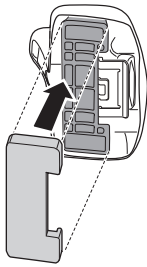
990



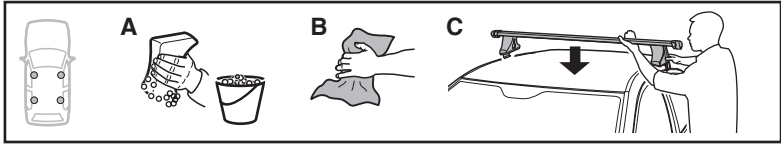
124



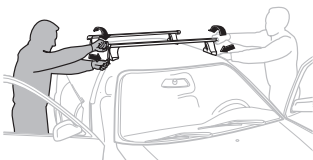
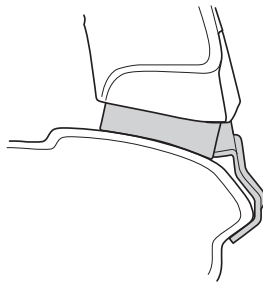
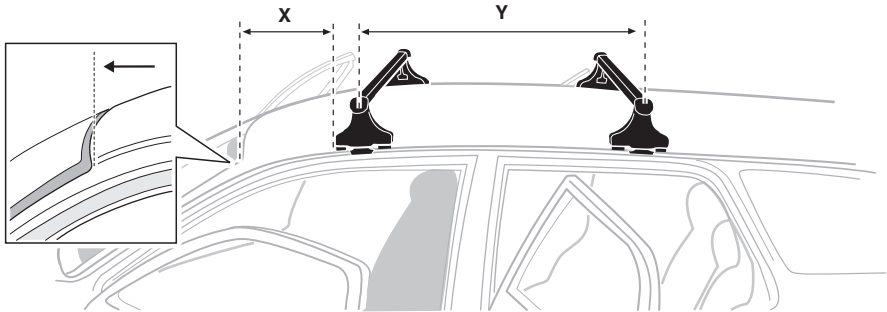
990



5



	X mm	Y mm	X inch	Y inch
<b>HYUNDAI Santa Fe, 5-dr SUV, 10-12</b>	<b>340 mm</b>	<b>700 mm</b>	<b>13 3/8"</b>	<b>27 1/2"</b>



- |              |   |            |   |
|--------------|---|------------|---|
| <b>GB/US</b> | Tighten alternately                                     | <b>CZ</b>  | Pokreťta bagažníka dokrečaj dokrečaj naprzemiennie. |
| <b>D</b>     | Die Schrauben abwechselnd anziehen                      | <b>SK</b>  | Dofahujte striedavo                                 |
| <b>F</b>     | Serrer alternativement chaque côté                      | <b>SLO</b> | Privijajte izmenično.                               |
| <b>NL</b>    | Afwisselend aan de linker- en de rechterkant aandraaien | <b>HR</b>  | Naizmjenično zategniti                              |
| <b>I</b>     | Alternare il serraggio delle viti                       | <b>HU</b>  | Egymástól függetlenül szorítandó                    |
| <b>E</b>     | Apretar alternativamente                                | <b>GR</b>  | Σφιγγείτε εναλλάξ                                   |
| <b>PT</b>    | Aperte alternadamente                                   | <b>TR</b>  | Dönüşümlü sıkın                                     |
| <b>S</b>     | Dra åt växelvis   | <b>中文</b>  | 交替拧紧  |
| <b>FIN</b>   | Kierrä vuorotellen                                      | <b>한국어</b> | 번갈아 가며 조이십시오.                                       |
| <b>EST</b>   | Pinguldage vaheldumisi                                  | <b>日本語</b> | 交互に締め付けてください。                                       |
| <b>LAT</b>   | Pievēciēt pamāšus                                       | <b>ไทย</b> | ขันในแบบสลับ  |
| <b>LIT</b>   | Užsukinkite pakaitomis                                  |            |   |
| <b>PL</b>    | Śruby dokrečaj naprzemiennie                            |            |   |
| <b>RU</b>    | Затягивайте попеременно                                 |            |   |

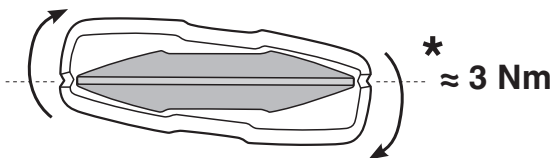
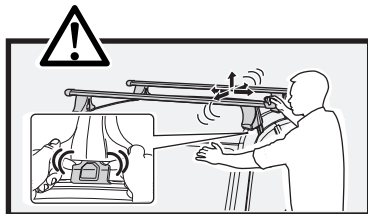
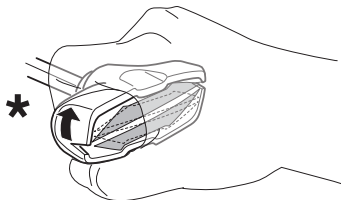
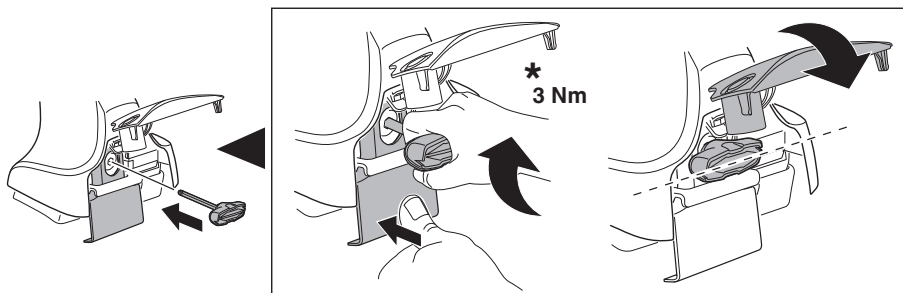
6



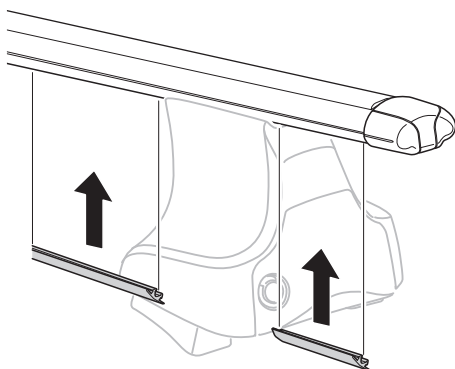
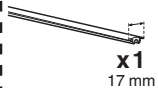
480R/754

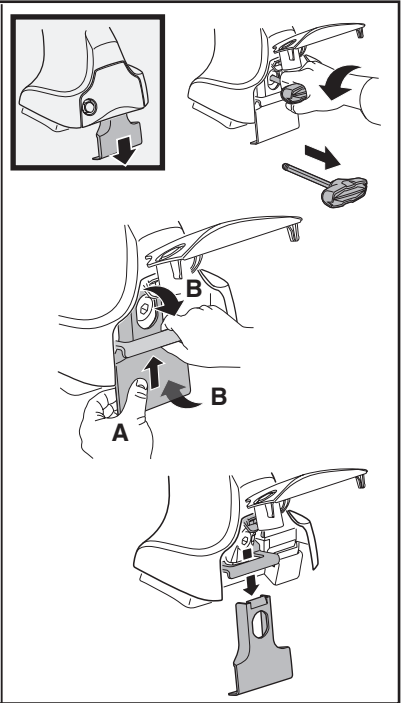
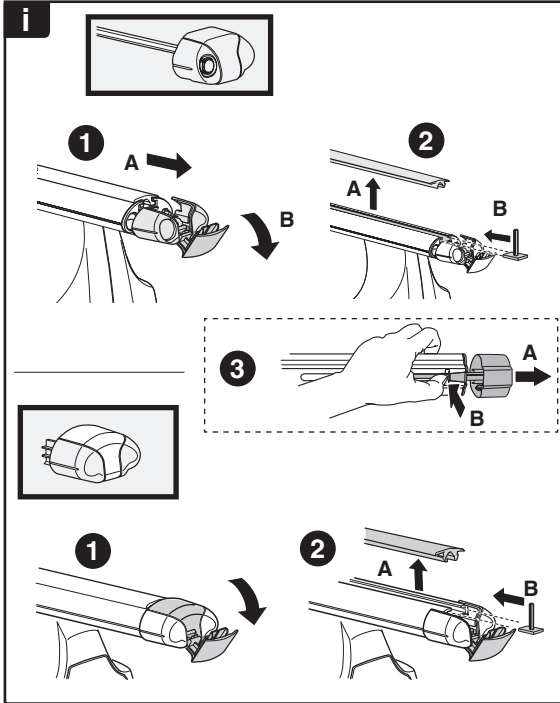
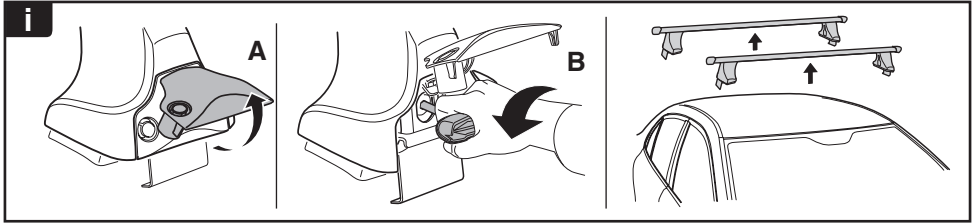


480

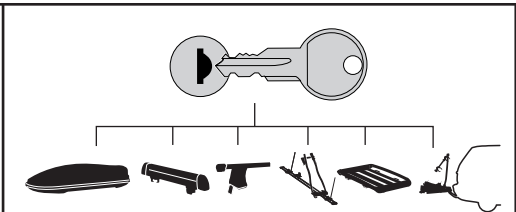


7

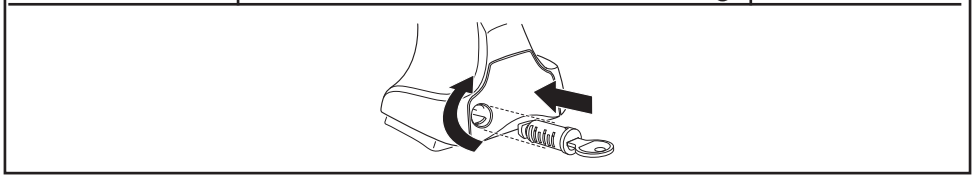




**THULE**  
SWEDEN  
**ONE  
KEY  
SYSTEM**



		(x4)
		(x6)
		(x8)
NA		(x10)
EUR		(x12)
ASIA		



WW ▶ Thule Sweden AB, Box 69, 330 33 Hillerstorp, SWEDEN  
NA ▶ Thule Inc., 42 Silvermine Road, Seymour, Connecticut 06483, USA

info@thule.com  
customer.service@thule.com

www.thule.com