

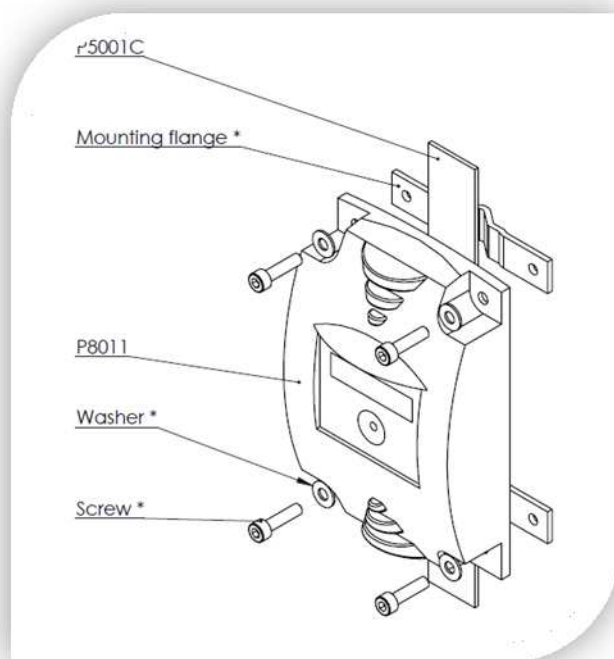
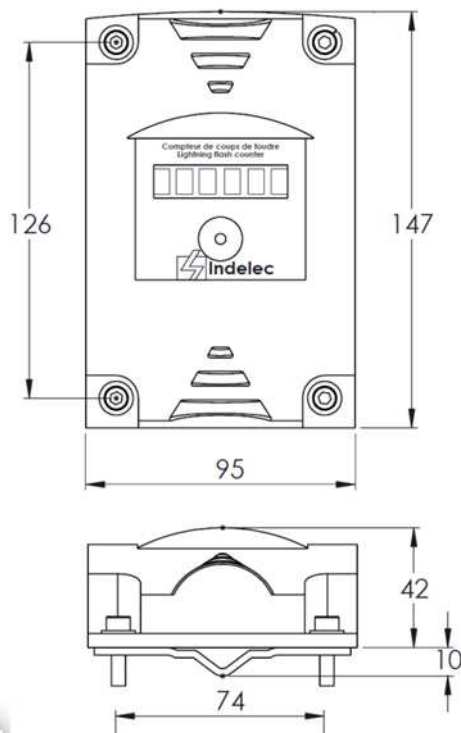
# Digital flash lightning counter

Reference	P8011	
Characterics		
Minimal detectable current	$I_d$	1 kA
Maximal detectable Current	$I_{max}$	100 kA
Minimum current sensitivity( $I_d/3$ )	$I_{nd}$	333 A
Protection Class	IP	67
Net Weight	W	0.700 kg
Operating principles		
Display	Digital	
Digits	6	
Recording	By induction while lightning current pass through doxn conductor	
On-site testing capabilities	Proprietary tester ref. P8015	
Maintenance	Replaceable lithium batteries P8017	
Warranty	18 months	
Mechanical specifications		
Down conductor fixing	Specific clamp (included)	
Certifications		
EN 50164-6 Standard	Certificate N° 0002010001A	



Lightning Counter Tester  
Ref P8015

## Dimensions (mm)



Application

