

Citroën

Spare parts for passenger cars



DRIVER'S BEST FRIEND

MEYLE

Sophisticated technology - considerably longer service life.



The MEYLE range of products features a wide variety of components. Spare parts from A to Z, from Alfa Romeo to Volvo, from minicars to top-of-the-range luxury models.



Steering & suspension

Control arms, Stabilizer links, Tie rod assemblies, and many more



Brakes

Brake discs, MEYLE PD, Brake pad sets, Brake drums, and many more



Drive components

C.V. joint kits, Wheel bearings, Belt drives, and many more



Damping parts

Shock absorbers, Strut mounts, Coil springs, and many more



Filters

Oil filters, Air filters, Cabin air filters, Fuel filters, and many more



Cooling components

Water pumps, Expansion tanks, Radiator hoses, and many more



Rubber-to-metal parts

Flex discs, Cardan shaft bearings, Engine mounts, and many more



Electrics and sensors

Crank position sensor, Control units, Glow plugs, and many more



Engine and transmission parts

Oil change kits, V-ribbed belts, Idlers/guide pulleys, and many more



Fluids

Coolant additives, Hydraulic oil, Engine oil, and many more



Complementary product range

Wiper blades, Gas springs, Window lifters, and many more

ORIGINAL, PD and HD – The MEYLE product lines



MEYLE-ORIGINAL: Fit as snugly as the original.

More than 21,000 spare parts for passenger cars, vans and trucks, quality-tested, robust, durable and tried and tested a thousand times over on the roads across the world – that's MEYLE-ORIGINAL. Relying on our comprehensive product portfolio – offering everything from A for axial joint to Z for zinc-coated screw – customers can be sure that they will always have safety on their side.

MEYLE-PD: Safety to the power of two.

Thinking outside the box to make our products better: MEYLE-PD stands for brake discs and pads delivering maximum braking performance and setting new standards in terms of durability, comfort, aesthetics, and ease of installation. Look for the „/PD“ part number extension.

MEYLE-HD: Better than originals.

MEYLE-HD parts simply last longer. Their technically optimised and reinforced designs make them more durable and reliable than OE components. So it is only natural for us to offer extended warranty protection for our MEYLE-HD parts: All parts of the HD range come with a full four-year guarantee. Look for the „/HD“ part number extension.



4-year guarantee on all MEYLE-HD parts!

Robust, high mileage, reliable and better than the original. MEYLE-HD parts simply last longer!

Our three success factors.

The success of the MEYLE brand is based on competence, quality and service.

The development of quality-approved automotive spare parts for the independent aftermarket is our trademark. And MEYLE-HD parts are our specialty: improved parts, developed by our team of engineers at our headquarters in Hamburg. We give a 4-year guarantee on our MEYLE-HD parts which have a far longer service life. Based on information from TÜV (Technical control board), from recall statistics as well as media and market information from workshops and other technical partners, MEYLE engineers identify parts in vehicles which become conspicuous on account of frequent, early wear. On the basis of their findings, they develop technical improvements for the respective weakness. In the end, this work is a

large benefit for all MEYLE parts. Something all reputable automotive manufacturers highly appreciate: MEYLE also develops customized products, for example for Morgan, the legendary sports car manufacturer.

Passing on our know-how to staff and customers is just as much a part of our service as high parts availability and swift delivery. Modern warehouse logistics with space covering 29,000 m² and 56,000 pallet places ensure the reliable supply of our partners.

We have now won the "Top Job Employer" award for the fifth time which confirms our outstanding internal business approach and excellent Human Resources policy. We have been one of Germany's leading SME employers for many years.

MEYLE

Guarantee certificate



A distinguishing feature of MEYLE is our high level of precision, achieved by the application of the most modern manufacturing methods. Our MEYLE articles meet highest quality standards and our supply plants are certified in accordance with ISO 9001:2008 and ISO/TS 16949.

We guarantee perfect material and faultless processing of all our MEYLE articles for a period of 24 months as of the date of installation. For MEYLE-HD articles, this guarantee applies for 48 months as of the date of installation.

Complementing this guarantee, we give an additional 100,000 miles (160,934 kilometres) performance guarantee against defects of material and workmanship for MEYLE passenger car water pumps purchased from 01 May 2016. The guarantee given for MEYLE passenger car water pumps terminates upon expiration of the guarantee period or the guaranteed mileage, whichever occurs later: if the guaranteed mileage has not been reached at the end of the guarantee period of 24 or 48 months respectively, the performance guarantee continues to be valid. Respectively, the guarantee period of 24 or 48 months continues to be valid also in any case where the guaranteed mileage was already exceeded.

During the guarantee period, we perform repair work on claimed MEYLE articles or provide a replacement. The MEYLE guarantee does not apply for normal wear and damage caused by inappropriate handling or inappropriate installation. The guarantee expires if the respective part is modified by third parties or via installation of parts from third parties, or if the part, or vehicle, is used in excess of the appropriate use and purpose. The MEYLE guarantee also expires if MEYLE instructions or vehicle manufacturer instructions, e.g. concerning maintenance and replacement intervals, are not observed. The guarantee only applies for MEYLE water pumps, if the cooling circuit has been flushed prior to installation of the MEYLE water pump. Rights granted by law continue to apply unrestrictedly, irrespective of this guarantee.

The customer must submit a written guarantee claim immediately, or at the latest 30 days after identifying an error in material or processing. This claim is to be submitted to the dealer from which he acquired the MEYLE article part. The customer should return the article, carefully packed. He must enclose the original sales receipt and a description of the error. The customer must also verify the date of installation and the mileage of the vehicle by means of respective documents.

Last amended January 2017

A handwritten signature in white ink on a dark blue background, appearing to read 'M. Wunder'.

Director Quality Assurance
Manfred Wunder

Body/Cabin

1

Body, Interior fittings

Cabin air filter
Gas spring, rear window
Hood shock

Spring shim
Trunk-/tailgate shock

Windshield washer pump
Wiper Blade

Brakes

34

Disc brake, Drum brake, Hydraulics

Brake disc
Brake drum
Brake hose

Brake master cylinder
Brake pad set
Brake shoe kit

Brake shoe set, parking brake
Guide sleeve kit, brake caliper
Wheel cylinder

Drive train/Transmission

149

Axle shafts, Drive shafts, Joints, Transmission

Boot kit, C.V. joint
Boot, C.V. joint
C.V. joint kit

Drive shaft
Driveshaft bearing

Mount, automatic transmission
Mount, manual transmission

Electrics

181

Brakes, Engine, Interiors

ABS wheel sensor
Control unit, glow plug system
Crank position sensor
Glow plug

Ignition coil
RPM Sensor, engine management
Sender unit, coolant temperature
Sensor, camshaft position

Sensor, intake manifold pressure
Wiper intermittent relay

Engine/Cooling/Clutch

222

Belt drive / Engine control, Cooling system, Fuel system, Lubrication system, Mounts

Air filter
Bracket, engine mount
Coolant flange
Engine mount
Expansion tank cap
Fuel filter
Fuel pump

Idle control valve, air supply
Intake hose, turbo charger
Oil filter
Radiator cap
Radiator fan motor
Suction hose, air filter
Tensioner pulley, timing belt

Thermostat
Timing belt kit
Timing belt roller
V-ribbed belt
Water pump

Steering

348

Hydraulics, Mounting parts, Tie rod assemblies

Axial rod
Hydraulic pump, P/S

Steering boot kit
Tie rod end

Suspension

379

Control arms, Stabilizer, Subframe, Suspension / damping, Wheel hubs / Wheel bearings

Axle support bushing
Ball joint
Bushing, leaf spring
Coil spring
Control arm
Control arm bushing
Dust cover kit, shock absorber
Dust cover/boot, strut

Mount, control arm
Mount, stabilizer
Protection lid, wheel hub
Repair kit, ball joint
Repair kit, control arm
Repair kit, stabilizer bushing
Repair kit, stabilizer link
Repair kit, strut mount

Rubber stop, suspension
Sensor ring, ABS
Shock absorber
Stabilizer link
Strut mount
Strut mount bearing
Wheel bearing kit
Wheel hub

Gas spring, rear window

40-40 910 0012 | MGS0015

Notes

Length [mm] 288
Force output F [N] 250
Vehicle Rear Windscreen
Tailgate

References

8731.F7



Application info

C5 I / C5 II (03/01-04/07)

Hood shock

40-40 910 0010 | MHS0076

Notes

Length [mm] 458
Force output F [N] 300

References

7925.11



Application info

Xsara (04/97-08/05)

Hood shock

40-40 910 0011 | MHS0077

Notes

Length [mm] 506
Force output F [N] 120

References

7925.14



Application info

C5 I / C5 II (03/01-04/07)

40-14 412 0001 | MIX0276

Spring shim



Notes

Front Axle

References

5031.51

Application info

Berlingo I [07/96-12/07]
Berlingo II [04/08--]
C4 Grand Picasso II [09/13--]
C4 I / Coupe / Grand Picasso / Picasso / Stufenheck [11/04-12/07]

C4 II / DS4 [11/09--]
DS5 [11/11--]
Berlingo I [07/96--]
Berlingo II [04/08--]

40-14 412 0000 | MIX0275

Spring shim



Notes

Front Axle

References

5031.74

Application info

C2 / C3 I / Pluriel [02/02-09/05]

40-14 412 0002 | MIX0277

Spring shim



Notes

Front Axle

References

5033.C3



Spring shim

40-14 412 0002 | MIX0277

Application info

C Elyse (11/12--)
C2 / C3 I / Pluriel (02/02-09/05)
C3 II (11/09--)

C3 Picasso (02/09--)
DS3 (11/09--)

Trunk-/tailgate shock

11-40 910 0006 | MTS0027

Notes

Length [mm] 627
Force output F [N] 570

References

8731.A3



Application info

Evasion (06/94-07/02)

Trunk-/tailgate shock

40-40 910 0003 | MTS0316

Notes

Length [mm] 590
Force output F [N] 480

References

8731.A8



Application info

Xantia (03/93-04/03)

Trunk-/tailgate shock

40-40 910 0006 | MTS0319

Notes

Length [mm] 611
Force output F [N] 355

References

8731.C0 96 181 191
8731.E7



40-40 910 0006 | MTS0319

Trunk-/tailgate shock

Application info

Saxo [02/96-04/04]

11-40 910 0007 | MTS0028

Trunk-/tailgate shock



Notes

| | |
|--------------------|-----|
| Length [mm] | 610 |
| Force output F [N] | 600 |

References

| | |
|---------------|---------|
| 14 793 030 80 | 8731.C1 |
|---------------|---------|

Application info

Evasion [06/94-07/02]

40-40 910 0008 | MTS0321

Trunk-/tailgate shock



Notes

| | |
|--------------------|---|
| Length [mm] | without spoiler 600 |
| Force output F [N] | 550 for vehicles with rear wind- screen wiper |

References

8731.C2

Application info

Xantia [03/93-04/03]

40-40 910 0009 | MTS0322

Trunk-/tailgate shock



Notes

| | |
|--------------------|---|
| Length [mm] | with spoiler 600 |
| Force output F [N] | 600 for vehicles with rear wind- screen wiper |

References

8731.C3

Trunk-/tailgate shock

40-40 910 0009 | MTS0322

Application info

Xantia [03/93-04/03]

Trunk-/tailgate shock

40-40 910 0002 | MTS0315

Notes

Length [mm] 700
Force output F [N] 670

References

8731.E0



Application info

Berlingo I [07/96-12/07]

Berlingo I [07/96--]

Trunk-/tailgate shock

40-40 910 0000 | MTS0313

Notes

Length [mm] 622
Force output F [N] 360

References

8731.E3



Application info

Xsara [04/97-08/05]

Trunk-/tailgate shock

40-40 910 0001 | MTS0314

Notes

Length [mm] 656
Force output F [N] 400

References

8731.E4



40-40 910 0001 | MTS0314

Trunk-/tailgate shock

Application info

Xsara [04/97-08/05]

11-40 910 0008 | MTS0029

Trunk-/tailgate shock



Notes

| | |
|--------------------|-----|
| Length [mm] | 632 |
| Force output F [N] | 600 |

References

8731.E5

Application info

Evasion [06/94-07/02]

40-40 910 0004 | MTS0317

Trunk-/tailgate shock



Notes

| | |
|--------------------|-----|
| Length [mm] | 510 |
| Force output F [N] | 440 |

References

| | |
|---------|---------|
| 8731.F5 | 8731.F6 |
|---------|---------|

Application info

C5 I / C5 II [03/01-04/07]

40-40 910 0007 | MTS0320

Trunk-/tailgate shock



Notes

| | |
|--------------------|-----|
| Length [mm] | 445 |
| Force output F [N] | 420 |

References

| | |
|---------|---------|
| 8731.G3 | 8731.K9 |
|---------|---------|

Trunk-/tailgate shock
40-40 910 0007 | MTS0320
Application info

C2 / C3 I / Pluriel (02/02-09/05)

Trunk-/tailgate shock
11-40 910 0017 | MTS0036
Notes

| | |
|--------------------|-----|
| Length [mm] | 632 |
| Force output F [N] | 510 |

References

8731.G6


Application info

C8 (07/02--)

Trunk-/tailgate shock
40-40 910 0014 | MTS0324
Notes

| | |
|--------------------|-----|
| Length [mm] | 545 |
| Force output F [N] | 425 |

References

| | |
|---------|---------------|
| 8731.J8 | 96 472 954 80 |
|---------|---------------|


Application info

C4 I / Coupe / Grand Picasso / Picasso / Stufenheck (11/04-12/07)

Trunk-/tailgate shock
40-40 910 0020 | MTS0330
Notes

| | | |
|--------------------|--------------|-----|
| Length [mm] | with spoiler | 557 |
| Force output F [N] | | 530 |

References

| | |
|---------|---------------|
| 8731.J9 | 96 508 541 80 |
|---------|---------------|



40-40 910 0020 | MTS0330

Trunk-/tailgate shock

Application info

C4 I / Coupe / Grand Picasso / Picasso / Stufenheck (11/04-12/07)

40-40 910 0018 | MTS0328

Trunk-/tailgate shock



Notes

| | |
|--------------------|-----|
| Length [mm] | 557 |
| Force output F [N] | 500 |

References

| | |
|---------|---------------|
| 8731.K0 | 96 472 953 80 |
|---------|---------------|

Application info

C4 I / Coupe / Grand Picasso / Picasso / Stufenheck (11/04-12/07)

40-40 910 0022 | MTS0332

Trunk-/tailgate shock



Notes

| | |
|--------------------|-----|
| Length [mm] | 495 |
| Force output F [N] | 570 |

References

| | |
|---------|---------|
| 8731.K1 | 8731.K2 |
|---------|---------|

Application info

C5 I / C5 II (03/01-04/07)

40-40 910 0015 | MTS0325

Trunk-/tailgate shock



Notes

| | |
|--------------------|-----|
| Length [mm] | 555 |
| Force output F [N] | 305 |

References

8731.L0

Trunk-/tailgate shock
40-40 910 0015 | MTS0325
Application info

C1 (06/05--)

Trunk-/tailgate shock
40-40 910 0005 | MTS0318
Notes

| | |
|--------------------|-----|
| Length [mm] | 664 |
| Force output F [N] | 390 |

References

| | |
|---------|---------|
| 8731.F1 | 8731.N1 |
|---------|---------|


Application info

Xsara Picasso (12/99-09/06)

Trunk-/tailgate shock
40-40 910 0019 | MTS0329
Notes

| | |
|--------------------|---|
| Length [mm] | 585 |
| Force output F [N] | 625 |
| | for vehicles with fixed rear windscreen |

References

| | |
|---------|---------------|
| 8731.N9 | 96 544 386 80 |
|---------|---------------|


Application info

C4 I / Coupe / Grand Picasso / Picasso / Stufenheck (11/04-12/07)

Trunk-/tailgate shock
40-40 910 0017 | MTS0327
Notes

| | |
|--------------------|---|
| Length [mm] | 640 |
| Force output F [N] | 565 |
| | for vehicles with fixed rear windscreen |

References

| | |
|---------|---------------|
| 8731.P2 | 96 544 334 80 |
| 8731.T0 | |



40-40 910 0017 | MTS0327

Trunk-/tailgate shock

Application info

C4 I / Coupe / Grand Picasso / Picasso / Stufenheck [11/04-12/07]

40-40 910 0016 | MTS0326

Trunk-/tailgate shock



Notes

| | |
|--------------------|--|
| Length [mm] | 640 |
| Force output F [N] | 595 |
| | for vehicles with hinged rear windscreen |

References

| | |
|---------|---------------|
| 8731.P4 | 96 544 335 80 |
|---------|---------------|

Application info

C4 I / Coupe / Grand Picasso / Picasso / Stufenheck [11/04-12/07]

40-40 910 0021 | MTS0331

Trunk-/tailgate shock



Notes

| | |
|--------------------|-------|
| Length [mm] | 699.5 |
| Force output F [N] | 1050 |

References

| | |
|---------|---------|
| 8731.P5 | 8731.Q9 |
|---------|---------|

Application info

Jumpy II [01/07--]

Jumpy II [01/07--]

32-40 910 0017 | MTS0240

Trunk-/tailgate shock



Notes

| | |
|--------------------|-----|
| Length [mm] | 495 |
| Force output F [N] | 420 |

References

8731.Q1

Trunk-/tailgate shock

32-40 910 0017 | MTS0240

Application info

C-Crosser (02/07--)

Trunk-/tailgate shock

40-40 910 0023 | MTS0432

Notes

Length [mm] 372
Force output F [N] 495

References

8731.R7 9682256580



Application info

C5 III (RD_, TD_) (02/08--)

Trunk-/tailgate shock

40-40 910 0025 | MTS0433

Notes

Length [mm] 630
Force output F [N] 620
for vehicles with hinged rear windscreen

References

8731.S0



Application info

Berlingo II (04/08--)

Berlingo II (04/08--)

Trunk-/tailgate shock

240 910 0028 | MTS0201

Notes

Length [mm] 600
Force output F [N] 670

References

8731.V0



240 910 0028 | MTS0201

Trunk-/tailgate shock

Application info

Nemo [02/08--]

11-14 870 0002 | MWI0012

Windshield washer pump



Notes

Voltage [V]

Mono Pump
12
Front

References

6434.58

Application info

AX [07/86-12/98]
Berlingo I [07/96-12/07]
Jumpy I [10/95-12/06]
XM [05/89-10/00]

ZX [03/91-02/98]
Berlingo I [07/96--]
Jumpy I [06/94--]

11-14 870 0003 | MWI0013

Windshield washer pump



Notes

Voltage [V]

Dual Pump
12
Front and Rear

References

6434.60

Application info

AX [07/86-12/98]
Berlingo I [07/96-12/07]
Evasion [06/94-07/02]
Saxo [02/96-04/04]

Xantia [03/93-04/03]
Xsara [04/97-08/05]
ZX [03/91-02/98]
Berlingo I [07/96--]

Windshield washer pump

11-14 870 0001 | MWI0011

Notes

Voltage [V]

Dual Pump
12
Front and Rear

References

6434.75



Application info

C2 / C3 I / Pluriel (02/02-09/05)
C4 I / Coupe / Grand Picasso / Picasso / Stufenheck (11/04-12/07)
C5 I / C5 II (03/01-04/07)

C5 III (RD_, TD_) (02/08--)
C8 (07/02--)
Jumpy II (01/07--)
Jumpy II (01/07--)

Windshield washer pump

100 955 0002 | MWI0004

Notes

Voltage [V]

Mono Pump
Electric
12
Front

References

6434.74



Application info

Jumper I (02/94-04/02)
Jumper II (02/02-06/06)

Jumper I (02/94-04/02)
Jumper II (02/02--)

Wiper Blade

029 290 1111 | MBL0062

Notes

Length [in]
Length [mm]

Beam wiper blade
Bracket wiper blade
11.5
290
Rear

References

6426.T3



029 290 111 | MBL0062

Wiper Blade

Application info

C2 / C3 I / Pluriel (02/02-09/05)
C3 Picasso (02/09--)
C4 II / DS4 (11/09--)

C5 I / C5 II (03/01-04/07)
DS3 (11/09--)

029 300 1210 | MBL0003

Wiper Blade



Notes

Length [in]
Length [mm]

Bracket wiper blade
Beam wiper blade
12
300
Rear

Application info

C2 / C3 I / Pluriel (02/02-09/05)

C5 I / C5 II (03/01-04/07)

029 300 1211 | MBL0004

Wiper Blade



Notes

Length [in]
Length [mm]

Bracket wiper blade
Beam wiper blade
12
300
Rear

Application info

C3 II (11/09--)

C3 III (07/16--)

029 300 1216 | MBL0047

Wiper Blade



Notes

Length [in]
Length [mm]

Beam wiper blade
Bracket wiper blade
12
300
Rear

Wiper Blade

029 300 1216 | MBL0047

Application info

C1 (06/05--)

Wiper Blade

029 300 1217 | MBL0080

Notes

Length [in]
Length [mm]

Beam wiper blade
Bracket wiper blade
12
300
Rear



Application info

C-Crosser (02/07--)
C-Zero (10/10--)

C-Crosser (02/07--)

Wiper Blade

029 350 1410 | MBL0014

Notes

Length [in]
Length [mm]

Bracket wiper blade
Beam wiper blade
14
350
Rear



Application info

Berlingo II (04/08--)
C2 / C3 I / Pluriel (02/02-09/05)
C8 (07/02--)
Jumpy II (01/07--)

Saxo (02/96-04/04)
Xantia (03/93-04/03)
Berlingo II (04/08--)
Jumpy II (01/07--)

029 350 1416 | MBL0055

Wiper Blade



Notes

Length [in]
Length [mm]

Beam wiper blade
Bracket wiper blade
14
350
Rear

Application info

C4 I / Coupe / Grand Picasso / Picasso / Stufenheck [11/04-12/07]

C4 II / DS4 [11/09--]

029 350 1417 | MBL0052

Wiper Blade



Notes

Length [in]
Length [mm]

Bracket wiper blade
Beam wiper blade
14
350
Rear

Application info

Berlingo I [07/96-12/07]

Berlingo I [07/96--]

029 400 1600 | MBL0021

Wiper Blade



Notes

Observe service information
Length [in]
Length [mm]

Flat bar wiper blade
Flat wiper blade
16
400
Front

Application info

Berlingo II [04/08--]
C3 II [11/09--]
C3 Picasso [02/09--]

DS3 [11/09--]
Berlingo II [04/08--]

Wiper Blade

029 400 1610 | MBL0022

Notes

Length [in]
Length [mm]

Bracket wiper blade
Beam wiper blade
16
400
Rear



Application info

C5 I / C5 II (03/01-04/07)
Xsara (04/97-08/05)

Xsara Picasso (12/99-09/06)

Wiper Blade

029 400 1612 | MBL0024

Notes

Length [in]
Length [mm]

Flat bar wiper blade
Flat wiper blade
16
400
Rear



Application info

C5 I / C5 II (03/01-04/07)

Wiper Blade

029 450 1800 | MBL0027

Notes

Observe service information
Length [in]
Length [mm]

Flat wiper blade
Flat bar wiper blade
18
450
Front



Application info

C15 / Visa (09/78-12/05)
C2 / C3 I / Pluriel (02/02-09/05)
C5 I / C5 II (03/01-04/07)

Saxo (02/96-04/04)
C15 / Visa (09/78-12/05)
C2 / C3 I / Pluriel (02/02--)

029 475 1900 | MBL0028

Wiper Blade



Notes

Observe service information
Length [in]
Length [mm]

Flat bar wiper blade
Flat wiper blade
19
475
Front

Application info

C5 I / C5 II (03/01-04/07)
Nemo (02/08--)

Nemo (02/08--)

029 500 2000 | MBL0029

Wiper Blade



Notes

Observe service information
Length [in]
Length [mm]

Flat bar wiper blade
Flat wiper blade
20
500
Front

Application info

BX (10/82-12/94)
C25 (09/81-03/94)
Evasion (06/94-07/02)
Jumpy I (10/95-12/06)
Jumpy II (01/07--)
Saxo (02/96-04/04)

Xantia (03/93-04/03)
Xsara (04/97-08/05)
C25 (07/81-03/94)
Jumpy I (06/94--)
Jumpy II (01/07--)

029 530 2100 | MBL0030

Wiper Blade



Notes

Observe service information
Length [in]
Length [mm]

Flat bar wiper blade
Flat wiper blade
21
530
Front

Wiper Blade

029 530 2100 | MBL0030

Application info

Berlingo I (07/96-12/07)
 C2 / C3 I / Pluriel (02/02-09/05)
 C4 Aircross (04/12--)
 C-Crosser (02/07--)
 Jumper III (04/06--)

XM (05/89-10/00)
 Berlingo I (07/96--)
 C-Crosser (02/07--)
 Jumper III (04/06--)

Wiper Blade

029 550 2200 | MBL0032

Notes

Observe service information
 Length [in]
 Length [mm]

Flat bar wiper blade
 Flat wiper blade
 22
 550
 Front



Application info

Berlingo I (07/96-12/07)
 C5 III (RD_, TD_) (02/08--)
 Jumper I (02/94-04/02)
 Jumper II (02/02-06/06)
 XM (05/89-10/00)

Xsara (04/97-08/05)
 ZX (03/91-02/98)
 Berlingo I (07/96--)
 Jumper I (02/94-04/02)
 Jumper II (02/02--)

Wiper Blade

029 600 2400 | MBL0034

Notes

Observe service information
 Length [in]
 Length [mm]

Flat bar wiper blade
 Flat wiper blade
 24
 600
 Front



Application info

C2 / C3 I / Pluriel (02/02-09/05)
 C3 Picasso (02/09--)
 C4 Aircross (04/12--)
 C4 I / Coupe / Grand Picasso / Picasso / Stufenheck (11/04-12/07)
 C-Crosser (02/07--)

CX I (09/74-08/85)
 CX II (07/85-12/92)
 DS3 (11/09--)
 Xantia (03/93-04/03)
 C2 / C3 I / Pluriel (02/02--)
 C-Crosser (02/07--)

029 625 2500 | MBL0058

Wiper Blade



Notes

Observe service information
Length [in]
Length [mm]

Flat bar wiper blade
Flat wiper blade
25
625
Front

Application info

DS5 (11/11--)

029 650 2600 | MBL0036

Wiper Blade



Notes

Observe service information
Length [in]
Length [mm]

Flat wiper blade
Flat bar wiper blade
26
650
Front

Application info

Berlingo II (04/08--)
C1 (06/05--)
C1 II (04/14--)
C3 II (11/09--)
C4 II / DS4 (11/09--)
C5 I / C5 II (03/01-04/07)
C8 (07/02--)
Evasion (06/94-07/02)

Jumper III (04/06--)
Jumpy I (10/95-12/06)
Nemo (02/08--)
Xsara Picasso (12/99-09/06)
Berlingo II (04/08--)
Jumper III (04/06--)
Jumpy I (06/94--)
Nemo (02/08--)

029 700 2800 | MBL0039

Wiper Blade



Notes

Observe service information
Length [in]
Length [mm]

Flat bar wiper blade
Flat wiper blade
28
700
Front

Wiper Blade

029 700 2800 | MBL0039

Application info

C4 I / Coupe / Grand Picasso / Picasso / Stufenheck (11/04-12/07)
C5 III (RD_, TD_) (02/08--)
C6 (09/05--)

C-Zero (10/10--)
Jumpy II (01/07--)
Jumpy II (01/07--)

Wiper Blade

029 725 2900 | MBL0057

Notes

Observe service information
Length [in] 29
Length [mm] 725
Front

Flat bar wiper blade
Flat wiper blade



Application info

DS5 (11/11--)

Wiper Blade

029 750 3000 | MBL0041

Notes

Observe service information
Length [in] 30
Length [mm] 750
Front

Flat bar wiper blade
Flat wiper blade



Application info

C4 Grand Picasso II (09/13--)
C4 I / Coupe / Grand Picasso / Picasso / Stufenheck (11/04-12/07)

C4 II / DS4 (11/09--)

029 800 3200 | MBL0042

Wiper Blade



Notes

Observe service information
Length [in]
Length [mm]

Flat wiper blade
Flat bar wiper blade

32
800
Front

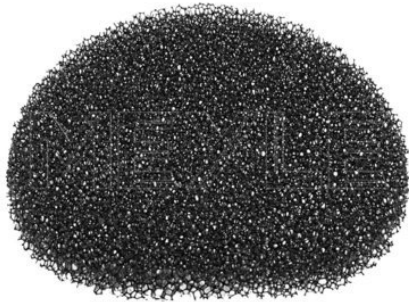
Application info

C4 Grand Picasso II [09/13--]
C4 I / Coupe / Grand Picasso / Picasso / Stufenheck [11/04-12/07]

C4 II / DS4 [11/09--]

11-12 319 0013 | MCF0064

Cabin air filter



Notes

Height [mm]
Width [mm]
Length [mm]

10
114
120
Filter Insert
Particulate Filter

References

6441.G9

Application info

Saxo [02/96-04/04]

40-12 319 0000 | MCF0353

Cabin air filter



Notes

Height [mm]
Width [mm]
Length [mm]

18
210
217
Filter Insert
Particulate Filter

References

6441.EG
6441.H7
6447.LV

6447.Z4
95 667 986

Application info

Berlingo I [07/96-12/07]
Xantia [03/93-04/03]
Xsara [04/97-08/05]

ZX [03/91-02/98]
Berlingo I [07/96--]

Cabin air filter

40-12 319 0006 | MCF0358

Notes

Height [mm] 30
 Width [mm] 200
 Length [mm] 255
 Filter Insert
 Particulate Filter

References

6444.FF 6447.LN
 6447.FF



Application info

Xsara Picasso [12/99-09/06]

Cabin air filter

40-12 319 0005 | MCF0357

Notes

Height [mm] 18
 Width [mm] 192
 Length [mm] 264
 Filter Insert
 Particulate Filter

References

6447.FG



Application info

Xsara [04/97-08/05]

Cabin air filter

212 319 0003/S | MCF0166

Notes

Height [mm] Kit
 9
 Width [mm] 97
 Length [mm] 185
 Filter Insert
 Particulate Filter

References

6447.H0 6447.H1



Application info

Evasion [06/94-07/02]
 Jumpy I [10/95-12/06]

Jumpy I [06/94--]

40-12 320 0002 | MCF0361

Cabin air filter



Notes

Height [mm] 55
Width [mm] 160
Length [mm] 324
Filter Insert
Activated Carbon Filter

References

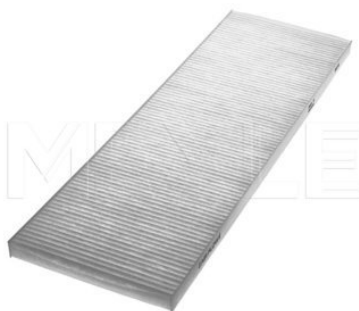
6447.HV

Application info

C5 I / C5 II (03/01-04/07)

212 319 0004 | MCF0167

Cabin air filter



Notes

Height [mm] 17
Width [mm] 172
Length [mm] 440
Filter Insert
Particulate Filter

References

6447.J0

Application info

Jumper I (02/94-04/02)
Jumper II (02/02-06/06)

Jumper I (02/94-04/02)
Jumper II (02/02--)

40-12 319 0004 | MCF0356

Cabin air filter



Notes

Height [mm] 30
Width [mm] 165
Length [mm] 404
Filter Insert
Particulate Filter

References

6447.LY

6447.LZ

Application info

C8 (07/02--)
Jumpy I (10/95-12/06)

Jumpy I (06/94--)

Cabin air filter
11-12 319 0000 | MCF0054
Notes

| | |
|-------------|--------------------|
| Height [mm] | 36 |
| Width [mm] | 175 |
| Length [mm] | 288 |
| | Filter Insert |
| | Particulate Filter |

References

| | |
|---------|---------------|
| 6447.NT | 96 87 459 780 |
| 6447TL | E146155 |


Application info

| | |
|---|-----------------------|
| C2 / C3 I / Pluriel (02/02-09/05) | C4 II / DS4 (11/09--) |
| C3 Picasso (02/09--) | DS5 (11/11--) |
| C4 I / Coupe / Grand Picasso / Picasso / Stufenheck (11/04-12/07) | |

Cabin air filter
11-12 320 0000 | MCF0066
Notes

| | |
|-------------|-------------------------|
| Height [mm] | 36 |
| Width [mm] | 175 |
| Length [mm] | 288 |
| | Filter Insert |
| | Activated Carbon Filter |

References

| | |
|---------|------------|
| 6447.NV | 96 360 862 |
| 6479.75 | |


Application info

| | |
|---|-----------------------|
| C2 / C3 I / Pluriel (02/02-09/05) | C4 II / DS4 (11/09--) |
| C3 Picasso (02/09--) | DS5 (11/11--) |
| C4 I / Coupe / Grand Picasso / Picasso / Stufenheck (11/04-12/07) | |

Cabin air filter
40-12 320 0000 | MCF0359
Notes

| | |
|-------------|-------------------------|
| Height [mm] | 19 |
| Width [mm] | 199 |
| Length [mm] | 211 |
| | Filter Insert |
| | Activated Carbon Filter |

References

| | |
|---------|---------|
| 6447.PF | 6447.SR |
|---------|---------|



40-12 320 0000 | MCF0359

Cabin air filter

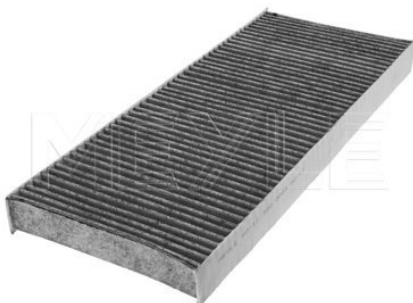
Application info

Berlingo I [07/96-12/07]
Xantia [03/93-04/03]
Xsara [04/97-08/05]

ZX [03/91-02/98]
Berlingo I [07/96--]

40-12 320 0004 | MCF0363

Cabin air filter



Notes

Height [mm] 33
Width [mm] 164
Length [mm] 405
Filter Insert
Activated Carbon Filter

References

6447.SP 6447.TA

Application info

C8 [07/02--]
Jumpy I [10/95-12/06]

Jumpy I [06/94--]

40-12 320 0003 | MCF0362

Cabin air filter



Notes

Height [mm] 40
Width [mm] 152
Length [mm] 314
Filter Insert
Activated Carbon Filter

References

6441.EJ 6479.43
6447.TC

Application info

C5 I / C5 II [03/01-04/07]

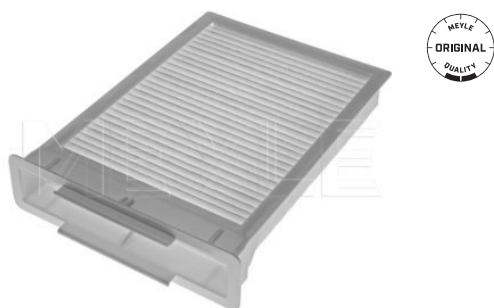
C6 [09/05--]

Cabin air filter
11-12 319 0009 | MCF0060
Notes

| | |
|-------------|--------------------|
| Height [mm] | 27 |
| Width [mm] | 150 |
| Length [mm] | 215 |
| | Filter Insert |
| | Particulate Filter |

References

6447.TV


Application info

C1 (06/05--)

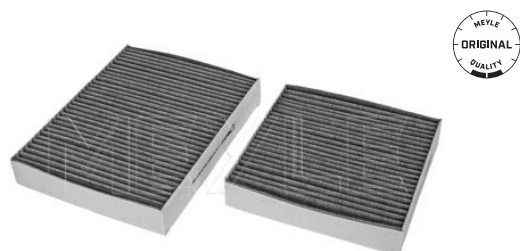
Cabin air filter
11-12 320 0008/S | MCF0070
Notes

| | |
|-------------|-------------------------|
| | Kit |
| Height [mm] | 30 |
| Width [mm] | 158 |
| Length [mm] | 150 |
| | Filter Insert |
| | Activated Carbon Filter |

References

16 094 281 80

6447.VX


Application info

C3 II (11/09--)

DS3 (11/09--)

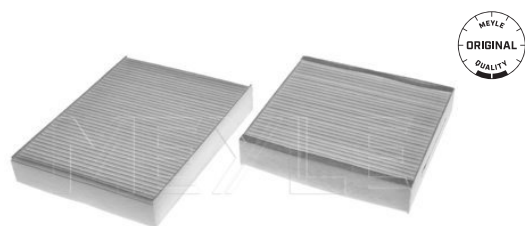
Cabin air filter
11-12 319 0008/S | MCF0059
Notes

| | |
|---------------|--------------------|
| | Kit |
| Height [mm] | 30 |
| Width [mm] | 156 |
| Length 2 [mm] | 154 |
| Length 1 [mm] | 203 |
| | Filter Insert |
| | Particulate Filter |

References

16 094 280 80

6447.VY


Application info

C3 II (11/09--)

DS3 (11/09--)

11-12 319 0010 | MCF0061

Cabin air filter



Notes

Height [mm]
Width [mm]
Length [mm]

Kit
30
96
290
Filter Insert
Particulate Filter

References

6447.XF

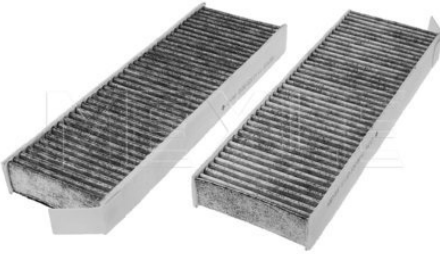
Application info

Berlingo II (04/08--)
C4 I / Coupe / Grand Picasso / Picasso / Stufenheck (11/04-12/07)

Berlingo II (04/08--)

11-12 320 0010 | MCF0071

Cabin air filter



Notes

Height [mm]
Width [mm]
Length [mm]

Set
30
96
290
Filter Insert
Activated Carbon Filter

References

6447.XG

9801448180

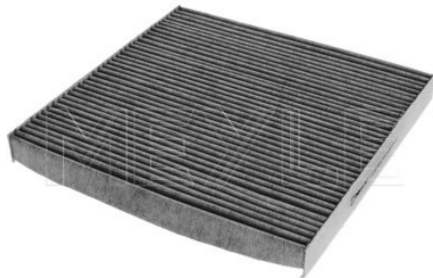
Application info

Berlingo II (04/08--)
C4 Grand Picasso II (09/13--)
C4 I / Coupe / Grand Picasso / Picasso / Stufenheck (11/04-12/07)

C4 II / DS4 (11/09--)
DS5 (11/11--)
Berlingo II (04/08--)

11-12 320 0014 | MCF0074

Cabin air filter



Notes

Height [mm]
Width [mm]
Length [mm]

25
235
250
Filter Insert
Activated Carbon Filter

References

6447.YC

Application info

Jumper III (04/06--)

Jumper III (04/06--)

Cabin air filter

11-12 319 0012 | MCF0063

Notes

Height [mm] 48
Width [mm] 176
Length [mm] 376
Filter Insert
Particulate Filter

References

6447.YK 6479.A6



Application info

Jumpy II [01/07--] Jumpy II [01/07--]

Cabin air filter

11-12 320 0012 | MCF0073

Notes

Height [mm] 48
Width [mm] 175.5
Length [mm] 376
Filter Insert
Activated Carbon Filter

References

6447.YN 6479.A7



Application info

Jumpy II [01/07--] Jumpy II [01/07--]

Cabin air filter

32-12 319 0002 | MCF0266

Notes

Height [mm] 30
Width [mm] 200
Length [mm] 216
Filter Insert
Particulate Filter

References

6447.ZY



Application info

C4 Aircross [04/12--] C-Crosser [02/07--]

40-12 319 0003 | MCF0355

Cabin air filter



Notes

Height [mm] 40
Width [mm] 150
Length [mm] 313
Filter Insert
Particulate Filter

References

6479.04

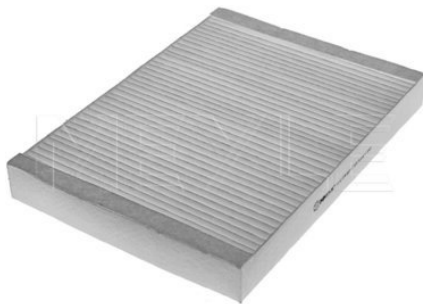
Application info

C5 I / C5 II (03/01-04/07)

C6 (09/05--)

11-12 319 0011 | MCF0062

Cabin air filter



Notes

Height [mm] 32
Width [mm] 196
Length [mm] 270
Filter Insert
Particulate Filter

References

6479.45

96 826 036 80

Application info

C5 III (RD_, TD_) (02/08--)

C6 (09/05--)

11-12 320 0011 | MCF0072

Cabin air filter



Notes

Height [mm] 32
Width [mm] 196
Length [mm] 270
Filter Insert
Activated Carbon Filter

References

6479.45

96 826 036 80

Application info

C5 III (RD_, TD_) (02/08--)

C6 (09/05--)

Cabin air filter

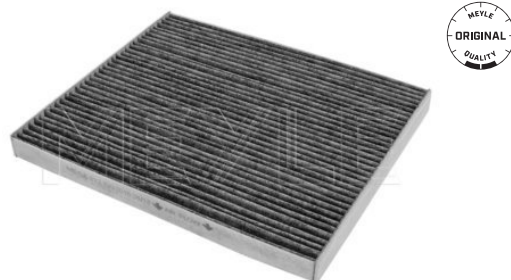
612 320 0016 | MCF0410

Notes

Height [mm] 21
Width [mm] 220
Length [mm] 265
Filter Insert
Activated Carbon Filter

References

6479.61



Application info

AX (07/86-12/98) Nemo (02/08--)
Nemo (02/08--)

Cabin air filter

212 320 0012 | MCF0180

Notes

Height [mm] 30
Width [mm] 177
Length [mm] 200
Filter Insert
Activated Carbon Filter

References

6479.62



Application info

Nemo (02/08--)

Cabin air filter

612 319 0016 | MCF0397

Notes

Height [mm] 20
Width [mm] 212
Length [mm] 265
Filter Insert
Particulate Filter

References

6479.60 6479.84



Application info

AX (07/86-12/98) Nemo (02/08--)
Nemo (02/08--)

40-12 319 0001 | MCF0354

Cabin air filter



Notes

Height [mm] 36
Width [mm] 225
Length [mm] 220
Filter Insert
Particulate Filter

References

6447.HP 6479.A1
6447.KR

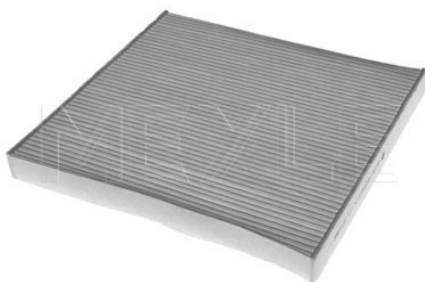
Application info

Berlingo I [07/96-12/07]
Xsara [04/97-08/05]

Berlingo I [07/96--]

11-12 319 0014 | MCF0065

Cabin air filter



Notes

Height [mm] 25
Width [mm] 235
Length [mm] 249
Filter Insert
Particulate Filter

References

6447.YC 6479.C9

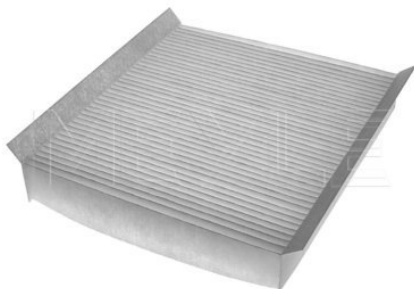
Application info

Jumper III [04/06--]

Jumper III [04/06--]

212 319 0012 | MCF0172

Cabin air filter



Notes

Height [mm] 30
Width [mm] 177
Length [mm] 200
Filter Insert
Particulate Filter

References

6479.62 6479.E0

Application info

Nemo [02/08--]

Nemo [02/08--]

Cabin air filter

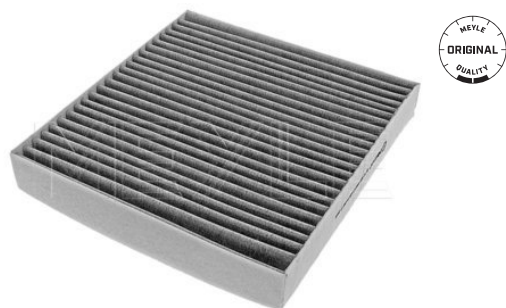
32-12 320 0002 | MCF0271

Notes

Height [mm] 30
 Width [mm] 200
 Length [mm] 216
 Filter Insert
 Activated Carbon Filter

References

6479.E9



Application info

C4 Aircross [04/12--]
 C-Crosser [02/07--]

C-Crosser [02/07--]

Cabin air filter

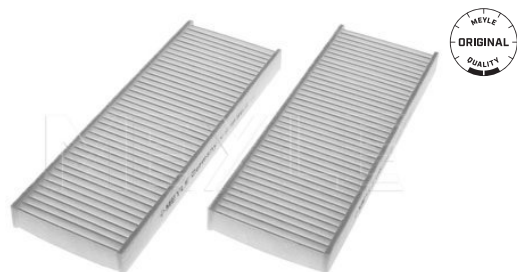
11-12 319 0015/S | MCF0450

Notes

Height [mm] 20
 Width [mm] 85
 Length [mm] 239
 Kit
 Particulate Filter

References

96 787 920 80 98 142 376 80



Application info

C Elyse [11/12--]

32-15 523 0020/PD | MBD1954PD

Brake disc



Notes

| | |
|---------------------------|-------------------|
| Wheel Bolt Bore Ø [mm] | 12.6 |
| | Zink flake coated |
| | Solid |
| Centering Diameter [mm] | 79.9 |
| Minimum thickness [mm] | 8.4 |
| Outer diameter [mm] | 302 |
| Height [mm] | 60 |
| Bolt Hole Circle Ø [mm] | 114.3 |
| Brake Disc Thickness [mm] | 10 |
| Required quantity | 2 |
| Number of Holes | 5 |
| | Rear Axle |

References

16 062 920 80

Application info

C4 Aircross (04/12--)

C-Crosser (02/07--)

11-15 521 0018 | MBD0144

Brake disc



Notes

| | |
|---------------------------|------------|
| Wheel Bolt Bore Ø [mm] | 13 |
| | Vented |
| Centering Diameter [mm] | 66 |
| Minimum thickness [mm] | 24 |
| Outer diameter [mm] | 283 |
| Height [mm] | 34.2 |
| Bolt Hole Circle Ø [mm] | 108 |
| Brake Disc Thickness [mm] | 26 |
| Required quantity | 2 |
| Number of Holes | 4 |
| | Front Axle |

References

| | |
|---------------|-----------|
| 16 064 014 80 | 4249.84 |
| 4246.W2 | 4249.J6 |
| 4249.18 | E 169 142 |

Application info

Berlingo I (07/96-12/07)
 Berlingo II (04/08--)
 C2 / C3 I / Pluriel (02/02-09/05)
 C3 II (11/09--)
 C3 Picasso (02/09--)
 C4 I / Coupe / Grand Picasso / Picasso / Stufenheck (11/04-12/07)
 C4 II / DS4 (11/09--)

C5 I / C5 II (03/01-04/07)
 DS3 (11/09--)
 DS5 (11/11--)
 Xsara (04/97-08/05)
 Xsara Picasso (12/99-09/06)
 Berlingo I (07/96--)
 Berlingo II (04/08--)

Brake disc
11-83 521 0018/PD | MBD1766PD
Notes

| | |
|---------------------------|-------------------|
| Wheel Bolt Bore Ø [mm] | 13 |
| | Zink flake coated |
| | High-carbon |
| | Vented |
| Centering Diameter [mm] | 66 |
| Minimum thickness [mm] | 24 |
| Outer diameter [mm] | 283 |
| Height [mm] | 34.2 |
| Bolt Hole Circle Ø [mm] | 108 |
| | with screws |
| Brake Disc Thickness [mm] | 26 |
| Required quantity | 2 |
| Number of Holes | 4 |
| | Front Axle |


References

| | |
|---------------|-----------|
| 16 064 014 80 | 4249.84 |
| 4246.W2 | 4249.J6 |
| 4249.18 | E 169 142 |

Application info

Berlingo I [07/96-12/07]
 Berlingo II [04/08--]
 C2 / C3 I / Pluriel [02/02-09/05]
 C3 II [11/09--]
 C3 Picasso [02/09--]
 C4 I / Coupe / Grand Picasso / Picasso / Stufenheck [11/04-12/07]
 C4 II / DS4 [11/09--]

C5 I / C5 II [03/01-04/07]
 DS3 [11/09--]
 DS5 [11/11--]
 Xsara [04/97-08/05]
 Xsara Picasso [12/99-09/06]
 Berlingo I [07/96--]
 Berlingo II [04/08--]

Brake disc
215 521 0004 | MBD0372
Notes

| | |
|---------------------------|------------|
| Wheel Bolt Bore Ø [mm] | 15.7 |
| | Vented |
| Centering Diameter [mm] | 73 |
| Minimum thickness [mm] | 21.9 |
| Outer diameter [mm] | 280 |
| Height [mm] | 65.5 |
| Bolt Hole Circle Ø [mm] | 118 |
| Brake Disc Thickness [mm] | 24 |
| Required quantity | 2 |
| Number of Holes | 5 |
| | Front Axle |


References

| | |
|---------------|---------|
| 16 078 720 80 | 4246.Y1 |
| 4246.L3 | 4249.H8 |
| 4246.L4 | |

Application info

Jumper I [02/94-04/02]
 Jumper II [02/02-06/06]
 Jumper III [04/06--]
 Xsara [04/97-08/05]

Jumper I [02/94-04/02]
 Jumper II [02/02--]
 Jumper III [04/06--]

215 521 0029 | MBD0390

Brake disc



Notes

| | |
|---------------------------|------------|
| Wheel Bolt Bore Ø [mm] | 15.5 |
| | Vented |
| Centering Diameter [mm] | 72.7 |
| Minimum thickness [mm] | 25.9 |
| Outer diameter [mm] | 280 |
| Height [mm] | 70 |
| Bolt Hole Circle Ø [mm] | 118 |
| Brake Disc Thickness [mm] | 28 |
| Required quantity | 2 |
| Number of Holes | 5 |
| | Front Axle |

References

| | |
|------------|---------|
| 1607872180 | 4249.29 |
| 1611842080 | 4249.K2 |

Application info

Jumper III [04/06--]

Jumper III [04/06--]

215 521 0003 | MBD0371

Brake disc



Notes

| | |
|---------------------------|------------|
| Wheel Bolt Bore Ø [mm] | 17.5 |
| | Vented |
| Centering Diameter [mm] | 80 |
| Minimum thickness [mm] | 21.9 |
| Outer diameter [mm] | 300 |
| Height [mm] | 65.5 |
| Bolt Hole Circle Ø [mm] | 130 |
| Brake Disc Thickness [mm] | 24 |
| Required quantity | 2 |
| Number of Holes | 5 |
| | Front Axle |

References

| | |
|------------|---------|
| 1607872280 | 4246.Y3 |
| 4246.K3 | 4249.H9 |

Application info

Jumper I [02/94-04/02]
Jumper II [02/02-06/06]
Jumper III [04/06--]

Jumper I [02/94-04/02]
Jumper II [02/02--]
Jumper III [04/06--]

Brake disc
215 521 0021 | MBD0385
Notes

| | |
|---------------------------|------------|
| Wheel Bolt Bore Ø [mm] | 18 |
| | Vented |
| Centering Diameter [mm] | 80 |
| Minimum thickness [mm] | 29.9 |
| Outer diameter [mm] | 300 |
| Height [mm] | 73.8 |
| Bolt Hole Circle Ø [mm] | 130 |
| Brake Disc Thickness [mm] | 32 |
| Required quantity | 2 |
| Number of Holes | 5 |
| | Front Axle |


References

| | |
|------------|---------|
| 1607872380 | 4249.37 |
| 1612435380 | 4249.38 |
| 1612435480 | 4249.A6 |

Application info

Jumper III [04/06--]

Jumper III [04/06--]

Brake disc
215 523 0012 | MBD0408
Notes

| | |
|---------------------------|-----------|
| Wheel Bolt Bore Ø [mm] | 15.6 |
| | Solid |
| Centering Diameter [mm] | 72 |
| Minimum thickness [mm] | 14.2 |
| Outer diameter [mm] | 280 |
| Height [mm] | 82 |
| Bolt Hole Circle Ø [mm] | 118 |
| Brake Disc Thickness [mm] | 16 |
| Required quantity | 2 |
| Number of Holes | 5 |
| | Rear Axle |


References

| | |
|---------------|---------|
| 16 078 804 80 | 4249.L0 |
| 4246.Y7 | |

Application info

 Jumper I [02/94-04/02]
 Jumper II [02/02-06/06]
 Jumper III [04/06--]

 Jumper I [02/94-04/02]
 Jumper II [02/02--]
 Jumper III [04/06--]

215 523 0006 | MBD0406

Brake disc



Notes

| | |
|---------------------------|-----------|
| Wheel Bolt Bore Ø [mm] | 17.5 |
| | Solid |
| Centering Diameter [mm] | 79 |
| Minimum thickness [mm] | 14.2 |
| Outer diameter [mm] | 280 |
| Height [mm] | 82 |
| Bolt Hole Circle Ø [mm] | 130 |
| Brake Disc Thickness [mm] | 16 |
| Required quantity | 2 |
| Number of Holes | 5 |
| | Rear Axle |

References

| | |
|------------|---------|
| 1607880580 | 4246.Z3 |
| 4246.Z1 | 4249.K9 |

Application info

Jumper I [02/94-04/02]
Jumper II [02/02-06/06]
Jumper III [04/06--]

Jumper I [02/94-04/02]
Jumper II [02/02--]
Jumper III [04/06--]

11-15 523 0014 | MBD2093

Brake disc



Notes

| | |
|---------------------------|-----------|
| | Solid |
| Centering Diameter [mm] | 71.1 |
| Minimum thickness [mm] | 10 |
| Outer diameter [mm] | 268 |
| Height [mm] | 35 |
| Bolt Hole Circle Ø [mm] | 108 |
| Brake Disc Thickness [mm] | 12 |
| Required quantity | 2 |
| Number of Holes | 5 |
| | Rear Axle |

References

1609582880

Application info

C4 Grand Picasso II [09/13--]

C4 II / DS4 [11/09--]



Brake disc

11-15 523 0014/PD | MBD2093PD

Notes

| | |
|---------------------------|-------------------|
| | Zink flake coated |
| | Solid |
| Centering Diameter [mm] | 71.1 |
| Minimum thickness [mm] | 10 |
| Outer diameter [mm] | 268 |
| Height [mm] | 35 |
| Bolt Hole Circle Ø [mm] | 108 |
| Brake Disc Thickness [mm] | 12 |
| Required quantity | 2 |
| Number of Holes | 5 |
| | Rear Axle |



References

1609582880

Application info

C4 Grand Picasso II (09/13--)

C4 II / DS4 (11/09--)

Brake disc

11-15 523 0015 | MBD2112

Notes

| | |
|---------------------------|-----------|
| | Solid |
| Centering Diameter [mm] | 71.1 |
| Minimum thickness [mm] | 10 |
| Outer diameter [mm] | 290 |
| Height [mm] | 35 |
| Bolt Hole Circle Ø [mm] | 108 |
| Brake Disc Thickness [mm] | 12 |
| Required quantity | 2 |
| Number of Holes | 5 |
| | Rear Axle |



References

1609583080

Application info

C4 Grand Picasso II (09/13--)

C4 II / DS4 (11/09--)

2

11-15 523 0015/PD | MBD2112PD

Brake disc



Notes

| | |
|---------------------------|-----------|
| Centering Diameter [mm] | 71.1 |
| Minimum thickness [mm] | 10 |
| Outer diameter [mm] | 290 |
| Height [mm] | 35 |
| Bolt Hole Circle Ø [mm] | 108 |
| Brake Disc Thickness [mm] | 12 |
| Required quantity | 2 |
| Number of Holes | 5 |
| | Rear Axle |

References

1609583080

Application info

C4 Grand Picasso II (09/13--)

C4 II / DS4 (11/09--)

32-15 523 0015/PD | MBD1949PD

Brake disc



Notes

| | |
|---------------------------|-------------------|
| Wheel Bolt Bore Ø [mm] | 13.1 |
| | Zink flake coated |
| | Vented |
| Centering Diameter [mm] | 69 |
| Minimum thickness [mm] | 24.4 |
| Outer diameter [mm] | 294 |
| Height [mm] | 45.5 |
| Bolt Hole Circle Ø [mm] | 114.3 |
| Brake Disc Thickness [mm] | 26 |
| Required quantity | 2 |
| Number of Holes | 5 |
| | Front Axle |

References

16 075 005 80

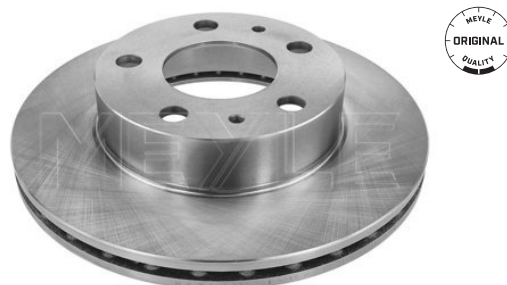
1610623080

Application info

C4 Aircross (04/12--)

Brake disc
215 521 0019 | MBD0384
Notes

| | |
|---------------------------|------------|
| Wheel Bolt Bore Ø [mm] | 17.5 |
| | Vented |
| Centering Diameter [mm] | 79.8 |
| Minimum thickness [mm] | 21.9 |
| Outer diameter [mm] | 300 |
| Height [mm] | 65.9 |
| Bolt Hole Circle Ø [mm] | 130 |
| Brake Disc Thickness [mm] | 24 |
| Required quantity | 2 |
| Number of Holes | 5 |
| | Front Axle |


References

| | |
|------------|---------|
| 1611841680 | 4249.A0 |
| 4249.36 | 4249.H2 |

Application info

 Jumper II [02/02-06/06]
 Jumper III [04/06--]

 Jumper II [02/02--]
 Jumper III [04/06--]

Brake disc
215 521 0024 | MBD1842
Notes

| | |
|---------------------------|------------|
| Wheel Bolt Bore Ø [mm] | 13.2 |
| | Vented |
| Centering Diameter [mm] | 71 |
| Minimum thickness [mm] | 26 |
| Outer diameter [mm] | 304 |
| Height [mm] | 48 |
| Bolt Hole Circle Ø [mm] | 108 |
| Brake Disc Thickness [mm] | 28 |
| Required quantity | 2 |
| Number of Holes | 5 |
| | Front Axle |


References

| | |
|------------|---------|
| 1611841980 | 4249.92 |
| 4249.25 | 4249.K0 |

Application info

 C5 III (RD_, TD_) [02/08--]
 Jumpy II [01/07--]

Jumpy II [01/07--]

215 521 0024/PD | MBD1842PD

Brake disc



Notes

| | |
|---------------------------|-------------------|
| Wheel Bolt Bore Ø [mm] | 13.2 |
| | Zink flake coated |
| | Vented |
| Centering Diameter [mm] | 71 |
| Minimum thickness [mm] | 26 |
| Outer diameter [mm] | 304 |
| Height [mm] | 48 |
| Bolt Hole Circle Ø [mm] | 108 |
| Brake Disc Thickness [mm] | 28 |
| Required quantity | 2 |
| Number of Holes | 5 |
| | Front Axle |

References

| | |
|------------|---------|
| 1611841980 | 4249.92 |
| 4249.25 | 4249.K0 |

Application info

C5 III (RD_, TD_) [02/08--]
Jumpy II [01/07--]

Jumpy II [01/07--]

40-15 521 1001 | MBD1089

Brake disc



Notes

| | |
|---------------------------|------------|
| Wheel Bolt Bore Ø [mm] | 13 |
| | Vented |
| Centering Diameter [mm] | 123 |
| Minimum thickness [mm] | 24 |
| Outer diameter [mm] | 302 |
| Height [mm] | 34.2 |
| Bolt Hole Circle Ø [mm] | 108 |
| Brake Disc Thickness [mm] | 26 |
| Required quantity | 2 |
| Number of Holes | 4 |
| | Front Axle |

References

| | |
|---------------|---------------|
| 16 063 082 80 | 4249.85 |
| 4246.C0 | 96 876 021 80 |
| 4249.33 | |

Application info

C4 I / Coupe / Grand Picasso / Picasso / Stufenheck [11/04-12/07]

Brake disc

11-15 521 0015 | MBD0141

Notes

| | |
|---------------------------|------------|
| Wheel Bolt Bore Ø [mm] | 16.5 |
| | Vented |
| Centering Diameter [mm] | 59 |
| Minimum thickness [mm] | 18 |
| Outer diameter [mm] | 257 |
| Height [mm] | 40.5 |
| Bolt Hole Circle Ø [mm] | 98 |
| Brake Disc Thickness [mm] | 20 |
| Required quantity | 2 |
| Number of Holes | 5 |
| | Front Axle |



References

| | |
|---------|---------|
| 4246.H9 | 4249.L4 |
|---------|---------|

Application info

Evasion [06/94-07/02]
Jumpy I [10/95-12/06]

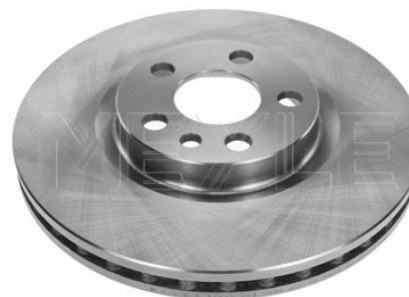
Jumpy I [06/94--]

Brake disc

11-15 521 0006 | MBD0135

Notes

| | |
|---------------------------|------------|
| Wheel Bolt Bore Ø [mm] | 16.5 |
| | Vented |
| Centering Diameter [mm] | 59 |
| Minimum thickness [mm] | 24.2 |
| Outer diameter [mm] | 281 |
| Height [mm] | 43.7 |
| Bolt Hole Circle Ø [mm] | 98 |
| Brake Disc Thickness [mm] | 26 |
| Required quantity | 2 |
| Number of Holes | 5 |
| | Front Axle |



References

| | |
|---------|---------|
| 4246.J3 | 4249.H5 |
|---------|---------|

Application info

Evasion [06/94-07/02]
Jumpy I [10/95-12/06]

Jumpy I [06/94--]

11-15 523 0035 | MBD0158

Brake disc



Notes

| | |
|---------------------------|-----------|
| Wheel Bolt Bore Ø [mm] | 15 |
| | Solid |
| Centering Diameter [mm] | 59 |
| Minimum thickness [mm] | 8 |
| Outer diameter [mm] | 295 |
| Height [mm] | 56 |
| Bolt Hole Circle Ø [mm] | 98 |
| Brake Disc Thickness [mm] | 10 |
| Required quantity | 2 |
| Number of Holes | 5 |
| | Rear Axle |

References

4246.J6

Application info

Evasion [06/94-07/02]

215 521 0005 | MBD0373

Brake disc



Notes

| | |
|---------------------------|------------|
| Wheel Bolt Bore Ø [mm] | 15.5 |
| | Solid |
| Centering Diameter [mm] | 73 |
| Minimum thickness [mm] | 15.9 |
| Outer diameter [mm] | 280 |
| Height [mm] | 65.5 |
| Bolt Hole Circle Ø [mm] | 118 |
| Brake Disc Thickness [mm] | 18 |
| Required quantity | 2 |
| Number of Holes | 5 |
| | Front Axle |

References

4246.J9 4249.H6
4249.C9

Application info

Jumper I [02/94-04/02]
Jumper II [02/02-06/06]

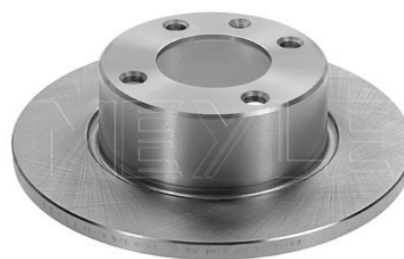
Jumper I [02/94-04/02]
Jumper II [02/02--]

Brake disc

11-15 523 0038 | MBD0160

Notes

| | |
|---------------------------|-----------|
| Wheel Bolt Bore Ø [mm] | 13 |
| | Solid |
| Centering Diameter [mm] | 71.1 |
| Minimum thickness [mm] | 10.8 |
| Outer diameter [mm] | 251 |
| Height [mm] | 62.4 |
| Bolt Hole Circle Ø [mm] | 108 |
| Brake Disc Thickness [mm] | 12 |
| Required quantity | 2 |
| Number of Holes | 4 |
| | Rear Axle |



References

4246.L6

Application info

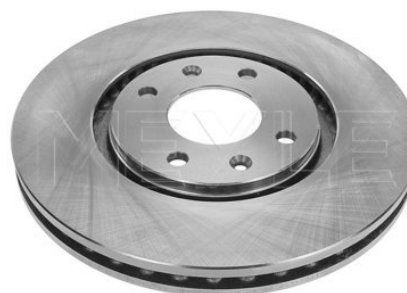
Xantia [03/93-04/03]

Brake disc

11-15 521 0007 | MBD0136

Notes

| | |
|---------------------------|------------|
| Wheel Bolt Bore Ø [mm] | 13 |
| | Vented |
| Centering Diameter [mm] | 66 |
| Minimum thickness [mm] | 24.2 |
| Outer diameter [mm] | 283 |
| Height [mm] | 28.2 |
| Bolt Hole Circle Ø [mm] | 108 |
| Brake Disc Thickness [mm] | 26 |
| Required quantity | 2 |
| Number of Holes | 4 |
| | Front Axle |



References

4246.L8

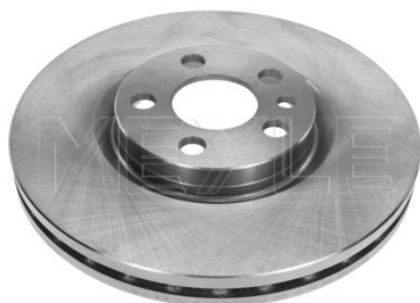
4249.J1

Application info

Xantia [03/93-04/03]

11-15 521 0035 | MBD1756

Brake disc



Notes

| | |
|---------------------------|------------|
| Wheel Bolt Bore Ø [mm] | 16.5 |
| | Vented |
| Centering Diameter [mm] | 59 |
| Minimum thickness [mm] | 26 |
| Outer diameter [mm] | 285 |
| Height [mm] | 43.7 |
| Bolt Hole Circle Ø [mm] | 98 |
| Brake Disc Thickness [mm] | 28 |
| Required quantity | 2 |
| Number of Holes | 5 |
| | Front Axle |

References

| | |
|---------|---------|
| 4246.P2 | 4249.H7 |
|---------|---------|

Application info

C8 [07/02--]
Evasion [06/94-07/02]

Jumpy I [10/95-12/06]
Jumpy I [06/94--]

11-15 521 0035/PD | MBD1756PD

Brake disc



Notes

| | |
|---------------------------|-------------------|
| Wheel Bolt Bore Ø [mm] | 16.5 |
| | Zink flake coated |
| | Vented |
| Centering Diameter [mm] | 59 |
| Minimum thickness [mm] | 26 |
| Outer diameter [mm] | 285 |
| Height [mm] | 43.7 |
| Bolt Hole Circle Ø [mm] | 98 |
| Brake Disc Thickness [mm] | 28 |
| Required quantity | 2 |
| Number of Holes | 5 |
| | Front Axle |

References

| | |
|---------|---------|
| 4246.P2 | 4249.H7 |
|---------|---------|

Application info

C8 [07/02--]
Evasion [06/94-07/02]

Jumpy I [10/95-12/06]
Jumpy I [06/94--]

Brake disc

11-15 521 0033 | MBD1754

Notes

| | |
|---------------------------|------------|
| Wheel Bolt Bore Ø [mm] | 13 |
| | Solid |
| Centering Diameter [mm] | 66 |
| Minimum thickness [mm] | 11 |
| Outer diameter [mm] | 266 |
| Height [mm] | 27.2 |
| Bolt Hole Circle Ø [mm] | 108 |
| Brake Disc Thickness [mm] | 13 |
| Required quantity | 2 |
| Number of Holes | 4 |
| | Front Axle |



References

| | |
|---------------|-----------|
| 16 086 916 80 | 4249.82 |
| 4246.R2 | E 169 020 |
| 4246.R4 | |

Application info

Berlingo I [07/96-12/07]
 C Elyse [11/12--]
 C2 / C3 I / Pluriel [02/02-09/05]

C4 Cactus [09/14--]
 Berlingo I [07/96--]

Brake disc

11-15 521 0033/PD | MBD1754PD

Notes

| | |
|---------------------------|-------------------|
| Wheel Bolt Bore Ø [mm] | 13 |
| | Zink flake coated |
| | Solid |
| Centering Diameter [mm] | 66 |
| Minimum thickness [mm] | 11 |
| Outer diameter [mm] | 266 |
| Height [mm] | 27.2 |
| Bolt Hole Circle Ø [mm] | 108 |
| | with screws |
| Brake Disc Thickness [mm] | 13 |
| Required quantity | 2 |
| Number of Holes | 4 |
| | Front Axle |



References

| | |
|---------------|-----------|
| 16 086 916 80 | 4249.82 |
| 4246.R2 | E 169 020 |
| 4246.R4 | |

Application info

Berlingo I [07/96-12/07]
 C Elyse [11/12--]
 C2 / C3 I / Pluriel [02/02-09/05]

C4 Cactus [09/14--]
 Berlingo I [07/96--]

2

11-15 521 0036 | MBD1757

Brake disc



Notes

| | |
|---------------------------|------------|
| Wheel Bolt Bore Ø [mm] | 13 |
| | Solid |
| Centering Diameter [mm] | 66 |
| Minimum thickness [mm] | 11 |
| Outer diameter [mm] | 247 |
| Height [mm] | 34.2 |
| Bolt Hole Circle Ø [mm] | 108 |
| Brake Disc Thickness [mm] | 13 |
| Required quantity | 2 |
| Number of Holes | 4 |
| | Front Axle |

References

| | |
|---------|---------|
| 1690.14 | 4246.R9 |
|---------|---------|

Application info

Xsara [04/97-08/05]

11-15 521 0036/PD | MBD1757PD

Brake disc



Notes

| | |
|---------------------------|-------------------|
| Wheel Bolt Bore Ø [mm] | 13 |
| | Zink flake coated |
| | Solid |
| Centering Diameter [mm] | 66 |
| Minimum thickness [mm] | 11 |
| Outer diameter [mm] | 247 |
| Height [mm] | 34.2 |
| Bolt Hole Circle Ø [mm] | 108 |
| | with screws |
| Brake Disc Thickness [mm] | 13 |
| Required quantity | 2 |
| Number of Holes | 4 |
| | Front Axle |

References

| | |
|---------|---------|
| 1690.14 | 4246.R9 |
|---------|---------|

Application info

Xsara [04/97-08/05]



Brake disc

40-15 521 1000 | MBD1088

Notes

| | |
|---------------------------|------------|
| Wheel Bolt Bore Ø [mm] | 13 |
| | Vented |
| Centering Diameter [mm] | 66 |
| Minimum thickness [mm] | 26 |
| Outer diameter [mm] | 288 |
| Height [mm] | 34 |
| Bolt Hole Circle Ø [mm] | 108 |
| Brake Disc Thickness [mm] | 28 |
| Required quantity | 2 |
| Number of Holes | 4 |
| | Front Axle |

References

| | |
|---------------|-----------|
| 16 063 087 80 | 4246.W3 |
| 4246.R6 | 4249.H1 |
| 4246.T8 | E 169 010 |



Application info

C5 I / C5 II (03/01-04/07)

Xantia (03/93-04/03)

Brake disc

11-15 521 0013 | MBD0140

Notes

| | |
|---------------------------|------------|
| Wheel Bolt Bore Ø [mm] | 13 |
| | Vented |
| Centering Diameter [mm] | 66.1 |
| Minimum thickness [mm] | 20 |
| Outer diameter [mm] | 283 |
| Height [mm] | 28.2 |
| Bolt Hole Circle Ø [mm] | 108 |
| Brake Disc Thickness [mm] | 22 |
| Required quantity | 2 |
| Number of Holes | 4 |
| | Front Axle |

References

| | |
|---------|------------|
| 4246.T9 | 4249.K4 |
| 4246.V0 | 95 667 810 |
| 4249.97 | |



Application info

Xantia (03/93-04/03)

Xsara (04/97-08/05)

ZX (03/91-02/98)

40-15 523 1002 | MBD1093

Brake disc



Notes

| | |
|---------------------------|-----------|
| Wheel Bolt Bore Ø [mm] | 13 |
| | Solid |
| Centering Diameter [mm] | 71 |
| Minimum thickness [mm] | 12 |
| Outer diameter [mm] | 276 |
| Height [mm] | 62 |
| Bolt Hole Circle Ø [mm] | 108 |
| Brake Disc Thickness [mm] | 14 |
| Required quantity | 2 |
| Number of Holes | 4 |
| | Rear Axle |

References

| | |
|---------|-----------|
| 4246.W4 | E 169 143 |
|---------|-----------|

Application info

C5 I / C5 II [03/01-04/07]

11-15 521 0032 | MBD1753

Brake disc



Notes

| | |
|---------------------------|------------|
| Wheel Bolt Bore Ø [mm] | 13 |
| | Vented |
| Centering Diameter [mm] | 66 |
| Minimum thickness [mm] | 18.5 |
| Outer diameter [mm] | 266 |
| Height [mm] | 27.6 |
| Bolt Hole Circle Ø [mm] | 108 |
| Brake Disc Thickness [mm] | 20.5 |
| Required quantity | 2 |
| Number of Holes | 4 |
| | Front Axle |

References

| | |
|---------|------------|
| 1690.02 | 4249.F0 |
| 4246.R5 | 95 632 048 |
| 4246.W6 | 95 667 809 |

Application info

Berlingo I [07/96-12/07]
Xantia [03/93-04/03]
Xsara [04/97-08/05]

Xsara Picasso [12/99-09/06]
ZX [03/91-02/98]
Berlingo I [07/96--]

Brake disc
11-83 521 0032/PD | MBD2163PD
Notes

| | |
|---------------------------|-------------------|
| Wheel Bolt Bore Ø [mm] | 13 |
| | Zink flake coated |
| | High-carbon |
| | Vented |
| Centering Diameter [mm] | 66 |
| Minimum thickness [mm] | 18.5 |
| Outer diameter [mm] | 266 |
| Height [mm] | 27.6 |
| Bolt Hole Circle Ø [mm] | 108 |
| | with screws |
| Brake Disc Thickness [mm] | 20.5 |
| Number of Holes | 4 |
| | Front Axle |


References

| | |
|---------|------------|
| 1690.02 | 4249.F0 |
| 4246.R5 | 95 632 048 |
| 4246.W6 | 95 667 809 |

Application info

Berlingo I [07/96-12/07]
Xantia [03/93-04/03]
Xsara [04/97-08/05]

Xsara Picasso [12/99-09/06]
ZX [03/91-02/98]
Berlingo I [07/96--]

Brake disc
11-15 523 0008 | MBD1761
Notes

| | |
|---------------------------|-----------|
| Wheel Bolt Bore Ø [mm] | 13 |
| | Solid |
| Centering Diameter [mm] | 71.1 |
| Minimum thickness [mm] | 8 |
| Outer diameter [mm] | 247 |
| Height [mm] | 35 |
| Bolt Hole Circle Ø [mm] | 108 |
| Brake Disc Thickness [mm] | 9 |
| Required quantity | 2 |
| Number of Holes | 4 |
| | Rear Axle |


References

| | |
|---------|-----------|
| 4246.W9 | 4249.90 |
| 4246.X8 | E 169 198 |
| 4249.53 | |

Application info

Berlingo I [07/96-12/07]
C2 / C3 I / Pluriel [02/02-09/05]
C4 I / Coupe / Grand Picasso / Picasso / Stufenheck [11/04-12/07]

Xsara Picasso [12/99-09/06]
Berlingo I [07/96--]

11-15 523 0008/PD | MBD1761PD

Brake disc



Notes

| | |
|---------------------------|-------------------|
| Wheel Bolt Bore Ø [mm] | 13 |
| | Zink flake coated |
| | Solid |
| Centering Diameter [mm] | 71.1 |
| Minimum thickness [mm] | 8 |
| Outer diameter [mm] | 247 |
| Height [mm] | 35 |
| Bolt Hole Circle Ø [mm] | 108 |
| | with screws |
| Brake Disc Thickness [mm] | 9 |
| Required quantity | 2 |
| Number of Holes | 4 |
| | Rear Axle |

References

| | |
|---------|-----------|
| 4246.W9 | 4249.90 |
| 4246.X8 | E 169 198 |
| 4249.53 | |

Application info

Berlingo I [07/96-12/07]
C2 / C3 I / Pluriel [02/02-09/05]
C4 I / Coupe / Grand Picasso / Picasso / Stufenheck [11/04-12/07]

Xsara Picasso [12/99-09/06]
Berlingo I [07/96--]

40-15 521 1004 | MBD1091

Brake disc



Notes

| | |
|---------------------------|------------|
| Wheel Bolt Bore Ø [mm] | 16.5 |
| | Vented |
| Centering Diameter [mm] | 59 |
| Minimum thickness [mm] | 30 |
| Outer diameter [mm] | 310 |
| Height [mm] | 43.8 |
| Bolt Hole Circle Ø [mm] | 98 |
| Brake Disc Thickness [mm] | 32 |
| Required quantity | 2 |
| Number of Holes | 5 |
| | Front Axle |

References

| | |
|---------|---------|
| 4246.Z8 | 4249.79 |
|---------|---------|

Application info

C8 [07/02--]



Brake disc

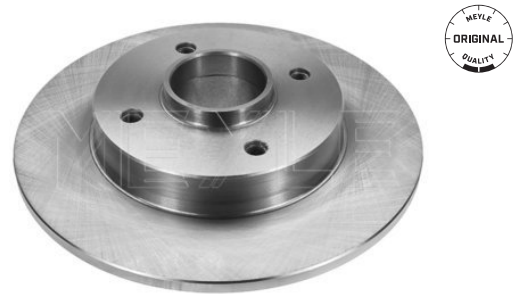
11-15 523 0041 | MBD0161

Notes

| | | |
|---------------------------|-----------|----------|
| Centering Diameter [mm] | Solid | 65 |
| Minimum thickness [mm] | | 8 |
| Outer diameter [mm] | | 249 |
| Height [mm] | | 67 |
| Bolt Hole Circle Ø [mm] | | 108 |
| Thread Size | | M12x1,25 |
| Brake Disc Thickness [mm] | | 9 |
| Required quantity | | 2 |
| Number of Holes | | 4 |
| | Rear Axle | |

References

| | |
|---------|---------|
| 4246.Z9 | 4249.34 |
|---------|---------|



Application info

C4 I / Coupe / Grand Picasso / Picasso / Stufenheck [11/04-12/07]

Brake disc

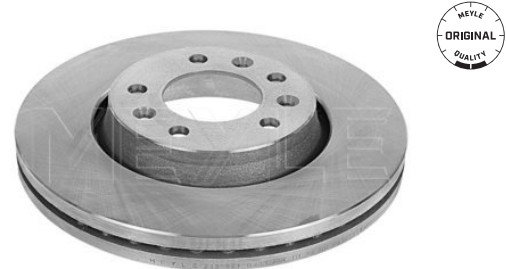
215 521 0033 | MBD0394

Notes

| | | |
|---------------------------|------------|--------|
| Wheel Bolt Bore Ø [mm] | 13.2 | Vented |
| Centering Diameter [mm] | 71.1 | |
| Minimum thickness [mm] | 26 | |
| Outer diameter [mm] | 280 | |
| Height [mm] | 48 | |
| Bolt Hole Circle Ø [mm] | 108 | |
| Brake Disc Thickness [mm] | 28 | |
| Required quantity | 2 | |
| Number of Holes | 5 | |
| | Front Axle | |

References

| | |
|---------|---------|
| 4249.21 | 4249.J9 |
| 4249.87 | |



Application info

Jumpy II [01/07--]

Jumpy II [01/07--]

2

215 523 0029 | MBD0418

Brake disc



Notes

| | |
|---------------------------|-----------|
| Wheel Bolt Bore Ø [mm] | 13.2 |
| | Solid |
| Centering Diameter [mm] | 71 |
| Minimum thickness [mm] | 12 |
| Outer diameter [mm] | 290 |
| Height [mm] | 49 |
| Bolt Hole Circle Ø [mm] | 108 |
| Brake Disc Thickness [mm] | 14 |
| Required quantity | 2 |
| Number of Holes | 5 |
| | Rear Axle |

References

| | |
|---------|---------|
| 4249.23 | 4249.91 |
|---------|---------|

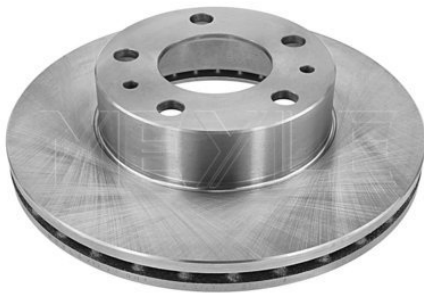
Application info

Jumpy II [01/07--]

Jumpy II [01/07--]

215 521 0018 | MBD0383

Brake disc



Notes

| | |
|---------------------------|------------|
| Wheel Bolt Bore Ø [mm] | 15.5 |
| | Vented |
| Centering Diameter [mm] | 72.6 |
| Minimum thickness [mm] | 21.9 |
| Outer diameter [mm] | 280 |
| Height [mm] | 65.9 |
| Bolt Hole Circle Ø [mm] | 118 |
| Brake Disc Thickness [mm] | 24 |
| Required quantity | 2 |
| Number of Holes | 5 |
| | Front Axle |

References

| | |
|---------|---------|
| 4249.27 | 4249.K3 |
|---------|---------|

Application info

Jumper II [02/02-06/06]

Jumper III [04/06--]

Jumper II [02/02--]

Jumper III [04/06--]



Brake disc

215 523 0027 | MBD0416

Notes

| | |
|---------------------------|-----------|
| Wheel Bolt Bore Ø [mm] | 15.6 |
| | Solid |
| Centering Diameter [mm] | 71.9 |
| Minimum thickness [mm] | 14.2 |
| Outer diameter [mm] | 280 |
| Height [mm] | 80.3 |
| Bolt Hole Circle Ø [mm] | 118 |
| Brake Disc Thickness [mm] | 16 |
| Required quantity | 2 |
| Number of Holes | 5 |
| | Rear Axle |

References

| | |
|---------|---------|
| 4228.35 | 4249.A1 |
| 4249.31 | 4249.K7 |



2

Application info

Jumper II [02/02-06/06]
Jumper III [04/06--]

Jumper II [02/02--]
Jumper III [04/06--]

Brake disc

215 523 0004 | MBD0405

Notes

| | |
|---------------------------|-----------|
| Wheel Bolt Bore Ø [mm] | 17.5 |
| | Solid |
| Centering Diameter [mm] | 78.9 |
| Minimum thickness [mm] | 14.2 |
| Outer diameter [mm] | 280 |
| Height [mm] | 80.3 |
| Bolt Hole Circle Ø [mm] | 130 |
| Brake Disc Thickness [mm] | 16 |
| Required quantity | 2 |
| Number of Holes | 5 |
| | Rear Axle |

References

| | |
|---------|---------|
| 4249.40 | 4249.K8 |
| 4249.A2 | |



Application info

Jumper II [02/02-06/06]
Jumper III [04/06--]

Jumper II [02/02--]
Jumper III [04/06--]

215 523 0028 | MBD0417

Brake disc



Notes

| | |
|---------------------------|-----------|
| Wheel Bolt Bore Ø [mm] | 17.5 |
| | Solid |
| Centering Diameter [mm] | 79 |
| Minimum thickness [mm] | 14.2 |
| Outer diameter [mm] | 300 |
| Height [mm] | 80.7 |
| Bolt Hole Circle Ø [mm] | 130 |
| Brake Disc Thickness [mm] | 16 |
| Required quantity | 2 |
| Number of Holes | 5 |
| | Rear Axle |

References

| | |
|---------------|---------|
| 16 078 806 80 | 4249.K6 |
| 4249.42 | |

Application info

Jumper III (04/06--)

Jumper III (04/06--)

11-15 521 0028 | MBD0151

Brake disc



Notes

| | |
|---------------------------|------------|
| Wheel Bolt Bore Ø [mm] | 13.2 |
| | Vented |
| Centering Diameter [mm] | 71 |
| Minimum thickness [mm] | 28 |
| Outer diameter [mm] | 330 |
| Height [mm] | 48 |
| Bolt Hole Circle Ø [mm] | 108 |
| Brake Disc Thickness [mm] | 30 |
| Required quantity | 2 |
| Number of Holes | 5 |
| | Front Axle |

References

| | |
|---------|---------|
| 4246.K0 | 4249.A9 |
| 4249.44 | |

Application info

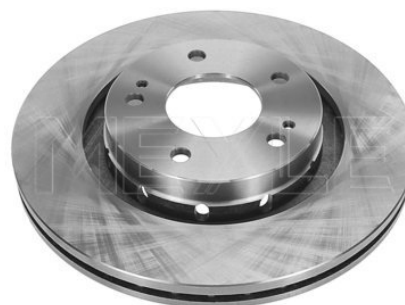
C6 (09/05--)

Brake disc

32-15 521 0025 | MBD1944

Notes

| | |
|---------------------------|------------|
| Wheel Bolt Bore Ø [mm] | 12.6 |
| | Vented |
| Centering Diameter [mm] | 69 |
| Minimum thickness [mm] | 22.4 |
| Outer diameter [mm] | 294 |
| Height [mm] | 45.5 |
| Bolt Hole Circle Ø [mm] | 114.3 |
| Brake Disc Thickness [mm] | 24 |
| Required quantity | 2 |
| Number of Holes | 5 |
| | Front Axle |



References

| | |
|---------------|---------|
| 16 Ø63 757 80 | 4249.F3 |
| 4249 59 | |

Application info

C-Crosser (02/07--)

C-Crosser (02/07--)

Brake disc

32-15 521 0025/PD | MBD1944PD

Notes

| | |
|---------------------------|-------------------|
| Wheel Bolt Bore Ø [mm] | 12.6 |
| | Zink flake coated |
| | Vented |
| Centering Diameter [mm] | 69 |
| Minimum thickness [mm] | 22.4 |
| Outer diameter [mm] | 294 |
| Height [mm] | 45.5 |
| Bolt Hole Circle Ø [mm] | 114.3 |
| Brake Disc Thickness [mm] | 24 |
| Required quantity | 2 |
| Number of Holes | 5 |
| | Front Axle |



References

| | |
|---------------|---------|
| 16 Ø63 757 80 | 4249.F3 |
| 4249 59 | |

Application info

C-Crosser (02/07--)

C-Crosser (02/07--)

32-15 523 0017 | MBD1951

Brake disc



Notes

| | |
|---------------------------|-----------|
| Wheel Bolt Bore Ø [mm] | 12.6 |
| | Solid |
| Centering Diameter [mm] | 80 |
| Minimum thickness [mm] | 8 |
| Outer diameter [mm] | 302 |
| Height [mm] | 58.7 |
| Bolt Hole Circle Ø [mm] | 114.3 |
| Brake Disc Thickness [mm] | 10 |
| Required quantity | 2 |
| Number of Holes | 5 |
| | Rear Axle |

References

| | |
|---------|---------|
| 4249.62 | 4249.F4 |
|---------|---------|

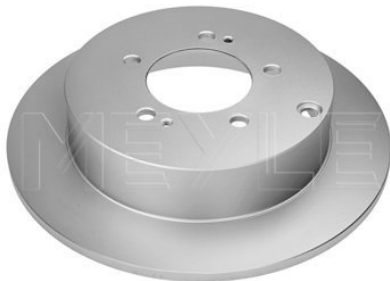
Application info

C-Crosser [02/07--]

C-Crosser [02/07--]

32-15 523 0017/PD | MBD1951PD

Brake disc



Notes

| | |
|---------------------------|-------------------|
| Wheel Bolt Bore Ø [mm] | 12.6 |
| | Zink flake coated |
| | Solid |
| Centering Diameter [mm] | 80 |
| Minimum thickness [mm] | 8 |
| Outer diameter [mm] | 302 |
| Height [mm] | 58.7 |
| Bolt Hole Circle Ø [mm] | 114.3 |
| Brake Disc Thickness [mm] | 10 |
| Required quantity | 2 |
| Number of Holes | 5 |
| | Rear Axle |

References

| | |
|---------|---------|
| 4249.62 | 4249.F4 |
|---------|---------|

Application info

C-Crosser [02/07--]

C-Crosser [02/07--]



Brake disc

11-15 521 0034/PD | MBD1755PD

Notes

| | |
|---------------------------|-------------------|
| Wheel Bolt Bore Ø [mm] | 13 |
| | Zink flake coated |
| | Vented |
| Centering Diameter [mm] | 66 |
| Minimum thickness [mm] | 24 |
| Outer diameter [mm] | 302 |
| Height [mm] | 34.2 |
| Bolt Hole Circle Ø [mm] | 108 |
| | with screws |
| Brake Disc Thickness [mm] | 26 |
| Required quantity | 2 |
| Number of Holes | 4 |
| | Front Axle |



References

| | |
|---------|---------|
| 4249.64 | 4249.86 |
| 4249.81 | 4249.J8 |

Application info

C4 I / Coupe / Grand Picasso / Picasso / Stufenheck (11/04-12/07)

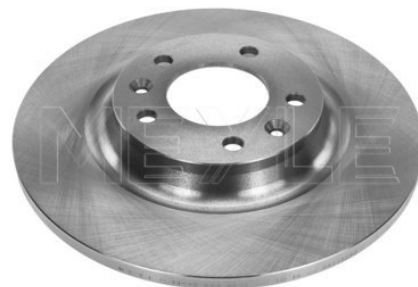
C4 II / DS4 (11/09--)
DS5 (11/11--)

Brake disc

11-15 523 0009 | MBD1762

Notes

| | |
|---------------------------|-----------|
| Wheel Bolt Bore Ø [mm] | 13 |
| | Solid |
| Centering Diameter [mm] | 71.1 |
| Minimum thickness [mm] | 10 |
| Outer diameter [mm] | 290 |
| Height [mm] | 35 |
| Bolt Hole Circle Ø [mm] | 108 |
| Brake Disc Thickness [mm] | 12 |
| Required quantity | 2 |
| Number of Holes | 5 |
| | Rear Axle |



References

| | |
|---------|-----------|
| 4249.72 | E 169 157 |
| 4249.C1 | |

Application info

C5 III (RD_, TD_) (02/08--)

11-15 523 0009/PD | MBD1762PD

Brake disc



Notes

| | |
|---------------------------|-------------------|
| Wheel Bolt Bore Ø [mm] | 13 |
| | Zink flake coated |
| | Solid |
| Centering Diameter [mm] | 71.1 |
| Minimum thickness [mm] | 10 |
| Outer diameter [mm] | 290 |
| Height [mm] | 35 |
| Bolt Hole Circle Ø [mm] | 108 |
| Brake Disc Thickness [mm] | 12 |
| Required quantity | 2 |
| Number of Holes | 5 |
| | Rear Axle |

References

| | |
|---------|-----------|
| 4249.72 | E 169 157 |
| 4249.C1 | |

Application info

C5 III (RD_, TD_) (02/08--)

215 521 0002 | MBD1841

Brake disc



Notes

| | |
|---------------------------|------------|
| Wheel Bolt Bore Ø [mm] | 13 |
| | Vented |
| Centering Diameter [mm] | 59 |
| Minimum thickness [mm] | 20.2 |
| Outer diameter [mm] | 257.5 |
| Height [mm] | 40.5 |
| Bolt Hole Circle Ø [mm] | 98 |
| Brake Disc Thickness [mm] | 22 |
| Required quantity | 2 |
| Number of Holes | 4 |
| | Front Axle |

References

| | |
|---------|---------|
| 4249.73 | 4249.E5 |
| 4249.74 | 4249.L2 |

Application info

Nemo (02/08--)

Nemo (02/08--)



Brake disc

215 521 0002/PD | MBD1841PD

Notes

| | |
|---------------------------|-------------------|
| Wheel Bolt Bore Ø [mm] | 13 |
| | Zink flake coated |
| | Vented |
| Centering Diameter [mm] | 59 |
| Minimum thickness [mm] | 20.2 |
| Outer diameter [mm] | 257.5 |
| Height [mm] | 40.5 |
| Bolt Hole Circle Ø [mm] | 98 |
| Brake Disc Thickness [mm] | 22 |
| Required quantity | 2 |
| Number of Holes | 4 |
| | Front Axle |



References

4249.74

Application info

Nemo [02/08--]

Nemo [02/08--]

Brake disc

11-15 521 0039 | MBD2107

Notes

| | |
|---------------------------|------------|
| Wheel Bolt Bore Ø [mm] | 13.2 |
| | Vented |
| Centering Diameter [mm] | 71.1 |
| Minimum thickness [mm] | 28 |
| Outer diameter [mm] | 340 |
| Height [mm] | 48 |
| Bolt Hole Circle Ø [mm] | 108 |
| Brake Disc Thickness [mm] | 30 |
| Required quantity | 2 |
| Number of Holes | 5 |
| | Front Axle |



References

4249.88

Application info

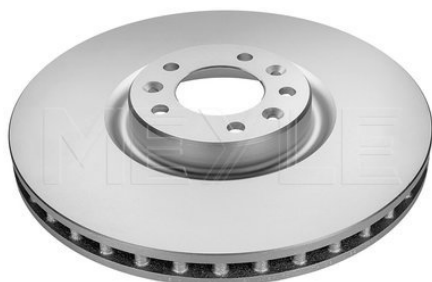
C5 III (RD_, TD_) [02/08--]

C6 [09/05--]

2

11-15 521 0039/PD | MBD2107PD

Brake disc



Notes

| | |
|---------------------------|-------------------|
| Wheel Bolt Bore Ø [mm] | 13.2 |
| | Zink flake coated |
| | Vented |
| Centering Diameter [mm] | 71.1 |
| Minimum thickness [mm] | 28 |
| Outer diameter [mm] | 340 |
| Height [mm] | 48 |
| Bolt Hole Circle Ø [mm] | 108 |
| Brake Disc Thickness [mm] | 30 |
| Required quantity | 2 |
| Number of Holes | 5 |
| | Front Axle |

References

4249.88

Application info

C5 III (RD_, TD_) (02/08--)

C6 (09/05--)

11-15 521 0037 | MBD1758

Brake disc



Notes

| | |
|---------------------------|------------|
| Wheel Bolt Bore Ø [mm] | 13.2 |
| | Vented |
| Centering Diameter [mm] | 55 |
| Minimum thickness [mm] | 18 |
| Outer diameter [mm] | 247 |
| Height [mm] | 35 |
| Bolt Hole Circle Ø [mm] | 100 |
| Brake Disc Thickness [mm] | 20 |
| Required quantity | 2 |
| Number of Holes | 4 |
| | Front Axle |

References

4246.J0
4249.55

4249.94
E169256

Application info

C1 (06/05--)

C1 II (04/14--)

Brake disc
11-15 521 0037/PD | MBD1758PD
Notes

| | |
|---------------------------|-------------------|
| Wheel Bolt Bore Ø [mm] | 13.2 |
| | Zink flake coated |
| | Vented |
| Centering Diameter [mm] | 55 |
| Minimum thickness [mm] | 18 |
| Outer diameter [mm] | 247 |
| Height [mm] | 35 |
| Bolt Hole Circle Ø [mm] | 100 |
| Brake Disc Thickness [mm] | 20 |
| Required quantity | 2 |
| Number of Holes | 4 |
| | Front Axle |


References

| | |
|---------|---------|
| 4246.J0 | 4249.94 |
| 4249.55 | |

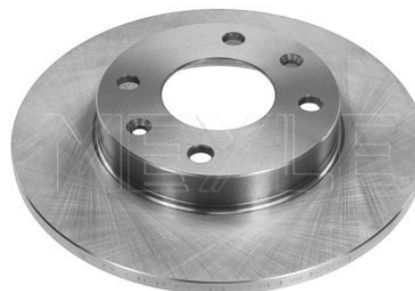
Application info

C1 (06/05--)

C1 II (04/14--)

Brake disc
11-15 521 0042 | MBD1760
Notes

| | |
|---------------------------|-------|
| Wheel Bolt Bore Ø [mm] | 13 |
| | Solid |
| Centering Diameter [mm] | 66 |
| Minimum thickness [mm] | 9 |
| Outer diameter [mm] | 247 |
| Height [mm] | 34.2 |
| Bolt Hole Circle Ø [mm] | 108 |
| Brake Disc Thickness [mm] | 10 |
| Required quantity | 2 |
| Number of Holes | 4 |


References

| | |
|------------|------------|
| 1690.01 | 95 661 748 |
| 4249.95 | 96 070 525 |
| 91 508 338 | |

Application info

 C15 / Visa (09/78-12/05)
 Saxo (02/96-04/04)

 ZX (03/91-02/98)
 C15 / Visa (09/78-12/05)

11-15 521 0042/PD | MBD1760PD

Brake disc



Notes

| | |
|---------------------------|-------------------|
| Wheel Bolt Bore Ø [mm] | 13 |
| | Zink flake coated |
| | Solid |
| Centering Diameter [mm] | 66 |
| Minimum thickness [mm] | 9 |
| Outer diameter [mm] | 247 |
| Height [mm] | 34.2 |
| Bolt Hole Circle Ø [mm] | 108 |
| | with screws |
| Brake Disc Thickness [mm] | 10 |
| Required quantity | 2 |
| Number of Holes | 4 |

References

| | |
|------------|------------|
| 1690.01 | 95 661 748 |
| 4249.95 | 96 070 525 |
| 91 508 338 | |

Application info

C15 / Visa [09/78-12/05]
Saxo [02/96-04/04]

ZX [03/91-02/98]
C15 / Visa [09/78-12/05]

11-15 523 0011 | MBD1764

Brake disc



Notes

| | |
|---------------------------|-----------|
| Wheel Bolt Bore Ø [mm] | 15 |
| | Solid |
| Centering Diameter [mm] | 59 |
| Minimum thickness [mm] | 10 |
| Outer diameter [mm] | 272 |
| Height [mm] | 28 |
| Bolt Hole Circle Ø [mm] | 98 |
| Brake Disc Thickness [mm] | 12 |
| Required quantity | 2 |
| Number of Holes | 5 |
| | Rear Axle |

References

| | |
|---------|---------|
| 4246.P4 | 4249.C0 |
|---------|---------|

Application info

CB [07/02--]

Brake disc

11-15 523 0012 | MBD2110

Notes

| | |
|---------------------------|-----------|
| Wheel Bolt Bore Ø [mm] | 13 |
| | Solid |
| Centering Diameter [mm] | 71.1 |
| Minimum thickness [mm] | 10 |
| Outer diameter [mm] | 290 |
| Height [mm] | 35 |
| Bolt Hole Circle Ø [mm] | 108 |
| Brake Disc Thickness [mm] | 12 |
| Required quantity | 2 |
| Number of Holes | 4 |
| | Rear Axle |



References

4249.F7

Application info

C4 II / DS4 (11/09--)

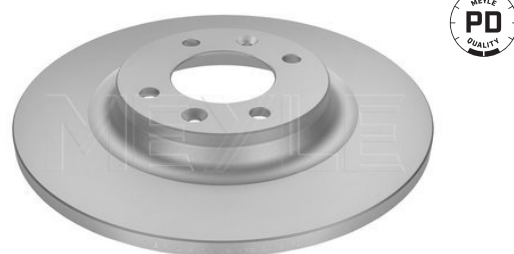
DS5 (11/11--)

Brake disc

11-15 523 0012/PD | MBD2110PD

Notes

| | |
|---------------------------|-------------------|
| Wheel Bolt Bore Ø [mm] | 13 |
| | Zink flake coated |
| | Solid |
| Centering Diameter [mm] | 71.1 |
| Minimum thickness [mm] | 10 |
| Outer diameter [mm] | 290 |
| Height [mm] | 35 |
| Bolt Hole Circle Ø [mm] | 108 |
| Brake Disc Thickness [mm] | 12 |
| Required quantity | 2 |
| Number of Holes | 4 |
| | Rear Axle |



References

4249.F7

Application info

C4 II / DS4 (11/09--)

DS5 (11/11--)

11-15 521 0017 | MBD0143

Brake disc



Notes

| | |
|---------------------------|------------|
| Wheel Bolt Bore Ø [mm] | 13 |
| | Vented |
| Centering Diameter [mm] | 66.02 |
| Minimum thickness [mm] | 20 |
| Outer diameter [mm] | 266 |
| Height [mm] | 34.2 |
| Bolt Hole Circle Ø [mm] | 108 |
| Brake Disc Thickness [mm] | 22 |
| Required quantity | 2 |
| Number of Holes | 4 |
| | Front Axle |

References

| | |
|---------|-----------|
| 4246.W1 | 4249.G1 |
| 4249.16 | E 169 141 |
| 4249.83 | |

Application info

Berlingo I [07/96-12/07]

C Elyse [11/12--]

C2 / C3 I / Pluriel [02/02-09/05]

C3 II [11/09--]

C3 Picasso [02/09--]

C4 Cactus [09/14--]

C4 I / Coupe / Grand Picasso / Picasso / Stufenheck [11/04-12/07]

C4 II / DS4 [11/09--]

C5 I / C5 II [03/01-04/07]

DS3 [11/09--]

Xsara [04/97-08/05]

Xsara Picasso [12/99-09/06]

Berlingo I [07/96--]

C2 / C3 I / Pluriel [02/02--]

11-83 521 0017/PD | MBD1765PD

Brake disc



Notes

| | |
|---------------------------|-------------------|
| Wheel Bolt Bore Ø [mm] | 13 |
| | Zink flake coated |
| | High-carbon |
| | Vented |
| Centering Diameter [mm] | 66.02 |
| Minimum thickness [mm] | 20 |
| Outer diameter [mm] | 266 |
| Height [mm] | 34.2 |
| Bolt Hole Circle Ø [mm] | 108 |
| | with screws |
| Brake Disc Thickness [mm] | 22 |
| Required quantity | 2 |
| Number of Holes | 4 |
| | Front Axle |

References

| | |
|---------------|-----------|
| 16 131 913 80 | 4249.83 |
| 4246.W1 | 4249.G1 |
| 4249.16 | E 169 141 |

Brake disc

11-83 521 0017/PD | MBD1765PD

Application info

| | |
|---|-------------------------------|
| Berlingo I [07/96-12/07] | C4 II / DS4 [11/09--] |
| C Elyse [11/12--] | C5 I / C5 II [03/01-04/07] |
| C2 / C3 I / Pluriel [02/02-09/05] | DS3 [11/09--] |
| C3 II [11/09--] | Xsara [04/97-08/05] |
| C3 Picasso [02/09--] | Xsara Picasso [12/99-09/06] |
| C4 Cactus [09/14--] | Berlingo I [07/96--] |
| C4 I / Coupe / Grand Picasso / Picasso / Stufenheck [11/04-12/07] | C2 / C3 I / Pluriel [02/02--] |

Brake disc

11-15 521 0030 | MBD1702

Notes

| | |
|---------------------------|------------|
| Wheel Bolt Bore Ø [mm] | 13.2 |
| | Vented |
| Centering Diameter [mm] | 71 |
| Minimum thickness [mm] | 26 |
| Outer diameter [mm] | 304 |
| Height [mm] | 48 |
| Bolt Hole Circle Ø [mm] | 108 |
| Brake Disc Thickness [mm] | 28 |
| Required quantity | 2 |
| Number of Holes | 5 |
| | Front Axle |



References

| | |
|---------|---------|
| 4249.93 | 4249.K1 |
|---------|---------|

Application info

| | |
|-------------------------------|-----------------------------|
| C4 Grand Picasso II [09/13--] | C5 III [RD_, TD_] [02/08--] |
| C4 II / DS4 [11/09--] | |

Brake disc

11-15 521 0030/PD | MBD1702PD

Notes

| | |
|---------------------------|------------|
| Wheel Bolt Bore Ø [mm] | 13.2 |
| | Vented |
| Centering Diameter [mm] | 71 |
| Minimum thickness [mm] | 26 |
| Outer diameter [mm] | 304 |
| Height [mm] | 48 |
| Bolt Hole Circle Ø [mm] | 108 |
| Brake Disc Thickness [mm] | 28 |
| Required quantity | 2 |
| Number of Holes | 5 |
| | Front Axle |



References

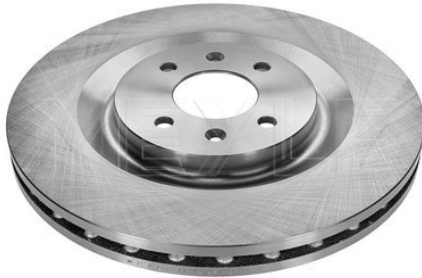
| | |
|---------|---------|
| 4249.93 | 4249.K1 |
|---------|---------|

Application info

| | |
|-------------------------------|-----------------------------|
| C4 Grand Picasso II [09/13--] | C5 III [RD_, TD_] [02/08--] |
| C4 II / DS4 [11/09--] | |

11-15 521 0040 | MBD2108

Brake disc



Notes

| | |
|---------------------------|------------|
| Centering Diameter [mm] | 66 |
| Minimum thickness [mm] | 26 |
| Outer diameter [mm] | 323 |
| Height [mm] | 34.2 |
| Bolt Hole Circle Ø [mm] | 108 |
| Brake Disc Thickness [mm] | 28 |
| Required quantity | 2 |
| Number of Holes | 4 |
| | Front Axle |

References

4249.L6

Application info

DS3 (11/09--)

11-15 521 0040/PD | MBD2108PD

Brake disc



Notes

| | |
|---------------------------|-------------------|
| | Zink flake coated |
| | Vented |
| Centering Diameter [mm] | 66 |
| Minimum thickness [mm] | 26 |
| Outer diameter [mm] | 323 |
| Height [mm] | 34.2 |
| Bolt Hole Circle Ø [mm] | 108 |
| Brake Disc Thickness [mm] | 28 |
| Required quantity | 2 |
| Number of Holes | 4 |
| | Front Axle |

References

4249.L6

Application info

DS3 (11/09--)



Brake disc

11-15 523 0011/PD | MBD1764PD

Notes

| | |
|---------------------------|-------------------|
| Wheel Bolt Bore Ø [mm] | 15 |
| | Zink flake coated |
| | Solid |
| Centering Diameter [mm] | 59 |
| Minimum thickness [mm] | 10 |
| Outer diameter [mm] | 272 |
| Height [mm] | 28 |
| Bolt Hole Circle Ø [mm] | 98 |
| Brake Disc Thickness [mm] | 12 |
| Required quantity | 2 |
| Number of Holes | 5 |
| | Rear Axle |



References

| | |
|---------|---------|
| 4246.P4 | 4259.C9 |
| 4249.C0 | |

Application info

C8 (07/02--)

Brake disc

215 521 0048 | MBD2085

Notes

| | |
|---------------------------|------------|
| Wheel Bolt Bore Ø [mm] | 15.5 |
| | Solid |
| Centering Diameter [mm] | 73 |
| Minimum thickness [mm] | 14.8 |
| Outer diameter [mm] | 290 |
| Height [mm] | 61 |
| Bolt Hole Circle Ø [mm] | 118 |
| Brake Disc Thickness [mm] | 16 |
| Required quantity | 2 |
| Number of Holes | 5 |
| | Front Axle |



References

| | |
|---------|------------|
| 7538682 | ZF93500521 |
|---------|------------|

Application info

C25 (09/81-03/94)

C25 (07/81-03/94)

2

11-15 521 0001 | MBD0132

Brake disc



Notes

| | |
|---------------------------|------------|
| Wheel Bolt Bore Ø [mm] | 13 |
| | Solid |
| Centering Diameter [mm] | 66 |
| Minimum thickness [mm] | 9 |
| Outer diameter [mm] | 266 |
| Height [mm] | 27 |
| Bolt Hole Circle Ø [mm] | 108 |
| Brake Disc Thickness [mm] | 10 |
| Required quantity | 2 |
| Number of Holes | 4 |
| | Front Axle |

References

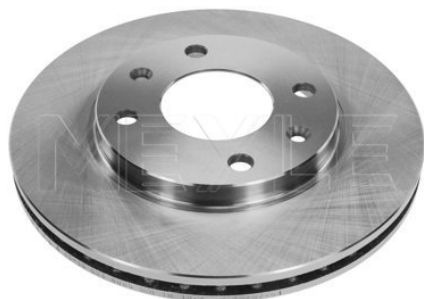
| | |
|------------|------------|
| 95 575 080 | 95 661 746 |
| 95 585 454 | |

Application info

BX [10/82-12/94]

11-15 521 0031 | MBD1752

Brake disc



Notes

| | |
|---------------------------|------------|
| Wheel Bolt Bore Ø [mm] | 12.8 |
| | Vented |
| Centering Diameter [mm] | 66 |
| Minimum thickness [mm] | 18.5 |
| Outer diameter [mm] | 247 |
| Height [mm] | 34.2 |
| Bolt Hole Circle Ø [mm] | 108 |
| Brake Disc Thickness [mm] | 20.4 |
| Required quantity | 2 |
| Number of Holes | 4 |
| | Front Axle |

References

| | |
|---------|------------|
| 1690.03 | 91 517 695 |
| 4249.96 | 95 661 747 |

Application info

AX [07/86-12/98]
Saxo [02/96-04/04]

Xsara [04/97-08/05]
ZX [03/91-02/98]

Brake disc

11-15 521 0031/PD | MBD1752PD

Notes

| | |
|---------------------------|-------------------|
| Wheel Bolt Bore Ø [mm] | 12.8 |
| | Zink flake coated |
| | Vented |
| Centering Diameter [mm] | 66 |
| Minimum thickness [mm] | 18.5 |
| Outer diameter [mm] | 247 |
| Height [mm] | 34.2 |
| Bolt Hole Circle Ø [mm] | 108 |
| | with screws |
| Brake Disc Thickness [mm] | 20.4 |
| Required quantity | 2 |
| Number of Holes | 4 |
| | Front Axle |



References

| | |
|---------|------------|
| 1690.03 | 91 517 695 |
| 4249.96 | 95 661 747 |

Application info

AX [07/86-12/98]
Saxo [02/96-04/04]

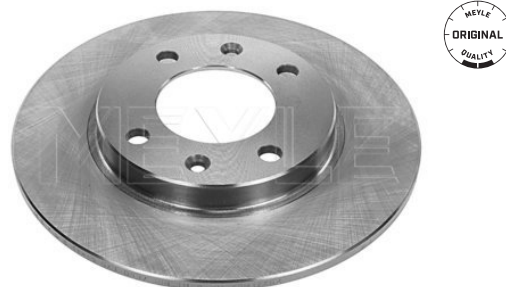
Xsara [04/97-08/05]
ZX [03/91-02/98]

Brake disc

11-15 523 0010 | MBD1763

Notes

| | |
|---------------------------|-----------|
| Wheel Bolt Bore Ø [mm] | 13 |
| | Solid |
| Centering Diameter [mm] | 71.1 |
| Minimum thickness [mm] | 6 |
| Outer diameter [mm] | 247 |
| Height [mm] | 25.3 |
| Bolt Hole Circle Ø [mm] | 108 |
| Brake Disc Thickness [mm] | 8 |
| Required quantity | 2 |
| Number of Holes | 4 |
| | Rear Axle |



References

| | |
|---------|------------|
| 1691.15 | 95 661 749 |
| 4249.F5 | 96 012 770 |

Application info

Saxo [02/96-04/04]
Xsara [04/97-08/05]

ZX [03/91-02/98]

11-15 523 0010/PD | MBD1763PD

Brake disc



Notes

| | |
|---------------------------|-------------------|
| Wheel Bolt Bore Ø [mm] | 13 |
| | Zink flake coated |
| | Solid |
| Centering Diameter [mm] | 71.1 |
| Minimum thickness [mm] | 6 |
| Outer diameter [mm] | 247 |
| Height [mm] | 25.3 |
| Bolt Hole Circle Ø [mm] | 108 |
| Brake Disc Thickness [mm] | 8 |
| Required quantity | 2 |
| Number of Holes | 4 |
| | Rear Axle |

References

| | |
|---------|------------|
| 1691.15 | 95 661 749 |
| 4249.F5 | 96 012 770 |

Application info

Saxo [02/96-04/04]
Xsara [04/97-08/05]

ZX [03/91-02/98]

11-15 521 0012 | MBD0139

Brake disc



Notes

| | |
|---------------------------|------------|
| Wheel Bolt Bore Ø [mm] | 13 |
| | Solid |
| Centering Diameter [mm] | 57 |
| Minimum thickness [mm] | 6 |
| Outer diameter [mm] | 238 |
| Height [mm] | 29 |
| Bolt Hole Circle Ø [mm] | 98 |
| Brake Disc Thickness [mm] | 8 |
| Required quantity | 2 |
| Number of Holes | 3 |
| | Front Axle |

References

| | |
|---------|------------|
| 1690.04 | 95 027 199 |
| 4249.C5 | 95 661 810 |

Application info

AX [07/86-12/98]

Saxo [02/96-04/04]



Brake disc

40-15 521 1003 | MBD1090

Notes

| | |
|---------------------------|------------|
| Wheel Bolt Bore Ø [mm] | 13 |
| | Solid |
| Centering Diameter [mm] | 57 |
| Minimum thickness [mm] | 9 |
| Outer diameter [mm] | 247 |
| Height [mm] | 32.5 |
| Bolt Hole Circle Ø [mm] | 98 |
| Brake Disc Thickness [mm] | 10 |
| Required quantity | 2 |
| Number of Holes | 3 |
| | Front Axle |



References

| | |
|------------|------------|
| 95 661 811 | 96 047 276 |
|------------|------------|

Application info

AX (07/86-12/98)

Brake disc

11-15 521 0022 | MBD0147

Notes

| | |
|---------------------------|------------|
| Wheel Bolt Bore Ø [mm] | 13 |
| | Vented |
| Centering Diameter [mm] | 71 |
| Minimum thickness [mm] | 24 |
| Outer diameter [mm] | 283 |
| Height [mm] | 48 |
| Bolt Hole Circle Ø [mm] | 108 |
| Brake Disc Thickness [mm] | 26 |
| Required quantity | 2 |
| Number of Holes | 5 |
| | Front Axle |



References

| | |
|------------|------------|
| 95 661 813 | 96 099 616 |
|------------|------------|

Application info

XM (05/89-10/00)

2

40-15 523 1001 | MBD1092

Brake disc



Notes

| | |
|---------------------------|-----------|
| Wheel Bolt Bore Ø [mm] | 13 |
| | Solid |
| Centering Diameter [mm] | 71.1 |
| Minimum thickness [mm] | 7 |
| Outer diameter [mm] | 224 |
| Height [mm] | 57.5 |
| Bolt Hole Circle Ø [mm] | 108 |
| Brake Disc Thickness [mm] | 9 |
| Required quantity | 2 |
| Number of Holes | 4 |
| | Rear Axle |

References

95 667 811

Application info

Xantia [03/93-04/03]

11-15 521 0010 | MBD0137

Brake disc



Notes

| | |
|---------------------------|------------|
| Wheel Bolt Bore Ø [mm] | 12.8 |
| | Vented |
| Centering Diameter [mm] | 66 |
| Minimum thickness [mm] | 18.5 |
| Outer diameter [mm] | 247 |
| Height [mm] | 44.2 |
| Bolt Hole Circle Ø [mm] | 108 |
| Brake Disc Thickness [mm] | 20.4 |
| Required quantity | 2 |
| Number of Holes | 4 |
| | Front Axle |

References

91 517 694

95 669 225

Application info

C15 / Visa [09/78-12/05]

Brake disc
11-15 521 0041 | MBD2109
Notes

| | |
|---------------------------|------------|
| | Vented |
| Centering Diameter [mm] | 71 |
| Minimum thickness [mm] | 24 |
| Outer diameter [mm] | 283 |
| Height [mm] | 48 |
| Bolt Hole Circle Ø [mm] | 108 |
| Brake Disc Thickness [mm] | 26 |
| Required quantity | 2 |
| Number of Holes | 5 |
| | Front Axle |


References

9805961480

Application info

C4 Grand Picasso II (09/13--)]

C4 II / DS4 (11/09--)]

Brake disc
11-15 521 0041/PD | MBD2109PD
Notes

| | |
|---------------------------|-------------------|
| | Zink flake coated |
| | Vented |
| Centering Diameter [mm] | 71 |
| Minimum thickness [mm] | 24 |
| Outer diameter [mm] | 283 |
| Height [mm] | 48 |
| Bolt Hole Circle Ø [mm] | 108 |
| Brake Disc Thickness [mm] | 26 |
| Required quantity | 2 |
| Number of Holes | 5 |
| | Front Axle |


References

9805961480

Application info

C4 Grand Picasso II (09/13--)]

C4 II / DS4 (11/09--)]

11-15 523 4008 | MBD2074

Brake disc



Notes

| | |
|---------------------------|-----------|
| Centering Diameter [mm] | 65 |
| Minimum thickness [mm] | 10 |
| Outer diameter [mm] | 268 |
| Height [mm] | 74 |
| Bolt Hole Circle Ø [mm] | 108 |
| Brake Disc Thickness [mm] | 12 |
| Required quantity | 2 |
| Number of Holes | 4 |
| | Rear Axle |

References

4249.46

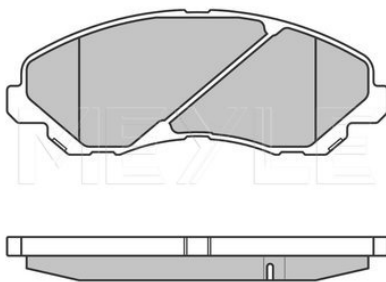
Application info

Berlingo I (07/96-12/07)
Berlingo II (04/08--)
C4 I / Coupe / Grand Picasso / Picasso / Stufenheck (11/04-12/07)

C4 II / DS4 (11/09--)
DS5 (11/11--)
Berlingo II (04/08--)

025 235 8416/W | MBP0390

Brake pad set



Notes

| | |
|--------------------------------------|---|
| Thickness [mm] | 16.4 |
| Height [mm] | 54.9 |
| Width [mm] | 144.8 |
| Number of wear indicators [per axle] | 2 |
| Brake System | Akebono with anti-squeak plate Front Axle |

References

16 076 903 80

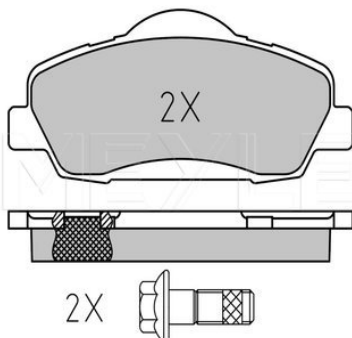
16 076 904 80

Application info

C4 Aircross (04/12--)

025 252 5118 | MBP1706

Brake pad set



Notes

| | |
|----------------|--|
| Thickness [mm] | 18 |
| Height [mm] | 52.7 |
| Width [mm] | 132.9 |
| Brake System | prepared for wear indicator MANDO Front Axle |

References

16 086 913 80

Brake pad set

025 252 5118 | MBP1706

Application info

C Elyse [11/12--]

C4 Cactus [09/14--]

Brake pad set

025 256 8814 | MBP1727

Notes

| | |
|--------------------------------------|--|
| | with acoustic wear warning |
| Thickness [mm] | 14.3 |
| Height [mm] | 44.3 |
| Width [mm] | 101.4 |
| Number of wear indicators [per axle] | 2 |
| Brake System | AKEBOND with anti-squeak plate Rear Axle |



References

1609899680

Application info

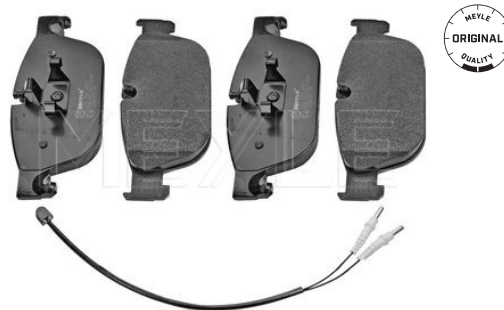
C4 Aircross [04/12--]

Brake pad set

025 250 6917 | MBP0689

Notes

| | |
|--------------------------------------|---|
| | incl. wear warning contact |
| Thickness [mm] | 17.3 |
| Height [mm] | 74.9 |
| Width [mm] | 180.1 |
| Warning Contact Length [mm] | 310 |
| Number of wear indicators [per axle] | 1 |
| Brake System | ATE with anti-squeak plate Front Axle |



References

16 101 040 80

4254.73

Application info

C4 II / DS4 [11/09--]

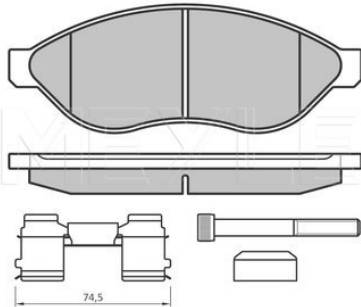
C5 III (RD_, TD_) [02/08--]

C6 [09/05--]

DS5 [11/11--]

025 244 6819-1/PD | MBP0813PD

Brake pad set



Notes

Quality
Thickness [mm]
Height [mm]
Width [mm]
Warning Contact Length [mm]
Number of wear indicators [per axle]
Brake System

with accessories
incl. wear warning contact
PREMIUM
19.1
61.5
169.2
155
2
Brembo
with anti-squeak plate
Front Axle

References

| | |
|------------|---------|
| 1611457380 | 4254.61 |
| 1612433880 | E172301 |
| 4253.56 | |

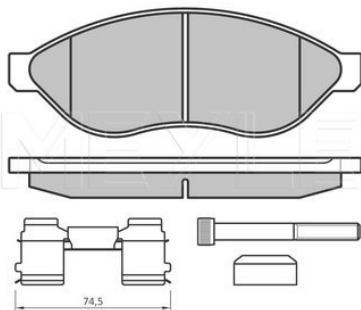
Application info

Jumper III (04/06--)

Jumper III (04/06--)

025 244 6819/W1 | MBP0599

Brake pad set



Notes

Thickness [mm]
Height [mm]
Width [mm]
Warning Contact Length [mm]
Number of wear indicators [per axle]
Brake System

with accessories
incl. wear warning contact
19.1
61.5
169.2
155
2
Brembo
with anti-squeak plate
Front Axle

References

| | |
|------------|---------|
| 1611457380 | 4254.61 |
| 1612433880 | E172301 |
| 4253.56 | |

Application info

Jumper III (04/06--)

Jumper III (04/06--)

Brake pad set

025 244 6819-2/PD | MBP0822PD

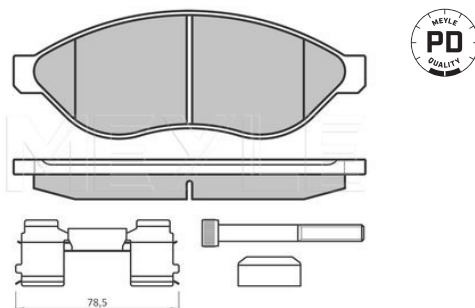
Notes

Quality
 Thickness [mm] 19.1
 Height [mm] 61.5
 Width [mm] 169.2
 Number of wear indicators [per axle] 2
 Warning Contact Length [mm] 155
 Brake System Brembo with anti-squeak plate Front Axle

with accessories
 incl. wear warning contact
 PREMIUM

References

1612433980 4254.62
 4253.58



Application info

Jumper III [04/06--]

Jumper III [04/06--]

Brake pad set

025 244 6819/W2 | MBP0600

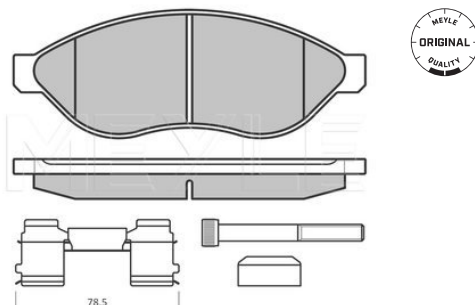
Notes

Thickness [mm] 19.1
 Height [mm] 61.5
 Width [mm] 169.2
 Warning Contact Length [mm] 155
 Number of wear indicators [per axle] 2
 Brake System Brembo with anti-squeak plate Front Axle

with accessories
 incl. wear warning contact

References

1612433980 4254.62
 4253.58



Application info

Jumper III [04/06--]

Jumper III [04/06--]

025 220 4119 | MBP1711

Brake pad set



Notes

| | |
|--------------------------------------|------------------------|
| Thickness [mm] | 18.8 |
| Height [mm] | 48.7 |
| Width [mm] | 136.8 |
| Number of wear indicators [per axle] | 2 |
| Warning Contact Length [mm] | 200 |
| | with anti-squeak plate |
| | Rear Axle |

References

| | |
|------------|------------|
| 1612434180 | 1614412180 |
|------------|------------|

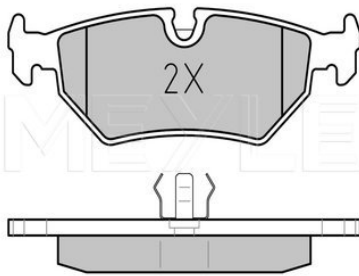
Application info

Jumper III (04/06--)

Jumper III (04/06--)

025 212 7517 | MBP0102

Brake pad set



Notes

| | |
|----------------|------------------------|
| Thickness [mm] | 16.9 |
| Height [mm] | 43.1 |
| Width [mm] | 123.2 |
| Brake System | ATE |
| | with anti-squeak plate |
| | Rear Axle |

References

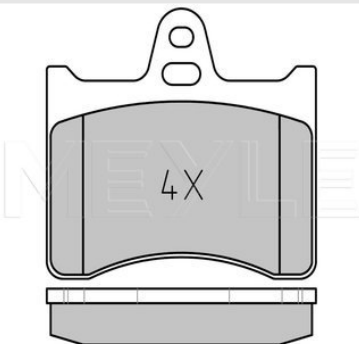
| | |
|---------|---------|
| 4251.11 | 4254.66 |
| 4251.12 | |

Application info

Evasion (06/94-07/02)

025 203 8915 | MBP0018

Brake pad set



Notes

| | |
|----------------|------------------------|
| Thickness [mm] | 15.5 |
| Height [mm] | 75 |
| Width [mm] | 83 |
| Brake System | Citroen |
| | with anti-squeak plate |
| | Rear Axle |

References

| | |
|------------|------------|
| 4251.29 | 95 588 499 |
| 5 462 429 | 95 624 482 |
| 95 462 429 | 95 661 798 |
| 95 565 564 | |

Brake pad set

025 203 8915 | MBP0018

Application info

CX I [09/74-08/85]
CX II [07/85-12/92]

Xantia [03/93-04/03]
XM [05/89-10/00]

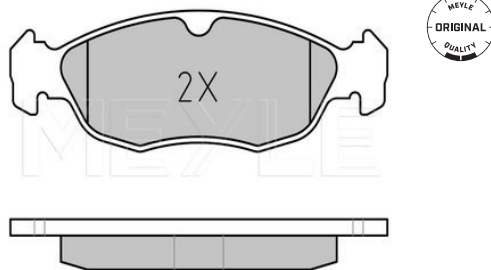
Brake pad set

025 218 2717 | MBP0199

Notes

Thickness [mm]
Height [mm]
Width 2 [mm]
Width 1 [mm]
Brake System

not prepared for wear indicator
17.3
47.6
140.2
141.4
ATE
with anti-squeak plate
Front Axle



References

4251.38 4251.70
4251.39 4253.06

Application info

Saxo [02/96-04/04]

Xsara [04/97-08/05]

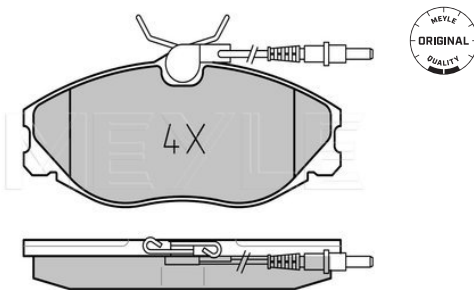
Brake pad set

025 216 7419/W | MBP0179

Notes

Thickness [mm]
Height [mm]
Width [mm]
Number of wear indicators [per axle]
Brake System

incl. wear warning contact
18.7
56.3
130
4
TRW
with anti-squeak plate
Front Axle



References

4251 44

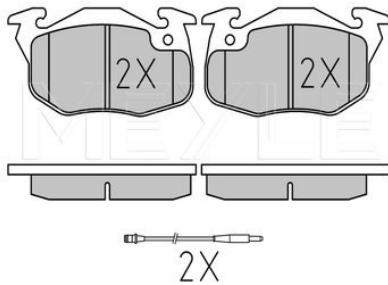
Application info

Xsara [04/97-08/05]

ZX [03/91-02/98]

025 209 0518/PD | MBP0758PD

Brake pad set



Notes

Quality
Thickness [mm]
Height [mm]
Width [mm]
Number of wear indicators [per axle]
Warning Contact Length [mm]
Brake System

incl. wear warning contact
PREMIUM
18
54.5
105
2
205
Bendix
with anti-squeak plate
Front Axle

References

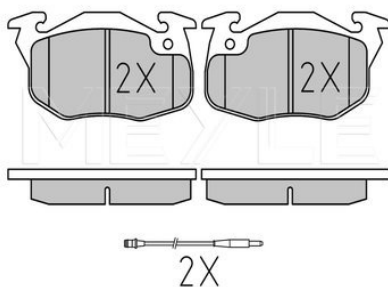
| | |
|---------|---------|
| 4251.37 | 4252.73 |
| 4251.40 | 4254.99 |
| 4251.47 | |

Application info

Saxo [02/96-04/04]

025 209 0518/W | MBP0049

Brake pad set



Notes

Thickness [mm]
Height [mm]
Width [mm]
Number of wear indicators [per axle]
Warning Contact Length [mm]
Brake System

incl. wear warning contact
18
54.5
105
2
205
Bendix
with anti-squeak plate
Front Axle

References

| | |
|---------|---------|
| 4251.37 | 4252.73 |
| 4251.40 | 4254.99 |
| 4251.47 | |

Application info

Saxo [02/96-04/04]



Brake pad set

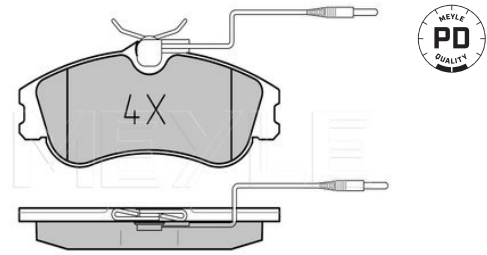
025 231 2419/PD | MBP0779PD

Notes

| | |
|--------------------------------------|----------------------------|
| Quality | incl. wear warning contact |
| Thickness [mm] | PREMIUM |
| Height [mm] | 19 |
| Width [mm] | 56 |
| Number of wear indicators [per axle] | 129.8 |
| Brake System | 4 |
| | TRW |
| | with anti-squeak plate |
| | Front Axle |

References

| | |
|---------------|---------|
| 16 113 350 80 | 4251.55 |
| 1720.59 | 4254.85 |



2

Application info

Berlingo I [07/96-12/07]
Xsara [04/97-08/05]

Berlingo I [07/96--]

Brake pad set

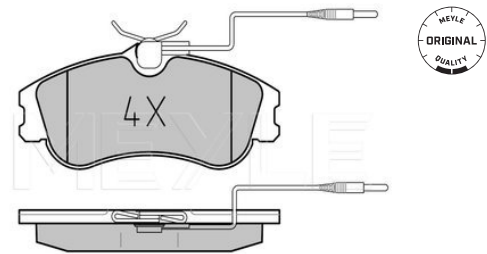
025 231 2419/W | MBP0266

Notes

| | |
|--------------------------------------|----------------------------|
| Thickness [mm] | incl. wear warning contact |
| Height [mm] | 19 |
| Width [mm] | 56 |
| Number of wear indicators [per axle] | 129.8 |
| Brake System | 4 |
| | TRW |
| | with anti-squeak plate |
| | Front Axle |

References

| | |
|---------------|---------|
| 16 113 350 80 | 4251.55 |
| 1720.59 | 4254.85 |



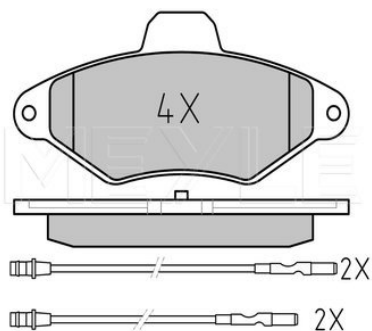
Application info

Berlingo I [07/96-12/07]
Xsara [04/97-08/05]

Berlingo I [07/96--]

Ø25 216 3117/PD | MBP0769PD

Brake pad set



Notes

Quality
Thickness [mm]
Height [mm]
Width [mm]
Number of wear indicators [per axle]
Brake System

incl. wear warning contact
PREMIUM
17
60.5
131
4
Bendix
with anti-squeak plate
Front Axle

References

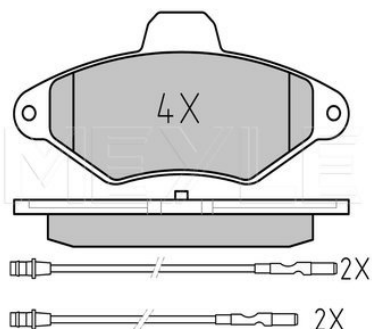
4251.14 95 667 785
4251.56 95 667 786
4252.91

Application info

Xantia [03/93-04/03]

Ø25 216 3117/W | MBP0166

Brake pad set



Notes

Thickness [mm]
Height [mm]
Width [mm]
Number of wear indicators [per axle]
Brake System

incl. wear warning contact
17
60.5
131
4
Bendix
with anti-squeak plate
Front Axle

References

4251.14 95 667 785
4251.56 95 667 786
4252.91

Application info

Xantia [03/93-04/03]

Brake pad set

025 231 4617/W | MBP0273

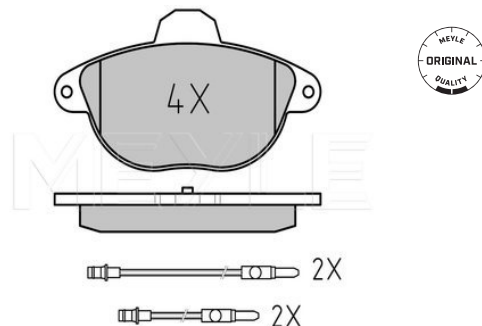
Notes

incl. wear warning contact

Thickness [mm] 17
 Height [mm] 71.3
 Width [mm] 130.9
 Number of wear indicators [per axle] 4
 Brake System Bendix
 with anti-squeak plate
 Front Axle

References

4251.33 4251.58



Application info

Xantia [03/93-04/03]

Brake pad set

025 219 8018 | MBP0240

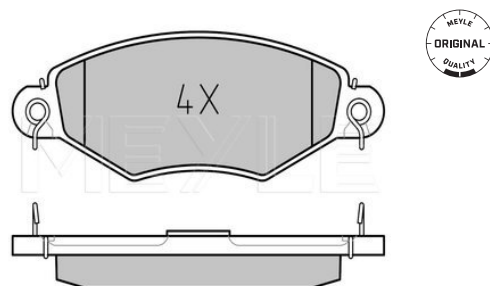
Notes

not prepared for wear indicator

Thickness [mm] 18
 Height [mm] 47.2
 Width [mm] 130.6
 Brake System Bosch
 with anti-squeak plate
 Front Axle

References

4251.69



Application info

Xsara [04/97-08/05]

Brake pad set

025 219 8018/PD | MBP0240PD

Notes

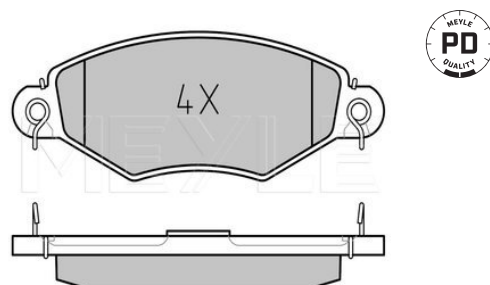
not prepared for wear indicator

Quality PREMIUM

Thickness [mm] 18
 Height [mm] 47.2
 Width [mm] 130.6
 Brake System Bosch
 with anti-squeak plate
 Front Axle

References

4251.69



025 219 8018/PD | MBP0240PD

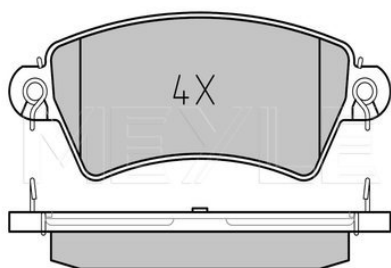
Brake pad set

Application info

Xsara [04/97-08/05]

025 233 9617 | MBP0334

Brake pad set



Notes

Thickness [mm]
Height [mm]
Width [mm]
Brake System

excl. wear warning contact
17.2
52.2
130.7
Bosch
with anti-squeak plate
Front Axle

References

1721.03
4252.03

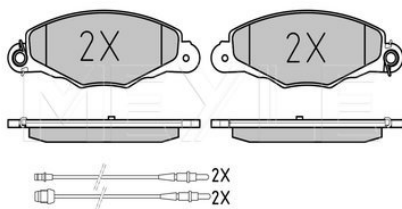
4254.84

Application info

Xsara [04/97-08/05]

025 231 3518/W | MBP0269

Brake pad set



Notes

Thickness [mm]
Height [mm]
Width [mm]
Number of wear indicators [per axle]
Brake System

incl. wear warning contact
18
61.2
169
4
Bosch
with anti-squeak plate
Front Axle

References

4251.45

4252.11

Application info

Xantia [03/93-04/03]

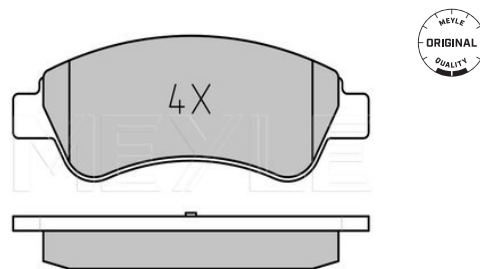
XM [05/89-10/00]

Brake pad set
025 235 9919 | MBP0398
Notes

| | |
|----------------|----------------------------|
| Thickness [mm] | excl. wear warning contact |
| Height [mm] | 19 |
| Width [mm] | 51.6 |
| Brake System | 136.7 |
| | Bosch |
| | with anti-squeak plate |
| | Front Axle |

References

| | |
|---------|-----------|
| 4252.18 | 4253.42 |
| 4252.21 | 4254.23 |
| 4252.38 | 4254.75 |
| 4252.39 | E 172 124 |
| 4252.40 | E 172 227 |
| 4252.76 | E 172 558 |
| 4253.30 | E 172 590 |


Application info

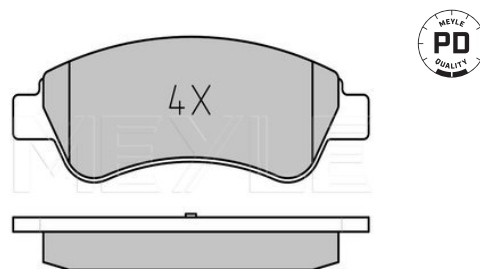
| | |
|-----------------------------------|---|
| Berlingo I [07/96-12/07] | C4 I / Coupe / Grand Picasso / Picasso / Stufenheck [11/04-12/07] |
| C Elyse [11/12--] | DS3 [11/09--] |
| C2 / C3 I / Pluriel [02/02-09/05] | Xsara [04/97-08/05] |
| C3 II [11/09--] | Xsara Picasso [12/99-09/06] |
| C3 Picasso [02/09--] | Berlingo I [07/96--] |
| C4 Cactus [09/14--] | |

Brake pad set
025 235 9919/PD | MBP0398PD
Notes

| | |
|----------------|---------------------------------|
| Quality | with accessories |
| Thickness [mm] | not prepared for wear indicator |
| Height [mm] | PREMIUM |
| Width [mm] | 19 |
| Brake System | 51.6 |
| | 136.7 |
| | Bosch |
| | with screws |
| | with anti-squeak plate |
| | Front Axle |

References

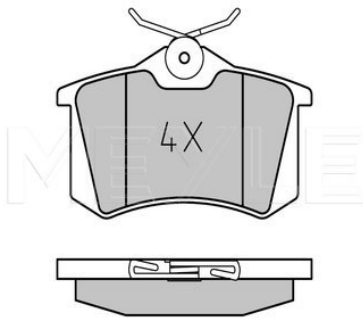
| | |
|---------------|-----------|
| 16 172 829 80 | 4253.42 |
| 4252.18 | 4254.23 |
| 4252.21 | 4254.75 |
| 4252.38 | E 172 124 |
| 4252.39 | E 172 227 |
| 4252.40 | E 172 558 |
| 4252.76 | E 172 590 |
| 4253.30 | |


Application info

| | |
|-----------------------------------|---|
| Berlingo I [07/96-12/07] | C4 I / Coupe / Grand Picasso / Picasso / Stufenheck [11/04-12/07] |
| C Elyse [11/12--] | DS3 [11/09--] |
| C2 / C3 I / Pluriel [02/02-09/05] | Xsara [04/97-08/05] |
| C3 II [11/09--] | Xsara Picasso [12/99-09/06] |
| C3 Picasso [02/09--] | Berlingo I [07/96--] |
| C4 Cactus [09/14--] | |

025 209 6117 | MBP0057

Brake pad set



Notes

Thickness [mm]
Height [mm]
Width [mm]
Brake System

excl. wear warning contact
17.2
52.8
87.1
TRW
with anti-squeak plate
Rear Axle

References

16 085 203 80 4254.28
16 086 815 80 4254.C1
4252.33

Application info

C4 I / Coupe / Grand Picasso / Picasso / Stufenheck [11/04-12/07]

C4 II / DS4 [11/09--]
C8 [07/02--]

025 209 6117/PD | MBP0057PD

Brake pad set



Notes

Quality
Thickness [mm]
Height [mm]
Width [mm]
Brake System

with accessories
not prepared for wear indicator
PREMIUM
17.2
52.8
87.1
TRW
with screws
with anti-squeak plate
Rear Axle

References

16 085 203 80 4254.28
16 086 815 80 4254.C1
4252.33

Application info

C4 I / Coupe / Grand Picasso / Picasso / Stufenheck [11/04-12/07]

C4 II / DS4 [11/09--]
C8 [07/02--]

Brake pad set

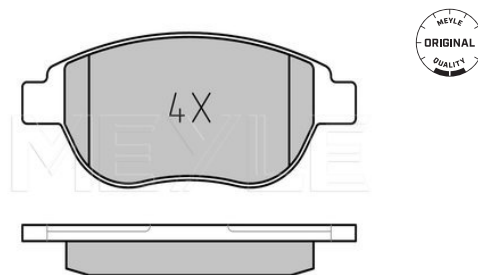
025 236 0019 | MBP0399

Notes

| | |
|----------------|----------------------------|
| Thickness [mm] | excl. wear warning contact |
| Height [mm] | 19 |
| Width [mm] | 57.2 |
| Brake System | 136.8 |
| | Bosch |
| | with anti-squeak plate |
| | Front Axle |

References

| | |
|---------|-----------|
| 4252.35 | E 172 125 |
| 4253.31 | E 172 284 |
| 4253.70 | E 172 315 |
| 4254.71 | E 172 559 |
| 4254.92 | |



Application info

| | |
|---|-----------------------------|
| C2 / C3 I / Pluriel [02/02-09/05] | Xsara [04/97-08/05] |
| C4 I / Coupe / Grand Picasso / Picasso / Stufenheck [11/04-12/07] | Xsara Picasso [12/99-09/06] |

Brake pad set

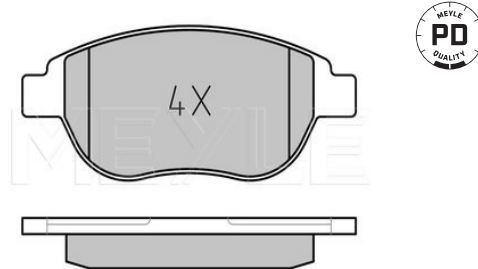
025 236 0019/PD | MBP0399PD

Notes

| | |
|----------------|----------------------------|
| Quality | excl. wear warning contact |
| Thickness [mm] | PREMIUM |
| Height [mm] | 19 |
| Width [mm] | 57.2 |
| Brake System | 136.8 |
| | Bosch |
| | with anti-squeak plate |
| | Front Axle |

References

| | |
|---------|-----------|
| 4252.35 | E 172 125 |
| 4253.31 | E 172 284 |
| 4253.70 | E 172 315 |
| 4254.71 | E 172 559 |
| 4254.92 | |

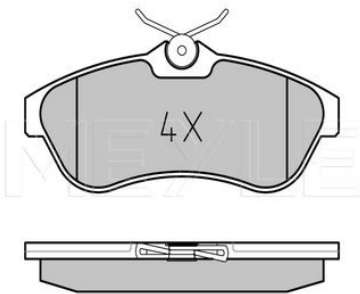


Application info

| | |
|---|-----------------------------|
| C2 / C3 I / Pluriel [02/02-09/05] | Xsara [04/97-08/05] |
| C4 I / Coupe / Grand Picasso / Picasso / Stufenheck [11/04-12/07] | Xsara Picasso [12/99-09/06] |

025 234 0919 | MBP0338

Brake pad set



Notes

Thickness [mm] 18.8
Height [mm] 55.8
Width [mm] 128.9
Brake System TRW
with anti-squeak plate
Front Axle

References

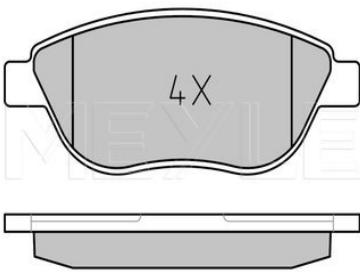
4252.37 E 172 282
4253.72

Application info

C2 / C3 I / Pluriel (02/02-09/05)

025 237 0819 | MBP0424

Brake pad set



Notes

Thickness [mm] 19.2
Height [mm] 57.2
Width [mm] 136.8
Brake System Bosch
with anti-squeak plate
Front Axle

References

4252.53 4254.92

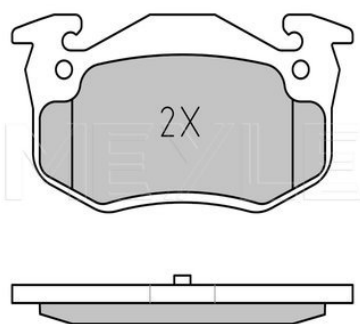
Application info

Berlingo I (07/96-12/07)
C2 / C3 I / Pluriel (02/02-09/05)

C4 I / Coupe / Grand Picasso / Picasso / Stufenheck (11/04-12/07)
Xsara Picasso (12/99-09/06)

025 209 7311 | MBP0059

Brake pad set



Notes

Thickness [mm] 11
Height [mm] 54.6
Width [mm] 105
Brake System Bendix
prepared for wear indicator
with anti-squeak plate
Rear Axle

References

1722.01 4252.57
4251.46 95 659 341
4251.97 95 666 971

Brake pad set

025 209 7311 | MBP0059

Application info

Saxo [02/96-04/04]
Xsara [04/97-08/05]

ZX [03/91-02/98]

Brake pad set

025 209 7311/PD | MBP0059PD

Notes

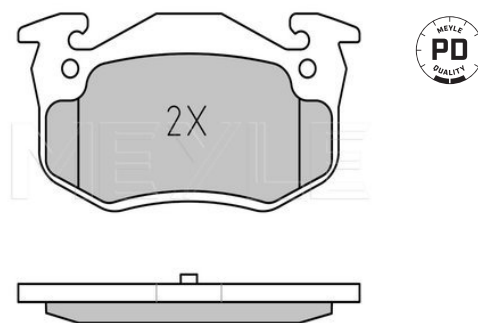
Quality
Thickness [mm]
Height [mm]
Width [mm]
Brake System

prepared for wear indicator
PREMIUM
11
54.6
105
Bendix
with anti-squeak plate
Rear Axle

References

1722.01
4251.46
4251.97

4252.57
95 659 341
95 666 971



Application info

Saxo [02/96-04/04]
Xsara [04/97-08/05]

ZX [03/91-02/98]

Brake pad set

025 232 7617/W | MBP0307

Notes

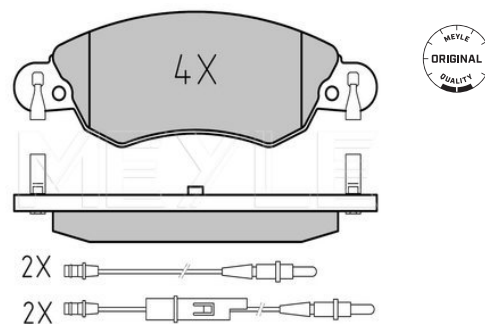
Thickness [mm]
Height [mm]
Width [mm]
Number of wear indicators [per axle]
Brake System

incl. wear warning contact
17.2
48
148.8
2
Bosch
with anti-squeak plate
Front Axle

References

4252.14

4252.87

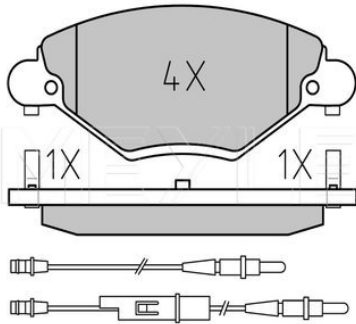


Application info

C5 I / C5 II [03/01-04/07]

025 232 7717/W | MBP0308

Brake pad set



Notes

| | |
|--------------------------------------|----------------------------|
| Thickness [mm] | incl. wear warning contact |
| Height [mm] | 17.7 |
| Width [mm] | 59 |
| Number of wear indicators [per axle] | 148.9 |
| Brake System | 4 |
| | Bosch |
| | with anti-squeak plate |
| | Front Axle |

References

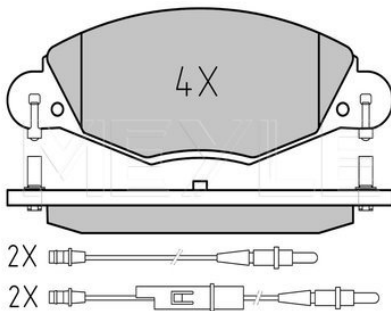
| | |
|---------|-----------|
| 4252.15 | 4253.46 |
| 4252.48 | E 172 229 |
| 4252.88 | |

Application info

C5 I / C5 II (03/01-04/07)

025 232 7318 | MBP0306

Brake pad set



Notes

| | |
|----------------|----------------------------|
| Thickness [mm] | excl. wear warning contact |
| Height [mm] | 17.6 |
| Width [mm] | 61.5 |
| Brake System | 168.8 |
| | Bosch |
| | with anti-squeak plate |
| | Front Axle |

References

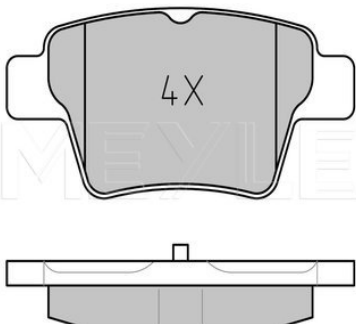
| | |
|---------|-----------|
| 4252.16 | 4252.89 |
| 4252.49 | E 172 230 |

Application info

C5 I / C5 II (03/01-04/07)

025 241 5017 | MBP0534

Brake pad set



Notes

| | |
|----------------|----------------------------|
| Thickness [mm] | excl. wear warning contact |
| Height [mm] | 17.6 |
| Width [mm] | 46.8 |
| Brake System | 94.8 |
| | Bosch |
| | with anti-squeak plate |
| | Rear Axle |

References

| | |
|---------|-----------|
| 4253.25 | 4254.76 |
| 4253.99 | E 172 286 |
| 4254.40 | |



Brake pad set

025 241 5017 | MBP0534

Application info

C4 I / Coupe / Grand Picasso / Picasso / Stufenheck [11/04-12/07]

Brake pad set

025 244 6217 | MBP1654

Notes

| | |
|----------------|---------------------------------|
| Thickness [mm] | not prepared for wear indicator |
| Height [mm] | 16.7 |
| Width [mm] | 62.7 |
| Brake System | 113.7 |
| | TRW |
| | with anti-squeak plate |
| | Rear Axle |



References

4253.29

Application info

C6 [09/05--]

Brake pad set

025 233 0515 | MBP0318

Notes

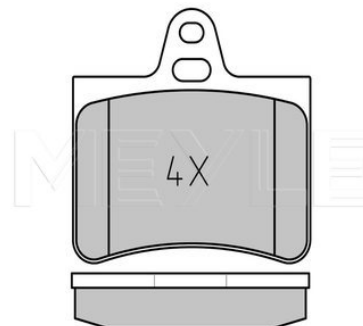
| | |
|----------------|----------------------------|
| Thickness [mm] | excl. wear warning contact |
| Height [mm] | 15.4 |
| Width [mm] | 70.5 |
| Brake System | 73 |
| | Citroen |
| | with anti-squeak plate |
| | Rear Axle |



References

4252.17
4252.90
4253.34

E 172 231
E 172 591



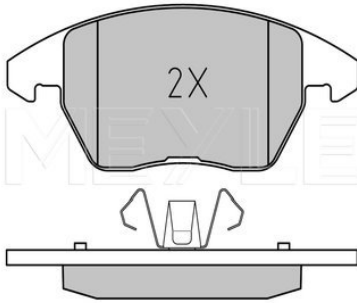
Application info

C5 I / C5 II [03/01-04/07]

2

025 235 8919 | MBP0393

Brake pad set



Notes

| | |
|----------------|---|
| Thickness [mm] | 19 |
| Height [mm] | 71.4 |
| Width [mm] | 156.4 |
| Brake System | ATE with anti-squeak plate Front Axle |

References

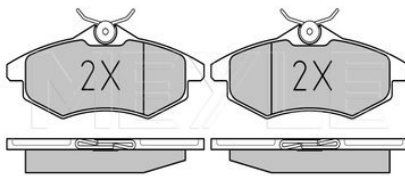
| | |
|---------|-----------|
| 4253.23 | 4254.88 |
| 4253.44 | E 172 359 |

Application info

C4 I / Coupe / Grand Picasso / Picasso / Stufenheck [11/04-12/07]

025 234 0719 | MBP0337

Brake pad set



Notes

| | |
|----------------|---|
| Thickness [mm] | 19.3 |
| Height [mm] | 52.4 |
| Width [mm] | 122.7 |
| Brake System | TRW with anti-squeak plate Front Axle |

References

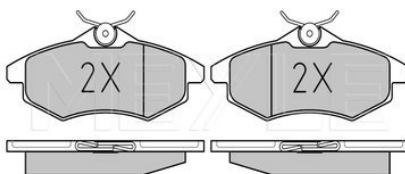
| | |
|---------|-----------|
| 4252.36 | 4253.69 |
| 4252.58 | 4253.84 |
| 4253.45 | E 172 285 |

Application info

C2 / C3 I / Pluriel [02/02-09/05]

025 234 0719/PD | MBP0337PD

Brake pad set



Notes

| | |
|----------------|---|
| Quality | excl. wear warning contact PREMIUM |
| Thickness [mm] | 19.3 |
| Height [mm] | 52.4 |
| Width [mm] | 122.7 |
| Brake System | TRW with anti-squeak plate Front Axle |

References

| | |
|---------|-----------|
| 4252.36 | 4253.69 |
| 4252.58 | 4253.84 |
| 4253.45 | E 172 285 |



Brake pad set

025 234 0719/PD | MBP0337PD

Application info

C2 / C3 I / Pluriel (02/02-09/05)

Brake pad set

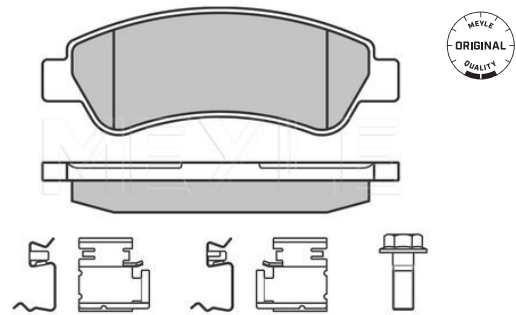
025 244 6519 | MBP0596

Notes

| | |
|----------------|---|
| Thickness [mm] | 19.1 |
| Height [mm] | 48.9 |
| Width [mm] | 136.8 |
| Brake System | Brembo with anti-squeak plate Rear Axle |

References

| | |
|---------|---------|
| 4253.60 | 4254.69 |
|---------|---------|



Application info

Jumper III (04/06--)

Jumper III (04/06--)

Brake pad set

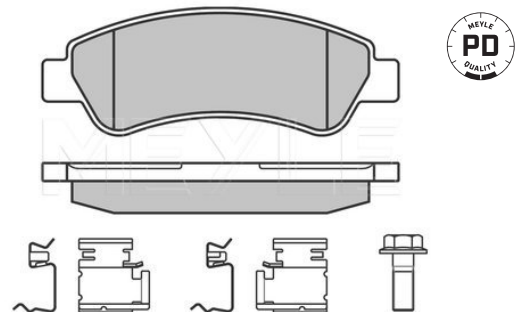
025 244 6519/PD | MBP0596PD

Notes

| | |
|----------------|---|
| Quality | PREMIUM |
| Thickness [mm] | 19.1 |
| Height [mm] | 48.9 |
| Width [mm] | 136.8 |
| Brake System | Brembo with anti-squeak plate Rear Axle |

References

| | |
|---------|---------|
| 4253.60 | 4254.69 |
|---------|---------|



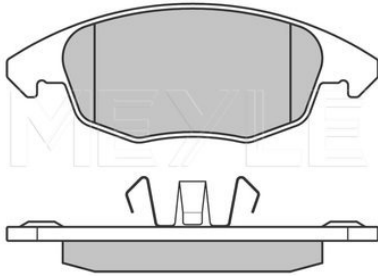
Application info

Jumper III (04/06--)

Jumper III (04/06--)

025 245 3818 | MBP0618

Brake pad set



Notes

Thickness/Strength 2 [mm]
Thickness/Strength 1 [mm]
Height 2 [mm]
Height 1 [mm]
Width [mm]
Brake System

not prepared for wear indicator
18.3
18.8
57.7
64.7
155.3
ATE
with anti-squeak plate
Front Axle

References

4253.61
4254.13
4254.25

4254.C0
E 172 295

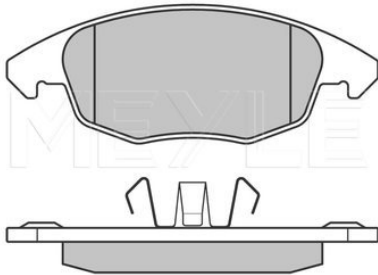
Application info

Berlingo I [07/96-12/07]
Berlingo II [04/08--]
C4 I / Coupe / Grand Picasso / Picasso / Stufenheck [11/04-12/07]

C4 II / DS4 [11/09--]
DS5 [11/11--]
Berlingo II [04/08--]

025 245 3818/PD | MBP0618PD

Brake pad set



Notes

Quality
Thickness/Strength 2 [mm]
Thickness/Strength 1 [mm]
Height 2 [mm]
Height 1 [mm]
Width [mm]
Brake System

not prepared for wear indicator
PREMIUM
18.3
18.8
57.7
64.7
155.3
ATE
with anti-squeak plate
Front Axle

References

4253.61
4254.13
4254.25

4254.C0
E 172 295

Application info

Berlingo I [07/96-12/07]
Berlingo II [04/08--]
C4 I / Coupe / Grand Picasso / Picasso / Stufenheck [11/04-12/07]

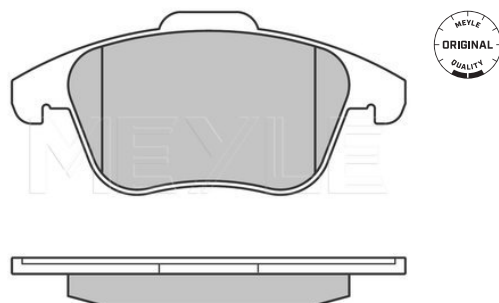
C4 II / DS4 [11/09--]
DS5 [11/11--]
Berlingo II [04/08--]

Brake pad set

025 245 5719 | MBP0625

Notes

| | | |
|---------------------------|-------|----------------------------|
| Thickness/Strength 2 [mm] | 18.7 | excl. wear warning contact |
| Thickness/Strength 1 [mm] | 19.5 | |
| Height 2 [mm] | 66.6 | |
| Height 1 [mm] | 72 | |
| Width 2 [mm] | 155.1 | |
| Width 1 [mm] | 155.1 | |
| Brake System | ATE | with anti-squeak plate |
| | | Front Axle |



References

| | |
|---------|---------|
| 4253.62 | 4253.97 |
|---------|---------|

Application info

C4 I / Coupe / Grand Picasso / Picasso / Stufenheck (11/04-12/07)

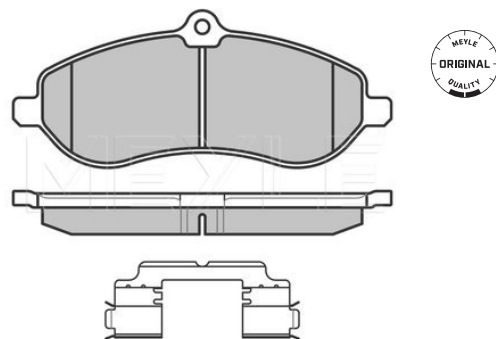
C4 II / DS4 (11/09--)
DS5 (11/11--)

Brake pad set

025 245 9518/W | MBP0635

Notes

| | | |
|--------------------------------------|------|----------------------------|
| | | with accessories |
| Thickness [mm] | 18.5 | incl. wear warning contact |
| Height [mm] | 67.3 | |
| Width [mm] | 162 | |
| Warning Contact Length [mm] | 300 | |
| Number of wear indicators [per axle] | 1 | |
| Brake System | TRW | with anti-squeak plate |
| | | Front Axle |



References

| | |
|---------------|---------|
| 16 118 398 80 | 4254.A1 |
| 4253.64 | 4254.A2 |
| 4253.66 | |

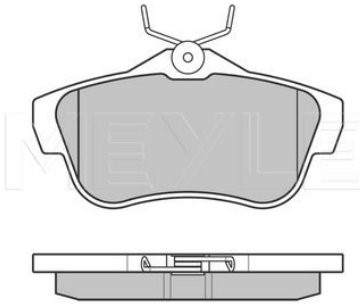
Application info

Jumpy II (01/07--)

Jumpy II (01/07--)

025 245 7816 | MBP0632

Brake pad set



Notes

Thickness [mm]
Height [mm]
Width [mm]
Brake System

with accessories
prepared for wear indicator
16.5
58.5
113.3
TRW
with anti-squeak plate
Rear Axle

References

4253.67
4253.68

4254.97

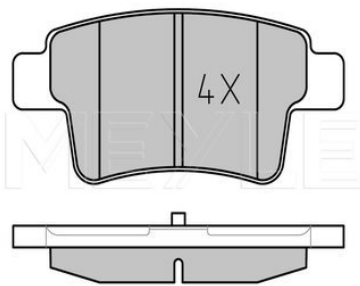
Application info

Jumpy II [01/07--]

Jumpy II [01/07--]

025 245 4016 | MBP0620

Brake pad set



Notes

Thickness/Strength 2 [mm]
Height [mm]
Width [mm]

not prepared for wear indicator
16.4
48.4
102
with anti-squeak plate
Rear Axle

References

4253.71

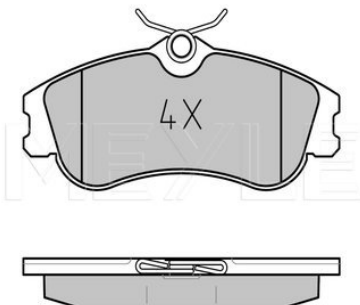
4254.32

Application info

C4 I / Coupe / Grand Picasso / Picasso / Stufenheck [11/04-12/07]

025 233 4619 | MBP0325

Brake pad set



Notes

Thickness [mm]
Height [mm]
Width [mm]
Brake System

excl. wear warning contact
19.2
56
129.8
TRW
with anti-squeak plate
Front Axle

References

4252.13
4252.34

4253.80

Application info

Berlingo I [07/96-12/07]
Xsara Picasso [12/99-09/06]

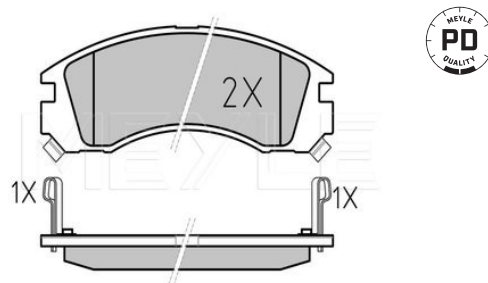
Berlingo I [07/96--]

Brake pad set

025 213 6315/PD | MBP1578PD

Notes

| | |
|--------------------------------------|----------------------------|
| Thickness [mm] | with acoustic wear warning |
| Height [mm] | 15.7 |
| Width [mm] | 58.4 |
| Number of wear indicators [per axle] | 149.6 |
| Brake System | 2 |
| | Akebono |
| | with anti-squeak plate |
| | Front Axle |



References

| | |
|---------|---------|
| 4253.88 | 4254.30 |
|---------|---------|

Application info

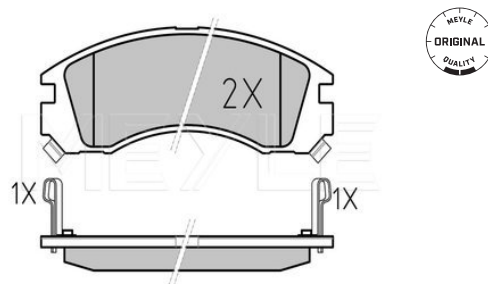
C-Crosser (02/07--)

Brake pad set

025 213 6315/W | MBP0116

Notes

| | |
|--------------------------------------|----------------------------|
| Thickness [mm] | with acoustic wear warning |
| Height [mm] | 15.7 |
| Width [mm] | 58.4 |
| Number of wear indicators [per axle] | 149.6 |
| Brake System | 2 |
| | Akebono |
| | with anti-squeak plate |
| | Front Axle |



References

| | |
|---------|---------|
| 4253.88 | 4254.30 |
|---------|---------|

Application info

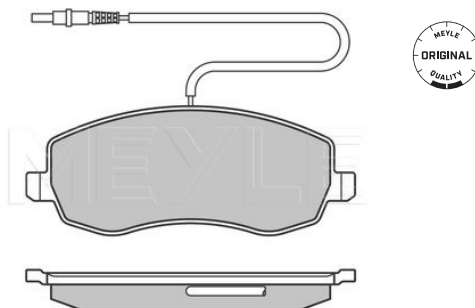
C-Crosser (02/07--)

Brake pad set

025 248 3919/W | MBP0668

Notes

| | |
|--------------------------------------|----------------------------|
| Thickness [mm] | incl. wear warning contact |
| Height [mm] | 19.4 |
| Width [mm] | 63.7 |
| Number of wear indicators [per axle] | 162.5 |
| Brake System | 2 |
| | TRW |
| | with anti-squeak plate |
| | Front Axle |



References

| |
|---------|
| 4253.95 |
|---------|

025 248 3919/W | MBP0668

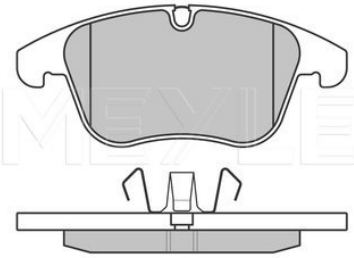
Brake pad set

Application info

C8 (07/02--)

025 243 3218 | MBP0572

Brake pad set



Notes

| | |
|--------------------------------------|---|
| Thickness/Strength 2 [mm] | 17.5 |
| Thickness/Strength 1 [mm] | 18.5 |
| Height 2 [mm] | 72 |
| Height 1 [mm] | 66.5 |
| Width 2 [mm] | 155.1 |
| Number of wear indicators [per axle] | 1 |
| Warning Contact Length [mm] | 310 |
| Width 1 [mm] | 155.1 |
| Brake System | ATE with anti-squeak plate Front Axle |

References

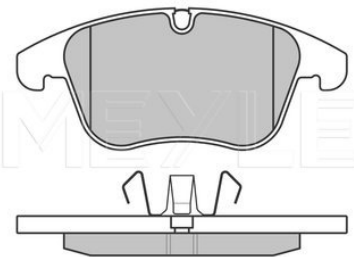
| | |
|---------------|---------|
| 16 101 038 80 | 4254.24 |
| 4254.03 | |

Application info

C5 III (RD_, TD_) (02/08--)

025 243 3218/PD | MBP0572PD

Brake pad set



Notes

| | |
|---------------------------|---|
| Quality | incl. wear warning contact PREMIUM |
| Thickness/Strength 2 [mm] | 18.5 |
| Thickness/Strength 1 [mm] | 18.5 |
| Height 2 [mm] | 72 |
| Height 1 [mm] | 66.5 |
| Width 2 [mm] | 155.1 |
| Width 1 [mm] | 155.1 |
| Brake System | ATE with anti-squeak plate Front Axle |

References

| | |
|---------------|---------|
| 16 101 038 80 | 4254.24 |
| 4254.03 | |

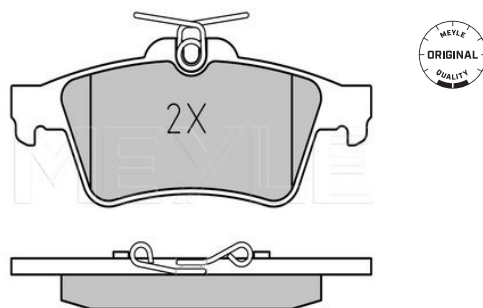
Application info

C5 III (RD_, TD_) (02/08--)

Brake pad set
025 241 3716 | MBP0531
Notes

with spring
 not prepared for wear indicator

Thickness [mm] 16.1
 Height [mm] 51.9
 Width [mm] 123
 Brake System ATE
 with anti-squeak plate
 Rear Axle


References

4254.05

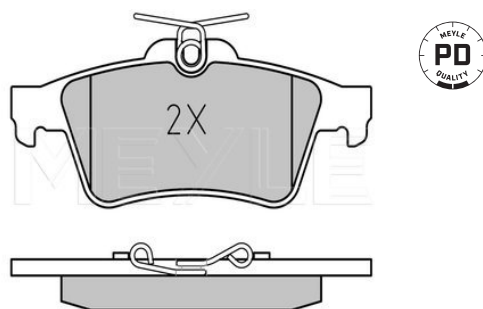
Application info

C5 III (RD_, TD_) (02/08--)

Brake pad set
025 241 3716/PD | MBP0531PD
Notes

with spring
 not prepared for wear indicator

Quality PREMIUM
 Thickness [mm] 16.1
 Height [mm] 51.9
 Width [mm] 123
 Brake System ATE
 with anti-squeak plate
 Rear Axle


References

4254.05

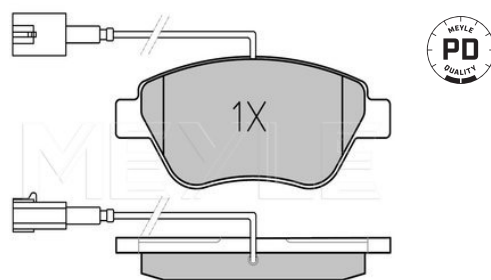
Application info

C5 III (RD_, TD_) (02/08--)

Brake pad set
025 237 0517/PD | MBP1587PD
Notes

incl. wear warning contact

Thickness [mm] 17.7
 Height [mm] 53.1
 Width [mm] 122.7
 Number of wear indicators [per axle] 1
 Warning Contact Length [mm] 216
 Brake System Bosch
 with anti-squeak plate
 Front Axle


References

4254.07

025 237 0517/PD | MBP1587PD

Brake pad set

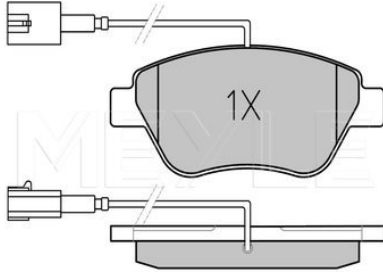
Application info

Nemo [02/08--]

Nemo [02/08--]

025 237 0517/W | MBP0422

Brake pad set



Notes

Thickness [mm]
Height [mm]
Width [mm]
Number of wear indicators [per axle]
Warning Contact Length [mm]
Brake System

incl. wear warning contact
17.7
53.1
122.7
1
216
Bosch
with anti-squeak plate
Front Axle

References

4254.07

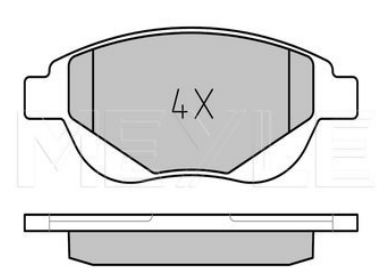
Application info

Nemo [02/08--]

Nemo [02/08--]

025 250 9419 | MBP0690

Brake pad set



Notes

Thickness [mm]
Height [mm]
Width [mm]
Brake System

not prepared for wear indicator
19
56.9
136.8
Bosch
with anti-squeak plate
Front Axle

References

4254.27

Application info

C4 I / Coupe / Grand Picasso / Picasso / Stufenheck [11/04-12/07]

Brake pad set

025 250 9419/PD | MBP0690PD

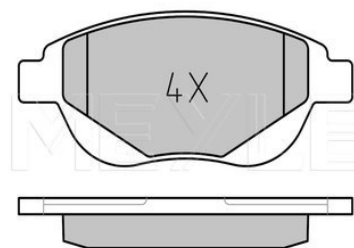
Notes

Quality
Thickness [mm]
Height [mm]
Width [mm]
Brake System

not prepared for wear indicator
PREMIUM
19
56.9
136.8
Bosch
with anti-squeak plate
Front Axle

References

4254.27



Application info

C4 I / Coupe / Grand Picasso / Picasso / Stufenheck [11/04-12/07]

Brake pad set

025 247 6516/W | MBP0664

Notes

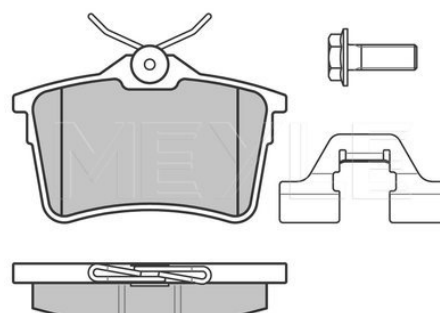
Thickness [mm]
Height [mm]
Width [mm]
Brake System

incl. wear warning contact
16.6
53
86.8
ATE
with anti-squeak plate
Rear Axle

References

4254.14

4254.29



Application info

Berlingo II [04/08--]

Berlingo II [04/08--]

Brake pad set

025 248 8318 | MBP0675

Notes

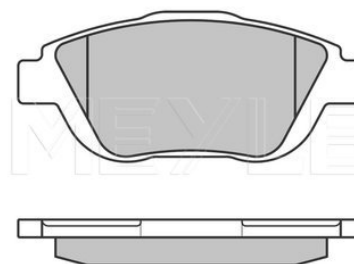
Thickness [mm]
Height [mm]
Width [mm]
Brake System

not prepared for wear indicator
18
59.2
136.7
Bosch
with anti-squeak plate
Front Axle

References

16 070 831 80

4254.31



025 248 8318 | MBP0675

Brake pad set

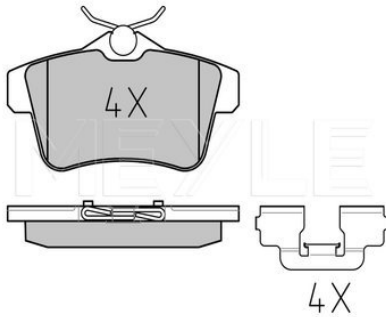
Application info

C3 II [11/09--]
C3 Picasso [02/09--]

DS3 [11/09--]

025 249 2217 | MBP0678

Brake pad set



Notes

Thickness [mm]
Height [mm]
Width [mm]
Brake System

not prepared for wear indicator
17.3
55.9
103.7
TRW
with anti-squeak plate
Rear Axle

References

16 085 206 80
4254.35

4254.44
4254.46

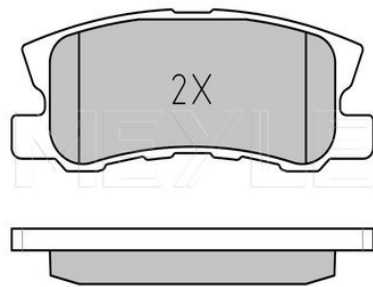
Application info

C4 II / DS4 [11/09--]

DS5 [11/11--]

025 235 8216 | MBP0389

Brake pad set



Notes

Thickness [mm]
Height 2 [mm]
Height 1 [mm]
Width 2 [mm]
Width 1 [mm]

excl. wear warning contact
16
44.9
44.8
91
111.3
with anti-squeak plate
Rear Axle

References

4253.91

4254.48

Application info

C4 Aircross [04/12--]
C-Crosser [02/07--]

C-Crosser [02/07--]

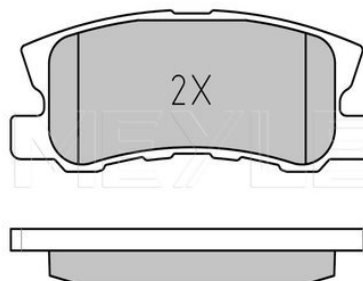
Brake pad set

025 235 8216/PD | MBP0389PD

Notes

| | |
|----------------|-------|
| Thickness [mm] | 16 |
| Height 2 [mm] | 44.9 |
| Height 1 [mm] | 44.8 |
| Width 2 [mm] | 91 |
| Width 1 [mm] | 111.3 |

excl. wear warning contact
with anti-squeak plate
Rear Axle



References

| | |
|---------|---------|
| 4253.91 | 4254.48 |
|---------|---------|

Application info

C4 Aircross [04/12--]
C-Crosser [02/07--]

C-Crosser [02/07--]

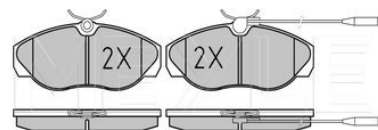
Brake pad set

025 217 9719/PD | MBP1664PD

Notes

| | |
|--------------------------------------|---------|
| Quality | PREMIUM |
| Thickness [mm] | 19.2 |
| Height [mm] | 60.8 |
| Width [mm] | 145 |
| Number of wear indicators [per axle] | 2 |
| Brake System | TRW |

incl. wear warning contact
with anti-squeak plate
Front Axle



References

| | |
|---------|---------|
| 4251.17 | 4254.51 |
|---------|---------|

Application info

Jumper I [02/94-04/02]
Jumper II [02/02-06/06]

Jumper I [02/94-04/02]
Jumper II [02/02--]

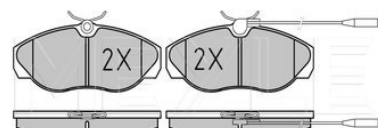
Brake pad set

025 217 9719/W | MBP0195

Notes

| | |
|--------------------------------------|------|
| Thickness [mm] | 19.2 |
| Height [mm] | 60.8 |
| Width [mm] | 145 |
| Number of wear indicators [per axle] | 2 |
| Brake System | TRW |

incl. wear warning contact
with anti-squeak plate
Front Axle



References

| | |
|---------|---------|
| 4251.17 | 4254.51 |
|---------|---------|

025 217 9719/W | MBP0195

Brake pad set

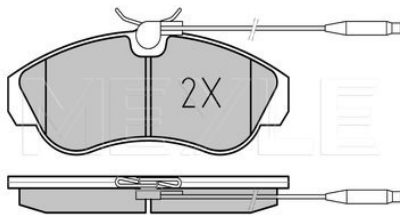
Application info

Jumper I [02/94-04/02]
Jumper II [02/02-06/06]

Jumper I [02/94-04/02]
Jumper II [02/02--]

025 217 9919/PD | MBP1665PD

Brake pad set



Notes

Quality
Thickness [mm]
Height [mm]
Width [mm]
Number of wear indicators [per axle]
Brake System

incl. wear warning contact
PREMIUM
19.2
64.1
159.7
2
TRW
with anti-squeak plate
Front Axle

References

4251.19

4254.52

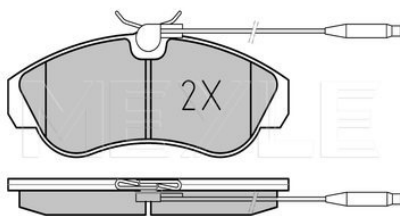
Application info

Jumper I [02/94-04/02]
Jumper II [02/02-06/06]

Jumper I [02/94-04/02]
Jumper II [02/02--]

025 217 9919/W | MBP0196

Brake pad set



Notes

Thickness [mm]
Height [mm]
Width [mm]
Number of wear indicators [per axle]
Brake System

incl. wear warning contact
19.2
64.1
159.7
2
TRW
with anti-squeak plate
Front Axle

References

4251.19

4254.52

Application info

Jumper I [02/94-04/02]
Jumper II [02/02-06/06]

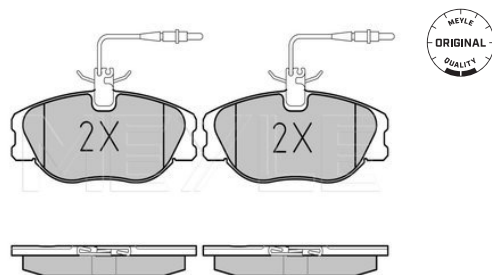
Jumper I [02/94-04/02]
Jumper II [02/02--]

Brake pad set

025 218 0119/W | MBP0197

Notes

| | |
|--------------------------------------|----------------------------|
| Thickness [mm] | incl. wear warning contact |
| Height [mm] | 19.1 |
| Width [mm] | 58.9 |
| Number of wear indicators [per axle] | 129.8 |
| Brake System | 4 |
| | TRW |
| | with anti-squeak plate |
| | Front Axle |



References

| | |
|---------|---------|
| 4251.10 | 4254.53 |
|---------|---------|

Application info

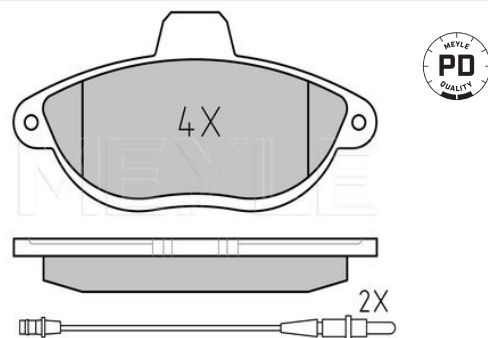
| | |
|-----------------------|-------------------|
| Evasion [06/94-07/02] | Jumpy I [06/94--] |
| Jumpy I [10/95-12/06] | |

Brake pad set

025 230 4218/PD | MBP1583PD

Notes

| | |
|--------------------------------------|----------------------------|
| Thickness [mm] | incl. wear warning contact |
| Height [mm] | 19 |
| Width [mm] | 68.8 |
| Number of wear indicators [per axle] | 139.6 |
| Brake System | 2 |
| | Bendix |
| | with anti-squeak plate |
| | Front Axle |



References

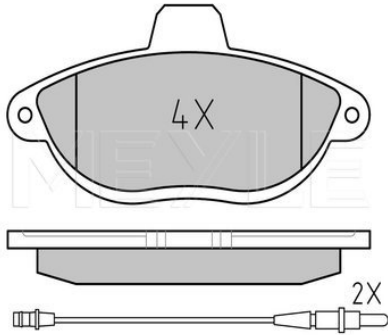
| | |
|---------|---------|
| 4251.26 | 4254.54 |
| 4251.50 | |

Application info

| | |
|-----------------------|-------------------|
| Evasion [06/94-07/02] | Jumpy I [06/94--] |
| Jumpy I [10/95-12/06] | |

025 230 4218/W | MBP0248

Brake pad set



Notes

| | |
|--------------------------------------|----------------------------|
| Thickness [mm] | incl. wear warning contact |
| Height [mm] | 19 |
| Width [mm] | 68.8 |
| Number of wear indicators [per axle] | 139.6 |
| Brake System | 2 |
| | Bendix |
| | with anti-squeak plate |
| | Front Axle |

References

| | |
|---------|---------|
| 4251.26 | 4254.54 |
| 4251.50 | |

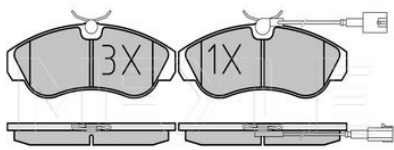
Application info

Evasion [06/94-07/02]
Jumpy I [10/95-12/06]

Jumpy I [06/94--]

025 236 0319/PD | MBP1667PD

Brake pad set



Notes

| | |
|--------------------------------------|----------------------------|
| Quality | incl. wear warning contact |
| Thickness [mm] | PREMIUM |
| Height [mm] | 19.2 |
| Width [mm] | 64.1 |
| Number of wear indicators [per axle] | 159.7 |
| Brake System | 1 |
| | TRW |
| | with anti-squeak plate |
| | Front Axle |

References

| | |
|---------|---------|
| 4252.27 | 4254.56 |
|---------|---------|

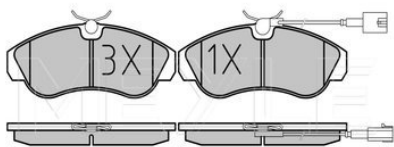
Application info

Jumper I [02/94-04/02]

Jumper I [02/94-04/02]

025 236 0319/W | MBP0402

Brake pad set



Notes

| | |
|--------------------------------------|----------------------------|
| Thickness [mm] | incl. wear warning contact |
| Height [mm] | 19.2 |
| Width [mm] | 64.1 |
| Number of wear indicators [per axle] | 159.7 |
| Brake System | 1 |
| | TRW |
| | with anti-squeak plate |
| | Front Axle |

References

| | |
|---------|---------|
| 4252.27 | 4254.56 |
|---------|---------|



Brake pad set

025 236 0319/W | MBP0402

Application info

Jumper I [02/94-04/02]

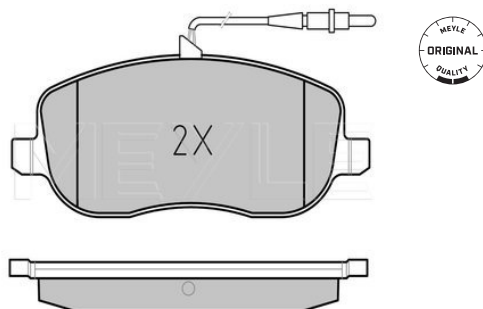
Jumper I [02/94-04/02]

Brake pad set

025 202 6119/W | MBP0014

Notes

| | |
|--------------------------------------|---|
| | incl. wear warning contact |
| Thickness [mm] | 18.8 |
| Height [mm] | 60 |
| Width [mm] | 146.6 |
| Number of wear indicators [per axle] | 2 |
| Brake System | TRW with anti-squeak plate Front Axle |



References

4252.31

4254.57

Application info

CB [07/02--]
Jumpy I [10/95-12/06]

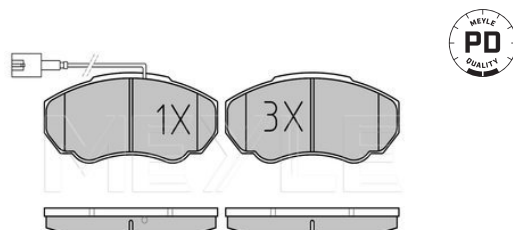
Jumpy I [06/94--]

Brake pad set

025 239 1719/PD | MBP0807PD

Notes

| | |
|--------------------------------------|--|
| | incl. wear warning contact |
| Quality | PREMIUM |
| Thickness [mm] | 19.1 |
| Height [mm] | 65.8 |
| Width [mm] | 140.5 |
| Number of wear indicators [per axle] | 1 |
| Brake System | Brembo with anti-squeak plate Front Axle |



References

4252.43

4254.58

Application info

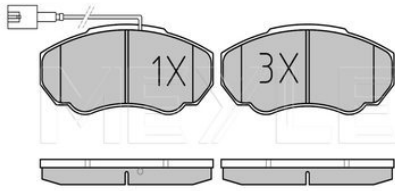
Jumper I [02/94-04/02]
Jumper II [02/02-06/06]

Jumper I [02/94-04/02]
Jumper II [02/02--]

2

025 239 1719/W | MBP0472

Brake pad set



Notes

| | |
|--------------------------------------|----------------------------|
| Thickness [mm] | incl. wear warning contact |
| Height [mm] | 19.1 |
| Width [mm] | 65.8 |
| Number of wear indicators [per axle] | 140.5 |
| Brake System | 1 |
| | Brembo |
| | with anti-squeak plate |
| | Front Axle |

References

| | |
|---------|---------|
| 4252.43 | 4254.58 |
|---------|---------|

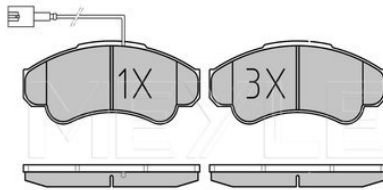
Application info

Jumper I [02/94-04/02]
Jumper II [02/02-06/06]

Jumper I [02/94-04/02]
Jumper II [02/02--]

025 239 1919/PD | MBP1668PD

Brake pad set



Notes

| | |
|--------------------------------------|----------------------------|
| Quality | incl. wear warning contact |
| Thickness [mm] | PREMIUM |
| Height [mm] | 19 |
| Width [mm] | 69.6 |
| Number of wear indicators [per axle] | 164.7 |
| Brake System | 1 |
| | Brembo |
| | with anti-squeak plate |
| | Front Axle |

References

| | |
|---------|---------|
| 4252.45 | 4254.59 |
|---------|---------|

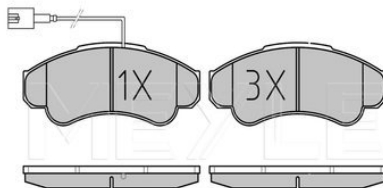
Application info

Jumper I [02/94-04/02]
Jumper II [02/02-06/06]

Jumper I [02/94-04/02]
Jumper II [02/02--]

025 239 1919/W | MBP0473

Brake pad set



Notes

| | |
|--------------------------------------|----------------------------|
| Thickness [mm] | incl. wear warning contact |
| Height [mm] | 19 |
| Width [mm] | 69.6 |
| Number of wear indicators [per axle] | 164.7 |
| Brake System | 1 |
| | Brembo |
| | with anti-squeak plate |
| | Front Axle |

References

| | |
|---------|---------|
| 4252.45 | 4254.59 |
|---------|---------|

Brake pad set

025 239 1919/W | MBP0473

Application info

Jumper I (02/94-04/02)
Jumper II (02/02-06/06)

Jumper I (02/94-04/02)
Jumper II (02/02--)

Brake pad set

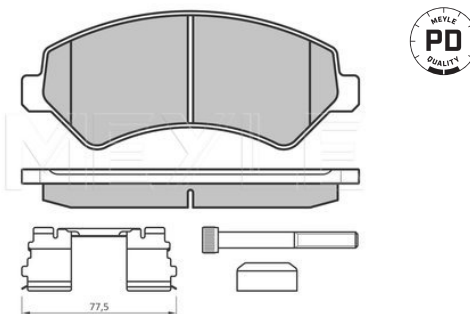
025 244 6619-1/PD | MBP1669PD

Notes

Quality
Thickness [mm]
Height [mm]
Width [mm]
Number of wear indicators [per axle]
Warning Contact Length [mm]
Brake System

with accessories
incl. wear warning contact
PREMIUM
19.1
69.1
169.2

1
155
Brembo
with screws
with anti-squeak plate
Front Axle



References

4254.63

Application info

Jumper III (04/06--)

Jumper III (04/06--)

Brake pad set

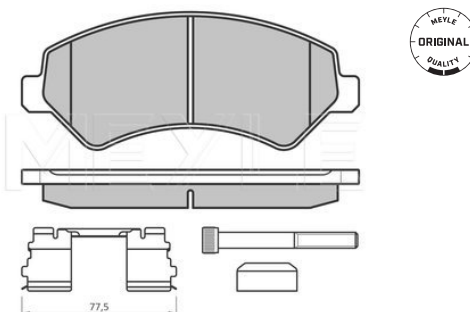
025 244 6619/W1 | MBP0597

Notes

Thickness [mm]
Height [mm]
Width [mm]
Warning Contact Length [mm]
Number of wear indicators [per axle]
Brake System

with accessories
incl. wear warning contact
19.1
69.1
169.2
155

1
Brembo
with screws
with anti-squeak plate
Front Axle



References

4254.63

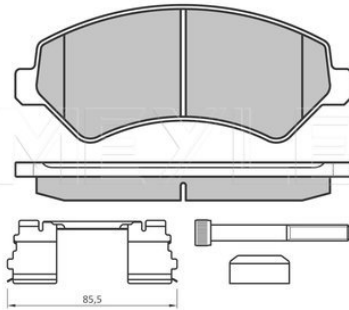
Application info

Jumper III (04/06--)

Jumper III (04/06--)

025 244 6619-2/PD | MBP1670PD

Brake pad set



Notes

Quality
Thickness [mm]
Height [mm]
Width [mm]
Number of wear indicators [per axle]
Warning Contact Length [mm]
Brake System

with accessories
incl. wear warning contact
PREMIUM
19.1
69.1
169.2
1
155
Brembo
with screws
with anti-squeak plate
Front Axle

References

4253.74 4254.64
4253.76

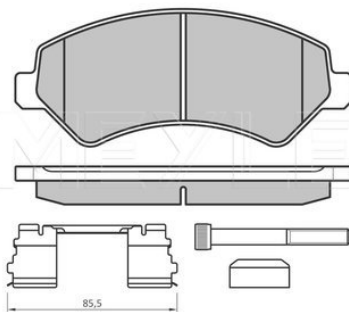
Application info

Jumper III (04/06--)

Jumper III (04/06--)

025 244 6619/W2 | MBP0598

Brake pad set



Notes

Thickness [mm]
Height [mm]
Width [mm]
Warning Contact Length [mm]
Number of wear indicators [per axle]
Brake System

with accessories
incl. wear warning contact
19.1
69.1
169.2
155
1
Brembo
with screws
with anti-squeak plate
Front Axle

References

4253.74 4254.64
4253.76

Application info

Jumper III (04/06--)

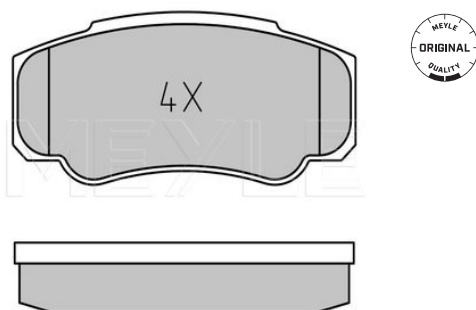
Jumper III (04/06--)

Brake pad set

025 239 2120 | MBP0474

Notes

Thicknes [mm] 20.1
 Height [mm] 49.8
 Width [mm] 109.5
 Brake System Brembo
 with anti-squeak plate
 Rear Axle



References

4252.47 4254.68

Application info

Jumper I [02/94-04/02]
 Jumper II [02/02-06/06]

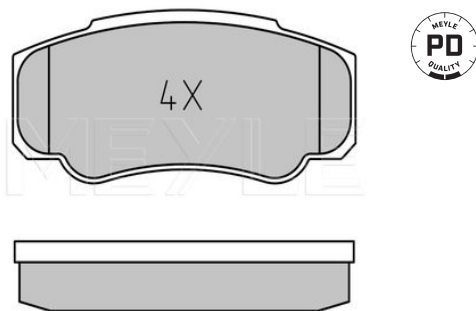
Jumper I [02/94-04/02]
 Jumper II [02/02--]

Brake pad set

025 239 2120/PD | MBP0474PD

Notes

Quality PREMIUM
 Thicknes [mm] 20.1
 Height [mm] 49.8
 Width [mm] 109.5
 Brake System Brembo
 with anti-squeak plate
 Rear Axle



References

4252.47 4254.68

Application info

Jumper I [02/94-04/02]
 Jumper II [02/02-06/06]

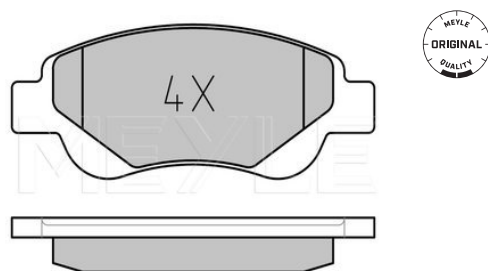
Jumper I [02/94-04/02]
 Jumper II [02/02--]

Brake pad set

025 239 5917 | MBP0484

Notes

Thicknes [mm] 17.2
 Height [mm] 47
 Width [mm] 122.9
 Brake System Bosch
 with anti-squeak plate
 Front Axle



References

4253.28 4353.26
 4254.74 E 172 283

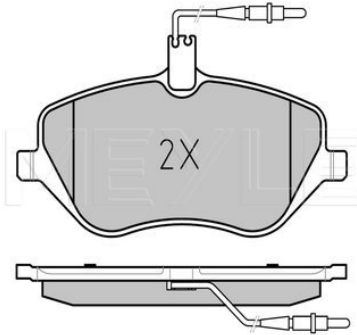
Application info

C1 [06/05--]

C1 II [04/14--]

025 241 3317/W | MBP0528

Brake pad set



Notes

Thickness [mm]
Height [mm]
Width [mm]
Number of wear indicators [per axle]
Brake System

incl. wear warning contact
17.7
79.1
162.4
4
TRW
with anti-squeak plate
Front Axle

References

| | |
|---------|-----------|
| 4252.94 | E 172 155 |
| 4254.11 | E 172 237 |
| 4254.80 | E 172 314 |
| 4254.A0 | E 172 569 |
| 4254.A3 | |

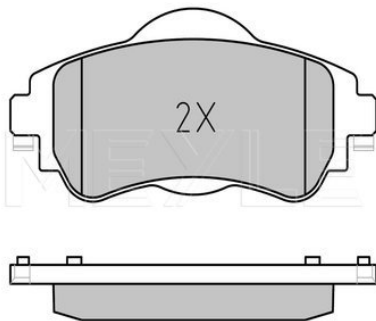
Application info

AX (07/86-12/98)
C5 III (RD_, TD_) (02/08--)

C6 (09/05--)

025 252 2018 | MBP0697

Brake pad set



Notes

Thickness [mm]
Height 2 [mm]
Height 1 [mm]
Width [mm]
Brake System

not prepared for wear indicator
Disc Brake
18.5
61.2
53
129
TRW
with anti-squeak plate
Front Axle

References

4254.A9

Application info

C4 II / DS4 (11/09--)

Brake pad set

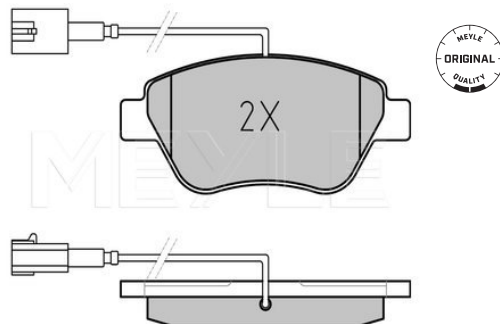
025 237 0617/W | MBP0423

Notes

| | |
|--------------------------------------|-----------------------------|
| Thickness [mm] | with integrated wear sensor |
| Height [mm] | 17.8 |
| Width [mm] | 53.3 |
| Number of wear indicators [per axle] | 122.8 |
| Brake System | 2 |
| | Bosch |
| | with anti-squeak plate |
| | Front Axle |

References

4254.C8



Application info

Nemo (02/08--)

Nemo (02/08--)

Brake pad set

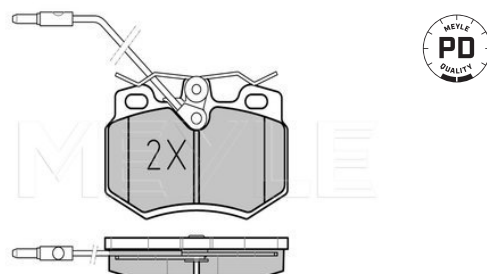
025 210 8017/PD | MBP0761PD

Notes

| | |
|--------------------------------------|----------------------------|
| Quality | incl. wear warning contact |
| Thickness [mm] | PREMIUM |
| Height [mm] | 17.5 |
| Width [mm] | 62.8 |
| Number of wear indicators [per axle] | 89.7 |
| Brake System | 4 |
| | TRW |
| | with anti-squeak plate |
| | Front Axle |

References

| | |
|------------|------------|
| 95 611 498 | 95 647 733 |
| 95 616 818 | 95 661 871 |



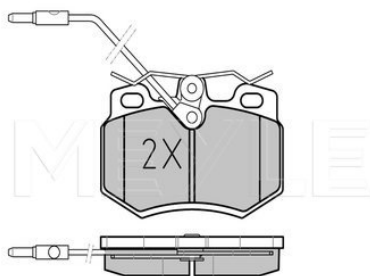
Application info

AX (07/86-12/98)
C15 / Visa (09/78-12/05)

ZX (03/91-02/98)
C15 / Visa (09/78-12/05)

025 210 8017/W | MBP0072

Brake pad set



Notes

| | |
|--------------------------------------|---|
| Thickness [mm] | 17.5 |
| Height [mm] | 62.8 |
| Width [mm] | 89.7 |
| Number of wear indicators [per axle] | 4 |
| Brake System | TRW with anti-squeak plate Front Axle |

References

| | |
|------------|------------|
| 95 611 498 | 95 647 733 |
| 95 616 818 | 95 661 871 |

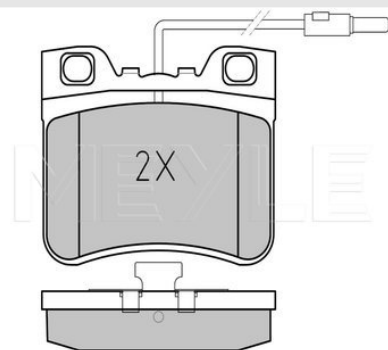
Application info

AX (07/86-12/98)
C15 / Visa (09/78-12/05)

ZX (03/91-02/98)
C15 / Visa (09/78-12/05)

025 212 6717/PD | MBP0762PD

Brake pad set



Notes

| | |
|--------------------------------------|---|
| Quality | incl. wear warning contact PREMIUM |
| Thickness [mm] | 17.1 |
| Height [mm] | 60.6 |
| Width [mm] | 72 |
| Number of wear indicators [per axle] | 4 |
| Brake System | ATE with anti-squeak plate Front Axle |

References

| | |
|------------|------------|
| 4253.21 | 95 647 611 |
| 95 619 550 | 95 658 617 |
| 95 646 300 | |

Application info

AX (07/86-12/98)

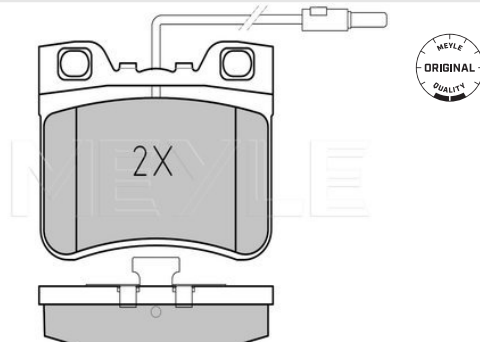
Saxo (02/96-04/04)

Brake pad set
025 212 6717/W | MBP0100
Notes

| | |
|--------------------------------------|----------------------------|
| Thickness [mm] | incl. wear warning contact |
| Height [mm] | 17.1 |
| Width [mm] | 60.6 |
| Number of wear indicators [per axle] | 72 |
| Brake System | 4 |
| | ATE |
| | with anti-squeak plate |
| | Front Axle |

References

| | |
|------------|------------|
| 4253.21 | 95 647 611 |
| 95 619 550 | 95 658 617 |
| 95 646 300 | |


Application info

AX [07/86-12/98]

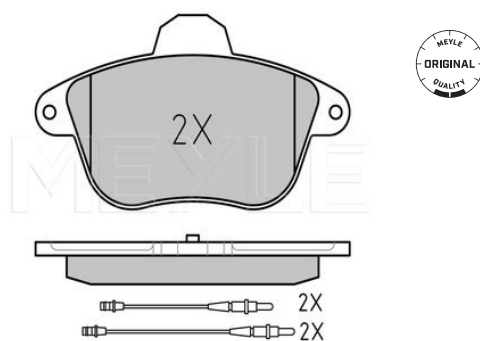
Saxo [02/96-04/04]

Brake pad set
025 215 0417/W | MBP0147
Notes

| | |
|--------------------------------------|----------------------------|
| Thickness [mm] | incl. wear warning contact |
| Height [mm] | 17 |
| Width [mm] | 73 |
| Number of wear indicators [per axle] | 130.9 |
| Brake System | 4 |
| | Bendix |
| | with anti-squeak plate |
| | Front Axle |

References

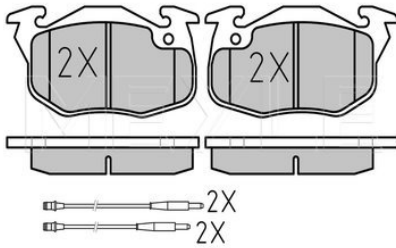
| | |
|------------|------------|
| 95 659 639 | 95 659 640 |
|------------|------------|


Application info

XM [05/89-10/00]

025 209 0618/PD | MBP0759PD

Brake pad set



Notes

Quality
Thickness [mm]
Height [mm]
Width [mm]
Warning Contact Length [mm]
Number of wear indicators [per axle]
Warning Contact Length [mm]
Brake System

incl. wear warning contact
PREMIUM
18
54
105
365
4
280
Bendix
with anti-squeak plate
Front Axle

References

95659340
95659616

95666970

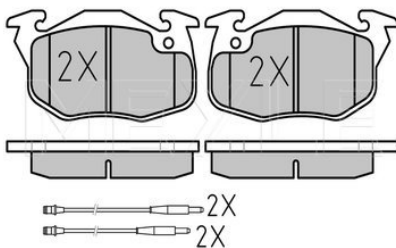
Application info

AX [07/86-12/98]
C15 / Visa [09/78-12/05]

ZX [03/91-02/98]
C15 / Visa [09/78-12/05]

025 209 0618/W | MBP0050

Brake pad set



Notes

Thickness [mm]
Height [mm]
Width [mm]
Warning Contact Length [mm]
Number of wear indicators [per axle]
Warning Contact Length [mm]
Brake System

incl. wear warning contact
18
54
105
365
4
280
Bendix
with anti-squeak plate
Front Axle

References

95659340
95659616

95666970

Application info

AX [07/86-12/98]
C15 / Visa [09/78-12/05]

ZX [03/91-02/98]
C15 / Visa [09/78-12/05]

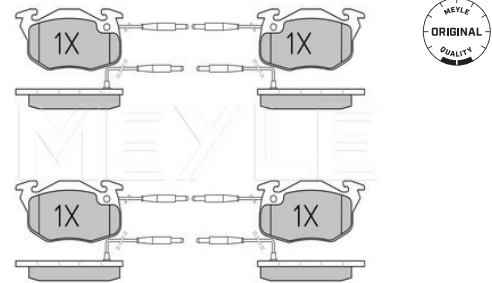


Brake pad set

025 214 1418/W | MBP0126

Notes

| | |
|--------------------------------------|--|
| Thickness [mm] | 18 |
| Height [mm] | 54 |
| Width [mm] | 105 |
| Number of wear indicators [per axle] | 4 |
| Brake System | Bendix with anti-squeak plate Front Axle |



References

| | |
|------------|------------|
| 95 659 616 | 95 666 970 |
|------------|------------|

Application info

AX [07/86-12/98]
C15 / Visa [09/78-12/05]

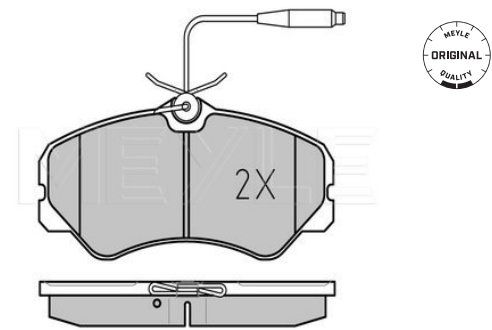
ZX [03/91-02/98]
C15 / Visa [09/78-12/05]

Brake pad set

025 212 0519/W | MBP0093

Notes

| | |
|--------------------------------------|---|
| Thickness [mm] | 19.5 |
| Height [mm] | 71.6 |
| Width [mm] | 145 |
| Number of wear indicators [per axle] | 2 |
| Brake System | TRW with anti-squeak plate Front Axle |



References

| | |
|------------|------------|
| 09 938 205 | 95 640 895 |
| 95 615 159 | 95 667 765 |

Application info

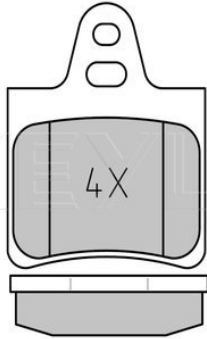
C25 [09/81-03/94]

C25 [07/81-03/94]

2

025 201 6215 | MBP0008

Brake pad set



Notes

Thickness [mm]
Height [mm]
Width [mm]
Brake System

excl. wear warning contact
not prepared for wear indicator
15.4
65.3
54.1
Citroen
with anti-squeak plate
Rear Axle

References

| | |
|------------|------------|
| 4251.83 | 95 666 973 |
| 95 654 085 | 95 667 788 |
| 95 659 642 | |

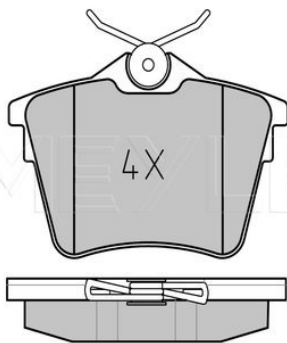
Application info

Xantia (03/93-04/03)

XM (05/89-10/00)

025 241 3517 | MBP0530

Brake pad set



Notes

Thickness [mm]
Height [mm]
Width [mm]
Brake System

excl. wear warning contact
17.8
56.8
86
TRW
with anti-squeak plate
Rear Axle

References

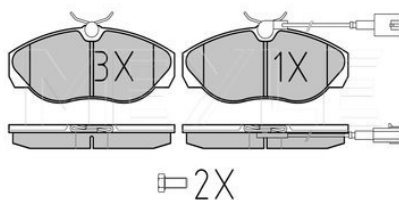
| | |
|---------|-----------|
| 4254.04 | 4254.91 |
| 4254.21 | E 172 240 |

Application info

C5 III (RD_, TD_) (02/08--)

025 236 0219/PD | MBP1666PD

Brake pad set



Notes

Quality
Thickness [mm]
Height [mm]
Width [mm]
Number of wear indicators [per axle]
Brake System

incl. wear warning contact
PREMIUM
19.2
60.8
145
1
TRW
with anti-squeak plate
Front Axle

References

4252.26



Brake pad set

025 236 0219/PD | MBP1666PD

Application info

Jumper I [02/94-04/02]

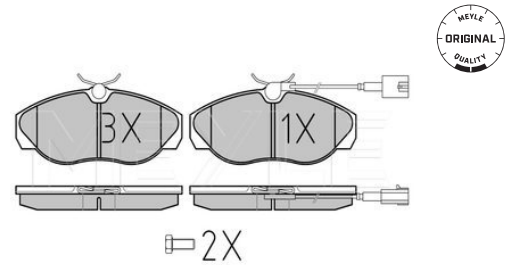
Jumper I [02/94-04/02]

Brake pad set

025 236 0219/W | MBP0401

Notes

| | |
|--------------------------------------|---|
| | incl. wear warning contact |
| Thickness [mm] | 19.2 |
| Height [mm] | 60.8 |
| Width [mm] | 145 |
| Number of wear indicators [per axle] | 1 |
| Brake System | TRW with anti-squeak plate Front Axle |



References

4252.26

Application info

Jumper I [02/94-04/02]

Jumper I [02/94-04/02]

Guide sleeve kit, brake caliper

014 698 0006 | MBX0010

Notes

| | |
|--------------|--|
| Brake System | without guide bolts ATE Front Axle |
|--------------|--|

References

4439.14



Application info

C5 III (RD_, TD_) [02/08--]
Evasion [06/94-07/02]

Saxo [02/96-04/04]
Xsara [04/97-08/05]

2

014 698 0006/S | MBX0011

Guide sleeve kit, brake caliper



Notes

Brake System

with guide pin
ATE
Front Axle

References

4439.14

Parts list

014 698 0006 | MBX0010
100 698 0008 | MBX0156

Guide sleeve kit, brake caliper
Guide bolt, brake caliper

Application info

C5 III (RD_, TD_) [02/08--]
Evasion [06/94-07/02]

Saxo [02/96-04/04]
Xsara [04/97-08/05]

11-15 523 0003 | MDR0004

Brake drum



Notes

| | |
|-------------------------------|-----------|
| Centering Diameter [mm] | 71 |
| Inner Brake Drum Height [mm] | 50.5 |
| Total Br. Drum Height [mm] | 66 |
| Bolt Hole Circle Ø [mm] | 108 |
| Max.skimmed drum measure [mm] | 230 |
| Br. Drum outer diameter [mm] | 274 |
| Inner Br. Drum Diam. [mm] | 229 |
| Required quantity | 2 |
| Number of Holes | 4 |
| | Rear Axle |

References

4247.24

91 509 908

Application info

Berlingo I [07/96-12/07]
C15 / Visa [09/78-12/05]
Xsara [04/97-08/05]
Xsara Picasso [12/99-09/06]

ZX [03/91-02/98]
Berlingo I [07/96--]
C15 / Visa [09/78-12/05]



Brake drum

11-15 523 0030 | MDR0006

Notes

| | |
|-------------------------------|-------------------------|
| Centering Diameter [mm] | 52 |
| Inner Brake Drum Height [mm] | 44.5 |
| Total Br. Drum Height [mm] | 81 |
| Bolt Hole Circle Ø [mm] | 108 |
| Max.skimmed drum measure [mm] | 181 |
| Br. Drum outer diameter [mm] | 212 |
| Inner Br. Drum Diam. [mm] | 180 |
| | without ABS sensor ring |
| | without wheel bearing |
| Required quantity | 2 |
| Number of Holes | 4 |
| | Rear Axle |

References

4247.32 94 782 679 80



2

Application info

Xsara [04/97-08/05]

ZX [03/91-02/98]

Brake drum

11-15 523 0031 | MDR0007

Notes

| | |
|-------------------------------|-------------------------|
| Centering Diameter [mm] | 52.3 |
| Inner Brake Drum Height [mm] | 46 |
| Total Br. Drum Height [mm] | 80 |
| Bolt Hole Circle Ø [mm] | 108 |
| Max.skimmed drum measure [mm] | 181 |
| Br. Drum outer diameter [mm] | 212 |
| Inner Br. Drum Diam. [mm] | 180 |
| | without ABS sensor ring |
| | without wheel bearing |
| Required quantity | 2 |
| Number of Holes | 4 |
| | Rear Axle |

References

4247.44 95 659 622



Application info

AX [07/86-12/98]

Saxo [02/96-04/04]

11-15 523 0005 | MDR0005

Brake drum



Notes

| | |
|-------------------------------|-----------|
| Centering Diameter [mm] | 55 |
| Inner Brake Drum Height [mm] | 44 |
| Total Br. Drum Height [mm] | 53.5 |
| Bolt Hole Circle Ø [mm] | 100 |
| Max.skimmed drum measure [mm] | 201 |
| Br. Drum outer diameter [mm] | 233 |
| Inner Br. Drum Diam. [mm] | 200 |
| Required quantity | 2 |
| Number of Holes | 4 |
| | Rear Axle |

References

4247.48

Application info

C1 [06/05--]

11-14 533 0017 | MBS0012

Brake shoe kit



Notes

| | |
|---------------|------------------|
| | without spring |
| | with accessories |
| Diameter [mm] | 164 |
| Width [mm] | 32 |
| Brake System | Bendix |
| | Rear Axle |

References

| | |
|------------|------------|
| 4241.E7 | 95 653 213 |
| 95 619 515 | 95 655 344 |

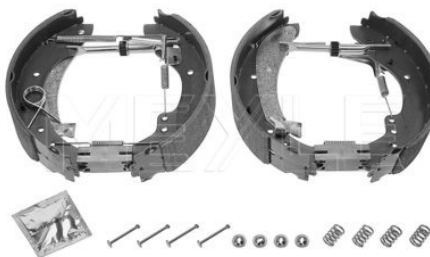
Application info

AX [07/86-12/98]

Saxo [02/96-04/04]

214 533 0020/K | MBS0064

Brake shoe kit



Notes

| | |
|---------------|------------------------------|
| | without wheel brake cylinder |
| | with accessories |
| | with lever |
| | Pre-assembled |
| Diameter [mm] | 254 |
| Width [mm] | 57 |
| Brake System | Lucas Girling |
| | Rear Axle |

References

4241.H4

Brake shoe kit

214 533 0020/K | MBS0064

Application info

Jumper I [02/94-04/02]
Jumper II [02/02-06/06]

Jumper I [02/94-04/02]
Jumper II [02/02--]

Brake shoe kit

214 533 0021 | MBS0065

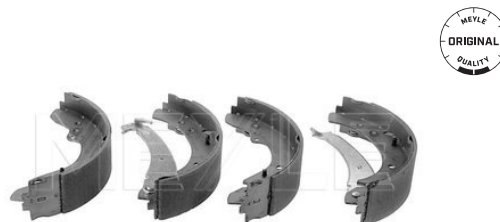
Notes

Diameter [mm]
Width [mm]
Brake System

without spring
with lever
254
57
Lucas Girling
Rear Axle

References

4241.H4



Application info

Jumper I [02/94-04/02]
Jumper II [02/02-06/06]

Jumper I [02/94-04/02]
Jumper II [02/02--]

Brake shoe kit

214 533 0020 | MBS0063

Notes

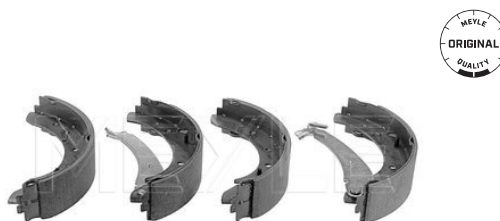
Diameter [mm]
Width [mm]
Brake System

without spring
with lever
254
57
Lucas Girling
Rear Axle

References

4241.H5

4241.N4



Application info

Jumper I [02/94-04/02]
Jumpy II [01/07--]

Jumper I [02/94-04/02]
Jumpy II [01/07--]

214 533 0017/K | MBS0061

Brake shoe kit



Notes

with accessories
with lever
without wheel brake cylinder
Pre-assembled
256
61
Rear Axle

Diameter [mm]
Width [mm]

References

4241.H7

4241.K6

Application info

Evasion [06/94-07/02]
Jumpy I [10/95-12/06]

Jumpy I [06/94--]

40-14 533 0002 | MBS0151

Brake shoe kit



Notes

without spring
with lever
255
61
Bendix/Bosch
Rear Axle

Diameter [mm]
Width [mm]
Brake System

References

4241.H7

4241.K6

Application info

Evasion [06/94-07/02]
Jumpy I [10/95-12/06]

Jumpy I [06/94--]

16-14 533 0000 | MBS0030

Brake shoe kit



Notes

without spring
with lever
203
39
Lucas Girling
Rear Axle

Diameter [mm]
Width [mm]
Brake System

References

4241.J5

Application info

Saxo [02/96-04/04]
Xsara [04/97-08/05]

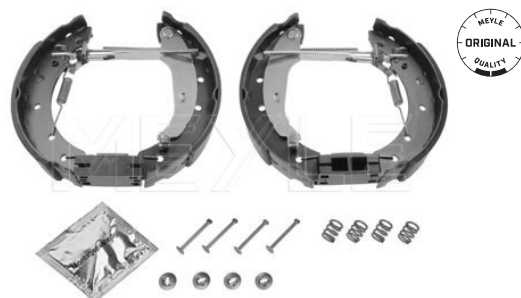
ZX [03/91-02/98]

Brake shoe kit

40-14 533 0004/K | MBS0153

Notes

with lever
with accessories
without wheel brake cylinder
Pre-assembled
Diameter [mm] 203
Width [mm] 38
Brake System Lucas Girling
Rear Axle



References

4241.J5

Application info

Saxo [02/96-04/04]
Xsara [04/97-08/05]

ZX [03/91-02/98]

Brake shoe kit

11-14 533 0000 | MBS0006

Notes

without spring
with accessories
Diameter [mm] 180
Width [mm] 32
Brake System Bendix
Rear Axle



References

4241.E8
4241.J6

4241.L3
95 659 671

Application info

AX [07/86-12/98]

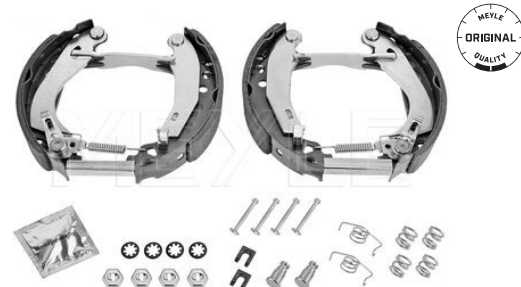
Saxo [02/96-04/04]

Brake shoe kit

11-14 533 0000/K | MBS0262

Notes

with lever
with accessories
without wheel brake cylinder
Pre-assembled
Diameter [mm] 180
Width [mm] 32
Brake System Bendix
Rear Axle



References

4241.E8
4241.J6

4241.L3
95 659 671

Application info

AX [07/86-12/98]

Saxo [02/96-04/04]

11-14 533 0004 | MBS0010

Brake shoe kit



Notes

Diameter [mm]
Width [mm]
Brake System

without spring
with lever
229
42
Bendix
Rear Axle

References

4241.G6
4241.K1

4241.K2
4241.K3

Application info

Xsara [04/97-08/05]

ZX [03/91-02/98]

11-14 533 0004/K | MBS0264

Brake shoe kit



Notes

Diameter [mm]
Width [mm]
Brake System

without wheel brake cylinder
with spring
with lever
Pre-assembled
229
42
Bendix
Rear Axle

References

4241.G6
4241.K1

4241.K2
4241.K3

Application info

Xsara [04/97-08/05]

ZX [03/91-02/98]

11-14 533 0019 | MBS0014

Brake shoe kit



Notes

Diameter [mm]
Width [mm]
Brake System

without spring
with lever
203
38
TRW Lucas
Rear Axle

References

4241.L0

Application info

C2 / C3 I / Pluriel [02/02-09/05]

Brake shoe kit

11-14 533 0023/K | MBS0019

Notes

without wheel brake cylinder
with accessories
with lever
Pre-assembled
203
38
TRW Lucas
Rear Axle

Diameter [mm]
Width [mm]
Brake System

References

4241.L0



Application info

C2 / C3 I / Pluriel [02/02-09/05]

Brake shoe kit

40-14 533 0001 | MBS0150

Notes

without spring
with lever
254
57
Lockheed
Rear Axle

Diameter [mm]
Width [mm]
Brake System

References

4241.L2



Application info

Jumper I [02/94-04/02]
Jumper II [02/02-06/06]

Jumper I [02/94-04/02]
Jumper II [02/02--]

Brake shoe kit

40-14 533 0019/K | MBS0155

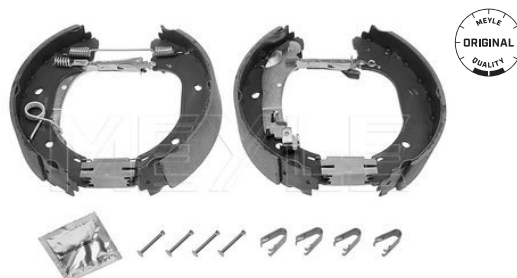
Notes

without wheel brake cylinder
with accessories
with lever
Pre-assembled
254
57
Lockheed
Rear Axle

Diameter [mm]
Width [mm]
Brake System

References

4241.L2



Application info

Jumper I [02/94-04/02]
Jumper II [02/02-06/06]

Jumper I [02/94-04/02]
Jumper II [02/02--]

11-14 533 0003 | MBS0008

Brake shoe kit



Notes

Diameter [mm]
Width [mm]
Brake System

without spring
180
32
Bendix
Rear Axle

References

4241.G3
4241.L4

95 659 470

Application info

Xsara [04/97-08/05]

ZX [03/91-02/98]

11-14 533 0003/K | MBS0263

Brake shoe kit



Notes

Diameter [mm]
Width [mm]
Brake System

without wheel brake cylinder
with lever
with spring
Pre-assembled
180
32
Bendix
Rear Axle

References

4241.G3
4241.L4

95 659 470

Application info

Xsara [04/97-08/05]

ZX [03/91-02/98]

11-14 533 0003/S | MBS0009

Brake shoe kit



Notes

Diameter [mm]
Width [mm]
Brake System

without spring
with lever
180
32
Bendix
Rear Axle

References

4241.G3
4241.L4

95 659 470

Parts list

11-14 533 0003 | MBS0008

Brake shoe kit

Application info

Xsara [04/97-08/05]

ZX [03/91-02/98]

Brake shoe kit

11-14 533 0001 | MBS0007

Notes

Diameter [mm]
Width [mm]
Brake System

without spring
with lever
229
42
Lucas Girling
Rear Axle

References

4241.J8
4241.K8

4241.L6



Application info

Berlingo I [07/96-12/07]
Berlingo II [04/08--]
Xsara Picasso [12/99-09/06]

Berlingo I [07/96--]
Berlingo II [04/08--]

Brake shoe kit

11-14 533 0021/K | MBS0017

Notes

Diameter [mm]
Width [mm]
Brake System

without wheel brake cylinder
with accessories
with lever
Pre-assembled
229
42
Lucas Girling
Rear Axle

References

4241.J8
4241.K8

4241.L6



Application info

Berlingo I [07/96-12/07]
Berlingo II [04/08--]
Xsara Picasso [12/99-09/06]

Berlingo I [07/96--]
Berlingo II [04/08--]

Brake shoe kit

214 533 0008 | MBS0053

Notes

Diameter [mm]
Width [mm]
Brake System

without spring
with lever
203
39
Bosch
Rear Axle

References

4241.L7



214 533 0008 | MBS0053

Brake shoe kit

Application info

C2 / C3 I / Pluriel (02/02-09/05)

214 533 0008/K | MBS0275

Brake shoe kit



Notes

Diameter [mm]
Width [mm]
Brake System

without wheel brake cylinder
with lever
with spring
Pre-assembled
203
39
Bosch
Rear Axle

References

4241.L7

Application info

C2 / C3 I / Pluriel (02/02-09/05)

11-14 533 0018 | MBS0013

Brake shoe kit



Notes

Diameter [mm]
Width [mm]
Brake System

without spring
with lever
200
32
Bosch
Rear Axle

References

4241.N2

Application info

C1 (06/05--)

C1 II (04/14--)

11-14 533 0018/K | MBS0266

Brake shoe kit



Notes

Diameter [mm]
Width [mm]
Brake System

without wheel brake cylinder
with spring
with lever
Pre-assembled
200
32
Bosch
Rear Axle

References

4241.N2

Brake shoe kit

11-14 533 0018/K | MBS0266

Application info

C1 [06/05--]

C1 II [04/14--]

Brake shoe kit

11-14 533 0021 | MBS0016

Notes

Diameter [mm]
Width [mm]

without spring
with lever
228
42
Rear Axle

References

4241.N3



Application info

DS3 [11/09--]

Brake shoe kit

40-14 533 0003 | MBS0152

Notes

Diameter [mm]
Width [mm]

without spring
with lever
228.6
42
Rear Axle

References

4241.N8

4241.P4



Application info

Nemo [02/08--]

Nemo [02/08--]

Brake shoe kit

214 533 0010 | MBS0055

Notes

Diameter [mm]
Width [mm]
Brake System

without spring
with lever
203.2
38
Lockheed
Rear Axle

References

4241.P0

4241.P3



2

214 533 0010 | MBS0055

Brake shoe kit

Application info

Nemo (02/08--)

Nemo (02/08--)

214 533 0010/K | MBS0276

Brake shoe kit



Notes

Diameter [mm]
Width [mm]
Brake System

without wheel brake cylinder
with lever
with spring
Pre-assembled
203.2
38
Lockheed
Rear Axle

References

4241.P0

4241.P3

Application info

Nemo (02/08--)

Nemo (02/08--)

16-14 533 0012 | MBS0039

Brake shoe kit



Notes

Diameter [mm]
Width [mm]
Brake System

without spring
with lever
203
38
Bosch
Rear Axle

References

16 066 311 80

4241.P1

Application info

C Elyse (11/12--)
C3 II (11/09--)

DS3 (11/09--)

Brake shoe kit

16-14 533 0012/K | MBS0271

Notes

without wheel brake cylinder
with lever
with spring
Pre-assembled
203
38
Bosch
Rear Axle

Diameter [mm]
Width [mm]
Brake System

References

16 066 311 80 4241.P1



Application info

C Elyse [11/12--] DS3 [11/09--]
C3 II [11/09--]

Brake shoe kit

40-14 533 0005/K | MBS0154

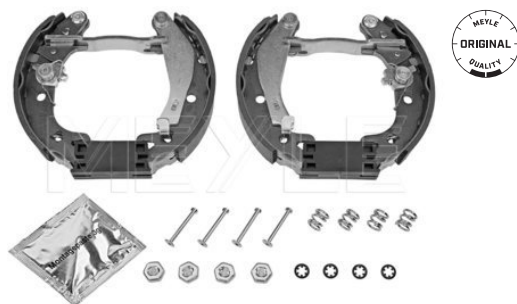
Notes

with lever
with accessories
without wheel brake cylinder
Pre-assembled
165
30
Rear Axle

Diameter [mm]
Width [mm]

References

95 619 515 95 663 213



Application info

AX [07/86-12/98] Saxo [02/96-04/04]

Brake shoe kit

32-14 533 0002 | MBS0102

Notes

without spring
190
32
Rear Axle

Diameter [mm]
Width [mm]



Application info

C-Crosser [02/07--] C-Crosser [02/07--]

214 533 0017 | MPB0024

Brake shoe set, parking brake



Notes

Diameter [mm]
Width [mm]

without spring
172
42
Rear Axle

References

4241.N5

Application info

Jumper II [02/02-06/06]
Jumper III [04/06--]

Jumper II [02/02--]
Jumper III [04/06--]

11-14 525 0001 | MBH0169

Brake hose



Notes

Inner thread [mm]
Outer thread [mm]
Length [mm]
Required quantity

M10x1
M10x1
330
2
Front Axle

References

4806.55

Application info

Saxo [02/96-04/04]

11-14 525 0002 | MBH0170

Brake hose



Notes

Inner thread [mm]
Outer thread [mm]
Length [mm]
Required quantity

M10x1
M10x1
290
2
Front Axle

References

4806.56

96 080 322

Application info

AX [07/86-12/98]

Saxo [02/96-04/04]



Brake hose

11-14 525 0016 | MBH0180

Notes

| | |
|---------------------|-------|
| Inner thread 2 [mm] | M10x1 |
| Inner thread 1 [mm] | M10x1 |
| Length [mm] | 245 |

References

4806.64



Application info

Xsara [04/97-08/05]

ZX [03/91-02/98]

Brake hose

11-14 525 0017 | MBH0181

Notes

| | |
|---------------------|-------|
| Inner thread 2 [mm] | M10x1 |
| Inner thread 1 [mm] | M10x1 |
| Length [mm] | 195 |

References

4806.65

96 124 223



Application info

AX [07/86-12/98]
Xsara [04/97-08/05]

ZX [03/91-02/98]

Brake hose

11-14 525 0024 | MBH0188

Notes

| | |
|---------------------|-------|
| Inner thread 2 [mm] | M10x1 |
| Inner thread 1 [mm] | M10x1 |
| Length [mm] | 250 |

References

4806.67



Application info

CB [07/02--]
Evasion [06/94-07/02]
Jumpy I [10/95-12/06]

Jumpy II [01/07--]
Jumpy I [06/94--]
Jumpy II [01/07--]

2

11-14 525 0025 | MBH0189

Brake hose



Notes

Inner thread [mm]
Outer thread [mm]
Length [mm]
Required quantity

without holder
M10x1
M10x1
465
2
Front Axle

References

4806.70
4806.C3

4806.F3

Application info

Jumper I [02/94-04/02]
Jumper II [02/02-06/06]

Jumper I [02/94-04/02]
Jumper II [02/02--]

11-14 525 0026 | MBH0190

Brake hose



Notes

Inner thread [mm]
Outer thread [mm]
Length [mm]
Required quantity

with holder
M10x1
M10x1
465
2
Front Axle

References

4806.71

Application info

Jumper I [02/94-04/02]

Jumper I [02/94-04/02]

11-14 525 0033 | MBH0195

Brake hose



Notes

Inner thread [mm]
Outer thread [mm]
Length [mm]
Required quantity

M10x1
M10x1
340
2
Rear Axle

References

4806.72

Application info

Jumper I [02/94-04/02]

Jumper I [02/94-04/02]



Brake hose

11-14 525 0027 | MBH0191

Notes

| | |
|-------------------|------------|
| Inner thread [mm] | M10x1 |
| Outer thread [mm] | M10x1 |
| Length [mm] | 465 |
| Required quantity | 2 |
| | Front Axle |

References

4806.82



Application info

Evasion [06/94-07/02]
 Jumpy I [10/95-12/06]
 Jumpy II [01/07--]

Jumpy I [06/94--]
 Jumpy II [01/07--]

Brake hose

11-14 525 0037 | MBH0198

Notes

| | |
|-------------------|------------|
| Inner thread [mm] | M10x1 |
| Outer thread [mm] | M10x1 |
| Length [mm] | 460 |
| Required quantity | 2 |
| | Front Axle |

References

| | |
|---------|---------|
| 4806.84 | 4806.A9 |
| 4806.91 | 4806.E0 |
| 4806.A8 | |



Application info

Berlingo I [07/96-12/07]
 C2 / C3 I / Pluriel [02/02-09/05]
 Xsara [04/97-08/05]

Xsara Picasso [12/99-09/06]
 ZX [03/91-02/98]
 Berlingo I [07/96--]

Brake hose

16-14 525 0002 | MBH0231

Notes

| | |
|---------------------|-----------|
| Inner thread 2 [mm] | M10x1 |
| Inner thread 1 [mm] | M10x1 |
| Length [mm] | 255 |
| Required quantity | 2 |
| | Rear Axle |

References

4806.86



Application info

Berlingo I [07/96-12/07]
 Xsara Picasso [12/99-09/06]

Berlingo I [07/96--]

2

11-14 525 0028 | MBH0192

Brake hose



Notes

Inner thread [mm]
Outer thread [mm]
Length [mm]
Required quantity

with holder
M10x1
M10x1
460
2
Front Axle

References

4806.96

Application info

Jumper I [02/94-04/02]

Jumper I [02/94-04/02]

11-14 525 0038 | MBH0199

Brake hose



Notes

Inner thread [mm]
Outer thread [mm]
Length [mm]
Required quantity

M10x1
M10x1
550
2
Front Axle

References

4806.97

Application info

C5 I / C5 II [03/01-04/07]

11-14 525 0039 | MBH0200

Brake hose



Notes

Inner thread 2 [mm]
Inner thread 1 [mm]
Length [mm]
Required quantity

M10x1
M10x1
235
2
Rear Axle

References

4806.98

Application info

C5 I / C5 II [03/01-04/07]



Brake hose

11-14 525 0020 | MBH0184

Notes

| | |
|-------------------|------------|
| Inner thread [mm] | M10x1 |
| Outer thread [mm] | M10x1 |
| Length [mm] | 420 |
| Required quantity | 2 |
| | Front Axle |

References

4806.A0



Application info

C4 I / Coupe / Grand Picasso / Picasso / Stufenheck (11/04-12/07)

Brake hose

11-14 525 0006 | MBH0171

Notes

| | |
|---------------------|-----------|
| Inner thread 2 [mm] | M10x1 |
| Inner thread 1 [mm] | M10x1 |
| Length [mm] | 190 |
| Required quantity | 2 |
| | Rear Axle |

References

4806.A1



Application info

C2 / C3 I / Pluriel (02/02-09/05)

C4 I / Coupe / Grand Picasso / Picasso / Stufenheck (11/04-12/07)

Brake hose

11-14 525 0029 | MBH0193

Notes

| | |
|-------------------|------------|
| Inner thread [mm] | M10x1 |
| Outer thread [mm] | M10x1 |
| Length [mm] | 460 |
| Required quantity | 2 |
| | Front Axle |

References

4806.A6



Application info

C8 (07/02--)
Jumpy I (10/95-12/06)

Jumpy I (06/94--)

11-14 525 0007 | MBH0172

Brake hose



Notes

Inner thread 2 [mm]
Inner thread 1 [mm]
Length [mm]
Required quantity

M10x1
M10x1
185
2
Rear Axle

References

4806.C0

Application info

C2 / C3 I / Pluriel (02/02-09/05)

11-14 525 0008 | MBH0173

Brake hose



Notes

Inner thread [mm]
Connector type
Length [mm]
Required quantity

M10x1
Banjo fitting
510
1
Front Axle Right

References

4806.E1

Counterpart

11-14 525 0009 | MBH0174

Application info

C1 (06/05--)

11-14 525 0009 | MBH0174

Brake hose



Notes

Inner thread [mm]
Connector type
Length [mm]
Required quantity

M10x1
Banjo fitting
510
1
Front Axle Left

References

4806.E2

Counterpart

11-14 525 0008 | MBH0173

Application info

C1 (06/05--)



Brake hose

11-14 525 0036 | MBH0197

Notes

Inner thread 2 [mm]
Inner thread 1 [mm]
Length [mm]
Required quantity

M10x1
M10x1
260
2
Rear Axle

References

4806.E3



Application info

Berlingo I (07/96-12/07)
Xsara Picasso (12/99-09/06)

Berlingo I (07/96--)

Brake hose

11-14 525 0054 | MBH0211

Notes

Inner thread [mm]
Outer thread [mm]
Length [mm]
Required quantity

M10x1
M10x1
690
1
Left
Rear Axle

References

4806.E7

Counterpart

11-14 525 0053 | MBH0210



Application info

C5 III (RD_, TD_) (02/08--)

Brake hose

11-14 525 0053 | MBH0210

Notes

Inner thread [mm]
Outer thread [mm]
Length [mm]
Required quantity

M10x1
M10x1
660
1
Right
Rear Axle

References

4806.E8

Counterpart

11-14 525 0054 | MBH0211



Application info

C5 III (RD_, TD_) (02/08--)

11-14 525 0010 | MBH0175

Brake hose



Notes

| | |
|-------------------|------------|
| Inner thread [mm] | M10x1 |
| Outer thread [mm] | M10x1 |
| Length [mm] | 440 |
| Required quantity | 2 |
| | Front Axle |

References

| | |
|---------|------------|
| 4806.85 | 96 132 698 |
| 4806.E9 | |

Application info

Berlingo I [07/96-12/07]
C2 / C3 I / Pluriel [02/02-09/05]
Xsara [04/97-08/05]

Xsara Picasso [12/99-09/06]
ZX [03/91-02/98]
Berlingo I [07/96--]

11-14 525 0030 | MBH0194

Brake hose



Notes

| | |
|-------------------|----------------|
| Inner thread [mm] | without holder |
| Outer thread [mm] | M10x1 |
| Length [mm] | M10x1 |
| Required quantity | 470 |
| | 2 |
| | Front Axle |

References

| | |
|---------|---------|
| 4806.C2 | 4806.F2 |
|---------|---------|

Application info

Jumper I [02/94-04/02]
Jumper II [02/02-06/06]

Jumper I [02/94-04/02]
Jumper II [02/02--]

11-14 525 0011 | MBH0176

Brake hose



Notes

| | |
|---------------------|-----------|
| Inner thread 2 [mm] | M10x1 |
| Inner thread 1 [mm] | M10x1 |
| Length [mm] | 255 |
| Required quantity | 2 |
| | Rear Axle |

References

| | |
|---------|---------|
| 4806.F6 | 4806 J5 |
|---------|---------|

Application info

C1 [06/05--]



Brake hose

11-14 525 0049 | MBH0207

Notes

| | |
|-------------------|------------|
| Inner thread [mm] | M10x1 |
| Outer thread [mm] | M10x1 |
| Length [mm] | 450 |
| Required quantity | 2 |
| | Front Axle |

References

4806.G4



Application info

Berlingo I [07/96-12/07]
Berlingo II [04/08--]

C4 I / Coupe / Grand Picasso / Picasso / Stufenheck [11/04-12/07]
Berlingo II [04/08--]

Brake hose

11-14 525 0050 | MBH0208

Notes

| | |
|-------------------|-----------|
| Inner thread [mm] | M10x1 |
| Outer thread [mm] | M10x1 |
| Length [mm] | 237 |
| Required quantity | 2 |
| | Rear Axle |

References

4806.G5



Application info

Berlingo I [07/96-12/07]
Berlingo II [04/08--]

C4 I / Coupe / Grand Picasso / Picasso / Stufenheck [11/04-12/07]
Berlingo II [04/08--]

Brake hose

214 525 0041 | MBH0290

Notes

| | |
|-------------------|------------|
| Inner thread [mm] | M10x1,5 |
| Outer thread [mm] | M10x1,5 |
| Length [mm] | 515 |
| Required quantity | 2 |
| | Front Axle |

References

4806.G6



Application info

Jumper III [04/06--]

Jumper III [04/06--]

2

214 525 0035 | MBH0286

Brake hose



Notes

| | |
|-------------------|-----------|
| Inner thread [mm] | M10x1 |
| Outer thread [mm] | M10x1 |
| Length [mm] | 515 |
| Required quantity | 2 |
| | Rear Axle |

References

| | |
|---------|---------|
| 4806.H4 | 4806.P6 |
|---------|---------|

Application info

Jumper III (04/06--)

Jumper III (04/06--)

214 525 0033 | MBH0284

Brake hose



Notes

| | |
|-------------------|-----------|
| Inner thread [mm] | M10x1 |
| Outer thread [mm] | M10x1 |
| Length [mm] | 440 |
| Required quantity | 2 |
| | Rear Axle |

References

| | |
|---------|---------|
| 4806.G7 | 4806.P5 |
|---------|---------|

Application info

Jumper III (04/06--)

Jumper III (04/06--)

11-14 525 0045 | MBH0204

Brake hose



Notes

| | |
|-------------------|------------|
| Inner thread [mm] | M10x1 |
| Outer thread [mm] | M10x1 |
| Length [mm] | 325 |
| Required quantity | 2 |
| | Front Axle |

References

| | |
|------------|------------|
| 91 515 816 | 91 518 816 |
|------------|------------|

Application info

C15 / Visa (09/78-12/05)

C15 / Visa (09/78-12/05)



Brake hose

11-14 525 0041 | MBH0202

Notes

| | |
|-------------------|------------|
| Inner thread [mm] | M10x1 |
| Outer thread [mm] | M10x1 |
| Length [mm] | 550 |
| Required quantity | 2 |
| | Front Axle |

References

96 037 346



Application info

XM (05/89-10/00)

Brake hose

16-14 525 0005 | MBH0234

Notes

| | |
|---------------------|-----------|
| Inner thread 2 [mm] | M10x1 |
| Inner thread 1 [mm] | M10x1 |
| Length [mm] | 265 |
| Required quantity | 2 |
| | Rear Axle |

References

96 075 425



Application info

AX (07/86-12/98)

Brake hose

11-14 525 0040 | MBH0201

Notes

| | |
|-------------------|------------|
| Inner thread [mm] | M10x1 |
| Outer thread [mm] | M10x1 |
| Length [mm] | 355 |
| Required quantity | 2 |
| | Front Axle |

References

96 109 017



Application info

Xantia (03/93-04/03)

11-14 525 0043 | MBH0203

Brake hose



Notes

| | |
|-------------------|------------|
| Inner thread [mm] | M10x1 |
| Outer thread [mm] | M10x1 |
| Length [mm] | 425 |
| Required quantity | 2 |
| | Front Axle |

References

96 124 230

Application info

ZX [03/91-02/98]

100 611 0034 | MBX0147

Brake master cylinder



Notes

| | |
|----------------------|----------------|
| | Grey Cast Iron |
| Diameter [mm] | 20.64 |
| Thread Size | M10x1 |
| Length 2 [mm] | 114.9 |
| Length 1 [mm] | 32.4 |
| Number of connectors | 4 |

References

91 510 533

94 046 018 58

Application info

AX [07/86-12/98]

ZX [03/91-02/98]

11-14 531 0001 | MWC0014

Wheel cylinder



Notes

| | |
|---------------|-----------|
| | Aluminium |
| Diameter [mm] | 17.46 |
| Brake System | Bosch |
| | Rear Axle |

References

4402.F0

Application info

C1 [06/05--]

Driveshaft bearing

014 098 9017 | MTX0019

Notes

Inner diameter [mm] 30
Outer diameter [mm] 55
Height [mm] 13

References

3247.03



Application info

C4 I / Coupe / Grand Picasso / Picasso / Stufenheck [11/04-12/07]

Boot kit, C.V. joint

40-14 495 0014 | MBK0220

Notes

Inner diameter 2 [mm] 63
Inner diameter 1 [mm] 20
Length [mm] 105
Elastomer
Transmission End
Front Axle

References

3287.69



Application info

AX [07/86-12/98]

Saxo [02/96-04/04]

Boot kit, C.V. joint

40-14 495 0011 | MBK0218

Notes

Inner diameter 2 [mm] 70
Inner diameter 1 [mm] 21
Length [mm] 94
Elastomer
Transmission End
Front Axle

References

3287.74



Application info

Berlingo I [07/96-12/07]
Xsara [04/97-08/05]

Berlingo I [07/96--]

40-14 495 0005 | MBK0212

Boot kit, C.V. joint



Notes

Inner diameter 2 [mm]
Inner diameter 1 [mm]
Length [mm]

Elastomer
87
33
86
Transmission End
Front Axle

References

3287.78

Application info

Jumper I [02/94-04/02]

Jumper I [02/94-04/02]

40-14 495 0009 | MBK0216

Boot kit, C.V. joint



Notes

Inner diameter 2 [mm]
Inner diameter 1 [mm]
Length [mm]

Elastomer
76
34
100
Transmission End
Front Axle

References

3287.81

Application info

Berlingo I [07/96-12/07]
Xsara [04/97-08/05]

Xsara Picasso [12/99-09/06]
Berlingo I [07/96--]

40-14 495 0004 | MBK0211

Boot kit, C.V. joint



Notes

Inner diameter 2 [mm]
Inner diameter 1 [mm]
Length [mm]

Elastomer
70
20
172
Front Axle
Transmission End

References

3287.83

Application info

Berlingo I [07/96-12/07]
C15 / Visa [09/78-12/05]
Saxo [02/96-04/04]

Xsara [04/97-08/05]
Berlingo I [07/96--]
C15 / Visa [09/78-12/05]



Boot kit, C.V. joint

11-14 495 0012 | MBK0118

Notes

Inner diameter 2 [mm]
Inner diameter 1 [mm]
Length [mm]

Elastomer
62
28
83
Transmission End
Front Axle

References

3287.88



Application info

Berlingo I [07/96-12/07]
C2 / C3 I / Pluriel [02/02-09/05]

Xsara [04/97-08/05]
Berlingo I [07/96--]

Boot kit, C.V. joint

40-14 495 0010 | MBK0217

Notes

Inner diameter 2 [mm]
Inner diameter 1 [mm]
Length [mm]

Elastomer
75
28
93
Transmission End
Front Axle

References

3287.90



Application info

Evasion [06/94-07/02]
Jumper I [02/94-04/02]
Jumpy I [10/95-12/06]

XM [05/89-10/00]
Jumper I [02/94-04/02]

Boot kit, C.V. joint

614 495 0002 | MBK0248

Notes

Inner diameter 2 [mm]
Inner diameter 1 [mm]
Length [mm]

Elastomer
59
18
84
Transmission End

References

3287.97



Application info

C2 / C3 I / Pluriel [02/02-09/05]

11-14 495 0000 | MBK0109

Boot kit, C.V. joint



Notes

Inner diameter 2 [mm]
Inner diameter 1 [mm]
Length [mm]

Elastomer
70
35
96
Transmission End
Front Axle

References

3287.A9

Application info

Berlingo I [07/96-12/07]
C5 I / C5 II [03/01-04/07]

Xsara Picasso [12/99-09/06]

40-14 495 0001 | MBK0208

Boot kit, C.V. joint



Notes

Inner diameter 2 [mm]
Inner diameter 1 [mm]
Length [mm]

Thermoplast
86
36
119
Wheel Side
Front Axle

References

3292.03

3293.03

Application info

Berlingo I [07/96-12/07]
C15 / Visa [09/78-12/05]
C5 I / C5 II [03/01-04/07]
Jumpy I [10/95-12/06]
Xantia [03/93-04/03]

Xsara [04/97-08/05]
Xsara Picasso [12/99-09/06]
Berlingo I [07/96--]
C15 / Visa [09/78-12/05]

11-14 495 0009 | MBK0116

Boot kit, C.V. joint



Notes

Inner diameter 2 [mm]
Inner diameter 1 [mm]
Length [mm]

Thermoplast
82
22
126
Wheel Side
Front Axle

References

3293.05

Boot kit, C.V. joint

11-14 495 0009 | MBK0116

Application info

Berlingo I (07/96-12/07)
C15 / Visa (09/78-12/05)
Saxo (02/96-04/04)

Xsara (04/97-08/05)
Berlingo I (07/96--)
C15 / Visa (09/78-12/05)

Boot kit, C.V. joint

11-14 495 0001 | MBK0110

Notes

Inner diameter 2 [mm]
Inner diameter 1 [mm]
Length [mm]

Thermoplast
97
29
112
Wheel Side
Front Axle

References

3293.06



Application info

C8 (07/02--)
Evasion (06/94-07/02)

Jumpy I (10/95-12/06)
Jumpy I (06/94--)

Boot kit, C.V. joint

40-14 495 0003 | MBK0210

Notes

Inner diameter 2 [mm]
Inner diameter 1 [mm]
Length [mm]

Thermoplast
72
20
106
Wheel Side
Front Axle Left

References

3293.08



Application info

Saxo (02/96-04/04)

40-14 495 0007 | MBK0214

Boot kit, C.V. joint



Notes

Inner diameter 2 [mm]
Inner diameter 1 [mm]
Length [mm]

Thermoplast
72
22
106
Wheel Side
Front Axle Left

References

3293.11

3293.12

Application info

Saxo [02/96-04/04]

40-14 495 0008 | MBK0215

Boot kit, C.V. joint



Notes

Inner diameter 2 [mm]
Inner diameter 1 [mm]
Length [mm]

Thermoplast
72
28
106
Wheel Side
Front Axle Right

References

3293.13

Application info

Saxo [02/96-04/04]

40-14 495 0002 | MBK0209

Boot kit, C.V. joint



Notes

Inner diameter 2 [mm]
Inner diameter 1 [mm]
Length [mm]

Thermoplast
81
23
132
Wheel Side
Front Axle

References

3293.14

Application info

Berlingo I [07/96-12/07]
Xsara [04/97-08/05]

Berlingo I [07/96--]

Boot kit, C.V. joint

11-14 495 0007 | MBK0115

Notes

Inner diameter 2 [mm]
Inner diameter 1 [mm]
Length [mm]

Thermoplast
76
34
114
Wheel Side
Front Axle

References

3293.20



Application info

Berlingo I [07/96-12/07]
C2 / C3 I / Pluriel [02/02-09/05]

Xsara [04/97-08/05]
Berlingo I [07/96--]

Boot kit, C.V. joint

11-14 495 0006 | MBK0114

Notes

Inner diameter 2 [mm]
Inner diameter 1 [mm]
Length [mm]

Thermoplast
97
40
128
Wheel Side
Front Axle

References

3293.02

3293.34



Application info

Xantia [03/93-04/03]

XM [05/89-10/00]

Boot kit, C.V. joint

11-14 495 0003 | MBK0112

Notes

Inner diameter 2 [mm]
Inner diameter 1 [mm]
Length [mm]

Elastomer
78
20
116
Wheel Side
Front Axle

References

3293.41
3293.74

94 032 937 48



Application info

C15 / Visa [09/78-12/05]

C15 / Visa [09/78-12/05]

40-14 495 0012 | MBK0219

Boot kit, C.V. joint



Notes

Inner diameter 2 [mm]
Inner diameter 1 [mm]
Length [mm]

Elastomer
73
19
82
Wheel Side
Front Axle

References

3293.81

Application info

AX (07/86-12/98)

40-14 495 0018 | MBK0223

Boot kit, C.V. joint



Notes

Inner diameter 2 [mm]
Inner diameter 1 [mm]
Length [mm]

Elastomer
95
24
150
Wheel Side
Front Axle

References

3293.97

Application info

C25 (09/81-03/94)
Jumper I (02/94-04/02)
Jumper II (02/02-06/06)

C25 (07/81-03/94)
Jumper I (02/94-04/02)
Jumper II (02/02--)

40-14 495 0019 | MBK0224

Boot kit, C.V. joint



Notes

Inner diameter 2 [mm]
Inner diameter 1 [mm]
Length [mm]

Elastomer
111
33
93
Wheel Side
Front Axle

References

3293.99

Application info

Jumper I (02/94-04/02)
Jumper II (02/02-06/06)

Jumper I (02/94-04/02)
Jumper II (02/02--)

Boot kit, C.V. joint
40-14 495 0006 | MBK0213
Notes

 Inner diameter 2 [mm]
 Inner diameter 1 [mm]
 Length [mm]

 Thermoplast
 110
 33
 160
 Wheel Side
 Front Axle

References

3293.A2


Application info

 Jumper I [02/94-04/02]
 Jumper II [02/02-06/06]

 Jumper I [02/94-04/02]
 Jumper II [02/02--]

Boot, C.V. joint
40-14 495 0000 | MTX0074
Notes

 Inner diameter 2 [mm]
 Inner diameter 1 [mm]
 Length [mm]

 Elastomer
 85
 35
 117
 Front Axle
 Wheel Side

References

3293.31


Application info

 Berlingo I [07/96-12/07]
 C15 / Visa [09/78-12/05]
 C4 I / Coupe / Grand Picasso / Picasso / Stufenheck [11/04-12/07]
 C5 I / C5 II [03/01-04/07]
 Jumpy I [10/95-12/06]
 Xantia [03/93-04/03]

 Xsara [04/97-08/05]
 Xsara Picasso [12/99-09/06]
 ZX [03/91-02/98]
 Berlingo I [07/96--]
 C15 / Visa [09/78-12/05]
 Jumpy I [06/94--]

40-14 498 0038 | MDS0140

Drive shaft



Notes

| | |
|----------------------------------|-----------------|
| Seal Diameter [mm] | 56.4 |
| Length [mm] | 567 |
| Outer teething differential side | 24 |
| Outer gearing wheel side | 21 |
| | Front Axle Left |

References

| | |
|---------|------------|
| 3272.00 | 3272.K2 |
| 3272.20 | 3272.R5 |
| 3272.4K | 95 591 073 |
| 3272.5K | 95 619 481 |
| 3272.76 | 95 654 730 |

Counterpart

40-14 498 0035 | MDS0137

Application info

C15 / Visa [09/78-12/05]

C15 / Visa [09/78-12/05]

11-14 498 0010 | MDS0020

Drive shaft



Notes

| | |
|----------------------------------|-----------------|
| Seal Diameter [mm] | 54 |
| Length [mm] | 572 |
| Outer teething differential side | 22 |
| Outer gearing wheel side | 21 |
| | Front Axle Left |

References

| | |
|---------|------------|
| 3272.18 | 95 644 403 |
|---------|------------|

Counterpart

11-14 498 0009 | MDS0019

Application info

C15 / Visa [09/78-12/05]

C15 / Visa [09/78-12/05]

40-14 498 0019 | MDS0046

Drive shaft



Notes

| | |
|----------------------------------|-----------------|
| Seal Diameter [mm] | 58.5 |
| Length [mm] | 624 |
| Outer teething differential side | 22 |
| Outer gearing wheel side | 21 |
| | Front Axle Left |

References

| | |
|---------|---------|
| 3272.10 | 3272.9P |
|---------|---------|

Counterpart

40-14 498 0020 | MDS0047



Drive shaft

40-14 498 0019 | MDS0046

Application info

Saxo [02/96-04/04]

Drive shaft

40-14 498 0040 | MDS0142

Notes

| | |
|----------------------------------|-----------------|
| Number of Teeth, ABS ring | 48 |
| Seal Diameter [mm] | 58.5 |
| Length [mm] | 624 |
| Outer teething differential side | 22 |
| Outer gearing wheel side | 21 |
| | Front Axle Left |

References

| | |
|---------|--------|
| 3272.2Q | 3272.Q |
| 3272.3Q | |

Counterpart

40-14 498 0041 | MDS0143



Application info

Saxo [02/96-04/04]

Drive shaft

40-14 498 0037 | MDS0139

Notes

| | |
|----------------------------------|-----------------|
| Seal Diameter [mm] | 58 |
| Length [mm] | 625 |
| Outer teething differential side | 24 |
| Outer gearing wheel side | 25 |
| | Front Axle Left |

References

| | |
|---------|---------|
| 3272.1X | 3272.LW |
| 3272.2X | |

Counterpart

40-14 498 0032 | MDS0134



Application info

Berlingo II [04/08--]
C4 I / Coupe / Grand Picasso / Picasso / Stufenheck [11/04-12/07]

Berlingo II [04/08--]

40-14 498 0034 | MDS0136

Drive shaft



Notes

| | |
|----------------------------------|-----------------|
| Seal Diameter [mm] | 56.7 |
| Length [mm] | 594 |
| Outer teething differential side | 22 |
| Outer gearing wheel side | 25 |
| | Front Axle Left |

References

| | |
|---------|---------|
| 3272.5L | 3272.Y7 |
| 3272.6Y | 3272.Y8 |
| 3272.Y6 | |

Counterpart

40-14 498 0031 | MDS0133

Application info

Berlingo I [07/96-12/07]
Xsara [04/97-08/05]

Berlingo I [07/96--]

40-14 498 0016 | MDS0043

Drive shaft



Notes

| | |
|----------------------------------|-----------------|
| Seal Diameter [mm] | 50 |
| Length [mm] | 618 |
| Outer teething differential side | 22 |
| Outer gearing wheel side | 21 |
| | Front Axle Left |

References

| | |
|---------|---------|
| 3272.54 | 3272.W5 |
| 3272.8J | |

Counterpart

40-14 498 0013 | MDS0041

Application info

AX [07/86-12/98]

Saxo [02/96-04/04]

40-14 498 0022 | MDS0049

Drive shaft



Notes

| | |
|----------------------------------|-----------------|
| Seal Diameter [mm] | 58.5 |
| Length [mm] | 614 |
| Outer teething differential side | 22 |
| Outer gearing wheel side | 21 |
| | Front Axle Left |

References

| | |
|------------|------------|
| 3272.51 | 96 048 666 |
| 3272.9J | 96 095 217 |
| 3272.W8 | 96 666 908 |
| 95 666 940 | |

Counterpart

40-14 498 0021 | MDS0048



Drive shaft

40-14 498 0022 | MDS0049

Application info

AX [07/86-12/98]

Saxo [02/96-04/04]

Drive shaft

40-14 498 0011 | MDS0039

Notes

| | |
|----------------------------------|-----|
| Seal Diameter [mm] | 48 |
| Length [mm] | 610 |
| Outer teething differential side | 22 |
| Outer gearing wheel side | 21 |
| Front Axle Left | |



References

3272.CQ

3272.CR

Application info

Xsara [04/97-08/05]

Drive shaft

40-14 498 0017 | MDS0044

Notes

| | |
|----------------------------------|-----|
| Number of Teeth, ABS ring | 54 |
| Seal Diameter [mm] | 63 |
| Length [mm] | 771 |
| Outer teething differential side | 37 |
| Outer gearing wheel side | 28 |
| Front Axle Left | |



References

3272.J0

3272.J4

3272.J3

Counterpart

40-14 498 0030 | MDS0132

Application info

Jumper I [02/94-04/02]

Jumper I [02/94-04/02]

3

40-14 498 0015 | MDS0042

Drive shaft



Notes

| | |
|----------------------------------|-----------------|
| Number of Teeth, ABS ring | 54 |
| Seal Diameter [mm] | 63 |
| Length [mm] | 757.5 |
| Outer teething differential side | 41 |
| Outer gearing wheel side | 28 |
| | Front Axle Left |

References

| | |
|---------|---------|
| 3272.J1 | 3272.J6 |
| 3272.J5 | |

Counterpart

40-14 498 0012 | MDS0040

Application info

Jumper I [02/94-04/02]

Jumper I [02/94-04/02]

40-14 498 0043 | MDS0145

Drive shaft



Notes

| | |
|----------------------------------|-----------------|
| Seal Diameter [mm] | 58.6 |
| Length [mm] | 653 |
| Outer teething differential side | 37 |
| Outer gearing wheel side | 28 |
| | Front Axle Left |

References

| | |
|---------|---------|
| 3272.SZ | 3272.TA |
|---------|---------|

Parts list

| | |
|--------------------------|----------------|
| 11-14 498 0020 MCV0096 | C.V. joint kit |
|--------------------------|----------------|

Counterpart

40-14 498 0044 | MDS0146

Application info

C5 III (RD_, TD_) [02/08--]
Jumpy II [01/07--]

Jumpy II [01/07--]

40-14 498 0018 | MDS0045

Drive shaft



Notes

| | |
|----------------------------------|-----------------|
| Number of Teeth, ABS ring | 54 |
| Seal Diameter [mm] | 70 |
| Length [mm] | 761 |
| Outer teething differential side | 41 |
| Outer gearing wheel side | 35 |
| | Front Axle Left |

References

| | |
|---------|---------|
| 3272.V3 | 3272.V5 |
| 3272.V4 | |

Counterpart

40-14 498 0029 | MDS0131



Drive shaft

40-14 498 0018 | MDS0045

Application info

Jumper I [02/94-04/02]

Jumper I [02/94-04/02]

Drive shaft

40-14 498 0036 | MDS0138

Notes

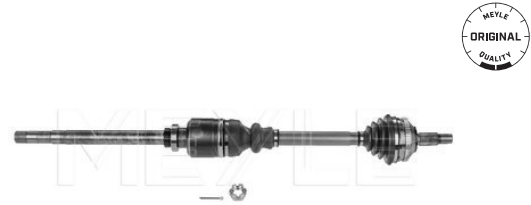
| | |
|----------------------------------|------------------|
| Number of Teeth, ABS ring | 48 |
| Seal Diameter [mm] | 59 |
| Length [mm] | 947 |
| Outer teething differential side | 37 |
| Outer gearing wheel side | 27 |
| | Front Axle Right |

References

| | |
|---------|---------------|
| 3273.06 | 3273.S1 |
| 3273.15 | 3273.S2 |
| 3273.5Y | 96 260 840 88 |
| 3273.7E | |

Parts list

| | |
|------------------------|----------------|
| 214 498 0014 MCV0132 | C.V. joint kit |
|------------------------|----------------|



Application info

Evasion [06/94-07/02]

Jumpy I [10/95-12/06]

Jumpy I [06/94--]

Drive shaft

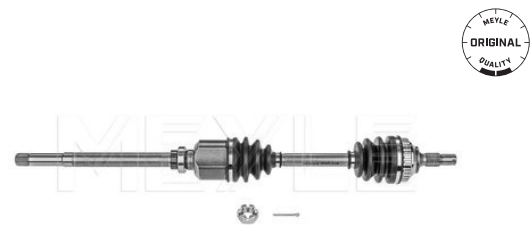
40-14 498 0028 | MDS0130

Notes

| | |
|----------------------------------|------------------|
| Number of Teeth, ABS ring | 29 |
| Seal Diameter [mm] | 55.7 |
| Length [mm] | 868 |
| Outer teething differential side | 24 |
| Outer gearing wheel side | 25 |
| | Front Axle Right |

References

| | |
|---------|------------|
| 3273.0R | 3273.K3 |
| 3273.0S | 7273.7X |
| 3273.6K | 96 031 845 |
| 3273.7W | 96 091 416 |
| 3273.9Z | 96 167 304 |
| 3273.AA | 96 171 875 |
| 3273.K2 | 96 173 636 |



Application info

Berlingo I [07/96-12/07]

Xsara [04/97-08/05]

Xsara Picasso [12/99-09/06]

ZX [03/91-02/98]

Berlingo I [07/96--]

40-14 498 0031 | MDS0133

Drive shaft



Notes

| | |
|----------------------------------|------------------|
| Seal Diameter [mm] | 56.7 |
| Length [mm] | 868 |
| Outer teething differential side | 22 |
| Outer gearing wheel side | 25 |
| | Front Axle Right |

References

| | |
|---------|---------|
| 3273.0W | 3273.6A |
| 3273.0X | |

Counterpart

40-14 498 0034 | MDS0136

Application info

Berlingo I [07/96-12/07]

Berlingo I [07/96--]

40-14 498 0033 | MDS0135

Drive shaft



Notes

| | |
|----------------------------------|------------------|
| Number of Teeth, ABS ring | 48 |
| Seal Diameter [mm] | 59 |
| Length [mm] | 960 |
| Outer teething differential side | 37 |
| Outer gearing wheel side | 27 |
| | Front Axle Right |

References

| | |
|---------|---------|
| 3273.3Q | 3273.5Z |
|---------|---------|

Parts list

| | |
|------------------------|----------------|
| 214 498 0014 MCV0132 | C.V. joint kit |
|------------------------|----------------|

Application info

Jumpy I [10/95-12/06]

Jumpy I [06/94--]

40-14 498 0039 | MDS0141

Drive shaft



Notes

| | |
|----------------------------------|------------------|
| Number of Teeth, ABS ring | 29 |
| Seal Diameter [mm] | 60 |
| Length [mm] | 867 |
| Outer teething differential side | 22 |
| Outer gearing wheel side | 25 |
| | Front Axle Right |

References

| | |
|---------|---------|
| 3273.1C | 3273.4J |
| 3273.3Z | 3273.6H |

Application info

Xsara [04/97-08/05]

Drive shaft

40-14 498 0013 | MDS0041

Notes

| | |
|----------------------------------|------------------|
| Seal Diameter [mm] | 50 |
| Length [mm] | 800 |
| Outer teething differential side | 22 |
| Outer gearing wheel side | 21 |
| | Front Axle Right |

References

| | |
|---------|---------|
| 3273.56 | 3273.C8 |
|---------|---------|

Counterpart

40-14 498 0016 | MDS0043
16-14 498 0058 | MDS0113
16-14 498 0060 | MDS0115



Application info

AX [07/86-12/98]

Saxo [02/96-04/04]

Drive shaft

40-14 498 0035 | MDS0137

Notes

| | |
|----------------------------------|------------------|
| Seal Diameter [mm] | 48 |
| Length [mm] | 845 |
| Outer teething differential side | 24 |
| Outer gearing wheel side | 21 |
| | Front Axle Right |

References

| | |
|---------|------------|
| 3272.65 | 3273.R6 |
| 3273.5Q | 3273.Y0 |
| 3273.5R | 95 591 074 |
| 3273.62 | 95 619 482 |
| 3273.L9 | 95 654 731 |

Counterpart

40-14 498 0038 | MDS0140



Application info

C15 / Visa [09/78-12/05]

C15 / Visa [09/78-12/05]

40-14 498 0030 | MDS0132

Drive shaft



Notes

| | |
|----------------------------------|------------------|
| Number of Teeth, ABS ring | 54 |
| Seal Diameter [mm] | 63 |
| Length [mm] | 1072 |
| Outer teething differential side | 37 |
| Outer gearing wheel side | 28 |
| | Front Axle Right |

References

| | |
|---------|---------|
| 3273.5S | 3273.Q8 |
| 3273.CJ | 3273.Q9 |

Parts list

| | |
|------------------------|----------------|
| 214 498 0012 MCV0130 | C.V. joint kit |
|------------------------|----------------|

Counterpart

40-14 498 0017 | MDS0044

Application info

Jumper I [02/94-04/02]

Jumper I [02/94-04/02]

40-14 498 0012 | MDS0040

Drive shaft



Notes

| | |
|----------------------------------|------------------|
| Number of Teeth, ABS ring | 54 |
| Seal Diameter [mm] | 63 |
| Length [mm] | 1079 |
| Outer teething differential side | 41 |
| Outer gearing wheel side | 28 |
| | Front Axle Right |

References

| | |
|---------|---------|
| 3273.5T | 3273.R1 |
| 3273.R0 | |

Counterpart

40-14 498 0015 | MDS0042

Application info

Jumper I [02/94-04/02]

Jumper I [02/94-04/02]

40-14 498 0041 | MDS0143

Drive shaft

Application info

Saxo [02/96-04/04]

11-14 498 0009 | MDS0019

Drive shaft



Notes

| | |
|----------------------------------|------------------|
| Seal Diameter [mm] | 56.4 |
| Length [mm] | 832.6 |
| Outer teething differential side | 22 |
| Outer gearing wheel side | 21 |
| | Front Axle Right |

References

| | |
|---------|---------|
| 3273.87 | 3273.88 |
|---------|---------|

Counterpart

11-14 498 0010 | MDS0020

Application info

C15 / Visa [09/78-12/05]

C15 / Visa [09/78-12/05]

40-14 498 0032 | MDS0134

Drive shaft



Notes

| | |
|----------------------------------|------------------|
| Seal Diameter [mm] | 58 |
| Length [mm] | 925 |
| Outer teething differential side | 24 |
| Outer gearing wheel side | 25 |
| | Front Axle Right |

References

| | |
|---------|---------|
| 3273.AC | 3273.LP |
| 3273.AE | |

Counterpart

40-14 498 0037 | MDS0139

Application info

Berlingo II [04/08--]
C4 I / Coupe / Grand Picasso / Picasso / Stufenheck [11/04-12/07]

Berlingo II [04/08--]



Drive shaft

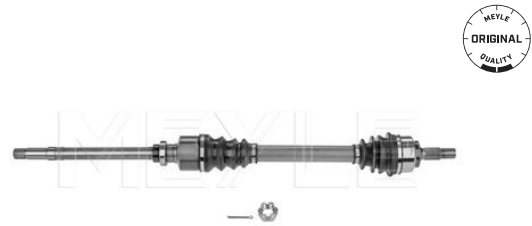
40-14 498 0042 | MDS0144

Notes

| | |
|----------------------------------|-----|
| Seal Diameter [mm] | 59 |
| Length [mm] | 915 |
| Outer teething differential side | 22 |
| Outer gearing wheel side | 25 |
| Front Axle Right | |

References

3273.AH



Application info

C4 I / Coupe / Grand Picasso / Picasso / Stufenheck [11/04-12/07]

Drive shaft

40-14 498 0021 | MDS0048

Notes

| | |
|----------------------------------|-------|
| Seal Diameter [mm] | 56.4 |
| Length [mm] | 797.7 |
| Outer teething differential side | 22 |
| Outer gearing wheel side | 21 |
| Front Axle Right | |

References

| | |
|---------|------------|
| 3273.0K | 3273.C9 |
| 3273.63 | 96 048 667 |

Counterpart

40-14 498 0022 | MDS0049



Application info

AX [07/86-12/98]

Saxo [02/96-04/04]

Drive shaft

214 498 0059 | MDS0122

Notes

| | |
|----------------------------------|------|
| Seal Diameter [mm] | 63 |
| Length [mm] | 1072 |
| Outer teething differential side | 37 |
| Outer gearing wheel side | 28 |
| Front Axle Right | |

References

| | |
|---------|---------|
| 3273.5S | 3273.CJ |
|---------|---------|

Parts list

| | |
|------------------------|----------------|
| 214 498 0032 MCV0146 | C.V. joint kit |
|------------------------|----------------|



Application info

Jumper I [02/94-04/02]

Jumper I [02/94-04/02]

40-14 498 0044 | MDS0146

Drive shaft



Notes

| | |
|----------------------------------|------------------|
| Seal Diameter [mm] | 58.6 |
| Length [mm] | 978 |
| Outer teething differential side | 37 |
| Outer gearing wheel side | 28 |
| | Front Axle Right |

References

| | |
|---------|---------|
| 3273.SV | 3273.SW |
|---------|---------|

Counterpart

40-14 498 0043 | MDS0145

Application info

C5 III (RD_, TD_) (02/08--)
DS5 (11/11--)

Jumpy II (01/07--)
Jumpy II (01/07--)

11-14 498 0017 | MCV0093

C.V. joint kit



Notes

| | |
|----------------------------|------------------------------|
| | CV Joint without ABS ring |
| Seal Diameter [mm] | 58 |
| Outer diameter [mm] | 90 |
| Length [mm] | 145 |
| Internal Teeth, wheel side | 34 |
| Outer gearing wheel side | 25 |
| | Wheel Side |

References

3272.1X

Application info

C4 I / Coupe / Grand Picasso / Picasso / Stufenheck (11/04-12/07)

40-14 498 0027 | MCV0317

C.V. joint kit



Notes

| | |
|----------------------------|---------------------------|
| | CV Joint with ABS ring |
| Number of Teeth, ABS ring | 29 |
| Seal Diameter [mm] | 58.5 |
| Outer diameter [mm] | 90 |
| Length [mm] | 134 |
| Internal Teeth, wheel side | 34 |
| Outer gearing wheel side | 25 |
| | Wheel Side |

References

| | |
|---------|---------|
| 3272.6W | 3273.9Z |
|---------|---------|



C.V. joint kit

40-14 498 0027 | MCV0317

Application info

Berlingo I [07/96-12/07]
Xsara [04/97-08/05]

Xsara Picasso [12/99-09/06]
Berlingo I [07/96--]

C.V. joint kit

40-14 498 0024 | MCV0314

Notes

| | |
|----------------------------|------------------------------|
| | CV Joint without ABS ring |
| Seal Diameter [mm] | 48.6 |
| Outer diameter [mm] | 79.2 |
| Length [mm] | 140.5 |
| Internal Teeth, wheel side | 22 |
| Outer gearing wheel side | 21 |
| | Wheel Side |

References

3272.EQ

3273.EQ



Application info

C2 / C3 I / Pluriel [02/02-09/05]

C.V. joint kit

11-14 498 0024 | MCV0098

Notes

| | |
|----------------------------|------------------------------|
| | CV Joint without ABS ring |
| Seal Diameter [mm] | 58.5 |
| Outer diameter [mm] | 86 |
| Length [mm] | 148 |
| Internal Teeth, wheel side | 34 |
| Outer gearing wheel side | 28 |
| | Wheel Side |

References

3272.GE

3272.GG

3273.EG



Application info

C5 III [RD_, TD_] [02/08--]

C8 [07/02--]

214 498 0014 | MCV0132

C.V. joint kit



Notes

| | |
|----------------------------|---------------------------------|
| Number of Teeth, ABS ring | CV Joint 48 with ABS ring |
| Seal Diameter [mm] | 59 |
| Outer diameter [mm] | 99 |
| Length [mm] | 145 |
| Internal Teeth, wheel side | 39 |
| Outer gearing wheel side | 27 |
| | Wheel Side |

References

| | |
|---------|---------|
| 3272.GY | 3273.GQ |
|---------|---------|

Application info

Evasion [06/94-07/02]
Jumpy I [10/95-12/06]

Jumpy I [06/94--]

40-14 498 0026 | MCV0316

C.V. joint kit



Notes

| | |
|----------------------------|--------------------------------------|
| Seal Diameter [mm] | CV Joint without ABS ring 75.1 |
| Outer diameter [mm] | 75.1 |
| Length [mm] | 140.5 |
| Internal Teeth, wheel side | 21 |
| Outer gearing wheel side | 21 |
| | Wheel Side |

References

| | |
|---------|---------|
| 3272.JA | 3273.HS |
|---------|---------|

Application info

C2 / C3 I / Pluriel [02/02-09/05]

30-14 498 0021 | MCV0187

C.V. joint kit



Notes

| | |
|----------------------------|--------------------------------------|
| Seal Diameter [mm] | CV Joint without ABS ring 49.2 |
| Length [mm] | 137 |
| Internal Teeth, wheel side | 19 |
| Outer gearing wheel side | 24 |
| | Wheel Side |

References

| | |
|---------|---------|
| 3272.JY | 3273.JR |
|---------|---------|

Application info

C1 [06/05--]

C.V. joint kit

11-14 498 0018 | MCV0094

Notes

| | |
|----------------------------|------------------------------|
| | CV Joint without ABS ring |
| Seal Diameter [mm] | 60 |
| Outer diameter [mm] | 79.5 |
| Length [mm] | 134 |
| Internal Teeth, wheel side | 22 |
| Outer gearing wheel side | 25 |
| | Wheel Side |

References

| | |
|---------|---------|
| 3272.LA | 3273.KP |
|---------|---------|



Application info

C4 I / Coupe / Grand Picasso / Picasso / Stufenheck [11/04-12/07]

C.V. joint kit

11-14 498 0013 | MCV0089

Notes

| | |
|----------------------------|---------------------------|
| | CV Joint with ABS ring |
| Number of Teeth, ABS ring | 48 |
| Seal Diameter [mm] | 58.5 |
| Outer diameter [mm] | 90 |
| Length [mm] | 134 |
| Internal Teeth, wheel side | 34 |
| Outer gearing wheel side | 25 |
| | Wheel Side |

References

| | |
|---------|---------|
| 3272.FG | 3272.LP |
| 3272.KL | |



Application info

Berlingo I [07/96-12/07]
Xsara Picasso [12/99-09/06]

Berlingo I [07/96--]

C.V. joint kit

11-14 498 0016 | MCV0092

Notes

| | |
|----------------------------|------------------------------|
| | CV Joint without ABS ring |
| Seal Diameter [mm] | 58.6 |
| Outer diameter [mm] | 95 |
| Length [mm] | 156 |
| Internal Teeth, wheel side | 39 |
| Outer gearing wheel side | 28 |
| | Wheel Side |

References

| | |
|---------|---------|
| 3272.NP | 3273.NP |
| 3272.NQ | 3273.NQ |



11-14 498 0016 | MCV0092

C.V. joint kit

Application info

Jumpy II (01/07--)

Jumpy II (01/07--)

214 498 0006 | MCV0127

C.V. joint kit



Notes

Seal Diameter [mm]
Outer diameter [mm]
Length [mm]
Internal Teeth, wheel side
Outer gearing wheel side

CV Joint
without ABS ring
63
99
175.5
27
28
Wheel Side

References

3273.60

3273.62

Application info

C25 (09/81-03/94)

C25 (07/81-03/94)

11-14 498 0012 | MCV0088

C.V. joint kit



Notes

Seal Diameter [mm]
Outer diameter [mm]
Length [mm]
Internal Teeth, wheel side
Outer gearing wheel side

CV Joint
without ABS ring
59
100
152.5
39
25
Wheel Side

References

3272.FT

3273.CY

Application info

C4 I / Coupe / Grand Picasso / Picasso / Stufenheck (11/04-12/07)

3

C.V. joint kit

40-14 498 0025 | MCV0315

Notes

| | |
|----------------------------|------------------------------|
| | CV Joint without ABS ring |
| Seal Diameter [mm] | 49 |
| Outer diameter [mm] | 72.4 |
| Length [mm] | 137 |
| Internal Teeth, wheel side | 20 |
| Outer gearing wheel side | 21 |
| | Wheel Side |

References

| | |
|---------|---------|
| 3272.FW | 3273.EA |
|---------|---------|



Application info

C2 / C3 I / Pluriel [02/02-09/05]

C.V. joint kit

40-14 498 0023 | MCV0313

Notes

| | |
|----------------------------|------------------------------|
| | CV Joint without ABS ring |
| Seal Diameter [mm] | 48 |
| Outer diameter [mm] | 75.6 |
| Length [mm] | 140.5 |
| Internal Teeth, wheel side | 21 |
| Outer gearing wheel side | 21 |
| | Wheel Side |

References

| | |
|---------|---------|
| 3272.ES | 3273.ES |
|---------|---------|



Application info

C2 / C3 I / Pluriel [02/02-09/05]

C.V. joint kit

40-14 498 0009 | MCV0311

Notes

| | |
|----------------------------|------------------------------|
| | CV Joint without ABS ring |
| Seal Diameter [mm] | 54.8 |
| Outer diameter [mm] | 90 |
| Length [mm] | 134.5 |
| Internal Teeth, wheel side | 34 |
| Outer gearing wheel side | 25 |
| | Wheel Side |

References

| |
|---------|
| 3273.N2 |
|---------|



Application info

Xantia [03/93-04/03]

214 498 0032 | MCV0146

C.V. joint kit



Notes

Seal Diameter [mm]
Outer diameter [mm]
Length [mm]
Internal Teeth, wheel side
Outer gearing wheel side

CV Joint
without ABS ring
63
99
175.5
39
28
Wheel Side

References

1690.02

4246.R3

Application info

Jumper I [02/94-04/02]

Jumper I [02/94-04/02]

40-14 498 0001 | MCV0305

C.V. joint kit



Notes

Seal Diameter [mm]
Outer diameter [mm]
Length [mm]
Internal Teeth, wheel side
Outer gearing wheel side

CV Joint
without ABS ring
56
84
139
22
21
Wheel Side

References

95 598 210

Application info

C15 / Visa [09/78-12/05]

C15 / Visa [09/78-12/05]

40-14 498 0000 | MCV0304

C.V. joint kit



Notes

Seal Diameter [mm]
Outer diameter [mm]
Length [mm]
Internal Teeth, wheel side
Outer gearing wheel side

CV Joint
without ABS ring
54.8
84
127
22
25
Wheel Side

References

3273.17
3273.18
3273.20
3273.21
3273.23
3273.24
3274.79

3274.80
3274.82
3274.83
3274.85
3274.86
95 604 719



C.V. joint kit

40-14 498 0000 | MCV0304

Application info

BX [10/82-12/94]

C.V. joint kit

40-14 498 0002 | MCV0306

Notes

| | |
|----------------------------|------------------------------|
| | CV Joint without ABS ring |
| Seal Diameter [mm] | 54.8 |
| Outer diameter [mm] | 90 |
| Length [mm] | 134.5 |
| Internal Teeth, wheel side | 23 |
| Outer gearing wheel side | 25 |
| | Wheel Side |

References

| | |
|---------|------------|
| 3272.10 | 95 615 878 |
| 3273.79 | |



Application info

BX [10/82-12/94]
Xantia [03/93-04/03]

ZX [03/91-02/98]

C.V. joint kit

40-14 498 0006 | MCV0309

Notes

| | |
|----------------------------|---------------------------|
| | CV Joint with ABS ring |
| Number of Teeth, ABS ring | 29 |
| Seal Diameter [mm] | 54.8 |
| Outer diameter [mm] | 90 |
| Length [mm] | 134.5 |
| Internal Teeth, wheel side | 23 |
| Outer gearing wheel side | 25 |
| | Wheel Side |

References

| | |
|------------|------------|
| 95 656 495 | 95 656 595 |
|------------|------------|



Application info

ZX [03/91-02/98]

3

C.V. joint kit

40-14 498 0005 | MCV0308

Application info

Xantia [03/93-04/03]

C.V. joint kit

40-14 498 0003 | MCV0307

Notes

| | |
|----------------------------|---------------------------------|
| Number of Teeth, ABS ring | CV Joint 48 with ABS ring |
| Seal Diameter [mm] | 55.7 |
| Outer diameter [mm] | 90 |
| Length [mm] | 134 |
| Internal Teeth, wheel side | 34 |
| Outer gearing wheel side | 25 Wheel Side |

References

96 141 637



Application info

Xantia [03/93-04/03]

C.V. joint kit

40-14 498 0010 | MCV0312

Notes

| | |
|----------------------------|---------------------------------|
| Number of Teeth, ABS ring | CV Joint 48 with ABS ring |
| Seal Diameter [mm] | 59 |
| Outer diameter [mm] | 90 |
| Length [mm] | 137 |
| Internal Teeth, wheel side | 34 |
| Outer gearing wheel side | 27 Wheel Side |

References

96 199 475 80 96 199 476 80



Application info

Evasion [06/94-07/02]
Jumpy I [10/95-12/06]

Jumpy I [06/94--]

214 498 0037 | MCV0150

C.V. joint kit



Notes

Seal Diameter [mm]
Outer diameter [mm]
Length [mm]
Internal Teeth, wheel side
Outer gearing wheel side

CV Joint
without ABS ring
58
92
143.5
28
27
Wheel Side

Application info

C8 (07/02--)

40-14 030 0000 | MEM0450

Mount, automatic transmission



Notes

Rubber-metal Bearing
Transmission End
Left

References

1813.98

Application info

C5 I / C5 II (03/01-04/07)

C5 III (RD_, TD_) (02/08--)

40-14 030 0000 | MEM0450

Mount, manual transmission



Notes

Rubber-metal Bearing
Transmission End
Left

References

1813.98

Application info

C5 I / C5 II (03/01-04/07)

C5 III (RD_, TD_) (02/08--)

3



ABS wheel sensor

11-14 800 0016 | MAS0388

Notes

| | |
|-----------------------|-------------|
| Operating voltage [V] | Hall Sensor |
| Number of Poles | 12 |
| Required quantity | 2 |
| | Rear Axle |

References

| | |
|---------|---------|
| 4545.08 | 4545.L0 |
|---------|---------|



Application info

C4 I / Coupe / Grand Picasso / Picasso / Stufenheck (11/04-12/07)

C4 II / DS4 (11/09--)

ABS wheel sensor

11-14 800 0004 | MAS0260

Notes

| | |
|-----------------------|------------------|
| | Inductive Sensor |
| Cable Length [mm] | 1210 |
| Operating voltage [V] | 12 |
| Number of Poles | 2 |
| Resistance [Ohm] | 1550 |

References

| | |
|---------|---------|
| 4545.32 | 4545.45 |
|---------|---------|



Application info

Berlingo I (07/96-12/07)

Berlingo I (07/96--)

ABS wheel sensor

11-14 800 0005 | MAS0261

Notes

| | |
|-----------------------|------------------|
| | Inductive Sensor |
| Cable Length [mm] | 720 |
| Operating voltage [V] | 12 |
| Number of Poles | 2 |
| Resistance [Ohm] | 1550 |

References

| | |
|---------|---------|
| 4545.33 | 4545.46 |
| 4545.36 | 4545.56 |



Application info

Xsara (04/97-08/05)

ZX (03/91-02/98)

11-14 899 0010 | MAS0081

ABS wheel sensor



Notes

Cable Length [mm]
Operating voltage [V]
Number of Poles
Required quantity
Resistance [Ohm]

Inductive Sensor
810
12
2
2
1680
Rear Axle left and right

References

4545.50
96 217 756

96 227 489

Application info

Xsara [04/97-08/05]

ZX [03/91-02/98]

11-14 899 0016 | MAS0086

ABS wheel sensor



Notes

Cable Length [mm]
Operating voltage [V]
Number of Poles
Required quantity
Resistance [Ohm]

Passive sensor
480
12
2
2
1150
Front Axle left and right

References

4545.57

Application info

Saxo [02/96-04/04]

11-14 800 0015 | MAS0364

ABS wheel sensor



Notes

Operating voltage [V]
Number of Poles
Required quantity
Resistance [Ohm]

Inductive Sensor
12
2
2
1550
Front Axle left and right

References

4545.67

Application info

Evasion [06/94-07/02]
Jumpy I [10/95-12/06]

Jumpy I [06/94--]

ABS wheel sensor

40-14 800 0017 | MAS0270

Notes

| | |
|-----------------------|------------------|
| Operating voltage [V] | Inductive Sensor |
| Cable Length [mm] | 1495 |
| Number of Poles | 2 |
| Required quantity | 1 |
| Resistance [Ohm] | 1680 |
| | Rear Axle Left |

References

4545.71

Counterpart

40-14 800 0018 | MAS0271



Application info

Jumper I [02/94-04/02]

Jumper I [02/94-04/02]

ABS wheel sensor

40-14 800 0018 | MAS0271

Notes

| | |
|-----------------------|------------------|
| Operating voltage [V] | Inductive Sensor |
| Cable Length [mm] | 12 |
| Number of Poles | 2200 |
| Required quantity | 2 |
| Resistance [Ohm] | 1 |
| | 1680 |
| | Rear Axle Right |

References

4545.72

Counterpart

40-14 800 0017 | MAS0270



Application info

Jumper I [02/94-04/02]

Jumper I [02/94-04/02]

ABS wheel sensor

11-14 899 0001 | MAS0074

Notes

| | |
|-----------------------|---------------------------|
| Cable Length [mm] | Inductive Sensor |
| Operating voltage [V] | 920 |
| Number of Poles | 12 |
| Required quantity | 2 |
| Resistance [Ohm] | 2 |
| | 1100 |
| | Front Axle left and right |

References

4545.73



11-14 899 0001 | MAS0074

ABS wheel sensor

Application info

Xantia [03/93-04/03]

11-14 899 0000 | MAS0073

ABS wheel sensor



Notes

Cable Length [mm]
Operating voltage [V]
Number of Poles
Required quantity
Resistance [Ohm]

Inductive Sensor
740
12
2
2
1100
Rear Axle left and right

References

4545.74

Application info

Xantia [03/93-04/03]

11-14 800 0003 | MAS0241

ABS wheel sensor



Notes

Operating voltage [V]
Cable Length [mm]
Number of Poles
Required quantity
Resistance [Ohm]

Inductive Sensor
12
860
2
2
1700
Rear Axle left and right

References

4545.75

Application info

Evasion [06/94-07/02]
Jumpy I [10/95-12/06]

Jumpy I [06/94--]

40-14 800 0012 | MAS0266

ABS wheel sensor



Notes

Operating voltage [V]
Cable Length [mm]
Number of Poles
Required quantity
Resistance [Ohm]

Inductive Sensor
12
980
2
2
1550
Front Axle left and right

References

4545.66

4545.78



ABS wheel sensor

40-14 800 0012 | MAS0266

Application info

Xsara [04/97-08/05]

Xsara Picasso [12/99-09/06]

ABS wheel sensor

40-14 800 0011 | MAS0246

Notes

| | |
|-----------------------|--------------------------|
| Operating voltage [V] | Inductive Sensor |
| Cable Length [mm] | 12 |
| Number of Poles | 700 |
| Required quantity | 2 |
| Resistance [Ohm] | 2 |
| | 1100 |
| | Rear Axle left and right |

References

4545.80



Application info

Saxo [02/96-04/04]

ABS wheel sensor

40-14 800 0001 | MAS0190

Notes

| | |
|-----------------------|---------------------------|
| Cable Length [mm] | Hall Sensor |
| Operating voltage [V] | 1210 |
| Number of Poles | 12 |
| Required quantity | 2 |
| | 2 |
| | Front Axle left and right |

References

4545.86



Application info

C5 I / C5 II [03/01-04/07]

ABS wheel sensor

214 800 0017 | MAS0263

Notes

| | |
|-----------------------|---------------------------|
| Operating voltage [V] | Inductive Sensor |
| Cable Length [mm] | 12 |
| Number of Poles | 1340 |
| Required quantity | 2 |
| Resistance [Ohm] | 2 |
| | 1680 |
| | Front Axle left and right |

References

4545.90



4

214 800 0017 | MAS0263

ABS wheel sensor

Application info

Jumper I [02/94-04/02]
Jumper II [02/02-06/06]

Jumper I [02/94-04/02]
Jumper II [02/02--]

40-14 800 0014 | MAS0268

ABS wheel sensor



Notes

Cable Length [mm]
Operating voltage [V]
Number of Poles
Required quantity

Hall Sensor
765
12
2
1
Front Axle Left

References

4545.94

Counterpart

40-14 800 0015 | MAS0269

Application info

C8 [07/02--]

40-14 800 0015 | MAS0269

ABS wheel sensor



Notes

Cable Length [mm]
Operating voltage [V]
Number of Poles
Required quantity

Hall Sensor
775
12
2
1
Front Axle Right

References

4545.95

Counterpart

40-14 800 0014 | MAS0268

Application info

C8 [07/02--]

ABS wheel sensor

40-14 800 0016 | MAS0279

Notes

| | |
|-----------------------|--------------------------|
| Cable Length [mm] | Hall Sensor |
| Operating voltage [V] | 920 |
| Number of Poles | 12 |
| Required quantity | 2 |
| | 2 |
| | Rear Axle left and right |

References

4545.96



Application info

C8 (07/02--)

ABS wheel sensor

40-14 800 0002 | MAS0191

Notes

| | |
|-----------------------|---------------------------|
| Cable Length [mm] | Hall Sensor |
| Operating voltage [V] | 1045 |
| Number of Poles | 12 |
| Required quantity | 2 |
| | 2 |
| | Front Axle left and right |

References

4545.97



Application info

C2 / C3 I / Pluriel (02/02-09/05)

C3 II (11/09--)

ABS wheel sensor

40-14 800 0003 | MAS0192

Notes

| | |
|-----------------------|--------------------------|
| Cable Length [mm] | Hall Sensor |
| Operating voltage [V] | 705 |
| Number of Poles | 12 |
| Required quantity | 2 |
| | 2 |
| | Rear Axle left and right |

References

4545.98



Application info

C2 / C3 I / Pluriel (02/02-09/05)

C3 II (11/09--)

4

40-14 800 0013 | MAS0267

ABS wheel sensor



Notes

Cable Length [mm]
Operating voltage [V]
Number of Poles
Required quantity

Hall Sensor
1620
12
2
2
Rear Axle left and right

References

4545.A5

Application info

C5 I / C5 II (03/01-04/07)

11-14 899 0003 | MAS0075

ABS wheel sensor



Notes

Cable Length [mm]
Operating voltage [V]
Number of Poles
Required quantity

Hall Sensor
640
12
2
2
Front Axle left and right

References

4545.C1

Application info

C4 I / Coupe / Grand Picasso / Picasso / Stufenheck (11/04-12/07)

11-14 899 0004 | MAS0076

ABS wheel sensor



Notes

Cable Length [mm]
Operating voltage [V]
Number of Poles
Required quantity

Hall Sensor
775
12
2
2
Rear Axle left and right

References

4545.C2

96 526 967

Application info

C4 I / Coupe / Grand Picasso / Picasso / Stufenheck (11/04-12/07)



ABS wheel sensor

11-14 899 0005 | MAS0077

Notes

| | |
|-----------------------|--------------------------|
| Cable Length [mm] | Hall Sensor |
| Operating voltage [V] | 900 |
| Number of Poles | 12 |
| Required quantity | 2 |
| | Rear Axle left and right |

References

| | |
|------------|------------|
| 4545.C4 | 96 584 207 |
| 96 461 258 | |



Application info

C4 I / Coupe / Grand Picasso / Picasso / Stufenheck (11/04-12/07)

ABS wheel sensor

40-14 800 0019 | MAS0318

Notes

| | |
|-----------------------|---------------------------|
| Cable Length [mm] | Hall Sensor |
| Operating voltage [V] | 745 |
| Number of Poles | 12 |
| Required quantity | 2 |
| | Front Axle left and right |

References

4545.E1



Application info

C1 (06/05--)

ABS wheel sensor

40-14 800 0020 | MAS0319

Notes

| | |
|-----------------------|--------------------------|
| Operating voltage [V] | Hall Sensor |
| Cable Length [mm] | 12 |
| Number of Poles | 875 |
| Required quantity | 2 |
| | with fastening material |
| | 2 |
| | Rear Axle left and right |

References

4545.E2



Application info

C1 (06/05--)

11-14 800 0007 | MAS0315

ABS wheel sensor



Notes

Cable Length [mm]
Operating voltage [V]
Number of Poles
Required quantity

Hall Sensor
675
12
2
2
Rear Axle left and right

References

4545.E5

Application info

C3 Picasso (02/09--)

40-14 800 0025 | MAS0321

ABS wheel sensor



Notes

Cable Length [mm]
Operating voltage [V]
Number of Poles
Required quantity

Hall Sensor
620
12
2
2
Front Axle left and right

References

4545.E7

96 552 700

Application info

Berlingo II (04/08--)
C4 I / Coupe / Grand Picasso / Picasso / Stufenheck (11/04-12/07)

Berlingo II (04/08--)

40-14 800 0024 | MAS0352

ABS wheel sensor



Notes

Cable Length [mm]
Operating voltage [V]
Number of Poles
Required quantity

Hall Sensor
915
12
2
2
Rear Axle left and right

References

4545.E8

96 536 631

Application info

Berlingo II (04/08--)
C4 I / Coupe / Grand Picasso / Picasso / Stufenheck (11/04-12/07)

Berlingo II (04/08--)



ABS wheel sensor

11-14 800 0008 | MAS0327

Notes

| | |
|-----------------------|---------------------------|
| Operating voltage [V] | Hall Sensor |
| Cable Length [mm] | 12 |
| Number of Poles | 870 |
| | 2 |
| Required quantity | with screw |
| | 2 |
| | Front Axle left and right |

References

| | |
|---------------|---------|
| 14 99 936 080 | 4545.E9 |
|---------------|---------|



Application info

Jumpy II [01/07--]

Jumpy II [01/07--]

ABS wheel sensor

11-14 800 0009 | MAS0281

Notes

| | |
|-----------------------|--------------------------|
| Cable Length [mm] | Hall Sensor |
| Operating voltage [V] | 1410 |
| Number of Poles | 12 |
| Required quantity | 2 |
| | 2 |
| | Rear Axle left and right |

References

4545.F0



Application info

Jumpy II [01/07--]

Jumpy II [01/07--]

ABS wheel sensor

40-14 800 0021 | MAS0351

Notes

| | |
|-----------------------|---------------------------|
| Cable Length [mm] | Hall Sensor |
| Operating voltage [V] | 895 |
| Number of Poles | 12 |
| Required quantity | 2 |
| | 2 |
| | Front Axle left and right |

References

4545.F1



Application info

Jumper III [04/06--]

Jumper III [04/06--]

4

40-14 800 0022 | MAS0320

ABS wheel sensor



Notes

Cable Length [mm]
Operating voltage [V]
Number of Poles
Required quantity

Hall Sensor
735
12
2
2
Rear Axle left and right

References

4545.F6

Application info

C4 I / Coupe / Grand Picasso / Picasso / Stufenheck [11/04-12/07]

11-14 800 0002 | MAS0072

ABS wheel sensor



Notes

Cable Length [mm]
Operating voltage [V]
Number of Poles
Required quantity

Hall Sensor
1185
12
2
with screw
2
Front Axle

References

4545.A9

4545.G6

Application info

C6 [09/05--]

11-14 899 0019 | MAS0089

ABS wheel sensor



Notes

Cable Length [mm]
Operating voltage [V]
Number of Poles
Required quantity

Hall Sensor
1762
12
2
2
Rear Axle left and right

References

4545.C0

4545.G7

Application info

C6 [09/05--]



ABS wheel sensor

11-14 800 0010 | MAS0363

Notes

Cable Length [mm]
Operating voltage [V]
Number of Poles
Required quantity

Hall Sensor
890
12
2
2
Rear Axle left and right

References

4545.H1



Application info

Jumper III (04/06--)

Jumper III (04/06--)

ABS wheel sensor

40-14 800 0007 | MAS0265

Notes

Operating voltage [V]
Cable Length [mm]
Number of Poles
Required quantity

Active sensor
12
1190
2
with screw
2
Front Axle left and right

References

4545.H5



Application info

C5 III (RD_, TD_) (02/08--)

C6 (09/05--)

ABS wheel sensor

40-14 800 0008 | MAS0278

Notes

Operating voltage [V]
Cable Length [mm]
Number of Poles
Required quantity

Hall Sensor
12
1750
2
with fastening material
2
Rear Axle left and right

References

4545.H6



Application info

C5 III (RD_, TD_) (02/08--)

C6 (09/05--)

40-14 800 0027 | MAS0357

ABS wheel sensor



Notes

| | |
|-----------------------|-------------|
| Operating voltage [V] | Hall Sensor |
| Length [mm] | 1259 |
| Number of Poles | 2 |
| Required quantity | 2 |
| | Front Axle |

References

| | |
|---------|---------|
| 4545.h9 | 4545.K6 |
|---------|---------|

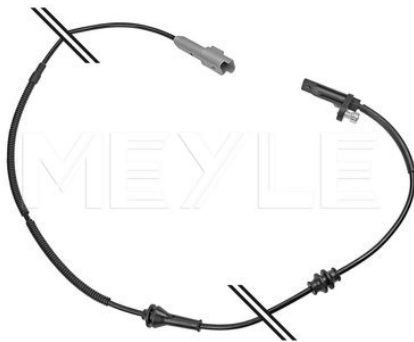
Application info

C5 III (RD_, TD_) [02/08--]

C6 [09/05--]

40-14 800 0026 | MAS0356

ABS wheel sensor



Notes

| | |
|-----------------------|-------------|
| Operating voltage [V] | Hall Sensor |
| Length [mm] | 1762 |
| Number of Poles | 2 |
| Required quantity | 2 |
| | Rear Axle |

References

| |
|---------|
| 4545.J0 |
|---------|

Application info

C5 III (RD_, TD_) [02/08--]

C6 [09/05--]

11-14 800 0012 | MAS0316

ABS wheel sensor



Notes

| | |
|-----------------------|--------------------------|
| Cable Length [mm] | Hall Sensor |
| Operating voltage [V] | 690 |
| Number of Poles | 12 |
| Required quantity | 2 |
| | 2 |
| | Rear Axle left and right |

References

| |
|---------|
| 4545.J8 |
|---------|

Application info

C Elyse [11/12--]

C3 Picasso [02/09--]

ABS wheel sensor

11-14 800 0011 | MAS0328

Notes

| | |
|-----------------------|---------------------------|
| Cable Length [mm] | Hall Sensor |
| Operating voltage [V] | 965 |
| Number of Poles | 12 |
| Required quantity | 2 |
| | 2 |
| | Front Axle left and right |

References

| | |
|---------|---------|
| 4545.E4 | 4545.J9 |
|---------|---------|



Application info

| | |
|-------------------|----------------------|
| C Elyse [11/12--] | C3 Picasso [02/09--] |
| C3 II [11/09--] | C4 Cactus [09/14--] |

ABS wheel sensor

40-14 800 0023 | MAS0289

Notes

| | |
|-----------------------|---------------------------|
| Cable Length [mm] | Active sensor |
| Operating voltage [V] | 645 |
| Number of Poles | 12 |
| Required quantity | 2 |
| | 2 |
| | Front Axle left and right |

References

| | |
|---------|---------|
| 4545.F5 | 4545.K3 |
|---------|---------|



Application info

| | |
|---|-----------------------|
| C4 I / Coupe / Grand Picasso / Picasso / Stufenheck [11/04-12/07] | C4 II / DS4 [11/09--] |
| | DS5 [11/11--] |

Control unit, glow plug system

11-14 880 0001 | MEX0501

Notes

| | |
|-----------------------------|----|
| Pre-Glow Time [sec.] | 10 |
| Observe service information | |
| Number of Cylinders | 4 |
| Height [mm] | 64 |
| Width [mm] | 80 |
| Multiple | 2 |
| Operating voltage [V] | 12 |
| Length [mm] | 74 |
| Number of Poles | 1 |
| Number of Poles | 5 |

References

| |
|---------|
| 5981.20 |
|---------|



11-14 880 0001 | MEX0501

Control unit, glow plug system

Application info

XM (05/89-10/00)

40-14 880 0000 | MEX0536

Control unit, glow plug system



Notes

| | |
|-----------------------------|----|
| Observe service information | |
| Number of Cylinders | 4 |
| Height [mm] | 64 |
| Width [mm] | 80 |
| Multiple | 2 |
| Operating voltage [V] | 12 |
| Length [mm] | 74 |
| Number of Poles | 1 |
| Number of Poles | 5 |

References

| | |
|---------|---------|
| 5981.31 | 5981.38 |
|---------|---------|

Application info

Berlingo I (07/96-12/07)

C15 / Visa (09/78-12/05)

C2 / C3 I / Pluriel (02/02-09/05)

C5 I / C5 II (03/01-04/07)

C8 (07/02--)

Evasion (06/94-07/02)

Jumper I (02/94-04/02)

Jumper II (02/02-06/06)

Jumpy I (10/95-12/06)

Saxo (02/96-04/04)

Xantia (03/93-04/03)

XM (05/89-10/00)

Xsara (04/97-08/05)

Xsara Picasso (12/99-09/06)

Berlingo I (07/96--)

C15 / Visa (09/78-12/05)

C2 / C3 I / Pluriel (02/02--)

Jumper I (02/94-04/02)

Jumper II (02/02--)

Jumpy I (06/94--)

40-14 880 0001/S | MEX0542

Control unit, glow plug system



Notes

| | |
|-----------------------------|-----|
| Observe service information | |
| Version | SET |
| Number of Cylinders | 4 |
| Height [mm] | 64 |
| Width [mm] | 80 |
| Multiple | 2 |
| Operating voltage [V] | 12 |
| Length [mm] | 74 |
| Number of Poles | 1 |
| Number of Poles | 5 |

References

| | |
|---------|---------|
| 5981.31 | 5981.38 |
|---------|---------|

Parts list

| | |
|--------------------------|--------------------------------|
| 714 860 0002 MGP0093 | Glow plug |
| 40-14 880 0000 MEX0536 | Control unit, glow plug system |

40-14 880 0003/S | MEX0544

Control unit, glow plug system

Application info

Berlingo I (07/96-12/07)
C5 I / C5 II (03/01-04/07)
C8 (07/02--)
Evasion (06/94-07/02)
Jumper II (02/02-06/06)
Jumpy I (10/95-12/06)

Xantia (03/93-04/03)
Xsara (04/97-08/05)
Xsara Picasso (12/99-09/06)
Berlingo I (07/96--)
Jumper II (02/02--)
Jumpy I (06/94--)

40-14 880 0004/S | MEX0545

Control unit, glow plug system



Notes

Observe service information
Version SET
Number of Cylinders 4
Height [mm] 64
Width [mm] 80
Multiple 2
Operating voltage [V] 12
Length [mm] 74
Number of Poles 1
Number of Poles 5

References

5981.31 5981.38

Parts list

011 860 0000 | MGP0001 Glow plug
40-14 880 0000 | MEX0536 Control unit, glow plug system

Application info

Xantia (03/93-04/03)
XM (05/89-10/00)

Xsara (04/97-08/05)

40-14 880 0005/S | MEX0546

Control unit, glow plug system



Notes

Observe service information
Version SET
Number of Cylinders 4
Height [mm] 64
Width [mm] 80
Multiple 2
Operating voltage [V] 12
Length [mm] 74
Number of Poles 1
Number of Poles 5

References

5981.31 5981.38

Parts list

714 020 0004 | MGP0090 Glow plug
40-14 880 0000 | MEX0536 Control unit, glow plug system

11-14 880 0003/S | MEX0503

Control unit, glow plug system

Application info

Berlingo I [07/96-12/07]
Berlingo II [04/08--]
C2 / C3 I / Pluriel [02/02-09/05]
C3 II [11/09--]
C3 Picasso [02/09--]
C4 I / Coupe / Grand Picasso / Picasso / Stufenheck [11/04-12/07]

C5 I / C5 II [03/01-04/07]
Xsara [04/97-08/05]
Berlingo I [07/96--]
Berlingo II [04/08--]
C2 / C3 I / Pluriel [02/02--]

11-14 880 0004/S | MEX0504

Control unit, glow plug system



Notes

| | |
|-----------------------------|-----|
| Observe service information | |
| Version | SET |
| Number of Cylinders | 4 |
| Height [mm] | 48 |
| Width [mm] | 39 |
| Operating voltage [V] | 12 |
| Length [mm] | 89 |
| Number of Poles | 7 |

References

5981.40

Parts list

| | |
|--------------------------|--------------------------------|
| 11-14 860 0001 MGP0025 | Glow plug |
| 16-14 880 0000 MEX0526 | Control unit, glow plug system |

Application info

Berlingo I [07/96-12/07]
Berlingo II [04/08--]
C1 [06/05--]
C2 / C3 I / Pluriel [02/02-09/05]
C3 II [11/09--]
C3 Picasso [02/09--]

C4 I / Coupe / Grand Picasso / Picasso / Stufenheck [11/04-12/07]
C5 I / C5 II [03/01-04/07]
Jumpy II [01/07--]
Berlingo I [07/96--]
Berlingo II [04/08--]
Jumpy II [01/07--]

11-14 880 0005/S | MEX0505

Control unit, glow plug system



Notes

| | |
|-----------------------------|-----|
| Observe service information | |
| Version | SET |
| Number of Cylinders | 4 |
| Height [mm] | 48 |
| Width [mm] | 39 |
| Operating voltage [V] | 12 |
| Length [mm] | 89 |
| Number of Poles | 7 |

References

5981.40

Parts list

| | |
|--------------------------|--------------------------------|
| 714 020 0003 MGP0089 | Glow plug |
| 16-14 880 0000 MEX0526 | Control unit, glow plug system |

Control unit, glow plug system

11-14 880 0005/S | MEX0505

Application info

Berlingo I (07/96-12/07)
 Berlingo II (04/08--)
 C5 I / C5 II (03/01-04/07)
 Xsara (04/97-08/05)

Xsara Picasso (12/99-09/06)
 Berlingo I (07/96--)
 Berlingo II (04/08--)

Control unit, glow plug system

11-14 880 0006/S | MEX0506

Notes

Observe service information

| | |
|-----------------------|-----|
| Version | SET |
| Number of Cylinders | 4 |
| Height [mm] | 48 |
| Width [mm] | 39 |
| Operating voltage [V] | 12 |
| Length [mm] | 89 |
| Number of Poles | 7 |

References

5981.40

Parts list

| | |
|--------------------------|--------------------------------|
| 714 020 0004 MGP0090 | Glow plug |
| 16-14 880 0000 MEX0526 | Control unit, glow plug system |



Application info

C4 I / Coupe / Grand Picasso / Picasso / Stufenheck (11/04-12/07)
 C5 I / C5 II (03/01-04/07)

C8 (07/02--)
 Jumpy II (01/07--)
 Jumpy II (01/07--)

Control unit, glow plug system

11-14 880 0007/S | MEX0507

Notes

Observe service information

| | |
|-----------------------|-----|
| Version | SET |
| Number of Cylinders | 4 |
| Height [mm] | 48 |
| Width [mm] | 39 |
| Operating voltage [V] | 12 |
| Length [mm] | 89 |
| Number of Poles | 7 |

References

5981.40

Parts list

| | |
|--------------------------|--------------------------------|
| 11-14 860 0000 MGP0024 | Glow plug |
| 16-14 880 0000 MEX0526 | Control unit, glow plug system |



Application info

Berlingo I (07/96-12/07)

Berlingo I (07/96--)

11-14 880 0008/S | MEX0508

Control unit, glow plug system



Notes

| | |
|-----------------------------|-----|
| Observe service information | |
| Version | SET |
| Number of Cylinders | 4 |
| Height [mm] | 48 |
| Width [mm] | 39 |
| Operating voltage [V] | 12 |
| Length [mm] | 89 |
| Number of Poles | 7 |

References

5981.40

Parts list

| | |
|--------------------------|--------------------------------|
| 40-14 860 0002 MGP0069 | Glow plug |
| 16-14 880 0000 MEX0526 | Control unit, glow plug system |

Application info

C5 I / C5 II [03/01-04/07]
C6 [09/05--]
C8 [07/02--]

C-Crosser [02/07--]
C-Crosser [02/07--]

16-14 880 0000 | MEX0526

Control unit, glow plug system



Notes

| | |
|-----------------------------|----|
| Observe service information | |
| Number of Cylinders | 4 |
| Height [mm] | 48 |
| Width [mm] | 39 |
| Operating voltage [V] | 12 |
| Length [mm] | 89 |
| Number of Poles | 8 |

References

5981.40

Application info

Berlingo I [07/96-12/07]
Berlingo II [04/08--]
C1 [06/05--]
C2 / C3 I / Pluriel [02/02-09/05]
C3 II [11/09--]
C3 Picasso [02/09--]
C4 I / Coupe / Grand Picasso / Picasso / Stufenheck [11/04-12/07]
C5 I / C5 II [03/01-04/07]
C6 [09/05--]

C8 [07/02--]
C-Crosser [02/07--]
Jumpy II [01/07--]
Xsara [04/97-08/05]
Xsara Picasso [12/99-09/06]
Berlingo I [07/96--]
Berlingo II [04/08--]
C2 / C3 I / Pluriel [02/02--]
C-Crosser [02/07--]
Jumpy II [01/07--]

Crank position sensor

40-14 800 0009 | MPS0061

Notes

Black
Passive sensor

Fitting Depth [mm] 17.2
Operating voltage [V] 12
Number of Poles 2
Resistance [Ohm] without cable 450

References

1920.AW



Application info

AX (07/86-12/98)
Berlingo I (07/96-12/07)
C Elyse (11/12--)
C2 / C3 I / Pluriel (02/02-09/05)
C3 II (11/09--)
C4 I / Coupe / Grand Picasso / Picasso / Stufenheck (11/04-12/07)

Nemo (02/08--)
Saxo (02/96-04/04)
Xsara (04/97-08/05)
Xsara Picasso (12/99-09/06)
Berlingo I (07/96--)
Nemo (02/08--)

Crank position sensor

40-14 800 0004 | MPS0049

Notes

Black
Active sensor

Operating voltage [V] 12
Number of Poles 3
without cable

References

1920.EH 96 374 669
96 372 208



Application info

Berlingo I (07/96-12/07)
Berlingo II (04/08--)
C1 (06/05--)
C2 / C3 I / Pluriel (02/02-09/05)
C3 II (11/09--)
C4 I / Coupe / Grand Picasso / Picasso / Stufenheck (11/04-12/07)
C4 II / DS4 (11/09--)
C5 I / C5 II (03/01-04/07)
C5 III (RD_, TD_) (02/08--)

C6 (09/05--)
C8 (07/02--)
C-Crosser (02/07--)
Jumpy II (01/07--)
Xsara Picasso (12/99-09/06)
Berlingo I (07/96--)
Berlingo II (04/08--)
C2 / C3 I / Pluriel (02/02--)
C-Crosser (02/07--)
Jumpy II (01/07--)

4

40-14 800 0010 | MPS0052

Crank position sensor



Notes

| | |
|-----------------------|----------------|
| Operating voltage [V] | Grey |
| Fitting Depth [mm] | Passive sensor |
| Number of Poles | 12 |
| Resistance [Ohm] | 24 |
| | 2 |
| | without cable |
| | 400 |

References

| | |
|---------|---------|
| 1920.EN | 1920.FP |
|---------|---------|

Application info

Berlingo I [07/96-12/07]
C4 I / Coupe / Grand Picasso / Picasso / Stufenheck [11/04-12/07]
C5 I / C5 II [03/01-04/07]
C8 [07/02--]

Jumpy II [01/07--]
Xsara [04/97-08/05]
Xsara Picasso [12/99-09/06]
Berlingo I [07/96--]
Jumpy II [01/07--]

214 899 0001 | MPS0046

Crank position sensor



Notes

| | |
|-----------------------|----------------|
| Operating voltage [V] | Black |
| Fitting Depth [mm] | Passive sensor |
| Number of Poles | 12 |
| Resistance [Ohm] | 36.5 |
| | 2 |
| | without cable |
| | 800 |

References

| |
|---------|
| 1920.SQ |
|---------|

Application info

Nemo [02/08--]

714 860 0002 | MGP0093

Glow plug



Notes

| | |
|---------------------|-----------------------|
| Rated current [A] | 11 |
| | after-glow capable |
| | Pencil-type Glow Plug |
| Spanner Size | 8 |
| Diameter [mm] | 4.4 |
| Thread Size | M8 x 1 |
| Overall Length [mm] | 118.5 |
| Cone Pitch | 123° |
| Fitting Depth [mm] | 28 |
| Connector type | M4 |
| Voltage [V] | 11 |

References

| | |
|---------|---------------|
| 5960.12 | 5960.E9 |
| 5960.19 | 96 374 699 80 |

Glow plug

714 860 0002 | MGP0093

Application info

Berlingo I (07/96-12/07)

Berlingo II (04/08--)

C2 / C3 I / Pluriel (02/02-09/05)

C3 II (11/09--)

C3 Picasso (02/09--)

C4 I / Coupe / Grand Picasso / Picasso / Stufenheck (11/04-12/07)

C5 I / C5 II (03/01-04/07)

Xsara (04/97-08/05)

Xsara Picasso (12/99-09/06)

Berlingo I (07/96--)

Berlingo II (04/08--)

C2 / C3 I / Pluriel (02/02--)

Glow plug

714 020 0004 | MGP0090

Notes

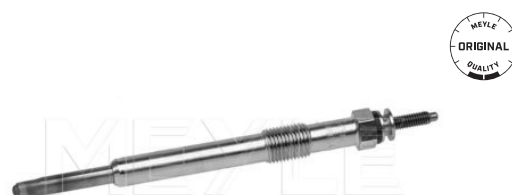
| | |
|---------------------|---|
| Rated current [A] | 18.5 after-glow capable Pencil-type Glow Plug |
| Spanner Size | 10 |
| Diameter [mm] | 5.1 |
| Thread Size | M10 x 1 |
| Overall Length [mm] | 118.4 |
| Cone Pitch | 63° |
| Fitting Depth [mm] | 27.75 |
| Connector type | M4 |
| Voltage [V] | 11 |

References

5960.64

5960.65

5960.F4



Application info

C4 I / Coupe / Grand Picasso / Picasso / Stufenheck (11/04-12/07)

C5 I / C5 II (03/01-04/07)

C5 III (RD_, TD_) (02/08--)

C8 (07/02--)

Jumper II (02/02-06/06)

Jumpy II (01/07--)

Jumper II (02/02--)

Jumpy II (01/07--)

Glow plug

714 020 0003 | MGP0089

Notes

| | |
|---------------------|---|
| Rated current [A] | 15 after-glow capable Pencil-type Glow Plug |
| Spanner Size | 10 |
| Diameter [mm] | 5.1 |
| Thread Size | M10 x 1 |
| Overall Length [mm] | 107 |
| Cone Pitch | 63° |
| Fitting Depth [mm] | 28 |
| Connector type | M4 |
| Voltage [V] | 11 |

References

5960.66

5960.67

5962.3C

5962.3E

5962.7F

5962.7G

96 236 383

96 389 858

96 510 297

96 515 836



714 020 0003 | MGP0089

Glow plug

Application info

Berlingo I [07/96-12/07]
Berlingo II [04/08--]
C4 I / Coupe / Grand Picasso / Picasso / Stufenheck [11/04-12/07]
C5 I / C5 II [03/01-04/07]
C8 [07/02--]
Evasion [06/94-07/02]
Jumper I [02/94-04/02]
Jumper II [02/02-06/06]

Jumpy I [10/95-12/06]
Xantia [03/93-04/03]
Xsara [04/97-08/05]
Xsara Picasso [12/99-09/06]
Berlingo I [07/96--]
Berlingo II [04/08--]
Jumper I [02/94-04/02]
Jumper II [02/02--]
Jumpy I [06/94--]

11-14 860 0000 | MGP0024

Glow plug



Notes

| | |
|---------------------|---|
| Rated current [A] | 15 after-glow capable Pencil-type Glow Plug |
| Spanner Size | 10 |
| Diameter [mm] | 5 |
| Thread Size | M10 x 1 |
| Overall Length [mm] | 89 |
| Cone Pitch | 63° |
| Fitting Depth [mm] | 30 |
| Connector type | M4 |
| Voltage [V] | 11 |

References

| | |
|---------|---------|
| 5960.69 | 5962.2Z |
|---------|---------|

Application info

AX [07/86-12/98]
Berlingo I [07/96-12/07]
C15 / Visa [09/78-12/05]
Jumpy I [10/95-12/06]
Saxo [02/96-04/04]

Xsara [04/97-08/05]
Berlingo I [07/96--]
C15 / Visa [09/78-12/05]
Jumpy I [06/94--]

514 860 0001 | MGP0098

Glow plug



Notes

| | |
|---------------------|---|
| Rated current [A] | 10 after-glow capable Pencil-type Glow Plug |
| Spanner Size | 8 |
| Diameter [mm] | 4 |
| Thread Size | M8 x 1 |
| Overall Length [mm] | 126 |
| Cone Pitch | 93° |
| Fitting Depth [mm] | 25 |
| Connector type | Ø 4 mm |
| Voltage [V] | 11 |

References

| | |
|---------|---------|
| 5960.77 | 5960.F8 |
|---------|---------|

Glow plug

514 860 0001 | MGP0098

Application info

C5 III (RD_, TD_) (02/08--)

C6 (09/05--)

Glow plug

11-14 860 0001 | MGP0025

Notes

| | |
|---------------------|---|
| Rated current [A] | 10 after-glow capable Pencil-type Glow Plug |
| Spanner Size | 8 |
| Diameter [mm] | 4.4 |
| Thread Size | M8 x 1 |
| Overall Length [mm] | 124 |
| Cone Pitch | 123° |
| Fitting Depth [mm] | 28 |
| Connector type | Ø 4 mm |
| Voltage [V] | 11 |

References

5960.79



Application info

Berlingo I (07/96-12/07)

Berlingo II (04/08--)

C1 (06/05--)

C2 / C3 I / Pluriel (02/02-09/05)

C3 II (11/09--)

C3 Picasso (02/09--)

C4 I / Coupe / Grand Picasso / Picasso / Stufenheck (11/04-12/07)

C5 I / C5 II (03/01-04/07)

C5 III (RD_, TD_) (02/08--)

Jumpy II (01/07--)

Nemo (02/08--)

Xsara Picasso (12/99-09/06)

Berlingo I (07/96--)

Berlingo II (04/08--)

Jumpy II (01/07--)

Nemo (02/08--)

Glow plug

214 860 0003 | MGP0038

Notes

| | |
|---------------------|---|
| Rated current [A] | 10 after-glow capable Pencil-type Glow Plug |
| Spanner Size | 8 |
| Diameter [mm] | 4.1 |
| Thread Size | M8 x 1 |
| Overall Length [mm] | 152 |
| Cone Pitch | 93° |
| Fitting Depth [mm] | 40 |
| Connector type | Ø 4 mm |
| Voltage [V] | 11 |

References

5960.A4



Application info

Jumper III (04/06--)

Jumper III (04/06--)

40-14 860 0006 | MGP0115

Glow plug



Notes

| | |
|---------------------|--|
| Rated current [A] | 8.5 after-glow capable Pencil-type Glow Plug |
| Spanner Size | 8 |
| Diameter [mm] | 4 |
| Thread Size | M8 x 1 |
| Overall Length [mm] | 114 |
| Connector type | Ø 4 mm |
| Cone Pitch | 63° |
| Fitting Depth [mm] | 27.5 |
| Voltage [V] | 5 |

References

| | |
|---------|---------------|
| 5960.E6 | 96 831 952 80 |
|---------|---------------|

Application info

| | |
|---|-----------------------------|
| Berlingo II (04/08--) | C4 II / DS4 (11/09--) |
| C Elyse (11/12--) | C5 III (RD_, TD_) (02/08--) |
| C3 II (11/09--) | C8 (07/02--) |
| C3 Picasso (02/09--) | Jumpy II (01/07--) |
| C4 Aircross (04/12--) | Berlingo II (04/08--) |
| C4 Cactus (09/14--) | Jumpy II (01/07--) |
| C4 I / Coupe / Grand Picasso / Picasso / Stufenheck (11/04-12/07) | |

53-14 860 0002 | MGP0116

Glow plug



Notes

| | |
|---------------------|---|
| | after-glow capable Pencil-type Glow Plug |
| Spanner Size | 10 |
| Diameter [mm] | 4 |
| Thread Size | M10 x 1 |
| Overall Length [mm] | 124 |
| Connector type | Ø 4 mm |
| Cone Pitch | 93° |
| Fitting Depth [mm] | 26 |
| Voltage [V] | 7 |

References

| |
|---------|
| 5960.E7 |
|---------|

Application info

| | |
|-----------------------------|--------------|
| C5 III (RD_, TD_) (02/08--) | C6 (09/05--) |
|-----------------------------|--------------|



Glow plug

40-14 860 0002 | MGP0069

Notes

| | |
|---------------------|---|
| Rated current [A] | 10 after-glow capable Pencil-type Glow Plug |
| Spanner Size | 8 |
| Diameter [mm] | 4.4 |
| Thread Size | M8 x 1 |
| Overall Length [mm] | 97 |
| Cone Pitch | 123° |
| Fitting Depth [mm] | 28 |
| Connector type | Ø 4 mm |
| Voltage [V] | 11 |

References

| | |
|---------|---------|
| 5960.99 | 5960.G6 |
| 5960.A0 | |



Application info

C5 I / C5 II [03/01-04/07]
 C5 III (RD_, TD_) [02/08--]
 C6 [09/05--]
 C8 [07/02--]
 C-Crosser [02/07--]

Evasion [06/94-07/02]
 Jumper III [04/06--]
 C-Crosser [02/07--]
 Jumper III [04/06--]

Glow plug

011 860 0000 | MGP0001

Notes

| | |
|---------------------|---|
| Rated current [A] | 16 after-glow capable Pencil-type Glow Plug |
| Spanner Size | 12 |
| Diameter [mm] | 6.1 |
| Thread Size | M12 x 1,25 |
| Overall Length [mm] | 70.6 |
| Cone Pitch | 63° |
| Fitting Depth [mm] | 24.5 |
| Connector type | M5 |
| Voltage [V] | 11 |

References

| | |
|---------|---------|
| 5960 G7 | 5962.3J |
| 5962.03 | |



Application info

Berlingo I [07/96-12/07]
 Evasion [06/94-07/02]
 Jumper I [02/94-04/02]
 Jumpy I [10/95-12/06]
 Xantia [03/93-04/03]
 XM [05/89-10/00]

Xsara [04/97-08/05]
 ZX [03/91-02/98]
 Berlingo I [07/96--]
 Jumper I [02/94-04/02]
 Jumpy I [06/94--]

4

40-14 860 0001 | MGP0068

Glow plug



Notes

| | |
|---------------------|---|
| Rated current [A] | 10 after-glow capable Pencil-type Glow Plug |
| Spanner Size | 10 |
| Diameter [mm] | 5 |
| Thread Size | M10 x 1 |
| Overall Length [mm] | 76 |
| Cone Pitch | 63° |
| Fitting Depth [mm] | 25 |
| Connector type | M4 |
| Voltage [V] | 11 |

References

| | |
|---------|---------|
| 5960.39 | 5960.K5 |
| 5960.72 | |

Application info

Jumper I [02/94-04/02]
Jumper II [02/02-06/06]

Jumper I [02/94-04/02]
Jumper II [02/02--]

40-14 860 0003 | MGP0102

Glow plug



Notes

| | |
|---------------------|-----------------------|
| | Pencil-type Glow Plug |
| Spanner Size | 10 |
| Diameter [mm] | 4 |
| Thread Size | M8 x 1 |
| Overall Length [mm] | 99.5 |
| Cone Pitch | 123° |
| Fitting Depth [mm] | 30.8 |
| Connector type | Ø 4 mm |
| Voltage [V] | 5 |

References

5960.L1

Application info

C5 III (RD_, TD_) [02/08--]

C-Crosser [02/07--]

4



Glow plug

614 860 0010 | MGP0084

Notes

| | |
|---------------------|---|
| Rated current [A] | 25 after-glow capable Pencil-type Glow Plug |
| Spanner Size | 9 |
| Diameter [mm] | 4 |
| Thread Size | M9 x 1 |
| Overall Length [mm] | 119.5 |
| Cone Pitch | 93° |
| Fitting Depth [mm] | 28 |
| Connector type | Ø 4 mm |
| Voltage [V] | 4.4 |

References

5960.L4



Application info

Nemo [02/08--]

Nemo [02/08--]

Glow plug

40-14 860 0000 | MGP0067

Notes

| | |
|---------------------|---|
| Rated current [A] | 15 after-glow capable Pencil-type Glow Plug |
| Spanner Size | 10 |
| Diameter [mm] | 5.1 |
| Thread Size | M10 x 1 |
| Overall Length [mm] | 120 |
| Cone Pitch | 93° |
| Fitting Depth [mm] | 34 |
| Connector type | Ø 4 mm |
| Voltage [V] | 11 |

References

5962.1P

5962.1Q



Application info

Jumper I [02/94-04/02]

Jumper I [02/94-04/02]

014 020 1039 | MGP0007

Glow plug



Notes

| | |
|---------------------|-----------------------|
| Rated current [A] | 16 |
| | Pencil-type Glow Plug |
| Spanner Size | 12 |
| Diameter [mm] | 6.1 |
| Thread Size | M12 x 1,25 |
| Overall Length [mm] | 71 |
| Cone Pitch | 63° |
| Fitting Depth [mm] | 24.5 |
| Connector type | M5 |
| Voltage [V] | 11 |

References

96 165 724

Application info

Berlingo I [07/96-12/07]
 BX [10/82-12/94]
 C15 / Visa [09/78-12/05]
 C25 [09/81-03/94]
 C35 [11/73-01/94]
 CX I [09/74-08/85]
 CX II [07/85-12/92]
 Evasion [06/94-07/02]
 Jumper I [02/94-04/02]
 Jumpy I [10/95-12/06]

Xantia [03/93-04/03]
 XM [05/89-10/00]
 Xsara [04/97-08/05]
 ZX [03/91-02/98]
 Berlingo I [07/96--]
 C15 / Visa [09/78-12/05]
 C25 [07/81-03/94]
 Jumper I [02/94-04/02]
 Jumpy I [06/94--]

214 860 0006 | MGP0096

Glow plug



Notes

| | |
|---------------------|-----------------|
| Rated current [A] | 20 |
| | Flame Glow Plug |
| Spanner Size | 21 / 24 |
| Thread Size | M20 x 1,5 |
| Overall Length [mm] | 96 |
| Fitting Depth [mm] | 46 |
| Connector type | M5 |
| Voltage [V] | 12 |

Application info

Jumper I [02/94-04/02]
 Jumper II [02/02-06/06]

Jumper I [02/94-04/02]
 Jumper II [02/02--]

Glow plug
714 020 0001 | MGP0087
Notes

| | |
|---------------------|---|
| Rated current [A] | 15 after-glow capable Pencil-type Glow Plug |
| Spanner Size | 10 |
| Diameter [mm] | 5.1 |
| Thread Size | M10 x 1 |
| Overall Length [mm] | 147 |
| Cone Pitch | 93° |
| Fitting Depth [mm] | 35 |
| Connector type | M4 |
| Voltage [V] | 11.5 |


References

| | |
|---------|---------|
| 5960.88 | 5960.89 |
|---------|---------|

Application info

 Jumper III (04/06--)

 Jumper III (04/06--)
Ignition coil
40-14 885 0001 | MIC0073
Notes

| | |
|-----------------------|---------------------------------------|
| | for fully electronic ignition [FI] |
| Operating voltage [V] | 12 |
| Number of Poles | 4 |
| Required quantity | 1 for vehicles with distributor |


References

| |
|---------|
| 5970.45 |
|---------|

Application info

 AX (07/86-12/98)
 XM (05/89-10/00)

ZX (03/91-02/98)

Ignition coil
314 885 0005 | MIC0120
Notes

| | |
|-----------------------|---------------------------------------|
| | for fully electronic ignition [FI] |
| Operating voltage [V] | 12 |
| Number of Poles | 3 Coupling Type SAE |


References

| | |
|---------|---------|
| 5970.64 | 5970.91 |
|---------|---------|



314 885 0005 | MIC0120

Ignition coil

Application info

C3 II [11/09--]
C3 Picasso [02/09--]
C4 I / Coupe / Grand Picasso / Picasso / Stufenheck [11/04-12/07]

C4 II / DS4 [11/09--]
C5 III (RD_, TD_) [02/08--]
DS3 [11/09--]

40-14 885 0005 | MIC0077

Ignition coil



Notes

Operating voltage [V]
Number of Poles
Required quantity

for fully electronic ignition (FI)
Coupling Type Saw Tooth
12
4
1
for vehicles without distributor

References

5970.48
5970.60
5970.70

96 074 054
96 165 970
96 228 897

Application info

Berlingo I [07/96-12/07]
BX [10/82-12/94]
Evasion [06/94-07/02]
Jumper I [02/94-04/02]
Jumper II [02/02-06/06]
Saxo [02/96-04/04]
Xantia [03/93-04/03]

XM [05/89-10/00]
Xsara [04/97-08/05]
Xsara Picasso [12/99-09/06]
ZX [03/91-02/98]
Berlingo I [07/96--]
Jumper I [02/94-04/02]
Jumper II [02/02--]

11-14 885 0007 | MIC0033

Ignition coil



Notes

Operating voltage [V]
Number of Poles
Required quantity

for fully electronic ignition (FI)
incl. spark plug connector
Coupling Type SAE
12
4
1

References

5970.75
5970.98

96 341 314

Application info

C4 I / Coupe / Grand Picasso / Picasso / Stufenheck [11/04-12/07]
C5 I / C5 II [03/01-04/07]
C8 [07/02--]
Evasion [06/94-07/02]

Jumpy I [10/95-12/06]
Xsara [04/97-08/05]
Xsara Picasso [12/99-09/06]
Jumpy I [06/94--]

Ignition coil

11-14 885 0002 | MIC0029

Notes

for fully electronic ignition (FI)
incl. spark plug connector
Coupling Type SAE
Operating voltage [V] 12
Number of Poles 4
Required quantity 1



References

5970.80 96 363 378
5970.99

Application info

Berlingo I (07/96-12/07)

Berlingo II (04/08--)

C2 / C3 I / Pluriel (02/02-09/05)

C4 I / Coupe / Grand Picasso / Picasso / Stufenheck (11/04-12/07)

Xsara (04/97-08/05)

Xsara Picasso (12/99-09/06)

Berlingo I (07/96--)

Berlingo II (04/08--)

Ignition coil

11-14 885 0006 | MIC0108

Notes

incl. spark plug connector
Coupling Type SAE
Operating voltage [V] 12
Number of Poles 6
Required quantity 1



References

5970.85 96 51 710 680

Application info

C2 / C3 I / Pluriel (02/02-09/05)

C4 I / Coupe / Grand Picasso / Picasso / Stufenheck (11/04-12/07)

Ignition coil

30-14 885 0004 | MIC0054

Notes

for fully electronic ignition (FI)
incl. spark plug connector
Operating voltage [V] 12
Number of Poles 4



References

5970.88

4



30-14 885 0004 | MIC0054

Ignition coil

Application info

C1 [06/05--]

40-14 885 0008 | MIC0078

Ignition coil



Notes

Operating voltage [V]
Number of Poles
Required quantity

for fully electronic ignition (FI)
incl. spark plug connector
12
6
1

References

5970.87

5970.A0

Application info

C4 I / Coupe / Grand Picasso / Picasso / Stufenheck [11/04-12/07]

C5 I / C5 II [03/01-04/07]

C5 III (RD_, TD_) [02/08--]

C8 [07/02--]

Jumpy II [01/07--]

Jumpy II [01/07--]

11-14 885 0003 | MIC0030

Ignition coil



Notes

Operating voltage [V]
Number of Poles
Required quantity

for fully electronic ignition (FI)
incl. spark plug connector
Coupling Type SAE
12
4
1

References

5970.73

5970.A4

Application info

Evasion [06/94-07/02]

Xantia [03/93-04/03]

XM [05/89-10/00]

Xsara [04/97-08/05]

Xsara Picasso [12/99-09/06]

ZX [03/91-02/98]

Ignition coil

11-14 885 0004 | MIC0031

Notes

for fully electronic ignition (FI)
incl. spark plug connector
Coupling Type SAE

Operating voltage [V] 12
Number of Poles 6
Required quantity 1



References

5970.84 5970.A5

Application info

C4 I / Coupe / Grand Picasso / Picasso / Stufenheck (11/04-12/07)

C8 (07/02--)

Ignition coil

40-14 885 0002 | MIC0074

Notes

for fully electronic ignition (FI)
incl. spark plug connector
Coupling Type SAE

Operating voltage [V] 12
Number of Poles 4
Required quantity 1

for vehicles without distributor



References

5970.78 5970.A8
5970.79

Application info

Berlingo I (07/96-12/07)
C2 / C3 I / Pluriel (02/02-09/05)
Saxo (02/96-04/04)

Xsara (04/97-08/05)
Xsara Picasso (12/99-09/06)
Berlingo I (07/96--)

Ignition coil

40-14 885 0000 | MIC0072

Notes

for fully electronic ignition (FI)
incl. spark plug connector
Coupling Type SAE

Operating voltage [V] 12
Number of Poles 4
Required quantity 1



References

5963.19 5970.A9
5970.74

4



40-14 885 0000 | MIC0072

Ignition coil

Application info

AX [07/86-12/98]
Berlingo I [07/96-12/07]
C2 / C3 I / Pluriel [02/02-09/05]
Saxo [02/96-04/04]

Xsara [04/97-08/05]
Xsara Picasso [12/99-09/06]
Berlingo I [07/96--]

40-14 899 0001 | MEX0570

RPM Sensor, engine management



Notes

| | |
|-----------------------|-------------|
| Operating voltage [V] | Hall Sensor |
| Number of Poles | 12 |
| | 3 |

References

6160.70

Application info

Berlingo I [07/96-12/07]
C2 / C3 I / Pluriel [02/02-09/05]
C5 I / C5 II [03/01-04/07]
Evasion [06/94-07/02]
Jumpy I [10/95-12/06]
Saxo [02/96-04/04]

Xantia [03/93-04/03]
XM [05/89-10/00]
Xsara [04/97-08/05]
Xsara Picasso [12/99-09/06]
Berlingo I [07/96--]
Jumpy I [06/94--]

40-14 810 0000 | MEX0482

Sender unit, coolant temperature



Notes

| | |
|-----------------------|------------|
| Spanner Size | Blue |
| Thread Size | NTC Sensor |
| Operating voltage [V] | 21 |
| Switch Point [°C] | M12 x 1,5 |
| Switch Point [°C] | 12 |
| Switch Point [°C] | 100 |
| Switch Point [°C] | 80 |
| Switch Point [°C] | 40 |
| Number of Poles | 3 |
| | with seal |

References

| | |
|---------|------------|
| 1338.97 | 96 310 010 |
| 1338.A6 | 96 368 027 |

Application info

Berlingo I [07/96-12/07]
C2 / C3 I / Pluriel [02/02-09/05]
C3 II [11/09--]
C8 [07/02--]
Jumper II [02/02-06/06]
Jumpy I [10/95-12/06]
Saxo [02/96-04/04]

Xantia [03/93-04/03]
Xsara [04/97-08/05]
Xsara Picasso [12/99-09/06]
Berlingo I [07/96--]
Jumper II [02/02--]
Jumpy I [06/94--]

Sender unit, coolant temperature

40-14 800 0000 | MEX0417

Notes

| | |
|-----------------------|------------|
| | Green |
| | NTC Sensor |
| Spanner Size | 19 |
| Thread Size | M12 x 1,5 |
| Operating voltage [V] | 12 |
| Number of Poles | 2 |
| | with seal |

References

1338.A7



Application info

Berlingo I [07/96-12/07]
 C15 / Visa [09/78-12/05]
 C2 / C3 I / Pluriel [02/02-09/05]
 C3 II [11/09--]
 C4 I / Coupe / Grand Picasso / Picasso / Stufenheck [11/04-12/07]
 C5 I / C5 II [03/01-04/07]
 C5 III (RD_, TD_) [02/08--]
 C6 [09/05--]
 C8 [07/02--]
 Evasion [06/94-07/02]

Jumpy I [10/95-12/06]
 Jumpy II [01/07--]
 Nemo [02/08--]
 Xsara [04/97-08/05]
 Xsara Picasso [12/99-09/06]
 Berlingo I [07/96--]
 C15 / Visa [09/78-12/05]
 Jumpy I [06/94--]
 Jumpy II [01/07--]
 Nemo [02/08--]

Sender unit, coolant temperature

614 899 0038 | MEX0453

Notes

| | |
|-----------------------|------------|
| | Grey |
| | NTC Sensor |
| Spanner Size | 19 |
| Thread Size | M12 x 1,5 |
| Operating voltage [V] | 12 |
| Switch Point [°C] | 150 |
| Switch Point [°C] | -40 |
| Number of Poles | 2 |

References

1338.C7

1338.F9



Application info

Jumper I [02/94-04/02]
 Jumper II [02/02-06/06]
 Jumper III [04/06--]

Jumper I [02/94-04/02]
 Jumper II [02/02--]
 Jumper III [04/06--]

4

314 136 2102 | MEX0382

Sender unit, coolant temperature



Notes

| | |
|-----------------------|------------|
| | Black |
| | NTC Sensor |
| Spanner Size | 19 |
| Thread Size | M12 x 1,5 |
| Operating voltage [V] | 12 |
| Number of Poles | 2 |

References

91 514 549

Application info

AX [07/86-12/98]
 BX [10/82-12/94]
 C15 / Visa [09/78-12/05]
 CX II [07/85-12/92]
 Jumpy I [10/95-12/06]

Saxo [02/96-04/04]
 XM [05/89-10/00]
 ZX [03/91-02/98]
 C15 / Visa [09/78-12/05]

40-14 800 0005 | MPS0050

Sensor, camshaft position



Notes

| | |
|-----------------------|---------------|
| | Grey |
| | Active sensor |
| Operating voltage [V] | 12 |
| Fitting Depth [mm] | 22 |
| Number of Poles | 3 |
| | without cable |

References

| | |
|---------|------------|
| 1920.7V | 96 285 598 |
| 1920.FY | 96 285 599 |
| 1920.QN | |

Application info

Berlingo I [07/96-12/07]
 Berlingo II [04/08--]
 C2 / C3 I / Pluriel [02/02-09/05]
 C3 II [11/09--]
 C3 Picasso [02/09--]
 C4 I / Coupe / Grand Picasso / Picasso / Stufenheck [11/04-12/07]
 C4 II / DS4 [11/09--]
 C5 I / C5 II [03/01-04/07]
 C5 III (RD_, TD_) [02/08--]
 C-Crosser [02/07--]
 DS5 [11/11--]

Evasion [06/94-07/02]
 Jumpy I [10/95-12/06]
 Jumpy II [01/07--]
 Xantia [03/93-04/03]
 Xsara [04/97-08/05]
 Xsara Picasso [12/99-09/06]
 Berlingo I [07/96--]
 Berlingo II [04/08--]
 C-Crosser [02/07--]
 Jumpy I [06/94--]
 Jumpy II [01/07--]



Sensor, intake manifold pressure

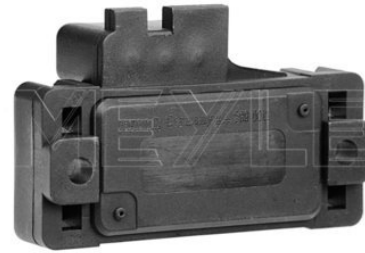
614 899 0017 | MEX0451

Notes

| | |
|-----------------------|----------------------|
| | Piezoelectric Sensor |
| Pressure to [bar] | 1.02 |
| Pressure from [bar] | 0.15 |
| Operating voltage [V] | 12 |
| Number of Poles | 3 |
| | without cable |

References

5946.07



Application info

BX [10/82-12/94]
Xantia [03/93-04/03]

XM [05/89-10/00]
Xsara [04/97-08/05]

Wiper intermittent relay

100 830 0014 | MEX0196

Notes

| | |
|-----------------------|-----------|
| Rated current [A] | 10 |
| | Lock |
| Rated Power [W] | 120 |
| Height [mm] | 42 |
| Width [mm] | 30 |
| Operating voltage [V] | 12 |
| Connector type | 5x 6,3 mm |
| Connector type | 1x 2,8 mm |
| Length [mm] | 30 |
| Number of Poles | 6 |

References

6555.11

6555.34



Application info

Berlingo I [07/96-12/07]
BX [10/82-12/94]
CX I [09/74-08/85]
CX II [07/85-12/92]

Xantia [03/93-04/03]
XM [05/89-10/00]
ZX [03/91-02/98]
Berlingo I [07/96--]

4

11-51 902 1007 | MMX1596

Tensioner pulley, timing belt



Notes

| | |
|---------------------|-------------------|
| | Piece with spring |
| Outer diameter [mm] | 57 |
| Width [mm] | 31 with bolts |

References

| | |
|------------|------------|
| Ø818.19 | 96 654 092 |
| 96 056 183 | |

Application info

Evasion [06/94-07/02]
Xantia [03/93-04/03]

XM [05/89-10/00]

40-51 902 1000 | MMX1646

Tensioner pulley, timing belt



Notes

| | |
|---------------------|-------|
| | Piece |
| Inner diameter [mm] | 13 |
| Outer diameter [mm] | 59 |
| Width [mm] | 28.5 |

References

| | |
|---------|----------|
| Ø829.30 | 95640195 |
|---------|----------|

Application info

AX [07/86-12/98]
Saxo [02/96-04/04]

Xsara [04/97-08/05]

11-51 902 1017 | MMX1606

Tensioner pulley, timing belt



Notes

| | |
|---------------------|-------|
| | Piece |
| Outer diameter [mm] | 60 |
| Width [mm] | 34 |

References

| | |
|---------|---------|
| Ø829.33 | Ø829.47 |
|---------|---------|

Tensioner pulley, timing belt
11-51 902 1017 | MMX1606
Application info

 Berlingo I [07/96-12/07]
 C15 / Visa [09/78-12/05]
 Evasion [06/94-07/02]
 Jumper I [02/94-04/02]
 Jumpy I [10/95-12/06]
 Xantia [03/93-04/03]

 Xsara [04/97-08/05]
 ZX [03/91-02/98]
 Berlingo I [07/96--]
 C15 / Visa [09/78-12/05]
 Jumper I [02/94-04/02]
 Jumpy I [06/94--]

Tensioner pulley, timing belt
11-51 902 1015 | MMX1604
Notes

| | Piece |
|---------------------|-------|
| Inner diameter [mm] | 13 |
| Outer diameter [mm] | 57 |
| Width [mm] | 33 |

References

| | |
|---------|---------|
| 0829.32 | 0829.35 |
|---------|---------|


Application info

 Evasion [06/94-07/02]
 Jumper I [02/94-04/02]
 Jumper II [02/02-06/06]
 Xantia [03/93-04/03]
 XM [05/89-10/00]

 Xsara [04/97-08/05]
 ZX [03/91-02/98]
 Jumper I [02/94-04/02]
 Jumper II [02/02--]

Tensioner pulley, timing belt
11-51 902 1014 | MMX1603
Notes

| | Piece |
|---------------------|-------|
| Inner diameter [mm] | 13 |
| Outer diameter [mm] | 59 |
| Width [mm] | 22 |

References

| | |
|---------|------------|
| 0820.53 | 0829.54 |
| 0829.29 | 97 535 002 |


Application info

 AX [07/86-12/98]
 Berlingo I [07/96-12/07]
 BX [10/82-12/94]
 C15 / Visa [09/78-12/05]
 Evasion [06/94-07/02]
 Saxo [02/96-04/04]
 Xantia [03/93-04/03]

 XM [05/89-10/00]
 Xsara [04/97-08/05]
 Xsara Picasso [12/99-09/06]
 ZX [03/91-02/98]
 Berlingo I [07/96--]
 C15 / Visa [09/78-12/05]

Tensioner pulley, timing belt
11-51 902 1005 | MMX1665
Application info

Xantia [03/93-04/03]

Tensioner pulley, timing belt
11-51 902 1010 | MMX1599
Notes

| | Piece |
|---------------------|-------|
| Inner diameter [mm] | 8 |
| Outer diameter [mm] | 73 |
| Width [mm] | 30 |


References

| | |
|---------|---------|
| 0829.82 | 0829.C7 |
|---------|---------|

Application info

 Berlingo I [07/96-12/07]
 C2 / C3 I / Pluriel [02/02-09/05]

 Xsara [04/97-08/05]
 Berlingo I [07/96--]

Tensioner pulley, timing belt
11-51 902 1003 | MMX1594
Notes

| | Piece |
|---------------------|-------|
| Inner diameter [mm] | 8 |
| Outer diameter [mm] | 60.5 |
| Width [mm] | 25 |


References

| | |
|------------|---------------|
| 0829.90 | 96 42 929 880 |
| 96 429 298 | |

Application info

 Berlingo I [07/96-12/07]
 C2 / C3 I / Pluriel [02/02-09/05]
 C3 II [11/09--]
 Nemo [02/08--]

 Saxo [02/96-04/04]
 Xsara [04/97-08/05]
 Berlingo I [07/96--]
 Nemo [02/08--]

11-51 902 1002 | MMX1593

Tensioner pulley, timing belt



Notes

| | |
|---------------------|-------|
| Inner diameter [mm] | Piece |
| Outer diameter [mm] | 8 |
| Width [mm] | 62.5 |
| | 29 |

References

| | |
|---------|---------------|
| 0829.77 | 0829.A7 |
| 0829.92 | 96 433 296 |
| 0829.96 | 96 43 329 680 |

Application info

C4 I / Coupe / Grand Picasso / Picasso / Stufenheck (11/04-12/07)
C5 I / C5 II (03/01-04/07)
C8 (07/02--)
Evasion (06/94-07/02)

Jumpy I (10/95-12/06)
Xsara (04/97-08/05)
Xsara Picasso (12/99-09/06)
Jumpy I (06/94--)

11-51 902 1006 | MMX1666

Tensioner pulley, timing belt



Notes

| | |
|---------------------|-------|
| Inner diameter [mm] | Piece |
| Outer diameter [mm] | 8 |
| Width [mm] | 60 |
| | 29 |

References

| | |
|----------|------------|
| 0829.80 | 9635438080 |
| 0829.98 | 96459251 |
| 96354380 | 9645925180 |

Application info

C5 I / C5 II (03/01-04/07)

11-51 902 1009 | MMX1598

Tensioner pulley, timing belt



Notes

| | |
|---------------------|-------|
| Inner diameter [mm] | Piece |
| Outer diameter [mm] | 8.5 |
| Width [mm] | 60 |
| | 29 |

References

| | |
|---------|---------------|
| 0829.A3 | 96 408 284 |
| 0829.A4 | 96 40 828 480 |

Tensioner pulley, timing belt
11-51 902 1009 | MMX1598
Application info

 C4 I / Coupe / Grand Picasso / Picasso / Stufenheck (11/04-12/07)
 C5 I / C5 II (03/01-04/07)
 C5 III (RD_, TD_) (02/08--)

 C8 (07/02--)
 Jumpy II (01/07--)
 Jumpy II (01/07--)

Tensioner pulley, timing belt
11-51 902 1008 | MMX1597
Notes

| | Piece |
|---------------------|-------|
| Inner diameter [mm] | 8 |
| Outer diameter [mm] | 60 |
| Width [mm] | 29 |

References

| | |
|---------|---------------|
| 0829.A5 | 96 452 098 |
| 0829.C6 | 96 45 209 880 |


Application info

C2 / C3 I / Pluriel (02/02-09/05)

C4 I / Coupe / Grand Picasso / Picasso / Stufenheck (11/04-12/07)

Tensioner pulley, timing belt
11-51 902 1012 | MMX1601
Notes

| | Piece |
|---------------------|-------|
| Inner diameter [mm] | 8 |
| Outer diameter [mm] | 70.5 |
| Width [mm] | 30.5 |

References

| | |
|---------|---------|
| 0829.A0 | 0829.F6 |
| 0829.C8 | |


Application info

 Berlingo I (07/96-12/07)
 Berlingo II (04/08--)
 C Elyse (11/12--)
 C2 / C3 I / Pluriel (02/02-09/05)
 C4 I / Coupe / Grand Picasso / Picasso / Stufenheck (11/04-12/07)

 Xsara (04/97-08/05)
 Xsara Picasso (12/99-09/06)
 Berlingo I (07/96--)
 Berlingo II (04/08--)

11-51 902 1013 | MMX1602

Tensioner pulley, timing belt



Notes

| | |
|---------------------|-------|
| | Piece |
| Inner diameter [mm] | 8 |
| Outer diameter [mm] | 60 |
| Width [mm] | 29.5 |

References

| | |
|---------|---------|
| 0829.E8 | 0829.F5 |
|---------|---------|

Application info

C5 I / C5 II (03/01-04/07)
C5 III (RD_, TD_) (02/08--)
C6 (09/05--)

C8 (07/02--)
C-Crosser (02/07--)
C-Crosser (02/07--)

11-51 902 1011 | MMX1600

Tensioner pulley, timing belt



Notes

| | |
|---------------------|-------|
| | Piece |
| Inner diameter [mm] | 8 |
| Outer diameter [mm] | 60 |
| Width [mm] | 29 |

References

| | |
|---------|---------|
| 0829.88 | 0829.89 |
|---------|---------|

Application info

Berlingo I (07/96-12/07)
Berlingo II (04/08--)
C1 (06/05--)
C2 / C3 I / Pluriel (02/02-09/05)
C3 II (11/09--)
C3 Picasso (02/09--)
C4 I / Coupe / Grand Picasso / Picasso / Stufenheck (11/04-12/07)
C5 I / C5 II (03/01-04/07)

C5 III (RD_, TD_) (02/08--)
Jumpy II (01/07--)
Nemo (02/08--)
Xsara (04/97-08/05)
Xsara Picasso (12/99-09/06)
Berlingo I (07/96--)
Berlingo II (04/08--)
Jumpy II (01/07--)
Nemo (02/08--)

11-51 902 1016 | MMX1605

Tensioner pulley, timing belt



Notes

| | |
|---------------------|-------|
| | Piece |
| Inner diameter [mm] | 10 |
| Outer diameter [mm] | 70.5 |
| Width [mm] | 32 |

References

| |
|---------|
| 0818.20 |
|---------|

Tensioner pulley, timing belt

11-51 902 1016 | MMX1605

Application info

Jumper I [02/94-04/02]
XM [05/89-10/00]

Jumper I [02/94-04/02]

Tensioner pulley, timing belt

11-51 902 1018 | MMX1667

Notes

| | |
|---------------------|-------|
| Outer diameter [mm] | Piece |
| Width [mm] | 60 |
| | 34 |



References

| | |
|---------|------------|
| 0829.11 | 93 501 404 |
| 0829.21 | |

Application info

BX [10/82-12/94]
C15 / Visa [09/78-12/05]
C25 [09/81-03/94]

ZX [03/91-02/98]
C15 / Visa [09/78-12/05]
C25 [07/81-03/94]

Timing belt kit

11-51 049 0002 | MMX0506

Notes

| | |
|-------------------|-----------------------|
| Number of belts | 1 |
| | Driven unit: camshaft |
| Width [mm] | 17 |
| Pulleys contained | 1 |
| Length [mm] | 1028 |
| Number of Teeth | 108 |

References

| | |
|---------|---------|
| 0831.03 | 0831.04 |
| 0831.14 | |

Parts list

| | |
|--------------------------|-------------------------------|
| 11-51 902 1014 MMX1603 | Tensioner pulley, timing belt |
|--------------------------|-------------------------------|



Application info

AX [07/86-12/98]
Berlingo I [07/96-12/07]
BX [10/82-12/94]
C15 / Visa [09/78-12/05]
Saxo [02/96-04/04]

Xsara [04/97-08/05]
ZX [03/91-02/98]
Berlingo I [07/96--]
C15 / Visa [09/78-12/05]

11-51 049 0030 | MMX0534

Timing belt kit



Notes

| | |
|-----------------------|------|
| Number of belts | 1 |
| Driven unit: camshaft | |
| Width [mm] | 25.4 |
| Pulleys contained | 2 |
| Length [mm] | 1343 |
| Number of Teeth | 141 |

References

| | |
|---------|---------|
| 0831.78 | 0831.N5 |
| 0831.79 | 0831.V3 |

Parts list

| | |
|--------------------------|-------------------------------|
| 11-51 902 1000 MMX1592 | Tensioner pulley, timing belt |
|--------------------------|-------------------------------|

Application info

Berlingo I [07/96-12/07]
C5 I / C5 II [03/01-04/07]
Evasion [06/94-07/02]
Jumpy I [10/95-12/06]

Xsara [04/97-08/05]
Xsara Picasso [12/99-09/06]
Berlingo I [07/96--]
Jumpy I [06/94--]

11-51 049 0016 | MMX0520

Timing belt kit



Notes

| | |
|-----------------------|------|
| Number of belts | 1 |
| Driven unit: camshaft | |
| Width [mm] | 25 |
| Pulleys contained | 2 |
| Length [mm] | 1305 |
| Number of Teeth | 137 |

References

| | |
|---------|-------|
| 0831P2 | 831P3 |
| 0831.P4 | 831P4 |
| 0831V4 | |

Parts list

| | |
|--------------------------|-------------------------------|
| 11-51 902 1011 MMX1600 | Tensioner pulley, timing belt |
| 11-51 902 2001 MMX1608 | Timing belt roller |

Application info

Berlingo I [07/96-12/07]
Berlingo II [04/08--]
C2 / C3 I / Pluriel [02/02-09/05]
C3 II [11/09--]
C3 Picasso [02/09--]
C4 I / Coupe / Grand Picasso / Picasso / Stufenheck [11/04-12/07]

C5 I / C5 II [03/01-04/07]
C5 III (RD_, TD_) [02/08--]
Jumpy II [01/07--]
Xsara Picasso [12/99-09/06]
Berlingo I [07/96--]
Berlingo II [04/08--]
Jumpy II [01/07--]

Timing belt kit
11-51 049 0001 | MMX0505
Notes

| | |
|-------------------|-----|
| Number of belts | 1 |
| Width [mm] | 17 |
| Pulleys contained | 1 |
| Length [mm] | 991 |
| Number of Teeth | 104 |

References

| | |
|---------|---------|
| 0831.02 | 0831.03 |
| 0831.13 | |

Parts list

| | |
|--------------------------|-------------------------------|
| 11-51 902 1014 MMX1603 | Tensioner pulley, timing belt |
|--------------------------|-------------------------------|


Application info

AX [07/86-12/98]
 Berlingo I [07/96-12/07]
 BX [10/82-12/94]
 C15 / Visa [09/78-12/05]

Saxo [02/96-04/04]
 ZX [03/91-02/98]
 Berlingo I [07/96--]
 C15 / Visa [09/78-12/05]

Timing belt kit
11-51 049 0009 | MMX0513
Notes

| | |
|-------------------|------|
| Number of belts | 1 |
| Width [mm] | 25.4 |
| Pulleys contained | 2 |
| Length [mm] | 1343 |
| Number of Teeth | 141 |

References

| | |
|---------|---------|
| 0831.40 | 0831.83 |
| 0831.41 | 0831.R8 |
| 0831.62 | 831.41 |
| 0831.82 | |

Parts list

| | |
|--------------------------|--------------------|
| 11-51 902 2000 MMX1607 | Timing belt roller |
|--------------------------|--------------------|


Application info

Berlingo I [07/96-12/07]
 C5 I / C5 II [03/01-04/07]
 Evasion [06/94-07/02]
 Jumper I [02/94-04/02]
 Jumper II [02/02-06/06]
 Jumpy I [10/95-12/06]
 Xantia [03/93-04/03]

Xsara [04/97-08/05]
 Xsara Picasso [12/99-09/06]
 Berlingo I [07/96--]
 Jumper I [02/94-04/02]
 Jumper II [02/02--]
 Jumpy I [06/94--]

11-51 049 0010 | MMX0514

Timing belt kit



Notes

| | |
|-------------------|------|
| Number of belts | 1 |
| Width [mm] | 25.4 |
| Pulleys contained | 2 |
| Length [mm] | 1372 |
| Number of Teeth | 144 |

References

| | |
|---------|---------|
| 0831.80 | 0831.T3 |
| 0831.81 | 831.T3 |

Parts list

| | |
|--------------------------|-------------------------------|
| 11-51 902 1011 MMX1600 | Tensioner pulley, timing belt |
| 11-51 902 2001 MMX1608 | Timing belt roller |

Application info

C1 [06/05--]
C2 / C3 I / Pluriel [02/02-09/05]
C3 II [11/09--]

Nemo [02/08--]
Xsara [04/97-08/05]
Nemo [02/08--]

11-51 049 0014 | MMX0518

Timing belt kit



Notes

| | |
|-------------------|-----|
| Number of belts | 1 |
| Width [mm] | 17 |
| Pulleys contained | 1 |
| Length [mm] | 952 |
| Number of Teeth | 100 |

References

| | |
|---------|---------|
| 0831.84 | 0831.S1 |
| 0831.85 | |

Parts list

| | |
|--------------------------|-------------------------------|
| 11-51 902 1003 MMX1594 | Tensioner pulley, timing belt |
|--------------------------|-------------------------------|

Application info

Berlingo I [07/96-12/07]
C2 / C3 I / Pluriel [02/02-09/05]
C3 II [11/09--]

Saxo [02/96-04/04]
Berlingo I [07/96--]



Timing belt kit

11-51 049 0018 | MMX0522

Notes

| | |
|-------------------|------|
| Number of belts | 1 |
| Width [mm] | 25.4 |
| Pulleys contained | 2 |
| Length [mm] | 1105 |
| Number of Teeth | 116 |

References

| | |
|---------|---------|
| 0830.K0 | 0831.K0 |
| 0831.92 | 0831.T5 |

Parts list

| | |
|--------------------------|-------------------------------|
| 11-51 902 1009 MMX1598 | Tensioner pulley, timing belt |
| 11-51 902 2004 MMX1611 | Timing belt roller |



Application info

C4 I / Coupe / Grand Picasso / Picasso / Stufenheck (11/04-12/07)
 C5 I / C5 II (03/01-04/07)
 C5 III (RD_, TD_) (02/08--)

C8 (07/02--)
 Jumpy II (01/07--)
 Jumpy II (01/07--)

Timing belt roller

11-51 902 2006 | MMX1613

Notes

| | |
|---------------------|----|
| Outer diameter [mm] | 60 |
| Width [mm] | 34 |

References

| | |
|---------|----------|
| 0830.02 | 93501405 |
|---------|----------|



Application info

BX (10/82-12/94)
 C15 / Visa (09/78-12/05)
 C25 (09/81-03/94)

ZX (03/91-02/98)
 C15 / Visa (09/78-12/05)
 C25 (07/81-03/94)

Timing belt roller

11-51 902 2005 | MMX1612

Notes

| | |
|---------------------|----|
| Inner diameter [mm] | 10 |
| Outer diameter [mm] | 60 |
| Width [mm] | 30 |

References

| | |
|---------|----------|
| 0830.37 | 96099089 |
| 0830.63 | 96201309 |



11-51 902 2005 | MMX1612

Timing belt roller

Application info

AX [07/86-12/98]
Berlingo I [07/96-12/07]
C4 I / Coupe / Grand Picasso / Picasso / Stufenheck [11/04-12/07]
C5 I / C5 II [03/01-04/07]
Evasion [06/94-07/02]
Jumpy I [10/95-12/06]

Saxo [02/96-04/04]
Xantia [03/93-04/03]
XM [05/89-10/00]
Xsara [04/97-08/05]
Xsara Picasso [12/99-09/06]
ZX [03/91-02/98]
Berlingo I [07/96--]

11-51 902 2002 | MMX1609

Timing belt roller



Notes

| | |
|---------------------|----|
| Inner diameter [mm] | 10 |
| Outer diameter [mm] | 60 |
| Width [mm] | 30 |

References

0830.42

Application info

C4 I / Coupe / Grand Picasso / Picasso / Stufenheck [11/04-12/07]
C5 I / C5 II [03/01-04/07]
C5 III (RD_, TD_) [02/08--]
C8 [07/02--]
Evasion [06/94-07/02]

Jumpy I [10/95-12/06]
Jumpy II [01/07--]
Xsara [04/97-08/05]
Xsara Picasso [12/99-09/06]
Jumpy I [06/94--]
Jumpy II [01/07--]

11-51 902 2001 | MMX1608

Timing belt roller



Notes

| | |
|---------------------|----|
| Inner diameter [mm] | 10 |
| Outer diameter [mm] | 60 |
| Width [mm] | 30 |

References

| | |
|---------|---------|
| 0830.48 | 0830.49 |
|---------|---------|

Timing belt roller
11-51 902 2001 | MMX1608
Application info

Berlingo I (07/96-12/07)

Berlingo II (04/08--)

C1 (06/05--)

C2 / C3 I / Pluriel (02/02-09/05)

C3 II (11/09--)

C3 Picasso (02/09--)

C4 I / Coupe / Grand Picasso / Picasso / Stufenheck (11/04-12/07)

C5 I / C5 II (03/01-04/07)

C5 III (RD_, TD_) (02/08--)

Jumpy II (01/07--)

Nemo (02/08--)

Xsara (04/97-08/05)

Xsara Picasso (12/99-09/06)

Berlingo I (07/96--)

Berlingo II (04/08--)

Jumpy II (01/07--)

Nemo (02/08--)

Timing belt roller
11-51 902 2007 | MMX1614
Notes

| | |
|---------------------|----|
| Inner diameter [mm] | 12 |
| Outer diameter [mm] | 65 |
| Width [mm] | 36 |


References

| | |
|---------|---------|
| 0830.25 | 0830.54 |
| 0830.27 | 0830.59 |

Application info

C5 I / C5 II (03/01-04/07)

C5 III (RD_, TD_) (02/08--)

C6 (09/05--)

C8 (07/02--)

Xantia (03/93-04/03)

XM (05/89-10/00)

Timing belt roller
11-51 902 2003 | MMX1610
Notes

| | |
|---------------------|----|
| Inner diameter [mm] | 8 |
| Outer diameter [mm] | 57 |
| Width [mm] | 32 |


References

| | |
|---------|---------|
| 0830.20 | 0830.61 |
|---------|---------|

Application info

Berlingo I (07/96-12/07)

C2 / C3 I / Pluriel (02/02-09/05)

Saxo (02/96-04/04)

Xsara (04/97-08/05)

Berlingo I (07/96--)

11-51 902 2004 | MMX1611

Timing belt roller



Notes

| | |
|---------------------|----|
| Inner diameter [mm] | 10 |
| Outer diameter [mm] | 60 |
| Width [mm] | 30 |

References

| | |
|---------|---------------|
| 0830.50 | 0830.74 |
| 0830.51 | 96442584 |
| 0830.72 | 96 44 258 480 |

Application info

C4 Grand Picasso II [09/13--]
C4 I / Coupe / Grand Picasso / Picasso / Stufenheck [11/04-12/07]
C4 II / DS4 [11/09--]
C5 I / C5 II [03/01-04/07]
C5 III (RD_, TD_) [02/08--]
C6 [09/05--]
C8 [07/02--]
C-Crosser [02/07--]

DS5 [11/11--]
Jumper III [04/06--]
Jumpy II [01/07--]
Jumpy III [04/16--]
Spacetourer [04/16--]
C-Crosser [02/07--]
Jumper III [04/06--]
Jumpy II [01/07--]

11-51 902 2000 | MMX1607

Timing belt roller



Notes

| | |
|---------------------|----|
| Inner diameter [mm] | 10 |
| Outer diameter [mm] | 60 |
| Width [mm] | 30 |

References

| | |
|---------|---------|
| 0830.28 | 0832.81 |
| 0830.31 | |

Application info

Berlingo I [07/96-12/07]
C5 I / C5 II [03/01-04/07]
C8 [07/02--]
Evasion [06/94-07/02]
Jumper I [02/94-04/02]
Jumper II [02/02-06/06]
Jumpy I [10/95-12/06]

Xantia [03/93-04/03]
Xsara [04/97-08/05]
Xsara Picasso [12/99-09/06]
Berlingo I [07/96--]
Jumper I [02/94-04/02]
Jumper II [02/02--]
Jumpy I [06/94--]



V-ribbed belt

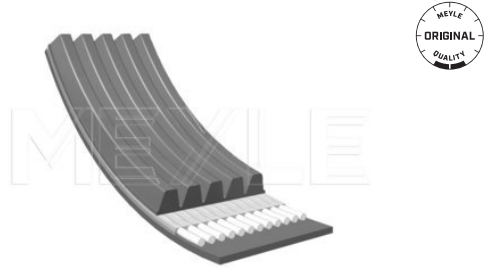
050 005 1230 | MRB0252

Notes

Number of Ribs 5
Length [mm] 1230

References

1176.83 91541179
91541178



Application info

BX [10/82-12/94]

V-ribbed belt

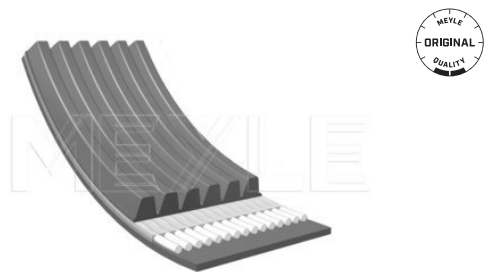
050 006 0890 | MRB0325

Notes

Number of Ribs 6
Length [mm] 890

References

1280.35



Application info

Jumpy I [10/95-12/06]

Jumpy I [06/94--]

V-ribbed belt

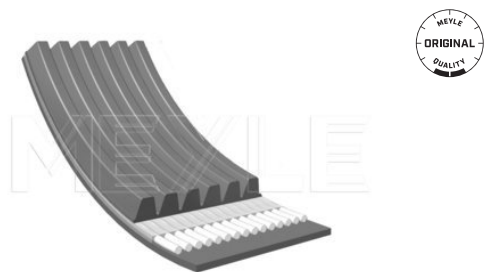
050 006 0950 | MRB0332

Notes

Number of Ribs 6
Length [mm] 950

References

1280.51



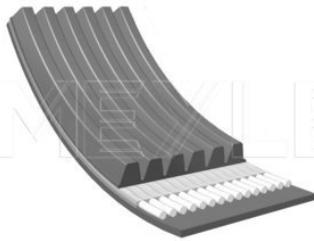
Application info

Jumper I [02/94-04/02]
Jumper II [02/02-06/06]

Jumper I [02/94-04/02]
Jumper II [02/02--]

050 006 0995 | MRB0338

V-ribbed belt



Notes

| | |
|----------------|-----|
| Number of Ribs | 6 |
| Length [mm] | 995 |

References

| | |
|---------|---------|
| 1280.47 | 1280.67 |
|---------|---------|

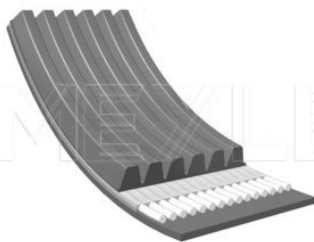
Application info

Jumper I [02/94-04/02]
Jumper II [02/02-06/06]

Jumper I [02/94-04/02]
Jumper II [02/02--]

050 006 1370 | MRB0406

V-ribbed belt



Notes

| | |
|----------------|------|
| Number of Ribs | 6 |
| Length [mm] | 1370 |

References

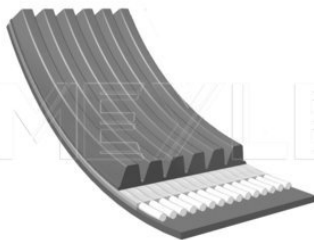
16 099 575 80

Application info

C4 Aircross [04/12--]

050 006 1060 | MRB0350

V-ribbed belt



Notes

| | |
|----------------|------|
| Number of Ribs | 6 |
| Length [mm] | 1060 |

References

16 11 204 980

Application info

C1 II [04/14--]

ZX [03/91-02/98]



V-ribbed belt

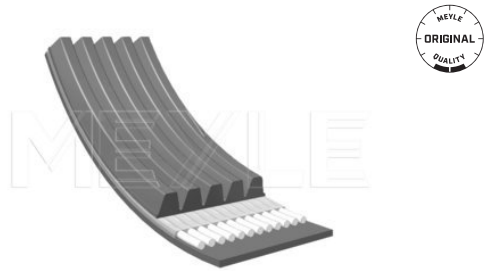
050 005 0975 | MRB0211

Notes

Number of Ribs 5
Length [mm] 975

References

5750.79



Application info

BX (10/82-12/94)

V-ribbed belt

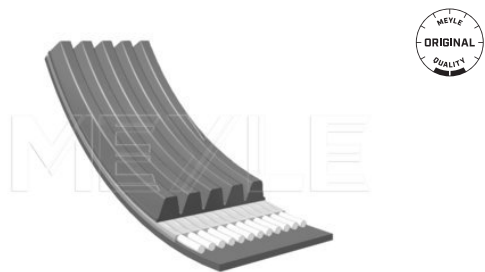
050 005 1195 | MRB0247

Notes

Number of Ribs 5
Length [mm] 1195

References

5750.01



Application info

XM (05/89-10/00)

V-ribbed belt

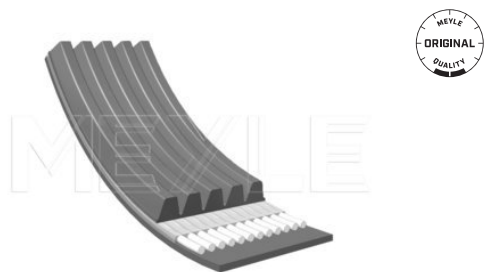
050 005 1200 | MRB0248

Notes

Number of Ribs 5
Length [mm] 1200

References

5750.01



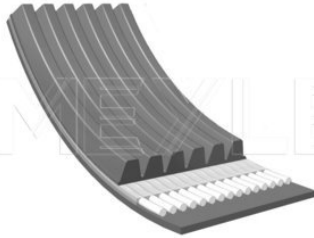
Application info

XM (05/89-10/00)

5

050 006 0745 | MRB0305

V-ribbed belt



Notes

| | |
|----------------|-----|
| Number of Ribs | 6 |
| Length [mm] | 745 |

References

5750.FF

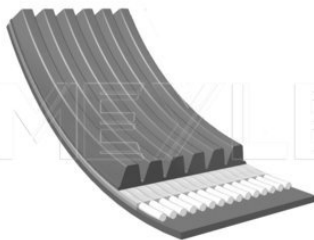
Application info

C15 / Visa [09/78-12/05]

C15 / Visa [09/78-12/05]

050 006 0875 | MRB0322

V-ribbed belt



Notes

| | |
|----------------|-----|
| Number of Ribs | 6 |
| Length [mm] | 875 |

References

| | |
|---------|---------|
| 5750.FN | 5750.QR |
|---------|---------|

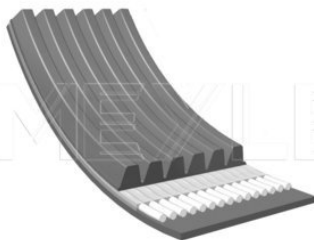
Application info

Jumper II [02/02-06/06]

Jumper II [02/02--]

050 006 0725 | MRB0303

V-ribbed belt



Notes

| | |
|----------------|-----|
| Number of Ribs | 6 |
| Length [mm] | 725 |

References

| | |
|---------|---------|
| 5750.GC | 5750.LC |
| 5750.H9 | 5750.WN |

V-ribbed belt

050 006 0725 | MRB0303

Application info

Berlingo I (07/96-12/07)
C Elyse (11/12--)
C2 / C3 I / Pluriel (02/02-09/05)
C3 II (11/09--)
C4 I / Coupe / Grand Picasso / Picasso / Stufenheck (11/04-12/07)
Jumper I (02/94-04/02)

Jumpy I (10/95-12/06)
Xsara (04/97-08/05)
ZX (03/91-02/98)
Berlingo I (07/96--)
Jumper I (02/94-04/02)
Jumpy I (06/94--)

V-ribbed belt

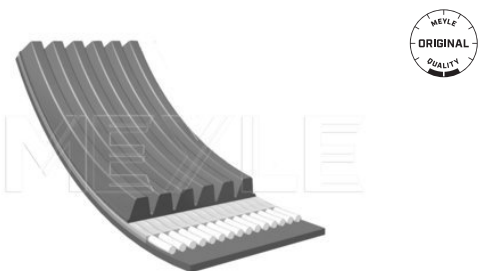
050 006 1390 | MRB0409

Notes

Number of Ribs 6
Length [mm] 1390

References

5750.GJ



Application info

Berlingo I (07/96-12/07)
Jumpy I (10/95-12/06)
Xsara (04/97-08/05)

Berlingo I (07/96--)
Jumpy I (06/94--)

V-ribbed belt

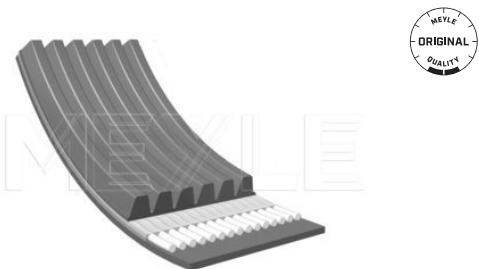
050 006 0800 | MRB0310

Notes

Number of Ribs 6
Length [mm] 800

References

| | |
|---------|---------------|
| 5750.E7 | 5750.YP |
| 5750.FS | 5750.ZF |
| 5750.FT | 96 154 391 |
| 5750.J0 | 96 401 158 80 |
| 5750.VL | 96 401 159 80 |



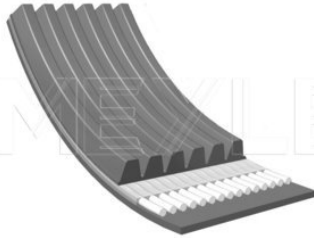
Application info

Berlingo I (07/96-12/07)
Berlingo II (04/08--)
C Elyse (11/12--)
C1 (06/05--)
C2 / C3 I / Pluriel (02/02-09/05)
C3 II (11/09--)
C3 Picasso (02/09--)
C4 Aircross (04/12--)

C4 I / Coupe / Grand Picasso / Picasso / Stufenheck (11/04-12/07)
C4 II / DS4 (11/09--)
DS3 (11/09--)
Jumper I (02/94-04/02)
Berlingo II (04/08--)
Jumper I (02/94-04/02)

050 006 0915 | MRB0329

V-ribbed belt



Notes

Number of Ribs 6
Length [mm] 915

References

5750.09 5750.J1

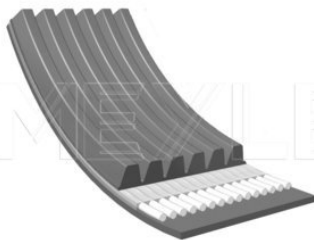
Application info

Jumper I [02/94-04/02]

Jumper I [02/94-04/02]

050 006 1015 | MRB0341

V-ribbed belt



Notes

Number of Ribs 6
Length [mm] 1015

References

5750.J2 96 155 010

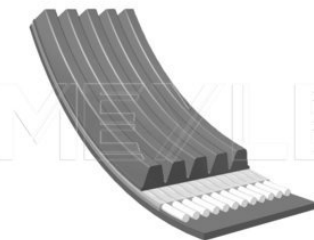
Application info

Jumper I [02/94-04/02]

Jumper I [02/94-04/02]

050 005 0962 | MRB0209

V-ribbed belt



Notes

Number of Ribs 5
Length [mm] 962

References

5750.K5

Application info

AX [07/86-12/98]
Saxo [02/96-04/04]

Xsara [04/97-08/05]



V-ribbed belt

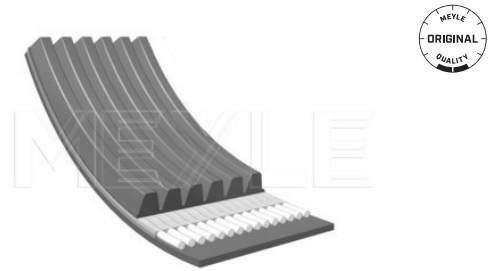
050 006 1863 | MRB0481

Notes

Number of Ribs 6
Length [mm] 1863

References

5750.K6



Application info

XM [05/89-10/00]

V-ribbed belt

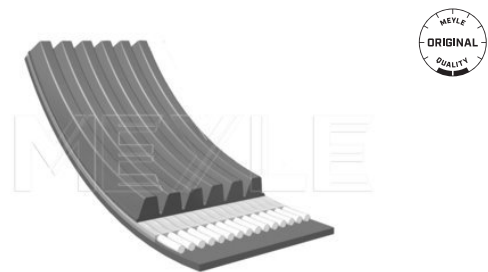
050 006 1150 | MRB0368

Notes

Number of Ribs 6
Length [mm] 1150

References

5750.C9 5750.L3
5750.E9 5750.L4
5750.FP 5750.PC
5750.GX 5750.WJ
5750.J6



Application info

Jumper I [02/94-04/02]

Jumper I [02/94-04/02]

V-ribbed belt

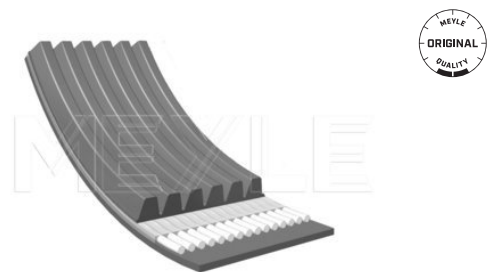
050 006 1680 | MRB0447

Notes

Number of Ribs 6
Length [mm] 1680

References

5750.HE 96 550 295 80
5750.PY 96 550 297 80



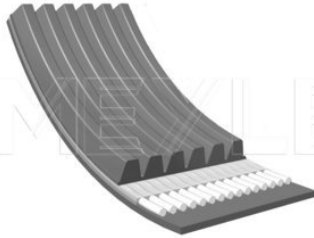
Application info

Berlingo I [07/96-12/07]
Xsara [04/97-08/05]

Berlingo I [07/96--]

050 006 1225 | MRB0383

V-ribbed belt



Notes

| | |
|----------------|------|
| Number of Ribs | 5 |
| Length [mm] | 1225 |

References

5750.QF

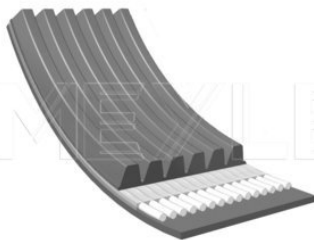
Application info

Nemo [02/08--]

Nemo [02/08--]

050 006 0965 | MRB0334

V-ribbed belt



Notes

| | |
|----------------|-----|
| Number of Ribs | 6 |
| Length [mm] | 965 |

References

| | |
|---------|---------|
| 5750.QH | 5750.XF |
|---------|---------|

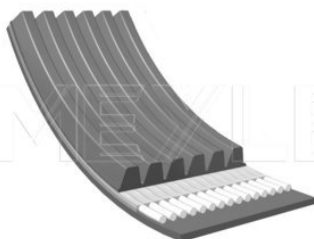
Application info

C Elyse [11/12--]
C1 [06/05--]
C4 Grand Picasso II [09/13--]

C4 II / DS4 [11/09--]
DS5 [11/11--]

050 006 0850 | MRB0317

V-ribbed belt



Notes

| | |
|----------------|-----|
| Number of Ribs | 6 |
| Length [mm] | 850 |

References

5750.QK

Application info

C1 [06/05--]



V-ribbed belt

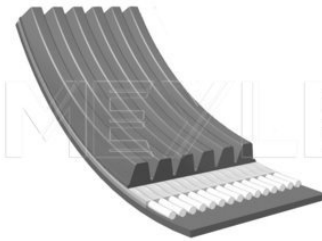
050 006 1210 | MRB0380

Notes

Number of Ribs 6
Length [mm] 1210

References

5750.QN



Application info

C1 [06/05--]

V-ribbed belt

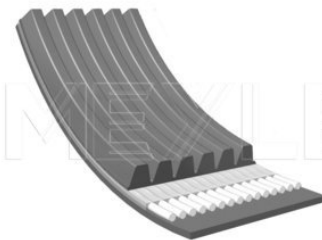
050 006 1185 | MRB0373

Notes

Number of Ribs 6
Length [mm] 1185

References

5750..ET 5750.GH
5750.FG 5750.QT
5750.FK



Application info

C4 I / Coupe / Grand Picasso / Picasso / Stufenheck [11/04-12/07]
C5 I / C5 II [03/01-04/07]
C8 [07/02--]
Evasion [06/94-07/02]

Jumper I [02/94-04/02]
Jumper II [02/02-06/06]
Jumper I [02/94-04/02]
Jumper II [02/02--]

V-ribbed belt

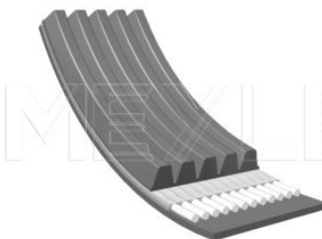
050 005 0812 | MRB0185

Notes

Number of Ribs 5
Length [mm] 812

References

5750.R1

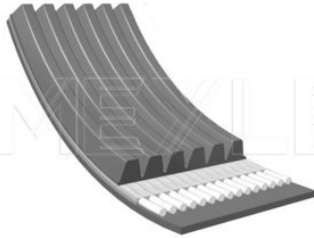


Application info

ZX [03/91-02/98]

Ø50 006 1565 | MRB0428

V-ribbed belt



Notes

Number of Ribs 6
Length [mm] 1565

References

5750.RF 5750.Z3
5750.XA 9638007780
5750.Y4

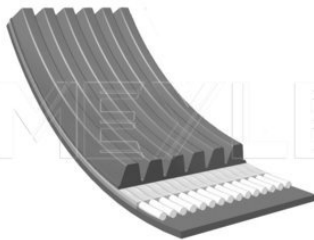
Application info

Berlingo I [07/96-12/07]
Nemo [02/08--]
Saxo [02/96-04/04]
Xsara [04/97-08/05]

Xsara Picasso [12/99-09/06]
Berlingo I [07/96--]
Nemo [02/08--]

Ø50 006 1670 | MRB0445

V-ribbed belt



Notes

Number of Ribs 6
Length [mm] 1670

References

5750.RN 5750.YH

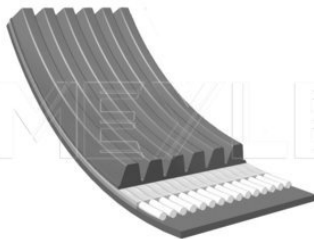
Application info

Jumper III [04/06--]
Nemo [02/08--]

Jumper III [04/06--]
Nemo [02/08--]

Ø50 006 1350 | MRB0402

V-ribbed belt



Notes

Number of Ribs 6
Length [mm] 1350

References

5750.RX

V-ribbed belt

050 006 1350 | MRB0402

Application info

Berlingo I (07/96-12/07)
Berlingo II (04/08--)
Jumpy II (01/07--)
Nemo (02/08--)

Berlingo I (07/96--)
Berlingo II (04/08--)
Jumpy II (01/07--)
Nemo (02/08--)

V-ribbed belt

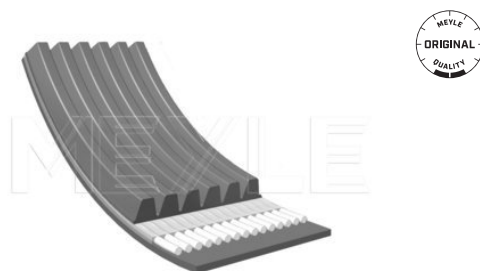
050 006 1360 | MRB0404

Notes

Number of Ribs 6
Length [mm] 1360

References

5750.RX 96 541 142 80



Application info

Berlingo II (04/08--)

Berlingo II (04/08--)

V-ribbed belt

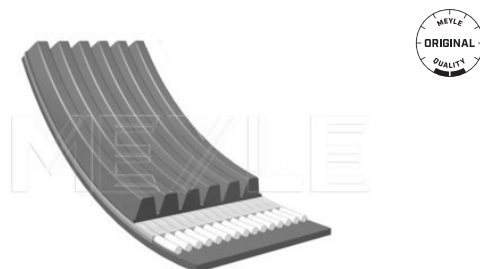
050 006 1605 | MRB0434

Notes

Number of Ribs 6
Length [mm] 1605

References

5750.Q5 5750.S9
5750.R2

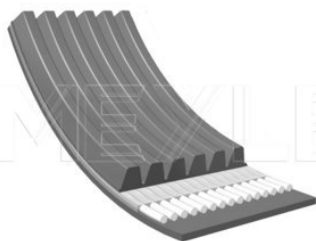


Application info

ZX (03/91-02/98)

050 006 0780/E | MRB0308

V-ribbed belt



Notes

Number of Ribs
Length [mm]

Permanently elastic
6
780

References

5750.SA
5750.YK

96 631 008 80

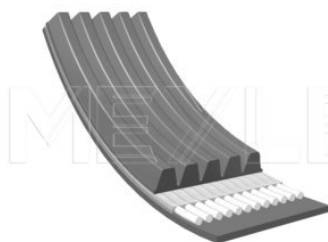
Application info

C2 / C3 I / Pluriel [02/02-09/05]

C4 I / Coupe / Grand Picasso / Picasso / Stufenheck [11/04-12/07]

050 005 0860 | MRB0192

V-ribbed belt



Notes

Number of Ribs
Length [mm]

5
860

References

4007.CV

5750.SF

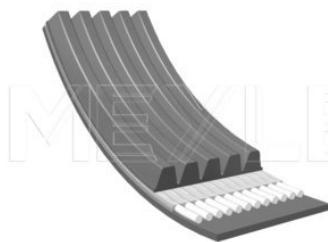
Application info

Berlingo I [07/96-12/07]

Berlingo I [07/96--]

050 005 1140 | MRB0239

V-ribbed belt



Notes

Number of Ribs
Length [mm]

5
1140

References

5750SY

Application info

XM [05/89-10/00]



V-ribbed belt

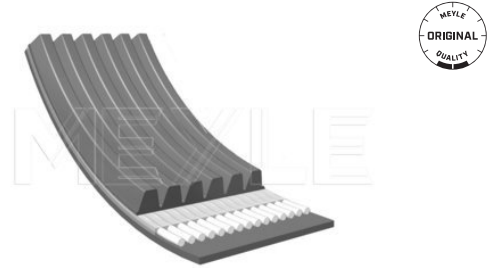
050 006 1623 | MRB0437

Notes

Number of Ribs 6
Length [mm] 1623

References

5750.T0



Application info

Xantia [03/93-04/03]

XM [05/89-10/00]

V-ribbed belt

050 006 1095 | MRB0358

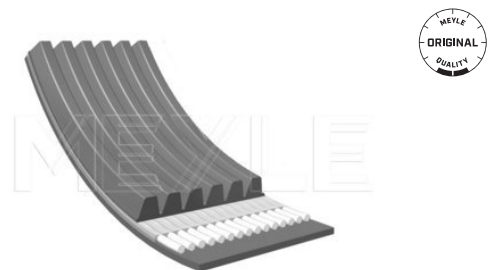
Notes

Number of Ribs 6
Length [mm] 1095

References

5750.J4

5750.TF



Application info

Jumper I [02/94-04/02]
Jumper II [02/02-06/06]
ZX [03/91-02/98]

Jumper I [02/94-04/02]
Jumper II [02/02--]

V-ribbed belt

050 006 1660 | MRB0442

Notes

Number of Ribs 6
Length [mm] 1660

References

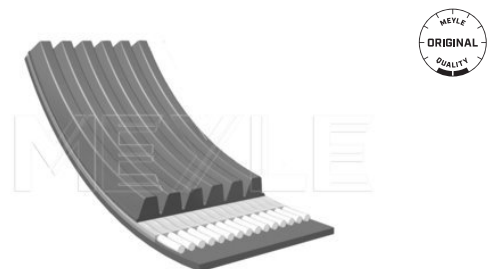
5750.A1

96 152 078

5750.J7

96 152 079

5750.TG



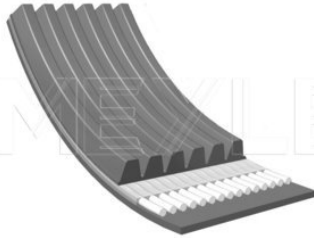
Application info

Berlingo I [07/96-12/07]
Evasion [06/94-07/02]
Xantia [03/93-04/03]
XM [05/89-10/00]

Xsara [04/97-08/05]
ZX [03/91-02/98]
Berlingo I [07/96--]

050 006 1080 | MRB0354

V-ribbed belt



Notes

Number of Ribs 6
Length [mm] 1080

References

5750.A2 96 152 084
5750.J3 96 152 085
5750.TH

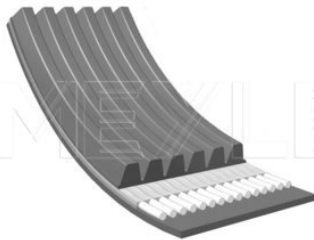
Application info

Berlingo I [07/96-12/07]
DS5 [11/11--]
Evasion [06/94-07/02]
Xantia [03/93-04/03]

XM [05/89-10/00]
Xsara [04/97-08/05]
ZX [03/91-02/98]
Berlingo I [07/96--]

050 006 1130 | MRB0365

V-ribbed belt



Notes

Number of Ribs 6
Length [mm] 1130

References

5750.J5 96 144 509
5750.TK

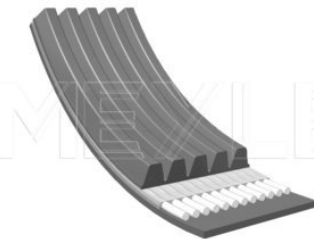
Application info

Xantia [03/93-04/03]

Xsara [04/97-08/05]

050 005 0715 | MRB0178

V-ribbed belt



Notes

Number of Ribs 5
Length [mm] 715

References

5750.TW

Application info

Berlingo I [07/96-12/07]
BX [10/82-12/94]

XM [05/89-10/00]
Berlingo I [07/96--]



V-ribbed belt

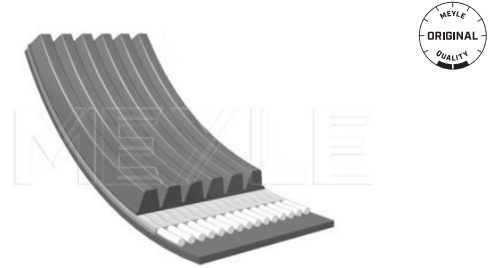
050 006 1010 | MRB0340

Notes

| | |
|----------------|------|
| Number of Ribs | 6 |
| Length [mm] | 1010 |

References

5750.VA



Application info

Jumper I [02/94-04/02]

Jumper I [02/94-04/02]

V-ribbed belt

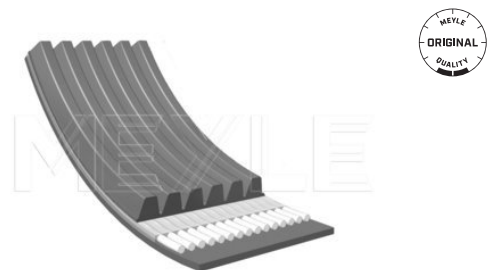
050 006 1345 | MRB0401

Notes

| | |
|----------------|------|
| Number of Ribs | 6 |
| Length [mm] | 1345 |

References

| | |
|---------|---------|
| 5750.KV | 5750.VP |
|---------|---------|



Application info

Berlingo I [07/96-12/07]
 C2 / C3 I / Pluriel [02/02-09/05]
 Xsara [04/97-08/05]

Xsara Picasso [12/99-09/06]
 Berlingo I [07/96--]

V-ribbed belt

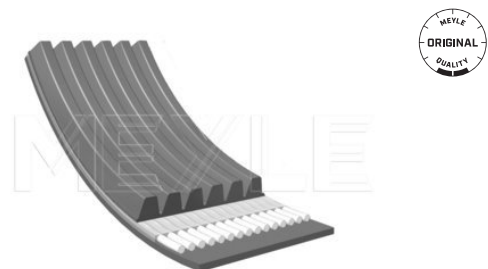
050 006 1740 | MRB0458

Notes

| | |
|----------------|------|
| Number of Ribs | 6 |
| Length [mm] | 1740 |

References

| | |
|---------|------------|
| 5750.GK | 5750.T8 |
| 5750.L1 | 5750.VS |
| 5750.L2 | 5750.X3 |
| 5750.R9 | 96 188 881 |
| 5750.S7 | |



050 006 1740 | MRB0458

V-ribbed belt

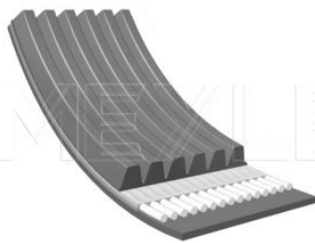
Application info

Berlingo I [07/96-12/07]
C5 I / C5 II [03/01-04/07]
C8 [07/02--]
Evasion [06/94-07/02]
Jumpy I [10/95-12/06]
Xantia [03/93-04/03]

Xsara [04/97-08/05]
Xsara Picasso [12/99-09/06]
ZX [03/91-02/98]
Berlingo I [07/96--]
Jumpy I [06/94--]

050 006 1125 | MRB0364

V-ribbed belt



Notes

| | |
|----------------|------|
| Number of Ribs | 6 |
| Length [mm] | 1125 |

References

| | |
|---------|---------|
| 5750.GE | 5750.VT |
| 5750.GN | |

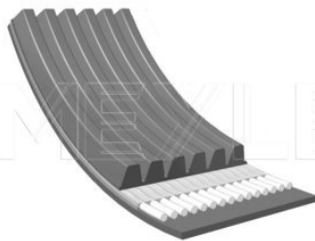
Application info

C2 / C3 I / Pluriel [02/02-09/05]

ZX [03/91-02/98]

050 006 1145 | MRB0367

V-ribbed belt



Notes

| | |
|----------------|------|
| Number of Ribs | 6 |
| Length [mm] | 1145 |

References

| | |
|---------|---------------|
| 5750.GW | 5750.VZ |
| 5750.K0 | 96 20 904 480 |
| 5750.K1 | |

Application info

Jumper I [02/94-04/02]
ZX [03/91-02/98]

Jumper I [02/94-04/02]

V-ribbed belt

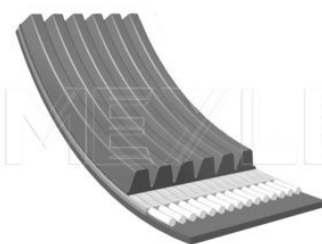
050 006 1725 | MRB0456

Notes

Number of Ribs 6
Length [mm] 1725

References

| | |
|---------|---------------|
| 5750.FA | 5750.VG |
| 5750.FC | 5750.W6 |
| 5750.M3 | 96 245 429 80 |
| 5750.M7 | 96 317 187 80 |



Application info

Xantia [03/93-04/03]
Xsara [04/97-08/05]

Xsara Picasso [12/99-09/06]

V-ribbed belt

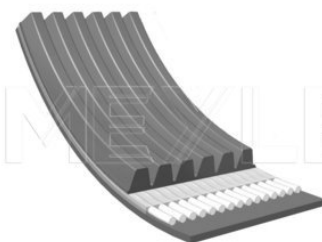
050 006 1110 | MRB0361

Notes

Number of Ribs 6
Length [mm] 1110

References

| | |
|---------|---------|
| 5750.L0 | 5750.WF |
|---------|---------|



Application info

Berlingo I [07/96-12/07]
Evasion [06/94-07/02]
Jumpy I [10/95-12/06]
Xantia [03/93-04/03]

XM [05/89-10/00]
Berlingo I [07/96--]
Jumpy I [06/94--]

V-ribbed belt

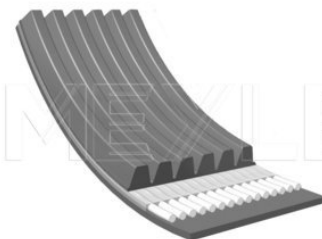
050 006 1560 | MRB0427

Notes

Number of Ribs 6
Length [mm] 1560

References

| | |
|---------|---------|
| 5750.GZ | 5750.WG |
|---------|---------|



050 006 1560 | MRB0427

V-ribbed belt

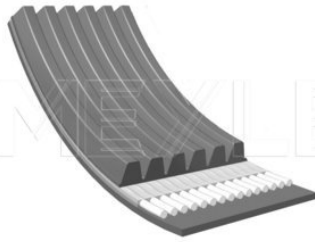
Application info

Berlingo I [07/96-12/07]
Saxo [02/96-04/04]
Xsara [04/97-08/05]

Xsara Picasso [12/99-09/06]
Berlingo I [07/96--]

050 006 1163 | MRB0370

V-ribbed belt



Notes

Number of Ribs 6
Length [mm] 1163

References

| | |
|---------|------------|
| 5750.C1 | 5750.TN |
| 5750.L9 | 5750.WL |
| 5750.M9 | 96 236 849 |
| 5750.RT | |

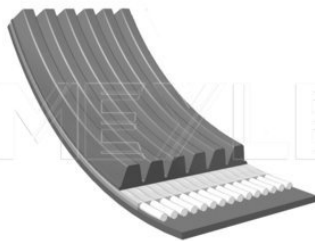
Application info

Berlingo I [07/96-12/07]
Jumper III [04/06--]
Jumpy I [10/95-12/06]
Xsara [04/97-08/05]

ZX [03/91-02/98]
Berlingo I [07/96--]
Jumper III [04/06--]
Jumpy I [06/94--]

050 006 1100 | MRB0359

V-ribbed belt



Notes

Number of Ribs 6
Length [mm] 1100

References

| | |
|---------|---------|
| 5750.E2 | 5750.WR |
| 5750.M5 | |

Application info

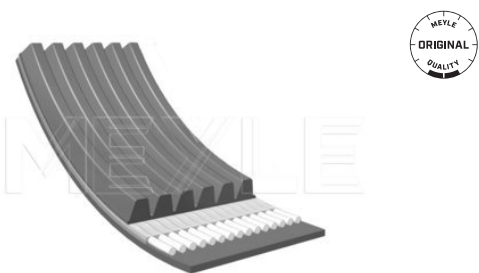
Evasion [06/94-07/02]
Xantia [03/93-04/03]

ZX [03/91-02/98]

V-ribbed belt
050 006 1050 | MRB0348
Notes

 Number of Ribs 6
 Length [mm] 1050

References

 5750.PL 5750.WY
 5750.PN 96 53 319 680

Application info

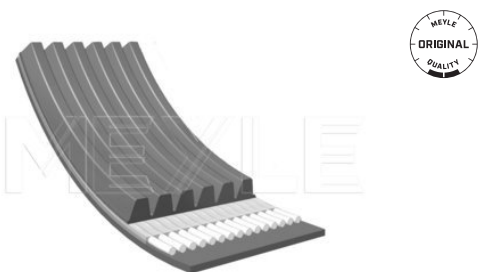
 C2 / C3 I / Pluriel (02/02-09/05)
 C3 II (11/09--)

C4 I / Coupe / Grand Picasso / Picasso / Stufenheck (11/04-12/07)

V-ribbed belt
050 006 1070 | MRB0352
Notes

 Number of Ribs 6
 Length [mm] 1070

References

 5750.98 96 152 082
 5750.KB 96 152 083
 5750.PQ 96 533 197
 5750.WZ 96 53 319 780

Application info

 C Elyse (11/12--)
 C2 / C3 I / Pluriel (02/02-09/05)
 C3 II (11/09--)
 C4 Cactus (09/14--)
 C4 I / Coupe / Grand Picasso / Picasso / Stufenheck (11/04-12/07)

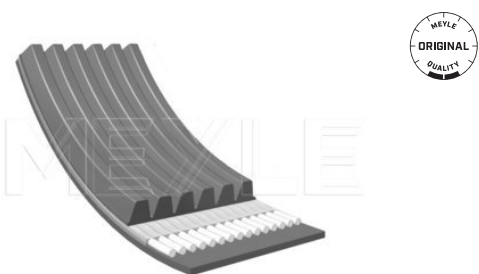
 DS3 (11/09--)
 Evasion (06/94-07/02)
 Xsara (04/97-08/05)
 ZX (03/91-02/98)

V-ribbed belt
050 006 0869 | MRB0320
Notes

 Number of Ribs 6
 Length [mm] 869

References

5750.X4



050 006 0869 | MRB0320

V-ribbed belt

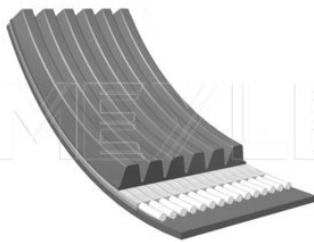
Application info

Berlingo I (07/96-12/07)
Jumpy I (10/95-12/06)
Xsara (04/97-08/05)

Berlingo I (07/96--)
Jumpy I (06/94--)

050 006 1885 | MRB0486

V-ribbed belt



Notes

Number of Ribs 6
Length [mm] 1885

References

5750.XC

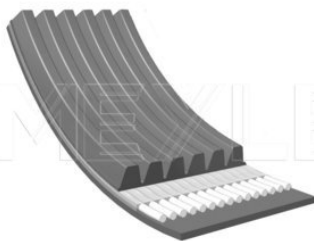
Application info

C5 III (RD_, TD_) (02/08--)

C6 (09/05--)

050 006 1000 | MRB0339

V-ribbed belt



Notes

Number of Ribs 6
Length [mm] 1000

References

5750.PF 96 53 204 180
5750.XG 96 53 204 380

Application info

C4 I / Coupe / Grand Picasso / Picasso / Stufenheck (11/04-12/07)
C5 I / C5 II (03/01-04/07)
C5 III (RD_, TD_) (02/08--)

C8 (07/02--)
Jumpy II (01/07--)
Jumpy II (01/07--)



V-ribbed belt

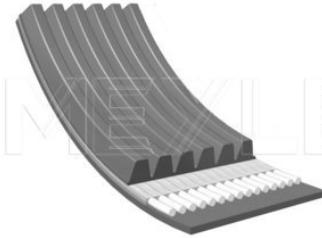
050 006 1590 | MRB0432

Notes

| | |
|----------------|------|
| Number of Ribs | 6 |
| Length [mm] | 1590 |

References

| | |
|---------|---------|
| 5750.VE | 5750.XK |
|---------|---------|



Application info

C5 I / C5 II (03/01-04/07)
C5 III (RD_, TD_) (02/08--)

C6 (09/05--)
C8 (07/02--)

V-ribbed belt

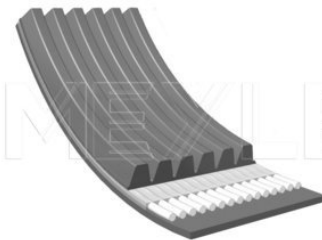
050 006 0873/E | MRB0321

Notes

| | |
|----------------|---------------------|
| Number of Ribs | Permanently elastic |
| Length [mm] | 6 873 |

References

5750.XP



Application info

Jumper III (04/06--)

Jumper III (04/06--)

V-ribbed belt

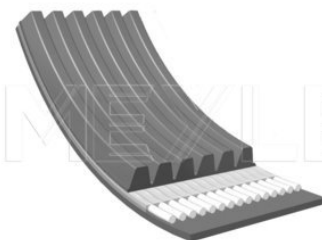
050 006 1710 | MRB0453

Notes

| | |
|----------------|------|
| Number of Ribs | 6 |
| Length [mm] | 1710 |

References

| | |
|---------|---------|
| 5750.P2 | 5750.WP |
| 5750.RR | 5750.XR |



Ø50 Ø06 1710 | MRB0453

V-ribbed belt

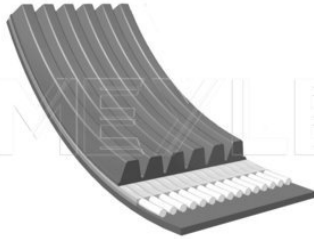
Application info

Berlingo I [07/96-12/07]
Berlingo II [04/08--]
C4 I / Coupe / Grand Picasso / Picasso / Stufenheck [11/04-12/07]
C5 I / C5 II [03/01-04/07]
C5 III (RD_, TD_) [02/08--]
C8 [07/02--]
Evasion [06/94-07/02]
Jumpy I [10/95-12/06]
Jumpy II [01/07--]

Nemo [02/08--]
Xantia [03/93-04/03]
Xsara [04/97-08/05]
Xsara Picasso [12/99-09/06]
Berlingo I [07/96--]
Berlingo II [04/08--]
Jumpy I [06/94--]
Jumpy II [01/07--]
Nemo [02/08--]

Ø50 Ø06 1715 | MRB0454

V-ribbed belt



Notes

Number of Ribs 6
Length [mm] 1715

References

5750.XR

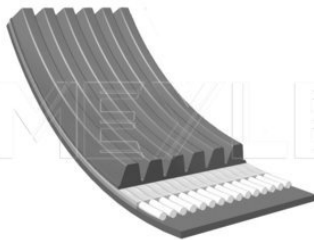
Application info

Berlingo I [07/96-12/07]

Berlingo I [07/96--]

Ø50 Ø06 1743 | MRB0459

V-ribbed belt



Notes

Number of Ribs 6
Length [mm] 1743

References

5750.HH 5750.XS
5750.VX

Application info

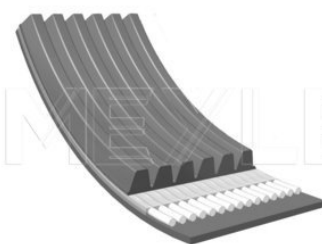
C5 I / C5 II [03/01-04/07]
C-Crosser [02/07--]

C-Crosser [02/07--]

V-ribbed belt
050 006 1468 | MRB0418
Notes

 Number of Ribs 6
 Length [mm] 1468

References

 5750.EM 5750.XT
 5750.X8 96 372 505 80

Application info

 Berlingo I [07/96-12/07]
 Evasion [06/94-07/02]
 Jumper I [02/94-04/02]
 Jumper II [02/02-06/06]
 Jumpy I [10/95-12/06]
 Xsara [04/97-08/05]

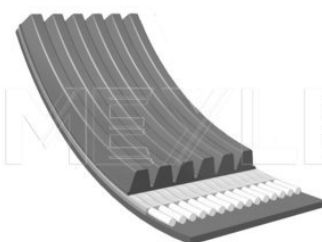
 Xsara Picasso [12/99-09/06]
 Berlingo I [07/96--]
 Jumper I [02/94-04/02]
 Jumper II [02/02--]
 Jumpy I [06/94--]

V-ribbed belt
050 006 1045 | MRB0347
Notes

 Number of Ribs 6
 Length [mm] 1045

References

5750.W2 5750.XW


Application info

 Berlingo I [07/96-12/07]
 Jumpy I [10/95-12/06]
 Xsara [04/97-08/05]

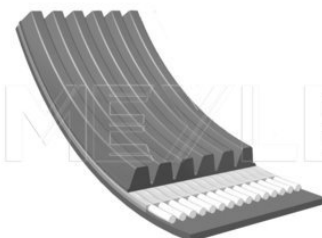
 Berlingo I [07/96--]
 Jumpy I [06/94--]

V-ribbed belt
050 006 1200 | MRB0377
Notes

 Number of Ribs 6
 Length [mm] 1200

References

5750.M0 5750.Y2



Ø50 006 1200 | MRB0377

V-ribbed belt

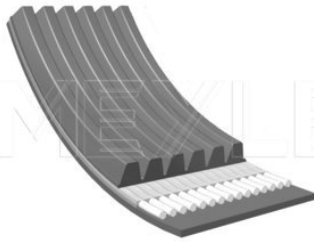
Application info

Xantia [03/93-04/03]
XM [05/89-10/00]

Xsara [04/97-08/05]
Xsara Picasso [12/99-09/06]

Ø50 006 1705 | MRB0452

V-ribbed belt



Notes

| | |
|----------------|------|
| Number of Ribs | 6 |
| Length [mm] | 1705 |

References

| | |
|---------|------------|
| 5750.EK | 5750.VQ |
| 5750.F0 | 5750.Y5 |
| 5750.KT | 5750.YA |
| 5750.LH | 96 155 949 |

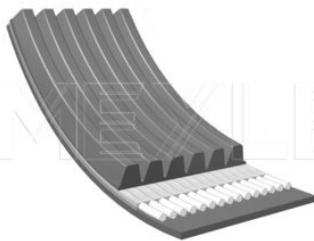
Application info

Berlingo I [07/96-12/07]
Berlingo II [04/08--]
C2 / C3 I / Pluriel [02/02-09/05]
C8 [07/02--]

Xantia [03/93-04/03]
Xsara Picasso [12/99-09/06]
Berlingo I [07/96--]
Berlingo II [04/08--]

Ø50 006 1090/E | MRB0357

V-ribbed belt



Notes

| | | |
|----------------|------|---------------------|
| Number of Ribs | 6 | Permanently elastic |
| Length [mm] | 1090 | |

References

| | |
|---------|---------------|
| 5750.QY | 96 617 288 80 |
| 5750.RW | 96 631 010 80 |
| 5750.YJ | |

Application info

C2 / C3 I / Pluriel [02/02-09/05]

C4 I / Coupe / Grand Picasso / Picasso / Stufenheck [11/04-12/07]

V-ribbed belt

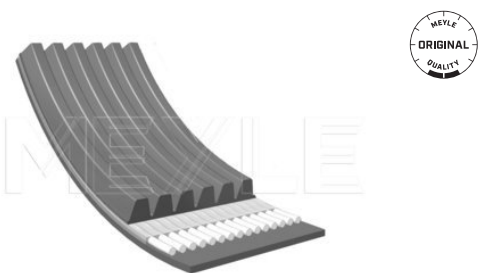
050 006 0976 | MRB0336

Notes

Number of Ribs 6
Length [mm] 976

References

| | |
|---------|---------------|
| 5750.FV | 5750.YS |
| 5750.FW | 96 423 837 80 |
| 5750.YQ | 96 423 839 80 |



Application info

Berlingo I [07/96-12/07]
Berlingo II [04/08--]
C2 / C3 I / Pluriel [02/02-09/05]
C3 II [11/09--]
C3 Picasso [02/09--]
C4 Aircross [04/12--]
C4 Grand Picasso II [09/13--]

C4 I / Coupe / Grand Picasso / Picasso / Stufenheck [11/04-12/07]
C4 II / DS4 [11/09--]
C5 III [RD_, TD_] [02/08--]
DS3 [11/09--]
Berlingo II [04/08--]

V-ribbed belt

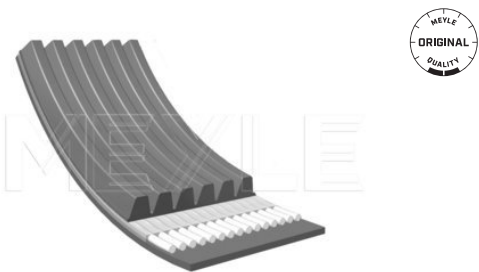
050 006 1450 | MRB0416

Notes

Number of Ribs 6
Length [mm] 1450

References

| | |
|---------|---------------|
| 5750.T6 | 5750.Z1 |
| 5750.YC | 96 33 727 280 |



Application info

Berlingo I [07/96-12/07]
C5 I / C5 II [03/01-04/07]
Saxo [02/96-04/04]
Xantia [03/93-04/03]

Xsara [04/97-08/05]
Xsara Picasso [12/99-09/06]
Berlingo I [07/96--]

V-ribbed belt

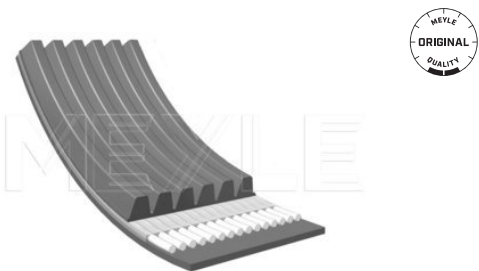
050 006 1750 | MRB0460

Notes

Number of Ribs 6
Length [mm] 1750

References

| | |
|---------|---------|
| 5750.GF | 5750.Z6 |
| 5750.YG | 5750.Z7 |



Ø50 Ø06 1750 | MRBØ460

V-ribbed belt

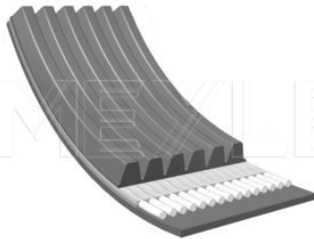
Application info

Berlingo I [07/96-12/07]
C5 I / C5 II [03/01-04/07]
Evasion [06/94-07/02]
Jumpy I [10/95-12/06]

Xantia [03/93-04/03]
Xsara [04/97-08/05]
Berlingo I [07/96--]
Jumpy I [06/94--]

Ø50 Ø06 1438 | MRBØ415

V-ribbed belt



Notes

Number of Ribs 6
Length [mm] 1438

References

| | |
|---------|---------------|
| 5750.EX | 5750.Z9 |
| 5750.EY | 96 411 841 80 |
| 5750.VF | 96 411 842 80 |

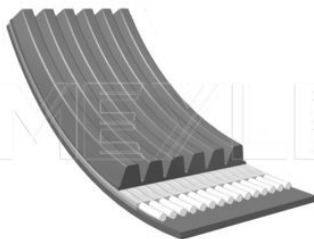
Application info

Berlingo I [07/96-12/07]
Jumpy I [10/95-12/06]
Xsara [04/97-08/05]

Berlingo I [07/96--]
Jumpy I [06/94--]

Ø50 Ø06 1653 | MRBØ441

V-ribbed belt



Notes

Number of Ribs 6
Length [mm] 1653

References

| | |
|---------|---------|
| 5750.M2 | 5750.ZA |
|---------|---------|

Application info

Xantia [03/93-04/03]

XM [05/89-10/00]

V-ribbed belt

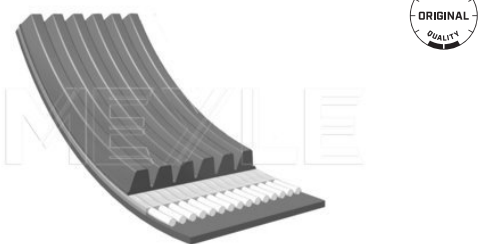
050 006 1205 | MRB0379

Notes

Number of Ribs 6
Length [mm] 1205

References

5750.FJ 5750.ZG
5750.RZ



Application info

Berlingo II [04/08--]
C5 I / C5 II [03/01-04/07]
C5 III (RD_, TD_) [02/08--]

C6 [09/05--]
C8 [07/02--]
Berlingo II [04/08--]

V-ribbed belt

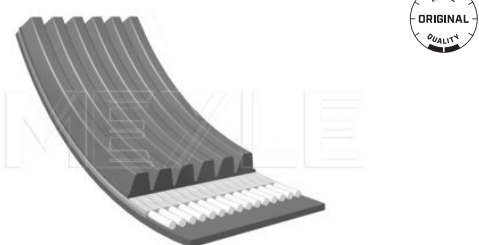
050 006 1698 | MRB0451

Notes

Number of Ribs 6
Length [mm] 1698

References

1177.38 5750.RH
5750.GS 5750.VY
5750.J8 5750.ZH
5750.J9



Application info

Berlingo I [07/96-12/07]
Berlingo II [04/08--]
Xantia [03/93-04/03]

ZX [03/91-02/98]
Berlingo I [07/96--]
Berlingo II [04/08--]

V-ribbed belt

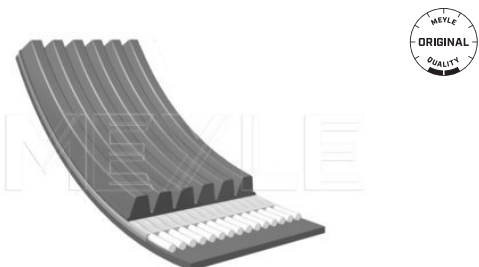
050 006 0925 | MRB0330

Notes

Number of Ribs 6
Length [mm] 925

References

6453.VA 6453.W0



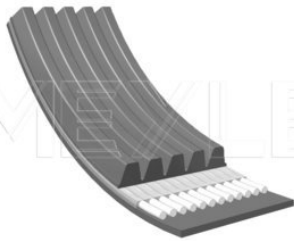
Application info

Jumpy I [10/95-12/06]

Jumpy I [06/94--]

050 005 0725 | MRB0179

V-ribbed belt



Notes

Number of Ribs 5
Length [mm] 725

References

5750.P5 91 541 144
5750.P6 91 541 175
5750.WV

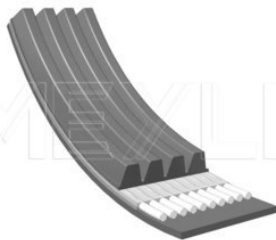
Application info

Berlingo I [07/96-12/07]
BX [10/82-12/94]

Saxo [02/96-04/04]

050 004 0795 | MRB0078

V-ribbed belt



Notes

Number of Ribs 4
Length [mm] 795

References

91 541 177

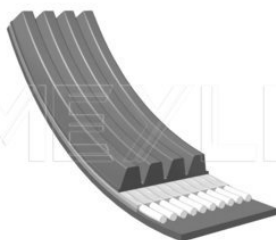
Application info

C25 [09/81-03/94]

C25 [07/81-03/94]

050 004 0800 | MRB0079

V-ribbed belt



Notes

Number of Ribs 4
Length [mm] 800

References

91 541 177

Application info

Berlingo I [07/96-12/07]

Berlingo I [07/96--]



V-ribbed belt

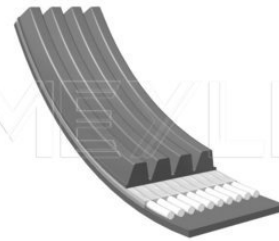
050 004 1230 | MRB0148

Notes

Number of Ribs 4
Length [mm] 1230

References

91 541 178



Application info

BX (10/82-12/94)

V-ribbed belt

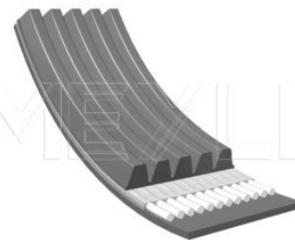
050 005 1220 | MRB0250

Notes

Number of Ribs 5
Length [mm] 1220

References

5750FQ 5750VK
5750FR 91 541 179



Application info

Berlingo I (07/96-12/07)

Berlingo I (07/96--)

V-ribbed belt

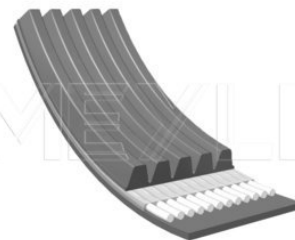
050 005 1125 | MRB0236

Notes

Number of Ribs 5
Length [mm] 1125

References

95 006 268

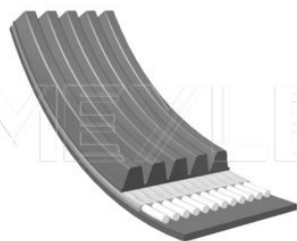


Application info

XM (05/89-10/00)

050 005 1270 | MRB0257

V-ribbed belt



Notes

Number of Ribs 5
Length [mm] 1270

References

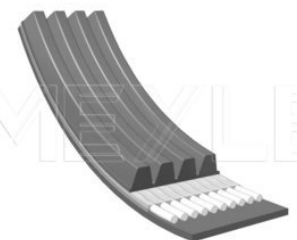
96 014 241

Application info

BX [10/82-12/94]

050 004 1272 | MRB0153

V-ribbed belt



Notes

Number of Ribs 4
Length [mm] 1272

References

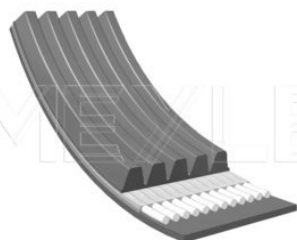
96 046 630

Application info

BX [10/82-12/94]

050 005 1165 | MRB0243

V-ribbed belt



Notes

Number of Ribs 5
Length [mm] 1165

References

96 056 833

Application info

XM [05/89-10/00]



V-ribbed belt

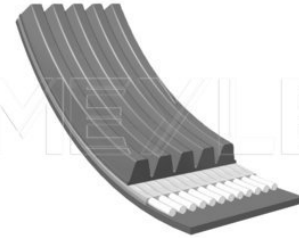
050 005 0710 | MRB0177

Notes

Number of Ribs 5
Length [mm] 710

References

5750.SZ 96 059 324



Application info

BX [10/82-12/94]

XM [05/89-10/00]

V-ribbed belt

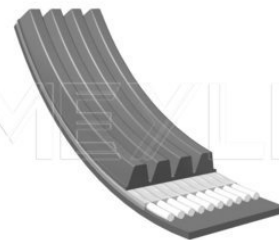
050 004 0815 | MRB0082

Notes

Number of Ribs 4
Length [mm] 815

References

96 117 374



Application info

ZX [03/91-02/98]

V-ribbed belt

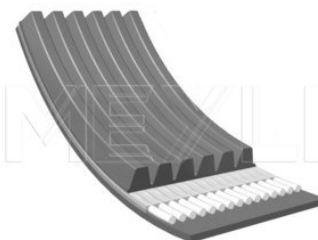
050 006 0698 | MRB0302

Notes

Number of Ribs 6
Length [mm] 698

References

96 142 840 96 152 080



Application info

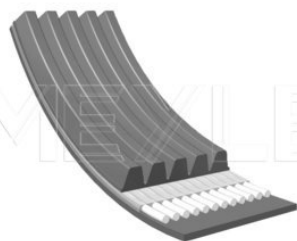
Jumper I [02/94-04/02]
Jumper II [02/02-06/06]
ZX [03/91-02/98]

Jumper I [02/94-04/02]
Jumper II [02/02--]

5

050 005 0884 | MRB0197

V-ribbed belt



Notes

| | |
|----------------|-----|
| Number of Ribs | 5 |
| Length [mm] | 884 |

References

| | |
|------------|------------|
| 5750.Q7 | 96 155 377 |
| 96 129 662 | |

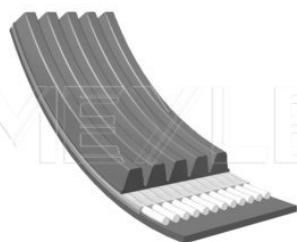
Application info

Berlingo I [07/96-12/07]
ZX [03/91-02/98]

Berlingo I [07/96--]

050 005 1255 | MRB0255

V-ribbed belt



Notes

| | |
|----------------|------|
| Number of Ribs | 5 |
| Length [mm] | 1255 |

References

| | |
|---------|----------|
| 5750R0 | 96129654 |
| 5750.TT | 96155379 |

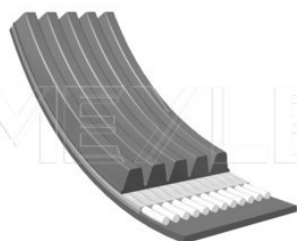
Application info

Berlingo I [07/96-12/07]
Saxo [02/96-04/04]
Xsara [04/97-08/05]

ZX [03/91-02/98]
Berlingo I [07/96--]

050 005 1450 | MRB0272

V-ribbed belt



Notes

| | |
|----------------|------|
| Number of Ribs | 5 |
| Length [mm] | 1450 |

References

96 161 326

Application info

XM [05/89-10/00]



V-ribbed belt

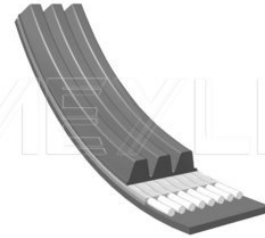
050 003 0865 | MRB0035

Notes

| | |
|----------------|-----|
| Number of Ribs | 3 |
| Length [mm] | 865 |

References

| | |
|---------|---------|
| 1280.39 | 1280.62 |
|---------|---------|



Application info

Jumper I [02/94-04/02]

Jumper I [02/94-04/02]

V-ribbed belt

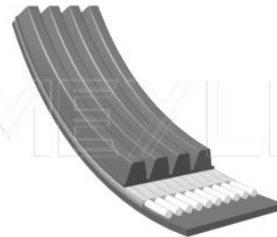
050 004 0698 | MRB0061

Notes

| | |
|----------------|-----|
| Number of Ribs | 4 |
| Length [mm] | 698 |

References

| | |
|------------|------------|
| 5750G8 | 93 501 676 |
| 5750SQ | 93 502 487 |
| 91 536 222 | |



Application info

BX [10/82-12/94]
C15 / Visa [09/78-12/05]

ZX [03/91-02/98]
C15 / Visa [09/78-12/05]

V-ribbed belt

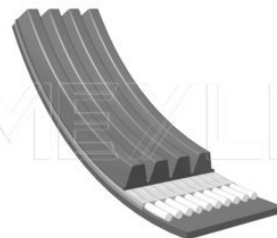
050 004 0755 | MRB0070

Notes

| | |
|----------------|-----|
| Number of Ribs | 4 |
| Length [mm] | 755 |

References

| | |
|---------|------------|
| 5750.P1 | 95 612 377 |
| 5750WT | |



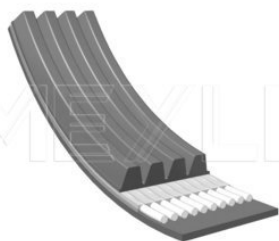
Application info

Jumper I [02/94-04/02]
Jumper II [02/02-06/06]

Jumper I [02/94-04/02]
Jumper II [02/02--]

050 004 0810 | MRB0081

V-ribbed belt



Notes

| | |
|----------------|-----|
| Number of Ribs | 4 |
| Length [mm] | 810 |

References

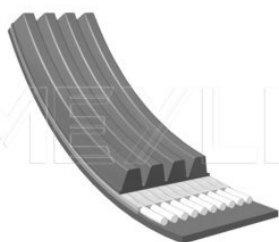
| | |
|--------|------------|
| 5750G9 | 96 117 374 |
| 6453E5 | |

Application info

ZX [03/91-02/98]

050 004 0855 | MRB0090

V-ribbed belt



Notes

| | |
|----------------|-----|
| Number of Ribs | 4 |
| Length [mm] | 855 |

References

| | |
|------------|------------|
| 5750Q9 | 96 019 295 |
| 96 019 294 | |

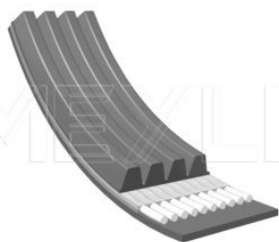
Application info

Berlingo I [07/96-12/07]

Berlingo I [07/96--]

050 004 0860 | MRB0091

V-ribbed belt



Notes

| | |
|----------------|-----|
| Number of Ribs | 4 |
| Length [mm] | 860 |

References

| | |
|--------|------------|
| 5750Q9 | 5750XV |
| 5750V0 | 9643903780 |

Application info

Saxo [02/96-04/04]
Xsara [04/97-08/05]

ZX [03/91-02/98]

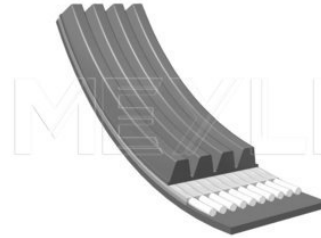


V-ribbed belt

050 004 0900 | MRB0099

Notes

| | |
|----------------|-----|
| Number of Ribs | 4 |
| Length [mm] | 900 |



Application info

Jumpy I [10/95-12/06]

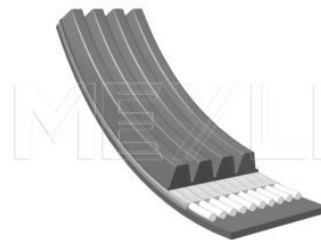
Jumpy I [06/94--]

V-ribbed belt

050 004 0922/E | MRB0105

Notes

| | | |
|----------------|-----|---------------------|
| Number of Ribs | 4 | Permanently elastic |
| Length [mm] | 922 | |



References

| | |
|--------|--------|
| 4009P2 | 4009Q4 |
|--------|--------|

Application info

Jumper III [04/06--]

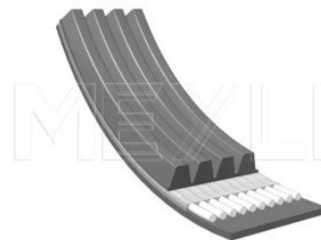
Jumper III [04/06--]

V-ribbed belt

050 004 0945 | MRB0111

Notes

| | |
|----------------|-----|
| Number of Ribs | 4 |
| Length [mm] | 945 |



References

| | |
|---------|---------|
| 1280.28 | 1280.60 |
|---------|---------|

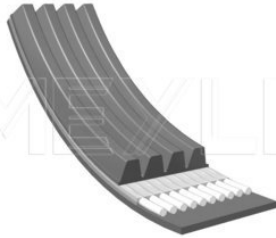
Application info

Jumper I [02/94-04/02]
XM [05/89-10/00]

Jumper I [02/94-04/02]

050 004 0954 | MRB0113

V-ribbed belt



Notes

Number of Ribs 4
Length [mm] 954

References

5750H1 91508762
5750SS 91 536 703
91 508 755 96 001 123

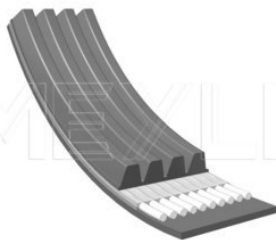
Application info

BX [10/82-12/94]

ZX [03/91-02/98]

050 004 1020 | MRB0125

V-ribbed belt



Notes

Number of Ribs 4
Length [mm] 1020

References

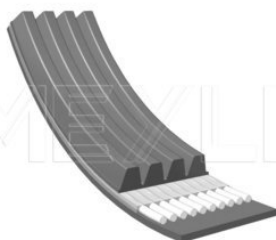
91 536 227 95 666 985

Application info

AX [07/86-12/98]

050 004 1025 | MRB0127

V-ribbed belt



Notes

Number of Ribs 4
Length [mm] 1025

References

5750L7 95 666 985
91 536 227

Application info

AX [07/86-12/98]



V-ribbed belt

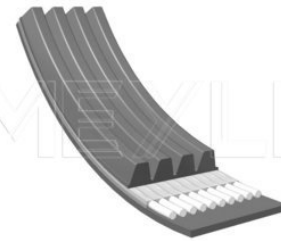
050 004 1030 | MRB0128

Notes

Number of Ribs 4
Length [mm] 1030

References

5750L7 95 666 985
91 536 227



Application info

AX (07/86-12/98)

V-ribbed belt

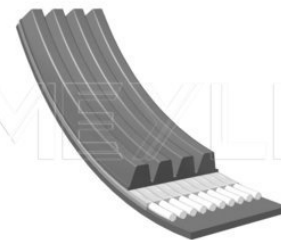
050 004 1245 | MRB0150

Notes

Number of Ribs 4
Length [mm] 1245

References

5750.H2 91 536 229
91 001 158 96 030 324



Application info

BX (10/82-12/94)

XM (05/89-10/00)

V-ribbed belt

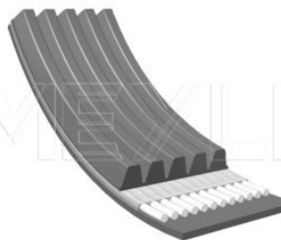
050 005 0760 | MRB0181

Notes

Number of Ribs 5
Length [mm] 760

References

5750.TR 96 173 680

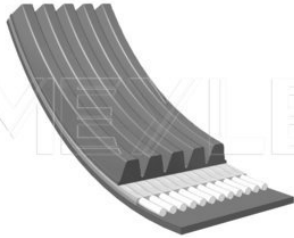


Application info

XM (05/89-10/00)

050 005 0830 | MRB0188

V-ribbed belt



Notes

| | |
|----------------|-----|
| Number of Ribs | 5 |
| Length [mm] | 830 |

References

| | |
|---------|---------|
| 5750.SJ | 5750.T4 |
|---------|---------|

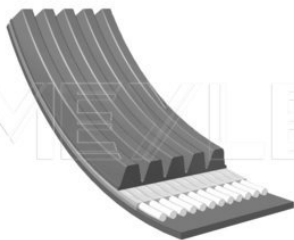
Application info

Saxo [02/96-04/04]

Xsara [04/97-08/05]

050 005 0850 | MRB0190

V-ribbed belt



Notes

| | |
|----------------|-----|
| Number of Ribs | 5 |
| Length [mm] | 850 |

References

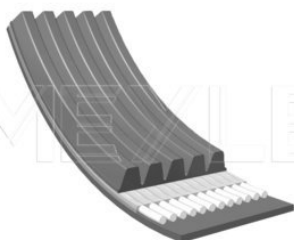
| | |
|---------|---------|
| 5750.C4 | 5750.H5 |
|---------|---------|

Application info

XM [05/89-10/00]

050 005 0880 | MRB0196

V-ribbed belt



Notes

| | |
|----------------|-----|
| Number of Ribs | 5 |
| Length [mm] | 880 |

References

| | |
|---------|---------|
| 5750.Q7 | 5750.SE |
|---------|---------|

Application info

Berlingo I [07/96-12/07]
Saxo [02/96-04/04]

Xsara [04/97-08/05]

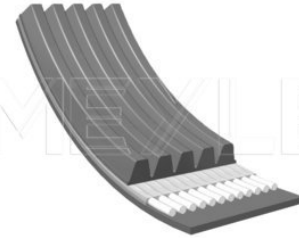


V-ribbed belt

050 005 1015 | MRB0219

Notes

| | |
|----------------|------|
| Number of Ribs | 5 |
| Length [mm] | 1015 |



Application info

BX [10/82-12/94]

V-ribbed belt

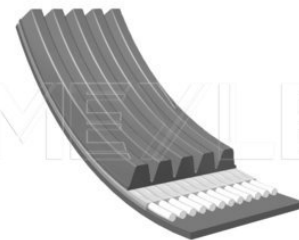
050 005 1030 | MRB0221

Notes

| | |
|----------------|------|
| Number of Ribs | 5 |
| Length [mm] | 1030 |

References

| | |
|--------|------------|
| 5750P7 | 96 126 957 |
| 6453TX | |



Application info

Saxo [02/96-04/04]

V-ribbed belt

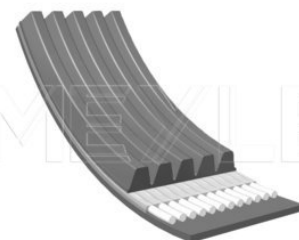
050 005 1050 | MRB0225

Notes

| | |
|----------------|------|
| Number of Ribs | 5 |
| Length [mm] | 1050 |

References

| | |
|---------|------------|
| 5750.Q1 | 5750XE |
| 5750.Q2 | 96 261 720 |

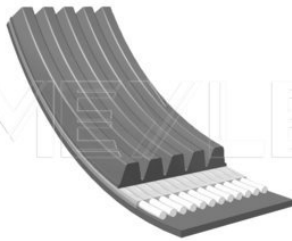


Application info

Saxo [02/96-04/04]

050 005 1100 | MRB0231

V-ribbed belt



Notes

| | |
|----------------|------|
| Number of Ribs | 5 |
| Length [mm] | 1100 |

References

| | |
|--------|--------|
| 6453CV | 6453NX |
| 6453FK | 6453TZ |

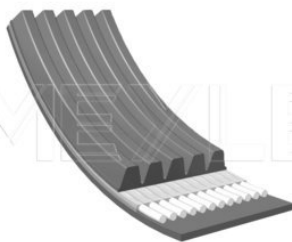
Application info

Jumper I [02/94-04/02]
Jumper II [02/02-06/06]

Jumper I [02/94-04/02]
Jumper II [02/02--]

050 005 1155 | MRB0242

V-ribbed belt



Notes

| | |
|----------------|------|
| Number of Ribs | 5 |
| Length [mm] | 1155 |

References

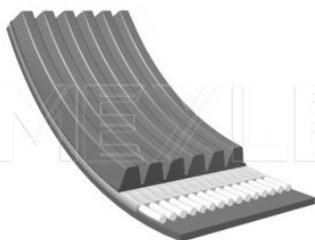
| | |
|------------|------------|
| 96 152 090 | 96 152 091 |
|------------|------------|

Application info

XM [05/89-10/00]

050 006 1190 | MRB0374

V-ribbed belt



Notes

| | |
|----------------|------|
| Number of Ribs | 6 |
| Length [mm] | 1190 |

References

| | |
|---------|---------|
| 1177.19 | 5750.VJ |
| 5750.FG | E117719 |

Application info

C5 I / C5 II [03/01-04/07]
Jumpy I [10/95-12/06]

XM [05/89-10/00]
Jumpy I [06/94--]



V-ribbed belt

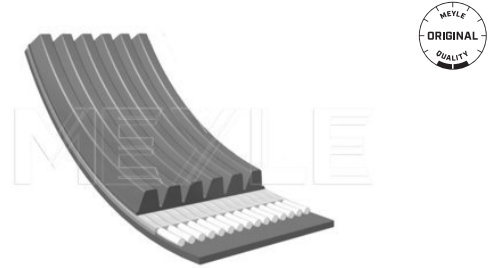
050 006 1735 | MRB0457

Notes

Number of Ribs 6
Length [mm] 1735

References

5750L2 5750YF
5750R5 5750Z5
5750W0 96188881
5750X7



Application info

Xantia [03/93-04/03]

XM [05/89-10/00]

Coolant flange

11-14 200 0003 | MFL0061

Notes

from thermostat to water-pump
with seal

References

1336.A1



Application info

Berlingo I [07/96-12/07]
Evasion [06/94-07/02]
Jumper II [02/02-06/06]
Xantia [03/93-04/03]

XM [05/89-10/00]
ZX [03/91-02/98]
Jumper II [02/02--]

Expansion tank cap

314 238 0005 | MMX1516

Notes

Pressure [bar] with seal
1.4

References

1306.J5



Thermostat

11-28 228 0001 | MTH0120

Notes

Opening Temperature [°C] with seal
89

References

1336.Q1



Application info

Berlingo I [07/96-12/07]
C4 I / Coupe / Grand Picasso / Picasso / Stufenheck [11/04-12/07]
Evasion [06/94-07/02]
Jumpy I [10/95-12/06]

Saxo [02/96-04/04]
Xsara [04/97-08/05]
Xsara Picasso [12/99-09/06]
Berlingo I [07/96--]
Jumpy I [06/94--]

Thermostat

11-28 228 0002 | MTH0119

Notes

Opening Temperature [°C] 89

References

1336.Q2



Application info

Berlingo I [07/96-12/07]
C2 / C3 I / Pluriel [02/02-09/05]
Nemo [02/08--]
Saxo [02/96-04/04]

Xsara [04/97-08/05]
Berlingo I [07/96--]
Nemo [02/08--]

Thermostat

028 289 0000 | MTH0038

Notes

Opening Temperature [°C] with seal
89

References

1337.27 1338.44



028 289 0000 | MTH0038

Thermostat

Application info

AX [07/86-12/98]
Berlingo I [07/96-12/07]
BX [10/82-12/94]
C15 / Visa [09/78-12/05]
Evasion [06/94-07/02]
Jumper I [02/94-04/02]
Saxo [02/96-04/04]

Xantia [03/93-04/03]
XM [05/89-10/00]
Xsara [04/97-08/05]
ZX [03/91-02/98]
Berlingo I [07/96--]
C15 / Visa [09/78-12/05]
Jumper I [02/94-04/02]

11-28 228 0000 | MTH0048

Thermostat



Notes

Opening Temperature [°C]

with seal
Synthetic Material Housing
89

References

1338.A0

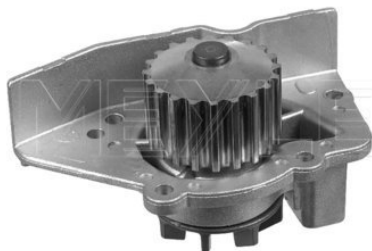
Application info

C4 I / Coupe / Grand Picasso / Picasso / Stufenheck [11/04-12/07]
C5 I / C5 II [03/01-04/07]
C5 III [RD_, TD_] [02/08--]
C8 [07/02--]

Jumpy II [01/07--]
Xsara [04/97-08/05]
Xsara Picasso [12/99-09/06]
Jumpy II [01/07--]

11-13 012 0150 | MWP0072

Water pump



Notes

Number of Teeth

for toothed belt drive
with seal
20

References

1201.50
1201.61
95 625 017

95 655 208
95 656 567

Application info

Berlingo I [07/96-12/07]
BX [10/82-12/94]
Evasion [06/94-07/02]
Xantia [03/93-04/03]

Xsara [04/97-08/05]
ZX [03/91-02/98]
Berlingo I [07/96--]

Water pump

11-13 012 0162 | MWP0075

Notes

Number of Teeth

for toothed belt drive
with seal
20

References

| | |
|---------|------------|
| 1201.48 | 95 641 149 |
| 1201.51 | 95 643 824 |
| 1201.60 | 95 656 568 |
| 1201.62 | 95 656 569 |



Application info

BX (10/82-12/94)
C15 / Visa (09/78-12/05)
C25 (09/81-03/94)
Xantia (03/93-04/03)

ZX (03/91-02/98)
C15 / Visa (09/78-12/05)
C25 (07/81-03/94)

Water pump

11-13 012 0163 | MWP0076

Notes

Quality
Number of Teeth

for toothed belt drive
with seal
Sealed with SiC/SiC
20

References

| | |
|---------|------------|
| 1201.39 | 91 511 136 |
| 1201.63 | 95 656 566 |



Application info

BX (10/82-12/94)
C15 / Visa (09/78-12/05)

ZX (03/91-02/98)
C15 / Visa (09/78-12/05)

Water pump

11-13 012 0152 | MWP0073

Notes

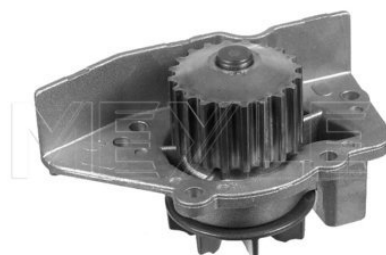
Impeller Diameter [mm]

Number of Teeth

for toothed belt drive
68
with seal
20

References

| | |
|---------|------------|
| 1201.52 | 1201.A4 |
| 1201.65 | 95 650 955 |
| 1201.67 | 95 666 768 |
| 1201.91 | |



11-13 012 0152 | MWP0073

Water pump

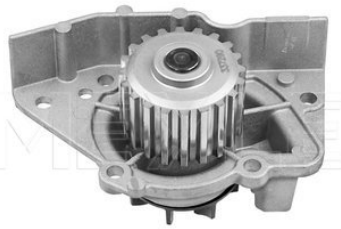
Application info

Berlingo I [07/96-12/07]
 BX [10/82-12/94]
 C15 / Visa [09/78-12/05]
 Evasion [06/94-07/02]
 Jumper I [02/94-04/02]
 Jumper II [02/02-06/06]
 Jumpy I [10/95-12/06]
 Xantia [03/93-04/03]

XM [05/89-10/00]
 Xsara [04/97-08/05]
 ZX [03/91-02/98]
 Berlingo I [07/96--]
 C15 / Visa [09/78-12/05]
 Jumper I [02/94-04/02]
 Jumper II [02/02--]
 Jumpy I [06/94--]

11-13 220 0007 | MWP0085

Water pump



Notes

Number of Teeth

for toothed belt drive
with seal
20

References

1201.98

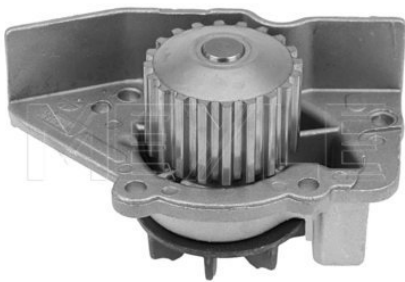
Application info

Xantia [03/93-04/03]
 Xsara [04/97-08/05]

Xsara Picasso [12/99-09/06]
 ZX [03/91-02/98]

11-13 012 0183 | MWP0077

Water pump



Notes

Impeller Diameter [mm]
 Quality
 Number of Teeth

for toothed belt drive
68
with seal
Sealed with SiC/SiC
20

References

1201.93

1201.A1

Application info

Evasion [06/94-07/02]
 Xantia [03/93-04/03]

XM [05/89-10/00]
 Xsara [04/97-08/05]

Water pump

11-13 220 0012 | MWP0088

Notes

Number of Ribs

for v-ribbed belt use
with seal
3

References

1201.A5



Application info

Jumper I [02/94-04/02]
XM [05/89-10/00]

Jumper I [02/94-04/02]

Water pump

11-13 220 0005 | MWP0083

Notes

Quality
Number of Teeth

for toothed belt drive
with seal
Sealed with SiC/SiC
20

References

1201.A8



Application info

Berlingo I [07/96-12/07]
BX [10/82-12/94]
Evasion [06/94-07/02]
Jumpy I [10/95-12/06]
Xantia [03/93-04/03]

Xsara [04/97-08/05]
ZX [03/91-02/98]
Berlingo I [07/96--]
Jumpy I [06/94--]

Water pump

11-13 220 0001 | MWP0079

Notes

Quality
Number of Teeth

for toothed belt drive
with seal
Sealed with SiC/SiC
20

References

1201.C4



11-13 220 0001 | MWP0079

Water pump

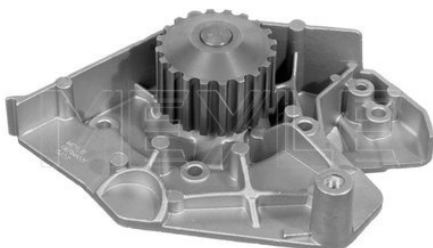
Application info

Berlingo I [07/96-12/07]
C15 / Visa [09/78-12/05]
C5 I / C5 II [03/01-04/07]
C8 [07/02--]
Evasion [06/94-07/02]
Jumper I [02/94-04/02]
Jumper II [02/02-06/06]
Jumpy I [10/95-12/06]

Xantia [03/93-04/03]
Xsara [04/97-08/05]
Xsara Picasso [12/99-09/06]
Berlingo I [07/96--]
C15 / Visa [09/78-12/05]
Jumper I [02/94-04/02]
Jumper II [02/02--]
Jumpy I [06/94--]

11-13 220 0002 | MWP0080

Water pump



Notes

Number of Teeth

for toothed belt drive
with seal
20

References

1201.55
1201.A7
1201.C5

1201.C6
1201.E0

Application info

Evasion [06/94-07/02]
Xantia [03/93-04/03]

XM [05/89-10/00]

11-13 012 0102 | MWP0071

Water pump



Notes

Quality
Number of Teeth

for toothed belt drive
with seal
Sealed with SiC/SiC
19

References

1201.A2

1201.E5

Application info

Berlingo I [07/96-12/07]
Berlingo II [04/08--]
C2 / C3 I / Pluriel [02/02-09/05]
C4 I / Coupe / Grand Picasso / Picasso / Stufenheck [11/04-12/07]

Saxo [02/96-04/04]
Xsara [04/97-08/05]
Xsara Picasso [12/99-09/06]
Berlingo I [07/96--]
Berlingo II [04/08--]

Water pump
11-13 012 0158 | MWP0074
Notes

 Quality
 Number of Teeth

 for toothed belt drive
 with seal
 Sealed with SiC/SiC
 20

References

 1201.58
 1201.E4
 1201.E6

 1207.25
 96 085 642 80

Application info

 AX (07/86-12/98)
 BX (10/82-12/94)
 C15 / Visa (09/78-12/05)
 Saxo (02/96-04/04)

 Xsara (04/97-08/05)
 Xsara Picasso (12/99-09/06)
 C15 / Visa (09/78-12/05)

Water pump
513 220 0002 | MWP0430
Notes

 Quality
 Number of Teeth

 for toothed belt drive
 with seal
 Sealed with SiC/SiC
 19

References

1201.E8


Application info

 C4 I / Coupe / Grand Picasso / Picasso / Stufenheck (11/04-12/07)
 C5 I / C5 II (03/01-04/07)
 C5 III (RD_, TD_) (02/08--)
 C8 (07/02--)

 Jumper II (02/02-06/06)
 Jumpy II (01/07--)
 Jumper II (02/02--)
 Jumpy II (01/07--)

Water pump
11-13 220 0008 | MWP0086
Notes

Number of Teeth

 for toothed belt drive
 with seal
 28

References

1201.E9

1201.F6



11-13 220 0008 | MWP0086

Water pump

Application info

C5 I / C5 II (03/01-04/07)
C5 III (RD_, TD_) (02/08--)

C6 (09/05--)
C8 (07/02--)

11-13 220 0003 | MWP0081

Water pump



Notes

Number of Teeth

for toothed belt drive
with seal
18

References

1201.G0

Application info

Berlingo I (07/96-12/07)
C2 / C3 I / Pluriel (02/02-09/05)
C3 II (11/09--)
Nemo (02/08--)
Saxo (02/96-04/04)

Xsara (04/97-08/05)
ZX (03/91-02/98)
Berlingo I (07/96--)
Nemo (02/08--)

11-13 220 0022 | MWP0095

Water pump



Notes

for v-ribbed belt use
with seal

References

1201.G6

Application info

C5 III (RD_, TD_) (02/08--)

C6 (09/05--)



Water pump

713 220 0008 | MWP0498

Notes

Quality
Number of Teeth

for toothed belt drive
with seal
Metal Housing
Sealed with SiC/SiC
21

References

1201.F9

1201.G8



Application info

C1 (06/05--)
C2 / C3 I / Pluriel (02/02-09/05)
C3 II (11/09--)

Nemo (02/08--)
Xsara (04/97-08/05)
Nemo (02/08--)

Water pump

713 220 0008/HD | MWP0498HD

Notes

Quality
Number of Teeth

for toothed belt drive
with seal
Metal Housing
Sealed with SiC/SiC
21

References

1201.F9

1201.G8



Application info

C1 (06/05--)
C2 / C3 I / Pluriel (02/02-09/05)
C3 II (11/09--)

Nemo (02/08--)
Xsara (04/97-08/05)
Nemo (02/08--)

Water pump

11-13 220 0004 | MWP0082

Notes

Quality
Number of Teeth

for toothed belt drive
with seal
Sealed with SiC/SiC
19

References

1201.G1

1201.G9



11-13 220 0004 | MWP0082

Water pump

Application info

Berlingo I [07/96-12/07]
Berlingo II [04/08--]
C Elyse [11/12--]
C2 / C3 I / Pluriel [02/02-09/05]
C3 II [11/09--]
C3 Picasso [02/09--]
C4 Aircross [04/12--]
C4 Cactus [09/14--]
C4 Grand Picasso II [09/13--]
C4 I / Coupe / Grand Picasso / Picasso / Stufenheck [11/04-12/07]

C4 II / DS4 [11/09--]
C5 I / C5 II [03/01-04/07]
C5 III (RD_, TD_) [02/08--]
DS3 [11/09--]
DS5 [11/11--]
Jumpy II [01/07--]
Xsara Picasso [12/99-09/06]
Berlingo I [07/96--]
Berlingo II [04/08--]
Jumpy II [01/07--]

11-13 220 0004/HD | MWP0082HD

Water pump



Notes

Quality
Number of Teeth

for toothed belt drive
with seal
Sealed with SiC/SiC
19

References

1201.G1

1201.G9

Application info

Berlingo I [07/96-12/07]
Berlingo II [04/08--]
C Elyse [11/12--]
C2 / C3 I / Pluriel [02/02-09/05]
C3 II [11/09--]
C3 Picasso [02/09--]
C4 Aircross [04/12--]
C4 Cactus [09/14--]
C4 Grand Picasso II [09/13--]
C4 I / Coupe / Grand Picasso / Picasso / Stufenheck [11/04-12/07]

C4 II / DS4 [11/09--]
C5 I / C5 II [03/01-04/07]
C5 III (RD_, TD_) [02/08--]
DS3 [11/09--]
DS5 [11/11--]
Jumpy II [01/07--]
Xsara Picasso [12/99-09/06]
Berlingo I [07/96--]
Berlingo II [04/08--]
Jumpy II [01/07--]

11-13 220 0014 | MWP0089

Water pump



Notes

with seal

References

1201.C9

1201.H5

Water pump

11-13 220 0014 | MWP0089

Application info

Jumper I (02/94-04/02)
Jumper II (02/02-06/06)

Jumper I (02/94-04/02)
Jumper II (02/02--)

Water pump

11-13 220 0023 | MWP0096

Notes

Quality

with seal
with housing
Sealed with SiC/SiC

References

1201.H6



Application info

Jumper III (04/06--)

Jumper III (04/06--)

Water pump

11-13 220 0020 | MWP0093

Notes

Quality

with seal
Sealed with SiC/SiC

References

1201.H8



Application info

Berlingo II (04/08--)
C3 II (11/09--)
C3 Picasso (02/09--)
C4 Grand Picasso II (09/13--)
C4 I / Coupe / Grand Picasso / Picasso / Stufenheck (11/04-12/07)

C4 II / DS4 (11/09--)
C5 III (RD_, TD_) (02/08--)
DS3 (11/09--)
DS5 (11/11--)

11-13 220 0024 | MWP0097

Water pump



Notes

Number of Ribs

for v-ribbed belt use
with seal
6

References

1201.J4

1201.K0

Application info

Jumper III (04/06--)

Jumper III (04/06--)

40-13 220 0004 | MWP0419

Water pump



Notes

Quality
Number of Teeth

for toothed belt drive
with seal
Sealed with SiC/SiC
18

References

1201.K2

Application info

C4 I / Coupe / Grand Picasso / Picasso / Stufenheck (11/04-12/07)
C4 II / DS4 (11/09--)
C5 III (RD_, TD_) (02/08--)

C8 (07/02--)
DS5 (11/11--)
Jumpy II (01/07--)
Jumpy II (01/07--)

40-13 220 0005 | MWP0527

Water pump



Notes

with seal

References

1201.K5

Application info

C5 III (RD_, TD_) (02/08--)

C6 (09/05--)

Water pump
11-13 220 0019 | MWP0092
Notes

 for v-ribbed belt use
 with add-on material
 with seal

References

| | |
|---------|---------|
| 1201.H0 | 1201.L1 |
| 1201.J0 | 1201.L3 |


Application info

C1 [06/05--]

Water pump
11-13 012 0723 | MWP0078
Notes

 for toothed belt drive
 with seal
 Sealed with SiC/SiC
 20

 Quality
 Number of Teeth

References

| | |
|---------|---------------|
| 1201.47 | 1207.23 |
| 1201.E3 | 94 510 012 63 |
| 1207.18 | 96 173 769 80 |


Application info

 AX [07/86-12/98]
 Berlingo I [07/96-12/07]
 BX [10/82-12/94]
 C15 / Visa [09/78-12/05]
 Saxo [02/96-04/04]

 Xsara [04/97-08/05]
 ZX [03/91-02/98]
 Berlingo I [07/96--]
 C15 / Visa [09/78-12/05]

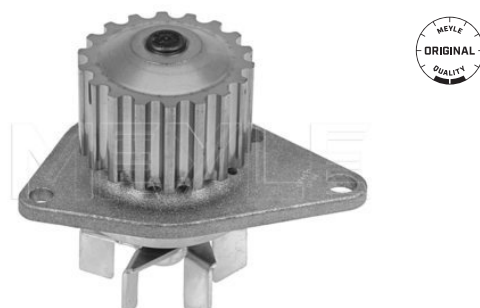
Water pump
11-13 220 0006 | MWP0084
Notes

 for toothed belt drive
 with seal
 Sealed with SiC/SiC
 18

 Quality
 Number of Teeth

References

| | |
|---------|------------|
| 1201.G2 | 1609417180 |
|---------|------------|



11-13 220 0006 | MWP0084

Water pump

Application info

C2 / C3 I / Pluriel [02/02-09/05]

C4 I / Coupe / Grand Picasso / Picasso / Stufenheck [11/04-12/07]

11-13 220 0017 | MWP0091

Water pump



Notes

Quality
Number of Teeth

for toothed belt drive
with seal
with housing
Sealed with SiC/SiC
20

References

1201.E1
1201.E7
1201.F4
1201.F5
1201.G4

1201.G5
1201.J2
1201.K1
1201.L2
1609417480

Application info

C4 I / Coupe / Grand Picasso / Picasso / Stufenheck [11/04-12/07]

C5 I / C5 II [03/01-04/07]

C5 III (RD_, TD_) [02/08--]

C8 [07/02--]

Evasion [06/94-07/02]

Jumpy I [10/95-12/06]

Jumpy II [01/07--]

Xsara [04/97-08/05]

Xsara Picasso [12/99-09/06]

Jumpy I [06/94--]

Jumpy II [01/07--]

11-13 220 0021 | MWP0094

Water pump



Notes

Quality
Number of Teeth

for toothed belt drive
with seal
Sealed with SiC/SiC
19

References

1201.H7
1201.J6

1610278080

Application info

C4 Grand Picasso II [09/13--]

C4 II / DS4 [11/09--]

C5 I / C5 II [03/01-04/07]

C5 III (RD_, TD_) [02/08--]

C6 [09/05--]

C8 [07/02--]

C-Crosser [02/07--]

Jumper III [04/06--]

C-Crosser [02/07--]

Jumper III [04/06--]

Water pump

11-13 220 0027 | MWP0571

Notes

Number of Ribs with seal
3

References

9803094380



Application info

C3 II (11/09--)
C4 Cactus (09/14--)
C4 Grand Picasso II (09/13--)

C4 II / DS4 (11/09--)
DS3 (11/09--)

Water pump

11-13 220 0026 | MWP0554

Notes

Quality for v-ribbed belt use
Number of Ribs with seal
Sealed with SiC/SiC
3

References

9803442480



Application info

C Elyse (11/12--)
C1 II (04/14--)
C3 II (11/09--)

C4 Cactus (09/14--)
DS3 (11/09--)

Water pump

11-13 220 0025 | MWP0098

Notes

with seal

References

1201.J9



Application info

C-Crosser (02/07--)

5

613 220 0002 | MWP0443

Water pump



Notes

Quality
Number of Ribs

for v-ribbed belt use
with seal
Aluminium Housing
Sealed with SiC/SiC
6

Application info

Nemo [02/08--]

Nemo [02/08--]

11-12 014 4402 | MAF0083

Air filter



Notes

Inner diameter [mm]
Outer diameter [mm]
Height [mm]

84
161
286
Filter Insert

References

1444.99

1444.TY

Application info

Jumper I [02/94-04/02]
Jumper II [02/02-06/06]

Jumper I [02/94-04/02]
Jumper II [02/02--]

11-12 014 4409 | MAF0084

Air filter



Notes

Inner diameter [mm]
Outer diameter [mm]
Height [mm]

100
160
181
Filter Insert

References

1444.A1

Application info

C25 [09/81-03/94]
Jumper I [02/94-04/02]

C25 [07/81-03/94]
Jumper I [02/94-04/02]

Air filter

36-12 321 0005 | MAF0491

Notes

| | |
|-----------------------|---------------|
| Inner diameter 2 [mm] | 48 |
| Inner diameter 1 [mm] | 90 |
| Inner diameter [mm] | 95 |
| Outer diameter [mm] | 137 |
| Height [mm] | 208 |
| | Filter Insert |

References

1444.A5



Application info

AX [07/86-12/98]
Saxo [02/96-04/04]

Xsara [04/97-08/05]

Air filter

11-12 014 4485 | MAF0087

Notes

| | |
|-----------------------|---------------|
| Inner diameter 2 [mm] | 78 |
| Inner diameter 1 [mm] | 116 |
| Inner diameter [mm] | 102 |
| Outer diameter [mm] | 140 |
| Height [mm] | 164 |
| | Filter Insert |

References

1444.A7
95 658 433



Application info

AX [07/86-12/98]
Berlingo I [07/96-12/07]
BX [10/82-12/94]
C15 / Visa [09/78-12/05]
Saxo [02/96-04/04]

Xsara [04/97-08/05]
ZX [03/91-02/98]
Berlingo I [07/96--]
C15 / Visa [09/78-12/05]

Air filter

11-12 014 4419 | MAF0086

Notes

| | |
|-------------|---------------|
| Height [mm] | 57 |
| Width [mm] | 156 |
| Length [mm] | 326 |
| | Filter Insert |

References

1444.A4
1444.A8
1444.A9
1444.F4
1444.R7

1444.T5
1444.T9
1444.VV
1444.WB
95 618 786



5

+

11-12 014 4419 | MAF0086

Air filter

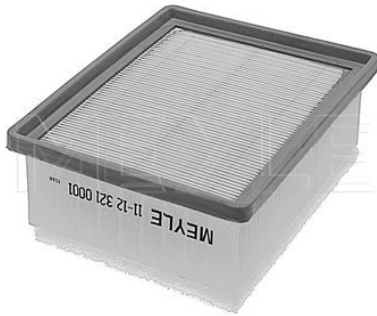
Application info

AX (07/86-12/98)
 BX (10/82-12/94)
 C5 I / C5 II (03/01-04/07)
 C8 (07/02--)
 Evasion (06/94-07/02)
 Jumper I (02/94-04/02)
 Jumpy I (10/95-12/06)

Jumpy II (01/07--)
 Xantia (03/93-04/03)
 ZX (03/91-02/98)
 Jumper I (02/94-04/02)
 Jumpy I (06/94--)
 Jumpy II (01/07--)

11-12 321 0001 | MAF0089

Air filter



Notes

Height [mm] 83
 Width [mm] 168
 Length [mm] 205
 Filter Insert

References

1444.CA 1444.CK
 1444.CC 1444.VQ
 1444.CJ

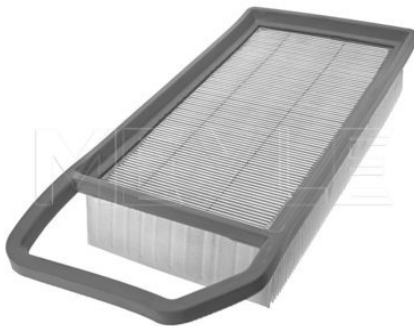
Application info

Berlingo I (07/96-12/07)

Berlingo I (07/96--)

11-12 321 0004 | MAF0092

Air filter



Notes

Height [mm] 59
 Width [mm] 153
 Length [mm] 357
 Filter Insert

References

1444.CV 1444.FN
 1444.EZ

Application info

C5 I / C5 II (03/01-04/07)
 C5 III (RD_, TD_) (02/08--)

C6 (09/05--)

Air filter
11-12 321 0017 | MAF0105
Notes

| | |
|---------------------|---------------|
| Inner diameter [mm] | 94 |
| Outer diameter [mm] | 140 |
| Height [mm] | 167 |
| | Filter Insert |

References

1444.E5


Application info

 Berlingo I [07/96-12/07]
 Saxo [02/96-04/04]

 Xsara [04/97-08/05]
 Berlingo I [07/96--]

Air filter
11-12 321 0022 | MAF0110
Notes

| | |
|-------------|---------------|
| Height [mm] | 63 |
| Width [mm] | 132.5 |
| Length [mm] | 249 |
| | Filter Insert |

References

| | |
|---------|---------|
| 1444.ER | 1444.TK |
| 1444.ET | E147299 |


Application info

 C5 I / C5 II [03/01-04/07]
 C5 III (RD_, TD_) [02/08--]

 Jumpy II [01/07--]
 Jumpy II [01/07--]

Air filter
11-12 321 0032 | MAF0120
Notes

| | |
|-------------|---------------|
| Height [mm] | 65 |
| Width [mm] | 153 |
| Length [mm] | 324 |
| | Filter Insert |

References

| | |
|---------|---------|
| 1444.EV | 1444.XF |
| 1444.EW | E147223 |
| 1444.TP | E147224 |

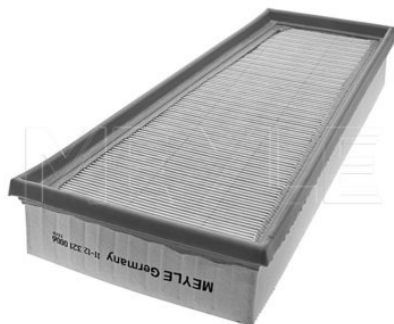

Application info

C5 I / C5 II [03/01-04/07]

C5 III (RD_, TD_) [02/08--]

11-12 321 0006 | MAF0094

Air filter



Notes

| | |
|--------------|---------------|
| Height [mm] | 58 |
| Width [mm] | 175 |
| Width 2 [mm] | 119 |
| Length [mm] | 318 |
| | Filter Insert |

References

1444.F6

Application info

Xsara [04/97-08/05]

40-12 321 0001 | MAF0545

Air filter



Notes

| | |
|-------------|---------------|
| Height [mm] | 49.5 |
| Width [mm] | 101 |
| Length [mm] | 350 |
| | Filter Insert |

References

1444.FC

1444.TL

Application info

C4 I / Coupe / Grand Picasso / Picasso / Stufenheck [11/04-12/07]

11-12 321 0030 | MAF0118

Air filter



Notes

| | |
|-------------|---------------|
| Height [mm] | 82 |
| Width [mm] | 168 |
| Length [mm] | 247 |
| | Filter Insert |

References

1444.FG

1444.TA

Application info

C4 I / Coupe / Grand Picasso / Picasso / Stufenheck [11/04-12/07]

Air filter

11-12 321 0020 | MAF0108

Notes

Inner diameter [mm] 67
Outer diameter [mm] 113
Height [mm] 213
Filter Insert

References

1444.H2



Application info

Berlingo I [07/96-12/07]
Xsara [04/97-08/05]

Berlingo I [07/96--]

Air filter

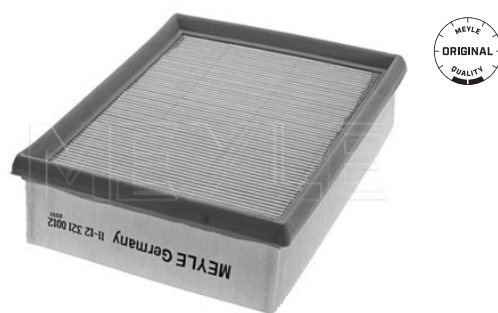
11-12 321 0012 | MAF0100

Notes

Height [mm] 58
Width [mm] 170
Length [mm] 206
Filter Insert

References

1444.J3



Application info

Xsara [04/97-08/05]

Xsara Picasso [12/99-09/06]

Air filter

11-12 014 4410 | MAF0085

Notes

Height [mm] 42
Width [mm] 170
Length [mm] 206
Filter Insert

References

1444.J5



Application info

Xsara [04/97-08/05]

Xsara Picasso [12/99-09/06]

5

11-12 321 0002 | MAF0090

Air filter



Notes

Height [mm] 50
Width [mm] 102
Length [mm] 335
without sight glass

References

1444.CZ 1444.X0
1444.K5 1444.X0
1444.VJ

Application info

Berlingo I (07/96-12/07)
C2 / C3 I / Pluriel (02/02-09/05)

C3 II (11/09--)
Berlingo I (07/96--)

30-12 321 0002 | MAF0334

Air filter



Notes

Height [mm] 44
Width [mm] 114
Length [mm] 260
Filter Insert

References

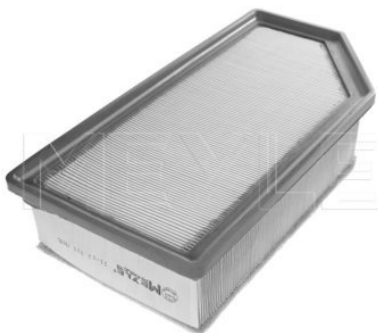
1444.PW

Application info

C1 (06/05--)

11-12 321 0035 | MAF0658

Air filter



Notes

Height [mm] 84
Width [mm] 182
Length [mm] 358
Filter Insert

References

1444.QA 96 555 357 80

Application info

C5 III (RD_, TD_) (02/08--)

C6 (09/05--)

Air filter

11-12 321 0008 | MAF0096

Notes

Height [mm] 65
Width [mm] 102
Length [mm] 354
Filter Insert

References

1444.QJ



Application info

C4 I / Coupe / Grand Picasso / Picasso / Stufenheck (11/04-12/07)

Air filter

11-12 321 0007 | MAF0095

Notes

Height [mm] 42
Width [mm] 147
Length [mm] 360
Filter Insert

References

1444.QS



Application info

C4 I / Coupe / Grand Picasso / Picasso / Stufenheck (11/04-12/07)

Air filter

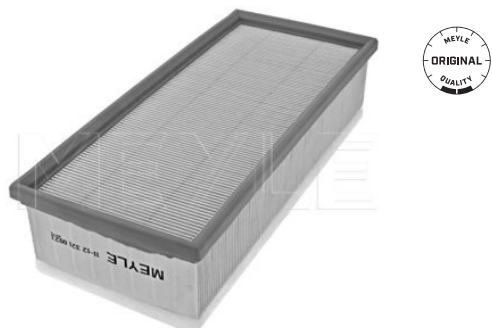
11-12 321 0023 | MAF0111

Notes

Height [mm] 85
Width [mm] 148
Length [mm] 346
Filter Insert

References

1444.QX 1444.WN



Application info

C8 (07/02--)
Jumpy II (01/07--)

Jumpy II (01/07--)

11-12 321 0034 | MAF0122

Air filter



Notes

Height [mm] 67
Width [mm] 142
Length [mm] 351
Filter Insert

References

1444.QZ 96 583 379 80

Application info

C5 I / C5 II (03/01-04/07)
C5 III (RD_, TD_) (02/08--)

C6 (09/05--)

11-12 321 0042 | MAF0129

Air filter



Notes

Height [mm] 57
Width [mm] 202
Width 1 [mm] 109
Length [mm] 276
Filter Insert

References

1444.R6 1444.WP

Application info

Berlingo I (07/96-12/07)
Xsara (04/97-08/05)

Berlingo I (07/96--)

11-12 321 0013 | MAF0101

Air filter



Notes

Height [mm] 56
Width [mm] 85
Length [mm] 494
Filter Insert

References

1444.RK 1444.XG

Air filter

11-12 321 0013 | MAF0101

Application info

Berlingo II (04/08--)
C3 II (11/09--)
C3 Picasso (02/09--)
C4 I / Coupe / Grand Picasso / Picasso / Stufenheck (11/04-12/07)

C4 II / DS4 (11/09--)
DS3 (11/09--)
Berlingo II (04/08--)

Air filter

11-12 321 0005 | MAF0093

Notes

Height [mm] 73
Width [mm] 84
Length [mm] 494
Filter Insert

References

1444.RW



Application info

Berlingo II (04/08--)
C3 II (11/09--)
C3 Picasso (02/09--)
C4 I / Coupe / Grand Picasso / Picasso / Stufenheck (11/04-12/07)

C4 II / DS4 (11/09--)
DS3 (11/09--)
Berlingo II (04/08--)

Air filter

11-12 321 0028 | MAF0116

Notes

Height [mm] 43
Width [mm] 147
Length [mm] 359
Filter Insert

References

1444.RY



Application info

C4 I / Coupe / Grand Picasso / Picasso / Stufenheck (11/04-12/07)

212 321 0021 | MAF0277

Air filter



Notes

| | |
|---------------------|---------------|
| Inner diameter [mm] | 97 |
| Outer diameter [mm] | 169 |
| Height [mm] | 303 |
| | Filter Insert |

References

| | |
|---------|---------|
| 1444.SG | 1444.SR |
|---------|---------|

Application info

Jumper III (04/06--)

Jumper III (04/06--)

212 321 0020 | MAF0276

Air filter



Notes

| | |
|-----------------------|---------------|
| Inner diameter 1 [mm] | 95 |
| Inner diameter [mm] | 97 |
| Outer diameter [mm] | 170 |
| Height [mm] | 303 |
| | Filter Insert |

References

| | |
|---------|---------|
| 1444.QV | 1444.SQ |
|---------|---------|

Application info

Jumper III (04/06--)

Jumper III (04/06--)

11-12 321 0026 | MAF0114

Air filter



Notes

| | |
|---------------------|---------------|
| Inner diameter [mm] | 65 |
| Outer diameter [mm] | 136 |
| Height [mm] | 200 |
| | Filter Insert |

References

| | |
|---------|---------|
| 1444.02 | 1445.02 |
| 1444.SY | |

Application info

AX (07/86-12/98)
BX (10/82-12/94)
C15 / Visa (09/78-12/05)

Saxo (02/96-04/04)
ZX (03/91-02/98)
C15 / Visa (09/78-12/05)

Air filter
11-12 321 0037 | MAF0124
Notes

 Height [mm] 67
 Width [mm] 156
 Length [mm] 325
 with pre-separator
 Filter Insert

References

 1444.PY 1444.TB
 1444.T7

Application info

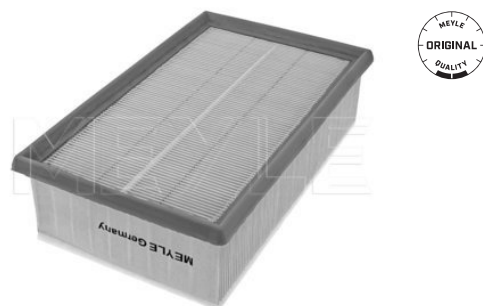
 AX (07/86-12/98)
 BX (10/82-12/94)
 C5 I / C5 II (03/01-04/07)
 C8 (07/02--)
 Evasion (06/94-07/02)
 Jumper I (02/94-04/02)
 Jumpy I (10/95-12/06)

 Jumpy II (01/07--)
 Xantia (03/93-04/03)
 ZX (03/91-02/98)
 Jumper I (02/94-04/02)
 Jumpy I (06/94--)
 Jumpy II (01/07--)

Air filter
11-12 321 0031 | MAF0119
Notes

 Height [mm] 77
 Width [mm] 167
 Length [mm] 277
 Filter Insert

References

 1444.QP 1444.TE
 1444.RP

Application info

C4 I / Coupe / Grand Picasso / Picasso / Stufenheck (11/04-12/07)

 C4 II / DS4 (11/09--)
 DS5 (11/11--)

Air filter
11-12 321 0011 | MAF0099
Notes

 Height [mm] 80
 Width [mm] 170
 Length [mm] 206
 Filter Insert
 with pre-filter

References

 1444.QE 1444.R3
 1444.R1 1444.TF


11-12 321 0011 | MAF0099

Air filter

Application info

Xsara [04/97-08/05]

Xsara Picasso [12/99-09/06]

11-12 321 0036 | MAF0123

Air filter



Notes

| | |
|-------------|---------------|
| Height [mm] | 86 |
| Width [mm] | 178 |
| Length [mm] | 303 |
| | Filter Insert |

References

1444.TG

Application info

C5 III (RD_, TD_) [02/08--]

C6 [09/05--]

11-12 321 0027 | MAF0115

Air filter



Notes

| | |
|-------------|---------------|
| Height [mm] | 42 |
| Width [mm] | 147 |
| Length [mm] | 359 |
| | Filter Insert |

References

1444.TT

Application info

C4 I / Coupe / Grand Picasso / Picasso / Stufenheck [11/04-12/07]
C4 II / DS4 [11/09--]

C5 III (RD_, TD_) [02/08--]
DS3 [11/09--]

11-12 321 0019 | MAF0107

Air filter



Notes

| | |
|-------------|---------------|
| Height [mm] | 57 |
| Width [mm] | 205 |
| Length [mm] | 348 |
| | Filter Insert |

References

1444.TV

Air filter

11-12 321 0019 | MAF0107

Application info

Berlingo II (04/08--)
C Elyse (11/12--)
C3 II (11/09--)
C3 Picasso (02/09--)
C4 Aircross (04/12--)
C4 I / Coupe / Grand Picasso / Picasso / Stufenheck (11/04-12/07)

C4 II / DS4 (11/09--)
C5 III (RD_, TD_) (02/08--)
DS3 (11/09--)
DS5 (11/11--)
Jumpy II (01/07--)
Berlingo II (04/08--)
Jumpy II (01/07--)

Air filter

11-12 321 0003 | MAF0091

Notes

Height [mm] 85.3
Width [mm] 168
Length [mm] 246
Filter Insert

References

1444.FJ 1444.TJ
1444.FL 1444.TZ



Application info

C4 I / Coupe / Grand Picasso / Picasso / Stufenheck (11/04-12/07)

Air filter

11-12 321 0018 | MAF0106

Notes

Height [mm] 69
Width [mm] 170
Width 2 [mm] 117
Length [mm] 187
Filter Insert

References

1444.SW 1444.V3



Application info

Berlingo I (07/96-12/07)

Berlingo I (07/96--)

11-12 321 0010 | MAF0098

Air filter



Notes

| | |
|---------------------|---------------|
| Inner diameter [mm] | 118 |
| Outer diameter [mm] | 168 |
| Height [mm] | 124 |
| | Filter Insert |

References

| | |
|---------|------------|
| 1444.F5 | 1444.WH |
| 1444.G1 | 95 605 128 |
| 1444.VF | |

Application info

Berlingo I [07/96-12/07]
C15 / Visa [09/78-12/05]
Xsara [04/97-08/05]

ZX [03/91-02/98]
Berlingo I [07/96--]
C15 / Visa [09/78-12/05]

11-12 321 0024 | MAF0112

Air filter



Notes

| | |
|-------------|---------------|
| Height [mm] | 55 |
| Width [mm] | 95 |
| Length [mm] | 425 |
| | Filter Insert |

References

| | |
|---------|---------|
| 1444.FE | 1444.VK |
| 1444.PR | E147302 |

Application info

Berlingo II [04/08--]
C4 I / Coupe / Grand Picasso / Picasso / Stufenheck [11/04-12/07]

Xsara Picasso [12/99-09/06]
Berlingo II [04/08--]

11-12 321 0016 | MAF0104

Air filter



Notes

| | |
|-------------|---------------|
| Height [mm] | 49 |
| Width [mm] | 91 |
| Length [mm] | 332 |
| | Filter Insert |

References

1444.VL

Application info

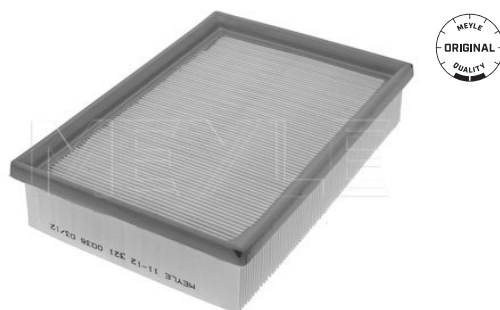
C3 II [11/09--]

Air filter
11-12 321 0038 | MAF0125
Notes

| | |
|-------------|---------------|
| Height [mm] | 48 |
| Width [mm] | 168 |
| Length [mm] | 248 |
| | Filter Insert |

References

| | |
|---------|---------|
| 1444.FH | 1444.VW |
|---------|---------|


Application info

C4 I / Coupe / Grand Picasso / Picasso / Stufenheck [11/04-12/07]

Air filter
11-12 321 0029 | MAF0117
Notes

| | |
|-------------|---------------|
| Height [mm] | 67 |
| Width [mm] | 184 |
| Length [mm] | 246 |
| | Filter Insert |

References

| | |
|---------|---------|
| 1444.FK | 1444.VX |
|---------|---------|


Application info

C4 I / Coupe / Grand Picasso / Picasso / Stufenheck [11/04-12/07]

Air filter
11-12 321 0041 | MAF0128
Notes

| | |
|---------------------|---------------|
| Inner diameter [mm] | 75 |
| Outer diameter [mm] | 113 |
| Height [mm] | 242 |
| | Filter Insert |

References

| | |
|---------|---------------|
| 1444.E7 | 94 014 459 68 |
| 1444.F2 | 95 658 437 |
| 1444.J7 | 95 658 483 |
| 1444.WA | |


Application info

 C15 / Visa [09/78-12/05]
 Xantia [03/93-04/03]

 Xsara [04/97-08/05]
 ZX [03/91-02/98]

32-12 321 0002 | MAF0447

Air filter



Notes

| | |
|-------------|---------------|
| Height [mm] | 68 |
| Width [mm] | 185 |
| Length [mm] | 270 |
| | Filter Insert |

References

1444.WW

Application info

C-Crosser [02/07--]

11-12 321 0009 | MAF0097

Air filter



Notes

| | |
|-------------|---------------|
| Height [mm] | 48 |
| Width [mm] | 139 |
| Length [mm] | 385 |
| | Filter Insert |

References

| | |
|---------|---------------|
| 1444.X3 | 96 422 120 80 |
| 1444.X7 | 96 452 957 80 |

Application info

| | |
|-----------------------------------|---------------------|
| C1 [06/05--] | Nemo [02/08--] |
| C2 / C3 I / Pluriel [02/02-09/05] | Xsara [04/97-08/05] |
| C3 II [11/09--] | Nemo [02/08--] |

11-12 321 0015 | MAF0103

Air filter



Notes

| | |
|-------------|---------------|
| Height [mm] | 58 |
| Width [mm] | 102 |
| Length [mm] | 335 |
| | Filter Insert |

References

| | |
|---------|---------|
| 1444.EC | 1444.VH |
| 1444.EF | 1444.X1 |
| 1444.V5 | 1444.X4 |

Application info

| | |
|-----------------------------------|----------------------|
| Berlingo I [07/96-12/07] | C3 II [11/09--] |
| C2 / C3 I / Pluriel [02/02-09/05] | Berlingo I [07/96--] |

Air filter
11-12 321 0014 | MAF0102
Notes

| | |
|---------------|---------------|
| Height 1 [mm] | 48 |
| Height [mm] | 54 |
| Width [mm] | 113 |
| Length [mm] | 319 |
| | Filter Insert |

References

| | |
|---------|---------|
| 1444.TJ | E147242 |
| 1444.X5 | |


Application info

Berlingo I [07/96-12/07]
 Berlingo II [04/08--]
 C2 / C3 I / Pluriel [02/02-09/05]
 C3 Picasso [02/09--]

C4 I / Coupe / Grand Picasso / Picasso / Stufenheck [11/04-12/07]
 Xsara Picasso [12/99-09/06]
 Berlingo I [07/96--]
 Berlingo II [04/08--]

Air filter
11-12 321 0021 | MAF0109
Notes

| | |
|-------------|---------------|
| Height [mm] | 42.5 |
| Width [mm] | 145 |
| Length [mm] | 334.5 |
| | Filter Insert |

References

| | |
|---------|---------|
| 1444.SE | 1444.XC |
|---------|---------|


Application info

Nemo [02/08--]

Nemo [02/08--]

Air filter
11-12 321 0025 | MAF0113
Notes

| | |
|-------------|---------------|
| Height [mm] | 54 |
| Width [mm] | 184.5 |
| Length [mm] | 268 |
| | Filter Insert |

References

| | |
|---------|---------|
| 1444.RU | 1444.SJ |
| 1444.SA | 1444.XE |


Application info

C-Crosser [02/07--]

C-Crosser [02/07--]

212 321 0023 | MAF0279

Air filter



Notes

| | |
|---------------|---------------|
| Height 2 [mm] | 48.5 |
| Height 1 [mm] | 32 |
| Height [mm] | 50 |
| Width [mm] | 121 |
| Length [mm] | 355 |
| | Filter Insert |

References

1444.XK

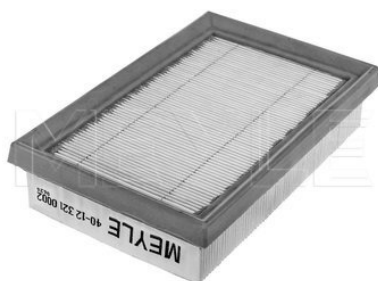
Application info

Nemo [02/08--]

Nemo [02/08--]

40-12 321 0002 | MAF0679

Air filter



Notes

| | |
|-------------|---------------|
| Height [mm] | 40 |
| Width [mm] | 118 |
| Length [mm] | 178 |
| | Filter Insert |

References

16 124 967 80

Application info

C1 II [04/14--]

112 129 0005 | MAF0132

Air filter



Notes

| | |
|---------------------|---------------|
| Inner diameter [mm] | 222 |
| Outer diameter [mm] | 282 |
| Height [mm] | 62 |
| | Filter Insert |

References

95 558 218

95 559 627

Application info

C15 / Visa [09/78-12/05]

Air filter
11-12 014 4486 | MAF0088
Notes

 Height [mm] 50
 Width [mm] 101
 Length [mm] 298
 Filter Insert

References

96 144 871


Application info

 Berlingo I [07/96-12/07]
 Xantia [03/93-04/03]
 Xsara [04/97-08/05]

 ZX [03/91-02/98]
 Berlingo I [07/96--]

Air filter
40-12 321 0004 | MAF0688
Notes

 Height [mm] 58
 Width [mm] 121
 Length [mm] 240
 Filter Insert

References

96 74 725 580


Application info

 C Elyse [11/12--]
 C3 II [11/09--]

 C4 Cactus [09/14--]
 DS3 [11/09--]

Air filter
40-12 321 0003 | MAF0687
Notes

 Height [mm] 46.5
 Width [mm] 137
 Length [mm] 350
 Kit
 Filter Insert

References

98 055 520 80


Application info

 C3 II [11/09--]
 C3 Picasso [02/09--]
 C4 Cactus [09/14--]

 C4 Grand Picasso II [09/13--]
 C4 II / DS4 [11/09--]
 DS3 [11/09--]

314 323 0003 | MFF0151

Fuel filter



Notes

Diameter [mm] 30
Height [mm] 97
In-Line Filter

References

1567.20 5 490 862

Application info

BX [10/82-12/94]
C15 / Visa [09/78-12/05]

CX I [09/74-08/85]
CX II [07/85-12/92]

314 133 2108 | MFF0146

Fuel filter



Notes

Diameter [mm] 80
Height [mm] 162
In-Line Filter

References

1567.78 91 535 807

Application info

C25 [09/81-03/94]
Evasion [06/94-07/02]
Jumpy I [10/95-12/06]

XM [05/89-10/00]
C25 [07/81-03/94]
Jumpy I [06/94--]

614 818 0002 | MFF0214

Fuel filter



Notes

Diameter [mm] 58.8
Height [mm] 139
In-Line Filter

References

1567.79 95 470 530
5 470 530 96 131 549
91 470 530

Fuel filter
614 818 0002 | MFF0214
Application info

 AX [07/86-12/98]
 BX [10/82-12/94]
 C15 / Visa [09/78-12/05]
 CX I [09/74-08/85]

 CX II [07/85-12/92]
 Xantia [03/93-04/03]
 ZX [03/91-02/98]
 C15 / Visa [09/78-12/05]

Fuel filter
614 323 0002 | MFF0208
Notes

| | |
|---------------|----------------|
| | Zinc-coated |
| | Steel |
| Diameter [mm] | 58.8 |
| Height [mm] | 136.5 |
| | In-Line Filter |

References

| | |
|---------|---------|
| 1567.85 | 1567.A5 |
|---------|---------|


Application info

 Berlingo I [07/96-12/07]
 Berlingo II [04/08--]
 C2 / C3 I / Pluriel [02/02-09/05]
 C3 II [11/09--]
 C4 I / Coupe / Grand Picasso / Picasso / Stufenheck [11/04-12/07]
 C5 I / C5 II [03/01-04/07]
 C5 III (RD_, TD_) [02/08--]
 C6 [09/05--]
 C8 [07/02--]
 DS3 [11/09--]

 Evasion [06/94-07/02]
 Jumpy I [10/95-12/06]
 Saxo [02/96-04/04]
 Xantia [03/93-04/03]
 XM [05/89-10/00]
 Xsara [04/97-08/05]
 Xsara Picasso [12/99-09/06]
 ZX [03/91-02/98]
 Berlingo I [07/96--]
 Berlingo II [04/08--]

Fuel filter
16-14 323 0000 | MFF0090
Notes

| | |
|---------------|----------------|
| | Plastic |
| | 108 |
| Diameter [mm] | 134 |
| Height [mm] | In-Line Filter |

References

| | |
|---------|---------|
| 1901.68 | 1901.75 |
| 1901.70 | 1901.85 |


Application info

 C1 [06/05--]
 C2 / C3 I / Pluriel [02/02-09/05]
 C3 II [11/09--]

 Nemo [02/08--]
 Xsara [04/97-08/05]
 Nemo [02/08--]

214 323 0004 | MFF0106

Fuel filter



Notes

| | |
|----------------------|------------------------|
| Diameter [mm] | Steel |
| Height [mm] | 90 |
| Thread Size | 205 |
| Thread Measurement 1 | M12x1,5 |
| | M8x1,25 |
| | without filter heating |
| | In-Line Filter |

References

| | |
|---------------|---------|
| 16 063 849 80 | 1901.A3 |
|---------------|---------|

Application info

Nemo [02/08--]

Nemo [02/08--]

100 323 0007 | MFF0056

Fuel filter



Notes

| | |
|---------------|---------------|
| | with seal |
| | Metal |
| Diameter [mm] | 84 |
| Height [mm] | 71.3 |
| | Filter Insert |

References

| | |
|---------|---------|
| 1906.32 | 1906.C9 |
|---------|---------|

Application info

BX [10/82-12/94]
C15 / Visa [09/78-12/05]
C35 [11/73-01/94]
CX I [09/74-08/85]

Jumper I [02/94-04/02]
C15 / Visa [09/78-12/05]
Jumper I [02/94-04/02]

11-14 323 0002 | MFF0070

Fuel filter



Notes

| | |
|---------------------|---------------|
| Diameter [mm] | 68 |
| Diameter 1 [mm] | 11.5 |
| Outer diameter [mm] | 80 |
| Height [mm] | 61 |
| | Filter Insert |

References

| | |
|---------|------------|
| 1906.33 | 1906.C1 |
| 1906.43 | 96 098 964 |

Fuel filter
11-14 323 0002 | MFF0070
Application info

 Berlingo I [07/96-12/07]
 BX [10/82-12/94]
 C15 / Visa [09/78-12/05]
 Evasion [06/94-07/02]
 Jumper I [02/94-04/02]
 Jumpy I [10/95-12/06]
 Xantia [03/93-04/03]

 Xsara [04/97-08/05]
 ZX [03/91-02/98]
 Berlingo I [07/96--]
 C15 / Visa [09/78-12/05]
 Jumper I [02/94-04/02]
 Jumpy I [06/94--]

Fuel filter
214 323 0001 | MFF0104
Notes

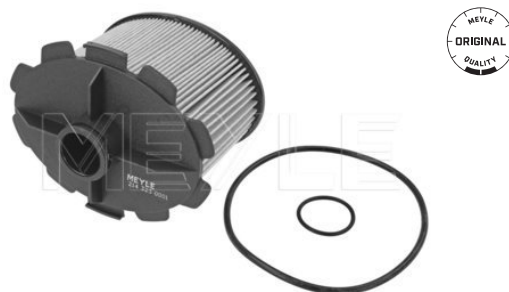
 Diameter 1 [mm]
 Outer diameter [mm]
 Outer diameter 2 [mm]
 Height [mm]

 with seal
 19
 101.5
 68
 80
 Filter Insert

References

1906.49

1906.A9


Application info

 Berlingo I [07/96-12/07]
 C15 / Visa [09/78-12/05]
 Jumpy I [10/95-12/06]
 Xsara [04/97-08/05]

 Berlingo I [07/96--]
 C15 / Visa [09/78-12/05]
 Jumpy I [06/94--]

Fuel filter
214 323 0002 | MFF0105
Notes

 Diameter 1 [mm]
 Outer diameter [mm]
 Height [mm]

 with seal
 30
 82.5
 75
 Filter Insert

References

 1906.50
 1906.51

1906.C5


Application info

 Berlingo I [07/96-12/07]
 C5 I / C5 II [03/01-04/07]
 Evasion [06/94-07/02]
 Jumpy I [10/95-12/06]
 Xantia [03/93-04/03]

 Xsara [04/97-08/05]
 Xsara Picasso [12/99-09/06]
 Berlingo I [07/96--]
 Jumpy I [06/94--]

614 323 0000 | MFF0207

Fuel filter



Notes

Diameter [mm] 71
Height [mm] 92.4
Filter Insert

References

1906 52 1906.53

Application info

XM (05/89-10/00)

11-14 323 0001 | MFF0069

Fuel filter



Notes

Diameter [mm] 84
Height [mm] 158
Connecting thread

Zinc-coated
Steel
M16x1,5
Screw-on Filter

References

1906.67 1906.C3

Application info

Jumper I (02/94-04/02)
Jumper II (02/02-06/06)
Jumpy I (10/95-12/06)

Jumper I (02/94-04/02)
Jumper II (02/02--)
Jumpy I (06/94--)

11-16 323 0000 | MFF0071

Fuel filter



Notes

Diameter 1 [mm] 14.5
Outer diameter [mm] 77.5
Height [mm] 65.5

with seal
Filter Insert

References

1906.77



Fuel filter

11-16 323 0000 | MFF0071

Application info

Berlingo I (07/96-12/07)
C5 I / C5 II (03/01-04/07)
C8 (07/02--)
Jumpy I (10/95-12/06)

Xsara (04/97-08/05)
Xsara Picasso (12/99-09/06)
Berlingo I (07/96--)
Jumpy I (06/94--)

Fuel filter

100 127 0005 | MFF0029

Notes

Diameter [mm]
Height [mm]
Connecting thread

Steel
85
159
M16x1,5
Screw-on Filter

References

1906.88



Application info

Jumper I (02/94-04/02)

Jumper I (02/94-04/02)

Fuel filter

714 323 0004 | MFF0219

Notes

Diameter [mm]
Diameter 1 [mm]
Height [mm]

with seal
90
15
76
Filter Insert

References

1906.90

1906.C0



Application info

C4 I / Coupe / Grand Picasso / Picasso / Stufenheck (11/04-12/07)
C5 I / C5 II (03/01-04/07)
C5 III (RD_, TD_) (02/08--)

C8 (07/02--)
Jumpy II (01/07--)
Jumpy II (01/07--)

214 323 0000 | MFF0103

Fuel filter



Notes

Diameter [mm]
Height [mm]
Connecting thread

Zinc-coated
Steel
87
170
M16x1,5
Screw-on Filter

References

1906.94

Application info

Jumper II [02/02-06/06]

Jumper II [02/02--]

714 323 0012 | MFF0223

Fuel filter



Notes

Diameter [mm]
Diameter 1 [mm]
Height [mm]

with seal
92
23
74
Filter Insert

References

1906.A7

Application info

C4 I / Coupe / Grand Picasso / Picasso / Stufenheck [11/04-12/07]
C4 II / DS4 [11/09--]
C5 III (RD_, TD_) [02/08--]

C8 [07/02--]
Jumpy II [01/07--]
Jumpy II [01/07--]

614 323 0004 | MFF0210

Fuel filter



Notes

Diameter 1 [mm]
Outer diameter [mm]
Height [mm]

with seal
24.5
68
100.5
Filter Insert

References

16 062 676 80
1906.98

1906.C4

Application info

Jumper II [02/02-06/06]
Jumper III [04/06--]
Jumpy I [10/95-12/06]

Jumper II [02/02--]
Jumper III [04/06--]
Jumpy I [06/94--]



Fuel filter

11-14 323 0003 | MFF0263

Notes

| | |
|---------------------|----------------|
| Outer diameter [mm] | 96.5 |
| Height [mm] | 125 |
| | In-Line Filter |

References

| | |
|---------|---------------|
| 1901.97 | 1906.E6 |
| 1904.46 | 98 097 210 80 |



Application info

Berlingo II (04/08--)
 C Elyse (11/12--)
 C3 II (11/09--)
 C3 Picasso (02/09--)
 C4 Aircross (04/12--)
 C4 Cactus (09/14--)
 C4 I / Coupe / Grand Picasso / Picasso / Stufenheck (11/04-12/07)

C4 II / DS4 (11/09--)
 C5 III (RD_, TD_) (02/08--)
 DS3 (11/09--)
 DS5 (11/11--)
 Jumpy II (01/07--)
 Berlingo II (04/08--)
 Jumpy II (01/07--)

Fuel pump

11-14 919 0009 | MFU0052

Notes

| | |
|-----------------|-----------------------|
| | with fuel sender unit |
| | Petrol |
| | Electric |
| Pressure [bar] | 3.5 |
| Number of Poles | 4 |
| Voltage [V] | 12 |

References

| | |
|---------------|---------------|
| 1525.KJ | 96 803 528 80 |
| 1525.Q4 | 96 803 530 |
| 96 326 720 80 | |



Application info

C4 I / Coupe / Grand Picasso / Picasso / Stufenheck (11/04-12/07)

C5 I / C5 II (03/01-04/07)

Idle control valve, air supply

614 036 0012 | MMX1199

Notes

Electric

References

| | |
|------------|------------|
| 0345.42 | 96 008 036 |
| 91 540 797 | |



5



614 036 0012 | MMX1199

Idle control valve, air supply

Application info

BX (10/82-12/94)

11-14 036 0003 | MMX1563

Intake hose, turbo charger



References

0382.HK

0382.NY

Application info

Berlingo I (07/96-12/07)

Berlingo II (04/08--)

C2 / C3 I / Pluriel (02/02-09/05)

C3 II (11/09--)

C3 Picasso (02/09--)

C4 I / Coupe / Grand Picasso / Picasso / Stufenheck (11/04-12/07)

Berlingo II (04/08--)

11-14 036 0002 | MMX1579

Intake hose, turbo charger



References

1434.45

Application info

C1 (06/05--)

C2 / C3 I / Pluriel (02/02-09/05)

C3 II (11/09--)

C2 / C3 I / Pluriel (02/02--)

Suction hose, air filter
11-14 036 0001 | MMX1540
References

1434.C8


Application info

Berlingo I [07/96-12/07]
 Berlingo II [04/08--]
 C2 / C3 I / Pluriel [02/02-09/05]
 C3 II [11/09--]
 C3 Picasso [02/09--]
 C4 I / Coupe / Grand Picasso / Picasso / Stufenheck [11/04-12/07]

C5 I / C5 II [03/01-04/07]
 C5 III (RD_, TD_) [02/08--]
 Jumpy II [01/07--]
 Xsara Picasso [12/99-09/06]
 Berlingo II [04/08--]
 Jumpy II [01/07--]

Suction hose, air filter
11-14 036 0000 | MMX1547
References

1434.I3

1434.F6


Application info

C1 [06/05--]
 C2 / C3 I / Pluriel [02/02-09/05]

C3 II [11/09--]
 Xsara [04/97-08/05]

Oil filter
614 322 0000 | MOF0178
Notes

| | |
|-------------------------------------|--|
| Bypass Valve Opening Pressure [bar] | 1 |
| Outer diameter [mm] | 65.5 |
| Height [mm] | 85.6 |
| Thread Size | M20x1,5 |
| | Screw-on Filter with one anti-return valve |

References

1109.AE

1109.CG


5
+

614 322 0000 | MOF0178

Oil filter

Application info

C-Crosser [02/07--]

C-Crosser [02/07--]

214 597 0000 | MOF0088

Oil filter



Notes

Bypass Valve Opening Pressure [bar] 1
Outer diameter [mm] 76
Height [mm] 100.6
Thread Size M20x1,5
Screw-on Filter with one anti-return valve

References

1109.AR 16 08 076 280
1109.K9

Application info

Jumpy I [10/95-12/06]

Jumpy I [06/94--]

40-14 322 0001 | MOF0170

Oil filter



Notes

Bypass Valve Opening Pressure [bar] 2.2
Outer diameter [mm] 94
Height [mm] 144
Thread Size M22x1,5
Screw-on Filter with one anti-return valve

References

1109.AG 1109.Z8
1109.AT 16 062 675 80

Application info

Jumper III [04/06--]

Jumper III [04/06--]

714 322 0007 | MOF0201

Oil filter



Notes

with seal
Inner diameter [mm] 25.7
Outer diameter [mm] 65.5
Height [mm] 83.5
Filter Insert

References

1109.AY 1109.T3

Oil filter
714 322 0007 | MOF0201
Application info

Berlingo I [07/96-12/07]

Berlingo II [04/08--]

C1 [06/05--]

C2 / C3 I / Pluriel [02/02-09/05]

C4 I / Coupe / Grand Picasso / Picasso / Stufenheck [11/04-12/07]

C5 I / C5 II [03/01-04/07]

C5 III [RD_, TD_] [02/08--]

Jumpy II [01/07--]

Nemo [02/08--]

Xsara [04/97-08/05]

Xsara Picasso [12/99-09/06]

Berlingo I [07/96--]

Berlingo II [04/08--]

Jumpy II [01/07--]

Nemo [02/08--]

Oil filter
614 322 0016 | MOF0192
Notes

 Diameter [mm]
 Inner diameter [mm]
 Height [mm]

 with seal
 66
 41
 105
 Filter Insert

References

1109.CJ


Application info

Nemo [02/08--]

Nemo [02/08--]

Oil filter
11-14 322 0001 | MOF0060
Notes

 Inner diameter 2 [mm]
 Inner diameter 1 [mm]
 Outer diameter [mm]
 Height [mm]

 with seal
 22
 14.5
 59
 141
 Filter Insert

References

1109.R7

E149104


Application info

Berlingo I [07/96-12/07]

C2 / C3 I / Pluriel [02/02-09/05]

Saxo [02/96-04/04]

Xsara [04/97-08/05]

Xsara Picasso [12/99-09/06]

Berlingo I [07/96--]

714 322 0011 | MOF0205

Oil filter



Notes

| | |
|---------------------|---------------|
| Inner diameter [mm] | with seal |
| Outer diameter [mm] | 24 |
| Height [mm] | 65 |
| | 69 |
| | Filter Insert |

References

| | |
|---------|---------|
| 1109.X3 | 1109.X4 |
|---------|---------|

Application info

| | |
|---|-----------------------------|
| Berlingo I [07/96-12/07] | C-Crosser [02/07--] |
| Berlingo II [04/08--] | DS3 [11/09--] |
| C Elyse [11/12--] | DS5 [11/11--] |
| C2 / C3 I / Pluriel [02/02-09/05] | Jumper III [04/06--] |
| C3 II [11/09--] | Jumpy II [01/07--] |
| C3 Picasso [02/09--] | Nemo [02/08--] |
| C4 Grand Picasso II [09/13--] | Xsara [04/97-08/05] |
| C4 I / Coupe / Grand Picasso / Picasso / Stufenheck [11/04-12/07] | Xsara Picasso [12/99-09/06] |
| C4 II / DS4 [11/09--] | Berlingo I [07/96--] |
| C5 I / C5 II [03/01-04/07] | Berlingo II [04/08--] |
| C5 III (RD_, TD_) [02/08--] | C-Crosser [02/07--] |
| C6 [09/05--] | Jumper III [04/06--] |
| C8 [07/02--] | Jumpy II [01/07--] |
| | Nemo [02/08--] |

30-14 322 0000 | MOF0097

Oil filter



Notes

| | |
|-------------------------------------|----------------------------|
| Bypass Valve Opening Pressure [bar] | 1 |
| Outer diameter [mm] | 67 |
| Height [mm] | 76 |
| Thread Size | 3/4"-16 UNF |
| | Screw-on Filter |
| | with one anti-return valve |

References

| | |
|---------|---------|
| 1109.AZ | 1109.Y4 |
|---------|---------|

Application info

| | |
|--------------|-----------------|
| C1 [06/05--] | C1 II [04/14--] |
|--------------|-----------------|

Oil filter

11-14 322 0002 | MOF0061

Notes

Bypass Valve Opening Pressure [bar] 2.2
Outer diameter [mm] 93
Height [mm] 139
Thread Size M22x1,5
Screw-on Filter with one anti-return valve

References

1109.Y6



Application info

Jumper II [02/02-06/06]

Jumper II [02/02--]

Oil filter

214 322 0001 | MOF0084

Notes

Bypass Valve Opening Pressure [bar] 2.5
Outer diameter [mm] 109
Height [mm] 144.5
Thread Size 3/4"-16 UNF
Screw-on Filter with one anti-return valve

References

1109.Q0
1109.Q1

1109.Y7



Application info

Jumper I [02/94-04/02]
Jumper II [02/02-06/06]

Jumper I [02/94-04/02]
Jumper II [02/02--]

Oil filter

40-14 322 0002 | MOF0221

Notes

Diameter [mm] 65
Diameter 1 [mm] 65.5
Inner diameter [mm] 25.7
Height [mm] 83.5
Filter Insert

References

1610693780



40-14 322 0002 | MOF0221

Oil filter

Application info

Berlingo I [07/96-12/07]
Berlingo II [04/08--]
C Elyse [11/12--]
C1 [06/05--]
C2 / C3 I / Pluriel [02/02-09/05]
C3 II [11/09--]
C3 Picasso [02/09--]
C4 Aircross [04/12--]
C4 I / Coupe / Grand Picasso / Picasso / Stufenheck [11/04-12/07]
C4 II / DS4 [11/09--]
C5 I / C5 II [03/01-04/07]

C5 III (RD_, TD_) [02/08--]
DS3 [11/09--]
DS5 [11/11--]
Jumpy II [01/07--]
Nemo [02/08--]
Xsara [04/97-08/05]
Xsara Picasso [12/99-09/06]
Berlingo I [07/96--]
Berlingo II [04/08--]
Jumpy II [01/07--]
Nemo [02/08--]

214 322 0002 | MOF0085

Oil filter



Notes

Bypass Valve Opening Pressure [bar] 1
Outer diameter [mm] 78
Height [mm] 90.5
Thread Size M20x1,5
Screw-on Filter with one anti-return valve

References

95 495 621 96 002 933
95 495 622 96 371 434
95 580 483 96 448 854
95 638 747

Application info

AX [07/86-12/98]
Berlingo I [07/96-12/07]
BX [10/82-12/94]
C15 / Visa [09/78-12/05]
C25 [09/81-03/94]
C4 I / Coupe / Grand Picasso / Picasso / Stufenheck [11/04-12/07]
C5 I / C5 II [03/01-04/07]
C5 III (RD_, TD_) [02/08--]
C6 [09/05--]
C8 [07/02--]
CX II [07/85-12/92]
Evasion [06/94-07/02]
Jumper I [02/94-04/02]

Jumper II [02/02-06/06]
Jumpy I [10/95-12/06]
Saxo [02/96-04/04]
Xantia [03/93-04/03]
XM [05/89-10/00]
Xsara [04/97-08/05]
Xsara Picasso [12/99-09/06]
ZX [03/91-02/98]
Berlingo I [07/96--]
C15 / Visa [09/78-12/05]
C25 [07/81-03/94]
Jumper I [02/94-04/02]
Jumper II [02/02--]
Jumpy I [06/94--]

Bracket, engine mount

11-14 184 0016 | MMX0503

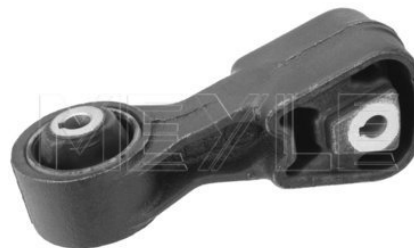
Notes

Steel Elastomer

References

1806.28

1806.74



Application info

C5 I / C5 II [03/01-04/07]
C8 [07/02--]
Evasion [06/94-07/02]

Jumpy I [10/95-12/06]
Jumpy I [06/94--]

Engine mount

11-14 030 0015 | MEM0632

Notes

Rubber-metal Bearing
Transmission End
Upper Left

References

16 087 273 80

1807.GR



Application info

Nemo [02/08--]

Nemo [02/08--]

Engine mount

214 030 0003 | MEM0346

Notes

Rubber-metal Bearing
Transmission End
Right

References

1802.56



Application info

Jumper II [02/02-06/06]

Jumper II [02/02--]

11-14 030 0028 | MEM0748

Engine mount



Notes

Bore Ø [mm]
Outer diameter [mm]

Rubber-metal Bearing
10
30
Rear

References

1806.27
1806.68
1806.H1

1854.20
9622739380

Application info

Berlingo II (04/08--)
C4 I / Coupe / Grand Picasso / Picasso / Stufenheck (11/04-12/07)

C4 II / DS4 (11/09--)
Berlingo II (04/08--)

11-14 184 0030 | MEM0274

Engine mount



Notes

Rubber-metal Bearing
Upper Right

References

1806.69

Application info

C5 I / C5 II (03/01-04/07)

C5 III (RD_, TD_) (02/08--)

214 030 0033 | MEM0634

Engine mount



Notes

Rubber-metal Bearing
Engine Side
Lower Left

References

1806.91

Counterpart

214 030 0032 | MEM0633

Application info

Jumper III (04/06--)

Jumper III (04/06--)



Engine mount

214 030 0032 | MEM0633

Notes

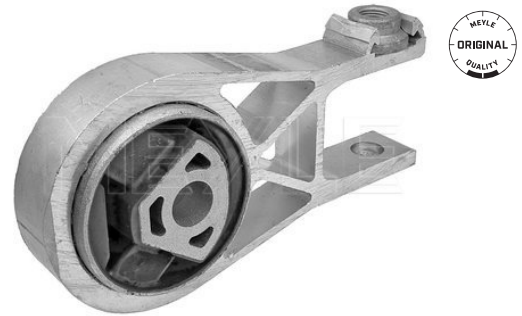
Rubber-metal Bearing
Body side
Lower Left

References

1806.95

Counterpart

214 030 0033 | MEM0634



Application info

Jumper III (04/06--)

Jumper III (04/06--)

Engine mount

40-14 030 0003 | MEM0453

Notes

Rubber-metal Bearing
Rear

References

1806.59

1806.84

1806.96



Application info

C Elyse (11/12--)
C2 / C3 I / Pluriel (02/02-09/05)
C3 II (11/09--)

DS3 (11/09--)
C2 / C3 I / Pluriel (02/02--)

Engine mount

11-14 030 0017 | MEM0251

Notes

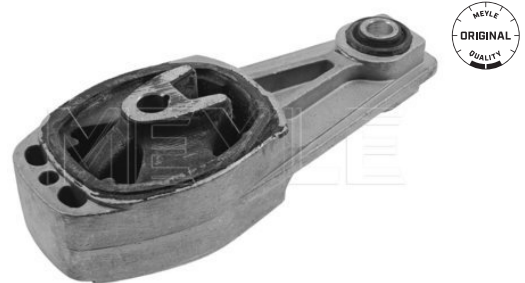
Rubber-metal Bearing
Engine Side
Torsion Bar at bracket
Rear

References

1806.93

1806.A6

1806.J8



Application info

C Elyse (11/12--)
C2 / C3 I / Pluriel (02/02-09/05)
C3 II (11/09--)

C3 Picasso (02/09--)
DS3 (11/09--)

11-14 030 0016 | MEM0589

Engine mount



Notes

Rubber-metal Bearing
Right

References

1807.GQ

Application info

Nemo [02/08--]

Nemo [02/08--]

11-14 030 0110 | MEM0677

Engine mount



Notes

with holder
Aluminium Housing
Rubber-metal Bearing
1
Rear

Required quantity

References

1807.H8

Application info

Berlingo I [07/96-12/07]
Xsara Picasso [12/99-09/06]

Berlingo I [07/96--]

40-14 030 0101 | MEM0762

Engine mount



Notes

Rubber-metal Bearing
1
Rear

Required quantity

References

1807.HC
1807.HE

1809.35
1809.44

Application info

Berlingo II [04/08--]
C4 I / Coupe / Grand Picasso / Picasso / Stufenheck [11/04-12/07]

C4 II / DS4 [11/09--]
Berlingo II [04/08--]



Engine mount

214 030 0070 | MEM0831

Notes

Rubber-metal Bearing
Right



References

1807.KE

Application info

Nemo [02/08--]

Nemo [02/08--]

Engine mount

11-14 030 0027 | MEM0804

Notes

without holder
Rubber-metal Bearing
Rear



References

1807.N5



Application info

Berlingo I [07/96-12/07]
Xsara [04/97-08/05]

Xsara Picasso [12/99-09/06]
Berlingo I [07/96--]

Engine mount

11-14 030 0100 | MEM0664

Notes

with holder
Aluminium Housing
Rubber-metal Bearing
Rear



References

1807.N5

Parts list

11-14 180 0004 | MEM0254

Engine mount



Application info

Berlingo I [07/96-12/07]
Xsara [04/97-08/05]

Xsara Picasso [12/99-09/06]
Berlingo I [07/96--]

11-14 030 0029 | MEM0749

Engine mount



Notes

Rubber-metal Bearing
Rear

References

1807.N7

1809.28

Application info

C5 I / C5 II (03/01-04/07)
C5 III (RD_, TD_) (02/08--)

C6 (09/05--)
C8 (07/02--)

214 030 0004 | MEM0616

Engine mount



Notes

Rubber-metal Bearing
Transmission End
Upper

References

1807.S7

Application info

Jumper II (02/02-06/06)

Jumper II (02/02--)

214 030 0006 | MEM0347

Engine mount



Notes

Rubber-metal Bearing
Transmission End
Upper

References

1807.T1

Application info

Jumper II (02/02-06/06)

Jumper II (02/02--)



Engine mount

11-14 030 0022 | MEM0663

Notes

Rubber-metal Bearing
Right

References

1807.Y3



Application info

C5 I / C5 II (03/01-04/07)
C5 III (RD_, TD_) (02/08--)

Jumpy II (01/07--)
Jumpy II (01/07--)

Engine mount

11-14 030 0005 | MEM0248

Notes

Inner diameter [mm]
Outer diameter [mm]
Height [mm]

Rubber-metal Bearing
12
30
28
Rear
Right Rear

References

1809.04

1809.06



Application info

Berlingo I (07/96-12/07)
C8 (07/02--)
Jumpy II (01/07--)
Xsara (04/97-08/05)

Xsara Picasso (12/99-09/06)
ZX (03/91-02/98)
Berlingo I (07/96--)
Jumpy II (01/07--)

Engine mount

11-14 180 0001 | MEM0252

Notes

Inner diameter [mm]
Outer diameter [mm]

Rubber-metal Bearing
10
70
Upper
Right

References

1809.16



11-14 180 0001 | MEM0252

Engine mount

Application info

BX [10/82-12/94]
C15 / Visa [09/78-12/05]
Evasion [06/94-07/02]
Jumpy I [10/95-12/06]

Xantia [03/93-04/03]
C15 / Visa [09/78-12/05]
Jumpy I [06/94--]

11-14 180 0004 | MEM0254

Engine mount



Notes

Inner diameter [mm]
Outer diameter [mm]

Rubber-metal Bearing
10
70
Engine Side
at mounting
Rear

References

1809.21

1809.29

Application info

Berlingo I [07/96-12/07]
C15 / Visa [09/78-12/05]
C5 I / C5 II [03/01-04/07]
C5 III (RD_, TD_) [02/08--]
C8 [07/02--]
Evasion [06/94-07/02]
Jumpy I [10/95-12/06]
Jumpy II [01/07--]
Xantia [03/93-04/03]

XM [05/89-10/00]
Xsara [04/97-08/05]
Xsara Picasso [12/99-09/06]
ZX [03/91-02/98]
Berlingo I [07/96--]
C15 / Visa [09/78-12/05]
Jumpy I [06/94--]
Jumpy II [01/07--]

11-14 184 0017 | MEM0265

Engine mount



Notes

without roof rails
Rubber-metal Bearing
Rear
Right Rear

References

1809.22

Application info

Berlingo I [07/96-12/07]
Xantia [03/93-04/03]
Xsara [04/97-08/05]

ZX [03/91-02/98]
Berlingo I [07/96--]

Engine mount

40-14 030 0001 | MEM0451

Notes

Inner diameter [mm] 10
Outer diameter [mm] 70
Rubber-metal Bearing
Lower Right

References

1809.30 1809.33



Application info

Berlingo I [07/96-12/07]
Berlingo II [04/08--]
C4 I / Coupe / Grand Picasso / Picasso / Stufenheck [11/04-12/07]
C5 I / C5 II [03/01-04/07]
C5 III (RD_, TD_) [02/08--]

Jumpy II [01/07--]
Xsara [04/97-08/05]
Xsara Picasso [12/99-09/06]
Berlingo I [07/96--]
Jumpy II [01/07--]

Engine mount

11-14 030 0026 | MEM0759

Notes

Rubber-metal Bearing
Rear

References

1809.42



Application info

C5 III (RD_, TD_) [02/08--]

Engine mount

40-14 030 0002 | MEM0452

Notes

Rubber-metal Bearing
Left

References

1813.92



40-14 030 0002 | MEM0452

Engine mount

Application info

C2 / C3 I / Pluriel (02/02-09/05)
C3 II (11/09--)

DS3 (11/09--)

11-14 030 0106 | MEM0665

Engine mount



Notes

Hydro Bearing
Left

References

1813.94

Application info

C5 I / C5 II (03/01-04/07)

C5 III (RD_, TD_) (02/08--)

40-14 030 0000 | MEM0450

Engine mount



Notes

Rubber-metal Bearing
Transmission End
Left

References

1813.98

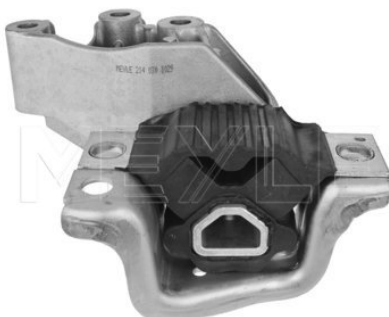
Application info

C5 I / C5 II (03/01-04/07)

C5 III (RD_, TD_) (02/08--)

214 030 0029 | MEM0365

Engine mount



Notes

Rubber-metal Bearing
Right

References

1821.36

Engine mount

214 030 0029 | MEM0365

Application info

Jumper III (04/06--)

Jumper III (04/06--)

Engine mount

11-14 184 0024 | MEM0271

Notes

Rubber-metal Bearing
Left

References

1827.10



Application info

Evasion (06/94-07/02)
Jumpy I (10/95-12/06)
Jumpy II (01/07--)
Xantia (03/93-04/03)

XM (05/89-10/00)
Jumpy I (06/94--)
Jumpy II (01/07--)

Engine mount

11-14 184 0012 | MEM0262

Notes

Rubber-metal Bearing
Left

References

1827.17



Application info

Jumper I (02/94-04/02)

Jumper I (02/94-04/02)

11-14 182 0002 | MEM0255

Engine mount



Notes

Rubber-metal Bearing
Right

References

1827.19

Application info

Jumper I [02/94-04/02]

Jumper I [02/94-04/02]

11-14 184 1013 | MEM0758

Engine mount



Notes

Hydro Bearing
Right

References

1827.23
1844.47

1844.77
96171996

Application info

Berlingo I [07/96-12/07]
Xsara [04/97-08/05]
Xsara Picasso [12/99-09/06]

ZX [03/91-02/98]
Berlingo I [07/96--]

214 030 0005 | MEM0617

Engine mount



Notes

Rubber-metal Bearing
Transmission End
Right

References

1839.A6

Application info

Jumper II [02/02-06/06]

Jumper II [02/02--]



Engine mount

11-14 184 0007 | MEM0258

Notes

Rubber-metal Bearing
Left

References

1843.95



Application info

BX [10/82-12/94]
C15 / Visa [09/78-12/05]
Saxo [02/96-04/04]

Xantia [03/93-04/03]
ZX [03/91-02/98]
C15 / Visa [09/78-12/05]

Engine mount

11-14 030 0006 | MMX0501

Notes

Rubber-metal Bearing
Right

References

1844.25



Application info

Berlingo I [07/96-12/07]
Xantia [03/93-04/03]
Xsara [04/97-08/05]

ZX [03/91-02/98]
Berlingo I [07/96--]

Engine mount

11-14 184 0015 | MEM0264

Notes

Rubber-metal Bearing
Left

References

1844.36

1844.68



11-14 184 0015 | MEM0264

Engine mount

Application info

Berlingo I [07/96-12/07]
C4 I / Coupe / Grand Picasso / Picasso / Stufenheck [11/04-12/07]
Xsara [04/97-08/05]

Xsara Picasso [12/99-09/06]
ZX [03/91-02/98]
Berlingo I [07/96--]

11-14 184 0018 | MEM0266

Engine mount



Notes

Hydro Bearing
Right

References

1844.58

Application info

Saxo [02/96-04/04]

11-14 184 0005 | MEM0257

Engine mount



Notes

Hydro Bearing
Right

References

1844.72

Application info

AX [07/86-12/98]
Berlingo I [07/96-12/07]
BX [10/82-12/94]
C15 / Visa [09/78-12/05]

Xsara [04/97-08/05]
ZX [03/91-02/98]
Berlingo I [07/96--]
C15 / Visa [09/78-12/05]



Engine mount

11-14 184 0025 | MEM0272

Notes

Hydro Bearing
Right

References

1844.75



Application info

Berlingo I [07/96-12/07]
Berlingo II [04/08--]
Xsara [04/97-08/05]

Xsara Picasso [12/99-09/06]
Berlingo I [07/96--]
Berlingo II [04/08--]

Engine mount

40-14 030 0005 | MEM0455

Notes

Hydro Bearing
Right

References

1844.92



Application info

C5 I / C5 II [03/01-04/07]
C5 III (RD_, TD_) [02/08--]
C8 [07/02--]
Evasion [06/94-07/02]

Jumpy I [10/95-12/06]
Jumpy II [01/07--]
Jumpy I [06/94--]
Jumpy II [01/07--]

Engine mount

40-14 030 0004 | MEM0454

Notes

Hydro Bearing
Right

References

1844.93



5



40-14 030 0004 | MEM0454

Engine mount

Application info

C5 I / C5 II [03/01-04/07]
C5 III (RD_, TD_) [02/08--]
C8 [07/02--]
Evasion [06/94-07/02]

Jumpy I [10/95-12/06]
Jumpy II [01/07--]
Jumpy I [06/94--]
Jumpy II [01/07--]

11-14 184 0029 | MEM0657

Engine mount



Notes

Hydro Bearing
Right

References

1844.A9

Application info

Berlingo I [07/96-12/07]
Xsara Picasso [12/99-09/06]

Berlingo I [07/96--]

11-14 030 0007 | MEM0249

Engine mount



Notes

Hydro Bearing
Right Front

References

1844.91

1844.C0

Application info

C5 I / C5 II [03/01-04/07]
C5 III (RD_, TD_) [02/08--]

C6 [09/05--]
C8 [07/02--]

Engine mount

11-14 030 0107 | MEM0666

Notes

Rubber-metal Bearing
Left

References

1844.C2



Application info

Berlingo I [07/96-12/07]
Berlingo II [04/08--]
C4 Grand Picasso II [09/13--]
C4 I / Coupe / Grand Picasso / Picasso / Stufenheck [11/04-12/07]
C4 II / DS4 [11/09--]

Saxo [02/96-04/04]
Xsara [04/97-08/05]
ZX [03/91-02/98]
Berlingo I [07/96--]
Berlingo II [04/08--]

Engine mount

11-14 030 0014 | MEM0250

Notes

Rubber-metal Bearing
Transmission End
Left Rear

References

1844.C6

1844.C7



Application info

Nemo [02/08--]

Nemo [02/08--]

Engine mount

11-14 184 0011 | MEM0261

Notes

Rubber-metal Bearing
Front
Transmission End

References

1846.65



11-14 184 0011 | MEM0261

Engine mount

Application info

Jumper I [02/94-04/02]
Jumper II [02/02-06/06]

Jumper I [02/94-04/02]
Jumper II [02/02--]

11-14 184 0009 | MEM0260

Engine mount



Notes

Rubber-metal Bearing
Rear
Transmission End

References

1846.66

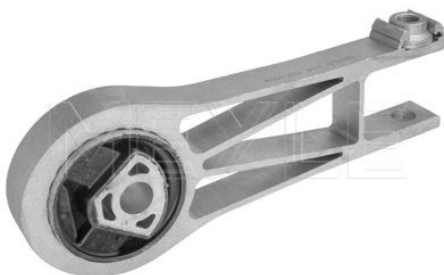
Application info

Jumper I [02/94-04/02]
Jumper II [02/02-06/06]

Jumper I [02/94-04/02]
Jumper II [02/02--]

214 030 0034 | MEM0367

Engine mount



Notes

Rubber-metal Bearing
Body side
Lower

References

1846.C1

Counterpart

214 030 0035 | MEM0635

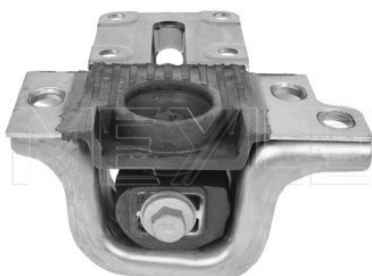
Application info

Jumper III [04/06--]

Jumper III [04/06--]

214 030 0030 | MEM0366

Engine mount



Notes

Rubber-metal Bearing
Left

References

1846.C2

Engine mount

214 030 0030 | MEM0366

Application info

Jumper III (04/06--)

Jumper III (04/06--)

Engine mount

214 030 0035 | MEM0635

Notes

Rubber-metal Bearing
Engine Side
Lower

References

1854.25

Counterpart

214 030 0034 | MEM0367



Application info

Jumper III (04/06--)

Jumper III (04/06--)

Engine mount

11-14 030 0082 | MEM0784

Notes

Hydro Bearing
Right

References

9645769180

9677277380



Application info

C4 II / DS4 (11/09--)

DS5 (11/11--)

11-14 631 0000 | MHP0121

Hydraulic pump, P/S



Notes

Operating Pressure [bar]

Hydraulic
115

References

4007.KK

Application info

Jumper III [04/06--]

Jumper III [04/06--]

11-14 620 0025 | MSK0102

Steering boot kit



Notes

Inner diameter 2 [mm]
Inner diameter 1 [mm]
Height [mm]

with accessories
51
12
186
Front Axle Left
Front Axle Right

References

16 108 175 80

Application info

C4 Grand Picasso II [09/13--]

C4 II / DS4 [11/09--]

11-14 620 0006 | MSK0041

Steering boot kit



Notes

Inner diameter 2 [mm]
Inner diameter 1 [mm]
Height [mm]

with accessories
39
11
66
Front Axle Left
Front Axle Right

References

4066.16

Application info

Xsara [04/97-08/05]

ZX [03/91-02/98]

Steering boot kit
11-14 620 0000 | MSK0037
Notes

| | |
|-----------------------|------------------|
| Inner diameter 2 [mm] | with accessories |
| Inner diameter 1 [mm] | 40 |
| Height [mm] | 10 |
| | 175 |
| | Front Axle |

References

| | |
|---------|------------|
| 4066.20 | 91 510 923 |
|---------|------------|


Application info

Berlingo I [07/96-12/07]
C15 / Visa [09/78-12/05]
ZX [03/91-02/98]

Berlingo I [07/96--]
C15 / Visa [09/78-12/05]

Steering boot kit
11-14 620 0009 | MSK0044
Notes

| | |
|-----------------------|------------------|
| Inner diameter 2 [mm] | with accessories |
| Inner diameter 1 [mm] | 53 |
| Height [mm] | 15 |
| | 260 |
| | Front Axle Right |
| | Front Axle Left |

References

4066.31


Application info

C25 [09/81-03/94]
C35 [11/73-01/94]

C25 [07/81-03/94]

Steering boot kit
11-14 620 0003 | MSK0039
Notes

| | |
|-----------------------|------------------|
| Inner diameter 2 [mm] | with accessories |
| Inner diameter 1 [mm] | 62 |
| Height [mm] | 13 |
| | 210 |
| | Front Axle Left |
| | Front Axle Right |

References

4066.41


Application info

Evasion [06/94-07/02]
Jumpy I [10/95-12/06]

Jumpy I [06/94--]

11-14 620 0007 | MSK0042

Steering boot kit



Notes

Inner diameter 2 [mm]
Inner diameter 1 [mm]
Height [mm]

with accessories
43
11
150

References

4066.43

Application info

Berlingo I [07/96-12/07]
Xsara [04/97-08/05]
Xsara Picasso [12/99-09/06]

ZX [03/91-02/98]
Berlingo I [07/96--]

11-14 620 0008 | MSK0043

Steering boot kit



Notes

Inner diameter 2 [mm]
Inner diameter 1 [mm]
Height [mm]

with accessories
43
11
202
Front Axle Right

References

4066.44

Application info

Berlingo I [07/96-12/07]
Xsara [04/97-08/05]

Berlingo I [07/96--]

40-14 620 0000 | MSK0022

Steering boot kit



Notes

Inner diameter 2 [mm]
Inner diameter 1 [mm]
Height [mm]

with accessories
Thermoplast
58
21
170
Front Axle Right
Front Axle Left

References

4066.64

4066.74

Application info

C5 I / C5 II [03/01-04/07]

Steering boot kit

11-14 620 0019 | MSK0084

Notes

Inner diameter 2 [mm]
Inner diameter 1 [mm]
Height [mm]

Thermoplast
50
15
173
Front Axle Left
Front Axle Right

References

4066.69



Application info

C2 / C3 I / Pluriel [02/02-09/05]

C3 II [11/09--]

Steering boot kit

11-14 620 0005 | MSK0040

Notes

Inner diameter 2 [mm]
Inner diameter 1 [mm]
Height [mm]

with accessories
60
17
183
Front Axle Left
Front Axle Right

References

4066.73



Application info

C4 I / Coupe / Grand Picasso / Picasso / Stufenheck [11/04-12/07]

Steering boot kit

40-14 620 0004 | MSK0123

Notes

Inner diameter 2 [mm]
Inner diameter 1 [mm]
Height [mm]

with accessories
61
15.5
190
Front Axle Left
Front Axle Right

References

4066.82
4066.85

4066.92



Application info

Berlingo II [04/08--]
C4 I / Coupe / Grand Picasso / Picasso / Stufenheck [11/04-12/07]

C4 II / DS4 [11/09--]
DS5 [11/11--]
Berlingo II [04/08--]

40-14 620 0002 | MSK0121

Steering boot kit



Notes

Inner diameter 2 [mm]
Inner diameter 1 [mm]
Height [mm]

with accessories
50
13.5
177
Front Axle Left
Front Axle Right

References

4066.88

Application info

C5 I / C5 II (03/01-04/07)

216 050 0025 | MSK0108

Steering boot kit



Notes

Inner diameter 2 [mm]
Inner diameter 1 [mm]
Height [mm]

with accessories
Thermoplast
55
12
200
Front Axle Right
Front Axle Left

References

4066.95

Application info

Nemo (02/08--)

Nemo (02/08--)

40-14 620 0003 | MSK0122

Steering boot kit



Notes

Inner diameter 2 [mm]
Inner diameter 1 [mm]
Height [mm]

with accessories
53
12.5
192
Front Axle Left
Front Axle Right

References

4066.97

Application info

C3 II (11/09--)

DS3 (11/09--)



Steering boot kit

11-14 620 0026 | MSK0103

Notes

Inner diameter 2 [mm]
Inner diameter 1 [mm]
Height [mm]

with accessories
51
11.5
170
Front Axle Left
Front Axle Right

References

4066A3



Application info

C1 [06/05--]

C1 II [04/14--]

Axial rod

11-16 030 0008/HD | MAR0486HD

Notes

Thread Measurement 2
Thread Measurement 1
Length [mm]

M16x1,5
M16x1,5
315
Front Axle Left
Front Axle Right

Reinforced Version

References

14 716 540 80

4018.A4



Application info

Jumper I [02/94-04/02]
Jumper II [02/02-06/06]

Jumper I [02/94-04/02]
Jumper II [02/02--]

Axial rod

11-16 030 7528 | MAR0018

Notes

Thread Measurement 2
Thread Measurement 1
Length [mm]

M16x1,5
M16x1,5
315
Front Axle Right
Front Axle Left

References

14 716 540 80

4018.A4



Application info

Jumper I [02/94-04/02]
Jumper II [02/02-06/06]

Jumper I [02/94-04/02]
Jumper II [02/02--]

11-16 031 0032 | MAR0374

Axial rod



Notes

Thread Measurement 2
Thread Measurement 1
Length [mm]

M14X1,5
M14x1,5
342
Front Axle Right
Front Axle Left

References

16 085 321 80

Application info

C4 Aircross [04/12--]

40-16 031 0001/HD | MAR0524HD

Axial rod



Notes

Thread Measurement 2
Thread Measurement 1
Length [mm]

M16X1,5
M12x1
230,5
Front Axle Right
Front Axle Left

Reinforced Version

References

16 08 652 180

Application info

C Elyse [11/12--]

40-16 031 0002/HD | MAR0480HD

Axial rod



Notes

Thread Measurement 2
Thread Measurement 1
Length [mm]

M14X1,5
M14X1,5
221
Front Axle Left
Front Axle Right

Reinforced Version

References

16 108 176 80

Application info

C4 Grand Picasso II [09/13--]

C4 II / DS4 [11/09--]



Axial rod

11-16 031 0012/HD | MAR0488HD

Notes

| | |
|----------------------|------------------|
| Thread Measurement 2 | M16x1,5 |
| Thread Measurement 1 | M16x1,5 |
| Length [mm] | 255 |
| | Front Axle Left |
| | Front Axle Right |
| Reinforced Version | |



References

| | |
|------------|---------|
| 1610976380 | 4001 E4 |
| 4001 A1 | 4001 E5 |

Application info

Jumper III [04/06--]

Jumper III [04/06--]

Axial rod

11-16 031 0022 | MAR0032

Notes

| | |
|----------------------|------------------|
| Thread Measurement 2 | M16x1,5 |
| Thread Measurement 1 | M16x1,5 |
| Length [mm] | 255 |
| | Front Axle Right |
| | Front Axle Left |



References

| | |
|------------|---------|
| 1610976380 | 4001 E4 |
| 4001 A1 | 4001 E5 |

Application info

Jumper III [04/06--]

Jumper III [04/06--]

Axial rod

216 031 0004 | MAR0133

Notes

| | |
|----------------------|------------------|
| Thread Measurement 2 | M14x1,5 |
| Thread Measurement 1 | M14x1,5 |
| Length [mm] | 307 |
| | Front Axle Right |
| | Front Axle Left |



References

3812.A4

Application info

Evasion [06/94-07/02]
Jumpy I [10/95-12/06]

Jumpy I [06/94--]

11-16 031 0017 | MAR0028

Axial rod



Notes

Thread Measurement 2
Thread Measurement 1
Length [mm]

M16x1,5
M12x1
192
for vehicles with power steering
Front Axle Right
Front Axle Left

References

3812.A6

Application info

Xantia [03/93-04/03]

XM [05/89-10/00]

11-16 030 0001 | MAR0015

Axial rod



Notes

Thread Measurement 2
Thread Measurement 1
Length [mm]

M14x1,5
M12x1
338
Front Axle Right
Front Axle Left

References

3812.C0
3812.C6

3812.E4
96 048 214

Application info

Berlingo I [07/96-12/07]

Xsara [04/97-08/05]

Xsara Picasso [12/99-09/06]

ZX [03/91-02/98]

Berlingo I [07/96--]

11-16 031 0006 | MAR0021

Axial rod



Notes

Thread Measurement 2
Thread Measurement 1
Length [mm]

M16x1,5
M16x1,5
182
Front Axle Right
Front Axle Left

References

3812.C8

Application info

C5 I / C5 II [03/01-04/07]

Axial rod
11-16 031 0015 | MAR0026
Notes

 Thread Measurement 2
Thread Measurement 1
Length [mm]

 M14x1,5
M14x1,5
320
Front Axle Right
Front Axle Left

References

3812.E0


Application info

C4 I / Coupe / Grand Picasso / Picasso / Stufenheck (11/04-12/07)

Axial rod
11-16 031 0009 | MAR0024
Notes

 Thread Measurement 2
Thread Measurement 1
Length [mm]

 M14x1,5
M12x1
235
Front Axle Right
Front Axle Left

References

3812.E1


Application info

C2 / C3 I / Pluriel (02/02-09/05)

C2 / C3 I / Pluriel (02/02--)

Axial rod
11-16 031 0011/HD | MAR0487HD
Notes

 Thread Measurement 2
Thread Measurement 1
Length [mm]

 M14x1,5
M12x1
235
Front Axle Left
Front Axle Right

References

3812.E1


Application info

C2 / C3 I / Pluriel (02/02-09/05)

C2 / C3 I / Pluriel (02/02--)

216 031 0005 | MAR0134

Axial rod



Notes

Thread Measurement 2
Thread Measurement 1
Length [mm]

M14x1,5
M14x1,5
308
Front Axle Right
Front Axle Left

References

3812.E2

Application info

C8 (07/02--)

11-16 031 0019 | MAR0029

Axial rod



Notes

Thread Measurement 2
Thread Measurement 1
Length [mm]

M14x1,5
M14x1,5
341
Front Axle Right
Front Axle Left

References

3812.E5

Application info

C4 I / Coupe / Grand Picasso / Picasso / Stufenheck (11/04-12/07)

40-16 031 0000/HD | MAR0476HD

Axial rod



Notes

Thread Measurement 2
Thread Measurement 1
Length [mm]

M16x1,5
M12x1
238.5
Front Axle Left
Front Axle Right

Reinforced Version

References

3812.E6

Application info

C2 / C3 I / Pluriel (02/02-09/05)

Axial rod
11-16 031 0008 | MAR0023
Notes

 Thread Measurement 2
Thread Measurement 1
Length [mm]

 M14x1,5
M16x1,5
122
Front Axle Right
Front Axle Left

References

3812.E3

3812.E7


Application info

C6 [09/05--]

Axial rod
11-16 031 0007 | MAR0022
Notes

 Thread Measurement 2
Thread Measurement 1
Length [mm]

 M16x1,5
M12x1
212
Front Axle Right
Front Axle Left

References

3812.E8


Application info

C3 Picasso [02/09--]

Axial rod
11-16 031 0025 | MAR0035
Notes

 Thread Measurement 2
Thread Measurement 1
Length [mm]

 M16x1,5
M14x1,5
310
Front Axle Right
Front Axle Left

References

3812.E9


Application info

C4 I / Coupe / Grand Picasso / Picasso / Stufenheck [11/04-12/07]

11-16 031 0020 | MAR0030

Axial rod



Notes

Thread Measurement 2
Thread Measurement 1
Length [mm]

M14x1,5
M16x1,5
305
Front Axle Right
Front Axle Left

References

3812.F0

Application info

C8 (07/02--)
Jumpy II (01/07--)

Jumpy II (01/07--)

11-16 031 0013/HD | MAR0489HD

Axial rod



Notes

Thread Measurement 2
Thread Measurement 1
Length [mm]

M14x1,5
M14x1,5
345
Front Axle Left
Front Axle Right

References

3812.F1

Application info

C-Crosser (02/07--)

C-Crosser (02/07--)

11-16 031 0021 | MAR0031

Axial rod



Notes

Thread Measurement 2
Thread Measurement 1
Length [mm]

M14x1,5
M14x1,5
271
Front Axle Right
Front Axle Left

References

3812.F2

Application info

C4 II / DS4 (11/09--)



Axial rod

11-16 031 0023 | MAR0033

Notes

Thread Measurement 2
Thread Measurement 1
Length [mm]

M14x1,5
M16x1,5
129
Front Axle Right
Front Axle Left

References

3812.F3



Application info

C5 III (RD_, TD_) [02/08--]

Axial rod

11-16 031 0024 | MAR0034

Notes

Thread Measurement 2
Thread Measurement 1
Length [mm]

M14x1,5
M14x1,5
260
Front Axle Right
Front Axle Left

References

3812.F4



Application info

Berlingo I [07/96-12/07]
Berlingo II [04/08--]

Berlingo II [04/08--]

Axial rod

16-16 031 0005 | MAR0109

Notes

Thread Measurement 2
Thread Measurement 1
Length [mm]

M14x1,5
M12x1
248
Front Axle Right
Front Axle Left

References

3812.F6



Application info

C3 II [11/09--]

DS3 [11/09--]

11-16 031 0030 | MAR0039

Axial rod



Notes

Thread Measurement 2
Thread Measurement 1
Length [mm]

M14x1,5
M14x1,5
390
Front Axle Left
Front Axle Right

References

3812.F7

Application info

DS5 [11/11--]

11-16 031 0026 | MAR0036

Axial rod



Notes

Thread Measurement 2
Thread Measurement 1
Length [mm]

M12x1,25
M14x1,5
225
Front Axle Right
Front Axle Left

References

4001.33

Application info

C1 [06/05--]

11-16 031 0034/HD | MAR0491HD

Axial rod



Notes

Thread Measurement 2
Thread Measurement 1
Length [mm]

M12x1,25
M14x1,5
225
Front Axle Left
Front Axle Right

Reinforced Version

References

4001.33

Application info

C1 [06/05--]



Axial rod

216 031 0017 | MAR0146

Notes

Thread Measurement 2
Thread Measurement 1
Length [mm]

M14x1,5
M14x1,5
272
Front Axle Right
Front Axle Left

References

4001.77
4001 K6

4001 NZ
4001 PA



Application info

Nemo [02/08--]

Nemo [02/08--]

Axial rod

216 031 0030/HD | MAR0509HD

Notes

Thread Measurement 2
Thread Measurement 1
Length [mm]

M14x1,5
M14x1,5
272
Front Axle Left
Front Axle Right

Reinforced Version

References

4001.77
4001 K6

4001 NZ
4001 PA



Application info

Nemo [02/08--]

Nemo [02/08--]

Axial rod

40-16 030 4246 | MAR0279

Notes

Thread Measurement 2
Thread Measurement 1
Length [mm]

M14x1,5
M12x1
122
Front Axle Right
Front Axle Left

References

95 495 439

95 495 440



Application info

BX [10/82-12/94]

11-16 030 5749 | MAR0016

Axial rod



Notes

Thread Measurement 2
Thread Measurement 1
Length [mm]

M14x1,5
M12x1
314
Front Axle Right
Front Axle Left

References

96 136 394

Application info

C15 / Visa [09/78-12/05]
Xantia [03/93-04/03]

C15 / Visa [09/78-12/05]

11-16 031 0014/HD | MAR0490HD

Axial rod



Notes

Thread Measurement 2
Thread Measurement 1
Length [mm]

M14x1,5
M10x1
225
Front Axle Right
Front Axle Left

Reinforced Version

References

16 080 253 80

Application info

C4 Cactus [09/14--]

11-16 031 0016 | MAR0027

Axial rod



Notes

Thread Measurement 2
Thread Measurement 1
Length [mm]

M16x1,5
M12x1
312
Front Axle Right
Front Axle Left

References

3812.A9

Application info

Xantia [03/93-04/03]



Axial rod

11-16 031 0031 | MAR0040

Notes

Thread Measurement 2
Thread Measurement 1
Length [mm]

M14x1,5
M12x1,5
225
Front Axle Right
Front Axle Left

References

16 080 253 80



Application info

C4 Cactus (09/14--)

Tie rod end

11-16 020 0034 | MTE0541

Notes

Thread Measurement 2
Thread Measurement 1
Length [mm]

M14x1,5
M10x1,25
200
Front Axle Left

References

16 08 025 180

Counterpart

11-16 020 0033 | MTE0540



Application info

C4 Cactus (09/14--)

Tie rod end

11-16 020 0033 | MTE0540

Notes

Thread Measurement 2
Thread Measurement 1
Length [mm]

M14x1,5
M10x1,25
200
Front Axle Right

References

16 08 025 280

Counterpart

11-16 020 0034 | MTE0541



Application info

C4 Cactus (09/14--)

11-16 020 0027 | MTE0097

Tie rod end



Notes

| | |
|----------------------|------------------|
| Thread Measurement 2 | M14x1,5 |
| Thread Measurement 1 | M12x1,5 |
| Length [mm] | 210 |
| | Front Axle Right |

References

| | |
|---------------|---------|
| 16 09 942 380 | 3817.81 |
| 16 09 948 380 | |

Counterpart

11-16 020 0026 | MTE0096

Application info

C5 III (RD_, TD_) (02/08--)

11-16 020 0026 | MTE0096

Tie rod end



Notes

| | |
|----------------------|-----------------|
| Thread Measurement 2 | M14x1,5 |
| Thread Measurement 1 | M12x1,5 |
| Length [mm] | 210 |
| | Front Axle Left |

References

| | |
|---------------|---------|
| 16 099 482 80 | 3817.80 |
|---------------|---------|

Counterpart

11-16 020 0027 | MTE0097

Application info

C5 III (RD_, TD_) (02/08--)

11-16 020 0015/HD | MTE0085HD

Tie rod end



Notes

| | |
|----------------------|-----------------|
| Thread Measurement 2 | M16x1,5 |
| Thread Measurement 1 | M14x1,5 |
| Length [mm] | 209 |
| | Front Axle Left |
| Reinforced Version | |

References

| | |
|---------------|---------|
| 16 109 764 80 | 3817.77 |
| 3817.69 | |

Counterpart

11-16 020 0016/HD | MTE0086HD

Application info

Jumper III (04/06--)

Jumper III (04/06--)

Tie rod end
11-16 020 0019 | MTE0089
Notes

 Thread Measurement 2
Thread Measurement 1
Length [mm]

 M14x1,5
M12x1,5
77
Front Axle Right
Front Axle Left

References

3814.A5

3817.73


Application info

 C8 [07/02--]
Jumpy II [01/07--]

Jumpy II [01/07--]

Tie rod end
11-16 020 0006 | MTE0077
Notes

 Thread Measurement 2
Thread Measurement 1
Length [mm]

 M16x1,5
M10x1,25
110
for vehicles with power steering
Front Axle Left

References

3817.37

3817.43

Counterpart

11-16 020 0005 | MTE0076


Application info

Xantia [03/93-04/03]

XM [05/89-10/00]

Tie rod end
11-16 020 0005 | MTE0076
Notes

 Thread Measurement 2
Thread Measurement 1
Length [mm]

 M16x1,5
M10x1,25
115
for vehicles with power steering
Front Axle Right

References

3817.38

3817.44

Counterpart

11-16 020 0006 | MTE0077


Application info

Xantia [03/93-04/03]

XM [05/89-10/00]

11-16 020 5703/HD | MTE0105HD

Tie rod end



Notes

Thread Measurement 2
Thread Measurement 1
Length [mm]

M14x1,5
M10x1,5
91
Front Axle Right
Front Axle Left

Reinforced Version

References

3817.18

3817.50

Application info

Berlingo I [07/96-12/07]
C15 / Visa [09/78-12/05]
C4 I / Coupe / Grand Picasso / Picasso / Stufenheck [11/04-12/07]
Xsara [04/97-08/05]

Xsara Picasso [12/99-09/06]
ZX [03/91-02/98]
Berlingo I [07/96--]
C15 / Visa [09/78-12/05]

40-16 020 0002 | MTE0437

Tie rod end



Notes

Thread Measurement 2
Thread Measurement 1
Length [mm]

M14x1,5
M10x1,25
175
Front Axle Left

References

3817.55

Counterpart

11-16 020 0008 | MTE0078

Application info

C2 / C3 I / Pluriel [02/02-09/05]

C2 / C3 I / Pluriel [02/02--]

11-16 020 0008 | MTE0078

Tie rod end



Notes

Thread Measurement 2
Thread Measurement 1
Length [mm]

M14x1,5
M10x1,25
175
Front Axle Right

References

3817.56

Counterpart

40-16 020 0002 | MTE0437

Application info

C2 / C3 I / Pluriel [02/02-09/05]

C2 / C3 I / Pluriel [02/02--]



Tie rod end

11-16 020 0011 | MTE0081

Notes

| | |
|----------------------|----------------------------------|
| Thread Measurement 2 | M16x1,5 |
| Thread Measurement 1 | M10x1,25 |
| Length [mm] | 230 |
| | for vehicles with power steering |
| | Front Axle Left |



References

| | |
|---------|---------|
| 3817.53 | 3817.59 |
|---------|---------|

Counterpart

11-16 020 0012 | MTE0082

Application info

C5 I / C5 II (03/01-04/07)

Tie rod end

11-16 020 0012 | MTE0082

Notes

| | |
|----------------------|----------------------------------|
| Thread Measurement 2 | M16x1,5 |
| Thread Measurement 1 | M10x1,25 |
| Length [mm] | 230 |
| | for vehicles with power steering |
| | Front Axle Right |



References

| | |
|---------|---------|
| 3817.54 | 3817.60 |
|---------|---------|

Counterpart

11-16 020 0011 | MTE0081

Application info

C5 I / C5 II (03/01-04/07)

Tie rod end

40-16 020 0004/HD | MTE0751HD

Notes

| | |
|----------------------|------------------|
| Thread Measurement 2 | 16x1.5 |
| Thread Measurement 1 | 10x1.25 |
| Length [mm] | 170 |
| | Front Axle Right |
| Reinforced Version | |



References

3817.61

Counterpart

40-16 020 0003/HD | MTE0750HD

Application info

C2 / C3 I / Pluriel (02/02-09/05)

40-16 020 0003/HD | MTE0750HD

Tie rod end



Notes

Thread Measurement 2
Thread Measurement 1
Length [mm]

16X1.5
10X1.25
170
Front Axle Left

Reinforced Version

References

3817.62

Counterpart

40-16 020 0004/HD | MTE0751HD

Application info

C2 / C3 I / Pluriel (02/02-09/05)

11-16 020 0017 | MTE0087

Tie rod end



Notes

Thread Measurement 2
Thread Measurement 1
Length [mm]

M12x1,25
M12x1,25
162
Front Axle Left

References

3817.63

Counterpart

11-16 020 0018 | MTE0088

Application info

C1 (06/05--)

C1 II (04/14--)

11-16 020 0018 | MTE0088

Tie rod end



Notes

Thread Measurement 2
Thread Measurement 1
Length [mm]

M12x1,25
M12x1,25
162
Front Axle Right

References

3817.64

Counterpart

11-16 020 0017 | MTE0087

Application info

C1 (06/05--)

C1 II (04/14--)



Tie rod end

11-16 020 0014 | MTE0084

Notes

Thread Measurement 2
Thread Measurement 1
Length [mm]

M14x1,5
M12x1,5
241
Front Axle Left

References

3817.65

Counterpart

11-16 020 0013 | MTE0083



Application info

C6 (09/05--)

Tie rod end

11-16 020 0013 | MTE0083

Notes

Thread Measurement 2
Thread Measurement 1
Length [mm]

M14x1,5
M12x1,5
241
Front Axle Right

References

3817.66

Counterpart

11-16 020 0014 | MTE0084



Application info

C6 (09/05--)

Tie rod end

11-16 020 0009 | MTE0079

Notes

Thread Measurement 2
Thread Measurement 1
Length [mm]

M16x1,5
M10x1,25
210
Front Axle Left

References

16 086 522 80

3817.67

Counterpart

11-16 020 0010 | MTE0080



Application info

C Elyse (11/12--)

C3 Picasso (02/09--)

11-16 020 0010 | MTE0080

Tie rod end



Notes

| | |
|----------------------|------------------|
| Thread Measurement 2 | M16x1,5 |
| Thread Measurement 1 | M10x1,25 |
| Length [mm] | 210 |
| | Front Axle Right |

References

| | |
|---------------|---------|
| 16 086 523 80 | 3817.68 |
|---------------|---------|

Counterpart

11-16 020 0009 | MTE0079

Application info

C Elyse [11/12--]

C3 Picasso [02/09--]

11-16 020 0016/HD | MTE0086HD

Tie rod end



Notes

| | |
|----------------------|------------------|
| Thread Measurement 2 | M16x1,5 |
| Thread Measurement 1 | M14x1,5 |
| Length [mm] | 209 |
| | Front Axle Right |

Reinforced Version

References

3817.70

Counterpart

11-16 020 0015/HD | MTE0085HD

Application info

Jumper III [04/06--]

Jumper III [04/06--]

11-16 020 0028 | MTE0098

Tie rod end



Notes

| | |
|----------------------|-----------------|
| Thread Measurement 2 | M16x1,5 |
| Thread Measurement 1 | M10x1,25 |
| Length [mm] | 120 |
| | Front Axle Left |

References

3817.71

Counterpart

11-16 020 0029 | MTE0099

Application info

C4 I / Coupe / Grand Picasso / Picasso / Stufenheck [11/04-12/07]



Tie rod end

11-16 020 0029 | MTE0099

Notes

| | |
|----------------------|------------------|
| Thread Measurement 2 | M16x1,5 |
| Thread Measurement 1 | M10x1,25 |
| Length [mm] | 120 |
| | Front Axle Right |

References

3817.72

Counterpart

11-16 020 0028 | MTE0098



Application info

C4 I / Coupe / Grand Picasso / Picasso / Stufenheck (11/04-12/07)

Tie rod end

32-16 020 0000 | MTE0366

Notes

| | |
|----------------------|------------------|
| Thread Measurement 2 | M14x1,5 |
| Thread Measurement 1 | M10x1,5 |
| Length [mm] | 78 |
| | Front Axle Right |
| | Front Axle Left |

References

16 109 398 80

3817.74



Application info

C-Crosser (02/07--)

C-Crosser (02/07--)

Tie rod end

11-16 020 0023 | MTE0093

Notes

| | |
|----------------------|------------------|
| Thread Measurement 2 | M14x1,5 |
| Thread Measurement 1 | M10x1,5 |
| Length [mm] | 165 |
| | Front Axle Right |

References

3817.75

3817.88

Counterpart

11-16 020 0022 | MTE0092



Application info

Berlingo I (07/96-12/07)
Berlingo II (04/08--)

C4 II / DS4 (11/09--)
Berlingo II (04/08--)

11-16 020 0022 | MTE0092

Tie rod end



Notes

Thread Measurement 2
Thread Measurement 1
Length [mm]

M14x1,5
M10x1,5
165
Front Axle Left

References

3817.76

3817.89

Counterpart

11-16 020 0023 | MTE0093

Application info

Berlingo I [07/96-12/07]
Berlingo II [04/08--]

C4 II / DS4 [11/09--]
Berlingo II [04/08--]

216 020 0015 | MTE0237

Tie rod end



Notes

Thread Measurement 2
Thread Measurement 1
Length [mm]

M14x1,5
M10x1,5
115
Front Axle Left

References

3817.86

Counterpart

216 020 0016 | MTE0238

Application info

Nemo [02/08--]

Nemo [02/08--]

216 020 0016 | MTE0238

Tie rod end



Notes

Thread Measurement 2
Thread Measurement 1
Length [mm]

M14x1,5
M10x1,25
115
Front Axle Right

References

3817.87

Counterpart

216 020 0015 | MTE0237

Application info

Nemo [02/08--]

Nemo [02/08--]



Tie rod end

11-16 020 0025 | MTE0095

Notes

Thread Measurement 2
Thread Measurement 1
Length [mm]

M14x1,5
M10x1,25
178
Front Axle Right

References

3817.91

Counterpart

11-16 020 0024 | MTE0094



Application info

C3 II (11/09--)

DS3 (11/09--)

Tie rod end

11-16 020 0024 | MTE0094

Notes

Thread Measurement 2
Thread Measurement 1
Length [mm]

M14x1,5
M10x1,25
178
Front Axle Left

References

3817.92

Counterpart

11-16 020 0025 | MTE0095



Application info

C3 II (11/09--)

DS3 (11/09--)

Tie rod end

11-16 020 0032 | MTE0102

Notes

Thread Measurement 2
Thread Measurement 1
Length [mm]

M14x1,5
M10x1,25
80
Front Axle Right
Front Axle Left

References

3817.94



Application info

DS5 (11/11--)

11-16 020 7529 | MTE0108

Tie rod end



Notes

Thread Measurement 2
Thread Measurement 1
Length [mm]

M16x1,5
M12x1,25
119
Front Axle Right
Front Axle Left

References

4018.A3

4018.H4

Application info

Jumper I [02/94-04/02]
Jumper II [02/02-06/06]

Jumper I [02/94-04/02]
Jumper II [02/02--]

216 060 0007 | MTE0255

Tie rod end



Notes

Thread Measurement 2
Thread Measurement 1
Length [mm]

M16x1,5
M14x1,5
120
for vehicles with power steering
Front Axle Right
Front Axle Left

References

4018.E0

Application info

Jumper II [02/02-06/06]

Jumper II [02/02--]

216 020 0062 | MTE0248

Tie rod end



Notes

Thread Measurement 2
Thread Measurement 1
Length [mm]

M14x1,5
M10x1,25
75
Front Axle Right
Front Axle Left

References

4059.12

Application info

C8 [07/02--]
Jumpy I [10/95-12/06]

Jumpy I [06/94--]

Tie rod end
11-16 020 5042 | MTE0104
Notes

Thread Measurement 2 M14x1,5
 Thread Measurement 1 M10x1,25
 Length [mm] 75
 Front Axle Right
 Front Axle Left

References

4059.09 94 040 590 80


Application info

Evasion [06/94-07/02]
 Jumpy I [10/95-12/06]

Jumpy I [06/94--]

Tie rod end
40-16 020 5724/HD | MTE0439HD
Notes

Thread Measurement 2 M14x1,5
 Thread Measurement 1 M10x1,25
 Length [mm] 112
 Reinforced Version

References

3817.31 94 710 006 65
 3817.42 94 710 074 65
 94 580 842 80

Counterpart

40-16 020 5723/HD | MTE0438HD


Application info

AX [07/86-12/98]
 C4 I / Coupe / Grand Picasso / Picasso / Stufenheck [11/04-12/07]

Saxo [02/96-04/04]
 Xantia [03/93-04/03]
 XM [05/89-10/00]

Tie rod end
40-16 020 5723/HD | MTE0438HD
Notes

Thread Measurement 2 M14x1,5
 Thread Measurement 1 M10x1,25
 Length [mm] 112
 Reinforced Version

References

3817.41 94 710 005 65
 94 580 841 80 94 710 075 65

Counterpart

40-16 020 5724/HD | MTE0439HD



40-16 020 5723/HD | MTE0438HD

Tie rod end

Application info

AX [07/86-12/98]
C4 I / Coupe / Grand Picasso / Picasso / Stufenheck [11/04-12/07]

Saxo [02/96-04/04]
Xantia [03/93-04/03]
XM [05/89-10/00]

11-16 020 4078 | MTE0103

Tie rod end



Notes

Thread Measurement 2
Thread Measurement 1
Length [mm]

M16x1,5
M12x1,25
78
Front Axle Right
Front Axle Left

References

97 500 799 80

Application info

C25 [09/81-03/94]

C25 [07/81-03/94]

Ball joint
11-16 010 0004 | MBJ0030
Notes

Thread Size

 with accessories
 M18x1,5
 Lower
 Front Axle Right
 Front Axle Left

References

13 004 730 80

3640.33


Application info

Jumper I [02/94-04/02]

Jumper I [02/94-04/02]

Ball joint
11-16 010 3347 | MBJ0040
Notes

 Height [mm]
 Thread Size

 37
 M14x1,5
 Lower
 Front Axle Right
 Front Axle Left

References

16 072 950 80

3640 28

3640 34

3640.71

95 028 039

96 233 739


Application info

 C5 I / C5 II [03/01-04/07]
 Xantia [03/93-04/03]

XM [05/89-10/00]

Ball joint
11-16 050 0035 | MBJ0046
Notes

 Thread Measurement 2
 Thread Measurement 1

 M42x1,5
 M14x1,5
 Upper
 Front Axle Right
 Front Axle Left

References

16 072 986 80

3640.57

3640.74


Application info

C5 III (RD_, TD_) [02/08--]

C6 [09/05--]

30-16 010 0027 | MBJ0157

Ball joint



Notes

Outer diameter [mm]
Thread Measurement 1

with accessories
37
M12x1,25
Lower
Front Axle Right
Front Axle Left

References

3520.Q2

3521.L3

Application info

C1 [06/05--]

32-16 010 0025 | MBJ0198

Ball joint



Notes

Outer diameter [mm]

with accessories
40
Lower
Front Axle Right
Front Axle Left

References

3520.V0
3520.X9

3521.R1
3521.V0

Application info

C-Crosser [02/07--]

C-Crosser [02/07--]

616 010 0006 | MBJ0272

Ball joint



Notes

Length [mm]

with accessories
39
Lower
Front Axle Right
Front Axle Left

References

3520.W3
3520.Y4

3521.S6
3521.V5

Application info

Nemo [02/08--]

Nemo [02/08--]

7

Ball joint
11-16 010 4249 | MBJ0044
Notes

Height [mm] 59
 Thread Size M12x1,25
 Lower
 Front Axle Right
 Front Axle Left

References

3640.21 95 607 224
 95 494 204 96 041 652
 95 494 205


Application info

BX [10/82-12/94]

Ball joint
11-16 010 0005/HD | MBJ0031HD
Notes

Thread Size with accessories
 M16x1,5
 Lower
 Front Axle Right
 Front Axle Left

Reinforced Version

References

13 023 680 80 3640.32


Application info

Jumper I [02/94-04/02]

Jumper I [02/94-04/02]

Ball joint
40-16 010 0002 | MBJ0248
Notes

with accessories
 Lower
 Front Axle Right
 Front Axle Left

References

3640.39 96 025 445
 3640.42 96 103 696
 3640.43


Application info

Berlingo I [07/96-12/07]
 Xsara [04/97-08/05]

ZX [03/91-02/98]
 Berlingo I [07/96--]

11-16 010 0008 | MBJ0033

Ball joint



Notes

with accessories
Lower
Front Axle Right
Front Axle Left

References

3640.50

3640.51

Application info

Berlingo I [07/96-12/07]
Xsara [04/97-08/05]

Xsara Picasso [12/99-09/06]
Berlingo I [07/96--]

11-16 010 0011 | MBJ0034

Ball joint



Notes

Thread Size

with accessories
M18x1,5
Lower
Front Axle Right
Front Axle Left

References

3640.54

Application info

Jumper I [02/94-04/02]
Jumper II [02/02-06/06]

Jumper I [02/94-04/02]
Jumper II [02/02--]

40-16 010 0004/HD | MBJ0249HD

Ball joint



Notes

Thread Size

with accessories
M16x1,5
Lower
Front Axle Right
Front Axle Left

Reinforced Version

References

3640.55

Application info

Jumper I [02/94-04/02]
Jumper II [02/02-06/06]

Jumper I [02/94-04/02]
Jumper II [02/02--]

Ball joint
11-16 010 0000 | MBJ0029
Notes

Thread Size M14x1,5
 Lower
 Front Axle Right
 Front Axle Left

References

3640.60 3640.70
 3640.68 3640.73


Application info

Berlingo I [07/96-12/07] C4 II / DS4 [11/09--]
 Berlingo II [04/08--] DS5 [11/11--]
 C4 I / Coupe / Grand Picasso / Picasso / Stufenheck [11/04-12/07] Berlingo II [04/08--]

Ball joint
11-16 010 0013 | MBJ0035
Notes

with accessories
 Lower
 Front Axle Right
 Front Axle Left

References

16 072 985 80 3640.62
 3640.56 3640.65
 3640.59 3640.66
 3640.61


Application info

C2 / C3 I / Pluriel [02/02-09/05] DS3 [11/09--]
 C3 Picasso [02/09--] C2 / C3 I / Pluriel [02/02--]

Ball joint
11-16 010 0018 | MBJ0038
Notes

Lower
 Front Axle Right
 Front Axle Left

References

3640.58 3640.72
 3640.69


Application info

C5 III (RD_, TD_) [02/08--] C6 [09/05--]

11-16 010 0014 | MBJ0036

Ball joint



Notes

Thread Size

with accessories
M16x1,5
Lower
Front Axle Right
Front Axle Left

References

3640.67

3640.76

Application info

Jumper III (04/06--)

Jumper III (04/06--)

11-16 010 0017 | MBJ0037

Ball joint



Notes

with accessories
Lower
Front Axle Right
Front Axle Left

References

3640.77

Application info

C Elyse (11/12--)
C3 II (11/09--)

C4 Cactus (09/14--)
DS3 (11/09--)

11-16 010 0025 | MBJ0439

Ball joint



Notes

with accessories
Front Axle Right
Front Axle Left

References

3640.78

Application info

DS3 (11/09--)



Ball joint

11-16 010 4087/HD | MBJ0043HD

Notes

Thread Size

with accessories
M16x1,5
Lower
Front Axle Right
Front Axle Left

Reinforced Version

References

7 567 284



Application info

C25 [09/81-03/94]

C25 [07/81-03/94]

Ball joint

11-16 010 3356 | MBJ0041

Notes

Outer diameter [mm]
Height [mm]

37
51
Lower
Front Axle Right
Front Axle Left

References

16 144 392 80
3640.36

96 093 233



Application info

AX [07/86-12/98]

Saxo [02/96-04/04]

Control arm

11-16 050 0039 | MCA0101

Notes

Steel
with rubber mounting
Control Arm
Lower
Front Axle Right

References

16 073 029 80
3521.H1

3521.K6

Parts list

11-14 610 0039 | MCM0033
214 610 0000 | MCM0042

Mount, control arm
Mount, control arm

Counterpart

11-16 050 0038 | MCA0100



11-16 050 0039 | MCA0101

Control arm

Application info

C8 (07/02--)

11-16 050 0038 | MCA0100

Control arm



Notes

Steel
with rubber mounting
Control Arm
Lower
Front Axle Left

References

16 073 030 80
3520.P6

3521.H0

Parts list

11-14 610 0038 | MCM0032
214 610 0000 | MCM0042

Mount, control arm
Mount, control arm

Counterpart

11-16 050 0039 | MCA0101

Application info

C8 (07/02--)

11-16 050 0053 | MCA0108

Control arm



Notes

Sheet Steel
with rubber mounting
with ball joint
Control Arm
Lower
Front Axle Left

References

16 073 050 80
3520.Q9

3520.R7
3520.W5

Parts list

11-16 010 0013 | MBJ0035
11-14 610 0020 | MCB0131
11-14 610 0021 | MCB0132

Ball joint
Control arm bushing
Control arm bushing

Counterpart

11-16 050 0052 | MCA0107

Application info

C3 Picasso (02/09--)



Control arm

11-16 050 0052 | MCA0107

Notes

Sheet Steel
with rubber mounting
with ball joint
Control Arm
Lower
Front Axle Right



References

16 073 051 80 3521.N8
3521 N0 3521.S8

Parts list

11-16 010 0013 | MBJ0035 Ball joint
11-14 610 0020 | MCB0131 Control arm bushing
11-14 610 0021 | MCB0132 Control arm bushing

Counterpart

11-16 050 0053 | MCA0108

Application info

C3 Picasso (02/09--)

Control arm

11-16 050 0084 | MCA0122

Notes

Cone Size [mm]

Steel
with rubber mounting
17
Control Arm
Lower
Front Axle Left



References

16 075 106 80 3520.W4
3520.S5 3520.X0

Parts list

11-14 610 0034 | MCM0031 Mount, control arm

Counterpart

11-16 050 0083 | MCA0121

Application info

C8 (07/02--)

11-16 050 0083 | MCA0121

Control arm



Notes

Cone Size [mm]

Steel
with rubber mounting
17
Control Arm
Lower
Front Axle Right

References

16 075 107 80
3521.P6

3521.S7
3521.T2

Parts list

11-14 610 0034 | MCM0031
11-14 610 0039 | MCM0033

Mount, control arm
Mount, control arm

Counterpart

11-16 050 0084 | MCA0122

Application info

CB (07/02--)

11-16 050 0063 | MCA0109

Control arm



Notes

Steel
with rubber mounting
with ball joint
Control Arm
Front Axle Left

References

3520.92

Parts list

11-16 010 3356 | MBJ0041

Ball joint

Counterpart

11-16 050 0064 | MCA0110

Application info

AX (07/86-12/98)

Saxo (02/96-04/04)



Control arm

11-16 050 0064 | MCA0110

Notes

Steel
with rubber mounting
with ball joint
Control Arm
Front Axle Right

References

3520.93

Parts list

11-16 010 3356 | MBJ0041

Ball joint

Counterpart

11-16 050 0063 | MCA0109



Application info

AX [07/86-12/98]

Saxo [02/96-04/04]

Control arm

40-16 050 0005 | MCA0642

Notes

Steel
with rubber mounting
Control Arm
Lower
Front Axle Left

References

3520.86

3520.C1

Parts list

11-14 610 0005 | MCM0023

Mount, control arm

Counterpart

40-16 050 0006 | MCA0643



Application info

Xantia [03/93-04/03]

40-16 050 0002/HD | MCA0640HD

Control arm



Notes

Sheet Steel
with rubber mounting
with ball joint
Control Arm
Lower
Front Axle Left

Reinforced Version

References

| | |
|---------|------------|
| 3520.A1 | 3520.H5 |
| 3520.A2 | 3520.H8 |
| 3520.A6 | 95 658 882 |
| 3520.F5 | 95 658 884 |
| 3520.F6 | 95 668 510 |
| 3520.F7 | 95 668 512 |
| 3520.F8 | |

Parts list

| | |
|-------------------------------|---------------------|
| 40-16 010 0002 MBJ0248 | Ball joint |
| 11-14 610 0012/HD MCM0025HD | Mount, control arm |
| 11-14 610 0015/HD MCB0127HD | Control arm bushing |

Counterpart

40-16 050 0004/HD | MCA0641HD

Application info

Berlingo I [07/96-12/07]
Xsara [04/97-08/05]

ZX [03/91-02/98]
Berlingo I [07/96--]

11-16 050 0019 | MCA0087

Control arm



Notes

Sheet Steel
with rubber mounting
with ball joint
Control Arm
Lower
Front Axle Left

References

| | |
|---------------|---------|
| 16 227 103 80 | 3520.R1 |
| 3520.L3 | 3520.R2 |
| 3520.L4 | 3520.R3 |
| 3520.L9 | 3520.R4 |
| 3520.N1 | 3520.R5 |
| 3520.P9 | 3520.V1 |
| 3520.Q0 | 3520.V5 |
| 3520.R0 | |

Parts list

| | |
|--------------------------|---------------------|
| 11-16 010 0013 MBJ0035 | Ball joint |
| 11-14 352 0010 MCB0121 | Control arm bushing |
| 11-14 610 0001 MCB0122 | Control arm bushing |

Counterpart

11-16 050 0020 | MCA0088

Application info

C2 / C3 I / Pluriel [02/02-09/05]

7

Control arm
11-16 050 0047 | MCA0104
Notes

 Steel
 with rubber mounting
 Control Arm
 Lower
 Front Axle Left

References

 3520.95
 3520.L0

3520.N3

Parts list

 11-14 610 0027 | MCM0029
 11-14 610 0009 | MCB0123

 Mount, control arm
 Control arm bushing

Counterpart

11-16 050 0014 | MCA0083

Application info

 Jumper I [02/94-04/02]
 Jumper II [02/02-06/06]

 Jumper I [02/94-04/02]
 Jumper II [02/02--]

Control arm
11-16 050 0032 | MCA0096
Notes

 Steel
 with rubber mounting
 Control Arm
 Lower
 Front Axle Left

References

 3520.96
 3520.L1

3520.N4

Parts list

 11-14 610 0027 | MCM0029
 11-14 610 0009 | MCB0123

 Mount, control arm
 Control arm bushing

Counterpart

11-16 050 0033 | MCA0097

Application info

 Jumper I [02/94-04/02]
 Jumper II [02/02-06/06]

 Jumper I [02/94-04/02]
 Jumper II [02/02--]

11-16 050 0040 | MCA0102

Control arm



Notes

Steel
with rubber mounting
Control Arm
Lower
Front Axle Left

References

3520.K3

3520.P0

Parts list

11-14 610 0010 | MCB0124

11-14 610 0011 | MCB0125

Control arm bushing
Control arm bushing

Counterpart

11-16 050 0041 | MCA0103

Application info

C5 I / C5 II (03/01-04/07)

11-16 050 0023 | MCA0089

Control arm



Notes

Steel
with rubber mounting
Control Arm
Lower
Front Axle Left

References

3520.94

3520.C3

3520.C5

3520.G9

3520.P4

3520.P8

Parts list

214 610 0000 | MCM0042

214 610 0013 | MCM0049

Mount, control arm
Mount, control arm

Counterpart

11-16 050 0013 | MCA0082

Application info

Evasion (06/94-07/02)

Jumpy I (10/95-12/06)

Jumpy I (06/94--)

Control arm

11-16 050 0050 | MCA0794

Notes

Sheet Steel
with rubber mounting
with ball joint
Control Arm
Lower
Front Axle Left



References

3520.Q2

Parts list

30-16 010 0027 | MBJ0157
11-14 610 0045 | MCB0137
11-14 610 0046 | MCB0138

Ball joint
Control arm bushing
Control arm bushing

Counterpart

11-16 050 0051 | MCA0795

Application info

C1 [06/05--]

Control arm

11-16 050 0068 | MCA0114

Notes

Cone Size [mm]

Steel
with rubber mounting
19
Control Arm
Lower
Front Axle Left



References

3520.RB

3520.V8

Parts list

11-14 610 0034 | MCM0031
11-14 610 0038 | MCM0032

Mount, control arm
Mount, control arm

Counterpart

11-16 050 0067 | MCA0113

Application info

C8 [07/02--]
Jumpy II [01/07--]

Jumpy II [01/07--]

11-16 050 0066 | MCA0112

Control arm



Notes

Steel
with rubber mounting
Control Arm
Lower
Front Axle Left

References

3520.S0

3520.S1

Parts list

11-14 610 0025 | MCB0133

Control arm bushing

11-14 610 0026 | MCB0134

Control arm bushing

Counterpart

11-16 050 0065 | MCA0111

Application info

Jumper III (04/06--)

Jumper III (04/06--)

11-16 050 0010/HD | MCA0081HD

Control arm



Notes

Steel
with rubber mounting
Control Arm
Lower
Front Axle Left

Reinforced Version

References

3520.K8

3520.S2

Parts list

11-14 610 0013/HD | MCB0126HD

Control arm bushing

11-14 610 0016/HD | MCB0128HD

Control arm bushing

Counterpart

11-16 050 0009/HD | MCA0080HD

Application info

Berlingo I (07/96-12/07)

Berlingo II (04/08--)

C4 I / Coupe / Grand Picasso / Picasso / Stufenheck (11/04-12/07)

Berlingo II (04/08--)

Control arm

11-16 050 0081 | MCA0786

Notes

Steel
with rubber mounting
with ball joint
Control Arm
Lower
Front Axle Left

References

| | |
|---------|---------|
| 3520.T2 | 3520.T7 |
| 3520.T5 | 3520.T8 |
| 3520.T6 | 3520.T9 |

Parts list

| | |
|--------------------------|---------------------|
| 11-14 610 0043 MCB0349 | Control arm bushing |
| 11-14 610 0044 MCB0350 | Control arm bushing |

Counterpart

11-16 050 0082 | MCA0787



Application info

C2 / C3 I / Pluriel (02/02-09/05)

C2 / C3 I / Pluriel (02/02--)

Control arm

11-16 050 0072/HD | MCA0810HD

Notes

Steel
with rubber mounting
Control Arm
Outer
Lower
Front Axle Left

Reinforced Version

References

3520V2

Parts list

| | |
|-------------------------------|---------------------|
| 11-14 610 0013/HD MCB0126HD | Control arm bushing |
| 11-14 610 0016/HD MCB0128HD | Control arm bushing |

Counterpart

11-16 050 0071/HD | MCA0809HD



Application info

C4 II / DS4 (11/09--)

11-16 050 0048/HD | MCA0105HD

Control arm



Notes

Steel
with rubber mounting
Control Arm
Lower
Front Axle Left

Reinforced Version

References

3520.J3
3520.J4

3520.Q3
3520.V3

Parts list

11-14 610 0006 | MCM0024 Mount, control arm
11-14 610 0015/HD | MCB0127HD Control arm bushing

Counterpart

11-16 050 0049/HD | MCA0106HD

Application info

Berlingo I [07/96-12/07]
Xsara Picasso [12/99-09/06]

Berlingo I [07/96--]

11-16 050 0073 | MCA0115

Control arm



Notes

Steel
with rubber mounting
Control Arm
Lower
Front Axle Left

References

3520.S9
3520.W1

3520.W2

Parts list

11-14 610 0040 | MCM0034 Mount, control arm
11-14 610 0018 | MCB0130 Control arm bushing

Counterpart

11-16 050 0074 | MCA0116

Application info

C5 III (RD_, TD_) [02/08--]

C6 [09/05--]

Control arm

11-16 050 0079 | MCA0784

Notes

Sheet Steel
with rubber mounting
with ball joint
Control Arm
Lower
Front Axle Left



References

| | |
|---------|---------------|
| 3520.W7 | 3520.Y1 |
| 3520.W8 | 98 032 865 80 |
| 3520.X1 | |

Parts list

| | |
|--------------------------|---------------------|
| 11-14 610 0043 MCB0349 | Control arm bushing |
| 11-14 610 0044 MCB0350 | Control arm bushing |

Counterpart

11-16 050 0080 | MCA0785

Application info

| | |
|---------------------|---------------|
| C3 II [11/09--] | DS3 [11/09--] |
| C4 Cactus [09/14--] | |

Control arm

11-16 050 0075 | MCA0117

Notes

Steel
with rubber mounting
Control Arm
Lower
Front Axle Left



References

3520.X6

Parts list

| | |
|--------------------------|---------------------|
| 11-14 610 0041 MCM0035 | Mount, control arm |
| 11-14 610 0018 MCB0130 | Control arm bushing |

Counterpart

11-16 050 0076 | MCA0118

Application info

C5 III (RD_, TD_) [02/08--]

32-16 050 0003 | MCA0514

Control arm



Notes

Sheet Steel
with rubber mounting
with ball joint
Control Arm
Lower
Front Axle Left

References

16 124 483 80
3520.V0

3520.X9

Parts list

32-16 010 0025 | MBJ0198
32-14 610 0005 | MCB0235

Ball joint
Control arm bushing

Counterpart

32-16 050 0004 | MCA0515

Application info

C-Crosser [02/07--]

C-Crosser [02/07--]

616 050 0029 | MCA0701

Control arm



Notes

Sheet Steel
with rubber mounting
with ball joint
Control Arm
Lower
Front Axle Left

References

3520.W3

3520Y4

Parts list

616 010 0006 | MBJ0272
614 610 0007 | MCB0309
614 610 0008 | MCB0310

Ball joint
Control arm bushing
Control arm bushing

Counterpart

616 050 0028 | MCA0700

Application info

Nemo [02/08--]

Nemo [02/08--]

Control arm
40-16 050 0006 | MCA0643
Notes

 Steel
 with rubber mounting
 Control Arm
 Lower
 Front Axle Right

References

3521.58 3521.81

Parts list

11-14 610 0004 | MCM0022 Mount, control arm

Counterpart

40-16 050 0005 | MCA0642

Application info

Xantia [03/93-04/03]

Control arm
40-16 050 0004/HD | MCA0641HD
Notes

 Sheet Steel
 with rubber mounting
 with ball joint
 Control Arm
 Lower
 Front Axle Right

Reinforced Version


References

| | |
|---------|------------|
| 3520.E8 | 3521.A8 |
| 3521.71 | 3521.E5 |
| 3521.72 | 95 658 883 |
| 3521.A5 | 95 658 885 |
| 3521.A6 | 95 668 511 |
| 3521.A7 | |

Parts list

| | |
|-------------------------------|---------------------|
| 40-16 010 0002 MBJ0248 | Ball joint |
| 11-14 610 0012/HD MCM0025HD | Mount, control arm |
| 11-14 610 0015/HD MCB0127HD | Control arm bushing |

Counterpart

40-16 050 0002/HD | MCA0640HD

Application info

 Berlingo I [07/96-12/07]
 Xsara [04/97-08/05]

 ZX [03/91-02/98]
 Berlingo I [07/96--]

11-16 050 0020 | MCA0088

Control arm



Notes

Sheet Steel
with ball joint
with rubber mounting
Control Arm
Lower
Front Axle Right

References

| | |
|---------------|---------|
| 16 227 106 80 | 3521 N2 |
| 3521 H5 | 3521 N3 |
| 3521.H6 | 3521 N4 |
| 3521.J1 | 3521 N5 |
| 3521 J2 | 3521 N6 |
| 3521.K8 | 3521.R2 |
| 3521 L1 | 3521 S2 |
| 3521 N1 | |

Parts list

| | |
|--------------------------|---------------------|
| 11-16 010 0013 MBJ0035 | Ball joint |
| 11-14 352 0010 MCB0121 | Control arm bushing |
| 11-14 610 0001 MCB0122 | Control arm bushing |

Counterpart

11-16 050 0019 | MCA0087

Application info

C2 / C3 I / Pluriel [02/02-09/05]

11-16 050 0014 | MCA0083

Control arm



Notes

Steel
with rubber mounting
Control Arm
Lower
Front Axle Right

References

| | |
|---------|---------|
| 3521.65 | 3521.J3 |
| 3521.H2 | |

Parts list

| | |
|--------------------------|---------------------|
| 11-14 610 0027 MCM0029 | Mount, control arm |
| 11-14 610 0009 MCB0123 | Control arm bushing |

Counterpart

11-16 050 0047 | MCA0104

Application info

Jumper I [02/94-04/02]
Jumper II [02/02-06/06]

Jumper I [02/94-04/02]
Jumper II [02/02--]



Control arm

11-16 050 0033 | MCA0097

Notes

Steel
with rubber mounting
Control Arm
Lower
Front Axle Right

References

3521.66
3521.H3

3521.J4

Parts list

11-14 610 0027 | MCM0029
11-14 610 0009 | MCB0123

Mount, control arm
Control arm bushing

Counterpart

11-16 050 0032 | MCA0096



Application info

Jumper I [02/94-04/02]
Jumper II [02/02-06/06]

Jumper I [02/94-04/02]
Jumper II [02/02--]

Control arm

11-16 050 0041 | MCA0103

Notes

Steel
with rubber mounting
Control Arm
Lower
Front Axle Right

References

3521.G3

3521.K0

Parts list

11-14 610 0010 | MCB0124
11-14 610 0011 | MCB0125

Control arm bushing
Control arm bushing

Counterpart

11-16 050 0040 | MCA0102



Application info

C5 I / C5 II [03/01-04/07]

11-16 050 0013 | MCA0082

Control arm



Notes

Steel
with rubber mounting
Control Arm
Lower
Front Axle Right

References

3521.64
3521.83
3521.85

3521.C9
3521.K4
3521.L0

Parts list

214 610 0000 | MCM0042
214 610 0014 | MCM0050

Mount, control arm
Mount, control arm

Counterpart

11-16 050 0023 | MCA0089

Application info

Evasion [06/94-07/02]
Jumpy I [10/95-12/06]

Jumpy I [06/94--]

11-16 050 0051 | MCA0795

Control arm



Notes

Sheet Steel
with rubber mounting
with ball joint
Control Arm
Lower
Front Axle Right

References

3521.L3

Parts list

30-16 010 0027 | MBJ0157
11-14 610 0045 | MCB0137
11-14 610 0046 | MCB0138

Ball joint
Control arm bushing
Control arm bushing

Counterpart

11-16 050 0050 | MCA0794

Application info

C1 [06/05--]



Control arm

11-16 050 0067 | MCA0113

Notes

Cone Size [mm]

Steel
with rubber mounting
19
Control Arm
Lower
Front Axle Right

References

3521.N9

3521.S0

Parts list

11-14 610 0034 | MCM0031
11-14 610 0039 | MCM0033

Mount, control arm
Mount, control arm

Counterpart

11-16 050 0068 | MCA0114



Application info

CB [07/02--]
Jumpy II [01/07--]

Jumpy II [01/07--]

Control arm

11-16 050 0065 | MCA0111

Notes

Steel
with rubber mounting
Control Arm
Lower
Front Axle Right

References

3521.P1

3521.P2

Parts list

11-14 610 0025 | MCB0133
11-14 610 0026 | MCB0134

Control arm bushing
Control arm bushing

Counterpart

11-16 050 0066 | MCA0112



Application info

Jumper III [04/06--]

Jumper III [04/06--]

11-16 050 0009/HD | MCA0080HD

Control arm



Notes

Steel
with rubber mounting
Control Arm
Lower
Front Axle Right

Reinforced Version

References

3521.G8 3521.P3
3521.K3

Parts list

11-14 610 0013/HD | MCB0126HD Control arm bushing
11-14 610 0016/HD | MCB0128HD Control arm bushing

Counterpart

11-16 050 0010/HD | MCA0081HD

Application info

Berlingo I [07/96-12/07]
Berlingo II [04/08--]

C4 I / Coupe / Grand Picasso / Picasso / Stufenheck [11/04-12/07]
Berlingo II [04/08--]

11-16 050 0082 | MCA0787

Control arm



Notes

Steel
with rubber mounting
with ball joint
Control Arm
Lower
Front Axle Right

References

3521 Q3 3521 Q8
3521 Q6 3521 Q9
3521 Q7 3521 R0

Parts list

11-14 610 0043 | MCB0349 Control arm bushing
11-14 610 0044 | MCB0350 Control arm bushing

Counterpart

11-16 050 0081 | MCA0786

Application info

C2 / C3 I / Pluriel [02/02-09/05]

C2 / C3 I / Pluriel [02/02--]

Control arm

11-16 050 0071/HD | MCA0809HD

Notes

Steel
with rubber mounting
Control Arm
Outer
Lower
Front Axle Right

Reinforced Version

References

3521R3

Parts list

11-14 610 0013/HD | MCB0126HD Control arm bushing
11-14 610 0016/HD | MCB0128HD Control arm bushing

Counterpart

11-16 050 0072/HD | MCA0810HD



Application info

C4 II / DS4 (11/09--)

Control arm

11-16 050 0049/HD | MCA0106HD

Notes

Steel
with rubber mounting
Control Arm
Lower
Front Axle Right

Reinforced Version

References

3521.F3 3521.L4
3521.F4 3521.R4

Parts list

11-14 610 0006 | MCM0024 Mount, control arm
11-14 610 0015/HD | MCB0127HD Control arm bushing

Counterpart

11-16 050 0048/HD | MCA0105HD



Application info

Berlingo I (07/96-12/07)
Xsara Picasso (12/99-09/06)

Berlingo I (07/96--)

11-16 050 0074 | MCA0116

Control arm



Notes

Steel
with rubber mounting
Control Arm
Lower
Front Axle Right

References

3521.Q0
3521.S4

3521.S5

Parts list

11-14 610 0040 | MCM0034
11-14 610 0018 | MCB0130

Mount, control arm
Control arm bushing

Counterpart

11-16 050 0073 | MCA0115

Application info

C5 III (RD_, TD_) [02/08--]

C6 [09/05--]

11-16 050 0080 | MCA0785

Control arm



Notes

Sheet Steel
with rubber mounting
with ball joint
Control Arm
Lower
Front Axle Right

References

3521.S9
3521.T0
3521.T3

3521.V2
98 032 864 80

Parts list

11-14 610 0043 | MCB0349
11-14 610 0044 | MCB0350

Control arm bushing
Control arm bushing

Counterpart

11-16 050 0079 | MCA0784

Application info

C3 II [11/09--]
C4 Cactus [09/14--]

DS3 [11/09--]



Control arm

11-16 050 0076 | MCA0118

Notes

Steel
with rubber mounting
Control Arm
Lower
Front Axle Right

References

3521.T7

Parts list

11-14 610 0041 | MCM0035
11-14 610 0018 | MCB0130

Mount, control arm
Control arm bushing

Counterpart

11-16 050 0075 | MCA0117



Application info

C5 III (RD_, TD_) (02/08--)

Control arm

32-16 050 0004 | MCA0515

Notes

Sheet Steel
with rubber mounting
with ball joint
Control Arm
Lower
Front Axle Right

References

16 124 484 80
3521.R1

3521.V0

Parts list

32-16 010 0025 | MBJ0198
32-14 610 0005 | MCB0235

Ball joint
Control arm bushing

Counterpart

32-16 050 0003 | MCA0514



Application info

C-Crosser (02/07--)

C-Crosser (02/07--)

616 050 0028 | MCA0700

Control arm



Notes

Sheet Steel
with rubber mounting
with ball joint
Control Arm
Lower
Front Axle Right

References

3521.S6

3521.V5

Parts list

616 010 0006 | MBJ0272
614 610 0007 | MCB0309
614 610 0008 | MCB0310

Ball joint
Control arm bushing
Control arm bushing

Counterpart

616 050 0029 | MCA0701

Application info

Nemo [02/08--]

Nemo [02/08--]

11-16 050 3198 | MCA0125

Control arm



Notes

Length [mm]

Steel
304
with rubber mounting
Control Arm
Lower
Front Axle Left

References

3520.51
91 516 335

91 516 336

Parts list

11-14 035 2320 | MCB0113
11-14 352 0005 | MCB0118

Control arm bushing
Control arm bushing

Counterpart

11-16 050 3199 | MCA0126

Application info

C15 / Visa [09/78-12/05]

C15 / Visa [09/78-12/05]



Control arm

11-16 050 3199 | MCA0126

Notes

Length [mm]

Steel
304
with rubber mounting
Control Arm
Lower
Front Axle Right

References

3521.34
91 516 334

91 516 337

Parts list

11-14 035 2320 | MCB0113
11-14 352 0005 | MCB0118

Control arm bushing
Control arm bushing

Counterpart

11-16 050 3198 | MCA0125



Application info

C15 / Visa [09/78-12/05]

C15 / Visa [09/78-12/05]

Control arm

11-16 050 6980 | MCA0128

Notes

Steel
with rubber mounting
Control Arm
Lower
Front Axle Left

References

3520.78

95 658 978

Parts list

11-16 010 3356 | MBJ0041
11-14 352 0002 | MCM0021
16-14 610 0009 | MCB0156

Ball joint
Mount, control arm
Control arm bushing

Counterpart

11-16 050 6979 | MCA0127



Application info

AX [07/86-12/98]

Saxo [02/96-04/04]

11-16 050 6979 | MCA0127

Control arm



Notes

Steel
with rubber mounting
Control Arm
Lower
Front Axle Right

References

3520.79

95 658 979

Parts list

11-16 010 3356 | MBJ0041
11-14 352 0002 | MCM0021
16-14 610 0009 | MCB0156

Ball joint
Mount, control arm
Control arm bushing

Counterpart

11-16 050 6980 | MCA0128

Application info

AX [07/86-12/98]

Saxo [02/96-04/04]

11-16 050 0036/HD | MCA0098HD

Control arm



Notes

Sheet Steel
with rubber mounting
with ball joint
Control Arm
Lower
Front Axle Left

Reinforced Version

References

3520.F7
3520.F8

95 685 512

Parts list

11-16 010 0008 | MBJ0033
11-14 610 0012/HD | MCM0025HD
11-14 610 0015/HD | MCB0127HD

Ball joint
Mount, control arm
Control arm bushing

Counterpart

11-16 050 0037/HD | MCA0099HD

Application info

Berlingo I [07/96-12/07]
Xsara [04/97-08/05]

Xsara Picasso [12/99-09/06]
Berlingo I [07/96--]

Control arm

11-16 050 0037/HD | MCA0099HD

Notes

Sheet Steel
with rubber mounting
with ball joint
Control Arm
Lower
Front Axle Right

Reinforced Version

References

3521.A7 95 685 513
3521.A8

Parts list

11-16 010 0008 | MBJ0033 Ball joint
11-14 610 0012/HD | MCM0025HD Mount, control arm
11-14 610 0015/HD | MCB0127HD Control arm bushing

Counterpart

11-16 050 0036/HD | MCA0098HD



Application info

Berlingo I [07/96-12/07]
Xsara [04/97-08/05]

Xsara Picasso [12/99-09/06]
Berlingo I [07/96--]

Control arm bushing

11-14 610 0045 | MCB0137

Notes

Inner diameter [mm] 12
Outer diameter [mm] 33
Height [mm] 53
Front
Lower
Front Axle Right
Front Axle Left

References

3520.Q2 3521.L3



Application info

C1 [06/05--]

Control arm bushing

11-14 610 0046 | MCB0138

Notes

Inner diameter [mm] 19
Outer diameter [mm] 57
Height [mm] 62
Rear
Lower
Front Axle Right
Front Axle Left

References

3520.Q2 3521.L3



11-14 610 0046 | MCB0138

Control arm bushing

Application info

C1 (06/05--)

11-14 610 0025 | MCB0133

Control arm bushing



Notes

| | |
|---------------------|------------------|
| Inner diameter [mm] | 18 |
| Outer diameter [mm] | 57 |
| Height [mm] | 65 |
| | Front |
| | Lower |
| | Front Axle Right |
| | Front Axle Left |

References

| | |
|----------|----------|
| 3520.S0* | 3521.P1* |
| 3520.S1* | 3521.P2* |

Application info

Jumper III (04/06--)

Jumper III (04/06--)

11-14 610 0026 | MCB0134

Control arm bushing



Notes

| | |
|---------------------|------------------|
| Inner diameter [mm] | 19 |
| Outer diameter [mm] | 73 |
| Height [mm] | 76 |
| | Rear |
| | Lower |
| | Front Axle Right |
| | Front Axle Left |

References

| | |
|----------|----------|
| 3520.S0* | 3521.P1* |
| 3520.S1* | 3521.P2* |

Application info

Jumper III (04/06--)

Jumper III (04/06--)



Control arm bushing

32-14 610 0000/HD | MCB0234HD

Notes

| | |
|---------------------|------------------|
| Inner diameter [mm] | 14 |
| Outer diameter [mm] | 60 |
| Height 1 [mm] | 54 |
| | Front Axle Right |
| | Front Axle Left |
| | Lower |
| | Rear |

Reinforced Version

References

| | |
|---------|---------|
| 3520.V0 | 3521.R1 |
| 3520.X9 | 3521.V0 |



Application info

C-Crosser [02/07--]

C-Crosser [02/07--]

Control arm bushing

32-14 610 0005 | MCB0235

Notes

| | |
|---------------------|------------------|
| Inner diameter [mm] | 14 |
| Outer diameter [mm] | 37 |
| Height 1 [mm] | 59 |
| | Front |
| | Lower |
| | Front Axle Right |
| | Front Axle Left |

References

| | |
|---------|---------|
| 3520.V0 | 3521.R1 |
| 3520.X9 | 3521.V0 |



Application info

C-Crosser [02/07--]

C-Crosser [02/07--]

Control arm bushing

614 610 0007 | MCB0309

Notes

| | |
|---------------------|------------------|
| Inner diameter [mm] | 12 |
| Outer diameter [mm] | 41 |
| Height [mm] | 67 |
| | Lower |
| | Front Axle Right |
| | Front Axle Left |

References

| | |
|---------|---------|
| 3520.W3 | 3521.S6 |
| 3520.Y4 | 3521.V5 |



Application info

Nemo [02/08--]

Nemo [02/08--]

7

614 610 0008 | MCB0310

Control arm bushing



Notes

| | |
|---------------------|------------------|
| Inner diameter [mm] | 12 |
| Outer diameter [mm] | 66 |
| Height [mm] | 71 |
| | Lower |
| | Rear |
| | Front Axle Right |
| | Front Axle Left |

References

| | |
|---------|---------|
| 3520.W3 | 3521.S6 |
| 3520.Y4 | 3521.V5 |

Application info

Nemo (02/08--)

Nemo (02/08--)

11-14 035 2320 | MCB0113

Control arm bushing



Notes

| | |
|---------------------|------------------|
| Inner diameter [mm] | 10 |
| Outer diameter [mm] | 28 |
| Height [mm] | 34 |
| | inner |
| | Lower |
| | Front Axle Right |
| | Front Axle Left |

References

| | |
|---------|---------|
| 3523.20 | 3523.73 |
|---------|---------|

Application info

C15 / Visa (09/78-12/05)

C15 / Visa (09/78-12/05)

11-14 035 2331 | MCB0114

Control arm bushing



Notes

| | |
|---------------------|------------------|
| Inner diameter [mm] | 10 |
| Outer diameter [mm] | 28 |
| Height [mm] | 35 |
| | Lower |
| | Front Axle Right |
| | Front Axle Left |

References

| | |
|---------|---------|
| 3523.31 | 3523.71 |
|---------|---------|

Application info

C15 / Visa (09/78-12/05)

Control arm bushing
11-14 610 0017 | MCB0129
Notes

| | |
|---------------------|------------------|
| Inner diameter [mm] | 14 |
| Outer diameter [mm] | 40 |
| Height [mm] | 28 |
| | Lower |
| | Front |
| | Front Axle Right |
| | Front Axle Left |

References

3523.43


Application info

XM [05/89-10/00]

Control arm bushing
11-14 610 0011 | MCB0125
Notes

| | |
|---------------------|------------------|
| | Kit |
| Inner diameter [mm] | 14 |
| Outer diameter [mm] | 40 |
| Height [mm] | 38 |
| | Lower |
| | Front Axle Right |
| | Front Axle Left |

References

3523.84


Application info

C5 I / C5 II [03/01-04/07]

Control arm bushing
11-14 610 0016/HD | MCB0128HD
Notes

| | |
|---------------------|------------------|
| Inner diameter [mm] | 14 |
| Outer diameter [mm] | 56 |
| Height [mm] | 56 |
| | Lower |
| | Front |
| | Front Axle Right |
| | Front Axle Left |

Reinforced Version

References

3523.91


Application info

Berlingo I [07/96-12/07]

Berlingo II [04/08--]

C4 I / Coupe / Grand Picasso / Picasso / Stufenheck [11/04-12/07]

C4 II / DS4 [11/09--]

DS5 [11/11--]

Berlingo II [04/08--]

11-14 610 0013/HD | MCB0126HD

Control arm bushing



Notes

| | |
|---------------------|------------------|
| Inner diameter [mm] | 14 |
| Outer diameter [mm] | 55 |
| Height [mm] | 48 |
| | Lower |
| | Rear |
| | Front Axle Right |
| | Front Axle Left |

Reinforced Version

References

3523.92

Application info

Berlingo I [07/96-12/07]
Berlingo II [04/08--]
C4 I / Coupe / Grand Picasso / Picasso / Stufenheck [11/04-12/07]

C4 II / DS4 [11/09--]
DS5 [11/11--]
Berlingo II [04/08--]

11-14 610 0009 | MCB0123

Control arm bushing



Notes

| | |
|---------------------|------------------|
| Inner diameter [mm] | 25 |
| Outer diameter [mm] | 47 |
| Height [mm] | 55 |
| | Lower |
| | Front |
| | Front Axle Right |
| | Front Axle Left |

References

3523.93

Application info

Jumper I [02/94-04/02]
Jumper II [02/02-06/06]

Jumper I [02/94-04/02]
Jumper II [02/02--]

11-14 610 0010 | MCB0124

Control arm bushing



Notes

| | |
|---------------------|------------------|
| Inner diameter [mm] | 18 |
| | Lower |
| | Rear |
| | Front Axle Right |
| | Front Axle Left |

References

3523.95 3523.AR

7

+

Control arm bushing

11-14 610 0010 | MCB0124

Application info

C5 I / C5 II (03/01-04/07)

Control arm bushing

11-14 610 0001 | MCB0122

Notes

| | |
|---------------------|------------------|
| Inner diameter [mm] | 18 |
| Outer diameter [mm] | 55 |
| Height [mm] | 48 |
| | Lower |
| | Front |
| | Front Axle Right |
| | Front Axle Left |

References

3523.98



Application info

C2 / C3 I / Pluriel (02/02-09/05)

Control arm bushing

11-14 352 0010 | MCB0121

Notes

| | |
|---------------------|------------------|
| Inner diameter [mm] | 18 |
| Outer diameter [mm] | 55 |
| Height [mm] | 48 |
| | Lower |
| | Rear |
| | Front Axle Right |
| | Front Axle Left |

References

3523.99
3523.AA

3523 AT



Application info

C2 / C3 I / Pluriel (02/02-09/05)

Control arm bushing

11-14 610 0018 | MCB0130

Notes

| | |
|---------------------|------------------|
| Inner diameter [mm] | 14 |
| Outer diameter [mm] | 56 |
| Height [mm] | 50 |
| | inner |
| | Front |
| | Lower |
| | Front Axle Right |
| | Front Axle Left |

References

3523.AQ



11-14 610 0018 | MCB0130

Control arm bushing

Application info

C5 III (RD_, TD_) (02/08--)

C6 (09/05--)

11-14 610 0031 | MCB0136

Control arm bushing



Notes

| | |
|---------------------|------------------|
| Inner diameter [mm] | 12 |
| Outer diameter [mm] | 32 |
| Height [mm] | 82 |
| | Outer |
| | Upper |
| | Front Axle Right |
| | Front Axle Left |

References

3523.AZ

Application info

C5 III (RD_, TD_) (02/08--)

C6 (09/05--)

11-14 610 0030 | MCB0135

Control arm bushing



Notes

| | |
|---------------------|------------------|
| Inner diameter [mm] | 10 |
| Outer diameter [mm] | 32 |
| Height [mm] | 34 |
| | inner |
| | Upper |
| | Front Axle Right |
| | Front Axle Left |

References

3523.CA

Application info

C5 III (RD_, TD_) (02/08--)

C6 (09/05--)

11-14 610 0020 | MCB0131

Control arm bushing



Notes

| | |
|---------------------|------------------|
| Inner diameter [mm] | 14 |
| Outer diameter [mm] | 57 |
| Height [mm] | 48 |
| | Lower |
| | Rear |
| | Front Axle Right |
| | Front Axle Left |

References

3523.CC

7

Control arm bushing

11-14 610 0020 | MCB0131

Application info

C3 Picasso (02/09--)

Control arm bushing

11-14 610 0021 | MCB0132

Notes

| | |
|---------------------|------------------|
| Inner diameter [mm] | 14 |
| Outer diameter [mm] | 57 |
| Height [mm] | 48 |
| | Lower |
| | Front |
| | Front Axle Right |
| | Front Axle Left |

References

3523.CE



Application info

C3 Picasso (02/09--)

Control arm bushing

11-14 610 0043 | MCB0349

Notes

| | |
|---------------------|------------------|
| Inner diameter [mm] | 18 |
| Outer diameter [mm] | 55 |
| Height [mm] | 48 |
| | Front |
| | Front Axle Right |
| | Front Axle Left |

References

| | |
|---------|---------|
| 3523.CN | 3523 EA |
| 3523 CZ | |



Application info

C2 / C3 I / Pluriel (02/02-09/05)
C3 II (11/09--)

DS3 (11/09--)
C2 / C3 I / Pluriel (02/02--)

Control arm bushing

11-14 610 0044 | MCB0350

Notes

| | |
|---------------------|------------------|
| Inner diameter [mm] | 18 |
| Outer diameter [mm] | 55 |
| Height [mm] | 48 |
| | Rear |
| | Front Axle Right |
| | Front Axle Left |

References

| | |
|---------|---------|
| 3523.CP | 3523 EE |
| 3523 EC | |



11-14 610 0044 | MCB0350

Control arm bushing

Application info

C2 / C3 I / Pluriel (02/02-09/05)
C3 II (11/09--)
C4 Cactus (09/14--)

DS3 (11/09--)
C2 / C3 I / Pluriel (02/02--)

11-14 610 0055/HD | MCB0463HD

Control arm bushing



Notes

| | |
|---------------------|------------------|
| Inner diameter [mm] | 18 |
| Outer diameter [mm] | 55 |
| Height [mm] | 48 |
| | Front Axle Right |
| | Front Axle Left |
| | Rear |

Reinforced Version

References

| | |
|---------|---------|
| 3523.CP | 3523.EE |
| 3523.EC | |

Application info

C2 / C3 I / Pluriel (02/02-09/05)
C3 II (11/09--)

C4 Cactus (09/14--)
DS3 (11/09--)

11-14 710 0022 | MCB0404

Control arm bushing



Notes

| | |
|---------------------|-----------------|
| Inner diameter [mm] | 15 |
| Outer diameter [mm] | 42.2 |
| Height [mm] | 40 |
| | Rear |
| | Lower |
| | Rear Axle Right |
| | Rear Axle Left |

References

5131.C3

Application info

C5 III (RD_, TD_) (02/08--)
C6 (09/05--)

DS5 (11/11--)

Control arm bushing
11-14 710 0020 | MCB0403
Notes

| | |
|---------------------|-----------------|
| Inner diameter [mm] | 12 |
| Outer diameter [mm] | 34 |
| Height [mm] | 45 |
| | Upper |
| | Rear Axle Right |
| | Rear Axle Left |

References

5131.E0


Application info

C5 III (RD_, TD_) (02/08--)

C6 (09/05--)

Control arm bushing
11-14 352 0005 | MCB0118
Notes

| | |
|---------------------|------------------|
| Inner diameter [mm] | 12 |
| Outer diameter [mm] | 36 |
| Height [mm] | 26 |
| | Outer |
| | Lower |
| | Front Axle Right |
| | Front Axle Left |

References

3523.49

91 515 653


Application info

C15 / Visa (09/78-12/05)

C15 / Visa (09/78-12/05)

Control arm bushing
16-14 610 0009 | MCB0156
Notes

| | |
|---------------------|------------------|
| Inner diameter [mm] | 12 |
| Outer diameter [mm] | 34 |
| Height [mm] | 48 |
| | Lower |
| | Front |
| | Front Axle Right |
| | Front Axle Left |

References

3523.50

95 603 308

3523.66

96 113 432


Application info

AX (07/86-12/98)

Saxo (02/96-04/04)

11-14 610 0015/HD | MCB0127HD

Control arm bushing



Notes

| | |
|---------------------|------------------|
| Inner diameter [mm] | 12 |
| Outer diameter [mm] | 33 |
| Height [mm] | 31 |
| | Lower |
| | Front |
| | Front Axle Right |
| | Front Axle Left |

Reinforced Version

References

| | |
|------------|------------|
| 96 110 483 | 96 111 043 |
|------------|------------|

Application info

Berlingo I [07/96-12/07]
Xsara [04/97-08/05]
Xsara Picasso [12/99-09/06]

ZX [03/91-02/98]
Berlingo I [07/96--]

11-14 610 0037 | MCB0436

Control arm bushing



Notes

| | |
|---------------------|------------------|
| Inner diameter [mm] | 14 |
| Outer diameter [mm] | 43 |
| Height [mm] | 59.5 |
| | Front |
| | Lower |
| | Front Axle Right |
| | Front Axle Left |

References

96 760 321 80

Application info

C4 Grand Picasso II [09/13--]

C4 II / DS4 [11/09--]

11-14 610 0054 | MCB0459

Control arm bushing



References

96 76 035 280

Application info

C4 Grand Picasso II [09/13--]

C4 II / DS4 [11/09--]

7

Control arm bushing
11-14 710 0027 | MCB0450
Notes

| | |
|---------------------|-----------------|
| Inner diameter [mm] | 14.5 |
| Outer diameter [mm] | 56 |
| Height [mm] | 66.5 |
| | Front |
| | Lower |
| | Rear Axle Right |
| | Rear Axle Left |

References

| | |
|---------|------------|
| 5131.C4 | 9801049980 |
|---------|------------|


Application info

 C5 III (RD_, TD_) (02/08--)
 C6 (09/05--)

DS5 (11/11--)

Mount, control arm
11-14 610 0038 | MCM0032
Notes

| | |
|---------------------|----------------------------------|
| Inner diameter [mm] | 23 |
| Thread Size | M12x1,25 with rubber mounting |
| | Rear |
| | Front Axle Left |

References

| | |
|---------------|---------|
| 16 073 029 80 | 3520.R8 |
| 16 073 030 80 | 3521.H0 |
| 3520.P6 | |

Counterpart

11-14 610 0039 | MCM0033


Application info

 C8 (07/02--)
 Jumpy II (01/07--)

Jumpy II (01/07--)

Mount, control arm
214 610 0000 | MCM0042
Notes

| |
|----------------------|
| Rubber-metal Bearing |
| Lower |
| Front |
| Front Axle Right |
| Front Axle Left |

References

| | |
|---------------|---------|
| 13 123 170 80 | 3521.64 |
| 16 073 029 80 | 3521.83 |
| 16 073 030 80 | 3521.85 |
| 3520.94 | 3521.C9 |
| 3520.C3 | 3521.H0 |
| 3520.C5 | 3521.H1 |
| 3520.G9 | 3521.K4 |
| 3520.P4 | 3521.K6 |
| 3520.P6 | 3521.L0 |
| 3520.P8 | |



214 610 0000 | MCM0042

Mount, control arm

Application info

C8 [07/02--]
Evasion [06/94-07/02]

Jumpy I [10/95-12/06]
Jumpy I [06/94--]

214 610 0013 | MCM0049

Mount, control arm



Notes

Lower
Rear
Front Axle Left

References

| | |
|----------|----------|
| 3520.94* | 3520.G9* |
| 3520.C3* | 3520.P4* |
| 3520.C5* | 3520.P8* |

Counterpart

214 610 0014 | MCM0050

Application info

Evasion [06/94-07/02]
Jumpy I [10/95-12/06]

Jumpy I [06/94--]

11-14 610 0034 | MCM0031

Mount, control arm



Notes

| | |
|---------------------|--|
| Inner diameter [mm] | 23 |
| Thread Size | M14x1,5 with rubber mounting |
| | Front Front Axle Right Front Axle Left |

References

| | |
|---------|---------|
| 3520.R8 | 3521.N9 |
|---------|---------|

Application info

C8 [07/02--]
Jumpy II [01/07--]

Jumpy II [01/07--]

7

Mount, control arm
11-14 610 0040 | MCM0034
Notes

| | |
|---------------------|----------------------|
| Inner diameter [mm] | 20 |
| Thread Size | M14x2 |
| Thread Size | M12x1,75 |
| | with rubber mounting |
| | Rear |
| | Lower |
| | Front Axle Right |
| | Front Axle Left |

References

| | |
|---------|---------|
| 3520.S9 | 3521.Q0 |
| 3520.W1 | 3521.S4 |
| 3520.W2 | 3521.S5 |


Application info

C5 III (RD_, TD_) (02/08--)

C6 (09/05--)

Mount, control arm
11-14 610 0041 | MCM0035
Notes

| | |
|---------------------|----------------------|
| Inner diameter [mm] | 20 |
| Thread Size | M14x2 |
| Thread Size | M12x1,75 |
| | with rubber mounting |
| | Rear |
| | Lower |
| | Front Axle Right |
| | Front Axle Left |

References

| | |
|---------|---------|
| 3520.X6 | 3521.T7 |
|---------|---------|


Application info

C5 III (RD_, TD_) (02/08--)

Mount, control arm
214 610 0014 | MCM0050
Notes

| |
|------------------|
| Lower |
| Rear |
| Front Axle Right |

References

| | |
|----------|----------|
| 3521.64* | 3521.C9* |
| 3521.83* | 3521.K4* |
| 3521.85* | 3521.L0* |

Counterpart

214 610 0013 | MCM0049



214 610 0014 | MCM0050

Mount, control arm

Application info

Evasion [06/94-07/02]
Jumpy I [10/95-12/06]

Jumpy I [06/94--]

11-14 610 0039 | MCM0033

Mount, control arm



Notes

Inner diameter [mm] 23
Thread Size M12x1,25
with rubber mounting
Rear
Front Axle Right

References

3521.H1 3521.N9
3521.K6

Counterpart

11-14 610 0038 | MCM0032

Application info

C8 [07/02--]
Jumpy II [01/07--]

Jumpy II [01/07--]

11-14 352 0002 | MCM0021

Mount, control arm



Notes

Inner diameter [mm] 17
Lower
Front Axle Right
Front Axle Left

References

3523.51 96 106 474

Application info

AX [07/86-12/98]

Saxo [02/96-04/04]



Mount, control arm

11-14 610 0012/HD | MCM0025HD

Notes

| | |
|---------------------|------------------|
| Inner diameter [mm] | 19 |
| Thread Size | M8x1.25 |
| | Lower |
| | Rear |
| | Front Axle Right |
| | Front Axle Left |

Reinforced Version

References

3523.75



Application info

Berlingo I [07/96-12/07]
 Xsara [04/97-08/05]
 Xsara Picasso [12/99-09/06]

ZX [03/91-02/98]
 Berlingo I [07/96--]

Mount, control arm

11-14 610 0004 | MCM0022

Notes

| | |
|---------------------|-----------------|
| Inner diameter [mm] | 18 |
| | Lower |
| | Rear |
| | Front Axle Left |

References

3523.81

Counterpart

11-14 610 0005 | MCM0023



Application info

Xantia [03/93-04/03]

Mount, control arm

11-14 610 0005 | MCM0023

Notes

| | |
|---------------------|------------------|
| Inner diameter [mm] | 18 |
| | Lower |
| | Rear |
| | Front Axle Right |

References

3523.82

Counterpart

11-14 610 0004 | MCM0022



Application info

Xantia [03/93-04/03]

7

11-14 610 0006 | MCM0024

Mount, control arm



Notes

| | |
|---------------------|------------------|
| Inner diameter [mm] | 19 |
| Height [mm] | 42 |
| | Lower |
| | Rear |
| | Front Axle Right |
| | Front Axle Left |

References

3523.83

Application info

Berlingo I [07/96-12/07]
Xsara Picasso [12/99-09/06]

Berlingo I [07/96--]

11-14 610 0027 | MCM0029

Mount, control arm



Notes

| | |
|---------------------|------------------|
| Inner diameter [mm] | 34 |
| | Lower |
| | Rear |
| | Front Axle Right |
| | Front Axle Left |

References

3523.94

3523.AP

Application info

Jumper I [02/94-04/02]
Jumper II [02/02-06/06]

Jumper I [02/94-04/02]
Jumper II [02/02--]

11-14 610 0033 | MCM0116

Mount, control arm



Notes

| | |
|---------------------|------------------|
| Inner diameter [mm] | 12 |
| Outer diameter [mm] | 40 |
| Height [mm] | 38 |
| | Outer |
| | Front |
| | Lower |
| | Front Axle Right |
| | Front Axle Left |

Application info

C5 III (RD_, TD_) [02/08--]

C6 [09/05--]



Repair kit, ball joint

11-16 010 0018/S | MCX0428

Notes

Lower
Front Axle Right
Front Axle Left

References

3640.58 3640.72
3640.69

Parts list

11-16 010 0018 | MBJ0038 Ball joint



Application info

C5 III (RD_, TD_) (02/08--)

C6 (09/05--)

Repair kit, ball joint

11-16 010 0019 | MCX0189

Notes

Front Axle Left
Front Axle Right

References

3640.57 3640.72
3640.69 3640.74

Parts list

11-16 050 0035 | MBJ0046 Ball joint
11-16 010 0018/S | MCX0428 Repair kit, ball joint



Application info

C5 III (RD_, TD_) (02/08--)

C6 (09/05--)

Repair kit, control arm

11-14 610 0048 | MCR0021

Notes

Front Axle Right
Front Axle Left

References

3520.02 3521.L3

Parts list

30-16 010 0027 | MBJ0157 Ball joint
11-14 610 0045 | MCB0137 Control arm bushing



Application info

C1 (06/05--)

11-14 610 0023 | MCR0020

Repair kit, control arm



Notes

Front Axle Right
Front Axle Left

References

3523.94

3523.AP

Parts list

11-14 610 0027 | MCM0029
11-14 610 0009 | MCB0123

Mount, control arm
Control arm bushing

Application info

Jumper I (02/94-04/02)
Jumper II (02/02-06/06)

Jumper I (02/94-04/02)
Jumper II (02/02--)

11-14 615 0013 | MSB0124

Mount, stabilizer



Notes

Stabiliser Diameter [mm]
Required quantity

25
2
Front Axle Right
Front Axle Left

References

1612736480

5081.N9

Application info

Jumper III (04/06--)

Jumper III (04/06--)

11-14 615 0010 | MSB0122

Mount, stabilizer



Notes

Inner diameter [mm]

19
Front Axle Right
Front Axle Left

References

5094.56

Application info

AX (07/86-12/98)

Saxo (02/96-04/04)

7

Mount, stabilizer

11-14 615 0005 | MSB0117

Notes

Inner diameter [mm] 19
Outer
Front Axle Right
Front Axle Left

References

5094.59



Application info

AX (07/86-12/98)

Saxo (02/96-04/04)

Mount, stabilizer

11-14 615 0003 | MSB0115

Notes

Inner diameter [mm] 21
Front Axle Right
Front Axle Left

References

5094.65



Application info

Berlingo I (07/96-12/07)
Berlingo II (04/08--)
Xsara (04/97-08/05)
Xsara Picasso (12/99-09/06)

ZX (03/91-02/98)
Berlingo I (07/96--)
Berlingo II (04/08--)

Mount, stabilizer

11-14 615 0022 | MSB0321

Notes

Inner diameter [mm] 19
Required quantity 2
Front Axle Left
Front Axle Right

References

5094.66



Application info

Xsara (04/97-08/05)

ZX (03/91-02/98)

11-14 615 0000 | MSB0112

Mount, stabilizer



Notes

Inner diameter [mm]

24
Front Axle Right
Front Axle Left

References

5094.69

Application info

Evasion [06/94-07/02]
Jumpy I [10/95-12/06]

Jumpy I [06/94--]

11-14 615 0014 | MSB0375

Mount, stabilizer



Notes

Inner diameter [mm]

22
Front Axle Right
Front Axle Left

References

5094.88

5094.E0

Application info

C4 I / Coupe / Grand Picasso / Picasso / Stufenheck [11/04-12/07]

11-14 615 0017 | MSB0265

Mount, stabilizer



Notes

Inner diameter [mm]

24
Front Axle Right
Front Axle Left

References

5094.89

5094.E3

Application info

Berlingo II [04/08--]
C4 I / Coupe / Grand Picasso / Picasso / Stufenheck [11/04-12/07]

C4 II / DS4 [11/09--]
Berlingo II [04/08--]

Mount, stabilizer
40-14 615 0004 | MSB0454
Notes

 Inner diameter [mm] 22
 Required quantity 2
 Front Axle Left
 Front Axle Right

References

5094.90


Application info

C5 I / C5 II (03/01-04/07)

Mount, stabilizer
11-14 615 0038 | MSB0377
Notes

 Inner diameter [mm] 18.5
 Required quantity 2
 Front Axle Left
 Front Axle Right

References

5094.91


Application info

C2 / C3 I / Pluriel (02/02-09/05)

Mount, stabilizer
40-14 615 0003 | MSB0379
Notes

 Inner diameter [mm] 20
 Required quantity 2
 Front Axle Left
 Front Axle Right

References

5094.96


Application info

C2 / C3 I / Pluriel (02/02-09/05)

40-14 615 0002 | MSB0378

Mount, stabilizer



Notes

Inner diameter [mm]
Required quantity

16
2
Front Axle Left
Front Axle Right

References

5094.97

Application info

C2 / C3 I / Pluriel [02/02-09/05]

C2 / C3 I / Pluriel [02/02--]

11-14 615 0032 | MSB0387

Mount, stabilizer



Notes

Inner diameter [mm]
Required quantity

24
2
Front Axle Left
Front Axle Right

References

5094.99

Application info

C5 III (RD_, TD_) [02/08--]

C6 [09/05--]

11-14 615 0007 | MSB0119

Mount, stabilizer



Notes

Inner diameter [mm]

19
Front Axle Right
Front Axle Left

References

5094.A6

Application info

C2 / C3 I / Pluriel [02/02-09/05]

7

Mount, stabilizer
11-14 615 0002 | MSB0114
Notes

 Inner diameter [mm] 22
 Front Axle Right
 Front Axle Left

References

5094.A8


Application info

C1 (06/05--)

Mount, stabilizer
11-14 615 0031 | MSB0386
Notes

 Inner diameter [mm] 18
 Required quantity 2
 Front Axle Left
 Front Axle Right

References

5094.A9


Application info

C2 / C3 I / Pluriel (02/02-09/05)

C2 / C3 I / Pluriel (02/02--)

Mount, stabilizer
11-14 615 0029 | MSB0336
Notes

 Inner diameter [mm] 23
 Front Axle Left
 Front Axle Right

References

5094.C5


Application info

C3 Picasso (02/09--)

11-14 615 0040 | MSB0496

Mount, stabilizer



Notes

Inner diameter [mm] 21.5
Front Axle Left
Front Axle Right

References

5094.C6

Application info

C4 Aircross [04/12--]
C-Crosser [02/07--]

C-Crosser [02/07--]

11-14 615 0045 | MSB0392

Mount, stabilizer



Notes

Inner diameter [mm] 22.5
Required quantity 2
Front Axle Left
Front Axle Right

References

5094.C4

5094.E2

Application info

C4 I / Coupe / Grand Picasso / Picasso / Stufenheck [11/04-12/07]

11-14 615 0016 | MSB0125

Mount, stabilizer



Notes

Inner diameter [mm] 23
Front Axle Right
Front Axle Left

References

5094.E4

Application info

Berlingo II [04/08--]
C4 II / DS4 [11/09--]

Berlingo II [04/08--]



Mount, stabilizer

11-14 615 0015 | MSB0264

Notes

| | |
|---------------------|------------------|
| Inner diameter [mm] | 21 |
| | Front Axle Right |
| | Front Axle Left |

References

5094.E5



Application info

Nemo [02/08--]

Nemo [02/08--]

Mount, stabilizer

11-14 615 0047 | MSB0394

Notes

| | |
|---------------------|------------------|
| Inner diameter [mm] | 24.5 |
| Required quantity | 2 |
| | Front Axle Left |
| | Front Axle Right |

References

5094.E6



Application info

Berlingo II [04/08--]

Berlingo II [04/08--]

Mount, stabilizer

11-14 615 0018 | MSB0266

Notes

| | |
|---------------------|------------------|
| Inner diameter [mm] | 25 |
| | Front Axle Right |
| | Front Axle Left |

References

5094.E7



Application info

Berlingo II [04/08--]

Berlingo II [04/08--]

7

11-14 615 0046 | MSB0393

Mount, stabilizer



Notes

Inner diameter [mm]
Required quantity

23.5
2
Front Axle Left
Front Axle Right

References

5094.F2

Application info

C4 II / DS4 (11/09--)

DS5 (11/11--)

11-14 715 0000 | MSB0395

Mount, stabilizer



Notes

Inner diameter [mm]
Required quantity

19.5
2
Rear Axle Left
Rear Axle Right

References

5172.58

Application info

C-Crosser (02/07--)

C-Crosser (02/07--)

11-14 615 0013/S | MCX0185

Repair kit, stabilizer bushing



Notes

Front Axle Right
Front Axle Left

References

1612736480

5081.N9

Parts list

11-14 615 0013 | MSB0124
11-16 060 0022/S | MSL0100

Mount, stabilizer
Stabilizer link

Application info

Jumper III (04/06--)

Jumper III (04/06--)



Repair kit, stabilizer link

11-16 060 0005/S | MCX0190

Notes

Coupling Rod
Front Axle Right
Front Axle Left

References

5087.35



Application info

Evasion [06/94-07/02]
Jumpy I [10/95-12/06]

Jumpy I [06/94--]

Repair kit, stabilizer link

11-16 060 0006/S | MCX0191

Notes

Coupling Rod
Front Axle Right
Front Axle Left

References

5087.37



Application info

Jumper I [02/94-04/02]
Jumper II [02/02-06/06]

Jumper I [02/94-04/02]
Jumper II [02/02--]

Stabilizer link

11-16 060 0018/HD | MSL0096HD

Notes

Thread Measurement 2
Thread Measurement 1
Length [mm]

Reinforced Version

References

16 073 268 80
5087.55

5087.68

Counterpart

11-16 060 0017/HD | MSL0095HD

with spanner attachment
Coupling Rod
M10x1,5
M10x1,5
330
Front Axle Right



11-16 060 0018/HD | MSL0096HD

Stabilizer link

Application info

C Elyse [11/12--]
C3 Picasso [02/09--]

DS3 [11/09--]

11-16 060 0034 | MSL0744

Stabilizer link



Notes

Thread Measurement 2
Thread Measurement 1
Length [mm]

with spanner attachment
Coupling Rod
M10x1,5
M10x1,5
330
Front Axle Right

References

16 073 268 80 5087.68
5087.55

Counterpart

11-16 060 0035 | MSL0745

Application info

C Elyse [11/12--]

C3 Picasso [02/09--]

11-16 060 0017/HD | MSL0095HD

Stabilizer link



Notes

Thread Measurement 2
Thread Measurement 1
Length [mm]

with spanner attachment
Coupling Rod
M10x1,5
M10x1,5
330
Front Axle Left

Reinforced Version

References

16 073 269 80 5087.69
5087.54

Counterpart

11-16 060 0018/HD | MSL0096HD

Application info

C Elyse [11/12--]
C3 Picasso [02/09--]

DS3 [11/09--]

Stabilizer link
11-16 060 0035 | MSL0745
Notes

 Thread Measurement 2
 Thread Measurement 1
 Length [mm]

 with spanner attachment
 Coupling Rod
 M10x1,5
 M10x1,5
 330
 Front Axle Left

References

 16 073 269 80
 5087.54

5087.69

Counterpart

11-16 060 0034 | MSL0744


Application info

C Elyse [11/12--]

C3 Picasso [02/09--]

Stabilizer link
11-16 060 0022/S | MSL0100
Notes

 Inner diameter [mm]
 Thread Size
 Length [mm]

 Coupling Rod
 14
 M12x1,25
 115
 Front Axle Right
 Front Axle Left

References

1612736480

5081.N9


Application info

Jumper III [04/06--]

Jumper III [04/06--]

Stabilizer link
11-16 060 0003 | MSL0085
Notes

 Thread Measurement 2
 Thread Measurement 1
 Length [mm]

 Coupling Rod
 M10x1,5
 M10x1,5
 393
 Front Axle Right
 Front Axle Left

References

 5087 30
 5087.31

 5087 41
 5087 49

Application info

XM [05/89-10/00]

11-16 060 0040 | MSL0750

Stabilizer link



Notes

Thread Measurement 2
Thread Measurement 1
Length [mm]

with spanner attachment
Coupling Rod
M10x1,5
M10x1,5
300
Front Axle Right
Front Axle Left

References

| | |
|---------|---------|
| 5087.39 | 5087.46 |
| 5087.42 | 5087.61 |

Application info

Berlingo I [07/96-12/07]
Xsara [04/97-08/05]
Xsara Picasso [12/99-09/06]

ZX [03/91-02/98]
Berlingo I [07/96--]

11-16 060 5046/HD | MSL0103HD

Stabilizer link



Notes

Thread Measurement 2
Thread Measurement 1
Length [mm]

with spanner attachment
Coupling Rod
M10x1,5
M10x1,5
300
Front Axle Right
Front Axle Left

Reinforced Version

References

| | |
|---------|------------|
| 5084.38 | 5087.46 |
| 5087.34 | 5087.48 |
| 5087.38 | 5087.61 |
| 5087.39 | 96 152 213 |
| 5087.42 | |

Application info

Berlingo I [07/96-12/07]
C5 I / C5 II [03/01-04/07]
Xantia [03/93-04/03]
Xsara [04/97-08/05]

Xsara Picasso [12/99-09/06]
ZX [03/91-02/98]
Berlingo I [07/96--]

11-16 060 0039 | MSL0749

Stabilizer link



Notes

Thread Measurement 2
Thread Measurement 1
Length [mm]

with spanner attachment
Coupling Rod
M10x1,5
M10x1,5
300
Front Axle Right
Front Axle Left

References

5087.48

7



Stabilizer link

11-16 060 0039 | MSL0749

Application info

C5 I / C5 II (03/01-04/07)

Xantia (03/93-04/03)

Stabilizer link

11-16 060 0013/HD | MSL0091HD

Notes

Thread Measurement 2
Thread Measurement 1
Length [mm]

with spanner attachment
Coupling Rod
M10x1,5
M10x1,5
263
Front Axle Right
Front Axle Left



Reinforced Version

References

5087.51

Application info

C8 (07/02--)

Stabilizer link

11-16 060 0032 | MSL0742

Notes

Thread Measurement 2
Thread Measurement 1
Length [mm]

with spanner attachment
Coupling Rod
M10x1,5
M10x1,5
263
Front Axle Right
Front Axle Left



References

5087.51

Application info

C8 (07/02--)

Stabilizer link

11-16 060 0015 | MSL0093

Notes

Thread Measurement 2
Thread Measurement 1
Length [mm]

Coupling Rod
M16x1,5
M12x1,75
200
Front Axle Left



References

5087.52

Counterpart

11-16 060 0014 | MSL0092

11-16 060 0015 | MSL0093

Stabilizer link

Application info

C5 III (RD_, TD_) (02/08--)

C6 (09/05--)

11-16 060 0014 | MSL0092

Stabilizer link



Notes

Thread Measurement 2
Thread Measurement 1
Length [mm]

Coupling Rod
M16x1,5
M12x1,75
200
Front Axle Right

References

5087.53

Counterpart

11-16 060 0015 | MSL0093

Application info

C5 III (RD_, TD_) (02/08--)

C6 (09/05--)

11-16 060 0020/HD | MSL0098HD

Stabilizer link



Notes

Thread Measurement 2
Thread Measurement 1
Length [mm]

with spanner attachment
Coupling Rod
M12x1,5
M12x1,5
263
Front Axle Right
Front Axle Left

Reinforced Version

References

5087.56

Application info

Jumpy II (01/07--)

Jumpy II (01/07--)

11-16 060 0036 | MSL0746

Stabilizer link



Notes

Thread Measurement 2
Thread Measurement 1
Length [mm]

with spanner attachment
Coupling Rod
M12x1,5
M12x1,5
263
Front Axle Right
Front Axle Left

References

5087.56

Stabilizer link

11-16 060 0036 | MSL0746

Application info

Jumpy II (01/07--)

Jumpy II (01/07--)

Stabilizer link

11-16 060 0000/HD | MSL0082HD

Notes

Thread Measurement 2
Thread Measurement 1
Length [mm]

Reinforced Version

with spanner attachment
Coupling Rod
M10x1,5
M10x1,5
335
Front Axle Right
Front Axle Left



References

5087.50
5087.57
5087.62

5087.64
98 049 474 80

Application info

Berlingo I (07/96-12/07)
Berlingo II (04/08--)
C4 I / Coupe / Grand Picasso / Picasso / Stufenheck (11/04-12/07)

C4 II / DS4 (11/09--)
DS5 (11/11--)
Berlingo II (04/08--)

Stabilizer link

11-16 060 0028 | MSL0738

Notes

Thread Measurement 2
Thread Measurement 1
Length [mm]

References

5087.57

with spanner attachment
Coupling Rod
M10x1,5
M10x1,5
335
Front Axle Right
Front Axle Left



Application info

Berlingo I (07/96-12/07)
Berlingo II (04/08--)
C4 I / Coupe / Grand Picasso / Picasso / Stufenheck (11/04-12/07)

C4 II / DS4 (11/09--)
DS5 (11/11--)
Berlingo II (04/08--)

11-16 060 0021/HD | MSL0099HD

Stabilizer link



Notes

Thread Measurement 2
Thread Measurement 1
Length [mm]

Reinforced Version

References

5087.58

with spanner attachment
Coupling Rod
M10x1,25
M10x1,25
265
Front Axle Right
Front Axle Left

Application info

C4 Aircross [04/12--]
C-Crosser [02/07--]

C-Crosser [02/07--]

11-16 060 0037 | MSL0747

Stabilizer link



Notes

Thread Measurement 2
Thread Measurement 1
Length [mm]

References

5087.58

with spanner attachment
Coupling Rod
M10x1,25
M10x1,25
265
Front Axle Right
Front Axle Left

Application info

C4 Aircross [04/12--]
C-Crosser [02/07--]

C-Crosser [02/07--]

11-16 060 0001/HD | MSL0083HD

Stabilizer link



Notes

Thread Measurement 2
Thread Measurement 1
Length [mm]

Reinforced Version

References

5087.45
5087.59
5087.66
5087.71

with spanner attachment
Coupling Rod
M10x1,5
M10x1,5
335
Front Axle Right
Front Axle Left

5087.74
96 288 787
98 000 861 80
98 088 682 80



Stabilizer link

11-16 060 0001/HD | MSL0083HD

Application info

C2 / C3 I / Pluriel (02/02-09/05)
C3 II (11/09--)
C4 Cactus (09/14--)

DS3 (11/09--)
C2 / C3 I / Pluriel (02/02--)

Stabilizer link

11-16 060 0026 | MSL0737

Notes

with spanner attachment
Coupling Rod
Thread Measurement 2 M10x1,5
Thread Measurement 1 M10x1,5
Length [mm] 335
Front Axle Right
Front Axle Left



References

5087.45 5087.66
5087.59 5087.74

Application info

C2 / C3 I / Pluriel (02/02-09/05)
C4 Cactus (09/14--)

C2 / C3 I / Pluriel (02/02--)

Stabilizer link

11-16 060 0002/HD | MSL0084HD

Notes

with spanner attachment
Coupling Rod
Thread Measurement 2 M10x1,5
Thread Measurement 1 M12x1,5
Length [mm] 320
Reinforced Version
Front Axle Right
Front Axle Left



References

5087.43 96 324 274
5087.60

Application info

C5 I / C5 II (03/01-04/07)

7

11-16 060 0030 | MSL0740

Stabilizer link



Notes

Thread Measurement 2
Thread Measurement 1
Length [mm]

with spanner attachment
Coupling Rod
M10x1,5
M12x1,5
320
Front Axle Right
Front Axle Left

References

5087.43
5087.60

96 324 274

Application info

C5 I / C5 II [03/01-04/07]

Xantia [03/93-04/03]

11-16 060 0025 | MSL0736

Stabilizer link



Notes

Thread Measurement 2
Thread Measurement 1
Length [mm]

with spanner attachment
Coupling Rod
M10x1,5
M10x1,5
335
Front Axle Right
Front Axle Left

References

5087.50
5087.62

5087.64

Application info

C4 I / Coupe / Grand Picasso / Picasso / Stufenheck [11/04-12/07]

C4 II / DS4 [11/09--]

216 060 0000/HD | MSL0176HD

Stabilizer link



Notes

Thread Measurement 2
Thread Measurement 1
Length [mm]

with spanner attachment
Coupling Rod
M10x1,5
M10x1,5
290
Front Axle Right
Front Axle Left

Reinforced Version

References

5087.65
5087.70

5087.78
5087.79

Application info

Nemo [02/08--]

Nemo [02/08--]



Stabilizer link

216 060 0033 | MSL0773

Notes

Thread Measurement 2
Thread Measurement 1
Length [mm]

with spanner attachment
Coupling Rod
M10x1,5
M10x1,5
290
Front Axle Right
Front Axle Left

References

5087.65
5087.70

5087.78
5087.79



Application info

Nemo [02/08--]

Nemo [02/08--]

Stabilizer link

11-16 060 0029 | MSL0739

Notes

Thread Measurement 2
Thread Measurement 1
Length [mm]

with spanner attachment
Coupling Rod
M10x1,5
M10x1,5
335
Front Axle Right
Front Axle Left

References

5087.71



Application info

C3 II [11/09--]

DS3 [11/09--]

Stabilizer link

11-16 060 0019 | MSL0097

Notes

Thread Size
Length [mm]

with accessories
Coupling Rod
M8x1,25
92
Front Axle Right
Front Axle Left

References

5091.10



Application info

C1 [06/05--]

37-16 060 0022/HD | MSL0447HD

Stabilizer link



Notes

Thread Measurement 2
Thread Measurement 1
Length [mm]

Coupling Rod
M10x1,5
M10x1,5
130
Rear Axle Right
Rear Axle Left

Reinforced Version

References

5170.F5

5170.F6

Application info

Jumper III (04/06--)

Jumper III (04/06--)

37-16 060 0056 | MSL0865

Stabilizer link



Notes

Thread Measurement 2
Thread Measurement 1
Length [mm]

Coupling Rod
M10x1,5
M10x1,5
130
Rear Axle Right
Rear Axle Left

References

5170.F5

5170.F6

Application info

Jumper III (04/06--)

Jumper III (04/06--)

11-16 060 0016/HD | MSL0094HD

Stabilizer link



Notes

Thread Measurement 2
Thread Measurement 1
Length [mm]

with spanner attachment
Coupling Rod
M10x1,5
M10x1,5
141
Rear Axle Right
Rear Axle Left

Reinforced Version

References

5178.46
5178.52

98 071 300 80

Application info

C5 III (RD_, TD_) (02/08--)

C6 (09/05--)



Stabilizer link

11-16 060 0033 | MSL0743

Notes

Thread Measurement 2
Thread Measurement 1
Length [mm]

with spanner attachment
Coupling Rod
M10x1,5
M10x1,5
141
Rear Axle Right
Rear Axle Left

References

5178.46
5178.52

98 071 300 80



Application info

C5 III (RD_, TD_) [02/08--]

C6 [09/05--]

Stabilizer link

29-16 060 0004 | MSL0226

Notes

Thread Measurement 2
Thread Measurement 1
Length [mm]

Coupling Rod
M10x1,25
M10x1,25
80

References

5178.48

Counterpart

29-16 060 0003 | MSL0225



Application info

C4 Aircross [04/12--]
C-Crosser [02/07--]

C-Crosser [02/07--]

Stabilizer link

29-16 060 0003 | MSL0225

Notes

Thread Measurement 2
Thread Measurement 1
Length [mm]

Coupling Rod
M10x1,25
M10x1,25
80

References

5178.49

Counterpart

29-16 060 0004 | MSL0226



Application info

C4 Aircross [04/12--]
C-Crosser [02/07--]

C-Crosser [02/07--]

11-16 060 5707 | MSL0104

Stabilizer link



Notes

Thread Measurement 2
Thread Measurement 1
Length [mm]

Coupling Rod
M10x1,5
M10x1,5
360
Front Axle Right
Front Axle Left

References

96 103 814

Application info

C15 / Visa [09/78-12/05]

40-16 060 0003/HD | MSL0472HD

Stabilizer link



Notes

Thread Measurement 2
Thread Measurement 1
Length [mm]

with spanner attachment
Coupling Rod
M10x1,5
M10x1,5
322
Front Axle Right
Front Axle Left

Reinforced Version

References

96 145 457

Application info

Xantia [03/93-04/03]

11-16 060 5041/HD | MSL0102HD

Stabilizer link



Notes

Thread Measurement 2
Thread Measurement 1
Length [mm]

with spanner attachment
Coupling Rod
M12x1,5
M12x1,5
322
Front Axle Right
Front Axle Left

Reinforced Version

References

5087.40

96 177 836

Application info

Saxo [02/96-04/04]

Xantia [03/93-04/03]

Stabilizer link
11-16 060 0024/HD | MSL0700HD
Notes

 Thread Measurement 2
 Thread Measurement 1
 Length [mm]

 with spanner attachment
 Coupling Rod
 M10X1,5
 M10x1,5
 334
 Front Axle Right
 Front Axle Left

Reinforced Version

References

98 069 071 80 98 090 457 80


Application info

C4 Grand Picasso II [09/13--]

C4 II / DS4 [11/09--]

Axle support bushing
11-14 710 0025 | MAB0182
Notes

 Inner diameter [mm]
 Outer diameter [mm]
 Height [mm]

 12
 47
 30
 Rear Axle Right
 Rear Axle Left

References

5131.47


Application info

Berlingo I [07/96-12/07]

Berlingo I [07/96--]

Axle support bushing
11-14 710 0013 | MAB0080
Notes

 Inner diameter [mm]
 Outer diameter [mm]
 Height [mm]

 12
 33
 47
 Rear Axle Right
 Rear Axle Left

References

5131.63 5131 65


Application info

AX [07/86-12/98]

Saxo [02/96-04/04]

7

11-14 051 0001 | MAB0072

Axle support bushing



Notes

Rubber-metal Bearing
Rear
Rear Axle left and right

References

5131.71

Application info

Xsara [04/97-08/05]

ZX [03/91-02/98]

11-14 710 0021 | MAB0153

Axle support bushing



Notes

| | |
|---------------------|-----------------|
| Inner diameter [mm] | 12 |
| Outer diameter [mm] | 53 |
| Height [mm] | 57 |
| | Rear Axle Right |
| | Rear Axle Left |

References

5131.98

Application info

Berlingo I [07/96-12/07]

Xsara Picasso [12/99-09/06]

11-14 710 0017 | MAB0156

Axle support bushing



Notes

| | |
|---------------------|-----------------|
| Inner diameter [mm] | 12.5 |
| Outer diameter [mm] | 72 |
| Height [mm] | 83 |
| | Rear Axle Right |
| | Rear Axle Left |

References

5131.A4

5131 A5

Application info

C4 I / Coupe / Grand Picasso / Picasso / Stufenheck [11/04-12/07]

Axle support bushing
11-14 710 0015 | MAB0081
Notes

| | |
|---------------------|-----------------|
| Inner diameter [mm] | 12 |
| Outer diameter [mm] | 61 |
| Height [mm] | 68 |
| | inner |
| | Rear Axle Right |
| | Rear Axle Left |

References

| | |
|---------|---------|
| 5131.C1 | 5131.C6 |
| 5131.C2 | |


Application info

C2 / C3 I / Pluriel (02/02-09/05)

C2 / C3 I / Pluriel (02/02--)

Axle support bushing
11-14 710 0024 | MAB0181
Notes

| | |
|---------------------|-----------------|
| Inner diameter [mm] | 12 |
| Outer diameter [mm] | 72 |
| Height [mm] | 82.5 |
| | Rear Axle Right |
| | Rear Axle Left |

References

5131.G4


Application info

C4 I / Coupe / Grand Picasso / Picasso / Stufenheck (11/04-12/07)

C4 II / DS4 (11/09--)

Axle support bushing
11-14 710 0018 | MAB0157
Notes

| | |
|---------------------|-----------------|
| Inner diameter [mm] | 12 |
| Outer diameter [mm] | 72 |
| Height [mm] | 83 |
| | Front |
| | Rear Axle Right |
| | Rear Axle Left |

References

5131.H4


Application info

 C Elyse (11/12--)
 C2 / C3 I / Pluriel (02/02-09/05)
 C3 II (11/09--)

 C3 Picasso (02/09--)
 C4 Cactus (09/14--)
 DS3 (11/09--)

11-14 710 0007 | MAB0076

Axle support bushing



Notes

| | |
|---------------------|-----------------|
| Inner diameter [mm] | 12 |
| Outer diameter [mm] | 47 |
| Height [mm] | 60 |
| | Rear Axle Right |
| | Rear Axle Left |

References

5152.61

Application info

Evasion [06/94-07/02]
Jumpy I [10/95-12/06]

Jumpy I [06/94--]

11-14 710 0001 | MCX0186

Bushing, leaf spring



Notes

| | |
|---------------------|-----------------|
| Inner diameter [mm] | 16 |
| Outer diameter [mm] | 40 |
| Height [mm] | 47 |
| | Rear Axle Right |
| | Rear Axle Left |

References

5131.72

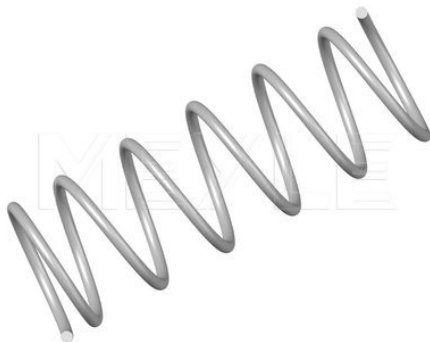
Application info

Jumper I [02/94-04/02]
Jumper II [02/02-06/06]

Jumper I [02/94-04/02]
Jumper II [02/02--]

40-14 639 0001 | MCS0321

Coil spring



Notes

| | |
|-----------------------|------------|
| Required quantity | 2 |
| | Front Axle |
| Replace in pairs only | |

References

5002.35

Application info

Berlingo I [07/96-12/07]

Coil spring

40-14 639 0012 | MCS0332

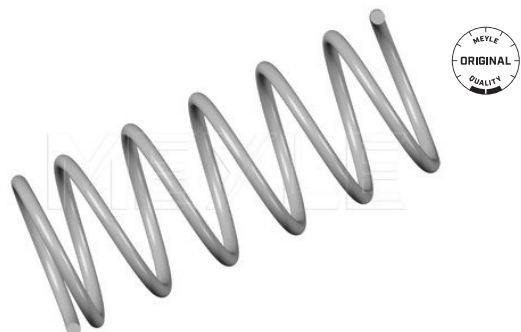
Notes

Required quantity 2
Front Axle

Replace in pairs only

References

5002.73 5002.RX
5002.QH



Application info

Xsara [04/97-08/05]

Coil spring

40-14 639 0017 | MCS0337

Notes

Required quantity 2
Front Axle

Replace in pairs only

References

5002.74



Application info

Berlingo I [07/96-12/07]

Coil spring

40-14 639 0009 | MCS0329

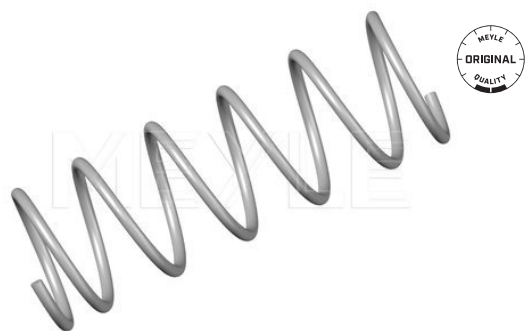
Notes

Required quantity 2
Front Axle

Replace in pairs only

References

5002.79



Application info

Berlingo I [07/96-12/07]

40-14 639 0002 | MCS0322

Coil spring



Notes

Required quantity 2
Front Axle

Replace in pairs only

References

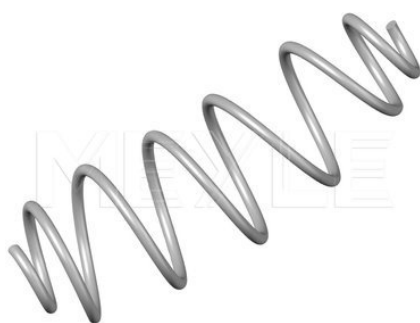
5002.CE

Application info

C2 / C3 I / Pluriel (02/02-09/05)

40-14 639 0014 | MCS0334

Coil spring



Notes

Required quantity 2
Front Axle

Replace in pairs only

References

5002.CH 5002.LN

Application info

C2 / C3 I / Pluriel (02/02-09/05)

40-14 639 0006 | MCS0326

Coil spring



Notes

Required quantity 2
for vehicles without sunroof
Front Axle

Replace in pairs only

References

5002.CJ 5002.LJ

Application info

C2 / C3 I / Pluriel (02/02-09/05)

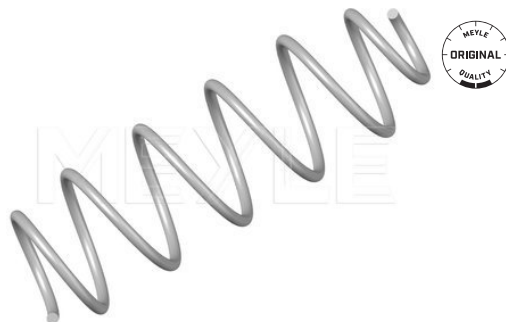
7

Coil spring
40-14 639 0013 | MCS0333
Notes

 Required quantity 2
 Front Axle

Replace in pairs only

References

 5002.CR 5002.LQ

Application info

C2 / C3 I / Pluriel [02/02-09/05]

Coil spring
40-14 639 0021 | MCS0341
Notes

 Required quantity 2
 Front Axle

Replace in pairs only

References

 5002.CY 5002.RT

Application info

 Berlingo I [07/96-12/07]
 Xsara [04/97-08/05]

Berlingo I [07/96--]

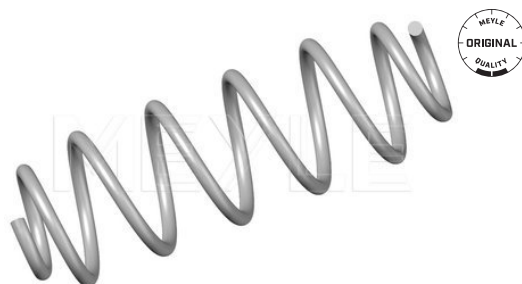
Coil spring
40-14 739 0000 | MCS0343
Notes

 Required quantity 2
 Rear Axle

Replace in pairs only

References

5002.F4


Application info

C4 I / Coupe / Grand Picasso / Picasso / Stufenheck [11/04-12/07]

40-14 639 0000 | MCS0320

Coil spring



Notes

Required quantity 2
Front Axle

Replace in pairs only

References

5002.FV

Application info

C4 I / Coupe / Grand Picasso / Picasso / Stufenheck [11/04-12/07]

40-14 639 0022 | MCS0342

Coil spring



Notes

Required quantity 2
Front Axle

Replace in pairs only

References

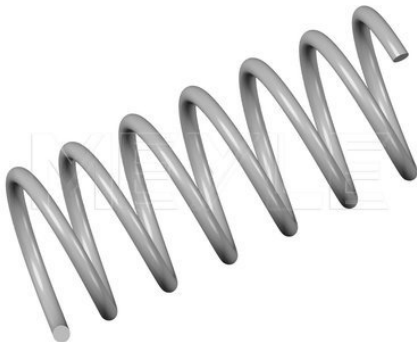
5002.GQ

Application info

C4 I / Coupe / Grand Picasso / Picasso / Stufenheck [11/04-12/07]

40-14 639 0018 | MCS0338

Coil spring



Notes

Required quantity Coil Spring
2
Front Axle

Replace in pairs only

References

5002.J6

Application info

Jumper I [02/94-04/02]

Jumper I [02/94-04/02]



Coil spring

40-14 639 0011 | MCS0331

Notes

Required quantity 2
Front Axle
Replace in pairs only



References

5002.K1

Application info

Saxo [02/96-04/04]

Coil spring

40-14 639 0008 | MCS0328

Notes

Required quantity 2
Front Axle
Replace in pairs only



References

5002.L6

Application info

Saxo [02/96-04/04]

Coil spring

40-14 639 0007 | MCS0327

Notes

Required quantity 2
Front Axle
Replace in pairs only



References

5002.LY

Application info

C2 / C3 I / Pluriel [02/02-09/05]

40-14 639 0015 | MCS0335

Coil spring



Notes

Required quantity 2
Front Axle

Replace in pairs only

References

5002.NK 5002.NN
5002.NL

Application info

Jumper III (04/06--)

Jumper III (04/06--)

40-14 639 0003 | MCS0323

Coil spring



Notes

Required quantity 2
Front Axle

Replace in pairs only

References

5002.P6 5002.Q0
5002.PV 5002.QK

Application info

Xsara Picasso (12/99-09/06)

40-14 639 0005 | MCS0325

Coil spring



Notes

Required quantity 2
Front Axle

Replace in pairs only

References

5002.QL 5002.X8

Application info

Xsara Picasso (12/99-09/06)



Coil spring

40-14 639 0020 | MCS0340

Notes

Required quantity 2
Front Axle
Replace in pairs only



References

5002.RV

Application info

Berlingo I [07/96-12/07]

Berlingo I [07/96--]

Coil spring

40-14 639 0019 | MCS0339

Notes

Required quantity 2
Front Axle
Replace in pairs only



References

5002.RW

5002.S5

Application info

Berlingo I [07/96-12/07]

Berlingo I [07/96--]

Coil spring

40-14 639 0004 | MCS0324

Notes

Required quantity 2
Front Axle
Replace in pairs only



References

5002.S6

Application info

Xsara [04/97-08/05]

40-14 639 0016 | MCS0336

Coil spring



Notes

Required quantity 2
for vehicles with air conditioning
Front Axle

Replace in pairs only

References

5002.RZ 5002.SA

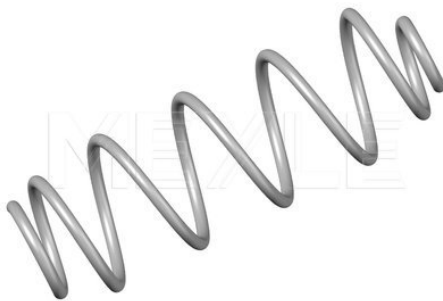
Application info

Berlingo I [07/96-12/07]

Berlingo I [07/96--]

40-14 739 0001 | MCS0344

Coil spring



Notes

Required quantity 2
Rear Axle

Replace in pairs only

References

5102.G4

Application info

C2 / C3 I / Pluriel [02/02-09/05]

40-14 739 0002 | MCS0345

Coil spring



Notes

Required quantity 2
Rear Axle

Replace in pairs only

References

5102.J7

Application info

C2 / C3 I / Pluriel [02/02-09/05]

7



Coil spring

40-14 639 0010 | MCS0330

Notes

Required quantity 2
Front Axle
Replace in pairs only

References

96101044



Application info

ZX [03/91-02/98]

Dust cover kit, shock absorber

11-14 640 0000 | MSC0033

Notes

Kit
Front Axle



Application info

Berlingo II [04/08--]
C4 I / Coupe / Grand Picasso / Picasso / Stufenheck [11/04-12/07]

C4 II / DS4 [11/09--]
Berlingo II [04/08--]

Dust cover kit, shock absorber

11-14 640 0001 | MSC0034

Notes

Kit
Front Axle



Application info

Berlingo I [07/96-12/07]
C15 / Visa [09/78-12/05]
ZX [03/91-02/98]

Berlingo I [07/96--]
C15 / Visa [09/78-12/05]

7

214 640 0010 | MSC0119

Dust cover kit, shock absorber



Notes

Kit
Front Axle

Application info

Jumper III [04/06--]

Jumper III [04/06--]

30-14 640 0004 | MSC0125

Dust cover kit, shock absorber



Notes

Kit
Front Axle

Application info

C1 [06/05--]

32-14 640 0002 | MSC0140

Dust cover kit, shock absorber



Notes

Kit
Front Axle

Application info

C-Crosser [02/07--]

C-Crosser [02/07--]

7



Dust cover kit, shock absorber

40-14 640 0000 | MSC0082

Notes

Kit
Front Axle



Application info

C2 / C3 I / Pluriel [02/02-09/05]

Dust cover kit, shock absorber

40-14 640 0001 | MSC0083

Notes

Kit
Front Axle



Application info

AX [07/86-12/98]

Saxo [02/96-04/04]

Dust cover kit, shock absorber

40-14 640 0002 | MSC0084

Notes

Kit
Front Axle



Application info

C25 [09/81-03/94]
Jumper I [02/94-04/02]
Jumper II [02/02-06/06]

C25 [07/81-03/94]
Jumper I [02/94-04/02]
Jumper II [02/02--]

40-14 640 0003 | MSC0085

Dust cover kit, shock absorber



Notes

Kit

Application info

Xsara [04/97-08/05]

Xsara Picasso [12/99-09/06]

40-14 640 0004 | MSC0115

Dust cover kit, shock absorber



Notes

Kit
Front Axle

Application info

Jumper I [02/94-04/02]

Jumper I [02/94-04/02]

40-14 640 0005 | MSC0133

Dust cover kit, shock absorber



Notes

Kit
Front Axle

Application info

C3 II [11/09--]
C3 Picasso [02/09--]

DS3 [11/09--]

7

Dust cover/boot, strut
614 643 0000 | MCX0322
Notes

| | |
|-------------------|------------|
| Diameter [mm] | 80 |
| Diameter [mm] | 66 |
| Height [mm] | 205 |
| Required quantity | 2 |
| | Front Axle |

References

5254.47


Application info

Nemo [02/08--]

Nemo [02/08--]

Repair kit, strut mount
40-14 641 0002 | MCX0301
Notes

 with ball bearing
 Front Axle

References

5031.80

Parts list

| | |
|--------------------------|-------------|
| 40-14 641 0000 MSM0144 | Strut mount |
|--------------------------|-------------|


Application info

C2 / C3 I / Pluriel [02/02-09/05]

Repair kit, strut mount
40-14 641 0009 | MCX0470
Notes

 with ball bearing
 Front Axle

References

| | |
|---------|---------|
| 5031.96 | 5038.F5 |
| 5035.27 | |


Application info

C2 / C3 I / Pluriel [02/02-09/05]

40-14 641 0010 | MCX0562

Repair kit, strut mount



Notes

with anti-friction bearing

References

5038.16
5038.68

5068.69

Parts list

40-14 641 0004 | MSM0145
11-14 641 0018 | MMB0010

Strut mount
Strut mount bearing

Counterpart

40-14 641 0011 | MCX0563

Application info

C8 [07/02--]
Evasion [06/94-07/02]

Jumpy I [10/95-12/06]
Jumpy I [06/94--]

40-14 641 0011 | MCX0563

Repair kit, strut mount



Notes

with anti-friction bearing

References

5038.17
5038.70

5038.71

Parts list

40-14 641 0005 | MSM0146
11-14 641 0018 | MMB0010

Strut mount
Strut mount bearing

Counterpart

40-14 641 0010 | MCX0562

Application info

C8 [07/02--]
Evasion [06/94-07/02]

Jumpy I [10/95-12/06]
Jumpy I [06/94--]

11-14 641 1001/S | MCX0569

Repair kit, strut mount



Notes

with ball bearing

References

5038.41

5038.72

Parts list

11-14 641 1001 | MSM0251
11-14 641 0004 | MMB0008

Strut mount
Strut mount bearing

Counterpart

11-14 641 1002/S | MCX0570



Repair kit, strut mount

11-14 641 1001/S | MCX0569

Application info

Jumper I [02/94-04/02]
Jumper II [02/02-06/06]

Jumper I [02/94-04/02]
Jumper II [02/02--]

Repair kit, strut mount

11-14 641 1002/S | MCX0570

Notes

with ball bearing



References

5038.42 5038.74

Parts list

11-14 641 1002 | MSM0258 Strut mount
11-14 641 0004 | MMB0008 Strut mount bearing

Counterpart

11-14 641 1001/S | MCX0569

Application info

Jumper I [02/94-04/02]
Jumper II [02/02-06/06]

Jumper I [02/94-04/02]
Jumper II [02/02--]

Repair kit, strut mount

11-14 641 0031 | MCX0571

Notes

with anti-friction bearing
Front Axle Right



References

5038.89 5038.C9
5038.A3 5038.E2

Parts list

11-14 641 0014 | MSM0085 Strut mount
11-14 641 0004 | MMB0008 Strut mount bearing

Counterpart

11-14 641 0030 | MCX0568

Application info

Jumper II [02/02-06/06]
Jumper III [04/06--]

Jumper II [02/02--]
Jumper III [04/06--]

7

11-14 641 0030 | MCX0568

Repair kit, strut mount



Notes

with anti-friction bearing
Front Axle Left

References

| | |
|---------|---------|
| 5031.78 | 5038.E3 |
| 5038.87 | 5038.F3 |
| 5038.A4 | |

Parts list

| | |
|--------------------------|---------------------|
| 11-14 641 0013 MSM0084 | Strut mount |
| 11-14 641 0004 MMB0008 | Strut mount bearing |

Counterpart

11-14 641 0031 | MCX0571

Application info

Jumper II (02/02-06/06)
Jumper III (04/06--)

Jumper II (02/02--)
Jumper III (04/06--)

11-14 641 0025 |

Repair kit, strut mount



Notes

with anti-friction bearing
Front Axle

References

| | |
|---------|------------|
| 5038.G6 | 9670830780 |
| 5038.H4 | 9683738980 |

Parts list

| | |
|--------------------------|---------------------|
| 11-14 641 0022 MSM0217 | Strut mount |
| 214 770 0001 MMB0014 | Strut mount bearing |

Application info

C Elyse (11/12--)
C3 II (11/09--)

C3 Picasso (02/09--)
DS3 (11/09--)

40-14 642 0003 | MRS0154

Rubber stop, suspension



Notes

| | |
|-------------------|------------|
| Height [mm] | 116 |
| Required quantity | 2 |
| | Front Axle |

References

5033.66

Rubber stop, suspension

40-14 642 0003 | MRS0154

Application info

C5 I / C5 II (03/01-04/07)

Rubber stop, suspension

11-14 642 0004 | MRS0090

Notes

Height [mm] 96
Required quantity 2
Front Axle

References

5033.70



Application info

C4 I / Coupe / Grand Picasso / Picasso / Stufenheck (11/04-12/07)

Rubber stop, suspension

40-14 642 0001 | MRS0152

Notes

Height [mm] 94
Required quantity 2
Front Axle

References

5033.72



Application info

C2 / C3 I / Pluriel (02/02-09/05)

Rubber stop, suspension

40-14 742 0002 | MRS0156

Notes

Height [mm] 130
Required quantity 2
Rear Axle

References

5166.51



40-14 742 0002 | MRS0156

Rubber stop, suspension

Application info

Jumper I [02/94-04/02]

Jumper I [02/94-04/02]

11-14 742 0000 | MRS0094

Rubber stop, suspension



Notes

| | |
|-------------------|----------------|
| Height [mm] | 83 |
| Required quantity | 2 Rear Axle |

References

5166.63

Application info

Xsara Picasso [12/99-09/06]

40-14 742 0001 | MRS0155

Rubber stop, suspension



Notes

| | |
|-------------------|----------------|
| Height [mm] | 64 |
| Required quantity | 2 Rear Axle |

References

5166.66

Application info

C5 I / C5 II [03/01-04/07]

40-14 742 0003 | MRS0157

Rubber stop, suspension



Notes

| | |
|-------------------|----------------|
| Height [mm] | 78 |
| Required quantity | 2 Rear Axle |

References

| | |
|---------|---------|
| 5166.67 | 5166.94 |
|---------|---------|

7

Rubber stop, suspension

40-14 742 0003 | MRS0157

Application info

C2 / C3 I / Pluriel (02/02-09/05)

Rubber stop, suspension

11-14 742 0002 | MRS0096

Notes

Height [mm] 94
 Required quantity 2
 Rear Axle

References

5166.73



Application info

Berlingo I (07/96-12/07)

Berlingo I (07/96--)

Rubber stop, suspension

11-14 742 0001 | MRS0095

Notes

Height [mm] 85
 Required quantity 2
 Rear Axle

References

5166.68 5166.95



Application info

C2 / C3 I / Pluriel (02/02-09/05)

Shock absorber

40-26 623 0002 | MSA0411

Notes

Suspension Strut
 Gas Pressure
 Twin-Tube
 Front Axle Left

References

5202.GW 5202.TA
 5202.GY

Counterpart

40-26 623 0003 | MSA0412



40-26 623 0002 | MSA0411

Shock absorber

Application info

C2 / C3 I / Pluriel [02/02-09/05]

40-26 623 0003 | MSA0412

Shock absorber



Notes

Suspension Strut
Gas Pressure
Twin-Tube
Front Axle Right

References

5202.GX
5202.GZ
5202.KL

5202.KP
5202.SX
5202.TC

Counterpart

40-26 623 0002 | MSA0411

Application info

C2 / C3 I / Pluriel [02/02-09/05]

40-26 623 0001 | MSA0410

Shock absorber



Notes

Suspension Strut
Gas Pressure
Twin-Tube
Front Axle

References

5202.J3

Application info

Jumper I [02/94-04/02]
Jumper II [02/02-06/06]

Jumper I [02/94-04/02]
Jumper II [02/02--]

Shock absorber
40-26 623 0000 | MSA0409
Notes

 Suspension Strut
 Gas Pressure
 Twin-Tube
 Front Axle

References

5202.J5


Application info

 Jumper I [02/94-04/02]
 Jumper II [02/02-06/06]

 Jumper I [02/94-04/02]
 Jumper II [02/02--]

Shock absorber
11-26 624 0001 | MSA0062
Notes

 Suspension Strut Insert
 Gas Pressure
 Twin-Tube
 Front Axle

References

5202.L6


Application info

AX [07/86-12/98]

Saxo [02/96-04/04]

Shock absorber
11-26 623 0008 | MSA0058
Notes

 Suspension Strut
 Gas Pressure
 Twin-Tube
 Front Axle Left

References

5202.P9

Counterpart

11-26 623 0009 | MSA0059


Application info

 Berlingo I [07/96-12/07]
 Xsara [04/97-08/05]

 ZX [03/91-02/98]
 Berlingo I [07/96--]

40-26 623 0012 | MSA0418

Shock absorber



Notes

Suspension Strut
Gas Pressure
Twin-Tube
Front Axle

References

1400519880
5202.H4

5202.PV
5202.VQ

Application info

Evasion [06/94-07/02]

11-26 623 0009 | MSA0059

Shock absorber



Notes

Suspension Strut
Gas Pressure
Twin-Tube
Front Axle Right

References

5202.Q3

Counterpart

11-26 623 0008 | MSA0058

Application info

Berlingo I [07/96-12/07]
Xsara [04/97-08/05]

ZX [03/91-02/98]
Berlingo I [07/96--]

11-26 623 0011 | MSA0061

Shock absorber



Notes

Suspension Strut
Gas Pressure
Twin-Tube
Front Axle Right

References

5202.EV
5202.Q5

5202.RL

Counterpart

11-26 623 0010 | MSA0060

Application info

Berlingo I [07/96-12/07]
Xsara [04/97-08/05]

ZX [03/91-02/98]
Berlingo I [07/96--]



Shock absorber

11-26 623 0010 | MSA0060

Notes

Suspension Strut
Gas Pressure
Twin-Tube
Front Axle Left

References

5202.ET
5202.Q1

5202.R9
5202.RN

Counterpart

11-26 623 0011 | MSA0061



Application info

Berlingo I [07/96-12/07]
Xsara [04/97-08/05]

ZX [03/91-02/98]
Berlingo I [07/96--]

Shock absorber

40-26 623 0010 | MSA0416

Notes

Suspension Strut
Gas Pressure
Twin-Tube
Front Axle Left

References

5202.SA

5202.SE

Counterpart

40-26 623 0011 | MSA0417



Application info

C1 [06/05--]

Shock absorber

40-26 623 0011 | MSA0417

Notes

Suspension Strut
Gas Pressure
Twin-Tube
Front Axle Right

References

5202.SC

5202.SF

Counterpart

40-26 623 0010 | MSA0416



Application info

C1 [06/05--]

11-26 623 0000 | MSA0053

Shock absorber



Notes

Suspension Strut
Gas Pressure
Twin-Tube
Front Axle

References

5202.K7
5202.K8
5202.N8

5202.S9
5202.TQ

Application info

Jumpy I [10/95-12/06]

Jumpy I [06/94--]

11-26 623 0002 | MSA0054

Shock absorber



Notes

Suspension Strut
Gas Pressure
Twin-Tube
Front Axle Left

References

5202.LQ
5202.QG
5202.QJ

5202.SJ
5202.WJ
5202.WL

Counterpart

11-26 623 0003 | MSA0055

Application info

C4 I / Coupe / Grand Picasso / Picasso / Stufenheck [11/04-12/07]

11-26 623 0003 | MSA0055

Shock absorber



Notes

Suspension Strut
Gas Pressure
Twin-Tube
Front Axle Right

References

5202.QH
5202.QK
5202.SK

5202.WK
5202.WN

Counterpart

11-26 623 0002 | MSA0054

7

+



Shock absorber

11-26 623 0003 | MSA0055

Application info

C4 I / Coupe / Grand Picasso / Picasso / Stufenheck (11/04-12/07)

Shock absorber

40-26 623 0019 | MSA0608

Notes

Suspension Strut
Gas Pressure
Twin-Tube
Front Axle Left

References

| | |
|---------|---------|
| 5202.WP | 5202.WW |
| 5202.WR | 5208.Q2 |
| 5202.WT | 5208.Q4 |

Counterpart

40-26 623 0020 | MSA0609



Application info

Jumpy II (01/07--)

Jumpy II (01/07--)

Shock absorber

40-26 623 0020 | MSA0609

Notes

Suspension Strut
Gas Pressure
Twin-Tube
Front Axle Right

References

| | |
|---------|---------|
| 5202.WQ | 5202.WX |
| 5202.WS | 5208.Q3 |
| 5202.WV | 5208.Q5 |

Counterpart

40-26 623 0019 | MSA0608



Application info

Jumpy II (01/07--)

Jumpy II (01/07--)

7

11-26 623 0013 | MSA0594

Shock absorber



Notes

Housing Diameter [mm]

Suspension Strut
Gas Pressure
Twin-Tube
51
Front Axle Right

References

5202.WC
5202.WF
5202.WH
5202.XK

5202.YT
5202.YW
5202.YY

Counterpart

11-26 623 0012 | MSA0593

Application info

C3 Picasso (02/09--)

11-26 623 0012 | MSA0593

Shock absorber



Notes

Housing Diameter [mm]

Suspension Strut
Gas Pressure
Twin-Tube
51
Front Axle Left

References

5202.VG
5202.VK
5202.WE
5202.WG

5202.XJ
5202.YV
5202.YZ

Counterpart

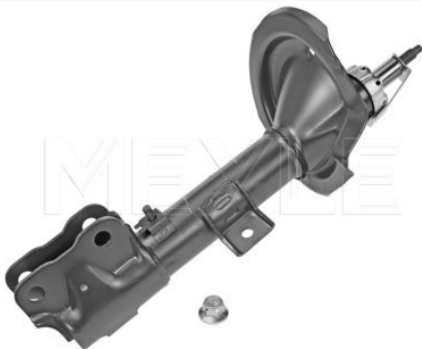
11-26 623 0013 | MSA0594

Application info

C3 Picasso (02/09--)

32-26 623 0003 | MSA0278

Shock absorber



Notes

Suspension Strut
Gas Pressure
Twin-Tube
Front Axle Left

References

5202.ZP

Counterpart

32-26 623 0004 | MSA0279



Shock absorber

32-26 623 0003 | MSA0278

Application info

C-Crosser [02/07--]

C-Crosser [02/07--]

Shock absorber

32-26 623 0004 | MSA0279

Notes

Suspension Strut
Gas Pressure
Twin-Tube
Front Axle Right

References

5202.ZR

Counterpart

32-26 623 0003 | MSA0278



Application info

C-Crosser [02/07--]

C-Crosser [02/07--]

Shock absorber

40-26 623 0017 | MSA0652

Notes

Suspension Strut
Gas Pressure
Twin-Tube
Front Axle Left

References

5202.XT
5202.XW

5202.ZS
5202.ZV

Counterpart

40-26 623 0018 | MSA0653



Application info

C3 II [11/09--]
C4 I / Coupe / Grand Picasso / Picasso / Stufenheck [11/04-12/07]

DS3 [11/09--]

7

40-26 623 0018 | MSA0653

Shock absorber



Notes

Suspension Strut
Gas Pressure
Twin-Tube
Front Axle Right

References

5202.XV
5202.XX

5202.ZT
5202.ZW

Counterpart

40-26 623 0017 | MSA0652

Application info

C4 I / Coupe / Grand Picasso / Picasso / Stufenheck [11/04-12/07]

11-26 715 0006 | MSA0064

Shock absorber



Notes

Bottom eye
Top eye
Oil Pressure
Twin-Tube
Rear Axle

References

5206.69

5206.S6

Application info

Xsara Picasso [12/99-09/06]

11-26 725 0011 | MSA0071

Shock absorber



Notes

Bottom eye
Top eye
Gas Pressure
Twin-Tube
Rear Axle

References

5206.97

Application info

Xsara [04/97-08/05]

ZX [03/91-02/98]

7

Shock absorber
40-26 725 0004 | MSA0427
Notes

 Bottom eye
 Top eye
 Gas Pressure
 Twin-Tube
 Rear Axle

References

| | |
|---------------|---------|
| 14 909 010 80 | 5206.PV |
| 5206.AE | 5206.Z3 |
| 5206.AR | |


Application info

C8 (07/02--)

Shock absorber
40-26 725 0005 | MSA0428
Notes

 Bottom eye
 Top eye
 Gas Pressure
 Twin-Tube
 Rear Axle

References

| | |
|---------|---------|
| 5206.E7 | 5206.E8 |
|---------|---------|


Application info

Evasion (06/94-07/02)

Shock absorber
40-26 725 0008 | MSA0431
Notes

 Bottom eye
 Top pin
 Gas Pressure
 Twin-Tube
 Rear Axle

References

5206.EE


Application info

C1 (06/05--)

40-26 725 0003 | MSA0426

Shock absorber



Notes

Top pin
Bottom eye
Gas Pressure
Twin-Tube
Rear Axle

References

5206.CH
5206.CS

5206.EK

Application info

C4 I / Coupe / Grand Picasso / Picasso / Stufenheck [11/04-12/07]

11-26 725 0007 | MSA0068

Shock absorber



Notes

Bottom eye
Top eye
Gas Pressure
Twin-Tube
Rear Axle

References

5206.F8

5206.G3

Application info

AX [07/86-12/98]

Saxo [02/96-04/04]

11-26 725 0012 | MSA0072

Shock absorber



Notes

Bottom eye
Top eye
Gas Pressure
Twin-Tube
Rear Axle

References

5206.H1

5206.H2

Application info

Berlingo I [07/96-12/07]

Berlingo I [07/96--]



Shock absorber

40-26 725 0000 | MSA0423

Notes

Bottom eye
Top eye
Gas Pressure
Twin-Tube
Rear Axle

References

5206.J2



Application info

Jumper I [02/94-04/02]
Jumper II [02/02-06/06]

Jumper I [02/94-04/02]
Jumper II [02/02--]

Shock absorber

32-26 725 0003 | MSA0284

Notes

Bottom eye
Top pin
Gas Pressure
Twin-Tube
Rear Axle

References

5206.LC



Application info

C-Crosser [02/07--]

C-Crosser [02/07--]

Shock absorber

11-26 725 0009 | MSA0069

Notes

Bottom eye
Top eye
Gas Pressure
Twin-Tube
Rear Axle

References

5206.NV



Application info

C3 Picasso [02/09--]

40-26 725 0007 | MSA0430

Shock absorber



Notes

Bottom eye
Top eye
Gas Pressure
Twin-Tube
Rear Axle

References

5206.PR

Application info

Nemo [02/08--]

Nemo [02/08--]

40-26 725 0001 | MSA0424

Shock absorber



Notes

Bottom eye
Top eye
Gas Pressure
Twin-Tube
Rear Axle

References

5206.C5
5206.Q0

5206.Q1

Application info

Jumper I [02/94-04/02]
Jumper II [02/02-06/06]

Jumper I [02/94-04/02]
Jumper II [02/02--]

40-26 725 0006 | MSA0429

Shock absorber



Notes

Bottom eye
Top eye
Gas Pressure
Twin-Tube
Rear Axle

References

5206.P1

5206.R4

Application info

Evasion [06/94-07/02]



Shock absorber

40-26 725 0010 | MSA0696

Notes

Bottom eye
Top eye
Gas Pressure
Twin-Tube
Rear Axle

References

| | |
|---------|---------|
| 5206.HR | 5206.PX |
| 5206.HT | 5206.QY |
| 5206.HZ | 5206.QZ |
| 5206.NC | 5206.RC |
| 5206.PW | 5206.RE |



Application info

C4 I / Coupe / Grand Picasso / Picasso / Stufenheck [11/04-12/07]

DS5 [11/11--]

Shock absorber

11-26 715 0000 | MSA0063

Notes

Bottom eye
Top eye
Oil Pressure
Twin-Tube
Rear Axle

References

| | |
|---------|---------|
| 5206.N9 | 5206.TH |
| 5206.R2 | |



Application info

Jumpy I [10/95-12/06]

Jumpy I [06/94--]

226 725 0013 | MSA0698

Shock absorber



Notes

Length 2 [mm]
Length 1 [mm]

Bottom eye
Top eye
Gas Pressure
Twin-Tube
444
293
Rear Axle

References

| | |
|---------|---------|
| 5206.JN | 5206.PE |
| 5206.KK | 5206.PF |
| 5206.KN | 5206.PG |
| 5206.KZ | 5206.TR |
| 5206.LA | 5206.TT |
| 5206.LS | 5206.TX |
| 5206.LV | 5206.TY |
| 5206.LW | 5206.VF |
| 5206.NA | 5206.VG |
| 5206.NZ | 5206.VH |
| 5206.PA | |

Application info

Jumper III [04/06--]

Jumper III [04/06--]

40-26 725 0011 | MSA0589

Shock absorber



Notes

Bottom eye
Top eye
Gas Pressure
Twin-Tube
Rear Axle

References

| | |
|---------|---------|
| 5206.FX | 5206.QW |
| 5206.FZ | 5206.VE |
| 5206.GA | 5206.VQ |
| 5206.GC | 5206.VR |

Application info

Jumpy II [01/07--]

Jumpy II [01/07--]



Shock absorber

226 725 0012 | MSA0701

Notes

Length 2 [mm]
Length 1 [mm]

Bottom eye
Top eye
Gas Pressure
Twin-Tube
476
315
Rear Axle

References

| | |
|---------|---------|
| 5206.KH | 5206.TW |
| 5206.LT | 5206.VA |
| 5206.LX | 5206.VS |
| 5206.LY | 5206.VT |
| 5206.TS | |



Application info

Jumper III (04/06--)

Jumper III (04/06--)

Shock absorber

40-26 725 0002 | MSA0425

Notes

Bottom eye
Top eye
Gas Pressure
Twin-Tube
Rear Axle

References

| | |
|---------|---------|
| 5206.AN | 5206.Z5 |
| 5206.X7 | 5206.Z7 |



Application info

C2 / C3 I / Pluriel (02/02-09/05)

Shock absorber

40-26 725 0009 | MSA0641

Notes

Bottom eye
Top eye
Gas Pressure
Twin-Tube
Rear Axle

References

| | |
|---------|---------|
| 5206.QH | 5206.QP |
| 5206.QJ | 5206.QQ |
| 5206.QK | 5206.QR |
| 5206.QL | 5206.YQ |
| 5206.QN | 5206.YR |



40-26 725 0009 | MSA0641

Shock absorber

Application info

Berlingo II (04/08--)

Berlingo II (04/08--)

40-26 725 0012 | MSA0717

Shock absorber



Notes

Bottom eye
Top eye
Gas Pressure
Twin-Tube
Rear Axle

References

5206.VV
5206.VW

5206.YX

Application info

C3 II (11/09--)

DS3 (11/09--)

40-26 725 0013 | MSA0732

Shock absorber



Notes

Bottom eye
Top eye
Gas Pressure
Twin-Tube
Rear Axle

References

5206.RL

5206.ZZ

Application info

C3 II (11/09--)

DS3 (11/09--)

40-26 623 0015 | MSA0421

Shock absorber



Notes

Suspension Strut
Gas Pressure
Twin-Tube
Front Axle Left

References

5208.81

5208.83

Counterpart

40-26 623 0016 | MSA0422

Shock absorber

40-26 623 0015 | MSA0421

Application info

Berlingo I [07/96-12/07]
Berlingo II [04/08--]

Berlingo II [04/08--]

Shock absorber

40-26 623 0016 | MSA0422

Notes

Suspension Strut
Gas Pressure
Twin-Tube
Front Axle Right

References

5208.82

5208.84

Counterpart

40-26 623 0015 | MSA0421



Application info

Berlingo I [07/96-12/07]
Berlingo II [04/08--]

Berlingo II [04/08--]

Shock absorber

40-26 623 0013 | MSA0419

Notes

Suspension Strut
Gas Pressure
Twin-Tube
Front Axle Left

References

5208.52

5208.F4

Counterpart

40-26 623 0014 | MSA0420



Application info

Nemo [02/08--]

Nemo [02/08--]

40-26 623 0022 | MSA0720

Shock absorber



Notes

Housing Diameter [mm]

Suspension Strut
Gas Pressure
Twin-Tube
47
Front Axle Left

References

5208.F6

5208.F8

Counterpart

40-26 623 0023 | MSA0721

Application info

C3 II [11/09--]

40-26 623 0023 | MSA0721

Shock absorber



Notes

Housing Diameter [mm]

Suspension Strut
Gas Pressure
Twin-Tube
47
Front Axle Right

References

5208.F7

5208.F9

Counterpart

40-26 623 0022 | MSA0720

Application info

C3 II [11/09--]

40-26 623 0024 | MSA0727

Shock absorber



Notes

Housing Diameter [mm]

Suspension Strut
Gas Pressure
Twin-Tube
51
Front Axle Left

References

5208.G0

5208.H1

Counterpart

40-26 623 0025 | MSA0728

Application info

C3 II [11/09--]

DS3 [11/09--]

Shock absorber

40-26 623 0025 | MSA0728

Notes

Suspension Strut
Gas Pressure
Twin-Tube
Housing Diameter [mm] 51
Front Axle Right

References

5208.G1 5208.H2

Counterpart

40-26 623 0024 | MSA0727



Application info

C3 II [11/09--] DS3 [11/09--]

Shock absorber

226 623 0017 | MSA0707

Notes

Suspension Strut
Gas Pressure
Twin-Tube
Housing Diameter [mm] 25
Front Axle

References

5202.ZK 5208.L4
5202.ZL 5208.L5
5208.56



Application info

Jumper III [04/06--] Jumper III [04/06--]

Shock absorber

226 623 0018 | MSA0708

Notes

Suspension Strut
Gas Pressure
Twin-Tube
Housing Diameter [mm] 28
Front Axle

References

5202.XG 5208.54
5202.XH 5208.L2
5202.ZH 5208.L3
5202.ZJ 5208.L6
5208.53



Application info

Jumper III [04/06--] Jumper III [04/06--]

40-26 623 0014 | MSA0420

Shock absorber



Notes

Suspension Strut
Gas Pressure
Twin-Tube
Front Axle Right

References

5208.51

5208.T5

Counterpart

40-26 623 0013 | MSA0419

Application info

Nemo [02/08--]

Nemo [02/08--]

11-14 641 0019 | MSM0216

Strut mount



Notes

without ball bearing
Front Axle

References

5038.15

Application info

Saxo [02/96-04/04]

40-14 641 0004 | MSM0145

Strut mount



Notes

without ball bearing

References

5038.16

5038.68

5068.69

Counterpart

40-14 641 0005 | MSM0146

Application info

C8 [07/02--]

Evasion [06/94-07/02]

Jumpy I [10/95-12/06]

Jumpy I [06/94--]



Strut mount

40-14 641 0005 | MSM0146

Notes

without ball bearing

References

5038.17
5038.70

5038.71

Counterpart

40-14 641 0004 | MSM0145



Application info

C8 [07/02--]
Evasion [06/94-07/02]

Jumpy I [10/95-12/06]
Jumpy I [06/94--]

Strut mount

11-14 641 0001/S | MSM0072

Notes

with ball bearing

References

5038.41

5038.72

Parts list

11-14 641 0004 | MMB0008

Strut mount bearing

Counterpart

11-14 641 0002/S | MSM0074



Application info

Jumper I [02/94-04/02]
Jumper II [02/02-06/06]

Jumper I [02/94-04/02]
Jumper II [02/02--]

Strut mount

11-14 050 0002 | MSM0069

Notes

without ball bearing
Front Axle

References

5038.08

5038.52



Application info

AX [07/86-12/98]

7

11-14 641 1001 | MSM0251

Strut mount



Notes

without ball bearing

References

5038.41

5038.72

Counterpart

11-14 641 1002 | MSM0258

Application info

Jumper I [02/94-04/02]
Jumper II [02/02-06/06]

Jumper I [02/94-04/02]
Jumper II [02/02--]

11-14 641 0002/S | MSM0074

Strut mount



Notes

with ball bearing

References

5038.42

5038.74

Parts list

11-14 641 0004 | MMB0008

Strut mount bearing

Counterpart

11-14 641 0001/S | MSM0072

Application info

Jumper I [02/94-04/02]
Jumper II [02/02-06/06]

Jumper I [02/94-04/02]
Jumper II [02/02--]

11-14 641 1002 | MSM0258

Strut mount



Notes

without ball bearing

References

5038.42

5038.74

Counterpart

11-14 641 1001 | MSM0251

Application info

Jumper I [02/94-04/02]
Jumper II [02/02-06/06]

Jumper I [02/94-04/02]
Jumper II [02/02--]

Strut mount

11-14 641 0005 | MSM0077

Notes

without ball bearing
Front Axle

References

5038.78



Application info

Berlingo I [07/96-12/07]
Xsara Picasso [12/99-09/06]

ZX [03/91-02/98]
Berlingo I [07/96--]

Strut mount

11-14 641 0003 | MSM0075

Notes

without ball bearing
Front Axle

References

5031.77
5038.85

9681330980



Application info

Berlingo II [04/08--]
C4 I / Coupe / Grand Picasso / Picasso / Stufenheck [11/04-12/07]

Berlingo II [04/08--]

Strut mount

11-14 641 0003/S | MSM0076

Notes

with ball bearing
Front Axle

References

5038.85

9804776380

Parts list

11-14 641 0003 | MSM0075

Strut mount



Application info

Berlingo II [04/08--]
C4 I / Coupe / Grand Picasso / Picasso / Stufenheck [11/04-12/07]

Berlingo II [04/08--]

40-14 641 0000 | MSM0144

Strut mount



Notes

without ball bearing
Front Axle

References

5038.49
5038.91

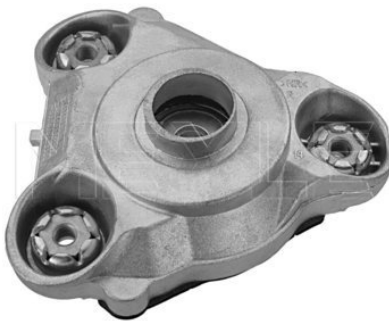
9646254781

Application info

C2 / C3 I / Pluriel [02/02-09/05]

11-14 641 0014 | MSM0085

Strut mount



Notes

without ball bearing
Right
Front Axle

References

5038.89
5038.A3

5038.C9
5038.E2

Counterpart

11-14 641 0013 | MSM0084

Application info

Jumper II [02/02-06/06]
Jumper III [04/06--]

Jumper II [02/02--]
Jumper III [04/06--]

11-14 641 0013 | MSM0084

Strut mount



Notes

without ball bearing
Left
Front Axle

References

5031.78
5038.87
5038.A4

5038.E3
5038.F3

Counterpart

11-14 641 0014 | MSM0085

Application info

Jumper II [02/02-06/06]
Jumper III [04/06--]

Jumper II [02/02--]
Jumper III [04/06--]

Strut mount

11-14 641 0017 | MSM0086

Notes

without ball bearing
Front Axle

References

5038.E6



Application info

C5 III (RD_, TD_) (02/08--)

Strut mount

11-14 641 0015 | MSM0198

Notes

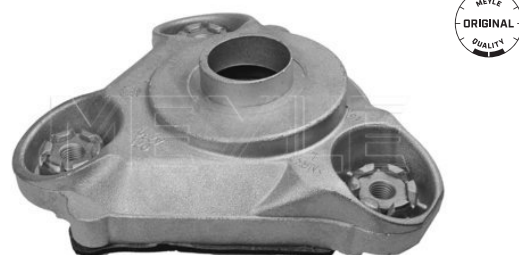
without ball bearing
Front Axle Left

References

5038.F3

Counterpart

11-14 641 0016 | MSM0199



Application info

Jumper II (02/02-06/06)
Jumper III (04/06--)

Jumper II (02/02--)
Jumper III (04/06--)

Strut mount

11-14 641 0016 | MSM0199

Notes

without ball bearing
Front Axle Right

References

5038.F4

Counterpart

11-14 641 0015 | MSM0198



Application info

Jumper II (02/02-06/06)
Jumper III (04/06--)

Jumper II (02/02--)
Jumper III (04/06--)

11-14 641 0022 | MSM0217

Strut mount



Notes

without ball bearing
Front Axle

References

5038.G6
5038.H4

9670830780
9683738980

Application info

C Elyse [11/12--]
C3 II [11/09--]

C3 Picasso [02/09--]
DS3 [11/09--]

11-14 741 0001 | MSM0088

Strut mount



Notes

Inner diameter [mm]
Outer diameter [mm]

10
64
without ball bearing
Rear Axle

References

5142.34

Application info

C4 I / Coupe / Grand Picasso / Picasso / Stufenheck [11/04-12/07]

11-14 741 0002 | MSM0220

Strut mount



Notes

without ball bearing
Rear Axle

References

5142.48

Application info

C4 I / Coupe / Grand Picasso / Picasso / Stufenheck [11/04-12/07]

C4 II / DS4 [11/09--]

Strut mount bearing
214 770 0001 | MMB0014
Notes

| | | |
|---------------------|------------------|------|
| Inner diameter [mm] | Suspension Strut | 66.5 |
| Outer diameter [mm] | | 99 |
| Height [mm] | Front Axle | 20 |

References

| | |
|---------|------------|
| 5035.19 | 5035.27 |
| 5035.23 | 91 510 633 |


Application info

| | |
|-----------------------------------|---|
| AX (07/86-12/98) | C4 I / Coupe / Grand Picasso / Picasso / Stufenheck (11/04-12/07) |
| Berlingo I (07/96-12/07) | C4 II / DS4 (11/09--) |
| Berlingo II (04/08--) | DS3 (11/09--) |
| C15 / Visa (09/78-12/05) | Saxo (02/96-04/04) |
| C2 / C3 I / Pluriel (02/02-09/05) | Berlingo I (07/96--) |
| C3 II (11/09--) | C15 / Visa (09/78-12/05) |
| C3 Picasso (02/09--) | |

Strut mount bearing
11-14 641 0018 | MMB0010
Notes

| | |
|---------------------|------------|
| Inner diameter [mm] | 78 |
| Outer diameter [mm] | 128 |
| Height [mm] | 45 |
| | Front Axle |

References

| | |
|---------|---------|
| 5035.29 | 5035.45 |
| 5035.38 | 5035.55 |
| 5035.43 | |


Application info

| | |
|-----------------------|--------------------|
| C8 (07/02--) | Jumpy II (01/07--) |
| Evasion (06/94-07/02) | Jumpy I (06/94--) |
| Jumpy I (10/95-12/06) | Jumpy II (01/07--) |

Strut mount bearing
11-14 641 0004 | MMB0008
Notes

| | |
|---------------------|------------|
| Inner diameter [mm] | 49 |
| Outer diameter [mm] | 70.5 |
| Height [mm] | 7.3 |
| | Front Axle |

References

| |
|---------|
| 5035.39 |
|---------|



11-14 641 0004 | MMB0008

Strut mount bearing

Application info

Jumper I [02/94-04/02]
Jumper II [02/02-06/06]
Jumper III [04/06--]

Jumper I [02/94-04/02]
Jumper II [02/02--]
Jumper III [04/06--]

11-14 037 4032 | MCX0184

Protection lid, wheel hub



Notes

Rear Axle left and right

References

3740.32

Application info

AX [07/86-12/98]

Saxo [02/96-04/04]

11-14 899 0020 | MCX0188

Sensor ring, ABS



Notes

Rear Axle left and right

References

3349.09

Application info

C2 / C3 I / Pluriel [02/02-09/05]
C3 II [11/09--]

DS3 [11/09--]
C2 / C3 I / Pluriel [02/02--]



Wheel bearing kit

214 650 0013 | MWK0212

Notes

Inner diameter [mm]
Outer diameter [mm]
Height [mm]

with add-on material
55
90
54
with integrated sensor ring
Front Axle left and right

References

16 063 746 80 3326.71



Application info

Jumper III [04/06--]

Jumper III [04/06--]

Wheel bearing kit

11-14 650 0014 | MWK0207

Notes

Inner diameter [mm]
Outer diameter [mm]
Height [mm]

with add-on material
49
84
48
Front Axle left and right

References

16 063 750 80 3362.62



Application info

Jumper I [02/94-04/02]
Jumper II [02/02-06/06]

Jumper I [02/94-04/02]
Jumper II [02/02--]

Wheel bearing kit

11-14 650 0013 | MWK0098

Notes

Inner diameter [mm]
Outer diameter [mm]
Height [mm]

with add-on material
55
90
60
Front Axle left and right

References

3326.63 3326.69



Application info

Jumper II [02/02-06/06]

Jumper II [02/02--]

7

214 650 0006 | MWK0130

Wheel bearing kit



Notes

Inner diameter [mm]
Outer diameter [mm]
Height [mm]

with add-on material
35
72
33
Front Axle left and right

References

3326.76

Application info

Nemo [02/08--]

Nemo [02/08--]

214 650 0010 | MWK0131

Wheel bearing kit



Notes

Inner diameter [mm]
Outer diameter [mm]
Height [mm]

with add-on material
for vehicles with ABS
37
72
37
Front Axle left and right

References

3326.77

Application info

Nemo [02/08--]

Nemo [02/08--]

11-14 033 5016 | MWK0088

Wheel bearing kit



Notes

Inner diameter [mm]
Outer diameter [mm]
Height [mm]

with add-on material
42
82
36
Front Axle left and right

References

3350.16

Application info

Berlingo I [07/96-12/07]
BX [10/82-12/94]
Xantia [03/93-04/03]
Xsara [04/97-08/05]

Xsara Picasso [12/99-09/06]
ZX [03/91-02/98]
Berlingo I [07/96--]



Wheel bearing kit

11-14 033 5017 | MWK0089

Notes

Inner diameter [mm]
Outer diameter [mm]
Height [mm]

with add-on material
35
72
33
Front Axle left and right

References

3350.17



Application info

AX (07/86-12/98)
C15 / Visa (09/78-12/05)
Saxo (02/96-04/04)

Xsara (04/97-08/05)
ZX (03/91-02/98)
C15 / Visa (09/78-12/05)

Wheel bearing kit

11-14 650 0010 | MWK0096

Notes

Inner diameter [mm]
Outer diameter [mm]
Height [mm]
Rim Hole Number

with add-on material
35
66
32
3
Front Axle left and right

References

3350.18
95 603 182

95 654 075



Application info

AX (07/86-12/98)

Saxo (02/96-04/04)

Wheel bearing kit

11-14 750 0004 | MWK0100

Notes

Inner diameter 2 [mm]
Inner diameter 1 [mm]
Outer diameter 2 [mm]
Outer diameter 1 [mm]
Height 2 [mm]
Height 1 [mm]

with add-on material
30
40
55
68
17
19
Rear Axle left and right

References

3350.25



Application info

Jumper I (02/94-04/02)

Jumper I (02/94-04/02)

11-14 650 0002 | MWK0092

Wheel bearing kit



Notes

Inner diameter [mm]
Outer diameter [mm]
Height [mm]

with accessories
44
82.5
37
Front Axle left and right

References

3350.27

Application info

Evasion [06/94-07/02]
Jumpy I [10/95-12/06]

Jumpy I [06/94--]

11-14 033 5029/S | MWK0090

Wheel bearing kit



Notes

Inner diameter [mm]
Outer diameter [mm]
Height [mm]

with add-on material
50
80
22

References

3326.27
3350.21

3350.29

Application info

C25 [09/81-03/94]
Jumper I [02/94-04/02]

C25 [07/81-03/94]
Jumper I [02/94-04/02]

11-14 650 0001 | MWK0091

Wheel bearing kit



Notes

Inner diameter [mm]
Outer diameter [mm]
Height [mm]

with add-on material
for vehicles without ABS
for vehicles with ABS
55
90
24.3
Front Axle left and right

References

3350.30

Application info

Jumper I [02/94-04/02]

Jumper I [02/94-04/02]

7



Wheel bearing kit

11-14 650 0006 | MWK0093

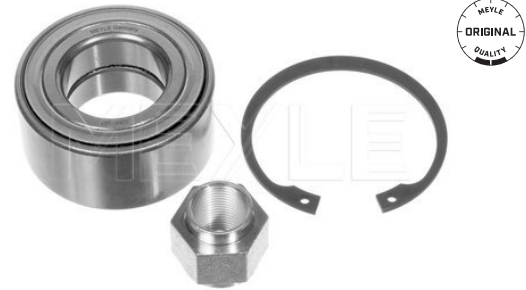
Notes

Inner diameter [mm]
Outer diameter [mm]
Height [mm]

with add-on material
37
72
33
Front Axle left and right

References

3350.32



Application info

C2 / C3 I / Pluriel [02/02-09/05]

Xsara [04/97-08/05]

Wheel bearing kit

11-14 650 0007 | MWK0094

Notes

Number of Teeth, ABS ring
Inner diameter [mm]
Outer diameter [mm]
Height [mm]

with add-on material
48
42
82
36
with integrated sensor ring
Front Axle left and right

References

3350.69

3350.84



Application info

Berlingo II [04/08--]
C2 / C3 I / Pluriel [02/02-09/05]
C3 II [11/09--]
C3 Picasso [02/09--]

C4 I / Coupe / Grand Picasso / Picasso / Stufenheck [11/04-12/07]
DS3 [11/09--]
Berlingo II [04/08--]

Wheel bearing kit

11-14 650 0008 | MWK0095

Notes

Inner diameter [mm]
Outer diameter [mm]
Height [mm]

with add-on material
45
83
44
with integrated sensor ring
Front Axle left and right

References

3350.82
3646.C0

3647.C0



Application info

C4 II / DS4 [11/09--]
C5 III (RD_, TD_) [02/08--]

C6 [09/05--]
DS5 [11/11--]

11-14 650 0015 | MWK0211

Wheel bearing kit



Notes

Inner diameter [mm]
Outer diameter [mm]
Height [mm]

with add-on material
for vehicles with ABS
37
72
33
with integrated sensor ring
Front Axle left and right

References

3350.72
3350.86

3350.92

Application info

C Elyse [11/12--]
C2 / C3 I / Pluriel [02/02-09/05]
C3 II [11/09--]

DS3 [11/09--]
C2 / C3 I / Pluriel [02/02--]

11-14 750 0020 | MWK0101

Wheel bearing kit



Notes

Inner diameter [mm]
Outer diameter [mm]
Height [mm]

with add-on material
Disc Brake
42
75
60
Rear Axle left and right

References

3730.32

Application info

Jumper I [02/94-04/02]
Jumper II [02/02-06/06]

Jumper I [02/94-04/02]
Jumper II [02/02--]

11-14 750 0001 | MWK0099

Wheel bearing kit



Notes

Inner diameter [mm]
Outer diameter [mm]
Height [mm]

with add-on material
25
52
37
Rear Axle left and right

References

3748.17

3748.39

Application info

AX [07/86-12/98]
Saxo [02/96-04/04]

Xsara [04/97-08/05]
ZX [03/91-02/98]



Wheel bearing kit

11-14 750 0028 | MWK0103

Notes

Inner diameter [mm]
Outer diameter [mm]
Height [mm]

with add-on material
25
52
37
with ABS sensor ring
Rear Axle left and right

References

3748.77



Application info

C2 / C3 I / Pluriel (02/02-09/05)

C3 II (11/09--)

Wheel bearing kit

11-14 750 0025 | MWK0102

Notes

Inner diameter [mm]
Outer diameter [mm]
Height [mm]

with add-on material
25
60
45
Rear Axle left and right

References

3748.83



Application info

C4 I / Coupe / Grand Picasso / Picasso / Stufenheck (11/04-12/07)

Wheel bearing kit

11-14 750 0029 | MWK0104

Notes

Inner diameter [mm]
Outer diameter [mm]
Height [mm]

with add-on material
30
62
51
Rear Axle left and right

References

3748.94



Application info

Berlingo II (04/08--)
C4 I / Coupe / Grand Picasso / Picasso / Stufenheck (11/04-12/07)

Berlingo II (04/08--)

11-14 650 0012 | MWK0097

Wheel bearing kit



Notes

Inner diameter [mm]
Outer diameter [mm]
Height [mm]

with add-on material
for vehicles with ABS
38
69
39
with integrated sensor ring
Front Axle left and right

References

6822.JL

Application info

C1 [06/05--]

11-14 652 0001 | MWH0047

Wheel hub



Notes

Outer diameter [mm]
Bolt Hole Circle Ø [mm]
Rim Hole Number

without add-on material
122
98.5
5
without wheel bearing
Front Axle left and right

References

3307.64

Application info

C8 [07/02--]
Evasion [06/94-07/02]

Jumpy I [10/95-12/06]
Jumpy I [06/94--]

11-14 652 0003 | MWH0235

Wheel hub



Notes

Outer diameter [mm]
Bolt Hole Circle Ø [mm]
Rim Hole Number

without add-on material
130
108
4
without wheel bearing
Front Axle left and right

References

3307.76

Application info

C2 / C3 I / Pluriel [02/02-09/05]
C3 Picasso [02/09--]

Saxo [02/96-04/04]
Xsara [04/97-08/05]

Wheel hub
40-14 652 0001 | MWH0157
Notes

| | |
|-------------------------|---------------------------|
| Outer diameter [mm] | without add-on material |
| Bolt Hole Circle Ø [mm] | 139 |
| Rim Hole Number | 5 |
| | without wheel bearing |
| | Front Axle left and right |

References

| | |
|---------|---------|
| 3307.77 | 3307.84 |
|---------|---------|


Application info

Jumper II [02/02-06/06]

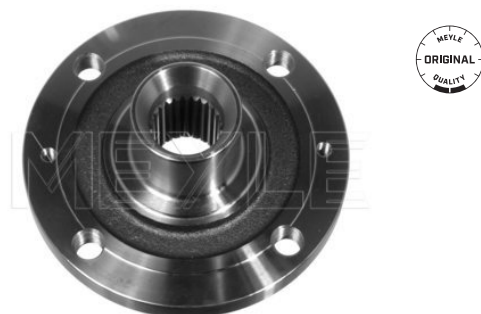
Jumper II [02/02--]

Wheel hub
11-14 033 0772 | MWH0045
Notes

| | |
|-------------------------|---------------------------|
| Inner diameter [mm] | without add-on material |
| Outer diameter [mm] | for vehicles with ABS |
| Bolt Hole Circle Ø [mm] | 28 |
| Rim Hole Number | 128 |
| | 108 |
| | 4 |
| | without wheel bearing |
| | Front Axle left and right |

References

| | |
|---------|---------|
| 3307.72 | 3307.85 |
|---------|---------|


Application info

 Berlingo I [07/96-12/07]
 C4 I / Coupe / Grand Picasso / Picasso / Stufenheck [11/04-12/07]
 Xantia [03/93-04/03]

 Xsara [04/97-08/05]
 Xsara Picasso [12/99-09/06]
 ZX [03/91-02/98]
 Berlingo I [07/96--]

Wheel hub
11-14 750 0018 | MWH0223
Notes

| | |
|---------------------------|-------------------------------|
| Number of Teeth, ABS ring | without add-on material |
| Inner diameter [mm] | 48 |
| Outer diameter [mm] | 30 |
| Bolt Hole Circle Ø [mm] | 120 |
| Rim Hole Number | 98 |
| | 5 |
| | with ABS sensor ring |
| | with integrated wheel bearing |
| | Rear Axle |

References

3350.28



11-14 750 0018 | MWH0223

Wheel hub

Application info

Evasion [06/94-07/02]
Jumpy I [10/95-12/06]

Jumpy I [06/94--]

11-14 750 0030 | MWH0055

Wheel hub



Notes

Number of Teeth, ABS ring
Outer diameter [mm]
Bolt Hole Circle Ø [mm]
Rim Hole Number

with add-on material
48

129

108

4

with ABS sensor ring
with integrated wheel bearing
Rear Axle left and right

References

3701.68

3701.74

Application info

Saxo [02/96-04/04]

11-14 750 0015 | MWH0051

Wheel hub



Notes

Inner diameter [mm]
Outer diameter [mm]
Bolt Hole Circle Ø [mm]
Rim Hole Number

with add-on material
for vehicles without ABS
32

129

108

4

with integrated wheel bearing
Rear Axle left and right

References

3748.28

3748.43

Application info

Berlingo I [07/96-12/07]
Berlingo II [04/08--]
Xantia [03/93-04/03]

Xsara Picasso [12/99-09/06]

Berlingo I [07/96--]

Berlingo II [04/08--]



Wheel hub

40-14 752 0000 | MWH0158

Notes

Number of Teeth, ABS ring

with add-on material
48
for vehicles with ABS

Inner diameter [mm]

32

Outer diameter [mm]

129.1

Bolt Hole Circle Ø [mm]

108

Rim Hole Number

4

with ABS sensor ring
with integrated wheel bearing
Rear Axle left and right



References

3701.65

3748.29

Application info

Xantia [03/93-04/03]

Wheel hub

11-14 750 0009 | MWH0049

Notes

Number of Teeth, ABS ring

with add-on material
29

Inner diameter [mm]

25

Outer diameter [mm]

128

Bolt Hole Circle Ø [mm]

108

Rim Hole Number

4

with ABS sensor ring
with integrated wheel bearing
Rear Axle left and right



References

3748.31

3748.45

Application info

Xsara [04/97-08/05]

Wheel hub

11-14 750 0031 | MWH0056

Notes

Number of Teeth, ABS ring

with add-on material
29

Outer diameter [mm]

128

Bolt Hole Circle Ø [mm]

108

Rim Hole Number

4

with ABS sensor ring
with integrated wheel bearing
Rear Axle left and right



References

3748.32

7



11-14 750 0031 | MWH0056

Wheel hub

Application info

Xsara [04/97-08/05]

ZX [03/91-02/98]

11-14 752 0000 | MWH0058

Wheel hub



Notes

Number of Teeth, ABS ring

Inner diameter [mm]
Outer diameter [mm]
Bolt Hole Circle Ø [mm]
Rim Hole Number

with add-on material

29
Drum Brake

25

129

108

4

with integrated wheel bearing
Rear Axle left and right

References

3748.37

Application info

Xsara [04/97-08/05]

11-14 750 0022 | MWH0053

Wheel hub



Notes

Number of Teeth, ABS ring

Inner diameter [mm]
Outer diameter [mm]
Bolt Hole Circle Ø [mm]
Rim Hole Number

with add-on material

29

for vehicles without ESP
for vehicles with ABS

32

128

108

4

with ABS sensor ring
with integrated wheel bearing
Rear Axle left and right

References

3748.44

Application info

Berlingo I [07/96-12/07]

Xsara Picasso [12/99-09/06]

Berlingo I [07/96--]



Wheel hub

11-14 750 0014 | MWH0050

Notes

Number of Teeth, ABS ring

with add-on material
48
for vehicles with ABS

Inner diameter [mm]
Outer diameter [mm]
Bolt Hole Circle Ø [mm]
Rim Hole Number

32
129
108
4
with ABS sensor ring
with integrated wheel bearing
Rear Axle left and right

References

3748.68

3748.80



Application info

Berlingo I [07/96-12/07]
Xantia [03/93-04/03]

Xsara Picasso [12/99-09/06]
Berlingo I [07/96--]

Wheel hub

40-14 750 0001 | MWH0228

Notes

Number of Teeth, ABS ring
Inner diameter [mm]
Outer diameter [mm]
Bolt Hole Circle Ø [mm]
Rim Hole Number

with add-on material
44
32
129
108
4
with ABS sensor ring
Rear Axle left and right

References

3748.70



Application info

C5 I / C5 II [03/01-04/07]

Wheel hub

40-14 752 0001 | MWH0159

Notes

Number of Teeth, ABS ring
Inner diameter [mm]
Outer diameter [mm]
Bolt Hole Circle Ø [mm]
Rim Hole Number

with add-on material
29
25
129.1
108
4
with ABS sensor ring
with integrated wheel bearing
Rear Axle left and right

References

3748.38

3748.72



40-14 752 0001 | MWH0159

Wheel hub

Application info

Xsara [04/97-08/05]

11-14 750 0032 | MWH0057

Wheel hub



Notes

Inner diameter [mm]
Outer diameter [mm]
Bolt Hole Circle Ø [mm]
Rim Hole Number

with add-on material

25

128

108

4

with integrated wheel bearing
Rear Axle left and right

References

3748.74

Application info

C4 I / Coupe / Grand Picasso / Picasso / Stufenheck [11/04-12/07]

C4 II / DS4 [11/09--]

11-14 750 0027 | MWH0054

Wheel hub



Notes

Inner diameter [mm]
Outer diameter [mm]
Bolt Hole Circle Ø [mm]
Rim Hole Number

with add-on material

25

129

108

4

with integrated wheel bearing
Rear Axle left and right

References

3748.76

Application info

C2 / C3 I / Pluriel [02/02-09/05]

C3 II [11/09--]

7

Wheel hub

11-14 750 0008 | MWH0224

Notes

Inner diameter [mm]
Outer diameter [mm]
Bolt Hole Circle Ø [mm]
Rim Hole Number

with add-on material
30
135
100
4
Four-point mounting
with seal
with integrated wheel bearing
Rear Axle left and right

References

3748.85



Application info

C1 (06/05--)

Wheel hub

11-14 750 0016 | MWH0052

Notes

Inner diameter [mm]
Outer diameter [mm]
Bolt Hole Circle Ø [mm]
Rim Hole Number

with add-on material
32
128
108
5
with integrated sensor ring
with integrated wheel bearing
Rear Axle left and right

References

3748.82
3748.86

3748.87



Application info

C5 III (RD_, TD_) (02/08--)

C6 (09/05--)

Wheel hub

11-14 750 0013 | MWH0222

Notes

Outer diameter [mm]
Bolt Hole Circle Ø [mm]
Rim Hole Number

with add-on material
for vehicles with ABS
128
108
4
with integrated sensor ring
with integrated wheel bearing
Rear Axle

References

3748.88



11-14 750 0013 | MWH0222

Wheel hub

Application info

Berlingo I [07/96-12/07]
Xsara Picasso [12/99-09/06]

Berlingo I [07/96--]

11-14 752 0002 | MWH0060

Wheel hub



Notes

Outer diameter [mm]
Bolt Hole Circle Ø [mm]
Rim Hole Number

with add-on material
128
104
4
Rear Axle left and right

References

3748.96

3748.A0

Application info

Jumpy II [01/07--]

Jumpy II [01/07--]

11-14 752 0001 | MWH0059

Wheel hub



Notes

Outer diameter [mm]
Bolt Hole Circle Ø [mm]
Rim Hole Number

with add-on material
128
104
4
Rear Axle left and right

References

3748.95
3748.99

3748.A3

Application info

Jumpy II [01/07--]

Jumpy II [01/07--]

| MEYLE no. | Ref. no. | Page |
|-----------------|---------------|------|
| Citroën | | |
| 011 860 0000 | 5960 G7 | 209 |
| | 5962.03 | |
| | 5962.3J | |
| 014 020 1039 | 96 165 724 | 212 |
| 014 098 9017 | 3247.03 | 149 |
| 014 698 0006 | 4439.14 | 121 |
| 014 698 0006/S | 4439.14 | 122 |
| 025 201 6215 | 4251.83 | 120 |
| | 95 654 085 | |
| | 95 659 642 | |
| | 95 666 973 | |
| | 95 667 788 | |
| 025 202 6119/W | 4252.31 | 109 |
| | 4254.57 | |
| 025 203 8915 | 4251.29 | 80 |
| | 5 462 429 | |
| | 95 462 429 | |
| | 95 565 564 | |
| | 95 588 499 | |
| | 95 624 482 | |
| 025 209 0518/PD | 4251.37 | 82 |
| | 4251.40 | |
| | 4251.47 | |
| | 4252.73 | |
| | 4254.99 | |
| 025 209 0518/W | 4251.37 | 82 |
| | 4251.40 | |
| | 4251.47 | |
| | 4252.73 | |
| | 4254.99 | |
| 025 209 0618/PD | 95659340 | 118 |
| | 95659616 | |
| | 95666970 | |
| 025 209 0618/W | 95659340 | 118 |
| | 95659616 | |
| | 95666970 | |
| 025 209 6117 | 16 085 203 80 | 88 |
| | 16 086 815 80 | |
| | 4252.33 | |
| | 4254.28 | |
| | 4254.C1 | |
| 025 209 6117/PD | 16 085 203 80 | 88 |
| | 16 086 815 80 | |
| | 4252.33 | |
| | 4254.28 | |

| MEYLE no. | Ref. no. | Page |
|-----------------|------------|------|
| Citroën | | |
| | 4254.C1 | |
| 025 209 7311 | 1722.01 | 90 |
| | 4251.46 | |
| | 4251.97 | |
| | 4252.57 | |
| | 95 659 341 | |
| | 95 666 971 | |
| 025 209 7311/PD | 1722.01 | 91 |
| | 4251.46 | |
| | 4251.97 | |
| | 4252.57 | |
| | 95 659 341 | |
| | 95 666 971 | |
| 025 210 8017/PD | 95 611 498 | 115 |
| | 95 616 818 | |
| | 95 647 733 | |
| | 95 661 871 | |
| 025 210 8017/W | 95 611 498 | 116 |
| | 95 616 818 | |
| | 95 647 733 | |
| | 95 661 871 | |
| 025 212 0519/W | 09 938 205 | 119 |
| | 95 615 159 | |
| | 95 640 895 | |
| | 95 667 765 | |
| 025 212 6717/PD | 4253.21 | 116 |
| | 95 619 550 | |
| | 95 646 300 | |
| | 95 647 611 | |
| | 95 658 617 | |
| 025 212 6717/W | 4253.21 | 117 |
| | 95 619 550 | |
| | 95 646 300 | |
| | 95 647 611 | |
| | 95 658 617 | |
| 025 212 7517 | 4251.11 | 80 |
| | 4251.12 | |
| | 4254.66 | |
| 025 213 6315/PD | 4253.88 | 99 |
| | 4254.30 | |
| 025 213 6315/W | 4253.88 | 99 |
| | 4254.30 | |
| 025 214 1418/W | 95 659 616 | 119 |
| | 95 666 970 | |
| 025 215 0417/W | 95 659 639 | 117 |
| | 95 659 640 | |

| MEYLE no. | Ref. no. | Page |
|-----------------|---------------|------|
| Citroën | | |
| 025 216 3117/PD | 4251.14 | 84 |
| | 4251.56 | |
| | 4252.91 | |
| | 95 667 785 | |
| | 95 667 786 | |
| 025 216 3117/W | 4251.14 | 84 |
| | 4251.56 | |
| | 4252.91 | |
| | 95 667 785 | |
| | 95 667 786 | |
| 025 216 7419/W | 4251 44 | 81 |
| 025 217 9719/PD | 4251.17 | 105 |
| | 4254.51 | |
| 025 217 9719/W | 4251.17 | 105 |
| | 4254.51 | |
| 025 217 9919/PD | 4251.19 | 106 |
| | 4254.52 | |
| 025 217 9919/W | 4251.19 | 106 |
| | 4254.52 | |
| 025 218 0119/W | 4251.10 | 107 |
| | 4254.53 | |
| 025 218 2717 | 4251.38 | 81 |
| | 4251.39 | |
| | 4251.70 | |
| | 4253.06 | |
| 025 219 8018 | 4251.69 | 85 |
| 025 219 8018/PD | 4251.69 | 85 |
| 025 220 4119 | 1612434180 | 80 |
| | 1614412180 | |
| 025 230 4218/PD | 4251.26 | 107 |
| | 4251.50 | |
| | 4254.54 | |
| 025 230 4218/W | 4251.26 | 108 |
| | 4251.50 | |
| | 4254.54 | |
| 025 231 2419/PD | 16 113 350 80 | 83 |
| | 1720.59 | |
| | 4251.55 | |
| | 4254.85 | |
| 025 231 2419/W | 16 113 350 80 | 83 |
| | 1720.59 | |
| | 4251.55 | |
| | 4254.85 | |
| 025 231 3518/W | 4251.45 | 86 |
| | 4252.11 | |
| 025 231 4617/W | 4251.33 | 85 |

| MEYLE no. | Ref. no. | Page |
|-----------------|---------------|------|
| Citroën | | |
| | 4251.58 | |
| 025 232 7318 | 4252.16 | 92 |
| | 4252.49 | |
| | 4252.89 | |
| | E 172 230 | |
| 025 232 7617/W | 4252.14 | 91 |
| | 4252.87 | |
| 025 232 7717/W | 4252.15 | 92 |
| | 4252.48 | |
| | 4252.88 | |
| | 4253.46 | |
| | E 172 229 | |
| 025 233 0515 | 4252.17 | 93 |
| | 4252.90 | |
| | 4253.34 | |
| | E 172 231 | |
| | E 172 591 | |
| 025 233 4619 | 4252.13 | 98 |
| | 4252.34 | |
| | 4253.80 | |
| 025 233 9617 | 1721.03 | 86 |
| | 4252.03 | |
| | 4254.84 | |
| 025 234 0719 | 4252.36 | 94 |
| | 4252.58 | |
| | 4253.45 | |
| | 4253.69 | |
| | 4253.84 | |
| 025 234 0719/PD | 4252.36 | 94 |
| | 4252.58 | |
| | 4253.45 | |
| | 4253.69 | |
| | E 172 285 | |
| 025 234 0919 | 4252.37 | 90 |
| | 4253.72 | |
| | E 172 282 | |
| 025 235 8216 | 4253.91 | 104 |
| | 4254.48 | |
| 025 235 8216/PD | 4253.91 | 105 |
| | 4254.48 | |
| 025 235 8416/W | 16 076 903 80 | 76 |
| | 16 076 904 80 | |
| 025 235 8919 | 4253.23 | 94 |
| | 4253.44 | |



| MEYLE no. | Ref. no. | Page |
|-----------------|---|------|
| Citroën | | |
| | 4254.88 E 172 359 | |
| 025 235 9919 | 4252.18 4252.21 4252.38 4252.39 4252.40 4252.76 4253.30 4253.42 4254.23 4254.75 E 172 124 E 172 227 E 172 558 E 172 590 | 87 |
| 025 235 9919/PD | 16 172 829 80 4252.18 4252.21 4252.38 4252.39 4252.40 4252.76 4253.30 4253.42 4254.23 4254.75 E 172 124 E 172 227 E 172 558 E 172 590 | 87 |
| 025 236 0019 | 4252.35 4253.31 4253.70 4254.71 4254.92 E 172 125 E 172 284 E 172 315 E 172 559 | 89 |
| 025 236 0019/PD | 4252.35 4253.31 4253.70 4254.71 4254.92 E 172 125 | 89 |

| MEYLE no. | Ref. no. | Page |
|-----------------|---|------|
| Citroën | | |
| | E 172 284 E 172 315 E 172 559 | |
| 025 236 0219/PD | 4252.26 | 120 |
| 025 236 0219/W | 4252.26 | 121 |
| 025 236 0319/PD | 4252.27 4254.56 | 108 |
| 025 236 0319/W | 4252.27 4254.56 | 108 |
| 025 237 0517/PD | 4254.07 | 101 |
| 025 237 0517/W | 4254.07 | 102 |
| 025 237 0617/W | 4254.08 | 115 |
| 025 237 0819 | 4252.53 4254.92 | 90 |
| 025 239 1719/PD | 4252.43 4254.58 | 109 |
| 025 239 1719/W | 4252.43 4254.58 | 110 |
| 025 239 1919/PD | 4252.45 4254.59 | 110 |
| 025 239 1919/W | 4252.45 4254.59 | 110 |
| 025 239 2120 | 4252.47 4254.68 | 113 |
| 025 239 2120/PD | 4252.47 4254.68 | 113 |
| 025 239 5917 | 4253.28 4254.74 4353.26 E 172 283 | 113 |
| 025 241 3317/W | 4252.94 4254.11 4254.80 4254.A0 4254.A3 E 172 155 E 172 237 E 172 314 E 172 569 | 114 |
| 025 241 3517 | 4254.04 4254.21 4254.91 E 172 240 | 120 |
| 025 241 3716 | 4254.05 | 101 |
| 025 241 3716/PD | 4254.05 | 101 |
| 025 241 5017 | 4253.25 | 92 |

| MEYLE no. | Ref. no. | Page |
|-------------------|---|------|
| Citroën | | |
| | 4253.99 4254.40 4254.76 E 172 286 | |
| 025 243 3218 | 16 101 038 80 4254.03 4254.24 | 100 |
| 025 243 3218/PD | 16 101 038 80 4254.03 4254.24 | 100 |
| 025 244 6217 | 4253.29 | 93 |
| 025 244 6519 | 4253.60 4254.69 | 95 |
| 025 244 6519/PD | 4253.60 4254.69 | 95 |
| 025 244 6619-1/PD | 4254.63 | 111 |
| 025 244 6619-2/PD | 4253.74 4253.76 4254.64 | 112 |
| 025 244 6619/W1 | 4254.63 | 111 |
| 025 244 6619/W2 | 4253.74 4253.76 4254.64 | 112 |
| 025 244 6819-1/PD | 1611457380 1612433880 4253.56 4254.61 E172301 | 78 |
| 025 244 6819-2/PD | 1612433980 4253.58 4254.62 | 79 |
| 025 244 6819/W1 | 1611457380 1612433880 4253.56 4254.61 E172301 | 78 |
| 025 244 6819/W2 | 1612433980 4253.58 4254.62 | 79 |
| 025 245 3818 | 4253.61 4254.13 4254.25 4254.C0 E 172 295 | 96 |
| 025 245 3818/PD | 4253.61 4254.13 | 96 |

| MEYLE no. | Ref. no. | Page |
|-----------------|---|------|
| Citroën | | |
| | 4254.25 4254.C0 E 172 295 | |
| 025 245 4016 | 4253.71 4254.32 | 98 |
| 025 245 5719 | 4253.62 4253.97 | 97 |
| 025 245 7816 | 4253.67 4253.68 4254.97 | 98 |
| 025 245 9518/W | 16 118 398 80 4253.64 4253.66 4254.A1 4254.A2 | 97 |
| 025 247 6516/W | 4254.14 4254.29 | 103 |
| 025 248 3919/W | 4253.95 | 99 |
| 025 248 8318 | 16 070 831 80 4254.31 | 103 |
| 025 249 2217 | 16 085 206 80 4254.35 4254.44 4254.46 | 104 |
| 025 250 6917 | 16 101 040 80 4254.73 | 77 |
| 025 250 9419 | 4254.27 | 102 |
| 025 250 9419/PD | 4254.27 | 103 |
| 025 252 2018 | 4254.A9 | 114 |
| 025 252 5118 | 16 086 913 80 | 76 |
| 025 256 8814 | 1609899680 | 77 |
| 028 289 0000 | 1337.27 1338.44 | 279 |
| 029 290 1111 | 6426.T3 | 13 |
| 029 300 1210 | - | 14 |
| 029 300 1211 | - | 14 |
| 029 300 1216 | - | 14 |
| 029 300 1217 | - | 15 |
| 029 350 1410 | - | 15 |
| 029 350 1416 | - | 16 |
| 029 350 1417 | - | 16 |
| 029 400 1600 | - | 16 |
| 029 400 1610 | - | 17 |
| 029 400 1612 | - | 17 |
| 029 450 1800 | - | 17 |
| 029 475 1900 | - | 18 |

| MEYLE no. | Ref. no. | Page |
|----------------|--|------|
| Citroën | | |
| 029 500 2000 | - | 18 |
| 029 530 2100 | - | 18 |
| 029 550 2200 | - | 19 |
| 029 600 2400 | - | 19 |
| 029 625 2500 | - | 20 |
| 029 650 2600 | - | 20 |
| 029 700 2800 | - | 20 |
| 029 725 2900 | - | 21 |
| 029 750 3000 | - | 21 |
| 029 800 3200 | - | 22 |
| 050 003 0865 | 1280.39 1280.62 | 269 |
| 050 004 0698 | 5750G8 5750SQ 91 536 222 93 501 676 93 502 487 | 269 |
| 050 004 0755 | 5750.P1 5750WT 95 612 377 | 269 |
| 050 004 0795 | 91 541 177 | 264 |
| 050 004 0800 | 91 541 177 | 264 |
| 050 004 0810 | 5750G9 6453E5 96 117 374 | 270 |
| 050 004 0815 | 96 117 374 | 267 |
| 050 004 0855 | 5750.Q9 96 019 294 96 019 295 | 270 |
| 050 004 0860 | 5750Q9 5750V0 5750XV 9643903780 | 270 |
| 050 004 0900 | - | 271 |
| 050 004 0922/E | 4009P2 4009Q4 | 271 |
| 050 004 0945 | 1280.28 1280.60 | 271 |
| 050 004 0954 | 5750H1 5750SS 91 508 755 91508762 91 536 703 96 001 123 | 272 |
| 050 004 1020 | 91 536 227 95 666 985 | 272 |

| MEYLE no. | Ref. no. | Page |
|----------------|---|------|
| Citroën | | |
| 050 004 1025 | 5750L7 91 536 227 95 666 985 | 272 |
| 050 004 1030 | 5750L7 91 536 227 95 666 985 | 273 |
| 050 004 1230 | 91 541 178 | 265 |
| 050 004 1245 | 5750.H2 91 001 158 91 536 229 96 030 324 | 273 |
| 050 004 1272 | 96 046 630 | 266 |
| 050 005 0710 | 5750.SZ 96 059 324 | 267 |
| 050 005 0715 | 5750.TW | 250 |
| 050 005 0725 | 5750.P5 5750.P6 5750.WV 91 541 144 91 541 175 | 264 |
| 050 005 0760 | 5750.TR 96 173 680 | 273 |
| 050 005 0812 | 5750.R1 | 245 |
| 050 005 0830 | 5750.SJ 5750.T4 | 274 |
| 050 005 0850 | 5750.C4 5750.H5 | 274 |
| 050 005 0860 | 4007.CV 5750.SF | 248 |
| 050 005 0880 | 5750.Q7 5750.SE | 274 |
| 050 005 0884 | 5750.Q7 96 129 662 96 155 377 | 268 |
| 050 005 0962 | 5750.K5 | 242 |
| 050 005 0975 | 5750.79 | 239 |
| 050 005 1015 | - | 275 |
| 050 005 1030 | 5750P7 6453TX 96 126 957 | 275 |
| 050 005 1050 | 5750.Q1 5750.Q2 5750XE 96 261 720 | 275 |
| 050 005 1100 | 6453CV 6453FK | 276 |

| MEYLE no. | Ref. no. | Page |
|----------------|---|------|
| Citroën | | |
| | 6453NX 6453TZ | |
| 050 005 1125 | 95 006 268 | 265 |
| 050 005 1140 | 5750SY | 248 |
| 050 005 1155 | 96 152 090 96 152 091 | 276 |
| 050 005 1165 | 96 056 833 | 266 |
| 050 005 1195 | 5750.D1 | 239 |
| 050 005 1200 | 5750D1 | 239 |
| 050 005 1220 | 5750FQ 5750FR 5750VK 91 541 179 | 265 |
| 050 005 1230 | 1176.83 91541178 91541179 | 237 |
| 050 005 1255 | 5750R0 5750.TT 96129654 96155379 | 268 |
| 050 005 1270 | 96 014 241 | 266 |
| 050 005 1450 | 96 161 326 | 268 |
| 050 006 0698 | 96 142 840 96 152 080 | 267 |
| 050 006 0725 | 5750.GC 5750.H9 5750.LC 5750.WN | 240 |
| 050 006 0745 | 5750.FF | 240 |
| 050 006 0780/E | 5750.SA 5750.YK 96 631 008 80 | 248 |
| 050 006 0800 | 5750.E7 5750.FS 5750.FT 5750.J0 5750.VL 5750.YP 5750.ZF 96 154 391 96 401 158 80 96 401 159 80 | 241 |
| 050 006 0850 | 5750.QK | 244 |
| 050 006 0869 | 5750.X4 | 255 |
| 050 006 0873/E | 5750.XP | 257 |
| 050 006 0875 | 5750.FN | 240 |

| MEYLE no. | Ref. no. | Page |
|----------------|---|------|
| Citroën | | |
| | 5750.QR | |
| 050 006 0890 | 1280.35 | 237 |
| 050 006 0915 | 5750.D9 5750.J1 | 242 |
| 050 006 0925 | 6453.VA 6453.W0 | 263 |
| 050 006 0950 | 1280.51 | 237 |
| 050 006 0965 | 5750.QH 5750.XF | 244 |
| 050 006 0976 | 5750.FV 5750.FW 5750.YQ 5750.YS 96 423 837 80 96 423 839 80 | 261 |
| 050 006 0995 | 1280.47 1280.67 | 238 |
| 050 006 1000 | 5750.PF 5750.XG 96 53 204 180 96 53 204 380 | 256 |
| 050 006 1010 | 5750.VA | 251 |
| 050 006 1015 | 5750.J2 96 155 010 | 242 |
| 050 006 1045 | 5750.W2 5750.XW | 259 |
| 050 006 1050 | 5750.PL 5750.PN 5750.WY 96 53 319 680 | 255 |
| 050 006 1060 | 16 11 204 980 | 238 |
| 050 006 1070 | 5750.98 5750.K8 5750.PQ 5750.WZ 96 152 082 96 152 083 96 533 197 96 53 319 780 | 255 |
| 050 006 1080 | 5750.A2 5750.J3 5750.TH 96 152 084 96 152 085 | 250 |
| 050 006 1090/E | 5750.QY 5750RW | 260 |

| MEYLE no. | Ref. no. | Page |
|----------------|---|------|
| Citroën | | |
| | 5750.YJ 96 617 288 80 96 631 010 80 | |
| 050 006 1095 | 5750.J4 5750.TF | 249 |
| 050 006 1100 | 5750.E2 5750.M5 5750.WR | 254 |
| 050 006 1110 | 5750.L0 5750.WF | 253 |
| 050 006 1125 | 5750.GE 5750.GN 5750.VT | 252 |
| 050 006 1130 | 5750.J5 5750.TK 96 144 509 | 250 |
| 050 006 1145 | 5750.GW 5750.K0 5750.K1 5750.VZ 96 20 904 480 | 252 |
| 050 006 1150 | 5750.C9 5750.E9 5750.FP 5750.GX 5750.J6 5750.L3 5750.L4 5750.PC 5750.WJ | 243 |
| 050 006 1163 | 5750.C1 5750.L9 5750.M9 5750.RT 5750.TN 5750.WL 96 236 849 | 254 |
| 050 006 1185 | 5750.ET 5750.FG 5750.FK 5750.GH 5750.OT | 245 |
| 050 006 1190 | 1177.19 5750.FG 5750.VJ E117719 | 276 |

| MEYLE no. | Ref. no. | Page |
|----------------|--|------|
| Citroën | | |
| 050 006 1200 | 5750.M0 5750.Y2 | 259 |
| 050 006 1205 | 5750.FJ 5750.RZ 5750.ZG | 263 |
| 050 006 1210 | 5750.QN | 245 |
| 050 006 1225 | 5750.QF | 244 |
| 050 006 1345 | 5750.KV 5750.VP | 251 |
| 050 006 1350 | 5750.RX | 246 |
| 050 006 1360 | 5750.RX 96 541 142 80 | 247 |
| 050 006 1370 | 16 099 575 80 | 238 |
| 050 006 1390 | 5750.GJ | 241 |
| 050 006 1438 | 5750.EX 5750.EY 5750.VF 5750.Z9 96 411 841 80 96 411 842 80 | 262 |
| 050 006 1450 | 5750.T6 5750.YC 5750.Z1 96 33 727 280 | 261 |
| 050 006 1468 | 5750.EM 5750.X8 5750.XT 96 372 505 80 | 259 |
| 050 006 1560 | 5750.GZ 5750.WG | 253 |
| 050 006 1565 | 5750.RF 5750.XA 5750.Y4 5750.Z3 9638007780 | 246 |
| 050 006 1590 | 5750.VE 5750.XK | 257 |
| 050 006 1605 | 5750.Q5 5750.R2 5750.S9 | 247 |
| 050 006 1623 | 5750.T0 | 249 |
| 050 006 1653 | 5750.M2 5750.ZA | 262 |
| 050 006 1660 | 5750.A1 5750.J7 5750.TG | 249 |

| MEYLE no. | Ref. no. | Page |
|----------------|--|------|
| Citroën | | |
| | 96 152 078 96 152 079 | |
| 050 006 1670 | 5750.RN 5750.YH | 246 |
| 050 006 1680 | 5750.HE 5750.PY 96 550 295 80 96 550 297 80 | 243 |
| 050 006 1698 | 1177.38 5750.GS 5750.J8 5750.J9 5750.RH 5750.VY 5750.ZH | 263 |
| 050 006 1705 | 5750.EK 5750.F0 5750.KT 5750.LH 5750.VQ 5750.Y5 5750.YA 96 155 949 | 260 |
| 050 006 1710 | 5750.P2 5750.RR 5750.WP 5750.XR | 257 |
| 050 006 1715 | 5750.XR | 258 |
| 050 006 1725 | 5750.FA 5750.FC 5750.M3 5750.M7 5750.VG 5750.W6 96 245 429 80 96 317 187 80 | 253 |
| 050 006 1735 | 5750L2 5750R5 5750W0 5750X7 5750YF 5750Z5 96188881 | 277 |
| 050 006 1740 | 5750.GK 5750.L1 5750.L2 | 251 |

| MEYLE no. | Ref. no. | Page |
|------------------|---|------|
| Citroën | | |
| | 5750.R9 5750.S7 5750.T8 5750.VS 5750.X3 96 188 881 | |
| 050 006 1743 | 5750.HH 5750.VX 5750.XS | 258 |
| 050 006 1750 | 5750.GF 5750.YG 5750.Z6 5750.Z7 | 261 |
| 050 006 1863 | 5750.K6 | 243 |
| 050 006 1885 | 5750.XC | 256 |
| 100 127 0005 | 1906.88 | 319 |
| 100 323 0007 | 1906.32 1906.C9 | 316 |
| 100 611 0034 | 91 510 533 94 046 018 58 | 148 |
| 100 830 0014 | 6555.11 6555.34 | 221 |
| 100 955 0002 | 6434.74 | 13 |
| 11-12 014 4402 | 1444.99 1444.TY | 294 |
| 11-12 014 4409 | 1444.A1 | 294 |
| 11-12 014 4410 | 1444.J5 | 299 |
| 11-12 014 4419 | 1444.A4 1444.A8 1444.A9 1444.F4 1444.R7 1444.T5 1444.T9 1444.VV 1444.W8 95 618 786 | 295 |
| 11-12 014 4485 | 1444.A7 95 658 433 95 659 354 | 295 |
| 11-12 014 4486 | 96 144 871 | 313 |
| 11-12 319 0000 | 6447.NT 6447TL 96 87 459 780 E146155 | 25 |
| 11-12 319 0008/S | 16 094 280 80 | 27 |

| MEYLE no. | Ref. no. | Page |
|------------------|---|------|
| Citroën | | |
| | 6447.VY | |
| 11-12 319 0009 | 6447.TV | 27 |
| 11-12 319 0010 | 6447.XF | 28 |
| 11-12 319 0011 | 6479.45 96 826 036 80 | 30 |
| 11-12 319 0012 | 6447.YK 6479.A6 | 29 |
| 11-12 319 0013 | 6441.G9 | 22 |
| 11-12 319 0014 | 6447.YC 6479.C9 | 32 |
| 11-12 319 0015/S | 96 787 920 80 98 142 376 80 | 33 |
| 11-12 320 0000 | 6447.NV 6479.75 96 360 862 | 25 |
| 11-12 320 0008/S | 16 094 281 80 6447.VX | 27 |
| 11-12 320 0010 | 6447.XG 9801448180 | 28 |
| 11-12 320 0011 | 6479.45 96 826 036 80 | 30 |
| 11-12 320 0012 | 6447.YN 6479.A7 | 29 |
| 11-12 320 0014 | 6447.YC | 28 |
| 11-12 321 0001 | 1444.CA 1444.CC 1444.CJ 1444.CK 1444.VQ | 296 |
| 11-12 321 0002 | 1444.CZ 1444.K5 1444.VJ 1444.X0 1444.XD | 300 |
| 11-12 321 0003 | 1444.FJ 1444.FL 1444.TJ 1444.TZ | 307 |
| 11-12 321 0004 | 1444.CV 1444.EZ 1444.FN | 296 |
| 11-12 321 0005 | 1444.RW | 303 |
| 11-12 321 0006 | 1444.F6 | 298 |
| 11-12 321 0007 | 1444.QS | 301 |
| 11-12 321 0008 | 1444.QJ | 301 |
| 11-12 321 0009 | 1444.X3 | 310 |

| MEYLE no. | Ref. no. | Page |
|----------------|--|------|
| Citroën | | |
| | 1444.X7 96 422 120 80 96 452 957 80 | |
| 11-12 321 0010 | 1444.F5 1444.G1 1444.VF 1444.WH 95 605 128 | 308 |
| 11-12 321 0011 | 1444.QE 1444.R1 1444.R3 1444.TF | 305 |
| 11-12 321 0012 | 1444.J3 | 299 |
| 11-12 321 0013 | 1444.RK 1444.XG | 302 |
| 11-12 321 0014 | 1444.TJ 1444.X5 E147242 | 311 |
| 11-12 321 0015 | 1444.EC 1444.EF 1444.V5 1444.VH 1444.X1 1444.X4 | 310 |
| 11-12 321 0016 | 1444.VL | 308 |
| 11-12 321 0017 | 1444.E5 | 297 |
| 11-12 321 0018 | 1444.SW 1444.V3 | 307 |
| 11-12 321 0019 | 1444.TV | 306 |
| 11-12 321 0020 | 1444.H2 | 299 |
| 11-12 321 0021 | 1444.SE 1444.XC | 311 |
| 11-12 321 0022 | 1444.ER 1444.ET 1444.TK E147299 | 297 |
| 11-12 321 0023 | 1444.QX 1444.WN | 301 |
| 11-12 321 0024 | 1444.FE 1444.PR 1444.VK E147302 | 308 |
| 11-12 321 0025 | 1444.RU 1444.SA 1444.SJ 1444.XE | 311 |

| MEYLE no. | Ref. no. | Page |
|----------------|---|------|
| Citroën | | |
| 11-12 321 0026 | 1444.02 1444.SY 1445.02 | 304 |
| 11-12 321 0027 | 1444.TT | 306 |
| 11-12 321 0028 | 1444.RY | 303 |
| 11-12 321 0029 | 1444.FK 1444.VX | 309 |
| 11-12 321 0030 | 1444.FG 1444.TA | 298 |
| 11-12 321 0031 | 1444.QP 1444.RP 1444.TE | 305 |
| 11-12 321 0032 | 1444.EV 1444.EW 1444.TP 1444.XF E147223 E147224 | 297 |
| 11-12 321 0034 | 1444.QZ 96 583 379 80 | 302 |
| 11-12 321 0035 | 1444.QA 96 555 357 80 | 300 |
| 11-12 321 0036 | 1444.TG | 306 |
| 11-12 321 0037 | 1444.PY 1444.T7 1444.T8 | 305 |
| 11-12 321 0038 | 1444.FH 1444.VW | 309 |
| 11-12 321 0041 | 1444.E7 1444.F2 1444.J7 1444.WA 94 014 459 68 95 658 437 95 658 483 | 309 |
| 11-12 321 0042 | 1444.R6 1444.WP | 302 |
| 11-13 012 0102 | 1201.A2 1201.E5 | 284 |
| 11-13 012 0150 | 1201.50 1201.61 95 625 017 95 655 208 95 656 567 | 280 |
| 11-13 012 0152 | 1201.52 1201.65 | 281 |

| MEYLE no. | Ref. no. | Page |
|-------------------|--|------|
| Citroën | | |
| | 1201.67 1201.91 1201.A4 95 650 955 95 666 768 | |
| 11-13 012 0158 | 1201.58 1201.E4 1201.E6 1207.25 96 085 642 80 | 285 |
| 11-13 012 0162 | 1201.48 1201.51 1201.60 1201.62 95 641 149 95 643 824 95 656 568 95 656 569 | 281 |
| 11-13 012 0163 | 1201.39 1201.63 91 511 136 95 656 566 | 281 |
| 11-13 012 0183 | 1201.93 1201.A1 | 282 |
| 11-13 012 0723 | 1201.47 1201.E3 1207.18 1207.23 94 510 012 63 96 173 769 80 | 291 |
| 11-13 220 0001 | 1201.C4 | 283 |
| 11-13 220 0002 | 1201.55 1201.A7 1201.C5 1201.C6 1201.E0 | 284 |
| 11-13 220 0003 | 1201.G0 | 286 |
| 11-13 220 0004 | 1201.G1 1201.G9 | 287 |
| 11-13 220 0004/HD | 1201.G1 1201.G9 | 288 |
| 11-13 220 0005 | 1201.A8 | 283 |
| 11-13 220 0006 | 1201.G2 1609417180 | 291 |
| 11-13 220 0007 | 1201.98 | 282 |
| 11-13 220 0008 | 1201.E9 | 285 |

| MEYLE no. | Ref. no. | Page |
|----------------|---|------|
| Citroën | | |
| | 1201.F6 | |
| 11-13 220 0012 | 1201.A5 | 283 |
| 11-13 220 0014 | 1201.C9 1201.H5 | 288 |
| 11-13 220 0017 | 1201.E1 1201.E7 1201.F4 1201.F5 1201.G4 1201.G5 1201.J2 1201.K1 1201.L2 1609417480 | 292 |
| 11-13 220 0019 | 1201.H0 1201.J0 1201.L1 1201.L3 | 291 |
| 11-13 220 0020 | 1201.H8 | 289 |
| 11-13 220 0021 | 1201.H7 1201.J6 1610278080 | 292 |
| 11-13 220 0022 | 1201.G6 | 286 |
| 11-13 220 0023 | 1201.H6 | 289 |
| 11-13 220 0024 | 1201.J4 1201.K0 | 290 |
| 11-13 220 0025 | 1201.J9 | 293 |
| 11-13 220 0026 | 9803442480 | 293 |
| 11-13 220 0027 | 9803094380 | 293 |
| 11-14 030 0005 | 1809.04 1809.06 | 335 |
| 11-14 030 0006 | 1844.25 | 341 |
| 11-14 030 0007 | 1844.91 1844.C0 | 344 |
| 11-14 030 0014 | 1844.C6 1844.C7 | 345 |
| 11-14 030 0015 | 16 087 273 80 1807.GR | 329 |
| 11-14 030 0016 | 1807.GQ | 332 |
| 11-14 030 0017 | 1806.93 1806.A6 1806.J8 | 331 |
| 11-14 030 0022 | 1807.Y3 | 335 |
| 11-14 030 0026 | 1809.42 | 337 |
| 11-14 030 0027 | 1807.N5 | 333 |
| 11-14 030 0028 | 1806.27 | 330 |

| MEYLE no. | Ref. no. | Page |
|------------------|---|------|
| Citroën | | |
| | 1806.68 1806.H1 1854.20 9622739380 | |
| 11-14 030 0029 | 1807.N7 1809.28 | 334 |
| 11-14 030 0082 | 9645769180 9677277380 | 347 |
| 11-14 030 0100 | 1807.N5 | 333 |
| 11-14 030 0106 | 1813.94 | 338 |
| 11-14 030 0107 | 1844.C2 | 345 |
| 11-14 030 0110 | 1807.H8 | 332 |
| 11-14 033 0772 | 3307.72 3307.85 | 513 |
| 11-14 033 5016 | 3350.16 | 506 |
| 11-14 033 5017 | 3350.17 | 507 |
| 11-14 033 5029/S | 3326.27 3350.21 3350.29 | 508 |
| 11-14 035 2320 | 3523.20 3523.73 | 414 |
| 11-14 035 2331 | 3523.31 3523.71 | 414 |
| 11-14 036 0000 | 1434.13 1434.F6 | 323 |
| 11-14 036 0001 | 1434.C8 | 323 |
| 11-14 036 0002 | 1434.45 | 322 |
| 11-14 036 0003 | 0382.HK 0382.NY | 322 |
| 11-14 037 4032 | 3740.32 | 504 |
| 11-14 050 0002 | 5038.08 5038.52 | 497 |
| 11-14 051 0001 | 5131.71 | 454 |
| 11-14 180 0001 | 1809.16 | 335 |
| 11-14 180 0004 | 1809.21 1809.29 | 336 |
| 11-14 182 0002 | 1827.19 | 340 |
| 11-14 184 0005 | 1844.72 | 342 |
| 11-14 184 0007 | 1843.95 | 341 |
| 11-14 184 0009 | 1846.66 | 346 |
| 11-14 184 0011 | 1846.65 | 345 |
| 11-14 184 0012 | 1827.17 | 339 |
| 11-14 184 0015 | 1844.36 1844.68 | 341 |
| 11-14 184 0016 | 1806.28 1806.74 | 329 |

| MEYLE no. | Ref. no. | Page |
|----------------|--|------|
| Citroën | | |
| 11-14 184 0017 | 1809.22 | 336 |
| 11-14 184 0018 | 1844.58 | 342 |
| 11-14 184 0024 | 1827.10 | 339 |
| 11-14 184 0025 | 1844.75 | 343 |
| 11-14 184 0029 | 1844.A9 | 344 |
| 11-14 184 0030 | 1806.69 | 330 |
| 11-14 184 1013 | 1827.23 1844.47 1844.77 96171996 | 340 |
| 11-14 200 0003 | 1336.A1 | 277 |
| 11-14 238 0000 | 1306.C9 1306.E4 | 278 |
| 11-14 322 0001 | 1109.R7 E149104 | 325 |
| 11-14 322 0002 | 1109.Y6 | 327 |
| 11-14 323 0001 | 1906.67 1906.C3 | 318 |
| 11-14 323 0002 | 1906.33 1906.43 1906.C1 96 098 964 | 316 |
| 11-14 323 0003 | 1901.97 1904.46 1906.E6 98 097 210 80 | 321 |
| 11-14 352 0002 | 3523.51 96 106 474 | 426 |
| 11-14 352 0005 | 3523.49 91 515 653 | 421 |
| 11-14 352 0010 | 3523.99 3523.AA 3523 AT | 417 |
| 11-14 495 0000 | 3287.A9 | 152 |
| 11-14 495 0001 | 3293.06 | 153 |
| 11-14 495 0003 | 3293.41 3293.74 94 032 937 48 | 155 |
| 11-14 495 0006 | 3293.02 3293.34 | 155 |
| 11-14 495 0007 | 3293.20 | 155 |
| 11-14 495 0009 | 3293.05 | 152 |
| 11-14 495 0012 | 3287.88 | 151 |
| 11-14 498 0009 | 3273.87 3273.88 | 168 |
| 11-14 498 0010 | 3272.18 | 158 |

| MEYLE no. | Ref. no. | Page |
|----------------|--|------|
| Citroën | | |
| | 95 644 403 | |
| 11-14 498 0012 | 3272.FT 3273.CY | 174 |
| 11-14 498 0013 | 3272.FG 3272.KL 3272.LP | 173 |
| 11-14 498 0016 | 3272.NP 3272.NQ 3273.NP 3273.NQ | 173 |
| 11-14 498 0017 | 3272.1X | 170 |
| 11-14 498 0018 | 3272.LA 3273.KP | 173 |
| 11-14 498 0024 | 3272.GE 3272.GG 3273.EG | 171 |
| 11-14 525 0001 | 4806.55 | 136 |
| 11-14 525 0002 | 4806.56 96 080 322 | 136 |
| 11-14 525 0006 | 4806.A1 | 141 |
| 11-14 525 0007 | 4806.C0 | 142 |
| 11-14 525 0008 | 4806.E1 | 142 |
| 11-14 525 0009 | 4806.E2 | 142 |
| 11-14 525 0010 | 4806.85 4806.E9 96 132 698 | 144 |
| 11-14 525 0011 | 4806.F6 4806 J5 | 144 |
| 11-14 525 0016 | 4806.64 | 137 |
| 11-14 525 0017 | 4806.65 96 124 223 | 137 |
| 11-14 525 0020 | 4806.A0 | 141 |
| 11-14 525 0024 | 4806.67 | 137 |
| 11-14 525 0025 | 4806.70 4806.C3 4806.F3 | 138 |
| 11-14 525 0026 | 4806.71 | 138 |
| 11-14 525 0027 | 4806.82 | 139 |
| 11-14 525 0028 | 4806.96 | 140 |
| 11-14 525 0029 | 4806.A6 | 141 |
| 11-14 525 0030 | 4806.C2 4806.F2 | 144 |
| 11-14 525 0033 | 4806.72 | 138 |
| 11-14 525 0036 | 4806.E3 | 143 |
| 11-14 525 0037 | 4806.84 4806.91 | 139 |

| MEYLE no. | Ref. no. | Page |
|------------------|---|------|
| Citroën | | |
| | 4806.A8 4806.A9 4806.E0 | |
| 11-14 525 0038 | 4806.97 | 140 |
| 11-14 525 0039 | 4806.98 | 140 |
| 11-14 525 0040 | 96 109 017 | 147 |
| 11-14 525 0041 | 96 037 346 | 147 |
| 11-14 525 0043 | 96 124 230 | 148 |
| 11-14 525 0045 | 91 515 816 91 518 816 | 146 |
| 11-14 525 0049 | 4806.G4 | 145 |
| 11-14 525 0050 | 4806.G5 | 145 |
| 11-14 525 0053 | 4806.E8 | 143 |
| 11-14 525 0054 | 4806.E7 | 143 |
| 11-14 531 0001 | 4402.F0 | 148 |
| 11-14 533 0000 | 4241.E8 4241.J6 4241.L3 95 659 671 | 127 |
| 11-14 533 0000/K | 4241.E8 4241.J6 4241.L3 95 659 671 | 127 |
| 11-14 533 0001 | 4241.J8 4241.K8 4241.L6 | 131 |
| 11-14 533 0003 | 4241.G3 4241.L4 95 659 470 | 130 |
| 11-14 533 0003/K | 4241.G3 4241.L4 95 659 470 | 130 |
| 11-14 533 0003/S | 4241.G3 4241.L4 95 659 470 | 130 |
| 11-14 533 0004 | 4241.G6 4241.K1 4241.K2 4241.K3 | 128 |
| 11-14 533 0004/K | 4241.G6 4241.K1 4241.K2 4241.K3 | 128 |
| 11-14 533 0017 | 4241.E7 95 619 515 95 653 213 | 124 |

| MEYLE no. | Ref. no. | Page |
|-------------------|--|------|
| Citroën | | |
| | 95 655 344 | |
| 11-14 533 0018 | 4241.N2 | 132 |
| 11-14 533 0018/K | 4241.N2 | 132 |
| 11-14 533 0019 | 4241.L0 | 128 |
| 11-14 533 0021 | 4241.N3 | 133 |
| 11-14 533 0021/K | 4241.J8 4241.K8 4241.L6 | 131 |
| 11-14 533 0023/K | 4241.L0 | 129 |
| 11-14 610 0001 | 3523.98 | 417 |
| 11-14 610 0004 | 3523.81 | 427 |
| 11-14 610 0005 | 3523.82 | 427 |
| 11-14 610 0006 | 3523.83 | 428 |
| 11-14 610 0009 | 3523.93 | 416 |
| 11-14 610 0010 | 3523.95 3523.AR | 416 |
| 11-14 610 0011 | 3523.84 | 415 |
| 11-14 610 0012/HD | 3523.75 | 427 |
| 11-14 610 0013/HD | 3523.92 | 416 |
| 11-14 610 0015/HD | 96 110 483 96 111 043 | 422 |
| 11-14 610 0016/HD | 3523.91 | 415 |
| 11-14 610 0017 | 3523.43 | 415 |
| 11-14 610 0018 | 3523.AQ | 417 |
| 11-14 610 0020 | 3523.CC | 418 |
| 11-14 610 0021 | 3523.CE | 419 |
| 11-14 610 0023 | 3523.94 3523.AP | 430 |
| 11-14 610 0025 | 3520.S0* 3520.S1* 3521.P1* 3521.P2* | 412 |
| 11-14 610 0026 | 3520.S0* 3520.S1* 3521.P1* 3521.P2* | 412 |
| 11-14 610 0027 | 3523.94 3523.AP | 428 |
| 11-14 610 0030 | 3523.CA | 418 |
| 11-14 610 0031 | 3523.AZ | 418 |
| 11-14 610 0033 | - | 428 |
| 11-14 610 0034 | 3520.R8 3521.N9 | 424 |
| 11-14 610 0037 | 96 760 321 80 | 422 |
| 11-14 610 0038 | 16 073 029 80 16 073 030 80 | 423 |

| MEYLE no. | Ref. no. | Page |
|-------------------|--|------|
| Citroën | | |
| | 3520.P6 3520.R8 3521.H0 | |
| 11-14 610 0039 | 3521.H1 3521.K6 3521.N9 | 426 |
| 11-14 610 0040 | 3520.S9 3520.W1 3520.W2 3521.Q0 3521.S4 3521.S5 | 425 |
| 11-14 610 0041 | 3520.X6 3521.T7 | 425 |
| 11-14 610 0043 | 3523.CN 3523.CZ 3523.EA | 419 |
| 11-14 610 0044 | 3523.CP 3523.EC 3523.EE | 419 |
| 11-14 610 0045 | 3520.Q2 3521.L3 | 411 |
| 11-14 610 0046 | 3520.Q2 3521.L3 | 411 |
| 11-14 610 0048 | 3520.Q2 3521.L3 | 429 |
| 11-14 610 0054 | 96 76 035 280 | 422 |
| 11-14 610 0055/HD | 3523.CP 3523.EC 3523.EE | 420 |
| 11-14 615 0000 | 5094.69 | 432 |
| 11-14 615 0002 | 5094.A8 | 435 |
| 11-14 615 0003 | 5094.65 | 431 |
| 11-14 615 0005 | 5094.59 | 431 |
| 11-14 615 0007 | 5094.A6 | 434 |
| 11-14 615 0010 | 5094.56 | 430 |
| 11-14 615 0013 | 1612736480 5081.N9 | 430 |
| 11-14 615 0013/S | 1612736480 5081.N9 | 438 |
| 11-14 615 0014 | 5094.88 5094.E0 | 432 |
| 11-14 615 0015 | 5094.E5 | 437 |
| 11-14 615 0016 | 5094.E4 | 436 |
| 11-14 615 0017 | 5094.89 5094.E3 | 432 |

| MEYLE no. | Ref. no. | Page |
|------------------|---|------|
| Citroën | | |
| 11-14 615 0018 | 5094.E7 | 437 |
| 11-14 615 0022 | 5094.66 | 431 |
| 11-14 615 0029 | 5094.C5 | 435 |
| 11-14 615 0031 | 5094.A9 | 435 |
| 11-14 615 0032 | 5094.99 | 434 |
| 11-14 615 0038 | 5094.91 | 433 |
| 11-14 615 0040 | 5094.C6 | 436 |
| 11-14 615 0045 | 5094.C4 5094.E2 | 436 |
| 11-14 615 0046 | 5094.F2 | 438 |
| 11-14 615 0047 | 5094.E6 | 437 |
| 11-14 620 0000 | 4066.20 91 510 923 | 349 |
| 11-14 620 0003 | 4066.41 | 349 |
| 11-14 620 0005 | 4066.73 | 351 |
| 11-14 620 0006 | 4066.16 | 348 |
| 11-14 620 0007 | 4066.43 | 350 |
| 11-14 620 0008 | 4066.44 | 350 |
| 11-14 620 0009 | 4066.31 | 349 |
| 11-14 620 0019 | 4066.69 | 351 |
| 11-14 620 0025 | 16 108 175 80 | 348 |
| 11-14 620 0026 | 4066A3 | 353 |
| 11-14 631 0000 | 4007.KK | 348 |
| 11-14 640 0000 | - | 465 |
| 11-14 640 0001 | - | 465 |
| 11-14 641 0001/S | 5038.41 5038.72 | 497 |
| 11-14 641 0002/S | 5038.42 5038.74 | 498 |
| 11-14 641 0003 | 5031.77 5038.85 9681330980 | 499 |
| 11-14 641 0003/S | 5038.85 9804776380 | 499 |
| 11-14 641 0004 | 5035.39 | 503 |
| 11-14 641 0005 | 5038.78 | 499 |
| 11-14 641 0013 | 5031.78 5038.87 5038.A4 5038.E3 5038.F3 | 500 |
| 11-14 641 0014 | 5038.89 5038.A3 5038.C9 5038.E2 | 500 |
| 11-14 641 0015 | 5038.F3 | 501 |

| MEYLE no. | Ref. no. | Page |
|------------------|---|------|
| Citroën | | |
| 11-14 641 0016 | 5038.F4 | 501 |
| 11-14 641 0017 | 5038.E6 | 501 |
| 11-14 641 0018 | 5035.29 5035.38 5035.43 5035.45 5035.55 | 503 |
| 11-14 641 0019 | 5038.15 | 496 |
| 11-14 641 0022 | 5038.G6 5038.H4 9670830780 9683738980 | 502 |
| 11-14 641 0025 | 5038.G6 5038.H4 9670830780 9683738980 | 472 |
| 11-14 641 0030 | 5031.78 5038.87 5038.A4 5038.E3 5038.F3 | 472 |
| 11-14 641 0031 | 5038.89 5038.A3 5038.C9 5038.E2 | 471 |
| 11-14 641 1001 | 5038.41 5038.72 | 498 |
| 11-14 641 1001/S | 5038.41 5038.72 | 470 |
| 11-14 641 1002 | 5038.42 5038.74 | 498 |
| 11-14 641 1002/S | 5038.42 5038.74 | 471 |
| 11-14 642 0004 | 5033.70 | 473 |
| 11-14 650 0001 | 3350.30 | 508 |
| 11-14 650 0002 | 3350.27 | 508 |
| 11-14 650 0006 | 3350.32 | 509 |
| 11-14 650 0007 | 3350.69 3350.84 | 509 |
| 11-14 650 0008 | 3350.82 3646.C0 3647.C0 | 509 |
| 11-14 650 0010 | 3350.18 95 603 182 95 654 075 | 507 |
| 11-14 650 0012 | 6822.JL | 512 |

| MEYLE no. | Ref. no. | Page |
|----------------|-------------------------------|------|
| Citroën | | |
| 11-14 650 0013 | 3326.63 3326.69 | 505 |
| 11-14 650 0014 | 16 063 750 80 3362.62 | 505 |
| 11-14 650 0015 | 3350.72 3350.86 3350.92 | 510 |
| 11-14 652 0001 | 3307.64 | 512 |
| 11-14 652 0003 | 3307.76 | 512 |
| 11-14 710 0001 | 5131.72 | 456 |
| 11-14 710 0007 | 5152.61 | 456 |
| 11-14 710 0013 | 5131.63 5131.65 | 453 |
| 11-14 710 0015 | 5131.C1 5131.C2 5131.C6 | 455 |
| 11-14 710 0017 | 5131.A4 5131.A5 | 454 |
| 11-14 710 0018 | 5131.H4 | 455 |
| 11-14 710 0020 | 5131.E0 | 421 |
| 11-14 710 0021 | 5131.98 | 454 |
| 11-14 710 0022 | 5131.C3 | 420 |
| 11-14 710 0024 | 5131.G4 | 455 |
| 11-14 710 0025 | 5131.47 | 453 |
| 11-14 710 0027 | 5131.C4 9801049980 | 423 |
| 11-14 715 0000 | 5172.58 | 438 |
| 11-14 741 0001 | 5142.34 | 502 |
| 11-14 741 0002 | 5142.48 | 502 |
| 11-14 742 0000 | 5166.63 | 474 |
| 11-14 742 0001 | 5166.68 5166.95 | 475 |
| 11-14 742 0002 | 5166.73 | 475 |
| 11-14 750 0001 | 3748.17 3748.39 | 510 |
| 11-14 750 0004 | 3350.25 | 507 |
| 11-14 750 0008 | 3748.85 | 519 |
| 11-14 750 0009 | 3748.31 3748.45 | 515 |
| 11-14 750 0013 | 3748.88 | 519 |
| 11-14 750 0014 | 3748.68 3748.80 | 517 |
| 11-14 750 0015 | 3748.28 3748.43 | 514 |
| 11-14 750 0016 | 3748.82 3748.86 | 519 |

| MEYLE no. | Ref. no. | Page |
|------------------|--|------|
| Citroën | | |
| | 3748.87 | |
| 11-14 750 0018 | 3350.28 | 513 |
| 11-14 750 0020 | 3730.32 | 510 |
| 11-14 750 0022 | 3748.44 | 516 |
| 11-14 750 0025 | 3748.83 | 511 |
| 11-14 750 0027 | 3748.76 | 518 |
| 11-14 750 0028 | 3748.77 | 511 |
| 11-14 750 0029 | 3748.94 | 511 |
| 11-14 750 0030 | 3701.68 3701.74 | 514 |
| 11-14 750 0031 | 3748.32 | 515 |
| 11-14 750 0032 | 3748.74 | 518 |
| 11-14 752 0000 | 3748.37 | 516 |
| 11-14 752 0001 | 3748.95 3748.99 3748.A3 | 520 |
| 11-14 752 0002 | 3748.96 3748.A0 | 520 |
| 11-14 800 0002 | 4545.A9 4545.G6 | 192 |
| 11-14 800 0003 | 4545.75 | 184 |
| 11-14 800 0004 | 4545.32 4545.45 | 181 |
| 11-14 800 0005 | 4545.33 4545.36 4545.46 4545.56 | 181 |
| 11-14 800 0007 | 4545.E5 | 190 |
| 11-14 800 0008 | 14 99 936 080 4545.E9 | 191 |
| 11-14 800 0009 | 4545.F0 | 191 |
| 11-14 800 0010 | 4545.H1 | 193 |
| 11-14 800 0011 | 4545.E4 4545.J9 | 195 |
| 11-14 800 0012 | 4545.J8 | 194 |
| 11-14 800 0015 | 4545.67 | 182 |
| 11-14 800 0016 | 4545.08 4545.L0 | 181 |
| 11-14 860 0000 | 5960.69 5962.22 | 206 |
| 11-14 860 0001 | 5960.79 | 207 |
| 11-14 870 0001 | 6434.75 | 13 |
| 11-14 870 0002 | 6434.58 | 12 |
| 11-14 870 0003 | 6434.60 | 12 |
| 11-14 880 0001 | 5981.20 | 195 |
| 11-14 880 0003/S | 5981.40 | 199 |

| MEYLE no. | Ref. no. | Page |
|------------------|--|------|
| Citroën | | |
| 11-14 880 0004/S | 5981.40 | 200 |
| 11-14 880 0005/S | 5981.40 | 200 |
| 11-14 880 0006/S | 5981.40 | 201 |
| 11-14 880 0007/S | 5981.40 | 201 |
| 11-14 880 0008/S | 5981.40 | 202 |
| 11-14 885 0002 | 5970.80 5970.99 96 363 378 | 215 |
| 11-14 885 0003 | 5970.73 5970.A4 | 216 |
| 11-14 885 0004 | 5970.84 5970.A5 | 217 |
| 11-14 885 0006 | 5970.85 96 51 710 680 | 215 |
| 11-14 885 0007 | 5970.75 5970.98 96 341 314 | 214 |
| 11-14 899 0000 | 4545.74 | 184 |
| 11-14 899 0001 | 4545.73 | 183 |
| 11-14 899 0003 | 4545.C1 | 188 |
| 11-14 899 0004 | 4545.C2 96 526 967 | 188 |
| 11-14 899 0005 | 4545.C4 96 461 258 96 584 207 | 189 |
| 11-14 899 0010 | 4545.50 96 217 756 96 227 489 | 182 |
| 11-14 899 0016 | 4545.57 | 182 |
| 11-14 899 0019 | 4545.C0 4545.67 | 192 |
| 11-14 899 0020 | 3349.09 | 504 |
| 11-14 919 0009 | 1525.KJ 1525.Q4 96 326 720 80 96 803 528 80 96 803 530 | 321 |
| 11-15 521 0001 | 95 575 080 95 585 454 95 661 746 | 70 |
| 11-15 521 0006 | 4246.J3 4249.H5 | 43 |
| 11-15 521 0007 | 4246.L8 4249.J1 | 45 |
| 11-15 521 0010 | 91 517 694 95 669 225 | 74 |

| MEYLE no. | Ref. no. | Page |
|-------------------|--|------|
| Citroën | | |
| 11-15 521 0012 | 1690.04 4249.C5 95 027 199 95 661 810 | 72 |
| 11-15 521 0013 | 4246.T9 4246.V0 4249.97 4249.K4 95 667 810 | 49 |
| 11-15 521 0015 | 4246.H9 4249.L4 | 43 |
| 11-15 521 0017 | 4246.W1 4249.16 4249.83 4249.G1 E 169 141 | 66 |
| 11-15 521 0018 | 16 064 014 80 4246.W2 4249.18 4249.84 4249.J6 E 169 142 | 34 |
| 11-15 521 0022 | 95 661 813 96 099 616 | 73 |
| 11-15 521 0028 | 4246.K0 4249.44 4249.A9 | 56 |
| 11-15 521 0030 | 4249.93 4249.K1 | 67 |
| 11-15 521 0030/PD | 4249.93 4249.K1 | 67 |
| 11-15 521 0031 | 1690.03 4249.96 91 517 695 95 661 747 | 70 |
| 11-15 521 0031/PD | 1690.03 4249.96 91 517 695 95 661 747 | 71 |
| 11-15 521 0032 | 1690.02 4246.R5 4246.W6 4249.F0 95 632 048 95 667 809 | 50 |
| 11-15 521 0033 | 16 086 916 80 | 47 |

| MEYLE no. | Ref. no. | Page |
|-------------------|--|------|
| Citroën | | |
| | 4246.R2 4246.R4 4249.82 E 169 020 | |
| 11-15 521 0033/PD | 16 086 916 80 4246.R2 4246.R4 4249.82 E 169 020 | 47 |
| 11-15 521 0034/PD | 4249.64 4249.81 4249.86 4249.J8 | 59 |
| 11-15 521 0035 | 4246.P2 4249.H7 | 46 |
| 11-15 521 0035/PD | 4246.P2 4249.H7 | 46 |
| 11-15 521 0036 | 1690.14 4246.R9 | 48 |
| 11-15 521 0036/PD | 1690.14 4246.R9 | 48 |
| 11-15 521 0037 | 4246.J0 4249.55 4249.94 E169256 | 62 |
| 11-15 521 0037/PD | 4246.J0 4249.55 4249.94 | 63 |
| 11-15 521 0039 | 4249.88 | 61 |
| 11-15 521 0039/PD | 4249.88 | 62 |
| 11-15 521 0040 | 4249.L6 | 68 |
| 11-15 521 0040/PD | 4249.L6 | 68 |
| 11-15 521 0041 | 9805961480 | 75 |
| 11-15 521 0041/PD | 9805961480 | 75 |
| 11-15 521 0042 | 1690.01 4249.95 91 508 338 95 661 748 96 070 525 | 63 |
| 11-15 521 0042/PD | 1690.01 4249.95 91 508 338 95 661 748 96 070 525 | 64 |
| 11-15 523 0003 | 4247.24 91 509 908 | 122 |

| MEYLE no. | Ref. no. | Page |
|-------------------|---|------|
| Citroën | | |
| 11-15 523 0005 | 4247.48 | 124 |
| 11-15 523 0008 | 4246.W9 4246.X8 4249.53 4249.90 E 169 198 | 51 |
| 11-15 523 0008/PD | 4246.W9 4246.X8 4249.53 4249.90 E 169 198 | 52 |
| 11-15 523 0009 | 4249.72 4249.C1 E 169 157 | 59 |
| 11-15 523 0009/PD | 4249.72 4249.C1 E 169 157 | 60 |
| 11-15 523 0010 | 1691.15 4249.F5 95 661 749 96 012 770 | 71 |
| 11-15 523 0010/PD | 1691.15 4249.F5 95 661 749 96 012 770 | 72 |
| 11-15 523 0011 | 4246.P4 4249.C0 | 64 |
| 11-15 523 0011/PD | 4246.P4 4249.C0 4259.C9 | 69 |
| 11-15 523 0012 | 4249.F7 | 65 |
| 11-15 523 0012/PD | 4249.F7 | 65 |
| 11-15 523 0014 | 1609582880 | 38 |
| 11-15 523 0014/PD | 1609582880 | 39 |
| 11-15 523 0015 | 1609583080 | 39 |
| 11-15 523 0015/PD | 1609583080 | 40 |
| 11-15 523 0030 | 4247.32 94 782 679 80 | 123 |
| 11-15 523 0031 | 4247.44 95 659 622 | 123 |
| 11-15 523 0035 | 4246.J6 | 44 |
| 11-15 523 0038 | 4246.L6 | 45 |
| 11-15 523 0041 | 4246.Z9 4249.34 | 53 |
| 11-15 523 4008 | 4249.46 | 76 |
| 11-16 010 0000 | 3640.60 | 383 |

| MEYLE no. | Ref. no. | Page |
|-------------------|---|------|
| Citroën | | |
| | 3640.68 3640.70 3640.73 | |
| 11-16 010 0004 | 13 004 730 80 3640.33 | 379 |
| 11-16 010 0005/HD | 13 023 680 80 3640.32 | 381 |
| 11-16 010 0008 | 3640.50 3640.51 | 382 |
| 11-16 010 0011 | 3640.54 | 382 |
| 11-16 010 0013 | 16 072 985 80 3640.56 3640.59 3640.61 3640.62 3640.65 3640.66 | 383 |
| 11-16 010 0014 | 3640.67 3640.76 | 384 |
| 11-16 010 0017 | 3640.77 | 384 |
| 11-16 010 0018 | 3640.58 3640.69 3640.72 | 383 |
| 11-16 010 0018/S | 3640.58 3640.69 3640.72 | 429 |
| 11-16 010 0019 | 3640.57 3640.69 3640.72 3640.74 | 429 |
| 11-16 010 0025 | 3640.78 | 384 |
| 11-16 010 3347 | 16 072 950 80 3640 28 3640 34 3640.71 95 028 039 96 233 739 | 379 |
| 11-16 010 3356 | 16 144 392 80 3640.36 96 093 233 | 385 |
| 11-16 010 4087/HD | 7 567 284 | 385 |
| 11-16 010 4249 | 3640.21 95 494 204 95 494 205 95 607 224 96 041 652 | 381 |

| MEYLE no. | Ref. no. | Page |
|-------------------|---|------|
| Citroën | | |
| 11-16 020 0005 | 3817.38 3817.44 | 367 |
| 11-16 020 0006 | 3817.37 3817.43 | 367 |
| 11-16 020 0008 | 3817.56 | 368 |
| 11-16 020 0009 | 16 086 522 80 3817.67 | 371 |
| 11-16 020 0010 | 16 086 523 80 3817.68 | 372 |
| 11-16 020 0011 | 3817.53 3817.59 | 369 |
| 11-16 020 0012 | 3817.54 3817.60 | 369 |
| 11-16 020 0013 | 3817.66 | 371 |
| 11-16 020 0014 | 3817.65 | 371 |
| 11-16 020 0015/HD | 16 109 764 80 3817.69 3817.77 | 366 |
| 11-16 020 0016/HD | 3817.70 | 372 |
| 11-16 020 0017 | 3817.63 | 370 |
| 11-16 020 0018 | 3817.64 | 370 |
| 11-16 020 0019 | 3814.A5 3817.73 | 367 |
| 11-16 020 0022 | 3817.76 3817.89 | 374 |
| 11-16 020 0023 | 3817.75 3817.88 | 373 |
| 11-16 020 0024 | 3817.92 | 375 |
| 11-16 020 0025 | 3817.91 | 375 |
| 11-16 020 0026 | 16 099 482 80 3817.80 | 366 |
| 11-16 020 0027 | 16 09 942 380 16 09 948 380 3817.81 | 366 |
| 11-16 020 0028 | 3817.71 | 372 |
| 11-16 020 0029 | 3817.72 | 373 |
| 11-16 020 0032 | 3817.94 | 375 |
| 11-16 020 0033 | 16 08 025 280 | 365 |
| 11-16 020 0034 | 16 08 025 180 | 365 |
| 11-16 020 4078 | 97 500 799 80 | 378 |
| 11-16 020 5042 | 4059.09 94 040 590 80 | 377 |
| 11-16 020 5703/HD | 3817.18 3817.50 | 368 |
| 11-16 020 7529 | 4018.A3 4018.H4 | 376 |

| MEYLE no. | Ref. no. | Page |
|-------------------|---|------|
| Citroën | | |
| 11-16 030 0001 | 3812.C0 3812.C6 3812.E4 96 048 214 | 356 |
| 11-16 030 0008/HD | 14 716 540 80 4018.A4 | 353 |
| 11-16 030 5749 | 96 136 394 | 364 |
| 11-16 030 7528 | 14 716 540 80 4018.A4 | 353 |
| 11-16 031 0006 | 3812.C8 | 356 |
| 11-16 031 0007 | 3812.E8 | 359 |
| 11-16 031 0008 | 3812.E3 3812.E7 | 359 |
| 11-16 031 0009 | 3812.E1 | 357 |
| 11-16 031 0011/HD | 3812.E1 | 357 |
| 11-16 031 0012/HD | 1610976380 4001 A1 4001 E4 4001 E5 | 355 |
| 11-16 031 0013/HD | 3812.F1 | 360 |
| 11-16 031 0014/HD | 16 080 253 80 | 364 |
| 11-16 031 0015 | 3812.E0 | 357 |
| 11-16 031 0016 | 3812.A9 | 364 |
| 11-16 031 0017 | 3812.A6 | 356 |
| 11-16 031 0019 | 3812.E5 | 358 |
| 11-16 031 0020 | 3812.F0 | 360 |
| 11-16 031 0021 | 3812.F2 | 360 |
| 11-16 031 0022 | 1610976380 4001 A1 4001 E4 4001 E5 | 355 |
| 11-16 031 0023 | 3812.F3 | 361 |
| 11-16 031 0024 | 3812.F4 | 361 |
| 11-16 031 0025 | 3812.E9 | 359 |
| 11-16 031 0026 | 4001.33 | 362 |
| 11-16 031 0030 | 3812.F7 | 362 |
| 11-16 031 0031 | 16 080 253 80 | 365 |
| 11-16 031 0032 | 16 085 321 80 | 354 |
| 11-16 031 0034/HD | 4001.33 | 362 |
| 11-16 050 0009/HD | 3521.G8 3521.K3 3521.P3 | 404 |
| 11-16 050 0010/HD | 3520.K8 3520.S2 | 394 |
| 11-16 050 0013 | 3521.64 3521.83 | 402 |

| MEYLE no. | Ref. no. | Page |
|----------------|---|------|
| Citroën | | |
| | 3521.85 3521.C9 3521.K4 3521.L0 | |
| 11-16 050 0014 | 3521.65 3521.H2 3521.J3 | 400 |
| 11-16 050 0019 | 16 227 103 80 3520.L3 3520.L4 3520.L9 3520.N1 3520.P9 3520.Q0 3520.R0 3520.R1 3520.R2 3520.R3 3520.R4 3520.R5 3520.V1 3520.V5 | 390 |
| 11-16 050 0020 | 16 227 106 80 3521.H5 3521.H6 3521.J1 3521.J2 3521.K8 3521.L1 3521.N1 3521.N2 3521.N3 3521.N4 3521.N5 3521.N6 3521.R2 3521.S2 | 400 |
| 11-16 050 0023 | 3520.94 3520.C3 3520.C5 3520.G9 3520.P4 3520.P8 | 392 |
| 11-16 050 0032 | 3520.96 3520.L1 3520.N4 | 391 |

| MEYLE no. | Ref. no. | Page |
|-------------------|--|------|
| Citroën | | |
| 11-16 050 0033 | 3521.66 3521.H3 3521.J4 | 401 |
| 11-16 050 0035 | 16 072 986 80 3640.57 3640.74 | 379 |
| 11-16 050 0036/HD | 3520.F7 3520.F8 95 685 512 | 410 |
| 11-16 050 0037/HD | 3521.A7 3521.A8 95 685 513 | 411 |
| 11-16 050 0038 | 16 073 030 80 3520.P6 3521.H0 | 386 |
| 11-16 050 0039 | 16 073 029 80 3521.H1 3521.K6 | 385 |
| 11-16 050 0040 | 3520.K3 3520.P0 | 392 |
| 11-16 050 0041 | 3521.G3 3521.K0 | 401 |
| 11-16 050 0047 | 3520.95 3520.L0 3520.N3 | 391 |
| 11-16 050 0048/HD | 3520.J3 3520.J4 3520.Q3 3520.V3 | 396 |
| 11-16 050 0049/HD | 3521.F3 3521.F4 3521.L4 3521.R4 | 405 |
| 11-16 050 0050 | 3520.Q2 | 393 |
| 11-16 050 0051 | 3521.L3 | 402 |
| 11-16 050 0052 | 16 073 051 80 3521.N0 3521.N8 3521.S8 | 387 |
| 11-16 050 0053 | 16 073 050 80 3520.Q9 3520.R7 3520.W5 | 386 |
| 11-16 050 0063 | 3520.92 | 388 |
| 11-16 050 0064 | 3520.93 | 389 |
| 11-16 050 0065 | 3521.P1 | 403 |

| MEYLE no. | Ref. no. | Page |
|-------------------|--|------|
| Citroën | | |
| | 3521.P2 | |
| 11-16 050 0066 | 3520.S0 3520.S1 | 394 |
| 11-16 050 0067 | 3521.N9 3521.S0 | 403 |
| 11-16 050 0068 | 3520.R8 3520.V8 | 393 |
| 11-16 050 0071/HD | 3521R3 | 405 |
| 11-16 050 0072/HD | 3520V2 | 395 |
| 11-16 050 0073 | 3520.S9 3520.W1 3520.W2 | 396 |
| 11-16 050 0074 | 3521.Q0 3521.S4 3521.S5 | 406 |
| 11-16 050 0075 | 3520.X6 | 397 |
| 11-16 050 0076 | 3521.T7 | 407 |
| 11-16 050 0079 | 3520.W7 3520.W8 3520.X1 3520.Y1 98 032 865 80 | 397 |
| 11-16 050 0080 | 3521.S9 3521.T0 3521.T3 3521.V2 98 032 864 80 | 406 |
| 11-16 050 0081 | 3520.T2 3520.T5 3520.T6 3520.T7 3520.T8 3520.T9 | 395 |
| 11-16 050 0082 | 3521 Q3 3521 Q6 3521 Q7 3521 Q8 3521 Q9 3521 R0 | 404 |
| 11-16 050 0083 | 16 075 107 80 3521.P6 3521.S7 3521.T2 | 388 |
| 11-16 050 0084 | 16 075 106 80 3520.S5 3520.W4 | 387 |

| MEYLE no. | Ref. no. | Page |
|-------------------|---|------|
| Citroën | | |
| | 3520.X0 | |
| 11-16 050 3198 | 3520.51 91 516 335 91 516 336 | 408 |
| 11-16 050 3199 | 3521.34 91 516 334 91 516 337 | 409 |
| 11-16 050 6979 | 3520.79 95 658 979 | 410 |
| 11-16 050 6980 | 3520.78 95 658 978 | 409 |
| 11-16 060 0000/HD | 5087.50 5087.57 5087.62 5087.64 98 049 474 80 | 445 |
| 11-16 060 0001/HD | 5087.45 5087.59 5087.66 5087.71 5087.74 96 288 787 98 000 861 80 98 088 682 80 | 446 |
| 11-16 060 0002/HD | 5087.43 5087.60 96 324 274 | 447 |
| 11-16 060 0003 | 5087.30 5087.31 5087.41 5087.49 | 441 |
| 11-16 060 0005/S | 5087.35 | 439 |
| 11-16 060 0006/S | 5087.37 | 439 |
| 11-16 060 0013/HD | 5087.51 | 443 |
| 11-16 060 0014 | 5087.53 | 444 |
| 11-16 060 0015 | 5087.52 | 443 |
| 11-16 060 0016/HD | 5178.46 5178.52 98 071 300 80 | 450 |
| 11-16 060 0017/HD | 16 073 269 80 5087.54 5087.69 | 440 |
| 11-16 060 0018/HD | 16 073 268 80 5087.55 5087.68 | 439 |
| 11-16 060 0019 | 5091.10 | 449 |

| MEYLE no. | Ref. no. | Page |
|-------------------|--|------|
| Citroën | | |
| 11-16 060 0020/HD | 5087.56 | 444 |
| 11-16 060 0021/HD | 5087.58 | 446 |
| 11-16 060 0022/S | 1612736480 5081.N9 | 441 |
| 11-16 060 0024/HD | 98 069 071 80 98 090 457 80 | 453 |
| 11-16 060 0025 | 5087.50 5087.62 5087.64 | 448 |
| 11-16 060 0026 | 5087.45 5087.59 5087.66 5087.74 | 447 |
| 11-16 060 0028 | 5087.57 98 049 474 80 | 445 |
| 11-16 060 0029 | 5087.71 | 449 |
| 11-16 060 0030 | 5087.43 5087.60 96 324 274 | 448 |
| 11-16 060 0032 | 5087.51 | 443 |
| 11-16 060 0033 | 5178.46 5178.52 98 071 300 80 | 451 |
| 11-16 060 0034 | 16 073 268 80 5087.55 5087.68 | 440 |
| 11-16 060 0035 | 16 073 269 80 5087.54 5087.69 | 441 |
| 11-16 060 0036 | 5087.56 | 444 |
| 11-16 060 0037 | 5087.58 | 446 |
| 11-16 060 0039 | 5087.48 | 442 |
| 11-16 060 0040 | 5087.39 5087.42 5087.46 5087.61 | 442 |
| 11-16 060 5041/HD | 5087.40 96 177 836 | 452 |
| 11-16 060 5046/HD | 5084.38 5087.34 5087.38 5087.39 5087.42 5087.46 5087.48 5087.61 | 442 |

| MEYLE no. | Ref. no. | Page |
|----------------|---|------|
| Citroën | | |
| | 96 152 213 | |
| 11-16 060 5707 | 96 103 814 | 452 |
| 11-16 323 0000 | 1906.77 | 318 |
| 11-26 623 0000 | 5202.K7 5202.K8 5202.N8 5202.S9 5202.TQ | 480 |
| 11-26 623 0002 | 5202.LQ 5202.QG 5202.QJ 5202.SJ 5202.WJ 5202.WL | 480 |
| 11-26 623 0003 | 5202.QH 5202.QK 5202.SK 5202.WK 5202.WN | 480 |
| 11-26 623 0008 | 5202.P9 | 477 |
| 11-26 623 0009 | 5202.Q3 | 478 |
| 11-26 623 0010 | 5202.ET 5202.Q1 5202.R9 5202.RN | 479 |
| 11-26 623 0011 | 5202.EV 5202.Q5 5202.RL | 478 |
| 11-26 623 0012 | 5202.VG 5202.VK 5202.WE 5202.WG 5202.XJ 5202.YV 5202.YZ | 482 |
| 11-26 623 0013 | 5202.WC 5202.WF 5202.WH 5202.XK 5202.YT 5202.YW 5202.YY | 482 |
| 11-26 624 0001 | 5202.L6 | 477 |
| 11-26 715 0000 | 5206.N9 5206.R2 5206.TH | 489 |

| MEYLE no. | Ref. no. | Page |
|----------------|--|------|
| Citroën | | |
| 11-26 715 0006 | 5206.69 5206.S6 | 484 |
| 11-26 725 0007 | 5206.F8 5206.G3 | 486 |
| 11-26 725 0009 | 5206.NV | 487 |
| 11-26 725 0011 | 5206.97 | 484 |
| 11-26 725 0012 | 5206.H1 5206.H2 | 486 |
| 11-28 228 0000 | 1338.A0 | 280 |
| 11-28 228 0001 | 1336.Q1 | 279 |
| 11-28 228 0002 | 1336.Q2 | 279 |
| 11-40 910 0006 | 8731.A3 | 3 |
| 11-40 910 0007 | 14 793 030 80 8731.C1 | 4 |
| 11-40 910 0008 | 8731.E5 | 6 |
| 11-40 910 0017 | 8731.G6 | 7 |
| 11-51 049 0001 | 0831.02 0831.13 0831.Q3 | 231 |
| 11-51 049 0002 | 0831.03 0831.14 0831.Q4 | 229 |
| 11-51 049 0009 | 0831.40 0831.41 0831.62 0831.82 0831.83 0831.R8 831.41 | 231 |
| 11-51 049 0010 | 0831.80 0831.81 0831.T3 831.T3 | 232 |
| 11-51 049 0014 | 0831.84 0831.85 0831.S1 | 232 |
| 11-51 049 0016 | 0831P2 0831.P4 0831V4 831P3 831P4 | 230 |
| 11-51 049 0018 | 0830.K0 0831.92 0831.K0 0831.T5 | 233 |
| 11-51 049 0030 | 0831.78 | 230 |

| MEYLE no. | Ref. no. | Page |
|----------------|---|------|
| Citroën | | |
| | 0831.79 0831.N5 0831.V3 | |
| 11-51 902 1000 | 0829.59 | 224 |
| 11-51 902 1002 | 0829.77 0829.92 0829.96 0829.A7 96 433 296 96 43 329 680 | 226 |
| 11-51 902 1003 | 0829.90 96 429 298 96 42 929 880 | 225 |
| 11-51 902 1004 | 0829.69 96 35 3368 96 35 336 880 | 224 |
| 11-51 902 1005 | 0829.79 96 37 0580 96 37 058 080 | 224 |
| 11-51 902 1006 | 0829.80 0829.98 96354380 9635438080 96459251 9645925180 | 226 |
| 11-51 902 1007 | 0818.19 96 056 183 96 654 092 | 222 |
| 11-51 902 1008 | 0829.A5 0829.C6 96 452 098 96 45 209 880 | 227 |
| 11-51 902 1009 | 0829.A3 0829.A4 96 408 284 96 40 828 480 | 226 |
| 11-51 902 1010 | 0829.82 0829.C7 | 225 |
| 11-51 902 1011 | 0829.88 0829.89 | 228 |
| 11-51 902 1012 | 0829.A0 0829.C8 0829.F6 | 227 |
| 11-51 902 1013 | 0829.E8 0829.F5 | 228 |
| 11-51 902 1014 | 0820.53 | 223 |

| MEYLE no. | Ref. no. | Page |
|-------------------|--|------|
| Citroën | | |
| | 0829.29 0829.54 97 535 002 | |
| 11-51 902 1015 | 0829.32 0829.35 | 223 |
| 11-51 902 1016 | 0818.20 | 228 |
| 11-51 902 1017 | 0829.33 0829.47 | 222 |
| 11-51 902 1018 | 0829.11 0829.21 93 501 404 | 229 |
| 11-51 902 2000 | 0830.28 0830.31 0832.81 | 236 |
| 11-51 902 2001 | 0830.48 0830.49 | 234 |
| 11-51 902 2002 | 0830.42 | 234 |
| 11-51 902 2003 | 0830.20 0830.61 | 235 |
| 11-51 902 2004 | 0830.50 0830.51 0830.72 0830.74 96442584 96 44 258 480 | 236 |
| 11-51 902 2005 | 0830.37 0830.63 96099089 96201309 | 233 |
| 11-51 902 2006 | 0830.02 93501405 | 233 |
| 11-51 902 2007 | 0830.25 0830.27 0830.54 0830.59 | 235 |
| 11-83 521 0017/PD | 16 131 913 80 4246.W1 4249.16 4249.83 4249.G1 E 169 141 | 66 |
| 11-83 521 0018/PD | 16 064 014 80 4246.W2 4249.18 4249.84 4249.J6 | 35 |

| MEYLE no. | Ref. no. | Page |
|-------------------|--|------|
| Citroën | | |
| | E 169 142 | |
| 11-83 521 0032/PD | 1690.02 4246.R5 4246.W6 4249.F0 95 632 048 95 667 809 | 51 |
| 112 129 0005 | 95 558 218 95 559 627 | 312 |
| 16-14 323 0000 | 1901.68 1901.70 1901.75 1901.85 | 315 |
| 16-14 525 0002 | 4806 86 | 139 |
| 16-14 525 0005 | 96 075 425 | 147 |
| 16-14 533 0000 | 4241.J5 | 126 |
| 16-14 533 0012 | 16 066 311 80 4241.P1 | 134 |
| 16-14 533 0012/K | 16 066 311 80 4241.P1 | 135 |
| 16-14 610 0009 | 3523.50 3523.66 95 603 308 96 113 432 | 421 |
| 16-14 880 0000 | 5981.40 | 202 |
| 16-16 031 0005 | 3812.F6 | 361 |
| 212 319 0003/S | 6447.H0 6447.H1 | 23 |
| 212 319 0004 | 6447.J0 | 24 |
| 212 319 0012 | 6479.62 6479.E0 | 32 |
| 212 320 0012 | 6479.62 | 31 |
| 212 321 0020 | 1444.QV 1444.SQ | 304 |
| 212 321 0021 | 1444.SG 1444.SR | 304 |
| 212 321 0023 | 1444.XK | 312 |
| 214 030 0003 | 1802.56 | 329 |
| 214 030 0004 | 1807.S7 | 334 |
| 214 030 0005 | 1839.A6 | 340 |
| 214 030 0006 | 1807.T1 | 334 |
| 214 030 0029 | 1821.36 | 338 |
| 214 030 0030 | 1846.C2 | 346 |
| 214 030 0032 | 1806.95 | 331 |
| 214 030 0033 | 1806.91 | 330 |
| 214 030 0034 | 1846.C1 | 346 |

| MEYLE no. | Ref. no. | Page |
|----------------|--|------|
| Citroën | | |
| 214 030 0035 | 1854.25 | 347 |
| 214 030 0070 | 1807.KE | 333 |
| 214 322 0001 | 1109.00 1109.01 1109.Y7 | 327 |
| 214 322 0002 | 95 495 621 95 495 622 95 580 483 95 638 747 96 002 933 96 371 434 96 448 854 | 328 |
| 214 323 0000 | 1906.94 | 320 |
| 214 323 0001 | 1906.49 1906.A9 | 317 |
| 214 323 0002 | 1906.50 1906.51 1906.C5 | 317 |
| 214 323 0004 | 16 063 849 80 1901.A3 | 316 |
| 214 498 0006 | 3273.60 3273.62 | 174 |
| 214 498 0012 | 1690.02 95 667 221 80 | 178 |
| 214 498 0013 | 95 675 822 80 | 178 |
| 214 498 0014 | 3272.GY 3273.G0 | 172 |
| 214 498 0032 | 1690.02 4246.R3 | 176 |
| 214 498 0037 | - | 180 |
| 214 498 0059 | 3273.5S 3273.CJ | 169 |
| 214 525 0033 | 4806.G7 4806.P5 | 146 |
| 214 525 0035 | 4806.H4 4806.P6 | 146 |
| 214 525 0041 | 4806.G6 | 145 |
| 214 533 0008 | 4241.L7 | 131 |
| 214 533 0008/K | 4241.L7 | 132 |
| 214 533 0010 | 4241.P0 4241.P3 | 133 |
| 214 533 0010/K | 4241.P0 4241.P3 | 134 |
| 214 533 0017 | 4241.N5 | 136 |
| 214 533 0017/K | 4241.H7 4241.K6 | 126 |

| MEYLE no. | Ref. no. | Page |
|----------------|---|------|
| Citroën | | |
| 214 533 0020 | 4241.H5 4241.N4 | 125 |
| 214 533 0020/K | 4241.H4 | 124 |
| 214 533 0021 | 4241.H4 | 125 |
| 214 597 0000 | 1109.AR 1109.K9 16 08 076 280 | 324 |
| 214 610 0000 | 13 123 170 80 16 073 029 80 16 073 030 80 3520.94 3520.C3 3520.C5 3520.G9 3520.P4 3520.P6 3520.P8 3521.64 3521.83 3521.85 3521.C9 3521.H0 3521.H1 3521.K4 3521.K6 3521.L0 | 423 |
| 214 610 0013 | 3520.94* 3520.C3* 3520.C5* 3520.G9* 3520.P4* 3520.P8* | 424 |
| 214 610 0014 | 3521.64* 3521.83* 3521.85* 3521.C9* 3521.K4* 3521.L0* | 425 |
| 214 640 0010 | - | 466 |
| 214 650 0006 | 3326.76 | 506 |
| 214 650 0010 | 3326.77 | 506 |
| 214 650 0013 | 16 063 746 80 3326.71 | 505 |
| 214 770 0001 | 5035.19 5035.23 5035.27 | 503 |

| MEYLE no. | Ref. no. | Page |
|-----------------|---|------|
| Citroën | | |
| | 91 510 633 | |
| 214 800 0017 | 4545.90 | 185 |
| 214 860 0003 | 5960.A4 | 207 |
| 214 860 0006 | - | 212 |
| 214 899 0001 | 1920.SQ | 204 |
| 215 521 0002 | 4249.73 4249.74 4249.E5 4249.L2 | 60 |
| 215 521 0002/PD | 4249.74 | 61 |
| 215 521 0003 | 1607872280 4246.K3 4246.Y3 4249.H9 | 36 |
| 215 521 0004 | 16 078 720 80 4246.L3 4246.L4 4246.Y1 4249.H8 | 35 |
| 215 521 0005 | 4246.J9 4249.C9 4249.H6 | 44 |
| 215 521 0018 | 4249.27 4249.K3 | 54 |
| 215 521 0019 | 1611841680 4249.36 4249.A0 4249.H2 | 41 |
| 215 521 0021 | 1607872380 1612435380 1612435480 4249.37 4249.38 4249.A6 | 37 |
| 215 521 0024 | 1611841980 4249.25 4249.92 4249.K0 | 41 |
| 215 521 0024/PD | 1611841980 4249.25 4249.92 4249.K0 | 42 |
| 215 521 0029 | 1607872180 1611842080 4249.29 4249.K2 | 36 |

| MEYLE no. | Ref. no. | Page |
|-----------------|---|------|
| Citroën | | |
| 215 521 0033 | 4249.21 4249.87 4249.J9 | 53 |
| 215 521 0048 | 7538682 ZF93500521 | 69 |
| 215 523 0004 | 4249.40 4249.A2 4249.K8 | 55 |
| 215 523 0006 | 1607880580 4246.Z1 4246.Z3 4249.K9 | 38 |
| 215 523 0012 | 16 078 804 80 4246.Y7 4249.L0 | 37 |
| 215 523 0027 | 4228.35 4249.31 4249.A1 4249.K7 | 55 |
| 215 523 0028 | 16 078 806 80 4249.42 4249.K6 | 56 |
| 215 523 0029 | 4249.23 4249.91 | 54 |
| 216 020 0015 | 3817.86 | 374 |
| 216 020 0016 | 3817.87 | 374 |
| 216 020 0062 | 4059.12 | 376 |
| 216 031 0004 | 3812.A4 | 355 |
| 216 031 0005 | 3812.E2 | 358 |
| 216 031 0017 | 4001.77 4001 K6 4001 NZ 4001 PA | 363 |
| 216 031 0030/HD | 4001.77 4001 K6 4001 NZ 4001 PA | 363 |
| 216 050 0025 | 4066.95 | 352 |
| 216 060 0000/HD | 5087.65 5087.70 5087.78 5087.79 | 448 |
| 216 060 0007 | 4018.E0 | 376 |
| 216 060 0033 | 5087.65 5087.70 5087.78 | 449 |

| MEYLE no. | Ref. no. | Page |
|----------------|----------|------|
| Citroën | | |
| | 5087.79 | |
| 226 623 0017 | 5202.ZK | 495 |
| | 5202.ZL | |
| | 5208.56 | |
| | 5208.L4 | |
| | 5208.L5 | |
| 226 623 0018 | 5202.XG | 495 |
| | 5202.XH | |
| | 5202.ZH | |
| | 5202.ZJ | |
| | 5208.53 | |
| | 5208.54 | |
| | 5208.L2 | |
| | 5208.L3 | |
| 226 725 0012 | 5206.KH | 491 |
| | 5206.LT | |
| | 5206.LX | |
| | 5206.LY | |
| | 5206.TS | |
| | 5206.TW | |
| | 5206.VA | |
| | 5206.VS | |
| 226 725 0013 | 5206.JN | 490 |
| | 5206.KK | |
| | 5206.KN | |
| | 5206.KZ | |
| | 5206.LA | |
| | 5206.LS | |
| | 5206.LV | |
| | 5206.LW | |
| | 5206.NA | |
| | 5206.NZ | |
| | 5206.PA | |
| | 5206.PE | |
| | 5206.PF | |
| | 5206.PG | |
| | 5206.TR | |
| | 5206.TT | |
| | 5206.TX | |
| 5206.TY | | |
| 5206.VF | | |
| 5206.VG | | |
| 5206.VH | | |
| 240 910 0028 | 8731.V0 | 11 |

| MEYLE no. | Ref. no. | Page |
|-------------------|---------------|------|
| Citroën | | |
| 29-16 060 0003 | 5178.49 | 451 |
| 29-16 060 0004 | 5178.48 | 451 |
| 30-12 321 0002 | 1444.PW | 300 |
| 30-14 322 0000 | 1109.AZ | 326 |
| | 1109.Y4 | |
| 30-14 498 0021 | 3272.JY | 172 |
| | 3273.JR | |
| 30-14 640 0004 | - | 466 |
| 30-14 885 0004 | 5970.88 | 215 |
| 30-16 010 0027 | 3520.Q2 | 380 |
| | 3521.L3 | |
| 314 133 2108 | 1567.78 | 314 |
| | 91 535 807 | |
| 314 136 2102 | 91 514 549 | 220 |
| 314 238 0005 | 1306.J5 | 277 |
| 314 323 0003 | 1567.20 | 314 |
| | 5 490 862 | |
| 314 885 0005 | 5970.64 | 213 |
| | 5970.91 | |
| 32-12 319 0002 | 6447.ZY | 29 |
| 32-12 320 0002 | 6479.E9 | 33 |
| 32-12 321 0002 | 1444.WW | 310 |
| 32-14 533 0002 | - | 135 |
| 32-14 610 0000/HD | 3520.V0 | 413 |
| | 3520.X9 | |
| | 3521.R1 | |
| | 3521.V0 | |
| 32-14 610 0005 | 3520.V0 | 413 |
| | 3520.X9 | |
| | 3521.R1 | |
| | 3521.V0 | |
| 32-14 640 0002 | - | 466 |
| 32-15 521 0025 | 16 063 757 80 | 57 |
| | 4249.59 | |
| | 4249.F3 | |
| 32-15 521 0025/PD | 16 063 757 80 | 57 |
| | 4249.59 | |
| | 4249.F3 | |
| 32-15 523 0015/PD | 16 075 005 80 | 40 |
| | 1610623080 | |
| 32-15 523 0017 | 4249.62 | 58 |
| | 4249.F4 | |
| 32-15 523 0017/PD | 4249.62 | 58 |
| | 4249.F4 | |
| 32-15 523 0020/PD | 16 062 920 80 | 34 |
| 32-16 010 0025 | 3520.V0 | 380 |

| MEYLE no. | Ref. no. | Page |
|-------------------|--|------|
| Citroën | | |
| | 3520.X9 3521.R1 3521.V0 | |
| 32-16 020 0000 | 16 109 398 80 3817.74 | 373 |
| 32-16 050 0003 | 16 124 483 80 3520.V0 3520.X9 | 398 |
| 32-16 050 0004 | 16 124 484 80 3521.R1 3521.V0 | 407 |
| 32-26 623 0003 | 5202.ZP | 482 |
| 32-26 623 0004 | 5202.ZR | 483 |
| 32-26 725 0003 | 5206.LC | 487 |
| 32-40 910 0017 | 8731.Q1 | 10 |
| 36-12 321 0005 | 1444.A5 | 295 |
| 37-16 060 0022/HD | 5170.F5 5170.F6 | 450 |
| 37-16 060 0056 | 5170.F5 5170.F6 | 450 |
| 40-12 319 0000 | 6441.EG 6441.H7 6447.LV 6447.Z4 95 667 986 | 22 |
| 40-12 319 0001 | 6447.HP 6447.KR 6479.A1 | 32 |
| 40-12 319 0003 | 6479.04 | 30 |
| 40-12 319 0004 | 6447.LY 6447.LZ | 24 |
| 40-12 319 0005 | 6447.FG | 23 |
| 40-12 319 0006 | 6444.FF 6447.FF 6447.LN | 23 |
| 40-12 320 0000 | 6447.PF 6447.SR | 25 |
| 40-12 320 0002 | 6447.HV | 24 |
| 40-12 320 0003 | 6441.EJ 6447.TC 6479.43 | 26 |
| 40-12 320 0004 | 6447.SP 6447.TA | 26 |
| 40-12 321 0001 | 1444.FC 1444.TL | 298 |
| 40-12 321 0002 | 16 124 967 80 | 312 |

| MEYLE no. | Ref. no. | Page |
|----------------|--|----------|
| Citroën | | |
| 40-12 321 0003 | 98 055 520 80 | 313 |
| 40-12 321 0004 | 96 74 725 580 | 313 |
| 40-13 220 0004 | 1201.K2 | 290 |
| 40-13 220 0005 | 1201.K5 | 290 |
| 40-14 030 0000 | 1813.98 | 180, 338 |
| 40-14 030 0000 | 1813.98 | 180, 338 |
| 40-14 030 0000 | 1813.98 | 180, 338 |
| 40-14 030 0001 | 1809.30 1809.33 | 337 |
| 40-14 030 0002 | 1813.92 | 337 |
| 40-14 030 0003 | 1806.59 1806.84 1806.96 | 331 |
| 40-14 030 0004 | 1844.93 | 343 |
| 40-14 030 0005 | 1844.92 | 343 |
| 40-14 030 0101 | 1807.HC 1807.HE 1809.35 1809.44 | 332 |
| 40-14 232 0000 | 1250.F8 | 278 |
| 40-14 322 0001 | 1109.AG 1109.AT 1109.Z8 16 062 675 80 | 324 |
| 40-14 322 0002 | 1610693780 | 327 |
| 40-14 412 0000 | 5031.74 | 2 |
| 40-14 412 0001 | 5031.51 | 2 |
| 40-14 412 0002 | 5033.C3 | 2 |
| 40-14 495 0000 | 3293.31 | 157 |
| 40-14 495 0001 | 3292.03 3293.03 | 152 |
| 40-14 495 0002 | 3293.14 | 154 |
| 40-14 495 0003 | 3293.08 | 153 |
| 40-14 495 0004 | 3287.83 | 150 |
| 40-14 495 0005 | 3287.78 | 150 |
| 40-14 495 0006 | 3293.A2 | 157 |
| 40-14 495 0007 | 3293.11 3293.12 | 154 |
| 40-14 495 0008 | 3293.13 | 154 |
| 40-14 495 0009 | 3287.81 | 150 |
| 40-14 495 0010 | 3287.90 | 151 |
| 40-14 495 0011 | 3287.74 | 149 |
| 40-14 495 0012 | 3293.81 | 156 |
| 40-14 495 0014 | 3287.69 | 149 |
| 40-14 495 0018 | 3293.97 | 156 |
| 40-14 495 0019 | 3293.99 | 156 |

| MEYLE no. | Ref. no. | Page |
|----------------|---------------|------|
| Citroën | | |
| 40-14 498 0000 | 3273.17 | 176 |
| | 3273.18 | |
| | 3273.20 | |
| | 3273.21 | |
| | 3273.23 | |
| | 3273.24 | |
| | 3274.79 | |
| | 3274.80 | |
| | 3274.82 | |
| | 3274.83 | |
| | 3274.85 | |
| | 3274.86 | |
| | 95 604 719 | |
| 40-14 498 0001 | 95 598 210 | 176 |
| 40-14 498 0002 | 3272.10 | 177 |
| | 3273.79 | |
| | 95 615 878 | |
| 40-14 498 0003 | 96 141 637 | 179 |
| 40-14 498 0005 | 96 141 635 | 178 |
| | 96 164 213 | |
| 40-14 498 0006 | 95 656 495 | 177 |
| | 95 656 595 | |
| 40-14 498 0009 | 3273.N2 | 175 |
| 40-14 498 0010 | 96 199 475 80 | 179 |
| | 96 199 476 80 | |
| 40-14 498 0011 | 3272.CQ | 161 |
| | 3272.CR | |
| 40-14 498 0012 | 3273.5T | 166 |
| | 3273.R0 | |
| | 3273.R1 | |
| 40-14 498 0013 | 3273.56 | 165 |
| | 3273.C8 | |
| 40-14 498 0015 | 3272.J1 | 162 |
| | 3272.J5 | |
| | 3272.J6 | |
| 40-14 498 0016 | 3272.54 | 160 |
| | 3272.8J | |
| | 3272.W5 | |
| 40-14 498 0017 | 3272.J0 | 161 |
| | 3272.J3 | |
| | 3272.J4 | |
| 40-14 498 0018 | 3272.V3 | 162 |
| | 3272.V4 | |
| | 3272.V5 | |
| 40-14 498 0019 | 3272.1Q | 158 |
| | 3272.9P | |

| MEYLE no. | Ref. no. | Page |
|----------------|------------|------|
| Citroën | | |
| 40-14 498 0020 | 3273.7F | 167 |
| 40-14 498 0021 | 3273.0K | 169 |
| | 3273.63 | |
| | 3273.C9 | |
| | 96 048 667 | |
| 40-14 498 0022 | 3272.51 | 160 |
| | 3272.9J | |
| | 3272.W8 | |
| | 95 666 940 | |
| | 96 048 666 | |
| | 96 095 217 | |
| 96 666 908 | | |
| 40-14 498 0023 | 3272.ES | 175 |
| | 3273.ES | |
| 40-14 498 0024 | 3272.EQ | 171 |
| | 3273.EQ | |
| 40-14 498 0025 | 3272.FW | 175 |
| | 3273.EA | |
| 40-14 498 0026 | 3272.JA | 172 |
| | 3273.HS | |
| 40-14 498 0027 | 3272.6W | 170 |
| | 3273.9Z | |
| 40-14 498 0028 | 3273.0R | 163 |
| | 3273.0S | |
| | 3273.6K | |
| | 3273.7W | |
| | 3273.9Z | |
| | 3273.AA | |
| | 3273.K2 | |
| | 3273.K3 | |
| | 7273.7X | |
| | 96 031 845 | |
| | 96 091 416 | |
| 96 167 304 | | |
| 96 171 875 | | |
| 96 173 636 | | |
| 40-14 498 0029 | 3273.09 | 167 |
| | 3273.10 | |
| | 3273.13 | |
| | 3273.5V | |
| | 3273.5W | |
| | 3273.CN | |
| 3273.R2 | | |
| 3273.R3 | | |
| 40-14 498 0030 | 3273.5S | 166 |
| | 3273.CJ | |

| MEYLE no. | Ref. no. | Page |
|----------------|---|------|
| Citroën | | |
| | 3273.Q8 3273.Q9 | |
| 40-14 498 0031 | 3273.0W 3273.0X 3273.6A | 164 |
| 40-14 498 0032 | 3273.AC 3273.AE 3273.LP | 168 |
| 40-14 498 0033 | 3273.3Q 3273.5Z | 164 |
| 40-14 498 0034 | 3272.5L 3272.6Y 3272.Y6 3272.Y7 3272.Y8 | 160 |
| 40-14 498 0035 | 3272.65 3273.5Q 3273.5R 3273.62 3273.L9 3273.R6 3273.Y0 95 591 074 95 619 482 95 654 731 | 165 |
| 40-14 498 0036 | 3273.06 3273.15 3273.5Y 3273.7E 3273.S1 3273.S2 96 260 840 88 | 163 |
| 40-14 498 0037 | 3272.1X 3272.2X 3272.LW | 159 |
| 40-14 498 0038 | 3272.00 3272.20 3272.4K 3272.5K 3272.76 3272.K2 3272.R5 95 591 073 95 619 481 95 654 730 | 158 |
| 40-14 498 0039 | 3273.1C | 164 |

| MEYLE no. | Ref. no. | Page |
|------------------|--|------|
| Citroën | | |
| | 3273.3Z 3273.4J 3273.6H | |
| 40-14 498 0040 | 3272.2Q 3272.3Q 3272.Q | 159 |
| 40-14 498 0041 | 3273.7H 3273.7J | 167 |
| 40-14 498 0042 | 3273.AH | 169 |
| 40-14 498 0043 | 3272.SZ 3272.TA | 162 |
| 40-14 498 0044 | 3273.SV 3273.SW | 170 |
| 40-14 533 0001 | 4241.L2 | 129 |
| 40-14 533 0002 | 4241.H7 4241.K6 | 126 |
| 40-14 533 0003 | 4241.N8 4241.P4 | 133 |
| 40-14 533 0004/K | 4241.J5 | 127 |
| 40-14 533 0005/K | 95 619 515 95 663 213 | 135 |
| 40-14 533 0019/K | 4241.L2 | 129 |
| 40-14 615 0002 | 5094.97 | 434 |
| 40-14 615 0003 | 5094.96 | 433 |
| 40-14 615 0004 | 5094.90 | 433 |
| 40-14 620 0000 | 4066.64 4066.74 | 350 |
| 40-14 620 0002 | 4066.88 | 352 |
| 40-14 620 0003 | 4066.97 | 352 |
| 40-14 620 0004 | 4066.82 4066.85 4066.92 | 351 |
| 40-14 639 0000 | 5002.FV | 460 |
| 40-14 639 0001 | 5002.35 | 456 |
| 40-14 639 0002 | 5002.CE | 458 |
| 40-14 639 0003 | 5002.P6 5002.PV 5002.Q0 5002.QK | 462 |
| 40-14 639 0004 | 5002.S6 | 463 |
| 40-14 639 0005 | 5002.QL 5002.X8 | 462 |
| 40-14 639 0006 | 5002.CJ 5002.LJ | 458 |
| 40-14 639 0007 | 5002.LY | 461 |
| 40-14 639 0008 | 5002.L6 | 461 |

| MEYLE no. | Ref. no. | Page |
|----------------|----------------------------------|------|
| Citroën | | |
| 40-14 639 0009 | 5002.79 | 457 |
| 40-14 639 0010 | 96101044 | 465 |
| 40-14 639 0011 | 5002.K1 | 461 |
| 40-14 639 0012 | 5002.73 5002.QH 5002.RX | 457 |
| 40-14 639 0013 | 5002.CR 5002.LQ | 459 |
| 40-14 639 0014 | 5002.CH 5002.LN | 458 |
| 40-14 639 0015 | 5002.NK 5002.NL 5002.NN | 462 |
| 40-14 639 0016 | 5002.RZ 5002.SA | 464 |
| 40-14 639 0017 | 5002.74 | 457 |
| 40-14 639 0018 | 5002.J6 | 460 |
| 40-14 639 0019 | 5002.RW 5002.S5 | 463 |
| 40-14 639 0020 | 5002.RV | 463 |
| 40-14 639 0021 | 5002.CY 5002.RT | 459 |
| 40-14 639 0022 | 5002.GQ | 460 |
| 40-14 640 0000 | - | 467 |
| 40-14 640 0001 | - | 467 |
| 40-14 640 0002 | - | 467 |
| 40-14 640 0003 | - | 468 |
| 40-14 640 0004 | - | 468 |
| 40-14 640 0005 | - | 468 |
| 40-14 641 0000 | 5038.49 5038.91 9646254781 | 500 |
| 40-14 641 0002 | 5031.80 | 469 |
| 40-14 641 0004 | 5038.16 5038.68 5068.69 | 496 |
| 40-14 641 0005 | 5038.17 5038.70 5038.71 | 497 |
| 40-14 641 0009 | 5031.96 5035.27 5038.F5 | 469 |
| 40-14 641 0010 | 5038.16 5038.68 5068.69 | 470 |
| 40-14 641 0011 | 5038.17 | 470 |

| MEYLE no. | Ref. no. | Page |
|----------------|---|------|
| Citroën | | |
| | 5038.70 5038.71 | |
| 40-14 642 0001 | 5033.72 | 473 |
| 40-14 642 0003 | 5033.66 | 472 |
| 40-14 652 0001 | 3307.77 3307.84 | 513 |
| 40-14 739 0000 | 5002.F4 | 459 |
| 40-14 739 0001 | 5102.G4 | 464 |
| 40-14 739 0002 | 5102.J7 | 464 |
| 40-14 742 0001 | 5166.66 | 474 |
| 40-14 742 0002 | 5166.51 | 473 |
| 40-14 742 0003 | 5166.67 5166.94 | 474 |
| 40-14 750 0001 | 3748.70 | 517 |
| 40-14 752 0000 | 3701.65 3748.29 | 515 |
| 40-14 752 0001 | 3748.38 3748.72 | 517 |
| 40-14 800 0000 | 1338.A7 | 219 |
| 40-14 800 0001 | 4545.86 | 185 |
| 40-14 800 0002 | 4545.97 | 187 |
| 40-14 800 0003 | 4545.98 | 187 |
| 40-14 800 0004 | 1920.EH 96 372 208 96 374 669 | 203 |
| 40-14 800 0005 | 1920.7V 1920.FY 1920.QN 96 285 598 96 285 599 | 220 |
| 40-14 800 0007 | 4545.H5 | 193 |
| 40-14 800 0008 | 4545.H6 | 193 |
| 40-14 800 0009 | 1920.AW | 203 |
| 40-14 800 0010 | 1920.EN 1920.FP | 204 |
| 40-14 800 0011 | 4545.80 | 185 |
| 40-14 800 0012 | 4545.66 4545.78 | 184 |
| 40-14 800 0013 | 4545.A5 | 188 |
| 40-14 800 0014 | 4545.94 | 186 |
| 40-14 800 0015 | 4545.95 | 186 |
| 40-14 800 0016 | 4545.96 | 187 |
| 40-14 800 0017 | 4545.71 | 183 |
| 40-14 800 0018 | 4545.72 | 183 |
| 40-14 800 0019 | 4545.E1 | 189 |
| 40-14 800 0020 | 4545.E2 | 189 |

| MEYLE no. | Ref. no. | Page |
|------------------|--|------|
| Citroën | | |
| 40-14 800 0021 | 4545.F1 | 191 |
| 40-14 800 0022 | 4545.F6 | 192 |
| 40-14 800 0023 | 4545.F5 4545.K3 | 195 |
| 40-14 800 0024 | 4545.E8 96 536 631 | 190 |
| 40-14 800 0025 | 4545.E7 96 552 700 | 190 |
| 40-14 800 0026 | 4545.J0 | 194 |
| 40-14 800 0027 | 4545.h9 4545.K6 | 194 |
| 40-14 810 0000 | 1338.97 1338.A6 96 310 010 96 368 027 | 218 |
| 40-14 860 0000 | 5962.1P 5962.1Q | 211 |
| 40-14 860 0001 | 5960.39 5960.72 5960.K5 | 210 |
| 40-14 860 0002 | 5960.99 5960.A0 5960.G6 | 209 |
| 40-14 860 0003 | 5960.L1 | 210 |
| 40-14 860 0006 | 5960.E6 96 831 952 80 | 208 |
| 40-14 880 0000 | 5981.31 5981.38 | 196 |
| 40-14 880 0001/S | 5981.31 5981.38 | 196 |
| 40-14 880 0002/S | 5981.31 5981.38 | 197 |
| 40-14 880 0003/S | 5981.31 5981.38 | 197 |
| 40-14 880 0004/S | 5981.31 5981.38 | 198 |
| 40-14 880 0005/S | 5981.31 5981.38 | 198 |
| 40-14 880 0006/S | 5981.31 5981.38 | 199 |
| 40-14 885 0000 | 5963.19 5970.74 5970.A9 | 217 |
| 40-14 885 0001 | 5970.45 | 213 |
| 40-14 885 0002 | 5970.78 5970.79 | 217 |

| MEYLE no. | Ref. no. | Page |
|-------------------|---|------|
| Citroën | | |
| | 5970.A8 | |
| 40-14 885 0005 | 5970.48 5970.60 5970.70 96 074 054 96 165 970 96 228 897 | 214 |
| 40-14 885 0008 | 5970.87 5970.A0 | 216 |
| 40-14 899 0001 | 6160.70 | 218 |
| 40-15 521 1000 | 16 063 087 80 4246.R6 4246.T8 4246.W3 4249.H1 E 169 010 | 49 |
| 40-15 521 1001 | 16 063 082 80 4246.C0 4249.33 4249.85 96 876 021 80 | 42 |
| 40-15 521 1003 | 95 661 811 96 047 276 | 73 |
| 40-15 521 1004 | 4246.Z8 4249.79 | 52 |
| 40-15 523 1001 | 95 667 811 | 74 |
| 40-15 523 1002 | 4246.W4 E 169 143 | 50 |
| 40-16 010 0002 | 3640.39 3640.42 3640.43 96 025 445 96 103 696 | 381 |
| 40-16 010 0004/HD | 3640.55 | 382 |
| 40-16 020 0002 | 3817.55 | 368 |
| 40-16 020 0003/HD | 3817.62 | 370 |
| 40-16 020 0004/HD | 3817.61 | 369 |
| 40-16 020 5723/HD | 3817.41 94 580 841 80 94 710 005 65 94 710 075 65 | 377 |
| 40-16 020 5724/HD | 3817.31 3817.42 94 580 842 80 94 710 006 65 94 710 074 65 | 377 |

| MEYLE no. | Ref. no. | Page |
|-------------------|---------------|------|
| Citroën | | |
| 40-16 030 4246 | 95 495 439 | 363 |
| | 95 495 440 | |
| 40-16 031 0000/HD | 3812.E6 | 358 |
| 40-16 031 0001/HD | 16 08 652 180 | 354 |
| 40-16 031 0002/HD | 16 108 176 80 | 354 |
| 40-16 050 0002/HD | 3520.A1 | 390 |
| | 3520.A2 | |
| | 3520.A6 | |
| | 3520.F5 | |
| | 3520.F6 | |
| | 3520.F7 | |
| | 3520.F8 | |
| | 3520.H5 | |
| | 3520.H8 | |
| | 95 658 882 | |
| | 95 658 884 | |
| | 95 668 510 | |
| 95 668 512 | | |
| 40-16 050 0004/HD | 3520.E8 | 399 |
| | 3521.71 | |
| | 3521.72 | |
| | 3521.A5 | |
| | 3521.A6 | |
| | 3521.A7 | |
| | 3521.A8 | |
| | 3521.E5 | |
| | 95 658 883 | |
| | 95 658 885 | |
| 95 668 511 | | |
| 40-16 050 0005 | 3520.86 | 389 |
| | 3520.C1 | |
| 40-16 050 0006 | 3521.58 | 399 |
| | 3521.81 | |
| 40-16 060 0003/HD | 96 145 457 | 452 |
| 40-26 623 0000 | 5202.J5 | 477 |
| 40-26 623 0001 | 5202.J3 | 476 |
| 40-26 623 0002 | 5202.GW | 475 |
| | 5202.GY | |
| | 5202.TA | |
| 40-26 623 0003 | 5202.GX | 476 |
| | 5202.GZ | |
| | 5202.KL | |
| | 5202.KP | |
| | 5202.SX | |
| 5202.TC | | |
| 40-26 623 0010 | 5202.SA | 479 |

| MEYLE no. | Ref. no. | Page |
|----------------|------------|------|
| Citroën | | |
| | 5202.SE | |
| 40-26 623 0011 | 5202.SC | 479 |
| | 5202.SF | |
| 40-26 623 0012 | 1400519880 | 478 |
| | 5202.H4 | |
| | 5202.PV | |
| | 5202.VQ | |
| 40-26 623 0013 | 5208.52 | 493 |
| | 5208.F4 | |
| 40-26 623 0014 | 5208.51 | 496 |
| | 5208.T5 | |
| 40-26 623 0015 | 5208.81 | 492 |
| | 5208.83 | |
| 40-26 623 0016 | 5208.82 | 493 |
| | 5208.84 | |
| 40-26 623 0017 | 5202.XT | 483 |
| | 5202.XW | |
| | 5202.ZS | |
| | 5202.ZV | |
| 40-26 623 0018 | 5202.XV | 484 |
| | 5202.XX | |
| | 5202.ZT | |
| | 5202.ZW | |
| 40-26 623 0019 | 5202.WP | 481 |
| | 5202.WR | |
| | 5202.WT | |
| | 5202.WW | |
| | 5208.Q2 | |
| | 5208.Q4 | |
| 40-26 623 0020 | 5202.WQ | 481 |
| | 5202.WS | |
| | 5202.WV | |
| | 5202.WX | |
| | 5208.Q3 | |
| | 5208.Q5 | |
| 40-26 623 0022 | 5208.F6 | 494 |
| | 5208.F8 | |
| 40-26 623 0023 | 5208.F7 | 494 |
| | 5208.F9 | |
| 40-26 623 0024 | 5208.G0 | 494 |
| | 5208.H1 | |
| 40-26 623 0025 | 5208.G1 | 495 |
| | 5208.H2 | |
| 40-26 725 0000 | 5206.J2 | 487 |
| 40-26 725 0001 | 5206.C5 | 488 |
| | 5206.Q0 | |

| MEYLE no. | Ref. no. | Page |
|----------------|--|------|
| Citroën | | |
| | 5206.Q1 | |
| 40-26 725 0002 | 5206.AN 5206.X7 5206.Z5 5206.Z7 | 491 |
| 40-26 725 0003 | 5206.CH 5206.CS 5206.EK | 486 |
| 40-26 725 0004 | 14 909 010 80 5206.AE 5206.AR 5206.PV 5206.Z3 | 485 |
| 40-26 725 0005 | 5206.E7 5206.E8 | 485 |
| 40-26 725 0006 | 5206.P1 5206.R4 | 488 |
| 40-26 725 0007 | 5206.PR | 488 |
| 40-26 725 0008 | 5206.EE | 485 |
| 40-26 725 0009 | 5206.QH 5206.QJ 5206.QK 5206.QL 5206.QN 5206.QP 5206.QQ 5206.QR 5206.YQ 5206.YR | 491 |
| 40-26 725 0010 | 5206.HR 5206.HT 5206.HZ 5206.NC 5206.PW 5206.PX 5206.QY 5206.QZ 5206.RC 5206.RE | 489 |
| 40-26 725 0011 | 5206.FX 5206.FZ 5206.GA 5206.GC 5206.QW 5206.VE 5206.VQ | 490 |

| MEYLE no. | Ref. no. | Page |
|----------------|-------------------------------------|------|
| Citroën | | |
| | 5206.VR | |
| 40-26 725 0012 | 5206.VV 5206.VW 5206.YX | 492 |
| 40-26 725 0013 | 5206.RL 5206.ZZ | 492 |
| 40-40 910 0000 | 8731.E3 | 5 |
| 40-40 910 0001 | 8731.E4 | 5 |
| 40-40 910 0002 | 8731.E0 | 5 |
| 40-40 910 0003 | 8731.A8 | 3 |
| 40-40 910 0004 | 8731.F5 8731.F6 | 6 |
| 40-40 910 0005 | 8731.F1 8731.N1 | 9 |
| 40-40 910 0006 | 8731.C0 8731.E7 96 181 191 | 3 |
| 40-40 910 0007 | 8731.G3 8731.K9 | 6 |
| 40-40 910 0008 | 8731.C2 | 4 |
| 40-40 910 0009 | 8731.C3 | 4 |
| 40-40 910 0010 | 7925.11 | 1 |
| 40-40 910 0011 | 7925.14 | 1 |
| 40-40 910 0012 | 8731.F7 | 1 |
| 40-40 910 0014 | 8731.J8 96 472 954 80 | 7 |
| 40-40 910 0015 | 8731.L0 | 8 |
| 40-40 910 0016 | 8731.P4 96 544 335 80 | 10 |
| 40-40 910 0017 | 8731.P2 8731.T0 96 544 334 80 | 9 |
| 40-40 910 0018 | 8731.K0 96 472 953 80 | 8 |
| 40-40 910 0019 | 8731.N9 96 544 386 80 | 9 |
| 40-40 910 0020 | 8731.J9 96 508 541 80 | 7 |
| 40-40 910 0021 | 8731.P5 8731.Q9 | 10 |
| 40-40 910 0022 | 8731.K1 8731.K2 | 8 |
| 40-40 910 0023 | 8731.R7 9682256580 | 11 |
| 40-40 910 0025 | 8731.S0 | 11 |
| 40-51 902 1000 | 0829.30 | 222 |

| MEYLE no. | Ref. no. | Page |
|----------------|--|------|
| Citroën | | |
| | 95640195 | |
| 513 220 0002 | 1201.E8 | 285 |
| 514 860 0001 | 5960.77 5960.F8 | 206 |
| 53-14 860 0002 | 5960.E7 | 208 |
| 612 319 0016 | 6479.60 6479.84 | 31 |
| 612 320 0016 | 6479.61 | 31 |
| 613 220 0002 | - | 294 |
| 614 036 0012 | 0345.42 91 540 797 96 008 036 | 321 |
| 614 322 0000 | 1109.AE 1109.CG | 323 |
| 614 322 0016 | 1109.CJ | 325 |
| 614 323 0000 | 1906.52 1906.53 | 318 |
| 614 323 0002 | 1567.85 1567.A5 | 315 |
| 614 323 0004 | 16 062 676 80 1906.98 1906.C4 | 320 |
| 614 495 0002 | 3287.97 | 151 |
| 614 610 0007 | 3520.W3 3520Y4 3521.S6 3521V5 | 413 |
| 614 610 0008 | 3520.W3 3520Y4 3521.S6 3521V5 | 414 |
| 614 643 0000 | 5254.47 | 469 |
| 614 818 0002 | 1567.79 5 470 530 91 470 530 95 470 530 96 131 549 | 314 |
| 614 860 0010 | 5960.L4 | 211 |
| 614 899 0017 | 5946.07 | 221 |
| 614 899 0038 | 1338.C7 1338.F9 | 219 |
| 616 010 0006 | 3520.W3 3520Y4 3521.S6 3521V5 | 380 |
| 616 050 0028 | 3521.S6 | 408 |

| MEYLE no. | Ref. no. | Page |
|-----------------|--|------|
| Citroën | | |
| | 3521.V5 | |
| 616 050 0029 | 3520.W3 3520Y4 | 398 |
| 713 220 0008 | 1201.F9 1201.G8 | 287 |
| 713 220 0008/HD | 1201.F9 1201.G8 | 287 |
| 714 020 0001 | 5960.88 5960.89 | 213 |
| 714 020 0003 | 5960.66 5960.67 5962.3C 5962.3E 5962.7F 5962.7G 96 236 383 96 389 858 96 510 297 96 515 836 | 205 |
| 714 020 0004 | 5960.64 5960.65 5960.F4 | 205 |
| 714 322 0007 | 1109.AY 1109.T3 | 324 |
| 714 322 0011 | 1109.X3 1109.X4 | 326 |
| 714 323 0004 | 1906.90 1906.C0 | 319 |
| 714 323 0012 | 1906.A7 | 320 |
| 714 860 0002 | 5960.12 5960.19 5960.E9 96 374 699 80 | 204 |

| Ref. no. | MEYLE no. | Page |
|----------------|----------------|------|
| Citroën | | |
| 0345.42 | 614 036 0012 | 321 |
| 0382.HK | 11-14 036 0003 | 322 |
| 0382.NY | 11-14 036 0003 | 322 |
| 0818.19 | 11-51 902 1007 | 222 |
| 0818.20 | 11-51 902 1016 | 228 |
| 0820.53 | 11-51 902 1014 | 223 |
| 0829.11 | 11-51 902 1018 | 229 |
| 0829.21 | 11-51 902 1018 | 229 |
| 0829.29 | 11-51 902 1014 | 223 |
| 0829.30 | 40-51 902 1000 | 222 |
| 0829.32 | 11-51 902 1015 | 223 |
| 0829.33 | 11-51 902 1017 | 222 |
| 0829.35 | 11-51 902 1015 | 223 |
| 0829.47 | 11-51 902 1017 | 222 |
| 0829.54 | 11-51 902 1014 | 223 |
| 0829.59 | 11-51 902 1000 | 224 |
| 0829.69 | 11-51 902 1004 | 224 |
| 0829.77 | 11-51 902 1002 | 226 |
| 0829.79 | 11-51 902 1005 | 224 |
| 0829.80 | 11-51 902 1006 | 226 |
| 0829.82 | 11-51 902 1010 | 225 |
| 0829.88 | 11-51 902 1011 | 228 |
| 0829.89 | 11-51 902 1011 | 228 |
| 0829.90 | 11-51 902 1003 | 225 |
| 0829.92 | 11-51 902 1002 | 226 |
| 0829.96 | 11-51 902 1002 | 226 |
| 0829.98 | 11-51 902 1006 | 226 |
| 0829.A0 | 11-51 902 1012 | 227 |
| 0829.A3 | 11-51 902 1009 | 226 |
| 0829.A4 | 11-51 902 1009 | 226 |
| 0829.A5 | 11-51 902 1008 | 227 |
| 0829.A7 | 11-51 902 1002 | 226 |
| 0829.C6 | 11-51 902 1008 | 227 |
| 0829.C7 | 11-51 902 1010 | 225 |
| 0829.C8 | 11-51 902 1012 | 227 |
| 0829.E8 | 11-51 902 1013 | 228 |
| 0829.F5 | 11-51 902 1013 | 228 |
| 0829.F6 | 11-51 902 1012 | 227 |
| 0830.02 | 11-51 902 2006 | 233 |
| 0830.20 | 11-51 902 2003 | 235 |
| 0830.25 | 11-51 902 2007 | 235 |
| 0830.27 | 11-51 902 2007 | 235 |
| 0830.28 | 11-51 902 2000 | 236 |
| 0830.31 | 11-51 902 2000 | 236 |
| 0830.37 | 11-51 902 2005 | 233 |
| 0830.42 | 11-51 902 2002 | 234 |

| Ref. no. | MEYLE no. | Page |
|----------------|----------------|------|
| Citroën | | |
| 0830.48 | 11-51 902 2001 | 234 |
| 0830.49 | 11-51 902 2001 | 234 |
| 0830.50 | 11-51 902 2004 | 236 |
| 0830.51 | 11-51 902 2004 | 236 |
| 0830.54 | 11-51 902 2007 | 235 |
| 0830.59 | 11-51 902 2007 | 235 |
| 0830.61 | 11-51 902 2003 | 235 |
| 0830.63 | 11-51 902 2005 | 233 |
| 0830.72 | 11-51 902 2004 | 236 |
| 0830.74 | 11-51 902 2004 | 236 |
| 0830.K0 | 11-51 049 0018 | 233 |
| 0831.02 | 11-51 049 0001 | 231 |
| 0831.03 | 11-51 049 0002 | 229 |
| 0831.13 | 11-51 049 0001 | 231 |
| 0831.14 | 11-51 049 0002 | 229 |
| 0831.40 | 11-51 049 0009 | 231 |
| 0831.41 | 11-51 049 0009 | 231 |
| 0831.62 | 11-51 049 0009 | 231 |
| 0831.78 | 11-51 049 0030 | 230 |
| 0831.79 | 11-51 049 0030 | 230 |
| 0831.80 | 11-51 049 0010 | 232 |
| 0831.81 | 11-51 049 0010 | 232 |
| 0831.82 | 11-51 049 0009 | 231 |
| 0831.83 | 11-51 049 0009 | 231 |
| 0831.84 | 11-51 049 0014 | 232 |
| 0831.85 | 11-51 049 0014 | 232 |
| 0831.92 | 11-51 049 0018 | 233 |
| 0831.K0 | 11-51 049 0018 | 233 |
| 0831.N5 | 11-51 049 0030 | 230 |
| 0831P2 | 11-51 049 0016 | 230 |
| 0831.P4 | 11-51 049 0016 | 230 |
| 0831.Q3 | 11-51 049 0001 | 231 |
| 0831.Q4 | 11-51 049 0002 | 229 |
| 0831.R8 | 11-51 049 0009 | 231 |
| 0831.S1 | 11-51 049 0014 | 232 |
| 0831.T3 | 11-51 049 0010 | 232 |
| 0831.T5 | 11-51 049 0018 | 233 |
| 0831.V3 | 11-51 049 0030 | 230 |
| 0831V4 | 11-51 049 0016 | 230 |
| 0832.81 | 11-51 902 2000 | 236 |
| 09 938 205 | 025 212 0519/W | 119 |
| 1109.AE | 614 322 0000 | 323 |
| 1109.AG | 40-14 322 0001 | 324 |
| 1109.AR | 214 597 0000 | 324 |
| 1109.AT | 40-14 322 0001 | 324 |
| 1109.AY | 714 322 0007 | 324 |

| Ref. no. | MEYLE no. | Page |
|----------------|----------------|------|
| Citroën | | |
| 1109.AZ | 30-14 322 0000 | 326 |
| 1109.CG | 614 322 0000 | 323 |
| 1109.CJ | 614 322 0016 | 325 |
| 1109.K9 | 214 597 0000 | 324 |
| 1109.Q0 | 214 322 0001 | 327 |
| 1109.Q1 | 214 322 0001 | 327 |
| 1109.R7 | 11-14 322 0001 | 325 |
| 1109.T3 | 714 322 0007 | 324 |
| 1109.X3 | 714 322 0011 | 326 |
| 1109.X4 | 714 322 0011 | 326 |
| 1109.Y4 | 30-14 322 0000 | 326 |
| 1109.Y6 | 11-14 322 0002 | 327 |
| 1109.Y7 | 214 322 0001 | 327 |
| 1109.Z8 | 40-14 322 0001 | 324 |
| 1176.83 | 050 005 1230 | 237 |
| 1177.19 | 050 006 1190 | 276 |
| 1177.38 | 050 006 1698 | 263 |
| 1201.39 | 11-13 012 0163 | 281 |
| 1201.47 | 11-13 012 0723 | 291 |
| 1201.48 | 11-13 012 0162 | 281 |
| 1201.50 | 11-13 012 0150 | 280 |
| 1201.51 | 11-13 012 0162 | 281 |
| 1201.52 | 11-13 012 0152 | 281 |
| 1201.55 | 11-13 220 0002 | 284 |
| 1201.58 | 11-13 012 0158 | 285 |
| 1201.60 | 11-13 012 0162 | 281 |
| 1201.61 | 11-13 012 0150 | 280 |
| 1201.62 | 11-13 012 0162 | 281 |
| 1201.63 | 11-13 012 0163 | 281 |
| 1201.65 | 11-13 012 0152 | 281 |
| 1201.67 | 11-13 012 0152 | 281 |
| 1201.91 | 11-13 012 0152 | 281 |
| 1201.93 | 11-13 012 0183 | 282 |
| 1201.98 | 11-13 220 0007 | 282 |
| 1201.A1 | 11-13 012 0183 | 282 |
| 1201.A2 | 11-13 012 0102 | 284 |
| 1201.A4 | 11-13 012 0152 | 281 |
| 1201.A5 | 11-13 220 0012 | 283 |
| 1201.A7 | 11-13 220 0002 | 284 |
| 1201.A8 | 11-13 220 0005 | 283 |
| 1201.C4 | 11-13 220 0001 | 283 |
| 1201.C5 | 11-13 220 0002 | 284 |
| 1201.C6 | 11-13 220 0002 | 284 |
| 1201.C9 | 11-13 220 0014 | 288 |
| 1201.E0 | 11-13 220 0002 | 284 |
| 1201.E1 | 11-13 220 0017 | 292 |

| Ref. no. | MEYLE no. | Page |
|----------------|-------------------------------------|---------|
| Citroën | | |
| 1201.E3 | 11-13 012 0723 | 291 |
| 1201.E4 | 11-13 012 0158 | 285 |
| 1201.E5 | 11-13 012 0102 | 284 |
| 1201.E6 | 11-13 012 0158 | 285 |
| 1201.E7 | 11-13 220 0017 | 292 |
| 1201.E8 | 513 220 0002 | 285 |
| 1201.E9 | 11-13 220 0008 | 285 |
| 1201.F4 | 11-13 220 0017 | 292 |
| 1201.F5 | 11-13 220 0017 | 292 |
| 1201.F6 | 11-13 220 0008 | 285 |
| 1201.F9 | 713 220 0008 713 220 0008/HD | 287 |
| 1201.G0 | 11-13 220 0003 | 286 |
| 1201.G1 | 11-13 220 0004 11-13 220 0004/HD | 287-288 |
| 1201.G2 | 11-13 220 0006 | 291 |
| 1201.G4 | 11-13 220 0017 | 292 |
| 1201.G5 | 11-13 220 0017 | 292 |
| 1201.G6 | 11-13 220 0022 | 286 |
| 1201.G8 | 713 220 0008 713 220 0008/HD | 287 |
| 1201.G9 | 11-13 220 0004 11-13 220 0004/HD | 287-288 |
| 1201.H0 | 11-13 220 0019 | 291 |
| 1201.H5 | 11-13 220 0014 | 288 |
| 1201.H6 | 11-13 220 0023 | 289 |
| 1201.H7 | 11-13 220 0021 | 292 |
| 1201.H8 | 11-13 220 0020 | 289 |
| 1201.J0 | 11-13 220 0019 | 291 |
| 1201.J2 | 11-13 220 0017 | 292 |
| 1201.J4 | 11-13 220 0024 | 290 |
| 1201.J6 | 11-13 220 0021 | 292 |
| 1201.J9 | 11-13 220 0025 | 293 |
| 1201.K0 | 11-13 220 0024 | 290 |
| 1201.K1 | 11-13 220 0017 | 292 |
| 1201.K2 | 40-13 220 0004 | 290 |
| 1201.K5 | 40-13 220 0005 | 290 |
| 1201.L1 | 11-13 220 0019 | 291 |
| 1201.L2 | 11-13 220 0017 | 292 |
| 1201.L3 | 11-13 220 0019 | 291 |
| 1207.18 | 11-13 012 0723 | 291 |
| 1207.23 | 11-13 012 0723 | 291 |
| 1207.25 | 11-13 012 0158 | 285 |
| 1250.F8 | 40-14 232 0000 | 278 |
| 1280.28 | 050 004 0945 | 271 |
| 1280.35 | 050 006 0890 | 237 |

| Ref. no. | MEYLE no. | Page |
|----------------|-------------------|------|
| Citroën | | |
| 1280.39 | 050 003 0865 | 269 |
| 1280.47 | 050 006 0995 | 238 |
| 1280.51 | 050 006 0950 | 237 |
| 1280.60 | 050 004 0945 | 271 |
| 1280.62 | 050 003 0865 | 269 |
| 1280.67 | 050 006 0995 | 238 |
| 13 004 730 80 | 11-16 010 0004 | 379 |
| 13 023 680 80 | 11-16 010 0005/HD | 381 |
| 1306.C9 | 11-14 238 0000 | 278 |
| 1306.E4 | 11-14 238 0000 | 278 |
| 1306.J5 | 314 238 0005 | 277 |
| 13 123 170 80 | 214 610 0000 | 423 |
| 1336.A1 | 11-14 200 0003 | 277 |
| 1336.Q1 | 11-28 228 0001 | 279 |
| 1336.Q2 | 11-28 228 0002 | 279 |
| 1337.27 | 028 289 0000 | 279 |
| 1338.44 | 028 289 0000 | 279 |
| 1338.97 | 40-14 810 0000 | 218 |
| 1338.A0 | 11-28 228 0000 | 280 |
| 1338.A6 | 40-14 810 0000 | 218 |
| 1338.A7 | 40-14 800 0000 | 219 |
| 1338.C7 | 614 899 0038 | 219 |
| 1338.F9 | 614 899 0038 | 219 |
| 1400519880 | 40-26 623 0012 | 478 |
| 1434.13 | 11-14 036 0000 | 323 |
| 1434.45 | 11-14 036 0002 | 322 |
| 1434.C8 | 11-14 036 0001 | 323 |
| 1434.F6 | 11-14 036 0000 | 323 |
| 1444.02 | 11-12 321 0026 | 304 |
| 1444.99 | 11-12 014 4402 | 294 |
| 1444.A1 | 11-12 014 4409 | 294 |
| 1444.A4 | 11-12 014 4419 | 295 |
| 1444.A5 | 36-12 321 0005 | 295 |
| 1444.A7 | 11-12 014 4485 | 295 |
| 1444.A8 | 11-12 014 4419 | 295 |
| 1444.A9 | 11-12 014 4419 | 295 |
| 1444.CA | 11-12 321 0001 | 296 |
| 1444.CC | 11-12 321 0001 | 296 |
| 1444.CJ | 11-12 321 0001 | 296 |
| 1444.CK | 11-12 321 0001 | 296 |
| 1444.CV | 11-12 321 0004 | 296 |
| 1444.CZ | 11-12 321 0002 | 300 |
| 1444.E5 | 11-12 321 0017 | 297 |
| 1444.E7 | 11-12 321 0041 | 309 |
| 1444.EC | 11-12 321 0015 | 310 |
| 1444.EF | 11-12 321 0015 | 310 |

| Ref. no. | MEYLE no. | Page |
|----------------|----------------|------|
| Citroën | | |
| 1444.ER | 11-12 321 0022 | 297 |
| 1444.ET | 11-12 321 0022 | 297 |
| 1444.EV | 11-12 321 0032 | 297 |
| 1444.EW | 11-12 321 0032 | 297 |
| 1444.EZ | 11-12 321 0004 | 296 |
| 1444.F2 | 11-12 321 0041 | 309 |
| 1444.F4 | 11-12 014 4419 | 295 |
| 1444.F5 | 11-12 321 0010 | 308 |
| 1444.F6 | 11-12 321 0006 | 298 |
| 1444.FC | 40-12 321 0001 | 298 |
| 1444.FE | 11-12 321 0024 | 308 |
| 1444.FG | 11-12 321 0030 | 298 |
| 1444.FH | 11-12 321 0038 | 309 |
| 1444.FJ | 11-12 321 0003 | 307 |
| 1444.FK | 11-12 321 0029 | 309 |
| 1444.FL | 11-12 321 0003 | 307 |
| 1444.FN | 11-12 321 0004 | 296 |
| 1444.G1 | 11-12 321 0010 | 308 |
| 1444.H2 | 11-12 321 0020 | 299 |
| 1444.J3 | 11-12 321 0012 | 299 |
| 1444.J5 | 11-12 014 4410 | 299 |
| 1444.J7 | 11-12 321 0041 | 309 |
| 1444.K5 | 11-12 321 0002 | 300 |
| 1444.PR | 11-12 321 0024 | 308 |
| 1444.PW | 30-12 321 0002 | 300 |
| 1444.PY | 11-12 321 0037 | 305 |
| 1444.QA | 11-12 321 0035 | 300 |
| 1444.QE | 11-12 321 0011 | 305 |
| 1444.QJ | 11-12 321 0008 | 301 |
| 1444.QP | 11-12 321 0031 | 305 |
| 1444.QS | 11-12 321 0007 | 301 |
| 1444.QV | 212 321 0020 | 304 |
| 1444.QX | 11-12 321 0023 | 301 |
| 1444.QZ | 11-12 321 0034 | 302 |
| 1444.R1 | 11-12 321 0011 | 305 |
| 1444.R3 | 11-12 321 0011 | 305 |
| 1444.R6 | 11-12 321 0042 | 302 |
| 1444.R7 | 11-12 014 4419 | 295 |
| 1444.RK | 11-12 321 0013 | 302 |
| 1444.RP | 11-12 321 0031 | 305 |
| 1444.RU | 11-12 321 0025 | 311 |
| 1444.RW | 11-12 321 0005 | 303 |
| 1444.RY | 11-12 321 0028 | 303 |
| 1444.SA | 11-12 321 0025 | 311 |
| 1444.SE | 11-12 321 0021 | 311 |
| 1444.SG | 212 321 0021 | 304 |

| Ref. no. | MEYLE no. | Page |
|----------------|----------------------------------|----------|
| Citroën | | |
| 1444.SJ | 11-12 321 0025 | 311 |
| 1444.SQ | 212 321 0020 | 304 |
| 1444.SR | 212 321 0021 | 304 |
| 1444.SW | 11-12 321 0018 | 307 |
| 1444.SY | 11-12 321 0026 | 304 |
| 1444.T5 | 11-12 014 4419 | 295 |
| 1444.T7 | 11-12 321 0037 | 305 |
| 1444.T8 | 11-12 321 0037 | 305 |
| 1444.T9 | 11-12 014 4419 | 295 |
| 1444.TA | 11-12 321 0030 | 298 |
| 1444.TE | 11-12 321 0031 | 305 |
| 1444.TF | 11-12 321 0011 | 305 |
| 1444.TG | 11-12 321 0036 | 306 |
| 1444.TJ | 11-12 321 0003 11-12 321 0014 | 307, 311 |
| 1444.TK | 11-12 321 0022 | 297 |
| 1444.TL | 40-12 321 0001 | 298 |
| 1444.TP | 11-12 321 0032 | 297 |
| 1444.TT | 11-12 321 0027 | 306 |
| 1444.TV | 11-12 321 0019 | 306 |
| 1444.TY | 11-12 014 4402 | 294 |
| 1444.TZ | 11-12 321 0003 | 307 |
| 1444.V3 | 11-12 321 0018 | 307 |
| 1444.V5 | 11-12 321 0015 | 310 |
| 1444.VF | 11-12 321 0010 | 308 |
| 1444.VH | 11-12 321 0015 | 310 |
| 1444.VJ | 11-12 321 0002 | 300 |
| 1444.VK | 11-12 321 0024 | 308 |
| 1444.VL | 11-12 321 0016 | 308 |
| 1444.VQ | 11-12 321 0001 | 296 |
| 1444.VV | 11-12 014 4419 | 295 |
| 1444.VW | 11-12 321 0038 | 309 |
| 1444.VX | 11-12 321 0029 | 309 |
| 1444.W8 | 11-12 014 4419 | 295 |
| 1444.WA | 11-12 321 0041 | 309 |
| 1444.WH | 11-12 321 0010 | 308 |
| 1444.WN | 11-12 321 0023 | 301 |
| 1444.WP | 11-12 321 0042 | 302 |
| 1444.WW | 32-12 321 0002 | 310 |
| 1444.X0 | 11-12 321 0002 | 300 |
| 1444.X1 | 11-12 321 0015 | 310 |
| 1444.X3 | 11-12 321 0009 | 310 |
| 1444.X4 | 11-12 321 0015 | 310 |
| 1444.X5 | 11-12 321 0014 | 311 |
| 1444.X7 | 11-12 321 0009 | 310 |
| 1444.XC | 11-12 321 0021 | 311 |

| Ref. no. | MEYLE no. | Page |
|----------------|--|----------|
| Citroën | | |
| 1444.XE | 11-12 321 0025 | 311 |
| 1444.XF | 11-12 321 0032 | 297 |
| 1444.XG | 11-12 321 0013 | 302 |
| 1444.XK | 212 321 0023 | 312 |
| 1444.XD | 11-12 321 0002 | 300 |
| 1445.02 | 11-12 321 0026 | 304 |
| 14 716 540 80 | 11-16 030 0008/HD 11-16 030 7528 | 353 |
| 14 793 030 80 | 11-40 910 0007 | 4 |
| 14 909 010 80 | 40-26 725 0004 | 485 |
| 14 99 936 080 | 11-14 800 0008 | 191 |
| 1525.KJ | 11-14 919 0009 | 321 |
| 1525.04 | 11-14 919 0009 | 321 |
| 1567.20 | 314 323 0003 | 314 |
| 1567.78 | 314 133 2108 | 314 |
| 1567.79 | 614 818 0002 | 314 |
| 1567.85 | 614 323 0002 | 315 |
| 1567.A5 | 614 323 0002 | 315 |
| 16 062 675 80 | 40-14 322 0001 | 324 |
| 16 062 676 80 | 614 323 0004 | 320 |
| 16 062 920 80 | 32-15 523 0020/PD | 34 |
| 16 063 082 80 | 40-15 521 1001 | 42 |
| 16 063 087 80 | 40-15 521 1000 | 49 |
| 16 063 746 80 | 214 650 0013 | 505 |
| 16 063 750 80 | 11-14 650 0014 | 505 |
| 16 063 757 80 | 32-15 521 0025 32-15 521 0025/PD | 57 |
| 16 063 849 80 | 214 323 0004 | 316 |
| 16 064 014 80 | 11-15 521 0018 11-83 521 0018/PD | 34-35 |
| 16 066 311 80 | 16-14 533 0012 16-14 533 0012/K | 134-135 |
| 16 070 831 80 | 025 248 8318 | 103 |
| 16 072 950 80 | 11-16 010 3347 | 379 |
| 16 072 985 80 | 11-16 010 0013 | 383 |
| 16 072 986 80 | 11-16 050 0035 | 379 |
| 16 073 029 80 | 11-14 610 0038 11-16 050 0039 214 610 0000 | 385, 423 |
| 16 073 030 80 | 11-14 610 0038 11-16 050 0038 214 610 0000 | 386, 423 |
| 16 073 050 80 | 11-16 050 0053 | 386 |
| 16 073 051 80 | 11-16 050 0052 | 387 |
| 16 073 268 80 | 11-16 060 0018/HD 11-16 060 0034 | 439-440 |

| Ref. no. | MEYLE no. | Page |
|----------------|-------------------------------------|---------|
| Citroën | | |
| 16 073 289 80 | 11-16 060 0017/HD 11-16 060 0035 | 440-441 |
| 16 075 005 80 | 32-15 523 0015/PD | 40 |
| 16 075 106 80 | 11-16 050 0084 | 387 |
| 16 075 107 80 | 11-16 050 0083 | 388 |
| 16 076 903 80 | 025 235 8416/W | 76 |
| 16 076 904 80 | 025 235 8416/W | 76 |
| 16 078 720 80 | 215 521 0004 | 35 |
| 1607872180 | 215 521 0029 | 36 |
| 1607872280 | 215 521 0003 | 36 |
| 1607872380 | 215 521 0021 | 37 |
| 16 078 804 80 | 215 523 0012 | 37 |
| 1607880580 | 215 523 0006 | 38 |
| 16 078 806 80 | 215 523 0028 | 56 |
| 16 08 025 180 | 11-16 020 0034 | 365 |
| 16 08 025 280 | 11-16 020 0033 | 365 |
| 16 080 253 80 | 11-16 031 0014/HD 11-16 031 0031 | 364-365 |
| 16 08 076 280 | 214 597 0000 | 324 |
| 16 085 203 80 | 025 209 6117 025 209 6117/PD | 88 |
| 16 085 206 80 | 025 249 2217 | 104 |
| 16 085 321 80 | 11-16 031 0032 | 354 |
| 16 08 652 180 | 40-16 031 0001/HD | 354 |
| 16 086 522 80 | 11-16 020 0009 | 371 |
| 16 086 523 80 | 11-16 020 0010 | 372 |
| 16 086 815 80 | 025 209 6117 025 209 6117/PD | 88 |
| 16 086 913 80 | 025 252 5118 | 76 |
| 16 086 916 80 | 11-15 521 0033 11-15 521 0033/PD | 47 |
| 16 087 273 80 | 11-14 030 0015 | 329 |
| 1609417180 | 11-13 220 0006 | 291 |
| 1609417480 | 11-13 220 0017 | 292 |
| 16 094 280 80 | 11-12 319 0008/S | 27 |
| 16 094 281 80 | 11-12 320 0008/S | 27 |
| 1609582880 | 11-15 523 0014 11-15 523 0014/PD | 38-39 |
| 1609583080 | 11-15 523 0015 11-15 523 0015/PD | 39-40 |
| 1609899680 | 025 256 8814 | 77 |
| 16 09 942 380 | 11-16 020 0027 | 366 |
| 16 099 482 80 | 11-16 020 0026 | 366 |
| 16 09 948 380 | 11-16 020 0027 | 366 |
| 16 099 575 80 | 050 006 1370 | 238 |
| 16 101 038 80 | 025 243 3218 | 100 |

| Ref. no. | MEYLE no. | Page |
|----------------|---|-----------------|
| Citroën | | |
| | 025 243 3218/PD | |
| 16 101 040 80 | 025 250 6917 | 77 |
| 1610278080 | 11-13 220 0021 | 292 |
| 1610623080 | 32-15 523 0015/PD | 40 |
| 1610693780 | 40-14 322 0002 | 327 |
| 16 108 175 80 | 11-14 620 0025 | 348 |
| 16 108 176 80 | 40-16 031 0002/HD | 354 |
| 16 109 398 80 | 32-16 020 0000 | 373 |
| 1610976380 | 11-16 031 0012/HD 11-16 031 0022 | 355 |
| 16 109 764 80 | 11-16 020 0015/HD | 366 |
| 16 11 204 980 | 050 006 1060 | 238 |
| 16 113 350 80 | 025 231 2419/PD 025 231 2419/W | 83 |
| 1611457380 | 025 244 6819-1/PD 025 244 6819/W1 | 78 |
| 16 118 398 80 | 025 245 9518/W | 97 |
| 1611841680 | 215 521 0019 | 41 |
| 1611841980 | 215 521 0024 215 521 0024/PD | 41-42 |
| 1611842080 | 215 521 0029 | 36 |
| 1612433880 | 025 244 6819-1/PD 025 244 6819/W1 | 78 |
| 1612433980 | 025 244 6819-2/PD 025 244 6819/W2 | 79 |
| 1612434180 | 025 220 4119 | 80 |
| 1612435380 | 215 521 0021 | 37 |
| 1612435480 | 215 521 0021 | 37 |
| 16 124 483 80 | 32-16 050 0003 | 398 |
| 16 124 484 80 | 32-16 050 0004 | 407 |
| 16 124 967 80 | 40-12 321 0002 | 312 |
| 1612736480 | 11-14 615 0013 11-14 615 0013/S 11-16 060 0022/S | 430, 438, 441 |
| 16 131 913 80 | 11-83 521 0017/PD | 66 |
| 1614412180 | 025 220 4119 | 80 |
| 16 144 392 80 | 11-16 010 3356 | 385 |
| 16 172 829 80 | 025 235 9919/PD | 87 |
| 16 227 103 80 | 11-16 050 0019 | 390 |
| 16 227 106 80 | 11-16 050 0020 | 400 |
| 1690.01 | 11-15 521 0042 11-15 521 0042/PD | 63-64 |
| 1690.02 | 11-15 521 0032 11-83 521 0032/PD 214 498 0012 214 498 0032 | 50-51, 176, 178 |

| Ref. no. | MEYLE no. | Page |
|----------------|-------------------------------------|-------|
| Citroën | | |
| 1690.03 | 11-15 521 0031 11-15 521 0031/PD | 70-71 |
| 1690.04 | 11-15 521 0012 | 72 |
| 1690.14 | 11-15 521 0036 11-15 521 0036/PD | 48 |
| 1691.15 | 11-15 523 0010 11-15 523 0010/PD | 71-72 |
| 1720.59 | 025 231 2419/PD 025 231 2419/W | 83 |
| 1721.03 | 025 233 9617 | 86 |
| 1722.01 | 025 209 7311 025 209 7311/PD | 90-91 |
| 1802.56 | 214 030 0003 | 329 |
| 1806.27 | 11-14 030 0028 | 330 |
| 1806.28 | 11-14 184 0016 | 329 |
| 1806.59 | 40-14 030 0003 | 331 |
| 1806.68 | 11-14 030 0028 | 330 |
| 1806.69 | 11-14 184 0030 | 330 |
| 1806.74 | 11-14 184 0016 | 329 |
| 1806.84 | 40-14 030 0003 | 331 |
| 1806.91 | 214 030 0033 | 330 |
| 1806.93 | 11-14 030 0017 | 331 |
| 1806.95 | 214 030 0032 | 331 |
| 1806.96 | 40-14 030 0003 | 331 |
| 1806.A6 | 11-14 030 0017 | 331 |
| 1806.H1 | 11-14 030 0028 | 330 |
| 1806.J8 | 11-14 030 0017 | 331 |
| 1807.GQ | 11-14 030 0016 | 332 |
| 1807.GR | 11-14 030 0015 | 329 |
| 1807.H8 | 11-14 030 0110 | 332 |
| 1807.HC | 40-14 030 0101 | 332 |
| 1807.HE | 40-14 030 0101 | 332 |
| 1807.KE | 214 030 0070 | 333 |
| 1807.N5 | 11-14 030 0027 11-14 030 0100 | 333 |
| 1807.N7 | 11-14 030 0029 | 334 |
| 1807.S7 | 214 030 0004 | 334 |
| 1807.T1 | 214 030 0006 | 334 |
| 1807.Y3 | 11-14 030 0022 | 335 |
| 1809.04 | 11-14 030 0005 | 335 |
| 1809.06 | 11-14 030 0005 | 335 |
| 1809.16 | 11-14 180 0001 | 335 |
| 1809.21 | 11-14 180 0004 | 336 |
| 1809.22 | 11-14 184 0017 | 336 |
| 1809.28 | 11-14 030 0029 | 334 |
| 1809.29 | 11-14 180 0004 | 336 |

| Ref. no. | MEYLE no. | Page |
|----------------|----------------|----------|
| Citroën | | |
| 1809.30 | 40-14 030 0001 | 337 |
| 1809.33 | 40-14 030 0001 | 337 |
| 1809.35 | 40-14 030 0101 | 332 |
| 1809.42 | 11-14 030 0026 | 337 |
| 1809.44 | 40-14 030 0101 | 332 |
| 1813.92 | 40-14 030 0002 | 337 |
| 1813.94 | 11-14 030 0106 | 338 |
| 1813.98 | 40-14 030 0000 | 180, 338 |
| 1821.36 | 214 030 0029 | 338 |
| 1827.10 | 11-14 184 0024 | 339 |
| 1827.17 | 11-14 184 0012 | 339 |
| 1827.19 | 11-14 182 0002 | 340 |
| 1827.23 | 11-14 184 1013 | 340 |
| 1839.A6 | 214 030 0005 | 340 |
| 1843.95 | 11-14 184 0007 | 341 |
| 1844.25 | 11-14 030 0006 | 341 |
| 1844.36 | 11-14 184 0015 | 341 |
| 1844.47 | 11-14 184 1013 | 340 |
| 1844.58 | 11-14 184 0018 | 342 |
| 1844.68 | 11-14 184 0015 | 341 |
| 1844.72 | 11-14 184 0005 | 342 |
| 1844.75 | 11-14 184 0025 | 343 |
| 1844.77 | 11-14 184 1013 | 340 |
| 1844.91 | 11-14 030 0007 | 344 |
| 1844.92 | 40-14 030 0005 | 343 |
| 1844.93 | 40-14 030 0004 | 343 |
| 1844.A9 | 11-14 184 0029 | 344 |
| 1844.C0 | 11-14 030 0007 | 344 |
| 1844.C2 | 11-14 030 0107 | 345 |
| 1844.C6 | 11-14 030 0014 | 345 |
| 1844.C7 | 11-14 030 0014 | 345 |
| 1846.65 | 11-14 184 0011 | 345 |
| 1846.66 | 11-14 184 0009 | 346 |
| 1846.C1 | 214 030 0034 | 346 |
| 1846.C2 | 214 030 0030 | 346 |
| 1854.20 | 11-14 030 0028 | 330 |
| 1854.25 | 214 030 0035 | 347 |
| 1901.68 | 16-14 323 0000 | 315 |
| 1901.70 | 16-14 323 0000 | 315 |
| 1901.75 | 16-14 323 0000 | 315 |
| 1901.85 | 16-14 323 0000 | 315 |
| 1901.97 | 11-14 323 0003 | 321 |
| 1901.A3 | 214 323 0004 | 316 |
| 1904.46 | 11-14 323 0003 | 321 |
| 1906.32 | 100 323 0007 | 316 |
| 1906.33 | 11-14 323 0002 | 316 |

| Ref. no. | MEYLE no. | Page |
|----------------|----------------------------------|----------|
| Citroën | | |
| 1906.43 | 11-14 323 0002 | 316 |
| 1906.49 | 214 323 0001 | 317 |
| 1906.50 | 214 323 0002 | 317 |
| 1906.51 | 214 323 0002 | 317 |
| 1906.52 | 614 323 0000 | 318 |
| 1906.53 | 614 323 0000 | 318 |
| 1906.67 | 11-14 323 0001 | 318 |
| 1906.77 | 11-16 323 0000 | 318 |
| 1906.88 | 100 127 0005 | 319 |
| 1906.90 | 714 323 0004 | 319 |
| 1906.94 | 214 323 0000 | 320 |
| 1906.98 | 614 323 0004 | 320 |
| 1906.A7 | 714 323 0012 | 320 |
| 1906.A9 | 214 323 0001 | 317 |
| 1906.C0 | 714 323 0004 | 319 |
| 1906.C1 | 11-14 323 0002 | 316 |
| 1906.C3 | 11-14 323 0001 | 318 |
| 1906.C4 | 614 323 0004 | 320 |
| 1906.C5 | 214 323 0002 | 317 |
| 1906.C9 | 100 323 0007 | 316 |
| 1906.E6 | 11-14 323 0003 | 321 |
| 1920.7V | 40-14 800 0005 | 220 |
| 1920.AW | 40-14 800 0009 | 203 |
| 1920.EH | 40-14 800 0004 | 203 |
| 1920.EN | 40-14 800 0010 | 204 |
| 1920.FP | 40-14 800 0010 | 204 |
| 1920.FY | 40-14 800 0005 | 220 |
| 1920.QN | 40-14 800 0005 | 220 |
| 1920.SQ | 214 899 0001 | 204 |
| 3247.03 | 014 098 9017 | 149 |
| 3272.00 | 40-14 498 0038 | 158 |
| 3272.10 | 40-14 498 0002 | 177 |
| 3272.18 | 11-14 498 0010 | 158 |
| 3272.1Q | 40-14 498 0019 | 158 |
| 3272.1X | 11-14 498 0017 40-14 498 0037 | 159, 170 |
| 3272.20 | 40-14 498 0038 | 158 |
| 3272.2Q | 40-14 498 0040 | 159 |
| 3272.2X | 40-14 498 0037 | 159 |
| 3272.3Q | 40-14 498 0040 | 159 |
| 3272.4K | 40-14 498 0038 | 158 |
| 3272.51 | 40-14 498 0022 | 160 |
| 3272.54 | 40-14 498 0016 | 160 |
| 3272.5K | 40-14 498 0038 | 158 |
| 3272.5L | 40-14 498 0034 | 160 |
| 3272.65 | 40-14 498 0035 | 165 |

| Ref. no. | MEYLE no. | Page |
|----------------|----------------|------|
| Citroën | | |
| 3272.6W | 40-14 498 0027 | 170 |
| 3272.6Y | 40-14 498 0034 | 160 |
| 3272.76 | 40-14 498 0038 | 158 |
| 3272.8J | 40-14 498 0016 | 160 |
| 3272.9J | 40-14 498 0022 | 160 |
| 3272.9P | 40-14 498 0019 | 158 |
| 3272.CQ | 40-14 498 0011 | 161 |
| 3272.CR | 40-14 498 0011 | 161 |
| 3272.EQ | 40-14 498 0024 | 171 |
| 3272.ES | 40-14 498 0023 | 175 |
| 3272.FG | 11-14 498 0013 | 173 |
| 3272.FT | 11-14 498 0012 | 174 |
| 3272.FW | 40-14 498 0025 | 175 |
| 3272.GE | 11-14 498 0024 | 171 |
| 3272.GG | 11-14 498 0024 | 171 |
| 3272.GY | 214 498 0014 | 172 |
| 3272.J0 | 40-14 498 0017 | 161 |
| 3272.J1 | 40-14 498 0015 | 162 |
| 3272.J3 | 40-14 498 0017 | 161 |
| 3272.J4 | 40-14 498 0017 | 161 |
| 3272.J5 | 40-14 498 0015 | 162 |
| 3272.J6 | 40-14 498 0015 | 162 |
| 3272.JA | 40-14 498 0026 | 172 |
| 3272.JY | 30-14 498 0021 | 172 |
| 3272.K2 | 40-14 498 0038 | 158 |
| 3272.KL | 11-14 498 0013 | 173 |
| 3272.LA | 11-14 498 0018 | 173 |
| 3272.LP | 11-14 498 0013 | 173 |
| 3272.LW | 40-14 498 0037 | 159 |
| 3272.NP | 11-14 498 0016 | 173 |
| 3272.NQ | 11-14 498 0016 | 173 |
| 3272.Q | 40-14 498 0040 | 159 |
| 3272.R5 | 40-14 498 0038 | 158 |
| 3272.SZ | 40-14 498 0043 | 162 |
| 3272.TA | 40-14 498 0043 | 162 |
| 3272.V3 | 40-14 498 0018 | 162 |
| 3272.V4 | 40-14 498 0018 | 162 |
| 3272.V5 | 40-14 498 0018 | 162 |
| 3272.W5 | 40-14 498 0016 | 160 |
| 3272.W8 | 40-14 498 0022 | 160 |
| 3272.Y6 | 40-14 498 0034 | 160 |
| 3272.Y7 | 40-14 498 0034 | 160 |
| 3272.Y8 | 40-14 498 0034 | 160 |
| 3273.06 | 40-14 498 0036 | 163 |
| 3273.09 | 40-14 498 0029 | 167 |
| 3273.0K | 40-14 498 0021 | 169 |

| Ref. no. | MEYLE no. | Page |
|----------------|----------------------------------|----------|
| Citroën | | |
| 3273.0R | 40-14 498 0028 | 163 |
| 3273.0S | 40-14 498 0028 | 163 |
| 3273.0W | 40-14 498 0031 | 164 |
| 3273.0X | 40-14 498 0031 | 164 |
| 3273.10 | 40-14 498 0029 | 167 |
| 3273.13 | 40-14 498 0029 | 167 |
| 3273.15 | 40-14 498 0036 | 163 |
| 3273.17 | 40-14 498 0000 | 176 |
| 3273.18 | 40-14 498 0000 | 176 |
| 3273.1C | 40-14 498 0039 | 164 |
| 3273.20 | 40-14 498 0000 | 176 |
| 3273.21 | 40-14 498 0000 | 176 |
| 3273.23 | 40-14 498 0000 | 176 |
| 3273.24 | 40-14 498 0000 | 176 |
| 3273.3Q | 40-14 498 0033 | 164 |
| 3273.3Z | 40-14 498 0039 | 164 |
| 3273.4J | 40-14 498 0039 | 164 |
| 3273.56 | 40-14 498 0013 | 165 |
| 3273.5Q | 40-14 498 0035 | 165 |
| 3273.5R | 40-14 498 0035 | 165 |
| 3273.5S | 214 498 0059 40-14 498 0030 | 166, 169 |
| 3273.5T | 40-14 498 0012 | 166 |
| 3273.5V | 40-14 498 0029 | 167 |
| 3273.5W | 40-14 498 0029 | 167 |
| 3273.5Y | 40-14 498 0036 | 163 |
| 3273.5Z | 40-14 498 0033 | 164 |
| 3273.60 | 214 498 0006 | 174 |
| 3273.62 | 214 498 0006 | 174 |
| 3273.63 | 40-14 498 0021 | 169 |
| 3273.6A | 40-14 498 0031 | 164 |
| 3273.6H | 40-14 498 0039 | 164 |
| 3273.6K | 40-14 498 0028 | 163 |
| 3273.79 | 40-14 498 0002 | 177 |
| 3273.7E | 40-14 498 0036 | 163 |
| 3273.7F | 40-14 498 0020 | 167 |
| 3273.7H | 40-14 498 0041 | 167 |
| 3273.7J | 40-14 498 0041 | 167 |
| 3273.7W | 40-14 498 0028 | 163 |
| 3273.87 | 11-14 498 0009 | 168 |
| 3273.88 | 11-14 498 0009 | 168 |
| 3273.9Z | 40-14 498 0027 40-14 498 0028 | 163, 170 |
| 3273.AA | 40-14 498 0028 | 163 |
| 3273.AC | 40-14 498 0032 | 168 |
| 3273.AE | 40-14 498 0032 | 168 |

| Ref. no. | MEYLE no. | Page |
|----------------|--------------------------------|----------|
| Citroën | | |
| 3273.AH | 40-14 498 0042 | 169 |
| 3273.C8 | 40-14 498 0013 | 165 |
| 3273.C9 | 40-14 498 0021 | 169 |
| 3273.CJ | 214 498 0059 40-14 498 0030 | 166, 169 |
| 3273.CN | 40-14 498 0029 | 167 |
| 3273.CY | 11-14 498 0012 | 174 |
| 3273.EA | 40-14 498 0025 | 175 |
| 3273.EG | 11-14 498 0024 | 171 |
| 3273.EQ | 40-14 498 0024 | 171 |
| 3273.ES | 40-14 498 0023 | 175 |
| 3273.G2 | 40-14 498 0035 | 165 |
| 3273.GQ | 214 498 0014 | 172 |
| 3273.HS | 40-14 498 0026 | 172 |
| 3273.JR | 30-14 498 0021 | 172 |
| 3273.K2 | 40-14 498 0028 | 163 |
| 3273.K3 | 40-14 498 0028 | 163 |
| 3273.KP | 11-14 498 0018 | 173 |
| 3273.L9 | 40-14 498 0035 | 165 |
| 3273.LP | 40-14 498 0032 | 168 |
| 3273.N2 | 40-14 498 0009 | 175 |
| 3273.NP | 11-14 498 0016 | 173 |
| 3273.NQ | 11-14 498 0016 | 173 |
| 3273.Q8 | 40-14 498 0030 | 166 |
| 3273.Q9 | 40-14 498 0030 | 166 |
| 3273.R0 | 40-14 498 0012 | 166 |
| 3273.R1 | 40-14 498 0012 | 166 |
| 3273.R2 | 40-14 498 0029 | 167 |
| 3273.R3 | 40-14 498 0029 | 167 |
| 3273.R6 | 40-14 498 0035 | 165 |
| 3273.S1 | 40-14 498 0036 | 163 |
| 3273.S2 | 40-14 498 0036 | 163 |
| 3273.SV | 40-14 498 0044 | 170 |
| 3273.SW | 40-14 498 0044 | 170 |
| 3273.Y0 | 40-14 498 0035 | 165 |
| 3274.79 | 40-14 498 0000 | 176 |
| 3274.80 | 40-14 498 0000 | 176 |
| 3274.82 | 40-14 498 0000 | 176 |
| 3274.83 | 40-14 498 0000 | 176 |
| 3274.85 | 40-14 498 0000 | 176 |
| 3274.86 | 40-14 498 0000 | 176 |
| 3287.69 | 40-14 495 0014 | 149 |
| 3287.74 | 40-14 495 0011 | 149 |
| 3287.78 | 40-14 495 0005 | 150 |
| 3287.81 | 40-14 495 0009 | 150 |
| 3287.83 | 40-14 495 0004 | 150 |

| Ref. no. | MEYLE no. | Page |
|----------------|------------------|------|
| Citroën | | |
| 3287.88 | 11-14 495 0012 | 151 |
| 3287.90 | 40-14 495 0010 | 151 |
| 3287.97 | 614 495 0002 | 151 |
| 3287.A9 | 11-14 495 0000 | 152 |
| 3292.03 | 40-14 495 0001 | 152 |
| 3293.02 | 11-14 495 0006 | 155 |
| 3293.03 | 40-14 495 0001 | 152 |
| 3293.05 | 11-14 495 0009 | 152 |
| 3293.06 | 11-14 495 0001 | 153 |
| 3293.08 | 40-14 495 0003 | 153 |
| 3293.11 | 40-14 495 0007 | 154 |
| 3293.12 | 40-14 495 0007 | 154 |
| 3293.13 | 40-14 495 0008 | 154 |
| 3293.14 | 40-14 495 0002 | 154 |
| 3293.20 | 11-14 495 0007 | 155 |
| 3293.31 | 40-14 495 0000 | 157 |
| 3293.34 | 11-14 495 0006 | 155 |
| 3293.41 | 11-14 495 0003 | 155 |
| 3293.74 | 11-14 495 0003 | 155 |
| 3293.81 | 40-14 495 0012 | 156 |
| 3293.97 | 40-14 495 0018 | 156 |
| 3293.99 | 40-14 495 0019 | 156 |
| 3293.A2 | 40-14 495 0006 | 157 |
| 3307.64 | 11-14 652 0001 | 512 |
| 3307.72 | 11-14 033 0772 | 513 |
| 3307.76 | 11-14 652 0003 | 512 |
| 3307.77 | 40-14 652 0001 | 513 |
| 3307.84 | 40-14 652 0001 | 513 |
| 3307.85 | 11-14 033 0772 | 513 |
| 3326.27 | 11-14 033 5029/S | 508 |
| 3326.63 | 11-14 650 0013 | 505 |
| 3326.69 | 11-14 650 0013 | 505 |
| 3326.71 | 214 650 0013 | 505 |
| 3326.76 | 214 650 0006 | 506 |
| 3326.77 | 214 650 0010 | 506 |
| 3349.09 | 11-14 899 0020 | 504 |
| 3350.16 | 11-14 033 5016 | 506 |
| 3350.17 | 11-14 033 5017 | 507 |
| 3350.18 | 11-14 650 0010 | 507 |
| 3350.21 | 11-14 033 5029/S | 508 |
| 3350.25 | 11-14 750 0004 | 507 |
| 3350.27 | 11-14 650 0002 | 508 |
| 3350.28 | 11-14 750 0018 | 513 |
| 3350.29 | 11-14 033 5029/S | 508 |
| 3350.30 | 11-14 650 0001 | 508 |
| 3350.32 | 11-14 650 0006 | 509 |

| Ref. no. | MEYLE no. | Page |
|----------------|--|--------------|
| Citroën | | |
| 3350.69 | 11-14 650 0007 | 509 |
| 3350.72 | 11-14 650 0015 | 510 |
| 3350.82 | 11-14 650 0008 | 509 |
| 3350.84 | 11-14 650 0007 | 509 |
| 3350.86 | 11-14 650 0015 | 510 |
| 3350.92 | 11-14 650 0015 | 510 |
| 3362.62 | 11-14 650 0014 | 505 |
| 3520.51 | 11-16 050 3198 | 408 |
| 3520.78 | 11-16 050 6980 | 409 |
| 3520.79 | 11-16 050 6979 | 410 |
| 3520.86 | 40-16 050 0005 | 389 |
| 3520.92 | 11-16 050 0063 | 388 |
| 3520.93 | 11-16 050 0064 | 389 |
| 3520.94 | 11-16 050 0023 214 610 0000 | 392, 423-424 |
| 3520.94* | 214 610 0013 | 392, 423-424 |
| 3520.95 | 11-16 050 0047 | 391 |
| 3520.96 | 11-16 050 0032 | 391 |
| 3520.A1 | 40-16 050 0002/HD | 390 |
| 3520.A2 | 40-16 050 0002/HD | 390 |
| 3520.A6 | 40-16 050 0002/HD | 390 |
| 3520.C1 | 40-16 050 0005 | 389 |
| 3520.C3 | 11-16 050 0023 214 610 0000 | 392, 423-424 |
| 3520.C3* | 214 610 0013 | 392, 423-424 |
| 3520.C5 | 11-16 050 0023 214 610 0000 | 392, 423-424 |
| 3520.C5* | 214 610 0013 | 392, 423-424 |
| 3520.E8 | 40-16 050 0004/HD | 399 |
| 3520.F5 | 40-16 050 0002/HD | 390 |
| 3520.F6 | 40-16 050 0002/HD | 390 |
| 3520.F7 | 11-16 050 0036/HD 40-16 050 0002/HD | 390, 410 |
| 3520.F8 | 11-16 050 0036/HD 40-16 050 0002/HD | 390, 410 |
| 3520.G9 | 11-16 050 0023 214 610 0000 | 392, 423-424 |
| 3520.G9* | 214 610 0013 | 392, 423-424 |
| 3520.H5 | 40-16 050 0002/HD | 390 |
| 3520.H8 | 40-16 050 0002/HD | 390 |
| 3520.J3 | 11-16 050 0048/HD | 396 |
| 3520.J4 | 11-16 050 0048/HD | 396 |
| 3520.K3 | 11-16 050 0040 | 392 |
| 3520.K8 | 11-16 050 0010/HD | 394 |
| 3520.L0 | 11-16 050 0047 | 391 |
| 3520.L1 | 11-16 050 0032 | 391 |

| Ref. no. | MEYLE no. | Page |
|----------------|--|--------------------|
| Citroën | | |
| 3520.L3 | 11-16 050 0019 | 390 |
| 3520.L4 | 11-16 050 0019 | 390 |
| 3520.L9 | 11-16 050 0019 | 390 |
| 3520.N1 | 11-16 050 0019 | 390 |
| 3520.N3 | 11-16 050 0047 | 391 |
| 3520.N4 | 11-16 050 0032 | 391 |
| 3520.P0 | 11-16 050 0040 | 392 |
| 3520.P4 | 11-16 050 0023 214 610 0000 | 392, 423-424 |
| 3520.P4* | 214 610 0013 | 392, 423-424 |
| 3520.P6 | 11-14 610 0038 11-16 050 0038 214 610 0000 | 386, 423 |
| 3520.P8 | 11-16 050 0023 214 610 0000 | 392, 423-424 |
| 3520.P8* | 214 610 0013 | 392, 423-424 |
| 3520.P9 | 11-16 050 0019 | 390 |
| 3520.Q0 | 11-16 050 0019 | 390 |
| 3520.Q2 | 11-14 610 0045 11-14 610 0046 11-14 610 0048 11-16 050 0050 30-16 010 0027 | 380, 393, 411, 429 |
| 3520.Q3 | 11-16 050 0048/HD | 396 |
| 3520.Q9 | 11-16 050 0053 | 386 |
| 3520.R0 | 11-16 050 0019 | 390 |
| 3520.R1 | 11-16 050 0019 | 390 |
| 3520.R2 | 11-16 050 0019 | 390 |
| 3520.R3 | 11-16 050 0019 | 390 |
| 3520.R4 | 11-16 050 0019 | 390 |
| 3520.R5 | 11-16 050 0019 | 390 |
| 3520.R7 | 11-16 050 0053 | 386 |
| 3520.R8 | 11-14 610 0034 11-14 610 0038 11-16 050 0068 | 393, 423-424 |
| 3520.S0 | 11-16 050 0066 | 394, 412 |
| 3520.S0* | 11-14 610 0025 11-14 610 0026 | 394, 412 |
| 3520.S1 | 11-16 050 0066 | 394, 412 |
| 3520.S1* | 11-14 610 0025 11-14 610 0026 | 394, 412 |
| 3520.S2 | 11-16 050 0010/HD | 394 |
| 3520.S5 | 11-16 050 0084 | 387 |
| 3520.S9 | 11-14 610 0040 11-16 050 0073 | 396, 425 |
| 3520.T2 | 11-16 050 0081 | 395 |

| Ref. no. | MEYLE no. | Page |
|----------------|---|-------------------|
| Citroën | | |
| 3520.T5 | 11-16 050 0081 | 395 |
| 3520.T6 | 11-16 050 0081 | 395 |
| 3520.T7 | 11-16 050 0081 | 395 |
| 3520.T8 | 11-16 050 0081 | 395 |
| 3520.T9 | 11-16 050 0081 | 395 |
| 3520.V0 | 32-14 610 0000/HD 32-14 610 0005 32-16 010 0025 32-16 050 0003 | 380, 398, 413 |
| 3520.V1 | 11-16 050 0019 | 390 |
| 3520.V2 | 11-16 050 0072/HD | 395 |
| 3520.V3 | 11-16 050 0048/HD | 396 |
| 3520.V5 | 11-16 050 0019 | 390 |
| 3520.V8 | 11-16 050 0068 | 393 |
| 3520.W1 | 11-14 610 0040 11-16 050 0073 | 396, 425 |
| 3520.W2 | 11-14 610 0040 11-16 050 0073 | 396, 425 |
| 3520.W3 | 614 610 0007 614 610 0008 616 010 0006 616 050 0029 | 380, 398, 413-414 |
| 3520.W4 | 11-16 050 0084 | 387 |
| 3520.W5 | 11-16 050 0053 | 386 |
| 3520.W7 | 11-16 050 0079 | 397 |
| 3520.W8 | 11-16 050 0079 | 397 |
| 3520.X0 | 11-16 050 0084 | 387 |
| 3520.X1 | 11-16 050 0079 | 397 |
| 3520.X6 | 11-14 610 0041 11-16 050 0075 | 397, 425 |
| 3520.X9 | 32-14 610 0000/HD 32-14 610 0005 32-16 010 0025 32-16 050 0003 | 380, 398, 413 |
| 3520.Y1 | 11-16 050 0079 | 397 |
| 3520.Y4 | 614 610 0007 614 610 0008 616 010 0006 616 050 0029 | 380, 398, 413-414 |
| 3521.34 | 11-16 050 3199 | 409 |
| 3521.58 | 40-16 050 0006 | 399 |
| 3521.64 | 11-16 050 0013 214 610 0000 | 402, 423, 425 |
| 3521.64* | 214 610 0014 | 402, 423, 425 |
| 3521.65 | 11-16 050 0014 | 400 |
| 3521.66 | 11-16 050 0033 | 401 |

| Ref. no. | MEYLE no. | Page |
|----------------|--|---------------|
| Citroën | | |
| 3521.71 | 40-16 050 0004/HD | 399 |
| 3521.72 | 40-16 050 0004/HD | 399 |
| 3521.81 | 40-16 050 0006 | 399 |
| 3521.83 | 11-16 050 0013 214 610 0000 | 402, 423, 425 |
| 3521.83* | 214 610 0014 | 402, 423, 425 |
| 3521.85 | 11-16 050 0013 214 610 0000 | 402, 423, 425 |
| 3521.85* | 214 610 0014 | 402, 423, 425 |
| 3521.A5 | 40-16 050 0004/HD | 399 |
| 3521.A6 | 40-16 050 0004/HD | 399 |
| 3521.A7 | 11-16 050 0037/HD 40-16 050 0004/HD | 399, 411 |
| 3521.A8 | 11-16 050 0037/HD 40-16 050 0004/HD | 399, 411 |
| 3521.C9 | 11-16 050 0013 214 610 0000 | 402, 423, 425 |
| 3521.C9* | 214 610 0014 | 402, 423, 425 |
| 3521.E5 | 40-16 050 0004/HD | 399 |
| 3521.F3 | 11-16 050 0049/HD | 405 |
| 3521.F4 | 11-16 050 0049/HD | 405 |
| 3521.G3 | 11-16 050 0041 | 401 |
| 3521.G8 | 11-16 050 0009/HD | 404 |
| 3521.H0 | 11-14 610 0038 11-16 050 0038 214 610 0000 | 386, 423 |
| 3521.H1 | 11-14 610 0039 11-16 050 0039 214 610 0000 | 385, 423, 426 |
| 3521.H2 | 11-16 050 0014 | 400 |
| 3521.H3 | 11-16 050 0033 | 401 |
| 3521.H5 | 11-16 050 0020 | 400 |
| 3521.H6 | 11-16 050 0020 | 400 |
| 3521.J1 | 11-16 050 0020 | 400 |
| 3521.J2 | 11-16 050 0020 | 400 |
| 3521.J3 | 11-16 050 0014 | 400 |
| 3521.J4 | 11-16 050 0033 | 401 |
| 3521.K0 | 11-16 050 0041 | 401 |
| 3521.K3 | 11-16 050 0009/HD | 404 |
| 3521.K4 | 11-16 050 0013 214 610 0000 | 402, 423, 425 |
| 3521.K4* | 214 610 0014 | 402, 423, 425 |
| 3521.K6 | 11-14 610 0039 11-16 050 0039 214 610 0000 | 385, 423, 426 |
| 3521.K8 | 11-16 050 0020 | 400 |

| Ref. no. | MEYLE no. | Page |
|----------------|--|--------------------|
| Citroën | | |
| 3521.L0 | 11-16 050 0013 214 610 0000 | 402, 423, 425 |
| 3521.L0* | 214 610 0014 | 402, 423, 425 |
| 3521.L1 | 11-16 050 0020 | 400 |
| 3521.L3 | 11-14 610 0045 11-14 610 0046 11-14 610 0048 11-16 050 0051 30-16 010 0027 | 380, 402, 411, 429 |
| 3521.L4 | 11-16 050 0049/HD | 405 |
| 3521.N0 | 11-16 050 0052 | 387 |
| 3521.N1 | 11-16 050 0020 | 400 |
| 3521.N2 | 11-16 050 0020 | 400 |
| 3521.N3 | 11-16 050 0020 | 400 |
| 3521.N4 | 11-16 050 0020 | 400 |
| 3521.N5 | 11-16 050 0020 | 400 |
| 3521.N6 | 11-16 050 0020 | 400 |
| 3521.N8 | 11-16 050 0052 | 387 |
| 3521.N9 | 11-14 610 0034 11-14 610 0039 11-16 050 0067 | 403, 424, 426 |
| 3521.P1 | 11-16 050 0065 | 403, 412 |
| 3521.P1* | 11-14 610 0025 11-14 610 0026 | 403, 412 |
| 3521.P2 | 11-16 050 0065 | 403, 412 |
| 3521.P2* | 11-14 610 0025 11-14 610 0026 | 403, 412 |
| 3521.P3 | 11-16 050 0009/HD | 404 |
| 3521.P6 | 11-16 050 0083 | 388 |
| 3521.Q0 | 11-14 610 0040 11-16 050 0074 | 406, 425 |
| 3521.Q3 | 11-16 050 0082 | 404 |
| 3521.Q6 | 11-16 050 0082 | 404 |
| 3521.Q7 | 11-16 050 0082 | 404 |
| 3521.Q8 | 11-16 050 0082 | 404 |
| 3521.Q9 | 11-16 050 0082 | 404 |
| 3521.R0 | 11-16 050 0082 | 404 |
| 3521.R1 | 32-14 610 0000/HD 32-14 610 0005 32-16 010 0025 32-16 050 0004 | 380, 407, 413 |
| 3521.R2 | 11-16 050 0020 | 400 |
| 3521.R3 | 11-16 050 0071/HD | 405 |
| 3521.R4 | 11-16 050 0049/HD | 405 |
| 3521.S0 | 11-16 050 0067 | 403 |
| 3521.S2 | 11-16 050 0020 | 400 |

| Ref. no. | MEYLE no. | Page |
|----------------|---|-------------------|
| Citroën | | |
| 3521.S4 | 11-14 610 0040 11-16 050 0074 | 406, 425 |
| 3521.S5 | 11-14 610 0040 11-16 050 0074 | 406, 425 |
| 3521.S6 | 614 610 0007 614 610 0008 616 010 0006 616 050 0028 | 380, 408, 413-414 |
| 3521.S7 | 11-16 050 0083 | 388 |
| 3521.S8 | 11-16 050 0052 | 387 |
| 3521.S9 | 11-16 050 0080 | 406 |
| 3521.T0 | 11-16 050 0080 | 406 |
| 3521.T2 | 11-16 050 0083 | 388 |
| 3521.T3 | 11-16 050 0080 | 406 |
| 3521.T7 | 11-14 610 0041 11-16 050 0076 | 407, 425 |
| 3521.V0 | 32-14 610 0000/HD 32-14 610 0005 32-16 010 0025 32-16 050 0004 | 380, 407, 413 |
| 3521.V2 | 11-16 050 0080 | 406 |
| 3521.V5 | 616 050 0028 | 408 |
| 3521.V5 | 614 610 0007 614 610 0008 616 010 0006 | 380, 413-414 |
| 3523.20 | 11-14 035 2320 | 414 |
| 3523.31 | 11-14 035 2331 | 414 |
| 3523.43 | 11-14 610 0017 | 415 |
| 3523.49 | 11-14 352 0005 | 421 |
| 3523.50 | 16-14 610 0009 | 421 |
| 3523.51 | 11-14 352 0002 | 426 |
| 3523.66 | 16-14 610 0009 | 421 |
| 3523.71 | 11-14 035 2331 | 414 |
| 3523.73 | 11-14 035 2320 | 414 |
| 3523.75 | 11-14 610 0012/HD | 427 |
| 3523.81 | 11-14 610 0004 | 427 |
| 3523.82 | 11-14 610 0005 | 427 |
| 3523.83 | 11-14 610 0006 | 428 |
| 3523.84 | 11-14 610 0011 | 415 |
| 3523.91 | 11-14 610 0016/HD | 415 |
| 3523.92 | 11-14 610 0013/HD | 416 |
| 3523.93 | 11-14 610 0009 | 416 |
| 3523.94 | 11-14 610 0023 11-14 610 0027 | 428, 430 |
| 3523.95 | 11-14 610 0010 | 416 |
| 3523.98 | 11-14 610 0001 | 417 |

| Ref. no. | MEYLE no. | Page |
|----------------|-------------------------------------|----------|
| Citroën | | |
| 3523.99 | 11-14 352 0010 | 417 |
| 3523.AA | 11-14 352 0010 | 417 |
| 3523.AP | 11-14 610 0023 11-14 610 0027 | 428, 430 |
| 3523.AQ | 11-14 610 0018 | 417 |
| 3523.AR | 11-14 610 0010 | 416 |
| 3523.AT | 11-14 352 0010 | 417 |
| 3523.AZ | 11-14 610 0031 | 418 |
| 3523.CA | 11-14 610 0030 | 418 |
| 3523.CC | 11-14 610 0020 | 418 |
| 3523.CE | 11-14 610 0021 | 419 |
| 3523.CN | 11-14 610 0043 | 419 |
| 3523.CP | 11-14 610 0044 11-14 610 0055/HD | 419-420 |
| 3523.CZ | 11-14 610 0043 | 419 |
| 3523.EA | 11-14 610 0043 | 419 |
| 3523.EC | 11-14 610 0044 11-14 610 0055/HD | 419-420 |
| 3523.EE | 11-14 610 0044 11-14 610 0055/HD | 419-420 |
| 3640.21 | 11-16 010 4249 | 381 |
| 3640.28 | 11-16 010 3347 | 379 |
| 3640.32 | 11-16 010 0005/HD | 381 |
| 3640.33 | 11-16 010 0004 | 379 |
| 3640.34 | 11-16 010 3347 | 379 |
| 3640.36 | 11-16 010 3356 | 385 |
| 3640.39 | 40-16 010 0002 | 381 |
| 3640.42 | 40-16 010 0002 | 381 |
| 3640.43 | 40-16 010 0002 | 381 |
| 3640.50 | 11-16 010 0008 | 382 |
| 3640.51 | 11-16 010 0008 | 382 |
| 3640.54 | 11-16 010 0011 | 382 |
| 3640.55 | 40-16 010 0004/HD | 382 |
| 3640.56 | 11-16 010 0013 | 383 |
| 3640.57 | 11-16 010 0019 11-16 050 0035 | 379, 429 |
| 3640.58 | 11-16 010 0018 11-16 010 0018/S | 383, 429 |
| 3640.59 | 11-16 010 0013 | 383 |
| 3640.60 | 11-16 010 0000 | 383 |
| 3640.61 | 11-16 010 0013 | 383 |
| 3640.62 | 11-16 010 0013 | 383 |
| 3640.65 | 11-16 010 0013 | 383 |
| 3640.66 | 11-16 010 0013 | 383 |
| 3640.67 | 11-16 010 0014 | 384 |
| 3640.68 | 11-16 010 0000 | 383 |

| Ref. no. | MEYLE no. | Page |
|----------------|------------------|----------|
| Citroën | | |
| 3640.69 | 11-16 010 0018 | 383, 429 |
| | 11-16 010 0018/S | |
| | 11-16 010 0019 | |
| 3640.70 | 11-16 010 0000 | 383 |
| 3640.71 | 11-16 010 3347 | 379 |
| 3640.72 | 11-16 010 0018 | 383, 429 |
| | 11-16 010 0018/S | |
| | 11-16 010 0019 | |
| 3640.73 | 11-16 010 0000 | 383 |
| 3640.74 | 11-16 010 0019 | 379, 429 |
| | 11-16 050 0035 | |
| 3640.76 | 11-16 010 0014 | 384 |
| 3640.77 | 11-16 010 0017 | 384 |
| 3640.78 | 11-16 010 0025 | 384 |
| 3646.C0 | 11-14 650 0008 | 509 |
| 3647.C0 | 11-14 650 0008 | 509 |
| 3701.65 | 40-14 752 0000 | 515 |
| 3701.68 | 11-14 750 0030 | 514 |
| 3701.74 | 11-14 750 0030 | 514 |
| 3730.32 | 11-14 750 0020 | 510 |
| 3740.32 | 11-14 037 4032 | 504 |
| 3748.17 | 11-14 750 0001 | 510 |
| 3748.28 | 11-14 750 0015 | 514 |
| 3748.29 | 40-14 752 0000 | 515 |
| 3748.31 | 11-14 750 0009 | 515 |
| 3748.32 | 11-14 750 0031 | 515 |
| 3748.37 | 11-14 752 0000 | 516 |
| 3748.38 | 40-14 752 0001 | 517 |
| 3748.39 | 11-14 750 0001 | 510 |
| 3748.43 | 11-14 750 0015 | 514 |
| 3748.44 | 11-14 750 0022 | 516 |
| 3748.45 | 11-14 750 0009 | 515 |
| 3748.68 | 11-14 750 0014 | 517 |
| 3748.70 | 40-14 750 0001 | 517 |
| 3748.72 | 40-14 752 0001 | 517 |
| 3748.74 | 11-14 750 0032 | 518 |
| 3748.76 | 11-14 750 0027 | 518 |
| 3748.77 | 11-14 750 0028 | 511 |
| 3748.80 | 11-14 750 0014 | 517 |
| 3748.82 | 11-14 750 0016 | 519 |
| 3748.83 | 11-14 750 0025 | 511 |
| 3748.85 | 11-14 750 0008 | 519 |
| 3748.86 | 11-14 750 0016 | 519 |
| 3748.87 | 11-14 750 0016 | 519 |
| 3748.88 | 11-14 750 0013 | 519 |
| 3748.94 | 11-14 750 0029 | 511 |

| Ref. no. | MEYLE no. | Page |
|----------------|-------------------|------|
| Citroën | | |
| 3748.95 | 11-14 752 0001 | 520 |
| 3748.96 | 11-14 752 0002 | 520 |
| 3748.99 | 11-14 752 0001 | 520 |
| 3748.A0 | 11-14 752 0002 | 520 |
| 3748.A3 | 11-14 752 0001 | 520 |
| 3812.A4 | 216 031 0004 | 355 |
| 3812.A6 | 11-16 031 0017 | 356 |
| 3812.A9 | 11-16 031 0016 | 364 |
| 3812.C0 | 11-16 030 0001 | 356 |
| 3812.C6 | 11-16 030 0001 | 356 |
| 3812.C8 | 11-16 031 0006 | 356 |
| 3812.E0 | 11-16 031 0015 | 357 |
| 3812.E1 | 11-16 031 0009 | 357 |
| | 11-16 031 0011/HD | |
| 3812.E2 | 216 031 0005 | 358 |
| 3812.E3 | 11-16 031 0008 | 359 |
| 3812.E4 | 11-16 030 0001 | 356 |
| 3812.E5 | 11-16 031 0019 | 358 |
| 3812.E6 | 40-16 031 0000/HD | 358 |
| 3812.E7 | 11-16 031 0008 | 359 |
| 3812.E8 | 11-16 031 0007 | 359 |
| 3812.E9 | 11-16 031 0025 | 359 |
| 3812.F0 | 11-16 031 0020 | 360 |
| 3812.F1 | 11-16 031 0013/HD | 360 |
| 3812.F2 | 11-16 031 0021 | 360 |
| 3812.F3 | 11-16 031 0023 | 361 |
| 3812.F4 | 11-16 031 0024 | 361 |
| 3812.F6 | 16-16 031 0005 | 361 |
| 3812.F7 | 11-16 031 0030 | 362 |
| 3814.A5 | 11-16 020 0019 | 367 |
| 3817.18 | 11-16 020 5703/HD | 368 |
| 3817.31 | 40-16 020 5724/HD | 377 |
| 3817.37 | 11-16 020 0006 | 367 |
| 3817.38 | 11-16 020 0005 | 367 |
| 3817.41 | 40-16 020 5723/HD | 377 |
| 3817.42 | 40-16 020 5724/HD | 377 |
| 3817.43 | 11-16 020 0006 | 367 |
| 3817.44 | 11-16 020 0005 | 367 |
| 3817.50 | 11-16 020 5703/HD | 368 |
| 3817.53 | 11-16 020 0011 | 369 |
| 3817.54 | 11-16 020 0012 | 369 |
| 3817.55 | 40-16 020 0002 | 368 |
| 3817.56 | 11-16 020 0008 | 368 |
| 3817.59 | 11-16 020 0011 | 369 |
| 3817.60 | 11-16 020 0012 | 369 |
| 3817.61 | 40-16 020 0004/HD | 369 |

| Ref. no. | MEYLE no. | Page |
|----------------|-------------------------------------|------|
| Citroën | | |
| 3817.62 | 40-16 020 0003/HD | 370 |
| 3817.63 | 11-16 020 0017 | 370 |
| 3817.64 | 11-16 020 0018 | 370 |
| 3817.65 | 11-16 020 0014 | 371 |
| 3817.66 | 11-16 020 0013 | 371 |
| 3817.67 | 11-16 020 0009 | 371 |
| 3817.68 | 11-16 020 0010 | 372 |
| 3817.69 | 11-16 020 0015/HD | 366 |
| 3817.70 | 11-16 020 0016/HD | 372 |
| 3817.71 | 11-16 020 0028 | 372 |
| 3817.72 | 11-16 020 0029 | 373 |
| 3817.73 | 11-16 020 0019 | 367 |
| 3817.74 | 32-16 020 0000 | 373 |
| 3817.75 | 11-16 020 0023 | 373 |
| 3817.76 | 11-16 020 0022 | 374 |
| 3817.77 | 11-16 020 0015/HD | 366 |
| 3817.80 | 11-16 020 0026 | 366 |
| 3817.81 | 11-16 020 0027 | 366 |
| 3817.86 | 216 020 0015 | 374 |
| 3817.87 | 216 020 0016 | 374 |
| 3817.88 | 11-16 020 0023 | 373 |
| 3817.89 | 11-16 020 0022 | 374 |
| 3817.91 | 11-16 020 0025 | 375 |
| 3817.92 | 11-16 020 0024 | 375 |
| 3817.94 | 11-16 020 0032 | 375 |
| 4001.33 | 11-16 031 0026 11-16 031 0034/HD | 362 |
| 4001.77 | 216 031 0017 216 031 0030/HD | 363 |
| 4001 A1 | 11-16 031 0012/HD 11-16 031 0022 | 355 |
| 4001 E4 | 11-16 031 0012/HD 11-16 031 0022 | 355 |
| 4001 E5 | 11-16 031 0012/HD 11-16 031 0022 | 355 |
| 4001 K6 | 216 031 0017 216 031 0030/HD | 363 |
| 4001 NZ | 216 031 0017 216 031 0030/HD | 363 |
| 4001 PA | 216 031 0017 216 031 0030/HD | 363 |
| 4007.CV | 050 005 0860 | 248 |
| 4007.KK | 11-14 631 0000 | 348 |
| 4009P2 | 050 004 0922/E | 271 |
| 4009Q4 | 050 004 0922/E | 271 |
| 4018.A3 | 11-16 020 7529 | 376 |

| Ref. no. | MEYLE no. | Page |
|----------------|--|---------|
| Citroën | | |
| 4018.A4 | 11-16 030 0008/HD 11-16 030 7528 | 353 |
| 4018.E0 | 216 060 0007 | 376 |
| 4018.H4 | 11-16 020 7529 | 376 |
| 4059.09 | 11-16 020 5042 | 377 |
| 4059.12 | 216 020 0062 | 376 |
| 4066.16 | 11-14 620 0006 | 348 |
| 4066.20 | 11-14 620 0000 | 349 |
| 4066.31 | 11-14 620 0009 | 349 |
| 4066.41 | 11-14 620 0003 | 349 |
| 4066.43 | 11-14 620 0007 | 350 |
| 4066.44 | 11-14 620 0008 | 350 |
| 4066.64 | 40-14 620 0000 | 350 |
| 4066.69 | 11-14 620 0019 | 351 |
| 4066.73 | 11-14 620 0005 | 351 |
| 4066.74 | 40-14 620 0000 | 350 |
| 4066.82 | 40-14 620 0004 | 351 |
| 4066.85 | 40-14 620 0004 | 351 |
| 4066.88 | 40-14 620 0002 | 352 |
| 4066.92 | 40-14 620 0004 | 351 |
| 4066.95 | 216 050 0025 | 352 |
| 4066.97 | 40-14 620 0003 | 352 |
| 4066A3 | 11-14 620 0026 | 353 |
| 4228.35 | 215 523 0027 | 55 |
| 4241.E7 | 11-14 533 0017 | 124 |
| 4241.E8 | 11-14 533 0000 11-14 533 0000/K | 127 |
| 4241.G3 | 11-14 533 0003 11-14 533 0003/K 11-14 533 0003/S | 130 |
| 4241.G6 | 11-14 533 0004 11-14 533 0004/K | 128 |
| 4241.H4 | 214 533 0020/K 214 533 0021 | 124-125 |
| 4241.H5 | 214 533 0020 | 125 |
| 4241.H7 | 214 533 0017/K 40-14 533 0002 | 126 |
| 4241.J5 | 16-14 533 0000 40-14 533 0004/K | 126-127 |
| 4241.J6 | 11-14 533 0000 11-14 533 0000/K | 127 |
| 4241.J8 | 11-14 533 0001 11-14 533 0021/K | 131 |
| 4241.K1 | 11-14 533 0004 11-14 533 0004/K | 128 |
| 4241.K2 | 11-14 533 0004 | 128 |

| Ref. no. | MEYLE no. | Page |
|----------------|--|---------|
| Citroën | | |
| | 11-14 533 0004/K | |
| 4241.K3 | 11-14 533 0004 11-14 533 0004/K | 128 |
| 4241.K6 | 214 533 0017/K 40-14 533 0002 | 126 |
| 4241.K8 | 11-14 533 0001 11-14 533 0021/K | 131 |
| 4241.L0 | 11-14 533 0019 11-14 533 0023/K | 128-129 |
| 4241.L2 | 40-14 533 0001 40-14 533 0019/K | 129 |
| 4241.L3 | 11-14 533 0000 11-14 533 0000/K | 127 |
| 4241.L4 | 11-14 533 0003 11-14 533 0003/K 11-14 533 0003/S | 130 |
| 4241.L6 | 11-14 533 0001 11-14 533 0021/K | 131 |
| 4241.L7 | 214 533 0008 214 533 0008/K | 131-132 |
| 4241.N2 | 11-14 533 0018 11-14 533 0018/K | 132 |
| 4241.N3 | 11-14 533 0021 | 133 |
| 4241.N4 | 214 533 0020 | 125 |
| 4241.N5 | 214 533 0017 | 136 |
| 4241.N8 | 40-14 533 0003 | 133 |
| 4241.P0 | 214 533 0010 214 533 0010/K | 133-134 |
| 4241.P1 | 16-14 533 0012 16-14 533 0012/K | 134-135 |
| 4241.P3 | 214 533 0010 214 533 0010/K | 133-134 |
| 4241.P4 | 40-14 533 0003 | 133 |
| 4246.C0 | 40-15 521 1001 | 42 |
| 4246.H9 | 11-15 521 0015 | 43 |
| 4246.J0 | 11-15 521 0037 11-15 521 0037/PD | 62-63 |
| 4246.J3 | 11-15 521 0006 | 43 |
| 4246.J6 | 11-15 523 0035 | 44 |
| 4246.J9 | 215 521 0005 | 44 |
| 4246.K0 | 11-15 521 0028 | 56 |
| 4246.K3 | 215 521 0003 | 36 |
| 4246.L3 | 215 521 0004 | 35 |
| 4246.L4 | 215 521 0004 | 35 |
| 4246.L6 | 11-15 523 0038 | 45 |
| 4246.L8 | 11-15 521 0007 | 45 |

| Ref. no. | MEYLE no. | Page |
|----------------|-------------------------------------|--------|
| Citroën | | |
| 4246.P2 | 11-15 521 0035 11-15 521 0035/PD | 46 |
| 4246.P4 | 11-15 523 0011 11-15 523 0011/PD | 64, 69 |
| 4246.R2 | 11-15 521 0033 11-15 521 0033/PD | 47 |
| 4246.R3 | 214 498 0032 | 176 |
| 4246.R4 | 11-15 521 0033 11-15 521 0033/PD | 47 |
| 4246.R5 | 11-15 521 0032 11-83 521 0032/PD | 50-51 |
| 4246.R6 | 40-15 521 1000 | 49 |
| 4246.R9 | 11-15 521 0036 11-15 521 0036/PD | 48 |
| 4246.T8 | 40-15 521 1000 | 49 |
| 4246.T9 | 11-15 521 0013 | 49 |
| 4246.V0 | 11-15 521 0013 | 49 |
| 4246.W1 | 11-15 521 0017 11-83 521 0017/PD | 66 |
| 4246.W2 | 11-15 521 0018 11-83 521 0018/PD | 34-35 |
| 4246.W3 | 40-15 521 1000 | 49 |
| 4246.W4 | 40-15 523 1002 | 50 |
| 4246.W6 | 11-15 521 0032 11-83 521 0032/PD | 50-51 |
| 4246.W9 | 11-15 523 0008 11-15 523 0008/PD | 51-52 |
| 4246.X8 | 11-15 523 0008 11-15 523 0008/PD | 51-52 |
| 4246.Y1 | 215 521 0004 | 35 |
| 4246.Y3 | 215 521 0003 | 36 |
| 4246.Y7 | 215 523 0012 | 37 |
| 4246.Z1 | 215 523 0006 | 38 |
| 4246.Z3 | 215 523 0006 | 38 |
| 4246.Z8 | 40-15 521 1004 | 52 |
| 4246.Z9 | 11-15 523 0041 | 53 |
| 4247.24 | 11-15 523 0003 | 122 |
| 4247.32 | 11-15 523 0030 | 123 |
| 4247.44 | 11-15 523 0031 | 123 |
| 4247.48 | 11-15 523 0005 | 124 |
| 4249.16 | 11-15 521 0017 11-83 521 0017/PD | 66 |
| 4249.18 | 11-15 521 0018 11-83 521 0018/PD | 34-35 |
| 4249.21 | 215 521 0033 | 53 |
| 4249.23 | 215 523 0029 | 54 |

| Ref. no. | MEYLE no. | Page |
|----------------|-------------------------------------|-------|
| Citroën | | |
| 4249.25 | 215 521 0024 215 521 0024/PD | 41-42 |
| 4249.27 | 215 521 0018 | 54 |
| 4249.29 | 215 521 0029 | 36 |
| 4249.31 | 215 523 0027 | 55 |
| 4249.33 | 40-15 521 1001 | 42 |
| 4249.34 | 11-15 523 0041 | 53 |
| 4249.36 | 215 521 0019 | 41 |
| 4249.37 | 215 521 0021 | 37 |
| 4249.38 | 215 521 0021 | 37 |
| 4249.40 | 215 523 0004 | 55 |
| 4249.42 | 215 523 0028 | 56 |
| 4249.44 | 11-15 521 0028 | 56 |
| 4249.46 | 11-15 523 4008 | 76 |
| 4249.53 | 11-15 523 0008 11-15 523 0008/PD | 51-52 |
| 4249.55 | 11-15 521 0037 11-15 521 0037/PD | 62-63 |
| 4249.59 | 32-15 521 0025 32-15 521 0025/PD | 57 |
| 4249.62 | 32-15 523 0017 32-15 523 0017/PD | 58 |
| 4249.64 | 11-15 521 0034/PD | 59 |
| 4249.72 | 11-15 523 0009 11-15 523 0009/PD | 59-60 |
| 4249.73 | 215 521 0002 | 60 |
| 4249.74 | 215 521 0002 215 521 0002/PD | 60-61 |
| 4249.79 | 40-15 521 1004 | 52 |
| 4249.81 | 11-15 521 0034/PD | 59 |
| 4249.82 | 11-15 521 0033 11-15 521 0033/PD | 47 |
| 4249.83 | 11-15 521 0017 11-83 521 0017/PD | 66 |
| 4249.84 | 11-15 521 0018 11-83 521 0018/PD | 34-35 |
| 4249.85 | 40-15 521 1001 | 42 |
| 4249.86 | 11-15 521 0034/PD | 59 |
| 4249.87 | 215 521 0033 | 53 |
| 4249.88 | 11-15 521 0039 11-15 521 0039/PD | 61-62 |
| 4249.90 | 11-15 523 0008 11-15 523 0008/PD | 51-52 |
| 4249.91 | 215 523 0029 | 54 |
| 4249.92 | 215 521 0024 215 521 0024/PD | 41-42 |

| Ref. no. | MEYLE no. | Page |
|----------------|-------------------------------------|--------|
| Citroën | | |
| 4249.93 | 11-15 521 0030 11-15 521 0030/PD | 67 |
| 4249.94 | 11-15 521 0037 11-15 521 0037/PD | 62-63 |
| 4249.95 | 11-15 521 0042 11-15 521 0042/PD | 63-64 |
| 4249.96 | 11-15 521 0031 11-15 521 0031/PD | 70-71 |
| 4249.97 | 11-15 521 0013 | 49 |
| 4249.A0 | 215 521 0019 | 41 |
| 4249.A1 | 215 523 0027 | 55 |
| 4249.A2 | 215 523 0004 | 55 |
| 4249.A6 | 215 521 0021 | 37 |
| 4249.A9 | 11-15 521 0028 | 56 |
| 4249.C0 | 11-15 523 0011 11-15 523 0011/PD | 64, 69 |
| 4249.C1 | 11-15 523 0009 11-15 523 0009/PD | 59-60 |
| 4249.C5 | 11-15 521 0012 | 72 |
| 4249.C9 | 215 521 0005 | 44 |
| 4249.E5 | 215 521 0002 | 60 |
| 4249.F0 | 11-15 521 0032 11-83 521 0032/PD | 50-51 |
| 4249.F3 | 32-15 521 0025 32-15 521 0025/PD | 57 |
| 4249.F4 | 32-15 523 0017 32-15 523 0017/PD | 58 |
| 4249.F5 | 11-15 523 0010 11-15 523 0010/PD | 71-72 |
| 4249.F7 | 11-15 523 0012 11-15 523 0012/PD | 65 |
| 4249.G1 | 11-15 521 0017 11-83 521 0017/PD | 66 |
| 4249.H1 | 40-15 521 1000 | 49 |
| 4249.H2 | 215 521 0019 | 41 |
| 4249.H5 | 11-15 521 0006 | 43 |
| 4249.H6 | 215 521 0005 | 44 |
| 4249.H7 | 11-15 521 0035 11-15 521 0035/PD | 46 |
| 4249.H8 | 215 521 0004 | 35 |
| 4249.H9 | 215 521 0003 | 36 |
| 4249.J1 | 11-15 521 0007 | 45 |
| 4249.J6 | 11-15 521 0018 11-83 521 0018/PD | 34-35 |
| 4249.J8 | 11-15 521 0034/PD | 59 |
| 4249.J9 | 215 521 0033 | 53 |

| Ref. no. | MEYLE no. | Page |
|----------------|-------------------------------------|---------|
| Citroën | | |
| 4249.K0 | 215 521 0024 215 521 0024/PD | 41-42 |
| 4249.K1 | 11-15 521 0030 11-15 521 0030/PD | 67 |
| 4249.K2 | 215 521 0029 | 36 |
| 4249.K3 | 215 521 0018 | 54 |
| 4249.K4 | 11-15 521 0013 | 49 |
| 4249.K6 | 215 523 0028 | 56 |
| 4249.K7 | 215 523 0027 | 55 |
| 4249.K8 | 215 523 0004 | 55 |
| 4249.K9 | 215 523 0006 | 38 |
| 4249.L0 | 215 523 0012 | 37 |
| 4249.L2 | 215 521 0002 | 60 |
| 4249.L4 | 11-15 521 0015 | 43 |
| 4249.L6 | 11-15 521 0040 11-15 521 0040/PD | 68 |
| 4251.10 | 025 218 0119/W | 107 |
| 4251.11 | 025 212 7517 | 80 |
| 4251.12 | 025 212 7517 | 80 |
| 4251.14 | 025 216 3117/PD 025 216 3117/W | 84 |
| 4251.17 | 025 217 9719/PD 025 217 9719/W | 105 |
| 4251.19 | 025 217 9919/PD 025 217 9919/W | 106 |
| 4251.26 | 025 230 4218/PD 025 230 4218/W | 107-108 |
| 4251.29 | 025 203 8915 | 80 |
| 4251.33 | 025 231 4617/W | 85 |
| 4251.37 | 025 209 0518/PD 025 209 0518/W | 82 |
| 4251.38 | 025 218 2717 | 81 |
| 4251.39 | 025 218 2717 | 81 |
| 4251.40 | 025 209 0518/PD 025 209 0518/W | 82 |
| 4251.44 | 025 216 7419/W | 81 |
| 4251.45 | 025 231 3518/W | 86 |
| 4251.46 | 025 209 7311 025 209 7311/PD | 90-91 |
| 4251.47 | 025 209 0518/PD 025 209 0518/W | 82 |
| 4251.50 | 025 230 4218/PD 025 230 4218/W | 107-108 |
| 4251.55 | 025 231 2419/PD 025 231 2419/W | 83 |
| 4251.56 | 025 216 3117/PD | 84 |

| Ref. no. | MEYLE no. | Page |
|----------------|-----------------------------------|---------|
| Citroën | | |
| | 025 216 3117/W | |
| 4251.58 | 025 231 4617/W | 85 |
| 4251.69 | 025 219 8018 025 219 8018/PD | 85 |
| 4251.70 | 025 218 2717 | 81 |
| 4251.83 | 025 201 6215 | 120 |
| 4251.97 | 025 209 7311 025 209 7311/PD | 90-91 |
| 4252.03 | 025 233 9617 | 86 |
| 4252.11 | 025 231 3518/W | 86 |
| 4252.13 | 025 233 4619 | 98 |
| 4252.14 | 025 232 7617/W | 91 |
| 4252.15 | 025 232 7717/W | 92 |
| 4252.16 | 025 232 7318 | 92 |
| 4252.17 | 025 233 0515 | 93 |
| 4252.18 | 025 235 9919 025 235 9919/PD | 87 |
| 4252.21 | 025 235 9919 025 235 9919/PD | 87 |
| 4252.26 | 025 236 0219/PD 025 236 0219/W | 120-121 |
| 4252.27 | 025 236 0319/PD 025 236 0319/W | 108 |
| 4252.31 | 025 202 6119/W | 109 |
| 4252.33 | 025 209 6117 025 209 6117/PD | 88 |
| 4252.34 | 025 233 4619 | 98 |
| 4252.35 | 025 236 0019 025 236 0019/PD | 89 |
| 4252.36 | 025 234 0719 025 234 0719/PD | 94 |
| 4252.37 | 025 234 0919 | 90 |
| 4252.38 | 025 235 9919 025 235 9919/PD | 87 |
| 4252.39 | 025 235 9919 025 235 9919/PD | 87 |
| 4252.40 | 025 235 9919 025 235 9919/PD | 87 |
| 4252.43 | 025 239 1719/PD 025 239 1719/W | 109-110 |
| 4252.45 | 025 239 1919/PD 025 239 1919/W | 110 |
| 4252.47 | 025 239 2120 025 239 2120/PD | 113 |
| 4252.48 | 025 232 7717/W | 92 |
| 4252.49 | 025 232 7318 | 92 |

| Ref. no. | MEYLE no. | Page |
|----------------|--------------------------------------|---------|
| Citroën | | |
| 4252.53 | 025 237 0819 | 90 |
| 4252.57 | 025 209 7311 025 209 7311/PD | 90-91 |
| 4252.58 | 025 234 0719 025 234 0719/PD | 94 |
| 4252.73 | 025 209 0518/PD 025 209 0518/W | 82 |
| 4252.76 | 025 235 9919 025 235 9919/PD | 87 |
| 4252.87 | 025 232 7617/W | 91 |
| 4252.88 | 025 232 7717/W | 92 |
| 4252.89 | 025 232 7318 | 92 |
| 4252.90 | 025 233 0515 | 93 |
| 4252.91 | 025 216 3117/PD 025 216 3117/W | 84 |
| 4252.94 | 025 241 3317/W | 114 |
| 4253.06 | 025 218 2717 | 81 |
| 4253.21 | 025 212 6717/PD 025 212 6717/W | 116-117 |
| 4253.23 | 025 235 8919 | 94 |
| 4253.25 | 025 241 5017 | 92 |
| 4253.28 | 025 239 5917 | 113 |
| 4253.29 | 025 244 6217 | 93 |
| 4253.30 | 025 235 9919 025 235 9919/PD | 87 |
| 4253.31 | 025 236 0019 025 236 0019/PD | 89 |
| 4253.34 | 025 233 0515 | 93 |
| 4253.42 | 025 235 9919 025 235 9919/PD | 87 |
| 4253.44 | 025 235 8919 | 94 |
| 4253.45 | 025 234 0719 025 234 0719/PD | 94 |
| 4253.46 | 025 232 7717/W | 92 |
| 4253.56 | 025 244 6819-1/PD 025 244 6819/W1 | 78 |
| 4253.58 | 025 244 6819-2/PD 025 244 6819/W2 | 79 |
| 4253.60 | 025 244 6519 025 244 6519/PD | 95 |
| 4253.61 | 025 245 3818 025 245 3818/PD | 96 |
| 4253.62 | 025 245 5719 | 97 |
| 4253.64 | 025 245 9518/W | 97 |
| 4253.66 | 025 245 9518/W | 97 |
| 4253.67 | 025 245 7816 | 98 |

| Ref. no. | MEYLE no. | Page |
|----------------|--------------------------------------|---------|
| Citroën | | |
| 4253.68 | 025 245 7816 | 98 |
| 4253.69 | 025 234 0719 025 234 0719/PD | 94 |
| 4253.70 | 025 236 0019 025 236 0019/PD | 89 |
| 4253.71 | 025 245 4016 | 98 |
| 4253.72 | 025 234 0919 | 90 |
| 4253.74 | 025 244 6619-2/PD 025 244 6619/W2 | 112 |
| 4253.76 | 025 244 6619-2/PD 025 244 6619/W2 | 112 |
| 4253.80 | 025 233 4619 | 98 |
| 4253.84 | 025 234 0719 025 234 0719/PD | 94 |
| 4253.88 | 025 213 6315/PD 025 213 6315/W | 99 |
| 4253.91 | 025 235 8216 025 235 8216/PD | 104-105 |
| 4253.95 | 025 248 3919/W | 99 |
| 4253.97 | 025 245 5719 | 97 |
| 4253.99 | 025 241 5017 | 92 |
| 4254.03 | 025 243 3218 025 243 3218/PD | 100 |
| 4254.04 | 025 241 3517 | 120 |
| 4254.05 | 025 241 3716 025 241 3716/PD | 101 |
| 4254.07 | 025 237 0517/PD 025 237 0517/W | 101-102 |
| 4254.11 | 025 241 3317/W | 114 |
| 4254.13 | 025 245 3818 025 245 3818/PD | 96 |
| 4254.14 | 025 247 6516/W | 103 |
| 4254.21 | 025 241 3517 | 120 |
| 4254.23 | 025 235 9919 025 235 9919/PD | 87 |
| 4254.24 | 025 243 3218 025 243 3218/PD | 100 |
| 4254.25 | 025 245 3818 025 245 3818/PD | 96 |
| 4254.27 | 025 250 9419 025 250 9419/PD | 102-103 |
| 4254.28 | 025 209 6117 025 209 6117/PD | 88 |
| 4254.29 | 025 247 6516/W | 103 |
| 4254.30 | 025 213 6315/PD 025 213 6315/W | 99 |

| Ref. no. | MEYLE no. | Page |
|----------------|--------------------------------------|---------|
| Citroën | | |
| 4254.31 | 025 248 8318 | 103 |
| 4254.32 | 025 245 4016 | 98 |
| 4254.35 | 025 249 2217 | 104 |
| 4254.40 | 025 241 5017 | 92 |
| 4254.44 | 025 249 2217 | 104 |
| 4254.46 | 025 249 2217 | 104 |
| 4254.48 | 025 235 8216 025 235 8216/PD | 104-105 |
| 4254.51 | 025 217 9719/PD 025 217 9719/W | 105 |
| 4254.52 | 025 217 9919/PD 025 217 9919/W | 106 |
| 4254.53 | 025 218 0119/W | 107 |
| 4254.54 | 025 230 4218/PD 025 230 4218/W | 107-108 |
| 4254.56 | 025 236 0319/PD 025 236 0319/W | 108 |
| 4254.57 | 025 202 6119/W | 109 |
| 4254.58 | 025 239 1719/PD 025 239 1719/W | 109-110 |
| 4254.59 | 025 239 1919/PD 025 239 1919/W | 110 |
| 4254.61 | 025 244 6819-1/PD 025 244 6819/W1 | 78 |
| 4254.62 | 025 244 6819-2/PD 025 244 6819/W2 | 79 |
| 4254.63 | 025 244 6619-1/PD 025 244 6619/W1 | 111 |
| 4254.64 | 025 244 6619-2/PD 025 244 6619/W2 | 112 |
| 4254.66 | 025 212 7517 | 80 |
| 4254.68 | 025 239 2120 025 239 2120/PD | 113 |
| 4254.69 | 025 244 6519 025 244 6519/PD | 95 |
| 4254.71 | 025 236 0019 025 236 0019/PD | 89 |
| 4254.73 | 025 250 6917 | 77 |
| 4254.74 | 025 239 5917 | 113 |
| 4254.75 | 025 235 9919 025 235 9919/PD | 87 |
| 4254.76 | 025 241 5017 | 92 |
| 4254.80 | 025 241 3317/W | 114 |
| 4254.84 | 025 233 9617 | 86 |
| 4254.85 | 025 231 2419/PD 025 231 2419/W | 83 |

| Ref. no. | MEYLE no. | Page |
|----------------|---|---------|
| Citroën | | |
| 4254.88 | 025 235 8919 | 94 |
| 4254.91 | 025 241 3517 | 120 |
| 4254.92 | 025 236 0019 025 236 0019/PD 025 237 0819 | 89-90 |
| 4254.97 | 025 245 7816 | 98 |
| 4254.99 | 025 209 0518/PD 025 209 0518/W | 82 |
| 4254.A0 | 025 241 3317/W | 114 |
| 4254.A1 | 025 245 9518/W | 97 |
| 4254.A2 | 025 245 9518/W | 97 |
| 4254.A3 | 025 241 3317/W | 114 |
| 4254.A9 | 025 252 2018 | 114 |
| 4254.C0 | 025 245 3818 025 245 3818/PD | 96 |
| 4254.C1 | 025 209 6117 025 209 6117/PD | 88 |
| 4254.C8 | 025 237 0617/W | 115 |
| 4259.C9 | 11-15 523 0011/PD | 69 |
| 4353.26 | 025 239 5917 | 113 |
| 4402.F0 | 11-14 531 0001 | 148 |
| 4439.14 | 014 698 0006 014 698 0006/S | 121-122 |
| 4545.08 | 11-14 800 0016 | 181 |
| 4545.32 | 11-14 800 0004 | 181 |
| 4545.33 | 11-14 800 0005 | 181 |
| 4545.36 | 11-14 800 0005 | 181 |
| 4545.45 | 11-14 800 0004 | 181 |
| 4545.46 | 11-14 800 0005 | 181 |
| 4545.50 | 11-14 899 0010 | 182 |
| 4545.56 | 11-14 800 0005 | 181 |
| 4545.57 | 11-14 899 0016 | 182 |
| 4545.66 | 40-14 800 0012 | 184 |
| 4545.67 | 11-14 800 0015 | 182 |
| 4545.71 | 40-14 800 0017 | 183 |
| 4545.72 | 40-14 800 0018 | 183 |
| 4545.73 | 11-14 899 0001 | 183 |
| 4545.74 | 11-14 899 0000 | 184 |
| 4545.75 | 11-14 800 0003 | 184 |
| 4545.78 | 40-14 800 0012 | 184 |
| 4545.80 | 40-14 800 0011 | 185 |
| 4545.86 | 40-14 800 0001 | 185 |
| 4545.90 | 214 800 0017 | 185 |
| 4545.94 | 40-14 800 0014 | 186 |
| 4545.95 | 40-14 800 0015 | 186 |
| 4545.96 | 40-14 800 0016 | 187 |

| Ref. no. | MEYLE no. | Page |
|----------------|----------------|------|
| Citroën | | |
| 4545.97 | 40-14 800 0002 | 187 |
| 4545.98 | 40-14 800 0003 | 187 |
| 4545.A5 | 40-14 800 0013 | 188 |
| 4545.A9 | 11-14 800 0002 | 192 |
| 4545.C0 | 11-14 899 0019 | 192 |
| 4545.C1 | 11-14 899 0003 | 188 |
| 4545.C2 | 11-14 899 0004 | 188 |
| 4545.C4 | 11-14 899 0005 | 189 |
| 4545.E1 | 40-14 800 0019 | 189 |
| 4545.E2 | 40-14 800 0020 | 189 |
| 4545.E4 | 11-14 800 0011 | 195 |
| 4545.E5 | 11-14 800 0007 | 190 |
| 4545.E7 | 40-14 800 0025 | 190 |
| 4545.E8 | 40-14 800 0024 | 190 |
| 4545.E9 | 11-14 800 0008 | 191 |
| 4545.F0 | 11-14 800 0009 | 191 |
| 4545.F1 | 40-14 800 0021 | 191 |
| 4545.F5 | 40-14 800 0023 | 195 |
| 4545.F6 | 40-14 800 0022 | 192 |
| 4545.G6 | 11-14 800 0002 | 192 |
| 4545.G7 | 11-14 899 0019 | 192 |
| 4545.H1 | 11-14 800 0010 | 193 |
| 4545.H5 | 40-14 800 0007 | 193 |
| 4545.H6 | 40-14 800 0008 | 193 |
| 4545.h9 | 40-14 800 0027 | 194 |
| 4545.J0 | 40-14 800 0026 | 194 |
| 4545.J8 | 11-14 800 0012 | 194 |
| 4545.J9 | 11-14 800 0011 | 195 |
| 4545.K3 | 40-14 800 0023 | 195 |
| 4545.K6 | 40-14 800 0027 | 194 |
| 4545.L0 | 11-14 800 0016 | 181 |
| 4806.55 | 11-14 525 0001 | 136 |
| 4806.56 | 11-14 525 0002 | 136 |
| 4806.64 | 11-14 525 0016 | 137 |
| 4806.65 | 11-14 525 0017 | 137 |
| 4806.67 | 11-14 525 0024 | 137 |
| 4806.70 | 11-14 525 0025 | 138 |
| 4806.71 | 11-14 525 0026 | 138 |
| 4806.72 | 11-14 525 0033 | 138 |
| 4806.82 | 11-14 525 0027 | 139 |
| 4806.84 | 11-14 525 0037 | 139 |
| 4806.85 | 11-14 525 0010 | 144 |
| 4806.86 | 16-14 525 0002 | 139 |
| 4806.91 | 11-14 525 0037 | 139 |
| 4806.96 | 11-14 525 0028 | 140 |
| 4806.97 | 11-14 525 0038 | 140 |

| Ref. no. | MEYLE no. | Page |
|----------------|----------------|------|
| Citroën | | |
| 4806.98 | 11-14 525 0039 | 140 |
| 4806.A0 | 11-14 525 0020 | 141 |
| 4806.A1 | 11-14 525 0006 | 141 |
| 4806.A6 | 11-14 525 0029 | 141 |
| 4806.A8 | 11-14 525 0037 | 139 |
| 4806.A9 | 11-14 525 0037 | 139 |
| 4806.C0 | 11-14 525 0007 | 142 |
| 4806.C2 | 11-14 525 0030 | 144 |
| 4806.C3 | 11-14 525 0025 | 138 |
| 4806.E0 | 11-14 525 0037 | 139 |
| 4806.E1 | 11-14 525 0008 | 142 |
| 4806.E2 | 11-14 525 0009 | 142 |
| 4806.E3 | 11-14 525 0036 | 143 |
| 4806.E7 | 11-14 525 0054 | 143 |
| 4806.E8 | 11-14 525 0053 | 143 |
| 4806.E9 | 11-14 525 0010 | 144 |
| 4806.F2 | 11-14 525 0030 | 144 |
| 4806.F3 | 11-14 525 0025 | 138 |
| 4806.F6 | 11-14 525 0011 | 144 |
| 4806.G4 | 11-14 525 0049 | 145 |
| 4806.G5 | 11-14 525 0050 | 145 |
| 4806.G6 | 214 525 0041 | 145 |
| 4806.G7 | 214 525 0033 | 146 |
| 4806.H4 | 214 525 0035 | 146 |
| 4806.J5 | 11-14 525 0011 | 144 |
| 4806.P5 | 214 525 0033 | 146 |
| 4806.P6 | 214 525 0035 | 146 |
| 5002.35 | 40-14 639 0001 | 456 |
| 5002.73 | 40-14 639 0012 | 457 |
| 5002.74 | 40-14 639 0017 | 457 |
| 5002.79 | 40-14 639 0009 | 457 |
| 5002.CE | 40-14 639 0002 | 458 |
| 5002.CH | 40-14 639 0014 | 458 |
| 5002.CJ | 40-14 639 0006 | 458 |
| 5002.CR | 40-14 639 0013 | 459 |
| 5002.CY | 40-14 639 0021 | 459 |
| 5002.F4 | 40-14 739 0000 | 459 |
| 5002.FV | 40-14 639 0000 | 460 |
| 5002.G0 | 40-14 639 0022 | 460 |
| 5002.J6 | 40-14 639 0018 | 460 |
| 5002.K1 | 40-14 639 0011 | 461 |
| 5002.L6 | 40-14 639 0008 | 461 |
| 5002.LJ | 40-14 639 0006 | 458 |
| 5002.LN | 40-14 639 0014 | 458 |
| 5002.LQ | 40-14 639 0013 | 459 |
| 5002.LY | 40-14 639 0007 | 461 |

| Ref. no. | MEYLE no. | Page |
|----------------|----------------------------------|--------------|
| Citroën | | |
| 5002.NK | 40-14 639 0015 | 462 |
| 5002.NL | 40-14 639 0015 | 462 |
| 5002.NN | 40-14 639 0015 | 462 |
| 5002.P6 | 40-14 639 0003 | 462 |
| 5002.PV | 40-14 639 0003 | 462 |
| 5002.Q0 | 40-14 639 0003 | 462 |
| 5002.QH | 40-14 639 0012 | 457 |
| 5002.QK | 40-14 639 0003 | 462 |
| 5002.QL | 40-14 639 0005 | 462 |
| 5002.RT | 40-14 639 0021 | 459 |
| 5002.RV | 40-14 639 0020 | 463 |
| 5002.RW | 40-14 639 0019 | 463 |
| 5002.RX | 40-14 639 0012 | 457 |
| 5002.RZ | 40-14 639 0016 | 464 |
| 5002.S5 | 40-14 639 0019 | 463 |
| 5002.S6 | 40-14 639 0004 | 463 |
| 5002.SA | 40-14 639 0016 | 464 |
| 5002.X8 | 40-14 639 0005 | 462 |
| 5031.51 | 40-14 412 0001 | 2 |
| 5031.74 | 40-14 412 0000 | 2 |
| 5031.77 | 11-14 641 0003 | 499 |
| 5031.78 | 11-14 641 0013 11-14 641 0030 | 472, 500 |
| 5031.80 | 40-14 641 0002 | 469 |
| 5031.96 | 40-14 641 0009 | 469 |
| 5033.66 | 40-14 642 0003 | 472 |
| 5033.70 | 11-14 642 0004 | 473 |
| 5033.72 | 40-14 642 0001 | 473 |
| 5033.C3 | 40-14 412 0002 | 2 |
| 5035.19 | 214 770 0001 | 503 |
| 5035.23 | 214 770 0001 | 503 |
| 5035.27 | 214 770 0001 40-14 641 0009 | 469, 503 |
| 5035.29 | 11-14 641 0018 | 503 |
| 5035.38 | 11-14 641 0018 | 503 |
| 5035.39 | 11-14 641 0004 | 503 |
| 5035.43 | 11-14 641 0018 | 503 |
| 5035.45 | 11-14 641 0018 | 503 |
| 5035.55 | 11-14 641 0018 | 503 |
| 5038.08 | 11-14 050 0002 | 497 |
| 5038.15 | 11-14 641 0019 | 496 |
| 5038.16 | 40-14 641 0004 40-14 641 0010 | 470, 496 |
| 5038.17 | 40-14 641 0005 40-14 641 0011 | 470, 497 |
| 5038.41 | 11-14 641 0001/S | 470, 497-498 |

| Ref. no. | MEYLE no. | Page |
|----------------|--|--------------|
| Citroën | | |
| | 11-14 641 1001 11-14 641 1001/S | |
| 5038.42 | 11-14 641 0002/S 11-14 641 1002 11-14 641 1002/S | 471, 498 |
| 5038.49 | 40-14 641 0000 | 500 |
| 5038.52 | 11-14 050 0002 | 497 |
| 5038.68 | 40-14 641 0004 40-14 641 0010 | 470, 496 |
| 5038.70 | 40-14 641 0005 40-14 641 0011 | 470, 497 |
| 5038.71 | 40-14 641 0005 40-14 641 0011 | 470, 497 |
| 5038.72 | 11-14 641 0001/S 11-14 641 1001 11-14 641 1001/S | 470, 497-498 |
| 5038.74 | 11-14 641 0002/S 11-14 641 1002 11-14 641 1002/S | 471, 498 |
| 5038.78 | 11-14 641 0005 | 499 |
| 5038.85 | 11-14 641 0003 11-14 641 0003/S | 499 |
| 5038.87 | 11-14 641 0013 11-14 641 0030 | 472, 500 |
| 5038.89 | 11-14 641 0014 11-14 641 0031 | 471, 500 |
| 5038.91 | 40-14 641 0000 | 500 |
| 5038.A3 | 11-14 641 0014 11-14 641 0031 | 471, 500 |
| 5038.A4 | 11-14 641 0013 11-14 641 0030 | 472, 500 |
| 5038.C9 | 11-14 641 0014 11-14 641 0031 | 471, 500 |
| 5038.E2 | 11-14 641 0014 11-14 641 0031 | 471, 500 |
| 5038.E3 | 11-14 641 0013 11-14 641 0030 | 472, 500 |
| 5038.E6 | 11-14 641 0017 | 501 |
| 5038.F3 | 11-14 641 0013 11-14 641 0015 11-14 641 0030 | 472, 500-501 |
| 5038.F4 | 11-14 641 0016 | 501 |
| 5038.F5 | 40-14 641 0009 | 469 |
| 5038.G6 | 11-14 641 0022 11-14 641 0025 | 472, 502 |
| 5038.H4 | 11-14 641 0022 | 472, 502 |

| Ref. no. | MEYLE no. | Page |
|----------------|--|---------------|
| Citroën | | |
| | 11-14 641 0025 | |
| 5068.69 | 40-14 641 0004 40-14 641 0010 | 470, 496 |
| 5081.N9 | 11-14 615 0013 11-14 615 0013/S 11-16 060 0022/S | 430, 438, 441 |
| 5084.38 | 11-16 060 5046/HD | 442 |
| 5087.30 | 11-16 060 0003 | 441 |
| 5087.31 | 11-16 060 0003 | 441 |
| 5087.34 | 11-16 060 5046/HD | 442 |
| 5087.35 | 11-16 060 0005/S | 439 |
| 5087.37 | 11-16 060 0006/S | 439 |
| 5087.38 | 11-16 060 5046/HD | 442 |
| 5087.39 | 11-16 060 0040 11-16 060 5046/HD | 442 |
| 5087.40 | 11-16 060 5041/HD | 452 |
| 5087.41 | 11-16 060 0003 | 441 |
| 5087.42 | 11-16 060 0040 11-16 060 5046/HD | 442 |
| 5087.43 | 11-16 060 0002/HD 11-16 060 0030 | 447-448 |
| 5087.45 | 11-16 060 0001/HD 11-16 060 0026 | 446-447 |
| 5087.46 | 11-16 060 0040 11-16 060 5046/HD | 442 |
| 5087.48 | 11-16 060 0039 11-16 060 5046/HD | 442 |
| 5087.49 | 11-16 060 0003 | 441 |
| 5087.50 | 11-16 060 0000/HD 11-16 060 0025 | 445, 448 |
| 5087.51 | 11-16 060 0013/HD 11-16 060 0032 | 443 |
| 5087.52 | 11-16 060 0015 | 443 |
| 5087.53 | 11-16 060 0014 | 444 |
| 5087.54 | 11-16 060 0017/HD 11-16 060 0035 | 440-441 |
| 5087.55 | 11-16 060 0018/HD 11-16 060 0034 | 439-440 |
| 5087.56 | 11-16 060 0020/HD 11-16 060 0036 | 444 |
| 5087.57 | 11-16 060 0000/HD 11-16 060 0028 | 445 |
| 5087.58 | 11-16 060 0021/HD 11-16 060 0037 | 446 |
| 5087.59 | 11-16 060 0001/HD 11-16 060 0026 | 446-447 |

| Ref. no. | MEYLE no. | Page |
|----------------|-------------------------------------|----------|
| Citroën | | |
| 5087.60 | 11-16 060 0002/HD 11-16 060 0030 | 447-448 |
| 5087.61 | 11-16 060 0040 11-16 060 5046/HD | 442 |
| 5087.62 | 11-16 060 0000/HD 11-16 060 0025 | 445, 448 |
| 5087.64 | 11-16 060 0000/HD 11-16 060 0025 | 445, 448 |
| 5087.65 | 216 060 0000/HD 216 060 0033 | 448-449 |
| 5087.66 | 11-16 060 0001/HD 11-16 060 0026 | 446-447 |
| 5087.68 | 11-16 060 0018/HD 11-16 060 0034 | 439-440 |
| 5087.69 | 11-16 060 0017/HD 11-16 060 0035 | 440-441 |
| 5087.70 | 216 060 0000/HD 216 060 0033 | 448-449 |
| 5087.71 | 11-16 060 0001/HD 11-16 060 0029 | 446, 449 |
| 5087.74 | 11-16 060 0001/HD 11-16 060 0026 | 446-447 |
| 5087.78 | 216 060 0000/HD 216 060 0033 | 448-449 |
| 5087.79 | 216 060 0000/HD 216 060 0033 | 448-449 |
| 5091.10 | 11-16 060 0019 | 449 |
| 5094.56 | 11-14 615 0010 | 430 |
| 5094.59 | 11-14 615 0005 | 431 |
| 5094.65 | 11-14 615 0003 | 431 |
| 5094.66 | 11-14 615 0022 | 431 |
| 5094.69 | 11-14 615 0000 | 432 |
| 5094.88 | 11-14 615 0014 | 432 |
| 5094.89 | 11-14 615 0017 | 432 |
| 5094.90 | 40-14 615 0004 | 433 |
| 5094.91 | 11-14 615 0038 | 433 |
| 5094.96 | 40-14 615 0003 | 433 |
| 5094.97 | 40-14 615 0002 | 434 |
| 5094.99 | 11-14 615 0032 | 434 |
| 5094.A6 | 11-14 615 0007 | 434 |
| 5094.A8 | 11-14 615 0002 | 435 |
| 5094.A9 | 11-14 615 0031 | 435 |
| 5094.C4 | 11-14 615 0045 | 436 |
| 5094.C5 | 11-14 615 0029 | 435 |
| 5094.C6 | 11-14 615 0040 | 436 |
| 5094.E0 | 11-14 615 0014 | 432 |

| Ref. no. | MEYLE no. | Page |
|----------------|-------------------------------------|---------|
| Citroën | | |
| 5094.E2 | 11-14 615 0045 | 436 |
| 5094.E3 | 11-14 615 0017 | 432 |
| 5094.E4 | 11-14 615 0016 | 436 |
| 5094.E5 | 11-14 615 0015 | 437 |
| 5094.E6 | 11-14 615 0047 | 437 |
| 5094.E7 | 11-14 615 0018 | 437 |
| 5094.F2 | 11-14 615 0046 | 438 |
| 5102.G4 | 40-14 739 0001 | 464 |
| 5102.J7 | 40-14 739 0002 | 464 |
| 5131.47 | 11-14 710 0025 | 453 |
| 5131.63 | 11-14 710 0013 | 453 |
| 5131.65 | 11-14 710 0013 | 453 |
| 5131.71 | 11-14 051 0001 | 454 |
| 5131.72 | 11-14 710 0001 | 456 |
| 5131.98 | 11-14 710 0021 | 454 |
| 5131.A4 | 11-14 710 0017 | 454 |
| 5131.A5 | 11-14 710 0017 | 454 |
| 5131.C1 | 11-14 710 0015 | 455 |
| 5131.C2 | 11-14 710 0015 | 455 |
| 5131.C3 | 11-14 710 0022 | 420 |
| 5131.C4 | 11-14 710 0027 | 423 |
| 5131.C6 | 11-14 710 0015 | 455 |
| 5131.E0 | 11-14 710 0020 | 421 |
| 5131.G4 | 11-14 710 0024 | 455 |
| 5131.H4 | 11-14 710 0018 | 455 |
| 5142.34 | 11-14 741 0001 | 502 |
| 5142.48 | 11-14 741 0002 | 502 |
| 5152.61 | 11-14 710 0007 | 456 |
| 5166.51 | 40-14 742 0002 | 473 |
| 5166.63 | 11-14 742 0000 | 474 |
| 5166.66 | 40-14 742 0001 | 474 |
| 5166.67 | 40-14 742 0003 | 474 |
| 5166.68 | 11-14 742 0001 | 475 |
| 5166.73 | 11-14 742 0002 | 475 |
| 5166.94 | 40-14 742 0003 | 474 |
| 5166.95 | 11-14 742 0001 | 475 |
| 5170.F5 | 37-16 060 0022/HD 37-16 060 0056 | 450 |
| 5170.F6 | 37-16 060 0022/HD 37-16 060 0056 | 450 |
| 5172.58 | 11-14 715 0000 | 438 |
| 5178.46 | 11-16 060 0016/HD 11-16 060 0033 | 450-451 |
| 5178.48 | 29-16 060 0004 | 451 |
| 5178.49 | 29-16 060 0003 | 451 |
| 5178.52 | 11-16 060 0016/HD | 450-451 |

| Ref. no. | MEYLE no. | Page |
|----------------|----------------|------|
| Citroën | | |
| | 11-16 060 0033 | |
| 5202.ET | 11-26 623 0010 | 479 |
| 5202.EV | 11-26 623 0011 | 478 |
| 5202.GW | 40-26 623 0002 | 475 |
| 5202.GX | 40-26 623 0003 | 476 |
| 5202.GY | 40-26 623 0002 | 475 |
| 5202.GZ | 40-26 623 0003 | 476 |
| 5202.H4 | 40-26 623 0012 | 478 |
| 5202.J3 | 40-26 623 0001 | 476 |
| 5202.J5 | 40-26 623 0000 | 477 |
| 5202.K7 | 11-26 623 0000 | 480 |
| 5202.K8 | 11-26 623 0000 | 480 |
| 5202.KL | 40-26 623 0003 | 476 |
| 5202.KP | 40-26 623 0003 | 476 |
| 5202.L6 | 11-26 624 0001 | 477 |
| 5202.LQ | 11-26 623 0002 | 480 |
| 5202.N8 | 11-26 623 0000 | 480 |
| 5202.P9 | 11-26 623 0008 | 477 |
| 5202.PV | 40-26 623 0012 | 478 |
| 5202.Q1 | 11-26 623 0010 | 479 |
| 5202.Q3 | 11-26 623 0009 | 478 |
| 5202.Q5 | 11-26 623 0011 | 478 |
| 5202.Q6 | 11-26 623 0002 | 480 |
| 5202.QH | 11-26 623 0003 | 480 |
| 5202.QJ | 11-26 623 0002 | 480 |
| 5202.QK | 11-26 623 0003 | 480 |
| 5202.R9 | 11-26 623 0010 | 479 |
| 5202.RL | 11-26 623 0011 | 478 |
| 5202.RN | 11-26 623 0010 | 479 |
| 5202.S9 | 11-26 623 0000 | 480 |
| 5202.SA | 40-26 623 0010 | 479 |
| 5202.SC | 40-26 623 0011 | 479 |
| 5202.SE | 40-26 623 0010 | 479 |
| 5202.SF | 40-26 623 0011 | 479 |
| 5202.SJ | 11-26 623 0002 | 480 |
| 5202.SK | 11-26 623 0003 | 480 |
| 5202.SX | 40-26 623 0003 | 476 |
| 5202.TA | 40-26 623 0002 | 475 |
| 5202.TC | 40-26 623 0003 | 476 |
| 5202.TQ | 11-26 623 0000 | 480 |
| 5202.VG | 11-26 623 0012 | 482 |
| 5202.VK | 11-26 623 0012 | 482 |
| 5202.VQ | 40-26 623 0012 | 478 |
| 5202.WC | 11-26 623 0013 | 482 |
| 5202.WE | 11-26 623 0012 | 482 |
| 5202.WF | 11-26 623 0013 | 482 |

| Ref. no. | MEYLE no. | Page |
|----------------|----------------|------|
| Citroën | | |
| 5202.WG | 11-26 623 0012 | 482 |
| 5202.WH | 11-26 623 0013 | 482 |
| 5202.WJ | 11-26 623 0002 | 480 |
| 5202.WK | 11-26 623 0003 | 480 |
| 5202.WL | 11-26 623 0002 | 480 |
| 5202.WN | 11-26 623 0003 | 480 |
| 5202.WP | 40-26 623 0019 | 481 |
| 5202.WQ | 40-26 623 0020 | 481 |
| 5202.WR | 40-26 623 0019 | 481 |
| 5202.WS | 40-26 623 0020 | 481 |
| 5202.WT | 40-26 623 0019 | 481 |
| 5202.WV | 40-26 623 0020 | 481 |
| 5202.WW | 40-26 623 0019 | 481 |
| 5202.WX | 40-26 623 0020 | 481 |
| 5202.XG | 226 623 0018 | 495 |
| 5202.XH | 226 623 0018 | 495 |
| 5202.XJ | 11-26 623 0012 | 482 |
| 5202.XK | 11-26 623 0013 | 482 |
| 5202.XT | 40-26 623 0017 | 483 |
| 5202.XV | 40-26 623 0018 | 484 |
| 5202.XW | 40-26 623 0017 | 483 |
| 5202.XX | 40-26 623 0018 | 484 |
| 5202.YT | 11-26 623 0013 | 482 |
| 5202.YV | 11-26 623 0012 | 482 |
| 5202.YW | 11-26 623 0013 | 482 |
| 5202.YY | 11-26 623 0013 | 482 |
| 5202.YZ | 11-26 623 0012 | 482 |
| 5202.ZH | 226 623 0018 | 495 |
| 5202.ZJ | 226 623 0018 | 495 |
| 5202.ZK | 226 623 0017 | 495 |
| 5202.ZL | 226 623 0017 | 495 |
| 5202.ZP | 32-26 623 0003 | 482 |
| 5202.ZR | 32-26 623 0004 | 483 |
| 5202.ZS | 40-26 623 0017 | 483 |
| 5202.ZT | 40-26 623 0018 | 484 |
| 5202.ZV | 40-26 623 0017 | 483 |
| 5202.ZW | 40-26 623 0018 | 484 |
| 5206.69 | 11-26 715 0006 | 484 |
| 5206.97 | 11-26 725 0011 | 484 |
| 5206.AE | 40-26 725 0004 | 485 |
| 5206.AN | 40-26 725 0002 | 491 |
| 5206.AR | 40-26 725 0004 | 485 |
| 5206.C5 | 40-26 725 0001 | 488 |
| 5206.CH | 40-26 725 0003 | 486 |
| 5206.CS | 40-26 725 0003 | 486 |
| 5206.E7 | 40-26 725 0005 | 485 |

| Ref. no. | MEYLE no. | Page |
|----------------|----------------|------|
| Citroën | | |
| 5206.E8 | 40-26 725 0005 | 485 |
| 5206.EE | 40-26 725 0008 | 485 |
| 5206.EK | 40-26 725 0003 | 486 |
| 5206.F8 | 11-26 725 0007 | 486 |
| 5206.FX | 40-26 725 0011 | 490 |
| 5206.FZ | 40-26 725 0011 | 490 |
| 5206.G3 | 11-26 725 0007 | 486 |
| 5206.GA | 40-26 725 0011 | 490 |
| 5206.GC | 40-26 725 0011 | 490 |
| 5206.H1 | 11-26 725 0012 | 486 |
| 5206.H2 | 11-26 725 0012 | 486 |
| 5206.HR | 40-26 725 0010 | 489 |
| 5206.HT | 40-26 725 0010 | 489 |
| 5206.HZ | 40-26 725 0010 | 489 |
| 5206.J2 | 40-26 725 0000 | 487 |
| 5206.JN | 226 725 0013 | 490 |
| 5206.KH | 226 725 0012 | 491 |
| 5206.KK | 226 725 0013 | 490 |
| 5206.KN | 226 725 0013 | 490 |
| 5206.KZ | 226 725 0013 | 490 |
| 5206.LA | 226 725 0013 | 490 |
| 5206.LC | 32-26 725 0003 | 487 |
| 5206.LS | 226 725 0013 | 490 |
| 5206.LT | 226 725 0012 | 491 |
| 5206.LV | 226 725 0013 | 490 |
| 5206.LW | 226 725 0013 | 490 |
| 5206.LX | 226 725 0012 | 491 |
| 5206.LY | 226 725 0012 | 491 |
| 5206.N9 | 11-26 715 0000 | 489 |
| 5206.NA | 226 725 0013 | 490 |
| 5206.NC | 40-26 725 0010 | 489 |
| 5206.NV | 11-26 725 0009 | 487 |
| 5206.NZ | 226 725 0013 | 490 |
| 5206.P1 | 40-26 725 0006 | 488 |
| 5206.PA | 226 725 0013 | 490 |
| 5206.PE | 226 725 0013 | 490 |
| 5206.PF | 226 725 0013 | 490 |
| 5206.PG | 226 725 0013 | 490 |
| 5206.PR | 40-26 725 0007 | 488 |
| 5206.PV | 40-26 725 0004 | 485 |
| 5206.PW | 40-26 725 0010 | 489 |
| 5206.PX | 40-26 725 0010 | 489 |
| 5206.Q0 | 40-26 725 0001 | 488 |
| 5206.Q1 | 40-26 725 0001 | 488 |
| 5206.QH | 40-26 725 0009 | 491 |
| 5206.QJ | 40-26 725 0009 | 491 |

| Ref. no. | MEYLE no. | Page |
|----------------|----------------|------|
| Citroën | | |
| 5206.QK | 40-26 725 0009 | 491 |
| 5206.QL | 40-26 725 0009 | 491 |
| 5206.QN | 40-26 725 0009 | 491 |
| 5206.QP | 40-26 725 0009 | 491 |
| 5206.QQ | 40-26 725 0009 | 491 |
| 5206.QR | 40-26 725 0009 | 491 |
| 5206.QW | 40-26 725 0011 | 490 |
| 5206.QY | 40-26 725 0010 | 489 |
| 5206.QZ | 40-26 725 0010 | 489 |
| 5206.R2 | 11-26 715 0000 | 489 |
| 5206.R4 | 40-26 725 0006 | 488 |
| 5206.RC | 40-26 725 0010 | 489 |
| 5206.RE | 40-26 725 0010 | 489 |
| 5206.RL | 40-26 725 0013 | 492 |
| 5206.S6 | 11-26 715 0006 | 484 |
| 5206.TH | 11-26 715 0000 | 489 |
| 5206.TR | 226 725 0013 | 490 |
| 5206.TS | 226 725 0012 | 491 |
| 5206.TT | 226 725 0013 | 490 |
| 5206.TW | 226 725 0012 | 491 |
| 5206.TX | 226 725 0013 | 490 |
| 5206.TY | 226 725 0013 | 490 |
| 5206.VA | 226 725 0012 | 491 |
| 5206.VE | 40-26 725 0011 | 490 |
| 5206.VF | 226 725 0013 | 490 |
| 5206.VG | 226 725 0013 | 490 |
| 5206.VH | 226 725 0013 | 490 |
| 5206.VQ | 40-26 725 0011 | 490 |
| 5206.VR | 40-26 725 0011 | 490 |
| 5206.VS | 226 725 0012 | 491 |
| 5206.VT | 226 725 0012 | 491 |
| 5206.VV | 40-26 725 0012 | 492 |
| 5206.VW | 40-26 725 0012 | 492 |
| 5206.X7 | 40-26 725 0002 | 491 |
| 5206.YQ | 40-26 725 0009 | 491 |
| 5206.YR | 40-26 725 0009 | 491 |
| 5206.YX | 40-26 725 0012 | 492 |
| 5206.Z3 | 40-26 725 0004 | 485 |
| 5206.Z5 | 40-26 725 0002 | 491 |
| 5206.Z7 | 40-26 725 0002 | 491 |
| 5206.ZZ | 40-26 725 0013 | 492 |
| 5208.51 | 40-26 623 0014 | 496 |
| 5208.52 | 40-26 623 0013 | 493 |
| 5208.53 | 226 623 0018 | 495 |
| 5208.54 | 226 623 0018 | 495 |
| 5208.56 | 226 623 0017 | 495 |

| Ref. no. | MEYLE no. | Page |
|----------------|----------------|------|
| Citroën | | |
| 5208.81 | 40-26 623 0015 | 492 |
| 5208.82 | 40-26 623 0016 | 493 |
| 5208.83 | 40-26 623 0015 | 492 |
| 5208.84 | 40-26 623 0016 | 493 |
| 5208.F4 | 40-26 623 0013 | 493 |
| 5208.F6 | 40-26 623 0022 | 494 |
| 5208.F7 | 40-26 623 0023 | 494 |
| 5208.F8 | 40-26 623 0022 | 494 |
| 5208.F9 | 40-26 623 0023 | 494 |
| 5208.G0 | 40-26 623 0024 | 494 |
| 5208.G1 | 40-26 623 0025 | 495 |
| 5208.H1 | 40-26 623 0024 | 494 |
| 5208.H2 | 40-26 623 0025 | 495 |
| 5208.L2 | 226 623 0018 | 495 |
| 5208.L3 | 226 623 0018 | 495 |
| 5208.L4 | 226 623 0017 | 495 |
| 5208.L5 | 226 623 0017 | 495 |
| 5208.L6 | 226 623 0018 | 495 |
| 5208.Q2 | 40-26 623 0019 | 481 |
| 5208.Q3 | 40-26 623 0020 | 481 |
| 5208.Q4 | 40-26 623 0019 | 481 |
| 5208.Q5 | 40-26 623 0020 | 481 |
| 5208.T5 | 40-26 623 0014 | 496 |
| 5254.47 | 614 643 0000 | 469 |
| 5 462 429 | 025 203 8915 | 80 |
| 5 470 530 | 614 818 0002 | 314 |
| 5 490 862 | 314 323 0003 | 314 |
| 5750..C1 | 050 006 1163 | 254 |
| 5750.79 | 050 005 0975 | 239 |
| 5750.98 | 050 006 1070 | 255 |
| 5750.A1 | 050 006 1660 | 249 |
| 5750.A2 | 050 006 1080 | 250 |
| 5750.C4 | 050 005 0850 | 274 |
| 5750.C9 | 050 006 1150 | 243 |
| 5750.D1 | 050 005 1195 | 239 |
| 5750D1 | 050 005 1200 | 239 |
| 5750.D9 | 050 006 0915 | 242 |
| 5750.E2 | 050 006 1100 | 254 |
| 5750.E7 | 050 006 0800 | 241 |
| 5750.E9 | 050 006 1150 | 243 |
| 5750.EK | 050 006 1705 | 260 |
| 5750.EM | 050 006 1468 | 259 |
| 5750..ET | 050 006 1185 | 245 |
| 5750.EX | 050 006 1438 | 262 |
| 5750.EY | 050 006 1438 | 262 |
| 5750.F0 | 050 006 1705 | 260 |

| Ref. no. | MEYLE no. | Page |
|----------------|------------------------------|----------|
| Citroën | | |
| 5750.FA | 050 006 1725 | 253 |
| 5750.FC | 050 006 1725 | 253 |
| 5750.FF | 050 006 0745 | 240 |
| 5750.FG | 050 006 1185 050 006 1190 | 245, 276 |
| 5750.FJ | 050 006 1205 | 263 |
| 5750.FK | 050 006 1185 | 245 |
| 5750.FN | 050 006 0875 | 240 |
| 5750.FP | 050 006 1150 | 243 |
| 5750.FQ | 050 005 1220 | 265 |
| 5750.FR | 050 005 1220 | 265 |
| 5750.FS | 050 006 0800 | 241 |
| 5750.FT | 050 006 0800 | 241 |
| 5750.FV | 050 006 0976 | 261 |
| 5750.FW | 050 006 0976 | 261 |
| 5750.G8 | 050 004 0698 | 269 |
| 5750.G9 | 050 004 0810 | 270 |
| 5750.GC | 050 006 0725 | 240 |
| 5750.GE | 050 006 1125 | 252 |
| 5750.GF | 050 006 1750 | 261 |
| 5750.GH | 050 006 1185 | 245 |
| 5750.GJ | 050 006 1390 | 241 |
| 5750.GK | 050 006 1740 | 251 |
| 5750.GN | 050 006 1125 | 252 |
| 5750.GS | 050 006 1698 | 263 |
| 5750.GW | 050 006 1145 | 252 |
| 5750.GX | 050 006 1150 | 243 |
| 5750.GZ | 050 006 1560 | 253 |
| 5750.H1 | 050 004 0954 | 272 |
| 5750.H2 | 050 004 1245 | 273 |
| 5750.H5 | 050 005 0850 | 274 |
| 5750.H9 | 050 006 0725 | 240 |
| 5750.HE | 050 006 1680 | 243 |
| 5750.HH | 050 006 1743 | 258 |
| 5750.J0 | 050 006 0800 | 241 |
| 5750.J1 | 050 006 0915 | 242 |
| 5750.J2 | 050 006 1015 | 242 |
| 5750.J3 | 050 006 1080 | 250 |
| 5750.J4 | 050 006 1095 | 249 |
| 5750.J5 | 050 006 1130 | 250 |
| 5750.J6 | 050 006 1150 | 243 |
| 5750.J7 | 050 006 1660 | 249 |
| 5750.J8 | 050 006 1698 | 263 |
| 5750.J9 | 050 006 1698 | 263 |
| 5750.K0 | 050 006 1145 | 252 |
| 5750.K1 | 050 006 1145 | 252 |

| Ref. no. | MEYLE no. | Page |
|----------------|------------------------------|----------|
| Citroën | | |
| 5750.K5 | 050 005 0962 | 242 |
| 5750.K6 | 050 006 1863 | 243 |
| 5750.K8 | 050 006 1070 | 255 |
| 5750.KT | 050 006 1705 | 260 |
| 5750.KV | 050 006 1345 | 251 |
| 5750.L0 | 050 006 1110 | 253 |
| 5750.L1 | 050 006 1740 | 251 |
| 5750.L2 | 050 006 1740 | 251 |
| 5750.L2 | 050 006 1735 | 277 |
| 5750.L3 | 050 006 1150 | 243 |
| 5750.L4 | 050 006 1150 | 243 |
| 5750.L7 | 050 004 1025 050 004 1030 | 272-273 |
| 5750.L9 | 050 006 1163 | 254 |
| 5750.LC | 050 006 0725 | 240 |
| 5750.LH | 050 006 1705 | 260 |
| 5750.M0 | 050 006 1200 | 259 |
| 5750.M2 | 050 006 1653 | 262 |
| 5750.M3 | 050 006 1725 | 253 |
| 5750.M5 | 050 006 1100 | 254 |
| 5750.M7 | 050 006 1725 | 253 |
| 5750.M9 | 050 006 1163 | 254 |
| 5750.P1 | 050 004 0755 | 269 |
| 5750.P2 | 050 006 1710 | 257 |
| 5750.P5 | 050 005 0725 | 264 |
| 5750.P6 | 050 005 0725 | 264 |
| 5750.P7 | 050 005 1030 | 275 |
| 5750.PC | 050 006 1150 | 243 |
| 5750.PF | 050 006 1000 | 256 |
| 5750.PL | 050 006 1050 | 255 |
| 5750.PN | 050 006 1050 | 255 |
| 5750.PQ | 050 006 1070 | 255 |
| 5750.PY | 050 006 1680 | 243 |
| 5750.Q1 | 050 005 1050 | 275 |
| 5750.Q2 | 050 005 1050 | 275 |
| 5750.Q5 | 050 006 1605 | 247 |
| 5750.Q7 | 050 005 0880 050 005 0884 | 268, 274 |
| 5750.Q9 | 050 004 0855 | 270 |
| 5750.Q9 | 050 004 0860 | 270 |
| 5750.QF | 050 006 1225 | 244 |
| 5750.QH | 050 006 0965 | 244 |
| 5750.QK | 050 006 0850 | 244 |
| 5750.QN | 050 006 1210 | 245 |
| 5750.QR | 050 006 0875 | 240 |
| 5750.QT | 050 006 1185 | 245 |

| Ref. no. | MEYLE no. | Page |
|----------------|------------------------------|---------|
| Citroën | | |
| 5750.QY | 050 006 1090/E | 260 |
| 5750.R0 | 050 005 1255 | 268 |
| 5750.R1 | 050 005 0812 | 245 |
| 5750.R2 | 050 006 1605 | 247 |
| 5750.R5 | 050 006 1735 | 277 |
| 5750.R9 | 050 006 1740 | 251 |
| 5750.RF | 050 006 1565 | 246 |
| 5750.RH | 050 006 1698 | 263 |
| 5750.RN | 050 006 1670 | 246 |
| 5750.RR | 050 006 1710 | 257 |
| 5750.RT | 050 006 1163 | 254 |
| 5750.RW | 050 006 1090/E | 260 |
| 5750.RX | 050 006 1350 050 006 1360 | 246-247 |
| 5750.RZ | 050 006 1205 | 263 |
| 5750.S7 | 050 006 1740 | 251 |
| 5750.S9 | 050 006 1605 | 247 |
| 5750.SA | 050 006 0780/E | 248 |
| 5750.SE | 050 005 0880 | 274 |
| 5750.SF | 050 005 0860 | 248 |
| 5750.SJ | 050 005 0830 | 274 |
| 5750.SQ | 050 004 0698 | 269 |
| 5750.SS | 050 004 0954 | 272 |
| 5750.SY | 050 005 1140 | 248 |
| 5750.SZ | 050 005 0710 | 267 |
| 5750.T0 | 050 006 1623 | 249 |
| 5750.T4 | 050 005 0830 | 274 |
| 5750.T6 | 050 006 1450 | 261 |
| 5750.T8 | 050 006 1740 | 251 |
| 5750.TF | 050 006 1095 | 249 |
| 5750.TG | 050 006 1660 | 249 |
| 5750.TH | 050 006 1080 | 250 |
| 5750.TK | 050 006 1130 | 250 |
| 5750.TN | 050 006 1163 | 254 |
| 5750.TR | 050 005 0760 | 273 |
| 5750.TT | 050 005 1255 | 268 |
| 5750.TW | 050 005 0715 | 250 |
| 5750.V0 | 050 004 0860 | 270 |
| 5750.VA | 050 006 1010 | 251 |
| 5750.VE | 050 006 1590 | 257 |
| 5750.VF | 050 006 1438 | 262 |
| 5750.VG | 050 006 1725 | 253 |
| 5750.VJ | 050 006 1190 | 276 |
| 5750.VK | 050 005 1220 | 265 |
| 5750.VL | 050 006 0800 | 241 |
| 5750.VP | 050 006 1345 | 251 |

| Ref. no. | MEYLE no. | Page |
|----------------|------------------------------|---------|
| Citroën | | |
| 5750.VQ | 050 006 1705 | 260 |
| 5750.VS | 050 006 1740 | 251 |
| 5750.VT | 050 006 1125 | 252 |
| 5750.VX | 050 006 1743 | 258 |
| 5750.VY | 050 006 1698 | 263 |
| 5750.VZ | 050 006 1145 | 252 |
| 5750.W0 | 050 006 1735 | 277 |
| 5750.W2 | 050 006 1045 | 259 |
| 5750.W6 | 050 006 1725 | 253 |
| 5750.WF | 050 006 1110 | 253 |
| 5750.WG | 050 006 1560 | 253 |
| 5750.WJ | 050 006 1150 | 243 |
| 5750.WL | 050 006 1163 | 254 |
| 5750.WN | 050 006 0725 | 240 |
| 5750.WP | 050 006 1710 | 257 |
| 5750.WR | 050 006 1100 | 254 |
| 5750.WT | 050 004 0755 | 269 |
| 5750.WV | 050 005 0725 | 264 |
| 5750.WY | 050 006 1050 | 255 |
| 5750.WZ | 050 006 1070 | 255 |
| 5750.X3 | 050 006 1740 | 251 |
| 5750.X4 | 050 006 0869 | 255 |
| 5750.X7 | 050 006 1735 | 277 |
| 5750.X8 | 050 006 1468 | 259 |
| 5750.XA | 050 006 1565 | 246 |
| 5750.XC | 050 006 1885 | 256 |
| 5750.XE | 050 005 1050 | 275 |
| 5750.XF | 050 006 0965 | 244 |
| 5750.XG | 050 006 1000 | 256 |
| 5750.XK | 050 006 1590 | 257 |
| 5750.XP | 050 006 0873/E | 257 |
| 5750.XR | 050 006 1710 050 006 1715 | 257-258 |
| 5750.XS | 050 006 1743 | 258 |
| 5750.XT | 050 006 1468 | 259 |
| 5750.XV | 050 004 0860 | 270 |
| 5750.XW | 050 006 1045 | 259 |
| 5750.Y2 | 050 006 1200 | 259 |
| 5750.Y4 | 050 006 1565 | 246 |
| 5750.Y5 | 050 006 1705 | 260 |
| 5750.YA | 050 006 1705 | 260 |
| 5750.YC | 050 006 1450 | 261 |
| 5750.YF | 050 006 1735 | 277 |
| 5750.YG | 050 006 1750 | 261 |
| 5750.YH | 050 006 1670 | 246 |
| 5750.YJ | 050 006 1090/E | 260 |

| Ref. no. | MEYLE no. | Page |
|----------------|----------------|------|
| Citroën | | |
| 5750.YK | 050 006 0780/E | 248 |
| 5750.YP | 050 006 0800 | 241 |
| 5750.YQ | 050 006 0976 | 261 |
| 5750.YS | 050 006 0976 | 261 |
| 5750.Z1 | 050 006 1450 | 261 |
| 5750.Z3 | 050 006 1565 | 246 |
| 5750.Z5 | 050 006 1735 | 277 |
| 5750.Z6 | 050 006 1750 | 261 |
| 5750.Z7 | 050 006 1750 | 261 |
| 5750.Z9 | 050 006 1438 | 262 |
| 5750.ZA | 050 006 1653 | 262 |
| 5750.ZF | 050 006 0800 | 241 |
| 5750.ZG | 050 006 1205 | 263 |
| 5750.ZH | 050 006 1698 | 263 |
| 5946.07 | 614 899 0017 | 221 |
| 5960.12 | 714 860 0002 | 204 |
| 5960.19 | 714 860 0002 | 204 |
| 5960.39 | 40-14 860 0001 | 210 |
| 5960.64 | 714 020 0004 | 205 |
| 5960.65 | 714 020 0004 | 205 |
| 5960.66 | 714 020 0003 | 205 |
| 5960.67 | 714 020 0003 | 205 |
| 5960.69 | 11-14 860 0000 | 206 |
| 5960.72 | 40-14 860 0001 | 210 |
| 5960.77 | 514 860 0001 | 206 |
| 5960.79 | 11-14 860 0001 | 207 |
| 5960.88 | 714 020 0001 | 213 |
| 5960.89 | 714 020 0001 | 213 |
| 5960.99 | 40-14 860 0002 | 209 |
| 5960.A0 | 40-14 860 0002 | 209 |
| 5960.A4 | 214 860 0003 | 207 |
| 5960.E6 | 40-14 860 0006 | 208 |
| 5960.E7 | 53-14 860 0002 | 208 |
| 5960.E9 | 714 860 0002 | 204 |
| 5960.F4 | 714 020 0004 | 205 |
| 5960.F8 | 514 860 0001 | 206 |
| 5960.G6 | 40-14 860 0002 | 209 |
| 5960.G7 | 011 860 0000 | 209 |
| 5960.K5 | 40-14 860 0001 | 210 |
| 5960.L1 | 40-14 860 0003 | 210 |
| 5960.L4 | 614 860 0010 | 211 |
| 5962.03 | 011 860 0000 | 209 |
| 5962.1P | 40-14 860 0000 | 211 |
| 5962.1Q | 40-14 860 0000 | 211 |
| 5962.2Z | 11-14 860 0000 | 206 |
| 5962.3C | 714 020 0003 | 205 |

| Ref. no. | MEYLE no. | Page |
|----------------|--|---------|
| Citroën | | |
| 5962.3E | 714 020 0003 | 205 |
| 5962.3J | 011 860 0000 | 209 |
| 5962.7F | 714 020 0003 | 205 |
| 5962.7G | 714 020 0003 | 205 |
| 5963.19 | 40-14 885 0000 | 217 |
| 5970.45 | 40-14 885 0001 | 213 |
| 5970.48 | 40-14 885 0005 | 214 |
| 5970.60 | 40-14 885 0005 | 214 |
| 5970.64 | 314 885 0005 | 213 |
| 5970.70 | 40-14 885 0005 | 214 |
| 5970.73 | 11-14 885 0003 | 216 |
| 5970.74 | 40-14 885 0000 | 217 |
| 5970.75 | 11-14 885 0007 | 214 |
| 5970.78 | 40-14 885 0002 | 217 |
| 5970.79 | 40-14 885 0002 | 217 |
| 5970.80 | 11-14 885 0002 | 215 |
| 5970.84 | 11-14 885 0004 | 217 |
| 5970.85 | 11-14 885 0006 | 215 |
| 5970.87 | 40-14 885 0008 | 216 |
| 5970.88 | 30-14 885 0004 | 215 |
| 5970.91 | 314 885 0005 | 213 |
| 5970.98 | 11-14 885 0007 | 214 |
| 5970.99 | 11-14 885 0002 | 215 |
| 5970.A0 | 40-14 885 0008 | 216 |
| 5970.A4 | 11-14 885 0003 | 216 |
| 5970.A5 | 11-14 885 0004 | 217 |
| 5970.A8 | 40-14 885 0002 | 217 |
| 5970.A9 | 40-14 885 0000 | 217 |
| 5981.20 | 11-14 880 0001 | 195 |
| 5981.31 | 40-14 880 0000 40-14 880 0001/S 40-14 880 0002/S 40-14 880 0003/S 40-14 880 0004/S 40-14 880 0005/S 40-14 880 0006/S | 196-199 |
| 5981.38 | 40-14 880 0000 40-14 880 0001/S 40-14 880 0002/S 40-14 880 0003/S 40-14 880 0004/S 40-14 880 0005/S 40-14 880 0006/S | 196-199 |
| 5981.40 | 11-14 880 0003/S 11-14 880 0004/S 11-14 880 0005/S | 199-202 |

| Ref. no. | MEYLE no. | Page |
|----------------|--|--------|
| Citroën | | |
| | 11-14 880 0006/S 11-14 880 0007/S 11-14 880 0008/S 16-14 880 0000 | |
| 6160.70 | 40-14 899 0001 | 218 |
| 6426.T3 | 029 290 1111 | 13 |
| 6434.58 | 11-14 870 0002 | 12 |
| 6434.60 | 11-14 870 0003 | 12 |
| 6434.74 | 100 955 0002 | 13 |
| 6434.75 | 11-14 870 0001 | 13 |
| 6441.EG | 40-12 319 0000 | 22 |
| 6441.EJ | 40-12 320 0003 | 26 |
| 6441.G9 | 11-12 319 0013 | 22 |
| 6441.H7 | 40-12 319 0000 | 22 |
| 6444.FF | 40-12 319 0006 | 23 |
| 6447.FF | 40-12 319 0006 | 23 |
| 6447.FG | 40-12 319 0005 | 23 |
| 6447.H0 | 212 319 0003/S | 23 |
| 6447.H1 | 212 319 0003/S | 23 |
| 6447.HP | 40-12 319 0001 | 32 |
| 6447.HV | 40-12 320 0002 | 24 |
| 6447.J0 | 212 319 0004 | 24 |
| 6447.KR | 40-12 319 0001 | 32 |
| 6447.LN | 40-12 319 0006 | 23 |
| 6447.LV | 40-12 319 0000 | 22 |
| 6447.LY | 40-12 319 0004 | 24 |
| 6447.LZ | 40-12 319 0004 | 24 |
| 6447.NT | 11-12 319 0000 | 25 |
| 6447.NV | 11-12 320 0000 | 25 |
| 6447.PF | 40-12 320 0000 | 25 |
| 6447.SP | 40-12 320 0004 | 26 |
| 6447.SR | 40-12 320 0000 | 25 |
| 6447.TA | 40-12 320 0004 | 26 |
| 6447.TC | 40-12 320 0003 | 26 |
| 6447.TL | 11-12 319 0000 | 25 |
| 6447.TV | 11-12 319 0009 | 27 |
| 6447.VX | 11-12 320 0008/S | 27 |
| 6447.VY | 11-12 319 0008/S | 27 |
| 6447.XF | 11-12 319 0010 | 28 |
| 6447.XG | 11-12 320 0010 | 28 |
| 6447.YC | 11-12 319 0014 11-12 320 0014 | 28, 32 |
| 6447.YK | 11-12 319 0012 | 29 |
| 6447.YN | 11-12 320 0012 | 29 |
| 6447.Z4 | 40-12 319 0000 | 22 |
| 6447.ZY | 32-12 319 0002 | 29 |

| Ref. no. | MEYLE no. | Page |
|----------------|----------------------------------|-------|
| Citroën | | |
| 6453CV | 050 005 1100 | 276 |
| 6453E5 | 050 004 0810 | 270 |
| 6453FK | 050 005 1100 | 276 |
| 6453NX | 050 005 1100 | 276 |
| 6453TX | 050 005 1030 | 275 |
| 6453TZ | 050 005 1100 | 276 |
| 6453.VA | 050 006 0925 | 263 |
| 6453.W0 | 050 006 0925 | 263 |
| 6479.04 | 40-12 319 0003 | 30 |
| 6479.43 | 40-12 320 0003 | 26 |
| 6479.45 | 11-12 319 0011 11-12 320 0011 | 30 |
| 6479.60 | 612 319 0016 | 31 |
| 6479.61 | 612 320 0016 | 31 |
| 6479.62 | 212 319 0012 212 320 0012 | 31-32 |
| 6479.75 | 11-12 320 0000 | 25 |
| 6479.84 | 612 319 0016 | 31 |
| 6479.A1 | 40-12 319 0001 | 32 |
| 6479.A6 | 11-12 319 0012 | 29 |
| 6479.A7 | 11-12 320 0012 | 29 |
| 6479.C9 | 11-12 319 0014 | 32 |
| 6479.E0 | 212 319 0012 | 32 |
| 6479.E9 | 32-12 320 0002 | 33 |
| 6555.11 | 100 830 0014 | 221 |
| 6555.34 | 100 830 0014 | 221 |
| 6822.JL | 11-14 650 0012 | 512 |
| 7273.7X | 40-14 498 0028 | 163 |
| 7538682 | 215 521 0048 | 69 |
| 7 567 284 | 11-16 010 4087/HD | 385 |
| 7925.11 | 40-40 910 0010 | 1 |
| 7925.14 | 40-40 910 0011 | 1 |
| 831.41 | 11-51 049 0009 | 231 |
| 831P3 | 11-51 049 0016 | 230 |
| 831P4 | 11-51 049 0016 | 230 |
| 831.T3 | 11-51 049 0010 | 232 |
| 8731.A3 | 11-40 910 0006 | 3 |
| 8731.A8 | 40-40 910 0003 | 3 |
| 8731.C0 | 40-40 910 0006 | 3 |
| 8731.C1 | 11-40 910 0007 | 4 |
| 8731.C2 | 40-40 910 0008 | 4 |
| 8731.C3 | 40-40 910 0009 | 4 |
| 8731.E0 | 40-40 910 0002 | 5 |
| 8731.E3 | 40-40 910 0000 | 5 |
| 8731.E4 | 40-40 910 0001 | 5 |
| 8731.E5 | 11-40 910 0008 | 6 |

| Ref. no. | MEYLE no. | Page |
|----------------|-------------------------------------|-------|
| Citroën | | |
| 8731.E7 | 40-40 910 0006 | 3 |
| 8731.F1 | 40-40 910 0005 | 9 |
| 8731.F5 | 40-40 910 0004 | 6 |
| 8731.F6 | 40-40 910 0004 | 6 |
| 8731.F7 | 40-40 910 0012 | 1 |
| 8731.G3 | 40-40 910 0007 | 6 |
| 8731.G6 | 11-40 910 0017 | 7 |
| 8731.J8 | 40-40 910 0014 | 7 |
| 8731.J9 | 40-40 910 0020 | 7 |
| 8731.K0 | 40-40 910 0018 | 8 |
| 8731.K1 | 40-40 910 0022 | 8 |
| 8731.K2 | 40-40 910 0022 | 8 |
| 8731.K9 | 40-40 910 0007 | 6 |
| 8731.L0 | 40-40 910 0015 | 8 |
| 8731.N1 | 40-40 910 0005 | 9 |
| 8731.N9 | 40-40 910 0019 | 9 |
| 8731.P2 | 40-40 910 0017 | 9 |
| 8731.P4 | 40-40 910 0016 | 10 |
| 8731.P5 | 40-40 910 0021 | 10 |
| 8731.Q1 | 32-40 910 0017 | 10 |
| 8731.Q9 | 40-40 910 0021 | 10 |
| 8731.R7 | 40-40 910 0023 | 11 |
| 8731.S0 | 40-40 910 0025 | 11 |
| 8731.T0 | 40-40 910 0017 | 9 |
| 8731.V0 | 240 910 0028 | 11 |
| 91 001 158 | 050 004 1245 | 273 |
| 91 470 530 | 614 818 0002 | 314 |
| 91 508 338 | 11-15 521 0042 11-15 521 0042/PD | 63-64 |
| 91 508 755 | 050 004 0954 | 272 |
| 91508762 | 050 004 0954 | 272 |
| 91 509 908 | 11-15 523 0003 | 122 |
| 91 510 533 | 100 611 0034 | 148 |
| 91 510 633 | 214 770 0001 | 503 |
| 91 510 923 | 11-14 620 0000 | 349 |
| 91 511 136 | 11-13 012 0163 | 281 |
| 91 514 549 | 314 136 2102 | 220 |
| 91 515 653 | 11-14 352 0005 | 421 |
| 91 515 816 | 11-14 525 0045 | 146 |
| 91 516 334 | 11-16 050 3199 | 409 |
| 91 516 335 | 11-16 050 3198 | 408 |
| 91 516 336 | 11-16 050 3198 | 408 |
| 91 516 337 | 11-16 050 3199 | 409 |
| 91 517 694 | 11-15 521 0010 | 74 |
| 91 517 695 | 11-15 521 0031 11-15 521 0031/PD | 70-71 |

| Ref. no. | MEYLE no. | Page |
|----------------|--|---------|
| Citroën | | |
| 91 518 816 | 11-14 525 0045 | 146 |
| 91 535 807 | 314 133 2108 | 314 |
| 91 536 222 | 050 004 0698 | 269 |
| 91 536 227 | 050 004 1020 050 004 1025 050 004 1030 | 272-273 |
| 91 536 229 | 050 004 1245 | 273 |
| 91 536 703 | 050 004 0954 | 272 |
| 91 540 797 | 614 036 0012 | 321 |
| 91 541 144 | 050 005 0725 | 264 |
| 91 541 175 | 050 005 0725 | 264 |
| 91 541 177 | 050 004 0795 050 004 0800 | 264 |
| 91 541 178 | 050 004 1230 | 265 |
| 91541178 | 050 005 1230 | 237 |
| 91 541 179 | 050 005 1220 | 265 |
| 91541179 | 050 005 1230 | 237 |
| 93 501 404 | 11-51 902 1018 | 229 |
| 93501405 | 11-51 902 2006 | 233 |
| 93 501 676 | 050 004 0698 | 269 |
| 93 502 487 | 050 004 0698 | 269 |
| 94 014 459 68 | 11-12 321 0041 | 309 |
| 94 032 937 48 | 11-14 495 0003 | 155 |
| 94 040 590 80 | 11-16 020 5042 | 377 |
| 94 046 018 58 | 100 611 0034 | 148 |
| 94 510 012 63 | 11-13 012 0723 | 291 |
| 94 580 841 80 | 40-16 020 5723/HD | 377 |
| 94 580 842 80 | 40-16 020 5724/HD | 377 |
| 94 710 005 65 | 40-16 020 5723/HD | 377 |
| 94 710 006 65 | 40-16 020 5724/HD | 377 |
| 94 710 074 65 | 40-16 020 5724/HD | 377 |
| 94 710 075 65 | 40-16 020 5723/HD | 377 |
| 94 782 679 80 | 11-15 523 0030 | 123 |
| 95 006 268 | 050 005 1125 | 265 |
| 95 027 199 | 11-15 521 0012 | 72 |
| 95 028 039 | 11-16 010 3347 | 379 |
| 95 462 429 | 025 203 8915 | 80 |
| 95 470 530 | 614 818 0002 | 314 |
| 95 494 204 | 11-16 010 4249 | 381 |
| 95 494 205 | 11-16 010 4249 | 381 |
| 95 495 439 | 40-16 030 4246 | 363 |
| 95 495 440 | 40-16 030 4246 | 363 |
| 95 495 621 | 214 322 0002 | 328 |
| 95 495 622 | 214 322 0002 | 328 |
| 95 558 218 | 112 129 0005 | 312 |
| 95 559 627 | 112 129 0005 | 312 |

| Ref. no. | MEYLE no. | Page |
|----------------|-------------------------------------|----------|
| Citroën | | |
| 95 565 564 | 025 203 8915 | 80 |
| 95 575 080 | 11-15 521 0001 | 70 |
| 95 580 483 | 214 322 0002 | 328 |
| 95 585 454 | 11-15 521 0001 | 70 |
| 95 588 499 | 025 203 8915 | 80 |
| 95 591 073 | 40-14 498 0038 | 158 |
| 95 591 074 | 40-14 498 0035 | 165 |
| 95 598 210 | 40-14 498 0001 | 176 |
| 95 603 182 | 11-14 650 0010 | 507 |
| 95 603 308 | 16-14 610 0009 | 421 |
| 95 604 719 | 40-14 498 0000 | 176 |
| 95 605 128 | 11-12 321 0010 | 308 |
| 95 607 224 | 11-16 010 4249 | 381 |
| 95 611 498 | 025 210 8017/PD 025 210 8017/W | 115-116 |
| 95 612 377 | 050 004 0755 | 269 |
| 95 615 159 | 025 212 0519/W | 119 |
| 95 615 878 | 40-14 498 0002 | 177 |
| 95 616 818 | 025 210 8017/PD 025 210 8017/W | 115-116 |
| 95 618 786 | 11-12 014 4419 | 295 |
| 95 619 481 | 40-14 498 0038 | 158 |
| 95 619 482 | 40-14 498 0035 | 165 |
| 95 619 515 | 11-14 533 0017 40-14 533 0005/K | 124, 135 |
| 95 619 550 | 025 212 6717/PD 025 212 6717/W | 116-117 |
| 95 624 482 | 025 203 8915 | 80 |
| 95 625 017 | 11-13 012 0150 | 280 |
| 95 632 048 | 11-15 521 0032 11-83 521 0032/PD | 50-51 |
| 95 638 747 | 214 322 0002 | 328 |
| 95640195 | 40-51 902 1000 | 222 |
| 95 640 895 | 025 212 0519/W | 119 |
| 95 641 149 | 11-13 012 0162 | 281 |
| 95 643 824 | 11-13 012 0162 | 281 |
| 95 644 403 | 11-14 498 0010 | 158 |
| 95 646 300 | 025 212 6717/PD 025 212 6717/W | 116-117 |
| 95 647 611 | 025 212 6717/PD 025 212 6717/W | 116-117 |
| 95 647 733 | 025 210 8017/PD 025 210 8017/W | 115-116 |
| 95 650 955 | 11-13 012 0152 | 281 |
| 95 653 213 | 11-14 533 0017 | 124 |
| 95 654 075 | 11-14 650 0010 | 507 |

| Ref. no. | MEYLE no. | Page |
|----------------|--|---------|
| Citroën | | |
| 95 654 085 | 025 201 6215 | 120 |
| 95 654 730 | 40-14 498 0038 | 158 |
| 95 654 731 | 40-14 498 0035 | 165 |
| 95 655 208 | 11-13 012 0150 | 280 |
| 95 655 344 | 11-14 533 0017 | 124 |
| 95 656 495 | 40-14 498 0006 | 177 |
| 95 656 566 | 11-13 012 0163 | 281 |
| 95 656 567 | 11-13 012 0150 | 280 |
| 95 656 568 | 11-13 012 0162 | 281 |
| 95 656 569 | 11-13 012 0162 | 281 |
| 95 656 595 | 40-14 498 0006 | 177 |
| 95 658 433 | 11-12 014 4485 | 295 |
| 95 658 437 | 11-12 321 0041 | 309 |
| 95 658 483 | 11-12 321 0041 | 309 |
| 95 658 617 | 025 212 6717/PD 025 212 6717/W | 116-117 |
| 95 658 882 | 40-16 050 0002/HD | 390 |
| 95 658 883 | 40-16 050 0004/HD | 399 |
| 95 658 884 | 40-16 050 0002/HD | 390 |
| 95 658 885 | 40-16 050 0004/HD | 399 |
| 95 658 978 | 11-16 050 6980 | 409 |
| 95 658 979 | 11-16 050 6979 | 410 |
| 95659340 | 025 209 0618/PD 025 209 0618/W | 118 |
| 95 659 341 | 025 209 7311 025 209 7311/PD | 90-91 |
| 95 659 354 | 11-12 014 4485 | 295 |
| 95 659 470 | 11-14 533 0003 11-14 533 0003/K 11-14 533 0003/S | 130 |
| 95 659 616 | 025 214 1418/W | 119 |
| 95659616 | 025 209 0618/PD 025 209 0618/W | 118 |
| 95 659 622 | 11-15 523 0031 | 123 |
| 95 659 639 | 025 215 0417/W | 117 |
| 95 659 640 | 025 215 0417/W | 117 |
| 95 659 642 | 025 201 6215 | 120 |
| 95 659 671 | 11-14 533 0000 11-14 533 0000/K | 127 |
| 95 661 746 | 11-15 521 0001 | 70 |
| 95 661 747 | 11-15 521 0031 11-15 521 0031/PD | 70-71 |
| 95 661 748 | 11-15 521 0042 11-15 521 0042/PD | 63-64 |
| 95 661 749 | 11-15 523 0010 11-15 523 0010/PD | 71-72 |

| Ref. no. | MEYLE no. | Page |
|----------------|--|---------|
| Citroën | | |
| 95 661 798 | 025 203 8915 | 80 |
| 95 661 810 | 11-15 521 0012 | 72 |
| 95 661 811 | 40-15 521 1003 | 73 |
| 95 661 813 | 11-15 521 0022 | 73 |
| 95 661 871 | 025 210 8017/PD 025 210 8017/W | 115-116 |
| 95 663 213 | 40-14 533 0005/K | 135 |
| 95 666 768 | 11-13 012 0152 | 281 |
| 95 666 940 | 40-14 498 0022 | 160 |
| 95 666 970 | 025 214 1418/W | 119 |
| 95666970 | 025 209 0618/PD 025 209 0618/W | 118 |
| 95 666 971 | 025 209 7311 025 209 7311/PD | 90-91 |
| 95 666 973 | 025 201 6215 | 120 |
| 95 666 985 | 050 004 1020 050 004 1025 050 004 1030 | 272-273 |
| 95 667 221 80 | 214 498 0012 | 178 |
| 95 667 765 | 025 212 0519/W | 119 |
| 95 667 785 | 025 216 3117/PD 025 216 3117/W | 84 |
| 95 667 786 | 025 216 3117/PD 025 216 3117/W | 84 |
| 95 667 788 | 025 201 6215 | 120 |
| 95 667 809 | 11-15 521 0032 11-83 521 0032/PD | 50-51 |
| 95 667 810 | 11-15 521 0013 | 49 |
| 95 667 811 | 40-15 523 1001 | 74 |
| 95 667 986 | 40-12 319 0000 | 22 |
| 95 668 510 | 40-16 050 0002/HD | 390 |
| 95 668 511 | 40-16 050 0004/HD | 399 |
| 95 668 512 | 40-16 050 0002/HD | 390 |
| 95 669 225 | 11-15 521 0010 | 74 |
| 95 675 822 80 | 214 498 0013 | 178 |
| 95 685 512 | 11-16 050 0036/HD | 410 |
| 95 685 513 | 11-16 050 0037/HD | 411 |
| 96 001 123 | 050 004 0954 | 272 |
| 96 002 933 | 214 322 0002 | 328 |
| 96 008 036 | 614 036 0012 | 321 |
| 96 012 770 | 11-15 523 0010 11-15 523 0010/PD | 71-72 |
| 96 014 241 | 050 005 1270 | 266 |
| 96 019 294 | 050 004 0855 | 270 |
| 96 019 295 | 050 004 0855 | 270 |
| 96 025 445 | 40-16 010 0002 | 381 |

| Ref. no. | MEYLE no. | Page |
|----------------|-------------------------------------|----------|
| Citroën | | |
| 96 030 324 | 050 004 1245 | 273 |
| 96 031 845 | 40-14 498 0028 | 163 |
| 96 037 346 | 11-14 525 0041 | 147 |
| 96 041 652 | 11-16 010 4249 | 381 |
| 96 046 630 | 050 004 1272 | 266 |
| 96 047 276 | 40-15 521 1003 | 73 |
| 96 048 214 | 11-16 030 0001 | 356 |
| 96 048 666 | 40-14 498 0022 | 160 |
| 96 048 667 | 40-14 498 0021 | 169 |
| 96 056 183 | 11-51 902 1007 | 222 |
| 96 056 833 | 050 005 1165 | 266 |
| 96 059 324 | 050 005 0710 | 267 |
| 96 070 525 | 11-15 521 0042 11-15 521 0042/PD | 63-64 |
| 96 074 054 | 40-14 885 0005 | 214 |
| 96 075 425 | 16-14 525 0005 | 147 |
| 96 080 322 | 11-14 525 0002 | 136 |
| 96 085 642 80 | 11-13 012 0158 | 285 |
| 96 091 416 | 40-14 498 0028 | 163 |
| 96 093 233 | 11-16 010 3356 | 385 |
| 96 095 217 | 40-14 498 0022 | 160 |
| 96 098 964 | 11-14 323 0002 | 316 |
| 96099089 | 11-51 902 2005 | 233 |
| 96 099 616 | 11-15 521 0022 | 73 |
| 96101044 | 40-14 639 0010 | 465 |
| 96 103 696 | 40-16 010 0002 | 381 |
| 96 103 814 | 11-16 060 5707 | 452 |
| 96 106 474 | 11-14 352 0002 | 426 |
| 96 109 017 | 11-14 525 0040 | 147 |
| 96 110 483 | 11-14 610 0015/HD | 422 |
| 96 111 043 | 11-14 610 0015/HD | 422 |
| 96 113 432 | 16-14 610 0009 | 421 |
| 96 117 374 | 050 004 0810 050 004 0815 | 267, 270 |
| 96 124 223 | 11-14 525 0017 | 137 |
| 96 124 230 | 11-14 525 0043 | 148 |
| 96 126 957 | 050 005 1030 | 275 |
| 96129654 | 050 005 1255 | 268 |
| 96 129 662 | 050 005 0884 | 268 |
| 96 131 549 | 614 818 0002 | 314 |
| 96 132 698 | 11-14 525 0010 | 144 |
| 96 136 394 | 11-16 030 5749 | 364 |
| 96 141 635 | 40-14 498 0005 | 178 |
| 96 141 637 | 40-14 498 0003 | 179 |
| 96 142 840 | 050 006 0698 | 267 |
| 96 144 509 | 050 006 1130 | 250 |

| Ref. no. | MEYLE no. | Page |
|----------------|-------------------|------|
| Citroën | | |
| 96 144 871 | 11-12 014 4486 | 313 |
| 96 145 457 | 40-16 060 0003/HD | 452 |
| 96 152 078 | 050 006 1660 | 249 |
| 96 152 079 | 050 006 1660 | 249 |
| 96 152 080 | 050 006 0698 | 267 |
| 96 152 082 | 050 006 1070 | 255 |
| 96 152 083 | 050 006 1070 | 255 |
| 96 152 084 | 050 006 1080 | 250 |
| 96 152 085 | 050 006 1080 | 250 |
| 96 152 090 | 050 005 1155 | 276 |
| 96 152 091 | 050 005 1155 | 276 |
| 96 152 213 | 11-16 060 5046/HD | 442 |
| 96 154 391 | 050 006 0800 | 241 |
| 96 155 010 | 050 006 1015 | 242 |
| 96 155 377 | 050 005 0884 | 268 |
| 96155379 | 050 005 1255 | 268 |
| 96 155 949 | 050 006 1705 | 260 |
| 96 161 326 | 050 005 1450 | 268 |
| 96 164 213 | 40-14 498 0005 | 178 |
| 96 165 724 | 014 020 1039 | 212 |
| 96 165 970 | 40-14 885 0005 | 214 |
| 96 167 304 | 40-14 498 0028 | 163 |
| 96 171 875 | 40-14 498 0028 | 163 |
| 96171996 | 11-14 184 1013 | 340 |
| 96 173 636 | 40-14 498 0028 | 163 |
| 96 173 680 | 050 005 0760 | 273 |
| 96 173 769 80 | 11-13 012 0723 | 291 |
| 96 177 836 | 11-16 060 5041/HD | 452 |
| 96 181 191 | 40-40 910 0006 | 3 |
| 96 188 881 | 050 006 1740 | 251 |
| 96188881 | 050 006 1735 | 277 |
| 96 199 475 80 | 40-14 498 0010 | 179 |
| 96 199 476 80 | 40-14 498 0010 | 179 |
| 96201309 | 11-51 902 2005 | 233 |
| 96 20 904 480 | 050 006 1145 | 252 |
| 96 217 756 | 11-14 899 0010 | 182 |
| 9622739380 | 11-14 030 0028 | 330 |
| 96 227 489 | 11-14 899 0010 | 182 |
| 96 228 897 | 40-14 885 0005 | 214 |
| 96 233 739 | 11-16 010 3347 | 379 |
| 96 236 383 | 714 020 0003 | 205 |
| 96 236 849 | 050 006 1163 | 254 |
| 96 245 429 80 | 050 006 1725 | 253 |
| 96 260 840 88 | 40-14 498 0036 | 163 |
| 96 261 720 | 050 005 1050 | 275 |
| 96 285 598 | 40-14 800 0005 | 220 |

| Ref. no. | MEYLE no. | Page |
|----------------|-------------------------------------|---------|
| Citroën | | |
| 96 285 599 | 40-14 800 0005 | 220 |
| 96 288 787 | 11-16 060 0001/HD | 446 |
| 96 310 010 | 40-14 810 0000 | 218 |
| 96 317 187 80 | 050 006 1725 | 253 |
| 96 324 274 | 11-16 060 0002/HD 11-16 060 0030 | 447-448 |
| 96 326 720 80 | 11-14 919 0009 | 321 |
| 96 33 727 280 | 050 006 1450 | 261 |
| 96 341 314 | 11-14 885 0007 | 214 |
| 96 35 3368 | 11-51 902 1004 | 224 |
| 96 35 336 880 | 11-51 902 1004 | 224 |
| 96354380 | 11-51 902 1006 | 226 |
| 9635438080 | 11-51 902 1006 | 226 |
| 96 360 862 | 11-12 320 0000 | 25 |
| 96 363 378 | 11-14 885 0002 | 215 |
| 96 368 027 | 40-14 810 0000 | 218 |
| 96 37 0580 | 11-51 902 1005 | 224 |
| 96 37 058 080 | 11-51 902 1005 | 224 |
| 96 371 434 | 214 322 0002 | 328 |
| 96 372 208 | 40-14 800 0004 | 203 |
| 96 372 505 80 | 050 006 1468 | 259 |
| 96 374 669 | 40-14 800 0004 | 203 |
| 96 374 699 80 | 714 860 0002 | 204 |
| 9638007780 | 050 006 1565 | 246 |
| 96 389 858 | 714 020 0003 | 205 |
| 96 401 158 80 | 050 006 0800 | 241 |
| 96 401 159 80 | 050 006 0800 | 241 |
| 96 408 284 | 11-51 902 1009 | 226 |
| 96 40 828 480 | 11-51 902 1009 | 226 |
| 96 411 841 80 | 050 006 1438 | 262 |
| 96 411 842 80 | 050 006 1438 | 262 |
| 96 422 120 80 | 11-12 321 0009 | 310 |
| 96 423 837 80 | 050 006 0976 | 261 |
| 96 423 839 80 | 050 006 0976 | 261 |
| 96 429 298 | 11-51 902 1003 | 225 |
| 96 42 929 880 | 11-51 902 1003 | 225 |
| 96 433 296 | 11-51 902 1002 | 226 |
| 96 43 329 680 | 11-51 902 1002 | 226 |
| 9643903780 | 050 004 0860 | 270 |
| 96442584 | 11-51 902 2004 | 236 |
| 96 44 258 480 | 11-51 902 2004 | 236 |
| 96 448 854 | 214 322 0002 | 328 |
| 96 452 098 | 11-51 902 1008 | 227 |
| 96 45 209 880 | 11-51 902 1008 | 227 |
| 96 452 957 80 | 11-12 321 0009 | 310 |
| 9645769180 | 11-14 030 0082 | 347 |

| Ref. no. | MEYLE no. | Page |
|----------------|----------------------------------|----------|
| Citroën | | |
| 96459251 | 11-51 902 1006 | 226 |
| 9645925180 | 11-51 902 1006 | 226 |
| 96 461 258 | 11-14 899 0005 | 189 |
| 9646254781 | 40-14 641 0000 | 500 |
| 96 472 953 80 | 40-40 910 0018 | 8 |
| 96 472 954 80 | 40-40 910 0014 | 7 |
| 96 508 541 80 | 40-40 910 0020 | 7 |
| 96 510 297 | 714 020 0003 | 205 |
| 96 515 836 | 714 020 0003 | 205 |
| 96 51 710 680 | 11-14 885 0006 | 215 |
| 96 526 967 | 11-14 899 0004 | 188 |
| 96 53 204 180 | 050 006 1000 | 256 |
| 96 53 204 380 | 050 006 1000 | 256 |
| 96 53 319 680 | 050 006 1050 | 255 |
| 96 533 197 | 050 006 1070 | 255 |
| 96 53 319 780 | 050 006 1070 | 255 |
| 96 536 631 | 40-14 800 0024 | 190 |
| 96 541 142 80 | 050 006 1360 | 247 |
| 96 544 334 80 | 40-40 910 0017 | 9 |
| 96 544 335 80 | 40-40 910 0016 | 10 |
| 96 544 386 80 | 40-40 910 0019 | 9 |
| 96 550 295 80 | 050 006 1680 | 243 |
| 96 550 297 80 | 050 006 1680 | 243 |
| 96 552 700 | 40-14 800 0025 | 190 |
| 96 555 357 80 | 11-12 321 0035 | 300 |
| 96 583 379 80 | 11-12 321 0034 | 302 |
| 96 584 207 | 11-14 899 0005 | 189 |
| 96 617 288 80 | 050 006 1090/E | 260 |
| 96 631 008 80 | 050 006 0780/E | 248 |
| 96 631 010 80 | 050 006 1090/E | 260 |
| 96 654 092 | 11-51 902 1007 | 222 |
| 96 666 908 | 40-14 498 0022 | 160 |
| 9670830780 | 11-14 641 0022 11-14 641 0025 | 472, 502 |
| 96 74 725 580 | 40-12 321 0004 | 313 |
| 96 760 321 80 | 11-14 610 0037 | 422 |
| 96 76 035 280 | 11-14 610 0054 | 422 |
| 9677277380 | 11-14 030 0082 | 347 |
| 96 787 920 80 | 11-12 319 0015/S | 33 |
| 96 803 528 80 | 11-14 919 0009 | 321 |
| 96 803 530 | 11-14 919 0009 | 321 |
| 9681330980 | 11-14 641 0003 | 499 |
| 9682256580 | 40-40 910 0023 | 11 |
| 96 826 036 80 | 11-12 319 0011 11-12 320 0011 | 30 |
| 96 831 952 80 | 40-14 860 0006 | 208 |

| Ref. no. | MEYLE no. | Page |
|----------------|-------------------------------------|----------|
| Citroën | | |
| 9683738980 | 11-14 641 0022 11-14 641 0025 | 472, 502 |
| 96 87 459 780 | 11-12 319 0000 | 25 |
| 96 876 021 80 | 40-15 521 1001 | 42 |
| 97 500 799 80 | 11-16 020 4078 | 378 |
| 97 535 002 | 11-51 902 1014 | 223 |
| 98 000 861 80 | 11-16 060 0001/HD | 446 |
| 9801049980 | 11-14 710 0027 | 423 |
| 9801448180 | 11-12 320 0010 | 28 |
| 9803094380 | 11-13 220 0027 | 293 |
| 98 032 864 80 | 11-16 050 0080 | 406 |
| 98 032 865 80 | 11-16 050 0079 | 397 |
| 9803442480 | 11-13 220 0026 | 293 |
| 9804776380 | 11-14 641 0003/S | 499 |
| 98 049 474 80 | 11-16 060 0000/HD 11-16 060 0028 | 445 |
| 98 055 520 80 | 40-12 321 0003 | 313 |
| 9805961480 | 11-15 521 0041 11-15 521 0041/PD | 75 |
| 98 069 071 80 | 11-16 060 0024/HD | 453 |
| 98 071 300 80 | 11-16 060 0016/HD 11-16 060 0033 | 450-451 |
| 98 088 682 80 | 11-16 060 0001/HD | 446 |
| 98 090 457 80 | 11-16 060 0024/HD | 453 |
| 98 097 210 80 | 11-14 323 0003 | 321 |
| 98 142 376 80 | 11-12 319 0015/S | 33 |
| E117719 | 050 006 1190 | 276 |
| E146155 | 11-12 319 0000 | 25 |
| E147223 | 11-12 321 0032 | 297 |
| E147224 | 11-12 321 0032 | 297 |
| E147242 | 11-12 321 0014 | 311 |
| E147299 | 11-12 321 0022 | 297 |
| E147302 | 11-12 321 0024 | 308 |
| E149104 | 11-14 322 0001 | 325 |
| E 169 010 | 40-15 521 1000 | 49 |
| E 169 020 | 11-15 521 0033 11-15 521 0033/PD | 47 |
| E 169 141 | 11-15 521 0017 11-83 521 0017/PD | 66 |
| E 169 142 | 11-15 521 0018 11-83 521 0018/PD | 34-35 |
| E 169 143 | 40-15 523 1002 | 50 |
| E 169 157 | 11-15 523 0009 11-15 523 0009/PD | 59-60 |
| E 169 198 | 11-15 523 0008 11-15 523 0008/PD | 51-52 |

| Ref. no. | MEYLE no. | Page |
|----------------|--------------------------------------|------|
| Citroën | | |
| E169256 | 11-15 521 0037 | 62 |
| E 172 124 | 025 235 9919 025 235 9919/PD | 87 |
| E 172 125 | 025 236 0019 025 236 0019/PD | 89 |
| E 172 155 | 025 241 3317/W | 114 |
| E 172 227 | 025 235 9919 025 235 9919/PD | 87 |
| E 172 229 | 025 232 7717/W | 92 |
| E 172 230 | 025 232 7318 | 92 |
| E 172 231 | 025 233 0515 | 93 |
| E 172 237 | 025 241 3317/W | 114 |
| E 172 240 | 025 241 3517 | 120 |
| E 172 282 | 025 234 0919 | 90 |
| E 172 283 | 025 239 5917 | 113 |
| E 172 284 | 025 236 0019 025 236 0019/PD | 89 |
| E 172 285 | 025 234 0719 025 234 0719/PD | 94 |
| E 172 286 | 025 241 5017 | 92 |
| E 172 295 | 025 245 3818 025 245 3818/PD | 96 |
| E172301 | 025 244 6819-1/PD 025 244 6819/W1 | 78 |
| E 172 314 | 025 241 3317/W | 114 |
| E 172 315 | 025 236 0019 025 236 0019/PD | 89 |
| E 172 359 | 025 235 8919 | 94 |
| E 172 558 | 025 235 9919 025 235 9919/PD | 87 |
| E 172 559 | 025 236 0019 025 236 0019/PD | 89 |
| E 172 569 | 025 241 3317/W | 114 |
| E 172 590 | 025 235 9919 025 235 9919/PD | 87 |
| E 172 591 | 025 233 0515 | 93 |
| ZF93500521 | 215 521 0048 | 69 |

| Short no. | MEYLE no. | Page |
|----------------|----------------|------|
| Citroën | | |
| | 11-14 641 0025 | 472 |
| MAB0072 | 11-14 051 0001 | 454 |
| MAB0076 | 11-14 710 0007 | 456 |
| MAB0080 | 11-14 710 0013 | 453 |
| MAB0081 | 11-14 710 0015 | 455 |
| MAB0153 | 11-14 710 0021 | 454 |
| MAB0156 | 11-14 710 0017 | 454 |
| MAB0157 | 11-14 710 0018 | 455 |
| MAB0181 | 11-14 710 0024 | 455 |
| MAB0182 | 11-14 710 0025 | 453 |
| MAF0083 | 11-12 014 4402 | 294 |
| MAF0084 | 11-12 014 4409 | 294 |
| MAF0085 | 11-12 014 4410 | 299 |
| MAF0086 | 11-12 014 4419 | 295 |
| MAF0087 | 11-12 014 4485 | 295 |
| MAF0088 | 11-12 014 4486 | 313 |
| MAF0089 | 11-12 321 0001 | 296 |
| MAF0090 | 11-12 321 0002 | 300 |
| MAF0091 | 11-12 321 0003 | 307 |
| MAF0092 | 11-12 321 0004 | 296 |
| MAF0093 | 11-12 321 0005 | 303 |
| MAF0094 | 11-12 321 0006 | 298 |
| MAF0095 | 11-12 321 0007 | 301 |
| MAF0096 | 11-12 321 0008 | 301 |
| MAF0097 | 11-12 321 0009 | 310 |
| MAF0098 | 11-12 321 0010 | 308 |
| MAF0099 | 11-12 321 0011 | 305 |
| MAF0100 | 11-12 321 0012 | 299 |
| MAF0101 | 11-12 321 0013 | 302 |
| MAF0102 | 11-12 321 0014 | 311 |
| MAF0103 | 11-12 321 0015 | 310 |
| MAF0104 | 11-12 321 0016 | 308 |
| MAF0105 | 11-12 321 0017 | 297 |
| MAF0106 | 11-12 321 0018 | 307 |
| MAF0107 | 11-12 321 0019 | 306 |
| MAF0108 | 11-12 321 0020 | 299 |
| MAF0109 | 11-12 321 0021 | 311 |
| MAF0110 | 11-12 321 0022 | 297 |
| MAF0111 | 11-12 321 0023 | 301 |
| MAF0112 | 11-12 321 0024 | 308 |
| MAF0113 | 11-12 321 0025 | 311 |
| MAF0114 | 11-12 321 0026 | 304 |
| MAF0115 | 11-12 321 0027 | 306 |
| MAF0116 | 11-12 321 0028 | 303 |
| MAF0117 | 11-12 321 0029 | 309 |
| MAF0118 | 11-12 321 0030 | 298 |

| Short no. | MEYLE no. | Page |
|----------------|----------------|------|
| Citroën | | |
| MAF0119 | 11-12 321 0031 | 305 |
| MAF0120 | 11-12 321 0032 | 297 |
| MAF0122 | 11-12 321 0034 | 302 |
| MAF0123 | 11-12 321 0036 | 306 |
| MAF0124 | 11-12 321 0037 | 305 |
| MAF0125 | 11-12 321 0038 | 309 |
| MAF0128 | 11-12 321 0041 | 309 |
| MAF0129 | 11-12 321 0042 | 302 |
| MAF0132 | 112 129 0005 | 312 |
| MAF0276 | 212 321 0020 | 304 |
| MAF0277 | 212 321 0021 | 304 |
| MAF0279 | 212 321 0023 | 312 |
| MAF0334 | 30-12 321 0002 | 300 |
| MAF0447 | 32-12 321 0002 | 310 |
| MAF0491 | 36-12 321 0005 | 295 |
| MAF0545 | 40-12 321 0001 | 298 |
| MAF0658 | 11-12 321 0035 | 300 |
| MAF0679 | 40-12 321 0002 | 312 |
| MAF0687 | 40-12 321 0003 | 313 |
| MAF0688 | 40-12 321 0004 | 313 |
| MAR0015 | 11-16 030 0001 | 356 |
| MAR0016 | 11-16 030 5749 | 364 |
| MAR0018 | 11-16 030 7528 | 353 |
| MAR0021 | 11-16 031 0006 | 356 |
| MAR0022 | 11-16 031 0007 | 359 |
| MAR0023 | 11-16 031 0008 | 359 |
| MAR0024 | 11-16 031 0009 | 357 |
| MAR0026 | 11-16 031 0015 | 357 |
| MAR0027 | 11-16 031 0016 | 364 |
| MAR0028 | 11-16 031 0017 | 356 |
| MAR0029 | 11-16 031 0019 | 358 |
| MAR0030 | 11-16 031 0020 | 360 |
| MAR0031 | 11-16 031 0021 | 360 |
| MAR0032 | 11-16 031 0022 | 355 |
| MAR0033 | 11-16 031 0023 | 361 |
| MAR0034 | 11-16 031 0024 | 361 |
| MAR0035 | 11-16 031 0025 | 359 |
| MAR0036 | 11-16 031 0026 | 362 |
| MAR0039 | 11-16 031 0030 | 362 |
| MAR0040 | 11-16 031 0031 | 365 |
| MAR0109 | 16-16 031 0005 | 361 |
| MAR0133 | 216 031 0004 | 355 |
| MAR0134 | 216 031 0005 | 358 |
| MAR0146 | 216 031 0017 | 363 |
| MAR0279 | 40-16 030 4246 | 363 |
| MAR0374 | 11-16 031 0032 | 354 |

| Short no. | MEYLE no. | Page |
|----------------|-------------------|------|
| Citroën | | |
| MAR0476HD | 40-16 031 0000/HD | 358 |
| MAR0480HD | 40-16 031 0002/HD | 354 |
| MAR0486HD | 11-16 030 0008/HD | 353 |
| MAR0487HD | 11-16 031 0011/HD | 357 |
| MAR0488HD | 11-16 031 0012/HD | 355 |
| MAR0489HD | 11-16 031 0013/HD | 360 |
| MAR0490HD | 11-16 031 0014/HD | 364 |
| MAR0491HD | 11-16 031 0034/HD | 362 |
| MAR0509HD | 216 031 0030/HD | 363 |
| MAR0524HD | 40-16 031 0001/HD | 354 |
| MAS0072 | 11-14 800 0002 | 192 |
| MAS0073 | 11-14 899 0000 | 184 |
| MAS0074 | 11-14 899 0001 | 183 |
| MAS0075 | 11-14 899 0003 | 188 |
| MAS0076 | 11-14 899 0004 | 188 |
| MAS0077 | 11-14 899 0005 | 189 |
| MAS0081 | 11-14 899 0010 | 182 |
| MAS0086 | 11-14 899 0016 | 182 |
| MAS0089 | 11-14 899 0019 | 192 |
| MAS0190 | 40-14 800 0001 | 185 |
| MAS0191 | 40-14 800 0002 | 187 |
| MAS0192 | 40-14 800 0003 | 187 |
| MAS0241 | 11-14 800 0003 | 184 |
| MAS0246 | 40-14 800 0011 | 185 |
| MAS0260 | 11-14 800 0004 | 181 |
| MAS0261 | 11-14 800 0005 | 181 |
| MAS0263 | 214 800 0017 | 185 |
| MAS0265 | 40-14 800 0007 | 193 |
| MAS0266 | 40-14 800 0012 | 184 |
| MAS0267 | 40-14 800 0013 | 188 |
| MAS0268 | 40-14 800 0014 | 186 |
| MAS0269 | 40-14 800 0015 | 186 |
| MAS0270 | 40-14 800 0017 | 183 |
| MAS0271 | 40-14 800 0018 | 183 |
| MAS0278 | 40-14 800 0008 | 193 |
| MAS0279 | 40-14 800 0016 | 187 |
| MAS0281 | 11-14 800 0009 | 191 |
| MAS0289 | 40-14 800 0023 | 195 |
| MAS0315 | 11-14 800 0007 | 190 |
| MAS0316 | 11-14 800 0012 | 194 |
| MAS0318 | 40-14 800 0019 | 189 |
| MAS0319 | 40-14 800 0020 | 189 |
| MAS0320 | 40-14 800 0022 | 192 |
| MAS0321 | 40-14 800 0025 | 190 |
| MAS0327 | 11-14 800 0008 | 191 |
| MAS0328 | 11-14 800 0011 | 195 |

| Short no. | MEYLE no. | Page |
|----------------|-------------------|------|
| Citroën | | |
| MAS0351 | 40-14 800 0021 | 191 |
| MAS0352 | 40-14 800 0024 | 190 |
| MAS0356 | 40-14 800 0026 | 194 |
| MAS0357 | 40-14 800 0027 | 194 |
| MAS0363 | 11-14 800 0010 | 193 |
| MAS0364 | 11-14 800 0015 | 182 |
| MAS0388 | 11-14 800 0016 | 181 |
| MBD0132 | 11-15 521 0001 | 70 |
| MBD0135 | 11-15 521 0006 | 43 |
| MBD0136 | 11-15 521 0007 | 45 |
| MBD0137 | 11-15 521 0010 | 74 |
| MBD0139 | 11-15 521 0012 | 72 |
| MBD0140 | 11-15 521 0013 | 49 |
| MBD0141 | 11-15 521 0015 | 43 |
| MBD0143 | 11-15 521 0017 | 66 |
| MBD0144 | 11-15 521 0018 | 34 |
| MBD0147 | 11-15 521 0022 | 73 |
| MBD0151 | 11-15 521 0028 | 56 |
| MBD0158 | 11-15 523 0035 | 44 |
| MBD0160 | 11-15 523 0038 | 45 |
| MBD0161 | 11-15 523 0041 | 53 |
| MBD0371 | 215 521 0003 | 36 |
| MBD0372 | 215 521 0004 | 35 |
| MBD0373 | 215 521 0005 | 44 |
| MBD0383 | 215 521 0018 | 54 |
| MBD0384 | 215 521 0019 | 41 |
| MBD0385 | 215 521 0021 | 37 |
| MBD0390 | 215 521 0029 | 36 |
| MBD0394 | 215 521 0033 | 53 |
| MBD0405 | 215 523 0004 | 55 |
| MBD0406 | 215 523 0006 | 38 |
| MBD0408 | 215 523 0012 | 37 |
| MBD0416 | 215 523 0027 | 55 |
| MBD0417 | 215 523 0028 | 56 |
| MBD0418 | 215 523 0029 | 54 |
| MBD1088 | 40-15 521 1000 | 49 |
| MBD1089 | 40-15 521 1001 | 42 |
| MBD1090 | 40-15 521 1003 | 73 |
| MBD1091 | 40-15 521 1004 | 52 |
| MBD1092 | 40-15 523 1001 | 74 |
| MBD1093 | 40-15 523 1002 | 50 |
| MBD1702 | 11-15 521 0030 | 67 |
| MBD1702PD | 11-15 521 0030/PD | 67 |
| MBD1752 | 11-15 521 0031 | 70 |
| MBD1752PD | 11-15 521 0031/PD | 71 |
| MBD1753 | 11-15 521 0032 | 50 |

| Short no. | MEYLE no. | Page |
|----------------|-------------------|------|
| Citroën | | |
| MBD1754 | 11-15 521 0033 | 47 |
| MBD1754PD | 11-15 521 0033/PD | 47 |
| MBD1755PD | 11-15 521 0034/PD | 59 |
| MBD1756 | 11-15 521 0035 | 46 |
| MBD1756PD | 11-15 521 0035/PD | 46 |
| MBD1757 | 11-15 521 0036 | 48 |
| MBD1757PD | 11-15 521 0036/PD | 48 |
| MBD1758 | 11-15 521 0037 | 62 |
| MBD1758PD | 11-15 521 0037/PD | 63 |
| MBD1760 | 11-15 521 0042 | 63 |
| MBD1760PD | 11-15 521 0042/PD | 64 |
| MBD1761 | 11-15 523 0008 | 51 |
| MBD1761PD | 11-15 523 0008/PD | 52 |
| MBD1762 | 11-15 523 0009 | 59 |
| MBD1762PD | 11-15 523 0009/PD | 60 |
| MBD1763 | 11-15 523 0010 | 71 |
| MBD1763PD | 11-15 523 0010/PD | 72 |
| MBD1764 | 11-15 523 0011 | 64 |
| MBD1764PD | 11-15 523 0011/PD | 69 |
| MBD1765PD | 11-83 521 0017/PD | 66 |
| MBD1766PD | 11-83 521 0018/PD | 35 |
| MBD1841 | 215 521 0002 | 60 |
| MBD1841PD | 215 521 0002/PD | 61 |
| MBD1842 | 215 521 0024 | 41 |
| MBD1842PD | 215 521 0024/PD | 42 |
| MBD1944 | 32-15 521 0025 | 57 |
| MBD1944PD | 32-15 521 0025/PD | 57 |
| MBD1949PD | 32-15 523 0015/PD | 40 |
| MBD1951 | 32-15 523 0017 | 58 |
| MBD1951PD | 32-15 523 0017/PD | 58 |
| MBD1954PD | 32-15 523 0020/PD | 34 |
| MBD2074 | 11-15 523 4008 | 76 |
| MBD2085 | 215 521 0048 | 69 |
| MBD2093 | 11-15 523 0014 | 38 |
| MBD2093PD | 11-15 523 0014/PD | 39 |
| MBD2107 | 11-15 521 0039 | 61 |
| MBD2107PD | 11-15 521 0039/PD | 62 |
| MBD2108 | 11-15 521 0040 | 68 |
| MBD2108PD | 11-15 521 0040/PD | 68 |
| MBD2109 | 11-15 521 0041 | 75 |
| MBD2109PD | 11-15 521 0041/PD | 75 |
| MBD2110 | 11-15 523 0012 | 65 |
| MBD2110PD | 11-15 523 0012/PD | 65 |
| MBD2112 | 11-15 523 0015 | 39 |
| MBD2112PD | 11-15 523 0015/PD | 40 |
| MBD2163PD | 11-83 521 0032/PD | 51 |

| Short no. | MEYLE no. | Page |
|----------------|-------------------|------|
| Citroën | | |
| MBH0169 | 11-14 525 0001 | 136 |
| MBH0170 | 11-14 525 0002 | 136 |
| MBH0171 | 11-14 525 0006 | 141 |
| MBH0172 | 11-14 525 0007 | 142 |
| MBH0173 | 11-14 525 0008 | 142 |
| MBH0174 | 11-14 525 0009 | 142 |
| MBH0175 | 11-14 525 0010 | 144 |
| MBH0176 | 11-14 525 0011 | 144 |
| MBH0180 | 11-14 525 0016 | 137 |
| MBH0181 | 11-14 525 0017 | 137 |
| MBH0184 | 11-14 525 0020 | 141 |
| MBH0188 | 11-14 525 0024 | 137 |
| MBH0189 | 11-14 525 0025 | 138 |
| MBH0190 | 11-14 525 0026 | 138 |
| MBH0191 | 11-14 525 0027 | 139 |
| MBH0192 | 11-14 525 0028 | 140 |
| MBH0193 | 11-14 525 0029 | 141 |
| MBH0194 | 11-14 525 0030 | 144 |
| MBH0195 | 11-14 525 0033 | 138 |
| MBH0197 | 11-14 525 0036 | 143 |
| MBH0198 | 11-14 525 0037 | 139 |
| MBH0199 | 11-14 525 0038 | 140 |
| MBH0200 | 11-14 525 0039 | 140 |
| MBH0201 | 11-14 525 0040 | 147 |
| MBH0202 | 11-14 525 0041 | 147 |
| MBH0203 | 11-14 525 0043 | 148 |
| MBH0204 | 11-14 525 0045 | 146 |
| MBH0207 | 11-14 525 0049 | 145 |
| MBH0208 | 11-14 525 0050 | 145 |
| MBH0210 | 11-14 525 0053 | 143 |
| MBH0211 | 11-14 525 0054 | 143 |
| MBH0231 | 16-14 525 0002 | 139 |
| MBH0234 | 16-14 525 0005 | 147 |
| MBH0284 | 214 525 0033 | 146 |
| MBH0286 | 214 525 0035 | 146 |
| MBH0290 | 214 525 0041 | 145 |
| MBJ0029 | 11-16 010 0000 | 383 |
| MBJ0030 | 11-16 010 0004 | 379 |
| MBJ0031HD | 11-16 010 0005/HD | 381 |
| MBJ0033 | 11-16 010 0008 | 382 |
| MBJ0034 | 11-16 010 0011 | 382 |
| MBJ0035 | 11-16 010 0013 | 383 |
| MBJ0036 | 11-16 010 0014 | 384 |
| MBJ0037 | 11-16 010 0017 | 384 |
| MBJ0038 | 11-16 010 0018 | 383 |
| MBJ0040 | 11-16 010 3347 | 379 |

| Short no. | MEYLE no. | Page |
|----------------|-------------------|------|
| Citroën | | |
| MBJ0041 | 11-16 010 3356 | 385 |
| MBJ0043HD | 11-16 010 4087/HD | 385 |
| MBJ0044 | 11-16 010 4249 | 381 |
| MBJ0046 | 11-16 050 0035 | 379 |
| MBJ0157 | 30-16 010 0027 | 380 |
| MBJ0198 | 32-16 010 0025 | 380 |
| MBJ0248 | 40-16 010 0002 | 381 |
| MBJ0249HD | 40-16 010 0004/HD | 382 |
| MBJ0272 | 616 010 0006 | 380 |
| MBJ0439 | 11-16 010 0025 | 384 |
| MBK0109 | 11-14 495 0000 | 152 |
| MBK0110 | 11-14 495 0001 | 153 |
| MBK0112 | 11-14 495 0003 | 155 |
| MBK0114 | 11-14 495 0006 | 155 |
| MBK0115 | 11-14 495 0007 | 155 |
| MBK0116 | 11-14 495 0009 | 152 |
| MBK0118 | 11-14 495 0012 | 151 |
| MBK0208 | 40-14 495 0001 | 152 |
| MBK0209 | 40-14 495 0002 | 154 |
| MBK0210 | 40-14 495 0003 | 153 |
| MBK0211 | 40-14 495 0004 | 150 |
| MBK0212 | 40-14 495 0005 | 150 |
| MBK0213 | 40-14 495 0006 | 157 |
| MBK0214 | 40-14 495 0007 | 154 |
| MBK0215 | 40-14 495 0008 | 154 |
| MBK0216 | 40-14 495 0009 | 150 |
| MBK0217 | 40-14 495 0010 | 151 |
| MBK0218 | 40-14 495 0011 | 149 |
| MBK0219 | 40-14 495 0012 | 156 |
| MBK0220 | 40-14 495 0014 | 149 |
| MBK0223 | 40-14 495 0018 | 156 |
| MBK0224 | 40-14 495 0019 | 156 |
| MBK0248 | 614 495 0002 | 151 |
| MBL0003 | 029 300 1210 | 14 |
| MBL0004 | 029 300 1211 | 14 |
| MBL0014 | 029 350 1410 | 15 |
| MBL0021 | 029 400 1600 | 16 |
| MBL0022 | 029 400 1610 | 17 |
| MBL0024 | 029 400 1612 | 17 |
| MBL0027 | 029 450 1800 | 17 |
| MBL0028 | 029 475 1900 | 18 |
| MBL0029 | 029 500 2000 | 18 |
| MBL0030 | 029 530 2100 | 18 |
| MBL0032 | 029 550 2200 | 19 |
| MBL0034 | 029 600 2400 | 19 |
| MBL0036 | 029 650 2600 | 20 |

| Short no. | MEYLE no. | Page |
|----------------|-----------------|------|
| Citroën | | |
| MBL0039 | 029 700 2800 | 20 |
| MBL0041 | 029 750 3000 | 21 |
| MBL0042 | 029 800 3200 | 22 |
| MBL0047 | 029 300 1216 | 14 |
| MBL0052 | 029 350 1417 | 16 |
| MBL0055 | 029 350 1416 | 16 |
| MBL0057 | 029 725 2900 | 21 |
| MBL0058 | 029 625 2500 | 20 |
| MBL0062 | 029 290 1111 | 13 |
| MBL0080 | 029 300 1217 | 15 |
| MBP0008 | 025 201 6215 | 120 |
| MBP0014 | 025 202 6119/W | 109 |
| MBP0018 | 025 203 8915 | 80 |
| MBP0049 | 025 209 0518/W | 82 |
| MBP0050 | 025 209 0618/W | 118 |
| MBP0057 | 025 209 6117 | 88 |
| MBP0057PD | 025 209 6117/PD | 88 |
| MBP0059 | 025 209 7311 | 90 |
| MBP0059PD | 025 209 7311/PD | 91 |
| MBP0072 | 025 210 8017/W | 116 |
| MBP0093 | 025 212 0519/W | 119 |
| MBP0100 | 025 212 6717/W | 117 |
| MBP0102 | 025 212 7517 | 80 |
| MBP0116 | 025 213 6315/W | 99 |
| MBP0126 | 025 214 1418/W | 119 |
| MBP0147 | 025 215 0417/W | 117 |
| MBP0166 | 025 216 3117/W | 84 |
| MBP0179 | 025 216 7419/W | 81 |
| MBP0195 | 025 217 9719/W | 105 |
| MBP0196 | 025 217 9919/W | 106 |
| MBP0197 | 025 218 0119/W | 107 |
| MBP0199 | 025 218 2717 | 81 |
| MBP0240 | 025 219 8018 | 85 |
| MBP0240PD | 025 219 8018/PD | 85 |
| MBP0248 | 025 230 4218/W | 108 |
| MBP0266 | 025 231 2419/W | 83 |
| MBP0269 | 025 231 3518/W | 86 |
| MBP0273 | 025 231 4617/W | 85 |
| MBP0306 | 025 232 7318 | 92 |
| MBP0307 | 025 232 7617/W | 91 |
| MBP0308 | 025 232 7717/W | 92 |
| MBP0318 | 025 233 0515 | 93 |
| MBP0325 | 025 233 4619 | 98 |
| MBP0334 | 025 233 9617 | 86 |
| MBP0337 | 025 234 0719 | 94 |
| MBP0337PD | 025 234 0719/PD | 94 |

| Short no. | MEYLE no. | Page |
|----------------|-----------------|------|
| Citroën | | |
| MBP0338 | 025 234 0919 | 90 |
| MBP0389 | 025 235 8216 | 104 |
| MBP0389PD | 025 235 8216/PD | 105 |
| MBP0390 | 025 235 8416/W | 76 |
| MBP0393 | 025 235 8919 | 94 |
| MBP0398 | 025 235 9919 | 87 |
| MBP0398PD | 025 235 9919/PD | 87 |
| MBP0399 | 025 236 0019 | 89 |
| MBP0399PD | 025 236 0019/PD | 89 |
| MBP0401 | 025 236 0219/W | 121 |
| MBP0402 | 025 236 0319/W | 108 |
| MBP0422 | 025 237 0517/W | 102 |
| MBP0423 | 025 237 0617/W | 115 |
| MBP0424 | 025 237 0819 | 90 |
| MBP0472 | 025 239 1719/W | 110 |
| MBP0473 | 025 239 1919/W | 110 |
| MBP0474 | 025 239 2120 | 113 |
| MBP0474PD | 025 239 2120/PD | 113 |
| MBP0484 | 025 239 5917 | 113 |
| MBP0528 | 025 241 3317/W | 114 |
| MBP0530 | 025 241 3517 | 120 |
| MBP0531 | 025 241 3716 | 101 |
| MBP0531PD | 025 241 3716/PD | 101 |
| MBP0534 | 025 241 5017 | 92 |
| MBP0572 | 025 243 3218 | 100 |
| MBP0572PD | 025 243 3218/PD | 100 |
| MBP0596 | 025 244 6519 | 95 |
| MBP0596PD | 025 244 6519/PD | 95 |
| MBP0597 | 025 244 6619/W1 | 111 |
| MBP0598 | 025 244 6619/W2 | 112 |
| MBP0599 | 025 244 6819/W1 | 78 |
| MBP0600 | 025 244 6819/W2 | 79 |
| MBP0618 | 025 245 3818 | 96 |
| MBP0618PD | 025 245 3818/PD | 96 |
| MBP0620 | 025 245 4016 | 98 |
| MBP0625 | 025 245 5719 | 97 |
| MBP0632 | 025 245 7816 | 98 |
| MBP0635 | 025 245 9518/W | 97 |
| MBP0664 | 025 247 6516/W | 103 |
| MBP0668 | 025 248 3919/W | 99 |
| MBP0675 | 025 248 8318 | 103 |
| MBP0678 | 025 249 2217 | 104 |
| MBP0689 | 025 250 6917 | 77 |
| MBP0690 | 025 250 9419 | 102 |
| MBP0690PD | 025 250 9419/PD | 103 |
| MBP0697 | 025 252 2018 | 114 |

| Short no. | MEYLE no. | Page |
|----------------|-------------------|------|
| Citroën | | |
| MBP0758PD | 025 209 0518/PD | 82 |
| MBP0759PD | 025 209 0618/PD | 118 |
| MBP0761PD | 025 210 8017/PD | 115 |
| MBP0762PD | 025 212 6717/PD | 116 |
| MBP0769PD | 025 216 3117/PD | 84 |
| MBP0779PD | 025 231 2419/PD | 83 |
| MBP0807PD | 025 239 1719/PD | 109 |
| MBP0813PD | 025 244 6819-1/PD | 78 |
| MBP0822PD | 025 244 6819-2/PD | 79 |
| MBP1578PD | 025 213 6315/PD | 99 |
| MBP1583PD | 025 230 4218/PD | 107 |
| MBP1587PD | 025 237 0517/PD | 101 |
| MBP1654 | 025 244 6217 | 93 |
| MBP1664PD | 025 217 9719/PD | 105 |
| MBP1665PD | 025 217 9919/PD | 106 |
| MBP1666PD | 025 236 0219/PD | 120 |
| MBP1667PD | 025 236 0319/PD | 108 |
| MBP1668PD | 025 239 1919/PD | 110 |
| MBP1669PD | 025 244 6619-1/PD | 111 |
| MBP1670PD | 025 244 6619-2/PD | 112 |
| MBP1706 | 025 252 5118 | 76 |
| MBP1711 | 025 220 4119 | 80 |
| MBP1727 | 025 256 8814 | 77 |
| MBS0006 | 11-14 533 0000 | 127 |
| MBS0007 | 11-14 533 0001 | 131 |
| MBS0008 | 11-14 533 0003 | 130 |
| MBS0009 | 11-14 533 0003/S | 130 |
| MBS0010 | 11-14 533 0004 | 128 |
| MBS0012 | 11-14 533 0017 | 124 |
| MBS0013 | 11-14 533 0018 | 132 |
| MBS0014 | 11-14 533 0019 | 128 |
| MBS0016 | 11-14 533 0021 | 133 |
| MBS0017 | 11-14 533 0021/K | 131 |
| MBS0019 | 11-14 533 0023/K | 129 |
| MBS0030 | 16-14 533 0000 | 126 |
| MBS0039 | 16-14 533 0012 | 134 |
| MBS0053 | 214 533 0008 | 131 |
| MBS0055 | 214 533 0010 | 133 |
| MBS0061 | 214 533 0017/K | 126 |
| MBS0063 | 214 533 0020 | 125 |
| MBS0064 | 214 533 0020/K | 124 |
| MBS0065 | 214 533 0021 | 125 |
| MBS0102 | 32-14 533 0002 | 135 |
| MBS0150 | 40-14 533 0001 | 129 |
| MBS0151 | 40-14 533 0002 | 126 |
| MBS0152 | 40-14 533 0003 | 133 |

| Short no. | MEYLE no. | Page |
|----------------|-------------------|------|
| Citroën | | |
| MBS0153 | 40-14 533 0004/K | 127 |
| MBS0154 | 40-14 533 0005/K | 135 |
| MBS0155 | 40-14 533 0019/K | 129 |
| MBS0262 | 11-14 533 0000/K | 127 |
| MBS0263 | 11-14 533 0003/K | 130 |
| MBS0264 | 11-14 533 0004/K | 128 |
| MBS0266 | 11-14 533 0018/K | 132 |
| MBS0271 | 16-14 533 0012/K | 135 |
| MBS0275 | 214 533 0008/K | 132 |
| MBS0276 | 214 533 0010/K | 134 |
| MBX0010 | 014 698 0006 | 121 |
| MBX0011 | 014 698 0006/S | 122 |
| MBX0147 | 100 611 0034 | 148 |
| MCA0080HD | 11-16 050 0009/HD | 404 |
| MCA0081HD | 11-16 050 0010/HD | 394 |
| MCA0082 | 11-16 050 0013 | 402 |
| MCA0083 | 11-16 050 0014 | 400 |
| MCA0087 | 11-16 050 0019 | 390 |
| MCA0088 | 11-16 050 0020 | 400 |
| MCA0089 | 11-16 050 0023 | 392 |
| MCA0096 | 11-16 050 0032 | 391 |
| MCA0097 | 11-16 050 0033 | 401 |
| MCA0098HD | 11-16 050 0036/HD | 410 |
| MCA0099HD | 11-16 050 0037/HD | 411 |
| MCA0100 | 11-16 050 0038 | 386 |
| MCA0101 | 11-16 050 0039 | 385 |
| MCA0102 | 11-16 050 0040 | 392 |
| MCA0103 | 11-16 050 0041 | 401 |
| MCA0104 | 11-16 050 0047 | 391 |
| MCA0105HD | 11-16 050 0048/HD | 396 |
| MCA0106HD | 11-16 050 0049/HD | 405 |
| MCA0107 | 11-16 050 0052 | 387 |
| MCA0108 | 11-16 050 0053 | 386 |
| MCA0109 | 11-16 050 0063 | 388 |
| MCA0110 | 11-16 050 0064 | 389 |
| MCA0111 | 11-16 050 0065 | 403 |
| MCA0112 | 11-16 050 0066 | 394 |
| MCA0113 | 11-16 050 0067 | 403 |
| MCA0114 | 11-16 050 0068 | 393 |
| MCA0115 | 11-16 050 0073 | 396 |
| MCA0116 | 11-16 050 0074 | 406 |
| MCA0117 | 11-16 050 0075 | 397 |
| MCA0118 | 11-16 050 0076 | 407 |
| MCA0121 | 11-16 050 0083 | 388 |
| MCA0122 | 11-16 050 0084 | 387 |
| MCA0125 | 11-16 050 3198 | 408 |

| Short no. | MEYLE no. | Page |
|----------------|-------------------|------|
| Citroën | | |
| MCA0126 | 11-16 050 3199 | 409 |
| MCA0127 | 11-16 050 6979 | 410 |
| MCA0128 | 11-16 050 6980 | 409 |
| MCA0514 | 32-16 050 0003 | 398 |
| MCA0515 | 32-16 050 0004 | 407 |
| MCA0640HD | 40-16 050 0002/HD | 390 |
| MCA0641HD | 40-16 050 0004/HD | 399 |
| MCA0642 | 40-16 050 0005 | 389 |
| MCA0643 | 40-16 050 0006 | 399 |
| MCA0700 | 616 050 0028 | 408 |
| MCA0701 | 616 050 0029 | 398 |
| MCA0784 | 11-16 050 0079 | 397 |
| MCA0785 | 11-16 050 0080 | 406 |
| MCA0786 | 11-16 050 0081 | 395 |
| MCA0787 | 11-16 050 0082 | 404 |
| MCA0794 | 11-16 050 0050 | 393 |
| MCA0795 | 11-16 050 0051 | 402 |
| MCA0809HD | 11-16 050 0071/HD | 405 |
| MCA0810HD | 11-16 050 0072/HD | 395 |
| MCB0113 | 11-14 035 2320 | 414 |
| MCB0114 | 11-14 035 2331 | 414 |
| MCB0118 | 11-14 352 0005 | 421 |
| MCB0121 | 11-14 352 0010 | 417 |
| MCB0122 | 11-14 610 0001 | 417 |
| MCB0123 | 11-14 610 0009 | 416 |
| MCB0124 | 11-14 610 0010 | 416 |
| MCB0125 | 11-14 610 0011 | 415 |
| MCB0126HD | 11-14 610 0013/HD | 416 |
| MCB0127HD | 11-14 610 0015/HD | 422 |
| MCB0128HD | 11-14 610 0016/HD | 415 |
| MCB0129 | 11-14 610 0017 | 415 |
| MCB0130 | 11-14 610 0018 | 417 |
| MCB0131 | 11-14 610 0020 | 418 |
| MCB0132 | 11-14 610 0021 | 419 |
| MCB0133 | 11-14 610 0025 | 412 |
| MCB0134 | 11-14 610 0026 | 412 |
| MCB0135 | 11-14 610 0030 | 418 |
| MCB0136 | 11-14 610 0031 | 418 |
| MCB0137 | 11-14 610 0045 | 411 |
| MCB0138 | 11-14 610 0046 | 411 |
| MCB0156 | 16-14 610 0009 | 421 |
| MCB0234HD | 32-14 610 0000/HD | 413 |
| MCB0235 | 32-14 610 0005 | 413 |
| MCB0309 | 614 610 0007 | 413 |
| MCB0310 | 614 610 0008 | 414 |
| MCB0349 | 11-14 610 0043 | 419 |

| Short no. | MEYLE no. | Page |
|----------------|-------------------|------|
| Citroën | | |
| MCB0350 | 11-14 610 0044 | 419 |
| MCB0403 | 11-14 710 0020 | 421 |
| MCB0404 | 11-14 710 0022 | 420 |
| MCB0436 | 11-14 610 0037 | 422 |
| MCB0450 | 11-14 710 0027 | 423 |
| MCB0459 | 11-14 610 0054 | 422 |
| MCB0463HD | 11-14 610 0055/HD | 420 |
| MCF0054 | 11-12 319 0000 | 25 |
| MCF0059 | 11-12 319 0008/S | 27 |
| MCF0060 | 11-12 319 0009 | 27 |
| MCF0061 | 11-12 319 0010 | 28 |
| MCF0062 | 11-12 319 0011 | 30 |
| MCF0063 | 11-12 319 0012 | 29 |
| MCF0064 | 11-12 319 0013 | 22 |
| MCF0065 | 11-12 319 0014 | 32 |
| MCF0066 | 11-12 320 0000 | 25 |
| MCF0070 | 11-12 320 0008/S | 27 |
| MCF0071 | 11-12 320 0010 | 28 |
| MCF0072 | 11-12 320 0011 | 30 |
| MCF0073 | 11-12 320 0012 | 29 |
| MCF0074 | 11-12 320 0014 | 28 |
| MCF0166 | 212 319 0003/S | 23 |
| MCF0167 | 212 319 0004 | 24 |
| MCF0172 | 212 319 0012 | 32 |
| MCF0180 | 212 320 0012 | 31 |
| MCF0266 | 32-12 319 0002 | 29 |
| MCF0271 | 32-12 320 0002 | 33 |
| MCF0353 | 40-12 319 0000 | 22 |
| MCF0354 | 40-12 319 0001 | 32 |
| MCF0355 | 40-12 319 0003 | 30 |
| MCF0356 | 40-12 319 0004 | 24 |
| MCF0357 | 40-12 319 0005 | 23 |
| MCF0358 | 40-12 319 0006 | 23 |
| MCF0359 | 40-12 320 0000 | 25 |
| MCF0361 | 40-12 320 0002 | 24 |
| MCF0362 | 40-12 320 0003 | 26 |
| MCF0363 | 40-12 320 0004 | 26 |
| MCF0397 | 612 319 0016 | 31 |
| MCF0410 | 612 320 0016 | 31 |
| MCF0450 | 11-12 319 0015/S | 33 |
| MCM0021 | 11-14 352 0002 | 426 |
| MCM0022 | 11-14 610 0004 | 427 |
| MCM0023 | 11-14 610 0005 | 427 |
| MCM0024 | 11-14 610 0006 | 428 |
| MCM0025HD | 11-14 610 0012/HD | 427 |
| MCM0029 | 11-14 610 0027 | 428 |

| Short no. | MEYLE no. | Page |
|----------------|----------------|------|
| Citroën | | |
| MCM0031 | 11-14 610 0034 | 424 |
| MCM0032 | 11-14 610 0038 | 423 |
| MCM0033 | 11-14 610 0039 | 426 |
| MCM0034 | 11-14 610 0040 | 425 |
| MCM0035 | 11-14 610 0041 | 425 |
| MCM0042 | 214 610 0000 | 423 |
| MCM0049 | 214 610 0013 | 424 |
| MCM0050 | 214 610 0014 | 425 |
| MCM0116 | 11-14 610 0033 | 428 |
| MCR0020 | 11-14 610 0023 | 430 |
| MCR0021 | 11-14 610 0048 | 429 |
| MCS0320 | 40-14 639 0000 | 460 |
| MCS0321 | 40-14 639 0001 | 456 |
| MCS0322 | 40-14 639 0002 | 458 |
| MCS0323 | 40-14 639 0003 | 462 |
| MCS0324 | 40-14 639 0004 | 463 |
| MCS0325 | 40-14 639 0005 | 462 |
| MCS0326 | 40-14 639 0006 | 458 |
| MCS0327 | 40-14 639 0007 | 461 |
| MCS0328 | 40-14 639 0008 | 461 |
| MCS0329 | 40-14 639 0009 | 457 |
| MCS0330 | 40-14 639 0010 | 465 |
| MCS0331 | 40-14 639 0011 | 461 |
| MCS0332 | 40-14 639 0012 | 457 |
| MCS0333 | 40-14 639 0013 | 459 |
| MCS0334 | 40-14 639 0014 | 458 |
| MCS0335 | 40-14 639 0015 | 462 |
| MCS0336 | 40-14 639 0016 | 464 |
| MCS0337 | 40-14 639 0017 | 457 |
| MCS0338 | 40-14 639 0018 | 460 |
| MCS0339 | 40-14 639 0019 | 463 |
| MCS0340 | 40-14 639 0020 | 463 |
| MCS0341 | 40-14 639 0021 | 459 |
| MCS0342 | 40-14 639 0022 | 460 |
| MCS0343 | 40-14 739 0000 | 459 |
| MCS0344 | 40-14 739 0001 | 464 |
| MCS0345 | 40-14 739 0002 | 464 |
| MCV0088 | 11-14 498 0012 | 174 |
| MCV0089 | 11-14 498 0013 | 173 |
| MCV0092 | 11-14 498 0016 | 173 |
| MCV0093 | 11-14 498 0017 | 170 |
| MCV0094 | 11-14 498 0018 | 173 |
| MCV0098 | 11-14 498 0024 | 171 |
| MCV0127 | 214 498 0006 | 174 |
| MCV0130 | 214 498 0012 | 178 |
| MCV0131 | 214 498 0013 | 178 |

| Short no. | MEYLE no. | Page |
|----------------|------------------|------|
| Citroën | | |
| MCV0132 | 214 498 0014 | 172 |
| MCV0146 | 214 498 0032 | 176 |
| MCV0150 | 214 498 0037 | 180 |
| MCV0187 | 30-14 498 0021 | 172 |
| MCV0304 | 40-14 498 0000 | 176 |
| MCV0305 | 40-14 498 0001 | 176 |
| MCV0306 | 40-14 498 0002 | 177 |
| MCV0307 | 40-14 498 0003 | 179 |
| MCV0308 | 40-14 498 0005 | 178 |
| MCV0309 | 40-14 498 0006 | 177 |
| MCV0311 | 40-14 498 0009 | 175 |
| MCV0312 | 40-14 498 0010 | 179 |
| MCV0313 | 40-14 498 0023 | 175 |
| MCV0314 | 40-14 498 0024 | 171 |
| MCV0315 | 40-14 498 0025 | 175 |
| MCV0316 | 40-14 498 0026 | 172 |
| MCV0317 | 40-14 498 0027 | 170 |
| MCX0184 | 11-14 037 4032 | 504 |
| MCX0185 | 11-14 615 0013/S | 438 |
| MCX0186 | 11-14 710 0001 | 456 |
| MCX0188 | 11-14 899 0020 | 504 |
| MCX0189 | 11-16 010 0019 | 429 |
| MCX0190 | 11-16 060 0005/S | 439 |
| MCX0191 | 11-16 060 0006/S | 439 |
| MCX0301 | 40-14 641 0002 | 469 |
| MCX0322 | 614 643 0000 | 469 |
| MCX0428 | 11-16 010 0018/S | 429 |
| MCX0470 | 40-14 641 0009 | 469 |
| MCX0562 | 40-14 641 0010 | 470 |
| MCX0563 | 40-14 641 0011 | 470 |
| MCX0568 | 11-14 641 0030 | 472 |
| MCX0569 | 11-14 641 1001/S | 470 |
| MCX0570 | 11-14 641 1002/S | 471 |
| MCX0571 | 11-14 641 0031 | 471 |
| MDR0004 | 11-15 523 0003 | 122 |
| MDR0005 | 11-15 523 0005 | 124 |
| MDR0006 | 11-15 523 0030 | 123 |
| MDR0007 | 11-15 523 0031 | 123 |
| MDS0019 | 11-14 498 0009 | 168 |
| MDS0020 | 11-14 498 0010 | 158 |
| MDS0039 | 40-14 498 0011 | 161 |
| MDS0040 | 40-14 498 0012 | 166 |
| MDS0041 | 40-14 498 0013 | 165 |
| MDS0042 | 40-14 498 0015 | 162 |
| MDS0043 | 40-14 498 0016 | 160 |
| MDS0044 | 40-14 498 0017 | 161 |

| Short no. | MEYLE no. | Page |
|----------------|----------------|------|
| Citroën | | |
| MDS0045 | 40-14 498 0018 | 162 |
| MDS0046 | 40-14 498 0019 | 158 |
| MDS0047 | 40-14 498 0020 | 167 |
| MDS0048 | 40-14 498 0021 | 169 |
| MDS0049 | 40-14 498 0022 | 160 |
| MDS0122 | 214 498 0059 | 169 |
| MDS0130 | 40-14 498 0028 | 163 |
| MDS0131 | 40-14 498 0029 | 167 |
| MDS0132 | 40-14 498 0030 | 166 |
| MDS0133 | 40-14 498 0031 | 164 |
| MDS0134 | 40-14 498 0032 | 168 |
| MDS0135 | 40-14 498 0033 | 164 |
| MDS0136 | 40-14 498 0034 | 160 |
| MDS0137 | 40-14 498 0035 | 165 |
| MDS0138 | 40-14 498 0036 | 163 |
| MDS0139 | 40-14 498 0037 | 159 |
| MDS0140 | 40-14 498 0038 | 158 |
| MDS0141 | 40-14 498 0039 | 164 |
| MDS0142 | 40-14 498 0040 | 159 |
| MDS0143 | 40-14 498 0041 | 167 |
| MDS0144 | 40-14 498 0042 | 169 |
| MDS0145 | 40-14 498 0043 | 162 |
| MDS0146 | 40-14 498 0044 | 170 |
| MEM0248 | 11-14 030 0005 | 335 |
| MEM0249 | 11-14 030 0007 | 344 |
| MEM0250 | 11-14 030 0014 | 345 |
| MEM0251 | 11-14 030 0017 | 331 |
| MEM0252 | 11-14 180 0001 | 335 |
| MEM0254 | 11-14 180 0004 | 336 |
| MEM0255 | 11-14 182 0002 | 340 |
| MEM0257 | 11-14 184 0005 | 342 |
| MEM0258 | 11-14 184 0007 | 341 |
| MEM0260 | 11-14 184 0009 | 346 |
| MEM0261 | 11-14 184 0011 | 345 |
| MEM0262 | 11-14 184 0012 | 339 |
| MEM0264 | 11-14 184 0015 | 341 |
| MEM0265 | 11-14 184 0017 | 336 |
| MEM0266 | 11-14 184 0018 | 342 |
| MEM0271 | 11-14 184 0024 | 339 |
| MEM0272 | 11-14 184 0025 | 343 |
| MEM0274 | 11-14 184 0030 | 330 |
| MEM0346 | 214 030 0003 | 329 |
| MEM0347 | 214 030 0006 | 334 |
| MEM0365 | 214 030 0029 | 338 |
| MEM0366 | 214 030 0030 | 346 |
| MEM0367 | 214 030 0034 | 346 |

| Short no. | MEYLE no. | Page |
|----------------|------------------|----------|
| Citroën | | |
| MEM0450 | 40-14 030 0000 | 180, 338 |
| MEM0450 | 40-14 030 0000 | 180, 338 |
| MEM0450 | 40-14 030 0000 | 180, 338 |
| MEM0451 | 40-14 030 0001 | 337 |
| MEM0452 | 40-14 030 0002 | 337 |
| MEM0453 | 40-14 030 0003 | 331 |
| MEM0454 | 40-14 030 0004 | 343 |
| MEM0455 | 40-14 030 0005 | 343 |
| MEM0589 | 11-14 030 0016 | 332 |
| MEM0616 | 214 030 0004 | 334 |
| MEM0617 | 214 030 0005 | 340 |
| MEM0632 | 11-14 030 0015 | 329 |
| MEM0633 | 214 030 0032 | 331 |
| MEM0634 | 214 030 0033 | 330 |
| MEM0635 | 214 030 0035 | 347 |
| MEM0657 | 11-14 184 0029 | 344 |
| MEM0663 | 11-14 030 0022 | 335 |
| MEM0664 | 11-14 030 0100 | 333 |
| MEM0665 | 11-14 030 0106 | 338 |
| MEM0666 | 11-14 030 0107 | 345 |
| MEM0677 | 11-14 030 0110 | 332 |
| MEM0748 | 11-14 030 0028 | 330 |
| MEM0749 | 11-14 030 0029 | 334 |
| MEM0758 | 11-14 184 1013 | 340 |
| MEM0759 | 11-14 030 0026 | 337 |
| MEM0762 | 40-14 030 0101 | 332 |
| MEM0784 | 11-14 030 0082 | 347 |
| MEM0804 | 11-14 030 0027 | 333 |
| MEM0831 | 214 030 0070 | 333 |
| MEX0196 | 100 830 0014 | 221 |
| MEX0382 | 314 136 2102 | 220 |
| MEX0417 | 40-14 800 0000 | 219 |
| MEX0451 | 614 899 0017 | 221 |
| MEX0453 | 614 899 0038 | 219 |
| MEX0482 | 40-14 810 0000 | 218 |
| MEX0501 | 11-14 880 0001 | 195 |
| MEX0503 | 11-14 880 0003/S | 199 |
| MEX0504 | 11-14 880 0004/S | 200 |
| MEX0505 | 11-14 880 0005/S | 200 |
| MEX0506 | 11-14 880 0006/S | 201 |
| MEX0507 | 11-14 880 0007/S | 201 |
| MEX0508 | 11-14 880 0008/S | 202 |
| MEX0526 | 16-14 880 0000 | 202 |
| MEX0536 | 40-14 880 0000 | 196 |
| MEX0542 | 40-14 880 0001/S | 196 |
| MEX0543 | 40-14 880 0002/S | 197 |

| Short no. | MEYLE no. | Page |
|----------------|------------------|------|
| Citroën | | |
| MEX0544 | 40-14 880 0003/S | 197 |
| MEX0545 | 40-14 880 0004/S | 198 |
| MEX0546 | 40-14 880 0005/S | 198 |
| MEX0547 | 40-14 880 0006/S | 199 |
| MEX0570 | 40-14 899 0001 | 218 |
| MFF0029 | 100 127 0005 | 319 |
| MFF0056 | 100 323 0007 | 316 |
| MFF0069 | 11-14 323 0001 | 318 |
| MFF0070 | 11-14 323 0002 | 316 |
| MFF0071 | 11-16 323 0000 | 318 |
| MFF0090 | 16-14 323 0000 | 315 |
| MFF0103 | 214 323 0000 | 320 |
| MFF0104 | 214 323 0001 | 317 |
| MFF0105 | 214 323 0002 | 317 |
| MFF0106 | 214 323 0004 | 316 |
| MFF0146 | 314 133 2108 | 314 |
| MFF0151 | 314 323 0003 | 314 |
| MFF0207 | 614 323 0000 | 318 |
| MFF0208 | 614 323 0002 | 315 |
| MFF0210 | 614 323 0004 | 320 |
| MFF0214 | 614 818 0002 | 314 |
| MFF0219 | 714 323 0004 | 319 |
| MFF0223 | 714 323 0012 | 320 |
| MFF0263 | 11-14 323 0003 | 321 |
| MFL0061 | 11-14 200 0003 | 277 |
| MFU0052 | 11-14 919 0009 | 321 |
| MGP0001 | 011 860 0000 | 209 |
| MGP0007 | 014 020 1039 | 212 |
| MGP0024 | 11-14 860 0000 | 206 |
| MGP0025 | 11-14 860 0001 | 207 |
| MGP0038 | 214 860 0003 | 207 |
| MGP0067 | 40-14 860 0000 | 211 |
| MGP0068 | 40-14 860 0001 | 210 |
| MGP0069 | 40-14 860 0002 | 209 |
| MGP0084 | 614 860 0010 | 211 |
| MGP0087 | 714 020 0001 | 213 |
| MGP0089 | 714 020 0003 | 205 |
| MGP0090 | 714 020 0004 | 205 |
| MGP0093 | 714 860 0002 | 204 |
| MGP0096 | 214 860 0006 | 212 |
| MGP0098 | 514 860 0001 | 206 |
| MGP0102 | 40-14 860 0003 | 210 |
| MGP0115 | 40-14 860 0006 | 208 |
| MGP0116 | 53-14 860 0002 | 208 |
| MGS0015 | 40-40 910 0012 | 1 |
| MHP0121 | 11-14 631 0000 | 348 |

| Short no. | MEYLE no. | Page |
|----------------|----------------|------|
| Citroën | | |
| MHS0076 | 40-40 910 0010 | 1 |
| MHS0077 | 40-40 910 0011 | 1 |
| MIC0029 | 11-14 885 0002 | 215 |
| MIC0030 | 11-14 885 0003 | 216 |
| MIC0031 | 11-14 885 0004 | 217 |
| MIC0033 | 11-14 885 0007 | 214 |
| MIC0054 | 30-14 885 0004 | 215 |
| MIC0072 | 40-14 885 0000 | 217 |
| MIC0073 | 40-14 885 0001 | 213 |
| MIC0074 | 40-14 885 0002 | 217 |
| MIC0077 | 40-14 885 0005 | 214 |
| MIC0078 | 40-14 885 0008 | 216 |
| MIC0108 | 11-14 885 0006 | 215 |
| MIC0120 | 314 885 0005 | 213 |
| MIX0275 | 40-14 412 0000 | 2 |
| MIX0276 | 40-14 412 0001 | 2 |
| MIX0277 | 40-14 412 0002 | 2 |
| MMB0008 | 11-14 641 0004 | 503 |
| MMB0010 | 11-14 641 0018 | 503 |
| MMB0014 | 214 770 0001 | 503 |
| MMX0501 | 11-14 030 0006 | 341 |
| MMX0503 | 11-14 184 0016 | 329 |
| MMX0504 | 11-14 238 0000 | 278 |
| MMX0505 | 11-51 049 0001 | 231 |
| MMX0506 | 11-51 049 0002 | 229 |
| MMX0513 | 11-51 049 0009 | 231 |
| MMX0514 | 11-51 049 0010 | 232 |
| MMX0518 | 11-51 049 0014 | 232 |
| MMX0520 | 11-51 049 0016 | 230 |
| MMX0522 | 11-51 049 0018 | 233 |
| MMX0534 | 11-51 049 0030 | 230 |
| MMX1199 | 614 036 0012 | 321 |
| MMX1516 | 314 238 0005 | 277 |
| MMX1540 | 11-14 036 0001 | 323 |
| MMX1547 | 11-14 036 0000 | 323 |
| MMX1563 | 11-14 036 0003 | 322 |
| MMX1579 | 11-14 036 0002 | 322 |
| MMX1592 | 11-51 902 1000 | 224 |
| MMX1593 | 11-51 902 1002 | 226 |
| MMX1594 | 11-51 902 1003 | 225 |
| MMX1595 | 11-51 902 1004 | 224 |
| MMX1596 | 11-51 902 1007 | 222 |
| MMX1597 | 11-51 902 1008 | 227 |
| MMX1598 | 11-51 902 1009 | 226 |
| MMX1599 | 11-51 902 1010 | 225 |
| MMX1600 | 11-51 902 1011 | 228 |

| Short no. | MEYLE no. | Page |
|----------------|----------------|------|
| Citroën | | |
| MMX1601 | 11-51 902 1012 | 227 |
| MMX1602 | 11-51 902 1013 | 228 |
| MMX1603 | 11-51 902 1014 | 223 |
| MMX1604 | 11-51 902 1015 | 223 |
| MMX1605 | 11-51 902 1016 | 228 |
| MMX1606 | 11-51 902 1017 | 222 |
| MMX1607 | 11-51 902 2000 | 236 |
| MMX1608 | 11-51 902 2001 | 234 |
| MMX1609 | 11-51 902 2002 | 234 |
| MMX1610 | 11-51 902 2003 | 235 |
| MMX1611 | 11-51 902 2004 | 236 |
| MMX1612 | 11-51 902 2005 | 233 |
| MMX1613 | 11-51 902 2006 | 233 |
| MMX1614 | 11-51 902 2007 | 235 |
| MMX1646 | 40-51 902 1000 | 222 |
| MMX1665 | 11-51 902 1005 | 224 |
| MMX1666 | 11-51 902 1006 | 226 |
| MMX1667 | 11-51 902 1018 | 229 |
| MOF0060 | 11-14 322 0001 | 325 |
| MOF0061 | 11-14 322 0002 | 327 |
| MOF0084 | 214 322 0001 | 327 |
| MOF0085 | 214 322 0002 | 328 |
| MOF0088 | 214 597 0000 | 324 |
| MOF0097 | 30-14 322 0000 | 326 |
| MOF0170 | 40-14 322 0001 | 324 |
| MOF0178 | 614 322 0000 | 323 |
| MOF0192 | 614 322 0016 | 325 |
| MOF0201 | 714 322 0007 | 324 |
| MOF0205 | 714 322 0011 | 326 |
| MOF0221 | 40-14 322 0002 | 327 |
| MPB0024 | 214 533 0017 | 136 |
| MPS0046 | 214 899 0001 | 204 |
| MPS0049 | 40-14 800 0004 | 203 |
| MPS0050 | 40-14 800 0005 | 220 |
| MPS0052 | 40-14 800 0010 | 204 |
| MPS0061 | 40-14 800 0009 | 203 |
| MRB0035 | 050 003 0865 | 269 |
| MRB0061 | 050 004 0698 | 269 |
| MRB0070 | 050 004 0755 | 269 |
| MRB0078 | 050 004 0795 | 264 |
| MRB0079 | 050 004 0800 | 264 |
| MRB0081 | 050 004 0810 | 270 |
| MRB0082 | 050 004 0815 | 267 |
| MRB0090 | 050 004 0855 | 270 |
| MRB0091 | 050 004 0860 | 270 |
| MRB0099 | 050 004 0900 | 271 |

| Short no. | MEYLE no. | Page |
|----------------|----------------|------|
| Citroën | | |
| MRB0105 | 050 004 0922/E | 271 |
| MRB0111 | 050 004 0945 | 271 |
| MRB0113 | 050 004 0954 | 272 |
| MRB0125 | 050 004 1020 | 272 |
| MRB0127 | 050 004 1025 | 272 |
| MRB0128 | 050 004 1030 | 273 |
| MRB0148 | 050 004 1230 | 265 |
| MRB0150 | 050 004 1245 | 273 |
| MRB0153 | 050 004 1272 | 266 |
| MRB0177 | 050 005 0710 | 267 |
| MRB0178 | 050 005 0715 | 250 |
| MRB0179 | 050 005 0725 | 264 |
| MRB0181 | 050 005 0760 | 273 |
| MRB0185 | 050 005 0812 | 245 |
| MRB0188 | 050 005 0830 | 274 |
| MRB0190 | 050 005 0850 | 274 |
| MRB0192 | 050 005 0860 | 248 |
| MRB0196 | 050 005 0880 | 274 |
| MRB0197 | 050 005 0884 | 268 |
| MRB0209 | 050 005 0962 | 242 |
| MRB0211 | 050 005 0975 | 239 |
| MRB0219 | 050 005 1015 | 275 |
| MRB0221 | 050 005 1030 | 275 |
| MRB0225 | 050 005 1050 | 275 |
| MRB0231 | 050 005 1100 | 276 |
| MRB0236 | 050 005 1125 | 265 |
| MRB0239 | 050 005 1140 | 248 |
| MRB0242 | 050 005 1155 | 276 |
| MRB0243 | 050 005 1165 | 266 |
| MRB0247 | 050 005 1195 | 239 |
| MRB0248 | 050 005 1200 | 239 |
| MRB0250 | 050 005 1220 | 265 |
| MRB0252 | 050 005 1230 | 237 |
| MRB0255 | 050 005 1255 | 268 |
| MRB0257 | 050 005 1270 | 266 |
| MRB0272 | 050 005 1450 | 268 |
| MRB0302 | 050 006 0698 | 267 |
| MRB0303 | 050 006 0725 | 240 |
| MRB0305 | 050 006 0745 | 240 |
| MRB0308 | 050 006 0780/E | 248 |
| MRB0310 | 050 006 0800 | 241 |
| MRB0317 | 050 006 0850 | 244 |
| MRB0320 | 050 006 0869 | 255 |
| MRB0321 | 050 006 0873/E | 257 |
| MRB0322 | 050 006 0875 | 240 |
| MRB0325 | 050 006 0890 | 237 |

| Short no. | MEYLE no. | Page |
|----------------|----------------|------|
| Citroën | | |
| MRB0329 | 050 006 0915 | 242 |
| MRB0330 | 050 006 0925 | 263 |
| MRB0332 | 050 006 0950 | 237 |
| MRB0334 | 050 006 0965 | 244 |
| MRB0336 | 050 006 0976 | 261 |
| MRB0338 | 050 006 0995 | 238 |
| MRB0339 | 050 006 1000 | 256 |
| MRB0340 | 050 006 1010 | 251 |
| MRB0341 | 050 006 1015 | 242 |
| MRB0347 | 050 006 1045 | 259 |
| MRB0348 | 050 006 1050 | 255 |
| MRB0350 | 050 006 1060 | 238 |
| MRB0352 | 050 006 1070 | 255 |
| MRB0354 | 050 006 1080 | 250 |
| MRB0357 | 050 006 1090/E | 260 |
| MRB0358 | 050 006 1095 | 249 |
| MRB0359 | 050 006 1100 | 254 |
| MRB0361 | 050 006 1110 | 253 |
| MRB0364 | 050 006 1125 | 252 |
| MRB0365 | 050 006 1130 | 250 |
| MRB0367 | 050 006 1145 | 252 |
| MRB0368 | 050 006 1150 | 243 |
| MRB0370 | 050 006 1163 | 254 |
| MRB0373 | 050 006 1185 | 245 |
| MRB0374 | 050 006 1190 | 276 |
| MRB0377 | 050 006 1200 | 259 |
| MRB0379 | 050 006 1205 | 263 |
| MRB0380 | 050 006 1210 | 245 |
| MRB0383 | 050 006 1225 | 244 |
| MRB0401 | 050 006 1345 | 251 |
| MRB0402 | 050 006 1350 | 246 |
| MRB0404 | 050 006 1360 | 247 |
| MRB0406 | 050 006 1370 | 238 |
| MRB0409 | 050 006 1390 | 241 |
| MRB0415 | 050 006 1438 | 262 |
| MRB0416 | 050 006 1450 | 261 |
| MRB0418 | 050 006 1468 | 259 |
| MRB0427 | 050 006 1560 | 253 |
| MRB0428 | 050 006 1565 | 246 |
| MRB0432 | 050 006 1590 | 257 |
| MRB0434 | 050 006 1605 | 247 |
| MRB0437 | 050 006 1623 | 249 |
| MRB0441 | 050 006 1653 | 262 |
| MRB0442 | 050 006 1660 | 249 |
| MRB0445 | 050 006 1670 | 246 |
| MRB0447 | 050 006 1680 | 243 |

| Short no. | MEYLE no. | Page |
|----------------|----------------|------|
| Citroën | | |
| MRB0451 | 050 006 1698 | 263 |
| MRB0452 | 050 006 1705 | 260 |
| MRB0453 | 050 006 1710 | 257 |
| MRB0454 | 050 006 1715 | 258 |
| MRB0456 | 050 006 1725 | 253 |
| MRB0457 | 050 006 1735 | 277 |
| MRB0458 | 050 006 1740 | 251 |
| MRB0459 | 050 006 1743 | 258 |
| MRB0460 | 050 006 1750 | 261 |
| MRB0481 | 050 006 1863 | 243 |
| MRB0486 | 050 006 1885 | 256 |
| MRM0064 | 40-14 232 0000 | 278 |
| MRS0090 | 11-14 642 0004 | 473 |
| MRS0094 | 11-14 742 0000 | 474 |
| MRS0095 | 11-14 742 0001 | 475 |
| MRS0096 | 11-14 742 0002 | 475 |
| MRS0152 | 40-14 642 0001 | 473 |
| MRS0154 | 40-14 642 0003 | 472 |
| MRS0155 | 40-14 742 0001 | 474 |
| MRS0156 | 40-14 742 0002 | 473 |
| MRS0157 | 40-14 742 0003 | 474 |
| MSA0053 | 11-26 623 0000 | 480 |
| MSA0054 | 11-26 623 0002 | 480 |
| MSA0055 | 11-26 623 0003 | 480 |
| MSA0058 | 11-26 623 0008 | 477 |
| MSA0059 | 11-26 623 0009 | 478 |
| MSA0060 | 11-26 623 0010 | 479 |
| MSA0061 | 11-26 623 0011 | 478 |
| MSA0062 | 11-26 624 0001 | 477 |
| MSA0063 | 11-26 715 0000 | 489 |
| MSA0064 | 11-26 715 0006 | 484 |
| MSA0068 | 11-26 725 0007 | 486 |
| MSA0069 | 11-26 725 0009 | 487 |
| MSA0071 | 11-26 725 0011 | 484 |
| MSA0072 | 11-26 725 0012 | 486 |
| MSA0278 | 32-26 623 0003 | 482 |
| MSA0279 | 32-26 623 0004 | 483 |
| MSA0284 | 32-26 725 0003 | 487 |
| MSA0409 | 40-26 623 0000 | 477 |
| MSA0410 | 40-26 623 0001 | 476 |
| MSA0411 | 40-26 623 0002 | 475 |
| MSA0412 | 40-26 623 0003 | 476 |
| MSA0416 | 40-26 623 0010 | 479 |
| MSA0417 | 40-26 623 0011 | 479 |
| MSA0418 | 40-26 623 0012 | 478 |
| MSA0419 | 40-26 623 0013 | 493 |

| Short no. | MEYLE no. | Page |
|----------------|----------------|------|
| Citroën | | |
| MSA0420 | 40-26 623 0014 | 496 |
| MSA0421 | 40-26 623 0015 | 492 |
| MSA0422 | 40-26 623 0016 | 493 |
| MSA0423 | 40-26 725 0000 | 487 |
| MSA0424 | 40-26 725 0001 | 488 |
| MSA0425 | 40-26 725 0002 | 491 |
| MSA0426 | 40-26 725 0003 | 486 |
| MSA0427 | 40-26 725 0004 | 485 |
| MSA0428 | 40-26 725 0005 | 485 |
| MSA0429 | 40-26 725 0006 | 488 |
| MSA0430 | 40-26 725 0007 | 488 |
| MSA0431 | 40-26 725 0008 | 485 |
| MSA0589 | 40-26 725 0011 | 490 |
| MSA0593 | 11-26 623 0012 | 482 |
| MSA0594 | 11-26 623 0013 | 482 |
| MSA0608 | 40-26 623 0019 | 481 |
| MSA0609 | 40-26 623 0020 | 481 |
| MSA0641 | 40-26 725 0009 | 491 |
| MSA0652 | 40-26 623 0017 | 483 |
| MSA0653 | 40-26 623 0018 | 484 |
| MSA0696 | 40-26 725 0010 | 489 |
| MSA0698 | 226 725 0013 | 490 |
| MSA0701 | 226 725 0012 | 491 |
| MSA0707 | 226 623 0017 | 495 |
| MSA0708 | 226 623 0018 | 495 |
| MSA0717 | 40-26 725 0012 | 492 |
| MSA0720 | 40-26 623 0022 | 494 |
| MSA0721 | 40-26 623 0023 | 494 |
| MSA0727 | 40-26 623 0024 | 494 |
| MSA0728 | 40-26 623 0025 | 495 |
| MSA0732 | 40-26 725 0013 | 492 |
| MSB0112 | 11-14 615 0000 | 432 |
| MSB0114 | 11-14 615 0002 | 435 |
| MSB0115 | 11-14 615 0003 | 431 |
| MSB0117 | 11-14 615 0005 | 431 |
| MSB0119 | 11-14 615 0007 | 434 |
| MSB0122 | 11-14 615 0010 | 430 |
| MSB0124 | 11-14 615 0013 | 430 |
| MSB0125 | 11-14 615 0016 | 436 |
| MSB0264 | 11-14 615 0015 | 437 |
| MSB0265 | 11-14 615 0017 | 432 |
| MSB0266 | 11-14 615 0018 | 437 |
| MSB0321 | 11-14 615 0022 | 431 |
| MSB0336 | 11-14 615 0029 | 435 |
| MSB0375 | 11-14 615 0014 | 432 |
| MSB0377 | 11-14 615 0038 | 433 |

| Short no. | MEYLE no. | Page |
|----------------|-------------------|------|
| Citroën | | |
| MSB0378 | 40-14 615 0002 | 434 |
| MSB0379 | 40-14 615 0003 | 433 |
| MSB0386 | 11-14 615 0031 | 435 |
| MSB0387 | 11-14 615 0032 | 434 |
| MSB0392 | 11-14 615 0045 | 436 |
| MSB0393 | 11-14 615 0046 | 438 |
| MSB0394 | 11-14 615 0047 | 437 |
| MSB0395 | 11-14 715 0000 | 438 |
| MSB0454 | 40-14 615 0004 | 433 |
| MSB0496 | 11-14 615 0040 | 436 |
| MSC0033 | 11-14 640 0000 | 465 |
| MSC0034 | 11-14 640 0001 | 465 |
| MSC0082 | 40-14 640 0000 | 467 |
| MSC0083 | 40-14 640 0001 | 467 |
| MSC0084 | 40-14 640 0002 | 467 |
| MSC0085 | 40-14 640 0003 | 468 |
| MSC0115 | 40-14 640 0004 | 468 |
| MSC0119 | 214 640 0010 | 466 |
| MSC0125 | 30-14 640 0004 | 466 |
| MSC0133 | 40-14 640 0005 | 468 |
| MSC0140 | 32-14 640 0002 | 466 |
| MSK0022 | 40-14 620 0000 | 350 |
| MSK0037 | 11-14 620 0000 | 349 |
| MSK0039 | 11-14 620 0003 | 349 |
| MSK0040 | 11-14 620 0005 | 351 |
| MSK0041 | 11-14 620 0006 | 348 |
| MSK0042 | 11-14 620 0007 | 350 |
| MSK0043 | 11-14 620 0008 | 350 |
| MSK0044 | 11-14 620 0009 | 349 |
| MSK0084 | 11-14 620 0019 | 351 |
| MSK0102 | 11-14 620 0025 | 348 |
| MSK0103 | 11-14 620 0026 | 353 |
| MSK0108 | 216 050 0025 | 352 |
| MSK0121 | 40-14 620 0002 | 352 |
| MSK0122 | 40-14 620 0003 | 352 |
| MSK0123 | 40-14 620 0004 | 351 |
| MSL0082HD | 11-16 060 0000/HD | 445 |
| MSL0083HD | 11-16 060 0001/HD | 446 |
| MSL0084HD | 11-16 060 0002/HD | 447 |
| MSL0085 | 11-16 060 0003 | 441 |
| MSL0091HD | 11-16 060 0013/HD | 443 |
| MSL0092 | 11-16 060 0014 | 444 |
| MSL0093 | 11-16 060 0015 | 443 |
| MSL0094HD | 11-16 060 0016/HD | 450 |
| MSL0095HD | 11-16 060 0017/HD | 440 |
| MSL0096HD | 11-16 060 0018/HD | 439 |

| Short no. | MEYLE no. | Page |
|----------------|-------------------|------|
| Citroën | | |
| MSL0097 | 11-16 060 0019 | 449 |
| MSL0098HD | 11-16 060 0020/HD | 444 |
| MSL0099HD | 11-16 060 0021/HD | 446 |
| MSL0100 | 11-16 060 0022/S | 441 |
| MSL0102HD | 11-16 060 5041/HD | 452 |
| MSL0103HD | 11-16 060 5046/HD | 442 |
| MSL0104 | 11-16 060 5707 | 452 |
| MSL0176HD | 216 060 0000/HD | 448 |
| MSL0225 | 29-16 060 0003 | 451 |
| MSL0226 | 29-16 060 0004 | 451 |
| MSL0447HD | 37-16 060 0022/HD | 450 |
| MSL0472HD | 40-16 060 0003/HD | 452 |
| MSL0700HD | 11-16 060 0024/HD | 453 |
| MSL0736 | 11-16 060 0025 | 448 |
| MSL0737 | 11-16 060 0026 | 447 |
| MSL0738 | 11-16 060 0028 | 445 |
| MSL0739 | 11-16 060 0029 | 449 |
| MSL0740 | 11-16 060 0030 | 448 |
| MSL0742 | 11-16 060 0032 | 443 |
| MSL0743 | 11-16 060 0033 | 451 |
| MSL0744 | 11-16 060 0034 | 440 |
| MSL0745 | 11-16 060 0035 | 441 |
| MSL0746 | 11-16 060 0036 | 444 |
| MSL0747 | 11-16 060 0037 | 446 |
| MSL0749 | 11-16 060 0039 | 442 |
| MSL0750 | 11-16 060 0040 | 442 |
| MSL0773 | 216 060 0033 | 449 |
| MSL0885 | 37-16 060 0056 | 450 |
| MSM0069 | 11-14 050 0002 | 497 |
| MSM0072 | 11-14 641 0001/S | 497 |
| MSM0074 | 11-14 641 0002/S | 498 |
| MSM0075 | 11-14 641 0003 | 499 |
| MSM0076 | 11-14 641 0003/S | 499 |
| MSM0077 | 11-14 641 0005 | 499 |
| MSM0084 | 11-14 641 0013 | 500 |
| MSM0085 | 11-14 641 0014 | 500 |
| MSM0086 | 11-14 641 0017 | 501 |
| MSM0088 | 11-14 741 0001 | 502 |
| MSM0144 | 40-14 641 0000 | 500 |
| MSM0145 | 40-14 641 0004 | 496 |
| MSM0146 | 40-14 641 0005 | 497 |
| MSM0198 | 11-14 641 0015 | 501 |
| MSM0199 | 11-14 641 0016 | 501 |
| MSM0216 | 11-14 641 0019 | 496 |
| MSM0217 | 11-14 641 0022 | 502 |
| MSM0220 | 11-14 741 0002 | 502 |

| Short no. | MEYLE no. | Page |
|----------------|-------------------|------|
| Citroën | | |
| MSM0251 | 11-14 641 1001 | 498 |
| MSM0258 | 11-14 641 1002 | 498 |
| MTE0076 | 11-16 020 0005 | 367 |
| MTE0077 | 11-16 020 0006 | 367 |
| MTE0078 | 11-16 020 0008 | 368 |
| MTE0079 | 11-16 020 0009 | 371 |
| MTE0080 | 11-16 020 0010 | 372 |
| MTE0081 | 11-16 020 0011 | 369 |
| MTE0082 | 11-16 020 0012 | 369 |
| MTE0083 | 11-16 020 0013 | 371 |
| MTE0084 | 11-16 020 0014 | 371 |
| MTE0085HD | 11-16 020 0015/HD | 366 |
| MTE0086HD | 11-16 020 0016/HD | 372 |
| MTE0087 | 11-16 020 0017 | 370 |
| MTE0088 | 11-16 020 0018 | 370 |
| MTE0089 | 11-16 020 0019 | 367 |
| MTE0092 | 11-16 020 0022 | 374 |
| MTE0093 | 11-16 020 0023 | 373 |
| MTE0094 | 11-16 020 0024 | 375 |
| MTE0095 | 11-16 020 0025 | 375 |
| MTE0096 | 11-16 020 0026 | 366 |
| MTE0097 | 11-16 020 0027 | 366 |
| MTE0098 | 11-16 020 0028 | 372 |
| MTE0099 | 11-16 020 0029 | 373 |
| MTE0102 | 11-16 020 0032 | 375 |
| MTE0103 | 11-16 020 4078 | 378 |
| MTE0104 | 11-16 020 5042 | 377 |
| MTE0105HD | 11-16 020 5703/HD | 368 |
| MTE0108 | 11-16 020 7529 | 376 |
| MTE0237 | 216 020 0015 | 374 |
| MTE0238 | 216 020 0016 | 374 |
| MTE0248 | 216 020 0062 | 376 |
| MTE0255 | 216 060 0007 | 376 |
| MTE0366 | 32-16 020 0000 | 373 |
| MTE0437 | 40-16 020 0002 | 368 |
| MTE0438HD | 40-16 020 5723/HD | 377 |
| MTE0439HD | 40-16 020 5724/HD | 377 |
| MTE0540 | 11-16 020 0033 | 365 |
| MTE0541 | 11-16 020 0034 | 365 |
| MTE0750HD | 40-16 020 0003/HD | 370 |
| MTE0751HD | 40-16 020 0004/HD | 369 |
| MTH0038 | 028 289 0000 | 279 |
| MTH0048 | 11-28 228 0000 | 280 |
| MTH0119 | 11-28 228 0002 | 279 |
| MTH0120 | 11-28 228 0001 | 279 |
| MTS0027 | 11-40 910 0006 | 3 |

| Short no. | MEYLE no. | Page |
|----------------|----------------|------|
| Citroën | | |
| MTS0028 | 11-40 910 0007 | 4 |
| MTS0029 | 11-40 910 0008 | 6 |
| MTS0036 | 11-40 910 0017 | 7 |
| MTS0201 | 240 910 0028 | 11 |
| MTS0240 | 32-40 910 0017 | 10 |
| MTS0313 | 40-40 910 0000 | 5 |
| MTS0314 | 40-40 910 0001 | 5 |
| MTS0315 | 40-40 910 0002 | 5 |
| MTS0316 | 40-40 910 0003 | 3 |
| MTS0317 | 40-40 910 0004 | 6 |
| MTS0318 | 40-40 910 0005 | 9 |
| MTS0319 | 40-40 910 0006 | 3 |
| MTS0320 | 40-40 910 0007 | 6 |
| MTS0321 | 40-40 910 0008 | 4 |
| MTS0322 | 40-40 910 0009 | 4 |
| MTS0324 | 40-40 910 0014 | 7 |
| MTS0325 | 40-40 910 0015 | 8 |
| MTS0326 | 40-40 910 0016 | 10 |
| MTS0327 | 40-40 910 0017 | 9 |
| MTS0328 | 40-40 910 0018 | 8 |
| MTS0329 | 40-40 910 0019 | 9 |
| MTS0330 | 40-40 910 0020 | 7 |
| MTS0331 | 40-40 910 0021 | 10 |
| MTS0332 | 40-40 910 0022 | 8 |
| MTS0432 | 40-40 910 0023 | 11 |
| MTS0433 | 40-40 910 0025 | 11 |
| MTX0019 | 014 098 9017 | 149 |
| MTX0074 | 40-14 495 0000 | 157 |
| MWC0014 | 11-14 531 0001 | 148 |
| MWH0045 | 11-14 033 0772 | 513 |
| MWH0047 | 11-14 652 0001 | 512 |
| MWH0049 | 11-14 750 0009 | 515 |
| MWH0050 | 11-14 750 0014 | 517 |
| MWH0051 | 11-14 750 0015 | 514 |
| MWH0052 | 11-14 750 0016 | 519 |
| MWH0053 | 11-14 750 0022 | 516 |
| MWH0054 | 11-14 750 0027 | 518 |
| MWH0055 | 11-14 750 0030 | 514 |
| MWH0056 | 11-14 750 0031 | 515 |
| MWH0057 | 11-14 750 0032 | 518 |
| MWH0058 | 11-14 752 0000 | 516 |
| MWH0059 | 11-14 752 0001 | 520 |
| MWH0060 | 11-14 752 0002 | 520 |
| MWH0157 | 40-14 652 0001 | 513 |
| MWH0158 | 40-14 752 0000 | 515 |
| MWH0159 | 40-14 752 0001 | 517 |

| Short no. | MEYLE no. | Page |
|----------------|-------------------|------|
| Citroën | | |
| MWH0222 | 11-14 750 0013 | 519 |
| MWH0223 | 11-14 750 0018 | 513 |
| MWH0224 | 11-14 750 0008 | 519 |
| MWH0228 | 40-14 750 0001 | 517 |
| MWH0235 | 11-14 652 0003 | 512 |
| MWI0004 | 100 955 0002 | 13 |
| MWI0011 | 11-14 870 0001 | 13 |
| MWI0012 | 11-14 870 0002 | 12 |
| MWI0013 | 11-14 870 0003 | 12 |
| MWK0088 | 11-14 033 5016 | 506 |
| MWK0089 | 11-14 033 5017 | 507 |
| MWK0090 | 11-14 033 5029/S | 508 |
| MWK0091 | 11-14 650 0001 | 508 |
| MWK0092 | 11-14 650 0002 | 508 |
| MWK0093 | 11-14 650 0006 | 509 |
| MWK0094 | 11-14 650 0007 | 509 |
| MWK0095 | 11-14 650 0008 | 509 |
| MWK0096 | 11-14 650 0010 | 507 |
| MWK0097 | 11-14 650 0012 | 512 |
| MWK0098 | 11-14 650 0013 | 505 |
| MWK0099 | 11-14 750 0001 | 510 |
| MWK0100 | 11-14 750 0004 | 507 |
| MWK0101 | 11-14 750 0020 | 510 |
| MWK0102 | 11-14 750 0025 | 511 |
| MWK0103 | 11-14 750 0028 | 511 |
| MWK0104 | 11-14 750 0029 | 511 |
| MWK0130 | 214 650 0006 | 506 |
| MWK0131 | 214 650 0010 | 506 |
| MWK0207 | 11-14 650 0014 | 505 |
| MWK0211 | 11-14 650 0015 | 510 |
| MWK0212 | 214 650 0013 | 505 |
| MWP0071 | 11-13 012 0102 | 284 |
| MWP0072 | 11-13 012 0150 | 280 |
| MWP0073 | 11-13 012 0152 | 281 |
| MWP0074 | 11-13 012 0158 | 285 |
| MWP0075 | 11-13 012 0162 | 281 |
| MWP0076 | 11-13 012 0163 | 281 |
| MWP0077 | 11-13 012 0183 | 282 |
| MWP0078 | 11-13 012 0723 | 291 |
| MWP0079 | 11-13 220 0001 | 283 |
| MWP0080 | 11-13 220 0002 | 284 |
| MWP0081 | 11-13 220 0003 | 286 |
| MWP0082 | 11-13 220 0004 | 287 |
| MWP0082HD | 11-13 220 0004/HD | 288 |
| MWP0083 | 11-13 220 0005 | 283 |
| MWP0084 | 11-13 220 0006 | 291 |

| Short no. | MEYLE no. | Page |
|----------------|-----------------|------|
| Citroën | | |
| MWP0085 | 11-13 220 0007 | 282 |
| MWP0086 | 11-13 220 0008 | 285 |
| MWP0088 | 11-13 220 0012 | 283 |
| MWP0089 | 11-13 220 0014 | 288 |
| MWP0091 | 11-13 220 0017 | 292 |
| MWP0092 | 11-13 220 0019 | 291 |
| MWP0093 | 11-13 220 0020 | 289 |
| MWP0094 | 11-13 220 0021 | 292 |
| MWP0095 | 11-13 220 0022 | 286 |
| MWP0096 | 11-13 220 0023 | 289 |
| MWP0097 | 11-13 220 0024 | 290 |
| MWP0098 | 11-13 220 0025 | 293 |
| MWP0419 | 40-13 220 0004 | 290 |
| MWP0430 | 513 220 0002 | 285 |
| MWP0443 | 613 220 0002 | 294 |
| MWP0498 | 713 220 0008 | 287 |
| MWP0498HD | 713 220 0008/HD | 287 |
| MWP0527 | 40-13 220 0005 | 290 |
| MWP0554 | 11-13 220 0026 | 293 |
| MWP0571 | 11-13 220 0027 | 293 |





MEYLE

**You see the pretty
curves, underneath
is what counts.**



The MEYLE brand supplies its customers with more than 21,000 extremely reliable and durable spare parts manufactured at our own production facilities or by trusted production partners. MEYLE boasts a highly diversified product range.

Whether steering and suspension components, rubber-to-metal parts, brakes, damping components, cooling systems, filters, drive components, electric and sensors MEYLE is synonymous with top-grade quality-tested spare parts.

Notes

This catalogue is protected by copyright. Reproduction of text, graphic elements, photographs and/or data, even in part, is prohibited. MEYLE, **MEYLE**, or parts thereof, are registered trademarks of MEYLE AG.

All supplies and services are subject to our General Terms and Conditions. The original spare part numbers shown in this catalogue are for cross-reference purposes only and shall not be disclosed to third parties on invoices and delivery notes. While the information in this catalogue was compiled and edited with utmost care we do not assume responsibility or accept claims arising from errors or inconsistencies. Subject to technical and/or design changes.

This issue of the catalogue supersedes all previous issues.
All rights reserved. © 2017 MEYLE AG



MEYLE parts are available through:

MEYLE AG

Merkurring 111, 22143 Hamburg, Germany
Tel. +49 40 67506 510, Fax +49 40 67506 506
contact@meyle.com

www.meyle.com

MEYLE