

Peugeot

Spare parts for passenger cars



DRIVER'S BEST FRIEND

MEYLE

Sophisticated technology - considerably longer service life.



The MEYLE range of products features a wide variety of components. Spare parts from A to Z, from Alfa Romeo to Volvo, from minicars to top-of-the-range luxury models.



Steering & suspension

Control arms, Stabilizer links, Tie rod assemblies, and many more



Brakes

Brake discs, MEYLE PD, Brake pad sets, Brake drums, and many more



Drive components

C.V. joint kits, Wheel bearings, Belt drives, and many more



Damping parts

Shock absorbers, Strut mounts, Coil springs, and many more



Filters

Oil filters, Air filters, Cabin air filters, Fuel filters, and many more



Cooling components

Water pumps, Expansion tanks, Radiator hoses, and many more



Rubber-to-metal parts

Flex discs, Cardan shaft bearings, Engine mounts, and many more



Electrics and sensors

Crank position sensor, Control units, Glow plugs, and many more



Engine and transmission parts

Oil change kits, V-ribbed belts, Idlers/guide pulleys, and many more



Fluids

Coolant additives, Hydraulic oil, Engine oil, and many more



Complementary product range

Wiper blades, Gas springs, Window lifters, and many more

ORIGINAL, PD and HD – The MEYLE product lines



MEYLE-ORIGINAL: Fit as snugly as the original.

More than 21,000 spare parts for passenger cars, vans and trucks, quality-tested, robust, durable and tried and tested a thousand times over on the roads across the world – that's MEYLE-ORIGINAL. Relying on our comprehensive product portfolio – offering everything from A for axial joint to Z for zinc-coated screw – customers can be sure that they will always have safety on their side.

MEYLE-PD: Safety to the power of two.

Thinking outside the box to make our products better: MEYLE-PD stands for brake discs and pads delivering maximum braking performance and setting new standards in terms of durability, comfort, aesthetics, and ease of installation. Look for the „/PD“ part number extension.

MEYLE-HD: Better than originals.

MEYLE-HD parts simply last longer. Their technically optimised and reinforced designs make them more durable and reliable than OE components. So it is only natural for us to offer extended warranty protection for our MEYLE-HD parts: All parts of the HD range come with a full four-year guarantee. Look for the „/HD“ part number extension.



4-year guarantee on all MEYLE-HD parts!

Robust, high mileage, reliable and better than the original. MEYLE-HD parts simply last longer!

Our three success factors.

The success of the MEYLE brand is based on competence, quality and service.

The development of quality-approved automotive spare parts for the independent aftermarket is our trademark. And MEYLE-HD parts are our specialty: improved parts, developed by our team of engineers at our headquarters in Hamburg. We give a 4-year guarantee on our MEYLE-HD parts which have a far longer service life. Based on information from TÜV (Technical control board), from recall statistics as well as media and market information from workshops and other technical partners, MEYLE engineers identify parts in vehicles which become conspicuous on account of frequent, early wear. On the basis of their findings, they develop technical improvements for the respective weakness. In the end, this work is a

large benefit for all MEYLE parts. Something all reputable automotive manufacturers highly appreciate: MEYLE also develops customized products, for example for Morgan, the legendary sports car manufacturer.

Passing on our know-how to staff and customers is just as much a part of our service as high parts availability and swift delivery. Modern warehouse logistics with space covering 29,000 m² and 56,000 pallet places ensure the reliable supply of our partners.

We have now won the "Top Job Employer" award for the fifth time which confirms our outstanding internal business approach and excellent Human Resources policy. We have been one of Germany's leading SME employers for many years.

MEYLE

Guarantee certificate



A distinguishing feature of MEYLE is our high level of precision, achieved by the application of the most modern manufacturing methods. Our MEYLE articles meet highest quality standards and our supply plants are certified in accordance with ISO 9001:2008 and ISO/TS 16949.

We guarantee perfect material and faultless processing of all our MEYLE articles for a period of 24 months as of the date of installation. For MEYLE-HD articles, this guarantee applies for 48 months as of the date of installation.

Complementing this guarantee, we give an additional 100,000 miles (160,934 kilometres) performance guarantee against defects of material and workmanship for MEYLE passenger car water pumps purchased from 01 May 2016. The guarantee given for MEYLE passenger car water pumps terminates upon expiration of the guarantee period or the guaranteed mileage, whichever occurs later: if the guaranteed mileage has not been reached at the end of the guarantee period of 24 or 48 months respectively, the performance guarantee continues to be valid. Respectively, the guarantee period of 24 or 48 months continues to be valid also in any case where the guaranteed mileage was already exceeded.

During the guarantee period, we perform repair work on claimed MEYLE articles or provide a replacement. The MEYLE guarantee does not apply for normal wear and damage caused by inappropriate handling or inappropriate installation. The guarantee expires if the respective part is modified by third parties or via installation of parts from third parties, or if the part, or vehicle, is used in excess of the appropriate use and purpose. The MEYLE guarantee also expires if MEYLE instructions or vehicle manufacturer instructions, e.g. concerning maintenance and replacement intervals, are not observed. The guarantee only applies for MEYLE water pumps, if the cooling circuit has been flushed prior to installation of the MEYLE water pump. Rights granted by law continue to apply unrestrictedly, irrespective of this guarantee.

The customer must submit a written guarantee claim immediately, or at the latest 30 days after identifying an error in material or processing. This claim is to be submitted to the dealer from which he acquired the MEYLE article part. The customer should return the article, carefully packed. He must enclose the original sales receipt and a description of the error. The customer must also verify the date of installation and the mileage of the vehicle by means of respective documents.

Last amended January 2017

A handwritten signature in white ink, appearing to read 'M. Wunder', set against a dark blue background.

Director Quality Assurance
Manfred Wunder

Body/Cabin

1

Body, Interior fittings

Cabin air filter
Gas spring, rear window
Hood shock

Spring shim
Trunk-/tailgate shock

Windshield washer pump
Wiper Blade

Brakes

36

Disc brake, Drum brake, Hydraulics

Brake disc
Brake drum
Brake hose
Brake master cylinder

Brake pad set
Brake shoe kit
Brake shoe set, parking brake
Guide bolt, brake caliper

Guide sleeve kit, brake caliper
Wheel cylinder

Drive train/Transmission

159

Axle shafts, Drive shafts, Joints, Transmission

Boot kit, C.V. joint
Boot, C.V. joint
C.V. joint kit

Drive shaft
Driveshaft bearing

Mount, automatic transmission
Mount, manual transmission

Electrics

193

Brakes, Engine, Interiors

ABS wheel sensor
Brake light switch
Control unit, glow plug system
Crank position sensor

Glow plug
Ignition coil
RPM Sensor, engine management
Sender unit, coolant temperature

Sensor, camshaft position
Sensor, intake manifold pressure
Voltage regulator
Wiper intermittent relay

Engine/Cooling/Clutch

238

Belt drive / Engine control, Cooling system, Fuel system, Lubrication system, Mounts

Air filter
Anti torque mount
Bracket, engine mount
Coolant flange
Engine mount
Expansion tank cap
Fuel filter

Fuel pump
Idle control valve, air supply
Intake hose, turbo charger
Oil filter
Radiator cap
Radiator fan motor
Suction hose, air filter

Tensioner pulley, timing belt
Thermostat
Timing belt kit
Timing belt roller
V-ribbed belt
Water pump

Steering

366

Hydraulics, Mounting parts, Tie rod assemblies

Axial rod
Hydraulic pump, P/S

Steering boot kit
Tie rod end

Suspension

399

Control arms, Stabilizer, Subframe, Suspension / damping, Wheel hubs / Wheel bearings

Axle support bushing
Ball joint
Bushing, leaf spring
Coil spring
Control arm
Control arm bushing
Dust cover kit, shock absorber

Dust cover/boot, strut
Mount, axle carrier
Mount, control arm
Mount, stabilizer
Protection lid, wheel hub
Repair kit, ball joint
Repair kit, control arm

Repair kit, stabilizer bushing
Repair kit, stabilizer link
Repair kit, strut mount
Repair kit, subframe
Rubber stop, suspension
Sensor ring, ABS
Shock absorber

Stabilizer link
Strut mount

Strut mount bearing
Subframe mount

Wheel bearing kit
Wheel hub



Gas spring, rear window
11-40 910 0016 | MGS0001
Notes

Length [mm]	525
Force output F [N]	140
	Vehicle Rear Windscreen
	Tailgate

References

8731.G4	96 42 210 080
---------	---------------


Application info

206 [08/98-03/09]

Gas spring, rear window
11-40 910 0022 | MGS0002
Notes

Length [mm]	310
Force output F [N]	400

References

8731.K5	96 47 487 880
8731.T3	96 56 593 180


Application info

407 [05/04-12/09]

Gas spring, rear window
11-40 910 0025 | MGS0003
Notes

Length [mm]	435
Force output F [N]	105

References

8731.P8


Application info

207 [02/06-10/08]

11-40 910 0028 | MGS0004

Gas spring, rear window



Notes

Length [mm]
Force output F [N]

584.5
150
Vehicle Rear Windscreen
Tailgate

References

8731.Q5

Application info

308 [09/07--]

11-40 910 0019 | MHS0011

Hood shock



Notes

Length [mm]
Force output F [N]

195
1100

References

7925.07

Application info

406 [11/95-12/04]

11-40 910 0013 | MHS0010

Hood shock



Notes

Length [mm]
Force output F [N]

685
200

References

7925.08

7925.10

Application info

406 [11/95-12/04]

Spring shim

40-14 412 0001 | MIX0276

Notes

Front Axle

References

5031.51



Application info

3008 [06/09--]
307 [08/00-01/05]
308 [09/07--]
5008 [06/09--]

Partner I [04/96-07/08]
Partner II [04/08--]
RCZ [03/10--]
Partner II [04/08--]

Spring shim

40-14 412 0002 | MIX0277

Notes

Front Axle

References

5033.C3



Application info

2008 [03/13--]
207 [02/06-10/08]

208 [03/12--]
301 [11/12--]

Trunk-/tailgate shock

11-40 910 0003 | MTS0024

Notes

Length [mm] 458
Force output F [N] 430

References

7925.15



Application info

307 [08/00-01/05]

11-40 910 0014 | MTS0034

Trunk-/tailgate shock



Notes

Length [mm]	418
Force output F [N]	670

References

8731.83

Application info

405 [01/87-11/99]

11-40 910 0015 | MTS0035

Trunk-/tailgate shock



Notes

Length [mm]	585
Force output F [N]	280

References

8731.91	8731.G0
8731.C4	

Application info

106 [08/91-07/04]

11-40 910 0009 | MTS0030

Trunk-/tailgate shock



Notes

Length [mm]	600
Force output F [N]	300

References

8731.93

Application info

306 [04/93-10/03]

Trunk-/tailgate shock

11-40 910 0010 | MTS0031

Notes

Length [mm] 285
Force output F [N] 290

References

8731.A2



Application info

306 [04/93-10/03]

Trunk-/tailgate shock

11-40 910 0006 | MTS0027

Notes

Length [mm] 627
Force output F [N] 570

References

8731.A3



Application info

806 [06/94-08/02]

Trunk-/tailgate shock

11-40 910 0011 | MTS0032

Notes

Length [mm] 490
Force output F [N] 230

References

8731.A7



Application info

406 [11/95-12/04]

11-40 910 0007 | MTS0028

Trunk-/tailgate shock



Notes

Length [mm] 610
Force output F [N] 600

References

8731.C1

Application info

806 [06/94-08/02]

11-40 910 0005 | MTS0026

Trunk-/tailgate shock



Notes

Length [mm] 558
Force output F [N] 550

References

8731.C5

Application info

406 [11/95-12/04]

40-40 910 0002 | MTS0315

Trunk-/tailgate shock



Notes

Length [mm] 700
Force output F [N] 670

References

8731.E0

Application info

Partner I [04/96-07/08]

Partner I [04/96--]

Trunk-/tailgate shock

11-40 910 0004 | MTS0025

Notes

Length [mm] 624
Force output F [N] 400

References

8731.E1



Application info

306 [04/93-10/03]

Trunk-/tailgate shock

11-40 910 0008 | MTS0029

Notes

Length [mm] 632
Force output F [N] 600

References

8731.E5



Application info

806 [06/94-08/02]

Trunk-/tailgate shock

11-40 910 0002 | MTS0023

Notes

Length [mm] 510
Force output F [N] 340

References

8731.E6



Application info

206 [08/98-03/09]

11-40 910 0012 | MTS0033

Trunk-/tailgate shock



Notes

Length [mm]	445
Force output F [N]	250

References

8731.E9	8731.F0
---------	---------

Application info

406 [11/95-12/04]

11-40 910 0001 | MTS0022

Trunk-/tailgate shock



Notes

Length [mm]	448
Force output F [N]	590

References

8731.F2

Application info

206 [08/98-03/09]

11-40 910 0000 | MTS0021

Trunk-/tailgate shock



Notes

Length [mm]	493
Force output F [N]	630

References

8731.F8

Application info

307 [08/00-01/05]

Trunk-/tailgate shock

11-40 910 0018 | MTS0037

Notes

Length [mm] 580
Force output F [N] 535

References

8731.G5 96 42 209 980



Application info

206 [08/98-03/09]

Trunk-/tailgate shock

11-40 910 0017 | MTS0036

Notes

Length [mm] 632
Force output F [N] 510

References

8731.G6



Application info

807 [06/02-05/06]

Trunk-/tailgate shock

11-40 910 0021 | MTS0039

Notes

Length [mm] 375
Force output F [N] 615

References

8731.J6 96 47 487 680



Application info

407 [05/04-12/09]

11-40 910 0020 | MTS0038

Trunk-/tailgate shock



Notes

Length [mm]	320
Force output F [N]	470

References

8731.K4

Application info

407 [05/04-12/09]

40-40 910 0015 | MTS0325

Trunk-/tailgate shock



Notes

Length [mm]	555
Force output F [N]	305

References

8731.L0

Application info

107 [06/05--]

11-40 910 0023 | MTS0040

Trunk-/tailgate shock



Notes

Length [mm]	505
Force output F [N]	330

References

8731.L7

Application info

207 [02/06-10/08]

Trunk-/tailgate shock

40-40 910 0021 | MTS0331

Notes

Length [mm] 699.5
Force output F [N] 1050

References

8731.P5 8731.Q9



Application info

Expert II [01/07--]

Expert II [01/07--]

Trunk-/tailgate shock

11-40 910 0024 | MTS0041

Notes

Length [mm] 505
Force output F [N] 490

References

8731.P9 8731.Q0



Application info

207 [02/06-10/08]

Trunk-/tailgate shock

32-40 910 0017 | MTS0240

Notes

Length [mm] 495
Force output F [N] 420

References

8731.Q2



Application info

4007 [02/07--]

11-40 910 0026 | MTS0042

Trunk-/tailgate shock



Notes

Length [mm]	460
Force output F [N]	440

References

8731.Q6

Application info

308 [09/07--]

11-40 910 0029 | MTS0424

Trunk-/tailgate shock



Notes

Length [mm]	532
Force output F [N]	620

for vehicles with fixed rear
windscreen

References

8731.Q7

Application info

308 [09/07--]

11-40 910 0027 | MTS0043

Trunk-/tailgate shock



Notes

Length [mm]	538.5
Force output F [N]	750

for vehicles with hinged rear
windscreen

References

8731.Q8

Application info

308 [09/07--]

Trunk-/tailgate shock
40-40 910 0025 | MTS0433
Notes

Length [mm] 630
 Force output F [N] 620
 for vehicles with hinged rear
 windscreen

References

8731.S0


Application info

Partner II [04/08--]

Partner II [04/08--]

Trunk-/tailgate shock
240 910 0028 | MTS0201
Notes

Length [mm] 600
 Force output F [N] 670

References

16 08 899 680 8731.V0


Application info

Bipper [02/08--]

Bipper [02/08--]

Windshield washer pump
11-14 870 0002 | MWI0012
Notes

Voltage [V] Mono Pump
 12
 Front

References

6434.58


Application info

106 [08/91-07/04]
 206 [08/98-03/09]
 306 [04/93-10/03]
 406 [11/95-12/04]
 605 [06/89-09/99]

Expert I [02/96-10/06]
 Partner I [04/96-07/08]
 Expert I [07/95--]
 Partner I [04/96--]

11-14 870 0003 | MWI0013

Windshield washer pump



Notes

Voltage [V]

Dual Pump
12
Front and Rear

References

6434.60

Application info

106 [08/91-07/04]
206 [08/98-03/09]
306 [04/93-10/03]
406 [11/95-12/04]

806 [06/94-08/02]
Partner I [04/96-07/08]
Partner I [04/96--]

11-14 870 0001 | MWI0011

Windshield washer pump



Notes

Voltage [V]

Dual Pump
12
Front and Rear

References

6434.75

Application info

1007 [04/05--]
207 [02/06-10/06]
307 [08/00-01/05]
308 [09/07--]

807 [06/02-05/06]
Expert II [01/07--]
Expert II [01/07--]

100 955 0002 | MWI0004

Windshield washer pump



Notes

Voltage [V]

Mono Pump
Electric
12
Front

References

6434.74



Windshield washer pump

100 955 0002 | MWI0004

Application info

Boxer I [03/94-04/02]
Boxer II [04/02-09/09]

Boxer I [03/94-04/02]
Boxer II [12/01--]

Wiper Blade

029 290 1111 | MBL0062

Notes

Length [in]
Length [mm]

Beam wiper blade
Bracket wiper blade
11.5
290
Rear

References

6423.35



Application info

2008 [03/13--]
308 [09/07--]

407 [05/04-12/09]
5008 [06/09--]

Wiper Blade

029 300 1210 | MBL0003

Notes

Length [in]
Length [mm]

Bracket wiper blade
Beam wiper blade
12
300
Rear



Application info

308 [09/07--]

Wiper Blade

029 300 1211 | MBL0004

Notes

Length [in]
Length [mm]

Bracket wiper blade
Beam wiper blade
12
300
Rear



029 300 1211 | MBL0004

Wiper Blade

Application info

1007 (04/05--)
207 (02/06-10/08)
3008 (06/09--)

308 (09/07--)
508 (11/10--)

029 300 1216 | MBL0047

Wiper Blade



Notes

Length [in]
Length [mm]

Beam wiper blade
Bracket wiper blade
12
300
Rear

Application info

107 (06/05--)

029 300 1217 | MBL0080

Wiper Blade



Notes

Length [in]
Length [mm]

Beam wiper blade
Bracket wiper blade
12
300
Rear

Application info

4007 (02/07--)

Ion (11/10--)

029 350 1410 | MBL0014

Wiper Blade



Notes

Length [in]
Length [mm]

Bracket wiper blade
Beam wiper blade
14
350
Rear

Wiper Blade

029 350 1410 | MBL0014

Application info

106 (08/91-07/04)
206 (08/98-03/09)
208 (03/12--)
307 (08/00-01/05)
807 (06/02-05/06)

Expert II (01/07--)
Partner II (04/08--)
Expert II (01/07--)
Partner II (04/08--)

Wiper Blade

029 350 1416 | MBL0055

Notes

Length [in]
Length [mm]

Beam wiper blade
Bracket wiper blade
14
350
Rear



Application info

206 (08/98-03/09)

406 (11/95-12/04)

Wiper Blade

029 400 1600 | MBL0021

Notes

Observe service information
Length [in]
Length [mm]

Flat bar wiper blade
Flat wiper blade
16
400
Front



Application info

2008 (03/13--)
206 (08/98-03/09)
208 (03/12--)
301 (11/12--)

305 (11/77-07/90)
Partner II (04/08--)
Partner II (04/08--)

029 400 1610 | MBL0022

Wiper Blade



Notes

Length [in]
Length [mm]

Bracket wiper blade
Beam wiper blade
16
400
Rear

Application info

306 [04/93-10/03]

029 425 1700 | MBL0026

Wiper Blade



Notes

Observe service information
Length [in]
Length [mm]

Flat bar wiper blade
Flat wiper blade
17
425
Front

Application info

207 [02/06-10/08]

207 [02/06--]

029 450 1800 | MBL0027

Wiper Blade



Notes

Observe service information
Length [in]
Length [mm]

Flat wiper blade
Flat bar wiper blade
18
450
Front

Application info

1007 [04/05--]
106 [08/91-07/04]
205 [02/83-09/98]
308 II [09/13--]

309 [10/85-12/93]
505 [05/79-09/95]
205 [02/83--]

Wiper Blade

029 475 1900 | MBL0028

Notes

Observe service information
Length [in]
Length [mm]

Flat bar wiper blade
Flat wiper blade
19
475
Front



Application info

Bipper [02/08--]

Bipper [02/08--]

Wiper Blade

029 500 2000 | MBL0029

Notes

Observe service information
Length [in]
Length [mm]

Flat bar wiper blade
Flat wiper blade
20
500
Front



Application info

106 [08/91-07/04]
306 [04/93-10/03]
406 [11/95-12/04]
806 [06/94-08/02]
Expert I [02/96-10/06]
Expert II [01/07--]

J5 [280] [09/81-09/90]
J5 [290] [09/90-03/94]
Expert I [07/95--]
Expert II [01/07--]
J5 [280] [09/81-09/90]
J5 [290] [09/90-03/94]

Wiper Blade

029 530 2100 | MBL0030

Notes

Observe service information
Length [in]
Length [mm]

Flat bar wiper blade
Flat wiper blade
21
530
Front



029 530 2100 | MBL0030

Wiper Blade

Application info

4007 (02/07--)
4008 (05/12--)
406 (11/95-12/04)
Boxer I (03/94-04/02)
Boxer II (04/02-09/09)
Boxer III (04/06--)

Partner I (04/96-07/08)
Boxer I (03/94-04/02)
Boxer II (12/01--)
Boxer III (04/06--)
Partner I (04/96--)

029 550 2200 | MBL0032

Wiper Blade



Notes

Observe service information
Length [in]
Length [mm]

Flat bar wiper blade
Flat wiper blade

22
550
Front

Application info

306 (04/93-10/03)
405 (01/87-11/99)
605 (06/89-09/99)
Boxer I (03/94-04/02)
Boxer II (04/02-09/09)

Partner I (04/96-07/08)
Boxer I (03/94-04/02)
Boxer II (12/01--)
Partner I (04/96--)

029 600 2400 | MBL0034

Wiper Blade



Notes

Observe service information
Length [in]
Length [mm]

Flat bar wiper blade
Flat wiper blade

24
600
Front

Application info

1007 (04/05--)
307 (08/00-01/05)
308 II (09/13--)

4007 (02/07--)
4008 (05/12--)
406 (11/95-12/04)

Wiper Blade

029 650 2600 | MBL0036

Notes

Observe service information
Length [in]
Length [mm]

Flat wiper blade
Flat bar wiper blade
26
650
Front



Application info

107 (06/05--)
108 (05/14--)
2008 (03/13--)
206 (08/98-03/09)
207 (02/06-10/08)
208 (03/12--)
301 (11/12--)
307 (08/00-01/05)
308 (09/07--)
508 (11/10--)
806 (06/94-08/02)

807 (06/02-05/06)
Bipper (02/08--)
Boxer III (04/06--)
Expert I (02/96-10/06)
Partner II (04/08--)
RCZ (03/10--)
207 (02/06--)
Bipper (02/08--)
Boxer III (04/06--)
Expert I (07/95--)
Partner II (04/08--)

Wiper Blade

029 680 2700 | MBL0038

Notes

Observe service information
Length [in]
Length [mm]

Flat bar wiper blade
Flat wiper blade
27
680
Front



Application info

3008 (06/09--)

5008 (06/09--)

Wiper Blade

029 700 2800 | MBL0039

Notes

Observe service information
Length [in]
Length [mm]

Flat bar wiper blade
Flat wiper blade
28
700
Front



029 700 2800 | MBL0039

Wiper Blade

Application info

307 [08/00-01/05]
407 [05/04-12/09]
Expert II [01/07--]

Ion [11/10--]
Expert II [01/07--]

029 750 3000 | MBL0041

Wiper Blade



Notes

Observe service information
Length [in]
Length [mm]

Flat bar wiper blade
Flat wiper blade

30
750
Front

Application info

308 [09/07--]

029 800 3200 | MBL0042

Wiper Blade



Notes

Observe service information
Length [in]
Length [mm]

Flat wiper blade
Flat bar wiper blade

32
800
Front

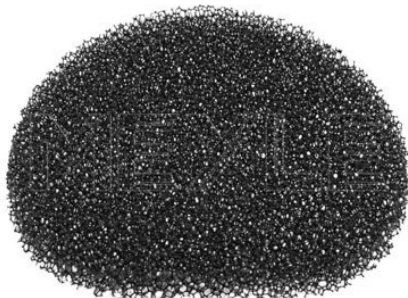
Application info

3008 [06/09--]

5008 [06/09--]

11-12 319 0013 | MCF0064

Cabin air filter



Notes

Height [mm]
Width [mm]
Length [mm]

10
114
120
Filter Insert
Particulate Filter

References

6441.91

Cabin air filter

11-12 319 0013 | MCF0064

Application info

106 (08/91-07/04)

Cabin air filter

40-12 319 0000 | MCF0353

Notes

Height [mm] 18
Width [mm] 210
Length [mm] 217
Filter Insert
Particulate Filter

References

6441.EG 6447.AK
6441.H7 6447.Z5



Application info

Partner I (04/96-07/08)

Partner I (04/96--)

Cabin air filter

11-12 319 0001 | MCF0055

Notes

Height [mm] 31
Width [mm] 168
Width 2 [mm] 248
Length [mm] 343
Filter Insert
Particulate Filter

References

6447.AZ



Application info

206 (08/98-03/09)

Cabin air filter

11-12 320 0006 | MCF0069

Notes

Height [mm] 40
Width [mm] 144
Length [mm] 516
Filter Insert
Activated Carbon Filter

References

6447.GW 85601415
6479.89



11-12 320 0006 | MCF0069

Cabin air filter

Application info

607 [02/00-07/04]

212 319 0004 | MCF0167

Cabin air filter



Notes

Height [mm] 17
Width [mm] 172
Length [mm] 440
Filter Insert
Particulate Filter

References

6447.J0 6447.SY

Application info

Boxer I [03/94-04/02]
Boxer II [04/02-09/09]

Boxer I [03/94-04/02]
Boxer II [12/01--]

11-12 320 0000 | MCF0066

Cabin air filter



Notes

Height [mm] 36
Width [mm] 175
Length [mm] 288
Filter Insert
Activated Carbon Filter

References

6447.KL 6479.75
6447.NV 96 360 862
6479.32

Application info

1007 [04/05--]
307 [08/00-01/05]

308 [09/07--]
RCZ [03/10--]

40-12 319 0001 | MCF0354

Cabin air filter



Notes

Height [mm] 36
Width [mm] 225
Length [mm] 220
Filter Insert
Particulate Filter

References

6447.KR 6479.A1

Cabin air filter
40-12 319 0001 | MCF0354
Application info

Partner I [04/96-07/08]

Partner I [04/96--]

Cabin air filter
40-12 319 0004 | MCF0356
Notes

Height [mm]	30
Width [mm]	165
Length [mm]	404
	Filter Insert
	Particulate Filter

References

6447.LY	6479.E5
---------	---------


Application info

 807 [06/02-05/06]
 Expert I [02/96-10/06]

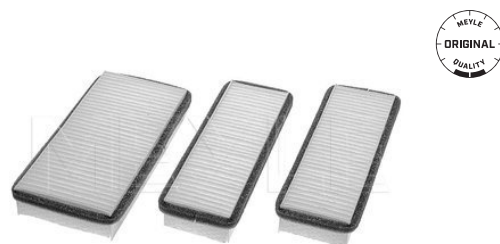
Expert I [07/95--]

Cabin air filter
212 319 0003/S | MCF0166
Notes

	Kit
Height [mm]	9
Width [mm]	97
Length [mm]	185
	Filter Insert
	Particulate Filter

References

6447.P2	6447.P3
---------	---------


Application info

 806 [06/94-08/02]
 Expert I [02/96-10/06]

Expert I [07/95--]

Cabin air filter
11-12 320 0001 | MCF0067
Notes

Height [mm]	31
Width [mm]	168
Width 2 [mm]	248
Length [mm]	343
	Filter Insert
	Activated Carbon Filter

References

0024.35	6447.PE
---------	---------



11-12 320 0001 | MCF0067

Cabin air filter

Application info
206 [08/98-03/09]

40-12 320 0000 | MCF0359

Cabin air filter



Notes

Height [mm] 19
Width [mm] 199
Length [mm] 211
Filter Insert
Activated Carbon Filter

References

6441.EH 6447.PF

Application info
Partner I [04/96-07/08]

Partner I [04/96--]

11-12 320 0004 | MCF0068

Cabin air filter



Notes

Height [mm] 33
Width [mm] 173
Length [mm] 326
Filter Insert
Activated Carbon Filter

References

6447.PG

Application info
406 [11/95-12/04]

40-12 320 0003 | MCF0362

Cabin air filter



Notes

Height [mm] 40
Width [mm] 152
Length [mm] 314
Filter Insert
Activated Carbon Filter

References

6447.RG

Cabin air filter

40-12 320 0003 | MCF0362

Application info

407 (05/04-12/09)

Cabin air filter

11-12 319 0004 | MCF0057

Notes

Height [mm] 31
Width [mm] 163
Length [mm] 324
Filter Insert
Particulate Filter

References

6447.S5 9616429380



Application info

406 (11/95-12/04)

Cabin air filter

40-12 320 0004 | MCF0363

Notes

Height [mm] 33
Width [mm] 164
Length [mm] 405
Filter Insert
Activated Carbon Filter

References

6447.TA



Application info

807 (06/02-05/06)
Expert I (02/96-10/06)

Expert I (07/95--)

Cabin air filter

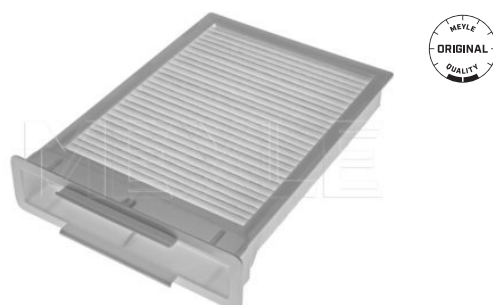
11-12 319 0009 | MCF0060

Notes

Height [mm] 27
Width [mm] 150
Length [mm] 215
Filter Insert
Particulate Filter

References

6447.TT



11-12 319 0009 | MCF0060

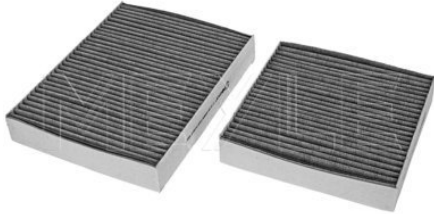
Cabin air filter

Application info

107 [06/05--]

11-12 320 0008/S | MCF0070

Cabin air filter



Notes

Height [mm]
Width [mm]
Length [mm]

Kit
30
158
150
Filter Insert
Activated Carbon Filter

References

16 09 428 180
6447.VX

6479.90

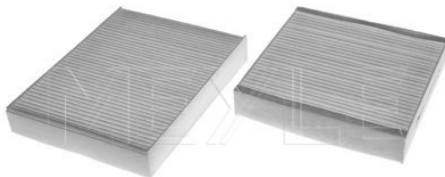
Application info

207 [02/06-10/08]
208 [03/12--]

207 [02/06--]

11-12 319 0008/S | MCF0059

Cabin air filter



Notes

Height [mm]
Width [mm]
Length 2 [mm]
Length 1 [mm]

Kit
30
156
154
203
Filter Insert
Particulate Filter

References

16 09 428 080

6447.VY

Application info

207 [02/06-10/08]
208 [03/12--]

207 [02/06--]

11-12 319 0010 | MCF0061

Cabin air filter



Notes

Height [mm]
Width [mm]
Length [mm]

Kit
30
96
290
Filter Insert
Particulate Filter

References

6447.XF

6479.92

Cabin air filter

11-12 319 0010 | MCF0061

Application info

3008 (06/09--)
5008 (06/09--)

Partner II (04/08--)
Partner II (04/08--)

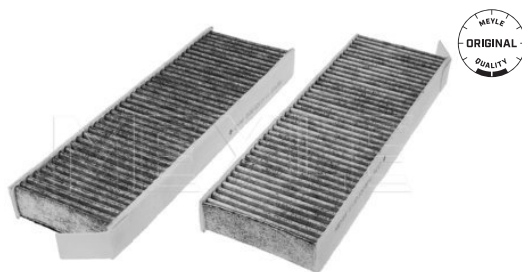
Cabin air filter

11-12 320 0010 | MCF0071

Notes

Height [mm]
Width [mm]
Length [mm]

Set
30
96
290
Filter Insert
Activated Carbon Filter



References

6447.XG

6479.93

Application info

3008 (06/09--)
5008 (06/09--)

Partner II (04/08--)
Partner II (04/08--)

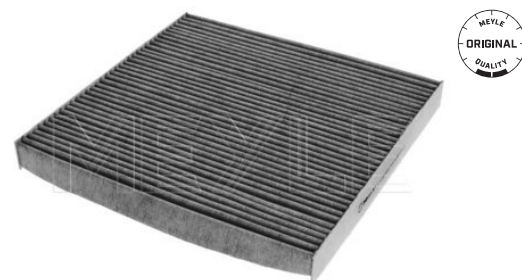
Cabin air filter

11-12 320 0014 | MCF0074

Notes

Height [mm]
Width [mm]
Length [mm]

25
235
250
Filter Insert
Activated Carbon Filter



References

6447.YA

Application info

Boxer III (04/06--)

Boxer III (04/06--)

Cabin air filter

11-12 319 0012 | MCF0063

Notes

Height [mm]
Width [mm]
Length [mm]

48
176
376
Filter Insert
Particulate Filter



References

6447.YJ

6479.A6

11-12 319 0012 | MCF0063

Cabin air filter

Application info

Expert II (01/07--)

Expert II (01/07--)

11-12 320 0012 | MCF0073

Cabin air filter



Notes

Height [mm] 48
Width [mm] 175.5
Length [mm] 376
Filter Insert
Activated Carbon Filter

References

6447.YL 6479.A7

Application info

Expert II (01/07--)

Expert II (01/07--)

32-12 319 0002 | MCF0266

Cabin air filter



Notes

Height [mm] 30
Width [mm] 200
Length [mm] 216
Filter Insert
Particulate Filter

References

6447.ZX

Application info

4007 (02/07--)

4008 (05/12--)

407 (05/04-12/09)

40-12 319 0003 | MCF0355

Cabin air filter



Notes

Height [mm] 40
Width [mm] 150
Length [mm] 313
Filter Insert
Particulate Filter

References

6479.04

Cabin air filter

40-12 319 0003 | MCF0355

Application info

407 (05/04-12/09)

Cabin air filter

11-12 319 0011 | MCF0062

Notes

Height [mm] 32
Width [mm] 196
Length [mm] 270
Filter Insert
Particulate Filter



References

6479.46

Application info

407 (05/04-12/09)

Cabin air filter

11-12 320 0011 | MCF0072

Notes

Height [mm] 32
Width [mm] 196
Length [mm] 270
Filter Insert
Activated Carbon Filter



References

6479.46

Application info

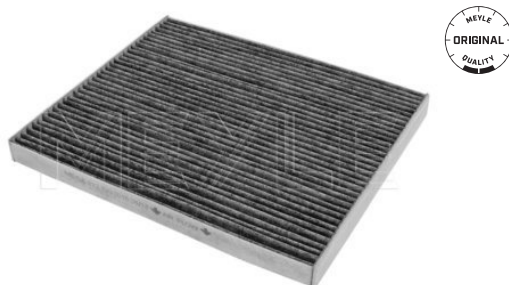
407 (05/04-12/09)

Cabin air filter

612 320 0016 | MCF0410

Notes

Height [mm] 21
Width [mm] 220
Length [mm] 265
Filter Insert
Activated Carbon Filter



References

6479.61

612 320 0016 | MCF0410

Cabin air filter

Application info

Bipper (02/08--)

Bipper (02/08--)

212 320 0012 | MCF0180

Cabin air filter



Notes

Height [mm] 30
Width [mm] 177
Length [mm] 200
Filter Insert
Activated Carbon Filter

References

6479.63

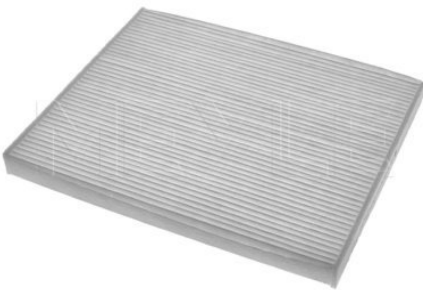
Application info

Bipper (02/08--)

Bipper (02/08--)

612 319 0016 | MCF0397

Cabin air filter



Notes

Height [mm] 20
Width [mm] 212
Length [mm] 265
Filter Insert
Particulate Filter

References

6479.61

6479.84

Application info

Bipper (02/08--)

Bipper (02/08--)

11-12 319 0000 | MCF0054

Cabin air filter



Notes

Height [mm] 36
Width [mm] 175
Length [mm] 288
Filter Insert
Particulate Filter

References

6447.KK
6447.NT
6479.C2

96 87 459 780
E146155

Cabin air filter

11-12 319 0000 | MCF0054

Application info

1007 [04/05--]
307 [08/00-01/05]

308 [09/07--]
RCZ [03/10--]

Cabin air filter

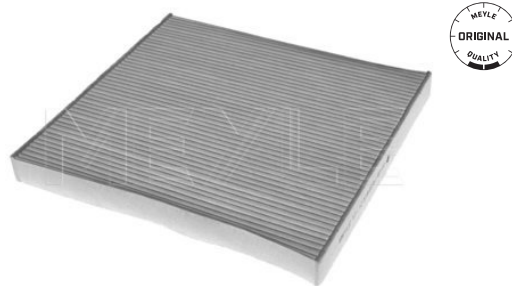
11-12 319 0014 | MCF0065

Notes

Height [mm] 25
Width [mm] 235
Length [mm] 249
Filter Insert
Particulate Filter

References

6447.YA 6479.C9



Application info

Boxer III [04/06--]

Boxer III [04/06--]

Cabin air filter

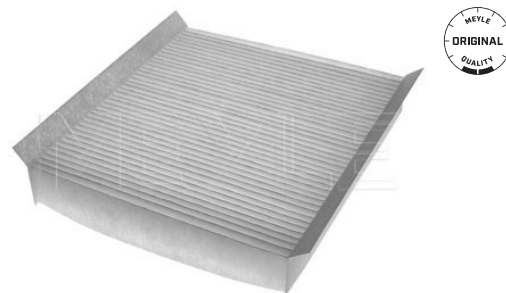
212 319 0012 | MCF0172

Notes

Height [mm] 30
Width [mm] 177
Length [mm] 200
Filter Insert
Particulate Filter

References

6479.63 6479.E0



Application info

Bipper [02/08--]

Bipper [02/08--]

Cabin air filter

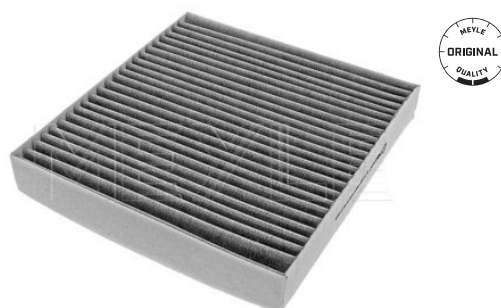
32-12 320 0002 | MCF0271

Notes

Height [mm] 30
Width [mm] 200
Length [mm] 216
Filter Insert
Activated Carbon Filter

References

6479.E9



32-12 320 0002 | MCF0271

Cabin air filter

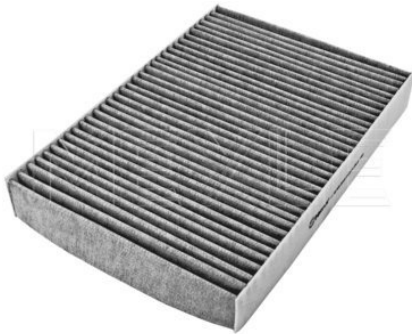
Application info

4007 [02/07--]
4008 [05/12--]

407 [05/04-12/09]

11-12 320 0015 | MCF0075

Cabin air filter



Notes

Height [mm] 36
Width [mm] 188
Length [mm] 265
Filter Insert
Activated Carbon Filter

References

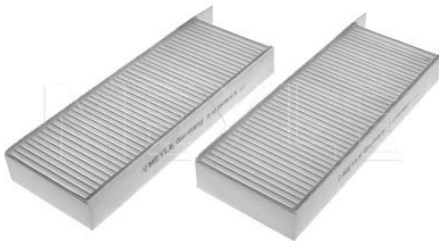
6479.K9 96 716 537

Application info

508 [11/10--]

11-12 319 0016/S | MCF0444

Cabin air filter



Notes

Height [mm] 33
Width [mm] 99
Length [mm] 259
Particulate Filter

References

9804163380

Application info

308 II [09/13--]

11-12 320 0016/S | MCF0445

Cabin air filter



Notes

Height [mm] 33
Width [mm] 99
Length [mm] 259
Activated Carbon Filter

References

9804163480

Cabin air filter

11-12 320 0016/S | MCF0445

Application info

308 II (09/13--)

Cabin air filter

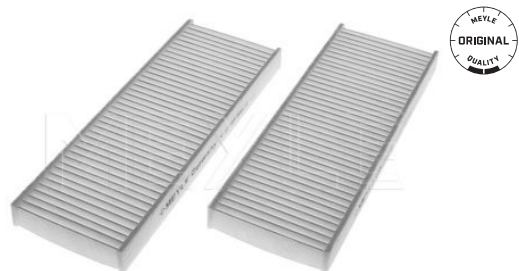
11-12 319 0015/S | MCF0450

Notes

Height [mm]	20
Width [mm]	85
Length [mm]	239
	Particulate Filter

References

96 787 920 80	98 142 376 80
---------------	---------------



Application info

301 (11/12--)

1

215 521 0029 | MBD0390

Brake disc



Notes

Wheel Bolt Bore Ø [mm]	15.5
	Vented
Centering Diameter [mm]	72.7
Minimum thickness [mm]	25.9
Outer diameter [mm]	280
Height [mm]	70
Bolt Hole Circle Ø [mm]	118
Brake Disc Thickness [mm]	28
Required quantity	2
Number of Holes	5
	Front Axle

References

1607872180	4249.28
1611842080	4249.K2

Application info

Boxer III [04/06--]

Boxer III [04/06--]

215 521 0003 | MBD0371

Brake disc



Notes

Wheel Bolt Bore Ø [mm]	17.5
	Vented
Centering Diameter [mm]	80
Minimum thickness [mm]	21.9
Outer diameter [mm]	300
Height [mm]	65.5
Bolt Hole Circle Ø [mm]	130
Brake Disc Thickness [mm]	24
Required quantity	2
Number of Holes	5
	Front Axle

References

1607872280	4249.35
4246.K2	4249.H9
4246.Y5	

Application info

Boxer I [03/94-04/02]
Boxer II [04/02-09/09]
Boxer III [04/06--]

Boxer I [03/94-04/02]
Boxer II [12/01--]
Boxer III [04/06--]



Brake disc

215 521 0021 | MBD0385

Notes

Wheel Bolt Bore Ø [mm]	18
	Vented
Centering Diameter [mm]	80
Minimum thickness [mm]	29.9
Outer diameter [mm]	300
Height [mm]	73.8
Bolt Hole Circle Ø [mm]	130
Brake Disc Thickness [mm]	32
Required quantity	2
Number of Holes	5
	Front Axle



References

1607872380	4249.37
1612435380	4249.38
1612435480	4249.A6

Application info

Boxer III [04/06--]

Boxer III [04/06--]

Brake disc

215 523 0028 | MBD0417

Notes

Wheel Bolt Bore Ø [mm]	17.5
	Solid
Centering Diameter [mm]	79
Minimum thickness [mm]	14.2
Outer diameter [mm]	300
Height [mm]	80.7
Bolt Hole Circle Ø [mm]	130
Brake Disc Thickness [mm]	16
Required quantity	2
Number of Holes	5
	Rear Axle



References

16 078 806 80	4249.K6
4249.41	

Application info

Boxer III [04/06--]

Boxer III [04/06--]

2

11-15 523 0014 | MBD2093

Brake disc



Notes

Centering Diameter [mm]	Solid
Minimum thickness [mm]	71.1
Outer diameter [mm]	10
Height [mm]	268
Bolt Hole Circle Ø [mm]	35
Brake Disc Thickness [mm]	108
Required quantity	12
Number of Holes	2
	5
	Rear Axle

References

1609582880

Application info

308 II (09/13--)

11-15 523 0014/PD | MBD2093PD

Brake disc



Notes

Centering Diameter [mm]	Zink flake coated
Minimum thickness [mm]	Solid
Outer diameter [mm]	71.1
Height [mm]	10
Bolt Hole Circle Ø [mm]	268
Brake Disc Thickness [mm]	35
Required quantity	108
Number of Holes	12
	2
	5
	Rear Axle

References

1609582880

Application info

308 II (09/13--)



Brake disc

11-15 523 0015 | MBD2112

Notes

Centering Diameter [mm]	Solid
Minimum thickness [mm]	71.1
Outer diameter [mm]	10
Height [mm]	290
Bolt Hole Circle Ø [mm]	35
Brake Disc Thickness [mm]	108
Required quantity	12
Number of Holes	2
	5
	Rear Axle



References

1609583080

Application info

308 II [09/13--]

Brake disc

11-15 523 0015/PD | MBD2112PD

Notes

	Zink flake coated
	Solid
Centering Diameter [mm]	71.1
Minimum thickness [mm]	10
Outer diameter [mm]	290
Height [mm]	35
Bolt Hole Circle Ø [mm]	108
Brake Disc Thickness [mm]	12
Required quantity	2
Number of Holes	5
	Rear Axle



References

1609583080

Application info

308 II [09/13--]

11-15 521 0043 | MBD2090

Brake disc



Notes

Centering Diameter [mm]	Vented
Minimum thickness [mm]	70.1
Outer diameter [mm]	20
Height [mm]	266
Bolt Hole Circle Ø [mm]	48
Brake Disc Thickness [mm]	108
Required quantity	22
Number of Holes	2
	5
	Front Axle

References

16 107 046 80

Application info

308 II [09/13--]

11-15 521 0043/PD | MBD2090PD

Brake disc



Notes

Centering Diameter [mm]	Zink flake coated
Minimum thickness [mm]	Vented
Outer diameter [mm]	70.1
Height [mm]	20
Bolt Hole Circle Ø [mm]	266
Brake Disc Thickness [mm]	48
Required quantity	108
Number of Holes	22
	2
	5
	Front Axle

References

16 107 046 80

Application info

308 II [09/13--]



Brake disc

11-15 523 0016 | MBD2092

Notes

Centering Diameter [mm]	Solid	71
Minimum thickness [mm]		8
Outer diameter [mm]		249
Height [mm]		35
Bolt Hole Circle Ø [mm]		108
Brake Disc Thickness [mm]		10
Required quantity		2
Number of Holes		5
	Rear Axle	



References

16 107 619 80

Application info

308 II [09/13--]

2

Brake disc

11-15 523 0016/PD | MBD2092PD

Notes

	Zink flake coated	
	Solid	
Centering Diameter [mm]		71
Minimum thickness [mm]		8
Outer diameter [mm]		249
Height [mm]		35
Bolt Hole Circle Ø [mm]		108
Brake Disc Thickness [mm]		10
Required quantity		2
Number of Holes		5
	Rear Axle	



References

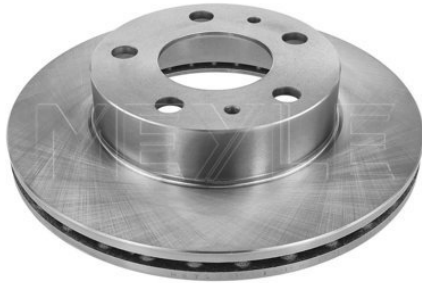
16 107 619 80

Application info

308 II [09/13--]

215 521 0019 | MBD0384

Brake disc



Notes

Wheel Bolt Bore Ø [mm]	17.5
	Vented
Centering Diameter [mm]	79.8
Minimum thickness [mm]	21.9
Outer diameter [mm]	300
Height [mm]	65.9
Bolt Hole Circle Ø [mm]	130
Brake Disc Thickness [mm]	24
Required quantity	2
Number of Holes	5
	Front Axle

References

1611841680	4249.A0
4249.35	4249.H2

Application info

Boxer I [03/94-04/02]
Boxer II [04/02-09/09]
Boxer III [04/06--]
Partner I [04/96-07/08]

Boxer I [03/94-04/02]
Boxer II [12/01--]
Boxer III [04/06--]
Partner I [04/96--]

11-15 521 0010 | MBD0137

Brake disc



Notes

Wheel Bolt Bore Ø [mm]	12.8
	Vented
Centering Diameter [mm]	66
Minimum thickness [mm]	18.5
Outer diameter [mm]	247
Height [mm]	44.2
Bolt Hole Circle Ø [mm]	108
Brake Disc Thickness [mm]	20.4
Required quantity	2
Number of Holes	4
	Front Axle

References

4246.90	4246.A6
---------	---------

Application info

205 [02/83-09/98]

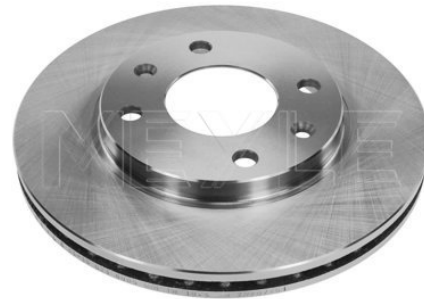


Brake disc

11-15 521 0031 | MBD1752

Notes

Wheel Bolt Bore Ø [mm]	12.8
	Vented
Centering Diameter [mm]	66
Minimum thickness [mm]	18.5
Outer diameter [mm]	247
Height [mm]	34.2
Bolt Hole Circle Ø [mm]	108
Brake Disc Thickness [mm]	20.4
Required quantity	2
Number of Holes	4
	Front Axle



References

4246.94	4249.96
4246.A7	

Application info

106 [08/91-07/04]
 205 [02/83-09/98]
 206 [08/98-03/09]

306 [04/93-10/03]
 309 [10/85-12/93]

Brake disc

11-15 521 0031/PD | MBD1752PD

Notes

Wheel Bolt Bore Ø [mm]	12.8
	Zink flake coated
	Vented
Centering Diameter [mm]	66
Minimum thickness [mm]	18.5
Outer diameter [mm]	247
Height [mm]	34.2
Bolt Hole Circle Ø [mm]	108
	with screws
Brake Disc Thickness [mm]	20.4
Required quantity	2
Number of Holes	4
	Front Axle



References

4246.94	4249.96
4246.A7	

Application info

106 [08/91-07/04]
 205 [02/83-09/98]
 206 [08/98-03/09]

306 [04/93-10/03]
 309 [10/85-12/93]

2

11-15 521 0001 | MBD0132

Brake disc



Notes

Wheel Bolt Bore Ø [mm]	13
	Solid
Centering Diameter [mm]	66
Minimum thickness [mm]	9
Outer diameter [mm]	266
Height [mm]	27
Bolt Hole Circle Ø [mm]	108
Brake Disc Thickness [mm]	10
Required quantity	2
Number of Holes	4
	Front Axle

References

4246.88	4249.C4
4246.A9	

Application info

305 [11/77-07/90]

405 [01/87-11/99]

11-15 521 0012 | MBD0139

Brake disc



Notes

Wheel Bolt Bore Ø [mm]	13
	Solid
Centering Diameter [mm]	57
Minimum thickness [mm]	6
Outer diameter [mm]	238
Height [mm]	29
Bolt Hole Circle Ø [mm]	98
Brake Disc Thickness [mm]	8
Required quantity	2
Number of Holes	3
	Front Axle

References

4246.F8	4249.C5
4246.G0	

Application info

106 [08/91-07/04]



Brake disc

11-15 521 0013 | MBD0140

Notes

Wheel Bolt Bore Ø [mm]	13
	Vented
Centering Diameter [mm]	66.1
Minimum thickness [mm]	20
Outer diameter [mm]	283
Height [mm]	28.2
Bolt Hole Circle Ø [mm]	108
Brake Disc Thickness [mm]	22
Required quantity	2
Number of Holes	4
	Front Axle



References

4246.G1	4246.V3
4246.T9	

Application info

306 [04/93-10/03]

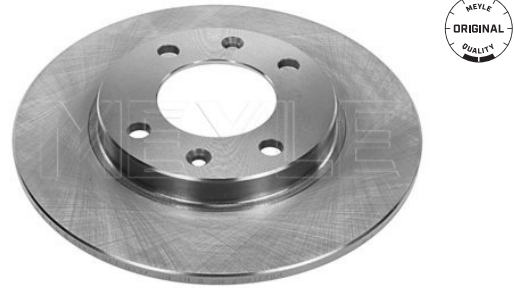
405 [01/87-11/99]

Brake disc

11-15 523 0010 | MBD1763

Notes

Wheel Bolt Bore Ø [mm]	13
	Solid
Centering Diameter [mm]	71.1
Minimum thickness [mm]	6
Outer diameter [mm]	247
Height [mm]	25.3
Bolt Hole Circle Ø [mm]	108
Brake Disc Thickness [mm]	8
Required quantity	2
Number of Holes	4
	Rear Axle



References

4246.G6	E 169 115
4249.F5	

Application info

106 [08/91-07/04]

206 [08/98-03/09]

306 [04/93-10/03]

11-15 523 0010/PD | MBD1763PD

Brake disc



Notes

Wheel Bolt Bore Ø [mm]	13
	Zink flake coated
	Solid
Centering Diameter [mm]	71.1
Minimum thickness [mm]	6
Outer diameter [mm]	247
Height [mm]	25.3
Bolt Hole Circle Ø [mm]	108
Brake Disc Thickness [mm]	8
Required quantity	2
Number of Holes	4
	Rear Axle

References

4246.G6	E 169 115
4249.F5	

Application info

106 [08/91-07/04]
206 [08/98-03/09]

306 [04/93-10/03]

11-15 523 0000 | MBD0152

Brake disc



Notes

Wheel Bolt Bore Ø [mm]	13
	Solid
Centering Diameter [mm]	71
Minimum thickness [mm]	8
Outer diameter [mm]	247
Height [mm]	34.3
Bolt Hole Circle Ø [mm]	108
Brake Disc Thickness [mm]	10
Required quantity	2
Number of Holes	4
	Rear Axle

References

4246.A1	4246.G9
4246.A2	

Application info

405 [01/87-11/99]



Brake disc

215 521 0048 | MBD2085

Notes

Wheel Bolt Bore Ø [mm]	15.5
	Solid
Centering Diameter [mm]	73
Minimum thickness [mm]	14.8
Outer diameter [mm]	290
Height [mm]	61
Bolt Hole Circle Ø [mm]	118
Brake Disc Thickness [mm]	16
Required quantity	2
Number of Holes	5
	Front Axle



References

4246.A0	4246.H3
---------	---------

Application info

J5 [280] [09/81-09/90]
 J5 [290] [09/90-03/94]

J5 [280] [09/81-09/90]
 J5 [290] [09/90-03/94]

Brake disc

11-15 521 0015 | MBD0141

Notes

Wheel Bolt Bore Ø [mm]	16.5
	Vented
Centering Diameter [mm]	59
Minimum thickness [mm]	18
Outer diameter [mm]	257
Height [mm]	40.5
Bolt Hole Circle Ø [mm]	98
Brake Disc Thickness [mm]	20
Required quantity	2
Number of Holes	5
	Front Axle



References

4246.H8

Application info

806 [06/94-08/02]
 Expert I [02/96-10/06]

Expert I [07/95--]

11-15 521 0006 | MBD0135

Brake disc



Notes

Wheel Bolt Bore Ø [mm]	16.5
	Vented
Centering Diameter [mm]	59
Minimum thickness [mm]	24.2
Outer diameter [mm]	281
Height [mm]	43.7
Bolt Hole Circle Ø [mm]	98
Brake Disc Thickness [mm]	26
Required quantity	2
Number of Holes	5
	Front Axle

References

4246.J2

Application info

806 [06/94-08/02]
Expert I [02/96-10/06]

Expert I [07/95--]

11-15 523 0035 | MBD0158

Brake disc



Notes

Wheel Bolt Bore Ø [mm]	15
	Solid
Centering Diameter [mm]	59
Minimum thickness [mm]	8
Outer diameter [mm]	295
Height [mm]	56
Bolt Hole Circle Ø [mm]	98
Brake Disc Thickness [mm]	10
Required quantity	2
Number of Holes	5
	Rear Axle

References

4246.J5

Application info

806 [06/94-08/02]



Brake disc

215 521 0005 | MBD0373

Notes

Wheel Bolt Bore Ø [mm]	15.5
	Solid
Centering Diameter [mm]	73
Minimum thickness [mm]	15.9
Outer diameter [mm]	280
Height [mm]	65.5
Bolt Hole Circle Ø [mm]	118
Brake Disc Thickness [mm]	18
Required quantity	2
Number of Holes	5
	Front Axle

References

4246.J8	4249.H6
4249.C9	



Application info

Boxer I [03/94-04/02]
Boxer III [04/06--]

Boxer I [03/94-04/02]
Boxer III [04/06--]

Brake disc

11-15 521 0000 | MBD0131

Notes

Wheel Bolt Bore Ø [mm]	13
	Vented
Centering Diameter [mm]	66
Minimum thickness [mm]	22
Outer diameter [mm]	260
Height [mm]	28.2
Bolt Hole Circle Ø [mm]	108
Brake Disc Thickness [mm]	24
Required quantity	2
Number of Holes	4
	Front Axle

References

4246.L9



Application info

406 [11/95-12/04]

2

11-15 521 0022 | MBD0147

Brake disc



Notes

Wheel Bolt Bore Ø [mm]	13
	Vented
Centering Diameter [mm]	71
Minimum thickness [mm]	24
Outer diameter [mm]	283
Height [mm]	48
Bolt Hole Circle Ø [mm]	108
Brake Disc Thickness [mm]	26
Required quantity	2
Number of Holes	5
	Front Axle

References

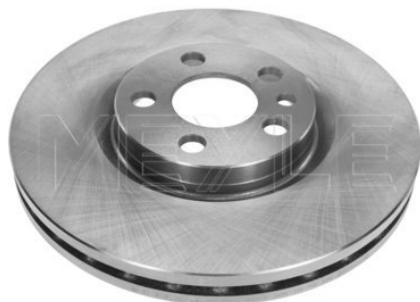
4246.F4	4246.N8
4246.F6	

Application info

605 [06/89-09/99]

11-15 521 0035 | MBD1756

Brake disc



Notes

Wheel Bolt Bore Ø [mm]	16.5
	Vented
Centering Diameter [mm]	59
Minimum thickness [mm]	26
Outer diameter [mm]	285
Height [mm]	43.7
Bolt Hole Circle Ø [mm]	98
Brake Disc Thickness [mm]	28
Required quantity	2
Number of Holes	5
	Front Axle

References

4246.P1	4249.H7
4246.P2	

Application info

807 [06/02-05/06]
Expert I [02/96-10/06]

Expert I [07/95--]

Brake disc

11-15 521 0035/PD | MBD1756PD

Notes

Wheel Bolt Bore Ø [mm]	16.5
	Zink flake coated
	Vented
Centering Diameter [mm]	59
Minimum thickness [mm]	26
Outer diameter [mm]	285
Height [mm]	43.7
Bolt Hole Circle Ø [mm]	98
Brake Disc Thickness [mm]	28
Required quantity	2
Number of Holes	5
	Front Axle



References

4246.P1	4249.H7
4246.P2	

Application info

807 [06/02-05/06]
Expert I [02/96-10/06]

Expert I [07/95--]

Brake disc

40-15 521 1001 | MBD1089

Notes

Wheel Bolt Bore Ø [mm]	13
	Vented
Centering Diameter [mm]	123
Minimum thickness [mm]	24
Outer diameter [mm]	302
Height [mm]	34.2
Bolt Hole Circle Ø [mm]	108
Brake Disc Thickness [mm]	26
Required quantity	2
Number of Holes	4
	Front Axle



References

4246.C0	96 87 602 180
4246.P5	9809266280
4249.85	

Application info

207 [02/06-10/08]

307 [08/00-01/05]

11-15 521 0038 | MBD1759

Brake disc



Notes

Wheel Bolt Bore Ø [mm]	13.2
	Vented
Centering Diameter [mm]	71.1
Minimum thickness [mm]	24
Outer diameter [mm]	283
Height [mm]	48
Bolt Hole Circle Ø [mm]	108
Brake Disc Thickness [mm]	26
Required quantity	2
Number of Holes	5
	Front Axle

References

4246.P7	E 169 147
4246.V4	E 169 513
4249.L3	

Application info

407 [05/04-12/09]
508 [11/10--]

607 [02/00-07/04]

11-15 521 0038/PD | MBD1759PD

Brake disc



Notes

Wheel Bolt Bore Ø [mm]	13.2
	Zink flake coated
	Vented
Centering Diameter [mm]	71.1
Minimum thickness [mm]	24
Outer diameter [mm]	283
Height [mm]	48
Bolt Hole Circle Ø [mm]	108
	with screws
Brake Disc Thickness [mm]	26
Required quantity	2
Number of Holes	5
	Front Axle

References

4246.P7	E 169 147
4246.V4	E 169 513
4249.L3	

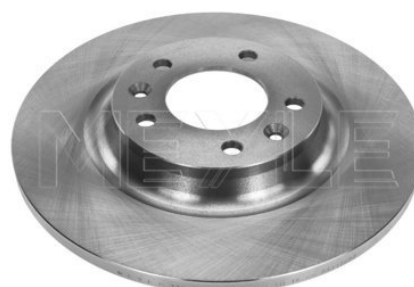
Application info

407 [05/04-12/09]
508 [11/10--]

607 [02/00-07/04]

Brake disc
11-15 523 0009 | MBD1762
Notes

Wheel Bolt Bore Ø [mm]	13
	Solid
Centering Diameter [mm]	71.1
Minimum thickness [mm]	10
Outer diameter [mm]	290
Height [mm]	35
Bolt Hole Circle Ø [mm]	108
Brake Disc Thickness [mm]	12
Required quantity	2
Number of Holes	5
	Rear Axle


References

4246.P9	4249.C1
4249.72	E 169 157

Application info

 407 [05/04-12/09]
 508 [11/10--]

 607 [02/00-07/04]
 RCZ [03/10--]

Brake disc
11-15 523 0009/PD | MBD1762PD
Notes

Wheel Bolt Bore Ø [mm]	13
	Zink flake coated
	Solid
Centering Diameter [mm]	71.1
Minimum thickness [mm]	10
Outer diameter [mm]	290
Height [mm]	35
Bolt Hole Circle Ø [mm]	108
Brake Disc Thickness [mm]	12
Required quantity	2
Number of Holes	5
	Rear Axle


References

4246.P9	4249.C1
4249.72	E 169 157

Application info

 407 [05/04-12/09]
 508 [11/10--]

 607 [02/00-07/04]
 RCZ [03/10--]

11-15 521 0033 | MBD1754

Brake disc



Notes

Wheel Bolt Bore Ø [mm]	13
	Solid
Centering Diameter [mm]	66
Minimum thickness [mm]	11
Outer diameter [mm]	266
Height [mm]	27.2
Bolt Hole Circle Ø [mm]	108
Brake Disc Thickness [mm]	13
Required quantity	2
Number of Holes	4
	Front Axle

References

16 086 916 80	4246.R4
4246.R2	4249.82

Application info

301 [11/12--]
Expert I [02/96-10/06]
Partner I [04/96-07/08]

Expert I [07/95--]
Partner I [04/96--]

11-15 521 0033/PD | MBD1754PD

Brake disc



Notes

Wheel Bolt Bore Ø [mm]	13
	Zink flake coated
	Solid
Centering Diameter [mm]	66
Minimum thickness [mm]	11
Outer diameter [mm]	266
Height [mm]	27.2
Bolt Hole Circle Ø [mm]	108
	with screws
Brake Disc Thickness [mm]	13
Required quantity	2
Number of Holes	4
	Front Axle

References

16 086 916 80	4246.R4
4246.R2	4249.82

Application info

301 [11/12--]
Expert I [02/96-10/06]
Partner I [04/96-07/08]

Expert I [07/95--]
Partner I [04/96--]



Brake disc

11-15 521 0007 | MBD0136

Notes

Wheel Bolt Bore Ø [mm]	13
	Vented
Centering Diameter [mm]	66
Minimum thickness [mm]	24.2
Outer diameter [mm]	283
Height [mm]	28.2
Bolt Hole Circle Ø [mm]	108
Brake Disc Thickness [mm]	26
Required quantity	2
Number of Holes	4
	Front Axle



References

4246.N0	4246.R7
---------	---------

Application info

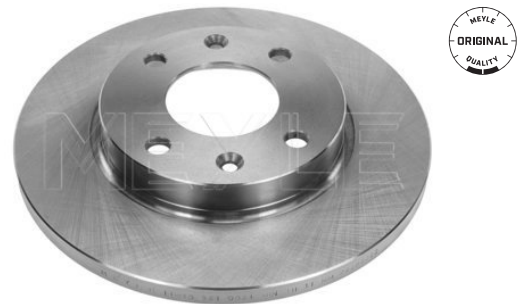
406 [11/95-12/04]

Brake disc

11-15 521 0036 | MBD1757

Notes

Wheel Bolt Bore Ø [mm]	13
	Solid
Centering Diameter [mm]	66
Minimum thickness [mm]	11
Outer diameter [mm]	247
Height [mm]	34.2
Bolt Hole Circle Ø [mm]	108
Brake Disc Thickness [mm]	13
Required quantity	2
Number of Holes	4
	Front Axle



References

4246.R8	4249.A5
---------	---------

Application info

206 [08/98-03/09]

306 [04/93-10/03]

11-15 521 0036/PD | MBD1757PD

Brake disc



Notes

Wheel Bolt Bore Ø [mm]	13
	Zink flake coated
	Solid
Centering Diameter [mm]	66
Minimum thickness [mm]	11
Outer diameter [mm]	247
Height [mm]	34.2
Bolt Hole Circle Ø [mm]	108
	with screws
Brake Disc Thickness [mm]	13
Required quantity	2
Number of Holes	4
	Front Axle

References

4246.R8	4249.A5
---------	---------

Application info

206 [08/98-03/09]

306 [04/93-10/03]

11-15 523 1014 | MBD0163

Brake disc



Notes

Wheel Bolt Bore Ø [mm]	13
	Solid
Centering Diameter [mm]	71
Minimum thickness [mm]	8
Outer diameter [mm]	290
Height [mm]	60
Bolt Hole Circle Ø [mm]	108
Brake Disc Thickness [mm]	10
Required quantity	2
Number of Holes	4
	Rear Axle

References

4246.L7	4246.T7
4246.T6	

Application info

406 [11/95-12/04]

Brake disc
11-15 523 0033 | MBD0156
Notes

Wheel Bolt Bore Ø [mm]	13
	Solid
Centering Diameter [mm]	71
Minimum thickness [mm]	8
Outer diameter [mm]	290
Height [mm]	51
Bolt Hole Circle Ø [mm]	108
Brake Disc Thickness [mm]	10
Required quantity	2
Number of Holes	5
	Rear Axle


References

4246.V7	96 40 247 180
---------	---------------

Application info

607 [02/00-07/04]

Brake disc
11-15 521 0032 | MBD1753
Notes

Wheel Bolt Bore Ø [mm]	13
	Vented
Centering Diameter [mm]	66
Minimum thickness [mm]	18.5
Outer diameter [mm]	266
Height [mm]	27.6
Bolt Hole Circle Ø [mm]	108
Brake Disc Thickness [mm]	20.5
Required quantity	2
Number of Holes	4
	Front Axle


References

4246.97	4246.W5
4246.B1	4249.F0
4246.R3	

Application info

 206 [08/98-03/09]
 306 [04/93-10/03]
 405 [01/87-11/99]

 Partner I [04/96-07/08]
 Partner I [04/96--]

11-83 521 0032/PD | MBD2163PD

Brake disc



Notes

Wheel Bolt Bore Ø [mm]	13 Zink flake coated High-carbon Vented
Centering Diameter [mm]	66
Minimum thickness [mm]	18.5
Outer diameter [mm]	266
Height [mm]	27.6
Bolt Hole Circle Ø [mm]	108 with screws
Brake Disc Thickness [mm]	20.5
Number of Holes	4 Front Axle

References

4246.97	4246.W5
4246.B1	4249.F0
4246.R3	

Application info

206 [08/98-03/09]
306 [04/93-10/03]
405 [01/87-11/99]

Partner I [04/96-07/08]
Partner I [04/96--]

11-15 523 0008 | MBD1761

Brake disc



Notes

Wheel Bolt Bore Ø [mm]	13 Solid
Centering Diameter [mm]	71.1
Minimum thickness [mm]	8
Outer diameter [mm]	247
Height [mm]	35
Bolt Hole Circle Ø [mm]	108
Brake Disc Thickness [mm]	9
Required quantity	2
Number of Holes	4 Rear Axle

References

4246.W9	4249.90
4249.52	E 169 198

Application info

1007 [04/05--]
307 [08/00-01/05]

Partner I [04/96-07/08]
Partner I [04/96--]

Brake disc

11-15 523 0008/PD | MBD1761PD

Notes

Wheel Bolt Bore Ø [mm]	13
	Zink flake coated
	Solid
Centering Diameter [mm]	71.1
Minimum thickness [mm]	8
Outer diameter [mm]	247
Height [mm]	35
Bolt Hole Circle Ø [mm]	108
	with screws
Brake Disc Thickness [mm]	9
Required quantity	2
Number of Holes	4
	Rear Axle



References

4246.W9	4249.90
4249.52	E 169 198

Application info

1007 [04/05--]
307 [08/00-01/05]

Partner I [04/96-07/08]
Partner I [04/96--]

Brake disc

215 521 0004 | MBD0372

Notes

Wheel Bolt Bore Ø [mm]	15.7
	Vented
Centering Diameter [mm]	73
Minimum thickness [mm]	21.9
Outer diameter [mm]	280
Height [mm]	65.5
Bolt Hole Circle Ø [mm]	118
Brake Disc Thickness [mm]	24
Required quantity	2
Number of Holes	5
	Front Axle



References

16 078 720 80	4246.X9
4246.L2	4249.H8

Application info

Boxer I [03/94-04/02]
Boxer II [04/02-09/09]
Boxer III [04/06--]
Partner I [04/96-07/08]

Boxer I [03/94-04/02]
Boxer II [12/01--]
Boxer III [04/06--]
Partner I [04/96--]

215 523 0012 | MBD0408

Brake disc



Notes

Wheel Bolt Bore Ø [mm]	15.6
	Solid
Centering Diameter [mm]	72
Minimum thickness [mm]	14.2
Outer diameter [mm]	280
Height [mm]	82
Bolt Hole Circle Ø [mm]	118
Brake Disc Thickness [mm]	16
Required quantity	2
Number of Holes	5
	Rear Axle

References

16 078 804 80	4249.L0
4246.Y9	

Application info

Boxer I [03/94-04/02]
Boxer II [04/02-09/09]
Boxer III [04/06--]

Boxer I [03/94-04/02]
Boxer II [12/01--]
Boxer III [04/06--]

215 523 0006 | MBD0406

Brake disc



Notes

Wheel Bolt Bore Ø [mm]	17.5
	Solid
Centering Diameter [mm]	79
Minimum thickness [mm]	14.2
Outer diameter [mm]	280
Height [mm]	82
Bolt Hole Circle Ø [mm]	130
Brake Disc Thickness [mm]	16
Required quantity	2
Number of Holes	5
	Rear Axle

References

1607880580	4246.Z3
------------	---------

Application info

Boxer I [03/94-04/02]
Boxer II [04/02-09/09]
Boxer III [04/06--]

Boxer I [03/94-04/02]
Boxer II [12/01--]
Boxer III [04/06--]



Brake disc

40-15 521 1004 | MBD1091

Notes

Wheel Bolt Bore Ø [mm]	16.5
	Vented
Centering Diameter [mm]	59
Minimum thickness [mm]	30
Outer diameter [mm]	310
Height [mm]	43.8
Bolt Hole Circle Ø [mm]	98
Brake Disc Thickness [mm]	32
Required quantity	2
Number of Holes	5
	Front Axle



References

4246.Z7	4249.78
---------	---------

Application info

807 (06/02-05/06)

Brake disc

11-15 523 0041 | MBD0161

Notes

	Solid
Centering Diameter [mm]	65
Minimum thickness [mm]	8
Outer diameter [mm]	249
Height [mm]	67
Bolt Hole Circle Ø [mm]	108
Thread Size	M12x1,25
Brake Disc Thickness [mm]	9
Required quantity	2
Number of Holes	4
	Rear Axle



References

4246.Z9	4249.34
---------	---------

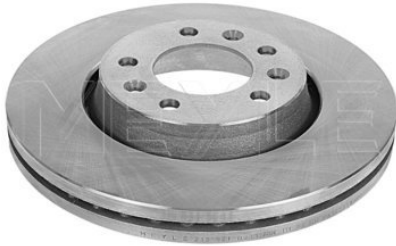
Application info

307 (08/00-01/05)

2

215 521 0033 | MBD0394

Brake disc



Notes

Wheel Bolt Bore Ø [mm]	13.2
	Vented
Centering Diameter [mm]	71.1
Minimum thickness [mm]	26
Outer diameter [mm]	280
Height [mm]	48
Bolt Hole Circle Ø [mm]	108
Brake Disc Thickness [mm]	28
Required quantity	2
Number of Holes	5
	Front Axle

References

4249.20	4249.J9
4249.87	

Application info

Expert II (01/07--)

Expert II (01/07--)

215 523 0029 | MBD0418

Brake disc



Notes

Wheel Bolt Bore Ø [mm]	13.2
	Solid
Centering Diameter [mm]	71
Minimum thickness [mm]	12
Outer diameter [mm]	290
Height [mm]	49
Bolt Hole Circle Ø [mm]	108
Brake Disc Thickness [mm]	14
Required quantity	2
Number of Holes	5
	Rear Axle

References

4249.22	4249.91
---------	---------

Application info

Expert II (01/07--)

Expert II (01/07--)



Brake disc

215 521 0024 | MBD1842

Notes

Wheel Bolt Bore Ø [mm]	13.2
	Vented
Centering Diameter [mm]	71
Minimum thickness [mm]	26
Outer diameter [mm]	304
Height [mm]	48
Bolt Hole Circle Ø [mm]	108
Brake Disc Thickness [mm]	28
Required quantity	2
Number of Holes	5
	Front Axle



References

4249.24	4249.K0
4249.92	

Application info

407 [05/04-12/09]
Expert II [01/07--]

Expert II [01/07--]

Brake disc

215 521 0024/PD | MBD1842PD

Notes

Wheel Bolt Bore Ø [mm]	13.2
	Zink flake coated
	Vented
Centering Diameter [mm]	71
Minimum thickness [mm]	26
Outer diameter [mm]	304
Height [mm]	48
Bolt Hole Circle Ø [mm]	108
Brake Disc Thickness [mm]	28
Required quantity	2
Number of Holes	5
	Front Axle



References

4249.24	4249.K0
4249.92	

Application info

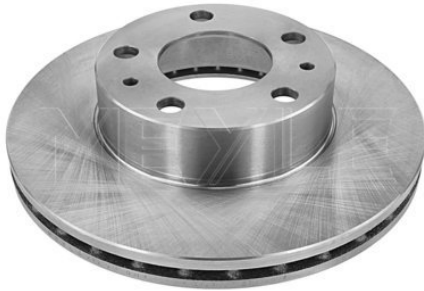
407 [05/04-12/09]
Expert II [01/07--]

Expert II [01/07--]

2

215 521 0018 | MBD0383

Brake disc



Notes

Wheel Bolt Bore Ø [mm]	15.5
	Vented
Centering Diameter [mm]	72.6
Minimum thickness [mm]	21.9
Outer diameter [mm]	280
Height [mm]	65.9
Bolt Hole Circle Ø [mm]	118
Brake Disc Thickness [mm]	24
Required quantity	2
Number of Holes	5
	Front Axle

References

4249.26	4249.K3
---------	---------

Application info

Boxer I [03/94-04/02]
Boxer II [04/02-09/09]
Boxer III [04/06--]
Partner I [04/96-07/08]

Boxer I [03/94-04/02]
Boxer II [12/01--]
Boxer III [04/06--]
Partner I [04/96--]

215 523 0027 | MBD0416

Brake disc



Notes

Wheel Bolt Bore Ø [mm]	15.6
	Solid
Centering Diameter [mm]	71.9
Minimum thickness [mm]	14.2
Outer diameter [mm]	280
Height [mm]	80.3
Bolt Hole Circle Ø [mm]	118
Brake Disc Thickness [mm]	16
Required quantity	2
Number of Holes	5
	Rear Axle

References

4249.30	4249.K7
4249.A1	

Application info

Boxer III [04/06--]

Boxer III [04/06--]



Brake disc

215 523 0004 | MBD0405

Notes

Wheel Bolt Bore Ø [mm]	17.5
	Solid
Centering Diameter [mm]	78.9
Minimum thickness [mm]	14.2
Outer diameter [mm]	280
Height [mm]	80.3
Bolt Hole Circle Ø [mm]	130
Brake Disc Thickness [mm]	16
Required quantity	2
Number of Holes	5
	Rear Axle

References

4249.39	4249.K8
4249.A2	



Application info

Boxer III [04/06--]

Boxer III [04/06--]

Brake disc

11-15 521 0028 | MBD0151

Notes

Wheel Bolt Bore Ø [mm]	13.2
	Vented
Centering Diameter [mm]	71
Minimum thickness [mm]	28
Outer diameter [mm]	330
Height [mm]	48
Bolt Hole Circle Ø [mm]	108
Brake Disc Thickness [mm]	30
Required quantity	2
Number of Holes	5
	Front Axle

References

4246.E0	4249.A9
4246.P8	E 169 503
4249.43	



Application info

407 [05/04-12/09]

607 [02/00-07/04]

11-15 523 4008 | MBD2074

Brake disc



Notes

Centering Diameter [mm]	65
Minimum thickness [mm]	10
Outer diameter [mm]	268
Height [mm]	74
Bolt Hole Circle Ø [mm]	108
Brake Disc Thickness [mm]	12
Required quantity	2
Number of Holes	4
	Rear Axle

References

4249.45	4249.46
---------	---------

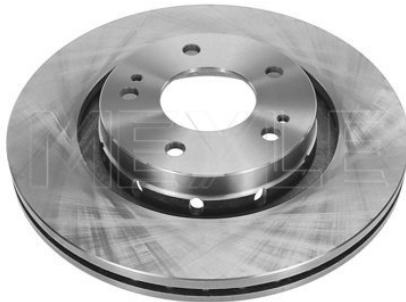
Application info

3008 [06/09--]
308 [09/07--]
5008 [06/09--]

Partner II [04/08--]
Partner II [04/08--]

32-15 521 0025 | MBD1944

Brake disc



Notes

Wheel Bolt Bore Ø [mm]	12.6
	Vented
Centering Diameter [mm]	69
Minimum thickness [mm]	22.4
Outer diameter [mm]	294
Height [mm]	45.5
Bolt Hole Circle Ø [mm]	114.3
Brake Disc Thickness [mm]	24
Required quantity	2
Number of Holes	5
	Front Axle

References

1606375780	4249 58
------------	---------

Application info

4007 [02/07--]

Brake disc
32-15 521 0025/PD | MBD1944PD
Notes

Wheel Bolt Bore Ø [mm]	12.6
	Zink flake coated
	Vented
Centering Diameter [mm]	69
Minimum thickness [mm]	22.4
Outer diameter [mm]	294
Height [mm]	45.5
Bolt Hole Circle Ø [mm]	114.3
Brake Disc Thickness [mm]	24
Required quantity	2
Number of Holes	5
	Front Axle


References

1606375780	4249 58
------------	---------

Application info

4007 [02/07--]

Brake disc
32-15 523 0017 | MBD1951
Notes

Wheel Bolt Bore Ø [mm]	12.6
	Solid
Centering Diameter [mm]	80
Minimum thickness [mm]	8
Outer diameter [mm]	302
Height [mm]	58.7
Bolt Hole Circle Ø [mm]	114.3
Brake Disc Thickness [mm]	10
Required quantity	2
Number of Holes	5
	Rear Axle


References

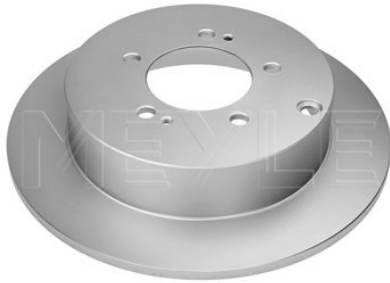
4249.61

Application info

4007 [02/07--]

32-15 523 0017/PD | MBD1951PD

Brake disc



Notes

Wheel Bolt Bore Ø [mm]	12.6
	Zink flake coated
	Solid
Centering Diameter [mm]	80
Minimum thickness [mm]	8
Outer diameter [mm]	302
Height [mm]	58.7
Bolt Hole Circle Ø [mm]	114.3
Brake Disc Thickness [mm]	10
Required quantity	2
Number of Holes	5
	Rear Axle

References

4249.61

Application info

4007 [02/07--]

11-15 521 0034/PD | MBD1755PD

Brake disc



Notes

Wheel Bolt Bore Ø [mm]	13
	Zink flake coated
	Vented
Centering Diameter [mm]	66
Minimum thickness [mm]	24
Outer diameter [mm]	302
Height [mm]	34.2
Bolt Hole Circle Ø [mm]	108
	with screws
Brake Disc Thickness [mm]	26
Required quantity	2
Number of Holes	4
	Front Axle

References

4249.64	4249.86
4249.80	4249.J8
4249.81	

Application info

208 [03/12--]
3008 [06/09--]

308 [09/07--]
5008 [06/09--]



Brake disc

215 521 0002 | MBD1841

Notes

Wheel Bolt Bore Ø [mm]	13
	Vented
Centering Diameter [mm]	59
Minimum thickness [mm]	20.2
Outer diameter [mm]	257.5
Height [mm]	40.5
Bolt Hole Circle Ø [mm]	98
Brake Disc Thickness [mm]	22
Required quantity	2
Number of Holes	4
	Front Axle



References

4249.73	4249.L2
4249.E5	

Application info

Bipper [02/08--]

Bipper [02/08--]

Brake disc

215 521 0002/PD | MBD1841PD

Notes

Wheel Bolt Bore Ø [mm]	13
	Zink flake coated
	Vented
Centering Diameter [mm]	59
Minimum thickness [mm]	20.2
Outer diameter [mm]	257.5
Height [mm]	40.5
Bolt Hole Circle Ø [mm]	98
Brake Disc Thickness [mm]	22
Required quantity	2
Number of Holes	4
	Front Axle



References

4249.73

Application info

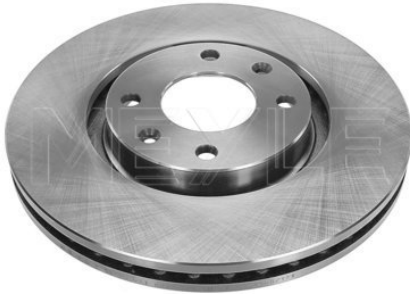
Bipper [02/08--]

Bipper [02/08--]

2

11-15 521 0018 | MBD0144

Brake disc



Notes

Wheel Bolt Bore Ø [mm]	13
	Vented
Centering Diameter [mm]	66
Minimum thickness [mm]	24
Outer diameter [mm]	283
Height [mm]	34.2
Bolt Hole Circle Ø [mm]	108
Brake Disc Thickness [mm]	26
Required quantity	2
Number of Holes	4
	Front Axle

References

16 064 014 80	4249.84
4246.W8	4249.J6
4249.17	E 169 142

Application info

1007 [04/05--]
2008 [03/13--]
207 [02/06-10/08]
3008 [06/09--]
307 [08/00-01/05]
308 [09/07--]

5008 [06/09--]
Partner I [04/96-07/08]
Partner II [04/08--]
207 [02/06--]
Partner II [04/08--]

11-83 521 0018/PD | MBD1766PD

Brake disc



Notes

Wheel Bolt Bore Ø [mm]	13
	Zink flake coated
	High-carbon
	Vented
Centering Diameter [mm]	66
Minimum thickness [mm]	24
Outer diameter [mm]	283
Height [mm]	34.2
Bolt Hole Circle Ø [mm]	108
	with screws
Brake Disc Thickness [mm]	26
Required quantity	2
Number of Holes	4
	Front Axle

References

16 064 014 80	4249.84
4246.W8	4249.J6
4249.17	E 169 142

Application info

1007 [04/05--]
2008 [03/13--]
207 [02/06-10/08]
3008 [06/09--]
307 [08/00-01/05]
308 [09/07--]

5008 [06/09--]
Partner I [04/96-07/08]
Partner II [04/08--]
207 [02/06--]
Partner II [04/08--]

Brake disc

11-15 521 0039 | MBD2107

Notes

Wheel Bolt Bore Ø [mm]	13.2
	Vented
Centering Diameter [mm]	71.1
Minimum thickness [mm]	28
Outer diameter [mm]	340
Height [mm]	48
Bolt Hole Circle Ø [mm]	108
Brake Disc Thickness [mm]	30
Required quantity	2
Number of Holes	5
	Front Axle



References

4249.88

Application info

407 [05/04-12/09]

508 [11/10--]

Brake disc

11-15 521 0039/PD | MBD2107PD

Notes

Wheel Bolt Bore Ø [mm]	13.2
	Zink flake coated
	Vented
Centering Diameter [mm]	71.1
Minimum thickness [mm]	28
Outer diameter [mm]	340
Height [mm]	48
Bolt Hole Circle Ø [mm]	108
Brake Disc Thickness [mm]	30
Required quantity	2
Number of Holes	5
	Front Axle



References

4249.88

Application info

407 [05/04-12/09]

508 [11/10--]

11-15 521 0037 | MBD1758

Brake disc



Notes

Wheel Bolt Bore Ø [mm]	13.2
	Vented
Centering Diameter [mm]	55
Minimum thickness [mm]	18
Outer diameter [mm]	247
Height [mm]	35
Bolt Hole Circle Ø [mm]	100
Brake Disc Thickness [mm]	20
Required quantity	2
Number of Holes	4
	Front Axle

References

4246.F0	4249.94
4249.54	E169256

Application info

107 [06/05--]

108 [05/14--]

11-15 521 0037/PD | MBD1758PD

Brake disc



Notes

Wheel Bolt Bore Ø [mm]	13.2
	Zink flake coated
	Vented
Centering Diameter [mm]	55
Minimum thickness [mm]	18
Outer diameter [mm]	247
Height [mm]	35
Bolt Hole Circle Ø [mm]	100
Brake Disc Thickness [mm]	20
Required quantity	2
Number of Holes	4
	Front Axle

References

4246.F0	4249.54
4246.FD	4249.94

Application info

107 [06/05--]

108 [05/14--]

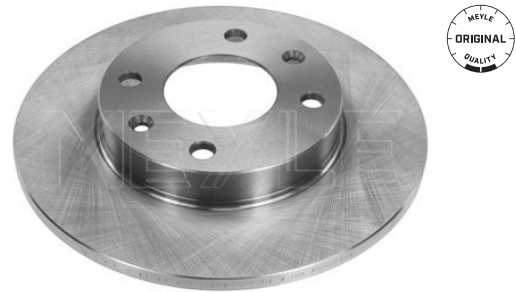


Brake disc

11-15 521 0042 | MBD1760

Notes

Wheel Bolt Bore Ø [mm]	13
	Solid
Centering Diameter [mm]	66
Minimum thickness [mm]	9
Outer diameter [mm]	247
Height [mm]	34.2
Bolt Hole Circle Ø [mm]	108
Brake Disc Thickness [mm]	10
Required quantity	2
Number of Holes	4



References

4246.89	4249.95
4246.A5	

Application info

106 [08/91-07/04]	309 [10/85-12/93]
205 [02/83-09/98]	405 [01/87-11/99]
206 [08/98-03/09]	205 [02/83--]
306 [04/93-10/03]	

Brake disc

11-15 521 0042/PD | MBD1760PD

Notes

Wheel Bolt Bore Ø [mm]	13
	Zink flake coated
	Solid
Centering Diameter [mm]	66
Minimum thickness [mm]	9
Outer diameter [mm]	247
Height [mm]	34.2
Bolt Hole Circle Ø [mm]	108
	with screws
Brake Disc Thickness [mm]	10
Required quantity	2
Number of Holes	4



References

4246.89	4249.95
4246.A5	

Application info

106 [08/91-07/04]	309 [10/85-12/93]
205 [02/83-09/98]	405 [01/87-11/99]
206 [08/98-03/09]	205 [02/83--]
306 [04/93-10/03]	

2

11-15 523 0011 | MBD1764

Brake disc



Notes

Wheel Bolt Bore Ø [mm]	15
	Solid
Centering Diameter [mm]	59
Minimum thickness [mm]	10
Outer diameter [mm]	272
Height [mm]	28
Bolt Hole Circle Ø [mm]	98
Brake Disc Thickness [mm]	12
Required quantity	2
Number of Holes	5
	Rear Axle

References

4246.P3	4249.C0
4246.P4	

Application info

807 [06/02-05/06]

11-15 523 0012 | MBD2110

Brake disc



Notes

Wheel Bolt Bore Ø [mm]	13
	Solid
Centering Diameter [mm]	71.1
Minimum thickness [mm]	10
Outer diameter [mm]	290
Height [mm]	35
Bolt Hole Circle Ø [mm]	108
Brake Disc Thickness [mm]	12
Required quantity	2
Number of Holes	4
	Rear Axle

References

4249.F7

Application info

3008 [06/09--]

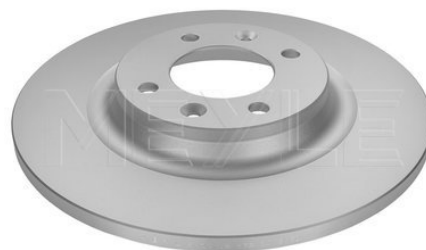
308 [09/07--]

Brake disc

11-15 523 0012/PD | MBD2110PD

Notes

Wheel Bolt Bore Ø [mm]	13
	Zink flake coated
	Solid
Centering Diameter [mm]	71.1
Minimum thickness [mm]	10
Outer diameter [mm]	290
Height [mm]	35
Bolt Hole Circle Ø [mm]	108
Brake Disc Thickness [mm]	12
Required quantity	2
Number of Holes	4
	Rear Axle



References

4249.F7

Application info

3008 (06/09--)

308 (09/07--)

Brake disc

11-15 521 0017 | MBD0143

Notes

Wheel Bolt Bore Ø [mm]	13
	Vented
Centering Diameter [mm]	66.02
Minimum thickness [mm]	20
Outer diameter [mm]	266
Height [mm]	34.2
Bolt Hole Circle Ø [mm]	108
Brake Disc Thickness [mm]	22
Required quantity	2
Number of Holes	4
	Front Axle



References

4246.W7
4249.15
4249.83

4249.G1
E 169 141

Application info

1007 (04/05--)
2008 (03/13--)
206 (08/98-03/09)
207 (02/06-10/08)
208 (03/12--)
301 (11/12--)

307 (08/00-01/05)
Partner I (04/96-07/08)
Partner II (04/08--)
207 (02/06--)
Partner I (04/96--)
Partner II (04/08--)

11-83 521 0017/PD | MBD1765PD

Brake disc



Notes

Wheel Bolt Bore Ø [mm]	13
	Zink flake coated
	High-carbon
	Vented
Centering Diameter [mm]	66.02
Minimum thickness [mm]	20
Outer diameter [mm]	266
Height [mm]	34.2
Bolt Hole Circle Ø [mm]	108
	with screws
Brake Disc Thickness [mm]	22
Required quantity	2
Number of Holes	4
	Front Axle

References

16 13 191 380	4249.83
4246.W7	4249.G1
4249.15	E 169 141

Application info

1007 (04/05--)
2008 (03/13--)
206 (08/98-03/09)
207 (02/06-10/08)
208 (03/12--)
301 (11/12--)

307 (08/00-01/05)
Partner I (04/96-07/08)
Partner II (04/08--)
207 (02/06--)
Partner I (04/96--)
Partner II (04/08--)

11-15 523 0013 | MBD2111

Brake disc



Notes

Wheel Bolt Bore Ø [mm]	13
	Solid
Centering Diameter [mm]	71.1
Minimum thickness [mm]	10
Outer diameter [mm]	290
Height [mm]	44
Bolt Hole Circle Ø [mm]	108
Brake Disc Thickness [mm]	12
Required quantity	2
Number of Holes	5
	Rear Axle

References

4249.G2

Application info

508 (11/10--)



Brake disc

11-15 523 0013/PD | MBD2111PD

Notes

Wheel Bolt Bore Ø [mm]	13
	Zink flake coated
	Solid
Centering Diameter [mm]	71.1
Minimum thickness [mm]	10
Outer diameter [mm]	290
Height [mm]	44
Bolt Hole Circle Ø [mm]	108
Brake Disc Thickness [mm]	12
Required quantity	2
Number of Holes	5
	Rear Axle



References

4249.G2

Application info

508 (11/10--)

Brake disc

11-15 521 0030 | MBD1702

Notes

Wheel Bolt Bore Ø [mm]	13.2
	Vented
Centering Diameter [mm]	71
Minimum thickness [mm]	26
Outer diameter [mm]	304
Height [mm]	48
Bolt Hole Circle Ø [mm]	108
Brake Disc Thickness [mm]	28
Required quantity	2
Number of Holes	5
	Front Axle



References

4249.93

4249.K1

Application info

308 II (09/13--)

407 (05/04-12/09)

508 (11/10--)

2

11-15 521 0030/PD | MBD1702PD

Brake disc



Notes

Wheel Bolt Bore Ø [mm]	13.2
	Vented
Centering Diameter [mm]	71
Minimum thickness [mm]	26
Outer diameter [mm]	304
Height [mm]	48
Bolt Hole Circle Ø [mm]	108
Brake Disc Thickness [mm]	28
Required quantity	2
Number of Holes	5
	Front Axle

References

4249.93	4249.K1
---------	---------

Application info

308 II [09/13--]
407 [05/04-12/09]

508 [11/10--]

11-15 521 0040 | MBD2108

Brake disc



Notes

	Vented
Centering Diameter [mm]	66
Minimum thickness [mm]	26
Outer diameter [mm]	323
Height [mm]	34.2
Bolt Hole Circle Ø [mm]	108
Brake Disc Thickness [mm]	28
Required quantity	2
Number of Holes	4
	Front Axle

References

4249.L6

Application info

208 [03/12--]

Brake disc
11-15 521 0040/PD | MBD2108PD
Notes

	Zink flake coated
	Vented
Centering Diameter [mm]	66
Minimum thickness [mm]	26
Outer diameter [mm]	323
Height [mm]	34.2
Bolt Hole Circle Ø [mm]	108
Brake Disc Thickness [mm]	28
Required quantity	2
Number of Holes	4
	Front Axle


References

4249.L6

Application info

208 [03/12--]

Brake disc
11-15 523 0011/PD | MBD1764PD
Notes

Wheel Bolt Bore Ø [mm]	15
	Zink flake coated
	Solid
Centering Diameter [mm]	59
Minimum thickness [mm]	10
Outer diameter [mm]	272
Height [mm]	28
Bolt Hole Circle Ø [mm]	98
Brake Disc Thickness [mm]	12
Required quantity	2
Number of Holes	5
	Rear Axle


References

 4246.P3
4246.P4

 4249.C0
4259.C9

Application info

807 [06/02-05/06]

11-15 521 0044 | MBD2091

Brake disc



Notes

Centering Diameter [mm]	71
Minimum thickness [mm]	24
Outer diameter [mm]	283
Height [mm]	47.9
Bolt Hole Circle Ø [mm]	108
Brake Disc Thickness [mm]	26
Required quantity	2
Number of Holes	5
	Front Axle

References

98 039 181 80

Application info

308 II (09/13--)

11-15 521 0044/PD | MBD2091PD

Brake disc



Notes

	Zink flake coated
	Vented
Centering Diameter [mm]	71
Minimum thickness [mm]	24
Outer diameter [mm]	283
Height [mm]	47.9
Bolt Hole Circle Ø [mm]	108
Brake Disc Thickness [mm]	26
Required quantity	2
Number of Holes	5
	Front Axle

References

98 039 181 80

Application info

308 II (09/13--)



Brake disc

32-15 523 0020/PD | MBD1954PD

Notes

Wheel Bolt Bore Ø [mm]	12.6
	Zink flake coated
	Solid
Centering Diameter [mm]	79.9
Minimum thickness [mm]	8.4
Outer diameter [mm]	302
Height [mm]	60
Bolt Hole Circle Ø [mm]	114.3
Brake Disc Thickness [mm]	10
Required quantity	2
Number of Holes	5
	Rear Axle



References

16 062 920 80

Application info

4007 (02/07--)

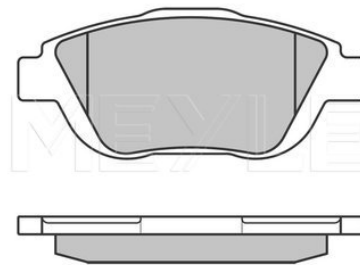
4008 (05/12--)

Brake pad set

025 248 8318 | MBP0675

Notes

	not prepared for wear indicator
Thickness [mm]	18
Height [mm]	59.2
Width [mm]	136.7
Brake System	Bosch with anti-squeak plate
	Front Axle



References

16 070 831 80

Application info

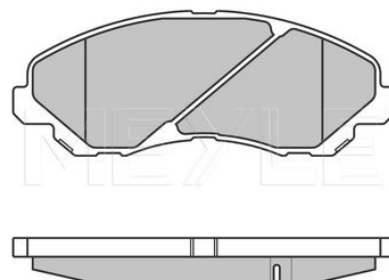
2008 (03/13--)

Brake pad set

025 235 8416/W | MBP0390

Notes

	with acoustic wear warning
Thickness [mm]	16.4
Height [mm]	54.9
Width [mm]	144.8
Number of wear indicators [per axle]	2
Brake System	Akebono with anti-squeak plate
	Front Axle



References

16 076 903 80

16 076 904 80

2



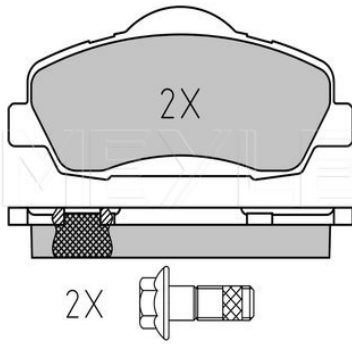
025 235 8416/W | MBP0390

Brake pad set

Application info
4008 [05/12--]

025 252 5118 | MBP1706

Brake pad set



Notes

Thickness [mm]	prepared for wear indicator
Height [mm]	18
Width [mm]	52.7
Brake System	132.9
	MANDO
	Front Axle

References

16 086 913 80	16 106 992 80
---------------	---------------

Application info
301 [11/12--]

308 II [09/13--]

025 256 8814 | MBP1727

Brake pad set



Notes

Thickness [mm]	with acoustic wear warning
Height [mm]	14.3
Width [mm]	44.3
Number of wear indicators [per axle]	101.4
Brake System	2
	AKEBONO
	with anti-squeak plate
	Rear Axle

References

1609899680

Application info
4008 [05/12--]

Brake pad set

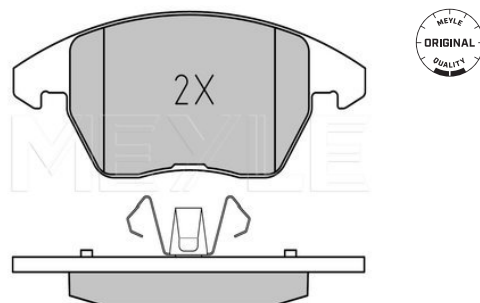
025 235 8919 | MBP0393

Notes

Thickness [mm]	19
Height [mm]	71.4
Width [mm]	156.4
Brake System	ATE with anti-squeak plate Front Axle

References

16 099 879 80	4253.43
16 114 578 80	4254.88
4252.60	E 172 359



Application info

207 [02/06-10/08]	307 [08/00-01/05]
208 [03/12--]	308 [09/07--]
3008 [06/09--]	

Brake pad set

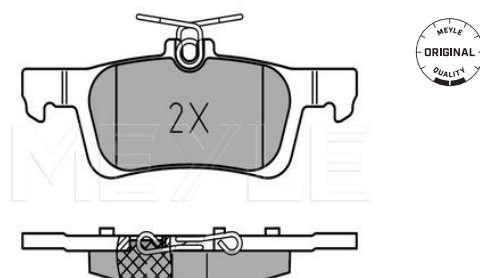
025 258 4116 | MBP1707

Notes

Thickness [mm]	16.1
Height 2 [mm]	46.2
Height 1 [mm]	41.2
Width [mm]	123
Brake System	ATE with anti-squeak plate Rear Axle

References

1610814180



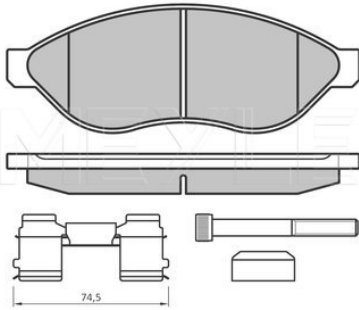
Application info

308 II [09/13--]

2

025 244 6819-1/PD | MBP0813PD

Brake pad set



Notes

Quality
Thickness [mm]
Height [mm]
Width [mm]
Warning Contact Length [mm]
Number of wear indicators [per axle]
Brake System

with accessories
incl. wear warning contact
PREMIUM
19.1
61.5
169.2
155
2
Brembo
with anti-squeak plate
Front Axle

References

1607878380	4253.57
1611457380	4254.61
1612433880	E172301
4253.55	

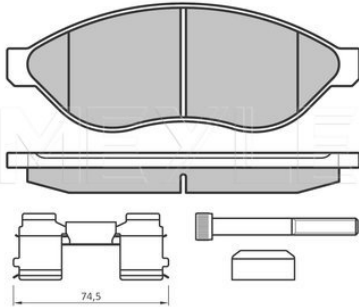
Application info

Boxer III [04/06--]

Boxer III [04/06--]

025 244 6819/W1 | MBP0599

Brake pad set



Notes

Thickness [mm]
Height [mm]
Width [mm]
Warning Contact Length [mm]
Number of wear indicators [per axle]
Brake System

with accessories
incl. wear warning contact
19.1
61.5
169.2
155
2
Brembo
with anti-squeak plate
Front Axle

References

1607878380	4253.57
1611457380	4254.61
1612433880	E172301
4253.55	

Application info

Boxer III [04/06--]

Boxer III [04/06--]



Brake pad set

025 244 6819-2/PD | MBP0822PD

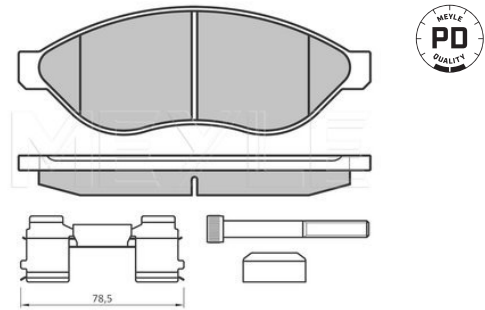
Notes

Quality
 Thickness [mm] 19.1
 Height [mm] 61.5
 Width [mm] 169.2
 Number of wear indicators [per axle] 2
 Warning Contact Length [mm] 155
 Brake System Brembo with anti-squeak plate Front Axle

with accessories
 incl. wear warning contact
 PREMIUM

References

1607878580 4254.62
 1612433980



2

Application info

Boxer III [04/06--]

Boxer III [04/06--]

Brake pad set

025 244 6819/W2 | MBP0600

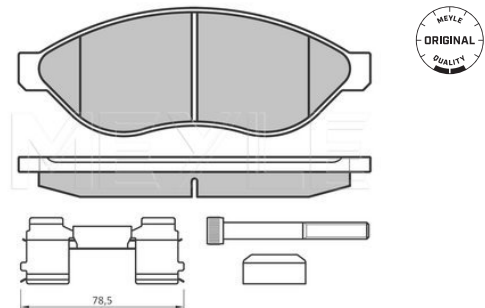
Notes

Thickness [mm] 19.1
 Height [mm] 61.5
 Width [mm] 169.2
 Warning Contact Length [mm] 155
 Number of wear indicators [per axle] 2
 Brake System Brembo with anti-squeak plate Front Axle

with accessories
 incl. wear warning contact

References

1607878580 4254.62
 1612433980



Application info

Boxer III [04/06--]

Boxer III [04/06--]

025 220 4119 | MBP1711

Brake pad set



Notes

Thickness [mm]	18.8
Height [mm]	48.7
Width [mm]	136.8
Number of wear indicators [per axle]	2
Warning Contact Length [mm]	200
	with anti-squeak plate
	Rear Axle

References

1612434180	1614412180
------------	------------

Application info

Boxer III (04/06--)

Boxer III (04/06--)

025 204 5419 | MBP1637

Brake pad set



Notes

Thickness [mm]	19
Height [mm]	70
Width [mm]	89.6
Number of wear indicators [per axle]	2
Warning Contact Length [mm]	95
Brake System	ATE
	with anti-squeak plate
	Front Axle

References

4248.34	4250.22
4250.16	4250.24
4250.20	

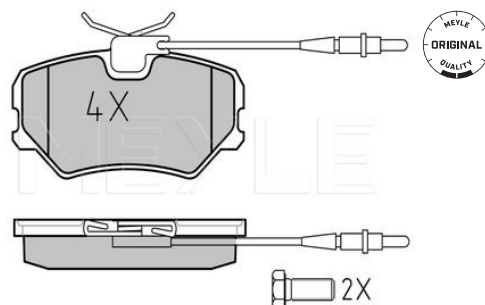
Application info

504 (07/68-12/89)

505 (05/79-09/95)

Brake pad set
025 212 0918/W | MBP0094
Notes

	incl. wear warning contact
Thickness [mm]	18.6
Height [mm]	48.7
Width [mm]	94.8
Number of wear indicators [per axle]	2
Brake System	TRW with anti-squeak plate Front Axle


References

4250.55	4250.95
4250.78	4252.70
4250.87	

Application info

405 [01/87-11/99]

Brake pad set
025 209 6115 | MBP0056
Notes

	excl. wear warning contact
Thickness [mm]	15.1
Height [mm]	52.8
Width [mm]	87.1
Brake System	TRW with anti-squeak plate Rear Axle


References

4250.56	4251.08
---------	---------

Application info

405 [01/87-11/99]

Brake pad set
025 209 6115/PD | MBP0056PD
Notes

	excl. wear warning contact
Quality	PREMIUM
Thickness [mm]	15.1
Height [mm]	52.8
Width [mm]	87.1
Brake System	TRW with anti-squeak plate Rear Axle


References

4250.56	4251.08
---------	---------

025 209 6115/PD | MBP0056PD

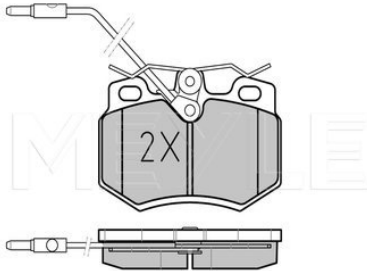
Brake pad set

Application info

405 [01/87-11/99]

025 210 8017/PD | MBP0761PD

Brake pad set



Notes

Quality
Thickness [mm]
Height [mm]
Width [mm]
Number of wear indicators [per axle]
Brake System

incl. wear warning contact
PREMIUM
17.5
62.8
89.7
4
TRW
with anti-squeak plate
Front Axle

References

4250.37 4250.77
4250.39 4250.82

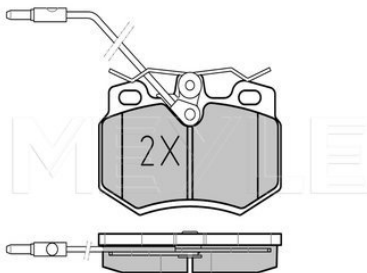
Application info

205 [02/83-09/98]
309 [10/85-12/93]

205 [02/83--]

025 210 8017/W | MBP0072

Brake pad set



Notes

Thickness [mm]
Height [mm]
Width [mm]
Number of wear indicators [per axle]
Brake System

incl. wear warning contact
17.5
62.8
89.7
4
TRW
with anti-squeak plate
Front Axle

References

4250.37 4250.77
4250.39 4250.82

Application info

205 [02/83-09/98]
309 [10/85-12/93]

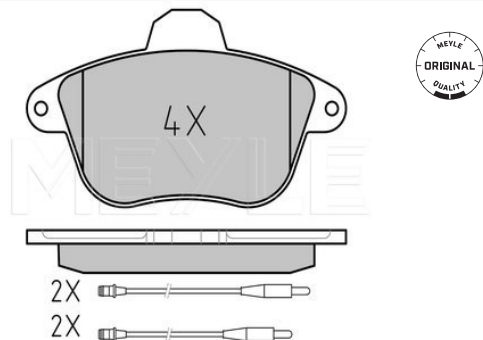
205 [02/83--]

Brake pad set
025 215 0717/W | MBP0148
Notes

Thickness [mm]	incl. wear warning contact
Height [mm]	17
Width [mm]	73.1
Number of wear indicators [per axle]	130.8
Brake System	4
	Bendix
	with anti-squeak plate
	Front Axle

References

4250.89


Application info

605 [06/89-09/99]

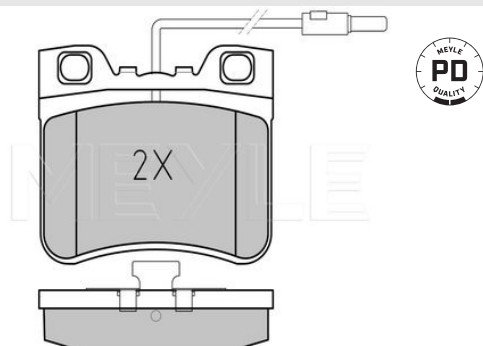
Brake pad set
025 212 6717/PD | MBP0762PD
Notes

Quality	incl. wear warning contact
Thickness [mm]	PREMIUM
Height [mm]	17.1
Width [mm]	60.6
Number of wear indicators [per axle]	72
Brake System	4
	ATE
	with anti-squeak plate
	Front Axle

References

 4250.90
4251.64

4252.84


Application info

106 [08/91-07/04]

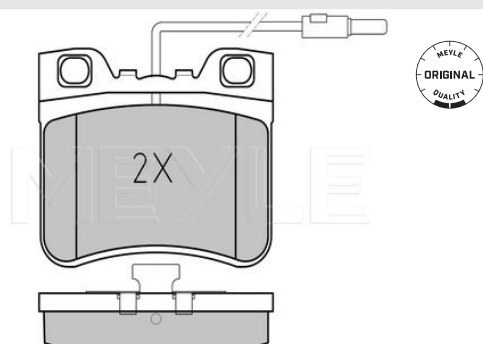
Brake pad set
025 212 6717/W | MBP0100
Notes

Thickness [mm]	incl. wear warning contact
Height [mm]	17.1
Width [mm]	60.6
Number of wear indicators [per axle]	72
Brake System	4
	ATE
	with anti-squeak plate
	Front Axle

References

 4250.90
4251.64

4252.84



025 212 6717/W | MBP0100

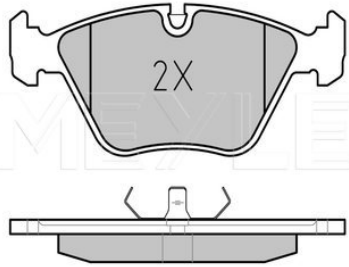
Brake pad set

Application info

106 [08/91-07/04]

025 212 1118 | MBP0095

Brake pad set



Notes

Thickness [mm]
Height [mm]
Width [mm]
Brake System

prepared for wear indicator
18.5
63.5
156.4
ATE
with anti-squeak plate
Front Axle

References

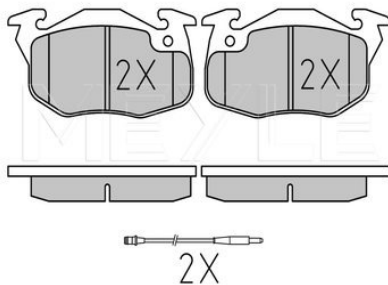
4250.94

Application info

605 [06/89-09/99]

025 209 0518/PD | MBP0758PD

Brake pad set



Notes

Quality
Thickness [mm]
Height [mm]
Width [mm]
Number of wear indicators [per axle]
Warning Contact Length [mm]
Brake System

incl. wear warning contact
PREMIUM
18
54.5
105
2
205
Bendix
with anti-squeak plate
Front Axle

References

2450.50	4250.76
4250.33	4250.88
4250.34	4250.97
4250.35	4251.27
4250.36	4251.41
4250.43	4252.61
4250.49	4252.62
4250.50	4252.64
4250.57	4252.75
4250.69	4254.83
4250.72	4254.99
4250.75	E172150

Application info

106 [08/91-07/04]
205 [02/83-09/98]
309 [10/85-12/93]

405 [01/87-11/99]
205 [02/83--]

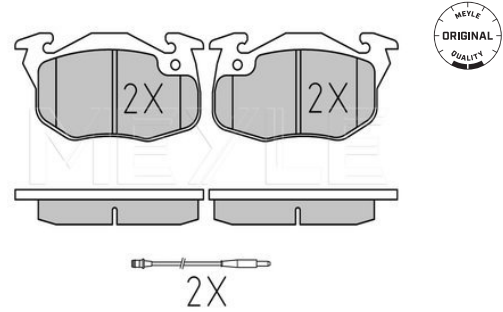


Brake pad set

025 209 0518/W | MBP0049

Notes

	incl. wear warning contact
Thickness [mm]	18
Height [mm]	54.5
Width [mm]	105
Number of wear indicators [per axle]	2
Warning Contact Length [mm]	205
Brake System	Bendix with anti-squeak plate Front Axle



References

2450.50	4250.76
4250.33	4250.88
4250.34	4250.97
4250.35	4251.27
4250.36	4251.41
4250.43	4252.61
4250.49	4252.62
4250.50	4252.64
4250.57	4252.75
4250.69	4254.83
4250.72	4254.99
4250.75	E172150

Application info

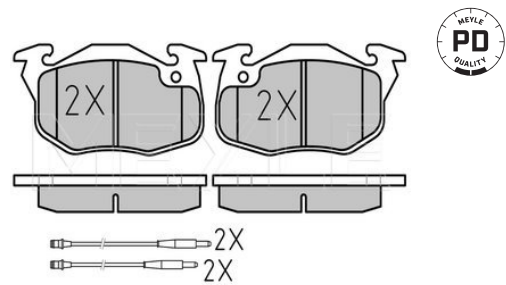
106 [08/91-07/04]	405 [01/87-11/99]
205 [02/83-09/98]	205 [02/83--]
309 [10/85-12/93]	

Brake pad set

025 209 0618/PD | MBP0759PD

Notes

	incl. wear warning contact
Quality	PREMIUM
Thickness [mm]	18
Height [mm]	54
Width [mm]	105
Warning Contact Length [mm]	365
Number of wear indicators [per axle]	4
Warning Contact Length [mm]	280
Brake System	Bendix with anti-squeak plate Front Axle



References

4250.91	4252.63
4250.92	4252.65
4251.02	4253.14
4251.20	4254.98
4251.65	

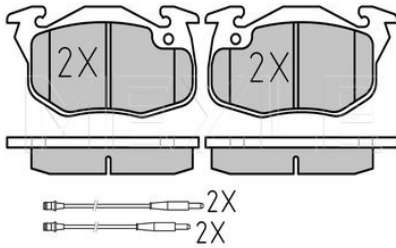
Application info

106 [08/91-07/04]	306 [04/93-10/03]
-------------------	-------------------

2

025 209 0618/W | MBP0050

Brake pad set



Notes

Thickness [mm]	18
Height [mm]	54
Width [mm]	105
Warning Contact Length [mm]	365
Number of wear indicators [per axle]	4
Warning Contact Length [mm]	280
Brake System	Bendix with anti-squeak plate Front Axle

References

4250.91	4252.63
4250.92	4252.65
4251.02	4253.14
4251.20	4254.98
4251.65	

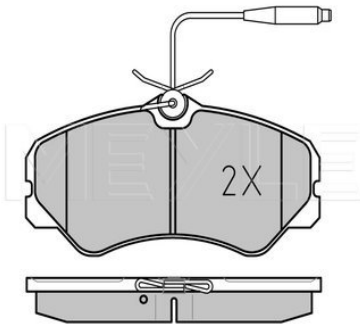
Application info

106 [08/91-07/04]

306 [04/93-10/03]

025 212 0519/W | MBP0093

Brake pad set



Notes

Thickness [mm]	19.5
Height [mm]	71.6
Width [mm]	145
Number of wear indicators [per axle]	2
Brake System	TRW with anti-squeak plate Front Axle

References

4250.47	4251.05
4250.58	

Application info

J5 [280] [09/81-09/90]

J5 [290] [09/90-03/94]

J5 [280] [09/81-09/90]

J5 [290] [09/90-03/94]



Brake pad set

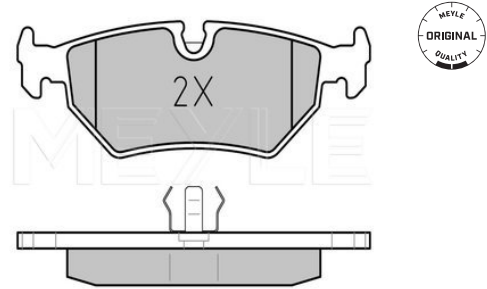
025 212 7517 | MBP0102

Notes

Thickness [mm]	16.9
Height [mm]	43.1
Width [mm]	123.2
Brake System	ATE with anti-squeak plate Rear Axle

References

4251.11	4254.66
4251.12	



Application info

806 (06/94-08/02)

Brake pad set

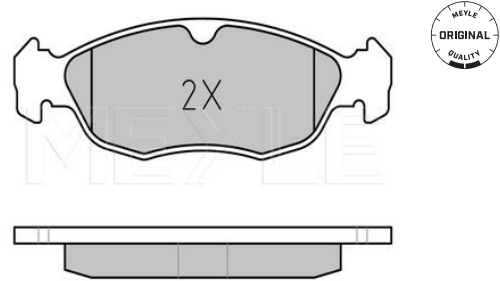
025 214 3017/W | MBP0128

Notes

Thickness [mm]	incl. wear warning contact 17.3
Height [mm]	47.6
Width [mm]	141.4
Number of wear indicators [per axle]	2
Brake System	ATE with anti-squeak plate Front Axle

References

4251.03	4251.22
4251.21	4253.16



Application info

205 (02/83-09/98)

306 (04/93-10/03)

Brake pad set

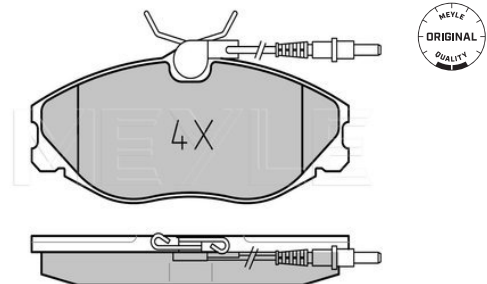
025 216 7419/W | MBP0179

Notes

Thickness [mm]	incl. wear warning contact 18.7
Height [mm]	56.3
Width [mm]	130
Number of wear indicators [per axle]	4
Brake System	TRW with anti-squeak plate Front Axle

References

4251.32	E 172 116
4251.43	E 172 522
4251.60	



025 216 7419/W | MBP0179

Brake pad set

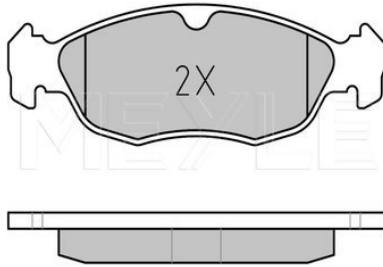
Application info

306 [04/93-10/03]

406 [11/95-12/04]

025 218 2717 | MBP0199

Brake pad set



Notes

Thickness [mm]
Height [mm]
Width 2 [mm]
Width 1 [mm]
Brake System

not prepared for wear indicator
17.3
47.6
140.2
141.4
ATE
with anti-squeak plate
Front Axle

References

4151.88
4251.34
4251.42

4251.67
4254.82

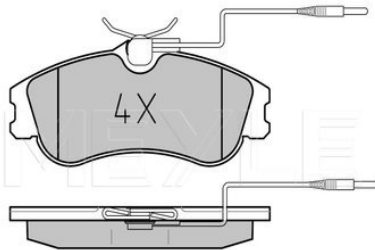
Application info

106 [08/91-07/04]

306 [04/93-10/03]

025 231 2419/PD | MBP0779PD

Brake pad set



Notes

Quality
Thickness [mm]
Height [mm]
Width [mm]
Number of wear indicators [per axle]
Brake System

incl. wear warning contact
PREMIUM
19
56
129.8
4
TRW
with anti-squeak plate
Front Axle

References

4251.54

Application info

306 [04/93-10/03]
Partner I [04/96-07/08]

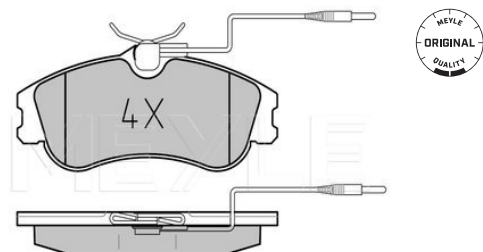
Partner I [04/96--]

Brake pad set

025 231 2419/W | MBP0266

Notes

Thickness [mm]	incl. wear warning contact
Height [mm]	19
Width [mm]	56
Number of wear indicators [per axle]	129.8
Brake System	4
	TRW
	with anti-squeak plate
	Front Axle



References

4251.54

Application info

306 [04/93-10/03]
Partner I [04/96-07/08]

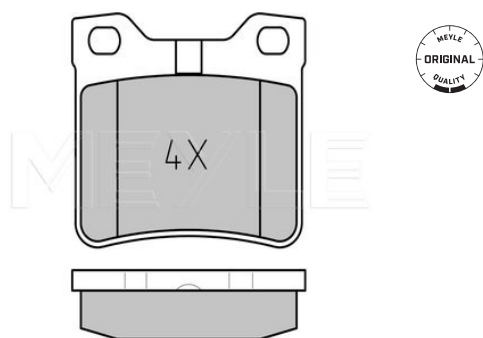
Partner I [04/96--]

Brake pad set

025 212 7817/W | MBP0104

Notes

Thickness [mm]	incl. wear warning contact
Height [mm]	16.7
Width [mm]	57.4
Number of wear indicators [per axle]	63.7
Brake System	2
	ATE
	with anti-squeak plate
	Rear Axle



References

4250.81

4251.93

Application info

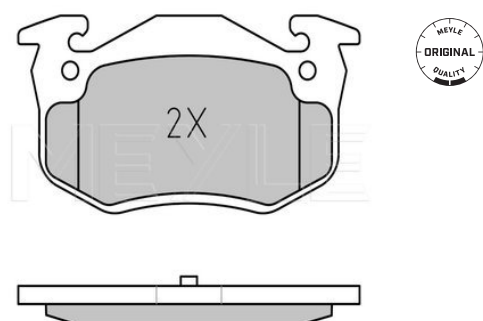
605 [06/89-09/99]

Brake pad set

025 209 7311 | MBP0059

Notes

Thickness [mm]	prepared for wear indicator
Height [mm]	11
Width [mm]	54.6
Brake System	105
	Bendix
	with anti-squeak plate
	Rear Axle



References

4250.42
4250.71
4251.04
4251.48
4251.96

4252.71
4252.74
4254.42
E 172 201

025 209 7311 | MBP0059

Brake pad set

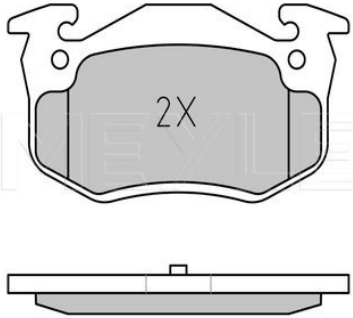
Application info

205 [02/83-09/98]
206 [08/98-03/09]

306 [04/93-10/03]
309 [10/85-12/93]

025 209 7311/PD | MBP0059PD

Brake pad set



Notes

Quality
Thickness [mm]
Height [mm]
Width [mm]
Brake System

prepared for wear indicator
PREMIUM
11
54.6
105
Bendix
with anti-squeak plate
Rear Axle

References

4250.42
4250.71
4251.04
4251.48
4251.96

4252.71
4252.74
4254.42
E 172 201

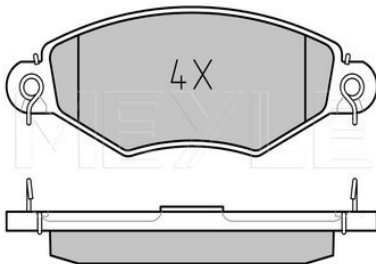
Application info

205 [02/83-09/98]
206 [08/98-03/09]

306 [04/93-10/03]
309 [10/85-12/93]

025 219 8018 | MBP0240

Brake pad set



Notes

Thickness [mm]
Height [mm]
Width [mm]
Brake System

not prepared for wear indicator
18
47.2
130.6
Bosch
with anti-squeak plate
Front Axle

References

4251.92

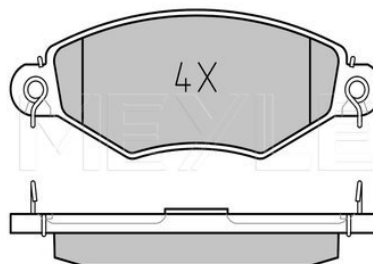
4252.05

Application info

206 [08/98-03/09]

Brake pad set
025 219 8018/PD | MBP0240PD
Notes

 Quality
 Thickness [mm]
 Height [mm]
 Width [mm]
 Brake System

 not prepared for wear indicator
 PREMIUM
 18
 47.2
 130.6
 Bosch
 with anti-squeak plate
 Front Axle

References

4251.92

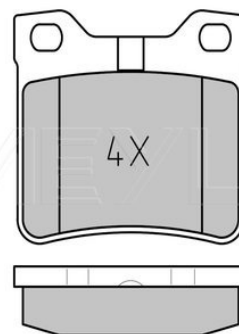
4252.05

Application info

206 [08/98-03/09]

2
Brake pad set
025 212 7817 | MBP0103
Notes

 Thickness [mm]
 Height [mm]
 Width [mm]
 Brake System

 excl. wear warning contact
 16.7
 57.4
 63.7
 ATE
 with anti-squeak plate
 Rear Axle

References

 4251.30
 4252.08

 4252.66
 E 172 280

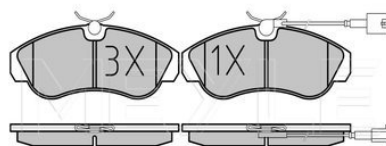
Application info

406 [11/95-12/04]

607 [02/00-07/04]

Brake pad set
025 236 0319/PD | MBP1667PD
Notes

 Quality
 Thickness [mm]
 Height [mm]
 Width [mm]
 Number of wear indicators [per axle]
 Brake System

 incl. wear warning contact
 PREMIUM
 19.2
 64.1
 159.7
 1
 TRW
 with anti-squeak plate
 Front Axle

References

4252.25

+

025 236 0319/PD | MBP1667PD

Brake pad set

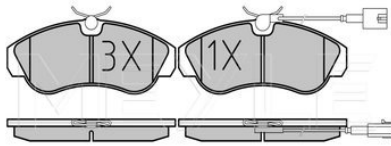
Application info

Boxer I [03/94-04/02]

Boxer I [03/94-04/02]

025 236 0319/W | MBP0402

Brake pad set



Notes

Thickness [mm]
Height [mm]
Width [mm]
Number of wear indicators [per axle]
Brake System

incl. wear warning contact
19.2
64.1
159.7
1
TRW
with anti-squeak plate
Front Axle

References

4252.25

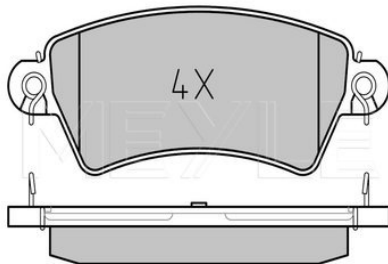
Application info

Boxer I [03/94-04/02]

Boxer I [03/94-04/02]

025 233 9617 | MBP0334

Brake pad set



Notes

Thickness [mm]
Height [mm]
Width [mm]
Brake System

excl. wear warning contact
17.2
52.2
130.7
Bosch
with anti-squeak plate
Front Axle

References

4251.52
4252.29

4254.84

Application info

206 [08/98-03/09]

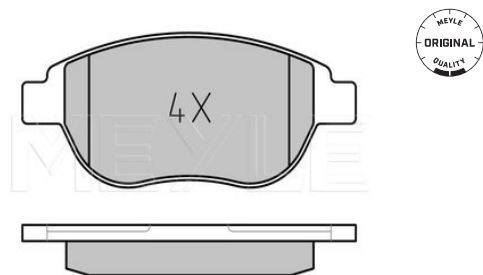
306 [04/93-10/03]

Brake pad set
025 236 0019 | MBP0399
Notes

Thickness [mm]	excl. wear warning contact 19
Height [mm]	57.2
Width [mm]	136.8
Brake System	Bosch with anti-squeak plate Front Axle

References

4252.22	4254.71
4252.50	4254.89
4252.52	4254.92
4253.31	E 172 125
4253.39	E 172 284
4253.85	E 172 559
4254.18	


Application info

1007 (04/05--)
 206 (08/98-03/09)
 207 (02/06-10/08)
 307 (08/00-01/05)

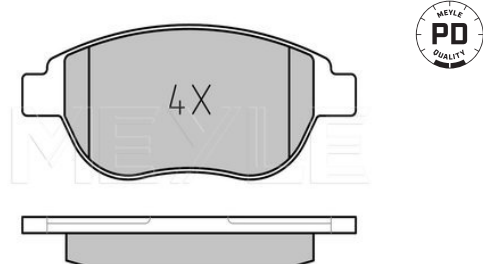
Partner I (04/96-07/08)
 207 (02/06--)
 Partner I (04/96--)

Brake pad set
025 236 0019/PD | MBP0399PD
Notes

Quality	excl. wear warning contact PREMIUM
Thickness [mm]	19
Height [mm]	57.2
Width [mm]	136.8
Brake System	Bosch with anti-squeak plate Front Axle

References

4252.22	4254.71
4252.50	4254.89
4252.52	4254.92
4253.31	E 172 125
4253.39	E 172 284
4253.85	E 172 559
4254.18	


Application info

1007 (04/05--)
 206 (08/98-03/09)
 207 (02/06-10/08)
 307 (08/00-01/05)

Partner I (04/96-07/08)
 207 (02/06--)
 Partner I (04/96--)

025 237 5318 | MBP1649

Brake pad set



Notes

Thickness [mm]	18	incl. wear warning contact
Height [mm]	69.2	
Width [mm]	109.8	
Warning Contact Length [mm]	285	
Number of wear indicators [per axle]	2	
Warning Contact Length [mm]	365	
Brake System	BREMBO	with anti-squeak plate
		Front Axle

References

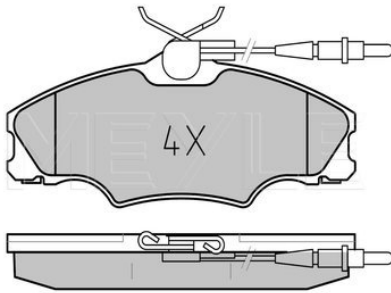
4251.82	4252.19
4251.95	4252.51

Application info

406 [11/95-12/04]

025 217 2419/W | MBP0189

Brake pad set



Notes

Thickness [mm]	19.1	incl. wear warning contact
Height [mm]	52.7	
Width [mm]	130	
Number of wear indicators [per axle]	4	
Brake System	TRW	with anti-squeak plate
		Front Axle

References

4251.31	4252.68
---------	---------

Application info

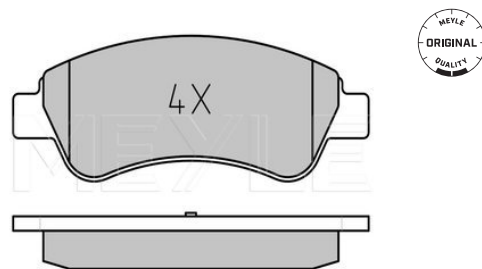
406 [11/95-12/04]

Brake pad set
025 235 9919 | MBP0398
Notes

Thickness [mm]	excl. wear warning contact
Height [mm]	19
Width [mm]	51.6
Brake System	136.7
	Bosch
	with anti-squeak plate
	Front Axle

References

16 112 939 80	4252.76
4252.18	4253.30
4252.21	4253.38
4252.38	4253.41
4252.39	4254.75
4252.40	E 172 124
4252.59	E 172 558


Application info

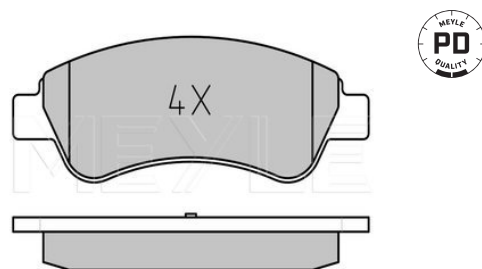
1007 [04/05--]	301 [11/12--]
2008 [03/13--]	307 [08/00-01/05]
206 [08/98-03/09]	Partner I [04/96-07/08]
207 [02/06-10/08]	207 [02/06--]
208 [03/12--]	Partner I [04/96--]

Brake pad set
025 235 9919/PD | MBP0398PD
Notes

Quality	with accessories
Thickness [mm]	not prepared for wear indicator
Height [mm]	PREMIUM
Width [mm]	19
Brake System	51.6
	136.7
	Bosch
	with screws
	with anti-squeak plate
	Front Axle

References

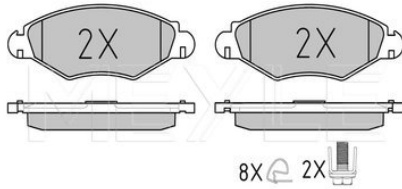
16 112 939 80	4252.76
16 172 829 80	4253.30
4252.18	4253.38
4252.21	4253.41
4252.38	4254.75
4252.39	E 172 124
4252.40	E 172 558
4252.59	


Application info

1007 [04/05--]	301 [11/12--]
2008 [03/13--]	307 [08/00-01/05]
206 [08/98-03/09]	Partner I [04/96-07/08]
207 [02/06-10/08]	207 [02/06--]
208 [03/12--]	Partner I [04/96--]

025 235 9718 | MBP0397

Brake pad set



Notes

Thickness [mm] 17.5
 Height [mm] 47.4
 Width [mm] 130.8
 Brake System Bosch
 with anti-squeak plate
 Front Axle

References

4251.66	4253.02
4251.91	4253.03
4252.04	4253.19
4252.12	4253.20
4252.28	

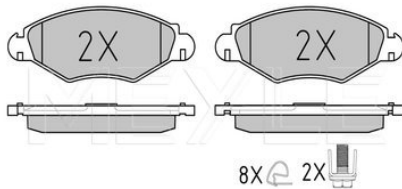
Application info

206 [08/98-03/09]

306 [04/93-10/03]

025 235 9718/PD | MBP0397PD

Brake pad set



Notes

Quality PREMIUM
 Thickness [mm] 17.5
 Height [mm] 47.4
 Width [mm] 130.8
 Brake System Bosch
 with anti-squeak plate
 Front Axle

References

4251.66	4253.02
4251.91	4253.03
4252.04	4253.19
4252.12	4253.20
4252.28	

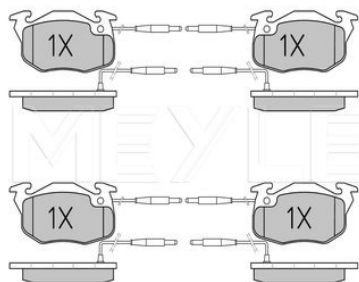
Application info

206 [08/98-03/09]

306 [04/93-10/03]

025 214 1418/W | MBP0126

Brake pad set



Notes

Thickness [mm] 18
 Height [mm] 54
 Width [mm] 105
 Number of wear indicators [per axle] 4
 Brake System Bendix
 with anti-squeak plate
 Front Axle

References

4251.02	4253.14
---------	---------

Brake pad set

025 214 1418/W | MBP0126

Application info

306 [04/93-10/03]

Brake pad set

025 241 3517 | MBP0530

Notes

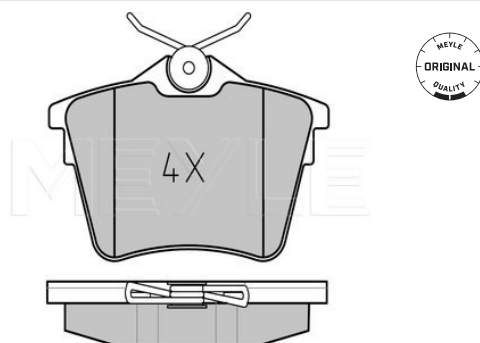
Thickness [mm]
Height [mm]
Width [mm]
Brake System

excl. wear warning contact
17.8
56.8
86
TRW
with anti-squeak plate
Rear Axle

References

4252.79
4253.26
4254.21

4254.91
E 172 240



Application info

407 [05/04-12/09]

Brake pad set

025 241 5017 | MBP0534

Notes

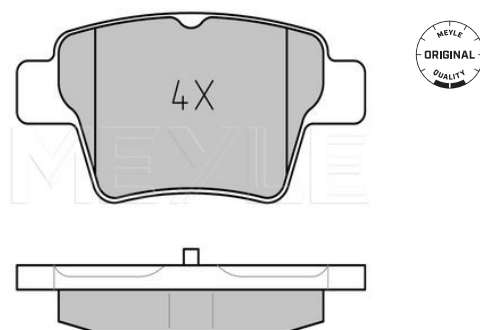
Thickness [mm]
Height [mm]
Width [mm]
Brake System

excl. wear warning contact
17.6
46.8
94.8
Bosch
with anti-squeak plate
Rear Axle

References

4253.22
4253.40
4253.98
4254.01

4254.19
4254.40
E 172 270
E 172 286



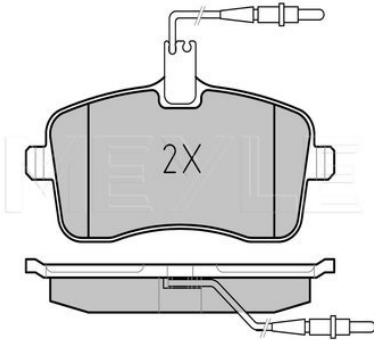
Application info

207 [02/06-10/08]
307 [08/00-01/05]

207 [02/06--]

025 241 3418/W | MBP0529

Brake pad set



Notes

Thickness [mm]	incl. wear warning contact
Height [mm]	18.7
Width [mm]	66.8
Warning Contact Length [mm]	131
Warning Contact Length [mm]	340
Number of wear indicators [per axle]	300
Brake System	4
	TRW
	with anti-squeak plate
	Front Axle

References

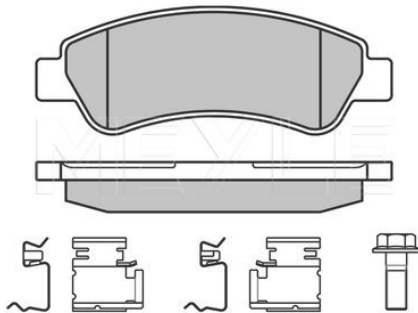
4252.77	4254.22
4253.35	4254.78
4253.47	E172236

Application info

407 [05/04-12/09]

025 244 6519 | MBP0596

Brake pad set



Notes

Thickness [mm]	excl. wear warning contact
Height [mm]	19.1
Width [mm]	48.9
Brake System	136.8
	Brembo
	with anti-squeak plate
	Rear Axle

References

4253.59	4254.69
---------	---------

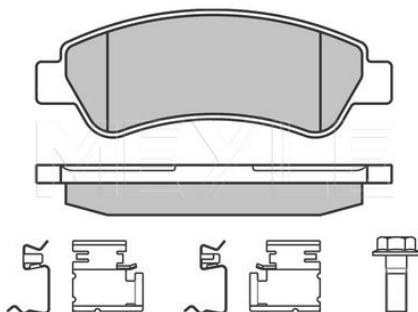
Application info

Boxer III [04/06--]

Boxer III [04/06--]

025 244 6519/PD | MBP0596PD

Brake pad set



Notes

Quality	excl. wear warning contact
Thickness [mm]	PREMIUM
Height [mm]	19.1
Width [mm]	48.9
Brake System	136.8
	Brembo
	with anti-squeak plate
	Rear Axle

References

4253.59	4254.69
---------	---------



Brake pad set

025 244 6519/PD | MBP0596PD

Application info

Boxer III [04/06--]

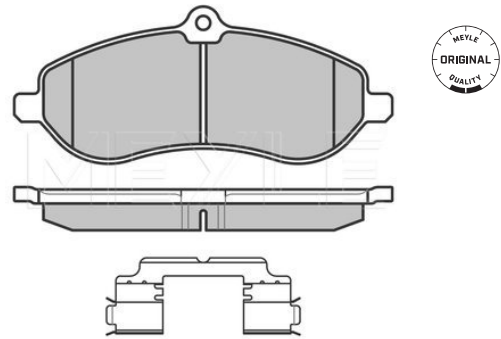
Boxer III [04/06--]

Brake pad set

025 245 9518/W | MBP0635

Notes

	with accessories incl. wear warning contact
Thickness [mm]	18.5
Height [mm]	67.3
Width [mm]	162
Warning Contact Length [mm]	300
Number of wear indicators [per axle]	1
Brake System	TRW with anti-squeak plate Front Axle



References

4253.63	4254.A2
4253.65	

Application info

Expert II [01/07--]

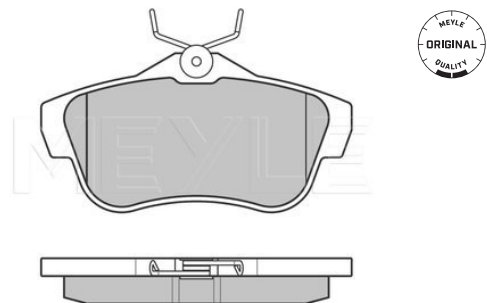
Expert II [01/07--]

Brake pad set

025 245 7816 | MBP0632

Notes

	with accessories prepared for wear indicator
Thickness [mm]	16.5
Height [mm]	58.5
Width [mm]	113.3
Brake System	TRW with anti-squeak plate Rear Axle



References

4253.67	4254.97
4253.68	

Application info

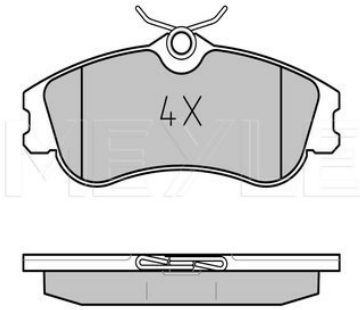
Expert II [01/07--]

Expert II [01/07--]

2

025 233 4619 | MBP0325

Brake pad set



Notes

Thickness [mm]
Height [mm]
Width [mm]
Brake System

excl. wear warning contact
19.2
56
129.8
TRW
with anti-squeak plate
Front Axle

References

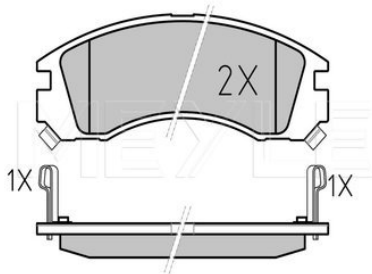
4253.78

Application info

206 [08/98-03/09]

025 213 6315/PD | MBP1578PD

Brake pad set



Notes

Thickness [mm]
Height [mm]
Width [mm]
Number of wear indicators [per axle]
Brake System

with acoustic wear warning
15.7
58.4
149.6
2
Akebono
with anti-squeak plate
Front Axle

References

4253.87

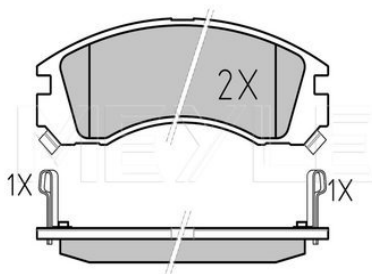
4254.30

Application info

4007 [02/07--]

025 213 6315/W | MBP0116

Brake pad set



Notes

Thickness [mm]
Height [mm]
Width [mm]
Number of wear indicators [per axle]
Brake System

with acoustic wear warning
15.7
58.4
149.6
2
Akebono
with anti-squeak plate
Front Axle

References

4253.87

4254.30

Brake pad set

025 213 6315/W | MBP0116

Application info

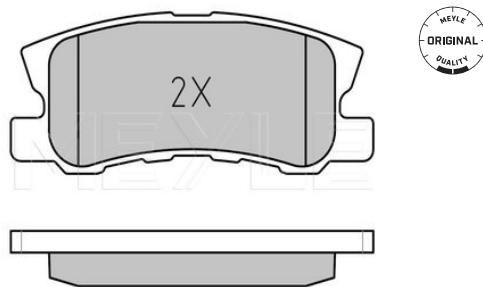
4007 [02/07--]

Brake pad set

025 235 8216 | MBP0389

Notes

Thickness [mm]	16
Height 2 [mm]	44.9
Height 1 [mm]	44.8
Width 2 [mm]	91
Width 1 [mm]	111.3
	with anti-squeak plate
	Rear Axle



References

4253.90	4254.48
---------	---------

Application info

4007 [02/07--]

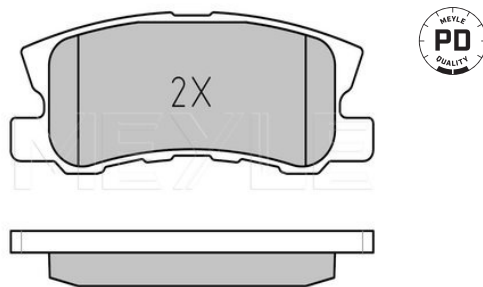
4008 [05/12--]

Brake pad set

025 235 8216/PD | MBP0389PD

Notes

Thickness [mm]	16
Height 2 [mm]	44.9
Height 1 [mm]	44.8
Width 2 [mm]	91
Width 1 [mm]	111.3
	with anti-squeak plate
	Rear Axle



References

4253.90	4254.48
---------	---------

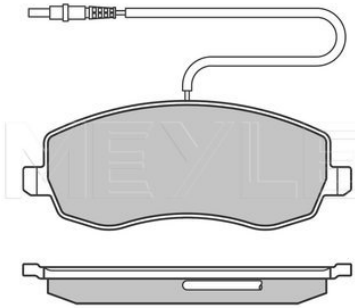
Application info

4007 [02/07--]

4008 [05/12--]

025 248 3919/W | MBP0668

Brake pad set



Notes

Thickness [mm]	19.4
Height [mm]	63.7
Width [mm]	162.5
Number of wear indicators [per axle]	2
Brake System	TRW with anti-squeak plate Front Axle

References

4253.94	4253.95
---------	---------

Application info

807 (06/02-05/06)

025 209 6117 | MBP0057

Brake pad set



Notes

Thickness [mm]	17.2
Height [mm]	52.8
Width [mm]	87.1
Brake System	TRW with anti-squeak plate Rear Axle

References

1608520380	4254.28
4252.32	4254.41
4253.96	4254.05

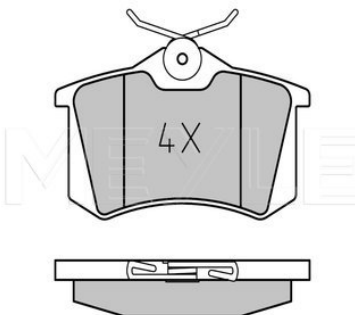
Application info

308 (09/07--)

807 (06/02-05/06)

025 209 6117/PD | MBP0057PD

Brake pad set



Notes

Quality	PREMIUM
Thickness [mm]	17.2
Height [mm]	52.8
Width [mm]	87.1
Brake System	TRW with screws with anti-squeak plate Rear Axle

References

1608520380	4254.28
4252.32	4254.41
4253.96	4254.05



Brake pad set

025 209 6117/PD | MBP0057PD

Application info

308 [09/07--]

807 [06/02-05/06]

Brake pad set

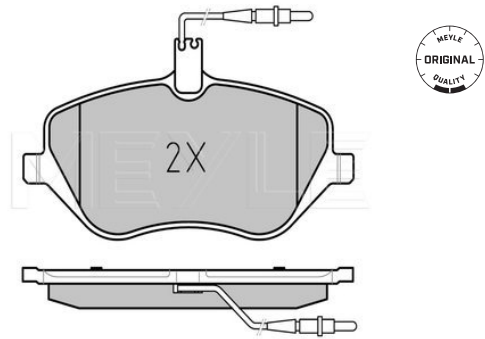
025 241 3317/W | MBP0528

Notes

	incl. wear warning contact
Thickness [mm]	17.7
Height [mm]	79.1
Width [mm]	162.4
Number of wear indicators [per axle]	4
Brake System	TRW with anti-squeak plate Front Axle

References

4252.78	4253.83
4253.36	4254.10
4253.37	E 172 237
4253.48	E 172 596



Application info

407 [05/04-12/09]

607 [02/00-07/04]

Brake pad set

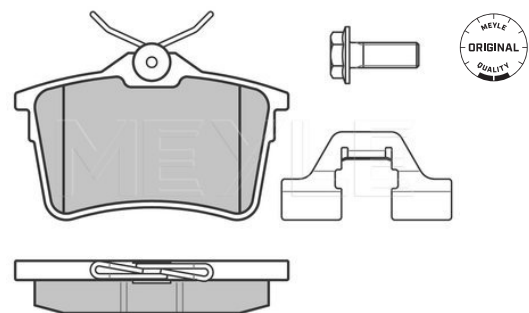
025 247 6516/W | MBP0664

Notes

	incl. wear warning contact
Thickness [mm]	16.6
Height [mm]	53
Width [mm]	86.8
Brake System	ATE with anti-squeak plate Rear Axle

References

4254.15



Application info

308 [09/07--]

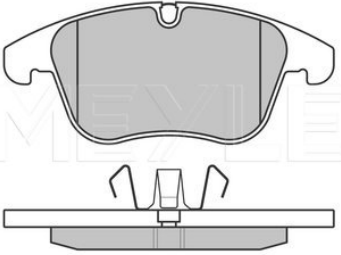
Partner II [04/08--]

Partner II [04/08--]

2

025 243 3218 | MBP0572

Brake pad set



Notes

Thickness/Strength 2 [mm]	17.5
Thickness/Strength 1 [mm]	18.5
Height 2 [mm]	72
Height 1 [mm]	66.5
Width 2 [mm]	155.1
Number of wear indicators [per axle]	1
Warning Contact Length [mm]	310
Width 1 [mm]	155.1
Brake System	ATE with anti-squeak plate Front Axle

References

4254.24	4254.A7
---------	---------

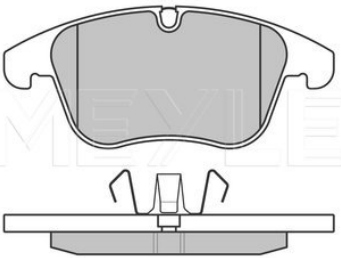
Application info

407 [05/04-12/09]

508 [11/10--]

025 243 3218/PD | MBP0572PD

Brake pad set



Notes

Quality	incl. wear warning contact PREMIUM
Thickness/Strength 2 [mm]	18.5
Thickness/Strength 1 [mm]	18.5
Height 2 [mm]	72
Height 1 [mm]	66.5
Width 2 [mm]	155.1
Width 1 [mm]	155.1
Brake System	ATE with anti-squeak plate Front Axle

References

4254.24	4254.A7
---------	---------

Application info

407 [05/04-12/09]

508 [11/10--]

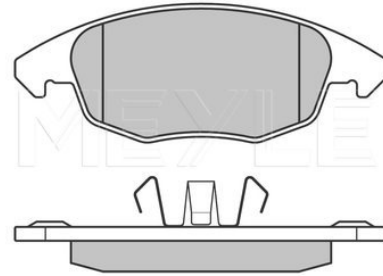


Brake pad set

025 245 3818 | MBP0618

Notes

	not prepared for wear indicator
Thickness/Strength 2 [mm]	18.3
Thickness/Strength 1 [mm]	18.8
Height 2 [mm]	57.7
Height 1 [mm]	64.7
Width [mm]	155.3
Brake System	ATE with anti-squeak plate Front Axle



References

4254.12	E 172 295
4254.25	

Application info

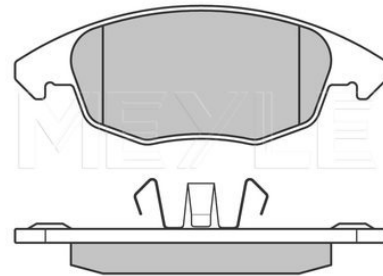
5008 (06/09--)	Partner II (04/08--)
Partner II (04/08--)	

Brake pad set

025 245 3818/PD | MBP0618PD

Notes

	not prepared for wear indicator
Quality	PREMIUM
Thickness/Strength 2 [mm]	18.3
Thickness/Strength 1 [mm]	18.8
Height 2 [mm]	57.7
Height 1 [mm]	64.7
Width [mm]	155.3
Brake System	ATE with anti-squeak plate Front Axle



References

4254.12	E 172 295
4254.25	

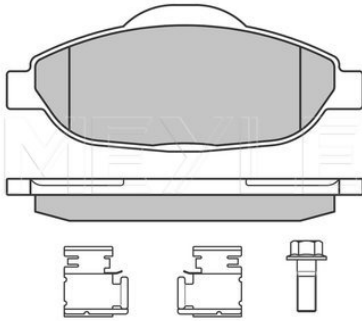
Application info

5008 (06/09--)	Partner II (04/08--)
Partner II (04/08--)	

2

025 246 6017 | MBP0648

Brake pad set



Notes

Thickness [mm]
Height [mm]
Width [mm]
Brake System

with accessories
not prepared for wear indicator
excl. wear warning contact
17.8
62
151
Bosch
with screws
with anti-squeak plate
Front Axle

References

16 092 530 80
4253.93

4254.26

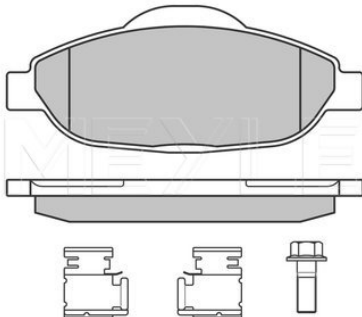
Application info

3008 [06/09--]

308 [09/07--]

025 246 6017/PD | MBP0648PD

Brake pad set



Notes

Quality
Thickness [mm]
Height [mm]
Width [mm]
Brake System

with accessories
not prepared for wear indicator
PREMIUM
17.8
62
151
Bosch
with anti-squeak plate
with screws
Front Axle

References

16 092 530 80
4253.93

4254.26

Application info

3008 [06/09--]

308 [09/07--]



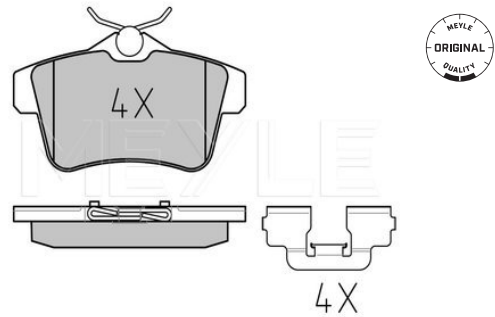
Brake pad set

025 249 2217 | MBP0678

Notes

not prepared for wear indicator

Thickness [mm] 17.3
 Height [mm] 55.9
 Width [mm] 103.7
 Brake System TRW
 with anti-squeak plate
 Rear Axle



References

16 08 520 680 4254.44
 4254.35 4254.46

Application info

3008 [06/09--] 508 [11/10--]
 308 [09/07--] RCZ [03/10--]
 5008 [06/09--]

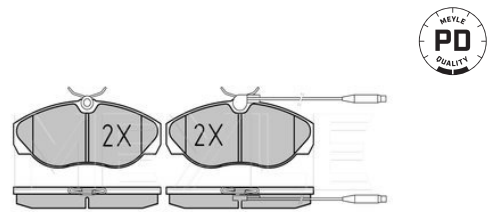
Brake pad set

025 217 9719/PD | MBP1664PD

Notes

incl. wear warning contact
 PREMIUM

Quality
 Thickness [mm] 19.2
 Height [mm] 60.8
 Width [mm] 145
 Number of wear indicators [per axle] 2
 Brake System TRW
 with anti-squeak plate
 Front Axle



References

4251.16 4254.51

Application info

Boxer I [03/94-04/02] Boxer I [03/94-04/02]

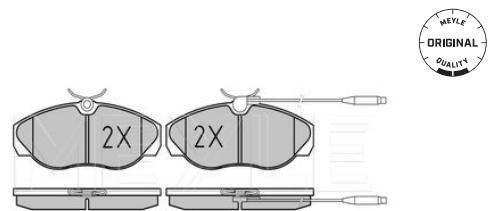
Brake pad set

025 217 9719/W | MBP0195

Notes

incl. wear warning contact

Thickness [mm] 19.2
 Height [mm] 60.8
 Width [mm] 145
 Number of wear indicators [per axle] 2
 Brake System TRW
 with anti-squeak plate
 Front Axle



References

4251.16 4254.51



025 217 9719/W | MBP0195

Brake pad set

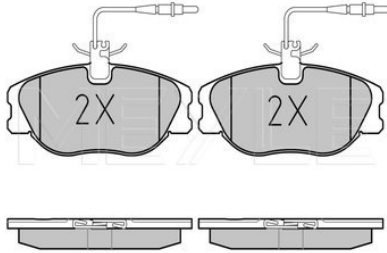
Application info

Boxer I [03/94-04/02]

Boxer I [03/94-04/02]

025 218 0119/W | MBP0197

Brake pad set



Notes

Thickness [mm]
Height [mm]
Width [mm]
Number of wear indicators [per axle]
Brake System

incl. wear warning contact
19.1
58.9
129.8
4
TRW
with anti-squeak plate
Front Axle

References

4251.09

4254.53

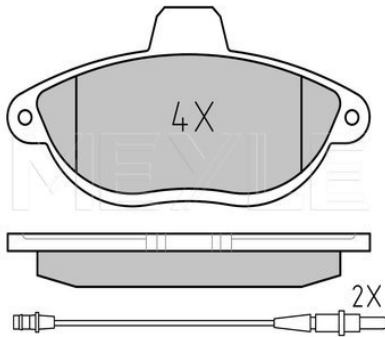
Application info

806 [06/94-08/02]
Expert I [02/96-10/06]

Expert I [07/95--]

025 230 4218/PD | MBP1583PD

Brake pad set



Notes

Thickness [mm]
Height [mm]
Width [mm]
Number of wear indicators [per axle]
Brake System

incl. wear warning contact
19
68.8
139.6
2
Bendix
with anti-squeak plate
Front Axle

References

4251.25
4251.26

4251.51
4254.54

Application info

806 [06/94-08/02]
Expert I [02/96-10/06]

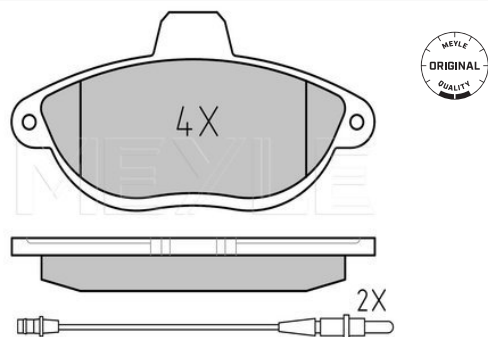
Expert I [07/95--]

Brake pad set
025 230 4218/W | MBP0248
Notes

	incl. wear warning contact
Thickness [mm]	19
Height [mm]	68.8
Width [mm]	139.6
Number of wear indicators [per axle]	2
Brake System	Bendix with anti-squeak plate Front Axle

References

4251.25	4251.51
4251.26	4254.54


Application info

 806 [06/94-08/02]
 Expert I [02/96-10/06]

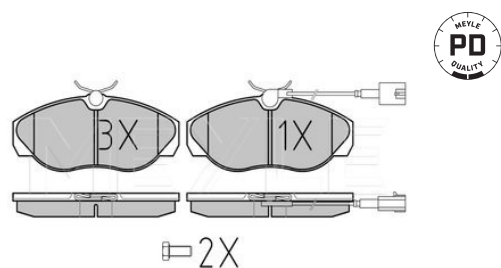
Expert I [07/95--]

Brake pad set
025 236 0219/PD | MBP1666PD
Notes

	incl. wear warning contact
Quality	PREMIUM
Thickness [mm]	19.2
Height [mm]	60.8
Width [mm]	145
Number of wear indicators [per axle]	1
Brake System	TRW with anti-squeak plate Front Axle

References

4252.24	4254.55
---------	---------


Application info

Boxer I [03/94-04/02]

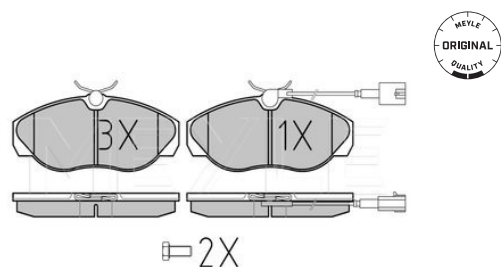
Boxer I [03/94-04/02]

Brake pad set
025 236 0219/W | MBP0401
Notes

	incl. wear warning contact
Thickness [mm]	19.2
Height [mm]	60.8
Width [mm]	145
Number of wear indicators [per axle]	1
Brake System	TRW with anti-squeak plate Front Axle

References

4252.24	4254.55
---------	---------



025 236 0219/W | MBP0401

Brake pad set

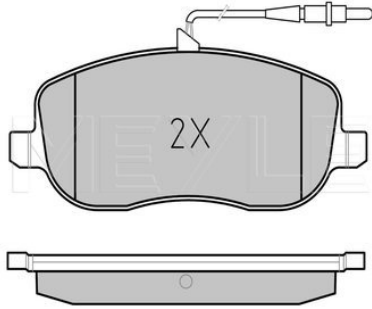
Application info

Boxer I [03/94-04/02]

Boxer I [03/94-04/02]

025 202 6119/W | MBP0014

Brake pad set



Notes

Thickness [mm]
Height [mm]
Width [mm]
Number of wear indicators [per axle]
Brake System

incl. wear warning contact
18.8
60
146.6
2
TRW
with anti-squeak plate
Front Axle

References

4252.20

4254.57

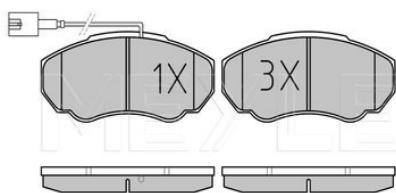
Application info

807 [06/02-05/06]
Expert I [02/96-10/06]

Expert I [07/95--]

025 239 1719/PD | MBP0807PD

Brake pad set



Notes

Quality
Thickness [mm]
Height [mm]
Width [mm]
Number of wear indicators [per axle]
Brake System

incl. wear warning contact
PREMIUM
19.1
65.8
140.5
1
Brembo
with anti-squeak plate
Front Axle

References

4252.42

4254.58

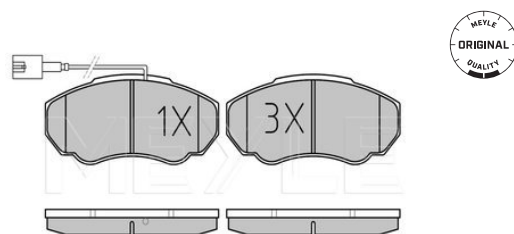
Application info

Boxer I [03/94-04/02]
Boxer II [04/02-09/09]
Boxer III [04/06--]

Boxer I [03/94-04/02]
Boxer II [12/01--]
Boxer III [04/06--]

Brake pad set
025 239 1719/W | MBP0472
Notes

	incl. wear warning contact
Thickness [mm]	19.1
Height [mm]	65.8
Width [mm]	140.5
Number of wear indicators [per axle]	1
Brake System	Brembo with anti-squeak plate Front Axle


References

4252.42	4254.58
---------	---------

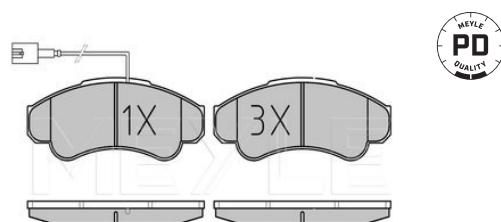
Application info

Boxer I [03/94-04/02]
Boxer II [04/02-09/09]
Boxer III [04/06--]

Boxer I [03/94-04/02]
Boxer II [12/01--]
Boxer III [04/06--]

Brake pad set
025 239 1919/PD | MBP1668PD
Notes

	incl. wear warning contact
Quality	PREMIUM
Thickness [mm]	19
Height [mm]	69.6
Width [mm]	164.7
Number of wear indicators [per axle]	1
Brake System	Brembo with anti-squeak plate Front Axle


References

4252.44	4254.59
---------	---------

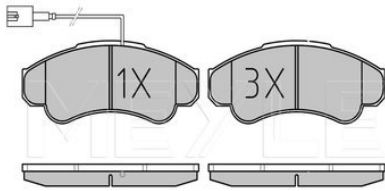
Application info

Boxer I [03/94-04/02]
Boxer II [04/02-09/09]

Boxer I [03/94-04/02]
Boxer II [12/01--]

025 239 1919/W | MBP0473

Brake pad set



Notes

Thickness [mm]	incl. wear warning contact
Height [mm]	19
Width [mm]	69.6
Number of wear indicators [per axle]	164.7
Brake System	1
	Brembo
	with anti-squeak plate
	Front Axle

References

4252.44	4254.59
---------	---------

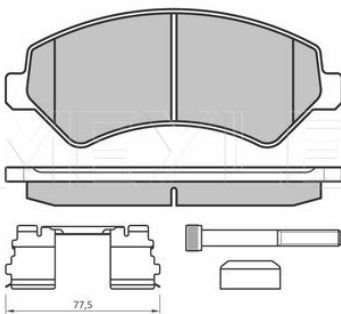
Application info

Boxer I [03/94-04/02]
Boxer II [04/02-09/09]

Boxer I [03/94-04/02]
Boxer II [12/01--]

025 244 6619-1/PD | MBP1669PD

Brake pad set



Notes

Quality	with accessories
Thickness [mm]	incl. wear warning contact
Height [mm]	PREMIUM
Width [mm]	19.1
Number of wear indicators [per axle]	69.1
Warning Contact Length [mm]	169.2
Brake System	1
	155
	Brembo
	with screws
	with anti-squeak plate
	Front Axle

References

16 078 787 80	4254.63
---------------	---------

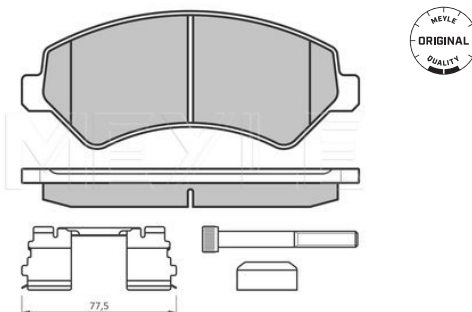
Application info

Boxer III [04/06--]

Boxer III [04/06--]

Brake pad set
025 244 6619/W1 | MBP0597
Notes

	with accessories incl. wear warning contact
Thickness [mm]	19.1
Height [mm]	69.1
Width [mm]	169.2
Warning Contact Length [mm]	155
Number of wear indicators [per axle]	1
Brake System	Brembo with screws with anti-squeak plate Front Axle


References

16 078 787 80	4254.63
---------------	---------

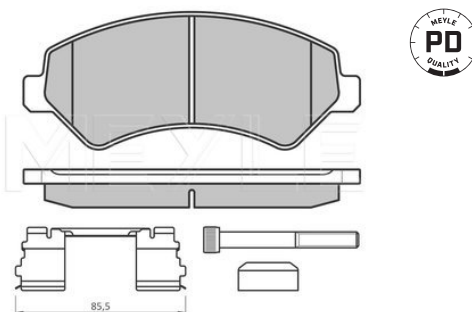
Application info

Boxer III [04/06--]

Boxer III [04/06--]

Brake pad set
025 244 6619-2/PD | MBP1670PD
Notes

	with accessories incl. wear warning contact PREMIUM
Quality	
Thickness [mm]	19.1
Height [mm]	69.1
Width [mm]	169.2
Number of wear indicators [per axle]	1
Warning Contact Length [mm]	155
Brake System	Brembo with screws with anti-squeak plate Front Axle


References

16 078 789 80	4253.75
4253.73	4254.64

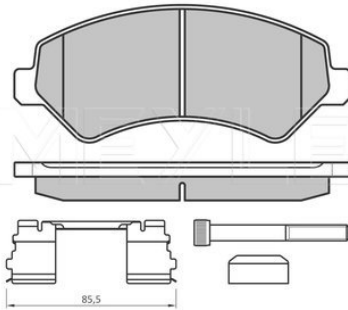
Application info

Boxer III [04/06--]

Boxer III [04/06--]

025 244 6619/W2 | MBP0598

Brake pad set



Notes

Thickness [mm]
Height [mm]
Width [mm]
Warning Contact Length [mm]
Number of wear indicators [per axle]
Brake System

with accessories
incl. wear warning contact
19.1
69.1
169.2
155
1
Brembo
with screws
with anti-squeak plate
Front Axle

References

16 078 789 80	4253.75
4253.73	4254.64

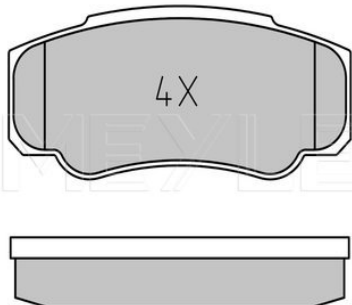
Application info

Boxer III [04/06--]

Boxer III [04/06--]

025 239 2120 | MBP0474

Brake pad set



Notes

Thickness [mm]
Height [mm]
Width [mm]
Brake System

excl. wear warning contact
20.1
49.8
109.5
Brembo
with anti-squeak plate
Rear Axle

References

4252.46	4254.68
---------	---------

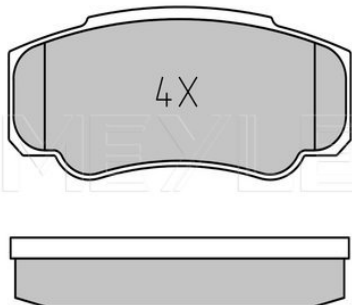
Application info

Boxer I [03/94-04/02]
Boxer II [04/02-09/09]

Boxer I [03/94-04/02]
Boxer II [12/01--]

025 239 2120/PD | MBP0474PD

Brake pad set



Notes

Quality
Thickness [mm]
Height [mm]
Width [mm]
Brake System

excl. wear warning contact
PREMIUM
20.1
49.8
109.5
Brembo
with anti-squeak plate
Rear Axle

References

4252.46	4254.68
---------	---------

Brake pad set

025 239 2120/PD | MBP0474PD

Application info

Boxer I (03/94-04/02)
Boxer II (04/02-09/09)

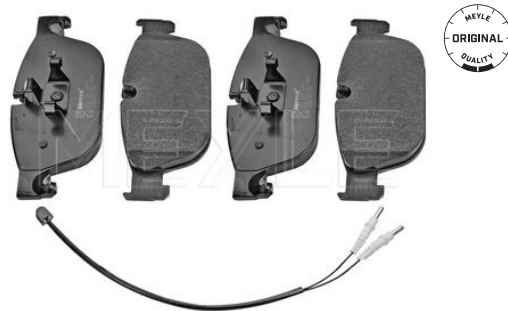
Boxer I (03/94-04/02)
Boxer II (12/01--)

Brake pad set

025 250 6917 | MBP0689

Notes

	incl. wear warning contact
Thickness [mm]	17.3
Height [mm]	74.9
Width [mm]	180.1
Warning Contact Length [mm]	310
Number of wear indicators [per axle]	1
Brake System	ATE with anti-squeak plate Front Axle



References

16 101 040 80 4254.73

Application info

308 (09/07--)
407 (05/04-12/09)

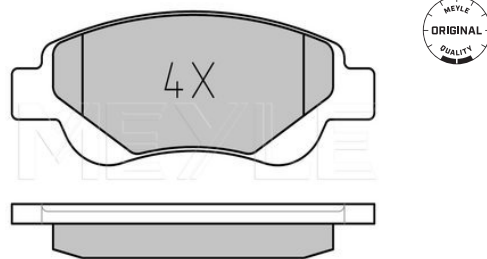
508 (11/10--)
RCZ (03/10--)

Brake pad set

025 239 5917 | MBP0484

Notes

	excl. wear warning contact
Thickness [mm]	17.2
Height [mm]	47
Width [mm]	122.9
Brake System	Bosch with anti-squeak plate Front Axle



References

4253.27 4353.26
4254.74 E 172 283

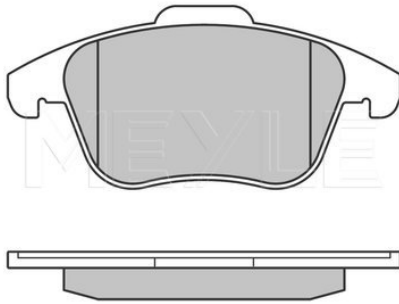
Application info

107 (06/05--)

108 (05/14--)

025 245 5719 | MBP0625

Brake pad set



Notes

Thickness/Strength 2 [mm]
Thickness/Strength 1 [mm]
Height 2 [mm]
Height 1 [mm]
Width 2 [mm]
Width 1 [mm]
Brake System

excl. wear warning contact
18.7
19.5
66.6
72
155.1
155.1
ATE
with anti-squeak plate
Front Axle

References

4254.77

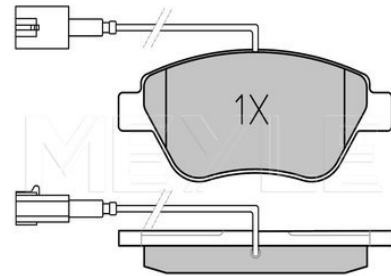
Application info

3008 (06/09--)

5008 (06/09--)

025 237 0517/PD | MBP1587PD

Brake pad set



Notes

Thickness [mm]
Height [mm]
Width [mm]
Number of wear indicators [per axle]
Warning Contact Length [mm]
Brake System

incl. wear warning contact
17.7
53.1
122.7
1
216
Bosch
with anti-squeak plate
Front Axle

References

4254.06

4254.96

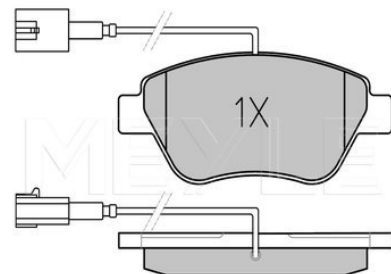
Application info

Bipper (02/08--)

Bipper (02/08--)

025 237 0517/W | MBP0422

Brake pad set



Notes

Thickness [mm]
Height [mm]
Width [mm]
Number of wear indicators [per axle]
Warning Contact Length [mm]
Brake System

incl. wear warning contact
17.7
53.1
122.7
1
216
Bosch
with anti-squeak plate
Front Axle

References

4254.06

4254.96

Brake pad set

025 237 0517/W | MBP0422

Application info

Bipper (02/08--)

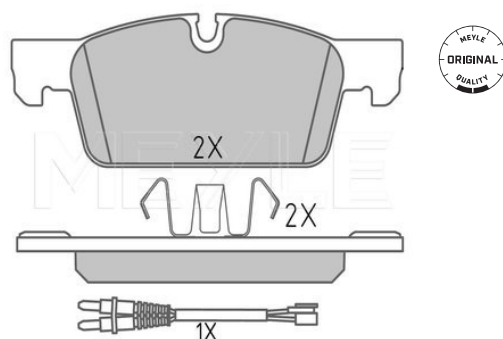
Bipper (02/08--)

Brake pad set

025 252 2217 | MBP1602

Notes

	incl. wear warning contact
	Disc Brake
Thickness [mm]	17.3
Height 2 [mm]	60.3
Height 1 [mm]	55
Width [mm]	155.1
Warning Contact Length [mm]	310
Number of wear indicators [per axle]	1
Brake System	ATE Front Axle



References

4254.A6

Application info

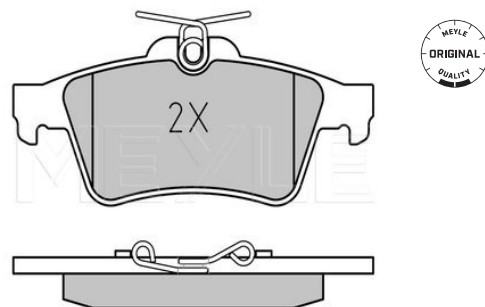
508 (11/10--)

Brake pad set

025 241 3716 | MBP0531

Notes

	with spring
	not prepared for wear indicator
Thickness [mm]	16.1
Height [mm]	51.9
Width [mm]	123
Brake System	ATE with anti-squeak plate Rear Axle



References

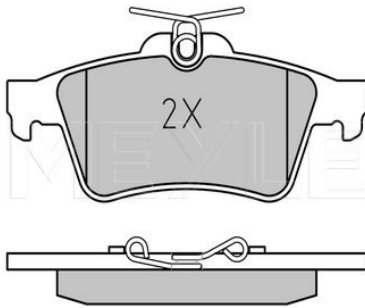
4254.A6

Application info

508 (11/10--)

025 241 3716/PD | MBP0531PD

Brake pad set



Notes

Quality
Thickness [mm]
Height [mm]
Width [mm]
Brake System

with spring
not prepared for wear indicator
PREMIUM
16.1
51.9
123
ATE
with anti-squeak plate
Rear Axle

References

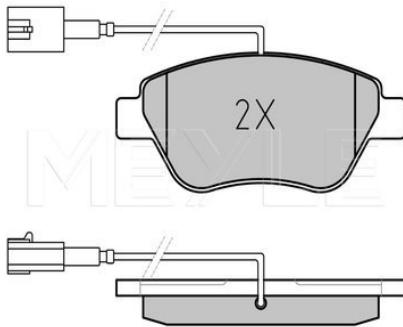
4254.A8

Application info

508 (11/10--)

025 237 0617/W | MBP0423

Brake pad set



Notes

Thickness [mm]
Height [mm]
Width [mm]
Number of wear indicators [per axle]
Brake System

with integrated wear sensor
17.8
53.3
122.8
2
Bosch
with anti-squeak plate
Front Axle

References

4254.C8

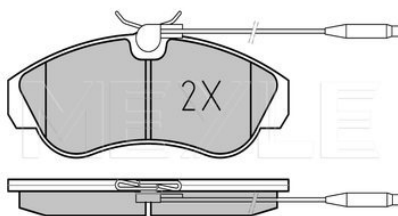
Application info

Bipper (02/08--)

Bipper (02/08--)

025 217 9919/PD | MBP1665PD

Brake pad set



Notes

Quality
Thickness [mm]
Height [mm]
Width [mm]
Number of wear indicators [per axle]
Brake System

incl. wear warning contact
PREMIUM
19.2
64.1
159.7
2
TRW
with anti-squeak plate
Front Axle

References

4251.18

Brake pad set

025 217 9919/PD | MBP1665PD

Application info

Boxer I [03/94-04/02]

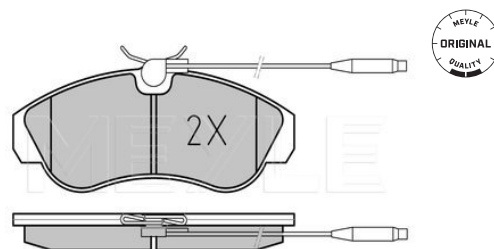
Boxer I [03/94-04/02]

Brake pad set

025 217 9919/W | MBP0196

Notes

	incl. wear warning contact
Thickness [mm]	19.2
Height [mm]	64.1
Width [mm]	159.7
Number of wear indicators [per axle]	2
Brake System	TRW with anti-squeak plate Front Axle



References

4251.18

Application info

Boxer I [03/94-04/02]

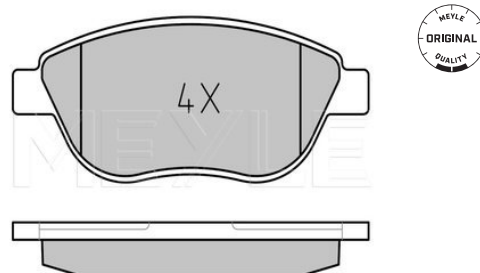
Boxer I [03/94-04/02]

Brake pad set

025 237 0819 | MBP0424

Notes

	excl. wear warning contact
Thickness [mm]	19.2
Height [mm]	57.2
Width [mm]	136.8
Brake System	Bosch with anti-squeak plate Front Axle



References

4253.31
4254.89

4254.92

Application info

207 [02/06-10/08]
307 [08/00-01/05]

207 [02/06--]

100 698 0008 | MBX0156

Guide bolt, brake caliper



Notes

Brake System

ATE
Front Axle

References

4439.33

Application info

605 [06/89-09/99]

014 698 0006 | MBX0010

Guide sleeve kit, brake caliper



Notes

Brake System

without guide bolts
ATE
Front Axle

References

4439.14

Application info

106 [08/91-07/04]
205 [02/83-09/98]
306 [04/93-10/03]

605 [06/89-09/99]
806 [06/94-08/02]
205 [02/83--]

014 698 0006/S | MBX0011

Guide sleeve kit, brake caliper



Notes

Brake System

with guide pin
ATE
Front Axle

References

4439.14

Parts list

014 698 0006 | MBX0010
100 698 0008 | MBX0156

Guide sleeve kit, brake caliper
Guide bolt, brake caliper

Application info

106 [08/91-07/04]
205 [02/83-09/98]
306 [04/93-10/03]

605 [06/89-09/99]
806 [06/94-08/02]
205 [02/83--]

Brake drum
11-15 523 0003 | MDR0004
Notes

Centering Diameter [mm]	71
Inner Brake Drum Height [mm]	50.5
Total Br. Drum Height [mm]	66
Bolt Hole Circle Ø [mm]	108
Max.skimmed drum measure [mm]	230
Br. Drum outer diameter [mm]	274
Inner Br. Drum Diam. [mm]	229
Required quantity	2
Number of Holes	4
	Rear Axle


References

4247.24

Application info

 306 [04/93-10/03]
 405 [01/87-11/99]
 406 [11/95-12/04]

 Partner I [04/96-07/08]
 Partner I [04/96--]

Brake drum
11-15 523 0030 | MDR0006
Notes

Centering Diameter [mm]	52
Inner Brake Drum Height [mm]	44.5
Total Br. Drum Height [mm]	81
Bolt Hole Circle Ø [mm]	108
Max.skimmed drum measure [mm]	181
Br. Drum outer diameter [mm]	212
Inner Br. Drum Diam. [mm]	180
	without ABS sensor ring
	without wheel bearing
Required quantity	2
Number of Holes	4
	Rear Axle


References

4247.32

Application info

306 [04/93-10/03]

11-15 523 0031 | MDR0007

Brake drum



Notes

Centering Diameter [mm]	52.3
Inner Brake Drum Height [mm]	46
Total Br. Drum Height [mm]	80
Bolt Hole Circle Ø [mm]	108
Max.skimmed drum measure [mm]	181
Br. Drum outer diameter [mm]	212
Inner Br. Drum Diam. [mm]	180
	without ABS sensor ring
	without wheel bearing
Required quantity	2
Number of Holes	4
	Rear Axle

References

4247.35	4247.44
---------	---------

Application info

106 [08/91-07/04]

206 [08/98-03/09]

11-15 523 0005 | MDR0005

Brake drum



Notes

Centering Diameter [mm]	55
Inner Brake Drum Height [mm]	44
Total Br. Drum Height [mm]	53.5
Bolt Hole Circle Ø [mm]	100
Max.skimmed drum measure [mm]	201
Br. Drum outer diameter [mm]	233
Inner Br. Drum Diam. [mm]	200
Required quantity	2
Number of Holes	4
	Rear Axle

References

4247.48

Application info

107 [06/05--]

16-14 533 0012 | MBS0039

Brake shoe kit



Notes

	without spring
	with lever
Diameter [mm]	203
Width [mm]	38
Brake System	Bosch
	Rear Axle

References

16 06 631 180

Brake shoe kit

16-14 533 0012 | MBS0039

Application info

208 [03/12--]

301 [11/12--]

Brake shoe kit

16-14 533 0012/K | MBS0271

Notes

Diameter [mm]
Width [mm]
Brake System

without wheel brake cylinder
with lever
with spring
Pre-assembled
203
38
Bosch
Rear Axle



References

16 06 631 180

Application info

208 [03/12--]

301 [11/12--]

Brake shoe kit

11-14 533 0000 | MBS0006

Notes

Diameter [mm]
Width [mm]
Brake System

without spring
with accessories
180
32
Bendix
Rear Axle



References

4241.21
4241.73
4241.E8

4241.J9
4241.L3

Application info

106 [08/91-07/04]
205 [02/83-09/98]

309 [10/85-12/93]

2

11-14 533 0000/K | MBS0262

Brake shoe kit



Notes

with lever
with accessories
without wheel brake cylinder
Pre-assembled
180
32
Bendix
Rear Axle

Diameter [mm]
Width [mm]
Brake System

References

4241.21
4241.73
4241.E8

4241.J9
4241.L3

Application info

106 [08/91-07/04]
205 [02/83-09/98]

309 [10/85-12/93]

11-14 533 0017 | MBS0012

Brake shoe kit



Notes

without spring
with accessories
164
32
Bendix
Rear Axle

Diameter [mm]
Width [mm]
Brake System

References

4241.E7

Application info

106 [08/91-07/04]

214 533 0020/K | MBS0064

Brake shoe kit



Notes

without wheel brake cylinder
with accessories
with lever
Pre-assembled
254
57
Lucas Girling
Rear Axle

Diameter [mm]
Width [mm]
Brake System

References

4241.H4

Application info

Boxer I [03/94-04/02]

Boxer I [03/94-04/02]



Brake shoe kit

214 533 0021 | MBS0065

Notes

Diameter [mm]
Width [mm]
Brake System

without spring
with lever
254
57
Lucas Girling
Rear Axle

References

4241.H4



Application info

Boxer I [03/94-04/02]

Boxer I [03/94-04/02]

Brake shoe kit

214 533 0020 | MBS0063

Notes

Diameter [mm]
Width [mm]
Brake System

without spring
with lever
254
57
Lucas Girling
Rear Axle

References

4241.H5

4241.N4



Application info

Boxer I [03/94-04/02]
Expert II [01/07--]

Boxer I [03/94-04/02]
Expert II [01/07--]

Brake shoe kit

214 533 0017/K | MBS0061

Notes

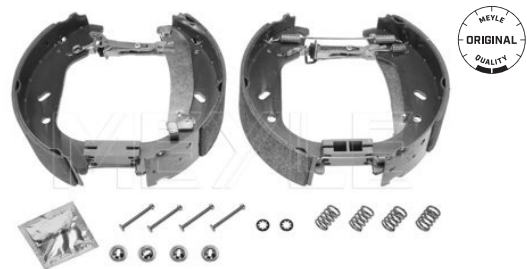
Diameter [mm]
Width [mm]

with accessories
with lever
without wheel brake cylinder
Pre-assembled
256
61
Rear Axle

References

4241.H7

4241.K6



Application info

806 [06/94-08/02]
Expert I [02/96-10/06]

Expert I [07/95--]

40-14 533 0002 | MBS0151

Brake shoe kit



Notes

Diameter [mm]
Width [mm]
Brake System

without spring
with lever
255
61
Bendix/Bosch
Rear Axle

References

4241.H7

4241.K6

Application info

806 [06/94-08/02]
Expert I [02/96-10/06]

Expert I [07/95--]

16-14 533 0000 | MBS0030

Brake shoe kit



Notes

Diameter [mm]
Width [mm]
Brake System

without spring
with lever
203
39
Lucas Girling
Rear Axle

References

4241.J1

4241.J5

Application info

106 [08/91-07/04]
206 [08/98-03/09]

306 [04/93-10/03]

40-14 533 0004/K | MBS0153

Brake shoe kit



Notes

Diameter [mm]
Width [mm]
Brake System

with lever
with accessories
without wheel brake cylinder
Pre-assembled
203
38
Lucas Girling
Rear Axle

References

4241.J1

4241.J5

Application info

106 [08/91-07/04]
206 [08/98-03/09]

306 [04/93-10/03]



Brake shoe kit

11-14 533 0022 | MBS0018

Notes

Diameter [mm]
Width [mm]
Brake System

without spring
with lever
228.6
42
Bendix
Rear Axle

References

4241.J4



Application info

406 [11/95-12/04]

Brake shoe kit

40-14 533 0005/K | MBS0154

Notes

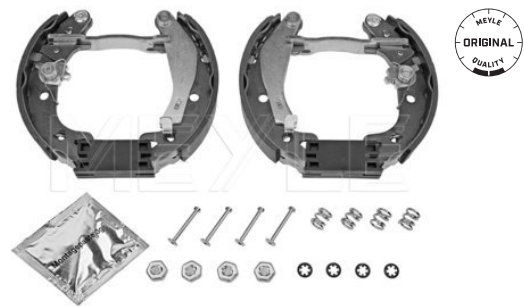
Diameter [mm]
Width [mm]

with lever
with accessories
without wheel brake cylinder
Pre-assembled
165
30
Rear Axle

References

4241.E7

4241.J6



Application info

106 [08/91-07/04]

Brake shoe kit

11-14 533 0004 | MBS0010

Notes

Diameter [mm]
Width [mm]
Brake System

without spring
with lever
229
42
Bendix
Rear Axle

References

4241.G6
4241.J0
4241.K1

4241.K2
4241.K3



Application info

306 [04/93-10/03]

11-14 533 0004/K | MBS0264

Brake shoe kit



Notes

Diameter [mm]
Width [mm]
Brake System

without wheel brake cylinder
with spring
with lever
Pre-assembled
229
42
Bendix
Rear Axle

References

4241.G6
4241.J0
4241.K1

4241.K2
4241.K3

Application info

306 [04/93-10/03]

11-14 533 0019 | MBS0014

Brake shoe kit



Notes

Diameter [mm]
Width [mm]
Brake System

without spring
with lever
203
38
TRW Lucas
Rear Axle

References

4241.L0

Application info

1007 [04/05--]

11-14 533 0023/K | MBS0019

Brake shoe kit



Notes

Diameter [mm]
Width [mm]
Brake System

without wheel brake cylinder
with accessories
with lever
Pre-assembled
203
38
TRW Lucas
Rear Axle

References

4241.L0

Application info

1007 [04/05--]

Brake shoe kit

40-14 533 0001 | MBS0150

Notes

Diameter [mm]
Width [mm]
Brake System

without spring
with lever
254
57
Lockheed
Rear Axle

References

4241.L2



Application info

Boxer I [03/94-04/02]
Boxer II [04/02-09/09]

Boxer I [03/94-04/02]
Boxer II [12/01--]

Brake shoe kit

40-14 533 0019/K | MBS0155

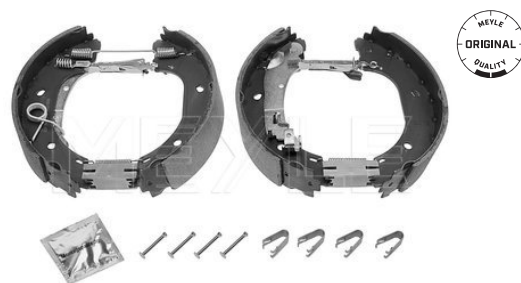
Notes

Diameter [mm]
Width [mm]
Brake System

without wheel brake cylinder
with accessories
with lever
Pre-assembled
254
57
Lockheed
Rear Axle

References

4241.L2



Application info

Boxer I [03/94-04/02]
Boxer II [04/02-09/09]

Boxer I [03/94-04/02]
Boxer II [12/01--]

Brake shoe kit

11-14 533 0003 | MBS0008

Notes

Diameter [mm]
Width [mm]
Brake System

without spring
180
32
Bendix
Rear Axle

References

4241.G3

4241.L4



Application info

306 [04/93-10/03]

11-14 533 0003/K | MBS0263

Brake shoe kit



Notes

Diameter [mm]
Width [mm]
Brake System

without wheel brake cylinder
with lever
with spring
Pre-assembled
180
32
Bendix
Rear Axle

References

4241.G3

4241.L4

Application info

306 (04/93-10/03)

11-14 533 0003/S | MBS0009

Brake shoe kit



Notes

Diameter [mm]
Width [mm]
Brake System

without spring
with lever
180
32
Bendix
Rear Axle

References

4241.G3

4241.L4

Parts list

11-14 533 0003 | MBS0008

Brake shoe kit

Application info

306 (04/93-10/03)

11-14 533 0020 | MBS0015

Brake shoe kit



Notes

Diameter [mm]
Width [mm]
Brake System

without spring
with lever
203
39
Lucas Girling
Rear Axle

References

4241.L5

Application info

206 (08/98-03/09)

Brake shoe kit

11-14 533 0020/K | MBS0267

Notes

without wheel brake cylinder
with lever
with spring
Pre-assembled
203
Lucas Girling
Rear Axle

Diameter [mm]
Width [mm]
Brake System

References

4241.L5



Application info

206 (08/98-03/09)

Brake shoe kit

11-14 533 0001 | MBS0007

Notes

without spring
with lever
229
42
Lucas Girling
Rear Axle

Diameter [mm]
Width [mm]
Brake System

References

4241.H6
4241.K8

4241.L6



Application info

405 (01/87-11/99)
Partner I (04/96-07/08)
Partner II (04/08--)

Partner I (04/96--)
Partner II (04/08--)

Brake shoe kit

11-14 533 0021/K | MBS0017

Notes

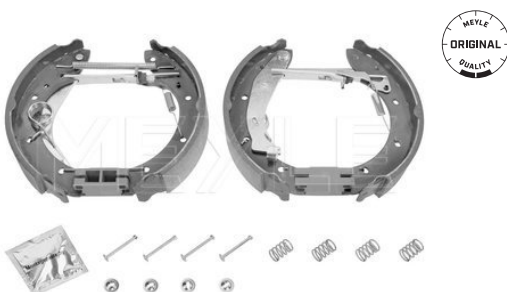
without wheel brake cylinder
with accessories
with lever
Pre-assembled
229
42
Lucas Girling
Rear Axle

Diameter [mm]
Width [mm]
Brake System

References

4241.H6
4241.K8

4241.L6



11-14 533 0021/K | MBS0017

Brake shoe kit

Application info

405 [01/87-11/99]
Partner I [04/96-07/08]
Partner II [04/08--]

Partner I [04/96--]
Partner II [04/08--]

214 533 0008 | MBS0053

Brake shoe kit



Notes

Diameter [mm]
Width [mm]
Brake System

without spring
with lever
203
39
Bosch
Rear Axle

References

4241.L7

Application info

1007 [04/05--]

214 533 0008/K | MBS0275

Brake shoe kit



Notes

Diameter [mm]
Width [mm]
Brake System

without wheel brake cylinder
with lever
with spring
Pre-assembled
203
39
Bosch
Rear Axle

References

4241.L7

Application info

1007 [04/05--]

Brake shoe kit

11-14 533 0005 | MBS0011

Notes

Diameter [mm]
Width [mm]
Brake System

without spring
with lever
180
32
Bendix
Rear Axle

References

4241.K5

4241.N1



Application info

206 [08/98-03/09]

Brake shoe kit

11-14 533 0005/K | MBS0265

Notes

Diameter [mm]
Width [mm]
Brake System

without wheel brake cylinder
with lever
with spring
Pre-assembled
180
32
Bendix
Rear Axle

References

4241.K5

4241.N1



Application info

206 [08/98-03/09]

Brake shoe kit

11-14 533 0018 | MBS0013

Notes

Diameter [mm]
Width [mm]
Brake System

without spring
with lever
200
32
Bosch
Rear Axle

References

4241.N2



Application info

107 [06/05--]

108 [05/14--]

11-14 533 0018/K | MBS0266

Brake shoe kit



Notes

without wheel brake cylinder
with spring
with lever
Pre-assembled
200
32
Bosch
Rear Axle

Diameter [mm]
Width [mm]
Brake System

References

4241.N2

Application info

107 [06/05--]

108 [05/14--]

11-14 533 0021 | MBS0016

Brake shoe kit



Notes

without spring
with lever
228
42
Rear Axle

Diameter [mm]
Width [mm]

References

4241.N3

Application info

207 [02/06-10/08]

207 [02/06--]

40-14 533 0003 | MBS0152

Brake shoe kit



Notes

without spring
with lever
228.6
42
Rear Axle

Diameter [mm]
Width [mm]

References

4241.N8

4241.P4

Application info

Bipper [02/08--]

Bipper [02/08--]

Brake shoe kit

214 533 0010 | MBS0055

Notes

without spring
with lever

Diameter [mm] 203.2
Width [mm] 38
Brake System Lockheed
Rear Axle



References

4241.P0 4241.P3

Application info

Bipper [02/08--]

Bipper [02/08--]

Brake shoe kit

214 533 0010/K | MBS0276

Notes

without wheel brake cylinder
with lever
with spring
Pre-assembled

Diameter [mm] 203.2
Width [mm] 38
Brake System Lockheed
Rear Axle



References

4241.P0 4241.P3

Application info

Bipper [02/08--]

Bipper [02/08--]

Brake shoe kit

32-14 533 0002 | MBS0102

Notes

without spring

Diameter [mm] 190
Width [mm] 32
Rear Axle



Application info

4007 [02/07--]

214 533 0017 | MPB0024

Brake shoe set, parking brake



Notes

Diameter [mm]
Width [mm]

without spring
172
42
Rear Axle

References

4241.N5

Application info

Boxer II [04/02-09/09]
Boxer III [04/06--]

Boxer II [12/01--]
Boxer III [04/06--]

11-14 525 0045 | MBH0204

Brake hose



Notes

Inner thread [mm]
Outer thread [mm]
Length [mm]
Required quantity

M10x1
M10x1
325
2
Front Axle

References

4806.29

4806.74

Application info

205 [02/83-09/98]

205 [02/83--]

11-14 525 0022 | MBH0186

Brake hose



Notes

Inner thread [mm]
Outer thread [mm]
Length [mm]
Required quantity

M10x1
M10x1
200
2
Rear Axle

References

4806.45

Application info

605 [06/89-09/99]

607 [02/00-07/04]



Brake hose

11-14 525 0012 | MBH0177

Notes

Inner thread [mm]	M10x1
Outer thread [mm]	M10x1
Length [mm]	420

References

4806.42	4806.46
---------	---------



Application info

405 [01/87-11/99]

Brake hose

11-14 525 0013 | MBH0178

Notes

Inner thread 2 [mm]	M10x1
Inner thread 1 [mm]	M10x1
Length [mm]	180

References

4806.40	4806.47
---------	---------



Application info

405 [01/87-11/99]
605 [06/89-09/99]

607 [02/00-07/04]

Brake hose

11-14 525 0048 | MBH0206

Notes

Inner thread 2 [mm]	M10x1
Inner thread 1 [mm]	M10x1
Length [mm]	275
Required quantity	2
	Rear Axle

References

4806.53	4816.29
---------	---------



Application info

205 [02/83-09/98]

205 [02/83--]

11-14 525 0001 | MBH0169

Brake hose



Notes

Inner thread [mm]
Outer thread [mm]
Length [mm]
Required quantity

M10x1
M10x1
330
2
Front Axle

References

4806.55

Application info

106 [08/91-07/04]

11-14 525 0002 | MBH0170

Brake hose



Notes

Inner thread [mm]
Outer thread [mm]
Length [mm]
Required quantity

M10x1
M10x1
290
2
Front Axle

References

4806.56

Application info

106 [08/91-07/04]

11-14 525 0015 | MBH0179

Brake hose



Notes

Inner thread [mm]
Outer thread [mm]
Length [mm]
Required quantity

M10x1
M10x1
520
2
Front Axle

References

4806.63

Application info

306 [04/93-10/03]



Brake hose

11-14 525 0016 | MBH0180

Notes

Inner thread 2 [mm]
Inner thread 1 [mm]
Length [mm]

M10x1
M10x1
245

References

4806.64



Application info

306 [04/93-10/03]

Brake hose

11-14 525 0017 | MBH0181

Notes

Inner thread 2 [mm]
Inner thread 1 [mm]
Length [mm]

M10x1
M10x1
195

References

4806.65



Application info

306 [04/93-10/03]

Brake hose

11-14 525 0024 | MBH0188

Notes

Inner thread 2 [mm]
Inner thread 1 [mm]
Length [mm]

M10x1
M10x1
250

References

4806.67



Application info

607 [02/00-07/04]
806 [06/94-08/02]
807 [06/02-05/06]

Expert I [02/96-10/06]
Expert I [07/95--]

2

11-14 525 0025 | MBH0189

Brake hose



Notes

Inner thread [mm]
Outer thread [mm]
Length [mm]
Required quantity

without holder
M10x1
M10x1
465
2
Front Axle

References

4806.70
4806.C3

4806.F3

Application info

Boxer I [03/94-04/02]
Boxer II [04/02-09/09]

Boxer I [03/94-04/02]
Boxer II [12/01--]

11-14 525 0026 | MBH0190

Brake hose



Notes

Inner thread [mm]
Outer thread [mm]
Length [mm]
Required quantity

with holder
M10x1
M10x1
465
2
Front Axle

References

4806.71

Application info

Boxer I [03/94-04/02]

Boxer I [03/94-04/02]

11-14 525 0033 | MBH0195

Brake hose



Notes

Inner thread [mm]
Outer thread [mm]
Length [mm]
Required quantity

M10x1
M10x1
340
2
Rear Axle

References

4806.72

Application info

Boxer I [03/94-04/02]

Boxer I [03/94-04/02]



Brake hose

11-14 525 0021 | MBH0185

Notes

Inner thread 2 [mm]
Inner thread 1 [mm]
Length [mm]
Required quantity

M10x1
M10x1
280
2
Rear Axle

References

4806.78



Application info

406 [11/95-12/04]

Brake hose

11-14 525 0018 | MBH0182

Notes

Inner thread [mm]
Outer thread [mm]
Length [mm]

M10x1
M10x1
526

References

4806.79



Application info

406 [11/95-12/04]

Brake hose

11-14 525 0019 | MBH0183

Notes

Inner thread [mm]
Outer thread [mm]
Length [mm]

M10x1
M10x1
526

References

4806.80



Application info

406 [11/95-12/04]

11-14 525 0027 | MBH0191

Brake hose



Notes

Inner thread [mm]	M10x1
Outer thread [mm]	M10x1
Length [mm]	465
Required quantity	2
	Front Axle

References

4806.82

Application info

806 [06/94-08/02]
Expert I [02/96-10/06]

Expert I [07/95--]

16-14 525 0002 | MBH0231

Brake hose



Notes

Inner thread 2 [mm]	M10x1
Inner thread 1 [mm]	M10x1
Length [mm]	255
Required quantity	2
	Rear Axle

References

4806.86

Application info

Partner I [04/96-07/08]

Partner I [04/96--]

11-14 525 0057 | MBH0214

Brake hose



Notes

Inner thread [mm]	M10x1
Outer thread [mm]	M10x1
Length [mm]	570
Required quantity	1
	Left
	Front Axle

References

4806.88

Counterpart

11-14 525 0058 | MBH0215

Application info

406 [11/95-12/04]

Brake hose

11-14 525 0058 | MBH0215

Notes

Inner thread [mm]	M10x1
Outer thread [mm]	M10x1
Length [mm]	570
Required quantity	1
	Right
	Front Axle

References

4806.89

Counterpart

11-14 525 0057 | MBH0214



Application info

406 [11/95-12/04]

Brake hose

16-14 525 0003 | MBH0232

Notes

Inner thread 2 [mm]	M10x1
Inner thread 1 [mm]	M10x1
Length [mm]	240

References

4806.93



Application info

206 [08/98-03/09]

Brake hose

614 525 0020 | MBH0459

Notes

Inner thread 2 [mm]	M10x1
Inner thread 1 [mm]	M10x1
Length [mm]	200

References

4806.94



Application info

206 [08/98-03/09]

11-14 525 0034 | MBH0196

Brake hose



Notes

Inner thread [mm]
Outer thread [mm]
Length [mm]
Required quantity

M10x1
M10x1
570
2
Front Axle

References

4806.95

Application info

607 [02/00-07/04]

11-14 525 0028 | MBH0192

Brake hose



Notes

Inner thread [mm]
Outer thread [mm]
Length [mm]
Required quantity

with holder
M10x1
M10x1
460
2
Front Axle

References

4806.96

Application info

Boxer I [03/94-04/02]

Boxer I [03/94-04/02]

11-14 525 0020 | MBH0184

Brake hose



Notes

Inner thread [mm]
Outer thread [mm]
Length [mm]
Required quantity

M10x1
M10x1
420
2
Front Axle

References

4806.A0

Application info

307 [08/00-01/05]



Brake hose

11-14 525 0006 | MBH0171

Notes

Inner thread 2 [mm]
Inner thread 1 [mm]
Length [mm]
Required quantity

M10x1
M10x1
190
2
Rear Axle

References

4806.A1



Application info

1007 [04/05--]
307 [08/00-01/05]

308 [09/07--]

Brake hose

100 525 0042 | MBH0091

Notes

Inner thread 2 [mm]
Inner thread 1 [mm]
Length [mm]
Required quantity

M10x1
M10x1
175
2
Rear Axle

References

4806.A2



Application info

607 [02/00-07/04]

Brake hose

11-14 525 0052 | MBH0209

Notes

Inner thread [mm]
Outer thread [mm]
Length [mm]
Required quantity

M10x1
M10x1
535
2
Front Axle

References

4806.A3



Application info

406 [11/95-12/04]

11-14 525 0029 | MBH0193

Brake hose



Notes

Inner thread [mm]	M10x1
Outer thread [mm]	M10x1
Length [mm]	460
Required quantity	2
	Front Axle

References

4806.A6

Application info

607 [02/00-07/04]
807 [06/02-05/06]

Expert I [02/96-10/06]
Expert I [07/95--]

11-14 525 0037 | MBH0198

Brake hose



Notes

Inner thread [mm]	M10x1
Outer thread [mm]	M10x1
Length [mm]	460
Required quantity	2
	Front Axle

References

4806.B4	4806.E0
4806.A9	

Application info

1007 [04/05--]
Partner I [04/96-07/08]

Partner I [04/96--]

11-14 525 0007 | MBH0172

Brake hose



Notes

Inner thread 2 [mm]	M10x1
Inner thread 1 [mm]	M10x1
Length [mm]	185
Required quantity	2
	Rear Axle

References

4806.C0

Application info

1007 [04/05--]



Brake hose

11-14 525 0047 | MBH0205

Notes

Inner thread [mm]	M10x1
Outer thread [mm]	M10x1
Length [mm]	305
Required quantity	2

References

4806.92	4806.C1
---------	---------



Application info

206 [08/98-03/09]

Brake hose

11-14 525 0008 | MBH0173

Notes

Inner thread [mm]	M10x1
Connector type	Banjo fitting
Length [mm]	510
Required quantity	1
	Front Axle Right

References

4806.E1

Counterpart

11-14 525 0009 | MBH0174



Application info

107 [06/05--]

Brake hose

11-14 525 0009 | MBH0174

Notes

Inner thread [mm]	M10x1
Connector type	Banjo fitting
Length [mm]	510
Required quantity	1
	Front Axle Left

References

4806.E2

Counterpart

11-14 525 0008 | MBH0173



Application info

107 [06/05--]

11-14 525 0036 | MBH0197

Brake hose



Notes

Inner thread 2 [mm]
Inner thread 1 [mm]
Length [mm]
Required quantity

M10x1
M10x1
260
2
Rear Axle

References

4806.E3

Application info

Partner I [04/96-07/08]

Partner I [04/96--]

11-14 525 0054 | MBH0211

Brake hose



Notes

Inner thread [mm]
Outer thread [mm]
Length [mm]
Required quantity

M10x1
M10x1
690
1
Left
Rear Axle

References

4806.E7

Counterpart

11-14 525 0053 | MBH0210

Application info

407 [05/04-12/09]

11-14 525 0053 | MBH0210

Brake hose



Notes

Inner thread [mm]
Outer thread [mm]
Length [mm]
Required quantity

M10x1
M10x1
660
1
Right
Rear Axle

References

4806.E8

Counterpart

11-14 525 0054 | MBH0211

Application info

407 [05/04-12/09]



Brake hose

11-14 525 0010 | MBH0175

Notes

Inner thread [mm]	M10x1
Outer thread [mm]	M10x1
Length [mm]	440
Required quantity	2
	Front Axle

References

4806.85	4806.E9
---------	---------



Application info

1007 (04/05--)
Partner I (04/96-07/08)

Partner I (04/96--)

Brake hose

11-14 525 0030 | MBH0194

Notes

	without holder
Inner thread [mm]	M10x1
Outer thread [mm]	M10x1
Length [mm]	470
Required quantity	2
	Front Axle

References

4806.C2	4806.F2
---------	---------



Application info

Boxer I (03/94-04/02)
Boxer II (04/02-09/09)

Boxer I (03/94-04/02)
Boxer II (12/01--)

Brake hose

11-14 525 0011 | MBH0176

Notes

Inner thread 2 [mm]	M10x1
Inner thread 1 [mm]	M10x1
Length [mm]	255
Required quantity	2
	Rear Axle

References

4806.F6	4806.J5
---------	---------



Application info

107 (06/05--)

2

11-14 525 0055 | MBH0212

Brake hose



Notes

Inner thread [mm]
Connector type
Length [mm]
Required quantity

M10x1
Banjo fitting
780
1
Left
Front Axle

References

4806.E5

4806.F9

Counterpart

11-14 525 0056 | MBH0213

Application info

407 [05/04-12/09]

11-14 525 0056 | MBH0213

Brake hose



Notes

Inner thread [mm]
Connector type
Length [mm]
Required quantity

M10x1
Banjo fitting
780
1
Right
Front Axle

References

4806.E6

4806.G0

Counterpart

11-14 525 0055 | MBH0212

Application info

407 [05/04-12/09]

11-14 525 0049 | MBH0207

Brake hose



Notes

Inner thread [mm]
Outer thread [mm]
Length [mm]
Required quantity

M10x1
M10x1
450
2
Front Axle

References

4806.G4

Application info

Partner II [04/08--]

Partner II [04/08--]



Brake hose

11-14 525 0050 | MBH0208

Notes

Inner thread [mm]	M10x1
Outer thread [mm]	M10x1
Length [mm]	237
Required quantity	2
	Rear Axle

References

4806.G5



Application info

5008 [06/09--]
Partner II [04/08--]

Partner II [04/08--]

Brake hose

214 525 0041 | MBH0290

Notes

Inner thread [mm]	M10x1,5
Outer thread [mm]	M10x1,5
Length [mm]	515
Required quantity	2
	Front Axle

References

4806.G6



Application info

Boxer III [04/06--]

Boxer III [04/06--]

Brake master cylinder

100 611 0034 | MBX0147

Notes

	Grey Cast Iron
Diameter [mm]	20.64
Thread Size	M10x1
Length 2 [mm]	114.9
Length 1 [mm]	32.4
Number of connectors	4

References

4601.85

4601.A3



Application info

106 [08/91-07/04]
205 [02/83-09/98]

309 [10/85-12/93]
205 [02/83--]

11-14 531 0001 | MWC0014

Wheel cylinder



Notes

Diameter [mm]
Brake System

Aluminium
17.46
Bosch
Rear Axle

References

4402.F0

Application info

107 [06/05--]

2

Driveshaft bearing
014 098 9017 | MTX0019
Notes

 Inner diameter [mm] 30
 Outer diameter [mm] 55
 Height [mm] 13

References

3247.03


Application info

 1007 [04/05--]
 3008 [06/09--]
 306 [04/93-10/03]
 307 [08/00-01/05]

 405 [01/87-11/99]
 406 [11/95-12/04]
 407 [05/04-12/09]
 806 [06/94-08/02]

Boot kit, C.V. joint
40-14 495 0014 | MBK0220
Notes

 Inner diameter 2 [mm]
 Inner diameter 1 [mm]
 Length [mm]

 Elastomer
 63
 20
 105
 Transmission End
 Front Axle

References

3287.69


Application info

205 [02/83-09/98]

309 [10/85-12/93]

Boot kit, C.V. joint
40-14 495 0011 | MBK0218
Notes

 Inner diameter 2 [mm]
 Inner diameter 1 [mm]
 Length [mm]

 Elastomer
 70
 21
 94
 Transmission End
 Front Axle

References

3287.74


Application info

 306 [04/93-10/03]
 Partner I [04/96-07/08]

Partner I [04/96--]

40-14 495 0010 | MBK0217

Boot kit, C.V. joint



Notes

Inner diameter 2 [mm]
Inner diameter 1 [mm]
Length [mm]

Elastomer
75
28
93
Transmission End
Front Axle

References

3287.77

Application info

605 [06/89-09/99]
806 [06/94-08/02]
Boxer I [03/94-04/02]

Expert I [02/96-10/06]
Boxer I [03/94-04/02]
Expert I [07/95--]

40-14 495 0005 | MBK0212

Boot kit, C.V. joint



Notes

Inner diameter 2 [mm]
Inner diameter 1 [mm]
Length [mm]

Elastomer
87
33
86
Transmission End
Front Axle

References

3287.78

Application info

Boxer I [03/94-04/02]

Boxer I [03/94-04/02]

40-14 495 0009 | MBK0216

Boot kit, C.V. joint



Notes

Inner diameter 2 [mm]
Inner diameter 1 [mm]
Length [mm]

Elastomer
76
34
100
Transmission End
Front Axle

References

3287.81

Application info

206 [08/98-03/09]

Boot kit, C.V. joint
40-14 495 0004 | MBK0211
Notes

 Inner diameter 2 [mm]
 Inner diameter 1 [mm]
 Length [mm]

 Elastomer
 70
 20
 172
 Front Axle
 Transmission End

References

3287.83


Application info

 106 [08/91-07/04]
 205 [02/83-09/98]

306 [04/93-10/03]

Boot kit, C.V. joint
11-14 495 0012 | MBK0118
Notes

 Inner diameter 2 [mm]
 Inner diameter 1 [mm]
 Length [mm]

 Elastomer
 62
 28
 83
 Transmission End
 Front Axle

References

3287.88


Application info

 206 [08/98-03/09]
 306 [04/93-10/03]
 307 [08/00-01/05]

 Partner I [04/96-07/08]
 Partner I [04/96--]

Boot kit, C.V. joint
11-14 495 0000 | MBK0109
Notes

 Inner diameter 2 [mm]
 Inner diameter 1 [mm]
 Length [mm]

 Elastomer
 70
 35
 96
 Transmission End
 Front Axle

References

3287.A9


Application info

 206 [08/98-03/09]
 307 [08/00-01/05]
 407 [05/04-12/09]

 Partner I [04/96-07/08]
 Partner I [04/96--]

40-14 495 0001 | MBK0208

Boot kit, C.V. joint



Notes

Inner diameter 2 [mm]
Inner diameter 1 [mm]
Length [mm]

Thermoplast
86
36
119
Wheel Side
Front Axle

References

3292.03 3293.03

Application info

206 [08/98-03/09]
305 [11/77-07/90]
306 [04/93-10/03]
307 [08/00-01/05]

406 [11/95-12/04]
Partner I [04/96-07/08]
Partner I [04/96--]

11-14 495 0006 | MBK0114

Boot kit, C.V. joint



Notes

Inner diameter 2 [mm]
Inner diameter 1 [mm]
Length [mm]

Thermoplast
97
40
128
Wheel Side
Front Axle

References

3293.02 3293.34

Application info

406 [11/95-12/04]
407 [05/04-12/09]

605 [06/89-09/99]
607 [02/00-07/04]

11-14 495 0009 | MBK0116

Boot kit, C.V. joint



Notes

Inner diameter 2 [mm]
Inner diameter 1 [mm]
Length [mm]

Thermoplast
82
22
126
Wheel Side
Front Axle

References

3293.05

Application info

106 [08/91-07/04]
205 [02/83-09/98]

306 [04/93-10/03]

Boot kit, C.V. joint

11-14 495 0001 | MBK0110

Notes

Inner diameter 2 [mm]
Inner diameter 1 [mm]
Length [mm]

Thermoplast
97
29
112
Wheel Side
Front Axle

References

3293.06



Application info

806 [06/94-08/02]
807 [06/02-05/06]

Expert I [02/96-10/06]
Expert I [07/95--]

Boot kit, C.V. joint

40-14 495 0006 | MBK0213

Notes

Inner diameter 2 [mm]
Inner diameter 1 [mm]
Length [mm]

Thermoplast
110
33
160
Wheel Side
Front Axle

References

3293.07



Application info

Boxer I [03/94-04/02]
Boxer II [04/02-09/09]

Boxer I [03/94-04/02]
Boxer II [12/01--]

Boot kit, C.V. joint

40-14 495 0007 | MBK0214

Notes

Inner diameter 2 [mm]
Inner diameter 1 [mm]
Length [mm]

Thermoplast
72
22
106
Wheel Side
Front Axle Left

References

3293.11

3293.12



Application info

106 [08/91-07/04]

40-14 495 0008 | MBK0215

Boot kit, C.V. joint



Notes

Inner diameter 2 [mm]
Inner diameter 1 [mm]
Length [mm]

Thermoplast
72
28
106
Wheel Side
Front Axle Right

References

3293.13

Application info

106 [08/91-07/04]

40-14 495 0002 | MBK0209

Boot kit, C.V. joint



Notes

Inner diameter 2 [mm]
Inner diameter 1 [mm]
Length [mm]

Thermoplast
81
23
132
Wheel Side
Front Axle

References

3293.14

Application info

306 [04/93-10/03]
Partner I [04/96-07/08]

Partner I [04/96--]

11-14 495 0007 | MBK0115

Boot kit, C.V. joint



Notes

Inner diameter 2 [mm]
Inner diameter 1 [mm]
Length [mm]

Thermoplast
76
34
114
Wheel Side
Front Axle

References

3293.20

Application info

206 [08/98-03/09]
306 [04/93-10/03]
307 [08/00-01/05]

Partner I [04/96-07/08]

Partner I [04/96--]



Boot kit, C.V. joint

11-14 495 0003 | MBK0112

Notes

Inner diameter 2 [mm]
Inner diameter 1 [mm]
Length [mm]

Elastomer
78
20
116
Wheel Side
Front Axle

References

3293.41

3293.74



Application info

205 [02/83-09/98]
305 [11/77-07/90]

309 [10/85-12/93]
205 [02/83--]

Boot kit, C.V. joint

40-14 495 0012 | MBK0219

Notes

Inner diameter 2 [mm]
Inner diameter 1 [mm]
Length [mm]

Elastomer
73
19
82
Wheel Side
Front Axle

References

3293.81



Application info

106 [08/91-07/04]

205 [02/83-09/98]

Boot kit, C.V. joint

40-14 495 0018 | MBK0223

Notes

Inner diameter 2 [mm]
Inner diameter 1 [mm]
Length [mm]

Elastomer
95
24
150
Wheel Side
Front Axle

References

3293.16

3293.42

3293.97



Application info

Boxer I [03/94-04/02]
Boxer II [04/02-09/09]
J5 [280] [09/81-09/90]
J5 [290] [09/90-03/94]

Boxer I [03/94-04/02]
Boxer II [12/01--]
J5 [280] [09/81-09/90]
J5 [290] [09/90-03/94]

40-14 495 0019 | MBK0224

Boot kit, C.V. joint



Notes

Inner diameter 2 [mm]
Inner diameter 1 [mm]
Length [mm]

Elastomer
111
33
93
Wheel Side
Front Axle

References

3293.99

Application info

Boxer I [03/94-04/02]
Boxer II [04/02-09/09]

Boxer I [03/94-04/02]
Boxer II [12/01--]

11-14 495 0013 | MBK0119

Boot kit, C.V. joint



Notes

Inner diameter 2 [mm]
Inner diameter 1 [mm]
Length [mm]

Thermoplast
92
39
106
Wheel Side
Front Axle

References

3293.C6

Application info

407 [05/04-12/09]

607 [02/00-07/04]

40-14 495 0000 | MTX0074

Boot, C.V. joint



Notes

Inner diameter 2 [mm]
Inner diameter 1 [mm]
Length [mm]

Elastomer
85
35
117
Front Axle
Wheel Side

References

3293.31

Boot, C.V. joint
40-14 495 0000 | MTX0074
Application info

 106 [08/91-07/04]
 206 [08/98-03/09]
 306 [04/93-10/03]
 307 [08/00-01/05]
 405 [01/87-11/99]

 406 [11/95-12/04]
 407 [05/04-12/09]
 Partner I [04/96-07/08]
 Partner I [04/96--]

Drive shaft
40-14 498 0022 | MDS0049
Notes

Seal Diameter [mm]	58.5
Length [mm]	614
Outer teething differential side	22
Outer gearing wheel side	21
	Front Axle Left

References

3272.1K	3272.56
---------	---------

Counterpart

40-14 498 0021 | MDS0048


Application info

106 [08/91-07/04]

Drive shaft
40-14 498 0037 | MDS0139
Notes

Seal Diameter [mm]	58
Length [mm]	625
Outer teething differential side	24
Outer gearing wheel side	25
	Front Axle Left

References

3272.1X	96 37 117 780
3272.2X	

Counterpart

40-14 498 0032 | MDS0134


Application info

 307 [08/00-01/05]
 Partner II [04/08--]

Partner II [04/08--]

40-14 498 0040 | MDS0142

Drive shaft



Notes

Number of Teeth, ABS ring	48
Seal Diameter [mm]	58.5
Length [mm]	624
Outer teething differential side	22
Outer gearing wheel side	21
	Front Axle Left

References

3272.2Q	3272.3Q
---------	---------

Counterpart

40-14 498 0041 | MDS0143

Application info

106 [08/91-07/04]

11-14 498 0006 | MDS0016

Drive shaft



Notes

Number of Teeth, ABS ring	48
Seal Diameter [mm]	48
Length [mm]	610
Outer teething differential side	22
Outer gearing wheel side	21
	Front Axle Left

References

3272.3C	3272.4C
3272.3L	

Parts list

11-14 498 0015 MCV0091	C.V. joint kit
--------------------------	----------------

Counterpart

11-14 498 0008 | MDS0018

Application info

206 [08/98-03/09]

40-14 498 0038 | MDS0140

Drive shaft



Notes

Seal Diameter [mm]	56.4
Length [mm]	567
Outer teething differential side	24
Outer gearing wheel side	21
	Front Axle Left

References

3272.2Q	3273.66
3272.4K	3273.67

Counterpart

40-14 498 0035 | MDS0137



Drive shaft

40-14 498 0038 | MDS0140

Application info

205 [02/83-09/98]

205 [02/83--]

Drive shaft

40-14 498 0016 | MDS0043

Notes

Seal Diameter [mm]	50
Length [mm]	618
Outer teething differential side	22
Outer gearing wheel side	21
Front Axle Left	



References

3272.50

3272.54

Counterpart

40-14 498 0013 | MDS0041

Application info

106 [08/91-07/04]

Drive shaft

40-14 498 0011 | MDS0039

Notes

Seal Diameter [mm]	48
Length [mm]	610
Outer teething differential side	22
Outer gearing wheel side	21
Front Axle Left	



References

3272.6E

3272.CQ

96 30 767 080

Application info

206 [08/98-03/09]

40-14 498 0017 | MDS0044

Drive shaft



Notes

Number of Teeth, ABS ring	54
Seal Diameter [mm]	63
Length [mm]	771
Outer teething differential side	37
Outer gearing wheel side	28
	Front Axle Left

References

3272.6K	3272.J3
3272.CH	3272.J4
3272.J0	

Counterpart

40-14 498 0030 | MDS0132

Application info

Boxer I [03/94-04/02]

Boxer I [03/94-04/02]

40-14 498 0034 | MDS0136

Drive shaft



Notes

Seal Diameter [mm]	56.7
Length [mm]	594
Outer teething differential side	22
Outer gearing wheel side	25
	Front Axle Left

References

3272.6Y	3272.Y8
3272.Y7	

Counterpart

40-14 498 0031 | MDS0133

Application info

Partner I [04/96-07/08]

Partner I [04/96--]

11-14 498 0011 | MDS0021

Drive shaft



Notes

Seal Diameter [mm]	48
Length [mm]	604.5
Outer teething differential side	22
Outer gearing wheel side	21
	Front Axle Left

References

3272.8E	3272.9E
---------	---------

Counterpart

11-14 498 0003 | MDS0014

Drive shaft

11-14 498 0011 | MDS0021

Application info

206 [08/98-03/09]

Drive shaft

40-14 498 0019 | MDS0046

Notes

Seal Diameter [mm]	58.5
Length [mm]	624
Outer teething differential side	22
Outer gearing wheel side	21
	Front Axle Left

References

3272.1Q	3272.9P
---------	---------

Counterpart

40-14 498 0020 | MDS0047



Application info

106 [08/91-07/04]

Drive shaft

40-14 498 0015 | MDS0042

Notes

Number of Teeth, ABS ring	54
Seal Diameter [mm]	63
Length [mm]	757.5
Outer teething differential side	41
Outer gearing wheel side	28
	Front Axle Left

References

3272.CK	3272.J1
---------	---------

Counterpart

40-14 498 0012 | MDS0040



Application info

Boxer I [03/94-04/02]

Boxer I [03/94-04/02]

40-14 498 0018 | MDS0045

Drive shaft



Notes

Number of Teeth, ABS ring	54
Seal Diameter [mm]	70
Length [mm]	761
Outer teething differential side	41
Outer gearing wheel side	35
	Front Axle Left

References

3272.CN	3272.J7
3272.J2	3272.J8

Counterpart

40-14 498 0029 | MDS0131

Application info

Boxer I [03/94-04/02]

Boxer I [03/94-04/02]

11-14 498 0010 | MDS0020

Drive shaft



Notes

Seal Diameter [mm]	54
Length [mm]	572
Outer teething differential side	22
Outer gearing wheel side	21
	Front Axle Left

References

3272.3K	3272.R3
---------	---------

Counterpart

11-14 498 0009 | MDS0019

Application info

205 [02/83-09/98]

40-14 498 0043 | MDS0145

Drive shaft



Notes

Seal Diameter [mm]	58.6
Length [mm]	653
Outer teething differential side	37
Outer gearing wheel side	28
	Front Axle Left

References

3272.SZ	3272.TA
---------	---------

Parts list

11-14 498 0020 MCV0096	C.V. joint kit
--------------------------	----------------

Counterpart

40-14 498 0044 | MDS0146



Drive shaft

40-14 498 0043 | MDS0145

Application info

407 [05/04-12/09]
Expert II [01/07--]

Expert II [01/07--]

Drive shaft

11-14 498 0005 | MDS0015

Notes

Seal Diameter [mm]	56.4
Length [mm]	612
Outer teething differential side	22
Outer gearing wheel side	21
	Front Axle Left

References

3272.4R	3272.H8
3272.75	3272.T2

Counterpart

11-14 498 0007 | MDS0017



Application info

306 [04/93-10/03]

Drive shaft

40-14 498 0036 | MDS0138

Notes

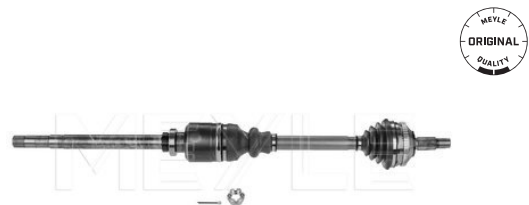
Number of Teeth, ABS ring	48
Seal Diameter [mm]	59
Length [mm]	947
Outer teething differential side	37
Outer gearing wheel side	27
	Front Axle Right

References

3273.06	3273.S1
3273.15	3273.S2

Parts list

214 498 0014 MCV0132	C.V. joint kit
------------------------	----------------



Application info

806 [06/94-08/02]
Expert I [02/96-10/06]

Expert I [07/95--]

40-14 498 0031 | MDS0133

Drive shaft



Notes

Seal Diameter [mm]	56.7
Length [mm]	868
Outer teething differential side	22
Outer gearing wheel side	25
	Front Axle Right

References

3273.0W	3273.6A
3273.0X	3273.X

Counterpart

40-14 498 0034 | MDS0136

Application info

Partner I [04/96-07/08]

Partner I [04/96--]

11-14 498 0008 | MDS0018

Drive shaft



Notes

Number of Teeth, ABS ring	48
Seal Diameter [mm]	48
Length [mm]	886
Outer teething differential side	22
Outer gearing wheel side	21
	Front Axle Right

References

3273.3L	3273.3M
---------	---------

Counterpart

11-14 498 0006 | MDS0016

Application info

206 [08/98-03/09]

11-14 498 0003 | MDS0014

Drive shaft



Notes

Seal Diameter [mm]	48
Length [mm]	886
Outer teething differential side	22
Outer gearing wheel side	21
	Front Axle Right

References

3273.3Y

Parts list

11-14 498 0014 | MCV0090 C.V. joint kit

Counterpart

11-14 498 0011 | MDS0021



Drive shaft

11-14 498 0003 | MDS0014

Application info

206 [08/98-03/09]

Drive shaft

11-14 498 0009 | MDS0019

Notes

Seal Diameter [mm]	56.4
Length [mm]	832.6
Outer teething differential side	22
Outer gearing wheel side	21
	Front Axle Right



References

3273.5P	3273.XB
---------	---------

Counterpart

11-14 498 0010 | MDS0020

Application info

205 [02/83-09/98]

Drive shaft

40-14 498 0035 | MDS0137

Notes

Seal Diameter [mm]	48
Length [mm]	845
Outer teething differential side	24
Outer gearing wheel side	21
	Front Axle Right



References

3272.20	3273.64
3272.65	3273.65
3273.5Q	3273.69
3273.5R	3273.89

Counterpart

40-14 498 0038 | MDS0140

Application info

205 [02/83-09/98]

205 [02/83--]

40-14 498 0030 | MDS0132

Drive shaft



Notes

Number of Teeth, ABS ring	54
Seal Diameter [mm]	63
Length [mm]	1072
Outer teething differential side	37
Outer gearing wheel side	28
	Front Axle Right

References

3273.5S	3273.Q8
3273.CJ	3273.Q9

Parts list

214 498 0012 MCV0130	C.V. joint kit
------------------------	----------------

Counterpart

40-14 498 0017 | MDS0044

Application info

Boxer I [03/94-04/02]

Boxer I [03/94-04/02]

40-14 498 0029 | MDS0131

Drive shaft



Notes

Number of Teeth, ABS ring	54
Seal Diameter [mm]	70
Length [mm]	1085
Outer teething differential side	41
Outer gearing wheel side	35
	Front Axle Right

References

3273.10	3273.5V
3273.13	3273.5W

Parts list

214 498 0013 MCV0131	C.V. joint kit
------------------------	----------------

Counterpart

40-14 498 0018 | MDS0045

Application info

Boxer I [03/94-04/02]

Boxer I [03/94-04/02]



Drive shaft

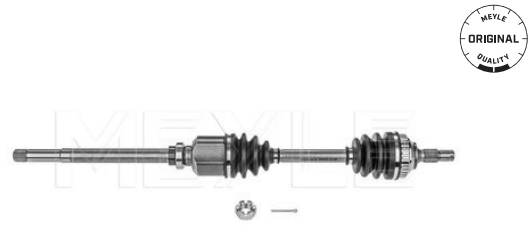
40-14 498 0028 | MDS0130

Notes

Number of Teeth, ABS ring	29
Seal Diameter [mm]	55.7
Length [mm]	868
Outer teething differential side	24
Outer gearing wheel side	25
	Front Axle Right

References

3273.0T	3273.K2
3273.6K	3273.K3
3273.9Z	7273.7X
3273.AA	



Application info

Partner I [04/96-07/08]

Partner I [04/96--]

Drive shaft

40-14 498 0020 | MDS0047

Notes

Seal Diameter [mm]	58.5
Length [mm]	807
Outer teething differential side	22
Outer gearing wheel side	21
	Front Axle Right

References

3273.7G

Counterpart

40-14 498 0019 | MDS0046



Application info

106 [08/91-07/04]

Drive shaft

40-14 498 0041 | MDS0143

Notes

Number of Teeth, ABS ring	48
Seal Diameter [mm]	58.5
Length [mm]	807
Outer teething differential side	22
Outer gearing wheel side	21
	Front Axle Right

References

3273.7H 3273.7J

Counterpart

40-14 498 0040 | MDS0142



Application info

106 [08/91-07/04]

40-14 498 0032 | MDS0134

Drive shaft



Notes

Seal Diameter [mm]	58
Length [mm]	925
Outer teething differential side	24
Outer gearing wheel side	25
	Front Axle Right

References

3273.AC	3273.LP
3273.AE	96 37 117 880

Counterpart

40-14 498 0037 | MDS0139

Application info

307 [08/00-01/05]
Partner II [04/08--]

Partner II [04/08--]

40-14 498 0042 | MDS0144

Drive shaft



Notes

Seal Diameter [mm]	59
Length [mm]	915
Outer teething differential side	22
Outer gearing wheel side	25
	Front Axle Right

References

3273.AH	96 36 786 880
3273.AJ	

Application info

307 [08/00-01/05]

214 498 0059 | MDS0122

Drive shaft



Notes

Seal Diameter [mm]	63
Length [mm]	1072
Outer teething differential side	37
Outer gearing wheel side	28
	Front Axle Right

References

3273.5S	3273.CJ
---------	---------

Parts list

214 498 0032 MCV0146	C.V. joint kit
------------------------	----------------

Application info

Boxer I [03/94-04/02]

Boxer I [03/94-04/02]

Drive shaft
40-14 498 0012 | MDS0040
Notes

Number of Teeth, ABS ring	54
Seal Diameter [mm]	63
Length [mm]	1079
Outer teething differential side	41
Outer gearing wheel side	28
	Front Axle Right

References

3273CK	3273.Q6
--------	---------

Counterpart

40-14 498 0015 | MDS0042


Application info

Boxer I [03/94-04/02]

Boxer I [03/94-04/02]

Drive shaft
40-14 498 0013 | MDS0041
Notes

Seal Diameter [mm]	50
Length [mm]	800
Outer teething differential side	22
Outer gearing wheel side	21
	Front Axle Right

References

3273.C8	3273.E2
---------	---------

Counterpart

16-14 498 0058 MDS0113
40-14 498 0016 MDS0043
16-14 498 0060 MDS0115


Application info

106 [08/91-07/04]

Drive shaft
40-14 498 0021 | MDS0048
Notes

Seal Diameter [mm]	56.4
Length [mm]	797.7
Outer teething differential side	22
Outer gearing wheel side	21
	Front Axle Right

References

3273.0K	3273.E4
3273.5K	

Counterpart

40-14 498 0022 | MDS0049



40-14 498 0021 | MDS0048

Drive shaft

Application info

106 [08/91-07/04]

40-14 498 0044 | MDS0146

Drive shaft



Notes

Seal Diameter [mm]	58.6
Length [mm]	978
Outer teething differential side	37
Outer gearing wheel side	28
	Front Axle Right

References

3273.GC	3273.SV
3273.GE	3273.SW

Counterpart

40-14 498 0043 | MDS0145

Application info

407 [05/04-12/09]
Expert II [01/07--]

Expert II [01/07--]

11-14 498 0007 | MDS0017

Drive shaft



Notes

Seal Diameter [mm]	56.4
Length [mm]	877.5
Outer teething differential side	22
Outer gearing wheel side	21
	Front Axle Right

References

3273.G1	3273.Z4
3273.Q2	

Counterpart

11-14 498 0005 | MDS0015

Application info

306 [04/93-10/03]

C.V. joint kit

11-14 498 0017 | MCV0093

Notes

	CV Joint without ABS ring
Seal Diameter [mm]	58
Outer diameter [mm]	90
Length [mm]	145
Internal Teeth, wheel side	34
Outer gearing wheel side	25
	Wheel Side

References

3272.1X	3272LW
---------	--------



Application info

307 (08/00-01/05)

C.V. joint kit

11-14 498 0015 | MCV0091

Notes

	CV Joint with ABS ring
Number of Teeth, ABS ring	48
Seal Diameter [mm]	48
Outer diameter [mm]	98.9
Length [mm]	140.5
Internal Teeth, wheel side	22
Outer gearing wheel side	21
	Wheel Side

References

3272.3C	3272.4C
---------	---------



Application info

206 (08/98-03/09)

C.V. joint kit

40-14 498 0027 | MCV0317

Notes

	CV Joint with ABS ring
Number of Teeth, ABS ring	29
Seal Diameter [mm]	58.5
Outer diameter [mm]	90
Length [mm]	134
Internal Teeth, wheel side	34
Outer gearing wheel side	25
	Wheel Side

References

3272.6W	3273.9Z
---------	---------



40-14 498 0027 | MCV0317

C.V. joint kit

Application info

Partner I [04/96-07/08]

Partner I [04/96--]

11-14 498 0021 | MCV0097

C.V. joint kit



Notes

Number of Teeth, ABS ring

CV Joint
48
with ABS ring

Seal Diameter [mm]

60

Outer diameter [mm]

99

Length [mm]

132.5

Internal Teeth, wheel side

22

Outer gearing wheel side

25

Wheel Side

References

3272.AE

3273.AL

Application info

206 [08/98-03/09]

11-14 498 0019 | MCV0095

C.V. joint kit



Notes

Number of Teeth, ABS ring

CV Joint
48
with ABS ring

Seal Diameter [mm]

58

Outer diameter [mm]

99

Length [mm]

134.5

Internal Teeth, wheel side

34

Outer gearing wheel side

25

Wheel Side

References

3272.AH

3273.0Y

Application info

206 [08/98-03/09]



C.V. joint kit

40-14 498 0003 | MCV0307

Notes

Number of Teeth, ABS ring

CV Joint
48
with ABS ring
Seal Diameter [mm]
55.7
Outer diameter [mm]
90
Length [mm]
134
Internal Teeth, wheel side
34
Outer gearing wheel side
25
Wheel Side

Seal Diameter [mm]
Outer diameter [mm]
Length [mm]
Internal Teeth, wheel side
Outer gearing wheel side

References

3272.C7



Application info

205 [02/83-09/98]
306 [04/93-10/03]

309 [10/85-12/93]

C.V. joint kit

11-14 498 0002 | MCV0087

Notes

Number of Teeth, ABS ring

CV Joint
29
with ABS ring
Seal Diameter [mm]
55
Outer diameter [mm]
88
Length [mm]
134.5
Internal Teeth, wheel side
25
Outer gearing wheel side
34
Wheel Side

Seal Diameter [mm]
Outer diameter [mm]
Length [mm]
Internal Teeth, wheel side
Outer gearing wheel side

References

3272.E3



Application info

306 [04/93-10/03]

405 [01/87-11/99]

C.V. joint kit

40-14 498 0024 | MCV0314

Notes

Seal Diameter [mm]
Outer diameter [mm]
Length [mm]
Internal Teeth, wheel side
Outer gearing wheel side

CV Joint
without ABS ring
48.6
79.2
140.5
22
21
Wheel Side

References

3272.EQ



40-14 498 0024 | MCV0314

C.V. joint kit

Application info
207 [02/06-10/08]

11-14 498 0012 | MCV0088

C.V. joint kit



Notes

Seal Diameter [mm]
Outer diameter [mm]
Length [mm]
Internal Teeth, wheel side
Outer gearing wheel side

CV Joint
without ABS ring
59
100
152.5
39
25
Wheel Side

References

3272.FT
3273.CY

3273.JJ

Application info
307 [08/00-01/05]

11-14 498 0024 | MCV0098

C.V. joint kit



Notes

Seal Diameter [mm]
Outer diameter [mm]
Length [mm]
Internal Teeth, wheel side
Outer gearing wheel side

CV Joint
without ABS ring
58.5
86
148
34
28
Wheel Side

References

3272.GE
3272.GG

3273.EG

Application info
407 [05/04-12/09]

807 [06/02-05/06]

C.V. joint kit

11-14 498 0020 | MCV0096

Notes

CV Joint
without ABS ring

Seal Diameter [mm] 58.6
Outer diameter [mm] 100.3
Length [mm] 157
Internal Teeth, wheel side 39
Outer gearing wheel side 28
Wheel Side

References

3272.GL 3273.GC



Application info

407 [05/04-12/09]

C.V. joint kit

30-14 498 0021 | MCV0187

Notes

CV Joint
without ABS ring

Seal Diameter [mm] 49.2
Length [mm] 137
Internal Teeth, wheel side 19
Outer gearing wheel side 24
Wheel Side

References

3272JY 3273JR



Application info

107 [06/05--]

C.V. joint kit

11-14 498 0018 | MCV0094

Notes

CV Joint
without ABS ring

Seal Diameter [mm] 60
Outer diameter [mm] 79.5
Length [mm] 134
Internal Teeth, wheel side 22
Outer gearing wheel side 25
Wheel Side

References

3272.LA 3273.KP



Application info

207 [02/06-10/08]

307 [08/00-01/05]

11-14 498 0016 | MCV0092

C.V. joint kit



Notes

Seal Diameter [mm]
Outer diameter [mm]
Length [mm]
Internal Teeth, wheel side
Outer gearing wheel side

CV Joint
without ABS ring
58.6
95
156
39
28
Wheel Side

References

3272.NP
3272.NQ

3273.NP
3273.NQ

Application info

Expert II (01/07--)

Expert II (01/07--)

40-14 498 0009 | MCV0311

C.V. joint kit



Notes

Seal Diameter [mm]
Outer diameter [mm]
Length [mm]
Internal Teeth, wheel side
Outer gearing wheel side

CV Joint
without ABS ring
54.8
90
134.5
34
25
Wheel Side

References

3272.F5
3273.78

3273.N2

Application info

405 (01/87-11/99)

40-14 498 0002 | MCV0306

C.V. joint kit



Notes

Seal Diameter [mm]
Outer diameter [mm]
Length [mm]
Internal Teeth, wheel side
Outer gearing wheel side

CV Joint
without ABS ring
54.8
90
134.5
23
25
Wheel Side

References

3272.02
3272.09
3272.10
3272.11

3272.12
3273.71
3273.79
3273.81

C.V. joint kit

40-14 498 0002 | MCV0306

Application info

205 [02/83-09/98]
306 [04/93-10/03]

309 [10/85-12/93]
405 [01/87-11/99]

C.V. joint kit

40-14 498 0001 | MCV0305

Notes

Seal Diameter [mm]
Outer diameter [mm]
Length [mm]
Internal Teeth, wheel side
Outer gearing wheel side

CV Joint
without ABS ring
56
84
139
22
21
Wheel Side

References

3272.00
3272.20
3273.55
3273.64
3273.65

3273.66
3273.67
3273.69
3273.89



Application info

205 [02/83-09/98]

205 [02/83--]

C.V. joint kit

11-14 498 0014 | MCV0090

Notes

Seal Diameter [mm]
Outer diameter [mm]
Length [mm]
Internal Teeth, wheel side
Outer gearing wheel side

CV Joint
without ABS ring
48
79
140.5
22
21
Wheel Side

References

3273.CQ



Application info

206 [08/98-03/09]

3

40-14 498 0006 | MCV0309

C.V. joint kit



Notes

Number of Teeth, ABS ring
Seal Diameter [mm]
Outer diameter [mm]
Length [mm]
Internal Teeth, wheel side
Outer gearing wheel side

CV Joint
29
with ABS ring
54.8
90
134.5
23
25
Wheel Side

References

3272.E5 3273.E6

Application info

306 (04/93-10/03)

405 (01/87-11/99)

40-14 498 0005 | MCV0308

C.V. joint kit



Bilddatei System/FS_0400x0313_JPG_sta/
FS_401449800005.jpg nicht gefunden.

Notes

Number of Teeth, ABS ring
Seal Diameter [mm]
Outer diameter [mm]
Length [mm]
Internal Teeth, wheel side
Outer gearing wheel side

CV Joint
48
with ABS ring
56
90
134.5
23
25
Wheel Side

References

3272.83 3273.G9

Application info

306 (04/93-10/03)

214 498 0014 | MCV0132

C.V. joint kit



Notes

Number of Teeth, ABS ring
Seal Diameter [mm]
Outer diameter [mm]
Length [mm]
Internal Teeth, wheel side
Outer gearing wheel side

CV Joint
48
with ABS ring
59
99
145
39
27
Wheel Side

References

3272.GY 3273.GQ



C.V. joint kit

214 498 0014 | MCV0132

Application info

806 [06/94-08/02]
Expert I [02/96-10/06]

Expert I [07/95--]

C.V. joint kit

11-14 498 0013 | MCV0089

Notes

Number of Teeth, ABS ring

CV Joint
48
with ABS ring
58.5
90
134
34
25
Wheel Side

Seal Diameter [mm]
Outer diameter [mm]
Length [mm]
Internal Teeth, wheel side
Outer gearing wheel side

References

3272.LE
3272.LG

3273.KR



Application info

207 [02/06-10/08]
308 [09/07--]

Partner I [04/96-07/08]
Partner I [04/96--]

C.V. joint kit

214 498 0006 | MCV0127

Notes

Seal Diameter [mm]
Outer diameter [mm]
Length [mm]
Internal Teeth, wheel side
Outer gearing wheel side

CV Joint
without ABS ring
63
99
175.5
27
28
Wheel Side

References

3273.C7
3274.77

3274.78



Application info

J5 [280] [09/81-09/90]
J5 [290] [09/90-03/94]

J5 [280] [09/81-09/90]
J5 [290] [09/90-03/94]

40-14 498 0000 | MCV0304

C.V. joint kit



Notes

Seal Diameter [mm]
Outer diameter [mm]
Length [mm]
Internal Teeth, wheel side
Outer gearing wheel side

CV Joint
without ABS ring
54.8
84
127
22
25
Wheel Side

References

3273.17	3274.79
3273.18	3274.80
3273.20	3274.82
3273.21	3274.83
3273.23	3274.85
3273.24	3274.86

Application info

405 [01/87-11/99]

214 498 0012 | MCV0130

C.V. joint kit



Notes

Number of Teeth, ABS ring
Seal Diameter [mm]
Outer diameter [mm]
Length [mm]
Internal Teeth, wheel side
Outer gearing wheel side

CV Joint
54
with ABS ring
63
99
175.5
39
28
Wheel Side

References

4246.R3

Application info

Boxer I [03/94-04/02]
Boxer II [04/02-09/09]

Boxer I [03/94-04/02]
Boxer II [12/01--]

214 498 0032 | MCV0146

C.V. joint kit



Notes

Seal Diameter [mm]
Outer diameter [mm]
Length [mm]
Internal Teeth, wheel side
Outer gearing wheel side

CV Joint
without ABS ring
63
99
175.5
39
28
Wheel Side

References

4246.R3



C.V. joint kit

214 498 0032 | MCV0146

Application info

Boxer I [03/94-04/02]

Boxer I [03/94-04/02]

C.V. joint kit

214 498 0013 | MCV0131

Notes

Number of Teeth, ABS ring

CV Joint
54
with ABS ring

Seal Diameter [mm]

70

Outer diameter [mm]

115,5

Length [mm]

190

Internal Teeth, wheel side

45

Outer gearing wheel side

35

Wheel Side

References

95 67 582 280



Application info

Boxer I [03/94-04/02]

Boxer II [04/02-09/09]

Boxer I [03/94-04/02]

Boxer II [12/01--]

C.V. joint kit

40-14 498 0010 | MCV0312

Notes

Number of Teeth, ABS ring

CV Joint
48
with ABS ring

Seal Diameter [mm]

59

Outer diameter [mm]

90

Length [mm]

137

Internal Teeth, wheel side

34

Outer gearing wheel side

27

Wheel Side

References

9619 947 588

9619 947 688



Application info

806 [06/94-08/02]

Expert I [02/96-10/06]

Expert I [07/95--]

214 498 0037 | MCV0150

C.V. joint kit



Notes

Seal Diameter [mm]
Outer diameter [mm]
Length [mm]
Internal Teeth, wheel side
Outer gearing wheel side

CV Joint
without ABS ring
58
92
143.5
28
27
Wheel Side

Application info

807 [06/02-05/06]

40-14 030 0000 | MEM0450

Mount, automatic transmission



Notes

Rubber-metal Bearing
Transmission End
Left

References

1813.98

Application info

407 [05/04-12/09]

40-14 030 0000 | MEM0450

Mount, manual transmission



Notes

Rubber-metal Bearing
Transmission End
Left

References

1813.98

Application info

407 [05/04-12/09]



ABS wheel sensor

11-14 800 0016 | MAS0388

Notes

Operating voltage [V]	Hall Sensor
Number of Poles	12
Required quantity	2
	Rear Axle

References

4545.08	4545.L0
---------	---------



Application info

307 [08/00-01/05]

308 [09/07--]

ABS wheel sensor

11-14 800 0004 | MAS0260

Notes

	Inductive Sensor
Cable Length [mm]	1210
Operating voltage [V]	12
Number of Poles	2
Resistance [Ohm]	1550

References

4545.32	4545.45
---------	---------



Application info

306 [04/93-10/03]

Partner I [04/96-07/08]

Partner I [04/96--]

ABS wheel sensor

11-14 800 0005 | MAS0261

Notes

	Inductive Sensor
Cable Length [mm]	720
Operating voltage [V]	12
Number of Poles	2
Resistance [Ohm]	1550

References

4545.33	4545.46
4545.36	4545.56



Application info

306 [04/93-10/03]

4

11-14 899 0006 | MAS0078

ABS wheel sensor



Notes

Cable Length [mm]
Operating voltage [V]
Number of Poles
Required quantity
Resistance [Ohm]

Inductive Sensor
1035
12
2
2
1600
Front Axle left and right

References

4545.48 96 183 217

Application info

406 [11/95-12/04]

11-14 899 0007 | MAS0079

ABS wheel sensor



Notes

Cable Length [mm]
Operating voltage [V]
Number of Poles
Required quantity
Resistance [Ohm]

Inductive Sensor
775
12
2
2
1700
Rear Axle left and right

References

4545.49 96 183 261

Application info

406 [11/95-12/04]

11-14 899 0010 | MAS0081

ABS wheel sensor



Notes

Cable Length [mm]
Operating voltage [V]
Number of Poles
Required quantity
Resistance [Ohm]

Inductive Sensor
810
12
2
2
1680
Rear Axle left and right

References

4545.50 96 227 489
96 217 756

Application info

306 [04/93-10/03]



ABS wheel sensor

11-14 899 0016 | MAS0086

Notes

Cable Length [mm]	480
Operating voltage [V]	12
Number of Poles	2
Required quantity	2
Resistance [Ohm]	1150

Passive sensor
Front Axle left and right



References

4545.57

Application info

106 [08/91-07/04]

ABS wheel sensor

11-14 800 0015 | MAS0364

Notes

Operating voltage [V]	12
Number of Poles	2
Required quantity	2
Resistance [Ohm]	1550

Inductive Sensor
Front Axle left and right



References

4545.67

Application info

806 [06/94-08/02]
Expert I [02/96-10/06]

Expert I [07/95--]

ABS wheel sensor

40-14 800 0017 | MAS0270

Notes

Operating voltage [V]	12
Cable Length [mm]	1495
Number of Poles	2
Required quantity	1
Resistance [Ohm]	1680

Inductive Sensor
Rear Axle Left



References

4545.71

Counterpart

40-14 800 0018 | MAS0271

Application info

Boxer I [03/94-04/02]

Boxer I [03/94-04/02]

40-14 800 0018 | MAS0271

ABS wheel sensor



Notes

Operating voltage [V]
Cable Length [mm]
Number of Poles
Required quantity
Resistance [Ohm]

Inductive Sensor
12
2200
2
1
1680
Rear Axle Right

References

4545.72

Counterpart

40-14 800 0017 | MAS0270

Application info

Boxer I [03/94-04/02]

Boxer I [03/94-04/02]

11-14 800 0003 | MAS0241

ABS wheel sensor



Notes

Operating voltage [V]
Cable Length [mm]
Number of Poles
Required quantity
Resistance [Ohm]

Inductive Sensor
12
860
2
2
1700
Rear Axle left and right

References

4545.75

Application info

806 [06/94-08/02]
Expert I [02/96-10/06]

Expert I [07/95--]

11-14 899 0012 | MAS0082

ABS wheel sensor



Notes

Cable Length [mm]
Operating voltage [V]
Number of Poles
Required quantity
Resistance [Ohm]

Inductive Sensor
775
12
2
2
1050
Front Axle left and right

References

4545.76

Application info

206 [08/98-03/09]



ABS wheel sensor

11-14 899 0013 | MAS0083

Notes

	Inductive Sensor
Cable Length [mm]	780
Operating voltage [V]	12
Number of Poles	2
Required quantity	2
Resistance [Ohm]	1100
	Rear Axle left and right

References

4545.77	4545.79
---------	---------



Application info

206 [08/98-03/09]

ABS wheel sensor

40-14 800 0011 | MAS0246

Notes

	Inductive Sensor
Operating voltage [V]	12
Cable Length [mm]	700
Number of Poles	2
Required quantity	2
Resistance [Ohm]	1100
	Rear Axle left and right

References

4545.80	9636082980
---------	------------



Application info

106 [08/91-07/04]

ABS wheel sensor

11-14 800 0001 | MAS0071

Notes

	Hall Sensor
Cable Length [mm]	620
Operating voltage [V]	12
Number of Poles	2
Required quantity	2
	Front Axle left and right

References

4545.88



Application info

307 [08/00-01/05]

4

11-14 899 0018 | MAS0088

ABS wheel sensor



Notes

Cable Length [mm]
Operating voltage [V]
Number of Poles

Hall Sensor
735
12
2
with fastening material
2
Rear Axle left and right

Required quantity

References

4545.89

Application info

307 [08/00-01/05]

214 800 0017 | MAS0263

ABS wheel sensor



Notes

Operating voltage [V]
Cable Length [mm]
Number of Poles
Required quantity
Resistance [Ohm]

Inductive Sensor
12
1340
2
2
1680
Front Axle left and right

References

4545.90

Application info

Boxer I [03/94-04/02]
Boxer II [04/02-09/09]

Boxer I [03/94-04/02]
Boxer II [12/01--]

40-14 800 0014 | MAS0268

ABS wheel sensor



Notes

Cable Length [mm]
Operating voltage [V]
Number of Poles
Required quantity

Hall Sensor
765
12
2
1
Front Axle Left

References

4545.94

Counterpart

40-14 800 0015 | MAS0269

Application info

807 [06/02-05/06]



ABS wheel sensor

40-14 800 0015 | MAS0269

Notes

Cable Length [mm]
Operating voltage [V]
Number of Poles
Required quantity

Hall Sensor
775
12
2
1
Front Axle Right

References

4545.95

Counterpart

40-14 800 0014 | MAS0268



Application info

807 [06/02-05/06]

ABS wheel sensor

40-14 800 0016 | MAS0279

Notes

Cable Length [mm]
Operating voltage [V]
Number of Poles
Required quantity

Hall Sensor
920
12
2
2
Rear Axle left and right

References

4545.96



Application info

807 [06/02-05/06]

ABS wheel sensor

40-14 800 0002 | MAS0191

Notes

Cable Length [mm]
Operating voltage [V]
Number of Poles
Required quantity

Hall Sensor
1045
12
2
2
Front Axle left and right

References

4545.97



Application info

1007 [04/05--]

4

40-14 800 0003 | MAS0192

ABS wheel sensor



Notes

Cable Length [mm]
Operating voltage [V]
Number of Poles
Required quantity

Hall Sensor
705
12
2
2
Rear Axle left and right

References

4545.98

Application info

1007 [04/05--]

11-14 899 0014 | MAS0084

ABS wheel sensor



Notes

Cable Length [mm]
Operating voltage [V]
Number of Poles
Required quantity

Hall Sensor
775
12
2
2
Rear Axle left and right

References

4545.A0

Application info

206 [08/98-03/09]

11-14 800 0000 | MAS0070

ABS wheel sensor



Notes

Cable Length [mm]
Operating voltage [V]
Number of Poles
Required quantity

Hall Sensor
780
12
2
2
Rear Axle left and right

References

4545.A3

Application info

206 [08/98-03/09]



ABS wheel sensor

11-14 899 0003 | MAS0075

Notes

Cable Length [mm]
Operating voltage [V]
Number of Poles
Required quantity

Hall Sensor
640
12
2
2
Front Axle left and right

References

4545.C1



Application info

307 [08/00-01/05]

ABS wheel sensor

11-14 899 0004 | MAS0076

Notes

Cable Length [mm]
Operating voltage [V]
Number of Poles
Required quantity

Hall Sensor
775
12
2
2
Rear Axle left and right

References

4545.C2
96 526 967

965269670



Application info

307 [08/00-01/05]

ABS wheel sensor

11-14 800 0006 | MAS0314

Notes

Cable Length [mm]
Operating voltage [V]
Number of Poles
Required quantity

Hall Sensor
730
12
2
2
Rear Axle left and right

References

4545.C3

96 526 969



Application info

307 [08/00-01/05]

4

11-14 899 0005 | MAS0077

ABS wheel sensor



Notes

Cable Length [mm]
Operating voltage [V]
Number of Poles
Required quantity

Hall Sensor
900
12
2
2
Rear Axle left and right

References

4545.C4
96 461 258

96 584 207

Application info

307 [08/00-01/05]

40-14 800 0019 | MAS0318

ABS wheel sensor



Notes

Cable Length [mm]
Operating voltage [V]
Number of Poles
Required quantity

Hall Sensor
745
12
2
2
Front Axle left and right

References

4545.E1

Application info

107 [06/05--]

40-14 800 0020 | MAS0319

ABS wheel sensor



Notes

Operating voltage [V]
Cable Length [mm]
Number of Poles
Required quantity

Hall Sensor
12
875
2
with fastening material
2
Rear Axle left and right

References

4545.E2

Application info

107 [06/05--]



ABS wheel sensor

11-14 800 0007 | MAS0315

Notes

Cable Length [mm]
Operating voltage [V]
Number of Poles
Required quantity

Hall Sensor
675
12
2
2
Rear Axle left and right

References

4545.E5 96 51 969 380



Application info

207 [02/06-10/08]

207 [02/06--]

ABS wheel sensor

40-14 800 0025 | MAS0321

Notes

Cable Length [mm]
Operating voltage [V]
Number of Poles
Required quantity

Hall Sensor
620
12
2
2
Front Axle left and right

References

4545.E7



Application info

5008 [06/09--]
Partner II [04/08--]

Partner II [04/08--]

ABS wheel sensor

40-14 800 0024 | MAS0352

Notes

Cable Length [mm]
Operating voltage [V]
Number of Poles
Required quantity

Hall Sensor
915
12
2
2
Rear Axle left and right

References

4545.E8



Application info

5008 [06/09--]
Partner II [04/08--]

Partner II [04/08--]

4

11-14 800 0008 | MAS0327

ABS wheel sensor



Notes

Operating voltage [V]
Cable Length [mm]
Number of Poles
Required quantity

Hall Sensor
12
870
2
with screw
2
Front Axle left and right

References

4545.E9

Application info

Expert II (01/07--)

Expert II (01/07--)

11-14 800 0009 | MAS0281

ABS wheel sensor



Notes

Cable Length [mm]
Operating voltage [V]
Number of Poles
Required quantity

Hall Sensor
1410
12
2
2
Rear Axle left and right

References

4545.F0

Application info

Expert II (01/07--)

Expert II (01/07--)

40-14 800 0021 | MAS0351

ABS wheel sensor



Notes

Cable Length [mm]
Operating voltage [V]
Number of Poles
Required quantity

Hall Sensor
895
12
2
2
Front Axle left and right

References

4545.F1

Application info

Boxer III (04/06--)

Boxer III (04/06--)



ABS wheel sensor

11-14 899 0015 | MAS0085

Notes

Cable Length [mm]	Hall Sensor
Operating voltage [V]	740
Number of Poles	12
Required quantity	2
	2
	Front Axle left and right

References

4545.99	4545.F4
---------	---------



Application info

206 [08/98-03/09]

ABS wheel sensor

40-14 800 0022 | MAS0320

Notes

Cable Length [mm]	Hall Sensor
Operating voltage [V]	735
Number of Poles	12
Required quantity	2
	2
	Rear Axle left and right

References

4545.F6	96 61 974 980
---------	---------------



Application info

307 [08/00-01/05]

ABS wheel sensor

11-14 800 0002 | MAS0072

Notes

Cable Length [mm]	Hall Sensor
Operating voltage [V]	1185
Number of Poles	12
Required quantity	with screw
	2
	2
	Front Axle

References

4545.A9	4545.G6
---------	---------



Application info

407 [05/04-12/09]

4

11-14 899 0019 | MAS0089

ABS wheel sensor



Notes

Cable Length [mm]
Operating voltage [V]
Number of Poles
Required quantity

Hall Sensor
1762
12
2
2
Rear Axle left and right

References

4545.C0
4545.G7

9642688280

Application info

407 [05/04-12/09]

11-14 800 0010 | MAS0363

ABS wheel sensor



Notes

Cable Length [mm]
Operating voltage [V]
Number of Poles
Required quantity

Hall Sensor
890
12
2
2
Rear Axle left and right

References

4545.H1

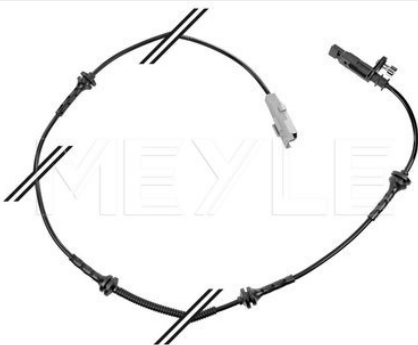
Application info

Boxer III [04/06--]

Boxer III [04/06--]

40-14 800 0007 | MAS0265

ABS wheel sensor



Notes

Operating voltage [V]
Cable Length [mm]
Number of Poles
Required quantity

Active sensor
12
1190
2
with screw
2
Front Axle left and right

References

4545.H5

Application info

407 [05/04-12/09]

ABS wheel sensor

40-14 800 0008 | MAS0278

Notes

Operating voltage [V]	Hall Sensor
Cable Length [mm]	12
Number of Poles	1750
	2
Required quantity	with fastening material
	2
	Rear Axle left and right

References

4545.H6



Application info

407 [05/04-12/09]

ABS wheel sensor

40-14 800 0026 | MAS0356

Notes

Operating voltage [V]	Hall Sensor
Length [mm]	12
Number of Poles	1762
Required quantity	2
	2
	Rear Axle

References

4545.J0



Application info

407 [05/04-12/09]

ABS wheel sensor

11-14 800 0012 | MAS0316

Notes

Cable Length [mm]	Hall Sensor
Operating voltage [V]	690
Number of Poles	12
Required quantity	2
	2
	Rear Axle left and right

References

4545.J8

96 65 592 380



Application info

207 [02/06-10/08]
208 [03/12--]

301 [11/12--]
207 [02/06--]

4

11-14 800 0011 | MAS0328

ABS wheel sensor



Notes

Cable Length [mm]	Hall Sensor
Operating voltage [V]	965
Number of Poles	12
Required quantity	2
	Front Axle left and right

References

4545.E4	9655067880
4545.J9	

Application info

2008 [03/13--]
207 [02/06-10/08]

208 [03/12--]
207 [02/06--]

40-14 800 0023 | MAS0289

ABS wheel sensor



Notes

Cable Length [mm]	Active sensor
Operating voltage [V]	645
Number of Poles	12
Required quantity	2
	Front Axle left and right

References

4545.F5	96 65 386 780
4545.K3	

Application info

3008 [06/09--]
307 [08/00-01/05]

308 [09/07--]
5008 [06/09--]

11-14 800 0013 | MAS0353

ABS wheel sensor



Notes

Operating voltage [V]	Hall Sensor
Length [mm]	12
Number of Poles	1233
Required quantity	2
	Front Axle

References

4545.K5	96 745 779 80
---------	---------------

Application info

508 [11/10--]



ABS wheel sensor

40-14 800 0027 | MAS0357

Notes

Operating voltage [V]	Hall Sensor
Length [mm]	1259
Number of Poles	2
Required quantity	2
	Front Axle

References

4545.K6



Application info

407 [05/04-12/09]

508 [11/10--]

ABS wheel sensor

11-14 800 0014 | MAS0354

Notes

Operating voltage [V]	Hall Sensor
Length [mm]	1762
Number of Poles	2
Required quantity	2
	Rear Axle

References

4545.K7



Application info

508 [11/10--]

Control unit, glow plug system

11-14 880 0001 | MEX0501

Notes

Pre-Glow Time [sec.]	10
Observe service information	
Number of Cylinders	4
Height [mm]	64
Width [mm]	80
Multiple	2
Operating voltage [V]	12
Length [mm]	74
Number of Poles	1
Number of Poles	5

References

5981.16

5981.20



Application info

605 [06/89-09/99]

4

40-14 880 0000 | MEX0536

Control unit, glow plug system



Notes

Observe service information	
Number of Cylinders	4
Height [mm]	64
Width [mm]	80
Multiple	2
Operating voltage [V]	12
Length [mm]	74
Number of Poles	1
Number of Poles	5

References

5981.31	5981.38
---------	---------

Application info

- 1007 [04/05--]
- 106 [08/91-07/04]
- 206 [08/98-03/09]
- 306 [04/93-10/03]
- 307 [08/00-01/05]
- 406 [11/95-12/04]
- 605 [06/89-09/99]
- 607 [02/00-07/04]
- 806 [06/94-08/02]

- 807 [06/02-05/06]
- Boxer I [03/94-04/02]
- Boxer II [04/02-09/09]
- Expert I [02/96-10/06]
- Partner I [04/96-07/08]
- Boxer I [03/94-04/02]
- Boxer II [12/01--]
- Expert I [07/95--]
- Partner I [04/96--]

40-14 880 0001/S | MEX0542

Control unit, glow plug system



Notes

Observe service information	
Version	SET
Number of Cylinders	4
Height [mm]	64
Width [mm]	80
Multiple	2
Operating voltage [V]	12
Length [mm]	74
Number of Poles	1
Number of Poles	5

References

5981.31	5981.38
---------	---------

Parts list

714 860 0002 MGP0093	Glow plug
40-14 880 0000 MEX0536	Control unit, glow plug system

Application info

- 1007 [04/05--]
- 206 [08/98-03/09]

- 307 [08/00-01/05]

Control unit, glow plug system
40-14 880 0002/S | MEX0543
Notes

Observe service information

Version	SET
Number of Cylinders	4
Height [mm]	64
Width [mm]	80
Multiple	2
Operating voltage [V]	12
Length [mm]	74
Number of Poles	1
Number of Poles	5

References

5981.31 5981.38

Parts list

11-14 860 0000 MGP0024	Glow plug
40-14 880 0000 MEX0536	Control unit, glow plug system


Application info

 106 [08/91-07/04]
 206 [08/98-03/09]
 306 [04/93-10/03]
 Expert I [02/96-10/06]

 Partner I [04/96-07/08]
 Expert I [07/95--]
 Partner I [04/96--]

Control unit, glow plug system
40-14 880 0003/S | MEX0544
Notes

Observe service information

Version	SET
Number of Cylinders	4
Height [mm]	64
Width [mm]	80
Multiple	2
Operating voltage [V]	12
Length [mm]	74
Number of Poles	1
Number of Poles	5

References

5981.31 5981.38

Parts list

714 020 0003 MGP0089	Glow plug
40-14 880 0000 MEX0536	Control unit, glow plug system


Application info

 206 [08/98-03/09]
 306 [04/93-10/03]
 307 [08/00-01/05]
 406 [11/95-12/04]
 607 [02/00-07/04]
 806 [06/94-08/02]
 807 [06/02-05/06]

 Boxer II [04/02-09/09]
 Expert I [02/96-10/06]
 Partner I [04/96-07/08]
 Boxer II [12/01--]
 Expert I [07/95--]
 Partner I [04/96--]

40-14 880 0004/S | MEX0545

Control unit, glow plug system



Notes

Observe service information	
Version	SET
Number of Cylinders	4
Height [mm]	64
Width [mm]	80
Multiple	2
Operating voltage [V]	12
Length [mm]	74
Number of Poles	1
Number of Poles	5

References

5981.31	5981.38
---------	---------

Parts list

011 860 0000 MGP0001	Glow plug
40-14 880 0000 MEX0536	Control unit, glow plug system

Application info

406 [11/95-12/04]
605 [06/89-09/99]
806 [06/94-08/02]

Expert I [02/96-10/06]
Expert I [07/95--]

40-14 880 0005/S | MEX0546

Control unit, glow plug system



Notes

Observe service information	
Version	SET
Number of Cylinders	4
Height [mm]	64
Width [mm]	80
Multiple	2
Operating voltage [V]	12
Length [mm]	74
Number of Poles	1
Number of Poles	5

References

5981.31	5981.38
---------	---------

Parts list

714 020 0004 MGP0090	Glow plug
40-14 880 0000 MEX0536	Control unit, glow plug system

Application info

406 [11/95-12/04]
607 [02/00-07/04]
807 [06/02-05/06]
Boxer II [04/02-09/09]

Expert I [02/96-10/06]
Boxer II [12/01--]
Expert I [07/95--]

Control unit, glow plug system

40-14 880 0006/S | MEX0547

Notes

Observe service information	
Version	SET
Number of Cylinders	4
Height [mm]	64
Width [mm]	80
Multiple	2
Operating voltage [V]	12
Length [mm]	74
Number of Poles	1
Number of Poles	5

References

5981.31	5981.38
---------	---------

Parts list

40-14 860 0001 MGP0068	Glow plug
40-14 880 0000 MEX0536	Control unit, glow plug system



Application info

Boxer I [03/94-04/02]
Boxer II [04/02-09/09]

Boxer I [03/94-04/02]
Boxer II [12/01--]

Control unit, glow plug system

11-14 880 0003/S | MEX0503

Notes

Observe service information	
Version	SET
Number of Cylinders	4
Height [mm]	48
Width [mm]	39
Operating voltage [V]	12
Length [mm]	89
Number of Poles	7

References

5981.40

Parts list

714 860 0002 MGP0093	Glow plug
16-14 880 0000 MEX0526	Control unit, glow plug system



Application info

1007 [04/05--]
206 [08/98-03/09]
307 [08/00-01/05]
407 [05/04-12/09]

Partner I [04/96-07/08]
Partner II [04/08--]
Partner I [04/96--]
Partner II [04/08--]

11-14 880 0004/S | MEX0504

Control unit, glow plug system



Notes

Observe service information	SET
Version	4
Number of Cylinders	48
Height [mm]	39
Width [mm]	12
Operating voltage [V]	89
Length [mm]	7

References

5981.40

Parts list

11-14 860 0001 MGP0025	Glow plug
16-14 880 0000 MEX0526	Control unit, glow plug system

Application info

- 1007 [04/05--]
- 107 [06/05--]
- 206 [08/98-03/09]
- 207 [02/06-10/08]
- 307 [08/00-01/05]
- 308 [09/07--]
- 4007 [02/07--]
- 407 [05/04-12/09]
- 5008 [06/09--]

- Bipper [02/08--]
- Expert II [01/07--]
- Partner I [04/96-07/08]
- Partner II [04/08--]
- Bipper [02/08--]
- Expert II [01/07--]
- Partner I [04/96--]
- Partner II [04/08--]

11-14 880 0005/S | MEX0505

Control unit, glow plug system



Notes

Observe service information	SET
Version	4
Number of Cylinders	48
Height [mm]	39
Width [mm]	12
Operating voltage [V]	89
Length [mm]	7

References

5981.40

Parts list

714 020 0003 MGP0089	Glow plug
16-14 880 0000 MEX0526	Control unit, glow plug system

Application info

- 206 [08/98-03/09]
- 307 [08/00-01/05]
- 406 [11/95-12/04]

- 607 [02/00-07/04]
- Partner I [04/96-07/08]
- Partner I [04/96--]



Control unit, glow plug system

11-14 880 0006/S | MEX0506

Notes

Observe service information

Version	SET
Number of Cylinders	4
Height [mm]	48
Width [mm]	39
Operating voltage [V]	12
Length [mm]	89
Number of Poles	7

References

5981.40

Parts list

714 020 0004 MGP0090	Glow plug
16-14 880 0000 MEX0526	Control unit, glow plug system



Application info

307 [08/00-01/05]
 308 [09/07--]
 406 [11/95-12/04]
 407 [05/04-12/09]
 508 [11/10--]

607 [02/00-07/04]
 807 [06/02-05/06]
 Expert II [01/07--]
 Expert II [01/07--]

Control unit, glow plug system

11-14 880 0007/S | MEX0507

Notes

Observe service information

Version	SET
Number of Cylinders	4
Height [mm]	48
Width [mm]	39
Operating voltage [V]	12
Length [mm]	89
Number of Poles	7

References

5981.40

Parts list

11-14 880 0000 MGP0024	Glow plug
16-14 880 0000 MEX0526	Control unit, glow plug system



Application info

Partner I [04/96-07/08]

Partner I [04/96--]

4

11-14 880 0008/S | MEX0508

Control unit, glow plug system



Notes

Observe service information	
Version	SET
Number of Cylinders	4
Height [mm]	48
Width [mm]	39
Operating voltage [V]	12
Length [mm]	89
Number of Poles	7

References

5981.40

Parts list

40-14 860 0002 MGP0069	Glow plug
16-14 880 0000 MEX0526	Control unit, glow plug system

Application info

4007 [02/07--]
407 [05/04-12/09]

607 [02/00-07/04]
807 [06/02-05/06]

16-14 880 0000 | MEX0526

Control unit, glow plug system



Notes

Observe service information	
Number of Cylinders	4
Height [mm]	48
Width [mm]	39
Operating voltage [V]	12
Length [mm]	89
Number of Poles	8

References

5981.40

Application info

1007 [04/05--]
107 [06/05--]
206 [08/98-03/09]
207 [02/06-10/08]
307 [08/00-01/05]
308 [09/07--]
4007 [02/07--]
406 [11/95-12/04]
407 [05/04-12/09]
5008 [06/09--]
508 [11/10--]

607 [02/00-07/04]
807 [06/02-05/06]
Bipper [02/08--]
Expert II [01/07--]
Partner I [04/96-07/08]
Partner II [04/08--]
Bipper [02/08--]
Expert II [01/07--]
Partner I [04/96--]
Partner II [04/08--]

Crank position sensor

40-14 800 0009 | MPS0061

Notes

Black
Passive sensor

Fitting Depth [mm] 17.2
Operating voltage [V] 12
Number of Poles 2

Resistance [Ohm] without cable 450

References

1920.AW 96 39 999 880
96 37 465 980



Application info

1007 [04/05--]
106 [08/91-07/04]
205 [02/83-09/98]
206 [08/98-03/09]
207 [02/06-10/08]
301 [11/12--]
306 [04/93-10/03]
307 [08/00-01/05]

308 II [09/13--]
Bipper [02/08--]
Partner I [04/96-07/08]
Partner II [04/08--]
Bipper [02/08--]
Partner I [04/96--]
Partner II [04/08--]

Crank position sensor

40-14 800 0004 | MPS0049

Notes

Black
Active sensor

Operating voltage [V] 12
Number of Poles 3

without cable

References

1920.EH 96 37 466 980
96 37 220 880



Application info

1007 [04/05--]
107 [06/05--]
206 [08/98-03/09]
207 [02/06-10/08]
307 [08/00-01/05]
308 [09/07--]
4007 [02/07--]
407 [05/04-12/09]

607 [02/00-07/04]
807 [06/02-05/06]
Expert II [01/07--]
Partner I [04/96-07/08]
Partner II [04/08--]
Expert II [01/07--]
Partner I [04/96--]
Partner II [04/08--]

4

40-14 800 0010 | MPS0052

Crank position sensor



Notes

Operating voltage [V]	Grey
Fitting Depth [mm]	Passive sensor
Number of Poles	12
	24
	2
	without cable
Resistance [Ohm]	400

References

1920.EN	1920.FP
---------	---------

Application info

206 [08/98-03/09]
307 [08/00-01/05]
406 [11/95-12/04]
407 [05/04-12/09]
607 [02/00-07/04]

807 [06/02-05/06]
Expert II [01/07--]
Partner I [04/96-07/08]
Expert II [01/07--]
Partner I [04/96--]

214 899 0001 | MPS0046

Crank position sensor



Notes

Operating voltage [V]	Black
Fitting Depth [mm]	Passive sensor
Number of Poles	12
	36.5
	2
	without cable
Resistance [Ohm]	800

References

1920.SQ

Application info

Bipper [02/08--]

Bipper [02/08--]

714 860 0002 | MGP0093

Glow plug



Notes

Rated current [A]	11
	after-glow capable
	Pencil-type Glow Plug
Spanner Size	8
Diameter [mm]	4.4
Thread Size	M8 x 1
Overall Length [mm]	118.5
Cone Pitch	123°
Fitting Depth [mm]	28
Connector type	M4
Voltage [V]	11

References

5960.12	5960.E9
5960.19	

Glow plug

714 860 0002 | MGP0093

Application info

1007 [04/05--]
206 [08/98-03/09]
307 [08/00-01/05]
407 [05/04-12/09]

Partner I [04/96-07/08]
Partner II [04/08--]
Partner I [04/96--]
Partner II [04/08--]

Glow plug

40-14 860 0001 | MGP0068

Notes

Rated current [A]	10 after-glow capable Pencil-type Glow Plug
Spanner Size	10
Diameter [mm]	5
Thread Size	M10 x 1
Overall Length [mm]	76
Cone Pitch	63°
Fitting Depth [mm]	25
Connector type	M4
Voltage [V]	11

References

5960.39	5960.K5
5960.71	



Application info

Boxer I [03/94-04/02]
Boxer II [04/02-09/09]

Boxer I [03/94-04/02]
Boxer II [12/01--]

Glow plug

714 020 0004 | MGP0090

Notes

Rated current [A]	18.5 after-glow capable Pencil-type Glow Plug
Spanner Size	10
Diameter [mm]	5.1
Thread Size	M10 x 1
Overall Length [mm]	118.4
Cone Pitch	63°
Fitting Depth [mm]	27.75
Connector type	M4
Voltage [V]	11

References

5960.64	5960.F4
---------	---------



714 020 0004 | MGP0090

Glow plug

Application info

307 [08/00-01/05]
308 [09/07--]
406 [11/95-12/04]
407 [05/04-12/09]
508 [11/10--]
607 [02/00-07/04]
807 [06/02-05/06]

Boxer II [04/02-09/09]
Expert I [02/96-10/06]
Expert II [01/07--]
Boxer II [12/01--]
Expert I [07/95--]
Expert II [01/07--]

714 020 0003 | MGP0089

Glow plug



Notes

Rated current [A]	15 after-glow capable Pencil-type Glow Plug
Spanner Size	10
Diameter [mm]	5.1
Thread Size	M10 x 1
Overall Length [mm]	107
Cone Pitch	63°
Fitting Depth [mm]	28
Connector type	M4
Voltage [V]	11

References

5960.6B	96 236 383
5962.3C	96 389 858
5962.3E	96 510 297
5962.7F	96 515 836
5962.7G	

Application info

206 [08/98-03/09]
306 [04/93-10/03]
307 [08/00-01/05]
406 [11/95-12/04]
607 [02/00-07/04]
806 [06/94-08/02]
807 [06/02-05/06]
Boxer I [03/94-04/02]

Boxer II [04/02-09/09]
Expert I [02/96-10/06]
Partner I [04/96-07/08]
Boxer I [03/94-04/02]
Boxer II [12/01--]
Expert I [07/95--]
Partner I [04/96--]

Glow plug

514 860 0001 | MGP0098

Notes

Rated current [A]	10 after-glow capable Pencil-type Glow Plug
Spanner Size	8
Diameter [mm]	4
Thread Size	M8 x 1
Overall Length [mm]	126
Cone Pitch	93°
Fitting Depth [mm]	25
Connector type	Ø 4 mm
Voltage [V]	11



References

5960.77	5960.F8
---------	---------

Application info

407 [05/04-12/09]

607 [02/00-07/04]

4

Glow plug

11-14 860 0001 | MGP0025

Notes

Rated current [A]	10 after-glow capable Pencil-type Glow Plug
Spanner Size	8
Diameter [mm]	4.4
Thread Size	M8 x 1
Overall Length [mm]	124
Cone Pitch	123°
Fitting Depth [mm]	28
Connector type	Ø 4 mm
Voltage [V]	11



References

5960.78	5960.F9
---------	---------

Application info

1007 [04/05--]
107 [06/05--]
206 [08/98-03/09]
207 [02/06-10/08]
3008 [06/09--]
307 [08/00-01/05]
308 [09/07--]
4007 [02/07--]
407 [05/04-12/09]

5008 [06/09--]
Bipper [02/08--]
Expert II [01/07--]
Partner I [04/96-07/08]
Partner II [04/08--]
Bipper [02/08--]
Expert II [01/07--]
Partner I [04/96--]
Partner II [04/08--]

714 020 0001 | MGP0087

Glow plug



Notes

Rated current [A]	15 after-glow capable Pencil-type Glow Plug
Spanner Size	10
Diameter [mm]	5.1
Thread Size	M10 x 1
Overall Length [mm]	147
Cone Pitch	93°
Fitting Depth [mm]	35
Connector type	M4
Voltage [V]	11.5

References

5960.88	5960.89
---------	---------

Application info

Boxer III (04/06--)

Boxer III (04/06--)

214 860 0003 | MGP0038

Glow plug



Notes

Rated current [A]	10 after-glow capable Pencil-type Glow Plug
Spanner Size	8
Diameter [mm]	4.1
Thread Size	M8 x 1
Overall Length [mm]	152
Cone Pitch	93°
Fitting Depth [mm]	40
Connector type	Ø 4 mm
Voltage [V]	11

References

5960.A3	5960.K4
---------	---------

Application info

Boxer III (04/06--)

Boxer III (04/06--)



Glow plug

40-14 860 0006 | MGP0115

Notes

Rated current [A]	8.5 after-glow capable Pencil-type Glow Plug
Spanner Size	8
Diameter [mm]	4
Thread Size	M8 x 1
Overall Length [mm]	114
Connector type	Ø 4 mm
Cone Pitch	63°
Fitting Depth [mm]	27.5
Voltage [V]	5

References

5960.E6	96 831 952 80
---------	---------------



Application info

2008 (03/13--)	5008 (06/09--)
207 (02/06-10/08)	508 (11/10--)
208 (03/12--)	807 (06/02-05/06)
3008 (06/09--)	Expert II (01/07--)
301 (11/12--)	Partner II (04/08--)
308 (09/07--)	RCZ (03/10--)
4008 (05/12--)	Expert II (01/07--)
407 (05/04-12/09)	Partner II (04/08--)

Glow plug

53-14 860 0002 | MGP0116

Notes

	after-glow capable Pencil-type Glow Plug
Spanner Size	10
Diameter [mm]	4
Thread Size	M10 x 1
Overall Length [mm]	124
Connector type	Ø 4 mm
Cone Pitch	93°
Fitting Depth [mm]	26
Voltage [V]	7

References

5960.E7



Application info

407 (05/04-12/09)

11-14 860 0000 | MGP0024

Glow plug



Notes

Rated current [A]	15 after-glow capable Pencil-type Glow Plug
Spanner Size	10
Diameter [mm]	5
Thread Size	M10 x 1
Overall Length [mm]	89
Cone Pitch	63°
Fitting Depth [mm]	30
Connector type	M4
Voltage [V]	11

References

5960.68	5962.W2
5960.F6	

Application info

106 [08/91-07/04]
206 [08/98-03/09]
Expert I [02/96-10/06]

Partner I [04/96-07/08]
Expert I [07/95--]
Partner I [04/96--]

40-14 860 0002 | MGP0069

Glow plug



Notes

Rated current [A]	10 after-glow capable Pencil-type Glow Plug
Spanner Size	8
Diameter [mm]	4.4
Thread Size	M8 x 1
Overall Length [mm]	97
Cone Pitch	123°
Fitting Depth [mm]	28
Connector type	Ø 4 mm
Voltage [V]	11

References

5960.99	5960.G6
---------	---------

Application info

4007 [02/07--]
407 [05/04-12/09]

607 [02/00-07/04]
807 [06/02-05/06]



Glow plug

011 860 0000 | MGP0001

Notes

Rated current [A]	16
	after-glow capable
	Pencil-type Glow Plug
Spanner Size	12
Diameter [mm]	6.1
Thread Size	M12 x 1,25
Overall Length [mm]	70.6
Cone Pitch	63°
Fitting Depth [mm]	24.5
Connector type	M5
Voltage [V]	11

References

5960.G7	5962.3H
5962.03	5962.7A



Application info

306 [04/93-10/03]
 405 [01/87-11/99]
 406 [11/95-12/04]
 605 [06/89-09/99]
 806 [06/94-08/02]
 Boxer I [03/94-04/02]

Expert I [02/96-10/06]
 Partner I [04/96-07/08]
 Boxer I [03/94-04/02]
 Expert I [07/95--]
 Partner I [04/96--]

Glow plug

40-14 860 0003 | MGP0102

Notes

	Pencil-type Glow Plug
Spanner Size	10
Diameter [mm]	4
Thread Size	M8 x 1
Overall Length [mm]	99.5
Cone Pitch	123°
Fitting Depth [mm]	30.8
Connector type	Ø 4 mm
Voltage [V]	5

References

5960.L1



Application info

508 [11/10--]

4

614 860 0010 | MGP0084

Glow plug



Notes

Rated current [A]	25 after-glow capable Pencil-type Glow Plug
Spanner Size	9
Diameter [mm]	4
Thread Size	M9 x 1
Overall Length [mm]	119.5
Cone Pitch	93°
Fitting Depth [mm]	28
Connector type	Ø 4 mm
Voltage [V]	4.4

References

5960.L4

Application info

Bipper [02/08--]

Bipper [02/08--]

40-14 860 0000 | MGP0067

Glow plug



Notes

Rated current [A]	15 after-glow capable Pencil-type Glow Plug
Spanner Size	10
Diameter [mm]	5.1
Thread Size	M10 x 1
Overall Length [mm]	120
Cone Pitch	93°
Fitting Depth [mm]	34
Connector type	Ø 4 mm
Voltage [V]	11

References

5962.1P

5962.1Q

Application info

Boxer I [03/94-04/02]

Boxer I [03/94-04/02]

Glow plug

014 020 1039 | MGP0007

Notes

Rated current [A]	16
	Pencil-type Glow Plug
Spanner Size	12
Diameter [mm]	6.1
Thread Size	M12 x 1,25
Overall Length [mm]	71
Cone Pitch	63°
Fitting Depth [mm]	24.5
Connector type	M5
Voltage [V]	11

References

5962.X1	79 32 567 718
---------	---------------



Application info

205 [02/83-09/98]
 305 [11/77-07/90]
 306 [04/93-10/03]
 309 [10/85-12/93]
 405 [01/87-11/99]
 406 [11/95-12/04]
 504 [07/68-12/89]
 505 [05/79-09/95]
 605 [06/89-09/99]
 806 [06/94-08/02]

Boxer I [03/94-04/02]
 Expert I [02/96-10/06]
 J5 [280] [09/81-09/90]
 J5 [290] [09/90-03/94]
 Partner I [04/96-07/08]
 Boxer I [03/94-04/02]
 Expert I [07/95--]
 J5 [280] [09/81-09/90]
 J5 [290] [09/90-03/94]
 Partner I [04/96--]

Glow plug

214 860 0006 | MGP0096

Notes

Rated current [A]	20
	Flame Glow Plug
Spanner Size	21 / 24
Thread Size	M20 x 1,5
Overall Length [mm]	96
Fitting Depth [mm]	46
Connector type	M5
Voltage [V]	12



Application info

Boxer I [03/94-04/02]
 Boxer II [04/02-09/09]

Boxer I [03/94-04/02]
 Boxer II [12/01--]

40-14 885 0001 | MIC0073

Ignition coil



Notes

Operating voltage [V]
Number of Poles
Required quantity

for fully electronic ignition
[FI]
Coupling Type SAE
12
4
1
for vehicles with distributor

References

5970.45

96 035 284

Application info

106 [08/91-07/04]
306 [04/93-10/03]
605 [06/89-09/99]

Partner I [04/96-07/08]
Partner I [04/96--]

314 885 0005 | MIC0120

Ignition coil



Notes

Operating voltage [V]
Number of Poles

for fully electronic ignition
[FI]
Coupling Type SAE
12
3

References

5970.64

5970.91

Application info

207 [02/06-10/08]
3008 [06/09--]
308 [09/07--]

5008 [06/09--]
508 [11/10--]
RCZ [03/10--]

40-14 885 0005 | MIC0077

Ignition coil



Notes

Operating voltage [V]
Number of Poles
Required quantity

for fully electronic ignition
[FI]
Coupling Type Saw Tooth
12
4
1
for vehicles without distributor

References

5970.48
5970.60

5970.70

Ignition coil

40-14 885 0005 | MIC0077

Application info

106 [08/91-07/04]
205 [02/83-09/98]
306 [04/93-10/03]
309 [10/85-12/93]
405 [01/87-11/99]
406 [11/95-12/04]
605 [06/89-09/99]
806 [06/94-08/02]

Boxer I [03/94-04/02]
Boxer II [04/02-09/09]
Expert I [02/96-10/06]
Partner I [04/96-07/08]
Boxer I [03/94-04/02]
Boxer II [12/01--]
Expert I [07/95--]
Partner I [04/96--]

Ignition coil

11-14 885 0007 | MIC0033

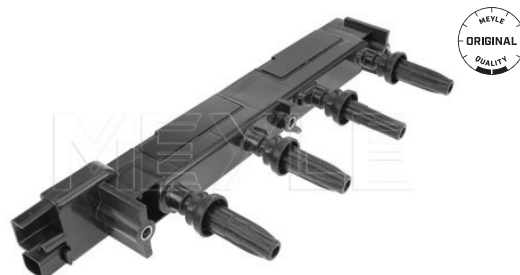
Notes

for fully electronic ignition (FI)
incl. spark plug connector
Coupling Type SAE

Operating voltage [V] 12
Number of Poles 4
Required quantity 1

References

5970.75 96 341 314
5970.98



Application info

206 [08/98-03/09]
307 [08/00-01/05]
406 [11/95-12/04]
407 [05/04-12/09]
607 [02/00-07/04]

806 [06/94-08/02]
807 [06/02-05/06]
Expert I [02/96-10/06]
Expert I [07/95--]

Ignition coil

40-14 885 0002 | MIC0074

Notes

for fully electronic ignition (FI)
incl. spark plug connector
Coupling Type SAE

Operating voltage [V] 12
Number of Poles 4
Required quantity 1

for vehicles without distributor

References

5970.78 5970.A8
5970.79



Application info

1007 [04/05--]
106 [08/91-07/04]
206 [08/98-03/09]
306 [04/93-10/03]

307 [08/00-01/05]
Partner I [04/96-07/08]
Partner I [04/96--]

4

11-14 885 0002 | MIC0029

Ignition coil



Notes

Operating voltage [V]
Number of Poles
Required quantity

for fully electronic ignition (FI)
incl. spark plug connector
Coupling Type SAE
12
4
1

References

5970.80
5970.99

96363378

Application info

1007 (04/05--)
206 (08/98-03/09)
207 (02/06-10/08)
307 (08/00-01/05)

Partner I (04/96-07/08)
Partner II (04/08--)
Partner II (04/08--)

11-14 885 0006 | MIC0108

Ignition coil



Notes

Operating voltage [V]
Number of Poles
Required quantity

incl. spark plug connector
Coupling Type SAE
12
6
1

References

5970.85

96 51 710 680

Application info

1007 (04/05--)
206 (08/98-03/09)

207 (02/06-10/08)
307 (08/00-01/05)

30-14 885 0004 | MIC0054

Ignition coil



Notes

Operating voltage [V]
Number of Poles

for fully electronic ignition (FI)
incl. spark plug connector
12
4

References

5970.88

Application info

107 (06/05--)

Ignition coil

40-14 885 0008 | MIC0078

Notes

for fully electronic ignition (FI)
incl. spark plug connector

Operating voltage [V] 12
Number of Poles 6
Required quantity 1

References

5970.87 5970.A0



Application info

206 [08/98-03/09]
307 [08/00-01/05]
406 [11/95-12/04]
407 [05/04-12/09]

807 [06/02-05/06]
Expert II [01/07--]
Expert II [01/07--]

Ignition coil

11-14 885 0003 | MIC0030

Notes

for fully electronic ignition (FI)
incl. spark plug connector
Coupling Type SAE

Operating voltage [V] 12
Number of Poles 4
Required quantity 1

References

5970.73 5970.A4



Application info

306 [04/93-10/03]
406 [11/95-12/04]

605 [06/89-09/99]
806 [06/94-08/02]

Ignition coil

11-14 885 0004 | MIC0031

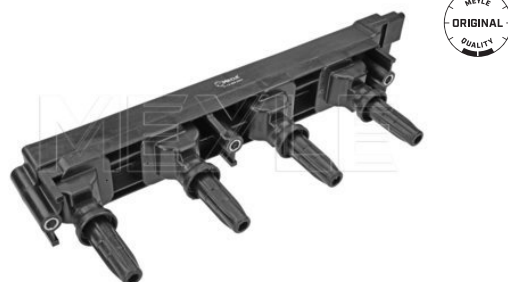
Notes

for fully electronic ignition (FI)
incl. spark plug connector
Coupling Type SAE

Operating voltage [V] 12
Number of Poles 6
Required quantity 1

References

5970.84 5970.A5



Application info

307 [08/00-01/05]
407 [05/04-12/09]

607 [02/00-07/04]
807 [06/02-05/06]

4

40-14 885 0000 | MIC0072

Ignition coil



Notes

Operating voltage [V]
Number of Poles
Required quantity

for fully electronic ignition (FI)
incl. spark plug connector
Coupling Type SAE
12
4
1

References

5963.19
5970.74
5970.A9

96 24 675 580
96 28 158 580

Application info

1007 (04/05--)
106 (08/91-07/04)
206 (08/98-03/09)
306 (04/93-10/03)

307 (08/00-01/05)
Partner I (04/96-07/08)
Partner I (04/96--)

40-14 899 0001 | MEX0570

RPM Sensor, engine management



Notes

Operating voltage [V]
Number of Poles

Hall Sensor
12
3

References

6160.70

Application info

106 (08/91-07/04)
206 (08/98-03/09)
306 (04/93-10/03)
307 (08/00-01/05)
406 (11/95-12/04)

607 (02/00-07/04)
Expert I (02/96-10/06)
Partner I (04/96-07/08)
Expert I (07/95--)
Partner I (04/96--)

314 136 2102 | MEX0382

Sender unit, coolant temperature



Notes

Spanner Size
Thread Size
Operating voltage [V]
Number of Poles

Black
NTC Sensor
19
M12 x 1,5
12
2

References

0242.46

Sender unit, coolant temperature

314 136 2102 | MEX0382

Application info

106 [08/91-07/04]
205 [02/83-09/98]
305 [11/77-07/90]
306 [04/93-10/03]
309 [10/85-12/93]

405 [01/87-11/99]
505 [05/79-09/95]
Expert I [02/96-10/06]
Expert I [07/95--]

Sender unit, coolant temperature

40-14 810 0000 | MEX0482

Notes

	Blue NTC Sensor
Spanner Size	21
Thread Size	M12 x 1,5
Operating voltage [V]	12
Switch Point [°C]	100
Switch Point [°C]	80
Switch Point [°C]	40
Number of Poles	3 with seal

References

1338.97	96 310 010
1338.A6	96 368 027



Application info

1007 [04/05--]
106 [08/91-07/04]
206 [08/98-03/09]
207 [02/06-10/08]
306 [04/93-10/03]
307 [08/00-01/05]
406 [11/95-12/04]

807 [06/02-05/06]
Boxer II [04/02-09/09]
Expert I [02/96-10/06]
Partner I [04/96-07/08]
Boxer II [12/01--]
Expert I [07/95--]
Partner I [04/96--]

Sender unit, coolant temperature

40-14 800 0000 | MEX0417

Notes

	Green NTC Sensor
Spanner Size	19
Thread Size	M12 x 1,5
Operating voltage [V]	12
Number of Poles	2 with seal

References

1338.A7	96 36 777 180
96 28 454 680	



4

40-14 800 0000 | MEX0417

Sender unit, coolant temperature

Application info

1007 [04/05--]
206 [08/98-03/09]
207 [02/06-10/08]
307 [08/00-01/05]
406 [11/95-12/04]
407 [05/04-12/09]
607 [02/00-07/04]
806 [06/94-08/02]
807 [06/02-05/06]

Bipper [02/08--]
Expert I [02/96-10/06]
Expert II [01/07--]
Partner I [04/96-07/08]
Bipper [02/08--]
Expert I [07/95--]
Expert II [01/07--]
Partner I [04/96--]

614 899 0038 | MEX0453

Sender unit, coolant temperature



Notes

Spanner Size
Thread Size
Operating voltage [V]
Switch Point [°C]
Switch Point [°C]
Number of Poles

Grey
NTC Sensor
19
M12 x 1,5
12
150
-40
2

References

1338.C7 1338.F9

Application info

Boxer I [03/94-04/02]
Boxer II [04/02-09/09]
Boxer III [04/06--]

Boxer I [03/94-04/02]
Boxer II [12/01--]
Boxer III [04/06--]

40-14 800 0005 | MPS0050

Sensor, camshaft position



Notes

Operating voltage [V]
Fitting Depth [mm]
Number of Poles

Grey
Active sensor
12
22
3
without cable

References

1920.7V 1920.QN
1920.FY

Sensor, camshaft position

40-14 800 0005 | MPS0050

Application info

1007 [04/05--]
206 [08/98-03/09]
207 [02/06-10/08]
3008 [06/09--]
306 [04/93-10/03]
307 [08/00-01/05]
308 [09/07--]
4007 [02/07--]
406 [11/95-12/04]
407 [05/04-12/09]
5008 [06/09--]
508 [11/10--]

607 [02/00-07/04]
806 [06/94-08/02]
807 [06/02-05/06]
Expert I [02/96-10/06]
Expert II [01/07--]
Partner I [04/96-07/08]
Partner II [04/08--]
RCZ [03/10--]
Expert I [07/95--]
Expert II [01/07--]
Partner I [04/96--]
Partner II [04/08--]

Sensor, intake manifold pressure

614 899 0017 | MEX0451

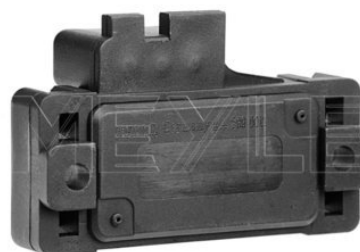
Notes

Pressure to [bar]
Pressure from [bar]
Operating voltage [V]
Number of Poles

Piezoelectric Sensor
1.02
0.15
12
3
without cable

References

1920.4S 5946.09



4

Application info

406 [11/95-12/04]

605 [06/89-09/99]

Voltage regulator

014 731 1213 | MEX0042

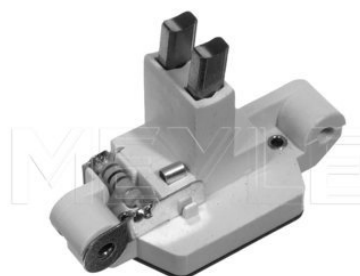
Notes

Support plate diameter [mm]
Voltage [V]

14
with resistance
14.5

References

5761.86



Application info

106 [08/91-07/04]
306 [04/93-10/03]

405 [01/87-11/99]

014 731 1023 | MEX0040

Voltage regulator



Notes

Support plate diameter [mm] 28
with resistance
Voltage [V] 14.1

References

5761.59

Application info

205 [02/83-09/98]
305 [11/77-07/90]
309 [10/85-12/93]

405 [01/87-11/99]
505 [05/79-09/95]

11-14 890 0000 | MEX0613

Brake light switch



Notes

Observe the vehicle manufacturer specifications
Number of Poles 4
Manual (foot operated)

References

9670430580 9818232480
9804869480

Application info

2008 [03/13--]
208 [03/12--]
3008 [06/09--]
301 [11/12--]
308 [09/07--]
308 II [09/13--]

5008 [06/09--]
5008 II [12/16--]
Partner II [04/08--]
RCZ [03/10--]
Partner II [04/08--]

100 830 0014 | MEX0196

Wiper intermittent relay



Notes

Rated current [A] 10
Lock
Rated Power [W] 120
Height [mm] 42
Width [mm] 30
Operating voltage [V] 12
Connector type 5x 6,3 mm
Connector type 1x 2,8 mm
Length [mm] 30
Number of Poles 6

References

6555.11 6555.34

Wiper intermittent relay

100 830 0014 | MEX0196

Application info

106 (08/91-07/04)
205 (02/83-09/98)
306 (04/93-10/03)
309 (10/85-12/93)

405 (01/87-11/99)
406 (11/95-12/04)
806 (06/94-08/02)
205 (02/83--)

11-51 902 1007 | MMX1596

Tensioner pulley, timing belt



Notes

Outer diameter [mm]
Width [mm]

Piece
with spring
57
31
with bolts

References

0818.19
96 056 183

96 654 092

Application info

406 [11/95-12/04]
605 [06/89-09/99]

806 [06/94-08/02]

11-51 902 1016 | MMX1605

Tensioner pulley, timing belt



Notes

Inner diameter [mm]
Outer diameter [mm]
Width [mm]

Piece
10
70.5
32

References

0818.20

Application info

605 [06/89-09/99]
Boxer I [03/94-04/02]

Boxer I [03/94-04/02]

11-51 902 1018 | MMX1667

Tensioner pulley, timing belt



Notes

Outer diameter [mm]
Width [mm]

Piece
60
34

References

0829.11
0829.21

93 501 404

Tensioner pulley, timing belt

11-51 902 1018 | MMX1667

Application info

205 [02/83-09/98]
305 [11/77-07/90]
306 [04/93-10/03]
309 [10/85-12/93]

405 [01/87-11/99]
J5 [290] [09/90-03/94]
205 [02/83--]
J5 [290] [09/90-03/94]

Tensioner pulley, timing belt

40-51 902 1000 | MMX1646

Notes

	Piece
Inner diameter [mm]	13
Outer diameter [mm]	59
Width [mm]	28.5



References

0829.30

Application info

106 [08/91-07/04]

Tensioner pulley, timing belt

11-51 902 1017 | MMX1606

Notes

	Piece
Outer diameter [mm]	60
Width [mm]	34



References

0829.33

0829.47

Application info

205 [02/83-09/98]
306 [04/93-10/03]
405 [01/87-11/99]
406 [11/95-12/04]
806 [06/94-08/02]
Boxer I [03/94-04/02]
Expert I [02/96-10/06]

J5 [290] [09/90-03/94]
Partner I [04/96-07/08]
205 [02/83--]
Boxer I [03/94-04/02]
Expert I [07/95--]
J5 [290] [09/90-03/94]
Partner I [04/96--]

11-51 902 1015 | MMX1604

Tensioner pulley, timing belt



Notes

	Piece
Inner diameter [mm]	13
Outer diameter [mm]	57
Width [mm]	33

References

0829.32	0829.35
---------	---------

Application info

306 [04/93-10/03]
406 [11/95-12/04]
605 [06/89-09/99]
806 [06/94-08/02]

Boxer I [03/94-04/02]
Boxer II [04/02-09/09]
Boxer I [03/94-04/02]
Boxer II [12/01--]

11-51 902 1014 | MMX1603

Tensioner pulley, timing belt



Notes

	Piece
Inner diameter [mm]	13
Outer diameter [mm]	59
Width [mm]	22

References

0820.53	0829.29
0829.19	0829.54

Application info

106 [08/91-07/04]
205 [02/83-09/98]
206 [08/98-03/09]
306 [04/93-10/03]
307 [08/00-01/05]
309 [10/85-12/93]
405 [01/87-11/99]
406 [11/95-12/04]

605 [06/89-09/99]
806 [06/94-08/02]
Expert I [02/96-10/06]
Partner I [04/96-07/08]
205 [02/83--]
Expert I [07/95--]
Partner I [04/96--]

11-51 902 1000 | MMX1592

Tensioner pulley, timing belt



Notes

	Piece
Inner diameter [mm]	13
Outer diameter [mm]	60
Width [mm]	30 with screw

References

0829.59

Tensioner pulley, timing belt

11-51 902 1000 | MMX1592

Application info

206 [08/98-03/09]
306 [04/93-10/03]
307 [08/00-01/05]
406 [11/95-12/04]
607 [02/00-07/04]

806 [06/94-08/02]
Expert I [02/96-10/06]
Partner I [04/96-07/08]
Expert I [07/95--]
Partner I [04/96--]

Tensioner pulley, timing belt

11-51 902 1004 | MMX1595

Notes

	Piece
Inner diameter [mm]	8
Outer diameter [mm]	60
Width [mm]	29



References

0829.69	96 35 336 880
96 35 3368	

Application info

306 [04/93-10/03]

406 [11/95-12/04]

Tensioner pulley, timing belt

11-51 902 1005 | MMX1665

Notes

	Piece
Inner diameter [mm]	8
Outer diameter [mm]	60
Width [mm]	29



References

0829.79	96 37 058 080
96 37 0580	

Application info

306 [04/93-10/03]

406 [11/95-12/04]

11-51 902 1010 | MMX1599

Tensioner pulley, timing belt



Notes

	Piece
Inner diameter [mm]	8
Outer diameter [mm]	73
Width [mm]	30

References

0829.82	0829.C7
---------	---------

Application info

206 [08/98-03/09]
307 [08/00-01/05]

Partner I [04/96-07/08]

11-51 902 1011 | MMX1600

Tensioner pulley, timing belt



Notes

	Piece
Inner diameter [mm]	8
Outer diameter [mm]	60
Width [mm]	29

References

0829.88	96543364
0829.89	9654336480

Application info

1007 [04/05--]
107 [06/05--]
206 [08/98-03/09]
207 [02/06-10/08]
3008 [06/09--]
307 [08/00-01/05]
308 [09/07--]
407 [05/04-12/09]
5008 [06/09--]

Bipper [02/08--]
Expert II [01/07--]
Partner I [04/96-07/08]
Partner II [04/08--]
Bipper [02/08--]
Expert II [01/07--]
Partner I [04/96--]
Partner II [04/08--]

11-51 902 1003 | MMX1594

Tensioner pulley, timing belt



Notes

	Piece
Inner diameter [mm]	8
Outer diameter [mm]	60.5
Width [mm]	25

References

0829.90	96 42 929 880
96 429 298	

Tensioner pulley, timing belt

11-51 902 1003 | MMX1594

Application info

1007 (04/05--)
106 (08/91-07/04)
206 (08/98-03/09)
207 (02/06-10/08)
306 (04/93-10/03)

307 (08/00-01/05)
Bipper (02/08--)
Partner I (04/96-07/08)
Bipper (02/08--)
Partner I (04/96--)

Tensioner pulley, timing belt

11-51 902 1002 | MMX1593

Notes

	Piece
Inner diameter [mm]	8
Outer diameter [mm]	62.5
Width [mm]	29



References

0829.66	0829.96
0829.67	0829.A7
0829.76	96 433 296
0829.77	96 43 329 680
0829.92	96 482 463
0829.93	9648246380

Application info

206 (08/98-03/09)
307 (08/00-01/05)
406 (11/95-12/04)
407 (05/04-12/09)
607 (02/00-07/04)

806 (06/94-08/02)
807 (06/02-05/06)
Expert I (02/96-10/06)
Expert I (07/95--)

Tensioner pulley, timing belt

11-51 902 1006 | MMX1666

Notes

	Piece
Inner diameter [mm]	8
Outer diameter [mm]	60
Width [mm]	29



References

0829.80	9635438080
0829.98	96459251
96354380	9645925180

Application info

406 (11/95-12/04)

11-51 902 1009 | MMX1598

Tensioner pulley, timing belt



Notes

	Piece
Inner diameter [mm]	8.5
Outer diameter [mm]	60
Width [mm]	29

References

0829.A3	96 408 284
0829.A4	96 40 828 480

Application info

307 [08/00-01/05]
308 [09/07--]
407 [05/04-12/09]
508 [11/10--]

607 [02/00-07/04]
807 [06/02-05/06]
Expert II [01/07--]
Expert II [01/07--]

11-51 902 1008 | MMX1597

Tensioner pulley, timing belt



Notes

	Piece
Inner diameter [mm]	8
Outer diameter [mm]	60
Width [mm]	29

References

0829.A5	96 45 209 880
0829.C6	96 527 717
96 452 098	96 52 771 780

Application info

1007 [04/05--]
206 [08/98-03/09]

207 [02/06-10/08]
307 [08/00-01/05]

11-51 902 1012 | MMX1601

Tensioner pulley, timing belt



Notes

	Piece
Inner diameter [mm]	8
Outer diameter [mm]	70.5
Width [mm]	30.5

References

0829.A0	96 487 043
0829.C8	96 48 704 380
0829.F6	

Tensioner pulley, timing belt

11-51 902 1012 | MMX1601

Application info

1007 [04/05--]
206 [08/98-03/09]
207 [02/06-10/08]
301 [11/12--]
307 [08/00-01/05]

308 [09/07--]
308 II [09/13--]
Partner I [04/96-07/08]
Partner II [04/08--]
Partner II [04/08--]

Tensioner pulley, timing belt

11-51 902 1013 | MMX1602

Notes

	Piece
Inner diameter [mm]	8
Outer diameter [mm]	60
Width [mm]	29.5



References

0829.E8	96 81 960 780
0829.F5	96 832 734
96 819 607	96 83 273 480

Application info

4007 [02/07--]
407 [05/04-12/09]
508 [11/10--]

607 [02/00-07/04]
807 [06/02-05/06]

Timing belt kit

11-51 049 0002 | MMX0506

Notes

Number of belts	1
Driven unit: camshaft	
Width [mm]	17
Pulleys contained	1
Length [mm]	1028
Number of Teeth	108



References

0831.03	0831.04
0831.14	

Parts list

11-51 902 1014 MMX1603	Tensioner pulley, timing belt
--------------------------	-------------------------------

Application info

106 [08/91-07/04]
205 [02/83-09/98]
206 [08/98-03/09]
306 [04/93-10/03]

307 [08/00-01/05]
309 [10/85-12/93]
Partner I [04/96-07/08]
Partner I [04/96--]

11-51 049 0001 | MMX0505

Timing belt kit



Notes

Number of belts	1
Width [mm]	17
Pulleys contained	1
Length [mm]	991
Number of Teeth	104

References

0831.02	0831.03
0831.13	

Parts list

11-51 902 1014 MMX1603	Tensioner pulley, timing belt
--------------------------	-------------------------------

Application info

106 [08/91-07/04]
205 [02/83-09/98]
206 [08/98-03/09]
306 [04/93-10/03]

309 [10/85-12/93]
Partner I [04/96-07/08]
205 [02/83--]
Partner I [04/96--]

11-51 049 0010 | MMX0514

Timing belt kit



Notes

Number of belts	1
	Driven unit: camshaft
Width [mm]	25.4
Pulleys contained	2
Length [mm]	1372
Number of Teeth	144

References

0831.80	0831.T3
0831.81	831.T3

Parts list

11-51 902 1011 MMX1600	Tensioner pulley, timing belt
11-51 902 2001 MMX1608	Timing belt roller

Application info

1007 [04/05--]
107 [06/05--]
206 [08/98-03/09]
207 [02/06-10/08]

307 [08/00-01/05]
Bipper [02/08--]
Bipper [02/08--]

Timing belt kit
11-51 049 0009 | MMX0513
Notes

Number of belts	1
Width [mm]	25.4
Pulleys contained	2
Length [mm]	1343
Number of Teeth	141

References

0831.40	0831.82
0831.41	0831.83
0831.62	0831.R8

Parts list

11-51 902 2000 MMX1607	Timing belt roller
--------------------------	--------------------


Application info

306 [04/93-10/03]
 406 [11/95-12/04]
 806 [06/94-08/02]
 Boxer I [03/94-04/02]
 Boxer II [04/02-09/09]
 Expert I [02/96-10/06]

Partner I [04/96-07/08]
 Boxer I [03/94-04/02]
 Boxer II [12/01--]
 Expert I [07/95--]
 Partner I [04/96--]

Timing belt kit
11-51 049 0014 | MMX0518
Notes

Number of belts	1
Width [mm]	17
Pulleys contained	1
Length [mm]	952
Number of Teeth	100

References

0831.84	0831.S1
0831.85	

Parts list

11-51 902 1003 MMX1594	Tensioner pulley, timing belt
--------------------------	-------------------------------


Application info

106 [08/91-07/04]
 206 [08/98-03/09]
 306 [04/93-10/03]

Partner I [04/96-07/08]
 Partner I [04/96--]

11-51 049 0018 | MMX0522

Timing belt kit



Notes

Number of belts	1
Width [mm]	25.4
Pulleys contained	2
Length [mm]	1105
Number of Teeth	116

References

0831.92	0831.T5
---------	---------

Parts list

11-51 902 1009 MMX1598	Tensioner pulley, timing belt
11-51 902 2004 MMX1611	Timing belt roller

Application info

307 [08/00-01/05]
308 [09/07--]
407 [05/04-12/09]
508 [11/10--]

607 [02/00-07/04]
807 [06/02-05/06]
Expert II [01/07--]
Expert II [01/07--]

11-51 049 0016 | MMX0520

Timing belt kit



Notes

Number of belts	1
Width [mm]	25
Pulleys contained	2
Length [mm]	1305
Number of Teeth	137

References

0831P1	0831P2
0831.P1	0831V4
0831.P2	831.V4

Parts list

11-51 902 1011 MMX1600	Tensioner pulley, timing belt
11-51 902 2001 MMX1608	Timing belt roller

Application info

1007 [04/05--]
206 [08/98-03/09]
207 [02/06-10/08]
3008 [06/09--]
307 [08/00-01/05]
308 [09/07--]
407 [05/04-12/09]

5008 [06/09--]
Expert II [01/07--]
Partner I [04/96-07/08]
Partner II [04/08--]
Expert II [01/07--]
Partner I [04/96--]
Partner II [04/08--]

Timing belt kit
11-51 049 0030 | MMX0534
Notes

Number of belts	1
Width [mm]	25.4
Pulleys contained	2
Length [mm]	1343
Number of Teeth	141

References

0831.78	0831.N4
0831.79	0831.V3

Parts list

11-51 902 1000 MMX1592	Tensioner pulley, timing belt
--------------------------	-------------------------------


Application info

206 [08/98-03/09]
 306 [04/93-10/03]
 307 [08/00-01/05]
 406 [11/95-12/04]
 607 [02/00-07/04]

806 [06/94-08/02]
 Expert I [02/96-10/06]
 Partner I [04/96-07/08]
 Expert I [07/95--]
 Partner I [04/96--]

Timing belt roller
11-51 902 2006 | MMX1613
Notes

Outer diameter [mm]	60
Width [mm]	34

References

0830.02	93501405
---------	----------

Application info

205 [02/83-09/98]
 305 [11/77-07/90]
 306 [04/93-10/03]
 309 [10/85-12/93]

405 [01/87-11/99]
 J5 [290] [09/90-03/94]
 205 [02/83--]
 J5 [290] [09/90-03/94]

Timing belt roller
11-51 902 2002 | MMX1609
Notes

Inner diameter [mm]	10
Outer diameter [mm]	60
Width [mm]	30

References

0830.42

5
+

11-51 902 2002 | MMX1609

Timing belt roller

Application info

206 [08/98-03/09]
307 [08/00-01/05]
308 [09/07--]
406 [11/95-12/04]
407 [05/04-12/09]
607 [02/00-07/04]

806 [06/94-08/02]
807 [06/02-05/06]
Expert I [02/96-10/06]
Expert II [01/07--]
Expert I [07/95--]
Expert II [01/07--]

11-51 902 2007 | MMX1614

Timing belt roller



Notes

Inner diameter [mm]	12
Outer diameter [mm]	65
Width [mm]	36

References

0830.25	0830.54
0830.27	0830.59

Application info

406 [11/95-12/04]
407 [05/04-12/09]
605 [06/89-09/99]

607 [02/00-07/04]
807 [06/02-05/06]

11-51 902 2003 | MMX1610

Timing belt roller



Notes

Inner diameter [mm]	8
Outer diameter [mm]	57
Width [mm]	32

References

0830.20	0830.61
---------	---------

Application info

106 [08/91-07/04]
206 [08/98-03/09]

307 [08/00-01/05]
Partner I [04/96-07/08]



Timing belt roller

11-51 902 2005 | MMX1612

Notes

Inner diameter [mm]	10
Outer diameter [mm]	60
Width [mm]	30



References

0830.11	0830.37
0830.14	0830.63

Application info

106 [08/91-07/04]
 206 [08/98-03/09]
 306 [04/93-10/03]
 307 [08/00-01/05]
 406 [11/95-12/04]
 605 [06/89-09/99]

607 [02/00-07/04]
 806 [06/94-08/02]
 Expert I [02/96-10/06]
 Partner I [04/96-07/08]
 Expert I [07/95--]
 Partner I [04/96--]

Timing belt roller

11-51 902 2004 | MMX1611

Notes

Inner diameter [mm]	10
Outer diameter [mm]	60
Width [mm]	30



References

0830.50	96442584
0830.51	96 44 258 480
0830.72	96823057
0830.74	96 82 305 780

Application info

3008 [06/09--]
 307 [08/00-01/05]
 308 [09/07--]
 308 II [09/13--]
 4007 [02/07--]
 407 [05/04-12/09]
 5008 [06/09--]
 508 [11/10--]
 607 [02/00-07/04]

807 [06/02-05/06]
 Boxer III [04/06--]
 Expert II [01/07--]
 Expert III [04/16--]
 RCZ [03/10--]
 Traveller [04/16--]
 Boxer III [04/06--]
 Expert II [01/07--]

11-51 902 2000 | MMX1607

Timing belt roller



Notes

Inner diameter [mm]	10
Outer diameter [mm]	60
Width [mm]	30

References

0830.28	0830.31
0830.29	0832.81
0830.30	

Application info

206 [08/98-03/09]
306 [04/93-10/03]
406 [11/95-12/04]
607 [02/00-07/04]
806 [06/94-08/02]
807 [06/02-05/06]
Boxer I [03/94-04/02]

Boxer II [04/02-09/09]
Expert I [02/96-10/06]
Partner I [04/96-07/08]
Boxer I [03/94-04/02]
Boxer II [12/01--]
Expert I [07/95--]
Partner I [04/96--]

11-51 902 2001 | MMX1608

Timing belt roller



Notes

Inner diameter [mm]	10
Outer diameter [mm]	60
Width [mm]	30

References

0830.48	96415393
0830.49	9641539380

Application info

1007 [04/05--]
107 [06/05--]
206 [08/98-03/09]
207 [02/06-10/08]
3008 [06/09--]
307 [08/00-01/05]
308 [09/07--]
407 [05/04-12/09]
5008 [06/09--]

Bipper [02/08--]
Expert II [01/07--]
Partner I [04/96-07/08]
Partner II [04/08--]
Bipper [02/08--]
Expert II [01/07--]
Partner I [04/96--]
Partner II [04/08--]

V-ribbed belt

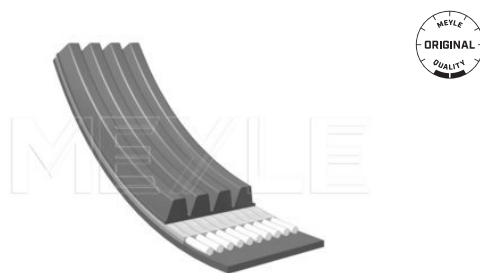
050 004 0945 | MRB0111

Notes

Number of Ribs 4
Length [mm] 945

References

1280.26



Application info

605 [06/89-09/99]
Boxer I [03/94-04/02]

Boxer I [03/94-04/02]

V-ribbed belt

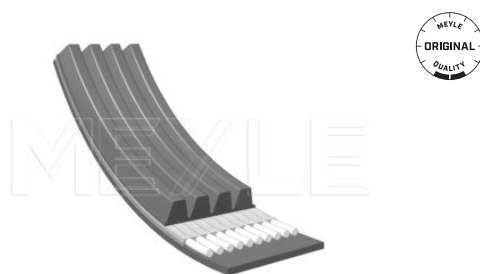
050 004 0900 | MRB0099

Notes

Number of Ribs 4
Length [mm] 900

References

1280.37



Application info

Expert I [02/96-10/06]

Expert I [07/95--]

V-ribbed belt

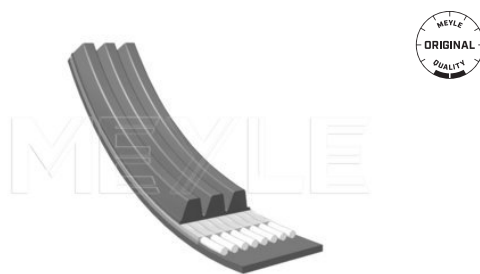
050 003 0865 | MRB0035

Notes

Number of Ribs 3
Length [mm] 865

References

1280.38 1280.39



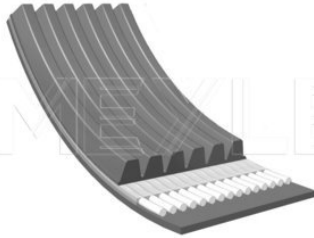
Application info

Boxer I [03/94-04/02]

Boxer I [03/94-04/02]

050 006 0995 | MRB0338

V-ribbed belt



Notes

Number of Ribs	6
Length [mm]	995

References

1280.46

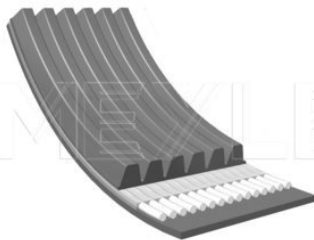
Application info

Boxer I [03/94-04/02]
Boxer II [04/02-09/09]

Boxer I [03/94-04/02]
Boxer II [12/01--]

050 006 0950 | MRB0332

V-ribbed belt



Notes

Number of Ribs	6
Length [mm]	950

References

1280.50

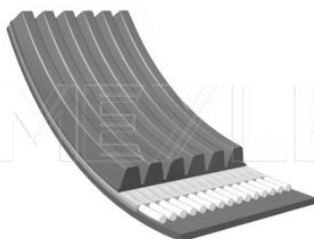
Application info

Boxer I [03/94-04/02]
Boxer II [04/02-09/09]

Boxer I [03/94-04/02]
Boxer II [12/01--]

050 006 0894 | MRB0326

V-ribbed belt



Notes

Number of Ribs	6
Length [mm]	894

References

1280.35	1280.61
1280.43	1280.69

Application info

Expert I [02/96-10/06]

Expert I [07/95--]



V-ribbed belt

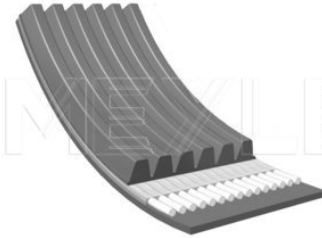
050 006 1370 | MRB0406

Notes

Number of Ribs 6
Length [mm] 1370

References

16 09 957 580



Application info

4008 [05/12--]

V-ribbed belt

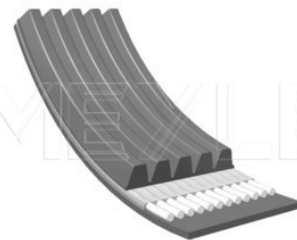
050 005 0880 | MRB0196

Notes

Number of Ribs 5
Length [mm] 880

References

4007.99



Application info

306 [04/93-10/03]
Partner I [04/96-07/08]

Partner I [04/96--]

V-ribbed belt

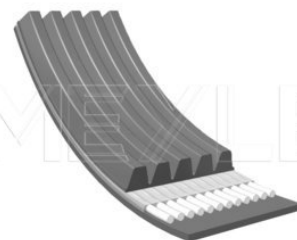
050 005 0860 | MRB0192

Notes

Number of Ribs 5
Length [mm] 860

References

4007.AY



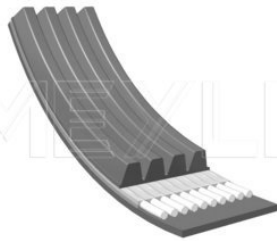
Application info

Partner I [04/96-07/08]

Partner I [04/96--]

050 004 0985 | MRB0119

V-ribbed belt



Notes

Number of Ribs	4
Length [mm]	985

References

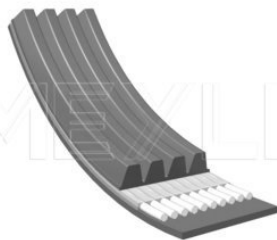
575062

Application info

205 [02/83-09/98]

050 004 1215 | MRB0147

V-ribbed belt



Notes

Number of Ribs	4
Length [mm]	1215

References

5750.62	5750.66
---------	---------

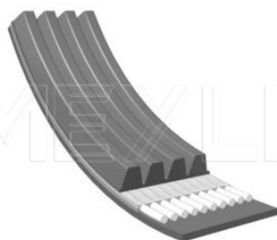
Application info

205 [02/83-09/98]
305 [11/77-07/90]

309 [10/85-12/93]

050 004 0795 | MRB0078

V-ribbed belt



Notes

Number of Ribs	4
Length [mm]	795

References

5750.76

Application info

J5 [290] [09/90-03/94]

J5 [290] [09/90-03/94]



V-ribbed belt

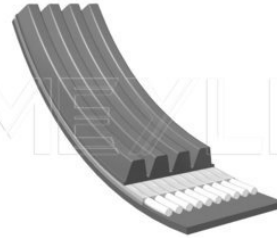
050 004 1230 | MRB0148

Notes

Number of Ribs 4
Length [mm] 1230

References

5750.78



Application info

205 [02/83-09/98]
309 [10/85-12/93]

205 [02/83--]

V-ribbed belt

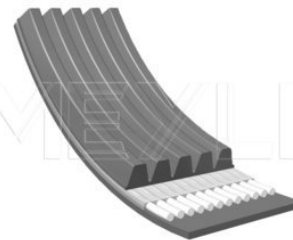
050 005 0970 | MRB0210

Notes

Number of Ribs 5
Length [mm] 970

References

5750.79



Application info

405 [01/87-11/99]

V-ribbed belt

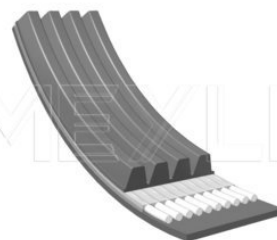
050 004 0855 | MRB0090

Notes

Number of Ribs 4
Length [mm] 855

References

575080



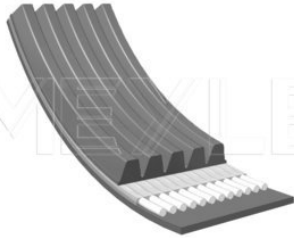
Application info

205 [02/83-09/98]
306 [04/93-10/03]
309 [10/85-12/93]

Partner I [04/96-07/08]
205 [02/83--]
Partner I [04/96--]

050 005 1220 | MRB0250

V-ribbed belt



Notes

Number of Ribs	5
Length [mm]	1220

References

5750.81	5750.FQ
---------	---------

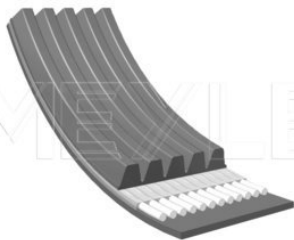
Application info

306 [04/93-10/03]
Partner I [04/96-07/08]

Partner I [04/96--]

050 005 1230 | MRB0252

V-ribbed belt



Notes

Number of Ribs	5
Length [mm]	1230

References

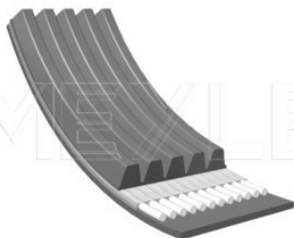
5750.81

Application info

405 [01/87-11/99]

050 005 0698 | MRB0174

V-ribbed belt



Notes

Number of Ribs	5
Length [mm]	698

References

5750.83	9602 192 480
5750.86	96 021 925
96 021 924	

Application info

106 [08/91-07/04]

405 [01/87-11/99]



V-ribbed belt

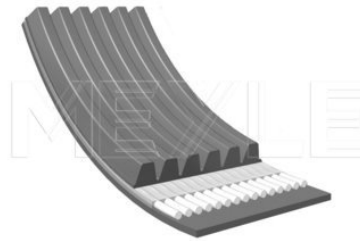
050 006 1060 | MRB0350

Notes

Number of Ribs	6
Length [mm]	1060

References

1611204980	5750.98
------------	---------



Application info

108 [05/14--]

V-ribbed belt

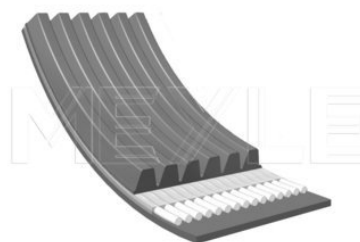
050 006 0698 | MRB0302

Notes

Number of Ribs	6
Length [mm]	698

References

5750.97	5750.A5
---------	---------



Application info

306 [04/93-10/03]
 405 [01/87-11/99]
 Boxer I [03/94-04/02]

Boxer II [04/02-09/09]
 Boxer I [03/94-04/02]
 Boxer II [12/01--]

V-ribbed belt

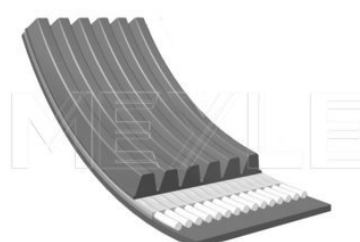
050 006 1130 | MRB0365

Notes

Number of Ribs	6
Length [mm]	1130

References

5750.A6	96 144 510
---------	------------



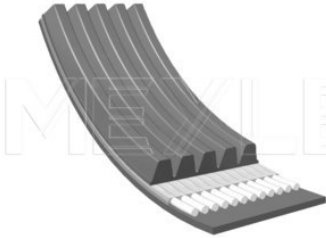
Application info

306 [04/93-10/03]

405 [01/87-11/99]

050 005 1200 | MRB0248

V-ribbed belt



Notes

Number of Ribs	5
Length [mm]	1200

References

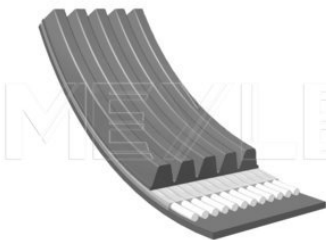
575000	575001
--------	--------

Application info

605 [06/89-09/99]

050 005 0715 | MRB0178

V-ribbed belt



Notes

Number of Ribs	5
Length [mm]	715

References

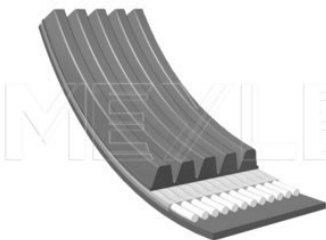
5750.77	5750.02
---------	---------

Application info

405 [01/87-11/99]

050 005 0700 | MRB0175

V-ribbed belt



Notes

Number of Ribs	5
Length [mm]	700

References

5750.83	96 021 92480
5750.86	96 021 925
5750.07	

Application info

106 [08/91-07/04]

405 [01/87-11/99]



V-ribbed belt

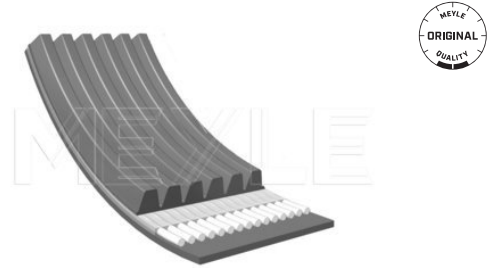
050 006 0915 | MRB0329

Notes

Number of Ribs 6
Length [mm] 915

References

5750.E6



Application info

Boxer I [03/94-04/02]

Boxer I [03/94-04/02]

V-ribbed belt

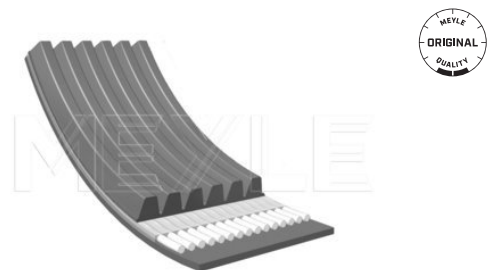
050 006 0800 | MRB0310

Notes

Number of Ribs 6
Length [mm] 800

References

5750.E7 5750.J0
5750.FS 5750.VL
5750.FT



Application info

1007 [04/05--]
107 [06/05--]
2008 [03/13--]
206 [08/98-03/09]
207 [02/06-10/08]
208 [03/12--]
301 [11/12--]
307 [08/00-01/05]

308 [09/07--]
308 II [09/13--]
5008 [06/09--]
Boxer I [03/94-04/02]
Partner II [04/08--]
Boxer I [03/94-04/02]
Partner II [04/08--]

V-ribbed belt

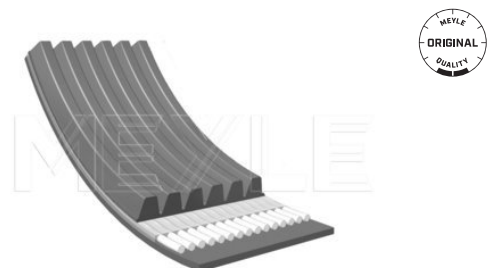
050 006 1015 | MRB0341

Notes

Number of Ribs 6
Length [mm] 1015

References

5750.E8 96 155 010



5



050 006 1015 | MRB0341

V-ribbed belt

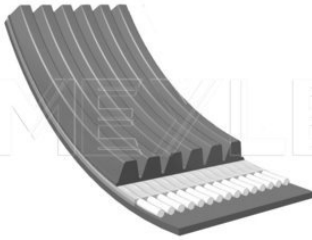
Application info

Boxer I [03/94-04/02]

Boxer I [03/94-04/02]

050 006 0875 | MRB0322

V-ribbed belt



Notes

Number of Ribs	6
Length [mm]	875

References

5750.FN	5750.QQ
---------	---------

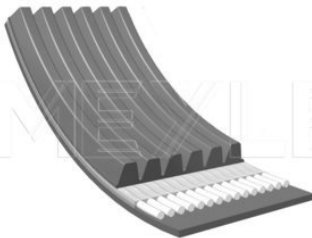
Application info

307 [08/00-01/05]
Boxer II [04/02-09/09]

Boxer II [12/01--]

050 006 1345 | MRB0401

V-ribbed belt



Notes

Number of Ribs	6
Length [mm]	1345

References

5750.FX

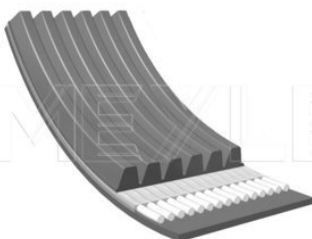
Application info

206 [08/98-03/09]
Partner II [04/08--]

Partner II [04/08--]

050 006 1125 | MRB0364

V-ribbed belt



Notes

Number of Ribs	6
Length [mm]	1125

References

5750.GE	5750.GN
---------	---------



V-ribbed belt

050 006 1125 | MRB0364

Application info

1007 [04/05--]

307 [08/00-01/05]

V-ribbed belt

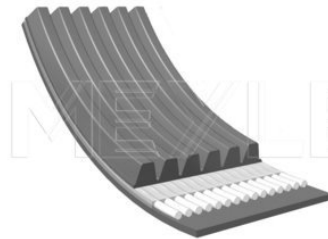
050 006 1390 | MRB0409

Notes

Number of Ribs	6
Length [mm]	1390

References

5750.GP	5750.S5
---------	---------



Application info

206 [08/98-03/09]
 306 [04/93-10/03]
 Expert I [02/96-10/06]

Partner I [04/96-07/08]
 Expert I [07/95--]
 Partner I [04/96--]

V-ribbed belt

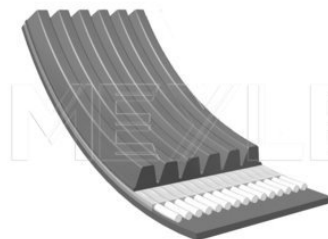
050 006 1560 | MRB0427

Notes

Number of Ribs	6
Length [mm]	1560

References

5750.GY	5750.KX
5750.GZ	5750.T3



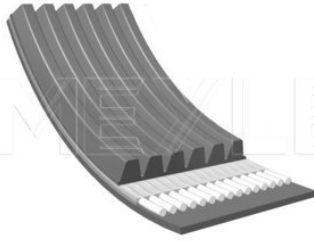
Application info

206 [08/98-03/09]
 Partner I [04/96-07/08]

Partner I [04/96--]

050 006 1660 | MRB0442

V-ribbed belt



Notes

Number of Ribs	6
Length [mm]	1660

References

5750.A1	5750.J7
---------	---------

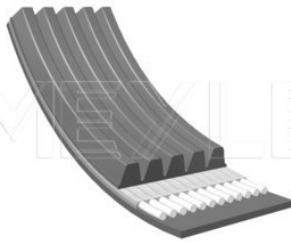
Application info

306 [04/93-10/03]
405 [01/87-11/99]
406 [11/95-12/04]
605 [06/89-09/99]

806 [06/94-08/02]
Expert I [02/96-10/06]
Partner I [04/96-07/08]
Expert I [07/95--]

050 005 0962 | MRB0209

V-ribbed belt



Notes

Number of Ribs	5
Length [mm]	962

References

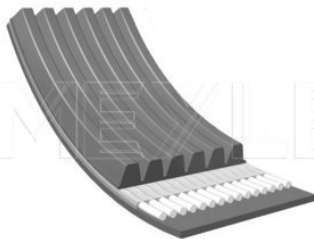
5750.K4

Application info

106 [08/91-07/04]

050 006 1863 | MRB0481

V-ribbed belt



Notes

Number of Ribs	6
Length [mm]	1863

References

5750.K6	5750.K7
---------	---------

Application info

605 [06/89-09/99]



V-ribbed belt

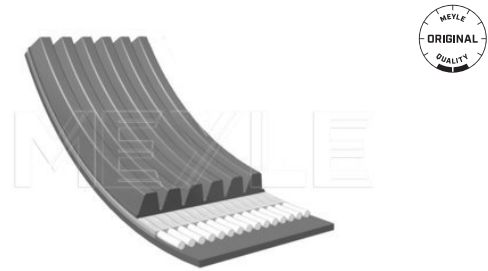
050 006 1110 | MRB0361

Notes

Number of Ribs 6
Length [mm] 1110

References

5750.K9 5750.L0



Application info

306 [04/93-10/03]
406 [11/95-12/04]
605 [06/89-09/99]
Expert I [02/96-10/06]

Partner I [04/96-07/08]
Expert I [07/95--]
Partner I [04/96--]

V-ribbed belt

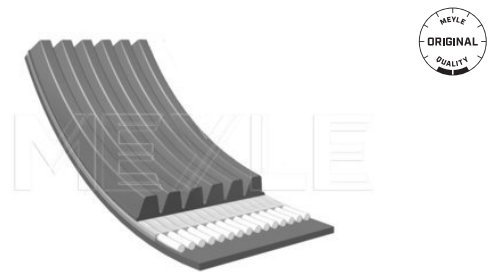
050 006 1705 | MRB0452

Notes

Number of Ribs 6
Length [mm] 1705

References

5750.96 5750.FY
5750.EK 5750.LH
5750.EV 5750.Y5
5750.F0 96 155 951



Application info

206 [08/98-03/09]
407 [05/04-12/09]

Partner II [04/08--]
Partner II [04/08--]

V-ribbed belt

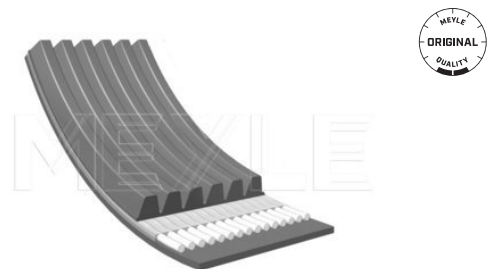
050 006 1100 | MRB0359

Notes

Number of Ribs 6
Length [mm] 1100

References

5750.M4



5



050 006 1100 | MRB0359

V-ribbed belt

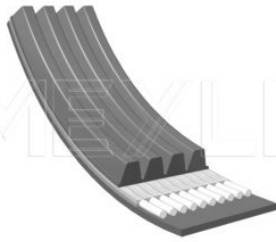
Application info

306 [04/93-10/03]
406 [11/95-12/04]
605 [06/89-09/99]

806 [06/94-08/02]
Boxer II [04/02-09/09]
Boxer II [12/01--]

050 004 0755 | MRB0070

V-ribbed belt



Notes

Number of Ribs 4
Length [mm] 755

References

5750.P0

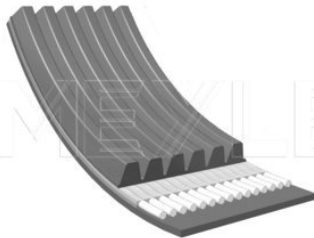
Application info

Boxer I [03/94-04/02]
Boxer II [04/02-09/09]

Boxer I [03/94-04/02]
Boxer II [12/01--]

050 006 1150 | MRB0368

V-ribbed belt



Notes

Number of Ribs 6
Length [mm] 1150

References

5750.C9	5750.K0
5750.E9	5750.L3
5750.FP	5750.L4
5750.GX	5750.PC
5750.J6	

Application info

307 [08/00-01/05]
Boxer I [03/94-04/02]

Boxer I [03/94-04/02]



V-ribbed belt

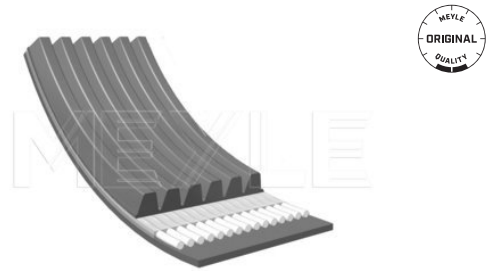
050 006 1565 | MRB0428

Notes

Number of Ribs	6
Length [mm]	1565

References

5750.PR	5750.Z2
5750.T3	5750.Z3
5750.XA	96316038
5750.YE	



Application info

206 [08/98-03/09]
 Bipper [02/08--]
 Partner I [04/96-07/08]

Bipper [02/08--]
 Partner I [04/96--]

V-ribbed belt

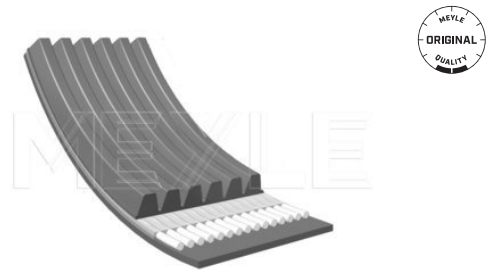
050 006 1480 | MRB0419

Notes

Number of Ribs	6
Length [mm]	1480

References

5750.Q3



Application info

406 [11/95-12/04]

V-ribbed belt

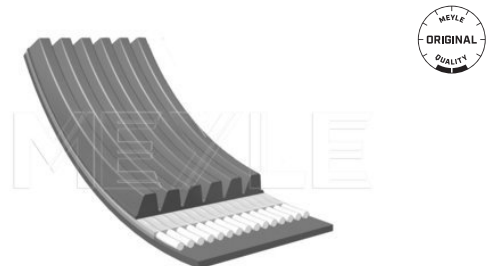
050 006 1680 | MRB0447

Notes

Number of Ribs	6
Length [mm]	1680

References

5750.KR	5750.QE
5750.PY	



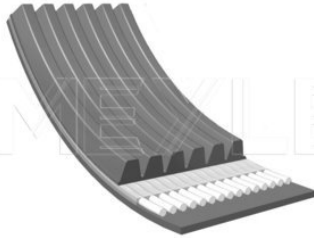
Application info

206 [08/98-03/09]
 Expert I [02/96-10/06]
 Partner I [04/96-07/08]

Expert I [07/95--]
 Partner I [04/96--]

050 006 1225 | MRB0383

V-ribbed belt



Notes

Number of Ribs	5
Length [mm]	1225

References

5750.QF

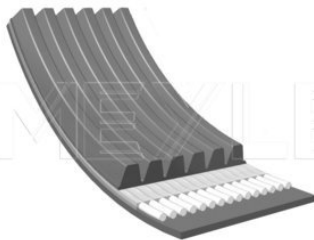
Application info

206 [08/98-03/09]
Bipper [02/08--]

Bipper [02/08--]

050 006 0850 | MRB0317

V-ribbed belt



Notes

Number of Ribs	6
Length [mm]	850

References

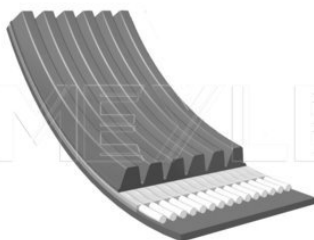
5750.QJ

Application info

107 [06/05--]

050 006 1210 | MRB0380

V-ribbed belt



Notes

Number of Ribs	6
Length [mm]	1210

References

5750.QL	5750.QN
---------	---------

Application info

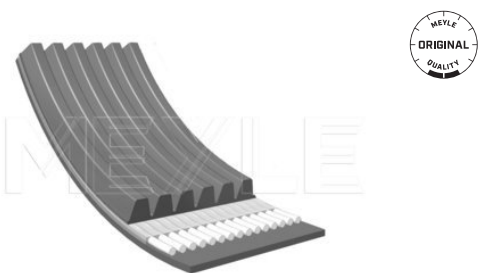
107 [06/05--]

V-ribbed belt
050 006 1000 | MRB0339
Notes

 Number of Ribs 6
 Length [mm] 1000

References

5750.PF 5750.QP


Application info

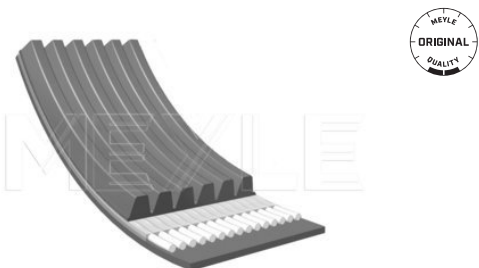
 307 [08/00-01/05]
 308 [09/07--]
 407 [05/04-12/09]

 807 [06/02-05/06]
 Expert II [01/07--]
 Expert II [01/07--]

V-ribbed belt
050 006 1185 | MRB0373
Notes

 Number of Ribs 6
 Length [mm] 1185

References

 5750.ET 5750.GG
 5750.FG 5750.QS
 5750.FK

Application info

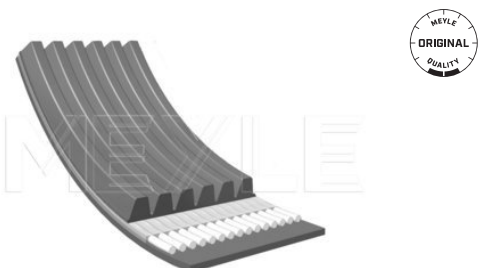
 307 [08/00-01/05]
 806 [06/94-08/02]
 807 [06/02-05/06]
 Boxer I [03/94-04/02]
 Boxer II [04/02-09/09]

 Expert I [02/96-10/06]
 Boxer I [03/94-04/02]
 Boxer II [12/01--]
 Expert I [07/95--]

V-ribbed belt
050 006 1590 | MRB0432
Notes

 Number of Ribs 6
 Length [mm] 1590

References

 5750.EJ 5750.QW
 5750.EW 9638027180


050 006 1590 | MRB0432

V-ribbed belt

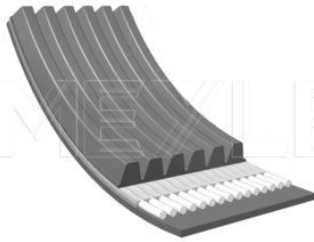
Application info

406 [11/95-12/04]
407 [05/04-12/09]

607 [02/00-07/04]
807 [06/02-05/06]

050 006 1605 | MRB0434

V-ribbed belt



Notes

Number of Ribs 6
Length [mm] 1605

References

5750.M1	5750.S9
5750.Q5	96205509
5750.R2	96236952
5750.R7	96251516

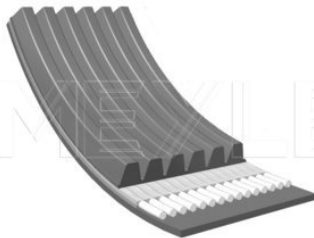
Application info

306 [04/93-10/03]
406 [11/95-12/04]

605 [06/89-09/99]
806 [06/94-08/02]

050 006 0906 | MRB0328

V-ribbed belt



Notes

Number of Ribs 6
Length [mm] 906

References

5750.RG

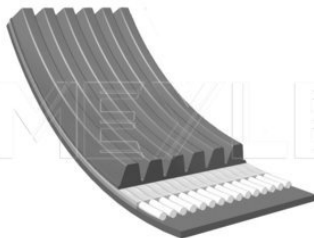
Application info

207 [02/06-10/08]

508 [11/10--]

050 006 1670 | MRB0445

V-ribbed belt



Notes

Number of Ribs 6
Length [mm] 1670

References

5750.RN

V-ribbed belt

050 006 1670 | MRB0445

Application info

Bipper [02/08--]
Boxer III [04/06--]

Bipper [02/08--]
Boxer III [04/06--]

V-ribbed belt

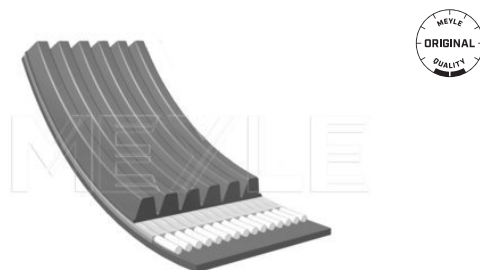
050 006 1710 | MRB0453

Notes

Number of Ribs 6
Length [mm] 1710

References

5750.LG 5750.RR



Application info

206 [08/98-03/09]
306 [04/93-10/03]
307 [08/00-01/05]
405 [01/87-11/99]
407 [05/04-12/09]
607 [02/00-07/04]
806 [06/94-08/02]
807 [06/02-05/06]
Bipper [02/08--]

Expert I [02/96-10/06]
Expert II [01/07--]
Partner I [04/96-07/08]
Partner II [04/08--]
Bipper [02/08--]
Expert I [07/95--]
Expert II [01/07--]
Partner I [04/96--]
Partner II [04/08--]

V-ribbed belt

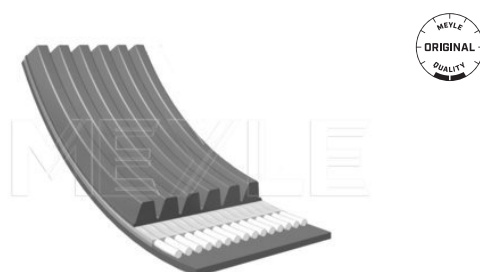
050 006 1090/E | MRB0357

Notes

Number of Ribs 6
Length [mm] 1090

References

5750.RV 96 61 728 880
5750.RW 96 63 101 080
5750.YL



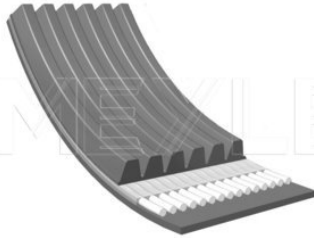
Application info

206 [08/98-03/09]
207 [02/06-10/08]

307 [08/00-01/05]

050 006 1350 | MRB0402

V-ribbed belt



Notes

Number of Ribs	6
Length [mm]	1350

References

5750.RX

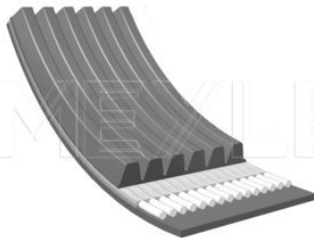
Application info

206 [08/98-03/09]
Bipper [02/08--]
Expert II [01/07--]
Partner I [04/96-07/08]
Partner II [04/08--]

Bipper [02/08--]
Expert II [01/07--]
Partner I [04/96--]
Partner II [04/08--]

050 006 1360 | MRB0404

V-ribbed belt



Notes

Number of Ribs	6
Length [mm]	1360

References

5750.RX

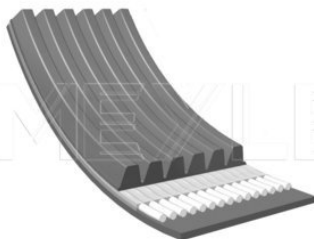
Application info

206 [08/98-03/09]
Partner II [04/08--]

Partner II [04/08--]

050 006 1205 | MRB0379

V-ribbed belt



Notes

Number of Ribs	6
Length [mm]	1205

References

5750.RZ

V-ribbed belt

050 006 1205 | MRB0379

Application info

407 [05/04-12/09]
508 [11/10--]
607 [02/00-07/04]

807 [06/02-05/06]
Partner II [04/08--]
Partner II [04/08--]

V-ribbed belt

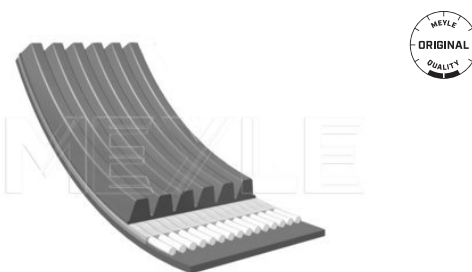
050 006 1600 | MRB0433

Notes

Number of Ribs 6
Length [mm] 1600

References

5750.M1 5750.R7
5750.Q5 5750.S9



Application info

605 [06/89-09/99]

V-ribbed belt

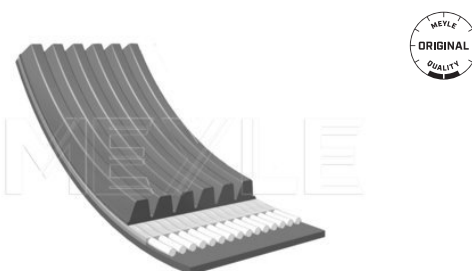
050 006 1195 | MRB0375

Notes

Number of Ribs 6
Length [mm] 1195

References

5750.SG



Application info

206 [08/98-03/09]

V-ribbed belt

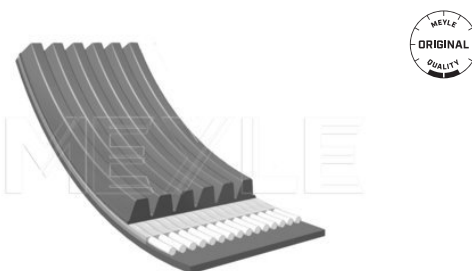
050 006 1010 | MRB0340

Notes

Number of Ribs 6
Length [mm] 1010

References

5750.T2



050 006 1010 | MRB0340

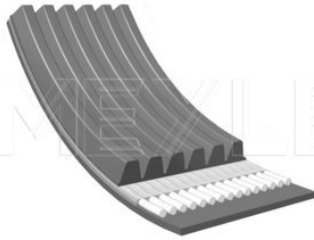
V-ribbed belt

Application info

206 [08/98-03/09]

050 006 1740 | MRB0458

V-ribbed belt



Notes

Number of Ribs	6
Length [mm]	1740

References

5750.GK	5750.S0
5750.GL	5750.T7
5750.L1	5750.T8
5750.R9	

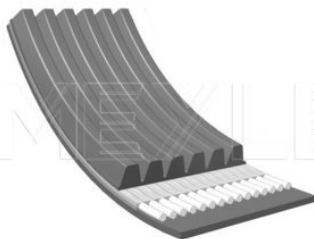
Application info

206 [08/98-03/09]
306 [04/93-10/03]
406 [11/95-12/04]
607 [02/00-07/04]
806 [06/94-08/02]

807 [06/02-05/06]
Expert I [02/96-10/06]
Partner I [04/96-07/08]
Expert I [07/95--]
Partner I [04/96--]

050 006 1065 | MRB0351

V-ribbed belt



Notes

Number of Ribs	6
Length [mm]	1065

References

5750.TE

Application info

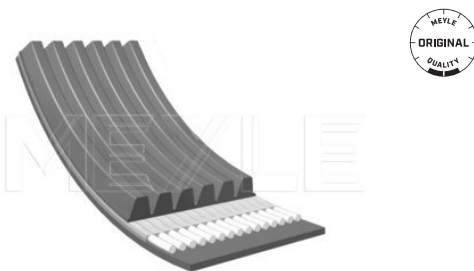
306 [04/93-10/03]

V-ribbed belt
050 006 1095 | MRB0358
Notes

 Number of Ribs 6
 Length [mm] 1095

References

5750.A0 5750.TF


Application info

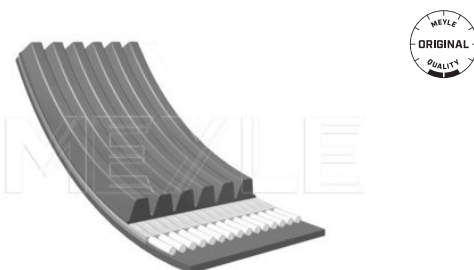
 405 [01/87-11/99]
 Boxer I [03/94-04/02]

Boxer I [03/94-04/02]

V-ribbed belt
050 006 1080 | MRB0354
Notes

 Number of Ribs 6
 Length [mm] 1080

References

 5750.A2 5750.TH
 5750.J3

Application info

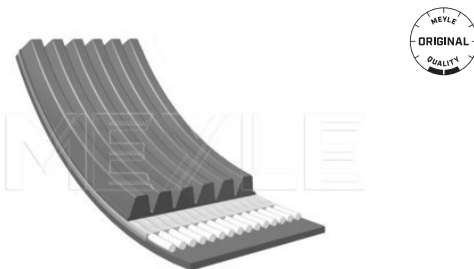
 3008 [06/09--]
 306 [04/93-10/03]
 405 [01/87-11/99]
 406 [11/95-12/04]
 605 [06/89-09/99]

 806 [06/94-08/02]
 Expert I [02/96-10/06]
 Partner I [04/96-07/08]
 Expert I [07/95--]

V-ribbed belt
050 006 0725 | MRB0303
Notes

 Number of Ribs 6
 Length [mm] 725

References

 5750.C3 5750.LC
 5750.GC 5750.PV
 5750.H9 5750.TP


050 006 0725 | MRB0303

V-ribbed belt

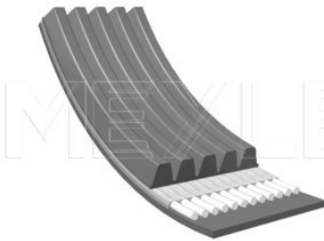
Application info

1007 [04/05--]
206 [08/98-03/09]
207 [02/06-10/08]
301 [11/12--]
306 [04/93-10/03]
307 [08/00-01/05]
405 [01/87-11/99]

Boxer I [03/94-04/02]
Expert I [02/96-10/06]
Partner I [04/96-07/08]
Boxer I [03/94-04/02]
Expert I [07/95--]
Partner I [04/96--]

050 005 1255 | MRB0255

V-ribbed belt



Notes

Number of Ribs	5
Length [mm]	1255

References

5750C8	5750TT
--------	--------

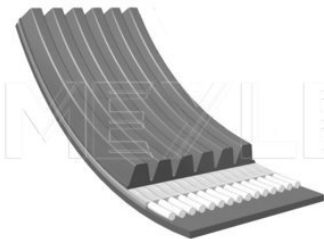
Application info

306 [04/93-10/03]
Partner I [04/96-07/08]

Partner I [04/96--]

050 006 0858 | MRB0318

V-ribbed belt



Notes

Number of Ribs	6
Length [mm]	858

References

5750.V0

Application info

Expert I [02/96-10/06]
Partner I [04/96-07/08]

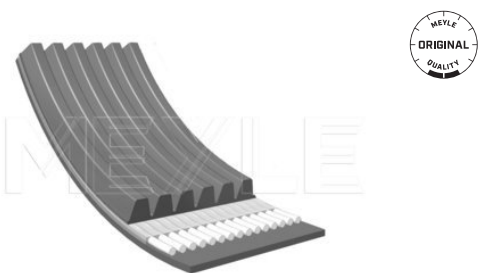
Expert I [07/95--]
Partner I [04/96--]

V-ribbed belt
050 006 1190 | MRB0374
Notes

 Number of Ribs 6
 Length [mm] 1190

References

5750.VJ

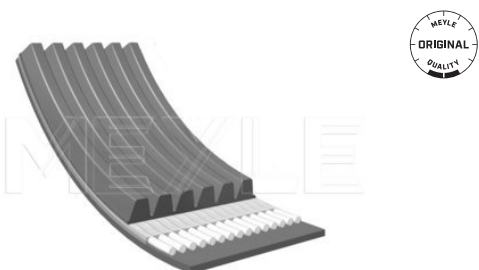

Application info

806 [06/94-08/02]

V-ribbed belt
050 006 0976 | MRB0336
Notes

 Number of Ribs 6
 Length [mm] 976

References

 5750.FV 5750.VN
 5750.FW

Application info

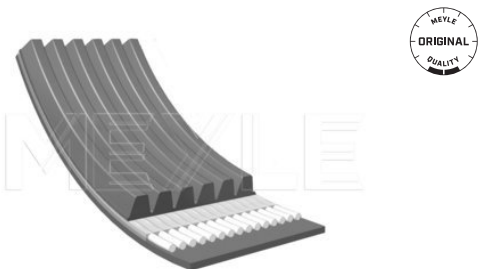
 1007 [04/05--]
 2008 [03/13--]
 206 [08/98-03/09]
 207 [02/06-10/08]
 208 [03/12--]
 3008 [06/09--]

 307 [08/00-01/05]
 308 [09/07--]
 5008 [06/09--]
 508 [11/10--]
 Partner II [04/08--]
 Partner II [04/08--]

V-ribbed belt
050 006 1743 | MRB0459
Notes

 Number of Ribs 6
 Length [mm] 1743

References

 5750.HG 5750.VX
 5750.S0

5
+

050 006 1743 | MRB0459

V-ribbed belt

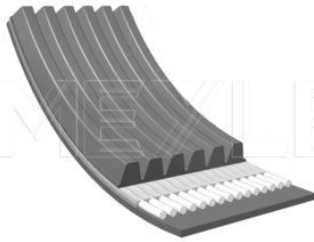
Application info

206 [08/98-03/09]
4007 [02/07--]

406 [11/95-12/04]
607 [02/00-07/04]

050 006 0750 | MRB0306

V-ribbed belt



Notes

Number of Ribs 6
Length [mm] 750

References

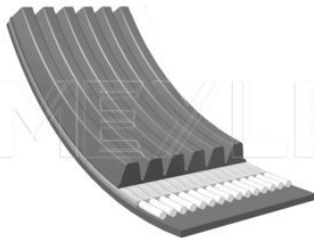
5750.W7

Application info

Partner I [04/96-07/08]

050 006 1145 | MRB0367

V-ribbed belt



Notes

Number of Ribs 6
Length [mm] 1145

References

5750.GW 5750.WI
5750.K0 5750.WI
5750.W1

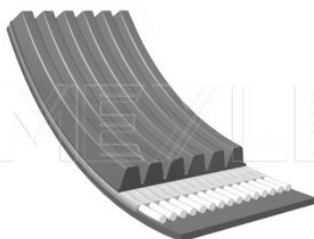
Application info

306 [04/93-10/03]
307 [08/00-01/05]

405 [01/87-11/99]

050 006 1163 | MRB0370

V-ribbed belt



Notes

Number of Ribs 6
Length [mm] 1163

References

5750.C1 5750.TN
5750.L9 5750.WL
5750.M9 96 144 511

V-ribbed belt

050 006 1163 | MRB0370

Application info

306 [04/93-10/03]
405 [01/87-11/99]
406 [11/95-12/04]
605 [06/89-09/99]
806 [06/94-08/02]
Boxer III [04/06--]

Expert I [02/96-10/06]
Partner I [04/96-07/08]
Boxer III [04/06--]
Expert I [07/95--]
Partner I [04/96--]

V-ribbed belt

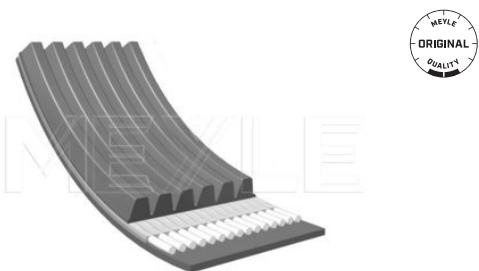
050 006 1050 | MRB0348

Notes

Number of Ribs 6
Length [mm] 1050

References

5750.PL 5750.WY
5750.PN 96 533 196 80



Application info

1007 [04/05--]
207 [02/06-10/08]

307 [08/00-01/05]

V-ribbed belt

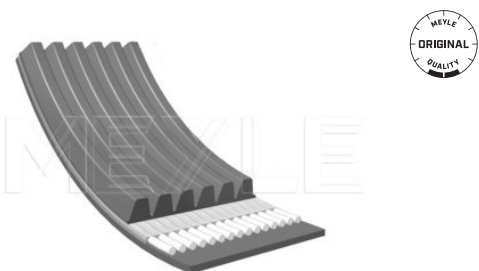
050 006 1070 | MRB0352

Notes

Number of Ribs 6
Length [mm] 1070

References

5750.98 5750.WZ
5750.K8 96 152 082
5750.PP 96 152 083



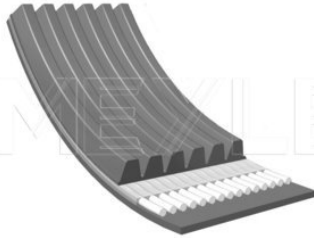
Application info

1007 [04/05--]
2008 [03/13--]
207 [02/06-10/08]
208 [03/12--]
301 [11/12--]
306 [04/93-10/03]
307 [08/00-01/05]

308 [09/07--]
308 II [09/13--]
405 [01/87-11/99]
406 [11/95-12/04]
806 [06/94-08/02]
Expert I [02/96-10/06]
Expert I [07/95--]

050 006 0869 | MRB0320

V-ribbed belt



Notes

Number of Ribs	6
Length [mm]	869

References

5750.S1	5750.X4
5750.X0	

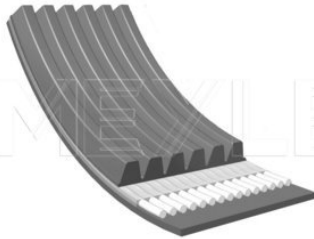
Application info

206 [08/98-03/09]
306 [04/93-10/03]

Partner I [04/96-07/08]
Partner I [04/96--]

050 006 1468 | MRB0418

V-ribbed belt



Notes

Number of Ribs	6
Length [mm]	1468

References

5750.KZ	5750.X8
5750.T5	96 37 250 580

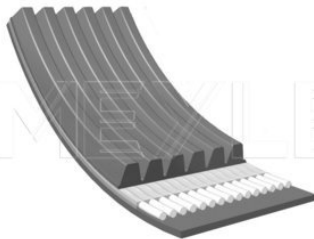
Application info

206 [08/98-03/09]
306 [04/93-10/03]
406 [11/95-12/04]
806 [06/94-08/02]
Boxer I [03/94-04/02]
Boxer II [04/02-09/09]

Expert I [02/96-10/06]
Partner I [04/96-07/08]
Boxer I [03/94-04/02]
Boxer II [12/01--]
Expert I [07/95--]
Partner I [04/96--]

050 006 1885 | MRB0486

V-ribbed belt



Notes

Number of Ribs	6
Length [mm]	1885

References

5750.PS	5750.XC
---------	---------

V-ribbed belt

050 006 1885 | MRB0486

Application info

407 [05/04-12/09]

607 [02/00-07/04]

V-ribbed belt

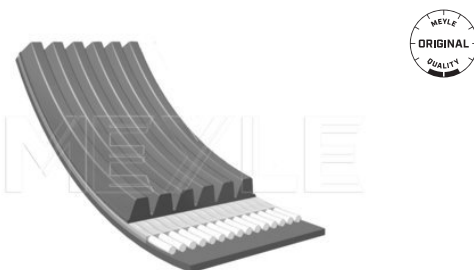
050 006 0965 | MRB0334

Notes

Number of Ribs 6
Length [mm] 965

References

5750.QG 5750.XF



Application info

107 [06/05--]
301 [11/12--]

308 II [09/13--]

V-ribbed belt

050 006 0873/E | MRB0321

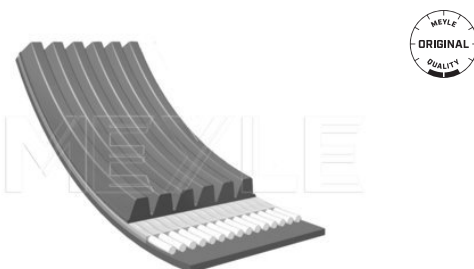
Notes

Number of Ribs 6
Length [mm] 873

Permanently elastic

References

5750.XP



Application info

Boxer III [04/06--]

Boxer III [04/06--]

V-ribbed belt

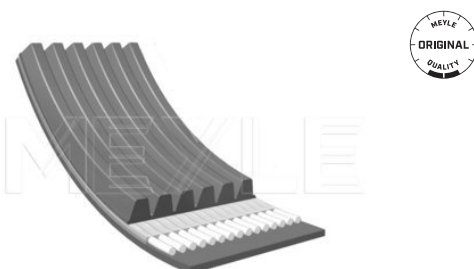
050 006 1045 | MRB0347

Notes

Number of Ribs 6
Length [mm] 1045

References

5750.W1 5750.XW



050 006 1045 | MRB0347

V-ribbed belt

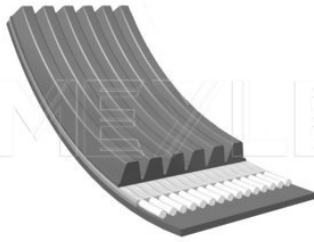
Application info

306 [04/93-10/03]
Expert I [02/96-10/06]
Partner I [04/96-07/08]

Expert I [07/95--]
Partner I [04/96--]

050 006 1200 | MRB0377

V-ribbed belt



Notes

Number of Ribs 6
Length [mm] 1200

References

4007.E7 5750.W5
5750.FH 5750.Y2
5750.M0

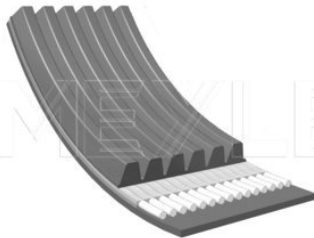
Application info

206 [08/98-03/09]
307 [08/00-01/05]

406 [11/95-12/04]
605 [06/89-09/99]

050 006 1725 | MRB0456

V-ribbed belt



Notes

Number of Ribs 6
Length [mm] 1725

References

5750.FA 5750.W6
5750.FC 5750.Y7
5750.M3 96 317 187
5750.M6 96 420 439

Application info

206 [08/98-03/09]
307 [08/00-01/05]

406 [11/95-12/04]
605 [06/89-09/99]

V-ribbed belt

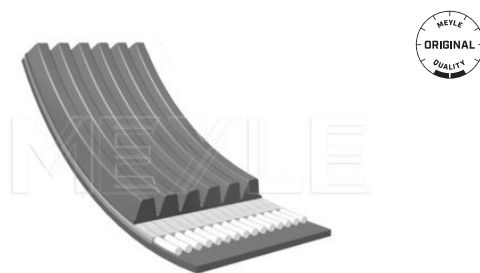
050 006 0780/E | MRB0308

Notes

Number of Ribs Permanently elastic
Length [mm] 6
780

References

5750.SA 96 63 100 880
5750.YK



Application info

206 [08/98-03/09] 307 [08/00-01/05]
207 [02/06-10/08]

V-ribbed belt

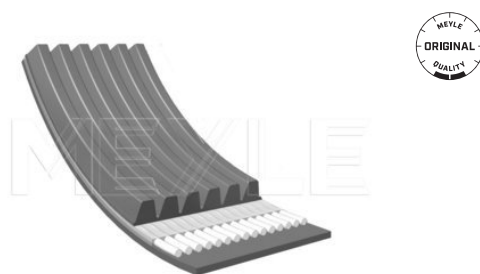
050 006 1450 | MRB0416

Notes

Number of Ribs 6
Length [mm] 1450

References

5750.T1 5750.Z0
5750.YC 96 337 272



Application info

206 [08/98-03/09] Partner I [04/96--]
Partner I [04/96-07/08]

V-ribbed belt

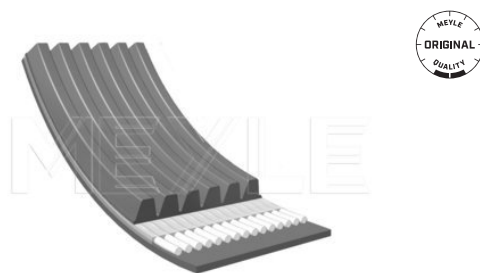
050 006 1750 | MRB0460

Notes

Number of Ribs 6
Length [mm] 1750

References

5750.R6 5750.Z6
5750.T9 5750.Z7
5750.YG

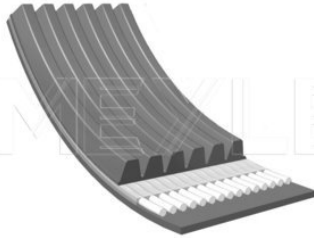


Application info

306 [04/93-10/03] Partner I [04/96-07/08]
406 [11/95-12/04] Expert I [07/95--]
806 [06/94-08/02] Partner I [04/96--]
Expert I [02/96-10/06]

050 006 1438 | MRB0415

V-ribbed belt



Notes

Number of Ribs 6
Length [mm] 1438

References

5750.EX 5750.Z8

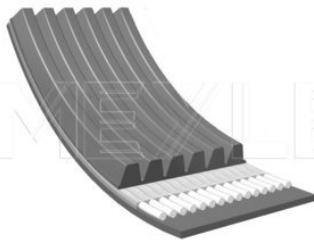
Application info

206 [08/98-03/09]
306 [04/93-10/03]
Expert I [02/96-10/06]

Partner I [04/96-07/08]
Expert I [07/95--]
Partner I [04/96--]

050 006 1698 | MRB0451

V-ribbed belt



Notes

Number of Ribs 6
Length [mm] 1698

References

5750.ZH 96 54 673 180

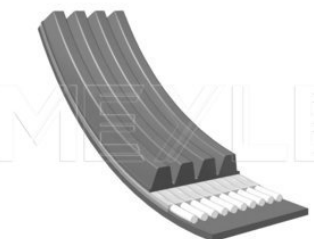
Application info

Partner II [04/08--]

Partner II [04/08--]

050 004 0815 | MRB0082

V-ribbed belt



Notes

Number of Ribs 4
Length [mm] 815

References

6453.E5

Application info

205 [02/83-09/98]
309 [10/85-12/93]

205 [02/83--]



V-ribbed belt

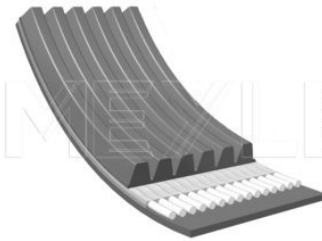
050 006 0925 | MRB0330

Notes

Number of Ribs 6
Length [mm] 925

References

6453.W1



Application info

Expert I [02/96-10/06]

Expert I [07/95--]

V-ribbed belt

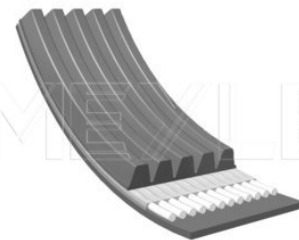
050 005 0725 | MRB0179

Notes

Number of Ribs 5
Length [mm] 725

References

5750.74 91 541 144
5750.P5 91 541 175



Application info

106 [08/91-07/04]
309 [10/85-12/93]
405 [01/87-11/99]

Partner I [04/96-07/08]
Partner I [04/96--]

V-ribbed belt

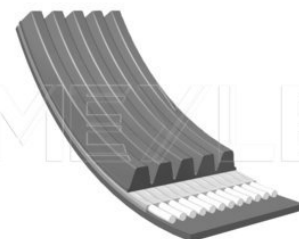
050 005 1270 | MRB0257

Notes

Number of Ribs 5
Length [mm] 1270

References

5750.84 96 014 397



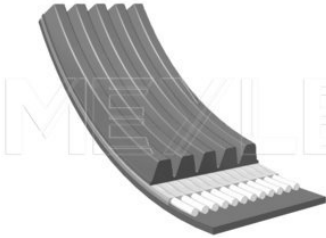
Application info

309 [10/85-12/93]

405 [01/87-11/99]

050 005 0710 | MRB0177

V-ribbed belt



Notes

Number of Ribs 5
Length [mm] 710

References

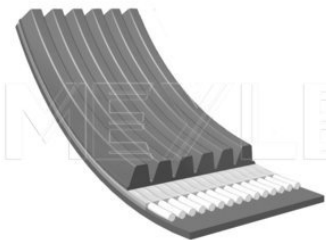
5750.88 96 059 324

Application info

605 [06/89-09/99]

050 006 1642 | MRB0439

V-ribbed belt



Notes

Number of Ribs 6
Length [mm] 1642

References

967 65 531 96 76 553 180

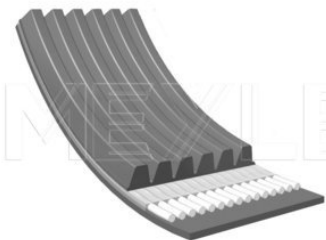
Application info

Boxer III [04/06--]

Boxer III [04/06--]

050 006 0955 | MRB0333

V-ribbed belt



Notes

Number of Ribs 6
Length [mm] 955

References

967 65 602 96 76 560 280

Application info

4008 [05/12--]

V-ribbed belt

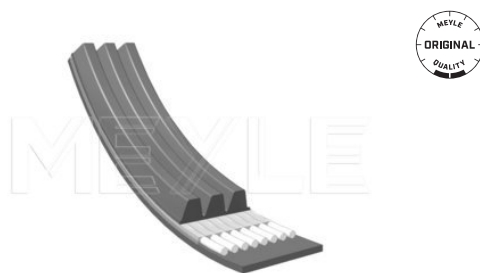
050 003 0740 | MRB0022

Notes

Number of Ribs 3
Length [mm] 740

References

5750.FL



Application info

206 [08/98-03/09]

V-ribbed belt

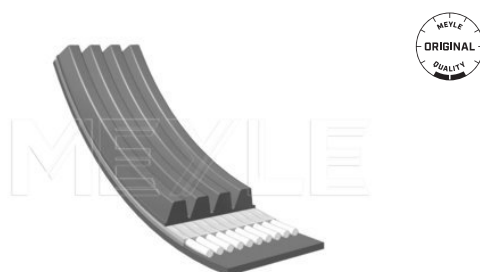
050 004 0640 | MRB0054

Notes

Number of Ribs 4
Length [mm] 640

References

4009.41 4009.78
4009.72



Application info

605 [06/89-09/99]

V-ribbed belt

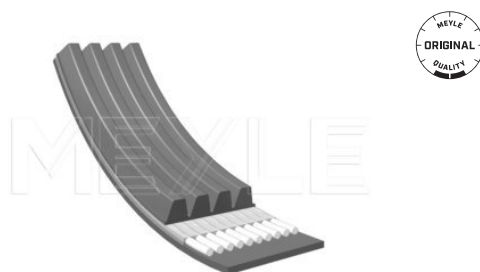
050 004 0698 | MRB0061

Notes

Number of Ribs 4
Length [mm] 698

References

5750.55 9350229100



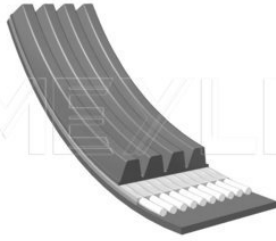
Application info

205 [02/83-09/98]
305 [11/77-07/90]
309 [10/85-12/93]

405 [01/87-11/99]
205 [02/83--]

050 004 0715 | MRB0064

V-ribbed belt



Notes

Number of Ribs	4
Length [mm]	715

References

5750.69	5750.94
---------	---------

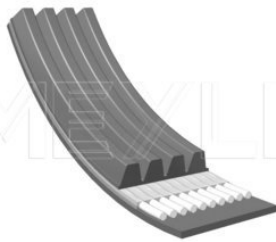
Application info

205 [02/83-09/98]
305 [11/77-07/90]
309 [10/85-12/93]

405 [01/87-11/99]
205 [02/83--]

050 004 0810 | MRB0081

V-ribbed belt



Notes

Number of Ribs	4
Length [mm]	810

References

645300000	6453E5
-----------	--------

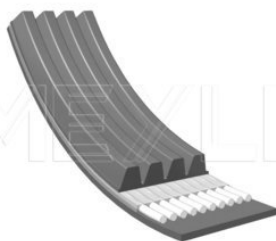
Application info

205 [02/83-09/98]

309 [10/85-12/93]

050 004 0954 | MRB0113

V-ribbed belt



Notes

Number of Ribs	4
Length [mm]	954

References

575070	9153 670 380
--------	--------------

Application info

205 [02/83-09/98]
305 [11/77-07/90]

309 [10/85-12/93]
405 [01/87-11/99]



V-ribbed belt

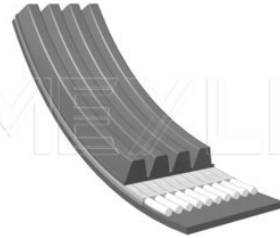
050 004 0962 | MRB0114

Notes

Number of Ribs 4
Length [mm] 962

References

5750.70 6455.B2



Application info

205 [02/83-09/98]
305 [11/77-07/90]

205 [02/83--]

V-ribbed belt

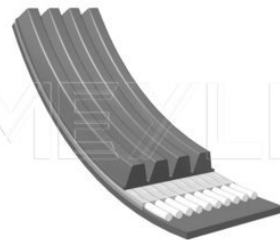
050 004 0975 | MRB0117

Notes

Number of Ribs 4
Length [mm] 975

References

5750.56



Application info

305 [11/77-07/90]

V-ribbed belt

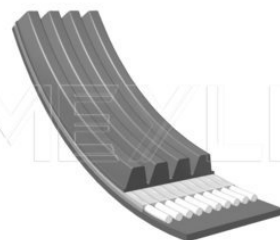
050 004 1020 | MRB0125

Notes

Number of Ribs 4
Length [mm] 1020

References

95 666 985

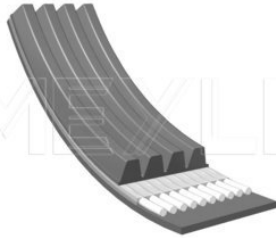


Application info

205 [02/83-09/98]

050 004 1025 | MRB0127

V-ribbed belt



Notes

Number of Ribs	4
Length [mm]	1025

References

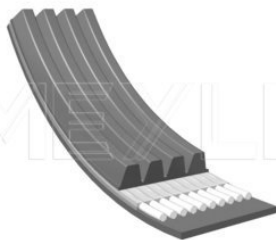
4009.42	6453.A0
4009.86	9605062
5750.L7	96050625

Application info

605 [06/89-09/99]

050 004 1030 | MRB0128

V-ribbed belt



Notes

Number of Ribs	4
Length [mm]	1030

References

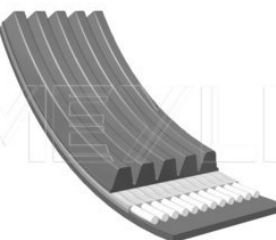
4009.42	9605062
4009.86	96 050 625
5750.L7	97 518 683
6453.A0	

Application info

605 [06/89-09/99]

050 005 0850 | MRB0190

V-ribbed belt



Notes

Number of Ribs	5
Length [mm]	850

Application info

605 [06/89-09/99]

V-ribbed belt

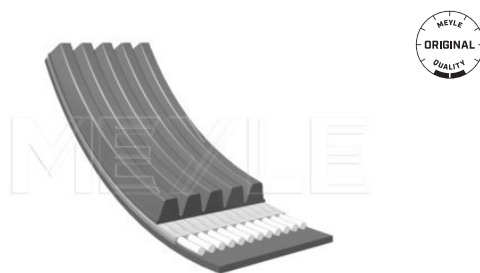
050 005 1030 | MRB0221

Notes

Number of Ribs 5
Length [mm] 1030

References

5750.95 5750.C2



Application info

106 [08/91-07/04]

V-ribbed belt

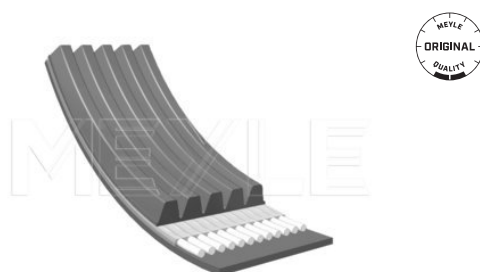
050 005 1050 | MRB0225

Notes

Number of Ribs 5
Length [mm] 1050

References

5750.Q1 5750XE
5750.Q2



Application info

106 [08/91-07/04]

V-ribbed belt

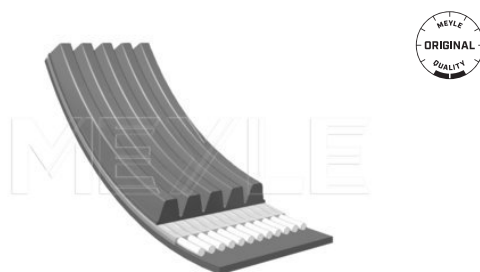
050 005 1100 | MRB0231

Notes

Number of Ribs 5
Length [mm] 1100

References

5003344281 6453NX
6453CT 6453NY
6453FJ 6453TZ



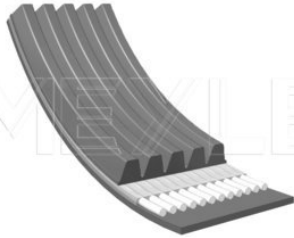
Application info

Boxer I [03/94-04/02]
Boxer II [04/02-09/09]

Boxer I [03/94-04/02]
Boxer II [12/01--]

050 005 1125 | MRB0236

V-ribbed belt



Notes

Number of Ribs	5
Length [mm]	1125

References

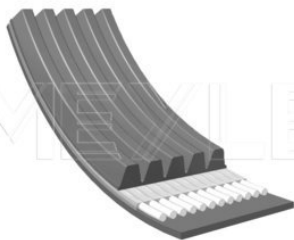
5750.89	5750TA
---------	--------

Application info

605 [06/89-09/99]

050 005 1140 | MRB0239

V-ribbed belt



Notes

Number of Ribs	5
Length [mm]	1140

References

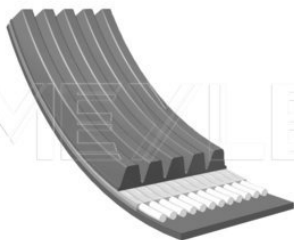
5750.87	5750SY
---------	--------

Application info

605 [06/89-09/99]

050 005 1450 | MRB0272

V-ribbed belt



Notes

Number of Ribs	5
Length [mm]	1450

References

1280.18	96 059 541
---------	------------

Application info

605 [06/89-09/99]

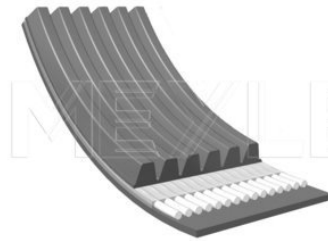


V-ribbed belt

050 006 1610 | MRB0435

Notes

Number of Ribs	6
Length [mm]	1610



Application info

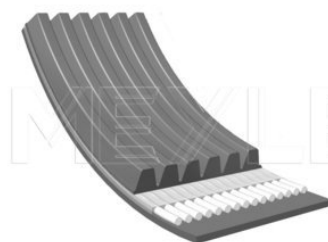
306 [04/93-10/03]

V-ribbed belt

050 006 1613 | MRB0436

Notes

Number of Ribs	6
Length [mm]	1613



Application info

306 [04/93-10/03]

V-ribbed belt

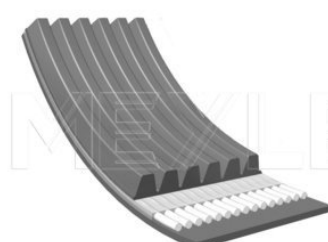
050 006 1735 | MRB0457

Notes

Number of Ribs	6
Length [mm]	1735

References

5750L1	5750Z4
5750S7	



Application info

206 [08/98-03/09]

5

11-14 200 0003 | MFL0061

Coolant flange



Notes

from thermostat to water-pump with seal

References

1336.A1

Application info

306 [04/93-10/03]
405 [01/87-11/99]
406 [11/95-12/04]
605 [06/89-09/99]

806 [06/94-08/02]
Boxer I [03/94-04/02]
Partner I [04/96-07/08]
Boxer I [03/94-04/02]

314 238 0005 | MMX1516

Expansion tank cap



Notes

Pressure [bar]

with seal
1.4

References

1306.J5

Application info

1007 [04/05--]
106 [08/91-07/04]
107 [06/05--]
108 [05/14--]
2008 [03/13--]
206 [08/98-03/09]
207 [02/06-10/08]
208 [03/12--]
3008 [06/09--]
301 [11/12--]
307 [08/00-01/05]
308 [09/07--]
308 II [09/13--]

406 [11/95-12/04]
407 [05/04-12/09]
5008 [06/09--]
508 [11/10--]
607 [02/00-07/04]
807 [06/02-05/06]
Expert II [01/07--]
Partner I [04/96-07/08]
Partner II [04/08--]
RCZ [03/10--]
Expert II [01/07--]
Partner I [04/96--]
Partner II [04/08--]

Radiator cap

11-14 238 0000 | MMX0504

References

1306.C9 1306.E4



Application info

1007 [04/05--]
106 [08/91-07/04]
107 [06/05--]
206 [08/98-03/09]
207 [02/06-10/08]
307 [08/00-01/05]
308 [09/07--]
406 [11/95-12/04]
407 [05/04-12/09]
607 [02/00-07/04]

807 [06/02-05/06]
Expert I [02/96-10/06]
Expert II [01/07--]
Partner I [04/96-07/08]
Partner II [04/08--]
Expert I [07/95--]
Expert II [01/07--]
Partner I [04/96--]
Partner II [04/08--]

Radiator fan motor

11-14 232 0001 | MRM0045

Notes

Rated Power [W] 350
Voltage [V] 12

References

1250.F4 1250.G0



Application info

406 [11/95-12/04]

Radiator fan motor

11-14 232 0003 | MRM0046

Notes

Rated Power [W] 250
Voltage [V] 12
for vehicles with air conditioning

References

1253.C9



5

+

11-14 232 0003 | MRM0046

Radiator fan motor

Application info

206 [08/98-03/09]

11-28 228 0001 | MTH0120

Thermostat



Notes

Opening Temperature [°C]

with seal
89

References

1336.Q1

Application info

206 [08/98-03/09]
306 [04/93-10/03]
307 [08/00-01/05]
806 [06/94-08/02]

Bipper [02/08--]
Partner I [04/96-07/08]
Bipper [02/08--]
Partner I [04/96--]

11-28 228 0002 | MTH0119

Thermostat



Notes

Opening Temperature [°C]

89

References

1336.Q2

Application info

1007 [04/05--]
106 [08/91-07/04]
306 [04/93-10/03]

Partner I [04/96-07/08]
Partner I [04/96--]

Thermostat

028 289 0000 | MTH0038

Notes

Opening Temperature [°C] with seal
89

References

1337.27 1338.44



Application info

106 [08/91-07/04]
205 [02/83-09/98]
305 [11/77-07/90]
306 [04/93-10/03]
309 [10/85-12/93]
405 [01/87-11/99]

406 [11/95-12/04]
605 [06/89-09/99]
806 [06/94-08/02]
Partner I [04/96-07/08]
Partner I [04/96--]

Thermostat

11-28 228 0000 | MTH0048

Notes

Opening Temperature [°C] with seal
Synthetic Material Housing
89

References

1338.A0



Application info

206 [08/98-03/09]
307 [08/00-01/05]
406 [11/95-12/04]
407 [05/04-12/09]

607 [02/00-07/04]
807 [06/02-05/06]
Expert II [01/07--]
Expert II [01/07--]

Water pump

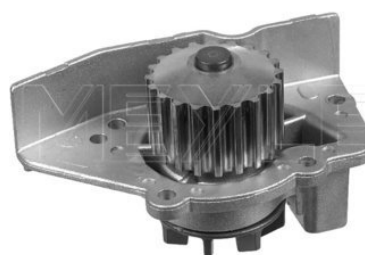
11-13 012 0150 | MWP0072

Notes

Number of Teeth for toothed belt drive
with seal
20

References

1201.50 1201.61



11-13 012 0150 | MWP0072

Water pump

Application info

205 [02/83-09/98]
306 [04/93-10/03]
309 [10/85-12/93]
405 [01/87-11/99]
406 [11/95-12/04]

806 [06/94-08/02]
Expert I [02/96-10/06]
Partner I [04/96-07/08]
Expert I [07/95--]

11-13 012 0162 | MWP0075

Water pump



Notes

Number of Teeth

for toothed belt drive
with seal
20

References

1201.48
1201.51

1201.60
1201.62

Application info

205 [02/83-09/98]
305 [11/77-07/90]
309 [10/85-12/93]

405 [01/87-11/99]
J5 [290] [09/90-03/94]
J5 [290] [09/90-03/94]

11-13 012 0163 | MWP0076

Water pump



Notes

Quality
Number of Teeth

for toothed belt drive
with seal
Sealed with SiC/SiC
20

References

1201.39

1201.63

Application info

205 [02/83-09/98]
305 [11/77-07/90]

309 [10/85-12/93]
405 [01/87-11/99]

Water pump

11-13 012 0152 | MWP0073

Notes

Impeller Diameter [mm] for toothed belt drive
68
Number of Teeth with seal
20

References

1201.52 1201.91
1201.65 1201.A4
1201.67



Application info

205 [02/83-09/98]
306 [04/93-10/03]
405 [01/87-11/99]
406 [11/95-12/04]
605 [06/89-09/99]
806 [06/94-08/02]
Boxer I [03/94-04/02]
Boxer II [04/02-09/09]

Expert I [02/96-10/06]
Partner I [04/96-07/08]
205 [02/83--]
Boxer I [03/94-04/02]
Boxer II [12/01--]
Expert I [07/95--]
Partner I [04/96--]

Water pump

11-13 220 0007 | MWP0085

Notes

Number of Teeth for toothed belt drive
with seal
20

References

1201.98



Application info

306 [04/93-10/03]

406 [11/95-12/04]

Water pump

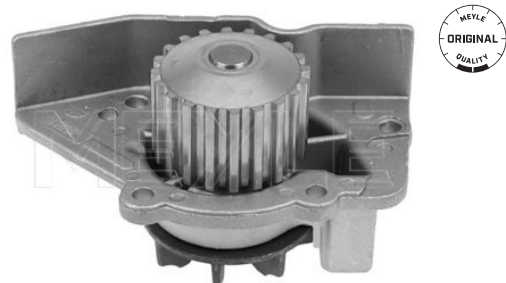
11-13 012 0183 | MWP0077

Notes

Impeller Diameter [mm] for toothed belt drive
68
Quality with seal
Number of Teeth Sealed with SiC/SiC
20

References

1201.93 1201.A1



5

+

11-13 012 0183 | MWP0077

Water pump

Application info

306 [04/93-10/03]
406 [11/95-12/04]

605 [06/89-09/99]
806 [06/94-08/02]

11-13 220 0012 | MWP0088

Water pump



Notes

Number of Ribs

for v-ribbed belt use
with seal
3

References

1201.A5

Application info

Boxer I [03/94-04/02]

Boxer I [03/94-04/02]

11-13 220 0005 | MWP0083

Water pump



Notes

Quality
Number of Teeth

for toothed belt drive
with seal
Sealed with SiC/SiC
20

References

1201.A8

Application info

205 [02/83-09/98]
306 [04/93-10/03]
406 [11/95-12/04]
806 [06/94-08/02]
Boxer I [03/94-04/02]
Expert I [02/96-10/06]

Partner I [04/96-07/08]
205 [02/83--]
Boxer I [03/94-04/02]
Expert I [07/95--]
Partner I [04/96--]



Water pump

11-13 220 0001 | MWP0079

Notes

Quality
Number of Teeth

for toothed belt drive
with seal
Sealed with SiC/SiC
20

References

1201.C4



Application info

206 [08/98-03/09]
306 [04/93-10/03]
307 [08/00-01/05]
406 [11/95-12/04]
607 [02/00-07/04]
806 [06/94-08/02]
807 [06/02-05/06]
Boxer I [03/94-04/02]

Boxer II [04/02-09/09]
Expert I [02/96-10/06]
Partner I [04/96-07/08]
Boxer I [03/94-04/02]
Boxer II [12/01--]
Expert I [07/95--]
Partner I [04/96--]

Water pump

11-13 220 0002 | MWP0080

Notes

Number of Teeth

for toothed belt drive
with seal
20

References

1201.55
1201.A7
1201.C5

1201.C6
1201.E0



Application info

406 [11/95-12/04]
605 [06/89-09/99]

806 [06/94-08/02]

Water pump

11-13 012 0102 | MWP0071

Notes

Quality
Number of Teeth

for toothed belt drive
with seal
Sealed with SiC/SiC
19

References

1201.A2

1201.E5



11-13 012 0102 | MWP0071

Water pump

Application info

1007 (04/05--)
106 (08/91-07/04)
206 (08/98-03/09)
207 (02/06-10/08)
307 (08/00-01/05)

308 (09/07--)
Partner I (04/96-07/08)
Partner II (04/08--)
Partner I (04/96--)
Partner II (04/08--)

11-13 012 0158 | MWP0074

Water pump



Notes

Quality
Number of Teeth

for toothed belt drive
with seal
Sealed with SiC/SiC
20

References

1201.58
1201.E4

1201.E6
1207.25

Application info

106 (08/91-07/04)
205 (02/83-09/98)
206 (08/98-03/09)

306 (04/93-10/03)
309 (10/85-12/93)
405 (01/87-11/99)

513 220 0002 | MWP0430

Water pump



Notes

Quality
Number of Teeth

for toothed belt drive
with seal
Sealed with SiC/SiC
19

References

1201.E8

Application info

307 (08/00-01/05)
308 (09/07--)
406 (11/95-12/04)
407 (05/04-12/09)
508 (11/10--)
607 (02/00-07/04)

807 (06/02-05/06)
Boxer II (04/02-09/09)
Expert II (01/07--)
Boxer II (12/01--)
Expert II (01/07--)

Water pump

11-13 220 0008 | MWP0086

Notes

Number of Teeth

for toothed belt drive
with seal
28

References

1201.E9

1201.F6



Application info

406 [11/95-12/04]
407 [05/04-12/09]

607 [02/00-07/04]
807 [06/02-05/06]

Water pump

11-13 220 0003 | MWP0081

Notes

Number of Teeth

for toothed belt drive
with seal
18

References

1201.G0



Application info

1007 [04/05--]
106 [08/91-07/04]
205 [02/83-09/98]
206 [08/98-03/09]
207 [02/06-10/08]
306 [04/93-10/03]

307 [08/00-01/05]
Bipper [02/08--]
Partner I [04/96-07/08]
Bipper [02/08--]
Partner I [04/96--]

Water pump

11-13 220 0022 | MWP0095

Notes

Number of Teeth

for v-ribbed belt use
with seal

References

1201.G6



11-13 220 0022 | MWP0095

Water pump

Application info

407 (05/04-12/09)

607 (02/00-07/04)

713 220 0008 | MWP0498

Water pump



Notes

Quality
Number of Teeth

for toothed belt drive
with seal
Metal Housing
Sealed with SiC/SiC
21

References

1201.F9

1201.G8

Application info

1007 (04/05--)
107 (06/05--)
206 (08/98-03/09)
207 (02/06-10/08)
208 (03/12--)

307 (08/00-01/05)
Bipper (02/08--)
207 (02/06--)
Bipper (02/08--)

713 220 0008/HD | MWP0498HD

Water pump



Notes

Quality
Number of Teeth

for toothed belt drive
with seal
Metal Housing
Sealed with SiC/SiC
21

References

1201.F9

1201.G8

Application info

1007 (04/05--)
107 (06/05--)
206 (08/98-03/09)
207 (02/06-10/08)
208 (03/12--)

307 (08/00-01/05)
Bipper (02/08--)
207 (02/06--)
Bipper (02/08--)



Water pump

11-13 220 0004 | MWP0082

Notes

Quality
Number of Teeth

for toothed belt drive
with seal
Sealed with SiC/SiC
19

References

1201.G1
1201.G9

16 094 176 80



Application info

1007 (04/05--)
2008 (03/13--)
206 (08/98-03/09)
207 (02/06-10/08)
208 (03/12--)
3008 (06/09--)
301 (11/12--)
307 (08/00-01/05)
308 (09/07--)
308 II (09/13--)
4008 (05/12--)

407 (05/04-12/09)
5008 (06/09--)
508 (11/10--)
Expert II (01/07--)
Partner I (04/96-07/08)
Partner II (04/08--)
207 (02/06--)
Expert II (01/07--)
Partner I (04/96--)
Partner II (04/08--)

Water pump

11-13 220 0004/HD | MWP0082HD

Notes

Quality
Number of Teeth

for toothed belt drive
with seal
Sealed with SiC/SiC
19

References

1201.G1
1201.G9

16 094 176 80



Application info

1007 (04/05--)
2008 (03/13--)
206 (08/98-03/09)
207 (02/06-10/08)
208 (03/12--)
3008 (06/09--)
301 (11/12--)
307 (08/00-01/05)
308 (09/07--)
308 II (09/13--)
4008 (05/12--)

407 (05/04-12/09)
5008 (06/09--)
508 (11/10--)
Expert II (01/07--)
Partner I (04/96-07/08)
Partner II (04/08--)
207 (02/06--)
Expert II (01/07--)
Partner I (04/96--)
Partner II (04/08--)

11-13 220 0014 | MWP0089

Water pump



Notes

with seal

References

1201.C9

1201.H5

Application info

Boxer I [03/94-04/02]
Boxer II [04/02-09/09]

Boxer I [03/94-04/02]
Boxer II [12/01--]

11-13 220 0023 | MWP0096

Water pump



Notes

Quality

with seal
with housing
Sealed with SiC/SiC

References

1201.H6

Application info

Boxer III [04/06--]

Boxer III [04/06--]

11-13 220 0020 | MWP0093

Water pump



Notes

Quality

with seal
Sealed with SiC/SiC

References

1201.H8

Application info

207 [02/06-10/08]
208 [03/12--]
3008 [06/09--]
308 [09/07--]

308 II [09/13--]
5008 [06/09--]
508 [11/10--]
RCZ [03/10--]

Water pump

11-13 220 0024 | MWP0097

Notes

Number of Ribs for v-ribbed belt use with seal 6

References

1201.J4 1201.K0



Application info

Boxer III [04/06--]

Boxer III [04/06--]

Water pump

40-13 220 0004 | MWP0419

Notes

Quality for toothed belt drive with seal
Number of Teeth Sealed with SiC/SiC 18

References

1201.K2



Application info

3008 [06/09--]
308 [09/07--]
407 [05/04-12/09]
5008 [06/09--]
508 [11/10--]

807 [06/02-05/06]
Expert II [01/07--]
RCZ [03/10--]
Expert II [01/07--]

Water pump

40-13 220 0005 | MWP0527

Notes

with seal

References

1201.K5



Application info

407 [05/04-12/09]

11-13 220 0019 | MWP0092

Water pump



Notes

for v-ribbed belt use
with add-on material
with seal

References

1201.H0
1201.J0

1201.L1
1201.L3

Application info

107 [06/05--]

11-13 012 0723 | MWP0078

Water pump



Notes

for toothed belt drive
with seal
Sealed with SiC/SiC
20

Quality
Number of Teeth

References

1201.47
1201.E3

1207.18
1207.23

Application info

106 [08/91-07/04]
205 [02/83-09/98]
206 [08/98-03/09]
306 [04/93-10/03]
307 [08/00-01/05]

309 [10/85-12/93]
405 [01/87-11/99]
Partner I [04/96-07/08]
Partner I [04/96--]

11-13 220 0006 | MWP0084

Water pump



Notes

for toothed belt drive
with seal
Sealed with SiC/SiC
18

Quality
Number of Teeth

References

1201.G2

1609417180

Water pump

11-13 220 0006 | MWP0084

Application info

1007 [04/05--]
206 [08/98-03/09]

207 [02/06-10/08]
307 [08/00-01/05]

Water pump

11-13 220 0017 | MWP0091

Notes

Quality
Number of Teeth

for toothed belt drive
with seal
with housing
Sealed with SiC/SiC
20

References

1201.E1
1201.E7
1201.F4
1201.F5
1201.G4

1201.G5
1201.J2
1201.K1
1201.L2
1609417480



Application info

206 [08/98-03/09]
307 [08/00-01/05]
406 [11/95-12/04]
407 [05/04-12/09]
607 [02/00-07/04]
806 [06/94-08/02]

807 [06/02-05/06]
Expert I [02/96-10/06]
Expert II [01/07--]
Expert I [07/95--]
Expert II [01/07--]

Water pump

11-13 220 0021 | MWP0094

Notes

Quality
Number of Teeth

for toothed belt drive
with seal
Sealed with SiC/SiC
19

References

1201.H7
1201.J6

1610278080



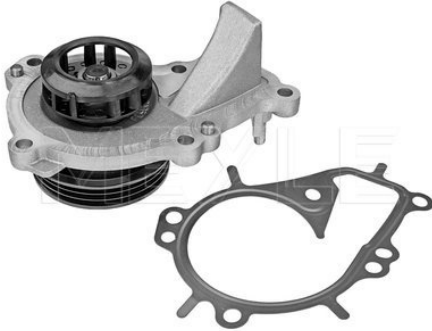
Application info

4007 [02/07--]
407 [05/04-12/09]
508 [11/10--]

607 [02/00-07/04]
807 [06/02-05/06]

11-13 220 0027 | MWP0571

Water pump



Notes

Number of Ribs

with seal
3

References

9803094380

Application info

2008 [03/13--]
208 [03/12--]

308 II [09/13--]

11-13 220 0026 | MWP0554

Water pump



Notes

Quality
Number of Ribs

for v-ribbed belt use
with seal
Sealed with SiC/SiC
3

References

9803442480

Application info

108 [05/14--]
2008 [03/13--]
208 [03/12--]

301 [11/12--]
308 II [09/13--]

11-13 220 0025 | MWP0098

Water pump



Notes

with seal

References

1201.J9

Application info

4007 [02/07--]



Water pump

613 220 0002 | MWP0443

Notes

Quality
Number of Ribs

for v-ribbed belt use
with seal
Aluminium Housing
Sealed with SiC/SiC
6



Application info

Bipper [02/08--]

Bipper [02/08--]

Air filter

11-12 014 4409 | MAF0084

Notes

Inner diameter [mm]
Outer diameter [mm]
Height [mm]

100
160
181
Filter Insert

References

1444.09

1444.EX



Application info

Boxer I [03/94-04/02]
J5 [290] [09/90-03/94]

Boxer I [03/94-04/02]
J5 [290] [09/90-03/94]

Air filter

11-12 014 4485 | MAF0087

Notes

Inner diameter 2 [mm]
Inner diameter 1 [mm]
Inner diameter [mm]
Outer diameter [mm]
Height [mm]

78
116
102
140
164
Filter Insert

References

1444.85

1444.ST



Application info

106 [08/91-07/04]
205 [02/83-09/98]
306 [04/93-10/03]

405 [01/87-11/99]
Partner I [04/96-07/08]
Partner I [04/96--]

11-12 014 4486 | MAF0088

Air filter



Notes

Height [mm]	50
Width [mm]	101
Length [mm]	298
	Filter Insert

References

1444.86

Application info

306 [04/93-10/03]
405 [01/87-11/99]

406 [11/95-12/04]
Partner I [04/96-07/08]

36-12 321 0005 | MAF0491

Air filter



Notes

Inner diameter 2 [mm]	48
Inner diameter 1 [mm]	90
Inner diameter [mm]	95
Outer diameter [mm]	137
Height [mm]	208
	Filter Insert

References

1444.A6

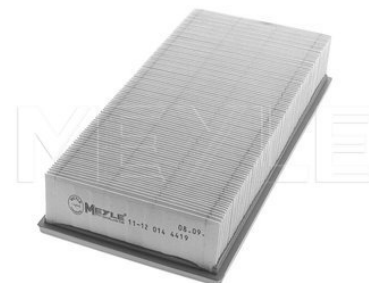
1444.VA

Application info

106 [08/91-07/04]

11-12 014 4419 | MAF0086

Air filter



Notes

Height [mm]	57
Width [mm]	156
Length [mm]	326
	Filter Insert

References

1444.A9
1444.F3
1444.H4
1444.J1

1444.T0
1444.VV
1445.08

Air filter

11-12 014 4419 | MAF0086

Application info

106 [08/91-07/04]
405 [01/87-11/99]
406 [11/95-12/04]
607 [02/00-07/04]
806 [06/94-08/02]

807 [06/02-05/06]
Expert I [02/96-10/06]
Expert II [01/07--]
Expert I [07/95--]
Expert II [01/07--]

Air filter

11-12 321 0001 | MAF0089

Notes

Height [mm] 83
Width [mm] 168
Length [mm] 205
Filter Insert

References

1444.CA 1444.CJ
1444.CC 1444.VQ



Application info

Partner I [04/96-07/08]

Partner I [04/96--]

Air filter

11-12 321 0003 | MAF0091

Notes

Height [mm] 85.3
Width [mm] 168
Length [mm] 246
Filter Insert

References

1444.CE 1444.W3
1444.CL 1444.W5
1444.TZ 1444.W6



Application info

206 [08/98-03/09]

307 [08/00-01/05]

40-12 321 0001 | MAF0545

Air filter



Notes

Height [mm] 49.5
Width [mm] 101
Length [mm] 350
Filter Insert

References

1420.P7 1444.CQ

Application info

206 [08/98-03/09]

307 [08/00-01/05]

11-12 321 0008 | MAF0096

Air filter



Notes

Height [mm] 65
Width [mm] 102
Length [mm] 354
Filter Insert

References

1420.PB 1444.CR

Application info

206 [08/98-03/09]

307 [08/00-01/05]

11-12 321 0030 | MAF0118

Air filter



Notes

Height [mm] 82
Width [mm] 168
Length [mm] 247
Filter Insert

References

1444.CT 1444.TA

Application info

307 [08/00-01/05]

Air filter

11-12 321 0004 | MAF0092

Notes

Height [mm] 59
Width [mm] 153
Length [mm] 357
Filter Insert

References

1444.CV 1444.TQ
1444.CX 1444.VP
1444.EL



Application info

407 [05/04-12/09]

Air filter

11-12 321 0002 | MAF0090

Notes

Height [mm] 50
Width [mm] 102
Length [mm] 335
without sight glass

References

1444.EA 1444.GH



Application info

1007 [04/05--]
207 [02/06-10/08]

Partner I [04/96-07/08]
Partner I [04/96--]

Air filter

11-12 321 0032 | MAF0120

Notes

Height [mm] 65
Width [mm] 153
Length [mm] 324
Filter Insert

References

1444.EH 96 50 188 680
1444.EJ E147223
1444.TP E147224
1444.XF



Application info

407 [05/04-12/09]

508 [11/10--]

11-12 321 0017 | MAF0105

Air filter



Notes

Inner diameter [mm]	94
Outer diameter [mm]	140
Height [mm]	167
	Filter Insert

References

1444.F0

Application info

106 [08/91-07/04]
Partner I [04/96-07/08]

Partner I [04/96--]

11-12 321 0006 | MAF0094

Air filter



Notes

Height [mm]	58
Width [mm]	175
Width 2 [mm]	119
Length [mm]	318
	Filter Insert

References

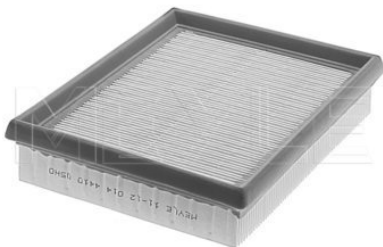
1444.F7

Application info

306 [04/93-10/03]

11-12 014 4410 | MAF0085

Air filter



Notes

Height [mm]	42
Width [mm]	170
Length [mm]	206
	Filter Insert

References

1444.G9

Application info

206 [08/98-03/09]

Air filter

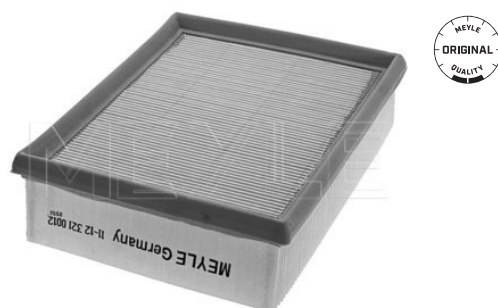
11-12 321 0012 | MAF0100

Notes

Height [mm] 58
Width [mm] 170
Length [mm] 206
Filter Insert

References

1444.H0



Application info

206 [08/98-03/09]

Air filter

11-12 321 0020 | MAF0108

Notes

Inner diameter [mm] 67
Outer diameter [mm] 113
Height [mm] 213
Filter Insert

References

1444.H1



Application info

306 [04/93-10/03]
Partner I [04/96-07/08]

Partner I [04/96--]

Air filter

30-12 321 0002 | MAF0334

Notes

Height [mm] 44
Width [mm] 114
Length [mm] 260
Filter Insert

References

1444.PV 1444.RH
1444.RG 1444.XA



Application info

107 [06/05--]

11-12 321 0035 | MAF0658

Air filter



Notes

Height [mm] 84
Width [mm] 182
Length [mm] 358
Filter Insert

References

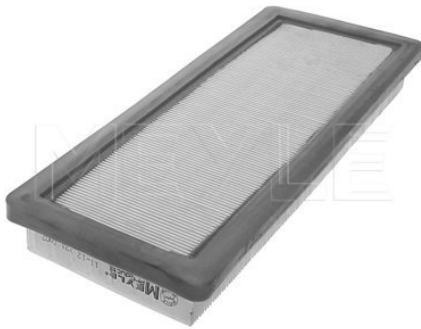
1444.QK 96 55 535 780

Application info

407 [05/04-12/09]

11-12 321 0007 | MAF0095

Air filter



Notes

Height [mm] 42
Width [mm] 147
Length [mm] 360
Filter Insert

References

1444.QR

Application info

207 [02/06-10/08]
3008 [06/09--]

308 [09/07--]

11-12 321 0023 | MAF0111

Air filter



Notes

Height [mm] 85
Width [mm] 148
Length [mm] 346
Filter Insert

References

1444.QW 1444.WN

Application info

807 [06/02-05/06]
Expert II [01/07--]

Expert II [01/07--]

Air filter
11-12 321 0034 | MAF0122
Notes

 Height [mm] 67
 Width [mm] 142
 Length [mm] 351
 Filter Insert

References

1444.QY


Application info

407 [05/04-12/09]

607 [02/00-07/04]

Air filter
11-12 321 0042 | MAF0129
Notes

 Height [mm] 57
 Width [mm] 202
 Width 1 [mm] 109
 Length [mm] 276
 Filter Insert

References

1444.R5

1444.WP


Application info

 306 [04/93-10/03]
 Partner I [04/96-07/08]

Partner I [04/96--]

Air filter
11-12 321 0005 | MAF0093
Notes

 Height [mm] 73
 Width [mm] 84
 Length [mm] 494
 Filter Insert

References

1444.RV

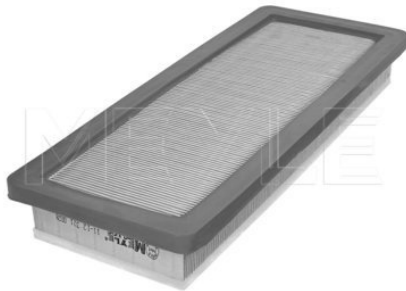

Application info

 207 [02/06-10/08]
 208 [03/12--]
 3008 [06/09--]
 308 [09/07--]

 5008 [06/09--]
 508 [11/10--]
 Partner II [04/08--]
 Partner II [04/08--]

11-12 321 0028 | MAF0116

Air filter



Notes

Height [mm] 43
Width [mm] 147
Length [mm] 359
Filter Insert

References

1444.RX 96 64 191 180

Application info

207 [02/06-10/08]
3008 [06/09--]

308 [09/07--]

32-12 321 0002 | MAF0447

Air filter



Notes

Height [mm] 68
Width [mm] 185
Length [mm] 270
Filter Insert

References

1444.RZ

Application info

4007 [02/07--]

212 321 0021 | MAF0277

Air filter



Notes

Inner diameter [mm] 97
Outer diameter [mm] 169
Height [mm] 303
Filter Insert

References

1444.SF 1444.SG

Application info

Boxer III [04/06--]

Boxer III [04/06--]



Air filter

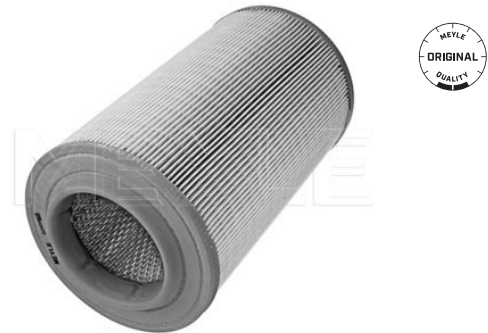
212 321 0020 | MAF0276

Notes

Inner diameter 1 [mm]	95
Inner diameter [mm]	97
Outer diameter [mm]	170
Height [mm]	303
	Filter Insert

References

1444.QT	1444.SQ
---------	---------



Application info

Boxer III (04/06--)

Boxer III (04/06--)

Air filter

11-12 321 0026 | MAF0114

Notes

Inner diameter [mm]	65
Outer diameter [mm]	136
Height [mm]	200
	Filter Insert

References

1444.02	1445.02
1444.SY	95 619 441



Application info

106 (08/91-07/04)
205 (02/83-09/98)

309 (10/85-12/93)
205 (02/83--)

Air filter

11-12 321 0037 | MAF0124

Notes

Height [mm]	67
Width [mm]	156
Length [mm]	325
	with pre-separator
	Filter Insert

References

1444.H6	1444.T1
1444.J2	1444.T2
1444.PZ	1444.T3
1444.R2	1444.T4



11-12 321 0037 | MAF0124

Air filter

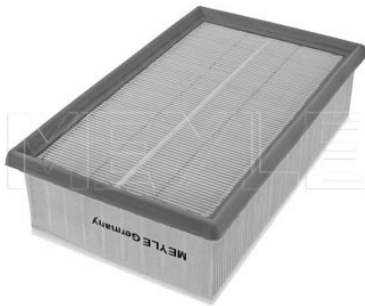
Application info

106 (08/91-07/04)
405 (01/87-11/99)
406 (11/95-12/04)
607 (02/00-07/04)

806 (06/94-08/02)
807 (06/02-05/06)
Expert I (02/96-10/06)
Expert I (07/95--)

11-12 321 0031 | MAF0119

Air filter



Notes

Height [mm] 77
Width [mm] 167
Length [mm] 277
Filter Insert

References

1444.QQ 1444.TE
1444.RN

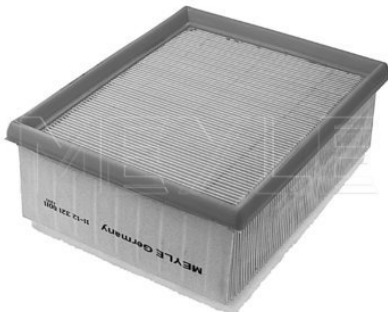
Application info

3008 (06/09--)
307 (08/00-01/05)
308 (09/07--)

5008 (06/09--)
RCZ (03/10--)

11-12 321 0011 | MAF0099

Air filter



Notes

Height [mm] 80
Width [mm] 170
Length [mm] 206
Filter Insert
with pre-filter

References

1444.H3 1444.QF
1444.J4 1444.TF

Application info

206 (08/98-03/09)

Air filter

11-12 321 0036 | MAF0123

Notes

Height [mm] 86
Width [mm] 178
Length [mm] 303
Filter Insert

References

1444.TG



Application info

407 [05/04-12/09]

Air filter

11-12 321 0022 | MAF0110

Notes

Height [mm] 63
Width [mm] 132.5
Length [mm] 249
Filter Insert

References

1444.EQ E147299
1444.TK



Application info

407 [05/04-12/09] Expert II [01/07--]
Expert II [01/07--]

Air filter

11-12 321 0027 | MAF0115

Notes

Height [mm] 42
Width [mm] 147
Length [mm] 359
Filter Insert

References

1444.TT



Application info

207 [02/06-10/08] 5008 [06/09--]
208 [03/12--] 508 [11/10--]
3008 [06/09--] RCZ [03/10--]
308 [09/07--]

11-12 321 0019 | MAF0107

Air filter



Notes

Height [mm]	57
Width [mm]	205
Length [mm]	348
	Filter Insert

References

1444.TV

Application info

206 [08/98-03/09]
207 [02/06-10/08]
208 [03/12--]
3008 [06/09--]
308 [09/07--]
308 II [09/13--]
4008 [05/12--]

5008 [06/09--]
508 [11/10--]
Expert II [01/07--]
Partner II [04/08--]
Expert II [01/07--]
Partner II [04/08--]

11-12 014 4402 | MAF0083

Air filter



Notes

Inner diameter [mm]	84
Outer diameter [mm]	161
Height [mm]	286
	Filter Insert

References

1444.A0

1444.TY

Application info

Boxer I [03/94-04/02]
Boxer II [04/02-09/09]

Boxer I [03/94-04/02]
Boxer II [12/01--]

11-12 321 0018 | MAF0106

Air filter



Notes

Height [mm]	69
Width [mm]	170
Width 2 [mm]	117
Length [mm]	187
	Filter Insert

References

1444.SW
1444.V2

94 64 046 980

Air filter

11-12 321 0018 | MAF0106

Application info

Partner I [04/96-07/08]

Air filter

11-12 321 0010 | MAF0098

Notes

Inner diameter [mm]	118
Outer diameter [mm]	168
Height [mm]	124
	Filter Insert

References

1444.84	1444.WH
1444.G0	1445.89
1444.VF	94 01 444 848



Application info

306 [04/93-10/03]
Partner I [04/96-07/08]

Partner I [04/96--]

Air filter

11-12 321 0024 | MAF0112

Notes

Height [mm]	55
Width [mm]	95
Length [mm]	425
	Filter Insert

References

1444.FF	96 50 608 480
1444.PT	E147302
1444.VK	



Application info

206 [08/98-03/09]
307 [08/00-01/05]
308 [09/07--]

Partner II [04/08--]

Partner II [04/08--]

11-12 321 0016 | MAF0104

Air filter



Notes

Height [mm]	49
Width [mm]	91
Length [mm]	332
	Filter Insert

References

1444.VL	96 73 084 480
---------	---------------

Application info

207 [02/06-10/08]

11-12 321 0029 | MAF0117

Air filter



Notes

Height [mm]	67
Width [mm]	184
Length [mm]	246
	Filter Insert

References

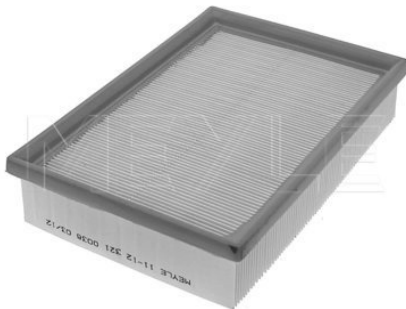
1444.PX	1444.VX
---------	---------

Application info

307 [08/00-01/05]

11-12 321 0038 | MAF0125

Air filter



Notes

Height [mm]	48
Width [mm]	168
Length [mm]	248
	Filter Insert

References

1444.VW	1444.W2
---------	---------

Application info

307 [08/00-01/05]

Air filter
11-12 321 0015 | MAF0103
Notes

 Height [mm] 58
 Width [mm] 102
 Length [mm] 335
 Filter Insert

References

 1444.CF 1444.X1
 1444.EE LX 1451
 1444.VH

Application info

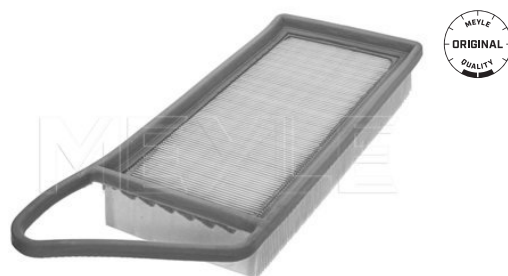
 1007 [04/05--]
 207 [02/06-10/08]

 Partner I [04/96-07/08]
 Partner I [04/96--]

Air filter
11-12 321 0009 | MAF0097
Notes

 Height [mm] 48
 Width [mm] 139
 Length [mm] 385
 Filter Insert

References

 1444.VZ 1444.X2
 1444.W9 1444.X3

Application info

 1007 [04/05--]
 107 [06/05--]
 206 [08/98-03/09]
 207 [02/06-10/08]

 307 [08/00-01/05]
 Bipper [02/08--]
 Bipper [02/08--]

Air filter
11-12 321 0014 | MAF0102
Notes

 Height 1 [mm] 48
 Height [mm] 54
 Width [mm] 113
 Length [mm] 319
 Filter Insert

References

 1444.CP 9932.58
 1444.TJ E147242
 1444.X5


11-12 321 0014 | MAF0102

Air filter

Application info

1007 (04/05--)
206 (08/98-03/09)
207 (02/06-10/08)
3008 (06/09--)
307 (08/00-01/05)

308 (09/07--)
Partner I (04/96-07/08)
Partner II (04/08--)
Partner I (04/96--)
Partner II (04/08--)

11-12 321 0021 | MAF0109

Air filter



Notes

Height [mm]	42.5
Width [mm]	145
Length [mm]	334.5
	Filter Insert

References

1444.SC	1444.XC
---------	---------

Application info

Bipper (02/08--)

Bipper (02/08--)

11-12 321 0025 | MAF0113

Air filter



Notes

Height [mm]	54
Width [mm]	184.5
Length [mm]	268
	Filter Insert

References

1444.RT	1444.XE
1444.SH	

Application info

4007 (02/07--)

Air filter
11-12 321 0013 | MAF0101
Notes

 Height [mm] 56
 Width [mm] 85
 Length [mm] 494
 Filter Insert

References

1444.RJ 1444.XG


Application info

 2008 (03/13--)
 207 (02/06-10/08)
 208 (03/12--)
 3008 (06/09--)
 308 (09/07--

 5008 (06/09--)
 508 (11/10--)
 Partner II (04/08--)
 Partner II (04/08--

Air filter
212 321 0023 | MAF0279
Notes

 Height 2 [mm] 48.5
 Height 1 [mm] 32
 Height [mm] 50
 Width [mm] 121
 Length [mm] 355
 Filter Insert

References

1444.XK 16 06 498 480


Application info

Bipper (02/08--

Bipper (02/08--

Air filter
112 129 0007 | MAF0134
Notes

 Height [mm] 41
 Width [mm] 134
 Length [mm] 334
 Filter Insert

References

1445.37


Application info

205 (02/83-09/98)

11-12 321 0041 | MAF0128

Air filter



Notes

Inner diameter [mm]	75
Outer diameter [mm]	113
Height [mm]	242
	Filter Insert

References

1444.11	1444.WA
1444.E6	1445.26
1444.F1	1445.96

Application info

205 [02/83-09/98]
306 [04/93-10/03]

309 [10/85-12/93]
405 [01/87-11/99]

40-12 321 0002 | MAF0679

Air filter



Notes

Height [mm]	40
Width [mm]	118
Length [mm]	178
	Filter Insert

References

16 124 967 80

Application info

108 [05/14--]

40-12 321 0004 | MAF0688

Air filter



Notes

Height [mm]	58
Width [mm]	121
Length [mm]	240
	Filter Insert

References

96 74 725 580

Application info

2008 [03/13--]
208 [03/12--]

301 [11/12--]
308 II [09/13--]

Air filter

40-12 321 0003 | MAF0687

Notes

Height [mm]	Kit
Width [mm]	46.5
Length [mm]	137
	350
	Filter Insert

References

96 783 359 80	98 055 520 80
---------------	---------------



Application info

2008 (03/13--)	308 II (09/13--)
208 (03/12--)	5008 (06/09--)
3008 (06/09--)	

Fuel filter

314 133 2108 | MFF0146

Notes

Diameter [mm]	Steel
Height [mm]	80
	162
	In-Line Filter

References

1567.13



Application info

205 (02/83-09/98)	605 (06/89-09/99)
306 (04/93-10/03)	806 (06/94-08/02)
309 (10/85-12/93)	Expert I (02/96-10/06)
405 (01/87-11/99)	Expert I (07/95--)
505 (05/79-09/95)	

Fuel filter

314 323 0003 | MFF0151

Notes

Diameter [mm]	Plastic
Height [mm]	30
	97
	In-Line Filter

References

1567.07	1567.21
1567.20	



314 323 0003 | MFF0151

Fuel filter

Application info

205 [02/83-09/98]
305 [11/77-07/90]
J5 [280] [09/81-09/90]
J5 [290] [09/90-03/94]

205 [02/83--]
J5 [280] [09/81-09/90]
J5 [290] [09/90-03/94]

614 818 0002 | MFF0214

Fuel filter



Notes

Diameter [mm]
Height [mm]

Steel
58.8
139
In-Line Filter

References

1567.28

Application info

106 [08/91-07/04]
205 [02/83-09/98]

306 [04/93-10/03]
309 [10/85-12/93]

614 323 0002 | MFF0208

Fuel filter



Notes

Diameter [mm]
Height [mm]

Zinc-coated
Steel
58.8
136.5
In-Line Filter

References

1567.81
1567.87

1567.93
1567.C6

Application info

1007 [04/05--]
106 [08/91-07/04]
205 [02/83-09/98]
206 [08/98-03/09]
207 [02/06-10/08]
306 [04/93-10/03]
307 [08/00-01/05]
308 [09/07--]
309 [10/85-12/93]
405 [01/87-11/99]

406 [11/95-12/04]
407 [05/04-12/09]
605 [06/89-09/99]
607 [02/00-07/04]
806 [06/94-08/02]
807 [06/02-05/06]
Expert I [02/96-10/06]
Partner I [04/96-07/08]
Expert I [07/95--]
Partner I [04/96--]



Fuel filter

514 323 0003 | MFF0201

Notes

	Zinc-coated
	Steel
Diameter [mm]	82.5
Height [mm]	151
Thread Size	M12x1,5
Connecting thread	M14x1,5
	Screw-on Filter

References

1567.12	1577.12
---------	---------



Application info

505 [05/79-09/95]

Fuel filter

214 323 0002 | MFF0105

Notes

	with seal
Diameter 1 [mm]	30
Outer diameter [mm]	82.5
Height [mm]	75
	Filter Insert

References

1901.56	1901.62
1901.59	1901.69



Application info

206 [08/98-03/09]
 306 [04/93-10/03]
 307 [08/00-01/05]
 406 [11/95-12/04]
 607 [02/00-07/04]

806 [06/94-08/02]
 Expert I [02/96-10/06]
 Partner I [04/96-07/08]
 Expert I [07/95--]
 Partner I [04/96--]

Fuel filter

16-14 323 0000 | MFF0090

Notes

	Plastic
Diameter [mm]	108
Height [mm]	134
	In-Line Filter

References

1901.68	1901.82
1901.73	1901.84



16-14 323 0000 | MFF0090

Fuel filter

Application info

1007 (04/05--)
107 (06/05--)
206 (08/98-03/09)
207 (02/06-10/08)

307 (08/00-01/05)
Bipper (02/08--)
Bipper (02/08--)

214 323 0004 | MFF0106

Fuel filter



Notes

Diameter [mm]
Height [mm]
Thread Size
Thread Measurement 1

Steel
90
205
M12x1,5
M8x1,25
without filter heating
In-Line Filter

References

1901.A3

Application info

Bipper (02/08--)

Bipper (02/08--)

100 323 0007 | MFF0056

Fuel filter



Notes

Diameter [mm]
Height [mm]

with seal
Metal
84
71.3
Filter Insert

References

1906.32

1906.C9

Application info

305 (11/77-07/90)
504 (07/68-12/89)
505 (05/79-09/95)
Boxer I (03/94-04/02)
J5 (280) (09/81-09/90)

J5 (290) (09/90-03/94)
Boxer I (03/94-04/02)
J5 (280) (09/81-09/90)
J5 (290) (09/90-03/94)



Fuel filter

214 323 0001 | MFF0104

Notes

Diameter 1 [mm]	with seal
Outer diameter [mm]	19
Outer diameter 2 [mm]	101.5
Height [mm]	68
	80
	Filter Insert

References

1906.48	1906.A9
1906.49	



Application info

206 [08/98-03/09]
306 [04/93-10/03]
Expert I [02/96-10/06]

Partner I [04/96-07/08]
Expert I [07/95--]
Partner I [04/96--]

Fuel filter

614 323 0000 | MFF0207

Notes

Diameter [mm]	with seal
Height [mm]	71
	92.4
	Filter Insert

References

1906.52	1906.53
---------	---------



Application info

605 [06/89-09/99]

Fuel filter

11-14 323 0002 | MFF0070

Notes

Diameter [mm]	68
Diameter 1 [mm]	11.5
Outer diameter [mm]	80
Height [mm]	61
	Filter Insert

References

1906.29	1906.64
1906.38	



11-14 323 0002 | MFF0070

Fuel filter

Application info

205 [02/83-09/98]
306 [04/93-10/03]
309 [10/85-12/93]
405 [01/87-11/99]
406 [11/95-12/04]

806 [06/94-08/02]
Expert I [02/96-10/06]
Partner I [04/96-07/08]
Expert I [07/95--]
Partner I [04/96--]

11-14 323 0001 | MFF0069

Fuel filter



Notes

Diameter [mm]
Height [mm]
Connecting thread

Zinc-coated
Steel
84
158
M16x1,5
Screw-on Filter

References

1906.66

1906.67

Application info

Boxer I [03/94-04/02]
Boxer II [04/02-09/09]

Boxer I [03/94-04/02]
Boxer II [12/01--]

11-16 323 0000 | MFF0071

Fuel filter



Notes

Diameter 1 [mm]
Outer diameter [mm]
Height [mm]

with seal
14.5
77.5
65.5
Filter Insert

References

1901.65

1906.76

Application info

206 [08/98-03/09]
307 [08/00-01/05]
406 [11/95-12/04]
607 [02/00-07/04]
807 [06/02-05/06]

Expert I [02/96-10/06]
Partner I [04/96-07/08]
Expert I [07/95--]
Partner I [04/96--]

Fuel filter
100 127 0005 | MFF0029
Notes

Diameter [mm]	Steel
Height [mm]	85
Connecting thread	159
	M16x1,5
	Screw-on Filter

References

1906.87	1906.88
---------	---------


Application info

Boxer I [03/94-04/02]

Boxer I [03/94-04/02]

Fuel filter
714 323 0004 | MFF0219
Notes

Diameter [mm]	with seal
Diameter 1 [mm]	90
Height [mm]	15
	76
	Filter Insert

References

1906.89	1906.C0
---------	---------


Application info

 307 [08/00-01/05]
 308 [09/07--]
 407 [05/04-12/09]
 508 [11/10--]

 607 [02/00-07/04]
 807 [06/02-05/06]
 Expert II [01/07--]
 Expert II [01/07--]

Fuel filter
214 323 0000 | MFF0103
Notes

Diameter [mm]	Zinc-coated
Height [mm]	Steel
Connecting thread	87
	170
	M16x1,5
	Screw-on Filter

References

1906.93


Application info

Boxer II [04/02-09/09]

Boxer II [12/01--]

614 323 0004 | MFF0210

Fuel filter



Notes

Diameter 1 [mm]
Outer diameter [mm]
Height [mm]

with seal
24.5
68
100.5
Filter Insert

References

16 06 267 680
1906.98

1906.C4

Application info

Boxer II [04/02-09/09]
Boxer III [04/06--]

Boxer II [12/01--]
Boxer III [04/06--]

714 323 0012 | MFF0223

Fuel filter



Notes

Diameter [mm]
Diameter 1 [mm]
Height [mm]

with seal
92
23
74
Filter Insert

References

1906.A7

Application info

3008 [06/09--]
308 [09/07--]
407 [05/04-12/09]
5008 [06/09--]
508 [11/10--]

807 [06/02-05/06]
Expert II [01/07--]
RCZ [03/10--]
Expert II [01/07--]

11-14 323 0003 | MFF0263

Fuel filter



Notes

Outer diameter [mm]
Height [mm]

96.5
125
In-Line Filter

References

1901.97
1904.46

1906.E6



Fuel filter

11-14 323 0003 | MFF0263

Application info

2008 [03/13--]
 206 [08/98-03/09]
 207 [02/06-10/08]
 208 [03/12--]
 3008 [06/09--]
 301 [11/12--]
 308 [09/07--]
 308 II [09/13--]

4008 [05/12--]
 5008 [06/09--]
 508 [11/10--]
 Expert II [01/07--]
 Partner II [04/08--]
 Expert II [01/07--]
 Partner II [04/08--]

Fuel pump

11-14 919 0009 | MFU0052

Notes

	with fuel sender unit
	Petrol
	Electric
Pressure [bar]	3.5
Number of Poles	4
Voltage [V]	12

References

1525.KJ	1525.Q4
---------	---------



Application info

307 [08/00-01/05]

Idle control valve, air supply

614 036 0012 | MMX1199

Notes

Electric

References

0345.42	96 008 036
91 540 797	



Application info

309 [10/85-12/93]

405 [01/87-11/99]

11-14 036 0003 | MMX1563

Intake hose, turbo charger



References

0382.HK

0382.NY

Application info

1007 (04/05--)
206 (08/98-03/09)
207 (02/06-10/08)
3008 (06/09--)
307 (08/00-01/05)

308 (09/07--)
5008 (06/09--)
Partner II (04/08--)
207 (02/06--)
Partner II (04/08--)

11-14 036 0002 | MMX1579

Intake hose, turbo charger



References

1434.45

Application info

1007 (04/05--)
107 (06/05--)
206 (08/98-03/09)

207 (02/06-10/08)
207 (02/06--)

11-14 036 0001 | MMX1540

Suction hose, air filter



References

1434.C8



Suction hose, air filter

11-14 036 0001 | MMX1540

Application info

1007 [04/05--]
 206 [08/98-03/09]
 207 [02/06-10/08]
 3008 [06/09--]
 307 [08/00-01/05]
 308 [09/07--]
 407 [05/04-12/09]

5008 [06/09--]
 Expert II [01/07--]
 Partner I [04/96-07/08]
 Partner II [04/08--]
 Expert II [01/07--]
 Partner II [04/08--]

Suction hose, air filter

11-14 036 0000 | MMX1547

References

1434.13

1434.F6



Application info

1007 [04/05--]
 107 [06/05--]
 206 [08/98-03/09]

207 [02/06-10/08]
 307 [08/00-01/05]

Oil filter

714 322 0007 | MOF0201

Notes

Inner diameter [mm]
 Outer diameter [mm]
 Height [mm]

with seal
 25.7
 65.5
 83.5
 Filter Insert

References

1109.AY

1109.S5



Application info

1007 [04/05--]
 107 [06/05--]
 206 [08/98-03/09]
 207 [02/06-10/08]
 307 [08/00-01/05]
 308 [09/07--]
 407 [05/04-12/09]
 Bipper [02/08--]

Expert II [01/07--]
 Partner I [04/96-07/08]
 Partner II [04/08--]
 Bipper [02/08--]
 Expert II [01/07--]
 Partner I [04/96--]
 Partner II [04/08--]

614 322 0000 | MOF0178

Oil filter



Notes

Bypass Valve Opening Pressure [bar] 1
Outer diameter [mm] 65.5
Height [mm] 85.6
Thread Size M20x1,5
Screw-on Filter with one anti-return valve

References

1109.AC 1109.CG

Application info

4007 [02/07--]

614 322 0016 | MOF0192

Oil filter



Notes

Diameter [mm] 66
Inner diameter [mm] 41
Height [mm] 105
with seal
Filter Insert

References

1109.CJ

Application info

Bipper [02/08--]

Bipper [02/08--]

214 322 0002 | MOF0085

Oil filter



Notes

Bypass Valve Opening Pressure [bar] 1
Outer diameter [mm] 78
Height [mm] 90.5
Thread Size M20x1,5
Screw-on Filter with one anti-return valve

References

1109.J8 1109.R1
1109.J9 1109.S8
1109.N3 1109.T0
1109.R0 1109.T1

Oil filter
214 322 0002 | MOF0085
Application info

106 [08/91-07/04]
 205 [02/83-09/98]
 206 [08/98-03/09]
 305 [11/77-07/90]
 306 [04/93-10/03]
 307 [08/00-01/05]
 309 [10/85-12/93]
 405 [01/87-11/99]
 406 [11/95-12/04]
 407 [05/04-12/09]
 504 [07/68-12/89]
 505 [05/79-09/95]
 605 [06/89-09/99]
 607 [02/00-07/04]
 806 [06/94-08/02]

807 [06/02-05/06]
 Boxer I [03/94-04/02]
 Boxer II [04/02-09/09]
 Expert I [02/96-10/06]
 J5 [280] [09/81-09/90]
 J5 [290] [09/90-03/94]
 Partner I [04/96-07/08]
 205 [02/83--]
 Boxer I [03/94-04/02]
 Boxer II [12/01--]
 Expert I [07/95--]
 J5 [280] [09/81-09/90]
 J5 [290] [09/90-03/94]
 Partner I [04/96--]

Oil filter
11-14 322 0001 | MOF0060
Notes

Inner diameter 2 [mm]
 Inner diameter 1 [mm]
 Outer diameter [mm]
 Height [mm]

with seal
 22
 14.5
 59
 141
 Filter Insert

References

1109.R6
 9463704780

E149104


Application info

106 [08/91-07/04]
 206 [08/98-03/09]
 306 [04/93-10/03]

307 [08/00-01/05]
 Partner I [04/96-07/08]
 Partner I [04/96--]

Oil filter
30-14 322 0000 | MOF0097
Notes

Bypass Valve Opening Pressure [bar]
 Outer diameter [mm]
 Height [mm]
 Thread Size

1
 67
 76
 3/4"-16 UNF
 Screw-on Filter
 with one anti-return valve

References

1109.AZ

1109.Y3


Application info

107 [06/05--]

108 [05/14--]

11-14 322 0002 | MOF0061

Oil filter



Notes

Bypass Valve Opening Pressure [bar]	2.2
Outer diameter [mm]	93
Height [mm]	139
Thread Size	M22x1,5
	Screw-on Filter with one anti-return valve

References

1109.Y5

Application info

Boxer I [03/94-04/02]
Boxer II [04/02-09/09]

Boxer I [03/94-04/02]
Boxer II [12/01--]

214 322 0001 | MOF0084

Oil filter



Notes

Bypass Valve Opening Pressure [bar]	2.5
Outer diameter [mm]	109
Height [mm]	144.5
Thread Size	3/4"-16 UNF
	Screw-on Filter with one anti-return valve

References

1109.Y7

Application info

Boxer I [03/94-04/02]
Boxer II [04/02-09/09]

Boxer I [03/94-04/02]
Boxer II [12/01--]

714 322 0011 | MOF0205

Oil filter



Notes

	with seal
Inner diameter [mm]	24
Outer diameter [mm]	65
Height [mm]	69
	Filter Insert

References

1109.AH	1109.Y9
1109.AJ	1109.Z1
1109.CK	1109.Z2
1109.CL	

Oil filter
714 322 0011 | MOF0205
Application info

 1007 (04/05--)
 2008 (03/13--)
 206 (08/98-03/09)
 207 (02/06-10/08)
 208 (03/12--)
 3008 (06/09--)
 301 (11/12--)
 307 (08/00-01/05)
 308 (09/07--)
 308 II (09/13--)
 4007 (02/07--)
 407 (05/04-12/09)
 5008 (06/09--)
 508 (11/10--)
 607 (02/00-07/04)
 807 (06/02-05/06)
 Bipper (02/08--)
 Boxer III (04/06--)
 Expert II (01/07--)
 Partner I (04/96-07/08)
 Partner II (04/08--)
 RCZ (03/10--)
 Bipper (02/08--)
 Boxer III (04/06--)
 Expert II (01/07--)
 Partner I (04/96--)
 Partner II (04/08--)
Oil filter
40-14 322 0001 | MOF0170
Notes

Bypass Valve Opening Pressure [bar]	2.2
Outer diameter [mm]	94
Height [mm]	144
Thread Size	M22x1,5

Screw-on Filter
with one anti-return valve

References

1109.AF	1109.Z7
1109.AT	


Application info

 Boxer III (04/06--)

 Boxer III (04/06--)
Oil filter
40-14 322 0002 | MOF0221
Notes

Diameter [mm]	65
Diameter 1 [mm]	65.5
Inner diameter [mm]	25.7
Height [mm]	83.5

Filter Insert

References

1610693780



40-14 322 0002 | MOF0221

Oil filter

Application info

1007 (04/05--)
107 (06/05--)
2008 (03/13--)
206 (08/98-03/09)
207 (02/06-10/08)
208 (03/12--)
3008 (06/09--)
301 (11/12--)
307 (08/00-01/05)
308 (09/07--)
308 II (09/13--)
4008 (05/12--)

407 (05/04-12/09)
5008 (06/09--)
508 (11/10--)
Bipper (02/08--)
Expert II (01/07--)
Partner I (04/96-07/08)
Partner II (04/08--)
Bipper (02/08--)
Expert II (01/07--)
Partner I (04/96--)
Partner II (04/08--)

11-14 030 0001 | MMX0498

Anti torque mount



Notes

Required quantity

Steel Elastomer
1
Right Rear

References

1844.A1

Application info

206 (08/98-03/09)

11-14 030 0002 | MMX0499

Anti torque mount



Notes

Required quantity

Steel Elastomer
1
Right Front

References

1844.A2

Application info

206 (08/98-03/09)



Bracket, engine mount

11-14 184 0016 | MMX0503

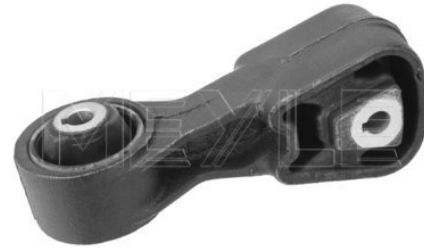
Notes

Steel Elastomer

References

1806.28

1806.74



Application info

406 [11/95-12/04]
607 [02/00-07/04]
806 [06/94-08/02]

807 [06/02-05/06]
Expert I [02/96-10/06]
Expert I [07/95--]

Engine mount

214 030 0003 | MEM0346

Notes

Rubber-metal Bearing
Transmission End
Right

References

1802.56



Application info

Boxer II [04/02-09/09]

Boxer II [12/01--]

Engine mount

11-14 030 0028 | MEM0748

Notes

Bore Ø [mm]
Outer diameter [mm]

Rubber-metal Bearing
10
30
Rear

References

1806.27
1806.50
1806.68

1806.H1
1854.20
9622739380



Application info

206 [08/98-03/09]

308 [09/07--]

11-14 184 0030 | MEM0274

Engine mount



Notes

Rubber-metal Bearing
Upper Right

References

1806.69

Application info

407 [05/04-12/09]
Expert II [01/07--]

Expert II [01/07--]

214 030 0033 | MEM0634

Engine mount



Notes

Rubber-metal Bearing
Engine Side
Lower Left

References

1806.91

Counterpart

214 030 0032 | MEM0633

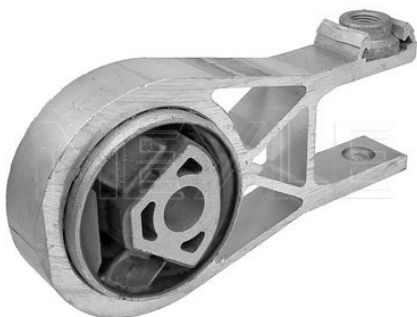
Application info

Boxer III [04/06--]

Boxer III [04/06--]

214 030 0032 | MEM0633

Engine mount



Notes

Rubber-metal Bearing
Body side
Lower Left

References

1806.95

Counterpart

214 030 0033 | MEM0634

Application info

Boxer III [04/06--]

Boxer III [04/06--]



Engine mount

40-14 030 0003 | MEM0453

Notes

Rubber-metal Bearing
Rear

References

1806.59
1806.84

1806.96



Application info

1007 (04/05--)
2008 (03/13--)
207 (02/06-10/08)

208 (03/12--)
301 (11/12--)
207 (02/06--)

Engine mount

11-14 030 0017 | MEM0251

Notes

Rubber-metal Bearing
Engine Side
Torsion Bar at bracket
Rear

References

1806.93
1806.A6

1806.J8



Application info

207 (02/06-10/08)

Engine mount

11-14 030 0140 | MEM0760

Notes

with holder
Aluminium Housing
Rubber-metal Bearing
Rear

References

1807.CQ



Application info

206 (08/98-03/09)

11-14 030 0016 | MEM0589

Engine mount



Notes

Rubber-metal Bearing
Right

References

1807.GQ

Application info

Bipper (02/08--)

Bipper (02/08--)

11-14 030 0015 | MEM0632

Engine mount



Notes

Rubber-metal Bearing
Transmission End
Upper Left

References

1807.GR

Application info

Bipper (02/08--)

Bipper (02/08--)

11-14 030 0110 | MEM0677

Engine mount



Notes

Required quantity

with holder
Aluminium Housing
Rubber-metal Bearing
1
Rear

References

1807.H8

Application info

Partner I (04/96-07/08)

Partner I (04/96--)

Engine mount

40-14 030 0101 | MEM0762

Notes

Required quantity Rubber-metal Bearing
1
Rear

References

1807.HC 1809.35
1807.HE 1809.44



Application info

3008 [06/09--] Partner II [04/08--]
308 [09/07--] RCZ [03/10--]
308 II [09/13--] Partner II [04/08--]
5008 [06/09--]

Engine mount

214 030 0070 | MEM0831

Notes

Rubber-metal Bearing
Right

References

1807.KE



Application info

Bipper [02/08--] Bipper [02/08--]

Engine mount

11-14 030 0027 | MEM0804

Notes

without holder
Rubber-metal Bearing
Rear

References

1807.N5



Application info

Partner I [04/96-07/08] Partner I [04/96--]

5

11-14 030 0100 | MEM0664

Engine mount



Notes

with holder
Aluminium Housing
Rubber-metal Bearing
Rear

References

1807.N5

Parts list

11-14 180 0004 | MEM0254

Engine mount

Application info

Partner I [04/96-07/08]

Partner I [04/96--]

11-14 030 0029 | MEM0749

Engine mount



Notes

Rubber-metal Bearing
Rear

References

1807.N7

1809.28

Application info

406 [11/95-12/04]

407 [05/04-12/09]

607 [02/00-07/04]

807 [06/02-05/06]

214 030 0004 | MEM0616

Engine mount



Notes

Rubber-metal Bearing
Transmission End
Upper

References

1807.S7

Application info

Boxer II [04/02-09/09]

Boxer II [12/01--]

Engine mount

214 030 0006 | MEM0347

Notes

Rubber-metal Bearing
Transmission End
Upper

References

1807.T1



Application info

Boxer II [04/02-09/09]

Boxer II [12/01--]

Engine mount

11-14 030 0022 | MEM0663

Notes

Rubber-metal Bearing
Right

References

1807.Y3



Application info

407 [05/04-12/09]

508 [11/10--]

Expert II [01/07--]

Expert II [01/07--]

Engine mount

11-14 030 0005 | MEM0248

Notes

Inner diameter [mm]
Outer diameter [mm]
Height [mm]

Rubber-metal Bearing
12
30
28
Rear
Right Rear

References

1809.04

1809.06



11-14 030 0005 | MEM0248

Engine mount

Application info

205 [02/83-09/98]
306 [04/93-10/03]
309 [10/85-12/93]
405 [01/87-11/99]
406 [11/95-12/04]

807 [06/02-05/06]
Expert II [01/07--]
Partner I [04/96-07/08]
Expert II [01/07--]
Partner I [04/96--]

11-14 180 0001 | MEM0252

Engine mount



Notes

Inner diameter [mm]
Outer diameter [mm]

Rubber-metal Bearing
10
70
Upper
Right

References

1809.16

Application info

205 [02/83-09/98]
309 [10/85-12/93]
405 [01/87-11/99]
406 [11/95-12/04]

806 [06/94-08/02]
Expert I [02/96-10/06]
205 [02/83--]
Expert I [07/95--]

11-14 180 0004 | MEM0254

Engine mount



Notes

Inner diameter [mm]
Outer diameter [mm]

Rubber-metal Bearing
10
70
Engine Side
at mounting
Rear

References

1809.21

1809.29

Application info

206 [08/98-03/09]
306 [04/93-10/03]
307 [08/00-01/05]
405 [01/87-11/99]
406 [11/95-12/04]
407 [05/04-12/09]
605 [06/89-09/99]
607 [02/00-07/04]

806 [06/94-08/02]
807 [06/02-05/06]
Expert I [02/96-10/06]
Expert II [01/07--]
Partner I [04/96-07/08]
Expert I [07/95--]
Expert II [01/07--]
Partner I [04/96--]

Engine mount

11-14 184 0017 | MEM0265

Notes

without roof rails
Rubber-metal Bearing
Rear
Right Rear

References

1809.22



Application info

306 [04/93-10/03]

Partner I [04/96-07/08]

Engine mount

40-14 030 0001 | MEM0451

Notes

Inner diameter [mm]
Outer diameter [mm]

Rubber-metal Bearing
10
70
Lower Right

References

1809.30

1809.33



Application info

206 [08/98-03/09]
3008 [06/09--]
307 [08/00-01/05]
308 [09/07--]
406 [11/95-12/04]
407 [05/04-12/09]
607 [02/00-07/04]

Expert II [01/07--]
Partner I [04/96-07/08]
Partner II [04/08--]
Expert II [01/07--]
Partner I [04/96--]
Partner II [04/08--]

Engine mount

40-14 030 0002 | MEM0452

Notes

Rubber-metal Bearing
Left

References

1813.92



40-14 030 0002 | MEM0452

Engine mount

Application info

1007 [04/05--]
207 [02/06-10/08]

207 [02/06--]

11-14 030 0106 | MEM0665

Engine mount



Notes

Hydro Bearing
Left

References

1813.94

Application info

407 [05/04-12/09]

508 [11/10--]

40-14 030 0000 | MEM0450

Engine mount



Notes

Rubber-metal Bearing
Transmission End
Left

References

1813.98

Application info

407 [05/04-12/09]

214 030 0029 | MEM0365

Engine mount



Notes

Rubber-metal Bearing
Right

References

1821.36

Engine mount

214 030 0029 | MEM0365

Application info

Boxer III [04/06--]

Boxer III [04/06--]

Engine mount

11-14 184 0024 | MEM0271

Notes

Rubber-metal Bearing
Left

References

1827.10



Application info

405 [01/87-11/99]
406 [11/95-12/04]
805 [06/89-09/99]
806 [06/94-08/02]
807 [06/02-05/06]

Expert I [02/96-10/06]
Expert II [01/07--]
Expert I [07/95--]
Expert II [01/07--]

Engine mount

11-14 184 0012 | MEM0262

Notes

Rubber-metal Bearing
Left

References

1827.17



Application info

Boxer I [03/94-04/02]

Boxer I [03/94-04/02]

11-14 182 0002 | MEM0255

Engine mount



Notes

Rubber-metal Bearing
Right

References

1827.19

Application info

Boxer I [03/94-04/02]

Boxer I [03/94-04/02]

11-14 184 1013 | MEM0758

Engine mount



Notes

Hydro Bearing
Right

References

1827.23
1844.47

1844.77

Application info

206 [08/98-03/09]
306 [04/93-10/03]
406 [11/95-12/04]

Partner I [04/96-07/08]
Partner I [04/96--]

214 030 0005 | MEM0617

Engine mount



Notes

Rubber-metal Bearing
Transmission End
Right

References

1839.A6

Application info

Boxer II [04/02-09/09]

Boxer II [12/01--]

Engine mount

11-14 184 0007 | MEM0258

Notes

Rubber-metal Bearing
Left

References

1843.82
1843.95

96 033 565



Application info

106 [08/91-07/04]
205 [02/83-09/98]
306 [04/93-10/03]

309 [10/85-12/93]
405 [01/87-11/99]
406 [11/95-12/04]

Engine mount

11-14 030 0006 | MMX0501

Notes

Rubber-metal Bearing
Right

References

1844.25



Application info

306 [04/93-10/03]
405 [01/87-11/99]

Partner I [04/96-07/08]
Partner I [04/96--]

Engine mount

11-14 184 0015 | MEM0264

Notes

Rubber-metal Bearing
Left

References

1844.36

1844.68



11-14 184 0015 | MEM0264

Engine mount

Application info

206 [08/98-03/09]
3008 [06/09--]
306 [04/93-10/03]
307 [08/00-01/05]
308 [09/07--]

5008 [06/09--]
Partner I [04/96-07/08]
Partner II [04/08--]
Partner I [04/96--]
Partner II [04/08--]

11-14 184 0018 | MEM0266

Engine mount



Notes

Hydro Bearing
Right

References

1844.58

Application info

106 [08/91-07/04]

11-14 184 0005 | MEM0257

Engine mount



Notes

Hydro Bearing
Right

References

1843.92
1844.38

1844.72

Application info

106 [08/91-07/04]
205 [02/83-09/98]
206 [08/98-03/09]
306 [04/93-10/03]

309 [10/85-12/93]
405 [01/87-11/99]
Partner I [04/96-07/08]
Partner I [04/96--]

Engine mount

11-14 184 0025 | MEM0272

Notes

Hydro Bearing
Right

References

1844.75



Application info

206 [08/98-03/09]
306 [04/93-10/03]

Partner I [04/96-07/08]
Partner I [04/96--]

Engine mount

40-14 030 0005 | MEM0455

Notes

Hydro Bearing
Right

References

1844.92



Application info

407 [05/04-12/09]
607 [02/00-07/04]
806 [06/94-08/02]
807 [06/02-05/06]

Expert I [02/96-10/06]
Expert II [01/07--]
Expert I [07/95--]
Expert II [01/07--]

Engine mount

11-14 184 0029 | MEM0657

Notes

Hydro Bearing
Right

References

1844.A9



11-14 184 0029 | MEM0657

Engine mount

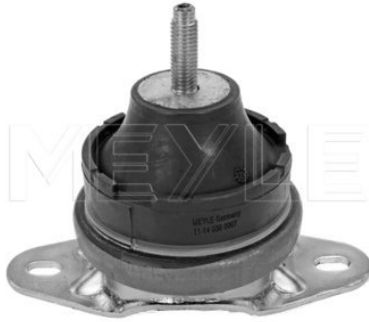
Application info

206 [08/98-03/09]
Partner I [04/96-07/08]

Partner I [04/96--]

11-14 030 0007 | MEM0249

Engine mount



Notes

Hydro Bearing
Right Front

References

1844.91

1844.C0

Application info

407 [05/04-12/09]
607 [02/00-07/04]

807 [06/02-05/06]

11-14 030 0107 | MEM0666

Engine mount



Notes

Rubber-metal Bearing
Left

References

1844.C2

Application info

106 [08/91-07/04]
206 [08/98-03/09]
3008 [06/09--]
306 [04/93-10/03]
307 [08/00-01/05]
308 [09/07--]

5008 [06/09--]
Partner I [04/96-07/08]
Partner II [04/08--]
Partner I [04/96--]
Partner II [04/08--]



Engine mount

11-14 030 0014 | MEM0250

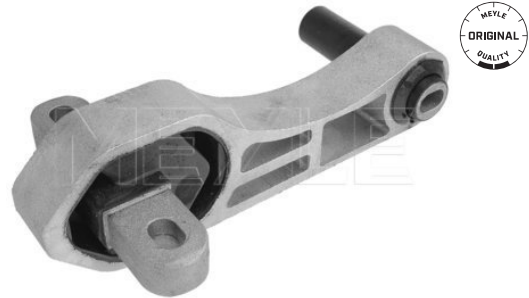
Notes

Rubber-metal Bearing
Transmission End
Left Rear

References

1844.C6

1844.C7



Application info

Bipper [02/08--]

Bipper [02/08--]

Engine mount

11-14 184 0011 | MEM0261

Notes

Rubber-metal Bearing
Front
Transmission End

References

1846.65



Application info

Boxer I [03/94-04/02]
Boxer II [04/02-09/09]

Boxer I [03/94-04/02]
Boxer II [12/01--]

Engine mount

11-14 184 0009 | MEM0260

Notes

Rubber-metal Bearing
Rear
Transmission End

References

1846.66



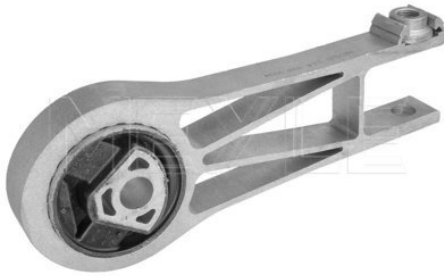
Application info

Boxer I [03/94-04/02]
Boxer II [04/02-09/09]

Boxer I [03/94-04/02]
Boxer II [12/01--]

214 030 0034 | MEM0367

Engine mount



Notes

Rubber-metal Bearing
Body side
Lower

References

1846.C1

Counterpart

214 030 0035 | MEM0635

Application info

Boxer III [04/06--]

Boxer III [04/06--]

214 030 0030 | MEM0366

Engine mount



Notes

Rubber-metal Bearing
Left

References

1846.C2

Application info

Boxer III [04/06--]

Boxer III [04/06--]

214 030 0035 | MEM0635

Engine mount



Notes

Rubber-metal Bearing
Engine Side
Lower

References

1854.25

Counterpart

214 030 0034 | MEM0367

Application info

Boxer III [04/06--]

Boxer III [04/06--]



Engine mount

11-14 030 0082 | MEM0784

Notes

Hydro Bearing
Right

References

9645769180

9677277380



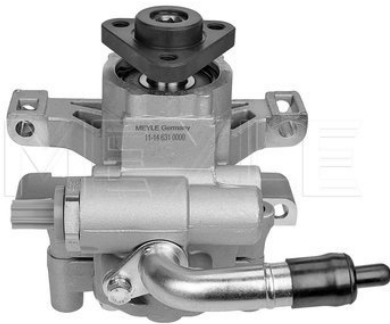
Application info

3008 [06/09--]

5008 [06/09--]

11-14 631 0000 | MHP0121

Hydraulic pump, P/S



Notes

Operating Pressure [bar]

Hydraulic
115

References

4007.KK

Application info

Boxer III [04/06--]

Boxer III [04/06--]

11-14 620 0024 | MSK0101

Steering boot kit



Notes

Inner diameter 2 [mm]
Inner diameter 1 [mm]
Height [mm]

with accessories
51.5
12.5
198
Front Axle Left
Front Axle Right

References

16 080 254 80

Application info

2008 [03/13--]

208 [03/12--]

11-14 620 0025 | MSK0102

Steering boot kit



Notes

Inner diameter 2 [mm]
Inner diameter 1 [mm]
Height [mm]

with accessories
51
12
186
Front Axle Left
Front Axle Right

References

16 108 175 80

Application info

308 II [09/13--]

Steering boot kit

11-14 620 0006 | MSK0041

Notes

Inner diameter 2 [mm]
Inner diameter 1 [mm]
Height [mm]

with accessories
39
11
66
Front Axle Left
Front Axle Right

References

4066.16



Application info

205 [02/83-09/98]
306 [04/93-10/03]
309 [10/85-12/93]

Partner I [04/96-07/08]
Partner I [04/96--]

Steering boot kit

11-14 620 0000 | MSK0037

Notes

Inner diameter 2 [mm]
Inner diameter 1 [mm]
Height [mm]

with accessories
40
10
175
Front Axle

References

4066.15

4066.20



Application info

205 [02/83-09/98]
306 [04/93-10/03]
309 [10/85-12/93]
505 [05/79-09/95]

Partner I [04/96-07/08]
205 [02/83--]
Partner I [04/96--]

Steering boot kit

11-14 620 0009 | MSK0044

Notes

Inner diameter 2 [mm]
Inner diameter 1 [mm]
Height [mm]

with accessories
53
15
260
Front Axle Right
Front Axle Left

References

4066.31



6

+

11-14 620 0009 | MSK0044

Steering boot kit

Application info

J5 [280] [09/81-09/90]
J5 [290] [09/90-03/94]

J5 [280] [09/81-09/90]
J5 [290] [09/90-03/94]

11-14 620 0003 | MSK0039

Steering boot kit



Notes

Inner diameter 2 [mm]
Inner diameter 1 [mm]
Height [mm]

with accessories
62
13
210
Front Axle Left
Front Axle Right

References

4066.41

Application info

806 [06/94-08/02]
Expert I [02/96-10/06]

Expert I [07/95--]

11-14 620 0007 | MSK0042

Steering boot kit



Notes

Inner diameter 2 [mm]
Inner diameter 1 [mm]
Height [mm]

with accessories
43
11
150

References

4066.43

Application info

306 [04/93-10/03]
Partner I [04/96-07/08]

Partner I [04/96--]

Steering boot kit

11-14 620 0008 | MSK0043

Notes

Inner diameter 2 [mm]
Inner diameter 1 [mm]
Height [mm]

with accessories
43
11
202
Front Axle Right

References

4066.44



Application info

306 [04/93-10/03]
Partner I [04/96-07/08]

Partner I [04/96--]

Steering boot kit

11-14 620 0001 | MSK0038

Notes

Inner diameter 2 [mm]
Inner diameter 1 [mm]
Height [mm]

with accessories
49
16
200
Front Axle Left
Front Axle Right

References

4066.56



Application info

206 [08/98-03/09]

Steering boot kit

11-14 620 0019 | MSK0084

Notes

Inner diameter 2 [mm]
Inner diameter 1 [mm]
Height [mm]

Thermoplast
50
15
173
Front Axle Left
Front Axle Right

References

4066.69



Application info

1007 [04/05--]

6

11-14 620 0005 | MSK0040

Steering boot kit



Notes

Inner diameter 2 [mm]
Inner diameter 1 [mm]
Height [mm]

with accessories
60
17
183
Front Axle Left
Front Axle Right

References

4066.57

4066.73

Application info

206 [08/98-03/09]

307 [08/00-01/05]

40-14 620 0000 | MSK0022

Steering boot kit



Notes

Inner diameter 2 [mm]
Inner diameter 1 [mm]
Height [mm]

with accessories
Thermoplast
58
21
170
Front Axle Right
Front Axle Left

References

4066.64

4066.74

Application info

607 [02/00-07/04]

40-14 620 0004 | MSK0123

Steering boot kit



Notes

Inner diameter 2 [mm]
Inner diameter 1 [mm]
Height [mm]

with accessories
61
15.5
190
Front Axle Left
Front Axle Right

References

4066.82

4066.85

4066.92

4066.93

Application info

3008 [06/09--]

308 [09/07--]

5008 [06/09--]

Partner II [04/08--]

RCZ [03/10--]

Partner II [04/08--]

Steering boot kit

40-14 620 0002 | MSK0121

Notes

Inner diameter 2 [mm]
Inner diameter 1 [mm]
Height [mm]

with accessories
50
13.5
177
Front Axle Left
Front Axle Right

References

4066.88



Application info

508 (11/10--)

Steering boot kit

216 050 0025 | MSK0108

Notes

Inner diameter 2 [mm]
Inner diameter 1 [mm]
Height [mm]

with accessories
Thermoplast
55
12
200
Front Axle Right
Front Axle Left

References

4066.95



Application info

Bipper (02/08--)

Bipper (02/08--)

Steering boot kit

11-14 620 0023 | MSK0100

Notes

Inner diameter 2 [mm]
Inner diameter 1 [mm]
Height [mm]

with accessories
59.5
14
196
Front Axle Left
Front Axle Right

References

4066.A0



Application info

508 (11/10--)

11-14 620 0026 | MSK0103

Steering boot kit



Notes

Inner diameter 2 [mm]
Inner diameter 1 [mm]
Height [mm]

with accessories
51
11.5
170
Front Axle Left
Front Axle Right

References

4066A3

Application info

107 [06/05--]

108 [05/14--]

11-16 031 0028 | MAR0038

Axial rod



Notes

Thread Measurement 2
Thread Measurement 1
Length [mm]

M14x1,5
M16x1,5
205
Front Axle Right
Front Axle Left

References

16 07 142 380

3812.G3

Application info

508 [11/10--]

11-16 031 0014/HD | MAR0490HD

Axial rod



Notes

Thread Measurement 2
Thread Measurement 1
Length [mm]

M14x1,5
M10x1
225
Front Axle Right
Front Axle Left

Reinforced Version

References

16 08 025 380

Application info

2008 [03/13--]

208 [03/12--]

Axial rod
11-16 031 0031 | MAR0040
Notes

 Thread Measurement 2
Thread Measurement 1
Length [mm]

 M14x1,5
M12x1,5
225
Front Axle Right
Front Axle Left

References

16 08 025 380

Application info

2008 [03/13--]

208 [03/12--]

Axial rod
11-16 031 0032 | MAR0374
Notes

 Thread Measurement 2
Thread Measurement 1
Length [mm]

 M14x1,5
M14x1,5
342
Front Axle Right
Front Axle Left

References

16 085 321 80

Application info

4008 [05/12--]

Axial rod
40-16 031 0001/HD | MAR0524HD
Notes

 Thread Measurement 2
Thread Measurement 1
Length [mm]

 M16x1,5
M12x1
230,5
Front Axle Right
Front Axle Left


Reinforced Version

References

16 08 652 180

Application info

301 [11/12--]

11-16 031 0012/HD | MAR0488HD

Axial rod



Notes

Thread Measurement 2
Thread Measurement 1
Length [mm]

M16x1,5
M16x1,5
255
Front Axle Left
Front Axle Right

Reinforced Version

References

1610976380 4001 E4
4001 A1 4001 E5

Application info

Boxer III [04/06--]

Boxer III [04/06--]

11-16 031 0022 | MAR0032

Axial rod



Notes

Thread Measurement 2
Thread Measurement 1
Length [mm]

M16x1,5
M16x1,5
255
Front Axle Right
Front Axle Left

References

1610976380 4001 E4
4001 A1 4001 E5

Application info

Boxer III [04/06--]

Boxer III [04/06--]

11-16 030 6907 | MAR0017

Axial rod



Notes

Thread Measurement 2
Thread Measurement 1
Length [mm]

M14x1,5
M12x1
355
Front Axle Right
Front Axle Left

References

3812.92

Application info

306 [04/93-10/03]

Axial rod
11-16 030 5749 | MAR0016
Notes

 Thread Measurement 2
Thread Measurement 1
Length [mm]

 M14x1,5
M12x1
314
Front Axle Right
Front Axle Left

References

 3812.25
3812.52
3812.65

 3812.94
3812.97

Application info

 205 [02/83-09/98]
305 [11/77-07/90]

 309 [10/85-12/93]
205 [02/83--]

Axial rod
216 031 0004 | MAR0133
Notes

 Thread Measurement 2
Thread Measurement 1
Length [mm]

 M14x1,5
M14x1,5
307
Front Axle Right
Front Axle Left

References

3812.A4


Application info

 806 [06/94-08/02]
Expert I [02/96-10/06]

Expert I [07/95--]

Axial rod
11-16 031 0017 | MAR0028
Notes

 Thread Measurement 2
Thread Measurement 1
Length [mm]

 M16x1,5
M12x1
192
for vehicles with power steering
Front Axle Right
Front Axle Left

References

3812.A6


Application info

605 [06/89-09/99]

607 [02/00-07/04]

11-16 031 0016 | MAR0027

Axial rod



Notes

Thread Measurement 2
Thread Measurement 1
Length [mm]

M16x1,5
M12x1
312
Front Axle Right
Front Axle Left

References

3812.A9

Application info

406 [11/95-12/04]

11-16 030 0001 | MAR0015

Axial rod



Notes

Thread Measurement 2
Thread Measurement 1
Length [mm]

M14x1,5
M12x1
338
Front Axle Right
Front Axle Left

References

3812.C0
3812.C6

3812.E4

Application info

Partner I [04/96-07/08]

Partner I [04/96--]

11-16 031 0000 | MAR0019

Axial rod



Notes

Thread Measurement 2
Thread Measurement 1
Length [mm]

M16x1,5
M16x1,5
300
for vehicles with power steering
Front Axle Right
Front Axle Left

References

3812.C4

Application info

406 [11/95-12/04]



Axial rod

11-16 031 0001 | MAR0020

Notes

Thread Measurement 2
Thread Measurement 1
Length [mm]

M14x1,5
M14x1,5
300
for vehicles with power steering
Front Axle Right
Front Axle Left

References

3812.C5



Application info

206 [08/98-03/09]

Axial rod

11-16 031 0010 | MAR0025

Notes

Thread Measurement 2
Thread Measurement 1
Length [mm]

M16x1,5
M16x1,5
295
Front Axle Right
Front Axle Left

References

3812.C7



Application info

607 [02/00-07/04]

Axial rod

11-16 031 0015 | MAR0026

Notes

Thread Measurement 2
Thread Measurement 1
Length [mm]

M14x1,5
M14x1,5
320
Front Axle Right
Front Axle Left

References

1607293680

3812.E0



Application info

307 [08/00-01/05]

11-16 031 0009 | MAR0024

Axial rod



Notes

Thread Measurement 2
Thread Measurement 1
Length [mm]

M14x1,5
M12x1
235
Front Axle Right
Front Axle Left

References

3812.E1

Application info

1007 [04/05--]

11-16 031 0011/HD | MAR0487HD

Axial rod



Notes

Thread Measurement 2
Thread Measurement 1
Length [mm]

M14x1,5
M12x1
235
Front Axle Left
Front Axle Right

References

3812.E1

Application info

1007 [04/05--]

216 031 0005 | MAR0134

Axial rod



Notes

Thread Measurement 2
Thread Measurement 1
Length [mm]

M14x1,5
M14x1,5
308
Front Axle Right
Front Axle Left

References

3812.E2

Application info

807 [06/02-05/06]



Axial rod

11-16 031 0019 | MAR0029

Notes

Thread Measurement 2
Thread Measurement 1
Length [mm]

M14x1,5
M14x1,5
341
Front Axle Right
Front Axle Left

References

3812.E5



Application info

307 [08/00-01/05]

Axial rod

40-16 031 0000/HD | MAR0476HD

Notes

Thread Measurement 2
Thread Measurement 1
Length [mm]

M16x1,5
M12x1
238.5
Front Axle Left
Front Axle Right

Reinforced Version

References

3812.E6



Application info

1007 [04/05--]

Axial rod

11-16 031 0008 | MAR0023

Notes

Thread Measurement 2
Thread Measurement 1
Length [mm]

M14x1,5
M16x1,5
122
Front Axle Right
Front Axle Left

References

3812.E3

3812.E7



Application info

407 [05/04-12/09]

11-16 031 0007 | MAR0022

Axial rod



Notes

Thread Measurement 2
Thread Measurement 1
Length [mm]

M16x1,5
M12x1
212
Front Axle Right
Front Axle Left

References

3812.E8

Application info

207 [02/06-10/08]

207 [02/06--]

11-16 031 0020 | MAR0030

Axial rod



Notes

Thread Measurement 2
Thread Measurement 1
Length [mm]

M14x1,5
M16x1,5
305
Front Axle Right
Front Axle Left

References

3812.F0

Application info

807 [06/02-05/06]
Expert II [01/07--]

Expert II [01/07--]

11-16 031 0013/HD | MAR0489HD

Axial rod



Notes

Thread Measurement 2
Thread Measurement 1
Length [mm]

M14x1,5
M14x1,5
345
Front Axle Left
Front Axle Right

References

3812.F1

Application info

4007 [02/07--]



Axial rod

11-16 031 0021 | MAR0031

Notes

Thread Measurement 2
Thread Measurement 1
Length [mm]

M14x1,5
M14x1,5
271
Front Axle Right
Front Axle Left

References

3812.F2



Application info

3008 [06/09--]
308 [09/07--]

5008 [06/09--]

Axial rod

11-16 031 0023 | MAR0033

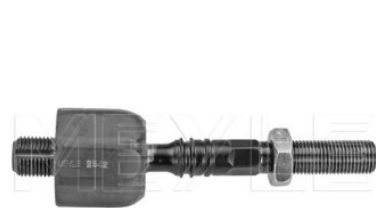
Notes

Thread Measurement 2
Thread Measurement 1
Length [mm]

M14x1,5
M16x1,5
129
Front Axle Right
Front Axle Left

References

3812.F3



Application info

508 [11/10--]

Axial rod

11-16 031 0024 | MAR0034

Notes

Thread Measurement 2
Thread Measurement 1
Length [mm]

M14x1,5
M14x1,5
260
Front Axle Right
Front Axle Left

References

3812.F4



Application info

Partner II [04/08--]

Partner II [04/08--]

11-16 031 0030 | MAR0039

Axial rod



Notes

Thread Measurement 2
Thread Measurement 1
Length [mm]

M14x1,5
M14x1,5
390
Front Axle Left
Front Axle Right

References

3812.F7

Application info

RCZ [03/10--]

11-16 031 0026 | MAR0036

Axial rod



Notes

Thread Measurement 2
Thread Measurement 1
Length [mm]

M12x1,25
M14x1,5
225
Front Axle Right
Front Axle Left

References

4001.33

Application info

107 [06/05--]

11-16 031 0034/HD | MAR0491HD

Axial rod



Notes

Thread Measurement 2
Thread Measurement 1
Length [mm]

M12x1,25
M14x1,5
225
Front Axle Left
Front Axle Right

Reinforced Version

References

4001.33

Application info

107 [06/05--]

Axial rod
216 031 0017 | MAR0146
Notes

 Thread Measurement 2
Thread Measurement 1
Length [mm]

 M14x1,5
M14x1,5
272
Front Axle Right
Front Axle Left

References

 4001 77
4001 K6

 4001 NZ
4001 PA

Application info

Bipper [02/08--]

Bipper [02/08--]

Axial rod
216 031 0030/HD | MAR0509HD
Notes

 Thread Measurement 2
Thread Measurement 1
Length [mm]

 M14x1,5
M14x1,5
272
Front Axle Left
Front Axle Right


Reinforced Version


References

 4001 77
4001 K6

 4001 NZ
4001 PA

Application info

Bipper [02/08--]

Bipper [02/08--]

Axial rod
11-16 030 0008/HD | MAR0486HD
Notes

 Thread Measurement 2
Thread Measurement 1
Length [mm]

 M16x1,5
M16x1,5
315
Front Axle Left
Front Axle Right


Reinforced Version


References

4018.A4

Application info

 Boxer I [03/94-04/02]
Boxer II [04/02-09/09]

 Boxer I [03/94-04/02]
Boxer II [12/01--]

11-16 030 7528 | MAR0018

Axial rod



Notes

Thread Measurement 2
Thread Measurement 1
Length [mm]

M16x1,5
M16x1,5
315
Front Axle Right
Front Axle Left

References

4018.A4

Application info

Boxer I [03/94-04/02]
Boxer II [04/02-09/09]

Boxer I [03/94-04/02]
Boxer II [12/01--]

11-16 020 0034 | MTE0541

Tie rod end



Notes

Thread Measurement 2
Thread Measurement 1
Length [mm]

M14x1,5
M10x1,25
200
Front Axle Left

References

16 08 025 180

Counterpart

11-16 020 0033 | MTE0540

Application info

2008 [03/13--]

208 [03/12--]

11-16 020 0033 | MTE0540

Tie rod end



Notes

Thread Measurement 2
Thread Measurement 1
Length [mm]

M14x1,5
M10x1,25
200
Front Axle Right

References

16 08 025 280

Counterpart

11-16 020 0034 | MTE0541

Application info

2008 [03/13--]

208 [03/12--]



Tie rod end

11-16 020 0027 | MTE0097

Notes

Thread Measurement 2	M14x1,5
Thread Measurement 1	M12x1,5
Length [mm]	210
	Front Axle Right

References

16 09 942 380	3817.81
---------------	---------

Counterpart

11-16 020 0026 | MTE0096



Application info

508 (11/10--)

Tie rod end

11-16 020 0026 | MTE0096

Notes

Thread Measurement 2	M14x1,5
Thread Measurement 1	M12x1,5
Length [mm]	210
	Front Axle Left

References

16 09 948 280	3817.80
---------------	---------

Counterpart

11-16 020 0027 | MTE0097



Application info

508 (11/10--)

Tie rod end

32-16 020 0000 | MTE0366

Notes

Thread Measurement 2	M14x1,5
Thread Measurement 1	M10x1,5
Length [mm]	78
	Front Axle Right
	Front Axle Left

References

16 109 398 80	3817.74
---------------	---------

Application info

4007 (02/07--)



11-16 020 0015/HD | MTE0085HD

Tie rod end



Notes

Thread Measurement 2
Thread Measurement 1
Length [mm]

M16x1,5
M14x1,5
209
Front Axle Left

Reinforced Version

References

16 10 976 480
3817.69

3817.77

Counterpart

11-16 020 0016/HD | MTE0086HD

Application info

Boxer III (04/06--)

Boxer III (04/06--)

11-16 020 0019 | MTE0089

Tie rod end



Notes

Thread Measurement 2
Thread Measurement 1
Length [mm]

M14x1,5
M12x1,5
77
Front Axle Right
Front Axle Left

References

3814.A5

3817.73

Application info

807 (06/02-05/06)
Expert II (01/07--)

Expert II (01/07--)

11-16 020 4078 | MTE0103

Tie rod end



Notes

Thread Measurement 2
Thread Measurement 1
Length [mm]

M16x1,5
M12x1,25
78
Front Axle Right
Front Axle Left

References

3817.11

Application info

J5 (280) (09/81-09/90)
J5 (290) (09/90-03/94)

J5 (280) (09/81-09/90)
J5 (290) (09/90-03/94)



Tie rod end

11-16 020 0003 | MTE0074

Notes

Thread Measurement 2
Thread Measurement 1
Length [mm]

M16x1,5
M10x1,25
119
Front Axle Right

References

3817.39

Counterpart

11-16 020 0004 | MTE0075



Application info

406 [11/95-12/04]

Tie rod end

11-16 020 0004 | MTE0075

Notes

Thread Measurement 2
Thread Measurement 1
Length [mm]

M16x1,5
M10x1,25
120
Front Axle Left

References

3817.40

Counterpart

11-16 020 0003 | MTE0074



Application info

406 [11/95-12/04]

Tie rod end

40-16 020 5723/HD | MTE0438HD

Notes

Thread Measurement 2
Thread Measurement 1
Length [mm]
Reinforced Version

M14x1,5
M10x1,25
112

References

3817.14
3817.30

3817.41

Counterpart

40-16 020 5724/HD | MTE0439HD



Application info

106 [08/91-07/04]
206 [08/98-03/09]
305 [11/77-07/90]

307 [08/00-01/05]
605 [06/89-09/99]

40-16 020 5724/HD | MTE0439HD

Tie rod end



Notes

Thread Measurement 2	M14x1,5
Thread Measurement 1	M10x1,25
Length [mm]	112
Reinforced Version	

References

3817.16	3817.42
3817.31	

Counterpart

40-16 020 5723/HD | MTE0438HD

Application info

106 [08/91-07/04]
206 [08/98-03/09]
305 [11/77-07/90]

307 [08/00-01/05]
605 [06/89-09/99]

11-16 020 0006 | MTE0077

Tie rod end



Notes

Thread Measurement 2	M16x1,5
Thread Measurement 1	M10x1,25
Length [mm]	110
	for vehicles with power steering
	Front Axle Left

References

3817.37	3817.43
---------	---------

Counterpart

11-16 020 0005 | MTE0076

Application info

605 [06/89-09/99]

607 [02/00-07/04]

11-16 020 0005 | MTE0076

Tie rod end



Notes

Thread Measurement 2	M16x1,5
Thread Measurement 1	M10x1,25
Length [mm]	115
	for vehicles with power steering
	Front Axle Right

References

3817.38	3817.44
---------	---------

Counterpart

11-16 020 0006 | MTE0077



Tie rod end

11-16 020 0005 | MTE0076

Application info

605 [06/89-09/99]

607 [02/00-07/04]

Tie rod end

11-16 020 5721 | MTE0106

Notes

Thread Measurement 2
Thread Measurement 1
Length [mm]

M14x1,5
M10x1,25
230
Front Axle Left

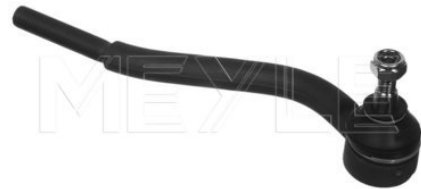
References

3817.21
3817.26

3817.48

Counterpart

11-16 020 5722 | MTE0107



Application info

305 [11/77-07/90]

405 [01/87-11/99]

Tie rod end

11-16 020 5722 | MTE0107

Notes

Thread Measurement 2
Thread Measurement 1
Length [mm]

M14x1,5
M10x1,25
230
Front Axle Right

References

3817.22
3817.27

3817.49

Counterpart

11-16 020 5721 | MTE0106



Application info

305 [11/77-07/90]

405 [01/87-11/99]

Tie rod end

11-16 020 5703/HD | MTE0105HD

Notes

Thread Measurement 2
Thread Measurement 1
Length [mm]

M14x1,5
M10x1,5
91
Front Axle Right
Front Axle Left

Reinforced Version

References

3817.18
3817.50

3817.52



11-16 020 5703/HD | MTE0105HD

Tie rod end

Application info

205 [02/83-09/98]
305 [11/77-07/90]
306 [04/93-10/03]
307 [08/00-01/05]
309 [10/85-12/93]

504 [07/68-12/89]
505 [05/79-09/95]
Partner I [04/96-07/08]
205 [02/83--]
Partner I [04/96--]

40-16 020 0002 | MTE0437

Tie rod end



Notes

Thread Measurement 2
Thread Measurement 1
Length [mm]

M14x1,5
M10x1,25
175
Front Axle Left

References

3817.55

Counterpart

11-16 020 0008 | MTE0078

Application info

1007 [04/05--]

11-16 020 0008 | MTE0078

Tie rod end



Notes

Thread Measurement 2
Thread Measurement 1
Length [mm]

M14x1,5
M10x1,25
175
Front Axle Right

References

3817.56

Counterpart

40-16 020 0002 | MTE0437

Application info

1007 [04/05--]



Tie rod end

11-16 020 0021 | MTE0091

Notes

Thread Measurement 2
Thread Measurement 1
Length [mm]

M14x1,5
M10x1,25
240
Front Axle Right

References

3817.57

Counterpart

11-16 020 0020 | MTE0090



Application info

407 [05/04-12/09]

Tie rod end

11-16 020 0020 | MTE0090

Notes

Thread Measurement 2
Thread Measurement 1
Length [mm]

M14x1,5
M10x1,25
240
Front Axle Left

References

3817.58

Counterpart

11-16 020 0021 | MTE0091



Application info

407 [05/04-12/09]

Tie rod end

40-16 020 0004/HD | MTE0751HD

Notes

Thread Measurement 2
Thread Measurement 1
Length [mm]

16x1.5
10x1.25
170
Front Axle Right

Reinforced Version

References

3817.61

Counterpart

40-16 020 0003/HD | MTE0750HD



Application info

1007 [04/05--]

40-16 020 0003/HD | MTE0750HD

Tie rod end



Notes

Thread Measurement 2
Thread Measurement 1
Length [mm]

16X1.5
10X1.25
170
Front Axle Left

Reinforced Version

References

3817.62

Counterpart

40-16 020 0004/HD | MTE0751HD

Application info

1007 [04/05--]

11-16 020 0017 | MTE0087

Tie rod end



Notes

Thread Measurement 2
Thread Measurement 1
Length [mm]

M12x1,25
M12x1,25
162
Front Axle Left

References

3817.63

Counterpart

11-16 020 0018 | MTE0088

Application info

107 [06/05--]

108 [05/14--]

11-16 020 0018 | MTE0088

Tie rod end



Notes

Thread Measurement 2
Thread Measurement 1
Length [mm]

M12x1,25
M12x1,25
162
Front Axle Right

References

3817.64

Counterpart

11-16 020 0017 | MTE0087

Application info

107 [06/05--]

108 [05/14--]



Tie rod end

11-16 020 0014 | MTE0084

Notes

Thread Measurement 2	M14x1,5
Thread Measurement 1	M12x1,5
Length [mm]	241
	Front Axle Left

References

3817.65

Counterpart

11-16 020 0013 | MTE0083



Application info

407 [05/04-12/09]

Tie rod end

11-16 020 0013 | MTE0083

Notes

Thread Measurement 2	M14x1,5
Thread Measurement 1	M12x1,5
Length [mm]	241
	Front Axle Right

References

3817.66

Counterpart

11-16 020 0014 | MTE0084



Application info

407 [05/04-12/09]

Tie rod end

11-16 020 0009 | MTE0079

Notes

Thread Measurement 2	M16x1,5
Thread Measurement 1	M10x1,25
Length [mm]	210
	Front Axle Left

References

16 086 522 80

3817.67

Counterpart

11-16 020 0010 | MTE0080



Application info

207 [02/06-10/08]
208 [03/12--]

301 [11/12--]
207 [02/06--]

11-16 020 0010 | MTE0080

Tie rod end



Notes

Thread Measurement 2 M16x1,5
Thread Measurement 1 M10x1,25
Length [mm] 210
Front Axle Right

References

16 086 523 80 3817.88

Counterpart

11-16 020 0009 | MTE0079

Application info

207 [02/06-10/08]
208 [03/12--]

301 [11/12--]
207 [02/06--]

11-16 020 0016/HD | MTE0086HD

Tie rod end



Notes

Thread Measurement 2 M16x1,5
Thread Measurement 1 M14x1,5
Length [mm] 209
Front Axle Right
Reinforced Version

References

3817.70

Counterpart

11-16 020 0015/HD | MTE0085HD

Application info

Boxer III [04/06--]

Boxer III [04/06--]

11-16 020 0023 | MTE0093

Tie rod end



Notes

Thread Measurement 2 M14x1,5
Thread Measurement 1 M10x1,5
Length [mm] 165
Front Axle Right

References

3817.75 3817.88

Counterpart

11-16 020 0022 | MTE0092

Application info

3008 [06/09--]
308 [09/07--]
5008 [06/09--]

Partner II [04/08--]
Partner II [04/08--]



Tie rod end

11-16 020 0022 | MTE0092

Notes

Thread Measurement 2	M14x1,5
Thread Measurement 1	M10x1,5
Length [mm]	165
	Front Axle Left

References

3817.76	3817.89
---------	---------

Counterpart

11-16 020 0023 | MTE0093



Application info

3008 [06/09--]	Partner II [04/08--]
308 [09/07--]	Partner II [04/08--]
5008 [06/09--]	

Tie rod end

216 020 0015 | MTE0237

Notes

Thread Measurement 2	M14x1,5
Thread Measurement 1	M10x1,5
Length [mm]	115
	Front Axle Left

References

3817.86

Counterpart

216 020 0016 | MTE0238



Application info

Bipper [02/08--]	Bipper [02/08--]
------------------	------------------

Tie rod end

216 020 0016 | MTE0238

Notes

Thread Measurement 2	M14x1,5
Thread Measurement 1	M10x1,25
Length [mm]	115
	Front Axle Right

References

3817.87

Counterpart

216 020 0015 | MTE0237



Application info

Bipper [02/08--]	Bipper [02/08--]
------------------	------------------

6

11-16 020 0032 | MTE0102

Tie rod end



Notes

Thread Measurement 2
Thread Measurement 1
Length [mm]

M14x1,5
M10x1,25
80
Front Axle Right
Front Axle Left

References

3817.94

Application info

RCZ (03/10--)

11-16 020 0030 | MTE0100

Tie rod end



Notes

Thread Measurement 2
Thread Measurement 1
Length [mm]

M14x1,5
M12x1,5
200
Front Axle Left

References

3817.A1

Counterpart

11-16 020 0031 | MTE0101

Application info

508 (11/10--)

11-16 020 0031 | MTE0101

Tie rod end



Notes

Thread Measurement 2
Thread Measurement 1
Length [mm]

M14x1,5
M12x1,5
200
Front Axle Right

References

3817.A2

Counterpart

11-16 020 0030 | MTE0100

Application info

508 (11/10--)

Tie rod end
11-16 020 7529 | MTE0108
Notes

 Thread Measurement 2
Thread Measurement 1
Length [mm]

 M16x1,5
M12x1,25
119
Front Axle Right
Front Axle Left

References

4018.A3

4018.H4


Application info

 Boxer I [03/94-04/02]
Boxer II [04/02-09/09]

 Boxer I [03/94-04/02]
Boxer II [12/01--]

Tie rod end
216 060 0007 | MTE0255
Notes

 Thread Measurement 2
Thread Measurement 1
Length [mm]

 M16x1,5
M14x1,5
120
for vehicles with power steering
Front Axle Right
Front Axle Left

References

4018.E0


Application info

Boxer II [04/02-09/09]

Boxer II [12/01--]

Tie rod end
11-16 020 5042 | MTE0104
Notes

 Thread Measurement 2
Thread Measurement 1
Length [mm]

 M14x1,5
M10x1,25
75
Front Axle Right
Front Axle Left

References

4059.09


Application info

 806 [06/94-08/02]
Expert I [02/96-10/06]

Expert I [07/95--]

216 020 0062 | MTE0248

Tie rod end



Notes

Thread Measurement 2
Thread Measurement 1
Length [mm]

M14x1,5
M10x1,25
75
Front Axle Right
Front Axle Left

References

4059.12

Application info

807 [06/02-05/06]
Expert I [02/96-10/06]

Expert I [07/95--]



Ball joint

11-16 010 3347 | MBJ0040

Notes

Height [mm]	37
Thread Size	M14x1,5
	Lower
	Front Axle Right
	Front Axle Left

References

16 072 950 80	3640.34
3640.28	3640.71



Application info

405 [01/87-11/99]	605 [06/89-09/99]
406 [11/95-12/04]	607 [02/00-07/04]

Ball joint

11-16 050 0035 | MBJ0046

Notes

Thread Measurement 2	M42x1,5
Thread Measurement 1	M14x1,5
	Upper
	Front Axle Right
	Front Axle Left

References

16 072 986 80	3640.74
3640.57	



Application info

407 [05/04-12/09]	508 [11/10--]
-------------------	---------------

Ball joint

30-16 010 0027 | MBJ0157

Notes

Outer diameter [mm]	with accessories
Thread Measurement 1	37
	M12x1,25
	Lower
	Front Axle Right
	Front Axle Left

References

3520.02	3521.L3
---------	---------



Application info

107 [06/05--]

7

32-16 010 0025 | MBJ0198

Ball joint



Notes

Outer diameter [mm]

with accessories
40
Lower
Front Axle Right
Front Axle Left

References

3520.X9

3521.V0

Application info

4007 [02/07--]

616 010 0006 | MBJ0272

Ball joint



Notes

Length [mm]

with accessories
39
Lower
Front Axle Right
Front Axle Left

References

3520.W3
3520Y4

3521.S6
3521V5

Application info

Bipper [02/08--]

Bipper [02/08--]

11-16 010 4249 | MBJ0044

Ball joint



Notes

Height [mm]
Thread Size

59
M12x1,25
Lower
Front Axle Right
Front Axle Left

References

3640.20

3640.21

Application info

305 [11/77-07/90]

405 [01/87-11/99]



Ball joint

11-16 010 4087/HD | MBJ0043HD

Notes

Thread Size

with accessories
M16x1,5
Lower
Front Axle Right
Front Axle Left

Reinforced Version

References

3640.26



Application info

J5 [280] [09/81-09/90]
J5 [290] [09/90-03/94]

J5 [280] [09/81-09/90]
J5 [290] [09/90-03/94]

Ball joint

11-16 010 0005/HD | MBJ0031HD

Notes

Thread Size

with accessories
M16x1,5
Lower
Front Axle Right
Front Axle Left

Reinforced Version

References

3640.32



Application info

Boxer I [03/94-04/02]

Boxer I [03/94-04/02]

Ball joint

11-16 010 0004 | MBJ0030

Notes

Thread Size

with accessories
M18x1,5
Lower
Front Axle Right
Front Axle Left

References

3640.33



Application info

Boxer I [03/94-04/02]

Boxer I [03/94-04/02]

11-16 010 3356 | MBJ0041

Ball joint



Notes

Outer diameter [mm] 37
Height [mm] 51
Lower
Front Axle Right
Front Axle Left

References

16 144 392 80 3640.36

Application info

106 [08/91-07/04]

11-16 010 6909 | MBJ0045

Ball joint



Notes

with accessories
Lower
Front Axle Right
Front Axle Left

References

3640.30 3640.44
3640.31 96 109 681
3640.37

Application info

306 [04/93-10/03]

40-16 010 0002 | MBJ0248

Ball joint



Notes

with accessories
Lower
Front Axle Right
Front Axle Left

References

3640.38 3640.43
3640.42 96087507

Application info

Partner I [04/96-07/08]

Partner I [04/96--]



Ball joint

11-16 010 0007 | MBJ0032

Notes

with accessories
Lower
Front Axle Right
Front Axle Left

References

3640.48 3640.37
3640.49



Application info

306 [04/93-10/03]

Ball joint

11-16 010 0008 | MBJ0033

Notes

with accessories
Lower
Front Axle Right
Front Axle Left

References

3640.50 3640.51



Application info

Partner I [04/96-07/08]

Partner I [04/96--]

Ball joint

11-16 010 0011 | MBJ0034

Notes

Thread Size

with accessories
M18x1,5
Lower
Front Axle Right
Front Axle Left

References

3640.54



Application info

Boxer I [03/94-04/02]
Boxer II [04/02-09/09]

Boxer I [03/94-04/02]
Boxer II [12/01--]

40-16 010 0004/HD | MBJ0249HD

Ball joint



Notes

Thread Size

with accessories
M16x1,5
Lower
Front Axle Right
Front Axle Left

Reinforced Version

References

3640.55

Application info

Boxer I [03/94-04/02]
Boxer II [04/02-09/09]

Boxer I [03/94-04/02]
Boxer II [12/01--]

11-16 010 0000 | MBJ0029

Ball joint



Notes

Thread Size

M14x1,5
Lower
Front Axle Right
Front Axle Left

References

3640.53
3640.60
3640.68

3640.70
3640.73

Application info

3008 [06/09--]
307 [08/00-01/05]
308 [09/07--]
5008 [06/09--]

508 [11/10--]
Partner II [04/08--]
RCZ [03/10--]
Partner II [04/08--]

11-16 010 0013 | MBJ0035

Ball joint



Notes

with accessories
Lower
Front Axle Right
Front Axle Left

References

16 072 985 80
3640.56
3640.59
3640.61

3640.62
3640.65
3640.66



Ball joint

11-16 010 0013 | MBJ0035

Application info

1007 [04/05--]
207 [02/06-10/08]

208 [03/12--]
207 [02/06--]

Ball joint

11-16 010 0018 | MBJ0038

Notes

Lower
Front Axle Right
Front Axle Left

References

3640.58
3640.69

3640.72



Application info

407 [05/04-12/09]

508 [11/10--]

Ball joint

11-16 010 0014 | MBJ0036

Notes

Thread Size

with accessories
M16x1,5
Lower
Front Axle Right
Front Axle Left

References

3640.67

3640.76



Application info

Boxer III [04/06--]

Boxer III [04/06--]

Ball joint

11-16 010 0025 | MBJ0439

Notes

with accessories
Front Axle Right
Front Axle Left

References

3640.78



7

11-16 010 0025 | MBJ0439

Ball joint

Application info

208 [03/12--]

11-16 010 0020 | MBJ0039

Ball joint



Notes

Flange Hole Diameter [mm]

with accessories
12
Lower
Front Axle Right
Front Axle Left

References

3640.83

Application info

508 [11/10--]

11-16 010 0017 | MBJ0037

Ball joint



Notes

with accessories
Lower
Front Axle Right
Front Axle Left

References

3640.77

Application info

2008 [03/13--]
208 [03/12--]

301 [11/12--]



Control arm

11-16 050 0039 | MCA0101

Notes

Steel
with rubber mounting
Control Arm
Lower
Front Axle Right

References

16 07 302 980
3521.H1

3521.K6

Parts list

11-14 610 0039 | MCM0033
214 610 0000 | MCM0042

Mount, control arm
Mount, control arm

Counterpart

11-16 050 0038 | MCA0100



Application info

807 (06/02-05/06)

Control arm

11-16 050 0038 | MCA0100

Notes

Steel
with rubber mounting
Control Arm
Lower
Front Axle Left

References

16 07 303 080
3520.P6

3521.H0

Parts list

11-14 610 0038 | MCM0032
214 610 0000 | MCM0042

Mount, control arm
Mount, control arm

Counterpart

11-16 050 0039 | MCA0101



Application info

807 (06/02-05/06)

11-16 050 0053 | MCA0108

Control arm



Notes

Sheet Steel
with rubber mounting
with ball joint
Control Arm
Lower
Front Axle Left

References

16 073 050 80
3520 Q9

3520.R7

Parts list

11-16 010 0013 | MBJ0035
11-14 610 0020 | MCB0131
11-14 610 0021 | MCB0132

Ball joint
Control arm bushing
Control arm bushing

Counterpart

11-16 050 0052 | MCA0107

Application info

207 [02/06-10/08]
208 [03/12--]

207 [02/06--]

11-16 050 0052 | MCA0107

Control arm



Notes

Sheet Steel
with rubber mounting
with ball joint
Control Arm
Lower
Front Axle Right

References

16 073 051 80
3521 N0

3521.N8

Parts list

11-16 010 0013 | MBJ0035
11-14 610 0020 | MCB0131
11-14 610 0021 | MCB0132

Ball joint
Control arm bushing
Control arm bushing

Counterpart

11-16 050 0053 | MCA0108

Application info

207 [02/06-10/08]
208 [03/12--]

207 [02/06--]



Control arm

11-16 050 0084 | MCA0122

Notes

Cone Size [mm]

Steel
with rubber mounting
17
Control Arm
Lower
Front Axle Left

References

16 07 510 680
3520.S5

3520.W4
3520.X0

Parts list

11-14 610 0034 | MCM0031

Mount, control arm

Counterpart

11-16 050 0083 | MCA0121



Application info

807 (06/02-05/06)

Control arm

11-16 050 0083 | MCA0121

Notes

Cone Size [mm]

Steel
with rubber mounting
17
Control Arm
Lower
Front Axle Right

References

16 07 510 780
3521.P6

3521.S7
3521.T2

Parts list

11-14 610 0034 | MCM0031

11-14 610 0039 | MCM0033

Mount, control arm

Mount, control arm

Counterpart

11-16 050 0084 | MCA0122



Application info

807 (06/02-05/06)

11-16 050 3198 | MCA0125

Control arm



Notes

Length [mm]

Steel
304
with rubber mounting
Control Arm
Lower
Front Axle Left

References

3520.48
3520.49

3520.50
3520.51

Parts list

11-14 035 2320 | MCB0113
11-14 352 0005 | MCB0118

Control arm bushing
Control arm bushing

Counterpart

11-16 050 3199 | MCA0126

Application info

205 (02/83-09/98)

205 (02/83--)

11-16 050 3197 | MCA0124

Control arm



Notes

Length [mm]

Steel
317
with rubber mounting
Control Arm
Lower
Front Axle Left

References

3520.57

3520.60

Parts list

11-14 035 2331 | MCB0114
11-14 352 0005 | MCB0118

Control arm bushing
Control arm bushing

Counterpart

11-16 050 3196 | MCA0123

Application info

309 (10/85-12/93)



Control arm

11-16 050 6980 | MCA0128

Notes

Steel
with rubber mounting
Control Arm
Lower
Front Axle Left



References

3520.78

Parts list

11-16 010 3356 | MBJ0041
11-14 352 0002 | MCM0021
16-14 610 0009 | MCB0156

Ball joint
Mount, control arm
Control arm bushing

Counterpart

11-16 050 6979 | MCA0127

Application info

106 [08/91-07/04]

Control arm

11-16 050 6979 | MCA0127

Notes

Steel
with rubber mounting
Control Arm
Lower
Front Axle Right



References

3520.79

Parts list

11-16 010 3356 | MBJ0041
11-14 352 0002 | MCM0021
16-14 610 0009 | MCB0156

Ball joint
Mount, control arm
Control arm bushing

Counterpart

11-16 050 6980 | MCA0128

Application info

106 [08/91-07/04]

11-16 050 0063 | MCA0109

Control arm



Notes

Steel
with rubber mounting
with ball joint
Control Arm
Front Axle Left

References

3520.92

Parts list

11-16 010 3356 | MBJ0041

Ball joint

Counterpart

11-16 050 0064 | MCA0110

Application info

106 [08/91-07/04]

11-16 050 0064 | MCA0110

Control arm



Notes

Steel
with rubber mounting
with ball joint
Control Arm
Front Axle Right

References

3520.93

Parts list

11-16 010 3356 | MBJ0041

Ball joint

Counterpart

11-16 050 0063 | MCA0109

Application info

106 [08/91-07/04]



Control arm

11-16 050 0016 | MCA0085

Notes

Steel
with rubber mounting
Control Arm
Lower
Front Axle Left



References

3520.C0

3520.H1

Parts list

11-14 035 0000 | MCM0019

11-14 352 0008 | MCB0120

Mount, control arm
Control arm bushing

Counterpart

11-16 050 0000 | MCA0075

Application info

406 [11/95-12/04]

Control arm

11-16 050 0015/HD | MCA0084HD

Notes

Sheet Steel
with rubber mounting
with ball joint
Control Arm
Lower
Front Axle Left



Reinforced Version

References

3520.F1

Parts list

11-16 010 0007 | MBJ0032

11-14 610 0012/HD | MCM0025HD

11-14 610 0015/HD | MCB0127HD

Ball joint
Mount, control arm
Control arm bushing

Counterpart

11-16 050 0017/HD | MCA0086HD

Application info

306 [04/93-10/03]

11-16 050 0008/HD | MCA0079HD

Control arm



Notes

Steel
with rubber mounting
with ball joint
Control Arm
Lower
Front Axle Left

Reinforced Version

References

3520.G8	3520.V6
3520.H7	3520.V7
3520.L7	3520.W0
3520.L8	3528.W8
3520.P2	

Parts list

11-14 035 2376 MCB0115	Control arm bushing
11-14 035 2377 MCB0116	Control arm bushing

Counterpart

11-16 050 0007/HD | MCA0078HD

Application info

206 (08/98-03/09)

11-16 050 0101 | MCA1062

Control arm



Notes

Steel
with rubber mounting
with ball joint
Control Arm
Front Axle Left
Lower

References

3520.G8	3520.V6
3520.H7	3520.V7
3520.L7	3520.W0
3520.L8	3528.W8
3520.P2	

Parts list

11-14 035 2376 MCB0115	Control arm bushing
11-14 035 2377 MCB0116	Control arm bushing

Counterpart

11-16 050 0100 | MCA1061

Application info

206 (08/98-03/09)



Control arm

11-16 050 0004/HD | MCA0077HD

Notes

Sheet Steel
with rubber mounting
with ball joint
Control Arm
for vehicles with power steering
Lower
Front Axle Left

Reinforced Version

References

16 144 470 80	3520.F3
3520.84	3520.H3
3520.98	3520.H4
3520.99	3520.H5

Parts list

11-16 010 6909 MBJ0045	Ball joint
11-14 610 0012/HD MCM0025HD	Mount, control arm
11-14 610 0015/HD MCB0127HD	Control arm bushing

Counterpart

11-16 050 0003/HD | MCA0076HD



Application info

306 [04/93-10/03]

Control arm

11-16 050 0036/HD | MCA0098HD

Notes

Sheet Steel
with rubber mounting
with ball joint
Control Arm
Lower
Front Axle Left

Reinforced Version

References

3520.H5

Parts list

11-16 010 0008 MBJ0033	Ball joint
11-14 610 0012/HD MCM0025HD	Mount, control arm
11-14 610 0015/HD MCB0127HD	Control arm bushing

Counterpart

11-16 050 0037/HD | MCA0099HD



Application info

Partner I [04/96-07/08]

Partner I [04/96--]

40-16 050 0002/HD | MCA0640HD

Control arm



Notes

Sheet Steel
with rubber mounting
with ball joint
Control Arm
Lower
Front Axle Left

Reinforced Version

References

3520.H5

Parts list

40-16 010 0002 | MBJ0248 Ball joint
11-14 610 0012/HD | MCM0025HD Mount, control arm
11-14 610 0015/HD | MCB0127HD Control arm bushing

Counterpart

40-16 050 0004/HD | MCA0641HD

Application info

Partner I [04/96-07/08]

Partner I [04/96--]

11-16 050 0047 | MCA0104

Control arm



Notes

Steel
with rubber mounting
Control Arm
Lower
Front Axle Left

References

3520.95 3520.N3
3520.L0

Parts list

11-14 610 0027 | MCM0029 Mount, control arm
11-14 610 0009 | MCB0123 Control arm bushing

Counterpart

11-16 050 0014 | MCA0083

Application info

Boxer I [03/94-04/02]
Boxer II [04/02-09/09]

Boxer I [03/94-04/02]
Boxer II [12/01--]



Control arm

11-16 050 0032 | MCA0096

Notes

Steel
with rubber mounting
Control Arm
Lower
Front Axle Left

References

3520.96
3520.L1

3520.N4

Parts list

11-14 610 0027 | MCM0029
11-14 610 0009 | MCB0123

Mount, control arm
Control arm bushing

Counterpart

11-16 050 0033 | MCA0097



Application info

Boxer I [03/94-04/02]
Boxer II [04/02-09/09]

Boxer I [03/94-04/02]
Boxer II [12/01--]

Control arm

11-16 050 0019 | MCA0087

Notes

Sheet Steel
with rubber mounting
with ball joint
Control Arm
Lower
Front Axle Left

References

3520.P1

3520.R6

Parts list

11-16 010 0013 | MBJ0035
11-14 352 0010 | MCB0121
11-14 610 0001 | MCB0122

Ball joint
Control arm bushing
Control arm bushing

Counterpart

11-16 050 0020 | MCA0088



Application info

1007 [04/05--]

11-16 050 0023 | MCA0089

Control arm



Notes

Steel
with rubber mounting
Control Arm
Lower
Front Axle Left

References

3520.94	3520.G9
3520.C3	3520.P4
3520.C5	3520.P8
3520.C9	

Parts list

214 610 0000 MCM0042	Mount, control arm
214 610 0013 MCM0049	Mount, control arm

Counterpart

11-16 050 0013 | MCA0082

Application info

806 [06/94-08/02]
Expert I [02/96-10/06]

Expert I [07/95--]

11-16 050 0050 | MCA0794

Control arm



Notes

Sheet Steel
with rubber mounting
with ball joint
Control Arm
Lower
Front Axle Left

References

3520.Q2

Parts list

30-16 010 0027 MBJ0157	Ball joint
11-14 610 0045 MCB0137	Control arm bushing
11-14 610 0046 MCB0138	Control arm bushing

Counterpart

11-16 050 0051 | MCA0795

Application info

107 [06/05--]



Control arm

11-16 050 0068 | MCA0114

Notes

Cone Size [mm]

Steel
with rubber mounting
19
Control Arm
Lower
Front Axle Left

References

3520.R8

3520.V8

Parts list

11-14 610 0034 | MCM0031
11-14 610 0038 | MCM0032

Mount, control arm
Mount, control arm

Counterpart

11-16 050 0067 | MCA0113



Application info

807 [06/02-05/06]
Expert II [01/07--]

Expert II [01/07--]

Control arm

11-16 050 0066 | MCA0112

Notes

3520.S0

3520.S1

Parts list

11-14 610 0025 | MCB0133
11-14 610 0026 | MCB0134

Control arm bushing
Control arm bushing

Counterpart

11-16 050 0065 | MCA0111



Application info

Boxer III [04/06--]

Boxer III [04/06--]

11-16 050 0010/HD | MCA0081HD

Control arm



Notes

Steel
with rubber mounting
Control Arm
Lower
Front Axle Left

Reinforced Version

References

3520.K8	3520.S2
3520.N5	3520.T0
3520.P3	

Parts list

11-14 610 0013/HD MCB0126HD	Control arm bushing
11-14 610 0016/HD MCB0128HD	Control arm bushing

Counterpart

11-16 050 0009/HD | MCA0080HD

Application info

307 [08/00-01/05]
Partner II [04/08--]

Partner II [04/08--]

11-16 050 0030 | MCA0094

Control arm



Notes

Steel
with rubber mounting
Control Arm
Lower
Front Axle Right

References

3520.S8	3521.J6
---------	---------

Parts list

11-14 610 0032 MCM0030	Mount, control arm
11-14 610 0018 MCB0130	Control arm bushing

Counterpart

11-16 050 0031 | MCA0095

Application info

407 [05/04-12/09]

508 [11/10--]



Control arm

11-16 050 0081 | MCA0786

Notes

Steel
with rubber mounting
with ball joint
Control Arm
Lower
Front Axle Left



References

3520.T2

3520.T3

Parts list

11-14 610 0043 | MCB0349

Control arm bushing

11-14 610 0044 | MCB0350

Control arm bushing

Counterpart

11-16 050 0082 | MCA0787

Application info

1007 (04/05--)

Control arm

11-16 050 0072/HD | MCA0810HD

Notes

Steel
with rubber mounting
Control Arm
Outer
Lower
Front Axle Left



Reinforced Version

References

3520V2

Parts list

11-14 610 0013/HD | MCB0126HD

Control arm bushing

11-14 610 0016/HD | MCB0128HD

Control arm bushing

Counterpart

11-16 050 0071/HD | MCA0809HD

Application info

3008 (06/09--)

308 II (09/13--)

308 (09/07--)

5008 (06/09--)

11-16 050 0048/HD | MCA0105HD

Control arm



Notes

Steel
with rubber mounting
Control Arm
Lower
Front Axle Left

Reinforced Version

References

3520.J3
3520.Q3

3520.V3

Parts list

11-14 610 0006 | MCM0024
11-14 610 0015/HD | MCB0127HD

Mount, control arm
Control arm bushing

Counterpart

11-16 050 0049/HD | MCA0106HD

Application info

Partner I [04/96-07/08]

Partner I [04/96--]

11-16 050 0077 | MCA0119

Control arm



Notes

Steel
with rubber mounting
Control Arm
Lower
Front Axle Left

References

3520.X7

Parts list

11-14 610 0042 | MCM0036
11-14 610 0018 | MCB0130

Mount, control arm
Control arm bushing

Counterpart

11-16 050 0078 | MCA0120

Application info

407 [05/04-12/09]

508 [11/10--]

Control arm

32-16 050 0003 | MCA0514

Notes

Sheet Steel
with rubber mounting
with ball joint
Control Arm
Lower
Front Axle Left

References

16 124 483 80 3520.X9
3520.V0

Parts list

32-16 010 0025 | MBJ0198 Ball joint
32-14 610 0005 | MCB0235 Control arm bushing

Counterpart

32-16 050 0004 | MCA0515



Application info

4007 [02/07--]

Control arm

616 050 0029 | MCA0701

Notes

Sheet Steel
with rubber mounting
with ball joint
Control Arm
Lower
Front Axle Left

References

3520.W3 3520Y4

Parts list

616 010 0006 | MBJ0272 Ball joint
614 610 0007 | MCB0309 Control arm bushing
614 610 0008 | MCB0310 Control arm bushing

Counterpart

616 050 0028 | MCA0700



Application info

Bipper [02/08--]

Bipper [02/08--]

11-16 050 3199 | MCA0126

Control arm



Notes

Length [mm]

Steel
304
with rubber mounting
Control Arm
Lower
Front Axle Right

References

3521.31
3521.33

3521.34

Parts list

11-14 035 2320 | MCB0113
11-14 352 0005 | MCB0118

Control arm bushing
Control arm bushing

Counterpart

11-16 050 3198 | MCA0125

Application info

205 (02/83-09/98)

205 (02/83--)

11-16 050 3196 | MCA0123

Control arm



Notes

Length [mm]

Steel
317
with rubber mounting
Control Arm
Lower
Front Axle Right

References

3521.38

3521.41

Parts list

11-14 035 2331 | MCB0114
11-14 352 0005 | MCB0118

Control arm bushing
Control arm bushing

Counterpart

11-16 050 3197 | MCA0124

Application info

309 (10/85-12/93)



Control arm

11-16 050 0000 | MCA0075

Notes

Steel
with rubber mounting
Control Arm
Lower
Front Axle Right

References

3521.80

3521.E1

Parts list

11-14 035 0000 | MCM0019

11-14 352 0008 | MCB0120

Mount, control arm
Control arm bushing

Counterpart

11-16 050 0016 | MCA0085



Application info

406 [11/95-12/04]

Control arm

11-16 050 0017/HD | MCA0086HD

Notes

Sheet Steel
with rubber mounting
with ball joint
Control Arm
Lower
Front Axle Right

Reinforced Version

References

3521.69

3521.A1

Parts list

11-16 010 0007 | MBJ0032

11-14 610 0012/HD | MCM0025HD

11-14 610 0015/HD | MCB0127HD

Ball joint
Mount, control arm
Control arm bushing

Counterpart

11-16 050 0015/HD | MCA0084HD



Application info

306 [04/93-10/03]

11-16 050 0007/HD | MCA0078HD

Control arm



Notes

Steel
with rubber mounting
with ball joint
Control Arm
Lower
Front Axle Right

Reinforced Version

References

3521.C8	3521.K2
3521.E7	3521.R7
3521.H9	3521.R9
3521.J0	3521.S1

Parts list

11-14 035 2376 MCB0115	Control arm bushing
11-14 035 2377 MCB0116	Control arm bushing

Counterpart

11-16 050 0008/HD | MCA0079HD

Application info

206 [08/98-03/09]

11-16 050 0100 | MCA1061

Control arm



Notes

Steel
with rubber mounting
with ball joint
Control Arm
Front Axle Right
Lower

References

3521.C8	3521.K2
3521.E7	3521.R7
3521.H9	3521.R9
3521.J0	3521.S1

Parts list

11-14 035 2376 MCB0115	Control arm bushing
11-14 035 2377 MCB0116	Control arm bushing

Counterpart

11-16 050 0101 | MCA1062

Application info

206 [08/98-03/09]



Control arm

11-16 050 0003/HD | MCA0076HD

Notes

Sheet Steel
with rubber mounting
with ball joint
Control Arm
for vehicles with power steering
Lower
Front Axle Right

Reinforced Version

References

16 144 473 80	3521.E3
3521.55	3521.E4
3521.56	3521.E5
3521.68	

Parts list

11-16 010 6909 MBJ0045	Ball joint
11-14 610 0012/HD MCM0025HD	Mount, control arm
11-14 610 0015/HD MCB0127HD	Control arm bushing

Counterpart

11-16 050 0004/HD | MCA0077HD



Application info

306 [04/93-10/03]

Control arm

11-16 050 0037/HD | MCA0099HD

Notes

Sheet Steel
with rubber mounting
with ball joint
Control Arm
Lower
Front Axle Right

Reinforced Version

References

3521.E5

Parts list

11-16 010 0008 MBJ0033	Ball joint
11-14 610 0012/HD MCM0025HD	Mount, control arm
11-14 610 0015/HD MCB0127HD	Control arm bushing

Counterpart

11-16 050 0036/HD | MCA0098HD



Application info

Partner I [04/96-07/08]

Partner I [04/96--]

40-16 050 0004/HD | MCA0641HD

Control arm



Notes

Sheet Steel
with rubber mounting
with ball joint
Control Arm
Lower
Front Axle Right

Reinforced Version

References

3521.E5

Parts list

40-16 010 0002 MBJ0248	Ball joint
11-14 610 0012/HD MCM0025HD	Mount, control arm
11-14 610 0015/HD MCB0127HD	Control arm bushing

Counterpart

40-16 050 0002/HD | MCA0640HD

Application info

Partner I [04/96-07/08]

Partner I [04/96--]

11-16 050 0009/HD | MCA0080HD

Control arm



Notes

Steel
with rubber mounting
Control Arm
Lower
Front Axle Right

Reinforced Version

References

3521.G8	3521.P3
3521.J5	3521.Q1
3521.K3	

Parts list

11-14 610 0013/HD MCB0126HD	Control arm bushing
11-14 610 0016/HD MCB0128HD	Control arm bushing

Counterpart

11-16 050 0010/HD | MCA0081HD

Application info

307 [08/00-01/05]
Partner II [04/08--]

Partner II [04/08--]



Control arm

11-16 050 0014 | MCA0083

Notes

Steel
with rubber mounting
Control Arm
Lower
Front Axle Right

References

3521.65
3521.H2

3521.J3

Parts list

11-14 610 0027 | MCM0029
11-14 610 0009 | MCB0123

Mount, control arm
Control arm bushing

Counterpart

11-16 050 0047 | MCA0104



Application info

Boxer I [03/94-04/02]
Boxer II [04/02-09/09]

Boxer I [03/94-04/02]
Boxer II [12/01--]

Control arm

11-16 050 0033 | MCA0097

Notes

Steel
with rubber mounting
Control Arm
Lower
Front Axle Right

References

3521.66
3521.H3

3521.J4

Parts list

11-14 610 0027 | MCM0029
11-14 610 0009 | MCB0123

Mount, control arm
Control arm bushing

Counterpart

11-16 050 0032 | MCA0096



Application info

Boxer I [03/94-04/02]
Boxer II [04/02-09/09]

Boxer I [03/94-04/02]
Boxer II [12/01--]

11-16 050 0020 | MCA0088

Control arm



Notes

Sheet Steel
with ball joint
with rubber mounting
Control Arm
Lower
Front Axle Right

References

3521.K1

3521.N7

Parts list

11-16 010 0013 | MBJ0035

Ball joint

11-14 352 0010 | MCB0121

Control arm bushing

11-14 610 0001 | MCB0122

Control arm bushing

Counterpart

11-16 050 0019 | MCA0087

Application info

1007 [04/05--]

11-16 050 0013 | MCA0082

Control arm



Notes

Steel
with rubber mounting
Control Arm
Lower
Front Axle Right

References

3521.64

3521.C9

3521.83

3521.K4

3521.85

3521.L0

Parts list

214 610 0000 | MCM0042

Mount, control arm

214 610 0014 | MCM0050

Mount, control arm

Counterpart

11-16 050 0023 | MCA0089

Application info

806 [06/94-08/02]

Expert I [02/96-10/06]

Expert I [07/95--]



Control arm

11-16 050 0051 | MCA0795

Notes

Sheet Steel
with rubber mounting
with ball joint
Control Arm
Lower
Front Axle Right



References

3521.L3

Parts list

30-16 010 0027 | MBJ0157
11-14 610 0045 | MCB0137
11-14 610 0046 | MCB0138

Ball joint
Control arm bushing
Control arm bushing

Counterpart

11-16 050 0050 | MCA0794

Application info

107 [06/05--]

Control arm

11-16 050 0067 | MCA0113

Notes

Cone Size [mm]

Steel
with rubber mounting
19
Control Arm
Lower
Front Axle Right



References

3521.N9

3521.S0

Parts list

11-14 610 0034 | MCM0031
11-14 610 0039 | MCM0033

Mount, control arm
Mount, control arm

Counterpart

11-16 050 0068 | MCA0114

Application info

807 [06/02-05/06]
Expert II [01/07--]

Expert II [01/07--]

11-16 050 0065 | MCA0111

Control arm



Notes

Steel
with rubber mounting
Control Arm
Lower
Front Axle Right

References

3521.P1

3521.P2

Parts list

11-14 610 0025 | MCB0133

Control arm bushing

11-14 610 0026 | MCB0134

Control arm bushing

Counterpart

11-16 050 0066 | MCA0112

Application info

Boxer III (04/06--)

Boxer III (04/06--)

11-16 050 0031 | MCA0095

Control arm



Notes

Steel
with rubber mounting
Control Arm
Lower
Front Axle Left

References

3520.N6

3521.P9

Parts list

11-14 610 0032 | MCM0030

Mount, control arm

11-14 610 0018 | MCB0130

Control arm bushing

Counterpart

11-16 050 0030 | MCA0094

Application info

407 (05/04-12/09)

508 (11/10--)



Control arm

11-16 050 0082 | MCA0787

Notes

Steel
with rubber mounting
with ball joint
Control Arm
Lower
Front Axle Right

References

3521 Q3

3521 Q4

Parts list

11-14 610 0043 | MCB0349

Control arm bushing

11-14 610 0044 | MCB0350

Control arm bushing

Counterpart

11-16 050 0081 | MCA0786



Application info

1007 (04/05--)

Control arm

11-16 050 0071/HD | MCA0809HD

Notes

Steel
with rubber mounting
Control Arm
Outer
Lower
Front Axle Right

Reinforced Version

References

3521R3

Parts list

11-14 610 0013/HD | MCB0126HD

Control arm bushing

11-14 610 0016/HD | MCB0128HD

Control arm bushing

Counterpart

11-16 050 0072/HD | MCA0810HD



Application info

3008 (06/09--)

308 II (09/13--)

308 (09/07--)

5008 (06/09--)

11-16 050 0049/HD | MCA0106HD

Control arm



Notes

Steel
with rubber mounting
Control Arm
Lower
Front Axle Right

Reinforced Version

References

3521.F3
3521.L4

3521.R4

Parts list

11-14 610 0006 | MCM0024
11-14 610 0015/HD | MCB0127HD

Mount, control arm
Control arm bushing

Counterpart

11-16 050 0048/HD | MCA0105HD

Application info

Partner I [04/96-07/08]

Partner I [04/96--]

11-16 050 0078 | MCA0120

Control arm



Notes

Steel
with rubber mounting
Control Arm
Lower
Front Axle Right

References

3521.T8

Parts list

11-14 610 0042 | MCM0036
11-14 610 0018 | MCB0130

Mount, control arm
Control arm bushing

Counterpart

11-16 050 0077 | MCA0119

Application info

407 [05/04-12/09]

508 [11/10--]



Control arm

32-16 050 0004 | MCA0515

Notes

Sheet Steel
with rubber mounting
with ball joint
Control Arm
Lower
Front Axle Right

References

16 124 484 80
3521 R1

3521.V0

Parts list

32-16 010 0025 | MBJ0198
32-14 610 0005 | MCB0235

Ball joint
Control arm bushing

Counterpart

32-16 050 0003 | MCA0514



Application info

4007 [02/07--]

Control arm

616 050 0028 | MCA0700

Notes

Sheet Steel
with rubber mounting
with ball joint
Control Arm
Lower
Front Axle Right

References

3521.S6

3521.V5

Parts list

616 010 0006 | MBJ0272
614 610 0007 | MCB0309
614 610 0008 | MCB0310

Ball joint
Control arm bushing
Control arm bushing

Counterpart

616 050 0029 | MCA0701



Application info

Bipper [02/08--]

Bipper [02/08--]

216 050 0060 | MCA1132

Control arm



Notes

Sheet Steel
with rubber mounting
with ball joint
Control Arm
Front Axle Right

References

96 707 714 80

Parts list

11-16 010 0025 | MBJ0439
11-14 610 0043 | MCB0349
11-14 610 0044 | MCB0350

Ball joint
Control arm bushing
Control arm bushing

Counterpart

216 050 0061 | MCA1133

Application info

208 [03/12--]

216 050 0061 | MCA1133

Control arm



Notes

Sheet Steel
with rubber mounting
with ball joint
Control Arm
Front Axle Left

References

96 707 720 80

Parts list

11-16 010 0025 | MBJ0439
11-14 610 0043 | MCB0349
11-14 610 0044 | MCB0350

Ball joint
Control arm bushing
Control arm bushing

Counterpart

216 050 0060 | MCA1132

Application info

208 [03/12--]



Control arm

11-16 050 0079 | MCA0784

Notes

Sheet Steel
with rubber mounting
with ball joint
Control Arm
Lower
Front Axle Left



References

98 032 865 80

Parts list

11-14 610 0043 | MCB0349

11-14 610 0044 | MCB0350

Control arm bushing
Control arm bushing

Counterpart

11-16 050 0080 | MCA0785

Application info

2008 [03/13--]

208 [03/12--]

Control arm

11-16 050 0080 | MCA0785

Notes

Sheet Steel
with rubber mounting
with ball joint
Control Arm
Lower
Front Axle Right



References

98 032 864 80

Parts list

11-14 610 0043 | MCB0349

11-14 610 0044 | MCB0350

Control arm bushing
Control arm bushing

Counterpart

11-16 050 0079 | MCA0784

Application info

2008 [03/13--]

208 [03/12--]

11-14 610 0015/HD | MCB0127HD

Control arm bushing



Notes

Inner diameter [mm]	12
Outer diameter [mm]	33
Height [mm]	31
	Lower
	Front
	Front Axle Right
	Front Axle Left

Reinforced Version

References

1215145

Application info

306 [04/93-10/03]
Partner I [04/96-07/08]

Partner I [04/96--]

11-14 610 0045 | MCB0137

Control arm bushing



Notes

Inner diameter [mm]	12
Outer diameter [mm]	33
Height [mm]	53
	Front
	Lower
	Front Axle Right
	Front Axle Left

References

3520.Q2 3521.L3

Application info

107 [06/05--]

11-14 610 0046 | MCB0138

Control arm bushing



Notes

Inner diameter [mm]	19
Outer diameter [mm]	57
Height [mm]	62
	Rear
	Lower
	Front Axle Right
	Front Axle Left

References

3520.Q2 3521.L3

Application info

107 [06/05--]

Control arm bushing
11-14 610 0025 | MCB0133
Notes

Inner diameter [mm]	18
Outer diameter [mm]	57
Height [mm]	65
	Front
	Lower
	Front Axle Right
	Front Axle Left

References

3520.S0*	3521.P1*
3520.S1*	3521.P2*


Application info

Boxer III [04/06--]

Boxer III [04/06--]

Control arm bushing
11-14 610 0026 | MCB0134
Notes

Inner diameter [mm]	19
Outer diameter [mm]	73
Height [mm]	76
	Rear
	Lower
	Front Axle Right
	Front Axle Left

References

3520.S0*	3521.P1*
3520.S1*	3521.P2*


Application info

Boxer III [04/06--]

Boxer III [04/06--]

Control arm bushing
32-14 610 0000/HD | MCB0234HD
Notes

Inner diameter [mm]	14
Outer diameter [mm]	60
Height 1 [mm]	54
	Front Axle Right
	Front Axle Left
	Lower
	Rear

Reinforced Version

References

3520.X9	3521.V0
---------	---------


Application info

4007 [02/07--]

32-14 610 0005 | MCB0235

Control arm bushing



Notes

Inner diameter [mm]	14
Outer diameter [mm]	37
Height 1 [mm]	59
	Front
	Lower
	Front Axle Right
	Front Axle Left

References

3520.X9	3521.V0
---------	---------

Application info

4007 [02/07--]

614 610 0007 | MCB0309

Control arm bushing



Notes

Inner diameter [mm]	12
Outer diameter [mm]	41
Height [mm]	67
	Lower
	Front Axle Right
	Front Axle Left

References

3520.W3	3521.S6
3520.Y4	3521.V5

Application info

Bipper [02/08--]

Bipper [02/08--]

614 610 0008 | MCB0310

Control arm bushing



Notes

Inner diameter [mm]	12
Outer diameter [mm]	66
Height [mm]	71
	Lower
	Rear
	Front Axle Right
	Front Axle Left

References

3520.W3	3521.S6
3520.Y4	3521.V5

Application info

Bipper [02/08--]

Bipper [02/08--]

7

Control arm bushing
11-14 035 2320 | MCB0113
Notes

Inner diameter [mm]	10
Outer diameter [mm]	28
Height [mm]	34
	inner
	Lower
	Front Axle Right
	Front Axle Left

References

3523.20	3523.73
---------	---------


Application info

205 [02/83-09/98]

205 [02/83--]

Control arm bushing
11-14 352 0005 | MCB0118
Notes

Inner diameter [mm]	12
Outer diameter [mm]	36
Height [mm]	26
	Outer
	Lower
	Front Axle Right
	Front Axle Left

References

3523.25	3523.35
3523.27	3523.49
3523.29	3523.58


Application info

205 [02/83-09/98]

309 [10/85-12/93]

205 [02/83--]

Control arm bushing
11-14 035 2331 | MCB0114
Notes

Inner diameter [mm]	10
Outer diameter [mm]	28
Height [mm]	35
	Lower
	Front Axle Right
	Front Axle Left

References

3523.31	3523.71
---------	---------


Application info

205 [02/83-09/98]

309 [10/85-12/93]

11-14 352 0006 | MCB0119

Control arm bushing



Notes

Inner diameter [mm]	12
Outer diameter [mm]	33
Height [mm]	38
	Lower
	Front
	Front Axle Right
	Front Axle Left

References

3523.40

Application info

405 [01/87-11/99]

11-14 610 0017 | MCB0129

Control arm bushing



Notes

Inner diameter [mm]	14
Outer diameter [mm]	40
Height [mm]	28
	Lower
	Front
	Front Axle Right
	Front Axle Left

References

3523.43

Application info

605 [06/89-09/99]

607 [02/00-07/04]

16-14 610 0009 | MCB0156

Control arm bushing



Notes

Inner diameter [mm]	12
Outer diameter [mm]	34
Height [mm]	48
	Lower
	Front
	Front Axle Right
	Front Axle Left

References

3523.50	96 113 432
3523.66	96 603 308

Application info

106 [08/91-07/04]

7

Control arm bushing
11-14 352 0008 | MCB0120
Notes

Inner diameter [mm]	14
Outer diameter [mm]	37
Height [mm]	38
	Lower
	Front
	Front Axle Right
	Front Axle Left

References

3523.60


Application info

406 (11/95-12/04)

Control arm bushing
11-14 035 2376 | MCB0115
Notes

Inner diameter [mm]	14
Outer diameter [mm]	55
Height [mm]	50
	Lower
	Front
	Front Axle Right
	Front Axle Left

References

3523.76	3523.80
3523.79	3523.AS


Application info

206 (08/98-03/09)

Control arm bushing
11-14 035 2377 | MCB0116
Notes

Inner diameter [mm]	14
Outer diameter [mm]	55
Height [mm]	50
	Lower
	Rear
	Front Axle Right
	Front Axle Left

References

3523.77


Application info

206 (08/98-03/09)

11-14 610 0016/HD | MCB0128HD

Control arm bushing



Notes

Inner diameter [mm]	14
Outer diameter [mm]	56
Height [mm]	56
	Lower
	Front
	Front Axle Right
	Front Axle Left

Reinforced Version

References

3523.91	3523.AJ
---------	---------

Application info

3008 (06/09--)
307 (08/00-01/05)
308 (09/07--)

5008 (06/09--)
Partner II (04/08--)
Partner II (04/08--)

11-14 610 0013/HD | MCB0126HD

Control arm bushing



Notes

Inner diameter [mm]	14
Outer diameter [mm]	55
Height [mm]	48
	Lower
	Rear
	Front Axle Right
	Front Axle Left

Reinforced Version

References

3523.92

Application info

3008 (06/09--)
307 (08/00-01/05)
308 (09/07--)

5008 (06/09--)
Partner II (04/08--)
Partner II (04/08--)

11-14 610 0009 | MCB0123

Control arm bushing



Notes

Inner diameter [mm]	25
Outer diameter [mm]	47
Height [mm]	55
	Lower
	Front
	Front Axle Right
	Front Axle Left

References

3523.93

Control arm bushing
11-14 610 0009 | MCB0123
Application info

 Boxer I (03/94-04/02)
 Boxer II (04/02-09/09)

 Boxer I (03/94-04/02)
 Boxer II (12/01--)

Control arm bushing
11-14 610 0001 | MCB0122
Notes

Inner diameter [mm]	18
Outer diameter [mm]	55
Height [mm]	48
	Lower
	Front
	Front Axle Right
	Front Axle Left

References

3523.98


Application info

1007 (04/05--)

Control arm bushing
11-14 352 0010 | MCB0121
Notes

Inner diameter [mm]	18
Outer diameter [mm]	55
Height [mm]	48
	Lower
	Rear
	Front Axle Right
	Front Axle Left

References

3523.AA


Application info

1007 (04/05--)

Control arm bushing
11-14 610 0018 | MCB0130
Notes

Inner diameter [mm]	14
Outer diameter [mm]	56
Height [mm]	50
	inner
	Front
	Lower
	Front Axle Right
	Front Axle Left

References

3523.AQ



11-14 610 0018 | MCB0130

Control arm bushing

Application info
407 [05/04-12/09]

508 [11/10--]

11-14 610 0031 | MCB0136

Control arm bushing



Notes

Inner diameter [mm]	12
Outer diameter [mm]	32
Height [mm]	82
	Outer
	Upper
	Front Axle Right
	Front Axle Left

References

3523.AZ

Application info
407 [05/04-12/09]

508 [11/10--]

11-14 610 0030 | MCB0135

Control arm bushing



Notes

Inner diameter [mm]	10
Outer diameter [mm]	32
Height [mm]	34
	inner
	Upper
	Front Axle Right
	Front Axle Left

References

3523.CA

Application info
407 [05/04-12/09]

508 [11/10--]

11-14 610 0020 | MCB0131

Control arm bushing



Notes

Inner diameter [mm]	14
Outer diameter [mm]	57
Height [mm]	48
	Lower
	Rear
	Front Axle Right
	Front Axle Left

References

3523.CC

7

Control arm bushing

11-14 610 0020 | MCB0131

Application info

207 [02/06-10/08]
208 [03/12--]

207 [02/06--]

Control arm bushing

11-14 610 0021 | MCB0132

Notes

Inner diameter [mm]	14
Outer diameter [mm]	57
Height [mm]	48
	Lower
	Front
	Front Axle Right
	Front Axle Left

References

3523.CE



Application info

207 [02/06-10/08]
208 [03/12--]

207 [02/06--]

Control arm bushing

11-14 610 0043 | MCB0349

Notes

Inner diameter [mm]	18
Outer diameter [mm]	55
Height [mm]	48
	Front
	Front Axle Right
	Front Axle Left

References

3523 CN	96 707 720 80
96 707 714 80	



Application info

1007 [04/05--]
2008 [03/13--]

208 [03/12--]

7

11-14 610 0044 | MCB0350

Control arm bushing



Notes

Inner diameter [mm]	18
Outer diameter [mm]	55
Height [mm]	48
	Rear
	Front Axle Right
	Front Axle Left

References

3523.CR	96 707 720 80
96 707 714 80	

Application info

1007 [04/05--]	208 [03/12--]
2008 [03/13--]	

11-14 610 0055/HD | MCB0463HD

Control arm bushing



Notes

Inner diameter [mm]	18
Outer diameter [mm]	55
Height [mm]	48
	Front Axle Right
	Front Axle Left
	Rear

Reinforced Version

References

3523.CR	96 707 720 80
96 707 714 80	

Application info

1007 [04/05--]	208 [03/12--]
----------------	---------------

11-14 710 0022 | MCB0404

Control arm bushing



Notes

Inner diameter [mm]	15
Outer diameter [mm]	42.2
Height [mm]	40
	Rear
	Lower
	Rear Axle Right
	Rear Axle Left

References

5131.C3

Application info

3008 [06/09--]	508 [11/10--]
407 [05/04-12/09]	

7

Control arm bushing

11-14 710 0020 | MCB0403

Notes

Inner diameter [mm]	12
Outer diameter [mm]	34
Height [mm]	45
	Upper
	Rear Axle Right
	Rear Axle Left

References

5131.C5	5131.E0
---------	---------



Application info

407 [05/04-12/09]	508 [11/10--]
-------------------	---------------

Control arm bushing

11-14 610 0037 | MCB0436

Notes

Inner diameter [mm]	14
Outer diameter [mm]	43
Height [mm]	59.5
	Front
	Lower
	Front Axle Right
	Front Axle Left

References

96 760 321 80



Application info

308 II [09/13--]

Control arm bushing

11-14 610 0054 | MCB0459

References

96 76 035 280



Application info

308 II [09/13--]

11-14 710 0027 | MCB0450

Control arm bushing



Notes

Inner diameter [mm] 14.5
Outer diameter [mm] 56
Height [mm] 66.5
Front
Lower
Rear Axle Right
Rear Axle Left

References

5131.C4 980104980

Application info

3008 [06/09--]
407 [05/04-12/09]

508 [11/10--]

11-14 610 0038 | MCM0032

Mount, control arm



Notes

Inner diameter [mm] 23
Thread Size M12x1,25
with rubber mounting
Rear
Front Axle Left

References

16 07 302 980 3520.R8
16 07 303 080 3521.H0
3520.P6

Counterpart

11-14 610 0039 | MCM0033

Application info

807 [06/02-05/06]
Expert II [01/07--]

Expert II [01/07--]

214 610 0000 | MCM0042

Mount, control arm



Notes

Rubber-metal Bearing
Lower
Front
Front Axle Right
Front Axle Left

References

16 07 302 980 3521.64
16 07 303 080 3521.83
3520.94 3521.85
3520.C3 3521.C9
3520.C5 3521.H0
3520.C9 3521.H1
3520.G9 3521.K4
3520.P4 3521.K6
3520.P6 3521.L0
3520.P8



Mount, control arm

214 610 0000 | MCM0042

Application info

806 [06/94-08/02]
807 [06/02-05/06]

Expert I [02/96-10/06]
Expert I [07/95--]

Mount, control arm

11-14 610 0032 | MCM0030

Notes

Inner diameter [mm]	20
Thread Size	M14x2
Thread Size	M12x1,75
	with rubber mounting
	Rear
	Lower
	Front Axle Right
	Front Axle Left



References

3520.N6	3521.P9
3520.S8	9649591680
3521.J6	

Application info

407 [05/04-12/09]

508 [11/10--]

Mount, control arm

214 610 0013 | MCM0049

Notes

Lower
Rear
Front Axle Left

References

3520.94*	3520.G9*
3520.C3*	3520.P4*
3520.C5*	3520.P8*
3520.C9*	



Counterpart

214 610 0014 | MCM0050

Application info

806 [06/94-08/02]
Expert I [02/96-10/06]

Expert I [07/95--]

11-14 610 0034 | MCM0031

Mount, control arm



Notes

Inner diameter [mm] 23
Thread Size M14x1,5
with rubber mounting
Front
Front Axle Right
Front Axle Left

References

3520.R8 3521.N9

Application info

807 [06/02-05/06]
Expert II [01/07--]

Expert II [01/07--]

11-14 610 0042 | MCM0036

Mount, control arm



Notes

Inner diameter [mm] 20
Thread Size M14x2
Thread Size M12x1,75
with rubber mounting
Rear
Lower
Front Axle Right
Front Axle Left

References

3520.X7* 3521.T8*

Application info

407 [05/04-12/09]

508 [11/10--]

11-14 610 0047/HD | MCM0166HD

Mount, control arm



Notes

Inner diameter [mm] 21
Outer diameter [mm] 70
Height [mm] 61
Rear
Lower
Front Axle Right
Front Axle Left

Reinforced Version

References

3520.Y0 3521.V1

Application info

508 [11/10--]



Mount, control arm

11-14 610 0039 | MCM0033

Notes

Inner diameter [mm]	23
Thread Size	M12x1,25 with rubber mounting
	Rear
	Front Axle Right

References

3521.H1	3521.N9
3521.K6	

Counterpart

11-14 610 0038 | MCM0032



Application info

807 [06/02-05/06]
Expert II [01/07--]

Expert II [01/07--]

Mount, control arm

214 610 0014 | MCM0050

Notes

Lower
Rear
Front Axle Right

References

3521.64*	3521.C9*
3521.83*	3521.K4*
3521.85*	3521.L0*

Counterpart

214 610 0013 | MCM0049



Application info

806 [06/94-08/02]
Expert I [02/96-10/06]

Expert I [07/95--]

Mount, control arm

11-14 352 0002 | MCM0021

Notes

Inner diameter [mm]	17
	Lower
	Front Axle Right
	Front Axle Left

References

3523.51



Application info

106 [08/91-07/04]

7

11-14 035 0000 | MCM0019

Mount, control arm



Notes

Inner diameter [mm]	20
Height [mm]	28
	Lower
	Rear
	Front Axle Right
	Front Axle Left

References

3523.61

Application info

406 [11/95-12/04]

11-14 610 0012/HD | MCM0025HD

Mount, control arm



Notes

Inner diameter [mm]	19
Thread Size	M8x1.25
	Lower
	Rear
	Front Axle Right
	Front Axle Left

Reinforced Version

References

1215144

3523.75

Application info

306 [04/93-10/03]
Partner I [04/96-07/08]

Partner I [04/96--]

11-14 610 0006 | MCM0024

Mount, control arm



Notes

Inner diameter [mm]	19
Height [mm]	42
	Lower
	Rear
	Front Axle Right
	Front Axle Left

References

3523.83

Application info

Partner I [04/96-07/08]

Partner I [04/96--]

7

Mount, control arm

11-14 610 0014/HD | MCM0026HD

Notes

Inner diameter [mm] 18
Thread Size M12x175
Lower
Rear
Front Axle Right
Front Axle Left

Reinforced Version

References

3523.42 3523.89
3523.54



Application info

405 [01/87-11/99]

Mount, control arm

11-14 610 0027 | MCM0029

Notes

Inner diameter [mm] 34
Lower
Rear
Front Axle Right
Front Axle Left

References

3523.94 3523.AP



Application info

Boxer I [03/94-04/02]
Boxer II [04/02-09/09]

Boxer I [03/94-04/02]
Boxer II [12/01--]

Mount, control arm

11-14 610 0019 | MCM0027

Notes

Inner diameter [mm] 20
Outer diameter [mm] 50
Lower
Rear
Front Axle Right
Front Axle Left

References

3523.90 3523.96



Application info

605 [06/89-09/99]

607 [02/00-07/04]

11-14 610 0022 | MCM0028

Mount, control arm



Notes

Inner diameter [mm]	14
Outer diameter [mm]	45
Height [mm]	57
	Outer
	Lower
	Right
	Left
	Rear Axle

References

3640.41

Application info

406 [11/95-12/04]

11-14 610 0033 | MCM0116

Mount, control arm



Notes

Inner diameter [mm]	12
Outer diameter [mm]	40
Height [mm]	38
	Outer
	Front
	Lower
	Front Axle Right
	Front Axle Left

References

3656 04

3657 04

Application info

407 [05/04-12/09]

11-16 010 0018/S | MCX0428

Repair kit, ball joint



Notes

Lower
Front Axle Right
Front Axle Left

References

3640.58
3640.69

3640.72

Parts list

11-16 010 0018 | MBJ0038

Ball joint

Application info

407 [05/04-12/09]

508 [11/10--]

7



Repair kit, ball joint

11-16 010 0019 | MCX0189

Notes

Front Axle Left
Front Axle Right

References

3640.57 3640.72
3640.69 3640.74

Parts list

11-16 050 0035 | MBJ0046 Ball joint
11-16 010 0018/S | MCX0428 Repair kit, ball joint



Application info

407 [05/04-12/09]

508 [11/10--]

Repair kit, control arm

11-14 610 0048 | MCR0021

Notes

Front Axle Right
Front Axle Left

References

3520.Q2 3521.L3

Parts list

30-16 010 0027 | MBJ0157 Ball joint
11-14 610 0045 | MCB0137 Control arm bushing



Application info

107 [06/05--]

Repair kit, control arm

11-14 610 0023 | MCR0020

Notes

Front Axle Right
Front Axle Left

References

3523.94 3523.AP

Parts list

11-14 610 0027 | MCM0029 Mount, control arm
11-14 610 0009 | MCB0123 Control arm bushing



Application info

Boxer I [03/94-04/02]
Boxer II [04/02-09/09]

Boxer I [03/94-04/02]
Boxer II [12/01--]

11-14 615 0013 | MSB0124

Mount, stabilizer



Notes

Stabiliser Diameter [mm] 25
Required quantity 2
Front Axle Right
Front Axle Left

References

1612736480 5081.N9

Application info

Boxer III [04/06--]

Boxer III [04/06--]

11-14 615 0010 | MSB0122

Mount, stabilizer



Notes

Inner diameter [mm] 19
Front Axle Right
Front Axle Left

References

5094.56

Application info

106 [08/91-07/04]

11-14 615 0005 | MSB0117

Mount, stabilizer



Notes

Inner diameter [mm] 19
Outer
Front Axle Right
Front Axle Left

References

5094.59

Application info

106 [08/91-07/04]

7

Mount, stabilizer

11-14 615 0006 | MSB0118

Notes

Inner diameter [mm] 17
Front Axle Right
Front Axle Left

References

5094.63



Application info

306 [04/93-10/03]

Mount, stabilizer

11-14 615 0003 | MSB0115

Notes

Inner diameter [mm] 21
Front Axle Right
Front Axle Left

References

5094.65



Application info

306 [04/93-10/03]
Partner I [04/96-07/08]
Partner II [04/08--]

Partner I [04/96--]
Partner II [04/08--]

Mount, stabilizer

11-14 615 0022 | MSB0321

Notes

Inner diameter [mm] 19
Required quantity 2
Front Axle Left
Front Axle Right

References

5094.66



Application info

306 [04/93-10/03]

11-14 615 0000 | MSB0112

Mount, stabilizer



Notes

Inner diameter [mm]

24
Front Axle Right
Front Axle Left

References

5094.69

Application info

806 [06/94-08/02]
807 [06/02-05/06]

Expert I [02/96-10/06]
Expert I [07/95--]

11-14 615 0008 | MSB0120

Mount, stabilizer



Notes

Inner diameter [mm]

23
Front Axle Right
Front Axle Left

References

5094.74

Application info

406 [11/95-12/04]

11-14 615 0009 | MSB0121

Mount, stabilizer



Notes

Inner diameter [mm]

24
Front Axle Right
Front Axle Left

References

5094.75

Application info

406 [11/95-12/04]

Mount, stabilizer

11-14 615 0012 | MSB0225

Notes

Inner diameter [mm] 21
Front Axle Right
Front Axle Left

References

5094.77



Application info

306 [04/93-10/03] Partner I [04/96--]
Partner I [04/96-07/08]

Mount, stabilizer

11-14 615 0001 | MSB0113

Notes

Inner diameter [mm] 19
Front Axle Right
Front Axle Left

References

5094.80



Application info

206 [08/98-03/09]

Mount, stabilizer

11-14 615 0019 | MSB0354

Notes

Inner diameter [mm] 17
Required quantity 2
Front Axle Right
Front Axle Left

References

5094.81



Application info

206 [08/98-03/09]

11-14 615 0042 | MSB0389

Mount, stabilizer



Notes

Required quantity

2
Front Axle Left
Front Axle Right

References

5094.82

Application info

206 [08/98-03/09]

11-14 615 0011 | MSB0123

Mount, stabilizer



Notes

Inner diameter [mm]

21
Front Axle Right
Front Axle Left

References

5094.87

Application info

307 [08/00-01/05]

308 [09/07--]

11-14 615 0014 | MSB0375

Mount, stabilizer



Notes

Inner diameter [mm]

22
Front Axle Right
Front Axle Left

References

5094.88

5094.E0

Application info

307 [08/00-01/05]

308 [09/07--]

Mount, stabilizer
11-14 615 0017 | MSB0265
Notes

 Inner diameter [mm] 24
 Front Axle Right
 Front Axle Left

References

5094.89 5094.E3


Application info

 3008 [06/09--]
 307 [08/00-01/05]
 308 [09/07--]

 5008 [06/09--]
 607 [02/00-07/04]
 RCZ [03/10--]

Mount, stabilizer
11-14 615 0043 | MSB0390
Notes

 Inner diameter [mm] 21
 Required quantity 2
 Front Axle Left
 Front Axle Right

References

5094.94


Application info

206 [08/98-03/09]

Mount, stabilizer
11-14 615 0041 | MSB0388
Notes

 Inner diameter [mm] 19.5
 Required quantity 2
 Front Axle Left
 Front Axle Right

References

5094.95


Application info

206 [08/98-03/09]

11-14 615 0032 | MSB0387

Mount, stabilizer



Notes

Inner diameter [mm]	24
Required quantity	2
	Front Axle Left
	Front Axle Right

References

5094.99	5094.F4
---------	---------

Application info

407 [05/04-12/09]

508 [11/10--]

11-14 615 0044 | MSB0391

Mount, stabilizer



Notes

Inner diameter [mm]	21.5
Required quantity	2
	Front Axle Left
	Front Axle Right

References

5094.A2

Application info

1007 [04/05--]

11-14 615 0002 | MSB0114

Mount, stabilizer



Notes

Inner diameter [mm]	22
	Front Axle Right
	Front Axle Left

References

5094.A8

Application info

107 [06/05--]



Mount, stabilizer

11-14 615 0026 | MSB0333

Notes

Inner diameter [mm]

20

Front Axle Left
Front Axle Right

References

5094.C1



Application info

207 [02/06-10/08]

208 [03/12--]

Mount, stabilizer

11-14 615 0027 | MSB0334

Notes

Inner diameter [mm]

21

Front Axle Left
Front Axle Right

References

5094.C2



Application info

207 [02/06-10/08]

208 [03/12--]

Mount, stabilizer

11-14 615 0028 | MSB0335

Notes

Inner diameter [mm]

22

Front Axle Left
Front Axle Right

References

5094.C3



Application info

207 [02/06-10/08]

11-14 615 0029 | MSB0336

Mount, stabilizer



Notes

Inner diameter [mm]

23
Front Axle Left
Front Axle Right

References

5094.C5

Application info

207 [02/06-10/08]

11-14 615 0040 | MSB0496

Mount, stabilizer



Notes

Inner diameter [mm]

21.5
Front Axle Left
Front Axle Right

References

5094.C6

Application info

4007 [02/07--]

4008 [05/12--]

11-14 615 0045 | MSB0392

Mount, stabilizer



Notes

Inner diameter [mm]

Required quantity

22.5
2
Front Axle Left
Front Axle Right

References

5094.C4

5094.E2

Application info

308 [09/07--]

RCZ [03/10--]

7

Mount, stabilizer
11-14 615 0016 | MSB0125
Notes

 Inner diameter [mm] 23
 Front Axle Right
 Front Axle Left

References

5094.E4


Application info

Partner II [04/08--]

Partner II [04/08--]

Mount, stabilizer
11-14 615 0015 | MSB0264
Notes

 Inner diameter [mm] 21
 Front Axle Right
 Front Axle Left

References

5094.E5


Application info

Bipper [02/08--]

Bipper [02/08--]

Mount, stabilizer
11-14 615 0047 | MSB0394
Notes

 Inner diameter [mm] 24.5
 Required quantity 2
 Front Axle Left
 Front Axle Right

References

5094.E6


Application info

Partner II [04/08--]

Partner II [04/08--]

11-14 615 0018 | MSB0266

Mount, stabilizer



Notes

Inner diameter [mm]

25
Front Axle Right
Front Axle Left

References

5094.E7

Application info

3008 [06/09--]
Partner II [04/08--]

Partner II [04/08--]

11-14 615 0046 | MSB0393

Mount, stabilizer



Notes

Inner diameter [mm]
Required quantity

23.5
2
Front Axle Left
Front Axle Right

References

5094.F2

Application info

308 [09/07--]

11-14 715 0001 | MSB0396

Mount, stabilizer



Notes

Inner diameter [mm]
Required quantity

29
2
Rear Axle Left
Rear Axle Right

References

5171.15

Application info

407 [05/04-12/09]

Mount, stabilizer

11-14 715 0003 | MSB0397

Notes

Inner diameter [mm] 21
 Required quantity 2
 Rear Axle Left
 Rear Axle Right

References

5172.38 5172.42



Application info

406 [11/95-12/04]

Mount, stabilizer

11-14 715 0002 | MSB0491

Notes

Inner diameter [mm] 21.5
 Required quantity 2
 Rear Axle Left
 Rear Axle Right

References

5172.39 5172.43



Application info

406 [11/95-12/04]

Mount, stabilizer

11-14 715 0000 | MSB0395

Notes

Inner diameter [mm] 19.5
 Required quantity 2
 Rear Axle Left
 Rear Axle Right

References

5172.58



Application info

4007 [02/07--]

11-14 615 0013/S | MCX0185

Repair kit, stabilizer bushing



Notes

Front Axle Right
Front Axle Left

References

1612736480 5081.N9

Parts list

11-14 615 0013 | MSB0124 Mount, stabilizer
11-16 060 0022/S | MSL0100 Stabilizer link

Application info

Boxer III [04/06--]

Boxer III [04/06--]

11-16 060 0005/S | MCX0190

Repair kit, stabilizer link



Notes

Coupling Rod
Front Axle Right
Front Axle Left

References

13 08 664 080 5087.35
13 17 425 080

Application info

806 [06/94-08/02]
Expert I [02/96-10/06]

Expert I [07/95--]

11-16 060 0006/S | MCX0191

Repair kit, stabilizer link



Notes

Coupling Rod
Front Axle Right
Front Axle Left

References

5087.37

Application info

Boxer I [03/94-04/02]
Boxer II [04/02-09/09]

Boxer I [03/94-04/02]
Boxer II [12/01--]

Stabilizer link
11-16 060 0018/HD | MSL0096HD
Notes

with spanner attachment
 Coupling Rod
 M10x1,5
 M10x1,5
 330
 Front Axle Right

Thread Measurement 2
 Thread Measurement 1
 Length [mm]

Reinforced Version


References

16 073 268 80 5087.68
 5087.55

Counterpart

11-16 060 0017/HD | MSL0095HD

Application info

2008 [03/13--] 301 [11/12--]
 207 [02/06-10/08] 207 [02/06--]
 208 [03/12--]

Stabilizer link
11-16 060 0034 | MSL0744
Notes

with spanner attachment
 Coupling Rod
 M10x1,5
 M10x1,5
 330
 Front Axle Right

Thread Measurement 2
 Thread Measurement 1
 Length [mm]


References

16 073 268 80 5087.68
 5087.55

Counterpart

11-16 060 0035 | MSL0745

Application info

207 [02/06-10/08] 301 [11/12--]
 208 [03/12--] 207 [02/06--]

11-16 060 0017/HD | MSL0095HD

Stabilizer link



Notes

Thread Measurement 2
Thread Measurement 1
Length [mm]

Reinforced Version

with spanner attachment
Coupling Rod
M10x1,5
M10x1,5
330
Front Axle Left

References

16 073 269 80 5087.69
5087.54

Counterpart

11-16 060 0018/HD | MSL0096HD

Application info

2008 [03/13--]
207 [02/06-10/08]
208 [03/12--]

301 [11/12--]
207 [02/06--]

11-16 060 0035 | MSL0745

Stabilizer link



Notes

Thread Measurement 2
Thread Measurement 1
Length [mm]

with spanner attachment
Coupling Rod
M10x1,5
M10x1,5
330
Front Axle Left

References

16 073 269 80 5087.69
5087.54

Counterpart

11-16 060 0034 | MSL0744

Application info

207 [02/06-10/08]
208 [03/12--]

301 [11/12--]
207 [02/06--]

11-16 060 0022/S | MSL0100

Stabilizer link



Notes

Inner diameter [mm]
Thread Size
Length [mm]

Coupling Rod
14
M12x1,25
115
Front Axle Right
Front Axle Left

References

1612736480 5081.N9

7

+



Stabilizer link

11-16 060 0022/S | MSL0100

Application info

Boxer III (04/06--)

Boxer III (04/06--)

Stabilizer link

11-16 060 0007 | MSL0088

Notes

Length [mm]

Coupling Rod
160
Front Axle Right
Front Axle Left



References

5087.27



Application info

405 (01/87-11/99)

Stabilizer link

11-16 060 5707 | MSL0104

Notes

Thread Measurement 2
Thread Measurement 1
Length [mm]

Coupling Rod
M10x1,5
M10x1,5
360
Front Axle Right
Front Axle Left



References

5087.23

5087.32



Application info

205 (02/83-09/98)

309 (10/85-12/93)

Stabilizer link

11-16 060 5041/HD | MSL0102HD

Notes

Thread Measurement 2
Thread Measurement 1
Length [mm]

with spanner attachment
Coupling Rod
M12x1,5
M12x1,5
322
Front Axle Right
Front Axle Left



Reinforced Version

References

5087.40



11-16 060 5041/HD | MSL0102HD

Stabilizer link

Application info

106 [08/91-07/04]

406 [11/95-12/04]

11-16 060 0003 | MSL0085

Stabilizer link



Notes

Thread Measurement 2
Thread Measurement 1
Length [mm]

Coupling Rod
M10x1,5
M10x1,5
393
Front Axle Right
Front Axle Left

References

5087.30
5087.41

5087.49

Application info

605 [06/89-09/99]

11-16 060 0040 | MSL0750

Stabilizer link



Notes

Thread Measurement 2
Thread Measurement 1
Length [mm]

with spanner attachment
Coupling Rod
M10x1,5
M10x1,5
300
Front Axle Right
Front Axle Left

References

5087.39
5087.42

5087.46
5087.61

Application info

306 [04/93-10/03]
Partner I [04/96-07/08]

Partner I [04/96--]



Stabilizer link

11-16 060 5046/HD | MSL0103HD

Notes

Thread Measurement 2
Thread Measurement 1
Length [mm]

Reinforced Version

References

5087.48
5087.31
5087.34
5087.38
5087.39

with spanner attachment
Coupling Rod
M10x1,5
M10x1,5
300
Front Axle Right
Front Axle Left



Application info

306 [04/93-10/03]
607 [02/00-07/04]

Partner I [04/96-07/08]
Partner I [04/96--]

Stabilizer link

11-16 060 0039 | MSL0749

Notes

Thread Measurement 2
Thread Measurement 1
Length [mm]

References

5087.48

with spanner attachment
Coupling Rod
M10x1,5
M10x1,5
300
Front Axle Right
Front Axle Left



Application info

607 [02/00-07/04]

Stabilizer link

11-16 060 0013/HD | MSL0091HD

Notes

Thread Measurement 2
Thread Measurement 1
Length [mm]

Reinforced Version

References

5087.51

with spanner attachment
Coupling Rod
M10x1,5
M10x1,5
263
Front Axle Right
Front Axle Left



7



11-16 060 0013/HD | MSL0091HD

Stabilizer link

Application info

807 [06/02-05/06]

11-16 060 0032 | MSL0742

Stabilizer link



Notes

Thread Measurement 2
Thread Measurement 1
Length [mm]

with spanner attachment
Coupling Rod
M10x1,5
M10x1,5
263
Front Axle Right
Front Axle Left

References

5087.51

Application info

807 [06/02-05/06]

11-16 060 0015 | MSL0093

Stabilizer link



Notes

Thread Measurement 2
Thread Measurement 1
Length [mm]

Coupling Rod
M16x1,5
M12x1,75
200
Front Axle Left

References

5087.52

Counterpart

11-16 060 0014 | MSL0092

Application info

407 [05/04-12/09]

508 [11/10--]

11-16 060 0014 | MSL0092

Stabilizer link



Notes

Thread Measurement 2
Thread Measurement 1
Length [mm]

Coupling Rod
M16x1,5
M12x1,75
200
Front Axle Right

References

5087.53

Counterpart

11-16 060 0015 | MSL0093



Stabilizer link

11-16 060 0014 | MSL0092

Application info

407 (05/04-12/09)

508 (11/10--)

Stabilizer link

11-16 060 0020/HD | MSL0098HD

Notes

Thread Measurement 2
Thread Measurement 1
Length [mm]

Reinforced Version

References

5087.56

with spanner attachment
Coupling Rod
M12x1,5
M12x1,5
263
Front Axle Right
Front Axle Left



Application info

Expert II (01/07--)

Expert II (01/07--)

Stabilizer link

11-16 060 0036 | MSL0746

Notes

Thread Measurement 2
Thread Measurement 1
Length [mm]

References

5087.56

with spanner attachment
Coupling Rod
M12x1,5
M12x1,5
263
Front Axle Right
Front Axle Left



Application info

Expert II (01/07--)

Expert II (01/07--)

11-16 060 0000/HD | MSL0082HD

Stabilizer link



Notes

Thread Measurement 2
Thread Measurement 1
Length [mm]

Reinforced Version

References

5087.50
5087.57
5087.62
5087.64

with spanner attachment
Coupling Rod
M10x1,5
M10x1,5
335
Front Axle Right
Front Axle Left

5087.77
98 347 856
98 049 474 80

Application info

3008 [06/09--]
307 [08/00-01/05]
308 [09/07--]
5008 [06/09--]

Partner II [04/08--]
RCZ [03/10--]
Partner II [04/08--]

11-16 060 0028 | MSL0738

Stabilizer link



Notes

Thread Measurement 2
Thread Measurement 1
Length [mm]

References

5087.57

with spanner attachment
Coupling Rod
M10x1,5
M10x1,5
335
Front Axle Right
Front Axle Left

98 049 474 80

Application info

3008 [06/09--]
308 [09/07--]
5008 [06/09--]

Partner II [04/08--]
RCZ [03/10--]
Partner II [04/08--]

11-16 060 0021/HD | MSL0099HD

Stabilizer link



Notes

Thread Measurement 2
Thread Measurement 1
Length [mm]

Reinforced Version

References

5087.58

with spanner attachment
Coupling Rod
M10x1,25
M10x1,25
265
Front Axle Right
Front Axle Left

Stabilizer link

11-16 060 0021/HD | MSL0099HD

Application info

4007 [02/07--]

4008 [05/12--]

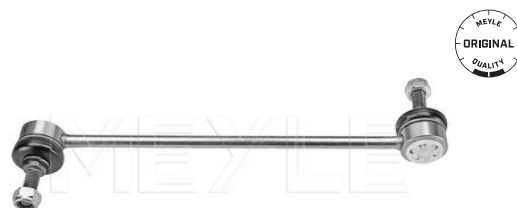
Stabilizer link

11-16 060 0037 | MSL0747

Notes

Thread Measurement 2
Thread Measurement 1
Length [mm]

with spanner attachment
Coupling Rod
M10x1,25
M10x1,25
265
Front Axle Right
Front Axle Left



References

5087.58

Application info

4007 [02/07--]

4008 [05/12--]

Stabilizer link

11-16 060 0001/HD | MSL0083HD

Notes

Thread Measurement 2
Thread Measurement 1
Length [mm]

with spanner attachment
Coupling Rod
M10x1,5
M10x1,5
335
Front Axle Right
Front Axle Left



Reinforced Version

References

5087.45
5087.59
5087.66
5087.71

5087 74
96 288 787
98 000 861 80
98 088 682 80

Application info

1007 [04/05--]
2008 [03/13--]

206 [08/98-03/09]
208 [03/12--]

11-16 060 0026 | MSL0737

Stabilizer link



Notes

Thread Measurement 2
Thread Measurement 1
Length [mm]

with spanner attachment
Coupling Rod
M10x1,5
M10x1,5
335
Front Axle Right
Front Axle Left

References

5087.45
5087.59

5087 66
5087 74

Application info

1007 [04/05--]
2008 [03/13--]

206 [08/98-03/09]

11-16 060 0002/HD | MSL0084HD

Stabilizer link



Notes

Thread Measurement 2
Thread Measurement 1
Length [mm]

with spanner attachment
Coupling Rod
M10x1,5
M12x1,5
320
Front Axle Right
Front Axle Left

Reinforced Version

References

5087.43

5087.60

Application info

406 [11/95-12/04]

607 [02/00-07/04]

11-16 060 0030 | MSL0740

Stabilizer link



Notes

Thread Measurement 2
Thread Measurement 1
Length [mm]

with spanner attachment
Coupling Rod
M10x1,5
M12x1,5
320
Front Axle Right
Front Axle Left

References

5087.43

5087.60

Application info

406 [11/95-12/04]

607 [02/00-07/04]

7



Stabilizer link

11-16 060 0025 | MSL0736

Notes

Thread Measurement 2
Thread Measurement 1
Length [mm]

with spanner attachment
Coupling Rod
M10x1,5
M10x1,5
335
Front Axle Right
Front Axle Left

References

5087.50
5087.62
5087.64

5087.77
96 347 856



Application info

3008 [06/09--]
307 [08/00-01/05]

308 [09/07--]

Stabilizer link

216 060 0000/HD | MSL0176HD

Notes

Thread Measurement 2
Thread Measurement 1
Length [mm]

with spanner attachment
Coupling Rod
M10x1,5
M10x1,5
290
Front Axle Right
Front Axle Left

Reinforced Version

References

5087.65
5087.70

5087.79



Application info

Bipper [02/08--]

Bipper [02/08--]

Stabilizer link

216 060 0033 | MSL0773

Notes

Thread Measurement 2
Thread Measurement 1
Length [mm]

with spanner attachment
Coupling Rod
M10x1,5
M10x1,5
290
Front Axle Right
Front Axle Left

References

5087.65
5087.70

5087.79



216 060 0033 | MSL0773

Stabilizer link

Application info

Bipper (02/08--)

Bipper (02/08--)

11-16 060 0029 | MSL0739

Stabilizer link



Notes

Thread Measurement 2
Thread Measurement 1
Length [mm]

with spanner attachment
Coupling Rod
M10x1,5
M10x1,5
335
Front Axle Right
Front Axle Left

References

5087.71

98 000 861 80

Application info

208 (03/12--)

11-16 060 0023/HD | MSL0101HD

Stabilizer link



Notes

Thread Measurement 2
Thread Measurement 1
Length [mm]

with spanner attachment
Coupling Rod
M12 X 1,75
M12 X 1,75
345
Front Axle Right
Front Axle Left

Reinforced Version

References

5087.76

Application info

508 (11/10--)

11-16 060 0019 | MSL0097

Stabilizer link



Notes

Thread Size
Length [mm]

with accessories
Coupling Rod
M8x1,25
92
Front Axle Right
Front Axle Left

References

5091.10

7

Stabilizer link

11-16 060 0019 | MSL0097

Application info

107 [06/05--]

Stabilizer link

37-16 060 0022/HD | MSL0447HD

Notes

Thread Measurement 2
Thread Measurement 1
Length [mm]

Coupling Rod
M10x1,5
M10x1,5
130
Rear Axle Right
Rear Axle Left

Reinforced Version

References

16 08 078 280
5170.F5

5170.F6



Application info

Boxer III [04/06--]

Boxer III [04/06--]

Stabilizer link

37-16 060 0056 | MSL0865

Notes

Thread Measurement 2
Thread Measurement 1
Length [mm]

Coupling Rod
M10x1,5
M10x1,5
130
Rear Axle Right
Rear Axle Left

References

16 08 078 280
5170.F5

5170.F6



Application info

Boxer III [04/06--]

Boxer III [04/06--]

Stabilizer link

11-16 060 0009/HD | MSL0089HD

Notes

Thread Measurement 2
Thread Measurement 1
Length [mm]

with spanner attachment
Coupling Rod
M10x1,5
M10x1,5
160
Rear Axle Right
Rear Axle Left

Reinforced Version

References

5178.38



11-16 060 0009/HD | MSL0089HD

Stabilizer link

Application info

406 [11/95-12/04]

11-16 060 0031 | MSL0741

Stabilizer link



Notes

Thread Measurement 2
Thread Measurement 1
Length [mm]

with spanner attachment
Coupling Rod
M10x1,5
M10x1,5
160
Rear Axle Right
Rear Axle Left

References

5178.38

Application info

406 [11/95-12/04]

11-16 010 0002 | MSL0081

Stabilizer link



Notes

Inner diameter [mm]
Thread Measurement 1
Length [mm]

Coupling Rod
10
M12x1,25
245
Rear Axle Right
Rear Axle Left

References

5178.39

96 287 831

Application info

406 [11/95-12/04]

Stabilizer link

11-16 060 0011 | MSL0583

Notes

Thread Measurement 2
Thread Measurement 1
Length [mm]

with spanner attachment
Coupling Rod
M12X1.25
M12x1.25
84
Rear Axle Left

References

16 073 235 80 5178.30
5178.17 5178.43
5178.21

Counterpart

11-16 060 0012 | MSL0584



Application info

605 (06/89-09/99)

607 (02/00-07/04)

Stabilizer link

11-16 060 0012 | MSL0584

Notes

Thread Measurement 2
Thread Measurement 1
Length [mm]

with spanner attachment
Coupling Rod
M12X1.25
M12x1.25
84
Rear Axle Right

References

16 073 236 80 5178.31
5178.18 5178.44
5178.22

Counterpart

11-16 060 0011 | MSL0583



Application info

605 (06/89-09/99)

607 (02/00-07/04)

Stabilizer link

29-16 060 0004 | MSL0226

Notes

Thread Measurement 2
Thread Measurement 1
Length [mm]

Coupling Rod
M10x1,25
M10x1,25
80

References

5178.48

Counterpart

29-16 060 0003 | MSL0225



29-16 060 0004 | MSL0226

Stabilizer link

Application info

4007 [02/07--]

4008 [05/12--]

29-16 060 0003 | MSL0225

Stabilizer link



Notes

Thread Measurement 2
Thread Measurement 1
Length [mm]

Coupling Rod
M10x1,25
M10x1,25
80

References

5178.49

Counterpart

29-16 060 0004 | MSL0226

Application info

4007 [02/07--]

4008 [05/12--]

11-16 060 0016/HD | MSL0094HD

Stabilizer link



Notes

Thread Measurement 2
Thread Measurement 1
Length [mm]

with spanner attachment
Coupling Rod
M10x1,5
M10x1,5
141
Rear Axle Right
Rear Axle Left

Reinforced Version

References

5178.46
5178.52

98 071 300 80

Application info

407 [05/04-12/09]

508 [11/10--]

11-16 060 0033 | MSL0743

Stabilizer link



Notes

Thread Measurement 2
Thread Measurement 1
Length [mm]

with spanner attachment
Coupling Rod
M10x1,5
M10x1,5
141
Rear Axle Right
Rear Axle Left

References

5178.46

5178.52

Stabilizer link

11-16 060 0033 | MSL0743

Application info

407 (05/04-12/09)

508 (11/10--)

Stabilizer link

11-16 060 0024/HD | MSL0700HD

Notes

Thread Measurement 2
Thread Measurement 1
Length [mm]

with spanner attachment
Coupling Rod
M10X1,5
M10x1,5
334
Front Axle Right
Front Axle Left

Reinforced Version

References

98 069 071 80

98 090 457 80



Application info

308 (09/07--)

308 II (09/13--)

Axle support bushing

11-14 610 0003 | MAB0073

Notes

Inner diameter [mm]
Outer diameter [mm]
Height [mm]
Length [mm]

14
45
57
52
Rear
Rear Axle Right
Rear Axle Left

References

3640.35



Application info

406 (11/95-12/04)

Axle support bushing

11-14 710 0025 | MAB0182

Notes

Inner diameter [mm]
Outer diameter [mm]
Height [mm]

12
47
30
Rear Axle Right
Rear Axle Left

References

5131.47



11-14 710 0025 | MAB0182

Axle support bushing

Application info

405 [01/87-11/99]
Partner I [04/96-07/08]

Partner I [04/96--]

11-14 710 0013 | MAB0080

Axle support bushing



Notes

Inner diameter [mm]	12
Outer diameter [mm]	33
Height [mm]	47
	Rear Axle Right
	Rear Axle Left

References

5131.63	5131.65
---------	---------

Application info

106 [08/91-07/04]

11-14 051 0001 | MAB0072

Axle support bushing



Notes

Rubber-metal Bearing
Rear
Rear Axle left and right

References

5131.71

Application info

306 [04/93-10/03]

11-14 710 0010 | MAB0078

Axle support bushing



Notes

Inner diameter [mm]	14
Outer diameter [mm]	55
Height [mm]	65
	Front
	Rear Axle Right
	Rear Axle Left

References

5131.79	5131.99
---------	---------

Axle support bushing

11-14 710 0010 | MAB0078

Application info

406 [11/95-12/04]

Axle support bushing

11-14 710 0014 | MAB0147

Notes

Inner diameter [mm]	12
Outer diameter [mm]	32
Height [mm]	60
	inner
	Rear Axle Right
	Rear Axle Left

References

5131.80



Application info

406 [11/95-12/04]

Axle support bushing

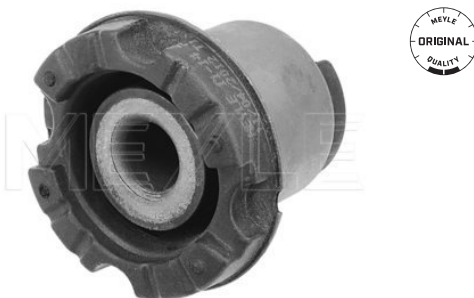
11-14 710 0008 | MAB0077

Notes

Inner diameter [mm]	17
Outer diameter [mm]	48
Height [mm]	69
	Front
	Rear Axle Right
	Rear Axle Left

References

5131.93	5131.F8
5131.A9	



Application info

206 [08/98-03/09]

Axle support bushing

11-14 710 0011 | MAB0079

Notes

Inner diameter [mm]	17
Outer diameter [mm]	48
Height [mm]	70
	Rear
	Rear Axle Right
	Rear Axle Left

References

5131.94



7

11-14 710 0011 | MAB0079

Axle support bushing

Application info
206 [08/98-03/09]

11-14 710 0021 | MAB0153

Axle support bushing



Notes

Inner diameter [mm]	12
Outer diameter [mm]	53
Height [mm]	57
	Rear Axle Right
	Rear Axle Left

References

5131.98

Application info

Partner I [04/96-07/08]

11-14 710 0017 | MAB0156

Axle support bushing



Notes

Inner diameter [mm]	12.5
Outer diameter [mm]	72
Height [mm]	83
	Rear Axle Right
	Rear Axle Left

References

5131.A4

5131 A5

Application info

307 [08/00-01/05]

11-14 710 0016 | MAB0082

Axle support bushing



Notes

Inner diameter [mm]	12
Outer diameter [mm]	71
Height [mm]	82
	Front
	Rear Axle Right
	Rear Axle Left

References

5131.E9
5131.F0

5131.F9

Axle support bushing
11-14 710 0016 | MAB0082
Application info

207 [02/06-10/08]

207 [02/06--]

Axle support bushing
11-14 710 0024 | MAB0181
Notes

Inner diameter [mm]	12
Outer diameter [mm]	72
Height [mm]	82.5
	Rear Axle Right
	Rear Axle Left

References

5131.G4


Application info

308 [09/07--]

RCZ [03/10--]

Axle support bushing
11-14 710 0018 | MAB0157
Notes

Inner diameter [mm]	12
Outer diameter [mm]	72
Height [mm]	83
	Front
	Rear Axle Right
	Rear Axle Left

References

5131.H4


Application info

2008 [03/13--]

208 [03/12--]

301 [11/12--]

Axle support bushing
11-14 710 0007 | MAB0076
Notes

Inner diameter [mm]	12
Outer diameter [mm]	47
Height [mm]	60
	Rear Axle Right
	Rear Axle Left

References

5152.61



11-14 710 0007 | MAB0076

Axle support bushing

Application info

806 [06/94-08/02]
Expert I [02/96-10/06]

Expert I [07/95--]

11-14 710 0004 | MFM0021

Mount, axle carrier



Notes

Required quantity

Rubber-metal Bearing
2
Left and right
Front

References

3504.08

Application info

406 [11/95-12/04]

11-14 710 0002 | MFM0020

Mount, axle carrier



Notes

Rubber-metal Bearing
Left and right
Front and Rear

References

3504.18

Application info

406 [11/95-12/04]

11-14 180 0007 | MFM0017

Mount, axle carrier



Notes

Rubber-metal Bearing
Left and right
Front

References

3504.30

Mount, axle carrier

11-14 180 0007 | MFM0017

Application info
407 (05/04-12/09)

Mount, axle carrier

11-14 180 0008 | MFM0018

Notes

Rubber-metal Bearing
Rear

References
3504.35



Application info
407 (05/04-12/09)

Mount, axle carrier

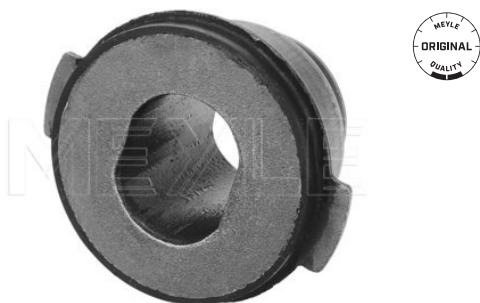
11-14 180 0006 | MFM0016

Notes

Rubber-metal Bearing
Right Rear

References
3504.41

Counterpart
11-14 180 0005 | MFM0015
11-14 180 0005 | MFM0015



Application info
407 (05/04-12/09)

Mount, axle carrier

11-14 180 0005 | MFM0015

Notes

Rubber-metal Bearing
Left Rear

References
3504.42

Counterpart
11-14 180 0006 | MFM0016
11-14 180 0006 | MFM0016



11-14 180 0005 | MFM0015

Mount, axle carrier

Application info
407 [05/04-12/09]

11-14 753 0000 | MFK0028

Repair kit, subframe



Notes

Rear Axle Left
Rear Axle Right

References

5131.A6	5174.07
5132.72	5179.14
5174.05	

Application info
206 [08/98-03/09]

11-14 753 0002 | MFK0031

Repair kit, subframe



Notes

Rear Axle Right
Rear Axle Left

References

5131.49	5174.06
5131.96	5174.08
5132.66	5179.14

Application info
206 [08/98-03/09]

11-14 710 0004 | MFM0021

Subframe mount



Notes

Required quantity

Rubber-metal Bearing
2
Left and right
Front

References

3504.08

Subframe mount

11-14 710 0004 | MFM0021

Application info

406 [11/95-12/04]

Subframe mount

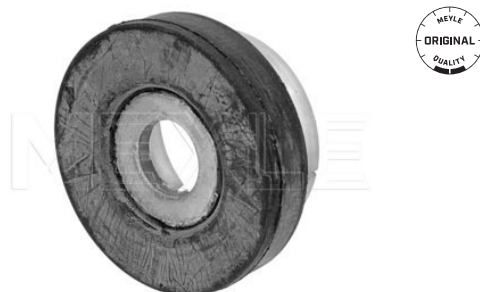
11-14 710 0002 | MFM0020

Notes

Rubber-metal Bearing
Front and Rear
Left and right

References

3504.18



Application info

406 [11/95-12/04]

Subframe mount

11-14 180 0007 | MFM0017

Notes

Rubber-metal Bearing
Left and right
Front

References

3504.30



Application info

407 [05/04-12/09]

Subframe mount

11-14 180 0008 | MFM0018

Notes

Rubber-metal Bearing
Rear

References

3504.35



11-14 180 0008 | MFM0018

Subframe mount

Application info
407 [05/04-12/09]

11-14 180 0006 | MFM0016

Subframe mount



Notes

Rubber-metal Bearing
Right Rear

References

3504.41

Counterpart

11-14 180 0005 | MFM0015
11-14 180 0005 | MFM0015

Application info
407 [05/04-12/09]

11-14 180 0005 | MFM0015

Subframe mount



Notes

Rubber-metal Bearing
Left Rear

References

3504.42

Counterpart

11-14 180 0006 | MFM0016
11-14 180 0006 | MFM0016

Application info
407 [05/04-12/09]

11-14 710 0001 | MCX0186

Bushing, leaf spring



Notes

Inner diameter [mm]	16
Outer diameter [mm]	40
Height [mm]	47
	Rear Axle Right
	Rear Axle Left

References

5131.72

Bushing, leaf spring

11-14 710 0001 | MCX0186

Application info

Boxer I (03/94-04/02)
Boxer II (04/02-09/09)

Boxer I (03/94-04/02)
Boxer II (12/01--)

Coil spring

11-14 639 0009 | MCS0220

Notes

Required quantity 2
Front Axle

Replace in pairs only

References

5002.35



Application info

306 (04/93-10/03)

Coil spring

11-14 639 0007 | MCS0218

Notes

Required quantity 2
Front Axle

Replace in pairs only

References

5002.A4



Application info

306 (04/93-10/03)

Coil spring

11-14 639 0002 | MCS0213

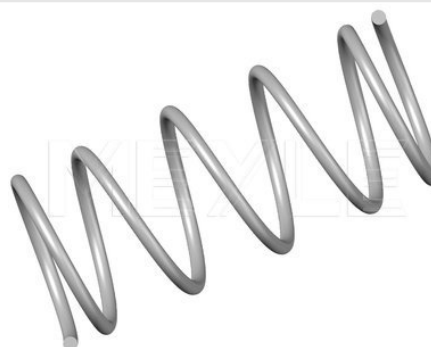
Notes

Required quantity 2
Front Axle

Replace in pairs only

References

5002.AH



11-14 639 0002 | MCS0213

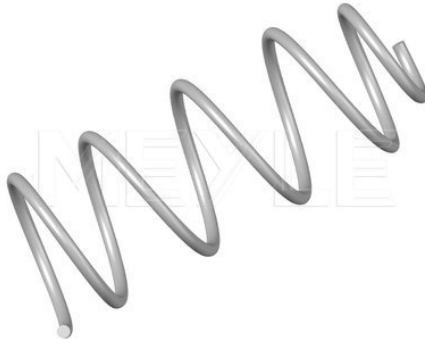
Coil spring

Application info

206 [08/98-03/09]

11-14 639 0008 | MCS0219

Coil spring



Notes

Required quantity

2

Replace in pairs only

Front Axle

References

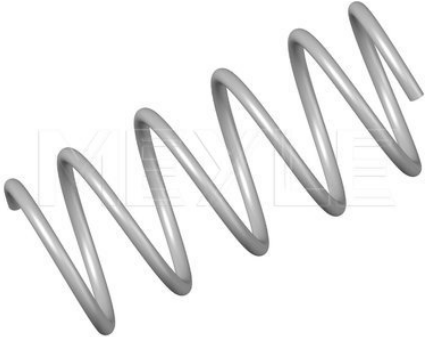
5002.FV

Application info

307 [08/00-01/05]

11-14 639 0010 | MCS0221

Coil spring



Notes

Required quantity

2

Replace in pairs only

Front Axle

References

5002.HR

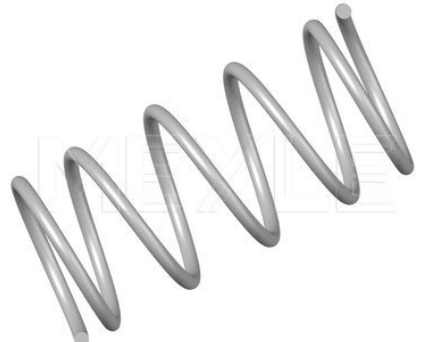
Application info

Partner I [04/96-07/08]

Partner I [04/96--]

11-14 639 0003 | MCS0214

Coil spring



Notes

Required quantity

2

Replace in pairs only

Front Axle

References

5002.N2



Coil spring

11-14 639 0003 | MCS0214

Application info

Partner I [04/96-07/08]

Partner I [04/96--]

Coil spring

11-14 639 0000 | MCS0211

Notes

Required quantity 2
Front Axle
Replace in pairs only



References

5002.P6

Application info

306 [04/93-10/03]

Coil spring

11-14 639 0004 | MCS0215

Notes

Required quantity 2
Front Axle
Replace in pairs only



References

5002.T4

Application info

106 [08/91-07/04]

Coil spring

11-14 639 0006 | MCS0217

Notes

Required quantity 2
Front Axle
Replace in pairs only



References

5002.R7

5002.V2

7

11-14 639 0006 | MCS0217

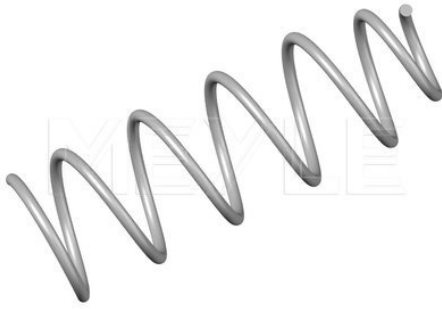
Coil spring

Application info

406 [11/95-12/04]

11-14 639 0005 | MCS0216

Coil spring



Notes

Required quantity 2
Front Axle
Replace in pairs only

References

5002.V6

Application info

406 [11/95-12/04]

11-14 639 0001 | MCS0212

Coil spring



Notes

Required quantity 2
Front Axle
Replace in pairs only

References

5002.V8 5002.W1

Application info

406 [11/95-12/04]

11-14 739 0001 | MCS0223

Coil spring



Notes

Required quantity 2
Rear Axle
Replace in pairs only

References

5102.C4

Coil spring

11-14 739 0001 | MCS0223

Application info

406 (11/95-12/04)

Coil spring

11-14 739 0002 | MCS0224

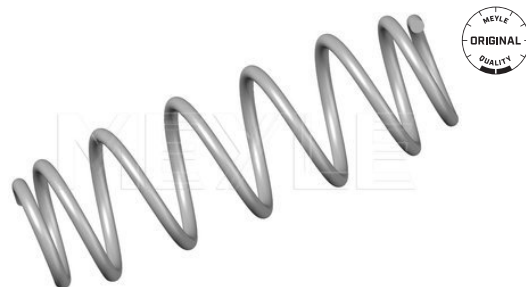
Notes

Required quantity 2
Rear Axle

Replace in pairs only

References

5102.F5



Application info

307 (08/00-01/05)

Coil spring

11-14 739 0000 | MCS0222

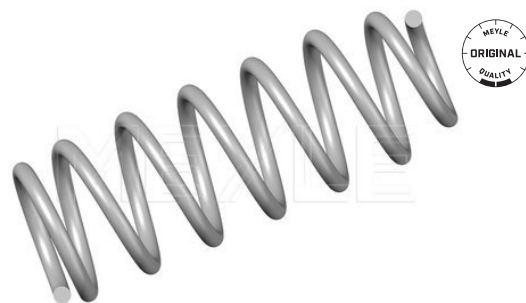
Notes

Required quantity 2
Rear Axle

Replace in pairs only

References

5102.F6 5102.V8
5102.H6



Application info

307 (08/00-01/05)

Dust cover kit, shock absorber

11-14 640 0000 | MSC0033

Notes

Kit
Front Axle



11-14 640 0000 | MSC0033

Dust cover kit, shock absorber

Application info

307 [08/00-01/05]
308 [09/07--]

Partner II [04/08--]
Partner II [04/08--]

11-14 640 0001 | MSC0034

Dust cover kit, shock absorber



Notes

Kit
Front Axle

Application info

205 [02/83-09/98]
305 [11/77-07/90]
306 [04/93-10/03]
309 [10/85-12/93]

405 [01/87-11/99]
Partner I [04/96-07/08]
205 [02/83--]
Partner I [04/96--]

11-14 640 0002 | MSC0035

Dust cover kit, shock absorber



Notes

Kit
Front Axle

Application info

406 [11/95-12/04]

605 [06/89-09/99]

7



Dust cover kit, shock absorber

11-14 640 0003 | MSC0036

Notes

Kit
Front Axle



Application info

206 [08/98-03/09]

Dust cover kit, shock absorber

11-14 740 0000 | MSC0037

Notes

Kit
Rear Axle



Application info

406 [11/95-12/04]

Dust cover kit, shock absorber

214 640 0010 | MSC0119

Notes

Kit
Front Axle



Application info

Boxer III [04/06--]

Boxer III [04/06--]

30-14 640 0004 | MSC0125

Dust cover kit, shock absorber



Notes

Kit
Front Axle

Application info

107 [06/05--]

32-14 640 0002 | MSC0140

Dust cover kit, shock absorber



Notes

Kit
Front Axle

Application info

4007 [02/07--]

40-14 640 0001 | MSC0083

Dust cover kit, shock absorber



Notes

Kit
Front Axle

Application info

106 [08/91-07/04]

Dust cover kit, shock absorber

40-14 640 0002 | MSC0084

Notes

Kit
Front Axle



Application info

Boxer I [03/94-04/02]
Boxer II [04/02-09/09]
J5 [280] [09/81-09/90]
J5 [290] [09/90-03/94]

Boxer I [03/94-04/02]
Boxer II [12/01--]
J5 [280] [09/81-09/90]
J5 [290] [09/90-03/94]

Dust cover kit, shock absorber

40-14 640 0003 | MSC0085

Notes

Kit



Application info

504 [07/68-12/89]

505 [05/79-09/95]

Dust cover kit, shock absorber

40-14 640 0004 | MSC0115

Notes

Kit
Front Axle



Application info

Boxer I [03/94-04/02]

Boxer I [03/94-04/02]

40-14 640 0005 | MSC0133

Dust cover kit, shock absorber



Notes

Kit
Front Axle

Application info

207 [02/06-10/08]

714 640 0007 | MSC0101

Dust cover kit, shock absorber



Notes

Kit
Front Axle

Application info

Expert I [02/96-10/06]

Expert I [07/95--]

614 643 0000 | MCX0322

Dust cover/boot, strut



Notes

Diameter [mm]	80
Diameter [mm]	66
Height [mm]	205
Required quantity	2
	Front Axle

References

5254.47

Application info

Bipper [02/08--]

Bipper [02/08--]

7



Repair kit, strut mount

40-14 641 0009 | MCX0470

Notes

with ball bearing
Front Axle

References

5031.96

9652351280



Application info

1007 [04/05--]

Repair kit, strut mount

11-14 641 0024 | MCX0475

Notes

with anti-friction bearing
Front Axle

References

5031.A3

Parts list

11-14 641 0020 | MSM0200

Strut mount



Application info

207 [02/06-10/08]

Repair kit, strut mount

11-14 641 0027 | MCX0550

Notes

with anti-friction bearing
Front Axle

References

5037.26

5037.35

Parts list

11-14 641 0007 | MSM0079

214 770 0001 | MMB0014

Strut mount

Strut mount bearing



Application info

405 [01/87-11/99]

7

40-14 641 0010 | MCX0562

Repair kit, strut mount



Notes

with anti-friction bearing

References

5038.16
5038.68

5038.69

Parts list

40-14 641 0004 | MSM0145
11-14 641 0018 | MMB0010

Strut mount
Strut mount bearing

Counterpart

40-14 641 0011 | MCX0563

Application info

806 [06/94-08/02]
807 [06/02-05/08]
Expert I [02/96-10/06]

Expert II [01/07--]
Expert I [07/95--]
Expert II [01/07--]

11-14 641 1001/S | MCX0569

Repair kit, strut mount



Notes

with ball bearing

References

5038.18

Parts list

11-14 641 1001 | MSM0251
11-14 641 0004 | MMB0008

Strut mount
Strut mount bearing

Counterpart

11-14 641 1002/S | MCX0570

Application info

Boxer I [03/94-04/02]
Boxer II [04/02-09/09]

Boxer I [03/94-04/02]
Boxer II [12/01--]

11-14 641 1002/S | MCX0570

Repair kit, strut mount



Notes

with ball bearing

References

5038.19

Parts list

11-14 641 1002 | MSM0258
11-14 641 0004 | MMB0008

Strut mount
Strut mount bearing

Counterpart

11-14 641 1001/S | MCX0569

7



Repair kit, strut mount

11-14 641 1002/S | MCX0570

Application info

Boxer I [03/94-04/02]
Boxer II [04/02-09/09]

Boxer I [03/94-04/02]
Boxer II [12/01--]

Repair kit, strut mount

40-14 641 0011 | MCX0563

Notes

with anti-friction bearing

References

5038.17
5038.70

5038.71

Parts list

40-14 641 0005 | MSM0146
11-14 641 0018 | MMB0010

Strut mount
Strut mount bearing

Counterpart

40-14 641 0010 | MCX0562



Application info

806 [06/94-08/02]
807 [06/02-05/06]
Expert I [02/96-10/06]

Expert II [01/07--]
Expert I [07/95--]
Expert II [01/07--]

Repair kit, strut mount

11-14 641 0031 | MCX0571

Notes

with anti-friction bearing
Front Axle Right

References

5038.89
5038.A3

5038.C9
5038.E2

Parts list

11-14 641 0014 | MSM0085
11-14 641 0004 | MMB0008

Strut mount
Strut mount bearing

Counterpart

11-14 641 0030 | MCX0568

Application info

Boxer II [04/02-09/09]
Boxer III [04/06--]

Boxer II [12/01--]
Boxer III [04/06--]

11-14 641 0030 | MCX0568

Repair kit, strut mount



Notes

with anti-friction bearing
Front Axle Left

References

5031.78	5038.E3
5038.87	5038.F3
5038.A4	

Parts list

11-14 641 0013 MSM0084	Strut mount
11-14 641 0004 MMB0008	Strut mount bearing

Counterpart

11-14 641 0031 | MCX0571

Application info

Boxer II [04/02-09/09]
Boxer III [04/06--]

Boxer II [12/01--]
Boxer III [04/06--]

11-14 641 0025 |

Repair kit, strut mount



Notes

with anti-friction bearing
Front Axle

References

5038.G6	9670830780
5038.H4	9683738980

Parts list

11-14 641 0022 MSM0217	Strut mount
214 770 0001 MMB0014	Strut mount bearing

Application info

208 [03/12--]

11-14 642 0004 | MRS0090

Rubber stop, suspension



Notes

Height [mm]	96
Required quantity	2
	Front Axle

References

5033.70

Application info

307 [08/00-01/05]

7

Rubber stop, suspension

11-14 642 0007 | MRS0093

Notes

Height [mm] 85
Required quantity 2
Front Axle

References

5033.86



Application info

407 [05/04-12/09]

Rubber stop, suspension

40-14 742 0002 | MRS0156

Notes

Height [mm] 130
Required quantity 2
Rear Axle

References

5166.50 5166.51



Application info

Boxer I [03/94-04/02]

Boxer I [03/94-04/02]

Rubber stop, suspension

40-14 742 0003 | MRS0157

Notes

Height [mm] 78
Required quantity 2
Rear Axle

References

5166.67



Application info

1007 [04/05--]

11-14 742 0003 | MRS0097

Rubber stop, suspension



Notes

Height [mm]	65
Required quantity	2 Rear Axle

References

5166.70

Application info

407 [05/04-12/09]

11-14 742 0002 | MRS0096

Rubber stop, suspension



Notes

Height [mm]	94
Required quantity	2 Rear Axle

References

5166.73

Application info

Partner I [04/96-07/08]

Partner I [04/96--]

11-26 623 0002 | MSA0054

Shock absorber



Notes

Suspension Strut
Gas Pressure
Twin-Tube
Front Axle Left

References

5202.CY	5202.EA
---------	---------

Counterpart

11-26 623 0003 | MSA0055

Application info

307 [08/00-01/05]



Shock absorber

11-26 623 0003 | MSA0055

Notes

Suspension Strut
Gas Pressure
Twin-Tube
Front Axle Right

References

5202.CZ

5202.EC

Counterpart

11-26 623 0002 | MSA0054



Application info

307 [08/00-01/05]

Shock absorber

11-26 624 0001 | MSA0062

Notes

Suspension Strut Insert
Gas Pressure
Twin-Tube
Front Axle

References

5202.F5

5202.FL



Application info

106 [08/91-07/04]

Shock absorber

40-26 623 0002 | MSA0411

Notes

Suspension Strut
Gas Pressure
Twin-Tube
Front Axle Left

References

5202.GW
5202.GY

5202.TA

Counterpart

40-26 623 0003 | MSA0412



Application info

1007 [04/05--]

40-26 623 0003 | MSA0412

Shock absorber



Notes

Suspension Strut
Gas Pressure
Twin-Tube
Front Axle Right

References

5202.GX
5202.GZ
5202.KL

5202.KP
5202.SX
5202.TC

Counterpart

40-26 623 0002 | MSA0411

Application info

1007 [04/05--]

40-26 623 0001 | MSA0410

Shock absorber



Notes

Suspension Strut
Gas Pressure
Twin-Tube
Front Axle

References

5202.J0

Application info

Boxer I [03/94-04/02]
Boxer II [04/02-09/09]

Boxer I [03/94-04/02]
Boxer II [12/01--]

40-26 623 0000 | MSA0409

Shock absorber



Notes

Suspension Strut
Gas Pressure
Twin-Tube
Front Axle

References

5202.J2

Application info

Boxer I [03/94-04/02]
Boxer II [04/02-09/09]

Boxer I [03/94-04/02]
Boxer II [12/01--]

7



Shock absorber

11-26 623 0004 | MSA0056

Notes

Suspension Strut
Gas Pressure
Twin-Tube
Front Axle Left

References

5202.LV
5202.W5

5202.W9

Counterpart

11-26 623 0005 | MSA0057



Application info

206 [08/98-03/09]

Shock absorber

11-26 623 0005 | MSA0057

Notes

Suspension Strut
Gas Pressure
Twin-Tube
Front Axle Right

References

5202.LW

5202.W8

Counterpart

11-26 623 0004 | MSA0056



Application info

206 [08/98-03/09]

Shock absorber

11-26 625 0000 | MSA0694

Notes

Bottom eye
Top pin
Gas Pressure
Twin-Tube
Front Axle

References

5202.NZ

5202.PA



Application info

407 [05/04-12/09]

11-26 623 0000 | MSA0053

Shock absorber



Notes

Suspension Strut
Gas Pressure
Twin-Tube
Front Axle

References

5202.PP
5202.TL

5202.VX

Application info

Expert I [02/96-10/06]

Expert I [07/95--]

40-26 623 0012 | MSA0418

Shock absorber



Notes

Suspension Strut
Gas Pressure
Twin-Tube
Front Axle

References

5202.PV

Application info

806 [06/94-08/02]

11-26 623 0008 | MSA0058

Shock absorber



Notes

Suspension Strut
Gas Pressure
Twin-Tube
Front Axle Left

References

5202.F7

5202.Q0

Counterpart

11-26 623 0009 | MSA0059

Application info

306 [04/93-10/03]
Partner I [04/96-07/08]

Partner I [04/96--]



Shock absorber

11-26 623 0009 | MSA0059

Notes

Suspension Strut
Gas Pressure
Twin-Tube
Front Axle Right

References

5202.AS

5202.Q4

Counterpart

11-26 623 0008 | MSA0058



Application info

306 [04/93-10/03]
Partner I [04/96-07/08]

Partner I [04/96--]

Shock absorber

40-26 623 0010 | MSA0416

Notes

Suspension Strut
Gas Pressure
Twin-Tube
Front Axle Left

References

5202.RW

5202.RY

Counterpart

40-26 623 0011 | MSA0417



Application info

107 [06/05--]

Shock absorber

40-26 623 0011 | MSA0417

Notes

Suspension Strut
Gas Pressure
Twin-Tube
Front Axle Right

References

5202.RX

5202.RZ

Counterpart

40-26 623 0010 | MSA0416



Application info

107 [06/05--]

11-26 623 0010 | MSA0060

Shock absorber



Notes

Suspension Strut
Gas Pressure
Twin-Tube
Front Axle Left

References

5202.Q2

5202.S4

Counterpart

11-26 623 0011 | MSA0061

Application info

Partner I [04/96-07/08]

Partner I [04/96--]

11-26 623 0011 | MSA0061

Shock absorber



Notes

Suspension Strut
Gas Pressure
Twin-Tube
Front Axle Right

References

5202.Q6

5202.S8

Counterpart

11-26 623 0010 | MSA0060

Application info

Partner I [04/96-07/08]

Partner I [04/96--]

40-26 623 0019 | MSA0608

Shock absorber



Notes

Suspension Strut
Gas Pressure
Twin-Tube
Front Axle Left

References

5202.WP
5202.WR
5202.WT

5202.WW
5208.Q2
5208.Q4

Counterpart

40-26 623 0020 | MSA0609

Application info

Expert II [01/07--]

Expert II [01/07--]

7



Shock absorber

40-26 623 0020 | MSA0609

Notes

Suspension Strut
Gas Pressure
Twin-Tube
Front Axle Right

References

5202.WQ	5202.WX
5202.WS	5208.Q3
5202.WV	5208.Q5

Counterpart

40-26 623 0019 | MSA0608



Application info

Expert II [01/07--]

Expert II [01/07--]

Shock absorber

32-26 623 0004 | MSA0279

Notes

Suspension Strut
Gas Pressure
Twin-Tube
Front Axle Right

References

5202.X6

Counterpart

32-26 623 0003 | MSA0278



Application info

4007 [02/07--]

Shock absorber

11-26 623 0013 | MSA0594

Notes

Housing Diameter [mm]

Suspension Strut
Gas Pressure
Twin-Tube
51
Front Axle Right

References

5202.WC	5208.30
5202.YT	5208.62
5202.YY	5208.64
5202.ZA	5208.65

Counterpart

11-26 623 0012 | MSA0593



11-26 623 0013 | MSA0594

Shock absorber

Application info
207 [02/06-10/08]

11-26 623 0012 | MSA0593

Shock absorber



Notes

Housing Diameter [mm]

Suspension Strut
Gas Pressure
Twin-Tube
51
Front Axle Left

References

5202.VG
5202.VK
5202.WE
5202.WG

5202.XJ
5202.YV
5202.YZ

Counterpart

11-26 623 0013 | MSA0594

Application info
207 [02/06-10/08]

11-26 613 0002 | MSA0051

Shock absorber



Notes

Suspension Strut
Oil Pressure
Twin-Tube
Front Axle Left

References

5202.L0
5202.Q7

5202.X8
5202.Z4

Counterpart

11-26 613 0003 | MSA0052

Application info
406 [11/95-12/04]



Shock absorber

11-26 613 0003 | MSA0052

Notes

Suspension Strut
Oil Pressure
Twin-Tube
Front Axle Right

References

5202.L1 5202.X9
5202.Q8 5202.Z5

Counterpart

11-26 613 0002 | MSA0051



Application info

406 [11/95-12/04]

Shock absorber

32-26 623 0003 | MSA0278

Notes

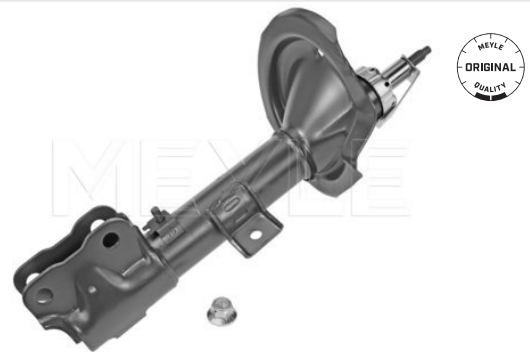
Suspension Strut
Gas Pressure
Twin-Tube
Front Axle Left

References

5202.ZP

Counterpart

32-26 623 0004 | MSA0279



Application info

407 [02/07--]

Shock absorber

11-26 613 0001 | MSA0050

Notes

Suspension Strut
Oil Pressure
Twin-Tube
Front Axle

References

5202.04 5203.31
5203.19 5203.33
5203.27 5203.35
5203.28 5203.36
5203.29



Application info

305 [11/77-07/90]

405 [01/87-11/99]

11-26 725 0011 | MSA0071

Shock absorber



Notes

Bottom eye
Top eye
Gas Pressure
Twin-Tube
Rear Axle

References

5206.45

Application info

205 [02/83-09/98]
306 [04/93-10/03]

309 [10/85-12/93]
205 [02/83--]

11-26 715 0006 | MSA0064

Shock absorber



Notes

Bottom eye
Top eye
Oil Pressure
Twin-Tube
Rear Axle

References

5206.65	5206.70
5206.66	5206.71
5206.67	5206.74
5206.68	5206.75
5206.69	5206.88

Application info

405 [01/87-11/99]

40-26 725 0000 | MSA0423

Shock absorber



Notes

Bottom eye
Top eye
Gas Pressure
Twin-Tube
Rear Axle

References

5206.C6	5206.J2
---------	---------

Application info

Boxer I [03/94-04/02]
Boxer II [04/02-09/09]

Boxer I [03/94-04/02]
Boxer II [12/01--]

7

Shock absorber

11-26 725 0007 | MSA0068

Notes

Bottom eye
Top eye
Gas Pressure
Twin-Tube
Rear Axle

References

5206.C9

5206.R0



Application info

106 [08/91-07/04]

Shock absorber

11-26 725 0001 | MSA0067

Notes

Bottom eye
Top pin
Gas Pressure
Twin-Tube
Rear Axle

References

5206.CR

5206.T9



Application info

307 [08/00-01/05]

Shock absorber

40-26 725 0005 | MSA0428

Notes

Bottom eye
Top eye
Gas Pressure
Twin-Tube
Rear Axle

References

5206.E7



Application info

806 [06/94-08/02]

40-26 725 0008 | MSA0431

Shock absorber



Notes

Bottom eye
Top pin
Gas Pressure
Twin-Tube
Rear Axle

References

5206.EE

Application info

107 [06/05--]

11-26 715 0013 | MSA0066

Shock absorber



Notes

Top pin
Bottom eye
Oil Pressure
Twin-Tube
Rear Axle

References

5206.F0
5206.R8

5206.S1
5206.S2

Application info

406 [11/95-12/04]

11-26 725 0002 | MSA0709

Shock absorber



Notes

Bottom eye
Top pin
Gas Pressure
Twin-Tube
with protective cap/bellow
Rear Axle

References

5206.AY
5206.EC

5206.FA
5206.FG

Application info

407 [05/04-12/09]



Shock absorber

11-26 725 0012 | MSA0072

Notes

Bottom eye
Top eye
Gas Pressure
Twin-Tube
Rear Axle

References

5206.H3

5206.H4



Application info

Partner I [04/96-07/08]

Partner I [04/96--]

Shock absorber

32-26 725 0003 | MSA0284

Notes

Bottom eye
Top pin
Gas Pressure
Twin-Tube
Rear Axle

References

5206.LE



Application info

4007 [02/07--]

Shock absorber

11-26 725 0013 | MSA0604

Notes

Bottom eye
Top pin
Gas Pressure
Twin-Tube
Rear Axle

References

5206.NF
5206.NG

5206.NH
5206.QE



Application info

308 [09/07--]

11-26 725 0014 | MSA0605

Shock absorber



Notes

Bottom eye
Top pin
Gas Pressure
Twin-Tube
Rear Axle

References

5206.NL
5206.NN

5206.PY
5206.RR

Application info

308 [09/07--]

11-26 725 0009 | MSA0069

Shock absorber



Notes

Bottom eye
Top eye
Gas Pressure
Twin-Tube
Rear Axle

References

5206.FE
5206.FF
5206.FS
5206.FT

5206.JP
5206.NV
5206.PZ
5206.QC

Application info

207 [02/06-10/08]

40-26 725 0001 | MSA0424

Shock absorber



Notes

Bottom eye
Top eye
Gas Pressure
Twin-Tube
Rear Axle

References

5206.P7

5206.P8

Application info

Boxer I [03/94-04/02]
Boxer II [04/02-09/09]

Boxer I [03/94-04/02]
Boxer II [12/01--]



Shock absorber

40-26 725 0007 | MSA0430

Notes

Bottom eye
Top eye
Gas Pressure
Twin-Tube
Rear Axle

References

5206.PR



Application info

Bipper [02/08--]

Bipper [02/08--]

Shock absorber

40-26 725 0006 | MSA0429

Notes

Bottom eye
Top eye
Gas Pressure
Twin-Tube
Rear Axle

References

5206.P0
5206.P4

5206.R3



Application info

806 [06/94-08/02]

Shock absorber

40-26 725 0010 | MSA0696

Notes

Bottom eye
Top eye
Gas Pressure
Twin-Tube
Rear Axle

References

5206.RE



Application info

5008 [06/09--]

11-26 715 0009 | MSA0065

Shock absorber



Notes

Top pin
Bottom eye
Oil Pressure
Twin-Tube
Rear Axle

References

5206.F1

5206.S2

Application info

406 [11/95-12/04]

11-26 715 0000 | MSA0063

Shock absorber



Notes

Bottom eye
Top eye
Oil Pressure
Twin-Tube
Rear Axle

References

5206.N8
5206.N9
5206.R1

5206.R2
5206.TH

Application info

Expert I [02/96-10/06]

Expert I [07/95--]

11-26 725 0010 | MSA0070

Shock absorber



Notes

Bottom eye
Top eye
Gas Pressure
Twin-Tube
Rear Axle

References

5206.Q4
5206.Q5
5206.Q7
5206.R5
5206.R6
5206.RZ
5206.T8

5206.V8
5206.X4
5206.Y3
5260.R5
98 114 029 80
98 114 030 80

Application info

206 [08/98-03/09]

Shock absorber

226 725 0013 | MSA0698

Notes

Bottom eye
Top eye
Gas Pressure
Twin-Tube
444
293
Rear Axle

Length 2 [mm]
Length 1 [mm]

References

5206.JL	5206.PF
5206.KJ	5206.TR
5206.KL	5206.TT
5206.KR	5206.TX
5206.KZ	5206.TY
5206.LS	5206.VC
5206.LV	5206.VF
5206.LZ	5206.VG
5206.NZ	5206.VH
5206.PC	



Application info

Boxer III [04/06--]

Boxer III [04/06--]

Shock absorber

40-26 725 0011 | MSA0589

Notes

Bottom eye
Top eye
Gas Pressure
Twin-Tube
Rear Axle

References

5206.FV	5206.QV
5206.FW	5206.VE
5206.FX	5206.VQ
5206.GC	5206.VR



Application info

Expert II [01/07--]

Expert II [01/07--]

226 725 0012 | MSA0701

Shock absorber



Notes

Length 2 [mm]
Length 1 [mm]

References

5206.KG
5206.LX
5206.TS
5206.TW

Bottom eye
Top eye
Gas Pressure
Twin-Tube
476
315
Rear Axle

5206.VA
5206.VS
5206.VT

Application info

Boxer III (04/06--)

Boxer III (04/06--)

40-26 725 0003 | MSA0426

Shock absorber



Notes

References

5206.V9
5206.W0

Top pin
Bottom eye
Gas Pressure
Twin-Tube
Rear Axle

5206.WR

Application info

307 (08/00-01/05)

40-26 725 0002 | MSA0425

Shock absorber



Notes

References

5206.AN
5206.X7

Bottom eye
Top eye
Gas Pressure
Twin-Tube
Rear Axle

5206.Z5
5206.Z7

Application info

1007 (04/05--)



Shock absorber

40-26 725 0009 | MSA0641

Notes

Bottom eye
Top eye
Gas Pressure
Twin-Tube
Rear Axle

References

5206.YR



Application info

Partner II [04/08--]

Partner II [04/08--]

Shock absorber

40-26 725 0004 | MSA0427

Notes

Bottom eye
Top eye
Gas Pressure
Twin-Tube
Rear Axle

References

5206.AC
5206.AQ

5206.PT
5206.Z4



Application info

807 [06/02-05/06]

Shock absorber

11-26 623 0014 | MSA0606

Notes

Suspension Strut
Gas Pressure
Twin-Tube
Front Axle Left

References

5208.03
5208.05
5208.13
5208.14

5208.19
5208.21
5208.22

Counterpart

11-26 623 0015 | MSA0607



Application info

308 [09/07--]

11-26 623 0015 | MSA0607

Shock absorber



Notes

Suspension Strut
Gas Pressure
Twin-Tube
Front Axle Right

References

5208.04 5208.20
5208.06 5208.22

Counterpart

11-26 623 0014 | MSA0606

Application info

308 [09/07--]

40-26 623 0015 | MSA0421

Shock absorber



Notes

Suspension Strut
Gas Pressure
Twin-Tube
Front Axle Left

References

5208.81 5208.83

Counterpart

40-26 623 0016 | MSA0422

Application info

Partner II [04/08--]

Partner II [04/08--]

40-26 623 0016 | MSA0422

Shock absorber



Notes

Suspension Strut
Gas Pressure
Twin-Tube
Front Axle Right

References

5208.82 5208.84

Counterpart

40-26 623 0015 | MSA0421

Application info

Partner II [04/08--]

Partner II [04/08--]

7



Shock absorber

40-26 623 0013 | MSA0419

Notes

Suspension Strut
Gas Pressure
Twin-Tube
Front Axle Left

References

5208.52 5208.F4

Counterpart

40-26 623 0014 | MSA0420



Application info

Bipper [02/08--]

Bipper [02/08--]

Shock absorber

226 623 0017 | MSA0707

Notes

Housing Diameter [mm]

Suspension Strut
Gas Pressure
Twin-Tube
25
Front Axle

References

5202.ZK 5208.L4
5202.ZL 5208.L5
5208.55



Application info

Boxer III [04/06--]

Boxer III [04/06--]

Shock absorber

226 623 0018 | MSA0708

Notes

Housing Diameter [mm]

Suspension Strut
Gas Pressure
Twin-Tube
28
Front Axle

References

5202.XG 5208.54
5202.XH 5208.L2
5202.ZH 5208.L3
5202.ZJ 5208.L6
5208.53



Application info

Boxer III [04/06--]

Boxer III [04/06--]

7

40-26 623 0014 | MSA0420

Shock absorber



Notes

Suspension Strut
Gas Pressure
Twin-Tube
Front Axle Right

References

5208.51
5208.F5

5208.T5

Counterpart

40-26 623 0013 | MSA0419

Application info

Bipper (02/08--)

Bipper (02/08--)

11-26 623 0016 | MSA0735

Shock absorber



Notes

Suspension Strut
Gas Pressure
Twin-Tube
47
Front Axle Left

References

98 01 729 080
98 01 729 280

98 02 144 580

Counterpart

11-26 623 0017 | MSA0736

Application info

208 (03/12--)

11-26 623 0017 | MSA0736

Shock absorber



Notes

Suspension Strut
Gas Pressure
Twin-Tube
47
Front Axle Right

References

98 01 729 180
98 01 729 380

98 02 144 680

Counterpart

11-26 623 0016 | MSA0735

Application info

208 (03/12--)

7

Shock absorber

11-26 725 0015 | MSA0734

Notes

Bottom eye
Top eye
Gas Pressure
Twin-Tube
Rear Axle



References

96 78 823 080
96 78 823 180

98 02 145 580

Application info

208 [03/12--]

Strut mount

11-14 641 0007 | MSM0079

Notes

without ball bearing
Front Axle



References

5037.26

5037.35



Application info

405 [01/87-11/99]

Strut mount

40-14 641 0004 | MSM0145

Notes

without ball bearing



References

5038.16
5038.68

5038.69

Counterpart

40-14 641 0005 | MSM0146



Application info

806 [06/94-08/02]
807 [06/02-05/06]
Expert I [02/96-10/06]

Expert II [01/07--]
Expert I [07/95--]
Expert II [01/07--]

11-14 641 0001/S | MSM0072

Strut mount



Notes

with ball bearing

References

5038.18

Parts list

11-14 641 0004 | MMB0008

Strut mount bearing

Counterpart

11-14 641 0002/S | MSM0074

Application info

Boxer I [03/94-04/02]
Boxer II [04/02-09/09]

Boxer I [03/94-04/02]
Boxer II [12/01--]

11-14 641 1001 | MSM0251

Strut mount



Notes

without ball bearing

References

5038.18

Counterpart

11-14 641 1002 | MSM0258

Application info

Boxer I [03/94-04/02]
Boxer II [04/02-09/09]

Boxer I [03/94-04/02]
Boxer II [12/01--]

11-14 641 0002/S | MSM0074

Strut mount



Notes

with ball bearing

References

5038.19

Parts list

11-14 641 0004 | MMB0008

Strut mount bearing

Counterpart

11-14 641 0001/S | MSM0072

Application info

Boxer I [03/94-04/02]
Boxer II [04/02-09/09]

Boxer I [03/94-04/02]
Boxer II [12/01--]

7



Strut mount

11-14 641 1002 | MSM0258

Notes

without ball bearing



References

5038.19

5038.29

Counterpart

11-14 641 1001 | MSM0251

Application info

Boxer I [03/94-04/02]
Boxer II [04/02-09/09]

Boxer I [03/94-04/02]
Boxer II [12/01--]

Strut mount

11-14 641 0019 | MSM0216

Notes

without ball bearing
Front Axle



References

5038.50

9614031780



Application info

106 [08/91-07/04]

Strut mount

11-14 050 0002 | MSM0069

Notes

without ball bearing
Front Axle



References

5038.08

5038.52



Application info

106 [08/91-07/04]

11-14 641 0006 | MSM0078

Strut mount



Notes

without ball bearing
Front Axle

References

5038.25

5038.66

Application info

406 [11/95-12/04]

40-14 641 0005 | MSM0146

Strut mount



Notes

without ball bearing

References

5038.17
5038.70

5038.71

Counterpart

40-14 641 0004 | MSM0145

Application info

806 [06/94-08/02]
807 [06/02-05/06]
Expert I [02/96-10/06]

Expert II [01/07--]
Expert I [07/95--]
Expert II [01/07--]

11-14 641 0005 | MSM0077

Strut mount



Notes

without ball bearing
Front Axle

References

5038.24

5038.78

Application info

Partner I [04/96-07/08]

Partner I [04/96--]

Strut mount

11-14 641 0003 | MSM0075

Notes

without ball bearing
Front Axle

References

5038.46

5038.85



Application info

307 [08/00-01/05]
Partner II [04/08--]

Partner II [04/08--]

Strut mount

11-14 641 0003/S | MSM0076

Notes

with ball bearing
Front Axle

References

5038.46

5038.85

Parts list

11-14 641 0003 | MSM0075

Strut mount



Application info

307 [08/00-01/05]
Partner II [04/08--]

Partner II [04/08--]

Strut mount

11-14 641 0014 | MSM0085

Notes

without ball bearing
Right
Front Axle

References

5038.89
5038.A3

5038.C9
5038.E2

Counterpart

11-14 641 0013 | MSM0084



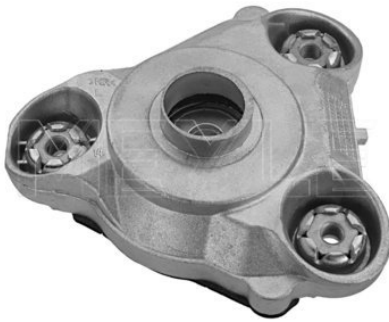
Application info

Boxer II [04/02-09/09]
Boxer III [04/06--]

Boxer II [12/01--]
Boxer III [04/06--]

11-14 641 0013 | MSM0084

Strut mount



Notes

without ball bearing
Left
Front Axle

References

5031.78	5038.E3
5038.87	5038.F3
5038.A4	

Counterpart

11-14 641 0014 | MSM0085

Application info

Boxer II [04/02-09/09]
Boxer III [04/06--]

Boxer II [12/01--]
Boxer III [04/06--]

11-14 641 0012 | MSM0083

Strut mount



Notes

without ball bearing
Front Axle

References

5038.A5	5038.E5
---------	---------

Application info

407 [05/04-12/09]

11-14 641 0017 | MSM0086

Strut mount



Notes

without ball bearing
Front Axle

References

5038.A6	5038.E6
---------	---------

Application info

407 [05/04-12/09]

508 [11/10--]



Strut mount

11-14 641 0020 | MSM0200

Notes

without ball bearing
Front Axle

References

5038.E7



Application info

207 [02/06-10/08]

Strut mount

11-14 641 0015 | MSM0198

Notes

without ball bearing
Front Axle Left

References

5038.F3

Counterpart

11-14 641 0016 | MSM0199



Application info

Boxer II [04/02-09/09]
Boxer III [04/06--]

Boxer II [12/01--]
Boxer III [04/06--]

Strut mount

11-14 641 0016 | MSM0199

Notes

without ball bearing
Front Axle Right

References

5038.F4

Counterpart

11-14 641 0015 | MSM0198



Application info

Boxer II [04/02-09/09]
Boxer III [04/06--]

Boxer II [12/01--]
Boxer III [04/06--]

11-14 641 0022 | MSM0217

Strut mount



Notes

without ball bearing
Front Axle

References

5038.G6
5038.H4

9670830780
9683738980

Application info

2008 (03/13--)
208 (03/12--)

301 (11/12--)

11-14 641 0023 | MSM0209

Strut mount



Notes

without ball bearing
Front Axle

References

5038.H3
9672116080

9821040380

Application info

3008 (06/09--)

5008 (06/09--)

11-14 741 0001 | MSM0088

Strut mount



Notes

Inner diameter [mm]
Outer diameter [mm]

10
64
without ball bearing
Rear Axle

References

5142.30

5142.32

Application info

307 (08/00-01/05)

308 (09/07--)



Strut mount

11-14 741 0003 | MSM0221

Notes

without ball bearing
Rear Axle

References

5142.45



Application info

307 [08/00-01/05]

Strut mount

11-14 741 0002 | MSM0220

Notes

without ball bearing
Rear Axle

References

5142.48



Application info

308 [09/07--]

RCZ [03/10--]

Strut mount

11-14 741 0000 | MSM0087

Notes

without ball bearing
Rear Axle

References

5161.20



Application info

406 [11/95-12/04]

214 770 0001 | MMB0014

Strut mount bearing



Notes

Inner diameter [mm]
Outer diameter [mm]
Height [mm]

Suspension Strut
66.5
99
20
Front Axle

References

5035.19
5035.23

5035.27

Application info

1007 [04/05--]
106 [08/91-07/04]
205 [02/83-09/98]
206 [08/98-03/09]
207 [02/06-10/08]
305 [11/77-07/90]
306 [04/93-10/03]
307 [08/00-01/05]

308 [09/07--]
309 [10/85-12/93]
504 [07/88-12/89]
505 [05/79-09/95]
Partner II [04/08--]
RCZ [03/10--]
205 [02/83--]
Partner II [04/08--]

11-14 641 0018 | MMB0010

Strut mount bearing



Notes

Inner diameter [mm]
Outer diameter [mm]
Height [mm]

78
128
45
Front Axle

References

5035.29
5035.38

5035.43
5035.55

Application info

806 [06/94-08/02]
Expert I [02/96-10/06]
Expert II [01/07--]

Expert I [07/95--]
Expert II [01/07--]

11-14 641 0004 | MMB0008

Strut mount bearing



Notes

Inner diameter [mm]
Outer diameter [mm]
Height [mm]

49
70.5
7.3
Front Axle

References

5035.47

Strut mount bearing

11-14 641 0004 | MMB0008

Application info

Boxer I [03/94-04/02]
Boxer II [04/02-09/09]
Boxer III [04/06--]

Boxer I [03/94-04/02]
Boxer II [12/01--]
Boxer III [04/06--]

Strut mount bearing

11-14 641 0011 | MMB0009

Notes

Inner diameter [mm] 98.5
Outer diameter [mm] 144
Height [mm] 19
Front Axle

References

5035.32 5035.54



Application info

406 [11/95-12/04]

605 [06/89-09/99]

Protection lid, wheel hub

11-14 037 4032 | MCX0184

Notes

Rear Axle left and right

References

3740.32



Application info

106 [08/91-07/04]

Sensor ring, ABS

11-14 899 0020 | MCX0188

Notes

Rear Axle left and right

References

3349.09



11-14 899 0020 | MCX0188

Sensor ring, ABS

Application info

1007 (04/05--)

208 (03/12--)

214 650 0013 | MWK0212

Wheel bearing kit



Notes

Inner diameter [mm]
Outer diameter [mm]
Height [mm]

with add-on material
55
90
54
with integrated sensor ring
Front Axle left and right

References

16 06 374 680

3326.71

Application info

Boxer III (04/06--)

Boxer III (04/06--)

11-14 650 0014 | MWK0207

Wheel bearing kit



Notes

Inner diameter [mm]
Outer diameter [mm]
Height [mm]

with add-on material
49
84
48
Front Axle left and right

References

16 06 375 080

3326.62

Application info

Boxer I (03/94-04/02)
Boxer II (04/02-09/09)

Boxer I (03/94-04/02)
Boxer II (12/01--)

11-14 650 0013 | MWK0098

Wheel bearing kit



Notes

Inner diameter [mm]
Outer diameter [mm]
Height [mm]

with add-on material
55
90
60
Front Axle left and right

References

3326.63

3326.69

7

Wheel bearing kit

11-14 650 0013 | MWK0098

Application info

Boxer I (03/94-04/02)
Boxer II (04/02-09/09)

Boxer I (03/94-04/02)
Boxer II (12/01--)

Wheel bearing kit

214 650 0006 | MWK0130

Notes

Inner diameter [mm]
Outer diameter [mm]
Height [mm]

with add-on material
35
72
33
Front Axle left and right

References

3326.76



Application info

Bipper (02/08--)

Bipper (02/08--)

Wheel bearing kit

214 650 0010 | MWK0131

Notes

Inner diameter [mm]
Outer diameter [mm]
Height [mm]

with add-on material
for vehicles with ABS
37
72
37
Front Axle left and right

References

3326.77



Application info

Bipper (02/08--)

Bipper (02/08--)

Wheel bearing kit

11-14 033 5016 | MWK0088

Notes

Inner diameter [mm]
Outer diameter [mm]
Height [mm]

with add-on material
42
82
36
Front Axle left and right

References

3307.56

3350.16



11-14 033 5016 | MWK0088

Wheel bearing kit

Application info

205 [02/83-09/98]
206 [08/98-03/09]
306 [04/93-10/03]
309 [10/85-12/93]
405 [01/87-11/99]

406 [11/95-12/04]
Partner I [04/96-07/08]
205 [02/83--]
Partner I [04/96--]

11-14 033 5017 | MWK0089

Wheel bearing kit



Notes

Inner diameter [mm]
Outer diameter [mm]
Height [mm]

with add-on material
35
72
33
Front Axle left and right

References

3350.17

Application info

106 [08/91-07/04]
205 [02/83-09/98]

306 [04/93-10/03]
309 [10/85-12/93]

11-14 650 0010 | MWK0096

Wheel bearing kit



Notes

Inner diameter [mm]
Outer diameter [mm]
Height [mm]
Rim Hole Number

with add-on material
35
66
32
3
Front Axle left and right

References

3350.18

Application info

106 [08/91-07/04]



Wheel bearing kit

11-14 750 0004 | MWK0100

Notes

Inner diameter 2 [mm]
 Inner diameter 1 [mm]
 Outer diameter 2 [mm]
 Outer diameter 1 [mm]
 Height 2 [mm]
 Height 1 [mm]

with add-on material
 30
 40
 55
 68
 17
 19
 Rear Axle left and right

References

3350.25



Application info

Boxer I [03/94-04/02]

Boxer I [03/94-04/02]

Wheel bearing kit

11-14 650 0002 | MWK0092

Notes

Inner diameter [mm]
 Outer diameter [mm]
 Height [mm]

with accessories
 44
 82.5
 37
 Front Axle left and right

References

3350.27



Application info

806 [06/94-08/02]
 Expert I [02/96-10/06]

Expert I [07/95--]

Wheel bearing kit

11-14 033 5029/S | MWK0090

Notes

Inner diameter [mm]
 Outer diameter [mm]
 Height [mm]

with add-on material
 50
 80
 22

References

3326.27
 3350.21

3350.29



Application info

Boxer I [03/94-04/02]
 J5 [290] [09/90-03/94]

Boxer I [03/94-04/02]
 J5 [290] [09/90-03/94]

7

11-14 650 0001 | MWK0091

Wheel bearing kit



Notes

Inner diameter [mm]
Outer diameter [mm]
Height [mm]

with add-on material
for vehicles without ABS
for vehicles with ABS
55
90
24.3
Front Axle left and right

References

3350.24

3350.30

Application info

Boxer I [03/94-04/02]

Boxer I [03/94-04/02]

11-14 650 0006 | MWK0093

Wheel bearing kit



Notes

Inner diameter [mm]
Outer diameter [mm]
Height [mm]

with add-on material
37
72
33
Front Axle left and right

References

3350.32

Application info

106 [08/91-07/04]
206 [08/98-03/09]

306 [04/93-10/03]

11-14 650 0007 | MWK0094

Wheel bearing kit



Notes

Number of Teeth, ABS ring
Inner diameter [mm]
Outer diameter [mm]
Height [mm]

with add-on material
48
42
82
36
with integrated sensor ring
Front Axle left and right

References

3350.69

3350.84

Application info

207 [02/06-10/08]
3008 [06/09--]
307 [08/00-01/05]
5008 [06/09--]

Partner II [04/08--]

207 [02/06--]

Partner II [04/08--]

Wheel bearing kit
11-14 650 0008 | MWK0095
Notes

Inner diameter [mm]	with add-on material
Outer diameter [mm]	45
Height [mm]	83
	44
	with integrated sensor ring
	Front Axle left and right

References

3350.82	3350.85
---------	---------


Application info

308 [09/07--]
 407 [05/04-12/09]
 508 [11/10--]

607 [02/00-07/04]
 RCZ [03/10--]

Wheel bearing kit
11-14 650 0015 | MWK0211
Notes

Inner diameter [mm]	with add-on material
Outer diameter [mm]	for vehicles with ABS
Height [mm]	37
	72
	33
	with integrated sensor ring
	Front Axle left and right

References

3350.72	3350.92
3350.86	


Application info

1007 [04/05--]
 2008 [03/13--]
 207 [02/06-10/08]

208 [03/12--]
 301 [11/12--]

Wheel bearing kit
11-14 750 0020 | MWK0101
Notes

Inner diameter [mm]	with add-on material
Outer diameter [mm]	Disc Brake
Height [mm]	42
	75
	60
	Rear Axle left and right

References

3730.32



11-14 750 0020 | MWK0101

Wheel bearing kit

Application info

Boxer I (03/94-04/02)
Boxer II (04/02-09/09)

Boxer I (03/94-04/02)
Boxer II (12/01--)

11-14 750 0001 | MWK0099

Wheel bearing kit



Notes

Inner diameter [mm]
Outer diameter [mm]
Height [mm]

with add-on material
25
52
37
Rear Axle left and right

References

3748.17

3748.39

Application info

106 (08/91-07/04)
205 (02/83-09/98)
206 (08/98-03/09)

306 (04/93-10/03)
309 (10/85-12/93)
205 (02/83--)

11-14 750 0028 | MWK0103

Wheel bearing kit



Notes

Inner diameter [mm]
Outer diameter [mm]
Height [mm]

with add-on material
25
52
37
with ABS sensor ring
Rear Axle left and right

References

3748.77

Application info

1007 (04/05--)



Wheel bearing kit

11-14 750 0025 | MWK0102

Notes

Inner diameter [mm]
Outer diameter [mm]
Height [mm]

with add-on material
25
60
45
Rear Axle left and right

References

3748.83



Application info

307 [08/00-01/05]

Wheel bearing kit

11-14 750 0029 | MWK0104

Notes

Inner diameter [mm]
Outer diameter [mm]
Height [mm]

with add-on material
30
62
51
Rear Axle left and right

References

3748.94



Application info

3008 [06/09--]
308 [09/07--]
5008 [06/09--]

Partner II [04/08--]
Partner II [04/08--]

Wheel bearing kit

11-14 650 0012 | MWK0097

Notes

Inner diameter [mm]
Outer diameter [mm]
Height [mm]

with add-on material
for vehicles with ABS
38
69
39
with integrated sensor ring
Front Axle left and right

References

6822.JL



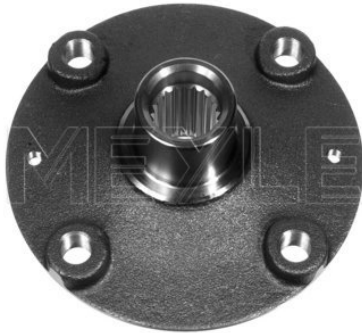
Application info

107 [06/05--]

7

11-14 033 0749 | MWH0044

Wheel hub



Notes

Outer diameter [mm]
Bolt Hole Circle Ø [mm]
Rim Hole Number

without add-on material
for vehicles without ABS
130
108
4
without wheel bearing
Front Axle left and right

References

3307.49

Application info

106 [08/91-07/04]
205 [02/83-09/98]

306 [04/93-10/03]
309 [10/85-12/93]

11-14 652 0001 | MWH0047

Wheel hub



Notes

Outer diameter [mm]
Bolt Hole Circle Ø [mm]
Rim Hole Number

without add-on material
122
98.5
5
without wheel bearing
Front Axle left and right

References

3307.64

Application info

806 [06/94-08/02]
807 [06/02-05/06]

Expert I [02/96-10/06]
Expert I [07/95--]

11-14 652 0003 | MWH0235

Wheel hub



Notes

Outer diameter [mm]
Bolt Hole Circle Ø [mm]
Rim Hole Number

without add-on material
130
108
4
without wheel bearing
Front Axle left and right

References

3307.76

Application info

1007 [04/05--]
106 [08/91-07/04]
206 [08/98-03/09]

207 [02/06-10/08]
306 [04/93-10/03]

7



Wheel hub

40-14 652 0001 | MWH0157

Notes

Outer diameter [mm]
Bolt Hole Circle Ø [mm]
Rim Hole Number

without add-on material
139
113.5
5
without wheel bearing
Front Axle left and right

References

3307.77

3307.84



Application info

Boxer II [04/02-09/09]

Boxer II [12/01--]

Wheel hub

11-14 033 0772 | MWH0045

Notes

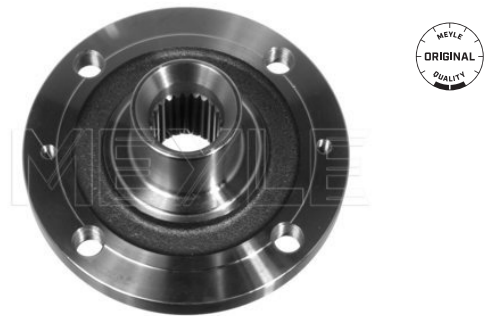
Inner diameter [mm]
Outer diameter [mm]
Bolt Hole Circle Ø [mm]
Rim Hole Number

without add-on material
for vehicles with ABS
28
128
108
4
without wheel bearing
Front Axle left and right

References

3307.69
3307.71

3307.72
3307.85



Application info

205 [02/83-09/98]
206 [08/98-03/09]
207 [02/06-10/08]
3008 [06/09--]
306 [04/93-10/03]
307 [08/00-01/05]
308 [09/07--]
309 [10/85-12/93]

405 [01/87-11/99]
406 [11/95-12/04]
5008 [06/09--]
Expert II [01/07--]
Partner I [04/96-07/08]
205 [02/83--]
Partner I [04/96--]

11-14 750 0018 | MWH0223

Wheel hub



Notes

Number of Teeth, ABS ring
Inner diameter [mm]
Outer diameter [mm]
Bolt Hole Circle Ø [mm]
Rim Hole Number

without add-on material
48
30
120
98
5
with ABS sensor ring
with integrated wheel bearing
Rear Axle

References

3350.28

Application info

806 [06/94-08/02]
Expert I [02/96-10/06]

Expert I [07/95--]

11-14 750 0030 | MWH0055

Wheel hub



Notes

Number of Teeth, ABS ring
Outer diameter [mm]
Bolt Hole Circle Ø [mm]
Rim Hole Number

with add-on material
48
129
108
4
with ABS sensor ring
with integrated wheel bearing
Rear Axle left and right

References

3701.68

3701.74

Application info

106 [08/91-07/04]

11-14 750 0015 | MWH0051

Wheel hub



Notes

Inner diameter [mm]
Outer diameter [mm]
Bolt Hole Circle Ø [mm]
Rim Hole Number

with add-on material
for vehicles without ABS
32
129
108
4
with integrated wheel bearing
Rear Axle left and right

References

3748.28

3748.43

Wheel hub

11-14 750 0015 | MWH0051

Application info

406 [11/95-12/04]
Partner I [04/96-07/08]
Partner II [04/08--]

Partner I [04/96--]
Partner II [04/08--]

Wheel hub

11-14 750 0009 | MWH0049

Notes

Number of Teeth, ABS ring
Inner diameter [mm]
Outer diameter [mm]
Bolt Hole Circle Ø [mm]
Rim Hole Number

with add-on material
29
25
128
108
4
with ABS sensor ring
with integrated wheel bearing
Rear Axle left and right

References

3701.60
3748.31

3748.45



Application info

306 [04/93-10/03]

Wheel hub

11-14 750 0031 | MWH0056

Notes

Number of Teeth, ABS ring
Outer diameter [mm]
Bolt Hole Circle Ø [mm]
Rim Hole Number

with add-on material
29
128
108
4
with ABS sensor ring
with integrated wheel bearing
Rear Axle left and right

References

3748.32



Application info

306 [04/93-10/03]

11-14 752 0000 | MWH0058

Wheel hub



Notes

Number of Teeth, ABS ring

Inner diameter [mm]
Outer diameter [mm]
Bolt Hole Circle Ø [mm]
Rim Hole Number

with add-on material

29
Drum Brake
25
129
108
4

with integrated wheel bearing
Rear Axle left and right

References

3748.37

Application info

306 [04/93-10/03]

11-14 750 0006 | MWH0048

Wheel hub



Notes

Number of Teeth, ABS ring

Inner diameter [mm]
Outer diameter [mm]
Bolt Hole Circle Ø [mm]
Rim Hole Number

without add-on material

48
Disc Brake
25
129
108
4

with ABS sensor ring
with integrated wheel bearing
Rear Axle left and right

References

3748.41

Application info

206 [08/98-03/09]

11-14 750 0022 | MWH0053

Wheel hub



Notes

Number of Teeth, ABS ring

Inner diameter [mm]
Outer diameter [mm]
Bolt Hole Circle Ø [mm]
Rim Hole Number

with add-on material

29
for vehicles without ESP
for vehicles with ABS
32
128
108
4

with ABS sensor ring
with integrated wheel bearing
Rear Axle left and right

References

3748.36

3748.44

Wheel hub

11-14 750 0022 | MWH0053

Application info

Partner I [04/96-07/08]

Partner I [04/96--]

Wheel hub

11-14 750 0014 | MWH0050

Notes

Number of Teeth, ABS ring

with add-on material
48
for vehicles with ABS

Inner diameter [mm]

32

Outer diameter [mm]

129

Bolt Hole Circle Ø [mm]

108

Rim Hole Number

4

with ABS sensor ring
with integrated wheel bearing
Rear Axle left and right



References

3748.68

3748.80

Application info

406 [11/95-12/04]

Partner I [04/96-07/08]

Partner I [04/96--]

Wheel hub

40-14 752 0001 | MWH0159

Notes

Number of Teeth, ABS ring

with add-on material
29

Inner diameter [mm]

25

Outer diameter [mm]

129.1

Bolt Hole Circle Ø [mm]

108

Rim Hole Number

4

with ABS sensor ring
with integrated wheel bearing
Rear Axle left and right



References

3748.38

3748.72

Application info

306 [04/93-10/03]

11-14 750 0032 | MWH0057

Wheel hub



Notes

Inner diameter [mm]
Outer diameter [mm]
Bolt Hole Circle Ø [mm]
Rim Hole Number

with add-on material

25

128

108

4

with integrated wheel bearing
Rear Axle left and right

References

3748.74

Application info

307 [08/00-01/05]

11-14 750 0027 | MWH0054

Wheel hub



Notes

Inner diameter [mm]
Outer diameter [mm]
Bolt Hole Circle Ø [mm]
Rim Hole Number

with add-on material

25

129

108

4

with integrated wheel bearing
Rear Axle left and right

References

3748.76

Application info

1007 [04/05--]

206 [08/98-03/09]

11-14 750 0008 | MWH0224

Wheel hub



Notes

Inner diameter [mm]
Outer diameter [mm]
Bolt Hole Circle Ø [mm]
Rim Hole Number

with add-on material

30

135

100

4

Four-point mounting
with seal
with integrated wheel bearing
Rear Axle left and right

References

3748.85

Application info

107 [06/05--]



Wheel hub

11-14 750 0016 | MWH0052

Notes

Inner diameter [mm]
Outer diameter [mm]
Bolt Hole Circle Ø [mm]
Rim Hole Number

with add-on material
32
128
108
5
with integrated sensor ring
with integrated wheel bearing
Rear Axle left and right

References

3748.82
3748.86

3748.87



Application info

407 [05/04-12/09]

607 [02/00-07/04]

Wheel hub

11-14 750 0013 | MWH0222

Notes

Outer diameter [mm]
Bolt Hole Circle Ø [mm]
Rim Hole Number

with add-on material
for vehicles with ABS
128
108
4
with integrated sensor ring
with integrated wheel bearing
Rear Axle

References

3748.88



Application info

Partner I [04/96-07/08]

Partner I [04/96--]

Wheel hub

11-14 752 0003 | MWH0259

Notes

Rim Hole Number

with add-on material
5
with integrated wheel bearing
Rear Axle left and right

References

3748.89



Application info

407 [05/04-12/09]

RCZ [03/10--]

11-14 752 0002 | MWH0060

Wheel hub



Notes

Outer diameter [mm]
Bolt Hole Circle Ø [mm]
Rim Hole Number

with add-on material
128
104
4
Rear Axle left and right

References

3748.96

3748.A0

Application info

Expert II [01/07--]

Expert II [01/07--]

11-14 752 0001 | MWH0059

Wheel hub



Notes

Outer diameter [mm]
Bolt Hole Circle Ø [mm]
Rim Hole Number

with add-on material
128
104
4
Rear Axle left and right

References

3748.95
3748.99

3748.A3

Application info

Expert II [01/07--]

Expert II [01/07--]

MEYLE no.	Ref. no.	Page
Peugeot		
011 860 0000	5960 G7	225
	5962.03	
	5962.3H	
	5962.7A	
014 020 1039	5962.X1	227
	79 32 567 718	
014 098 9017	3247.03	159
014 698 0006	4439.14	126
014 698 0006/S	4439.14	126
014 731 1023	5761.59	236
014 731 1213	5761.86	235
025 202 6119/W	4252.20	116
	4254.57	
025 204 5419	4248.34	86
	4250.16	
	4250.20	
	4250.22	
	4250.24	
025 209 0518/PD	2450.50	90
	4250.33	
	4250.34	
	4250.35	
	4250.36	
	4250.43	
	4250.49	
	4250.50	
	4250.57	
	4250.69	
	4250.72	
	4250.75	
	4250.76	
	4250.88	
	4250.97	
	4251.27	
	4251.41	
	4252.61	
	4252.62	
	4252.64	
4252.75		
4254.83		
4254.99		
E172150		
025 209 0518/W	2450.50	91
	4250.33	
	4250.34	
	4250.35	

MEYLE no.	Ref. no.	Page
Peugeot		
	4250.36	
	4250.43	
	4250.49	
	4250.50	
	4250.57	
	4250.69	
	4250.72	
	4250.75	
	4250.76	
	4250.88	
	4250.97	
	4251.27	
	4251.41	
	4252.61	
	4252.62	
	4252.64	
	4252.75	
	4254.83	
	4254.99	
	E172150	
025 209 0618/PD	4250.91	91
	4250.92	
	4251.02	
	4251.20	
	4251.65	
	4252.63	
	4252.65	
	4253.14	
4254.98		
025 209 0618/W	4250.91	92
	4250.92	
	4251.02	
	4251.20	
	4251.65	
	4252.63	
	4252.65	
	4253.14	
4254.98		
025 209 6115	4250.56	87
	4251.08	
025 209 6115/PD	4250.56	87
	4251.08	
025 209 6117	1608520380	108
	4252.32	
	4253.96	
	4254.28	

MEYLE no.	Ref. no.	Page
Peugeot		
	4254.41 4254.C5	
025 209 6117/PD	1608520380 4252.32 4253.96 4254.28 4254.41 4254.C5	108
025 209 7311	4250.42 4250.71 4251.04 4251.48 4251.96 4252.71 4252.74 4254.42 E 172 201	95
025 209 7311/PD	4250.42 4250.71 4251.04 4251.48 4251.96 4252.71 4252.74 4254.42 E 172 201	96
025 210 8017/PD	4250.37 4250.39 4250.77 4250.82	88
025 210 8017/W	4250.37 4250.39 4250.77 4250.82	88
025 212 0519/W	4250.47 4250.58 4251.05	92
025 212 0918/W	4250.55 4250.78 4250.87 4250.95 4252.70	87
025 212 1118	4250.94	90
025 212 6717/PD	4250.90 4251.64 4252.84	89

MEYLE no.	Ref. no.	Page
Peugeot		
025 212 6717/W	4250.90 4251.64 4252.84	89
025 212 7517	4251.11 4251.12 4254.66	93
025 212 7817	4251.30 4252.08 4252.66 E 172 280	97
025 212 7817/W	4250.81 4251.93	95
025 213 6315/PD	4253.87 4254.30	106
025 213 6315/W	4253.87 4254.30	106
025 214 1418/W	4251.02 4253.14	102
025 214 3017/W	4251.03 4251.21 4251.22 4253.16	93
025 215 0717/W	4250.89	89
025 216 7419/W	4251.32 4251.43 4251.60 E 172 116 E 172 522	93
025 217 2419/W	4251.31 4252.68	100
025 217 9719/PD	4251.16 4254.51	113
025 217 9719/W	4251.16 4254.51	113
025 217 9919/PD	4251.18	124
025 217 9919/W	4251.18	125
025 218 0119/W	4251.09 4254.53	114
025 218 2717	4151.88 4251.34 4251.42 4251.67 4254.82	94
025 219 8018	4251.92 4252.05	96
025 219 8018/PD	4251.92	97



MEYLE no.	Ref. no.	Page
Peugeot		
	4252.05	
025 220 4119	1612434180 1614412180	86
025 230 4218/PD	4251.25 4251.26 4251.51 4254.54	114
025 230 4218/W	4251.25 4251.26 4251.51 4254.54	115
025 231 2419/PD	4251.54	94
025 231 2419/W	4251.54	95
025 233 4619	4253.78	106
025 233 9617	4251.52 4252.29 4254.84	98
025 235 8216	4253.90 4254.48	107
025 235 8216/PD	4253.90 4254.48	107
025 235 8416/W	16 076 903 80 16 076 904 80	81
025 235 8919	16 099 879 80 16 114 578 80 4252.60 4253.43 4254.88 E 172 359	83
025 235 9718	4251.66 4251.91 4252.04 4252.12 4252.28 4253.02 4253.03 4253.19 4253.20	102
025 235 9718/PD	4251.66 4251.91 4252.04 4252.12 4252.28 4253.02 4253.03 4253.19	102

MEYLE no.	Ref. no.	Page
Peugeot		
	4253.20	
025 235 9919	16 112 939 80 4252.18 4252.21 4252.38 4252.39 4252.40 4252.59 4252.76 4253.30 4253.38 4253.41 4254.75 E 172 124 E 172 558	101
025 235 9919/PD	16 112 939 80 16 172 829 80 4252.18 4252.21 4252.38 4252.39 4252.40 4252.59 4252.76 4253.30 4253.38 4253.41 4254.75 E 172 124 E 172 558	101
025 236 0019	4252.22 4252.50 4252.52 4253.31 4253.39 4253.85 4254.18 4254.71 4254.89 4254.92 E 172 125 E 172 284 E 172 559	99
025 236 0019/PD	4252.22 4252.50 4252.52	99

MEYLE no.	Ref. no.	Page
Peugeot		
	4253.31	
	4253.39	
	4253.85	
	4254.18	
	4254.71	
	4254.89	
	4254.92	
	E 172 125	
	E 172 284	
	E 172 559	
025 236 0219/PD	4252.24	115
	4254.55	
025 236 0219/W	4252.24	115
	4254.55	
025 236 0319/PD	4252.25	97
025 236 0319/W	4252.25	98
025 237 0517/PD	4254.06	122
	4254.96	
025 237 0517/W	4254.06	122
	4254.96	
025 237 0617/W	4254.C8	124
025 237 0819	4253.31	125
	4254.89	
	4254.92	
025 237 5318	4251.82	100
	4251.95	
	4252.19	
	4252.51	
025 239 1719/PD	4252.42	116
	4254.58	
025 239 1719/W	4252.42	117
	4254.58	
025 239 1919/PD	4252.44	117
	4254.59	
025 239 1919/W	4252.44	118
	4254.59	
025 239 2120	4252.46	120
	4254.68	
025 239 2120/PD	4252.46	120
	4254.68	
025 239 5917	4253.27	121
	4254.74	
	4353.26	
	E 172 283	
025 241 3317/W	4252.78	109
	4253.36	

MEYLE no.	Ref. no.	Page
Peugeot		
	4253.37	
	4253.48	
	4253.83	
	4254.10	
	E 172 237	
	E 172 596	
025 241 3418/W	4252.77	104
	4253.35	
	4253.47	
	4254.22	
	4254.78	
	E172236	
025 241 3517	4252.79	103
	4253.26	
	4254.21	
	4254.91	
	E 172 240	
025 241 3716	4254.A8	123
025 241 3716/PD	4254.A8	124
025 241 5017	4253.22	103
	4253.40	
	4253.98	
	4254.01	
	4254.19	
	4254.40	
	E 172 270	
	E 172 286	
025 243 3218	4254.24	110
	4254.A7	
025 243 3218/PD	4254.24	110
	4254.A7	
025 244 6519	4253.59	104
	4254.69	
025 244 6519/PD	4253.59	104
	4254.69	
025 244 6619-1/PD	16 078 787 80	118
	4254.63	
025 244 6619-2/PD	16 078 789 80	119
	4253.73	
	4253.75	
	4254.64	
025 244 6619/W1	16 078 787 80	119
	4254.63	
025 244 6619/W2	16 078 789 80	120
	4253.73	
	4253.75	

MEYLE no.	Ref. no.	Page
Peugeot		
	4254.64	
025 244 6819-1/PD	1607878380 1611457380 1612433880 4253.55 4253.57 4254.61 E172301	84
025 244 6819-2/PD	1607878580 1612433980 4254.62	85
025 244 6819/W1	1607878380 1611457380 1612433880 4253.55 4253.57 4254.61 E172301	84
025 244 6819/W2	1607878580 1612433980 4254.62	85
025 245 3818	4254.12 4254.25 E 172 295	111
025 245 3818/PD	4254.12 4254.25 E 172 295	111
025 245 5719	4254.77	122
025 245 7816	4253.67 4253.68 4254.97	105
025 245 9518/W	4253.63 4253.65 4254.A2	105
025 246 6017	16 092 530 80 4253.93 4254.26	112
025 246 6017/PD	16 092 530 80 4253.93 4254.26	112
025 247 6516/W	4254.15	109
025 248 3919/W	4253.94 4253.95	108
025 248 8318	16 070 831 80	81
025 249 2217	16 08 520 680 4254.35	113

MEYLE no.	Ref. no.	Page
Peugeot		
	4254.44 4254.46	
025 250 6917	16 101 040 80 4254.73	121
025 252 2217	4254.A6	123
025 252 5118	16 086 913 80 16 106 992 80	82
025 256 8814	1609899680	82
025 258 4116	1610814180	83
028 289 0000	1337.27 1338.44	297
029 290 1111	6423.35	15
029 300 1210	-	15
029 300 1211	-	15
029 300 1216	-	16
029 300 1217	-	16
029 350 1410	-	16
029 350 1416	-	17
029 400 1600	-	17
029 400 1610	-	18
029 425 1700	-	18
029 450 1800	-	18
029 475 1900	-	19
029 500 2000	-	19
029 530 2100	-	19
029 550 2200	-	20
029 600 2400	-	20
029 650 2600	-	21
029 680 2700	-	21
029 700 2800	-	21
029 750 3000	-	22
029 800 3200	-	22
050 003 0740	5750.FL	287
050 003 0865	1280.38 1280.39	253
050 004 0640	4009.41 4009.72 4009.78	287
050 004 0698	5750.55 9350229100	287
050 004 0715	5750.69 5750.94	288
050 004 0755	5750.P0	286
050 004 0795	5750.76	256
050 004 0810	645300000 6453E5	288

MEYLE no.	Ref. no.	Page
Peugeot		
050 004 0815	6453.E5	284
050 004 0855	575080	257
050 004 0900	128037	253
050 004 0945	1280.26	253
050 004 0954	575070 9153 670 380	288
050 004 0962	5750.70 6455.B2	289
050 004 0975	5750.56	289
050 004 0985	575062	256
050 004 1020	95 666 985	289
050 004 1025	4009.42 4009.86 5750.L7 6453.A0 9605062 96050625	290
050 004 1030	4009.42 4009.86 5750.L7 6453.A0 9605062 96 050 625 97 518 683	290
050 004 1215	5750.62 5750.66	256
050 004 1230	5750.78	257
050 005 0698	5750.83 5750.86 96 021 924 9602 192 480 96 021 925	258
050 005 0700	5750.83 5750.86 5750.07 96 021 92480 96 021 925	260
050 005 0710	5750.88 96 059 324	286
050 005 0715	5750.77 5750.02	260
050 005 0725	5750.74 5750.P5 91 541 144 91 541 175	285
050 005 0850	-	290

MEYLE no.	Ref. no.	Page
Peugeot		
050 005 0860	4007.AY	255
050 005 0880	4007.99	255
050 005 0962	5750.K4	264
050 005 0970	5750.79	257
050 005 1030	5750.95 5750.C2	291
050 005 1050	5750.Q1 5750Q2 5750XE	291
050 005 1100	5003344281 6453CT 6453FJ 6453NX 6453NY 6453TZ	291
050 005 1125	5750.89 5750TA	292
050 005 1140	5750.87 5750SY	292
050 005 1200	5750D0 5750D1	260
050 005 1220	5750.81 5750.FQ	258
050 005 1230	5750.81	258
050 005 1255	5750C8 5750TT	276
050 005 1270	5750.84 96 014 397	285
050 005 1450	1280.18 96 059 541	292
050 006 0698	5750.97 5750.A5	259
050 006 0725	5750.C3 5750.GC 5750.H9 5750.LC 5750.PV 5750.TP	275
050 006 0750	5750.W7	278
050 006 0780/E	5750.SA 5750.YK 96 63 100 880	283
050 006 0800	5750.E7 5750.FS 5750.FT 5750.J0	261

MEYLE no.	Ref. no.	Page
Peugeot		
	5750.VL	
050 006 0850	5750.QJ	268
050 006 0858	5750.V0	276
050 006 0869	5750.S1 5750.X0 5750.X4	280
050 006 0873/E	5750.XP	281
050 006 0875	5750.FN 5750.QQ	262
050 006 0894	1280.35 1280.43 1280.61 1280.69	254
050 006 0906	5750.RG	270
050 006 0915	5750.E6	261
050 006 0925	6453.W1	285
050 006 0950	1280.50	254
050 006 0955	967 65 602 96 76 560 280	286
050 006 0965	5750.QG 5750.XF	281
050 006 0976	5750.FV 5750.FW 5750.VN	277
050 006 0995	1280.46	254
050 006 1000	5750.PF 5750.QP	269
050 006 1010	5750.T2	273
050 006 1015	5750.E8 96 155 010	261
050 006 1045	5750.W1 5750.XW	281
050 006 1050	5750.PL 5750.PN 5750.WY 96 533 196 80	279
050 006 1060	1611204980 5750.98	259
050 006 1065	5750.TE	274
050 006 1070	5750.98 5750.K8 5750.PP 5750.WZ 96 152 082 96 152 083	279
050 006 1080	5750.A2	275

MEYLE no.	Ref. no.	Page
Peugeot		
	5750.J3 5750.TH	
050 006 1090/E	5750.RV 5750.RW 5750.YL 96 61 728 880 96 63 101 080	271
050 006 1095	5750.A0 5750.TF	275
050 006 1100	5750.M4	265
050 006 1110	5750.K9 5750.L0	265
050 006 1125	5750.GE 5750.GN	262
050 006 1130	5750.A6 96 144 510	259
050 006 1145	5750.GW 5750.K0 5750.W1 5750.WI 5750.WI	278
050 006 1150	5750.C9 5750.E9 5750.FP 5750.GX 5750.J6 5750.K0 5750.L3 5750.L4 5750.PC	266
050 006 1163	5750.C1 5750.L9 5750.M9 5750.TN 5750.WL 96 144 511	278
050 006 1185	5750.ET 5750.FG 5750.FK 5750.GG 5750.QS	269
050 006 1190	5750.VJ	277
050 006 1195	5750.SG	273
050 006 1200	4007.E7 5750.FH 5750.M0	282

MEYLE no.	Ref. no.	Page
Peugeot		
	5750.W5 5750.Y2	
050 006 1205	5750.RZ	272
050 006 1210	5750.QL 5750.QN	268
050 006 1225	5750.QF	268
050 006 1345	5750.FX	262
050 006 1350	5750.RX	272
050 006 1360	5750.RX	272
050 006 1370	16 09 957 580	255
050 006 1390	5750.GP 5750.S5	263
050 006 1438	5750.EX 5750.Z8	284
050 006 1450	5750.T1 5750.YC 5750.Z0 96 337 272	283
050 006 1468	5750.KZ 5750.T5 5750.X8 96 37 250 580	280
050 006 1480	5750.Q3	267
050 006 1560	5750.GY 5750.GZ 5750.KX 5750.T3	263
050 006 1565	5750.PR 5750.T3 5750.XA 5750.YE 5750.Z2 5750.Z3 96316038	267
050 006 1590	5750.EJ 5750.EW 5750.QW 9638027180	269
050 006 1600	5750.M1 5750.Q5 5750.R7 5750.S9	273
050 006 1605	5750.M1 5750.Q5 5750.R2 5750.R7	270

MEYLE no.	Ref. no.	Page
Peugeot		
	5750.S9 96205509 96236952 96251516	
050 006 1610	-	293
050 006 1613	-	293
050 006 1642	967 65 531 96 76 553 180	286
050 006 1660	5750.A1 5750.J7	264
050 006 1670	5750.RN	270
050 006 1680	5750.KR 5750.PY 5750.QE	267
050 006 1698	5750.ZH 96 54 673 180	284
050 006 1705	5750.96 5750.EK 5750.EV 5750.F0 5750.FY 5750.LH 5750.Y5 96 155 951	265
050 006 1710	5750.LG 5750.RR	271
050 006 1725	5750.FA 5750.FC 5750.M3 5750.M6 5750.W6 5750.Y7 96 317 187 96 420 439	282
050 006 1735	5750.L1 5750.S7 5750.Z4	293
050 006 1740	5750.GK 5750.GL 5750.L1 5750.R9 5750.S0 5750.T7 5750.T8	274
050 006 1743	5750.HG 5750.S0	277

MEYLE no.	Ref. no.	Page
Peugeot		
	5750.VX	
050 006 1750	5750.R6 5750.T9 5750.YG 5750.Z6 5750.Z7	283
050 006 1863	5750.K6 5750.K7	264
050 006 1885	5750.PS 5750.XC	280
100 127 0005	1906.87 1906.88	337
100 323 0007	1906.32 1906.C9	334
100 525 0042	4806.A2	151
100 611 0034	4601.85 4601.A3	157
100 698 0008	4439.33	126
100 830 0014	6555.11 6555.34	236
100 955 0002	6434.74	14
11-12 014 4402	1444.A0 1444.TY	324
11-12 014 4409	1444.09 1444.EX	311
11-12 014 4410	1444.G9	316
11-12 014 4419	1444.A9 1444.F3 1444.H4 1444.J1 1444.T0 1444.VV 1445.08	312
11-12 014 4485	1444.85 1444.ST	311
11-12 014 4486	1444.86	312
11-12 319 0000	6447.KK 6447.NT 6479.C2 96 87 459 780 E146155	32
11-12 319 0001	6447.AZ	23
11-12 319 0004	6447.S5 9616429380	27
11-12 319 0008/S	16 09 428 080 6447.VY	28

MEYLE no.	Ref. no.	Page
Peugeot		
11-12 319 0009	6447.TT	27
11-12 319 0010	6447.XF 6479.92	28
11-12 319 0011	6479.46	31
11-12 319 0012	6447.YJ 6479.A6	29
11-12 319 0013	6441.91	22
11-12 319 0014	6447.YA 6479.C9	33
11-12 319 0015/S	96 787 920 80 98 142 376 80	35
11-12 319 0016/S	9804163380	34
11-12 320 0000	6447.KL 6447.NV 6479.32 6479.75 96 360 862	24
11-12 320 0001	0024.35 6447.PE	25
11-12 320 0004	6447.PG	26
11-12 320 0006	6447.GW 6479.89 85601415	23
11-12 320 0008/S	16 09 428 180 6447.VX 6479.90	28
11-12 320 0010	6447.XG 6479.93	29
11-12 320 0011	6479.46	31
11-12 320 0012	6447.YL 6479.A7	30
11-12 320 0014	6447.YA	29
11-12 320 0015	6479.K9 96 716 537	34
11-12 320 0016/S	9804163480	34
11-12 321 0001	1444.CA 1444.CC 1444.CJ 1444.VQ	313
11-12 321 0002	1444.EA 1444.GH	315
11-12 321 0003	1444.CE 1444.CL 1444.TZ 1444.W3 1444.W5	313

MEYLE no.	Ref. no.	Page
Peugeot		
	1444.W6	
11-12 321 0004	1444.CV 1444.CX 1444.EL 1444.TQ 1444.VP	315
11-12 321 0005	1444.RV	319
11-12 321 0006	1444.F7	316
11-12 321 0007	1444.QR	318
11-12 321 0008	1420.P8 1444.CR	314
11-12 321 0009	1444.VZ 1444.W9 1444.X2 1444.X3	327
11-12 321 0010	1444.84 1444.G0 1444.VF 1444.WH 1445.89 94 01 444 848	325
11-12 321 0011	1444.H3 1444.J4 1444.QF 1444.TF	322
11-12 321 0012	1444.H0	317
11-12 321 0013	1444.RJ 1444.XG	329
11-12 321 0014	1444.CP 1444.TJ 1444.X5 9932.58 E147242	327
11-12 321 0015	1444.CF 1444.EE 1444.VH 1444.X1 LX 1451	327
11-12 321 0016	1444.VL 96 73 084 480	326
11-12 321 0017	1444.F0	316
11-12 321 0018	1444.SW 1444.V2 94 64 046 980	324
11-12 321 0019	1444.TV	324
11-12 321 0020	1444.H1	317

MEYLE no.	Ref. no.	Page
Peugeot		
11-12 321 0021	1444.SC 1444.XC	328
11-12 321 0022	1444.EQ 1444.TK E147299	323
11-12 321 0023	1444.QW 1444.WN	318
11-12 321 0024	1444.FF 1444.PT 1444.VK 96 50 608 480 E147302	325
11-12 321 0025	1444.RT 1444.SH 1444.XE	328
11-12 321 0026	1444.02 1444.SY 1445.02 95 619 441	321
11-12 321 0027	1444.TT	323
11-12 321 0028	1444.RX 96 64 191 180	320
11-12 321 0029	1444.PX 1444.VX	326
11-12 321 0030	1444.CT 1444.TA	314
11-12 321 0031	1444.QQ 1444.RN 1444.TE	322
11-12 321 0032	1444.EH 1444.EJ 1444.TP 1444.XF 96 50 188 680 E147223 E147224	315
11-12 321 0034	1444.QY	319
11-12 321 0035	1444.QK 96 55 535 780	318
11-12 321 0036	1444.TG	323
11-12 321 0037	1444.H6 1444.J2 1444.PZ 1444.R2 1444.T1 1444.T2	321

MEYLE no.	Ref. no.	Page
Peugeot		
	1444.T3 1444.T4	
11-12 321 0038	1444.VW 1444.W2	326
11-12 321 0041	1444.11 1444.E6 1444.F1 1444.WA 1445.26 1445.96	330
11-12 321 0042	1444.R5 1444.WP	319
11-13 012 0102	1201.A2 1201.E5	301
11-13 012 0150	1201.50 1201.61	297
11-13 012 0152	1201.52 1201.65 1201.67 1201.91 1201.A4	299
11-13 012 0158	1201.58 1201.E4 1201.E6 1207.25	302
11-13 012 0162	1201.48 1201.51 1201.60 1201.62	298
11-13 012 0163	1201.39 1201.63	298
11-13 012 0183	1201.93 1201.A1	299
11-13 012 0723	1201.47 1201.E3 1207.18 1207.23	308
11-13 220 0001	1201.C4	301
11-13 220 0002	1201.55 1201.A7 1201.C5 1201.C6 1201.E0	301
11-13 220 0003	1201.G0	303
11-13 220 0004	1201.G1 1201.G9	305

MEYLE no.	Ref. no.	Page
Peugeot		
	16 094 176 80	
11-13 220 0004/HD	1201.G1 1201.G9 16 094 176 80	305
11-13 220 0005	1201.A8	300
11-13 220 0006	1201.G2 1609417180	308
11-13 220 0007	1201.98	299
11-13 220 0008	1201.E9 1201.F6	303
11-13 220 0012	1201.A5	300
11-13 220 0014	1201.C9 1201.H5	306
11-13 220 0017	1201.E1 1201.E7 1201.F4 1201.F5 1201.G4 1201.G5 1201.J2 1201.K1 1201.L2 1609417480	309
11-13 220 0019	1201.H0 1201.J0 1201.L1 1201.L3	308
11-13 220 0020	1201.H8	306
11-13 220 0021	1201.H7 1201.J6 1610278080	309
11-13 220 0022	1201.G6	303
11-13 220 0023	1201.H6	306
11-13 220 0024	1201.J4 1201.K0	307
11-13 220 0025	1201.J9	310
11-13 220 0026	9803442480	310
11-13 220 0027	9803094380	310
11-14 030 0001	1844.A1	346
11-14 030 0002	1844.A2	346
11-14 030 0005	1809.04 1809.06	353
11-14 030 0006	1844.25	359
11-14 030 0007	1844.91 1844.C0	362
11-14 030 0014	1844.C6	363

MEYLE no.	Ref. no.	Page
Peugeot		
	1844.C7	
11-14 030 0015	1807.GR	350
11-14 030 0016	1807.GQ	350
11-14 030 0017	1806.93 1806.A6 1806.J8	349
11-14 030 0022	1807.Y3	353
11-14 030 0027	1807.N5	351
11-14 030 0028	1806.27 1806.50 1806.68 1806.H1 1854.20 9622739380	347
11-14 030 0029	1807.N7 1809.28	352
11-14 030 0082	9645769180 9677277380	365
11-14 030 0100	1807.N5	352
11-14 030 0106	1813.94	356
11-14 030 0107	1844.C2	362
11-14 030 0110	1807.H8	350
11-14 030 0140	1807.CQ	349
11-14 033 0749	3307.49	554
11-14 033 0772	3307.69 3307.71 3307.72 3307.85	555
11-14 033 5016	3307.56 3350.16	547
11-14 033 5017	3350.17	548
11-14 033 5029/S	3326.27 3350.21 3350.29	549
11-14 035 0000	3523.61	454
11-14 035 2320	3523.20 3523.73	441
11-14 035 2331	3523.31 3523.71	441
11-14 035 2376	3523.76 3523.79 3523.80 3523.AS	443
11-14 035 2377	3523.77	443
11-14 036 0000	1434.13 1434.F6	341

MEYLE no.	Ref. no.	Page
Peugeot		
11-14 036 0001	1434.C8	340
11-14 036 0002	1434.45	340
11-14 036 0003	0382.HK 0382.NY	340
11-14 037 4032	3740.32	545
11-14 050 0002	5038.08 5038.52	537
11-14 051 0001	5131.71	488
11-14 180 0001	1809.16	354
11-14 180 0004	1809.21 1809.29	354
11-14 180 0005	3504.42	493, 496
11-14 180 0005	3504.42	493, 496
11-14 180 0006	3504.41	493, 496
11-14 180 0006	3504.41	493, 496
11-14 180 0007	3504.30	492, 495
11-14 180 0007	3504.30	492, 495
11-14 180 0008	3504.35	493, 495
11-14 180 0008	3504.35	493, 495
11-14 182 0002	1827.19	358
11-14 184 0005	1843.92 1844.38 1844.72	360
11-14 184 0007	1843.82 1843.95 96 033 565	359
11-14 184 0009	1846.66	363
11-14 184 0011	1846.65	363
11-14 184 0012	1827.17	357
11-14 184 0015	1844.36 1844.68	359
11-14 184 0016	1806.28 1806.74	347
11-14 184 0017	1809.22	355
11-14 184 0018	1844.58	360
11-14 184 0024	1827.10	357
11-14 184 0025	1844.75	361
11-14 184 0029	1844.A9	361
11-14 184 0030	1806.69	348
11-14 184 1013	1827.23 1844.47 1844.77	358
11-14 200 0003	1336.A1	294
11-14 232 0001	1250.F4 1250.G0	295
11-14 232 0003	1253.C9	295

MEYLE no.	Ref. no.	Page
Peugeot		
11-14 238 0000	1306.C9 1306.E4	295
11-14 322 0001	1109.R6 9463704780 E149104	343
11-14 322 0002	1109.Y5	344
11-14 323 0001	1906.66 1906.67	336
11-14 323 0002	1906.29 1906.38 1906.64	335
11-14 323 0003	1901.97 1904.46 1906.E6	338
11-14 352 0002	3523.51	453
11-14 352 0005	3523.25 3523.27 3523.29 3523.35 3523.49 3523.58	441
11-14 352 0006	3523.40	442
11-14 352 0008	3523.60	443
11-14 352 0010	3523.AA	445
11-14 495 0000	3287.A9	161
11-14 495 0001	3293.06	163
11-14 495 0003	3293.41 3293.74	165
11-14 495 0006	3293.02 3293.34	162
11-14 495 0007	3293.20	164
11-14 495 0009	3293.05	162
11-14 495 0012	3287.88	161
11-14 495 0013	3293.C6	166
11-14 498 0002	3272.E3	183
11-14 498 0003	3273.3Y	174
11-14 498 0005	3272.4R 3272.75 3272.H8 3272.T2	173
11-14 498 0006	3272.3C 3272.3L 3272.4C	168
11-14 498 0007	3273.G1 3273.Q2 3273.Z4	180

MEYLE no.	Ref. no.	Page
Peugeot		
11-14 498 0008	3273.3L 3273.3M	174
11-14 498 0009	3273.5P 3273.XB	175
11-14 498 0010	3272.3K 3272.R3	172
11-14 498 0011	3272.8E 3272.9E	170
11-14 498 0012	3272.FT 3273.CY 3273.JJ	184
11-14 498 0013	3272.LE 3272.LG 3273.KR	189
11-14 498 0014	3273.CQ	187
11-14 498 0015	3272.3C 3272.4C	181
11-14 498 0016	3272.NP 3272.NQ 3273.NP 3273.NQ	186
11-14 498 0017	3272.1X 3272.LW	181
11-14 498 0018	3272.LA 3273.KP	185
11-14 498 0019	3272.AH 3273.OY	182
11-14 498 0020	3272.GL 3273.GC	185
11-14 498 0021	3272.AE 3273.AL	182
11-14 498 0024	3272.GE 3272.GG 3273.EG	184
11-14 525 0001	4806.55	144
11-14 525 0002	4806.56	144
11-14 525 0006	4806.A1	151
11-14 525 0007	4806.C0	152
11-14 525 0008	4806.E1	153
11-14 525 0009	4806.E2	153
11-14 525 0010	4806.85 4806.E9	155
11-14 525 0011	4806.F6 4806.J5	155
11-14 525 0012	4806.42 4806.46	143

MEYLE no.	Ref. no.	Page
Peugeot		
11-14 525 0013	4806.40 4806.47	143
11-14 525 0015	4806.63	144
11-14 525 0016	4806.64	145
11-14 525 0017	4806.65	145
11-14 525 0018	4806.79	147
11-14 525 0019	4806.80	147
11-14 525 0020	4806.A0	150
11-14 525 0021	4806.78	147
11-14 525 0022	4806.45	142
11-14 525 0024	4806.67	145
11-14 525 0025	4806.70 4806.C3 4806.F3	146
11-14 525 0026	4806.71	146
11-14 525 0027	4806.82	148
11-14 525 0028	4806.96	150
11-14 525 0029	4806.A6	152
11-14 525 0030	4806.C2 4806.F2	155
11-14 525 0033	4806.72	146
11-14 525 0034	4806.95	150
11-14 525 0036	4806.E3	154
11-14 525 0037	4806.84 4806.A9 4806.E0	152
11-14 525 0045	4806.29 4806.74	142
11-14 525 0047	4806.92 4806.C1	153
11-14 525 0048	4806.53 4816.29	143
11-14 525 0049	4806.G4	156
11-14 525 0050	4806.G5	157
11-14 525 0052	4806.A3	151
11-14 525 0053	4806.E8	154
11-14 525 0054	4806.E7	154
11-14 525 0055	4806.E5 4806.F9	156
11-14 525 0056	4806.E6 4806.G0	156
11-14 525 0057	4806.88	148
11-14 525 0058	4806.89	149
11-14 531 0001	4402.F0	158
11-14 533 0000	4241.21 4241.73	129

MEYLE no.	Ref. no.	Page
Peugeot		
	4241.E8 4241.J9 4241.L3	
11-14 533 0000/K	4241.21 4241.73 4241.E8 4241.J9 4241.L3	130
11-14 533 0001	4241.H6 4241.K8 4241.L6	137
11-14 533 0003	4241.G3 4241.L4	135
11-14 533 0003/K	4241.G3 4241.L4	136
11-14 533 0003/S	4241.G3 4241.L4	136
11-14 533 0004	4241.G6 4241.J0 4241.K1 4241.K2 4241.K3	133
11-14 533 0004/K	4241.G6 4241.J0 4241.K1 4241.K2 4241.K3	134
11-14 533 0005	4241.K5 4241.N1	139
11-14 533 0005/K	4241.K5 4241.N1	139
11-14 533 0017	4241.E7	130
11-14 533 0018	4241.N2	139
11-14 533 0018/K	4241.N2	140
11-14 533 0019	4241.L0	134
11-14 533 0020	4241.L5	136
11-14 533 0020/K	4241.L5	137
11-14 533 0021	4241.N3	140
11-14 533 0021/K	4241.H6 4241.K8 4241.L6	137
11-14 533 0022	4241.J4	133
11-14 533 0023/K	4241.L0	134
11-14 610 0001	3523.98	445
11-14 610 0003	3640.35	487
11-14 610 0006	3523.83	454

MEYLE no.	Ref. no.	Page
Peugeot		
11-14 610 0009	3523.93	444
11-14 610 0012/HD	1215144 3523.75	454
11-14 610 0013/HD	3523.92	444
11-14 610 0014/HD	3523.42 3523.54 3523.89	455
11-14 610 0015/HD	1215145	438
11-14 610 0016/HD	3523.91 3523.AJ	444
11-14 610 0017	3523.43	442
11-14 610 0018	3523.AQ	445
11-14 610 0019	3523.90 3523.96	455
11-14 610 0020	3523.CC	446
11-14 610 0021	3523.CE	447
11-14 610 0022	3640.41	456
11-14 610 0023	3523.94 3523.AP	457
11-14 610 0025	3520.S0* 3520.S1* 3521.P1* 3521.P2*	439
11-14 610 0026	3520.S0* 3520.S1* 3521.P1* 3521.P2*	439
11-14 610 0027	3523.94 3523.AP	455
11-14 610 0030	3523.CA	446
11-14 610 0031	3523.AZ	446
11-14 610 0032	3520.N6 3520.S8 3521.J6 3521.P9 9649591680	451
11-14 610 0033	3656 04 3657 04	456
11-14 610 0034	3520.R8 3521.N9	452
11-14 610 0037	96 760 321 80	449
11-14 610 0038	16 07 302 980 16 07 303 080 3520.P6 3520.R8 3521.H0	450

MEYLE no.	Ref. no.	Page
Peugeot		
11-14 610 0039	3521.H1 3521.K6 3521.N9	453
11-14 610 0042	3520.X7* 3521.T8*	452
11-14 610 0043	3523 CN 96 707 714 80 96 707 720 80	447
11-14 610 0044	3523.CR 96 707 714 80 96 707 720 80	448
11-14 610 0045	3520.Q2 3521.L3	438
11-14 610 0046	3520.Q2 3521.L3	438
11-14 610 0047/HD	3520.Y0 3521.V1	452
11-14 610 0048	3520.Q2 3521.L3	457
11-14 610 0054	96 76 035 280	449
11-14 610 0055/HD	3523.CR 96 707 714 80 96 707 720 80	448
11-14 615 0000	5094.69	460
11-14 615 0001	5094.80	461
11-14 615 0002	5094.A8	464
11-14 615 0003	5094.65	459
11-14 615 0005	5094.59	458
11-14 615 0006	5094.63	459
11-14 615 0008	5094.74	460
11-14 615 0009	5094.75	460
11-14 615 0010	5094.56	458
11-14 615 0011	5094.87	462
11-14 615 0012	5094.77	461
11-14 615 0013	1612736480 5081.N9	458
11-14 615 0013/S	1612736480 5081.N9	470
11-14 615 0014	5094.88 5094.E0	462
11-14 615 0015	5094.E5	467
11-14 615 0016	5094.E4	467
11-14 615 0017	5094.89 5094.E3	463
11-14 615 0018	5094.E7	468
11-14 615 0019	5094.81	461

MEYLE no.	Ref. no.	Page
Peugeot		
11-14 615 0022	5094.66	459
11-14 615 0026	5094.C1	465
11-14 615 0027	5094.C2	465
11-14 615 0028	5094.C3	465
11-14 615 0029	5094.C5	466
11-14 615 0032	5094.99 5094.F4	464
11-14 615 0040	5094.C6	466
11-14 615 0041	5094.95	463
11-14 615 0042	5094.82	462
11-14 615 0043	5094.94	463
11-14 615 0044	5094.A2	464
11-14 615 0045	5094.C4 5094.E2	466
11-14 615 0046	5094.F2	468
11-14 615 0047	5094.E6	467
11-14 620 0000	4066.15 4066.20	367
11-14 620 0001	4066.56	369
11-14 620 0003	4066.41	368
11-14 620 0005	4066.57 4066.73	370
11-14 620 0006	4066.16	367
11-14 620 0007	4066.43	368
11-14 620 0008	4066.44	369
11-14 620 0009	4066.31	367
11-14 620 0019	4066.69	369
11-14 620 0023	4066.A0	371
11-14 620 0024	16 080 254 80	366
11-14 620 0025	16 108 175 80	366
11-14 620 0026	4066A3	372
11-14 631 0000	4007.KK	366
11-14 639 0000	5002.P6	499
11-14 639 0001	5002.V8 5002.W1	500
11-14 639 0002	5002.AH	497
11-14 639 0003	5002.N2	498
11-14 639 0004	5002.T4	499
11-14 639 0005	5002.V6	500
11-14 639 0006	5002.R7 5002.V2	499
11-14 639 0007	5002.A4	497
11-14 639 0008	5002.FV	498
11-14 639 0009	5002.35	497
11-14 639 0010	5002.HR	498
11-14 640 0000	-	501

MEYLE no.	Ref. no.	Page
Peugeot		
11-14 640 0001	-	502
11-14 640 0002	-	502
11-14 640 0003	-	503
11-14 641 0001/S	5038.18	536
11-14 641 0002/S	5038.19	536
11-14 641 0003	5038.46 5038.85	539
11-14 641 0003/S	5038.46 5038.85	539
11-14 641 0004	5035.47	544
11-14 641 0005	5038.24 5038.78	538
11-14 641 0006	5038.25 5038.66	538
11-14 641 0007	5037.26 5037.35	535
11-14 641 0011	5035.32 5035.54	545
11-14 641 0012	5038.A5 5038.E5	540
11-14 641 0013	5031.78 5038.87 5038.A4 5038.E3 5038.F3	540
11-14 641 0014	5038.89 5038.A3 5038.C9 5038.E2	539
11-14 641 0015	5038.F3	541
11-14 641 0016	5038.F4	541
11-14 641 0017	5038.A6 5038.E6	540
11-14 641 0018	5035.29 5035.38 5035.43 5035.55	544
11-14 641 0019	5038.50 9614031780	537
11-14 641 0020	5038.E7	541
11-14 641 0022	5038.G6 5038.H4 9670830780 9683738980	542
11-14 641 0023	5038.H3 9672116080	542

MEYLE no.	Ref. no.	Page
Peugeot		
	9821040380	
11-14 641 0024	5031.A3	507
11-14 641 0025	5038.G6 5038.H4 9670830780 9683738980	510
11-14 641 0027	5037.26 5037.35	507
11-14 641 0030	5031.78 5038.87 5038.A4 5038.E3 5038.F3	510
11-14 641 0031	5038.89 5038.A3 5038.C9 5038.E2	509
11-14 641 1001	5038.18	536
11-14 641 1001/S	5038.18	508
11-14 641 1002	5038.19 5038.29	537
11-14 641 1002/S	5038.19	508
11-14 642 0004	5033.70	510
11-14 642 0007	5033.86	511
11-14 650 0001	3350.24 3350.30	550
11-14 650 0002	3350.27	549
11-14 650 0006	3350.32	550
11-14 650 0007	3350.69 3350.84	550
11-14 650 0008	3350.82 3350.85	551
11-14 650 0010	3350.18	548
11-14 650 0012	6822.JL	553
11-14 650 0013	3326.63 3326.69	546
11-14 650 0014	16 06 375 080 3326.62	546
11-14 650 0015	3350.72 3350.86 3350.92	551
11-14 652 0001	3307.64	554
11-14 652 0003	3307.76	554
11-14 710 0001	5131.72	496
11-14 710 0002	3504.18	492, 495
11-14 710 0002	3504.18	492, 495

MEYLE no.	Ref. no.	Page
Peugeot		
11-14 710 0004	3504.08	492, 494
11-14 710 0004	3504.08	492, 494
11-14 710 0007	5152.61	491
11-14 710 0008	5131.93 5131.A9 5131.F8	489
11-14 710 0010	5131.79 5131.99	488
11-14 710 0011	5131.94	489
11-14 710 0013	5131.63 5131.65	488
11-14 710 0014	5131.80	489
11-14 710 0016	5131.E9 5131.F0 5131.F9	490
11-14 710 0017	5131.A4 5131.A5	490
11-14 710 0018	5131.H4	491
11-14 710 0020	5131.C5 5131.E0	449
11-14 710 0021	5131.98	490
11-14 710 0022	5131.C3	448
11-14 710 0024	5131.G4	491
11-14 710 0025	5131.47	487
11-14 710 0027	5131.C4 9801049980	450
11-14 715 0000	5172.58	469
11-14 715 0001	5171.15	468
11-14 715 0002	5172.39 5172.43	469
11-14 715 0003	5172.38 5172.42	469
11-14 739 0000	5102.F6 5102.H6 5102.V8	501
11-14 739 0001	5102.C4	500
11-14 739 0002	5102.F5	501
11-14 740 0000	-	503
11-14 741 0000	5161.20	543
11-14 741 0001	5142.30 5142.32	542
11-14 741 0002	5142.48	543
11-14 741 0003	5142.45	543
11-14 742 0002	5166.73	512
11-14 742 0003	5166.70	512
11-14 750 0001	3748.17	552

MEYLE no.	Ref. no.	Page
Peugeot		
	3748.39	
11-14 750 0004	3350.25	549
11-14 750 0006	3748.41	558
11-14 750 0008	3748.85	560
11-14 750 0009	3701.60 3748.31 3748.45	557
11-14 750 0013	3748.88	561
11-14 750 0014	3748.68 3748.80	559
11-14 750 0015	3748.28 3748.43	556
11-14 750 0016	3748.82 3748.86 3748.87	561
11-14 750 0018	3350.28	556
11-14 750 0020	3730.32	551
11-14 750 0022	3748.36 3748.44	558
11-14 750 0025	3748.83	553
11-14 750 0027	3748.76	560
11-14 750 0028	3748.77	552
11-14 750 0029	3748.94	553
11-14 750 0030	3701.68 3701.74	556
11-14 750 0031	3748.32	557
11-14 750 0032	3748.74	560
11-14 752 0000	3748.37	558
11-14 752 0001	3748.95 3748.99 3748.A3	562
11-14 752 0002	3748.96 3748.A0	562
11-14 752 0003	3748.89	561
11-14 753 0000	5131.A6 5132.72 5174.05 5174.07 5179.14	494
11-14 753 0002	5131.49 5131.96 5132.66 5174.06 5174.08 5179.14	494
11-14 800 0000	4545.A3	200

MEYLE no.	Ref. no.	Page
Peugeot		
11-14 800 0001	4545.88	197
11-14 800 0002	4545.A9 4545.G6	205
11-14 800 0003	4545.75	196
11-14 800 0004	4545.32 4545.45	193
11-14 800 0005	4545.33 4545.36 4545.46 4545.56	193
11-14 800 0006	4545.C3 96 526 969	201
11-14 800 0007	4545.E5 96 51 969 380	203
11-14 800 0008	4545.E9	204
11-14 800 0009	4545.F0	204
11-14 800 0010	4545.H1	206
11-14 800 0011	4545.E4 4545.J9 9655067880	208
11-14 800 0012	4545.J8 96 65 592 380	207
11-14 800 0013	4545.K5 96 745 779 80	208
11-14 800 0014	4545.K7	209
11-14 800 0015	4545.67	195
11-14 800 0016	4545.08 4545.L0	193
11-14 860 0000	5960.68 5960.F6 5962.W2	224
11-14 860 0001	5960.78 5960.F9	221
11-14 870 0001	6434.75	14
11-14 870 0002	6434.58	13
11-14 870 0003	6434.60	14
11-14 880 0001	5981.16 5981.20	209
11-14 880 0003/S	5981.40	213
11-14 880 0004/S	5981.40	214
11-14 880 0005/S	5981.40	214
11-14 880 0006/S	5981.40	215
11-14 880 0007/S	5981.40	215
11-14 880 0008/S	5981.40	216
11-14 885 0002	5970.80 5970.99	230

MEYLE no.	Ref. no.	Page
Peugeot		
	96363378	
11-14 885 0003	5970.73 5970.A4	231
11-14 885 0004	5970.84 5970.A5	231
11-14 885 0006	5970.85 96 51 710 680	230
11-14 885 0007	5970.75 5970.98 96 341 314	229
11-14 890 0000	9670430580 9804869480 9818232480	236
11-14 899 0003	4545.C1	201
11-14 899 0004	4545.C2 96 526 967 9652696780	201
11-14 899 0005	4545.C4 96 461 258 96 584 207	202
11-14 899 0006	4545.48 96 183 217	194
11-14 899 0007	4545.49 96 183 261	194
11-14 899 0010	4545.50 96 217 756 96 227 489	194
11-14 899 0012	4545.76	196
11-14 899 0013	4545.77 4545.79	197
11-14 899 0014	4545.A0	200
11-14 899 0015	4545.99 4545.F4	205
11-14 899 0016	4545.57	195
11-14 899 0018	4545.89	198
11-14 899 0019	4545.C0 4545.G7 9642688280	206
11-14 899 0020	3349.09	545
11-14 919 0009	1525.KJ 1525.Q4	339
11-15 521 0000	4246.L9	49
11-15 521 0001	4246.88 4246.A9 4249.C4	44
11-15 521 0006	4246.J2	48

MEYLE no.	Ref. no.	Page
Peugeot		
11-15 521 0007	4246.N0 4246.R7	55
11-15 521 0010	4246.90 4246.A6	42
11-15 521 0012	4246.F8 4246.G0 4249.C5	44
11-15 521 0013	4246.G1 4246.T9 4246.V3	45
11-15 521 0015	4246.H8	47
11-15 521 0017	4246.W7 4249.15 4249.83 4249.G1 E 169 141	75
11-15 521 0018	16 064 014 80 4246.W8 4249.17 4249.84 4249.J6 E 169 142	70
11-15 521 0022	4246.F4 4246.F6 4246.N8	50
11-15 521 0028	4246.E0 4246.P8 4249.43 4249.A9 E 169 503	65
11-15 521 0030	4249.93 4249.K1	77
11-15 521 0030/PD	4249.93 4249.K1	78
11-15 521 0031	4246.94 4246.A7 4249.96	43
11-15 521 0031/PD	4246.94 4246.A7 4249.96	43
11-15 521 0032	4246.97 4246.B1 4246.R3 4246.W5 4249.F0	57
11-15 521 0033	16 086 916 80	54

MEYLE no.	Ref. no.	Page
Peugeot		
	4246.R2 4246.R4 4249.82	
11-15 521 0033/PD	16 086 916 80 4246.R2 4246.R4 4249.82	54
11-15 521 0034/PD	4249.64 4249.80 4249.81 4249.86 4249.J8	68
11-15 521 0035	4246.P1 4246.P2 4249.H7	50
11-15 521 0035/PD	4246.P1 4246.P2 4249.H7	51
11-15 521 0036	4246.R8 4249.A5	55
11-15 521 0036/PD	4246.R8 4249.A5	56
11-15 521 0037	4246.F0 4249.54 4249.94 E169256	72
11-15 521 0037/PD	4246.F0 4246.F0 4249.54 4249.94	72
11-15 521 0038	4246.P7 4246.V4 4249.L3 E 169 147 E 169 513	52
11-15 521 0038/PD	4246.P7 4246.V4 4249.L3 E 169 147 E 169 513	52
11-15 521 0039	4249.88	71
11-15 521 0039/PD	4249.88	71
11-15 521 0040	4249.L6	78
11-15 521 0040/PD	4249.L6	79
11-15 521 0042	4246.89 4246.A5	73

MEYLE no.	Ref. no.	Page
Peugeot		
	4249.95	
11-15 521 0042/PD	4246.89 4246.A5 4249.95	73
11-15 521 0043	16 107 046 80	40
11-15 521 0043/PD	16 107 046 80	40
11-15 521 0044	98 039 181 80	80
11-15 521 0044/PD	98 039 181 80	80
11-15 523 0000	4246.A1 4246.A2 4246.G9	46
11-15 523 0003	4247.24	127
11-15 523 0005	4247.48	128
11-15 523 0008	4246.W9 4249.52 4249.90 E 169 198	58
11-15 523 0008/PD	4246.W9 4249.52 4249.90 E 169 198	59
11-15 523 0009	4246.P9 4249.72 4249.C1 E 169 157	53
11-15 523 0009/PD	4246.P9 4249.72 4249.C1 E 169 157	53
11-15 523 0010	4246.G6 4249.F5 E 169 115	45
11-15 523 0010/PD	4246.G6 4249.F5 E 169 115	46
11-15 523 0011	4246.P3 4246.P4 4249.C0	74
11-15 523 0011/PD	4246.P3 4246.P4 4249.C0 4259.C9	79
11-15 523 0012	4249.F7	74
11-15 523 0012/PD	4249.F7	75
11-15 523 0013	4249.G2	76
11-15 523 0013/PD	4249.G2	77

MEYLE no.	Ref. no.	Page
Peugeot		
11-15 523 0014	1609582880	38
11-15 523 0014/PD	1609582880	38
11-15 523 0015	1609583080	39
11-15 523 0015/PD	1609583080	39
11-15 523 0016	16 107 619 80	41
11-15 523 0016/PD	16 107 619 80	41
11-15 523 0030	4247.32	127
11-15 523 0031	4247.35 4247.44	128
11-15 523 0033	4246.V7 96 40 247 180	57
11-15 523 0035	4246.J5	48
11-15 523 0041	4246.Z9 4249.34	61
11-15 523 1014	4246.L7 4246.T6 4246.T7	56
11-15 523 4008	4249.45 4249.46	66
11-16 010 0000	3640.53 3640.60 3640.68 3640.70 3640.73	404
11-16 010 0002	5178.39 96 287 831	484
11-16 010 0004	3640.33	401
11-16 010 0005/HD	3640.32	401
11-16 010 0007	3640.48 3640.49 3840.37	403
11-16 010 0008	3640.50 3640.51	403
11-16 010 0011	3640.54	403
11-16 010 0013	16 072 985 80 3640.56 3640.59 3640.61 3640.62 3640.65 3640.66	404
11-16 010 0014	3640.67 3640.76	405
11-16 010 0017	3640.77	406
11-16 010 0018	3640.58 3640.69	405

MEYLE no.	Ref. no.	Page
Peugeot		
	3640.72	
11-16 010 0018/S	3640.58 3640.69 3640.72	456
11-16 010 0019	3640.57 3640.69 3640.72 3640.74	457
11-16 010 0020	3640.83	406
11-16 010 0025	3640.78	405
11-16 010 3347	16 072 950 80 3640.28 3640.34 3640.71	399
11-16 010 3356	16 144 392 80 3640.36	402
11-16 010 4087/HD	3640.26	401
11-16 010 4249	3640.20 3640.21	400
11-16 010 6909	3640.30 3640.31 3640.37 3640.44 96 109 681	402
11-16 020 0003	3817.39	387
11-16 020 0004	3817.40	387
11-16 020 0005	3817.38 3817.44	388
11-16 020 0006	3817.37 3817.43	388
11-16 020 0008	3817.56	390
11-16 020 0009	16 086 522 80 3817.67	393
11-16 020 0010	16 086 523 80 3817.68	394
11-16 020 0013	3817.66	393
11-16 020 0014	3817.65	393
11-16 020 0015/HD	16 10 976 480 3817.69 3817.77	386
11-16 020 0016/HD	3817.70	394
11-16 020 0017	3817.63	392
11-16 020 0018	3817.64	392
11-16 020 0019	3814.A5 3817.73	386
11-16 020 0020	3817.58	391

MEYLE no.	Ref. no.	Page
Peugeot		
11-16 020 0021	3817.57	391
11-16 020 0022	3817.76 3817.89	395
11-16 020 0023	3817.75 3817.88	394
11-16 020 0026	16 09 948 280 3817.80	385
11-16 020 0027	16 09 942 380 3817.81	385
11-16 020 0030	3817.A1	396
11-16 020 0031	3817.A2	396
11-16 020 0032	3817.94	396
11-16 020 0033	16 08 025 280	384
11-16 020 0034	16 08 025 180	384
11-16 020 4078	3817.11	386
11-16 020 5042	4059.09	397
11-16 020 5703/HD	3817.18 3817.50 3817.52	389
11-16 020 5721	3817.21 3817.26 3817.48	389
11-16 020 5722	3817.22 3817.27 3817.49	389
11-16 020 7529	4018.A3 4018.H4	397
11-16 030 0001	3812.C0 3812.C6 3812.E4	376
11-16 030 0008/HD	4018.A4	383
11-16 030 5749	3812.25 3812.52 3812.65 3812.94 3812.97	375
11-16 030 6907	3812.92	374
11-16 030 7528	4018.A4	384
11-16 031 0000	3812.C4	376
11-16 031 0001	3812.C5	377
11-16 031 0007	3812.E8	380
11-16 031 0008	3812.E3 3812.E7	379
11-16 031 0009	3812.E1	378
11-16 031 0010	3812.C7	377
11-16 031 0011/HD	3812.E1	378

MEYLE no.	Ref. no.	Page
Peugeot		
11-16 031 0012/HD	1610976380 4001 A1 4001 E4 4001 E5	374
11-16 031 0013/HD	3812.F1	380
11-16 031 0014/HD	16 08 025 380	372
11-16 031 0015	1607293680 3812.E0	377
11-16 031 0016	3812.A9	376
11-16 031 0017	3812.A6	375
11-16 031 0019	3812.E5	379
11-16 031 0020	3812.F0	380
11-16 031 0021	3812.F2	381
11-16 031 0022	1610976380 4001 A1 4001 E4 4001 E5	374
11-16 031 0023	3812.F3	381
11-16 031 0024	3812.F4	381
11-16 031 0026	4001.33	382
11-16 031 0028	16 07 142 380 3812.G3	372
11-16 031 0030	3812.F7	382
11-16 031 0031	16 08 025 380	373
11-16 031 0032	16 085 321 80	373
11-16 031 0034/HD	4001.33	382
11-16 050 0000	3521.80 3521.E1	425
11-16 050 0003/HD	16 144 473 80 3521.55 3521.56 3521.68 3521.E3 3521.E4 3521.E5	427
11-16 050 0004/HD	16 144 470 80 3520.84 3520.98 3520.99 3520.F3 3520.H3 3520.H4 3520.H5	415
11-16 050 0007/HD	3521.C8 3521.E7 3521.H9	426



MEYLE no.	Ref. no.	Page
Peugeot		
	3521.J0 3521.K2 3521.R7 3521.R9 3521 S1	
11-16 050 0008/HD	3520.G8 3520.H7 3520.L7 3520.L8 3520.P2 3520.V6 3520.V7 3520.W0 3528.W8	414
11-16 050 0009/HD	3521.G8 3521.J5 3521.K3 3521.P3 3521 Q1	428
11-16 050 0010/HD	3520.K8 3520.N5 3520.P3 3520.S2 3520.T0	420
11-16 050 0013	3521.64 3521.83 3521.85 3521.C9 3521.K4 3521.L0	430
11-16 050 0014	3521.65 3521.H2 3521.J3	429
11-16 050 0015/HD	3520.F1	413
11-16 050 0016	3520.C0 3520.H1	413
11-16 050 0017/HD	3521.69 3521.A1	425
11-16 050 0019	3520.P1 3520.R6	417
11-16 050 0020	3521.K1 3521 N7	430
11-16 050 0023	3520.94 3520.C3 3520.C5 3520.C9	418

MEYLE no.	Ref. no.	Page
Peugeot		
	3520.G9 3520.P4 3520.P8	
11-16 050 0030	3520.S8 3521.J6	420
11-16 050 0031	3520.N6 3521.P9	432
11-16 050 0032	3520.96 3520.L1 3520.N4	417
11-16 050 0033	3521.66 3521.H3 3521.J4	429
11-16 050 0035	16 072 986 80 3640.57 3640.74	399
11-16 050 0036/HD	3520.H5	415
11-16 050 0037/HD	3521.E5	427
11-16 050 0038	16 07 303 080 3520.P6 3521.H0	407
11-16 050 0039	16 07 302 980 3521.H1 3521.K6	407
11-16 050 0047	3520.95 3520.L0 3520.N3	416
11-16 050 0048/HD	3520.J3 3520.Q3 3520.V3	422
11-16 050 0049/HD	3521.F3 3521.L4 3521.R4	434
11-16 050 0050	3520.Q2	418
11-16 050 0051	3521.L3	431
11-16 050 0052	16 073 051 80 3521 N0 3521.N8	408
11-16 050 0053	16 073 050 80 3520 Q9 3520.R7	408
11-16 050 0063	3520.92	412
11-16 050 0064	3520.93	412
11-16 050 0065	3521.P1 3521.P2	432
11-16 050 0066	3520.S0	419

MEYLE no.	Ref. no.	Page
Peugeot		
	3520.S1	
11-16 050 0067	3521.N9 3521.S0	431
11-16 050 0068	3520.R8 3520.V8	419
11-16 050 0071/HD	3521R3	433
11-16 050 0072/HD	3520V2	421
11-16 050 0077	3520.X7	422
11-16 050 0078	3521.T8	434
11-16 050 0079	98 032 865 80	437
11-16 050 0080	98 032 864 80	437
11-16 050 0081	3520.T2 3520.T3	421
11-16 050 0082	3521 Q3 3521 Q4	433
11-16 050 0083	16 07 510 780 3521.P6 3521.S7 3521.T2	409
11-16 050 0084	16 07 510 680 3520.S5 3520.W4 3520.X0	409
11-16 050 0100	3521.C8 3521.E7 3521.H9 3521.J0 3521.K2 3521.R7 3521.R9 3521 S1	426
11-16 050 0101	3520.G8 3520.H7 3520.L7 3520.L8 3520.P2 3520.V6 3520.V7 3520.W0 3528.W8	414
11-16 050 3196	3521.38 3521.41	424
11-16 050 3197	3520.57 3520.60	410
11-16 050 3198	3520.48 3520.49	410

MEYLE no.	Ref. no.	Page
Peugeot		
	3520.50 3520.51	
11-16 050 3199	3521.31 3521.33 3521.34	424
11-16 050 6979	3520.79	411
11-16 050 6980	3520.78	411
11-16 060 0000/HD	5087.50 5087.57 5087.62 5087.64 5087.77 96 347 856 98 049 474 80	478
11-16 060 0001/HD	5087.45 5087.59 5087.66 5087.71 5087.74 96 288 787 98 000 861 80 98 088 682 80	479
11-16 060 0002/HD	5087.43 5087.60	480
11-16 060 0003	5087.30 5087.41 5087.49	474
11-16 060 0005/S	13 08 664 080 13 17 425 080 5087.35	470
11-16 060 0006/S	5087.37	470
11-16 060 0007	5087.27	473
11-16 060 0009/HD	5178.38	483
11-16 060 0011	16 073 235 80 5178.17 5178.21 5178.30 5178.43	485
11-16 060 0012	16 073 236 80 5178.18 5178.22 5178.31 5178.44	485
11-16 060 0013/HD	5087.51	475
11-16 060 0014	5087.53	476
11-16 060 0015	5087.52	476

MEYLE no.	Ref. no.	Page
Peugeot		
11-16 060 0016/HD	5178.46	486
	5178.52	
	98 071 300 80	
11-16 060 0017/HD	16 073 268 80	472
	5087.54	
	5087.69	
11-16 060 0018/HD	16 073 268 80	471
	5087.55	
	5087.68	
11-16 060 0019	5091.10	482
11-16 060 0020/HD	5087.56	477
11-16 060 0021/HD	5087.58	478
11-16 060 0022/S	1612736480	472
	5081.N9	
11-16 060 0023/HD	5087.76	482
11-16 060 0024/HD	98 069 071 80	487
	98 090 457 80	
11-16 060 0025	5087.50	481
	5087.62	
	5087.64	
	5087.77	
	96 347 856	
11-16 060 0026	5087.45	480
	5087.59	
	5087 66	
	5087 74	
11-16 060 0028	5087.57	478
	98 049 474 80	
11-16 060 0029	5087.71	482
	98 000 861 80	
11-16 060 0030	5087.43	480
	5087.60	
11-16 060 0031	5178.38	484
11-16 060 0032	5087.51	476
11-16 060 0033	5178.46	486
	5178.52	
11-16 060 0034	16 073 268 80	471
	5087.55	
	5087.68	
11-16 060 0035	16 073 268 80	472
	5087.54	
	5087.69	
11-16 060 0036	5087.56	477
11-16 060 0037	5087.58	479
11-16 060 0039	5087.48	475
11-16 060 0040	5087.39	474

MEYLE no.	Ref. no.	Page
Peugeot		
	5087.42	
	5087.46	
	5087.61	
11-16 060 5041/HD	5087.40	473
11-16 060 5046/HD	5015.48	475
	5087.31	
	5087.34	
	5087.38	
	5087.39	
	5087.42	
	5087.46	
	5087.48	
5087.61		
11-16 060 5707	5087.23	473
	5087.32	
11-16 323 0000	1901.65	336
	1906.76	
11-26 613 0001	5202.04	521
	5203.19	
	5203.27	
	5203.28	
	5203.29	
	5203.31	
	5203.33	
	5203.35	
5203.36		
11-26 613 0002	5202.L0	520
	5202.07	
	5202.X8	
	5202.Z4	
11-26 613 0003	5202.L1	521
	5202.08	
	5202.X9	
	5202.Z5	
11-26 623 0000	5202.PP	516
	5202.TL	
	5202.VX	
11-26 623 0002	5202.CY	512
	5202.EA	
11-26 623 0003	5202.CZ	513
	5202.EC	
11-26 623 0004	5202.LV	515
	5202.W5	
	5202.W9	
11-26 623 0005	5202.LW	515
	5202.W8	

MEYLE no.	Ref. no.	Page
Peugeot		
11-26 623 0008	5202.F7 5202.Q0	516
11-26 623 0009	5202.AS 5202.Q4	517
11-26 623 0010	5202.Q2 5202.S4	518
11-26 623 0011	5202.Q6 5202.S8	518
11-26 623 0012	5202.VG 5202.VK 5202.WE 5202.WG 5202.XJ 5202.YV 5202.YZ	520
11-26 623 0013	5202.WC 5202.YT 5202.YY 5202.ZA 5208.30 5208.62 5208.64 5208.65	519
11-26 623 0014	5208.03 5208.05 5208.13 5208.14 5208.19 5208.21 5208.22	531
11-26 623 0015	5208.04 5208.06 5208.20 5208.22	532
11-26 623 0016	98 01 729 080 98 01 729 280 98 02 144 580	534
11-26 623 0017	98 01 729 180 98 01 729 380 98 02 144 680	534
11-26 624 0001	5202.F5 5202.FL	513
11-26 625 0000	5202.NZ 5202.PA	515
11-26 715 0000	5206.N8 5206.N9	528

MEYLE no.	Ref. no.	Page
Peugeot		
	5206.R1 5206.R2 5206.TH	
11-26 715 0006	5206.65 5206.66 5206.67 5206.68 5206.69 5206.70 5206.71 5206.74 5206.75 5206.88	522
11-26 715 0009	5206.F1 5206.S2	528
11-26 715 0013	5206.F0 5206.R8 5206.S1 5206.S2	524
11-26 725 0001	5206.CR 5206.T9	523
11-26 725 0002	5206.AY 5206.EC 5206.FA 5206.FG	524
11-26 725 0007	5206.C9 5206.R0	523
11-26 725 0009	5206.FE 5206.FF 5206.FS 5206.FT 5206.JP 5206.NV 5206.PZ 5206.QC	526
11-26 725 0010	5206.Q4 5206.Q5 5206.Q7 5206.R5 5206.R6 5206.RZ 5206.T8 5206.V8 5206.X4 5206.Y3 5260.R5	528

MEYLE no.	Ref. no.	Page
Peugeot		
	98 114 029 80 98 114 030 80	
11-26 725 0011	5206.45	522
11-26 725 0012	5206.H3 5206.H4	525
11-26 725 0013	5206.NF 5206.NG 5206.NH 5206.QE	525
11-26 725 0014	5206.NL 5206.NN 5206.PY 5206.RR	526
11-26 725 0015	96 78 823 080 96 78 823 180 98 02 145 580	535
11-28 228 0000	1338.A0	297
11-28 228 0001	1336.Q1	296
11-28 228 0002	1336.Q2	296
11-40 910 0000	8731.F8	8
11-40 910 0001	8731.F2	8
11-40 910 0002	8731.E6	7
11-40 910 0003	7925.15	3
11-40 910 0004	8731.E1	7
11-40 910 0005	8731.C5	6
11-40 910 0006	8731.A3	5
11-40 910 0007	8731.C1	6
11-40 910 0008	8731.E5	7
11-40 910 0009	8731.93	4
11-40 910 0010	8731.A2	5
11-40 910 0011	8731.A7	5
11-40 910 0012	8731.E9 8731.F0	8
11-40 910 0013	7925.08 7925.10	2
11-40 910 0014	8731.83	4
11-40 910 0015	8731.91 8731.C4 8731.G0	4
11-40 910 0016	8731.G4 96 42 210 080	1
11-40 910 0017	8731.G6	9
11-40 910 0018	8731.G5 96 42 209 980	9
11-40 910 0019	7925.07	2
11-40 910 0020	8731.K4	10

MEYLE no.	Ref. no.	Page
Peugeot		
11-40 910 0021	8731.J6 96 47 487 680	9
11-40 910 0022	8731.K5 8731.T3 96 47 487 880 96 56 593 180	1
11-40 910 0023	8731.L7	10
11-40 910 0024	8731.P9 8731.Q0	11
11-40 910 0025	8731.P8	1
11-40 910 0026	8731.Q6	12
11-40 910 0027	8731.Q8	12
11-40 910 0028	8731.Q5	2
11-40 910 0029	8731.Q7	12
11-51 049 0001	0831.02 0831.13 0831.Q3	246
11-51 049 0002	0831.03 0831.14 0831.Q4	245
11-51 049 0009	0831.40 0831.41 0831.62 0831.82 0831.83 0831.R8	247
11-51 049 0010	0831.80 0831.81 0831.T3 831.T3	246
11-51 049 0014	0831.84 0831.85 0831.S1	247
11-51 049 0016	0831.P1 0831.P1 0831.P2 0831.P2 0831.V4 831.V4	248
11-51 049 0018	0831.92 0831.T5	248
11-51 049 0030	0831.78 0831.79 0831.N4 0831.V3	249
11-51 902 1000	0829.59	240

MEYLE no.	Ref. no.	Page
Peugeot		
11-51 902 1002	0829.66	243
	0829.67	
	0829.76	
	0829.77	
	0829.92	
	0829.93	
	0829.96	
	0829.A7	
	96 433 296	
	96 43 329 680	
11-51 902 1003	0829.90	242
	96 429 298	
	96 42 929 880	
11-51 902 1004	0829.69	241
	96 35 3368	
	96 35 336 880	
11-51 902 1005	0829.79	241
	96 37 0580	
	96 37 058 080	
11-51 902 1006	0829.80	243
	0829.98	
	96354380	
	9635438080	
	96459251	
9645925180		
11-51 902 1007	0818.19	238
	96 056 183	
	96 654 092	
11-51 902 1008	0829.A5	244
	0829.C6	
	96 452 098	
	96 45 209 880	
	96 527 717	
96 52 771 780		
11-51 902 1009	0829.A3	244
	0829.A4	
	96 408 284	
	96 40 828 480	
11-51 902 1010	0829.82	242
	0829.C7	
11-51 902 1011	0829.88	242
	0829.89	
	96543364	
	9654336480	

MEYLE no.	Ref. no.	Page
Peugeot		
11-51 902 1012	0829.A0	244
	0829.C8	
	0829.F6	
	96 487 043	
	96 48 704 380	
11-51 902 1013	0829.E8	245
	0829.F5	
	96 819 607	
	96 81 960 780	
	96 832 734	
96 83 273 480		
11-51 902 1014	0820.53	240
	0829.19	
	0829.29	
	0829.54	
11-51 902 1015	0829.32	240
	0829.35	
11-51 902 1016	0818.20	238
11-51 902 1017	0829.33	239
	0829.47	
11-51 902 1018	0829.11	238
	0829.21	
	93 501 404	
11-51 902 2000	0830.28	252
	0830.29	
	0830.30	
	0830.31	
	0832.81	
11-51 902 2001	0830.48	252
	0830.49	
	96415393	
9641539380		
11-51 902 2002	0830.42	249
11-51 902 2003	0830.20	250
	0830.61	
11-51 902 2004	0830.50	251
	0830.51	
	0830.72	
	0830.74	
	96442584	
	96 44 258 480	
	96823057	
	96 82 305 780	
0830.11		
11-51 902 2005	0830.11	251
	0830.14	
	0830.37	

MEYLE no.	Ref. no.	Page
Peugeot		
	0830.63	
11-51 902 2006	0830.02 93501405	249
11-51 902 2007	0830.25 0830.27 0830.54 0830.59	250
11-83 521 0017/PD	16 13 191 380 4246.W7 4249.15 4249.83 4249.G1 E 169 141	76
11-83 521 0018/PD	16 064 014 80 4246.W8 4249.17 4249.84 4249.J6 E 169 142	70
11-83 521 0032/PD	4246.97 4246.B1 4246.R3 4246.W5 4249.F0	58
112 129 0007	1445.37	329
16-14 323 0000	1901.68 1901.73 1901.82 1901.84	333
16-14 525 0002	4806.86	148
16-14 525 0003	4806.93	149
16-14 533 0000	4241.J1 4241.J5	132
16-14 533 0012	16 06 631 180	128
16-14 533 0012/K	16 06 631 180	129
16-14 610 0009	3523.50 3523.66 96 113 432 96 603 308	442
16-14 880 0000	5981.40	216
212 319 0003/S	6447.P2 6447.P3	25
212 319 0004	6447.J0 6447.SY	24
212 319 0012	6479.63 6479.E0	33

MEYLE no.	Ref. no.	Page
Peugeot		
212 320 0012	6479.63	32
212 321 0020	1444.QT 1444.SQ	321
212 321 0021	1444.SF 1444.SG	320
212 321 0023	1444.XK 16 06 498 480	329
214 030 0003	1802.56	347
214 030 0004	1807.S7	352
214 030 0005	1839.A6	358
214 030 0006	1807.T1	353
214 030 0029	1821.36	356
214 030 0030	1846.C2	364
214 030 0032	1806.95	348
214 030 0033	1806.91	348
214 030 0034	1846.C1	364
214 030 0035	1854.25	364
214 030 0070	1807.KE	351
214 322 0001	1109.Y7	344
214 322 0002	1109.J8 1109.J9 1109.N3 1109.R0 1109.R1 1109.S8 1109.T0 1109.T1	342
214 323 0000	1906.93	337
214 323 0001	1906.48 1906.49 1906.A9	335
214 323 0002	1901.56 1901.59 1901.62 1901.69	333
214 323 0004	1901.A3	334
214 498 0006	3273.C7 3274.77 3274.78	189
214 498 0012	4246.R3	190
214 498 0013	95 67 582 280	191
214 498 0014	3272.GY 3273.GQ	188
214 498 0032	4246.R3	190
214 498 0037	-	192
214 498 0059	3273.5S	178

MEYLE no.	Ref. no.	Page
Peugeot		
	3273.CJ	
214 525 0041	4806.G6	157
214 533 0008	4241.L7	138
214 533 0008/K	4241.L7	138
214 533 0010	4241.P0 4241.P3	141
214 533 0010/K	4241.P0 4241.P3	141
214 533 0017	4241.N5	142
214 533 0017/K	4241.H7 4241.K6	131
214 533 0020	4241.H5 4241.N4	131
214 533 0020/K	4241.H4	130
214 533 0021	4241.H4	131
214 610 0000	16 07 302 980 16 07 303 080 3520.94 3520.C3 3520.C5 3520.C9 3520.G9 3520.P4 3520.P6 3520.P8 3521.64 3521.83 3521.85 3521.C9 3521.H0 3521.H1 3521.K4 3521.K6 3521.L0	450
214 610 0013	3520.94* 3520.C3* 3520.C5* 3520.C9* 3520.G9* 3520.P4* 3520.P8*	451
214 610 0014	3521.64* 3521.83* 3521.85* 3521.C9* 3521.K4*	453

MEYLE no.	Ref. no.	Page
Peugeot		
	3521.L0*	
214 640 0010	-	503
214 650 0006	3326.76	547
214 650 0010	3326.77	547
214 650 0013	16 06 374 680 3326.71	546
214 770 0001	5035.19 5035.23 5035.27	544
214 800 0017	4545.90	198
214 860 0003	5960.A3 5960.K4	222
214 860 0006	-	227
214 899 0001	1920.S0	218
215 521 0002	4249.73 4249.E5 4249.L2	69
215 521 0002/PD	4249.73	69
215 521 0003	1607872280 4246.K2 4246.Y5 4249.35 4249.H9	36
215 521 0004	16 078 720 80 4246.L2 4246.X9 4249.H8	59
215 521 0005	4246.J8 4249.C9 4249.H6	49
215 521 0018	4249.26 4249.K3	64
215 521 0019	1611841680 4249.35 4249.A0 4249.H2	42
215 521 0021	1607872380 1612435380 1612435480 4249.37 4249.38 4249.A6	37
215 521 0024	4249.24 4249.92 4249.K0	63
215 521 0024/PD	4249.24	63

MEYLE no.	Ref. no.	Page
Peugeot		
	4249.92 4249.K0	
215 521 0029	1607872180 1611842080 4249.28 4249.K2	36
215 521 0033	4249.20 4249.87 4249.J9	62
215 521 0048	4246.A0 4246.H3	47
215 523 0004	4249.39 4249.A2 4249.K8	65
215 523 0006	1607880580 4246.Z3	60
215 523 0012	16 078 804 80 4246.Y9 4249.L0	60
215 523 0027	4249.30 4249.A1 4249.K7	64
215 523 0028	16 078 806 80 4249.41 4249.K6	37
215 523 0029	4249.22 4249.91	62
216 020 0015	3817.86	395
216 020 0016	3817.87	395
216 020 0062	4059.12	398
216 031 0004	3812.A4	375
216 031 0005	3812.E2	378
216 031 0017	4001 77 4001 K6 4001 NZ 4001 PA	383
216 031 0030/HD	4001 77 4001 K6 4001 NZ 4001 PA	383
216 050 0025	4066.95	371
216 050 0060	96 707 714 80	436
216 050 0061	96 707 720 80	436
216 060 0000/HD	5087.65 5087.70 5087.79	481

MEYLE no.	Ref. no.	Page
Peugeot		
216 060 0007	4018.E0	397
216 060 0033	5087.65 5087.70 5087.79	481
226 623 0017	5202.ZK 5202.ZL 5208.55 5208.L4 5208.L5	533
226 623 0018	5202.XG 5202.XH 5202.ZH 5202.ZJ 5208.53 5208.54 5208.L2 5208.L3 5208.L6	533
226 725 0012	5206.KG 5206.LX 5206.TS 5206.TW 5206.VA 5206.VS 5206.VT	530
226 725 0013	5206.JL 5206.KJ 5206.KL 5206.KR 5206.KZ 5206.LS 5206.LV 5206.LZ 5206.NZ 5206.PC 5206.PF 5206.TR 5206.TT 5206.TX 5206.TY 5206.VC 5206.VF 5206.VG 5206.VH	529
240 910 0028	16 08 899 680 8731.V0	13

MEYLE no.	Ref. no.	Page
Peugeot		
29-16 060 0003	5178.49	486
29-16 060 0004	5178.48	485
30-12 321 0002	1444.PV 1444.RG 1444.RH 1444.XA	317
30-14 322 0000	1109.AZ 1109.Y3	343
30-14 498 0021	3272JY 3273JR	185
30-14 640 0004	-	504
30-14 885 0004	5970.88	230
30-16 010 0027	3520.Q2 3521.L3	399
314 133 2108	1567.13	331
314 136 2102	0242.46	232
314 238 0005	1306.J5	294
314 323 0003	1567.07 1567.20 1567.21	331
314 885 0005	5970.64 5970.91	228
32-12 319 0002	6447.ZX	30
32-12 320 0002	6479.E9	33
32-12 321 0002	1444.RZ	320
32-14 533 0002	-	141
32-14 610 0000/HD	3520.X9 3521.V0	439
32-14 610 0005	3520.X9 3521.V0	440
32-14 640 0002	-	504
32-15 521 0025	1606375780 4249 58	66
32-15 521 0025/PD	1606375780 4249 58	67
32-15 523 0017	4249.61	67
32-15 523 0017/PD	4249.61	68
32-15 523 0020/PD	16 062 920 80	81
32-16 010 0025	3520.X9 3521.V0	400
32-16 020 0000	16 109 398 80 3817.74	385
32-16 050 0003	16 124 483 80 3520.V0 3520.X9	423
32-16 050 0004	16 124 484 80	435

MEYLE no.	Ref. no.	Page
Peugeot		
	3521.R1 3521.V0	
32-26 623 0003	5202.ZP	521
32-26 623 0004	5202.X6	519
32-26 725 0003	5206.LE	525
32-40 910 0017	8731.Q2	11
36-12 321 0005	1444.A6 1444.VA	312
37-16 060 0022/HD	16 08 078 280 5170.F5 5170.F6	483
37-16 060 0056	16 08 078 280 5170.F5 5170.F6	483
40-12 319 0000	6441.EG 6441.H7 6447.AK 6447.Z5	23
40-12 319 0001	6447.KR 6479.A1	24
40-12 319 0003	6479.04	30
40-12 319 0004	6447.LY 6479.E5	25
40-12 320 0000	6441.EH 6447.PF	26
40-12 320 0003	6447.RG	26
40-12 320 0004	6447.TA	27
40-12 321 0001	1420.P7 1444.CQ	314
40-12 321 0002	16 124 967 80	330
40-12 321 0003	96 783 359 80 98 055 520 80	331
40-12 321 0004	96 74 725 580	330
40-13 220 0004	1201.K2	307
40-13 220 0005	1201.K5	307
40-14 030 0000	1813.98	192, 356
40-14 030 0000	1813.98	192, 356
40-14 030 0000	1813.98	192, 356
40-14 030 0001	1809.30 1809.33	355
40-14 030 0002	1813.92	355
40-14 030 0003	1806.59 1806.84 1806.96	349
40-14 030 0005	1844.92	361
40-14 030 0101	1807.HC	351

MEYLE no.	Ref. no.	Page
Peugeot		
	1807.HE 1809.35 1809.44	
40-14 322 0001	1109.AF 1109.AT 1109.Z7	345
40-14 322 0002	1610693780	345
40-14 412 0001	5031.51	3
40-14 412 0002	5033.C3	3
40-14 495 0000	3293.31	166
40-14 495 0001	3292.03 3293.03	162
40-14 495 0002	3293.14	164
40-14 495 0004	3287.83	161
40-14 495 0005	3287.78	160
40-14 495 0006	3293.07	163
40-14 495 0007	3293.11 3293.12	163
40-14 495 0008	3293.13	164
40-14 495 0009	3287.81	160
40-14 495 0010	3287.77	160
40-14 495 0011	3287.74	159
40-14 495 0012	3293.81	165
40-14 495 0014	3287.69	159
40-14 495 0018	3293.16 3293.42 3293.97	165
40-14 495 0019	3293.99	166
40-14 498 0000	3273.17 3273.18 3273.20 3273.21 3273.23 3273.24 3274.79 3274.80 3274.82 3274.83 3274.85 3274.86	190
40-14 498 0001	3272.00 3272.20 3273.55 3273.64 3273.65 3273.66	187

MEYLE no.	Ref. no.	Page
Peugeot		
	3273.67 3273.69 3273.89	
40-14 498 0002	3272.02 3272.09 3272.10 3272.11 3272.12 3273.71 3273.79 3273.81	186
40-14 498 0003	3272.C7	183
40-14 498 0005	3272.83 3273.69	188
40-14 498 0006	3272.E5 3273.E6	188
40-14 498 0009	3272.F5 3273.78 3273.N2	186
40-14 498 0010	9619 947 588 9619 947 688	191
40-14 498 0011	3272.6E 3272.CQ 96 30 767 080	169
40-14 498 0012	3273CK 3273.Q6	179
40-14 498 0013	3273.C8 3273.E2	179
40-14 498 0015	3272.CK 3272.J1	171
40-14 498 0016	3272.50 3272.54	169
40-14 498 0017	3272.6K 3272.CH 3272.J0 3272.J3 3272.J4	170
40-14 498 0018	3272.CN 3272.J2 3272.J7 3272.J8	172
40-14 498 0019	3272.1Q 3272.9P	171
40-14 498 0020	3273.7G	177
40-14 498 0021	3273.0K 3273.5K	179

MEYLE no.	Ref. no.	Page
Peugeot		
	3273.E4	
40-14 498 0022	3272.1K 3272.56	167
40-14 498 0024	3272.EQ	183
40-14 498 0027	3272.6W 3273.9Z	181
40-14 498 0028	3273.0T 3273.6K 3273.9Z 3273.AA 3273.K2 3273.K3 7273.7X	177
40-14 498 0029	3273.10 3273.13 3273.5V 3273.5W	176
40-14 498 0030	3273.5S 3273.CJ 3273.Q8 3273.Q9	176
40-14 498 0031	3273.0W 3273.0X 3273.6A 327.3X	174
40-14 498 0032	3273.AC 3273.AE 3273.LP 96 37 117 880	178
40-14 498 0034	3272.6Y 3272.Y7 3272.Y8	170
40-14 498 0035	3272.20 3272.65 3273.5Q 3273.5R 3273.64 3273.65 3273.69 3273.89	175
40-14 498 0036	3273.06 3273.15 3273.S1 3273.S2	173
40-14 498 0037	3272.1X 3272.2X	167

MEYLE no.	Ref. no.	Page
Peugeot		
	96 37 117 780	
40-14 498 0038	3272.20 3272.4K 3273.66 3273.67	168
40-14 498 0040	3272.2Q 3272.3Q	168
40-14 498 0041	3273.7H 3273.7J	177
40-14 498 0042	3273.AH 3273.AJ 96 36 786 880	178
40-14 498 0043	3272.SZ 3272.TA	172
40-14 498 0044	3273.GC 3273.GE 3273.SV 3273.SW	180
40-14 533 0001	4241.L2	135
40-14 533 0002	4241.H7 4241.K6	132
40-14 533 0003	4241.N8 4241.P4	140
40-14 533 0004/K	4241.J1 4241.J5	132
40-14 533 0005/K	4241.E7 4241.J6	133
40-14 533 0019/K	4241.L2	135
40-14 620 0000	4066.64 4066.74	370
40-14 620 0002	4066.88	371
40-14 620 0004	4066.82 4066.85 4066.92 4066.93	370
40-14 640 0001	-	504
40-14 640 0002	-	505
40-14 640 0003	-	505
40-14 640 0004	-	505
40-14 640 0005	-	506
40-14 641 0004	5038.16 5038.68 5038.69	535
40-14 641 0005	5038.17 5038.70 5038.71	538

MEYLE no.	Ref. no.	Page
Peugeot		
40-14 641 0009	5031.96 9652351280	507
40-14 641 0010	5038.16 5038.68 5038.69	508
40-14 641 0011	5038.17 5038.70 5038.71	509
40-14 652 0001	3307.77 3307.84	555
40-14 742 0002	5166.50 5166.51	511
40-14 742 0003	5166.67	511
40-14 752 0001	3748.38 3748.72	559
40-14 800 0000	1338.A7 96 28 454 680 96 36 777 180	233
40-14 800 0002	4545.97	199
40-14 800 0003	4545.98	200
40-14 800 0004	1920.EH 96 37 220 880 96 37 466 980	217
40-14 800 0005	1920.7V 1920.FY 1920.QN	234
40-14 800 0007	4545.H5	206
40-14 800 0008	4545.H6	207
40-14 800 0009	1920.AW 96 37 465 980 96 39 999 880	217
40-14 800 0010	1920.EN 1920.FP	218
40-14 800 0011	4545.80 9636082980	197
40-14 800 0014	4545.94	198
40-14 800 0015	4545.95	199
40-14 800 0016	4545.96	199
40-14 800 0017	4545.71	195
40-14 800 0018	4545.72	196
40-14 800 0019	4545.E1	202
40-14 800 0020	4545.E2	202
40-14 800 0021	4545.F1	204
40-14 800 0022	4545.F6 96 61 974 980	205
40-14 800 0023	4545.F5	208

MEYLE no.	Ref. no.	Page
Peugeot		
	4545.K3 96 65 386 780	
40-14 800 0024	4545.E8	203
40-14 800 0025	4545.E7	203
40-14 800 0026	4545.J0	207
40-14 800 0027	4545.K6	209
40-14 810 0000	1338.97 1338.A6 96 310 010 96 368 027	233
40-14 860 0000	5962.1P 5962.1Q	226
40-14 860 0001	5960.39 5960.71 5960.K5	219
40-14 860 0002	5960.99 5960.G6	224
40-14 860 0003	5960.L1	225
40-14 860 0006	5960.E6 96 831 952 80	223
40-14 880 0000	5981.31 5981.38	210
40-14 880 0001/S	5981.31 5981.38	210
40-14 880 0002/S	5981.31 5981.38	211
40-14 880 0003/S	5981.31 5981.38	211
40-14 880 0004/S	5981.31 5981.38	212
40-14 880 0005/S	5981.31 5981.38	212
40-14 880 0006/S	5981.31 5981.38	213
40-14 885 0000	5963.19 5970.74 5970.A9 96 24 675 580 96 28 158 580	232
40-14 885 0001	5970.45 96 035 284	228
40-14 885 0002	5970.78 5970.79 5970.A8	229
40-14 885 0005	5970.48 5970.60	228

MEYLE no.	Ref. no.	Page
Peugeot		
	5970.70	
40-14 885 0008	5970.87 5970.A0	231
40-14 899 0001	6160.70	232
40-15 521 1001	4246.C0 4246.P5 4249.85 96 87 602 180 9809266280	51
40-15 521 1004	4246.Z7 4249.78	61
40-16 010 0002	3640.38 3640.42 3640.43 96087507	402
40-16 010 0004/HD	3640.55	404
40-16 020 0002	3817.55	390
40-16 020 0003/HD	3817.62	392
40-16 020 0004/HD	3817.61	391
40-16 020 5723/HD	3817.14 3817.30 3817.41	387
40-16 020 5724/HD	3817.16 3817.31 3817.42	388
40-16 031 0000/HD	3812.E6	379
40-16 031 0001/HD	16 08 652 180	373
40-16 050 0002/HD	3520.H5	416
40-16 050 0004/HD	3521.E5	428
40-26 623 0000	5202.J2	514
40-26 623 0001	5202.J0	514
40-26 623 0002	5202.GW 5202.GY 5202.TA	513
40-26 623 0003	5202.GX 5202.GZ 5202.KL 5202.KP 5202.SX 5202.TC	514
40-26 623 0010	5202.RW 5202.RY	517
40-26 623 0011	5202.RX 5202.RZ	517
40-26 623 0012	5202.PV	516
40-26 623 0013	5208.52	533

MEYLE no.	Ref. no.	Page
Peugeot		
	5208.F4	
40-26 623 0014	5208.51 5208.F5 5208.T5	534
40-26 623 0015	5208.81 5208.83	532
40-26 623 0016	5208.82 5208.84	532
40-26 623 0019	5202.WP 5202.WR 5202.WT 5202.WW 5208.Q2 5208.Q4	518
40-26 623 0020	5202.WQ 5202.WS 5202.WV 5202.WX 5208.Q3 5208.Q5	519
40-26 725 0000	5206.C6 5206.J2	522
40-26 725 0001	5206.P7 5206.P8	526
40-26 725 0002	5206.AN 5206.X7 5206.Z5 5206.Z7	530
40-26 725 0003	5206.V9 5206.W0 5206.WR	530
40-26 725 0004	5206.AC 5206.AQ 5206.PT 5206.Z4	531
40-26 725 0005	5206.E7	523
40-26 725 0006	5206.P0 5206.P4 5206.R3	527
40-26 725 0007	5206.PR	527
40-26 725 0008	5206.EE	524
40-26 725 0009	5206.YR	531
40-26 725 0010	5206.RE	527
40-26 725 0011	5206.FV 5206.FW 5206.FX	529

MEYLE no.	Ref. no.	Page
Peugeot		
	5206.GC 5206.QV 5206.VE 5206.VQ 5206.VR	
40-40 910 0002	8731.E0	6
40-40 910 0015	8731.L0	10
40-40 910 0021	8731.P5 8731.Q9	11
40-40 910 0025	8731.S0	13
40-51 902 1000	0829.30	239
513 220 0002	1201.E8	302
514 323 0003	1567.12 1577.12	333
514 860 0001	5960.77 5960.F8	221
53-14 860 0002	5960.E7	223
612 319 0016	6479.61 6479.84	32
612 320 0016	6479.61	31
613 220 0002	-	311
614 036 0012	0345.42 91 540 797 96 008 036	339
614 322 0000	1109.AC 1109.CG	342
614 322 0016	1109.CJ	342
614 323 0000	1906.52 1906.53	335
614 323 0002	1567.81 1567.87 1567.93 1567.C6	332
614 323 0004	16 06 267 680 1906.98 1906.C4	338
614 525 0020	4806.94	149
614 610 0007	3520.W3 3520Y4 3521.S6 3521V5	440
614 610 0008	3520.W3 3520Y4 3521.S6 3521V5	440
614 643 0000	5254.47	506

MEYLE no.	Ref. no.	Page
Peugeot		
614 818 0002	1567.28	332
614 860 0010	5960.L4	226
614 899 0017	1920.4S 5946.09	235
614 899 0038	1338.C7 1338.F9	234
616 010 0006	3520.W3 3520Y4 3521.S6 3521V5	400
616 050 0028	3521.S6 3521.V5	435
616 050 0029	3520.W3 3520Y4	423
713 220 0008	1201.F9 1201.G8	304
713 220 0008/HD	1201.F9 1201.G8	304
714 020 0001	5960.88 5960.89	222
714 020 0003	5960.66 5962.3C 5962.3E 5962.7F 5962.7G 96 236 383 96 389 858 96 510 297 96 515 836	220
714 020 0004	5960.64 5960.F4	219
714 322 0007	1109.AY 1109.S5	341
714 322 0011	1109.AH 1109.AJ 1109.CK 1109.CL 1109.Y9 1109.Z1 1109.Z2	344
714 323 0004	1906.89 1906.C0	337
714 323 0012	1906.A7	338
714 640 0007	-	506
714 860 0002	5960.12 5960.19	218



MEYLE no.	Ref. no.	Page
Peugeot		
	5960.E9	



Ref. no.	MEYLE no.	Page
Peugeot		
0024.35	11-12 320 0001	25
0242.46	314 136 2102	232
0345.42	614 036 0012	339
0382.HK	11-14 036 0003	340
0382.NY	11-14 036 0003	340
0818.19	11-51 902 1007	238
0818.20	11-51 902 1016	238
0820.53	11-51 902 1014	240
0829.11	11-51 902 1018	238
0829.19	11-51 902 1014	240
0829.21	11-51 902 1018	238
0829.29	11-51 902 1014	240
0829.30	40-51 902 1000	239
0829.32	11-51 902 1015	240
0829.33	11-51 902 1017	239
0829.35	11-51 902 1015	240
0829.47	11-51 902 1017	239
0829.54	11-51 902 1014	240
0829.59	11-51 902 1000	240
0829.66	11-51 902 1002	243
0829.67	11-51 902 1002	243
0829.69	11-51 902 1004	241
0829.76	11-51 902 1002	243
0829.77	11-51 902 1002	243
0829.79	11-51 902 1005	241
0829.80	11-51 902 1006	243
0829.82	11-51 902 1010	242
0829.88	11-51 902 1011	242
0829.89	11-51 902 1011	242
0829.90	11-51 902 1003	242
0829.92	11-51 902 1002	243
0829.93	11-51 902 1002	243
0829.96	11-51 902 1002	243
0829.98	11-51 902 1006	243
0829.A0	11-51 902 1012	244
0829.A3	11-51 902 1009	244
0829.A4	11-51 902 1009	244
0829.A5	11-51 902 1008	244
0829.A7	11-51 902 1002	243
0829.C6	11-51 902 1008	244
0829.C7	11-51 902 1010	242
0829.C8	11-51 902 1012	244
0829.E8	11-51 902 1013	245
0829.F5	11-51 902 1013	245
0829.F6	11-51 902 1012	244
0830.02	11-51 902 2006	249

Ref. no.	MEYLE no.	Page
Peugeot		
0830.11	11-51 902 2005	251
0830.14	11-51 902 2005	251
0830.20	11-51 902 2003	250
0830.25	11-51 902 2007	250
0830.27	11-51 902 2007	250
0830.28	11-51 902 2000	252
0830.29	11-51 902 2000	252
0830.30	11-51 902 2000	252
0830.31	11-51 902 2000	252
0830.37	11-51 902 2005	251
0830.42	11-51 902 2002	249
0830.48	11-51 902 2001	252
0830.49	11-51 902 2001	252
0830.50	11-51 902 2004	251
0830.51	11-51 902 2004	251
0830.54	11-51 902 2007	250
0830.59	11-51 902 2007	250
0830.61	11-51 902 2003	250
0830.63	11-51 902 2005	251
0830.72	11-51 902 2004	251
0830.74	11-51 902 2004	251
0831.02	11-51 049 0001	246
0831.03	11-51 049 0002	245
0831.13	11-51 049 0001	246
0831.14	11-51 049 0002	245
0831.40	11-51 049 0009	247
0831.41	11-51 049 0009	247
0831.62	11-51 049 0009	247
0831.78	11-51 049 0030	249
0831.79	11-51 049 0030	249
0831.80	11-51 049 0010	246
0831.81	11-51 049 0010	246
0831.82	11-51 049 0009	247
0831.83	11-51 049 0009	247
0831.84	11-51 049 0014	247
0831.85	11-51 049 0014	247
0831.92	11-51 049 0018	248
0831.N4	11-51 049 0030	249
0831.P1	11-51 049 0016	248
0831P1	11-51 049 0016	248
0831.P2	11-51 049 0016	248
0831P2	11-51 049 0016	248
0831.Q3	11-51 049 0001	246
0831.Q4	11-51 049 0002	245
0831.R8	11-51 049 0009	247
0831.S1	11-51 049 0014	247

Ref. no.	MEYLE no.	Page
Peugeot		
0831.T3	11-51 049 0010	246
0831.T5	11-51 049 0018	248
0831.V3	11-51 049 0030	249
0831V4	11-51 049 0016	248
0832.81	11-51 902 2000	252
1109.AC	614 322 0000	342
1109.AF	40-14 322 0001	345
1109.AH	714 322 0011	344
1109.AJ	714 322 0011	344
1109.AT	40-14 322 0001	345
1109.AY	714 322 0007	341
1109.AZ	30-14 322 0000	343
1109.CG	614 322 0000	342
1109.CJ	614 322 0016	342
1109.CK	714 322 0011	344
1109.CL	714 322 0011	344
1109.J8	214 322 0002	342
1109.J9	214 322 0002	342
1109.N3	214 322 0002	342
1109.R0	214 322 0002	342
1109.R1	214 322 0002	342
1109.R6	11-14 322 0001	343
1109.S5	714 322 0007	341
1109.S8	214 322 0002	342
1109.T0	214 322 0002	342
1109.T1	214 322 0002	342
1109.Y3	30-14 322 0000	343
1109.Y5	11-14 322 0002	344
1109.Y7	214 322 0001	344
1109.Y9	714 322 0011	344
1109.Z1	714 322 0011	344
1109.Z2	714 322 0011	344
1109.Z7	40-14 322 0001	345
1201.39	11-13 012 0163	298
1201.47	11-13 012 0723	308
1201.48	11-13 012 0162	298
1201.50	11-13 012 0150	297
1201.51	11-13 012 0162	298
1201.52	11-13 012 0152	299
1201.55	11-13 220 0002	301
1201.58	11-13 012 0158	302
1201.60	11-13 012 0162	298
1201.61	11-13 012 0150	297
1201.62	11-13 012 0162	298
1201.63	11-13 012 0163	298
1201.65	11-13 012 0152	299

Ref. no.	MEYLE no.	Page
Peugeot		
1201.67	11-13 012 0152	299
1201.91	11-13 012 0152	299
1201.93	11-13 012 0183	299
1201.98	11-13 220 0007	299
1201.A1	11-13 012 0183	299
1201.A2	11-13 012 0102	301
1201.A4	11-13 012 0152	299
1201.A5	11-13 220 0012	300
1201.A7	11-13 220 0002	301
1201.A8	11-13 220 0005	300
1201.C4	11-13 220 0001	301
1201.C5	11-13 220 0002	301
1201.C6	11-13 220 0002	301
1201.C9	11-13 220 0014	306
1201.E0	11-13 220 0002	301
1201.E1	11-13 220 0017	309
1201.E3	11-13 012 0723	308
1201.E4	11-13 012 0158	302
1201.E5	11-13 012 0102	301
1201.E6	11-13 012 0158	302
1201.E7	11-13 220 0017	309
1201.E8	513 220 0002	302
1201.E9	11-13 220 0008	303
1201.F4	11-13 220 0017	309
1201.F5	11-13 220 0017	309
1201.F6	11-13 220 0008	303
1201.F9	713 220 0008 713 220 0008/HD	304
1201.G0	11-13 220 0003	303
1201.G1	11-13 220 0004 11-13 220 0004/HD	305
1201.G2	11-13 220 0006	308
1201.G4	11-13 220 0017	309
1201.G5	11-13 220 0017	309
1201.G6	11-13 220 0022	303
1201.G8	713 220 0008 713 220 0008/HD	304
1201.G9	11-13 220 0004 11-13 220 0004/HD	305
1201.H0	11-13 220 0019	308
1201.H5	11-13 220 0014	306
1201.H6	11-13 220 0023	306
1201.H7	11-13 220 0021	309
1201.H8	11-13 220 0020	306
1201.J0	11-13 220 0019	308
1201.J2	11-13 220 0017	309

Ref. no.	MEYLE no.	Page
Peugeot		
1201.J4	11-13 220 0024	307
1201.J6	11-13 220 0021	309
1201.J9	11-13 220 0025	310
1201.K0	11-13 220 0024	307
1201.K1	11-13 220 0017	309
1201.K2	40-13 220 0004	307
1201.K5	40-13 220 0005	307
1201.L1	11-13 220 0019	308
1201.L2	11-13 220 0017	309
1201.L3	11-13 220 0019	308
1207.18	11-13 012 0723	308
1207.23	11-13 012 0723	308
1207.25	11-13 012 0158	302
1215144	11-14 610 0012/HD	454
1215145	11-14 610 0015/HD	438
1250.F4	11-14 232 0001	295
1250.G0	11-14 232 0001	295
1253.C9	11-14 232 0003	295
1280.18	050 005 1450	292
1280.26	050 004 0945	253
1280.35	050 006 0894	254
128037	050 004 0900	253
1280.38	050 003 0865	253
1280.39	050 003 0865	253
1280.43	050 006 0894	254
1280.46	050 006 0995	254
1280.50	050 006 0950	254
1280.61	050 006 0894	254
1280.69	050 006 0894	254
1306.C9	11-14 238 0000	295
1306.E4	11-14 238 0000	295
1306.J5	314 238 0005	294
13 08 664 080	11-16 060 0005/S	470
13 17 425 080	11-16 060 0005/S	470
1336.A1	11-14 200 0003	294
1336.Q1	11-28 228 0001	296
1336.Q2	11-28 228 0002	296
1337.27	028 289 0000	297
1338.44	028 289 0000	297
1338.97	40-14 810 0000	233
1338.A0	11-28 228 0000	297
1338.A6	40-14 810 0000	233
1338.A7	40-14 800 0000	233
1338.C7	614 899 0038	234
1338.F9	614 899 0038	234
1420.P7	40-12 321 0001	314

Ref. no.	MEYLE no.	Page
Peugeot		
1420.P8	11-12 321 0008	314
1434.13	11-14 036 0000	341
1434.45	11-14 036 0002	340
1434.C8	11-14 036 0001	340
1434.F6	11-14 036 0000	341
1444.02	11-12 321 0026	321
1444.09	11-12 014 4409	311
1444.11	11-12 321 0041	330
1444.84	11-12 321 0010	325
1444.85	11-12 014 4485	311
1444.86	11-12 014 4486	312
1444.A0	11-12 014 4402	324
1444.A6	36-12 321 0005	312
1444.A9	11-12 014 4419	312
1444.CA	11-12 321 0001	313
1444.CC	11-12 321 0001	313
1444.CE	11-12 321 0003	313
1444.CF	11-12 321 0015	327
1444.CJ	11-12 321 0001	313
1444.CL	11-12 321 0003	313
1444.CP	11-12 321 0014	327
1444.CQ	40-12 321 0001	314
1444.CR	11-12 321 0008	314
1444.CT	11-12 321 0030	314
1444.CV	11-12 321 0004	315
1444.CX	11-12 321 0004	315
1444.E6	11-12 321 0041	330
1444.EA	11-12 321 0002	315
1444.EE	11-12 321 0015	327
1444.EH	11-12 321 0032	315
1444.EJ	11-12 321 0032	315
1444.EL	11-12 321 0004	315
1444.EQ	11-12 321 0022	323
1444.EX	11-12 014 4409	311
1444.F0	11-12 321 0017	316
1444.F1	11-12 321 0041	330
1444.F3	11-12 014 4419	312
1444.F7	11-12 321 0006	316
1444.FF	11-12 321 0024	325
1444.G0	11-12 321 0010	325
1444.G9	11-12 014 4410	316
1444.GH	11-12 321 0002	315
1444.H0	11-12 321 0012	317
1444.H1	11-12 321 0020	317
1444.H3	11-12 321 0011	322
1444.H4	11-12 014 4419	312

Ref. no.	MEYLE no.	Page
Peugeot		
1444.H6	11-12 321 0037	321
1444.J1	11-12 014 4419	312
1444.J2	11-12 321 0037	321
1444.J4	11-12 321 0011	322
1444.PT	11-12 321 0024	325
1444.PV	30-12 321 0002	317
1444.PX	11-12 321 0029	326
1444.PZ	11-12 321 0037	321
1444.QF	11-12 321 0011	322
1444.QK	11-12 321 0035	318
1444.QQ	11-12 321 0031	322
1444.QR	11-12 321 0007	318
1444.QT	212 321 0020	321
1444.QW	11-12 321 0023	318
1444.QY	11-12 321 0034	319
1444.R2	11-12 321 0037	321
1444.R5	11-12 321 0042	319
1444.RG	30-12 321 0002	317
1444.RH	30-12 321 0002	317
1444.RJ	11-12 321 0013	329
1444.RN	11-12 321 0031	322
1444.RT	11-12 321 0025	328
1444.RV	11-12 321 0005	319
1444.RX	11-12 321 0028	320
1444.RZ	32-12 321 0002	320
1444.SC	11-12 321 0021	328
1444.SF	212 321 0021	320
1444.SG	212 321 0021	320
1444.SH	11-12 321 0025	328
1444.SQ	212 321 0020	321
1444.ST	11-12 014 4485	311
1444.SW	11-12 321 0018	324
1444.SY	11-12 321 0026	321
1444.T0	11-12 014 4419	312
1444.T1	11-12 321 0037	321
1444.T2	11-12 321 0037	321
1444.T3	11-12 321 0037	321
1444.T4	11-12 321 0037	321
1444.TA	11-12 321 0030	314
1444.TE	11-12 321 0031	322
1444.TF	11-12 321 0011	322
1444.TG	11-12 321 0036	323
1444.TJ	11-12 321 0014	327
1444.TK	11-12 321 0022	323
1444.TP	11-12 321 0032	315
1444.TQ	11-12 321 0004	315

Ref. no.	MEYLE no.	Page
Peugeot		
1444.TT	11-12 321 0027	323
1444.TV	11-12 321 0019	324
1444.TY	11-12 014 4402	324
1444.TZ	11-12 321 0003	313
1444.V2	11-12 321 0018	324
1444.VA	36-12 321 0005	312
1444.VF	11-12 321 0010	325
1444.VH	11-12 321 0015	327
1444.VK	11-12 321 0024	325
1444.VL	11-12 321 0016	326
1444.VP	11-12 321 0004	315
1444.VQ	11-12 321 0001	313
1444.VV	11-12 014 4419	312
1444.VW	11-12 321 0038	326
1444.VX	11-12 321 0029	326
1444.VZ	11-12 321 0009	327
1444.W2	11-12 321 0038	326
1444.W3	11-12 321 0003	313
1444.W5	11-12 321 0003	313
1444.W6	11-12 321 0003	313
1444.W9	11-12 321 0009	327
1444.WA	11-12 321 0041	330
1444.WH	11-12 321 0010	325
1444.WN	11-12 321 0023	318
1444.WP	11-12 321 0042	319
1444.X1	11-12 321 0015	327
1444.X2	11-12 321 0009	327
1444.X3	11-12 321 0009	327
1444.X5	11-12 321 0014	327
1444.XA	30-12 321 0002	317
1444.XC	11-12 321 0021	328
1444.XE	11-12 321 0025	328
1444.XF	11-12 321 0032	315
1444.XG	11-12 321 0013	329
1444.XK	212 321 0023	329
1445.02	11-12 321 0026	321
1445.08	11-12 014 4419	312
1445.26	11-12 321 0041	330
1445.37	112 129 0007	329
1445.89	11-12 321 0010	325
1445.96	11-12 321 0041	330
1525.KJ	11-14 919 0009	339
1525.04	11-14 919 0009	339
1567.07	314 323 0003	331
1567.12	514 323 0003	333
1567.13	314 133 2108	331

Ref. no.	MEYLE no.	Page
Peugeot		
1567.20	314 323 0003	331
1567.21	314 323 0003	331
1567.28	614 818 0002	332
1567.81	614 323 0002	332
1567.87	614 323 0002	332
1567.93	614 323 0002	332
1567.C6	614 323 0002	332
1577.12	514 323 0003	333
16 06 267 680	614 323 0004	338
16 062 920 80	32-15 523 0020/PD	81
16 06 374 680	214 650 0013	546
16 06 375 080	11-14 650 0014	546
1606375780	32-15 521 0025 32-15 521 0025/PD	66-67
16 064 014 80	11-15 521 0018 11-83 521 0018/PD	70
16 06 498 480	212 321 0023	329
16 06 631 180	16-14 533 0012 16-14 533 0012/K	128-129
16 070 831 80	025 248 8318	81
16 07 142 380	11-16 031 0028	372
1607293680	11-16 031 0015	377
16 072 950 80	11-16 010 3347	399
16 072 985 80	11-16 010 0013	404
16 072 986 80	11-16 050 0035	399
16 07 302 980	11-14 610 0038 11-16 050 0039 214 610 0000	407, 450
16 07 303 080	11-14 610 0038 11-16 050 0038 214 610 0000	407, 450
16 073 050 80	11-16 050 0053	408
16 073 051 80	11-16 050 0052	408
16 073 235 80	11-16 060 0011	485
16 073 236 80	11-16 060 0012	485
16 073 268 80	11-16 060 0018/HD 11-16 060 0034	471
16 073 269 80	11-16 060 0017/HD 11-16 060 0035	472
16 07 510 680	11-16 050 0084	409
16 07 510 780	11-16 050 0083	409
16 076 903 80	025 235 8416/W	81
16 076 904 80	025 235 8416/W	81
16 078 720 80	215 521 0004	59
1607872180	215 521 0029	36
1607872280	215 521 0003	36

Ref. no.	MEYLE no.	Page
Peugeot		
1607872380	215 521 0021	37
1607878380	025 244 6819-1/PD 025 244 6819/W1	84
1607878580	025 244 6819-2/PD 025 244 6819/W2	85
16 078 787 80	025 244 6619-1/PD 025 244 6619/W1	118-119
16 078 789 80	025 244 6619-2/PD 025 244 6619/W2	119-120
16 078 804 80	215 523 0012	60
1607880580	215 523 0006	60
16 078 806 80	215 523 0028	37
16 08 025 180	11-16 020 0034	384
16 08 025 280	11-16 020 0033	384
16 08 025 380	11-16 031 0014/HD 11-16 031 0031	372-373
16 080 254 80	11-14 620 0024	366
16 08 078 280	37-16 060 0022/HD 37-16 060 0056	483
1608520380	025 209 6117 025 209 6117/PD	108
16 08 520 680	025 249 2217	113
16 085 321 80	11-16 031 0032	373
16 08 652 180	40-16 031 0001/HD	373
16 086 522 80	11-16 020 0009	393
16 086 523 80	11-16 020 0010	394
16 086 913 80	025 252 5118	82
16 086 916 80	11-15 521 0033 11-15 521 0033/PD	54
16 08 899 680	240 910 0028	13
16 092 530 80	025 246 6017 025 246 6017/PD	112
1609417180	11-13 220 0006	308
1609417480	11-13 220 0017	309
16 094 176 80	11-13 220 0004 11-13 220 0004/HD	305
16 09 428 080	11-12 319 0008/S	28
16 09 428 180	11-12 320 0008/S	28
1609582880	11-15 523 0014 11-15 523 0014/PD	38
1609583080	11-15 523 0015 11-15 523 0015/PD	39
1609899680	025 256 8814	82
16 09 942 380	11-16 020 0027	385
16 09 948 280	11-16 020 0026	385
16 09 957 580	050 006 1370	255

Ref. no.	MEYLE no.	Page
Peugeot		
16 099 879 80	025 235 8919	83
16 101 040 80	025 250 6917	121
1610278080	11-13 220 0021	309
1610693780	40-14 322 0002	345
16 106 992 80	025 252 5118	82
16 107 046 80	11-15 521 0043 11-15 521 0043/PD	40
16 107 619 80	11-15 523 0016 11-15 523 0016/PD	41
1610814180	025 258 4116	83
16 108 175 80	11-14 620 0025	366
16 109 398 80	32-16 020 0000	385
1610976380	11-16 031 0012/HD 11-16 031 0022	374
16 10 976 480	11-16 020 0015/HD	386
1611204980	050 006 1060	259
16 112 939 80	025 235 9919 025 235 9919/PD	101
1611457380	025 244 6819-1/PD 025 244 6819/W1	84
16 114 578 80	025 235 8919	83
1611841680	215 521 0019	42
1611842080	215 521 0029	36
1612433880	025 244 6819-1/PD 025 244 6819/W1	84
1612433980	025 244 6819-2/PD 025 244 6819/W2	85
1612434180	025 220 4119	86
1612435380	215 521 0021	37
1612435480	215 521 0021	37
16 124 483 80	32-16 050 0003	423
16 124 484 80	32-16 050 0004	435
16 124 967 80	40-12 321 0002	330
1612736480	11-14 615 0013 11-14 615 0013/S 11-16 060 0022/S	458, 470, 472
16 13 191 380	11-83 521 0017/PD	76
1614412180	025 220 4119	86
16 144 392 80	11-16 010 3356	402
16 144 470 80	11-16 050 0004/HD	415
16 144 473 80	11-16 050 0003/HD	427
16 172 829 80	025 235 9919/PD	101
1802.56	214 030 0003	347
1806.27	11-14 030 0028	347
1806.28	11-14 184 0016	347
1806.50	11-14 030 0028	347

Ref. no.	MEYLE no.	Page
Peugeot		
1806.59	40-14 030 0003	349
1806.68	11-14 030 0028	347
1806.69	11-14 184 0030	348
1806.74	11-14 184 0016	347
1806.84	40-14 030 0003	349
1806.91	214 030 0033	348
1806.93	11-14 030 0017	349
1806.95	214 030 0032	348
1806.96	40-14 030 0003	349
1806.A6	11-14 030 0017	349
1806.H1	11-14 030 0028	347
1806.J8	11-14 030 0017	349
1807.C0	11-14 030 0140	349
1807.G0	11-14 030 0016	350
1807.GR	11-14 030 0015	350
1807.H8	11-14 030 0110	350
1807.HC	40-14 030 0101	351
1807.HE	40-14 030 0101	351
1807.KE	214 030 0070	351
1807.N5	11-14 030 0027 11-14 030 0100	351-352
1807.N7	11-14 030 0029	352
1807.S7	214 030 0004	352
1807.T1	214 030 0006	353
1807.Y3	11-14 030 0022	353
1809.04	11-14 030 0005	353
1809.06	11-14 030 0005	353
1809.16	11-14 180 0001	354
1809.21	11-14 180 0004	354
1809.22	11-14 184 0017	355
1809.28	11-14 030 0029	352
1809.29	11-14 180 0004	354
1809.30	40-14 030 0001	355
1809.33	40-14 030 0001	355
1809.35	40-14 030 0101	351
1809.44	40-14 030 0101	351
1813.92	40-14 030 0002	355
1813.94	11-14 030 0106	356
1813.98	40-14 030 0000	192, 356
1821.36	214 030 0029	356
1827.10	11-14 184 0024	357
1827.17	11-14 184 0012	357
1827.19	11-14 182 0002	358
1827.23	11-14 184 1013	358
1839.A6	214 030 0005	358
1843.82	11-14 184 0007	359

Ref. no.	MEYLE no.	Page
Peugeot		
1843.92	11-14 184 0005	360
1843.95	11-14 184 0007	359
1844.25	11-14 030 0006	359
1844.36	11-14 184 0015	359
1844.38	11-14 184 0005	360
1844.47	11-14 184 1013	358
1844.58	11-14 184 0018	360
1844.68	11-14 184 0015	359
1844.72	11-14 184 0005	360
1844.75	11-14 184 0025	361
1844.77	11-14 184 1013	358
1844.91	11-14 030 0007	362
1844.92	40-14 030 0005	361
1844.A1	11-14 030 0001	346
1844.A2	11-14 030 0002	346
1844.A9	11-14 184 0029	361
1844.C0	11-14 030 0007	362
1844.C2	11-14 030 0107	362
1844.C6	11-14 030 0014	363
1844.C7	11-14 030 0014	363
1846.65	11-14 184 0011	363
1846.66	11-14 184 0009	363
1846.C1	214 030 0034	364
1846.C2	214 030 0030	364
1854.20	11-14 030 0028	347
1854.25	214 030 0035	364
1901.56	214 323 0002	333
1901.59	214 323 0002	333
1901.62	214 323 0002	333
1901.65	11-16 323 0000	336
1901.68	16-14 323 0000	333
1901.69	214 323 0002	333
1901.73	16-14 323 0000	333
1901.82	16-14 323 0000	333
1901.84	16-14 323 0000	333
1901.97	11-14 323 0003	338
1901.A3	214 323 0004	334
1904.46	11-14 323 0003	338
1906.29	11-14 323 0002	335
1906.32	100 323 0007	334
1906.38	11-14 323 0002	335
1906.48	214 323 0001	335
1906.49	214 323 0001	335
1906.52	614 323 0000	335
1906.53	614 323 0000	335
1906.64	11-14 323 0002	335

Ref. no.	MEYLE no.	Page
Peugeot		
1906.66	11-14 323 0001	336
1906.67	11-14 323 0001	336
1906.76	11-16 323 0000	336
1906.87	100 127 0005	337
1906.88	100 127 0005	337
1906.89	714 323 0004	337
1906.93	214 323 0000	337
1906.98	614 323 0004	338
1906.A7	714 323 0012	338
1906.A9	214 323 0001	335
1906.C0	714 323 0004	337
1906.C4	614 323 0004	338
1906.C9	100 323 0007	334
1906.E6	11-14 323 0003	338
1920.4S	614 899 0017	235
1920.7V	40-14 800 0005	234
1920.AW	40-14 800 0009	217
1920.EH	40-14 800 0004	217
1920.EN	40-14 800 0010	218
1920.FP	40-14 800 0010	218
1920.FY	40-14 800 0005	234
1920.QN	40-14 800 0005	234
1920.SQ	214 899 0001	218
2450.50	025 209 0518/PD 025 209 0518/W	90-91
3247.03	014 098 9017	159
3272.00	40-14 498 0001	187
3272.02	40-14 498 0002	186
3272.09	40-14 498 0002	186
3272.10	40-14 498 0002	186
3272.11	40-14 498 0002	186
3272.12	40-14 498 0002	186
3272.1K	40-14 498 0022	167
3272.1Q	40-14 498 0019	171
3272.1X	11-14 498 0017 40-14 498 0037	167, 181
3272.20	40-14 498 0001 40-14 498 0035 40-14 498 0038	168, 175, 187
3272.2Q	40-14 498 0040	168
3272.2X	40-14 498 0037	167
3272.3C	11-14 498 0006 11-14 498 0015	168, 181
3272.3K	11-14 498 0010	172
3272.3L	11-14 498 0006	168
3272.3Q	40-14 498 0040	168

Ref. no.	MEYLE no.	Page
Peugeot		
3272.4C	11-14 498 0006	168, 181
	11-14 498 0015	
3272.4K	40-14 498 0038	168
3272.4R	11-14 498 0005	173
3272.50	40-14 498 0016	169
3272.54	40-14 498 0016	169
3272.56	40-14 498 0022	167
3272.65	40-14 498 0035	175
3272.6E	40-14 498 0011	169
3272.6K	40-14 498 0017	170
3272.6W	40-14 498 0027	181
3272.6Y	40-14 498 0034	170
3272.75	11-14 498 0005	173
3272.83	40-14 498 0005	188
3272.8E	11-14 498 0011	170
3272.9E	11-14 498 0011	170
3272.9P	40-14 498 0019	171
3272.AE	11-14 498 0021	182
3272.AH	11-14 498 0019	182
3272.C7	40-14 498 0003	183
3272.CH	40-14 498 0017	170
3272.CK	40-14 498 0015	171
3272.CN	40-14 498 0018	172
3272.CQ	40-14 498 0011	169
3272.E3	11-14 498 0002	183
3272.E5	40-14 498 0006	188
3272.EQ	40-14 498 0024	183
3272.F5	40-14 498 0009	186
3272.FT	11-14 498 0012	184
3272.GE	11-14 498 0024	184
3272.GG	11-14 498 0024	184
3272.GL	11-14 498 0020	185
3272.GY	214 498 0014	188
3272.H8	11-14 498 0005	173
3272.J0	40-14 498 0017	170
3272.J1	40-14 498 0015	171
3272.J2	40-14 498 0018	172
3272.J3	40-14 498 0017	170
3272.J4	40-14 498 0017	170
3272.J7	40-14 498 0018	172
3272.J8	40-14 498 0018	172
3272.JY	30-14 498 0021	185
3272.LA	11-14 498 0018	185
3272.LE	11-14 498 0013	189
3272.LG	11-14 498 0013	189
3272.LW	11-14 498 0017	181

Ref. no.	MEYLE no.	Page
Peugeot		
3272.NP	11-14 498 0016	186
3272.NQ	11-14 498 0016	186
3272.R3	11-14 498 0010	172
3272.SZ	40-14 498 0043	172
3272.T2	11-14 498 0005	173
3272.TA	40-14 498 0043	172
3272.Y7	40-14 498 0034	170
3272.Y8	40-14 498 0034	170
3273.06	40-14 498 0036	173
3273.0K	40-14 498 0021	179
3273.0T	40-14 498 0028	177
3273.0W	40-14 498 0031	174
3273.0X	40-14 498 0031	174
3273.0Y	11-14 498 0019	182
3273.10	40-14 498 0029	176
3273.13	40-14 498 0029	176
3273.15	40-14 498 0036	173
3273.17	40-14 498 0000	190
3273.18	40-14 498 0000	190
3273.20	40-14 498 0000	190
3273.21	40-14 498 0000	190
3273.23	40-14 498 0000	190
3273.24	40-14 498 0000	190
3273.3L	11-14 498 0008	174
3273.3M	11-14 498 0008	174
3273.3Y	11-14 498 0003	174
3273.55	40-14 498 0001	187
3273.5K	40-14 498 0021	179
3273.5P	11-14 498 0009	175
3273.5Q	40-14 498 0035	175
3273.5R	40-14 498 0035	175
3273.5S	214 498 0059 40-14 498 0030	176, 178
3273.5V	40-14 498 0029	176
3273.5W	40-14 498 0029	176
3273.64	40-14 498 0001	175, 187
	40-14 498 0035	
3273.65	40-14 498 0001	175, 187
	40-14 498 0035	
3273.66	40-14 498 0001	168, 187
	40-14 498 0038	
3273.67	40-14 498 0001	168, 187
	40-14 498 0038	
3273.69	40-14 498 0001	175, 187
	40-14 498 0035	
3273.6A	40-14 498 0031	174

Ref. no.	MEYLE no.	Page
Peugeot		
3273.6K	40-14 498 0028	177
3273.71	40-14 498 0002	186
3273.78	40-14 498 0009	186
3273.79	40-14 498 0002	186
3273.7G	40-14 498 0020	177
3273.7H	40-14 498 0041	177
3273.7J	40-14 498 0041	177
3273.81	40-14 498 0002	186
3273.89	40-14 498 0001 40-14 498 0035	175, 187
3273.9Z	40-14 498 0027 40-14 498 0028	177, 181
3273.AA	40-14 498 0028	177
3273.AC	40-14 498 0032	178
3273.AE	40-14 498 0032	178
3273.AH	40-14 498 0042	178
3273.AJ	40-14 498 0042	178
3273.AL	11-14 498 0021	182
3273.C7	214 498 0006	189
3273.C8	40-14 498 0013	179
3273.CJ	214 498 0059 40-14 498 0030	176, 178
3273.CK	40-14 498 0012	179
3273.CQ	11-14 498 0014	187
3273.CY	11-14 498 0012	184
3273.E2	40-14 498 0013	179
3273.E4	40-14 498 0021	179
3273.E6	40-14 498 0006	188
3273.EG	11-14 498 0024	184
3273.G1	11-14 498 0007	180
3273.G9	40-14 498 0005	188
3273.GC	11-14 498 0020 40-14 498 0044	180, 185
3273.GE	40-14 498 0044	180
3273.GQ	214 498 0014	188
3273.JJ	11-14 498 0012	184
3273.JR	30-14 498 0021	185
3273.K2	40-14 498 0028	177
3273.K3	40-14 498 0028	177
3273.KP	11-14 498 0018	185
3273.KR	11-14 498 0013	189
3273.LP	40-14 498 0032	178
3273.N2	40-14 498 0009	186
3273.NP	11-14 498 0016	186
3273.NQ	11-14 498 0016	186
3273.Q2	11-14 498 0007	180

Ref. no.	MEYLE no.	Page
Peugeot		
3273.Q6	40-14 498 0012	179
3273.Q8	40-14 498 0030	176
3273.Q9	40-14 498 0030	176
3273.S1	40-14 498 0036	173
3273.S2	40-14 498 0036	173
3273.SV	40-14 498 0044	180
3273.SW	40-14 498 0044	180
327.3X	40-14 498 0031	174
3273.X8	11-14 498 0009	175
3273.Z4	11-14 498 0007	180
3274.77	214 498 0006	189
3274.78	214 498 0006	189
3274.79	40-14 498 0000	190
3274.80	40-14 498 0000	190
3274.82	40-14 498 0000	190
3274.83	40-14 498 0000	190
3274.85	40-14 498 0000	190
3274.86	40-14 498 0000	190
3287.69	40-14 495 0014	159
3287.74	40-14 495 0011	159
3287.77	40-14 495 0010	160
3287.78	40-14 495 0005	160
3287.81	40-14 495 0009	160
3287.83	40-14 495 0004	161
3287.88	11-14 495 0012	161
3287.A9	11-14 495 0000	161
3292.03	40-14 495 0001	162
3293.02	11-14 495 0006	162
3293.03	40-14 495 0001	162
3293.05	11-14 495 0009	162
3293.06	11-14 495 0001	163
3293.07	40-14 495 0006	163
3293.11	40-14 495 0007	163
3293.12	40-14 495 0007	163
3293.13	40-14 495 0008	164
3293.14	40-14 495 0002	164
3293.16	40-14 495 0018	165
3293.20	11-14 495 0007	164
3293.31	40-14 495 0000	166
3293.34	11-14 495 0006	162
3293.41	11-14 495 0003	165
3293.42	40-14 495 0018	165
3293.74	11-14 495 0003	165
3293.81	40-14 495 0012	165
3293.97	40-14 495 0018	165
3293.99	40-14 495 0019	166

Ref. no.	MEYLE no.	Page
Peugeot		
3293.06	11-14 495 0013	166
3307.49	11-14 033 0749	554
3307.56	11-14 033 5016	547
3307.64	11-14 652 0001	554
3307.69	11-14 033 0772	555
3307.71	11-14 033 0772	555
3307.72	11-14 033 0772	555
3307.76	11-14 652 0003	554
3307.77	40-14 652 0001	555
3307.84	40-14 652 0001	555
3307.85	11-14 033 0772	555
3326.27	11-14 033 5029/S	549
3326.62	11-14 650 0014	546
3326.63	11-14 650 0013	546
3326.69	11-14 650 0013	546
3326.71	214 650 0013	546
3326.76	214 650 0006	547
3326.77	214 650 0010	547
3349.09	11-14 899 0020	545
3350.16	11-14 033 5016	547
3350.17	11-14 033 5017	548
3350.18	11-14 650 0010	548
3350.21	11-14 033 5029/S	549
3350.24	11-14 650 0001	550
3350.25	11-14 750 0004	549
3350.27	11-14 650 0002	549
3350.28	11-14 750 0018	556
3350.29	11-14 033 5029/S	549
3350.30	11-14 650 0001	550
3350.32	11-14 650 0006	550
3350.69	11-14 650 0007	550
3350.72	11-14 650 0015	551
3350.82	11-14 650 0008	551
3350.84	11-14 650 0007	550
3350.85	11-14 650 0008	551
3350.86	11-14 650 0015	551
3350.92	11-14 650 0015	551
3504.08	11-14 710 0004	492, 494
3504.18	11-14 710 0002	492, 495
3504.30	11-14 180 0007	492, 495
3504.35	11-14 180 0008	493, 495
3504.41	11-14 180 0006	493, 496
3504.42	11-14 180 0005	493, 496
3520.48	11-16 050 3198	410
3520.49	11-16 050 3198	410
3520.50	11-16 050 3198	410

Ref. no.	MEYLE no.	Page
Peugeot		
3520.51	11-16 050 3198	410
3520.57	11-16 050 3197	410
3520.60	11-16 050 3197	410
3520.78	11-16 050 6980	411
3520.79	11-16 050 6979	411
3520.84	11-16 050 0004/HD	415
3520.92	11-16 050 0063	412
3520.93	11-16 050 0064	412
3520.94	11-16 050 0023 214 610 0000	418, 450-451
3520.94*	214 610 0013	418, 450-451
3520.95	11-16 050 0047	416
3520.96	11-16 050 0032	417
3520.98	11-16 050 0004/HD	415
3520.99	11-16 050 0004/HD	415
3520.C0	11-16 050 0016	413
3520.C3	11-16 050 0023 214 610 0000	418, 450-451
3520.C3*	214 610 0013	418, 450-451
3520.C5	11-16 050 0023 214 610 0000	418, 450-451
3520.C5*	214 610 0013	418, 450-451
3520.C9	11-16 050 0023 214 610 0000	418, 450-451
3520.C9*	214 610 0013	418, 450-451
3520.F1	11-16 050 0015/HD	413
3520.F3	11-16 050 0004/HD	415
3520.G8	11-16 050 0008/HD 11-16 050 0101	414
3520.G9	11-16 050 0023 214 610 0000	418, 450-451
3520.G9*	214 610 0013	418, 450-451
3520.H1	11-16 050 0016	413
3520.H3	11-16 050 0004/HD	415
3520.H4	11-16 050 0004/HD	415
3520.H5	11-16 050 0004/HD 11-16 050 0036/HD 40-16 050 0002/HD	415-416
3520.H7	11-16 050 0008/HD 11-16 050 0101	414
3520.J3	11-16 050 0048/HD	422
3520.K8	11-16 050 0010/HD	420
3520.L0	11-16 050 0047	416
3520.L1	11-16 050 0032	417
3520.L7	11-16 050 0008/HD 11-16 050 0101	414

Ref. no.	MEYLE no.	Page
Peugeot		
3520.L8	11-16 050 0008/HD 11-16 050 0101	414
3520.N3	11-16 050 0047	416
3520.N4	11-16 050 0032	417
3520.N5	11-16 050 0010/HD	420
3520.N6	11-14 610 0032 11-16 050 0031	432, 451
3520.P1	11-16 050 0019	417
3520.P2	11-16 050 0008/HD 11-16 050 0101	414
3520.P3	11-16 050 0010/HD	420
3520.P4	11-16 050 0023 214 610 0000	418, 450-451
3520.P4*	214 610 0013	418, 450-451
3520.P6	11-14 610 0038 11-16 050 0038 214 610 0000	407, 450
3520.P8	11-16 050 0023 214 610 0000	418, 450-451
3520.P8*	214 610 0013	418, 450-451
3520.Q2	11-14 610 0045 11-14 610 0046 11-14 610 0048 11-16 050 0050 30-16 010 0027	399, 418, 438, 457
3520.Q3	11-16 050 0048/HD	422
3520.Q9	11-16 050 0053	408
3520.R6	11-16 050 0019	417
3520.R7	11-16 050 0053	408
3520.R8	11-14 610 0034 11-14 610 0038 11-16 050 0068	419, 450, 452
3520.S0	11-16 050 0066	419, 439
3520.S0*	11-14 610 0025 11-14 610 0026	419, 439
3520.S1	11-16 050 0066	419, 439
3520.S1*	11-14 610 0025 11-14 610 0026	419, 439
3520.S2	11-16 050 0010/HD	420
3520.S5	11-16 050 0084	409
3520.S8	11-14 610 0032 11-16 050 0030	420, 451
3520.T0	11-16 050 0010/HD	420
3520.T2	11-16 050 0081	421
3520.T3	11-16 050 0081	421
3520.V0	32-16 050 0003	423

Ref. no.	MEYLE no.	Page
Peugeot		
3520.V2	11-16 050 0072/HD	421
3520.V3	11-16 050 0048/HD	422
3520.V6	11-16 050 0008/HD 11-16 050 0101	414
3520.V7	11-16 050 0008/HD 11-16 050 0101	414
3520.V8	11-16 050 0068	419
3520.W0	11-16 050 0008/HD 11-16 050 0101	414
3520.W3	614 610 0007 614 610 0008 616 010 0006 616 050 0029	400, 423, 440
3520.W4	11-16 050 0084	409
3520.X0	11-16 050 0084	409
3520.X7	11-16 050 0077	422, 452
3520.X7*	11-14 610 0042	422, 452
3520.X9	32-14 610 0000/HD 32-14 610 0005 32-16 010 0025 32-16 050 0003	400, 423, 439-440
3520.Y0	11-14 610 0047/HD	452
3520.Y4	614 610 0007 614 610 0008 616 010 0006 616 050 0029	400, 423, 440
3521.31	11-16 050 3199	424
3521.33	11-16 050 3199	424
3521.34	11-16 050 3199	424
3521.38	11-16 050 3196	424
3521.41	11-16 050 3196	424
3521.55	11-16 050 0003/HD	427
3521.56	11-16 050 0003/HD	427
3521.64	11-16 050 0013 214 610 0000	430, 450, 453
3521.64*	214 610 0014	430, 450, 453
3521.65	11-16 050 0014	429
3521.66	11-16 050 0033	429
3521.68	11-16 050 0003/HD	427
3521.69	11-16 050 0017/HD	425
3521.80	11-16 050 0000	425
3521.83	11-16 050 0013 214 610 0000	430, 450, 453
3521.83*	214 610 0014	430, 450, 453
3521.85	11-16 050 0013 214 610 0000	430, 450, 453

Ref. no.	MEYLE no.	Page
Peugeot		
3521.85*	214 610 0014	430, 450, 453
3521.A1	11-16 050 0017/HD	425
3521.C8	11-16 050 0007/HD 11-16 050 0100	426
3521.C9	11-16 050 0013 214 610 0000	430, 450, 453
3521.C9*	214 610 0014	430, 450, 453
3521.E1	11-16 050 0000	425
3521.E3	11-16 050 0003/HD	427
3521.E4	11-16 050 0003/HD	427
3521.E5	11-16 050 0003/HD 11-16 050 0037/HD 40-16 050 0004/HD	427-428
3521.E7	11-16 050 0007/HD 11-16 050 0100	426
3521.F3	11-16 050 0049/HD	434
3521.G8	11-16 050 0009/HD	428
3521.H0	11-14 610 0038 11-16 050 0038 214 610 0000	407, 450
3521.H1	11-14 610 0039 11-16 050 0039 214 610 0000	407, 450, 453
3521.H2	11-16 050 0014	429
3521.H3	11-16 050 0033	429
3521.H9	11-16 050 0007/HD 11-16 050 0100	426
3521.J0	11-16 050 0007/HD 11-16 050 0100	426
3521.J3	11-16 050 0014	429
3521.J4	11-16 050 0033	429
3521.J5	11-16 050 0009/HD	428
3521.J6	11-14 610 0032 11-16 050 0030	420, 451
3521.K1	11-16 050 0020	430
3521.K2	11-16 050 0007/HD 11-16 050 0100	426
3521.K3	11-16 050 0009/HD	428
3521.K4	11-16 050 0013 214 610 0000	430, 450, 453
3521.K4*	214 610 0014	430, 450, 453
3521.K6	11-14 610 0039 11-16 050 0039 214 610 0000	407, 450, 453
3521.L0	11-16 050 0013 214 610 0000	430, 450, 453

Ref. no.	MEYLE no.	Page
Peugeot		
3521.L0*	214 610 0014	430, 450, 453
3521.L3	11-14 610 0045 11-14 610 0046 11-14 610 0048 11-16 050 0051 30-16 010 0027	399, 431, 438, 457
3521.L4	11-16 050 0049/HD	434
3521.N0	11-16 050 0052	408
3521.N7	11-16 050 0020	430
3521.N8	11-16 050 0052	408
3521.N9	11-14 610 0034 11-14 610 0039 11-16 050 0067	431, 452-453
3521.P1	11-16 050 0065	432, 439
3521.P1*	11-14 610 0025 11-14 610 0026	432, 439
3521.P2	11-16 050 0065	432, 439
3521.P2*	11-14 610 0025 11-14 610 0026	432, 439
3521.P3	11-16 050 0009/HD	428
3521.P6	11-16 050 0083	409
3521.P9	11-14 610 0032 11-16 050 0031	432, 451
3521.Q1	11-16 050 0009/HD	428
3521.Q3	11-16 050 0082	433
3521.Q4	11-16 050 0082	433
3521.R1	32-16 050 0004	435
3521.R3	11-16 050 0071/HD	433
3521.R4	11-16 050 0049/HD	434
3521.R7	11-16 050 0007/HD 11-16 050 0100	426
3521.R9	11-16 050 0007/HD 11-16 050 0100	426
3521.S0	11-16 050 0067	431
3521.S1	11-16 050 0007/HD 11-16 050 0100	426
3521.S6	614 610 0007 614 610 0008 616 010 0006 616 050 0028	400, 435, 440
3521.S7	11-16 050 0083	409
3521.T2	11-16 050 0083	409
3521.T8	11-16 050 0078	434, 452
3521.T8*	11-14 610 0042	434, 452
3521.V0	32-14 610 0000/HD 32-14 610 0005	400, 435, 439-440

Ref. no.	MEYLE no.	Page
Peugeot		
	32-16 010 0025 32-16 050 0004	
3521.V1	11-14 610 0047/HD	452
3521.V5	616 050 0028	435
3521V5	614 610 0007 614 610 0008 616 010 0006	400, 440
3523.20	11-14 035 2320	441
3523.25	11-14 352 0005	441
3523.27	11-14 352 0005	441
3523.29	11-14 352 0005	441
3523.31	11-14 035 2331	441
3523.35	11-14 352 0005	441
3523.40	11-14 352 0006	442
3523.42	11-14 610 0014/HD	455
3523.43	11-14 610 0017	442
3523.49	11-14 352 0005	441
3523.50	16-14 610 0009	442
3523.51	11-14 352 0002	453
3523.54	11-14 610 0014/HD	455
3523.58	11-14 352 0005	441
3523.60	11-14 352 0008	443
3523.61	11-14 035 0000	454
3523.66	16-14 610 0009	442
3523.71	11-14 035 2331	441
3523.73	11-14 035 2320	441
3523.75	11-14 610 0012/HD	454
3523.76	11-14 035 2376	443
3523.77	11-14 035 2377	443
3523.79	11-14 035 2376	443
3523.80	11-14 035 2376	443
3523.83	11-14 610 0006	454
3523.89	11-14 610 0014/HD	455
3523.90	11-14 610 0019	455
3523.91	11-14 610 0016/HD	444
3523.92	11-14 610 0013/HD	444
3523.93	11-14 610 0009	444
3523.94	11-14 610 0023 11-14 610 0027	455, 457
3523.96	11-14 610 0019	455
3523.98	11-14 610 0001	445
3523.AA	11-14 352 0010	445
3523.AJ	11-14 610 0016/HD	444
3523.AP	11-14 610 0023 11-14 610 0027	455, 457
3523.AQ	11-14 610 0018	445

Ref. no.	MEYLE no.	Page
Peugeot		
3523.AS	11-14 035 2376	443
3523.AZ	11-14 610 0031	446
3523.CA	11-14 610 0030	446
3523.CC	11-14 610 0020	446
3523.CE	11-14 610 0021	447
3523 CN	11-14 610 0043	447
3523.CR	11-14 610 0044 11-14 610 0055/HD	448
3528.W8	11-16 050 0008/HD 11-16 050 0101	414
3640.20	11-16 010 4249	400
3640.21	11-16 010 4249	400
3640.26	11-16 010 4087/HD	401
3640.28	11-16 010 3347	399
3640.30	11-16 010 6909	402
3640.31	11-16 010 6909	402
3640.32	11-16 010 0005/HD	401
3640.33	11-16 010 0004	401
3640.34	11-16 010 3347	399
3640.35	11-14 610 0003	487
3640.36	11-16 010 3356	402
3640.37	11-16 010 6909	402
3640.38	40-16 010 0002	402
3640.41	11-14 610 0022	456
3640.42	40-16 010 0002	402
3640.43	40-16 010 0002	402
3640.44	11-16 010 6909	402
3640.48	11-16 010 0007	403
3640.49	11-16 010 0007	403
3640.50	11-16 010 0008	403
3640.51	11-16 010 0008	403
3640.53	11-16 010 0000	404
3640.54	11-16 010 0011	403
3640.55	40-16 010 0004/HD	404
3640.56	11-16 010 0013	404
3640.57	11-16 010 0019 11-16 050 0035	399, 457
3640.58	11-16 010 0018 11-16 010 0018/S	405, 456
3640.59	11-16 010 0013	404
3640.60	11-16 010 0000	404
3640.61	11-16 010 0013	404
3640.62	11-16 010 0013	404
3640.65	11-16 010 0013	404
3640.66	11-16 010 0013	404
3640.67	11-16 010 0014	405

Ref. no.	MEYLE no.	Page
Peugeot		
3640.68	11-16 010 0000	404
3640.69	11-16 010 0018 11-16 010 0018/S 11-16 010 0019	405, 456-457
3640.70	11-16 010 0000	404
3640.71	11-16 010 3347	399
3640.72	11-16 010 0018 11-16 010 0018/S 11-16 010 0019	405, 456-457
3640.73	11-16 010 0000	404
3640.74	11-16 010 0019 11-16 050 0035	399, 457
3640.76	11-16 010 0014	405
3640.77	11-16 010 0017	406
3640.78	11-16 010 0025	405
3640.83	11-16 010 0020	406
3656 04	11-14 610 0033	456
3657 04	11-14 610 0033	456
3701.60	11-14 750 0009	557
3701.68	11-14 750 0030	556
3701.74	11-14 750 0030	556
3730.32	11-14 750 0020	551
3740.32	11-14 037 4032	545
3748.17	11-14 750 0001	552
3748.28	11-14 750 0015	556
3748.31	11-14 750 0009	557
3748.32	11-14 750 0031	557
3748.36	11-14 750 0022	558
3748.37	11-14 752 0000	558
3748.38	40-14 752 0001	559
3748.39	11-14 750 0001	552
3748.41	11-14 750 0006	558
3748.43	11-14 750 0015	556
3748.44	11-14 750 0022	558
3748.45	11-14 750 0009	557
3748.68	11-14 750 0014	559
3748.72	40-14 752 0001	559
3748.74	11-14 750 0032	560
3748.76	11-14 750 0027	560
3748.77	11-14 750 0028	552
3748.80	11-14 750 0014	559
3748.82	11-14 750 0016	561
3748.83	11-14 750 0025	553
3748.85	11-14 750 0008	560
3748.86	11-14 750 0016	561
3748.87	11-14 750 0016	561

Ref. no.	MEYLE no.	Page
Peugeot		
3748.88	11-14 750 0013	561
3748.89	11-14 752 0003	561
3748.94	11-14 750 0029	553
3748.95	11-14 752 0001	562
3748.96	11-14 752 0002	562
3748.99	11-14 752 0001	562
3748.A0	11-14 752 0002	562
3748.A3	11-14 752 0001	562
3812.25	11-16 030 5749	375
3812.52	11-16 030 5749	375
3812.65	11-16 030 5749	375
3812.92	11-16 030 6907	374
3812.94	11-16 030 5749	375
3812.97	11-16 030 5749	375
3812.A4	216 031 0004	375
3812.A6	11-16 031 0017	375
3812.A9	11-16 031 0016	376
3812.C0	11-16 030 0001	376
3812.C4	11-16 031 0000	376
3812.C5	11-16 031 0001	377
3812.C6	11-16 030 0001	376
3812.C7	11-16 031 0010	377
3812.E0	11-16 031 0015	377
3812.E1	11-16 031 0009 11-16 031 0011/HD	378
3812.E2	216 031 0005	378
3812.E3	11-16 031 0008	379
3812.E4	11-16 030 0001	376
3812.E5	11-16 031 0019	379
3812.E6	40-16 031 0000/HD	379
3812.E7	11-16 031 0008	379
3812.E8	11-16 031 0007	380
3812.F0	11-16 031 0020	380
3812.F1	11-16 031 0013/HD	380
3812.F2	11-16 031 0021	381
3812.F3	11-16 031 0023	381
3812.F4	11-16 031 0024	381
3812.F7	11-16 031 0030	382
3812.G3	11-16 031 0028	372
3814.A5	11-16 020 0019	386
3817.11	11-16 020 4078	386
3817.14	40-16 020 5723/HD	387
3817.16	40-16 020 5724/HD	388
3817.18	11-16 020 5703/HD	389
3817.21	11-16 020 5721	389
3817.22	11-16 020 5722	389

Ref. no.	MEYLE no.	Page
Peugeot		
3817.26	11-16 020 5721	389
3817.27	11-16 020 5722	389
3817.30	40-16 020 5723/HD	387
3817.31	40-16 020 5724/HD	388
3817.37	11-16 020 0006	388
3817.38	11-16 020 0005	388
3817.39	11-16 020 0003	387
3817.40	11-16 020 0004	387
3817.41	40-16 020 5723/HD	387
3817.42	40-16 020 5724/HD	388
3817.43	11-16 020 0006	388
3817.44	11-16 020 0005	388
3817.48	11-16 020 5721	389
3817.49	11-16 020 5722	389
3817.50	11-16 020 5703/HD	389
3817.52	11-16 020 5703/HD	389
3817.55	40-16 020 0002	390
3817.56	11-16 020 0008	390
3817.57	11-16 020 0021	391
3817.58	11-16 020 0020	391
3817.61	40-16 020 0004/HD	391
3817.62	40-16 020 0003/HD	392
3817.63	11-16 020 0017	392
3817.64	11-16 020 0018	392
3817.65	11-16 020 0014	393
3817.66	11-16 020 0013	393
3817.67	11-16 020 0009	393
3817.68	11-16 020 0010	394
3817.69	11-16 020 0015/HD	386
3817.70	11-16 020 0016/HD	394
3817.73	11-16 020 0019	386
3817.74	32-16 020 0000	385
3817.75	11-16 020 0023	394
3817.76	11-16 020 0022	395
3817.77	11-16 020 0015/HD	386
3817.80	11-16 020 0026	385
3817.81	11-16 020 0027	385
3817.86	216 020 0015	395
3817.87	216 020 0016	395
3817.88	11-16 020 0023	394
3817.89	11-16 020 0022	395
3817.94	11-16 020 0032	396
3817.A1	11-16 020 0030	396
3817.A2	11-16 020 0031	396
3840.37	11-16 010 0007	403
4001.33	11-16 031 0026	382

Ref. no.	MEYLE no.	Page
Peugeot		
	11-16 031 0034/HD	
4001.77	216 031 0017 216 031 0030/HD	383
4001.A1	11-16 031 0012/HD 11-16 031 0022	374
4001.E4	11-16 031 0012/HD 11-16 031 0022	374
4001.E5	11-16 031 0012/HD 11-16 031 0022	374
4001.K6	216 031 0017 216 031 0030/HD	383
4001.NZ	216 031 0017 216 031 0030/HD	383
4001.PA	216 031 0017 216 031 0030/HD	383
4007.99	050 005 0880	255
4007.AY	050 005 0860	255
4007.E7	050 006 1200	282
4007.KK	11-14 631 0000	366
4009.41	050 004 0640	287
4009.42	050 004 1025 050 004 1030	290
4009.72	050 004 0640	287
4009.78	050 004 0640	287
4009.86	050 004 1025 050 004 1030	290
4018.A3	11-16 020 7529	397
4018.A4	11-16 030 0008/HD 11-16 030 7528	383-384
4018.E0	216 060 0007	397
4018.H4	11-16 020 7529	397
4059.09	11-16 020 5042	397
4059.12	216 020 0062	398
4066.15	11-14 620 0000	367
4066.16	11-14 620 0006	367
4066.20	11-14 620 0000	367
4066.31	11-14 620 0009	367
4066.41	11-14 620 0003	368
4066.43	11-14 620 0007	368
4066.44	11-14 620 0008	369
4066.56	11-14 620 0001	369
4066.57	11-14 620 0005	370
4066.64	40-14 620 0000	370
4066.69	11-14 620 0019	369
4066.73	11-14 620 0005	370
4066.74	40-14 620 0000	370

Ref. no.	MEYLE no.	Page
Peugeot		
4066.82	40-14 620 0004	370
4066.85	40-14 620 0004	370
4066.88	40-14 620 0002	371
4066.92	40-14 620 0004	370
4066.93	40-14 620 0004	370
4066.95	216 050 0025	371
4066.A0	11-14 620 0023	371
4066A3	11-14 620 0026	372
4151.88	025 218 2717	94
4241.21	11-14 533 0000 11-14 533 0000/K	129-130
4241.73	11-14 533 0000 11-14 533 0000/K	129-130
4241.E7	11-14 533 0017 40-14 533 0005/K	130, 133
4241.E8	11-14 533 0000 11-14 533 0000/K	129-130
4241.G3	11-14 533 0003 11-14 533 0003/K 11-14 533 0003/S	135-136
4241.G6	11-14 533 0004 11-14 533 0004/K	133-134
4241.H4	214 533 0020/K 214 533 0021	130-131
4241.H5	214 533 0020	131
4241.H6	11-14 533 0001 11-14 533 0021/K	137
4241.H7	214 533 0017/K 40-14 533 0002	131-132
4241.J0	11-14 533 0004 11-14 533 0004/K	133-134
4241.J1	16-14 533 0000 40-14 533 0004/K	132
4241.J4	11-14 533 0022	133
4241.J5	16-14 533 0000 40-14 533 0004/K	132
4241.J6	40-14 533 0005/K	133
4241.J9	11-14 533 0000 11-14 533 0000/K	129-130
4241.K1	11-14 533 0004 11-14 533 0004/K	133-134
4241.K2	11-14 533 0004 11-14 533 0004/K	133-134
4241.K3	11-14 533 0004 11-14 533 0004/K	133-134
4241.K5	11-14 533 0005	139

Ref. no.	MEYLE no.	Page
Peugeot		
	11-14 533 0005/K	
4241.K6	214 533 0017/K 40-14 533 0002	131-132
4241.K8	11-14 533 0001 11-14 533 0021/K	137
4241.L0	11-14 533 0019 11-14 533 0023/K	134
4241.L2	40-14 533 0001 40-14 533 0019/K	135
4241.L3	11-14 533 0000 11-14 533 0000/K	129-130
4241.L4	11-14 533 0003 11-14 533 0003/K 11-14 533 0003/S	135-136
4241.L5	11-14 533 0020 11-14 533 0020/K	136-137
4241.L6	11-14 533 0001 11-14 533 0021/K	137
4241.L7	214 533 0008 214 533 0008/K	138
4241.N1	11-14 533 0005 11-14 533 0005/K	139
4241.N2	11-14 533 0018 11-14 533 0018/K	139-140
4241.N3	11-14 533 0021	140
4241.N4	214 533 0020	131
4241.N5	214 533 0017	142
4241.N8	40-14 533 0003	140
4241.P0	214 533 0010 214 533 0010/K	141
4241.P3	214 533 0010 214 533 0010/K	141
4241.P4	40-14 533 0003	140
4246.88	11-15 521 0001	44
4246.89	11-15 521 0042 11-15 521 0042/PD	73
4246.90	11-15 521 0010	42
4246.94	11-15 521 0031 11-15 521 0031/PD	43
4246.97	11-15 521 0032 11-83 521 0032/PD	57-58
4246.A0	215 521 0048	47
4246.A1	11-15 523 0000	46
4246.A2	11-15 523 0000	46
4246.A5	11-15 521 0042 11-15 521 0042/PD	73

Ref. no.	MEYLE no.	Page
Peugeot		
4246.A6	11-15 521 0010	42
4246.A7	11-15 521 0031 11-15 521 0031/PD	43
4246.A9	11-15 521 0001	44
4246.B1	11-15 521 0032 11-83 521 0032/PD	57-58
4246.C0	40-15 521 1001	51
4246.E0	11-15 521 0028	65
4246.F0	11-15 521 0037 11-15 521 0037/PD	72
4246.F4	11-15 521 0022	50
4246.F6	11-15 521 0022	50
4246.F8	11-15 521 0012	44
4246.FD	11-15 521 0037/PD	72
4246.G0	11-15 521 0012	44
4246.G1	11-15 521 0013	45
4246.G6	11-15 523 0010 11-15 523 0010/PD	45-46
4246.G9	11-15 523 0000	46
4246.H3	215 521 0048	47
4246.H8	11-15 521 0015	47
4246.J2	11-15 521 0006	48
4246.J5	11-15 523 0035	48
4246.J8	215 521 0005	49
4246.K2	215 521 0003	36
4246.L2	215 521 0004	59
4246.L7	11-15 523 1014	56
4246.L9	11-15 521 0000	49
4246.N0	11-15 521 0007	55
4246.N8	11-15 521 0022	50
4246.P1	11-15 521 0035 11-15 521 0035/PD	50-51
4246.P2	11-15 521 0035 11-15 521 0035/PD	50-51
4246.P3	11-15 523 0011 11-15 523 0011/PD	74, 79
4246.P4	11-15 523 0011 11-15 523 0011/PD	74, 79
4246.P5	40-15 521 1001	51
4246.P7	11-15 521 0038 11-15 521 0038/PD	52
4246.P8	11-15 521 0028	65
4246.P9	11-15 523 0009 11-15 523 0009/PD	53
4246.R2	11-15 521 0033 11-15 521 0033/PD	54

Ref. no.	MEYLE no.	Page
Peugeot		
4246.R3	11-15 521 0032 11-83 521 0032/PD 214 498 0012 214 498 0032	57-58, 190
4246.R4	11-15 521 0033 11-15 521 0033/PD	54
4246.R7	11-15 521 0007	55
4246.R8	11-15 521 0036 11-15 521 0036/PD	55-56
4246.T6	11-15 523 1014	56
4246.T7	11-15 523 1014	56
4246.T9	11-15 521 0013	45
4246.V3	11-15 521 0013	45
4246.V4	11-15 521 0038 11-15 521 0038/PD	52
4246.V7	11-15 523 0033	57
4246.W5	11-15 521 0032 11-83 521 0032/PD	57-58
4246.W7	11-15 521 0017 11-83 521 0017/PD	75-76
4246.W8	11-15 521 0018 11-83 521 0018/PD	70
4246.W9	11-15 523 0008 11-15 523 0008/PD	58-59
4246.X9	215 521 0004	59
4246.Y5	215 521 0003	36
4246.Y9	215 523 0012	60
4246.Z3	215 523 0006	60
4246.Z7	40-15 521 1004	61
4246.Z9	11-15 523 0041	61
4247.24	11-15 523 0003	127
4247.32	11-15 523 0030	127
4247.35	11-15 523 0031	128
4247.44	11-15 523 0031	128
4247.48	11-15 523 0005	128
4248.34	025 204 5419	86
4249.15	11-15 521 0017 11-83 521 0017/PD	75-76
4249.17	11-15 521 0018 11-83 521 0018/PD	70
4249.20	215 521 0033	62
4249.22	215 523 0029	62
4249.24	215 521 0024 215 521 0024/PD	63
4249.26	215 521 0018	64
4249.28	215 521 0029	36

Ref. no.	MEYLE no.	Page
Peugeot		
4249.30	215 523 0027	64
4249.34	11-15 523 0041	61
4249.35	215 521 0003 215 521 0019	36, 42
4249.37	215 521 0021	37
4249.38	215 521 0021	37
4249.39	215 523 0004	65
4249.41	215 523 0028	37
4249.43	11-15 521 0028	65
4249.45	11-15 523 4008	66
4249.46	11-15 523 4008	66
4249.52	11-15 523 0008 11-15 523 0008/PD	58-59
4249.54	11-15 521 0037 11-15 521 0037/PD	72
4249.58	32-15 521 0025 32-15 521 0025/PD	66-67
4249.61	32-15 523 0017 32-15 523 0017/PD	67-68
4249.64	11-15 521 0034/PD	68
4249.72	11-15 523 0009 11-15 523 0009/PD	53
4249.73	215 521 0002 215 521 0002/PD	69
4249.78	40-15 521 1004	61
4249.80	11-15 521 0034/PD	68
4249.81	11-15 521 0034/PD	68
4249.82	11-15 521 0033 11-15 521 0033/PD	54
4249.83	11-15 521 0017 11-83 521 0017/PD	75-76
4249.84	11-15 521 0018 11-83 521 0018/PD	70
4249.85	40-15 521 1001	51
4249.86	11-15 521 0034/PD	68
4249.87	215 521 0033	62
4249.88	11-15 521 0039 11-15 521 0039/PD	71
4249.90	11-15 523 0008 11-15 523 0008/PD	58-59
4249.91	215 523 0029	62
4249.92	215 521 0024 215 521 0024/PD	63
4249.93	11-15 521 0030 11-15 521 0030/PD	77-78
4249.94	11-15 521 0037	72

Ref. no.	MEYLE no.	Page
Peugeot		
	11-15 521 0037/PD	
4249.95	11-15 521 0042 11-15 521 0042/PD	73
4249.96	11-15 521 0031 11-15 521 0031/PD	43
4249.A0	215 521 0019	42
4249.A1	215 523 0027	64
4249.A2	215 523 0004	65
4249.A5	11-15 521 0036 11-15 521 0036/PD	55-56
4249.A6	215 521 0021	37
4249.A9	11-15 521 0028	65
4249.C0	11-15 523 0011 11-15 523 0011/PD	74, 79
4249.C1	11-15 523 0009 11-15 523 0009/PD	53
4249.C4	11-15 521 0001	44
4249.C5	11-15 521 0012	44
4249.C9	215 521 0005	49
4249.E5	215 521 0002	69
4249.F0	11-15 521 0032 11-83 521 0032/PD	57-58
4249.F5	11-15 523 0010 11-15 523 0010/PD	45-46
4249.F7	11-15 523 0012 11-15 523 0012/PD	74-75
4249.G1	11-15 521 0017 11-83 521 0017/PD	75-76
4249.G2	11-15 523 0013 11-15 523 0013/PD	76-77
4249.H2	215 521 0019	42
4249.H6	215 521 0005	49
4249.H7	11-15 521 0035 11-15 521 0035/PD	50-51
4249.H8	215 521 0004	59
4249.H9	215 521 0003	36
4249.J6	11-15 521 0018 11-83 521 0018/PD	70
4249.J8	11-15 521 0034/PD	68
4249.J9	215 521 0033	62
4249.K0	215 521 0024 215 521 0024/PD	63
4249.K1	11-15 521 0030 11-15 521 0030/PD	77-78
4249.K2	215 521 0029	36
4249.K3	215 521 0018	64

Ref. no.	MEYLE no.	Page
Peugeot		
4249.K6	215 523 0028	37
4249.K7	215 523 0027	64
4249.K8	215 523 0004	65
4249.L0	215 523 0012	60
4249.L2	215 521 0002	69
4249.L3	11-15 521 0038 11-15 521 0038/PD	52
4249.L6	11-15 521 0040 11-15 521 0040/PD	78-79
4250.16	025 204 5419	86
4250.20	025 204 5419	86
4250.22	025 204 5419	86
4250.24	025 204 5419	86
4250.33	025 209 0518/PD 025 209 0518/W	90-91
4250.34	025 209 0518/PD 025 209 0518/W	90-91
4250.35	025 209 0518/PD 025 209 0518/W	90-91
4250.36	025 209 0518/PD 025 209 0518/W	90-91
4250.37	025 210 8017/PD 025 210 8017/W	88
4250.39	025 210 8017/PD 025 210 8017/W	88
4250.42	025 209 7311 025 209 7311/PD	95-96
4250.43	025 209 0518/PD 025 209 0518/W	90-91
4250.47	025 212 0519/W	92
4250.49	025 209 0518/PD 025 209 0518/W	90-91
4250.50	025 209 0518/PD 025 209 0518/W	90-91
4250.55	025 212 0918/W	87
4250.56	025 209 6115 025 209 6115/PD	87
4250.57	025 209 0518/PD 025 209 0518/W	90-91
4250.58	025 212 0519/W	92
4250.69	025 209 0518/PD 025 209 0518/W	90-91
4250.71	025 209 7311 025 209 7311/PD	95-96
4250.72	025 209 0518/PD 025 209 0518/W	90-91

Ref. no.	MEYLE no.	Page
Peugeot		
4250.75	025 209 0518/PD 025 209 0518/W	90-91
4250.76	025 209 0518/PD 025 209 0518/W	90-91
4250.77	025 210 8017/PD 025 210 8017/W	88
4250.78	025 212 0918/W	87
4250.81	025 212 7817/W	95
4250.82	025 210 8017/PD 025 210 8017/W	88
4250.87	025 212 0918/W	87
4250.88	025 209 0518/PD 025 209 0518/W	90-91
4250.89	025 215 0717/W	89
4250.90	025 212 6717/PD 025 212 6717/W	89
4250.91	025 209 0618/PD 025 209 0618/W	91-92
4250.92	025 209 0618/PD 025 209 0618/W	91-92
4250.94	025 212 1118	90
4250.95	025 212 0918/W	87
4250.97	025 209 0518/PD 025 209 0518/W	90-91
4251.02	025 209 0618/PD 025 209 0618/W 025 214 1418/W	91-92, 102
4251.03	025 214 3017/W	93
4251.04	025 209 7311 025 209 7311/PD	95-96
4251.05	025 212 0519/W	92
4251.08	025 209 6115 025 209 6115/PD	87
4251.09	025 218 0119/W	114
4251.11	025 212 7517	93
4251.12	025 212 7517	93
4251.16	025 217 9719/PD 025 217 9719/W	113
4251.18	025 217 9919/PD 025 217 9919/W	124-125
4251.20	025 209 0618/PD 025 209 0618/W	91-92
4251.21	025 214 3017/W	93
4251.22	025 214 3017/W	93
4251.25	025 230 4218/PD 025 230 4218/W	114-115

Ref. no.	MEYLE no.	Page
Peugeot		
4251.26	025 230 4218/PD 025 230 4218/W	114-115
4251.27	025 209 0518/PD 025 209 0518/W	90-91
4251.30	025 212 7817	97
4251.31	025 217 2419/W	100
4251.32	025 216 7419/W	93
4251.34	025 218 2717	94
4251.41	025 209 0518/PD 025 209 0518/W	90-91
4251.42	025 218 2717	94
4251.43	025 216 7419/W	93
4251.48	025 209 7311 025 209 7311/PD	95-96
4251.51	025 230 4218/PD 025 230 4218/W	114-115
4251.52	025 233 9617	98
4251.54	025 231 2419/PD 025 231 2419/W	94-95
4251.60	025 216 7419/W	93
4251.64	025 212 6717/PD 025 212 6717/W	89
4251.65	025 209 0618/PD 025 209 0618/W	91-92
4251.66	025 235 9718 025 235 9718/PD	102
4251.67	025 218 2717	94
4251.82	025 237 5318	100
4251.91	025 235 9718 025 235 9718/PD	102
4251.92	025 219 8018 025 219 8018/PD	96-97
4251.93	025 212 7817/W	95
4251.95	025 237 5318	100
4251.96	025 209 7311 025 209 7311/PD	95-96
4252.04	025 235 9718 025 235 9718/PD	102
4252.05	025 219 8018 025 219 8018/PD	96-97
4252.08	025 212 7817	97
4252.12	025 235 9718 025 235 9718/PD	102
4252.18	025 235 9919 025 235 9919/PD	101
4252.19	025 237 5318	100

Ref. no.	MEYLE no.	Page
Peugeot		
4252.20	025 202 6119/W	116
4252.21	025 235 9919 025 235 9919/PD	101
4252.22	025 236 0019 025 236 0019/PD	99
4252.24	025 236 0219/PD 025 236 0219/W	115
4252.25	025 236 0319/PD 025 236 0319/W	97-98
4252.28	025 235 9718 025 235 9718/PD	102
4252.29	025 233 9617	98
4252.32	025 209 6117 025 209 6117/PD	108
4252.38	025 235 9919 025 235 9919/PD	101
4252.39	025 235 9919 025 235 9919/PD	101
4252.40	025 235 9919 025 235 9919/PD	101
4252.42	025 239 1719/PD 025 239 1719/W	116-117
4252.44	025 239 1919/PD 025 239 1919/W	117-118
4252.46	025 239 2120 025 239 2120/PD	120
4252.50	025 236 0019 025 236 0019/PD	99
4252.51	025 237 5318	100
4252.52	025 236 0019 025 236 0019/PD	99
4252.59	025 235 9919 025 235 9919/PD	101
4252.60	025 235 8919	83
4252.61	025 209 0518/PD 025 209 0518/W	90-91
4252.62	025 209 0518/PD 025 209 0518/W	90-91
4252.63	025 209 0618/PD 025 209 0618/W	91-92
4252.64	025 209 0518/PD 025 209 0518/W	90-91
4252.65	025 209 0618/PD 025 209 0618/W	91-92
4252.66	025 212 7817	97
4252.68	025 217 2419/W	100

Ref. no.	MEYLE no.	Page
Peugeot		
4252.70	025 212 0918/W	87
4252.71	025 209 7311 025 209 7311/PD	95-96
4252.74	025 209 7311 025 209 7311/PD	95-96
4252.75	025 209 0518/PD 025 209 0518/W	90-91
4252.76	025 235 9919 025 235 9919/PD	101
4252.77	025 241 3418/W	104
4252.78	025 241 3317/W	109
4252.79	025 241 3517	103
4252.84	025 212 6717/PD 025 212 6717/W	89
4253.02	025 235 9718 025 235 9718/PD	102
4253.03	025 235 9718 025 235 9718/PD	102
4253.14	025 209 0618/PD 025 209 0618/W 025 214 1418/W	91-92, 102
4253.16	025 214 3017/W	93
4253.19	025 235 9718 025 235 9718/PD	102
4253.20	025 235 9718 025 235 9718/PD	102
4253.22	025 241 5017	103
4253.26	025 241 3517	103
4253.27	025 239 5917	121
4253.30	025 235 9919 025 235 9919/PD	101
4253.31	025 236 0019 025 236 0019/PD 025 237 0819	99, 125
4253.35	025 241 3418/W	104
4253.36	025 241 3317/W	109
4253.37	025 241 3317/W	109
4253.38	025 235 9919 025 235 9919/PD	101
4253.39	025 236 0019 025 236 0019/PD	99
4253.40	025 241 5017	103
4253.41	025 235 9919 025 235 9919/PD	101
4253.43	025 235 8919	83
4253.47	025 241 3418/W	104

Ref. no.	MEYLE no.	Page
Peugeot		
4253.48	025 241 3317/W	109
4253.55	025 244 6819-1/PD 025 244 6819/W1	84
4253.57	025 244 6819-1/PD 025 244 6819/W1	84
4253.59	025 244 6519 025 244 6519/PD	104
4253.63	025 245 9518/W	105
4253.65	025 245 9518/W	105
4253.67	025 245 7816	105
4253.68	025 245 7816	105
4253.73	025 244 6619-2/PD 025 244 6619/W2	119-120
4253.75	025 244 6619-2/PD 025 244 6619/W2	119-120
4253.78	025 233 4619	106
4253.83	025 241 3317/W	109
4253.85	025 236 0019 025 236 0019/PD	99
4253.87	025 213 6315/PD 025 213 6315/W	106
4253.90	025 235 8216 025 235 8216/PD	107
4253.93	025 246 6017 025 246 6017/PD	112
4253.94	025 248 3919/W	108
4253.95	025 248 3919/W	108
4253.96	025 209 6117 025 209 6117/PD	108
4253.98	025 241 5017	103
4254.01	025 241 5017	103
4254.06	025 237 0517/PD 025 237 0517/W	122
4254.10	025 241 3317/W	109
4254.12	025 245 3818 025 245 3818/PD	111
4254.15	025 247 6516/W	109
4254.18	025 236 0019 025 236 0019/PD	99
4254.19	025 241 5017	103
4254.21	025 241 3517	103
4254.22	025 241 3418/W	104
4254.24	025 243 3218 025 243 3218/PD	110
4254.25	025 245 3818 025 245 3818/PD	111

Ref. no.	MEYLE no.	Page
Peugeot		
4254.26	025 246 6017 025 246 6017/PD	112
4254.28	025 209 6117 025 209 6117/PD	108
4254.30	025 213 6315/PD 025 213 6315/W	106
4254.35	025 249 2217	113
4254.40	025 241 5017	103
4254.41	025 209 6117 025 209 6117/PD	108
4254.42	025 209 7311 025 209 7311/PD	95-96
4254.44	025 249 2217	113
4254.46	025 249 2217	113
4254.48	025 235 8216 025 235 8216/PD	107
4254.51	025 217 9719/PD 025 217 9719/W	113
4254.53	025 218 0119/W	114
4254.54	025 230 4218/PD 025 230 4218/W	114-115
4254.55	025 236 0219/PD 025 236 0219/W	115
4254.57	025 202 6119/W	116
4254.58	025 239 1719/PD 025 239 1719/W	116-117
4254.59	025 239 1919/PD 025 239 1919/W	117-118
4254.61	025 244 6819-1/PD 025 244 6819/W1	84
4254.62	025 244 6819-2/PD 025 244 6819/W2	85
4254.63	025 244 6619-1/PD 025 244 6619/W1	118-119
4254.64	025 244 6619-2/PD 025 244 6619/W2	119-120
4254.66	025 212 7517	93
4254.68	025 239 2120 025 239 2120/PD	120
4254.69	025 244 6519 025 244 6519/PD	104
4254.71	025 236 0019 025 236 0019/PD	99
4254.73	025 250 6917	121
4254.74	025 239 5917	121
4254.75	025 235 9919	101

Ref. no.	MEYLE no.	Page
Peugeot		
	025 235 9919/PD	
4254.77	025 245 5719	122
4254.78	025 241 3418/W	104
4254.82	025 218 2717	94
4254.83	025 209 0518/PD 025 209 0518/W	90-91
4254.84	025 233 9617	98
4254.88	025 235 8919	83
4254.89	025 236 0019 025 236 0019/PD 025 237 0819	99, 125
4254.91	025 241 3517	103
4254.92	025 236 0019 025 236 0019/PD 025 237 0819	99, 125
4254.96	025 237 0517/PD 025 237 0517/W	122
4254.97	025 245 7816	105
4254.98	025 209 0618/PD 025 209 0618/W	91-92
4254.99	025 209 0518/PD 025 209 0518/W	90-91
4254.A2	025 245 9518/W	105
4254.A6	025 252 2217	123
4254.A7	025 243 3218 025 243 3218/PD	110
4254.A8	025 241 3716 025 241 3716/PD	123-124
4254.C5	025 209 6117 025 209 6117/PD	108
4254.C8	025 237 0617/W	124
4259.C9	11-15 523 0011/PD	79
4353.26	025 239 5917	121
4402.F0	11-14 531 0001	158
4439.14	014 698 0006 014 698 0006/S	126
4439.33	100 698 0008	126
4545.08	11-14 800 0016	193
4545.32	11-14 800 0004	193
4545.33	11-14 800 0005	193
4545.36	11-14 800 0005	193
4545.45	11-14 800 0004	193
4545.46	11-14 800 0005	193
4545.48	11-14 899 0006	194
4545.49	11-14 899 0007	194
4545.50	11-14 899 0010	194

Ref. no.	MEYLE no.	Page
Peugeot		
4545.56	11-14 800 0005	193
4545.57	11-14 899 0016	195
4545.67	11-14 800 0015	195
4545.71	40-14 800 0017	195
4545.72	40-14 800 0018	196
4545.75	11-14 800 0003	196
4545.76	11-14 899 0012	196
4545.77	11-14 899 0013	197
4545.79	11-14 899 0013	197
4545.80	40-14 800 0011	197
4545.88	11-14 800 0001	197
4545.89	11-14 899 0018	198
4545.90	214 800 0017	198
4545.94	40-14 800 0014	198
4545.95	40-14 800 0015	199
4545.96	40-14 800 0016	199
4545.97	40-14 800 0002	199
4545.98	40-14 800 0003	200
4545.99	11-14 899 0015	205
4545.A0	11-14 899 0014	200
4545.A3	11-14 800 0000	200
4545.A9	11-14 800 0002	205
4545.C0	11-14 899 0019	206
4545.C1	11-14 899 0003	201
4545.C2	11-14 899 0004	201
4545.C3	11-14 800 0006	201
4545.C4	11-14 899 0005	202
4545.E1	40-14 800 0019	202
4545.E2	40-14 800 0020	202
4545.E4	11-14 800 0011	208
4545.E5	11-14 800 0007	203
4545.E7	40-14 800 0025	203
4545.E8	40-14 800 0024	203
4545.E9	11-14 800 0008	204
4545.F0	11-14 800 0009	204
4545.F1	40-14 800 0021	204
4545.F4	11-14 899 0015	205
4545.F5	40-14 800 0023	208
4545.F6	40-14 800 0022	205
4545.G6	11-14 800 0002	205
4545.G7	11-14 899 0019	206
4545.H1	11-14 800 0010	206
4545.H5	40-14 800 0007	206
4545.H6	40-14 800 0008	207
4545.J0	40-14 800 0026	207
4545.J8	11-14 800 0012	207

Ref. no.	MEYLE no.	Page
Peugeot		
4545.J9	11-14 800 0011	208
4545.K3	40-14 800 0023	208
4545.K5	11-14 800 0013	208
4545.K6	40-14 800 0027	209
4545.K7	11-14 800 0014	209
4545.L0	11-14 800 0016	193
4601.85	100 611 0034	157
4601.A3	100 611 0034	157
4806.29	11-14 525 0045	142
4806.40	11-14 525 0013	143
4806.42	11-14 525 0012	143
4806.45	11-14 525 0022	142
4806.46	11-14 525 0012	143
4806.47	11-14 525 0013	143
4806.53	11-14 525 0048	143
4806.55	11-14 525 0001	144
4806.56	11-14 525 0002	144
4806.63	11-14 525 0015	144
4806.64	11-14 525 0016	145
4806.65	11-14 525 0017	145
4806.67	11-14 525 0024	145
4806.70	11-14 525 0025	146
4806.71	11-14 525 0026	146
4806.72	11-14 525 0033	146
4806.74	11-14 525 0045	142
4806.78	11-14 525 0021	147
4806.79	11-14 525 0018	147
4806.80	11-14 525 0019	147
4806.82	11-14 525 0027	148
4806.84	11-14 525 0037	152
4806.85	11-14 525 0010	155
4806.86	16-14 525 0002	148
4806.88	11-14 525 0057	148
4806.89	11-14 525 0058	149
4806.92	11-14 525 0047	153
4806.93	16-14 525 0003	149
4806.94	614 525 0020	149
4806.95	11-14 525 0034	150
4806.96	11-14 525 0028	150
4806.A0	11-14 525 0020	150
4806.A1	11-14 525 0006	151
4806.A2	100 525 0042	151
4806.A3	11-14 525 0052	151
4806.A6	11-14 525 0029	152
4806.A9	11-14 525 0037	152
4806.C0	11-14 525 0007	152

Ref. no.	MEYLE no.	Page
Peugeot		
4806.C1	11-14 525 0047	153
4806.C2	11-14 525 0030	155
4806.C3	11-14 525 0025	146
4806.E0	11-14 525 0037	152
4806.E1	11-14 525 0008	153
4806.E2	11-14 525 0009	153
4806.E3	11-14 525 0036	154
4806.E5	11-14 525 0055	156
4806.E6	11-14 525 0056	156
4806.E7	11-14 525 0054	154
4806.E8	11-14 525 0053	154
4806.E9	11-14 525 0010	155
4806.F2	11-14 525 0030	155
4806.F3	11-14 525 0025	146
4806.F6	11-14 525 0011	155
4806.F9	11-14 525 0055	156
4806.G0	11-14 525 0056	156
4806.G4	11-14 525 0049	156
4806.G5	11-14 525 0050	157
4806.G6	214 525 0041	157
4806.J5	11-14 525 0011	155
4816.29	11-14 525 0048	143
5002.35	11-14 639 0009	497
5002.A4	11-14 639 0007	497
5002.AH	11-14 639 0002	497
5002.FV	11-14 639 0008	498
5002.HR	11-14 639 0010	498
5002.N2	11-14 639 0003	498
5002.P6	11-14 639 0000	499
5002.R7	11-14 639 0006	499
5002.T4	11-14 639 0004	499
5002.V2	11-14 639 0006	499
5002.V6	11-14 639 0005	500
5002.V8	11-14 639 0001	500
5002.W1	11-14 639 0001	500
5003344281	050 005 1100	291
5015.48	11-16 060 5046/HD	475
5031.51	40-14 412 0001	3
5031.78	11-14 641 0013 11-14 641 0030	510, 540
5031.96	40-14 641 0009	507
5031.A3	11-14 641 0024	507
5033.70	11-14 642 0004	510
5033.86	11-14 642 0007	511
5033.C3	40-14 412 0002	3
5035.19	214 770 0001	544

Ref. no.	MEYLE no.	Page
Peugeot		
5035.23	214 770 0001	544
5035.27	214 770 0001	544
5035.29	11-14 641 0018	544
5035.32	11-14 641 0011	545
5035.38	11-14 641 0018	544
5035.43	11-14 641 0018	544
5035.47	11-14 641 0004	544
5035.54	11-14 641 0011	545
5035.55	11-14 641 0018	544
5037.26	11-14 641 0007 11-14 641 0027	507, 535
5037.35	11-14 641 0007 11-14 641 0027	507, 535
5038.08	11-14 050 0002	537
5038.16	40-14 641 0004 40-14 641 0010	508, 535
5038.17	40-14 641 0005 40-14 641 0011	509, 538
5038.18	11-14 641 0001/S 11-14 641 1001 11-14 641 1001/S	508, 536
5038.19	11-14 641 0002/S 11-14 641 1002 11-14 641 1002/S	508, 536-537
5038.24	11-14 641 0005	538
5038.25	11-14 641 0006	538
5038.29	11-14 641 1002	537
5038.46	11-14 641 0003 11-14 641 0003/S	539
5038.50	11-14 641 0019	537
5038.52	11-14 050 0002	537
5038.66	11-14 641 0006	538
5038.68	40-14 641 0004 40-14 641 0010	508, 535
5038.69	40-14 641 0004 40-14 641 0010	508, 535
5038.70	40-14 641 0005 40-14 641 0011	509, 538
5038.71	40-14 641 0005 40-14 641 0011	509, 538
5038.78	11-14 641 0005	538
5038.85	11-14 641 0003 11-14 641 0003/S	539
5038.87	11-14 641 0013 11-14 641 0030	510, 540
5038.89	11-14 641 0014	509, 539

Ref. no.	MEYLE no.	Page
Peugeot		
	11-14 641 0031	
5038.A3	11-14 641 0014 11-14 641 0031	509, 539
5038.A4	11-14 641 0013 11-14 641 0030	510, 540
5038.A5	11-14 641 0012	540
5038.A6	11-14 641 0017	540
5038.C9	11-14 641 0014 11-14 641 0031	509, 539
5038.E2	11-14 641 0014 11-14 641 0031	509, 539
5038.E3	11-14 641 0013 11-14 641 0030	510, 540
5038.E5	11-14 641 0012	540
5038.E6	11-14 641 0017	540
5038.E7	11-14 641 0020	541
5038.F3	11-14 641 0013 11-14 641 0015 11-14 641 0030	510, 540-541
5038.F4	11-14 641 0016	541
5038.G6	11-14 641 0022 11-14 641 0025	510, 542
5038.H3	11-14 641 0023	542
5038.H4	11-14 641 0022 11-14 641 0025	510, 542
5081.N9	11-14 615 0013 11-14 615 0013/S 11-16 060 0022/S	458, 470, 472
5087.23	11-16 060 5707	473
5087.27	11-16 060 0007	473
5087.30	11-16 060 0003	474
5087.31	11-16 060 5046/HD	475
5087.32	11-16 060 5707	473
5087.34	11-16 060 5046/HD	475
5087.35	11-16 060 0005/S	470
5087.37	11-16 060 0006/S	470
5087.38	11-16 060 5046/HD	475
5087.39	11-16 060 0040 11-16 060 5046/HD	474-475
5087.40	11-16 060 5041/HD	473
5087.41	11-16 060 0003	474
5087.42	11-16 060 0040 11-16 060 5046/HD	474-475
5087.43	11-16 060 0002/HD 11-16 060 0030	480
5087.45	11-16 060 0001/HD	479-480

Ref. no.	MEYLE no.	Page
Peugeot		
	11-16 060 0026	
5087.46	11-16 060 0040 11-16 060 5046/HD	474-475
5087.48	11-16 060 0039 11-16 060 5046/HD	475
5087.49	11-16 060 0003	474
5087.50	11-16 060 0000/HD 11-16 060 0025	478, 481
5087.51	11-16 060 0013/HD 11-16 060 0032	475-476
5087.52	11-16 060 0015	476
5087.53	11-16 060 0014	476
5087.54	11-16 060 0017/HD 11-16 060 0035	472
5087.55	11-16 060 0018/HD 11-16 060 0034	471
5087.56	11-16 060 0020/HD 11-16 060 0036	477
5087.57	11-16 060 0000/HD 11-16 060 0028	478
5087.58	11-16 060 0021/HD 11-16 060 0037	478-479
5087.59	11-16 060 0001/HD 11-16 060 0026	479-480
5087.60	11-16 060 0002/HD 11-16 060 0030	480
5087.61	11-16 060 0040 11-16 060 5046/HD	474-475
5087.62	11-16 060 0000/HD 11-16 060 0025	478, 481
5087.64	11-16 060 0000/HD 11-16 060 0025	478, 481
5087.65	216 060 0000/HD 216 060 0033	481
5087.66	11-16 060 0001/HD 11-16 060 0026	479-480
5087.68	11-16 060 0018/HD 11-16 060 0034	471
5087.69	11-16 060 0017/HD 11-16 060 0035	472
5087.70	216 060 0000/HD 216 060 0033	481
5087.71	11-16 060 0001/HD 11-16 060 0029	479, 482
5087.74	11-16 060 0001/HD 11-16 060 0026	479-480

Ref. no.	MEYLE no.	Page
Peugeot		
5087.76	11-16 060 0023/HD	482
5087.77	11-16 060 0000/HD 11-16 060 0025	478, 481
5087.79	216 060 0000/HD 216 060 0033	481
5091.10	11-16 060 0019	482
5094.56	11-14 615 0010	458
5094.59	11-14 615 0005	458
5094.63	11-14 615 0006	459
5094.65	11-14 615 0003	459
5094.66	11-14 615 0022	459
5094.69	11-14 615 0000	460
5094.74	11-14 615 0008	460
5094.75	11-14 615 0009	460
5094.77	11-14 615 0012	461
5094.80	11-14 615 0001	461
5094.81	11-14 615 0019	461
5094.82	11-14 615 0042	462
5094.87	11-14 615 0011	462
5094.88	11-14 615 0014	462
5094.89	11-14 615 0017	463
5094.94	11-14 615 0043	463
5094.95	11-14 615 0041	463
5094.99	11-14 615 0032	464
5094.A2	11-14 615 0044	464
5094.A8	11-14 615 0002	464
5094.C1	11-14 615 0026	465
5094.C2	11-14 615 0027	465
5094.C3	11-14 615 0028	465
5094.C4	11-14 615 0045	466
5094.C5	11-14 615 0029	466
5094.C6	11-14 615 0040	466
5094.E0	11-14 615 0014	462
5094.E2	11-14 615 0045	466
5094.E3	11-14 615 0017	463
5094.E4	11-14 615 0016	467
5094.E5	11-14 615 0015	467
5094.E6	11-14 615 0047	467
5094.E7	11-14 615 0018	468
5094.F2	11-14 615 0046	468
5094.F4	11-14 615 0032	464
5102.C4	11-14 739 0001	500
5102.F5	11-14 739 0002	501
5102.F6	11-14 739 0000	501
5102.H6	11-14 739 0000	501
5102.V8	11-14 739 0000	501

Ref. no.	MEYLE no.	Page
Peugeot		
5131.47	11-14 710 0025	487
5131.49	11-14 753 0002	494
5131.63	11-14 710 0013	488
5131.65	11-14 710 0013	488
5131.71	11-14 051 0001	488
5131.72	11-14 710 0001	496
5131.79	11-14 710 0010	488
5131.80	11-14 710 0014	489
5131.93	11-14 710 0008	489
5131.94	11-14 710 0011	489
5131.96	11-14 753 0002	494
5131.98	11-14 710 0021	490
5131.99	11-14 710 0010	488
5131.A4	11-14 710 0017	490
5131.A5	11-14 710 0017	490
5131.A6	11-14 753 0000	494
5131.A9	11-14 710 0008	489
5131.C3	11-14 710 0022	448
5131.C4	11-14 710 0027	450
5131.C5	11-14 710 0020	449
5131.E0	11-14 710 0020	449
5131.E9	11-14 710 0016	490
5131.F0	11-14 710 0016	490
5131.F8	11-14 710 0008	489
5131.F9	11-14 710 0016	490
5131.G4	11-14 710 0024	491
5131.H4	11-14 710 0018	491
5132.66	11-14 753 0002	494
5132.72	11-14 753 0000	494
5142.30	11-14 741 0001	542
5142.32	11-14 741 0001	542
5142.45	11-14 741 0003	543
5142.48	11-14 741 0002	543
5152.61	11-14 710 0007	491
5161.20	11-14 741 0000	543
5166.50	40-14 742 0002	511
5166.51	40-14 742 0002	511
5166.67	40-14 742 0003	511
5166.70	11-14 742 0003	512
5166.73	11-14 742 0002	512
5170.F5	37-16 060 0022/HD 37-16 060 0056	483
5170.F6	37-16 060 0022/HD 37-16 060 0056	483
5171.15	11-14 715 0001	468
5172.38	11-14 715 0003	469

Ref. no.	MEYLE no.	Page
Peugeot		
5172.39	11-14 715 0002	469
5172.42	11-14 715 0003	469
5172.43	11-14 715 0002	469
5172.58	11-14 715 0000	469
5174.05	11-14 753 0000	494
5174.06	11-14 753 0002	494
5174.07	11-14 753 0000	494
5174.08	11-14 753 0002	494
5178.17	11-16 060 0011	485
5178.18	11-16 060 0012	485
5178.21	11-16 060 0011	485
5178.22	11-16 060 0012	485
5178.30	11-16 060 0011	485
5178.31	11-16 060 0012	485
5178.38	11-16 060 0009/HD 11-16 060 0031	483-484
5178.39	11-16 010 0002	484
5178.43	11-16 060 0011	485
5178.44	11-16 060 0012	485
5178.46	11-16 060 0016/HD 11-16 060 0033	486
5178.48	29-16 060 0004	485
5178.49	29-16 060 0003	486
5178.52	11-16 060 0016/HD 11-16 060 0033	486
5179.14	11-14 753 0000 11-14 753 0002	494
5202.04	11-26 613 0001	521
5202.AS	11-26 623 0009	517
5202.CY	11-26 623 0002	512
5202.CZ	11-26 623 0003	513
5202.EA	11-26 623 0002	512
5202.EC	11-26 623 0003	513
5202.F5	11-26 624 0001	513
5202.F7	11-26 623 0008	516
5202.FL	11-26 624 0001	513
5202.GW	40-26 623 0002	513
5202.GX	40-26 623 0003	514
5202.GY	40-26 623 0002	513
5202.GZ	40-26 623 0003	514
5202.J0	40-26 623 0001	514
5202.J2	40-26 623 0000	514
5202.KL	40-26 623 0003	514
5202.KP	40-26 623 0003	514
5202.L0	11-26 613 0002	520
5202.L1	11-26 613 0003	521

Ref. no.	MEYLE no.	Page
Peugeot		
5202.LV	11-26 623 0004	515
5202.LW	11-26 623 0005	515
5202.NZ	11-26 625 0000	515
5202.PA	11-26 625 0000	515
5202.PP	11-26 623 0000	516
5202.PV	40-26 623 0012	516
5202.Q0	11-26 623 0008	516
5202.Q2	11-26 623 0010	518
5202.Q4	11-26 623 0009	517
5202.Q6	11-26 623 0011	518
5202.Q7	11-26 613 0002	520
5202.Q8	11-26 613 0003	521
5202.RW	40-26 623 0010	517
5202.RX	40-26 623 0011	517
5202.RY	40-26 623 0010	517
5202.RZ	40-26 623 0011	517
5202.S4	11-26 623 0010	518
5202.S8	11-26 623 0011	518
5202.SX	40-26 623 0003	514
5202.TA	40-26 623 0002	513
5202.TC	40-26 623 0003	514
5202.TL	11-26 623 0000	516
5202.VG	11-26 623 0012	520
5202.VK	11-26 623 0012	520
5202.VX	11-26 623 0000	516
5202.W5	11-26 623 0004	515
5202.W8	11-26 623 0005	515
5202.W9	11-26 623 0004	515
5202.WC	11-26 623 0013	519
5202.WE	11-26 623 0012	520
5202.WG	11-26 623 0012	520
5202.WP	40-26 623 0019	518
5202.WQ	40-26 623 0020	519
5202.WR	40-26 623 0019	518
5202.WS	40-26 623 0020	519
5202.WT	40-26 623 0019	518
5202.WV	40-26 623 0020	519
5202.WW	40-26 623 0019	518
5202.WX	40-26 623 0020	519
5202.X6	32-26 623 0004	519
5202.X8	11-26 613 0002	520
5202.X9	11-26 613 0003	521
5202.XG	226 623 0018	533
5202.XH	226 623 0018	533
5202.XJ	11-26 623 0012	520
5202.YT	11-26 623 0013	519

Ref. no.	MEYLE no.	Page
Peugeot		
5202.YV	11-26 623 0012	520
5202.YY	11-26 623 0013	519
5202.YZ	11-26 623 0012	520
5202.Z4	11-26 613 0002	520
5202.Z5	11-26 613 0003	521
5202.ZA	11-26 623 0013	519
5202.ZH	226 623 0018	533
5202.ZJ	226 623 0018	533
5202.ZK	226 623 0017	533
5202.ZL	226 623 0017	533
5202.ZP	32-26 623 0003	521
5203.19	11-26 613 0001	521
5203.27	11-26 613 0001	521
5203.28	11-26 613 0001	521
5203.29	11-26 613 0001	521
5203.31	11-26 613 0001	521
5203.33	11-26 613 0001	521
5203.35	11-26 613 0001	521
5203.36	11-26 613 0001	521
5206.45	11-26 725 0011	522
5206.65	11-26 715 0006	522
5206.66	11-26 715 0006	522
5206.67	11-26 715 0006	522
5206.68	11-26 715 0006	522
5206.69	11-26 715 0006	522
5206.70	11-26 715 0006	522
5206.71	11-26 715 0006	522
5206.74	11-26 715 0006	522
5206.75	11-26 715 0006	522
5206.88	11-26 715 0006	522
5206.AC	40-26 725 0004	531
5206.AN	40-26 725 0002	530
5206.AQ	40-26 725 0004	531
5206.AY	11-26 725 0002	524
5206.C6	40-26 725 0000	522
5206.C9	11-26 725 0007	523
5206.CR	11-26 725 0001	523
5206.E7	40-26 725 0005	523
5206.EC	11-26 725 0002	524
5206.EE	40-26 725 0008	524
5206.F0	11-26 715 0013	524
5206.F1	11-26 715 0009	528
5206.FA	11-26 725 0002	524
5206.FE	11-26 725 0009	526
5206.FF	11-26 725 0009	526
5206.FG	11-26 725 0002	524

Ref. no.	MEYLE no.	Page
Peugeot		
5206.FS	11-26 725 0009	526
5206.FT	11-26 725 0009	526
5206.FV	40-26 725 0011	529
5206.FW	40-26 725 0011	529
5206.FX	40-26 725 0011	529
5206.GC	40-26 725 0011	529
5206.H3	11-26 725 0012	525
5206.H4	11-26 725 0012	525
5206.J2	40-26 725 0000	522
5206.JL	226 725 0013	529
5206.JP	11-26 725 0009	526
5206.KG	226 725 0012	530
5206.KJ	226 725 0013	529
5206.KL	226 725 0013	529
5206.KR	226 725 0013	529
5206.KZ	226 725 0013	529
5206.LE	32-26 725 0003	525
5206.LS	226 725 0013	529
5206.LV	226 725 0013	529
5206.LX	226 725 0012	530
5206.LZ	226 725 0013	529
5206.N8	11-26 715 0000	528
5206.N9	11-26 715 0000	528
5206.NF	11-26 725 0013	525
5206.NG	11-26 725 0013	525
5206.NH	11-26 725 0013	525
5206.NL	11-26 725 0014	526
5206.NN	11-26 725 0014	526
5206.NV	11-26 725 0009	526
5206.NZ	226 725 0013	529
5206.P0	40-26 725 0006	527
5206.P4	40-26 725 0006	527
5206.P7	40-26 725 0001	526
5206.P8	40-26 725 0001	526
5206.PC	226 725 0013	529
5206.PF	226 725 0013	529
5206.PR	40-26 725 0007	527
5206.PT	40-26 725 0004	531
5206.PY	11-26 725 0014	526
5206.PZ	11-26 725 0009	526
5206.Q4	11-26 725 0010	528
5206.Q5	11-26 725 0010	528
5206.Q7	11-26 725 0010	528
5206.QC	11-26 725 0009	526
5206.QE	11-26 725 0013	525
5206.QV	40-26 725 0011	529

Ref. no.	MEYLE no.	Page
Peugeot		
5206.R0	11-26 725 0007	523
5206.R1	11-26 715 0000	528
5206.R2	11-26 715 0000	528
5206.R3	40-26 725 0006	527
5206.R5	11-26 725 0010	528
5206.R6	11-26 725 0010	528
5206.R8	11-26 715 0013	524
5206.RE	40-26 725 0010	527
5206.RR	11-26 725 0014	526
5206.RZ	11-26 725 0010	528
5206.S1	11-26 715 0013	524
5206.S2	11-26 715 0009 11-26 715 0013	524, 528
5206.T8	11-26 725 0010	528
5206.T9	11-26 725 0001	523
5206.TH	11-26 715 0000	528
5206.TR	226 725 0013	529
5206.TS	226 725 0012	530
5206.TT	226 725 0013	529
5206.TW	226 725 0012	530
5206.TX	226 725 0013	529
5206.TY	226 725 0013	529
5206.V8	11-26 725 0010	528
5206.V9	40-26 725 0003	530
5206.VA	226 725 0012	530
5206.VC	226 725 0013	529
5206.VE	40-26 725 0011	529
5206.VF	226 725 0013	529
5206.VG	226 725 0013	529
5206.VH	226 725 0013	529
5206.VQ	40-26 725 0011	529
5206.VR	40-26 725 0011	529
5206.VS	226 725 0012	530
5206.VT	226 725 0012	530
5206.W0	40-26 725 0003	530
5206.WR	40-26 725 0003	530
5206.X4	11-26 725 0010	528
5206.X7	40-26 725 0002	530
5206.Y3	11-26 725 0010	528
5206.YR	40-26 725 0009	531
5206.Z4	40-26 725 0004	531
5206.Z5	40-26 725 0002	530
5206.Z7	40-26 725 0002	530
5208.03	11-26 623 0014	531
5208.04	11-26 623 0015	532
5208.05	11-26 623 0014	531

Ref. no.	MEYLE no.	Page
Peugeot		
5208.06	11-26 623 0015	532
5208.13	11-26 623 0014	531
5208.14	11-26 623 0014	531
5208.19	11-26 623 0014	531
5208.20	11-26 623 0015	532
5208.21	11-26 623 0014	531
5208.22	11-26 623 0014 11-26 623 0015	531-532
5208.30	11-26 623 0013	519
5208.51	40-26 623 0014	534
5208.52	40-26 623 0013	533
5208.53	226 623 0018	533
5208.54	226 623 0018	533
5208.55	226 623 0017	533
5208.62	11-26 623 0013	519
5208.64	11-26 623 0013	519
5208.81	40-26 623 0015	532
5208.82	40-26 623 0016	532
5208.83	40-26 623 0015	532
5208.84	40-26 623 0016	532
5208.F4	40-26 623 0013	533
5208.F5	40-26 623 0014	534
5208.G5	11-26 623 0013	519
5208.L2	226 623 0018	533
5208.L3	226 623 0018	533
5208.L4	226 623 0017	533
5208.L5	226 623 0017	533
5208.L6	226 623 0018	533
5208.Q2	40-26 623 0019	518
5208.Q3	40-26 623 0020	519
5208.Q4	40-26 623 0019	518
5208.Q5	40-26 623 0020	519
5208.T5	40-26 623 0014	534
5254.47	614 643 0000	506
5260.R5	11-26 725 0010	528
5750.55	050 004 0698	287
5750.56	050 004 0975	289
5750.62	050 004 1215	256
575062	050 004 0985	256
5750.66	050 004 1215	256
5750.69	050 004 0715	288
5750.70	050 004 0962	289
575070	050 004 0954	288
5750.74	050 005 0725	285
5750.76	050 004 0795	256
5750.77	050 005 0715	260

Ref. no.	MEYLE no.	Page
Peugeot		
5750.78	050 004 1230	257
5750.79	050 005 0970	257
575080	050 004 0855	257
5750.81	050 005 1220 050 005 1230	258
5750.83	050 005 0698 050 005 0700	258, 260
5750.84	050 005 1270	285
5750.86	050 005 0698 050 005 0700	258, 260
5750.87	050 005 1140	292
5750.88	050 005 0710	286
5750.89	050 005 1125	292
5750.94	050 004 0715	288
5750.95	050 005 1030	291
5750.96	050 006 1705	265
5750.97	050 006 0698	259
5750.98	050 006 1060 050 006 1070	259, 279
5750.A0	050 006 1095	275
5750.A1	050 006 1660	264
5750.A2	050 006 1080	275
5750.A5	050 006 0698	259
5750.A6	050 006 1130	259
5750.C1	050 006 1163	278
5750.C2	050 005 1030	291
5750.C3	050 006 0725	275
5750C8	050 005 1255	276
5750.C9	050 006 1150	266
5750D0	050 005 1200	260
5750D1	050 005 1200	260
5750.D2	050 005 0715	260
5750.D7	050 005 0700	260
5750.E6	050 006 0915	261
5750.E7	050 006 0800	261
5750.E8	050 006 1015	261
5750.E9	050 006 1150	266
5750.EJ	050 006 1590	269
5750.EK	050 006 1705	265
5750.ET	050 006 1185	269
5750.EV	050 006 1705	265
5750.EW	050 006 1590	269
5750.EX	050 006 1438	284
5750.F0	050 006 1705	265
5750.FA	050 006 1725	282
5750.FC	050 006 1725	282

Ref. no.	MEYLE no.	Page
Peugeot		
5750.FG	050 006 1185	269
5750.FH	050 006 1200	282
5750.FK	050 006 1185	269
5750.FL	050 003 0740	287
5750.FN	050 006 0875	262
5750.FP	050 006 1150	266
5750.FQ	050 005 1220	258
5750.FS	050 006 0800	261
5750.FT	050 006 0800	261
5750.FV	050 006 0976	277
5750.FW	050 006 0976	277
5750.FX	050 006 1345	262
5750.FY	050 006 1705	265
5750.GC	050 006 0725	275
5750.GE	050 006 1125	262
5750.GG	050 006 1185	269
5750.GK	050 006 1740	274
5750.GL	050 006 1740	274
5750.GN	050 006 1125	262
5750.GP	050 006 1390	263
5750.GW	050 006 1145	278
5750.GX	050 006 1150	266
5750.GY	050 006 1560	263
5750.GZ	050 006 1560	263
5750.H9	050 006 0725	275
5750.HG	050 006 1743	277
5750.J0	050 006 0800	261
5750.J3	050 006 1080	275
5750.J6	050 006 1150	266
5750.J7	050 006 1660	264
5750.K0	050 006 1145 050 006 1150	266, 278
5750.K4	050 005 0962	264
5750.K6	050 006 1863	264
5750.K7	050 006 1863	264
5750.K8	050 006 1070	279
5750.K9	050 006 1110	265
5750.KR	050 006 1680	267
5750.KX	050 006 1560	263
5750.KZ	050 006 1468	280
5750.L0	050 006 1110	265
5750.L1	050 006 1740	274
5750L1	050 006 1735	293
5750.L3	050 006 1150	266
5750.L4	050 006 1150	266
5750.L7	050 004 1025	290

Ref. no.	MEYLE no.	Page
Peugeot		
	050 004 1030	
5750.L9	050 006 1183	278
5750.LC	050 006 0725	275
5750.LG	050 006 1710	271
5750.LH	050 006 1705	265
5750.M0	050 006 1200	282
5750.M1	050 006 1600 050 006 1605	270, 273
5750.M3	050 006 1725	282
5750.M4	050 006 1100	265
5750.M6	050 006 1725	282
5750.M9	050 006 1163	278
5750.P0	050 004 0755	266
5750.P5	050 005 0725	285
5750.PC	050 006 1150	266
5750.PF	050 006 1000	269
5750.PL	050 006 1050	279
5750.PN	050 006 1050	279
5750.PP	050 006 1070	279
5750.PR	050 006 1565	267
5750.PS	050 006 1885	280
5750.PV	050 006 0725	275
5750.PY	050 006 1680	267
5750.Q1	050 005 1050	291
5750.Q2	050 005 1050	291
5750.Q3	050 006 1480	267
5750.Q5	050 006 1600 050 006 1605	270, 273
5750.QE	050 006 1680	267
5750.QF	050 006 1225	268
5750.QG	050 006 0965	281
5750.QJ	050 006 0850	268
5750.QL	050 006 1210	268
5750.QN	050 006 1210	268
5750.QP	050 006 1000	269
5750.QQ	050 006 0875	262
5750.QS	050 006 1185	269
5750.QW	050 006 1590	269
5750.R2	050 006 1605	270
5750.R6	050 006 1750	283
5750.R7	050 006 1600 050 006 1605	270, 273
5750.R9	050 006 1740	274
5750.RG	050 006 0906	270
5750.RN	050 006 1670	270
5750.RR	050 006 1710	271

Ref. no.	MEYLE no.	Page
Peugeot		
5750.RV	050 006 1090/E	271
5750.RW	050 006 1090/E	271
5750.RX	050 006 1350 050 006 1360	272
5750.RZ	050 006 1205	272
5750.S0	050 006 1740 050 006 1743	274, 277
5750.S1	050 006 0869	280
5750.S5	050 006 1390	263
5750.S7	050 006 1735	293
5750.S9	050 006 1600 050 006 1605	270, 273
5750.SA	050 006 0780/E	283
5750.SG	050 006 1195	273
5750.SY	050 005 1140	292
5750.T1	050 006 1450	283
5750.T2	050 006 1010	273
5750.T3	050 006 1560 050 006 1565	263, 267
5750.T5	050 006 1468	280
5750.T7	050 006 1740	274
5750.T8	050 006 1740	274
5750.T9	050 006 1750	283
5750.TA	050 005 1125	292
5750.TE	050 006 1065	274
5750.TF	050 006 1095	275
5750.TH	050 006 1080	275
5750.TN	050 006 1163	278
5750.TP	050 006 0725	275
5750.TT	050 005 1255	276
5750.V0	050 006 0858	276
5750.VJ	050 006 1190	277
5750.VL	050 006 0800	261
5750.VN	050 006 0976	277
5750.VX	050 006 1743	277
5750.W1	050 006 1045 050 006 1145	278, 281
5750.W5	050 006 1200	282
5750.W6	050 006 1725	282
5750.W7	050 006 0750	278
5750.WI	050 006 1145	278
5750.WI	050 006 1145 050 006 1163	278
5750.WY	050 006 1050	279
5750.WZ	050 006 1070	279
5750.X0	050 006 0869	280

Ref. no.	MEYLE no.	Page
Peugeot		
5750.X4	050 006 0869	280
5750.X8	050 006 1468	280
5750.XA	050 006 1565	267
5750.XC	050 006 1885	280
5750.XE	050 005 1050	291
5750.XF	050 006 0965	281
5750.XP	050 006 0873/E	281
5750.XW	050 006 1045	281
5750.Y2	050 006 1200	282
5750.Y5	050 006 1705	265
5750.Y7	050 006 1725	282
5750.YC	050 006 1450	283
5750.YE	050 006 1565	267
5750.YG	050 006 1750	283
5750.YK	050 006 0780/E	283
5750.YL	050 006 1090/E	271
5750.Z0	050 006 1450	283
5750.Z2	050 006 1565	267
5750.Z3	050 006 1565	267
5750.Z4	050 006 1735	293
5750.Z6	050 006 1750	283
5750.Z7	050 006 1750	283
5750.Z8	050 006 1438	284
5750.ZH	050 006 1698	284
5761.59	014 731 1023	236
5761.86	014 731 1213	235
5946.09	614 899 0017	235
5960.12	714 860 0002	218
5960.19	714 860 0002	218
5960.39	40-14 860 0001	219
5960.64	714 020 0004	219
5960.66	714 020 0003	220
5960.68	11-14 860 0000	224
5960.71	40-14 860 0001	219
5960.77	514 860 0001	221
5960.78	11-14 860 0001	221
5960.88	714 020 0001	222
5960.89	714 020 0001	222
5960.99	40-14 860 0002	224
5960 A3	214 860 0003	222
5960.E6	40-14 860 0006	223
5960.E7	53-14 860 0002	223
5960.E9	714 860 0002	218
5960.F4	714 020 0004	219
5960.F6	11-14 860 0000	224
5960.F8	514 860 0001	221

Ref. no.	MEYLE no.	Page
Peugeot		
5960.F9	11-14 860 0001	221
5960.G6	40-14 860 0002	224
5960 G7	011 860 0000	225
5960.K4	214 860 0003	222
5960.K5	40-14 860 0001	219
5960.L1	40-14 860 0003	225
5960.L4	614 860 0010	226
5962.03	011 860 0000	225
5962.1P	40-14 860 0000	226
5962.1Q	40-14 860 0000	226
5962.3C	714 020 0003	220
5962.3E	714 020 0003	220
5962.3H	011 860 0000	225
5962.7A	011 860 0000	225
5962.7F	714 020 0003	220
5962.7G	714 020 0003	220
5962.W2	11-14 860 0000	224
5962.X1	014 020 1039	227
5963.19	40-14 885 0000	232
5970.45	40-14 885 0001	228
5970.48	40-14 885 0005	228
5970.60	40-14 885 0005	228
5970.64	314 885 0005	228
5970.70	40-14 885 0005	228
5970.73	11-14 885 0003	231
5970.74	40-14 885 0000	232
5970.75	11-14 885 0007	229
5970.78	40-14 885 0002	229
5970.79	40-14 885 0002	229
5970.80	11-14 885 0002	230
5970.84	11-14 885 0004	231
5970.85	11-14 885 0006	230
5970.87	40-14 885 0008	231
5970.88	30-14 885 0004	230
5970.91	314 885 0005	228
5970.98	11-14 885 0007	229
5970.99	11-14 885 0002	230
5970.A0	40-14 885 0008	231
5970.A4	11-14 885 0003	231
5970.A5	11-14 885 0004	231
5970.A8	40-14 885 0002	229
5970.A9	40-14 885 0000	232
5981.16	11-14 880 0001	209
5981.20	11-14 880 0001	209
5981.31	40-14 880 0000	210-213
	40-14 880 0001/S	

Ref. no.	MEYLE no.	Page
Peugeot		
	40-14 880 0002/S 40-14 880 0003/S 40-14 880 0004/S 40-14 880 0005/S 40-14 880 0006/S	
5981.38	40-14 880 0000 40-14 880 0001/S 40-14 880 0002/S 40-14 880 0003/S 40-14 880 0004/S 40-14 880 0005/S 40-14 880 0006/S	210-213
5981.40	11-14 880 0003/S 11-14 880 0004/S 11-14 880 0005/S 11-14 880 0006/S 11-14 880 0007/S 11-14 880 0008/S 16-14 880 0000	213-216
6160.70	40-14 899 0001	232
6423.35	029 290 1111	15
6434.58	11-14 870 0002	13
6434.60	11-14 870 0003	14
6434.74	100 955 0002	14
6434.75	11-14 870 0001	14
6441.91	11-12 319 0013	22
6441.EG	40-12 319 0000	23
6441.EH	40-12 320 0000	26
6441.H7	40-12 319 0000	23
6447.AK	40-12 319 0000	23
6447.AZ	11-12 319 0001	23
6447.GW	11-12 320 0006	23
6447.J0	212 319 0004	24
6447.KK	11-12 319 0000	32
6447.KL	11-12 320 0000	24
6447.KR	40-12 319 0001	24
6447.LY	40-12 319 0004	25
6447.NT	11-12 319 0000	32
6447.NV	11-12 320 0000	24
6447.P2	212 319 0003/S	25
6447.P3	212 319 0003/S	25
6447.PE	11-12 320 0001	25
6447.PF	40-12 320 0000	26
6447.PG	11-12 320 0004	26
6447.RG	40-12 320 0003	26
6447.S5	11-12 319 0004	27

Ref. no.	MEYLE no.	Page
Peugeot		
6447.SY	212 319 0004	24
6447.TA	40-12 320 0004	27
6447.TT	11-12 319 0009	27
6447.VX	11-12 320 0008/S	28
6447.VY	11-12 319 0008/S	28
6447.XF	11-12 319 0010	28
6447.XG	11-12 320 0010	29
6447.YA	11-12 319 0014 11-12 320 0014	29, 33
6447.YJ	11-12 319 0012	29
6447.YL	11-12 320 0012	30
6447.Z5	40-12 319 0000	23
6447.ZX	32-12 319 0002	30
645300000	050 004 0810	288
6453.A0	050 004 1025 050 004 1030	290
6453CT	050 005 1100	291
6453.E5	050 004 0815	284
6453E5	050 004 0810	288
6453FJ	050 005 1100	291
6453NX	050 005 1100	291
6453NY	050 005 1100	291
6453TZ	050 005 1100	291
6453.W1	050 006 0925	285
6455.B2	050 004 0962	289
6479.04	40-12 319 0003	30
6479.32	11-12 320 0000	24
6479.46	11-12 319 0011 11-12 320 0011	31
6479.61	612 319 0016 612 320 0016	31-32
6479.63	212 319 0012 212 320 0012	32-33
6479.75	11-12 320 0000	24
6479.84	612 319 0016	32
6479.89	11-12 320 0006	23
6479.90	11-12 320 0008/S	28
6479.92	11-12 319 0010	28
6479.93	11-12 320 0010	29
6479.A1	40-12 319 0001	24
6479.A6	11-12 319 0012	29
6479.A7	11-12 320 0012	30
6479.C2	11-12 319 0000	32
6479.C9	11-12 319 0014	33
6479.E0	212 319 0012	33
6479.E5	40-12 319 0004	25

Ref. no.	MEYLE no.	Page
Peugeot		
6479.E9	32-12 320 0002	33
6479.K9	11-12 320 0015	34
6555.11	100 830 0014	236
6555.34	100 830 0014	236
6822.JL	11-14 650 0012	553
7273.7X	40-14 498 0028	177
7925.07	11-40 910 0019	2
7925.08	11-40 910 0013	2
7925.10	11-40 910 0013	2
7925.15	11-40 910 0003	3
79 32 567 718	014 020 1039	227
831.T3	11-51 049 0010	246
831.V4	11-51 049 0016	248
85601415	11-12 320 0006	23
8731.83	11-40 910 0014	4
8731.91	11-40 910 0015	4
8731.93	11-40 910 0009	4
8731.A2	11-40 910 0010	5
8731.A3	11-40 910 0006	5
8731.A7	11-40 910 0011	5
8731.C1	11-40 910 0007	6
8731.C4	11-40 910 0015	4
8731.C5	11-40 910 0005	6
8731.E0	40-40 910 0002	6
8731.E1	11-40 910 0004	7
8731.E5	11-40 910 0008	7
8731.E6	11-40 910 0002	7
8731.E9	11-40 910 0012	8
8731.F0	11-40 910 0012	8
8731.F2	11-40 910 0001	8
8731.F8	11-40 910 0000	8
8731.G0	11-40 910 0015	4
8731.G4	11-40 910 0016	1
8731.G5	11-40 910 0018	9
8731.G6	11-40 910 0017	9
8731.J6	11-40 910 0021	9
8731.K4	11-40 910 0020	10
8731.K5	11-40 910 0022	1
8731.L0	40-40 910 0015	10
8731.L7	11-40 910 0023	10
8731.P5	40-40 910 0021	11
8731.P8	11-40 910 0025	1
8731.P9	11-40 910 0024	11
8731.Q0	11-40 910 0024	11
8731.Q2	32-40 910 0017	11
8731.Q5	11-40 910 0028	2

Ref. no.	MEYLE no.	Page
Peugeot		
8731.Q6	11-40 910 0026	12
8731.Q7	11-40 910 0029	12
8731.Q8	11-40 910 0027	12
8731.Q9	40-40 910 0021	11
8731.S0	40-40 910 0025	13
8731.T3	11-40 910 0022	1
8731.V0	240 910 0028	13
9153 670 380	050 004 0954	288
91 540 797	614 036 0012	339
91 541 144	050 005 0725	285
91 541 175	050 005 0725	285
93 501 404	11-51 902 1018	238
93501405	11-51 902 2006	249
9350229100	050 004 0698	287
94 01 444 848	11-12 321 0010	325
9463704780	11-14 322 0001	343
94 64 046 980	11-12 321 0018	324
95 619 441	11-12 321 0026	321
95 666 985	050 004 1020	289
95 67 582 280	214 498 0013	191
96 008 036	614 036 0012	339
96 014 397	050 005 1270	285
96 021 924	050 005 0698	258
96 021 92480	050 005 0700	260
9602 192 480	050 005 0698	258
96 021 925	050 005 0698 050 005 0700	258, 260
96 033 565	11-14 184 0007	359
96 035 284	40-14 885 0001	228
9605062	050 004 1025 050 004 1030	290
96 050 625	050 004 1030	290
96050625	050 004 1025	290
96 056 183	11-51 902 1007	238
96 059 324	050 005 0710	286
96 059 541	050 005 1450	292
96087507	40-16 010 0002	402
96 109 681	11-16 010 6909	402
96 113 432	16-14 610 0009	442
9614031780	11-14 641 0019	537
96 144 510	050 006 1130	259
96 144 511	050 006 1163	278
96 152 082	050 006 1070	279
96 152 083	050 006 1070	279
96 155 010	050 006 1015	261
96 155 951	050 006 1705	265

Ref. no.	MEYLE no.	Page
Peugeot		
9616429380	11-12 319 0004	27
96 183 217	11-14 899 0006	194
96 183 261	11-14 899 0007	194
9619 947 588	40-14 498 0010	191
9619 947 688	40-14 498 0010	191
96205509	050 006 1605	270
96 217 756	11-14 899 0010	194
9622739380	11-14 030 0028	347
96 227 489	11-14 899 0010	194
96 236 383	714 020 0003	220
96236952	050 006 1605	270
96 24 675 580	40-14 885 0000	232
96251516	050 006 1605	270
96 28 158 580	40-14 885 0000	232
96 28 454 680	40-14 800 0000	233
96 287 831	11-16 010 0002	484
96 288 787	11-16 060 0001/HD	479
96 30 767 080	40-14 498 0011	169
96 310 010	40-14 810 0000	233
96316038	050 006 1565	267
96 317 187	050 006 1725	282
96 337 272	050 006 1450	283
96 341 314	11-14 885 0007	229
96 347 856	11-16 060 0000/HD 11-16 060 0025	478, 481
96 35 3368	11-51 902 1004	241
96 35 336 880	11-51 902 1004	241
96354380	11-51 902 1006	243
9635438080	11-51 902 1006	243
9636082980	40-14 800 0011	197
96 360 862	11-12 320 0000	24
96363378	11-14 885 0002	230
96 36 777 180	40-14 800 0000	233
96 36 786 880	40-14 498 0042	178
96 368 027	40-14 810 0000	233
96 37 0580	11-51 902 1005	241
96 37 058 080	11-51 902 1005	241
96 37 117 780	40-14 498 0037	167
96 37 117 880	40-14 498 0032	178
96 37 220 880	40-14 800 0004	217
96 37 250 580	050 006 1468	280
96 37 465 980	40-14 800 0009	217
96 37 466 980	40-14 800 0004	217
9638027180	050 006 1590	269
96 389 858	714 020 0003	220
96 39 999 880	40-14 800 0009	217

Ref. no.	MEYLE no.	Page
Peugeot		
96 40 247 180	11-15 523 0033	57
96 408 284	11-51 902 1009	244
96 40 828 480	11-51 902 1009	244
96415393	11-51 902 2001	252
9641539380	11-51 902 2001	252
96 420 439	050 006 1725	282
96 42 209 980	11-40 910 0018	9
96 42 210 080	11-40 910 0016	1
9642688280	11-14 899 0019	206
96 429 298	11-51 902 1003	242
96 42 929 880	11-51 902 1003	242
96 433 296	11-51 902 1002	243
96 43 329 680	11-51 902 1002	243
96442584	11-51 902 2004	251
96 44 258 480	11-51 902 2004	251
96 452 098	11-51 902 1008	244
96 45 209 880	11-51 902 1008	244
9645769180	11-14 030 0082	365
96459251	11-51 902 1006	243
9645925180	11-51 902 1006	243
96 461 258	11-14 899 0005	202
96 47 487 680	11-40 910 0021	9
96 47 487 880	11-40 910 0022	1
96 482 463	11-51 902 1002	243
9648246380	11-51 902 1002	243
96 487 043	11-51 902 1012	244
96 48 704 380	11-51 902 1012	244
9649591680	11-14 610 0032	451
96 50 188 680	11-12 321 0032	315
96 50 608 480	11-12 321 0024	325
96 510 297	714 020 0003	220
96 515 836	714 020 0003	220
96 51 710 680	11-14 885 0006	230
96 51 969 380	11-14 800 0007	203
9652351280	40-14 641 0009	507
96 526 967	11-14 899 0004	201
9652696780	11-14 899 0004	201
96 526 969	11-14 800 0006	201
96 527 717	11-51 902 1008	244
96 52 771 780	11-51 902 1008	244
96 533 196 80	050 006 1050	279
96543364	11-51 902 1011	242
9654336480	11-51 902 1011	242
96 54 673 180	050 006 1698	284
9655067880	11-14 800 0011	208
96 55 535 780	11-12 321 0035	318

Ref. no.	MEYLE no.	Page
Peugeot		
96 56 593 180	11-40 910 0022	1
96 584 207	11-14 899 0005	202
96 603 308	16-14 610 0009	442
96 61 728 880	050 006 1090/E	271
96 61 974 980	40-14 800 0022	205
96 63 100 880	050 006 0780/E	283
96 63 101 080	050 006 1090/E	271
96 64 191 180	11-12 321 0028	320
96 65 386 780	40-14 800 0023	208
96 654 092	11-51 902 1007	238
96 65 592 380	11-14 800 0012	207
9670430580	11-14 890 0000	236
96 707 714 80	11-14 610 0043 11-14 610 0044 11-14 610 0055/HD 216 050 0060	436, 447-448
96 707 720 80	11-14 610 0043 11-14 610 0044 11-14 610 0055/HD 216 050 0061	436, 447-448
9670830780	11-14 641 0022 11-14 641 0025	510, 542
96 716 537	11-12 320 0015	34
9672116080	11-14 641 0023	542
96 73 084 480	11-12 321 0016	326
96 745 779 80	11-14 800 0013	208
96 74 725 580	40-12 321 0004	330
96 760 321 80	11-14 610 0037	449
96 76 035 280	11-14 610 0054	449
967 65 531	050 006 1642	286
96 76 553 180	050 006 1642	286
967 65 602	050 006 0955	286
96 76 560 280	050 006 0955	286
9677277380	11-14 030 0082	365
96 783 359 80	40-12 321 0003	331
96 787 920 80	11-12 319 0015/S	35
96 78 823 080	11-26 725 0015	535
96 78 823 180	11-26 725 0015	535
96 819 607	11-51 902 1013	245
96 81 960 780	11-51 902 1013	245
96823057	11-51 902 2004	251
96 82 305 780	11-51 902 2004	251
96 831 952 80	40-14 860 0006	223
96 832 734	11-51 902 1013	245
96 83 273 480	11-51 902 1013	245
9683738980	11-14 641 0022	510, 542

Ref. no.	MEYLE no.	Page
Peugeot		
	11-14 641 0025	
96 87 459 780	11-12 319 0000	32
96 87 602 180	40-15 521 1001	51
97 518 683	050 004 1030	290
98 000 861 80	11-16 060 0001/HD 11-16 060 0029	479, 482
9801049980	11-14 710 0027	450
98 01 729 080	11-26 623 0016	534
98 01 729 180	11-26 623 0017	534
98 01 729 280	11-26 623 0016	534
98 01 729 380	11-26 623 0017	534
98 02 144 580	11-26 623 0016	534
98 02 144 680	11-26 623 0017	534
98 02 145 580	11-26 725 0015	535
9803094380	11-13 220 0027	310
98 032 864 80	11-16 050 0080	437
98 032 865 80	11-16 050 0079	437
9803442480	11-13 220 0026	310
98 039 181 80	11-15 521 0044 11-15 521 0044/PD	80
9804163380	11-12 319 0016/S	34
9804163480	11-12 320 0016/S	34
9804869480	11-14 890 0000	236
98 049 474 80	11-16 060 0000/HD 11-16 060 0028	478
98 055 520 80	40-12 321 0003	331
98 069 071 80	11-16 060 0024/HD	487
98 071 300 80	11-16 060 0016/HD	486
98 088 682 80	11-16 060 0001/HD	479
98 090 457 80	11-16 060 0024/HD	487
9809266280	40-15 521 1001	51
98 114 029 80	11-26 725 0010	528
98 114 030 80	11-26 725 0010	528
98 142 376 80	11-12 319 0015/S	35
9818232480	11-14 890 0000	236
9821040380	11-14 641 0023	542
9932.58	11-12 321 0014	327
E146155	11-12 319 0000	32
E147223	11-12 321 0032	315
E147224	11-12 321 0032	315
E147242	11-12 321 0014	327
E147299	11-12 321 0022	323
E147302	11-12 321 0024	325
E149104	11-14 322 0001	343
E 169 115	11-15 523 0010 11-15 523 0010/PD	45-46

Ref. no.	MEYLE no.	Page
Peugeot		
E 169 141	11-15 521 0017 11-83 521 0017/PD	75-76
E 169 142	11-15 521 0018 11-83 521 0018/PD	70
E 169 147	11-15 521 0038 11-15 521 0038/PD	52
E 169 157	11-15 523 0009 11-15 523 0009/PD	53
E 169 198	11-15 523 0008 11-15 523 0008/PD	58-59
E169256	11-15 521 0037	72
E 169 503	11-15 521 0028	65
E 169 513	11-15 521 0038 11-15 521 0038/PD	52
E 172 116	025 216 7419/W	93
E 172 124	025 235 9919 025 235 9919/PD	101
E 172 125	025 236 0019 025 236 0019/PD	99
E172150	025 209 0518/PD 025 209 0518/W	90-91
E 172 201	025 209 7311 025 209 7311/PD	95-96
E172236	025 241 3418/W	104
E 172 237	025 241 3317/W	109
E 172 240	025 241 3517	103
E 172 270	025 241 5017	103
E 172 280	025 212 7817	97
E 172 283	025 239 5917	121
E 172 284	025 236 0019 025 236 0019/PD	99
E 172 286	025 241 5017	103
E 172 295	025 245 3818 025 245 3818/PD	111
E172301	025 244 6819-1/PD 025 244 6819/W1	84
E 172 359	025 235 8919	83
E 172 522	025 216 7419/W	93
E 172 558	025 235 9919 025 235 9919/PD	101
E 172 559	025 236 0019 025 236 0019/PD	99
E 172 596	025 241 3317/W	109
LX 1451	11-12 321 0015	327



Short no.	MEYLE no.	Page
Peugeot		
	11-14 641 0025	510
MAB0072	11-14 051 0001	488
MAB0073	11-14 610 0003	487
MAB0076	11-14 710 0007	491
MAB0077	11-14 710 0008	489
MAB0078	11-14 710 0010	488
MAB0079	11-14 710 0011	489
MAB0080	11-14 710 0013	488
MAB0082	11-14 710 0016	490
MAB0147	11-14 710 0014	489
MAB0153	11-14 710 0021	490
MAB0156	11-14 710 0017	490
MAB0157	11-14 710 0018	491
MAB0181	11-14 710 0024	491
MAB0182	11-14 710 0025	487
MAF0083	11-12 014 4402	324
MAF0084	11-12 014 4409	311
MAF0085	11-12 014 4410	316
MAF0086	11-12 014 4419	312
MAF0087	11-12 014 4485	311
MAF0088	11-12 014 4486	312
MAF0089	11-12 321 0001	313
MAF0090	11-12 321 0002	315
MAF0091	11-12 321 0003	313
MAF0092	11-12 321 0004	315
MAF0093	11-12 321 0005	319
MAF0094	11-12 321 0006	316
MAF0095	11-12 321 0007	318
MAF0096	11-12 321 0008	314
MAF0097	11-12 321 0009	327
MAF0098	11-12 321 0010	325
MAF0099	11-12 321 0011	322
MAF0100	11-12 321 0012	317
MAF0101	11-12 321 0013	329
MAF0102	11-12 321 0014	327
MAF0103	11-12 321 0015	327
MAF0104	11-12 321 0016	326
MAF0105	11-12 321 0017	316
MAF0106	11-12 321 0018	324
MAF0107	11-12 321 0019	324
MAF0108	11-12 321 0020	317
MAF0109	11-12 321 0021	328
MAF0110	11-12 321 0022	323
MAF0111	11-12 321 0023	318
MAF0112	11-12 321 0024	325
MAF0113	11-12 321 0025	328

Short no.	MEYLE no.	Page
Peugeot		
MAF0114	11-12 321 0026	321
MAF0115	11-12 321 0027	323
MAF0116	11-12 321 0028	320
MAF0117	11-12 321 0029	326
MAF0118	11-12 321 0030	314
MAF0119	11-12 321 0031	322
MAF0120	11-12 321 0032	315
MAF0122	11-12 321 0034	319
MAF0123	11-12 321 0036	323
MAF0124	11-12 321 0037	321
MAF0125	11-12 321 0038	326
MAF0128	11-12 321 0041	330
MAF0129	11-12 321 0042	319
MAF0134	112 129 0007	329
MAF0276	212 321 0020	321
MAF0277	212 321 0021	320
MAF0279	212 321 0023	329
MAF0334	30-12 321 0002	317
MAF0447	32-12 321 0002	320
MAF0491	36-12 321 0005	312
MAF0545	40-12 321 0001	314
MAF0658	11-12 321 0035	318
MAF0679	40-12 321 0002	330
MAF0687	40-12 321 0003	331
MAF0688	40-12 321 0004	330
MAR0015	11-16 030 0001	376
MAR0016	11-16 030 5749	375
MAR0017	11-16 030 6907	374
MAR0018	11-16 030 7528	384
MAR0019	11-16 031 0000	376
MAR0020	11-16 031 0001	377
MAR0022	11-16 031 0007	380
MAR0023	11-16 031 0008	379
MAR0024	11-16 031 0009	378
MAR0025	11-16 031 0010	377
MAR0026	11-16 031 0015	377
MAR0027	11-16 031 0016	376
MAR0028	11-16 031 0017	375
MAR0029	11-16 031 0019	379
MAR0030	11-16 031 0020	380
MAR0031	11-16 031 0021	381
MAR0032	11-16 031 0022	374
MAR0033	11-16 031 0023	381
MAR0034	11-16 031 0024	381
MAR0036	11-16 031 0026	382
MAR0038	11-16 031 0028	372

Short no.	MEYLE no.	Page
Peugeot		
MAR0039	11-16 031 0030	382
MAR0040	11-16 031 0031	373
MAR0133	216 031 0004	375
MAR0134	216 031 0005	378
MAR0146	216 031 0017	383
MAR0374	11-16 031 0032	373
MAR0476HD	40-16 031 0000/HD	379
MAR0486HD	11-16 030 0008/HD	383
MAR0487HD	11-16 031 0011/HD	378
MAR0488HD	11-16 031 0012/HD	374
MAR0489HD	11-16 031 0013/HD	380
MAR0490HD	11-16 031 0014/HD	372
MAR0491HD	11-16 031 0034/HD	382
MAR0509HD	216 031 0030/HD	383
MAR0524HD	40-16 031 0001/HD	373
MAS0070	11-14 800 0000	200
MAS0071	11-14 800 0001	197
MAS0072	11-14 800 0002	205
MAS0075	11-14 899 0003	201
MAS0076	11-14 899 0004	201
MAS0077	11-14 899 0005	202
MAS0078	11-14 899 0006	194
MAS0079	11-14 899 0007	194
MAS0081	11-14 899 0010	194
MAS0082	11-14 899 0012	196
MAS0083	11-14 899 0013	197
MAS0084	11-14 899 0014	200
MAS0085	11-14 899 0015	205
MAS0086	11-14 899 0016	195
MAS0088	11-14 899 0018	198
MAS0089	11-14 899 0019	206
MAS0191	40-14 800 0002	199
MAS0192	40-14 800 0003	200
MAS0241	11-14 800 0003	196
MAS0246	40-14 800 0011	197
MAS0260	11-14 800 0004	193
MAS0261	11-14 800 0005	193
MAS0263	214 800 0017	198
MAS0265	40-14 800 0007	206
MAS0268	40-14 800 0014	198
MAS0269	40-14 800 0015	199
MAS0270	40-14 800 0017	195
MAS0271	40-14 800 0018	196
MAS0278	40-14 800 0008	207
MAS0279	40-14 800 0016	199
MAS0281	11-14 800 0009	204

Short no.	MEYLE no.	Page
Peugeot		
MAS0289	40-14 800 0023	208
MAS0314	11-14 800 0006	201
MAS0315	11-14 800 0007	203
MAS0316	11-14 800 0012	207
MAS0318	40-14 800 0019	202
MAS0319	40-14 800 0020	202
MAS0320	40-14 800 0022	205
MAS0321	40-14 800 0025	203
MAS0327	11-14 800 0008	204
MAS0328	11-14 800 0011	208
MAS0351	40-14 800 0021	204
MAS0352	40-14 800 0024	203
MAS0353	11-14 800 0013	208
MAS0354	11-14 800 0014	209
MAS0356	40-14 800 0026	207
MAS0357	40-14 800 0027	209
MAS0363	11-14 800 0010	206
MAS0364	11-14 800 0015	195
MAS0388	11-14 800 0016	193
MBD0131	11-15 521 0000	49
MBD0132	11-15 521 0001	44
MBD0135	11-15 521 0006	48
MBD0136	11-15 521 0007	55
MBD0137	11-15 521 0010	42
MBD0139	11-15 521 0012	44
MBD0140	11-15 521 0013	45
MBD0141	11-15 521 0015	47
MBD0143	11-15 521 0017	75
MBD0144	11-15 521 0018	70
MBD0147	11-15 521 0022	50
MBD0151	11-15 521 0028	65
MBD0152	11-15 523 0000	46
MBD0156	11-15 523 0033	57
MBD0158	11-15 523 0035	48
MBD0161	11-15 523 0041	61
MBD0163	11-15 523 1014	56
MBD0371	215 521 0003	36
MBD0372	215 521 0004	59
MBD0373	215 521 0005	49
MBD0383	215 521 0018	64
MBD0384	215 521 0019	42
MBD0385	215 521 0021	37
MBD0390	215 521 0029	36
MBD0394	215 521 0033	62
MBD0405	215 523 0004	65
MBD0406	215 523 0006	60

Short no.	MEYLE no.	Page
Peugeot		
MBD0408	215 523 0012	60
MBD0416	215 523 0027	64
MBD0417	215 523 0028	37
MBD0418	215 523 0029	62
MBD1089	40-15 521 1001	51
MBD1091	40-15 521 1004	61
MBD1702	11-15 521 0030	77
MBD1702PD	11-15 521 0030/PD	78
MBD1752	11-15 521 0031	43
MBD1752PD	11-15 521 0031/PD	43
MBD1753	11-15 521 0032	57
MBD1754	11-15 521 0033	54
MBD1754PD	11-15 521 0033/PD	54
MBD1755PD	11-15 521 0034/PD	68
MBD1756	11-15 521 0035	50
MBD1756PD	11-15 521 0035/PD	51
MBD1757	11-15 521 0036	55
MBD1757PD	11-15 521 0036/PD	56
MBD1758	11-15 521 0037	72
MBD1758PD	11-15 521 0037/PD	72
MBD1759	11-15 521 0038	52
MBD1759PD	11-15 521 0038/PD	52
MBD1760	11-15 521 0042	73
MBD1760PD	11-15 521 0042/PD	73
MBD1761	11-15 523 0008	58
MBD1761PD	11-15 523 0008/PD	59
MBD1762	11-15 523 0009	53
MBD1762PD	11-15 523 0009/PD	53
MBD1763	11-15 523 0010	45
MBD1763PD	11-15 523 0010/PD	46
MBD1764	11-15 523 0011	74
MBD1764PD	11-15 523 0011/PD	79
MBD1765PD	11-83 521 0017/PD	76
MBD1766PD	11-83 521 0018/PD	70
MBD1841	215 521 0002	69
MBD1841PD	215 521 0002/PD	69
MBD1842	215 521 0024	63
MBD1842PD	215 521 0024/PD	63
MBD1944	32-15 521 0025	66
MBD1944PD	32-15 521 0025/PD	67
MBD1951	32-15 523 0017	67
MBD1951PD	32-15 523 0017/PD	68
MBD1954PD	32-15 523 0020/PD	81
MBD2074	11-15 523 4008	66
MBD2085	215 521 0048	47
MBD2090	11-15 521 0043	40

Short no.	MEYLE no.	Page
Peugeot		
MBD2090PD	11-15 521 0043/PD	40
MBD2091	11-15 521 0044	80
MBD2091PD	11-15 521 0044/PD	80
MBD2092	11-15 523 0016	41
MBD2092PD	11-15 523 0016/PD	41
MBD2093	11-15 523 0014	38
MBD2093PD	11-15 523 0014/PD	38
MBD2107	11-15 521 0039	71
MBD2107PD	11-15 521 0039/PD	71
MBD2108	11-15 521 0040	78
MBD2108PD	11-15 521 0040/PD	79
MBD2110	11-15 523 0012	74
MBD2110PD	11-15 523 0012/PD	75
MBD2111	11-15 523 0013	76
MBD2111PD	11-15 523 0013/PD	77
MBD2112	11-15 523 0015	39
MBD2112PD	11-15 523 0015/PD	39
MBD2163PD	11-83 521 0032/PD	58
MBH0091	100 525 0042	151
MBH0169	11-14 525 0001	144
MBH0170	11-14 525 0002	144
MBH0171	11-14 525 0006	151
MBH0172	11-14 525 0007	152
MBH0173	11-14 525 0008	153
MBH0174	11-14 525 0009	153
MBH0175	11-14 525 0010	155
MBH0176	11-14 525 0011	155
MBH0177	11-14 525 0012	143
MBH0178	11-14 525 0013	143
MBH0179	11-14 525 0015	144
MBH0180	11-14 525 0016	145
MBH0181	11-14 525 0017	145
MBH0182	11-14 525 0018	147
MBH0183	11-14 525 0019	147
MBH0184	11-14 525 0020	150
MBH0185	11-14 525 0021	147
MBH0186	11-14 525 0022	142
MBH0188	11-14 525 0024	145
MBH0189	11-14 525 0025	146
MBH0190	11-14 525 0026	146
MBH0191	11-14 525 0027	148
MBH0192	11-14 525 0028	150
MBH0193	11-14 525 0029	152
MBH0194	11-14 525 0030	155
MBH0195	11-14 525 0033	146
MBH0196	11-14 525 0034	150

Short no.	MEYLE no.	Page
Peugeot		
MBH0197	11-14 525 0036	154
MBH0198	11-14 525 0037	152
MBH0204	11-14 525 0045	142
MBH0205	11-14 525 0047	153
MBH0206	11-14 525 0048	143
MBH0207	11-14 525 0049	156
MBH0208	11-14 525 0050	157
MBH0209	11-14 525 0052	151
MBH0210	11-14 525 0053	154
MBH0211	11-14 525 0054	154
MBH0212	11-14 525 0055	156
MBH0213	11-14 525 0056	156
MBH0214	11-14 525 0057	148
MBH0215	11-14 525 0058	149
MBH0231	16-14 525 0002	148
MBH0232	16-14 525 0003	149
MBH0290	214 525 0041	157
MBH0459	614 525 0020	149
MBJ0029	11-16 010 0000	404
MBJ0030	11-16 010 0004	401
MBJ0031HD	11-16 010 0005/HD	401
MBJ0032	11-16 010 0007	403
MBJ0033	11-16 010 0008	403
MBJ0034	11-16 010 0011	403
MBJ0035	11-16 010 0013	404
MBJ0036	11-16 010 0014	405
MBJ0037	11-16 010 0017	406
MBJ0038	11-16 010 0018	405
MBJ0039	11-16 010 0020	406
MBJ0040	11-16 010 3347	399
MBJ0041	11-16 010 3356	402
MBJ0043HD	11-16 010 4087/HD	401
MBJ0044	11-16 010 4249	400
MBJ0045	11-16 010 6909	402
MBJ0046	11-16 050 0035	399
MBJ0157	30-16 010 0027	399
MBJ0198	32-16 010 0025	400
MBJ0248	40-16 010 0002	402
MBJ0249HD	40-16 010 0004/HD	404
MBJ0272	616 010 0006	400
MBJ0439	11-16 010 0025	405
MBK0109	11-14 495 0000	161
MBK0110	11-14 495 0001	163
MBK0112	11-14 495 0003	165
MBK0114	11-14 495 0006	162
MBK0115	11-14 495 0007	164

Short no.	MEYLE no.	Page
Peugeot		
MBK0116	11-14 495 0009	162
MBK0118	11-14 495 0012	161
MBK0119	11-14 495 0013	166
MBK0208	40-14 495 0001	162
MBK0209	40-14 495 0002	164
MBK0211	40-14 495 0004	161
MBK0212	40-14 495 0005	160
MBK0213	40-14 495 0006	163
MBK0214	40-14 495 0007	163
MBK0215	40-14 495 0008	164
MBK0216	40-14 495 0009	160
MBK0217	40-14 495 0010	160
MBK0218	40-14 495 0011	159
MBK0219	40-14 495 0012	165
MBK0220	40-14 495 0014	159
MBK0223	40-14 495 0018	165
MBK0224	40-14 495 0019	166
MBL0003	029 300 1210	15
MBL0004	029 300 1211	15
MBL0014	029 350 1410	16
MBL0021	029 400 1600	17
MBL0022	029 400 1610	18
MBL0026	029 425 1700	18
MBL0027	029 450 1800	18
MBL0028	029 475 1900	19
MBL0029	029 500 2000	19
MBL0030	029 530 2100	19
MBL0032	029 550 2200	20
MBL0034	029 600 2400	20
MBL0036	029 650 2600	21
MBL0038	029 680 2700	21
MBL0039	029 700 2800	21
MBL0041	029 750 3000	22
MBL0042	029 800 3200	22
MBL0047	029 300 1216	16
MBL0055	029 350 1416	17
MBL0062	029 290 1111	15
MBL0080	029 300 1217	16
MBP0014	025 202 6119/W	116
MBP0049	025 209 0518/W	91
MBP0050	025 209 0618/W	92
MBP0056	025 209 6115	87
MBP0056PD	025 209 6115/PD	87
MBP0057	025 209 6117	108
MBP0057PD	025 209 6117/PD	108
MBP0059	025 209 7311	95

Short no.	MEYLE no.	Page
Peugeot		
MBP0059PD	025 209 7311/PD	96
MBP0072	025 210 8017/W	88
MBP0093	025 212 0519/W	92
MBP0094	025 212 0918/W	87
MBP0095	025 212 1118	90
MBP0100	025 212 6717/W	89
MBP0102	025 212 7517	93
MBP0103	025 212 7817	97
MBP0104	025 212 7817/W	95
MBP0116	025 213 6315/W	106
MBP0126	025 214 1418/W	102
MBP0128	025 214 3017/W	93
MBP0148	025 215 0717/W	89
MBP0179	025 216 7419/W	93
MBP0189	025 217 2419/W	100
MBP0195	025 217 9719/W	113
MBP0196	025 217 9919/W	125
MBP0197	025 218 0119/W	114
MBP0199	025 218 2717	94
MBP0240	025 219 8018	96
MBP0240PD	025 219 8018/PD	97
MBP0248	025 230 4218/W	115
MBP0266	025 231 2419/W	95
MBP0325	025 233 4619	106
MBP0334	025 233 9617	98
MBP0389	025 235 8216	107
MBP0389PD	025 235 8216/PD	107
MBP0390	025 235 8416/W	81
MBP0393	025 235 8919	83
MBP0397	025 235 9718	102
MBP0397PD	025 235 9718/PD	102
MBP0398	025 235 9919	101
MBP0398PD	025 235 9919/PD	101
MBP0399	025 236 0019	99
MBP0399PD	025 236 0019/PD	99
MBP0401	025 236 0219/W	115
MBP0402	025 236 0319/W	98
MBP0422	025 237 0517/W	122
MBP0423	025 237 0617/W	124
MBP0424	025 237 0819	125
MBP0472	025 239 1719/W	117
MBP0473	025 239 1919/W	118
MBP0474	025 239 2120	120
MBP0474PD	025 239 2120/PD	120
MBP0484	025 239 5917	121
MBP0528	025 241 3317/W	109

Short no.	MEYLE no.	Page
Peugeot		
MBP0529	025 241 3418/W	104
MBP0530	025 241 3517	103
MBP0531	025 241 3716	123
MBP0531PD	025 241 3716/PD	124
MBP0534	025 241 5017	103
MBP0572	025 243 3218	110
MBP0572PD	025 243 3218/PD	110
MBP0596	025 244 6519	104
MBP0596PD	025 244 6519/PD	104
MBP0597	025 244 6619/W1	119
MBP0598	025 244 6619/W2	120
MBP0599	025 244 6819/W1	84
MBP0600	025 244 6819/W2	85
MBP0618	025 245 3818	111
MBP0618PD	025 245 3818/PD	111
MBP0625	025 245 5719	122
MBP0632	025 245 7816	105
MBP0635	025 245 9518/W	105
MBP0648	025 246 6017	112
MBP0648PD	025 246 6017/PD	112
MBP0664	025 247 6516/W	109
MBP0668	025 248 3919/W	108
MBP0675	025 248 8318	81
MBP0678	025 249 2217	113
MBP0689	025 250 6917	121
MBP0758PD	025 209 0518/PD	90
MBP0759PD	025 209 0618/PD	91
MBP0761PD	025 210 8017/PD	88
MBP0762PD	025 212 6717/PD	89
MBP0779PD	025 231 2419/PD	94
MBP0807PD	025 239 1719/PD	116
MBP0813PD	025 244 6819-1/PD	84
MBP0822PD	025 244 6819-2/PD	85
MBP1578PD	025 213 6315/PD	106
MBP1583PD	025 230 4218/PD	114
MBP1587PD	025 237 0517/PD	122
MBP1602	025 252 2217	123
MBP1637	025 204 5419	86
MBP1649	025 237 5318	100
MBP1664PD	025 217 9719/PD	113
MBP1665PD	025 217 9919/PD	124
MBP1666PD	025 236 0219/PD	115
MBP1667PD	025 236 0319/PD	97
MBP1668PD	025 239 1919/PD	117
MBP1669PD	025 244 6619-1/PD	118
MBP1670PD	025 244 6619-2/PD	119

Short no.	MEYLE no.	Page
Peugeot		
MBP1706	025 252 5118	82
MBP1707	025 258 4116	83
MBP1711	025 220 4119	86
MBP1727	025 256 8814	82
MBS0006	11-14 533 0000	129
MBS0007	11-14 533 0001	137
MBS0008	11-14 533 0003	135
MBS0009	11-14 533 0003/S	136
MBS0010	11-14 533 0004	133
MBS0011	11-14 533 0005	139
MBS0012	11-14 533 0017	130
MBS0013	11-14 533 0018	139
MBS0014	11-14 533 0019	134
MBS0015	11-14 533 0020	136
MBS0016	11-14 533 0021	140
MBS0017	11-14 533 0021/K	137
MBS0018	11-14 533 0022	133
MBS0019	11-14 533 0023/K	134
MBS0030	16-14 533 0000	132
MBS0039	16-14 533 0012	128
MBS0053	214 533 0008	138
MBS0055	214 533 0010	141
MBS0061	214 533 0017/K	131
MBS0063	214 533 0020	131
MBS0064	214 533 0020/K	130
MBS0065	214 533 0021	131
MBS0102	32-14 533 0002	141
MBS0150	40-14 533 0001	135
MBS0151	40-14 533 0002	132
MBS0152	40-14 533 0003	140
MBS0153	40-14 533 0004/K	132
MBS0154	40-14 533 0005/K	133
MBS0155	40-14 533 0019/K	135
MBS0262	11-14 533 0000/K	130
MBS0263	11-14 533 0003/K	136
MBS0264	11-14 533 0004/K	134
MBS0265	11-14 533 0005/K	139
MBS0266	11-14 533 0018/K	140
MBS0267	11-14 533 0020/K	137
MBS0271	16-14 533 0012/K	129
MBS0275	214 533 0008/K	138
MBS0276	214 533 0010/K	141
MBX0010	014 698 0006	126
MBX0011	014 698 0006/S	126
MBX0147	100 611 0034	157
MBX0156	100 698 0008	126

Short no.	MEYLE no.	Page
Peugeot		
MCA0075	11-16 050 0000	425
MCA0076HD	11-16 050 0003/HD	427
MCA0077HD	11-16 050 0004/HD	415
MCA0078HD	11-16 050 0007/HD	426
MCA0079HD	11-16 050 0008/HD	414
MCA0080HD	11-16 050 0009/HD	428
MCA0081HD	11-16 050 0010/HD	420
MCA0082	11-16 050 0013	430
MCA0083	11-16 050 0014	429
MCA0084HD	11-16 050 0015/HD	413
MCA0085	11-16 050 0016	413
MCA0086HD	11-16 050 0017/HD	425
MCA0087	11-16 050 0019	417
MCA0088	11-16 050 0020	430
MCA0089	11-16 050 0023	418
MCA0094	11-16 050 0030	420
MCA0095	11-16 050 0031	432
MCA0096	11-16 050 0032	417
MCA0097	11-16 050 0033	429
MCA0098HD	11-16 050 0036/HD	415
MCA0099HD	11-16 050 0037/HD	427
MCA0100	11-16 050 0038	407
MCA0101	11-16 050 0039	407
MCA0104	11-16 050 0047	416
MCA0105HD	11-16 050 0048/HD	422
MCA0106HD	11-16 050 0049/HD	434
MCA0107	11-16 050 0052	408
MCA0108	11-16 050 0053	408
MCA0109	11-16 050 0063	412
MCA0110	11-16 050 0064	412
MCA0111	11-16 050 0065	432
MCA0112	11-16 050 0066	419
MCA0113	11-16 050 0067	431
MCA0114	11-16 050 0068	419
MCA0119	11-16 050 0077	422
MCA0120	11-16 050 0078	434
MCA0121	11-16 050 0083	409
MCA0122	11-16 050 0084	409
MCA0123	11-16 050 3196	424
MCA0124	11-16 050 3197	410
MCA0125	11-16 050 3198	410
MCA0126	11-16 050 3199	424
MCA0127	11-16 050 6979	411
MCA0128	11-16 050 6980	411
MCA0514	32-16 050 0003	423
MCA0515	32-16 050 0004	435

Short no.	MEYLE no.	Page
Peugeot		
MCA0640HD	40-16 050 0002/HD	416
MCA0641HD	40-16 050 0004/HD	428
MCA0700	616 050 0028	435
MCA0701	616 050 0029	423
MCA0784	11-16 050 0079	437
MCA0785	11-16 050 0080	437
MCA0786	11-16 050 0081	421
MCA0787	11-16 050 0082	433
MCA0794	11-16 050 0050	418
MCA0795	11-16 050 0051	431
MCA0809HD	11-16 050 0071/HD	433
MCA0810HD	11-16 050 0072/HD	421
MCA1061	11-16 050 0100	426
MCA1062	11-16 050 0101	414
MCA1132	216 050 0060	436
MCA1133	216 050 0061	436
MCB0113	11-14 035 2320	441
MCB0114	11-14 035 2331	441
MCB0115	11-14 035 2376	443
MCB0116	11-14 035 2377	443
MCB0118	11-14 352 0005	441
MCB0119	11-14 352 0006	442
MCB0120	11-14 352 0008	443
MCB0121	11-14 352 0010	445
MCB0122	11-14 610 0001	445
MCB0123	11-14 610 0009	444
MCB0126HD	11-14 610 0013/HD	444
MCB0127HD	11-14 610 0015/HD	438
MCB0128HD	11-14 610 0016/HD	444
MCB0129	11-14 610 0017	442
MCB0130	11-14 610 0018	445
MCB0131	11-14 610 0020	446
MCB0132	11-14 610 0021	447
MCB0133	11-14 610 0025	439
MCB0134	11-14 610 0026	439
MCB0135	11-14 610 0030	446
MCB0136	11-14 610 0031	446
MCB0137	11-14 610 0045	438
MCB0138	11-14 610 0046	438
MCB0156	16-14 610 0009	442
MCB0234HD	32-14 610 0000/HD	439
MCB0235	32-14 610 0005	440
MCB0309	614 610 0007	440
MCB0310	614 610 0008	440
MCB0349	11-14 610 0043	447
MCB0350	11-14 610 0044	448

Short no.	MEYLE no.	Page
Peugeot		
MCB0403	11-14 710 0020	449
MCB0404	11-14 710 0022	448
MCB0436	11-14 610 0037	449
MCB0450	11-14 710 0027	450
MCB0459	11-14 610 0054	449
MCB0463HD	11-14 610 0055/HD	448
MCF0054	11-12 319 0000	32
MCF0055	11-12 319 0001	23
MCF0057	11-12 319 0004	27
MCF0059	11-12 319 0008/S	28
MCF0060	11-12 319 0009	27
MCF0061	11-12 319 0010	28
MCF0062	11-12 319 0011	31
MCF0063	11-12 319 0012	29
MCF0064	11-12 319 0013	22
MCF0065	11-12 319 0014	33
MCF0066	11-12 320 0000	24
MCF0067	11-12 320 0001	25
MCF0068	11-12 320 0004	26
MCF0069	11-12 320 0006	23
MCF0070	11-12 320 0008/S	28
MCF0071	11-12 320 0010	29
MCF0072	11-12 320 0011	31
MCF0073	11-12 320 0012	30
MCF0074	11-12 320 0014	29
MCF0075	11-12 320 0015	34
MCF0166	212 319 0003/S	25
MCF0167	212 319 0004	24
MCF0172	212 319 0012	33
MCF0180	212 320 0012	32
MCF0266	32-12 319 0002	30
MCF0271	32-12 320 0002	33
MCF0353	40-12 319 0000	23
MCF0354	40-12 319 0001	24
MCF0355	40-12 319 0003	30
MCF0356	40-12 319 0004	25
MCF0359	40-12 320 0000	26
MCF0362	40-12 320 0003	26
MCF0363	40-12 320 0004	27
MCF0397	612 319 0016	32
MCF0410	612 320 0016	31
MCF0444	11-12 319 0016/S	34
MCF0445	11-12 320 0016/S	34
MCF0450	11-12 319 0015/S	35
MCM0019	11-14 035 0000	454
MCM0021	11-14 352 0002	453

Short no.	MEYLE no.	Page
Peugeot		
MCM0024	11-14 610 0006	454
MCM0025HD	11-14 610 0012/HD	454
MCM0026HD	11-14 610 0014/HD	455
MCM0027	11-14 610 0019	455
MCM0028	11-14 610 0022	456
MCM0029	11-14 610 0027	455
MCM0030	11-14 610 0032	451
MCM0031	11-14 610 0034	452
MCM0032	11-14 610 0038	450
MCM0033	11-14 610 0039	453
MCM0036	11-14 610 0042	452
MCM0042	214 610 0000	450
MCM0049	214 610 0013	451
MCM0050	214 610 0014	453
MCM0116	11-14 610 0033	456
MCM0166HD	11-14 610 0047/HD	452
MCR0020	11-14 610 0023	457
MCR0021	11-14 610 0048	457
MCS0211	11-14 639 0000	499
MCS0212	11-14 639 0001	500
MCS0213	11-14 639 0002	497
MCS0214	11-14 639 0003	498
MCS0215	11-14 639 0004	499
MCS0216	11-14 639 0005	500
MCS0217	11-14 639 0006	499
MCS0218	11-14 639 0007	497
MCS0219	11-14 639 0008	498
MCS0220	11-14 639 0009	497
MCS0221	11-14 639 0010	498
MCS0222	11-14 739 0000	501
MCS0223	11-14 739 0001	500
MCS0224	11-14 739 0002	501
MCV0087	11-14 498 0002	183
MCV0088	11-14 498 0012	184
MCV0089	11-14 498 0013	189
MCV0090	11-14 498 0014	187
MCV0091	11-14 498 0015	181
MCV0092	11-14 498 0016	186
MCV0093	11-14 498 0017	181
MCV0094	11-14 498 0018	185
MCV0095	11-14 498 0019	182
MCV0096	11-14 498 0020	185
MCV0097	11-14 498 0021	182
MCV0098	11-14 498 0024	184
MCV0127	214 498 0006	189
MCV0130	214 498 0012	190

Short no.	MEYLE no.	Page
Peugeot		
MCV0131	214 498 0013	191
MCV0132	214 498 0014	188
MCV0146	214 498 0032	190
MCV0150	214 498 0037	192
MCV0187	30-14 498 0021	185
MCV0304	40-14 498 0000	190
MCV0305	40-14 498 0001	187
MCV0306	40-14 498 0002	186
MCV0307	40-14 498 0003	183
MCV0308	40-14 498 0005	188
MCV0309	40-14 498 0006	188
MCV0311	40-14 498 0009	186
MCV0312	40-14 498 0010	191
MCV0314	40-14 498 0024	183
MCV0317	40-14 498 0027	181
MCX0184	11-14 037 4032	545
MCX0185	11-14 615 0013/S	470
MCX0186	11-14 710 0001	496
MCX0188	11-14 899 0020	545
MCX0189	11-16 010 0019	457
MCX0190	11-16 060 0005/S	470
MCX0191	11-16 060 0006/S	470
MCX0322	614 643 0000	506
MCX0428	11-16 010 0018/S	456
MCX0470	40-14 641 0009	507
MCX0475	11-14 641 0024	507
MCX0550	11-14 641 0027	507
MCX0562	40-14 641 0010	508
MCX0563	40-14 641 0011	509
MCX0568	11-14 641 0030	510
MCX0569	11-14 641 1001/S	508
MCX0570	11-14 641 1002/S	508
MCX0571	11-14 641 0031	509
MDR0004	11-15 523 0003	127
MDR0005	11-15 523 0005	128
MDR0006	11-15 523 0030	127
MDR0007	11-15 523 0031	128
MDS0014	11-14 498 0003	174
MDS0015	11-14 498 0005	173
MDS0016	11-14 498 0006	168
MDS0017	11-14 498 0007	180
MDS0018	11-14 498 0008	174
MDS0019	11-14 498 0009	175
MDS0020	11-14 498 0010	172
MDS0021	11-14 498 0011	170
MDS0039	40-14 498 0011	169

Short no.	MEYLE no.	Page
Peugeot		
MDS0040	40-14 498 0012	179
MDS0041	40-14 498 0013	179
MDS0042	40-14 498 0015	171
MDS0043	40-14 498 0016	169
MDS0044	40-14 498 0017	170
MDS0045	40-14 498 0018	172
MDS0046	40-14 498 0019	171
MDS0047	40-14 498 0020	177
MDS0048	40-14 498 0021	179
MDS0049	40-14 498 0022	167
MDS0122	214 498 0059	178
MDS0130	40-14 498 0028	177
MDS0131	40-14 498 0029	176
MDS0132	40-14 498 0030	176
MDS0133	40-14 498 0031	174
MDS0134	40-14 498 0032	178
MDS0136	40-14 498 0034	170
MDS0137	40-14 498 0035	175
MDS0138	40-14 498 0036	173
MDS0139	40-14 498 0037	167
MDS0140	40-14 498 0038	168
MDS0142	40-14 498 0040	168
MDS0143	40-14 498 0041	177
MDS0144	40-14 498 0042	178
MDS0145	40-14 498 0043	172
MDS0146	40-14 498 0044	180
MEM0248	11-14 030 0005	353
MEM0249	11-14 030 0007	362
MEM0250	11-14 030 0014	363
MEM0251	11-14 030 0017	349
MEM0252	11-14 180 0001	354
MEM0254	11-14 180 0004	354
MEM0255	11-14 182 0002	358
MEM0257	11-14 184 0005	360
MEM0258	11-14 184 0007	359
MEM0260	11-14 184 0009	363
MEM0261	11-14 184 0011	363
MEM0262	11-14 184 0012	357
MEM0264	11-14 184 0015	359
MEM0265	11-14 184 0017	355
MEM0266	11-14 184 0018	360
MEM0271	11-14 184 0024	357
MEM0272	11-14 184 0025	361
MEM0274	11-14 184 0030	348
MEM0346	214 030 0003	347
MEM0347	214 030 0006	353

Short no.	MEYLE no.	Page
Peugeot		
MEM0365	214 030 0029	356
MEM0366	214 030 0030	364
MEM0367	214 030 0034	364
MEM0450	40-14 030 0000	192, 356
MEM0450	40-14 030 0000	192, 356
MEM0450	40-14 030 0000	192, 356
MEM0451	40-14 030 0001	355
MEM0452	40-14 030 0002	355
MEM0453	40-14 030 0003	349
MEM0455	40-14 030 0005	361
MEM0589	11-14 030 0016	350
MEM0616	214 030 0004	352
MEM0617	214 030 0005	358
MEM0632	11-14 030 0015	350
MEM0633	214 030 0032	348
MEM0634	214 030 0033	348
MEM0635	214 030 0035	364
MEM0657	11-14 184 0029	361
MEM0663	11-14 030 0022	353
MEM0664	11-14 030 0100	352
MEM0665	11-14 030 0106	356
MEM0666	11-14 030 0107	362
MEM0677	11-14 030 0110	350
MEM0748	11-14 030 0028	347
MEM0749	11-14 030 0029	352
MEM0758	11-14 184 1013	358
MEM0760	11-14 030 0140	349
MEM0762	40-14 030 0101	351
MEM0784	11-14 030 0082	365
MEM0804	11-14 030 0027	351
MEM0831	214 030 0070	351
MEX0040	014 731 1023	236
MEX0042	014 731 1213	235
MEX0196	100 830 0014	236
MEX0382	314 136 2102	232
MEX0417	40-14 800 0000	233
MEX0451	614 899 0017	235
MEX0453	614 899 0038	234
MEX0482	40-14 810 0000	233
MEX0501	11-14 880 0001	209
MEX0503	11-14 880 0003/S	213
MEX0504	11-14 880 0004/S	214
MEX0505	11-14 880 0005/S	214
MEX0506	11-14 880 0006/S	215
MEX0507	11-14 880 0007/S	215
MEX0508	11-14 880 0008/S	216

Short no.	MEYLE no.	Page
Peugeot		
MEX0526	16-14 880 0000	216
MEX0536	40-14 880 0000	210
MEX0542	40-14 880 0001/S	210
MEX0543	40-14 880 0002/S	211
MEX0544	40-14 880 0003/S	211
MEX0545	40-14 880 0004/S	212
MEX0546	40-14 880 0005/S	212
MEX0547	40-14 880 0006/S	213
MEX0570	40-14 899 0001	232
MEX0613	11-14 890 0000	236
MFF0029	100 127 0005	337
MFF0056	100 323 0007	334
MFF0069	11-14 323 0001	336
MFF0070	11-14 323 0002	335
MFF0071	11-16 323 0000	336
MFF0090	16-14 323 0000	333
MFF0103	214 323 0000	337
MFF0104	214 323 0001	335
MFF0105	214 323 0002	333
MFF0106	214 323 0004	334
MFF0146	314 133 2108	331
MFF0151	314 323 0003	331
MFF0201	514 323 0003	333
MFF0207	614 323 0000	335
MFF0208	614 323 0002	332
MFF0210	614 323 0004	338
MFF0214	614 818 0002	332
MFF0219	714 323 0004	337
MFF0223	714 323 0012	338
MFF0263	11-14 323 0003	338
MFK0028	11-14 753 0000	494
MFK0031	11-14 753 0002	494
MFL0061	11-14 200 0003	294
MFM0015	11-14 180 0005	493, 496
MFM0015	11-14 180 0005	493, 496
MFM0016	11-14 180 0006	493, 496
MFM0016	11-14 180 0006	493, 496
MFM0017	11-14 180 0007	492, 495
MFM0017	11-14 180 0007	492, 495
MFM0018	11-14 180 0008	493, 495
MFM0018	11-14 180 0008	493, 495
MFM0020	11-14 710 0002	492, 495
MFM0020	11-14 710 0002	492, 495
MFM0021	11-14 710 0004	492, 494
MFM0021	11-14 710 0004	492, 494
MFU0052	11-14 919 0009	339

Short no.	MEYLE no.	Page
Peugeot		
MGP0001	011 860 0000	225
MGP0007	014 020 1039	227
MGP0024	11-14 860 0000	224
MGP0025	11-14 860 0001	221
MGP0038	214 860 0003	222
MGP0067	40-14 860 0000	226
MGP0068	40-14 860 0001	219
MGP0069	40-14 860 0002	224
MGP0084	614 860 0010	226
MGP0087	714 020 0001	222
MGP0089	714 020 0003	220
MGP0090	714 020 0004	219
MGP0093	714 860 0002	218
MGP0096	214 860 0006	227
MGP0098	514 860 0001	221
MGP0102	40-14 860 0003	225
MGP0115	40-14 860 0006	223
MGP0116	53-14 860 0002	223
MGS0001	11-40 910 0016	1
MGS0002	11-40 910 0022	1
MGS0003	11-40 910 0025	1
MGS0004	11-40 910 0028	2
MHP0121	11-14 631 0000	366
MHS0010	11-40 910 0013	2
MHS0011	11-40 910 0019	2
MIC0029	11-14 885 0002	230
MIC0030	11-14 885 0003	231
MIC0031	11-14 885 0004	231
MIC0033	11-14 885 0007	229
MIC0054	30-14 885 0004	230
MIC0072	40-14 885 0000	232
MIC0073	40-14 885 0001	228
MIC0074	40-14 885 0002	229
MIC0077	40-14 885 0005	228
MIC0078	40-14 885 0008	231
MIC0108	11-14 885 0006	230
MIC0120	314 885 0005	228
MIX0276	40-14 412 0001	3
MIX0277	40-14 412 0002	3
MMB0008	11-14 641 0004	544
MMB0009	11-14 641 0011	545
MMB0010	11-14 641 0018	544
MMB0014	214 770 0001	544
MMX0498	11-14 030 0001	346
MMX0499	11-14 030 0002	346
MMX0501	11-14 030 0006	359

Short no.	MEYLE no.	Page
Peugeot		
MMX0503	11-14 184 0016	347
MMX0504	11-14 238 0000	295
MMX0505	11-51 049 0001	246
MMX0506	11-51 049 0002	245
MMX0513	11-51 049 0009	247
MMX0514	11-51 049 0010	246
MMX0518	11-51 049 0014	247
MMX0520	11-51 049 0016	248
MMX0522	11-51 049 0018	248
MMX0534	11-51 049 0030	249
MMX1199	614 036 0012	339
MMX1516	314 238 0005	294
MMX1540	11-14 036 0001	340
MMX1547	11-14 036 0000	341
MMX1563	11-14 036 0003	340
MMX1579	11-14 036 0002	340
MMX1592	11-51 902 1000	240
MMX1593	11-51 902 1002	243
MMX1594	11-51 902 1003	242
MMX1595	11-51 902 1004	241
MMX1596	11-51 902 1007	238
MMX1597	11-51 902 1008	244
MMX1598	11-51 902 1009	244
MMX1599	11-51 902 1010	242
MMX1600	11-51 902 1011	242
MMX1601	11-51 902 1012	244
MMX1602	11-51 902 1013	245
MMX1603	11-51 902 1014	240
MMX1604	11-51 902 1015	240
MMX1605	11-51 902 1016	238
MMX1606	11-51 902 1017	239
MMX1607	11-51 902 2000	252
MMX1608	11-51 902 2001	252
MMX1609	11-51 902 2002	249
MMX1610	11-51 902 2003	250
MMX1611	11-51 902 2004	251
MMX1612	11-51 902 2005	251
MMX1613	11-51 902 2006	249
MMX1614	11-51 902 2007	250
MMX1646	40-51 902 1000	239
MMX1665	11-51 902 1005	241
MMX1666	11-51 902 1006	243
MMX1667	11-51 902 1018	238
MOF0060	11-14 322 0001	343
MOF0061	11-14 322 0002	344
MOF0084	214 322 0001	344

Short no.	MEYLE no.	Page
Peugeot		
MOF0085	214 322 0002	342
MOF0097	30-14 322 0000	343
MOF0170	40-14 322 0001	345
MOF0178	614 322 0000	342
MOF0192	614 322 0016	342
MOF0201	714 322 0007	341
MOF0205	714 322 0011	344
MOF0221	40-14 322 0002	345
MPB0024	214 533 0017	142
MPS0046	214 899 0001	218
MPS0049	40-14 800 0004	217
MPS0050	40-14 800 0005	234
MPS0052	40-14 800 0010	218
MPS0061	40-14 800 0009	217
MRB0022	050 003 0740	287
MRB0035	050 003 0865	253
MRB0054	050 004 0640	287
MRB0061	050 004 0698	287
MRB0064	050 004 0715	288
MRB0070	050 004 0755	266
MRB0078	050 004 0795	256
MRB0081	050 004 0810	288
MRB0082	050 004 0815	284
MRB0090	050 004 0855	257
MRB0099	050 004 0900	253
MRB0111	050 004 0945	253
MRB0113	050 004 0954	288
MRB0114	050 004 0962	289
MRB0117	050 004 0975	289
MRB0119	050 004 0985	256
MRB0125	050 004 1020	289
MRB0127	050 004 1025	290
MRB0128	050 004 1030	290
MRB0147	050 004 1215	256
MRB0148	050 004 1230	257
MRB0174	050 005 0698	258
MRB0175	050 005 0700	260
MRB0177	050 005 0710	286
MRB0178	050 005 0715	260
MRB0179	050 005 0725	285
MRB0190	050 005 0850	290
MRB0192	050 005 0860	255
MRB0196	050 005 0880	255
MRB0209	050 005 0962	264
MRB0210	050 005 0970	257
MRB0221	050 005 1030	291

Short no.	MEYLE no.	Page
Peugeot		
MRB0225	050 005 1050	291
MRB0231	050 005 1100	291
MRB0236	050 005 1125	292
MRB0239	050 005 1140	292
MRB0248	050 005 1200	260
MRB0250	050 005 1220	258
MRB0252	050 005 1230	258
MRB0255	050 005 1255	276
MRB0257	050 005 1270	285
MRB0272	050 005 1450	292
MRB0302	050 006 0698	259
MRB0303	050 006 0725	275
MRB0306	050 006 0750	278
MRB0308	050 006 0780/E	283
MRB0310	050 006 0800	261
MRB0317	050 006 0850	268
MRB0318	050 006 0858	276
MRB0320	050 006 0869	280
MRB0321	050 006 0873/E	281
MRB0322	050 006 0875	262
MRB0326	050 006 0894	254
MRB0328	050 006 0906	270
MRB0329	050 006 0915	261
MRB0330	050 006 0925	285
MRB0332	050 006 0950	254
MRB0333	050 006 0955	286
MRB0334	050 006 0965	281
MRB0336	050 006 0976	277
MRB0338	050 006 0995	254
MRB0339	050 006 1000	269
MRB0340	050 006 1010	273
MRB0341	050 006 1015	261
MRB0347	050 006 1045	281
MRB0348	050 006 1050	279
MRB0350	050 006 1060	259
MRB0351	050 006 1065	274
MRB0352	050 006 1070	279
MRB0354	050 006 1080	275
MRB0357	050 006 1090/E	271
MRB0358	050 006 1095	275
MRB0359	050 006 1100	265
MRB0361	050 006 1110	265
MRB0364	050 006 1125	262
MRB0365	050 006 1130	259
MRB0367	050 006 1145	278
MRB0368	050 006 1150	266

Short no.	MEYLE no.	Page
Peugeot		
MRB0370	050 006 1163	278
MRB0373	050 006 1185	269
MRB0374	050 006 1190	277
MRB0375	050 006 1195	273
MRB0377	050 006 1200	282
MRB0379	050 006 1205	272
MRB0380	050 006 1210	268
MRB0383	050 006 1225	268
MRB0401	050 006 1345	262
MRB0402	050 006 1350	272
MRB0404	050 006 1360	272
MRB0406	050 006 1370	255
MRB0409	050 006 1390	263
MRB0415	050 006 1438	284
MRB0416	050 006 1450	283
MRB0418	050 006 1468	280
MRB0419	050 006 1480	267
MRB0427	050 006 1560	263
MRB0428	050 006 1565	267
MRB0432	050 006 1590	269
MRB0433	050 006 1600	273
MRB0434	050 006 1605	270
MRB0435	050 006 1610	293
MRB0436	050 006 1613	293
MRB0439	050 006 1642	286
MRB0442	050 006 1660	264
MRB0445	050 006 1670	270
MRB0447	050 006 1680	267
MRB0451	050 006 1698	284
MRB0452	050 006 1705	265
MRB0453	050 006 1710	271
MRB0456	050 006 1725	282
MRB0457	050 006 1735	293
MRB0458	050 006 1740	274
MRB0459	050 006 1743	277
MRB0460	050 006 1750	283
MRB0481	050 006 1863	264
MRB0486	050 006 1885	280
MRM0045	11-14 232 0001	295
MRM0046	11-14 232 0003	295
MRS0090	11-14 642 0004	510
MRS0093	11-14 642 0007	511
MRS0096	11-14 742 0002	512
MRS0097	11-14 742 0003	512
MRS0156	40-14 742 0002	511
MRS0157	40-14 742 0003	511

Short no.	MEYLE no.	Page
Peugeot		
MSA0050	11-26 613 0001	521
MSA0051	11-26 613 0002	520
MSA0052	11-26 613 0003	521
MSA0053	11-26 623 0000	516
MSA0054	11-26 623 0002	512
MSA0055	11-26 623 0003	513
MSA0056	11-26 623 0004	515
MSA0057	11-26 623 0005	515
MSA0058	11-26 623 0008	516
MSA0059	11-26 623 0009	517
MSA0060	11-26 623 0010	518
MSA0061	11-26 623 0011	518
MSA0062	11-26 624 0001	513
MSA0063	11-26 715 0000	528
MSA0064	11-26 715 0006	522
MSA0065	11-26 715 0009	528
MSA0066	11-26 715 0013	524
MSA0067	11-26 725 0001	523
MSA0068	11-26 725 0007	523
MSA0069	11-26 725 0009	526
MSA0070	11-26 725 0010	528
MSA0071	11-26 725 0011	522
MSA0072	11-26 725 0012	525
MSA0278	32-26 623 0003	521
MSA0279	32-26 623 0004	519
MSA0284	32-26 725 0003	525
MSA0409	40-26 623 0000	514
MSA0410	40-26 623 0001	514
MSA0411	40-26 623 0002	513
MSA0412	40-26 623 0003	514
MSA0416	40-26 623 0010	517
MSA0417	40-26 623 0011	517
MSA0418	40-26 623 0012	516
MSA0419	40-26 623 0013	533
MSA0420	40-26 623 0014	534
MSA0421	40-26 623 0015	532
MSA0422	40-26 623 0016	532
MSA0423	40-26 725 0000	522
MSA0424	40-26 725 0001	526
MSA0425	40-26 725 0002	530
MSA0426	40-26 725 0003	530
MSA0427	40-26 725 0004	531
MSA0428	40-26 725 0005	523
MSA0429	40-26 725 0006	527
MSA0430	40-26 725 0007	527
MSA0431	40-26 725 0008	524

Short no.	MEYLE no.	Page
Peugeot		
MSA0589	40-26 725 0011	529
MSA0593	11-26 623 0012	520
MSA0594	11-26 623 0013	519
MSA0604	11-26 725 0013	525
MSA0605	11-26 725 0014	526
MSA0606	11-26 623 0014	531
MSA0607	11-26 623 0015	532
MSA0608	40-26 623 0019	518
MSA0609	40-26 623 0020	519
MSA0641	40-26 725 0009	531
MSA0694	11-26 625 0000	515
MSA0696	40-26 725 0010	527
MSA0698	226 725 0013	529
MSA0701	226 725 0012	530
MSA0707	226 623 0017	533
MSA0708	226 623 0018	533
MSA0709	11-26 725 0002	524
MSA0734	11-26 725 0015	535
MSA0735	11-26 623 0016	534
MSA0736	11-26 623 0017	534
MSB0112	11-14 615 0000	460
MSB0113	11-14 615 0001	461
MSB0114	11-14 615 0002	464
MSB0115	11-14 615 0003	459
MSB0117	11-14 615 0005	458
MSB0118	11-14 615 0006	459
MSB0120	11-14 615 0008	460
MSB0121	11-14 615 0009	460
MSB0122	11-14 615 0010	458
MSB0123	11-14 615 0011	462
MSB0124	11-14 615 0013	458
MSB0125	11-14 615 0016	467
MSB0225	11-14 615 0012	461
MSB0264	11-14 615 0015	467
MSB0265	11-14 615 0017	463
MSB0266	11-14 615 0018	468
MSB0321	11-14 615 0022	459
MSB0333	11-14 615 0026	465
MSB0334	11-14 615 0027	465
MSB0335	11-14 615 0028	465
MSB0336	11-14 615 0029	466
MSB0354	11-14 615 0019	461
MSB0375	11-14 615 0014	462
MSB0387	11-14 615 0032	464
MSB0388	11-14 615 0041	463
MSB0389	11-14 615 0042	462

Short no.	MEYLE no.	Page
Peugeot		
MSB0390	11-14 615 0043	463
MSB0391	11-14 615 0044	464
MSB0392	11-14 615 0045	466
MSB0393	11-14 615 0046	468
MSB0394	11-14 615 0047	467
MSB0395	11-14 715 0000	469
MSB0396	11-14 715 0001	468
MSB0397	11-14 715 0003	469
MSB0491	11-14 715 0002	469
MSB0496	11-14 615 0040	466
MSC0033	11-14 640 0000	501
MSC0034	11-14 640 0001	502
MSC0035	11-14 640 0002	502
MSC0036	11-14 640 0003	503
MSC0037	11-14 740 0000	503
MSC0083	40-14 640 0001	504
MSC0084	40-14 640 0002	505
MSC0085	40-14 640 0003	505
MSC0101	714 640 0007	506
MSC0115	40-14 640 0004	505
MSC0119	214 640 0010	503
MSC0125	30-14 640 0004	504
MSC0133	40-14 640 0005	506
MSC0140	32-14 640 0002	504
MSK0022	40-14 620 0000	370
MSK0037	11-14 620 0000	367
MSK0038	11-14 620 0001	369
MSK0039	11-14 620 0003	368
MSK0040	11-14 620 0005	370
MSK0041	11-14 620 0006	367
MSK0042	11-14 620 0007	368
MSK0043	11-14 620 0008	369
MSK0044	11-14 620 0009	367
MSK0084	11-14 620 0019	369
MSK0100	11-14 620 0023	371
MSK0101	11-14 620 0024	366
MSK0102	11-14 620 0025	366
MSK0103	11-14 620 0026	372
MSK0108	216 050 0025	371
MSK0121	40-14 620 0002	371
MSK0123	40-14 620 0004	370
MSL0081	11-16 010 0002	484
MSL0082HD	11-16 060 0000/HD	478
MSL0083HD	11-16 060 0001/HD	479
MSL0084HD	11-16 060 0002/HD	480
MSL0085	11-16 060 0003	474

Short no.	MEYLE no.	Page
Peugeot		
MSL0088	11-16 060 0007	473
MSL0089HD	11-16 060 0009/HD	483
MSL0091HD	11-16 060 0013/HD	475
MSL0092	11-16 060 0014	476
MSL0093	11-16 060 0015	476
MSL0094HD	11-16 060 0016/HD	486
MSL0095HD	11-16 060 0017/HD	472
MSL0096HD	11-16 060 0018/HD	471
MSL0097	11-16 060 0019	482
MSL0098HD	11-16 060 0020/HD	477
MSL0099HD	11-16 060 0021/HD	478
MSL0100	11-16 060 0022/S	472
MSL0101HD	11-16 060 0023/HD	482
MSL0102HD	11-16 060 5041/HD	473
MSL0103HD	11-16 060 5046/HD	475
MSL0104	11-16 060 5707	473
MSL0176HD	216 060 0000/HD	481
MSL0225	29-16 060 0003	486
MSL0226	29-16 060 0004	485
MSL0447HD	37-16 060 0022/HD	483
MSL0583	11-16 060 0011	485
MSL0584	11-16 060 0012	485
MSL0700HD	11-16 060 0024/HD	487
MSL0736	11-16 060 0025	481
MSL0737	11-16 060 0026	480
MSL0738	11-16 060 0028	478
MSL0739	11-16 060 0029	482
MSL0740	11-16 060 0030	480
MSL0741	11-16 060 0031	484
MSL0742	11-16 060 0032	476
MSL0743	11-16 060 0033	486
MSL0744	11-16 060 0034	471
MSL0745	11-16 060 0035	472
MSL0746	11-16 060 0036	477
MSL0747	11-16 060 0037	479
MSL0749	11-16 060 0039	475
MSL0750	11-16 060 0040	474
MSL0773	216 060 0033	481
MSL0865	37-16 060 0056	483
MSM0069	11-14 050 0002	537
MSM0072	11-14 641 0001/S	536
MSM0074	11-14 641 0002/S	536
MSM0075	11-14 641 0003	539
MSM0076	11-14 641 0003/S	539
MSM0077	11-14 641 0005	538
MSM0078	11-14 641 0006	538

Short no.	MEYLE no.	Page
Peugeot		
MSM0079	11-14 641 0007	535
MSM0083	11-14 641 0012	540
MSM0084	11-14 641 0013	540
MSM0085	11-14 641 0014	539
MSM0086	11-14 641 0017	540
MSM0087	11-14 741 0000	543
MSM0088	11-14 741 0001	542
MSM0145	40-14 641 0004	535
MSM0146	40-14 641 0005	538
MSM0198	11-14 641 0015	541
MSM0199	11-14 641 0016	541
MSM0200	11-14 641 0020	541
MSM0209	11-14 641 0023	542
MSM0216	11-14 641 0019	537
MSM0217	11-14 641 0022	542
MSM0220	11-14 741 0002	543
MSM0221	11-14 741 0003	543
MSM0251	11-14 641 1001	536
MSM0258	11-14 641 1002	537
MTE0074	11-16 020 0003	387
MTE0075	11-16 020 0004	387
MTE0076	11-16 020 0005	388
MTE0077	11-16 020 0006	388
MTE0078	11-16 020 0008	390
MTE0079	11-16 020 0009	393
MTE0080	11-16 020 0010	394
MTE0083	11-16 020 0013	393
MTE0084	11-16 020 0014	393
MTE0085HD	11-16 020 0015/HD	386
MTE0086HD	11-16 020 0016/HD	394
MTE0087	11-16 020 0017	392
MTE0088	11-16 020 0018	392
MTE0089	11-16 020 0019	386
MTE0090	11-16 020 0020	391
MTE0091	11-16 020 0021	391
MTE0092	11-16 020 0022	395
MTE0093	11-16 020 0023	394
MTE0096	11-16 020 0026	385
MTE0097	11-16 020 0027	385
MTE0100	11-16 020 0030	396
MTE0101	11-16 020 0031	396
MTE0102	11-16 020 0032	396
MTE0103	11-16 020 4078	386
MTE0104	11-16 020 5042	397
MTE0105HD	11-16 020 5703/HD	389
MTE0106	11-16 020 5721	389

Short no.	MEYLE no.	Page
Peugeot		
MTE0107	11-16 020 5722	389
MTE0108	11-16 020 7529	397
MTE0237	216 020 0015	395
MTE0238	216 020 0016	395
MTE0248	216 020 0062	398
MTE0255	216 060 0007	397
MTE0366	32-16 020 0000	385
MTE0437	40-16 020 0002	390
MTE0438HD	40-16 020 5723/HD	387
MTE0439HD	40-16 020 5724/HD	388
MTE0540	11-16 020 0033	384
MTE0541	11-16 020 0034	384
MTE0750HD	40-16 020 0003/HD	392
MTE0751HD	40-16 020 0004/HD	391
MTH0038	028 289 0000	297
MTH0048	11-28 228 0000	297
MTH0119	11-28 228 0002	296
MTH0120	11-28 228 0001	296
MTS0021	11-40 910 0000	8
MTS0022	11-40 910 0001	8
MTS0023	11-40 910 0002	7
MTS0024	11-40 910 0003	3
MTS0025	11-40 910 0004	7
MTS0026	11-40 910 0005	6
MTS0027	11-40 910 0006	5
MTS0028	11-40 910 0007	6
MTS0029	11-40 910 0008	7
MTS0030	11-40 910 0009	4
MTS0031	11-40 910 0010	5
MTS0032	11-40 910 0011	5
MTS0033	11-40 910 0012	8
MTS0034	11-40 910 0014	4
MTS0035	11-40 910 0015	4
MTS0036	11-40 910 0017	9
MTS0037	11-40 910 0018	9
MTS0038	11-40 910 0020	10
MTS0039	11-40 910 0021	9
MTS0040	11-40 910 0023	10
MTS0041	11-40 910 0024	11
MTS0042	11-40 910 0026	12
MTS0043	11-40 910 0027	12
MTS0201	240 910 0028	13
MTS0240	32-40 910 0017	11
MTS0315	40-40 910 0002	6
MTS0325	40-40 910 0015	10
MTS0331	40-40 910 0021	11

Short no.	MEYLE no.	Page
Peugeot		
MTS0424	11-40 910 0029	12
MTS0433	40-40 910 0025	13
MTX0019	014 098 9017	159
MTX0074	40-14 495 0000	166
MWC0014	11-14 531 0001	158
MWH0044	11-14 033 0749	554
MWH0045	11-14 033 0772	555
MWH0047	11-14 652 0001	554
MWH0048	11-14 750 0006	558
MWH0049	11-14 750 0009	557
MWH0050	11-14 750 0014	559
MWH0051	11-14 750 0015	556
MWH0052	11-14 750 0016	561
MWH0053	11-14 750 0022	558
MWH0054	11-14 750 0027	560
MWH0055	11-14 750 0030	556
MWH0056	11-14 750 0031	557
MWH0057	11-14 750 0032	560
MWH0058	11-14 752 0000	558
MWH0059	11-14 752 0001	562
MWH0060	11-14 752 0002	562
MWH0157	40-14 652 0001	555
MWH0159	40-14 752 0001	559
MWH0222	11-14 750 0013	561
MWH0223	11-14 750 0018	556
MWH0224	11-14 750 0008	560
MWH0235	11-14 652 0003	554
MWH0259	11-14 752 0003	561
MWI0004	100 955 0002	14
MWI0011	11-14 870 0001	14
MWI0012	11-14 870 0002	13
MWI0013	11-14 870 0003	14
MWK0088	11-14 033 5016	547
MWK0089	11-14 033 5017	548
MWK0090	11-14 033 5029/S	549
MWK0091	11-14 650 0001	550
MWK0092	11-14 650 0002	549
MWK0093	11-14 650 0006	550
MWK0094	11-14 650 0007	550
MWK0095	11-14 650 0008	551
MWK0096	11-14 650 0010	548
MWK0097	11-14 650 0012	553
MWK0098	11-14 650 0013	546
MWK0099	11-14 750 0001	552
MWK0100	11-14 750 0004	549
MWK0101	11-14 750 0020	551

Short no.	MEYLE no.	Page
Peugeot		
MWK0102	11-14 750 0025	553
MWK0103	11-14 750 0028	552
MWK0104	11-14 750 0029	553
MWK0130	214 650 0006	547
MWK0131	214 650 0010	547
MWK0207	11-14 650 0014	546
MWK0211	11-14 650 0015	551
MWK0212	214 650 0013	546
MWP0071	11-13 012 0102	301
MWP0072	11-13 012 0150	297
MWP0073	11-13 012 0152	299
MWP0074	11-13 012 0158	302
MWP0075	11-13 012 0162	298
MWP0076	11-13 012 0163	298
MWP0077	11-13 012 0183	299
MWP0078	11-13 012 0723	308
MWP0079	11-13 220 0001	301
MWP0080	11-13 220 0002	301
MWP0081	11-13 220 0003	303
MWP0082	11-13 220 0004	305
MWP0082HD	11-13 220 0004/HD	305
MWP0083	11-13 220 0005	300
MWP0084	11-13 220 0006	308
MWP0085	11-13 220 0007	299
MWP0086	11-13 220 0008	303
MWP0088	11-13 220 0012	300
MWP0089	11-13 220 0014	306
MWP0091	11-13 220 0017	309
MWP0092	11-13 220 0019	308
MWP0093	11-13 220 0020	306
MWP0094	11-13 220 0021	309
MWP0095	11-13 220 0022	303
MWP0096	11-13 220 0023	306
MWP0097	11-13 220 0024	307
MWP0098	11-13 220 0025	310
MWP0419	40-13 220 0004	307
MWP0430	513 220 0002	302
MWP0443	613 220 0002	311
MWP0498	713 220 0008	304
MWP0498HD	713 220 0008/HD	304
MWP0527	40-13 220 0005	307
MWP0554	11-13 220 0026	310
MWP0571	11-13 220 0027	310



MEYLE

**You see the pretty
curves, underneath
is what counts.**



The MEYLE brand supplies its customers with more than 21,000 extremely reliable and durable spare parts manufactured at our own production facilities or by trusted production partners. MEYLE boasts a highly diversified product range.

Whether steering and suspension components, rubber-to-metal parts, brakes, damping components, cooling systems, filters, drive components, electric and sensors MEYLE is synonymous with top-grade quality-tested spare parts.

Notes

This catalogue is protected by copyright. Reproduction of text, graphic elements, photographs and/or data, even in part, is prohibited. MEYLE, **MEYLE**, or parts thereof, are registered trademarks of MEYLE AG.

All supplies and services are subject to our General Terms and Conditions. The original spare part numbers shown in this catalogue are for cross-reference purposes only and shall not be disclosed to third parties on invoices and delivery notes. While the information in this catalogue was compiled and edited with utmost care we do not assume responsibility or accept claims arising from errors or inconsistencies. Subject to technical and/or design changes.

This issue of the catalogue supersedes all previous issues.
All rights reserved. © 2017 MEYLE AG



MEYLE parts are available through:

MEYLE AG

Merkurring 111, 22143 Hamburg, Germany
Tel. +49 40 67506 510, Fax +49 40 67506 506
contact@meyle.com

www.meyle.com

MEYLE