

Steuertriebkomponenten  
Courroie de distribution  
Componentes de Distribución  
Детали привода Амеханизма газораспределения

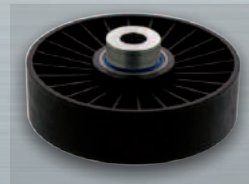
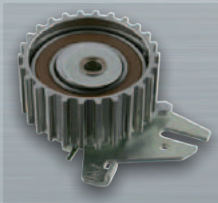
**SWAG**<sup>®</sup>  
GERMANY

# Engine Timing Components



**PETROL ENGINES  
BENZINMOTOREN**

- Including Auxiliary Drive Components
- Mit Nebetriebkomponenten
- Avec Composants d'accessoires
- Accesorios incluidos
- Включая детали привода вспомогательных агрегатов

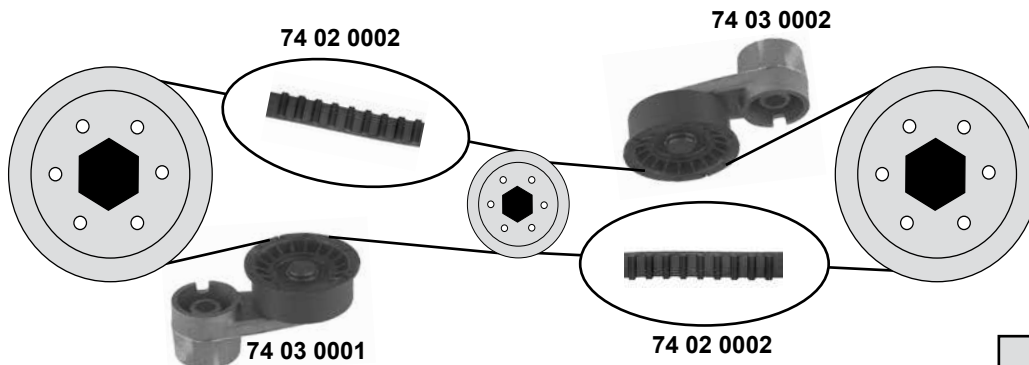


Edition  
2014/2015

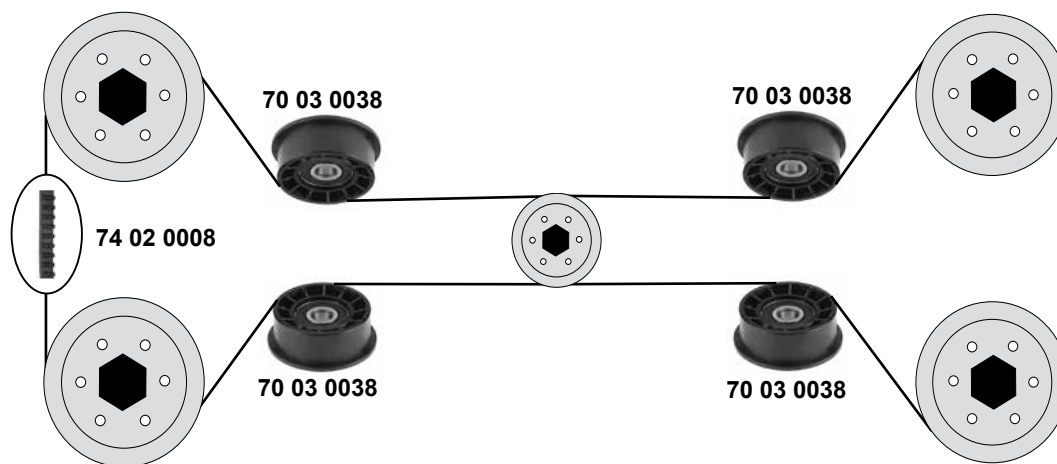




1,2 / 1,3 / 1,5



1,7 16V



(1) Motoren mit hydraulischen Stößeln / engines with hydraulic cam followers



Ref. - No.



70 03 0038	60504226	Umlenkrolle / deflection pulley		
74 02 0002	60515034	Zahnriemen / timing belt	(1)	ØA 60 ØI 12 H24
74 02 0008	60556211	Zahnriemen / timing belt		Z 100 B17
74 02 0013	60515034 S1	Rep. Satz Zahnriemen / rep. kit timing belt	(1)	Z 121 B20
74 03 0001	60504224	Spannrolle / tension roller		
74 03 0002	60504225	Spannrolle / tension roller		

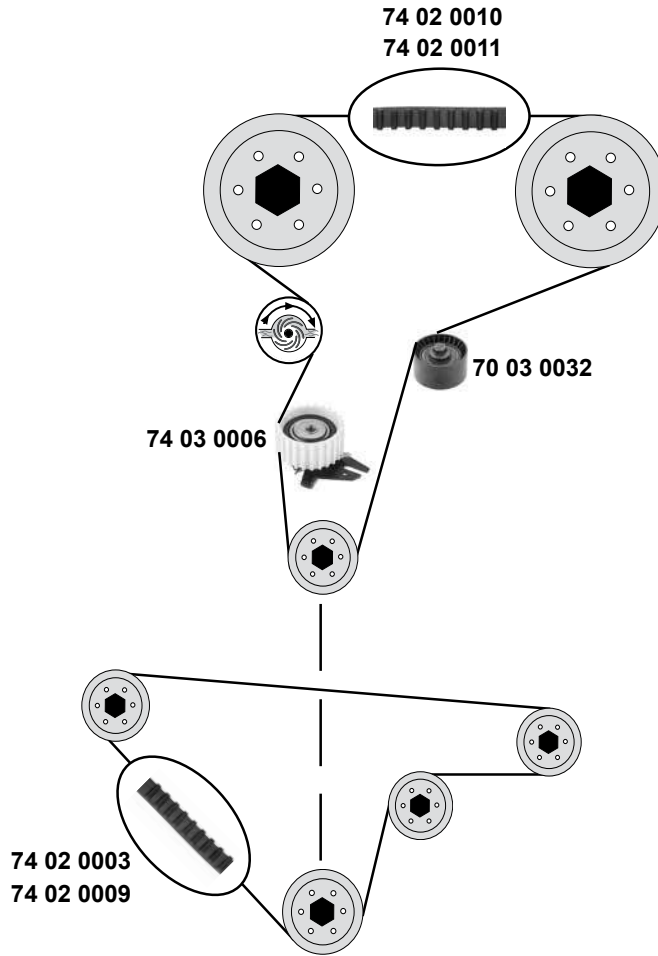
# ALFA ROMEO

## 145 / 146 (930)

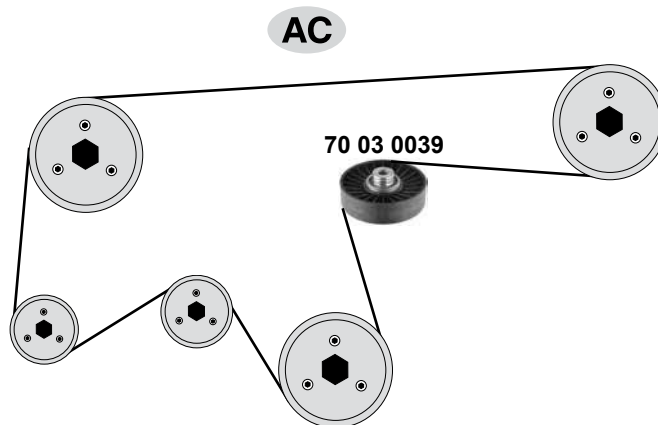
(94→01)



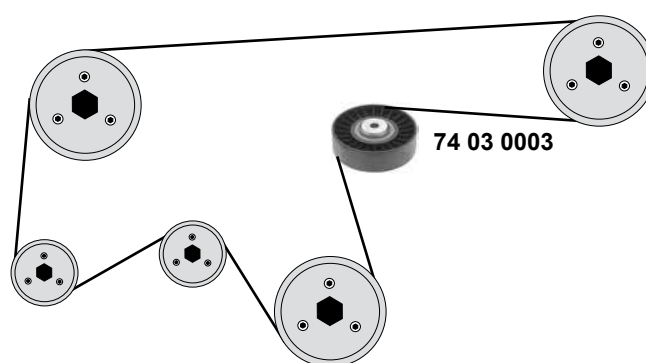
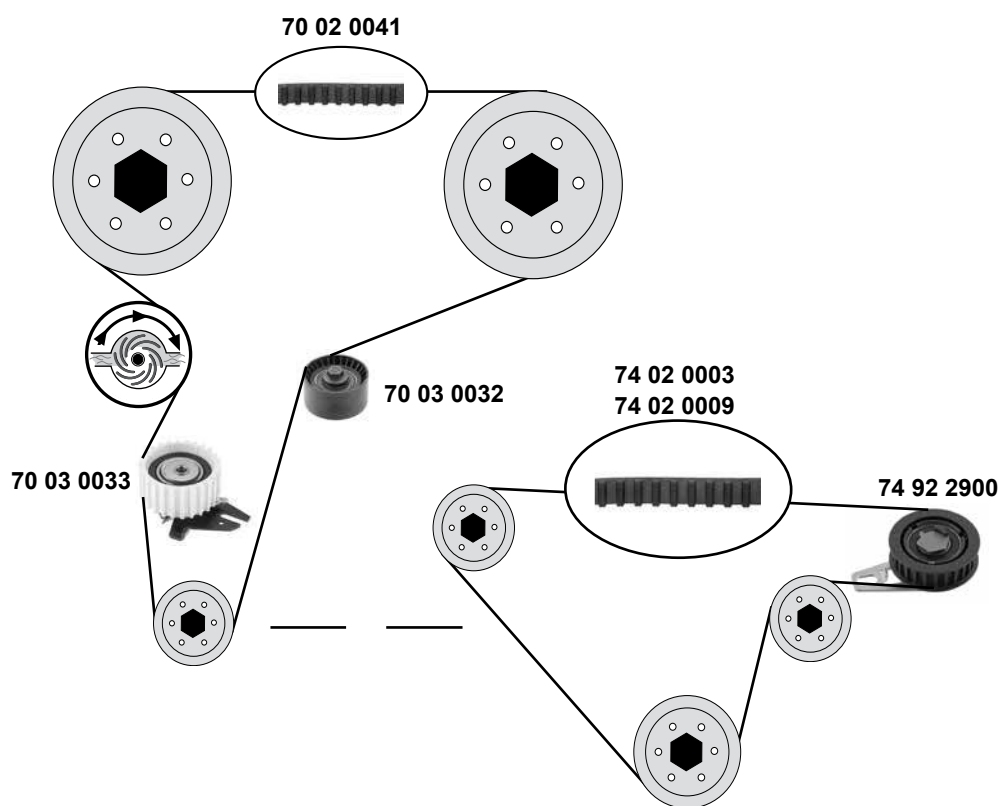
1,4 / 1,6



1,4 TS / 1,6 TS / 1,8 TS

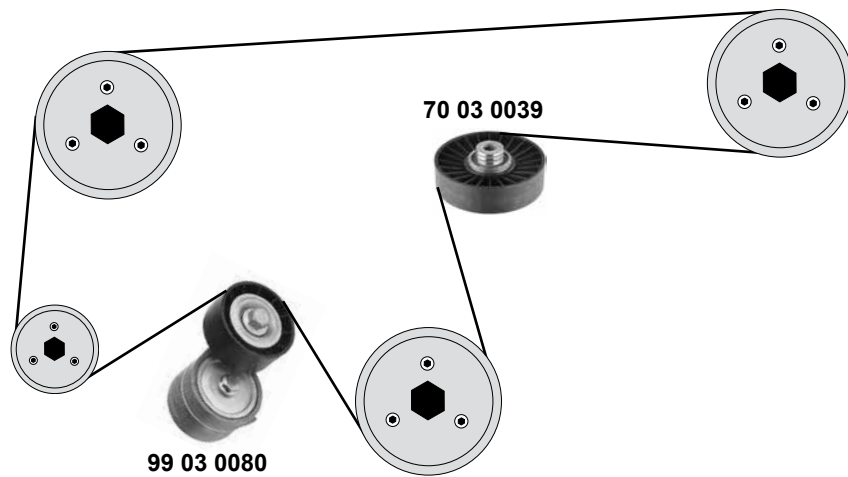
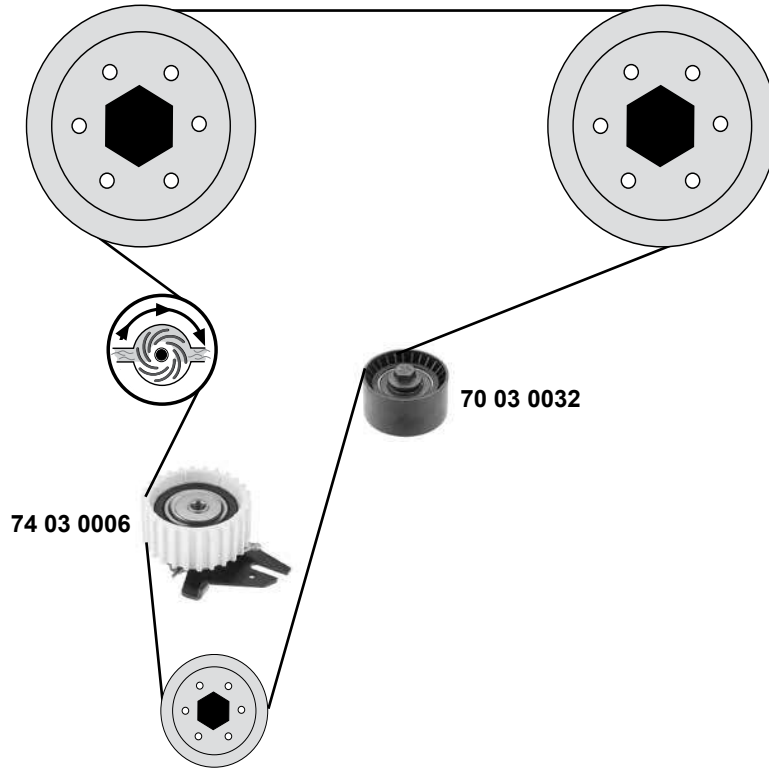


SWAG GERMANY	Ref. - No.			
70 03 0032	60671573	Umlenkrolle / deflection pulley		ØA 57 H35
70 03 0039	73501924	Umlenkrolle / deflection pulley	→ 00	ØA 90 H24,5
70 93 0792	71736729	Rep. Satz Zahnriemen / rep. kit timing belt	(mot.) 1,4 TS	Z 163 B24
74 02 0003	55221254	Zahnriemen Ausgleichswelle / timing belt balance shaft	(mot.) 0117879 →	Z 130
74 02 0009	7722331	Zahnriemen Ausgleichswelle / timing belt balance shaft	(mot.) → 0117878	Z 126 B15
74 02 0010	55225504	Zahnriemen / timing belt	(mot.) 1,4 TS	Z 163
74 02 0011	55210626	Zahnriemen / timing belt	(mot.) 1,6	Z 166
74 03 0006	55192240	Spannrolle / tension roller		Ø 64,7 B28,7
74 92 6147	71736725	Rep. Satz Zahnriemen / rep. kit timing belt	(mot.) 1,6	



	Ref. - No.			
<b>70 02 0041</b>	55210628	Zahnriemen / timing belt		Z 168 B24
<b>70 03 0032</b>	60671573	Umlenkrolle / deflection pulley		ØA 57 H35
<b>70 03 0033</b>	55192239	Spannrolle / tension pulley		ØA 65 H29
<b>74 02 0003</b>	55221254	Zahnriemen Ausgleichswelle / timing belt balance shaft	(mot.) 0117879 →	Z 130
<b>74 02 0009</b>	7722331	Zahnriemen Ausgleichswelle / timing belt balance shaft	(mot.) → 0117878	Z 126 B15
<b>74 03 0003</b>	60602136	Umlenkrolle / deflection pulley	<b>AC</b>	
<b>74 92 2900</b>	55221253	Spannrolle / tension roller	(mot.) 2,0	Ø64 B19,4 Z 25
<b>74 93 0977</b>	55221254 S1	Rep. Satz Zahnriemen / rep. kit timing belt	(mot.) 2,0 16 / 97→	Z 130 B15
<b>99 02 0046</b>	71736724	Rep. Satz Zahnriemen / rep. kit timing belt		

1,6



(1) (mot.) 1,6 TS / → 10 / AC



Ref. - No.

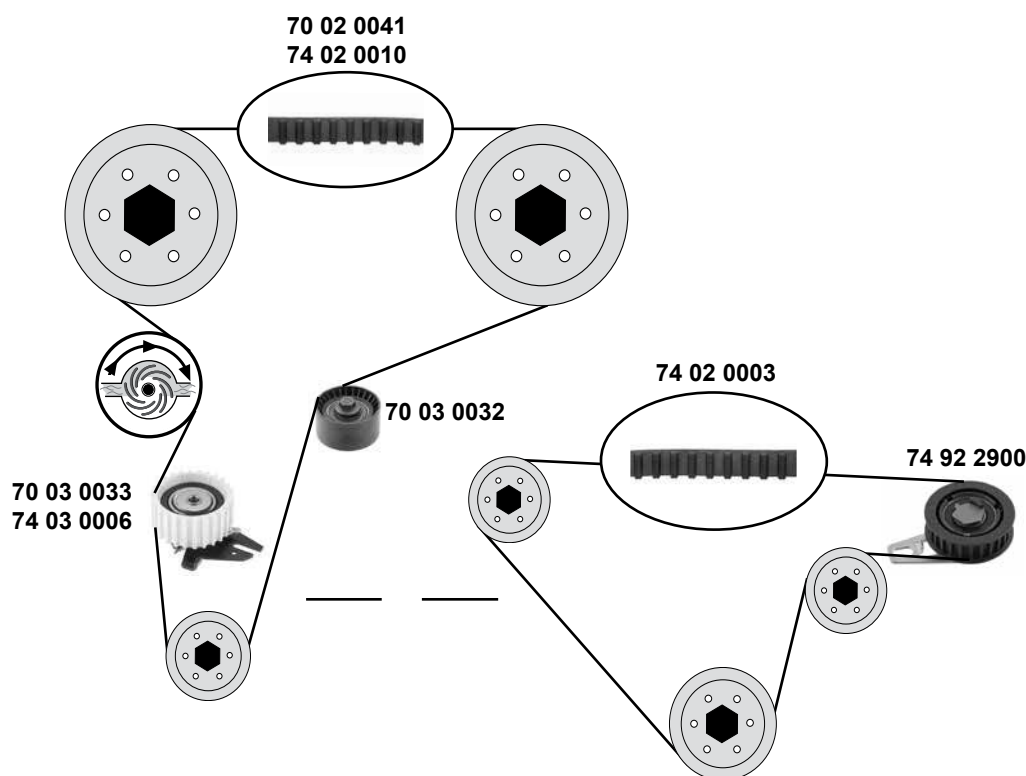


70 03 0032	60671573
70 03 0039	73501924
74 03 0006	55192240
99 03 0080	46524692

Umlenkrolle / deflection pulley
Umlenkrolle / deflection pulley
Spannrolle / tension roller
Riemenspanner / belt tensioner

(1)

ØA 57 H35
ØA 90 H24,5
Ø64,7 B28,7



Rep. Satz / rep. kit

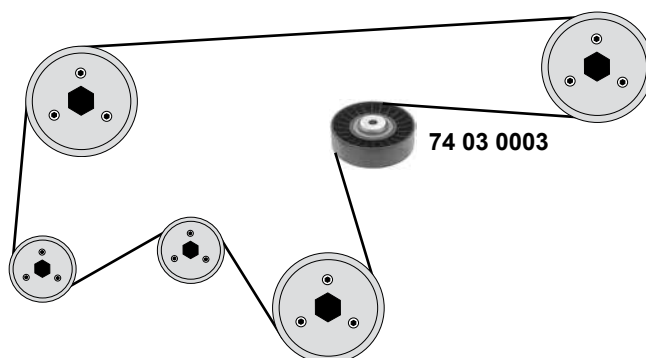
**SWAG 70 93 0792**

Rep. Satz / rep. kit

**SWAG 74 02 0013**

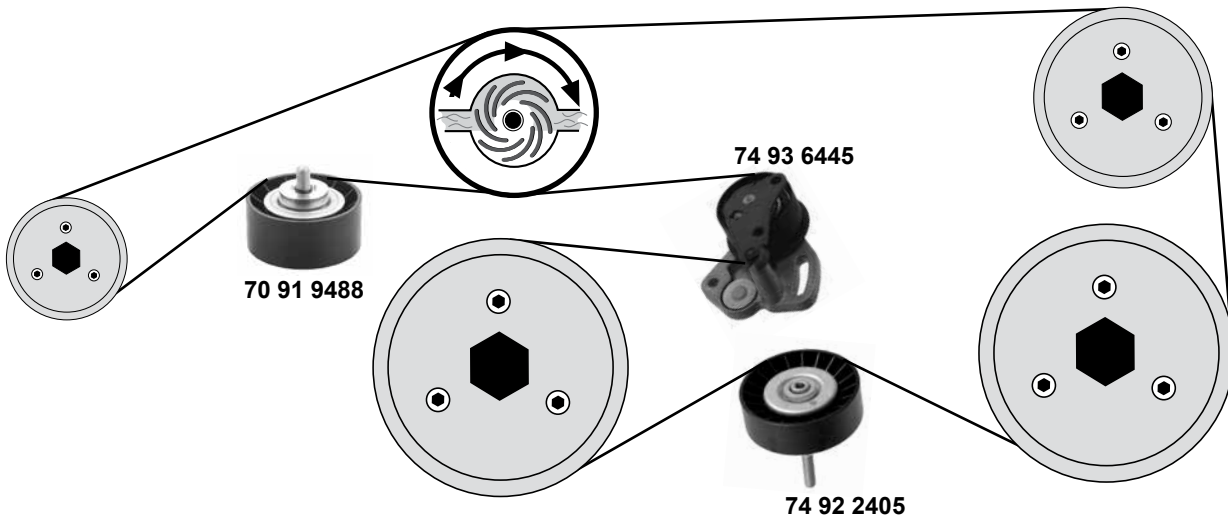
Rep. Satz / rep. kit

**SWAG 74 93 0977**

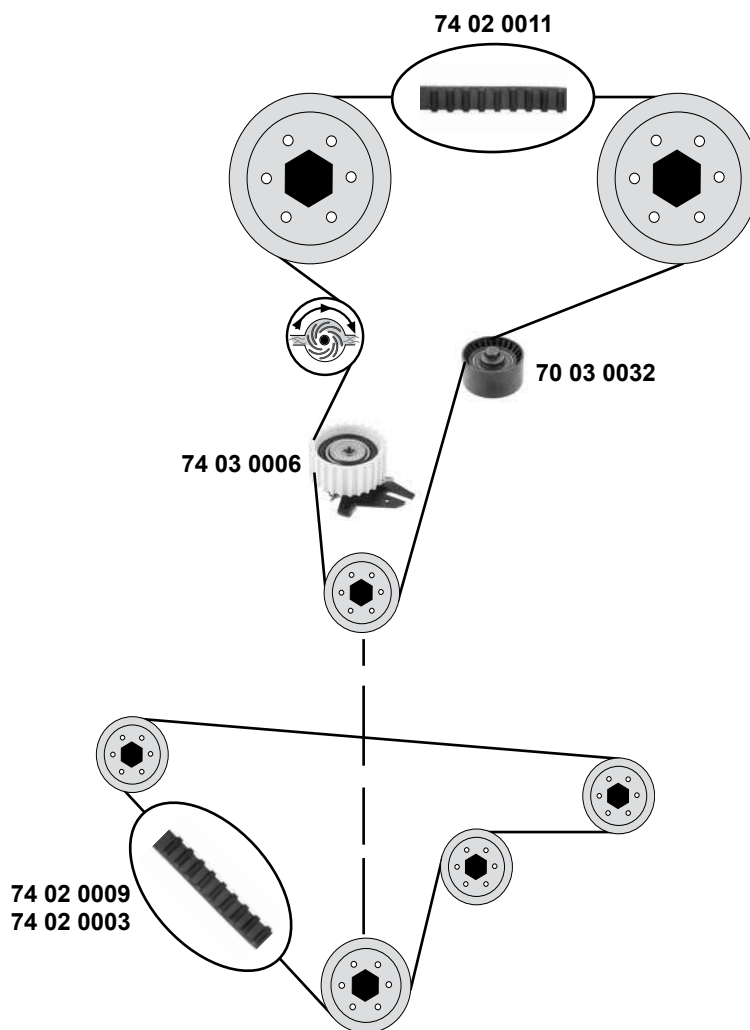


Ref. - No.			
<b>70 02 0041</b> 55210628	Zahnriemen / timing belt	(mot.) 2,0	Z 168 B24
<b>70 03 0032</b> 60671573	Umlenkrolle / deflection pulley		ØA 57 H35
<b>70 03 0033</b> 55192239	Spannrolle / tension pulley	(mot.) 2,0 (ex.) JTS	ØA 65 H29
<b>70 93 0792</b> 71736729	Rep. Satz Zahnriemen / rep. kit timing belt	(mot.) 1,6 TS	
<b>74 02 0003</b> 55221254	Zahnriemen / timing belt	(mot.) 1,6 TS	Z 130 B15
<b>74 02 0010</b> 60807260	Zahnriemen / timing belt	AC	Z163 B24
<b>74 03 0003</b> 60602136	Umlenkrolle / deflection pulley	(mot.) 1,6 TS /JTS	Ø64,7 B28,7
<b>74 03 0006</b> 55192240	Spannrolle / tension pulley		Ø 64 B19,4
<b>74 92 2900</b> 55221253	Spannrolle / tension roller		
<b>74 93 0977</b> 55221254 S1	Rep. Satz Zahnriemen / rep. kit timing belt	(mot.) 2,0	
<b>99 02 0046</b> 71736724	Rep. Satz Zahnriemen / rep. kit timing belt	(mot.) 2,0	

### 3,2 GTA

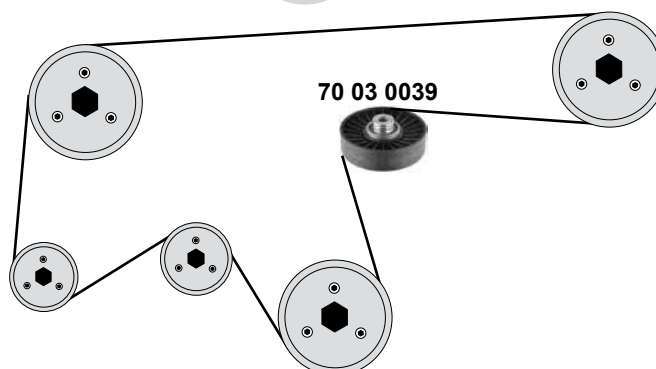


	Ref. - No.			
70 91 9488	55190052	Umlenkrolle / deflection pulley	→ 10	ØA 65 B29
74 92 2405	55190054	Umlenkrolle / deflection pulley		ØA 80 H26
74 93 6445	55191536	Riemenspanner / belt tensioner		ØA 60 B33



### 1,6 TS / 1,8 TS

AC



Ref. - No.

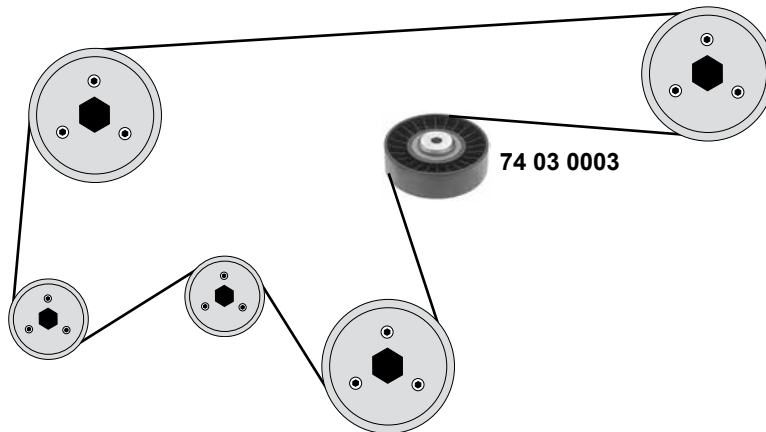
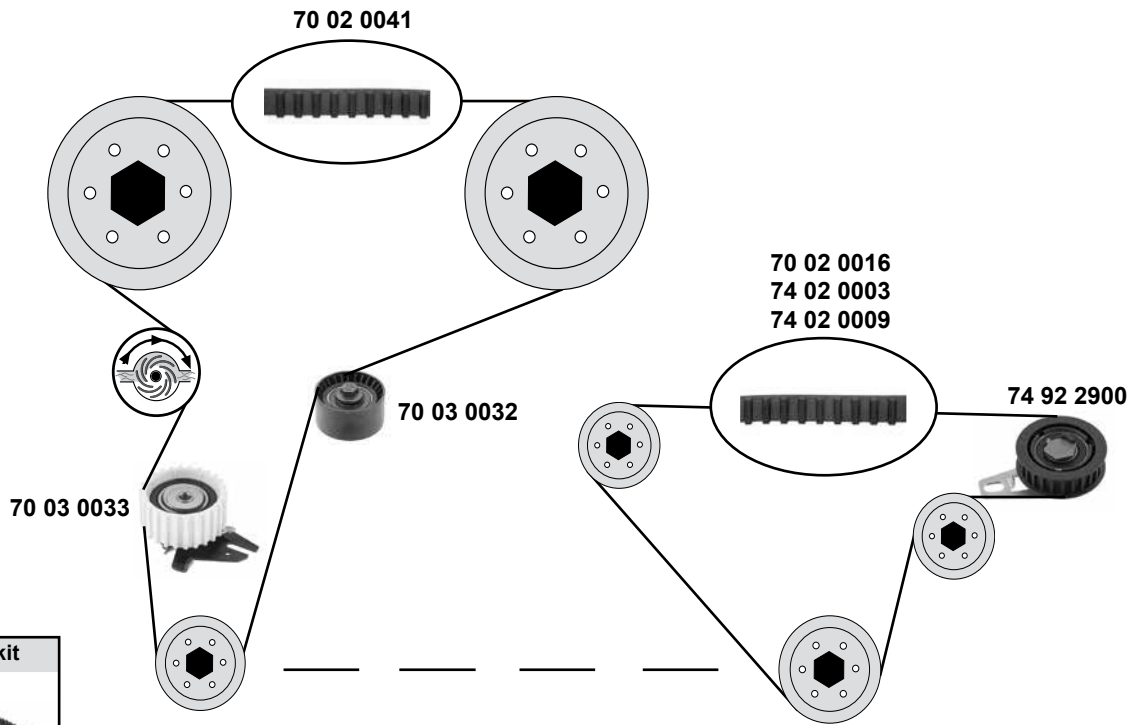


70 03 0032	60671573
70 03 0039	73501924
74 02 0003	55221254
74 02 0009	7722331
74 02 0011	55210626
74 03 0006	55192240
74 92 6147	71736725

Umlenkrolle / deflection pulley
Umlenkrolle / deflection pulley
Zahnriemen Ausgleichswelle / timing belt balance shaft
Zahnriemen Ausgleichswelle / timing belt balance shaft
Zahnriemen / timing belt
Spannrolle / tension roller
Rep. Satz Zahnriemen / rep. kit timing belt

96 →
(mot.) 008713 →
(mot.) → 0087812

ØA 57 H35
ØA 90 H24,5
Z 130
Z 126 B15
Z 166
Ø64,7 B28,7

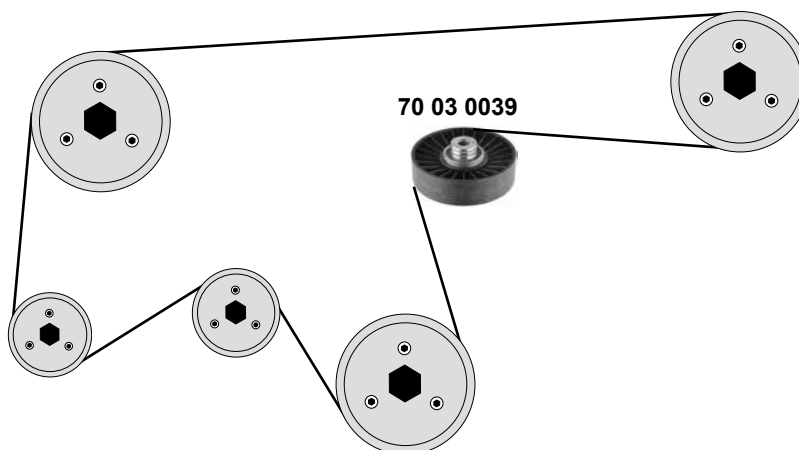


SWAG GERMANY	Ref. - No.			
<b>70 02 0016</b>	60807260	Zahnriemen Ausgleichswelle / timing belt balance shaft	(mot.) 2,0 Turbo	Z 97
<b>70 02 0041</b>	55210628	Zahnriemen / timing belt		Z 168 B24
<b>70 03 0032</b>	60671573	Umlenkrolle/ deflection pulley	96 → 97	ØA 57 H35
<b>70 03 0033</b>	55192239	Spannrolle / tension roller	96 → 97	ØA 65 H29
<b>74 02 0003</b>	55221254	Zahnriemen Ausgleichswelle / timing belt balance shaft	(mot.) 0088713 →	Z 130
<b>74 02 0009</b>	7722331	Zahnriemen Ausgleichswelle / timing belt balance shaft	(mot.) → 0087812	Z 126 B15
<b>74 03 0003</b>	60602136	Umlenkrolle / deflection pulley		
<b>74 92 2900</b>	55221253	Spannrolle / tension roller	(mot.) 2,0 AC	Ø64 B19,4 Z 25
<b>74 93 0977</b>	55221253	Rep. Satz Zahnriemen / rep. kit timing belt	(mot.) 2,0 / 96 → 97	

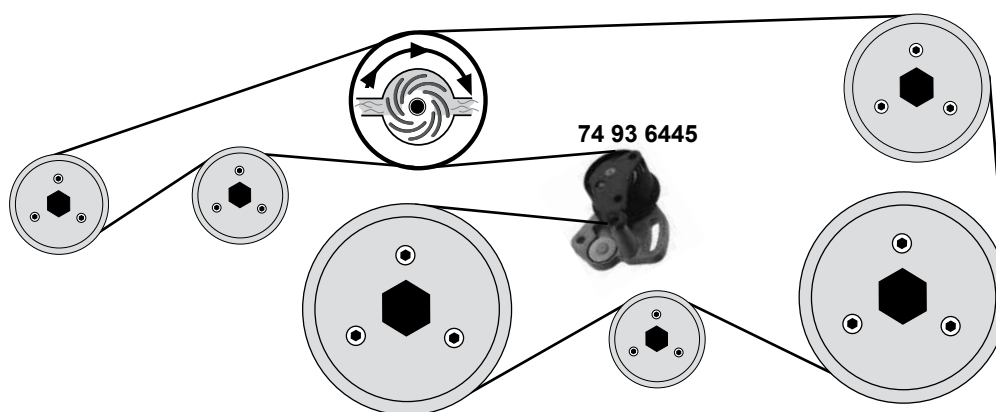


### 1,6 TS / 1,8 TS

AC



### 2,5 / 3,2 GTA



(1) 97 → 02 (mot.) 2,5  
01 → 05 (mot.) 2,5 / 3,2 GTA

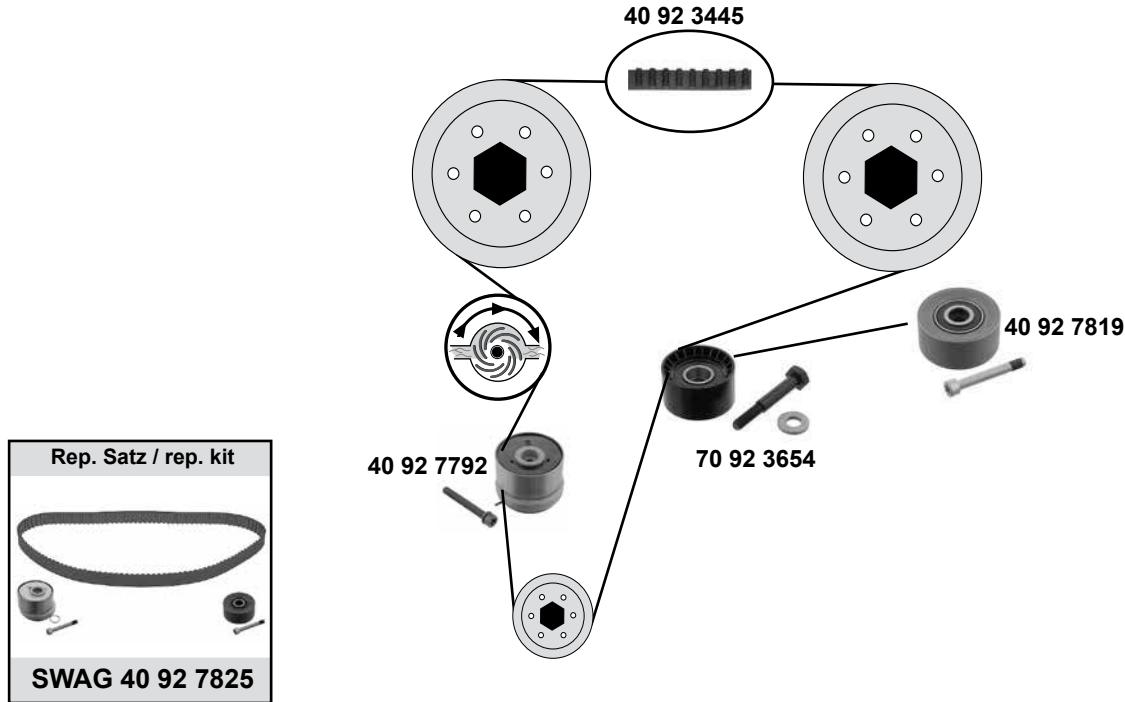


# ALFA ROMEO 159 / SPORTWAGON (939)

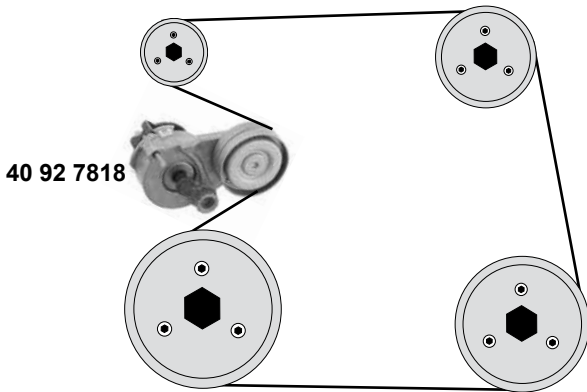
(05→11)



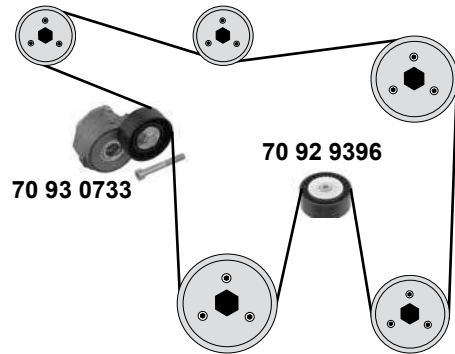
## 1,8 / TBI 103 , 147kW



## 1,8 103kW



## 1,8 147kW



(1) 05 → 08 1,8 (103kW)  
08 → CC1.8 (ex.) Turbo Motoren / (ex.) turbo engines

(2) 1.8 (147kW) Turbo Motoren / turbo engines / **AC**

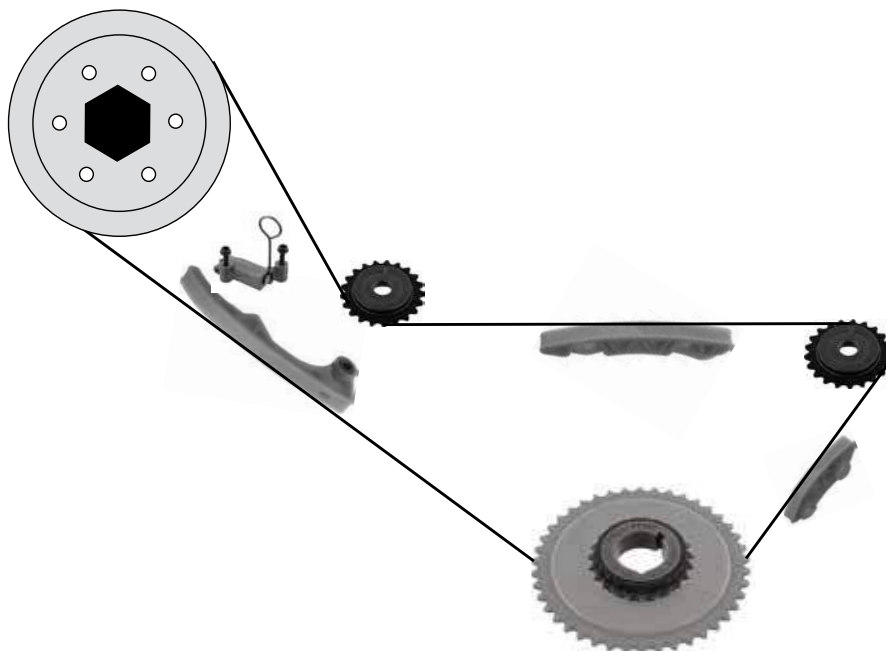
(3) 1,8 103kW 159/Sportwagon →11



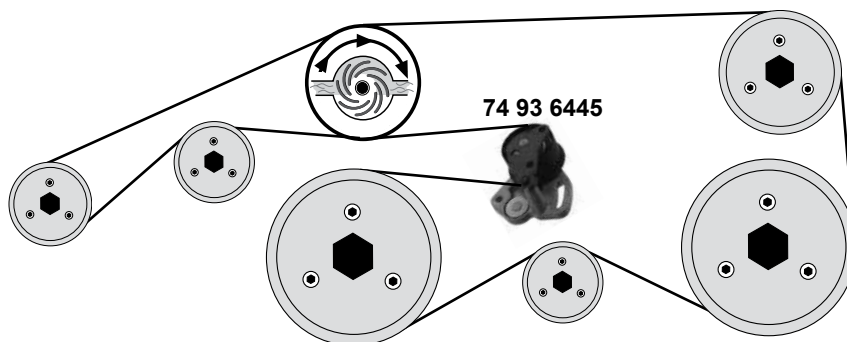
Ref. - No.



40 92 3445	71739873	Zahnriemen / timing belt	(3)	Z146 B24
40 92 7792	55574864	Spannrolle / tension roller	(3)	ØA 66 B29
40 92 7818	55563512	Riemenspanner / belt tensioner	(1)	
40 92 7819	71739801	Umlenkrolle / deflection pulley	(3)	ØA 61
40 92 7825	71739873 S1	Rep. Satz Zahnriemen / rep. kit timing belt	(3)	
70 92 3654	55187100	Umlenkrolle / deflection pulley	159 147 kW	ØA 53 B23
70 92 9396	51758383	Umlenkrolle / deflection pulley		ØA 70 B26
70 93 0733	51773551	Riemenspanner / belt tensioner	(2)	ØA 65



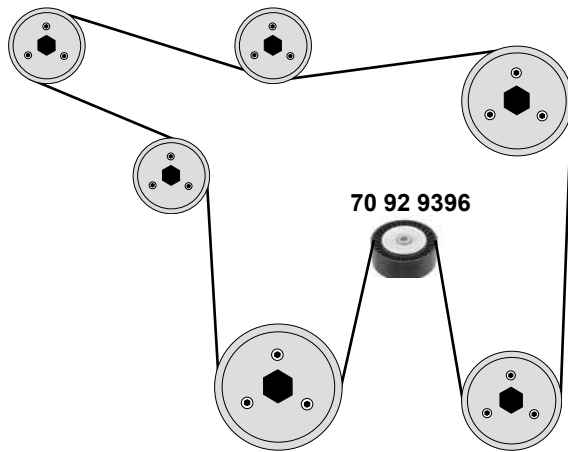
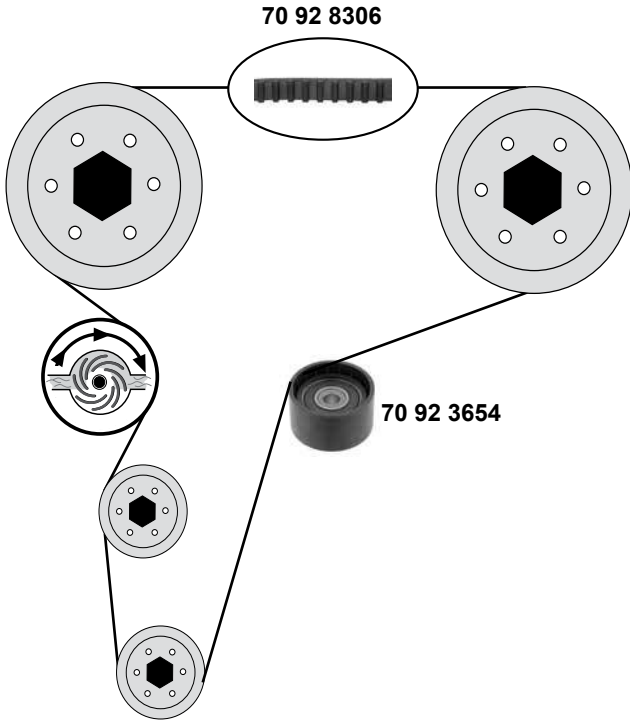
**166**  
 (98→07)  
**2,5 / 3,0 / 3,2 V6**



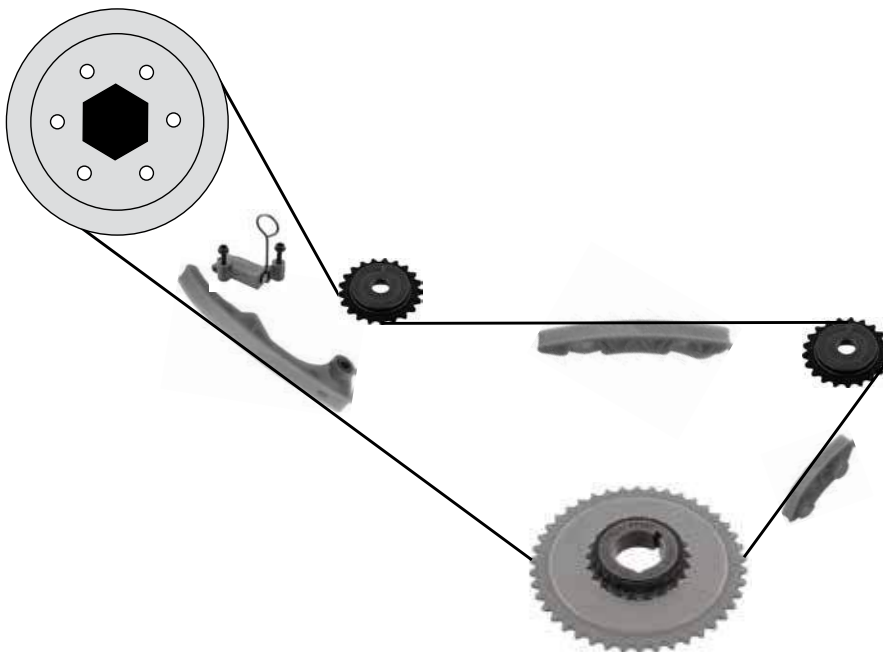
# ALFA ROMEO BRERA (05→10)



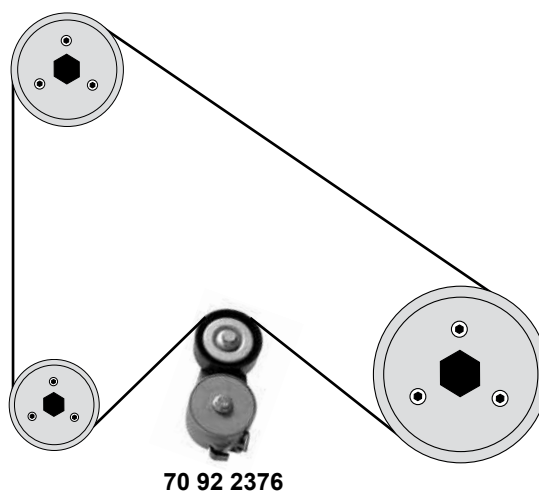
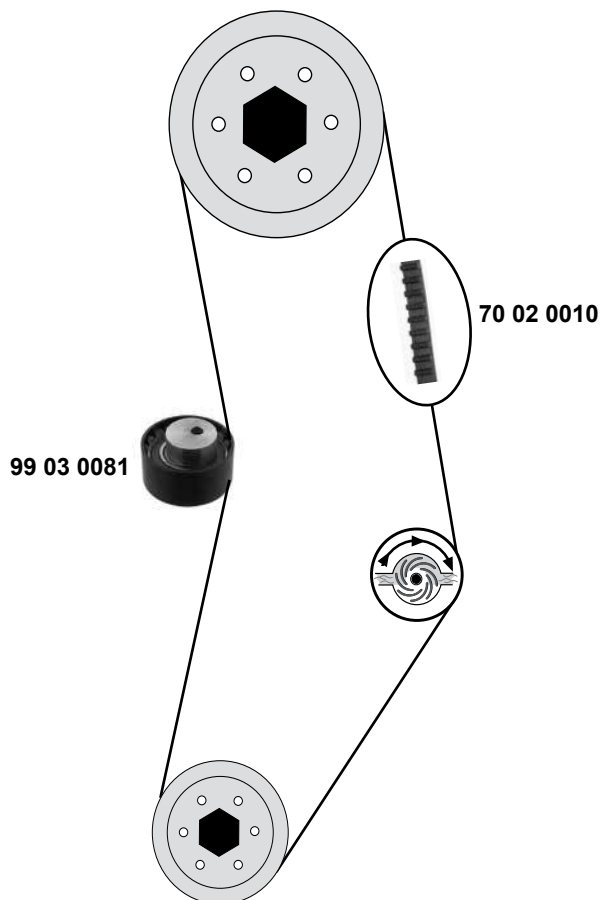
## 1,8 TBi / 147kW



## 2,2 16V GDI



SWAG GERMANY	Ref. - No.			
70 92 3654	55187100	Umlenkrolle / deflection pulley	Coupe	ØA 53 B23
70 92 8306	55183528	Zahnriemen / timing belt		Z 199 B24
70 92 9396	51758383	Umlenkrolle / deflection pulley		ØA 70 B26
99 13 3046	71739362 S1	Rep. Satz Steuerkette / rep. kit timing chain		134 E

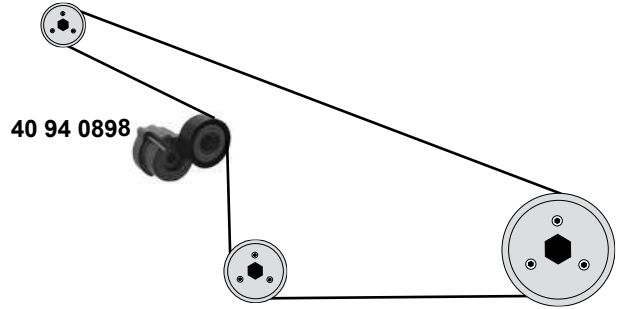
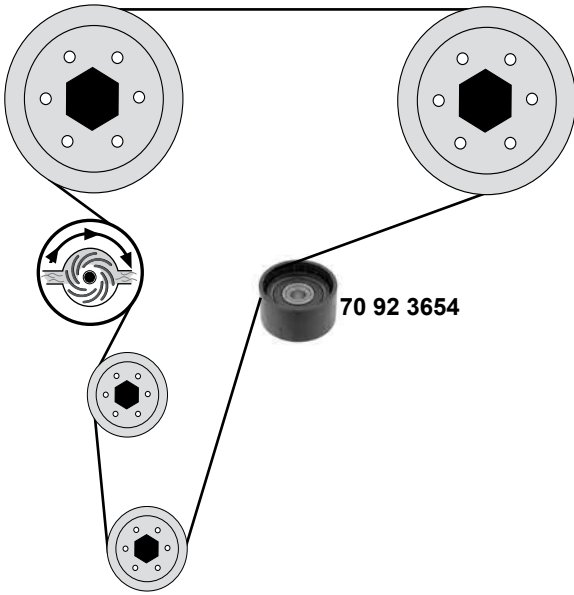


# ALFA ROMEO GIULIETTA (940)

(10→13)



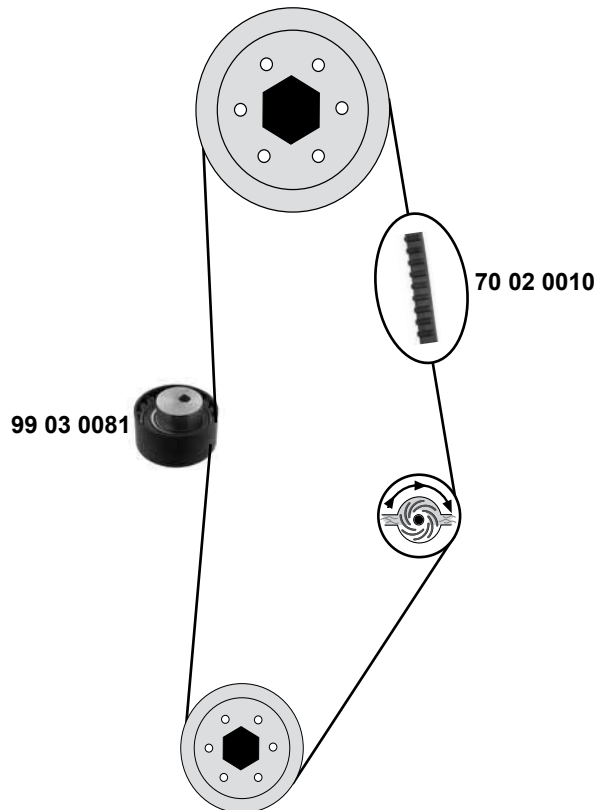
1,8



# GIULIETTA MY

(13→)

1,4



(1) (ex.) tropische Länder / (ex.) tropical Countries



Ref. - No.



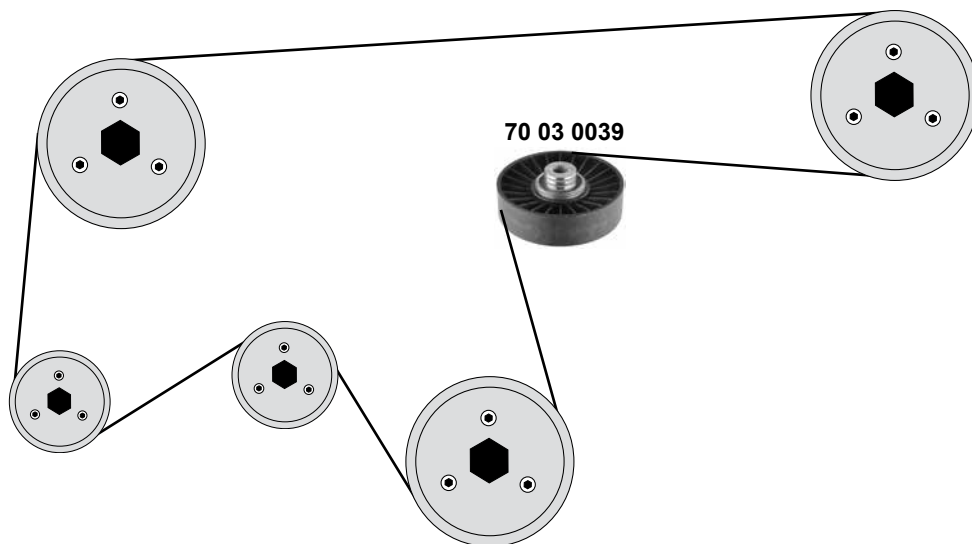
40 94 0898	51820520
70 02 0010	46403659
70 92 3654	55187100
99 03 0081	55248394

Riemenspanner / belt tensioner
Zahnriemen / timing belt
Umlenkrolle / deflection pulley
Spannrolle / tension roller

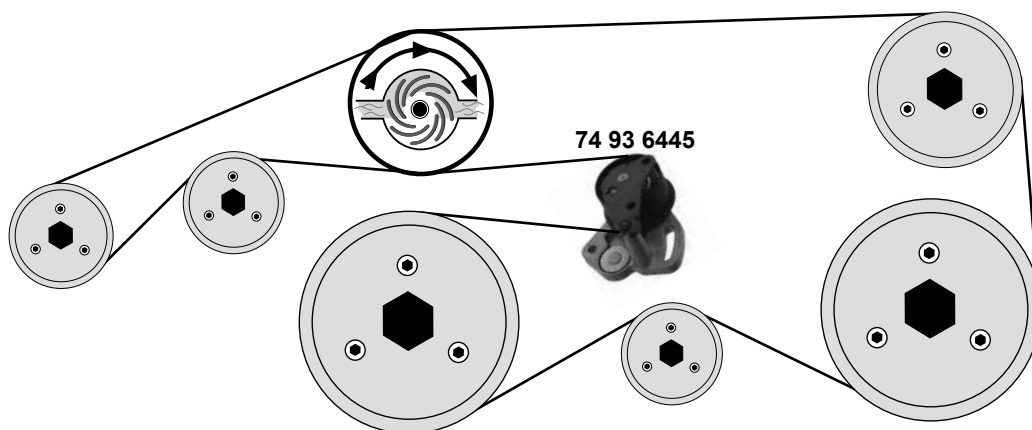
(1)
TBI
13 →

ØA 65 x 26
Z 124 B22
ØA 53 B23
ØA 60 B29

AC

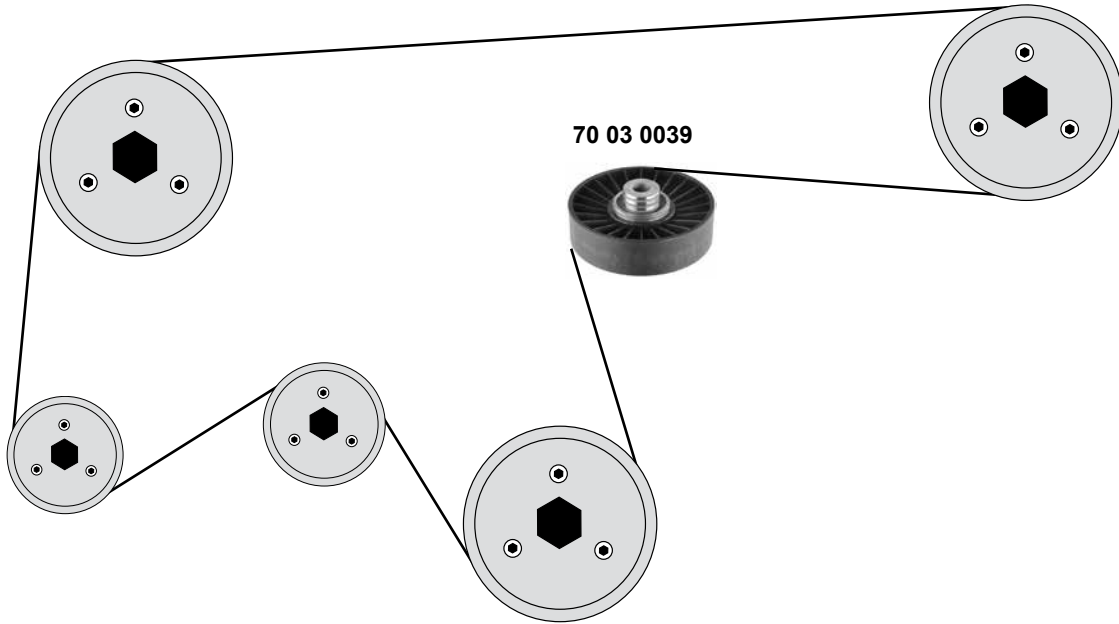


3,0 / 3,2 V6

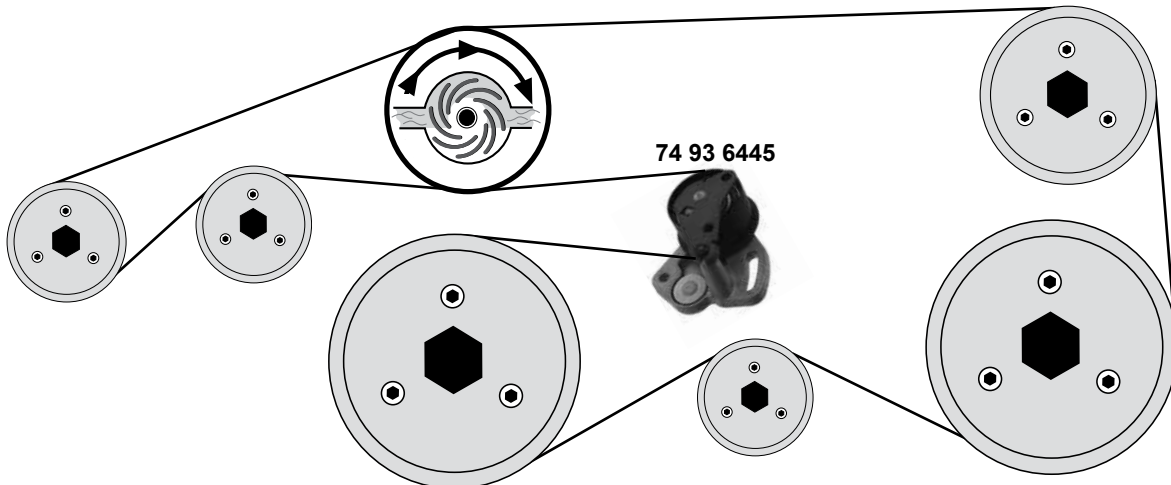


### 1,8 TS

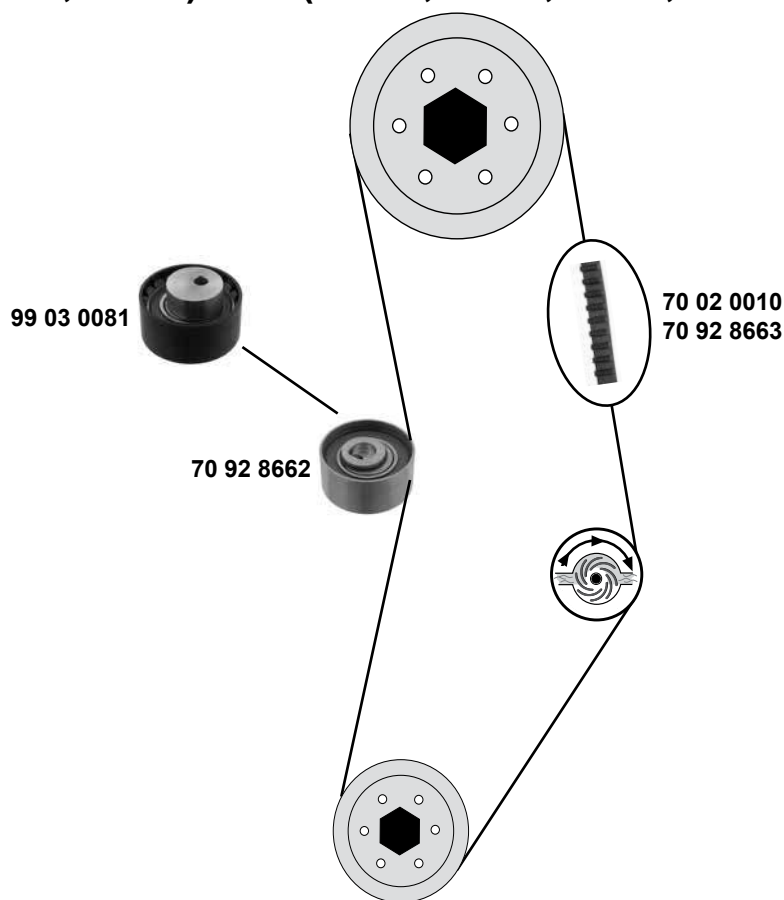
AC



### 3,2 V6



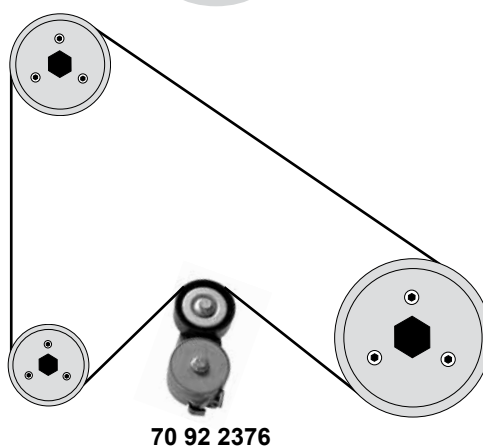


**1,4 8V (51kW,57kW) 16V (77kW,88kW,99kW,110kW,114kW,119kW)**


Rep. Satz / rep. kit



SWAG 70 92 8664

**AC****1,4**

70 92 2376



(1) 57kW / 77kW / 88kW / 99kW / 110kW / 119kW

(2) 57kW / 77kW / 88kW / 99kW / 110kW / 114 / 119kW

(3) 51kW,57kW



Ref. - No.



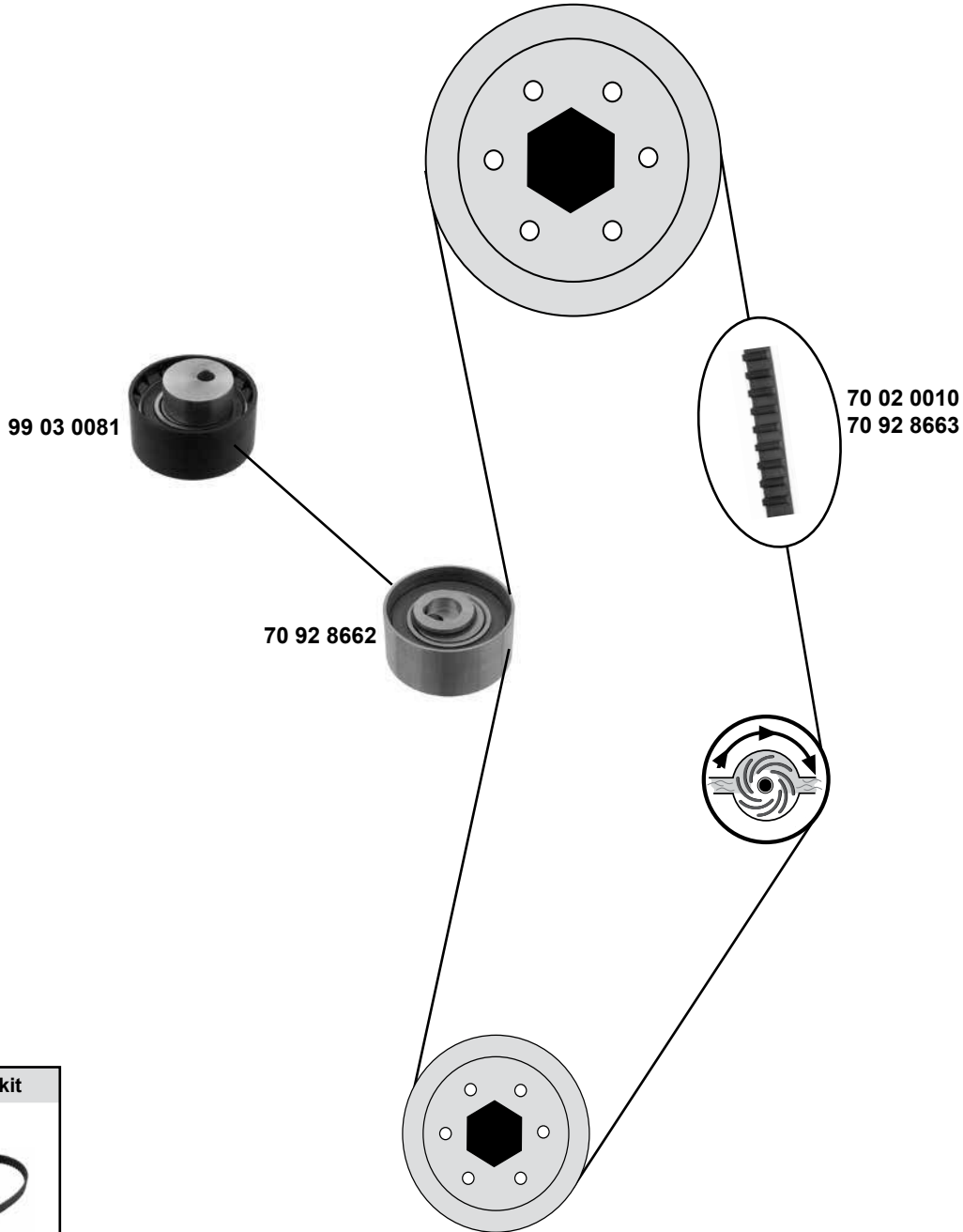
70 02 0010 46403659  
 70 92 2376 55232827  
 70 92 8662 55233759  
 70 92 8663 71753156  
 70 92 8664 71753156 S1  
 99 03 0081 55248394

Zahnriemen / timing belt  
 Riemenspanner / belt tensioner  
 Spannrolle / tension roller  
 Zahnriemen / timing belt  
 Rep. Satz Zahnriemen / rep. kit timing belt  
 Spannrolle / tension roller

(2) →11  
 (1)  
 (3) 11  
 (3) 11  
 (3) 11  
 (2) →11

Z 124 B22  
 ØA 65 B23,5  
 ØA 55,5 B26  
 Z 129 B22  
 Z 129 B22  
 ØA 60 B29

1,4 8V (51kW,57kW) 16V (77kW,88kW,99kW,110kW,114kW,119kW)



(1) 57kW / 77kW / 88kW / 99kW / 110kW / 114 / 119kW



Ref. - No.



<b>70 02 0010</b>	46403659
<b>70 92 8662</b>	55233759
<b>70 92 8663</b>	71753156
<b>70 92 8664</b>	71775900
<b>99 03 0081</b>	55248394

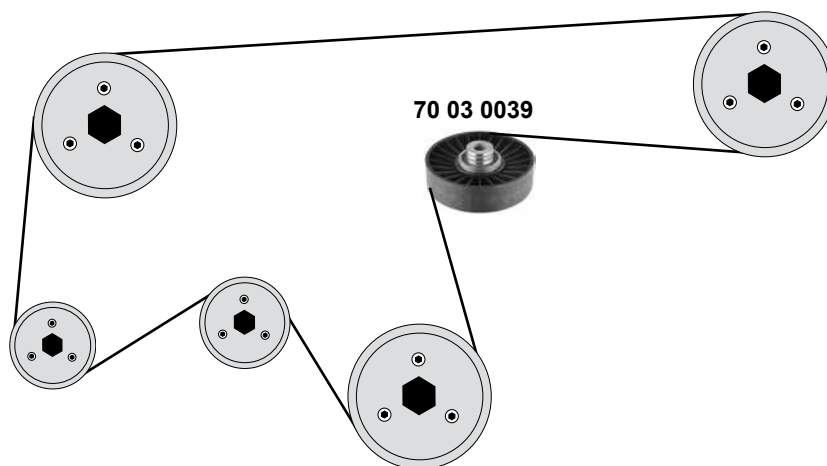
Zahnriemen / timing belt
Spannrolle / tension roller
Zahnriemen / timing belt
Rep. Satz Zahnriemen / rep. kit timing belt
Spannrolle / tension roller

(1) 11→
(mot.) 1,4 8V
(mot.) 1,4 8V
(mot.) 1,4 8V
(1) 11→

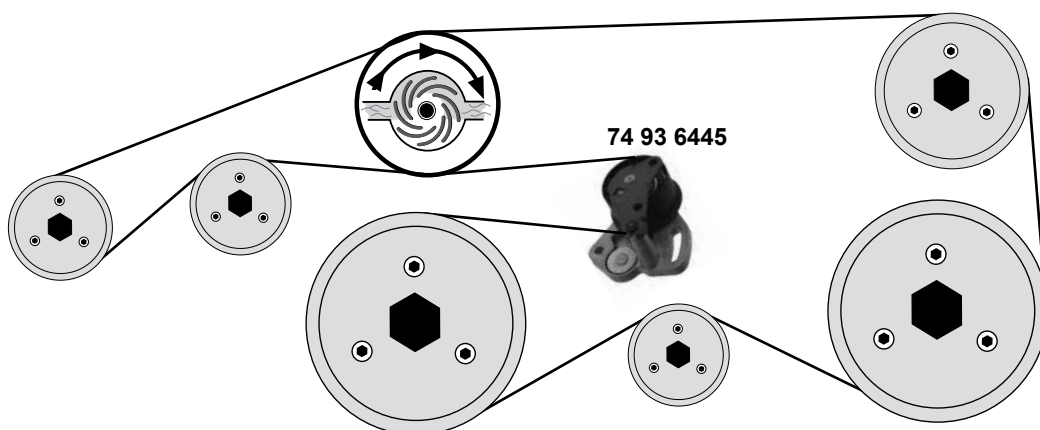
Z 124 B22
ØA 55,5 B26
Z 129 B22
Z 129 B22
ØA 60 B29

1,8

AC



3,0 / 3,2 V6

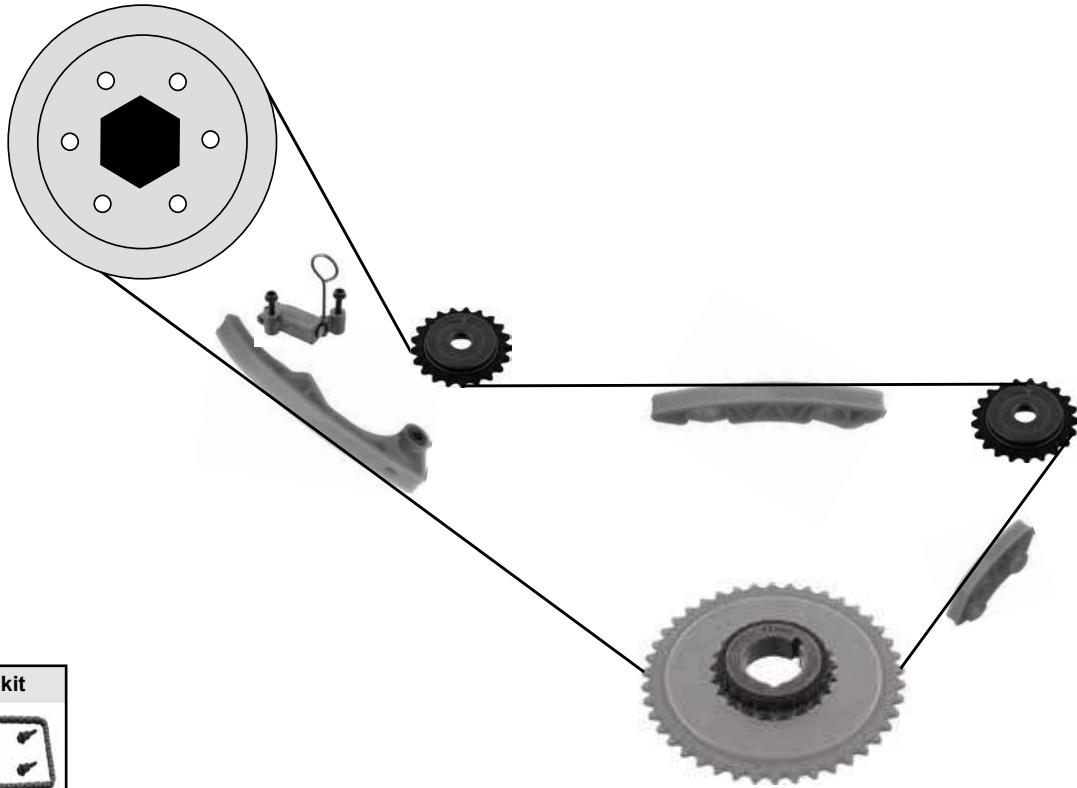


# ALFA ROMEO SPIDER (939)

(06→10)



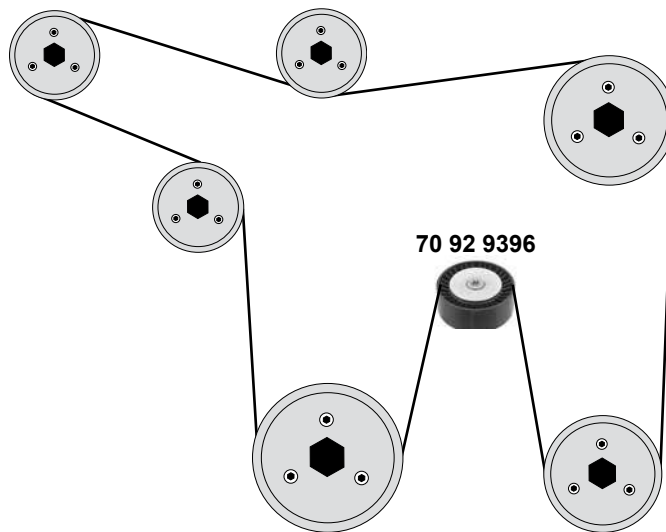
## 2,2 16V GDI



Rep. Satz / rep. kit

SWAG 99 13 3046

## 1,8 147kW



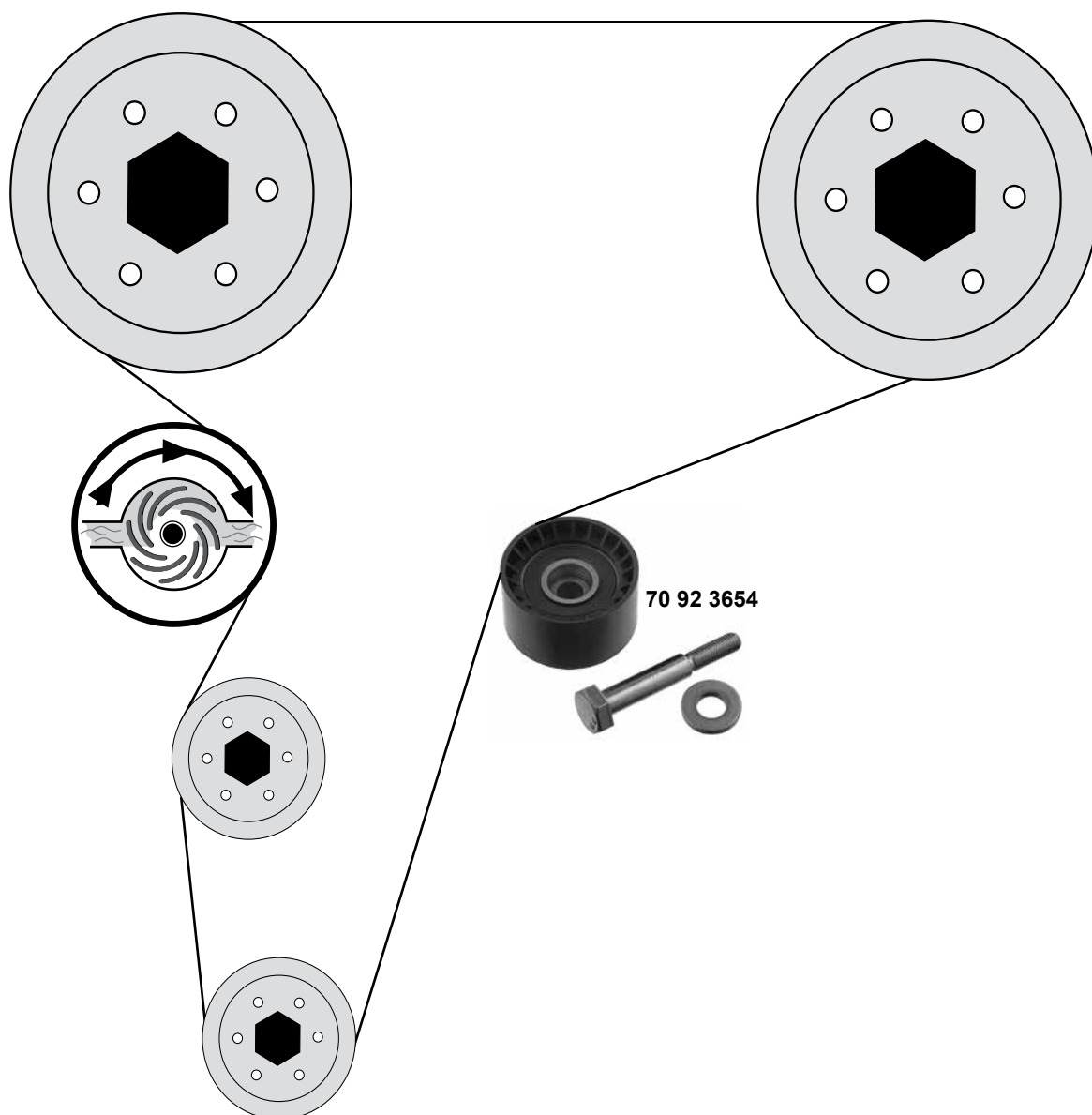
Ref. - No.

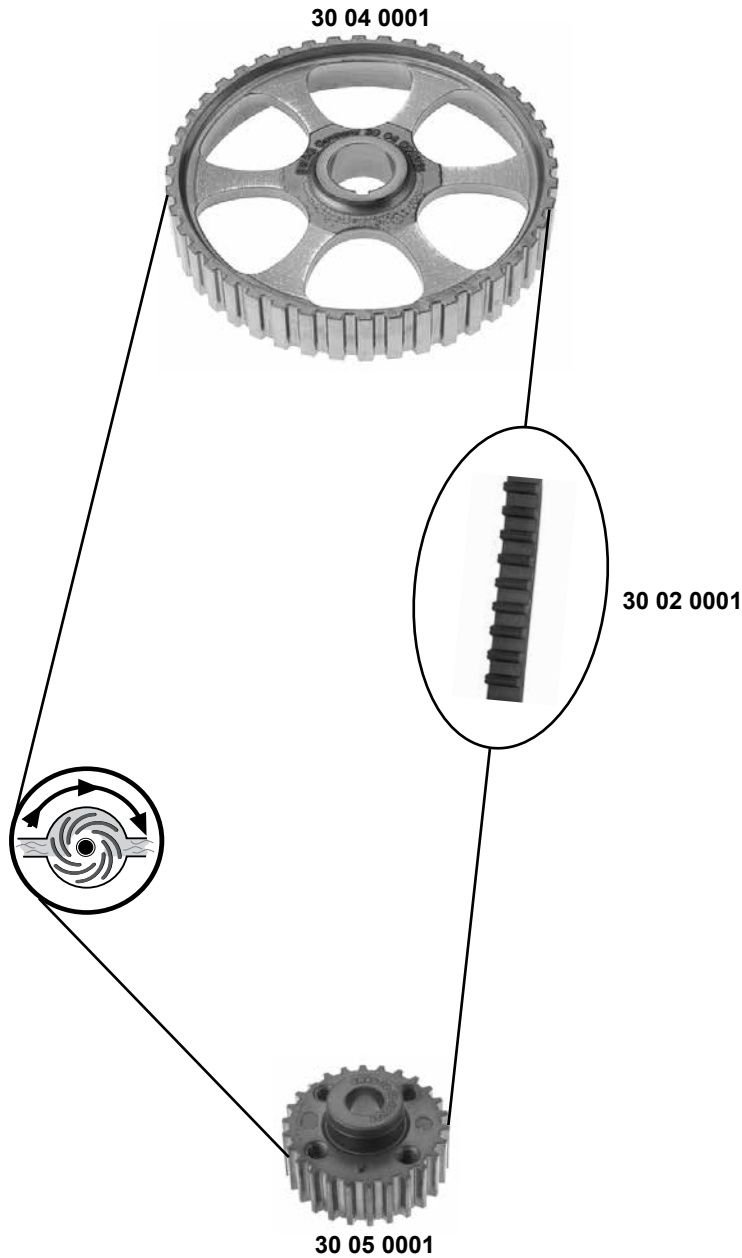


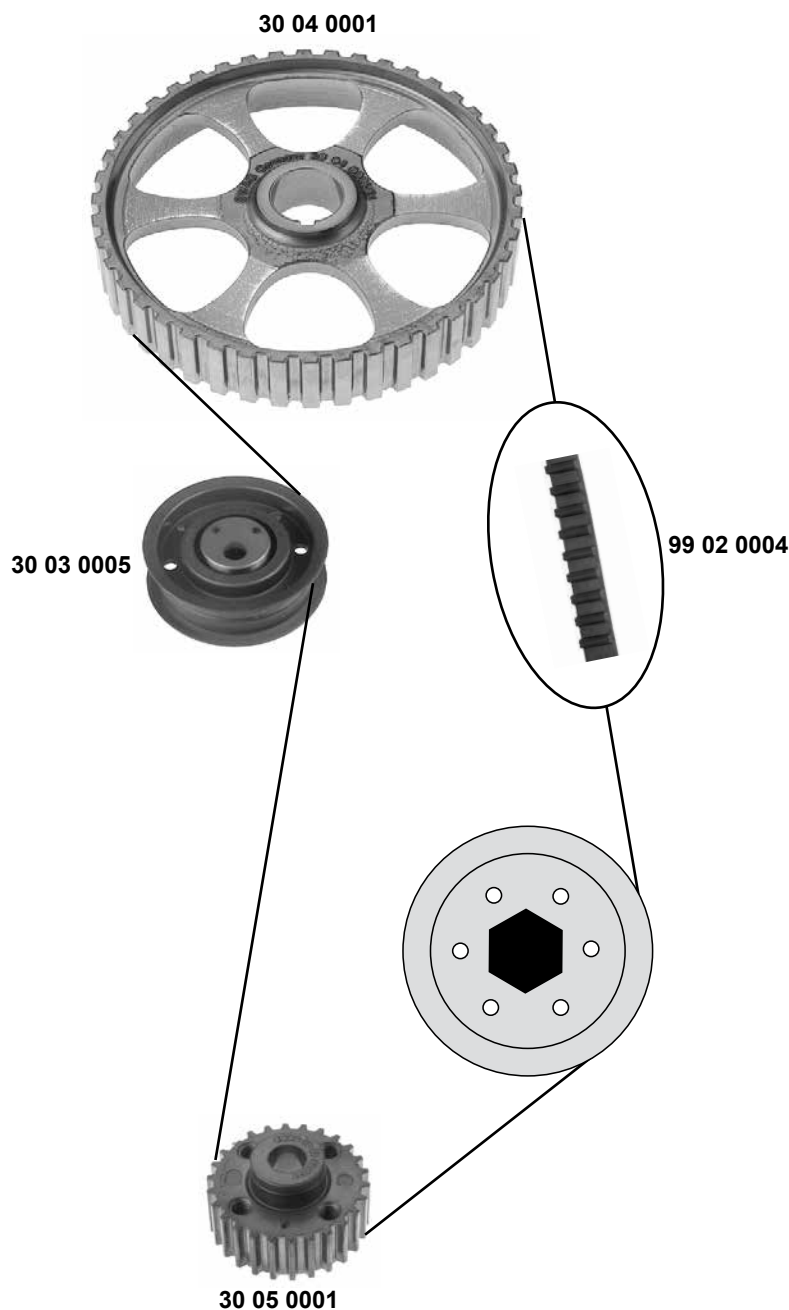
70 92 9396 51758383  
99 13 3046 71739362 S1

Umlenkrolle / deflection pulley  
Rep. Satz Steuerkette / rep. kit timing chain

ØA 70 B26  
134 E

**1,8 147kW**






Rep. Satz / rep. kit



SWAG 30 02 0040



Ref. - No.



<b>30 02 0040</b>	051 198 119
<b>30 03 0005</b>	026 109 243 L
<b>30 04 0001</b>	049 109 111 C
<b>30 05 0001</b>	049 105 263 B
<b>99 02 0004</b>	056 109 119 A

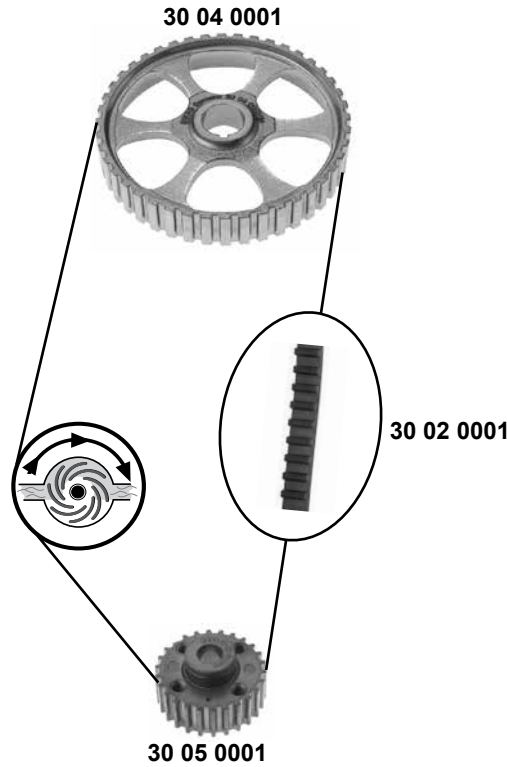
Rep. Satz Zahnriemen / rep. kit timing belt
Spannrolle / tension roller
Nockenwellenrad / camshaft gear
Kurbelwellenrad / crankshaft gear
Zahnriemen / timing belt

ØA 72 ØI 10 B20
Z 44
Z 22
Z 121 B18

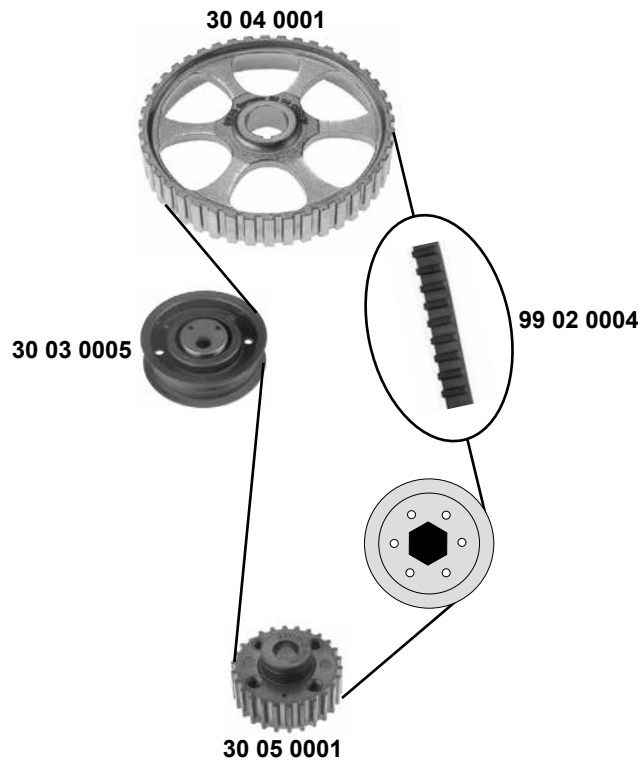
**AUDI**  
**80 / 90 (81)**  
(79→87)



**1,3**  
(FY/FZ)



**1,3→1,8**  
(ex. FY/FZ)



Ref. - No.



<b>30 02 0001</b>	052 109 119
<b>30 03 0005</b>	026 109 243 L
<b>30 04 0001</b>	049 109 111 C
<b>30 05 0001</b>	049 105 263 B
<b>99 02 0004</b>	056 109 119 A

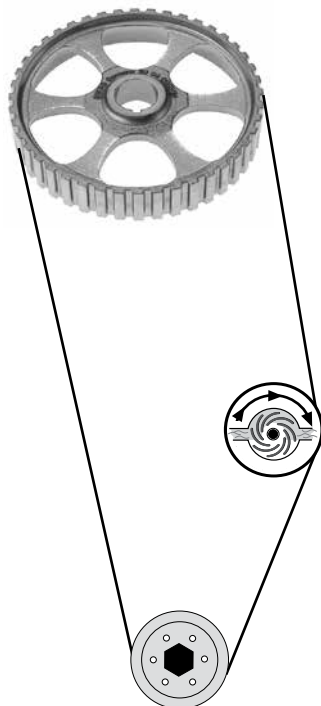
Zahnriemen / timing belt
Spannrolle / tension roller
Nockenwellenrad / camshaft gear
Kurbelwellenrad / crankshaft gear
Zahnriemen / timing belt

Z 108 B18
ØA72 ØI10 B20
Z 44
Z 22
Z 121 B18



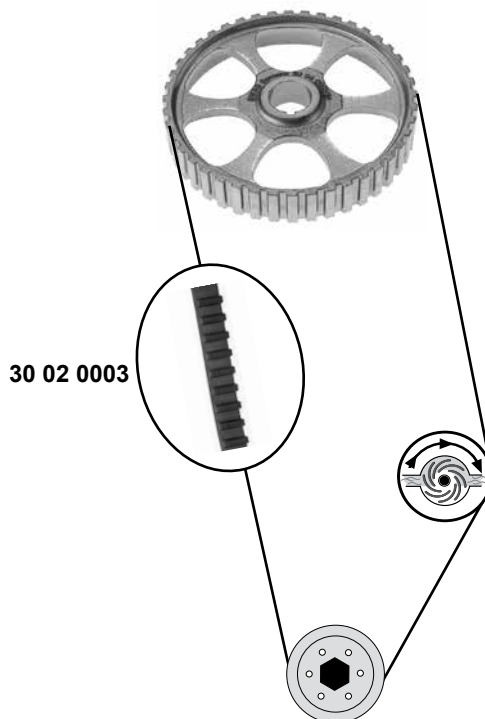
**(ch.) → 81-D- 250 000**

30 04 0001



**(ch.) 81-E- 000 001→**

30 04 0001



30 02 0003

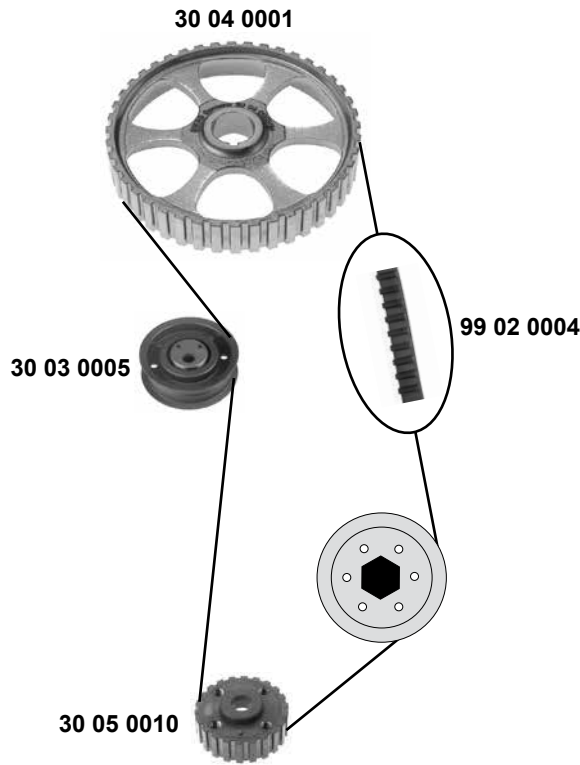
# AUDI

## 80 / 90 (89/8A)

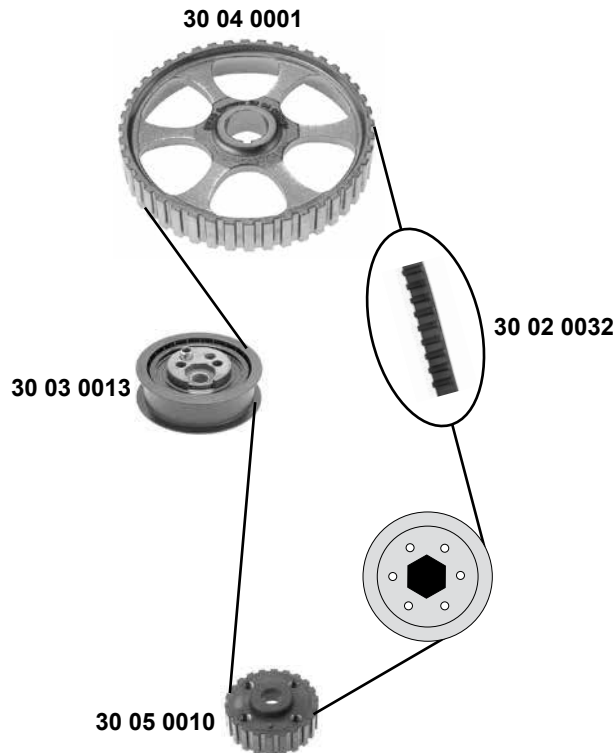
(87→92)



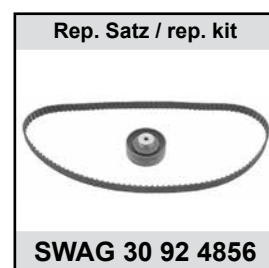
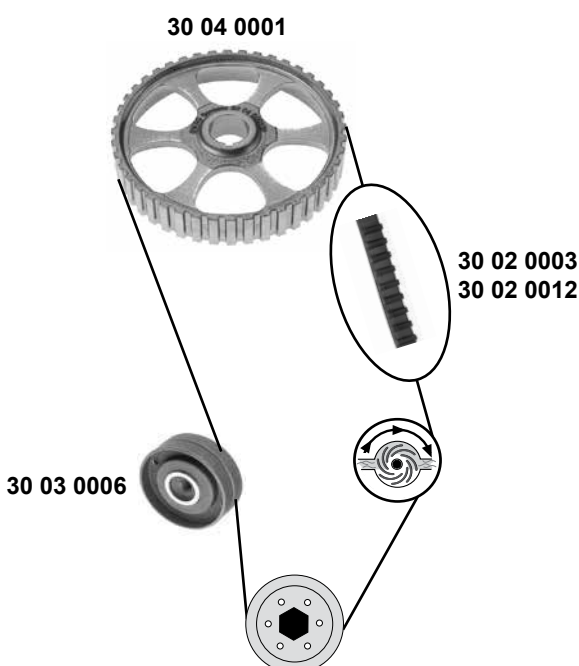
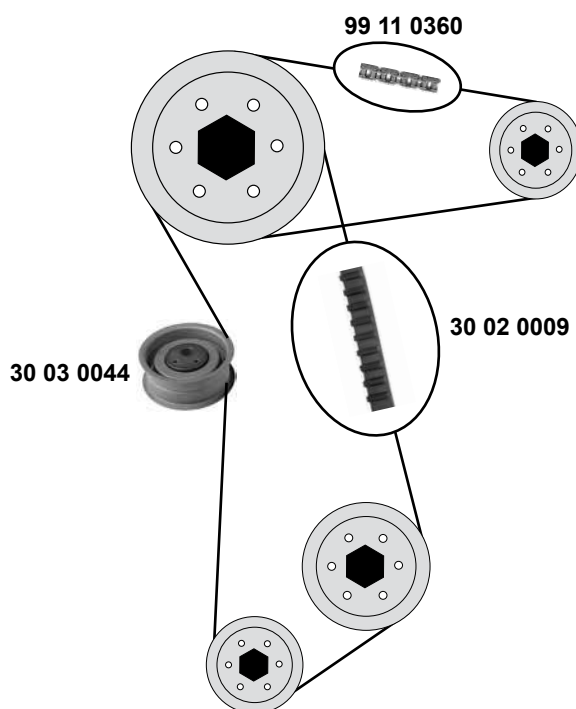
**1,6→2,0**  
(ex. AAD/6A/PS)



**2,0**  
(AAD)



SWAG GERMANY	Ref. - No.			
<b>30 02 0032</b>	037 109 119 C	Zahnriemen / timing belt	08/90 → 12/91	Z 124 B18
<b>30 02 0040</b>	051 198 119	Rep. Satz Zahnriemen / rep. kit timing belt		
<b>30 03 0005</b>	026 109 243 L	Spannrolle / tension roller		ØA72 Ø110 B20
<b>30 03 0013</b>	048 109 243 A	Spannrolle / tension roller	90 → 92	ØA72 Ø111 B19
<b>30 04 0001</b>	049 109 111 C	Nockenwellenrad / camshaft gear		Z 44
<b>30 05 0010</b>	049 105 263 C	Kurbelwellenrad / crankshaft gear		Z 22
<b>99 02 0004</b>	056 109 119 A	Zahnriemen / timing belt		Z 121 B18
<b>99 02 0068</b>	037 109 119 C S2	Rep. Satz Zahnriemen / rep. kit timing belt	08/90 → 12/91	



(1) (mot.) PS (ch.) → 89 - J - 394 742  
 (mot.) KV (ch.) → 89 - J - 394 746  
 (mot.) NG (ch.) → 89 - J - 394 702

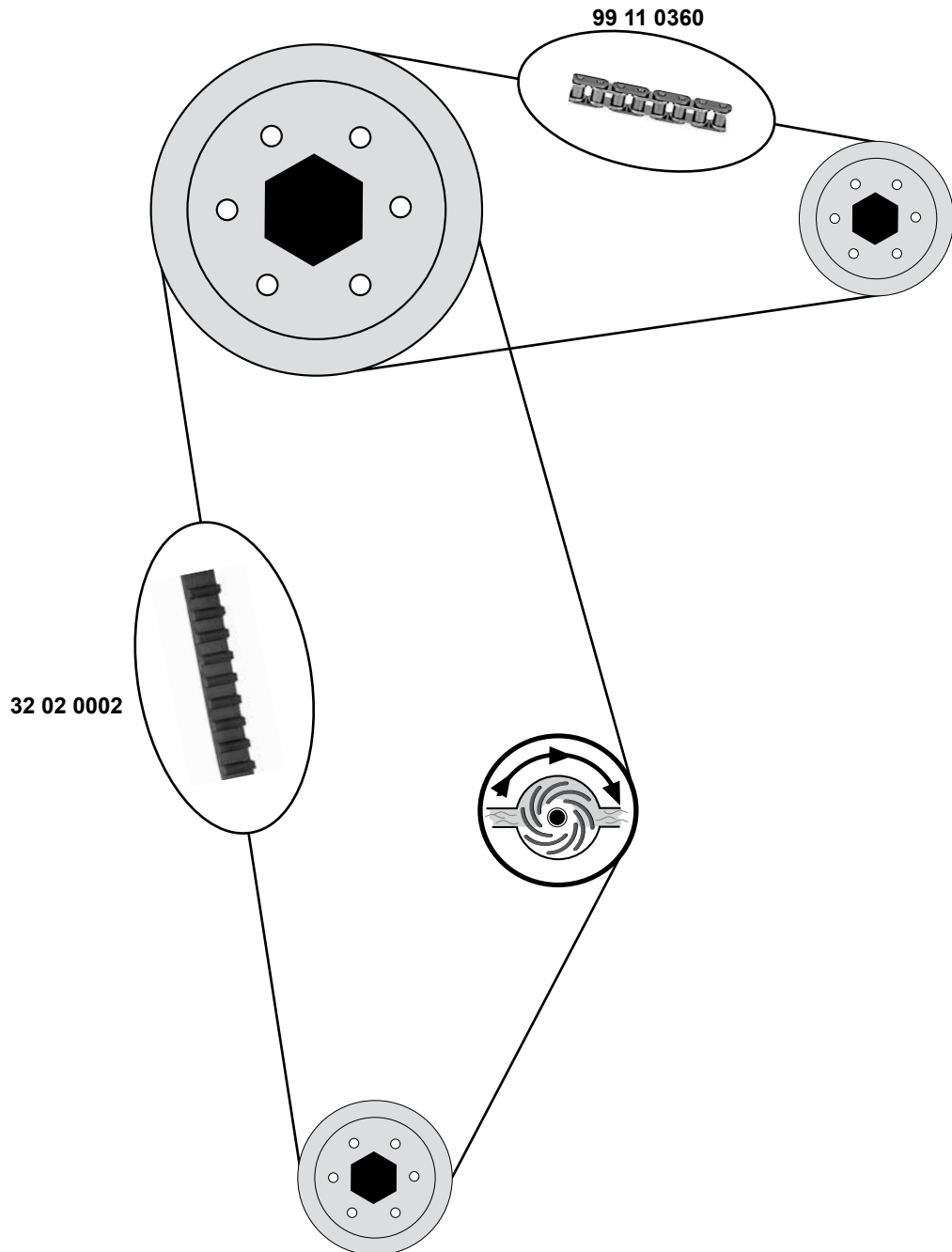
(2) (mot.) PS (ch.) 89 - J - 394 743 →  
 (mot.) KV (ch.) 89 - J - 394 746 →  
 (mot.) NG (ch.) 89 - J - 394 702 →



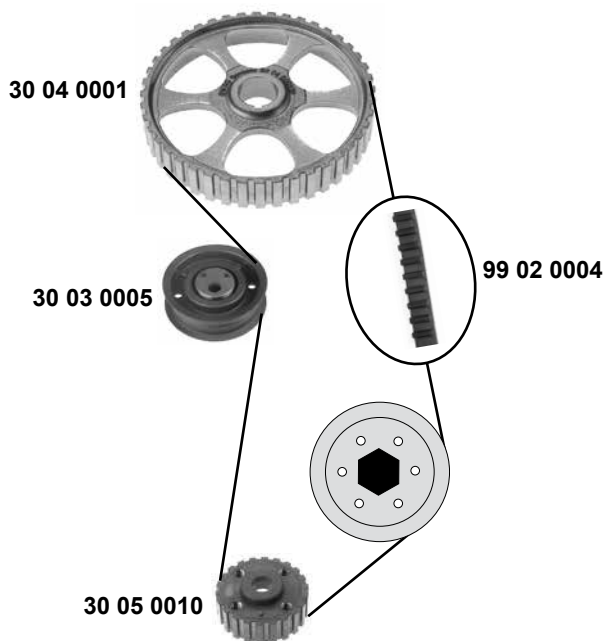
Ref. - No.



30 02 0003	034 109 119	Zahnriemen / timing belt	(1) (ex.) Super Torque	Z 120 B18
30 02 0009	027 109 119 C	Zahnriemen / timing belt	(2) Super Torque	Z 147 B25
30 02 0012	074 109 119	Zahnriemen / timing belt	(1) (ex.) Super Torque	Z 142 B19
30 03 0006	069 109 243 B	Umlenkrolle / deflection pulley	(1) (ex.) Super Torque	ØA69 ØI8 B27
30 03 0044	051 109 243	Spannrolle / tension roller	(1) (ex.) Super Torque	ØA72 B27
30 04 0001	049 109 111 C	Nockenwellenrad / camshaft gear	(1) (ex.) Super Torque	Z 44
30 92 4856	034 109 119 S1	Rep. Satz Zahnriemen / rep. kit timing belt	(1) (ex.) Super Torque	Z 120 B18
99 02 0066	027 109 119 C S1	Rep. Satz Zahnriemen / rep. kit timing belt		
99 11 0360	077 109 120	Steuerkette / timing chain		455 / 44 E

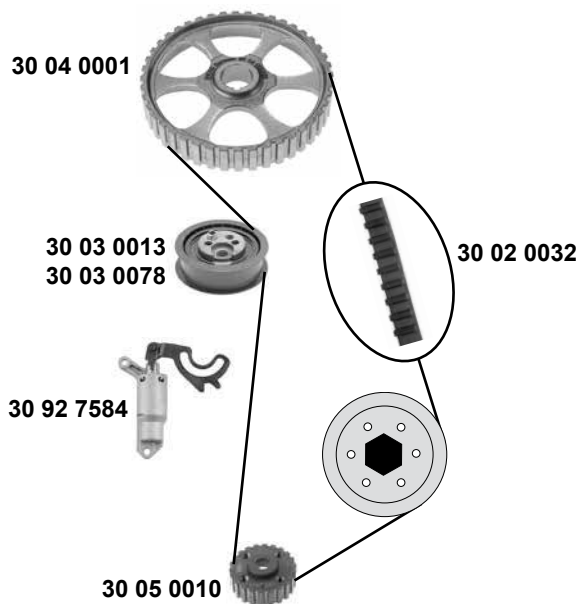


**1,6**



**2,0**

(ABK/ABT/ADW)



- (1) (ch.) → 8C-N-300 000 / (ch.) → 8G-S-075 037
- (2) (mot.) ABK/ABT/ADW (ch.) → 8G-S-075 037  
Audi 80 quattro (mot.) ADW Länderausführung: Gemeinschaft Unabhängiger Staaten /  
Country Version: Community of Independent States
- (3) Audi 80 (mot.) ABM/ADA / Audi 80 Avant (mot.) ADA

	Ref. - No.			
<b>30 02 0032</b>	037 109 119 C	Zahnriemen / timing belt		Z 124 B18
<b>30 02 0040</b>	051 198 119	Rep. Satz Zahnriemen / rep. kit timing belt		
<b>30 03 0005</b>	026 109 243 L	Spannrolle / tension roller	(3)	ØA72 Ø110 B20
<b>30 03 0013</b>	048 109 243 A	Spannrolle / tension roller	(2)	ØA72 Ø111 B19
<b>30 03 0078</b>	026 109 243 J	Spannrolle / tension roller	(ch.) 8C-S- 075 038 →	ØA66 Ø111 B18
<b>30 04 0001</b>	049 109 111 C	Nockenwellenrad / camshaft gear		Z 44
<b>30 05 0010</b>	049 105 263 C	Kurbelwellenrad / crankshaft gear		Z 22
<b>30 92 7584</b>	050 109 479 A	Riemenspanner / belt tensioner	(ch.) 8C-S- 075 038 →	
<b>32 02 0013</b>	037 109 119 C S2	Rep. Satz Zahnriemen / rep. kit timing belt	(ch.) 8C-S- 075 038 →	
<b>99 02 0004</b>	056 109 119 A	Zahnriemen / timing belt		Z 121 B18
<b>99 02 0068</b>	037 109 119 C S2	Rep. Satz Zahnriemen / rep. kit timing belt	(1)	

# AUDI

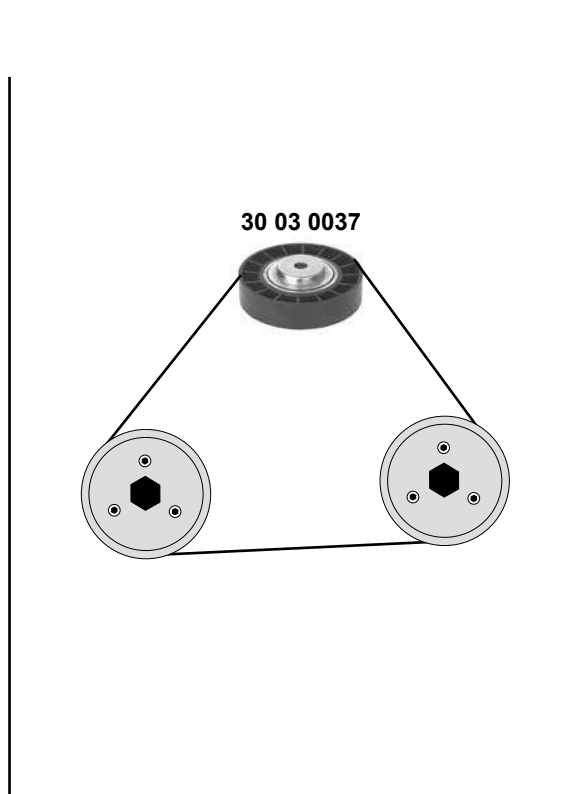
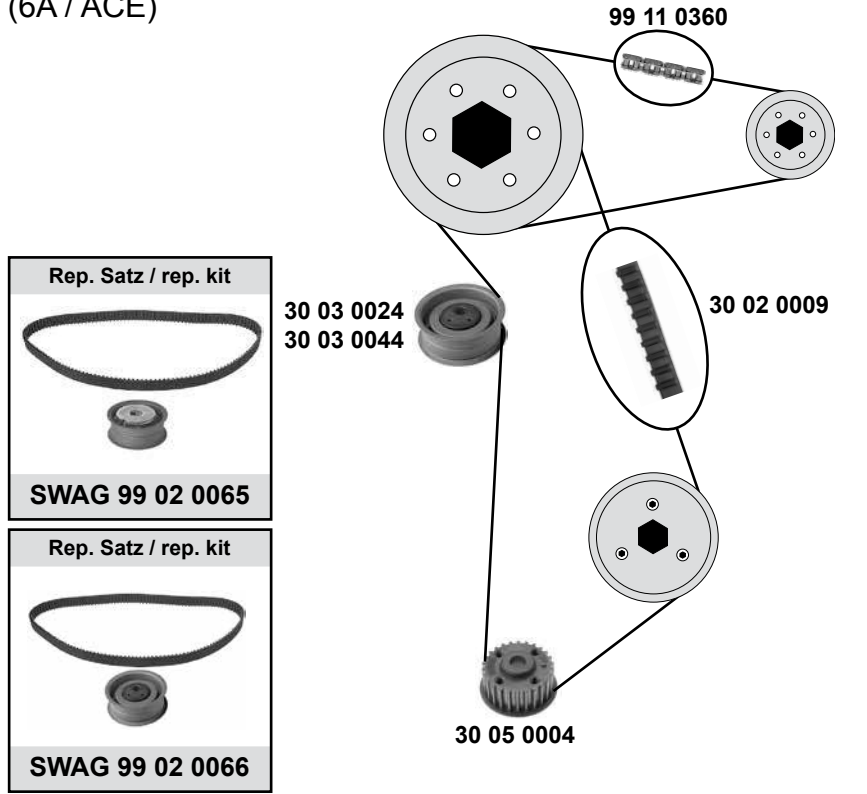
## 80 (8C)

(92→96)



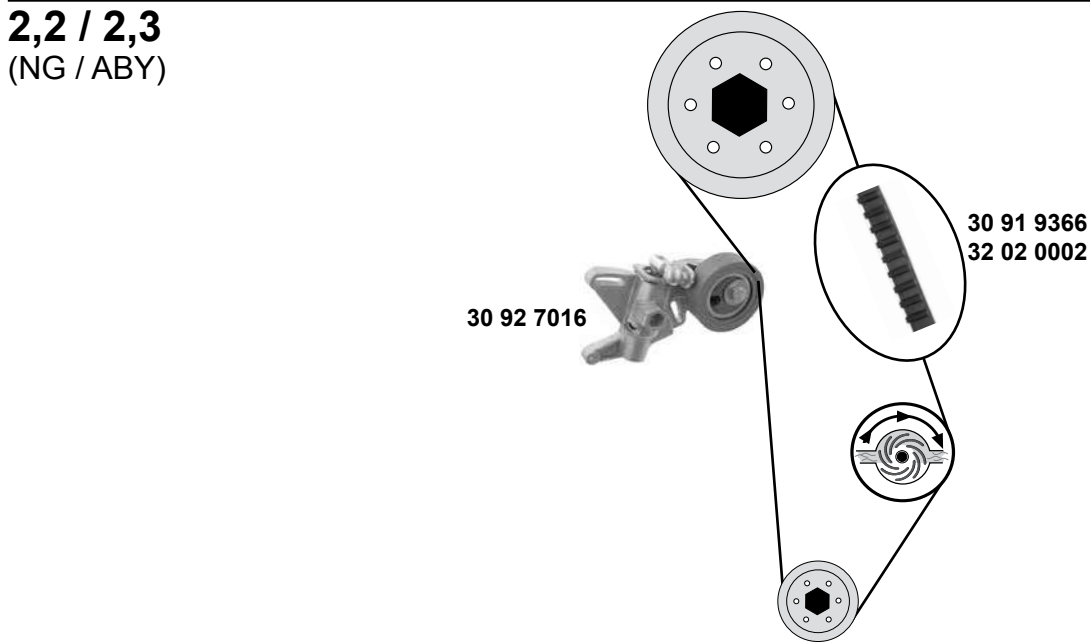
### 2,0 16V

(6A / ACE)



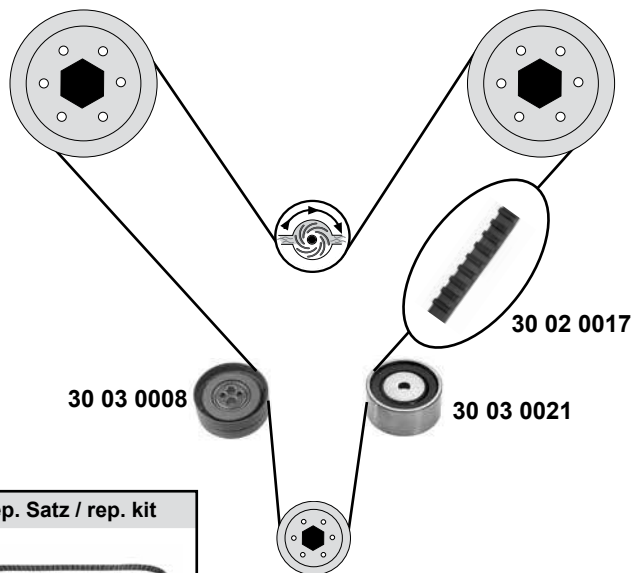
### 2,2 / 2,3

(NG / ABY)

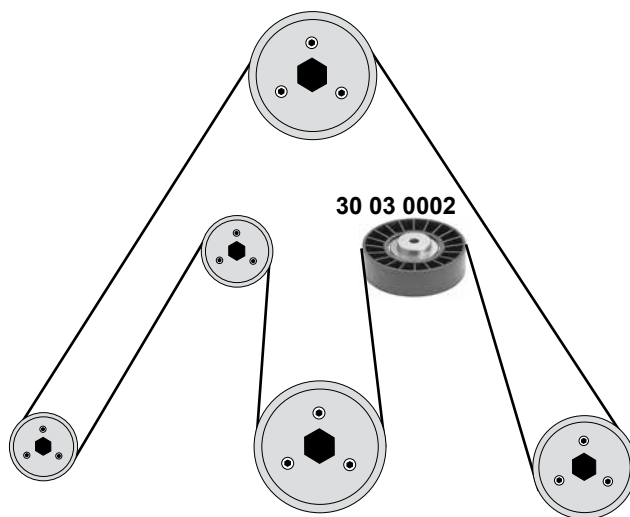
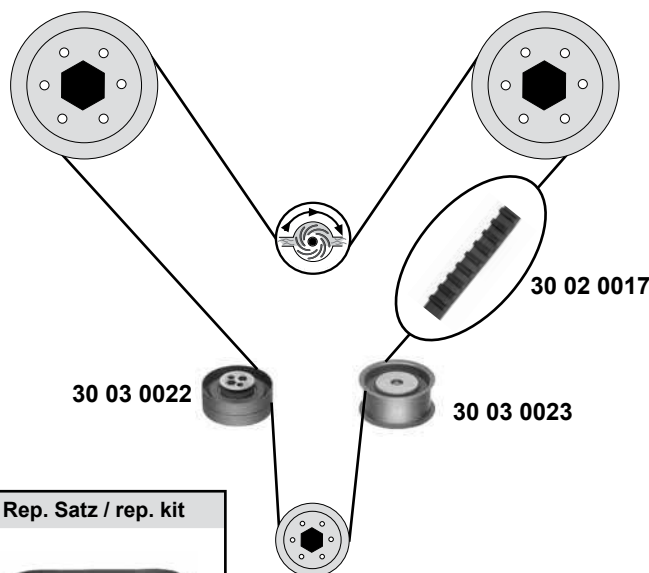


SWAG	Ref. - No.			
30 02 0009	027 109 119 C	Zahnriemen / timing belt		Z 147 B25
30 03 0024	051 109 243 A	Spannrolle / tension roller	(mot.) ACE 017 140 →	ØA 72 ØI 8 B27
30 03 0037	053 903 341	Umlenkrolle / deflection pulley		ØA 78 ØI 8 B18
30 03 0044	051 109 243	Spannrolle / tension roller	(mot.) ACE → 017 139	ØA 72 B27
30 05 0004	027 105 263 B	Kurbelwellenrad / crankshaft gear		Z 26
30 91 9366	054 109 119 H	Zahnriemen / timing belt	(mot.) ABY	Z 151 B19
30 92 7016	054 109 479	Riemenspanner / belt tensioner	(mot.) NG	
32 02 0002	054 109 119 G	Zahnriemen / timing belt	(mot.) NG	Z 147 B19
99 02 0065	027 198 119	Rep. Satz Zahnriemen / rep. kit timing belt	(mot.) ACE 017 140 →	
99 02 0066	027 109 119 C S1	Rep. Satz Zahnriemen / rep. kit timing belt	(mot.) ACE → 017 139	
99 11 0360	077 109 120	Steuerkette / timing chain		455 / 44 E

(ch.) → 8C - S - 025 820



(ch.) 8C - S - 025 821 →



(1) (ex.) AC → 95 (mot.) AAH/ABC / ACZ (ch.) → 8C-S-012 677 AC (mot.) AAH/ABC (ch.) → 8C-R-060 922



Ref. - No.

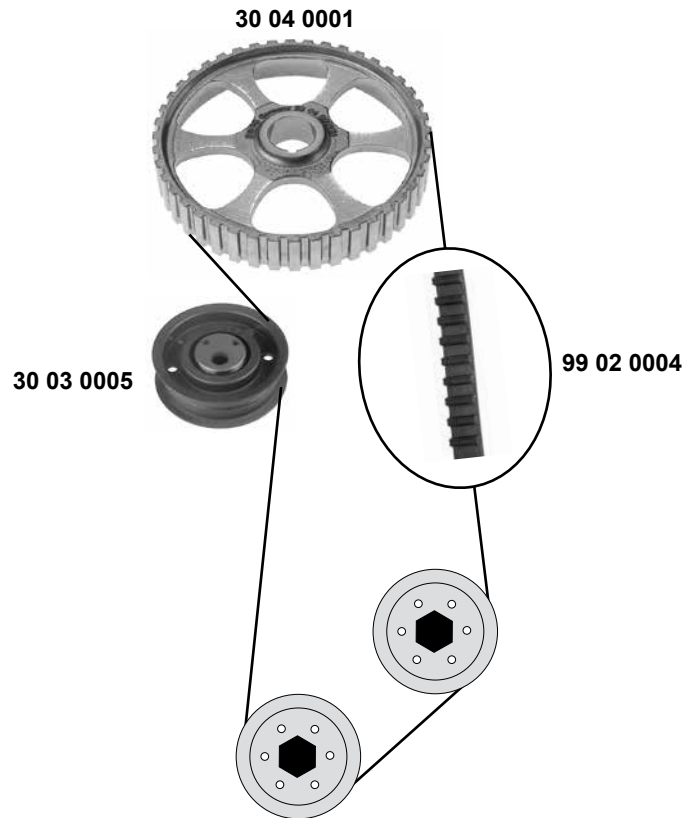


<b>30 02 0017</b>	078 109 119 D	Zahnriemen / timing belt		Z 239 B25,4
<b>30 03 0002</b>	078 903 341 J	Umlenkrolle / deflection pulley	(1)	ØA90 Ø18 B25
<b>30 03 0008</b>	078 109 243 C	Spannrolle / tension roller		ØA 83 Ø1 10 B23
<b>30 03 0021</b>	078 109 244 F	Umlenkrolle / deflection pulley		ØA59 Ø18 B28
<b>30 03 0022</b>	078 109 243 K	Spannrolle / tension roller		ØA72 Ø18 B27
<b>30 03 0023</b>	078 109 244 G	Umlenkrolle / deflection pulley		ØA59 Ø110 B26
<b>32 02 0009</b>	078 198 119 A	Rep. Satz Zahnriemen / rep. kit timing belt		
<b>32 02 0010</b>	078 109 119 D S1	Rep. Satz Zahnriemen / rep. kit timing belt		

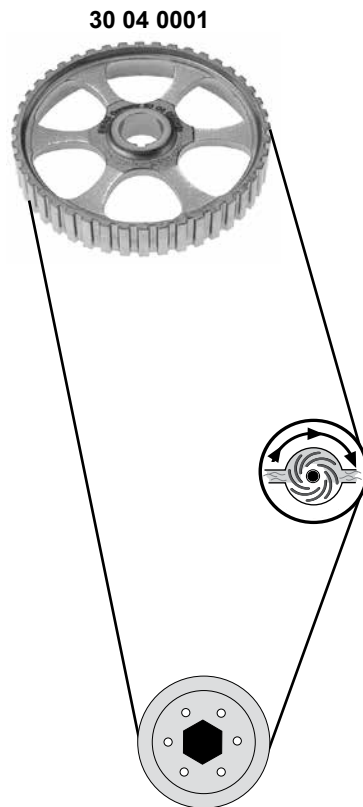
**AUDI**  
**100 / 200 (43)**  
(77→83)



**1,6 → 2,0**  
4 Zyl.

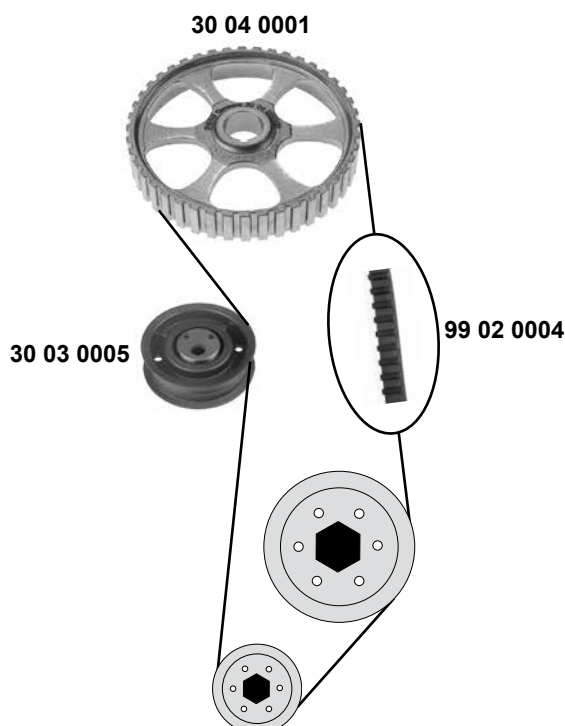


**1,9 → 2,2**  
5 Zyl.



SWAG GERMANY	Ref. - No.			
30 02 0040	051 198 119	Rep. Satz Zahnriemen / rep. kit timing belt	(mot.) WA / YV	ØA 72 ØI 10 B20 Z 44 Z 121 B18
30 03 0005	026 109 243 L	Spannrolle / tension roller		
30 04 0001	049 109 111 C	Nockenwellenrad / camshaft gear		
99 02 0004	056 109 119 A	Zahnriemen / timing belt		

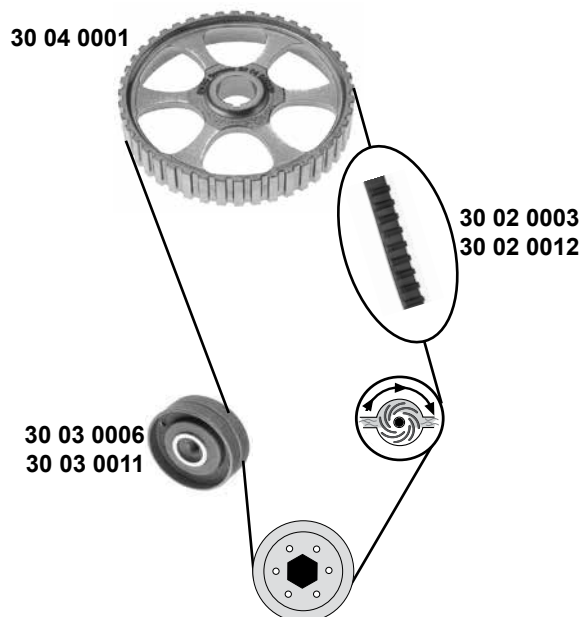




Rep. Satz / rep. kit



SWAG 30 02 0040

**1,9 5 Zyl.**  
 (WH)


Rep. Satz / rep. kit



SWAG 30 92 4856



(1) (ch.) 44 D 200 001 →

(2) (ch.) 44 E 000 001 →

 (3) Audi 100/Avant (mot.) DR/DS/JW/NP/PH/RS/SH/4B  
 Audi 100 quattro/Avant quattro (mot.) JW/NP/PH/SH/4B


Ref. - No.



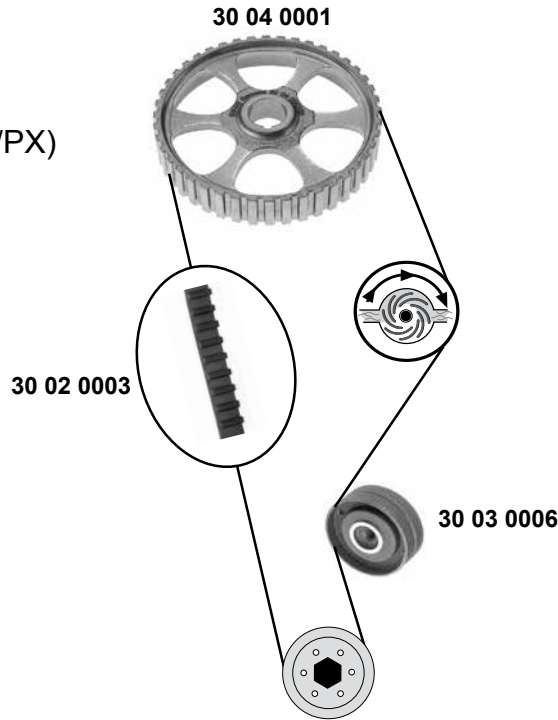
30 02 0003	034 109 119	Zahnriemen / timing belt	(2) (ex.) Super Torque	Z 120 B18
30 02 0012	074 109 119	Zahnriemen / timing belt	(1) Super Torque	Z 142 B19
30 02 0040	051 198 119	Rep. Satz Zahnriemen / rep. kit timing belt		
30 03 0005	026 109 243 L	Spannrolle / tension roller	(3)	ØA72 Ø110 B20
30 03 0006	069 109 243 B	Umlenkrolle / deflection pulley	(2) (ex.) Super Torque	ØA69 Ø18 B27
30 03 0011	074 109 243	Umlenkrolle / deflection pulley	83 → 84 Super Torque	ØA69 Ø18
30 04 0001	049 109 111 C	Nockenwellenrad / camshaft gear	(ex.) Super Torque	Z 44
30 92 4856	034 109 119 S1	Rep. Satz Zahnriemen / rep. kit timing belt	(2) (ex.) Super Torque	Z 120 B18
99 02 0004	056 109 119 A	Zahnriemen / timing belt		Z 121 B18

**AUDI**  
**100 (44)**  
(84→88)



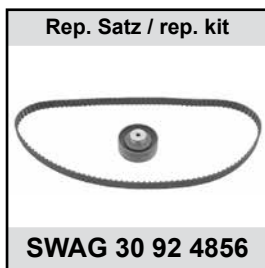
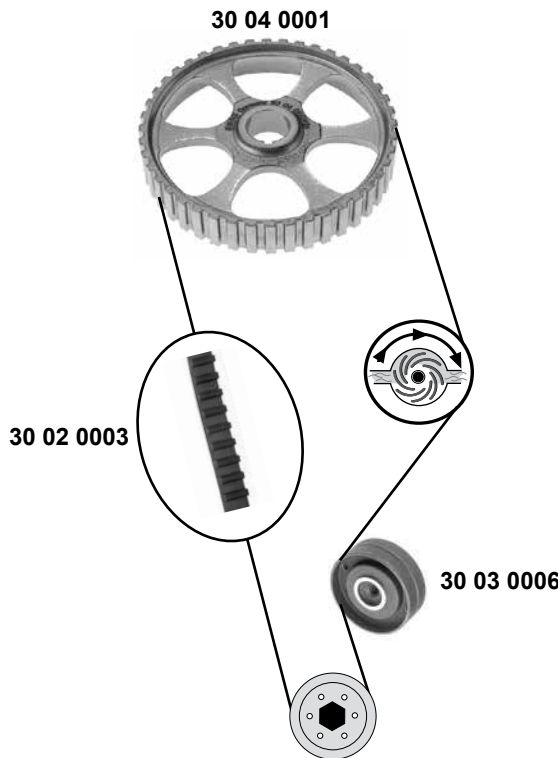
**2,0**  
(SL/KP)

**2,2 / 2,3 (2,23)**  
(WB/WC/KF/WU/KU/KZ/HX/MC/NF/PX)



**200 (44)**  
(84→91)

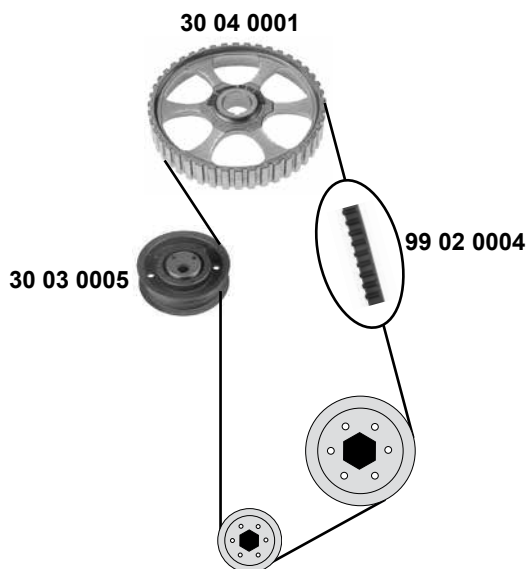
**2,2 / 2,3 (2,23)**  
(JY/KG/KH/KU/WC/MC/1B/2B)



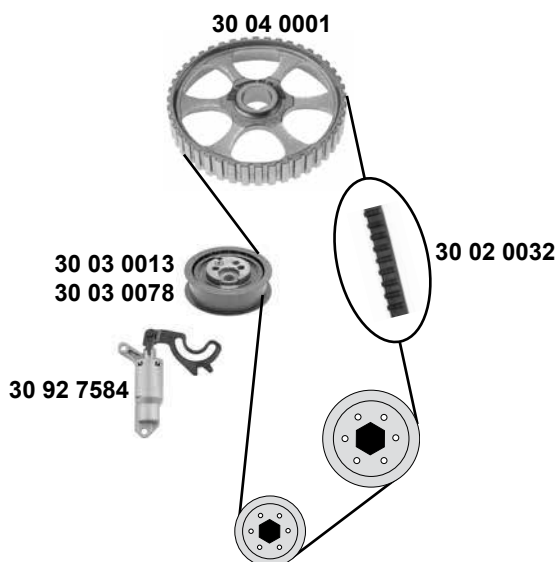
(1) Audi 100 (ch.) 44 E 000 001 → / Audi 200 (ch.) 44 E 012 001 →

	Ref. - No.			
<b>30 02 0003</b>	034 109 119	Zahnriemen / timing belt	(1)	Z 120 B18
<b>30 03 0006</b>	069 109 243 B	Umlenkrolle / deflection pulley	(1)	ØA69 Ø18 B27
<b>30 04 0001</b>	049 109 111 C	Nockenwellenrad / camshaft gear		Z 44
<b>30 92 4856</b>	034 109 119 S1	Rep. Satz Zahnriemen / rep. kit timing belt	(1)	Z 120 B18

**1,6**  
(ABB)



**2,0**  
(AAD/AAE/ABK/ADW/AEE)



- (1) (mot.) AAD / AAE / ABK
- (2) Audi 100/Avant (4A) (mot.) AAD / AAE / ABK / ADW
- (3) (mot.) ABK / AEE / ADW / AAD / AAE
- (4) Audi A6/Avant (4A) (mot.) AAE / ABK (ch.) → 4A-S-060 808
- (5) Audi A6/Avant (4A) (mot.) ADW (ch.) → 4A-S-060 808 / 4A-V-000 001
- (6) Audi 100 quattro/100 Avant quattro (4A) (mot.) AAD



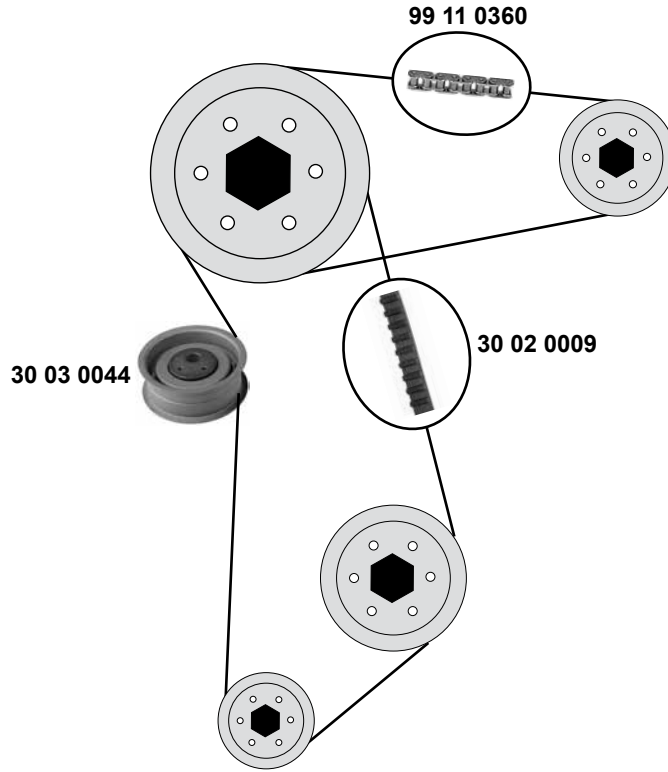
SWAG	Ref. - No.			
30 02 0032	037 109 119 C	Zahnriemen / timing belt	(3)	Z 124 B18
30 02 0040	051 198 119	Rep. Satz Zahnriemen / rep. kit timing belt		
30 03 0005	026 109 243 L	Spannrolle / tension roller		ØA72 ØI 10 B20
30 03 0013	048 109 243 A	Spannrolle / tension roller	(2) (4) (5) (6)	ØA72 ØI 11 B19
30 03 0078	026 109 243 J	Spannrolle / tension roller	(1) (ch.) 4A-S-060809 →	ØA66 ØI 11
30 04 0001	049 109 111 C	Nockenwellenrad / camshaft gear	(1)	Z 44
30 92 7584	050 109 479 A	Riemenspanner / belt tensioner	(ch.) 4A-S-060809 →	
32 02 0013	037 109 119 C S2	Rep. Satz Zahnriemen / rep. kit timing belt	(1) (ch.) 4A-S-060809 →	
99 02 0004	056 109 119 A	Zahnriemen / timing belt		Z 121 B18
99 02 0068	037 109 119 C S2	Rep. Satz Zahnriemen / rep. kit timing belt	(2) 08/91 → 07/96	

# AUDI 100 / A6 (4A/8D)

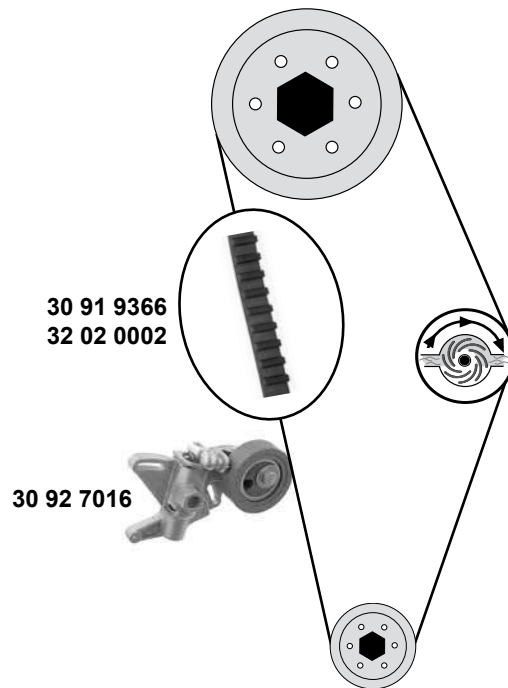
(91→97)



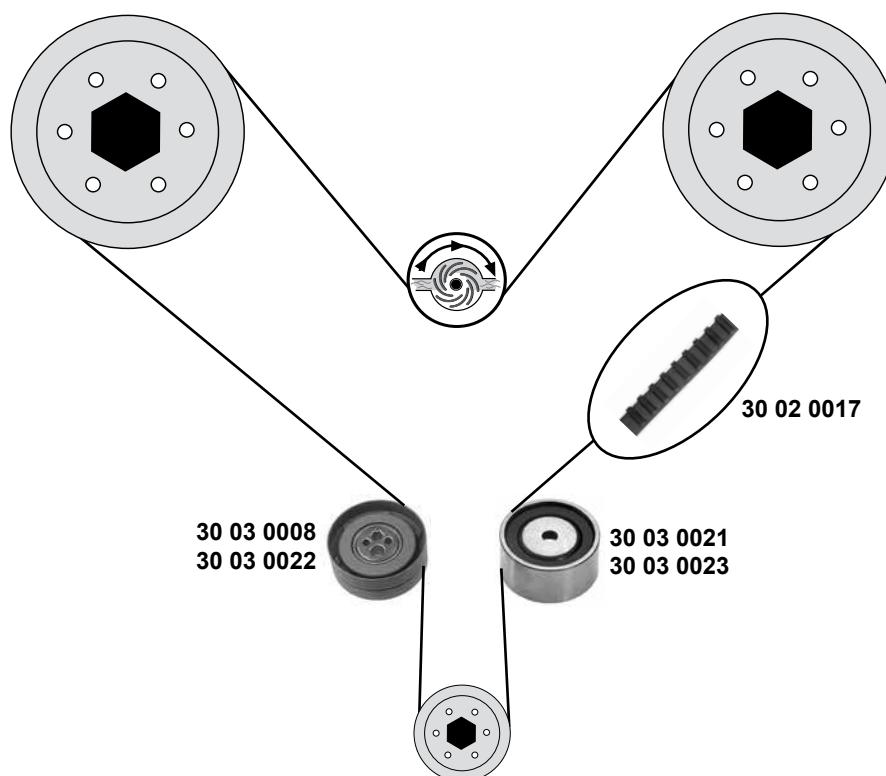
## 2,0 16V (ACE)



## 2,3 (AAN/AAR)



SWAG GERMANY	Ref. - No.			
30 02 0009	027 109 119 C	Zahnriemen / timing belt		Z 147 B25
30 03 0044	051 109 243	Spannrolle / tension roller		ØA 72 B27
30 91 9366	054 109 119 H	Zahnriemen / timing belt	(mot.) AAN	Z 151 B19
30 92 7016	054 109 479	Riemenspanner / belt tensioner	(mot.) AAR	
32 02 0002	054 109 119 G	Zahnriemen / timing belt	(mot.) AAR	Z 147 B19
99 02 0066	027 109 119 C S1	Rep. Satz Zahnriemen / rep. kit timing belt		
99 11 0360	077 109 120	Steuerkette / timing chain		455 / 44 E



Rep. Satz / rep. kit

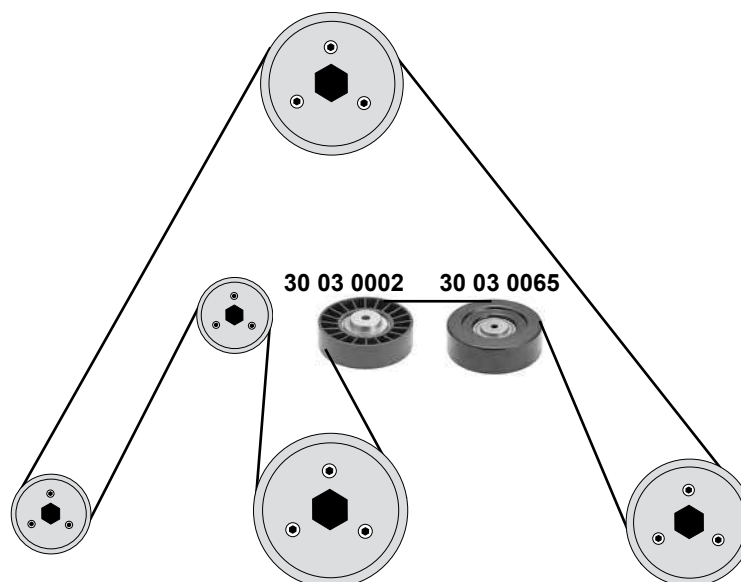


SWAG 32 02 0009

Rep. Satz / rep. kit



SWAG 32 02 0010

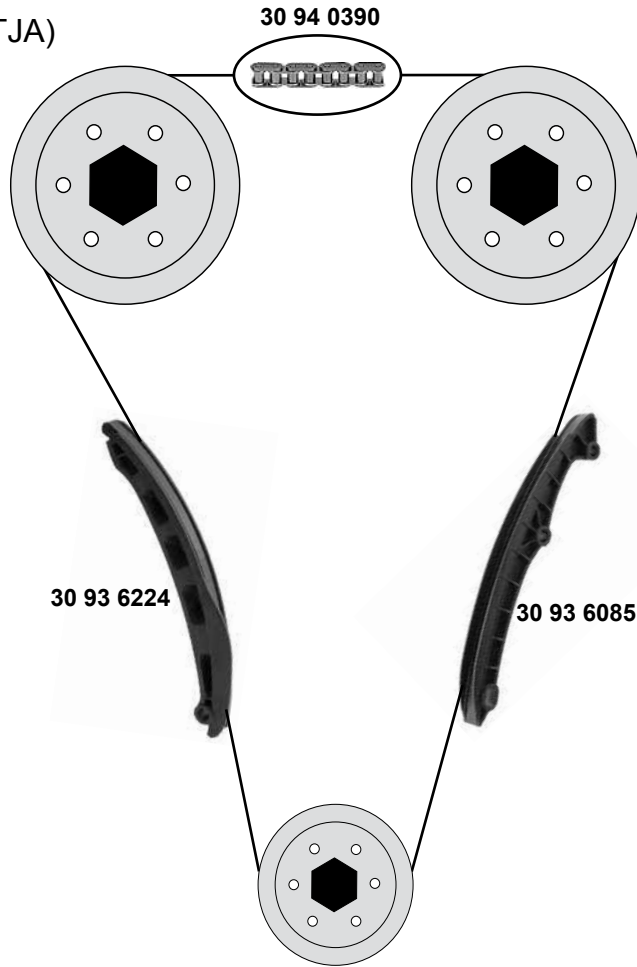


30 02 0017	078 109 119 D	Zahnriemen / timing belt		Z 239 B25,4
30 03 0002	078 903 341 J	Umlenkrolle / deflection pulley	(ch.) 4A-N-023 927 →	ØA 90 ØI 8 B25
30 03 0008	078 109 243 C	Spannrolle / tension roller	(ch.) → 4A-S-026 714	ØA 83 ØI 10 B23
30 03 0021	078 109 244 F	Umlenkrolle / deflection pulley	(ch.) → 4A-S-026 714	ØA 59 ØI 8 B28
30 03 0022	078 109 243 K	Spannrolle / tension roller	(ch.) 4A-S-026 715 →	ØA 72 ØI 8 B27
30 03 0023	078 109 244 G	Umlenkrolle / deflection pulley	(ch.) 4A-S-026 715 →	ØA 59 ØI 10 B26
30 03 0065	078 903 341 B	Umlenkrolle / deflection pulley	(ch.) → 4A-N-023 926	ØA 105 ØI 8 B33
32 02 0009	078 198 119 A	Rep. Satz Zahnriemen / rep. kit timing belt	(ch.) 4A-S-026 715 →	
32 02 0010	078 109 119 D S1	Rep. Satz Zahnriemen / rep. kit timing belt	(ch.) → 4A-S-026 714	

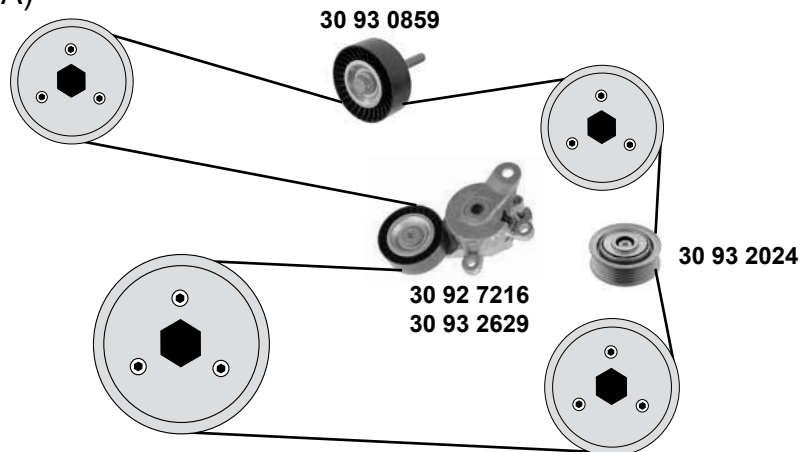
# AUDI A1 (8X) (11→)



## 1,4 B (CAVG/CAXA/CNVA/CTHG/CTJA)

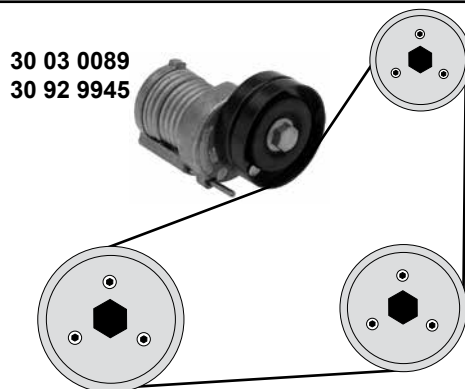
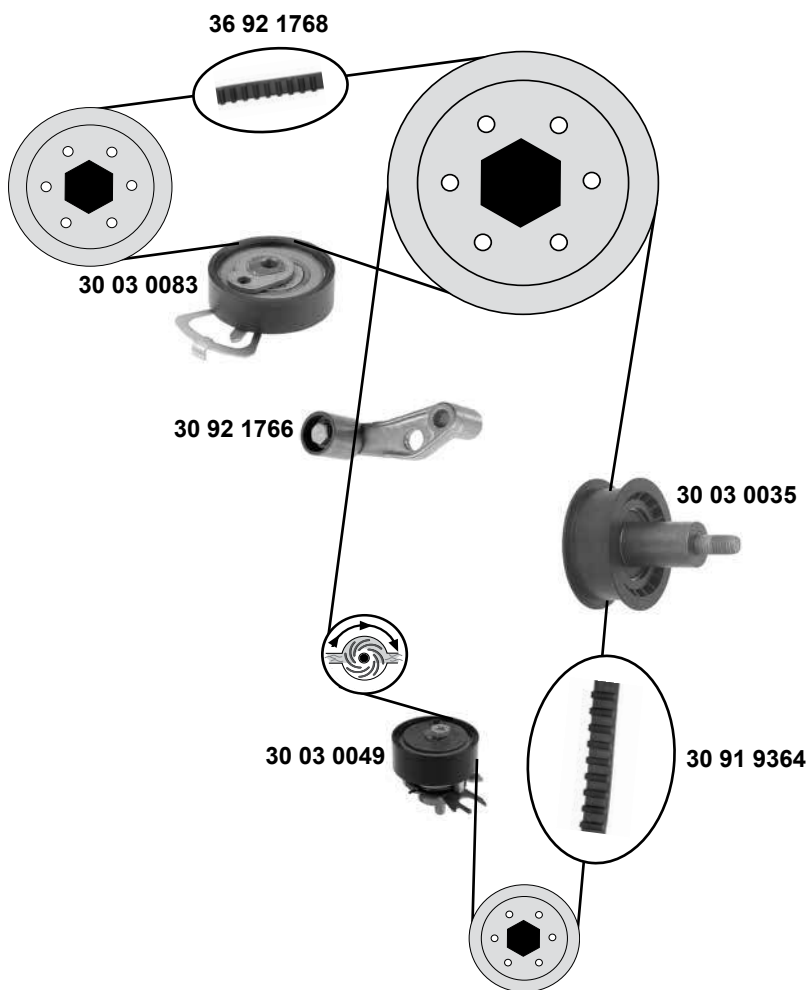


## 1,2 / 1,4 (CBZA/CAXA/CAVG/CNVA)



SWAG GERMANY	Ref. - No.			
30 92 7216	6Q0 145 299	Riemenspanner / belt tensioner	(ex.) CAVG	
30 93 0859	1J0 145 276	Umlenkrolle / deflection pulley	AC (ex.) CAVG/CBZA	ØA76 B26
30 93 2024	03C 145 276 C	Umlenkrolle / deflection pulley	(ex.) AC / CAXA	ØA81 B37
30 93 2629	03C 145 299 Q	Riemenspanner / belt tensioner	AC (ex.) CAVG	
30 93 6085	03C 109 469 K	Gleitschiene/ sliding rail		
30 93 6224	03C 109 509 P	Gleitschiene/ sliding rail		
30 94 0390	03C 109 158 A	Steuerkette / timing chain		130 E

**1,4 / 1,6**  
(AUA/BBY/BAD)



**1,4 / 1,6**  
(AUA/BBY/BAD)



(1) (mot.) AUA/BBY/BAD **AC**

(2) (mot.) AMF/ANY/BHC/ATL



Ref. - No.



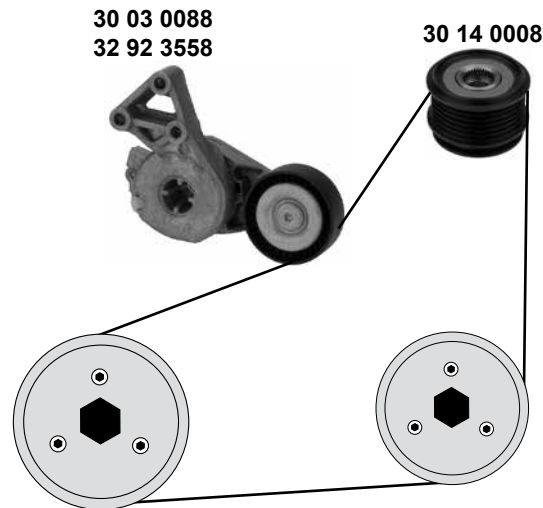
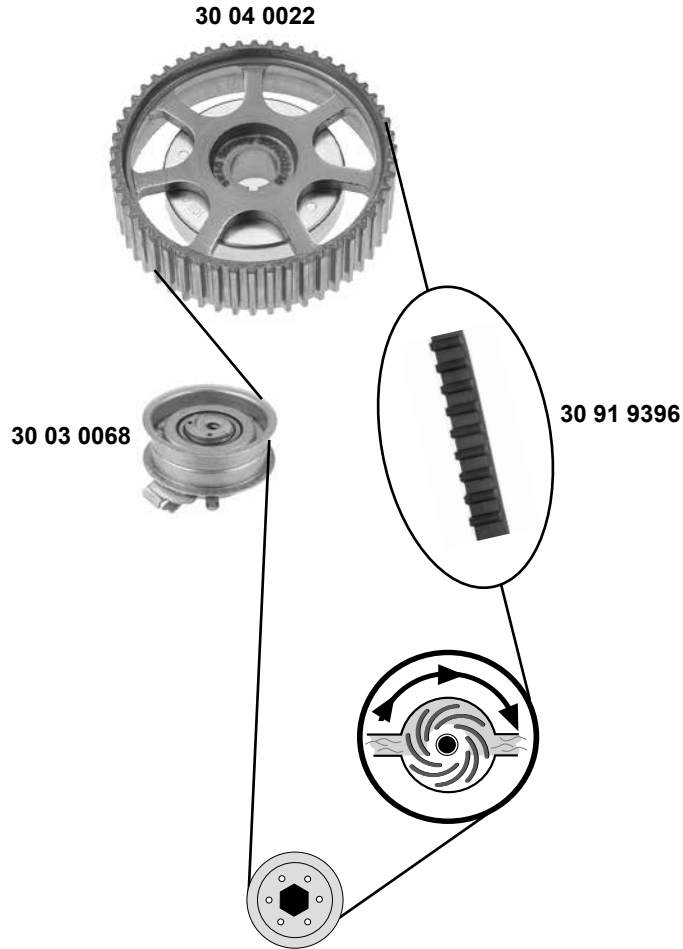
30 03 0035	036 109 244 J	Umlenkrolle / deflection pulley	(ch.) → 8Z-5-004 800	ØA 56 B22
30 03 0049	036 109 243 AD	Spannrolle / tension roller	(ch.) → 8Z-N5 011 050	ØA 80 ØI 8 B25
30 03 0083	036 109 243 AE	Spannrolle / tension roller	(ch.) → 8Z-N5 011 050	ØA 60 B19
30 03 0089	030 145 299 F	Riemenspanner / belt tensioner	(1)	ØA 70 B26
30 91 9364	036 109 119 Q	Zahnriemen / timing belt		Z 130 B20
30 92 1766	036 109 181 A	Umlenkrolle / deflection pulley	(ch.) → 8Z-5-004 800	ØA 28 B30
30 92 1770	036 109 119 Q S1	Rep. Satz Zahnriemen / rep. kit timing belt	(ch.) → 8Z-5-004 800	
30 92 1772	036 109 119 Q S2	Rep. Satz Zahnriemen / rep. kit timing belt		
30 92 1774	036 109 119 P S1	Rep. Satz Zahnriemen / rep. kit timing belt	(ch.) → 8Z-5-004 800	
30 92 9945	045 903 315 A	Riemenspanner / belt tensioner	(2)	
36 92 1768	036 109 119 P	Zahnriemen / timing belt		Z 58 B17



# AUDI A3 (8L) (97→04)

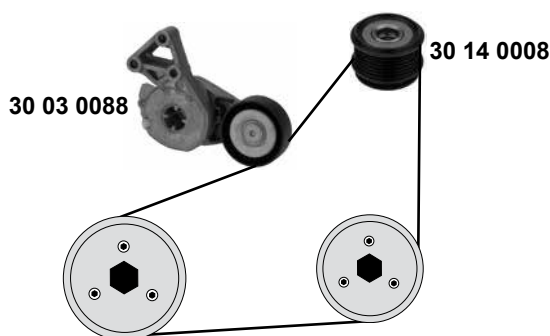
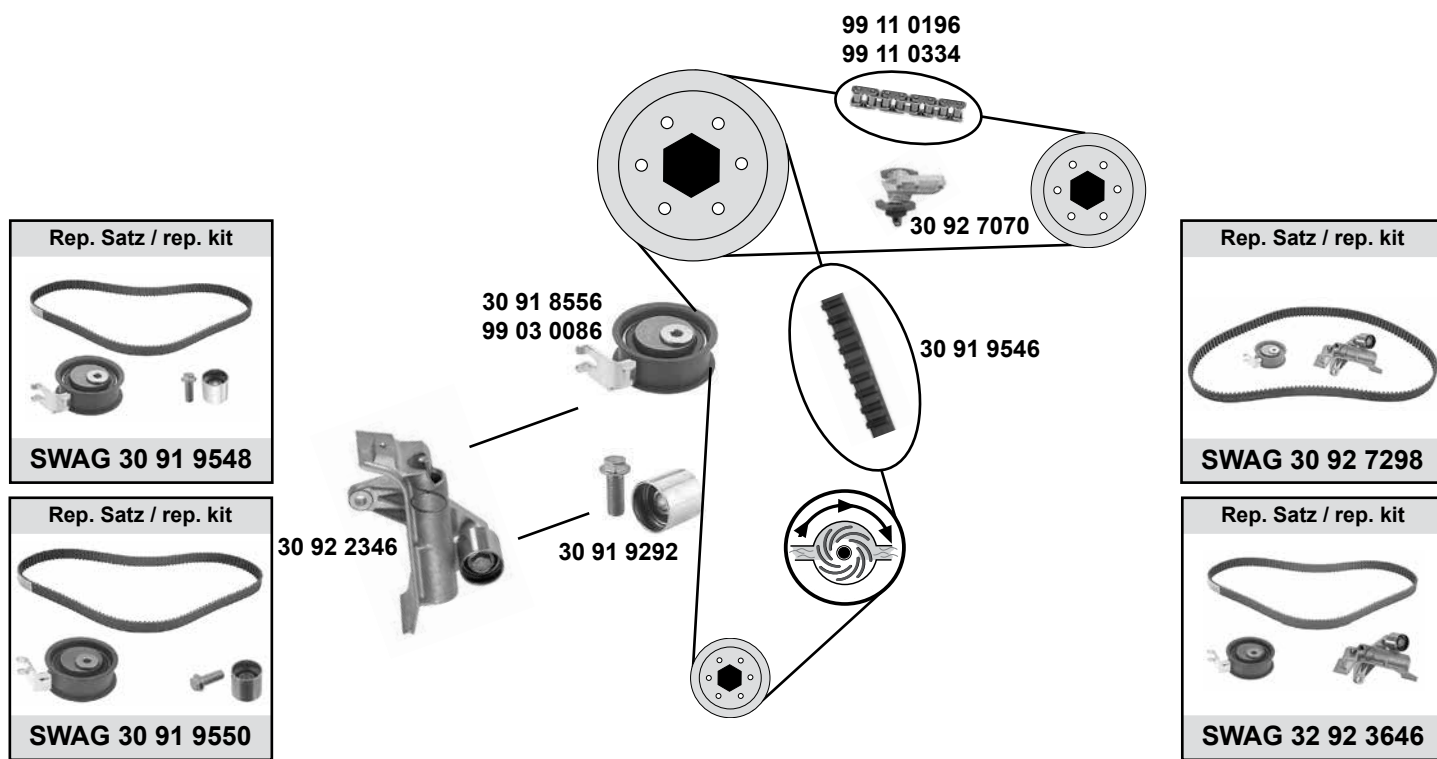


**1,6**  
(AEH/AKL/APF/AVU/BEQ)



SWAG GERMANY	Ref. - No.			
30 03 0068	06A 109 479 C	Spannrolle / tension roller		ØA 72 B25,5 / 29
30 03 0088	06A 903 315 E	Riemenspanner / belt tensioner	(ex.) AC	ØA 70 B24
30 04 0022	06A 109 105 C	Nockenwellenrad / camshaft gear	(mot.) AVU	Z 52
30 14 0008	022 903 119 C	Riemenscheibe Generator / belt pulley alternator	(ch) 8L-W-095 001→	ØA56 Ø117
30 91 9396	06A 109 119 C	Zahnriemen / timing belt		Z 138 B23
32 92 3558	032 145 299 A	Riemenspanner / belt tensioner	(ex.) APF / AC servo	
32 92 3634	06A 198 119	Rep. Satz Zahnriemen / rep. kit timing belt		





(1) (mot.) AGU / AJQ / APP / APY / AQA / ARZ / AUL



Ref. - No.



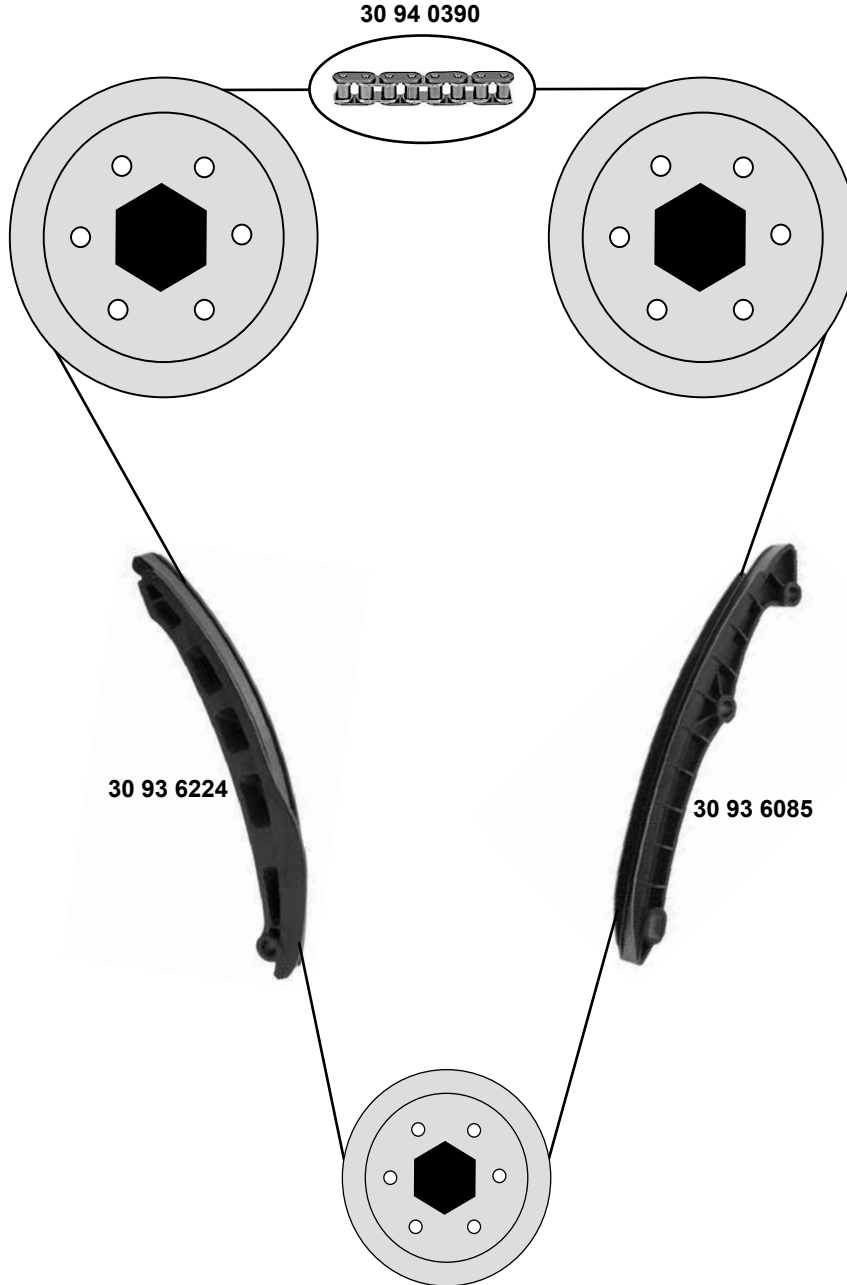
Ref. - No.	Description	Notes	Dimensions
30 03 0088	Riemenspanner / belt tensioner		ØA 70 B24
30 14 0008	Riemenscheibe Generator / belt pulley alternator		ØA56 Ø117
30 91 8556	Spannrolle / tension roller		ØA 72 B31
30 91 9292	Umlenkrolle / deflection pulley		ØA28,5 B27
30 91 9546	Zahnriemen / timing belt		Z150 B23
30 91 9548	Rep. Satz Zahnriemen / rep. kit timing belt	(ch.) → 8L-Y-125 000	
30 91 9550	Rep. Satz Zahnriemen / rep. kit timing belt	(ch.) 8L-Y-125 000 →	
30 92 2346	Riemenspanner / belt tensioner		
30 92 7070	Kettenspanner / chain tensioner	(1)	
30 92 7298	Rep. Satz Zahnriemen / rep. kit timing belt	(ch.) 8L-Y-125 000 →	
32 92 3646	Rep. Satz Zahnriemen / rep. kit timing belt	(ch.) 8L-Y-125 000 →	
99 03 0086	Spannrolle / tension roller	(ch.) → 8L-Y-125 000	ØA 72 B30
99 11 0196	Steuerkette / timing chain	(mot.) APY	50E
99 11 0334	Steuerkette / timing chain	(ex.) APY	50E

# AUDI A3 / Cabrio (8P)

(04→)



**1,4 / 1,6 B**  
(BAG/BLF/BLP/CAXC/CMSA)



(1) A3 Cabrio (mot.) CAXC 08→13



Ref. - No.

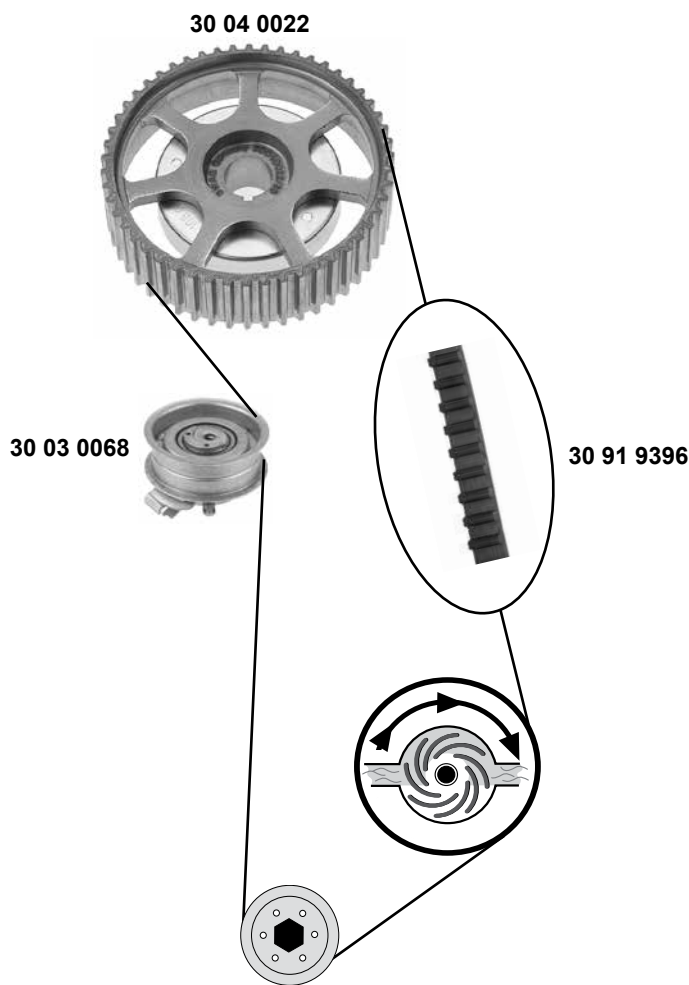


30 93 6085	03C 109 469 K
30 93 6224	03C 109 509 P
30 94 0390	03C 109 158 A

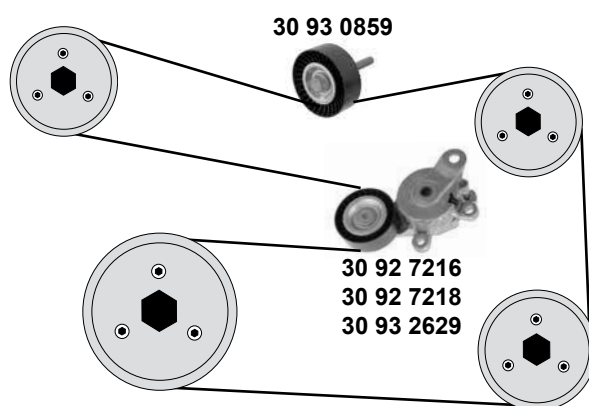
Gleitschiene/ sliding rail
Gleitschiene/ sliding rail
Steuerkette / timing chain

130 E

**1,6**  
(BGU/BSE/BSF)



**1,4 / 1,6**  
(CAXC/CMSA/BAG/BLP/BLF)

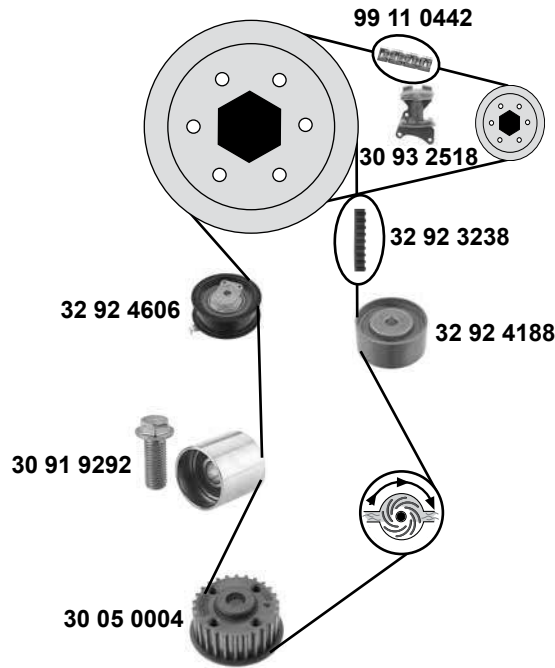


	Ref. - No.			
30 03 0068	06A 109 479 C	Spannrolle / tension roller		ØA 72 B25,5 / 29
30 04 0022	06A 109 105 C	Nockenwellenrad / camshaft gear		Z 52
30 91 9396	06A 109 119 C	Zahnriemen / timing belt		Z 138 B23
30 92 7216	6Q0 145 299	Riemenspanner / belt tensioner	(ex.) AC	
30 92 7218	03C 145 299 C	Riemenspanner / belt tensioner	AC (ex.) CAXC/CMSA	
30 93 0859	1J0 145 276	Umlenkrolle / deflection pulley	AC	ØA76 B26
30 93 2629	03C 145 299 Q	Riemenspanner / belt tensioner	AC CAXC/CMSA	
32 92 3634	06A 198 119	Rep. Satz Zahnriemen / rep. kit timing belt		

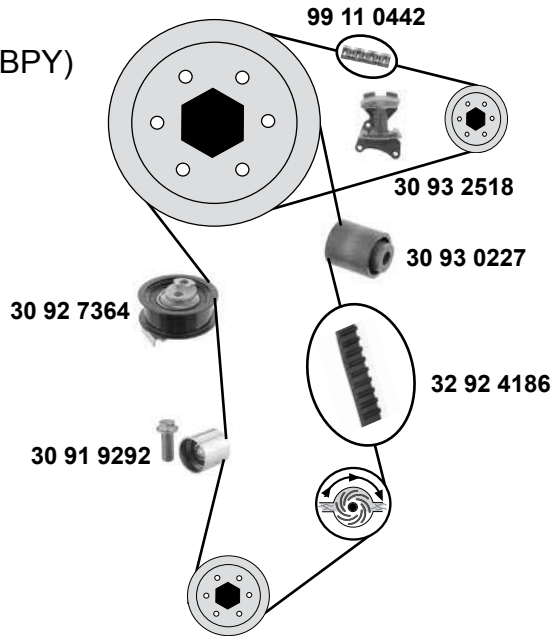
# AUDI A3 (8P) (04→)



## 2,0 16V (AXW/BMB)



## 2,0 16V (BLY/BLX/BLR/BVY/BVZ/AXX/BWA/BPY)



(1) (ch.) → 8P-6A118 000 / (ch.) → 8P-6B012 500

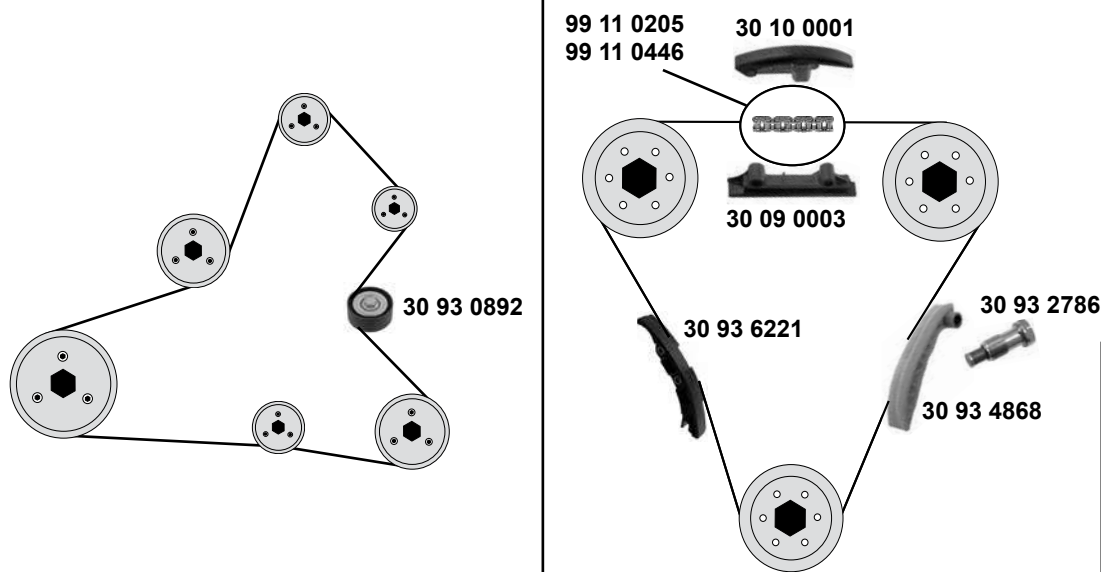
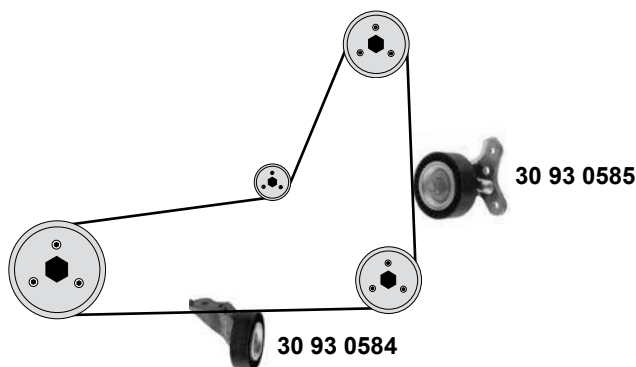
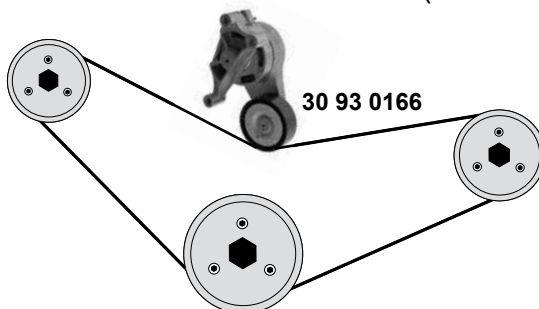
(2) (mot.) AXW / BMB / AXX / BLY / BLX / BLR / BVY / BVZ / BHZ / BPY / BZC → 08



Ref. - No.



Ref. - No.	Description	Quantity	Notes
30 05 0004	027 105 263 B Kurbelwellenrad / crankshaft gear		
30 91 9292	06B 109 244 Umlenkrolle / deflection pulley	(1)	(ex.) BMB
30 92 7364	06D 109 243 B Spannrolle / tension roller		
30 93 0227	06D 109 244 E Umlenkrolle / deflection pulley		
30 93 0586	06F 198 119 A Rep. Satz Zahnriemen / rep. kit timing belt		
30 93 2518	06F 109 217 A Kettenspanner / chain tensioner	(2)	
32 92 3238	06D 109 119 Zahnriemen / timing belt	(1)	Z 145
32 92 4186	06D 109 119 B Zahnriemen / timing belt		Z 148
32 92 4188	06D 109 244 A Umlenkrolle / deflection pulley	(1)	
32 92 4606	06D 109 243 Spannrolle / tension roller	(1)	ØA 67
32 92 4764	06F 198 119 Rep. Satz Zahnriemen / rep. kit timing chain	(1)	Z 145
99 11 0442	06D 109 229 B Steuerkette / timing chain	(ex.)	BMB 42E



Rep. Satz / rep. kit

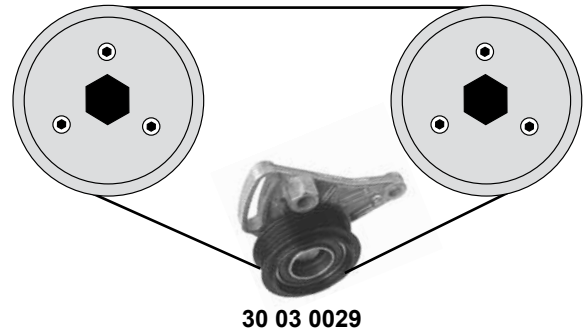
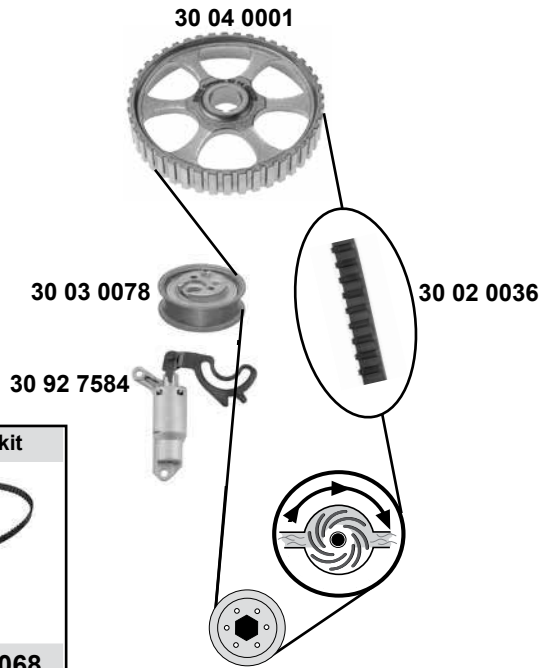
**SWAG 30 93 6222**

SWAG	Ref. - No.			
30 09 0003	021 109 469	Gleitschiene / sliding rail		
30 10 0001	021 109 467	Kettenspanner / chain tensioner		
30 93 0166	06F 903 315	Riemenspanner / belt tensioner		
30 93 0584	07K 145 172 C	Umlenkrolle / deflection pulley	11→	ØA 73 B21,85
30 93 0585	07K 145 172 B	Umlenkrolle / deflection pulley	11→	ØA 64,1 B21,85
30 93 0892	022 145 276 A	Umlenkrolle / deflection pulley		ØA 65 B28
30 93 2786	03H 109 507	Kettenspanner / chain tensioner		
30 93 4868	066 109 509 A	Gleitschiene / sliding rail		
30 93 6221	066 109 513 A	Gleitschiene / sliding rail		
30 93 6222	03H 109 503 S1	Rep. Satz Steuerkette / rep. kit timing chain		
99 11 0205	03H 109 465	Steuerkette / timing chain		70E
99 11 0446	066 109 503 C	Steuerkette / timing chain		98E

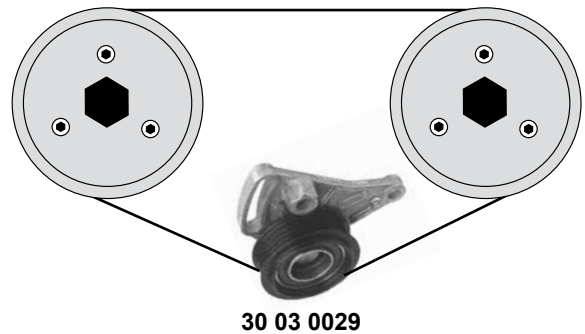
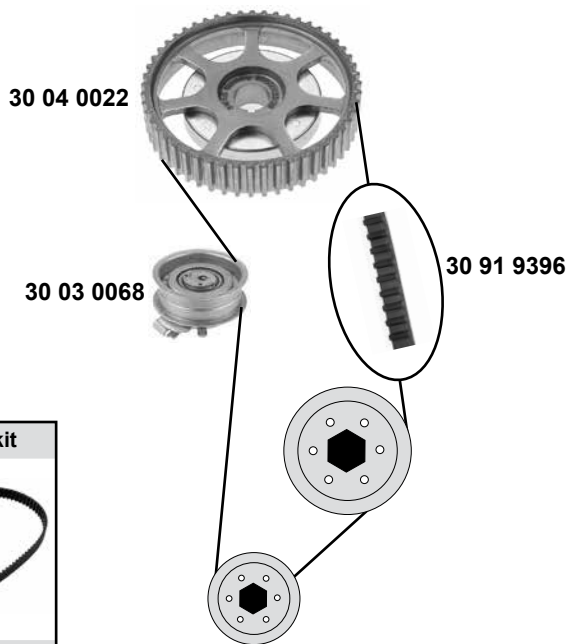
# AUDI A4 (8D) (95→01)



**1,6**  
(ADP)

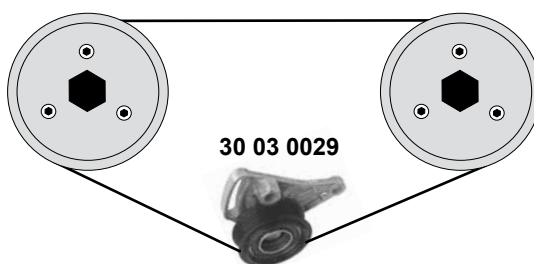
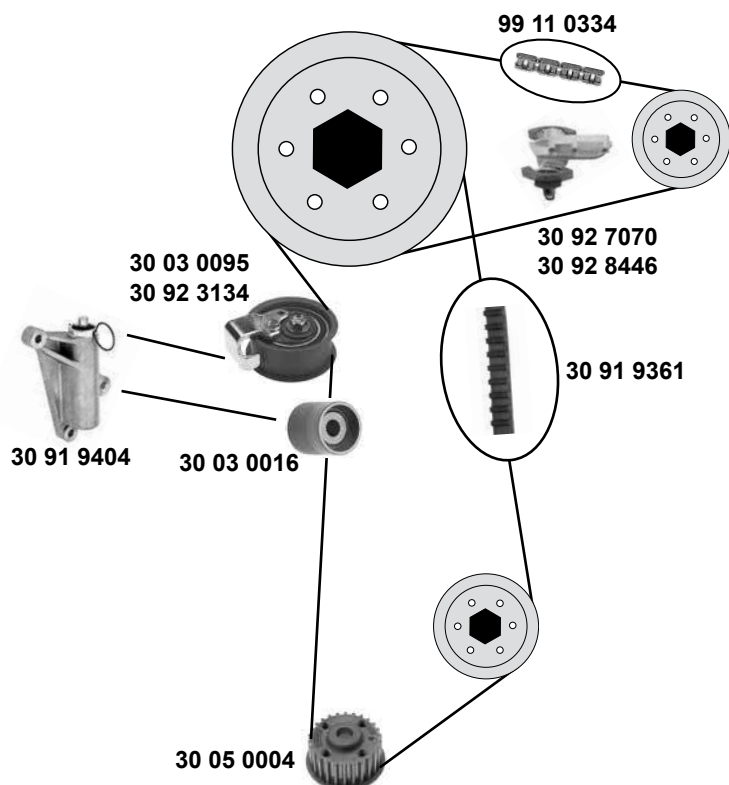


**1,6**  
(AHL/ARM/ANA/ALZ)



SWAG	Ref. - No.			
30 02 0036	026 109 119 B	Zahnriemen / timing belt		Z 121 B18
30 03 0029	058 260 511	Spannrolle / tension roller	AC	ØA 60 B15,5
30 03 0068	06A 109 479 C A	Spannrolle / tension roller		ØA 72 B25,5 / 29
30 03 0078	026 109 243 J	Spannrolle / tension roller		ØA 66 ØI11 B18
30 04 0001	049 109 111 C	Nockenwellenrad / camshaft gear		Z 44
30 04 0022	06A 109 105 C	Nockenwellenrad / camshaft gear		Z 52
30 91 9396	06A 109 119 C	Zahnriemen / timing belt		Z 138 B23
30 92 7584	050 109 479 A	Riemenspanner / belt tensioner		
32 92 3634	06A 198 119	Rep. Satz Zahnriemen / rep. kit timing belt		
70 13 0002	026 198 119	Rep. Satz Zahnriemen / rep. kit timing belt		





(1) (ch.) → 8D-T-155 000

(2) (ch.) 8D-T-155 010 →  
 (mot.) APT / ARG / AVV  
 (mot.) APU 020001 →  
 (mot.) ANB 020001 →  
 (mot.) AJL 010001 →  
 (mot.) AJL 010001 →

(3) (ch.) 8D-T-155 001 →  
 (mot.) APU → 020000  
 (mot.) ANB → 020000  
 (mot.) AJL → 010000  
 (mot.) AFY → 010000

(4) (mot.) AEB/AJL/ANB/APU

(5) (ch.) 8D-T-155 001 →  
 (mot.) ADR/AEB/AFY

(6) (ch.) → 8D-T-155 000  
 (mot.) ADR/AEB/AFY

(7) (mot.) ADR/AFY 95 → 97  
 (mot.) AFY (ex.ADR) 98 → 01

(8) (mot.) ADR/AFY/AEB/AJL/  
 APT/ARG/AVV/APU/  
 ANB



Ref. - No.

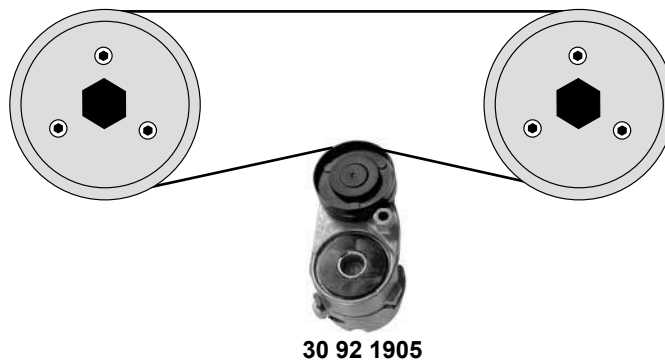
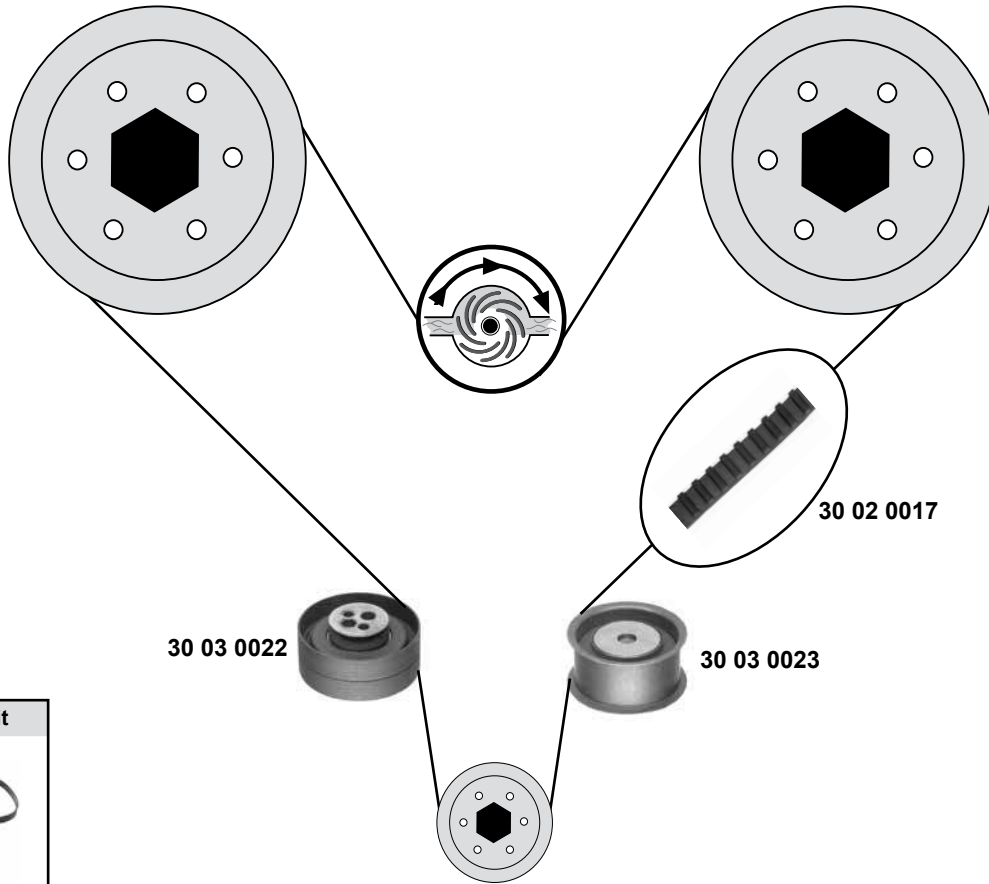


Ref. - No.	Description	Quantity	Notes
30 03 0016	Umlenkrolle / deflection pulley	(8)	ØA 66 ØI11 B25
30 03 0029	Spannrolle / tension roller	AC	ØA 60 B15,5
30 03 0095	Spannrolle / tension roller	(3)	ØA 72 B32,5
30 05 0004	Kurbelwellenrad / crankshaft gear		Z 26
30 91 9361	Zahnriemen / timing belt		Z 153 B19
30 91 9404	Riemenspanner / belt tensioner		
30 92 1100	Rep. Satz Zahnriemen / rep. kit timing belt	(2)	
30 92 3134	Spannrolle / tension roller	(1)	ØA 72 B32,5
30 92 7070	Kettenspanner / chain tensioner	(4)	
30 92 8446	Kettenspanner / chain tensioner	(7)	
32 92 3126	Rep. Satz Zahnriemen / rep. kit timing belt	(1)	
32 92 4723	Rep. Satz Zahnriemen / rep. kit timing belt	(5)	
32 92 4724	Rep. Satz Zahnriemen / rep. kit timing belt	(6)	
99 11 0334	Rollenkette / roller chain		50E

**AUDI**  
**A4 (8D)**  
(95→01)

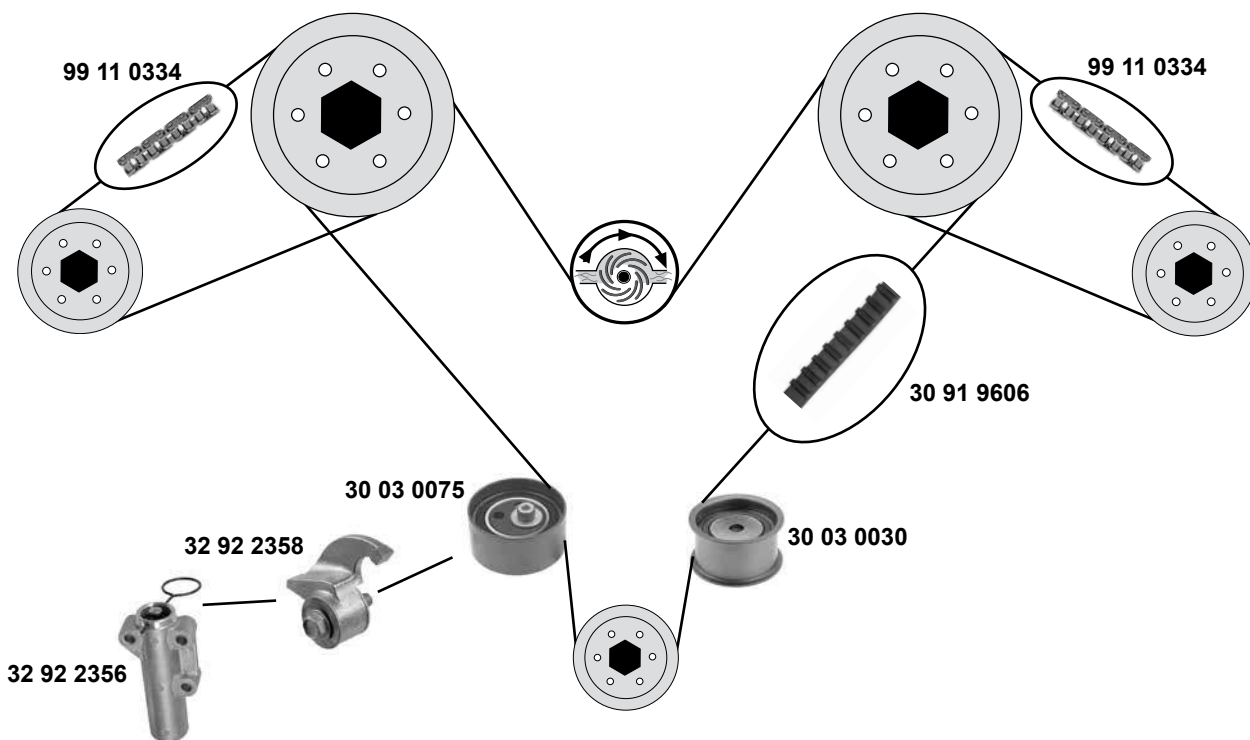


**2,4 / 2,6 / 2,8 V6 (12V)**  
(AFU/AAH/ABC/ACZ)



	Ref. - No.			
<b>30 02 0017</b>	078 109 119 D	Zahnriemen / timing belt		Z 239 B25,4
<b>30 03 0022</b>	078 109 243 K	Spannrolle / tension roller		ØA 72 ØI 8 B27
<b>30 03 0023</b>	078 109 244 G	Umlenkrolle / deflection pulley		ØA 59 ØI 10 B26
<b>30 92 1905</b>	078 903 133 AB	Riemenspanner / belt tensioner		
<b>32 02 0009</b>	078 198 119 A	Rep. Satz Zahnriemen / rep. kit timing belt		





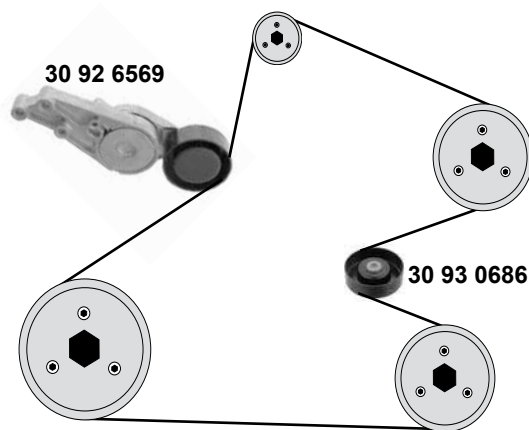
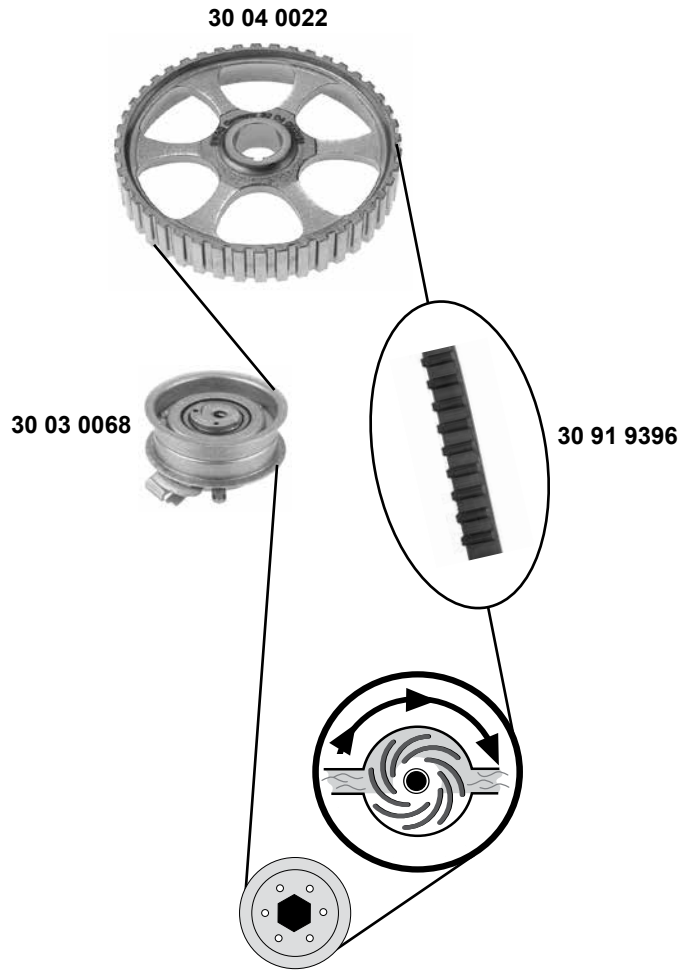
	Ref. - No.			
30 03 0030	078 109 244 H	Umlenkrolle / deflection pulley		ØA 59 ØI 10 B31
30 03 0075	078 109 243 R	Spannrolle / tension roller		ØA 73,2 B32
30 91 9606	078 109 119 H	Zahnriemen / timing belt		Z 253
32 92 2356	078 109 479 E	Riemenspanner / belt tensioner		
32 92 2358	078 109 487 A	Riemenspanner / belt tensioner		
32 92 3290	078 198 479 S1	Rep. Satz Zahnriemen / rep. kit timing belt		
32 92 3292	078 198 119	Rep. Satz Zahnriemen / rep. kit timing belt		
99 11 0334	058 109 229 B	Rollenkette / roller chain		50E

# AUDI A4 / Cabrio (8D/8H)

(01→05)



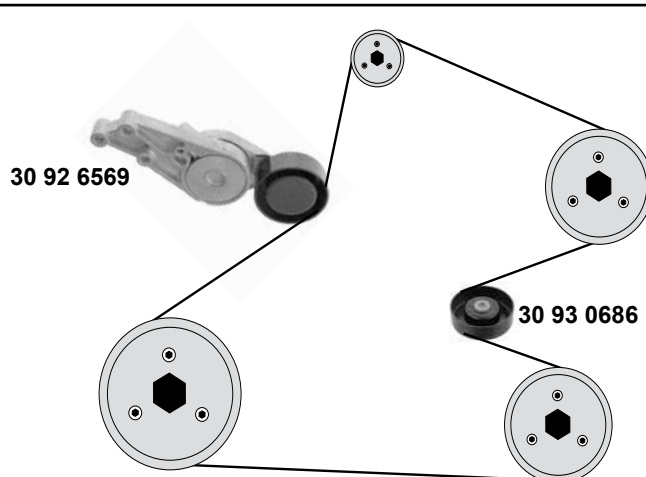
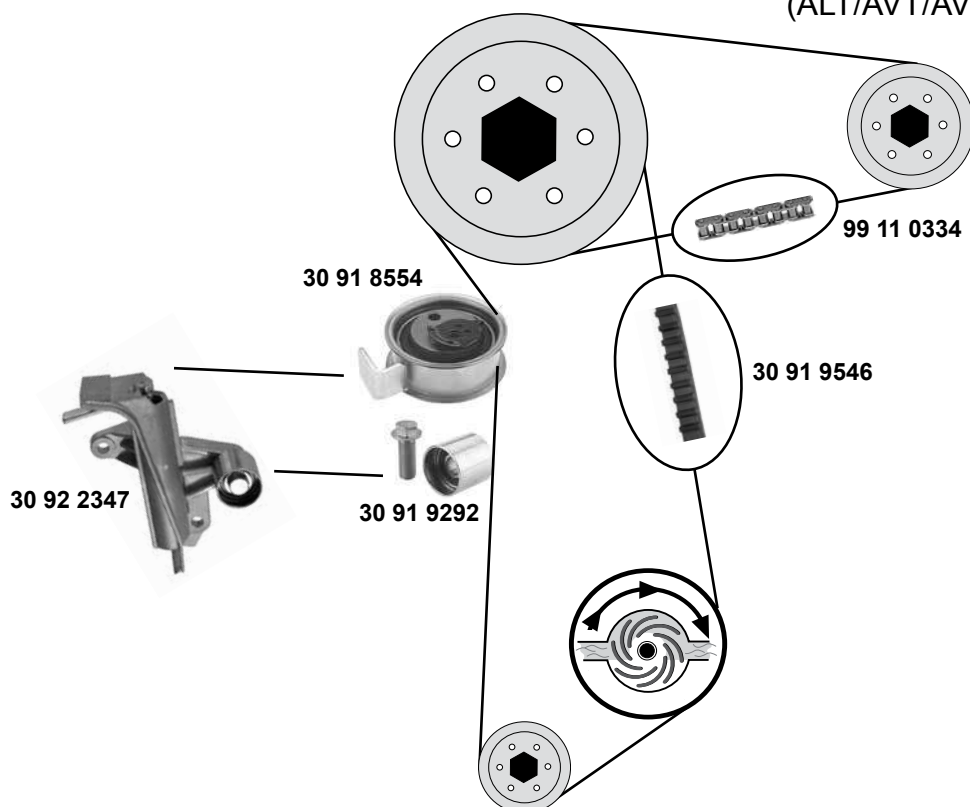
**1,6**  
(ALZ)



SWAG GERMANY	Ref. - No.			
30 03 0068	06A 109 479 C	Spannrolle / tension roller		ØA 72 B25,5 / 29
30 04 0022	06A 109 105 C	Nockenwellenrad / camshaft gear		Z 52
30 91 9396	06A 109 119 C	Zahnriemen / timing belt		Z 138 B23
30 92 6569	06B 903 133 E	Riemenspanner / belt tensioner		ØA 76 B27,6
32 92 3634	06A 198 119	Rep. Satz Zahnriemen / rep. kit timing belt		
30 93 0686	06B 903 341 B	Umlenkrolle / deflection pulley	AC	ØA 90 B24,6

### 1,8 / 2,0

(ALT/AVT/AVJ/AWT/AMB/BFB/BEX)



### 1,8

(AVJ/AMB/BFB/BEX)



(1) (ex.) (mot.) ALT/AVJ/AWT

(2) Cabrio 03 → 09 (mot.) ALT/BFB / A4 avant quattro 8D-1-042385 → (ex.)(mot.) AVT/BEX



Ref. - No.



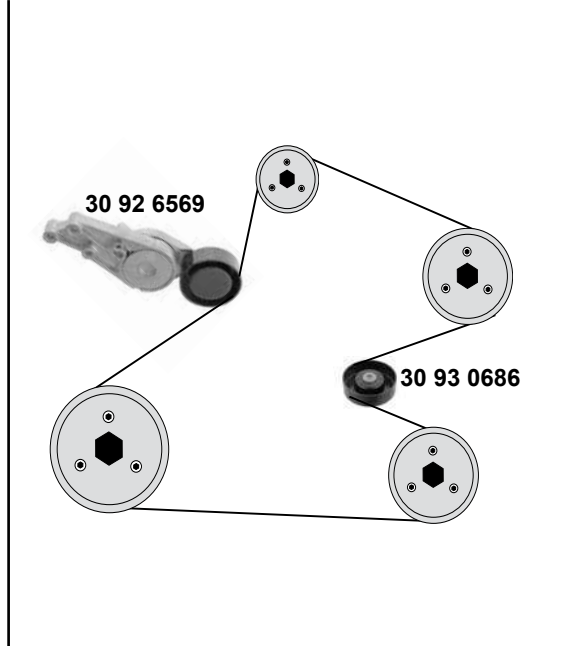
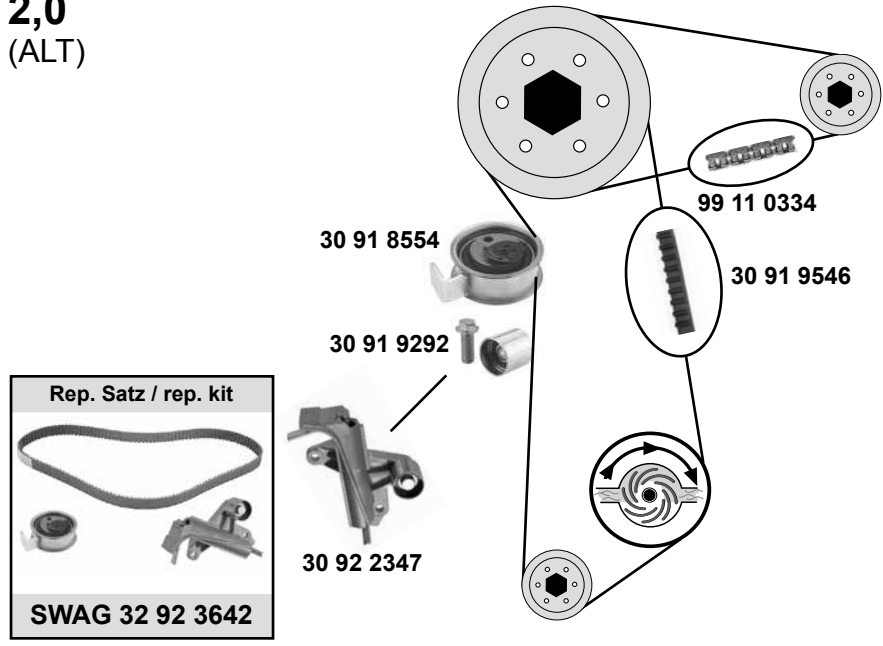
Ref. - No.	Description	Quantity	Notes
30 91 8554	06B 109 243 B Spannrolle / tension roller	(1)	ØA 72 B31
30 91 9292	06B 109 244 Umlenkrolle / deflection pulley	(1)	ØA 28,5 B27
30 91 9546	06B 109 119 A Zahnriemen / timing belt	(1)	Z 150 B23
30 92 2347	06B 109 477 A Riemenspanner / belt tensioner	(1)	
30 92 6569	06B 903 133 E Riemenspanner / belt tensioner	(1)	ØA 76 B27,6
30 93 0686	06B 903 341 B Umlenkrolle / deflection pulley	(1)	ØA 90 B24,6
32 92 3642	06B 109 119 F S4 Rep. Satz Zahnriemen / rep. kit timing belt	(1)	
32 92 4755	06B 198 119 A Rep. Satz Zahnriemen / rep. kit timing belt	(2)	
99 11 0334	058 109 229 B Rollenkette / roller chain	(1)	50E

# AUDI A4 / Cabrio (8D/8H)

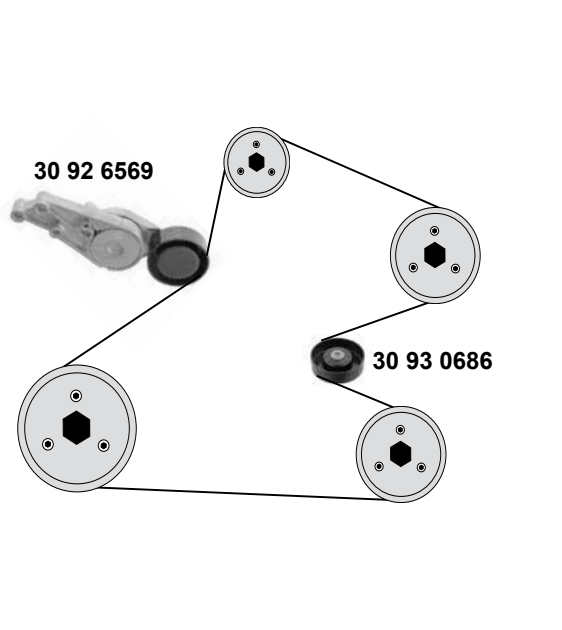
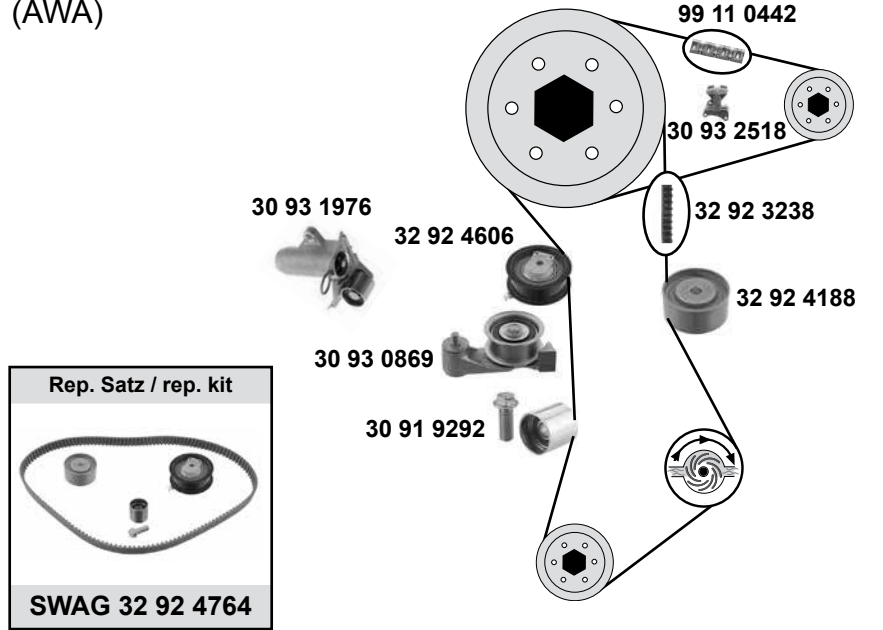
(01→04)



## 2,0 (ALT)

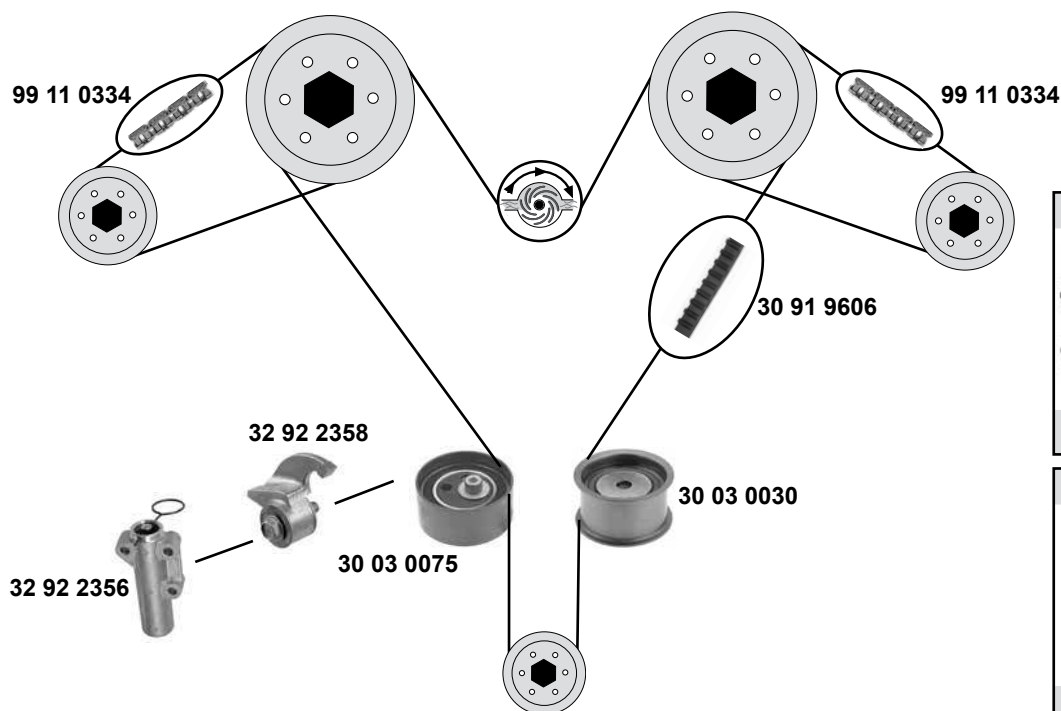


## 2,0 FSI (AWA)

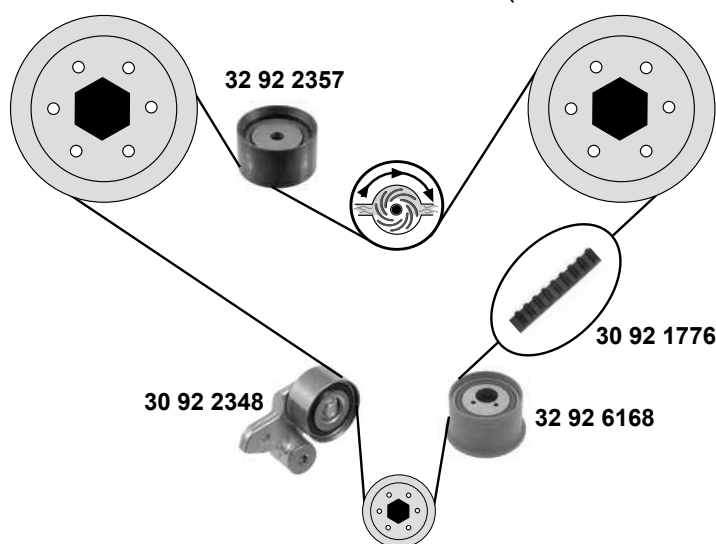
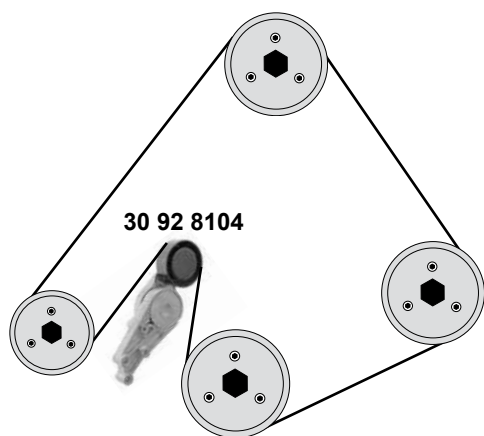


SWAG	Ref. - No.			
30 91 8554	06B 109 243 B	Spannrolle / tension roller		ØA 72 B3
30 91 9292	06B 109 244	Umlenkrolle / deflection pulley	(ch.) 8E-3-390001 →	ØA 28,5 B27 Z 150 B23
30 91 9546	06B 109 119 A	Zahnriemen / timing belt		
30 92 2347	06B 109 477 A	Riemenspanner / belt tensioner		
30 92 6569	06B 903 133 E	Riemenspanner / belt tensioner		ØA 76 B27,6 ØA 90 B24,6
30 93 0686	06B 903 341 B	Umlenkrolle / deflection pulley	AC	
30 93 0869	06D 109 485 A	Riemenspanner / belt tensioner	(ch.) → 8E-3-390000	
30 93 1976	06D 109 477 A	Riemenspanner / belt tensioner	(ch.) → 8E-3-390000	
30 93 2518	06F 109 217 A	Kettenspanner / chain tensioner		
32 92 3238	06D 109 119	Zahnriemen / timing belt	(ch.) 8E-3-390001 →	Z 145
32 92 3642	06B 109 119 F S4	Rep. Satz Zahnriemen / rep. kit timing belt		
32 92 4188	06D 109 244 A	Umlenkrolle / deflection pulley	(ch.) 8E-3-390001 →	
32 92 4606	06D 109 243	Spannrolle / tension roller	(ch.) 8E-3-390001 →	ØA 67
32 92 4764	06F 198 119	Rep. Satz Zahnriemen / rep. kit timing chain	(ch.) 8E-3-390001 →	Z 145
99 11 0334	058 109 229 B	Steuerkette / timing chain		50E
99 11 0442	06D 109 229 B	Steuerkette / timing chain		42E

**2,4**  
(BDV/AMM)



**3,0**  
(ASN/BBJ/AVK)



Ref. - No.



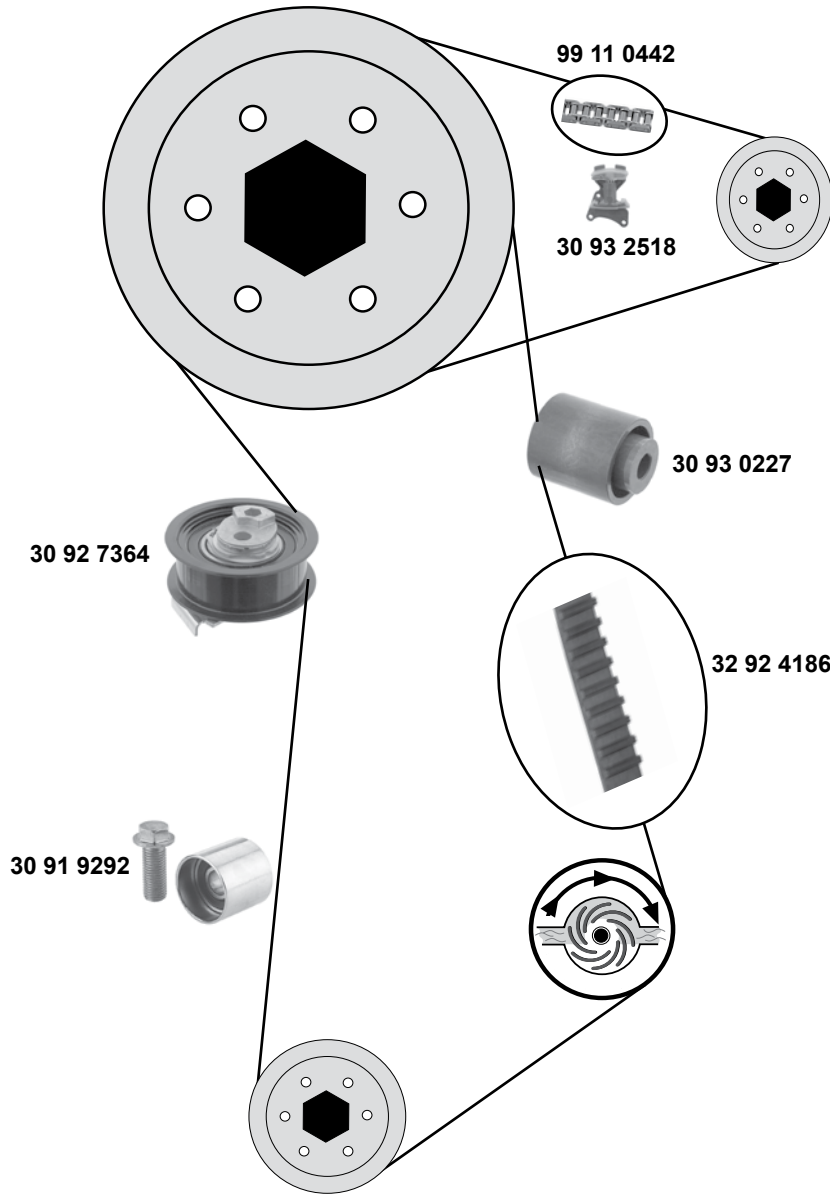
30 03 0030	078 109 244 H	Umlenkrolle / deflection pulley	(ch.) → 8E-5-400 000	ØA 59 ØI 10 B31
30 03 0075	078 109 243 R	Spannrolle / tension roller		ØA 73,2 B32
30 91 9606	078 109 119 H	Zahnriemen / timing belt		Z 253
30 92 1776	06C 109 119 C	Zahnriemen / timing belt		Z 281 B30
30 92 2348	06C 109 485 A	Spannrolle / tension roller		
30 92 8104	06C 903 133 B	Riemenspanner / belt tensioner		
32 92 2356	078 109 479 E	Riemenspanner / belt tensioner		
32 92 2357	06C 109 244	Umlenkrolle / deflection pulley		
32 92 2358	078 109 487 A	Riemenspanner / belt tensioner		
32 92 3290	078 198 479 S1	Rep. Satz Zahnriemen / rep. kit timing belt		
32 92 3292	078 198 119	Rep. Satz Zahnriemen / rep. kit timing belt		
32 92 6168	06C 109 244 C	Umlenkrolle / deflection pulley		ØA 59 B37,5
99 11 0334	058 109 229 B	Rollenkette / roller chain		50E

# AUDI A4 (8E/8H) (05→)

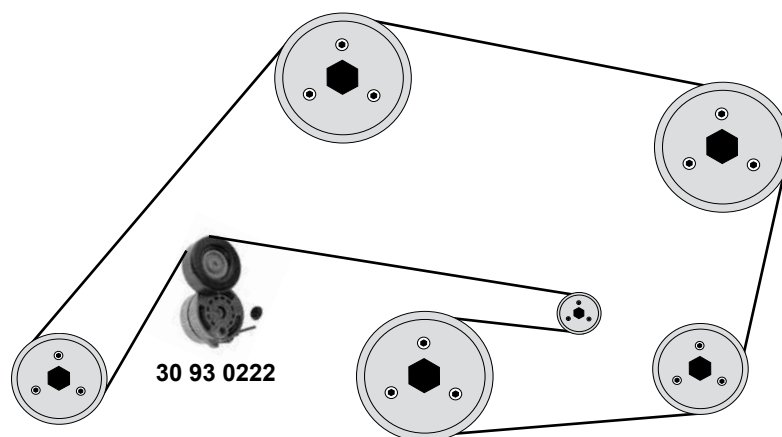
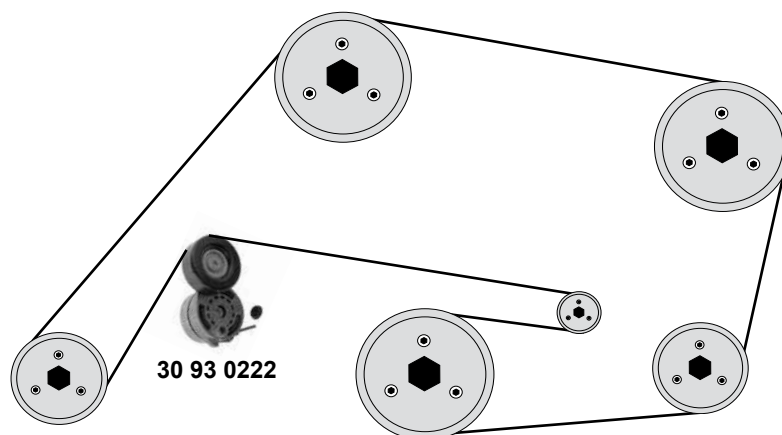


## 2,0 16V (BGB/BUL/BWE/BPG/BWT/BYK/BPJ)

S4 / avant / quattro (ch.) 8E-5-400 000 →  
S4 cabrio / quattro (mot.) BWE/BWT 05 →



SWAG GERMANY	Ref. - No.			
30 91 9292	06B 109 244	Umlenkrolle / deflection pulley		ØA 28,5 B27
30 92 7364	06D 109 243 B	Spannrolle / tension roller		ØA 77 B25
30 93 0227	06D 109 244 E	Umlenkrolle / deflection pulley		ØA 28,5 B33,5
30 93 0586	06F 198 119 A	Rep. Satz Zahnriemen / rep. kit timing belt		
30 93 2518	06F 109 217 A	Kettenspanner / chain tensioner	→ 08	
32 92 4186	06D 109 119 B	Zahnriemen / timing belt		Z 148 B23
99 11 0442	06D 109 229 B	Rollenkette / roller chain		42E



(1) A4 / S4 avant / quattro 05 → 08 (mot.) AUK/BKH / (mot.) CALA/CAKA/CCBA 08 →  
 cabrio / quattro 07 → 09 (mot.) AUK  
 A5 / S5 coupe 08 → / cabrio 10 →

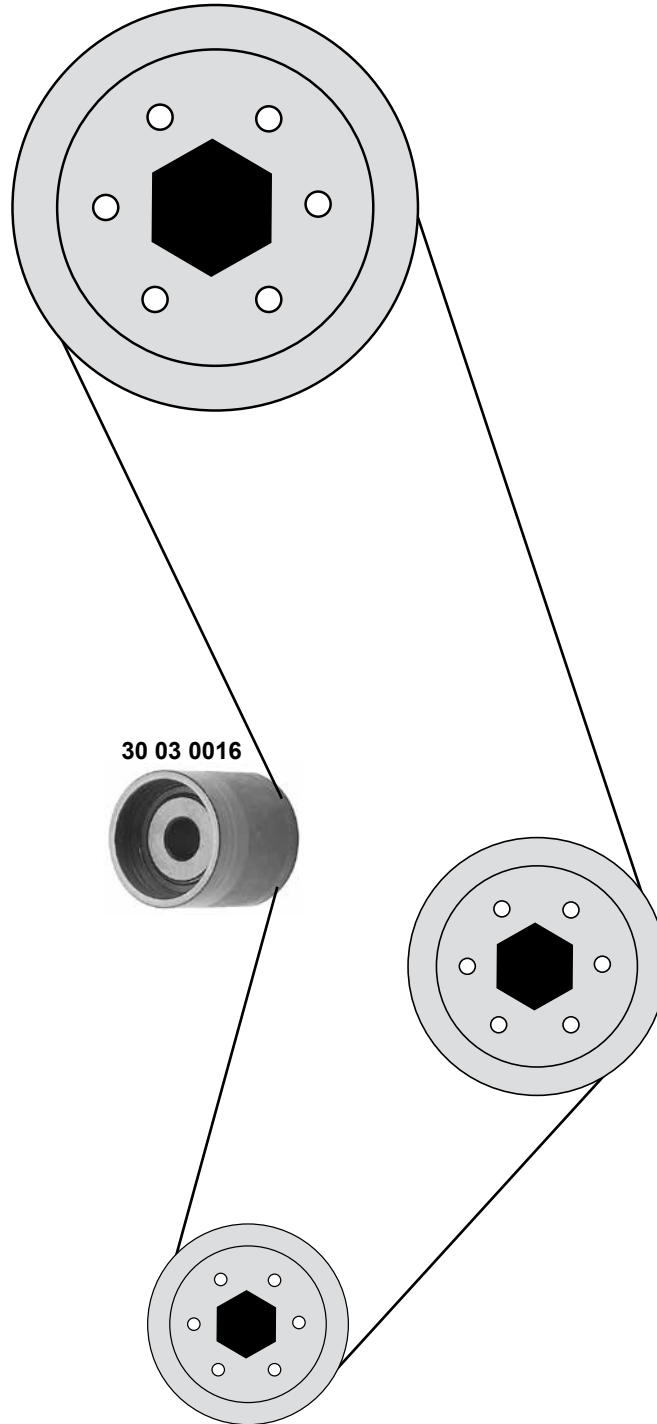




**AUDI**  
**A6 (4A/4B)**  
(85→05)



**1,8 B**  
(ADR/AEB/AFY/AJL/ANB/APU/ARK/)



30 03 0016



- |  |        |                         |
|--|--------|-------------------------|
| (1) A6 (4A) /Avant/quattro/Avant quattro | (mot.) | ADR                     |
| A6 (4B) /Avant                           | (mot.) | AEB/AFY/AJL/ANB/APU/ARK |
| A6 quattro (4B) / Avant quattro          | (mot.) | AEB/AJL/ANB/APU/ARK     |



Ref. - No.



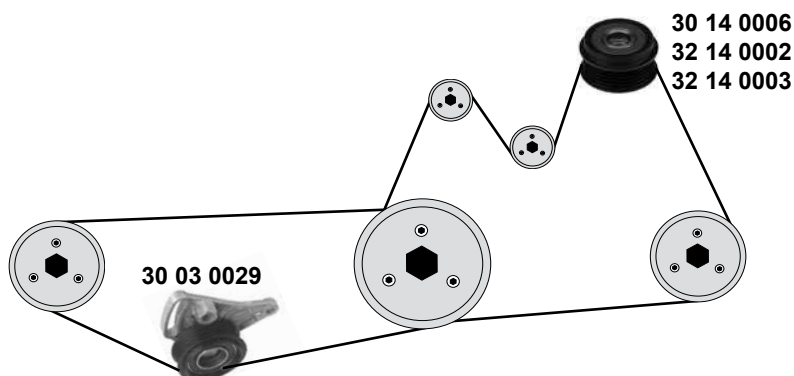
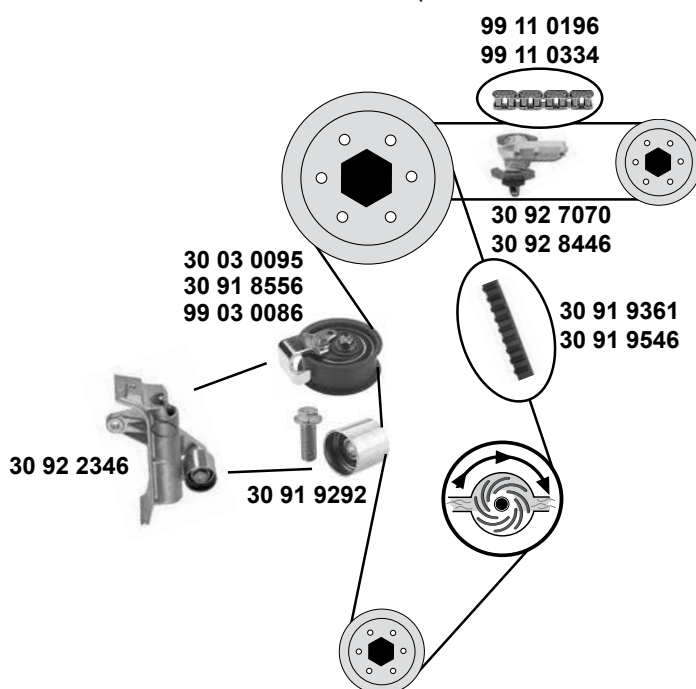
30 03 0016 03L 109 244 D

Umlenkrolle / deflection pulley

(1)

ØA 28 ØI 8 B29





(1) (ch.) 4BX000 001 →

(3) (mot.) AEB/AJL/APU/ARK/ANB/AFY

(2) (mot.) AEB/ AJL (ch.) → 4BW220 000

(4) (mot.) AEB/AJL/ANB/APU



Ref. - No.

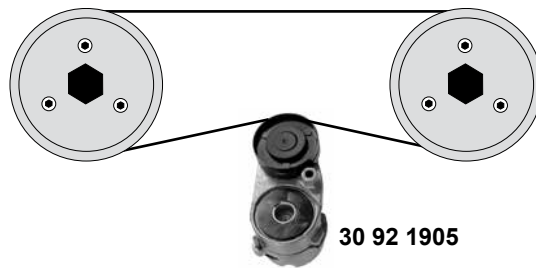
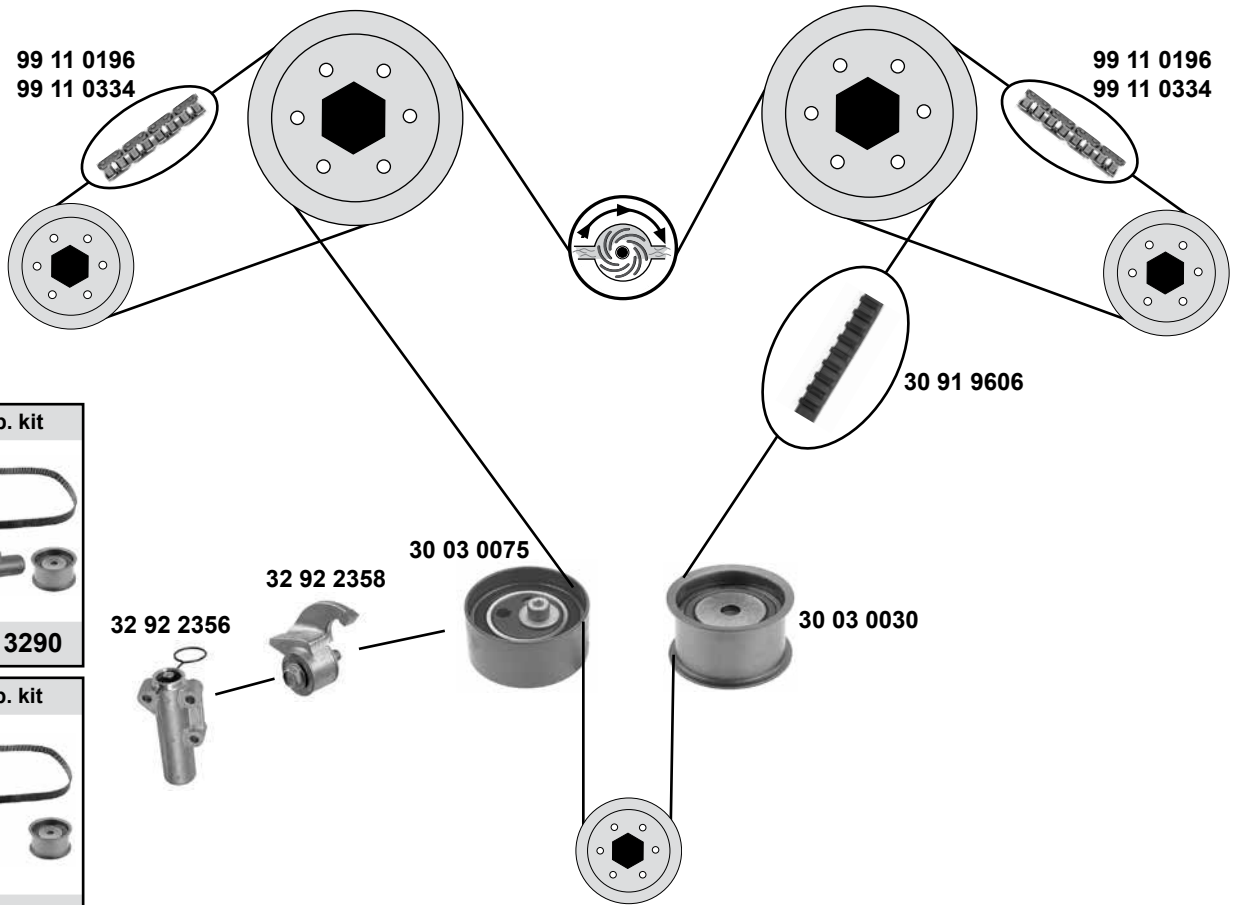


Ref. - No.				
30 03 0029	058 260 511	Spannrolle / tension roller	AC	ØA 60 B15,5
30 03 0095	058 109 243 E	Spannrolle / tension roller	(3)	ØA 72 B32,5
30 14 0006	028 903 119 AC	Riemenscheibe Generator / belt pulley alternator	(ch.) 4B-X-000-001→	(120A Valeo)
30 91 8556	06B 109 243 F	Spannrolle / tension roller	AWT	ØA 73 B31
30 91 9292	06B 109 244	Umlenkrolle / deflection pulley		ØA28,5 B27
30 91 9361	058 109 119 C	Zahnriemen / timing belt	(3)	Z 153 B19
30 91 9546	06B 109 119 A	Zahnriemen / timing belt	AJP/AQE/ARH/AWT	Z 150 B23
30 91 9548	06A 198 119 A	Rep. Satz Zahnriemen / rep. kit timing belt	AJP/AQE/ARH	
30 92 2346	06B 109 477	Riemenspanner / belt tensioner	AJP/AQE/ARH/AWT	
30 92 8446	058 109 217 D	Kettenspanner / chain tensioner	(mot.) AFY	
30 92 7070	058 109 217 B	Kettenspanner / chain tensioner	(3)	
32 14 0002	058 903 119 C	Riemenscheibe Generator / belt pulley alternator	(2)	
32 14 0003	038 903 119 P	Riemenscheibe Generator / belt pulley alternator	(1)	
32 92 4723	058 198 119	Rep. Satz Zahnriemen / rep. kit timing belt	(4)	
99 11 0334	058 109 229 B	Rollenkette / roller chain	(ch.) 4B-X-115 001→	50E
99 03 0086	06B 109 243	Spannrolle / tension roller	AJP/AQE/ARH	ØA 72 B30
99 11 0196	058 109 229	Rollenkette / roller chain	(ch.) → 4B-X-115 001	50E

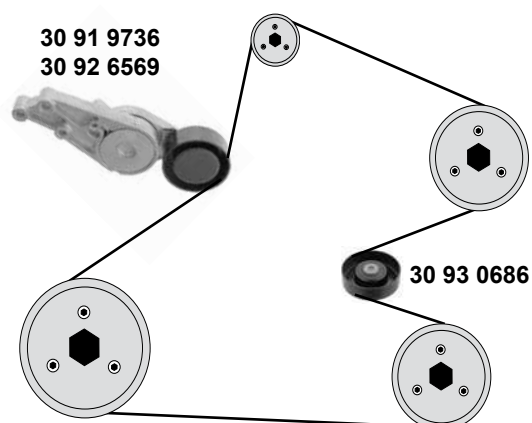
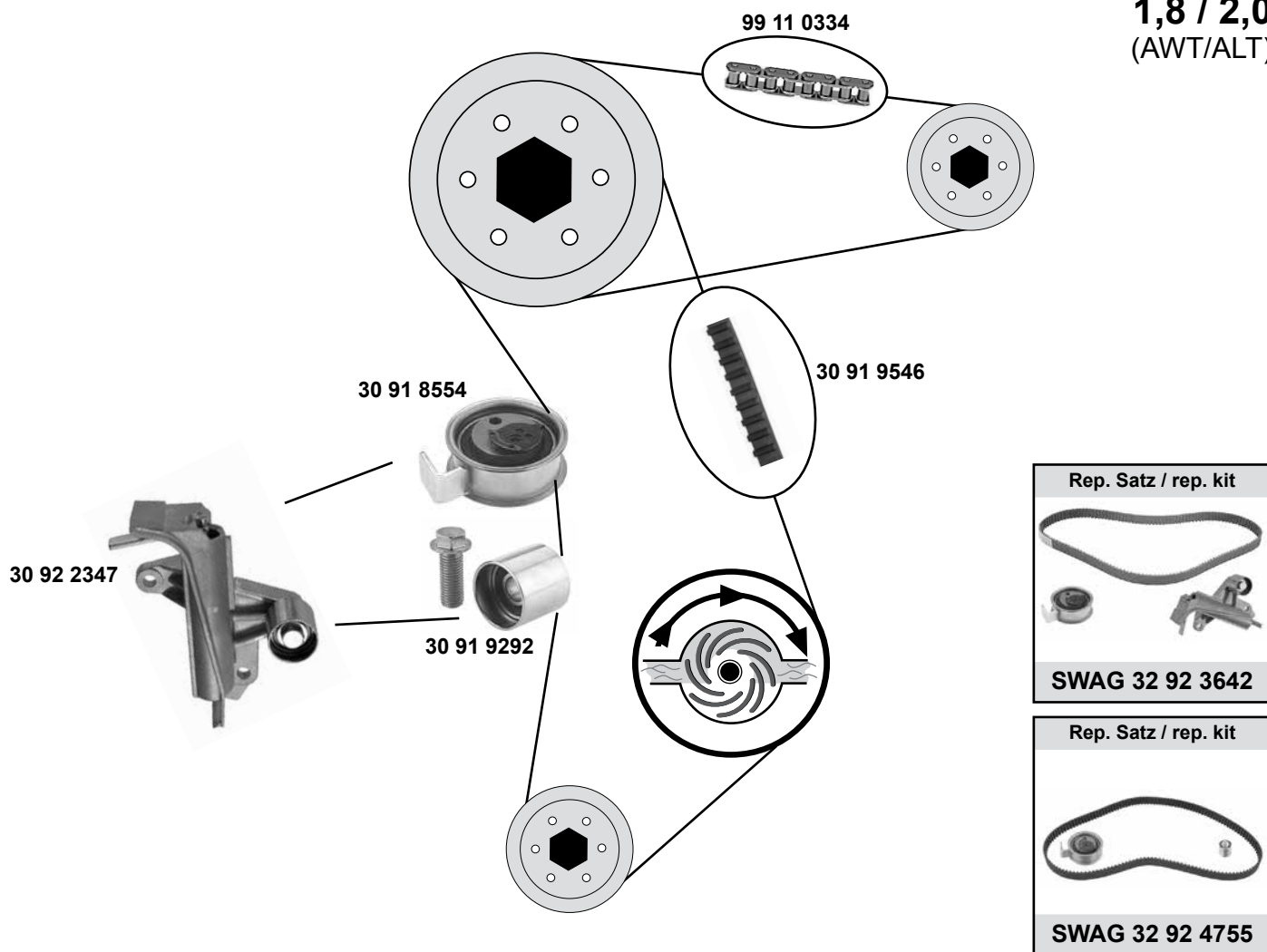
# AUDI A6 (4B) (98→01)



## 2,4 / 2,7 / 2,8 V6 (30V)



SWAG GERMANY	Ref. - No.			
30 03 0030	078 109 244 H	Umlenkrolle / deflection pulley		ØA 59 ØI 10 B31
30 03 0075	078 109 243 R	Spannrolle / tension roller		ØA 73,2 B32
30 91 9606	078 109 119 H	Zahnriemen / timing belt		Z 253
30 92 1905	078 903 133 AB	Riemenspanner / belt tensioner		
32 92 2356	078 109 479 E	Riemenspanner / belt tensioner		
32 92 2358	078 109 487 A	Riemenspanner / belt tensioner		
32 92 3290	078 198 479 S1	Rep. Satz Zahnriemen / rep. kit timing belt		
32 92 3292	078 198 119	Rep. Satz Zahnriemen / rep. kit timing belt		
99 11 0334	058 109 229 B	Steuerkette / timing chain	(ch.) 4B-X- 115 001 →	50E
99 11 0196	058 109 229	Steuerkette / timing chain	(ch.) → 4B-X- 115 001	50E

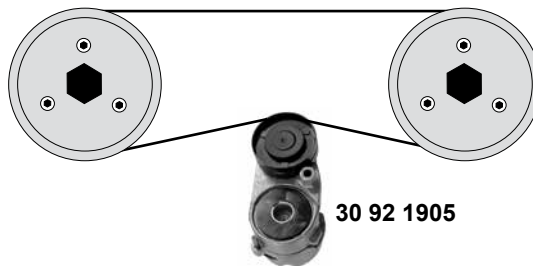
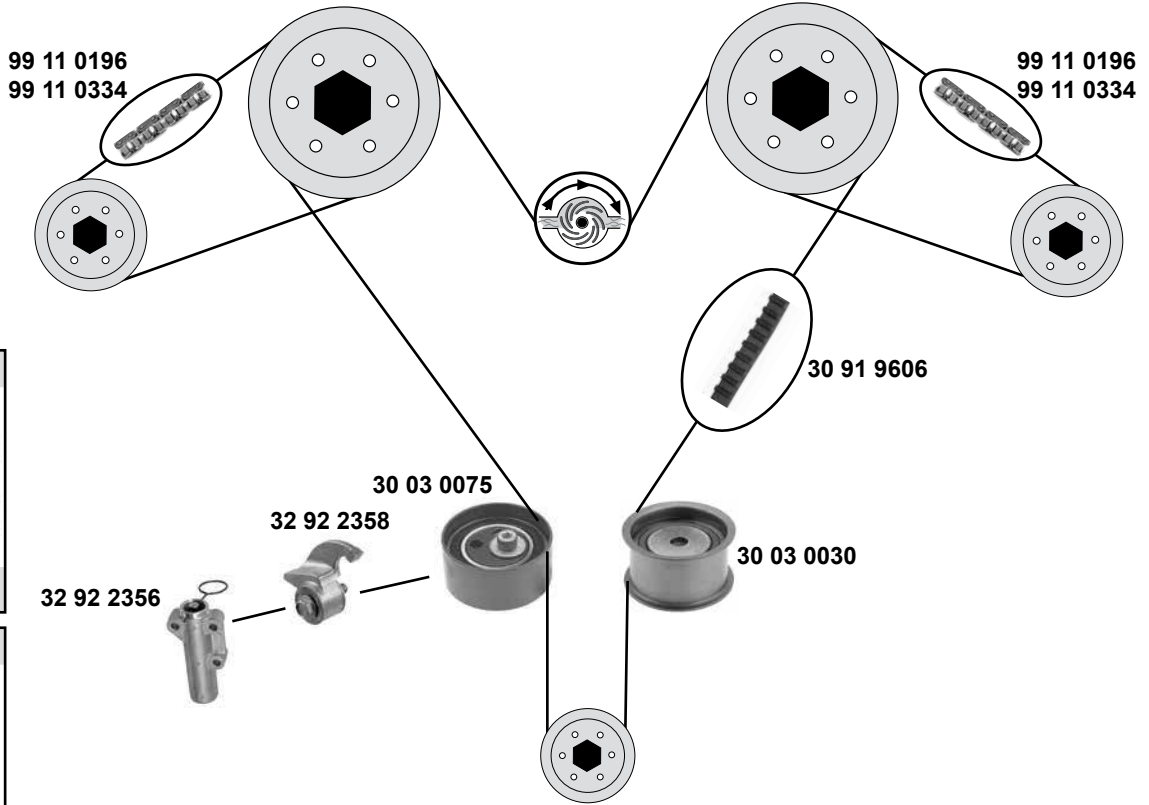


	Ref. - No.			
30 91 8554	06B 109 243 B	Spannrolle / tension roller		ØA 72 B31
30 91 9292	06B 109 244	Umlenkrolle / deflection pulley		ØA28,5 B27
30 91 9546	06B 109 119 A	Zahnriemen / timing belt		Z 150 B23
30 91 9736	058 903 133 D	Riemenspanner / belt tensioner	(ex.) (mot.) ALT	ØA 37 B21
30 92 2347	06B 109 477 A	Riemenspanner / belt tensioner		
30 92 6569	06B 903 133 E	Riemenspanner / belt tensioner	(mot.) ALT	ØA 76 B27,6
30 93 0686	06B 903 341 B	Umlenkrolle / deflection pulley	AC	ØA 90 B24,6
32 92 3642	06B 109 119 F S4	Rep. Satz Zahnriemen / rep. kit timing belt		Z 150 B23
32 92 4755	06B 198 119 A	Rep. Satz Zahnriemen / rep. kit timing belt		50E
99 11 0334	058 109 229 B	Rollenkette / roller chain	(ch.) 4B-X-115 001→	

# AUDI A6 (4B2/4B5) (02→05)



## 2,4 / 2,7 / 2,8 V6 (30V)

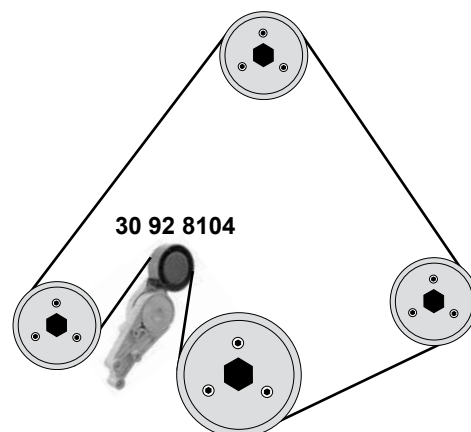
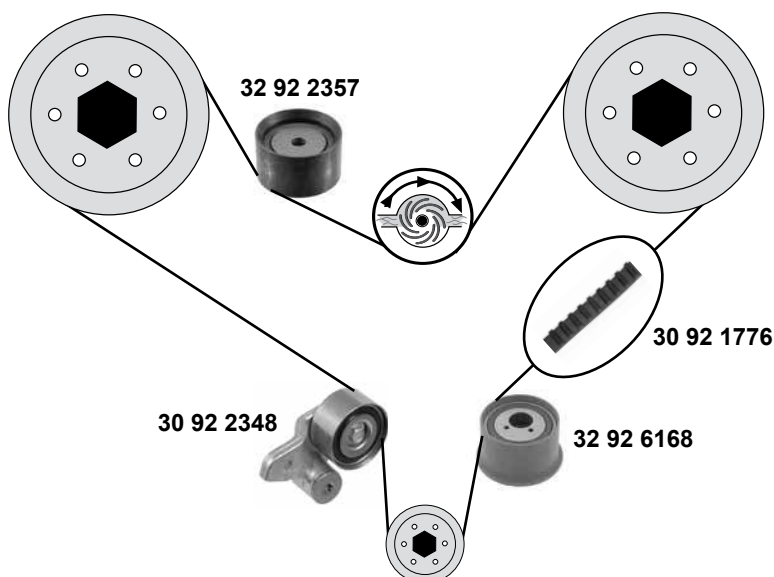


SWAG GERMANY	Ref. - No.			
30 03 0030	078 109 244 H	Spannrolle / tension roller		ØA 59 ØI 10 B31
30 03 0075	078 109 243 R	Spannrolle / tension roller		ØA 73,2 B32
30 91 9606	078 109 119 H	Zahnriemen / timing belt		Z 253
30 92 1905	078 903 133 AB	Riemenspanner / belt tensioner		
32 92 2356	078 109 479 E	Riemenspanner / belt tensioner		
32 92 2358	078 109 487 A	Riemenspanner / belt tensioner		
32 92 3290	078 198 479 S1	Rep. Satz Zahnriemen / rep. kit timing belt		
32 92 3292	078 198 119	Rep. Satz Zahnriemen / rep. kit timing belt		
99 11 0334	058 109 229 B	Rollenkette / roller chain	(ch.) 4B-X- 115 001 →	50E
99 11 0196	058 109 229	Rollenkette / roller chain	(ch.) → 4B-X- 115 001	50E

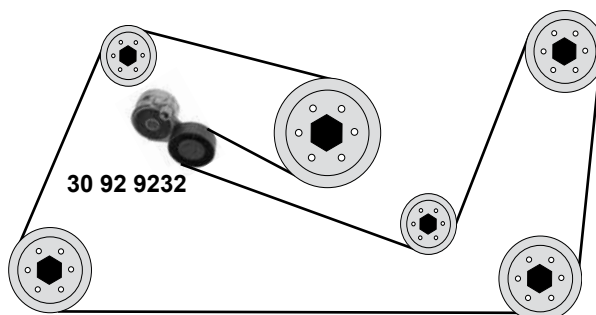
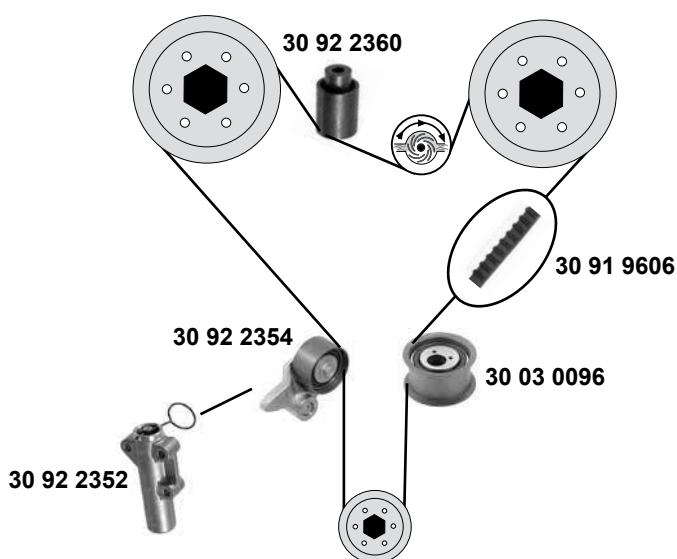


# AUDI A6 (4B2/4B5) (02→05)

## 3,0 V6 (ASN/BBJ)



## 4,2 V8 (ASG/ANK/ARS/AQJ)



Ref. - No.

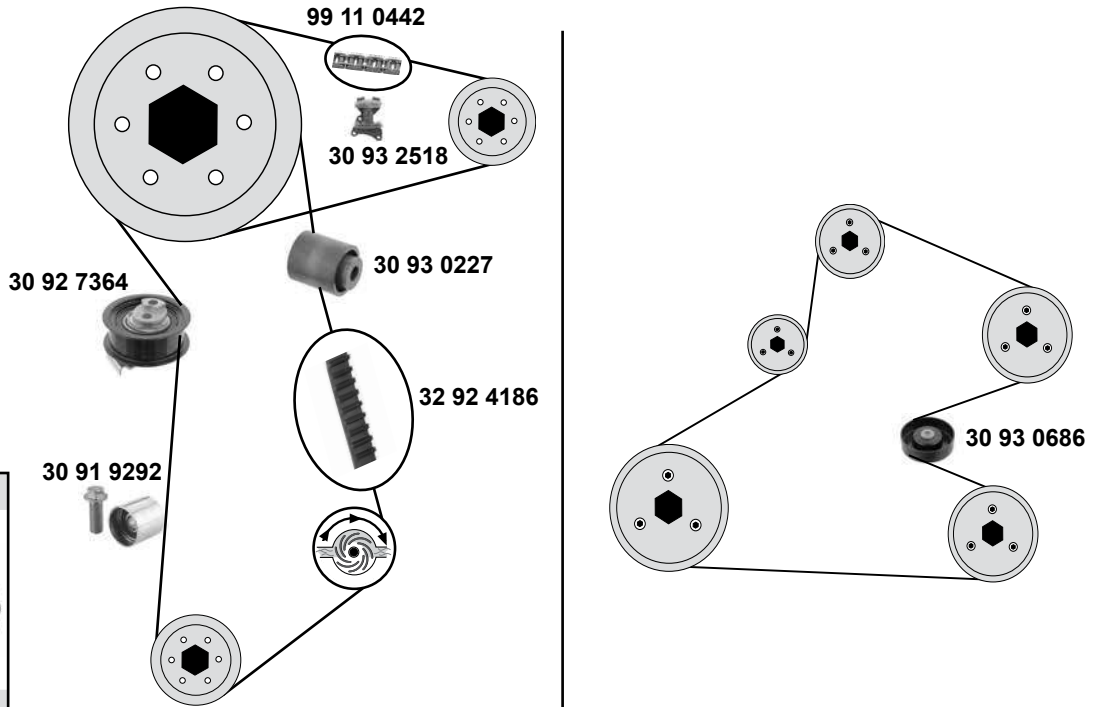


30 03 0096	077 109 244 E	Umlenkrolle / deflection pulley		ØA 58
30 91 9606	078 109 119 H	Zahnriemen / timing belt		Z 253
30 92 1776	06C 109 119 C	Zahnriemen / timing belt		Z 281 B30
30 92 2348	06C 109 485 A	Spannrolle / tension roller		
30 92 2352	077 903 133 E	Riemenspanner / belt tensioner		
30 92 2354	077 109 485 E	Spannrolle / tension roller		
30 92 2360	077 109 244 C	Umlenkrolle / deflection pulley		
30 92 8104	06C 903 133 B	Riemenspanner / belt tensioner	(ch.) → 8E-5-400 000	
30 92 9232	077 109 479 D	Riemenspanner / belt tensioner		
32 92 2357	06C 109 244	Umlenkrolle / deflection pulley		
32 92 6168	06C 109 244 C	Umlenkrolle / deflection pulley		ØA 59 B37,5

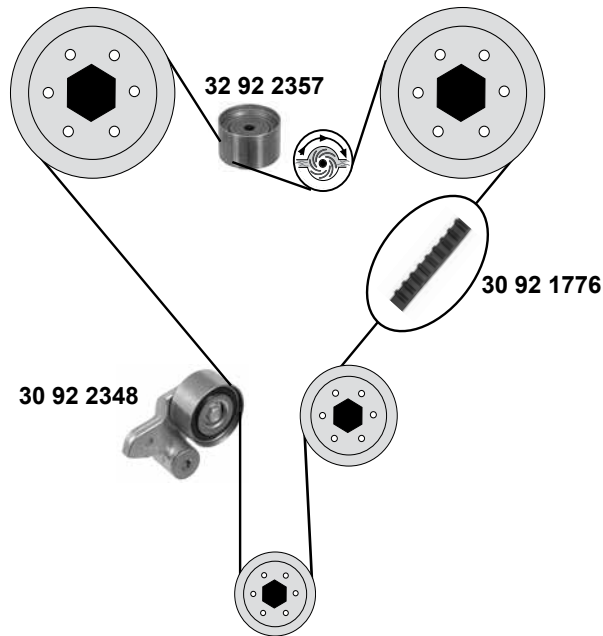
# AUDI A6 (4F) (05→)



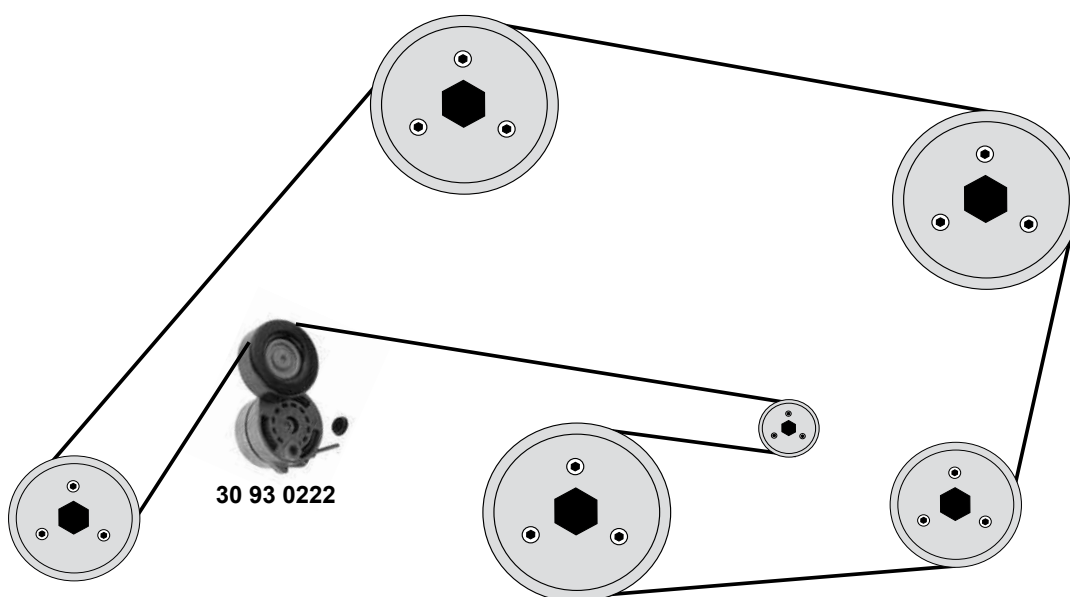
## 2,0 16V (BPJ/BYK)



## 3,0 V6 (BBJ)



SWAG GERMANY	Ref. - No.			
30 91 9292	06B 109 244	Umlenkrolle / deflection pulley		ØA 28,5 B27
30 92 1776	06C 109 119 C	Zahnriemen / timing belt		Z 281 B30
30 92 2348	06C 109 485 A	Spannrolle / tension roller		ØA 77 B25
30 92 7364	06D 109 243 B	Spannrolle / tension roller		ØA 28,5 B33,5
30 93 0227	06D 109 244 E	Umlenkrolle / deflection pulley		
30 93 0586	06F 198 119 A	Rep. Satz Zahnriemen / rep. kit timing belt		
30 93 0686	06B 903 341 B	Umlenkrolle / deflection pulley	AC	ØA 90 B24,6
30 93 2518	06F 109 217 A	Kettenspanner / chain tensioner		
32 92 2357	06C 109 244	Umlenkrolle / deflection pulley		
32 92 4186	06D 109 119 B	Zahnriemen / timing belt		Z 148 B23
99 11 0442	06D 109 229 B	Steuerkettem / timing chain	(mot.) BVY/BWA	42E



(1) avant / quattro 05 → 11  
 allroad quattro 07 → (mot.) CAJA / AUK

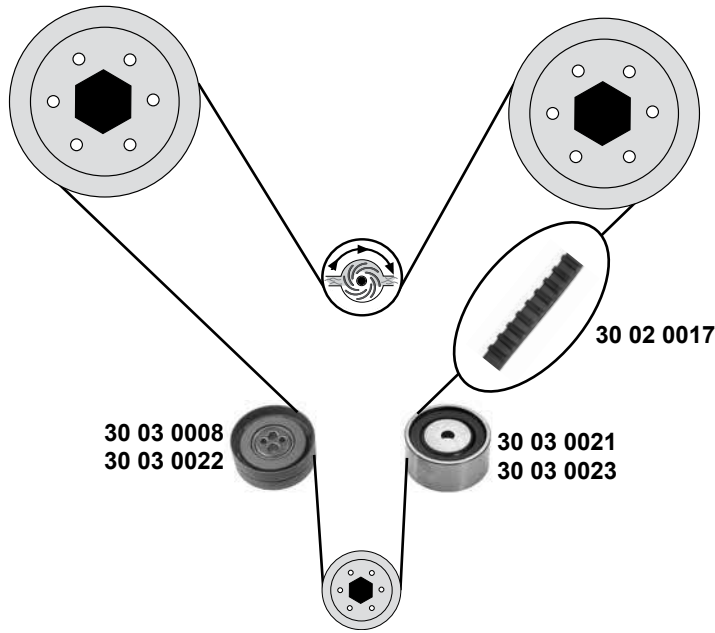




# AUDI A8 (4D) (94→99)



## 2,8 V6 (12V) (AAH/AEJ)



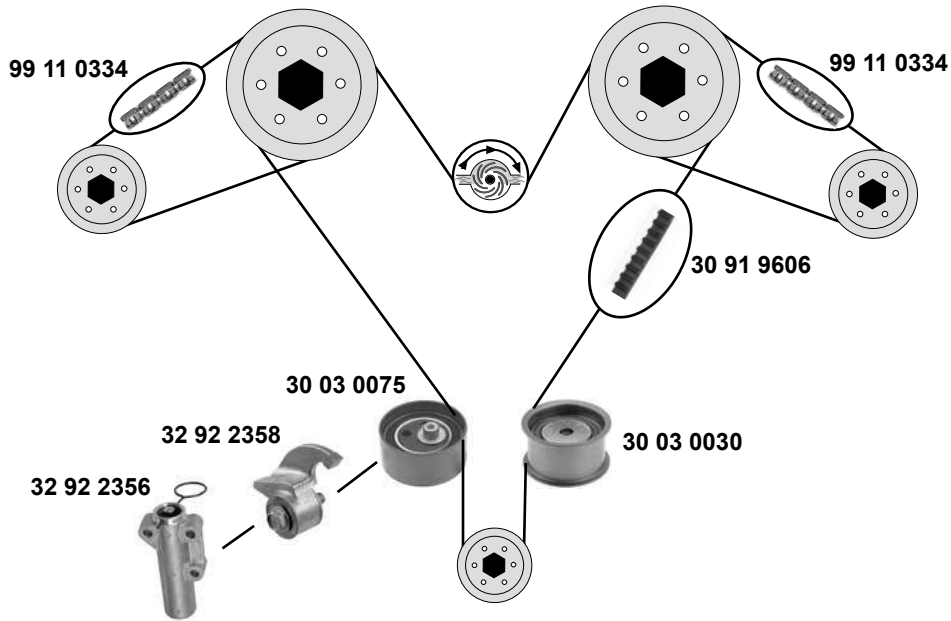
Rep. Satz / rep. kit

**SWAG 32 02 0009**

Rep. Satz / rep. kit

**SWAG 32 02 0010**

## 2,8 V6 30V (ACK/ALG/APR/AQD/AMX)



Rep. Satz / rep. kit

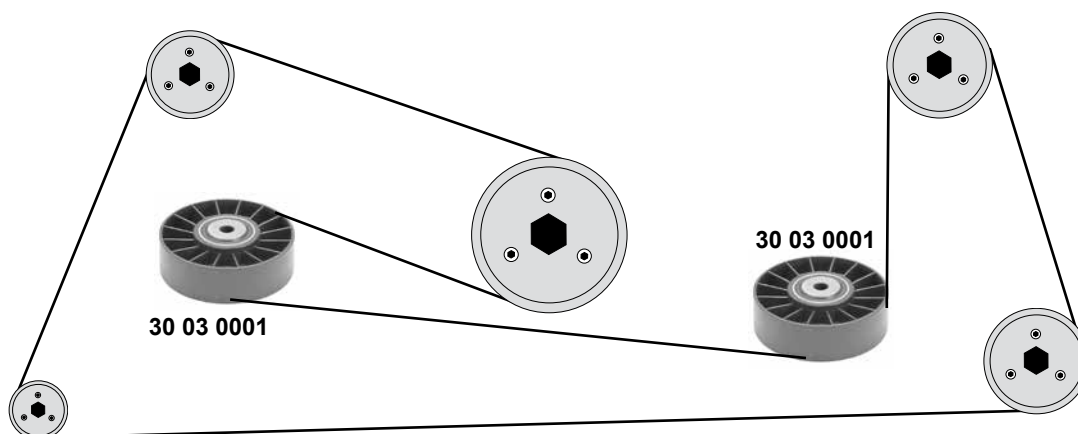
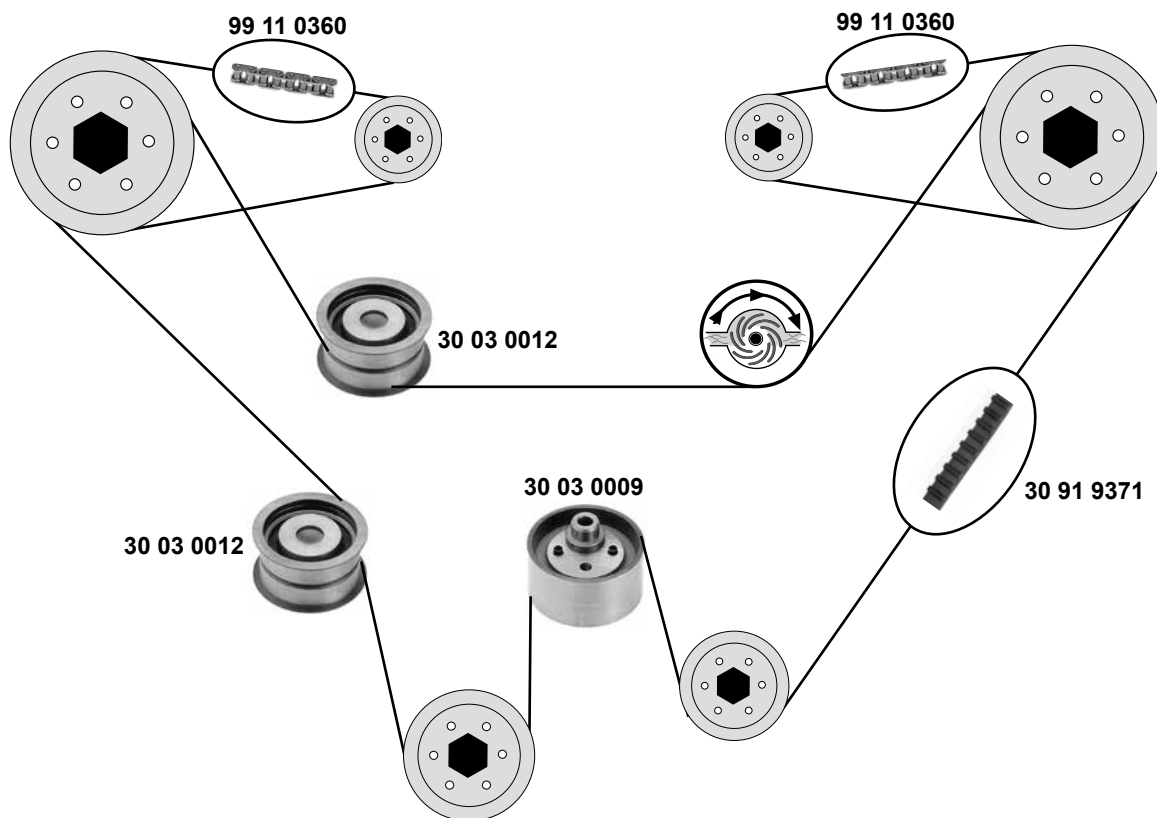
**SWAG 32 92 3290**

Rep. Satz / rep. kit

**SWAG 32 92 3292**

SWAG GERMANY	Ref. - No.			
30 02 0017	078 109 119 D	Zahnriemen / timing belt		Z 239 B25,4
30 03 0008	078 109 243 C	Spannrolle / tension roller	(ch.) → 4D-S-000 496	ØA 83 ØI 10 B23
30 03 0021	078 109 244 F	Umlenkrolle / deflection pulley	(ch.) → 4D-S-000 496	ØA 59 ØI 8 B28
30 03 0022	078 109 243 K	Spannrolle / tension roller	(ch.) 4D-S-000 497 →	ØA 72 ØI 8 B27
30 03 0023	078 109 244 G	Umlenkrolle / deflection pulley	(ch.) 4D-S-000 497 →	ØA 59 ØI 10 B26
30 03 0030	078 109 244 H	Umlenkrolle / deflection pulley		ØA 59 ØI 10 B31
30 03 0075	078 109 243 R	Spannrolle / tension roller		ØA 73,2 B32
30 91 9606	078 109 119 H	Zahnriemen / timing belt		Z 253
32 02 0009	078 198 119 A	Rep. Satz Zahnriemen / rep. kit timing belt	(ch.) 4D-S-000 497 →	
32 02 0010	078 109 119 D S1	Rep. Satz Zahnriemen / rep. kit timing belt	(ch.) → 4D-S-000 496	
32 92 2356	078 109 479 E	Riemenspanner / belt tensioner		
32 92 2358	078 109 487 A	Riemenspanner / belt tensioner		
32 92 3290	078 198 479 S1	Rep. Satz Zahnriemen / rep. kit timing belt		
32 92 3292	078 198 119	Rep. Satz Zahnriemen / rep. kit timing belt		
99 11 0334	058 109 229 B	Rollenkette / roller chain		50E





Ref. - No.



<b>30 03 0001</b>	077 903 341
<b>30 03 0009</b>	077 109 243 A
<b>30 03 0012</b>	077 109 244 A
<b>30 91 9371</b>	077 109 119 D
<b>99 11 0360</b>	077 109 120

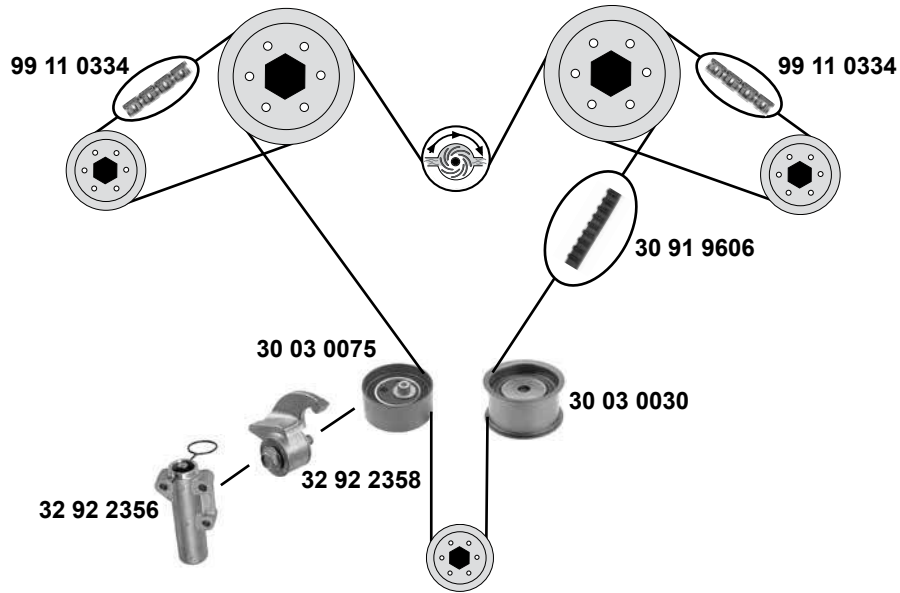
Umlenkrolle / deflection pulley
Spannrolle / tension roller
Umlenkrolle / deflection pulley
Zahnriemen / timing belt
Rollenkette / roller chain

ØA 85 ØI 8 B25
ØA 65 ØI 8,5 B34
ØA 60 ØI 16 B32
Z 299 B30
455 / 44 E

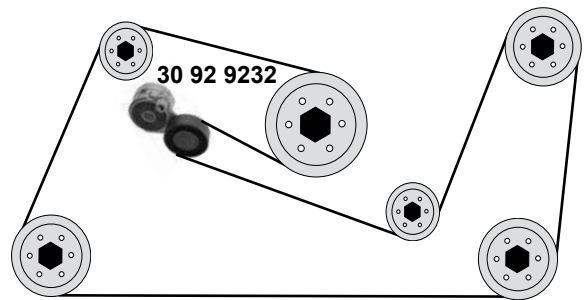
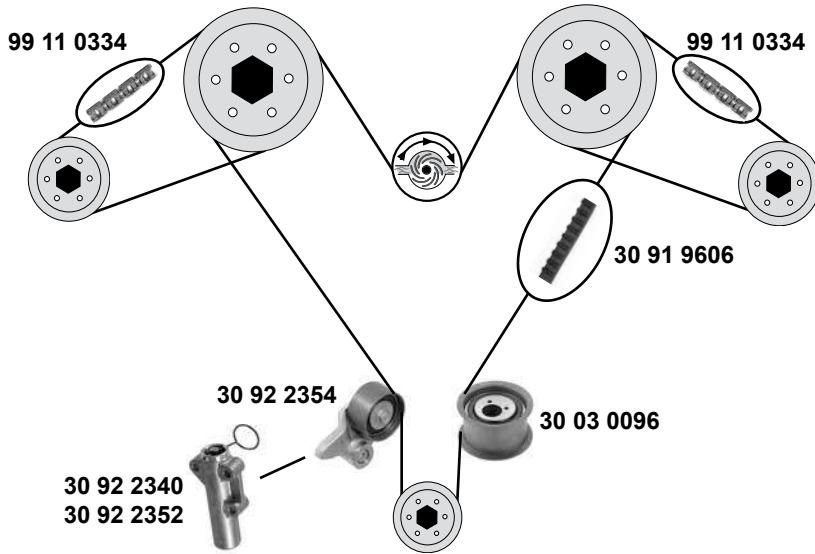
# AUDI A8 (4D) (99→03)



## 2,8 V6 (APR/AQD/AMX)



## 3,7 V8 (AQQ/AKC)



Ref. - No.

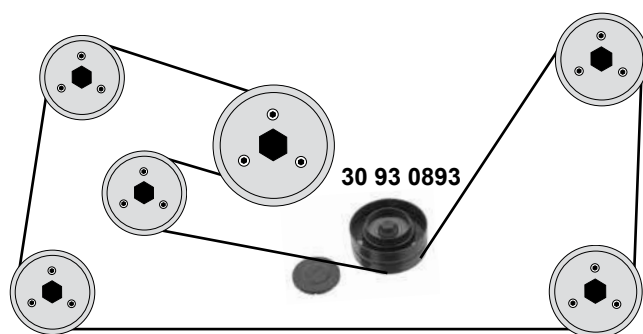
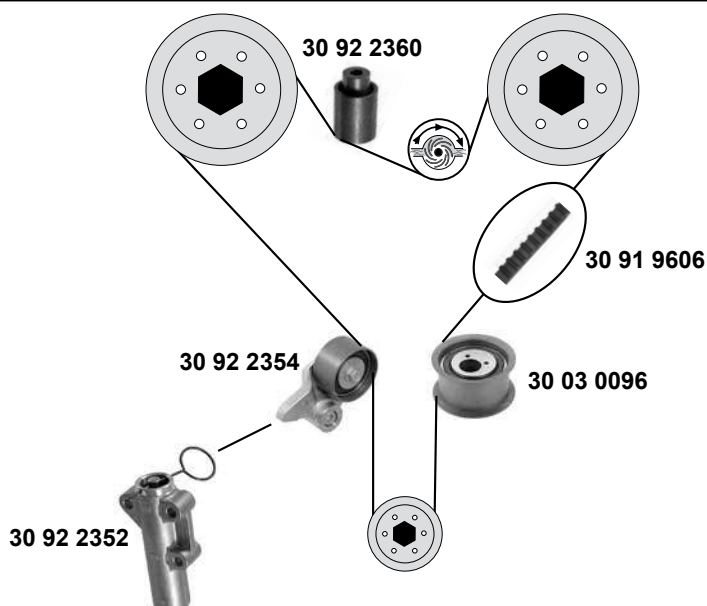
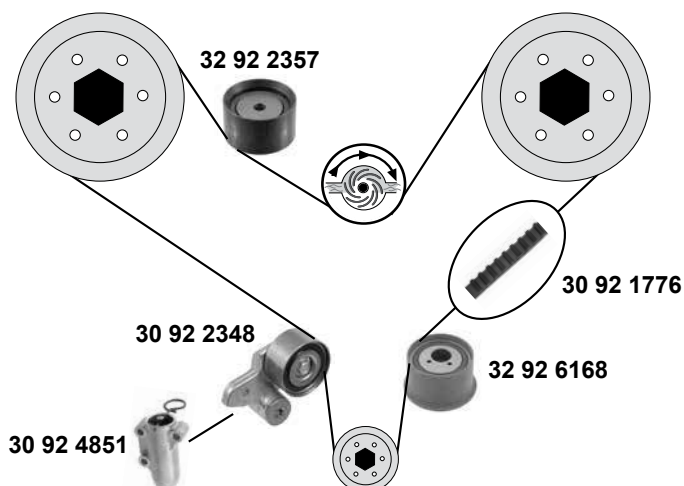


30 03 0030	078 109 244 H	Umlenkrolle / deflection pulley
30 03 0075	078 109 243 R	Spannrolle / tension roller
30 03 0096	077 109 244 E	Umlenkrolle / deflection pulley
30 91 9606	078 109 119 H	Zahnriemen / timing belt
30 92 2340	059 109 479 B	Riemenspanner / belt tensioner
30 92 2352	077 109 479 D	Riemenspanner / belt tensioner
30 92 2354	077 109 485 E	Spannrolle / tension roller
30 92 9232	077 903 133 E	Riemenspanner / belt tensioner
32 92 2356	078 109 479 E	Riemenspanner / belt tensioner
32 92 2358	078 109 487 A	Riemenspanner / belt tensioner
32 92 3290	078 198 479 S1	Rep. Satz Zahnriemen / rep. kit timing belt
32 92 3292	078 198 119	Rep. Satz Zahnriemen / rep. kit timing belt
99 11 0334	058 109 229 B	Steuerkette / timing chain

(ch.) → 4D-Y-016 500  
(ch.) 4D-Y-016 501 →  
(ch.) 4D-Y-016 501 →

ØA 59 ØI 10 B31  
ØA 73,2 B32  
ØA 58  
Z 253

50E



Ref. - No.



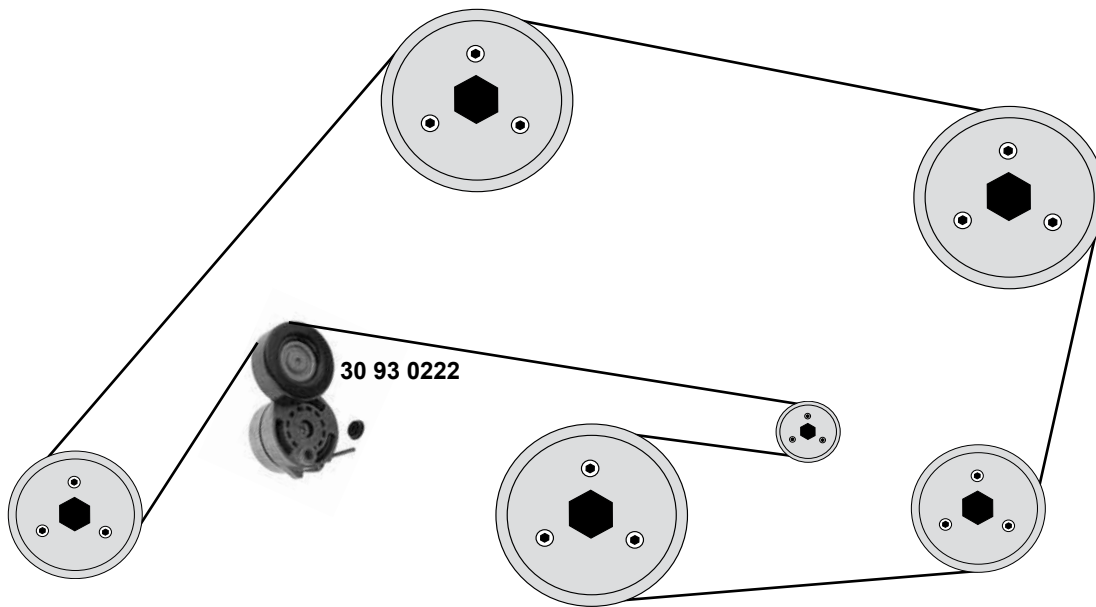
<b>30 03 0096</b>	077 109 244 E	Umlenkrolle / deflection pulley		ØA 58
<b>30 91 9606</b>	078 109 119 H	Zahnriemen / timing belt		Z 253
<b>30 92 1776</b>	06C 109 119 C	Zahnriemen / timing belt		Z 281 B30
<b>30 92 2348</b>	06C 109 485 A	Spannrolle / tension roller		
<b>30 92 2352</b>	077 109 479 D	Riemenspanner / belt tensioner		
<b>30 92 2354</b>	077 109 485 E	Spannrolle / tension roller		
<b>30 92 2360</b>	077 109 244 C	Umlenkrolle / deflection pulley		
<b>30 92 4851</b>	06C 109 479 A	Riemenspanner / belt tensioner		
<b>30 93 0893</b>	077 109 244 F	Umlenkrolle / deflection pulley	→ 07	ØA 78 B30
<b>32 92 2357</b>	06C 109 244	Umlenkrolle / deflection pulley		
<b>32 92 6168</b>	06C 109 244 C	Umlenkrolle / deflection pulley		ØA 59 B37,5

# AUDI A8/S8 (4E)

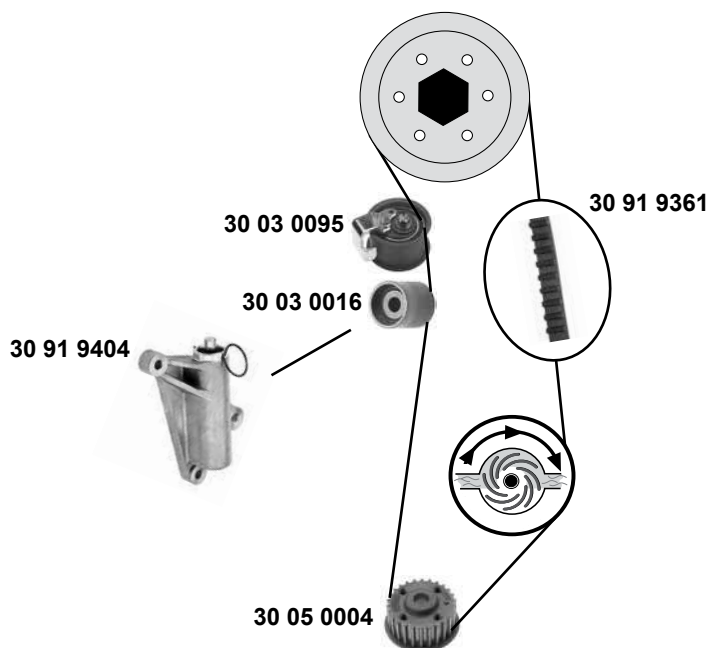
(04→)



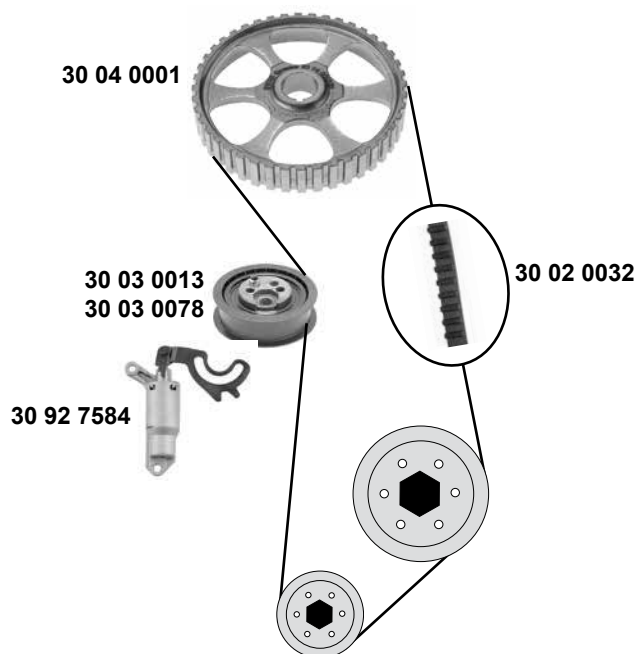
**2,8 / 3,2**  
(BPK/BDX/CJBA)



**1,8**  
(ADR)



**2,0**  
(ABK)



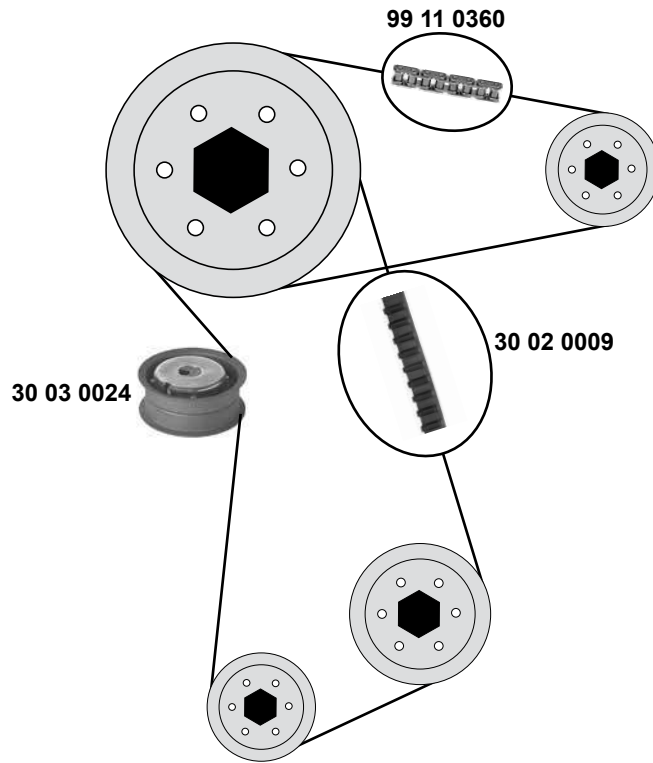
SWAG	Ref. - No.			
30 02 0032	037 109 119 C	Zahnriemen / timing belt		Z 124 B18
30 03 0013	048 109 243 A	Spannrolle / tension roller	(ch.) →8G-S-002 743	ØA72 ØI 11 B11
30 03 0016	058 109 244	Umlenkrolle / deflection pulley		ØA28 ØI 8 B29
30 03 0029	058 260 511	Spannrolle / tension roller	AC	ØA 60 B15,5
30 03 0078	026 109 243 J	Spannrolle / tension roller	(ch.) 8G-S-002 744 →	ØA66 ØI 11 B18
30 03 0095	058 109 243 E	Spannrolle / tension roller		ØA72 B32,5
30 04 0001	049 109 111 C	Nockenwellenrad / camshaft gear		Z 44
30 05 0004	027 105 263 B	Kurbelwellenrad / crankshaft gear		Z 26
30 91 9361	058 109 119 C	Zahnriemen / timing belt		Z 153 B19
30 91 9404	058 109 479 B	Riemenspanner / belt tensioner		
30 92 7584	050 109 479 A	Riemenspanner / belt tensioner	(ch.) 8G-S-002 744 →	
32 02 0013	037 109 119 C S2	Rep. Satz Zahnriemen / rep. kit timing belt	(ch.) 8G-S-002 744 →	
99 02 0068	037 109 119 C S2	Rep. Satz Zahnriemen / rep. kit timing belt	01/93 → 10/98	

# AUDI Cabrio (8G)

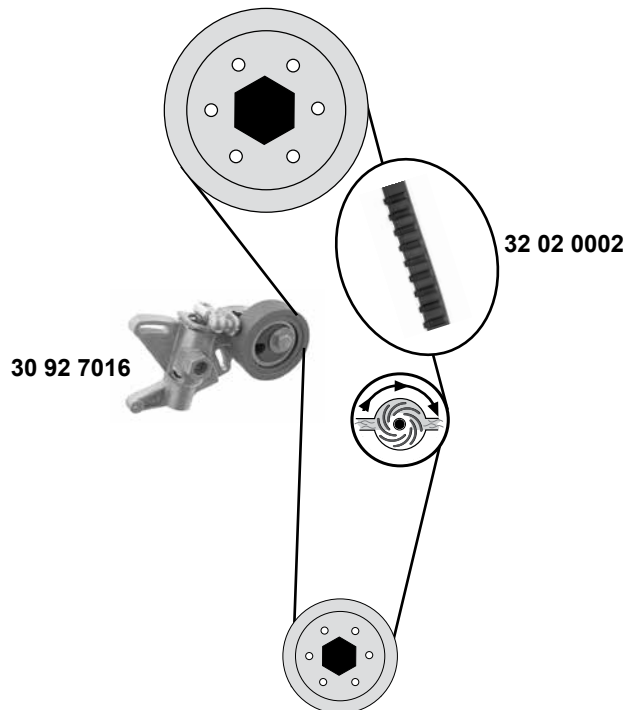
(92→00)



## 2,0 16V (ACE)



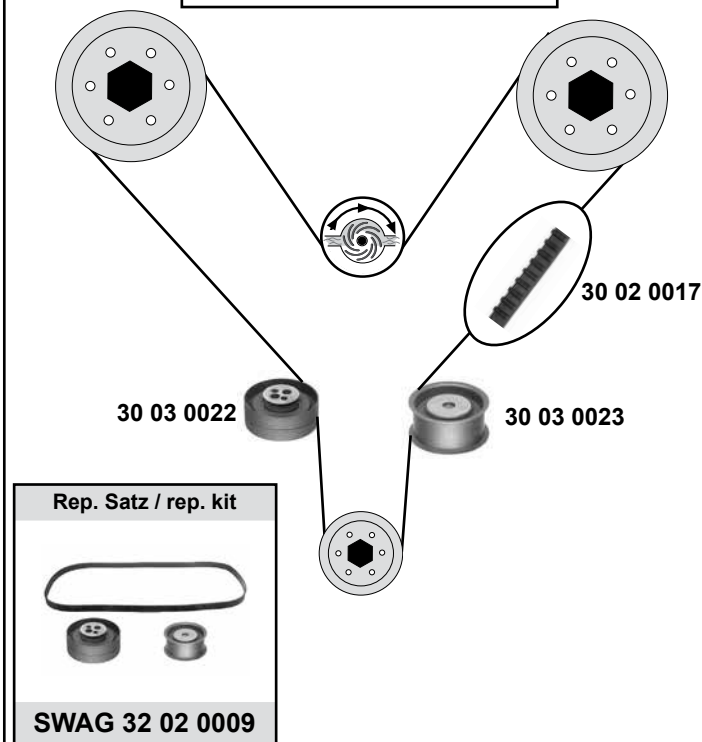
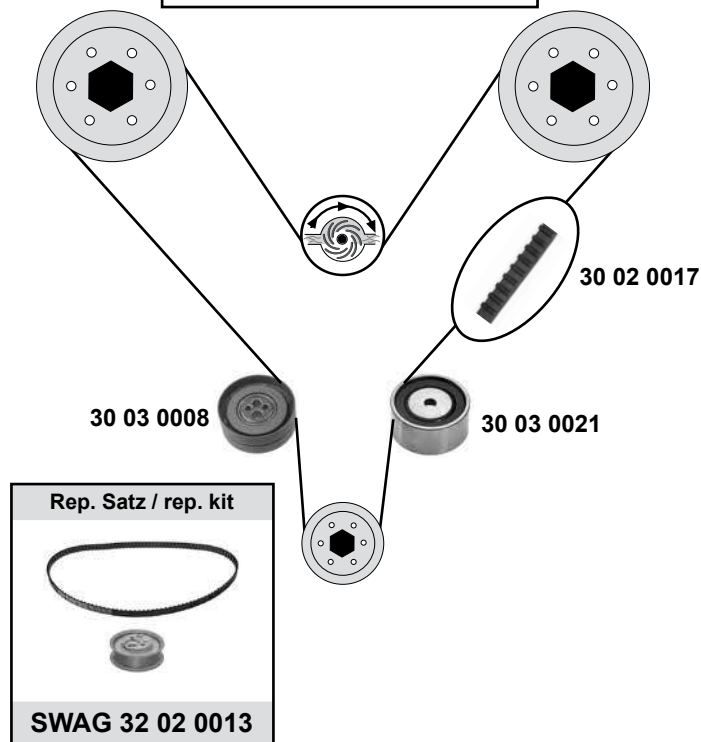
## 2,3 (NG)



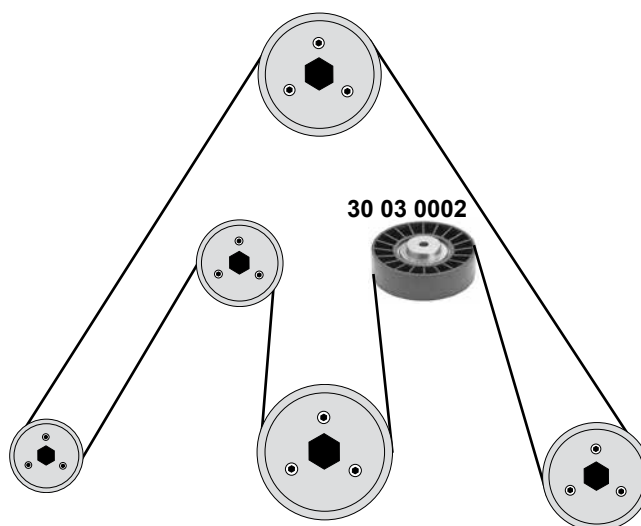
SWAG GERMANY	Ref. - No.			
30 02 0009	027 109 119 C	Zahnriemen / timing belt		Z 147 B25
30 03 0024	051 109 243 A	Spannrolle / tension roller		ØA 80 ØI 10 B29
30 92 7016	054 109 479	Riemenspanner / belt tensioner		
32 02 0002	054 109 119 G	Zahnriemen / timing belt		Z 147 B19
99 02 0065	027 198 119	Rep. Satz Zahnriemen / rep. kit timing belt		
99 11 0360	077 109 120	Rollenkette, einfach / roller chain, simple		455 / 44 E

(ch.) → 8G-S-001 302

(ch.) 8G-S-001 302 →



(ch.) → 8G-R-003 280



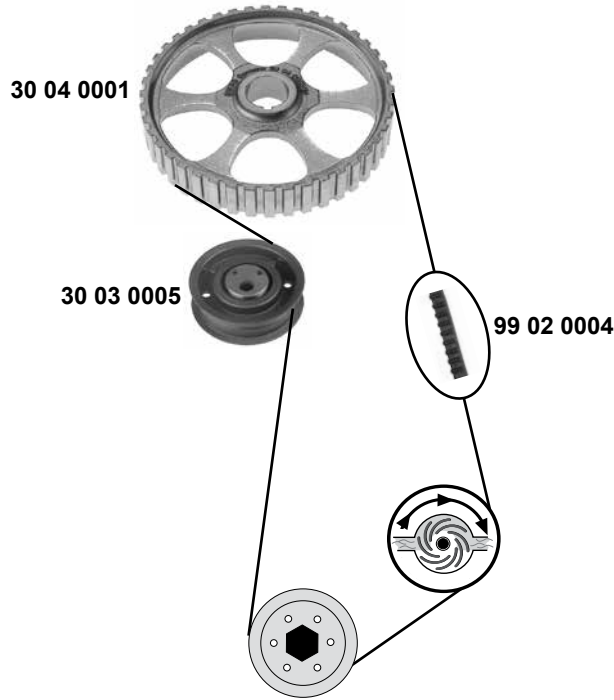
30 02 0017	078 109 119 D	Zahnriemen / timing belt	Z 239 B25,4
30 03 0002	078 903 341 J	Umlenkrolle / deflection pulley	ØA 90 ØI 8 B25
30 03 0008	078 109 243 C	Spannrolle / tension roller	ØA 83 ØI 10 B23
30 03 0021	078 109 244 F	Umlenkrolle / deflection pulley	ØA 59 ØI 8 B28
30 03 0022	078 109 243 K	Spannrolle / tension roller	ØA 72 ØI 8 B27
30 03 0023	078 109 244 G	Umlenkrolle / deflection pulley	ØA 59 ØI 10 B26
32 02 0009	078 198 119 A	Rep. Satz Zahnriemen / rep. kit timing belt	
32 02 0010	078 109 119 D S1	Rep. Satz Zahnriemen / rep. kit timing belt	

# AUDI Coupe (8G)

(81→88)



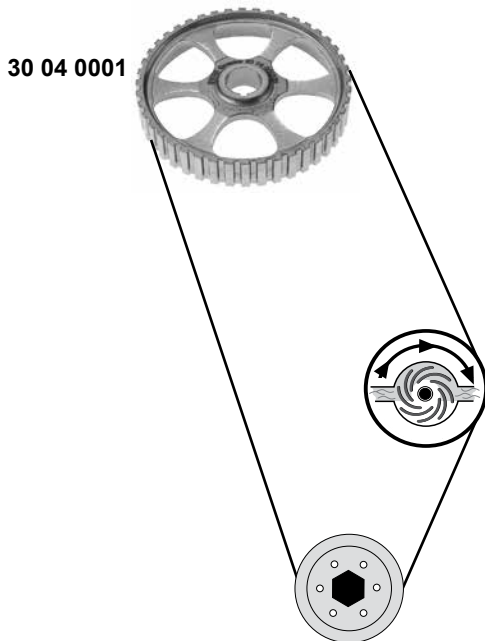
1,6 / 1,8



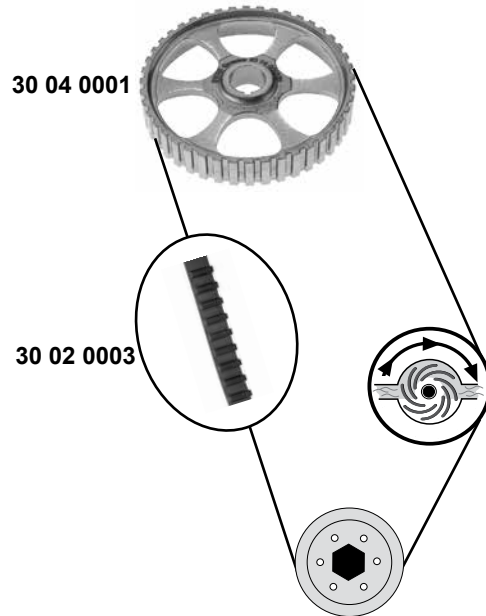
1,9 → 2,3

5 Zyl.

(ch.) → 85-D- 250 000



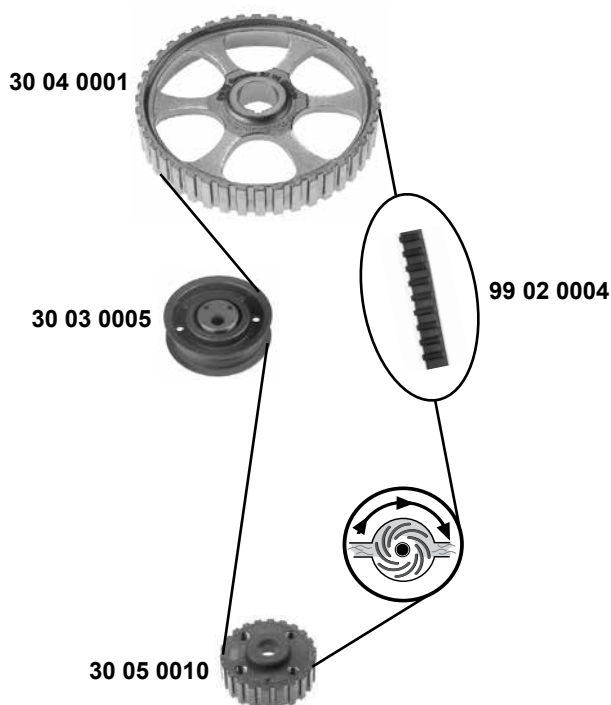
(ch.) 85-E- 000 001 →



SWAG GERMANY	Ref. - No.			
30 02 0003	034 109 119	Zahnriemen / timing belt		Z 120 B18
30 03 0005	026 109 243 L	Spannrolle / tension roller		ØA72 ØI10 B20
30 04 0001	049 109 111 C	Nockenwellenrad / camshaft gear		Z 44
99 02 0004	056 109 119 A	Zahnriemen / timing belt		Z 121 B18



**1,6 / 1,8**  
(3A/DZ)

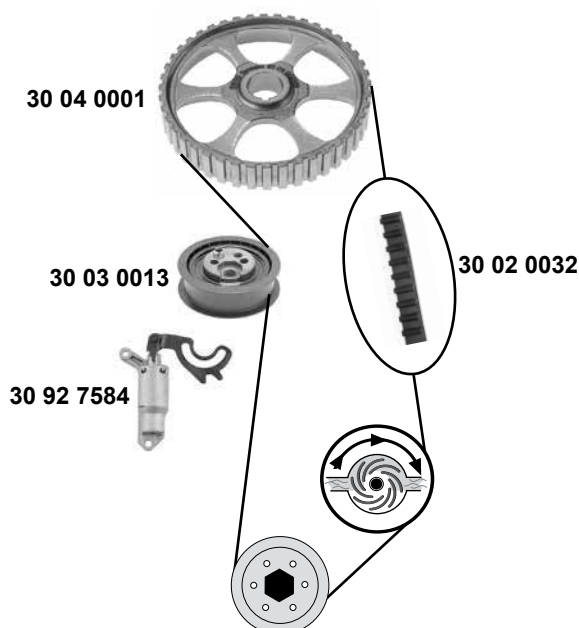


Rep. Satz / rep. kit



SWAG 30 02 0040

**2,0**  
(AAD/ABK)



Rep. Satz / rep. kit



SWAG 99 02 0068



(1) (mot.) AAD  
(mot.) ABK (ch.) → 8B-S-001 503



Ref. - No.

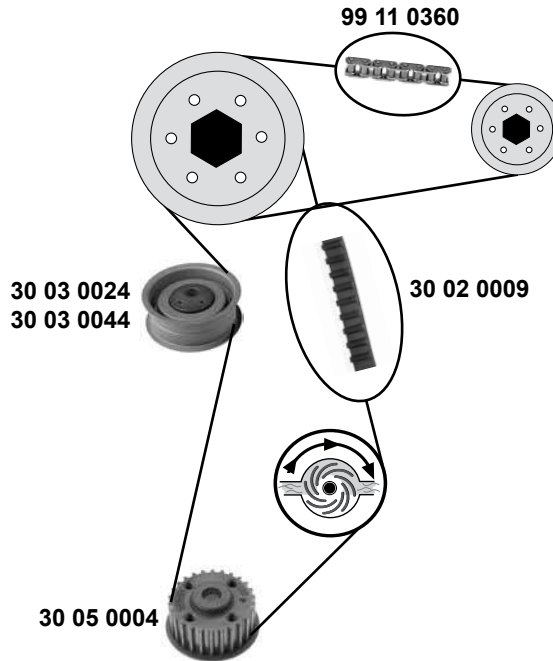


30 02 0032	037 109 119 C	Zahnriemen / timing belt		Z 124 B18
30 02 0040	051 198 119	Rep. Satz Zahnriemen / rep. kit timing belt		
30 03 0005	026 109 243 L	Spannrolle / tension roller		ØA72 Ø110 B20
30 03 0013	048 109 243 A	Spannrolle / tension roller	(1)	ØA72 Ø111 B19
30 04 0001	049 109 111 C	Nockenwellenrad / camshaft gear		Z 44
30 05 0010	049 105 263 C	Kurbelwellenrad / crankshaft gear		Z 22
30 92 7584	050 109 479 A	Riemenspanner / belt tensioner	(mot.) ABK	
99 02 0004	056 109 119 A	Zahnriemen / timing belt		Z 121 B18
99 02 0068	037 109 119 C S2	Rep. Satz Zahnriemen / rep. kit timing belt	08/90 →	

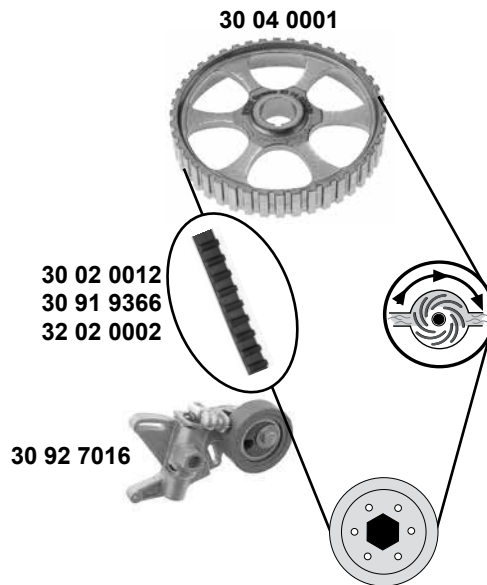
# AUDI Coupe (8B) (89→96)



## 2,0 16V (ACE/6A)



## 2,2 / 2,3 (KV/NG/ABY)



(1) (mot.) KV alle /all  
(mot.) NG

(2) (mot.) NG (ch.) 8B- M - 033 001 →



Ref. - No.

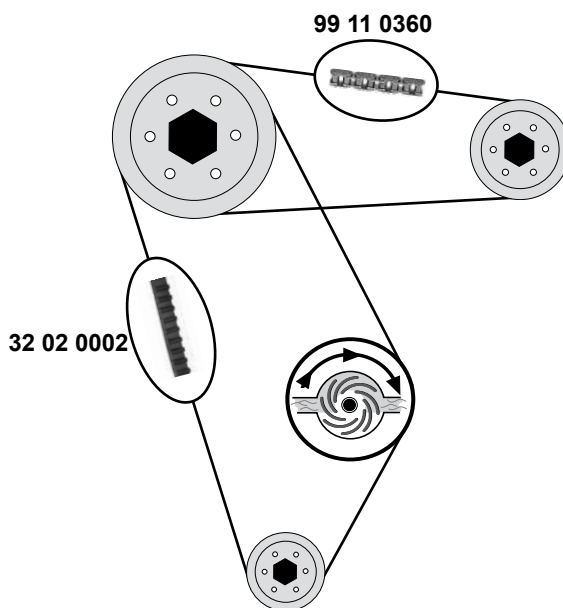


30 02 0009	027 109 119 C	Zahnriemen / timing belt	Z 147 B25
30 02 0012	074 109 119	Zahnriemen / timing belt	Z 142 B19
30 03 0024	051 109 243 A	Spannrolle / tension roller	(mot.) ACE 017 140 → ØA 72 ØI 8 B27
30 03 0044	051 109 243	Spannrolle / tension roller	(mot.) ACE → 017 139 ØA 72 B27
30 04 0001	049 109 111 C	Nockenwellenrad / camshaft gear	(ex.) Super Torque Z 44
30 05 0004	027 105 263 B	Kurbelwellenrad / crankshaft gear	Z 26
30 91 9366	054 109 119 H	Zahnriemen / timing belt	(mot.) ABY Z 151 B19
30 92 7016	054 109 479	Riemenspanner / belt tensioner	(2)
32 02 0002	054 109 119 G	Zahnriemen / timing belt	(2) (ex.) Super Torque Z 147 B19
99 02 0065	027 198 119	Rep. Satz Zahnriemen / rep. kit timing belt	(mot.) ACE 017 140 →
99 02 0066	027 109 119 C S1	Rep. Satz Zahnriemen / rep. kit timing belt	(mot.) ACE → 017 139
99 11 0360	077 109 120	Rollenkette, einfach / roller chain, simple	455 / 44 E



# AUDI Coupe (8B) (89→96)

**2,0 / 2,2 / 2,3 20V**  
(NM/7A/3B/ABY)



**2,6 / 2,8 V6**  
(AAH/ABC/AFC/AGZ)

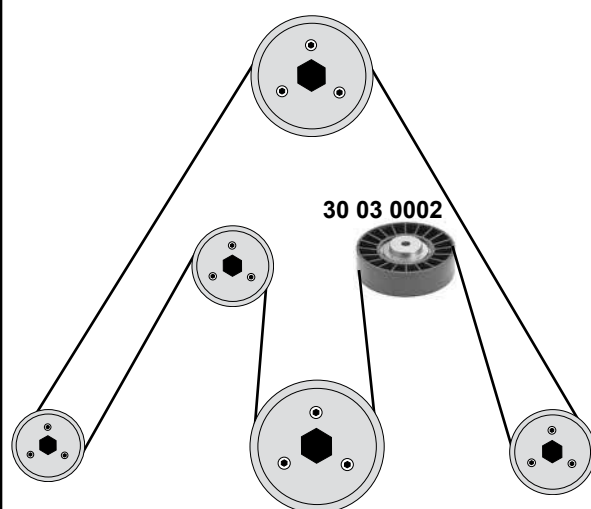
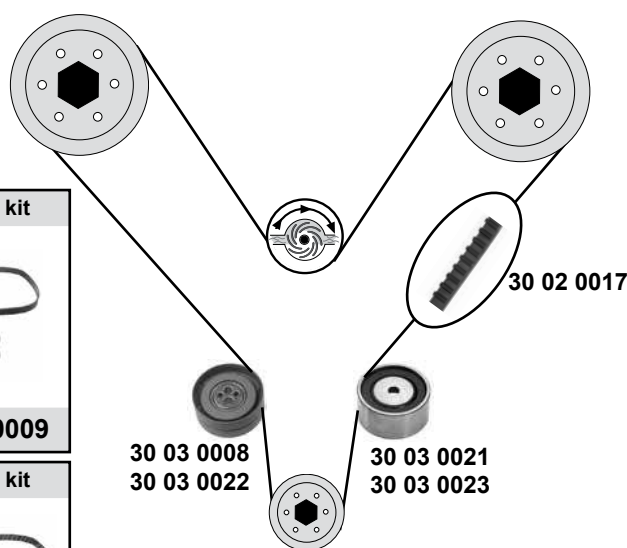
**(ch.) → 8B-R-001 635**

Rep. Satz / rep. kit

**SWAG 32 02 0009**

Rep. Satz / rep. kit

**SWAG 32 02 0010**

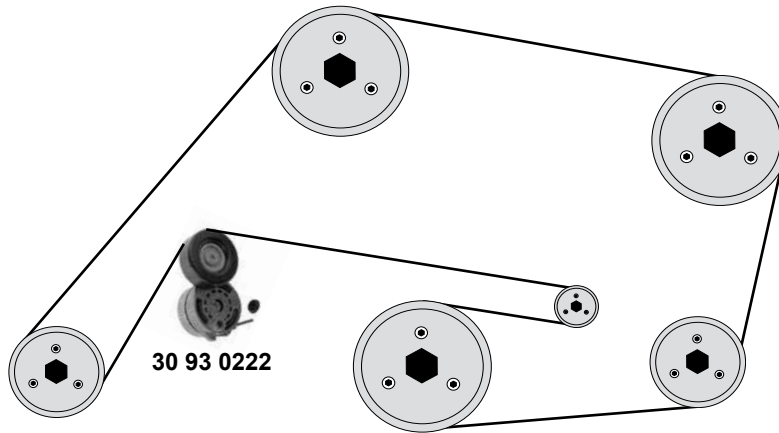


SWAG	Ref. - No.			
30 02 0017	078 109 119 D	Zahnriemen / timing belt		Z 239 B25,4
30 03 0002	078 903 341 J	Umlenkrolle / deflection pulley	(mot.) AAH/ABC	ØA 90 ØI 8 B25
30 03 0008	078 109 243 C	Spannrolle / tension roller	(ch.) → 8B-S-000 544	ØA 83 ØI 10 B23
30 03 0021	078 109 244 F	Umlenkrolle / deflection pulley	(ch.) → 8B-S-000 544	ØA 59 ØI 8 B28
30 03 0022	078 109 243 K	Spannrolle / tension roller	(ch.) 8B-S-000 545 →	ØA 72 ØI 8 B27
30 03 0023	078 109 244 G	Umlenkrolle / deflection pulley	(ch.) 8B-S-000 545 →	Ø A 59 ØI 10 B26
32 02 0002	054 109 119 G	Zahnriemen / timing belt		Z 147 B19
32 02 0009	078 198 119 A	Rep. Satz Zahnriemen / rep. kit timing belt	(ch.) 8B-S -000 545 →	
32 02 0010	078 109 119 D S1	Rep. Satz Zahnriemen / rep. kit timing belt	(ch.) → 8B-S-000 544	
99 11 0360	077 109 120	Rollenkette, einfach / roller chain, simple		455 / 44 E

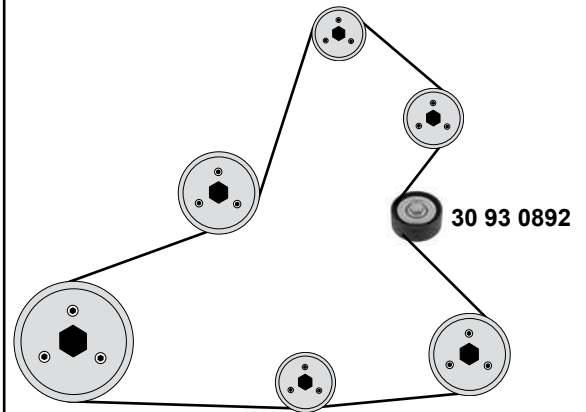
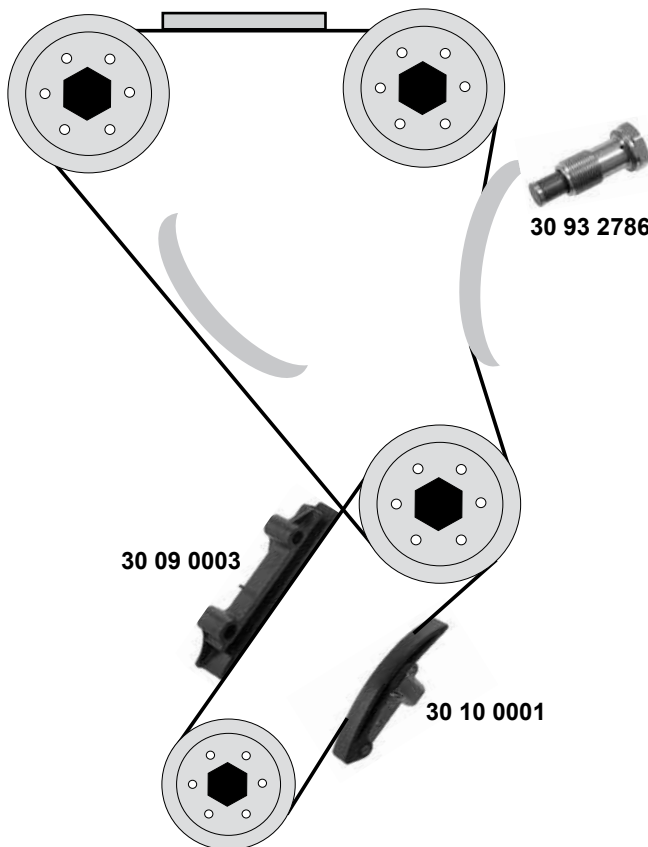
**AUDI**  
**Q5 (8R)**  
(09→)



**3,2**  
(CALB)



**Q7 (4L)**  
(07→)  
**3,6 FSi**  
(BHK)



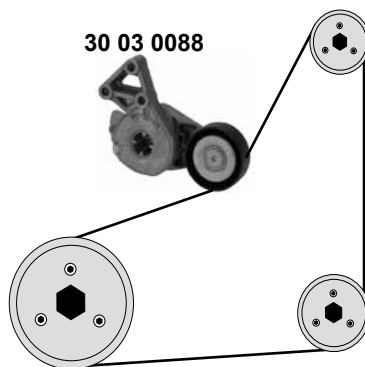
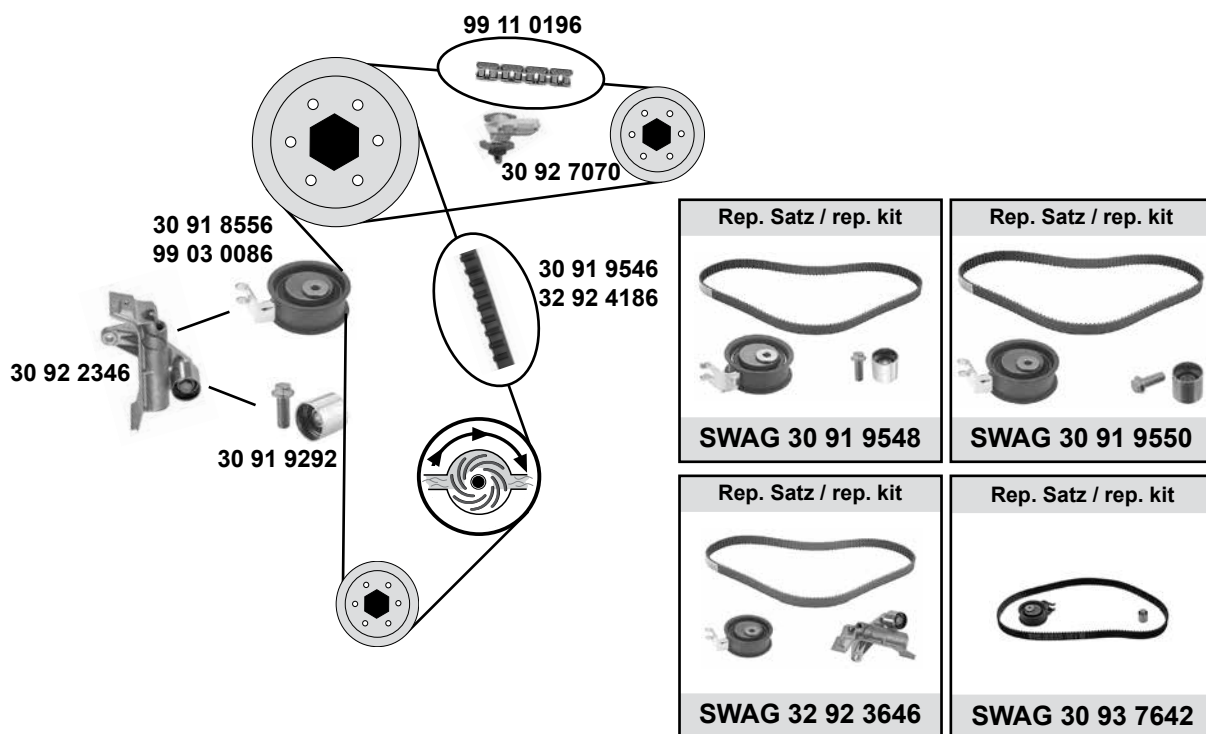
Ref. - No.



<b>30 09 0003</b>	021 109 469
<b>30 10 0001</b>	021 109 467
<b>30 93 0222</b>	06E 903 133 Q
<b>30 93 0892</b>	022 145 276 A
<b>30 93 2786</b>	03H 109 507

Gleitschiene / sliding rail
Kettenspanner / chain tensioner
Riemenspanner / belt tensioner
Umlenkrolle / deflection pulley
Kettenspanner / chain tensioner

ØA 65 B28



(1) (mot.) ARY / AUQ / BAM / BFV / BVR



Ref. - No.



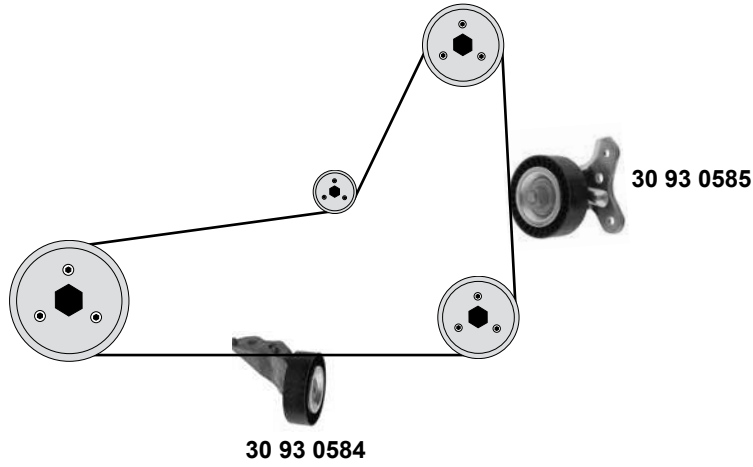
Ref. - No.	Description	Notes	Dimensions
30 03 0088	Riemenspanner / belt tensioner		ØA 70 B24
30 91 8556	Spannrolle / tension roller	(ch.) 8N-Y-095 001 →	ØA 72 B31
30 91 9292	Umlenkrolle / deflection pulley	(ch.) 8N-Y-095 001 →	ØA28,5 B23
30 91 9546	Zahnriemen / timing belt		Z 150 B23
30 91 9548	Rep. Satz Zahnriemen / rep. kit timing belt	(ch.) → 8N-Y-095 000	Z 150 B23
30 91 9550	Rep. Satz Zahnriemen / rep. kit timing belt	(ch.) 8N-Y-095 001 →	Z 150 B23
30 92 2346	Riemenspanner / belt tensioner	(ch.) 8N-Y-095 001 →	
30 92 7070	Kettenspanner / chain tensioner	(mot.) AJQ/APP/APX	
30 93 7642	Rep. Satz Zahnriemen / rep. kit timing belt	(1)	
32 92 3646	Rep. Satz Zahnriemen / rep. kit timing belt	(ch.) 8N-Y-095 001 →	Z 150 B23
32 92 4186	Zahnriemen / timing belt	07 →	Z 148
99 03 0086	Spannrolle / tension roller	(ch.) → 8N-Y-095 000	ØA 72 B30
99 11 0196	Steuerkette / timing chain		50E

# AUDI TT / Quattro

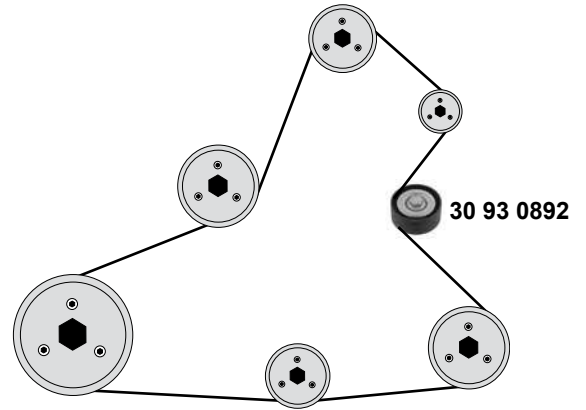
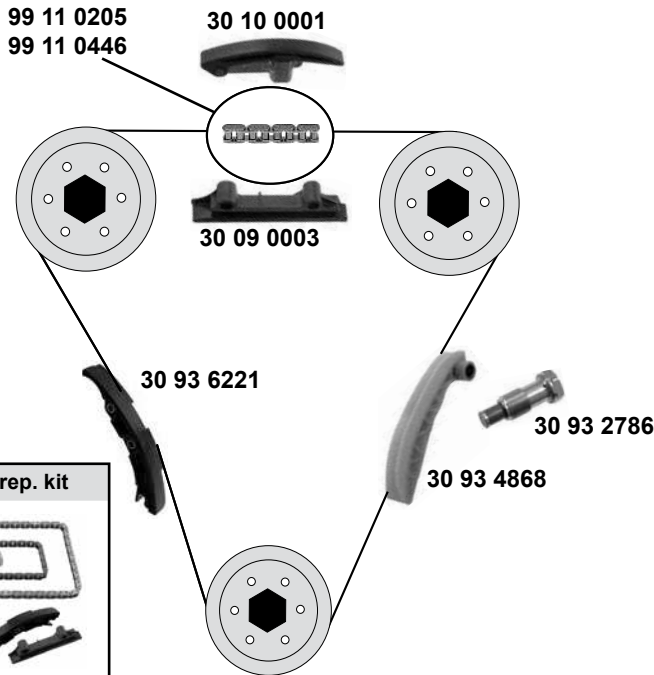
(03→)



**2,5**  
(CEPA/CEPB)



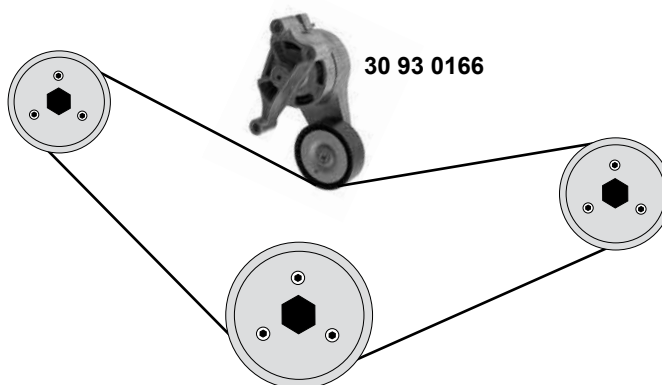
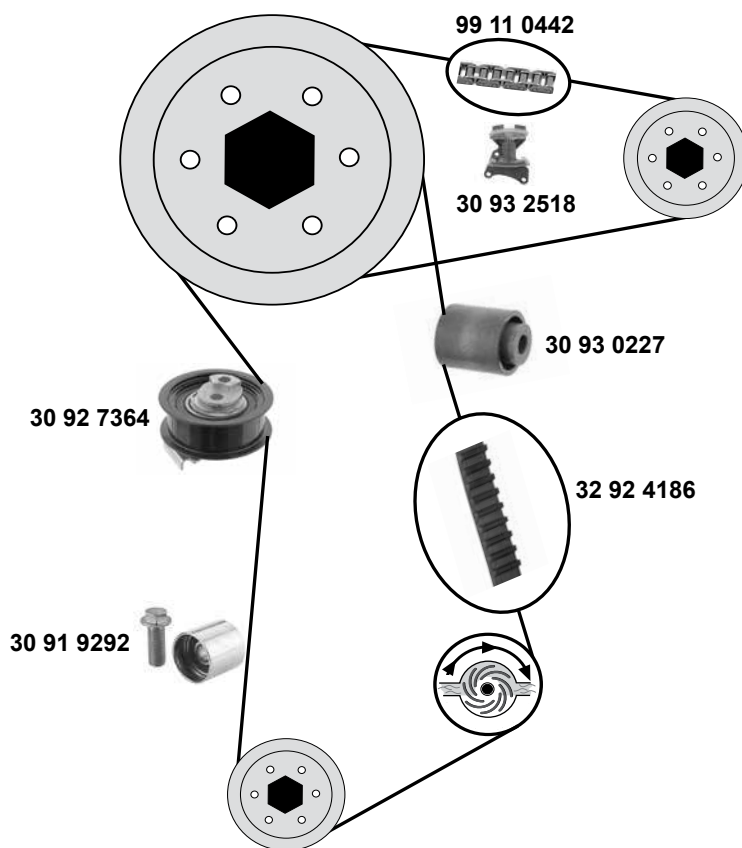
**3,2**  
(BHE/BPF/BUB)



Ref. - No.



30 09 0003	021 109 469	Gleitschiene / sliding rail	(mot.) BUB 06→	
30 10 0001	021 109 467	Kettenspanner / chain tensioner	(mot.) BUB 06→	
30 93 0584	07K 145 172 C	Umlenkrolle / deflection pulley	10 →	ØA 73 B21,85
30 93 0585	07K 145 172 B	Umlenkrolle / deflection pulley	10 →	ØA 64,1 B21,85
30 93 0892	022 145 276 A	Umlenkrolle / deflection pulley	(mot.) BUB	ØA 65 B28
30 93 2786	03H 109 507	Kettenspanner / chain tensioner	(mot.) BUB 06→	
30 93 4868	066 109 509 A	Gleitschiene / sliding rail	(mot.) BUB 06→	
30 93 6221	066 109 513 A	Gleitschiene / sliding rail	(mot.) BUB 06→	
30 93 6222	03H 109 503 S1	Rep. Satz Steuerkette / rep. kit timing chain	(mot.) BUB 06→	
99 11 0205	03H 109 465	Steuerkette / timing chain	(mot.) BUB 06→	70E
99 11 0446	066 109 503 C	Steuerkette / timing chain	(mot.) BUB 06→	98E



- (1) → 10 (mot.) BWA / BPY
- (2) (ex.) (mot.) CDLA / CDLB / CDMA



Ref. - No.



Ref. - No.				
30 91 9292	06B 109 244	Umlenkrolle / deflection pulley	(2)	ØA28,5 B27
30 92 7364	06D 109 243 B	Spannrolle / tension roller	(2)	ØA 77 B25
30 93 0166	06F 903 315	Riemenspanner / belt tensioner		
30 93 0227	06D 109 244 E	Umlenkrolle / deflection pulley	(2)	
30 93 0586	06F 198 119 A	Rep. Satz Zahnriemen / rep. kit timing belt	(2)	
30 93 2518	06F 109 217 A	Kettenspanner / chain tensioner	(1)	
32 92 4186	06D 109 119 B	Zahnriemen / timing belt	(2)	Z 148
99 11 0442	06D 109 229 B	Steuerkette / timing chain	(2)	42E



# AUDI

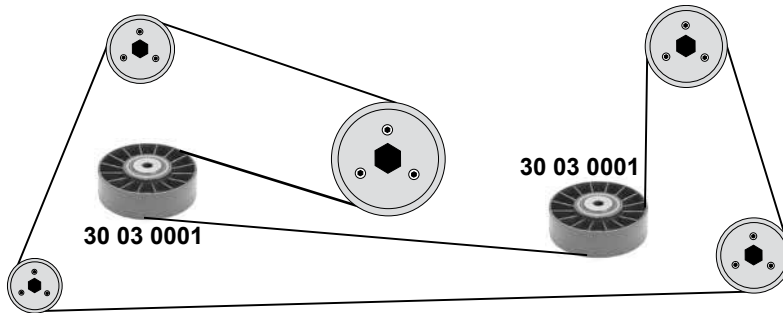
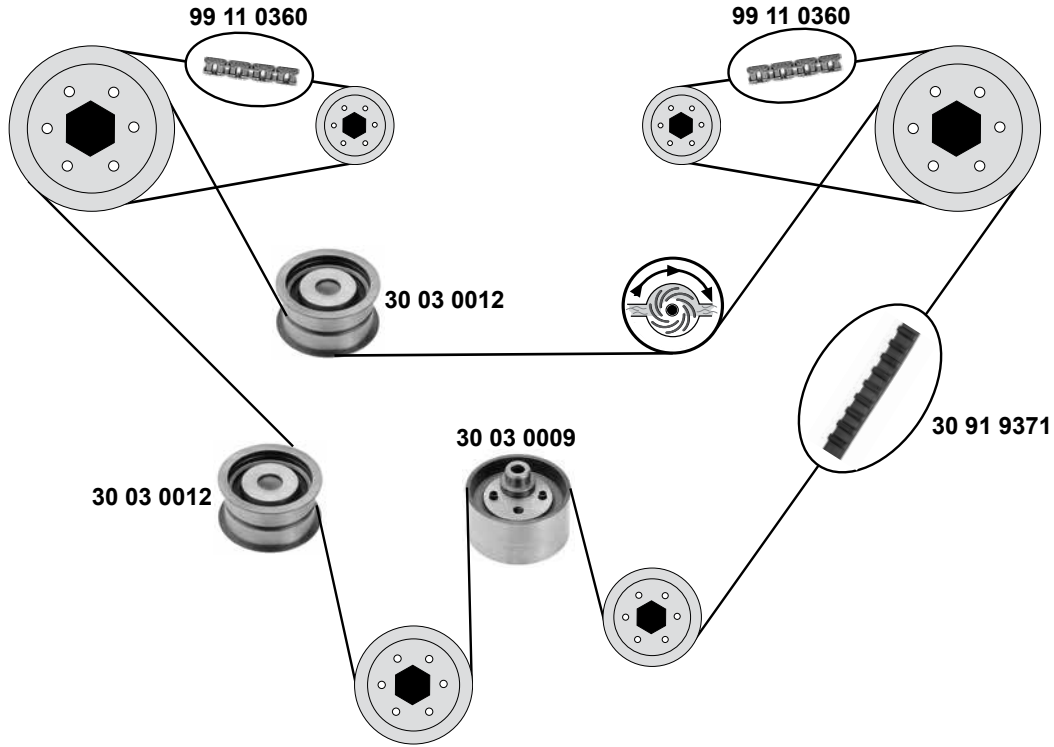
## V8 (44/4C)

(89→94)



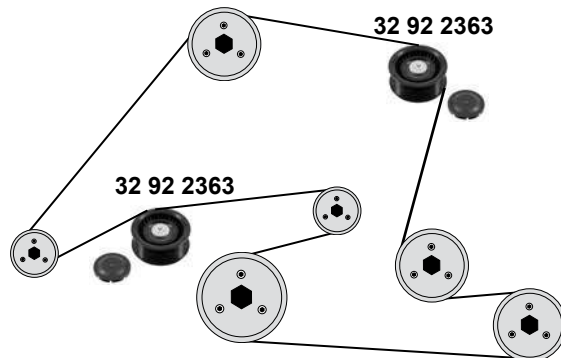
### 3,6 / 4,2 V8

(PT/ABH)



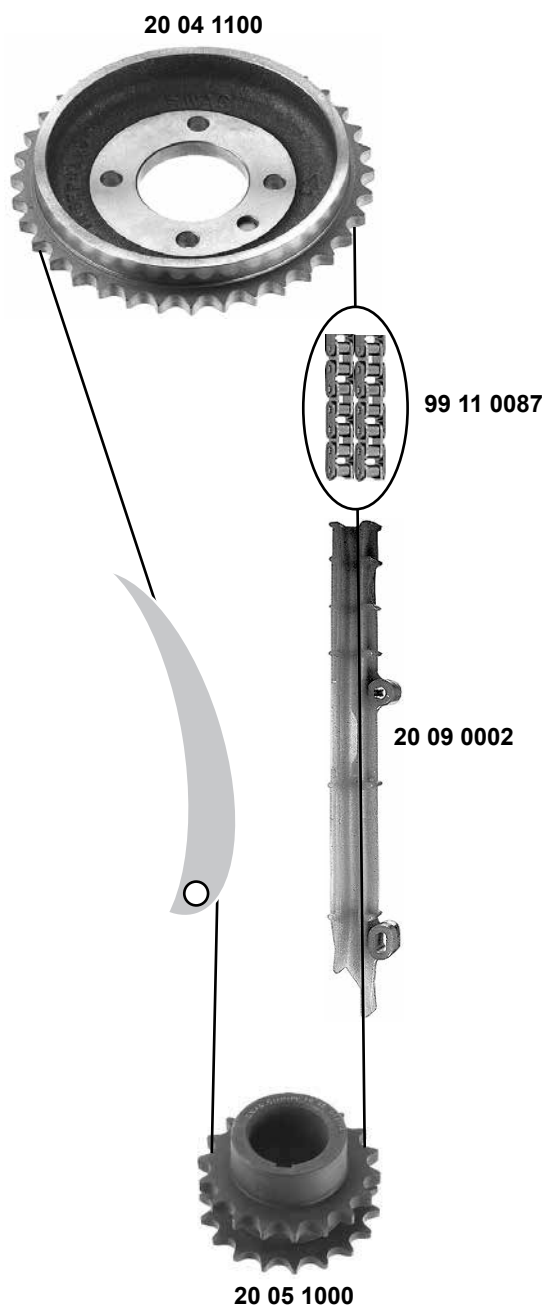
### 6,0 V8

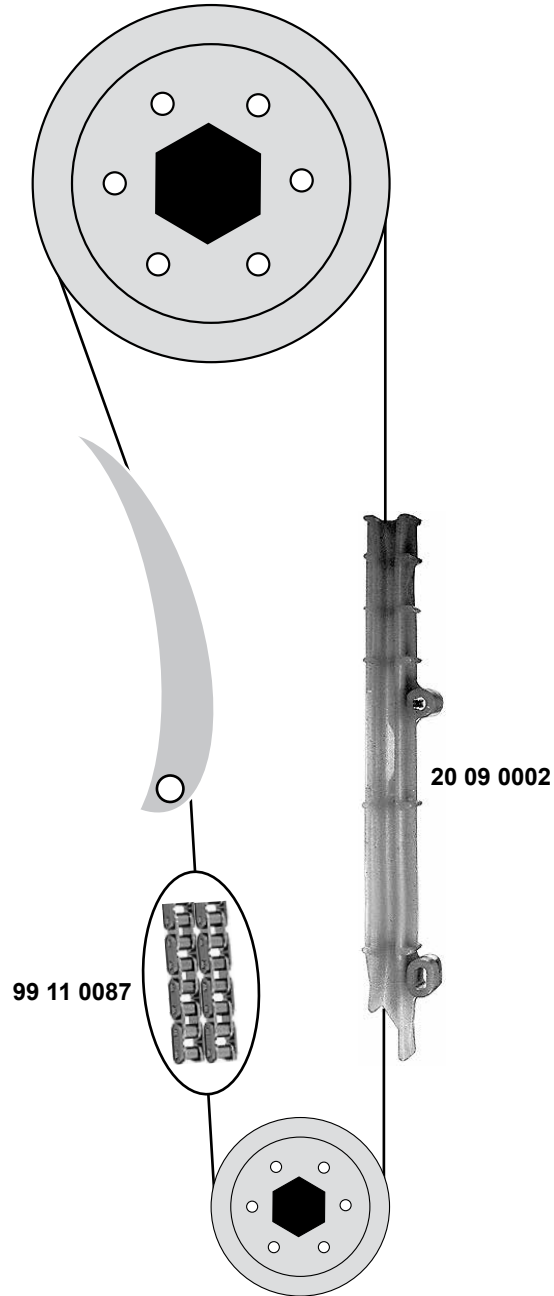
(BHT/BSB/BTE/CEJA)



SWAG GERMANY	Ref. - No.			
30 03 0001	077 903 341	Umlenkrolle / deflection pulley		ØA 85 ØI 8 B25
30 03 0009	077 109 243 A	Spannrolle / tension roller		ØA 65 ØI 8,5 B34
30 03 0012	077 109 244 A	Umlenkrolle / deflection pulley		ØA 60 ØI 16 B32
30 91 9371	077 109 119 D	Zahnriemen / timing belt		Z 299 B30
32 92 2363	07D 145 276 C	Umlenkrolle / deflection pulley		
99 11 0360	077 109 120	Steuerkette / timing chain		455 / 44 E



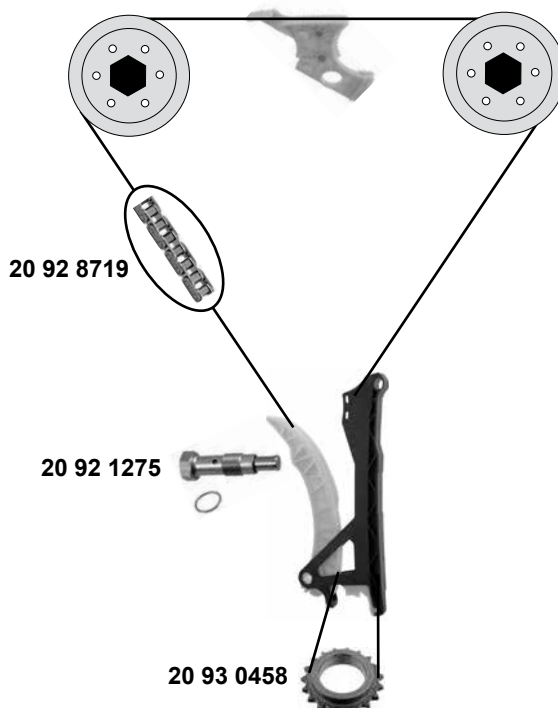




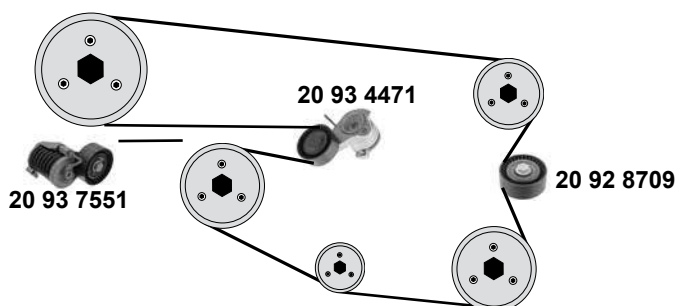


**BMW**  
**1 'er (E81/82/87LCI/88)**  
 (06→12)

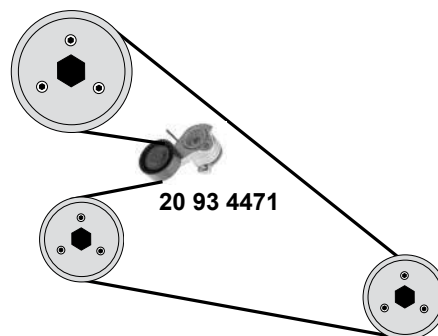
**116 i / 118 i / 120i**  
 (N43)



**AC**



**(ex.) AC**



(1) Rep. Satz Schraube für Steuerkette /  
 rep. kit screw for timing chain  
**SWAG 20 93 3845**



(2) E81,E87 LCI: 116i, 118i, 120i / E82: 120i / E88: 118i, 120i / E 87: 116i, 118i, 120i alle/all

(3) E81,E87 LCI,E88: 120i / Nur Fahrzeuge mit Aktivlenkung und LHD / only vehicles with active steering and LHD



Ref. - No.



<b>20 92 1275</b>	11 31 7 567 680	Kettenspanner / chain tensioner		
<b>20 92 8709</b>	11 28 7 556 251	Umlenkrolle / deflection pulley		80x28
<b>20 92 8719</b>	11 31 7 516 088	Steuerkette / timing chain		144 E
<b>20 93 0458</b>	11 31 7 502 180	Kurbelwellenrad / crankshaft gear		Z19
<b>20 93 3845</b>	11 23 7 503 107 S1	Rep. Satz Schraube / rep. kit screw	(2)	
<b>20 93 4471</b>	11 28 7 558 752	Riemenspanner / belt tensioner	(1)	
<b>20 93 7551</b>	11 28 7 558 969	Riemenspanner / belt tensioner	(ex.) active	70x28
<b>99 13 0335</b>	11 31 7 516 088 S1	Rep. Satz Steuerkette / rep. kit timing chain	(3)	ØA 70 B 28
				144 E

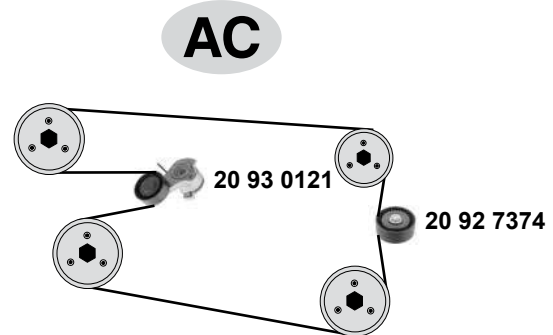
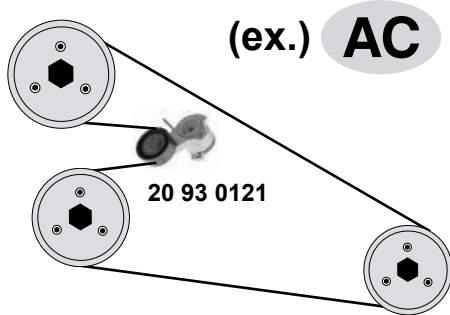
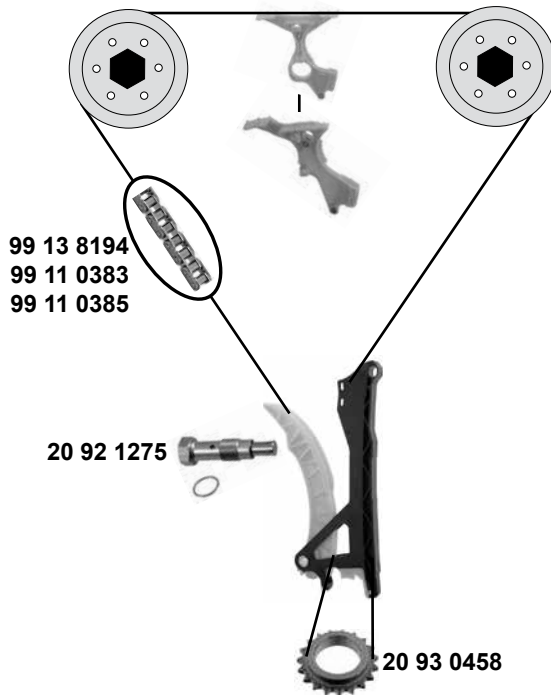
# BMW 1'er (E81/82/87/LCI/88)

(04→12)



## 116 i / 118 i / 120 i (N46/N / N45/N)

<p>Rep. Satz / rep. kit</p> <p><b>SWAG 99 13 0333</b></p>	<p>Rep. Satz / rep. kit</p> <p><b>SWAG 99 13 0334</b></p>
<p>Rep. Satz / rep. kit</p> <p><b>SWAG 99 13 3846</b></p>	<p>Rep. Satz / rep. kit</p> <p><b>SWAG 20 93 8196</b></p>



- (1) Rep. Satz Schraube für Steuerkette /  
rep. kit screw for timing chain

**SWAG 20 93 3845**



- (2) (mot.) N46/N **SWAG 99 13 0334** mit/with (1)

- (3) E81, E87 LCI: 116i, 118i, 120i (mot.) N46/N/ E82: 120i / E88: 118i, 120i (mot.) N46/N / E 87: 116i, 118i, 120i  
alle/all

- (4) E 81 116i (mot.) N45N / E87/LCI 116i (mot.) N45/N



Ref. - No.

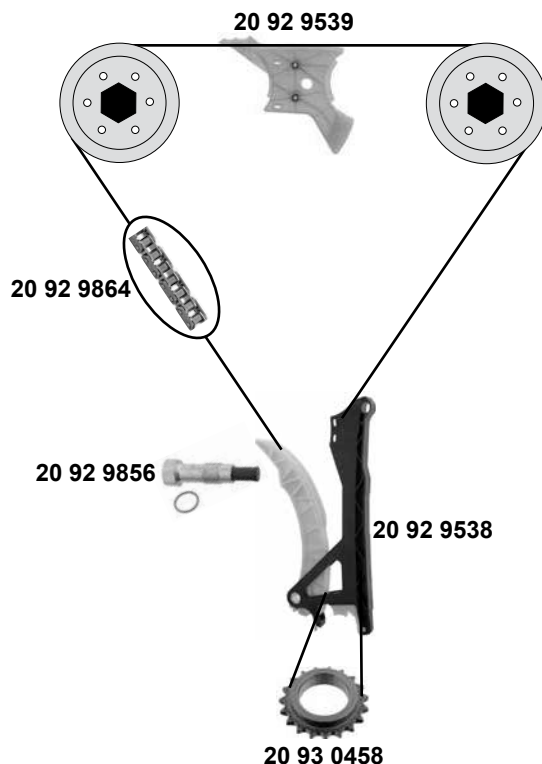


Ref. - No.	Description	Notes	Dimensions
20 92 1275	Kettenspanner / chain tensioner		
20 92 7374	Umlenkrolle / deflection pulley		70x26
20 93 0121	Riemenspanner / belt tensioner		ØA 70 B 26
20 93 0458	Kurbelwellenrad / crankshaft gear	(3)	Z 19
20 93 3845	Rep. Satz Schraube / rep. kit screw	(1)	
99 11 0383	Steuerkette / timing chain	(mot.) N 46/N	142 E
99 11 0385	Steuerkette / timing chain	(mot.) N 45/N	138 E
99 13 0333	Rep. Satz Steuerkette / rep. kit timing chain	(mot.) N 45/N	138 E
99 13 0334	Rep. Satz Steuerkette / rep. kit timing chain	(mot.) N 46/N	
99 13 3846	Rep. Satz Steuerkette / rep. kit timing chain	(2)	142 E
99 13 8194	Steuerkette / timing chain	(4)	138 N
99 13 8196	Rep. Satz Steuerkette / rep. kit timing chain	(4)	138 N

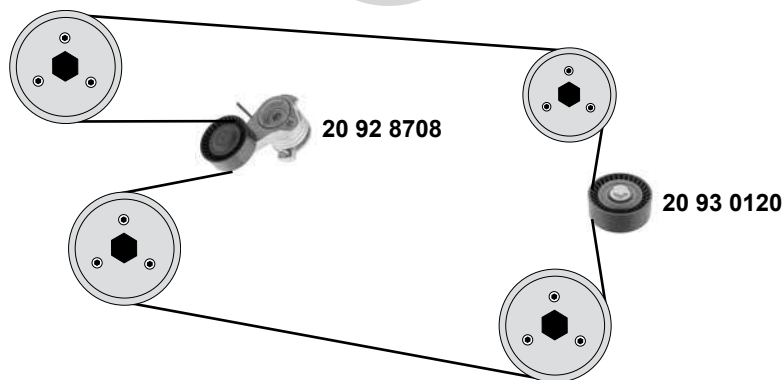


**BMW**  
**1 'er (E81/E82/E87LCI/E88)**  
 (06→12)

**125 i / 128 i / 130 i**  
 (N51 / N52/N)



**AC**



- (1) (mot.) N52 E 81 / 87/LCI 130i / (mot.) N52 E 82 / E88 125i
- (2) (mot.) N52N E 81 / 87/LCI 130i / (mot.) N51 / N52N E 82 / E88 125i / 128i
- (3) (mot.) N52/N 87/LCI 130i / (mot.) N52N E81 (mot.) N52N / N51 E82 125i, (128i USA) / (mot.) N52N E88 125i, (128i USA)



Ref. - No.



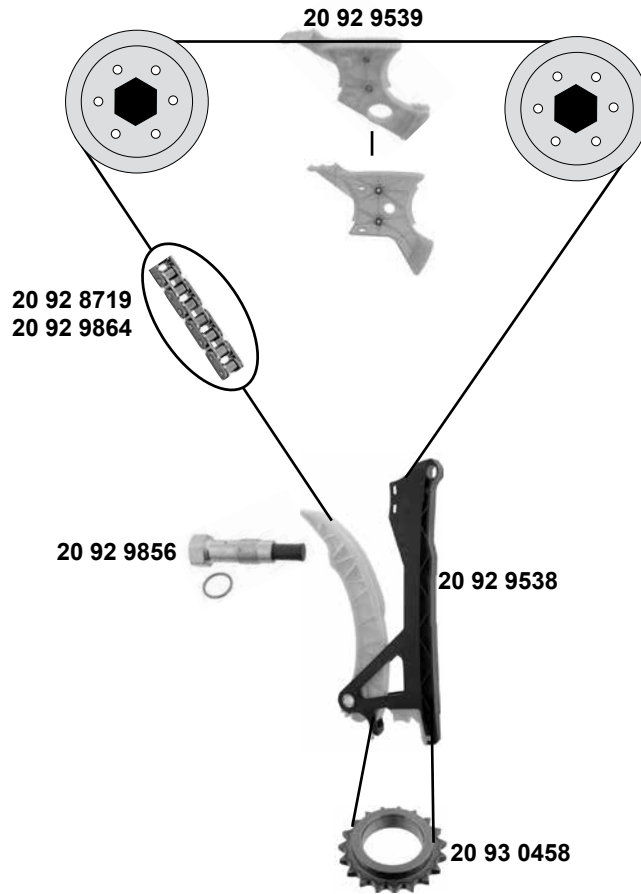
Ref. - No.	Description	Quantity	Dimensions
20 92 8708	Riemenspanner/ belt tensioner		70x26
20 92 9538	Gleitschiene / sliding rail	(2)	
20 92 9539	Gleitschiene / sliding rail	(2)	
20 92 9856	Kettenspanner / chain tensioner	(2)	
20 92 9864	Steuerkette / timing chain	(2)	148 E
20 93 0120	Umlenkrolle / deflection pulley	(1)	80x26
20 93 0458	Kurbelwellenrad / crankshaft gear	(3)	Z19
99 13 0338	Rep. Satz Steuerkette / rep. kit timing chain	(2)	148 E

# BMW 1 'er (E82/E88)

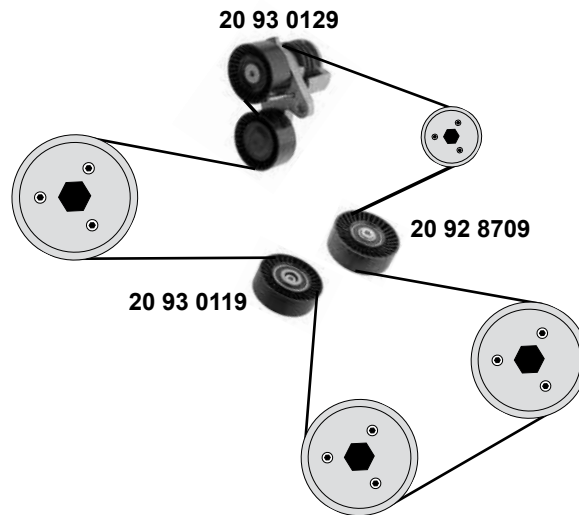
(07→13)



## 135 i / M Coupe (N54/N55)



## 135 i / M Coupe (N54)

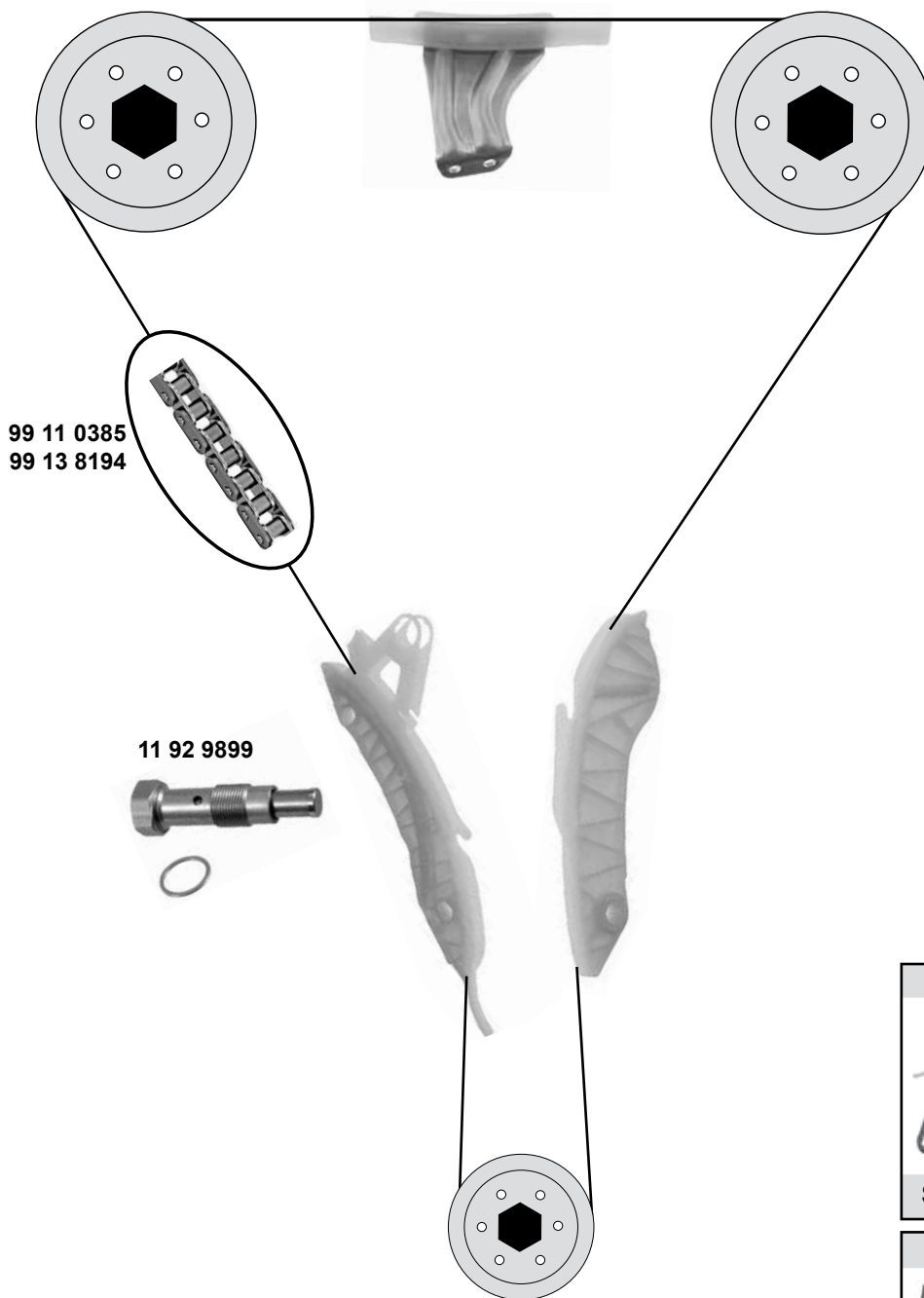


SWAG	Ref. - No.			
20 92 8709	11 28 7 556 251	Umlenkrolle / deflection pulley	(mot.) N54	80x28
20 92 8719	11 31 7 516 088	Steuerkette / timing chain	(mot.) N54	144 E
20 92 9538	11 31 7 585 020	Gleitschiene / sliding rail	(mot.) N55	
20 92 9539	11 31 7 592 850	Gleitschiene / sliding rail	(mot.) N55	
20 92 9856	11 31 7 584 723	Kettenspanner / chain tensioner		
20 92 9864	11 31 7 584 084	Steuerkette / timing chain	(mot.) N55	148 E
20 93 0119	11 28 7 557 851	Umlenkrolle / deflection pulley	(mot.) N54	90x30
20 93 0129	11 28 7 563 927	Riemenspanner / belt tensioner	(mot.) N54	70x30
20 93 0458	11 31 7 502 180	Kurbelwellenrad / crankshaft gear	(mot.) N54	Z19
99 13 0337	11 31 7 516 088 S2	Rep. Satz Steuerkette / rep. kit timing chain	(mot.) N54	144 E
99 13 0338	11 31 7 584 084	Rep. Satz Steuerkette / rep. kit timing chain	(mot.) N55	148 E



**BMW**  
**1 'er (F20 / F21)**  
 (11→)

**114i / 116 i / 118 i**  
 (N13)



Ref. - No.



<b>11 92 9899</b>	11 31 4 609 483	Kettenspanner / chain tensioner	
<b>20 93 8195</b>	11 31 1 439 853 S4	Rep. Satz Steuerkette / rep. kit timing chain	138 N
<b>99 11 0385</b>	11 31 1 439 853	Steuerkette einfach / timing chain simplex	138 E
<b>99 13 3162</b>	11 31 1 439 853 S2	Rep. Satz Steuerkette / rep. kit timing chain	138 E
<b>99 13 8194</b>	11 31 1 439 853 S3	Steuerkette / timing chain	138 N

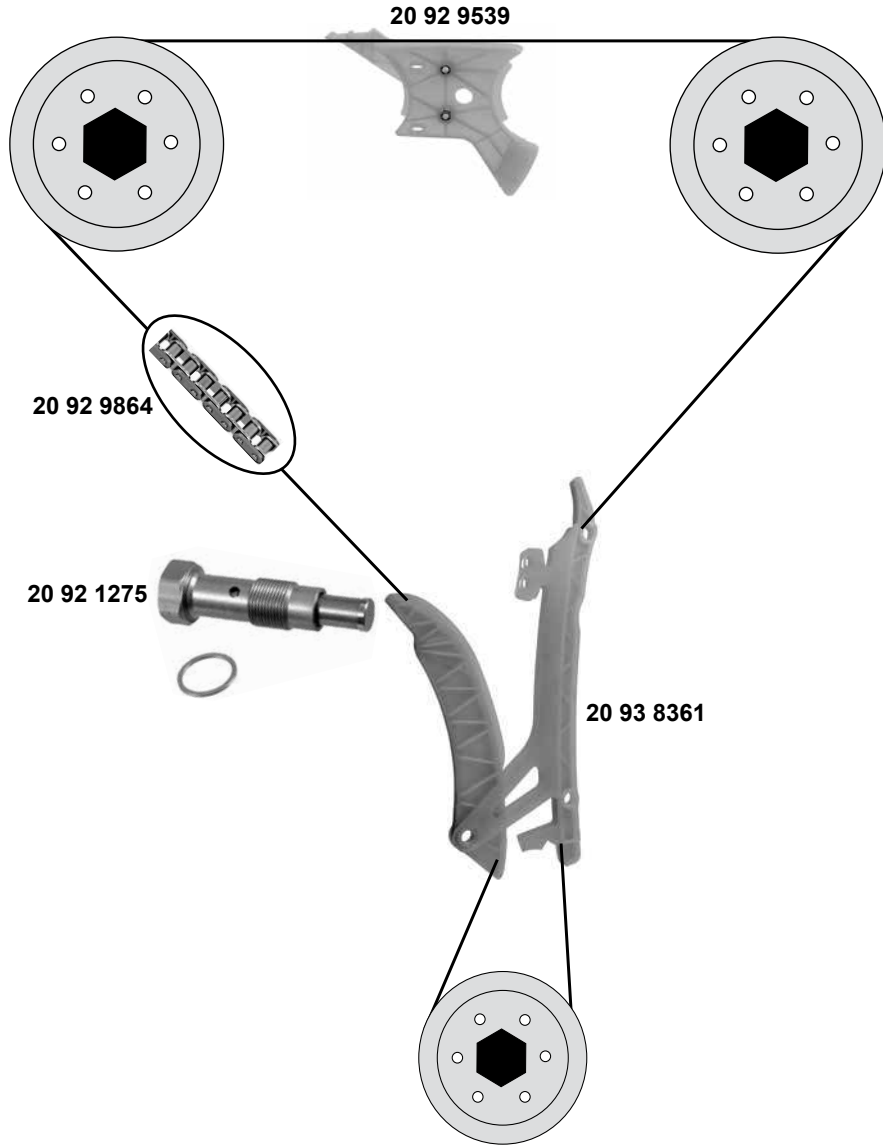
# BMW 1 'er (F20 / F21)

(11→)



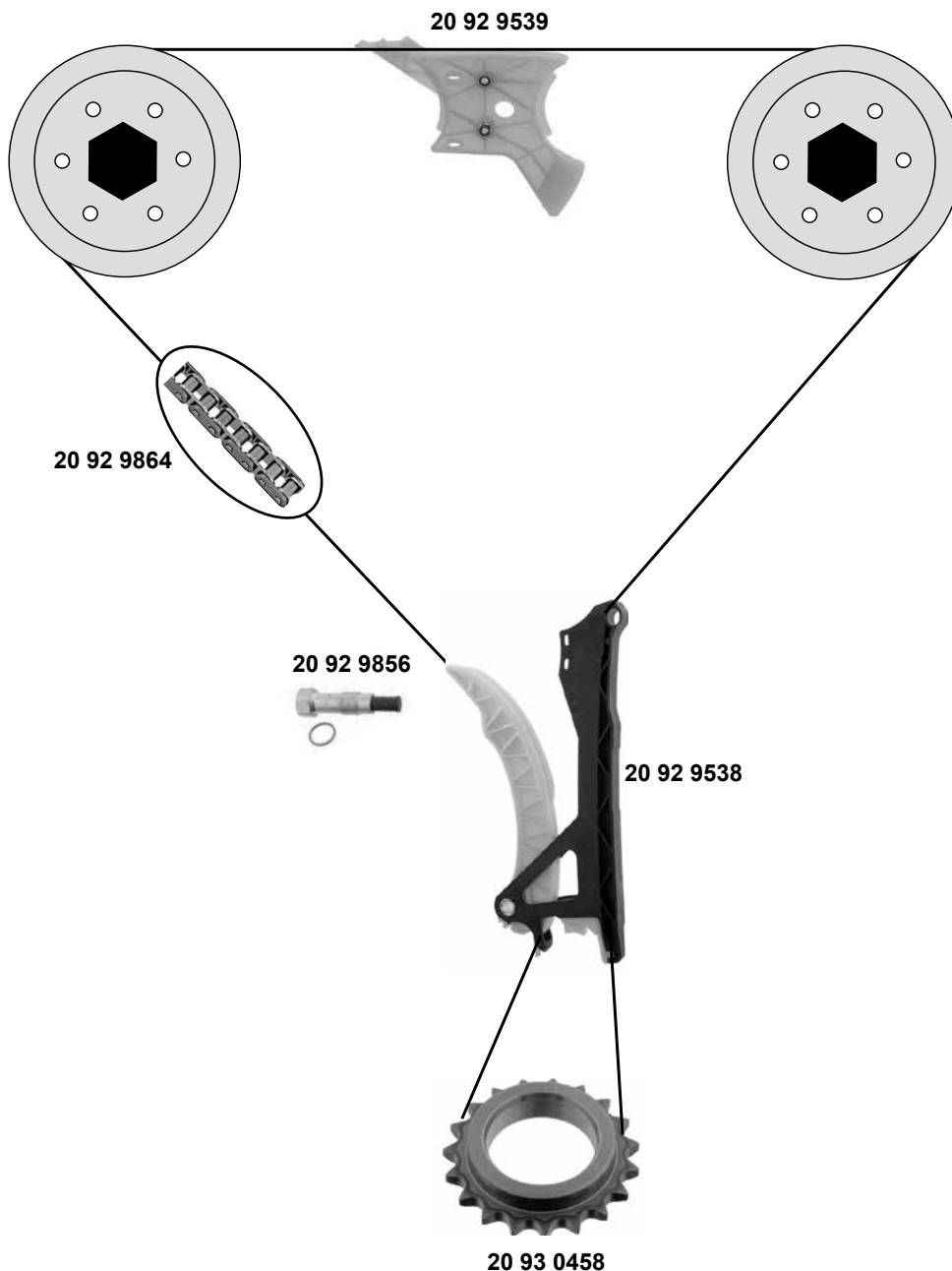
## 125 i

(N20)



SWAG GERMANY	Ref. - No.			
20 92 1275	11 31 7 567 680	Kettenspanner / chain tensioner		M22x1,25
20 92 9539	11 31 7 592 850	Gleitschiene / sliding rail		
20 92 9864	11 31 7 584 084	Steuerkette einfach / roller chain simplex		148 E
30 93 8361	11 31 7 592 877	Gleitschiene / sliding rail		
30 93 8362	11 31 7 584 084 S2	Rep. Satz Steuerkette / rep. kit timing chain		148 E





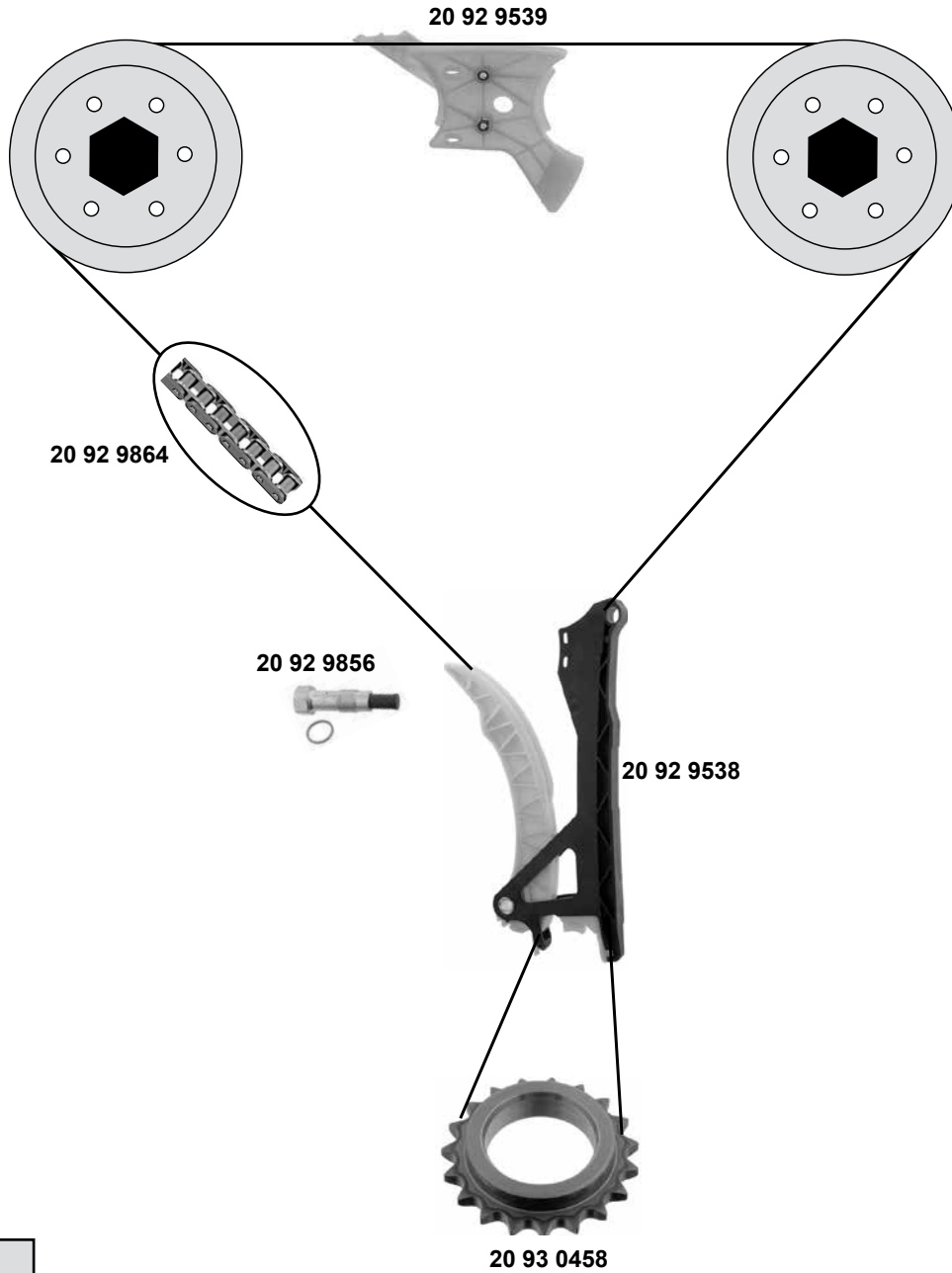
SWAG GERMANY	Ref. - No.			
20 92 9538	11 31 7 585 020	Gleitschiene / sliding rail		
20 92 9539	11 31 7 592 850	Gleitschiene / sliding rail		
20 92 9856	11 31 7 584 723	Kettenspanner / chain tensioner		
20 92 9864	11 31 7 584 084	Steuerkette / timing chain		148 E
20 93 0458	11 31 7 502 180	Kurbelwellenrad / crankshaft gear		Z19
99 13 0338	11 31 7 584 084 S1	Rep. Satz Steuerkette / rep. kit timing chain		148 E

**BMW**  
**2 'er (F22)**

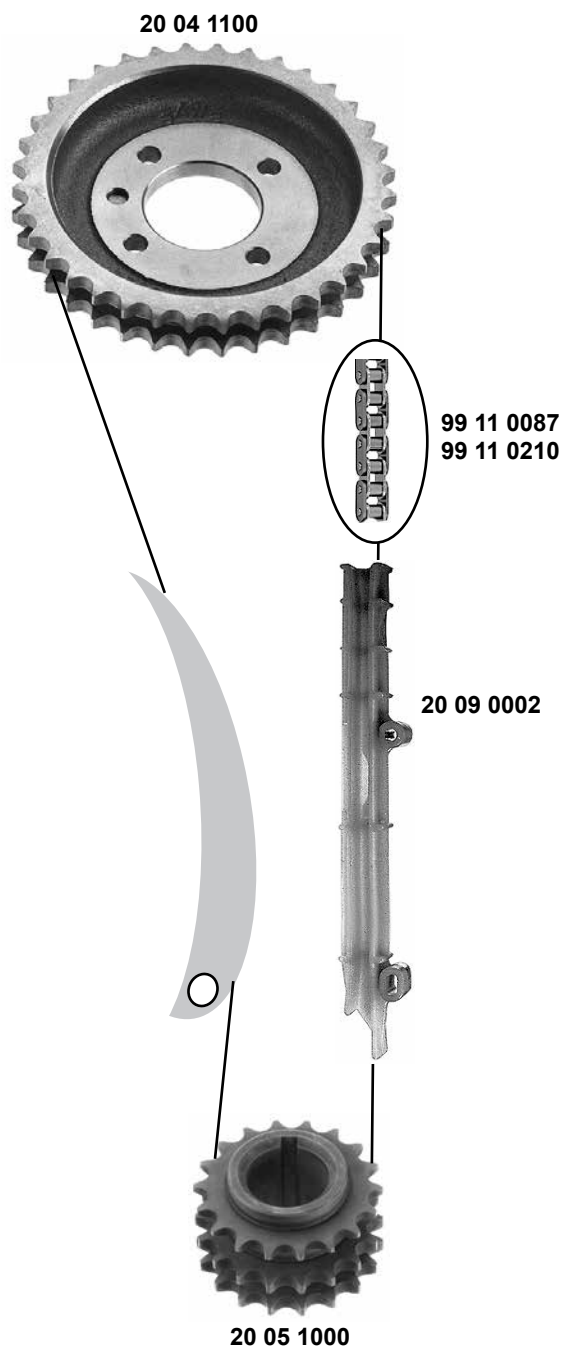
(13→)



**M 235 i / ix**  
(N55)



	Ref. - No.			
20 92 9538	11 31 7 585 020	Gleitschiene / sliding rail		
20 92 9539	11 31 7 592 850	Gleitschiene / sliding rail		
20 92 9856	11 31 7 584 723	Kettenspanner / chain tensioner		
20 92 9864	11 31 7 584 084	Steuerkette / timing chain		148 E
20 93 0458	11 31 7 502 180	Kurbelwellenrad / crankshaft gear		Z19
99 13 0338	11 31 7 584 084 S1	Rep. Satz Steuerkette / rep. kit timing chain		148 E



(1) 315 / 318i alle / all  
 316 / 318 / 320 Modell: 11/78 →



Ref. - No.



<b>20 04 1100</b>	11 31 1 265 006	Nockenwellenrad / crankshaft gear	Modell 11/78 →	Z 36
<b>20 05 1000</b>	11 21 1 265 010	Kurbelwellenrad / camshaft gear	(1)	Z 18
<b>20 09 0002</b>	11 31 1 253 236	Gleitschiene / sliding rail		
<b>99 11 0087</b>	11 31 0 731 105	Steuerkette zweifach / timing chain double	Modell →11/78	94 E
<b>99 11 0210</b>	11 31 1 716 986	Steuerkette einfach / timing chain simple	Modell 11/78 →	94 E

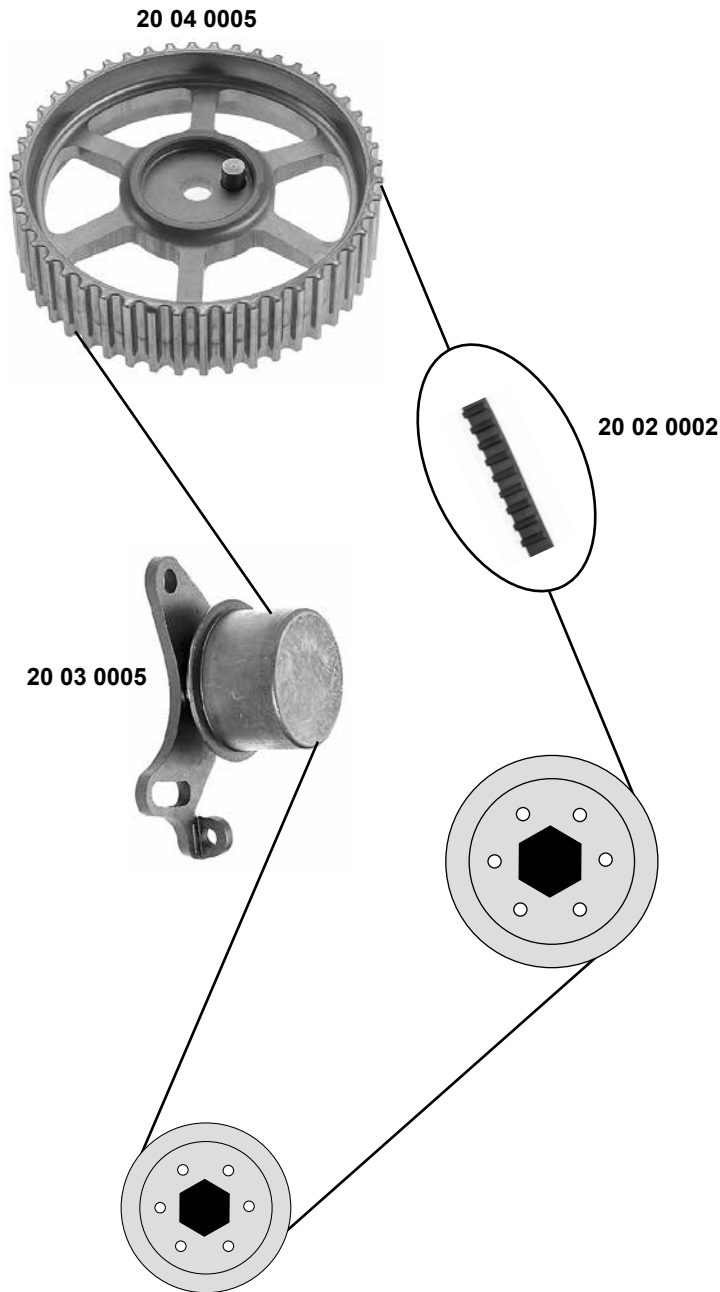
# BMW 3 'er (E21)

(75→84)



**320 → 323 i**

(M20)



Rep. Satz / rep. kit

SWAG 20 02 0009



(1) 320 Modell: 10/81 →  
323i Modell: 01/80 →



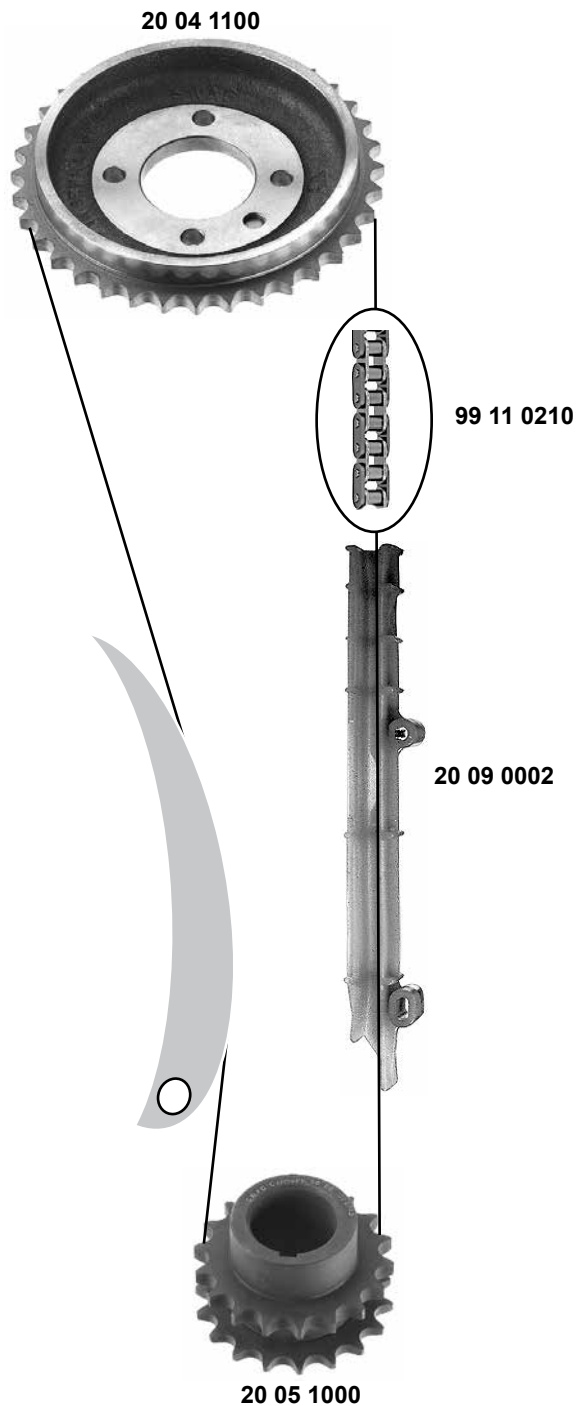
Ref. - No.



20 02 0002	11 31 1 713 361	Zahnriemen / timing belt
20 02 0009	11 31 1 713 361 S1	Rep. Satz Zahnriemen / rep. kit timing belt
20 03 0005	11 31 1 711 153	Spannrolle / tension roller
20 04 0005	11 31 1 714 988	Nockenwellenrad / camshaft gear

(1)

Z 127 B25,4  
ØA 49,5  
Z 48



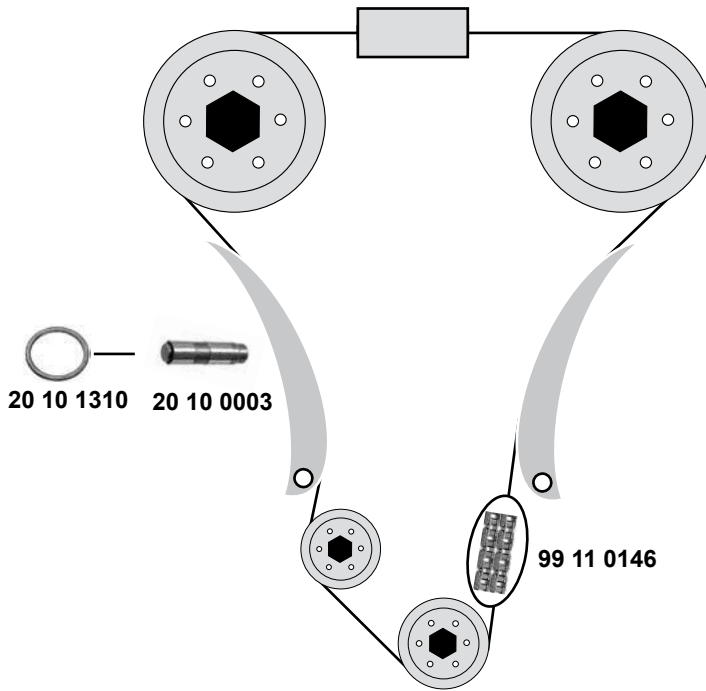
<b>20 04 1100</b>	11 31 1 265 006	Nockenwellenrad / camshaft gear	Z 36
<b>20 05 1000</b>	11 21 1 265 010	Kurbelwellenrad / crankshaft gear	Z 18
<b>20 09 0002</b>	11 31 1 253 236	Gleitschiene / sliding rail	
<b>99 11 0210</b>	11 31 1 716 986	Steuerkette einfach / timing chain simple	94 E

# BMW 3'er (E30)

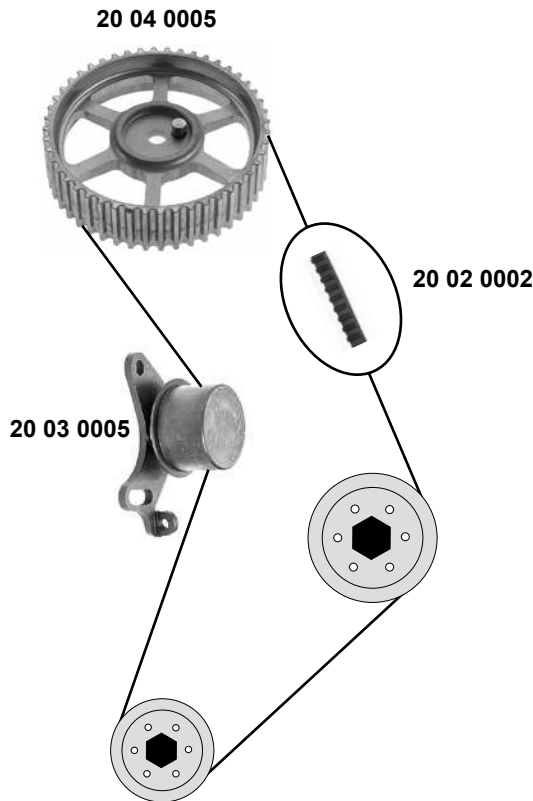
(82→92)



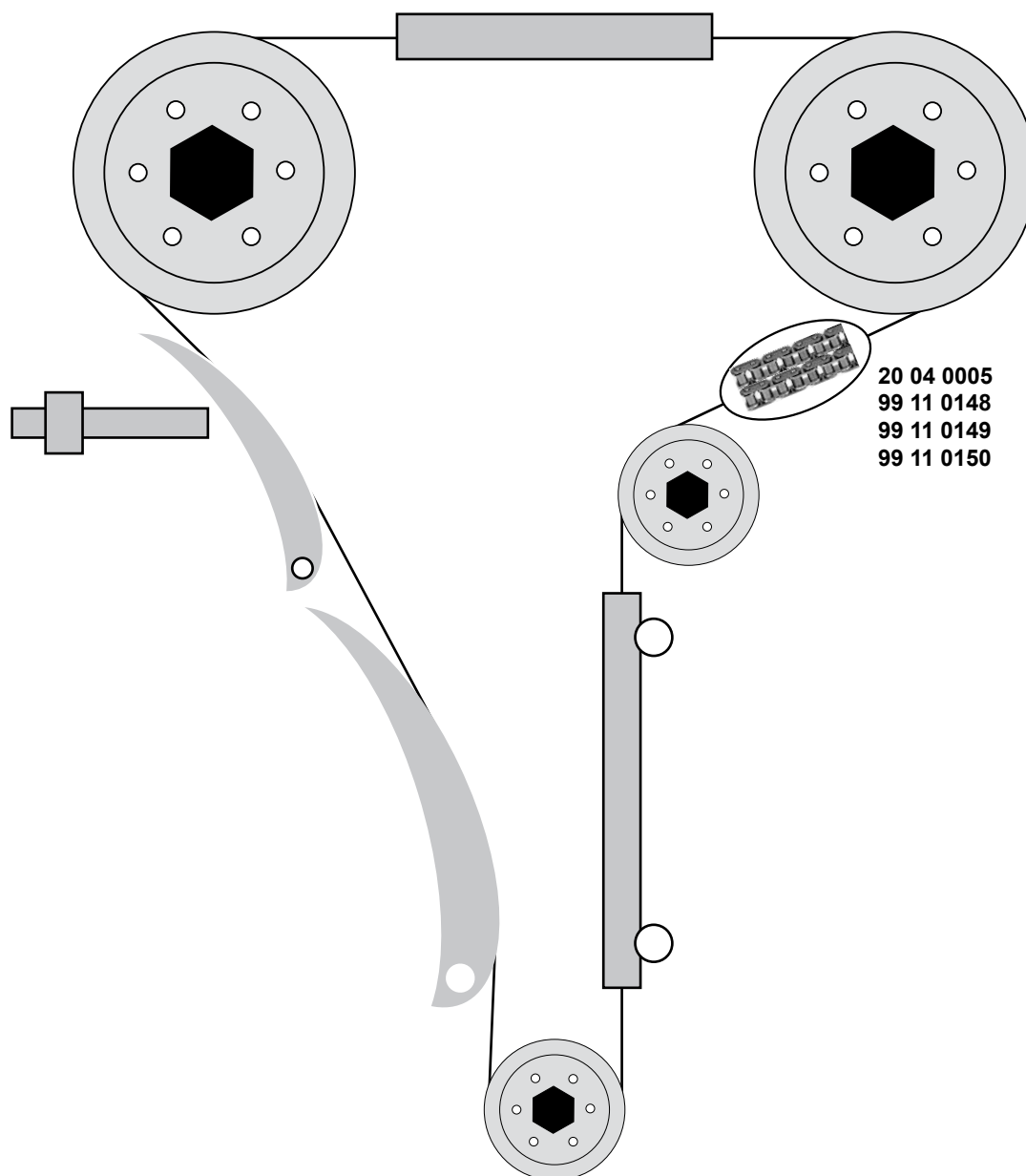
## 318 iS (M42)



## 320 i → 325 i/iX (M20)



SWAG GERMANY	Ref. - No.			
20 02 0002	11 31 1 713 361	Zahnriemen / timing belt		Z 127 B25,4
20 02 0009	11 31 1 713 361 S1	Rep. Satz Zahnriemen / rep. kit timing belt		
20 03 0005	11 31 1 711 153	Spannrolle / tension roller		ØA49,5
20 04 0005	11 31 1 714 988	Nockenwellenrad / camshaft gear	323i Modell → 10/86	Z 48
20 10 0003	11 31 1 743 187	Kettenspanner / chain tensioner		18 x 68
20 10 1310	07 11 9 963 355	Alu-Dichtring / alu-seal ring		Ø1 22 x ØA27
99 11 0146	11 31 1 247 160	Steuerkette zweifach / timing chain double		120 E



20 04 0005  
 99 11 0148  
 99 11 0149  
 99 11 0150



(1) Nietverschluß / riveted link / bouchon de rivet / rivetti

(3) normal / regular / normal / normale / normalizado

(2) Federverschluß / split link / fermeture de ressort / falsa maglia

(4) verstärkt / reinforced / renforcée / förstärkt / rinforzato



Ref. - No.



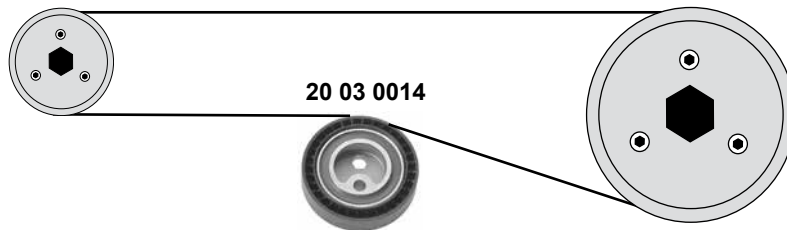
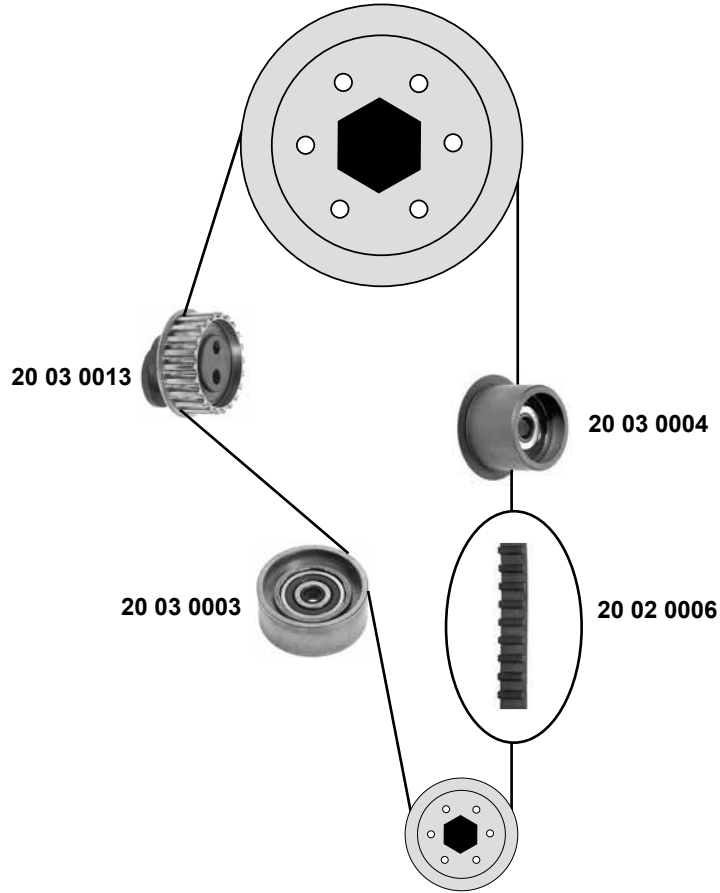
99 11 0112	11 31 1 403 081 S1	Steuerkette zweifach / timing chain double	(2)	D126 F
99 11 0149	11 31 1 403 081 S2	Steuerkette zweifach / timing chain double	(3)	D126 E
99 11 0148	11 31 1 403 081	Steuerkette zweifach / timing chain double	(4)	D126 E
99 11 0150	11 31 1 403 081	Steuerkette zweifach / timing chain double	(1)	D126 N

# BMW 3 'er (E36)

(90→94)

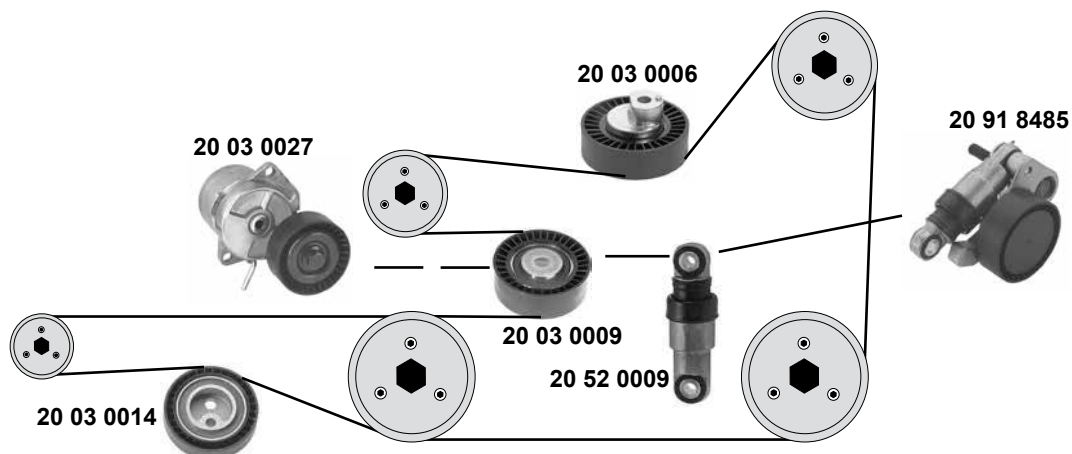


## 316 i / 318 i (M40)



SWAG GERMANY	Ref. - No.			
20 02 0006	11 31 1 734 608	Zahnriemen / timing belt		Z 110 B21
20 02 0008	11 31 1 734 608 S2	Rep. Satz Zahnriemen / rep. kit timing belt		Z 110 B21
20 03 0003	11 31 1 721 264	Umlenkrolle / deflection pulley		50 x 21
20 03 0004	11 31 1 708 806	Umlenkrolle / deflection pulley		32/40 x 25
20 03 0013	11 31 1 727 611	Spannrolle / tension roller		65 / 33 x 23 x 47,7
20 03 0014	11 28 2 245 087	Spannrolle / tension roller	AC	Ø 80





(1) Modell: → 09/95 mit 70 Ampere Generator / Alternator

(2) Modell: → 09/95 alle / all // Modell: 09/95 → mit 80 Ampere Generator / Alternator



Ref. - No.



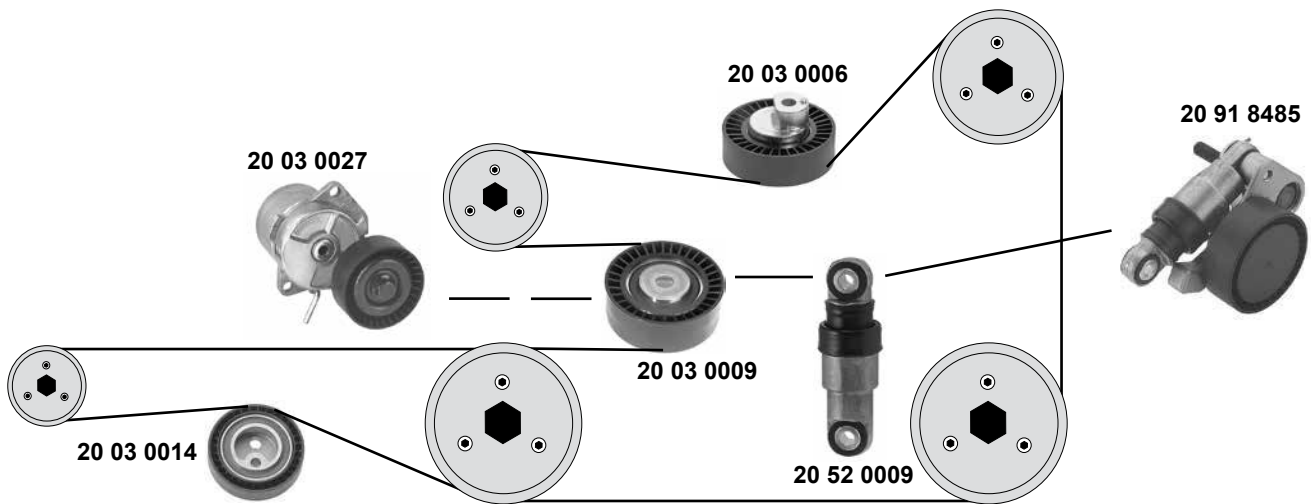
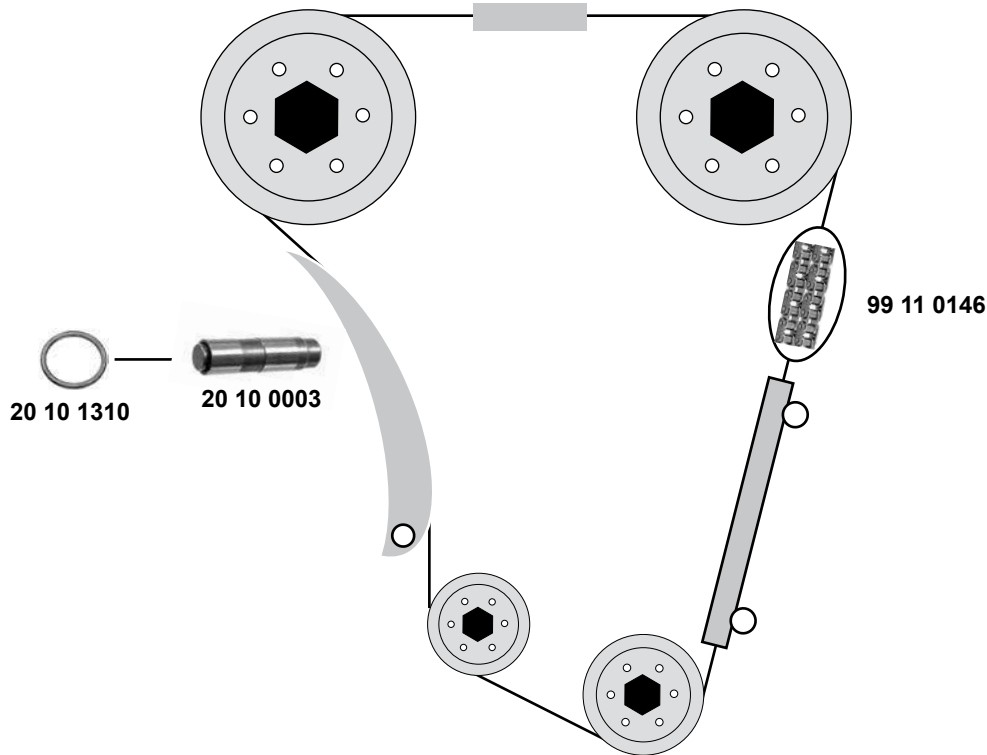
Ref. - No.	Description	Dimensions
20 03 0006	Umlenkrolle / deflection pulley	80 x 24,5
20 03 0009	Spannrolle / tension roller	70 x 24,5
20 03 0014	Spannrolle / tension roller	Ø 80
20 03 0027	Riemenspanner / belt tensioner	70 x 26
20 10 0011	Kettenspanner / chain tensioner	
20 52 0009	Riemenspanner / belt tensioner	
20 91 8485	Riemenspanner / belt tensioner	70 x 26
99 11 0217	Steuerkette, einfach / timing chain, simple	106 E
99 13 0381	Rep. Satz Steuerkette / rep. kit timing chain	106 E

# BMW 3 'er (E36)

(90→99)



## 318 iS (M42/M44)



(1) (mot.) M42 mit 70 Ampere Generator / Alternator

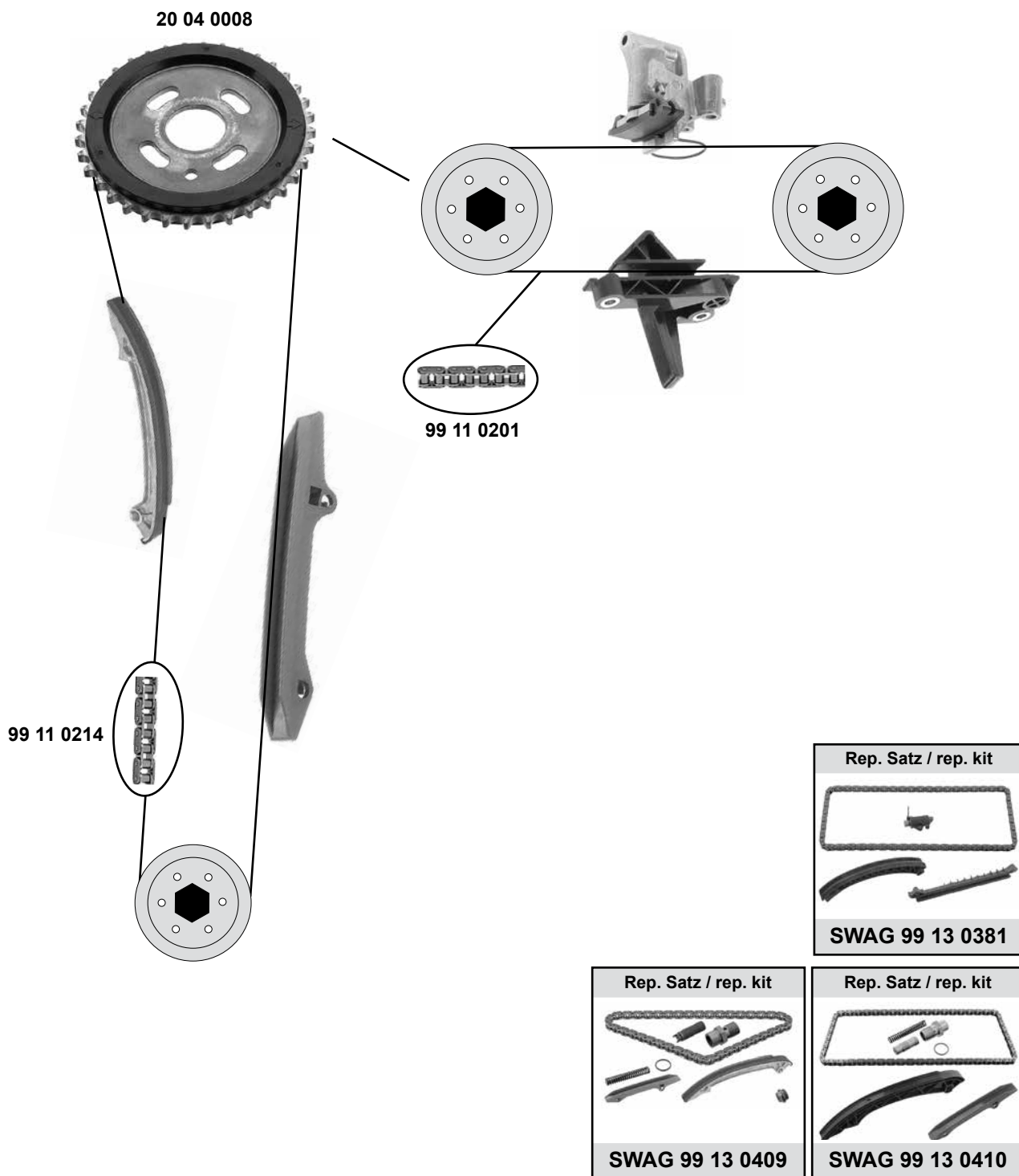
(2) (mot.) M44 mit 80 Ampere Generator / Alternator



Ref. - No.



Ref. - No.	Description	Quantity	Dimensions
20 03 0006	Umlenkrolle / deflection pulley	(1)	80 x 24,5
20 03 0009	Spannrolle / tension roller	(2)	70 x 24,5
20 03 0014	Spannrolle / tension roller		Ø 80
20 03 0027	Riemenspanner / belt tensioner	(mot.) M44	70 x 26
20 10 0003	Kettenspanner / chain tensioner		18 x 68
20 10 1310	Alu-Dichtring / alu-seal ring		22 x 27
20 52 0009	Riemenspanner / belt tensioner		
20 91 8485	Riemenspanner / belt tensioner	(2)	70 x 26
99 11 0146	Steuerkette zweifach / timing chain double		D120 E



	Ref. - No.			
20 04 0008	11 31 1 722 841	Nockenwellenrad / camshaft gear		Z 36
99 11 0201	11 31 1 432 177	Steuerkette / timing chain		58 E
99 11 0214	11 31 1 432 176	Steuerkette / timing chain		104 E
99 13 0331	11 31 1 432 177 S1	Rep. Satz Steuerkette / rep. kit timing chain		58 E
99 13 0409	11 31 1 432 176 S1	Rep. Satz Steuerkette / rep. kit timing chain	→ Modell 09/94	104 E
99 13 0410	11 31 1 432 176 S2	Rep. Satz Steuerkette / rep. kit timing chain	Modell 09/94 →	104 E

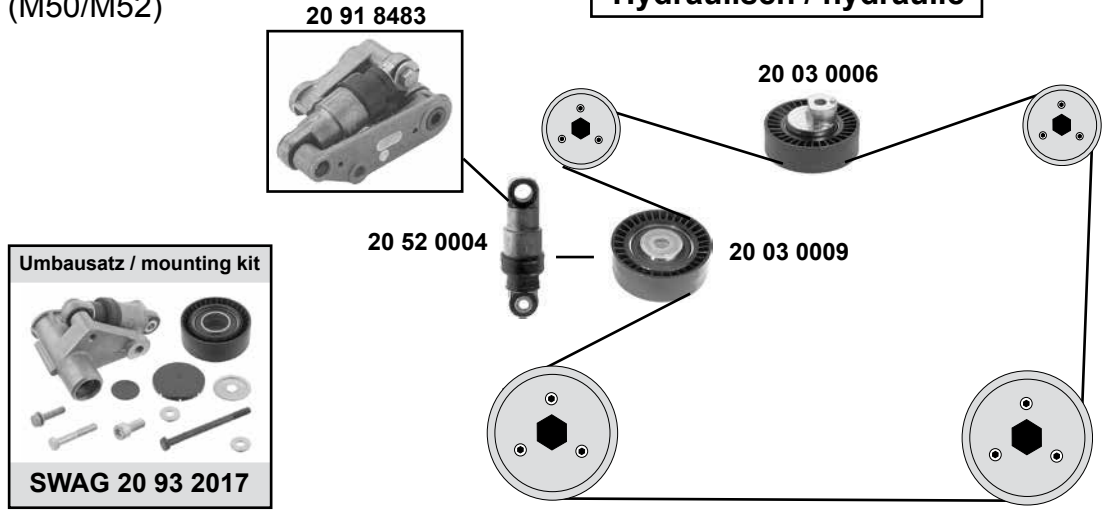
# BMW 3 'er (E36)

(90→99)

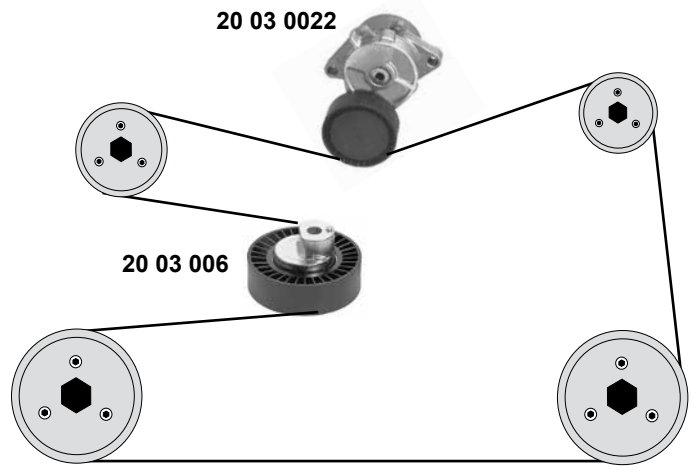


## 320i / 323i / 325i / 328i (M50/M52)

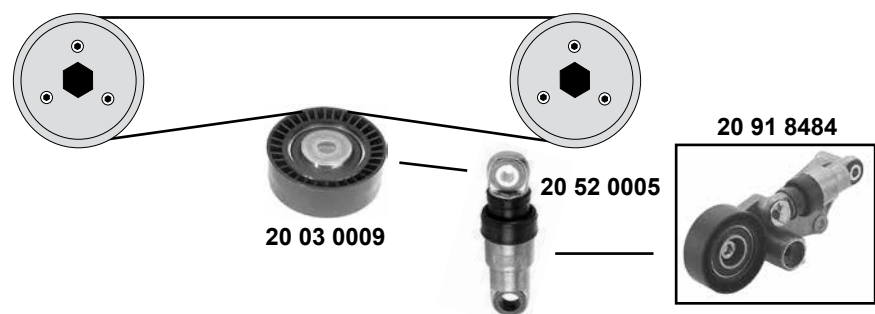
### Hydraulisch / hydraulic



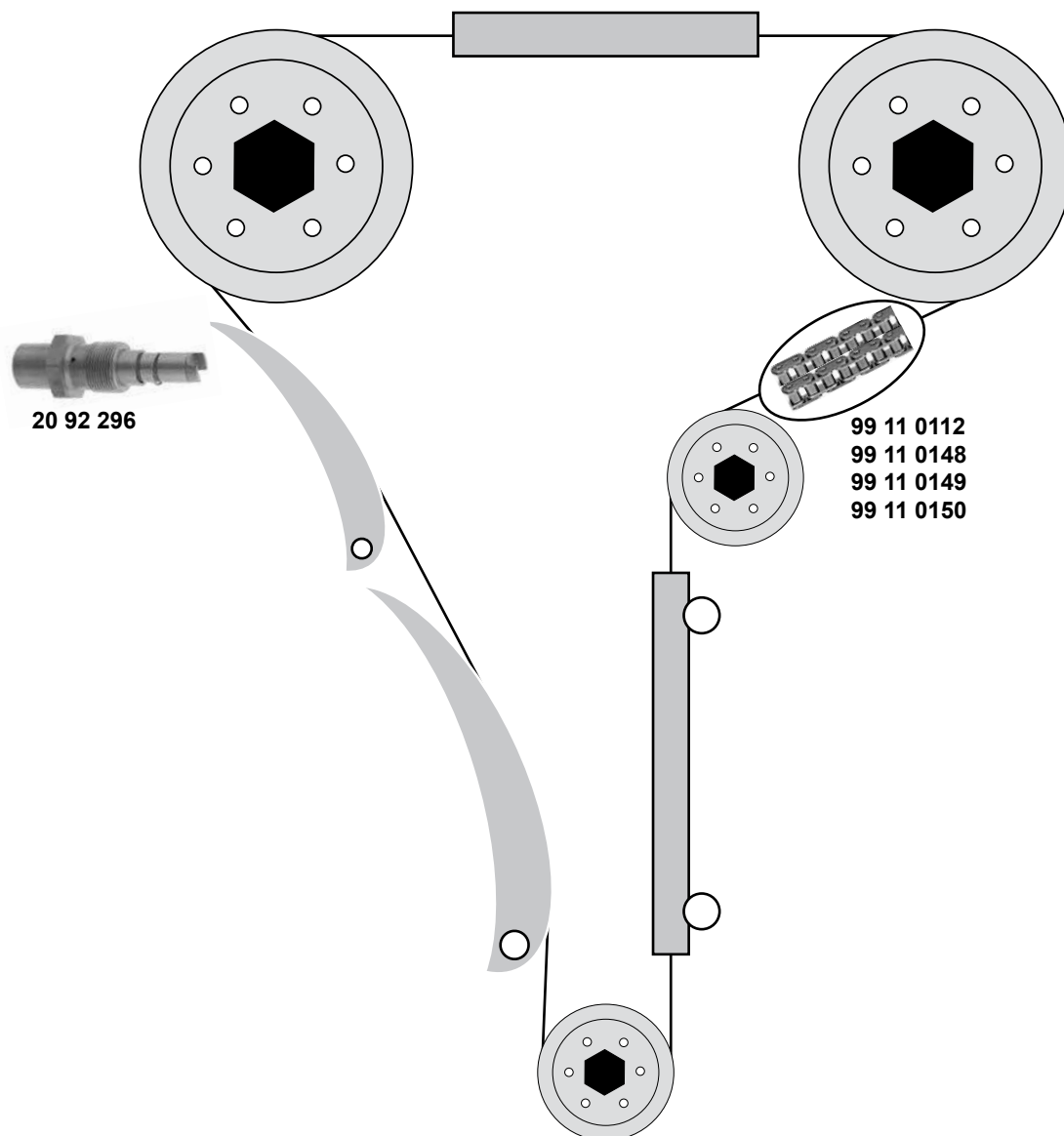
### Mechanisch / mechanical



## AC



SWAG GERMANY	Ref. - No.			
20 03 0006	11 28 7 841 228	Umlenkrolle / deflection pulley		80 x 24,5
20 03 0009	11 28 1 748 131	Spannrolle / tension roller		70 x 24,5
20 03 0022	11 28 1 427 252	Riemenspanner / belt tensioner		70 x 24,5
20 52 0004	11 28 1 717 188	Schwingungsdämpfer / vibration damper		
20 52 0005	11 28 1 717 210	Schwingungsdämpfer / vibration damper		
20 91 8483	11 28 7 838 797	Riemenspanner / belt tensioner		
20 91 8484	11 28 1 717 210 S1	Riemenspanner / belt tensioner		
20 93 2017	11 28 7 938 797 S1	Umbausatz für Riemenspanner / mounting kit for belt tensioner		



(1) Nietverschluß / riveted link / bouchon de rivet / rivetti

(3) normal / regular / normal / normale / normalizado

(2) Federverschluß / split link / fermeture de ressort / falsa maglia

(4) verstärkt / reinforced / renforcée / förstärkt / rinforzato



Ref. - No.



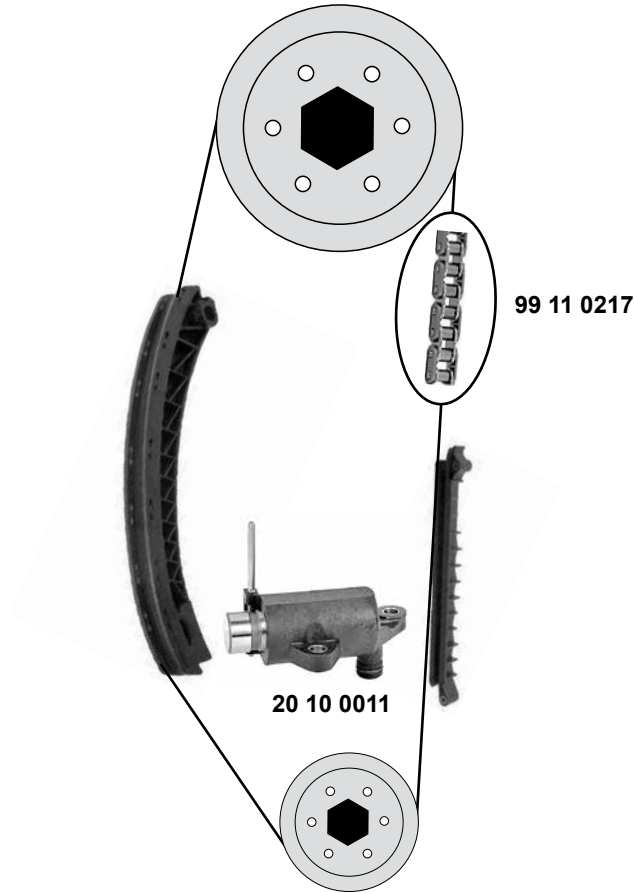
<b>20 92 6296</b>	11 31 1 405 081	Kettenspanner / chain tensioner		
<b>99 11 0112</b>	11 31 1 403 081 S1	Steuerkette zweifach / timing chain double	(2)	D 126 F
<b>99 11 0148</b>	11 31 1 403 081	Steuerkette zweifach / timing chain double	(4)	D 126 E
<b>99 11 0149</b>	11 31 1 403 081 S2	Steuerkette zweifach / timing chain double	(3)	D 126 E
<b>99 11 0150</b>	11 31 1 403 081	Steuerkette zweifach / timing chain double	(1)	D 126 N

# BMW 3 'er (E46)

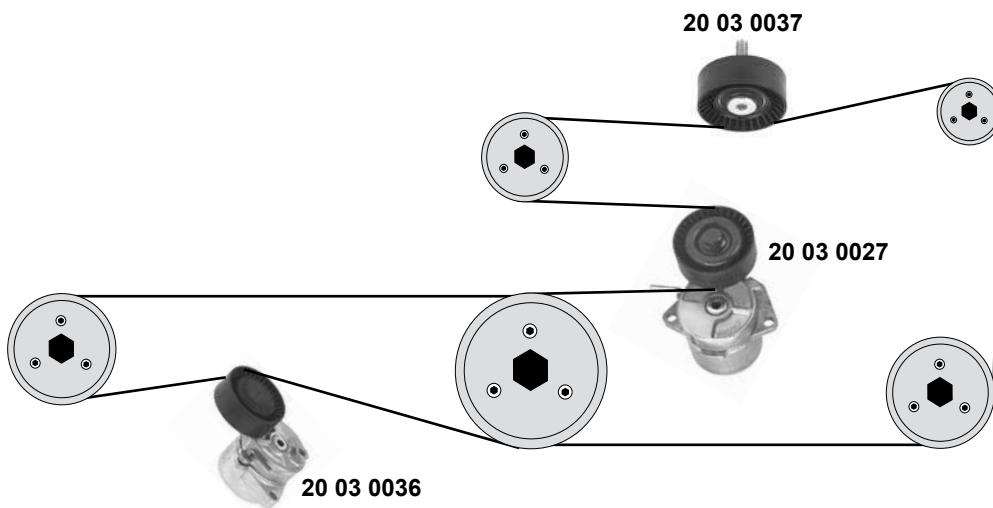
(98→01)



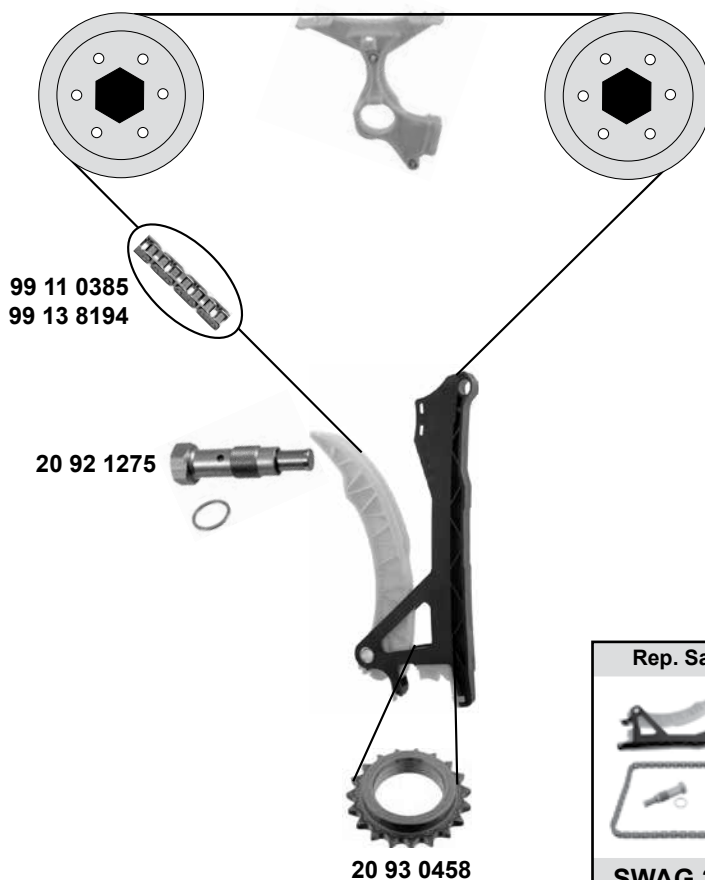
## 316 i / 318 i (M43)



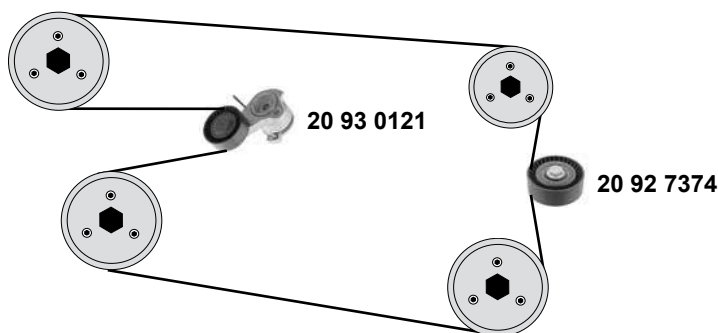
(M43)



SWAG GERMANY	Ref. - No.			
20 03 0027	11 28 1 432 104	Riemenspanner / belt tensioner		70 x 26
20 03 0036	11 28 1 433 571	Riemenspanner / belt tensioner		70 / 78 x 26
20 03 0037	11 28 1 435 594	Umlenkrolle / deflection pulley		70 x 26
20 10 0011	11 31 1 247 952	Kettenspanner / chain tighener		
99 11 0217	11 31 1 734 392	Steuerkette / timing chain		106 E
99 13 0381	11 31 1 734 392 S1	Rep. Satz Steuerkette / rep. kit timing chain		



<p>Rep. Satz / rep. kit</p> <p><b>SWAG 20 93 8196</b></p>	<p>Rep. Satz / rep. kit</p> <p><b>SWAG 99 13 0333</b></p>
---	---



(1) Rep. Satz Schraube für Steuerkette /  
rep. kit screw for timing chain  
**SWAG 20 93 3845**



	Ref. - No.			
<b>20 92 1275</b>	11 31 7 567 680	Kettenspanner / chain tensioner		
<b>20 92 7374</b>	11 28 1 440 378	Umlenkrolle / deflection pulley	AC	70x26
<b>20 93 0121</b>	11 28 7 524 267	Riemenspanner / belt tensioner		AØ 70 B26
<b>20 93 0458</b>	11 31 7 502 180	Kurbelwellenrad / crankshaft gear		Z19
<b>20 93 3845</b>	11 23 7 503 107 S1	Rep. Satz Schraube / rep. kit screw	(1)	
<b>99 11 0385</b>	11 31 1 439 853	Steuerkette / timing chain		138 E
<b>99 13 0333</b>	11 31 1 439 853 S1	Rep.Satz Steuerkette / rep. kit timing chain		138 E
<b>99 13 8194</b>	11 31 1 439 853 S3	Steuerkette / timing chain		138 N
<b>99 13 8196</b>	11 31 1 439 859 S5	Rep.Satz Steuerkette / rep. kit timing chain		138 N

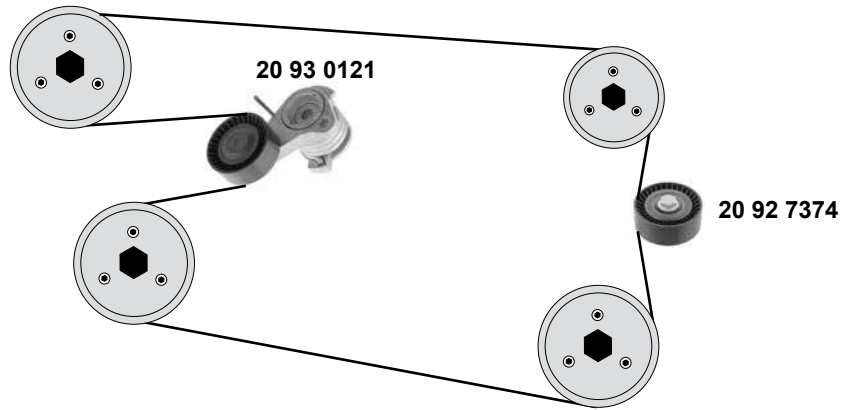
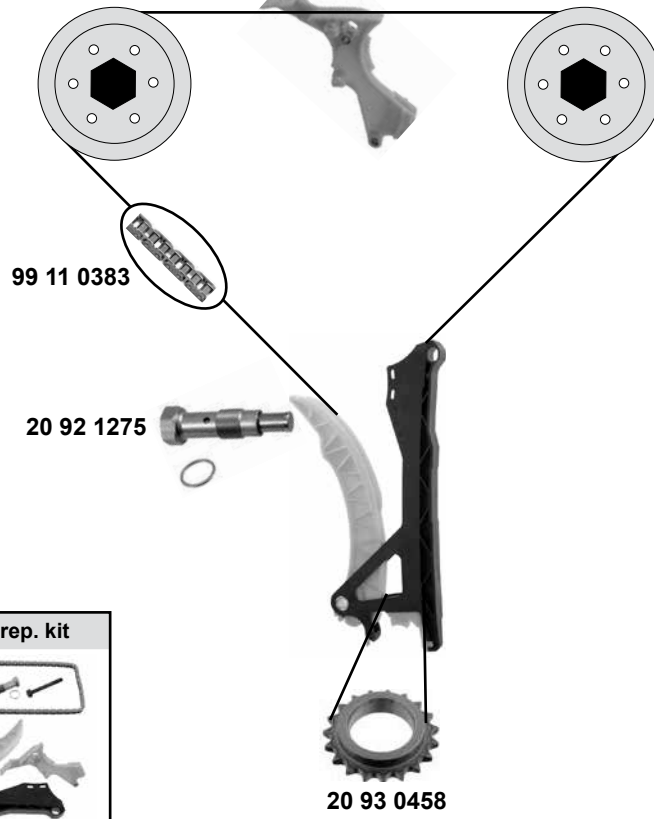


# BMW 3'er (E46)

(01→07)



## 316 i / 318 i (N42/N46)



(1) Rep. Satz Schraube für Steuerkette /  
rep. kit screw for timing chain  
**SWAG 20 93 3845**



Ref. - No.



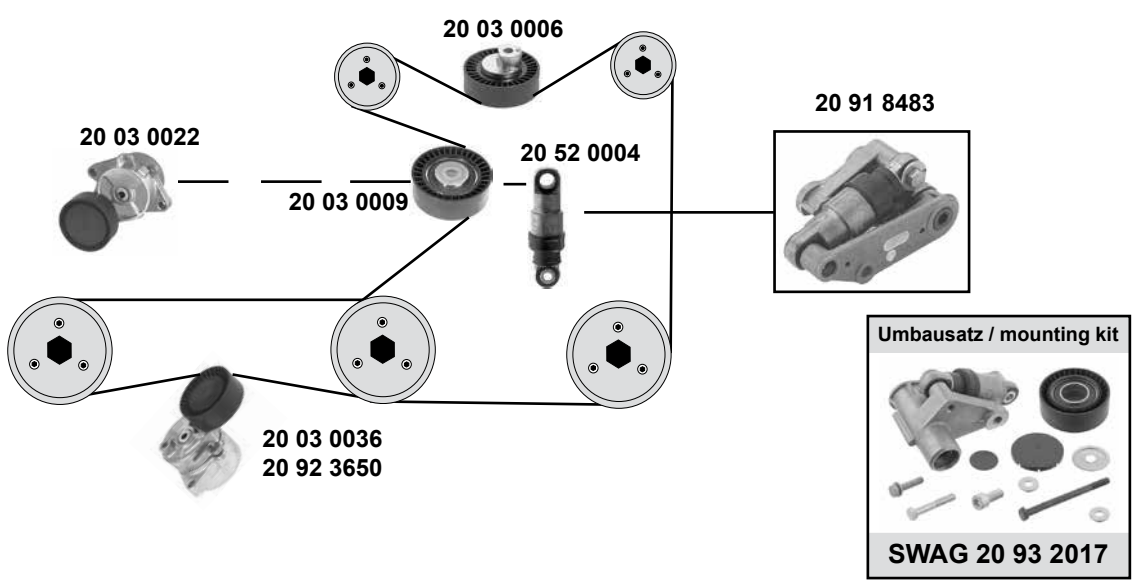
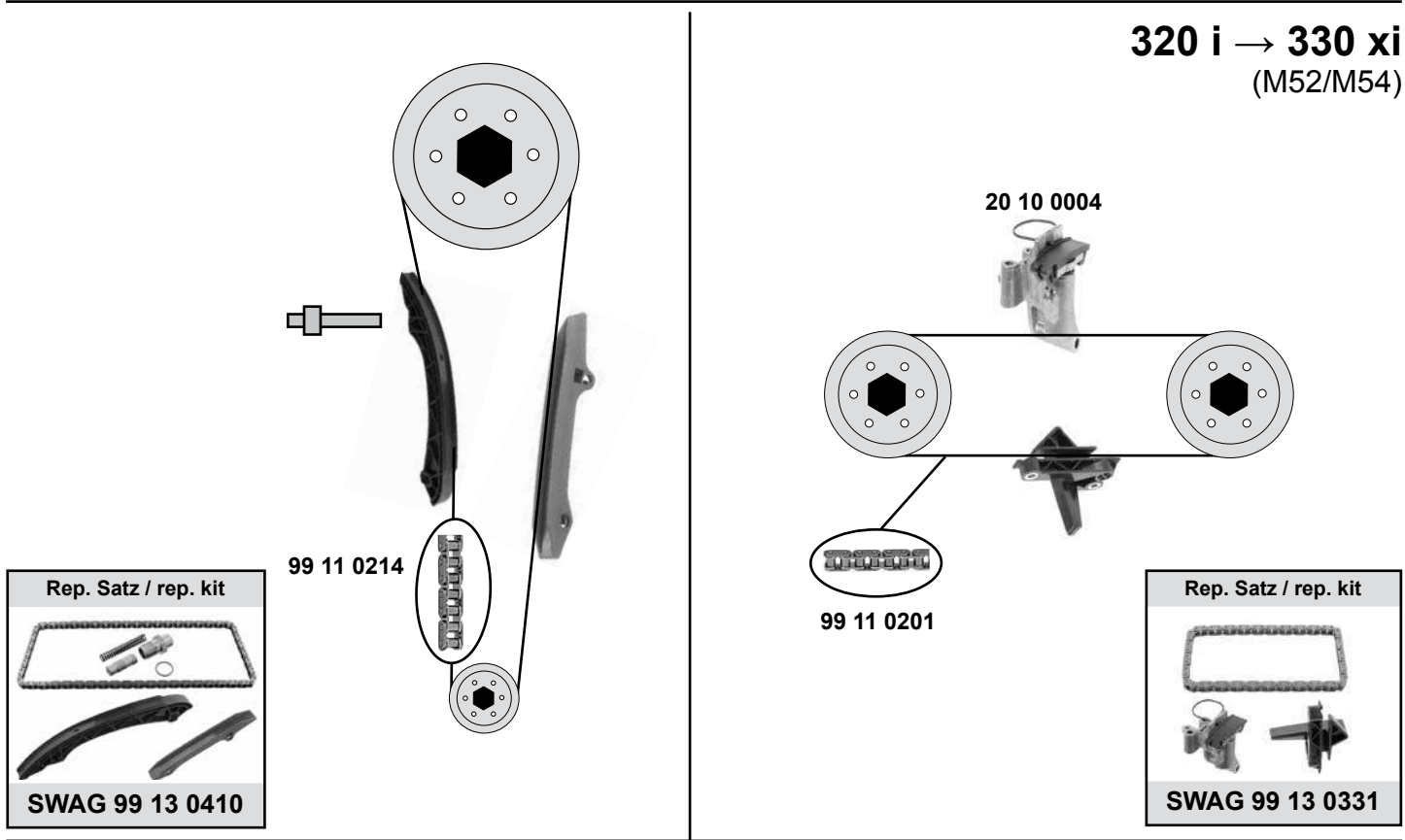
<b>20 92 1275</b>	11 31 7 567 680	Kettenspanner / chain tensioner		
<b>20 92 7374</b>	11 28 1 440 378	Umlenkrolle / deflection pulley	AC	70x26
<b>20 93 0121</b>	11 28 7 524 267	Riemenspanner / belt tensioner		70x26
<b>20 93 0458</b>	11 31 7 502 180	Kurbelwellenrad / crankshaft gear		Z19
<b>20 93 3845</b>	11 23 7 503 107 S1	Rep. Satz Schraube / rep. kit screw	(1)	
<b>99 13 0334</b>	11 31 1 439 854 S1	Rep. Satz Steuerkette / rep. kit timing chain		138 E
<b>99 11 0383</b>	11 31 1 439 854	Steuerkette / timing chain		138 E
<b>99 13 3846</b>	13 52 2 248 729 S1	Rep. Satz Steuerkette / rep. kit timing chain	<b>99 13 0344</b> mit/with (1)	





# BMW 3'er (E46) (98→05)

**320 i → 330 xi**  
(M52/M54)



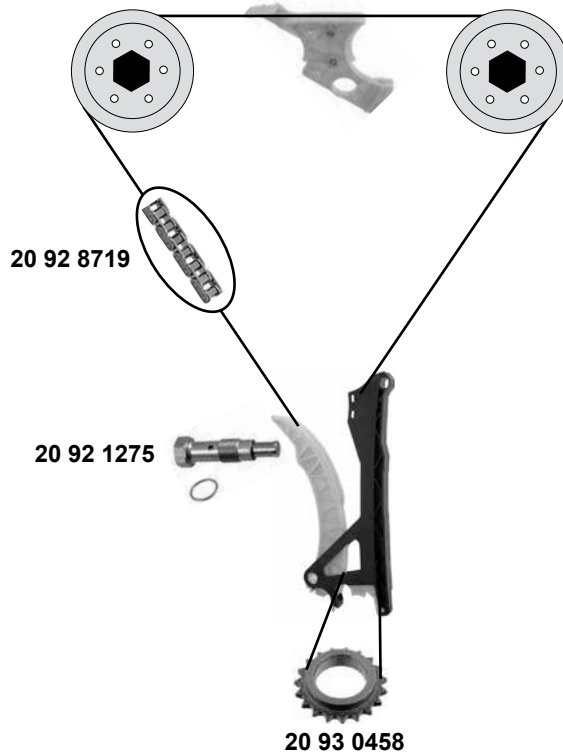
SWAG	Ref. - No.			
20 03 0006	11 28 7 841 228	Umlenkrolle / deflection pulley		80 x 24,5
20 03 0009	11 28 1 748 131	Spannrolle / tension roller		70 x 24,5
20 03 0022	11 28 1 427 252	Riemenspanner / belt tensioner	mechanisch	70 x 24,5
20 03 0036	11 28 1 433 571	Riemenspanner / belt tensioner	Modell: → 09/02	70 / 78 x 26
20 10 0004	11 31 1 738 700	Kettenspanner / chain tensioner		
20 52 0004	11 28 1 717 188	Riemenspanner / belt tensioner		
20 91 8483	11 28 7 838 797	Riemenspanner / belt tensioner	hydraulisch	
20 92 3650	11 28 7 512 758	Riemenspanner / belt tensioner	Modell: 09/02 →	70x24,5
20 93 2017	11 28 7 938 797 S1	Umbausatz für Riemenspanner/ mounting kit for belt tensioner		
99 11 0201	11 31 1 432 177	Steuerkette / timing chain		58 E
99 11 0214	11 31 1 432 176	Steuerkette / timing chain		104 E
99 13 0331	11 31 1 432 177 S1	Rep. Satz Steuerkette / rep. kit timing chain		58 E
99 13 0410	11 31 1 432 176 S2	Rep. Satz Steuerkette / rep. kit timing chain		104 E

# BMW 3'er (E90/LCI / E91/LCI / E92/LCI / E93/LCI)

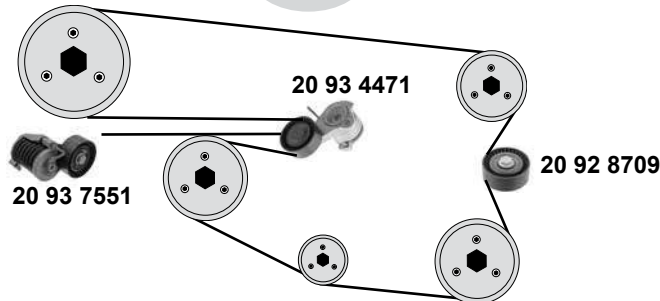
(05→12)



## 316i / 318i / 320i/Si (N43)



### AC



(1) Rep. Satz Schraube für Steuerkette /  
rep. kit screw for timing chain  
**SWAG 20 93 3845**

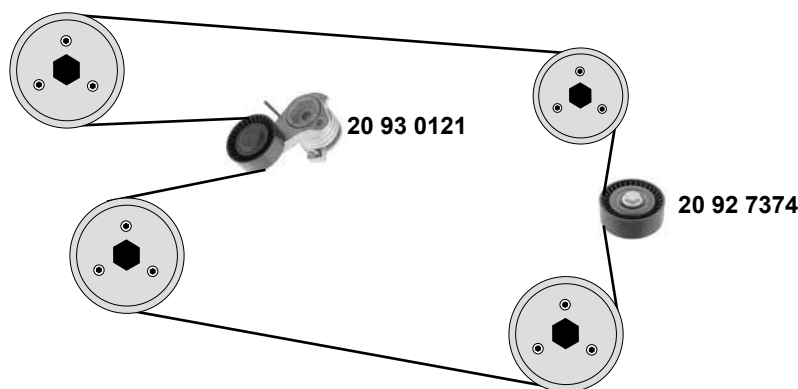
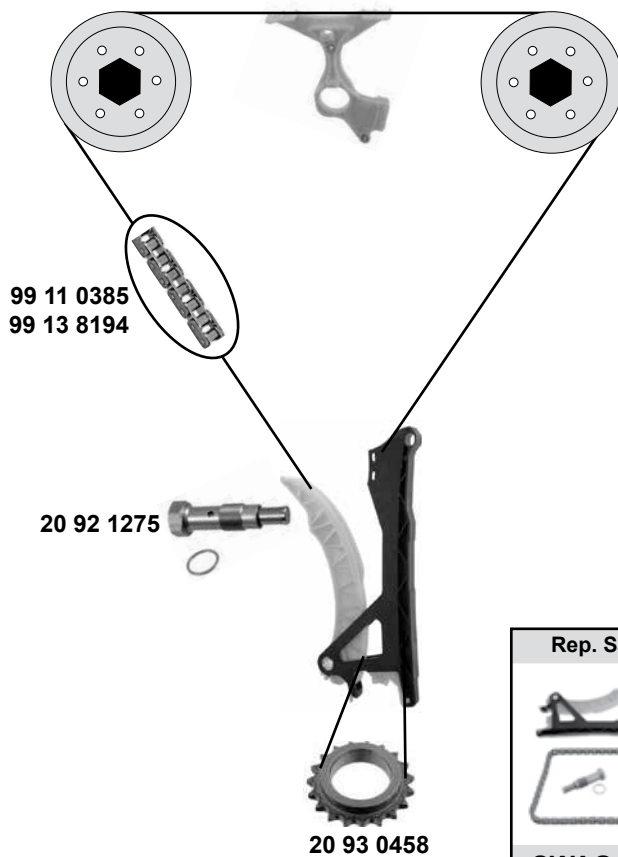


(2) (ex.) active

(3) E90/LCI 316i, 318i, 320i/xi / E91/LCI 318i, 320i/xi / E92 316i, 320i / E93 320i

(4) E90/LCI / E91/LCI / E92/LCI / E93: 120i / Nur Fahrzeuge mit Aktivlenkung und LHD / only vehicles with active steering and LHD

SWAG GERMANY	Ref. - No.			
20 92 1275	11 31 7 567 680	Kettenspanner / chain tensioner		
20 92 8709	11 28 7 556 251	Umlenkrolle / deflection pulley		80x28
20 92 8719	11 31 7 516 088	Steuerkette / timing chain		144 E
20 93 0458	11 31 7 502 180	Kurbelwellenrad / crankshaft gear	(3)	Z19
20 93 3845	11 23 7 503 107 S1	Rep. Satz Schraube / rep. kit screw	(1)	
20 93 4471	11 28 7 558 752	Riemenspanner / belt tensioner	(2)	70x28
20 93 7551	11 28 7 558 969	Riemenspanner / belt tensioner	(4)	ØA 70 B 28
99 13 0335	13 52 2 248 729 S1	Rep. Satz Steuerkette / rep. kit timing chain		144 E



(1) Rep. Satz Schraube für Steuerkette /  
rep. kit screw for timing chain  
**SWAG 20 93 3845**



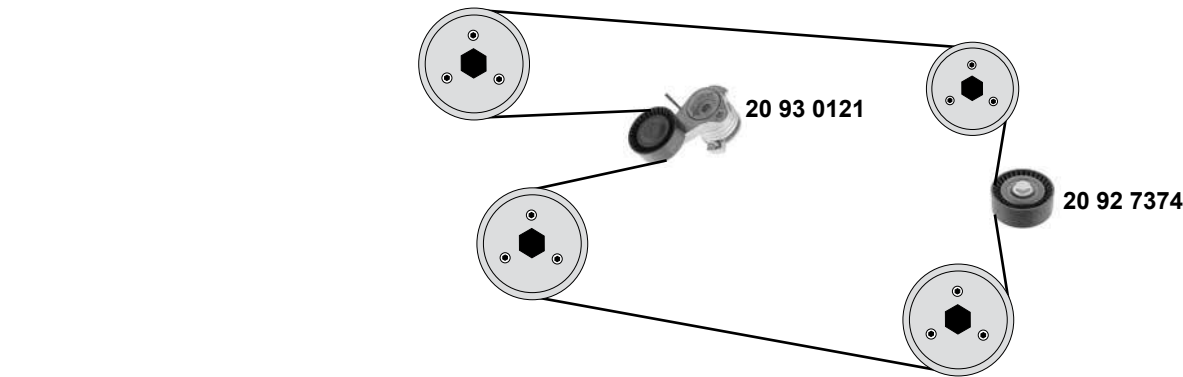
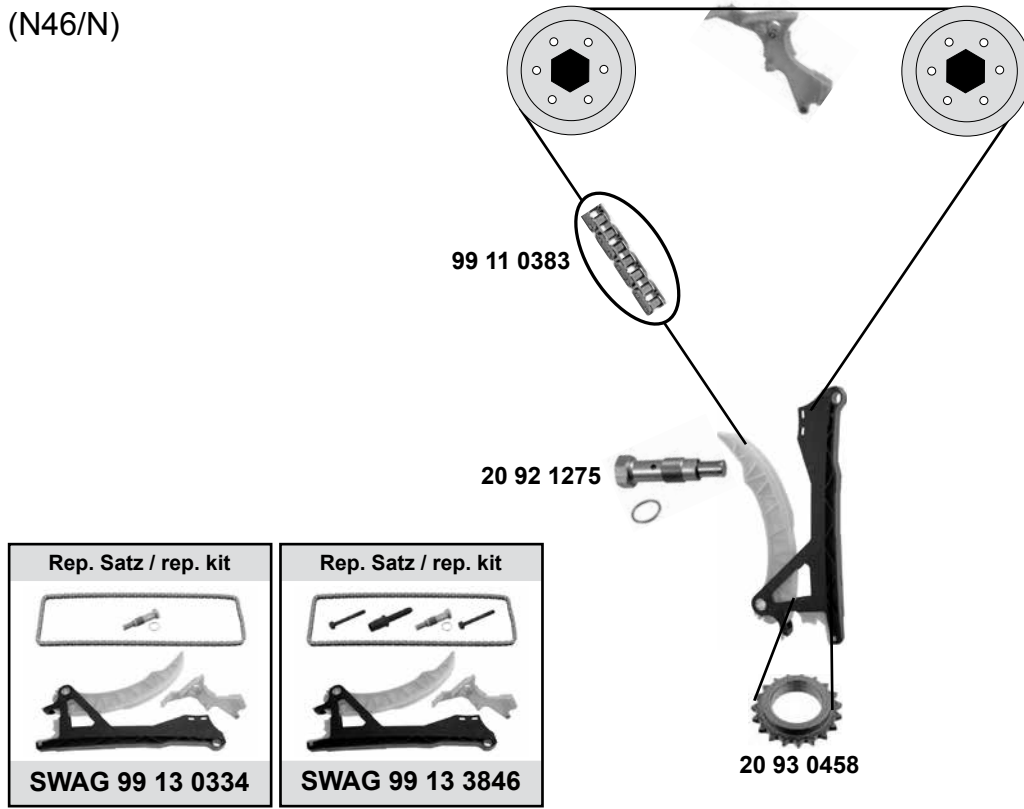
	Ref. - No.			
<b>20 92 1275</b>	11 31 7 567 680	Kettenspanner / chain tensioner	(1)	
<b>20 92 7374</b>	11 28 1 440 378	Umlenkrolle / deflection pulley		70x26
<b>20 93 0121</b>	11 28 7 524 267	Riemenspanner / belt tensioner		70x26
<b>20 93 0458</b>	11 31 7 502 180	Kurbelwellenrad / crankshaft gear		Z 19
<b>20 93 3845</b>	11 23 7 503 107 S1	Rep. Satz Schraube / rep. kit screw		
<b>99 11 0385</b>	11 31 1 439 853	Steuerkette / timing chain		138 E
<b>99 13 0333</b>	11 31 1 439 853 S1	Rep. Satz Steuerkette / rep. kit timing chain		138 E
<b>99 13 8194</b>	11 31 1 439 853 S3	Steuerkette / timing chain		138 N
<b>99 13 8196</b>	11 31 1 439 859 S5	Rep.Satz Steuerkette / rep. kit timing chain		138 N

# BMW 3'er (E90/LCI / E91/LCI / E92/LCI / E93/LCI)

(05→12)



## 318i / 320i (N46/N)



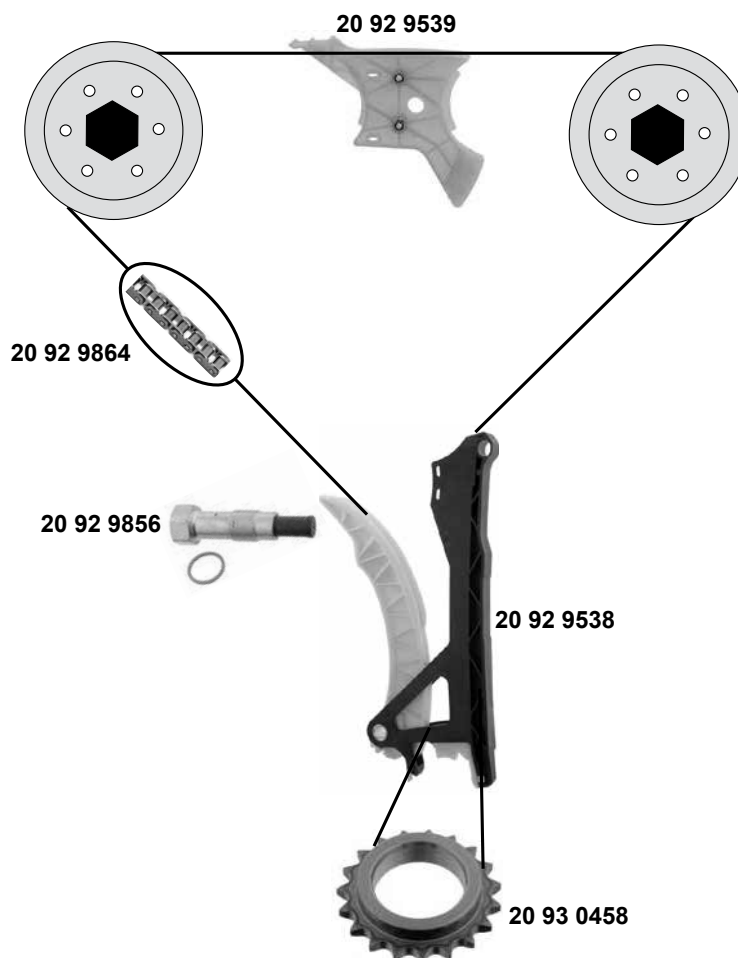
(1) Rep. Satz Schraube für Steuerkette /  
rep. kit screw for timing chain  
**SWAG 20 93 3845**



(2) **SWAG 99 13 0344** mit/with (1)

(3) E90/LCI,E91/LCI,E92,E93

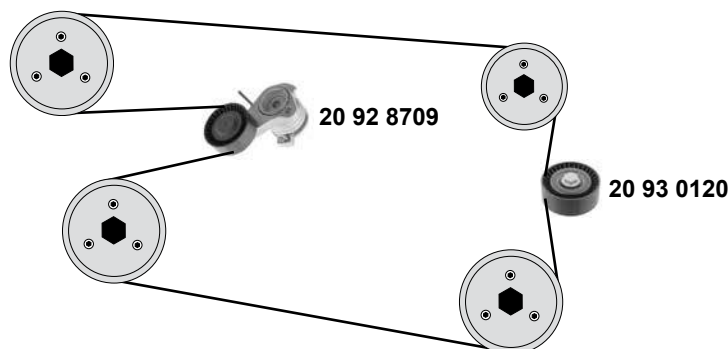
SWAG GERMANY	Ref. - No.			
20 92 1275	11 31 7 567 680	Kettenspanner / chain tensioner		
20 92 7374	11 28 1 440 378	Umlenkrolle / deflection pulley	AC	70x26
20 93 0121	11 28 7 524 267	Riemenspanner / belt tensioner		70x26
20 93 3845	11 23 7 503 107 S1	Rep. Satz Schraube / rep. kit screw	(1)	
20 93 0458	11 31 7 502 180	Kurbelwellenrad / crankshaft gear	(3)	Z19
99 11 0383	11 31 1 439 854	Steuerkette / timing chain		142 E
99 13 0334	11 31 1 439 854 S1	Rep. Satz Steuerkette / rep. kit timing chain		142 E
99 13 3846	11 23 7 503 107 S1	Rep. Satz Steuerkette / rep. kit timing chain	(2)	142 E



Rep. Satz / rep. kit



SWAG 99 13 0338



20 92 8709	11 31 7 584 084 S1	Riemenspanner / belt tensioner	
20 92 9538	11 31 7 585 020	Gleitschiene / sliding rail	
20 92 9539	11 31 7 592 850	Gleitschiene / sliding railL	
20 92 9856	11 31 7 584 723	Kettenspanner / chain tensioner	
20 92 9864	11 31 7 584 084	Steuerkette / timing chain	148 E
20 93 0120	11 28 7 535 860	Umlenkrolle / deflection pulley	80x26
20 93 0458	11 31 7 502 180	Kurbelwellenrad / crankshaft gear	Z19
99 13 0338	11 31 7 584 084 S1	Rep. Satz Steuerkette / rep. kit timing chain	148 E

# BMW

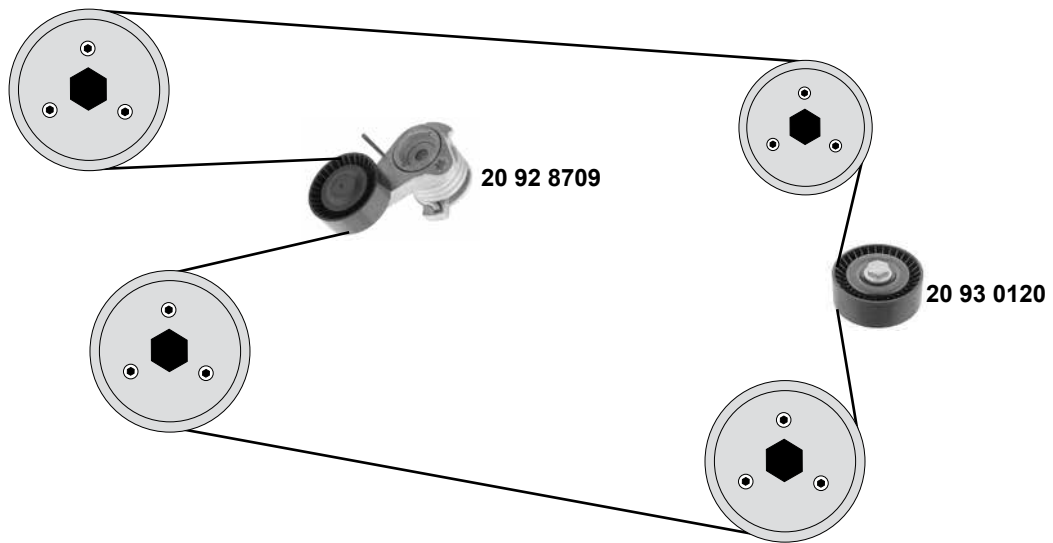
## 3 'er (E90/LCI / E91/LCI / E92/LCI / E93/LCI)

(06→12)



### 323i, 325i/xi, 328i/xi, 330i/xi

(N51/N52/N52N)



- (1)** E 90/LCI 323i,325xi,328i,330i/xi **(mot.)** N51,N52N,N53 / E90/LCI 325i **(mot.)** N53 Fahrzeuge mit Aktivlenkung/ vehicles with active steering / E91/LCI 323i,325xi,328i/xi,330xi **(mot.)** N52/N,N53 / E91/LCI 325i,330i **(mot.)** N53 Fahrzeuge mit Aktivlenkung/ vehicles with active steering / E92/LCI 323i,325xi,328i/xi,330xi **(mot.)** N52N,N53 / E92/LCI 325i,330i **(mot.)** N53 Fahrzeuge mit Aktivlenkung/ vehicles with active steering / E93/LCI 323i,325i,328i,330i **(mot.)** N52N,N53 / E93/LCI 325i,330i **(mot.)** N53 Fahrzeuge mit Aktivlenkung/ vehicles with active steering



Ref. - No.



20 92 8708 11 28 7 530 314  
20 93 0120 11 28 7 535 860

Riemenspanner / belt tensioner  
Umlenkrolle / deflection pulley

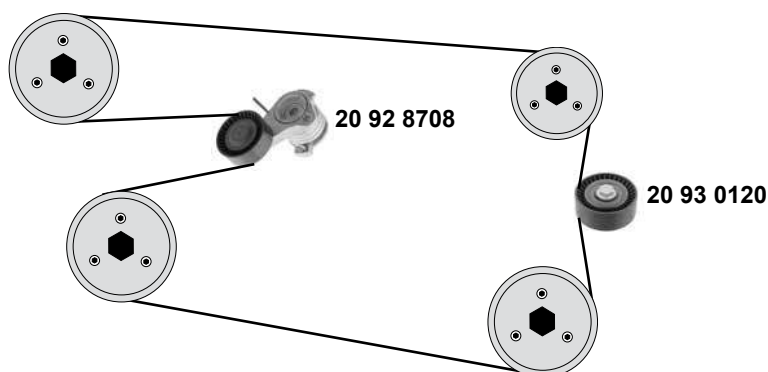
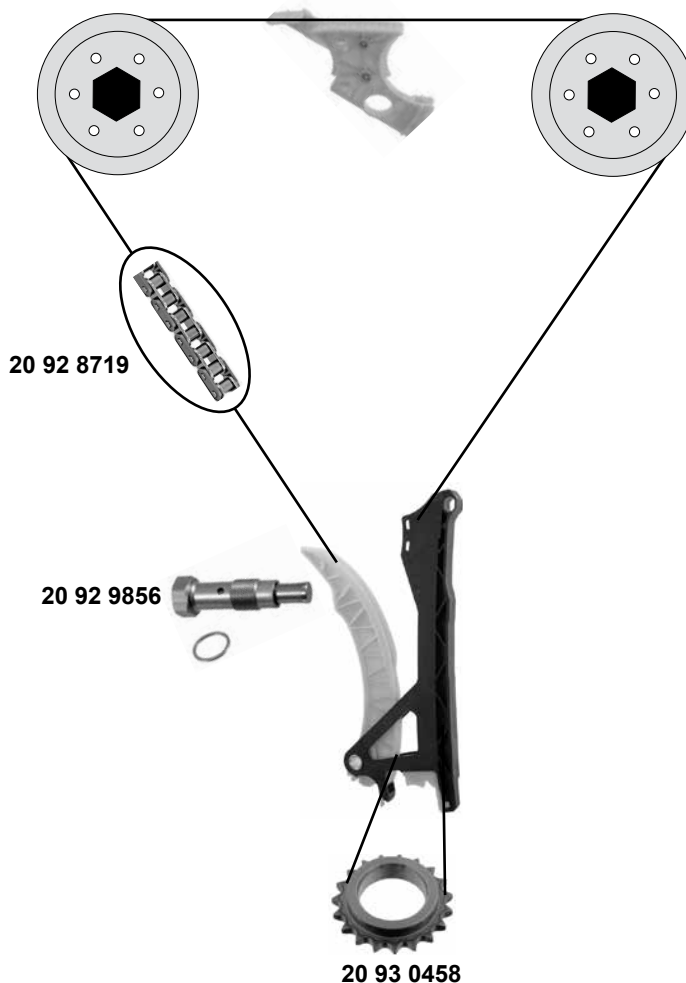
(N52/N52N)  
**(1)**

ØA 70  
80x26



# BMW 3 'er (E90/LCI / E91/LCI / E92/LCI / E93/LCI) (05→12)

**325 i/xi / 330 i/xi**  
(N53)



(1) active / (ex.) 4x4



Ref. - No.



<b>20 92 8708</b>	11 28 7 530 314	Riemenspanner / belt tensioner		70x26
<b>20 92 8719</b>	11 31 7 516 088	Steuerkette / timing chain		144 E
<b>20 92 9856</b>	11 31 7 584 723	Kettenspanner / chain tensioner		
<b>20 93 0120</b>	11 28 7 535 860	Umlenkrolle / deflection pulley	(1)	80x26
<b>20 93 0458</b>	11 31 7 502 180	Kurbelwellenrad / crankshaft gear		Z19
<b>99 13 0337</b>	11 31 7 516 088 S2	Rep. Satz Steuerkette / rep. kit timing chain		144 E



# BMW 3'er (E90/LCI / E91/LCI / E92/LCI / E93/LCI)

(06→12)



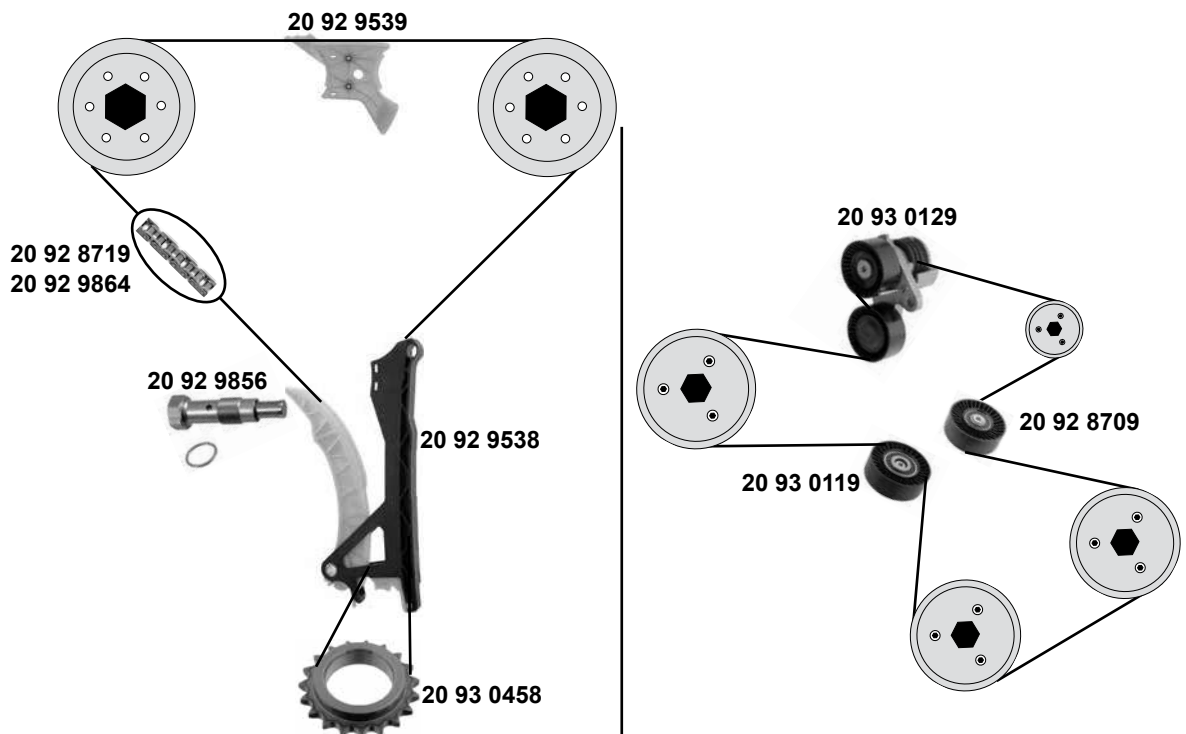
## 335 i/xi (N54/N55)

Rep. Satz / rep. kit

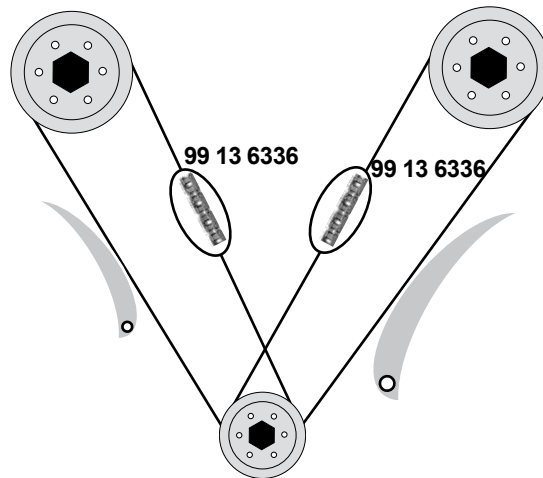
SWAG 99 13 0337

Rep. Satz / rep. kit

SWAG 99 13 0338



## M3 (S65)



- (1) (mot.) N54 AC servo
- (2) E90LCI/91LCI/92LCI 335 i/xi / E93 335i
- (3) E90LCI/91LCI/92LCI 335 i/xi / E93 335i / E92 LCI,E93 LCI 335i →09/10

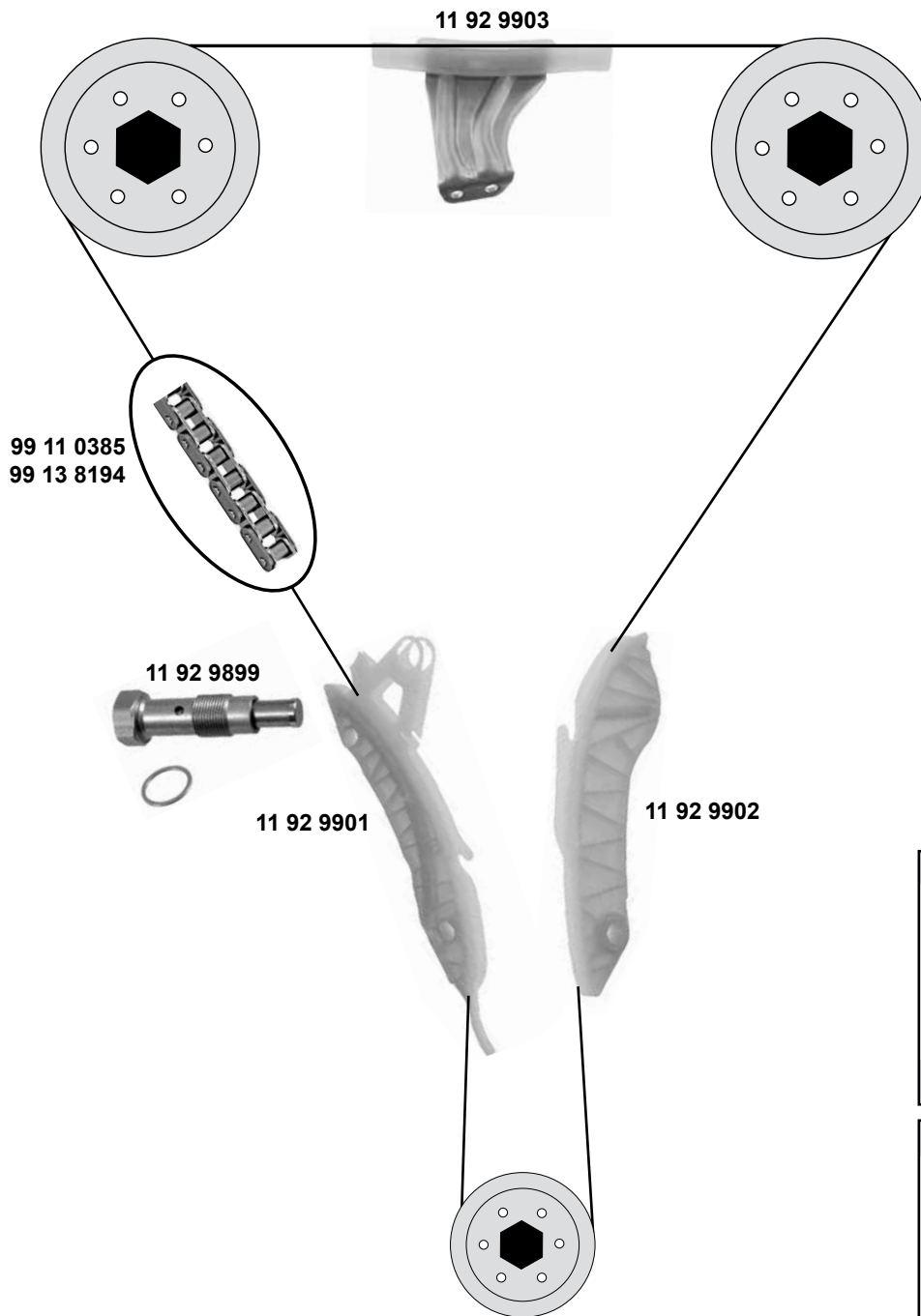


Ref. - No.



Part No.	Description	Quantity	Notes	Dimensions
20 92 8709	Umlenkrolle / deflection pulley	(1)		80x28
20 92 8719	Steuerkette / timing chain	(mot.) N54		144E
20 92 9538	Gleitschiene / sliding rail	(2) (mot.) N55		148 E
20 92 9539	Gleitschiene / sliding rail	(2) (mot.) N55		148 E
20 92 9856	Kettenspanner / chain tensioner	(2)		
20 92 9864	Steuerkette / timing chain	(3) (mot.) N55		148E
20 93 0119	Umlenkrolle / deflection pulley	(1)		
20 93 0129	Riemenspanner / belt tensioner	(1)		
20 93 0458	Kurbelwellenrad / crankshaft gear	E92/93 (mot.) N55		Z19
99 13 0337	Rep. Satz Steuerkette / rep. kit timing chain	(mot.) N54		144E
99 13 0338	Rep. Satz Steuerkette / rep. kit timing chain	(2) (mot.) N55		148 E
99 13 6336	Steuerkette / timing chain			106 E





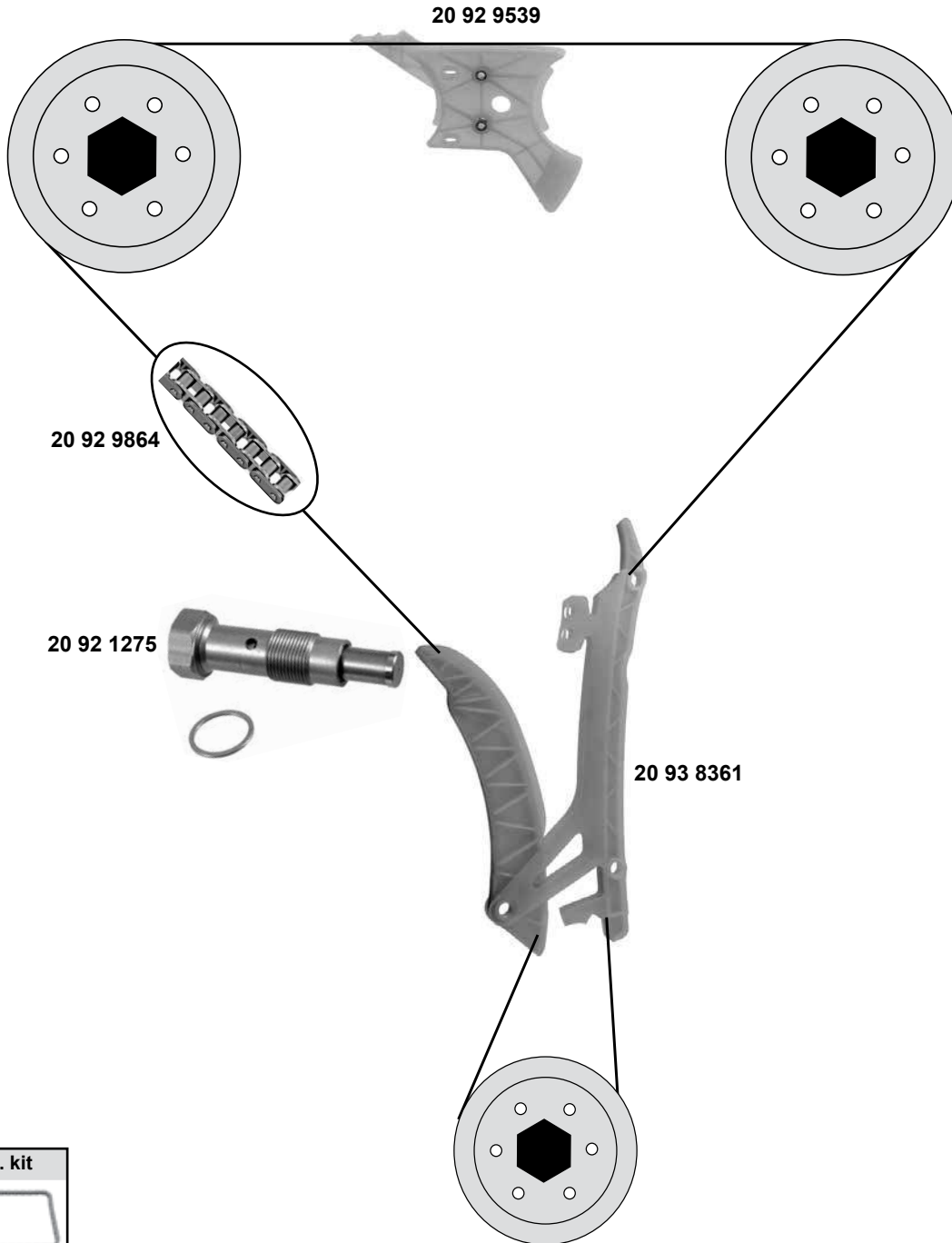
	Ref. - No.			
<b>11 92 9899</b>	11 31 4 609 483	Kettenspanner / chain tensioner		
<b>11 92 9901</b>	11 31 7 577 301	Gleitschiene / sliding rail		
<b>11 92 9902</b>	11 31 7 533 879	Gleitschiene / sliding rail		
<b>11 92 9903</b>	11 31 7 577 631	Gleitschiene / sliding rail		
<b>20 93 8195</b>	11 31 1 439 853 S4	Rep. Satz Steuerkette / rep. kit timing chain		138 N
<b>99 11 0385</b>	11 31 1 439 853	Steuerkette einfach / timing chain simplex		138 E
<b>99 13 3162</b>	11 31 1 439 853 S2	Rep. Satz Steuerkette / rep. kit timing chain		138 E
<b>99 13 8194</b>	11 31 1 439 853 S3	Steuerkette / timing chain		138 N

# BMW 3 'er (F 30 / F31 / F34)

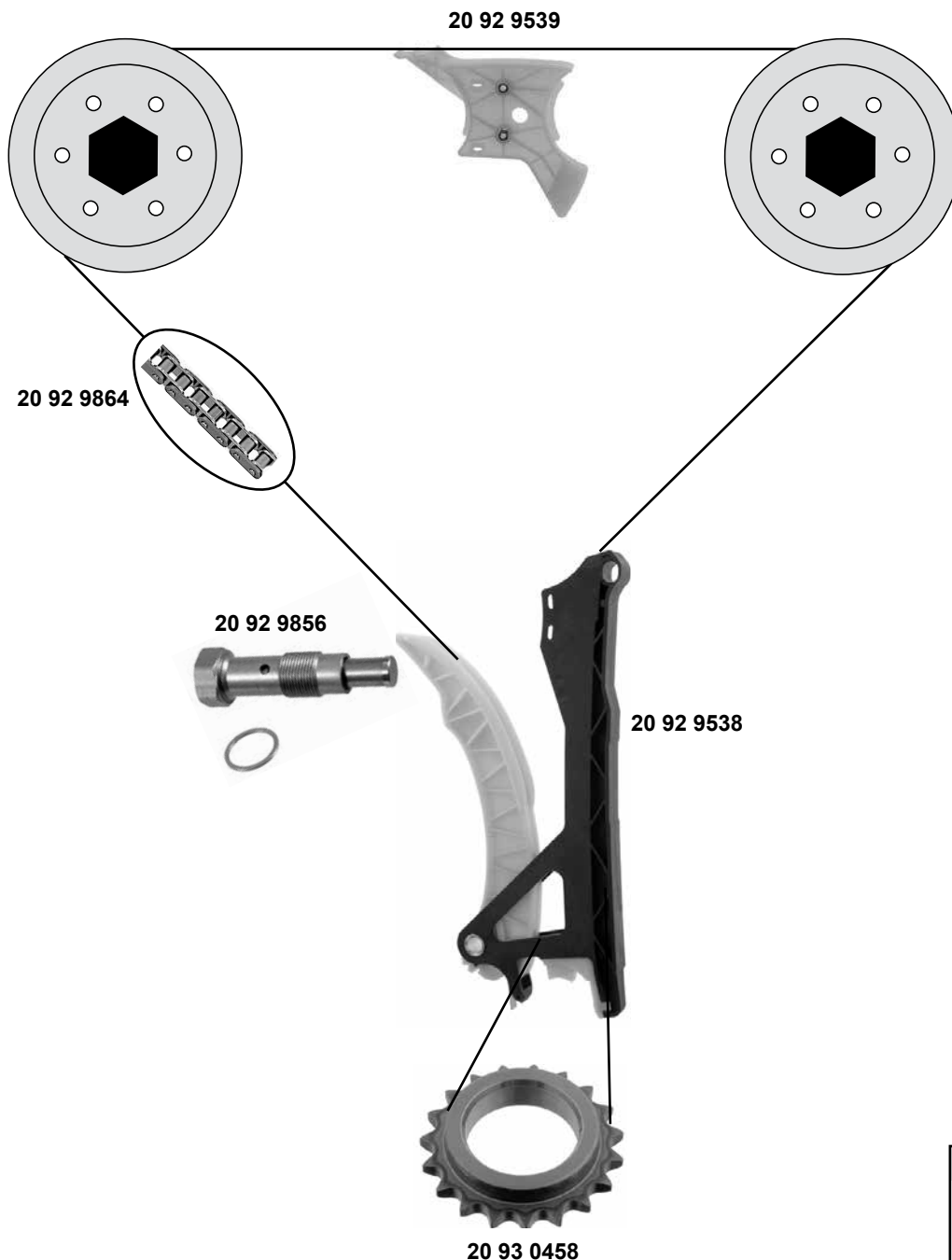
(11→)



**320 / 328 i/ix**  
N20 / N26



Ref. - No.	Part Description	Quantity
20 92 1275	Kettenspanner / chain tensioner	M22x1,25
20 92 9539	Gleitschiene / sliding rail	148 E
20 92 9864	Steuerkette einfach / roller chain simplex	148 E
30 93 8361	Gleitschiene / sliding rail	148 E
30 93 8362	Rep. Satz Steuerkette / rep. kit timing chain	148 E



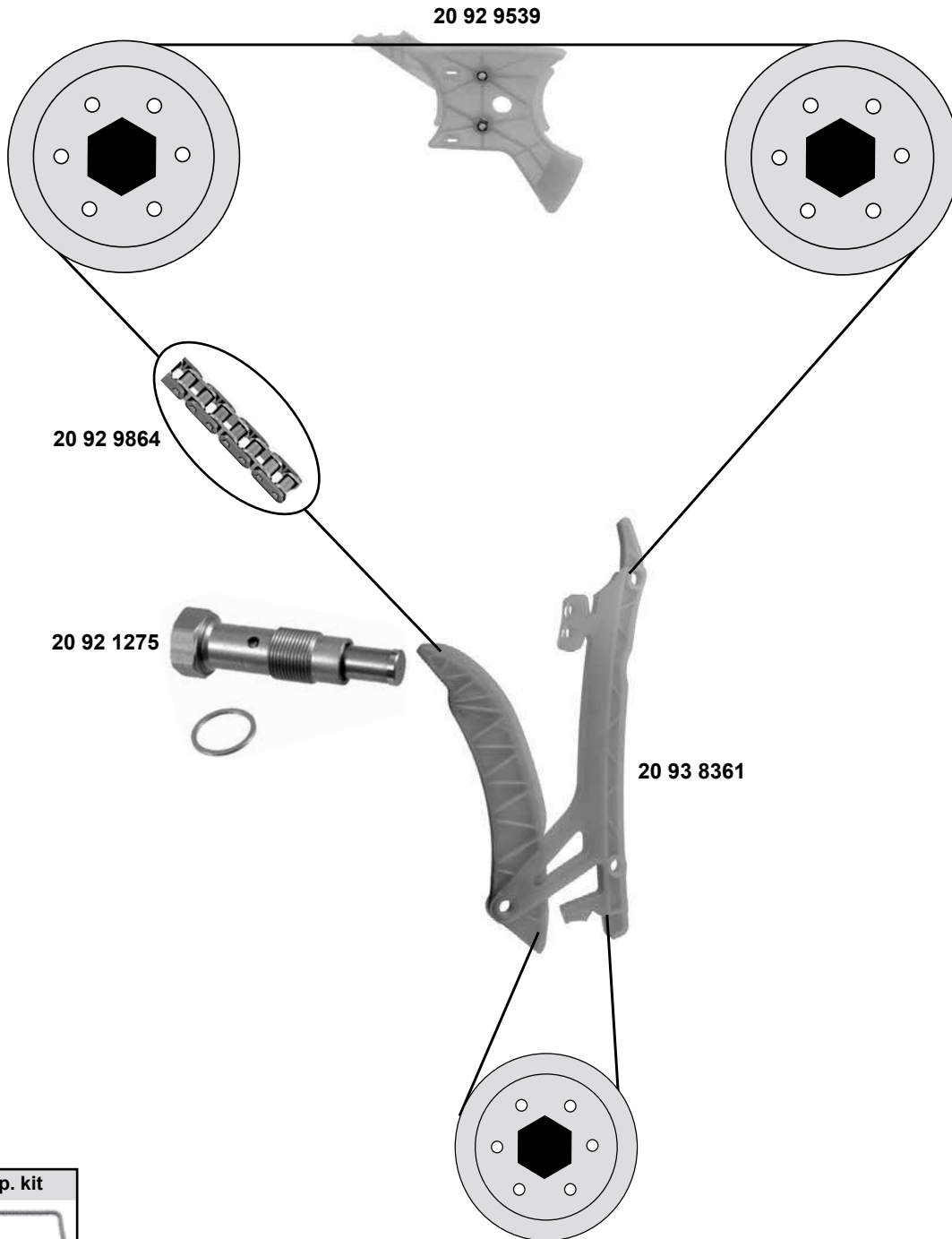
SWAG GERMANY	Ref. - No.			
20 92 9538	11 31 7 585 020	Gleitschiene / sliding rail		
20 92 9539	11 31 7 592 850	Gleitschiene / sliding rail		
20 92 9856	11 31 7 584 723	Kettenspanner / chain tensioner		
20 92 9864	11 31 7 584 084	Steuerkette / timing chain		148E
20 93 0458	11 31 7 502 180	Kurbelwellenrad / crankshaft gear		
99 13 0338	11 31 7 584 084 S1	Rep. Satz Steuerkette / rep. kit timing chain		148 E

# BMW 4 'er (F 32 / F33 / F36)

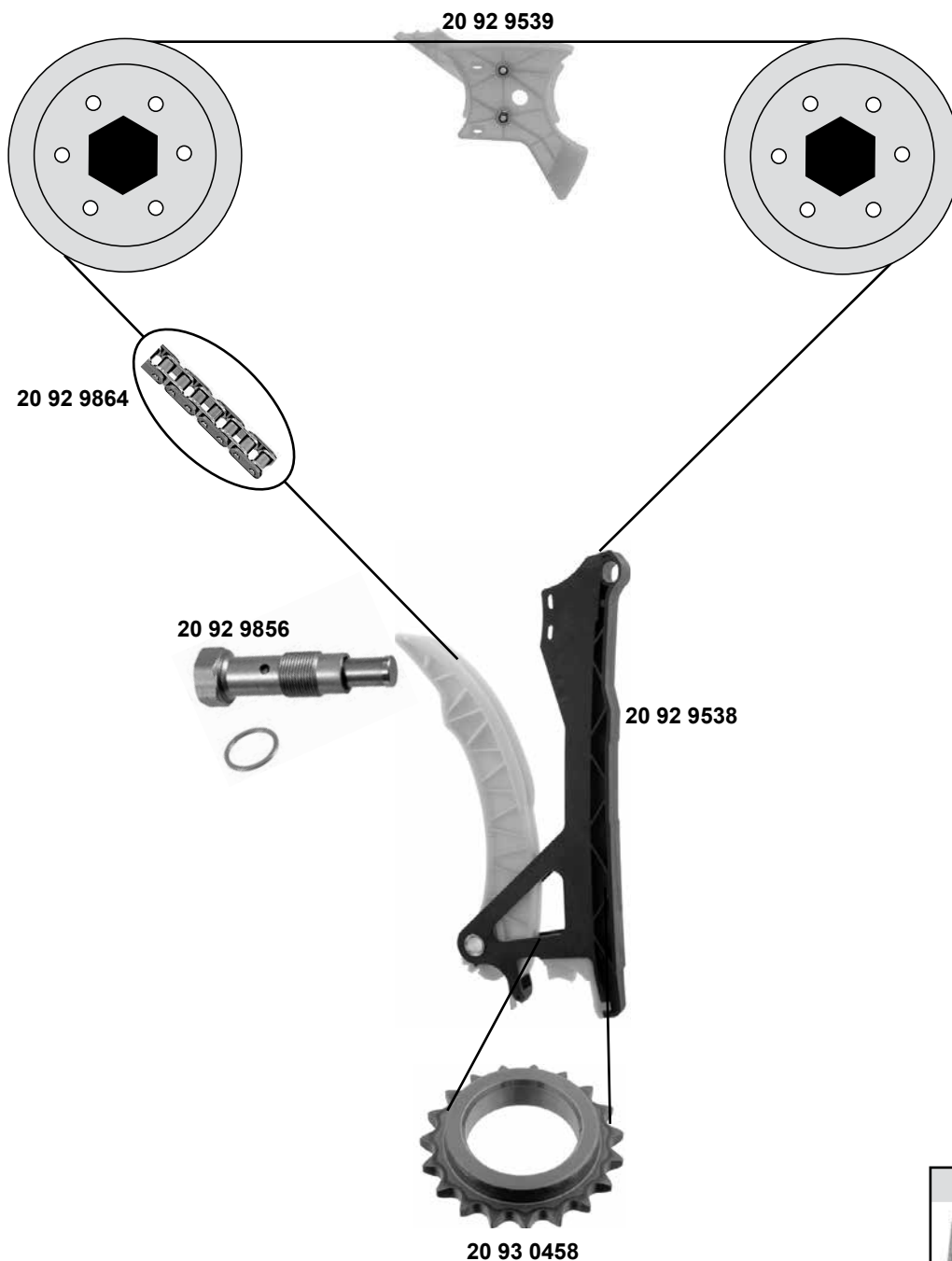
(11→)



**420 / 428 i/ix**  
N20 / N26



SWAG	Ref. - No.			
20 92 1275	11 31 7 567 680	Kettenspanner / chain tensioner		M22x1,25
20 92 9539	11 31 7 592 850	Gleitschiene / sliding rail		
20 92 9864	11 31 7 584 084	Steuerkette einfach / roller chain simplex		148 E
30 93 8361	11 31 7 592 877	Gleitschiene / sliding rail		
30 93 8362	11 31 7 584 084 S2	Rep. Satz Steuerkette / rep. kit timing chain		148 E



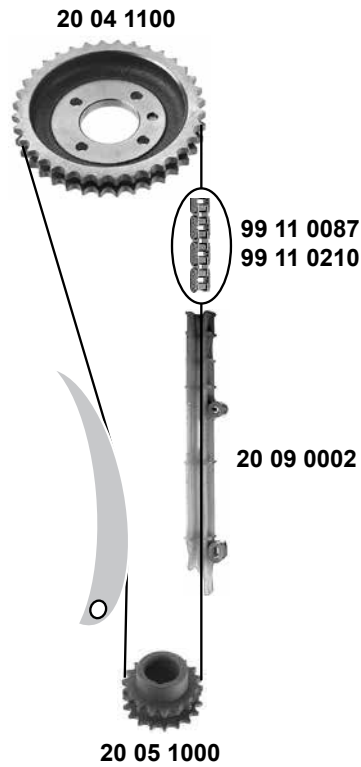
SWAG GERMANY	Ref. - No.			
20 92 9538	11 31 7 585 020	Gleitschiene / sliding rail		
20 92 9539	11 31 7 592 850	Gleitschiene / sliding rail		
20 92 9856	11 31 7 584 723	Kettenspanner / chain tensioner		
20 92 9864	11 31 7 584 084	Steuerkette / timing chain		148E
20 93 0458	11 31 7 502 180	Kurbelwellenrad / crankshaft gear		
99 13 0338	11 31 7 584 084 S1	Rep. Satz Steuerkette / rep. kit timing chain		148 E

# BMW 5 'er (E12)

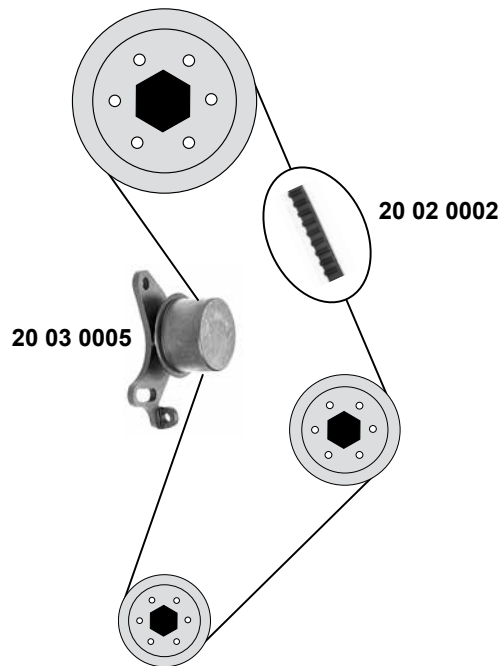
(72→81)



**518 → 520**  
(M10)



**520**  
(M20)



(1) Modell: → 11/78

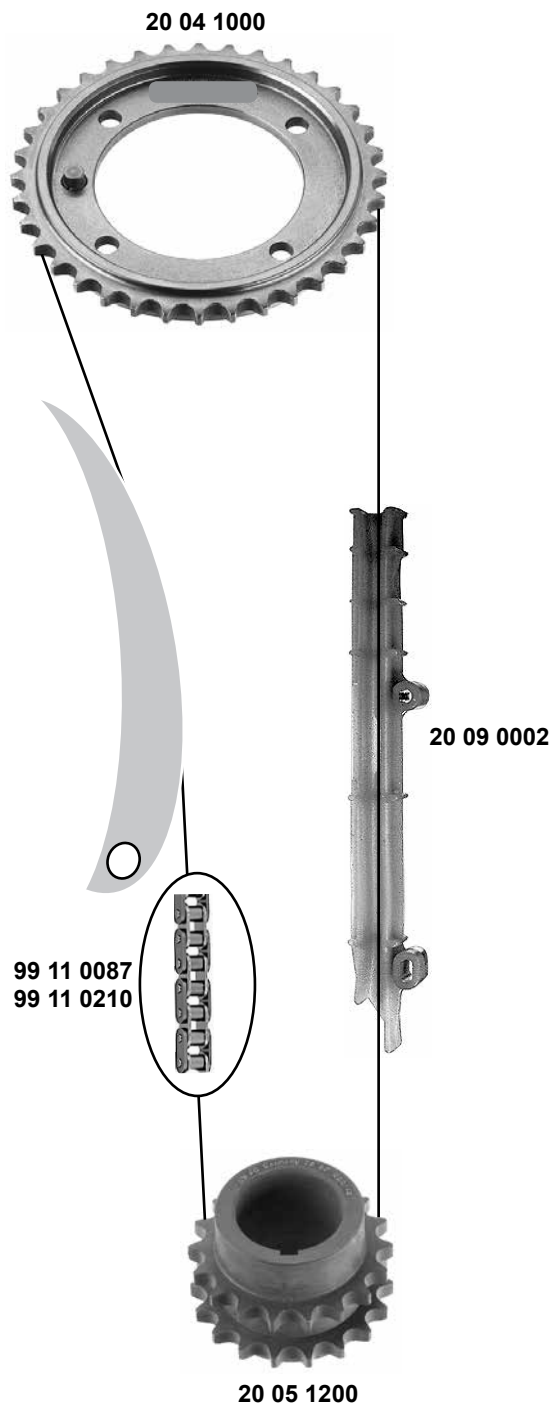
(2) Modell: 11/78 →



Ref. - No.



Ref. - No.	Description	Quantity	Part Number
20 02 0002	Zahnriemen / timing belt		Z 127 B25,4
20 02 0009	Rep. Satz Zahnriemen / rep. kit timing belt		
20 03 0005	Spannrolle / tension roller		Ø 49,5
20 04 1100	Nockenwellenrad / camshaft gear	(2)	Z 36
20 05 1000	Kurbelwellenrad / crankshaft gear	(2)	Z 18
20 09 0002	Gleitschiene / sliding rail		
99 11 0087	Steuerkette, zweifach / timing chain, double	(1)	D94 E
99 11 0210	Steuerkette, einfach / timing chain, simple	(2)	94 E



(1) Modell: → 11/78

(2) Modell: 11/78 →



Ref. - No.



<b>20 04 1000</b>	11 31 1 278 990	Nockenwellenrad / crankshaft gear	(2)	Z 36
<b>20 05 1200</b>	11 21 1 265 011	Kurbelwellenrad / crankshaft gear	(2)	Z 18
<b>20 09 0002</b>	11 31 1 253 236	Gleitschiene / sliding rail		
<b>99 11 0087</b>	11 31 0 731 105	Steuerkette, zweifach / timing chain, double	(1)	D94 E
<b>99 11 0210</b>	11 31 1 716 986	Steuerkette, einfach / timing chain, simple	(2)	94 E

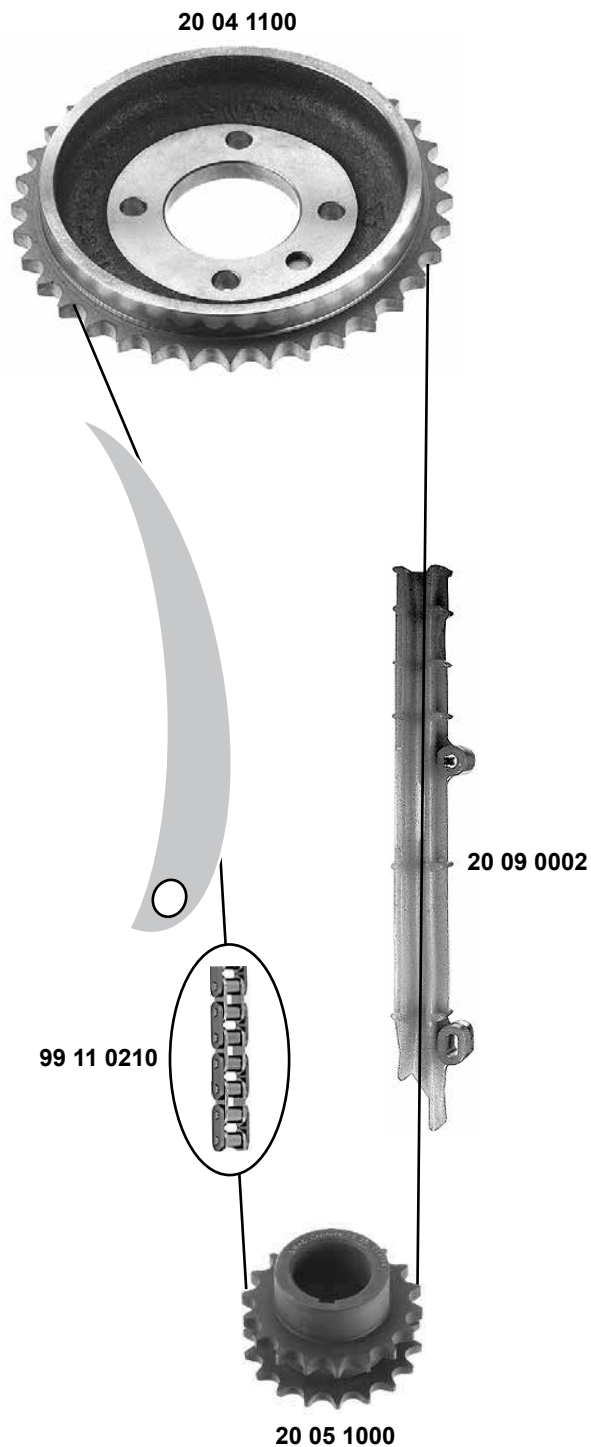
# BMW 5 'er (E28)

(80→90)



## 518 / 518 i

(M10)



Ref. - No.

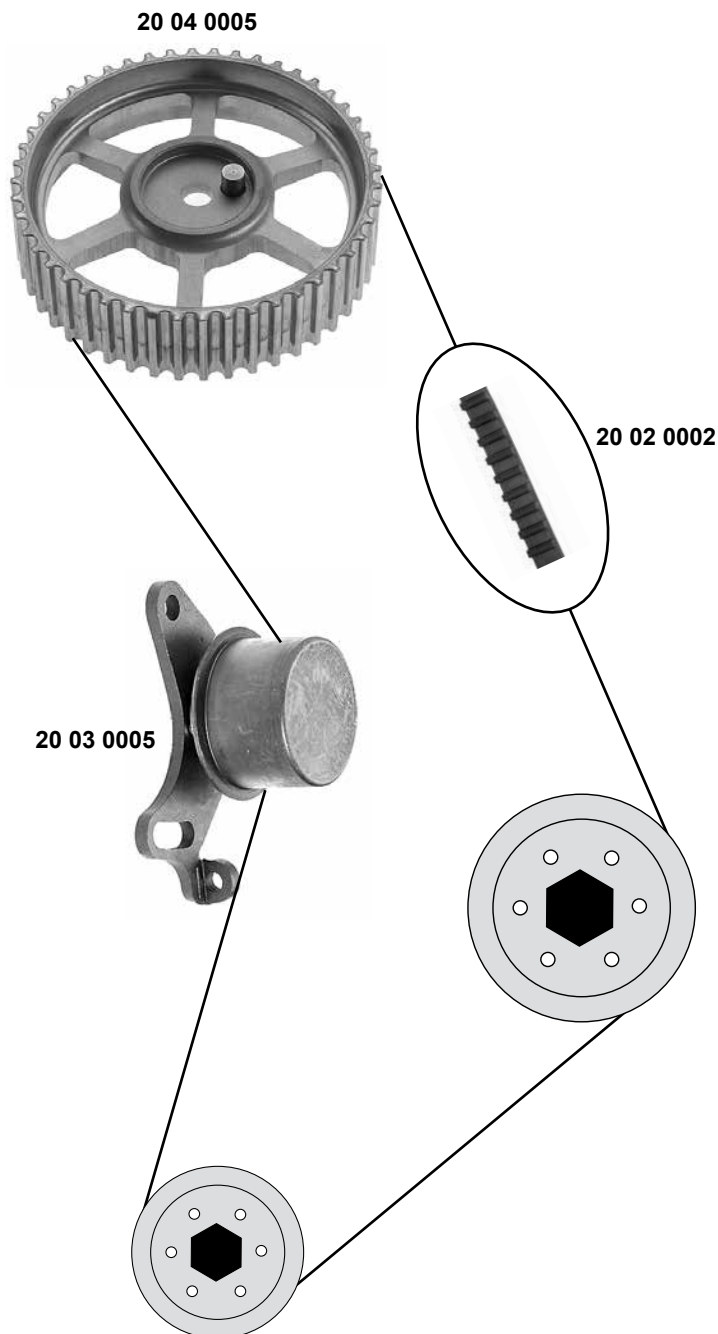


20 04 1100	11 31 1 265 006	Nockenwellenrad / camshaft gear
20 05 1000	11 21 1 265 010	Kurbelwellenrad / crankshaft gear
20 09 0002	11 31 1 253 236	Gleitschiene / sliding rail
99 11 0210	11 31 1 716 986	Steuerkette, einfach / timing chain, simple

Z 36  
Z 18

94 E





Rep. Satz / rep. kit



SWAG 20 02 0009

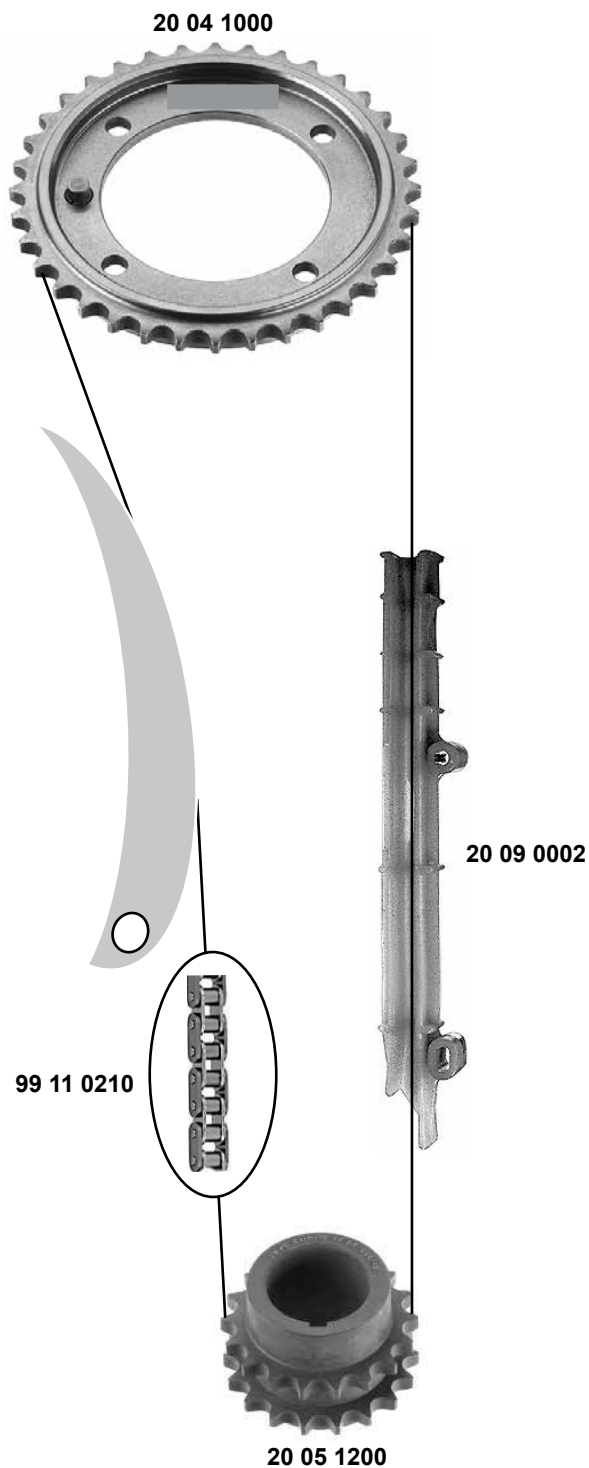
# BMW 5 'er (E28)

(80→90)



## 525i → M 535i

(M30)



99 11 0210

20 09 0002

20 05 1200



Ref. - No.

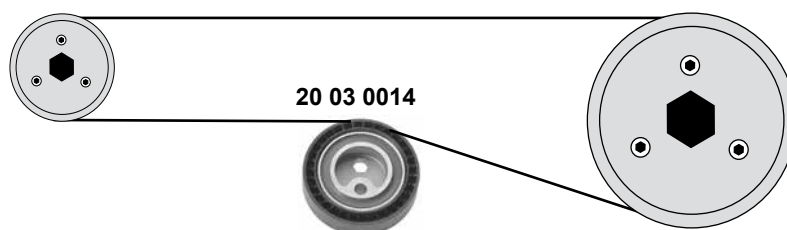
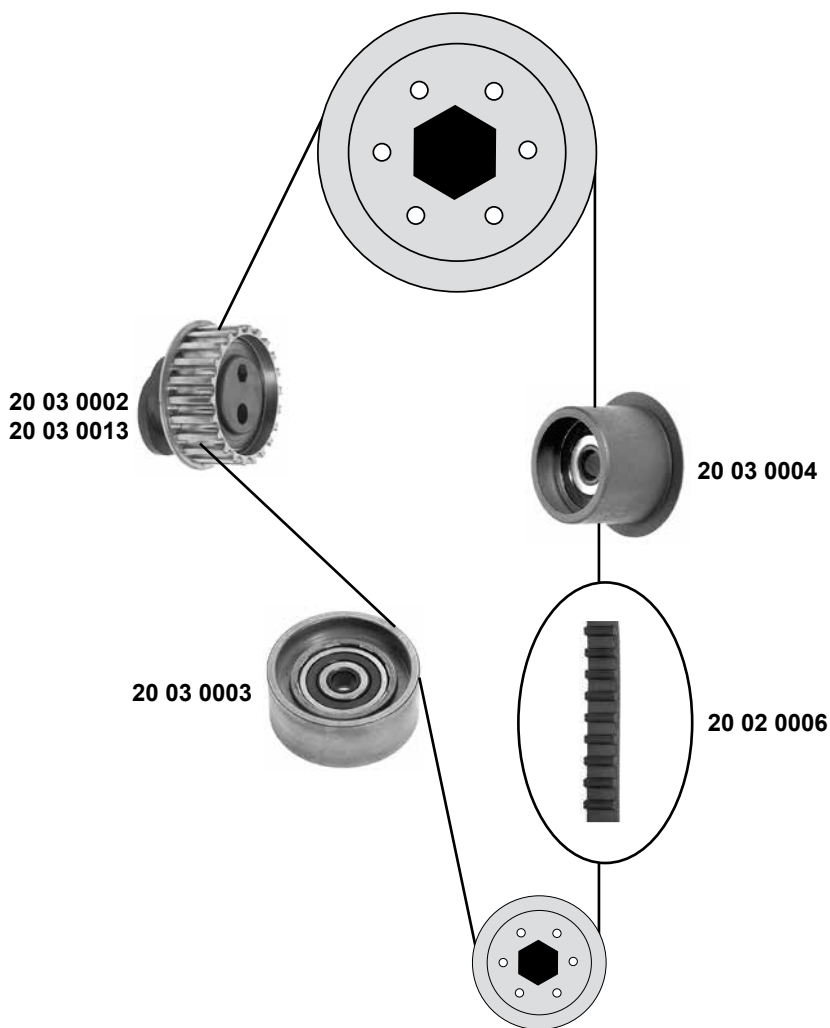


20 04 1000	11 31 1 278 990	Nockenwellenrad / camshaft gear
20 05 1200	11 21 1 265 011	Kurbelwellenrad / crankshaft gear
20 09 0002	11 31 1 253 236	Gleitschiene / sliding rail
99 11 0210	11 31 1 716 986	Steuerkette, einfach / timing chain, simple

Z 36

Z 18

94 E



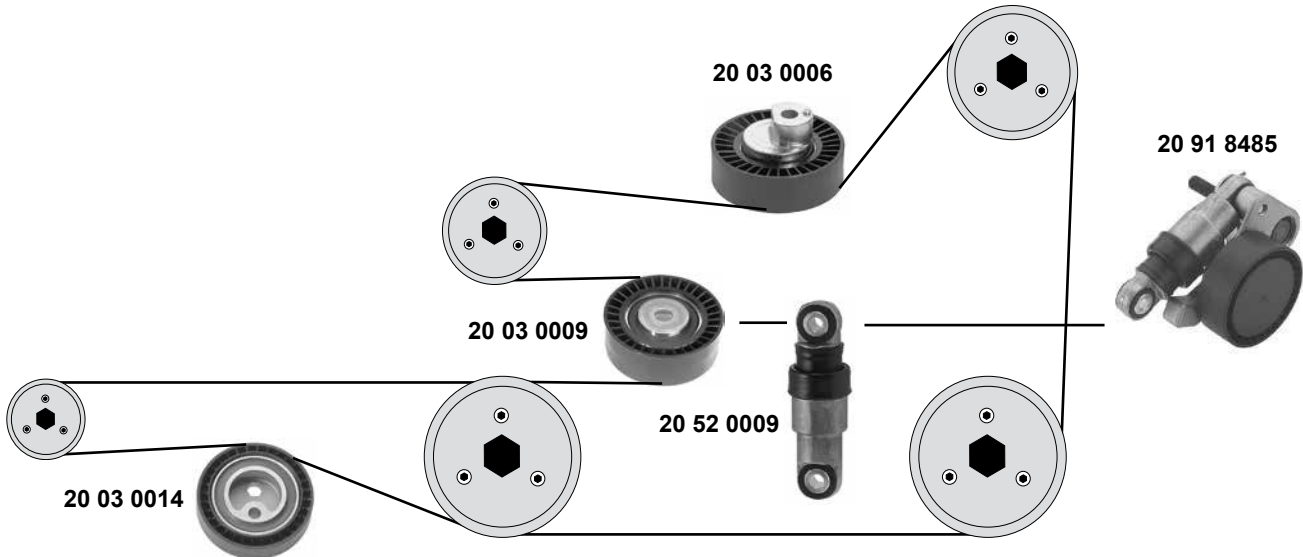
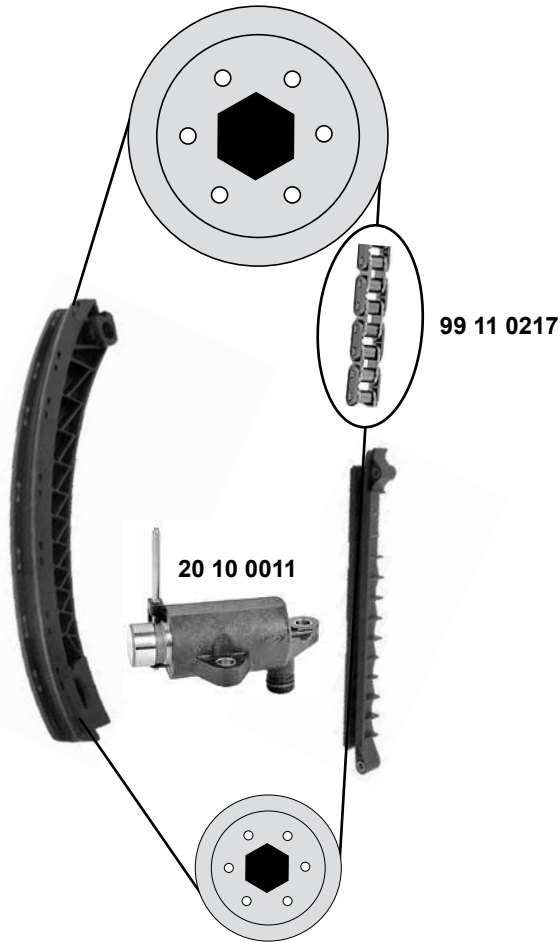
	Ref. - No.			
<b>20 02 0006</b>	11 31 1 734 608	Zahnriemen / timing belt		Z 110 B21
<b>20 02 0007</b>	11 31 1 734 608 S1	Rep. Satz Zahnriemen / rep. kit timing belt	Modell: → 09/91	
<b>20 02 0008</b>	11 31 1 734 608 S2	Rep. Satz Zahnriemen / rep. kit timing belt	Model: 09/91 →	
<b>20 03 0002</b>	11 31 1 721 245	Spannrolle / tension roller	Modell: → 09/91	65/33 x 23 x 55,4
<b>20 03 0003</b>	11 31 1 721 264	Umlenkrolle / deflection pulley		50 x 21
<b>20 03 0004</b>	11 31 1 708 806	Umlenkrolle / deflection pulley		32/40 x 25
<b>20 03 0013</b>	11 31 1 727 611	Spannrolle / tension roller	Modell: 09/91 →	65/33 x 23 x 47,7
<b>20 03 0014</b>	11 28 2 245 087	Spannrolle / tension roller		Ø 80

# BMW 5 'er (E34)

(94→95)



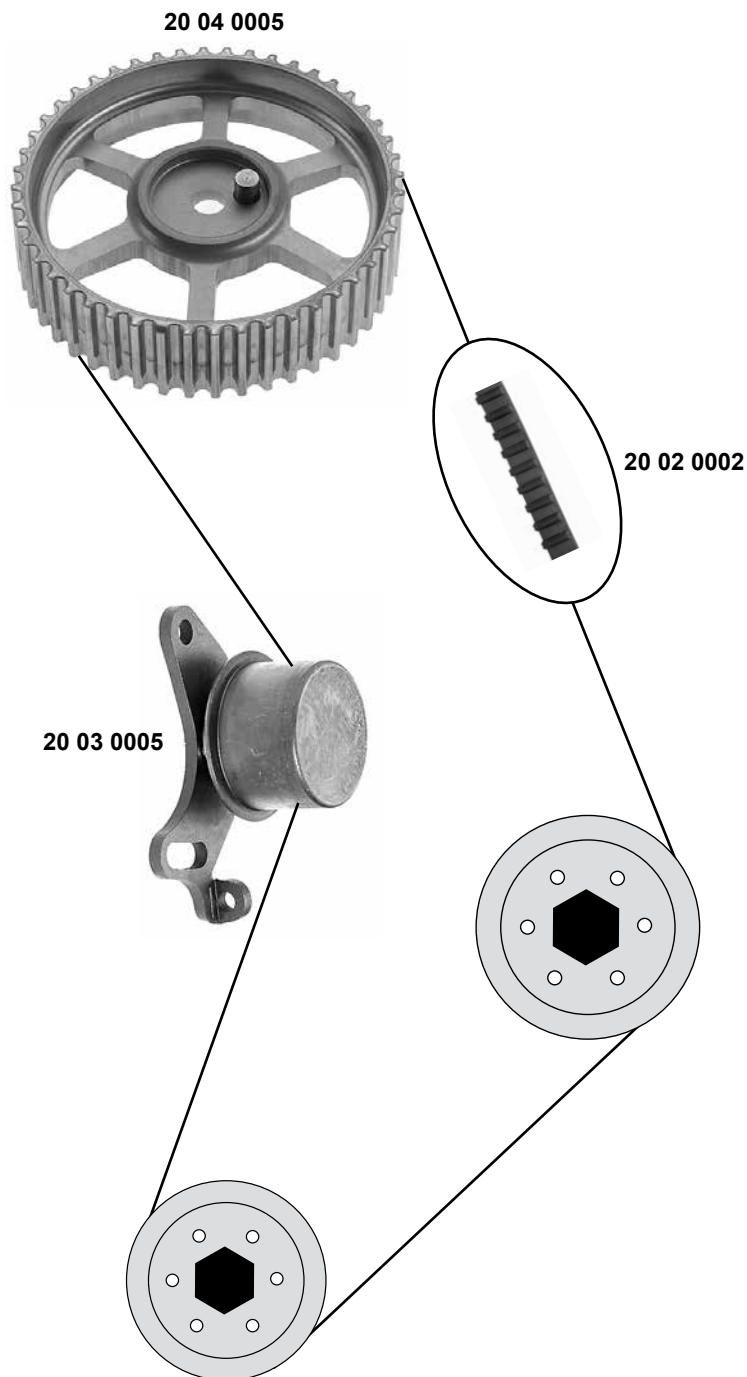
## 518 i (M43)



Ref. - No.



20 03 0006	11 28 7 841 228	Umlenkrolle / deflection pulley	80 x 24,5
20 03 0009	11 28 1 748 131	Spannrolle / tension roller	70 x 24,5
20 03 0014	11 28 2 245 087	Spannrolle / tension roller	Ø 80
20 10 0011	11 31 1 247 952	Kettenspanner / chain tensioner	
20 52 0009	11 28 1 247 051	Schwingungsdämpfer / vibration damper	
20 91 8485	11 28 1 247 051 S1	Riemenspanner / belt tensioner	ØA 70 Ø1 26
99 11 0217	11 31 1 734 392	Steuerkette, zweifach / timing chain, double	106 E
99 13 0381	11 31 1 734 392 S1	Rep. Satz Steuerkette / rep. kit timing chain	106 E



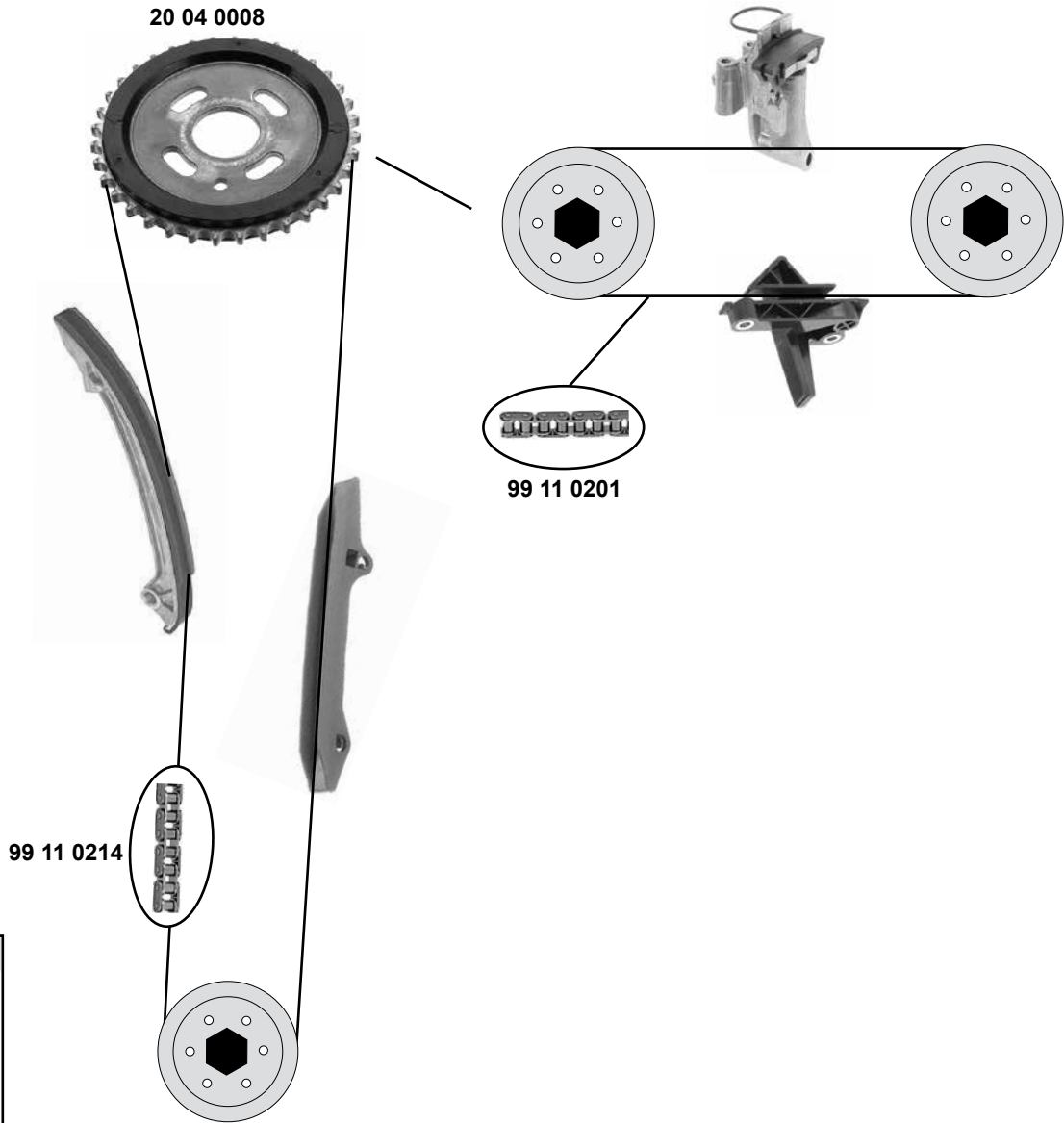
	Ref. - No.			
20 02 0002	11 31 1 713 361	Zahnriemen / timing belt		Z 127 B25,4
20 02 0009	11 31 1 713 361 S1	Rep. Satz Zahnriemen / rep. kit timing belt		
20 03 0005	11 31 1 711 153	Spannrolle / tension roller		ØA49,5
20 04 0005	11 31 1 714 988	Nockenwellenrad / camshaft gear		Z 48

# BMW 5 'er (E34)

(88→97)

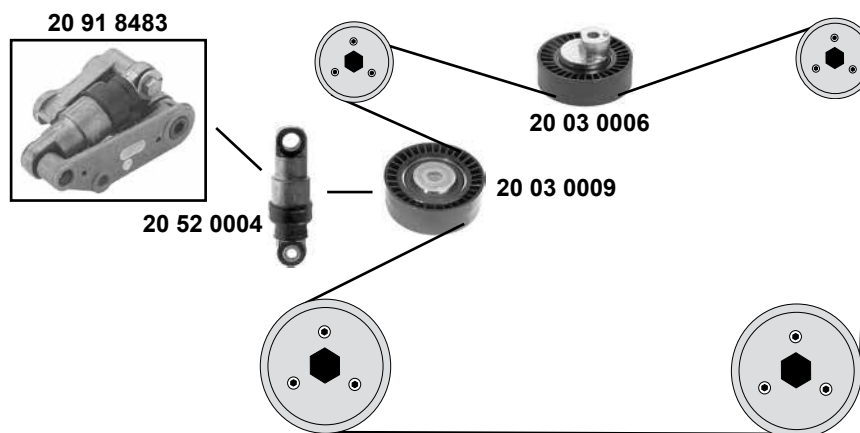
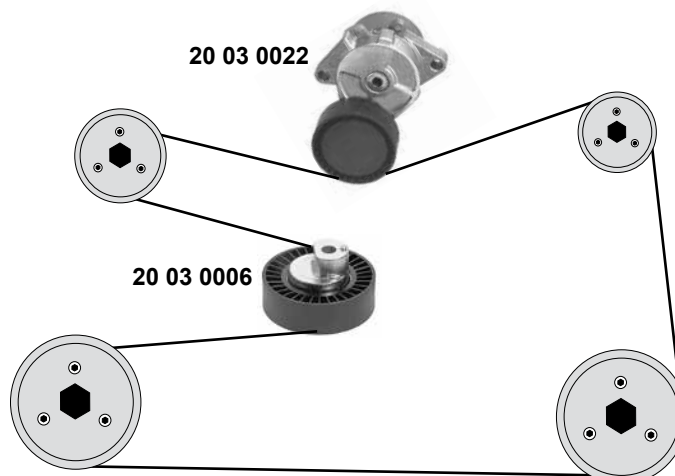
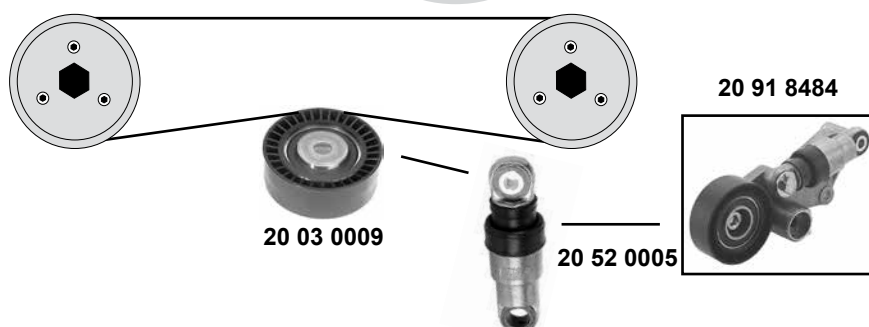


## 520 i / 525 i/ix (M50)



Ref. - No.			
<b>20 04 0008</b>	11 31 1 722 841	Nockenwellenrad / camshaft gear	Z 36
<b>99 11 0201</b>	11 31 1 432 177	Steuerkette / timing chain	58 E
<b>99 11 0214</b>	11 31 1 432 176	Steuerkette / timing chain	104 E
<b>99 13 0331</b>	11 31 1 432 177 S1	Rep. Satz Steuerkette / rep. kit timing chain	58 E
<b>99 13 0409</b>	11 31 1 432 176 S1	Rep. Satz Steuerkette / rep. kit timing chain	104 E
<b>99 13 0410</b>	11 31 1 432 176 S2	Rep. Satz Steuerkette / rep. kit timing chain	104 E

→ Modell: 09/94  
Modell 09/94 →

**Hydraulisch / hydraulic**

**Mechanisch / mechanical**

**AC**


20 03 0006	11 28 7 841 228	Umlenkrolle / deflection pulley	
20 03 0009	11 28 1 748 131	Spannrolle / tension roller	
20 03 0022	11 28 1 427 252	Riemenspanner / belt tensioner	
20 52 0004	11 28 1 717 188	Schwingungsdämpfer / vibration damper	
20 52 0005	11 28 1 717 210	Schwingungsdämpfer / vibration damper	
20 91 8483	11 28 7 838 797	Riemenspanner / belt tensioner	
20 91 8484	11 28 1 717 210 S1	Riemenspanner / belt tensioner	
20 93 2017	11 28 7 938 797 S1	Umbausatz für Riemenspanner/ mounting kit for belt tensioner	

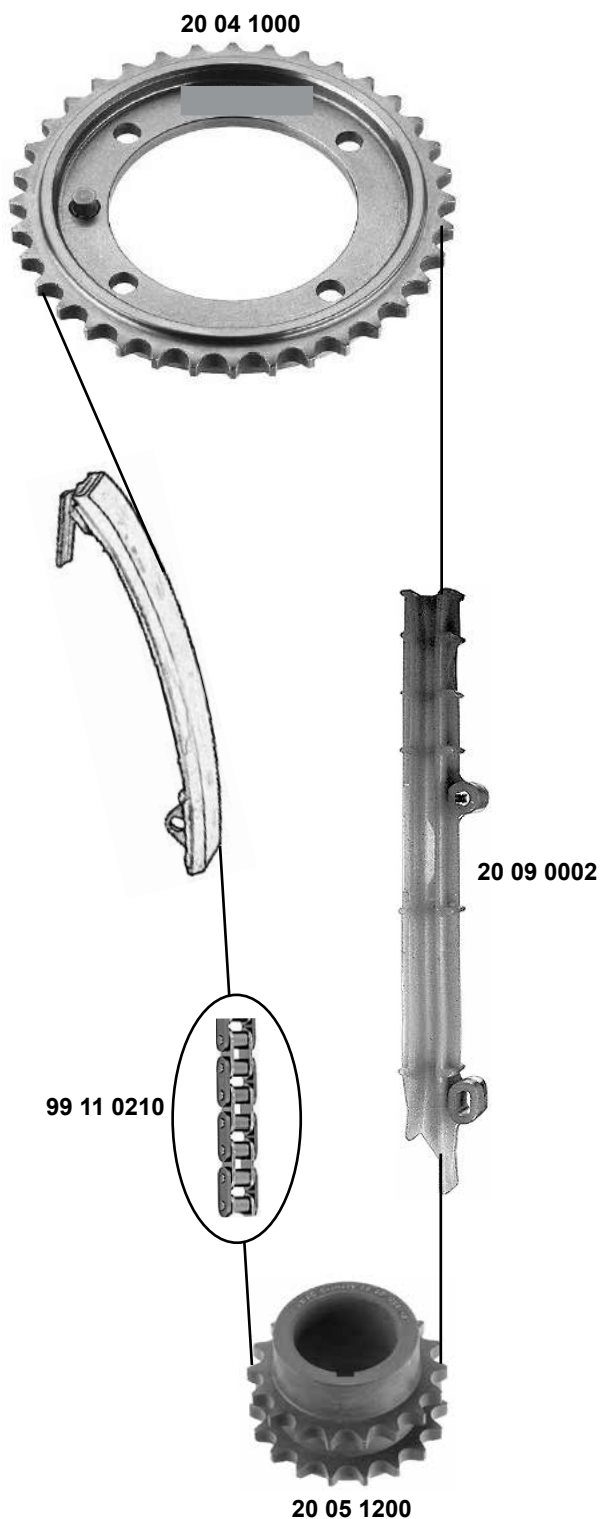
# BMW 5 'er (E34)

(88→97)



## 530 i / 535 i

(M30)



Ref. - No.



**20 04 1000** 11 31 1 278 990

Nockenwellenrad / camshaft gear

Z 36

**20 05 1200** 11 21 1 265 011

Kurbelwellenrad / crankshaft gear

Z 18

**20 09 0002** 11 31 1 253 236

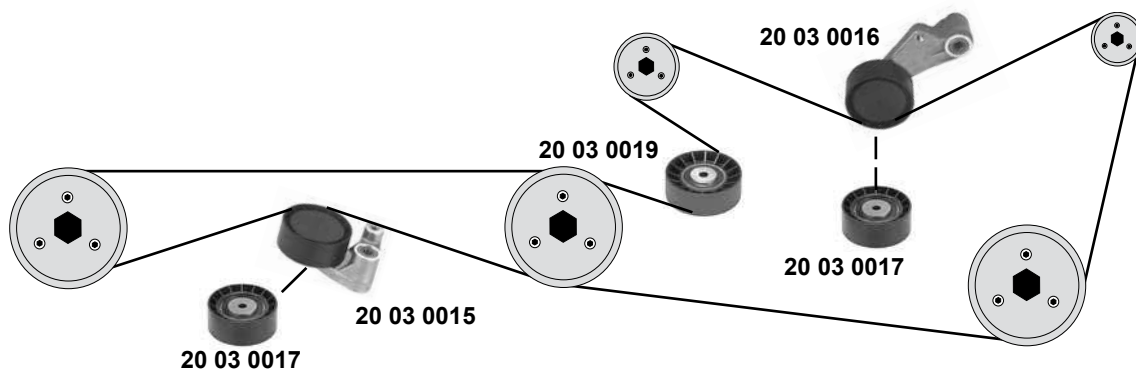
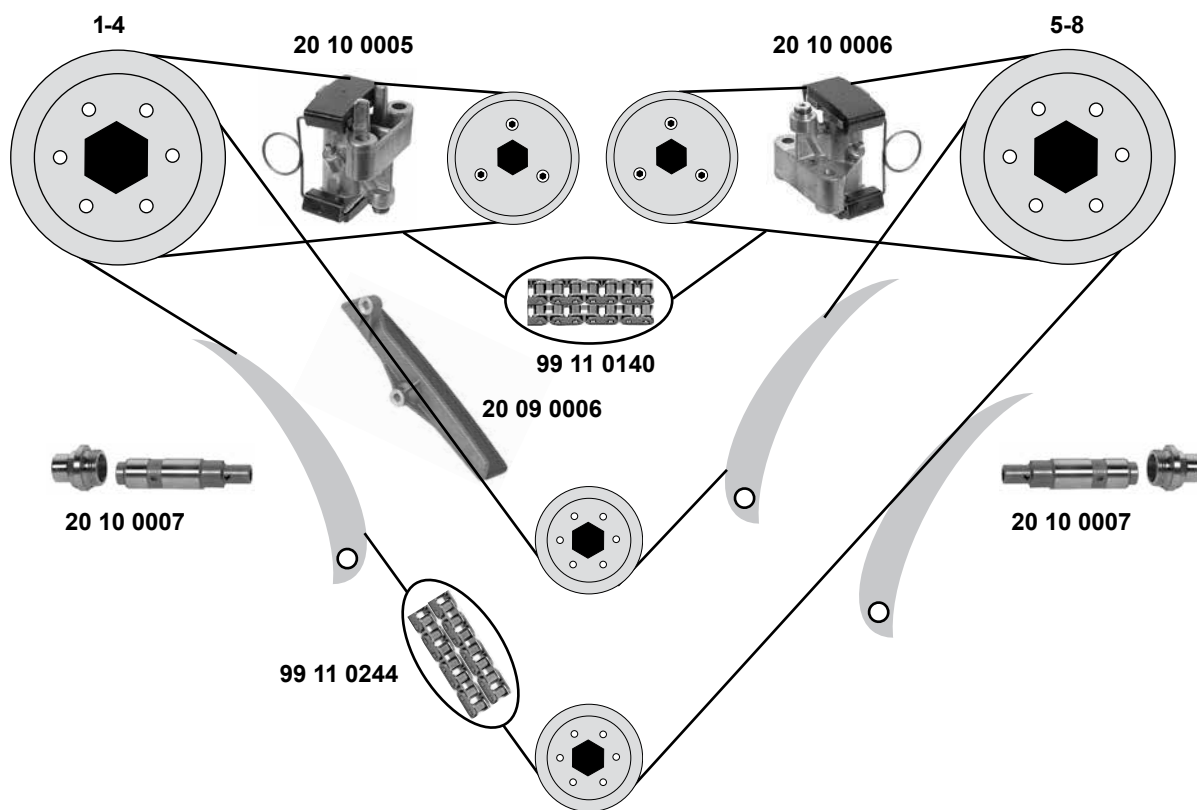
Gleitschiene / sliding rail

**99 11 0210** 11 31 1 716 986

Steuerkette, einfach / timing chain, simple

94 E





	Ref. - No.			
20 03 0015	11 28 1 702 013	Spannrolle / tension roller		ØA 70
20 03 0016	11 28 1 736 724	Spannrolle / tension roller		70 x 28
20 03 0017	11 28 1 731 220	Spannrolle / tension roller		Ø 70 x 28
20 03 0019	11 28 1 731 838	Umlenkrolle / deflection pulley		Ø 80 x 28
20 09 0006	11 31 1 741 247	Führungsschiene / guide rail		
20 10 0005	11 31 1 725 441	Kettenspanner / chain tensioner		
20 10 0006	11 31 1 725 442	Kettenspanner / chain tensioner		
20 10 0007	11 31 7 531 813	Kettenspanner / chain tensioner		
99 11 0140	11 31 7 512 359	Steuerkette, zweifach / timing chain, double		D54 E
99 11 0244	11 31 1 736 020	Steuerkette, zweifach / timing chain, double		D192 E

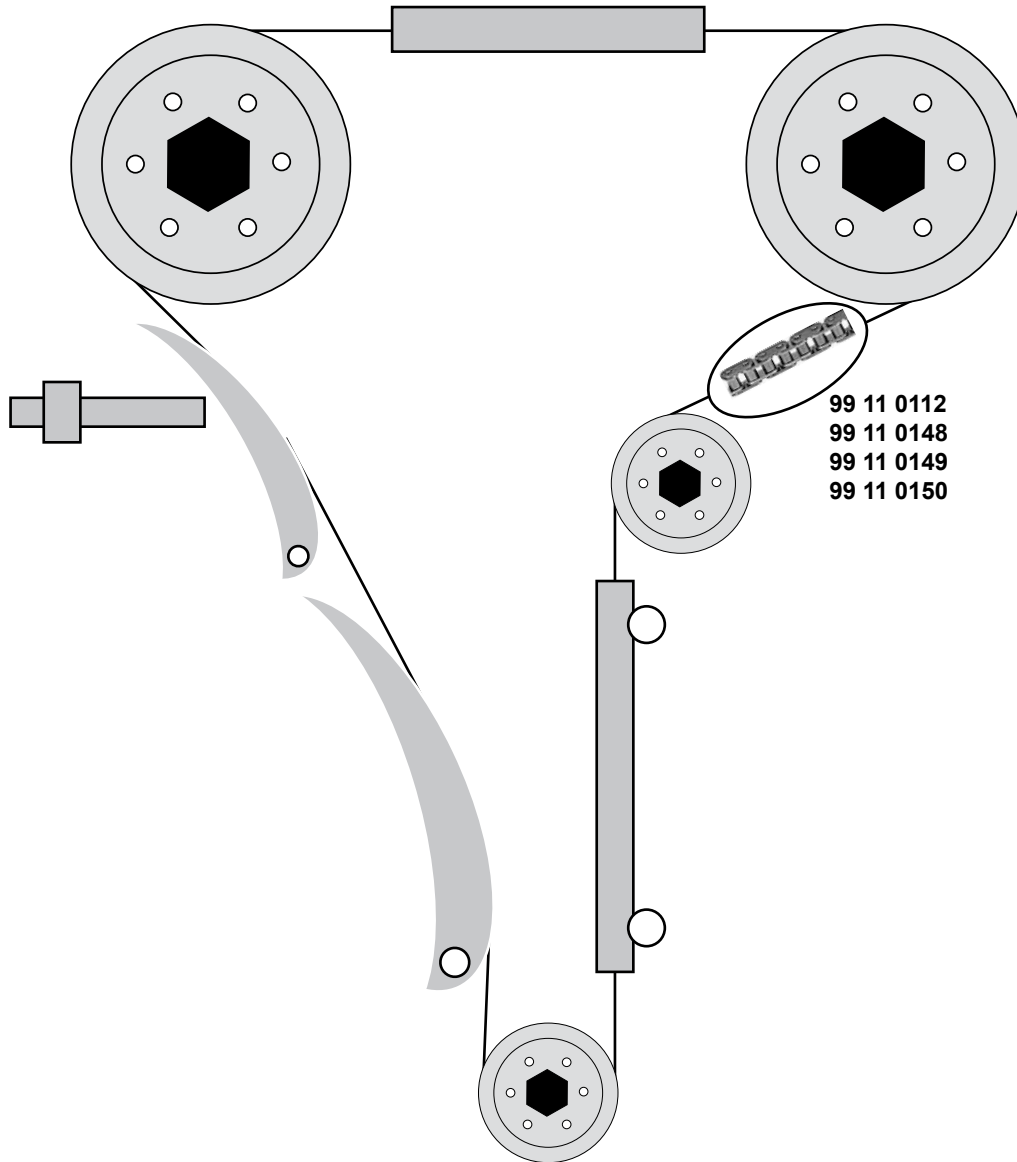
# BMW 5 'er (E34)

(88→97)



## M 5

(B3.6 / B3.8)



99 11 0112  
99 11 0148  
99 11 0149  
99 11 0150



(1) Nietverschluß / riveted link / bouchon de rivet / rivetti

(3) normal / regular / normal / normale / normalizado

(2) Federverschluß / split link / fermeture de ressort / falsa maglia

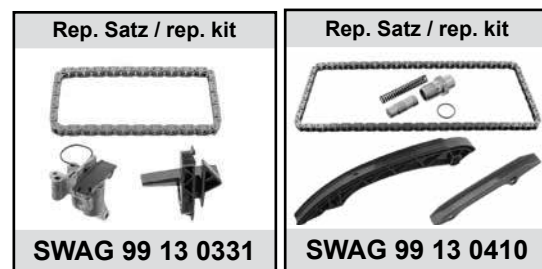
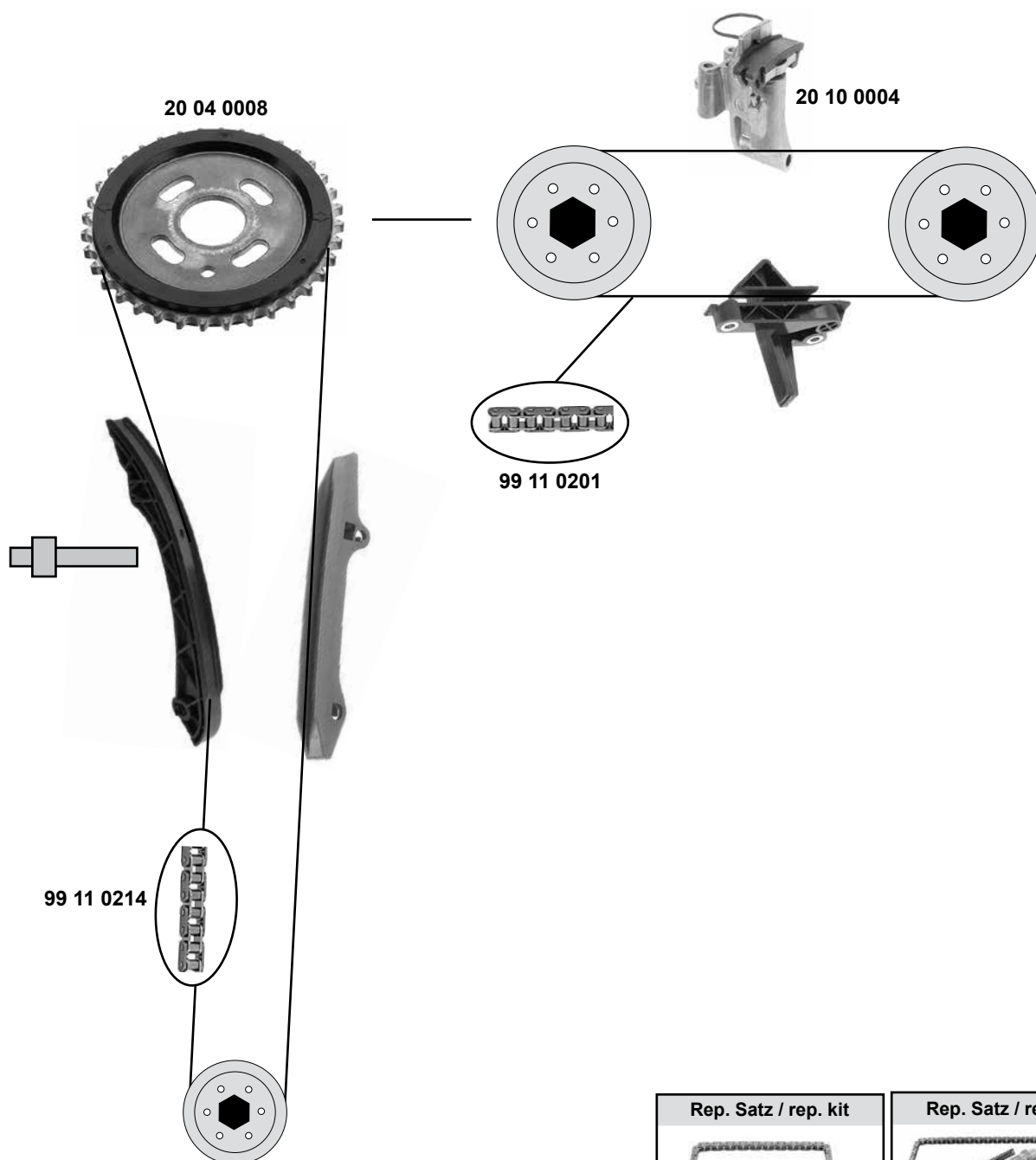
(4) verstärkt / reinforced / renforcée / förstärkt / rinforzato



Ref. - No.



99 11 0112	11 31 1 403 081 S1	Steuerkette zweifach / timing Chain double	(2)	D126 F
99 11 0148	11 31 1 403 081	Steuerkette zweifach / timing Chain double	(4)	D126 E
99 11 0149	11 31 1 403 081 S2	Steuerkette zweifach / timing Chain double	(3)	D126 E
99 11 0150	11 31 1 403 081	Steuerkette zweifach / timing Chain double	(1)	D126 N



<b>20 04 0008</b>	11 31 1 722 841	Nockenwellenrad / camshaft gear	Modell: → 09/98	Z 36
<b>20 10 0004</b>	11 31 1 738 700	Kettenspanner / chain tensioner		
<b>99 11 0201</b>	11 31 1 432 177	Steuerkette / timing chain		58 E
<b>99 11 0214</b>	11 31 1 432 176	Steuerkette / timing chain		104 E
<b>99 13 0331</b>	11 31 1 432 177 S1	Rep. Satz Steuerkette / rep. kit timing chain		58 E
<b>99 13 0410</b>	11 31 1 432 176 S2	Rep. Satz Steuerkette / rep. kit timing chain		104 E

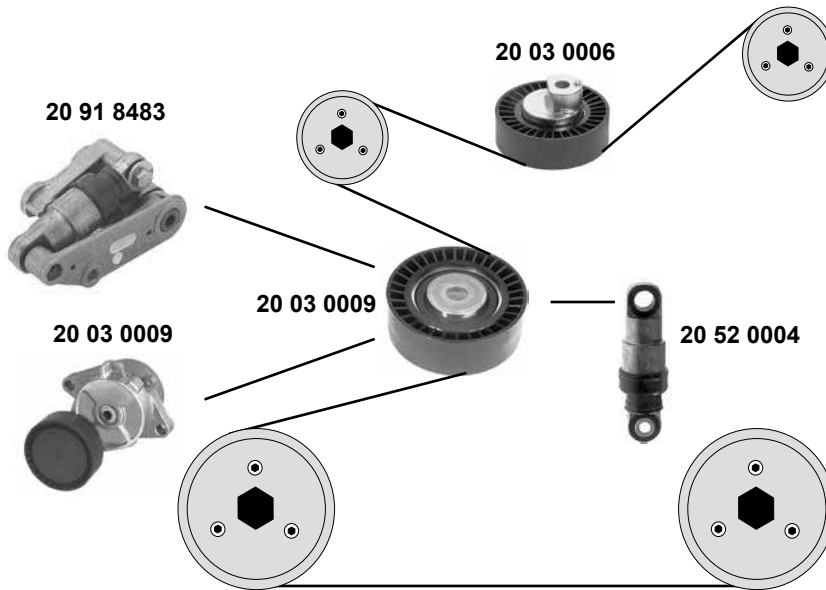
# BMW 5 'er (E39)

(95→04)

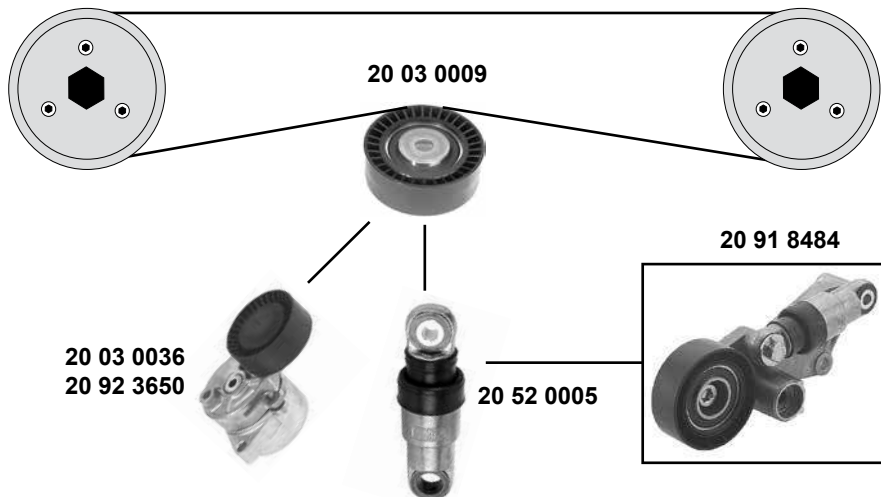


## 520 i → 530 i

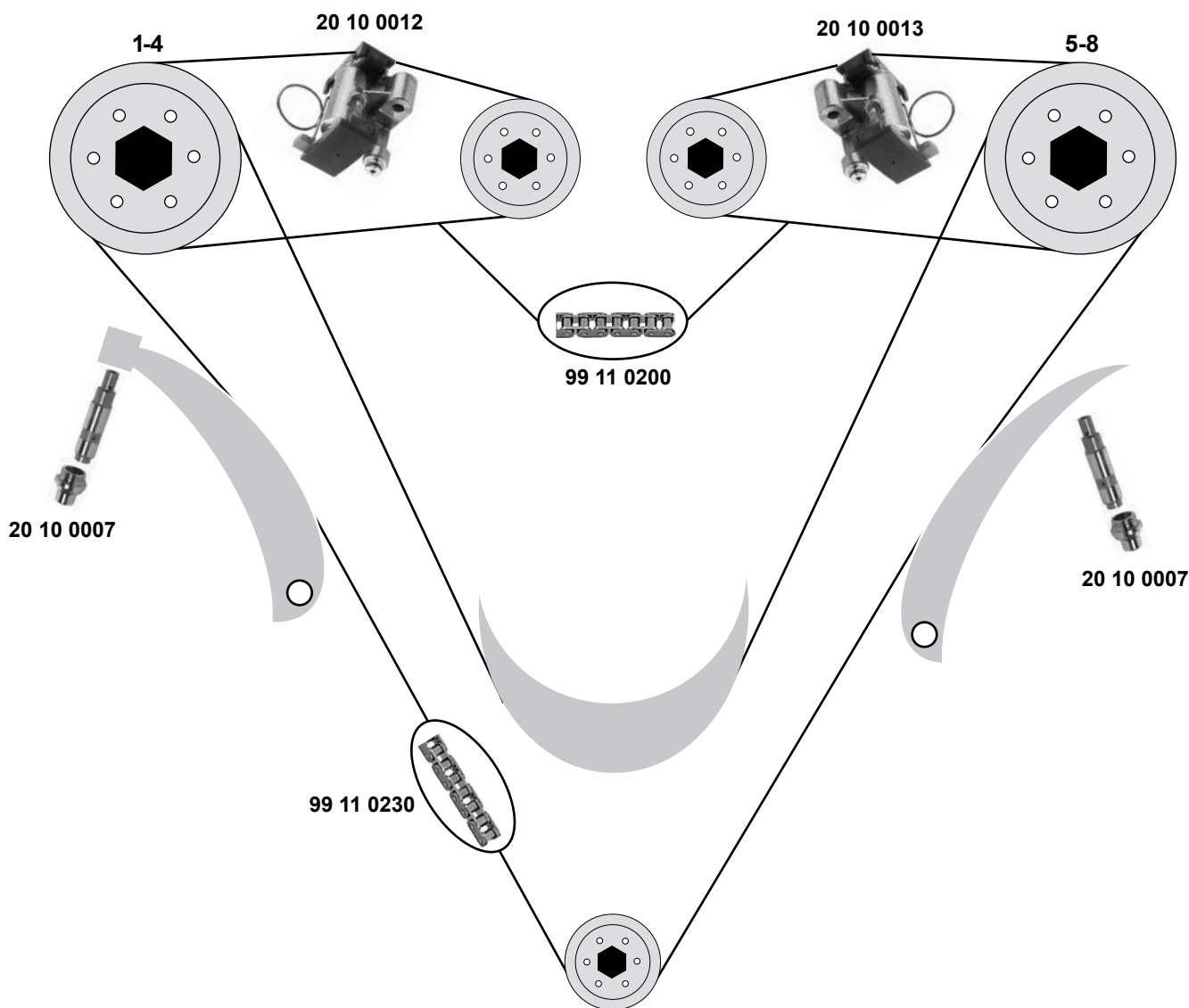
(M52 / M54)



# AC



SWAG GERMANY	Ref. - No.			
20 03 0006	11 28 7 841 228	Umlenkrolle / deflection pulley		80 x 24,5
20 03 0009	11 28 1 748 131	Spannrolle / tension roller		70 x 24,5
20 03 0022	11 28 1 427 252	Riemenspanner / belt tensioner		70 x 24,5
20 03 0036	11 28 1 433 571	Riemenspanner / belt tensioner	Modell: 03/98 → 09/02	70 / 78 x 26
20 52 0004	11 28 1 717 188	Schwingungsdämpfer / vibration damper		
20 52 0005	11 28 1 717 210	Schwingungsdämpfer / vibration damper	Modell: → 03/98	
20 91 8483	11 28 7 838 797	Riemenspanner / belt tensioner		
20 91 8484	11 28 1 717 210 S1	Riemenspanner / belt tensioner	Modell: → 09/02	
20 92 3650	11 28 7 512 758	Riemenspanner / belt tensioner	Modell: 09/02 →	70 x 24,5
20 93 2017	11 28 7 938 797 S1	Umbausatz für Riemenspanner / mounting kit for belt tensioner		



Ref. - No.



20 10 0007	11 31 7 531 813
20 10 0012	11 31 1 435 026
20 10 0013	11 31 1 435 027
99 11 0200	11 31 1 406 167
99 11 0230	11 31 1 741 746

Kettenspanner / chain tensioner
Kettenspanner / chain tensioner
Kettenspanner / chain tensioner
Steuerkette / timing chain
Steuerkette / timing chain

54 E  
188 E

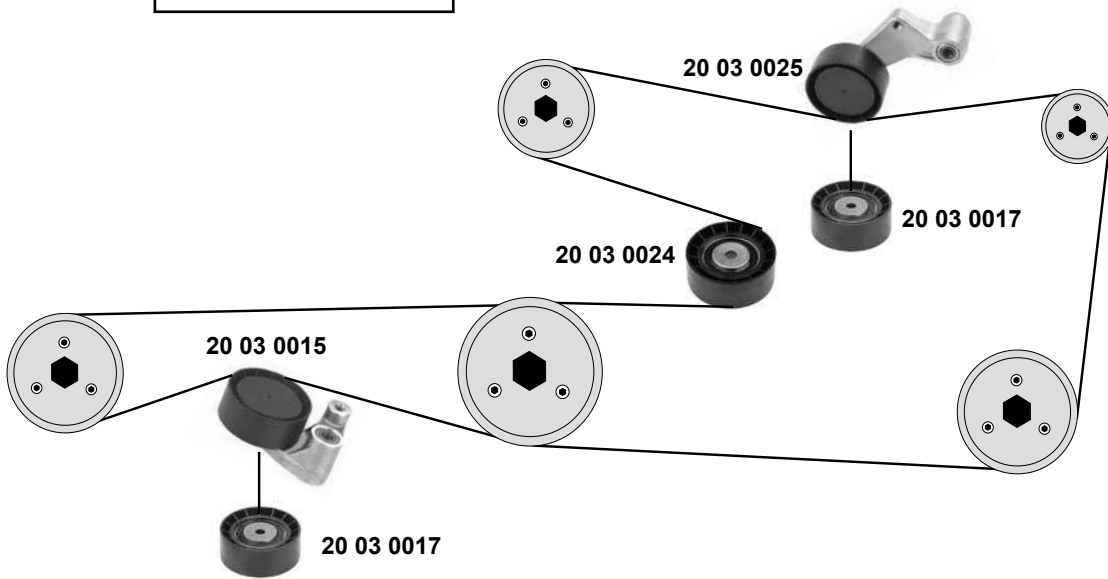
# BMW 5 'er (E39)

(95→04)

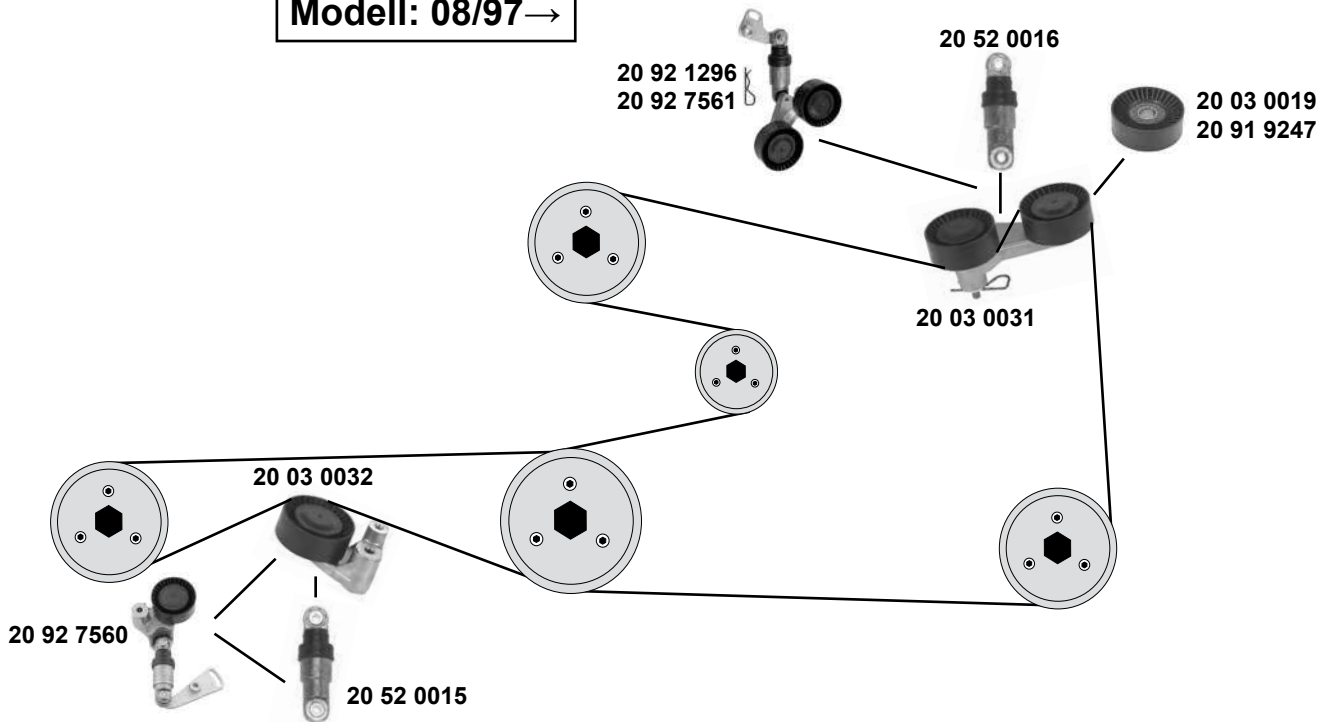


**535 i / 540 i**  
(M62)

**Modell: → 08/97**



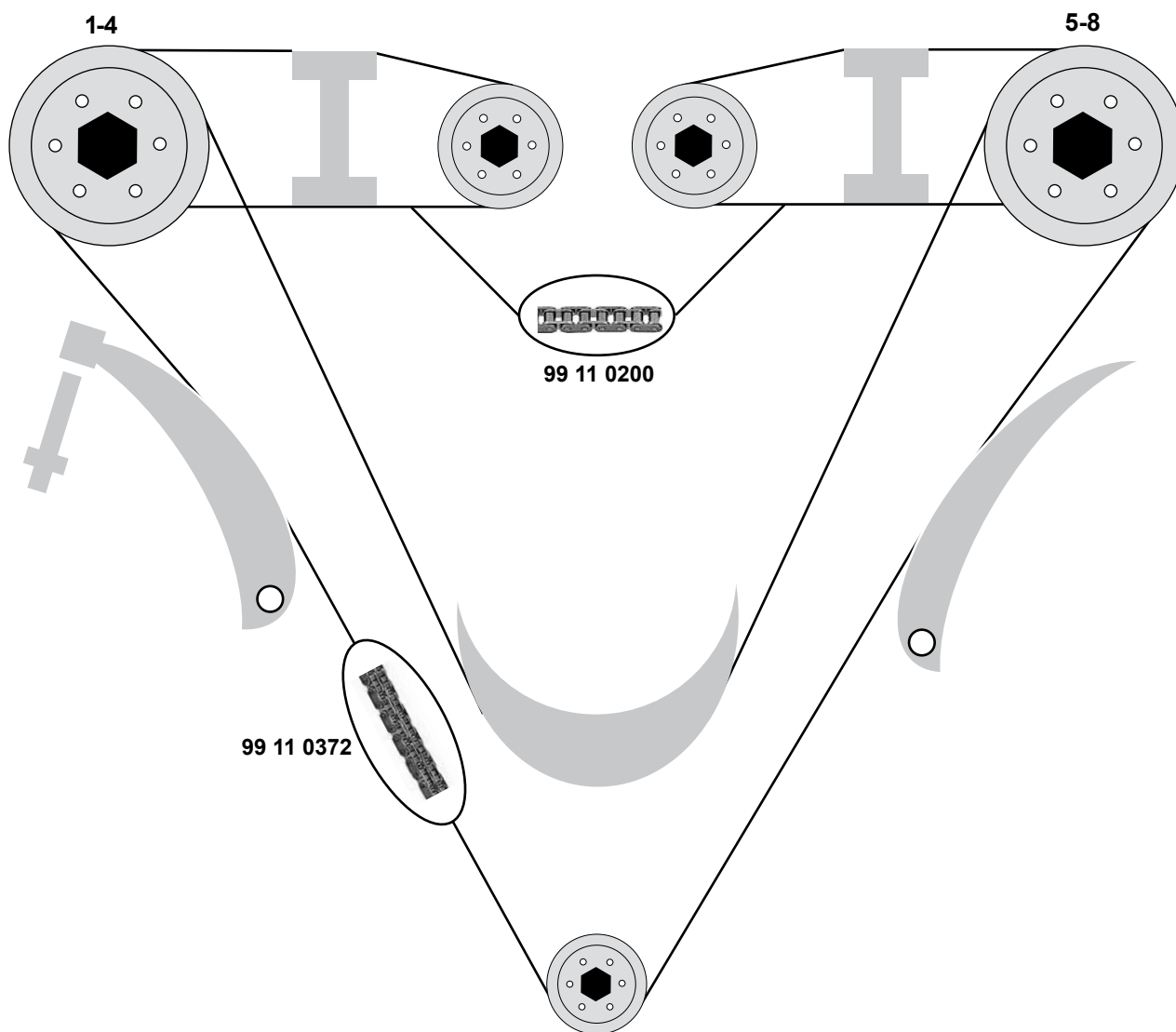
**Modell: 08/97 →**



Ref. - No.



Ref. - No.	Part Description	Notes	Dimensions
20 03 0015	Spannrolle / tension roller		70 x 28
20 03 0017	Spannrolle / tension roller		Ø 70 x 28
20 03 0019	Umlenkrolle / deflection pulley	09/98 → 05/99	ØA 80 x 28
20 03 0024	Umlenkrolle / deflection Pulley		9 x 70 x 28
20 03 0025	Spannrolle / Tension roller		Ø 70 x 28
20 03 0031	Spannrolle / tension roller	→ 09/98	70 x 28
20 03 0032	Spannrolle / tension roller		70 x 26
20 52 0015	Schwingungsdämpfer / vibration damper		
20 52 0016	Schwingungsdämpfer / vibration damper	09/98 →	
20 91 9247	Umlenkrolle / deflection pulley	05/99 →	ØA 80 x 28
20 92 1296	Riemenspanner / belt tensioner	09/98 →	
20 92 7560	Riemenspanner / belt tensioner	09/97 →	Ø 70 x 26
20 92 7561	Riemenspanner / belt tensioner	08/97 → 09/98	Ø 70 x 26



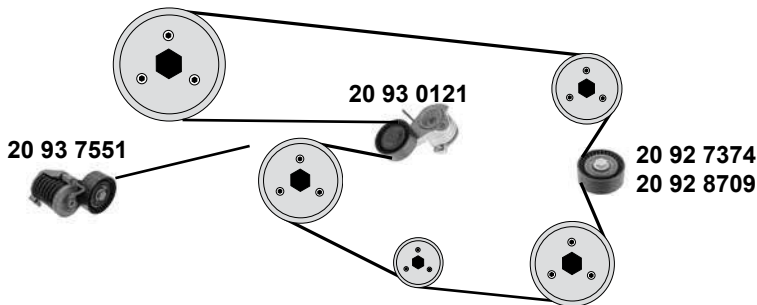
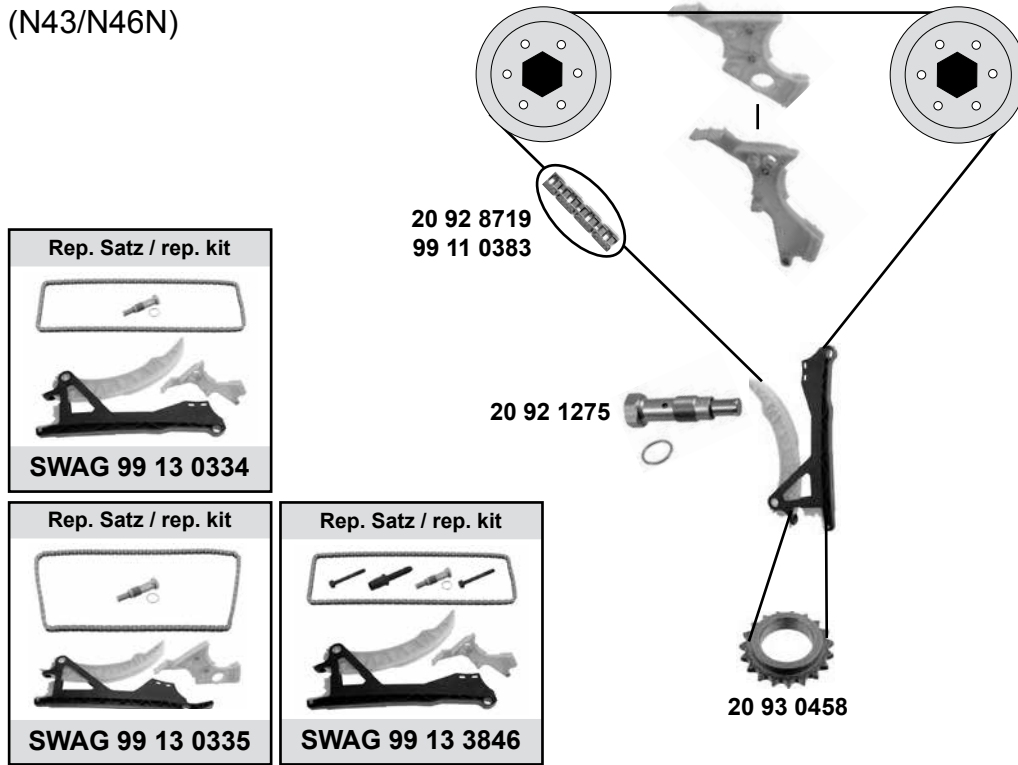


# BMW 5'er (E60 LCI/ E61 LCI)

(07→11)



## 520 i (N43/N46N)



(1) Rep. Satz Schraube für Steuerkette /  
rep. kit screw for timing chain  
**SWAG 20 93 3845**



(2) (mot.) N46N /SWAG 99 13 0344mit/with (1)

(3) Nur Fahrzeuge mit Aktivlenkung und LHD / only vehicles with active steering and LHD

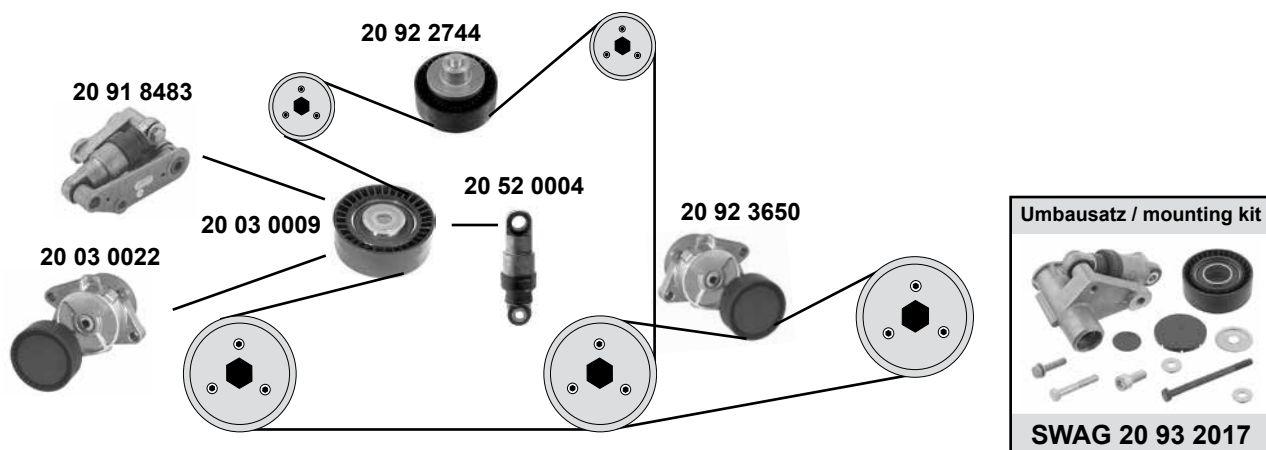
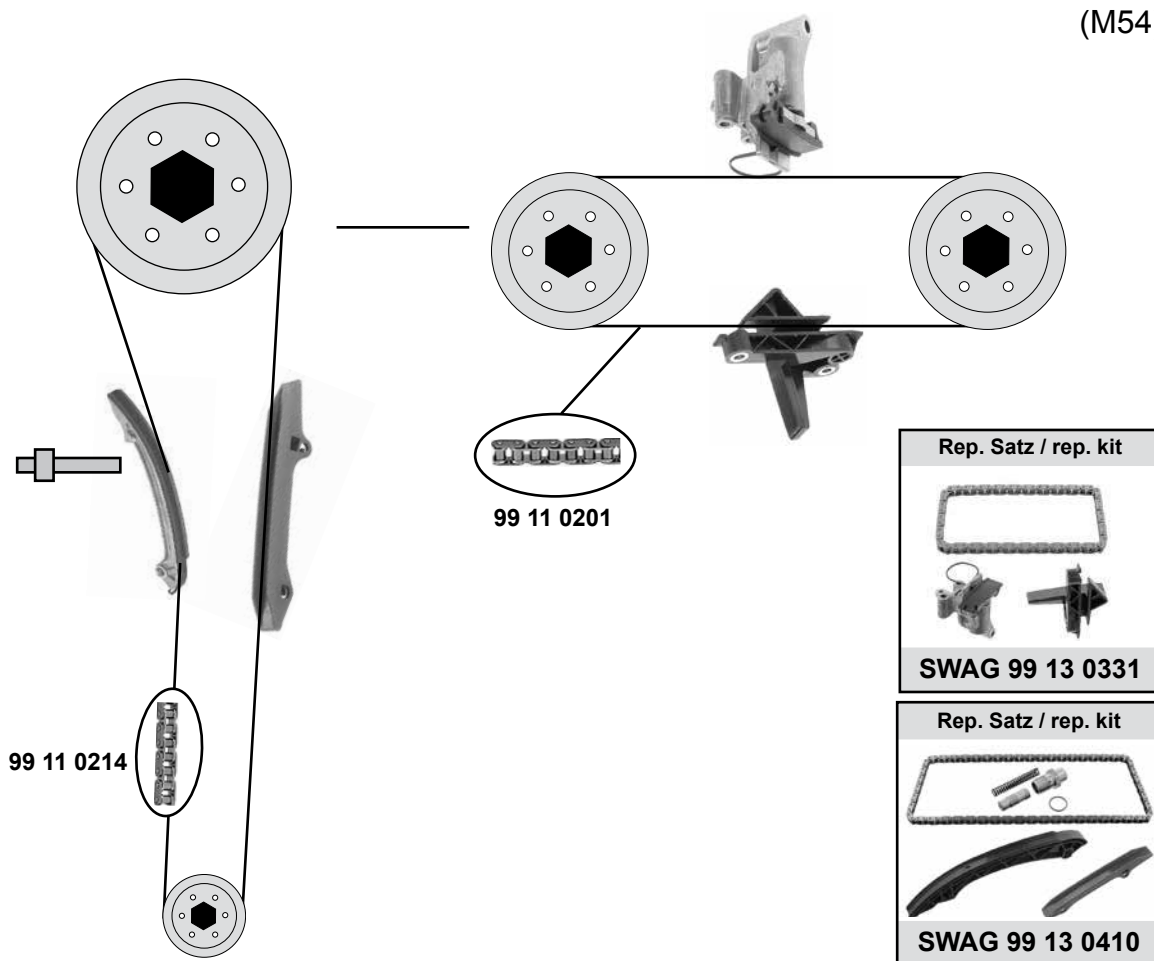


Ref. - No.



Ref. - No.	Ref. - No.	Description	Notes	Dimensions
20 92 1275	11 31 7 567 680	Kettenspanner / chain tensioner		M22x1,25
20 92 7374	11 28 1 440 378	Umlenkrolle / deflection pulley	(mot.) N46N	70x26
20 92 8709	11 28 7 556 251	Umlenkrolle / deflection pulley	(mot.) N43	80x28
20 92 8719	11 31 7 516 088	Steuerkette / timing chain	(mot.) N43	144 E
20 93 0121	11 28 7 524 267	Riemenspanner / belt tensioner	(mot.) N46N	70x26
20 93 0458	11 31 7 502 180	Kurbelwellenzahnrad / crankshaft gear		Z19
20 93 3845	11 23 7 503 107 S1	Rep. Satz Schraube / rep. kit screw	(1)	
20 93 7551	11 28 7 558 969	Riemenspanner / belt tensioner	(3)	ØA 70 B28
99 11 0383	11 31 1 439 854	Steuerkette / timing chain	(mot.) N46N	142 E
99 13 0334	11 31 1 439 854 S1	Rep. Satz Steuerkette / rep. kit timing chain	(mot.) N46N	142 E
99 13 0335	11 31 7 516 088 S1	Rep. Satz Steuerkette / rep. kit timing chain	(mot.) N43	144 E
99 13 3846	11 31 1 439 854 S2	Rep. Satz Steuerkette / rep. kit timing chain	(2)	142 E





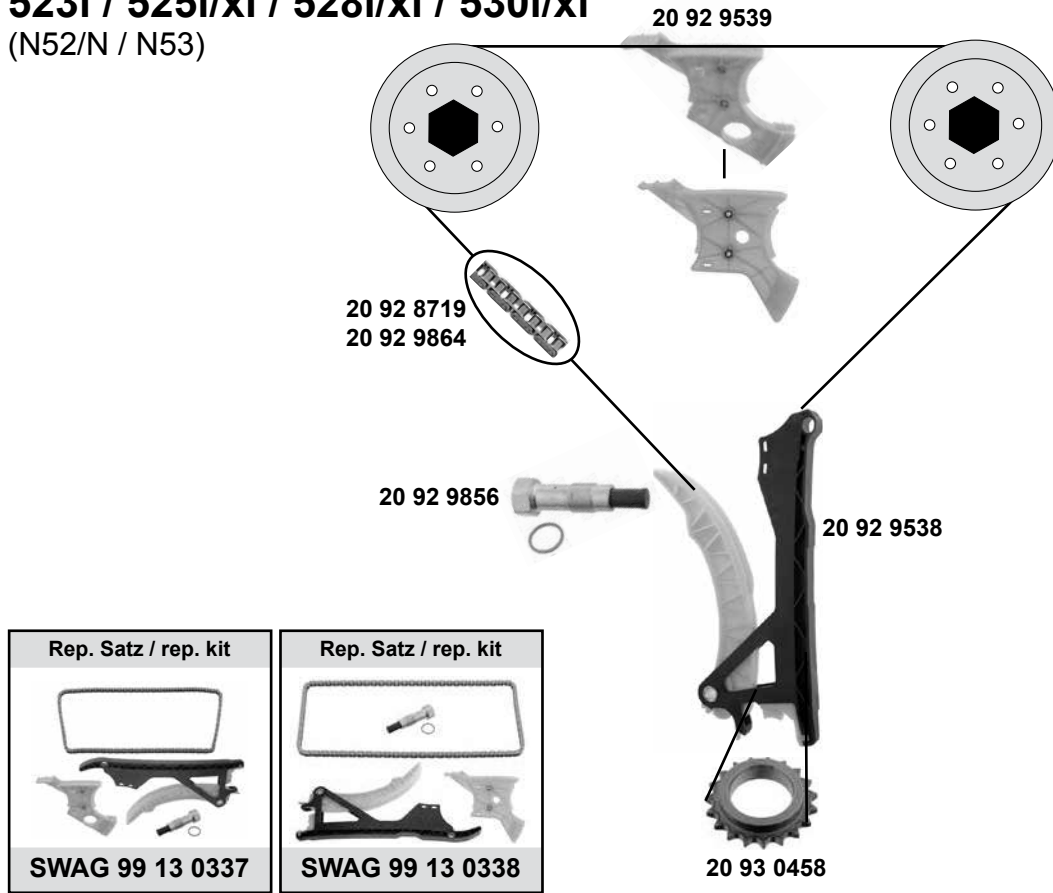
	Ref. - No.			
20 03 0009	11 28 1 748 131	Spannrolle / tension roller		70 x 24,5
20 03 0022	11 28 1 427 252	Riemenspanner / belt tensioner		70 x 24,5
20 52 0004	11 28 1 717 188	Schwingungsdämpfer / vibration damper		
20 91 8483	11 28 7 838 797	Riemenspanner / belt tensioner		
20 92 2744	11 28 7 516 847	Umlenkrolle / deflection pulley		ØA 75 x 26
20 92 3650	11 28 7 512 758	Riemenspanner / belt tensioner		70 x 24,5
20 93 2017	11 28 7 938 797 S1	Umbausatz für Riemenspanner/ mounting kit for belt tensioner		
99 11 0201	11 31 1 432 177	Steuerkette / roller chain		58 E
99 11 0214	11 31 1 432 176	Steuerkette / roller chain		104 E
99 13 0331	11 31 1 432 177 S1	Rep. Satz Steuerkette / rep. kit timing chain		58 E
99 13 0410	11 31 1 432 176 S2	Rep. Satz Steuerkette / rep. kit timing chain		104 E

# BMW 5'er (E60/LCI / E61/LCI)

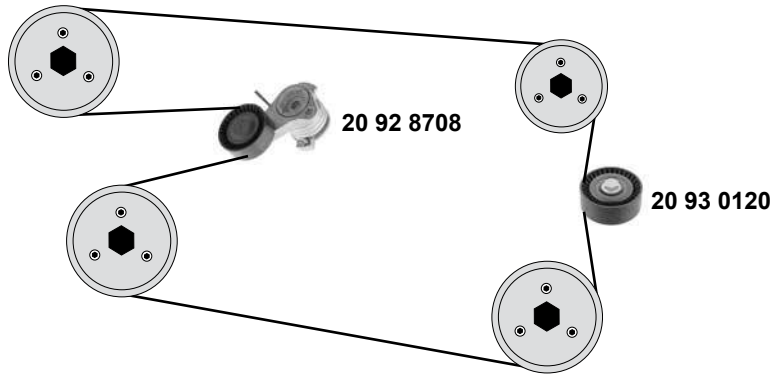
(04→11)



## 523i / 525i/xi / 528i/xi / 530i/xi (N52/N / N53)



## 523i / 525i/xi / 528i/xi / 530i/xi (N51 / N52/N / N53)



- (1) (mot.) N52/N (ex.) 528 i/xi
- (2) E60/LCI (mot.) N52/N / E61/LCI (mot.) N52/N (ex.) 528 i/xi



Ref. - No.

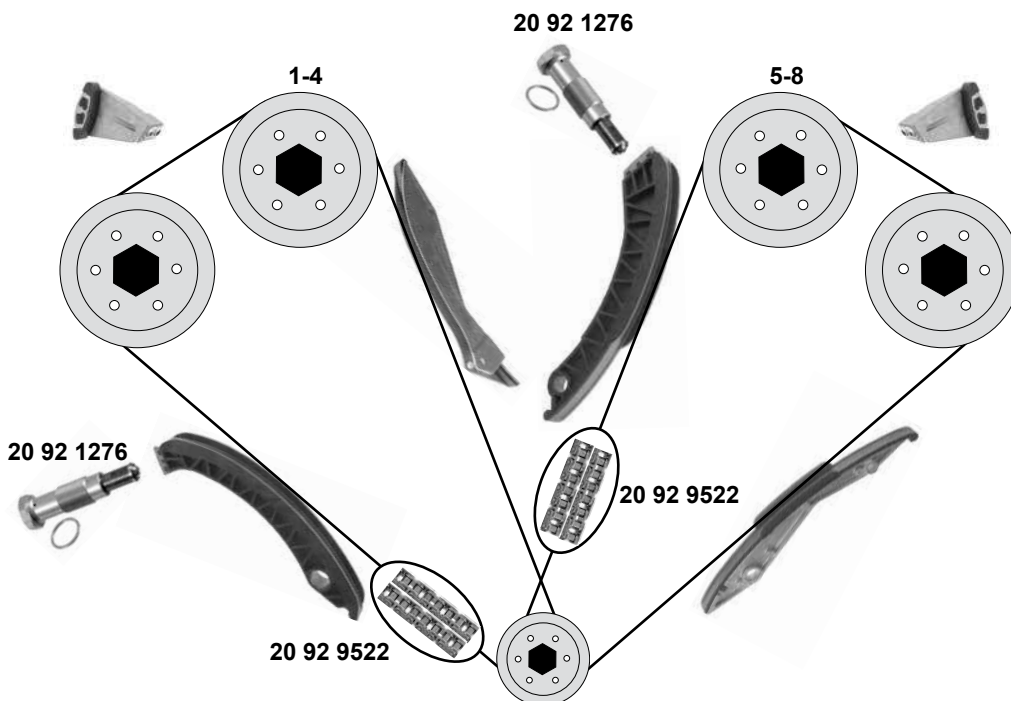


Part No.	Ref. - No.	Description	Notes	Dimensions
20 92 8708	11 28 7 530 314	Riemenspanner / belt tensioner	(ex.) N51	70x26
20 92 8719	11 31 7 516 088	Steuerkette / roller chain	(mot.) N53	144 E
20 92 9538	11 31 7 585 020	Gleitschiene / sliding rail	(1)	
20 92 9539	11 31 7 592 850	Gleitschiene / sliding rail	(1)	
20 92 9856	11 31 7 584 723	Kettenspanner / chain tensioner	(1)	
20 92 9864	11 31 7 584 084	Steuerkette / roller chain	(2)	148 E
20 93 0120	11 28 7 535 860	Umlenkrolle / deflection pulley		80x26
20 93 0458	11 31 7 502 180	Kurbelwellenzahnrad / crankshaft gear	(ex.) 528i/xi	Z19
99 13 0337	11 31 7 516 088 S2	Rep. Satz Steuerkette / rep. kit timing chain	(mot.) N53	144 E
99 13 0338	11 31 7 584 084 S1	Rep. Satz Steuerkette / rep. kit timing chain	(1)	148 E

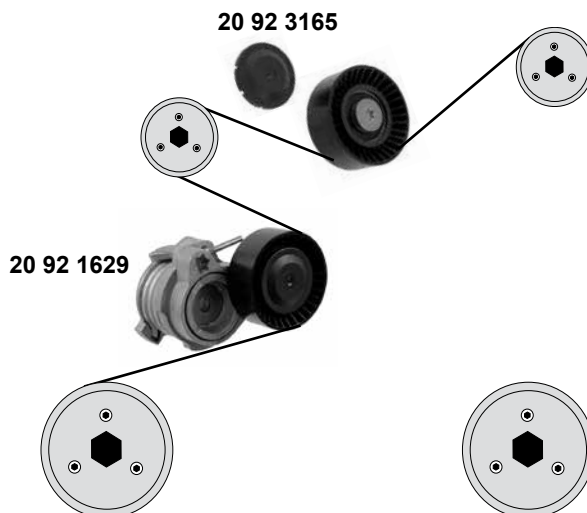


# BMW 5 'er (E60 / LCI / E61 / LCI) (03→11)

## 540 i / 545 i / 550 i (N62 / N62N)



## 540 i / 545 i / 550 i (N62 / N62N)



(1) (mot.) → 01/05 Ref.-No.11 31 7 533 488/11 31 7 548 033 erneuern / replace !  
kein Satzinhalt / No contents of the kit !



Ref. - No.



20 92 1276	11 31 1 439 552	Kettenspanner / chain tensioner
20 92 1629	11 28 7 549 588	Riemenspanner / belt tensioner
20 92 3165	11 28 7 549 557	Umlenkrolle / deflection pulley
20 92 9522	11 31 7 504 468	Steuerkette, zweifach / roller chain, double
99 13 0339	11 31 7 504 468 S1	Rep. Satz Steuerkette / rep. kit timing chain
99 13 0340	11 31 7 504 468 S2	Rep. Satz Steuerkette / rep. kit timing chain

1-4 Zyl.  
(1) 5-8 Zyl.

ØA 70 B26  
75 x 26  
D140 E  
D140 E  
D140 E

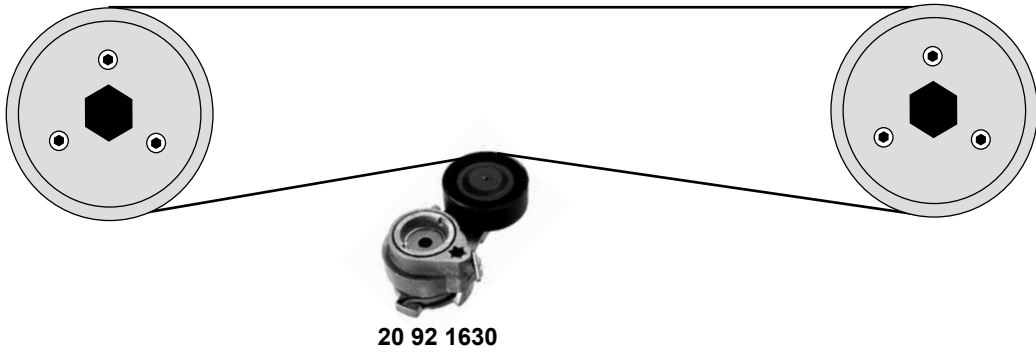
# BMW 5'er (E60 / LCI)

(03→11)



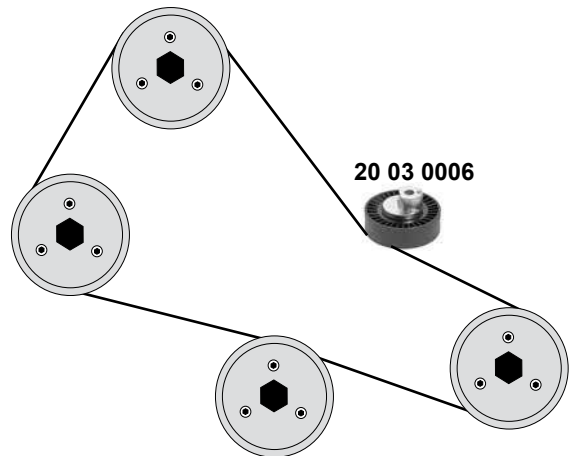
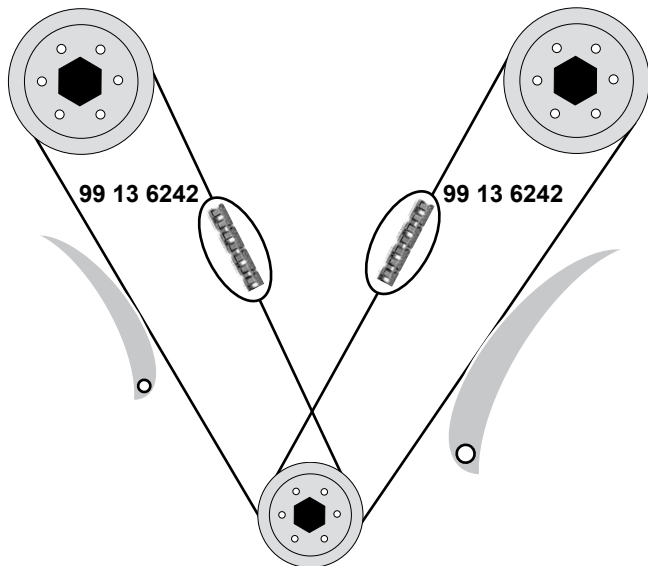
## 540 i (E60 LCI)

(N62N)



## M 5 (E60)

(S85)



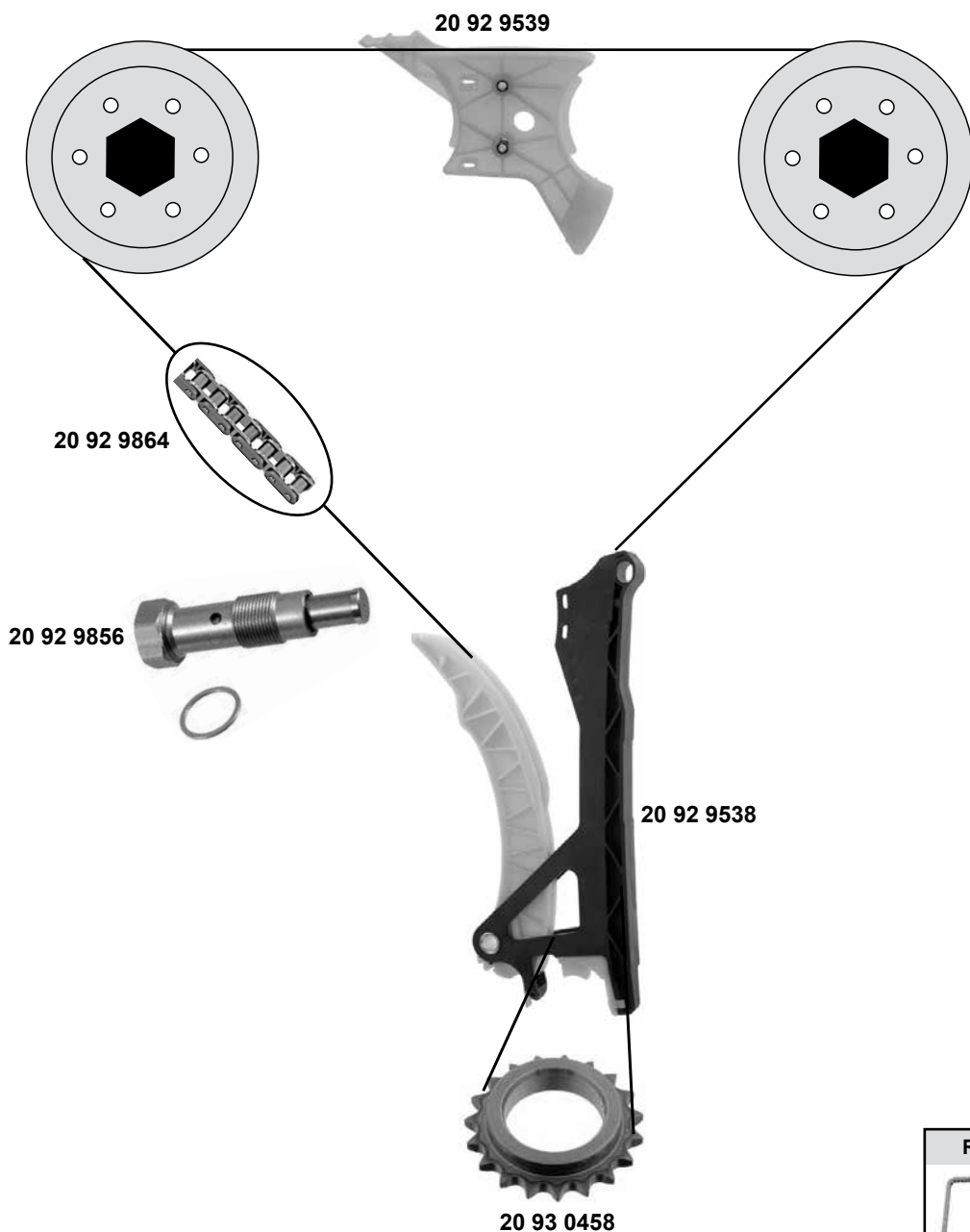
Ref. - No.



20 03 0006	11 28 7 841 228
20 92 1630	11 28 7 549 589
99 13 6242	11 31 7 834 163

Umlenkrolle / deflection pulley
Riemenspanner/ belt tensioner
Steuerkette / roller chain

80 x 24,5
70x24,5
106 E



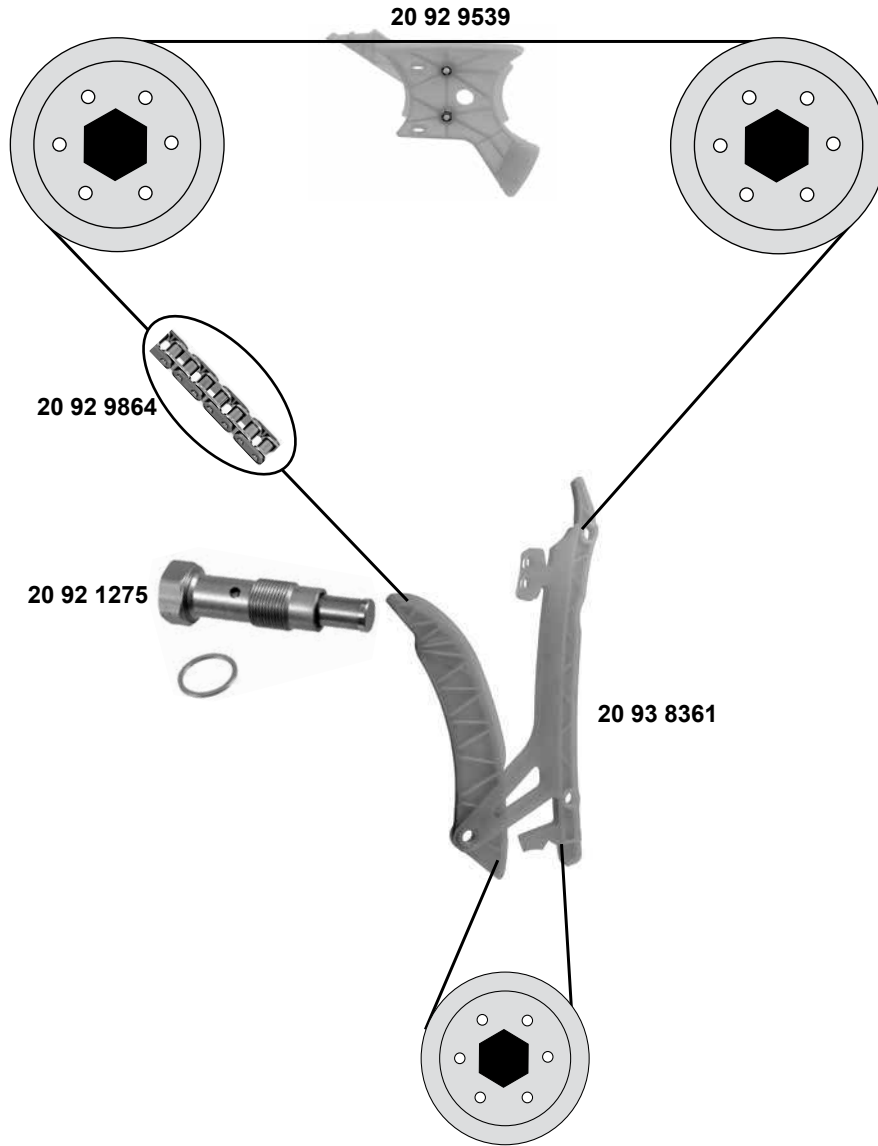
SWAG	Ref. - No.			
20 92 9538	11 31 7 585 020	Gleitschiene / sliding rail		
20 92 9539	11 31 7 592 850	Gleitschiene / sliding rail		
20 92 9856	11 31 7 584 723	Kettenspanner / chain tensioner		
20 92 9864	11 31 7 584 084	Steuerkette / roller chain		148 E
20 93 0458	11 31 7 502 180	Kurbelwellenzahnrad / crankshaft gear		Z19
99 13 0338	11 31 7 584 084 S1	Rep. Satz Steuerkette / rep. kit timing chain		148 E

# BMW 5 'er (F10/F11)

(11→)

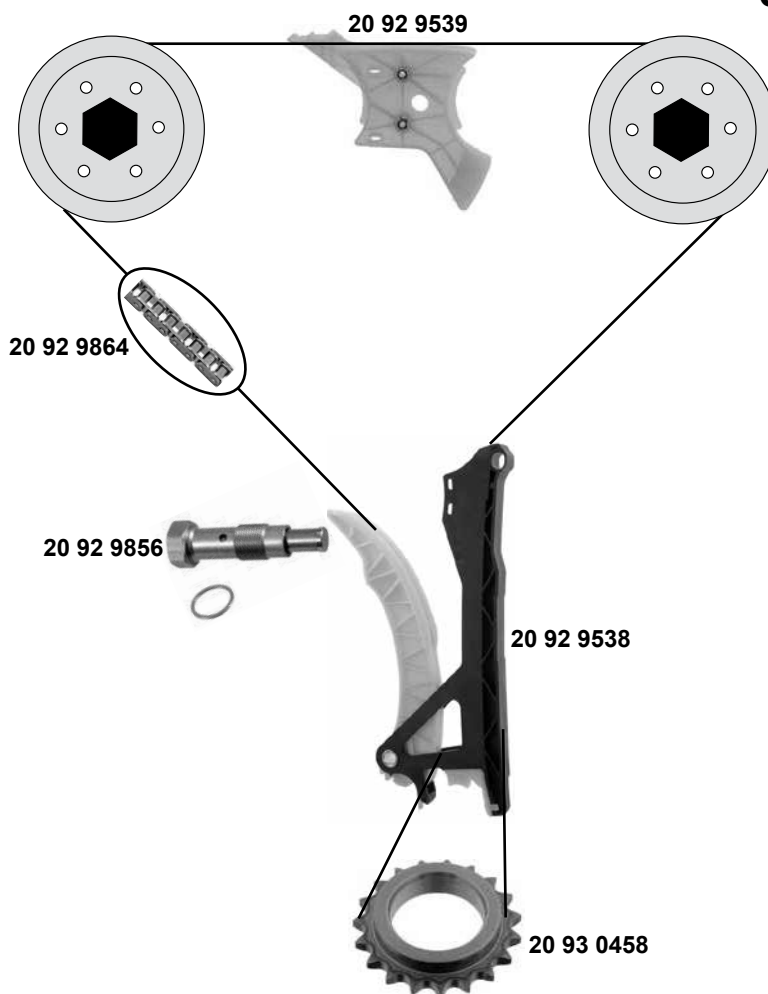


## 520 i / 528 i/xi (N20)



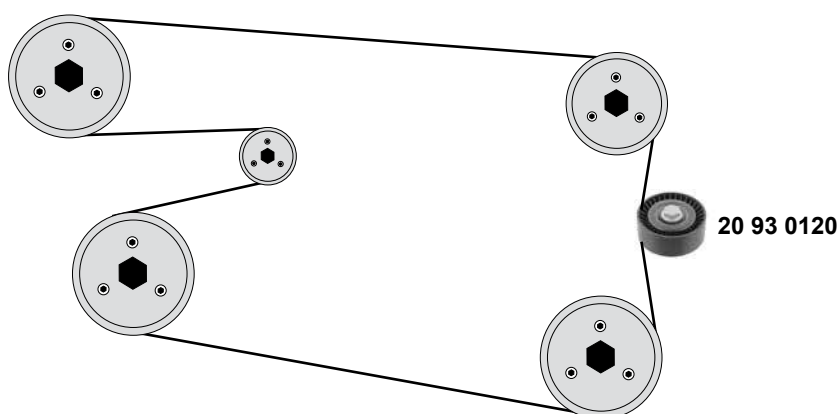
SWAG	Ref. - No.			
20 92 1275	11 31 7 567 680	Kettenspanner / chain tensioner		M22x1,25
20 92 9539	11 31 7 592 850	Gleitschiene / sliding rail		
20 92 9864	11 31 7 584 084	Steuerkette einfach / roller chain simplex		148 E
30 93 8361	11 31 7 592 877	Gleitschiene / sliding rail		
30 93 8362	11 31 7 584 084 S2	Rep. Satz Steuerkette / rep. kit timing chain		148 E

**523 i / 528i / 535i/xi**  
 (N52N/N55)



**5 'er (F11)**  
 (10→)

**523 i / 528i**  
 (N52N)



SWAG	Ref. - No.			
20 92 9538	11 31 7 585 020	Gleitschiene / sliding rail		
20 92 9539	11 31 7 592 850	Gleitschiene / sliding rail		
20 92 9856	11 31 7 584 723	Kettenspanner / chain tensioner		
20 92 9864	11 31 7 584 084	Steuerkette / timing chain		148 E
20 93 0120	11 28 7 535 860	Umlenkrolle / deflection pulley		80x26
20 93 0458	11 31 7 502 180	Kurbelwellenzahnrad / crankshaft gear		Z19
99 13 0338	11 31 7 584 084 S1	Rep. Satz Steuerkette / rep. kit timing chain		148 E

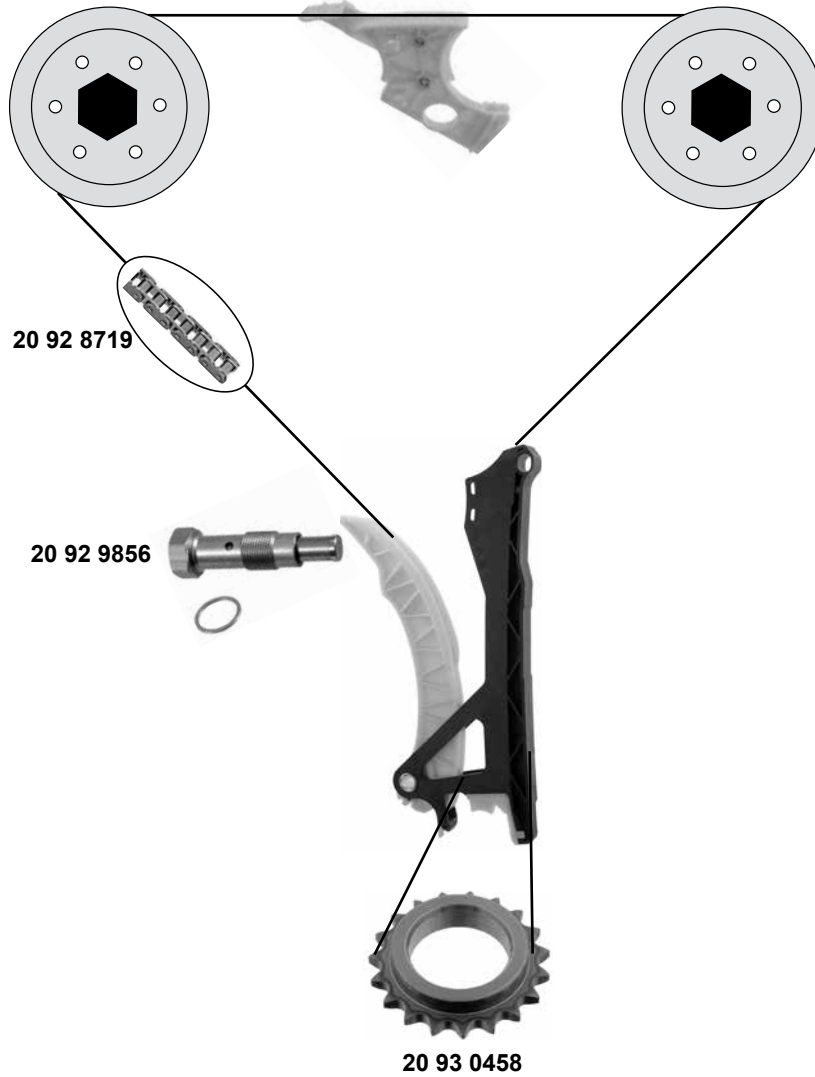
# BMW 5 'er (F10/F11)

(10→11)



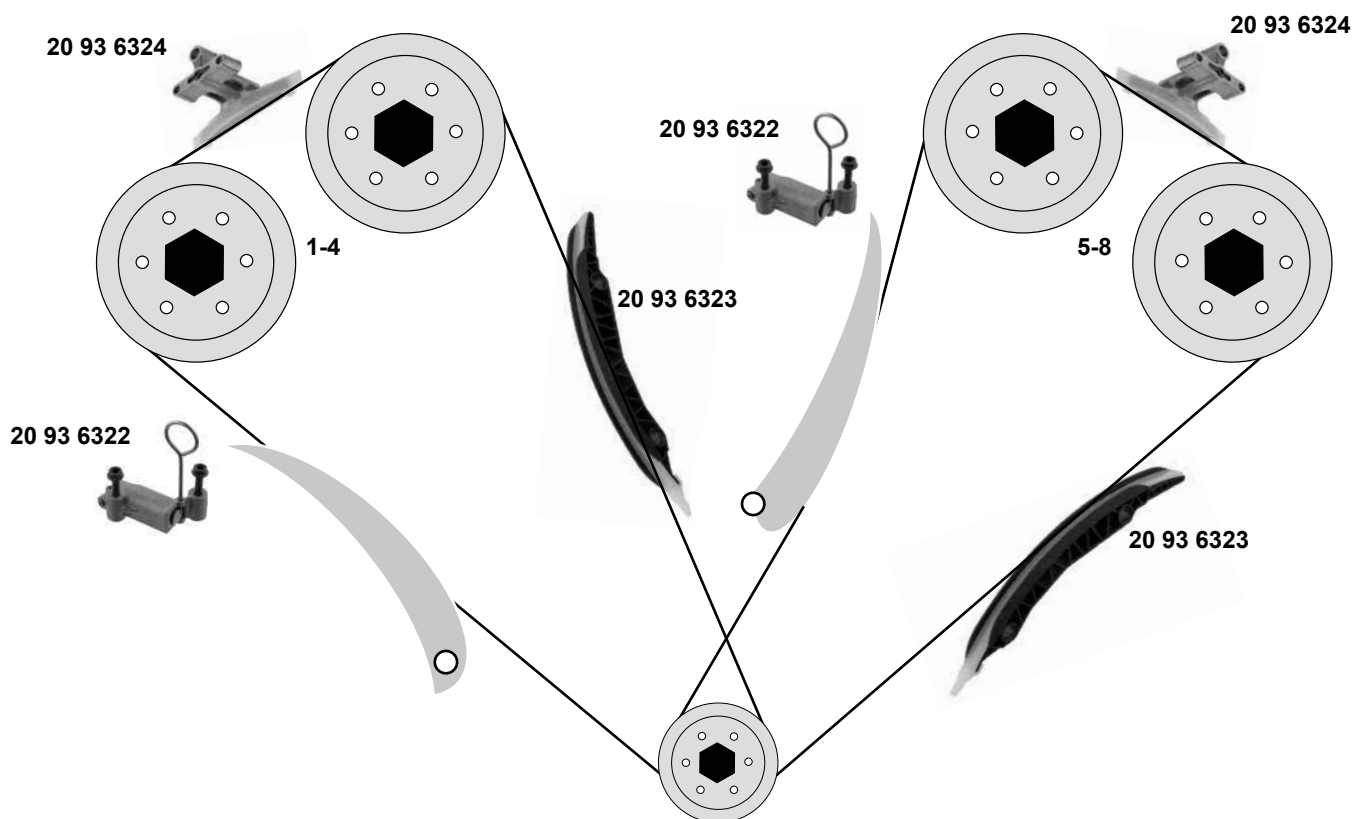
## 523 i / 528i

(N53)



SWAG GERMANY	Ref. - No.			
20 92 8719	11 31 7 516 088	Steuerkette / timing chain		144 E
20 92 9856	11 31 7 584 723	Kettenspanner / chain tensioner		
20 93 0458	11 31 7 502 180	Kurbelwellenzahnrad / crankshaft gear		Z19
99 13 0337	11 31 7 584 084 S1	Rep. Satz Steuerkette / rep. kit timing chain		144 E



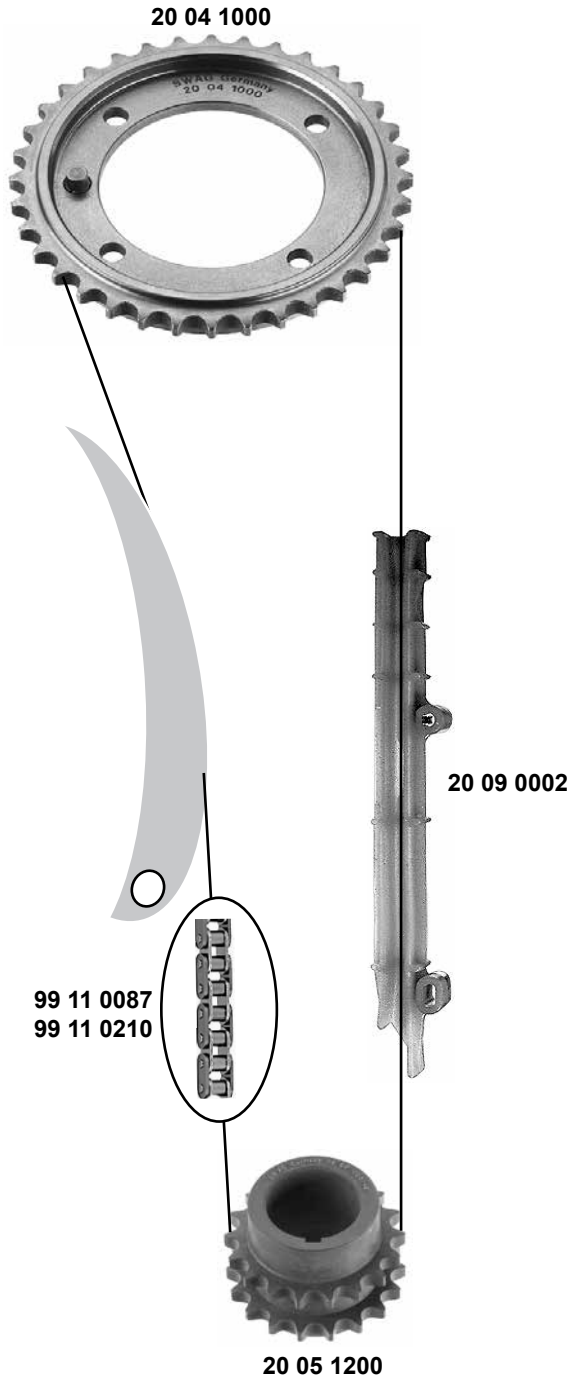


# BMW 6 'er (E24)

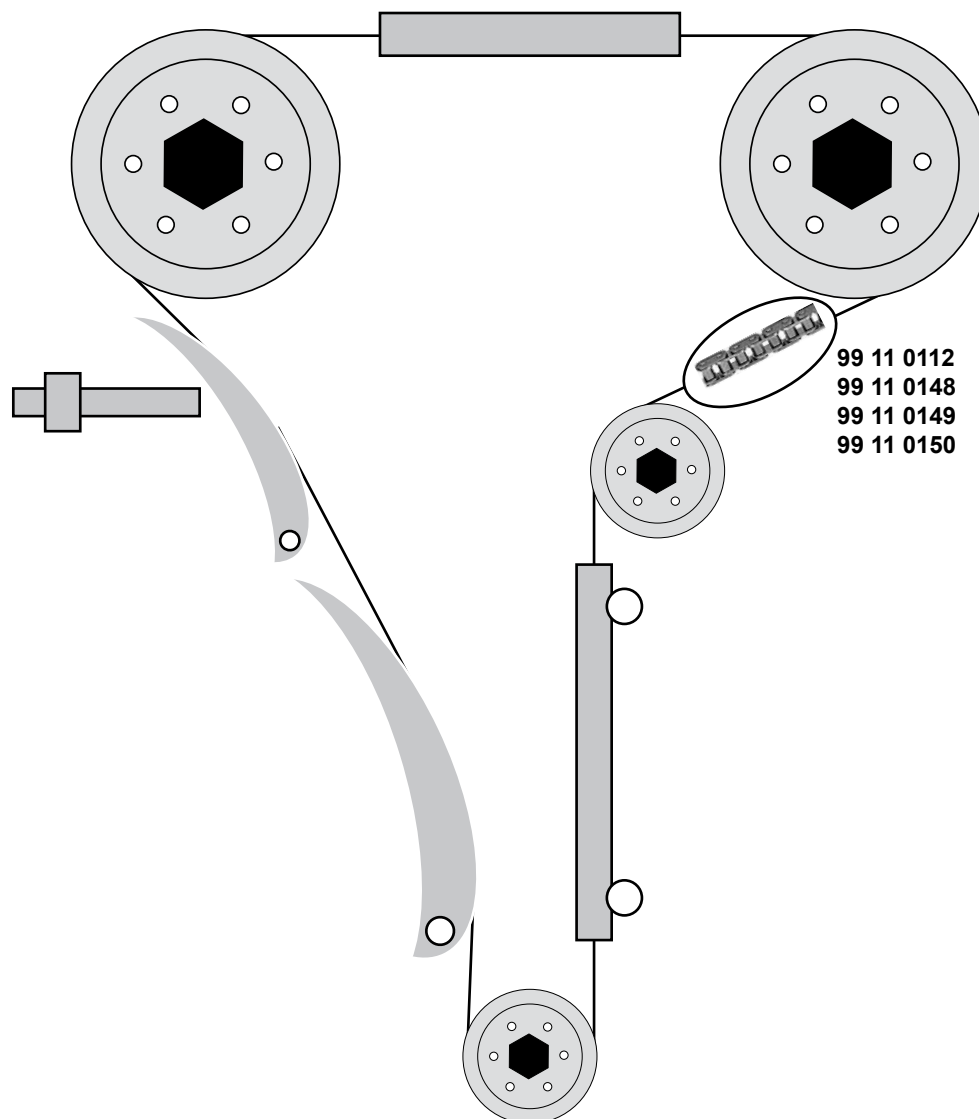
(79→90)



## 628 i → 635 CSi (M30)



SWAG GERMANY	Ref. - No.			
20 04 1000	11 31 1 278 990	Nockenwellenrad / camshaft gear	Modell: 09/78 →	Z 36
20 05 1200	11 21 1 265 011	Kurbelwellenzahnrad / crankshaft gear	Modell: 09/78 →	Z 18
20 09 0002	11 31 1 253 236	Gleitschiene / sliding rail		
99 11 0087	11 31 0 731 105	Steuerkette, zweifach / roller chain, double	Modell: → 09/78	D94 E
99 11 0210	11 31 1 716 986	Steuerkette, einfach / roller chain, simple	Modell: 09/78 →	94 E



99 11 0112  
 99 11 0148  
 99 11 0149  
 99 11 0150



(1) Nietverschluß / riveted link / bouchon de rivet / rivetti

(2) Federverschluß / split link / fermeture de ressort / falsa maglia

(3) normal / regular / normal / normale / normalizado

(4) verstärkt / reinforced / renforcée / förstärkt / rinforzato



Ref. - No.



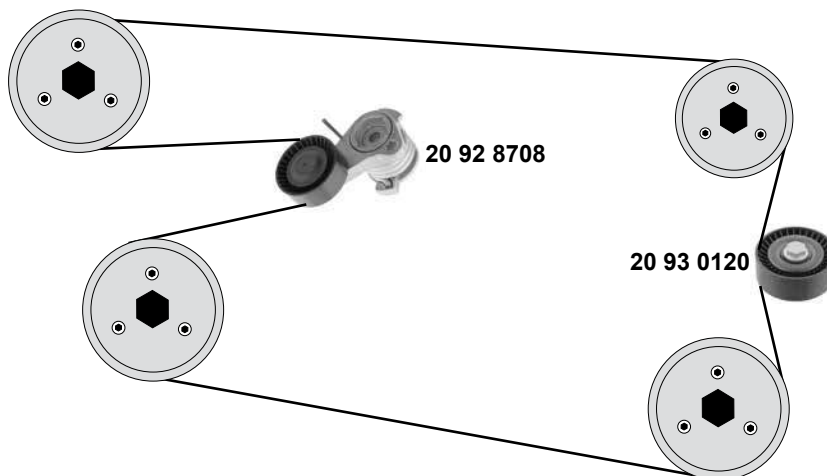
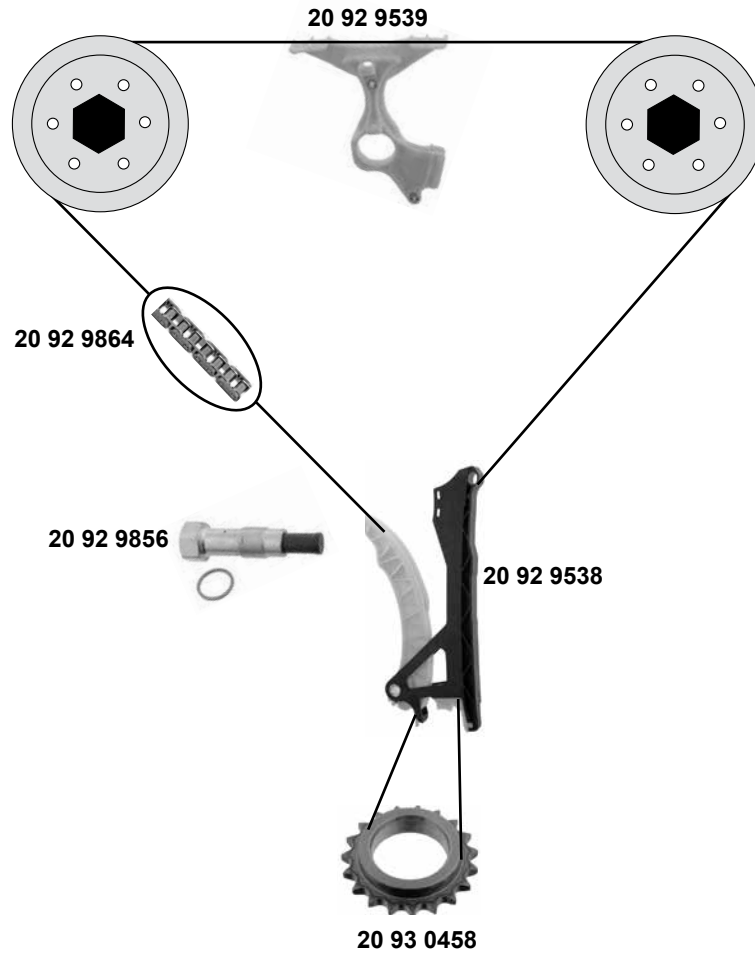
99 11 0112	11 31 1 403 081 S1	Steuerkette zweifach / roller chain double	(2)	D126 F
99 11 0148	11 31 1 403 081	Steuerkette zweifach / roller chain double	(4)	D126 E
99 11 0149	11 31 1 403 081 S2	Steuerkette zweifach / roller chain double	(3)	D126 E
99 11 0150	11 31 1 403 081	Steuerkette zweifach / roller chain double	(1)	D126 N

# BMW 6'er (E63/LCI / E64/LCI)

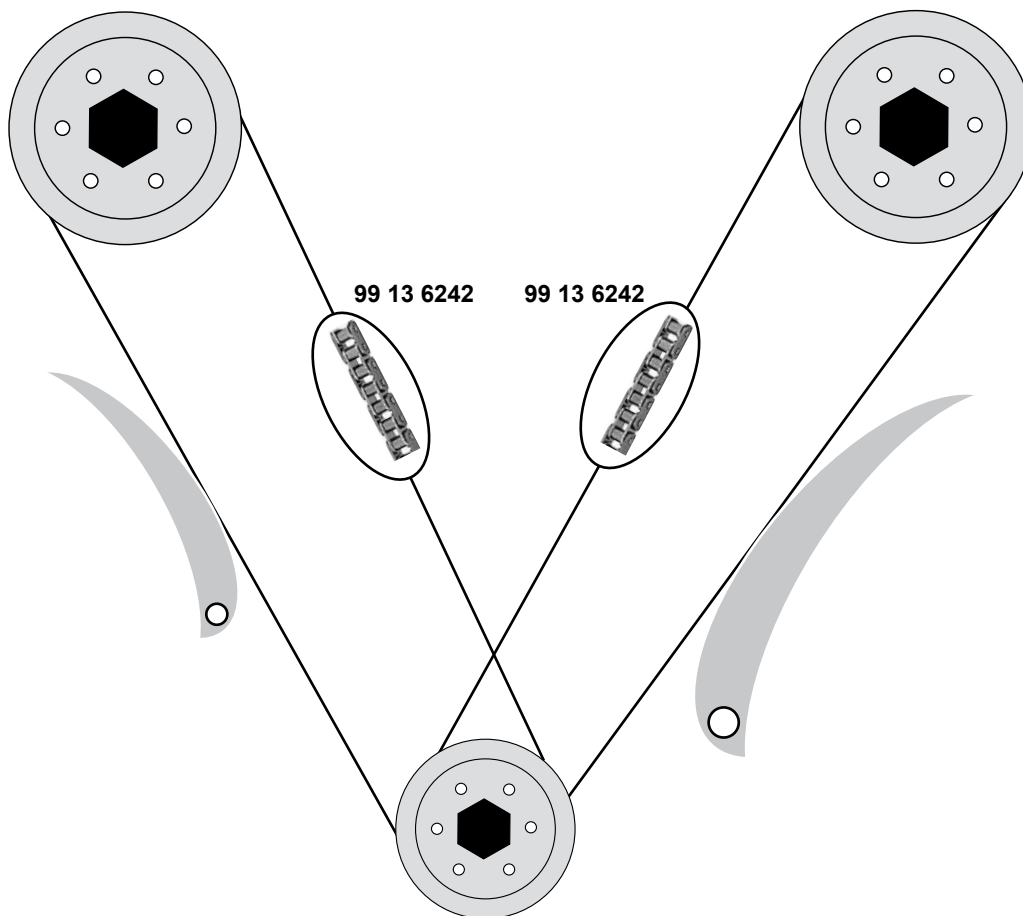
(03→07)



## 630i / 630 Ci (N52/N)



SWAG	Ref. - No.			
20 92 8708	11 28 7 530 314	Riemenspanner / belt tensioner		70x26
20 92 9538	11 31 7 585 020	Gleitschiene / sliding rail	630i	
20 92 9539	11 31 7 592 850	Gleitschiene / sliding rail	630i	
20 92 9856	11 31 7 584 723	Kettenspanner / chain tensioner	630i	
20 92 9864	11 31 7 584 084	Steuerkette / roller chain	630i	148 E
20 93 0120	11 28 7 535 860	Umlenkrolle / deflection pulley	630i	80x26
20 93 0458	11 31 7 502 180	Kurbelwellenzahnrad / crankshaft gear	630i	Z 19 B11,5
99 13 0338	11 31 7 584 084 S1	Rep. Satz Steuerkette / rep. kit timing chain	630i	148 E

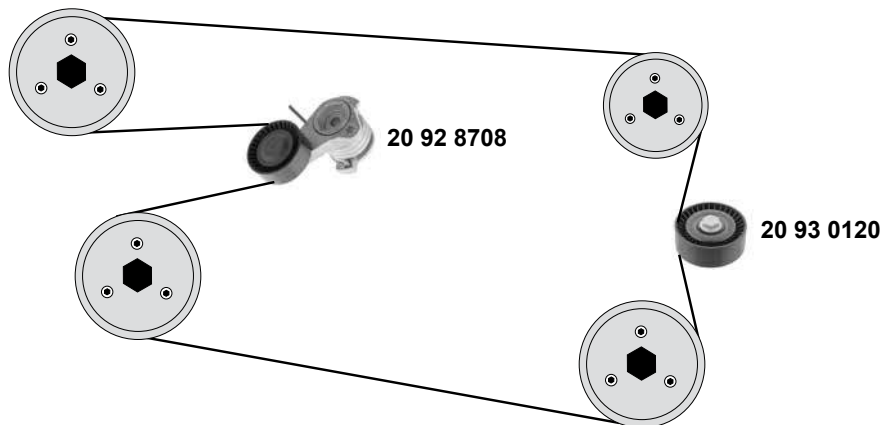
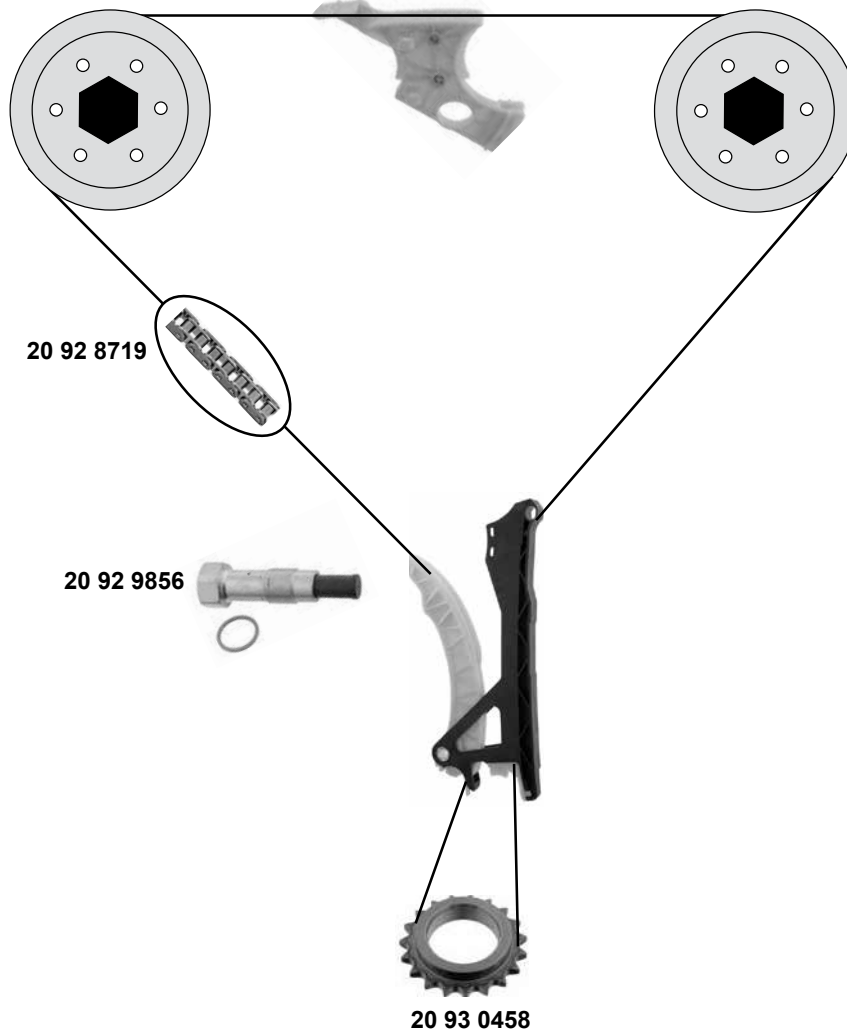


# BMW 6 'er (E63/E64)

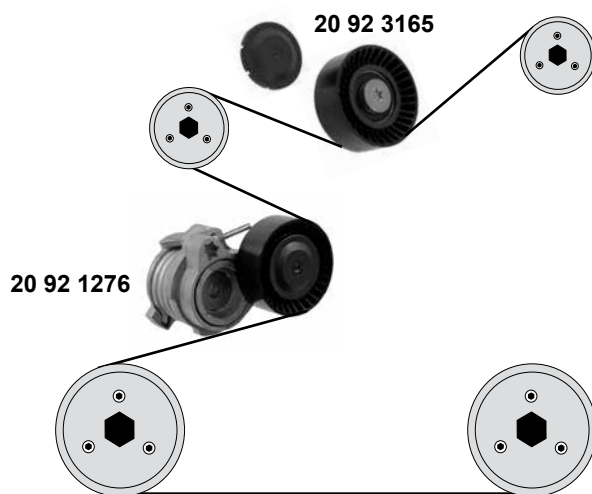
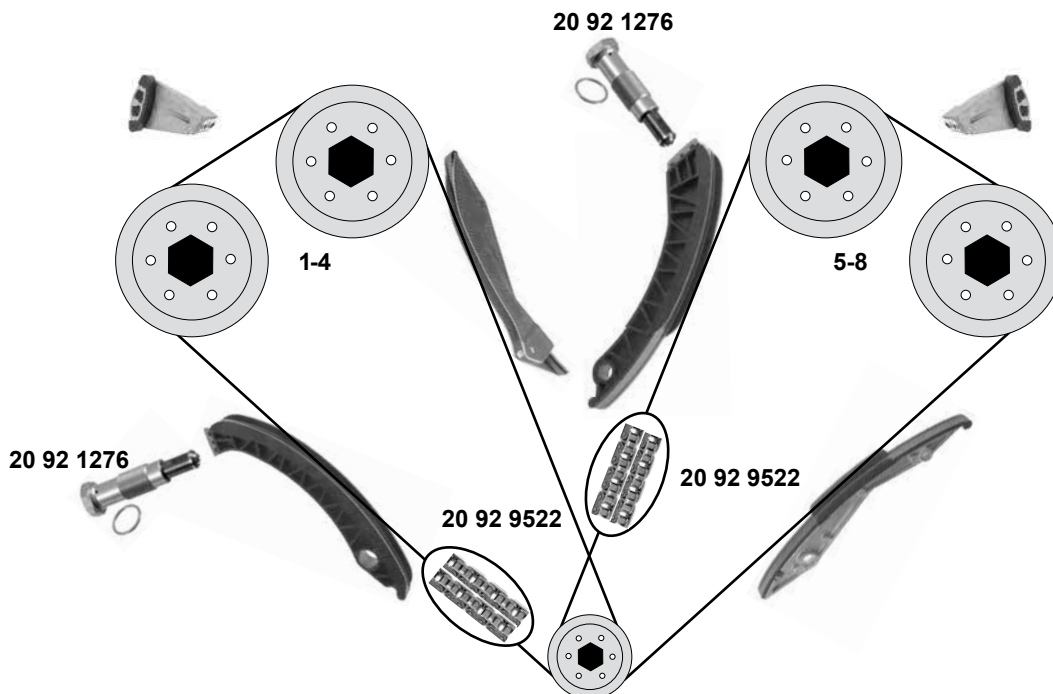
(07→11)



## 630 i (N53)



SWAG GERMANY	Ref. - No.			
20 92 8708	11 28 7 530 314	Riemenspanner / belt tensioner		70x26
20 92 8719	11 31 7 516 088	Steuerkette / roller chain		144 E
20 92 9856	11 31 7 584 723	Kettenspanner / chain tensioner		
20 93 0120	11 28 7 535 860	Umlenkrolle / deflection pulley		80x26
20 93 0458	11 31 7 502 180	Kurbelwellenzahnrad / crankshaft gear		Z 19 B11,5
99 13 0337	11 31 7 516 088 S2	Rep. Satz Steuerekette / rep. kit timing chain		144 E



(1) (mot.) → 01/05 OE.No.11 31 7 533 488/11 31 7 548 033 erneuern / replace !  
Kein Satzinhalt / No contents of the kit !



Ref. - No.



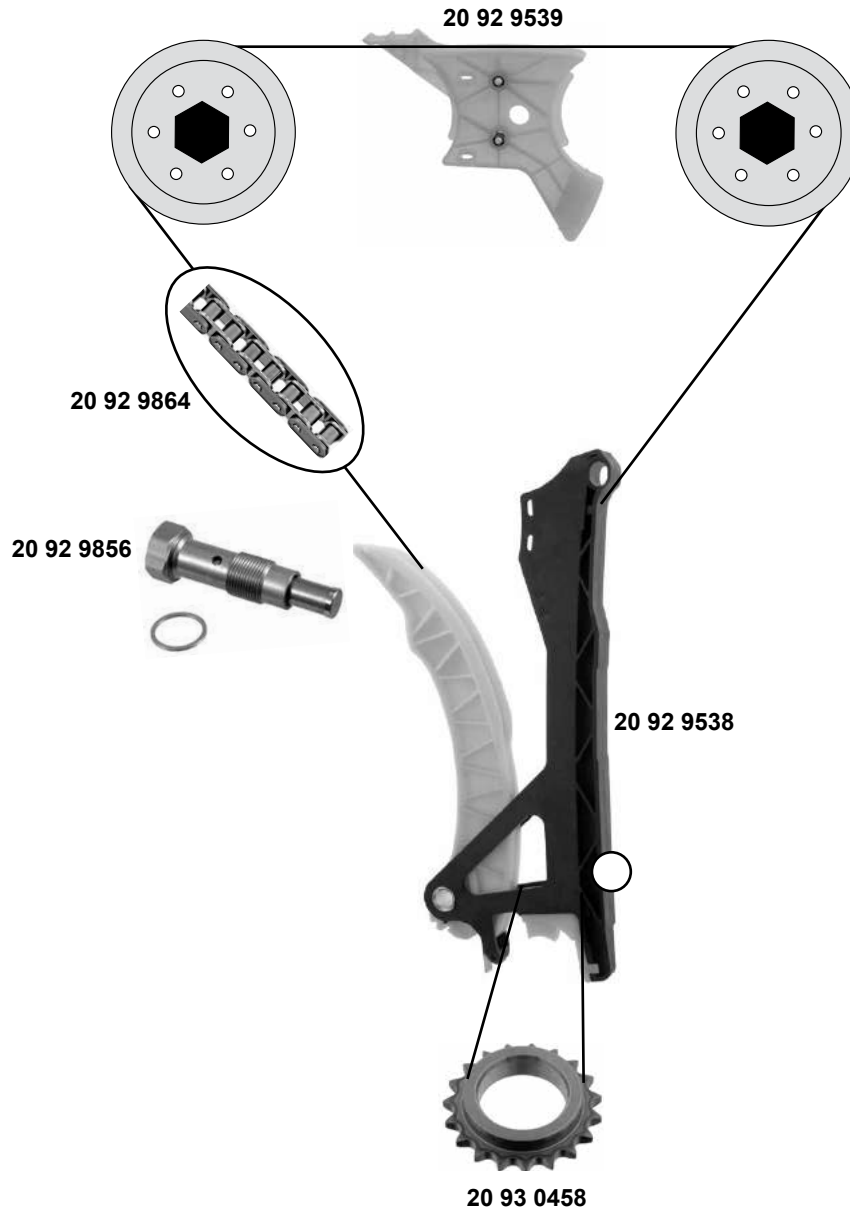
20 92 1276	11 31 1 439 552	Kettenspanner / chain tensioner		
20 92 1629	11 28 7 549 588	Riemenspanner / belt tensioner		
20 92 3165	11 28 7 549 557	Umlenkrolle / deflection pulley		ØA 70 B26 ØA 75 B26
20 92 9522	11 31 7 504 468	Steuerkette, zweifach / roller chain, double		D140 E
99 13 0339	11 31 7 504 468 S1	Rep. Satz Steuerkette / rep. kit timing chain	1-4 Zyl	D140 E
99 13 0340	11 31 7 504 468 S2	Rep. Satz Steuerkette / rep. kit timing chain	(1) 5-8 Zyl.	D140 E

# BMW 6'er (F12/F13)

(11→)

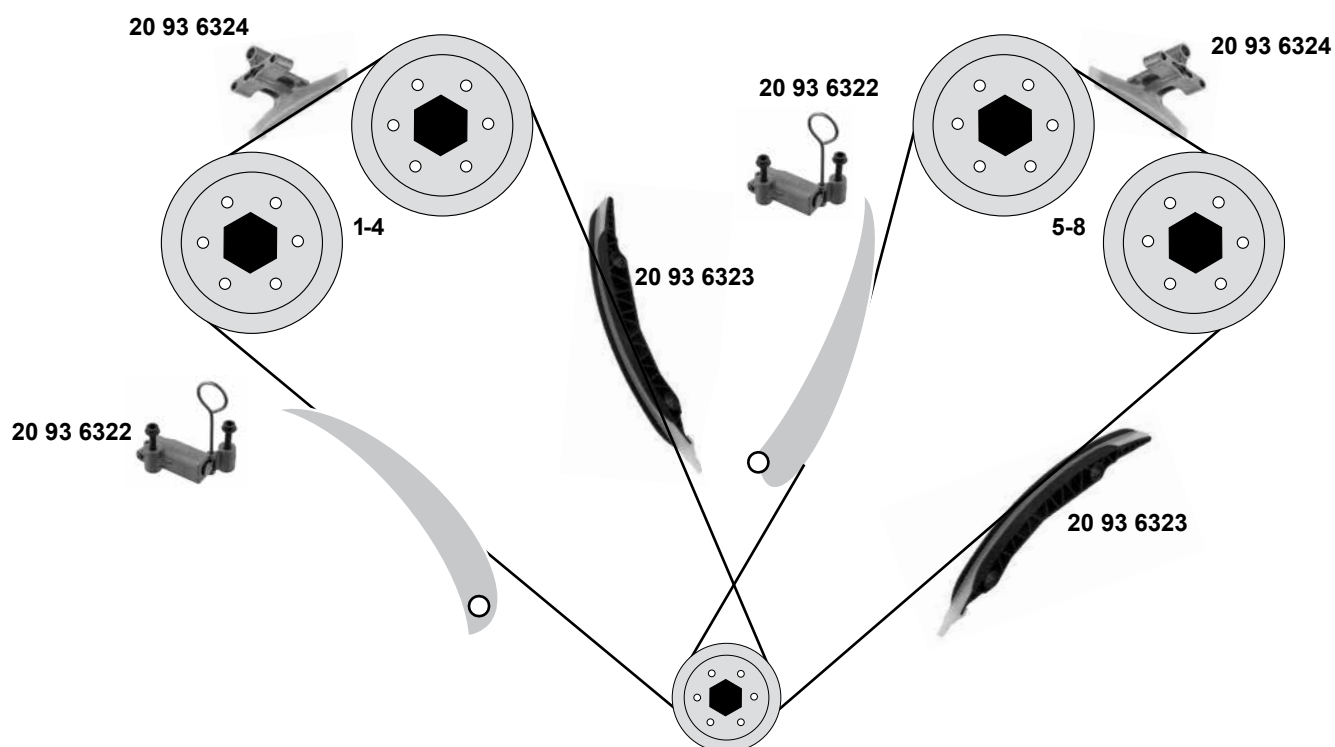


## 640i (N55)



SWAG GERMANY	Ref. - No.			
20 92 9538	11 31 7 585 020	Gleitschiene / sliding rail		
20 92 9539	11 31 7 592 850	Gleitschiene / sliding rail		
20 92 9856	11 31 7 584 723	Kettenspanner / chain tensioner		
20 92 9864	11 31 7 584 084	Steuerkette / roller chain		148 E
20 93 0458	11 31 7 502 180	Kurbelwellenzahnrad / crankshaft gear		Z19
99 13 0338	11 31 7 584 084 S1	Rep. Satz Steuerkette / rep. kit timing chain		148 E





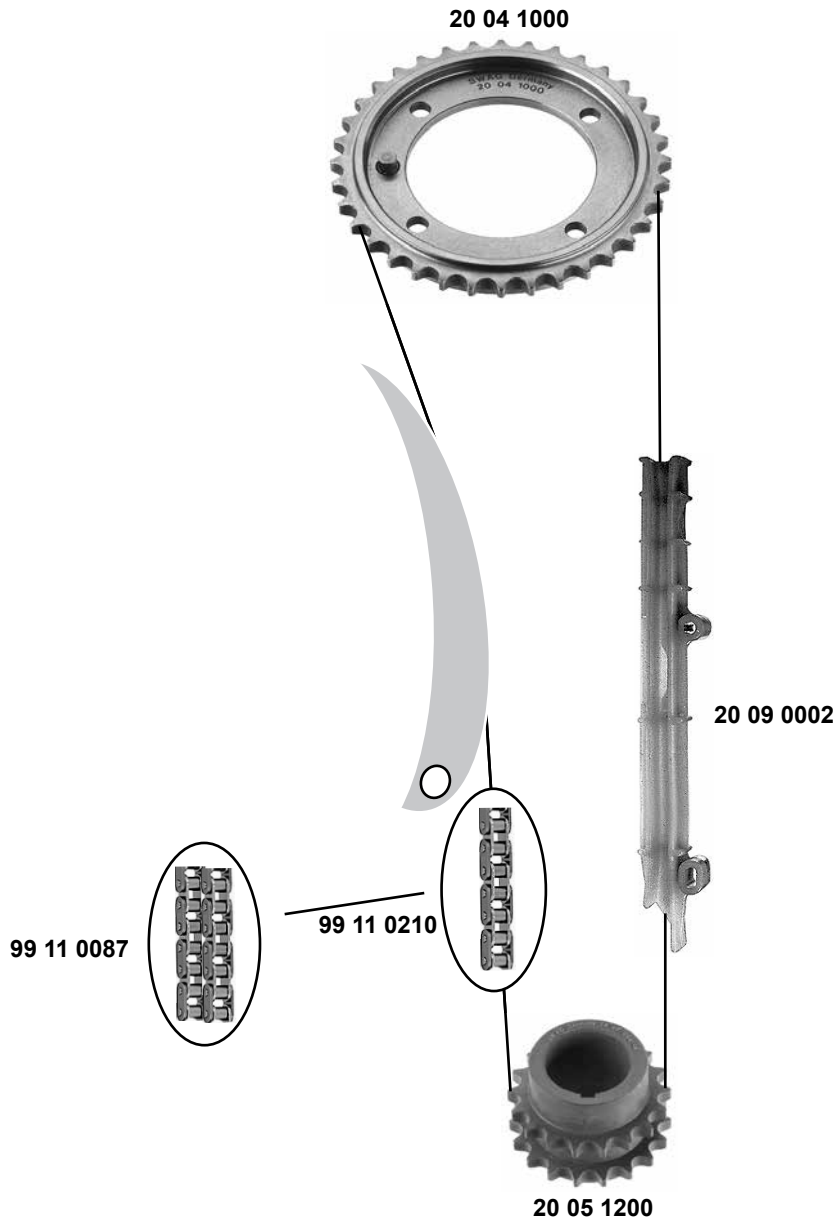
# BMW 7'er ( E23 )

(77→86)

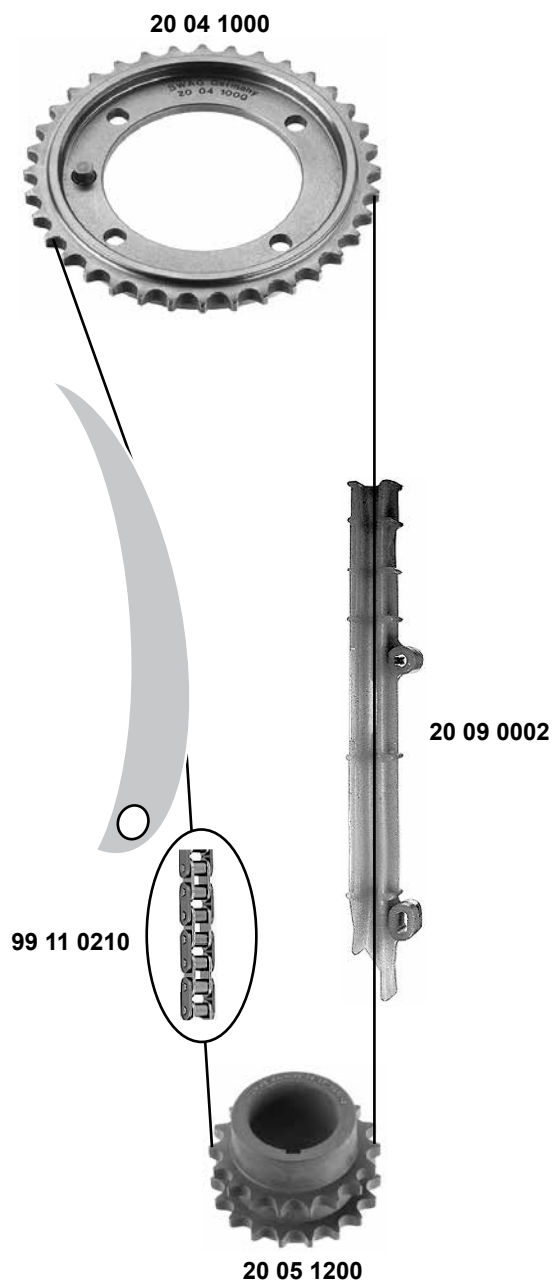


## 728 → 745 i

(M30)



SWAG GERMANY	Ref. - No.			
20 04 1000	11 31 1 278 990	Nockenwellenrad / camshaft gear	Modell: 11/78 →	Z 36
20 05 1200	11 21 1 265 011	Kurbelwellenzahnrad / crankshaft gear	Modell: 11/78 →	Z 18
20 09 0002	11 31 1 253 236	Gleitschiene / sliding rail		
99 11 0087	11 31 0 731 105	Steuerkette, zweifach / roller chain, double	Modell: → 11/78	D 94 E
99 11 0210	11 31 1 716 986	Steuerkette, einfach / roller chain, simple	Modell: 11/78 →	94 E



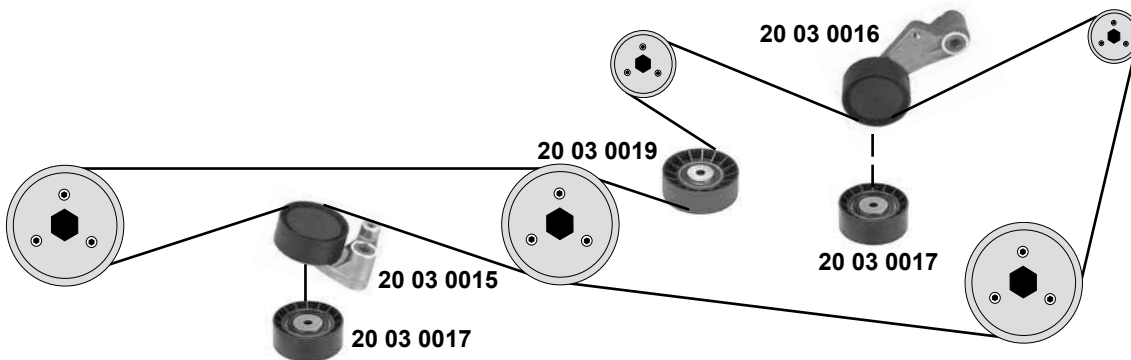
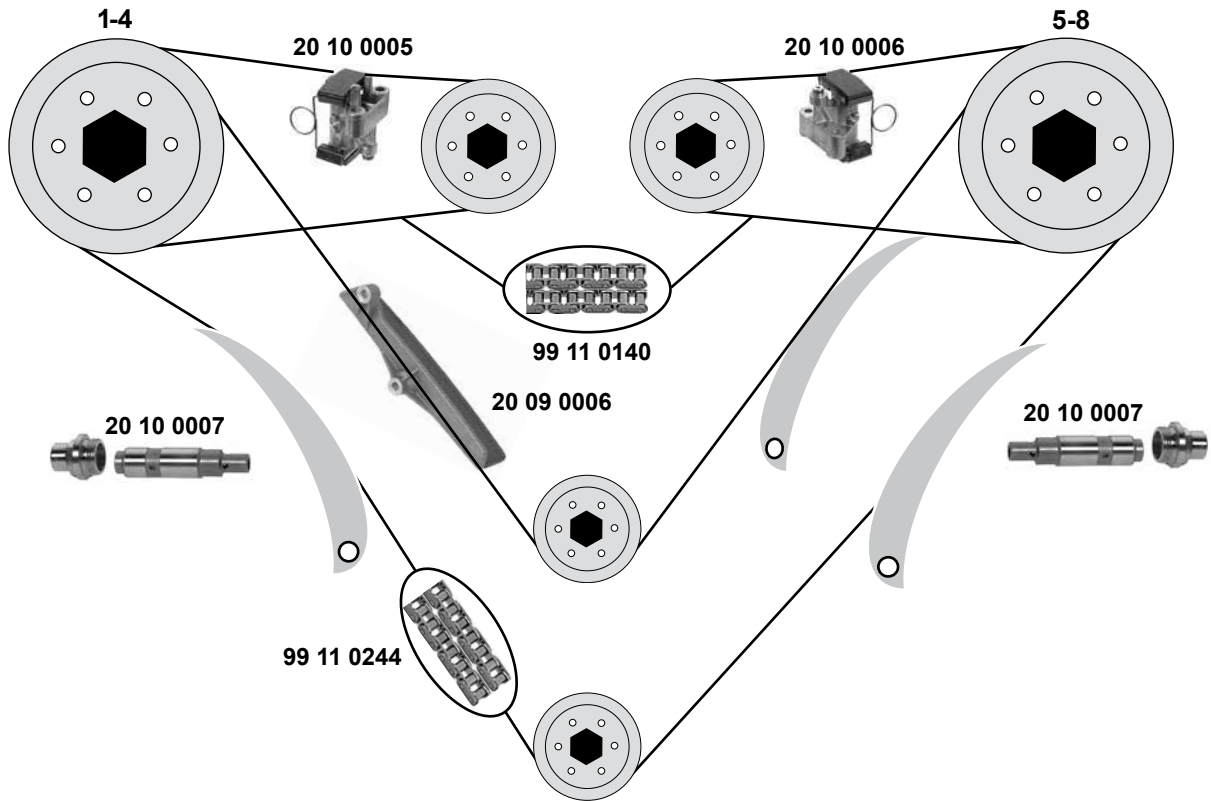
20 04 1000	11 31 1 278 990	Nockenwellenrad / camshaft gear	Z 36
20 05 1200	11 21 1 265 011	Kurbelwellenzahnrad / crankshaft gear	Z 18
20 09 0002	11 31 1 253 236	Gleitschiene / sliding rail	
99 11 0210	11 31 1 716 986	Steuerkette, einfach / roller chain, simple	94 E

# BMW 7'er (E32/E38)

(92→95)



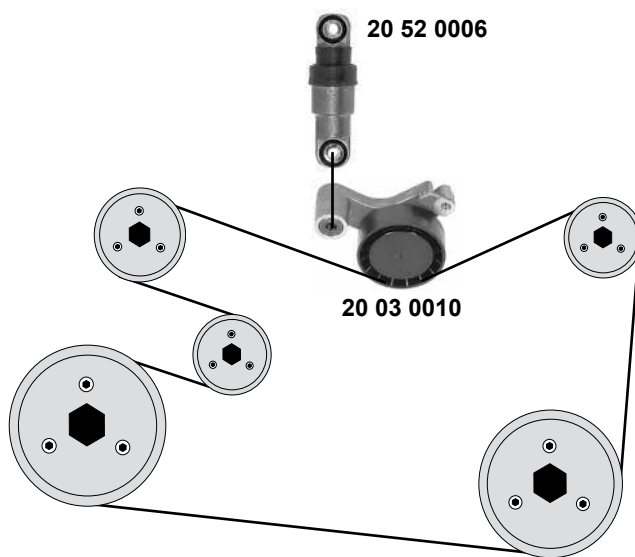
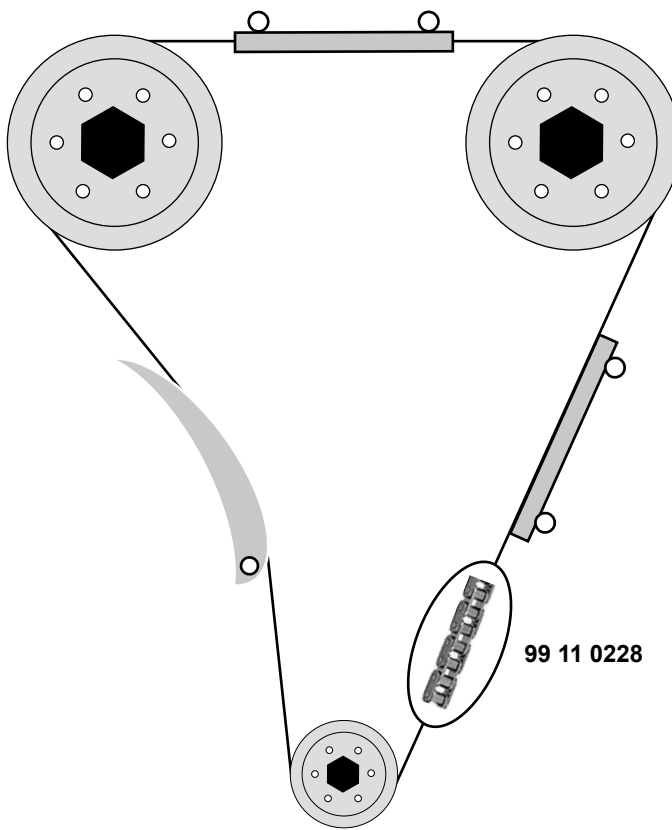
## 730 i/iL → 740 i/iL (M60)



Ref. - No.



Ref. - No.	Part Name	Dimensions
20 03 0015	Spannrolle / tension roller	70 x 28
20 03 0016	Spannrolle / tension roller	70 x 28
20 03 0017	Spannrolle / tension roller	Ø 70 x 28
20 03 0019	Umlenkrolle / deflection pulley	Ø 80 x 28
20 09 0006	Gleitschiene / guide rail	
20 10 0005	Kettenspanner / chain tensioner	
20 10 0006	Kettenspanner / chain tensioner	
20 10 0007	Kettenspanner / chain tensioner	
99 11 0140	Steuerkette, zweifach / roller chain, double	D54 E
99 11 0244	Steuerkette, zweifach / roller chain, double	D192 E



Ref. - No.



**20 03 0010**  
**20 52 0006**  
**99 11 0228**

11 28 1 720 039  
 11 28 1 715 626  
 11 31 1 710 155

Spannrolle / tension roller  
 Schwingungsdämpfer / vibration damper  
 Steuerkette, einfach / roller chain, simple

24,5 x 75  
 146 E

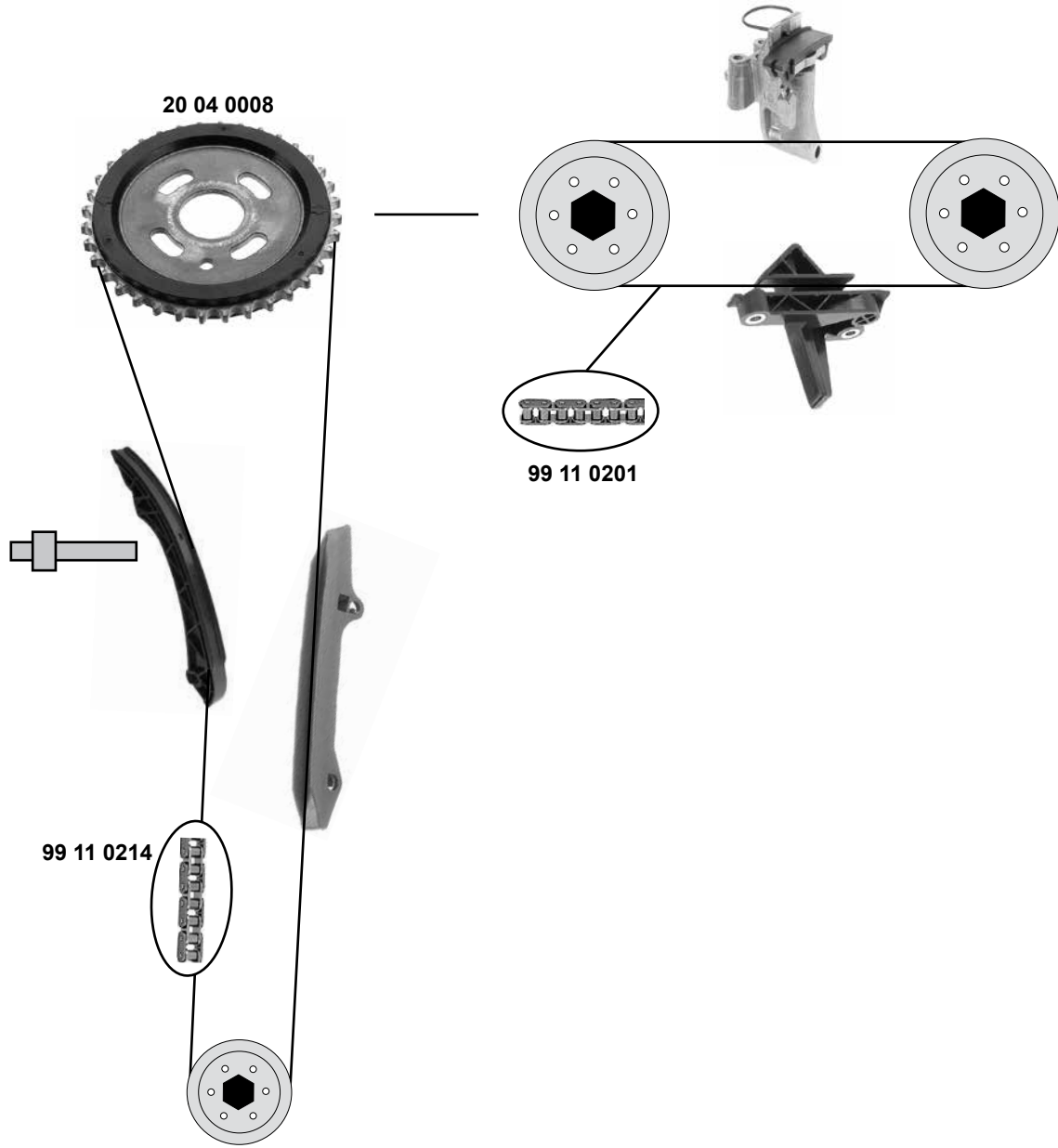
# BMW 7 'er (E38)

(94→01)



## 728 i/iL

(M52)



Ref. - No.



**20 04 0008**

11 31 1 722 841

Nockenwellenrad / camshaft gear

Modell: → 09/98

Z 36

**99 11 0201**

11 31 1 432 177

Steuerkette / timing chain

58 E

**99 11 0214**

11 31 1 432 176

Steuerkette / timing chain

104 E

**99 13 0331**

11 31 1 432 177 S1

Rep. Satz Steuerkette / rep. kit timing chain

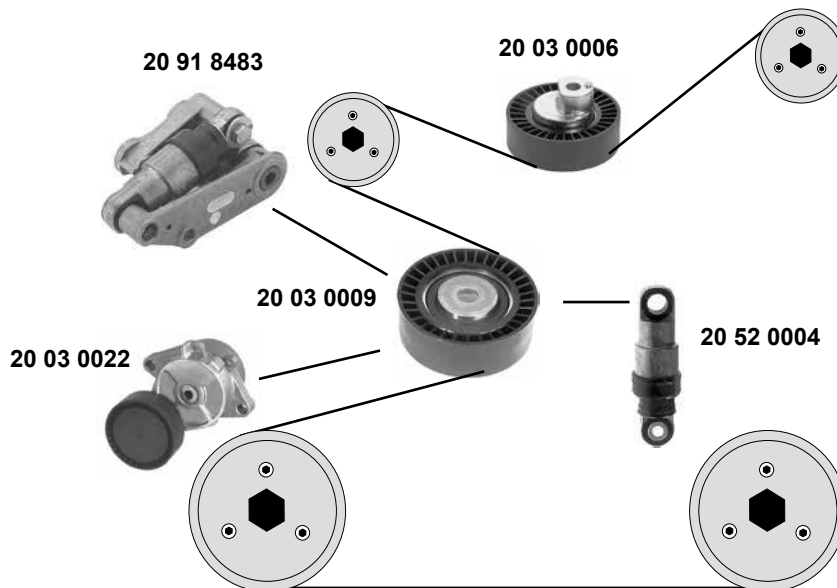
58 E

**99 13 0410**

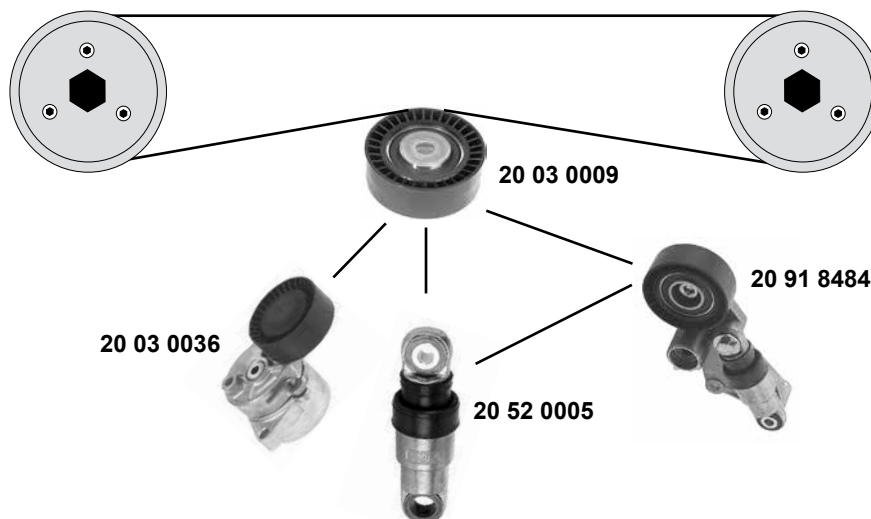
11 31 1 432 176 S2

Rep. Satz Steuerkette / rep. kit timing chain

104 E



**AC**



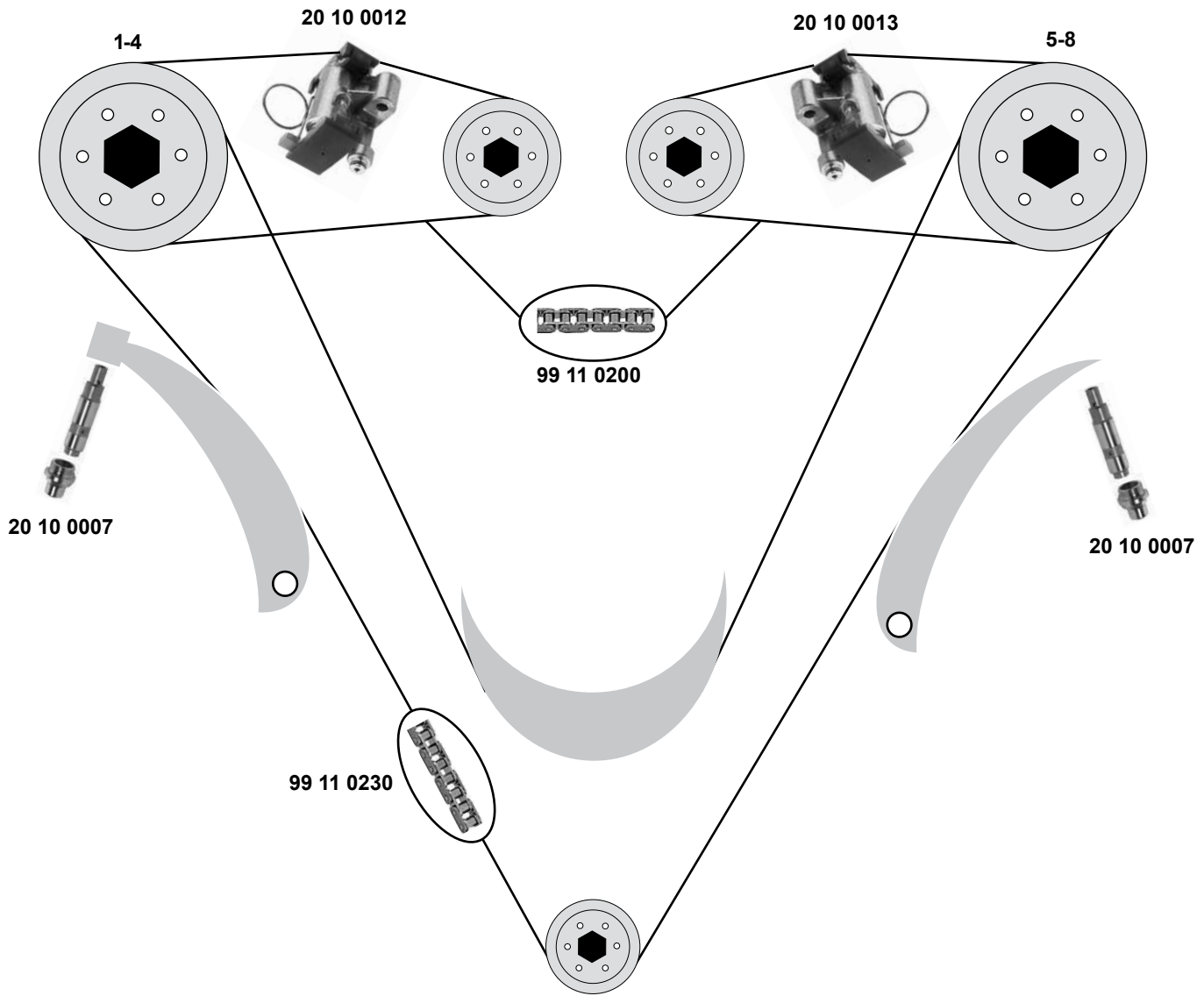
	Ref. - No.			
20 03 0006	11 28 7 841 228	Umlenkrolle / deflection pulley	Modell → 03/98	80 x 24,5
20 03 0009	11 28 1 748 131	Spannrolle / tension roller		70 x 24,5
20 03 0022	11 28 1 427 252	Riemenspanner / belt tensioner		70 x 24,5
20 03 0036	11 28 1 433 571	Riemenspanner / belt tensioner		70 / 78 x 26
20 52 0004	11 28 1 717 188	Schwingungsdämpfer / vibration damper		
20 52 0005	11 28 1 717 210	Schwingungsdämpfer / vibration damper		
20 91 8483	11 28 7 838 797	Riemenspanner / belt tensioner		
20 91 8484	11 28 1 717 210 S1	Riemenspanner / belt tensioner		
20 93 2017	11 28 7 938 797 S1	Umbausatz für Riemenspanner/ mounting kit for belt tensioner		

# BMW 7 'er (E38)

(94→01)



## 735 i/iL / 740 i/iL (M62)



Ref. - No.

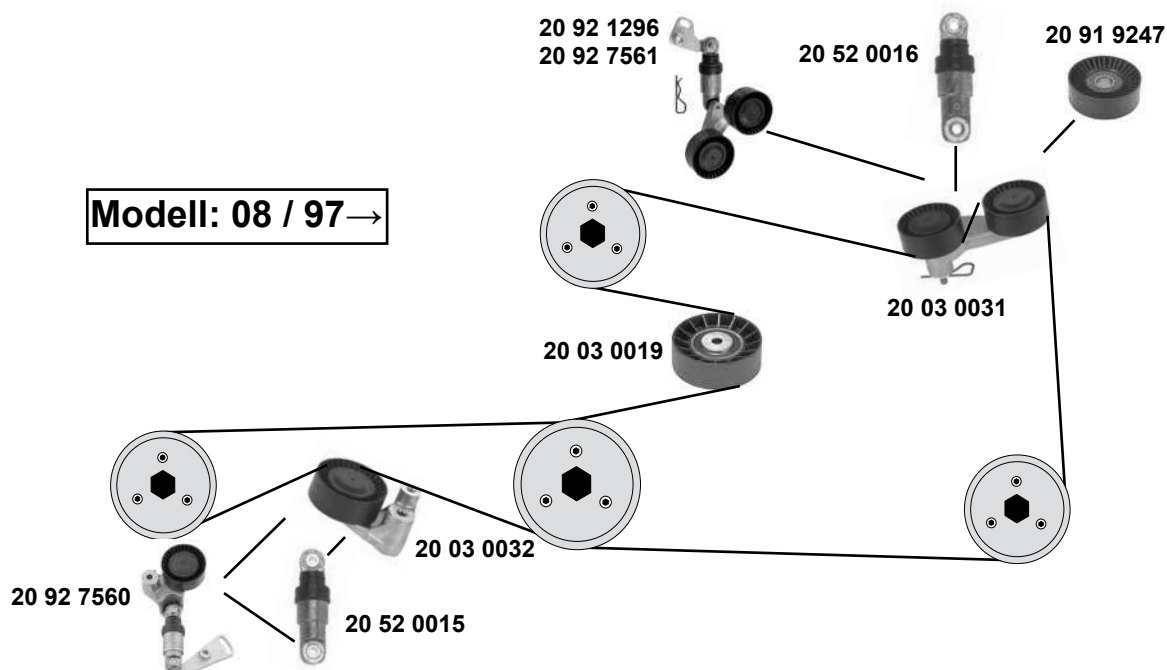
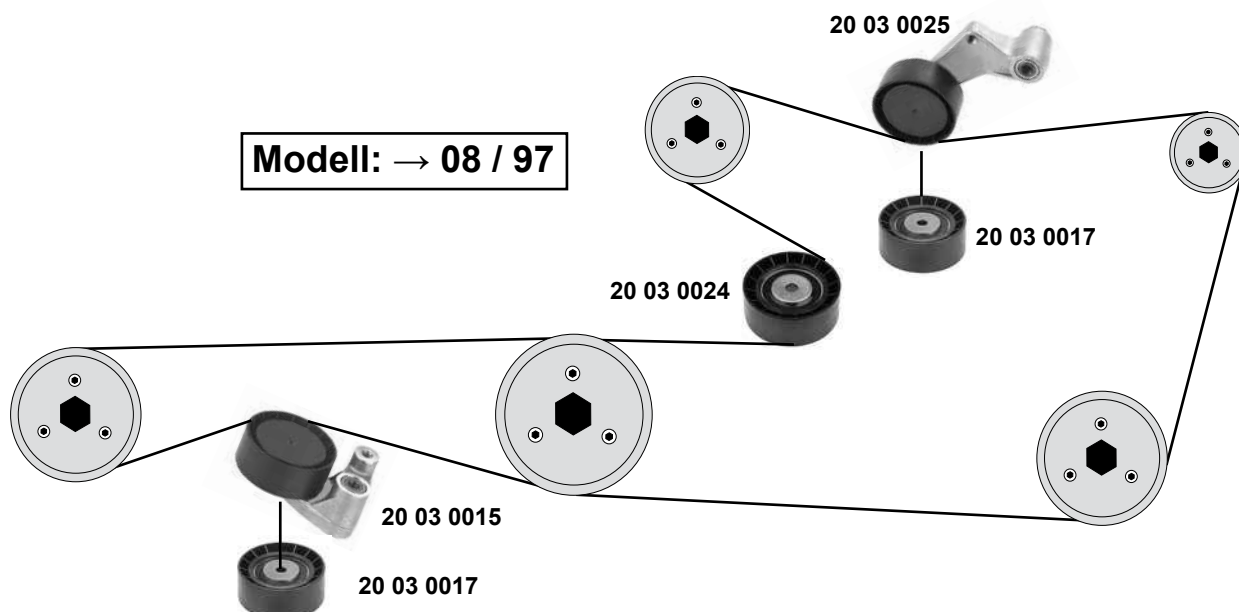


20 10 0007	11 31 7 531 813
20 10 0012	11 31 1 435 026
20 10 0013	11 31 1 435 027
99 11 0200	11 31 1 406 167
99 11 0230	11 31 1 741 746

Kettenspanner / chain tensioner
Kettenspanner / chain tensioner
Kettenspanner / chain tensioner
Steuerkette / roller chain
Steuerkette / roller chain

54 E  
188 E





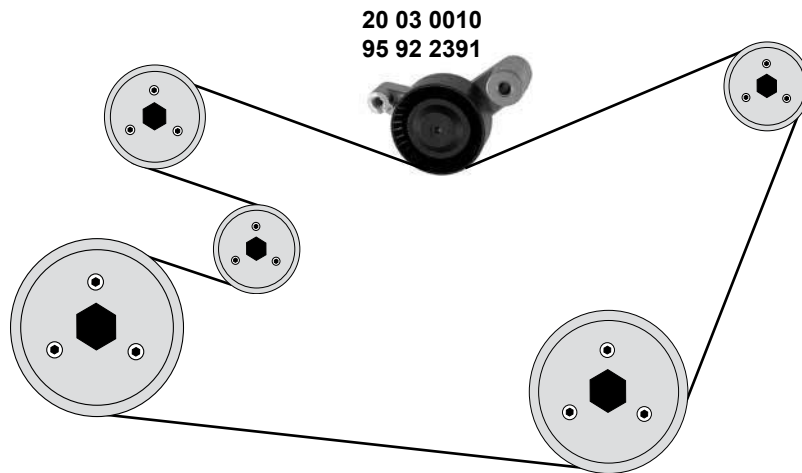
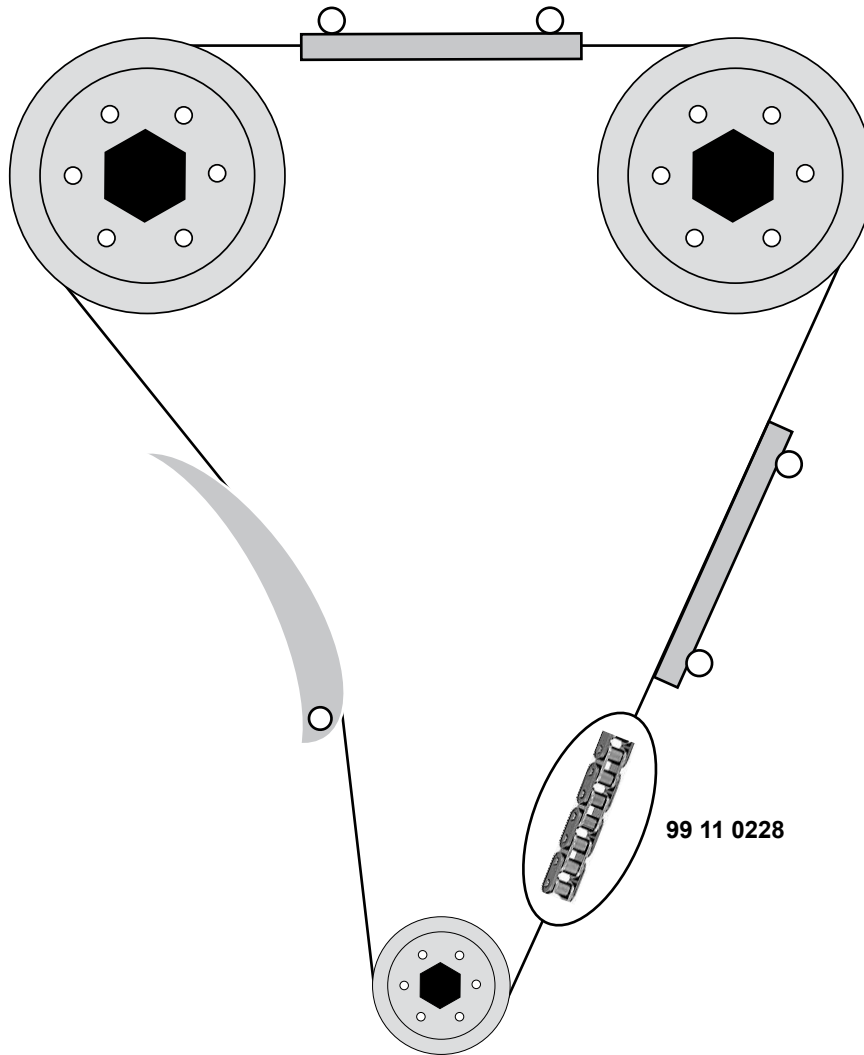
	Ref. - No.			
20 03 0015	11 28 1 702 013	Spannrolle / tension roller		Ø70 x 28
20 03 0017	11 28 1 731 220	Spannrolle / tension roller		Ø 70 x 28
20 03 0019	11 28 1 731 838	Umlenkrolle / deflection pulley	09/98 → 05/99	Ø 80 x 28
20 03 0024	11 28 1 704 500	Umlenkrolle / deflection pulley		9 x 70 x 28
20 03 0025	11 28 1 742 013	Spannrolle / tension roller		Ø 70 x 28
20 03 0031	11 28 1 742 858	Spannrolle / tension roller	→ 09/98	Ø70 x 28
20 03 0032	11 28 1 742 859	Spannrolle / tension roller		Ø 70 x 28
20 52 0015	11 28 1 745 545	Schwingungsdämpfer / vibration damper		
20 52 0016	11 28 1 709 613	Schwingungsdämpfer / vibration damper	09/98 →	
20 91 9247	11 28 7 500 560	Umlenkrolle / deflection pulley	05/99 →	ØA 80 x 28
20 92 1296	11 28 7 515 865 S1	Riemenspanner / belt tensioner	09/98 →	
20 92 7560	11 28 1 745 547	Riemenspanner / belt tensioner	09/97→	Ø 70 x 26
20 92 7561	11 28 1 745 546	Riemenspanner / belt tensioner	08/97→09/98	Ø 70 x 28

# BMW 7 'er (E38)

(94→01)



## 750 i/iL (M73)



Ref. - No.

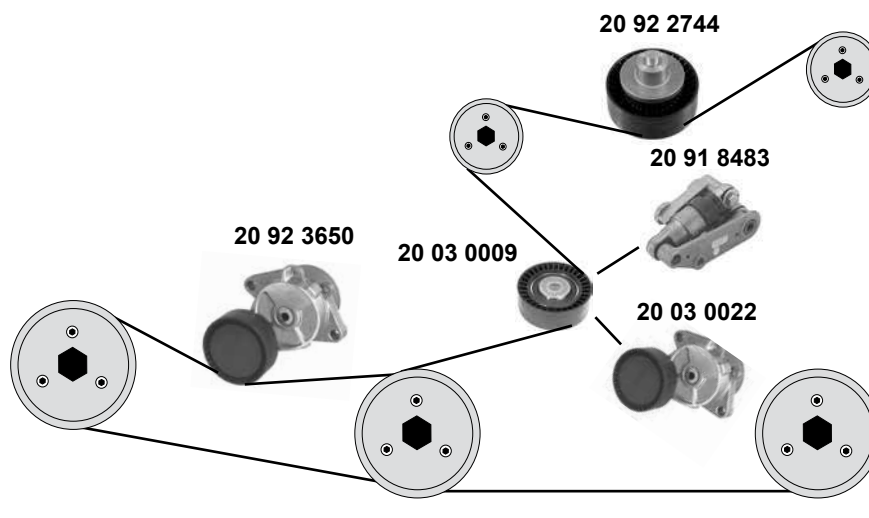
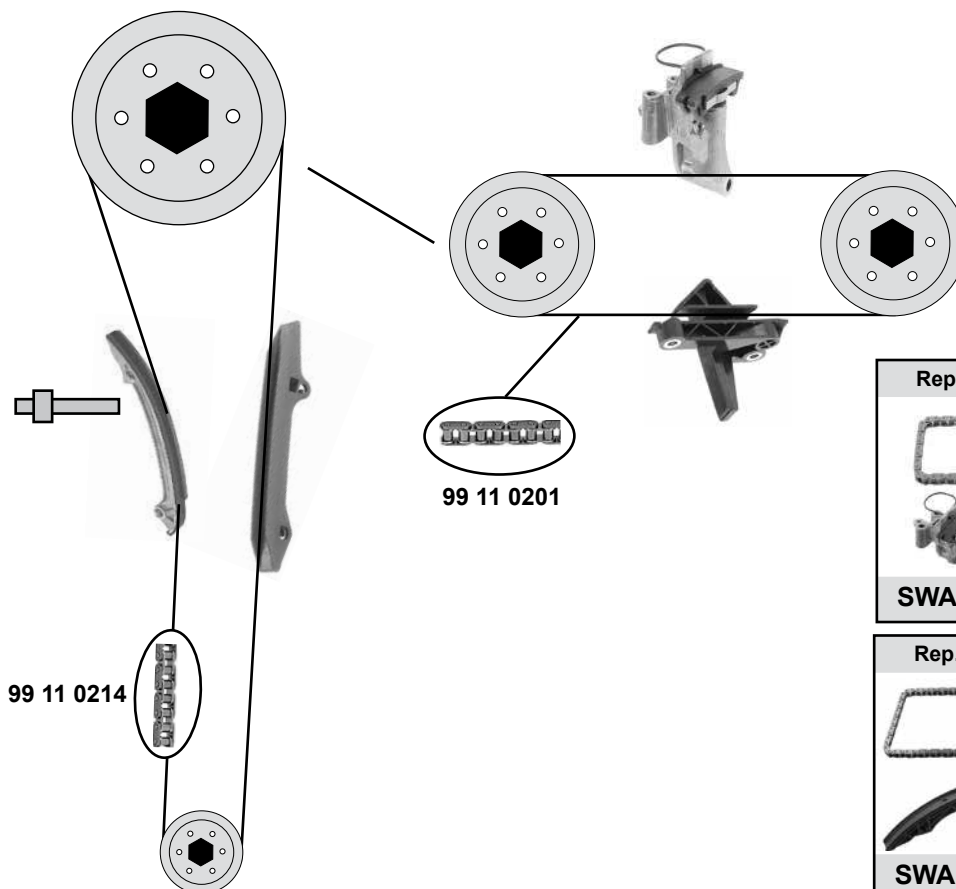


20 03 0010	11 28 1 720 039
95 92 2391	11 28 1 745 550
99 11 0228	11 31 1 710 155

Spannrolle / tension roller  
Spannrolle / tension roller  
Steuerkette, einfach / roller chain, simple

Modell: → 09/98  
09/98 →

24,5 x 75  
458 / 146 E



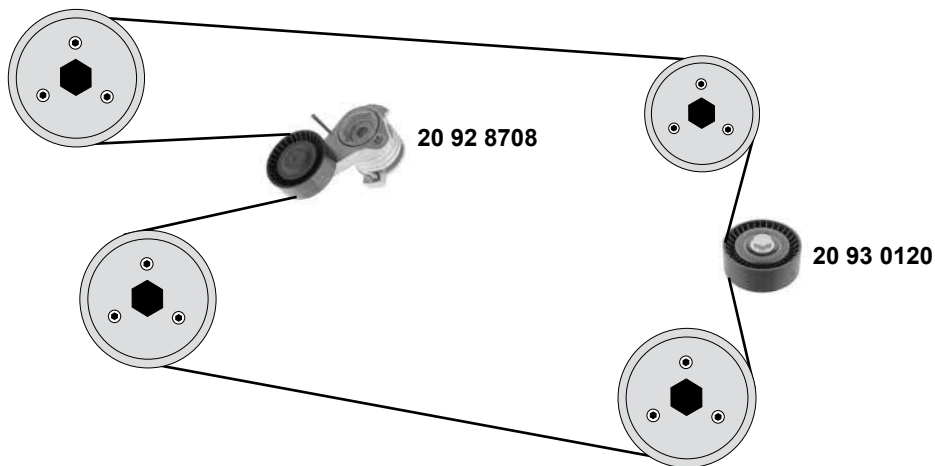
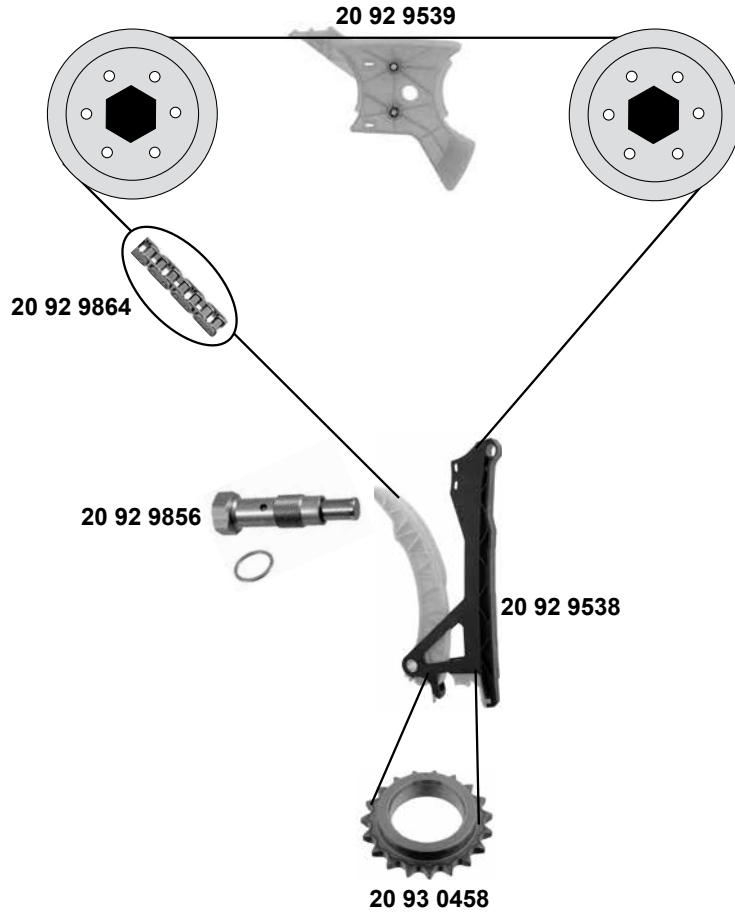
SWAG	Ref. - No.			
20 03 0009	11 28 1 748 131	Spannrolle / tension roller		70 x 24,5
20 03 0022	11 28 1 427 252	Riemenspanner / belt tensioner	mechanisch/ mechanical	70 x 24,5
20 91 8483	11 28 7 838 797	Riemenspanner / belt tensioner	hydraulisch/ hydraulic	
20 92 2744	11 28 7 516 847	Umlenkrolle / deflection pulley		ØA 75 x 26
20 92 3650	11 28 7 512 758	Riemenspanner / belt tensioner		70 x 24,5
20 93 2017	11 28 7 938 797 S1	Umbausatz für Riemenspanner/ mounting kit for belt tensioner		
99 11 0201	11 31 1 432 177	Steuerkette / roller chain		58 E
99 11 0214	11 31 1 432 176	Steuerkette / roller chain		104 E
99 13 0331	11 31 1 432 177 S1	Rep. Satz Steuerkette / rep. kit timing chain		58 E
99 13 0410	11 31 1 432 176 S2	Rep. Satz Steuerkette / rep. kit timing chain		104 E

# BMW 7'er (E65/E66)

(05→08)



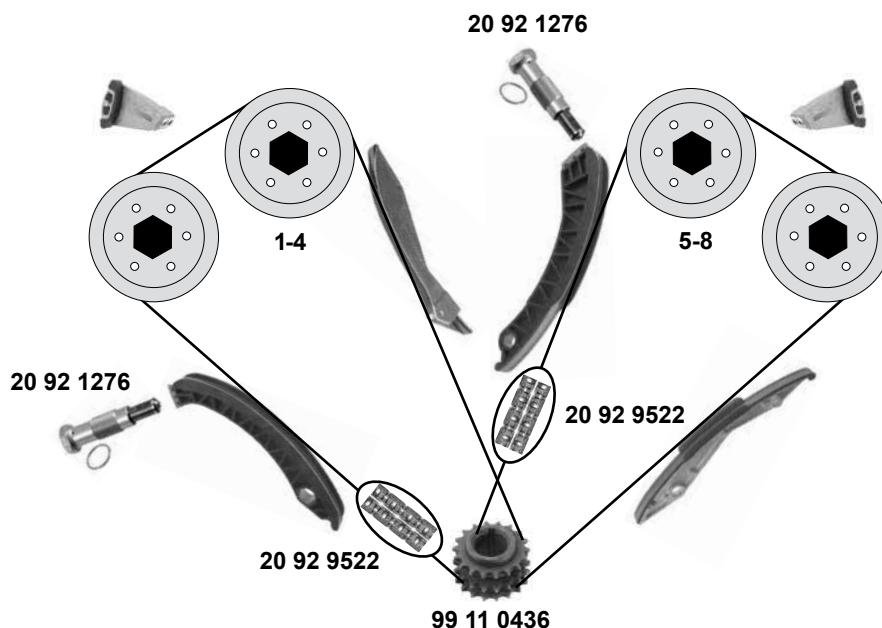
## 730 i/Li (N52)



Ref. - No.



Ref. - No.	Description	Part No.	Dimensions
20 92 8708	Riemenspanner/ belt tensioner	11 28 7 530 314	70x26
20 92 9538	Gleitschiene / sliding rail	11 31 7 585 020	148E
20 92 9539	Gleitschiene / sliding rail	11 31 7 592 850	
20 92 9856	Kettenspanner / chain tensioner	11 31 7 584 723	80x26
20 92 9864	Steuerkette / roller chain	11 31 7 584 084	
20 93 0120	Umlenkrolle / deflection pulley	11 28 7 535 860	Z19
20 93 0458	Kurbelwellenzahnrad / crankshaft gear	11 31 7 502 180	148 E
99 13 0338	Rep. Satz Steuerkette / rep. kit timing chain	11 31 7 584 084 S1	

**735 i/Li / 740i/Li / 745i/Li / 750 i/Li**  
 (N62/N62N)


Rep. Satz / rep. kit

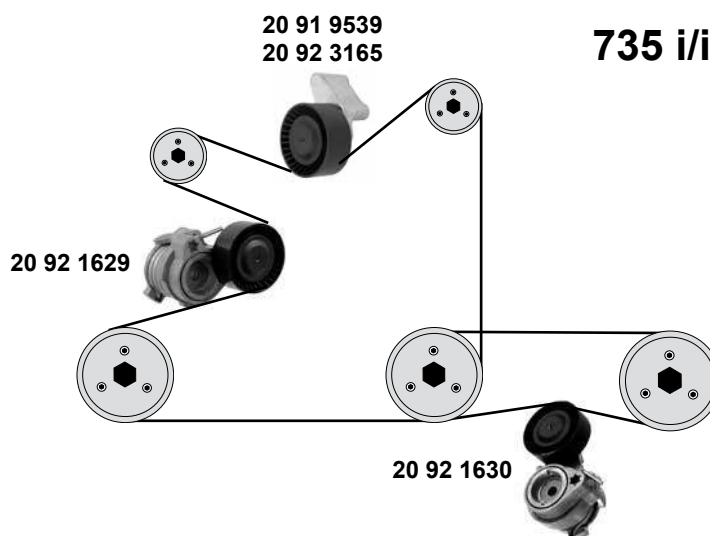


SWAG 99 13 0339

Rep. Satz / rep. kit



SWAG 99 13 0340


**735 i/iL / 745i/iL / 745 LiS**  
 (N62)  
**760 i/iL / 760 LiS**  
 (N73)

- (1) 760i alle / all  
735 i/iL, 745 i/iL → 09/03
- (2) (mot.) N62/N62N 10/03 →
- (3) E65 735i,740i,745i,750i / E66 735i,740i,745i,750i
- (4) (mot.) → 01/05 Ref.-No.11 31 7 533 488/11 31 7 548 033 erneuern / replace !  
kein Satzinhalt / No contents of the kit !



Ref. - No.



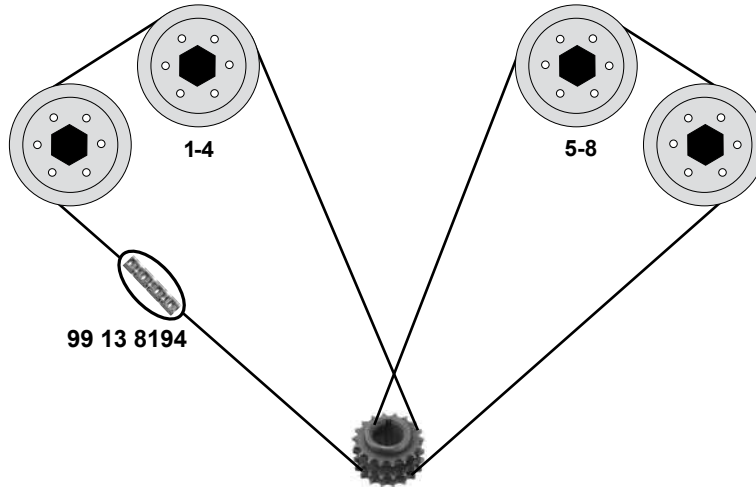
Ref. - No.				
20 91 9539	11 28 7 574 834	Umlenkrolle / deflection pulley	(1)	ØA 70 B26
20 92 1276	11 31 1 439 552	Kettenspanner / chain tensioner	(mot.) N62	
20 92 1629	11 28 7 549 588	Riemenspanner / belt tensioner		ØA 70 B26
20 92 1630	11 28 7 549 589	Riemenspanner / belt tensioner	AC (1)	ØA 70 B24,5
20 92 3165	11 28 7 549 557	Umlenkrolle / deflection pulley	(2)	ØA 75 B26
20 92 9522	11 31 7 504 468	Steuerkette, zweifach / roller chain, double	(mot.) N62	D 140 E
99 13 0339	11 31 7 504 468 S1	Rep. Satz Steuerkette / rep. kit timing chain	1-4	D140 E
99 13 0340	11 31 7 504 468 S2	Rep. Satz Steuerkette / rep. kit timing chain	(3) (4) 5-8	D140 E
99 11 0436	11 21 7 504 725	Kurbelwellenzahnrad / camshaft gear	(mot.) N62	

# BMW 7 'er (E65/E66)

(01→08)



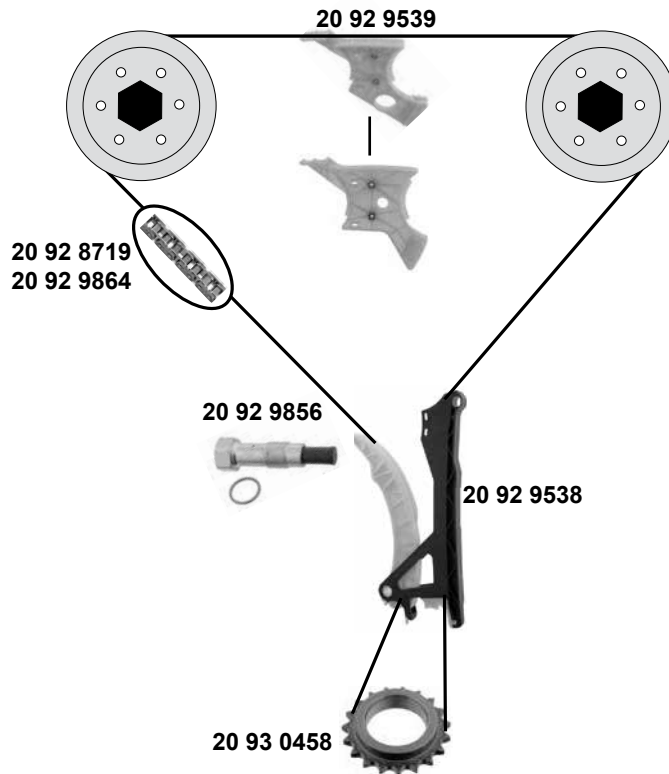
## 760 i/Li (N73)



## 7 'er (F01/F02)

(08→)

### 730 i/Li / 740 i/Li (N52/N/N54)



(1) F 01 730i (mot.) (mot.) N52N / F 02 730Li (mot.) N52N

(2) F 01 730i (mot.) (mot.) N52/N / F 02 730Li (mot.) N52N

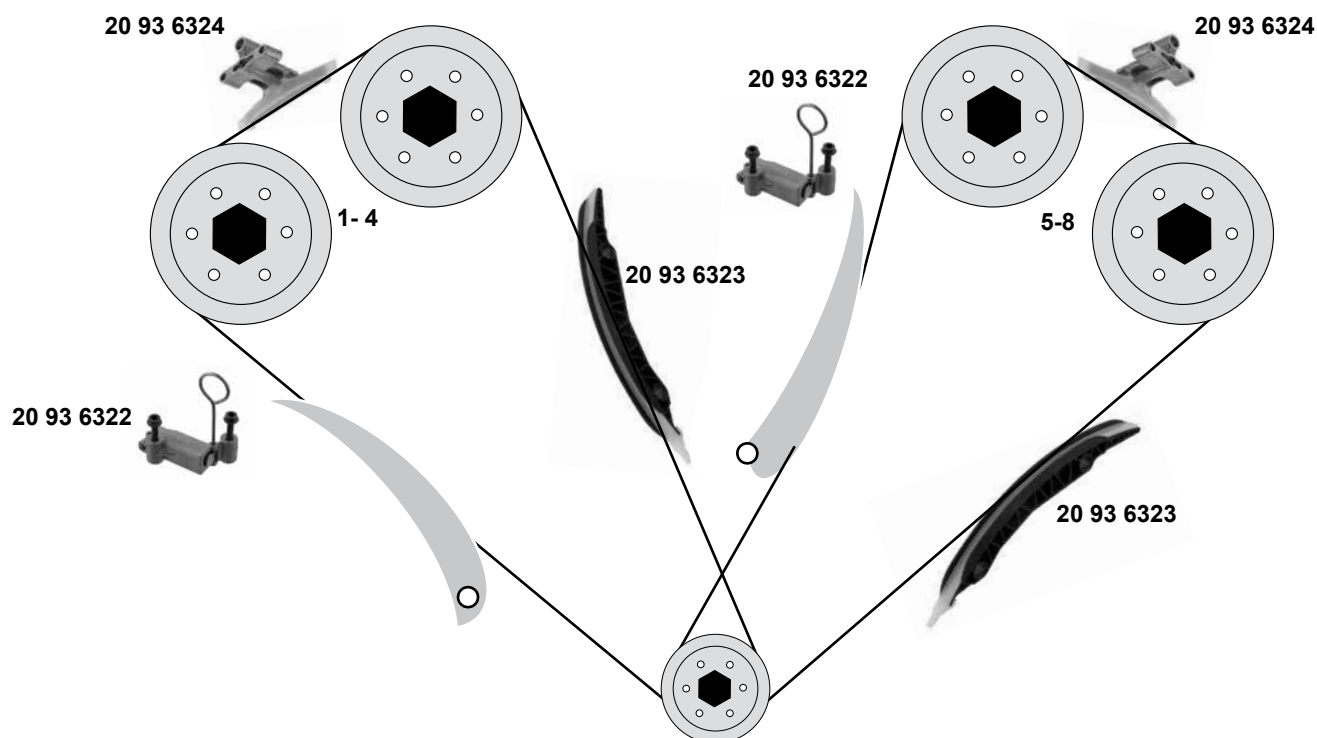
(3) F01 730/740i / F02 730/740Li



Ref. - No.



Ref. - No.	Description	Quantity	Part No.
20 92 8719	Steuerkette / roller chain	(mot.) N54	144E
20 92 9538	Gleitschiene / sliding rail	(1)	
20 92 9539	Gleitschiene / sliding rail	(1)	
20 92 9856	Kettenspanner / chain tensioner		
20 92 9864	Steuerkette / roller chain	(2)	148E
20 93 0458	Kurbelwellenzahnrad / crankshaft gear	(3)	Z19
99 13 0337	Rep. Satz Steuerkette / rep. kit timing chain	(mot.) N54	144E
99 13 0338	Rep. Satz Steuerkette / rep. kit timing chain	(1)	148E
99 13 8194	Steuerkette / timing chain		138 E



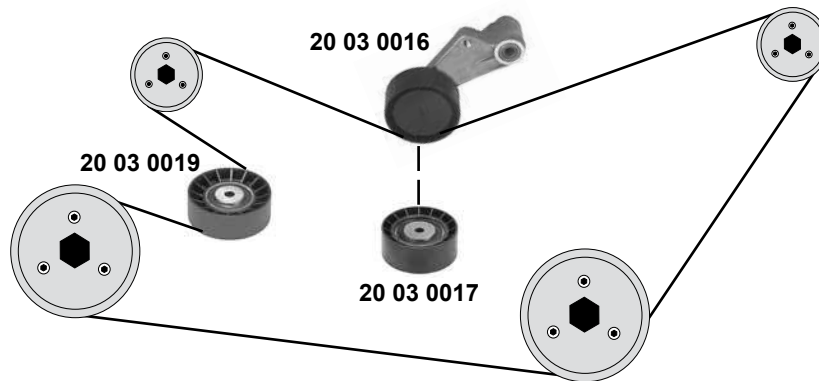
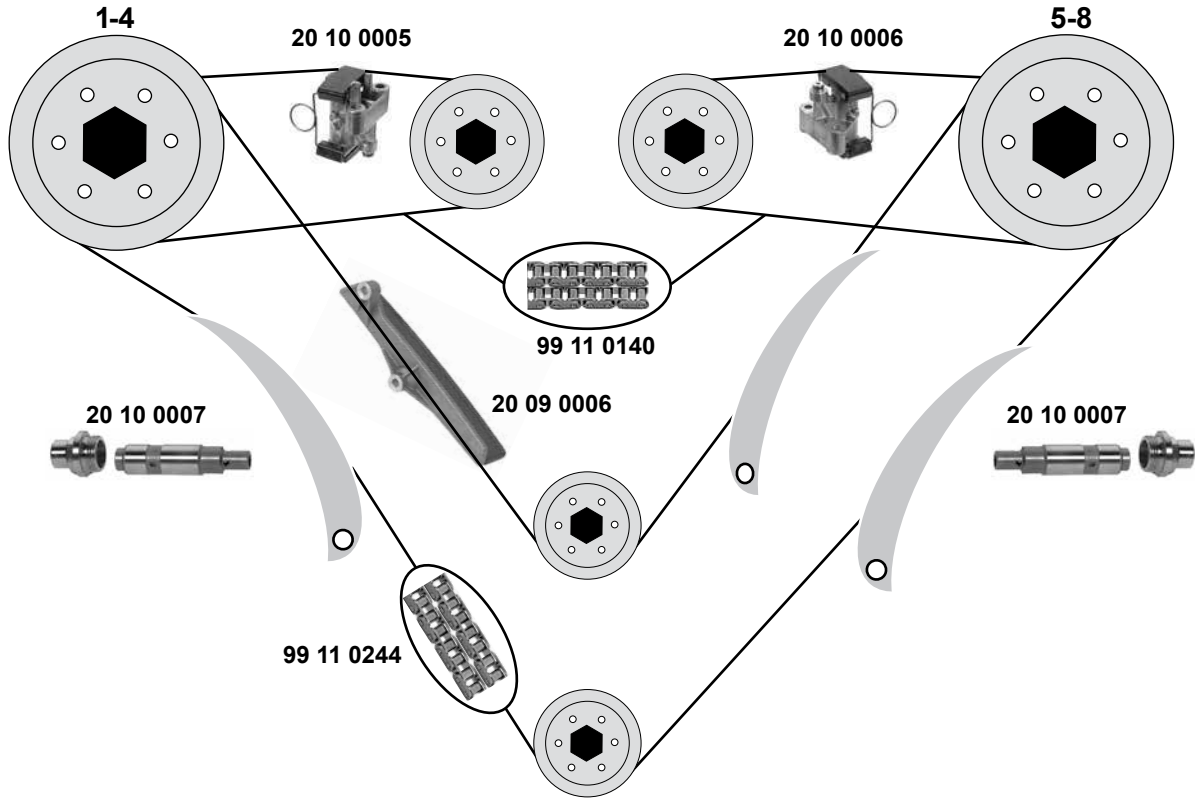


# BMW 8'er (E31)

(90→99)

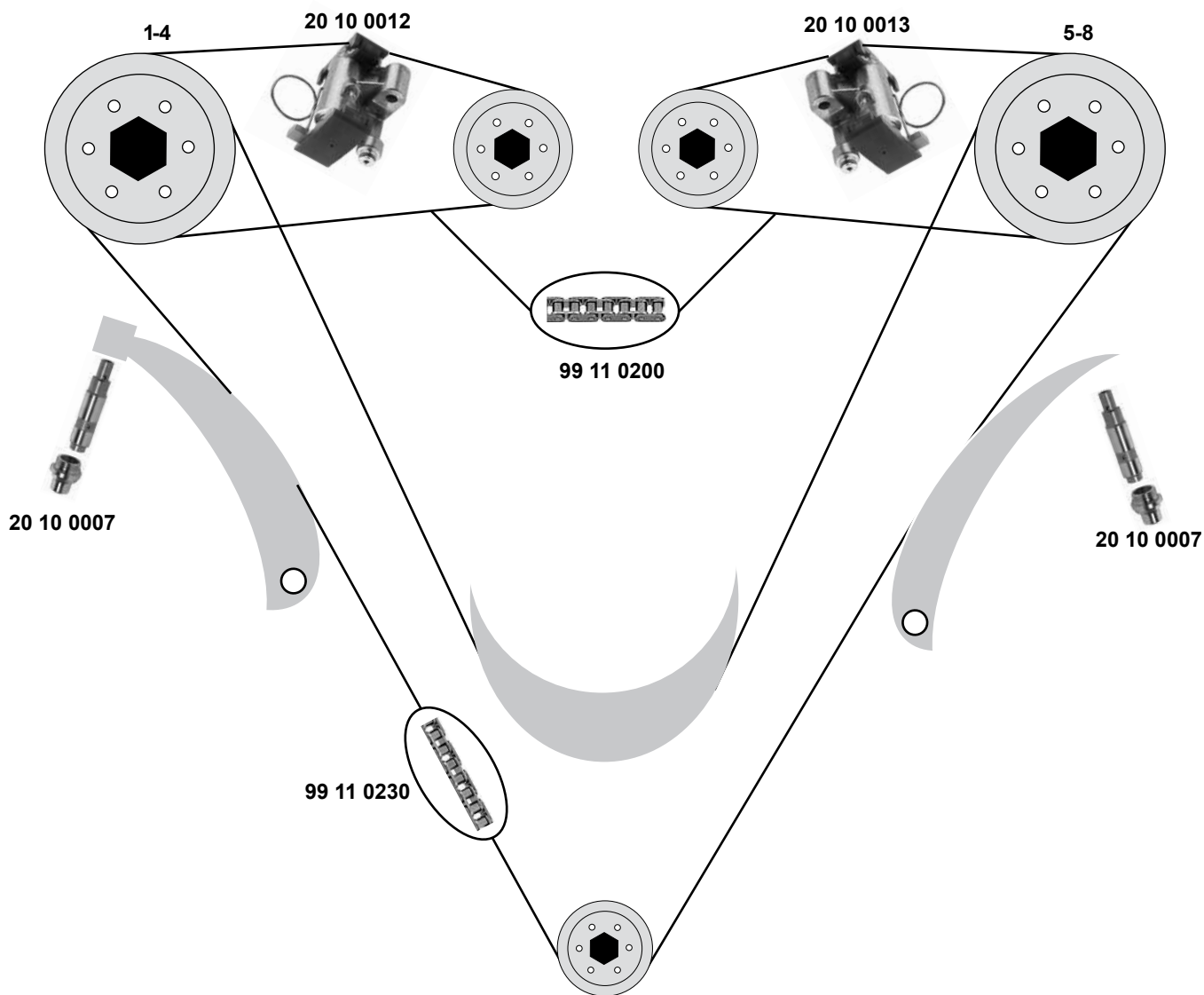


## 840 Ci (M60)



SWAG GERMANY	Ref. - No.			
20 03 0016	11 28 1 736 724	Spannrolle / tension roller		70 x 28
20 03 0017	11 28 1 731 220	Spannrolle / tension roller		Ø 70 x 28
20 03 0019	11 28 1 731 838	Umlenkrolle / deflection pulley		Ø 80 x 28
20 09 0006	11 31 1 741 247	Gleitschiene / guide rail		
20 10 0005	11 31 1 725 441	Kettenspanner / chain tensioner		
20 10 0006	11 31 1 725 442	Kettenspanner / chain tensioner		
20 10 0007	11 31 7 531 813	Kettenspanner / chain tensioner		
99 11 0140	11 31 7 512 359	Steuerkette, zweifach / timing chain, double		D54 E
99 11 0244	11 31 1 736 020	Steuerkette, zweifach / timing chain, double		D192 E





Ref. - No.



20 10 0007	11 31 7 531 813	Kettenspanner / chain tensioner
20 10 0012	11 31 1 435 026	Kettenspanner / chain tensioner
20 10 0013	11 31 1 435 027	Kettenspanner / chain tensioner
99 11 0200	11 31 1 406 167	Steuerkette / timing chain
99 11 0230	11 31 1 741 746	Steuerkette / timing chain

54 E  
188 E

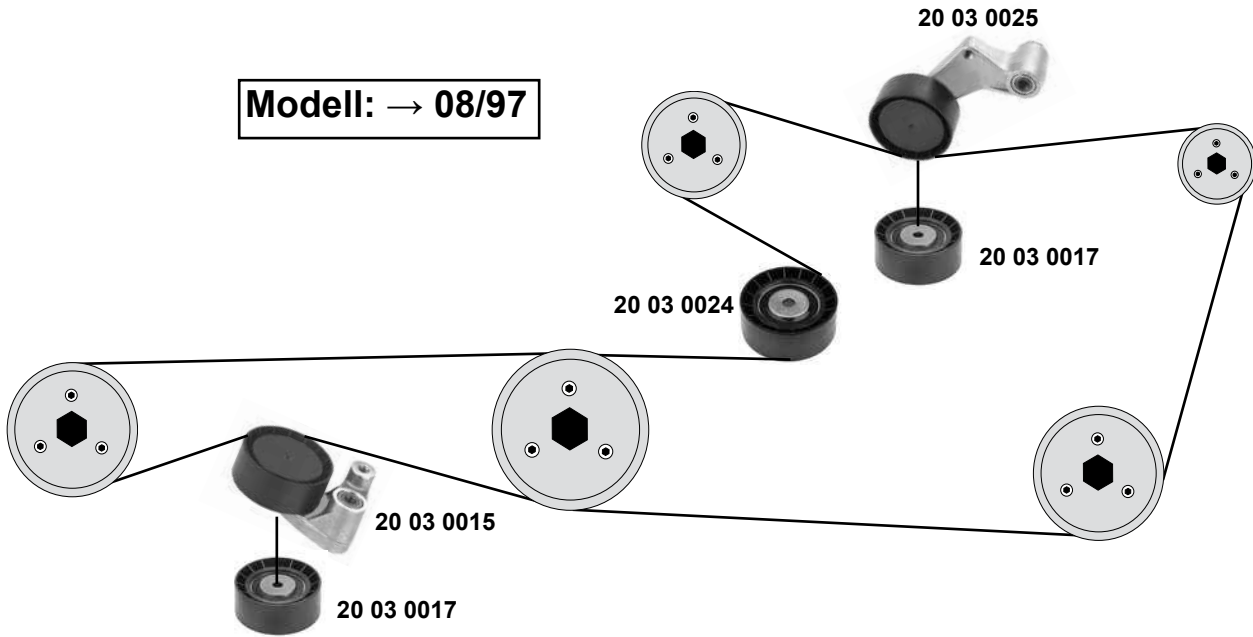
# BMW 8 'er (E31)

(90→99)

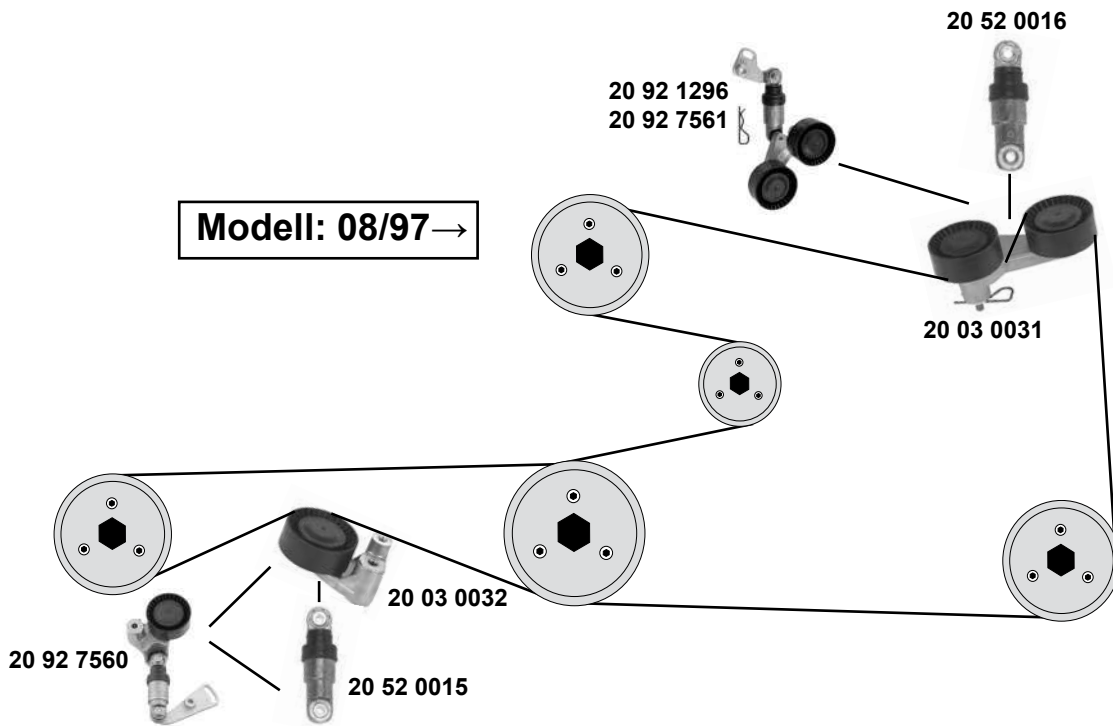


## 840 Ci (M62)

**Modell: → 08/97**



**Modell: 08/97→**



Ref. - No.



20 03 0015	11 28 1 702 013	Spannrolle / tension roller	Ø 70 x 28
20 03 0017	11 28 1 731 220	Spannrolle / tension roller	Ø 70 x 28
20 03 0024	11 28 1 704 500	Umlenkrolle / deflection pulley	Ø 70 x 28
20 03 0025	11 28 1 742 013	Spannrolle / tension roller	Ø 70 x 28
20 03 0031	11 28 1 742 858	Spannrolle / tension roller	Ø 70 x 28
20 03 0032	11 28 1 742 859	Spannrolle / tension roller	Ø 70 x 26
20 52 0015	11 28 1 745 545	Schwingungsdämpfer / vibration damper	
20 52 0016	11 28 1 709 613	Schwingungsdämpfer / vibration damper	
20 92 1296	11 28 7 515 865 S1	Riemenspanner / belt tensioner	
20 92 7560	11 28 1 745 547	Riemenspanner / belt tensioner	
20 92 7561	11 28 1 745 546	Riemenspanner / belt tensioner	

Modell: → 09/98

AC

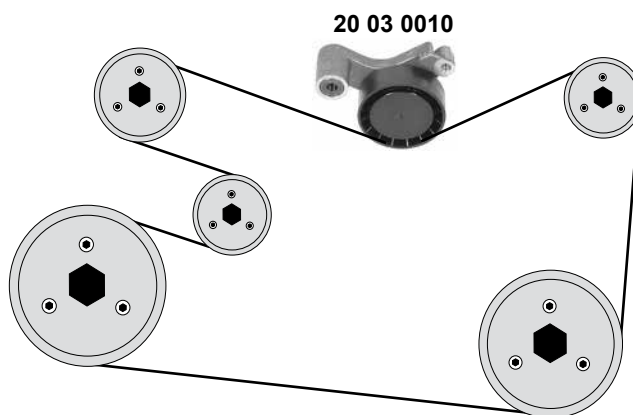
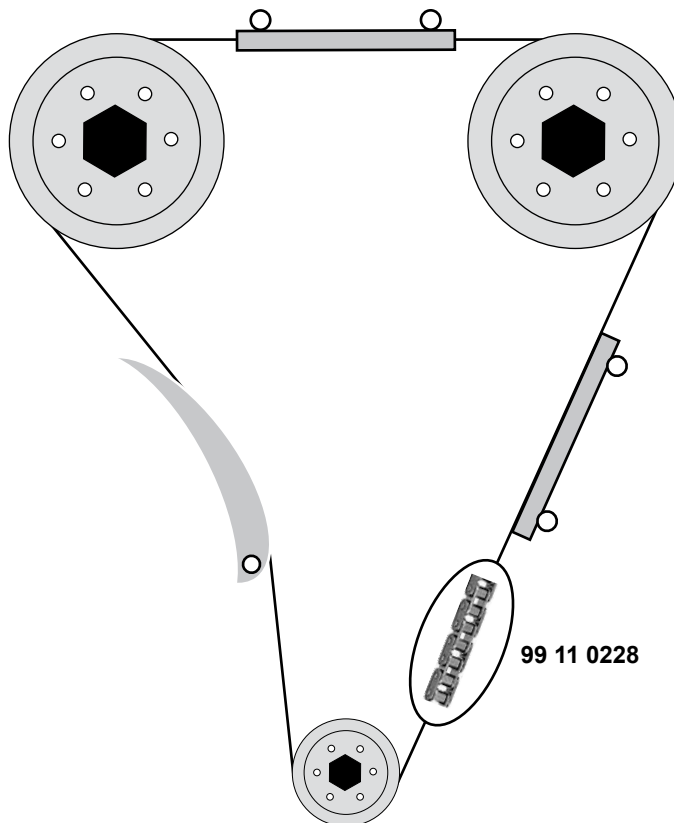
AC

09/98 →

AC 09/97→

08/97→09/98

Ø 70 x 26

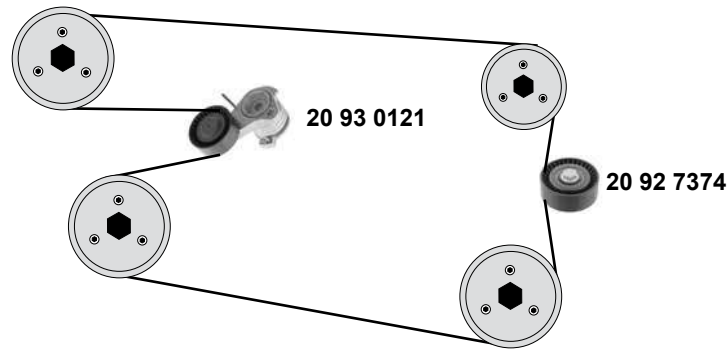
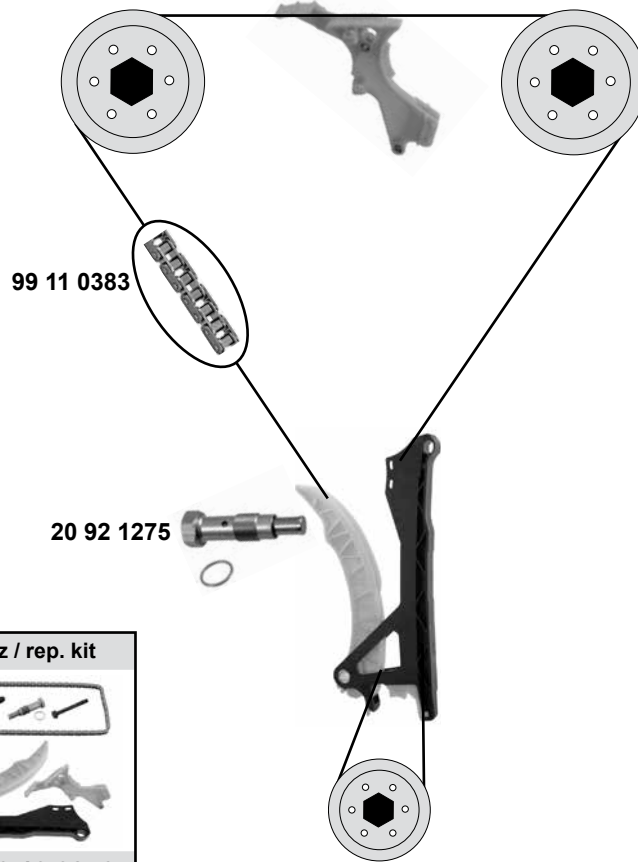


# BMW X 1 (E84)

(10→)



**1,8 i**  
(N 46 N)



(1) Rep. Satz Schraube für Steuerkette /  
rep. kit screw for timing chain  
**SWAG 20 93 3845**



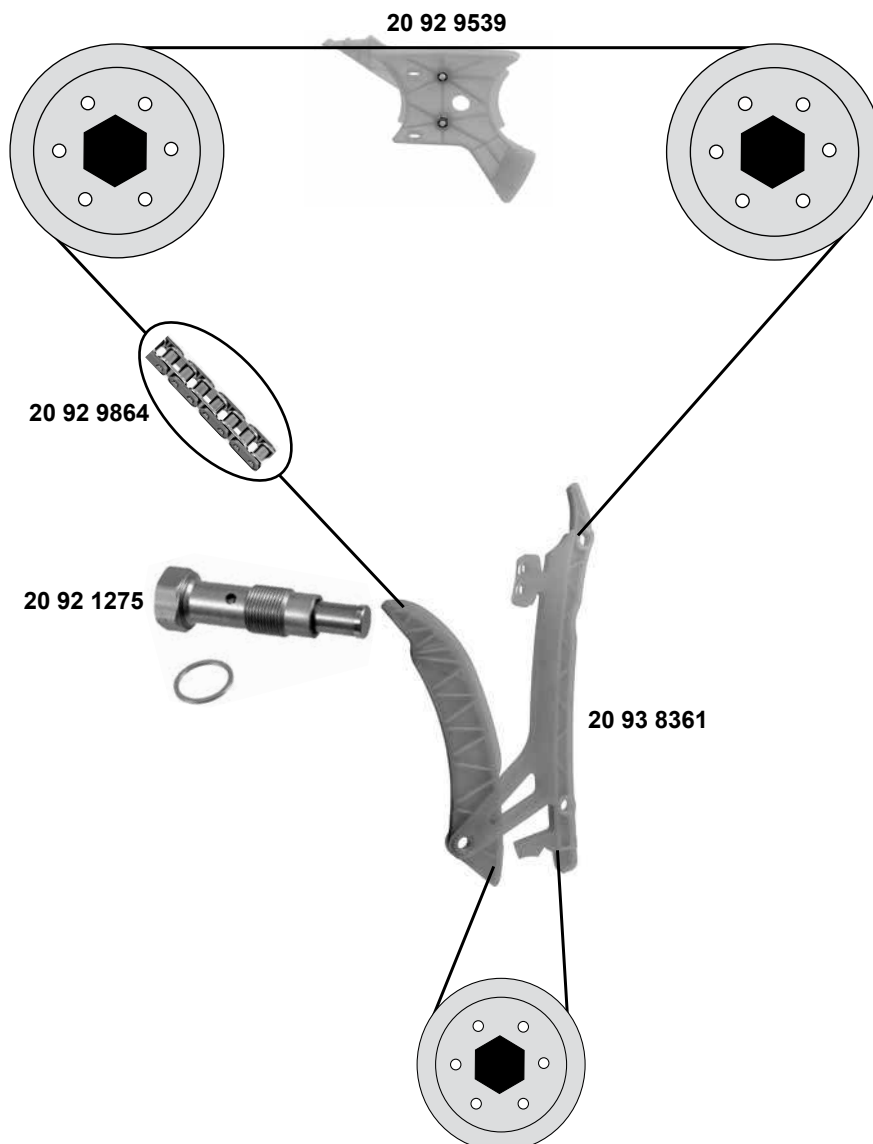
(2) **SWAG 99 13 0334** mit/with (1)



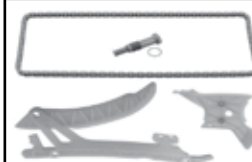
Ref. - No.



<b>20 92 1275</b>	11 31 7 567 680	Kettenspanner / chain tensioner		
<b>20 92 7374</b>	11 28 1 440 378	Umlenkrolle / deflection pulley		70x26
<b>20 93 0121</b>	11 28 7 524 267	Riemenspanner / belt tensioner		70x26
<b>20 93 3845</b>	11 23 7 503 107 S1	Rep. Satz Schraube / rep. kit screw	(1)	
<b>99 11 0383</b>	11 31 1 439 854	Steuerkette / timing chain		142 E
<b>99 13 0334</b>	11 31 1 439 854 S1	Rep. Satz Steuerkette / rep. kit timing chain		142 E
<b>99 13 3846</b>	11 31 1 439 854 S2	Rep. Satz Steuerkette / rep. kit timing chain	(2)	142 E



Rep. Satz / rep. kit



SWAG 30 93 8362



Ref. - No.



<b>20 92 1275</b>	11 31 7 567 680	Kettenspanner / chain tensioner
<b>20 92 9539</b>	11 31 7 592 850	Gleitschiene / sliding rail
<b>20 92 9864</b>	11 31 7 584 084	Steuerkette einfach / roller chain simplex
<b>30 93 8361</b>	11 31 7 592 877	Gleitschiene / sliding rail
<b>30 93 8362</b>	11 31 7 584 084 S2	Rep. Satz Steuerkette / rep. kit timing chain

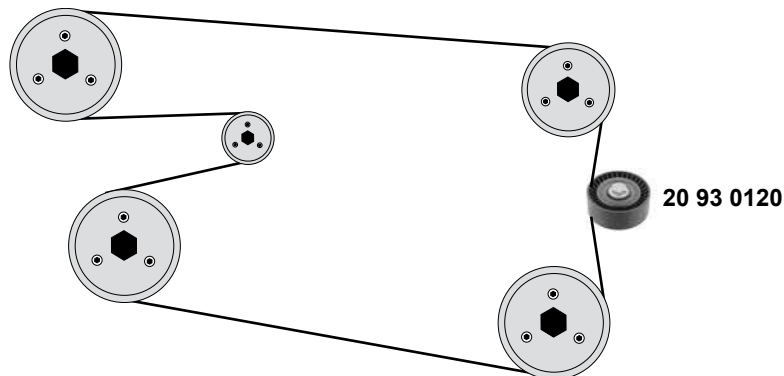
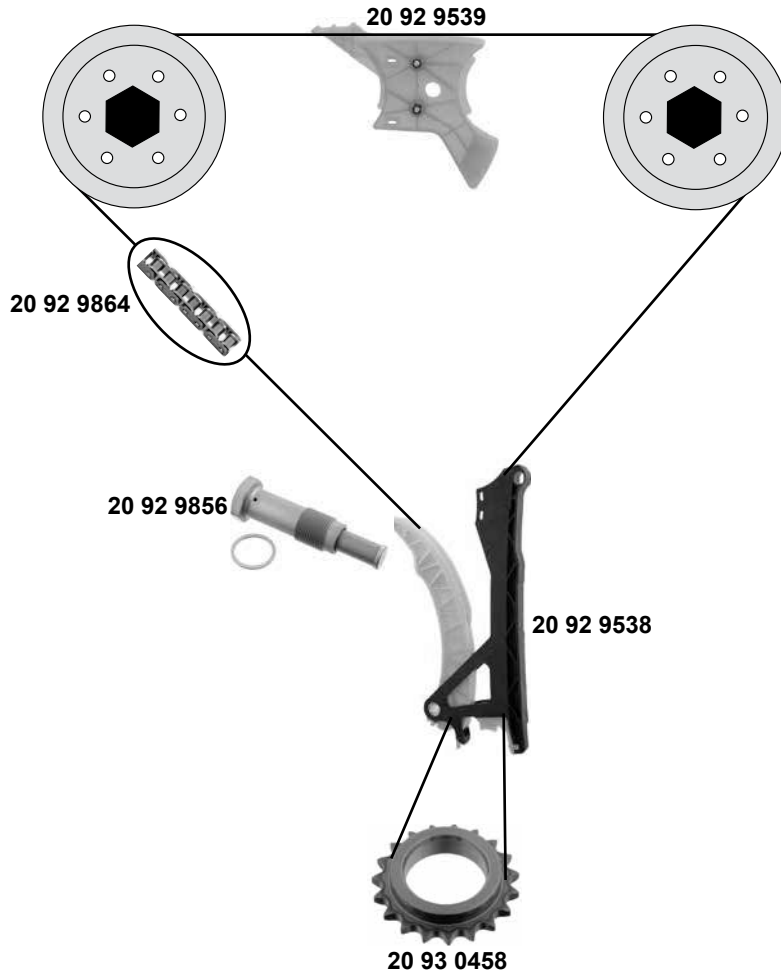
M22x1,25

# BMW X 1 (E84)

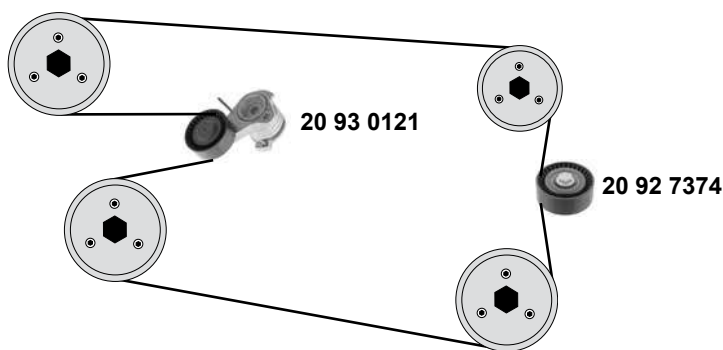
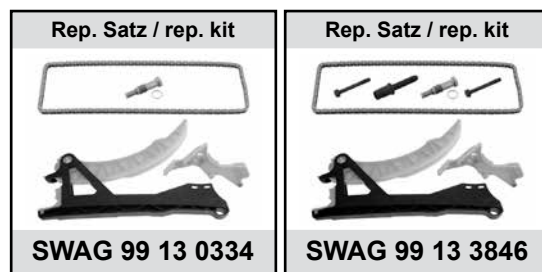
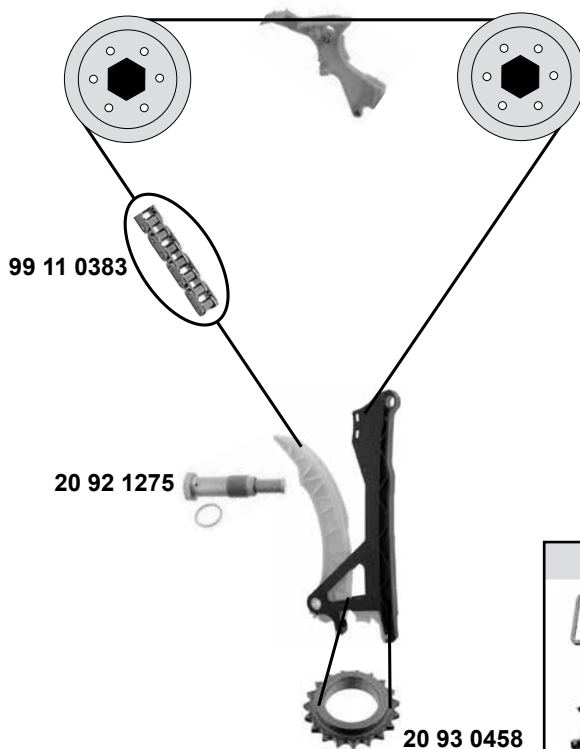
(09→)



## 2,5 iX / 2,8 iX (N52 N)



SWAG	Ref. - No.			
20 92 9538	11 31 7 585 020	Gleitschiene / sliding rail		
20 92 9539	11 31 7 592 850	Gleitschiene / sliding rail		
20 92 9856	11 31 7 584 723	Kettenspanner / chain tensioner		
20 92 9864	11 31 7 584 084	Steuerkette / roller chain		148 E
20 93 0120	11 28 7 535 860	Umlenkrolle / deflection pulley		80x26
20 93 0458	11 31 7 502 180	Kurbelwellenzahnrad / crankshaft gear	2,8 ix	Z19
99 13 0338	11 31 7 584 084 S1	Rep. Satz Steuerkette / rep. kit timing chain		148 E



(1) Rep. Satz Schraube für Steuerkette /  
rep. kit screw for timing chain  
**SWAG 20 93 3845**



	Ref. - No.			
<b>20 92 1275</b>	11 31 7 567 680	Kettenspanner / chain tensioner		
<b>20 92 7374</b>	11 28 1 440 378	Umlenkrolle / deflection pulley		70x26
<b>20 93 0121</b>	11 28 7 524 267	Riemenspanner / belt tensioner		70x26
<b>20 93 0458</b>	11 31 7 502 180	Kurbelwellenzahnrad / crankshaft gear		Z19
<b>20 93 3845</b>	11 23 7 503 107 S1	Rep. Satz Schraube / rep. kit screw	(1)	
<b>99 11 0383</b>	11 31 1 439 854	Steuerkette / timing chain		142 E
<b>99 13 0334</b>	11 31 1 439 854 S1	Rep. Satz Steuerkette / rep. kit timing chain		142 E
<b>99 13 3846</b>	11 31 1 439 854 S2	Rep. Satz Steuerkette / rep. kit timing chain	<b>99 13 0334 mit/with (1)</b>	142 E

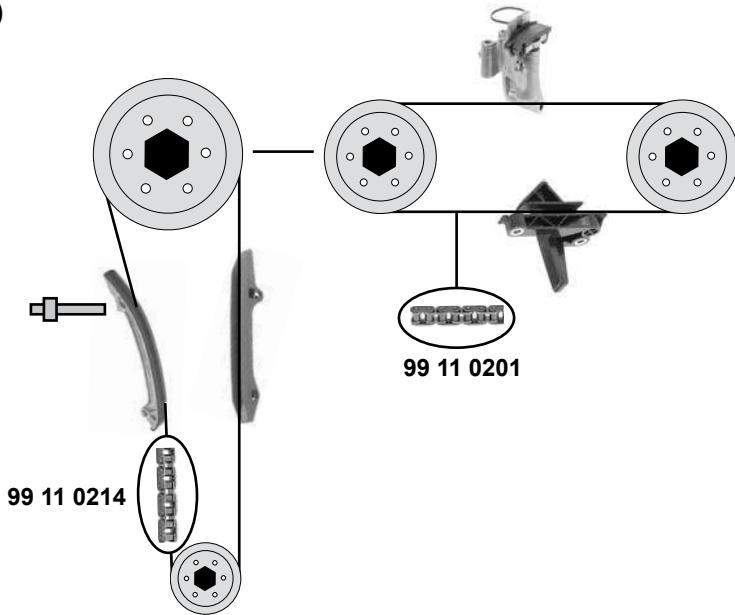
# BMW X 3 I (E83)

(04→06)



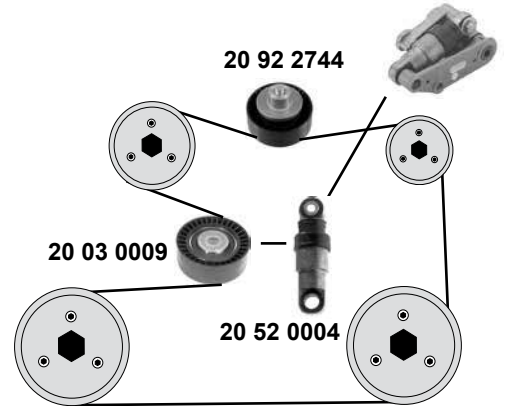
**2,5 / 3,0**  
(M54)

20 10 0004



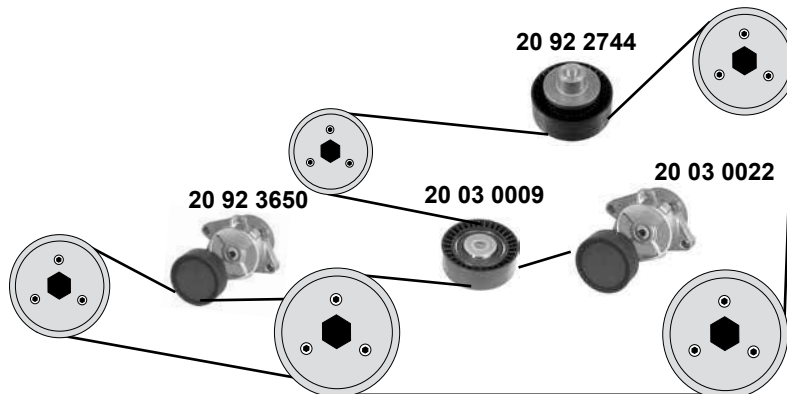
## Hydraulisch / hydraulic

20 91 8483



**2,5 / 3,0**  
(M54)

## Mechanisch / mechanical

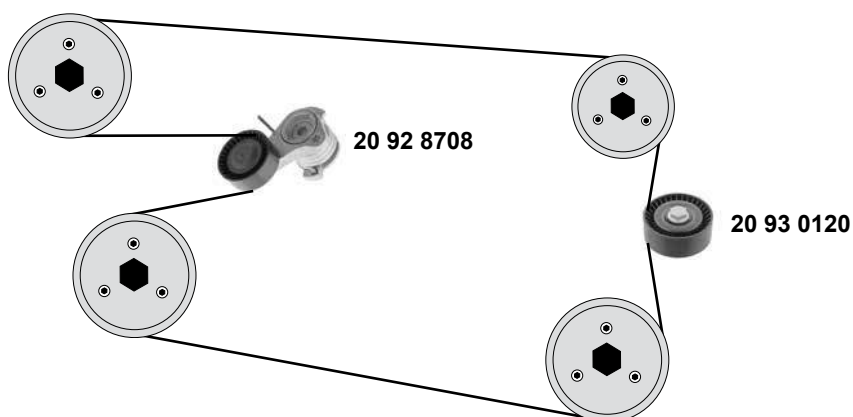
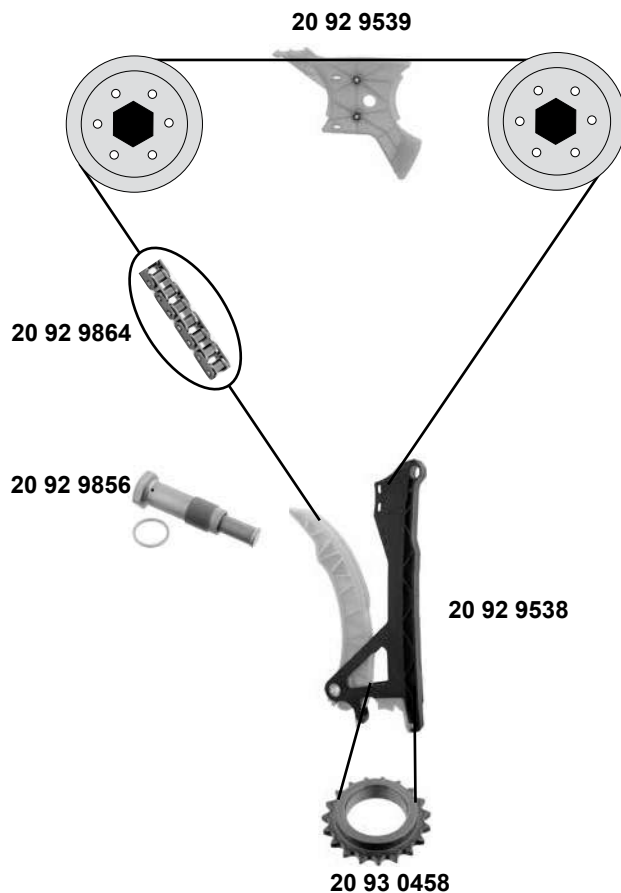


Ref. - No.

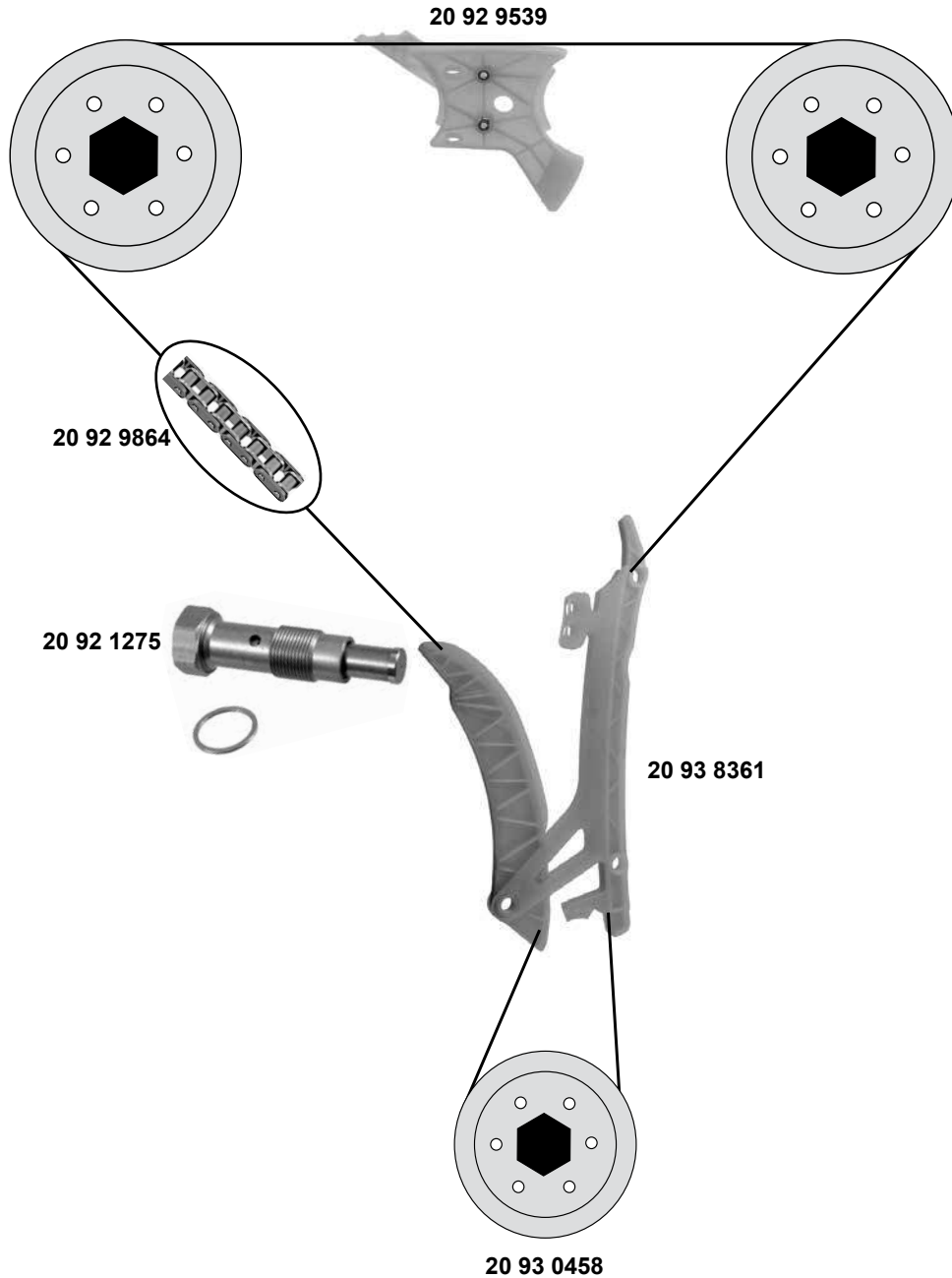


20 03 0009	11 28 1 748 131	Spannrolle / tension roller		Ø 70 x 24,5
20 03 0022	11 28 1 427 252	Riemenspanner / belt tensioner		70 x 24,5
20 10 0004	11 31 1 738 700	Kettenspanner / chain tensioner		
20 52 0004	11 28 1 717 188	Schwingungsdämpfer / vibration damper		
20 91 8483	11 28 7 838 797	Riemenspanner / belt tensioner		
20 92 2744	11 28 7 516 847	Umlenkrolle / deflection pulley		Ø 80 x 24,5
20 92 3650	11 28 7 512 758	Riemenspanner / belt tensioner	AC	70 x 24,5
20 93 2017	11 28 7 938 797 S1	Umbausatz für Riemenspanner/ mounting kit for belt tensioner		
99 11 0201	11 31 1 432 177	Steuerkette / timing chain		58 E
99 11 0214	11 31 1 432 176	Steuerkette / timing chain		104 E
99 13 0331	11 31 1 432 177 S1	Rep. Satz Steuerkette / rep. kit timing chain		58 E
99 13 0410	11 31 1 432 176 S2	Rep. Satz Steuerkette / rep. kit timing chain		104 E

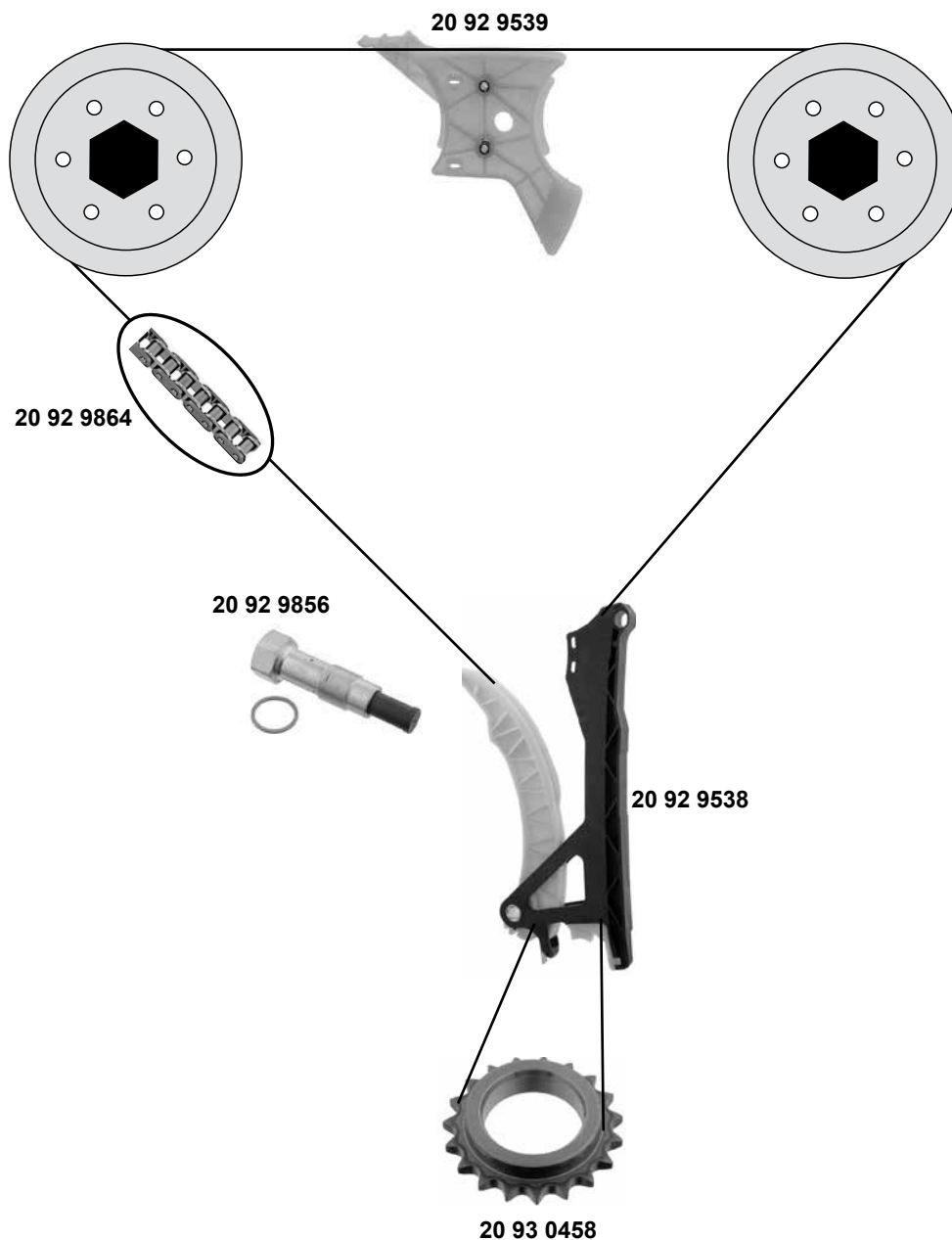




	Ref. - No.			
20 92 8708	11 28 7 530 314	Riemenspanner/ belt tensioner		70x26
20 92 9538	11 31 7 585 020	Gleitschiene / sliding rail		
20 92 9539	11 31 7 592 850	Gleitschiene / sliding rail		
20 92 9856	11 31 7 584 723	Kettenspanner / chain tensioner		
20 92 9864	11 31 7 584 084	Steuerkette / roller chain		148 E
20 93 0120	11 28 7 535 860	Umlenkrolle / deflection pulley		80x26
20 93 0458	11 31 7 502 180	Kurbelwellenzahnrad / crankshaft gear		Z19
99 13 0338	11 31 7 584 084 S1	Rep. Satz Steuerekette / rep. kit timing chain		148 E



Ref. - No.	Ref. - No.			
20 92 1275	11 31 7 567 680	Kettenspanner / chain tensioner		M22x1,25
20 92 9539	11 31 7 592 850	Gleitschiene / sliding rail		
20 92 9864	11 31 7 584 084	Steuerkette einfach / roller chain simplex		148 E
20 93 0458	11 31 7 502 180	Kurbelwellenzahnrad / crankshaft gear		Z19
30 93 8361	11 31 7 592 877	Gleitschiene / sliding rail		
30 93 8362	11 31 7 584 084 S2	Rep. Satz Steuerkette / rep. kit timing chain		148 E



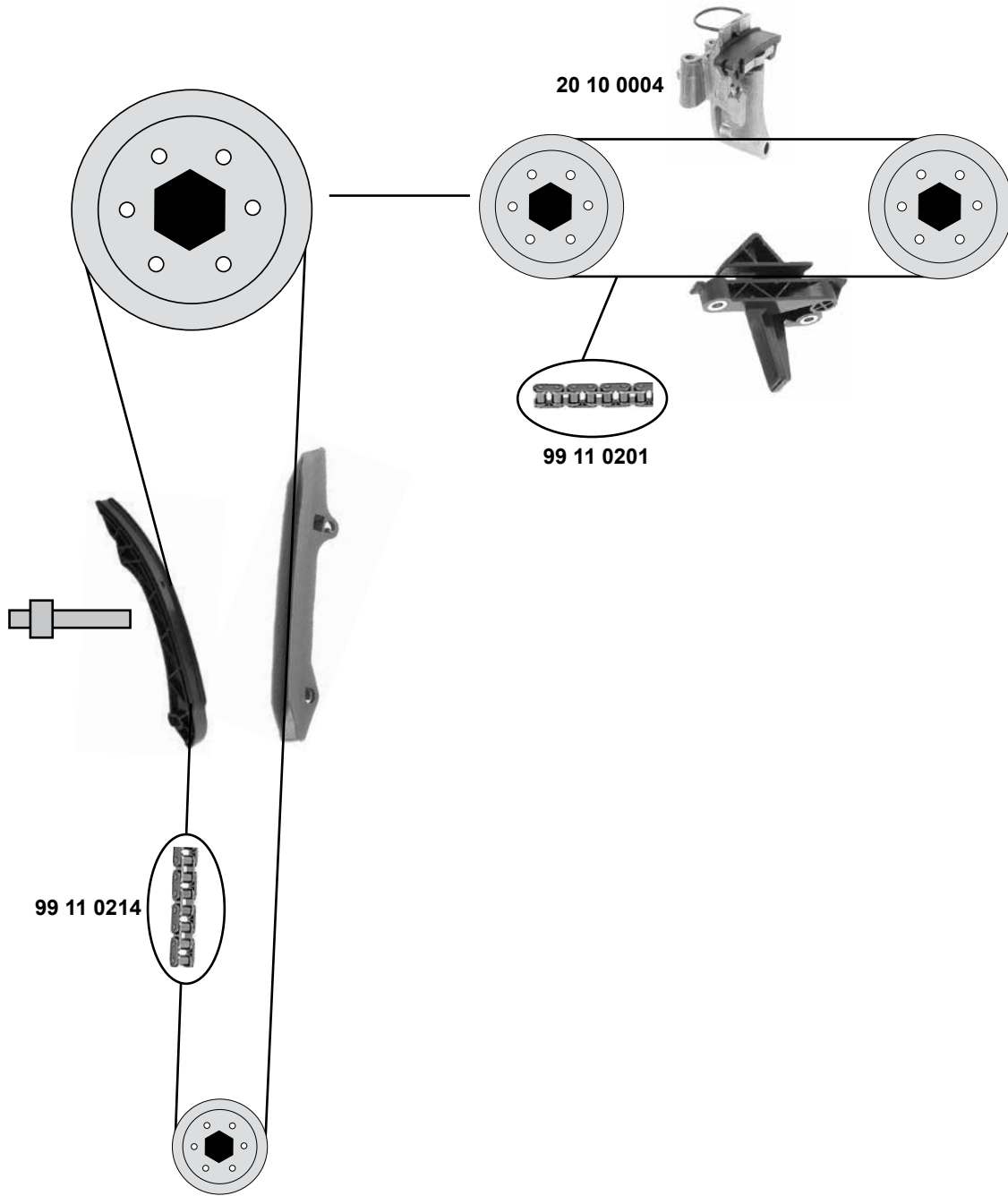
	Ref. - No.			
20 92 9538	11 31 7 585 020	Gleitschiene / sliding rail		
20 92 9539	11 31 7 592 850	Gleitschiene / sliding rail		
20 92 9856	11 31 7 584 723	Kettenspanner / chain tensioner		
20 92 9864	11 31 7 584 084	Steuerkette / roller chain		148 E
20 93 0458	11 31 7 502 180	Kurbelwellenzahnrad / crankshaft gear		Z19
99 13 0338	11 31 7 584 084 S1	Rep. Satz Steuerkette / rep. kit timing chain		148 E

# BMW X 5 I (E53)

(00→06)



**2,5i / 3,0i**  
(M54)



Rep. Satz / rep. kit

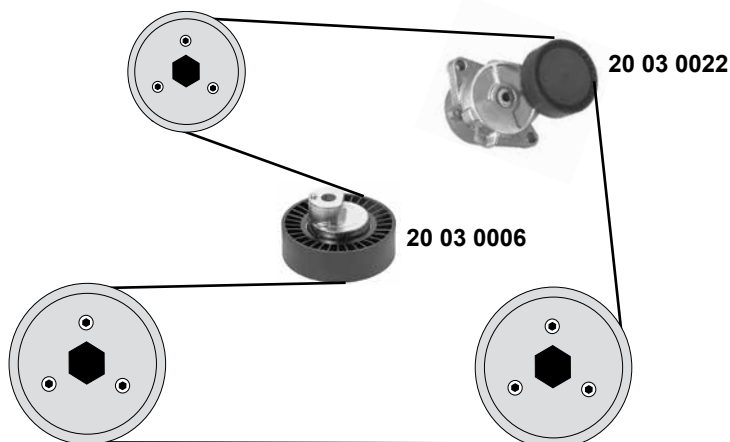
**SWAG 99 13 0331**

Rep. Satz / rep. kit

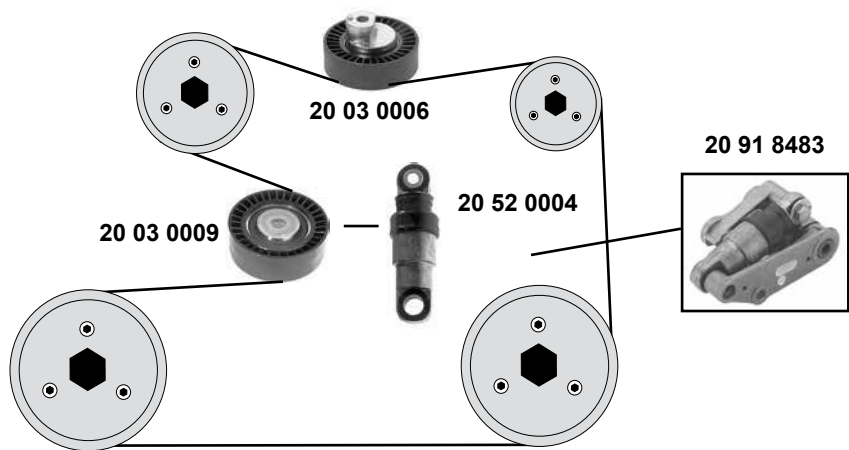
**SWAG 99 13 0410**

SWAG GERMANY	Ref. - No.			
<b>20 10 0004</b>	11 31 1 738 700	Kettenspanner / chain tensioner		
<b>99 11 0201</b>	11 31 1 432 177	Steuerkette / timing chain		58 E
<b>99 11 0214</b>	11 31 1 432 176	Steuerkette / timing chain		104 E
<b>99 13 0331</b>	11 31 1 432 177 S1	Rep. Satz Steuerkette / rep. kit timing chain		
<b>99 13 0410</b>	11 31 1 432 176 S2	Rep. Satz Steuerkette / rep. kit timing chain		104 E

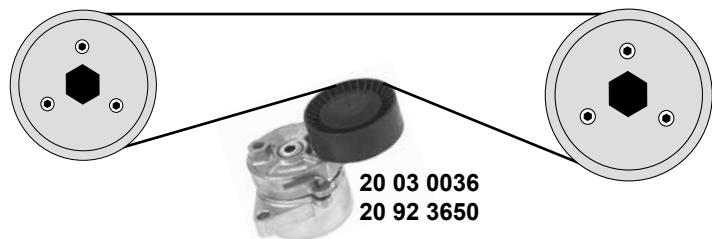
**Mechanisch / mechanical**



**Hydraulisch / hydraulic**



**AC**



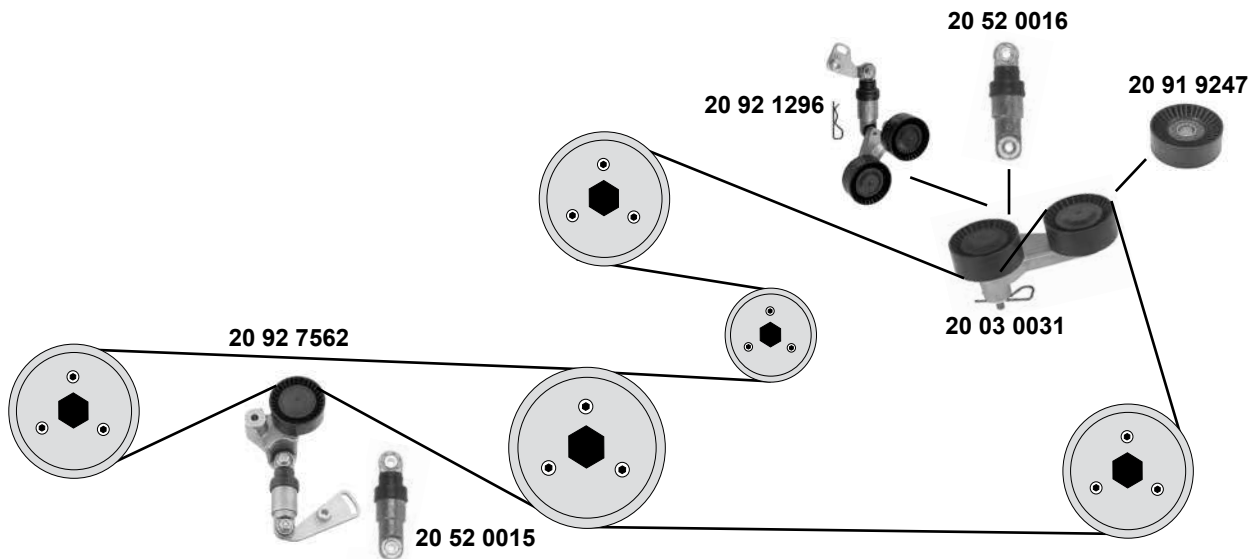
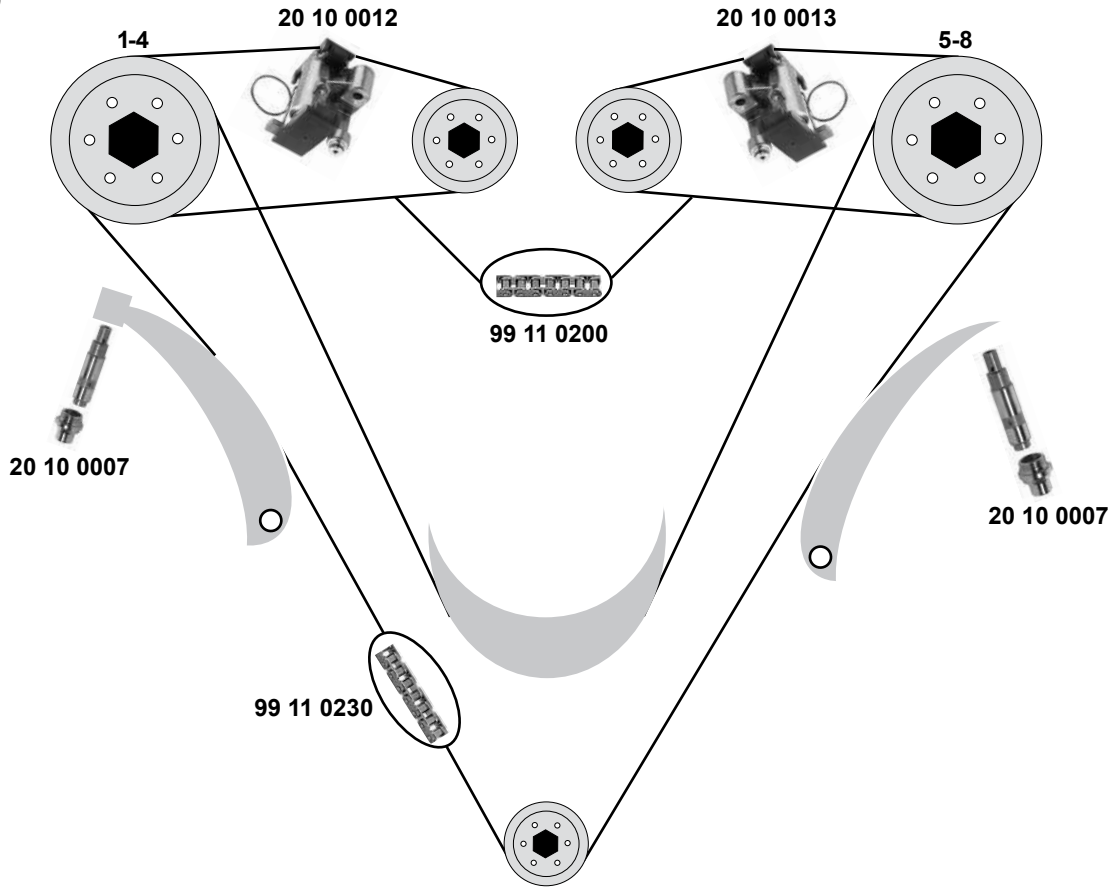
	Ref. - No.			
20 03 0006	11 28 7 841 228	Umlenkrolle / deflection pulley		Ø 80 x 24,5
20 03 0009	11 28 1 748 131	Spannrolle / tension roller		Ø 70 x 24,5
20 03 0022	11 28 1 427 252	Riemenspanner / belt tensioner		70 x 24,5
20 03 0036	11 28 1 433 571	Riemenspanner / belt tensioner	Modell → 09/02	Ø 70 / 78 x 26
20 52 0004	11 28 1 717 188	Schwingungsdämpfer / vibration damper		
20 91 8483	11 28 7 838 797	Riemenspanner / belt tensioner		
20 92 3650	11 28 7 512 758	Riemenspanner / belt tensioner	Modell 09/02 →	70 x 24,5
20 93 2017	11 28 7 938 797 S1	Umbausatz für Riemenspanner/ mounting kit for belt tensioner		

# BMW X 5 I (E53)

(00→03)



**4,4 / 4,6**  
(M62)



Ref. - No.



20 03 0031	11 28 1 742 858
20 10 0007	11 31 7 531 813
20 10 0012	11 31 1 435 026
20 10 0013	11 31 1 435 027
20 52 0015	11 28 1 745 545
20 52 0016	11 28 1 709 613
20 91 9247	11 28 7 500 560
20 92 1296	11 28 7 515 865 S1
20 92 7562	11 28 1 745 819 KPL
99 11 0200	11 31 1 406 167
99 11 0230	11 31 1 741 746

Spannrolle / tension roller
Kettenspanner / chain tensioner
Kettenspanner / chain tensioner
Kettenspanner / chain tensioner
Schwingungsdämpfer / vibration damper
Schwingungsdämpfer / vibration damper
Umlenkrolle / deflection pulley
Riemenspanner / belt tensioner
Riemenspanner / belt tensioner
Steuerkette / timing chain
Steuerkette / timing chain

Modell: → 09/98

Ø 70 x 28

AC (mot.) 4,4l

05/99 →

ØA 80 x 28

AC (mot.) 4,6l

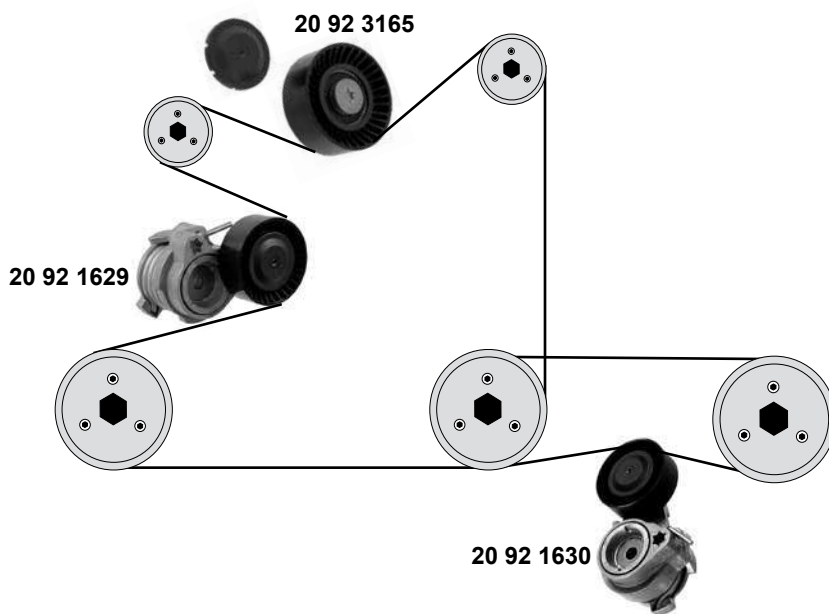
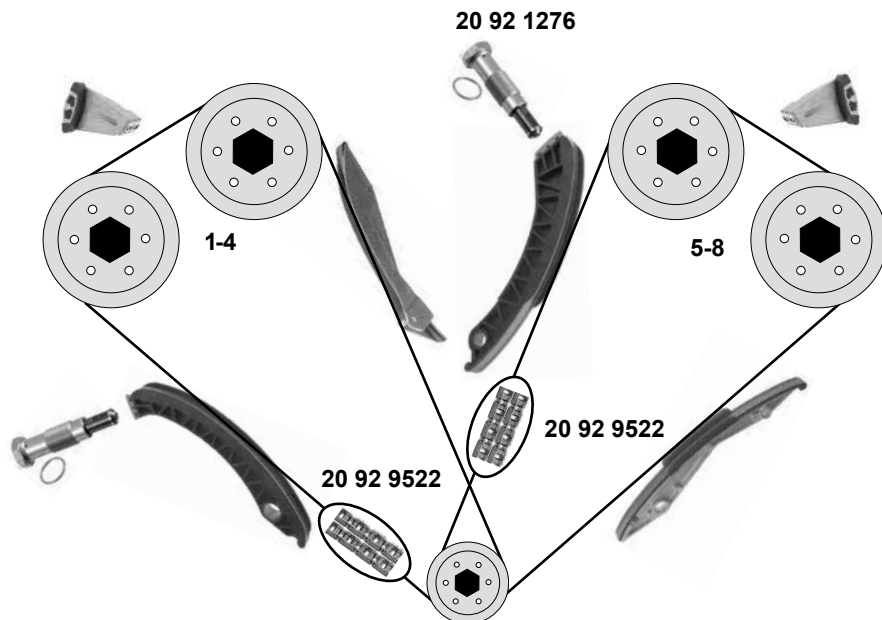
54 E

188 E



**BMW**  
**X 5 I (E53)**  
(03→06)

**4,4 i / 4,8 iS**  
(N62)



(1) (mot.) → 01/05 OE.No.11 31 7 533 488/11 31 7 548 033 erneuern / replace ! Kein Satzhalt / No contents of the kit !



Ref. - No.



<b>20 92 1276</b>	11 31 1 439 552	Kettenspanner / chain tensioner		
<b>20 92 1629</b>	11 28 7 549 588	Riemenspanner / belt tensioner		
<b>20 92 1630</b>	11 28 7 549 589	Riemenspanner / belt tensioner	<b>AC</b>	
<b>20 92 3165</b>	11 28 7 549 557	Umlenkrolle / deflection pulley		ØA 70 B26
<b>20 92 9522</b>	11 31 7 504 468	Steuerkette, zweifach / timing chain, double		ØA 70 B24,5
<b>99 13 0339</b>	11 31 7 504 468 S1	Rep. Satz Steuerkette / rep. kit timing chain	1-4 Zyl.	ØA 75 B26
<b>99 13 0340</b>	11 31 7 504 468 S2	Rep. Satz Steuerkette / rep. kit timing chain	(1) 5-8 Zyl.	D 140 E
				D 140 E
				D 140 E

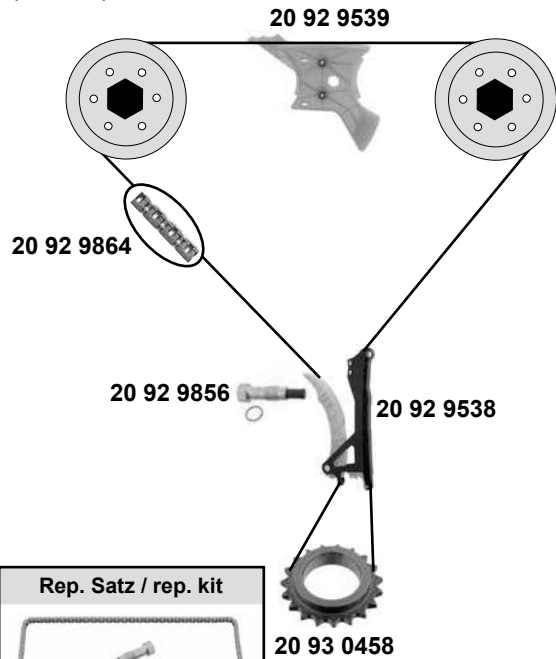


# BMW X 5 II / LCI (E70)

(06→13)



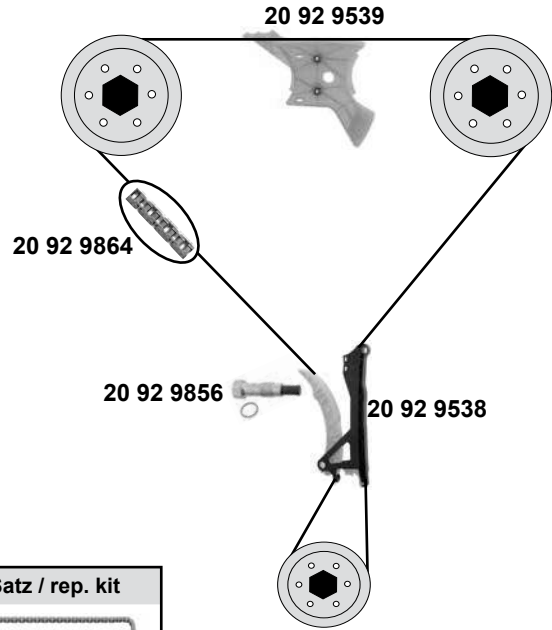
## 3,0 Si (N52N)



Rep. Satz / rep. kit

**SWAG 99 13 0338**

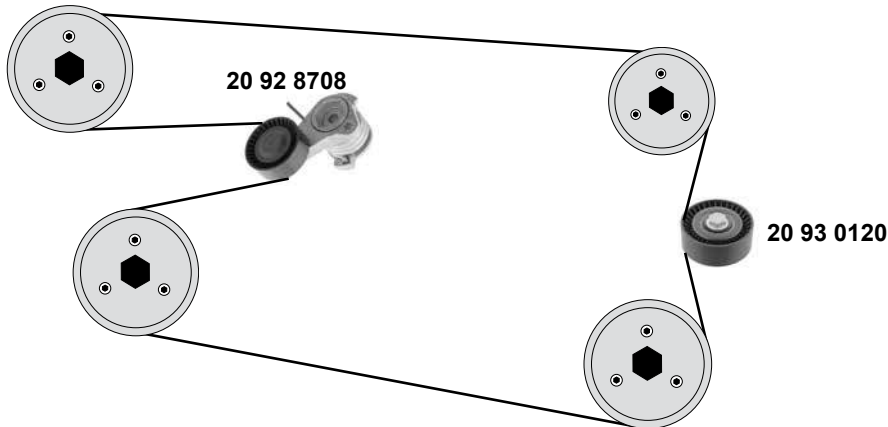
## 3,5 iX (N55)



Rep. Satz / rep. kit

**SWAG 99 13 0338**

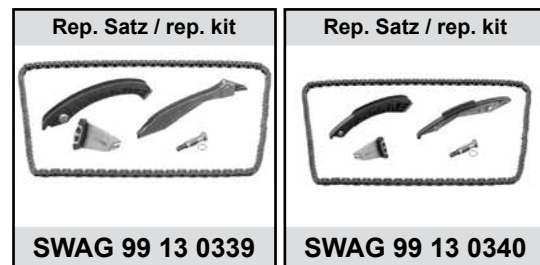
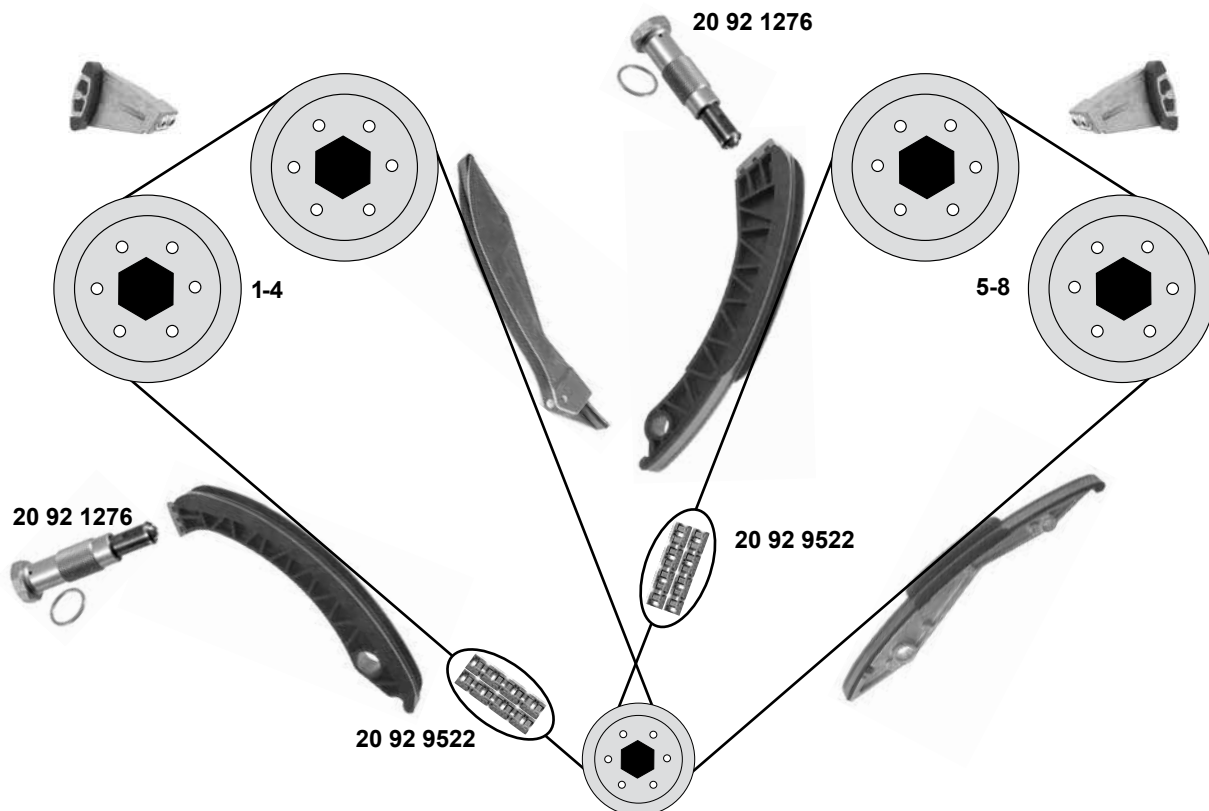
(N52N)



**i** (1) (ex.) aktives Fahrwerk/ adaptive drive  
(ex.) AC mit 4-Zonen-Regelung / with 4-zone-control

SWAG	Ref. - No.		<b>i</b>	
20 92 8708	11 28 7 530 314	Riemenspanner/ belt tensioner		70x26
20 92 9538	11 31 7 585 020	Gleitschiene / sliding rail		
20 92 9539	11 31 7 592 850	Gleitschiene / sliding rail		
20 92 9856	11 31 7 584 723	Kettenspanner / chain tensioner		
20 92 9864	11 31 7 584 084	Steuerkette / timing chain		148 E
20 93 0120	11 28 7 535 860	Umlenkrolle / deflection pulley	(1)	80x26
20 93 0458	11 31 7 502 180	Kurbelwellenzahnrad / crankshaft gear		Z19
99 13 0338	11 31 7 584 084 S1	Rep. Satz Steuerkette / rep. kit timing chain		148 E





(1) (mot.) → 01/05 OE.No.11 31 7 533 488/11 31 7 548 033 erneuern / replace ! Kein Satzinhalt / No contents of the kit !



Ref. - No.



<b>20 92 1276</b>	11 31 1 439 552	Kettenspanner / chain tensioner
<b>20 92 9522</b>	11 31 7 504 468	Steuerkette, zweifach / timing chain, double
<b>99 13 0339</b>	11 31 7 504 468 S1	Rep. Satz Steuerkette / rep. kit timing chain
<b>99 13 0340</b>	11 31 7 504 468 S2	Rep. Satz Steuerkette / rep. kit timing chain

1-4 Zyl.  
(1) / 5-8 Zyl.

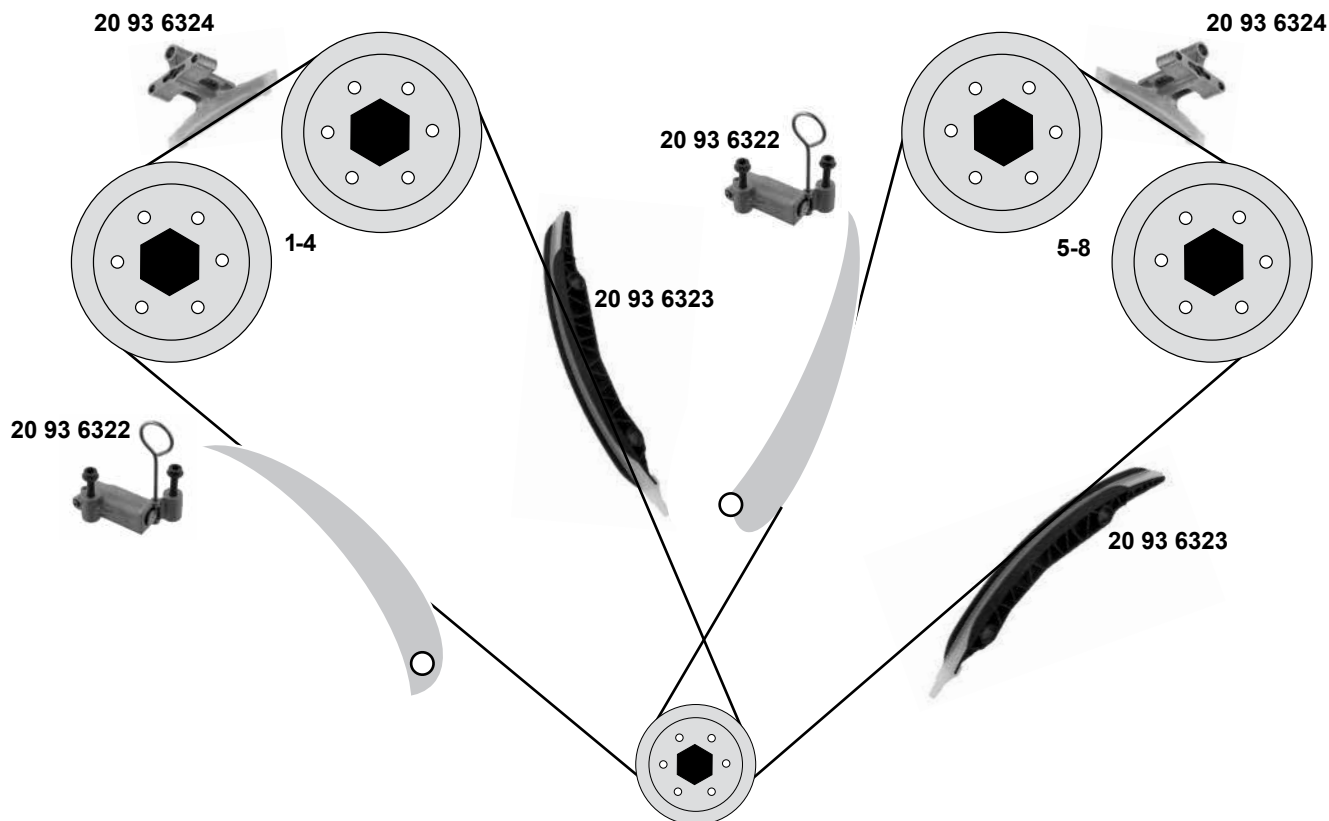
D 140 E  
D 140 E  
D 140 E

# BMW X 5 II LCI (E70)

(10→13)



**5,0 ix**  
(N63)

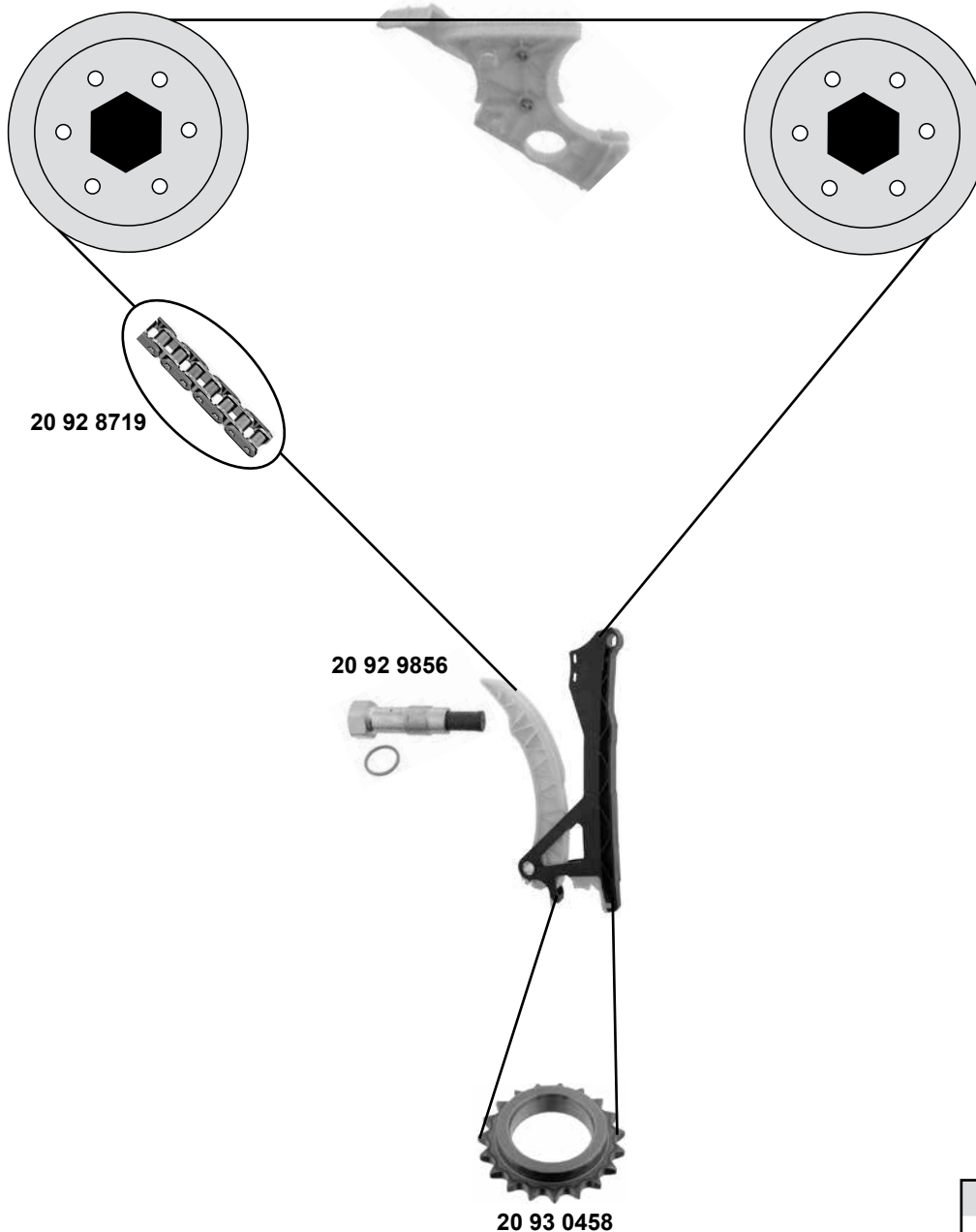


Ref. - No.



20 93 6322	11 31 7 557 741
20 93 6323	11 31 7 574 397
20 93 6324	11 31 7 565 242

Kettenspanner / chain tensioner
Führungsschiene / timing chain guide
Gleitschiene / sliding rail



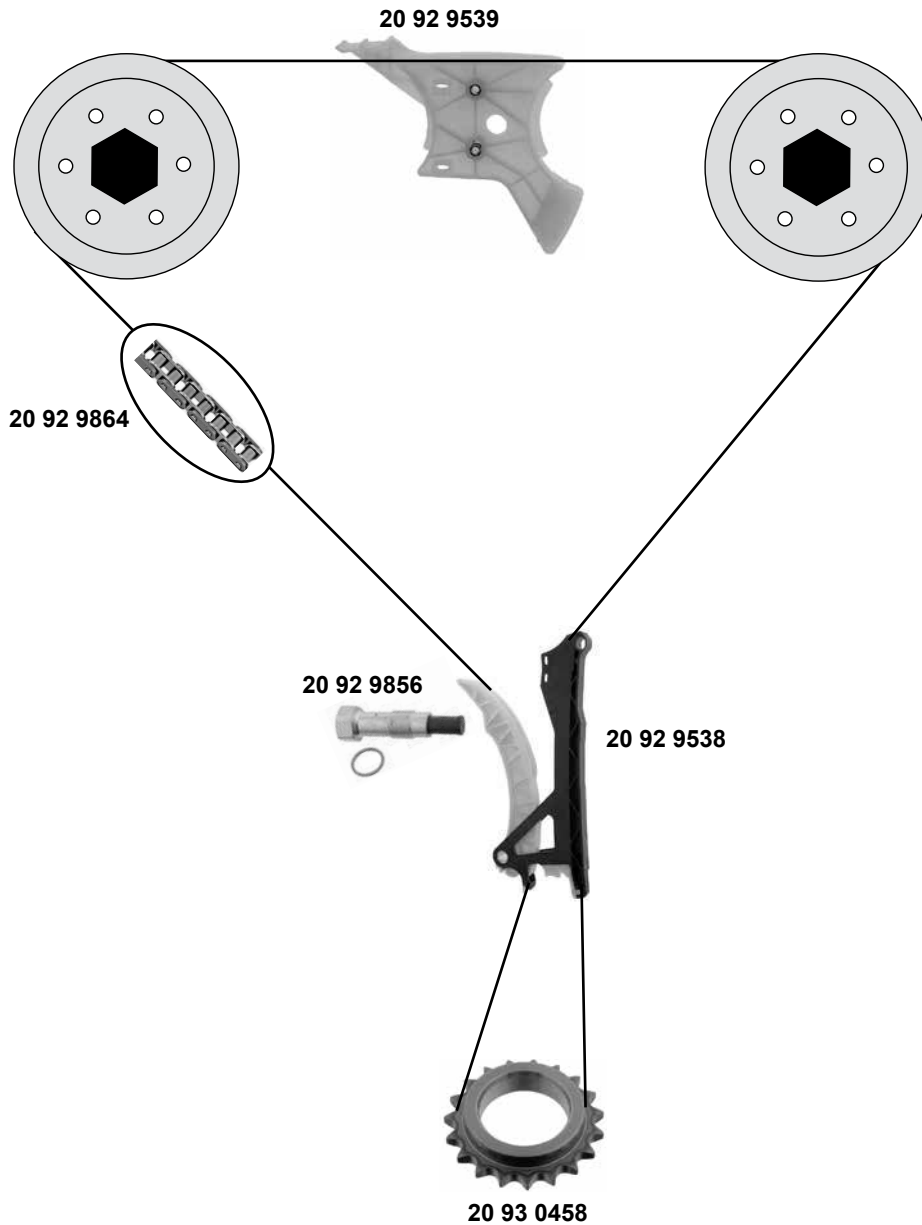
	Ref. - No.			
<b>20 92 8719</b>	11 31 7 516 088	Steuerkette / roller chain		144 E
<b>20 92 9856</b>	11 31 7 584 723	Kettenspanner / chain tensioner		
<b>20 93 0458</b>	11 31 7 502 180	Kurbelwellenzahnrad / crankshaft gear		Z19
<b>99 13 0337</b>	11 31 7 516 088 S2	Rep. Satz Steuerkette / rep. kit timing chain		144 E

# BMW X 6 (E 71)

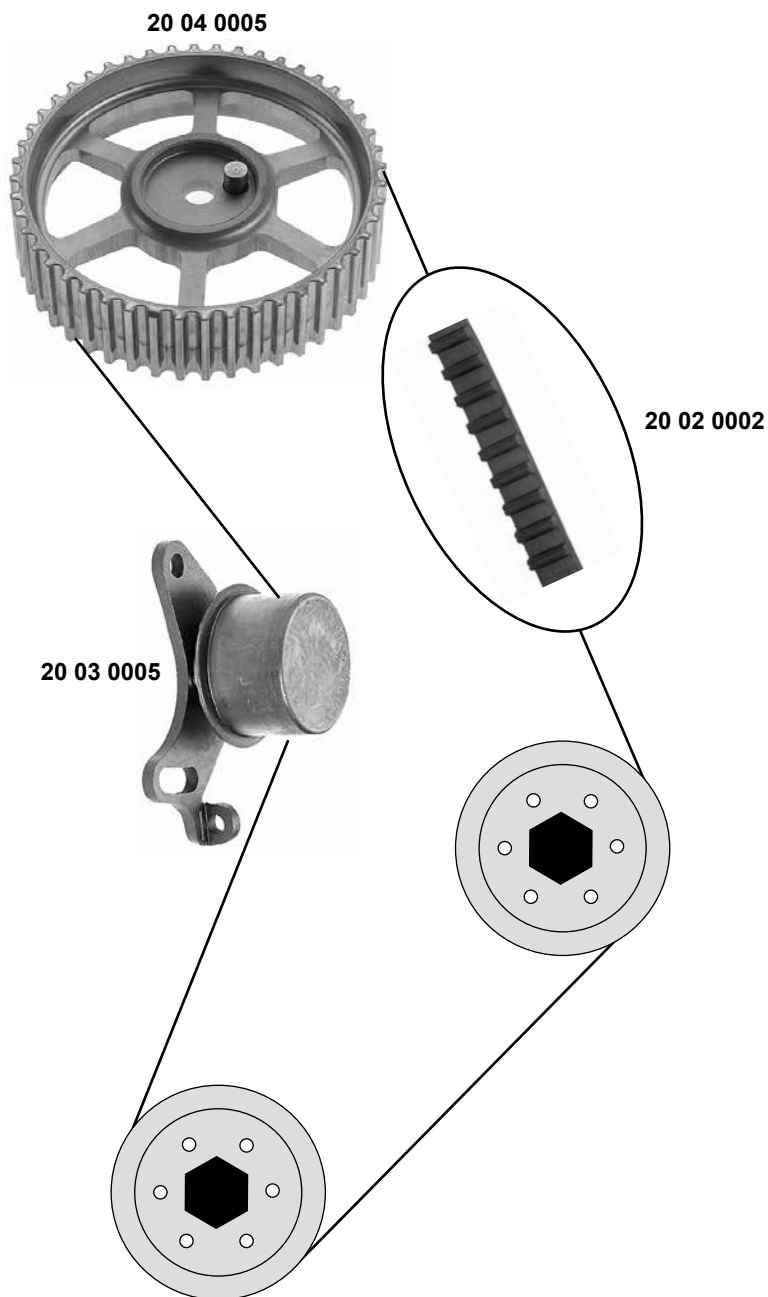
(08→)



**3,5 ix / 4,0 ix**  
(N55)



Ref. - No.			
20 92 9538	11 31 7 585 020	Gleitschiene / sliding rail	
20 92 9539	11 31 7 592 850	Gleitschiene / sliding rail	
20 92 9856	11 31 7 584 723	Kettenspanner / chain tensioner	
20 92 9864	11 31 7 584 084	Steuerkette / timing chain	148 E
20 93 0458	11 31 7 502 180	Kurbelwellenzahnrad / crankshaft gear	Z19
99 13 0338	11 31 7 584 084 S1	Rep. Satz Steuerkette / rep. kit timing chain	148 E



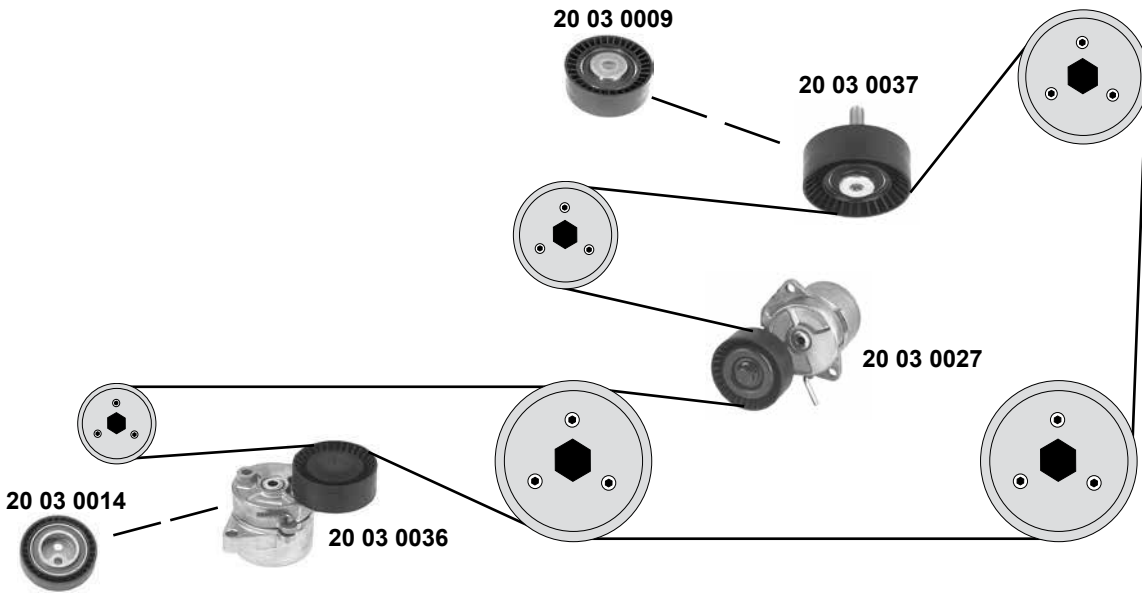
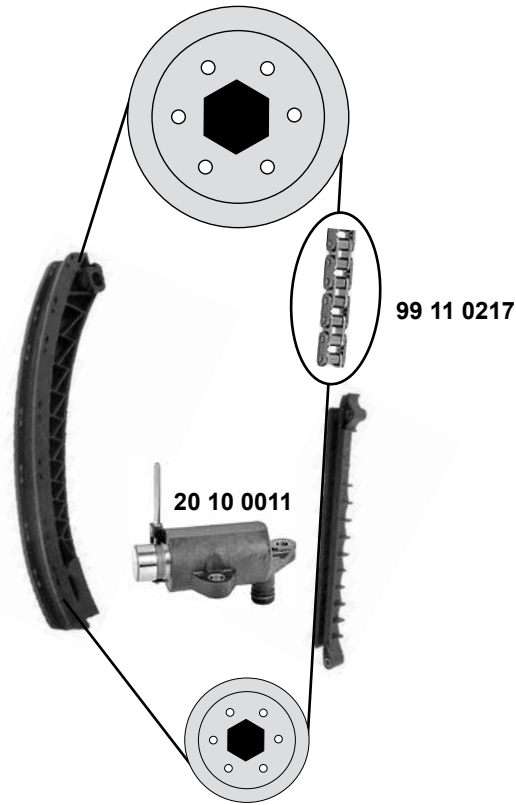
	Ref. - No.			
<b>20 02 0002</b>	11 31 1 713 361	Zahnriemen / timing belt		Z 127 B25,4
<b>20 02 0009</b>	11 31 1 713 361 S1	Rep. Satz Zahnriemen / rep. kit timing belt		
<b>20 03 0005</b>	11 31 1 711 153	Spannrolle / tension roller		ØA49,5
<b>20 04 0005</b>	11 31 1 714 988	Nockenwellenrad / camshaft gear		Z 48

# BMW Z 3

(95→03)



**1,8 / 1,9**  
(M43)



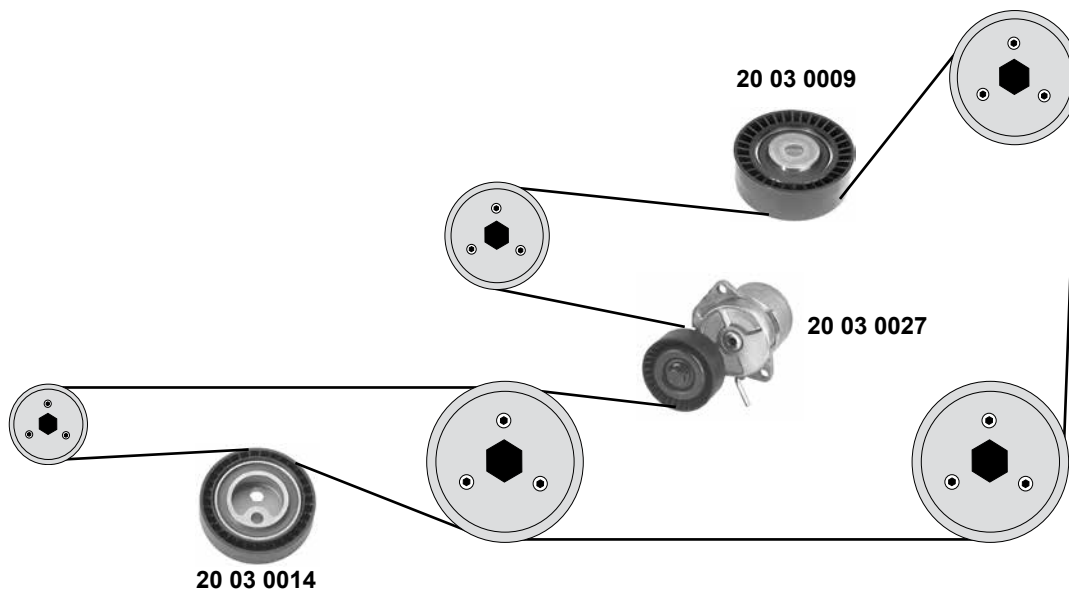
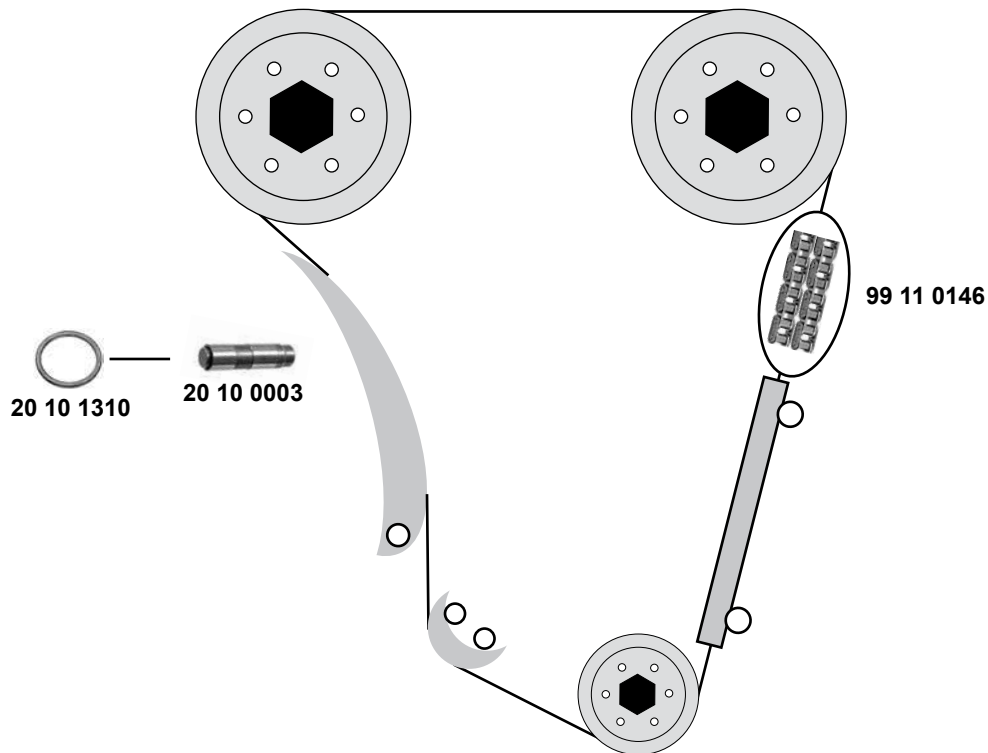
(1) (mot.)1,8 / nur Heisslandausführung / only warm country implementation  
mit 80 Ampere Generator / Alternator



Ref. - No.

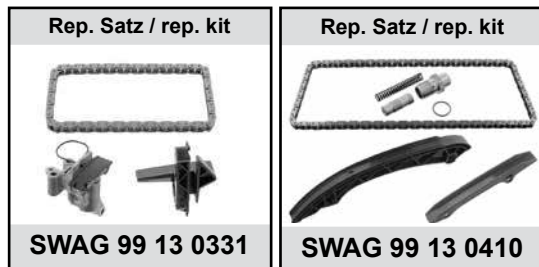
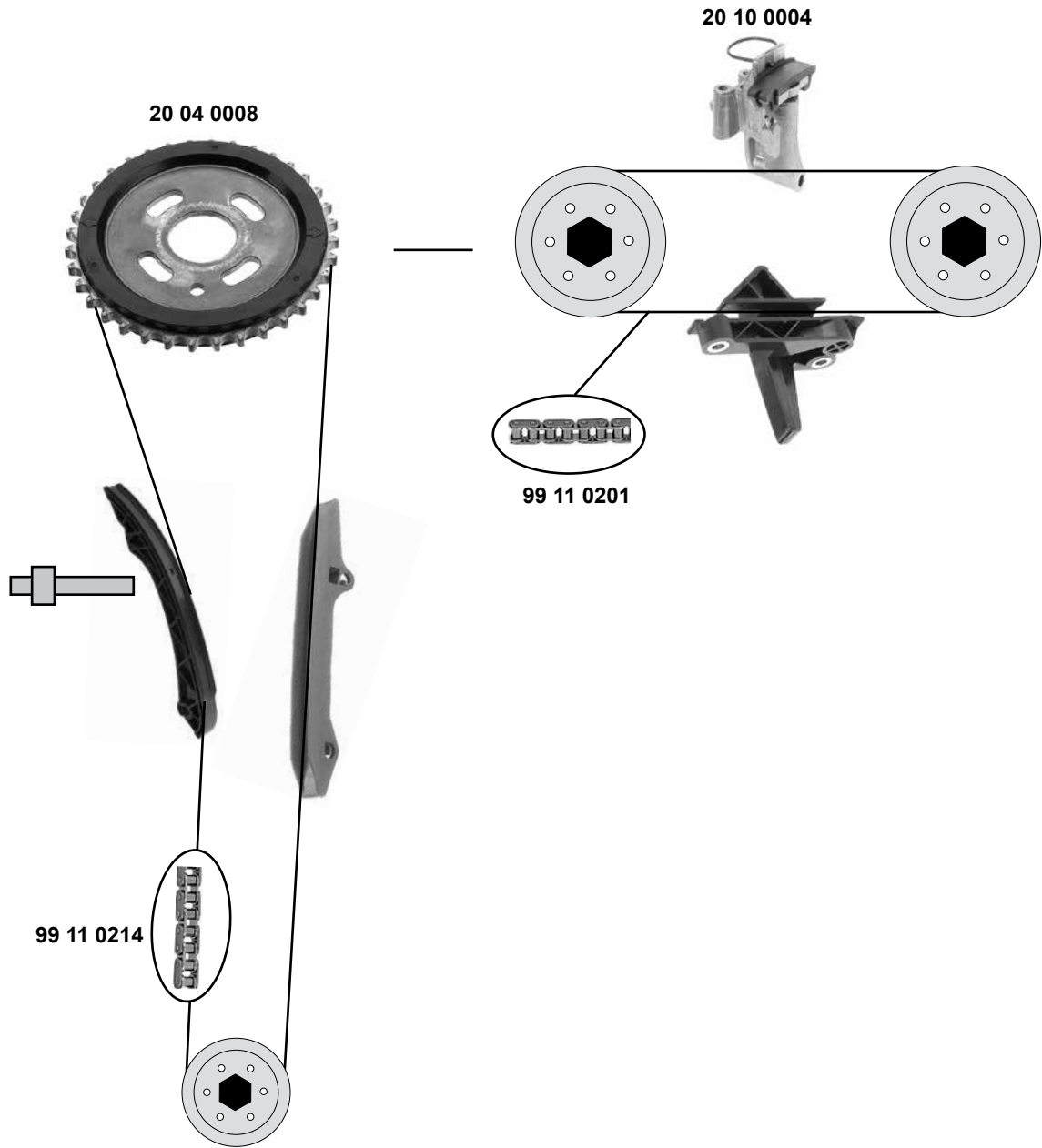


Ref. - No.	Description	Notes	Dimensions
20 03 0009	Spannrolle / tension roller	(1)	70 x 24,5
20 03 0014	Spannrolle / tension roller	(mot.) 1,8	Ø 80
20 03 0027	Riemenspanner / belt tensioner		Ø 70 x 26
20 03 0036	Riemenspanner / belt tensioner	AC (mot.) 1,9	Ø 70/78 x 26
20 03 0037	Umlenkrolle / deflection pulley	(mot.) 1,9	Ø 70 x 26
20 10 0011	Kettenspanner / chain tension		
99 11 0217	Steuerkette / timing chain		106 E
99 13 0381	Rep. Satz Steuerkette / rep. kit timing chain		106 E



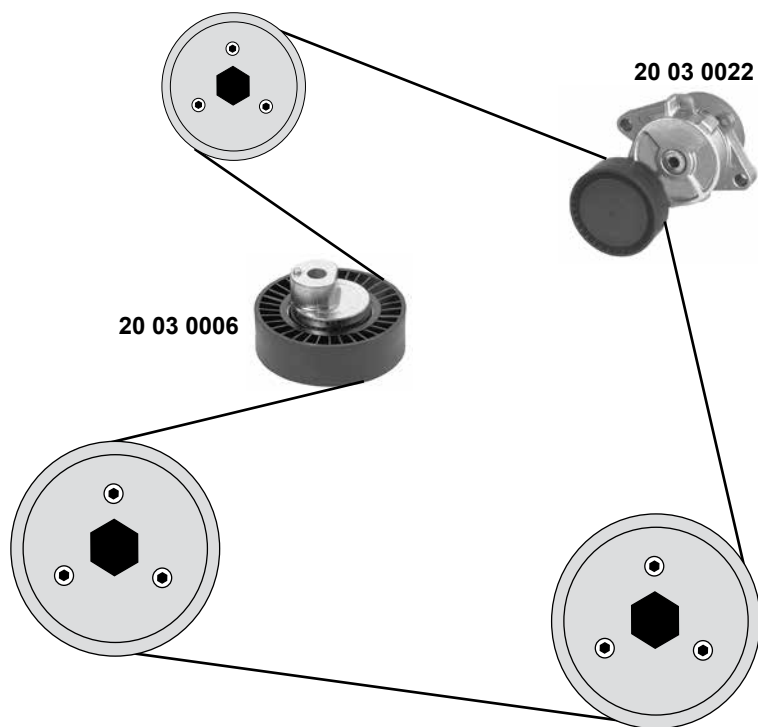
(1) mit 80 Ampere Generator / Alternator

	Ref. - No.			
20 03 0009	11 28 1 748 131	Spannrolle / tension roller	(1)	70 x 24,5
20 03 0014	11 28 2 245 087	Spannrolle / tension roller	AC	Ø 80
20 03 0027	11 28 1 432 104	Riemenspanner / belt tensioner		70 x 26
20 10 0003	11 31 1 743 187	Kettenspanner / chain tighener		18 x 68
20 10 1310	07 11 9 963 355	Alu-Dichtring / alu-seal ring		22 x 27
99 11 0146	11 31 1 247 160	Steuerkette, zweifach / timing chain, double		D120 E

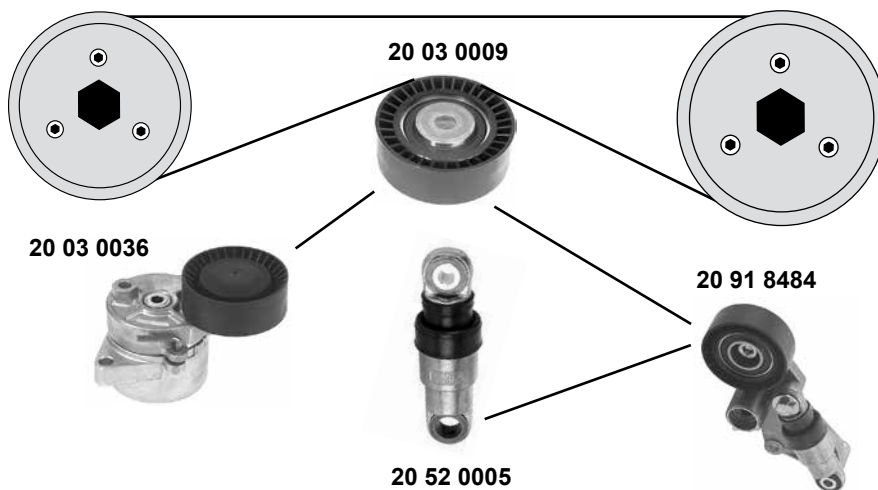


Part No.	Ref. - No.	Description	Motor	Application
20 04 0008	11 31 1 722 841	Nockenwellenrad / camshaft gear	(mot.) 2,8 → 09/98	Z 36
20 10 0004	11 31 1 738 700	Kettenspanner / chain tensioner		
99 11 0201	11 31 1 432 177	Steuerkette / timing chain		58 E
99 11 0214	11 31 1 432 176	Steuerkette / timing chain		104 E
99 13 0331	11 31 1 432 177 S1	Rep. Satz Steuerkette / rep. kit timing chain		58 E
99 13 0410	11 31 1 432 176 S2	Rep. Satz Steuerkette / rep. kit timing chain		104 E





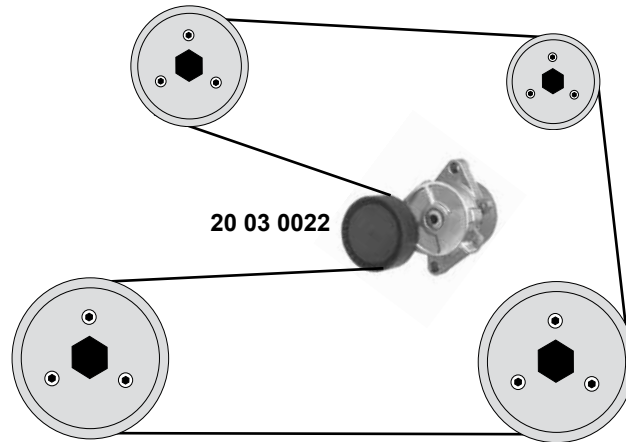
**AC**



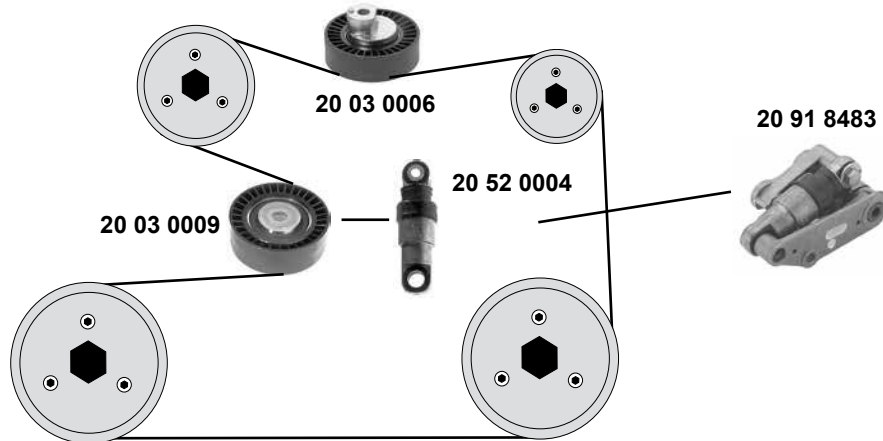
	Ref. - No.			
20 03 0006	11 28 7 841 228	Umlenkrolle / deflection pulley	(mot.) 2,0	Ø 80 x 24,5
20 03 0009	11 28 1 748 131	Spannrolle / tension roller		Ø 70 x 24,5
20 03 0022	11 28 1 427 252	Riemenspanner / belt tensioner		70 x 24,5
20 03 0036	11 28 1 433 571	Riemenspanner / belt tensioner	(mot.) 2,2	70 / 78 x 26
20 52 0005	11 28 1 717 210	Schwingungsdämpfer / vibration damper	(mot.) 2,0	
20 91 8484	11 28 1 717 210 S1	Riemenspanner / belt tensioner	(mot.) 2,0	

**2,8**  
(M52)

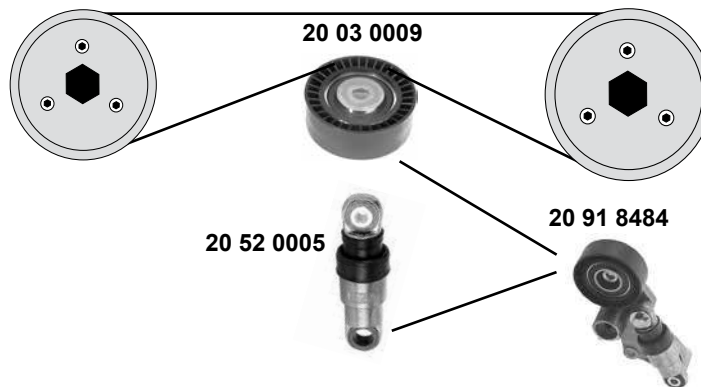
**Mechanisch / mechanical**



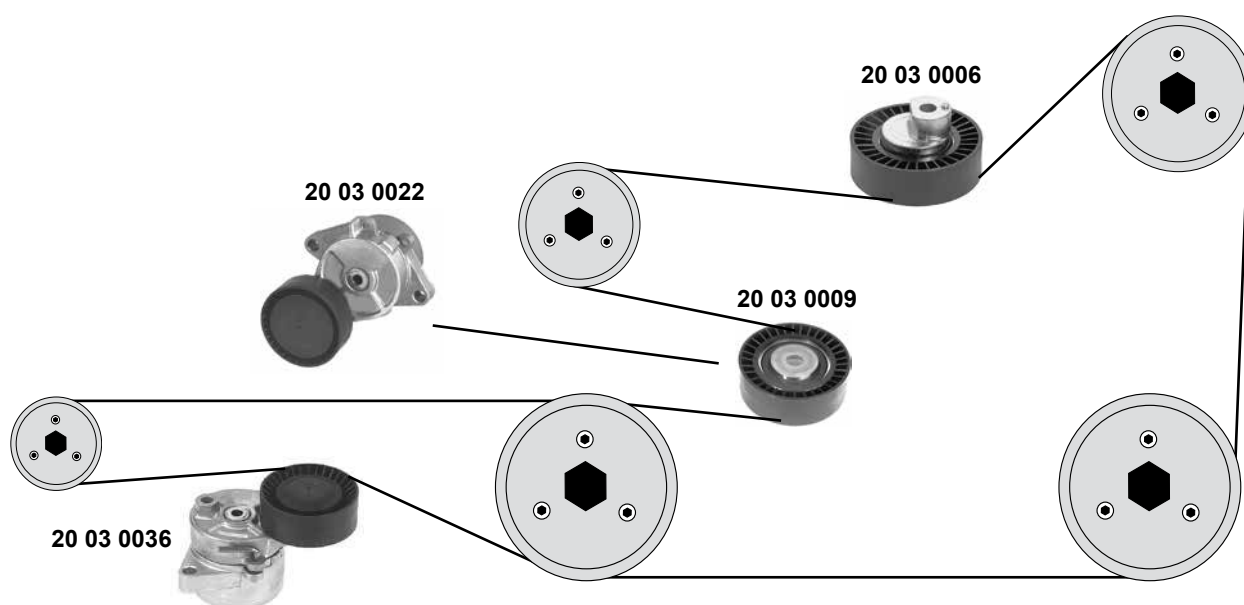
**Hydraulisch / hydraulic**



**AC**



SWAG	Ref. - No.			
20 03 0006	11 28 7 841 228	Umlenkrolle / deflection pulley		Ø80 x 24,5
20 03 0009	11 28 1 748 131	Spannrolle / tension roller		Ø 70 x 24,5
20 03 0022	11 28 1 427 252	Riemenspanner / belt tensioner		70 x 24,5
20 52 0004	11 28 1 717 188	Schwingungsdämpfer / vibration damper		
20 52 0005	11 28 1 717 210	Schwingungsdämpfer / vibration damper		
20 91 8483	11 28 7 838 797	Riemenspanner / belt tensioner		70 x 24,5
20 91 8484	11 28 1 717 210 S1	Riemenspanner / belt tensioner		
20 93 2017	11 28 7 938 797 S1	Umbausatz für Riemenspanner/ mounting kit for belt tensioner		

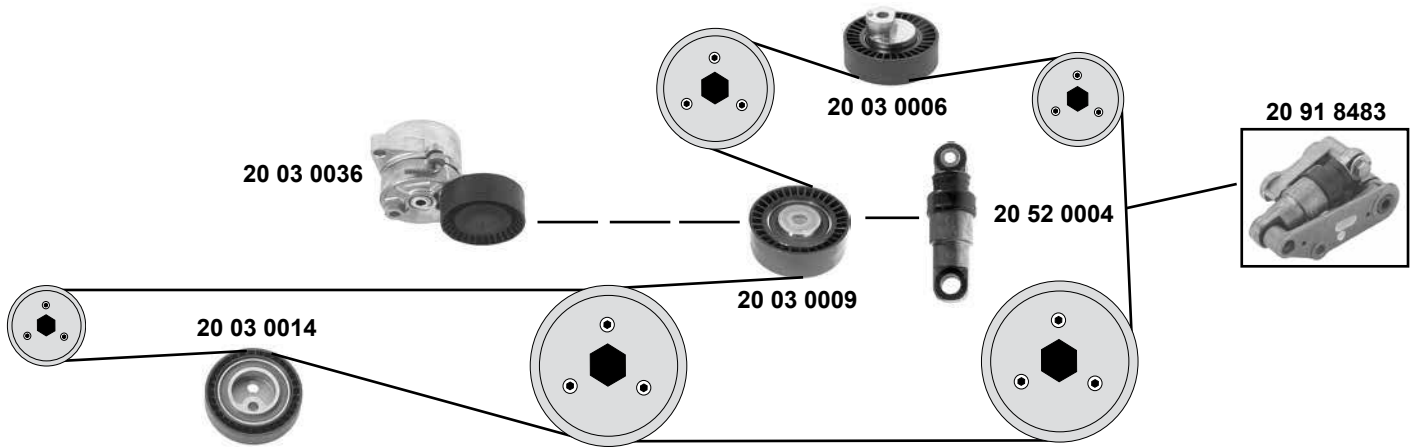
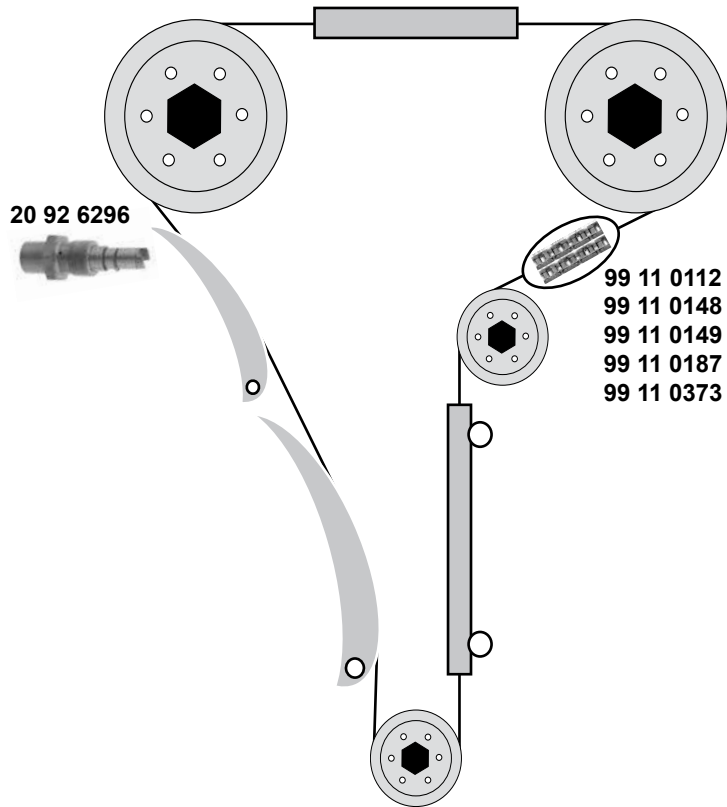


# BMW Z3

(95→03)



## M 3,2 (B32 / S50 / S54)



(1) Nietverschluß / riveted link / bouchon de rivet / rivetti

(3) normal / regular / normal / normale / normalizado

(2) Federverschluß / split link / fermeture de ressort / falsa maglia

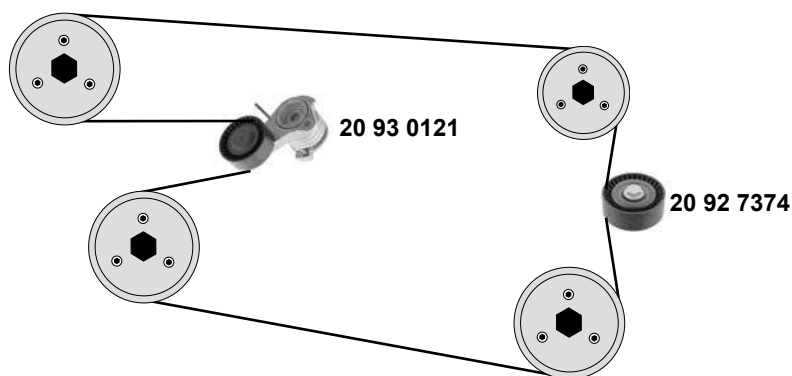
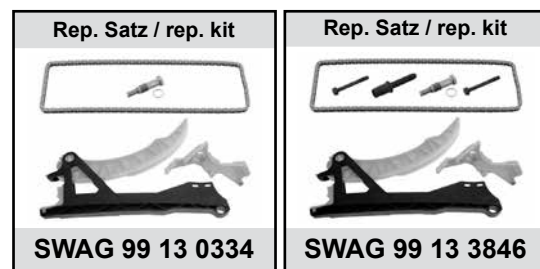
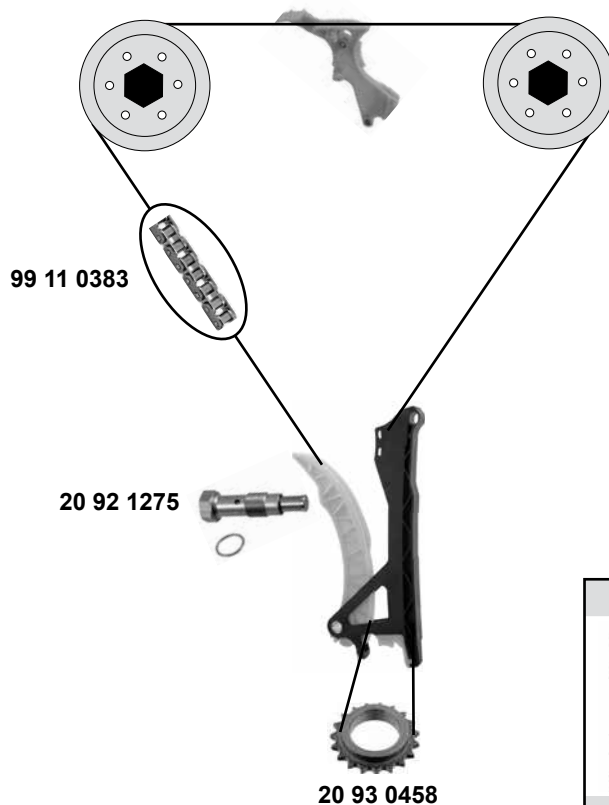
(4) verstärkt / reinforced / renforcée / förstärkt / rinforzato



Ref. - No.



Ref. - No.			
20 03 0006	11 28 7 841 228	Umlenkrolle / deflection pulley	Ø 80 x 24,5
20 03 0009	11 28 1 748 131	Spannrolle / tension roller	Ø 70 x 24,5
20 03 0014	11 28 2 245 087	Spannrolle / tension roller	Ø 80
20 03 0036	11 28 1 433 571	Riemenspanner / belt tensioner	70 / 78 x 26
20 52 0004	11 28 1 717 188	Schwingungsdämpfer / vibration damper	
20 91 8483	11 28 7 838 797	Riemenspanner / belt tensioner	
20 92 6296	11 31 1 405 081	Kettenspanner / chain tensioner	
99 11 0112	11 31 1 403 081 S1	Steuerkette, zweifach / timing chain, double	<b>mechanisch</b>
99 11 0148	11 31 1 403 081	Steuerkette, zweifach / timing chain, double	<b>hydraulisch</b>
99 11 0149	11 31 1 403 081 S2	Rollenkette, zweifach / timing chain, double	(mot.) S50
99 11 0187	11 31 1 403 081	Steuerkette, zweifach / timing chain, double	(2) (ex.) (mot.) S54
99 11 0373	11 31 7 830 869	Steuerkette, zweifach / timing chain, double	(4) (ex.) (mot.) S54
			(3) (ex.) (mot.) S54
			(1) (ex.) (mot.) S54
			(mot.) S54
			D 126 F
			D 126 E
			D 126 E
			D 126 N
			124 E



(1) Rep. Satz Schraube für Steuerkette /  
rep. kit screw for timing chain  
**SWAG 20 93 3845**



(2) (mot.) N46  
**SWAG 99 13 0334** mit/with (1)



Ref. - No.



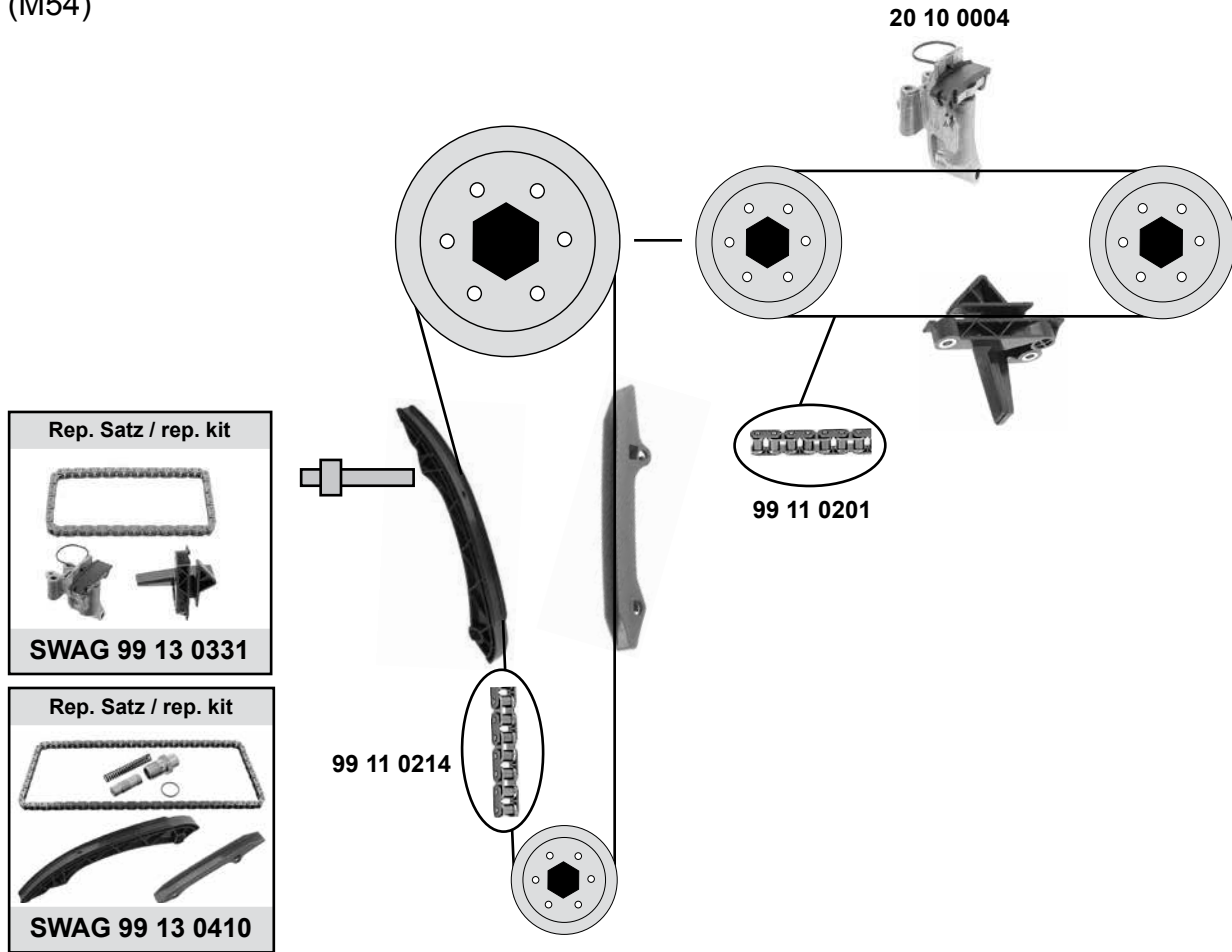
<b>20 92 1275</b>	11 31 7 567 680	Kettenspanner / chain tensioner		
<b>20 92 7374</b>	11 28 1 440 378	Umlenkrolle / deflection pulley		70x26
<b>20 93 0121</b>	11 28 7 524 267	Riemenspanner / belt tensioner		70x26
<b>20 93 0458</b>	11 31 7 502 180	Kurbelwellenzahnrad / crankshaft gear	N46	Z19
<b>20 93 3845</b>	11 23 7 503 107 S1	Rep. Satz Schraube / rep. kit screw	(1)	
<b>99 11 0383</b>	11 31 1 439 854	Steuerkette / timing chain		142 E
<b>99 13 0334</b>	11 31 1 439 854 S1	Rep. Satz Steuerkette / rep. kit timing chain		142 E
<b>99 13 3846</b>	11 31 1 439 854 S2	Rep. Satz Steuerkette / rep. kit timing chain	(2)	142 E

# BMW Z4 I

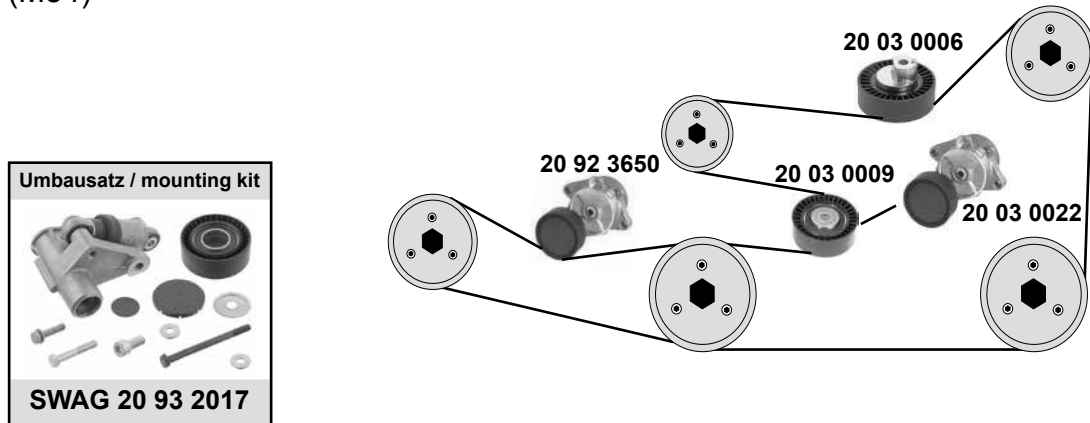
(03→09)



**2,2 / 2,5 / 3,0**  
(M54)



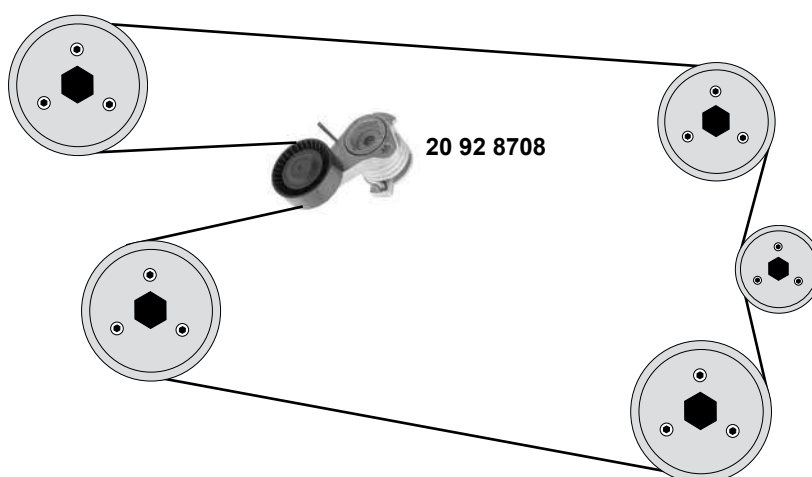
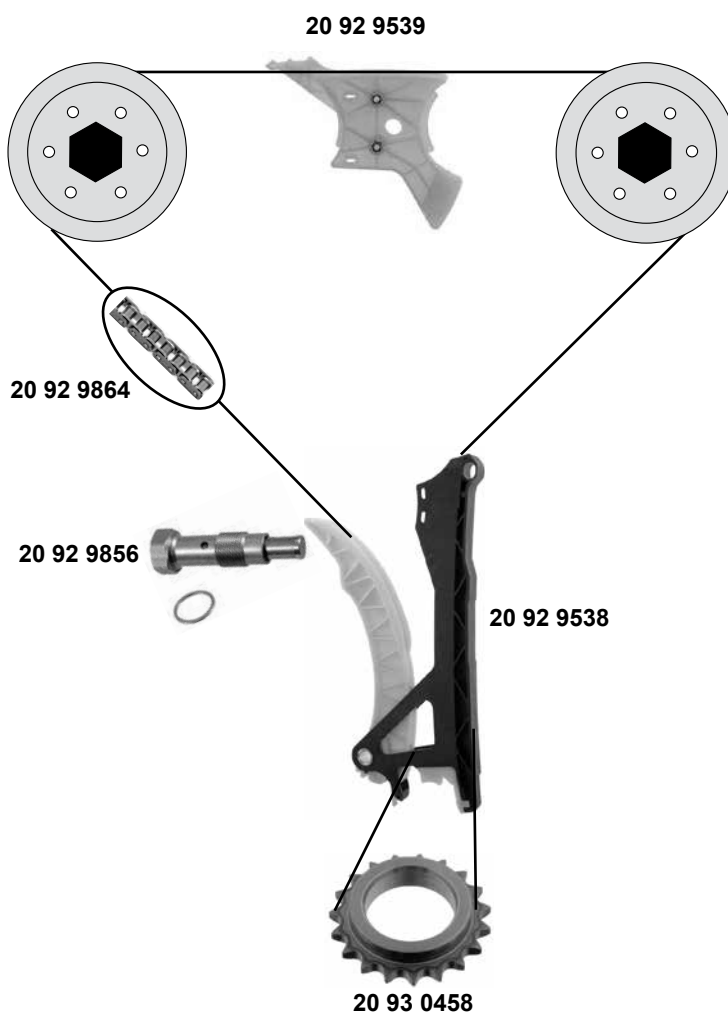
**2,2 / 2,5 / 3,0i**  
(M54)



Ref. - No.



<b>20 03 0006</b>	11 28 7 841 228	Umlenkrolle / deflection pulley	Ø 80 x 24,5
<b>20 03 0009</b>	11 28 1 748 131	Spannrolle / tension roller	Ø 70 x 24,5
<b>20 03 0022</b>	11 28 1 427 252	Riemenspanner / belt tensioner	70 x 24,5
<b>20 10 0004</b>	11 31 1 738 700	Kettenspanner / chain tensioner	
<b>20 92 3650</b>	11 28 7 512 758	Riemenspanner / belt tensioner	70 x 24,5
<b>20 93 2017</b>	11 28 7 938 797 S1	Umbausatz für Riemenspanner/ mounting kit for belt tensioner	
<b>99 11 0201</b>	11 31 1 432 177	Steuerkette / timing chain	58 E
<b>99 11 0214</b>	11 31 1 432 176	Steuerkette / timing chain	104 E
<b>99 13 0331</b>	11 31 1 432 177 S1	Rep. Satz Steuerkette / rep. kit timing chain	58 E
<b>99 13 0410</b>	11 31 1 432 176 S2	Rep. Satz Steuerkette / rep. kit timing chain	104 E



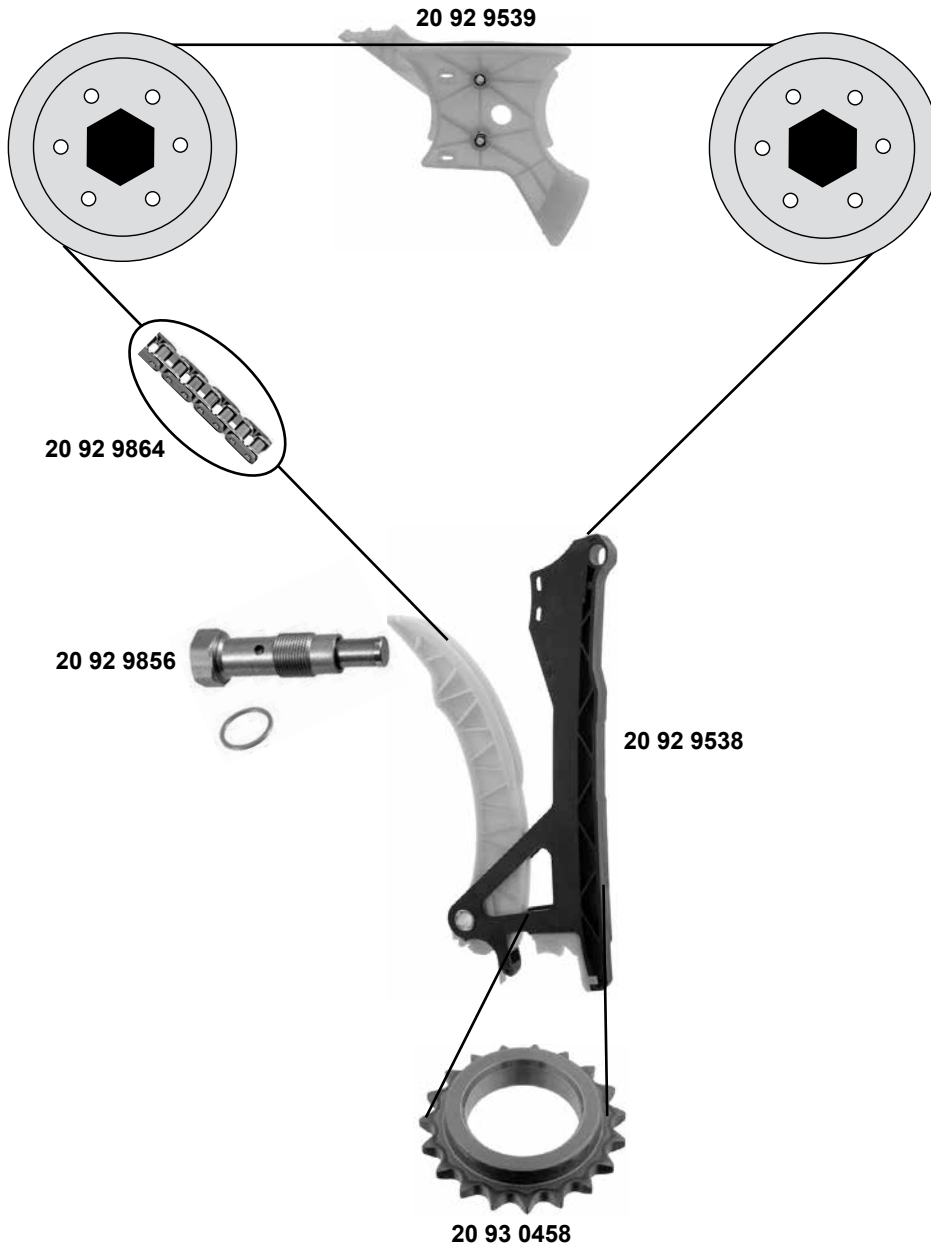
SWAG	Ref. - No.			
20 92 8708	11 28 7 530 314	Riemenspanner/ belt tensioner	(mot.) N52	70x26
20 92 9538	11 31 7 585 020	Gleitschiene / sliding rail	(mot.) N52N	
20 92 9539	11 31 7 592 850	Gleitschiene / sliding rail	(mot.) N52N	
20 92 9856	11 31 7 584 723	Kettenspanner / chain tensioner	(mot.) N52N	
20 92 9864	11 31 7 584 084	Steuerkette / timing chain	(mot.) N52N	148 E
20 93 0458	11 31 7 502 180	Kurbelwellenzahnrad / crankshaft gear	(mot.) N52	Z19
99 13 0338	11 31 7 584 084 S1	Rep. Satz Steuerkette / rep. kit timing chain	(mot.) N52N	148 E

# BMW Z4 I (E86)

(06→09)

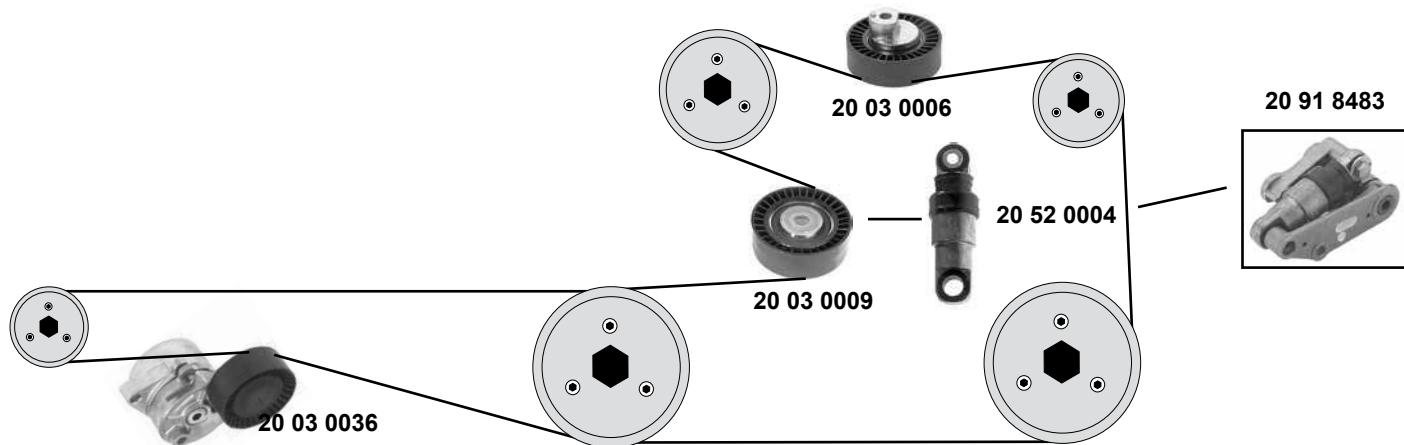
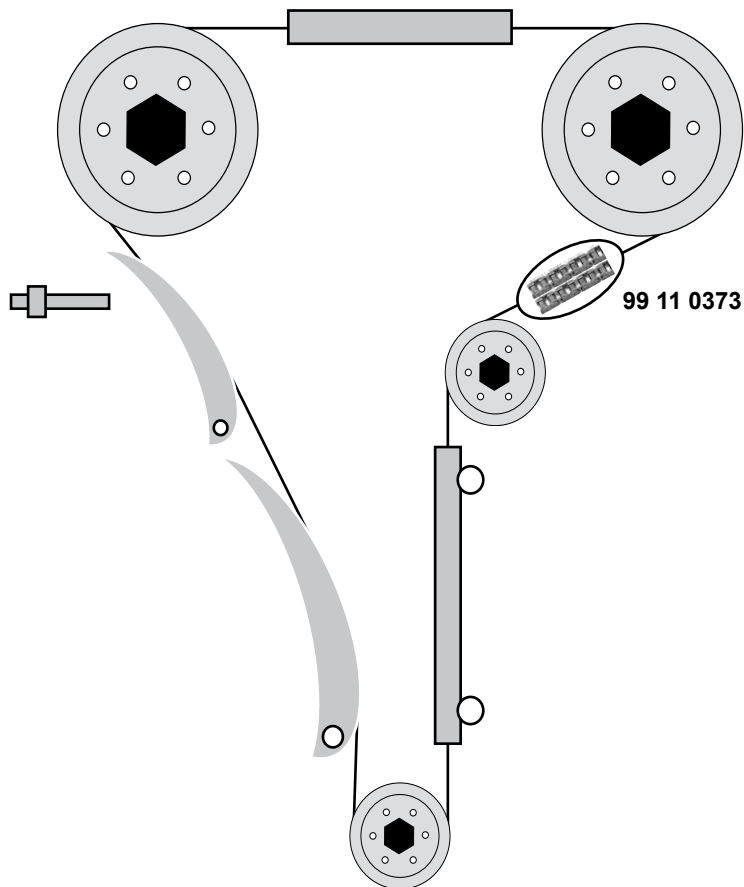


## 3,0 Si (N52/N)



SWAG GERMANY	Ref. - No.			
20 92 9538	11 31 7 585 020	Gleitschiene / sliding rail		
20 92 9539	11 31 7 592 850	Gleitschiene / sliding rail		
20 92 9856	11 31 7 584 723	Kettenspanner / chain tensioner		
20 92 9864	11 31 7 584 084	Steuerkette / timing chain		
20 93 0458	11 31 7 502 180	Kurbelwellenzahnrad / crankshaft gear	(mot.) N52	148 E Z19
99 13 0338	11 31 7 584 084 S1	Rep. Satz Steuerkette / rep. kit timing chain		148 E





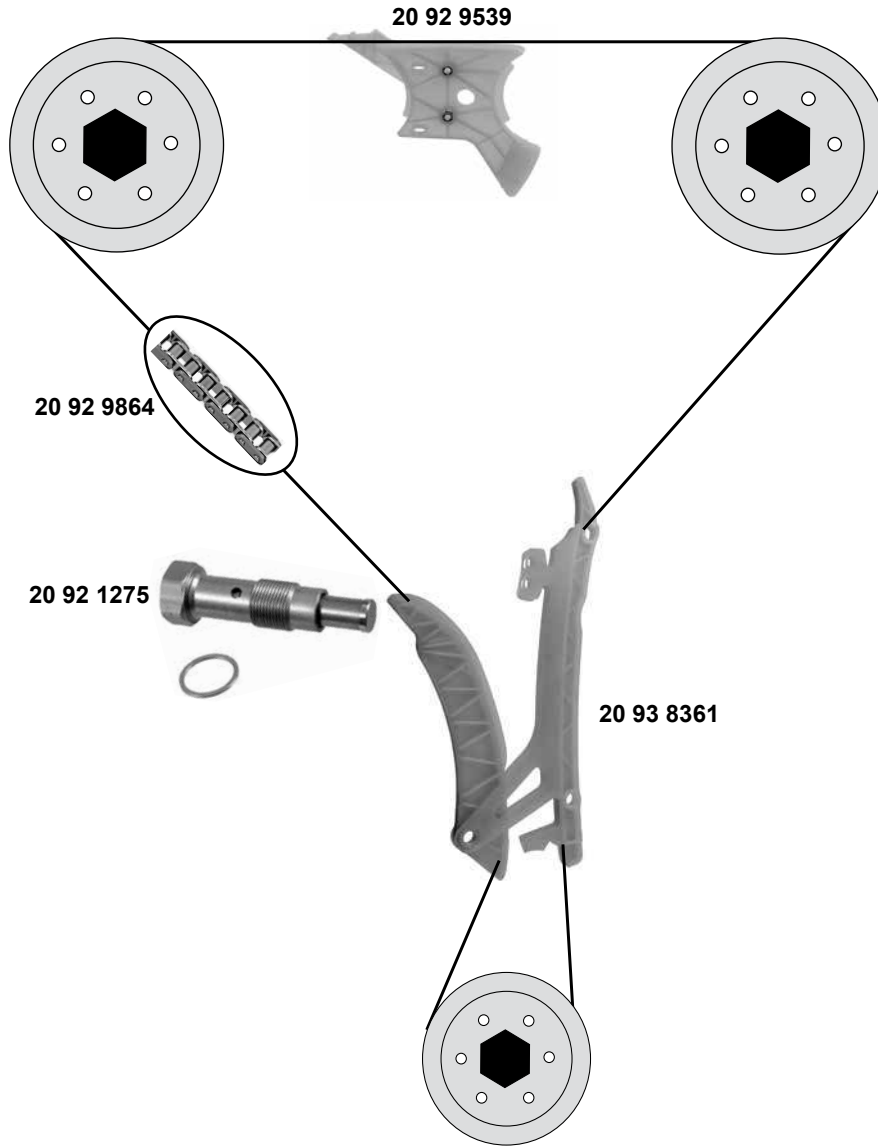
	Ref. - No.			
20 03 0006	11 28 7 841 228	Umlenkrolle / deflection pulley	mechanisch	Ø 80 x 24,5 Ø 70 x 24,5 70 / 78 x 26
20 03 0009	11 28 1 748 131	Spannrolle / tension roller		
20 03 0036	11 28 1 433 571	Riemenspanner / belt tensioner	hydraulisch	D124 E
20 52 0004	11 28 1 717 188	Schwingungsdämpfer / vibration damper		
20 91 8483	11 28 7 838 797	Riemenspanner / belt tensioner		
20 93 2017	11 28 7 938 797 S1	Umbausatz für Riemenspanner / mounting kit for belt tensioner		
99 11 0373	11 31 7 830 869	Steuerkette, zweifach / timing chain, double		

# BMW Z 4 II (E89)

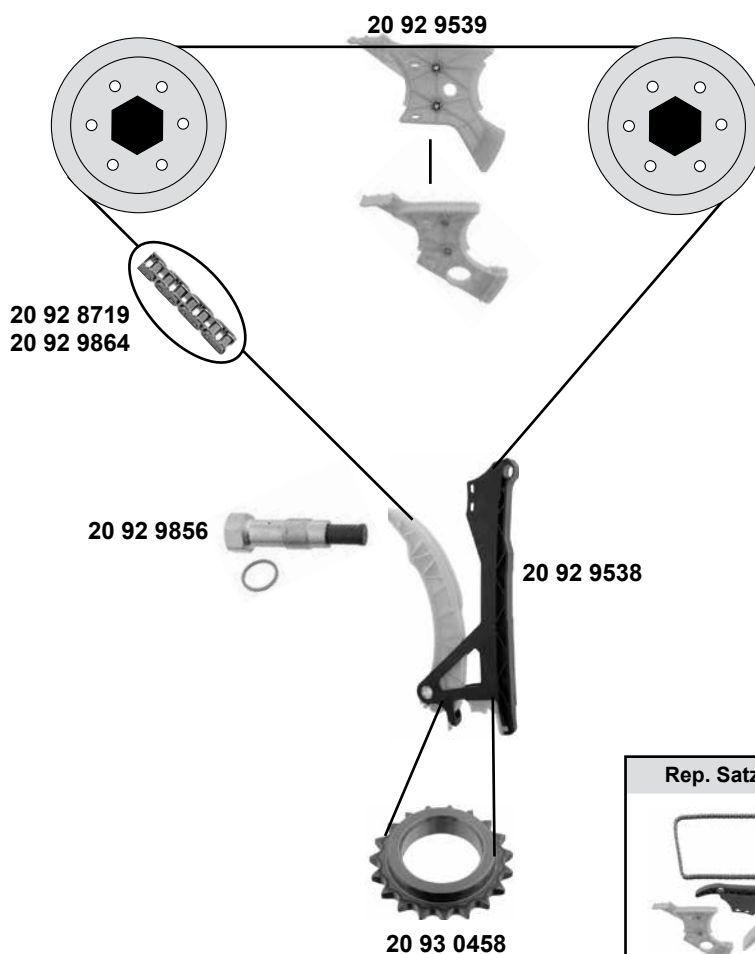
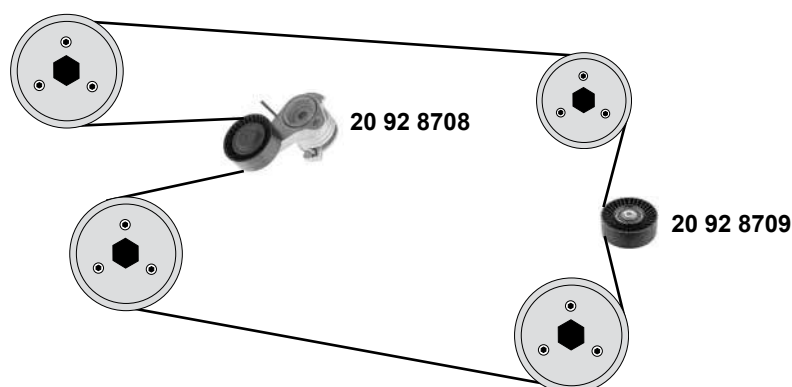
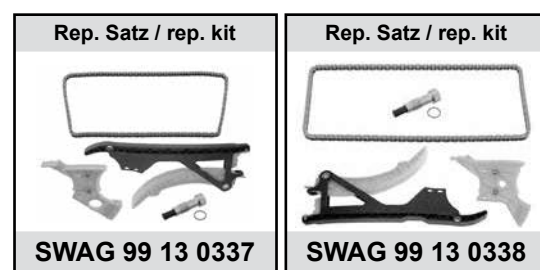
(11→)







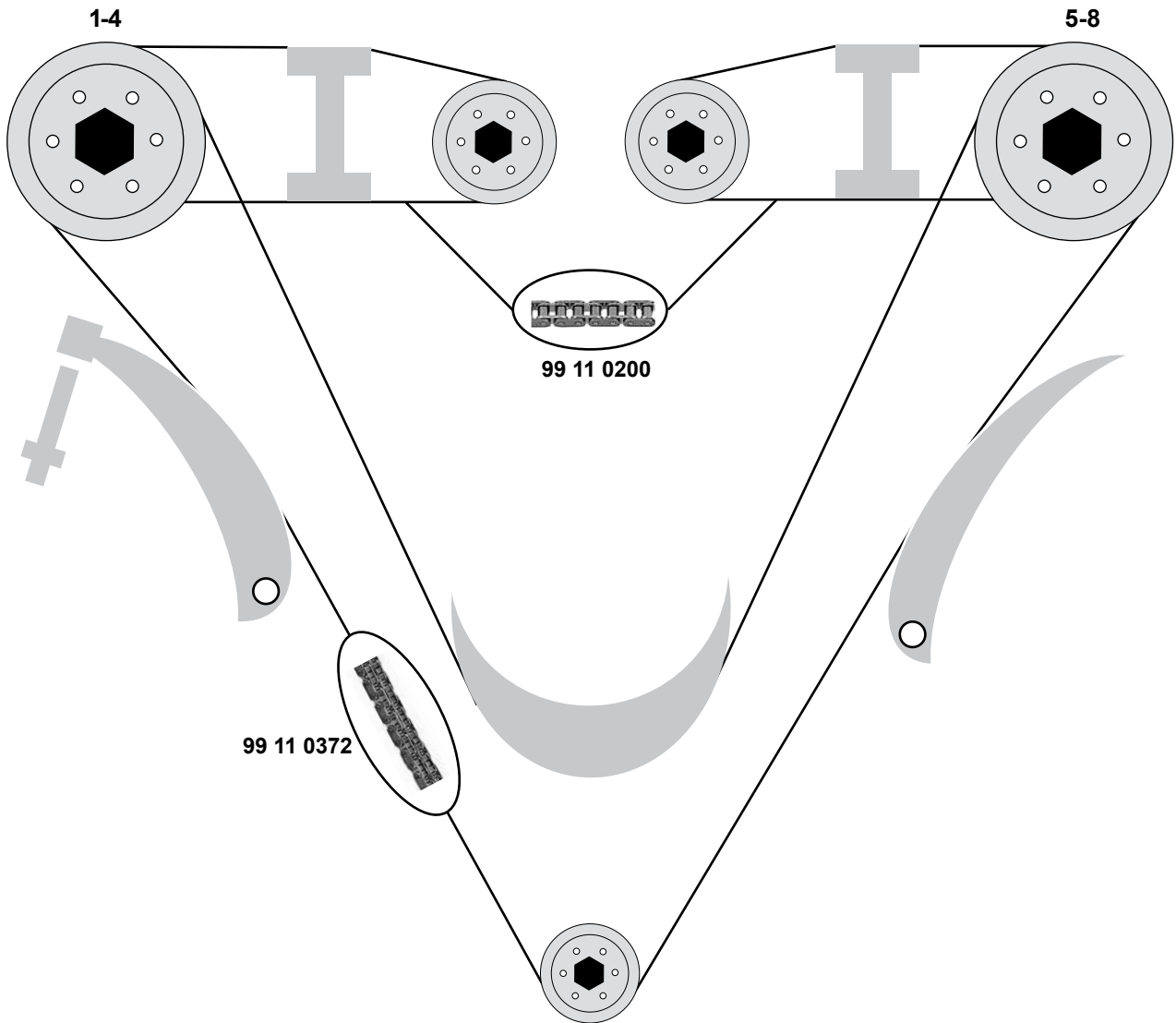
**2,0i / 2,8i**  
(N20)

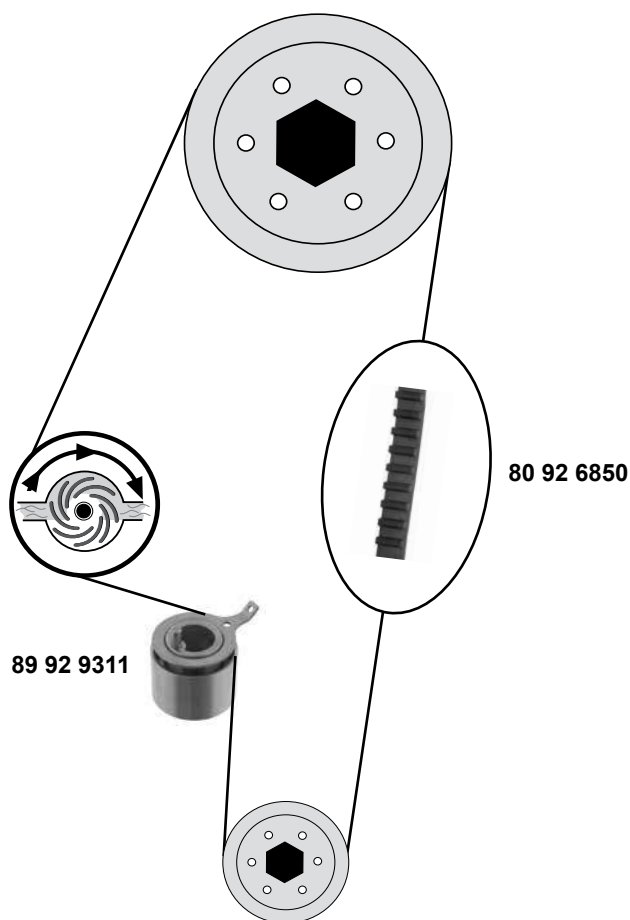
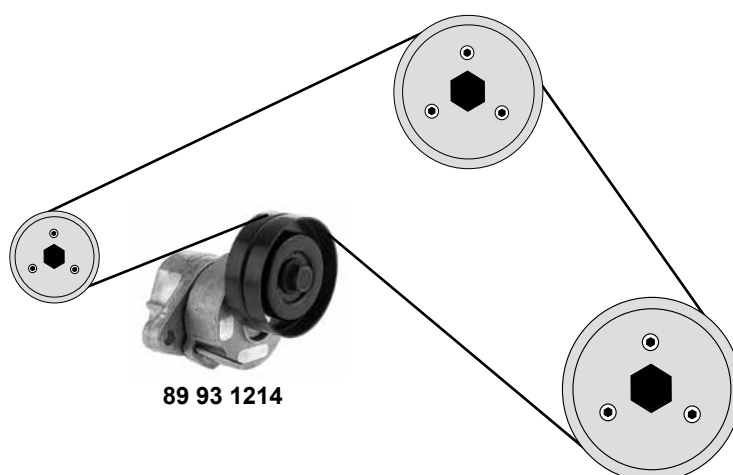


SWAG	Ref. - No.			
20 92 1275	11 31 7 567 680	Kettenspanner / chain tensioner		M22x1,25
20 92 9539	11 31 7 592 850	Gleitschiene / sliding rail		
20 92 9864	11 31 7 584 084	Steuerkette einfach / roller chain simplex		148 E
30 93 8361	11 31 7 592 877	Gleitschiene / sliding rail		
30 93 8362	11 31 7 584 084 S2	Rep. Satz Steuerkette / rep. kit timing chain		148 E


**2,3i / 3,0i / 3,5i/is**  
 (N52N/N54)


	Ref. - No.			
<b>20 92 8708</b>	11 28 7 530 314	Riemenspanner / belt tensioner	(mot.) N52N 2,3i/3,0i	70x26
<b>20 92 8709</b>	11 28 7 556 251	Umlenkrolle / deflection pulley	(mot.) N54 3,5i/is	80x28
<b>20 92 8719</b>	11 31 7 516 088	Steuerkette / timing chain	(mot.) N54	144 E
<b>20 92 9538</b>	11 31 7 585 020	Gleitschiene / sliding rail	(mot.) N52N (ex.) 3,5is	
<b>20 92 9539</b>	11 31 7 592 850	Gleitschiene / sliding rail	(mot.) N52N (ex.) 3,5is	
<b>20 92 9856</b>	11 31 7 584 723	Kettenspanner / chain tensioner		
<b>20 92 9864</b>	11 31 7 584 084	Steuerkette / timing chain	(mot.) N52N (ex.) 3,5is	148 E
<b>20 93 0458</b>	11 31 7 502 180	Kurbelwellenzahnrad / crankshaft gear	(ex.) 3,5is	Z19
<b>99 13 0337</b>	11 31 7 516 088 S2	Rep. Satz Steuerkette / rep. kit timing chain	(mot.) N52N 3,5i/si	144 E
<b>99 13 0338</b>	11 31 7 584 084 S1	Rep. Satz Steuerkette / rep. kit timing chain	(mot.) N52N (ex.) 3,5is	148 E



**1,2**  
 (SOHC)

**1,4 / 1,6**  
 (DOHC)


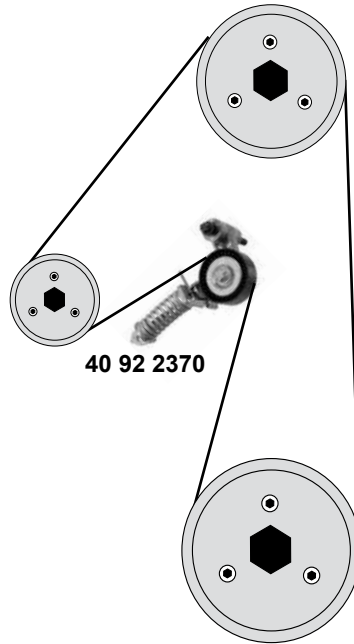
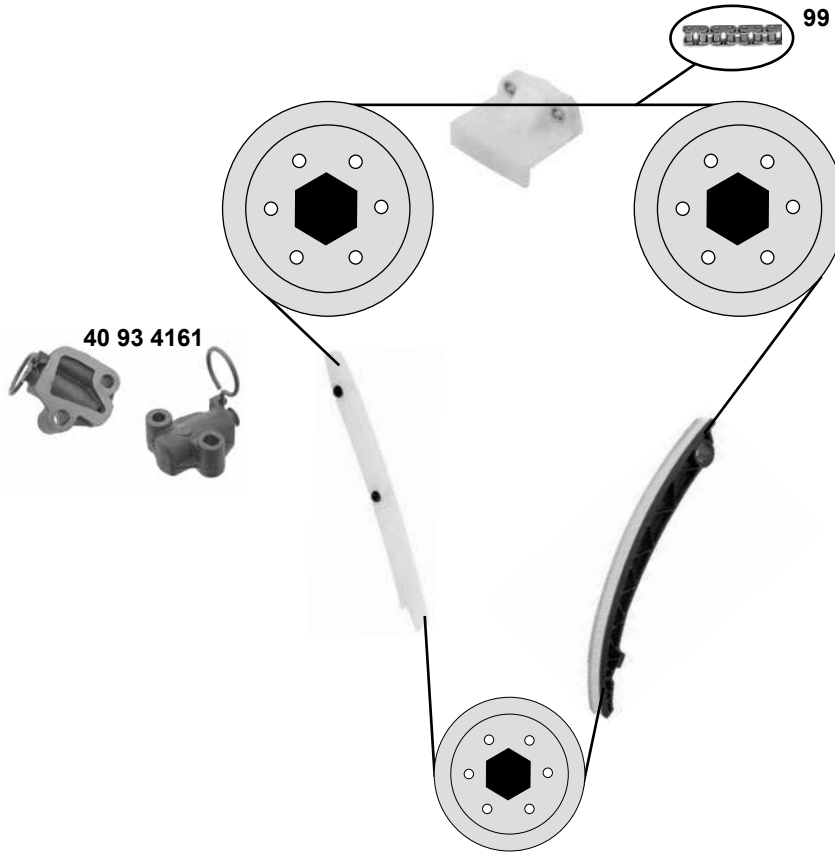
# CHEVROLET Aveo (T300)

(11→)

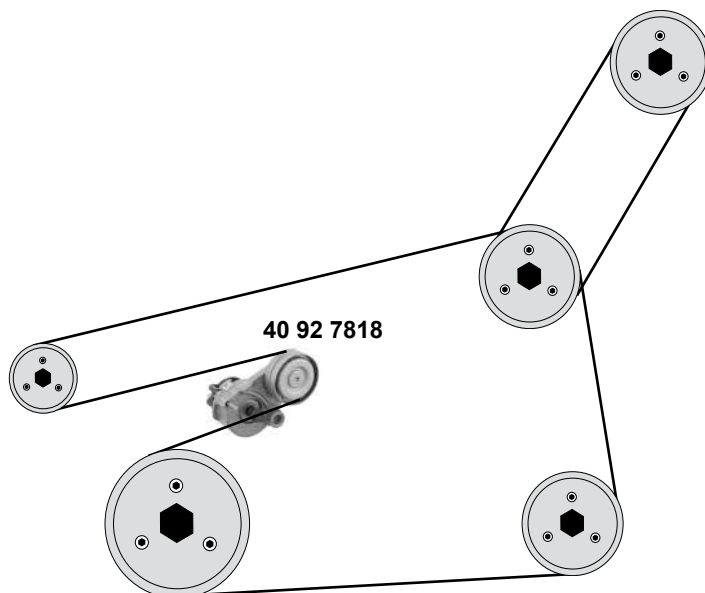


**1,2 / 1,4**  
(LDC /LWD / LDD)

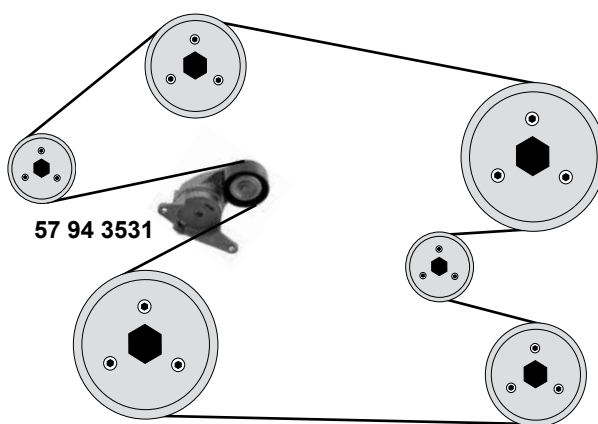
99 11 0138  
99 12 9629



	Ref. - No.			
40 92 2370	55565236	Riemenspanner / belt tensioner		
40 93 4161	55562235	Kettenspanner / chain tensioner		
99 11 0138	55562234	Steuerkette / timing chain	Simplex	130 E
99 12 9629	55562234 S1	Steuerkette / timing chain	Simplex	130 N
99 13 4162	55562234 S2	Rep. Satz Steuerkette / rep kit timing chain	(ex.) LWD	
99 13 4163	55562234 S3	Rep. Satz Steuerkette / rep kit timing chain	(ex.) LWD	



**Captiva (C100)**  
 (06→10)  
**3,2 V6**  
 (LU1)



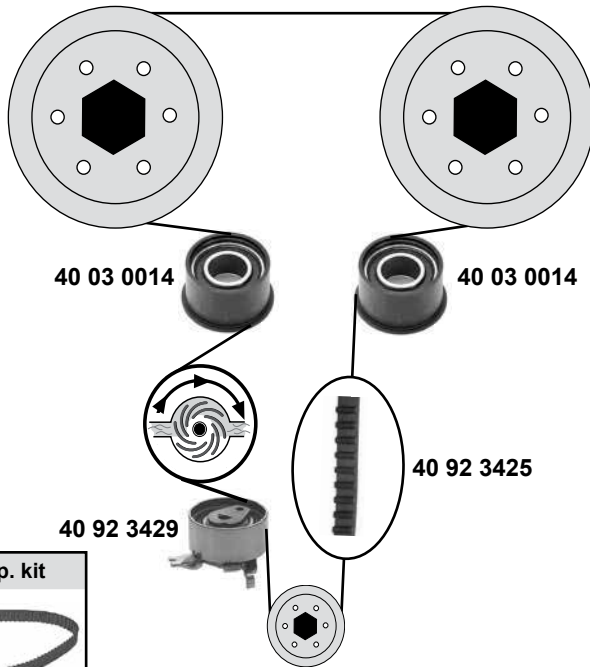
# CHEVROLET

## Captiva

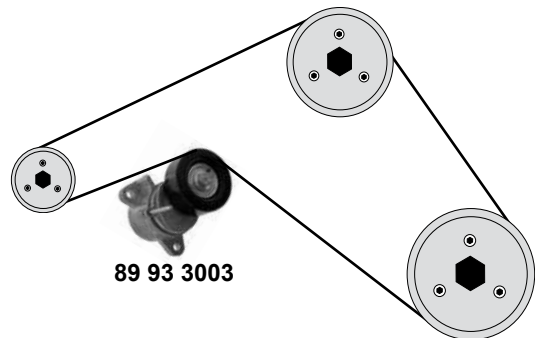
(07→)



**2,0**  
(DOHC)



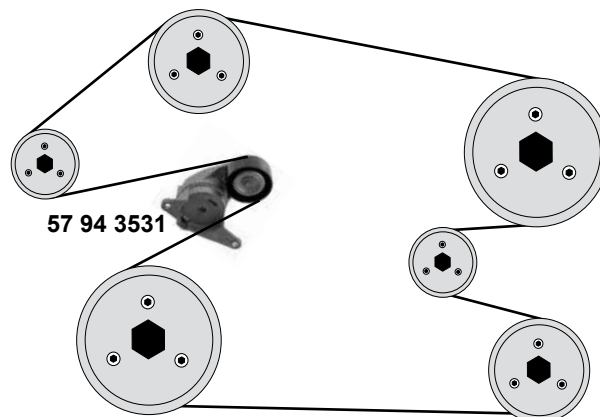
**2,4**



## Captiva (C100)

(10→12)

**3,0**  
(LF1)



Ref. - No.



40 03 0014 09128738

40 92 3425 09128722

40 92 3427 09128722 S1

40 92 3429 90528603

57 94 3531 12626644

89 93 3003 96435138

Umlenkrolle / deflection pulley

Zahnriemen / timing belt

Rep. Satz Zahnriemen / rep. kit timing belt

Spannrolle / tension roller

Riemenspanner / belt tensioner

Riemenspanner / belt tensioner

ØA 58,5 B29,5

Z 171 B24

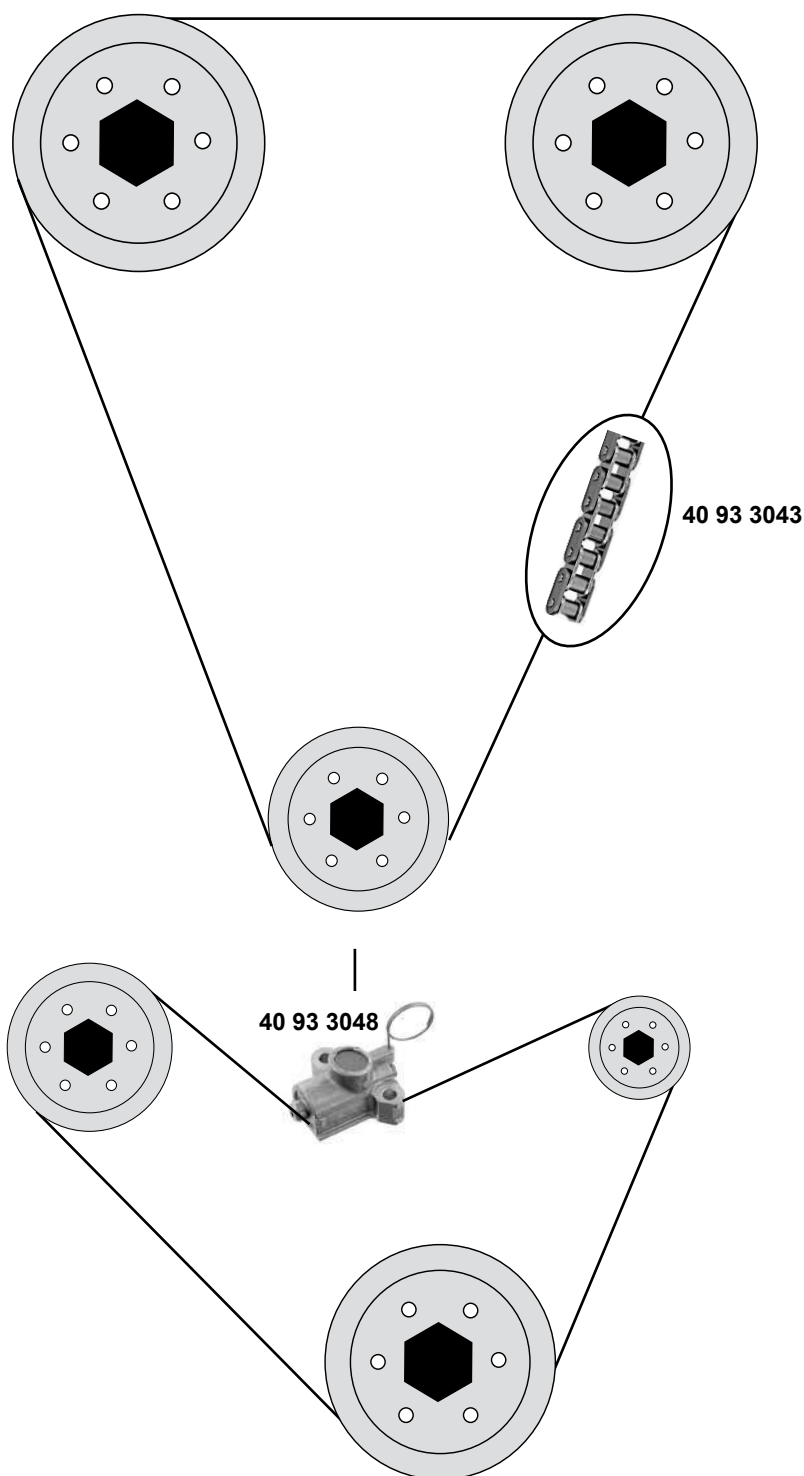
Ø 59

70 X 31

ØA 69,85/27,65

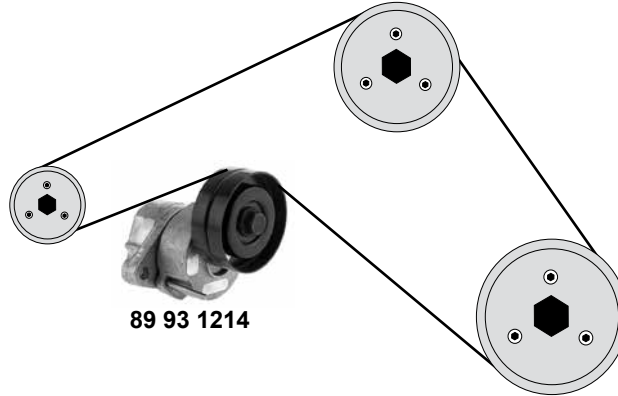


**2,4**  
(LE5)



**1,6**

(DOHC)



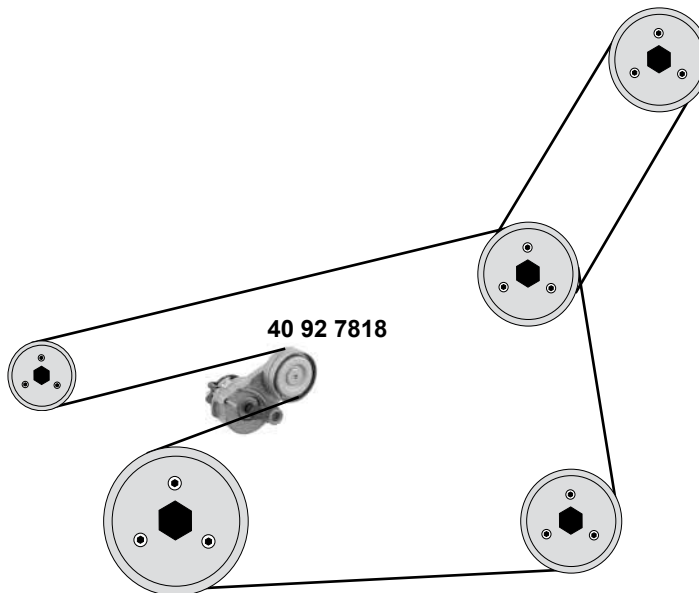
89 93 1214

## Cruze Notchback (J300)

(09→12)

**1,6 / 1,8**

(LDE / LXV / 2HO)



40 92 7818



(1) (ch.) XUFJF696JA3000241→



Ref. - No.



Riemenspanner / belt tensioner  
Riemenspanner / belt tensioner



(1)

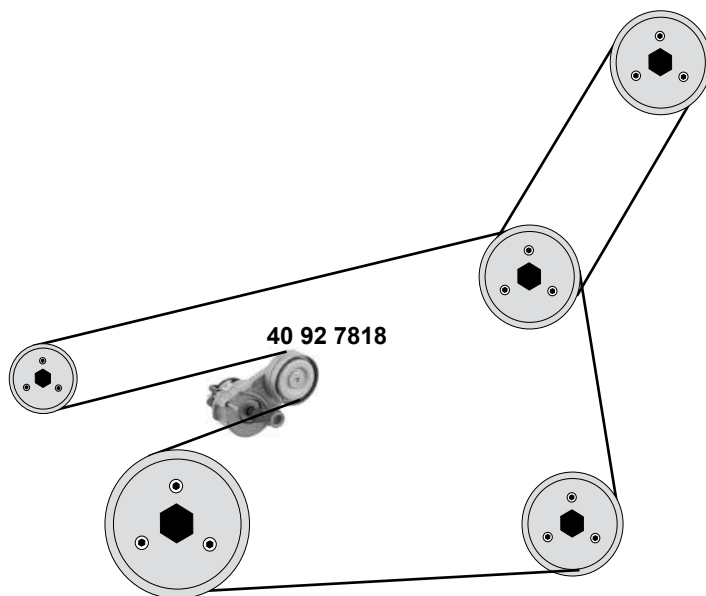


Ø A 75 B28

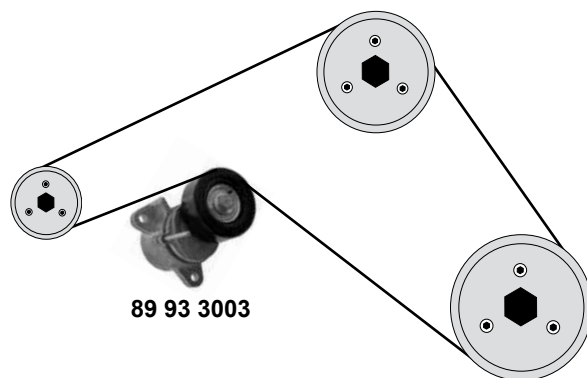
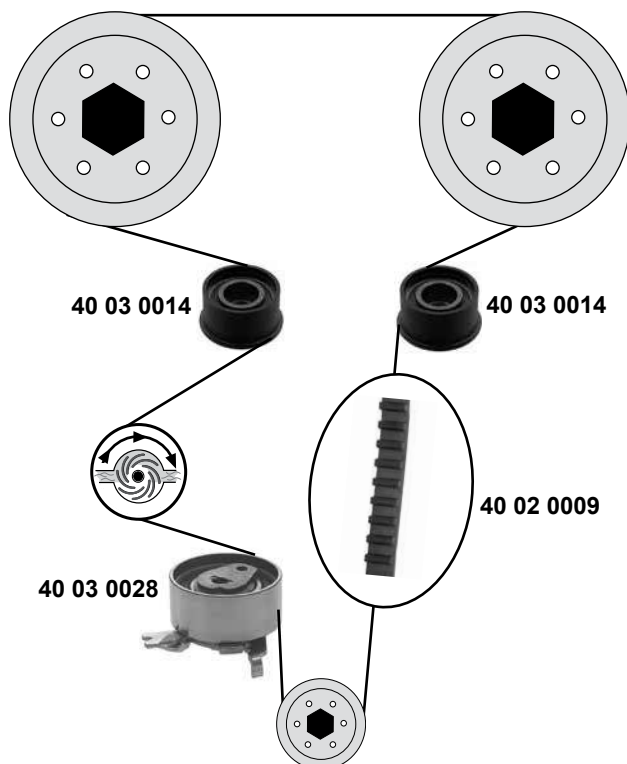


# CHEVROLET Cruze Notchback (J300) (09→12)

**1,6 / 1,8**  
(LDE / LXV / 2HO)



# Evanda (05 → 06) **2,0** (DOHC)



Ref. - No.



<b>40 02 0009</b>	92066312
<b>40 03 0014</b>	09128738
<b>40 03 0028</b>	09158004
<b>40 92 7818</b>	25189926
<b>89 93 3003</b>	96435138

Zahnriemen / timing belt
Umlenkrolle / deflection pulley
Spannrolle / tension roller
Riemenspanner / belt tensioner
Riemenspanner / belt tensioner

Z169 B24
ØA 52,5 B27
ØA 59 B26

(ch.) 176152 → ØA 69,85/27,65

# CHEVROLET

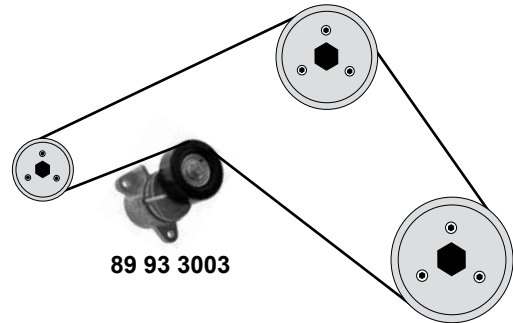
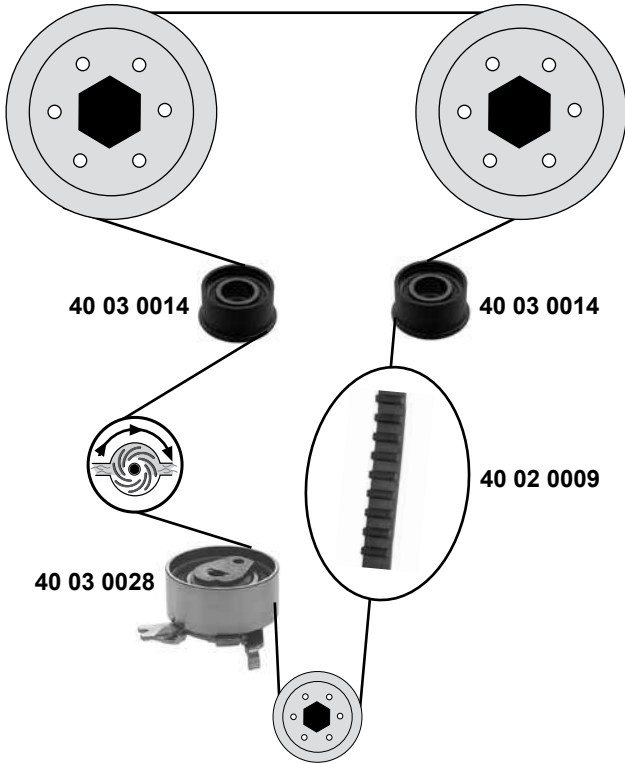
## Epica

(05→)



**2,0**

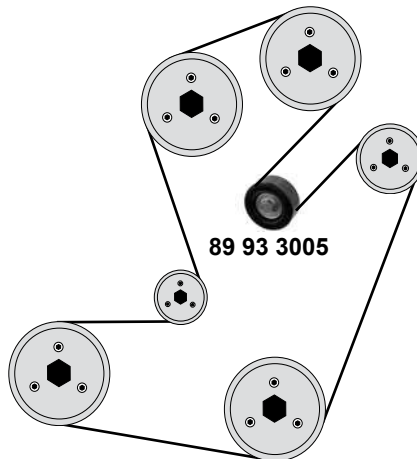
(DOHC)



**2,0 / 2,5**

(DOHC)

**AC**



(1) (mot.) 2,0 DOHC 01/07 →

(2) (mot.) 2,5 DOHC 01/05 → 01/07



Ref. - No.

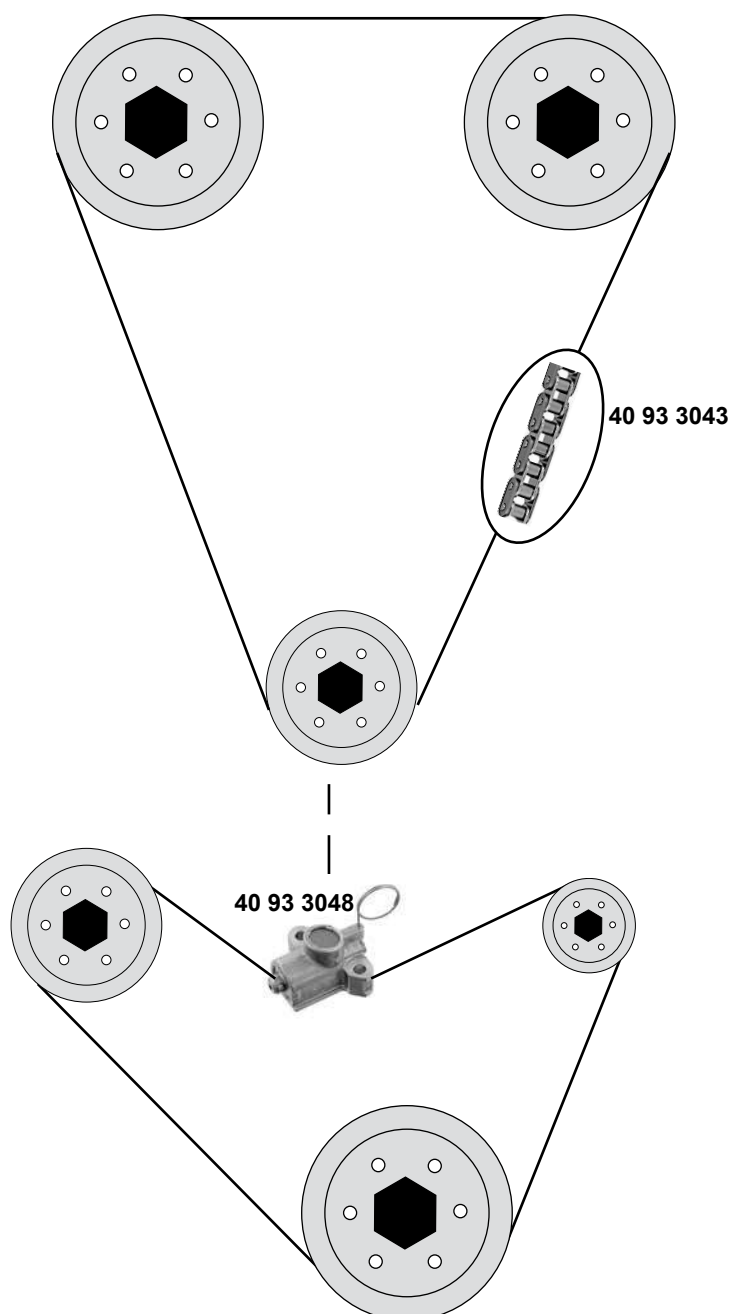


40 02 0009	92066312
40 03 0028	09158004
40 03 0014	09128738
89 93 3003	96435138
89 93 3005	96960692

Zahnriemen / timing belt
Spannrolle / tension roller
Umlenkrolle / deflection pulley
Riemenspanner / belt tensioner
Umlenkrolle / deflection pulley

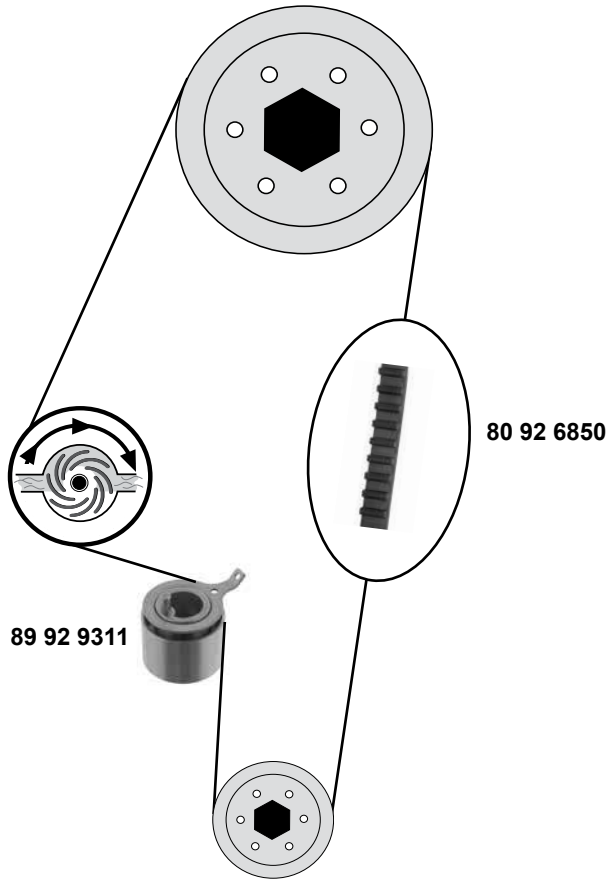
(1)
(1)
(1)
(1) (ch.) 176152 →
(1) (2)

Z169 B24
ØA 59 B26
ØA 52,5 B 27
ØA 69,85/27,65



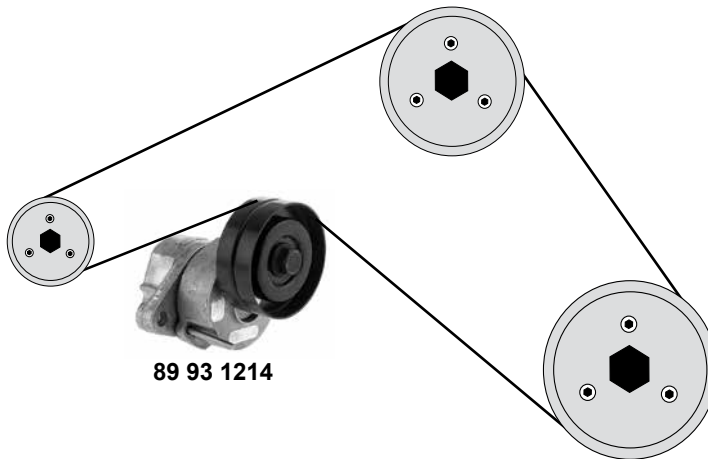
**1,2**

(SOHC)



**1,4**

(DOHC)



Ref. - No.

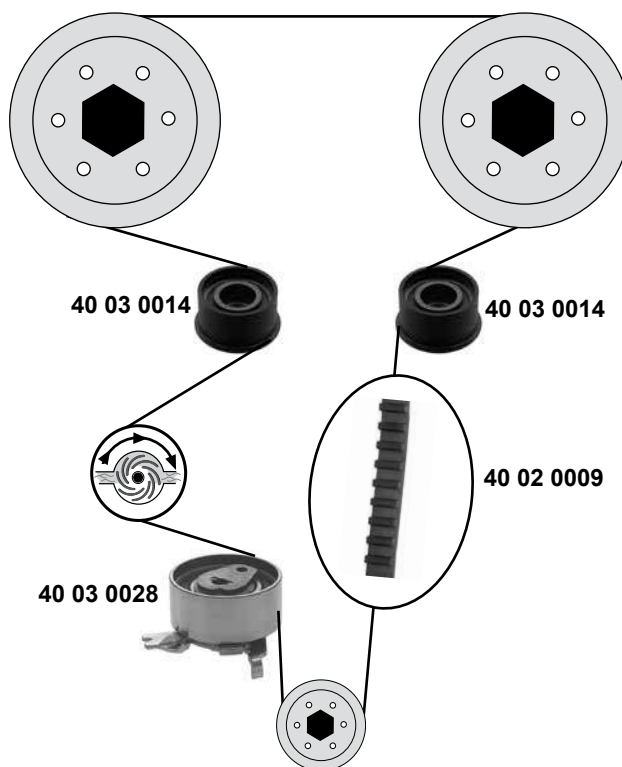


<b>80 92 6850</b>	96610029
<b>89 92 9311</b>	94580139
<b>89 93 1214</b>	96966707
<b>89 93 2396</b>	96610029 S1

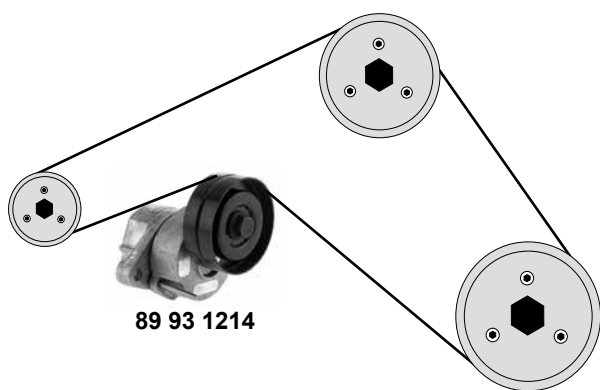
Zahnriemen / timing belt
Spannrolle / tension roller
Riemenspanner / belt tensioner
Rep. Satz Zahnriemen / rep. kit timing belt

Z109 B25
Ø A 42 B28
Ø A 75 B28

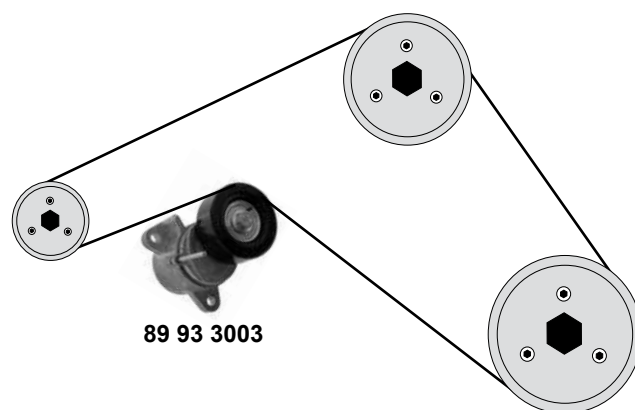
**1,8 / 2,0**  
DOHC



**1,4 / 1,6**  
(DOHC)



**1,8 / 2,0**  
DOHC

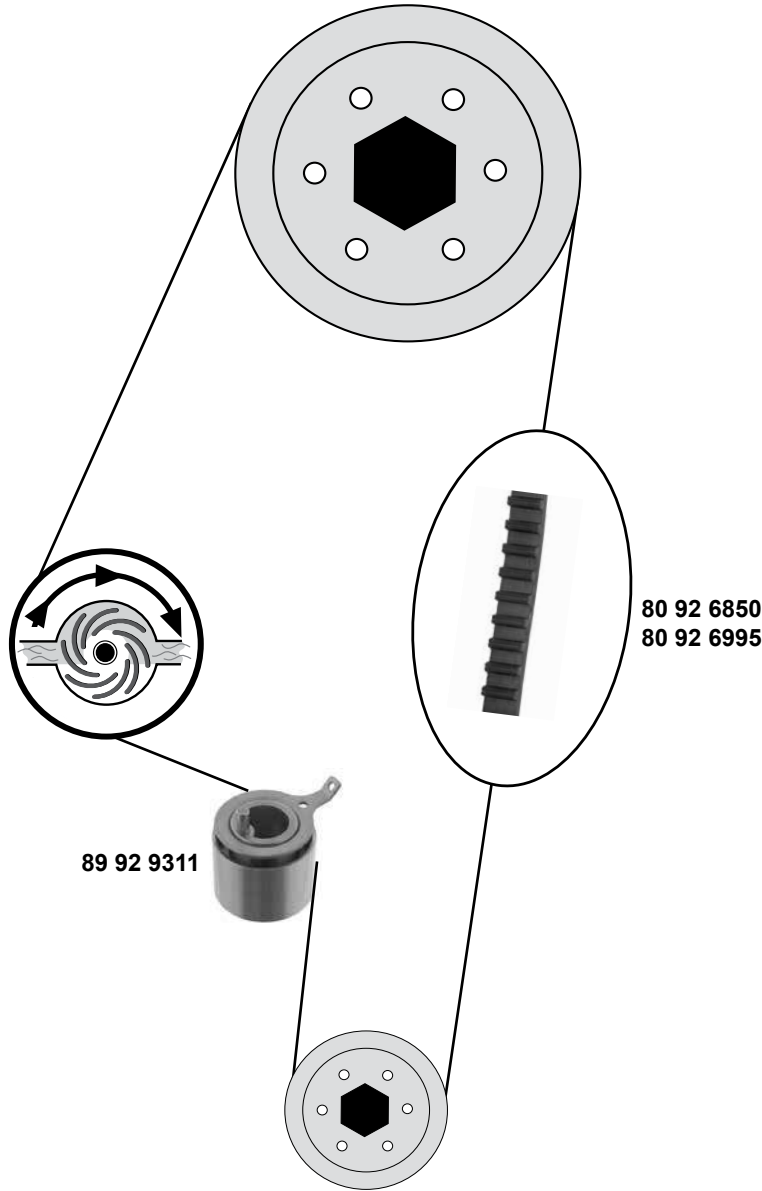


# CHEVROLET Matiz/Spark

(05→)



0,8 / 1,0



SWAG GERMANY	Ref. - No.			
80 92 6850	96610029	Zahnriemen / timing belt	(mot.) 1,0	Z109 B25
80 92 6995	96352965	Zahnriemen / timing belt	(mot.) 0,8	Z107 B25
89 92 9311	94580139	Spannrolle / tension roller		ØA 34 H42
89 93 1428	96352965 S1	Rep. Satz Zahnriemen / rep. kit timing belt	(mot.) 0,8	
89 93 2396	96610029 S1	Rep. Satz Zahnriemen / rep. kit timing belt	(mot.) 1,0	Z109 B25

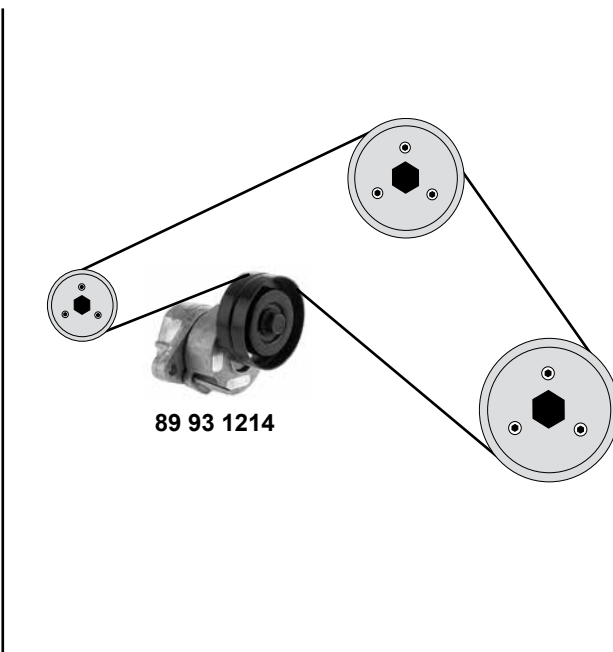
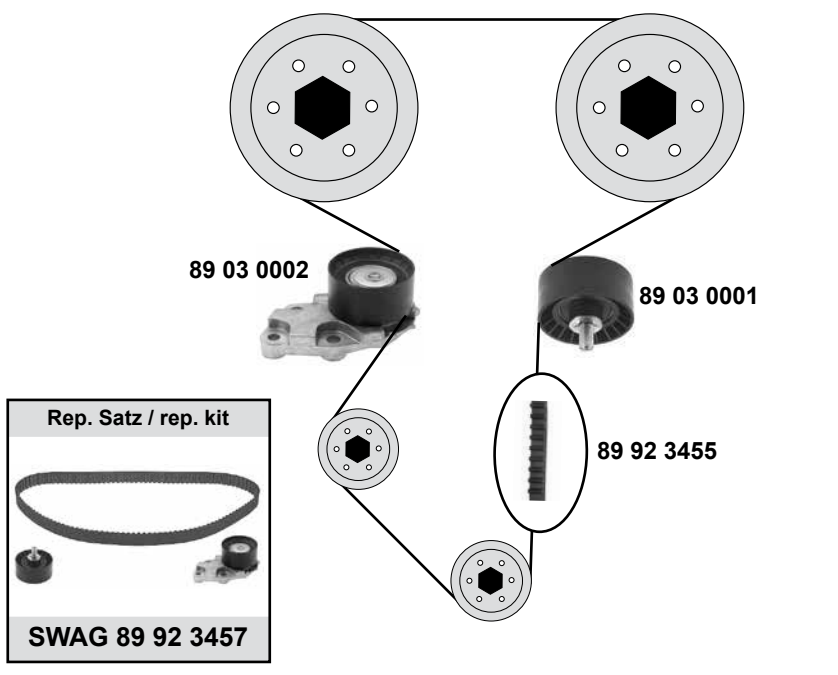




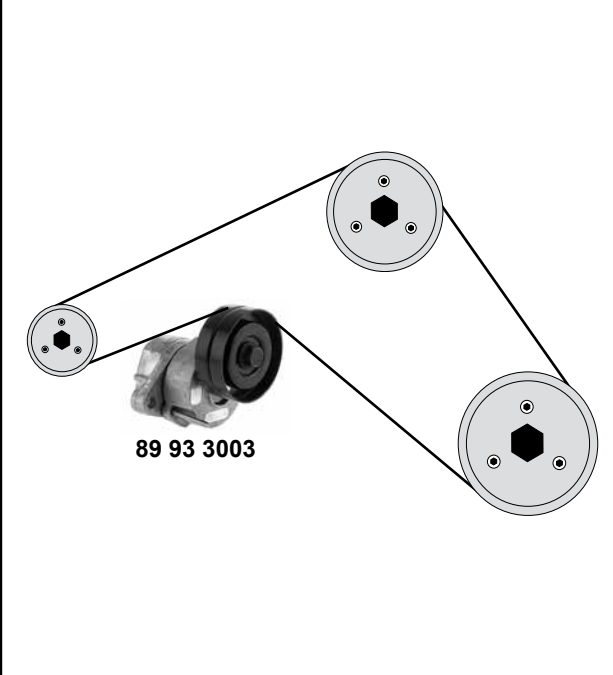
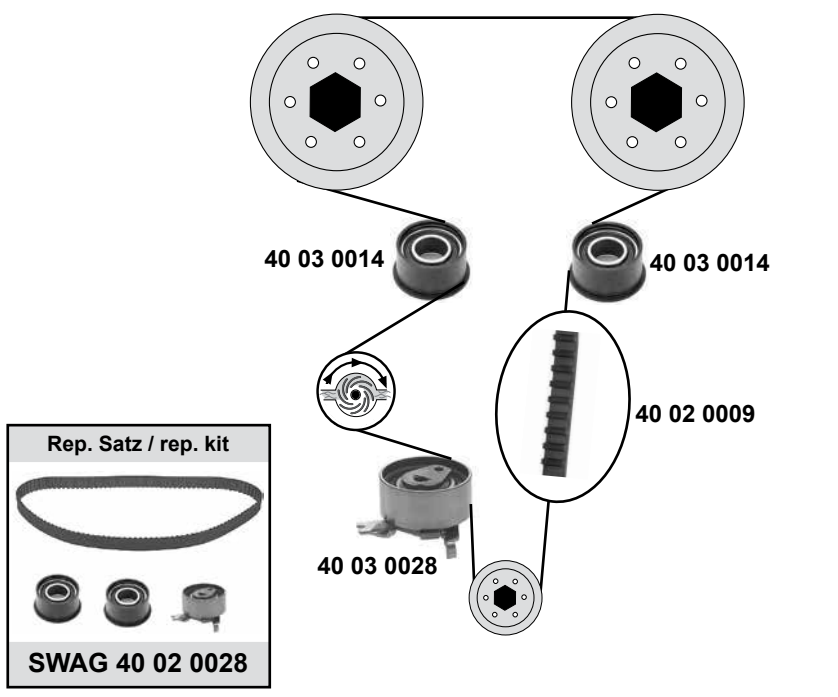
# CHEVROLET Nubira

(05→)

**1.6**  
DOHC



**2.0**  
DOHC



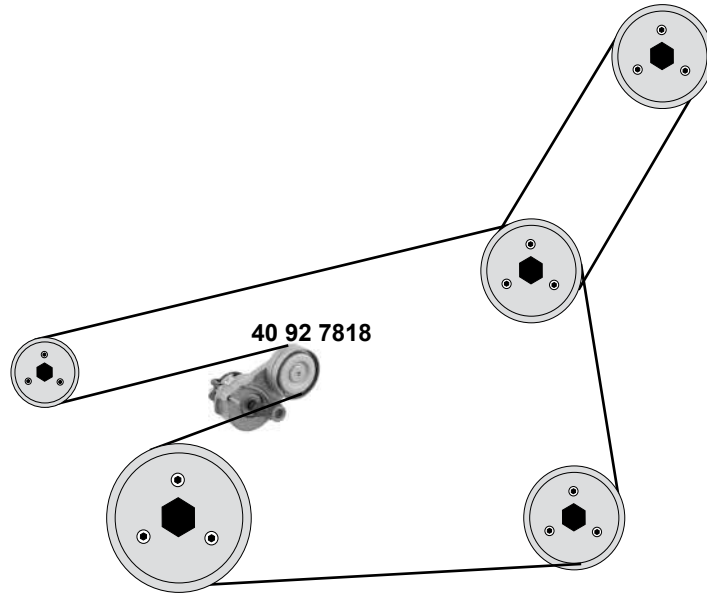
SWAG	Ref. - No.			
40 02 0009	92066312	Zahnriemen / timing belt		Z169 B24
40 02 0028	92066312 S1	Rep. Satz Zahnriemen / rep. kit timing belt		
40 03 0014	09128738	Umlenkrolle / deflection pulley		ØA 52.5 B29.5
40 03 0028	09158004	Spannrolle / tension roller		ØA 59 B26
89 03 0001	96350526	Umlenkrolle / deflection pulley		ØA 64 H29
89 03 0002	96350550	Spannrolle / tension roller		ØA 60 B29
89 92 3455	96814098	Zahnriemen / timing belt		Z 127 B25,4
89 92 3457	96814098 S1	Rep. Satz Zahnriemen / rep. kit timing belt		
89 93 1214	96966707	Riemenspanner / belt tensioner	→ (ch.) 766687	
89 93 3003	96435138	Riemenspanner / belt tensioner		ØA 69,85

# CHEVROLET Orlando (J309)

(10→)



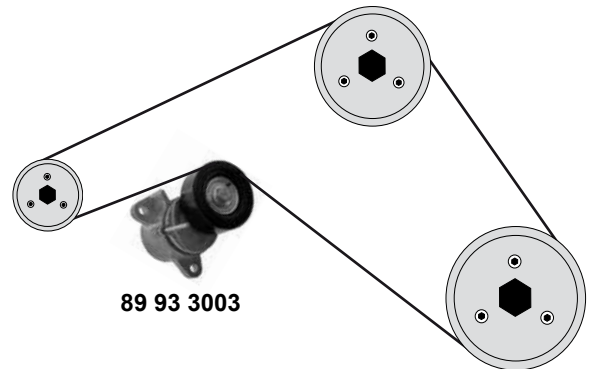
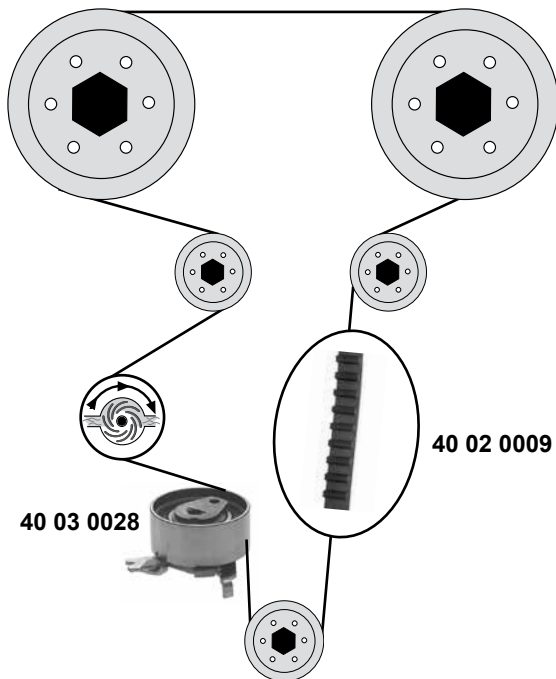
**1,6 / 1,8**  
(LDE / 2HO)



## Rezzo / Tacuma

(05→)

**2,0**  
DOHC



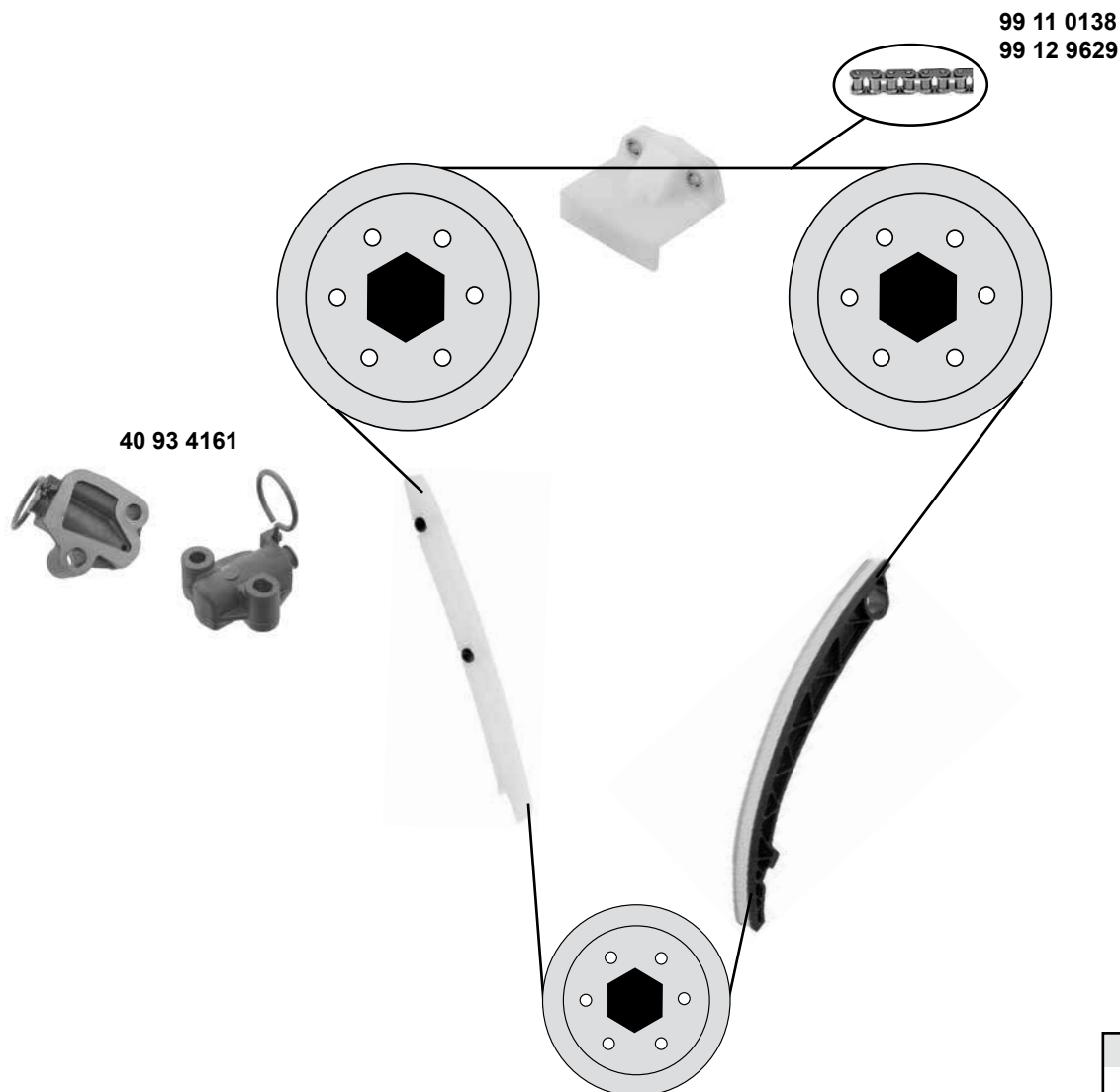
Ref. - No.



40 02 0009	92066312
40 03 0028	09158004
40 92 7818	25189926
89 93 3003	96435138

Zahnriemen / timing belt
Spannrolle / tension roller
Riemenspanner / belt tensioner
Riemenspanner / belt tensioner

Z169 B24
ØA 59 B26
ØA 69,85 27,65



Rep. Satz / rep. kit

**SWAG 99 13 4162**

Rep. Satz / rep. kit

**SWAG 99 13 4163**

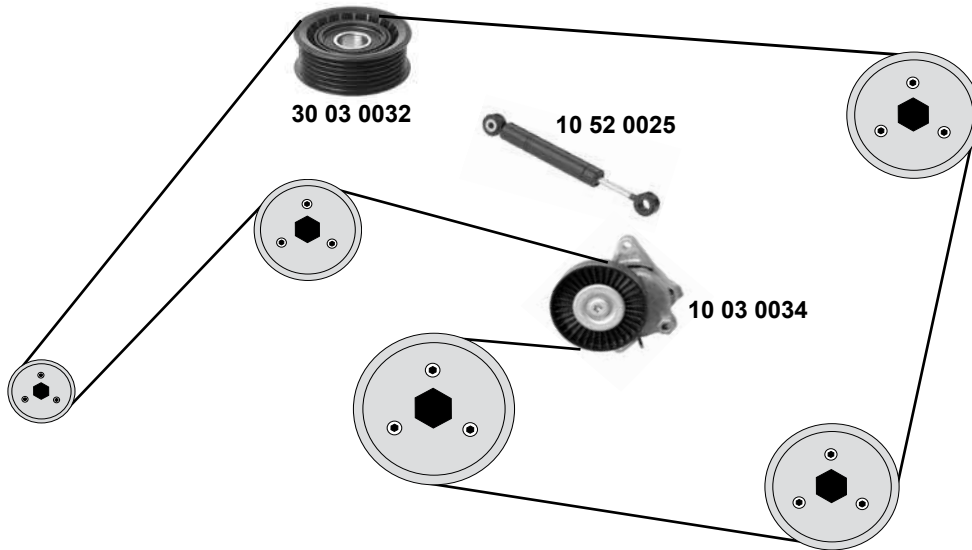
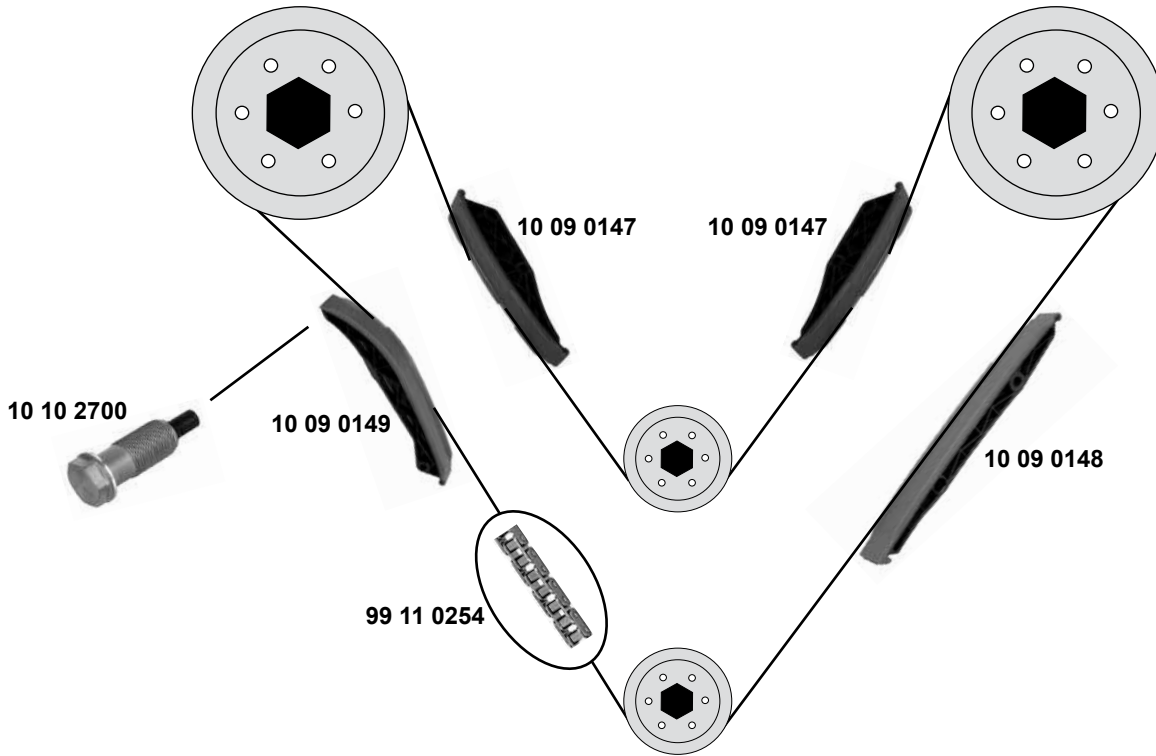
SWAG GERMANY	Ref. - No.			
<b>40 93 4161</b>	55562235	Kettenspanner / chain tensioner		
<b>99 11 0138</b>	55562234	Steuerkette / timing chain	Simplex	130 E
<b>99 12 9629</b>	55562234 S1	Steuerkette / timing chain	Simplex	130 N
<b>99 13 4162</b>	55562234 S2	Rep. Satz Steuerkette / rep kit timing chain		
<b>99 13 4163</b>	55562234 S3	Rep. Satz Steuerkette / rep kit timing chain		

# CHRYSLER Crossfire

(03→)

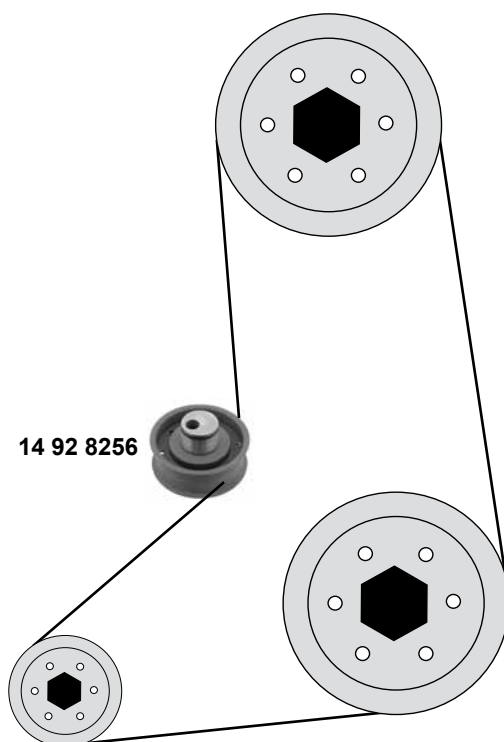


## 3,2 V6

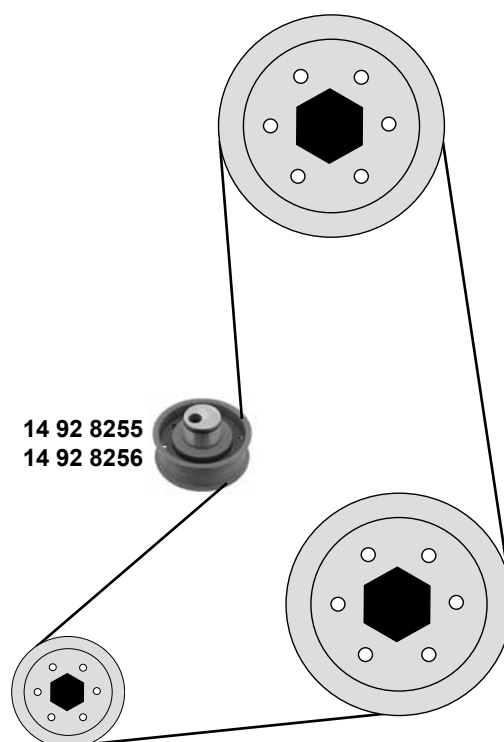


SWAG GERMANY	Ref. - No.			
10 03 0034	112 200 09 70	Riemenspanner / belt tensioner		Ø 95
10 09 0147	112 052 01 16	Gleitschiene / sliding rail		
10 09 0148	112 052 00 16	Gleitschiene / sliding rail		
10 09 0149	112 052 02 16	Gleitschiene / sliding rail		
10 10 2700	112 050 07 11	Kettenspanner / chain tightener		
10 52 0025	112 200 00 14	Schwingungsdämpfer / vibration damper		55 N - 600 N
30 03 0032	000 202 00 19	Umlenkrolle / deflection pulley		Ø A 64 ØI 17 B23
99 11 0254	003 997 68 94	Steuerkette zweifach / timing chain double		168 E

**2,2 i**  
(EDR)



**Le Baron**  
(86→94)  
**2,2 i / 2,5 i**  
(EDR/EDM/EDT)



(1) 2,2 i Turbo 09/86 → 01/91 / 2,5 i Turbo 01/89 → 12/94



Ref. - No.



14 92 8255 04273241  
14 92 8256 04315705

Spannrolle / tension roller  
Spannrolle / tension roller

(1)  
(1)

ØA 54 B30,5  
ØA 70 B24,5

# CHRYSLER

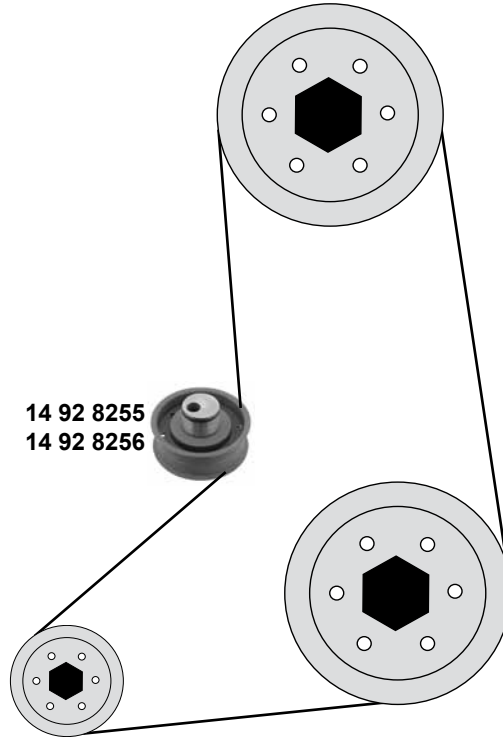
## Le Baron Cabriolet

(86→96)



**2,2 i / 2,5 i**

(EDR/EDM/EDT)



## Neon (PL)

(94→00)

**1,6**

(EJD)



(1) 2,2 i Turbo 09/86 → 12/90 / 2,5 i 09/86 → 12/93 / 2,5 i Turbo 01/89 → 12/93



Ref. - No.

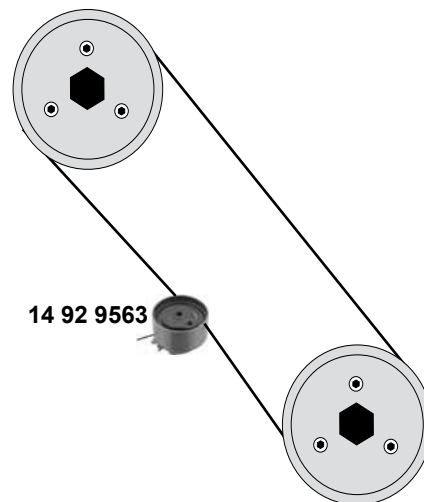
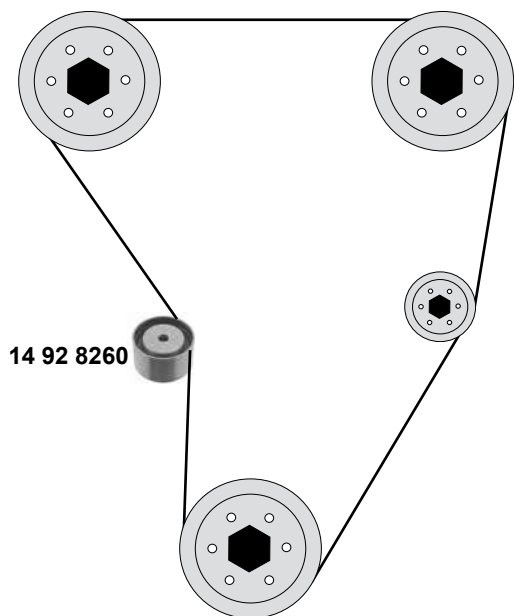


14 92 8255	04273241
14 92 8256	04315705
11 93 7586	04777707AA
11 93 7587	04693261AB
11 93 7590	04777699 AA S1
99 11 0397	04777699AA

Spannrolle / tension roller	(1)
Spannrolle / tension roller	(1)
Führungsschiene / timing chain guide	
Kettenspanner / chain tightener	
Rep. Satz Steuerkette / rep. kit timing chain	
Steuerkette / timing chain	

ØA 54 B30,5
ØA 70 B24,5

112 E

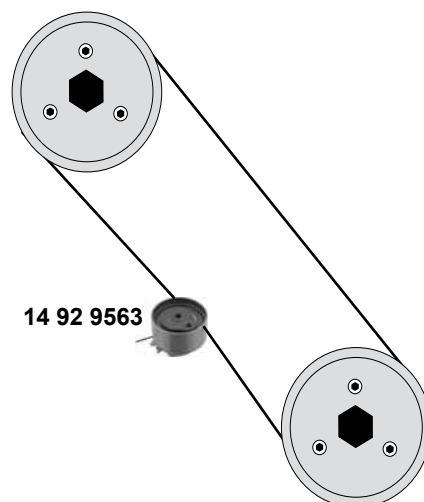
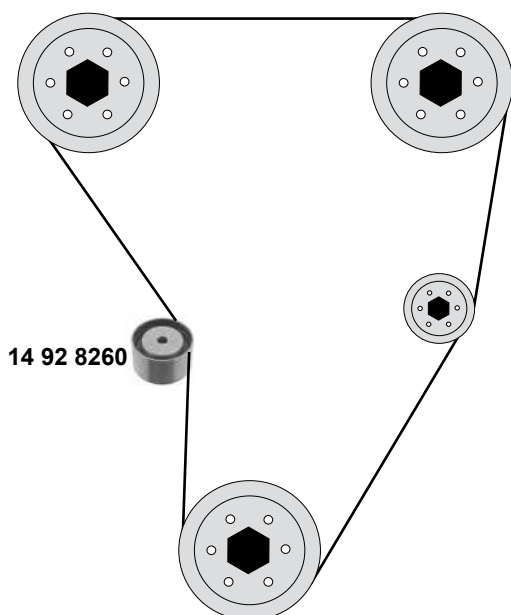


## Neon II

(99→)

**2,0 16V**

(420H)



(1) Neon (PL) 1,8 (85KW) 09/97 → 08/99 / 2,0 (107/98KW) 06/94 → 08/99 / 2,0 (109KW) 04/96 → 08/99



Ref. - No.



Umlenkrolle / deflection pulley  
Spannrolle / tension roller



(1)



ØA 70 B24,5  
ØA 67 B33

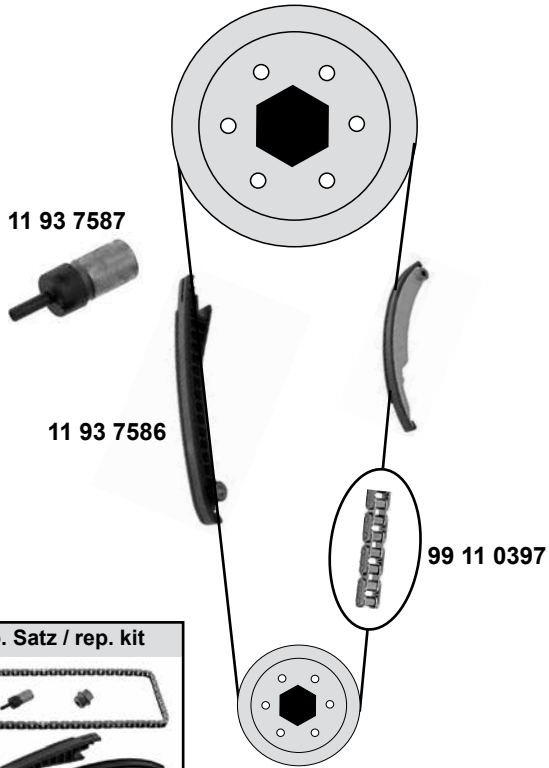
14 92 8260 04777017  
14 92 9563 04884320AA

# CHRYSLER PT Cruiser

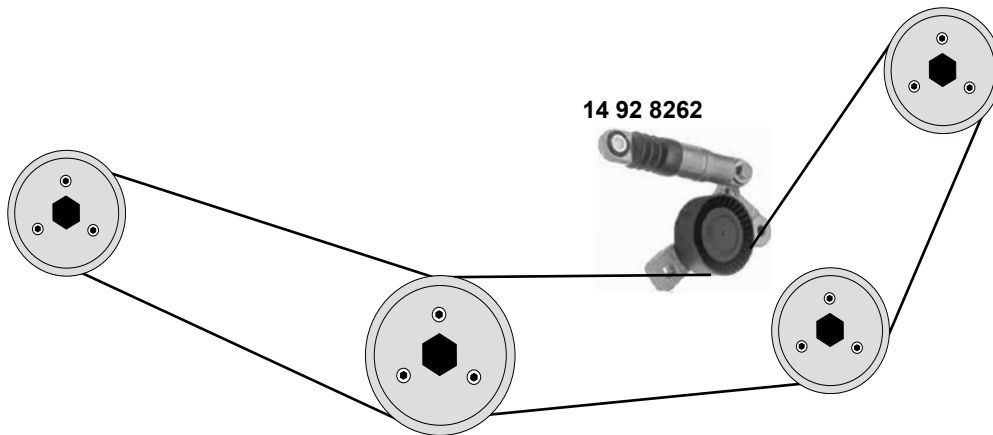
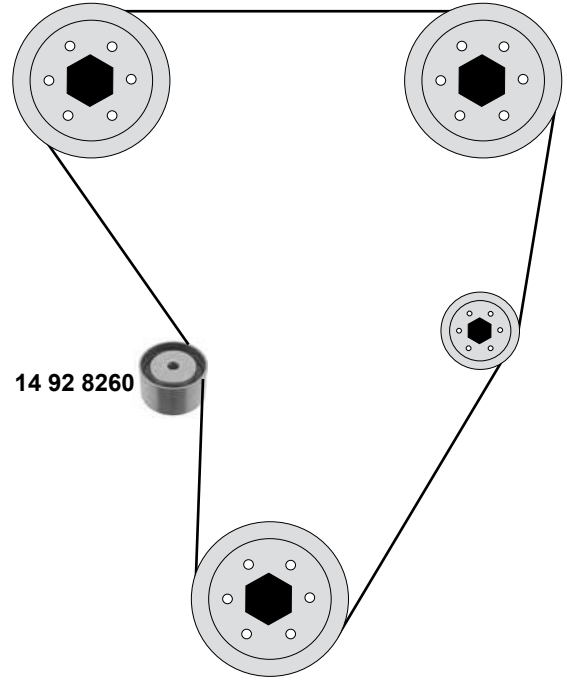
(06/00→)



**1,6**



**2,0**



Ref. - No.



14 92 8260	04777017	Umlenkrolle / deflection pulley
14 92 8262	04792495AB	Riemenspanner / belt tensioner
11 93 7586	0477707AA	Führungsschiene / timing chain guide
11 93 7587	04693261AB	Kettenspanner / chain tightener
11 93 7590	04777699 AA S1	Rep. Satz Steuerkette / rep. kit timing chain
99 11 0397	04777699AA	Steuerkette / timing chain

ØA 70 B24,5

112 E

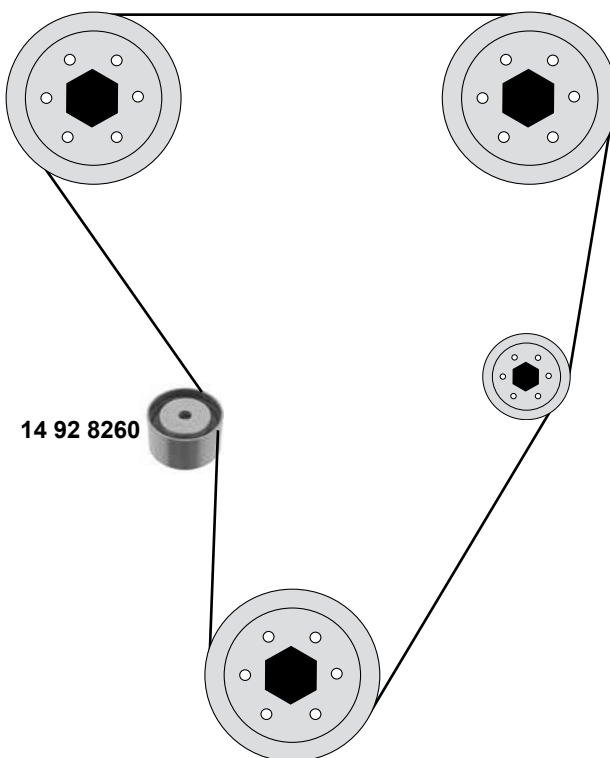




# CHRYSLER Sebring (JR) / Cabriolet

(01→)

**2,0**  
(ECC)

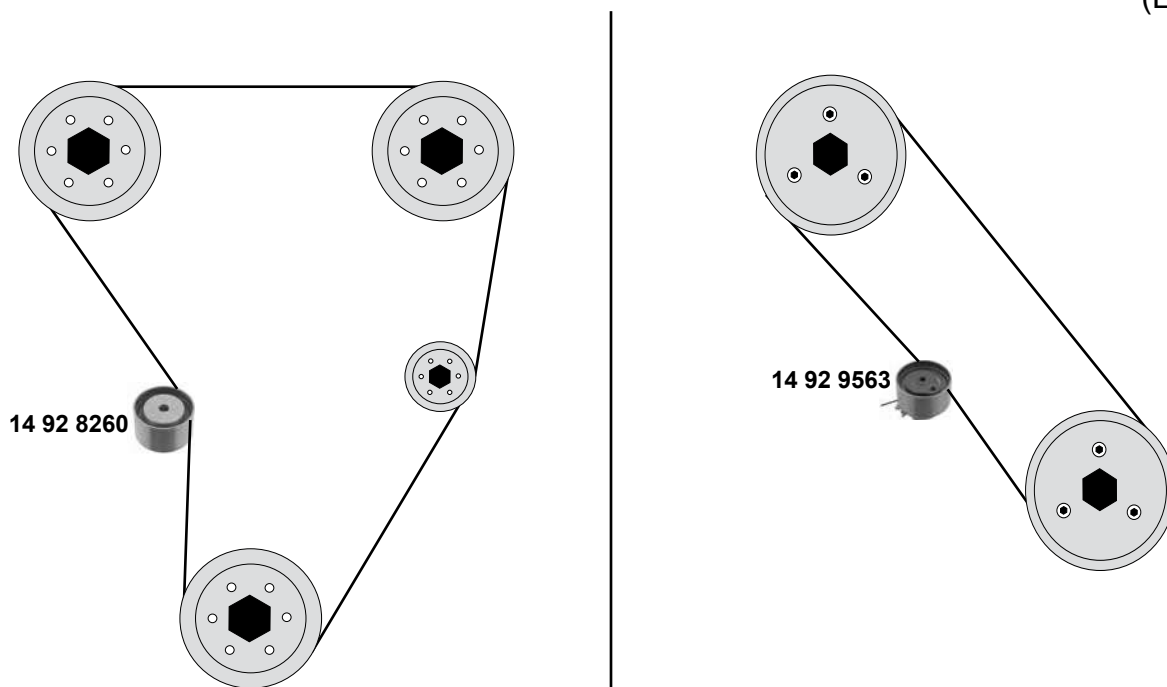


# Stratus (JA)

(95 → 01)

**2,0 16V/LE**

(ECB/C00)



(1) Cabriolet (JX) 2,0 LE 06/96 → 04/01



Ref. - No.



Umlenkrolle / deflection pulley  
Spannrolle / tension roller



(1)



ØA 70 B24,5  
ØA 67 B33

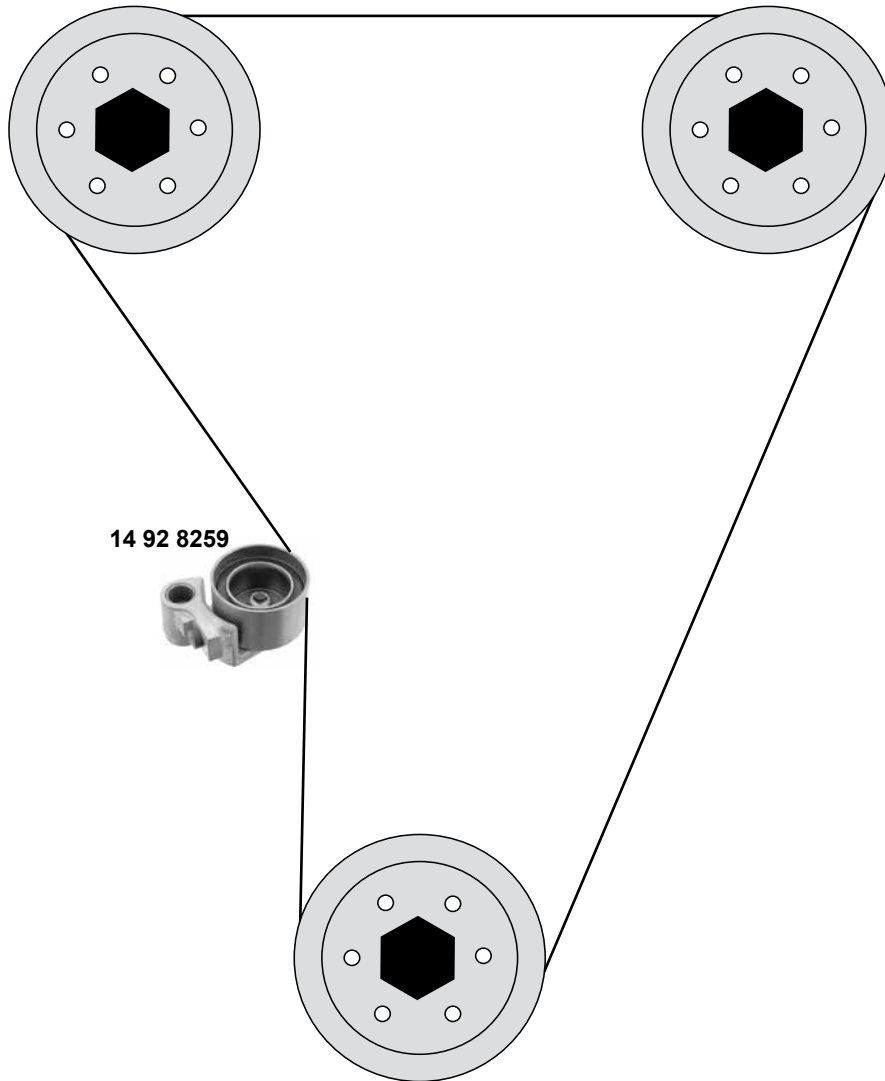
14 92 8260 04777017  
14 92 9563 04884320AA

# CHRYSLER Stratus (JA)

(95→01)



**2,4 16V**  
(EDZ)



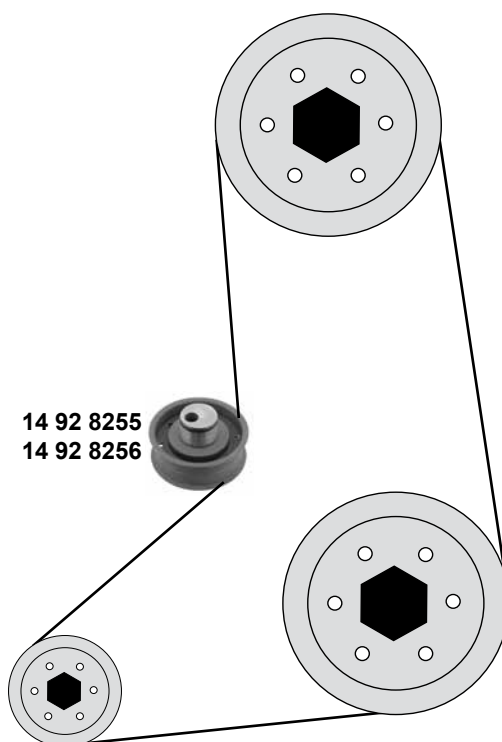
Ref. - No.



14 92 8259 04621454

Spannrolle / tension roller

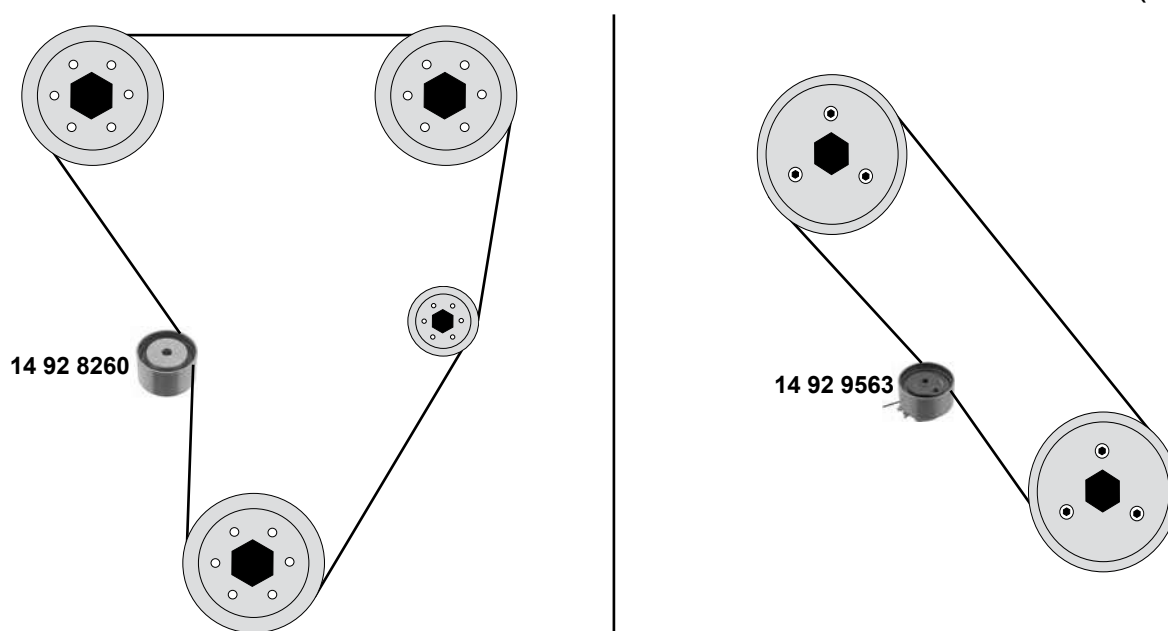
ØA 70 B24,5



## Voyager III (GS)

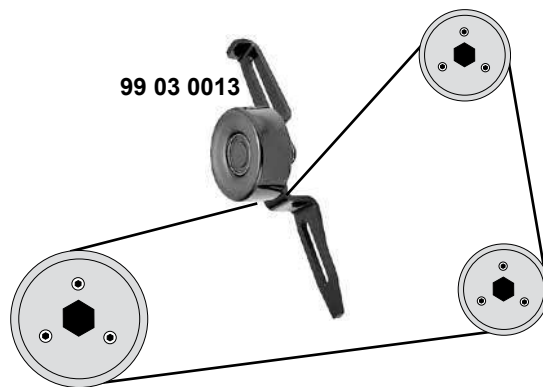
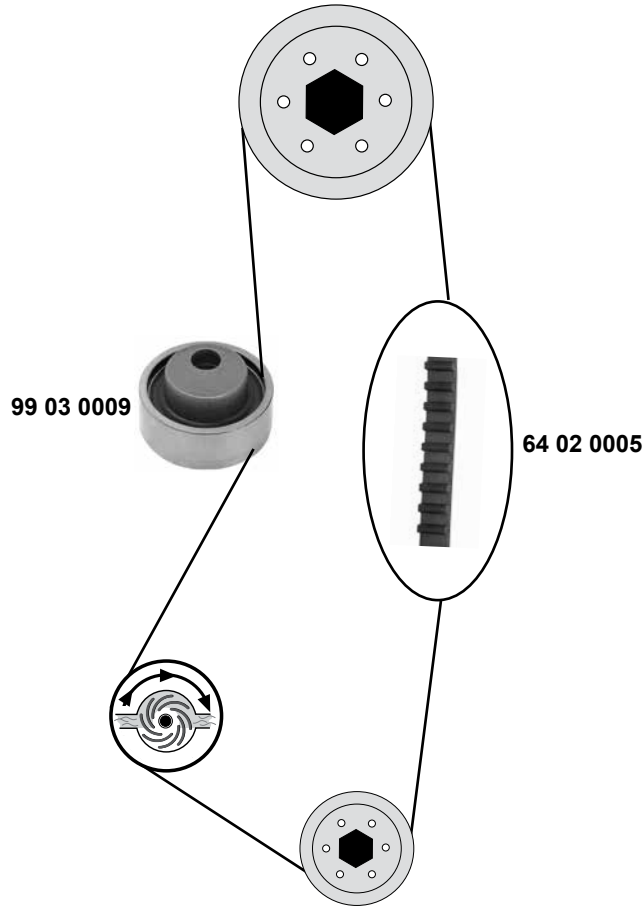
(95→01)

2,0 i

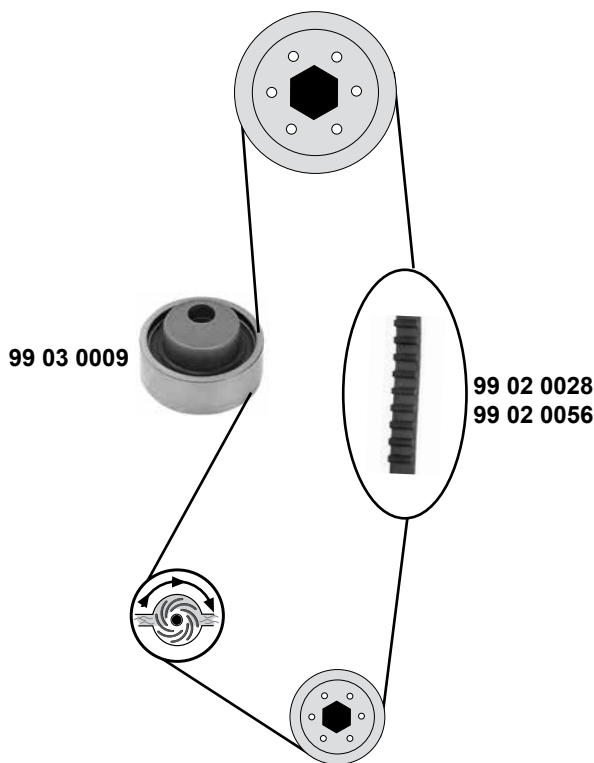


**1,0 / 1,1 / 1,3**

(TU1/TU1M/TU2J2/TU9M)



SWAG GERMANY	Ref. - No.			
62 02 0017	0831.13	Rep. Satz Zahnriemen / rep. kit timing belt		Z 104 B17
64 02 0005	0816.56	Zahnriemen / timing belt		ØA 59 ØI 13 B22
99 03 0009	0829.54	Spannrolle / tension roller		ØA 66 B26
99 03 0013	6453.G4	Spannrolle / tension roller	AC	

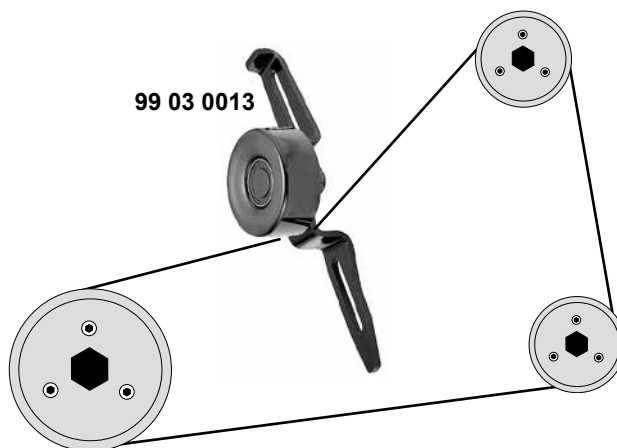


Rep. Satz / rep. kit

**SWAG 62 02 0020**

Rep. Satz / rep. kit

**SWAG 62 02 0021**



- (1) Guss Motorblock / cast engine block / coulé bloc-moteur / colado bloque-motor / ghisa monoblocco
- (2) Aluminium Motorblock / aluminum engine block / aluminium bloc-moteur / aliminio bloque-motor / monoblocco d'alluminio



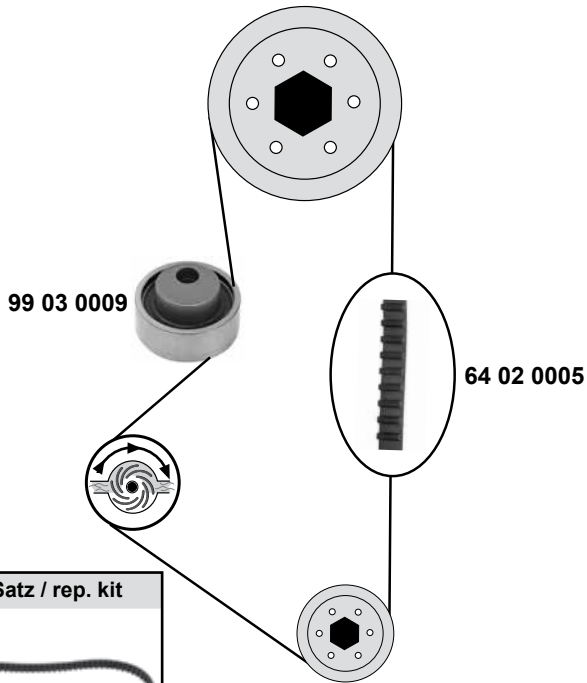
Ref. - No.



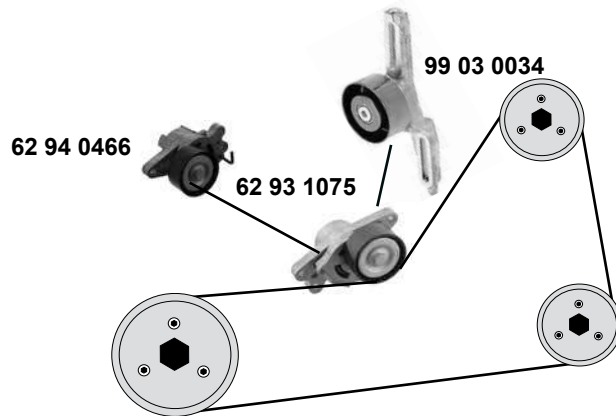
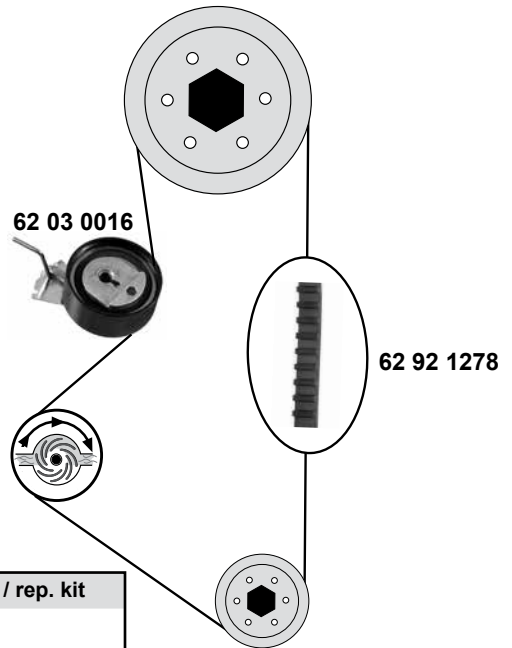
<b>62 02 0020</b>	0831.28	Rep. Satz Zahnriemen / rep. kit timing belt	(1)	Z 108 B17 Z 101 B17 ØA 59 ØI 13 B22
<b>62 02 0021</b>	0831.14	Rep. Satz Zahnriemen / rep. kit timing belt	(2)	
<b>99 02 0028</b>	0816.44	Zahnriemen / timing belt	(2)	
<b>99 02 0056</b>	0816.55	Zahnriemen / timing belt	(1)	
<b>99 03 0009</b>	0829.54	Spannrolle / tension roller		
<b>99 03 0013</b>	6453.G4	Spannrolle / tension roller	AC	

**1,1**  
(TU1M/TU1JP)

→ **M 3762433**



**M 3762434** →



(1) (mot.) TU1JP 02 → AC O 09457 -10562

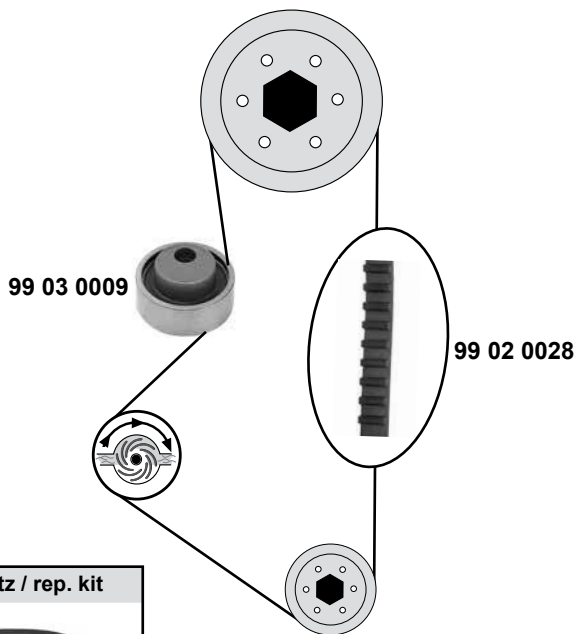


Ref. - No.



<b>62 02 0017</b>	0831.Q3	Rep. Satz Zahnriemen / rep. kit timing belt	
<b>62 03 0016</b>	0829.90	Spannrolle / tension roller	ØA 60 B25
<b>62 92 1278</b>	0816.F0	Zahnriemen / timing belt	Z 100 B17
<b>62 92 1280</b>	0831.84	Rep. Satz Zahnriemen / rep. kit timing belt	
<b>62 93 1075</b>	5751.A2	Spannrolle / tension roller	(mot.) TU1JP AC 02 → ØA 60
<b>62 94 0466</b>	5751.A2	Riemenspanner / belt tensioner	(1) ØA 60 B26
<b>64 02 0005</b>	0816.56	Zahnriemen / timing belt	Z 104 B17
<b>99 03 0009</b>	0829.54	Spannrolle / tension roller	ØA 59 ØI 13 B22
<b>99 03 0034</b>	6453.S5	Spannrolle / tension roller	AC → 02 ØA 68 B26,5

→ M 3666765

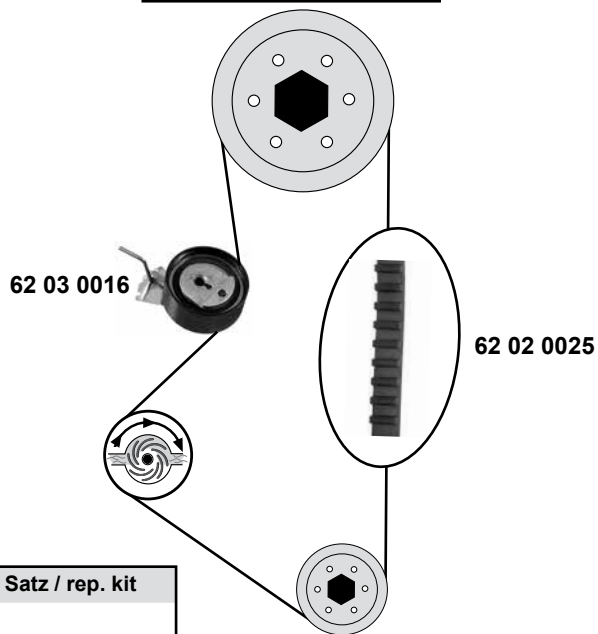


Rep. Satz / rep. kit

**SWAG 62 02 0021**

M 3666766 →

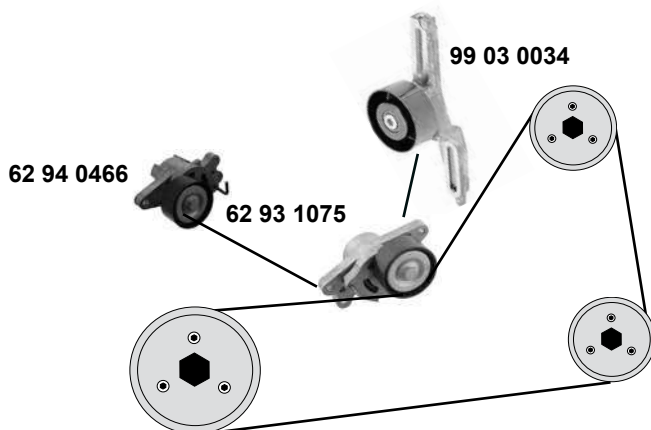
**1,4**  
(TU3JP)



Rep. Satz / rep. kit

**SWAG 62 92 1274**

**1,4**  
(TU3JP / TU3A)



(1) (mot.) TU3JP 02 → AC O 09457 -10562

(2) (mot.) TU3JP AC servo → 02



Ref. - No.



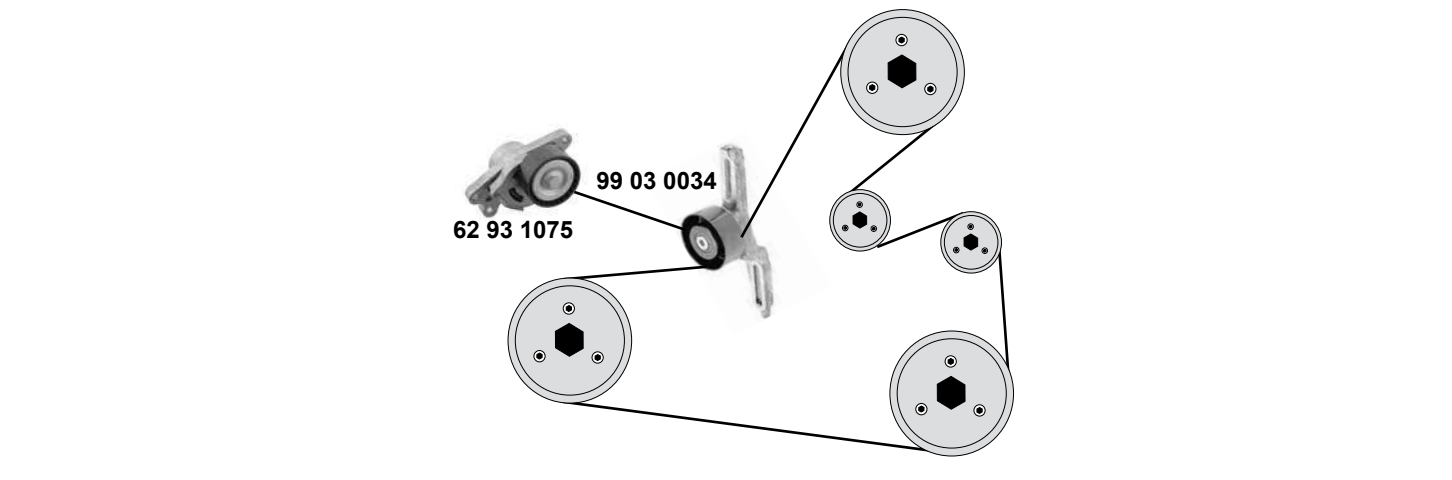
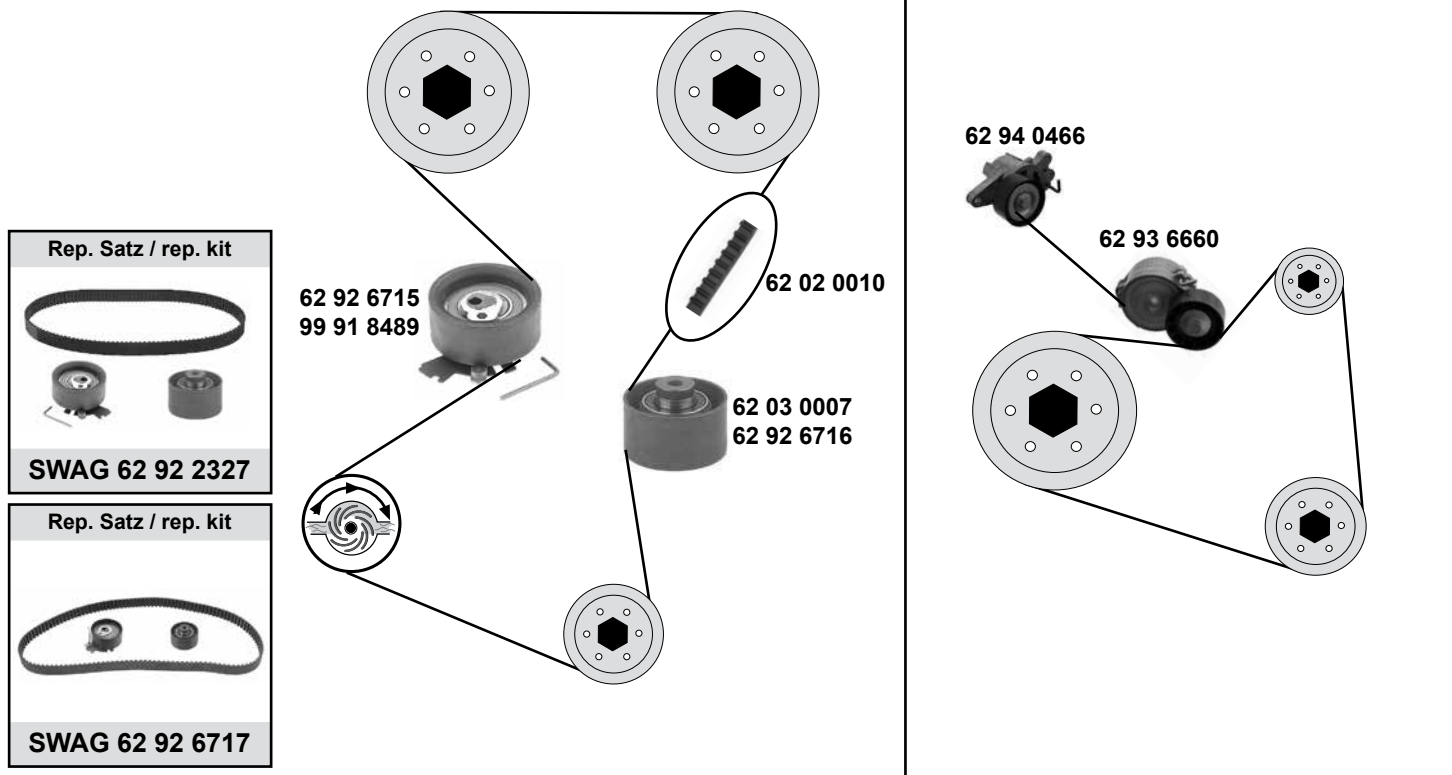
62 02 0021	0831.Q4	Rep. Satz Zahnriemen / rep. kit timing belt		
62 02 0025	0816.F2	Zahnriemen / timing belt		Z 104 B17
62 03 0016	0829.90	Spannrolle / tension roller		ØA 60 B25
62 92 1274	0831.S0	Rep. Satz Zahnriemen / rep. kit timing belt		
62 93 1075	5751.A2	Riemenspanner / belt tensioner	AC servo →	ØA 60
62 94 0466	5751.A2	Riemenspanner / belt tensioner	(1)	ØA 60 B26
99 02 0028	0816.44	Zahnriemen / timing belt		Z 104 B17
99 03 0034	6453.S5	Spannrolle / tension roller	(2)	ØA 65 B26,5
99 03 0009	0829.54	Spannrolle / tension roller		ØA 59 ØI 13

# CITROËN Berlingo I+II

(96→08)



**1,6 16 V**  
(TU5JP4)

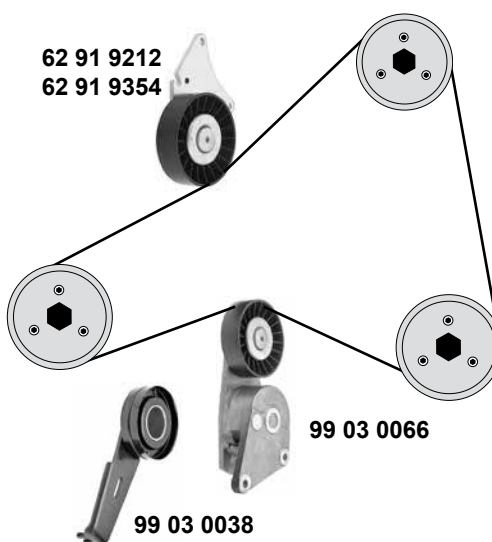
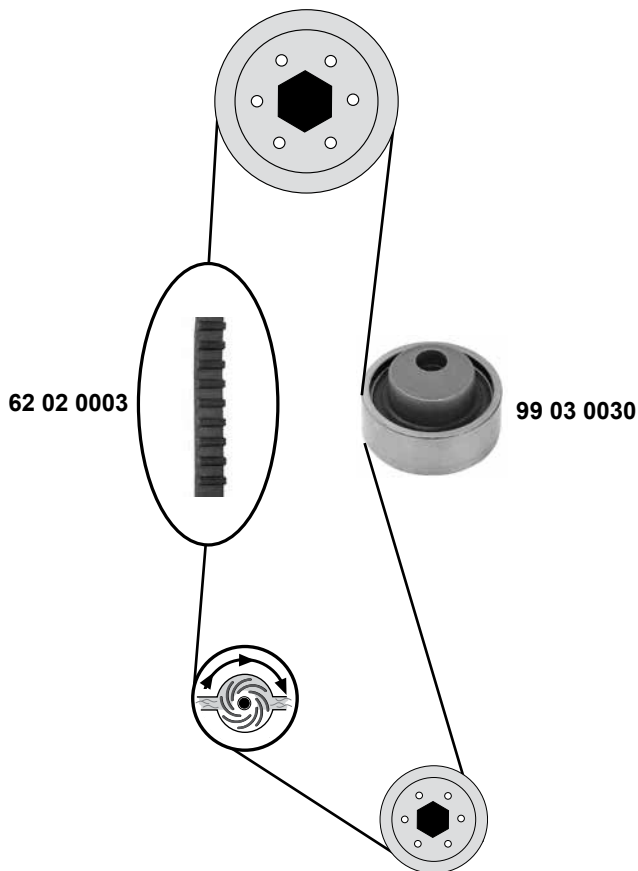


	(1) → 02 / O 08764 → 11253 02 → / → (mot.) 1806404	(2) 02 → / → (mot.) 1806405
	(3) 02 → / Ac O12110 →	(4) 02 → / Ac O9457 → 10310

	Ref. - No.			
62 02 0010	0816.H6	Zahnriemen / timing belt	→ 02	Z 134 B25,4
62 03 0007	0830.61	Umlenkrolle / deflection pulley	(1)	ØA 57 ØI 59 B32
62 92 2327	0831.V1	Rep. Satz Zahnriemen / rep. kit timing belt	(1)	
62 92 6715	0829.C8	Spannrolle / tension roller	(2)	ØA 70 B30
62 92 6716	0830.62	Umlenkrolle / deflection pulley	(2)	ØA 60 B30
62 92 6717	0831.R9	Rep. Satz Zahnriemen / rep. kit timing belt	(2)	Z 134 B25,4
62 93 1075	5751.A2	Riemenspanner / belt tensioner	02 → AC alle / all	ØA 60
62 93 6660	5751.E9	Riemenspanner / belt tensioner	(3)	ØA 60 B25
62 94 0466	5751.A2	Riemenspanner / belt tensioner	(4)	ØA 60 B26
99 91 8489	0829.C7	Spannrolle / tension roller	(1)	ØA 73 B31
99 03 0034	6453.S5	Spannrolle / tension roller	AC → 02	ØA 65 H 26,5



**1,8**  
(XU7JB)



SWAG GERMANY	Ref. - No.			
<b>62 02 0003</b>	0816.71	Zahnriemen / timing belt		Z 114 B22
<b>99 03 0066</b>	5751.35	Riemenspanner / belt tensioner	AC servo	
<b>62 91 9212</b>	5751.37	Umlenkrolle / deflection pulley	AC	ØA 70
<b>62 91 9354</b>	5751.36	Umlenkrolle / deflection pulley	AC	ØA 90
<b>99 02 0057</b>	0816.71 S1	Rep. Satz Zahnriemen / rep. kit timing belt		
<b>99 03 0030</b>	0829.29	Spannrolle / tension roller		ØA 59 ØI 13 B22
<b>99 03 0038</b>	5751.18	Spannrolle / tension roller	(ex.) servo	ØA 90 ØI 8 B24,5

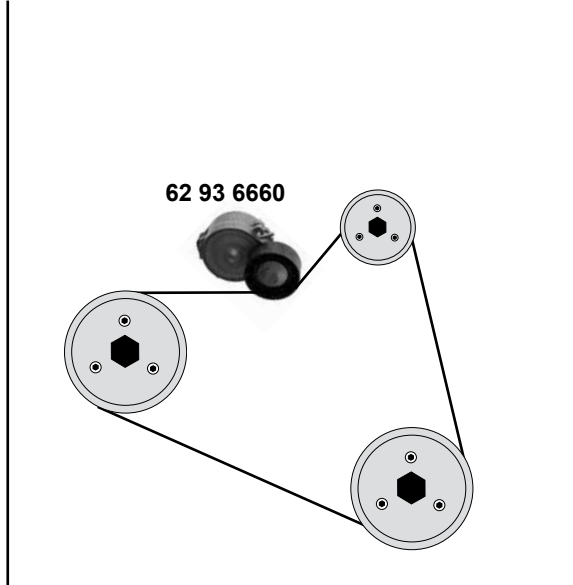
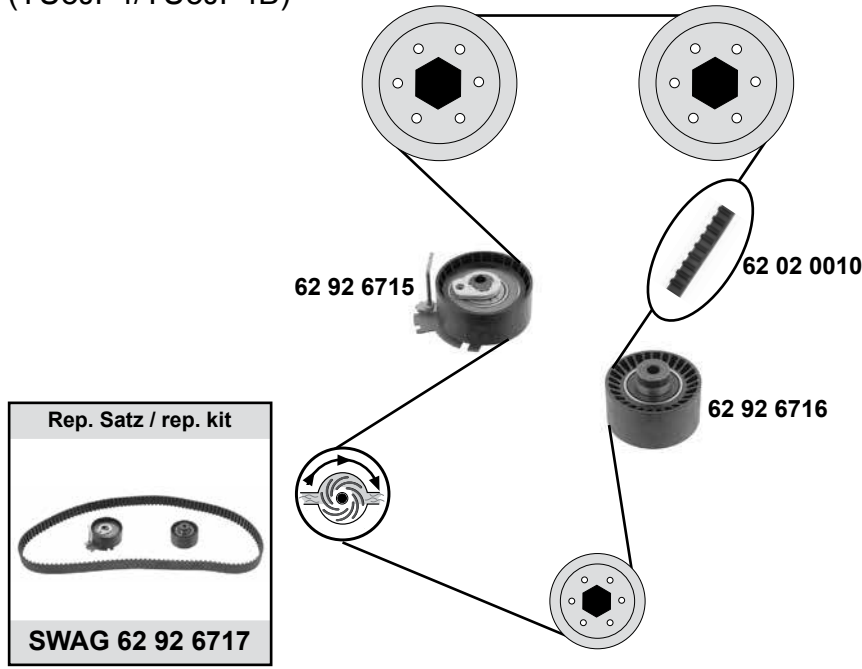
# CITROËN Berlingo III

(08→)

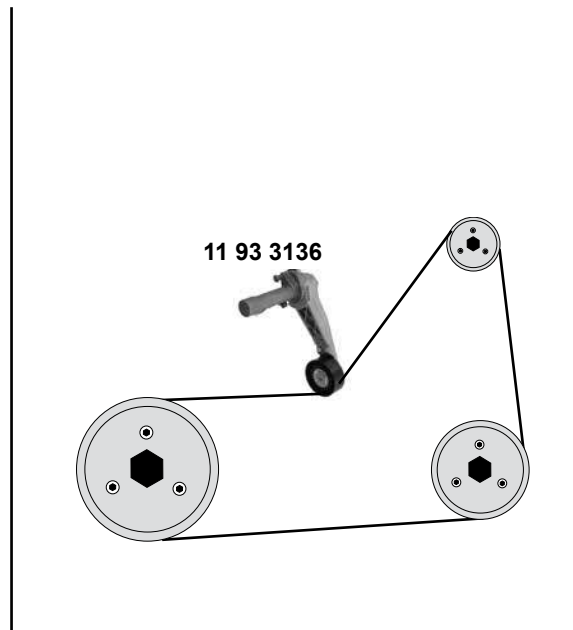
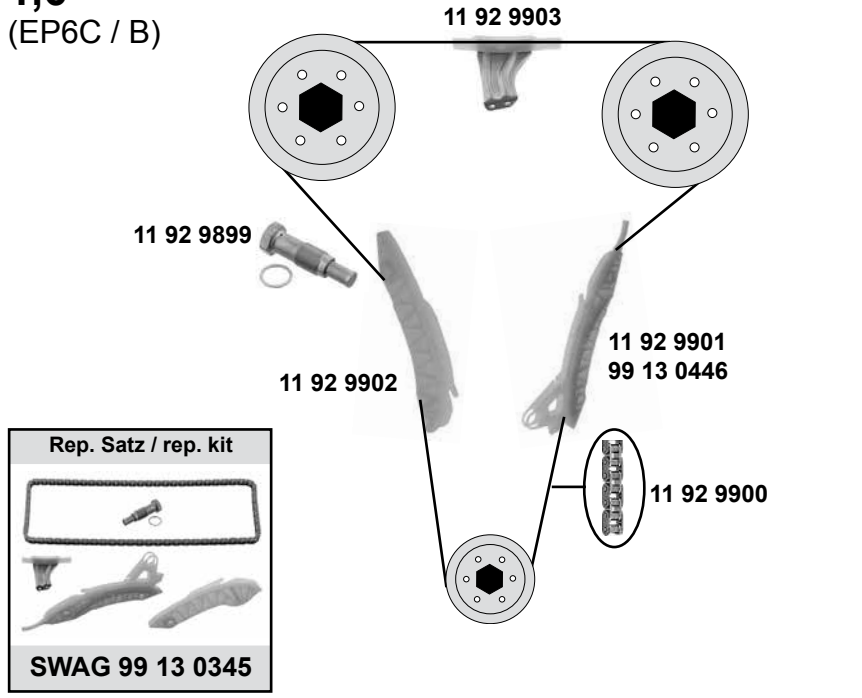


## 1,6 16 V

(TU5JP4/TU5JP4B)

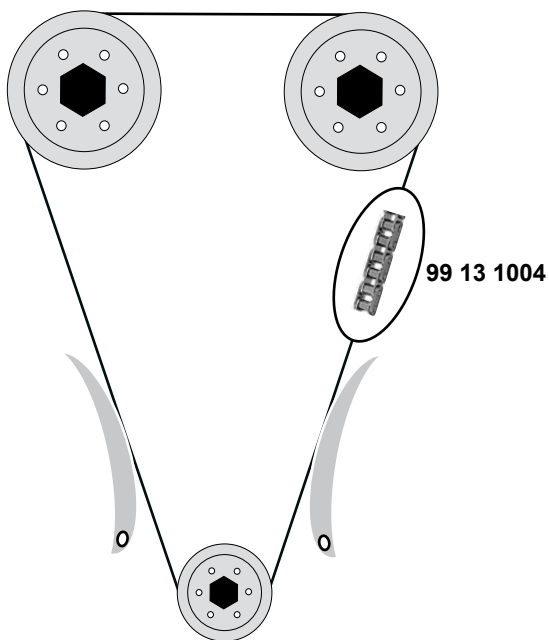


## 1,6 (EP6C / B)

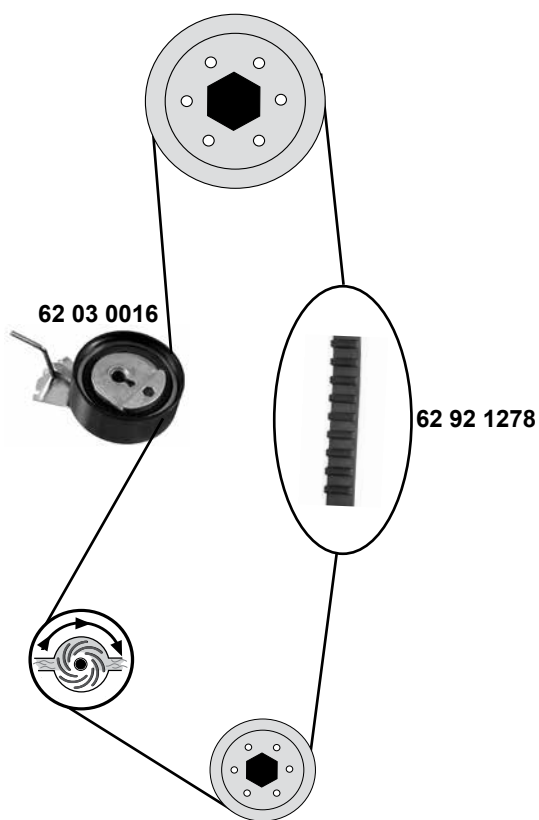


SWAG	Ref. - No.			
11 92 9899	0829.E1	Kettenspanner / chain tensioner	(mot.) EP6C	M 22x1,5
11 92 9900	0816.J2	Steuerkette / timing chain	(mot.) EP6C	138 E
11 92 9901	0818.30	Gleitschiene / sliding rail	(mot.) EP6C	
11 92 9902	0818.33	Gleitschiene / sliding rail	(mot.) EP6C	
11 92 9903	0818.41	Gleitschiene / sliding rail	(mot.) EP6C	
11 93 3136	5751.G9	Riemenspanner / belt tensioner	AC	ØA 65 B25
62 02 0010	0816.H6	Zahnriemen / timing belt		Z 134 B25,4
62 92 6715	0829.C8	Spannrolle / tension roller		ØA 70 B30
62 92 6716	0830.62	Umlenkrolle / deflection pulley		ØA 60 B30
62 92 6717	0831.L3	Rep. Satz Zahnriemen / rep. kit timing belt		Z 134 B25,4
62 93 0345	0816.J2 S1	Rep. Satz Steuerkette / rep kit timing chain	(mot.) EP6C	
62 93 6660	5751.E9	Riemenspanner / belt tensioner		ØA 60 B25

**1,0**  
(1KRFE)



**C2**  
(03→10)  
**1,1**  
(TU1JP)



Ref. - No.

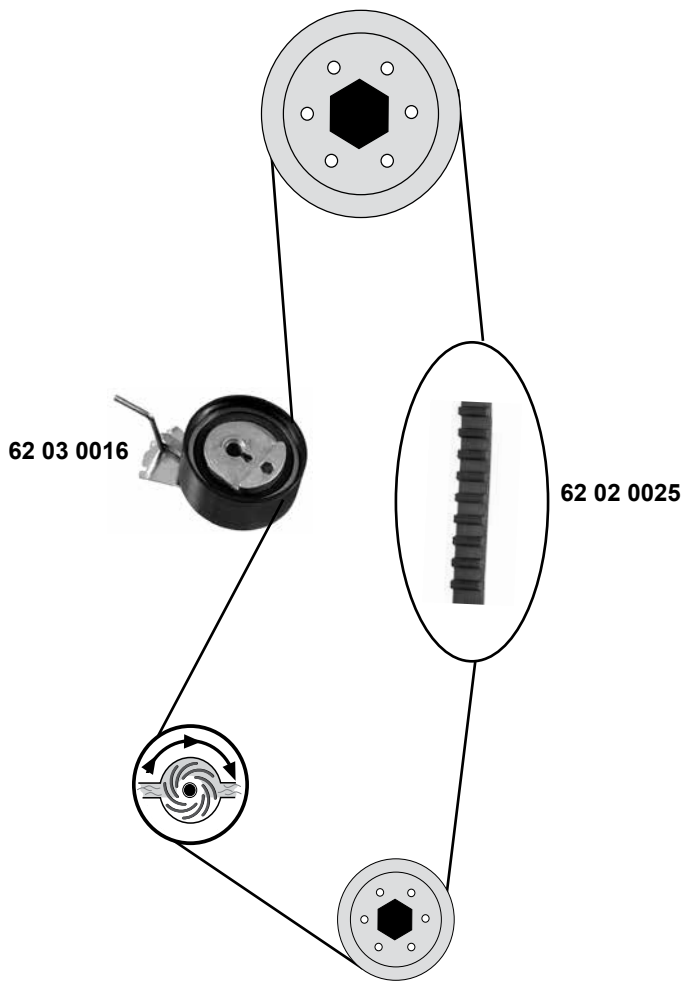


62 03 0016	0829.90
62 92 1278	0816.F0
62 92 1280	0831.84
99 13 1004	0816.H1

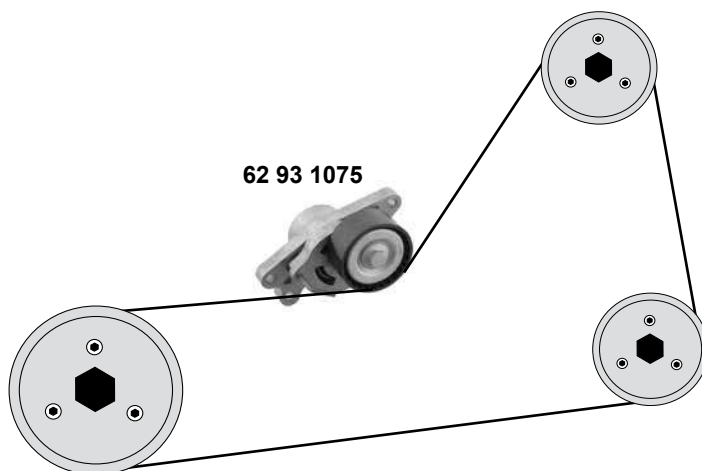
Spannrolle / tension roller
Zahnriemen / timing belt
Rep. Satz Zahnriemen / rep. kit timing belt
Steuerkette / timing chain

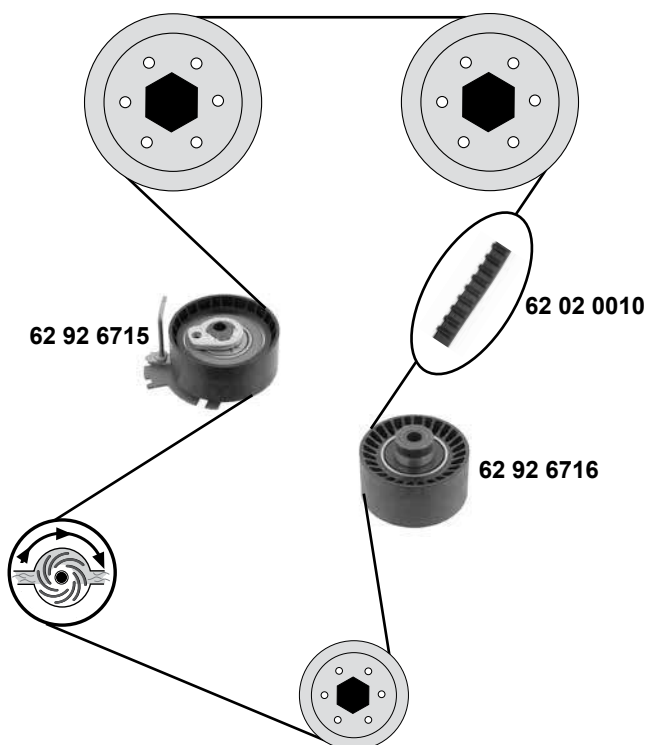
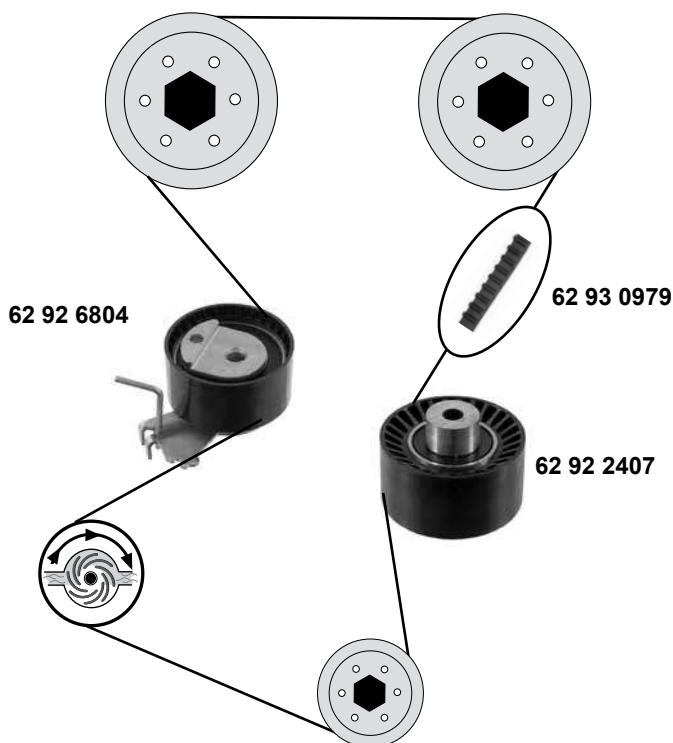
ØA 60 B25
Z 100 B17
124 E

**1,4**  
(TU3JP)



**1,4**  
(TU3AF)





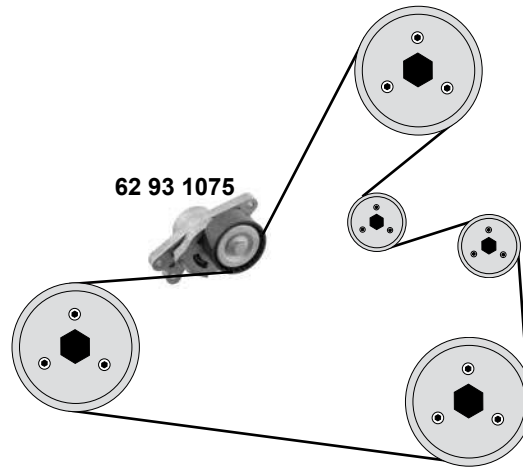
SWAG	Ref. - No.			
62 02 0010	0816.H6	Zahnriemen / timing belt		Z 134 B25,4
62 92 2407	0830.60	Umlenkrolle / deflection pulley		ØA 40 B30,5
62 92 6715	0829.C8	Spannrolle / tension roller		ØA 70 B30
62 92 6716	0830.62	Umlenkrolle / deflection pulley		ØA 60 B30
62 92 6717	0831.R9	Rep. Satz Zahnriemen / rep. kit timing belt		Z 134 B25,4
62 92 6804	0829.C6	Spannrolle / tension roller		ØA 60 B29
62 93 0979	0816.H5	Zahnriemen / timing belt		Z 135 B25
62 93 1051	0831.V0	Rep. Satz Zahnriemen / rep. kit timing belt		

# CITROËN C2

(03→10)



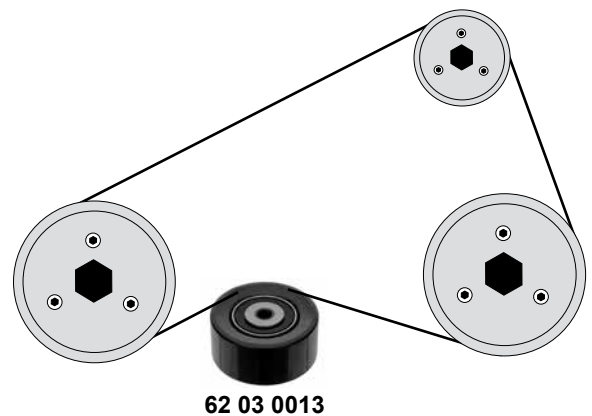
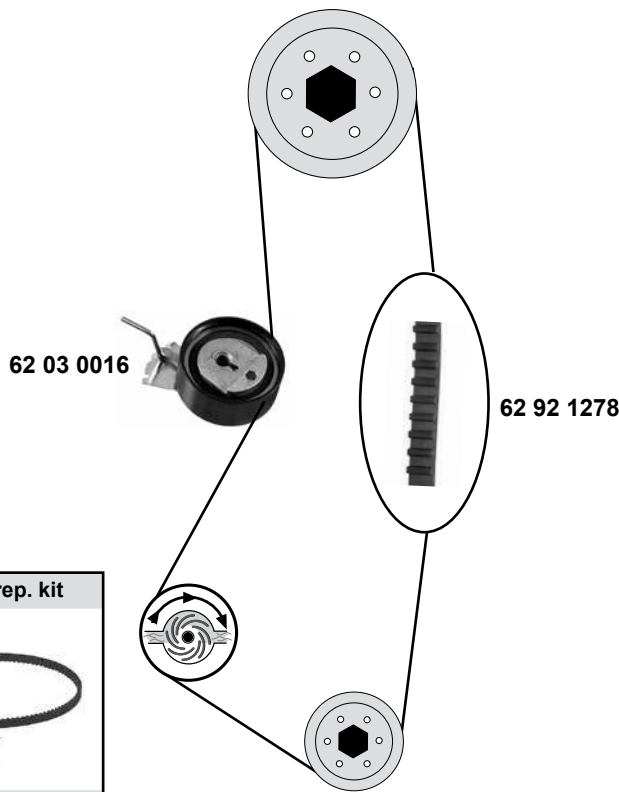
**1,6 16 V**  
(TU5JP4)



# C3

(02→05)

**1,1**  
(TU1JP)

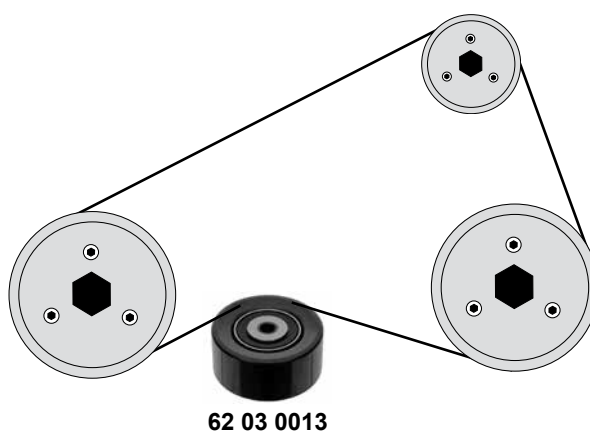
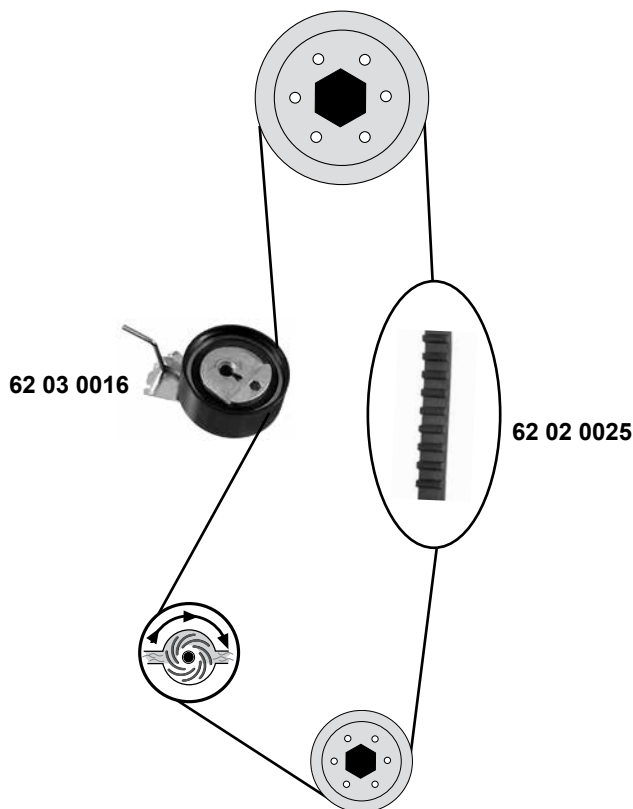


Ref. - No.



<b>62 03 0013</b>	5751.91	Umlenkrolle / deflection pulley
<b>62 03 0016</b>	0829.90	Spannrolle / tension roller
<b>62 92 1278</b>	0816.F0	Zahnriemen / timing belt
<b>62 92 1280</b>	0831.S1	Rep. Satz Zahnriemen / rep. kit timing belt
<b>62 93 1075</b>	5751.A2	Riemenspanner / belt tensioner

AC	ØA 57 ØI 59 B32
	ØA 60 B25
	Z 100 B17
06→ (China Version)	ØA 60



Ref. - No.



<b>62 02 0025</b>	0816.F2
<b>62 03 0016</b>	0829.90
<b>62 92 1274</b>	0831.86
<b>62 03 0013</b>	5751.91

Zahnriemen / timing belt
Spannrolle / tension roller
Rep. Satz Zahnriemen / rep. kit timing belt
Umlenkrolle / deflection pulley

AC

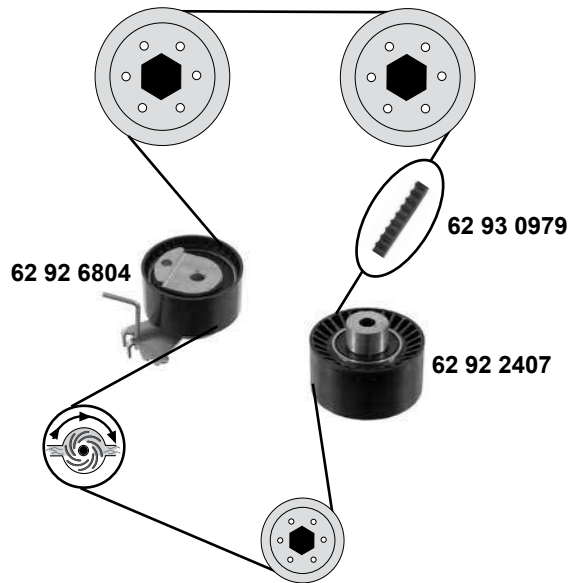
Z 104 B17
ØA 60 B25
ØA 57 ØI 59 B32

# CITROËN C3

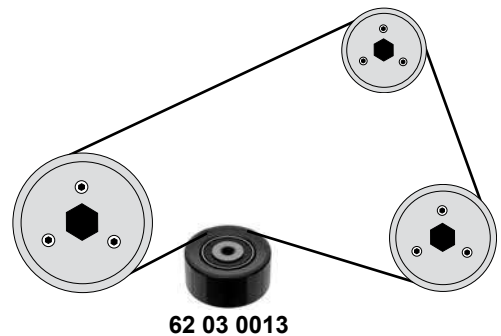
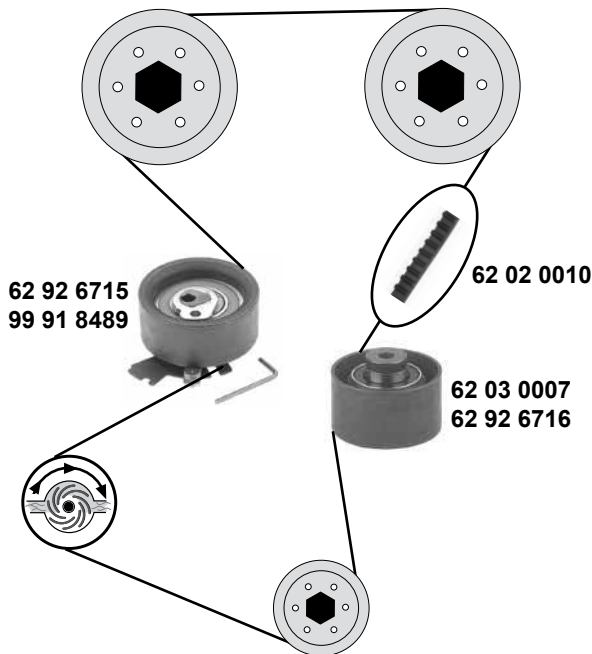
(02→05)



## 1,4 16 V (ET3J4)



## 1,6 16 V (TU5JP4)

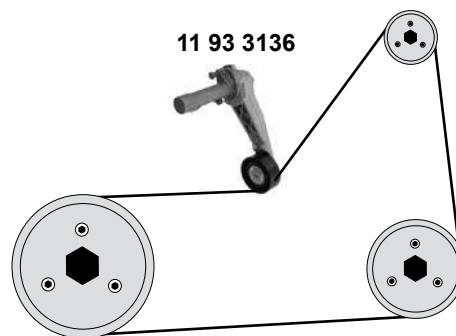
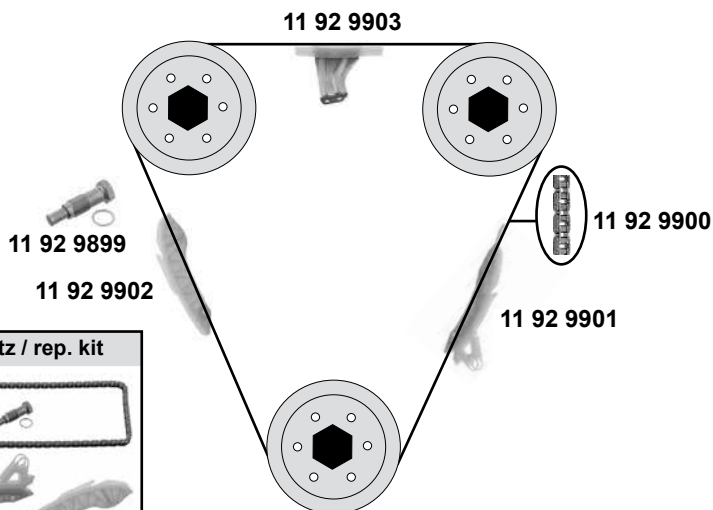
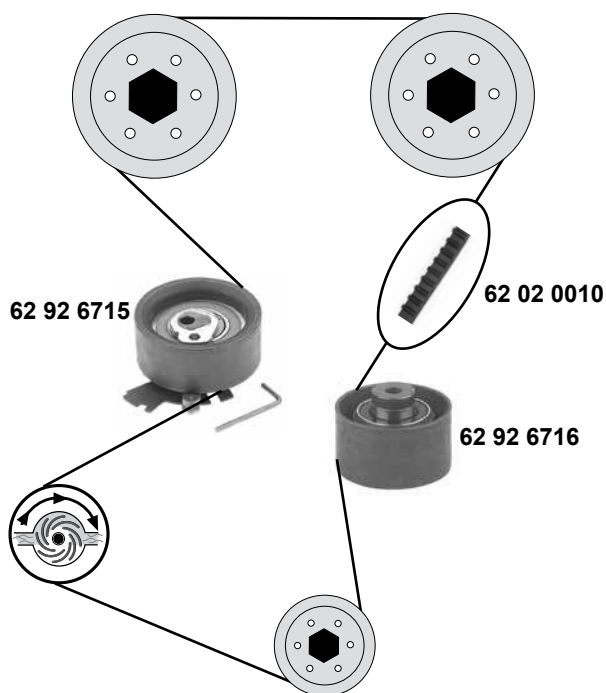


**(1)** O 09128/09555/09275 →  
→ O 11253  
→ (mot.) 1806404

**(2)** O 09128/09555/09275 →  
(mot.) 1806405 →

SWAG GERMANY	Ref. - No.			
62 02 0010	0816.H6	Zahnriemen / timing belt		Z 134 B25,4
62 03 0007	0830.61	Umlenkrolle / deflection pulley	(1)	∅A 57 ∅I 59 B32
62 03 0013	5751.91	Umlenkrolle / deflection pulley	AC	∅A 57 ∅I 59 B32
62 92 2327	0831.V1	Rep. Satz Zahnriemen / rep. kit timing belt	(1)	
62 92 2407	0830.60	Umlenkrolle / deflection pulley		∅A 40 B30,5
62 92 6715	0829.C8	Spannrolle / tension roller	(2)	∅A 70 B30
62 92 6716	0830.62	Umlenkrolle / deflection pulley	(2)	∅A 60 B30
62 92 6717	0831.R9	Rep. Satz Zahnriemen / rep. kit timing belt	(2)	Z 134 B25,4
62 92 6804	0829.C6	Spannrolle / tension roller		∅A 60 B29
62 93 0979	0816.H5	Zahnriemen / timing belt		Z 135 B25
62 93 1051	0831.V0	Rep. Satz Zahnriemen / rep. kit timing belt		
99 91 8489	0829.C7	Spannrolle / tension roller	(1)	∅A 73 B31





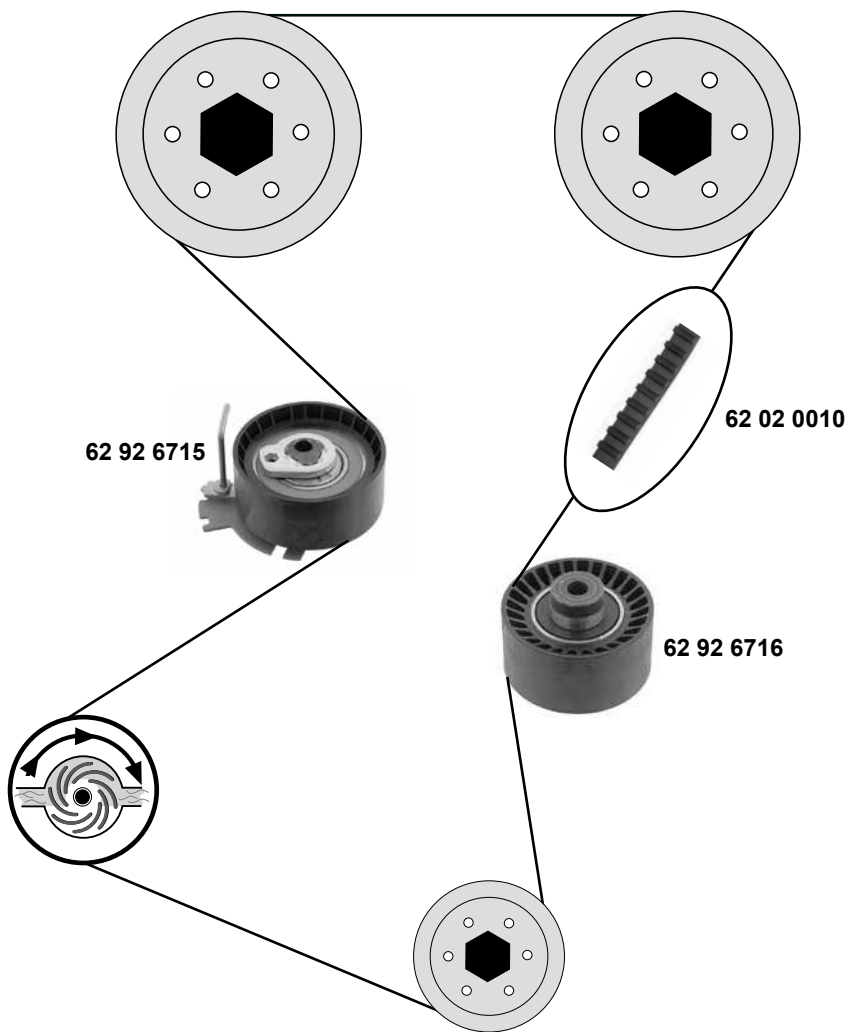
Ref. - No.



<b>11 92 9899</b>	0829.G3	Kettenspanner / chain tensioner		
<b>11 92 9900</b>	0816.J2	Steuerkette / timing chain		138 E
<b>11 92 9901</b>	0818.40	Gleitschiene / sliding rail		
<b>11 92 9902</b>	0818.33	Gleitschiene / sliding rail		
<b>11 92 9903</b>	0818.41	Gleitschiene / sliding rail		
<b>11 93 3136</b>	5751.G9	Riemenspanner / belt tensioner	AC	ØA 65 B25
<b>62 02 0010</b>	0816.H6	Zahnriemen / timing belt		Z 134 B25,4
<b>62 92 6715</b>	0829.C8	Spannrolle / tension roller		ØA 70 B30
<b>62 92 6716</b>	0830.62	Umlenkrolle / deflection pulley		ØA 60 B30
<b>62 92 6717</b>	0831.R9	Rep. Satz Zahnriemen / rep. kit timing belt		Z 134 B25,4
<b>99 13 0345</b>	0816.J2.S1	Rep. Satz Steuerkette / rep kit timing chain		

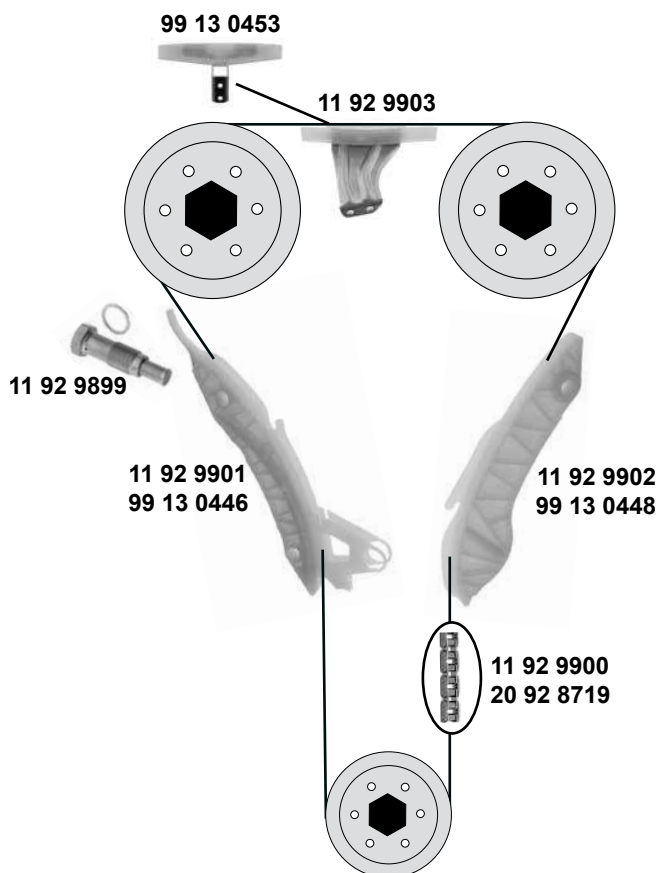
## 1,6 16 V

(TU5JP4/TU5JP4B)

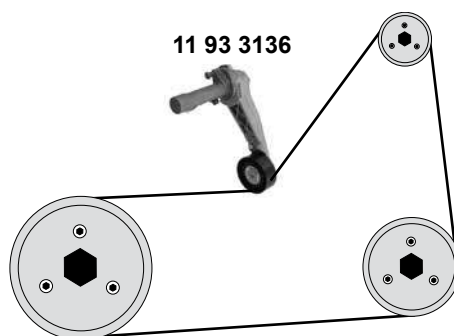


SWAG	Ref. - No.			
62 02 0010	0816.H6	Zahnriemen / timing belt		Z 134 B25,4
62 92 6715	0829.C8	Spannrolle / tension roller		ØA 70 B30
62 92 6716	0830.62	Umlenkrolle / deflection pulley		ØA 60 B30
62 92 6717	0831.R9	Rep. Satz Zahnriemen / rep. kit timing belt		Z 134 B25,4

**1,4 / 1,6**  
(EP3/EP6/EP6DT)



**1,4 / 1,6**  
(EP3/EP3C/EP3C GAS/EP6/EP6C)



(1) (mot.) EP3 / EP6 mit / with BE4R

(2) (mot.) EP6DT

(3) (mot.) EP3C / EP6C



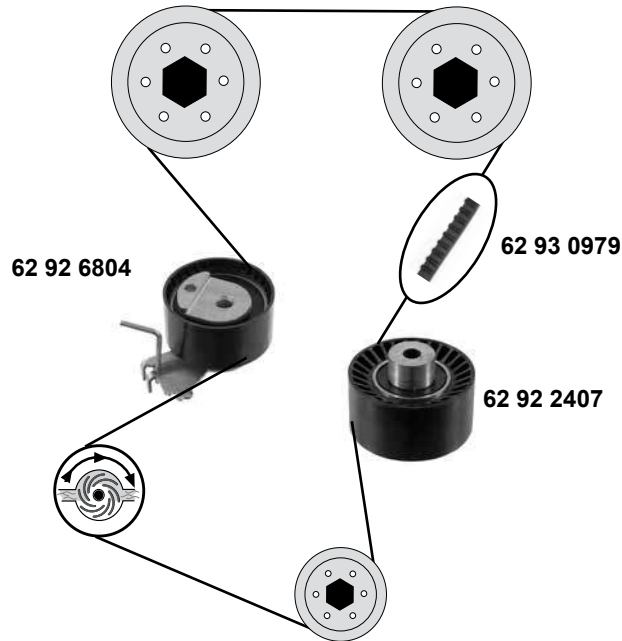
Ref. - No.



Ref. - No.	Description	Quantity	Notes
11 92 9899	0829.E1 Kettenspanner / chain tensioner	(1)	
11 92 9900	0816.J2 Steuerkette / roller chain	(1)	
11 92 9901	0818.40 Gleitschiene, links / sliding rail, left	(1)	
11 92 9902	0818.33 Gleitschiene rechts / sliding rail, right	(1)	
11 92 9903	0818.41 Gleitschiene oben / sliding rail, top	(1)	
11 93 3136	5751.G9 Riemenspanner / belt tensioner	AC	ØA 65 B25
20 92 8719	0816.H9 Steuerkette / roller chain	(2)	
99 13 0345	0816.J2 S1 Rep. Satz Steuerkette / rep kit timing chain	(1) (3)	
99 13 0446	0818.31 Gleitschiene / sliding rail	(2)	
99 13 0448	0818.30 Gleitschiene / sliding rail	(2)	
99 13 0452	0816.H9 S1 Rep. Satz Steuerkette / rep kit timing chain	(2)	
99 13 0453	0818.29 Gleitschiene / sliding rail	(2)	

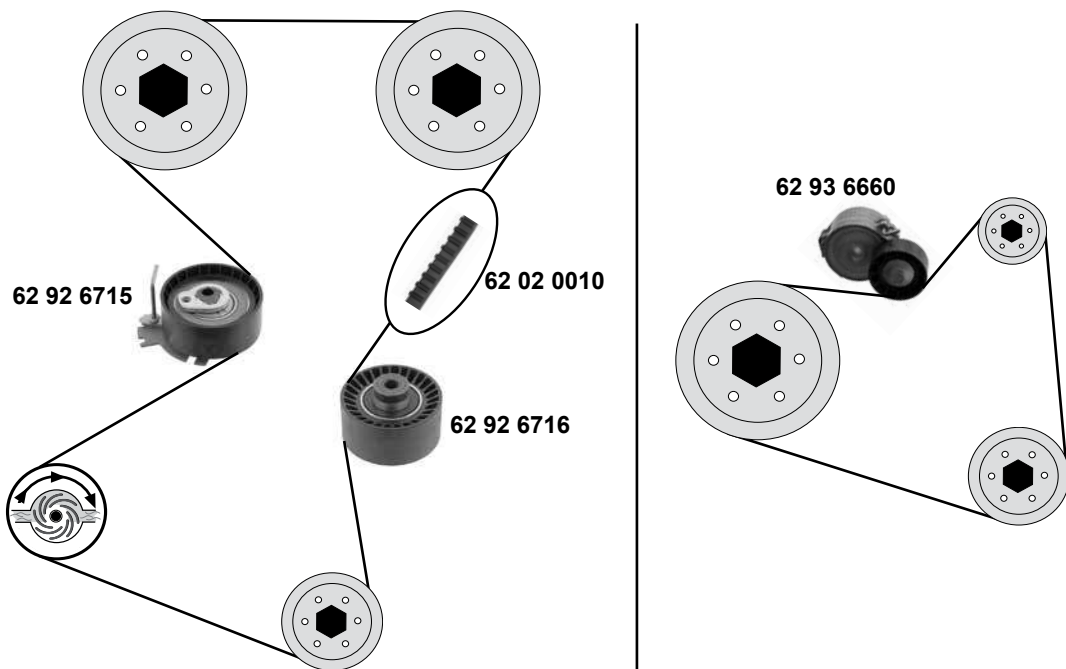
### 1,4 16V

(ET3J4)



### 1,6 16V

(TU5JP4)



(1) O 10647 / 11012 / 10052 →

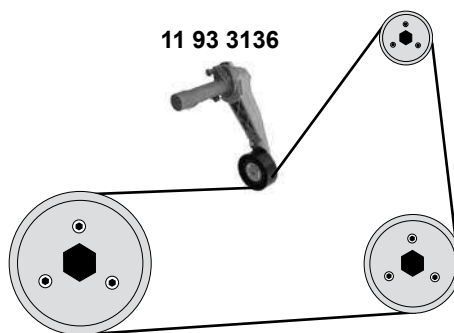
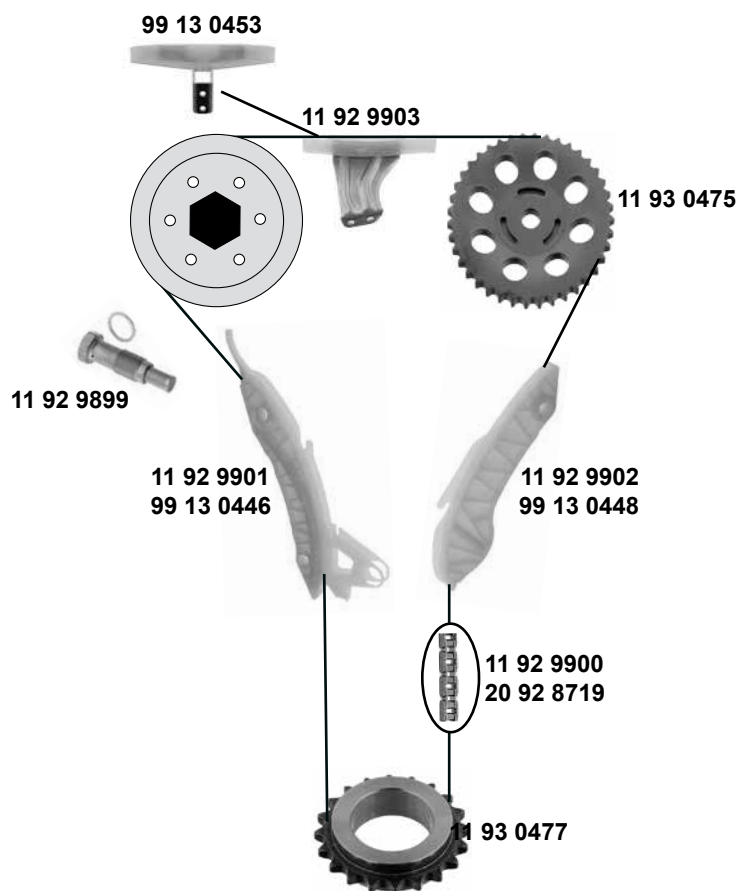
(2) AC (ex.) servo / → O 12620



Ref. - No.



62 02 0010	0816.H6	Zahriemen / timing belt	(1)	
62 92 2407	0830.60	Umlenkrolle / deflection pulley		ØA 40 B30,5
62 92 6715	0829.C8	Spannrolle / tension roller	(1)	ØA 70 B30
62 92 6716	0830.62	Umlenkrolle / deflection pulley	(1)	ØA 60 B30
62 92 6717	0831.R9	Rep. Satz Zahnriemen / rep. kit timing belt	(1)	Z 134 B25,4
62 92 6804	0829.C6	Spannrolle / tension roller		ØA 60 B29
62 93 0979	0816.H5	Zahriemen / timing belt		Z 135 B25
62 93 1051	0831.V0	Rep. Satz Zahnriemen / rep. kit timing belt		
62 93 6660	5751.E9	Riemenspanner / belt tensioner	(2)	ØA 60 B25



(1) (mot.) EP6 mit / with BE4R

(2) (mot.) EP6DT



Ref. - No.



Ref. - No.	Description	Quantity	Notes
11 92 9899	0829.E1 Kettenspanner / chain tensioner	(1) (2)	
11 92 9900	0816.J2 Steuerkette / roller chain	(1)	
11 92 9901	0818.40 Gleitschiene, links / sliding rail, left	(1)	
11 92 9902	0818.33 Gleitschiene rechts / sliding rail, right	(1)	
11 92 9903	0818.41 Gleitschiene oben / sliding rail, top	(1)	
11 93 0475	0805.H6 Nockenwellenrad / camshaft gear	(2)	
11 93 0477	0513.C8 Kurbelwellenzahnrad / crankshaft gear	(2)	
11 93 3136	5751.G9 Riemenspanner / belt tensioner	AC	
20 92 8719	0816.H9 Steuerkette / roller chain	(2)	
99 13 0345	0816.J2 S1 Rep. Satz Steuerkette / rep kit timing chain	(mot.) EP6C	
99 13 0446	0818.31 Gleitschiene, links / sliding rail, left	(2)	
99 13 0448	0818.30 Gleitschiene rechts / sliding rail, right	(2)	
99 13 0452	0816.H9 S1 Rep. Satz Steuerkette / rep kit timing chain	(2)	
99 13 0453	0818.29 Gleitschiene oben / sliding rail, top	(2)	

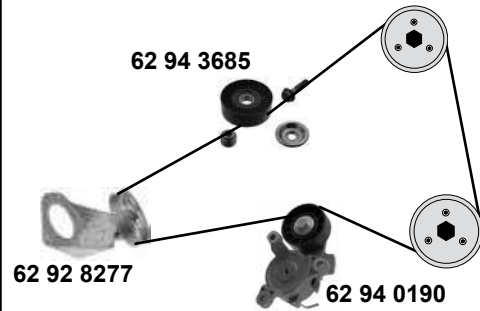
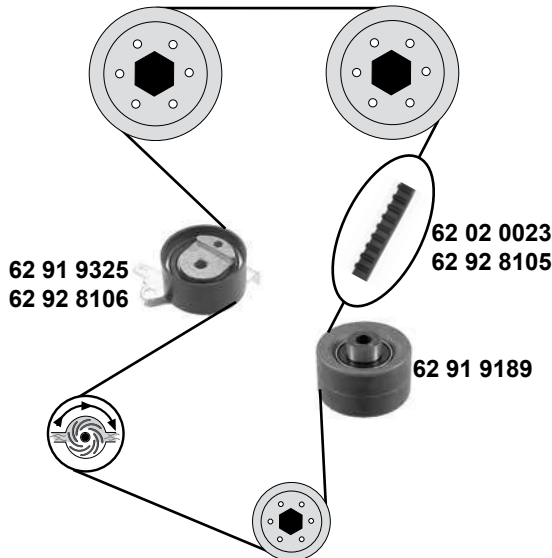
# CITROËN C4 I

(04→09)



## 2,0 16 V

(EW10J4 / EW10J4S EW10A)

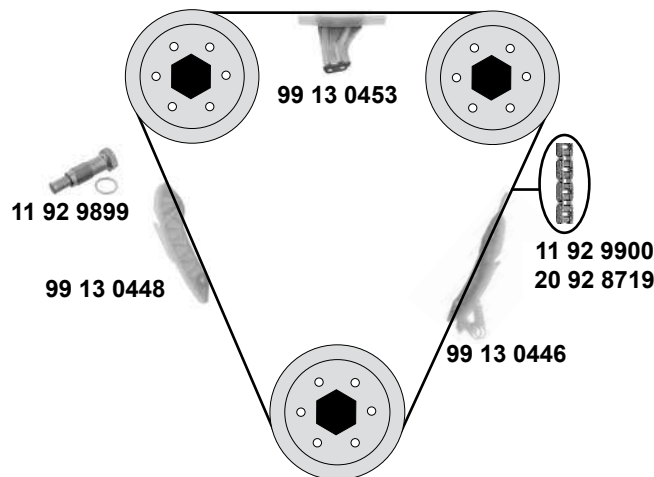


## C4 II

(09→)

1,6

(EP6CDT)



(1) (mot.) EW10J4

(2) (mot.) EW10A

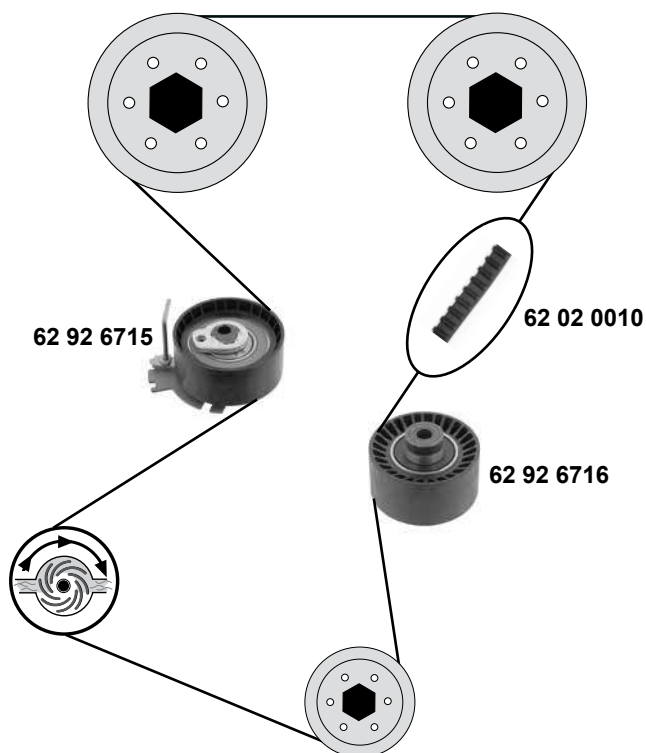
(3) (mot.) EW10A → O 10052 - 11270



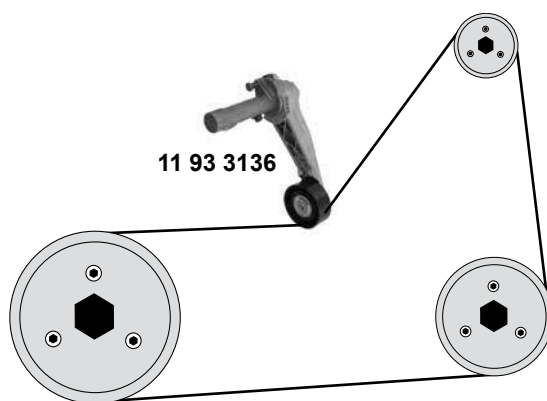
Ref. - No.



11 92 9899	0829.G3	Kettenspanner / chain tensioner		
20 92 8719	0816.H9	Steuerkette / timing chain		144 E
62 02 0023	0816.A1	Zahnriemen / timing belt	(1)	Z 153 B25,4
62 91 9189	0830.42	Umlenkrolle / deflection pulley	(1) (2)	ØA 60 B31
62 91 9325	0829.96	Spannrolle / tension roller	(1)	ØA 62 B29
62 92 2309	0831.T4	Rep. Satz Zahnriemen / rep. kit timing belt	(1)	Z 153 B25,4
62 92 8105	0816.G4	Zahnriemen / timing belt	(2)	Z 153 B25
62 92 8106	0829.A9	Spannrolle / tension roller	(2)	ØA 62 B29
62 92 8107	0831.V6	Rep. Satz Zahnriemen / rep. kit timing belt	(2)	Z 153 B25
62 92 8277	1628.WA	Umlenkrolle / deflection pulley	(1)	ØA 132 B28
62 94 0190	5751.G8	Riemenspanner / belt tensioner	(3)	ØA 70 B25
62 94 3685	5751.E4	Umlenkrolle / deflection pulley	(ex.) EW10A	ØA 78 B25
99 13 0446	0818.31	Gleitschiene / sliding rail		
99 13 0448	0818.30	Gleitschiene / sliding rail		
99 13 0452	0816.H9 S1	Rep. Satz Steuerkette / rep kit timing chain		
99 13 0453	0818.29	Gleitschiene / sliding rail		



(EP3C/EP6C/EP6CDT/EP6CDTM/EP6CDTMD/EP6CG/EP6CDTX)



(1) (mot.) EP3C/EP6C/EP6CDT/EP6CDTM/EP6CDTMD/EP6CG AC (ex.) Start Stop  
(mot.) EP6CDTX AC



Ref. - No.



11 93 3136	5751.G9	Riemenspanner / belt tensioner	(1)	ØA 65 B25
62 02 0010	0816.H6	Zahnriemen / timing belt		Z 134 B25,4
62 92 6715	0829.C8	Spannrolle / tension roller		ØA 70 B30
62 92 6716	0830.62	Umlenkrolle / deflection pulley		ØA 60 B30
62 92 6717	0831.R9	Rep. Satz Zahnriemen / rep. kit timing belt		Z 134 B25,4

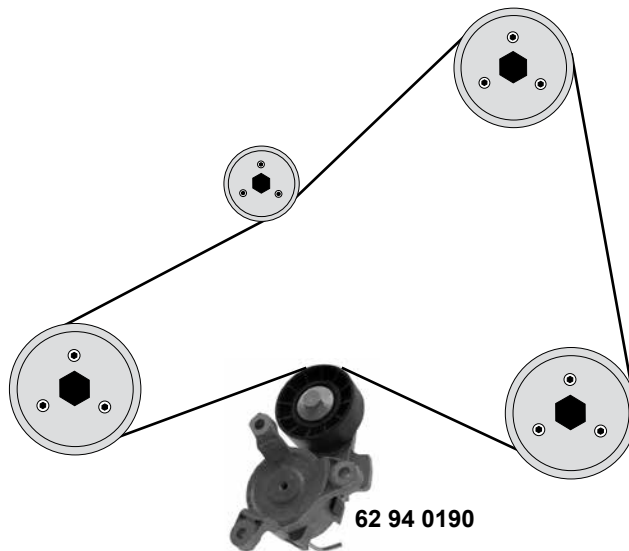
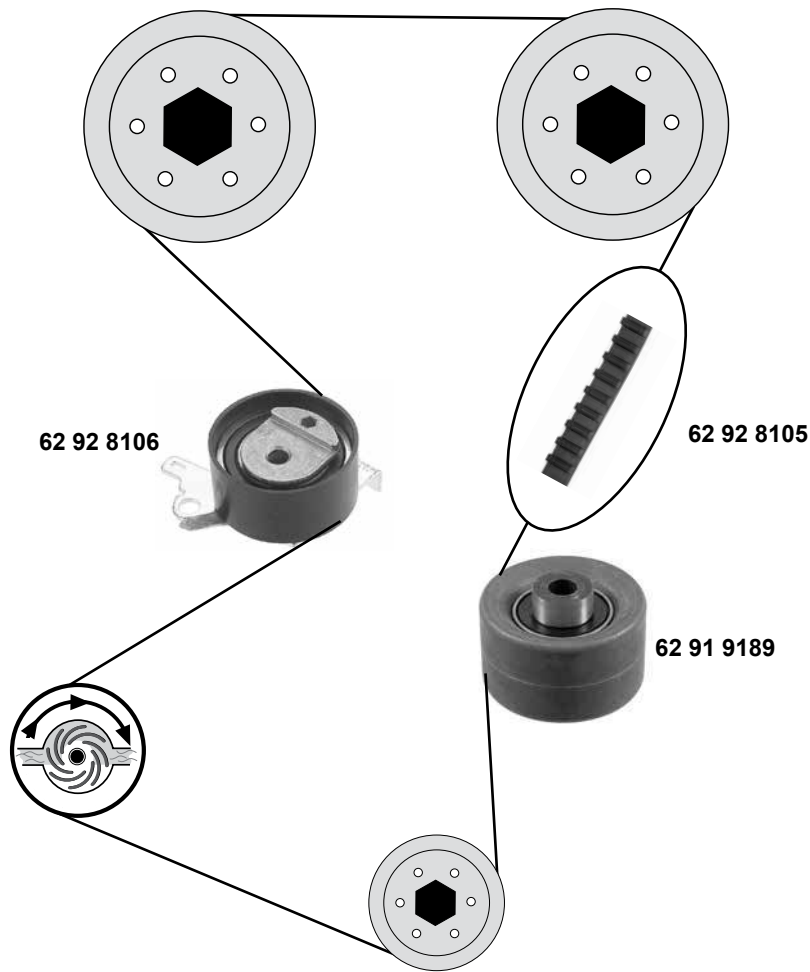


# CITROËN C4 Picasso

(07→)



**1,6 16V / 2,0 16 V**  
(EW7A/EW10A)



Ref. - No.



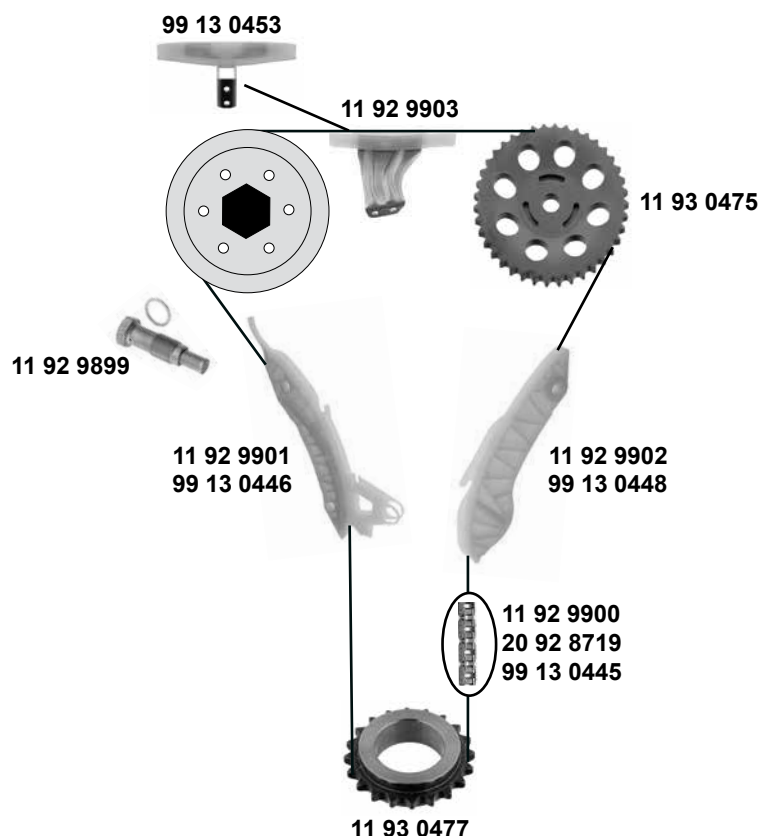
62 91 9189	0830.42
62 92 8105	0816.G4
62 92 8106	0829.A9
62 92 8107	0831.V6
62 94 0190	5751.G8

Umlenkrolle / deflection pulley
Zahnriemen / timing belt
Spannrolle / tension roller
Rep. Satz Zahnriemen / rep. kit timing belt
Riemenspanner / belt tensioner

ØA 60 B31
Z 153 B25
ØA 62 B29
Z 153 B25
ØA 70 B25



**1,6 16 V**  
(EP6/EP6C/EP6DT)



Rep. Satz / rep. kit

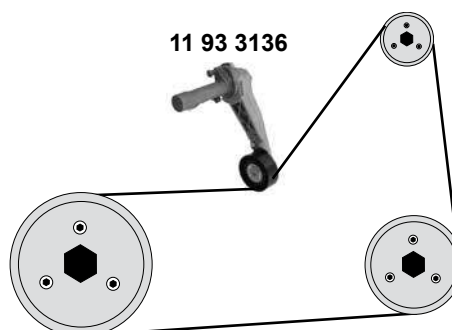


SWAG 99 13 0345

Rep. Satz / rep. kit



SWAG 99 13 0452



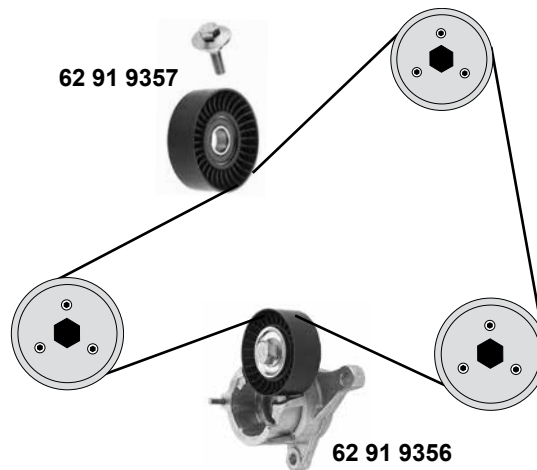
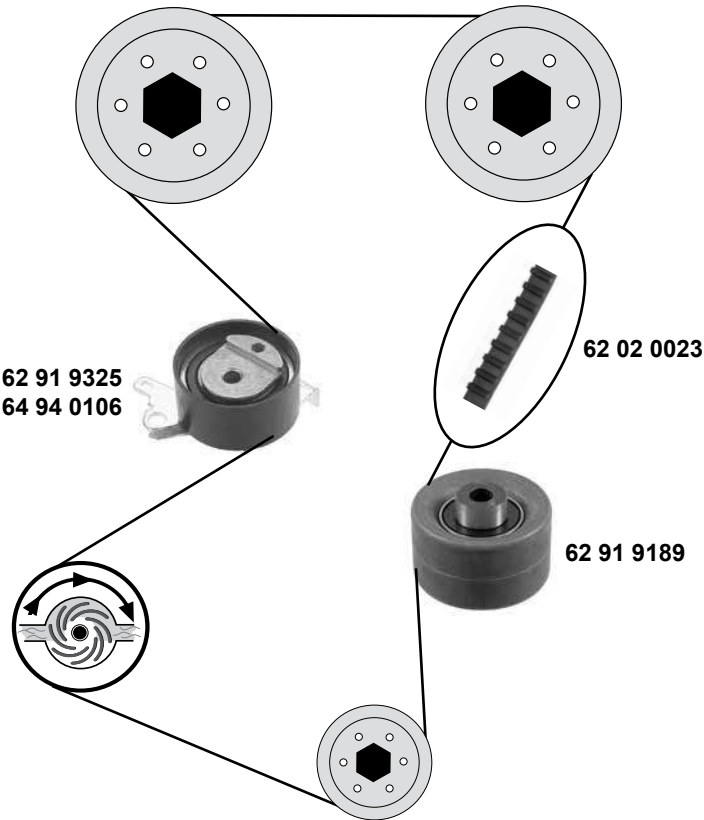
**1,6 16 V**  
(EP6/EP6C/EP6DT/EP6CDT)



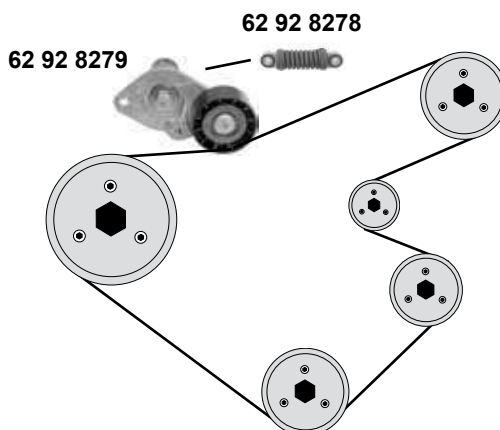
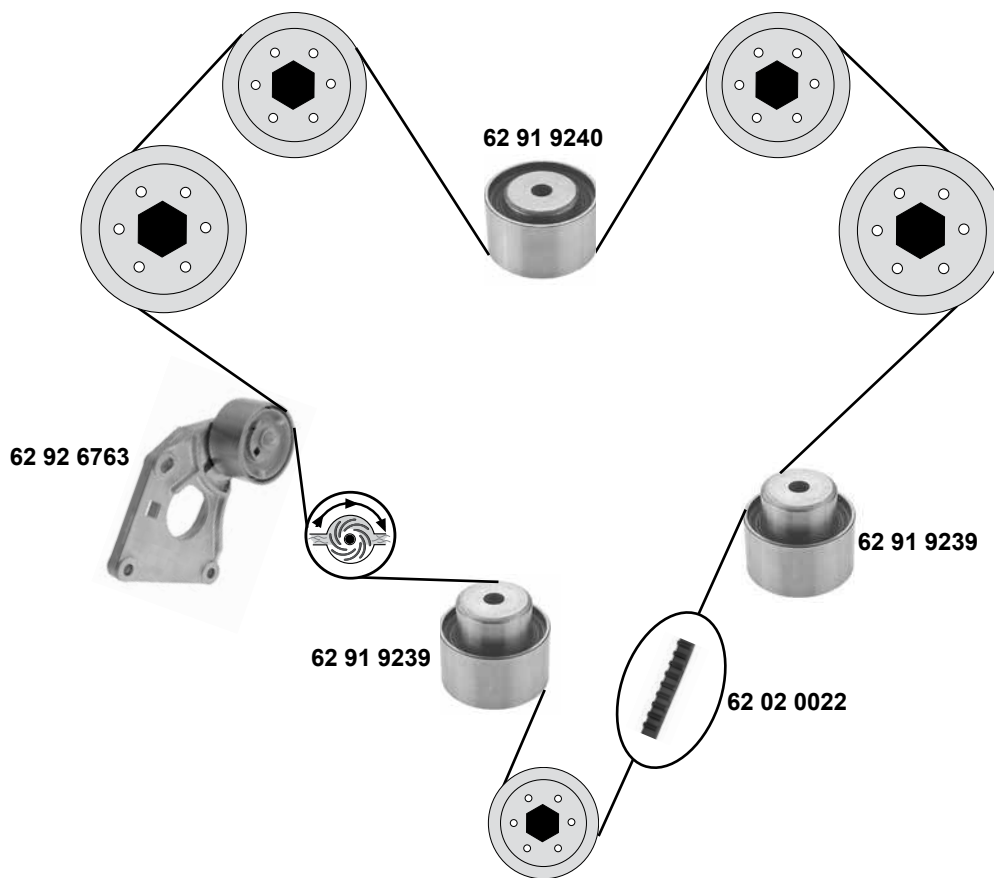
(1) (mot.) EP6 mit / with BE4R / 06→

	Ref. - No.			
11 92 9899	0829.E1	Kettenspanner / chain tensioner	(1)	M 22x1,5
11 92 9900	0816.J2	Steuerkette / roller chain	(1)	138 E
11 92 9901	0818.40	Gleitschiene, links / sliding rail, left	(1)	ØA 60 B30
11 92 9902	0818.33	Gleitschiene rechts / sliding rail, right	(1)	Z 134 B25,4
11 92 9903	0818.41	Gleitschiene oben / sliding rail, top	(1)	
11 93 0475	0805.H6	Nockenwellenrad / camshaft gear	(mot.) EP6DT	Z 40
11 93 0477	0513.C8	Kurbelwellenzahnrad / crankshaft gear	(mot.) EP6DT	Z 20
11 93 3136	5751.G9	Riemenspanner / belt tensioner	AC	ØA 65 B25
20 92 8719	0816.H9	Steuerkette / roller chain	(mot.) EP6DT/EP6CDT	144 E
99 13 0345	0816.J2 S1	Rep. Satz Steuerkette / rep kit timing chain	(ex.) EP6DT	
99 13 0445	0816.H9	Steuerkette / timing chain	(mot.) EP6DT	138 E
99 13 0446	0818.31	Gleitschiene / sliding rail	(mot.) EP6DT	
99 13 0448	0818.30	Gleitschiene / sliding rail	(mot.) EP6DT	
99 13 0452	0816.H9 S1	Rep. Satz Steuerkette / rep kit timing chain	(mot.) EP6DT	
99 13 0453	0818.29	Gleitschiene / sliding rail	(mot.) EP6DT	

**1,8 16 V / 2,0 16V**  
(EW7J4/EW10D/EW10J4)



SWAG GERMANY	Ref. - No.			
<b>62 02 0023</b>	0816.A1	Zahnriemen / timing belt	(ex.) EW10D	Z 153 B25,4
<b>62 91 9189</b>	0830.42	Umlenkrolle / deflection pulley		ØA 60 B30
<b>62 91 9325</b>	0829.96	Spannrolle / tension roller	(ex.) EW10D	ØA 62 B29
<b>62 91 9356</b>	5751.61	Riemenspanner / belt tensioner		ØA 65 B25
<b>62 91 9357</b>	5751.60	Umlenkrolle / deflection pulley		ØA 78 B25
<b>62 92 2309</b>	0831.T4	Rep. Satz Zahnriemen / rep. kit timing belt	(ex.) EW10D	
<b>64 94 0106</b>	0829.98	Spannrolle / tension roller	(mot.) EW10D	ØA 60 B29



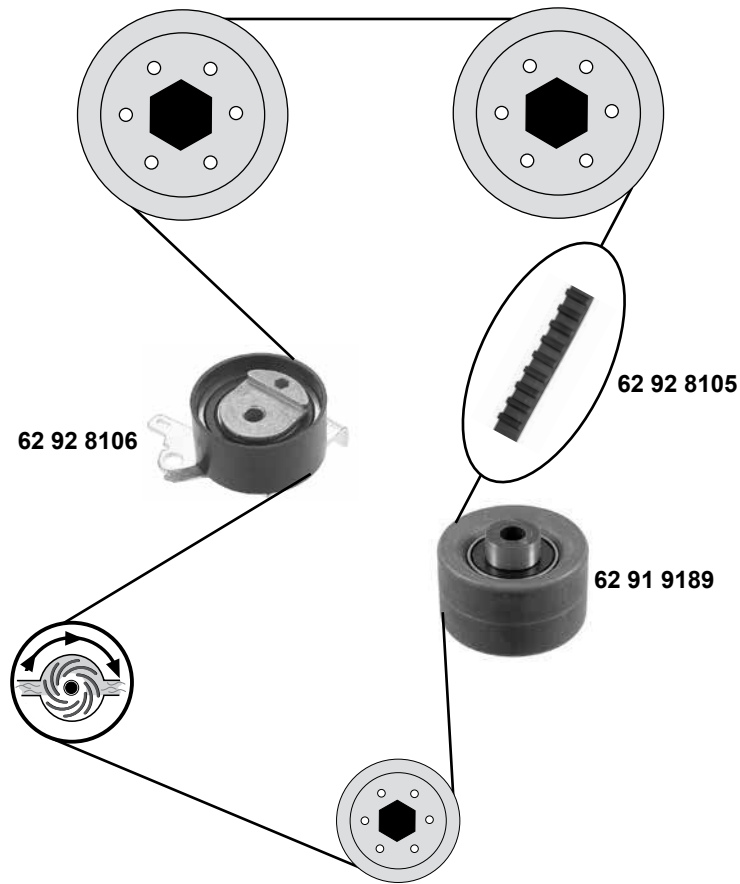
	Ref. - No.			
62 02 0022	0816.H3	Zahnriemen / timing belt		Z 259 B32
62 91 9239	0830.58	Umlenkrolle / deflection pulley		ØA 65 B36
62 91 9240	0830.59	Umlenkrolle / deflection pulley		ØA 65 B36
62 92 6763	0829.C5	Spannrolle / tension roller		ØA 70 B36
62 92 8103	0831.V2	Rep. Satz Zahnriemen / rep. kit timing belt		Z 259 B32
62 92 8278	5751.41	Riemenspanner / belt tensioner	(mot.) ES9J4S	ØA 65 B25,5
62 92 8279	5751.A9	Riemenspanner / belt tensioner		

# CITROËN C5 II

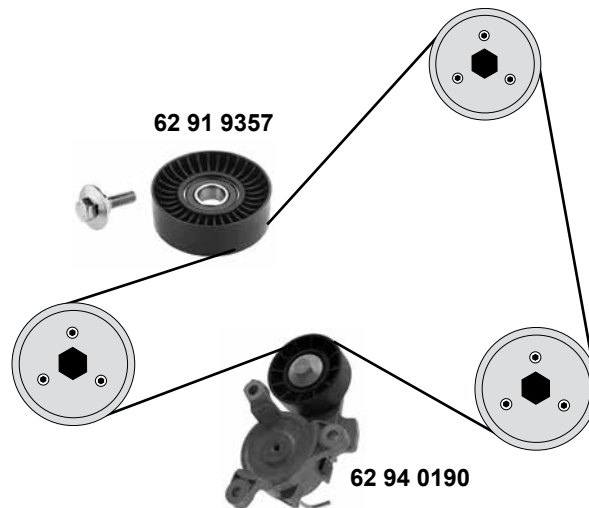
(04→08)



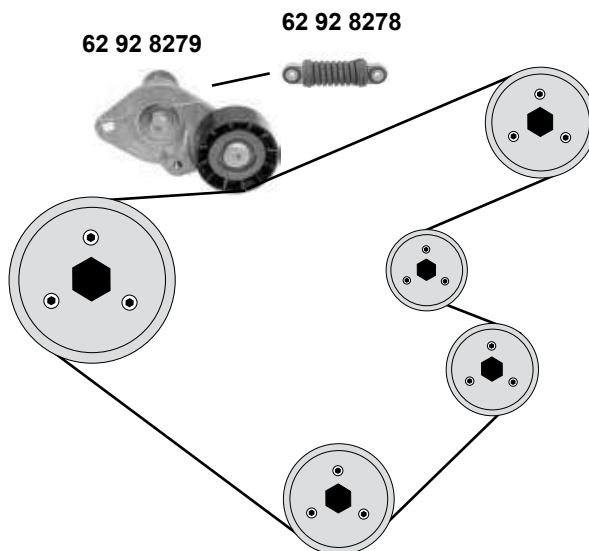
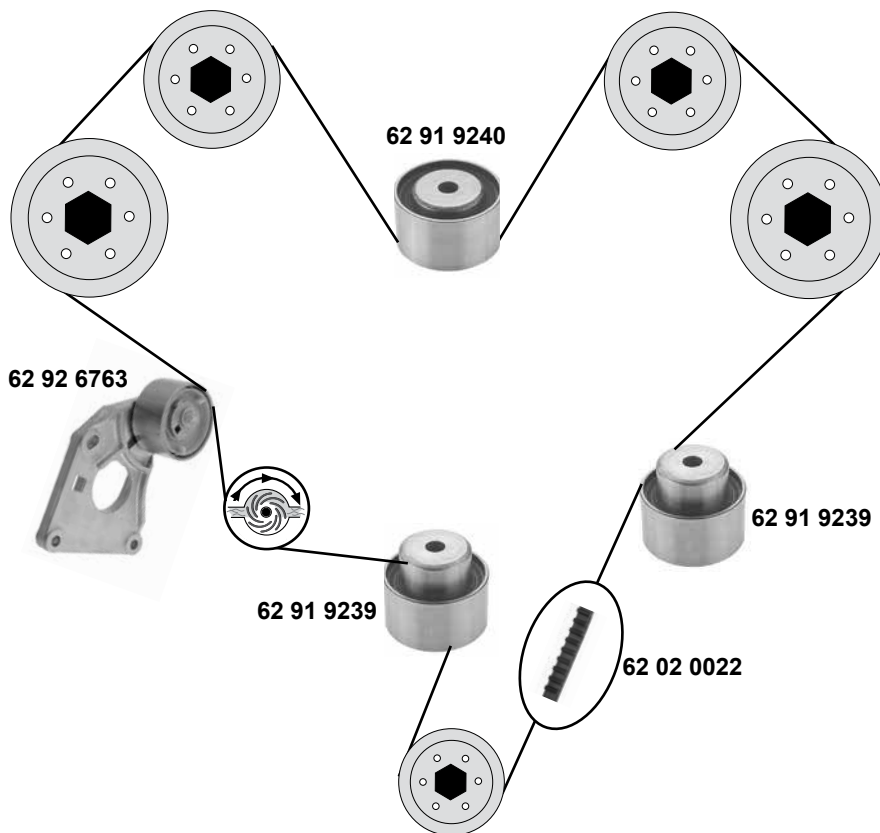
**1,8 16V / 2,0 16 V**  
(EW7A/EW10A)



**1,8 16V**  
(EW7A / EW10A)



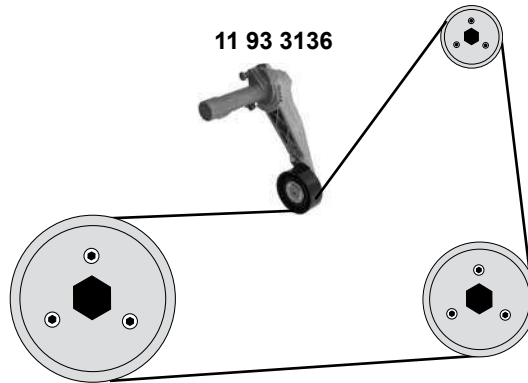
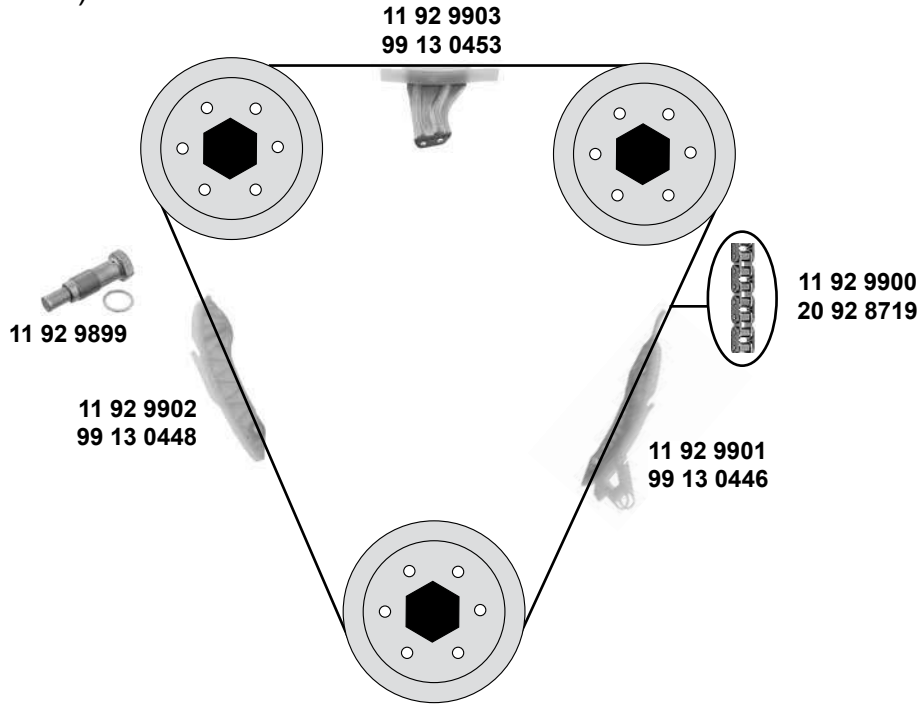
SWAG GERMANY	Ref. - No.			
62 91 9189	0830.42	Umlenkrolle / deflection pulley	(mot.) EW7A	ØA 60 B31
62 91 9357	5751.60	Umlenkrolle / deflection pulley		ØA 78 B25
62 92 8105	0816.G4	Zahnriemen / timing belt		Z 153 B25
62 92 8106	0829.A9	Spannrolle / tension roller		ØA 62 B29
62 92 8107	0831.V6	Rep. Satz Zahnriemen / rep. kit timing belt		Z 153 B25
62 94 0190	5751.G8	Riemenspanner / belt tensioner		ØA 70 B25



	Ref. - No.			
<b>62 02 0022</b>	0816.H3	Zahnriemen / timing belt		Z 259 B32
<b>62 91 9239</b>	0830.58	Umlenkrolle / deflection pulley		ØA 65 B36
<b>62 91 9240</b>	0830.59	Umlenkrolle / deflection pulley		ØA 65 B36
<b>62 92 6763</b>	0829.C5	Spannrolle / tension roller		ØA 70 B36
<b>62 92 8103</b>	0831.V2	Rep. Satz Zahnriemen / rep. kit timing belt		Z 259 B32
<b>62 92 8278</b>	5751.41	Riemenspanner / belt tensioner		
<b>62 92 8279</b>	5751.A9	Riemenspanner / belt tensioner	(mot.) ES9A	ØA 65 B25,5

**1,6**

(EP6C / EP6CDT / EP6CDTM)



(1) (mot.) EP6C / EP6CDT / (mot.) EP6CDTM AC



Ref. - No.



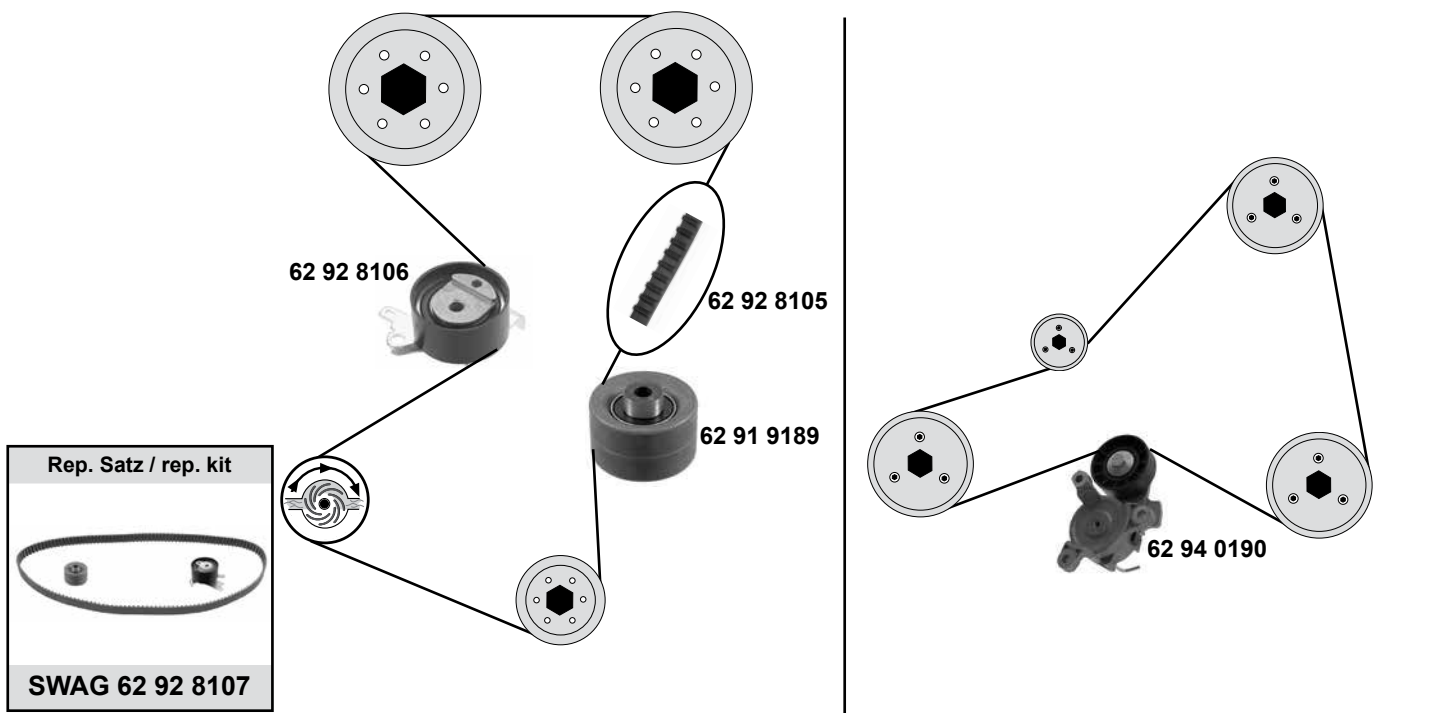
11 92 9899	0829.G3
11 92 9900	0816.J2
11 92 9901	0818.40
11 92 9902	0818.33
11 92 9903	0818.41
11 93 3136	5751.G9
20 92 8719	0816.9H
99 13 0345	0816.J2 S1
99 13 0446	0818.31
99 13 0448	0818.30
99 13 0452	0816.H9 S1
99 13 0453	0818.29

Kettenspanner / chain tensioner
Steuerkette / timing chain
Gleitschiene / sliding rail
Gleitschiene / sliding rail
Gleitschiene / sliding rail
Riemenspanner / belt tensioner
Steuerkette / timing chain
Rep. Satz Steuerkette / rep. kit timing chain
Gleitschiene / sliding rail
Gleitschiene / sliding rail
Rep. Satz Steuerkette / rep. kit timing chain
Gleitschiene / sliding rail

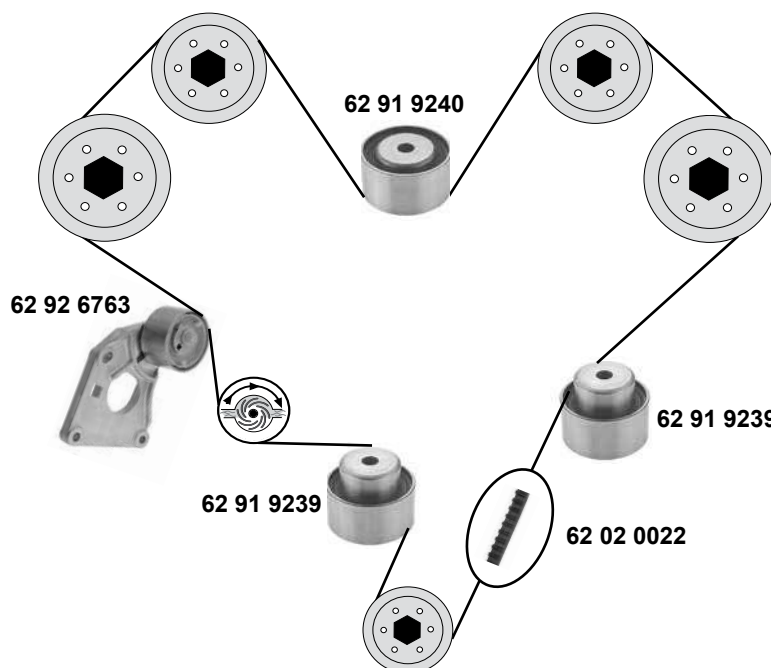
(mot.) EP6C
(mot.) EP6C
(mot.) EP6C
(mot.) EP6C
(1)
(ex.) EP6CDTM
(mot.) EP6C
(mot.) EP6CDT
(mot.) EP6CDT
(mot.) EP6CDT
(mot.) EP6CDT

138 E
ØA65 B25
144 E

**2,0 16 V**  
(EW7A / EW10A)



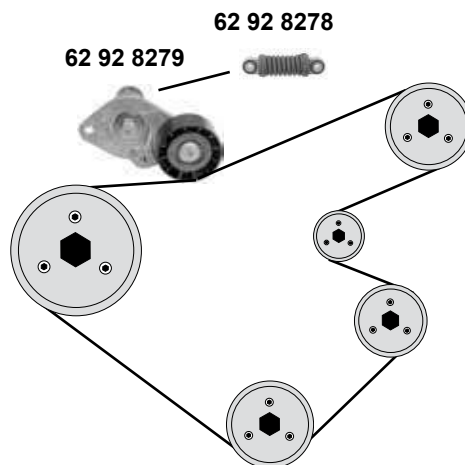
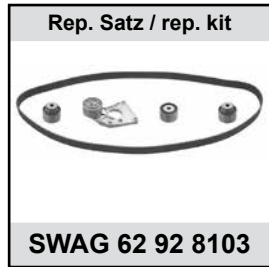
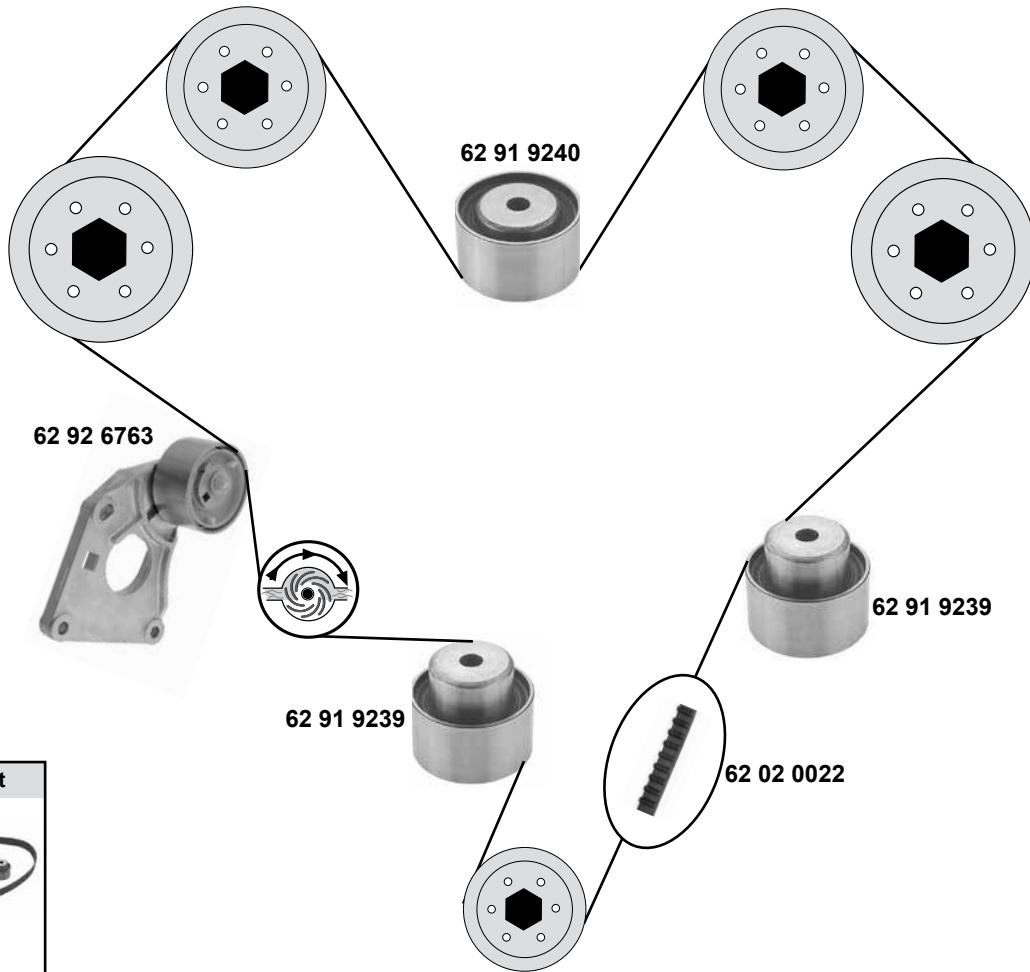
**3,0 24 V**  
(ES9JA)



SWAG	Ref. - No.			
62 02 0022	0816.H3	Zahnriemen / timing belt		Z 259 B32
62 91 9189	0830.42	Umlenkrolle / deflection pulley	(mot.) EW10A	ØA 60 B31
62 91 9239	0830.58	Umlenkrolle / deflection pulley		ØA 65 B36
62 91 9240	0830.59	Umlenkrolle / deflection pulley		ØA 65 B36
62 92 6763	0829.C5	Spannrolle / tension roller		ØA 70 B36
62 92 8103	0831.V2	Rep. Satz Zahnriemen / rep. kit timing belt		
62 92 8105	0816.G4	Zahnriemen / timing belt	(mot.) EW10A	Z 153 B25
62 92 8106	0829.A9	Spannrolle / tension roller	(mot.) EW10A	ØA 62 B29
62 92 8107	0831.V6	Rep. Satz Zahnriemen / rep. kit timing belt	(mot.) EW10A	Z 153 B25
62 94 0190	5751.G8	Riemenspanner / belt tensioner		ØA 70 B25

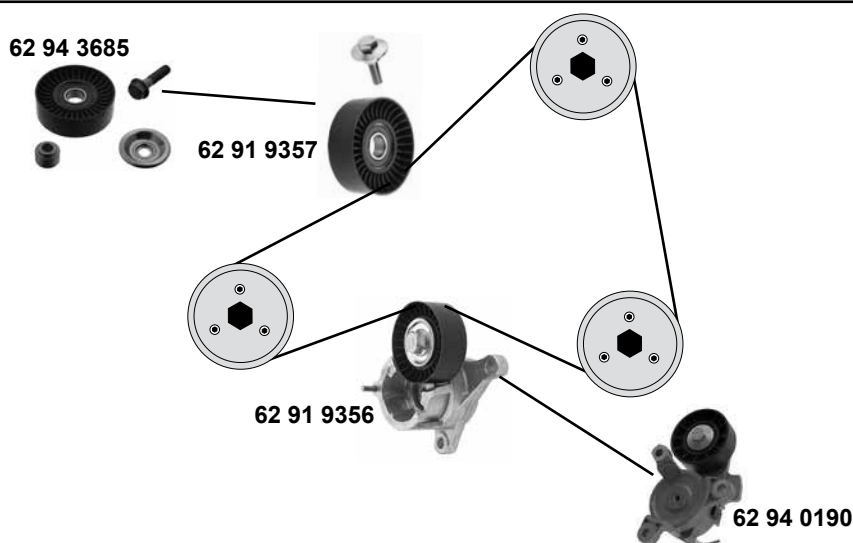
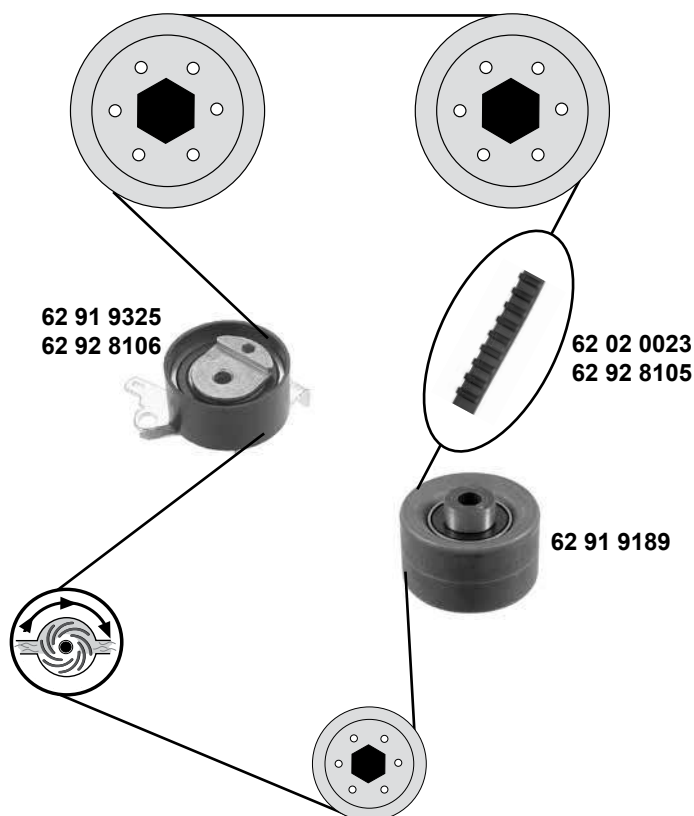


**3,0 24 V**  
(ES9JA)



	Ref. - No.			
<b>62 02 0022</b>	0816.H3	Zahnriemen / timing belt	<b>(mot.) ES9J4S</b>	Z 259 B32
<b>62 91 9239</b>	0830.58	Umlenkrolle / deflection pulley		ØA 65 B36
<b>62 91 9240</b>	0830.59	Umlenkrolle / deflection pulley		ØA 65 B36
<b>62 92 6763</b>	0829.C5	Spannrolle / tension roller		ØA 70 B36
<b>62 92 8103</b>	0831.V2	Rep. Satz Zahnriemen / rep. kit timing belt		Z 259 B32
<b>62 92 8278</b>	5751.A1	Riemenspanner / belt tensioner		ØA 65 B25,5
<b>62 92 8279</b>	5751.A9	Riemenspanner / belt tensioner		



**2,0 16 V / 2,2 16V**  
 (EW10A/EW10J4/EW12J4)


(1) (ex.) (mot.) EW10A → O 10247

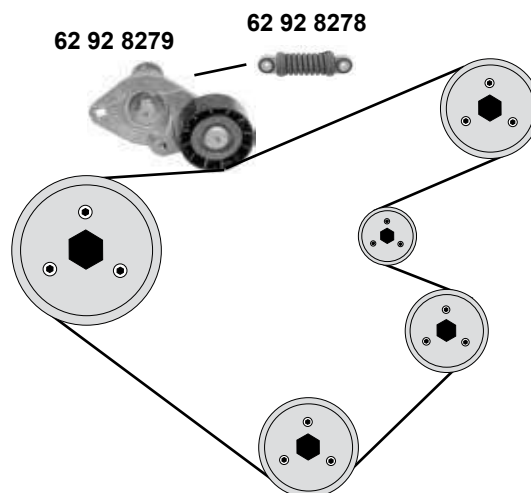
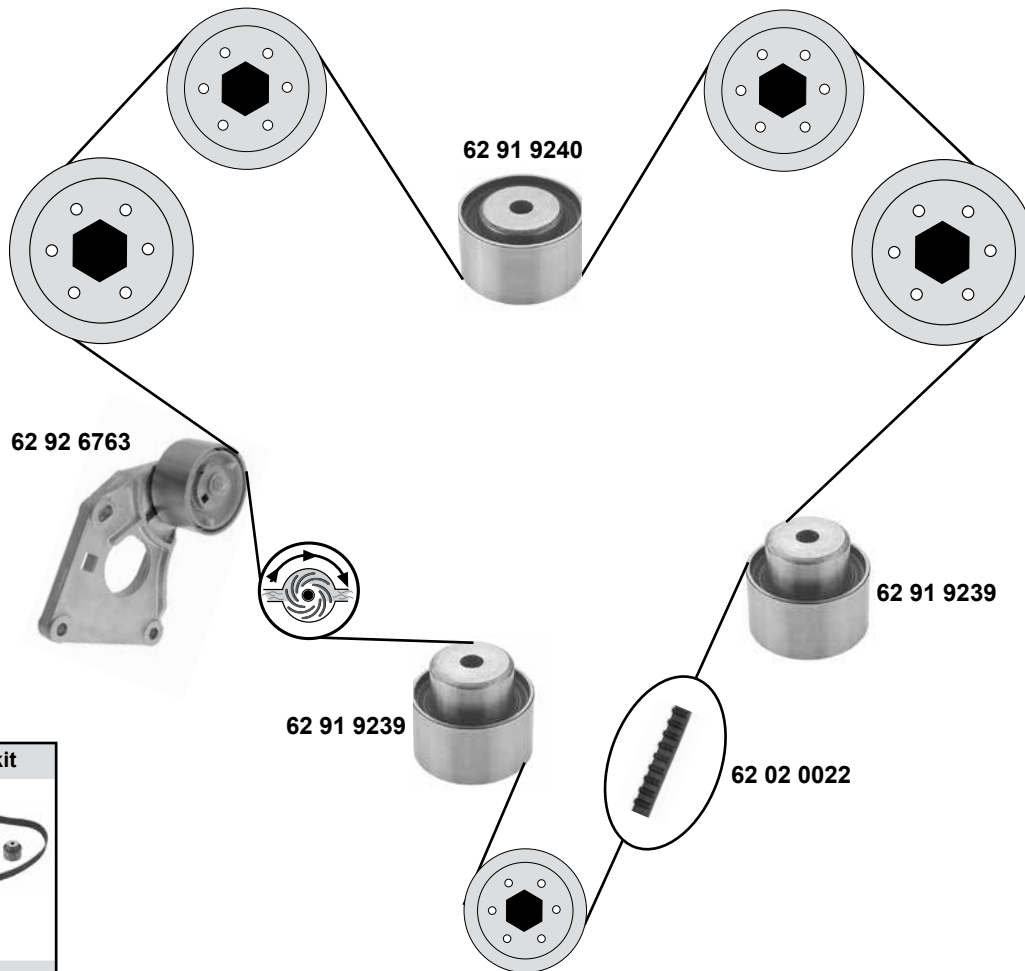


Ref. - No.



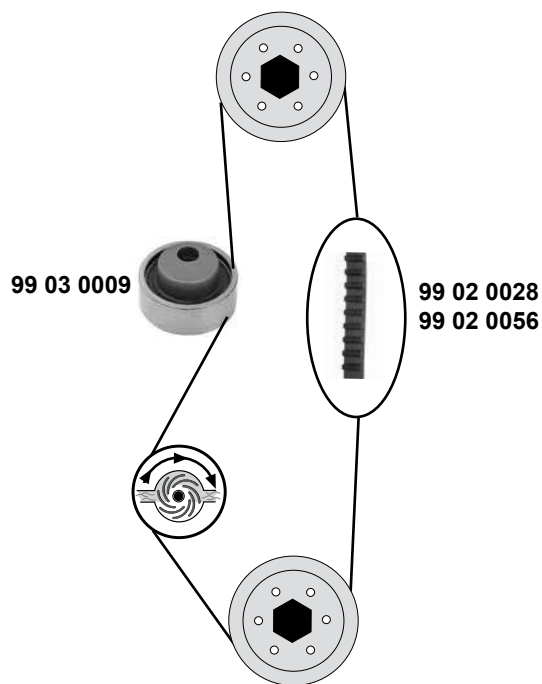
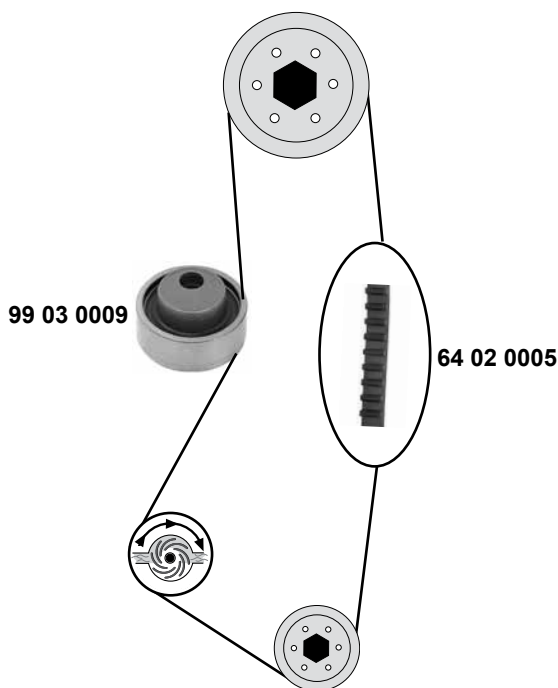
Ref. - No.	Description	Part No.	Notes
62 02 0023	Zahnriemen / timing belt	0816.A1	(ex.) (mot.) EW10A
62 91 9189	Umlenkrolle / deflection pulley	0830.42	Z 153 25,4 ØA 60 B30
62 91 9325	Spannrolle / tension roller	0829.96	Ø62 B29
62 91 9356	Riemenspanner / belt tensioner	5751.61	(ex.) (mot.) EW10A
62 91 9357	Umlenkrolle / deflection pulley	5751.60	(1) ØA 65 B25 ØA 78 B25
62 92 2309	Rep. Satz Zahnriemen / rep. kit timing belt	0831.88	(ex.) (mot.) EW10A
62 92 8105	Zahnriemen / timing belt	0816.G4	(mot.) EW10A
62 92 8106	Spannrolle / tension roller	0829.A9	(mot.) EW10A
62 92 8107	Rep. Satz Zahnriemen / rep. kit timing belt	0831.V6	(mot.) EW10A
62 94 0190	Riemenspanner / belt tensioner	5751.G8	(mot.) EW10A
62 94 3685	Umlenkrolle / deflection pulley	5751.E4	(ex.) (mot.) EW10A

## 3,0 24 V (ES9J4/ES9J4S)



SWAG GERMANY	Ref. - No.			
62 02 0022	0816.H3	Zahnriemen / timing belt		Z 259 B32
62 91 9239	0830.58	Umlenkrolle / deflection pulley		ØA 65 B36
62 91 9240	0830.59	Umlenkrolle / deflection pulley		ØA 65 B36
62 92 6763	0829.C5	Spannrolle / tension roller		ØA 70 B36
62 92 8103	0831.V2	Rep. Satz Zahnriemen / rep. kit timing belt		Z 259 B32
62 92 8278	5751.41	Riemenspanner / belt tensioner		
62 92 8279	5751.A9	Riemenspanner / belt tensioner	(mot.) ES9J4S	ØA 65 B25,5

**1,1**  
(TU1M)



- (1) Guss Motorblock / cast engine block / coulé bloc-moteur / colado bloque-motor / ghisa monoblocco
- (2) Aluminium Motorblock / aluminum engine block / aluminium bloc-moteur / aliminio bloque-motor / monoblocco d'alluminio



Ref. - No.



Ref. - No.	Part Name	Quantity	Notes
62 02 0017	0831.13 Rep. Satz Zahnriemen / rep. kit timing belt		
62 02 0020	0831.28 Rep. Satz Zahnriemen / rep. kit timing belt	(1)	
62 02 0021	0831.14 Rep. Satz Zahnriemen / rep. kit timing belt	(2)	
64 02 0005	0816.56 Zahnriemen / timing belt		Z 104 B17
99 02 0028	0816.44 Zahnriemen / timing belt	(2)	Z 108 B17
99 02 0056	0816.55 Zahnriemen / timing belt	(1)	Z 101 B17
99 03 0009	0829.54 Spannrolle / tension roller		ØA 59 ØI 13 B22

passend für / to fit

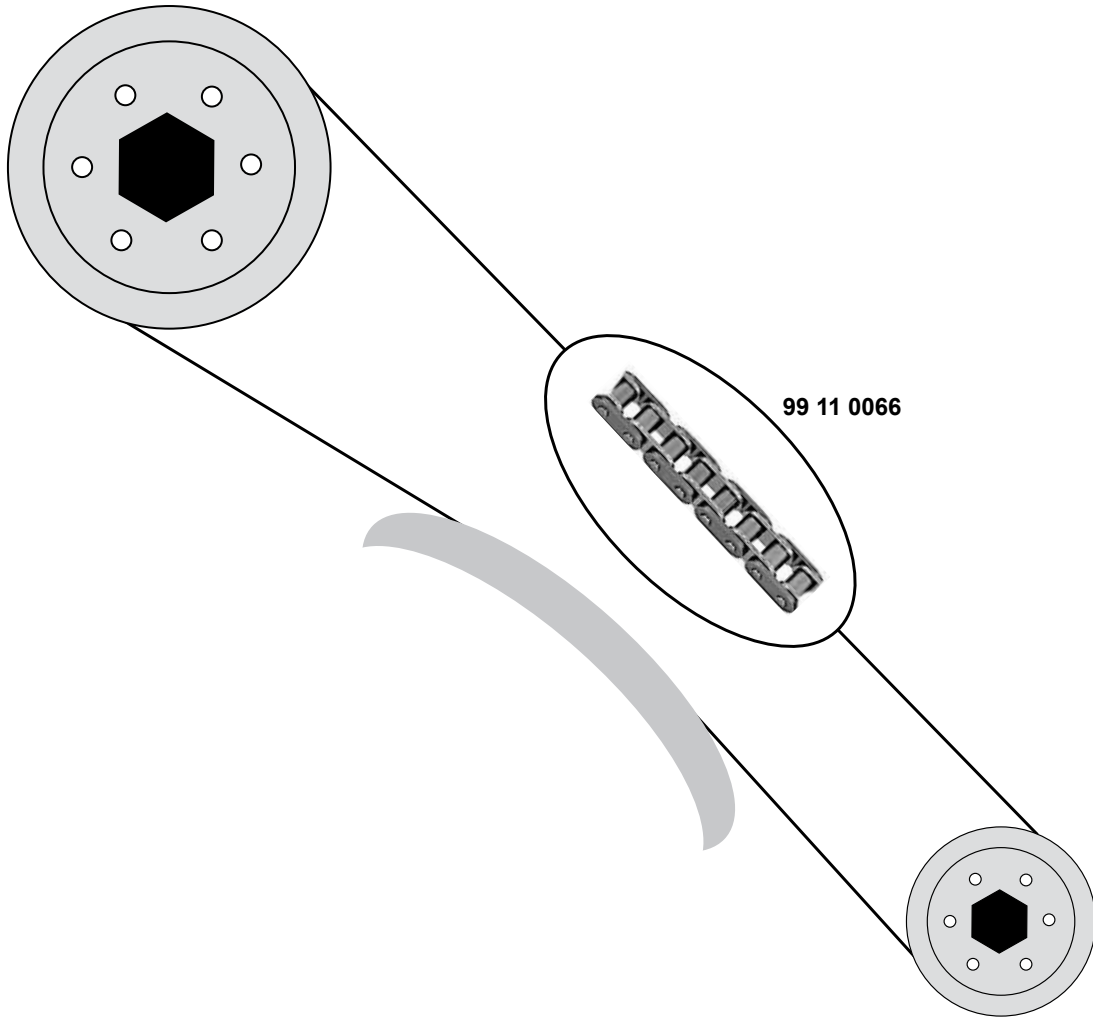
**CITROËN**  
**C25**

(82→94)



**1,8 / 2,0**

(XM7T/XN1T/XN1TA)



Ref. - No.



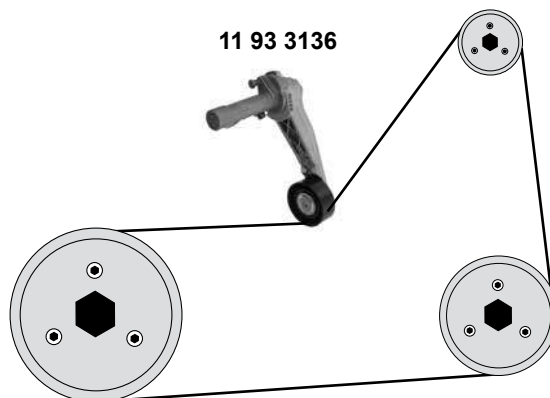
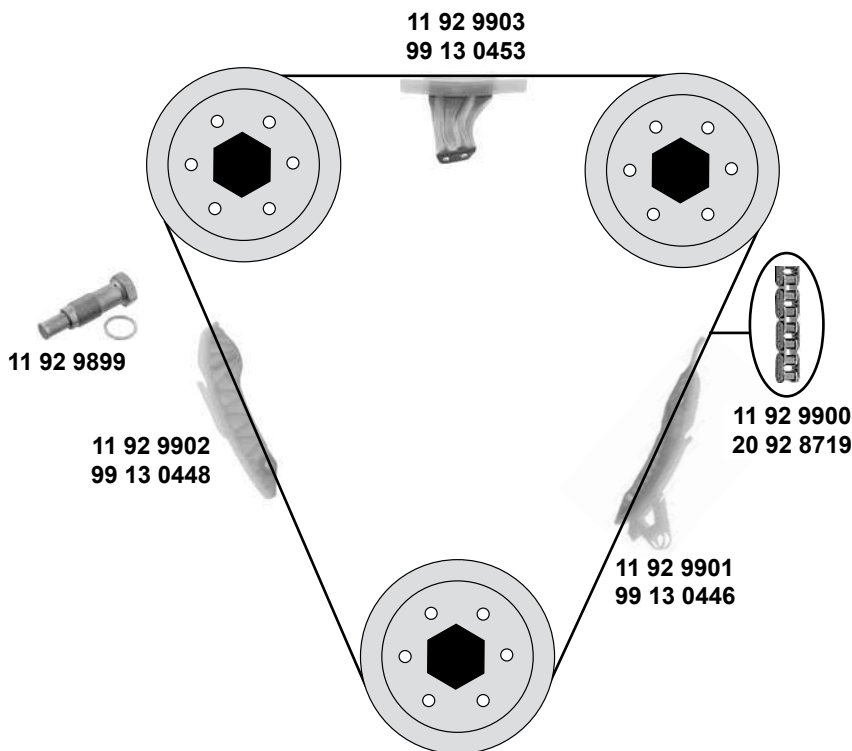
99 11 0066

78 03 002 000

Steuerkette / timing chain

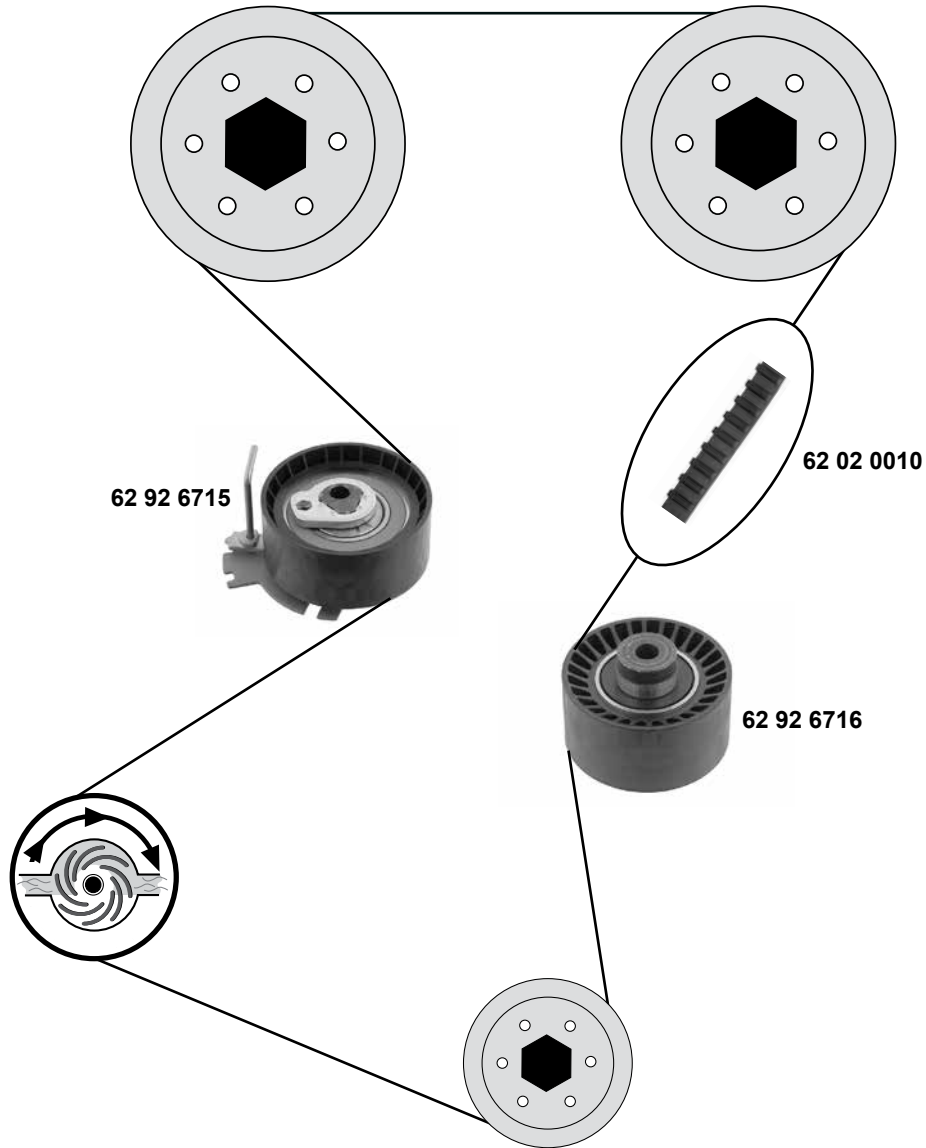
455 / 58E

**1,6**  
(EP6DT / EP6DTS / EP3C / EP6C / EP6CDT/M)



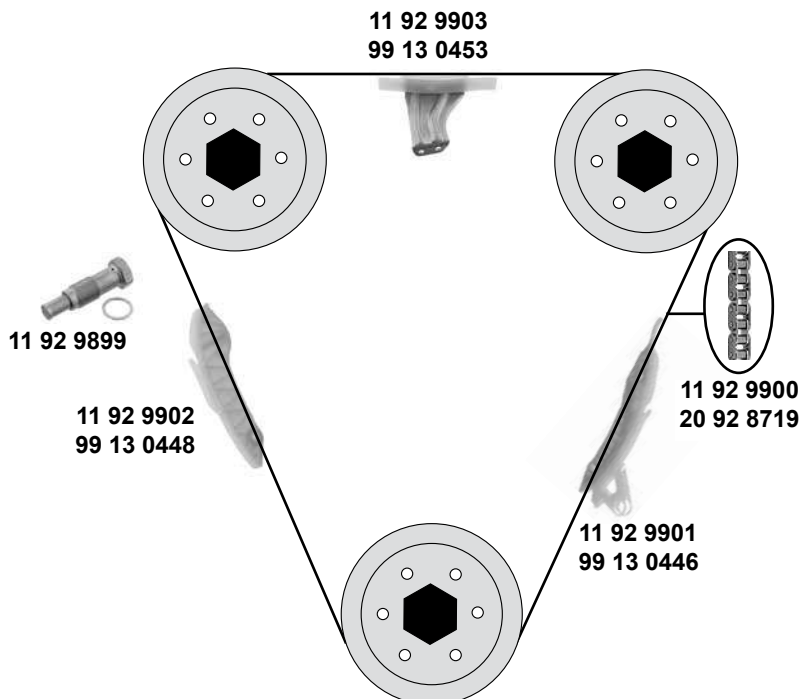
(1) (ex.) (mot.) EP3C/EP6C/EP6CDT/M

SWAG GERMANY	Ref. - No.			
11 92 9899	0829.G3	Kettenspanner / chain tensioner	(1)	
11 92 9900	0816.J2	Steuerkette / timing chain	(mot.) EP3C/EP6C	138 E
11 92 9901	0818.40	Gleitschiene / sliding rail	(mot.) EP3C/EP6C	
11 92 9902	0818.33	Gleitschiene / sliding rail	(mot.) EP3C/EP6C	
11 92 9903	0818.41	Gleitschiene / sliding rail	(mot.) EP3C/EP6C	
11 93 3136	5751.G9	Riemenspanner / belt tensioner	AC	ØA 65 B25
20 92 8719	0816.9H	Steuerkette / timing chain	(mot.) EP6DT / EP6DTS	144 E
99 13 0345	0816.J2 S1	Rep. Satz Steuerkette / rep kit timing chain	(mot.) EP3C/EP6C	
99 13 0446	0818.31	Gleitschiene / sliding rail	(ex.) (mot.) EP3C/EP6C	
99 13 0448	0818.30	Gleitschiene / sliding rail	(ex.) (mot.) EP3C/EP6C	
99 13 0452	0816.H9 S1	Rep. Satz Steuerkette / rep kit timing chain	(ex.) (mot.) EP3C/EP6C	
99 13 0453	0818.29	Gleitschiene / sliding rail	(ex.) (mot.) EP3C/EP6C	

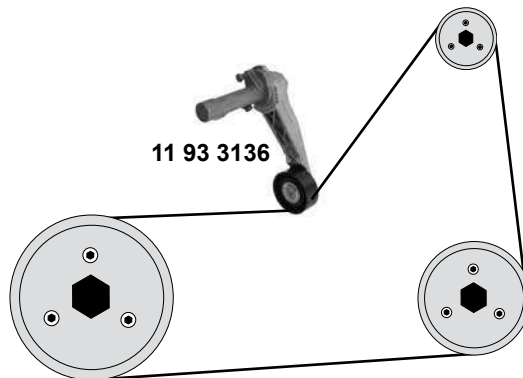


	Ref. - No.			
<b>62 02 0010</b>	0816.H6	Zahnriemen / timing belt		Z 134 B25,4
<b>62 92 6715</b>	0829.C8	Spannrolle / tension roller		ØA 70 B30
<b>62 92 6716</b>	0830.62	Umlenkrolle / deflection pulley		ØA 60 B30
<b>62 92 6717</b>	0831.R9	Rep. Satz Zahnriemen / rep. kit timing belt		Z 134 B25,4

**1,6**  
(EP6CTX / EP6CDT)



**1,6**  
(EP3C/EP6C/EP6CG/EP6CDTM/EP6CDTMD/ EP6CDTX/EP6CDT)

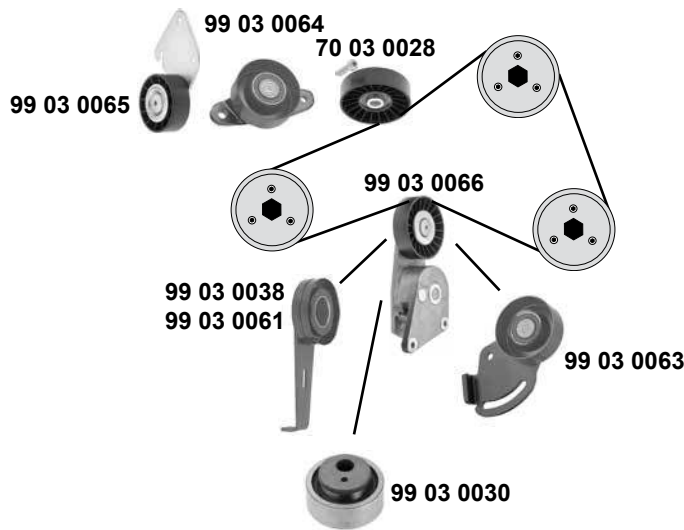
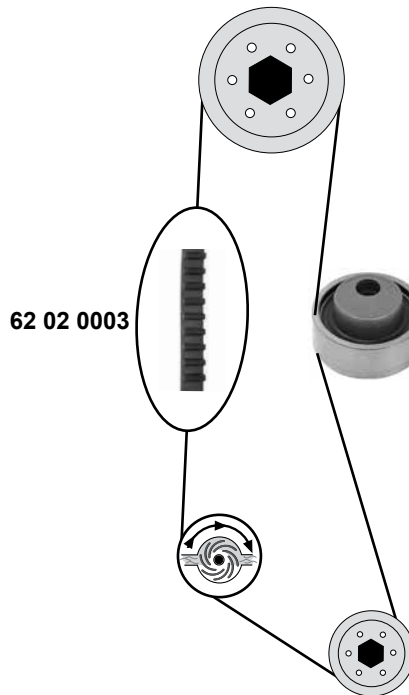


- (1) **DS5 (mot.)** EP6CTX
- (2) **DS4 (mot.)** EP6CDT / **DS5 (mot.)** EP6CDT
- (3) **DS4 (mot.)** EP3C/EP6CDTM/EP6C/EP6CDT/EP6CDTMD/EP6CG AC (ex.) Start Stop  
**DS5 (mot.)** EP6CDTMD/EP6CDTM/EP6CDT/EP6CDTX

	Ref. - No.			
11 92 9899	0829.G3	Kettenspanner / chain tensioner		
11 92 9900	0816.J2	Steuerkette / timing chain	(1)	138 E
11 92 9901	0818.40	Gleitschiene / sliding rail	(1)	
11 92 9902	0818.33	Gleitschiene / sliding rail	(1)	
11 92 9903	0818.41	Gleitschiene / sliding rail	(1)	
11 93 3136	5751.G9	Riemenspanner / belt tensioner	(3)	ØA 65 B25
20 92 8719	0816.H9	Steuerkette / timing chain	(2)	144 E
99 13 0345	0816.J2 S1	Rep. Satz Steuerkette / rep kit timing chain	(1)	
99 13 0446	0818.31	Gleitschiene / sliding rail	(2)	
99 13 0448	0818.30	Gleitschiene / sliding rail	(2)	
99 13 0452	0816.H9 S1	Rep. Satz Steuerkette / rep kit timing chain	(2)	
99 13 0453	0818.29	Gleitschiene / sliding rail	(2)	

### 1,8 / 2,0 8 V

(XU7JP/XU10J2/XU10J2TE)



(1) → O 07904 XU10J2 servo (ex.) AC  
→ O 07389 XU10J2 TE servo (ex.) AC

(3) → O 07389 alle / all AC servo

(4) O 07392 → XU10J2TE AC

(2) O 07905 → XU7JP / XU10J2 (ex.) AC

(5) O 07392 → XU10J2TE (ex.) AC



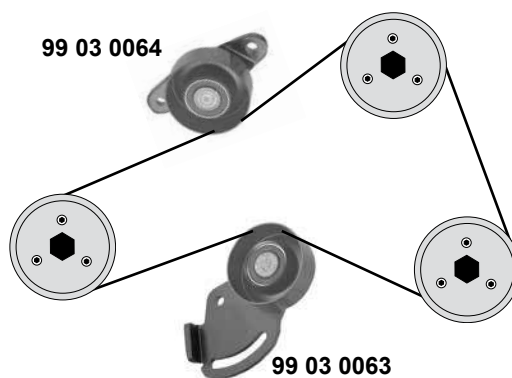
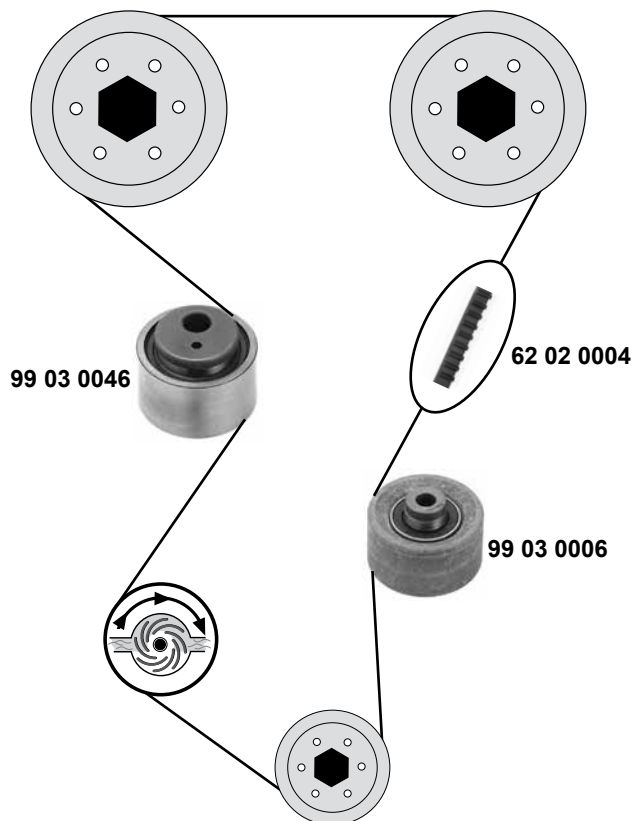
Ref. - No.



62 02 0003	0816.71	Zahnriemen / timing belt		Z 114 B17
70 03 0028	5751.20	Umlenkrolle / deflection pulley	(3)	ØA90 B25
99 02 0057	0816.71 S1	Rep. Satz Zahnriemen / rep. kit timing belt		
99 03 0030	0829.29	Spannrolle / tension roller		ØA 59 Ø I 13 B22
99 03 0038	5751.18	Spannrolle / tension roller	(1)	ØA 90 B24,5
99 03 0061	5751.53	Spannrolle / tension roller	(2)	ØA 90 B24
99 03 0063	5751.32	Spannrolle / tension roller	(5)	ØA90 B25
99 03 0064	5751.33	Umlenkrolle / deflection pulley	(5)	ØA70 B25
99 03 0065	5751.34	Umlenkrolle / deflection pulley	(4)	ØA69,5 B24,5
99 03 0066	5751.35	Riemenspanner / belt tensioner	AC servo	ØA 90 B25



**2,0 16 V**  
(XU10J4R)



(1) (ch.) O 07392→ (ex.) AC



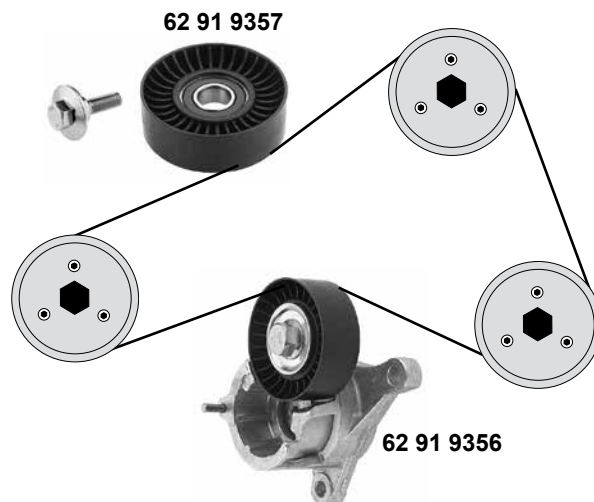
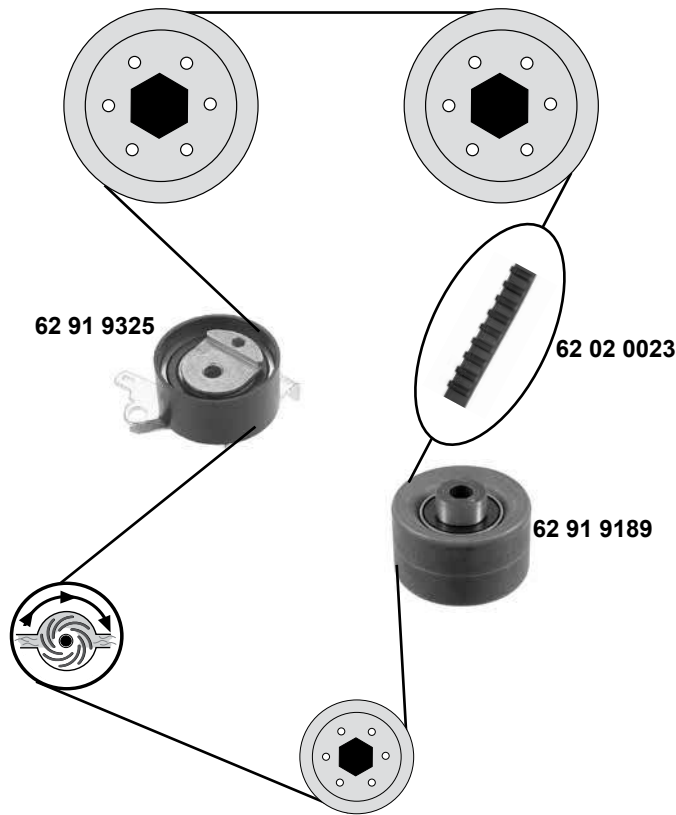
Ref. - No.



<b>62 02 0004</b>	0816.98	Zahnriemen / timing belt		
<b>62 02 0014</b>	0831.48	Rep. Satz Zahnriemen / rep. kit timing belt		
<b>99 03 0006</b>	0830.37	Umlenkrolle / deflection pulley		ØA 57 Ø110 B34
<b>99 03 0046</b>	0829.35	Spannrolle / tension roller		ØA 57 Ø113 B33
<b>99 03 0063</b>	5751.32	Spannrolle / tension roller	(1)	ØA90 B25
<b>99 03 0064</b>	5751.33	Umlenkrolle / deflection pulley	(1)	ØA70 B25

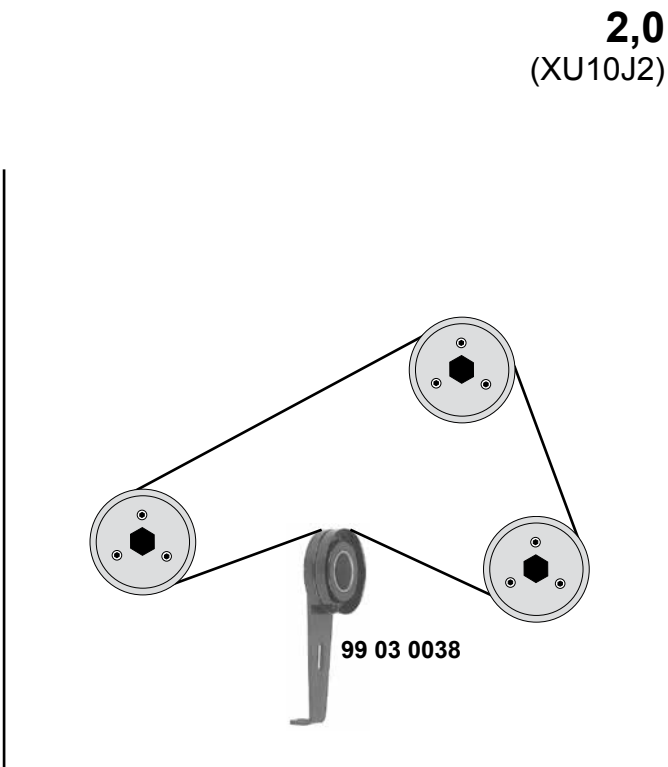
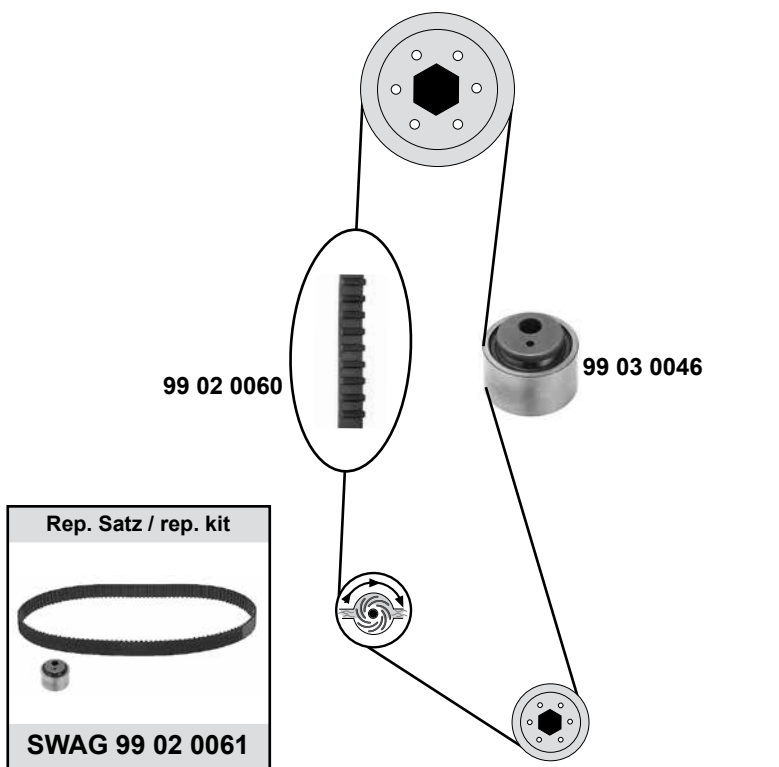
### 2,0 16 V

(EW10J4)



SWAG GERMANY	Ref. - No.			
62 02 0023	0816.A1	Zahnriemen / timing belt		Z 153 25,4
62 91 9189	0830.42	Umlenkrolle / deflection pulley		ØA 60 B30
62 91 9325	0829.96	Spannrolle / tension roller		ØA 62 B29
62 91 9356	5751.61	Riemenspanner / belt tensioner		ØA 65 B25
62 91 9357	5751.60	Umlenkrolle / deflection pulley		ØA 78 B25
62 92 2309	0831.T4	Rep. Satz Zahnriemen / rep. kit timing belt		

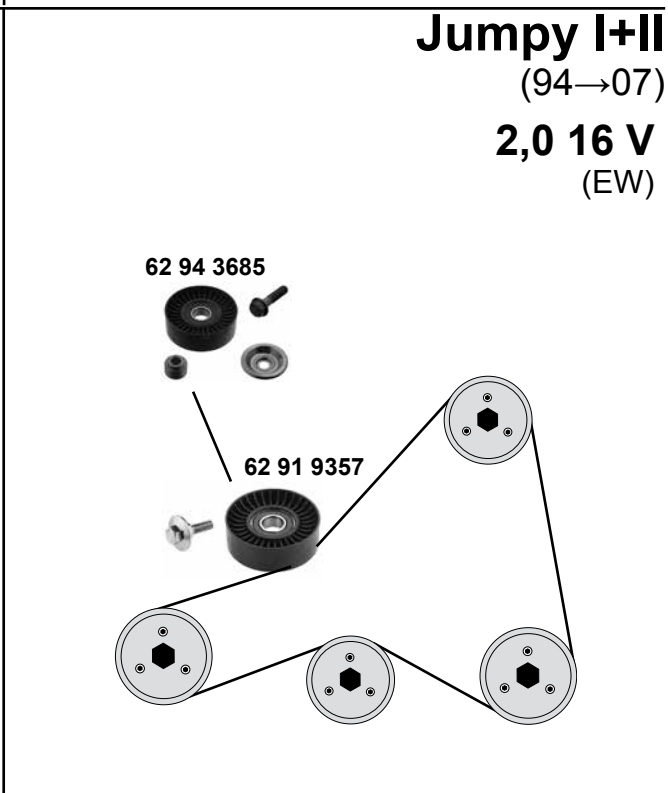
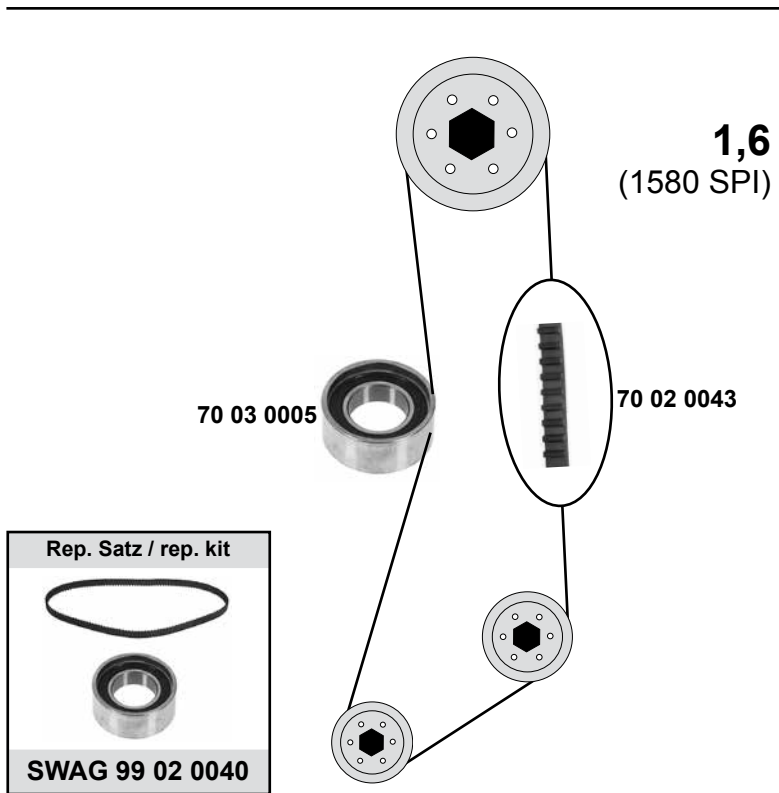
**2,0**  
(XU10J2)



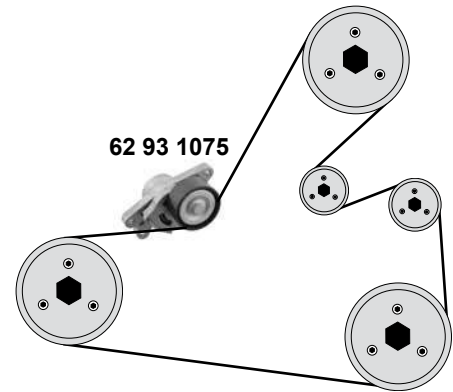
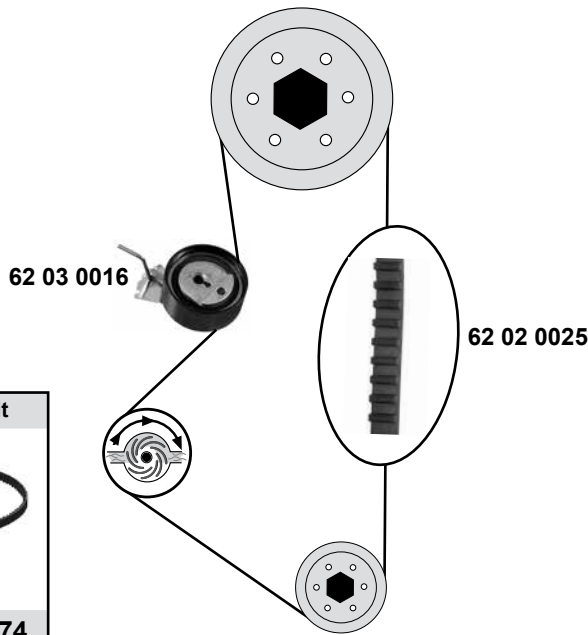
## Jumpy I+II

(94→07)

**2,0 16 V**  
(EW)



SWAG	Ref. - No.			
62 91 9357	5751.60	Umlenkrolle / deflection pulley	→ O 10247	ØA 78 B25
62 94 3685	5751.E4	Umlenkrolle / deflection pulley	→ O 10614	ØA 78 B25
70 03 0005	26 207 509	Spannrolle / tension roller		ØA 57 ØI 30 B24
70 02 0043	0816.79	Zahnriemen / timing belt		Z 138 / B15
99 02 0040	0816.79 S1	Rep. Satz Zahnriemen / rep. kit timing belt		
99 02 0060	0816.69	Zahnriemen / timing belt		Z 114 7 B25,4
99 02 0061	0831.35	Rep. Satz Zahnriemen / rep. kit timing belt		
99 03 0038	5751.18	Spannrolle / tension roller	<b>AC</b>	ØA 90 ØI 29 B24,5
99 03 0046	0829.35	Spannrolle / tension roller		ØA 57 ØI 13 B32

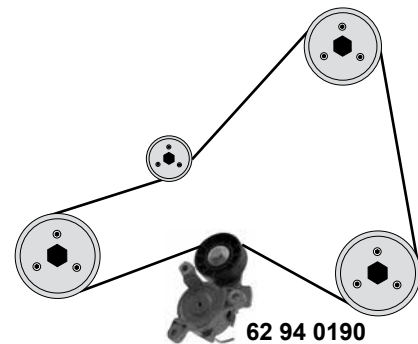
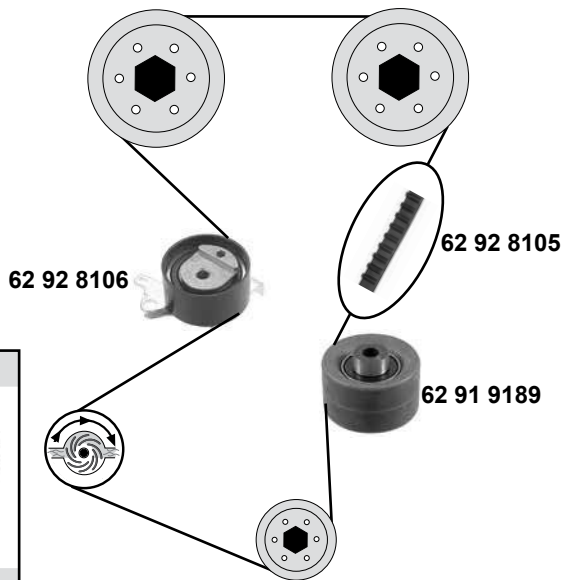


## Jumpy III

(07→)

### 2,0 i 16V

(EW10A)



Ref. - No.



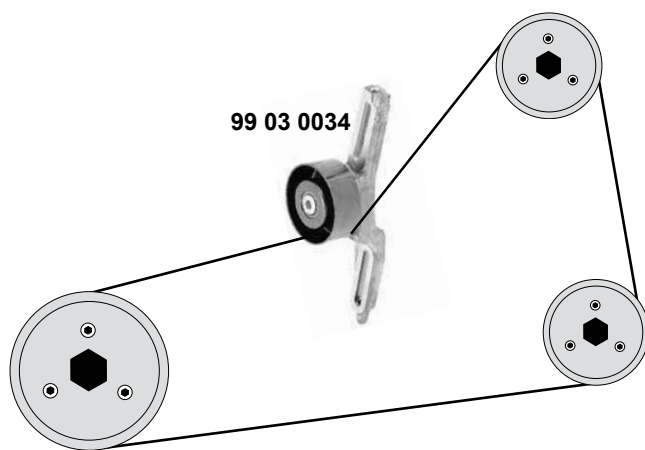
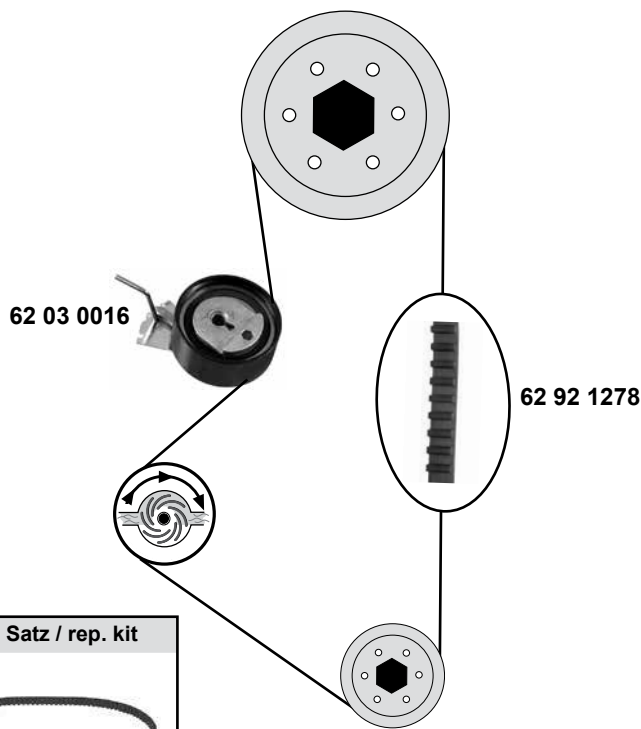
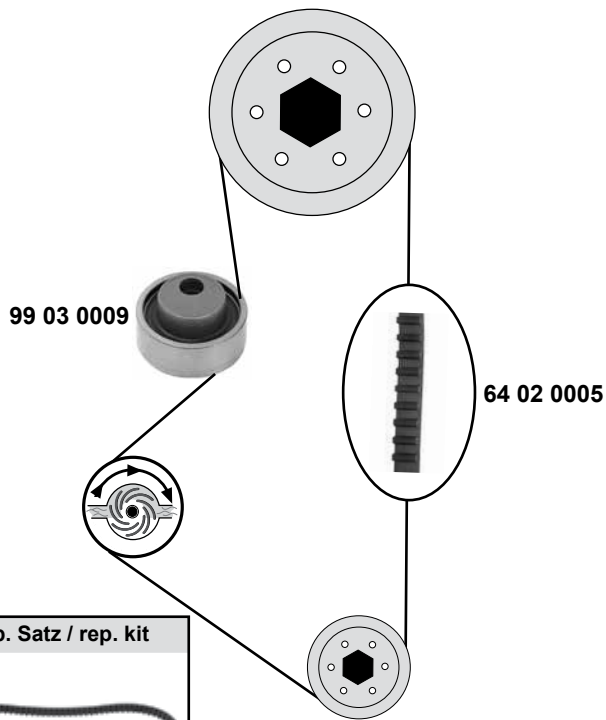
62 02 0025	0816.F2	Zahnriemen / timing belt
62 03 0016	0829.90	Spannrolle / tension roller
62 91 9189	0830.42	Umlenkrolle / deflection pulley
62 92 1274	0831.S0	Rep. Satz Zahnriemen / rep. kit timing belt
62 92 8105	0816.G4	Zahnriemen / timing belt
62 92 8106	0829.A9	Spannrolle / tension roller
62 92 8107	0831.V6	Rep. Satz Zahnriemen / rep. kit timing belt
62 93 1075	5751.C8	Riemenspanner / belt tensioner
62 94 0190	5751.G8	Riemenspanner / belt tensioner

(mot.) TU3A

Z 104
ØA 60 B25
ØA 60 B31
Z 153 B25
ØA 62 B29
Z 153 B25
ØA 60
ØA 70 B25

(mot.) → M 3762433

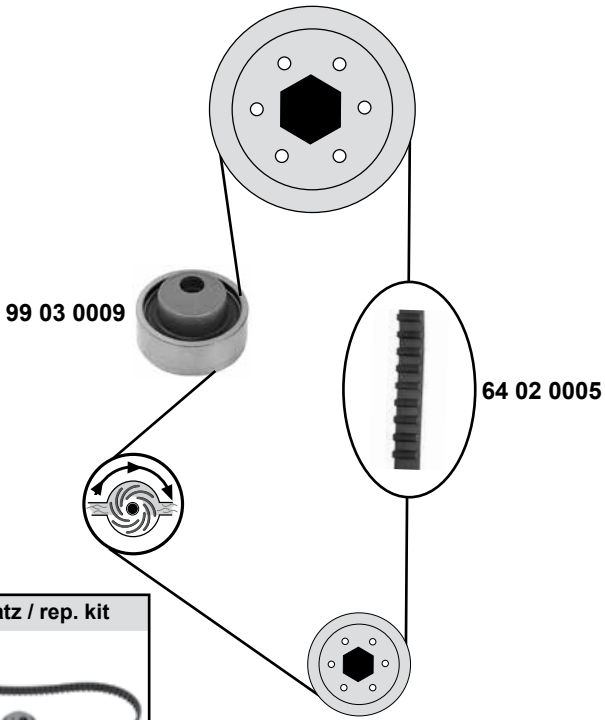
(mot.) M 3762434 →



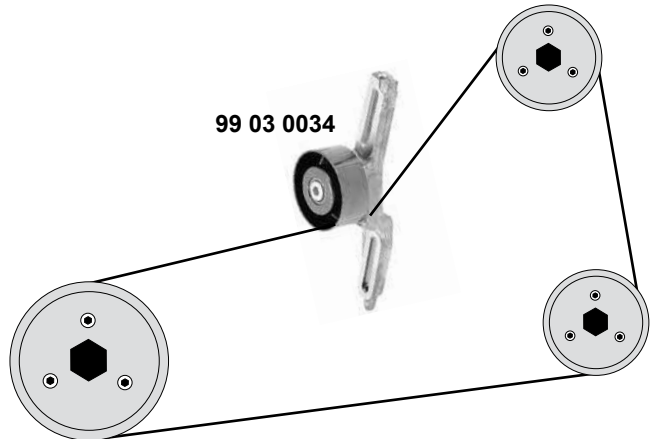
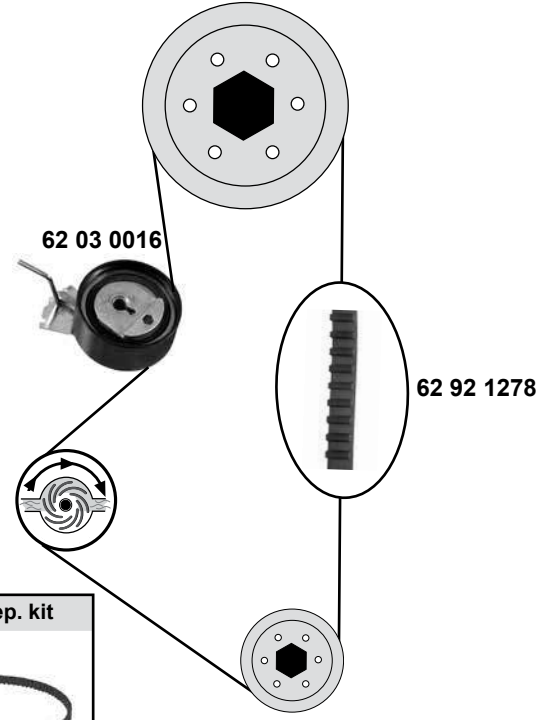
	Ref. - No.			
<b>62 02 0017</b>	0831.13	Rep. Satz Zahnriemen / rep. kit timing belt		
<b>62 03 0016</b>	0829.90	Spannrolle / tension roller		ØA 60 B25
<b>62 92 1278</b>	0816.F0	Zahnriemen / timing belt		Z 100 B17
<b>62 92 1280</b>	0831.84	Rep. Satz Zahnriemen / rep. kit timing belt		
<b>64 02 0005</b>	0816.56	Zahnriemen / timing belt		Z 104 B17
<b>99 03 0009</b>	0829.54	Spannrolle / tension roller		ØA 59 ØI 13 B22
<b>99 03 0034</b>	6453.S5	Spannrolle / tension roller	<b>AC</b>	ØA 68 B26,5

1,1  
(TU9M)

(mot.) → M 3762433

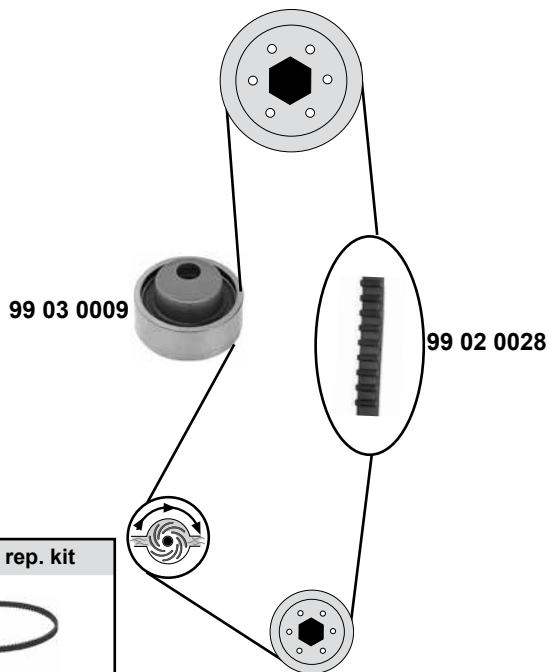


(mot.) M 3762434 →



SWAG GERMANY	Ref. - No.			
62 02 0017	0831.13	Rep. Satz Zahnriemen / rep. kit timing belt		
62 03 0016	0829.90	Spannrolle / tension roller		ØA 60 B25
62 92 1278	0816.F0	Zahnriemen / timing belt		Z 100 B17
62 92 1280	0831.84	Rep. Satz Zahnriemen / rep. kit timing belt		
64 02 0005	0816.56	Zahnriemen / timing belt		Z 104 B17
99 03 0009	0829.54	Spannrolle / tension roller		ØA 59 ØI 13 B22
99 03 0034	6453.S5	Spannrolle / tension roller	AC	ØA 68 B26,5

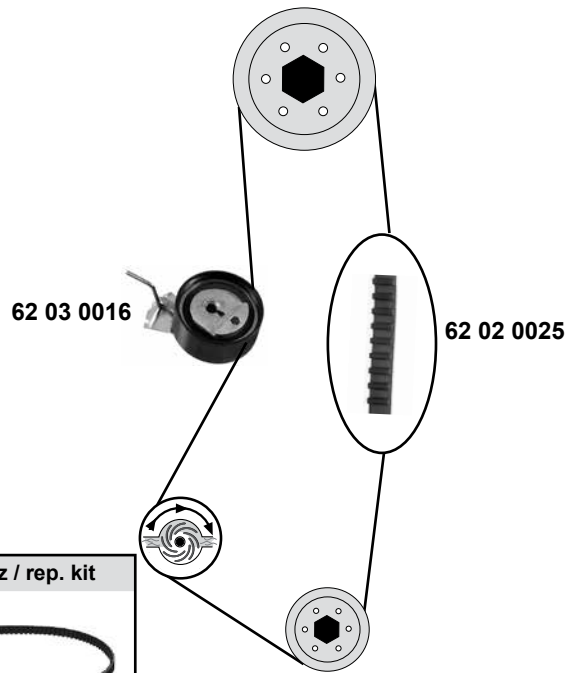
→ **O 09008**



Rep. Satz / rep. kit

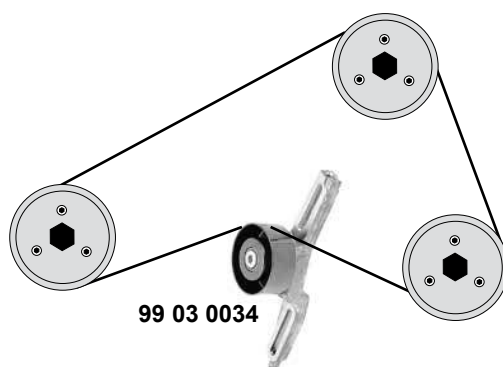
**SWAG 62 02 0021**

**O 09009**→



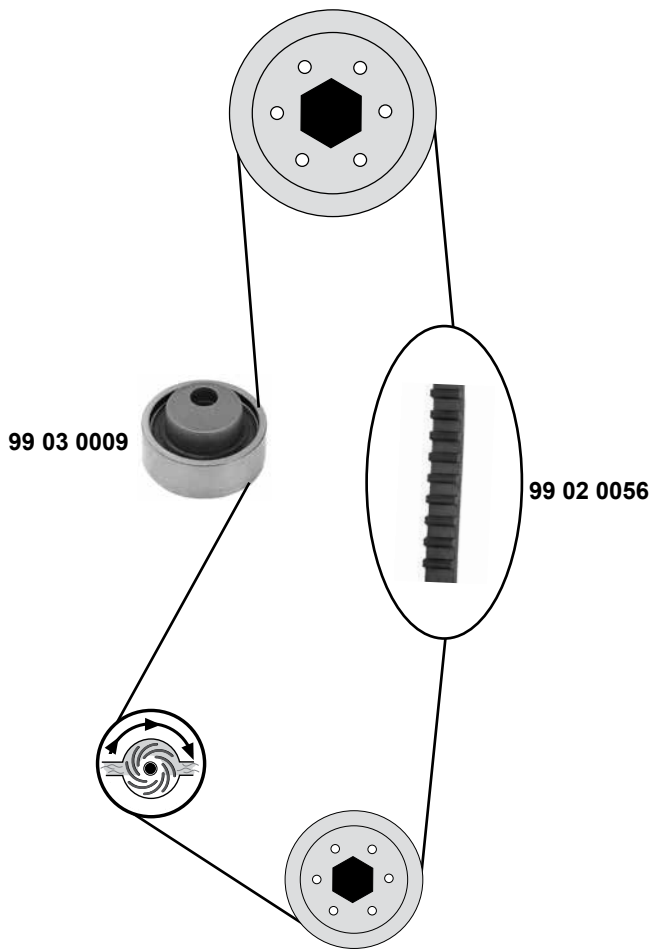
Rep. Satz / rep. kit

**SWAG 62 92 1274**



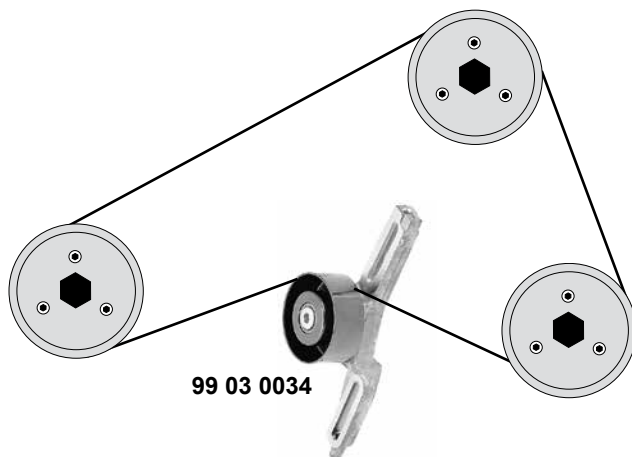
99 03 0034

	Ref. - No.			
<b>62 02 0021</b>	0831.14	Rep. Satz Zahnriemen / rep. kit timing belt		
<b>62 02 0025</b>	0816.F2	Zahnriemen / timing belt		Z 104 B17
<b>62 03 0016</b>	0829.90	Spannrolle / tension roller		ØA 60 B25
<b>62 92 1274</b>	0831.86	Rep. Satz Zahnriemen / rep. kit timing belt		
<b>99 02 0028</b>	0816.44	Zahnriemen / timing belt		Z 108 B17
<b>99 03 0009</b>	0829.54	Spannrolle / tension roller		ØA 59 ØI 13 B22
<b>99 03 0034</b>	6453.S5	Spannrolle / tension roller	<b>AC</b>	ØA 65 26,5



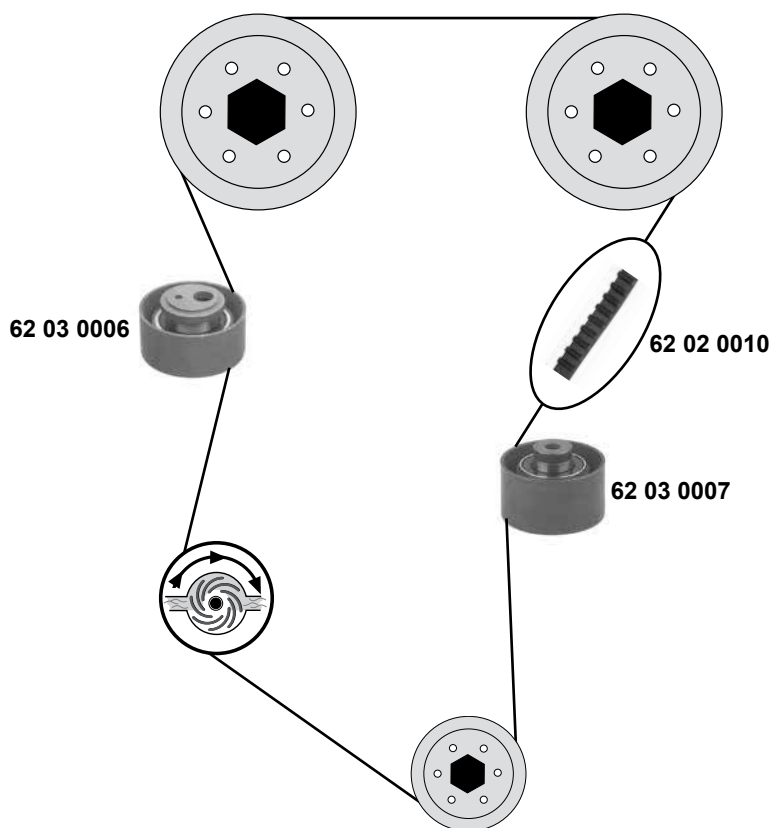
Rep. Satz / rep. kit

**SWAG 62 02 0020**



SWAG GERMANY	Ref. - No.			
62 02 0020	0831.28	Rep. Satz Zahnriemen / rep. kit timing belt		Z 101 B17
99 02 0056	0816.55	Zahnriemen / timing belt		ØA 59 ØI 13 B22
99 03 0009	0829.54	Spannrolle / tension roller		ØA 65 26,5
99 03 0034	6453.S5	Spannrolle / tension roller	AC	

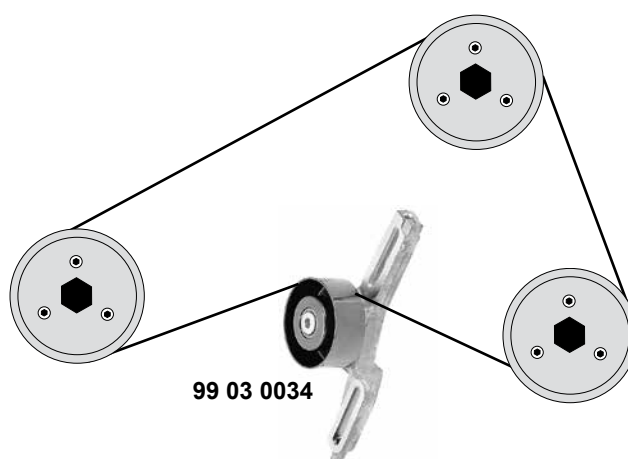




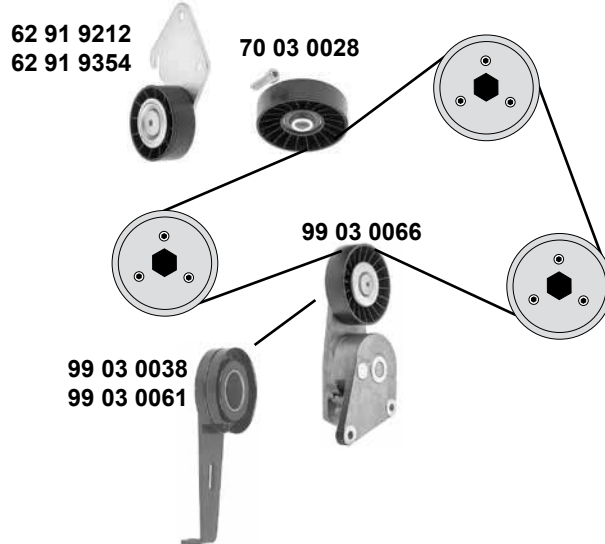
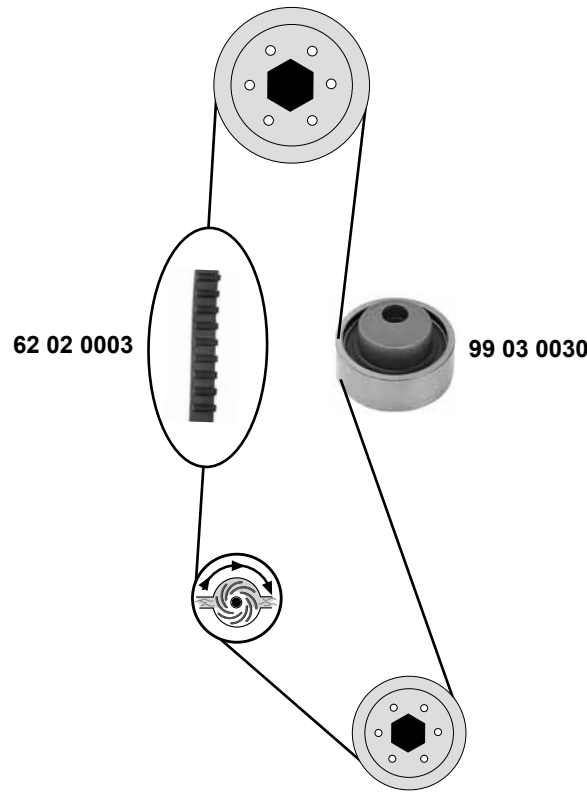
Rep. Satz / rep. kit



SWAG 62 02 0011



**1,6→2,0 8V**  
(XU (ex.) 16V)



(1) → O 07904 (ex.) servo

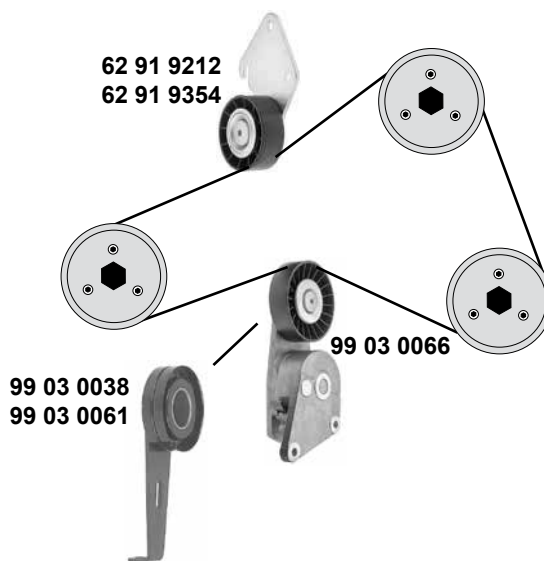
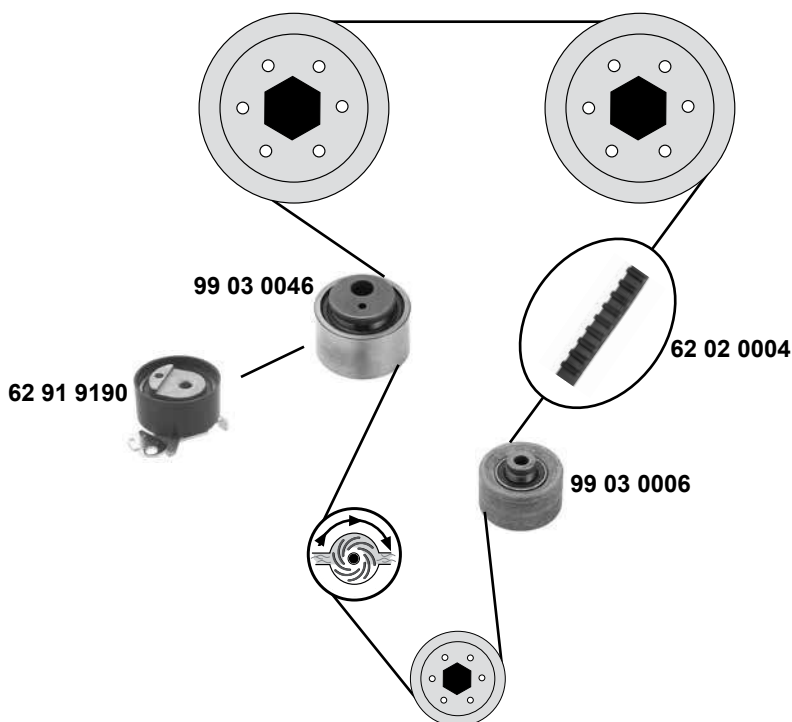
(2) O 07905 → (ex.) AC



Ref. - No.



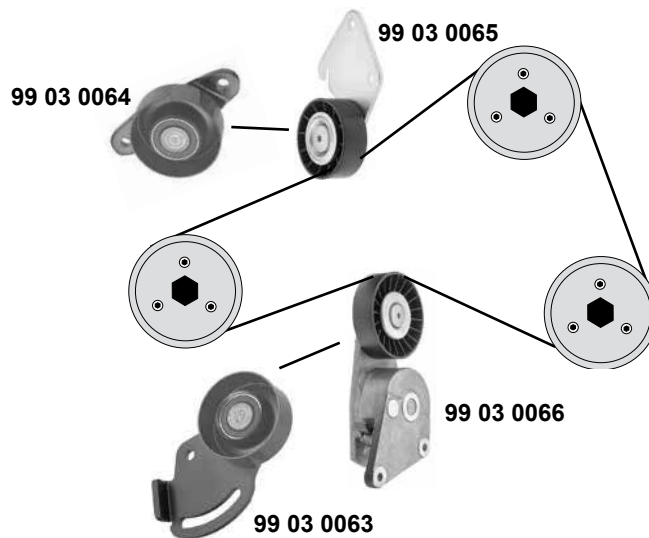
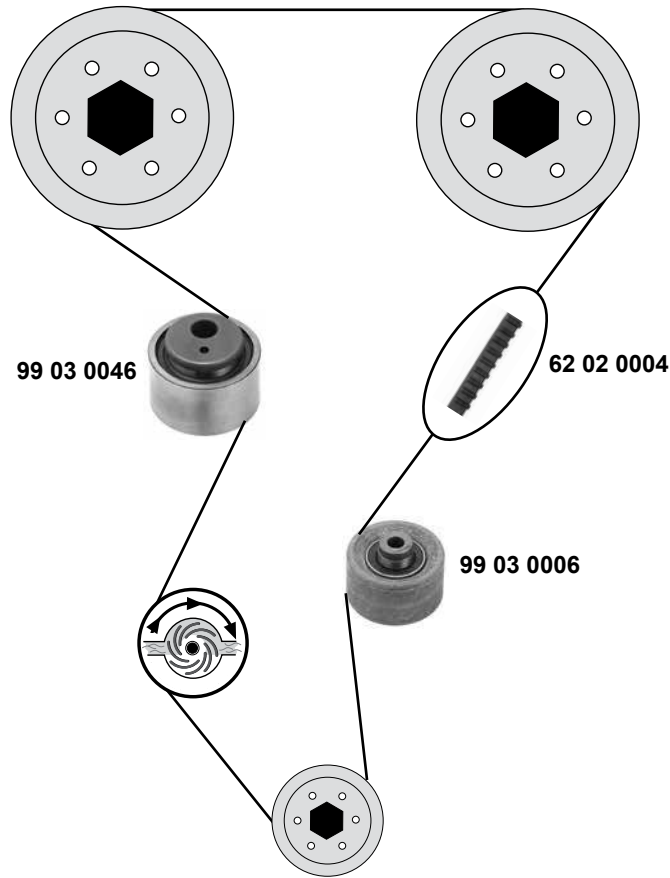
<b>62 02 0003</b>	0816.71	Zahnriemen / timing belt		Z 114 B17
<b>62 91 9212</b>	5751.37	Umlenkrolle / deflection pulley	AC	ØA 70
<b>62 91 9354</b>	5751.36	Umlenkrolle / deflection pulley	AC	ØA 90
<b>70 03 0028</b>	5751.20	Umlenkrolle / deflection pulley	AC servo	ØA90 B25
<b>99 02 0057</b>	0816.71 S1	Rep. Satz Zahnriemen / rep. kit timing belt		
<b>99 03 0030</b>	0829.29	Spannrolle / tension roller		ØA 59 Ø I 13 B22
<b>99 03 0038</b>	5751.18	Spannrolle / tension roller	(1)	ØA 90 B24,5
<b>99 03 0061</b>	5751.53	Spannrolle / tension roller	(2)	ØA 90 B24
<b>99 03 0066</b>	5751.35	Riemenspanner / belt tensioner	AC servo	ØA 90 B25



**i** (1) → O 07904 (ex.) servo (2) O 07905→(ex.)

	Ref. - No.		<b>i</b>	
62 02 0004	0816.98	Zahnriemen / timing belt		Z 136 B25,4
62 02 0014	0831.48	Rep. Satz Zahnriemen / rep. kit timing belt		Z 136
62 91 9190	0829.69	Spannrolle / tension roller	O 08470 →	ØA 60 B29
62 91 9212	5751.37	Umlenkrolle / deflection pulley	AC	ØA 70
62 91 9354	5751.36	Umlenkrolle / deflection pulley	AC	ØA 90
62 92 6139	0831.68	Rep. Satz Zahnriemen / rep. kit timing belt		Z 136 B25,4
99 03 0006	0830.37	Umlenkrolle / deflection pulley		ØA 57 ØI10 B34
99 03 0038	5751.18	Spannrolle / tension roller	(1)	ØA 90 B24,5
99 03 0046	0829.35	Spannrolle / tension roller	→ O 08469	ØA 57 ØI13 B33
99 03 0061	5751.53	Spannrolle / tension roller	(2)	ØA 90 B24
99 03 0066	5751.35	Riemenspanner / belt tensioner	AC + servo	ØA 90 B25

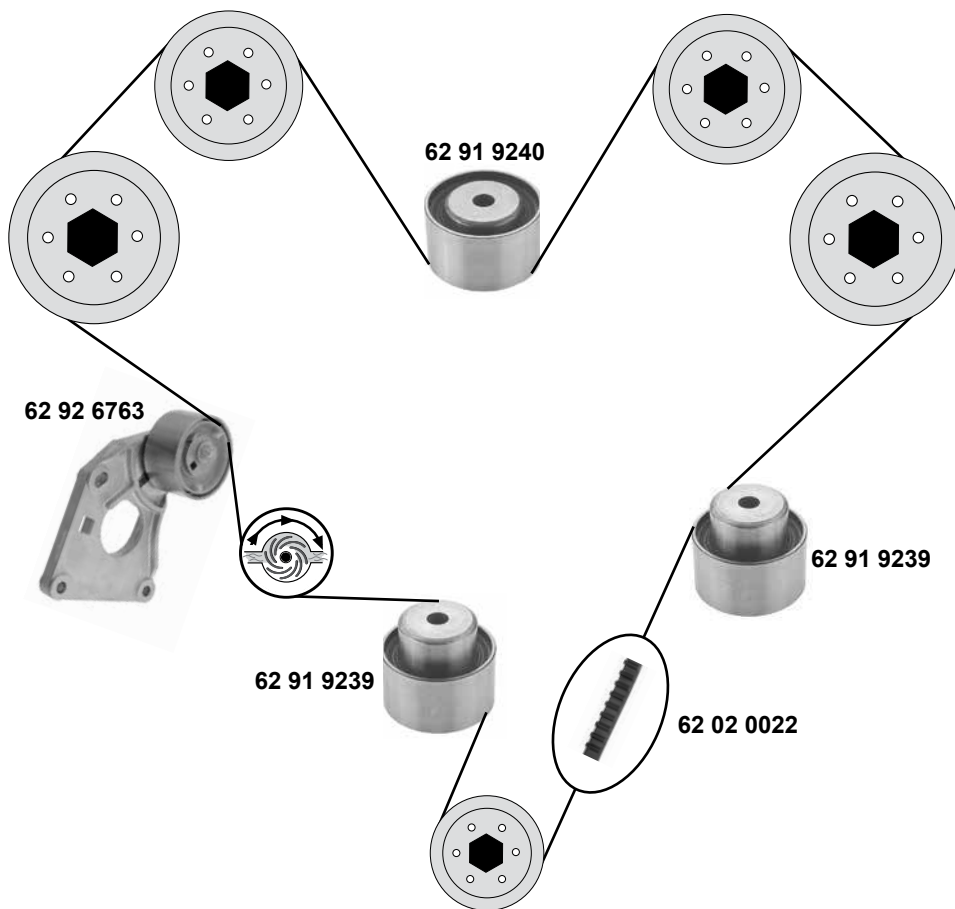
**2,0 16 V**  
(XU10J4R)



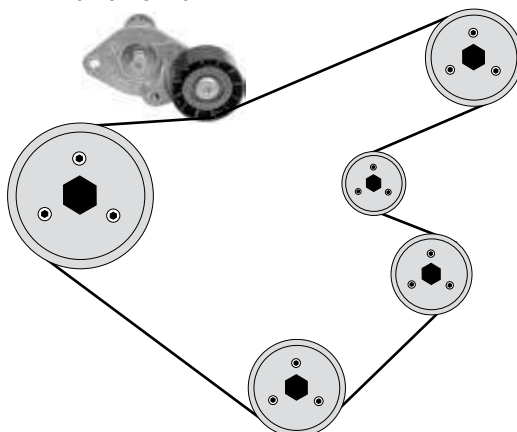
Ref. - No.



<b>62 02 0004</b>	0816.98	Zahnriemen / timing belt		
<b>62 02 0014</b>	0831.48	Rep. Satz Zahnriemen / rep. kit timing belt		
<b>99 03 0006</b>	0830.37	Umlenkrolle / deflection pulley		ØA 57 Ø I10 B34
<b>99 03 0046</b>	0829.35	Spannrolle / tension roller	→ O 08469, CEE 2000	ØA 57 ØI13 B33
<b>99 03 0063</b>	5751.32	Spannrolle / tension roller	(ex.) AC	ØA90
<b>99 03 0064</b>	5751.33	Umlenkrolle / deflection pulley	(ex.) AC	ØA70
<b>99 03 0065</b>	5751.34	Umlenkrolle / deflection pulley	AC	ØA 69,5 B24,5
<b>99 03 0066</b>	5751.35	Riemenspanner / belt tensioner	AC servo	ØA 90 B25



62 92 8278  
62 92 8279



Ref. - No.



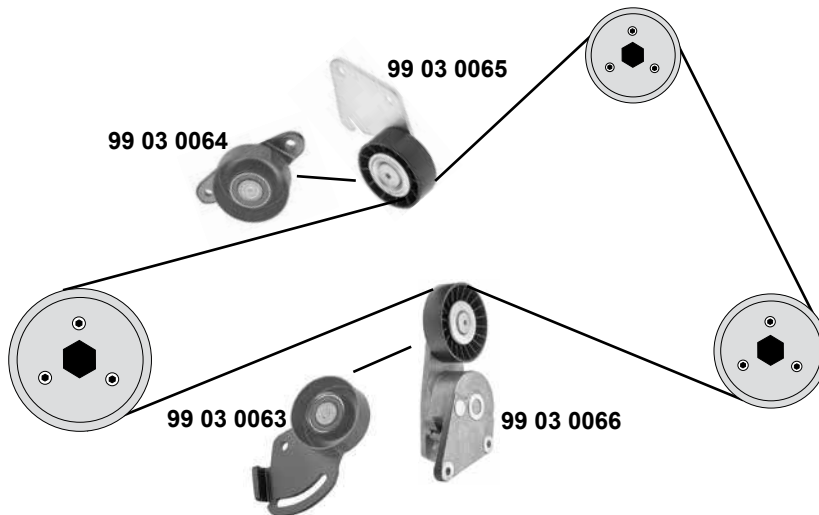
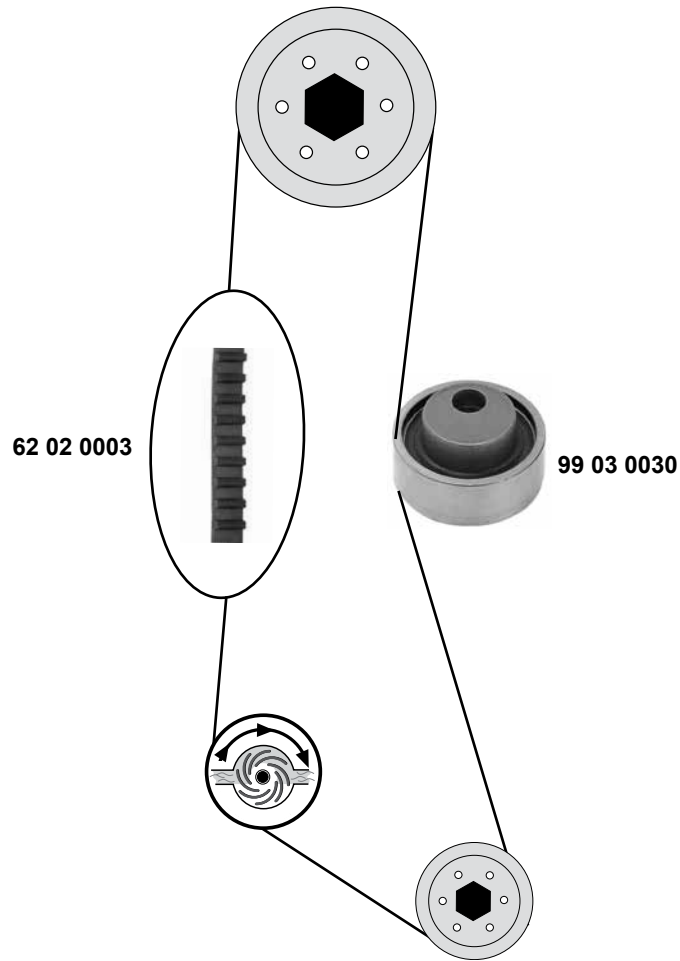
62 02 0022	0816.H3
62 91 9239	0830.58
62 91 9240	0830.59
62 92 6763	0829.C5
62 92 8103	0831.V2
62 92 8278	5751.41
62 92 8279	5751.A9

Zahnriemen / timing belt
Umlenkrolle / deflection pulley
Umlenkrolle / deflection pulley
Spannrolle / tension roller
Rep. Satz Zahnriemen / rep. kit timing belt
Riemenspanner / belt tensioner
Riemenspanner / belt tensioner

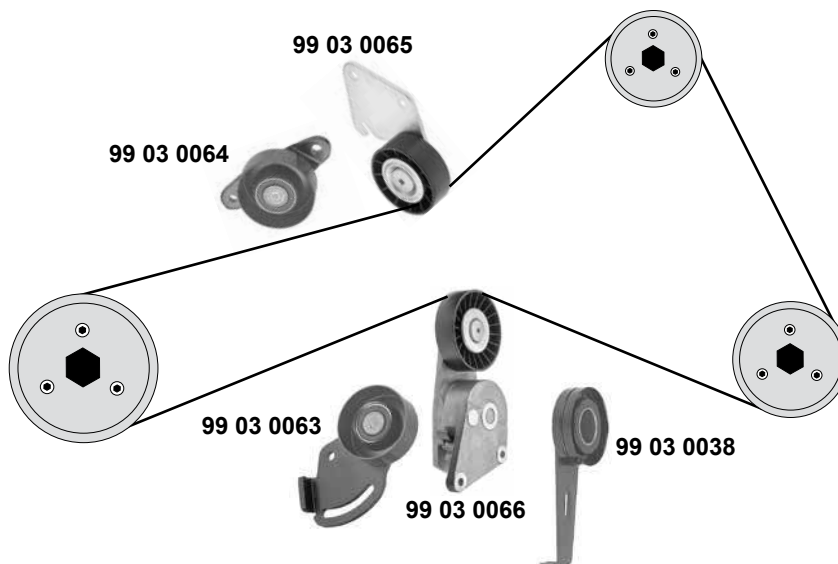
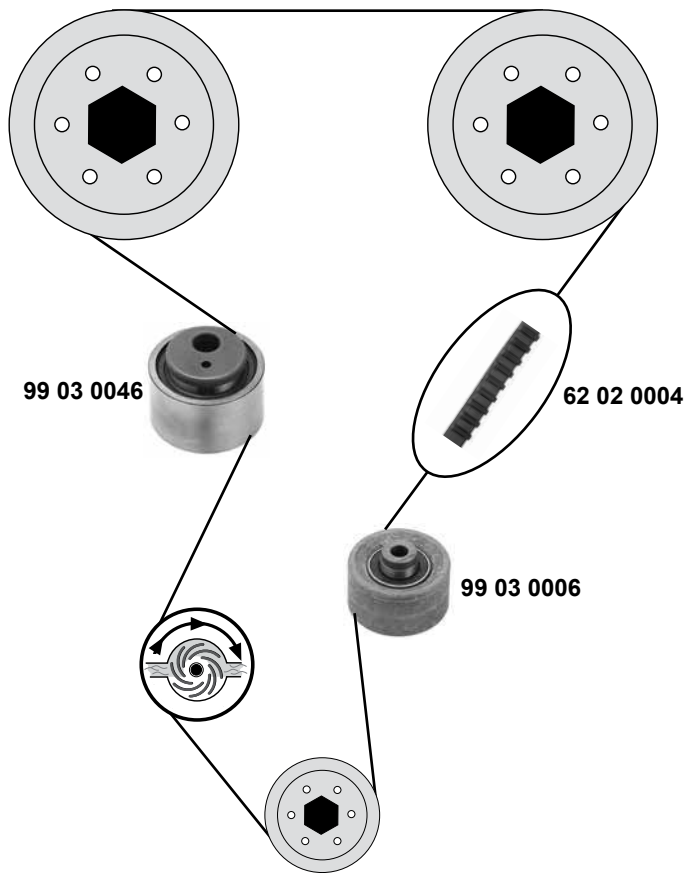
98 → / O 8442 →

Z 259 B32
ØA 65 B36
ØA 65 B36
ØA 70 B36
Z 259 B32
ØA 65 B25,5

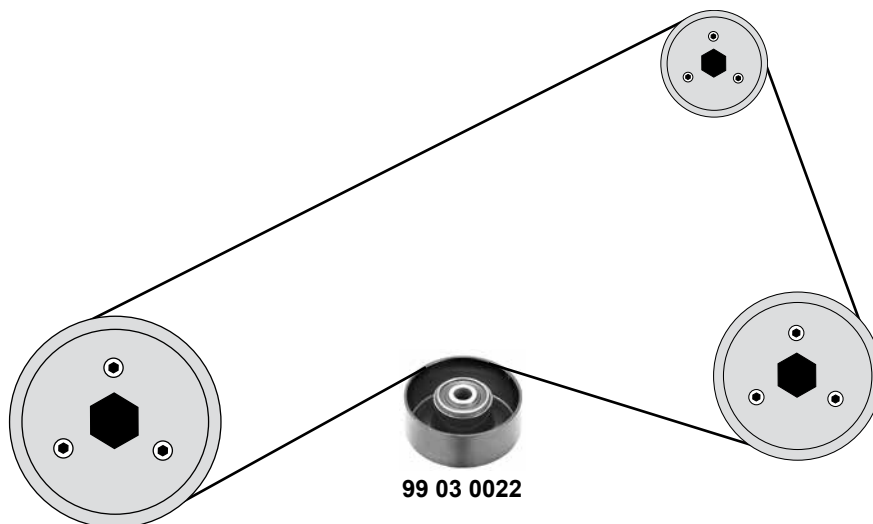
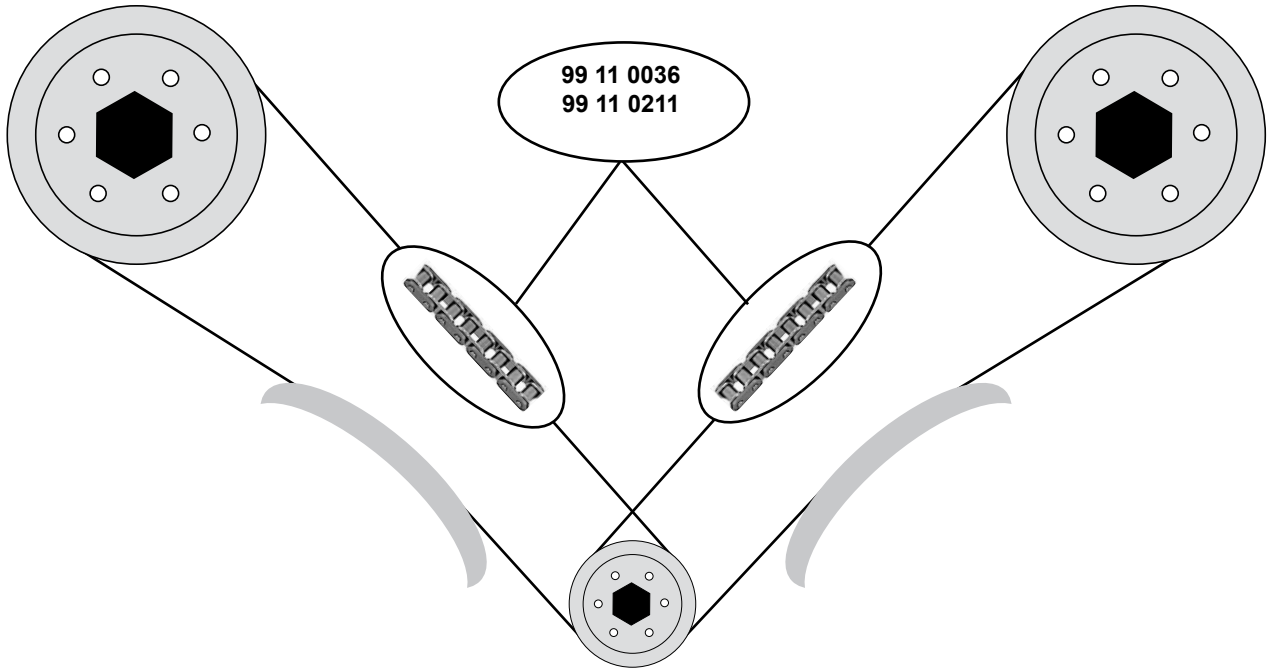
**2,0 8V**  
(XU10J2/XU10J2TE)



SWAG GERMANY	Ref. - No.			
62 02 0003	0816.71	Zahnriemen / timing belt		Z 114 B17
99 03 0030	0829.29	Spannrolle / tension roller		ØA 59 ØI 13 B22
99 02 0057	0816.71 S1	Rep. Satz Zahnriemen / rep. kit timing belt		
99 03 0063	5751.32	Spannrolle / tension roller	O 06779 → (ex.) AC	ØA90 B25
99 03 0064	5751.33	Umlenkrolle / deflection pulley	O 06779 → (ex.) AC	ØA70 B25
99 03 0065	5751.34	Umlenkrolle / deflection pulley	AC	ØA69,5 B24,5
99 03 0066	5751.35	Riemenspanner / belt tensioner	AC servo	ØA 90 B25

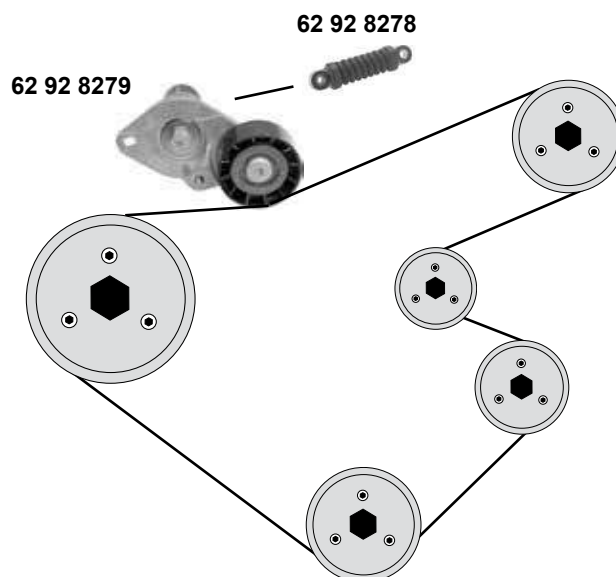
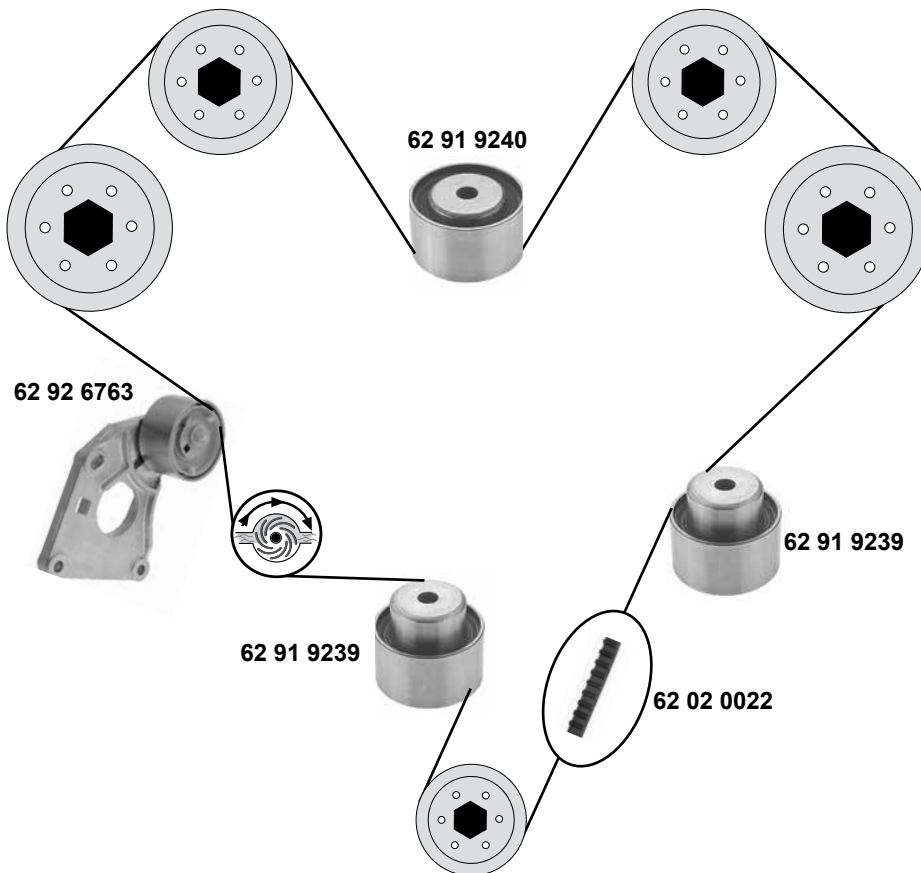


SWAG	Ref. - No.			
62 02 0004	0816.98	Zahnriemen / timing belt		Z 136
62 02 0014	0831.R5	Rep. Satz Zahnriemen / rep. kit timing belt		ØA 57 Ø I10 B34
99 03 0006	0830.37	Umlenkrolle / deflection pulley		ØA 90 B24,5
99 03 0038	5751.18	Spannrolle / tension roller	(ex.) servo	ØA 57 ØI13 B33
99 03 0046	0829.35	Spannrolle / tension roller		ØA90 B25
99 03 0063	5751.32	Spannrolle / tension roller	O 06779 → (ex.) AC	ØA70 B25
99 03 0064	5751.33	Umlenkrolle / deflection pulley	O 06779 → (ex.) AC	ØA69,5 B24,5
99 03 0065	5751.34	Umlenkrolle / deflection pulley	AC	ØA 90 B25
99 03 0066	5751.35	Riemenspanner / belt tensioner	AC servo	



SWAG GERMANY	Ref. - No.			
99 03 0022	1281.19	Spannrolle / tension roller	AC	ØA 66 ØI 10B26
99 11 0036	0816.13	Steuerkette einfach / timing chain simple	(mot.) ZPJ	455 / 94E
99 11 0211	0816.52	Steuerkette einfach / timing chain simple	(mot.) ZPJ4	94 E

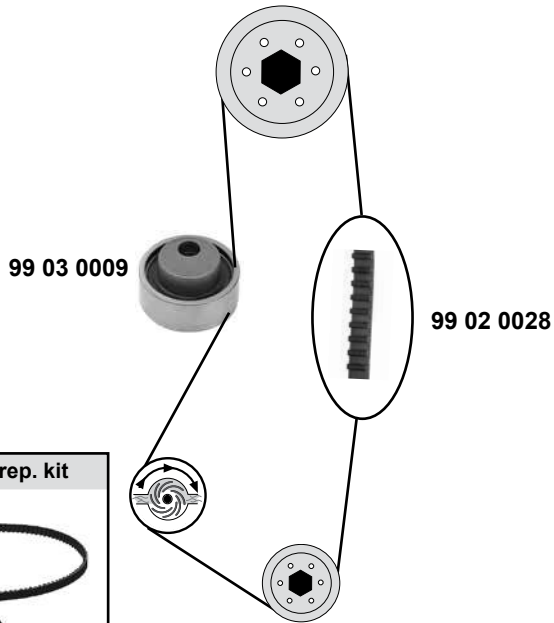




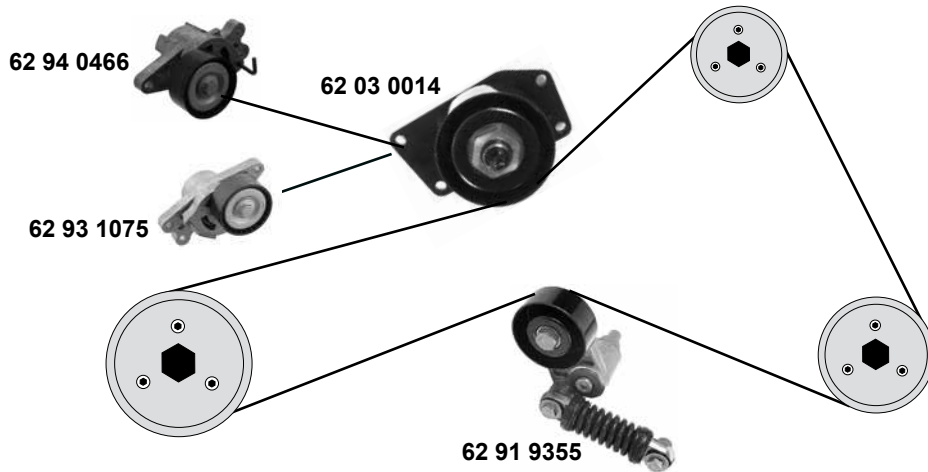
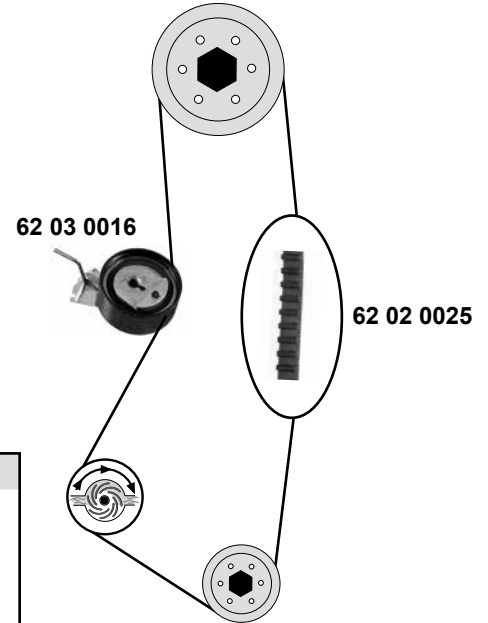
	Ref. - No.			
<b>62 02 0022</b>	0816.H3	Zahnriemen / timing belt		Z 259 B32
<b>62 91 9239</b>	0830.58	Umlenkrolle / deflection pulley		ØA 65 B36
<b>62 91 9240</b>	0830.59	Umlenkrolle / deflection pulley		ØA 65 B36
<b>62 92 6763</b>	0829.C5	Spannrolle / tension roller		ØA 70 B36
<b>62 92 8103</b>	0831.V2	Rep. Satz Zahnriemen / rep. kit timing belt		Z 259 B32
<b>62 92 8278</b>	5751.41	Riemenspanner / belt tensioner		
<b>62 92 8279</b>	5751.A9	Riemenspanner / belt tensioner		ØA 65 B25,5

**1,4**  
(TU3JP)

→ **O 09008**



**O 09009**→



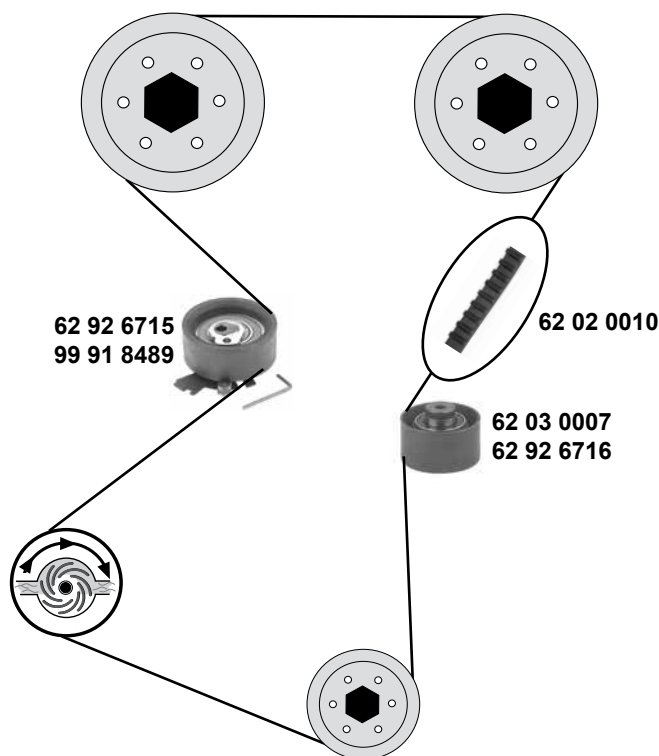
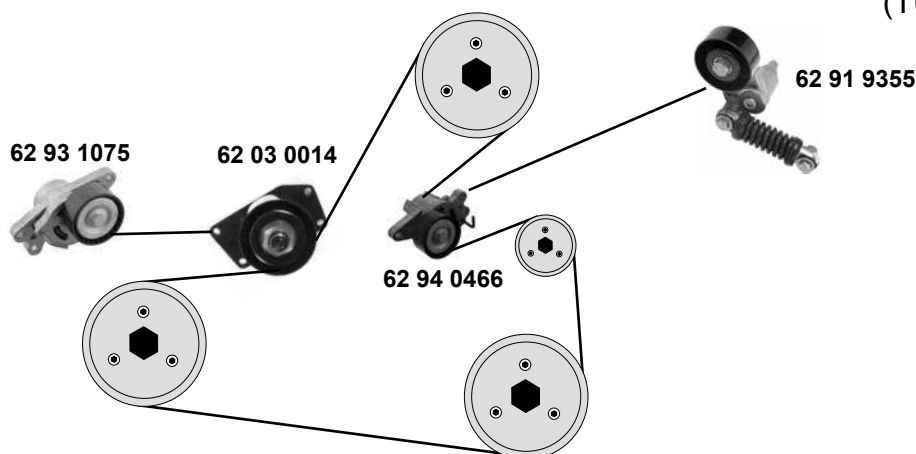
(1) Alle / all Benzin / gasoline TU AC O 09156→



Ref. - No.



<b>62 02 0021</b>	0831.14	Rep. Satz Zahnriemen / rep. kit timing belt		
<b>62 02 0025</b>	0816.F2	Zahnriemen / timing belt		Z 104 B17
<b>62 03 0014</b>	5751.50	Umlenkrolle / deflection pulley	(ex.) AC	ØA 70 B27
<b>62 03 0016</b>	0829.90	Spannrolle / tension roller	AC	ØA 60 B25
<b>62 91 9355</b>	5751.52	Riemenspanner / belt tensioner		ØA 65 B26,5
<b>62 92 1274</b>	0831.86	Rep. Satz Zahnriemen / rep. kit timing belt		
<b>62 93 1075</b>	5751.A2	Riemenspanner / belt tensioner	AC O 09156 →	ØA 60
<b>62 94 0466</b>	5751.A2	Riemenspanner / belt tensioner	(1)	ØA 60 B26
<b>99 02 0028</b>	0816.44	Zahnriemen / timing belt		Z 108 B17
<b>99 03 0009</b>	0829.54	Spannrolle / tension roller		ØA 59 ØI 13 B22

**1,6 16V**  
 (TU5JP4)

**1,6 16V**  
 (TU5JP / TU5JP4)


(1) Alle / all Benzin / gasoline TU AC O 09156→

(2) (mot.) TU5JP4

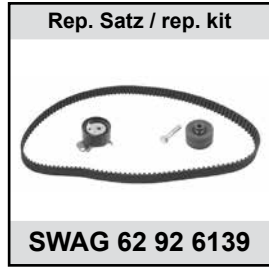
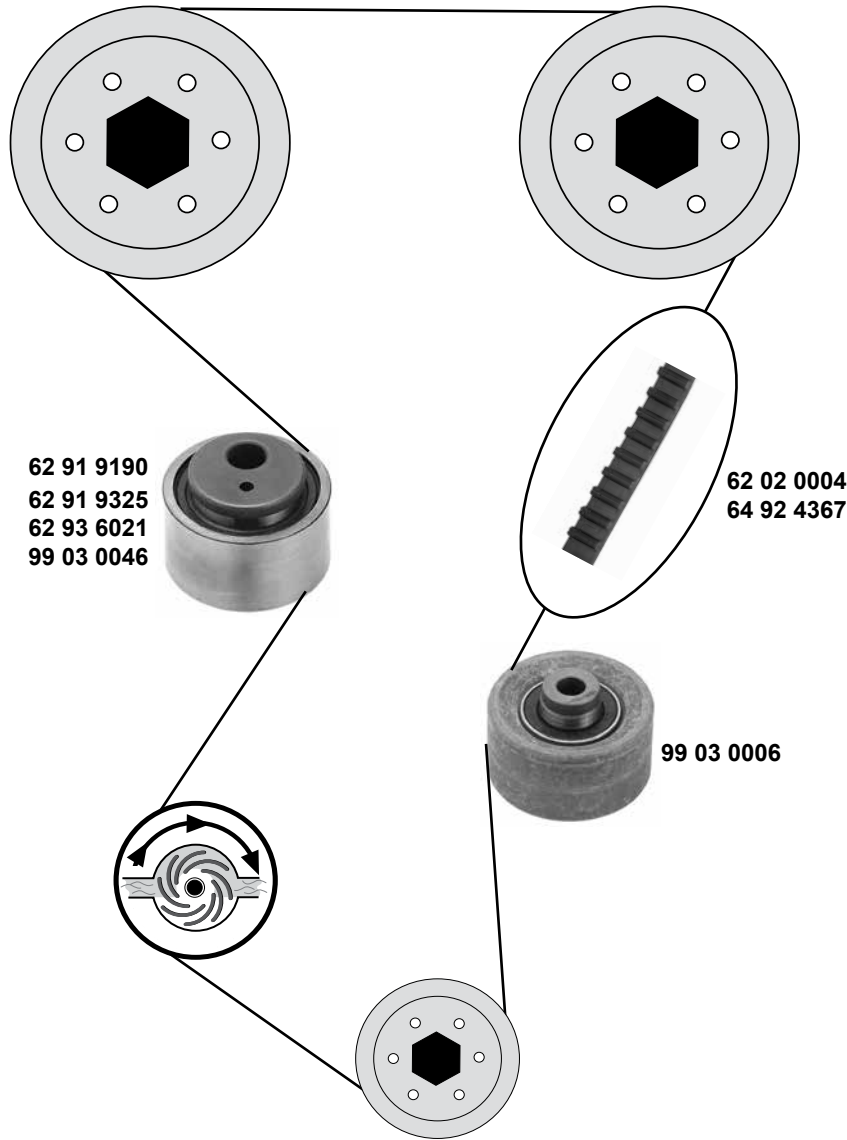


Ref. - No.



Ref. - No.			
62 02 0010	0816.H6	Zahnriemen / timing belt	Z 134 B25,4
62 03 0007	0830.61	Umlenkrolle / deflection pulley	ØA 57 ØI 59 B32
62 03 0014	5751.50	Umlenkrolle / deflection pulley	ØA 70 B27
62 91 9355	5751.52	Riemenspanner / belt tensioner	ØA 65 B26,5
62 92 2327	0816.H6 S1	Rep. Satz Zahnriemen / rep. kit timing belt	
62 92 6715	0829.C8	Spannrolle / tension roller	ØA 70 B30
62 92 6716	0830.62	Umlenkrolle / deflection pulley	ØA 60 B30
62 92 6717	0831.R9	Rep. Satz Zahnriemen / rep. kit timing belt	Z 134 B25,4
62 93 1075	5751.A2	Riemenspanner / belt tensioner	ØA 60
62 94 0466	5751.A2	Riemenspanner / belt tensioner	ØA 60 B26
99 91 8489	0829.C7	Spannrolle / tension roller	ØA 73 B31

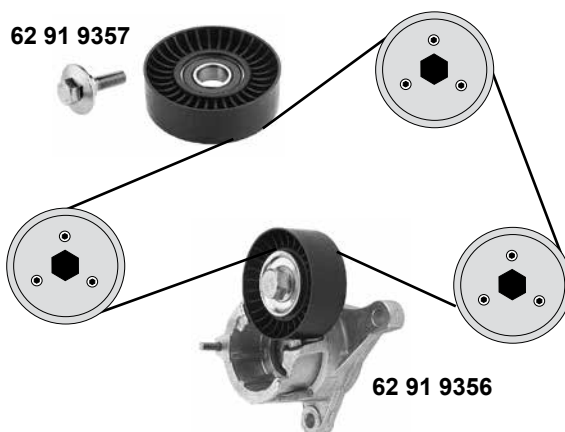
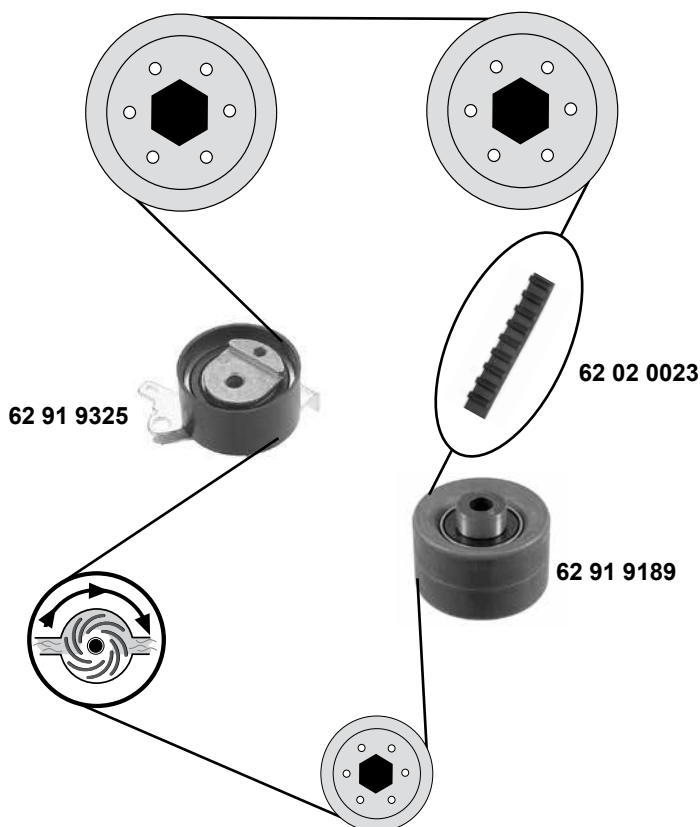
**1,8 16V / 2,0 16V**  
XU7JP4 / XU10J4RS



- (1) (mot.) XU10J4RS
- (2) (mot.) XU7JP4 Orga-Nr. 7609
- (3) Xsara (mot.) XU10J4RS 04.97 - 04.05 O 08547 → / Xsara II (mot.) XU10J4RS 10.97 - 08.05

SWAG GERMANY	Ref. - No.			
99 03 0046	0829.35	Spannrolle / tension roller	(1)	ØA 57 ØI 13 B33
99 03 0006	0830.37	Umlenkrolle / deflection pulley		ØA 60 ØI 10 B34
62 02 0004	0816.98	Zahnriemen / timing belt		Z 136 B25,4
62 02 0014	0831.48	Rep. Satz Zahnriemen / rep. kit timing belt	(1)	
62 91 9190	0829.69	Spannrolle / tension roller	(2)	ØA 60 B29
62 91 9325	0829.96	Spannrolle / tension roller		ØA 62 B29
64 92 4367	0816.G7	Zahnriemen / timing belt	(3)	Z 137 B25
62 92 6139	0831.68	Rep. Satz Zahnriemen / rep. kit timing belt	(2)	Z 136 B25,4
62 93 6021	0829.84	Spannrolle / tension roller	(3)	ØA 73,5 B29
62 93 9090	0831.T1	Rep. Satz Zahnriemen / rep. kit timing belt	(3)	

**2,0 16**  
(EW10J4)



<b>62 02 0023</b>	0816.A1
<b>62 91 9189</b>	0830.42
<b>62 91 9325</b>	0829.96
<b>62 91 9356</b>	5751.61
<b>62 91 9357</b>	5751.60
<b>62 92 2309</b>	0831.88

Zahnriemen / timing belt
Umlenkrolle / deflection pulley
Spannrolle / tension roller
Riemenspanner / belt tensioner
Umlenkrolle / deflection pulley
Rep. Satz Zahnriemen / rep. kit timing belt

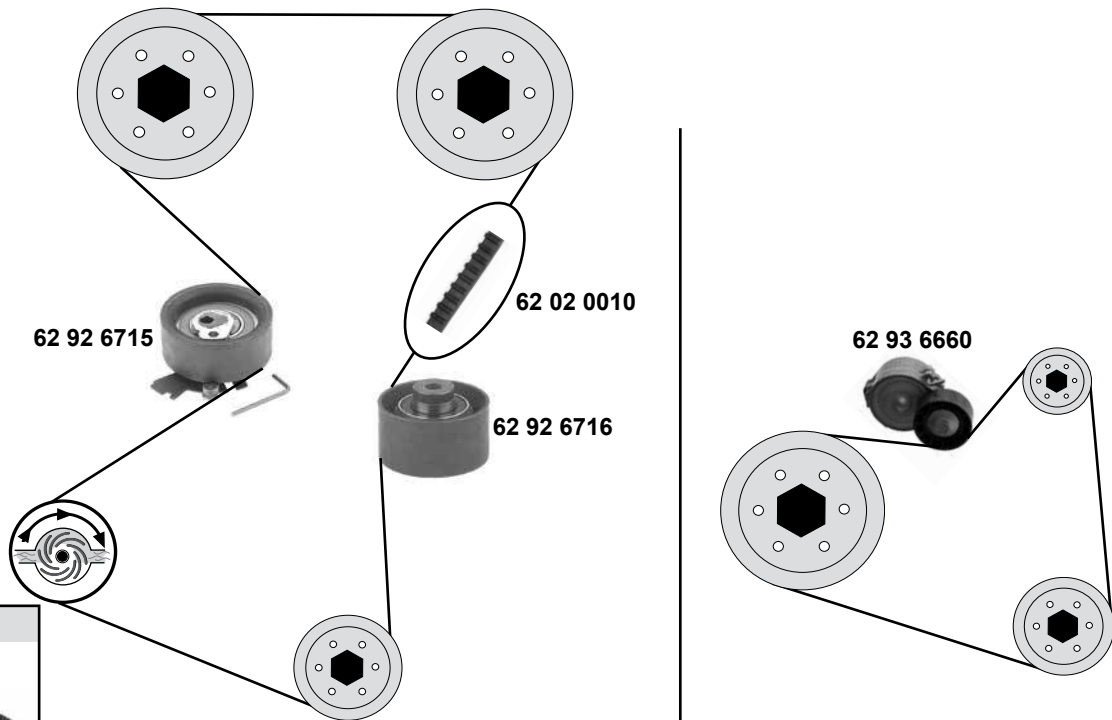
Z 153 B25,4
ØA 60 B30
ØA 62 B29
ØA 65 B25
ØA 78 B25

# CITROËN Xsara Picasso

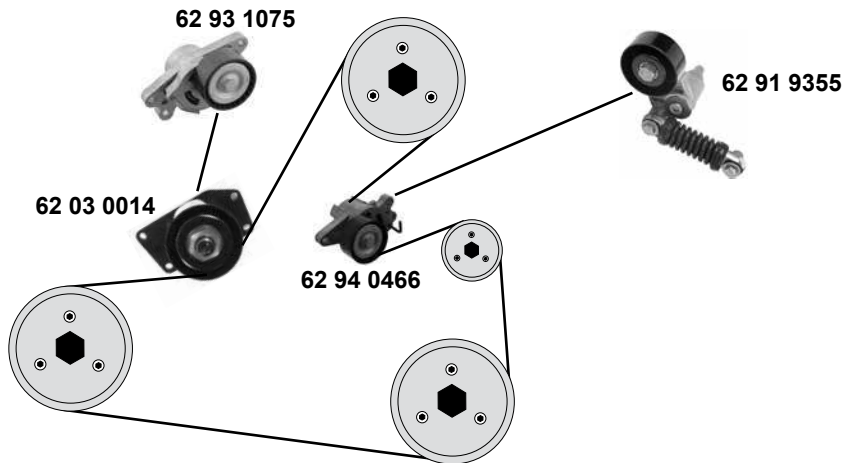
(99→)



**1,6 16V**  
(TU5JP4)



**1,6 16V**  
(TU5JP / TU5JP4)



(1) (mot.) TU5JP4

(2) (mot.) TU5JP servo AC O 09163 - 10555

(3) AC servo (mot.) TU5JP4 O10556→

(4) (mot.) TU5JP servo AC O 09163 →

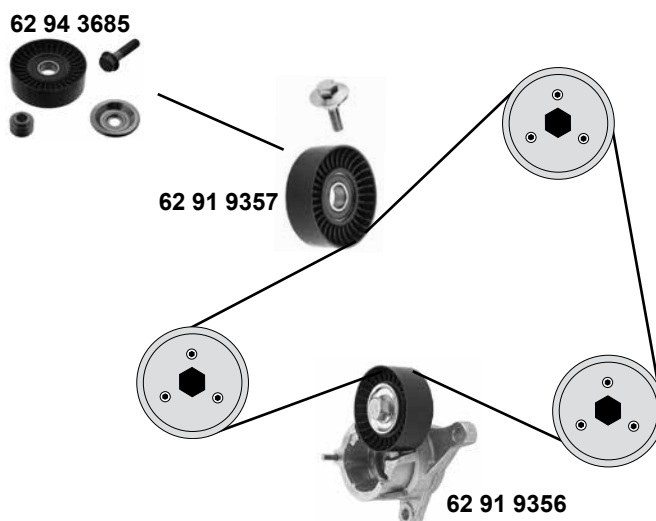
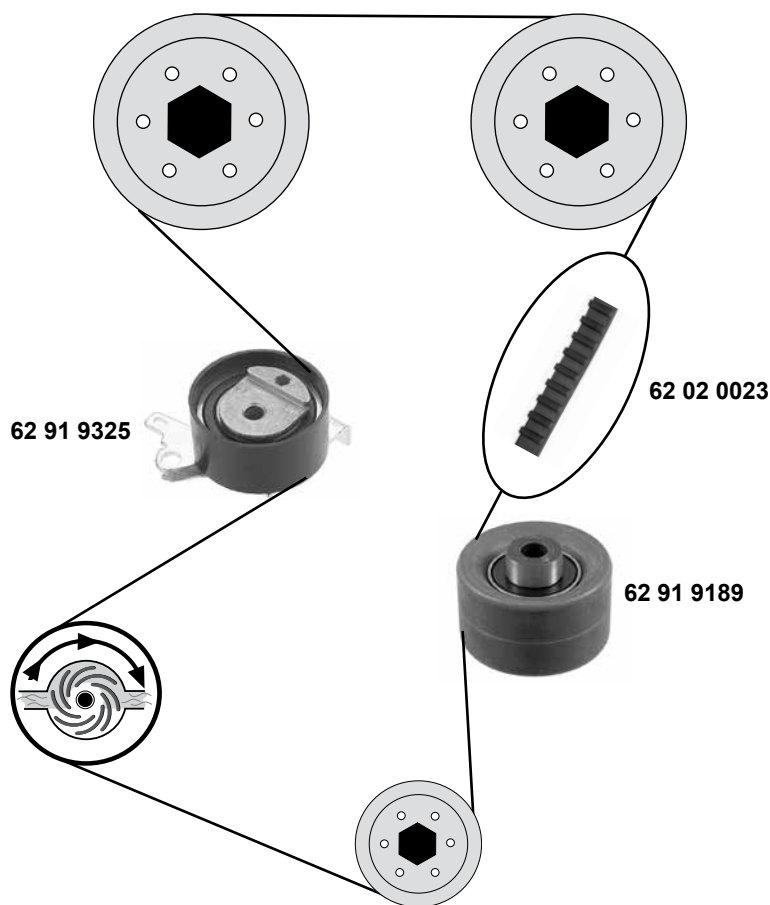


Ref. - No.



62 02 0010	0816.H6	Zahnriemen / timing belt		Z 134 B25,4
62 03 0014	5751.50	Umlenkrolle / deflection pulley		ØA 70 B27
62 91 9355	5751.52	Riemenspanner / belt tensioner	(1) (ex.) AC	ØA 65 B26,5
62 92 6715	0829.C8	Spannrolle / tension roller	(1) AC → O10555	ØA 70 B30
62 92 6716	0830.62	Umlenkrolle / deflection pulley		ØA 60 B30
62 92 6717	0831.R9	Rep. Satz Zahnriemen / rep. kit timing belt		Z 134 B25,4
62 93 1075	5751.A2	Riemenspanner / belt tensioner	(3) (4)	ØA 60
62 93 6660	5751.E9	Riemenspanner / belt tensioner	O10493 →	ØA 60 B25
62 94 0466	5751.A2	Riemenspanner / belt tensioner	(2)	ØA 60 B26

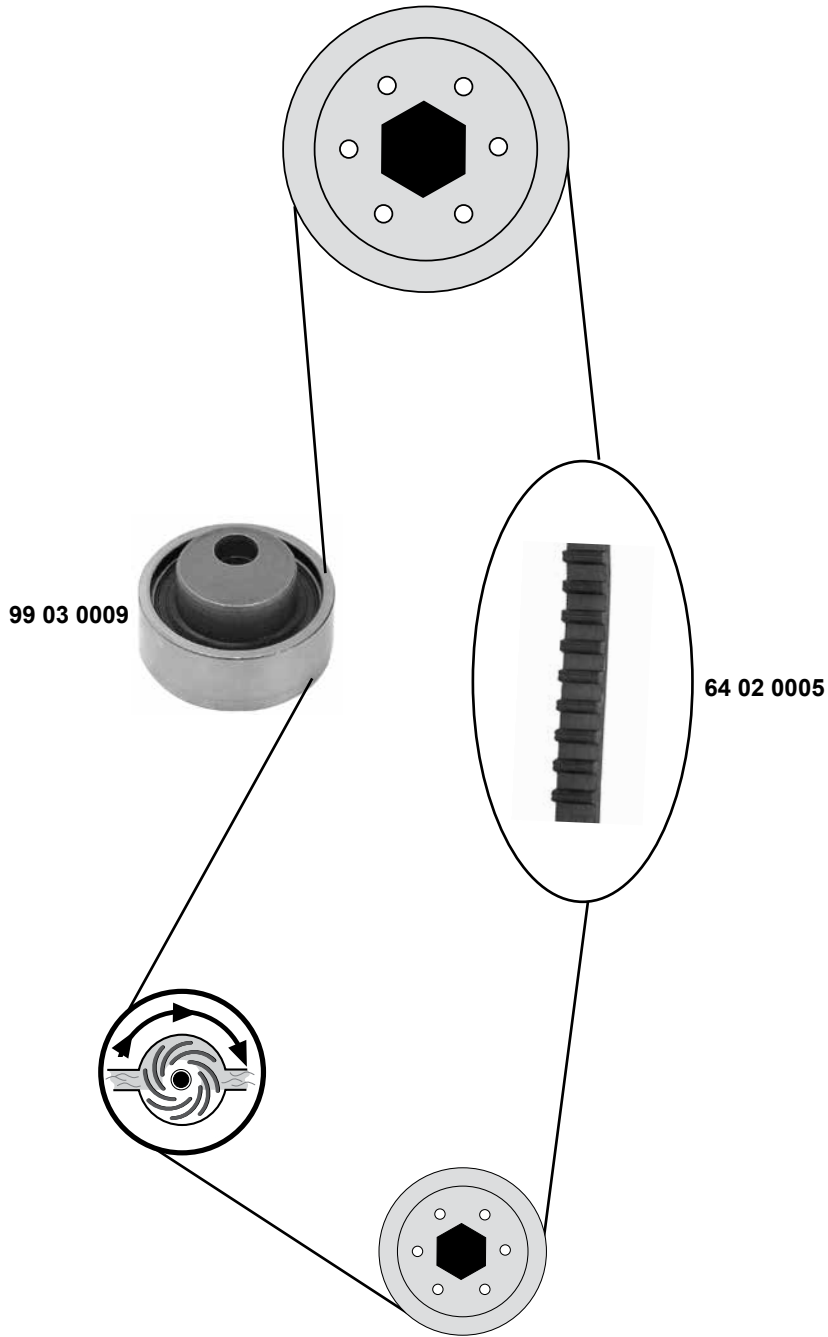
**1,8 / 2,0 16 V**  
(EW7J4/EW10J4)



<b>62 02 0023</b>	0816.A1	Zahnriemen / timing belt		Z 153 B25,4
<b>62 91 9189</b>	0830.42	Umlenkrolle / deflection pulley		ØA 60 B30
<b>62 91 9325</b>	0829.96	Spannrolle / tension roller		ØA 62 B29
<b>62 91 9356</b>	5751.61	Riemenspanner / belt tensioner		ØA 65 B25
<b>62 91 9357</b>	5751.60	Umlenkrolle / deflection pulley	(mot.) EW7J4 01→04	ØA 78 B25
<b>62 92 2309</b>	0831.88	Rep. Satz Zahnriemen / rep. kit timing belt		
<b>62 94 3685</b>	5751.E4	Umlenkrolle / deflection pulley	(mot.) EW10J4	ØA 78 B25



**1,1**  
(TU1M)



Ref. - No.



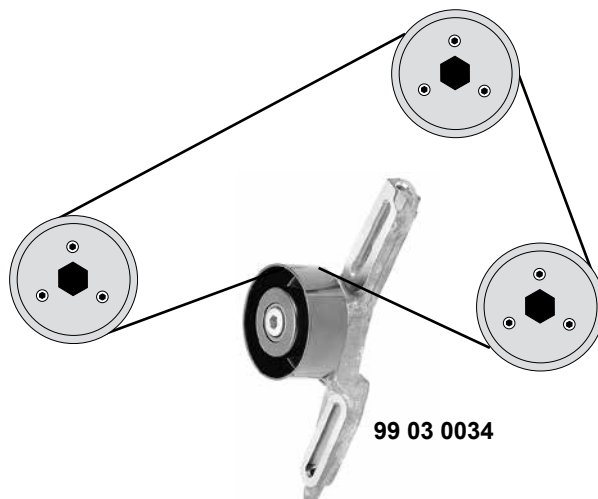
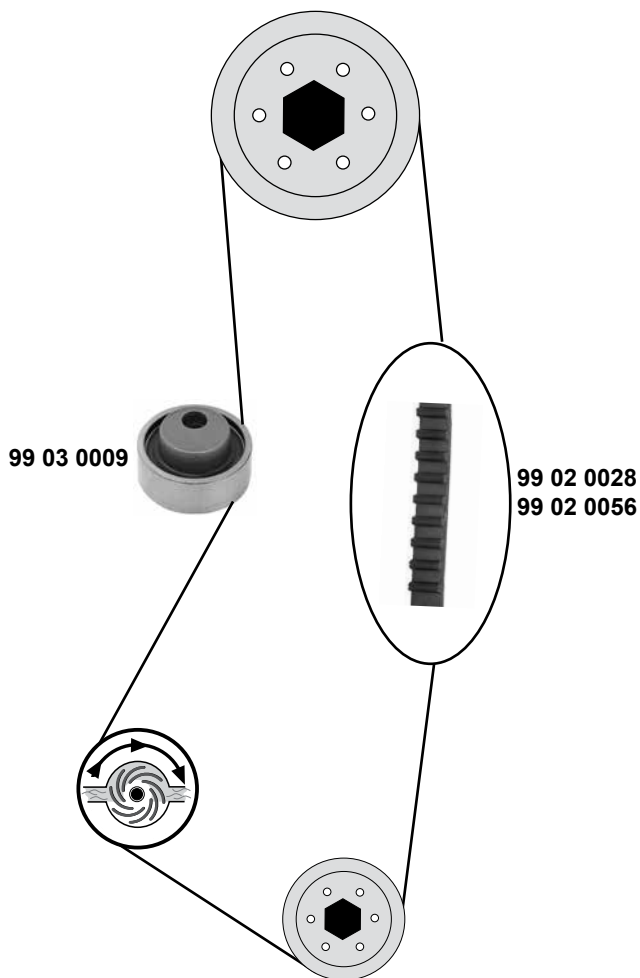
<b>62 02 0017</b>	0831.13
<b>64 02 0005</b>	0816.56
<b>99 03 0009</b>	0829.54

Rep. Satz Zahnriemen / rep. kit timing belt  
Zahnriemen / timing belt  
Spannrolle / tension roller

Z 104 B17  
ØA 59 ØI 13 B22



**1,4**  
(TU3)



- (1) Guss Motorblock / cast engine block / coulé bloc-moteur / colado bloque-motor / ghisa monoblocco
- (2) Aluminium Motorblock / aluminum engine block / aluminium bloc-moteur / aliminio bloque-motor / monoblocco d'alluminio

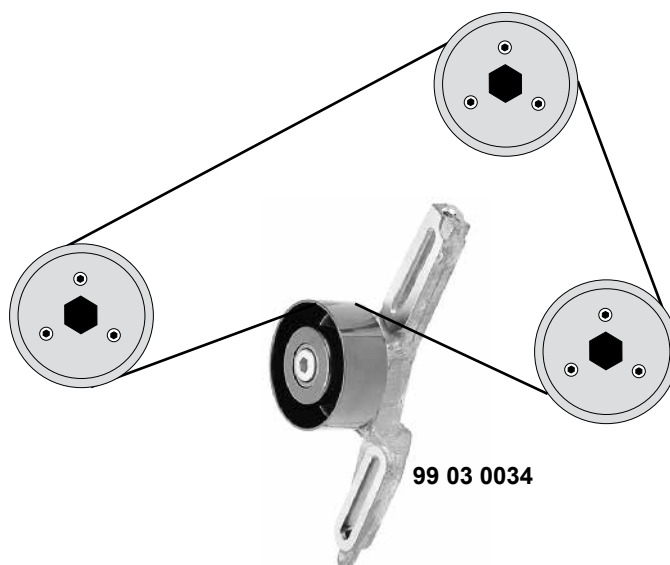
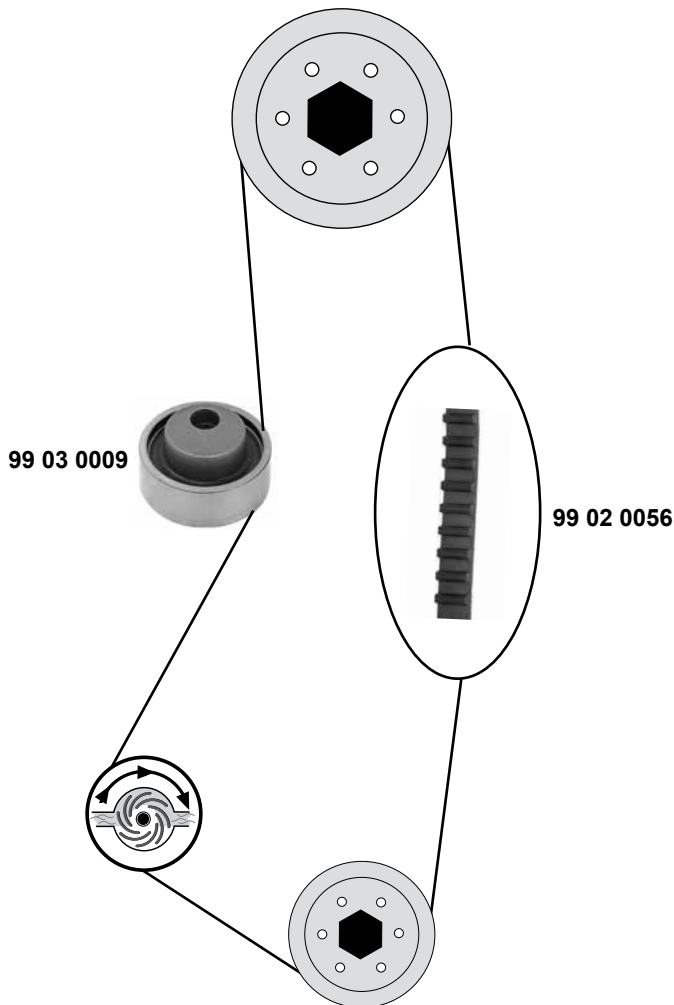


Ref. - No.



<b>62 02 0020</b>	0831.28	Rep. Satz Zahnriemen / rep. kit timing belt	(1)	Z 108 B17 Z 101 B17 ØA 59 ØI 13 B22 ØA 68 B26,5
<b>62 02 0021</b>	0831.14	Rep. Satz Zahnriemen / rep. kit timing belt	(2)	
<b>99 02 0028</b>	0816.44	Zahnriemen / timing belt	(2)	
<b>99 02 0056</b>	0816.55	Zahnriemen / timing belt	(1)	
<b>99 03 0009</b>	0829.54	Spannrolle / tension roller		
<b>99 03 0034</b>	6453.S5	Spannrolle / tension roller	AC	

**1,6**  
(TU5JP)



Ref. - No.



**62 02 0020**  
**99 03 0009**  
**99 03 0034**  
**99 02 0056**

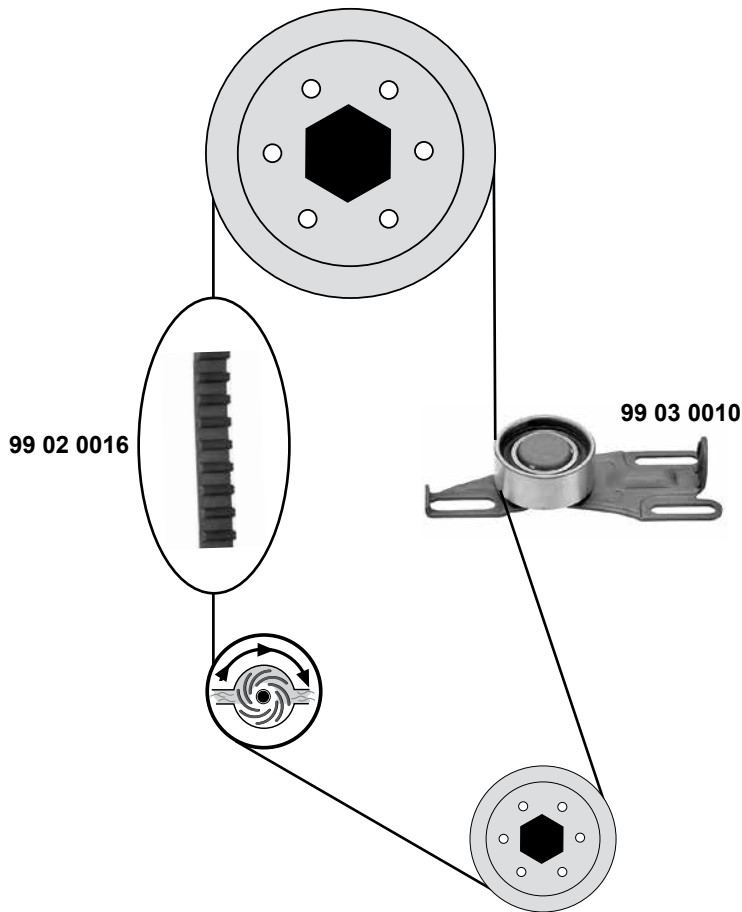
0831.28  
0829.54  
6453.S5  
0816.55

Rep. Satz Zahnriemen / rep. kit timing belt  
Spannrolle / tension roller  
Spannrolle / tension roller  
Zahnriemen / timing belt

AC

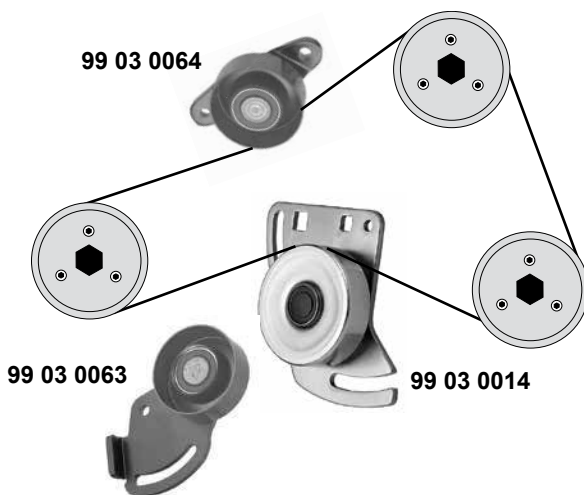
ØA 59 ØI 13 B22  
ØA 68 B26,5  
Z 101 B17

→ O 05546



Rep. Satz / rep. kit

**SWAG 62 02 0019**



Ref. - No.

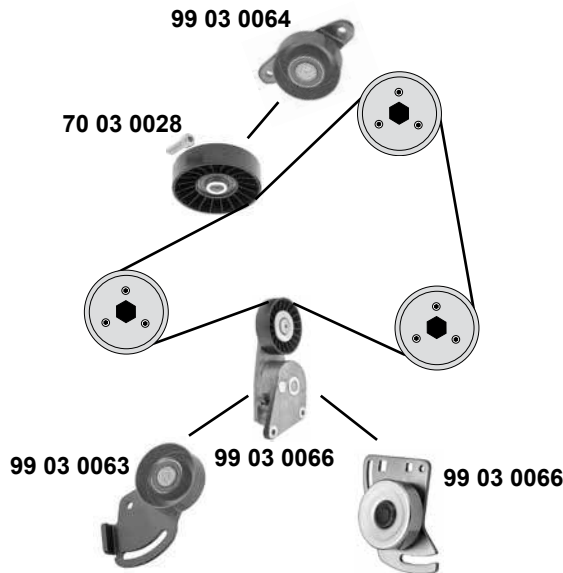
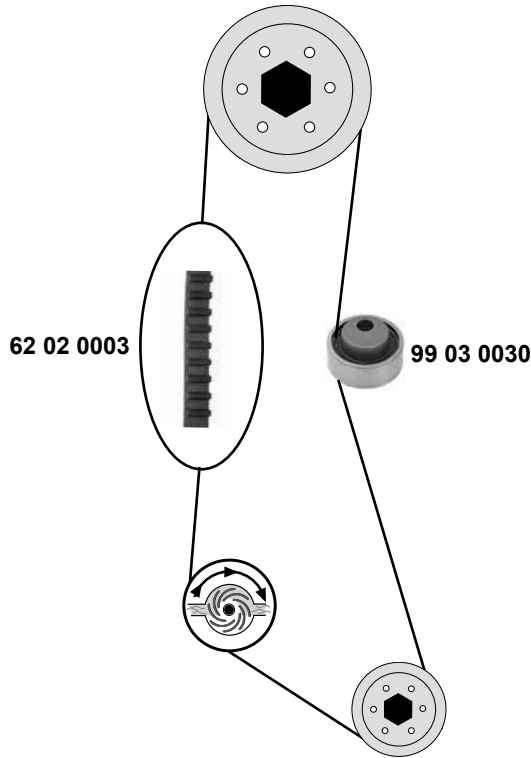


<b>62 02 0019</b>	0816.67 S1	Rep. Satz Zahnriemen / rep. kit timing belt		
<b>99 02 0016</b>	0816.67	Zahnriemen / timing belt		Z 113 B17
<b>99 03 0010</b>	0829.12	Spannrolle / tension roller		ØA 57 B24
<b>99 03 0014</b>	6453.76	Spannrolle / tension roller	AC	ØA 58 B22,5
<b>99 03 0063</b>	5751.32	Spannrolle / tension roller	(ex.) AC	ØA90 B25
<b>99 03 0064</b>	5751.33	Umlenkrolle / deflection pulley	(ex.) AC	ØA70 B25

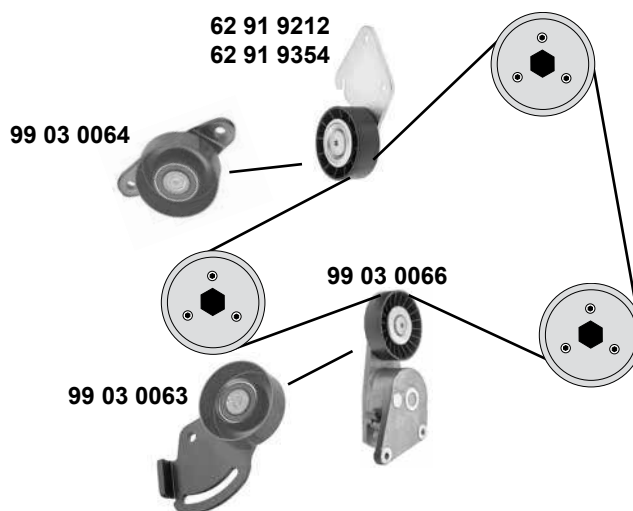
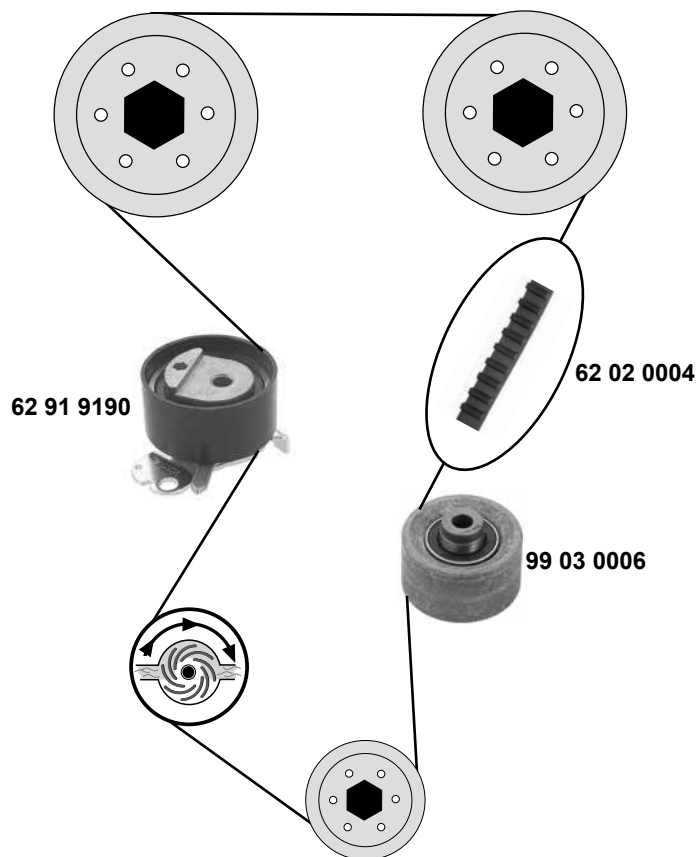
**1,6 8V→2,0 8V**

(XU5M,XU9JA,XU9JAZ,XU5JP,XU7JP,XU10J2)

**O 05546 →**



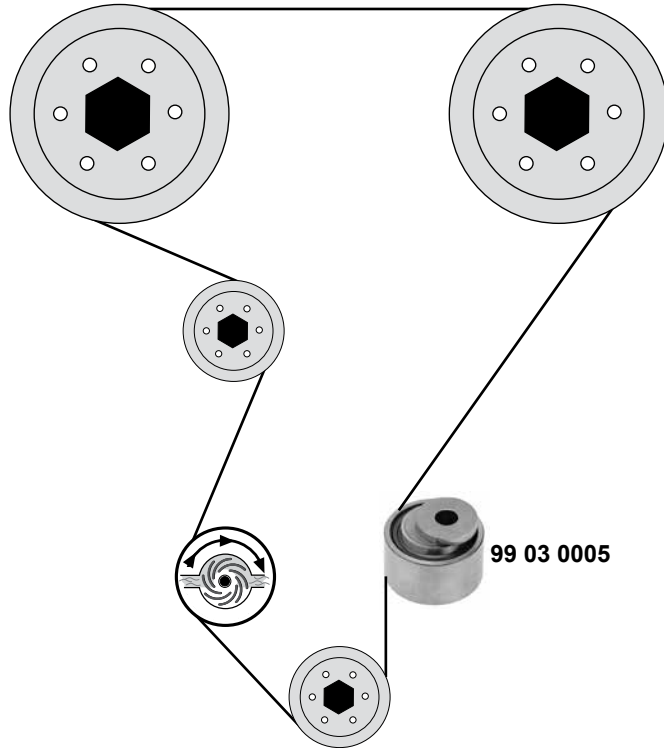
SWAG GERMANY	Ref. - No.			
<b>62 02 0003</b>	0816.71	Zahnriemen / timing belt		Z 114 B17
<b>70 03 0028</b>	5751.20	Umlenkrolle / deflection pulley	AC servo	ØA90 B25
<b>99 02 0057</b>	0816.71 S1	Rep. Satz Zahnriemen / rep. kit timing belt		
<b>99 03 0014</b>	5751.35	Riemenspanner / belt tensioner		ØA 58 B22,5
<b>99 03 0030</b>	0829.29	Spannrolle / tension roller		ØA 59 Ø   13 B22
<b>99 03 0063</b>	5751.32	Spannrolle / tension roller	(ex.) AC	ØA90 B25
<b>99 03 0064</b>	5751.33	Umlenkrolle / deflection pulley	(ex.) AC	ØA70 B25
<b>99 03 0066</b>	5751.35	Riemenspanner / belt tensioner	AC servo	ØA 90 B25



SWAG	Ref. - No.			
62 02 0004	0816.98	Zahnriemen / timing belt		Z 136 B25,4
62 91 9190	0829.69	Spannrolle / tension roller	CEE 95	ØA 60 B29
62 91 9212	5751.37	Umlenkrolle / deflection pulley	AC	ØA 70
62 91 9354	5751.36	Umlenkrolle / deflection pulley	AC	ØA 90
62 92 6139	0831.68	Rep. Satz Zahnriemen / rep. kit timing belt		Z 136 B25,4
99 03 0006	0830.37	Umlenkrolle / deflection pulley		ØA 60 ØI 10 B34
99 03 0063	5751.32	Spannrolle / tension roller	(ex.) AC	ØA90 B25
99 03 0064	5751.33	Umlenkrolle / deflection pulley	(ex.) AC	ØA70 B25
99 03 0066	5751.35	Riemenspanner / belt tensioner	AC servo	ØA 90 B25

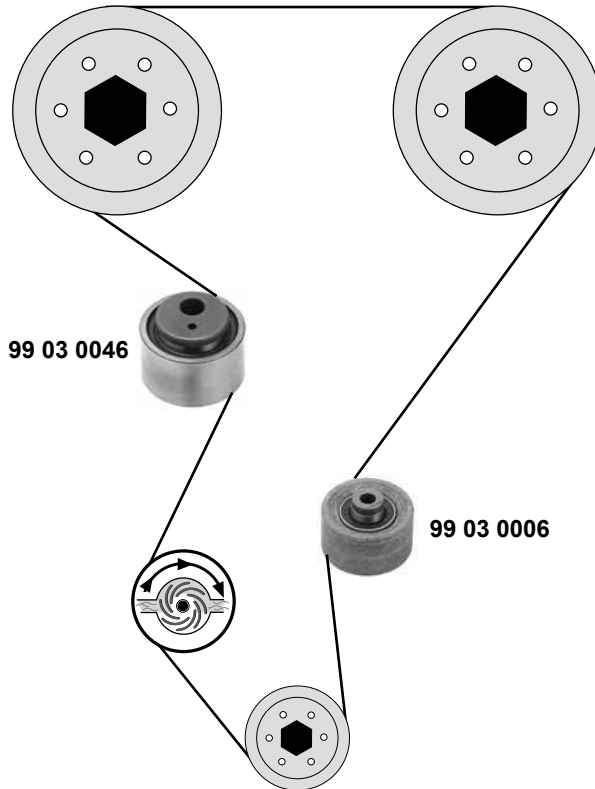
## 2,0 16V

(XU10J4/XU10J4TE)



## 2,0 16 V

(XU10J4RS)



Rep. Satz / rep. kit

**SWAG 62 02 0014**



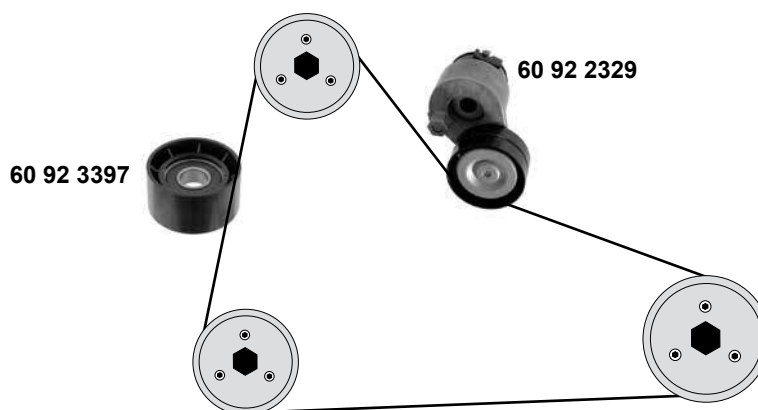
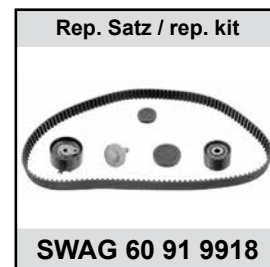
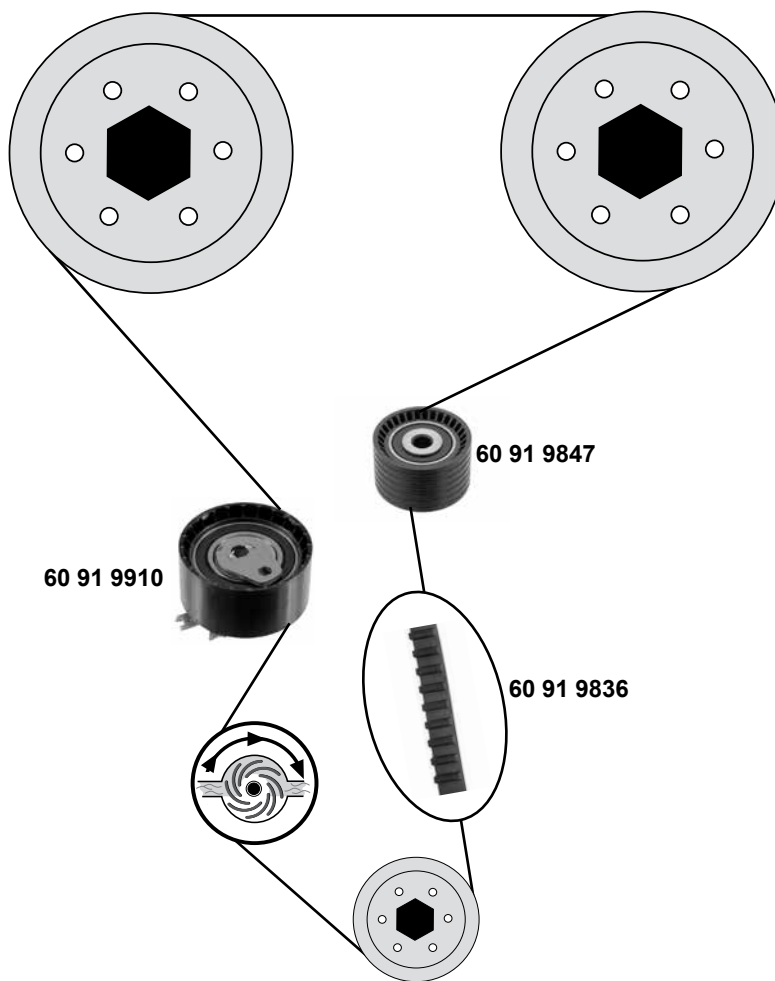
Ref. - No.



62 02 0014	0831.48
99 03 0005	0829.20
99 03 0006	0830.37
99 03 0046	0829.35

Rep. Satz Zahnriemen / rep. kit timing belt
Spannrolle / tension roller
Umlenkrolle / deflection pulley
Spannrolle / tension roller

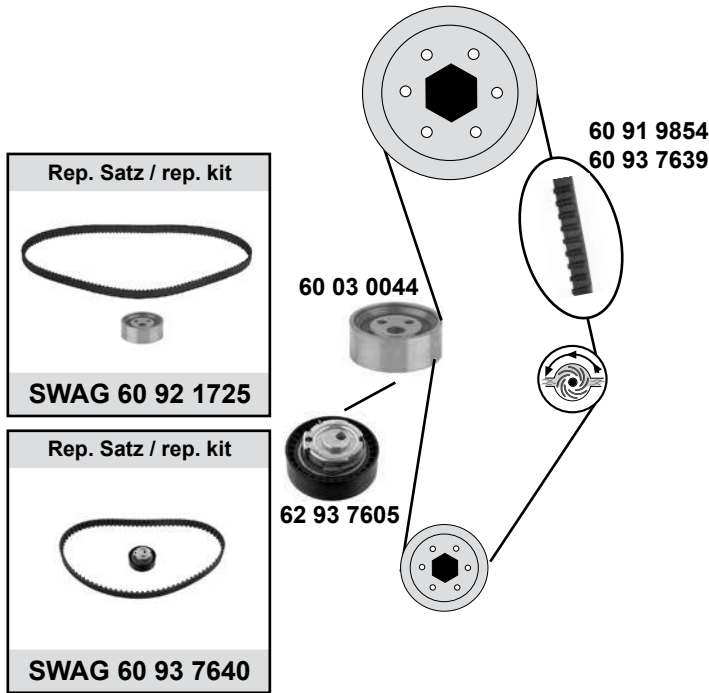
ØA 57 ØI 13 B31
ØA 57 ØI10 B34
ØA 57 ØI13 B33



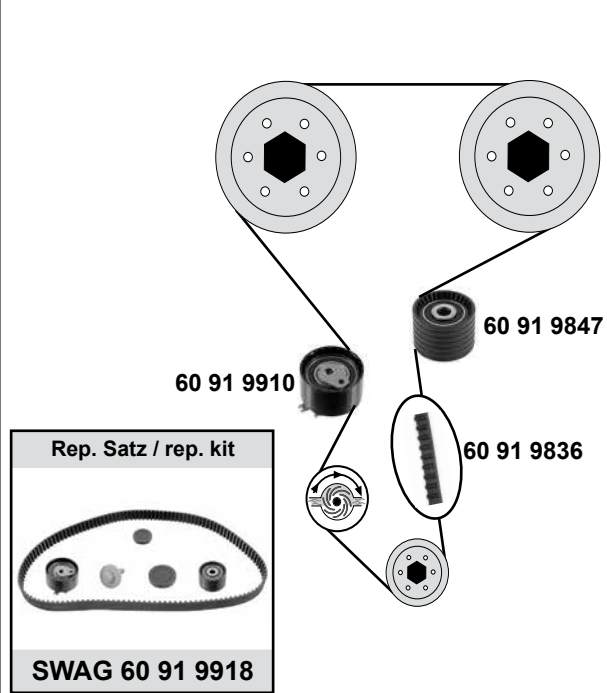
# DACIA Logan 1 (04→13)



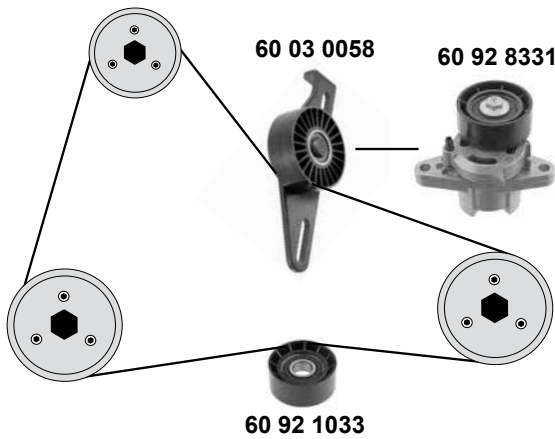
## 1,4 / 1,6 (K7J/K7M)



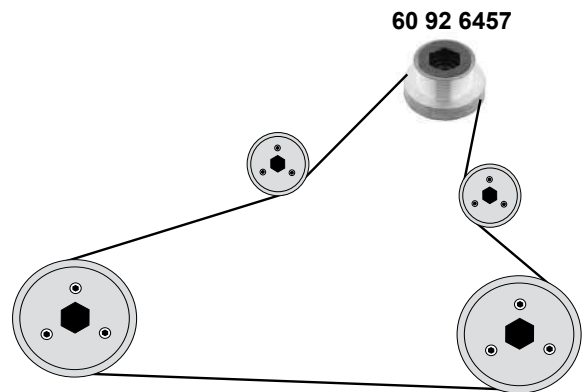
## 1,6 16V (K4M-690/694/698)



## 1,4 / 1,6 (K7J/K7M)



## 1,6 16V (K4M)



Ref. - No.



60 03 0044	82 00 211 784
60 91 9836	82 00 537 026
60 91 9847	77 00 107 150
60 91 9854	82 00 537 021
60 91 9910	77 00 108 117
60 91 9918	77 01 477 014
60 92 1033	82 00 104 754
60 03 0058	82 00 582 997
60 92 1725	77 01 477 024
60 92 6457	77 00 110 616
60 92 8331	82 00 277 606
62 93 7605	82 00 908 180
60 93 7639	82 00 939 081
60 93 7640	13 0C 174 80R

Spannrolle / tension roller
Zahnriemen / timing belt
Umlenkrolle / deflection pulley
Zahnriemen / timing belt
Spannrolle / tension roller
Rep. Satz Zahnriemen / rep. kit timing belt
Umlenkrolle / deflection pulley
Riemenspanner / belt tensioner
Rep. Satz Zahnriemen / rep. kit timing belt
Generatorfreilauf / alternator overrun pulley
Riemenspanner / belt tensioner
Spannrolle / tension roller
Zahnriemen / timing belt
Rep. Satz Zahnriemen / rep. kit timing belt

AC

(ex.) AC (mot.) K7J  
→11/09

Valeo / Bosch

AC servo

11/09→

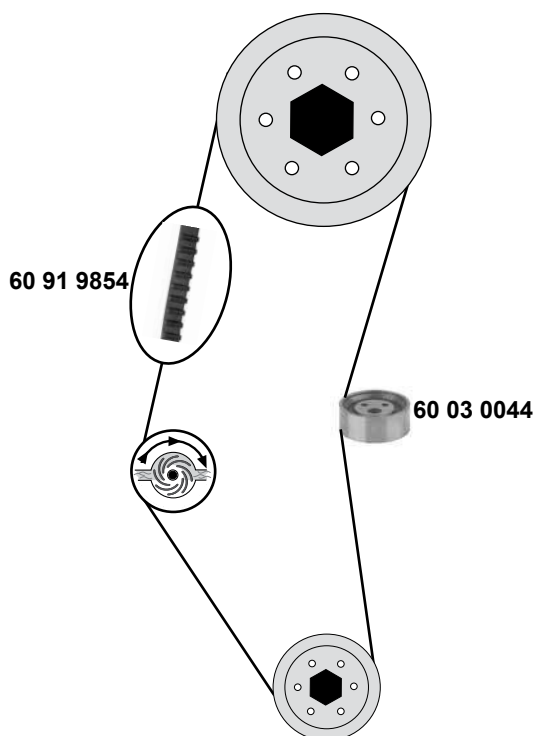
ØA 55 B22
Z 132 B27
ØA 54 B32
Z 96 B17
ØA 65 B32
ØA 60,2 ØI 17 B5,5
ØA 70 B25,5
ØA 78 B40,2
ØA 60
ØA 73,5 H 22
Z 96 B17,3



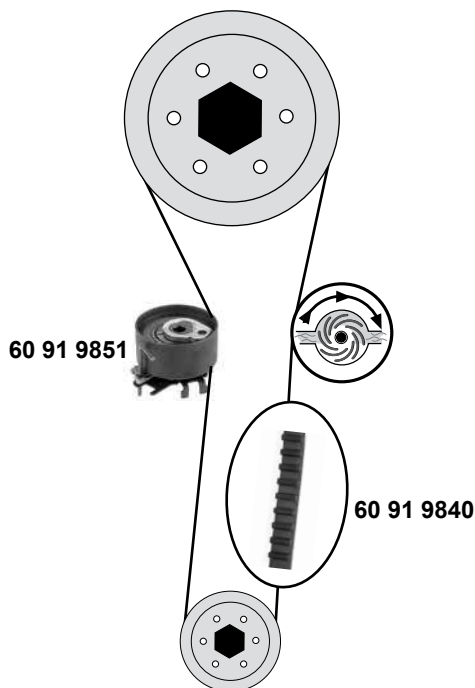


# DACIA Logan MCV / Pick-Up (08→09)

**1,4 / 1,6**  
(K7J-710/K7M-710,718)



**Logan 2**  
(13→)  
**1,2 16V**  
(D4F)



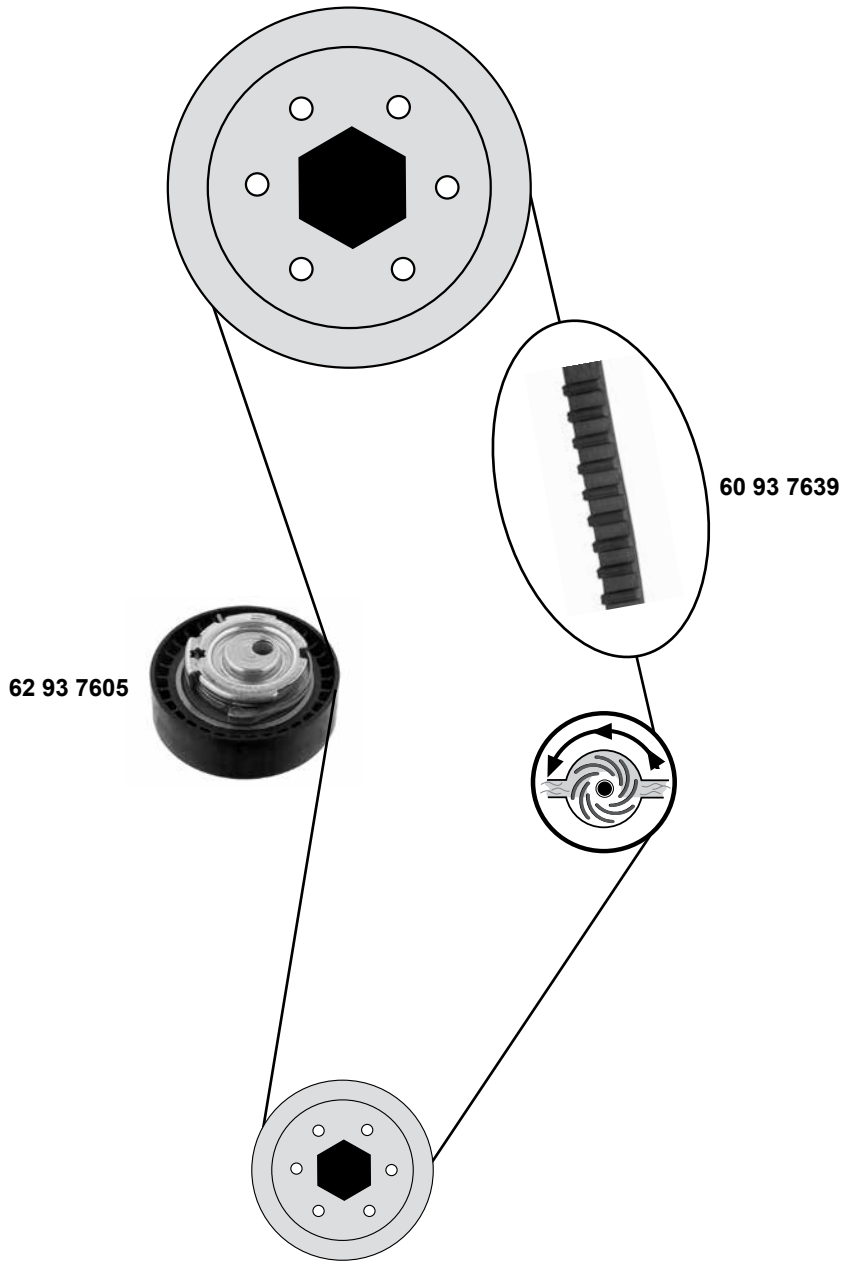
(1) MCV (mot.) K7J-710 / K7M-710,718  
Pick-Up (mot.) K7M-710,718



Ref. - No.

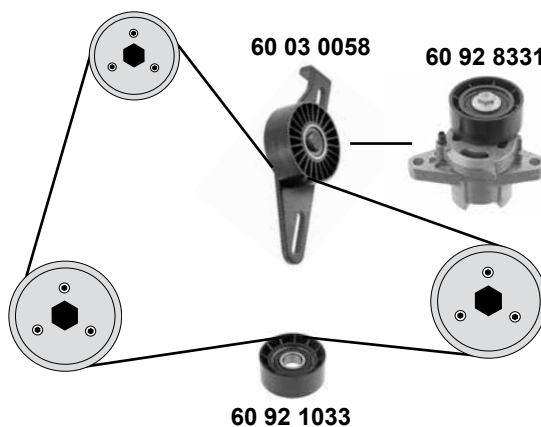
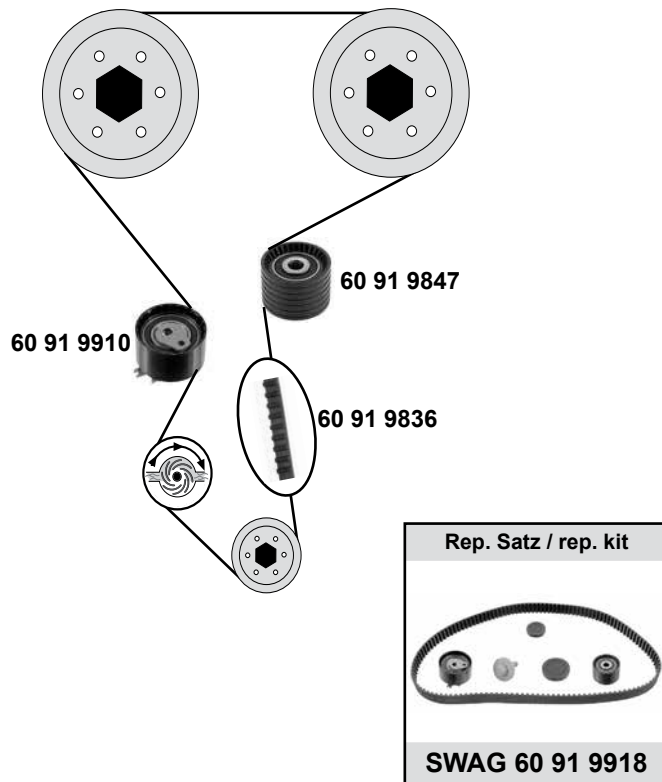
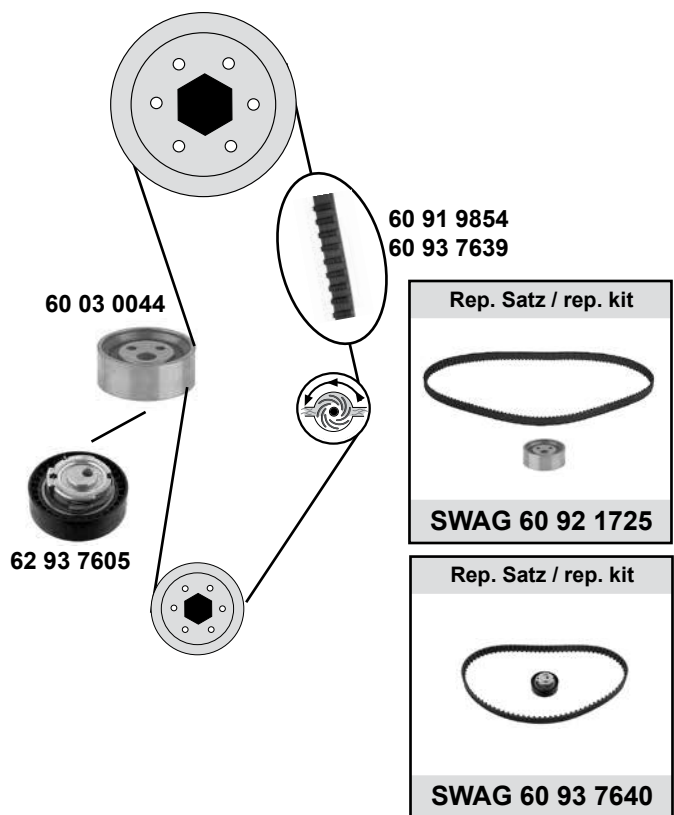


<b>60 03 0044</b>	82 00 211 784	Spannrolle / tension roller		ØA 55 B22
<b>60 91 9840</b>	82 00 106 085	Zahnriemen / timing belt		Z 95 B23,4
<b>60 91 9851</b>	82 00 704 394	Spannrolle / tension roller		ØA59 H28,3/24,45
<b>60 91 9852</b>	77 01 476 745	Rep. Satz Zahnriemen / rep. kit timing belt		Z 95 B23,4
<b>60 91 9854</b>	82 00 537 021	Zahnriemen / timing belt		Z 96 B17
<b>60 92 1725</b>	77 01 477 024	Rep. Satz Zahnriemen / rep. kit timing belt	(1)	



**1,4 / 1,6**  
(K7J/K7M)

**1,6 16V**  
(K4M-690/694/698)



**1,4 / 1,6 16V**  
(K7M/K7J)

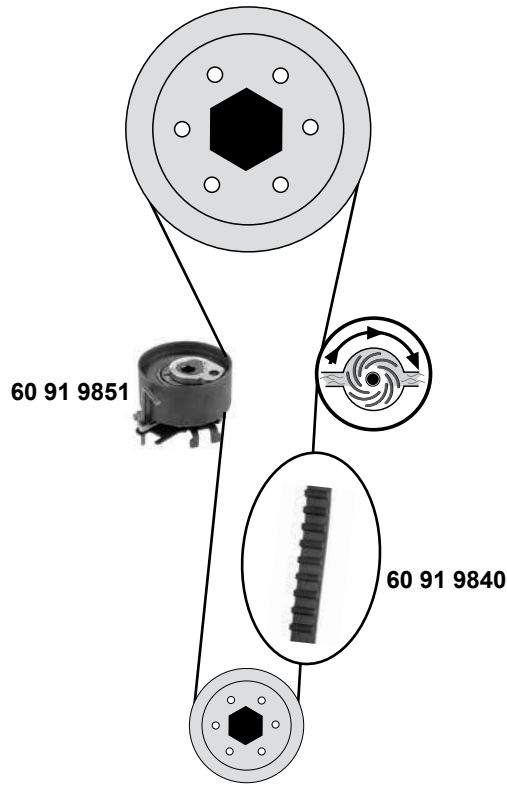
SWAG	Ref. - No.			
60 03 0044	82 00 211 784	Spannrolle / tension roller	→11/09	ØA 55 B22
60 91 9836	82 00 537 026	Zahnriemen / timing belt		Z 132 B27
60 91 9847	77 00 107 150	Umlenkrolle / deflection pulley		ØA 54 B32
60 91 9854	82 00 537 021	Zahnriemen / timing belt	→11/09	Z 96 B17
60 91 9910	77 00 108 117	Spannrolle / tension roller		ØA 65 B32
60 91 9918	77 01 477 014	Rep. Satz Zahnriemen / rep. kit timing belt		
60 92 1033	82 00 104 754	Umlenkrolle / deflection pulley	AC	ØA 60,2 H 25,5
60 03 0058	82 00 582 997	Riemenspanner / belt tensioner	(ex.) AC (mot.) K7J	ØA 70 B25,5
60 92 1725	77 01 477 024	Rep. Satz Zahnriemen / rep. kit timing belt	→11/09	
60 92 8331	82 00 603 359	Riemenspanner / belt tensioner	AC / servo	ØA 60
62 93 7605	82 00 908 180	Spannrolle / tension roller	11/09→	ØA 73,5 H 22
60 93 7639	82 00 939 081	Zahnriemen / timing belt	11/09→	Z 96 B17,3
60 93 7640	13 0C 174 80R	Rep. Satz Zahnriemen / rep. kit timing belt	11/09→	

# DACIA Sandero 2

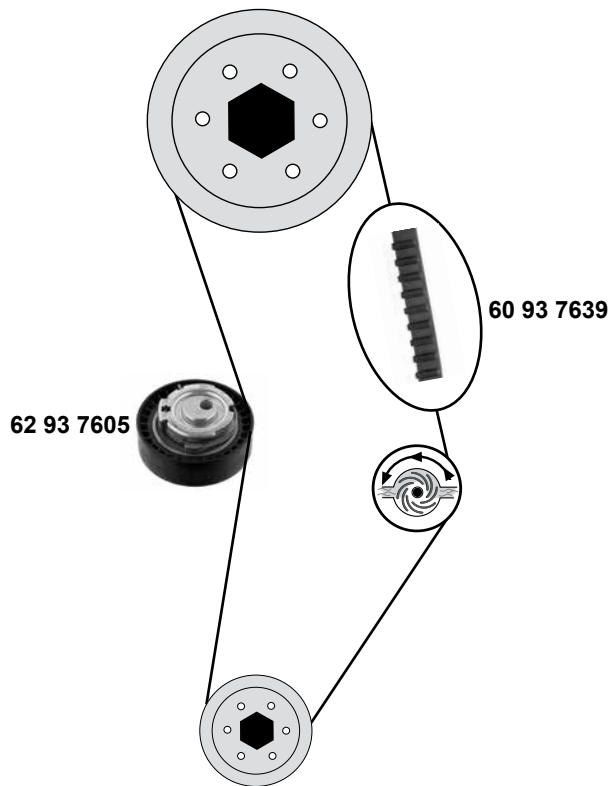
(13→)



**1,2 16V**  
(D4F)



**1,6**  
(K7M-712)



Ref. - No.

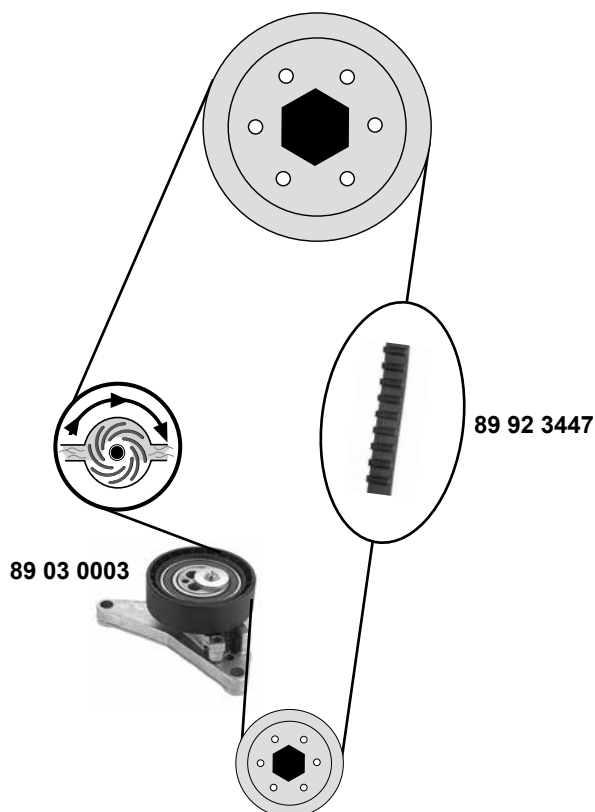


60 91 9840	82 00 106 085
60 91 9851	82 00 704 394
60 91 9852	77 01 476 745
62 93 7605	82 00 908 180
60 93 7639	82 00 939 081
60 93 7640	13 0C 174 80R

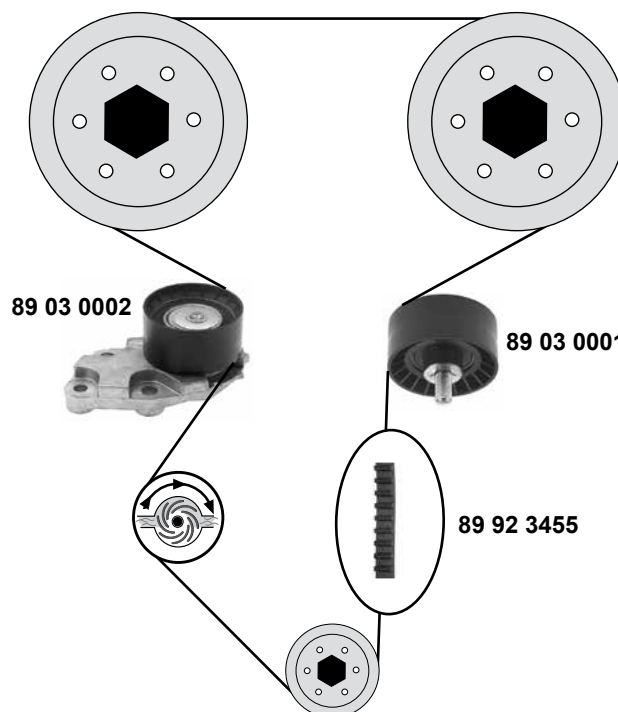
Zahnriemen / timing belt
Spannrolle / tension roller
Rep. Satz Zahnriemen / rep. kit timing belt
Spannrolle / tensioner bearing
Zahnriemen / timing belt
Rep. Satz Zahnriemen / rep. kit timing belt

Z 95 B23,4
ØA59 H28,3/24,45
Z 95 B23,4
ØA 73,5 H 22
Z 96 B17,3

**1,8 / 2,0**  
(SOHC)



**1,5**  
(A15SMS DOHC)



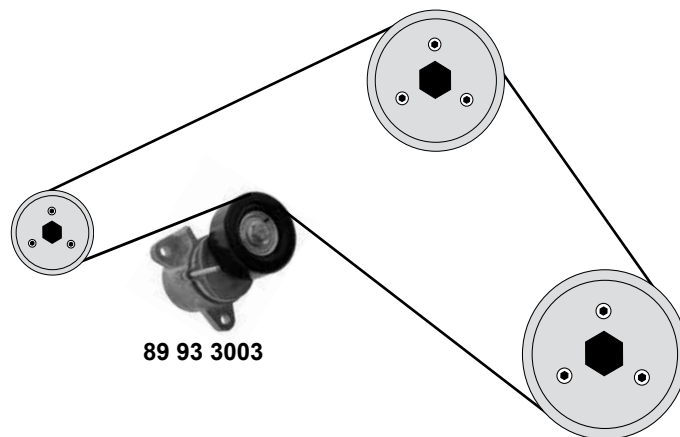
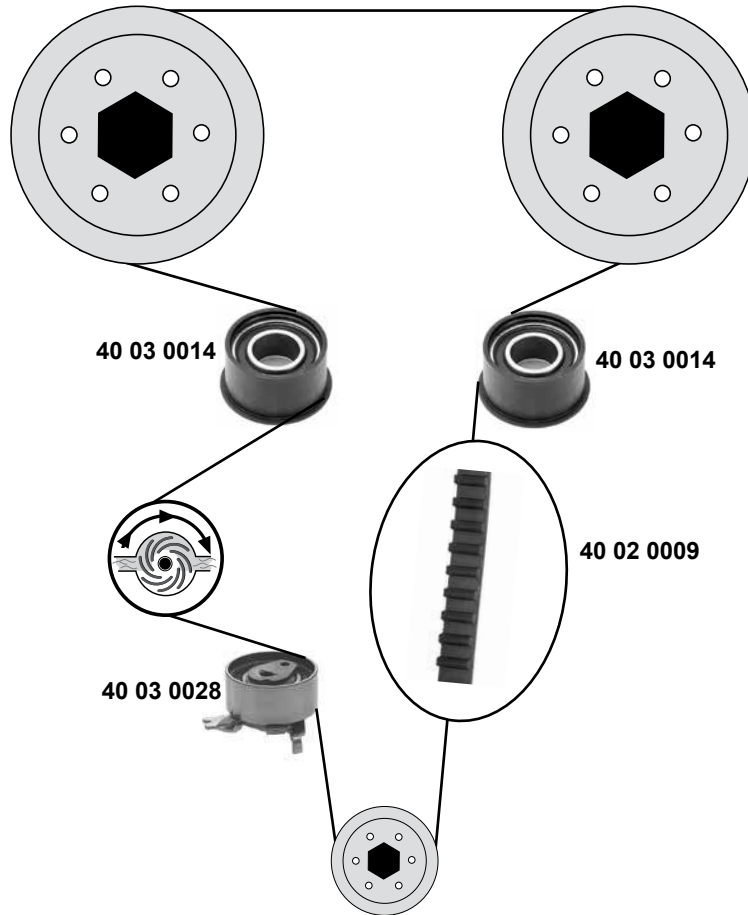
Ref. - No.



<b>89 03 0001</b>	96350526	Umlenkrolle / deflection pulley	ØA 64 H29
<b>89 03 0002</b>	96350550	Spannrolle / tension roller	ØA 60 B29
<b>89 03 0003</b>	93202400	Spannrolle / tension roller	ØA 72 B22
<b>89 92 3447</b>	10068553	Zahnriemen / timing belt	Z 125 B25
<b>89 92 3449</b>	10068553 S1	Rep. Satz Zahnriemen / rep. kit timing belt	
<b>89 92 3455</b>	96814098	Zahnriemen / timing belt	Z 127
<b>89 92 3457</b>	96814098 S1	Rep. Satz Zahnriemen / rep. kit timing belt	

**2,0**

(DOHC)



(1) (ch.) 176152→



Ref. - No.



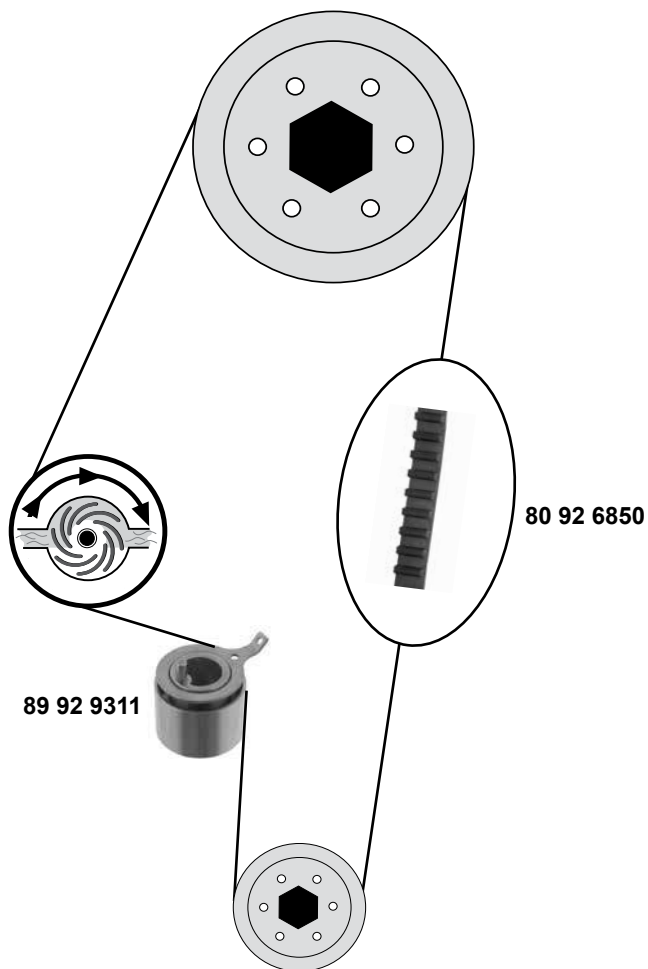
40 02 0009	92066312
40 02 0028	92063917 S1
40 03 0014	09128738
40 03 0028	09158004
89 93 3003	96435138

Zahnriemen / timing belt
Rep. Satz Zahnriemen / rep. kit timing belt
Umlenkrolle / deflection pulley
Spannrolle / tension roller
Riemenspanner / belt tensioner

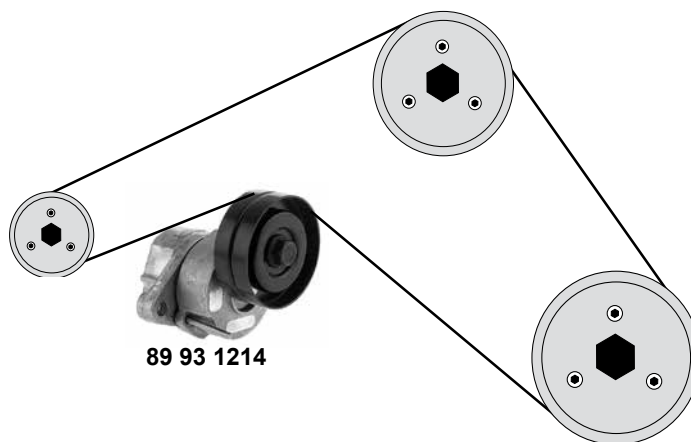
(1)

Z169 B24
ØA 52.5B29.5
ØA 59 B26

**1,2**  
(SOHC)



**1,4**  
(DOHC)



Ref. - No.



80 92 6850	96610029
89 92 9311	94580139
89 93 1214	96966707
89 93 2396	96610029 S1

Zahnriemen / timing belt
Spannrolle / tension roller
Riemenspanner / belt tensioner
Rep. Satz Zahnriemen / rep. kit timing belt

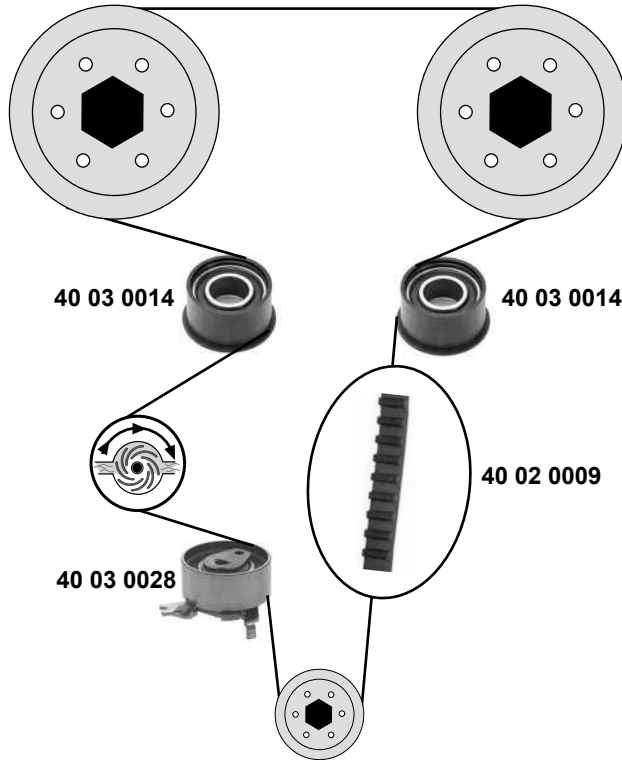
Z109 B25
Ø A 42 B28
Ø A 75 B28

# DAEWOO Lacetti

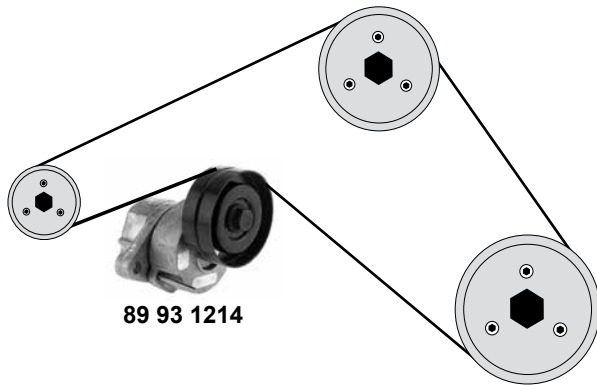
(04→05)



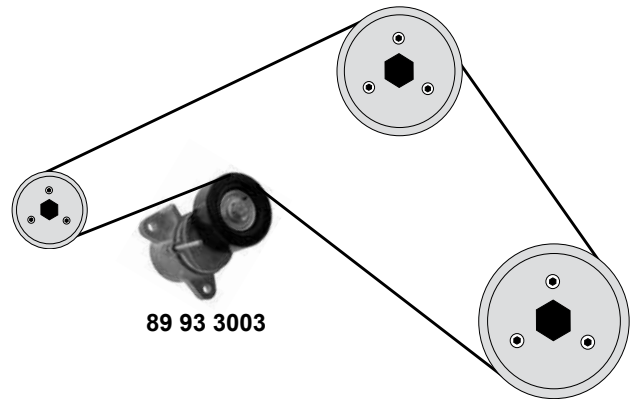
**1.8 / 2,0**  
DOHC



**1,4 / 1,6**



**1,8**



- (1) → (ch.) 766687
- (2) (mot.) 1,8 DOHC

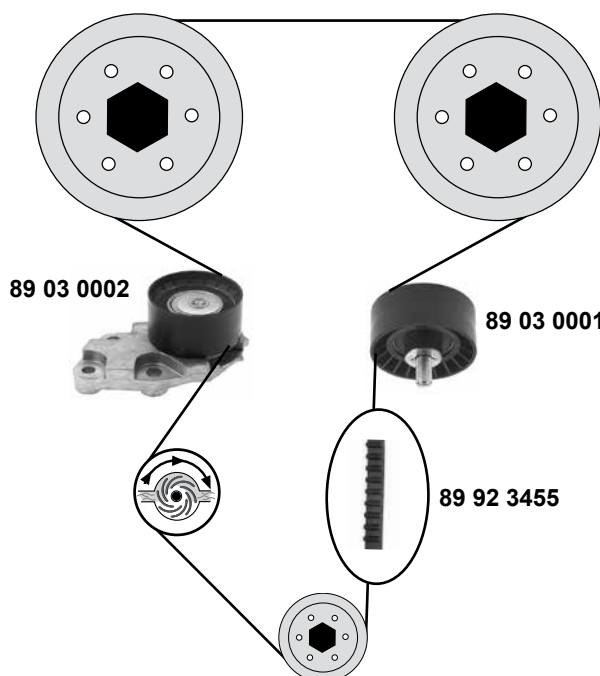
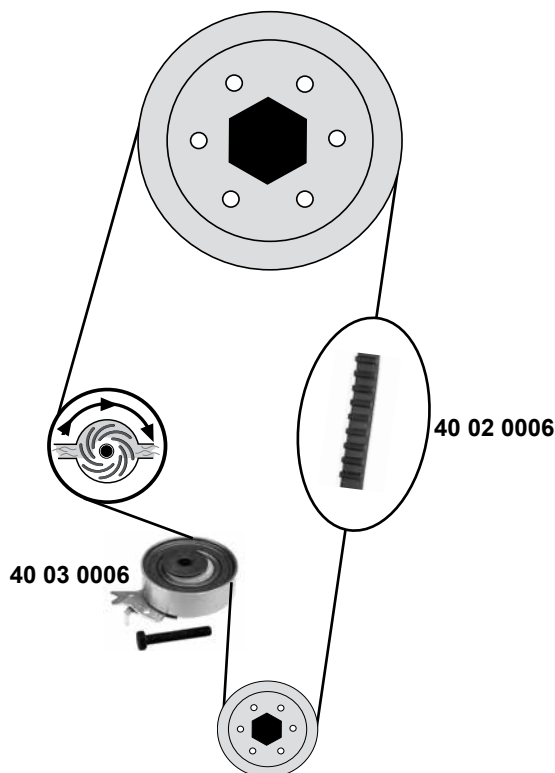


Ref. - No.



40 02 0009	92066312	Zahnriemen / timing belt		Z169 B24
40 02 0028	92063917 S1	Rep. Satz Zahnriemen / rep. kit timing belt		
40 03 0014	09128738	Umlenkrolle / deflection pulley		ØA 52.5 B29.5
40 03 0028	09158004	Spannrolle / tension roller	(2)	ØA 59 B26
89 93 1214	96966707	Riemenspanner / belt tensioner	(1)	
89 93 3003	96435138	Riemenspanner / belt tensioner		ØA 69,85





Ref. - No.



<b>40 02 0006</b>	96352407
<b>40 02 0030</b>	96183353 S1
<b>40 03 0006</b>	90499401
<b>89 03 0001</b>	96350526
<b>89 03 0002</b>	96350550
<b>89 92 3455</b>	96814098
<b>89 92 3457</b>	96814098 S1

Zahnriemen / timing belt
Rep. Satz Zahnriemen / rep. kit timing belt
Spannrolle / tension roller
Umlenkrolle / deflection pulley
Spannrolle / tension roller
Zahnriemen / timing belt
Rep. Satz Zahnriemen / rep. kit timing belt

Z 111 B17
Ø 59
ØA 64 H29
ØA 60 B29
Z 127 B25,4

# DAEWOO

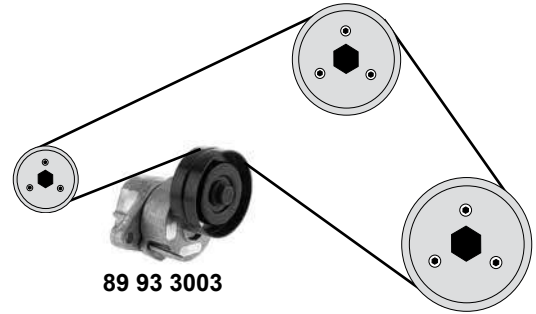
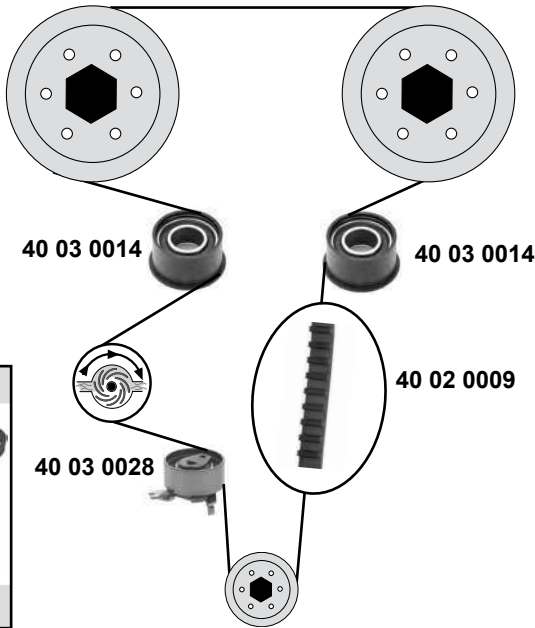
## Leganza

(97→04)

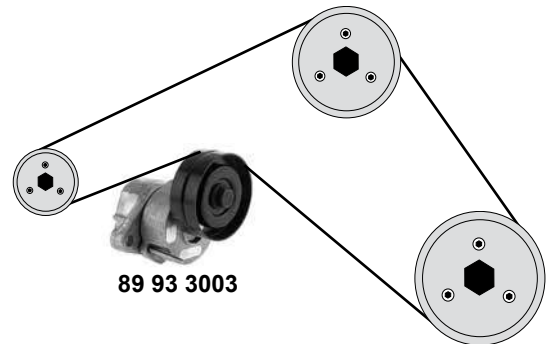
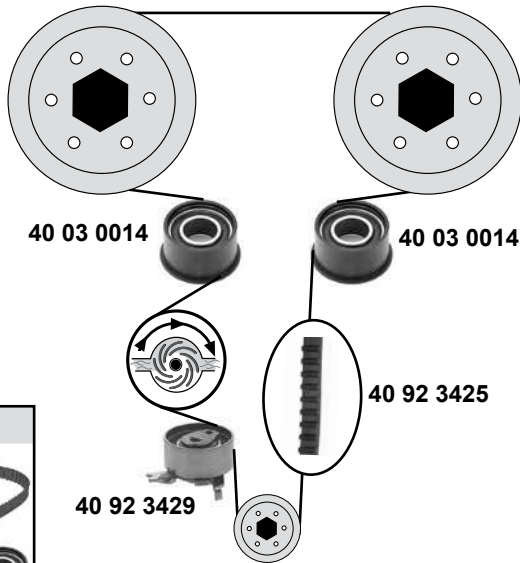


### 1,8 / 2,0 / 2,2

DOHC



### 2,2 DOHC



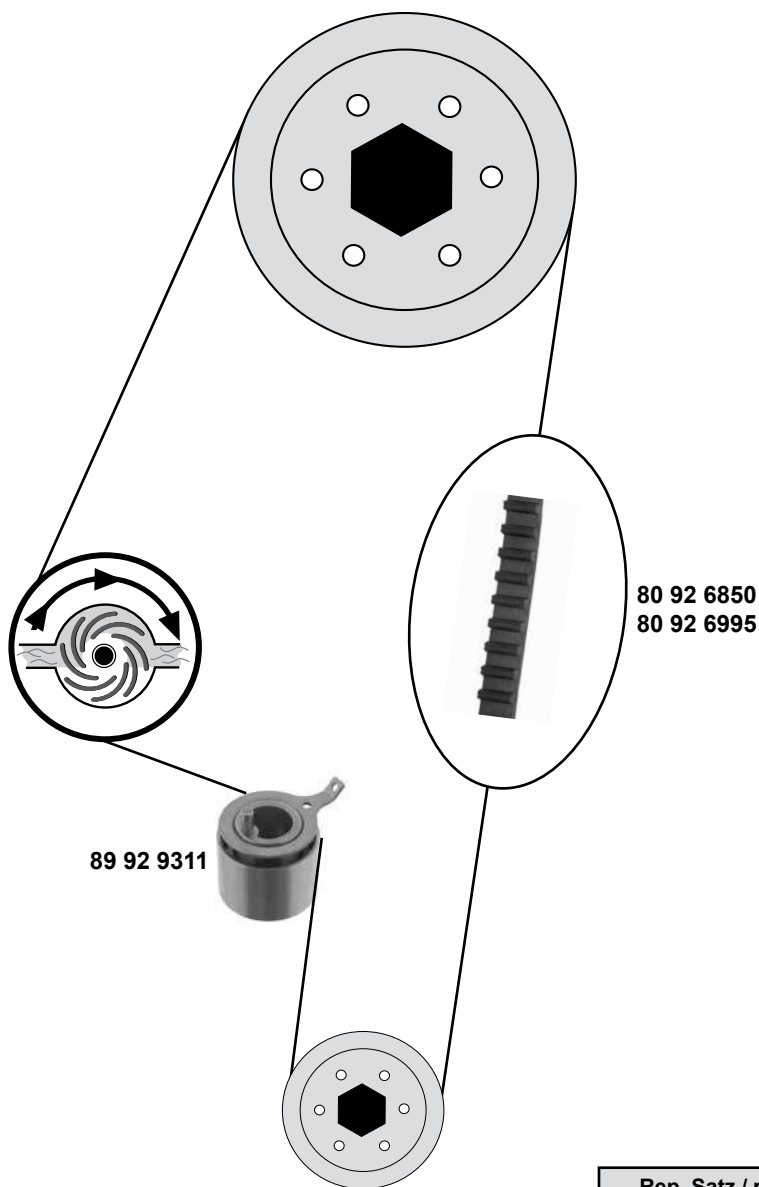
- (1) (mot.) 2,2 :→02 / →(ch.) 289553
- (2) (mot.) 2,0 :→04/04→ / →(ch.) 201838



Ref. - No.



40 02 0009	92066312	Zahnriemen / timing belt	(mot.) 2,0	Z169 B24
40 02 0028	92063917 S1	Rep. Satz Zahnriemen / rep. kit timing belt	(2)	
40 03 0014	09128738	Umlenkrolle / deflection pulley		ØA 52.5 B29.5
40 03 0028	09158004	Spannrolle / tension roller	(2)	ØA 59 B26
40 92 3425	09128722	Zahnriemen / timing belt	(1)	Z 171 B24
40 92 3427	09128722 S1	Rep. Satz Zahnriemen / rep. kit timing belt	(1)	
40 92 3429	90528603	Spannrolle / tension roller	(1)	Ø 59
89 93 3003	96435138	Riemenspanner / belt tensioner	(mot.) 2,0→12/02	ØA 69,85



Rep. Satz / rep. kit	Rep. Satz / rep. kit
<b>SWAG 89 93 1428</b>	<b>SWAG 89 93 2396</b>



(1) (mot.) 1,0 (ch.) 857283→



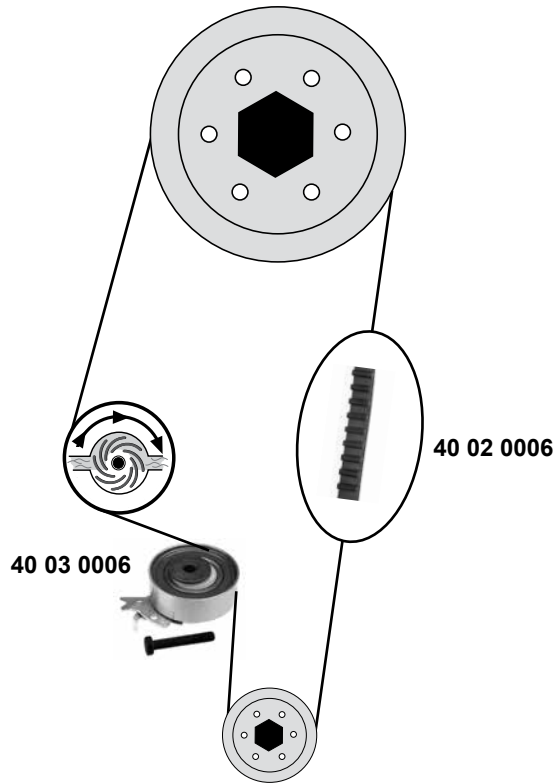
Ref. - No.



<b>80 92 6850</b>	96610029	Zahnriemen / timing belt	(1)	Z109 B25
<b>80 92 6995</b>	96352965	Zahnriemen / timing belt	(mot.) 0,8	Z107 B25,4
<b>89 92 9311</b>	94580139	Spannrolle / tension roller	(ch.) 857283→	ØA 34 H42
<b>89 93 1428</b>	96352965 S1	Rep. Satz Zahnriemen / rep. kit timing belt	(mot.) 0,8	
<b>89 93 2396</b>	96610029 S1	Rep. Satz Zahnriemen / rep. kit timing belt	(1)	Z 109 B25

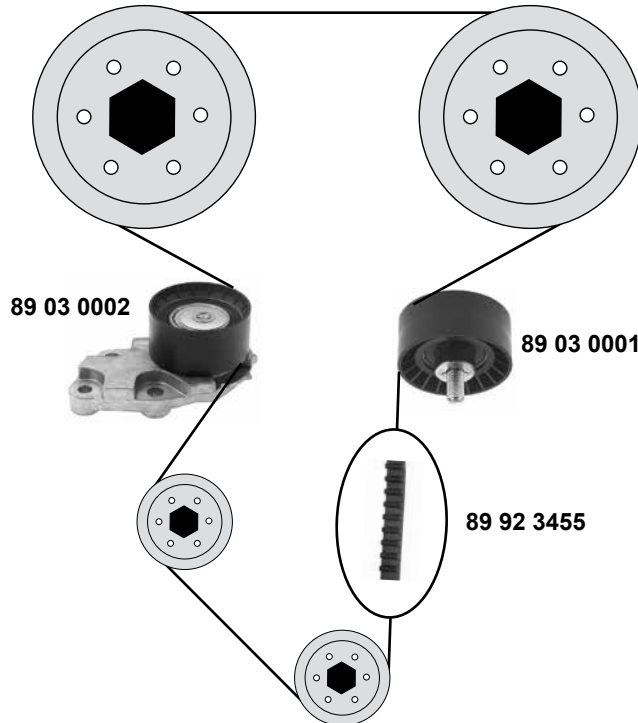
### 1,5 SOHC

(G 15 MF)



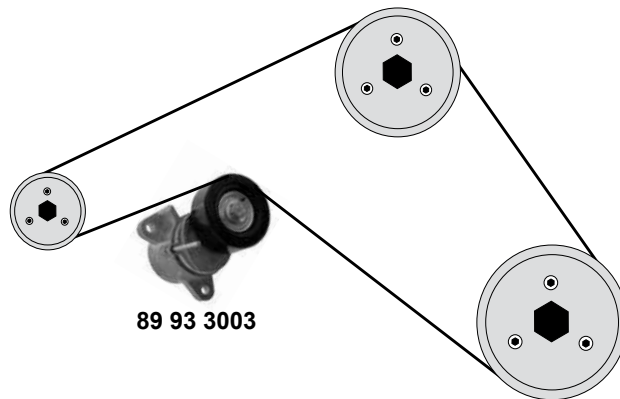
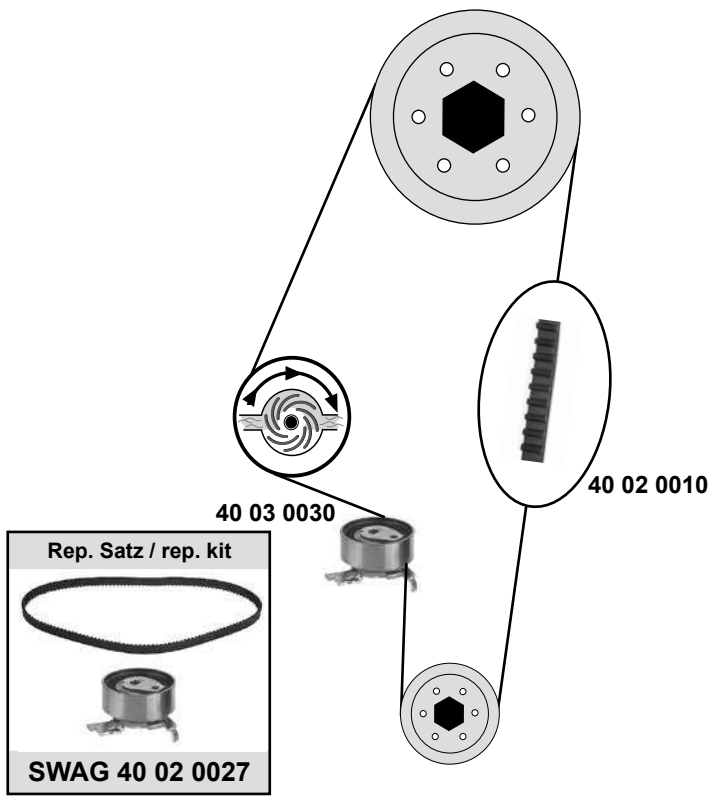
### 1,5 DOHC

(A 15 MF)

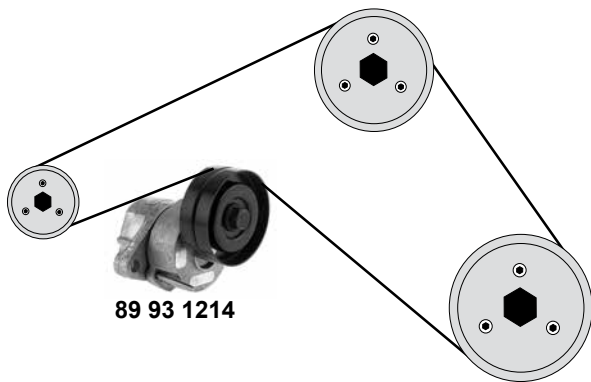


SWAG GERMANY	Ref. - No.			
40 02 0006	96352407	Zahnriemen / timing belt		Z 111 B17
40 02 0030	96183353 S1	Rep. Satz Zahnriemen / rep. kit timing belt		
40 03 0006	90499401	Spannrolle / tension roller		Ø 59
89 03 0001	96350526	Umlenkrolle / deflection pulley	modell 91→08/94	ØA 64 H29
89 03 0002	96350550	Spannrolle / tension roller	modell 91→08/94	ØA 60 B29
89 92 3455	96814098	Zahnriemen / timing belt		Z 127 B25,4
89 92 3457	96814098 S1	Rep. Satz Zahnriemen / rep. kit timing belt		

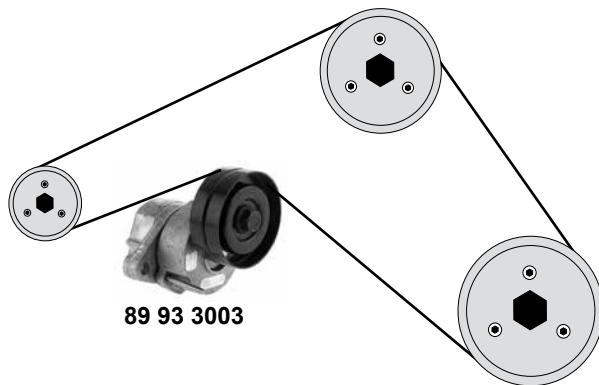
**2,0**  
SOHC



**1.5 / 1,6**  
DOHC



**1.8**  
DOHC



- (1) 05/97 → 07/00 (mot.) 1,6 DOHC (ch.) 469910→  
→ 07/00 (mot.) 1,5 / 1,6 DOHC (ch.) 497296→
- (2) → 99  
99 → 03 (ch.)→580669



Ref. - No.



40 02 0010	92063918	Zahnriemen / timing belt	(2)	Z 146 B20
40 02 0027	92063918 S1	Rep. Satz Zahnriemen / rep. kit timing belt	(ch.)→580669	
40 03 0030	09158003	Spannrolle / tension roller	(2)	ØA 59 B22
89 93 1214	96966707	Riemenspanner / belt tensioner	(1)	ØA 75 B28
89 93 3003	96435138	Riemenspanner / belt tensioner		ØA 69,85 27,65

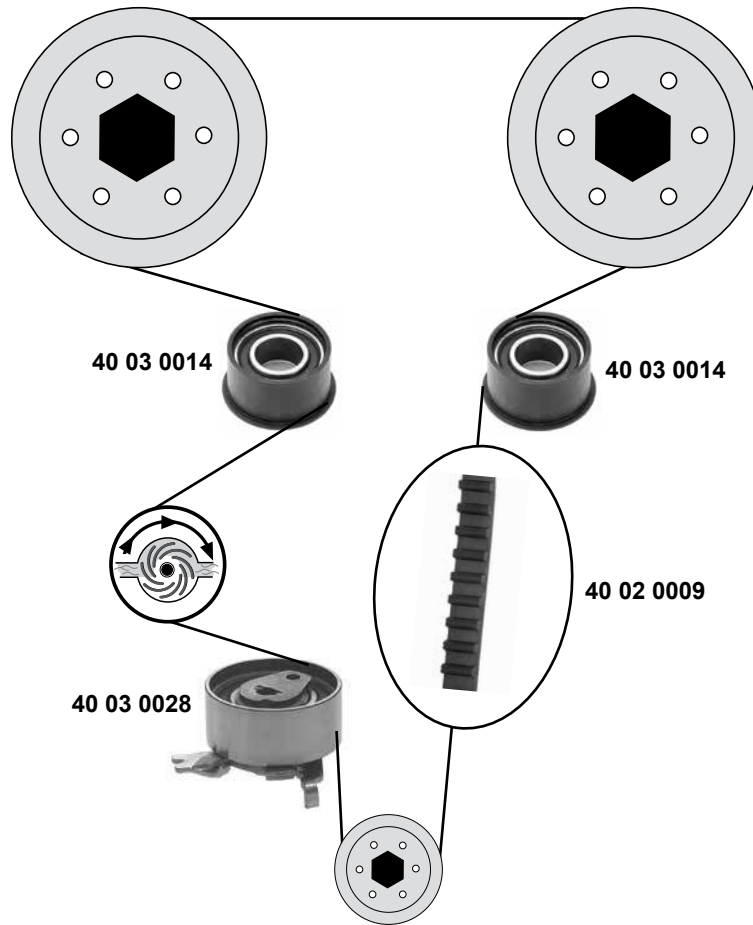
# DAEWOO

## Nubira

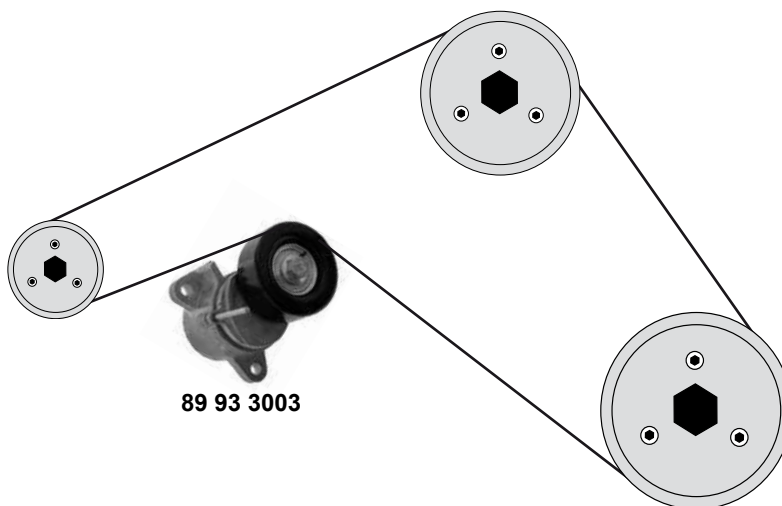
(97→05)



**1.8 / 2,0 / 2,2**  
DOHC



**1.8**  
DOHC



Ref. - No.

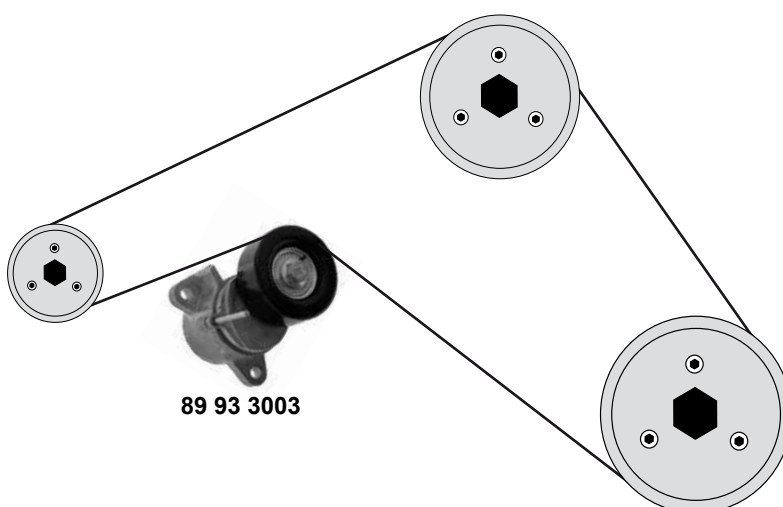
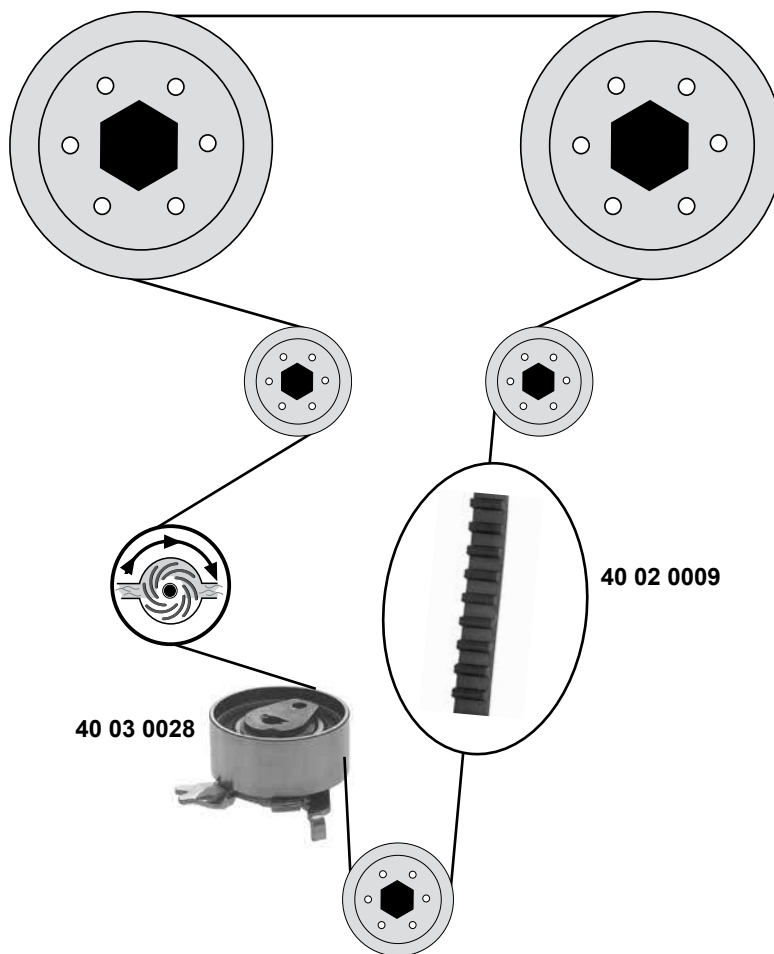


<b>40 02 0009</b>	92066312
<b>40 02 0028</b>	92063917 S1
<b>40 03 0014</b>	09128738
<b>40 03 0028</b>	09158004
<b>89 93 3003</b>	96435138

Zahnriemen / timing belt
Rep. Satz Zahnriemen / rep. kit timing belt
Umlenkrolle / deflection pulley
Spannrolle / tension roller
Riemenspanner / belt tensioner

(ex.) (mot.) 2,2
(ex.) (mot.) 2,2
(ex.) (mot.) 2,2

Z169 B24
ØA 52,5 B29,5
ØA 59 B26
ØA 69,85 B27,65

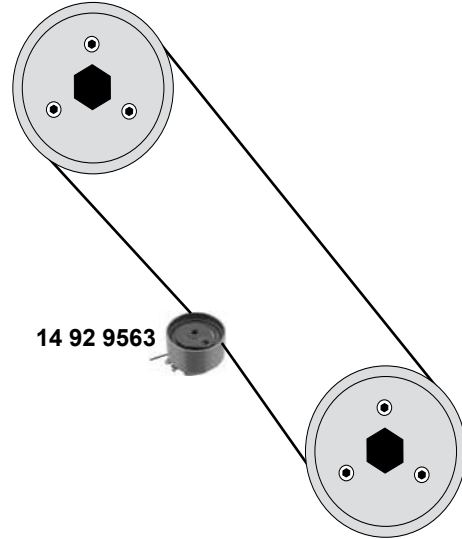
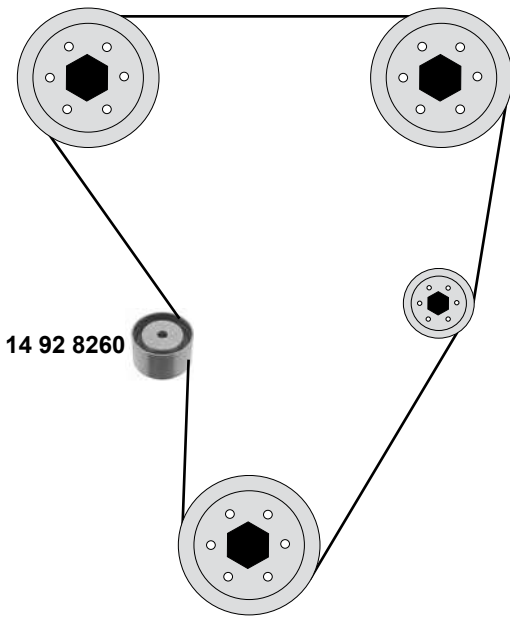


# DODGE Caravan II

(95→01)



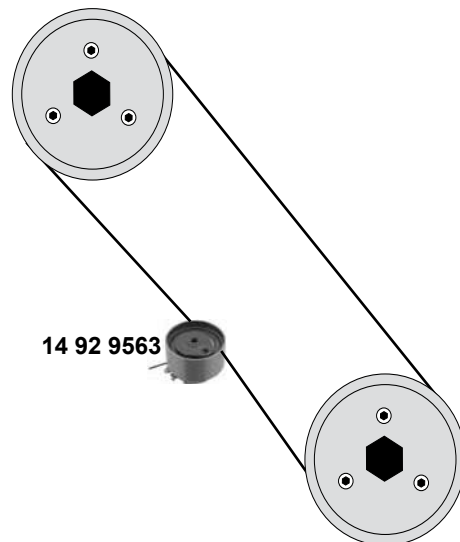
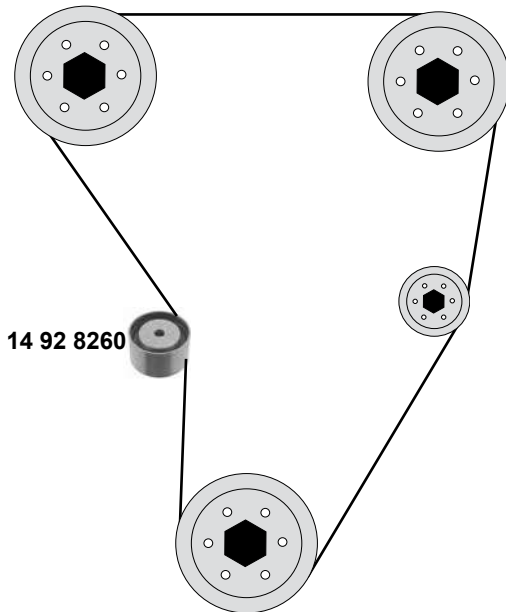
2,0 i



# Neon I

(94→99)

2,0 16V  
ECB/ECC



(1) Neon I 2,0 (109KW/112KW) 04/96 → 08/99



Ref. - No.



Umlenkrolle / deflection pulley  
Spannrolle / tension roller

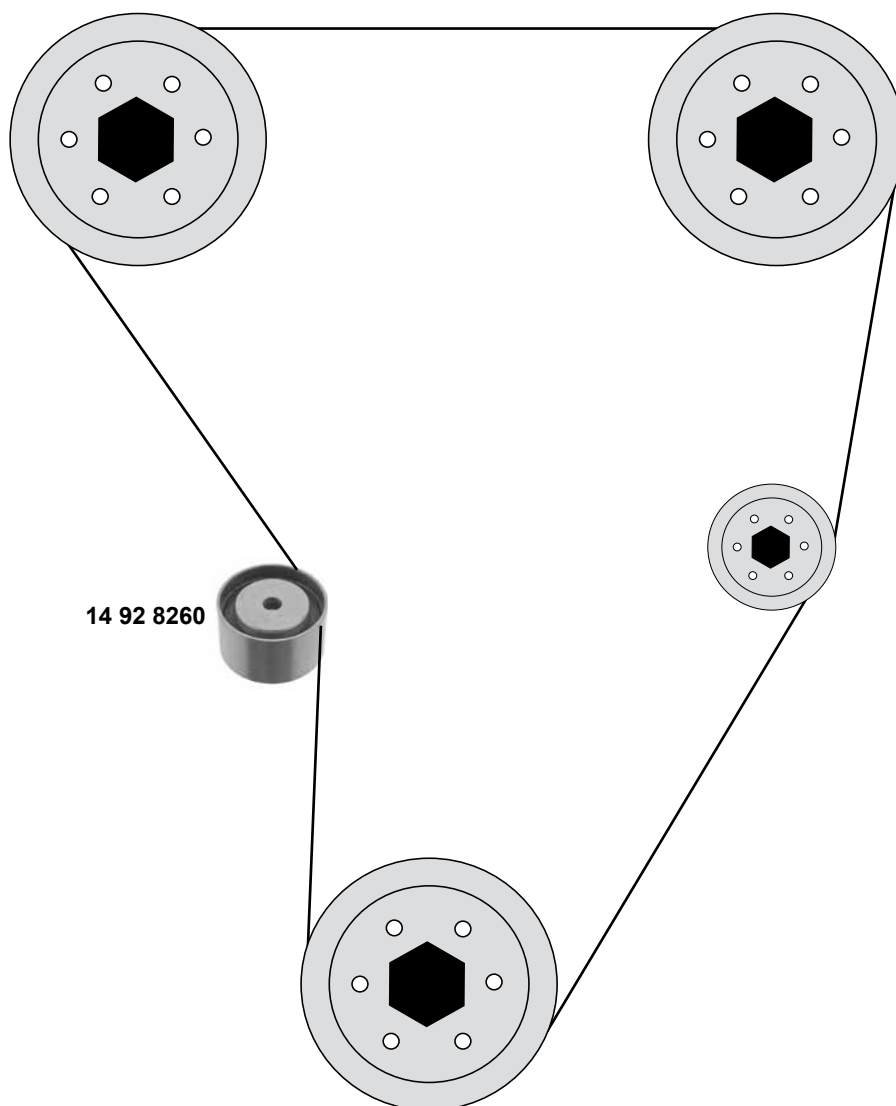


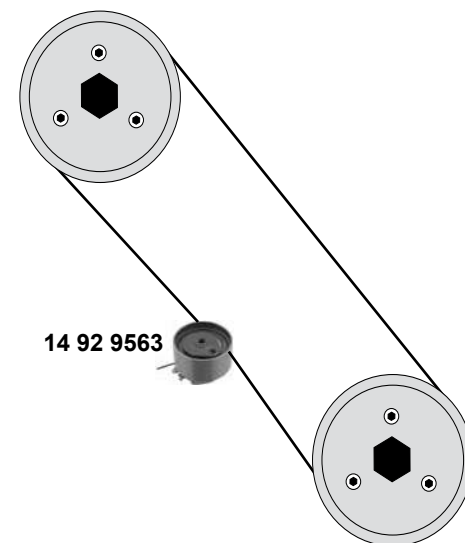
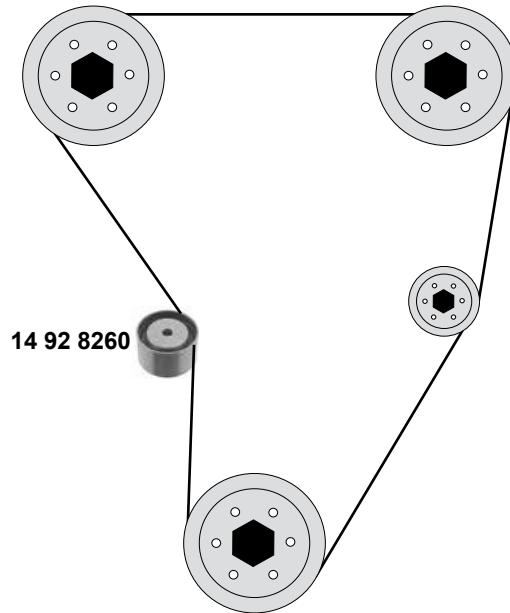
(1)

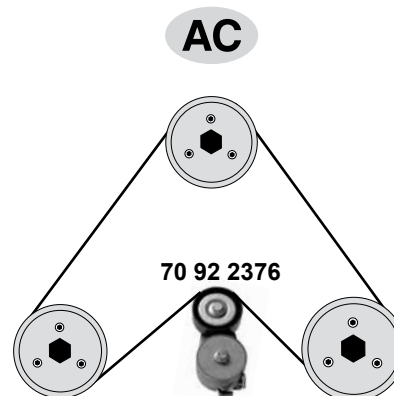
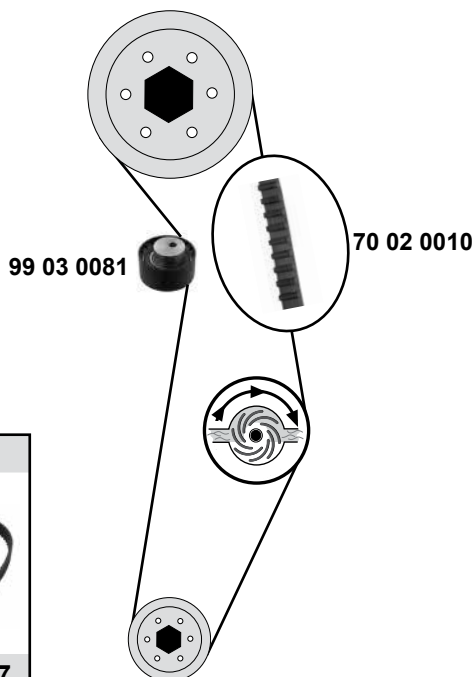
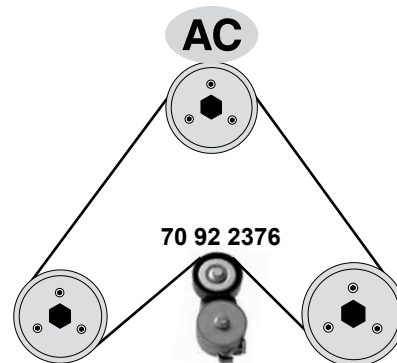
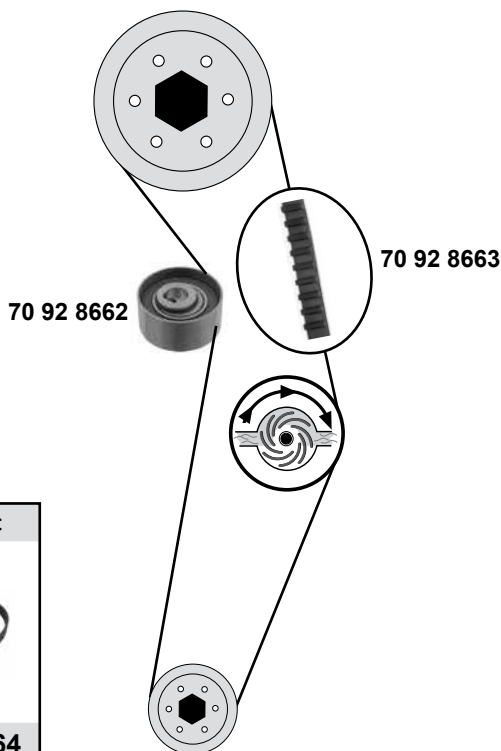


ØA 70 B24,5  
ØA 67 B33









- (1) 500 74kW →12 / 500 Abarth 08→ / 1,4
- (2) 500 Nuova →12 1,4 / 500 Abarth 08 / 1,4



Ref. - No.



<b>70 02 0010</b>	46403659	Zahnriemen / timing belt
<b>70 92 2376</b>	55195023	Riemenspanner / belt tensioner
<b>70 92 2377</b>	71736717	Rep. Satz Zahnriemen / rep. kit timing belt
<b>70 92 8662</b>	55233759	Spannrolle / tension roller
<b>70 92 8663</b>	71753156	Zahnriemen / timing belt
<b>70 92 8664</b>	71775900	Rep.Satz. Zahnriemen / rep.kit.timing belt
<b>99 03 0081</b>	55248394	Spannrolle / tension roller

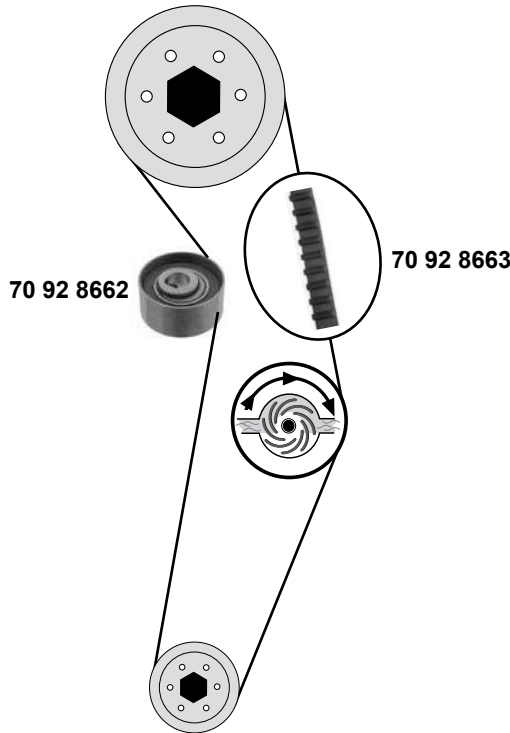
<b>(1)</b>	incl. <b>ABARTH</b>
<b>(2)</b>	incl. <b>ABARTH</b>

Z 124 B22
ØA 65 B23,5
Z 124 B22
ØA55,5 B26
Z 129 B22
ØA60 H29

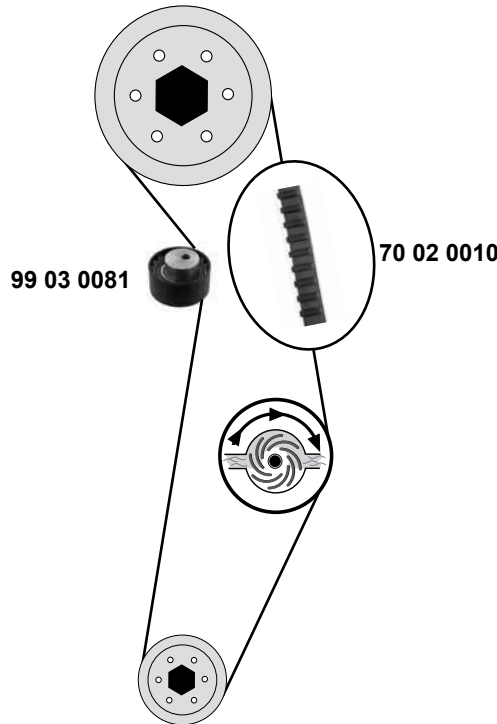
# FIAT 500 MY (12→)



## 1,2 8V



## 1,4



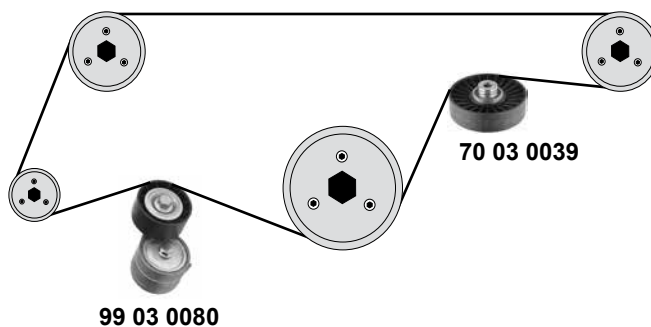
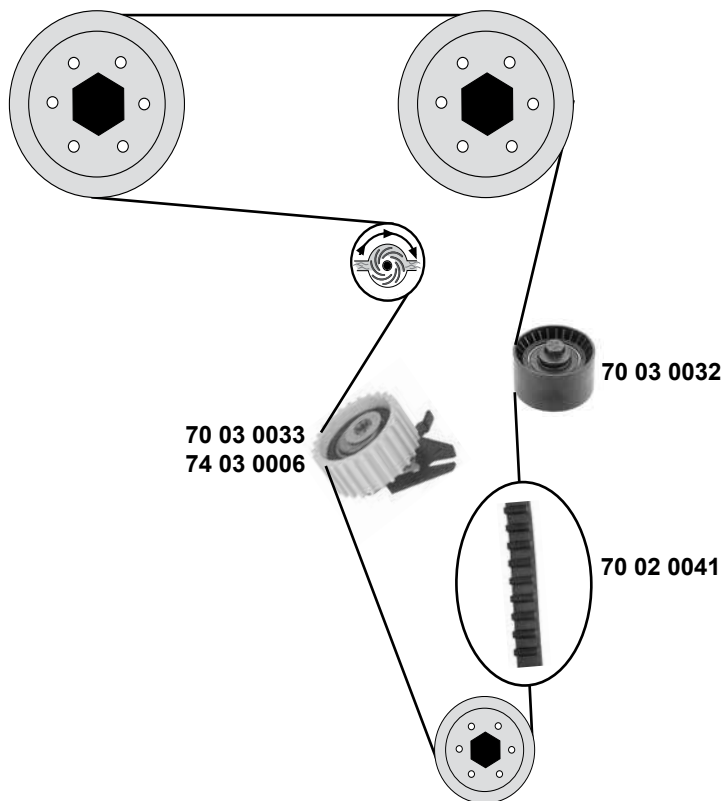
- (1) 500 MY 74kW / 500 MY Abarth 1,4/ 500 L 1,4
- (2) 500 MY 1,4 16 V 74kW / 500 MY Abarth 1,4/ 500 L 1,4



Ref. - No.



70 02 0010	46403659	Zahnriemen / timing belt	(1)	Z 124 B 22
70 92 8662	55233759	Spannrolle / tension roller		ØA55,5 B26
70 92 8663	71753156	Zahnriemen / timing belt		Z 129 B22
70 92 8664	71775900	Rep.Satz. Zahnriemen / rep.kit.timing belt		
99 03 0081	55248394	Spannrolle / tension roller	(2)	ØA60 H29



(1) (mot.) 183A.1000 / → 05/98



Ref. - No.



<b>70 02 0041</b>	55210628	Zahnriemen / timing belt	(1)	Z 168 B24
<b>70 03 0032</b>	60671573	Umlenkrolle / deflection roller	(1)	Ø A57 H29/35
<b>70 03 0033</b>	55192239	Spannrolle / tension roller		ØA65 H29
<b>70 03 0039</b>	7350 1924	Umlenkrolle / deflection pulley	<b>AC</b>	ØA90 H24,5
<b>74 02 0011</b>	55210626	Zahnriemen / timing belt	(mot.)	Z 166 B24
<b>74 03 0006</b>	55192240	Spannrolle / tension roller	05/98 →	ØA64,7 H28,7
<b>74 92 6147</b>	71736725	Rep. Satz Zahnriemen / rep. kit timing belt	(mot.)	Z 166 B24
<b>99 02 0046</b>	71736724	Rep. Satz Zahnriemen / rep. kit timing belt	(1)	Z 168 B24
<b>99 03 0080</b>	46524692	Riemenspanner / belt tensioner		

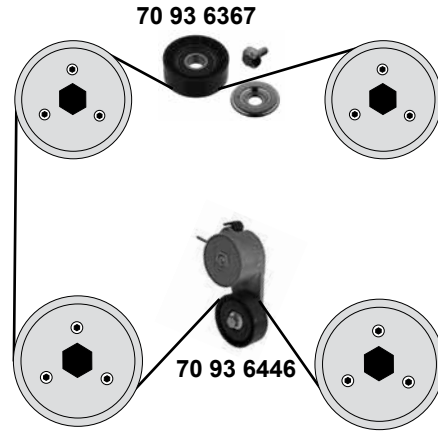
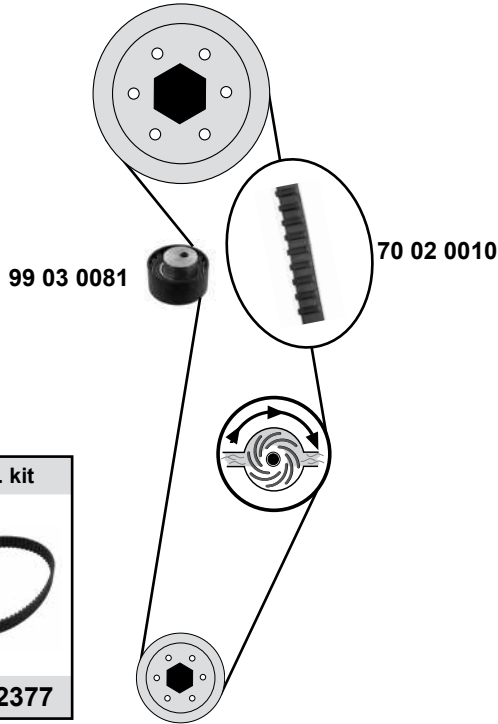
# FIAT

## Brava I / Bravo (182)

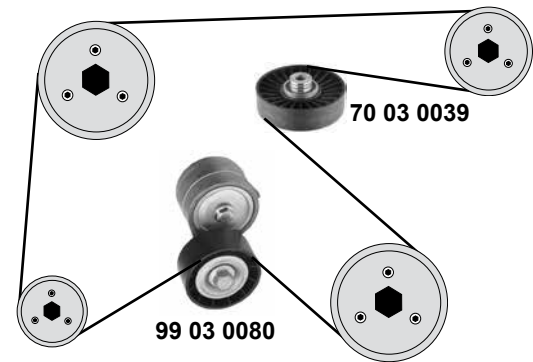
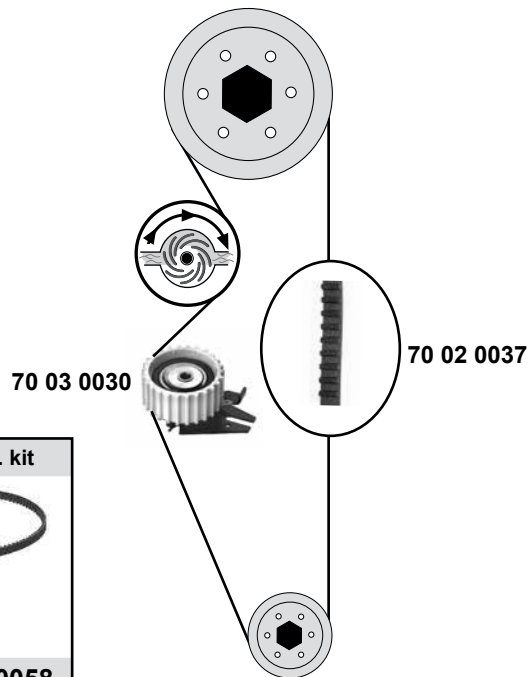
(95→01)



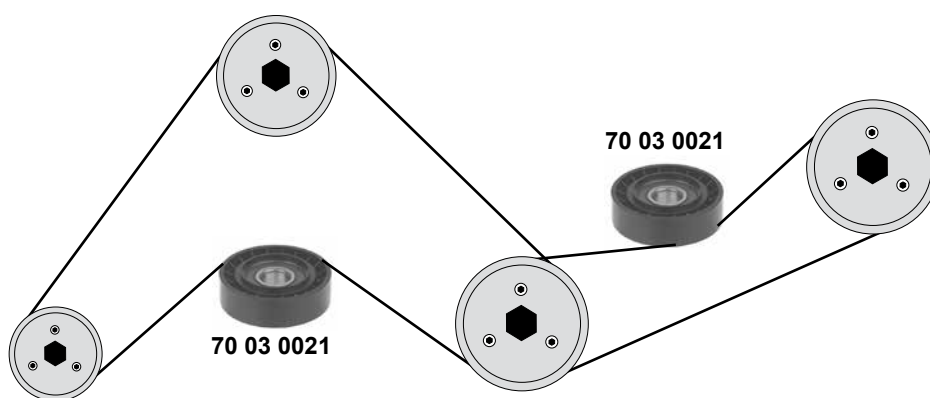
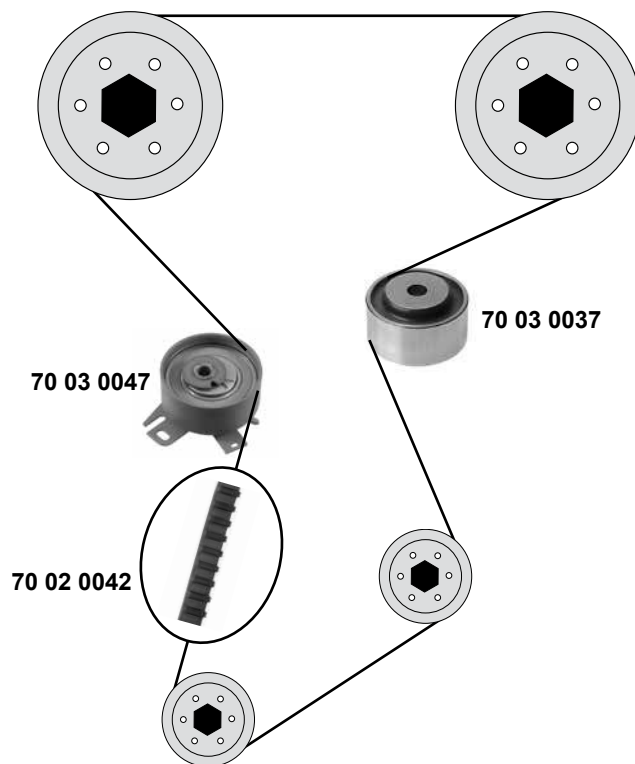
### 1,2 16V



### 1,4 12V



SWAG GERMANY	Ref. - No.			
70 02 0010	46403659	Zahnriemen / timing belt	98→	Z 124 B22
70 02 0037	7762910	Zahnriemen / timing belt		Z 134 B18
70 02 0058	7762910 S1	Rep. Satz Zahnriemen / rep.kit timing belt		Z 134 B18
70 03 0030	55196971	Spannrolle / tension roller		ØA65 H29
70 03 0039	73501924	Umlenkrolle / deflection pulley	AC	ØA90 H24,5
70 92 2377	71736717	Rep. Satz Zahnriemen / rep.kit timing belt	98→	Z 124 B22
70 93 6367	46742968	Umlenkrolle / deflection pulley	AC / 98→	ØA65 B23
70 93 6446	55193330	Riemenspanner / belt tensioner	98→	ØA65 B23
99 03 0080	46524692	Riemenspanner / belt tensioner		
99 03 0081	55248394	Spannrolle / tension roller	98→	ØA60 H29



(1) Brava → 98



Ref. - No.



70 02 0042	55188191
70 02 0056	71736715
70 03 0021	46424716
70 03 0037	55211287
70 03 0047	71734799

Zahnriemen / timing belt
Rep. Satz Zahnriemen / rep. kit timing belt
Spannrolle / tension roller
Umlenkrolle / deflection pulley
Spannrolle / tension roller

(1)

Z 158 B24
Z 158 B24
ØA80 H24
ØA65 H30,4 / 35,4
ØA60 H29

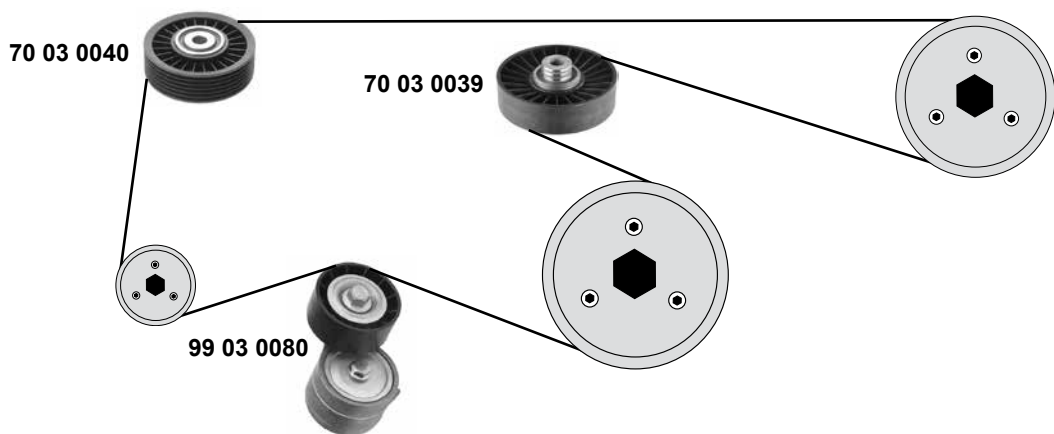
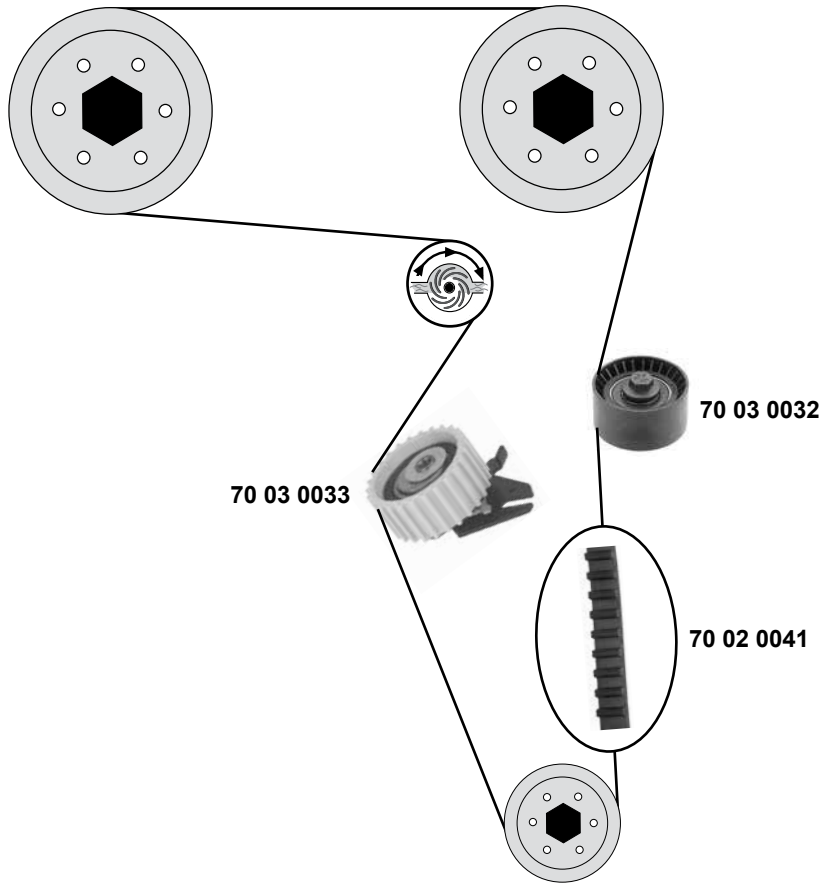
# FIAT

## Brava I / Bravo (182)

(95→01)



1,8 16V



SWAG GERMANY	Ref. - No.			
70 02 0041	55210628	Zahnriemen / timing belt		Z 168 B24
70 03 0032	60671573	Umlenkrolle / deflection roller		ØA57 H29/35
70 03 0033	55192239	Spannrolle / tension roller		ØA65 H29
70 03 0039	73501924	Umlenkrolle / deflection pulley	AC	ØA90 H24,5
70 03 0040	7740252	Umlenkrolle / deflection pulley	AC	ØA80 Ø1 10 H23
99 02 0046	71736724	Rep. Satz Zahnriemen / rep. kit timing belt		Z 168 B24
99 03 0080	46524692	Riemenspanner / belt tensioner		



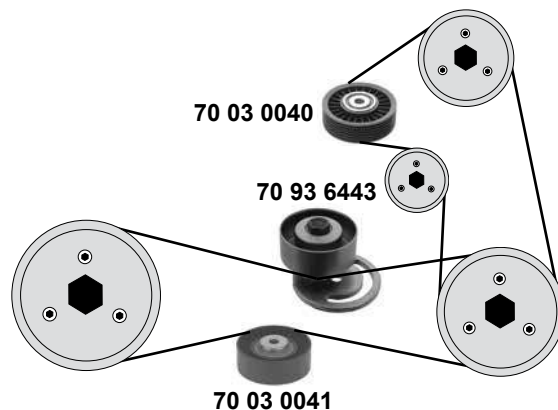
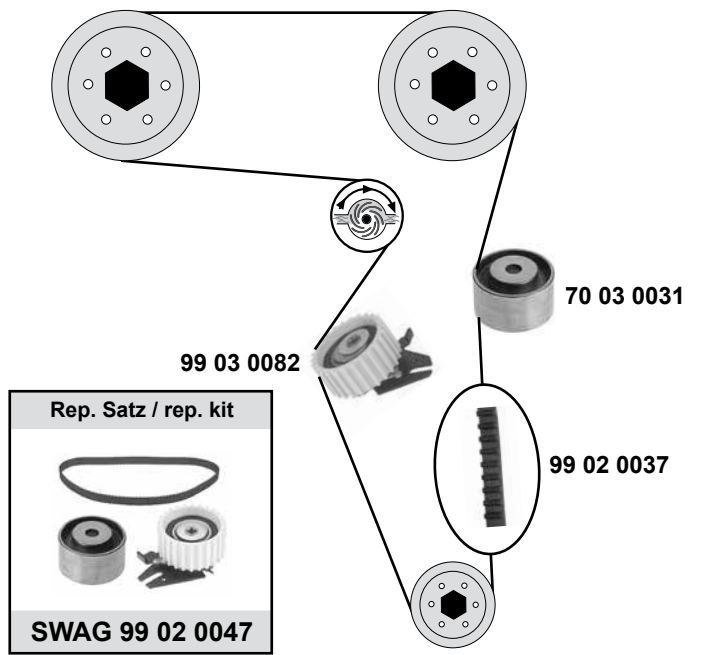


# FIAT

## Brava / Bravo I (182)

(95→01)

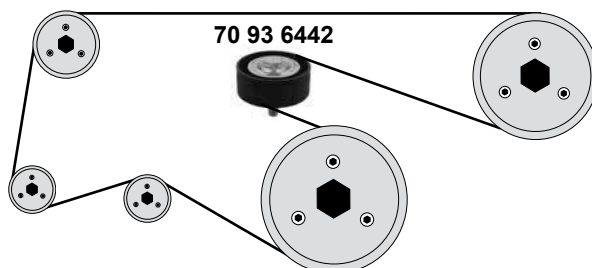
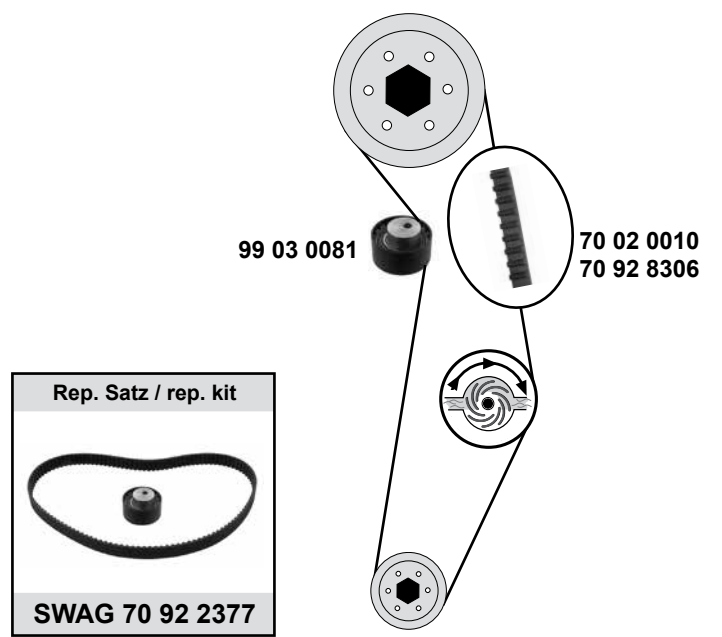
2,0 20V



## Bravo Nuova II (198)

(07→09)

1,4



(1) (mot.) 1,4 110kW / 1,9 110kW AC



Ref. - No.



Ref. - No.	Description	Notes	Dimensions
70 02 0010	Zahnriemen / timing belt	→09 1,4 16 V	Z 124 B22
70 03 0031	Umlenkrolle / deflection pulley		ØA53
70 03 0040	Umlenkrolle / deflection pulley	AC	ØA80 ØI 10 H23
70 03 0041	Spannrolle / tension roller	(mot.) → 1140488	ØA80 H28,5
70 92 2377	Rep. Satz Zahnriemen / rep. kit timing belt	1,4 16 V	Z 124 B22
70 92 8306	Zahnriemen / timing belt	(1)	Z 199 B24
70 93 6442	Umlenkrolle / deflection pulley	1,4 16 V	ØA65 B25
70 93 6443	Riemenspanner / belt tensioner		ØA65 B26
99 02 0037	Zahnriemen / timing belt		Z 167 B24
99 02 0047	Rep. Satz Zahnriemen / rep. kit timing belt		Z 167 B24
99 03 0081	Spannrolle / tension roller	1,4	ØA60 H29
99 03 0082	Spannrolle / tension roller		

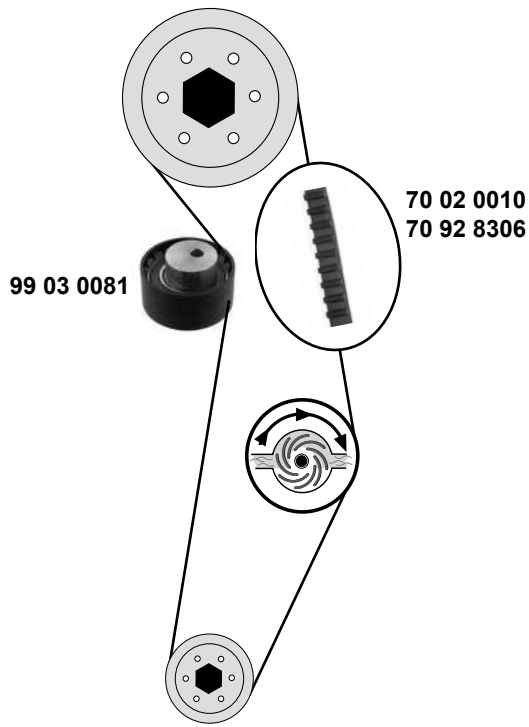
# FIAT

## Bravo II Nuova (198)

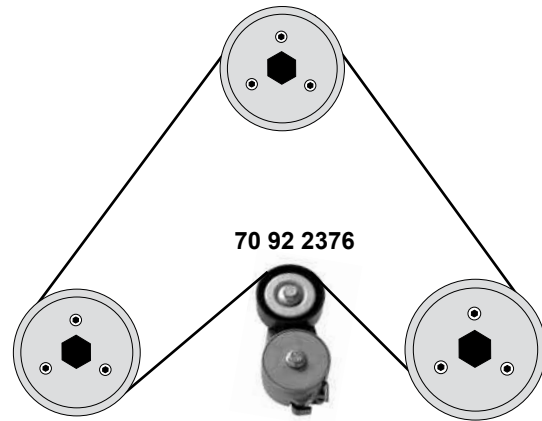
(07→09)



1,4



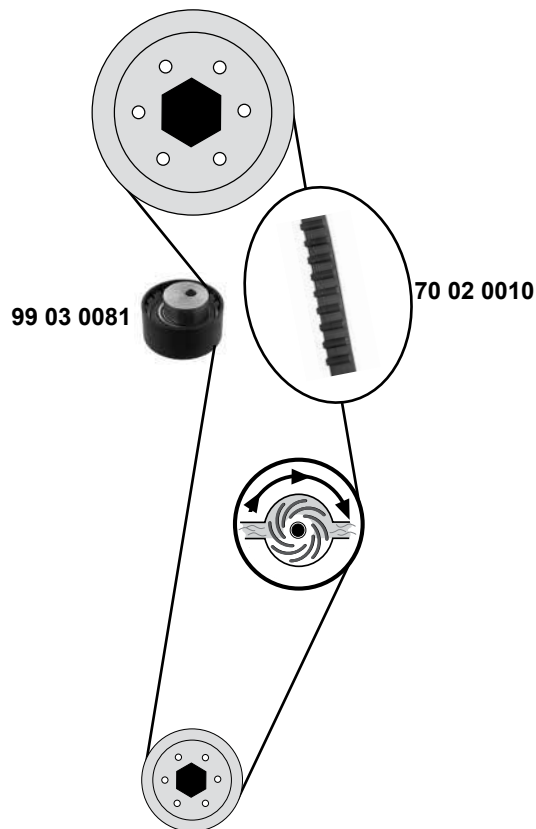
AC



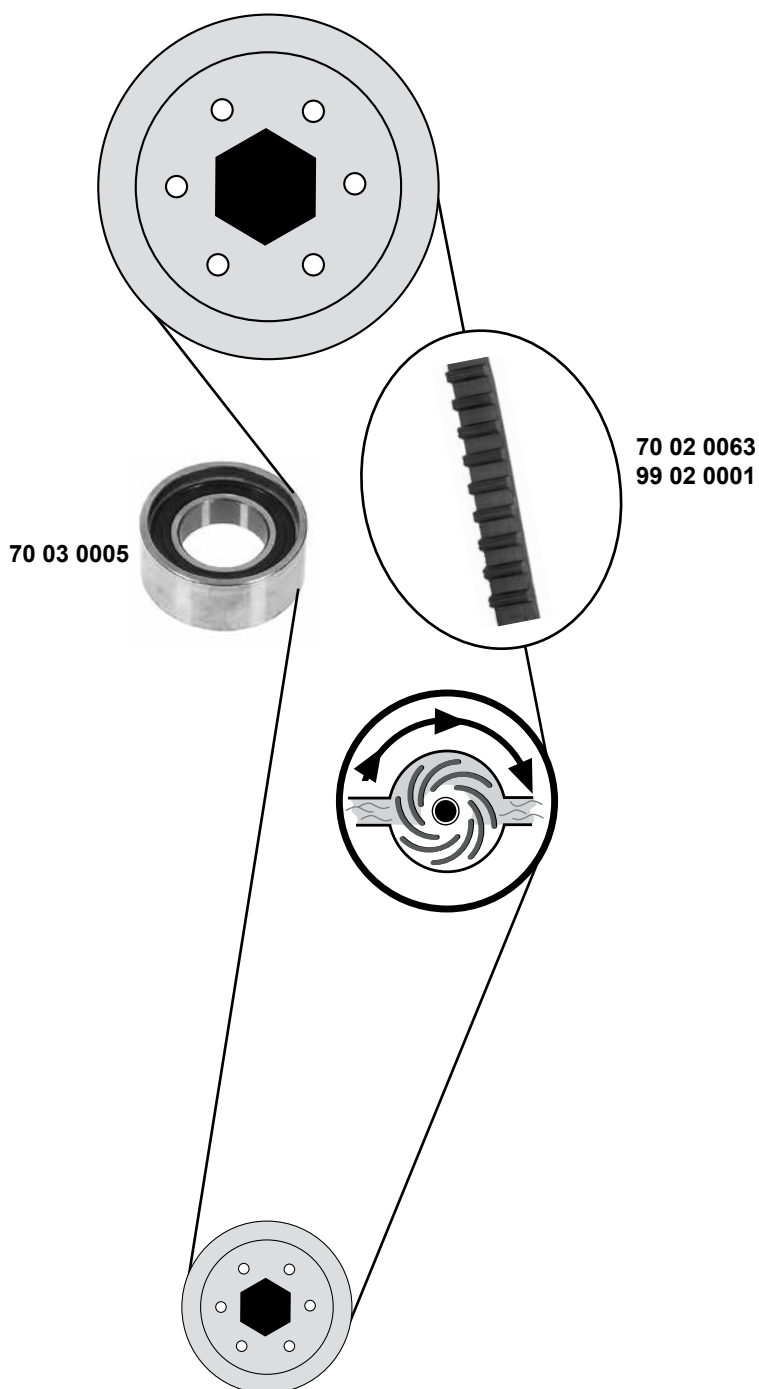
# Bravo Nuova MY

(10→)

1,4



SWAG GERMANY	Ref. - No.			
70 02 0010	46403659	Zahnriemen / timing belt	1,4	Z 124 B 22
70 92 2376	55195023	Riemenspanner / belt tensioner		ØA 65 B23,5
70 92 8306	55183528	Zahnriemen / timing belt	T-Jet 110kW	Z 199 B24
99 03 0081	55248394	Spannrolle / tenson roller	1,4	ØA60 H29



Rep. Satz / rep. kit



SWAG 70 91 9657

Rep. Satz / rep. kit



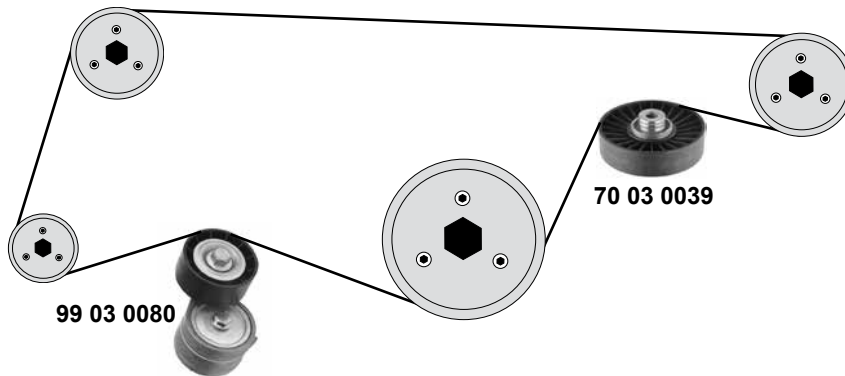
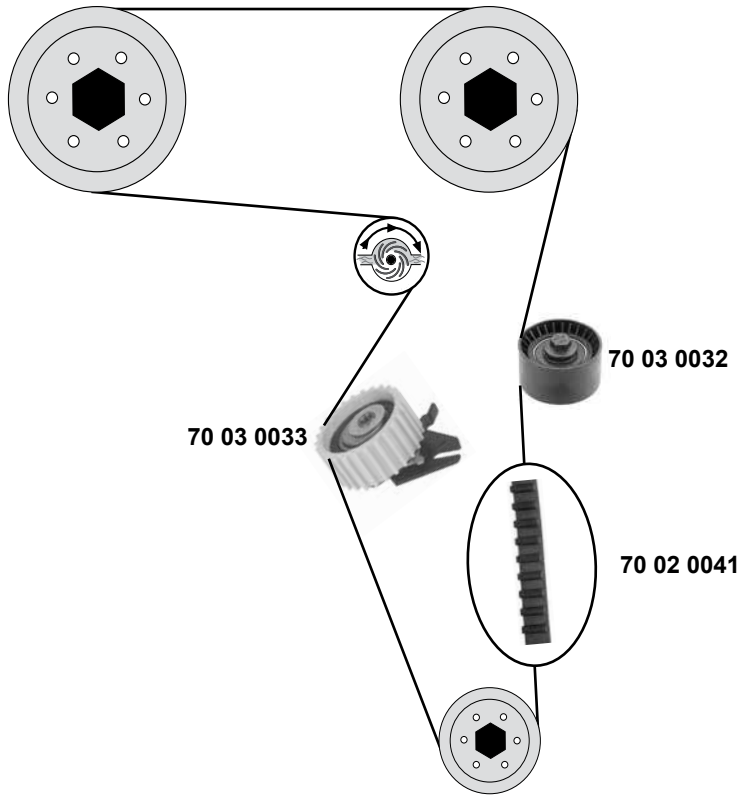
SWAG 99 02 0039

70 02 0063	55203786	Zahnriemen / timing belt	(mot.) 9042884 → Z 125 B15
70 03 0005	71740977	Spannrolle / tension roller	ØA57 ØI 30 B24
70 91 9657	46750865 S1	Rep.Satz. Zahnriemen / rep.kit.timing belt	(mot.) 9042884 → Z125 B15
99 02 0001	46474432	Zahnriemen / timing belt	(mot.) → 9042883 Z 104 B15
99 02 0039	7554701 S1	Rep.Satz. Zahnriemen / rep.kit.timing belt	(mot.) → 9042883 Z 104 B15

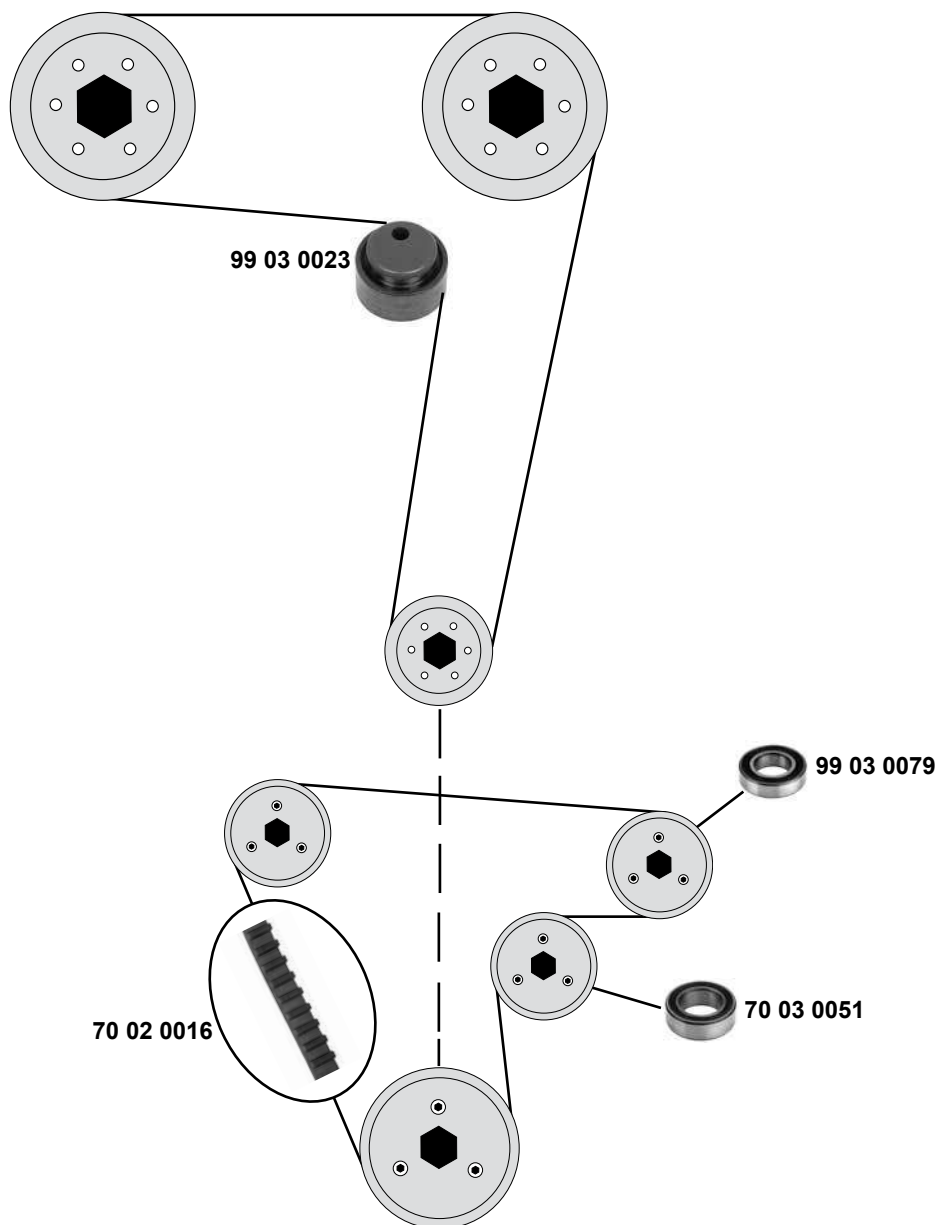
# FIAT Coupé (175) (94→00)



## 1,8 16V



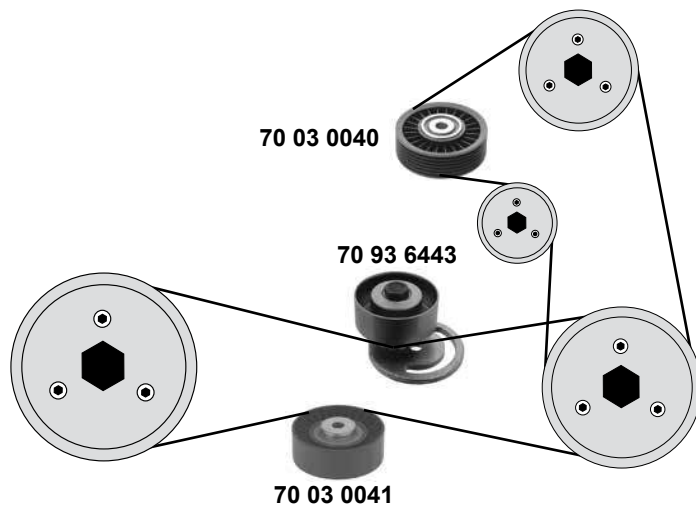
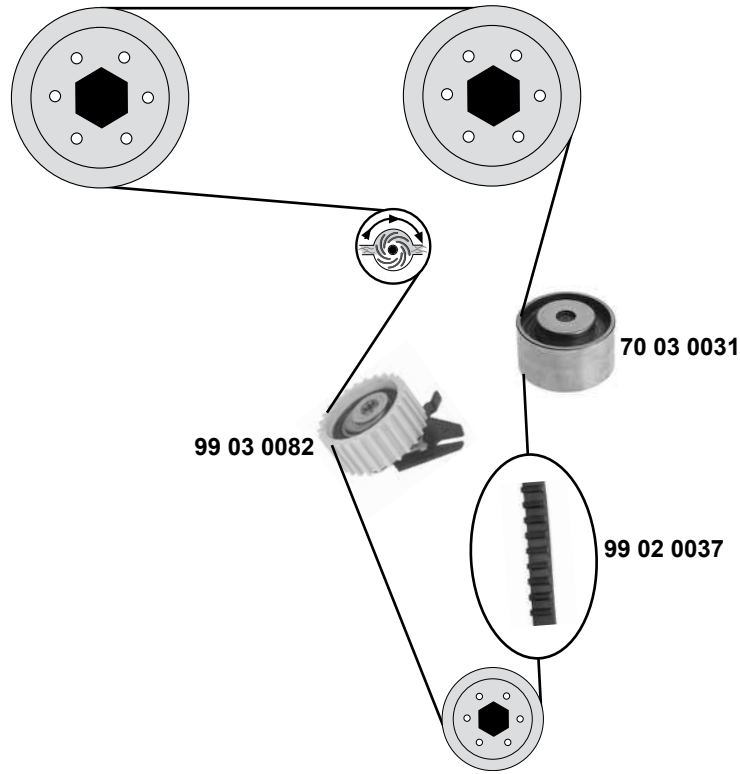
SWAG GERMANY	Ref. - No.			
70 02 0041	55210628	Zahnriemen / timing belt	AC / 94 → 00	Z 168 B24
70 03 0032	60671573	Umlenkrolle / deflection pulley		ØA57 H29/35
70 03 0033	55192239	Spannrolle / tension roller		ØA65 H29
70 03 0039	73501924	Umlenkrolle / deflection pulley		ØA90 H24,5
99 02 0046	71736724	Rep. Satz Zahnriemen / rep. kit timing belt		Z 168 B24
99 03 0080	46524692	Riemenspanner / belt tensioner		



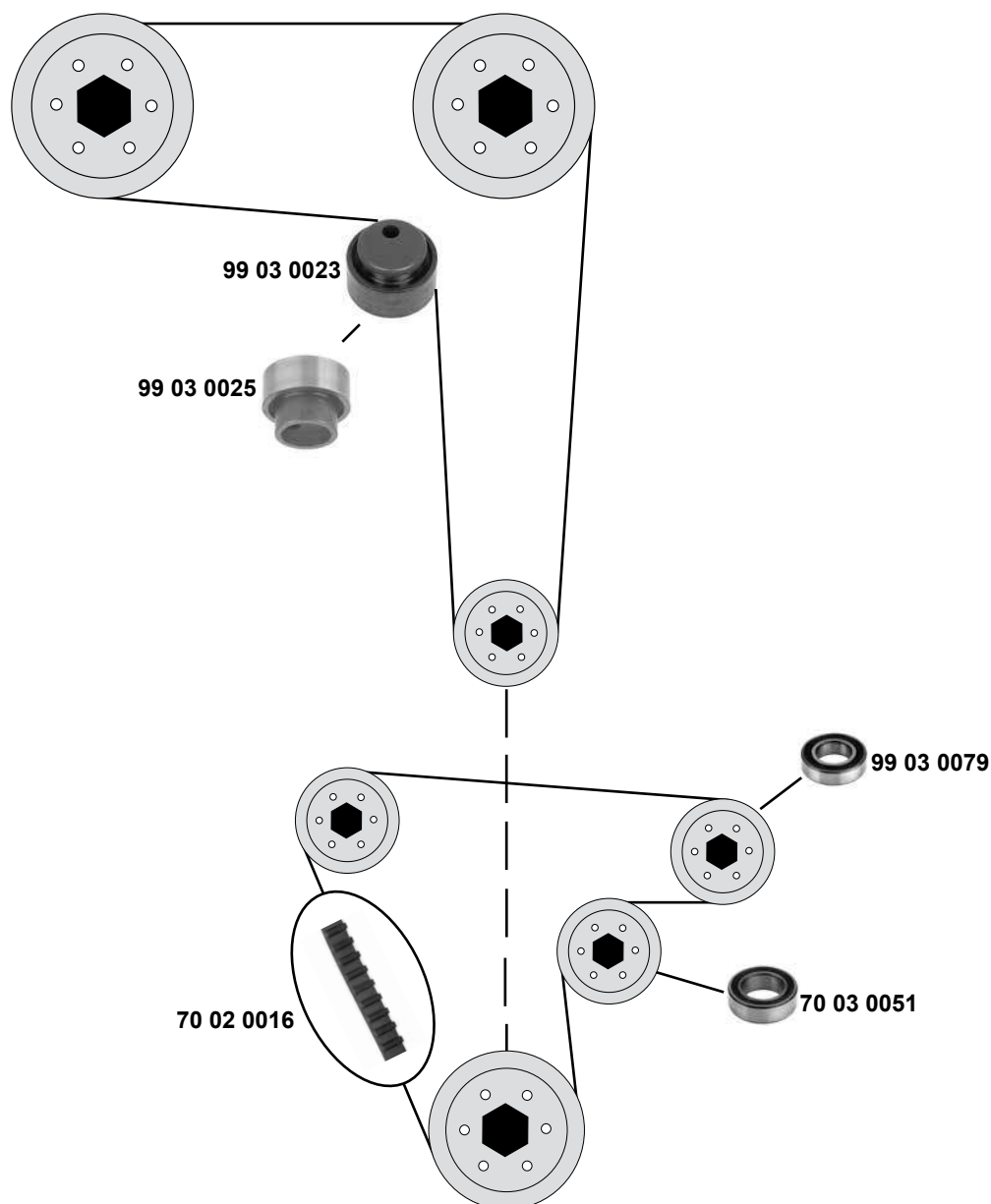
# FIAT Coupé (175) (94→00)



## 2,0 20V



SWAG GERMANY	Ref. - No.			
70 03 0031	71736493	Umlenkrolle / deflection pulley	96→ 108 / 113 kW	ØA53 H29/31
70 03 0040	7740252	Umlenkrolle / deflection pulley	AC	ØA 80 ØI 10 H 23
70 03 0041	46547564	Spannrolle / tension roller	(mot.) → 1140488	ØA 80 H 28,5
70 93 6443	46441096	Riemenspanner / belt tensioner		ØA65 B26
99 02 0037	46541065	Zahnriemen / timing belt		Z 167 B24
99 02 0047	46541065 S1	Rep. Satz Zahnriemen / rep. kit timing belt		Z 167 B24
99 03 0082	55192773	Spannrolle / tension roller		



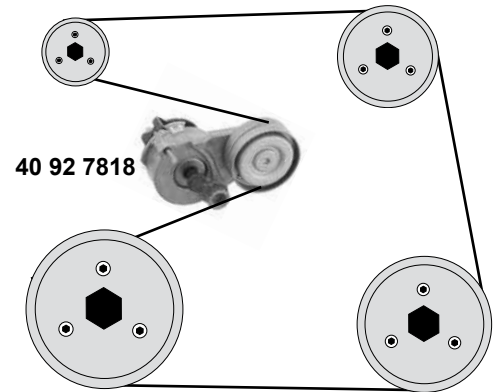
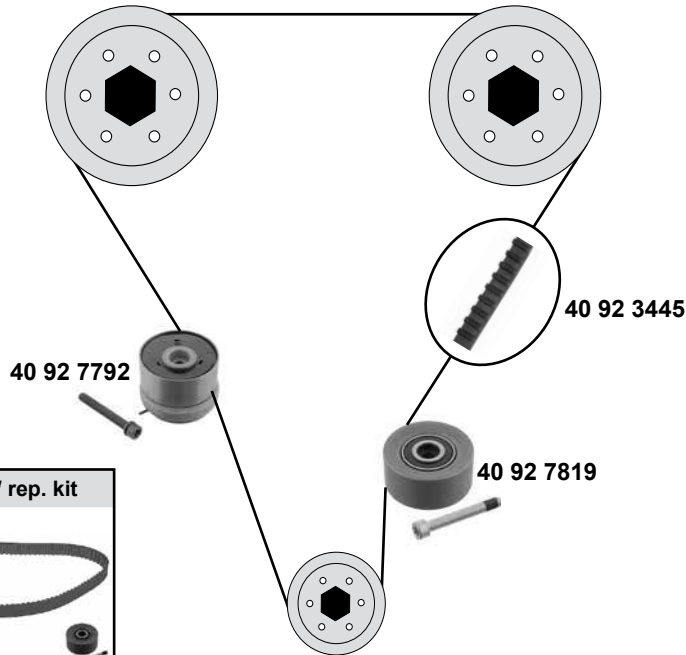
# FIAT

## Croma (194)

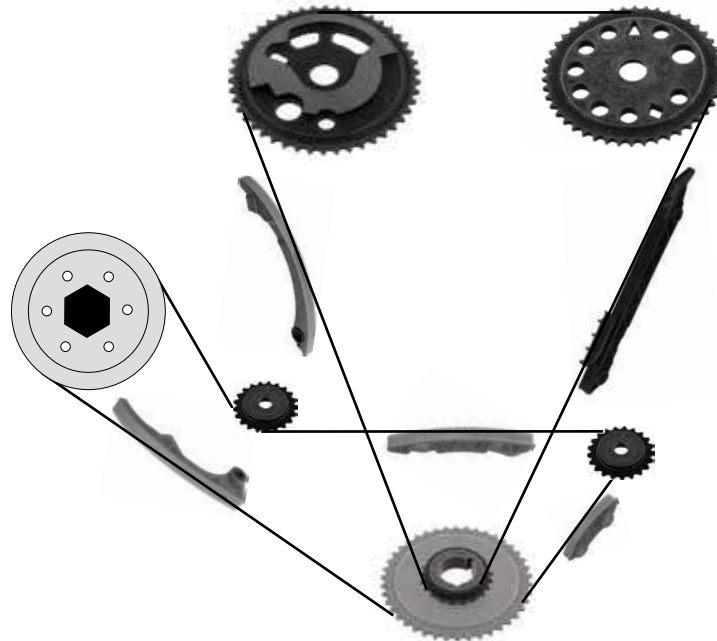
(05→00)



### 1,8 16V



### 2,2 16V GDI

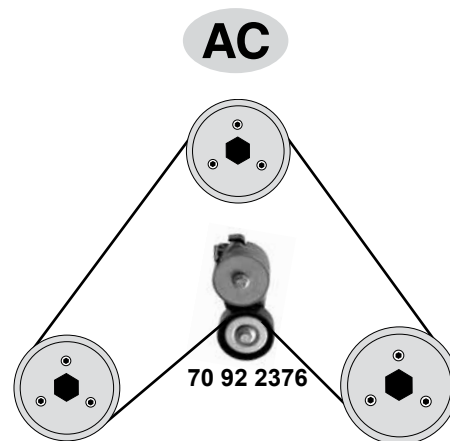
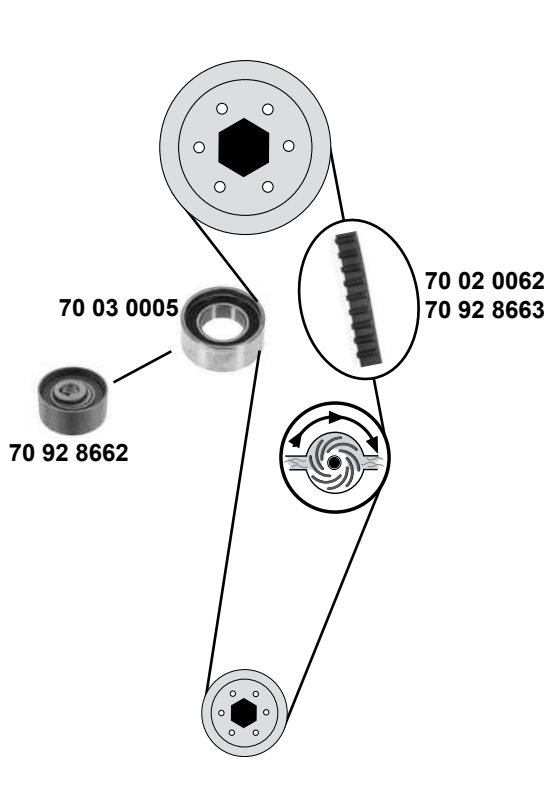


SWAG GERMANY	Ref. - No.			
40 92 3445	71739873	Zahnriemen / timing belt		Z 146 B24
40 92 7792	55574864	Spannrolle / tension roller		ØA 66 B29
40 92 7818	55563512	Riemenspanner / belt tensioner		ØA 63
40 92 7819	71739801	Umlenkrolle / reversing pulley		ØA 61 B28
40 92 7825	71739873 S1	Rep. Satz Zahnriemen / rep. kit timing belt		Z 146 B24
99 13 3042	71739327 S1	Rep. Satz Steuerkette / rep. kit timing chain		148 E
99 13 3046	71771252 S1	Rep. Satz Steuerkette / rep. kit timing chain		134 E

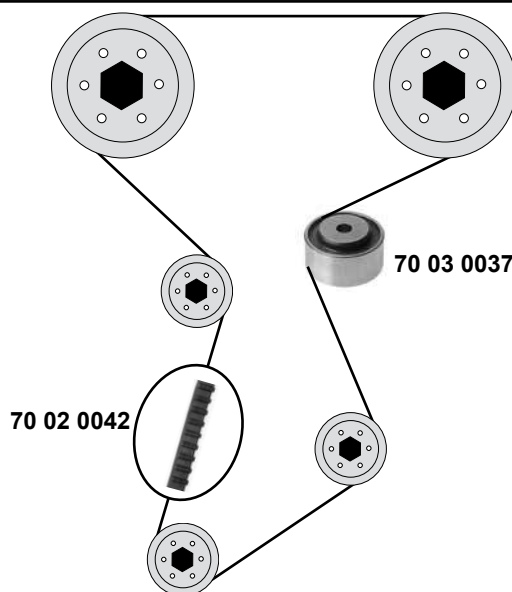


1,2 8V / 1,4 8V

1,4



1,6



(1) (mot.) 1,2 8V (mot.) → 2533527



Ref. - No.



70 02 0042	55188191	Zahnriemen / timing belt		Z 158 B24
70 02 0062	71719652	Zahnriemen / timing belt	(1)	Z 129 B15
70 03 0005	71740977	Spannrolle / tension roller	(1)	ØA 57 H24
70 03 0037	55211287	Umlenkrolle / deflection pulley		ØA 65 H30,4/35,4
70 91 9658	71771576	Rep. Satz Zahnriemen / rep. kit timing belt	(1)	Z 129
70 92 2376	55195023	Riemenspanner / belt tensioner		ØA 65 B23,5
70 92 8662	55233759	Spannrolle / tension roller	04→	ØA 55,5 B26
70 92 8663	71753156	Zahnriemen / timing belt	04→	Z 129 B22
70 92 8664	71775900	Rep.Satz Zahnriemen / rep.kit. timing belt	04→	

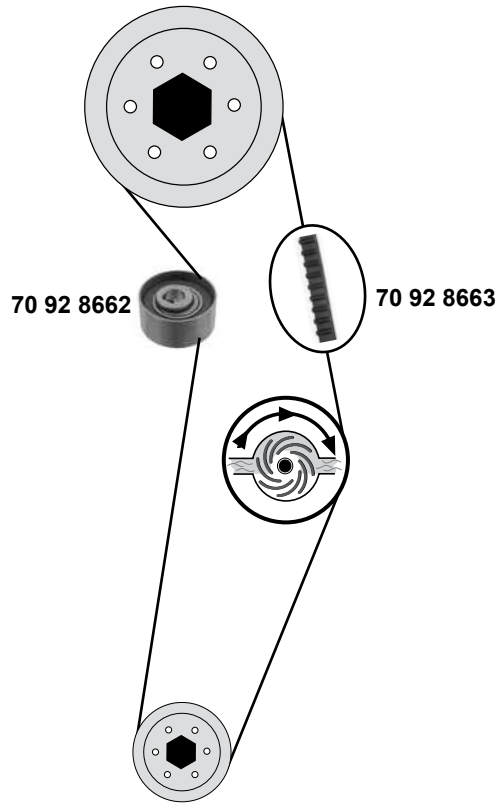
# FIAT

## Doblo / Cargo Rest. (119/223)

(05→09)



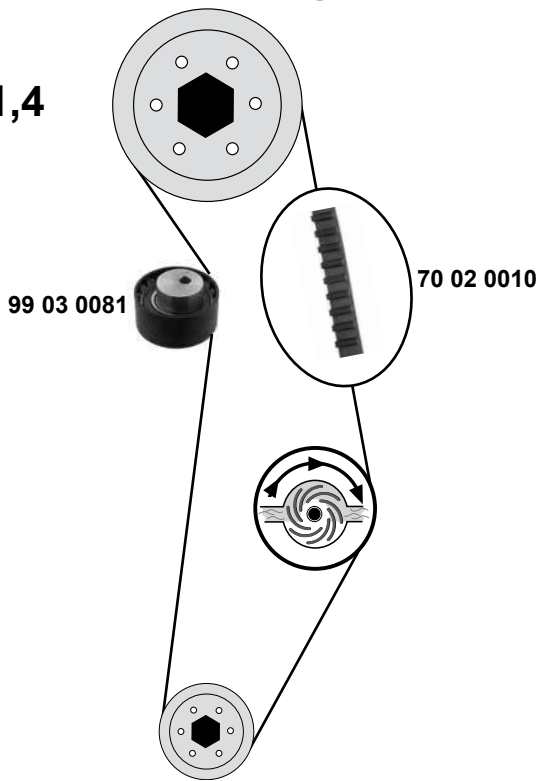
1,2 8V / 1,4 8V



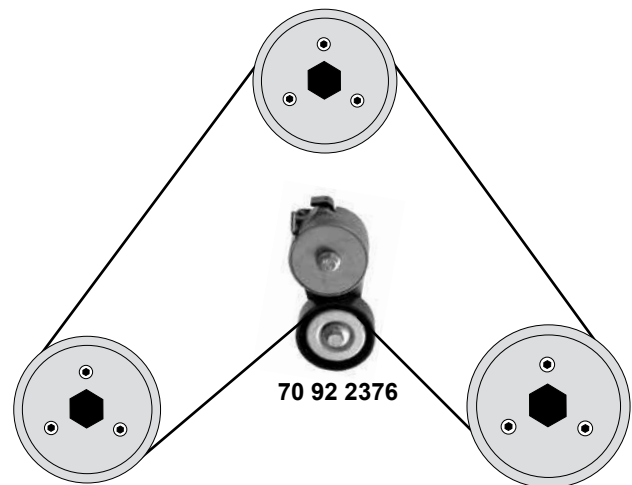
## Doblo Nuovo Cargo (152/263)

(09→)

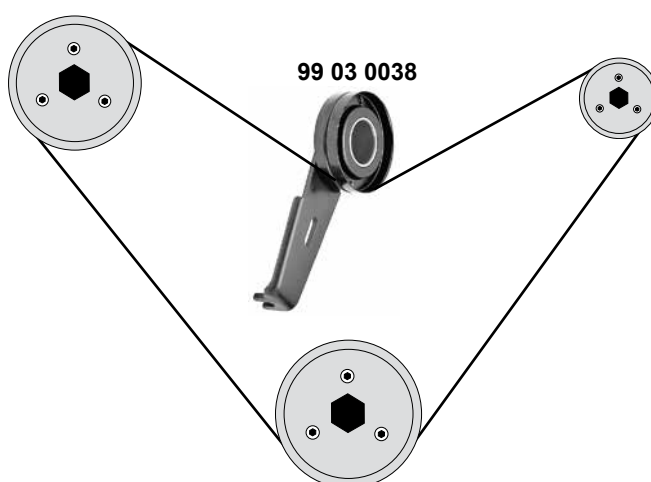
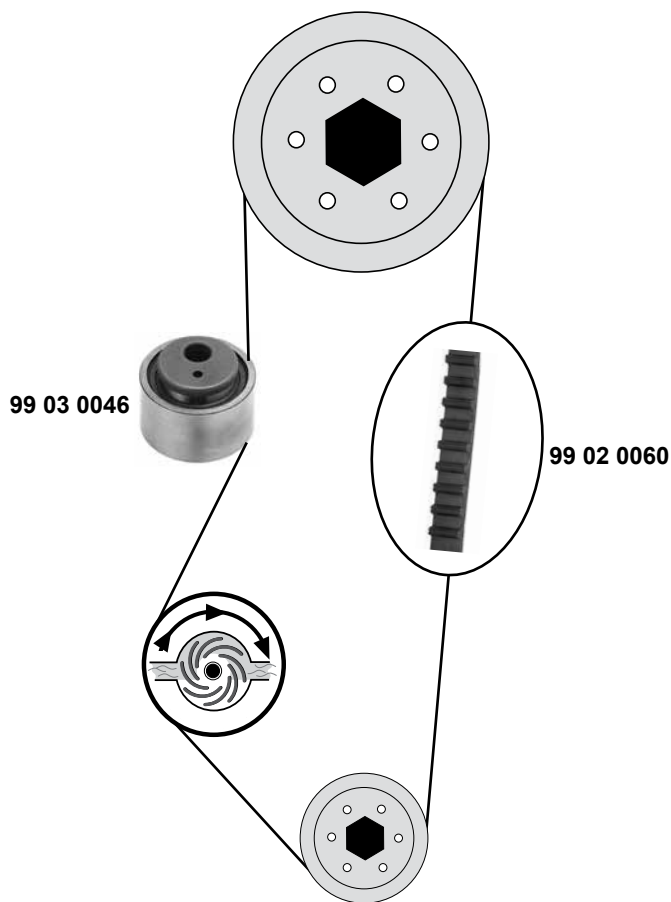
1,2 / 1,4



AC



SWAG GERMANY	Ref. - No.			
70 02 0010	46403659	Zahnriemen / timing belt	1,4 70/85/88kW	Z 124 B 22
70 92 2376	55195023	Riemenspanner / belt tensioner	→05	ØA 65 B23,5
70 92 8662	55233759	Spannrolle / tension roller		ØA 55,5 B26
70 92 8663	71753156	Zahnriemen / timing belt		Z 129 B22
70 92 8664	71775900	Rep. Satz Zahnriemen / rep. kit timing belt		
99 03 0081	55248394	Spannrolle / tension roller	1,2 / 1,4	ØA 60 B29



Ref. - No.



<b>99 03 0038</b>	9608859180
<b>99 03 0046</b>	9622574480
<b>99 02 0060</b>	1473011080
<b>99 02 0061</b>	9467627280

Spannrolle / tension roller
Spannrolle / tension roller
Zahnriemen / timing belt
Rep. Satz Zahnriemen / rep. kit timing belt

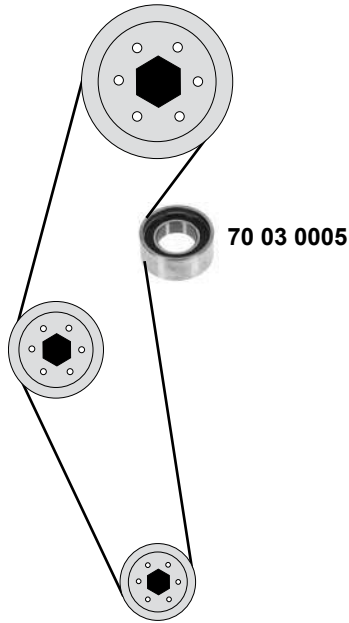
AC

ØA 90 ØI 8/29 H24,5
ØA 57 ØI 57 H33
Z 114 B25,4
Z 114 B25,4

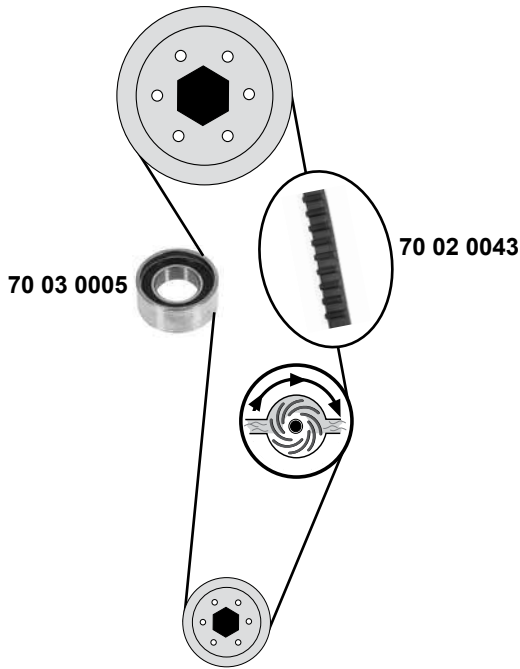
**FIAT**  
**Fiorino (146)**  
(93→)



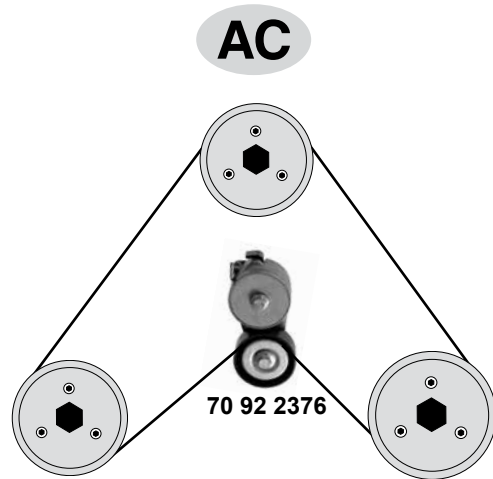
**1,3**



**1,4 / 1,6**



**1,4 8V 57kW**



Ref. - No.

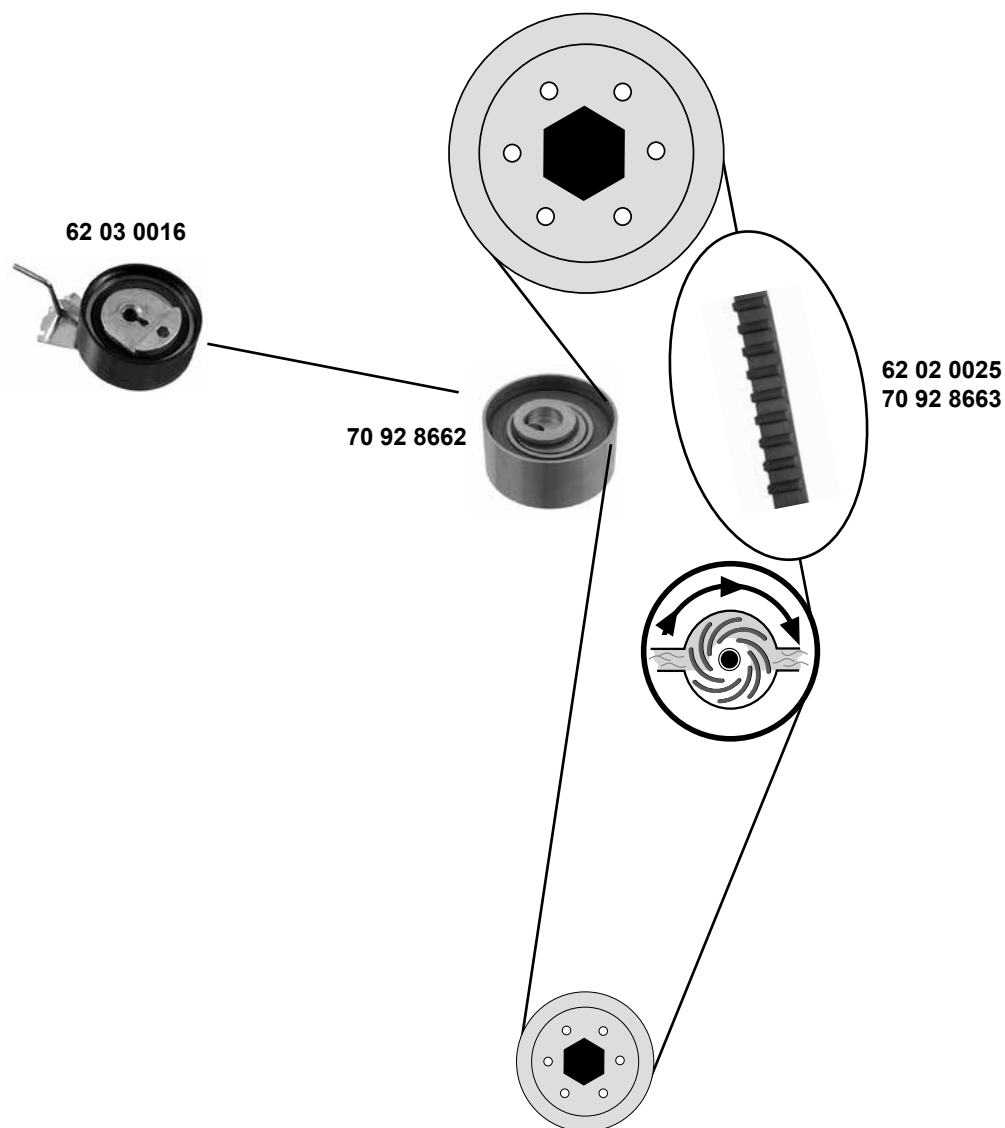






70 02 0043	71719005
70 03 0005	71740977
70 92 2376	55195023

Zahnriemen / timing belt  
Spannrolle / tension roller  
Riemenspanner / belt tensioner

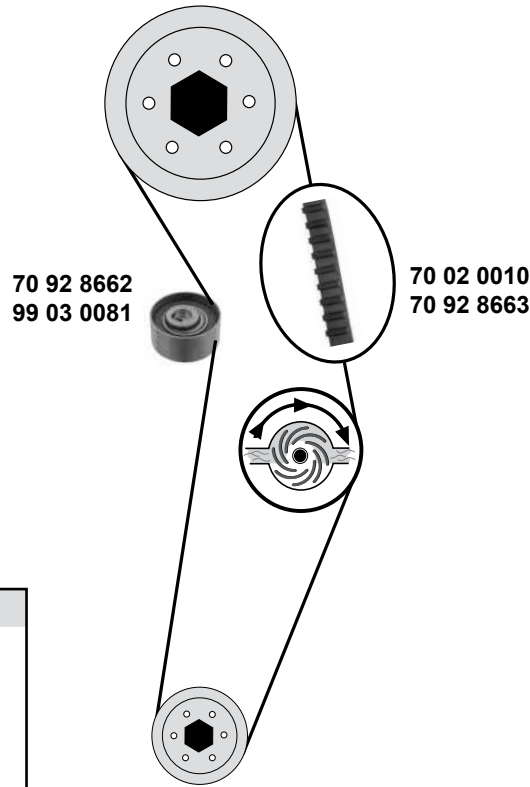
→07

Z 138 B15  
ØA 57 H24  
ØA 65 B23,5



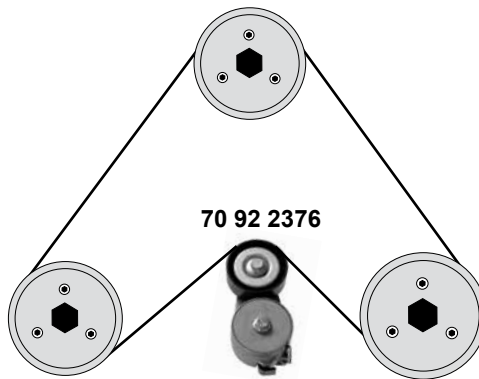
	Ref. - No.			
<b>62 02 0025</b>	9467581780	Zahnriemen / timing belt	54kW	
<b>62 03 0016</b>	9400829909	Spannrolle / tension roller	54kW	ØA 60 B25
<b>62 92 1274</b>	9400831869	Rep.Satz.Zahnriemen / rep.kit. timing belt	54kW / Euro 4	Z 104 B17
<b>70 92 8662</b>	55233759	Spannrolle / tension roller	57kW	ØA 55,5 B26
<b>70 92 8663</b>	71753156	Zahnriemen / timing belt	57kW	Z 129 B22
<b>70 92 8664</b>	71775900	Rep.Satz.Zahnriemen / rep.kit. timing belt	57kW	

**1,2 16V / 1,4 8V / 16V**



**1,2 / 1,4**

**AC**



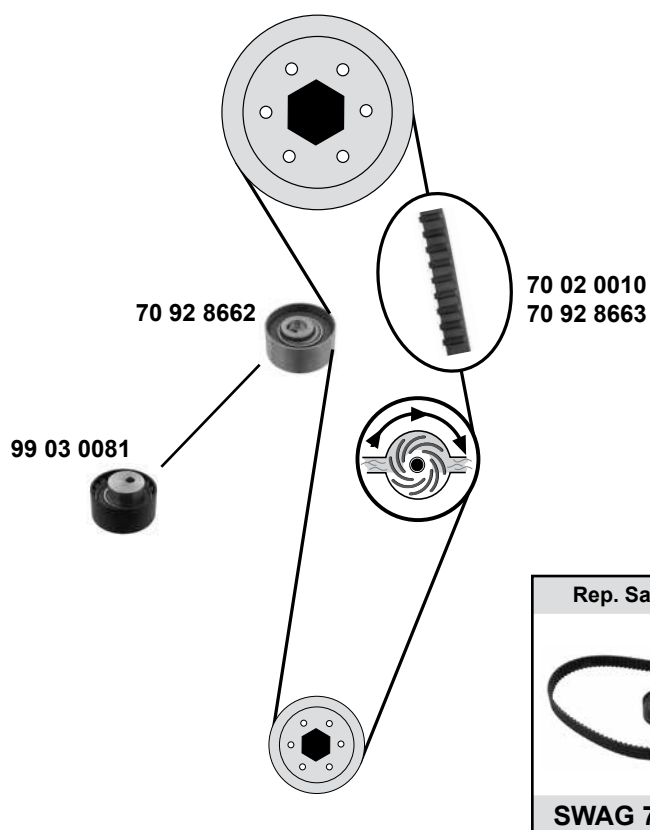
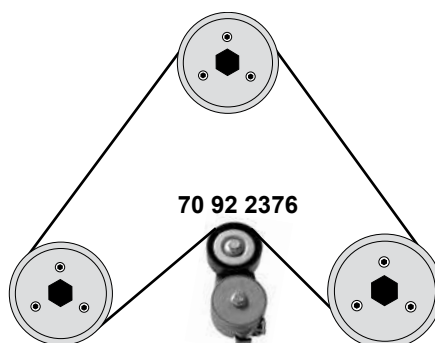
(1) (mot.) 1,2 59kW / (mot.) 1,4 16 V 66kW,70kW / (mot.) 1,4 8V



Ref. - No.



<b>70 02 0010</b>	46403659	Zahnriemen / timing belt	<b>(1)</b>	Z 124 B22
<b>70 92 2376</b>	55195023	Riemenspanner / belt tensioner		ØA 65 B23,5
<b>70 92 2377</b>	71736717	Rep. Satz Zahnriemen / rep. kit timing belt	<b>(ex.)</b> 1,4 8V	Z124 B22
<b>70 92 8662</b>	55233759	Spannrolle / tension roller	<b>(mot.)</b> 1,4 8V	ØA 55,5 B26
<b>70 92 8663</b>	71753156	Zahnriemen / timing belt	<b>(mot.)</b> 1,4 8V	Z 129 B22
<b>70 92 8664</b>	71775900	Rep.Satz Zahnriemen / rep.kit. timing belt	<b>(mot.)</b> 1,4 8V	
<b>99 03 0081</b>	55248394	Spannrolle / tension roller	<b>(1)</b>	ØA 60 H29

**1,4 8V / 1,4 16V CF4**

**1,4**
**AC**


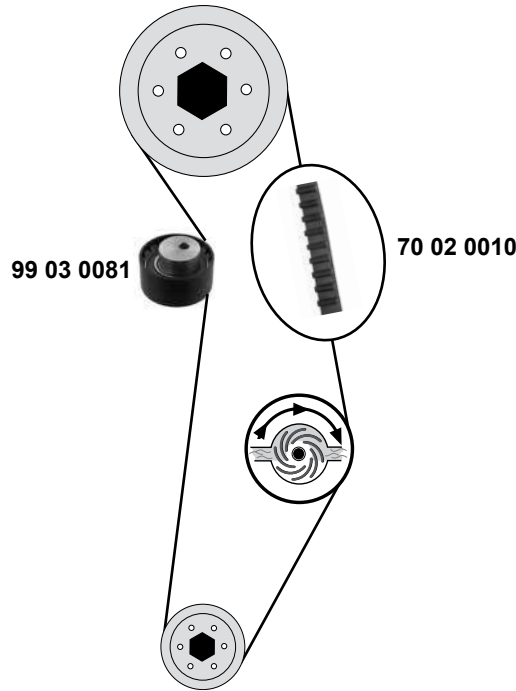
<b>70 02 0010</b>	46403659	Zahnriemen / timing belt	1,4 16V 88kW	Z 124 B22
<b>70 92 2376</b>	55195023	Riemenspanner / belt tensioner	57kW / 88kW	ØA 65 B23,5
<b>70 92 2377</b>	71736717	Rep. Satz Zahnriemen / rep. kit timing belt	1,4 16V CF4	Z 124 B22
<b>70 92 8662</b>	55233759	Spannrolle / tension roller	1,4 8V	ØA55,5 B26
<b>70 92 8663</b>	71753156	Zahnriemen / timing belt	1,4 8V	Z 129 B22
<b>70 92 8664</b>	71775900	Rep.Satz Zahnriemen / rep.kit. timing belt	1,4 8V	
<b>99 03 0081</b>	55248394	Spannrolle / tension roller	1,4 16V 88kW	ØA60 H29

# FIAT Marea / Marea SW (185)

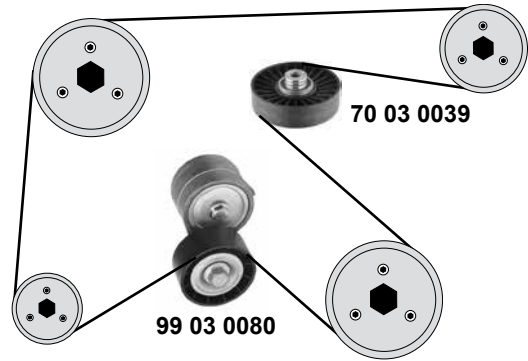
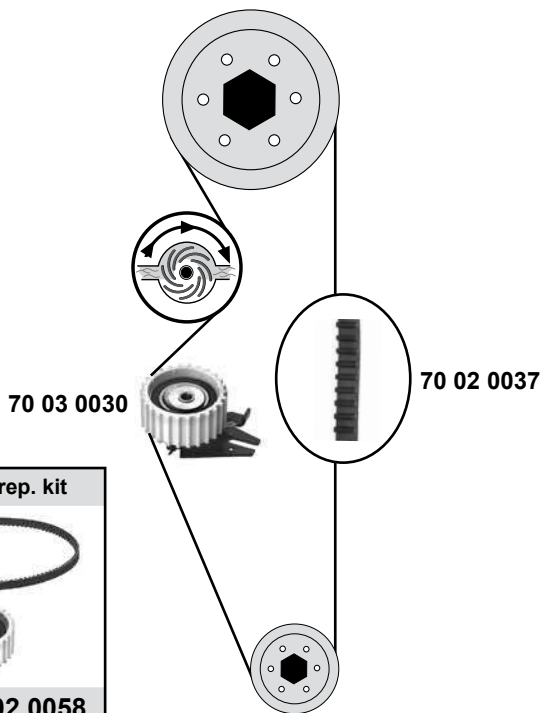
(96→02)



## 1,2 16V



## 1,4

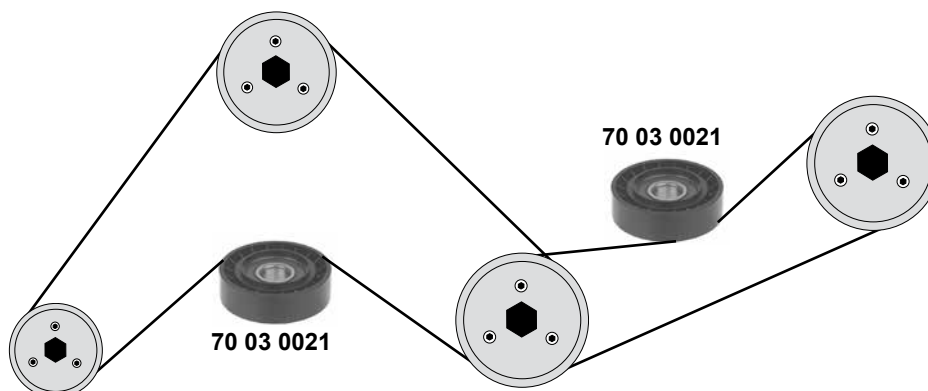
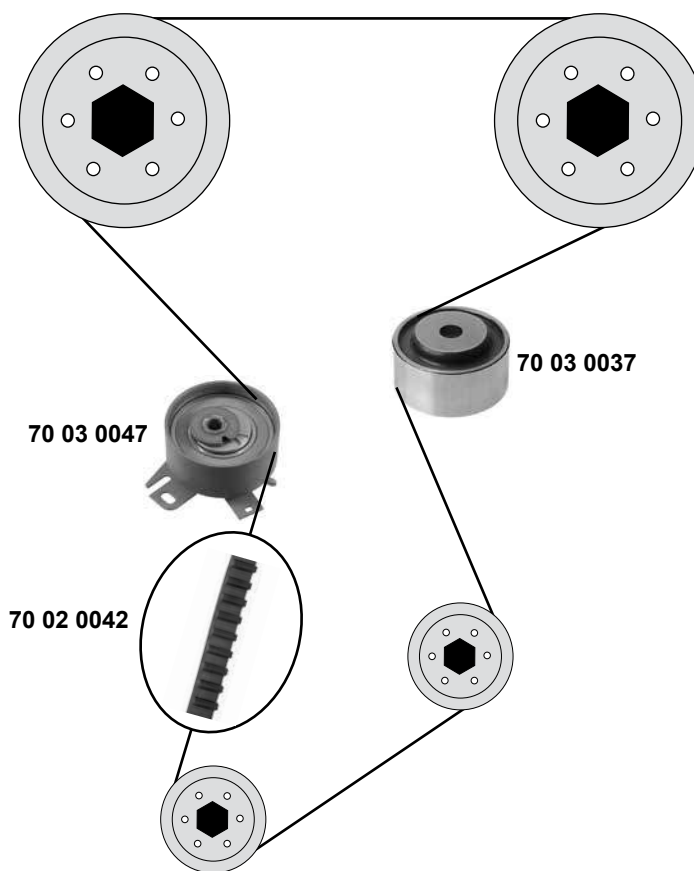


Ref. - No.



70 02 0010	46403659	Zahnriemen / timing belt	99 →	Z 124 B22
70 02 0037	7762910	Zahnriemen / timing belt		Z 134 B18
70 02 0058	7762910 S1	Rep. Satz Zahnriemen / rep.kit timing belt		Z 134 B18
70 03 0030	55196971	Spannrolle / tension roller		Ø A 65 H29
70 03 0039	73501924	Umlenkrolle / deflection pulley	AC / 96 →	ØA 90 H24,5
70 92 2377	71736717	Rep. Satz Zahnriemen / rep.kit timing belt	99 →	Z 124 B22
99 03 0080	46524692	Riemenspanner / belt tensioner		
99 03 0081	55248394	Spannrolle / tension roller	99 →	ØA 60 H29





Ref. - No.



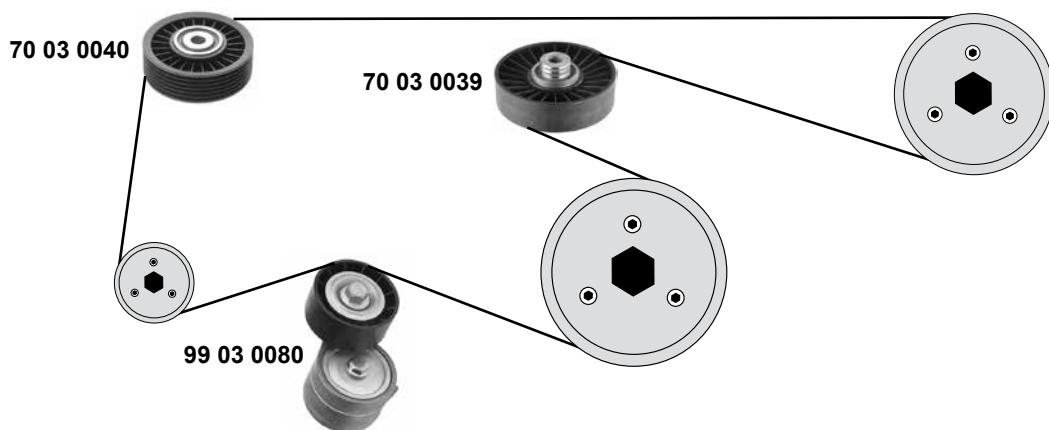
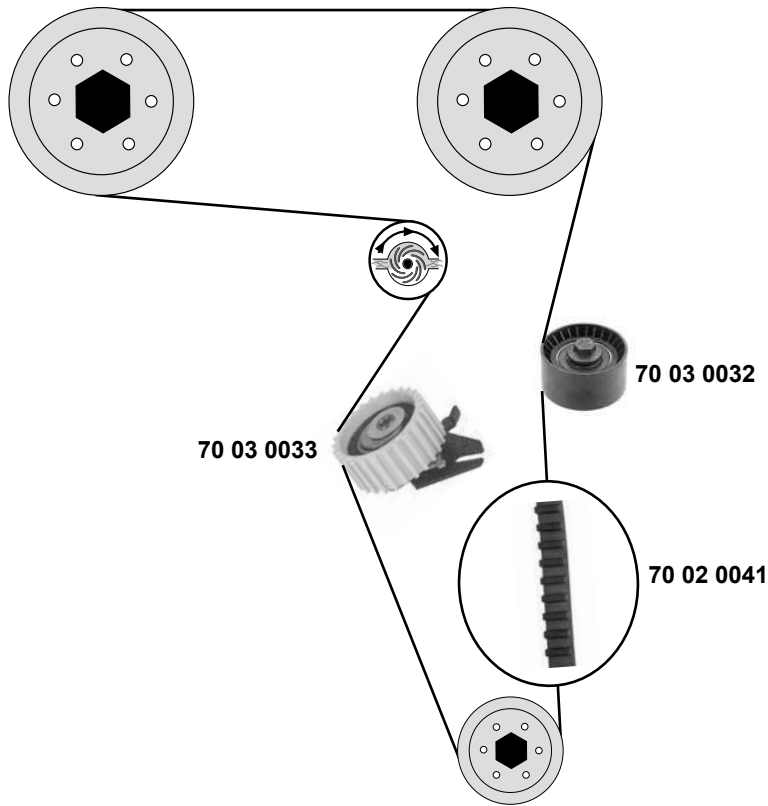
<b>70 02 0042</b>	55188191
<b>70 02 0056</b>	71736715
<b>70 03 0021</b>	46424716
<b>70 03 0037</b>	55211287
<b>70 03 0047</b>	71734799

Zahnriemen / timing belt
Rep. Satz Zahnriemen / rep. kit timing belt
Spannrolle / tension roller
Umlenkrolle / deflection pulley
Spannrolle / tension roller

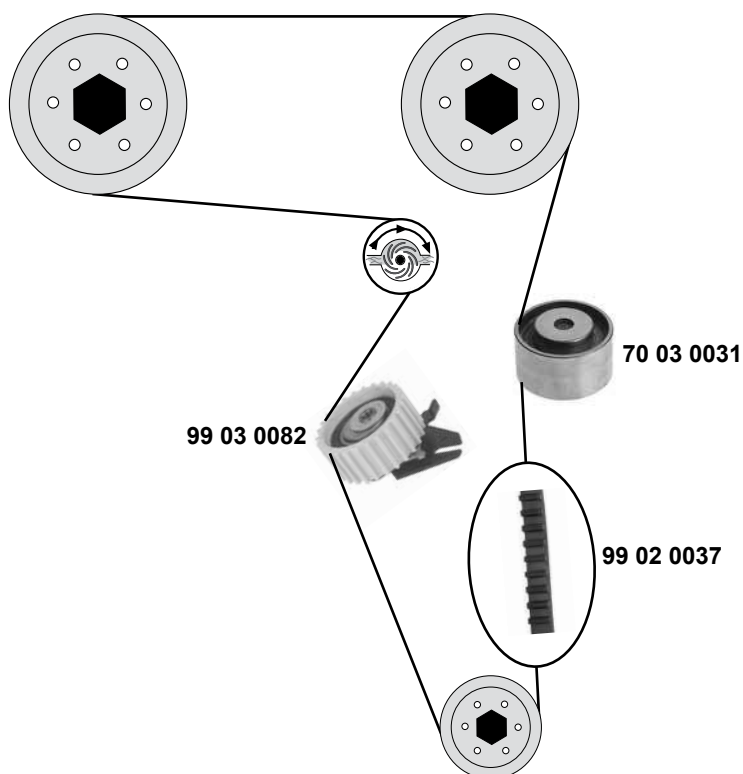
96 → 02

Z 158 B24
Z 158 B24
Ø A 80 H24
Ø A 65 H30,4/35,4
Ø A 60 H29

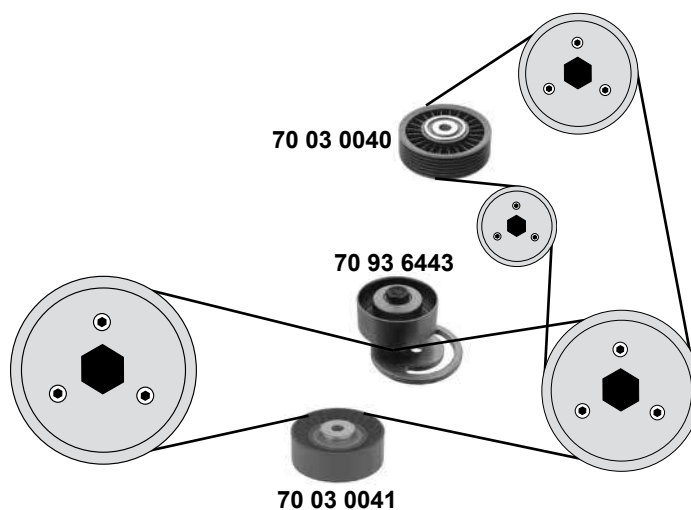
**1,8 16V**



SWAG GERMANY	Ref. - No.			
70 02 0041	55210628	Zahnriemen / timing belt		Z 168 B24
70 03 0032	60671573	Umlenkrolle / deflection pulley		ØA 57 H29/35
70 03 0033	55192239	Spannrolle / tension roller		ØA 65 H29
70 03 0039	73501924	Umlenkrolle / deflection pulley		ØA 90 H 24,5
70 03 0040	7740252	Umlenkrolle / deflection pulley		ØA 80 ØI 10 H 23
99 02 0046	71736724	Rep. Satz Zahnriemen / rep. kit timing belt	AC / 96 →02	Z 168 B24
99 03 0080	46524692	Riemenspanner / belt tensioner	AC	

**2,0 20V / 2,4**


Rep. Satz / rep. kit

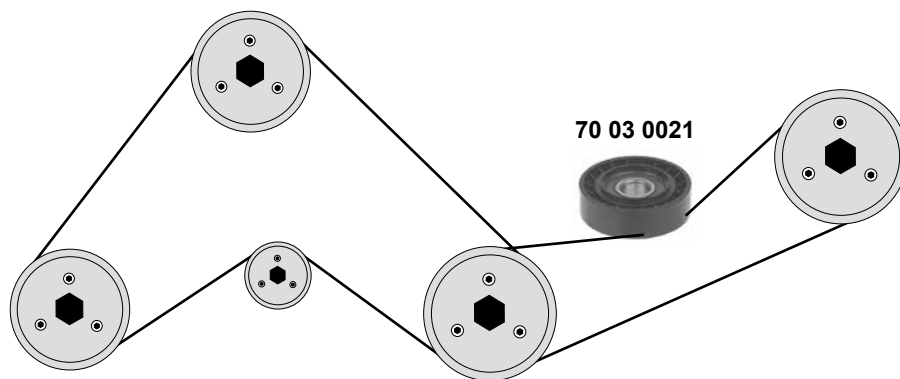
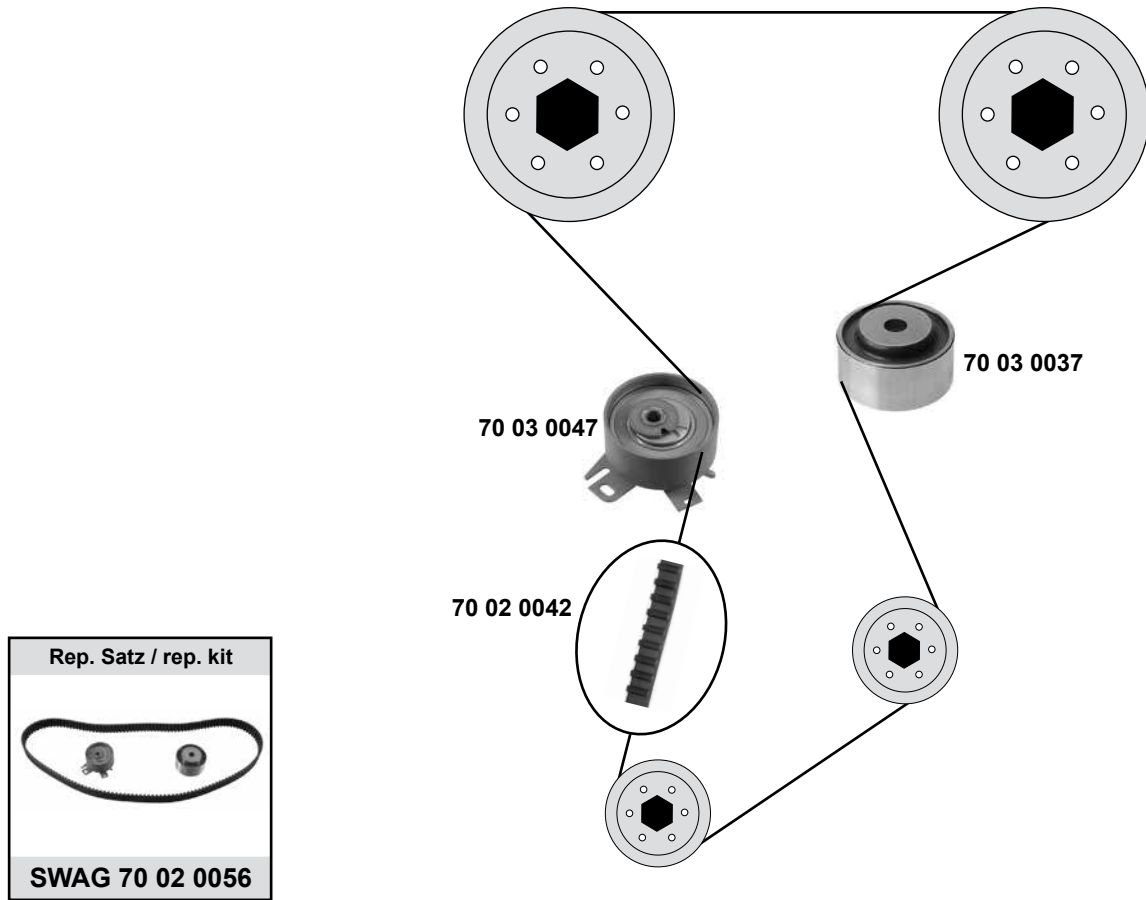

**SWAG 99 02 0047**


<b>70 03 0031</b>	73501924	Umlenkrolle / deflection pulley		ØA 53 H29/31
<b>70 03 0040</b>	7740252	Umlenkrolle / deflection pulley		ØA 80 ØI 10 H 23
<b>70 03 0041</b>	46547564	Spannrolle / tension roller		ØA 80 H34,5
<b>70 93 6443</b>	46441096	Riemenspanner / belt tensioner		ØA 65 B26
<b>99 02 0037</b>	46541065	Zahnriemen / timing belt		Z 167 B24
<b>99 02 0047</b>	46541065 S1	Rep. Satz Zahnriemen / rep. kit timing belt		Z 167 B24
<b>99 03 0082</b>	55192773	Spannrolle / tension roller		
			AC 2,0 16V (mot.) → 1140488	
			2,0 16V	
			2,0 16V	
			2,0 16V	
			2,0 16V	

# FIAT Multipla (186) (98→10)

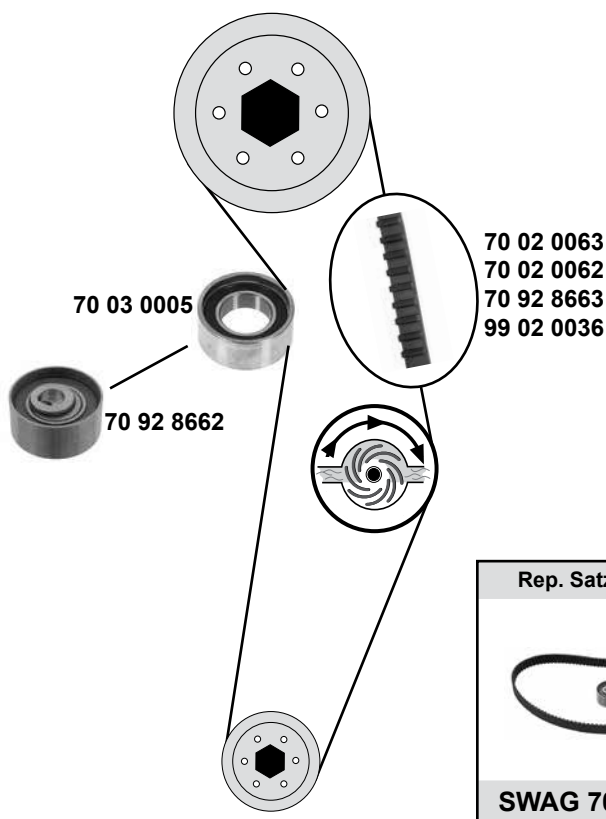


## 1,6 16V



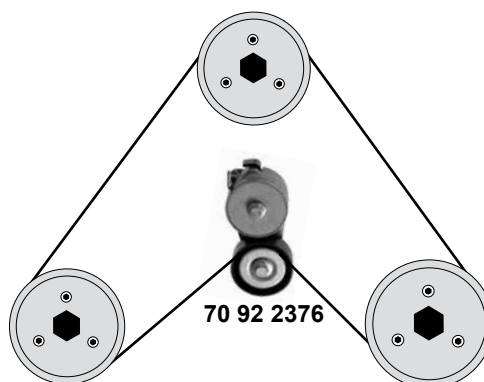
SWAG GERMANY	Ref. - No.			
70 02 0042	55188191	Zahnriemen / timing belt		Z 158 B24
70 02 0056	71736715	Rep. Satz Zahnriemen / rep. kit timing belt		
70 03 0021	46424716	Spannrolle / tension roller		ØA 80 H24
70 03 0037	55211287	Umlenkrolle / deflection pulley	98 → 10	ØA 65 H30,4/35,4
70 03 0047	71734799	Spannrolle / tension roller		ØA 60 H29

**1,1 / 1,2 8V**



**1,0 8V / 1,2 / 1,4 (59kW)**

**AC**



(1) (mot.) 1,1 M1 / 9042884 → / → 02

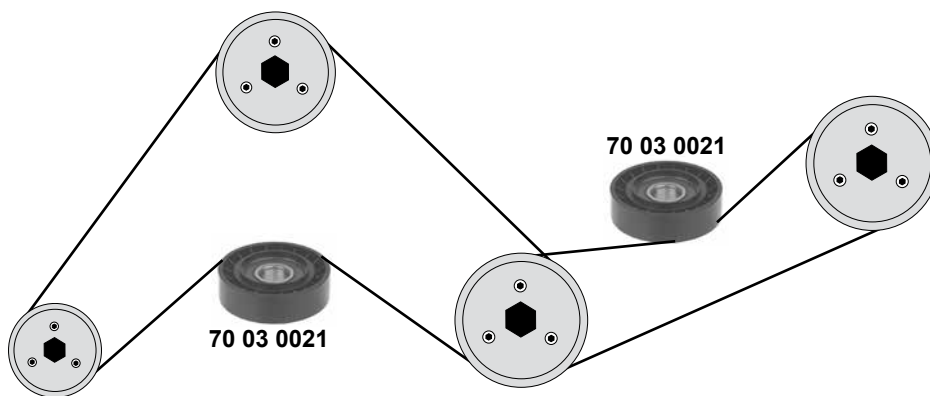
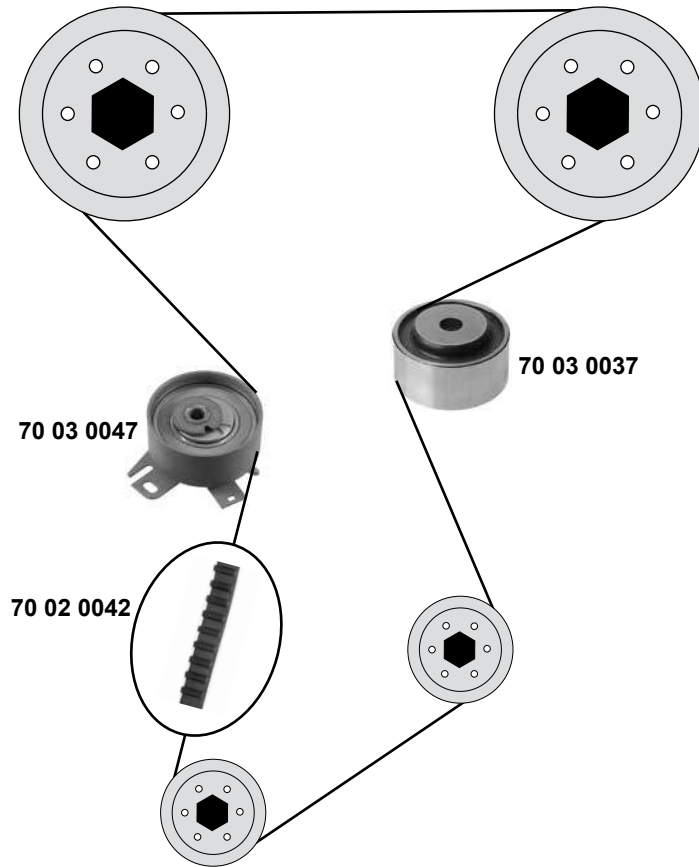


Ref. - No.



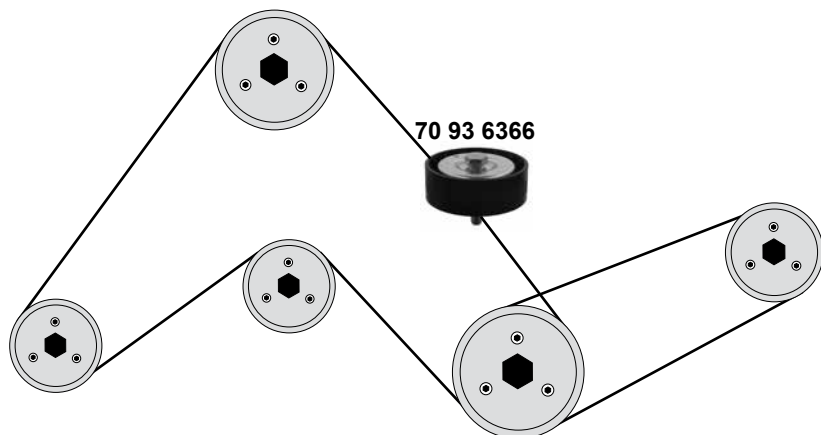
70 02 0062	71719652	Zahnriemen / timing belt	(mot.) 9042883 →	Z 129 B15
70 02 0063	55203786	Zahnriemen / timing belt	(1)	Z 125 B15
70 03 0005	71740977	Spannrolle / tension roller		ØA 57 H24
70 91 9658	71771576	Rep. Satz Zahnriemen / rep. kit timing belt	(mot.) 9042884 →	Z 129 B15
70 92 2376	55195023	Spannrolle / tension roller	02 →	Ø A 65 B23,5
70 92 8662	55233759	Spannrolle / tension roller	(mot.) 2533528 →	Ø A55,5 B26
70 92 8663	71753156	Zahnriemen / timing belt	(mot.) 2533528 →	Z 129 B22
70 92 8664	71775900	Rep.Satz.Zahnriemen / rep.kit. timing belt	(mot.) 2533528 →	
99 02 0036	71749474	Zahnriemen / timing belt	(mot.) → 9042883	Z 108 B15
99 02 0042	71749474 S1	Rep. Satz Zahnriemen / rep. kit timing belt	(mot.) → 9042883	Z 108 B15

**1,6 16V**

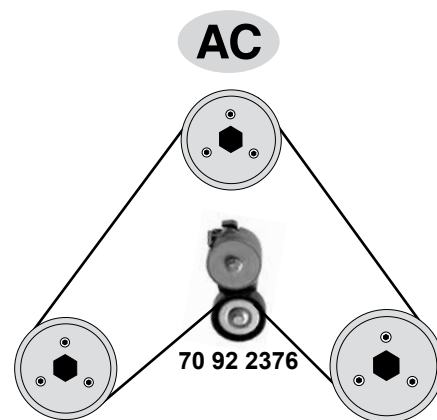


	Ref. - No.			
70 02 0042	55188191	Zahnriemen / timing belt		Z 158 B24
70 02 0056	71736715	Rep. Satz Zahnriemen / rep. kit timing belt		Z 158 B24
70 03 0021	46424716	Spannrolle / tension roller		ØA 80 H24
70 03 0037	55211287	Umlenkrolle / deflection pulley	97→	ØA 65 H30,4/35,4
70 03 0047	71734799	Spannrolle / tension roller		ØA 60 H29

1,2 44kW / 1,4 59kW

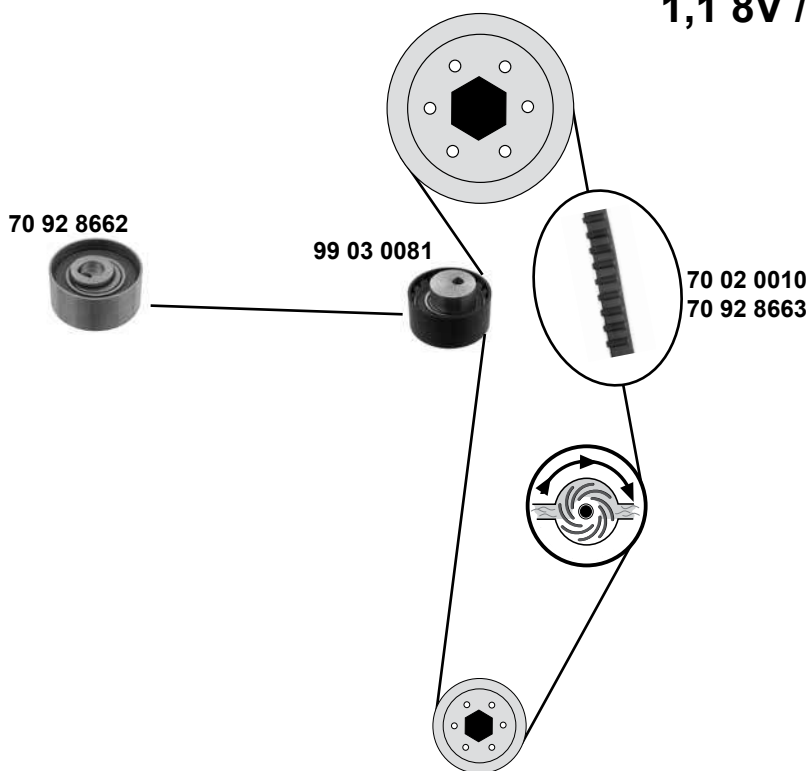


1,0 8V / 1,2 / 1,4 59kW



**Palio / Siena Extra Europa Rest. (178/BX)**  
(02→11)

1,1 8V / 1,2 8V/16V / 1,4 8V



(1) **BM 178BX** 1,1 8V / 1,2 8V / 1,4 8V / **BM 178** 1,2 8V / 1,4 8V



Ref. - No.



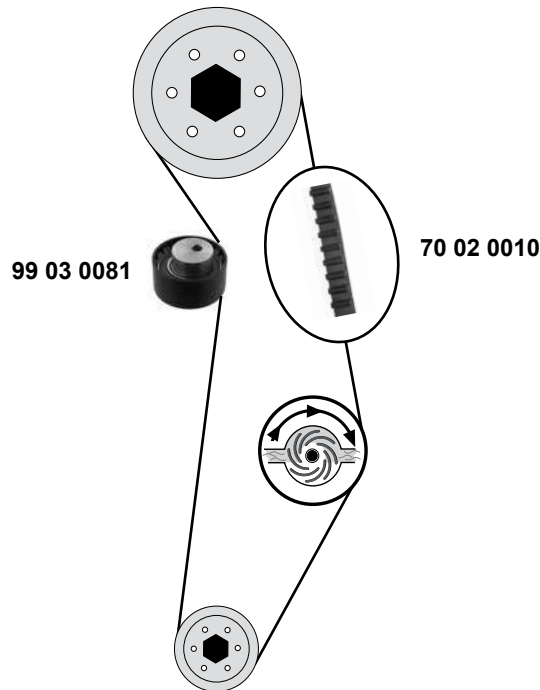
70 02 0010	46403659	Zahnriemen / timing belt	1,2 16V	Z 124 B 22
70 92 2376	55195023	Spannrolle / tension roller	→11	ØA 65 B23,5
70 92 8662	55233759	Spannrolle / tension roller	(1)	ØA55,5 B26
70 92 8663	71753156	Zahnriemen / timing belt	(1)	Z 129 B22
70 92 8664	71775900	Rep. Satz Zahnriemen / rep. kit timing belt	(1)	ØA 65 B23
70 93 6366	55204392	Spannrolle / tension roller		ØA 60 B29
99 03 0081	55248394	Spannrolle / tension roller	1,2 16V	

# FIAT Palio Weekend / Siena Rest. (178/DX)

(05→11)



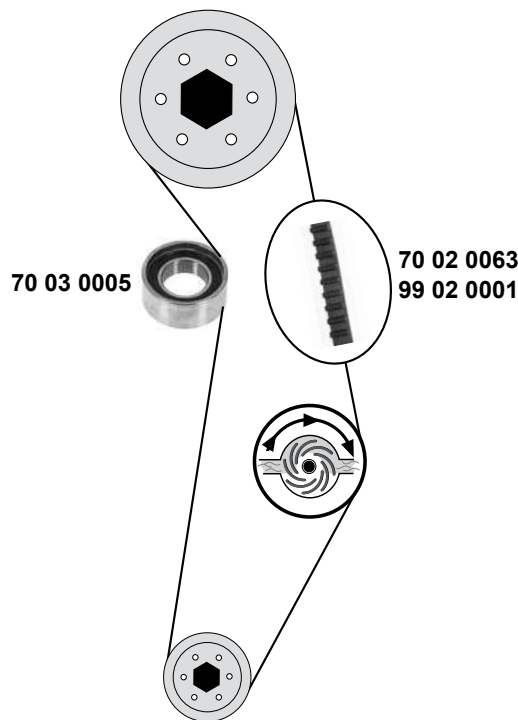
1,2 16V



## Panda I

(81→02)

(alle / all)



(1)	(mot.) 0,8 M2/M3	9042884 →	→ 03
	(mot.) 1,0 M1/M2/M5/M6	9042884 →	→ 03
	(mot.) 1,1 M3/M4 Eur II	9042884 →	→ 03



Ref. - No.



<b>70 02 0010</b>	46403659	Zahnriemen / timing belt			Z 124 B 22
<b>70 02 0063</b>	55203786	Zahnriemen / timing belt		(1)	Z 125 B15
<b>70 03 0005</b>	71740977	Spannrolle / tension roller			ØA 57
<b>70 91 9657</b>	46750865 S1	Rep. Satz Zahnriemen / rep. kit timing belt		(mot.) 1,1 / 9042884 →	Z 125 B15
<b>99 02 0001</b>	46474432	Zahnriemen / timing belt		(mot.) → 9042883	Z 104 B15
<b>99 02 0039</b>	7554701 S1	Rep. Satz Zahnriemen / rep. kit timing belt		(mot.) → 9042883	Z 104 B15
<b>99 03 0081</b>	55248394	Spannrolle / tension roller			ØA 60 B 29



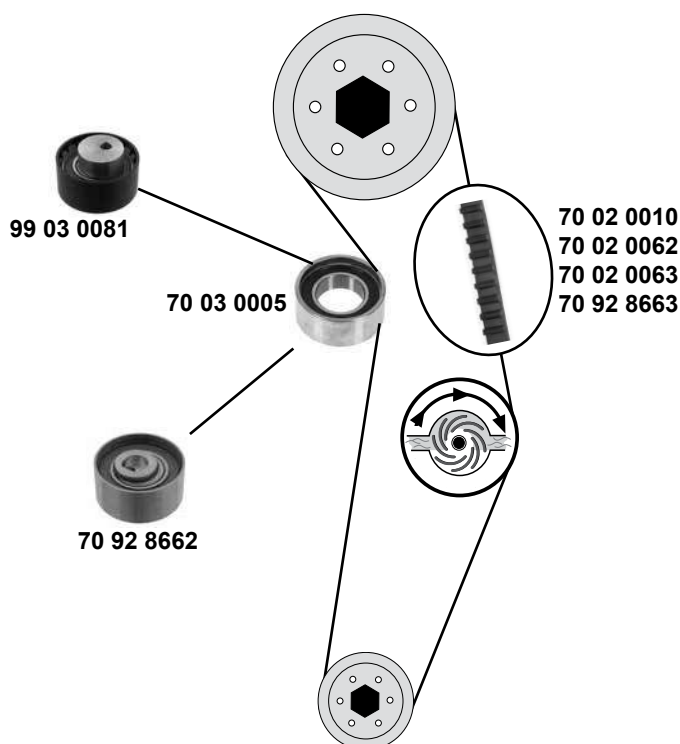
# FIAT

## Panda II Nuova (169)

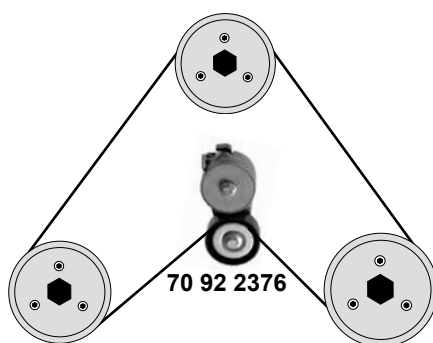
(03→09)



1,1 / 1,2 / 1,4



AC



- (1) (mot.) 1,1 M1 (mot.) → 2533527 →09  
 (2) (mot.) 1,1 →09 / (mot.) 1,2 / (mot.) 1,4 16V 74kW  
 (3) (mot.) 1,1 8V / (mot.) 1,2 8V 44 kW / (mot.) 2942435→



Ref. - No.



70 02 0010	46403659	Zahnriemen / timing belt	(mot.) 1,4 16V →09	Z 124 B22
70 02 0062	71719652	Zahnriemen / timing belt	(mot.) 1,2 / → 2533528	Z 129 B15
70 02 0063	55203786	Zahnriemen / timing belt	(1)	Z 125 B15
70 03 0005	71740977	Spannrolle / tension roller		ØA 57
70 91 9657	46750865 S1	Rep. Satz Zahnriemen / rep. kit timing belt	(mot.) 1,1 / 9042884 →	Z 125 B15
70 91 9658	71771576	Rep. Satz Zahnriemen / rep. kit timing belt	(mot.) 1,2 / → 2533528	Z 129 B15
70 92 2376	55195023	Spannrolle / tension roller	(2)	ØA65 B23,5
70 92 2377	71736717	Rep. Satz Zahnriemen / rep. kit timing belt	(mot.) 1,4 CF4	Z 124 B22
70 92 8662	55233759	Spannrolle / tension roller	(3) →09	ØA55,5 B26
70 92 8663	71753156	Zahnriemen / timing belt	(3) →09	Z 129 B22
70 92 8664	71775900	Rep.Satz.Zahnriemen / rep.kit. timing belt	(3) →09	
99 03 0081	55248394	Spannrolle / tension roller	(mot.) 1,4 74kW →09	ØA 60 B29

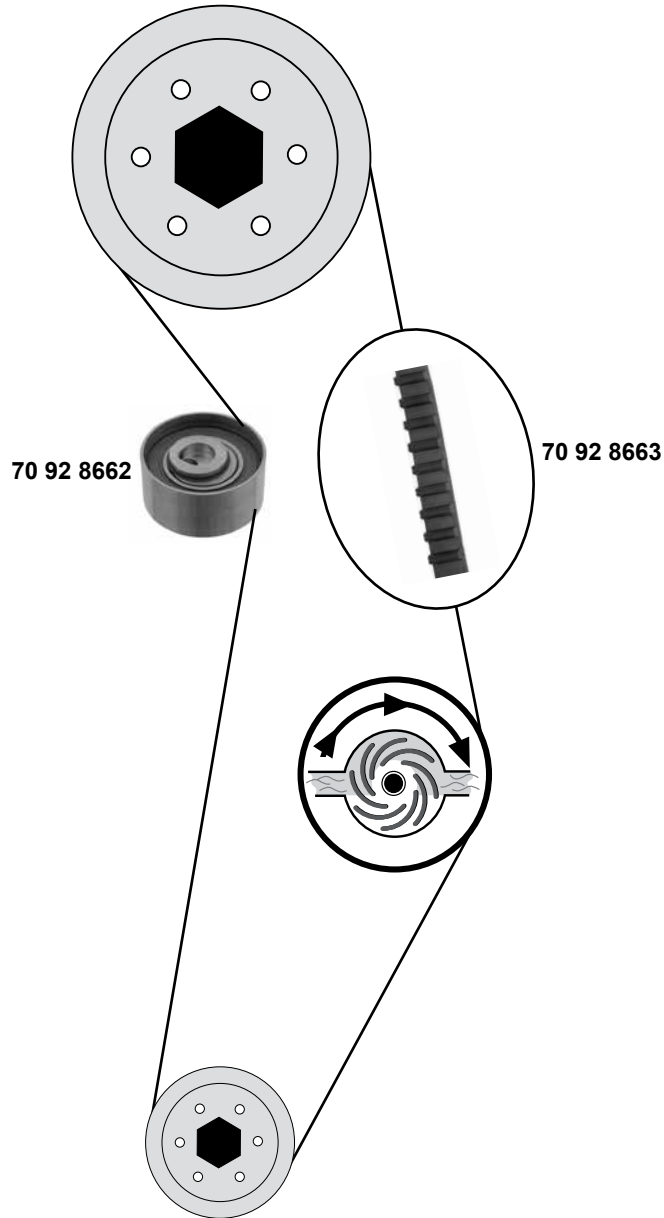
# FIAT

## Panda Classic (312)

(12→12)



1,2 8V / 1,4 8V/16V



SWAG GERMANY	Ref. - No.			
70 92 8662	55233759	Spannrolle / tension roller		ØA 55,5 B26
70 92 8663	71753156	Zahnriemen / timing belt		Z 129 B22
70 92 8664	71775900	Rep.Satz.Zahnriemen / rep.kit. timing belt		

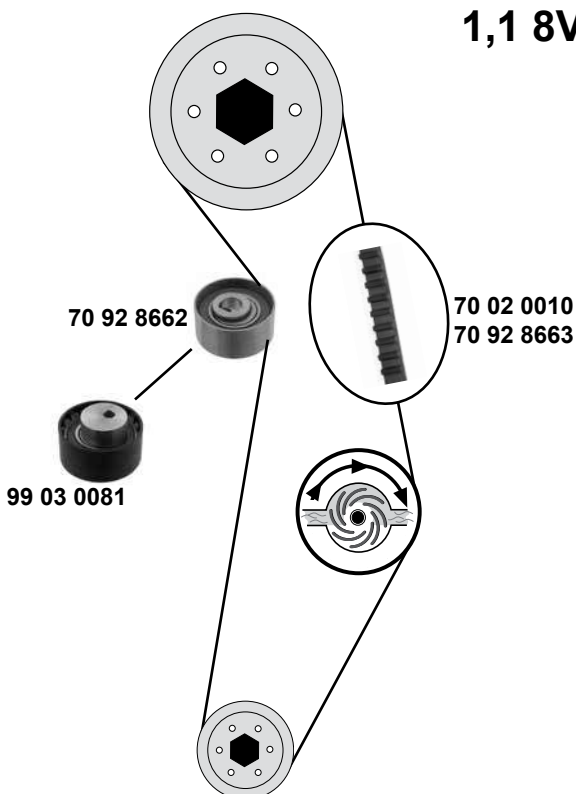


# FIAT

## Panda MY (169)

(09→11)

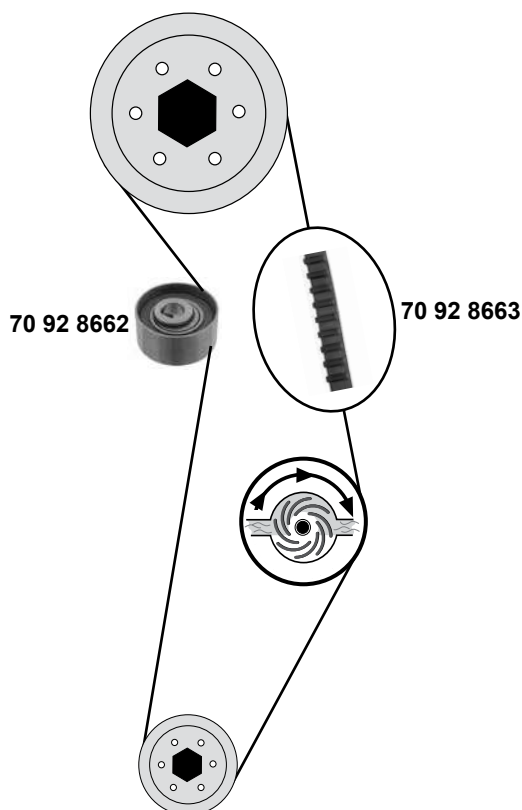
1,1 8V / 1,2 8V / 1,4 8V/16V



## Panda Nuova (312)

(12→)

### 1,2 8V



Ref. - No.



70 02 0010	46403659	Zahnriemen / timing belt	→10 1,4 16V	Z 124 B22
70 92 8662	55233759	Spannrolle / tension roller		ØA 55,5 B26
70 92 8663	71753156	Zahnriemen / timing belt		Z 129 B22
70 92 8664	71775900	Rep.Satz.Zahnriemen / rep.kit. timing belt		
99 03 0081	55248394	Spannrolle / tension roller	→10 1,4 16V 74kW	ØA 60 B 29

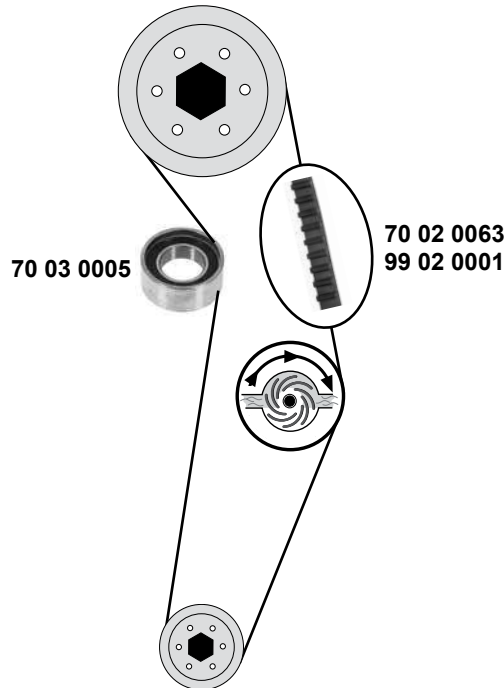
# FIAT

## Punto I (176)

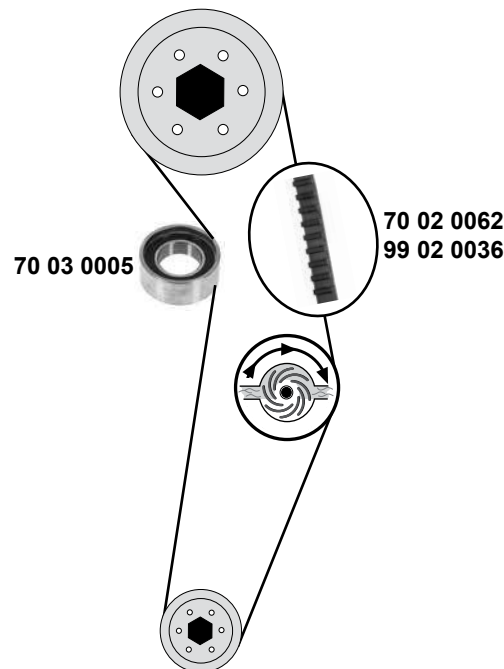
(93→99)



**55**  
**1,1 8V**

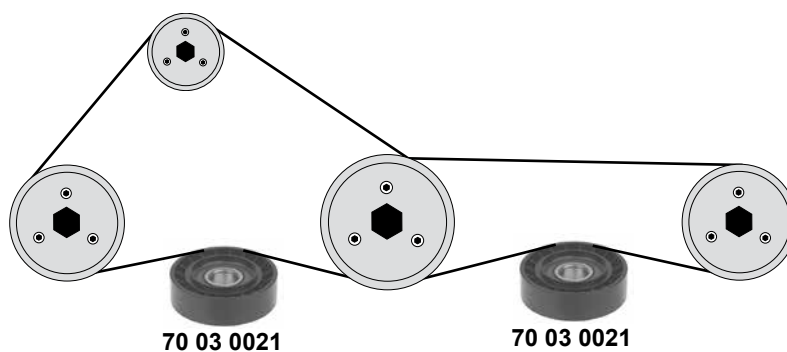
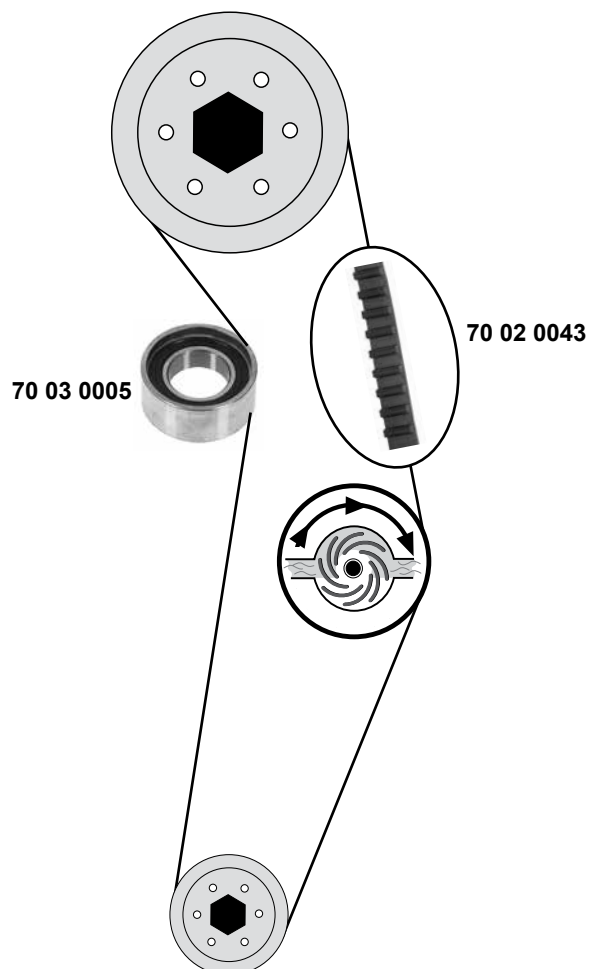


**60 / 75**  
**1,2 8V**



(1) (mot.) M1/M6 9042884 → 97 → 99

SWAG GERMANY	Ref. - No.			
70 02 0062	71719652	Zahnriemen / timing belt	(mot.) 9042883 →	Z 129 B15
70 02 0063	55203786	Zahnriemen / timing belt	(1)	Z 125 B15
70 03 0005	71740977	Spannrolle / tension roller		ØA 57 H24
70 91 9657	46750865 S1	Rep. Satz Zahnriemen / rep. kit timing belt	(mot.) 9042883 →	Z 125 B15
70 91 9658	71771576	Rep. Satz Zahnriemen / rep. kit timing belt	(mot.) 9042883 →	Z 129 B15
99 02 0001	46474432	Zahnriemen / timing belt	(mot.) → 9042883	Z 104 B15
99 02 0036	71749474	Zahnriemen / timing belt	(mot.) → 9042883	Z 108 B15
99 02 0039	7554701 S1	Rep. Satz Zahnriemen / rep. kit timing belt	(mot.) → 9042883	Z 104 B15
99 02 0042	71749474 S1	Rep. Satz Zahnriemen / rep. kit timing belt	(mot.) → 9042883	Z 108 B15



# FIAT

## Punto I (176)

(93→99)



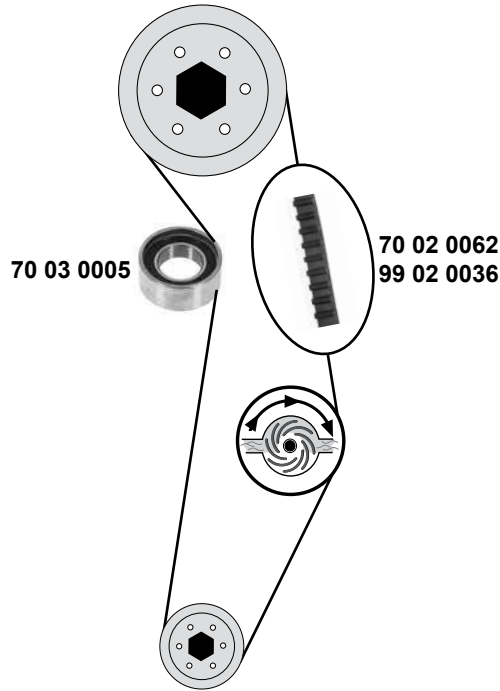
### 1,2 8V

Rep. Satz / rep. kit

**SWAG 70 91 9658**

Rep. Satz / rep. kit

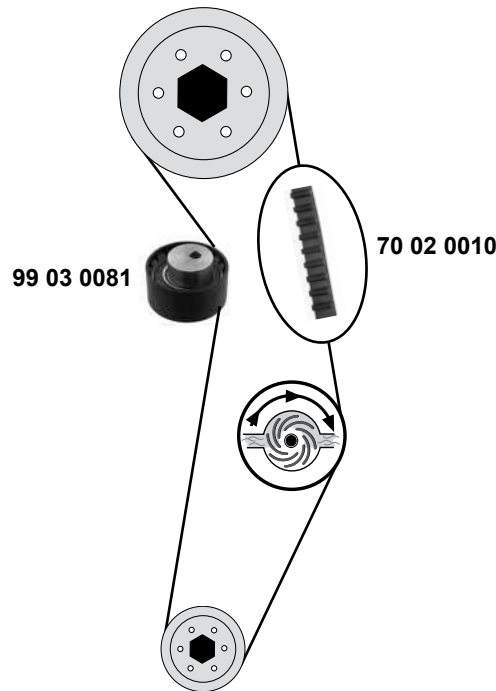
**SWAG 99 02 0042**



### 1,2 16V

Rep. Satz / rep. kit

**SWAG 70 92 2377**



- (1) 97→ / (mot.) 9042883 →
- (2) 97→ / (mot.) → 9042883
- (3) 97→ / (mot.) → 9042883



Ref. - No.

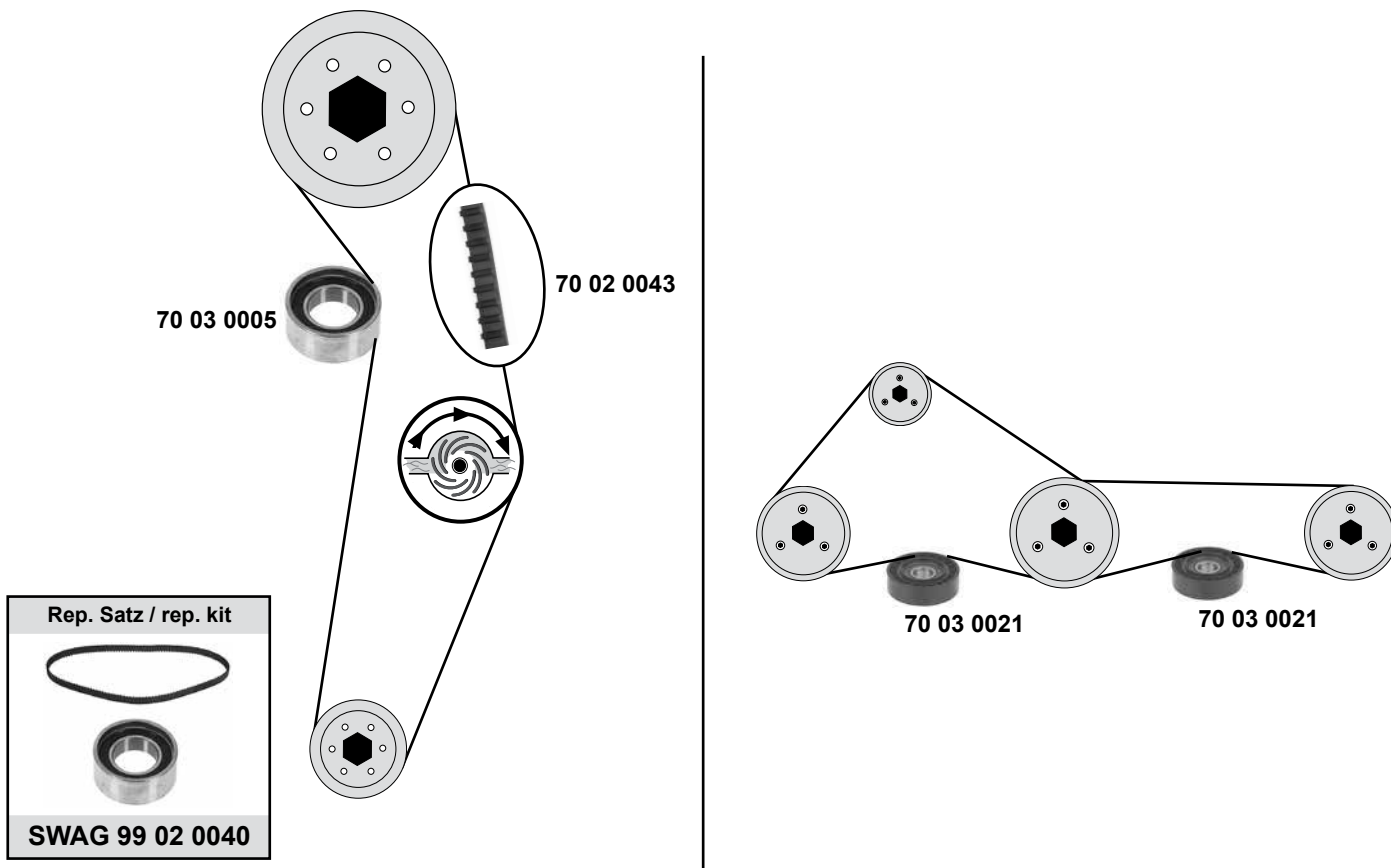


Ref. - No.				
70 02 0010	46403659	Zahnriemen / timing belt	97→	Z 124 B22
70 02 0062	71719652	Zahnriemen / timing belt	97→	Z 129 B15
70 03 0005	71740977	Spannrolle / tension roller	97→	ØA 57 H24
70 91 9658	71771576	Rep. Satz Zahnriemen / rep. kit timing belt	(1)	Z 129 B15
70 92 2377	71736717	Rep. Satz Zahnriemen / rep. kit timing belt	97→	Z 124 B22
99 02 0036	71749474	Zahnriemen / timing belt	(3)	Z 108 B15
99 02 0042	71749474 S1	Rep. Satz Zahnriemen / rep. kit timing belt	(2)	Z 108 B15
99 03 0081	55248394	Spannrolle / tension belt	97→ / 63 kW	ØA 60 H29

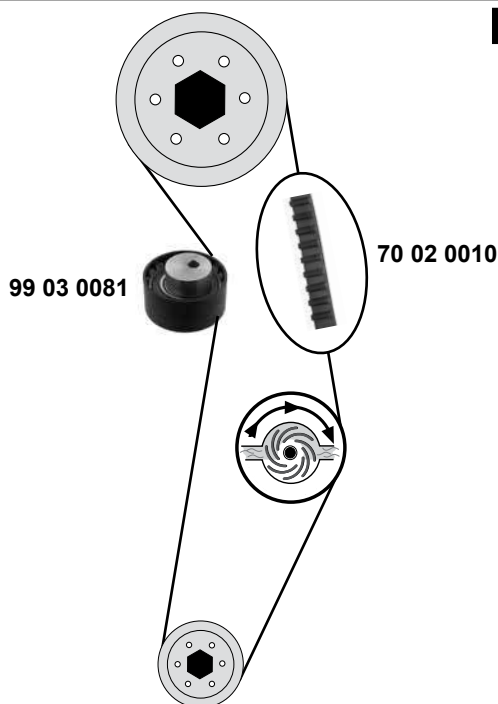


# FIAT Punto I (176) (93→99)

## 1,4 TURBO



## Punto I Cabrio (176C) (97→00) 1,2 16V



Ref. - No.



70 02 0043	71719005	Zahnriemen / timing belt	97→	Z 138 B15
70 02 0010	46403659	Zahnriemen / timing belt		Z 124 B22
70 03 0005	71740977	Spannrolle / tension roller	97→	ØA 57 H24
70 03 0021	46424716	Spannrolle / tension roller	97→	ØA 80 H24
99 02 0040	46408751 S1	Rep. Satz Zahnriemen / rep. kit timing belt	97→	Z 138 B15
99 03 0081	55248394	Spannrolle / tension belt	63 kW	ØA 60 H29

# FIAT


## Punto II (188)

(99→10)




### 1,2 8V

Rep. Satz / rep. kit




**SWAG 70 91 9658**

Rep. Satz / rep. kit




**SWAG 70 92 8664**

Rep. Satz / rep. kit



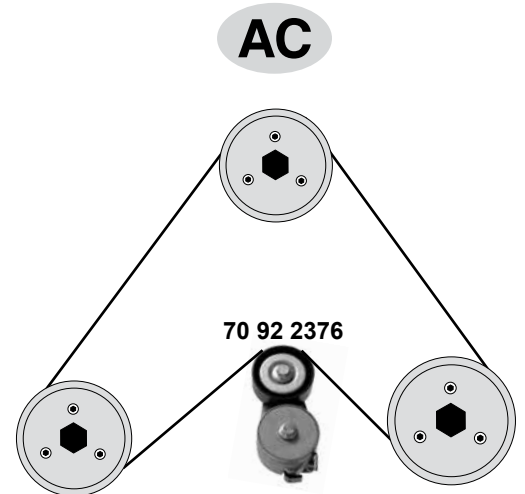
**SWAG 99 02 0042**



70 03 0005


70 92 8662

70 02 0062  
70 92 8663  
99 02 0036

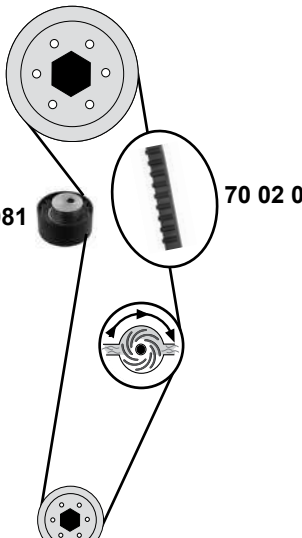


### 1,2 16V / 1,4 16V

Rep. Satz / rep. kit

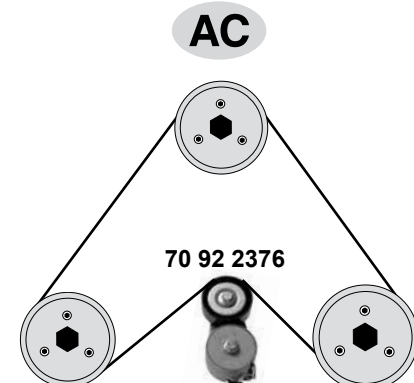


**SWAG 70 92 2377**



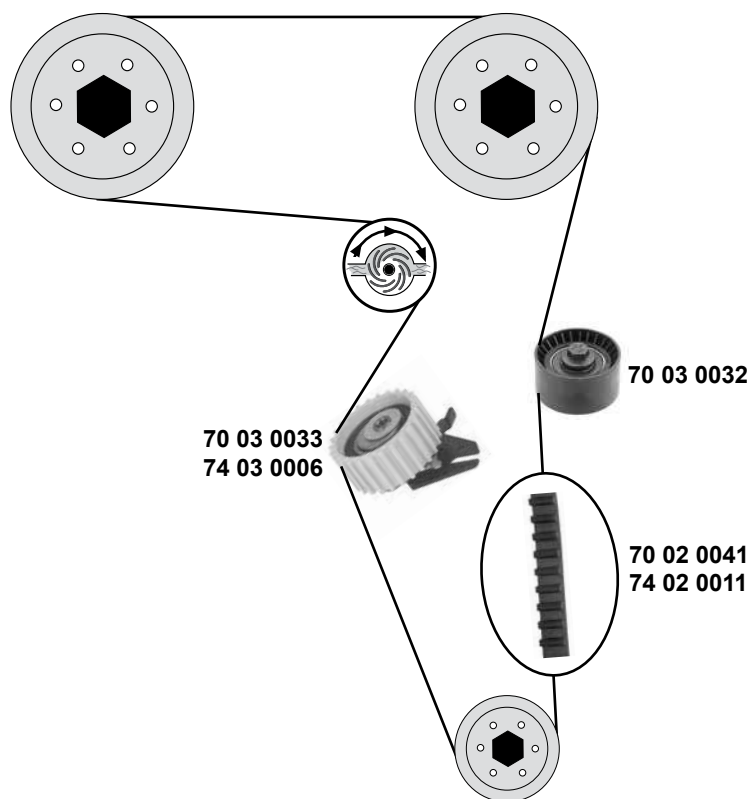
99 03 0081

70 02 0010



SWAG	Ref. - No.			
70 02 0010	46403659	Zahnriemen / timing belt		Z 124 B22
70 02 0062	71719652	Zahnriemen / timing belt	(mot.) → 2533528	Z 129 B15
70 03 0005	71740977	Spannrolle / tension roller		ØA 57 H24
70 91 9658	71771576	Rep. Satz Zahnriemen / rep. kit timing belt	(mot.) → 2533528	Z 129 B15
70 92 2376	55195023	Riemenspanner / belt tensioner		ØA 65 B23,5
70 92 2377	71736717	Rep. Satz Zahnriemen / rep. kit timing belt		Z 124 B22
70 92 8662	55233759	Spannrolle / tension roller	03 →	ØA 55,5 B26
70 92 8663	71753156	Zahnriemen / timing belt	03 →	Z 129 B22
70 92 8664	71775900	Rep. Satz Zahnriemen / rep. kit timing belt	03 →	
99 02 0036	71749474	Zahnriemen / timing belt	(mot.) 2533528 →	Z 108 B15
99 02 0042	71749474 S1	Rep. Satz Zahnriemen / rep. kit timing belt	(mot.) 2533528 →	Z 108 B15
99 03 0081	55248394	Spannrolle / tension roller	1,2 59KW	ØA 60 H29





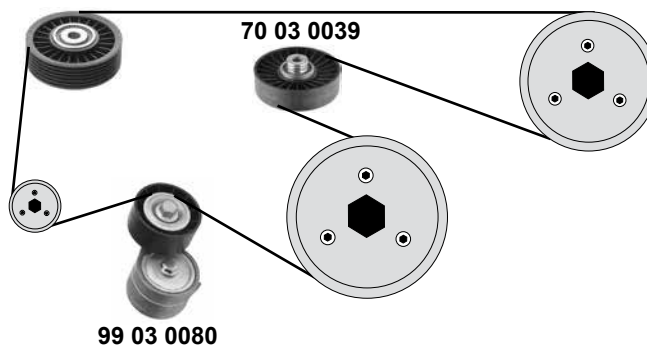
Rep. Satz / rep. kit


**SWAG 74 92 6147**

Rep. Satz / rep. kit


**SWAG 99 02 0046**

70 03 0040



99 03 0080

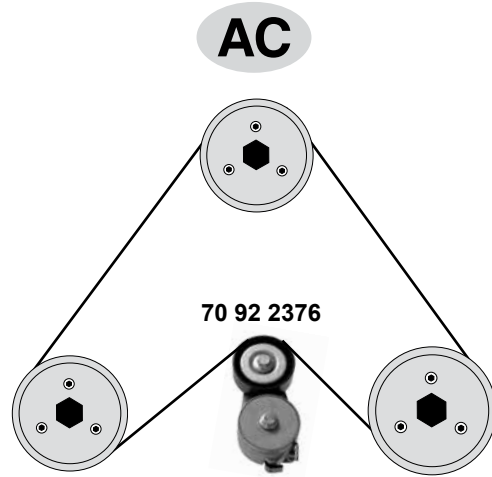
70 02 0041	55210628	Zahnriemen / timing belt			Z 168 B24
70 03 0032	60671573	Umlenkrolle / deflection pulley			ØA 57 H29/35
70 03 0033	55192239	Spannrolle / tension roller			ØA 65 H29
70 03 0039	73501924	Umlenkrolle / deflection pulley		AC	ØA 90 H24,5
70 03 0040	7740252	Umlenkrolle / deflection pulley		AC	ØA 80 Ø1 10 H23
74 02 0011	55210626	Zahnriemen / timing belt		(mot.) CF3/ CF4	Z 166 B24
74 03 0006	55192240	Spannrolle / tension roller		(mot.) CF3/ CF4	ØA 64,7 H28,7
74 92 6147	71736725	Rep. Satz Zahnriemen / rep. kit timing belt		(mot.) CF3/ CF4	Z 166 B24
99 02 0046	71736724	Rep. Satz Zahnriemen / rep. kit timing belt			Z 168 B24
99 03 0080	46524692	Riemenspanner / belt tensioner			

# FIAT Grande Punto (199)

(05→13)



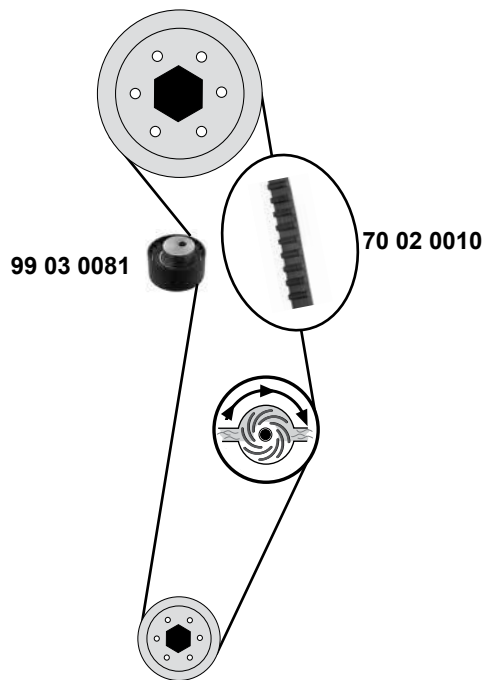
1,2 8V / 1,4 8V



# Grande Punto / Abarth (199)

(05→13)

1,4



(1) Grande Punto 1,4 16V →09 / Grande Punto Abarth 1,4 07→10

(2) Grande Punto 1,4 16V 70kW,88kW →09 / Grande Punto Abarth 1,4 07→10



Ref. - No.



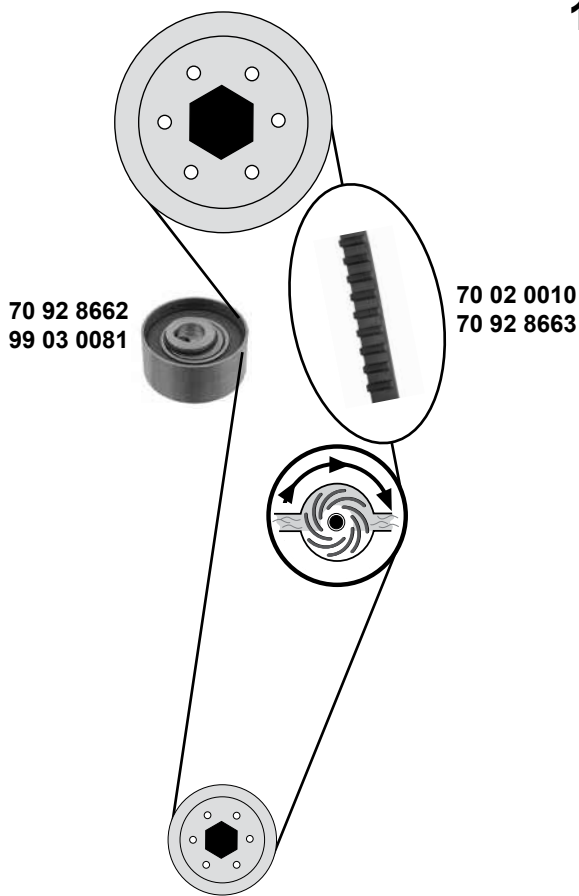
70 02 0010	46403659
70 92 2376	55195023
70 92 2377	71736717
70 92 8662	55233759
70 92 8663	71753156
70 92 8664	71775900
99 03 0081	55248394

Zahnriemen / timing belt
Riemenspanner / belt tensioner
Rep. Satz Zahnriemen / rep. kit timing belt
Spannrolle / tension roller
Zahnriemen / timing belt
Rep.Satz.Zahnriemen / rep.kit. timing belt
Spannrolle / tension roller

(1)
05→08
incl. <b>ABARTH</b>
(2)

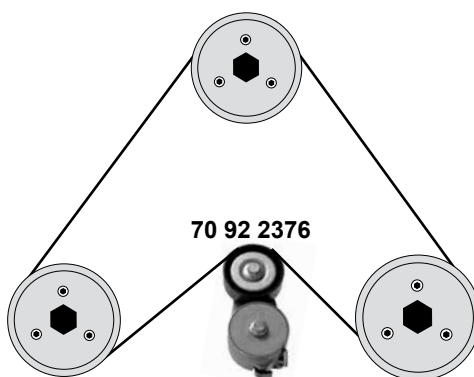
Z 124 B22
Z 124 B22
ØA 55,5 B26
Z 129 B22
ØA 60 H29

1,2 8V / 1,4 8V/16V



1,2 / 1,4

AC



(1) incl. NUOVA + ABARTH



Ref. - No.



70 02 0010	46403659	Zahnriemen / timing belt	16V	Z 124 B 22
70 92 2376	55195023	Riemenspanner / belt tensioner	(1) 1,2 1,4 8V	ØA 65 B23,5
70 92 8662	55233759	Spannrolle / tension roller	(ex.) 16V	ØA 55,5 B26
70 92 8663	71753156	Zahnriemen / timing belt	(ex.) 16V	Z 129 B22
70 92 8664	71775900	Rep.Satz.Zahnriemen / rep.kit. timing belt	(ex.) 16V	
99 03 0081	55248394	Spannrolle / tension roller	16V	ØA 60 B29

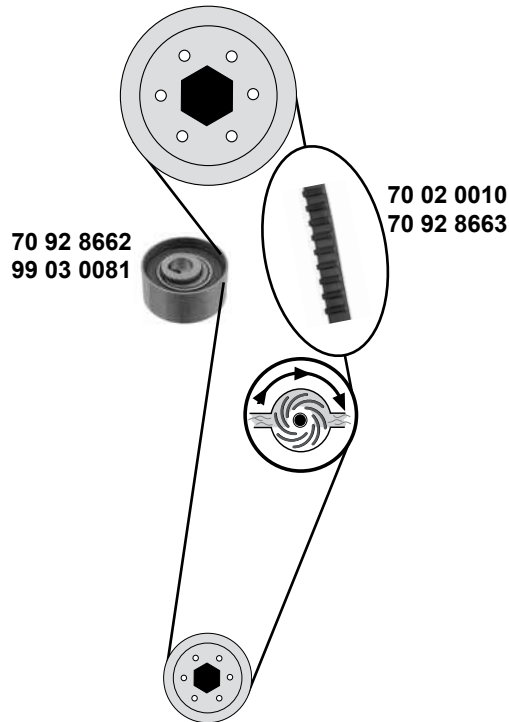
# FIAT

## Punto Nuova MY12 (199)

(12→13)



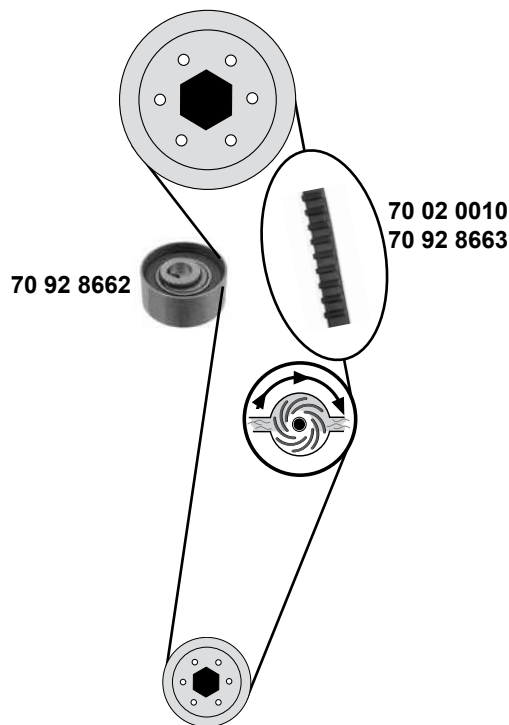
1,2 8V / 1,4 8V / 16V



## Punto MY13

(13→)

1,2 8V / 1,4 8V / 16V



- (1) Punto Nuova MY 1,4 16V / Punto Nuova MY Abarth 1,4 / Punto MY 13 1,4 16V
- (2) Punto MY 12 1,4 16V 77kW,99kW / Punto MY 12 Abarth 1,4 / Punto MY 13 1,4 16V



Ref. - No.



70 02 0010	46403659	Zahnriemen / timing belt	(1)	Z 124 B 22
70 92 8662	55233759	Spannrolle / tension roller	(ex.) 16V	ØA 55,5 B26
70 92 8663	71753156	Zahnriemen / timing belt	(ex.) 16V	Z 129 B22
70 92 8664	71775900	Rep.Satz.Zahnriemen / rep.kit. timing belt	(ex.) 16V	
99 03 0081	55248394	Spannrolle / tension roller	(2)	ØA 60 B29

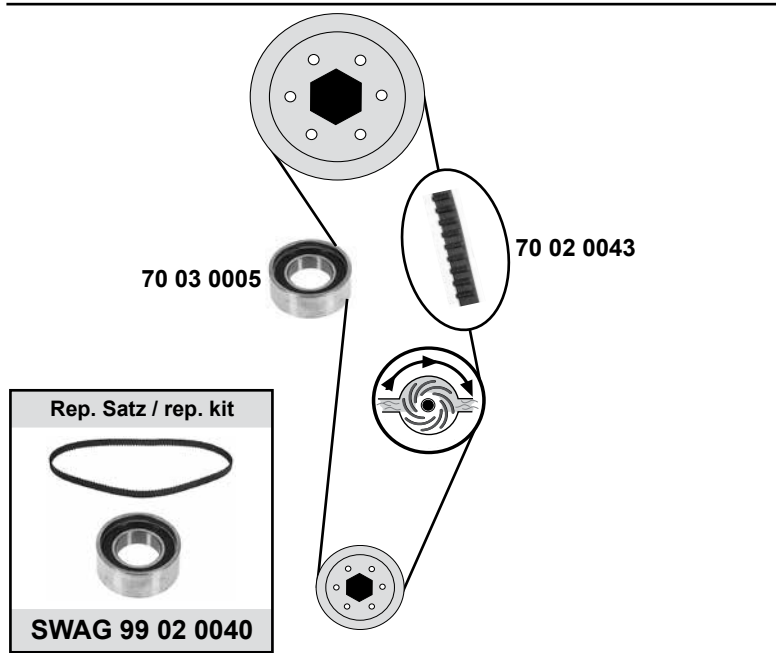
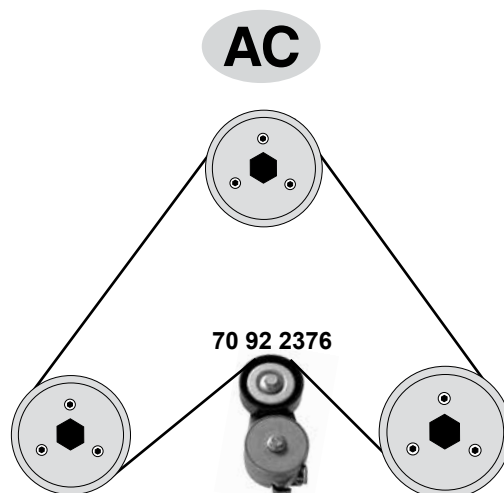
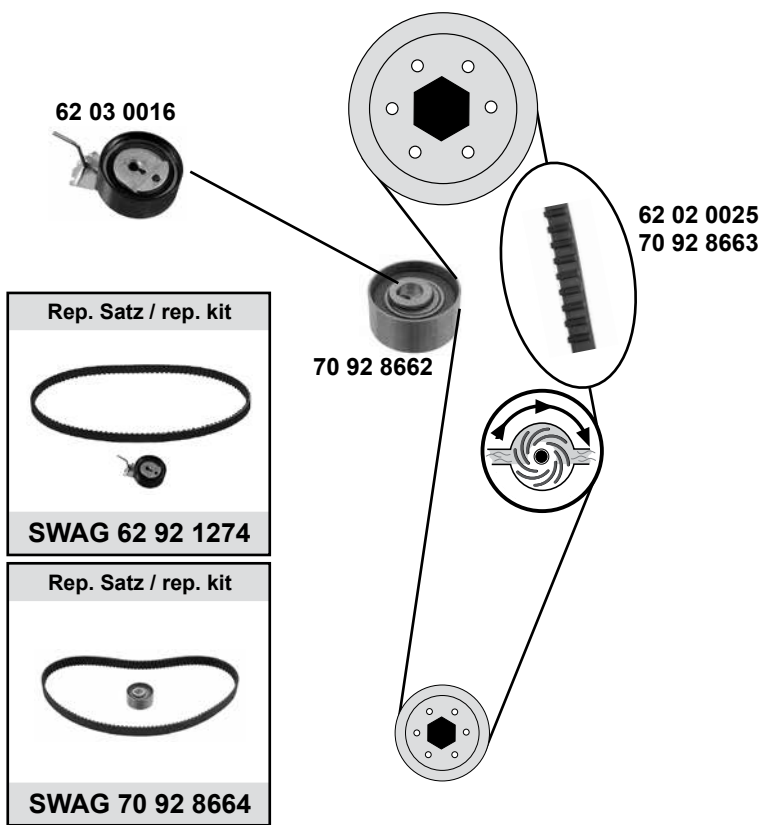


# FIAT

## Qubo (225)

(07→)

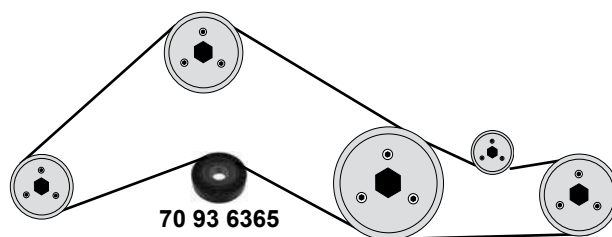
1,4 8V 54kW / 57kW



# Scudo (220)

(95→06)

1,6



Ref. - No.

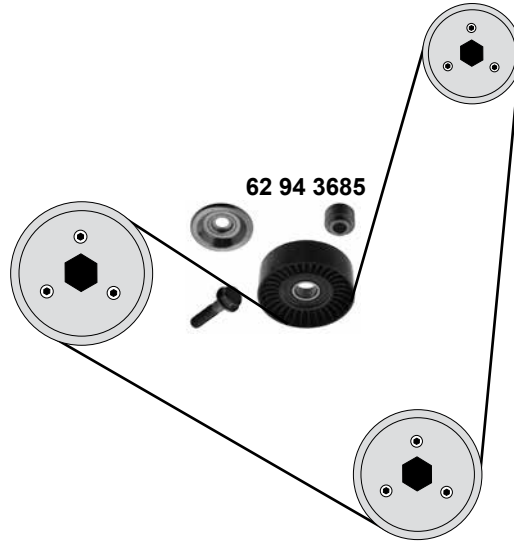


62 02 0025	9467581780	Zahnriemen / timing belt	54kW	
62 92 1274	9400831869	Rep.Satz.Zahnriemen / rep.kit. timing belt	54kW / Euro 4	Z 104 B17
62 03 0016	9400829909	Spannrolle / tension roller	54kW	ØA 60 B25
70 02 0043	71719005	Zahnriemen / timing belt		Z 138 B15
70 03 0005	71740977	Spannrolle / tension roller		ØA 57 H24
70 92 2376	55195023	Riemenspanner / belt tensioner	57kW	ØA 65 B23,5
70 92 8662	55233759	Spannrolle / tension roller	57kW	ØA 55,5 B26
70 92 8663	71753156	Zahnriemen / timing belt	57kW	Z 129 B22
70 92 8664	71775900	Rep.Satz.Zahnriemen / rep.kit. timing belt	57kW	
70 93 6365	46439471	Umlenkrolle / deflection pulley	→ 04	ØA 80 B27
99 02 0040	46408751 S1	Rep.Satz.Zahnriemen / rep.kit. timing belt		Z 138

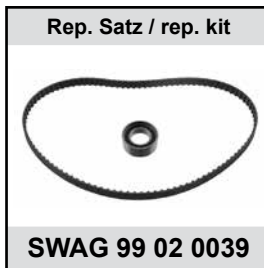
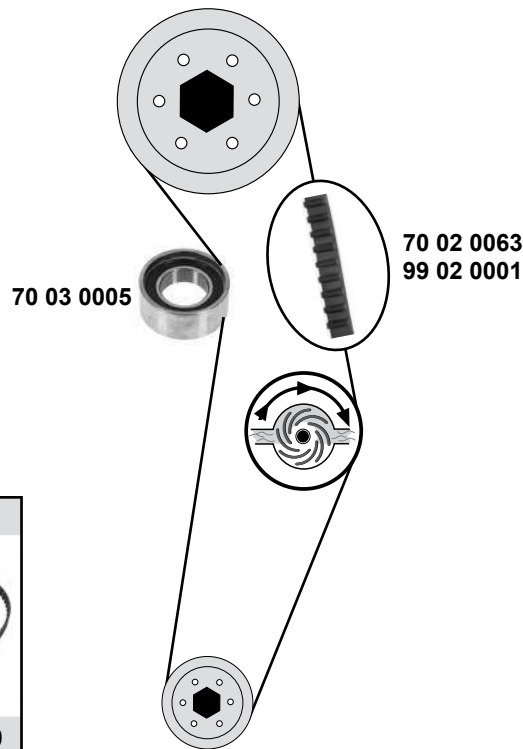
# FIAT Scudo (220) (95→07)



## 2,0 16V (100kW) (RFN)



# Seicento (187) (98→10) 1,1



(1) (mot.) 187A1.000 → 2934169  
(mot.) 176B2.000 9042884 →

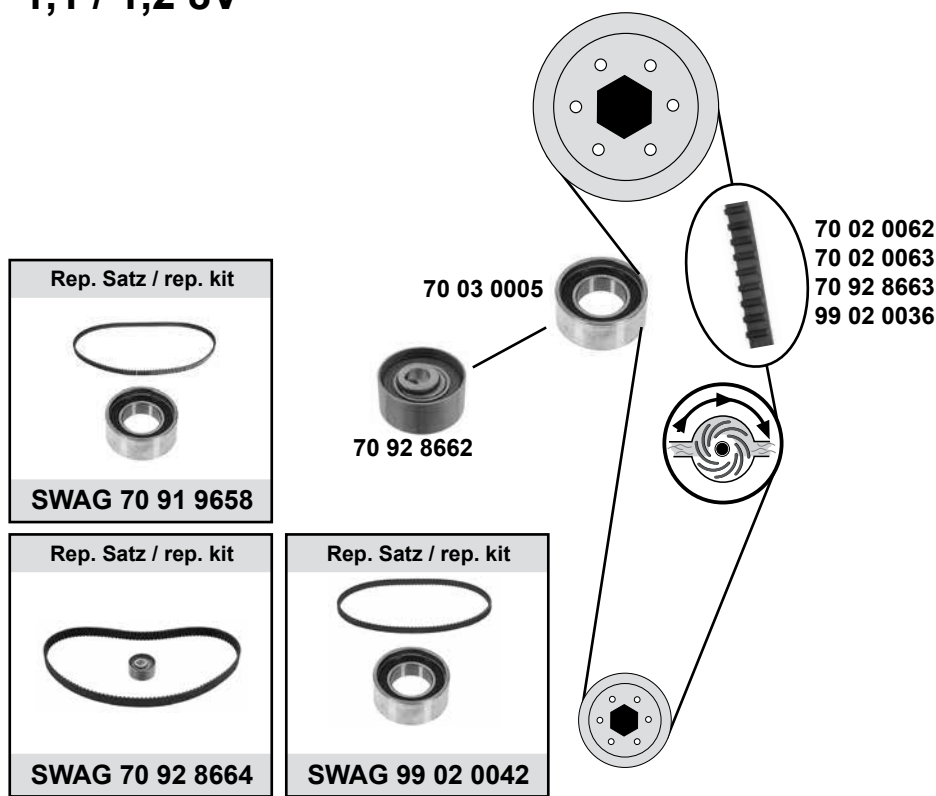


Ref. - No.

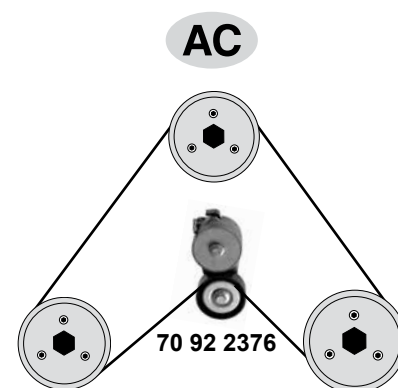


62 94 3685	9653342680	Umlenkrolle / deflection pulley		
70 02 0063	55203786	Zahnriemen / timing belt	(1)	ØA 78 B25 Z 125 B15
70 03 0005	71740977	Spannrolle / tension roller		ØA 57 H24
70 91 9657	46750865 S1	Rep. Satz Zahnriemen / rep. kit timing belt	(mot.) 9042883 →	Z 125 B15
99 02 0001	46474432	Zahnriemen / timing belt	(mot.) → 9042882	Z 104 B15
99 02 0039	7554701 S1	Rep. Satz Zahnriemen / rep. kit timing belt	(mot.) → 9042882	Z 104 B15

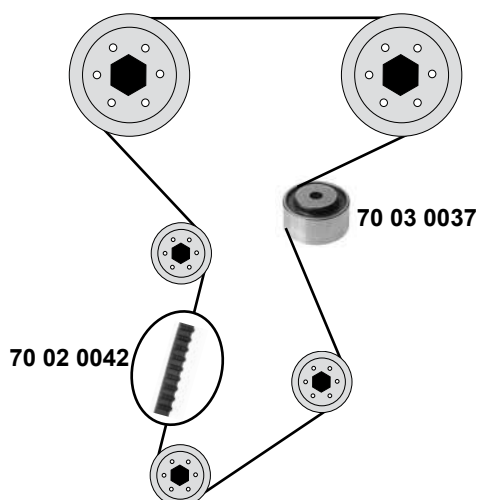
1,1 / 1,2 8V



1,2 16 V



1,6 16V



(1) (mot.) 1,1 M1 / 9042884 → / → 02

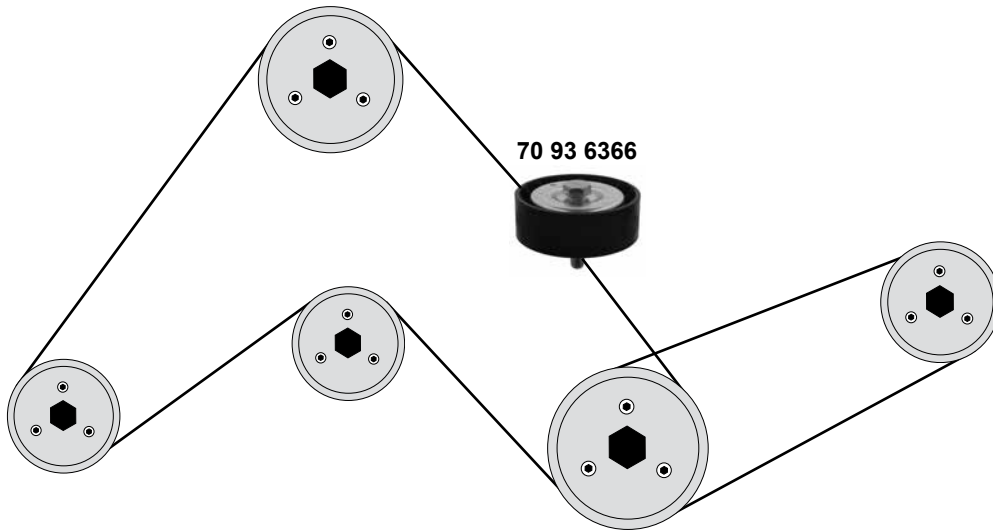


Ref. - No.



70 02 0042	55188191	Zahnriemen / timing belt	(mot.) 9042883 →	Z 158 B24
70 02 0062	71719652	Zahnriemen / timing belt	(1)	Z 129 B15
70 02 0063	55203786	Zahnriemen / timing belt		Z 125 B15
70 03 0005	71740977	Spannrolle / tension roller		ØA 57 H24
70 03 0037	55211287	Umlenkrolle / deflection pulley	97 →	ØA 65 B30,4
70 91 9658	71771576	Rep. Satz Zahnriemen / rep. kit timing belt	(mot.) 9042884 →	Z 129 B15
70 92 2376	55195023	Riemenspanner / belt tensioner	02 → 12	ØA 65 B23,5
70 92 8662	55233759	Spannrolle / tension roller	(mot.) 2533528 →	ØA 55,5 B26
70 92 8663	71753156	Zahnriemen / timing belt	(mot.) 2533528 →	Z 129 B22
70 92 8664	71775900	Rep.Satz.Zahnriemen / rep.kit. timing belt	(mot.) 2533528 →	Z 129 B22
99 02 0036	71749474	Zahnriemen / timing belt	(mot.) → 9042883	Z 108 B15
99 02 0042	71749474 S1	Rep. Satz Zahnriemen / rep. kit timing belt	(mot.) → 9042883	Z 108 B15

**1,2 44kW / 1,4 59kW**

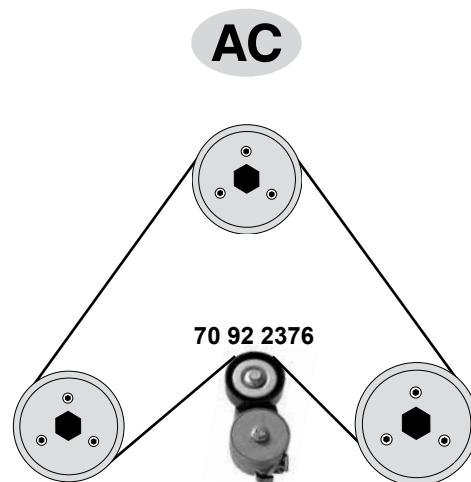
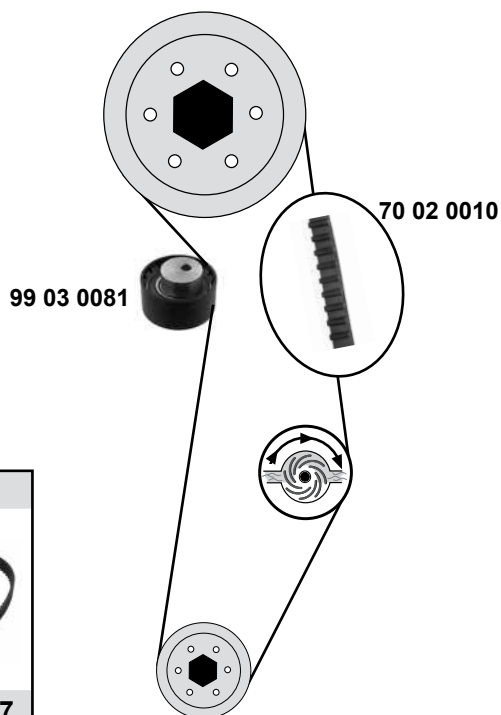




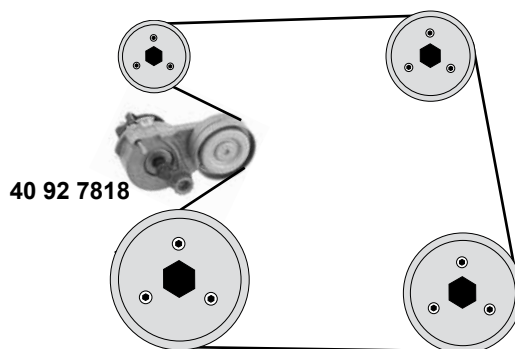
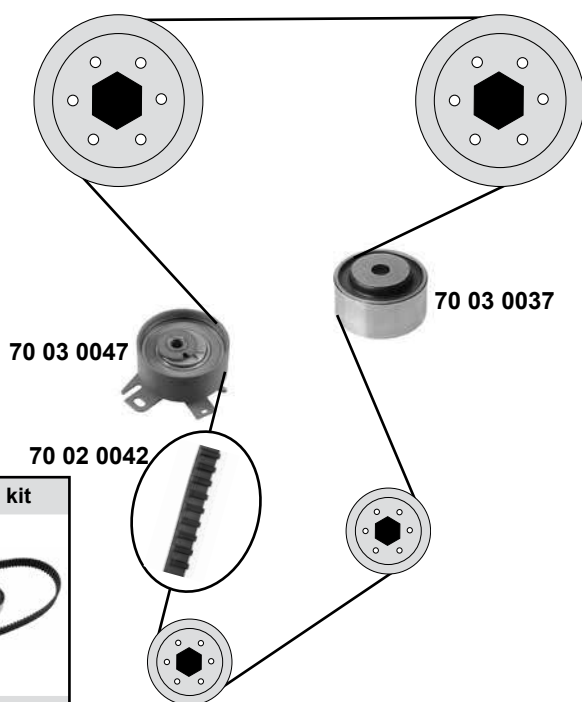


**FIAT**  
**Stilo / SW (192)**  
(01→07)

**1,2 16V / 1,4 16V**



**1,6 16V**



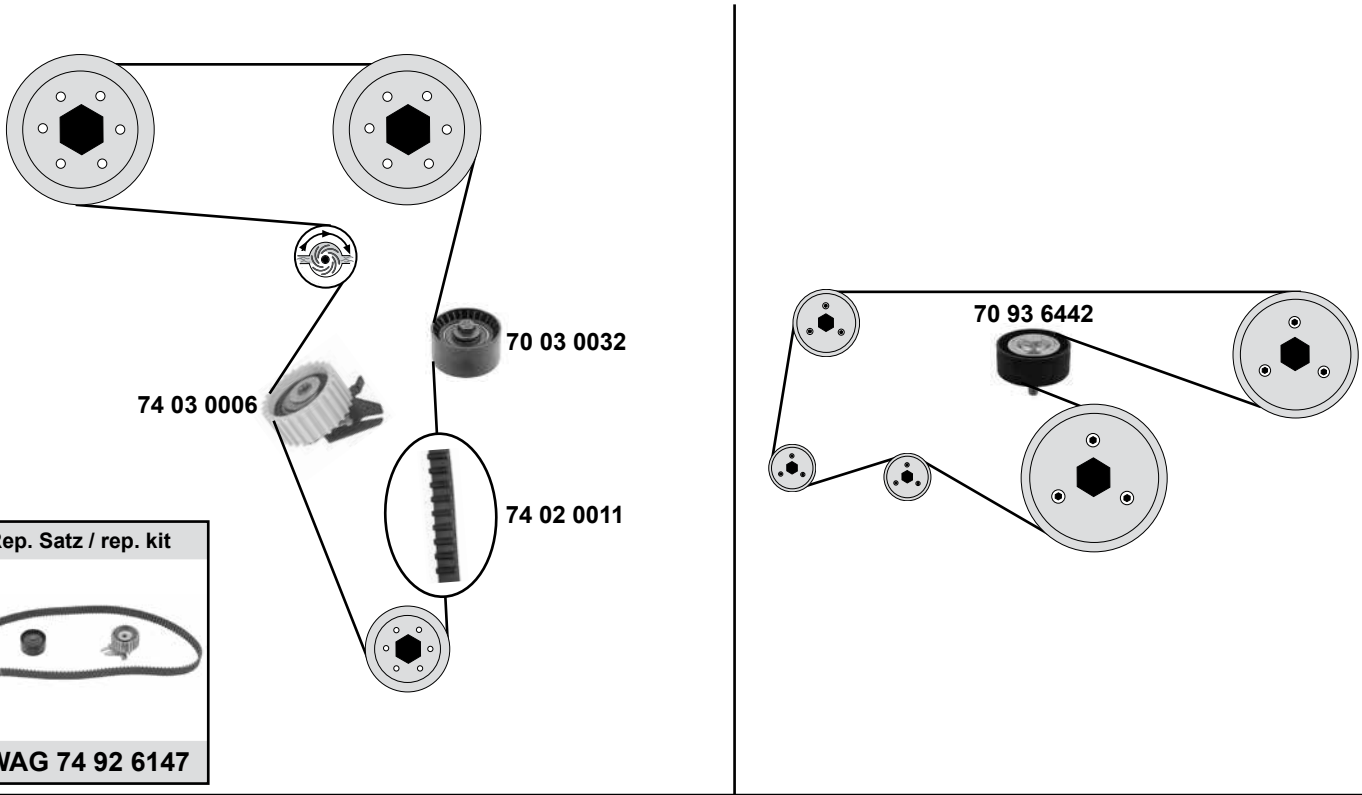
SWAG	Ref. - No.			
40 92 7818	55563512	Riemenspanner / belt tensioner	03 → 07	Z 124 B22
70 02 0010	46403659	Zahnriemen / timing belt		Z 158 B24
70 02 0042	55188191	Zahnriemen / timing belt		Z 158 B25,36
70 02 0056	71736715	Rep. Satz Zahnriemen / rep. kit timing belt		ØA 65 H30,4/35,4
70 03 0037	55211287	Umlenkrolle / deflection pulley	01 → 07	ØA 60 H29
70 03 0047	71734799	Spannrolle / tension roller		ØA 65 B23,5
70 92 2376	55195023	Riemenspanner / belt tensioner	01 → 07	Z 124 B22,05
70 92 2377	71736717	Rep. Satz Zahnriemen / rep. kit timing belt		ØA 60 H29
99 03 0081	55248394	Spannrolle / tension roller		

# FIAT Stilo / SW (192)

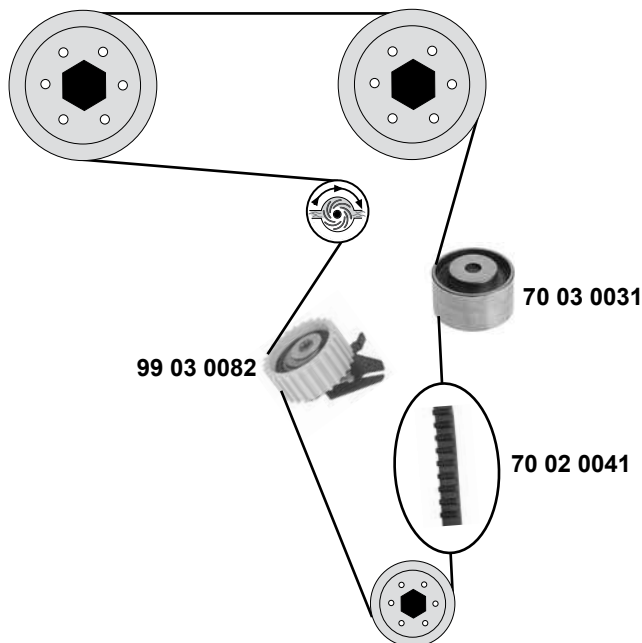
(01→07)



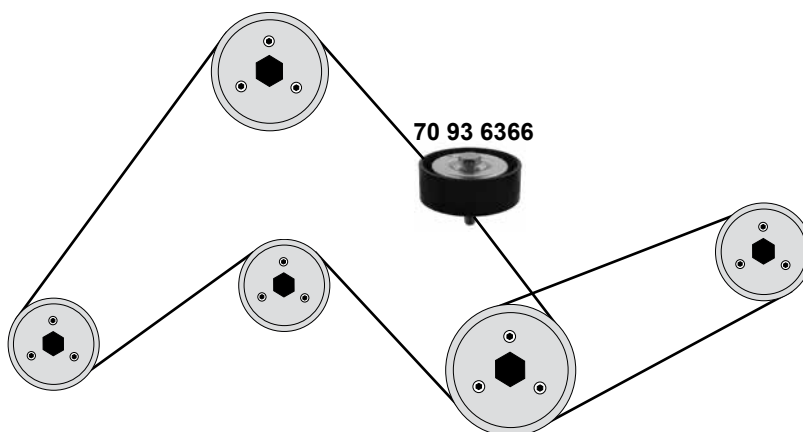
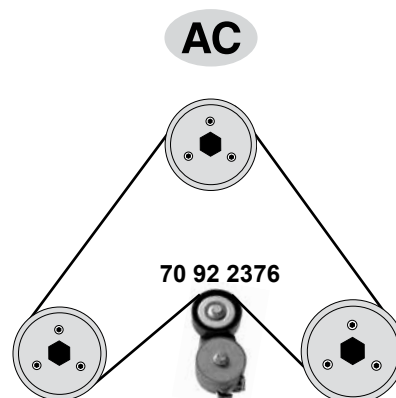
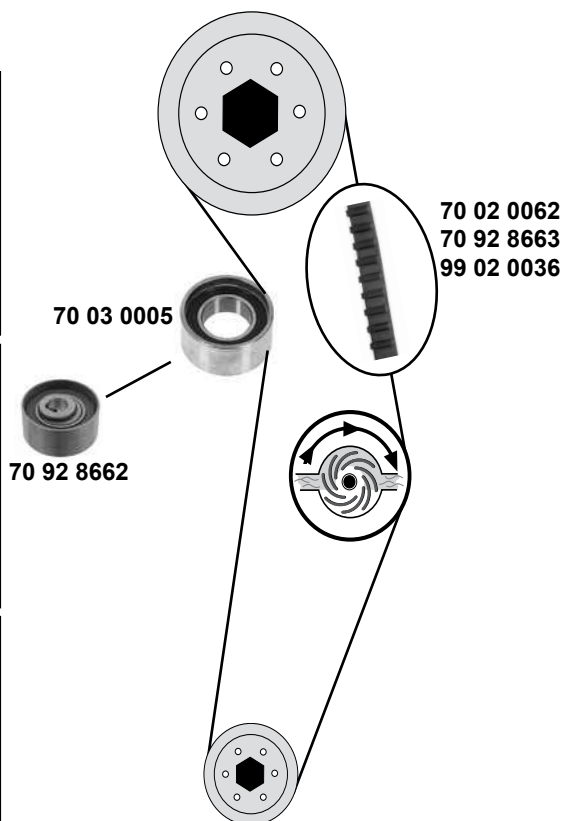
## 1,8 16V



## 2,4 20V



SWAG GERMANY	Ref. - No.			
70 02 0041	55210628	Zahnriemen / timing belt		Z 168 B24
70 03 0031	71736493	Umlenkrolle / deflection pulley		ØA 53
70 03 0032	60671573	Umlenkrolle / deflection pulley		ØA 57 H29/35
70 93 6442	60671789	Umlenkrolle / deflection pulley	→03	ØA 65 B25
74 02 0011	55210626	Zahnriemen / timing belt		Z 166 B24
74 03 0006	55192240	Spannrolle / tension roller		ØA64,7 H28,7
74 92 6147	71736725	Rep. Satz Zahnriemen / rep. kit timing belt		Z 166 B24
99 03 0082	55192773	Spannrolle / tension roller		



(1) 99→05 AC + servo



Ref. - No.

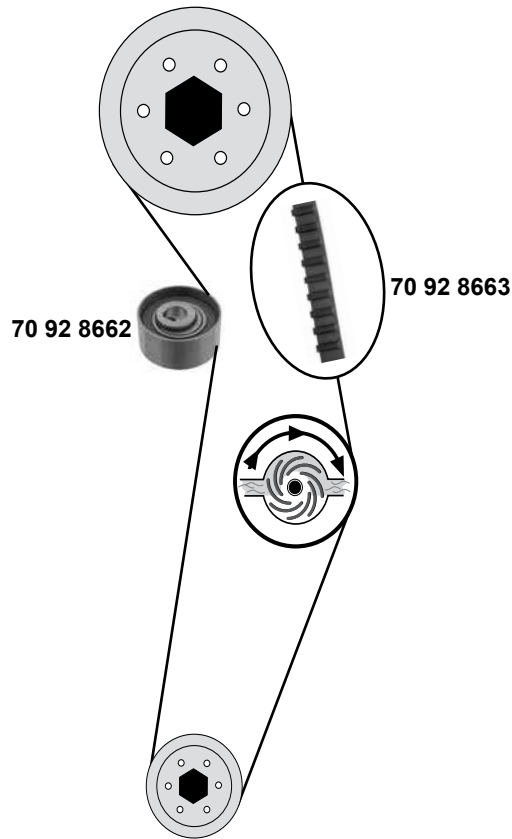


<b>70 02 0062</b>	71719652	Zahnriemen / timing belt	(mot.) 9042883 →	Z 129 B15
<b>70 03 0005</b>	71740977	Spannrolle / tension roller		ØA 57 H24
<b>70 91 9658</b>	71771576	Rep. Satz Zahnriemen / rep. kit timing belt	(mot.) 9042883 →	T 129 B15
<b>70 92 2376</b>	55195023	Riemenspanner / belt tensioner	99 → 05	ØA 65 B23,5
<b>70 92 8662</b>	55233759	Spannrolle / tension roller	→ 05	ØA 55,5 B26
<b>70 92 8663</b>	71753156	Zahnriemen / timing belt	→ 05	Z 129 B22
<b>70 92 8664</b>	71775900	Rep.Satz Zahnriemen / rep.kit. timing belt	→ 05	
<b>70 93 6366</b>	55204392	Spannrolle / tension roller	(1)	ØA 65 B23
<b>99 02 0036</b>	71749474	Zahnriemen / timing belt	(mot.) → 9042883	Z 108 B15
<b>99 02 0042</b>	71749474 S1	Rep. Satz Zahnriemen / rep. kit timing belt	(mot.) → 9042883	Z 108 B14,8

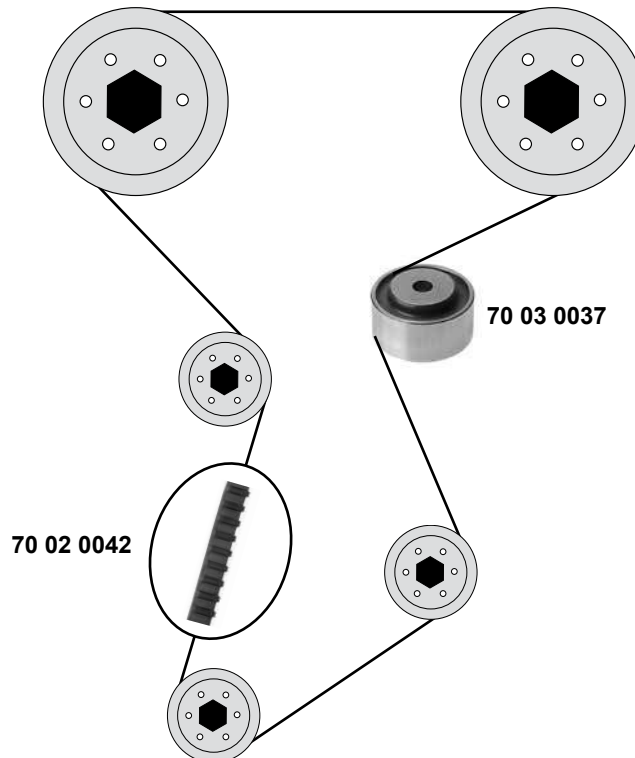
# FIAT Strada (178 E) (05→11)



## 1,2 8V

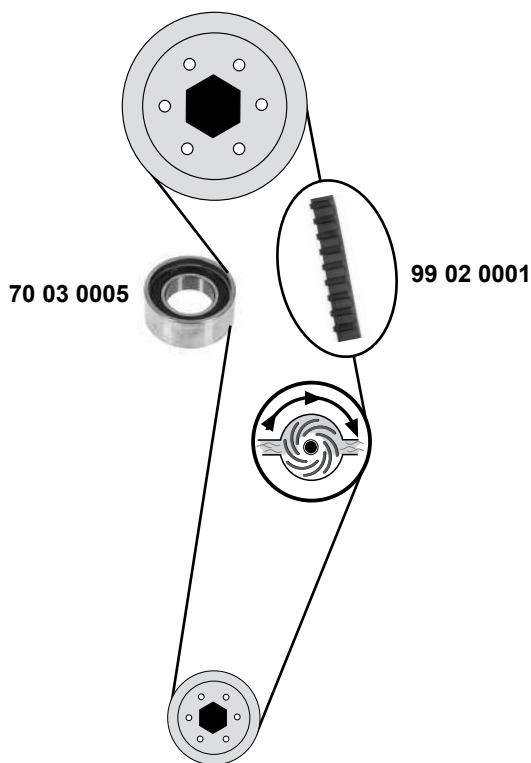


## 1,6 16V

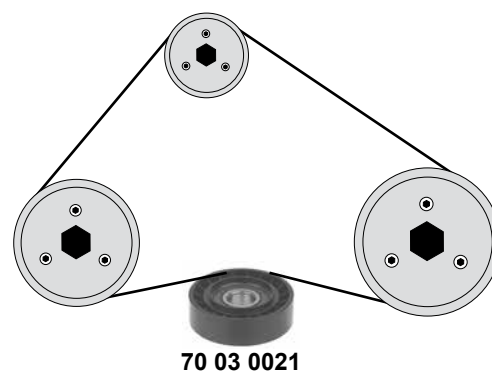
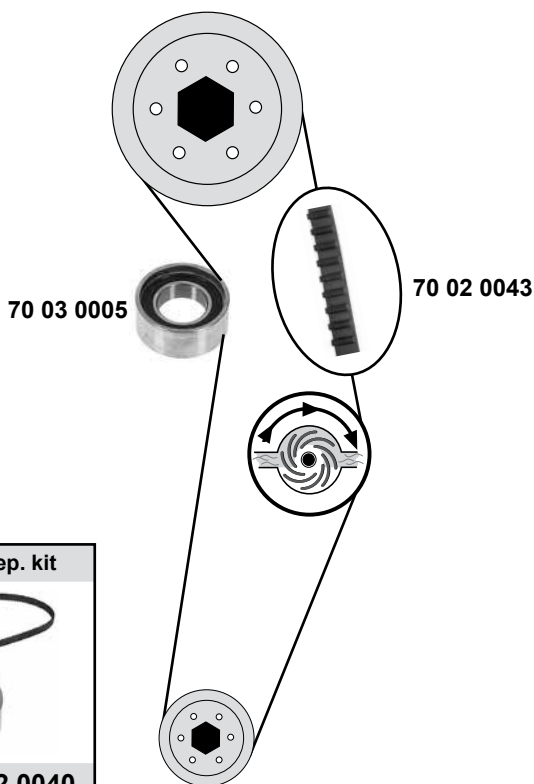


SWAG GERMANY	Ref. - No.			
70 02 0042	55188191	Zahnriemen / timing belt		Z 158 B24
70 03 0037	55211287	Umlenkrolle / deflection pulley	97 →	ØA 65 B30,4
70 92 8662	55233759	Spannrolle / tension roller	→11	ØA 55,5 B26
70 92 8663	71753156	Zahnriemen / timing belt	→11	Z 129 B22
70 92 8664	71775900	Rep.Satz Zahnriemen / rep.kit. timing belt	→11	

1,1



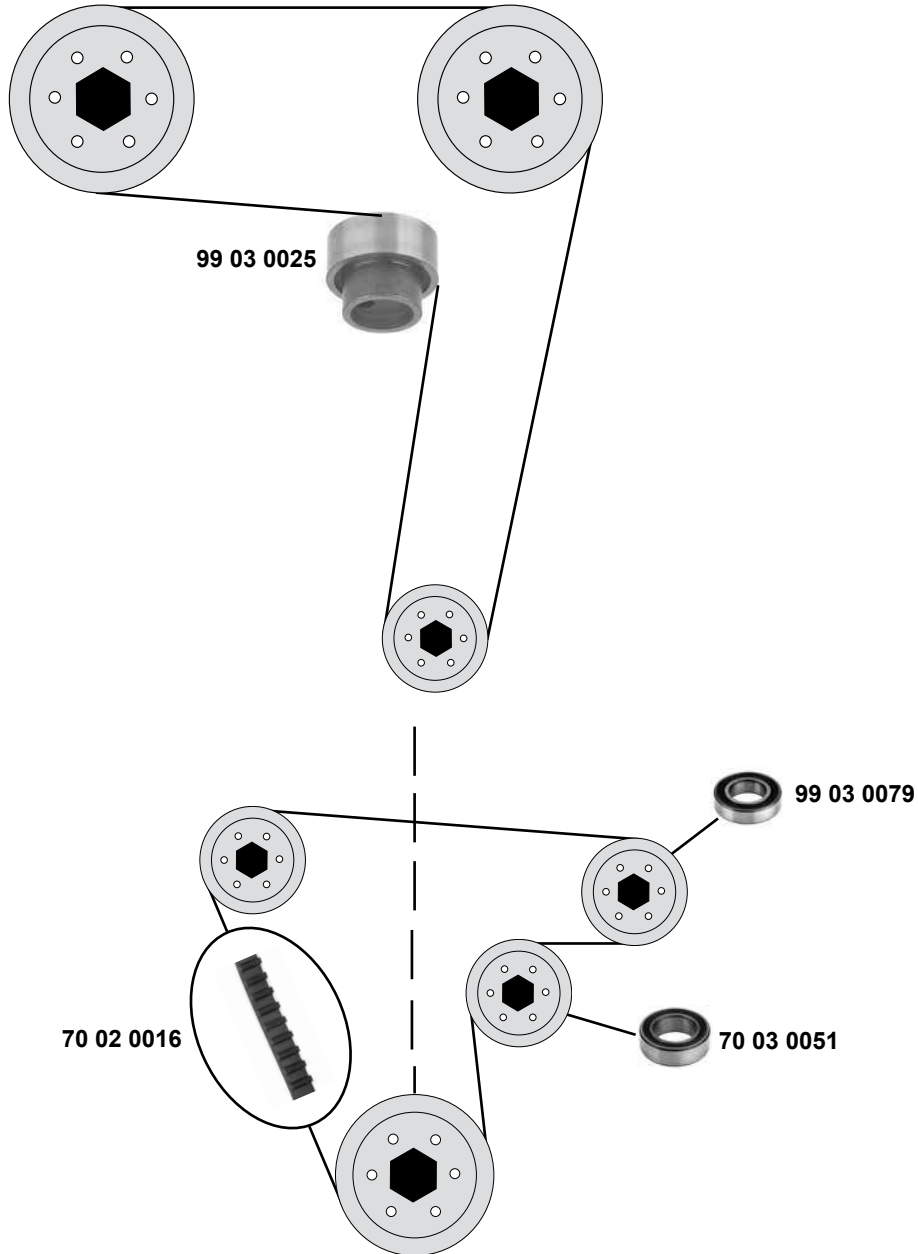
1,4 / 1,6







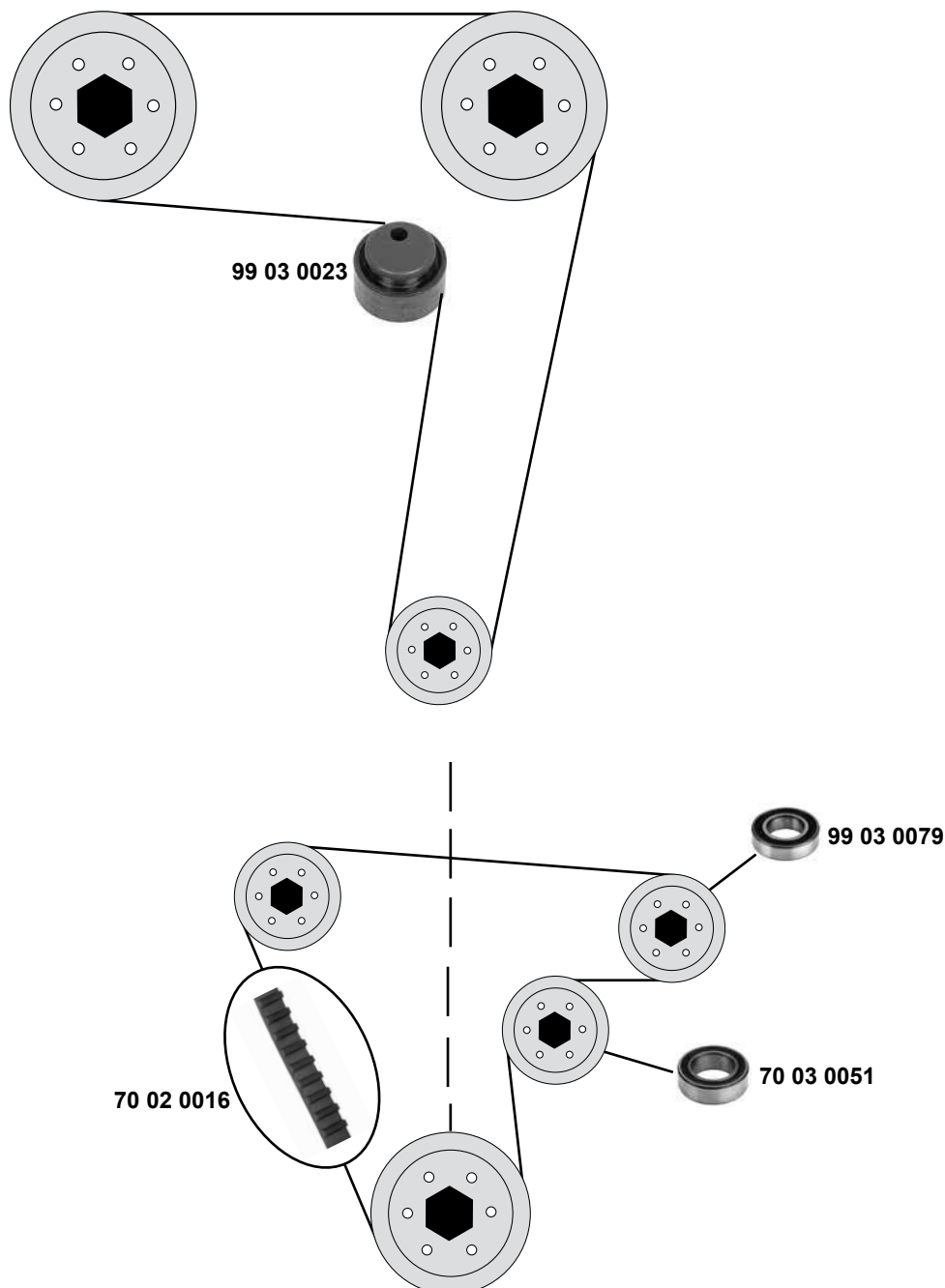
70 02 0043	71719005
70 03 0005	71740977
70 03 0021	46424716
99 02 0001	46474432
99 02 0039	7554701 S1
99 02 0040	46408751 S1

Zahnriemen / timing belt
Spannrolle / tension roller
Spannrolle / tension roller
Zahnriemen / timing belt
Rep. Satz Zahnriemen / rep. kit timing belt
Rep. Satz Zahnriemen / rep. kit timing belt

Z 138 B15
ØA 57 H24
ØA 80 H24
Z 104 B15
Z 129 B22
Z 138



	Ref. - No.			
70 02 0016	7614999	Zahnriemen Ausgleichsw. / timing belt balance shaft		Z 97 B15
70 03 0051	5999795	Umlenkrolle / deflection pulley		ØA68 Ø1 40 H21
99 03 0025	7541718	Spannrolle / tension roller		ØA60 H25/46,5
99 03 0079	7541712	Umlenkrolle / deflection pulley		ØA47 Ø 125 H12



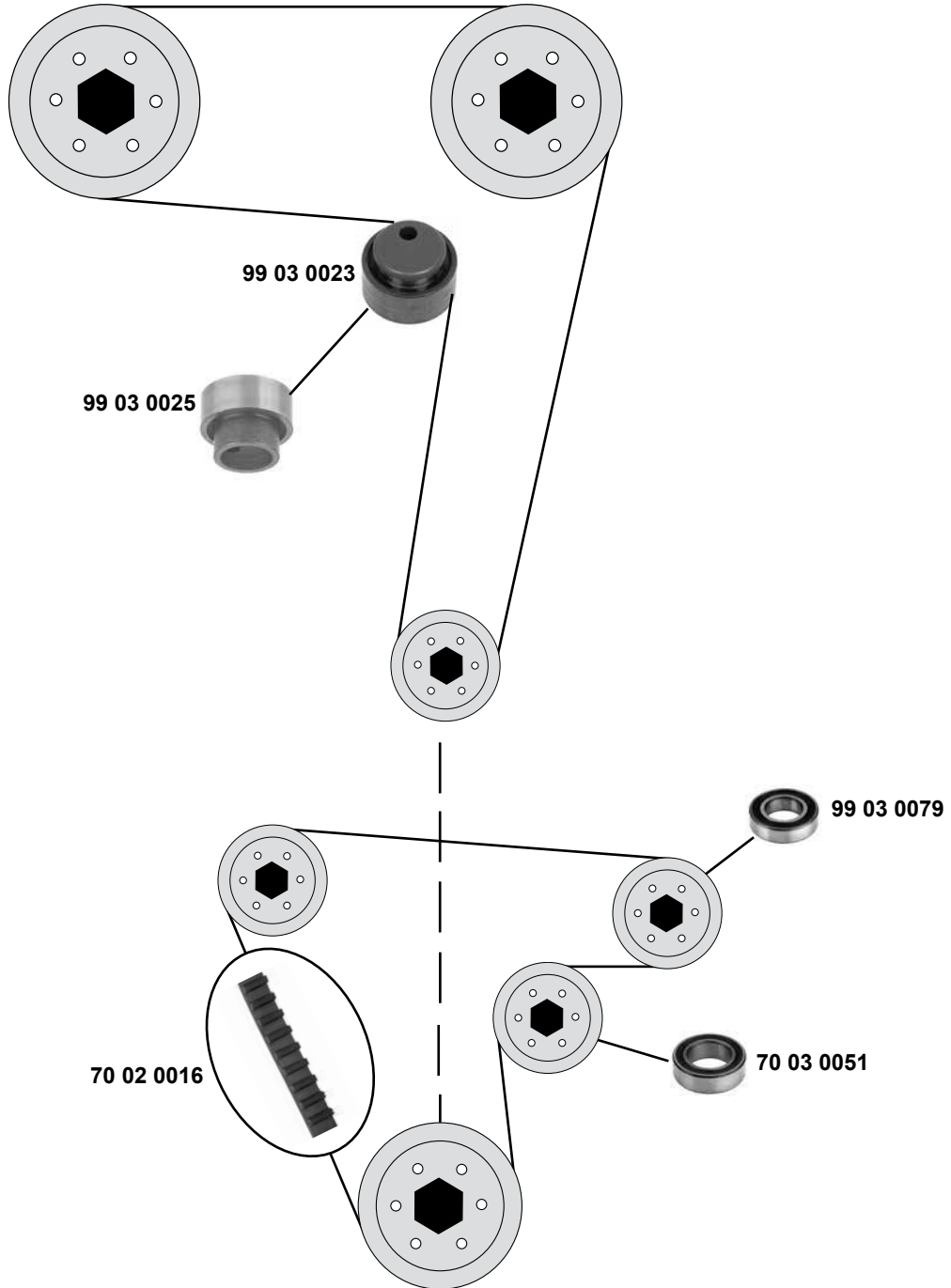
# FIAT

## Tipo (160) / Tempra (159)

(87→96)

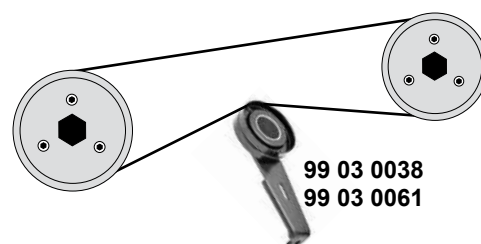
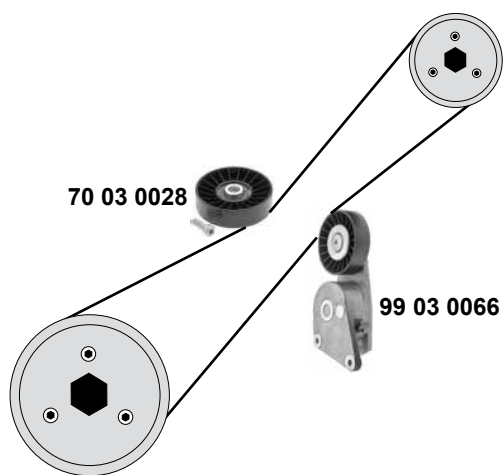
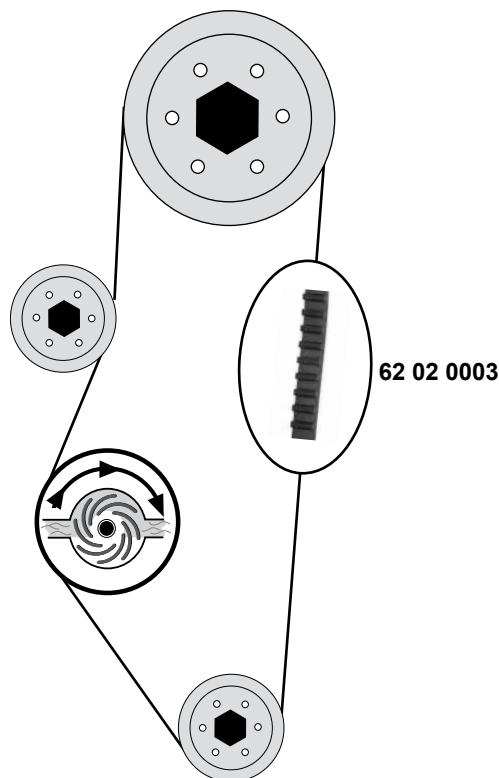


### 2,0 8V / 16V



SWAG GERMANY	Ref. - No.			
70 02 0016	7614999	Zahnriemen Ausgleichsw. / timing belt balance shaft		Z 97 B15
70 03 0051	5999795	Umlenkrolle / deflection pulley		ØA68 ØI 40 H21
99 03 0023	5997325	Spannrolle / tension roller	(mot.) 16 V	ØA56 H25/48
99 03 0025	7541718	Spannrolle / tension roller	(mot.) 8 V	ØA60 H25/46,5
99 03 0079	7541712	Umlenkrolle / deflection pulley		ØA47 Ø I25 H12





Ref. - No.



<b>62 02 0003</b>	71739922	Zahnriemen / timing belt		Z 114 B17
<b>70 03 0028</b>	9608989980	Umlenkrolle / deflection pulley	AC	ØA 90 B25
<b>99 02 0057</b>	9467625780	Rep. Satz Zahnriemen / rep. kit timing belt		Z 114 B17
<b>99 03 0038</b>	9608859180	Spannrolle / tension roller		ØA 90 B24,5
<b>99 03 0061</b>	9633802580	Spannrolle / tension roller	Modell: 7/98 →	ØA 90 B24
<b>99 03 0066</b>	9626365280	Riemenspanner / belt tensioner	AC	ØA 90 B25

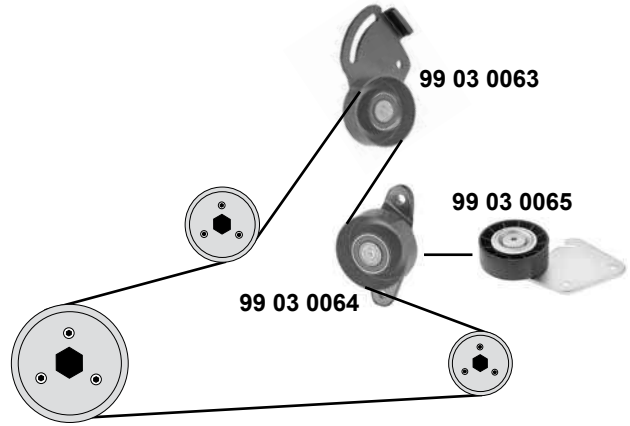
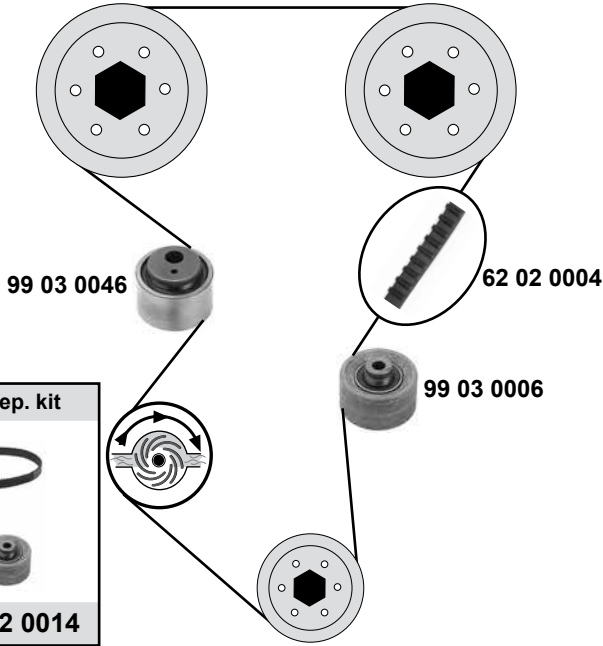
# FIAT

## Ulysse I (220)

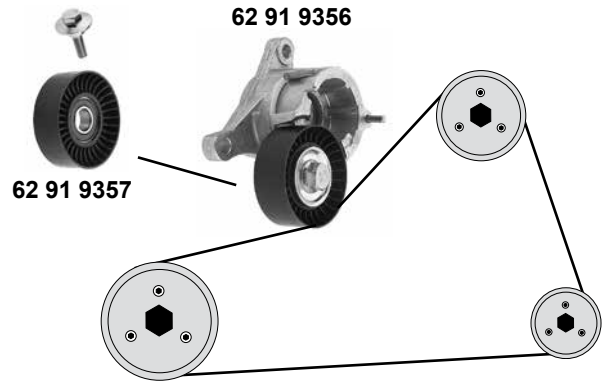
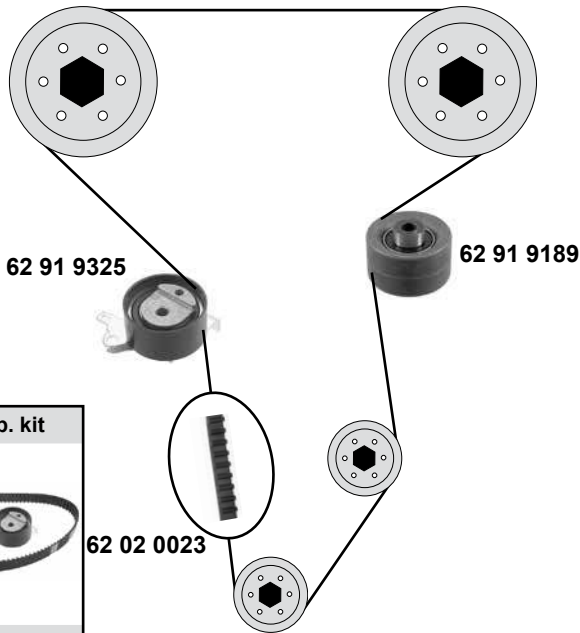
(94→02)



### 2,0 16V



### 2,0 16V



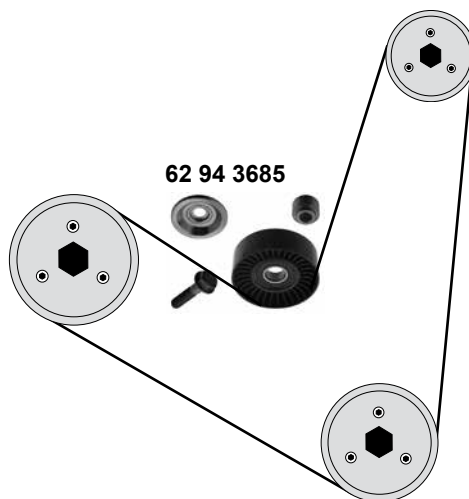
Ref. - No.



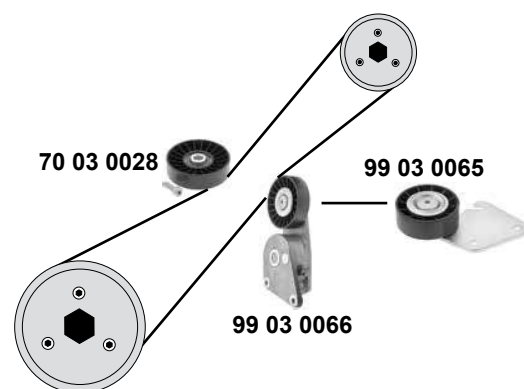
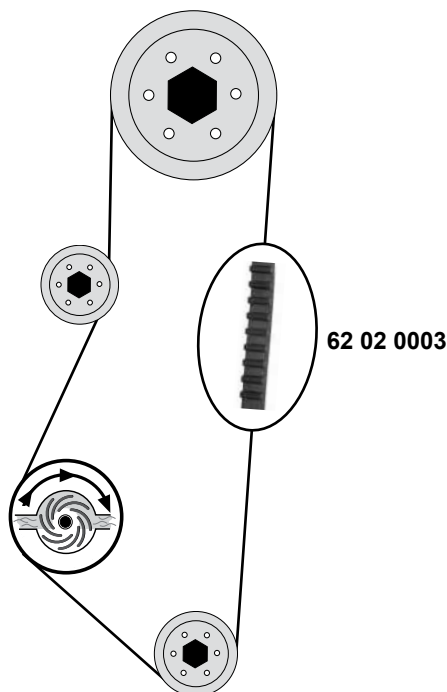
62 02 0004	71739919	Zahnriemen / timing belt	Z135 B25
62 02 0014	9400831489	Rep. Satz Zahnriemen / rep. kit timing belt	Z 136
62 02 0023	9400816190	Zahnriemen / timing belt	Z 153 B25,4
62 91 9189	9400830429	Umlenkrolle / deflection pulley	ØA 60 B31
62 91 9325	9400829929	Spannrolle / tension roller	ØA 62 B29
62 91 9356	9636207480	Riemenspanner / belt tensioner	ØA 65 B25
62 91 9357	9636640580	Umlenkrolle / deflection pulley	ØA78 B25
62 92 2309	9467628080	Rep. Satz Zahnriemen / rep. kit timing belt	Z 153
99 03 0006	9400830379	Umlenkrolle / deflection pulley	ØA60 Ø I 10 H 34
99 03 0046	9622574480	Spannrolle / tension roller	ØA57 Ø I 13 H 33
99 03 0063	9625621780	Spannrolle / tension roller	ØA70 B24,5
99 03 0064	9625621880	Umlenkrolle / deflection pulley	ØA70 B24,5
99 03 0065	9622234180	Umlenkrolle / deflection pulley	ØA 69,5 B24,5

AC

**AC**



**2,0 / 2,0 Turbo**  
(RFU/RGX)



SWAG	Ref. - No.			
<b>62 02 0003</b>	71739922	Zahnriemen / timing belt		Z 114 B17
<b>70 03 0028</b>	9608989980	Umlenkrolle / deflection pulley	(mot.) 2,0 → 2/97	ØA90 B25
<b>62 94 3685</b>	9653342680	Umlenkrolle / deflection pulley		ØA78 B25
<b>99 02 0057</b>	9467625780	Rep. Satz Zahnriemen / rep. kit timing belt		Z 114 B17
<b>99 03 0066</b>	9626365280	Riemenspanner / belt tensioner	<b>AC</b>	ØA90 B25
<b>99 03 0065</b>	9622234180	Umlenkrolle / deflection pulley	(mot.) 2,0 2/97 →	ØA69,5 B24,5

# FIAT

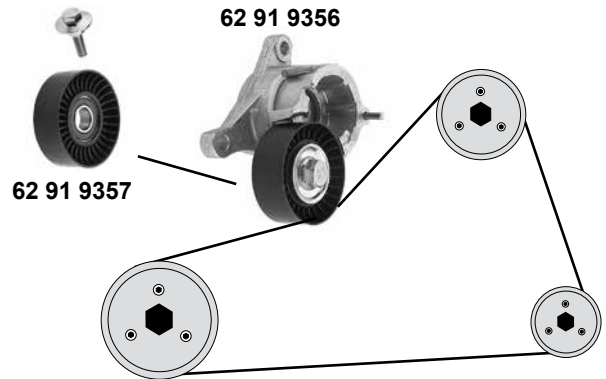
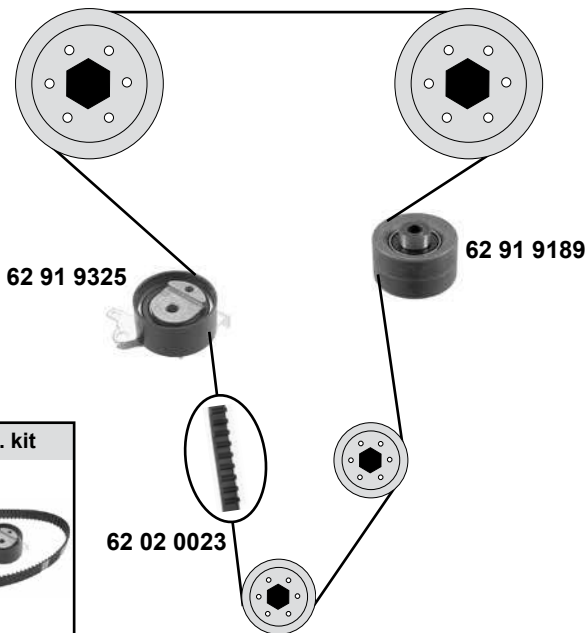
## Ulysse II (179)

(01→10)



### 2,0 16V / 2,2 16V

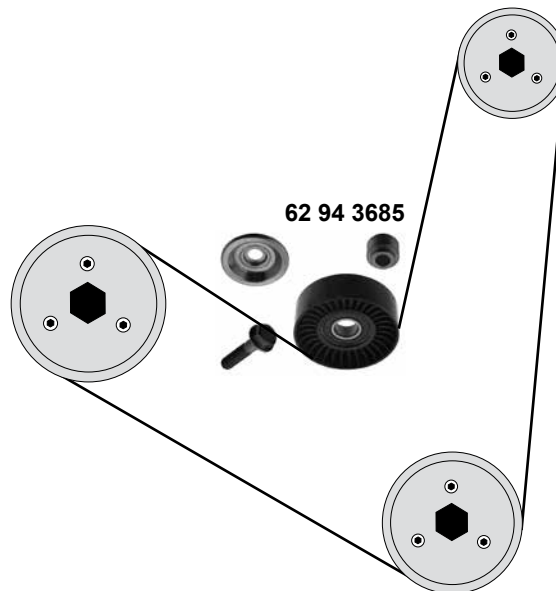
(RFN)



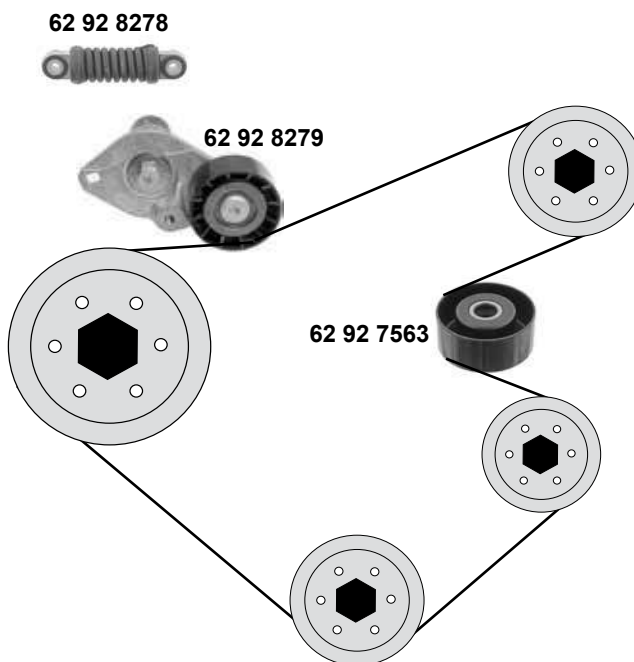
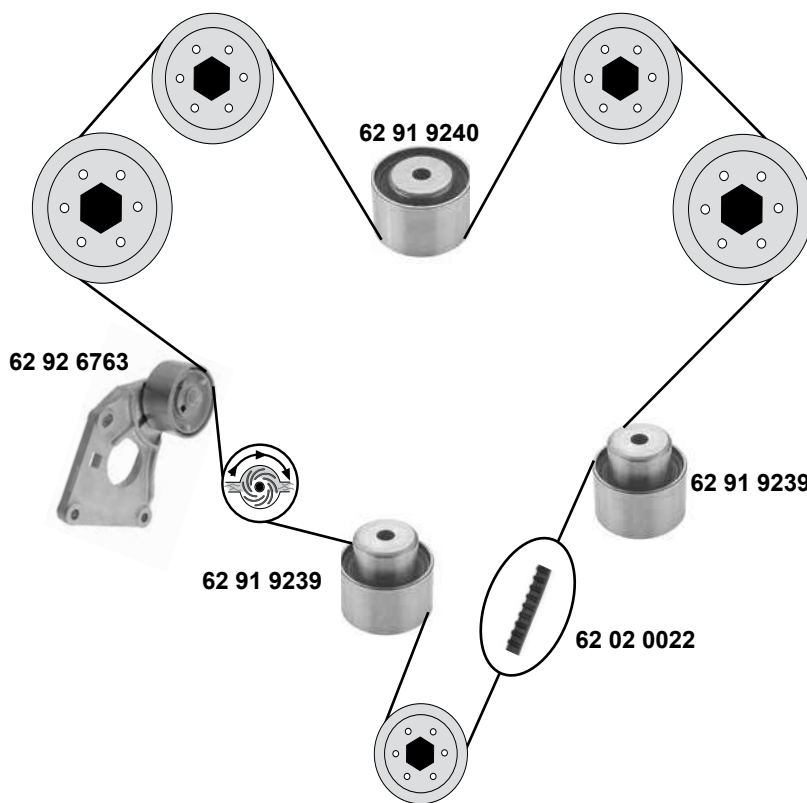
### 2,0 16V (100kW)

(RFN)

AC



SWAG GERMANY	Ref. - No.			
62 02 0023	9400816190	Zahnriemen / timing belt		Z 153 B25,4
62 91 9189	9400830429	Umlenkrolle / deflection pulley		ØA 60 B31
62 91 9325	9400829929	Spannrolle / tension roller		ØA 62 B29
62 91 9356	9636207480	Riemenspanner / belt tensioner		ØA 65 B25
62 91 9357	9636640580	Umlenkrolle / deflection pulley		ØA 78 B25
62 92 2309	9467628080	Rep. Satz Zahnriemen / rep. kit timing belt		Z 153
62 94 3685	9653342680	Umlenkrolle / deflection pulley		ØA78 B25



SWAG	Ref. - No.			
<b>62 02 0022</b>	9632959380	Zahnriemen / timing belt	→ 10	Z 259
<b>62 91 9239</b>	9400830589	Umlenkrolle / deflection pulley		ØA 65 B36/54
<b>62 91 9240</b>	9400830599	Umlenkrolle / deflection pulley		ØA 65 B36
<b>62 92 6763</b>	9467557280	Spannrolle / tension roller		ØA 70 B36
<b>62 92 7563</b>	9635638380	Umlenkrolle / deflection pulley		ØA 65 B26,5
<b>62 92 8103</b>	9467628880	Rep. Satz Zahnriemen / rep. kit timing belt		Z 259 B32
<b>62 92 8278</b>	9620038880	Riemenspanner / belt tensioner		
<b>62 92 8279</b>	9651019680	Riemenspanner / belt tensioner		ØA 65 B25,5

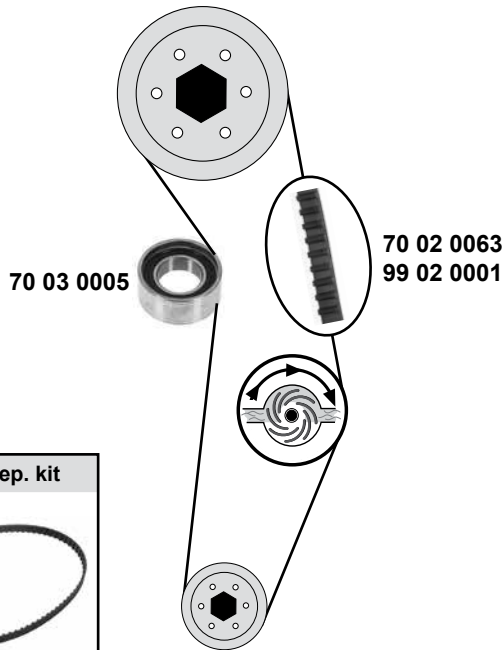
# FIAT

## Uno (146)

(85→95)

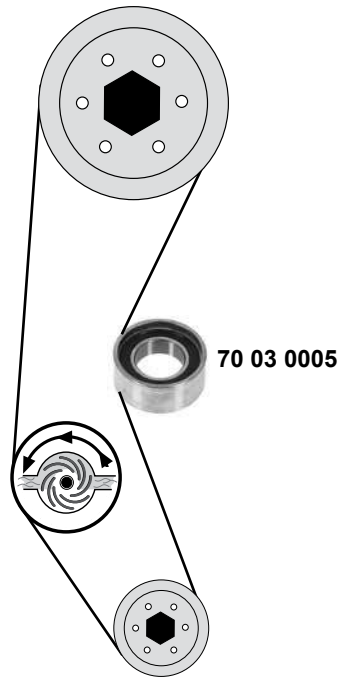


**1,0 / 1,1**

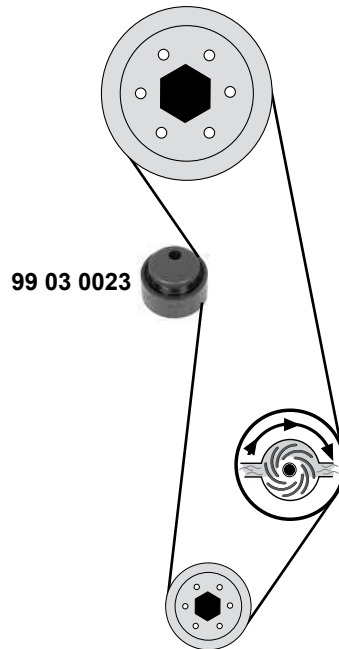


**1,0**

(146.C7.000/146.B4.000)



**1,1**  
(146 A4.048)



(1)	(mot.) 1,0 M3/M5/M6	9042884 →	89 → 95
	(mot.) 1,1 M4/M7/M8	9042884 →	89 → 95



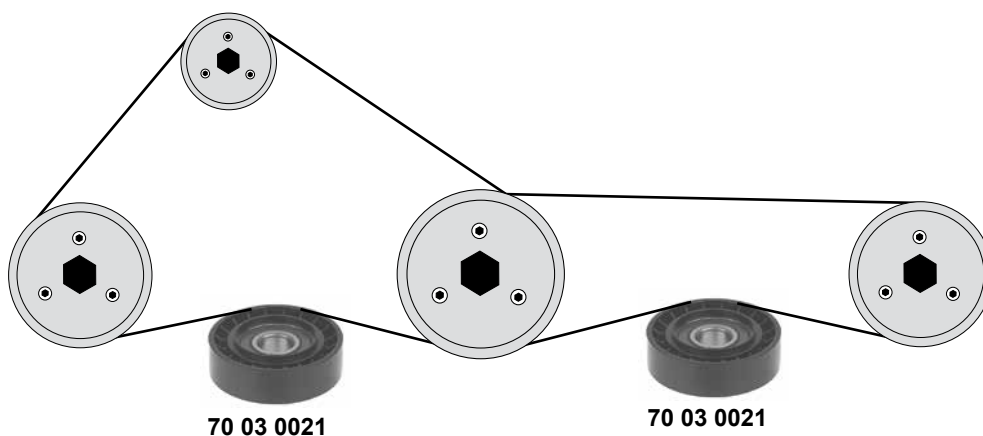
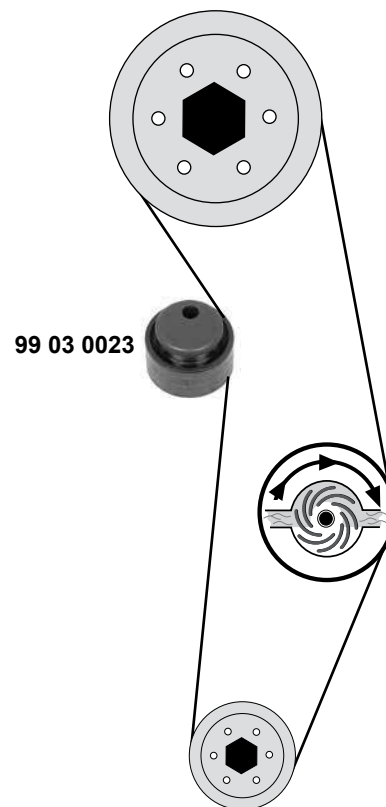
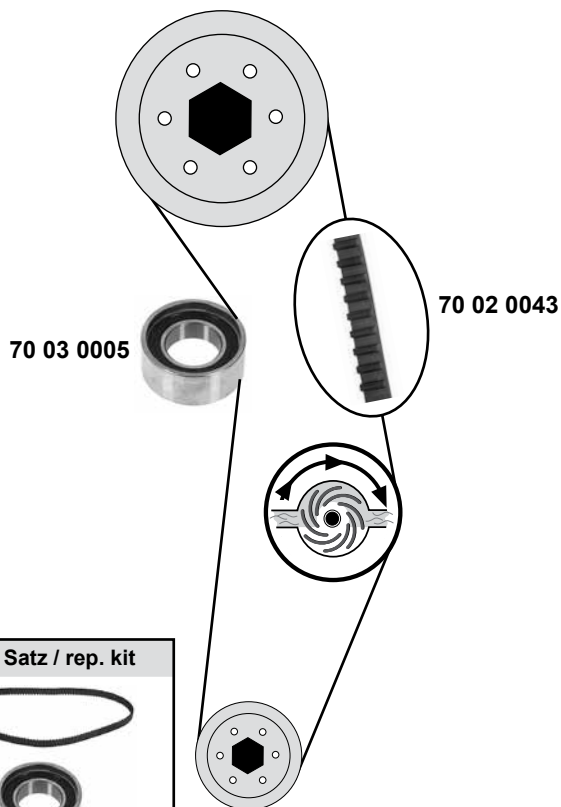
Ref. - No.



70 02 0063	55203786	Zahnriemen / timing belt	(1)	Z 125 B15
70 03 0005	71740977	Spannrolle / tension roller		ØA57 H24
99 02 0001	46474432	Zahnriemen / timing belt	(mot.) → 9042883	Z 104 B15
99 02 0039	7554701 S1	Rep. Satz Zahnriemen / rep. kit timing belt	(mot.) → 9042883	Z 104 B15
99 03 0023	5997325	Spannrolle / tension roller		ØA56 / H27 / 39,5

1,4

1,5



Ref. - No.



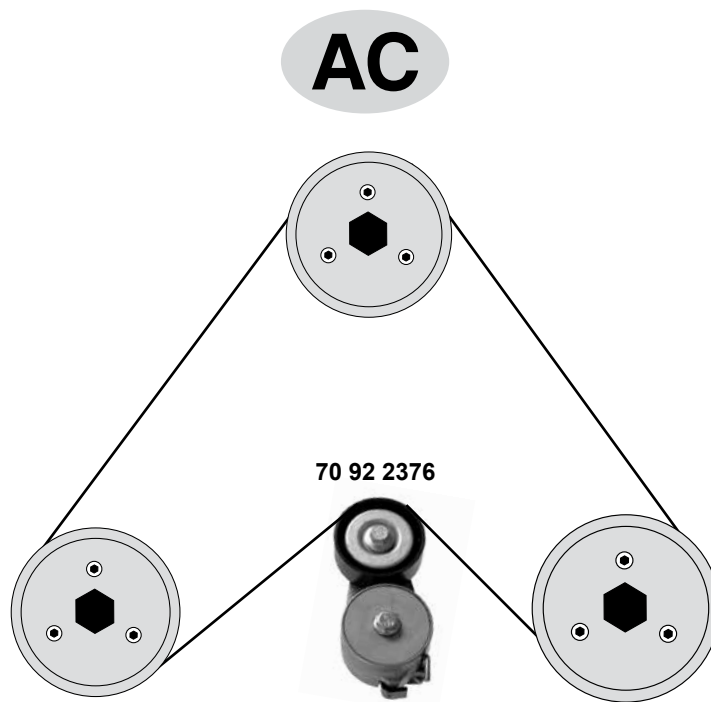
<b>70 02 0043</b>	71719005
<b>70 03 0005</b>	71740977
<b>70 03 0021</b>	46424716
<b>99 02 0040</b>	46408751 S1
<b>99 03 0023</b>	5997325

Zahnriemen / timing belt
Spannrolle / tension roller
Spannrolle / tension roller
Rep. Satz Zahnriemen / rep. kit timing belt
Spannrolle / tension roller

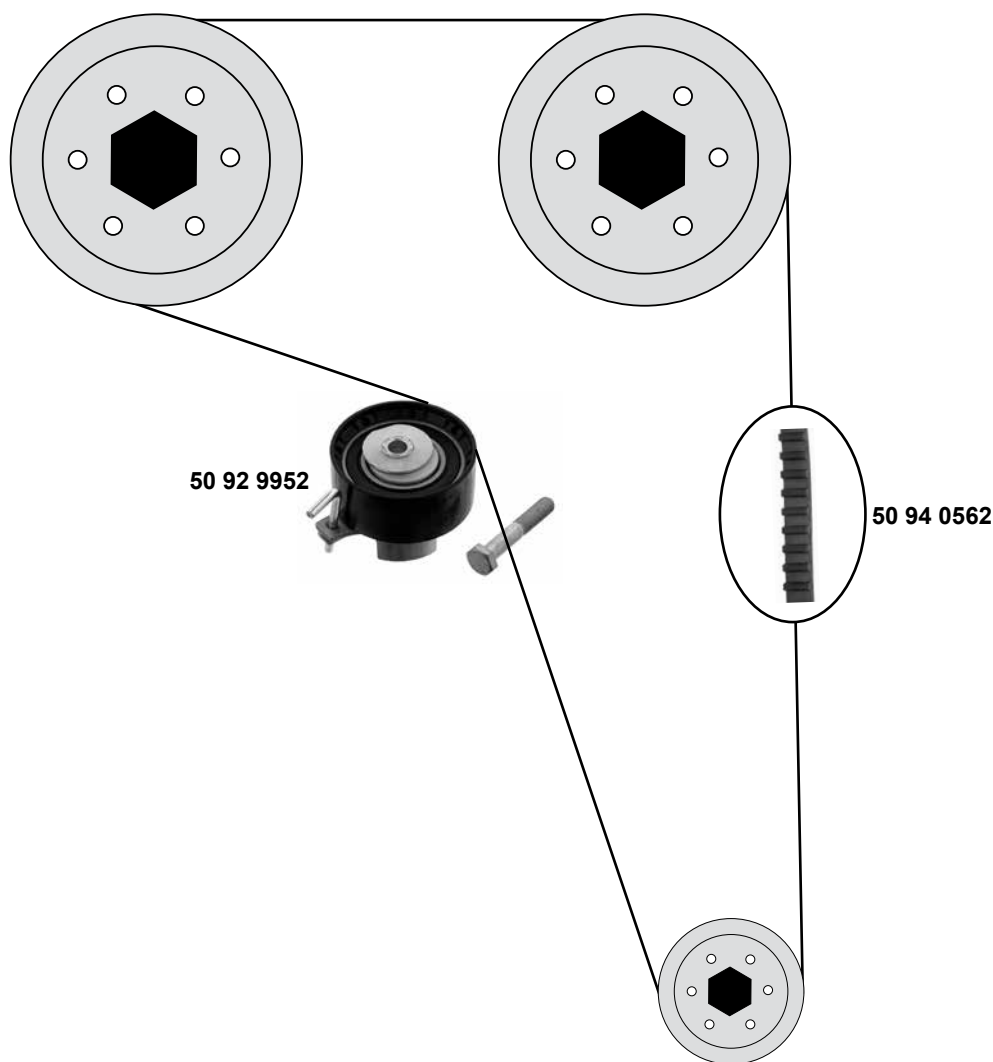
(mot.) 1,4

Z 138 B15
ØA 57 H24
ØA 80 H 24
Z 138
ØA 56 H27/39,5

**1,2 8V**







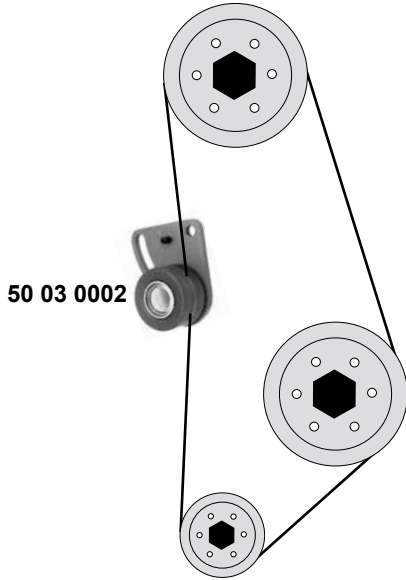
	Ref. - No.			
<b>50 92 9952</b>	1 376 164	Spannrolle / tension roller		ØA62 B26
<b>50 94 0562</b>	1 675 963	Zahnriemen / timing belt		Z 117 B22
<b>50 94 0848</b>	1 672 144	Rep. Satz Zahnriemen / rep. kit timing belt		

# FORD Capri 73 / 75

(09/72→04/86)

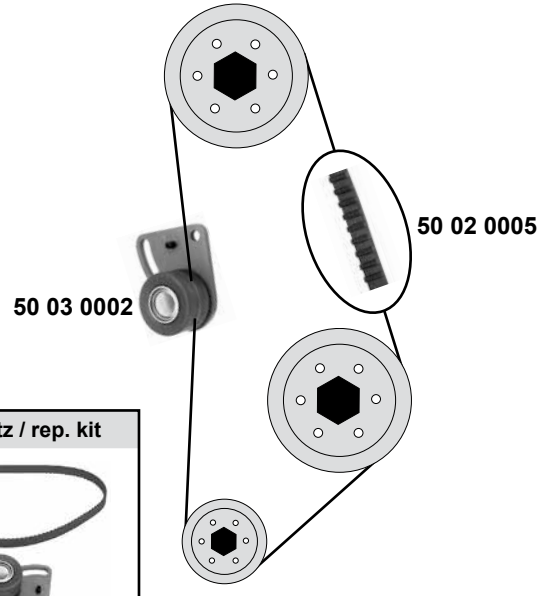


## 1,6 L / H / G (OHC)



50 03 0002

## 1,6 E (OHC)



50 03 0002

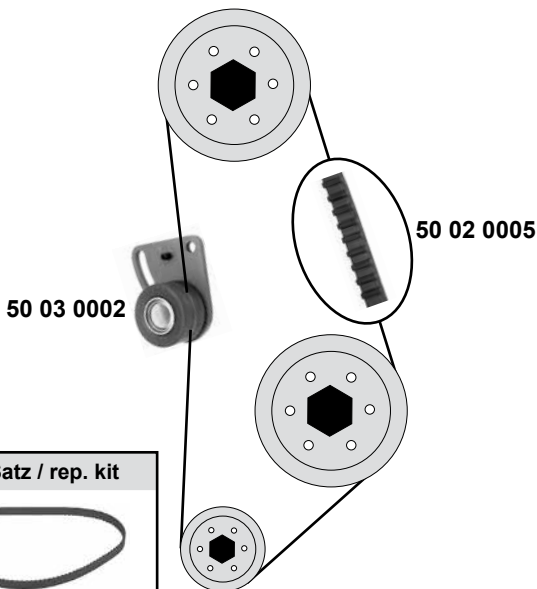
50 02 0005



## Consul / Granada

(02/72→05/75)

## 1,6 E / 1,8H / 2,0 (OHC)



50 03 0002

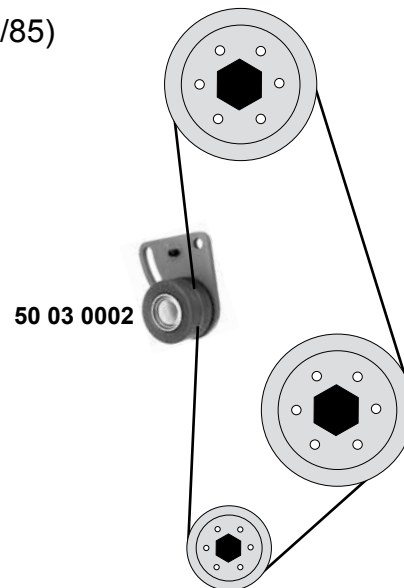
50 02 0005



## 1,6 L / H / G

(OHC)

(08/81→04/85)



50 03 0002



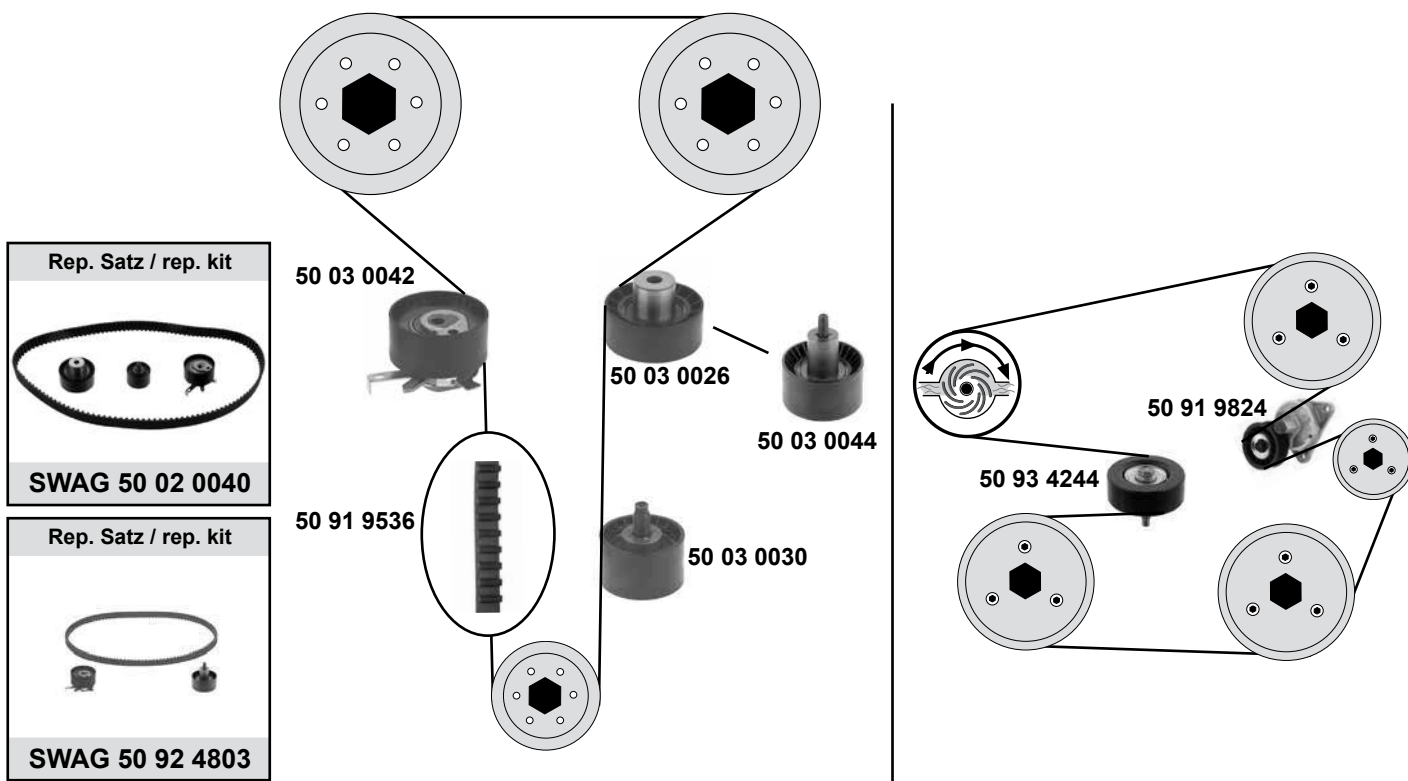
Ref. - No.



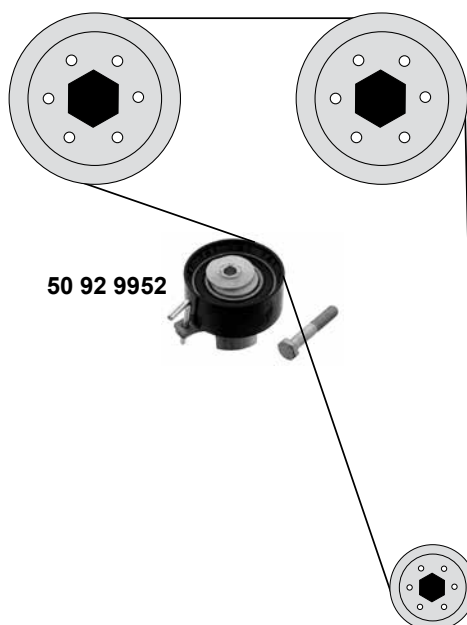
50 02 0005	6 139 911
50 02 0033	6 139 911 S1
50 03 0002	1 496 915

Zahnriemen / timing belt
Rep. Satz Zahnriemen / rep. kit timing belt
Spannrolle / tension roller

Z 122 B19
ØA47 ØI27 B34,5



**Ecosport 13**  
(10/13→)  
**1,5**  
(Duratec)

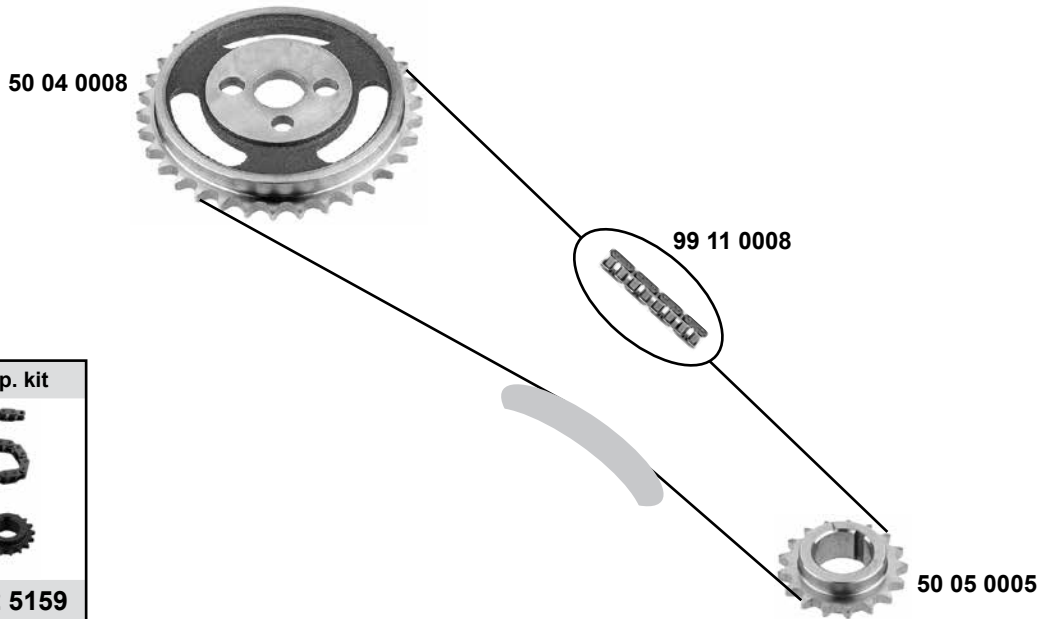


SWAG	Ref. - No.			
50 02 0040	1 000 156S1	Rep. Satz Zahnriemen / rep. kit timing belt	Modell: → 01/99	
50 03 0026	1 038 384	Umlenkrolle / deflection pulley	Modell: → 01/99	ØA70 ØI29 B47,9
50 03 0030	1 053 942	Umlenkrolle / deflection pulley		ØA47 ØI29 B51,5
50 03 0042	1 328 472	Spannrolle / tension roller		ØA60 ØI29 B33,3
50 03 0044	1 213 852	Umlenkrolle / deflection pulley	Modell: 01/99 →	ØA60 ØI29 B69,5
50 91 9536	1 000 156	Zahnriemen / timing belt		Z 129 B25,4
50 91 9824	1 073 096	Riemenspanner / belt tensioner		Ø A 73
50 92 4803	1 000 156S2	Rep. Satz Zahnriemen / rep. kit timing belt	Modell: 01/99 →	Z 129 B25,4
50 92 9952	1 376 164	Spannrolle / tension roller		ØA 62 B26
50 93 4244	1 114 544	Umlenkrolle / deflection pulley		Ø A 70 B25,5

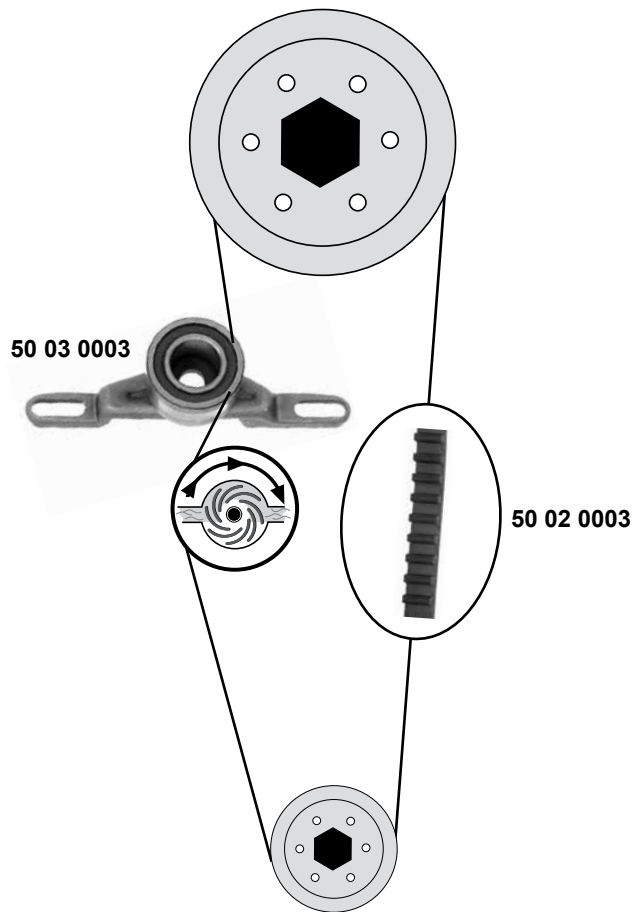
# FORD Escort 81 (08/80→12/85)



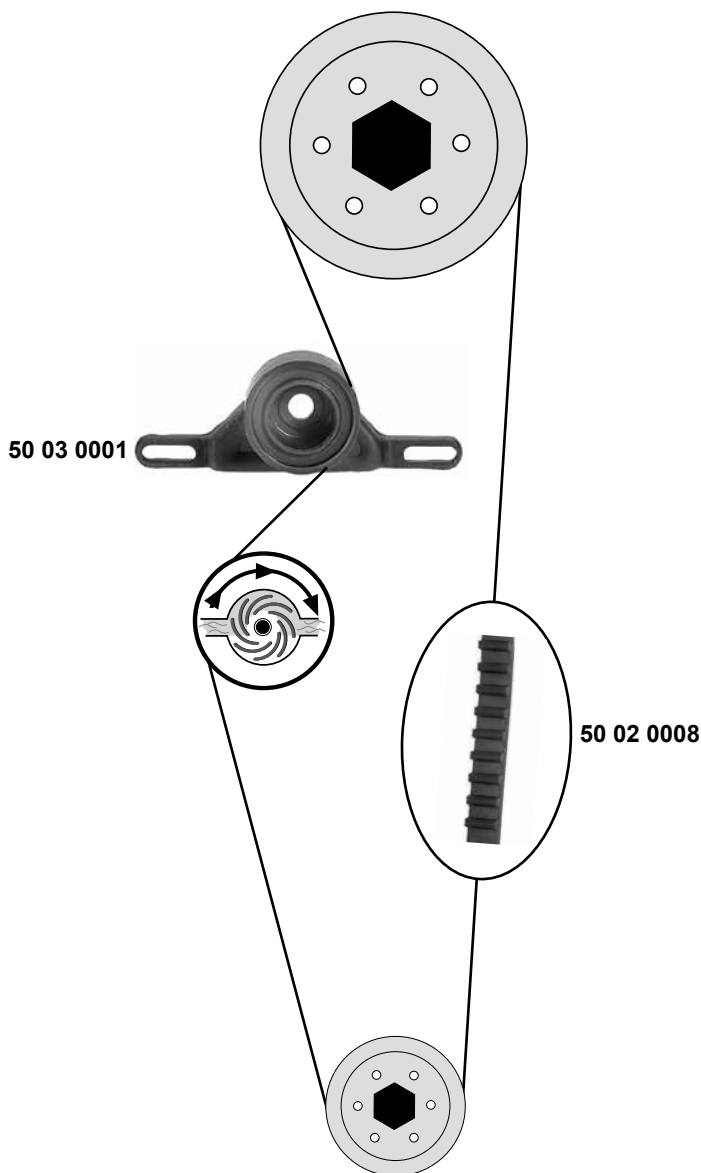
**1,1**  
(OHV/BL)



**1,1 / 1,3**  
(CVH/HL)



SWAG GERMANY	Ref. - No.			
50 02 0003	1 653 888	Zahnriemen / timing belt		Z 92 B19,8
50 03 0003	6 089 286	Spannrolle / tension roller		ØA47 ØI29 B54
50 04 0008	6 029 398	Nockenwellenrad / camshaft gear		Z 34
50 05 0005	1 434 861	Kurbelwellenrad / crankshaft gear		Z 17
99 11 0008	6 156 318	Steuerkette / timing chain		455 / 45 N
99 12 5159	1 434 861 S2	Rep. Satz Steuerkette / rep. kit timing chain		



Rep. Satz / rep. kit

**SWAG 50 02 0042**

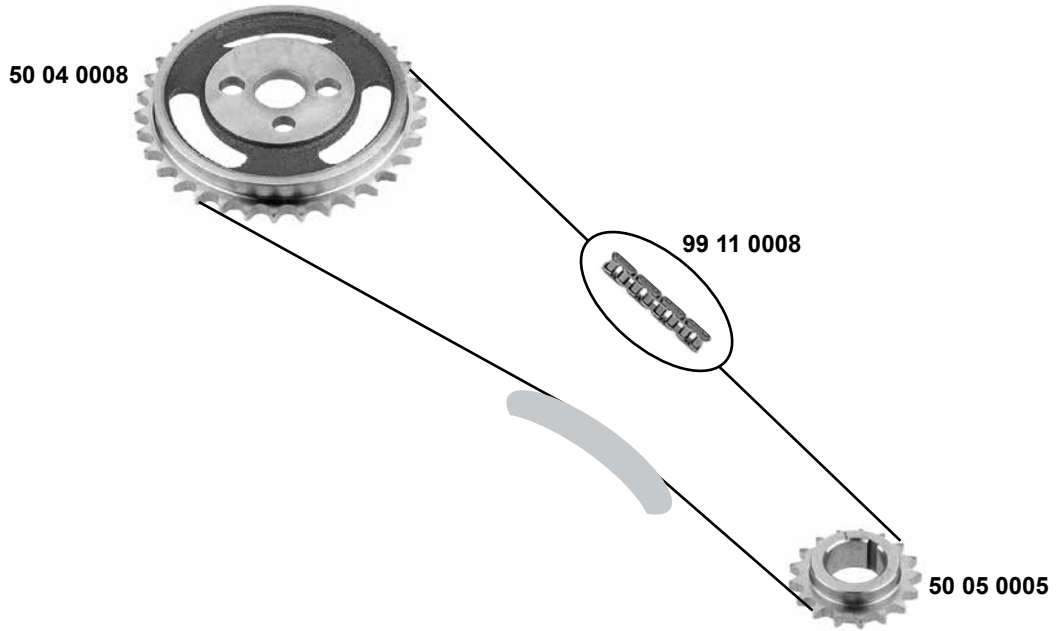
SWAG	Ref. - No.			
50 02 0008	6 711 046	Zahnriemen / timing belt		Z 97 B19,8
50 02 0042	6 711 046 S1	Rep. Satz Zahnriemen / rep. kit timing belt		
50 03 0001	6 182 891	Spannrolle / tension roller		ØA89 ØI30 B54,5

# FORD Escort 86

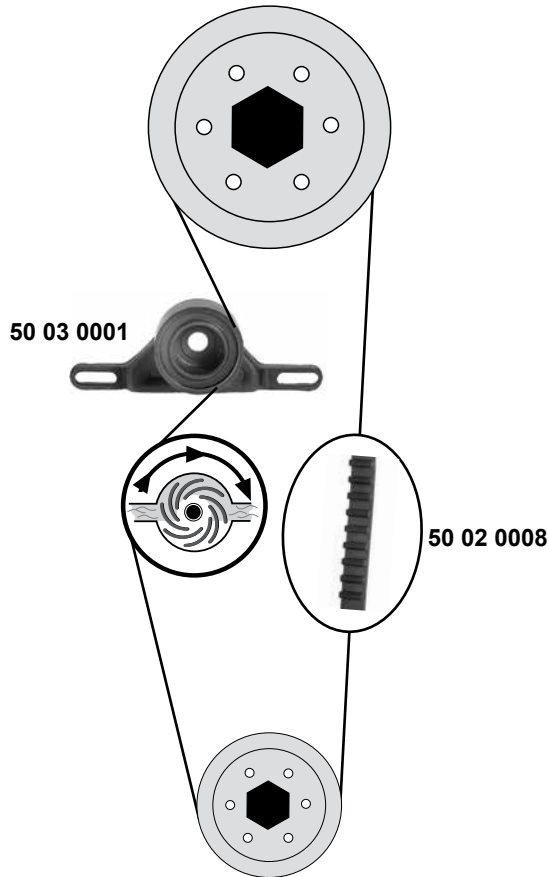
(01/86→07/90)



**1,1 / 1,3**  
(OHV/BL)

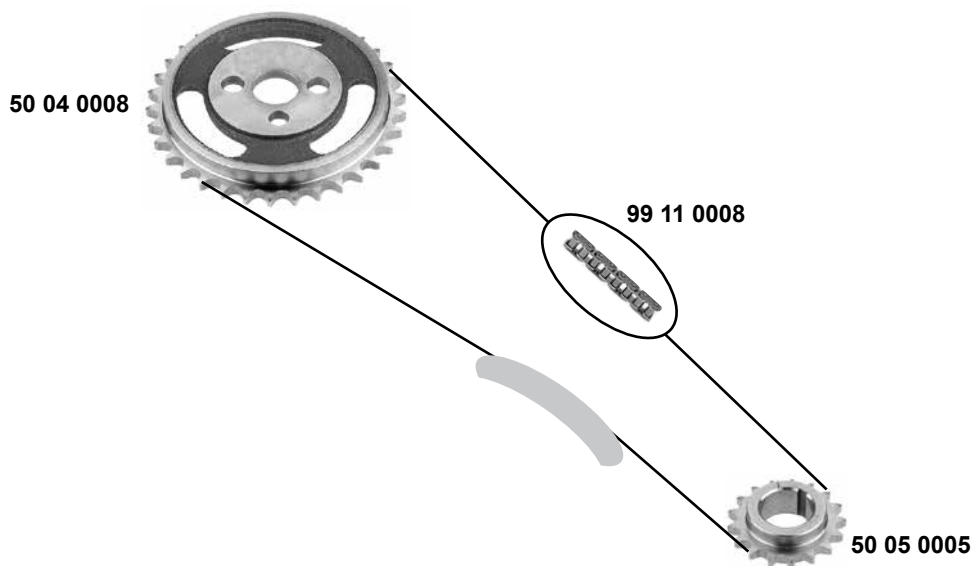


**1,4 / 1,6**  
(CVH/HL)

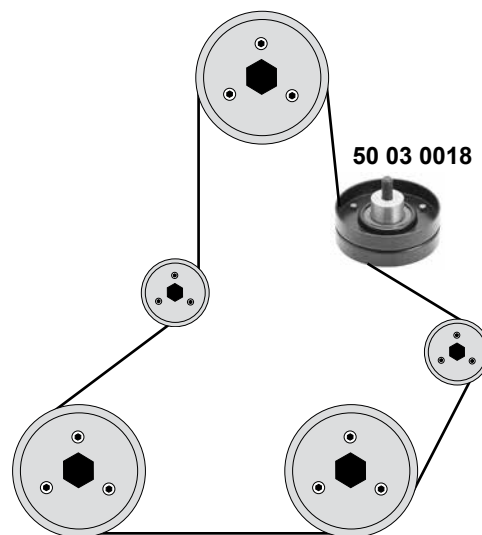
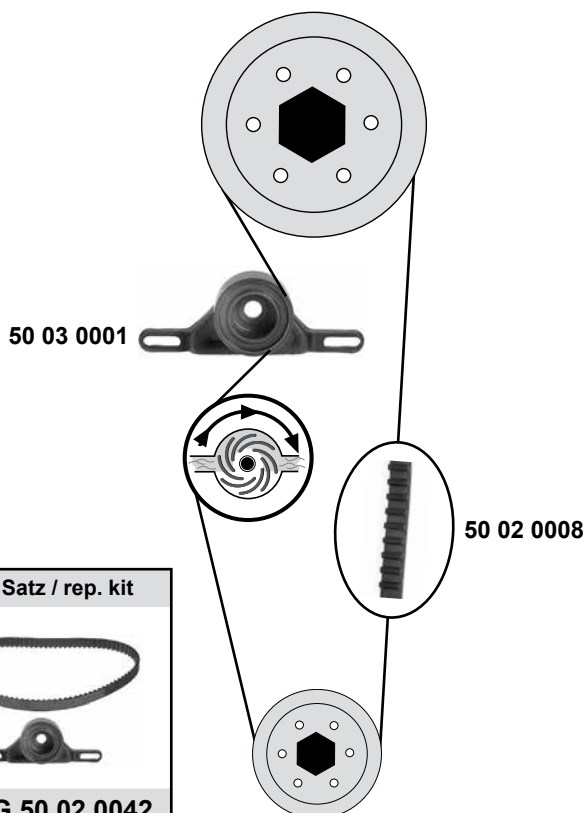


SWAG GERMANY	Ref. - No.			
50 02 0008	6 711 046	Zahnriemen / timing belt		Z 97 B19,8
50 02 0042	6 711 046 S1	Rep. Satz Zahnriemen / rep. kit timing belt		Z 97 B19,8
50 03 0001	6 182 891	Spannrolle / tension roller		ØA89 Ø130 B54,5
50 04 0008	6 029 398	Nockenwellenrad / camshaft gear		Z 34
50 05 0005	1 434 861	Kurbelwellenzahnrad / crankshaft gear		Z 17
99 11 0008	6 156 318	Steuerkette / timing chain		455 / 45 N
99 12 5159	1 434 861 S2	Rep. Satz Steuerkette / rep. kit timing chain		

**1,1 / 1,3**  
(OHV/BL)



**1,4 / 1,6**  
(Modell: →04/92)  
(CVH/HL)



Ref. - No.



<b>50 02 0008</b>	6 711 046	Zahnriemen / timing belt
<b>50 02 0042</b>	6 711 046 S1	Rep. Satz Zahnriemen / rep. kit timing belt
<b>50 03 0001</b>	6 182 891	Spannrolle / tension roller
<b>50 03 0018</b>	7 053 546	Umlenkrolle / deflection pulley
<b>50 04 0008</b>	6 029 398	Nockenwellenrad / camshaft gear
<b>50 05 0005</b>	1 434 861	Kurbelwellenzahnrad / crankshaft gear
<b>99 11 0008</b>	6 156 318	Steuerkette / timing chain
<b>99 12 5159</b>	1 434 861 S2	Rep. Satz Steuerkette / rep. kit timing chain

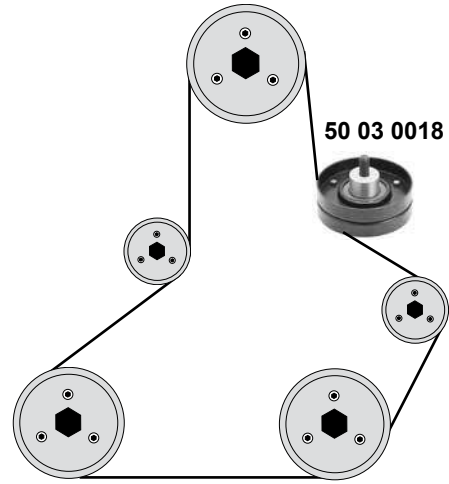
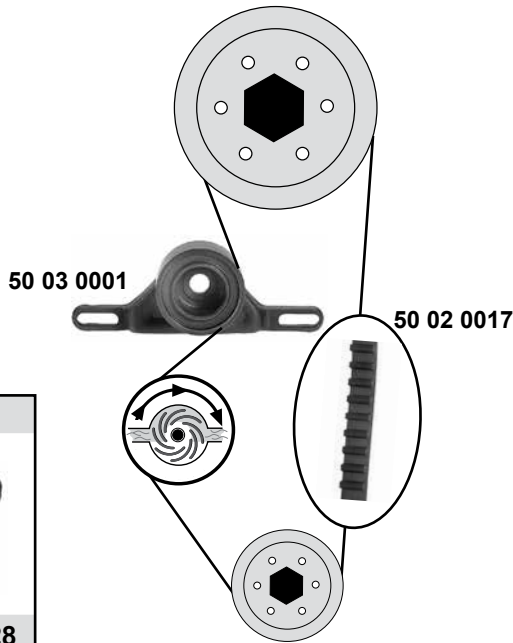
Modell: → 04/92  
Modell: → 04/92  
Modell: → 04/92  
servo + AC

Z 97 B19,8  
ØA89 Ø130 B54,5  
ØA76 B26  
Z 34  
Z 17  
455 / 4

# FORD Escort 91 (04/92→01/95)



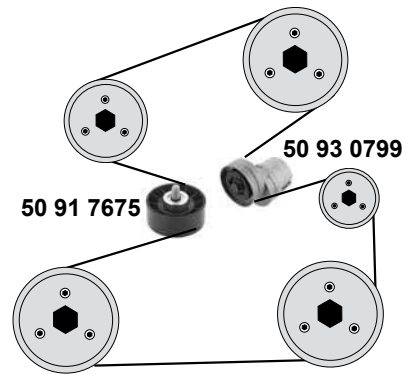
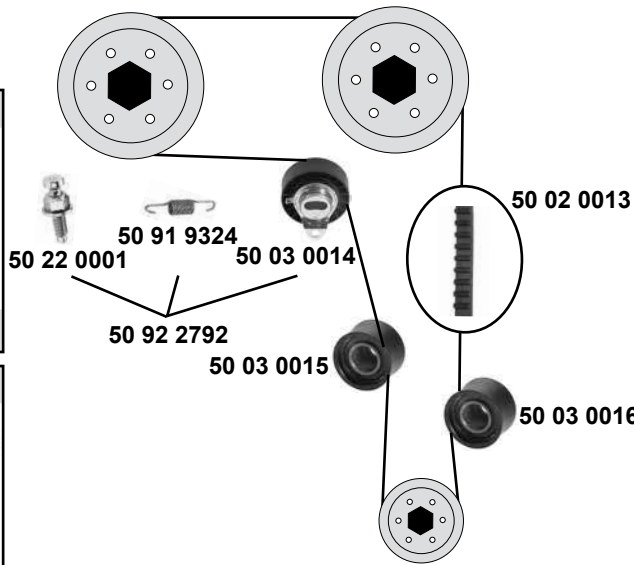
## 1,6 (CVH/HL)



Rep. Satz / rep. kit

**SWAG 50 02 0028**

## 1,6 16V / 1,8 16V (Zetec E/ZH)



Rep. Satz / rep. kit

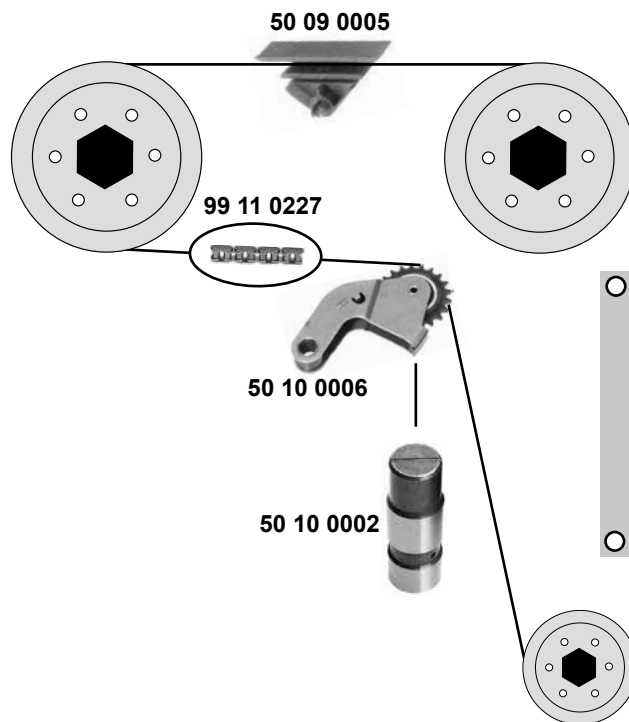
**SWAG 50 02 0023**

Rep. Satz / rep. kit

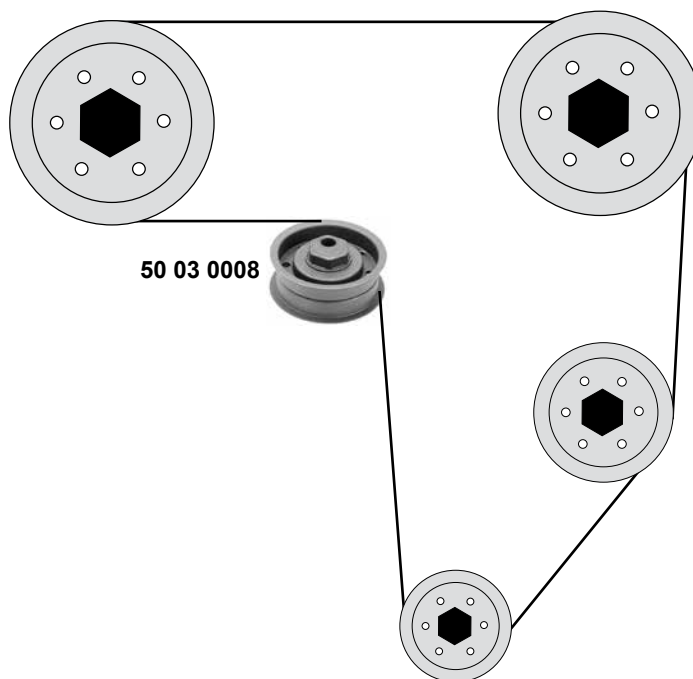
**SWAG 50 92 2792**

SWAG GERMANY	Ref. - No.			
50 02 0013	6 764 162	Zahnriemen / timing belt		Z 131 B25,4
50 02 0017	6 711 044	Zahnriemen / timing belt		Z 97 B21,6
50 02 0023	6 794 162 S1	Rep. Satz Zahnriemen / rep. kit timing belt		Z 131 B25,4
50 02 0028	6 711 044 S1	Rep. Satz Zahnriemen / rep. kit timing belt		Z 97 B21,6
50 03 0001	6 182 891	Spannrolle / tension roller		ØA89 ØI30 B54,5
50 03 0014	6 635 941	Spannrolle / tension roller		ØA86 B30
50 03 0015	6 635 942	Umlenkrolle / deflection pulley		ØA21 ØI60 B30
50 03 0016	6 744 307	Umlenkrolle / deflection pulley		ØA21 ØI48 B30
50 03 0018	7 053 546	Umlenkrolle / deflection pulley		ØA76 B26
50 22 0001	1 663 884	Schraube Spannrolle / screw tension roller	servo  AC	
50 91 7675	1 015 375	Umlenkrolle / deflection pulley	servo  (ex.) AC	ØA 70 B28,7
50 91 9324	7 024 224	Zugfeder / return spring		
50 92 2792	6 635 941 S	Rep Satz Spannrolle / rep kit tension roller		ØA89 ØI30 B54,5
50 93 0799	6 710 259	Riemenspanner / belt tensioner	(mot.) 1,8 16V	ØA70 B26





**2,0 Cosworth**  
(DOHC/DL)



Ref. - No.



<b>50 03 0008</b>	1 639 176
<b>50 09 0005</b>	6 177 698
<b>50 10 0002</b>	1 662 847
<b>50 10 0006</b>	1 022 214
<b>99 11 0227</b>	7 079 279

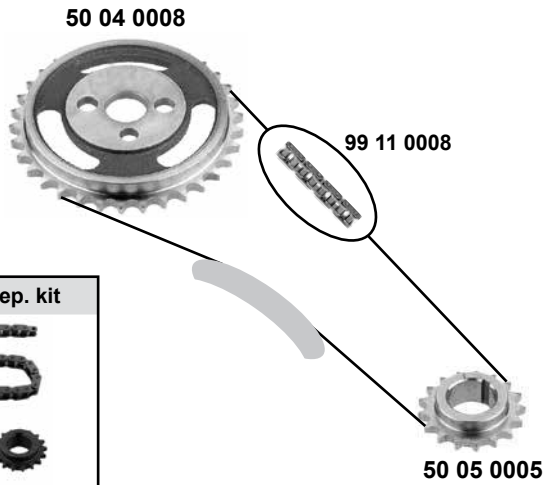
Umlenkrolle / deflection pulley
Gleitschiene / sliding rail
Kettenspanner / chain tensioner
Kettenspanner / chain tensioner
Steuerkette / timing chain

ØA 82 B30
ØA20 B60,5
458 / 138 E

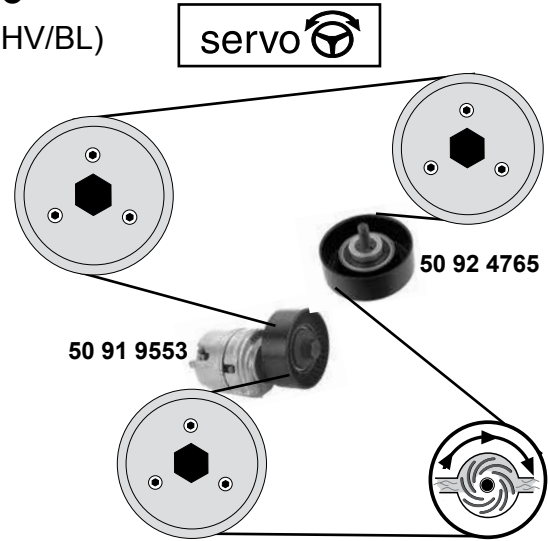
# FORD Escort 95 (01/95→02/99)



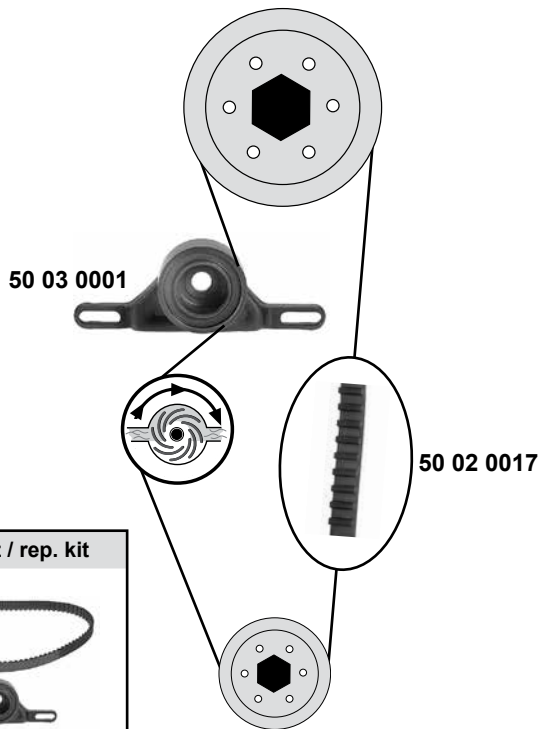
**1,3**  
(OHV/BL)



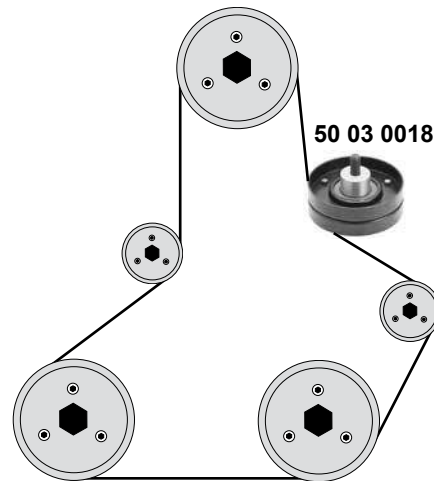
**1,3**  
(OHV/BL)



**1,4 / 1,6**  
(CVH/HL)



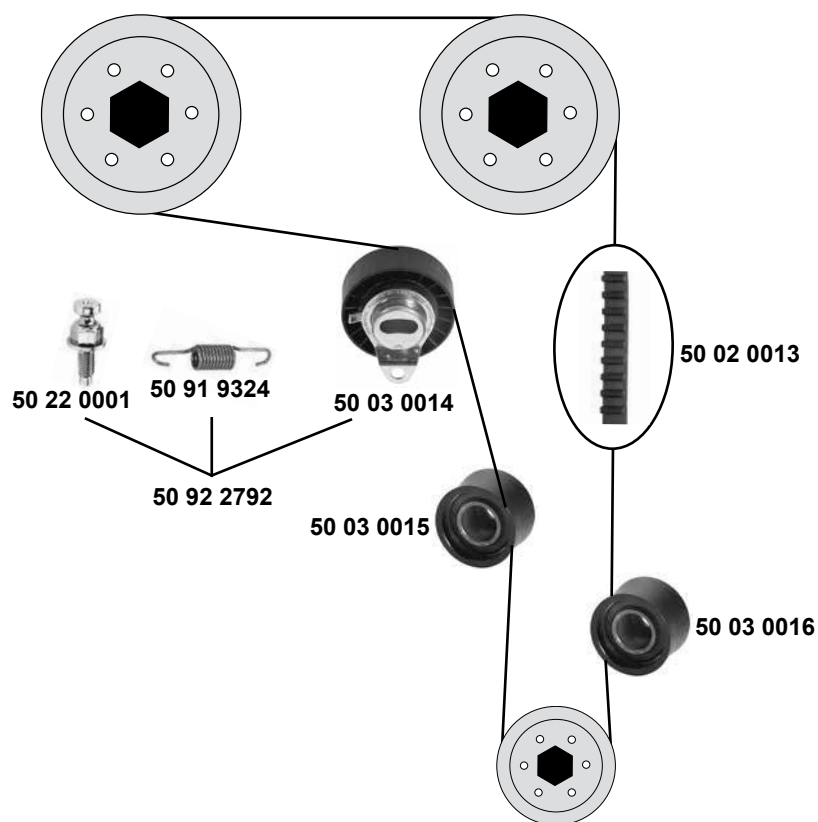
servo + AC



Ref. - No.



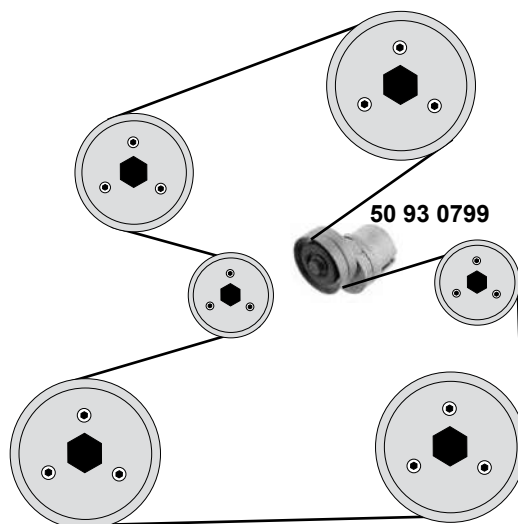
<b>50 02 0017</b>	6 711 044	Zahnriemen / timing belt	Z 97 B21,6
<b>50 02 0028</b>	6 711 044 S1	Rep. Satz Zahnriemen / rep. kit timing belt	Z 97 B21,6
<b>50 03 0001</b>	6 182 891	Spannrolle / tension roller	ØA89 ØI54,5 B30
<b>50 03 0018</b>	7 053 546	Umlenkrolle / deflection pulley	ØA76 x B26
<b>50 04 0008</b>	6 029 398	Nockenwellenrad / camshaft gear	Z 34
<b>50 05 0005</b>	1 434 861	Kurbelwellenzahnrad / crankshaft gear	Z 17
<b>50 91 9553</b>	1 004 549	Riemenspanner / belt tensioner	ØA70 B21
<b>50 92 4765</b>	1 139 951	Umlenkrolle / deflection pulley	ØA70 H25
<b>99 11 0008</b>	6 156 318	Steuerkette / timing chain	455 / 46 E
<b>99 12 5159</b>	1 434 861 S2	Rep. Satz Steuerkette / rep. kit timing chain	

**1,6 16V / 1,8 16V**  
 (Zetec E/ZH)


Rep. Satz / rep. kit

**SWAG 50 02 0023**

Rep. Satz / rep. kit

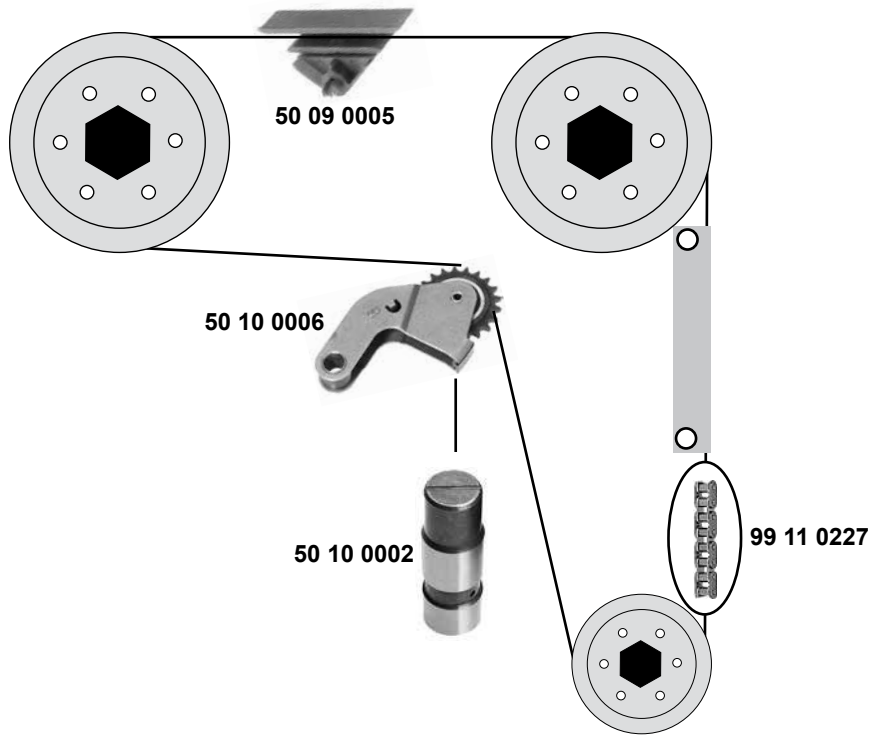
**SWAG 50 92 2792**

<b>50 02 0013</b>	6 764 162	Zahnriemen / timing belt	Z 131 B25,4
<b>50 02 0023</b>	6 794 162 S1	Rep. Satz Zahnriemen / rep. kit timing belt	
<b>50 03 0014</b>	6 635 941	Spannrolle / tension roller	ØA86 x 30
<b>50 03 0015</b>	6 635 942	Umlenkrolle / deflection pulley	ØA60 ØI21 B30
<b>50 03 0016</b>	6 744 307	Umlenkrolle / deflection pulley	ØA48 ØI21 B30
<b>50 22 0001</b>	1 663 884	Schraube Spannrolle / screw tension roller	
<b>50 91 9324</b>	7 024 224	Zugfeder / return spring	
<b>50 92 2792</b>	6 635 941 S	Rep. Satz Spannrolle / rep. kit tension roller	
<b>50 93 0799</b>	6 710 259	Riemenspanner / belt tensioner	ØA70 B26

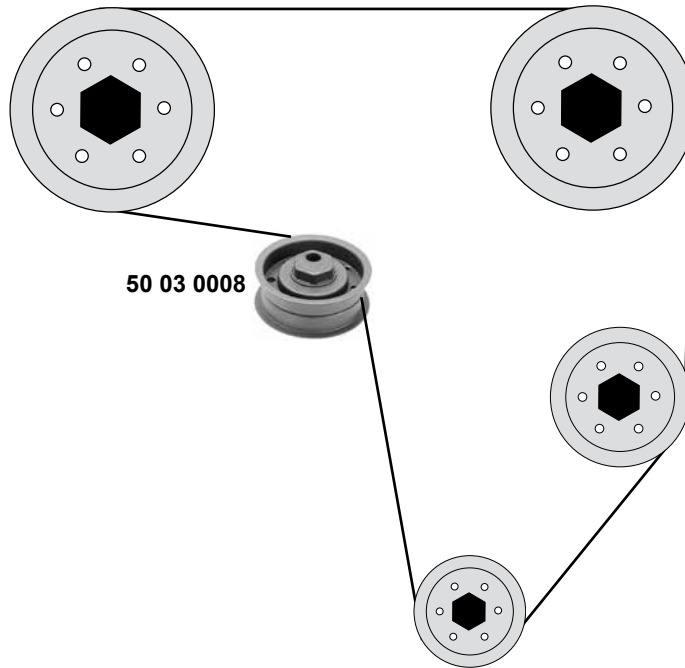
# FORD Escort 95 (01/95→08/96)



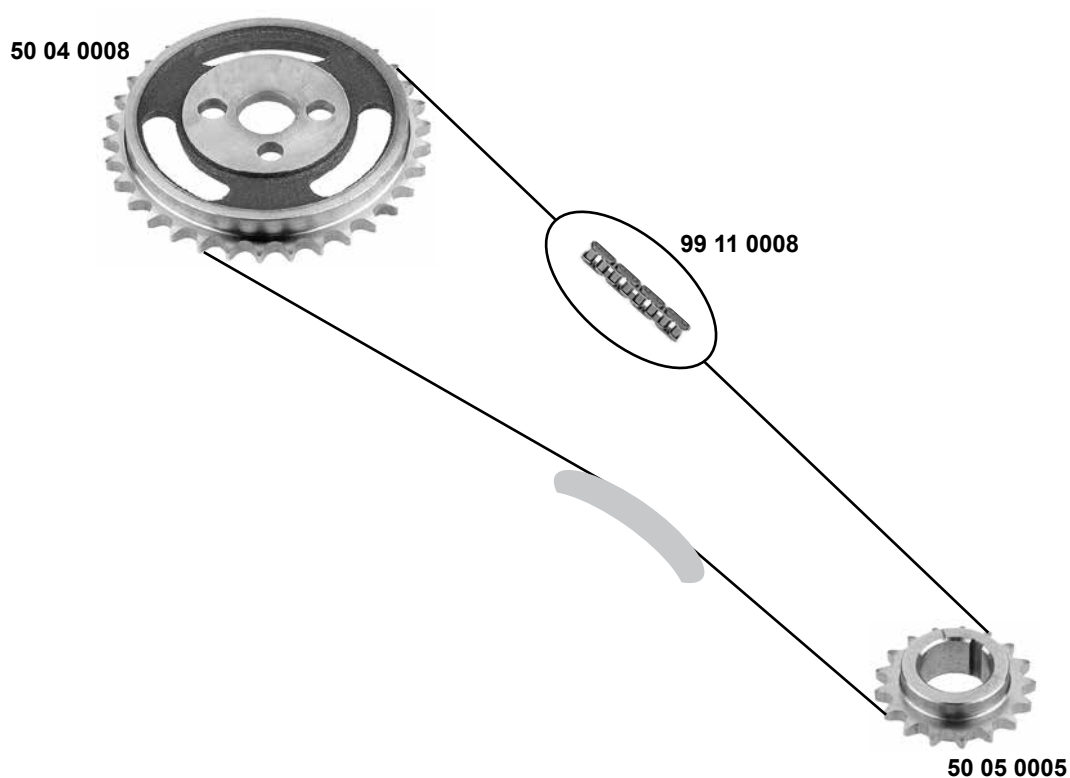
**2,0**  
(DOHC/DH)



**2,0 Cosworth**  
(DOHC/DL)



SWAG GERMANY	Ref. - No.			
50 03 0008	1 639 176	Umlenkrolle / deflection pulley		ØA82 B30
50 09 0005	6 177 698	Gleitschiene / sliding rail		
50 10 0002	1 662 847	Kettenspanner / chain tensioner		ØA20 B60,5
50 10 0006	1 022 214	Kettenspanner / chain tensioner		
99 11 0227	7 079 279	Steuerkette / timing chain		458 / 138 E



Rep. Satz / rep. kit



SWAG 99 12 5159



Ref. - No.



<b>50 04 0008</b>	6 029 398
<b>50 05 0005</b>	1 434 861
<b>99 11 0008</b>	6 156 318
<b>99 12 5159</b>	1 434 861 S2

Nockenwellenrad / camshaft gear
Kurbelwellenzahnrad / crankshaft gear
Steuerkette / timing chain timing chain
Rep. Satz Steuerkette / rep. kit

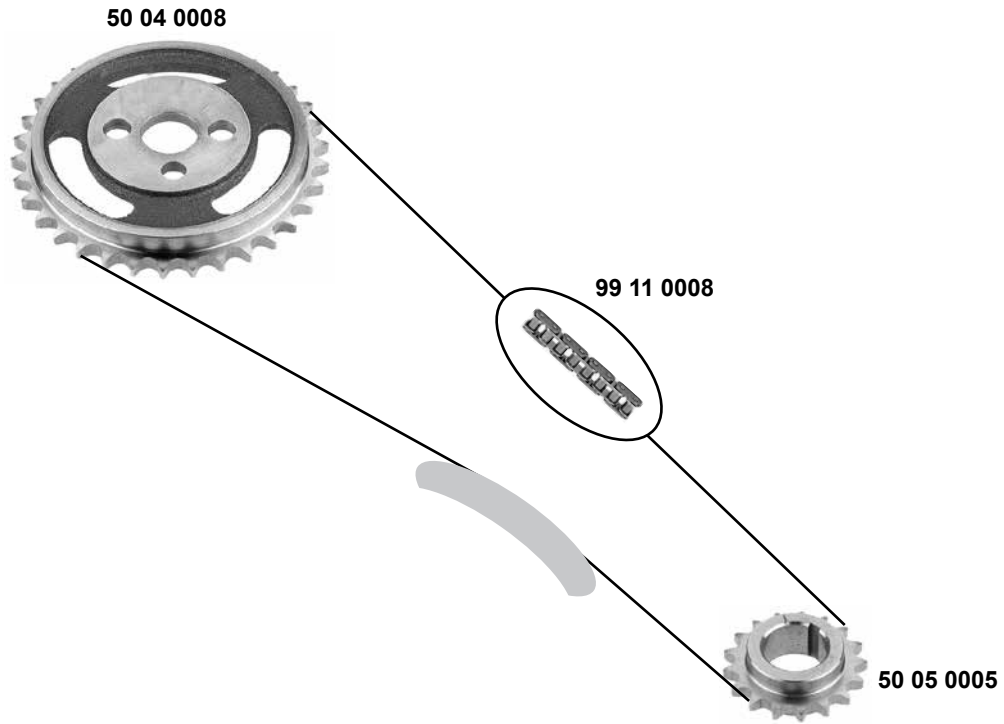
Z 34
Z 17
455 / 46 E

# FORD Fiesta 84

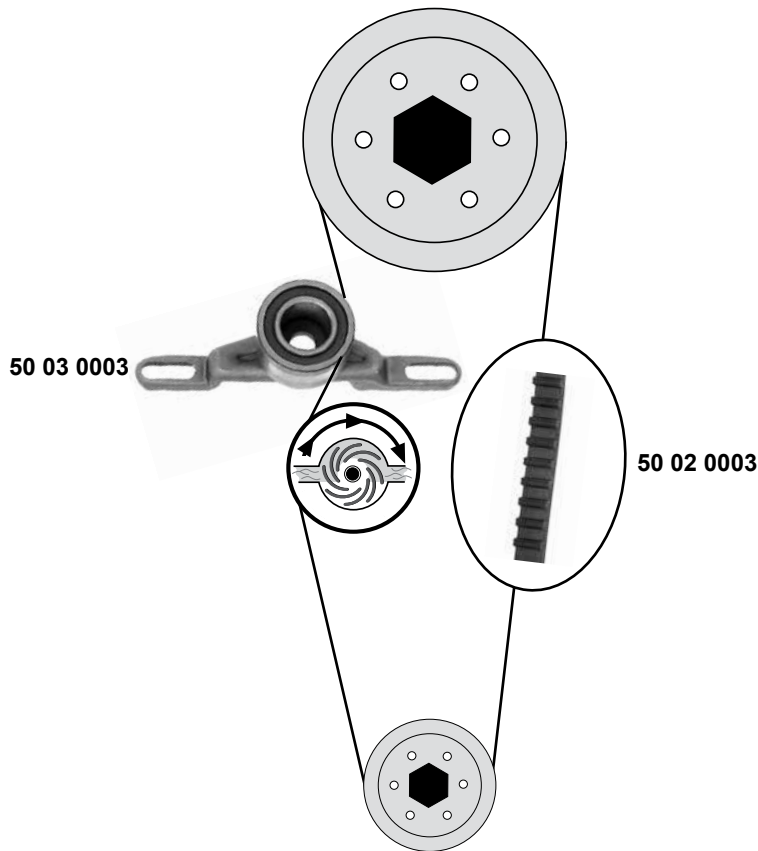
(08/83→02/89)



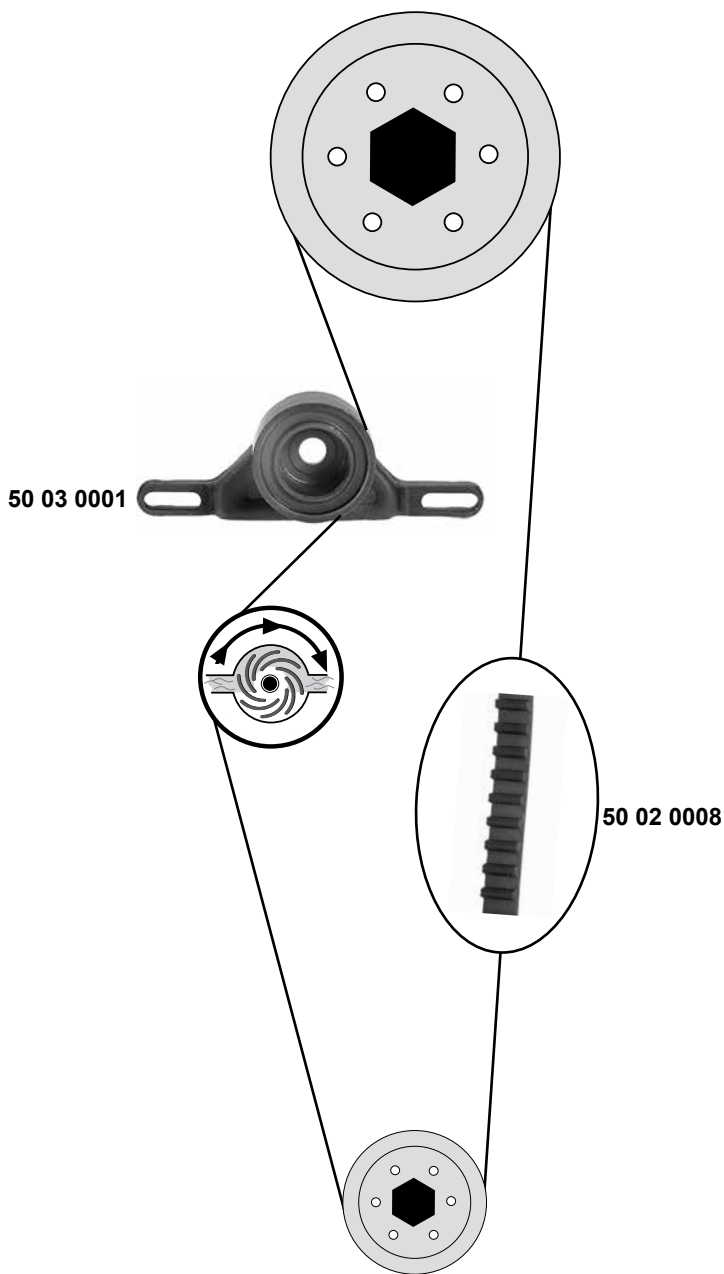
**1,3 → 1,6**  
(OHV/BL)



**1,1 / 1,3**  
(CVH/HL)



SWAG GERMANY	Ref. - No.			
50 02 0003	1 653 888	Zahnriemen / timing belt		Z 92 B19,8
50 03 0003	6 089 286	Spannrolle / tension roller		ØA47 ØI 29 B54
50 04 0008	6 029 398	Nockenwellenrad / camshaft gear		Z 34
50 05 0005	1 434 861	Kurbelwellenzahnrad / crankshaft gear		Z 17
99 11 0008	6 156 318	Steuerkette / timing chain		455 / 46 E
99 12 5159	1 434 861 S2	Rep. Satz Steuerkette / rep. kit timing chain		



Rep. Satz / rep. kit

**SWAG 50 02 0042**

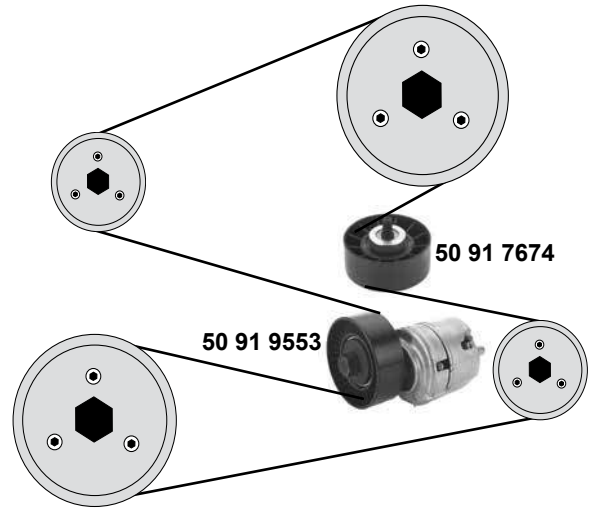
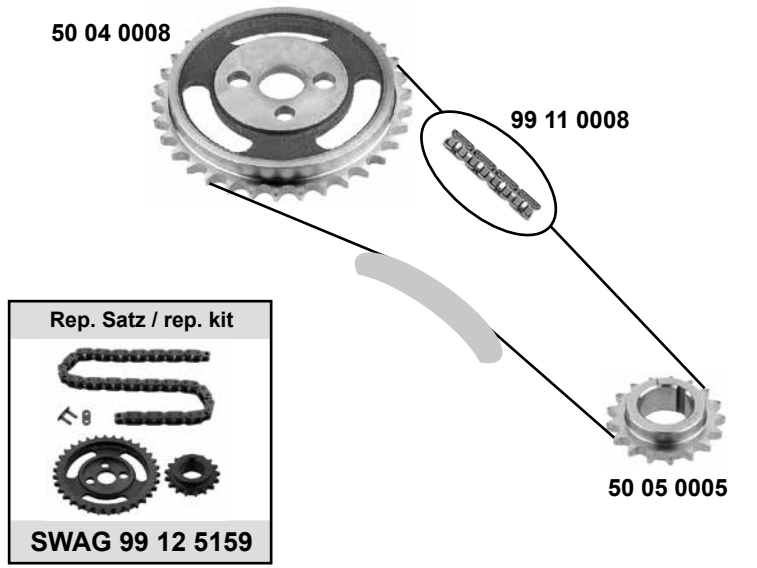
SWAG	Ref. - No.			
50 02 0008	6 711 046	Zahnriemen / timing belt		Z 97 B19,8
50 02 0042	6 711 046 S1	Rep. Satz Zahnriemen / rep. kit timing belt		
50 03 0001	6 182 891	Spannrolle / tension roller		ØA89 ØI54,5 B30

# FORD Fiesta 89

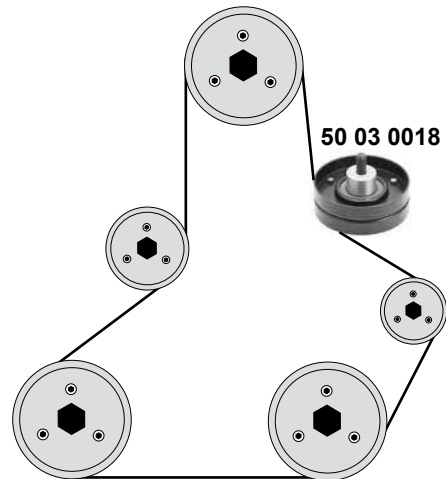
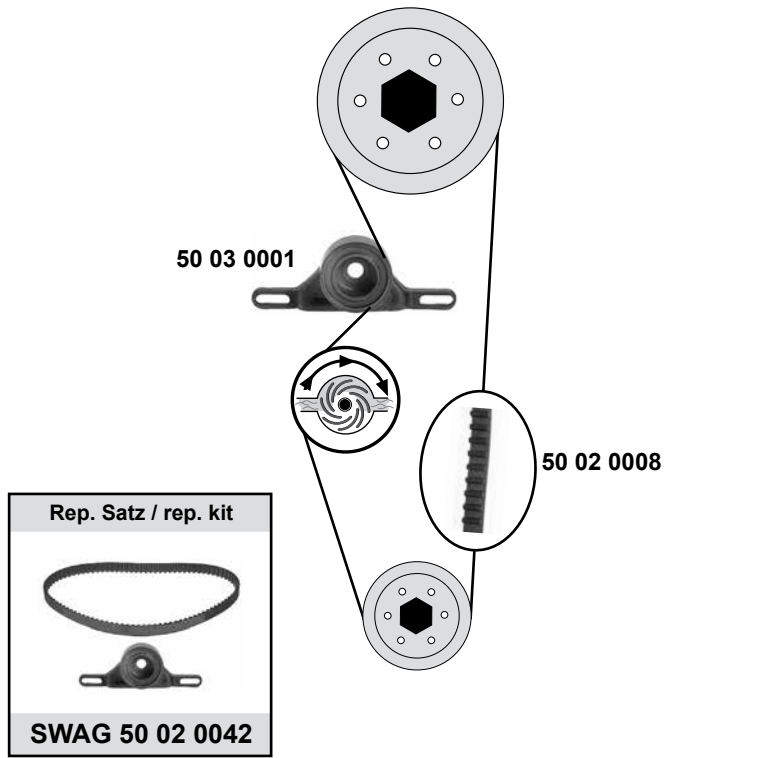
(03/89→08/96)



## 1,3 (OHV/BL)

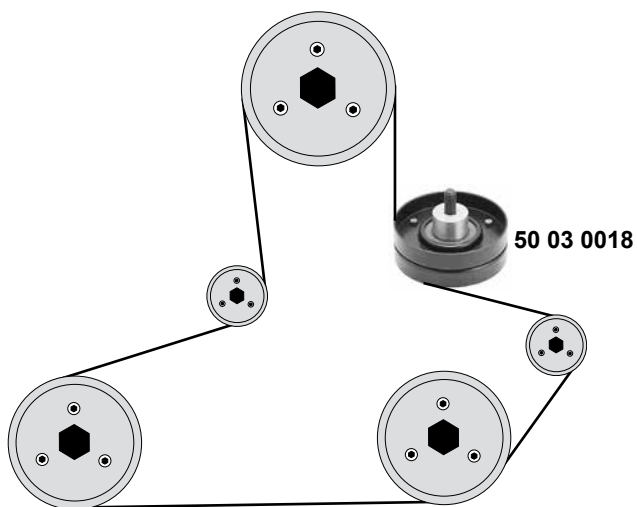
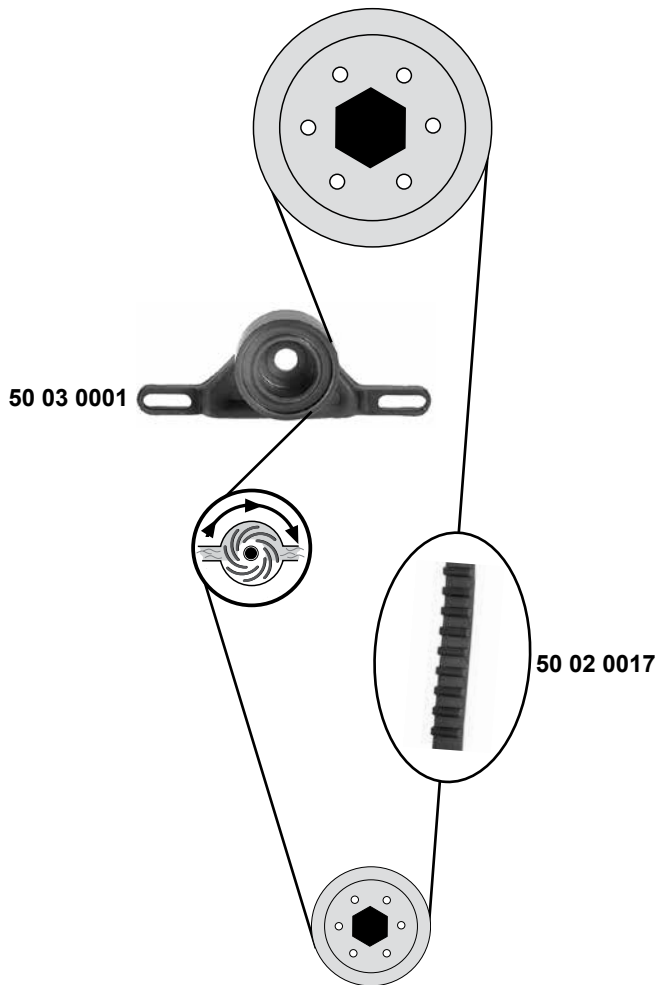


## 1,4 / 1,6 (CVH/HL)



SWAG GERMANY	Ref. - No.			
50 02 0008	6 711 046	Zahnriemen / timing belt		Z 97 B19,8
50 02 0042	6 711 046 S1	Rep. Satz Zahnriemen / rep. kit timing belt		
50 03 0001	6 182 891	Spannrolle / tension roller		
50 03 0018	7 053 546	Umlenkrolle / deflection pulley		ØA89 ØI30 B54,5
50 04 0008	6 029 398	Nockenwellenrad / camshaft gear	servo  AC	ØA76 B26
50 05 0005	1 434 861	Kurbelwellenzahnrad / crankshaft gear		Z 34
50 91 7674	6 200 285	Umlenkrolle / deflection pulley		Z 17
50 91 9553	1 004 549	Riemenspanner / belt tensioner	servo	ØA70 B28,7
99 11 0008	6 156 318	Steuerkette / timing chain		ØA70 B21
99 12 5159	1 434 861 S2	Rep. Satz Steuerkette / rep. kit timing chain		455 / 46 E





Ref. - No.



<b>50 02 0017</b>	6 711 044
<b>50 02 0028</b>	6 711 044 S1
<b>50 03 0001</b>	6 182 891
<b>50 03 0018</b>	7 053 546

Zahnriemen / timing belt
Rep. Satz Zahnriemen / rep. kit timing belt
Spannrolle / tension roller
Umlenkrolle / deflection pulley



Z 97 B21,6
Z 97 B21,6
ØA89 ØI54,5 B30
ØA76 B26

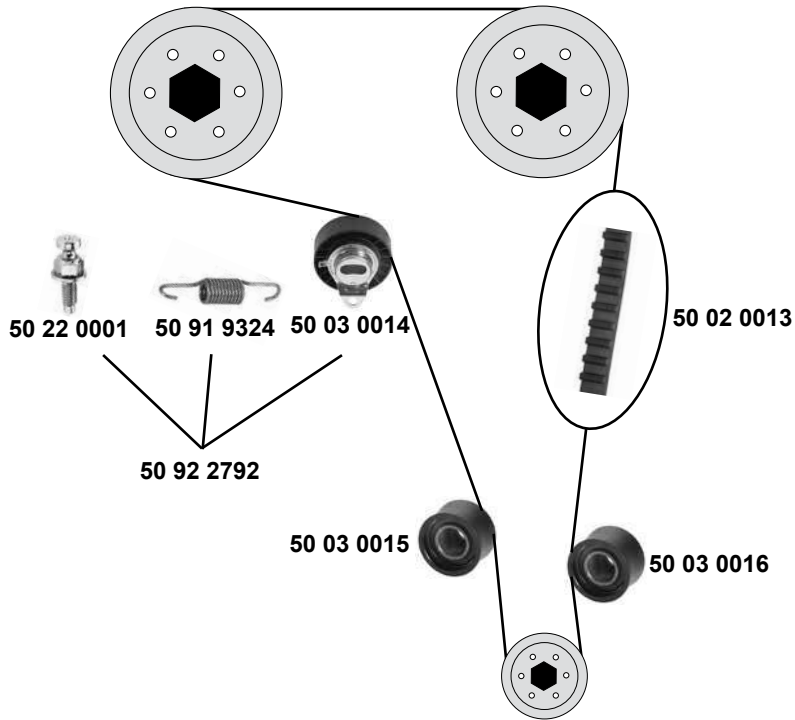
# FORD Fiesta 89

(03/92→08/96)

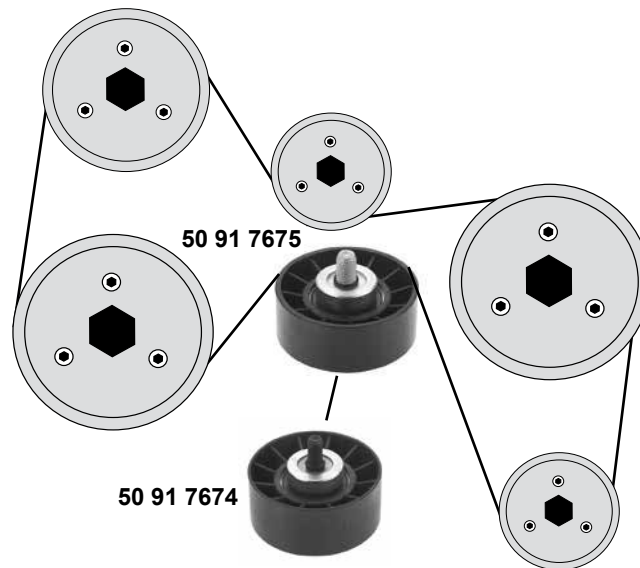


## 1,6 16V

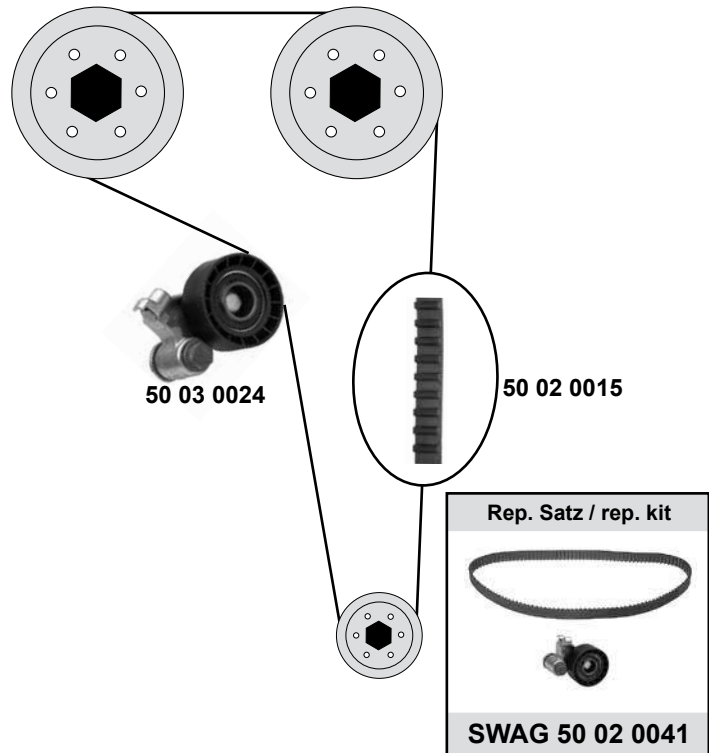
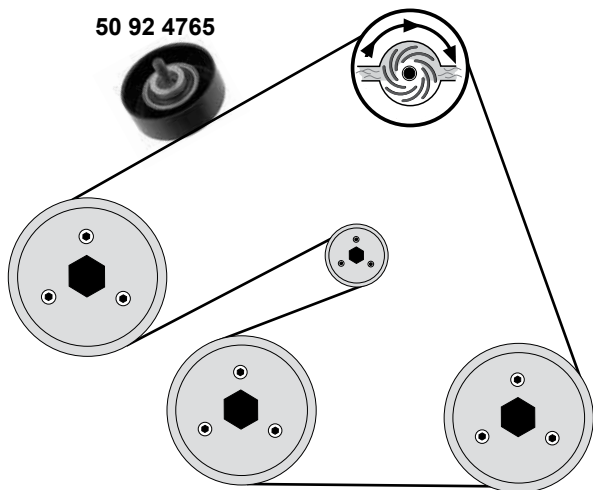
(Zetec E/ZH)



servo (ex.) AC oder / or AC (ex.) servo

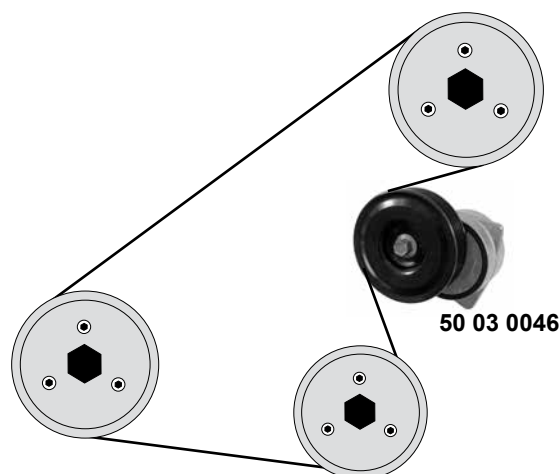
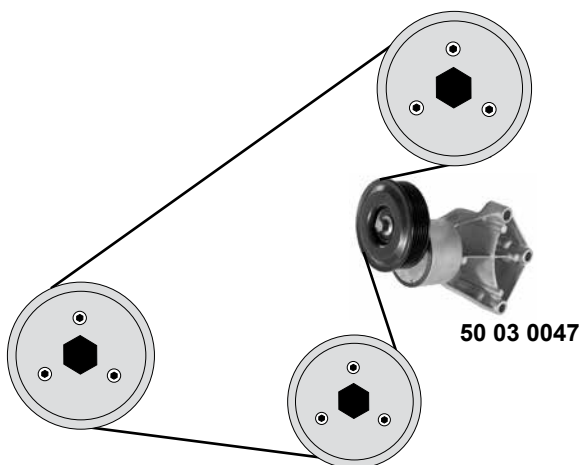


SWAG	Ref. - No.			
50 02 0013	6 764 162	Zahnriemen / timing belt		Z 131 B25,4
50 02 0023	6 794 162 S1	Rep. Satz Zahnriemen / rep. kit timing belt		
50 03 0014	6 635 941	Spannrolle / tension roller		ØA86 B30
50 03 0015	6 635 942	Umlenkrolle / deflection pulley		ØA21 ØI60 B30
50 03 0016	6 744 307	Umlenkrolle / deflection pulley		ØA21 ØI48 B30
50 22 0001	1 663 884	Schraube Spannrolle / screw tension roller		
50 91 7674	6 200 285	Umlenkrolle / deflection pulley	01/95 → 03/95	Ø A 70 B28,7
50 91 7675	1 015 375	Umlenkrolle / deflection pulley	04/95 →	Ø A 70 B28,7
50 91 9324	7 024 224	Zugfeder / return spring		
50 92 2792	6 635 941 S	Rep Satz Spannrolle / rep kit tension roller		ØA86 B30



servo (ex.) AC oder / or AC (ex.) servo

servo + AC



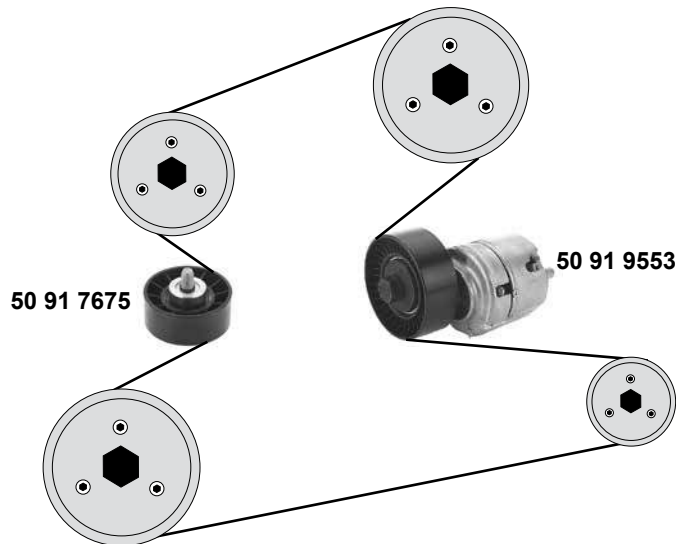
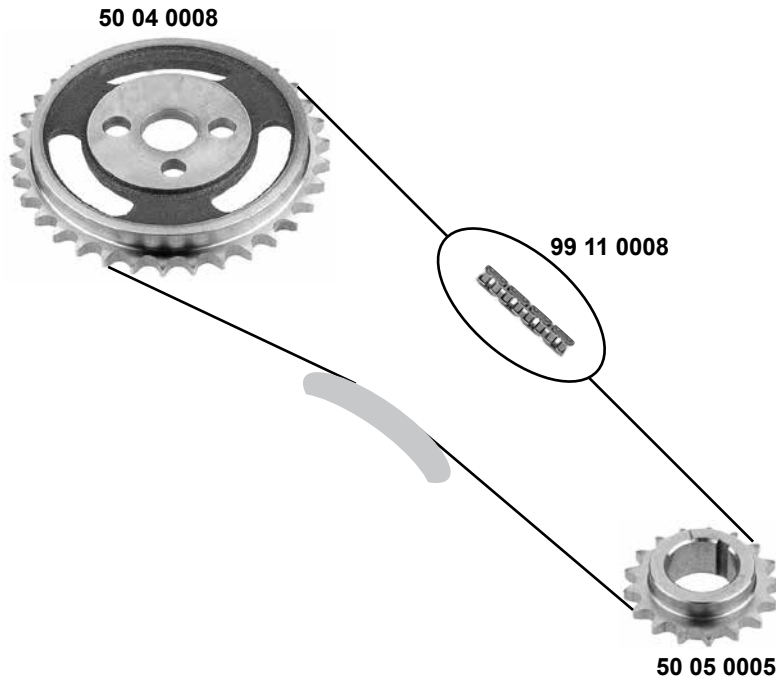
	Ref. - No.			
50 02 0015	1 004 299	Zahnriemen / timing belt		Z 117 B22
50 02 0041	1 004 299 S2	Rep. Satz Zahnriemen / rep. kit timing belt		
50 03 0024	1 004 409	Spannrolle / tension roller		ØA 62 B27
50 03 0046	1 077 689	Riemenspanner / belt tensioner		ØA103 B28
50 03 0047	1 004 481	Riemenspanner / belt tensioner		ØA103 B28
50 92 4765	1 139 951	Umlenkrolle / deflection pulley	Modell 08/95 → 10/01	ØA 70 H25

# FORD Fiesta 96

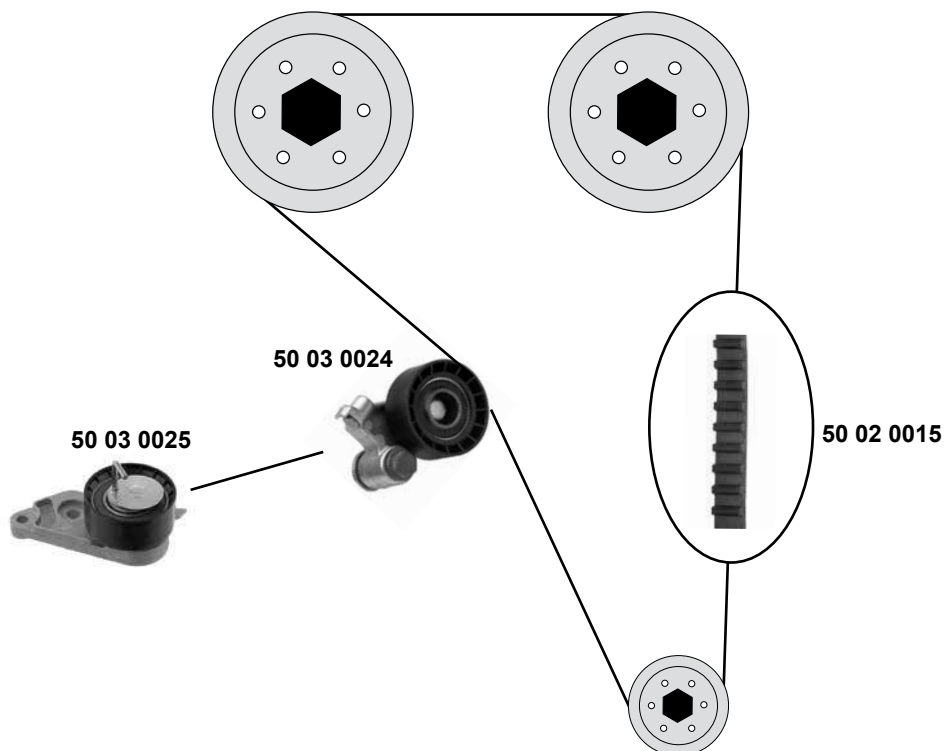
(08/95→02/02)



**1,3**  
(OHV/BL)



SWAG GERMANY	Ref. - No.			
50 04 0008	6 029 398	Nockenwellenrad / camshaft gear	servo  (ex.) AC servo	Z 34
50 05 0005	1 434 861	Kurbelwellenzahnrad / crankshaft gear		Z 17
50 91 7675	1 015 375	Umlenkrolle / deflection pulley		ØA 70 B28,7
50 91 9553	1 004 549	Riemenspanner / belt tensioner		ØA70 B21
99 11 0008	6 156 318	Steuerkette / timing chain		455 / 46 E
99 12 5159	1 434 861 S2	Rep. Satz Steuerkette / rep. kit timing chain		

**1,4 16V**  
 (Zetec S/ZH)


Rep. Satz / rep. kit

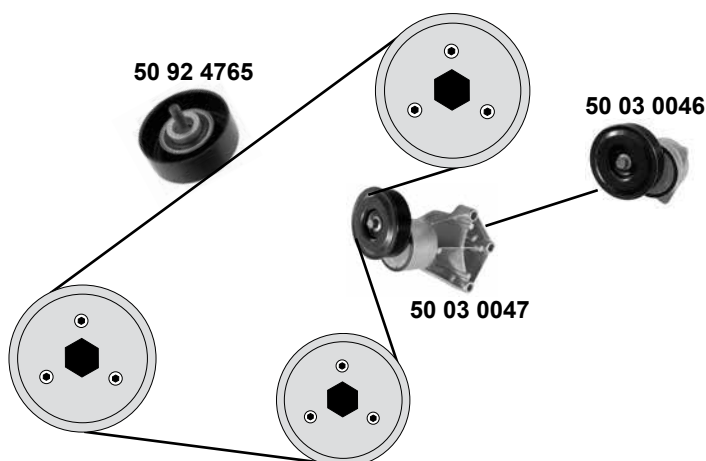


SWAG 50 02 0038

Rep. Satz / rep. kit



SWAG 50 02 0041



(1) servo + AC

(2) servo (ex.) AC oder /or AC (ex.) servo



Ref. - No.

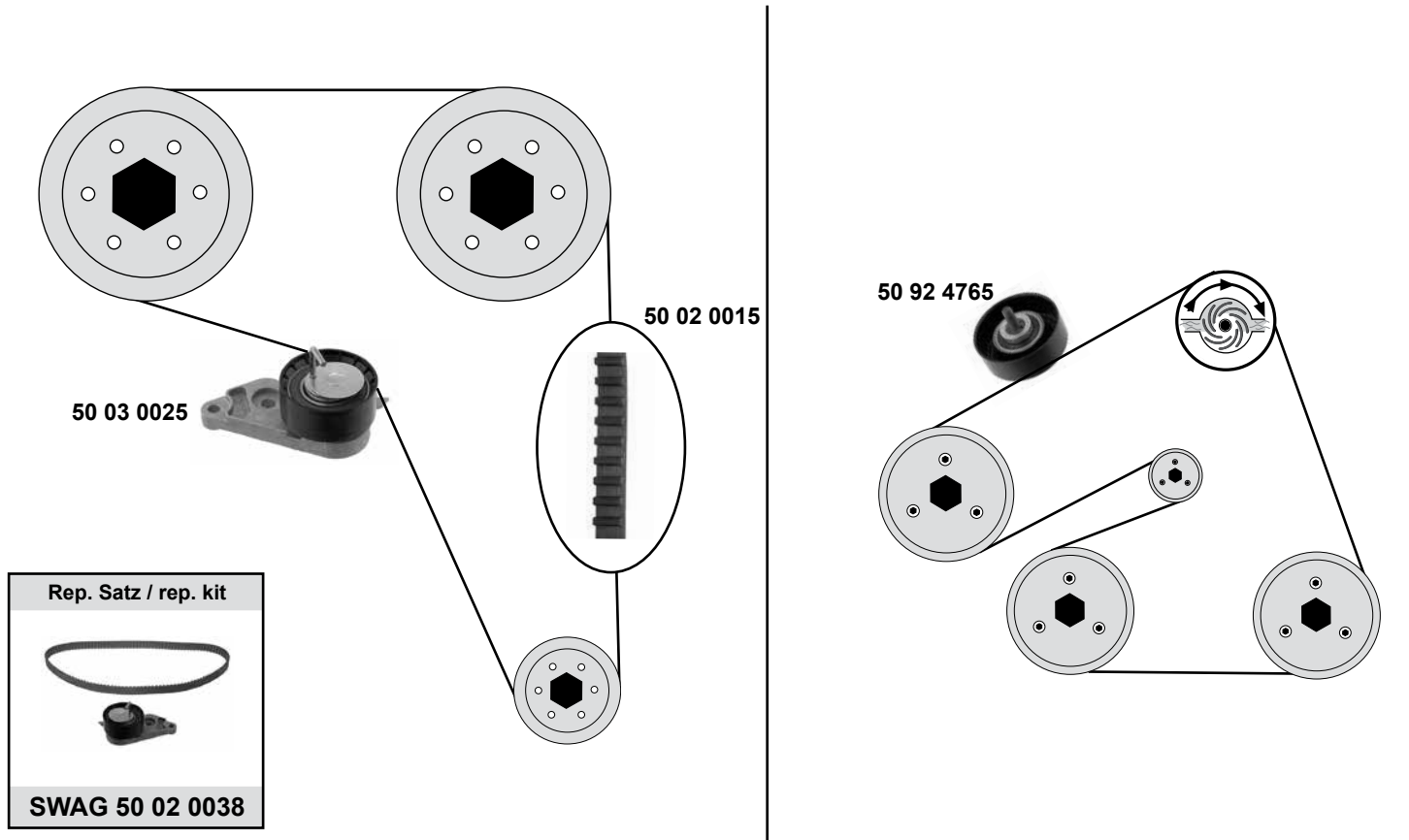


Ref. - No.			
<b>50 02 0015</b>	1 004 299	Zahnriemen / timing belt	Z 117 B22
<b>50 02 0038</b>	1 004 299 S1	Rep. Satz Zahnriemen / rep. kit timing belt	Modell 02/97 → 12/01
<b>50 02 0041</b>	1 004 299 S2	Rep. Satz Zahnriemen / rep. kit timing belt	Modell → 02/97
<b>50 03 0024</b>	1 004 409	Spannrolle / tension roller	Modell → 02/97
<b>50 03 0025</b>	1 361 840	Spannrolle / tension roller	Modell 02/97 → 12/01
<b>50 03 0046</b>	1 077 689	Riemenspanner / belt tensioner	(1)
<b>50 03 0047</b>	1 004 481	Riemenspanner / belt tensioner	(2)
<b>50 92 4765</b>	1 139 951	Umlenkrolle / deflection pulley	Modell 08/95 → 10/01

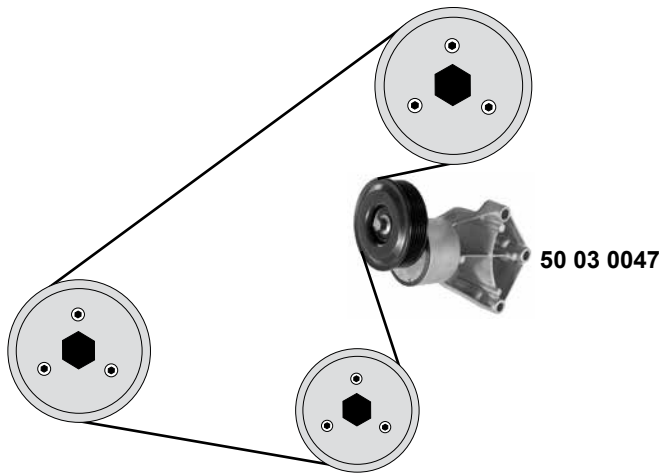
# FORD Fiesta 96 (02/97→10/01)



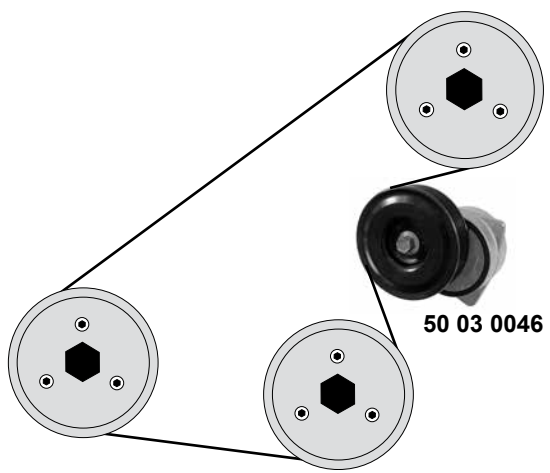
## 1,6 16V (Zetec S/ZH)



servo (ex.) AC oder / or AC (ex.) servo

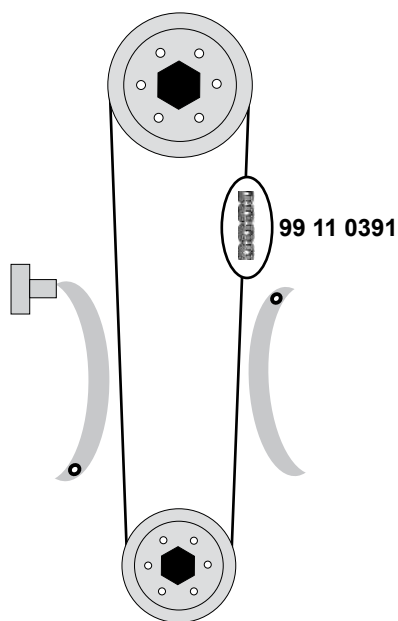


servo + AC

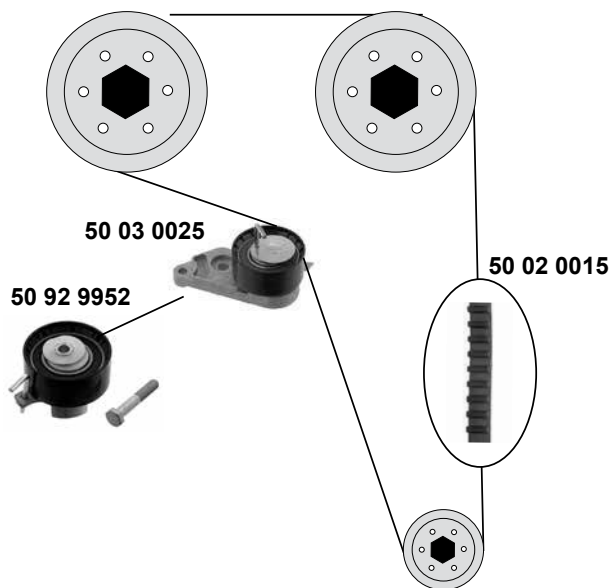


SWAG GERMANY	Ref. - No.			
50 02 0015	1 004 299	Zahnriemen / timing belt		Z 117 B22
50 02 0038	1 004 299 S1	Rep. Satz Zahnriemen / rep. kit timing belt		
50 03 0025	1 361 840	Spannrolle / tension roller		ØA60 Ø126,6 B37,1
50 03 0046	1 077 689	Riemenspanner / belt tensioner		ØA103 H 28
50 03 0047	1 004 481	Riemenspanner / belt tensioner		ØA103 H 28
50 92 4765	1 139 951	Umlenkrolle / deflection pulley	Modell 08/95 → 10/01	ØA 70 H25

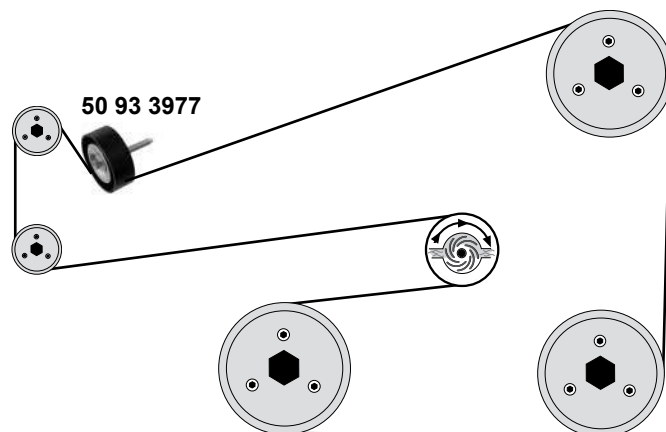
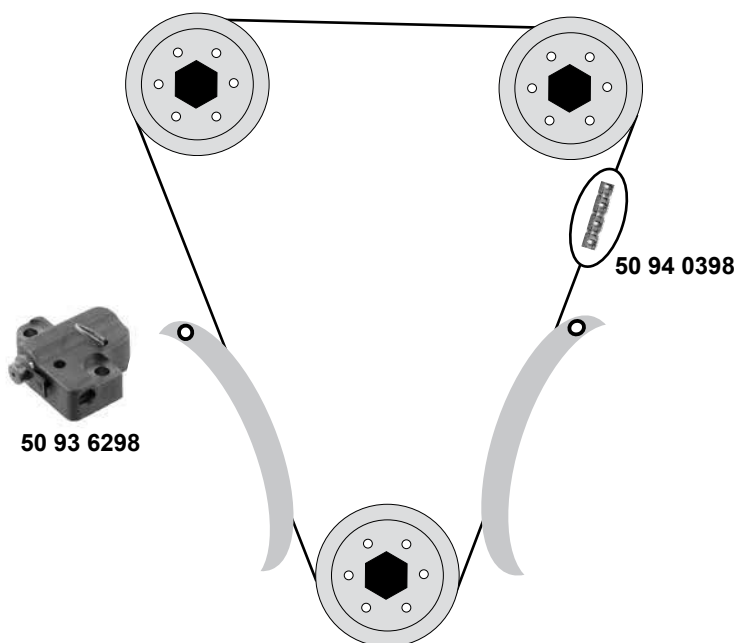
**1,3**  
(Duratec Racom)



**1,25 16V / 1,4 16V / 1,6 16V**  
(Zetec S/ZH)



**2,0**  
(Duratec HE)



Ref. - No.



<b>50 02 0015</b>	1 004 299	Zahnriemen / timing belt		Z 117 B22
<b>50 02 0038</b>	1 004 299 S1	Rep. Satz Zahnriemen / rep. kit timing belt	1,6 16V → 04/05	Z 117
<b>50 03 0025</b>	1 361 840	Spannrolle / tension roller	→ 04/05	ØA60 ØI26,6 B37,1
<b>50 92 9952</b>	1 376 164	Spannrolle / tension roller	04/05 →	ØA62 B 26
<b>50 92 9958</b>	1 004 297 S3	Rep. Satz Zahnriemen / rep. kit timing belt	04/05 →	Z 117
<b>50 93 3977</b>	1 387 066	Umlenkrolle / deflection pulley	11/05 → / (ST 150)	ØA70 B25,5
<b>50 93 6298</b>	1 347 669	Kettenspanner / chain tensioner	11/04 →	
<b>50 94 0398</b>	1 119 172	Steuerkette / timing chain	04 →	134 E
<b>99 11 0391</b>	1 089 822	Steuerkette / timing chain	05/02 →	114 E



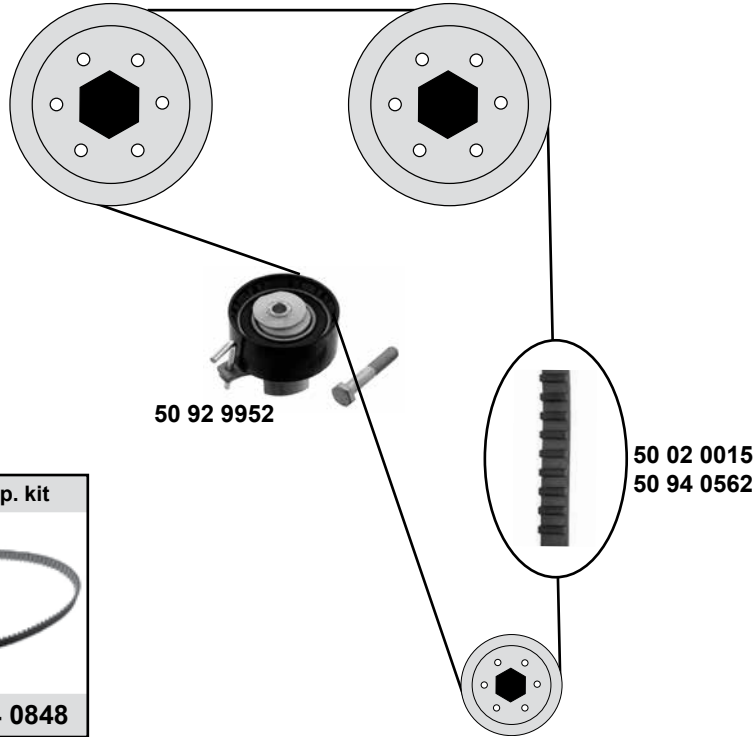
# FORD Fiesta 08

(07/08→10/12)



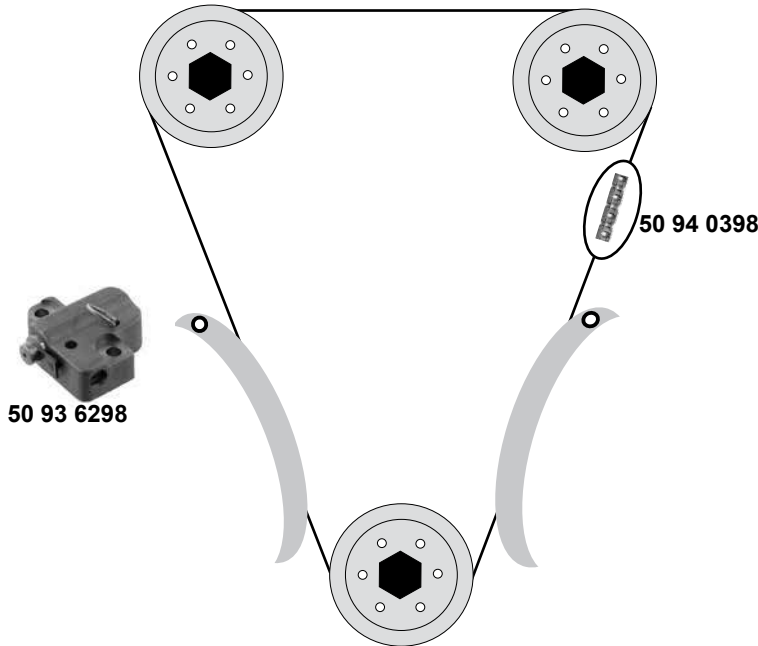
## 1,25 16V / 1,4 16V / 1,6 16V

(Zetec S/ZH)



## 2,0

(Duratec HE)



- (1) Zetec S 1,25 →10 / Zetec S 1,4 / 1,6 →12
- (2) Zetec S 1,25 10 → / Zetec S 1,4 01/12→
- (3) Zetec S 1,25 10 → / Zetec S 1,4 01/12→ / Zetec 1,6 08→



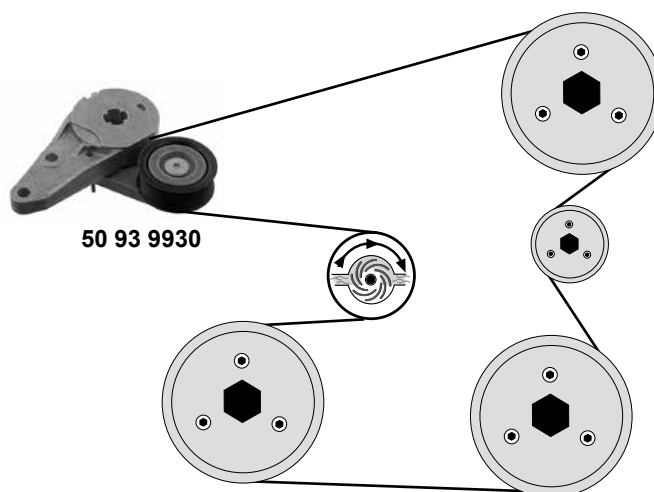
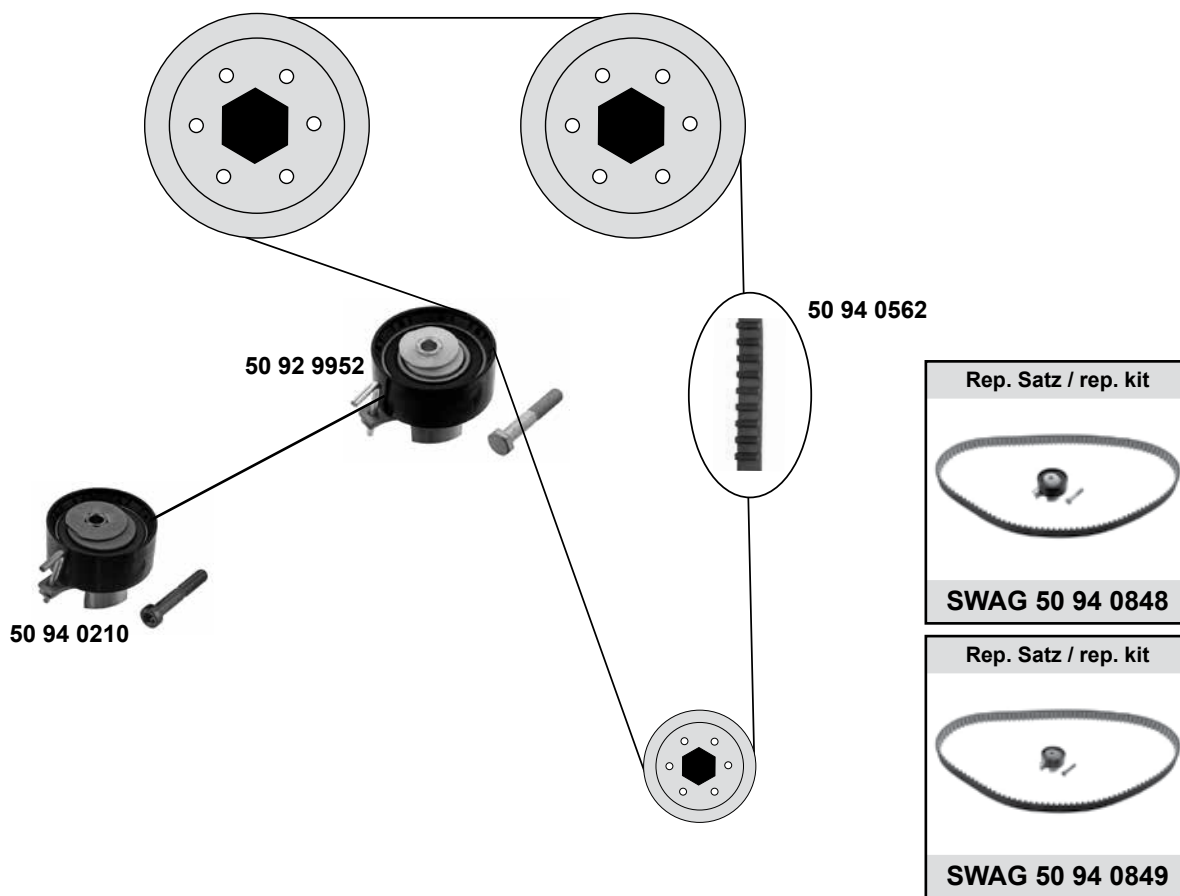
Ref. - No.



50 02 0015	1 004 299	Zahnriemen / timing belt	(1)	Z 117 B22
50 92 9952	1 376 164	Spannrolle / tension roller	(1) (3)	ØA62 B 26
50 92 9958	1 004 297 S3	Rep. Satz Zahnriemen / rep. kit timing belt	(1)	
50 93 6298	1 347 669	Kettenspanner / chain tensioner	→12/10	
50 94 0398	1 119 172	Steuerkette / timing chain		134 E
50 94 0562	1 675 963	Zahnriemen / timing belt	(2) (3)	Z 117 B22
50 94 0848	1 672 144	Rep. Satz Zahnriemen / rep. kit timing belt	(3)	



**1,25 16V / 1,4 16V / 1,6 16V / 1,6 EcoBoost**  
(Zetec S/ZH)



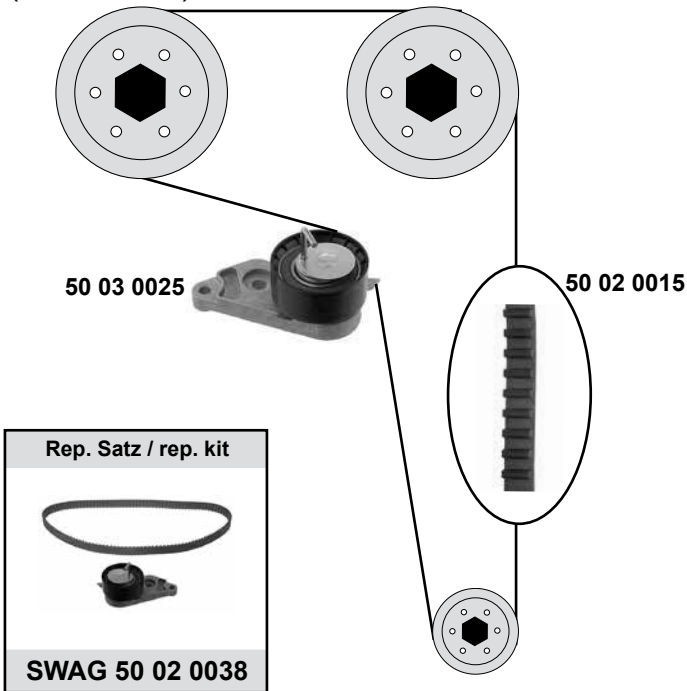
SWAG GERMANY	Ref. - No.			
50 92 9952	1 376 164	Spannrolle / tension roller		ØA62 B 26
50 93 9930	1 685 618	Riemenspanner / belt tensioner	13→ /1,6 EcoBoost	ØA67 B 25
50 94 0210	1 685 747	Spannrolle / tension roller	1,6 EcoBoost	
50 94 0562	1 675 963	Zahnriemen / timing belt		Z 117 B22
50 94 0848	1 672 144	Rep. Satz Zahnriemen / rep. kit timing belt		
50 94 0849	1 672 144 S1	Rep. Satz Zahnriemen / rep. kit timing belt	1,6 EcoBoost	

# FORD Focus 99

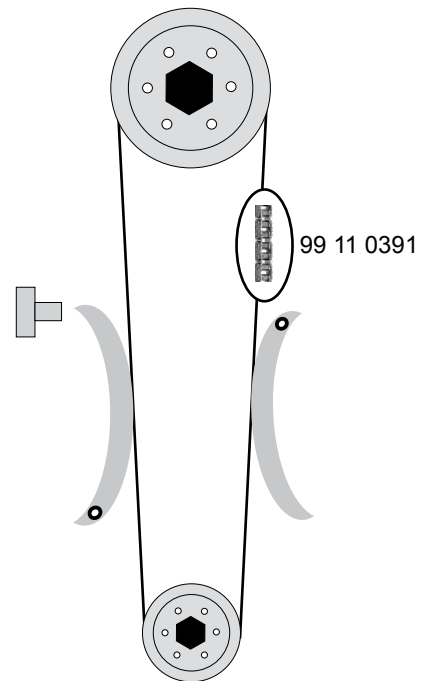
(08/98→07/04)



## 1,4 16V / 1,6 16V (Zetec S/ZH)

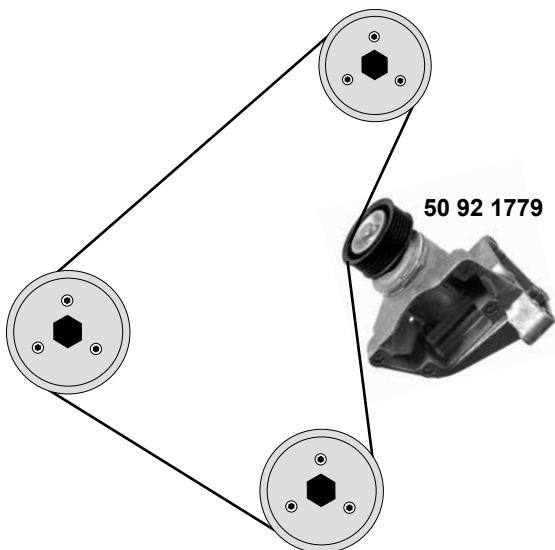


## 1,6 (Zetec Rocam)

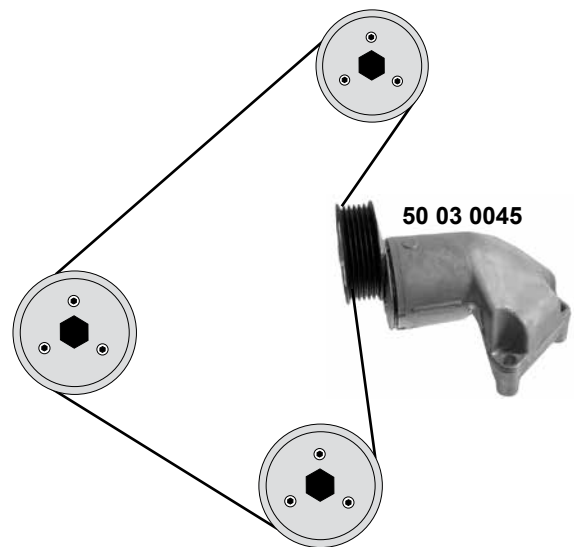


## 1,4 16V / 1,6 16V (Zetec S/ZH)

servo + AC



servo (ex.) AC



Ref. - No.

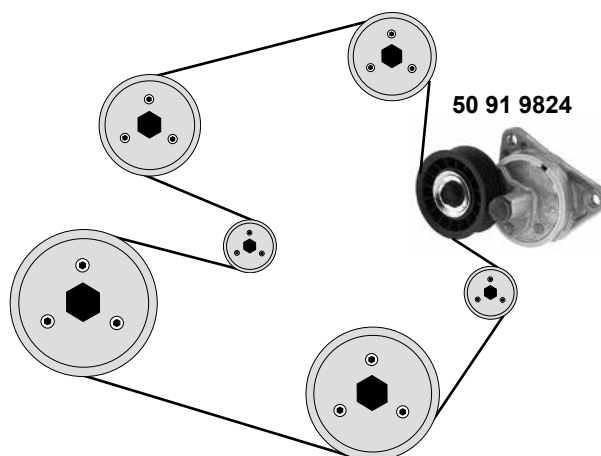
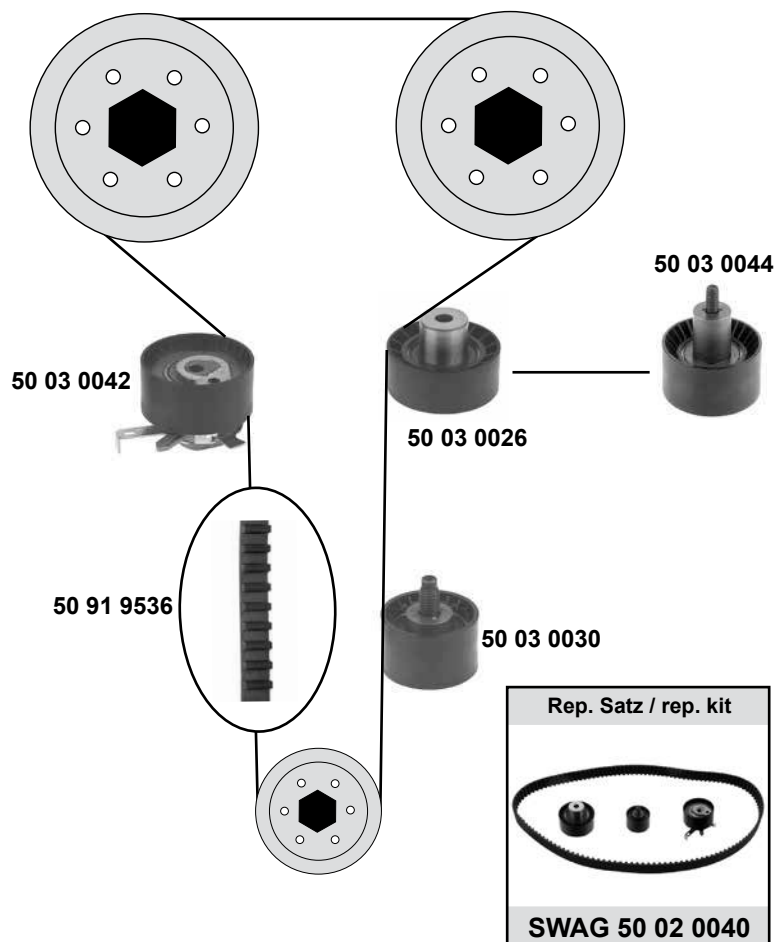


50 02 0015	1 004 299	Zahnriemen / timing belt
50 02 0038	1 004 299 S1	Rep Satz Zahnriemen / rep kit timing belt
50 03 0025	1 361 840	Spannrolle / tension roller
50 03 0045	1 114 737	Riemespanner / belt tensioner
50 92 1779	1 152 890	Riemespanner / belt tensioner
99 11 0391	1 089 822	Steuerkette / timing chain

09/02 →

Z 117 B22
ØA60 ØI26,6 B37,1
ØA 69
ØA 73
114 E

**1,8 16V / 2,0 16V**  
(Zetec E/ZH)



SWAG	Ref. - No.			
50 02 0040	1 000 156S1	Rep. Satz Zahnriemen / rep. kit timing belt	→ 01/99	
50 03 0026	1 038 384	Umlenkrolle / deflection pulley	→ 01/99	ØA70 ØI47,9 B29
50 03 0030	1 053 942	Umlenkrolle / deflection pulley	→ 01/99	ØA47 ØI51,5 B29
50 03 0042	1 328 472	Spannrolle / tension roller		ØA60 ØI33,3 B29
50 03 0044	1 213 852	Umlenkrolle / deflection pulley	01/99 →	ØA60 ØI69,5 B29
50 91 9536	1 000 156	Zahnriemen / timing belt		Z 129 B25,4
50 91 9824	1 073 096	Riemenspanner / belt tensioner		Ø A 73 B25
50 92 4803	1 000 156S2	Rep. Satz Zahnriemen / rep. kit timing belt	01/99 →	Z 129 B25,4

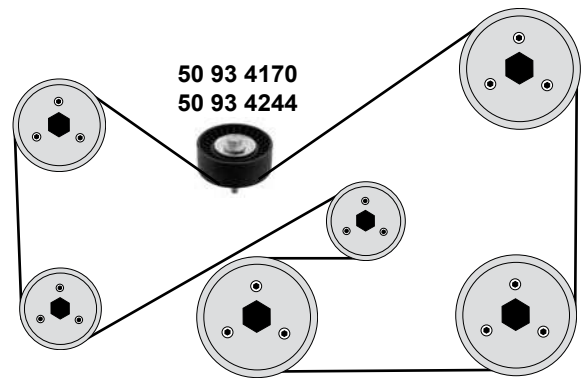
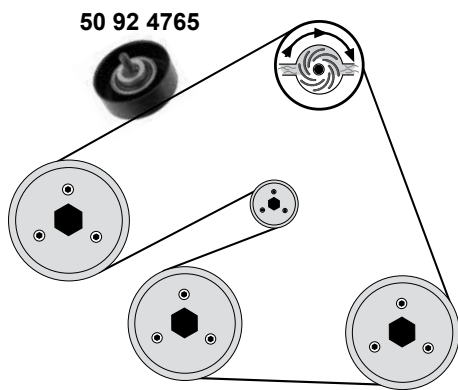
**FORD**  
**Focus 99**  
 (08/98→07/04)



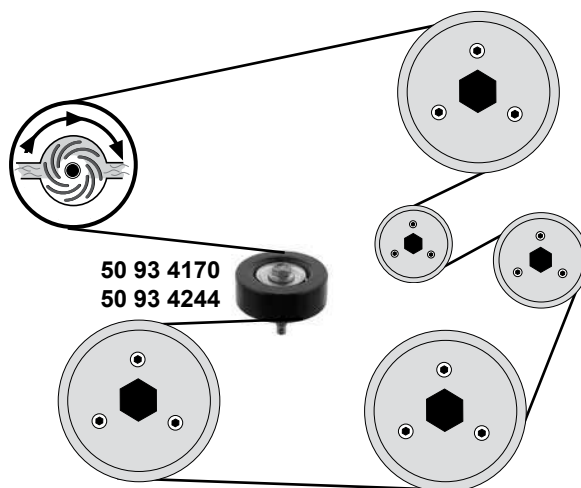
**1,4 / 1,6**  
 (Zetec S)

**1,6 / 1,8**  
 (Zetec E)

**AC**



**2,0**  
 (Zetec E)



Ref. - No.



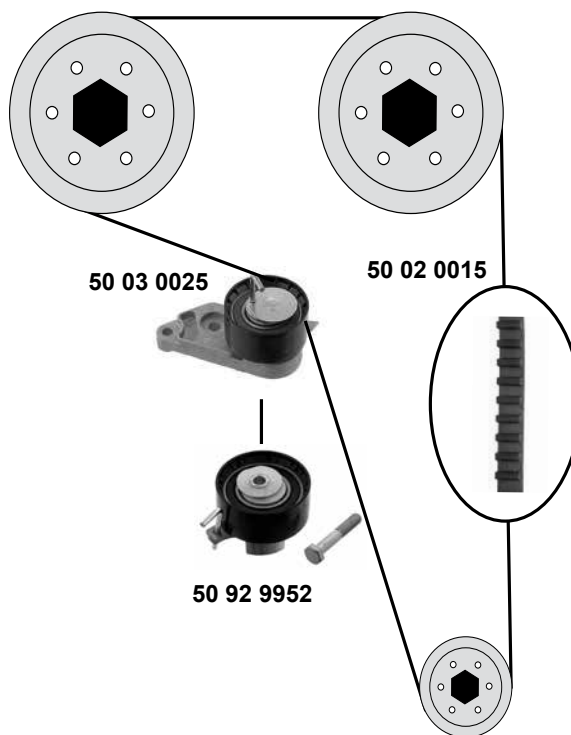
50 92 4765	1 139 951
50 93 4170	1 318 844
50 93 4244	1 114 544

Umlenkrolle / deflection pulley
Umlenkrolle / deflection pulley
Umlenkrolle / deflection pulley

06/01 →  
 → 06/01

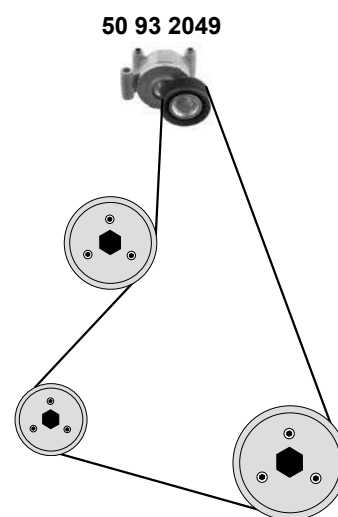
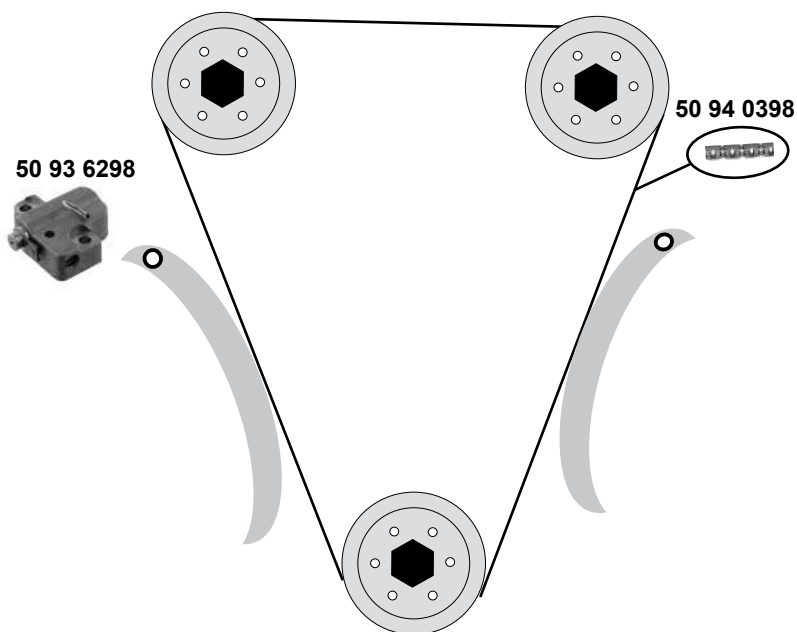
ØA 70 H25
ØA 70 B25,5
ØA 70 B25,5

**1,4 16V / 1,6 16V**  
(Zetec S/ZH)



Rep. Satz / rep. kit
<b>SWAG 50 02 0038</b>
Rep. Satz / rep. kit
<b>SWAG 50 92 9958</b>

**1,8 / 2,0**  
(Duratec)

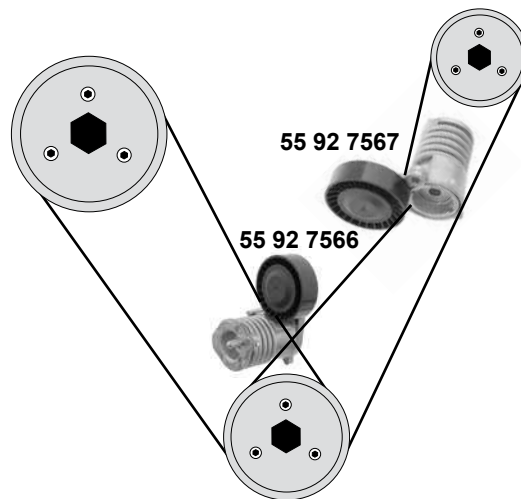
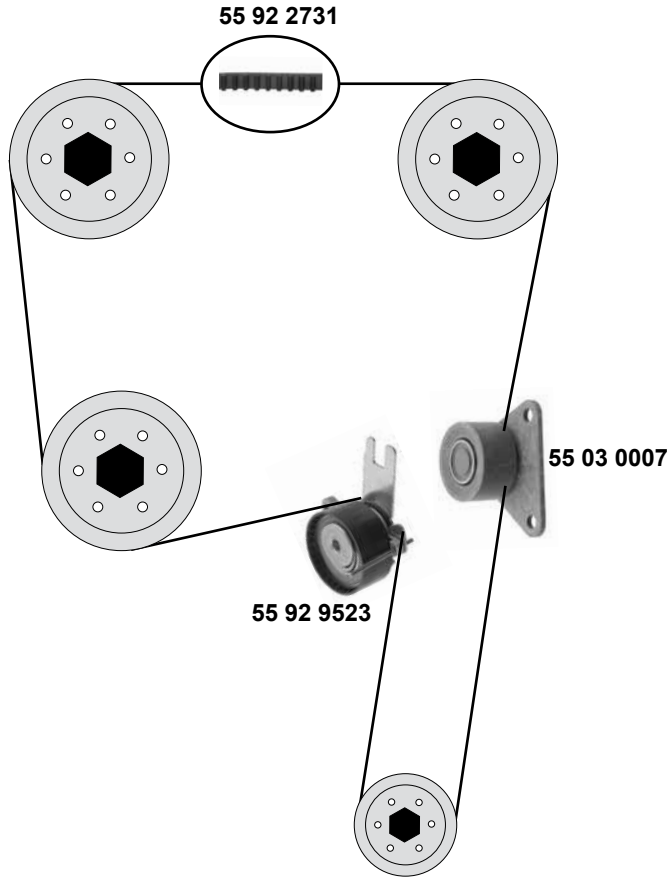


SWAG	Ref. - No.			
<b>50 02 0015</b>	1 004 299	Zahnriemen / timing belt		Z 117 B22
<b>50 02 0038</b>	1 004 299 S1	Rep. Satz Zahnriemen / rep. kit timing belt	→ 04/05	
<b>50 03 0025</b>	1 361 840	Spannrolle / tension roller	→ 04/05	A60 Ø126,6 B37,1
<b>50 92 9952</b>	1 376 164	Spannrolle / tension roller	04/05 →	ØA62 B26
<b>50 92 9958</b>	1 004 297 S3	Rep. Satz Zahnriemen / rep. kit timing belt	04/05 →	
<b>50 93 2049</b>	1 315 781	Riemenspanner / belt tensioner		ØA72,5 B29
<b>50 93 6298</b>	1 347 669	Kettenspanner / chain tensioner		
<b>50 94 0398</b>	1 119 172	Steuerkette / timing chain		134 E

# FORD Focus 04 (07/04→12/07)

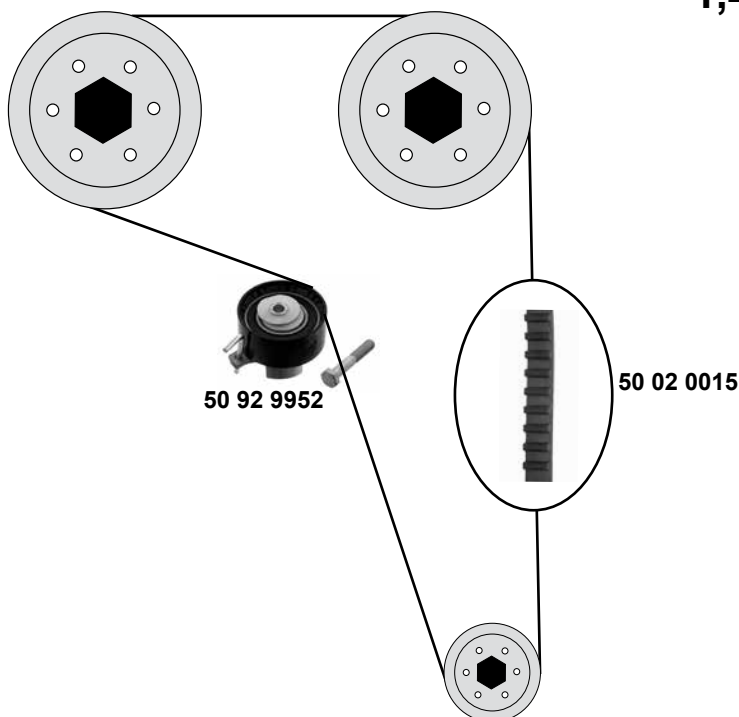


## 2,5 20 V (Duratec Turbo)



	Ref. - No.			
<b>55 03 0007</b>	1 371 753	Umlenkrolle / deflection pulley	10/05 →	ØA53 ØI24 B27
<b>55 92 2731</b>	1 372 015 S1	Zahnriemen / timing belt	10/05 →	Z 142 B23
<b>55 92 7566</b>	1 374 427	Riemenspanner / belt tensioner	10/05 →	ØA65 B21
<b>55 92 7567</b>	1 374 425	Riemenspanner / belt tensioner	10/05 →	
<b>55 92 9523</b>	1 388 493	Spannrolle / tension roller	10/05 →	ØA 60B26,5
<b>55 92 9524</b>	1 372 015	Rep.Satz Zahnriemen / rep.kit timing belt	10/05 →	

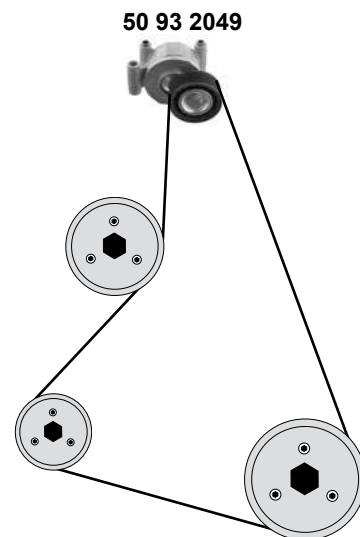
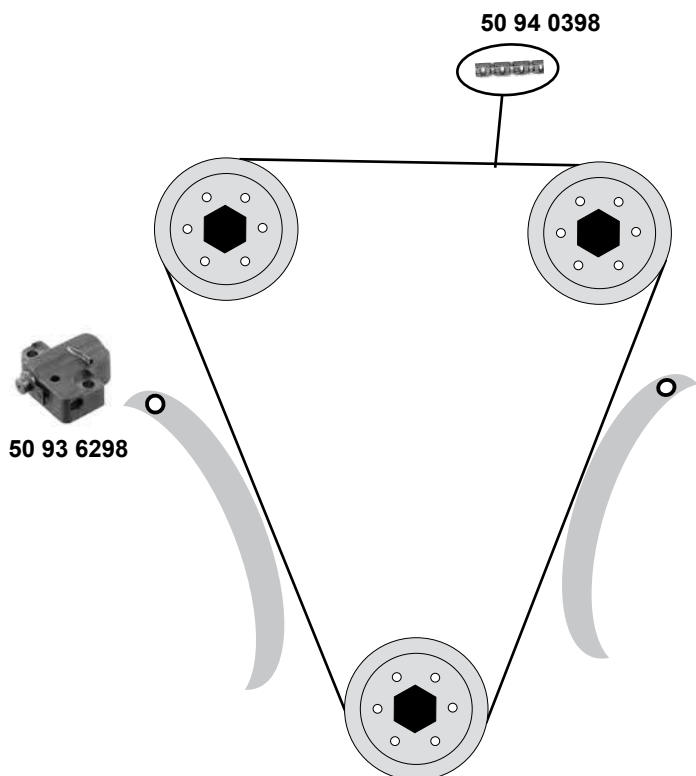
**1,4 16V / 1,6 16V**  
(Zetec S / ZH)



Rep. Satz / rep. kit

**SWAG 50 92 9958**

**1,8 / 2,0**  
(Duratec)



SWAG GERMANY	Ref. - No.			
50 02 0015	1 004 299	Zahnriemen / timing belt		Z 117 B22
50 92 9952	1 376 164	Spannrolle / tension roller		ØA 62 B26
50 92 9958	1 004 297 S3	Rep. Satz Zahnriemen / rep. kit timing belt		
50 93 2049	1 315 781	Riemenspanner / belt tensioner		ØA 72,5 B29
50 93 6298	1 347 669	Kettenspanner / chain tensioner		
50 94 0398	1 119 172	Steuerkette / timing chain	08→	134 E

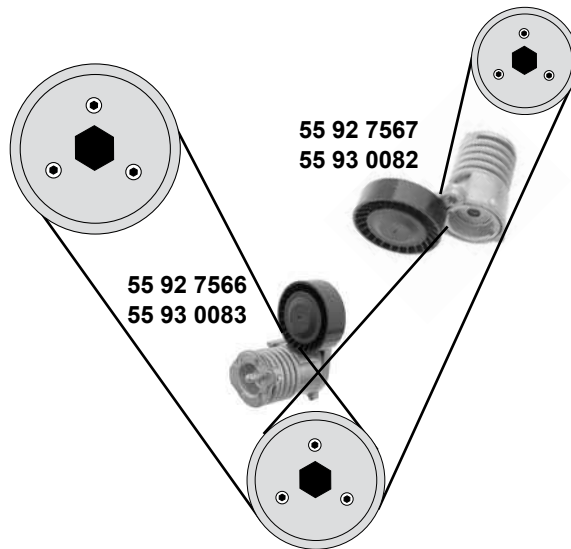
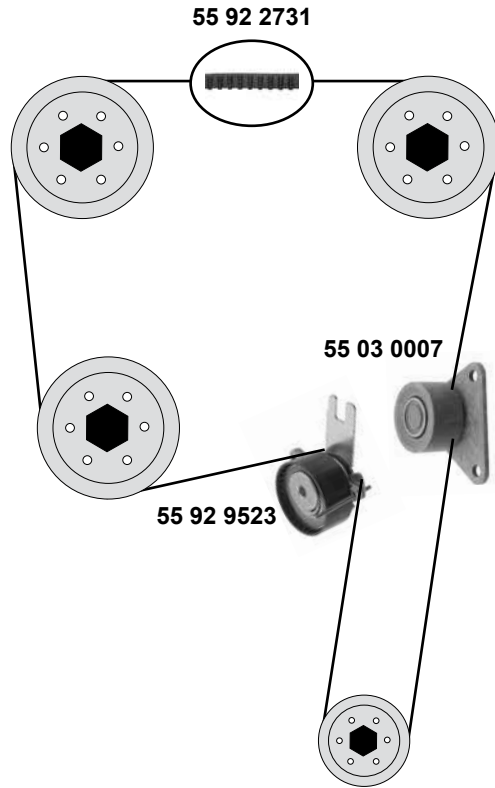
# FORD Focus 08

(12/07→12/10)



## 2,5 20 V

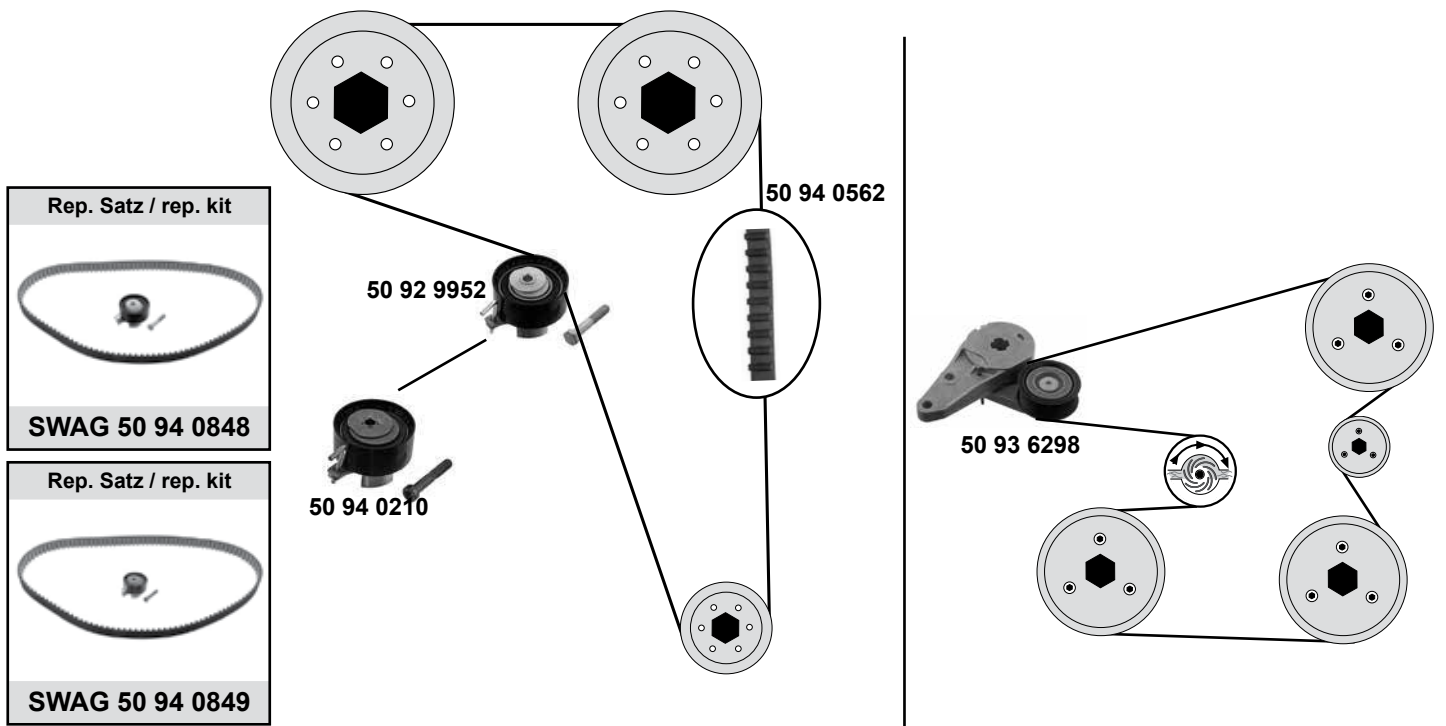
(Duratec Turbo)



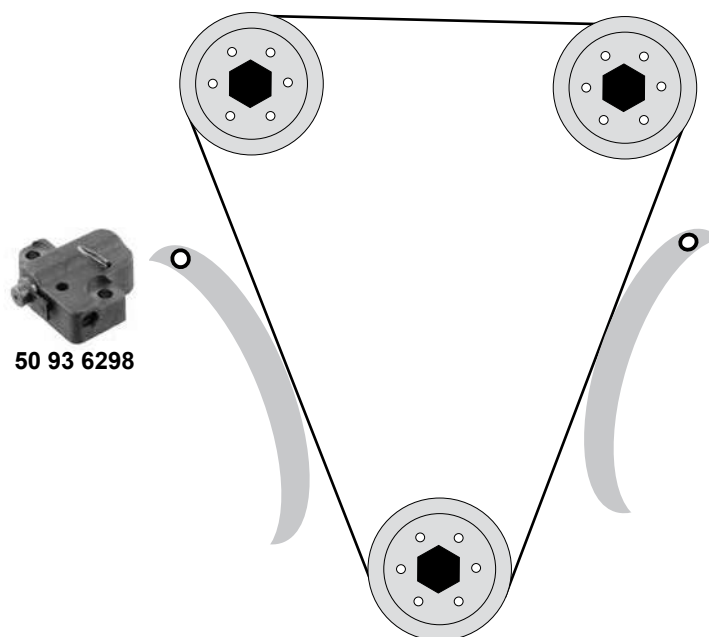
SWAG GERMANY	Ref. - No.			
55 03 0007	1 371 753	Umlenkrolle / deflection pulley		ØA53 ØI 24 B27
55 92 2731	1 372 015 S1	Zahnriemen / timing belt		Z 142 B23
55 92 7566	1 374 427	Riemenspanner / belt tensioner	→ 04/08	ØA 65 B21
55 92 7567	1 374 425	Riemenspanner / belt tensioner	→ 04/08	ØA 70 B20
55 92 9523	1 388 493	Spannrolle / tension roller		ØA 60B26,5
55 92 9524	1 372 015	Rep.Satz Zahnriemen / rep.kit timing belt		
55 93 0082	1 540 603	Riemenspanner / belt tensioner	04/08 →	ØA 65 B21
55 93 0083	1 540 605	Riemenspanner / belt tensioner	04/08 →	ØA 65 B21



**1,6 16 V / EcoBoost**  
(Zetec S)



**1,8 / 2,0**  
(Duratec)



(1) 1,6 Sigma GTDI 01/11 → / 1,6 Zetec 01/11→10/12



Ref. - No.



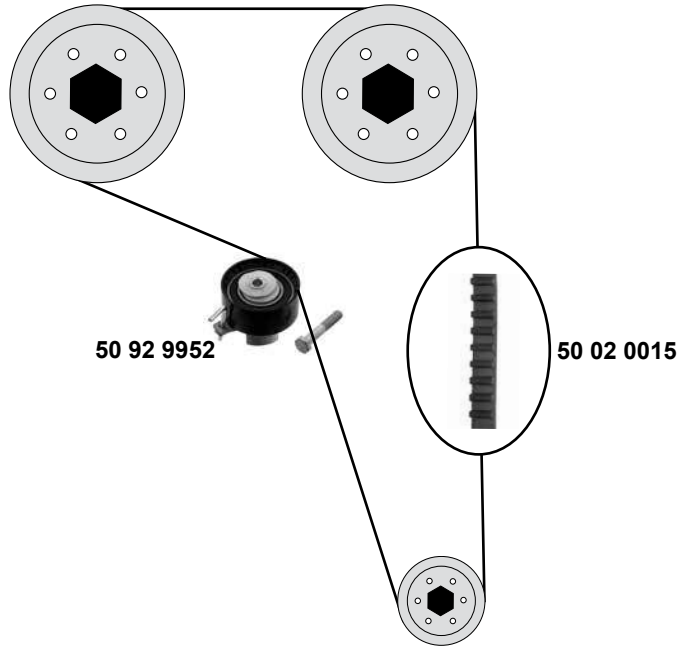
50 92 9952	1 376 164	Spannrolle / tension roller		ØA62 B26
50 93 6298	1 347 669	Kettenspanner / chain tensioner		
50 93 9930	1 685 618	Riemenspanner / belt tensioner	1,6 EcoBoost	ØA67 B 25
50 94 0210	1 685 747	Spannrolle / tension roller	1,6 EcoBoost	
50 94 0562	1 675 963	Zahnriemen / timing belt	(1)	Z 117 B22
50 94 0848	1 672 144	Rep. Satz Zahnriemen / rep. kit timing belt	→12	
50 94 0849	1 672 144 S1	Rep. Satz Zahnriemen / rep. kit timing belt	1,6 EcoBoost	

# FORD Focus Cabriolet 06

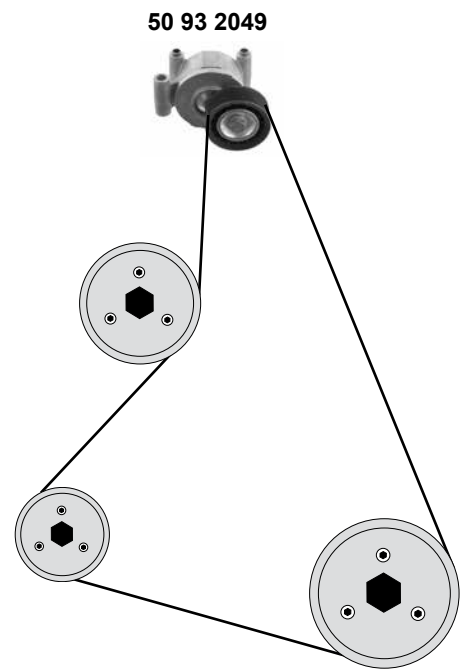
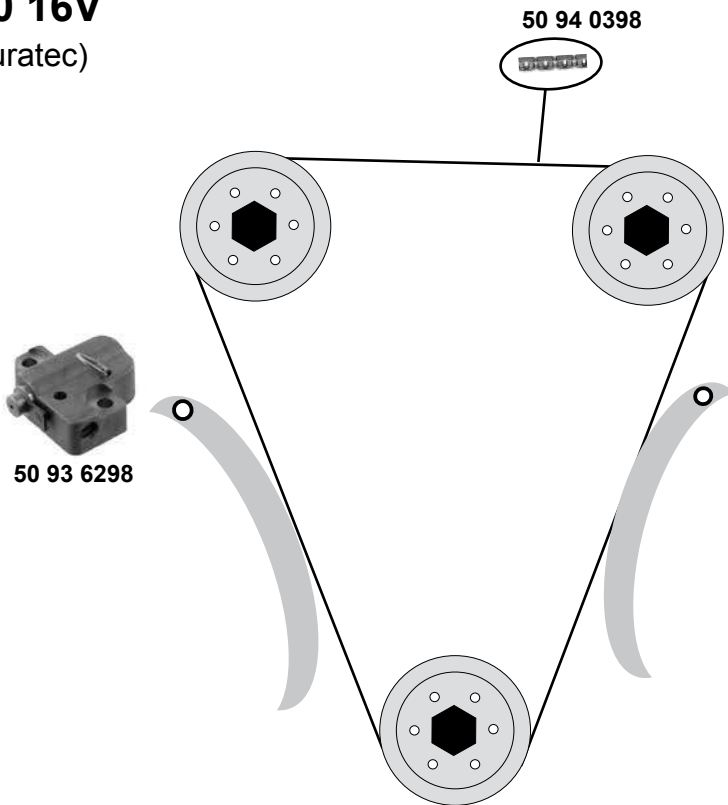
(07/06→07/10)



**1,6 16V**  
(Zetec S/ZH)



**2,0 16V**  
(Duratec)



Ref. - No.



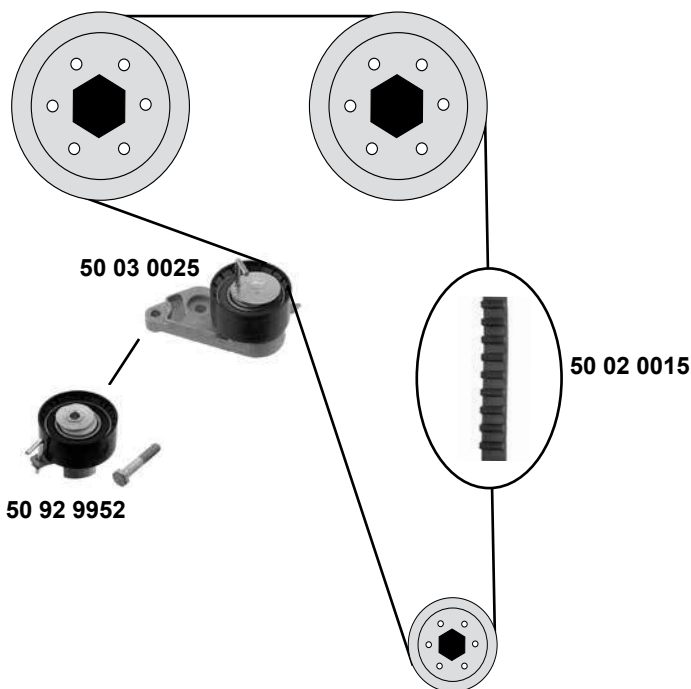
50 02 0015	1 004 299
50 92 9952	1 376 164
50 92 9958	1 004 297 S3
50 93 2049	1 315 781
50 93 6298	1 347 669
50 94 0398	1 119 172

Zahnriemen / timing belt
Spannrolle / tension roller
Rep. Satz Zahnriemen / rep. kit timing belt
Riemenspanner / belt tensioner
Kettenspanner / chain tensioner
Steuerkette / timing chain

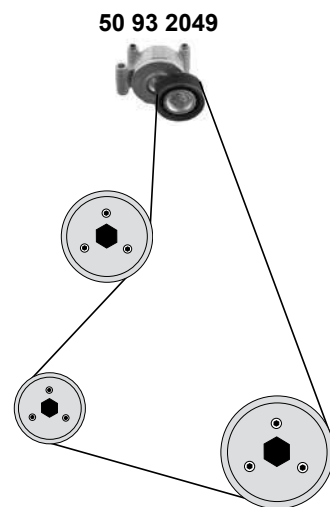
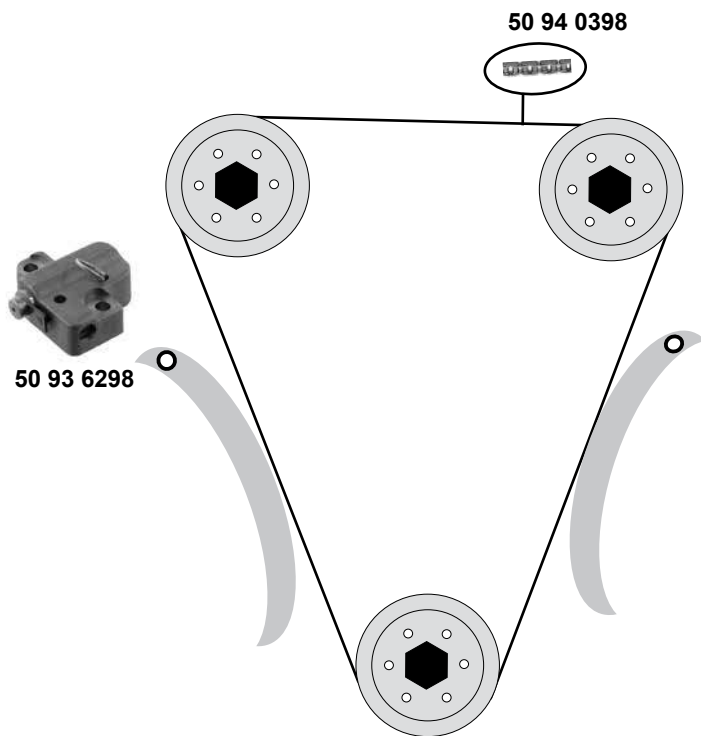
07→

Z 117 B22
ØA62 B26
ØA72,5 B29
134 E

**1,6 16V**  
(Zetec S/ZH)



**1,8 16V** (Duratec)  
**2,0 16V** (Duratec)



(1) 1,8 Duratec 03→07 / 2,0 Duratec 04→07



Ref. - No.



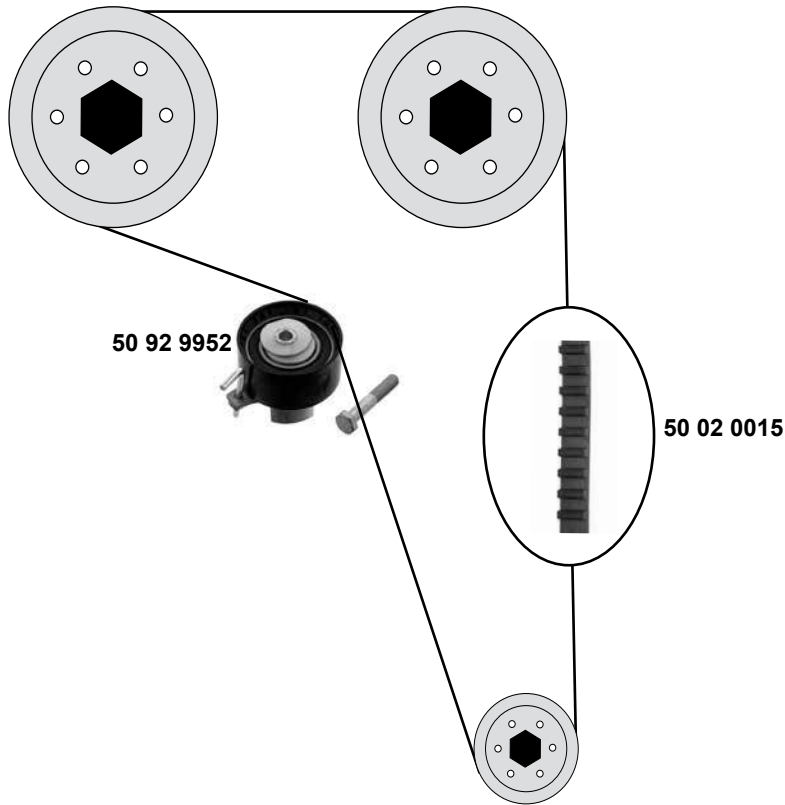
<b>50 02 0015</b>	1 004 299	Zahnriemen / timing belt		Z 117 B22
<b>50 02 0038</b>	1 004 299 S1	Rep. Satz Zahnriemen / rep. kit timing belt	09/03 →	ØA60 Ø126,6 B37,1
<b>50 03 0025</b>	1 361 840	Spannrolle / tension roller	→ 04/05	ØA62 B26
<b>50 92 9952</b>	1 376 164	Spannrolle / tension roller	04/05 →	
<b>50 92 9958</b>	1 004 297 S3	Rep. Satz Zahnriemen / rep. kit timing belt	04/05 →	
<b>50 93 2049</b>	1 315 781	Riemenspanner / belt tensioner	09/03 →	ØA72,5 B29
<b>50 93 6298</b>	1 347 669	Kettenspanner / chain tensioner	09/03 →	
<b>50 94 0398</b>	1 119 172	Steuerkette / timing chain	<b>(1)</b>	134 E

# FORD Focus C-Max 07

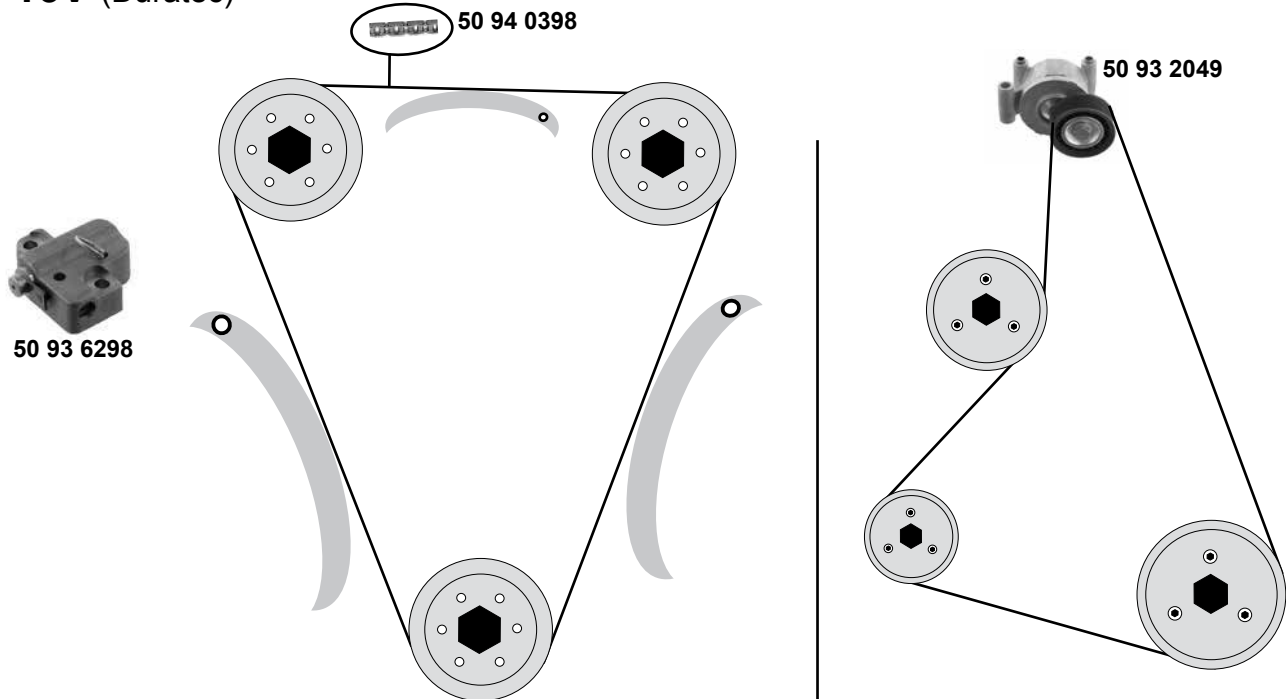
(03/07→07/10)



**1,6 16V**  
(Zetec S/ZH)

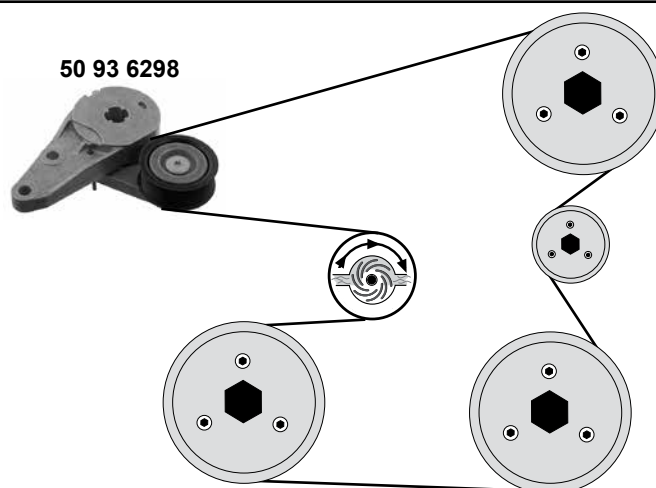
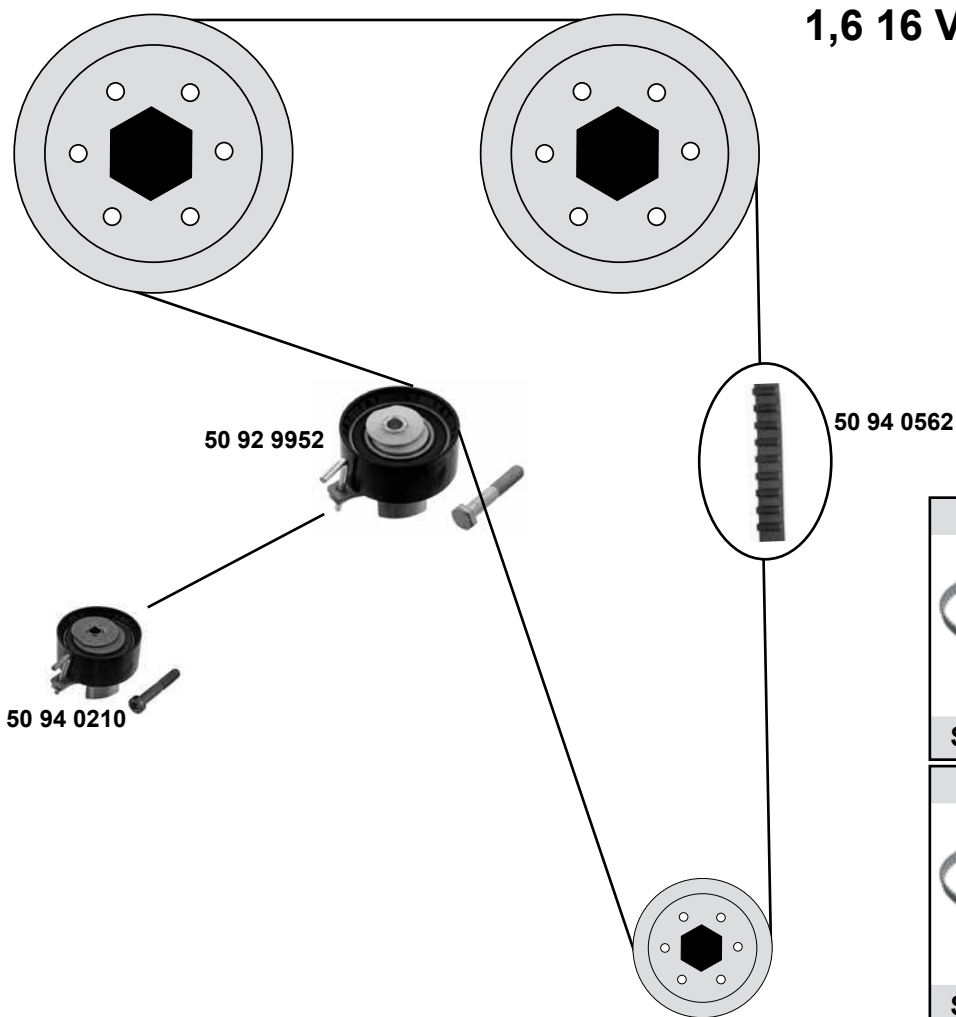


**1,8 16V** (Duratec)  
**2,0 16V** (Duratec)



SWAG GERMANY	Ref. - No.			
50 02 0015	1 004 299	Zahnriemen / timing belt		Z 117 B22
50 92 9952	1 376 164	Spannrolle / tension roller		ØA62 B26
50 92 9958	1 004 297 S3	Rep. Satz Zahnriemen / rep. kit timing belt		
50 93 2049	1 315 781	Riemenspanner / belt tensioner	→ 01/08 / (ex.) 1,8	ØA72,5 B29
50 93 6298	1 347 669	Kettenspanner / chain tensioner		
50 94 0398	1 119 172	Steuerkette / timing chain		134 E

**1,6 16 V / EcoBoost**  
(Zetec S)



(1) 1,6 Sigma GTDI 08/10 → / 1,6 Zetec 08/10→05/11



Ref. - No.



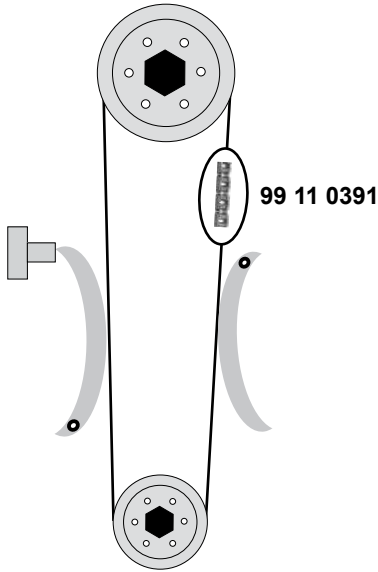
Ref. - No.	Description	Notes	Dimensions
50 92 9952	Spannrolle / tension roller		ØA62 B26
50 93 9930	Riemenspanner / belt tensioner		ØA67 B 25
50 94 0210	Spannrolle / tension roller	1,6 EcoBoost	
50 94 0562	Zahnriemen / timing belt	(1)	Z 117 B22
50 94 0848	Rep. Satz Zahnriemen / rep. kit timing belt	→11	
50 94 0849	Rep. Satz Zahnriemen / rep. kit timing belt	1,6 EcoBoost	

# FORD Fusion 02

(06/02→06/12)



## 1,3 (Duratec Rocam)



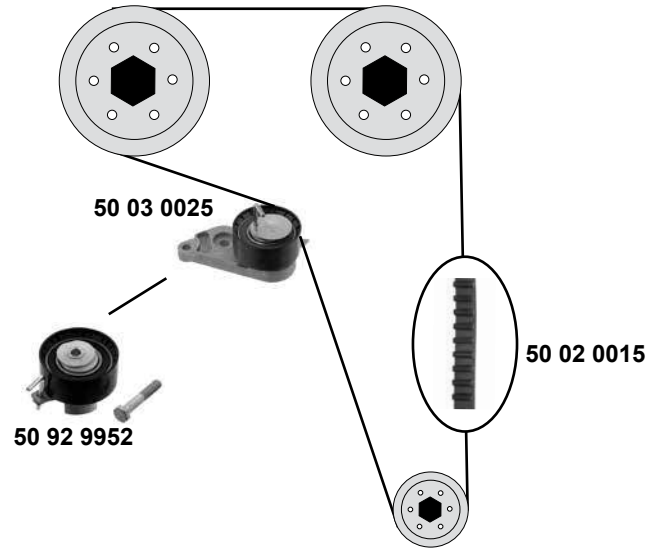
## 1,25 16V / 1,4 16V / 1,6 16V (Zetec S/ZH)

Rep. Satz / rep. kit

**SWAG 50 02 0038**

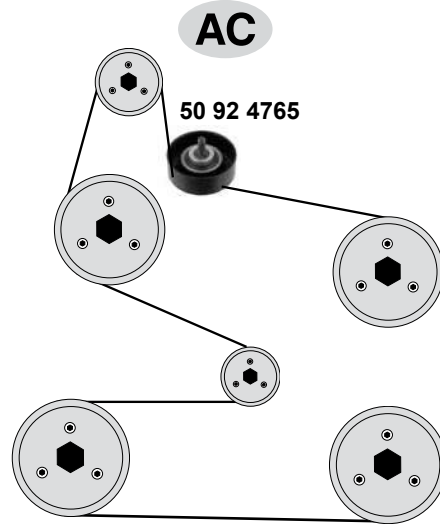
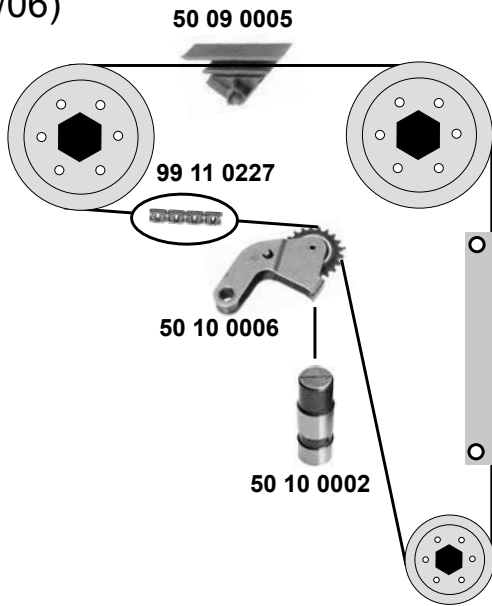
Rep. Satz / rep. kit

**SWAG 50 92 9958**



## Galaxy 95 / 00 (02/95→03/06)

### 2,0 / 2,3 (DOHC/DH)



(1) (mot.) 1,6 16V → 04/05

(2) (mot.) 1,6 16V → 04/05

(3) (mot.) 1,4 16V / 1,6 16V 04/05 →

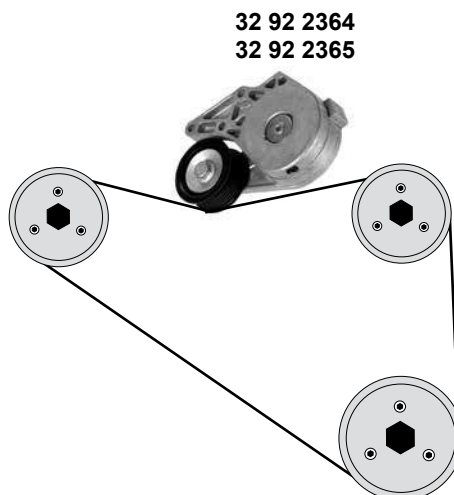
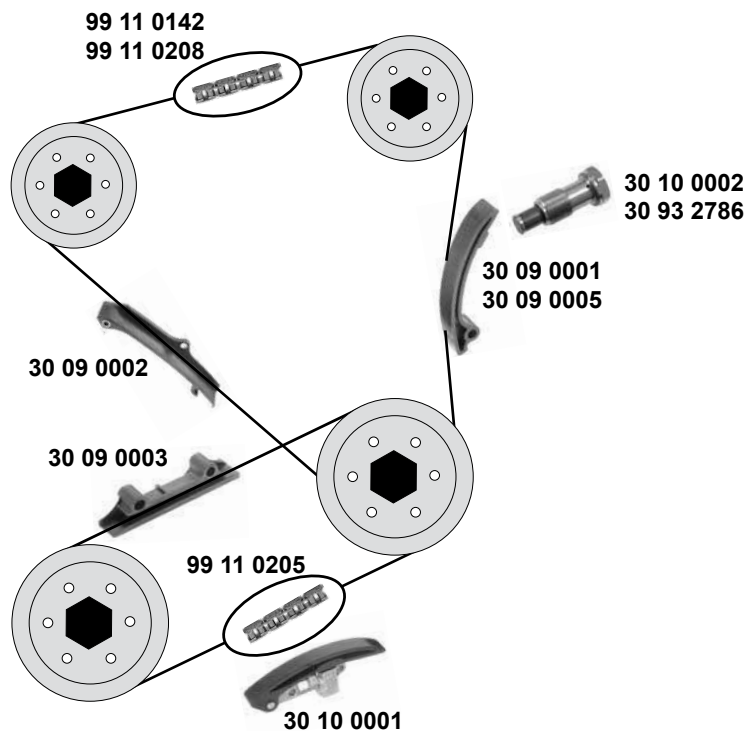
(4) (mot.) Zetec S 1,25 → 06/12  
(mot.) Zetec S 1,4 / 1,6 → 11/08







Ref. - No.



50 02 0015	1 004 299	Zahnriemen / timing belt	(4)	Z 117 B22
50 02 0038	1 004 299 S1	Rep. Satz Zahnriemen / rep. kit timing belt	(2)	
50 03 0025	1 361 840	Spannrolle / tension roller	(1)	ØA60 ØI26,6 B37,1
50 09 0005	6 177 698	Gleitschiene / sliding rail		
50 10 0002	1 662 847	Kettenspanner / chain tensioner		ØA20 B60,5
50 10 0006	1 022 214	Kettenspanner / chain tensioner		
50 92 4765	1 139 951	Umlenkrolle / deflection pulley	→ 03/00	ØA70 H25
50 92 9952	1 376 164	Spannrolle / tension roller	(3)	ØA62 B26
50 92 9958	1 004 297 S3	Rep. Satz Zahnriemen / rep. kit timing belt	(3)	
99 11 0227	7 079 279	Steuerkette / timing chain	(mot.) 2,0	458 / 138 E
99 11 0391	1 089 822	Steuerkette / timing chain		114 E

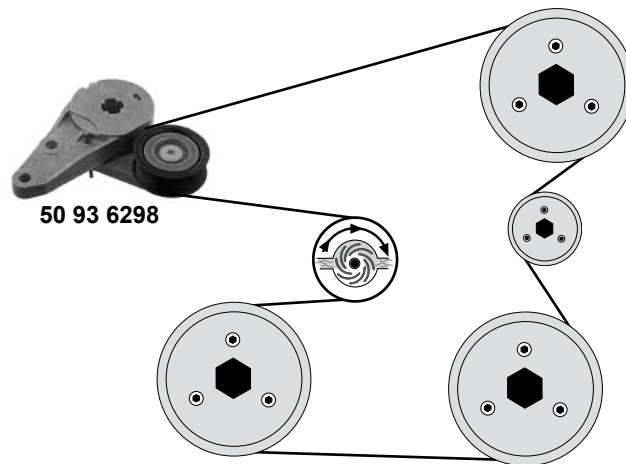
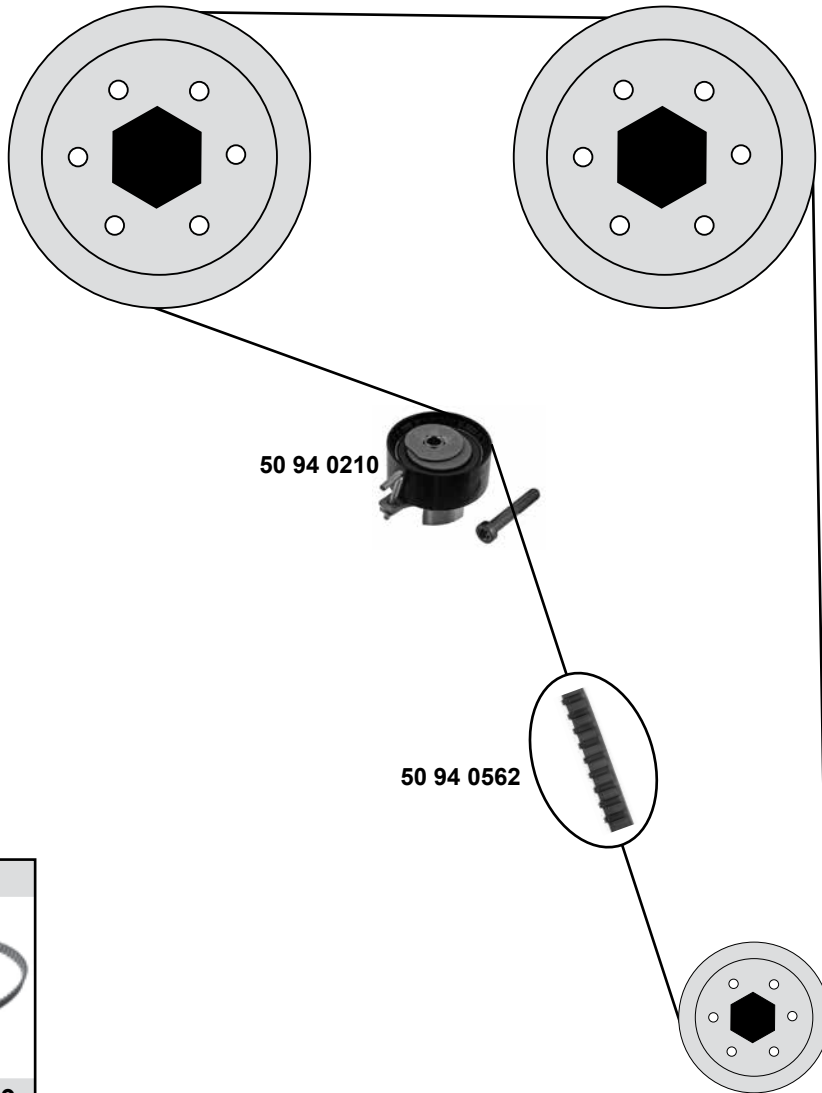


	Ref. - No.			
<b>30 09 0001</b>	1 669 848	Gleitschiene / sliding rail	Modell: 11/94 → 09/96	458 / 70 E D 455 / 90 E
<b>30 09 0002</b>	1 086 533	Gleitschiene / sliding rail		
<b>30 09 0003</b>	1 669 830	Gleitschiene / sliding rail		
<b>30 09 0005</b>	1 072 680	Gleitschiene / sliding rail	Modell: 09/96 → 03/00	
<b>30 10 0001</b>	1 669 827	Kettenspanner / chain tensioner		
<b>30 10 0002</b>	1 072 677	Kettenspanner / chain tensioner	Modell: 09/96 → 03/00	
<b>30 93 2786</b>	1 118 152	Kettenspanner / chain tensioner	Modell: 04/00 → 02/01	
<b>32 92 2364</b>	1 106 830	Riemenspanner / belt tensioner	Modell: 02/95 → 02/00	
<b>32 92 2365</b>	1 139 712	Riemenspanner / belt tensioner	Modell: 04/00 → 02/06	
<b>99 11 0205</b>	1 032 515	Steuerkette / timing chain	Modell: 11/94 → 03/00	
<b>99 11 0208</b>	1 072 678	Steuerkette / timing chain	Modell: 09/96 → 03/00	
<b>99 11 0142</b>	1 669 843	Steuerkette / timing chain	Modell: 11/94 → 09/96	

# FORD Galaxy 06 (03/06→)



1,6 Ecoboost



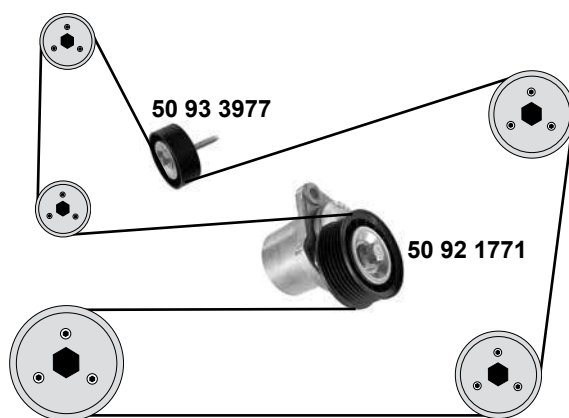
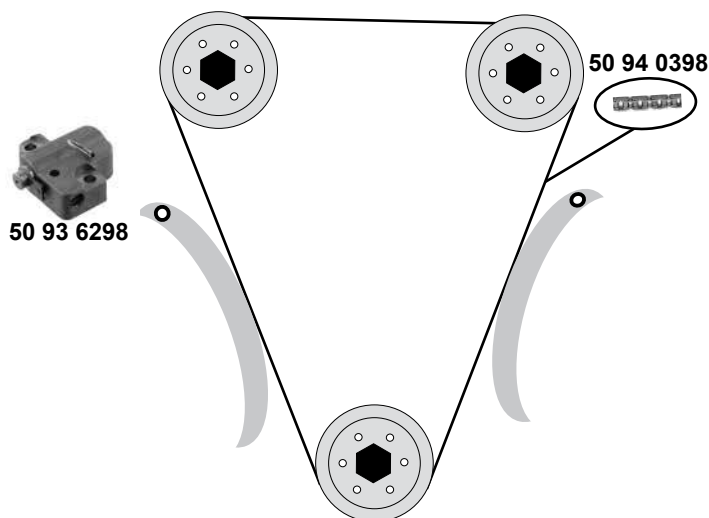
SWAG GERMANY	Ref. - No.			
50 93 9930	1 685 618	Riemenspanner / belt tensioner	10→	ØA67 B 25
50 94 0210	1 685 747	Spannrolle / tension roller	10→	
50 94 0562	1 675 963	Zahnriemen / timing belt	1,6 Sigma GTDI 11/10→	Z 117 B22
50 94 0849	1 672 144 S1	Rep. Satz Zahnriemen / rep. kit timing belt		



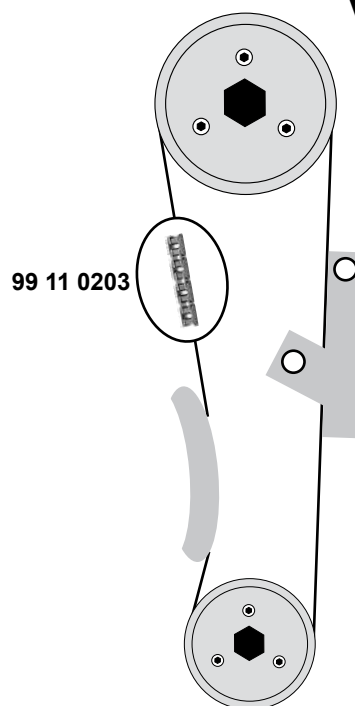
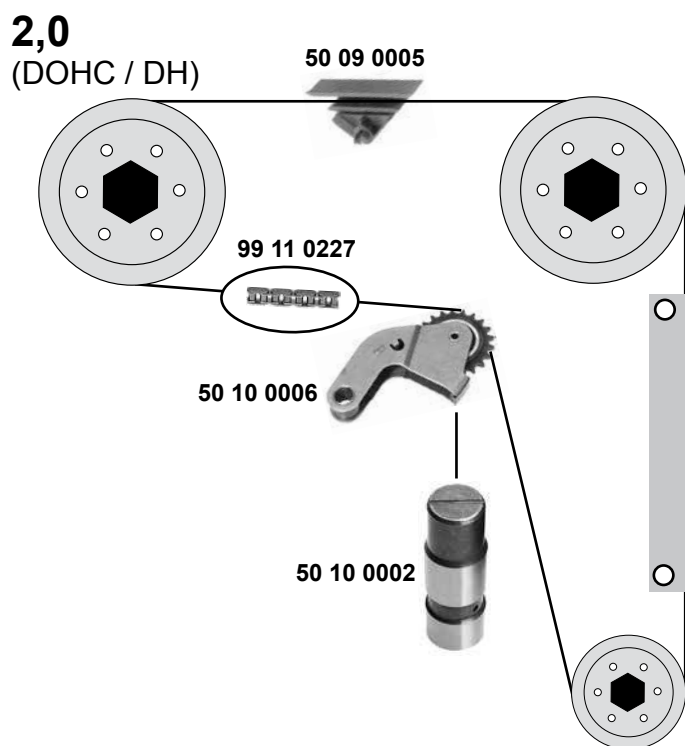


# FORD Galaxy 06 (03/06→)

**2,0 / 2,3**  
(Duratec HE)



# Granada 85 (05/89→10/94) V6 2,4 / 2,9 (TV)



(1) (mot.) 2,0 Duratec HE: 03/06 →  
(mot.) 2,3 Duratec HE: 09/07 →



Ref. - No.



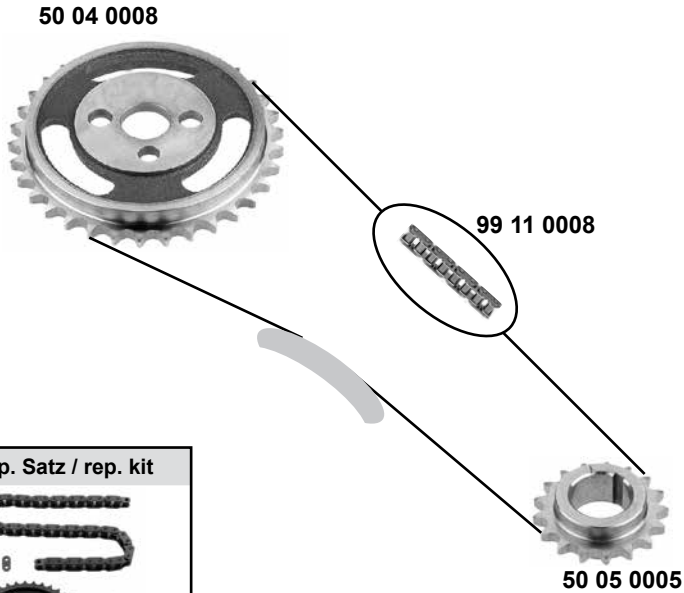
50 09 0005	6 177 698	Gleitschiene / sliding rail	
50 10 0006	1 022 214	Kettenspanner / chain tensioner	
50 10 0002	1 662 847	Kettenspanner / chain tensioner	
99 11 0227	7 079 279	Steuerkette einfach / timing chain simple	
99 11 0203	6 959 172	Steuerkette / timing chain	
50 92 1771	1 371 224	Riemenspanner / belt tensioner	
50 93 3977	1 387 066	Umlenkrolle / deflection pulley	(1)
50 93 6298	1 347 669	Kettenspanner / chain tensioner	
50 94 0398	1 119 172	Steuerkette / timing chain	2,0 HE / 145PS
			ØA20 B60,5 458 / 138 E 458 / 60 E ØA73 B29 ØA 70 134 E

# FORD KA

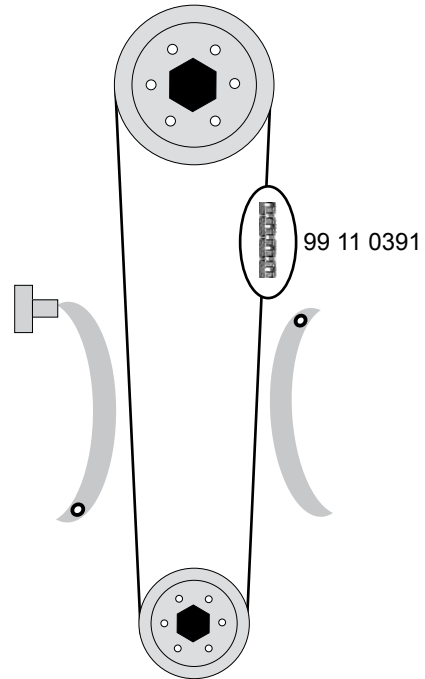
(09/96→08/08)



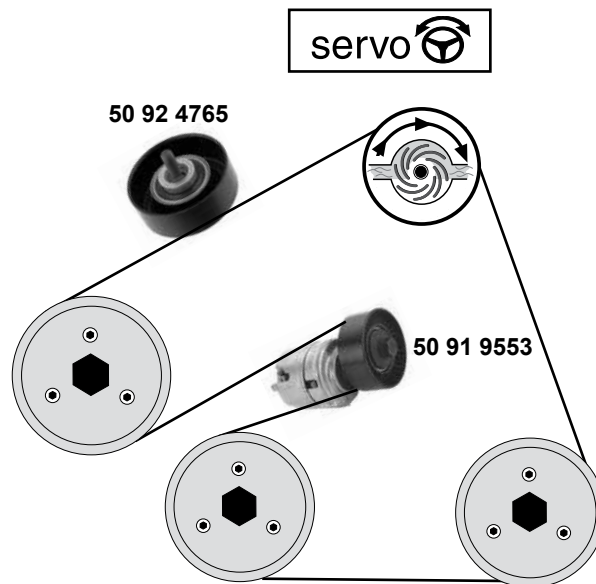
## 1,3 (OHV/BL)



## 1,3 (Duratec Rocam) 1,6 (Zetec Rocam)



## 1,3 (OHV/BL)



Ref. - No.

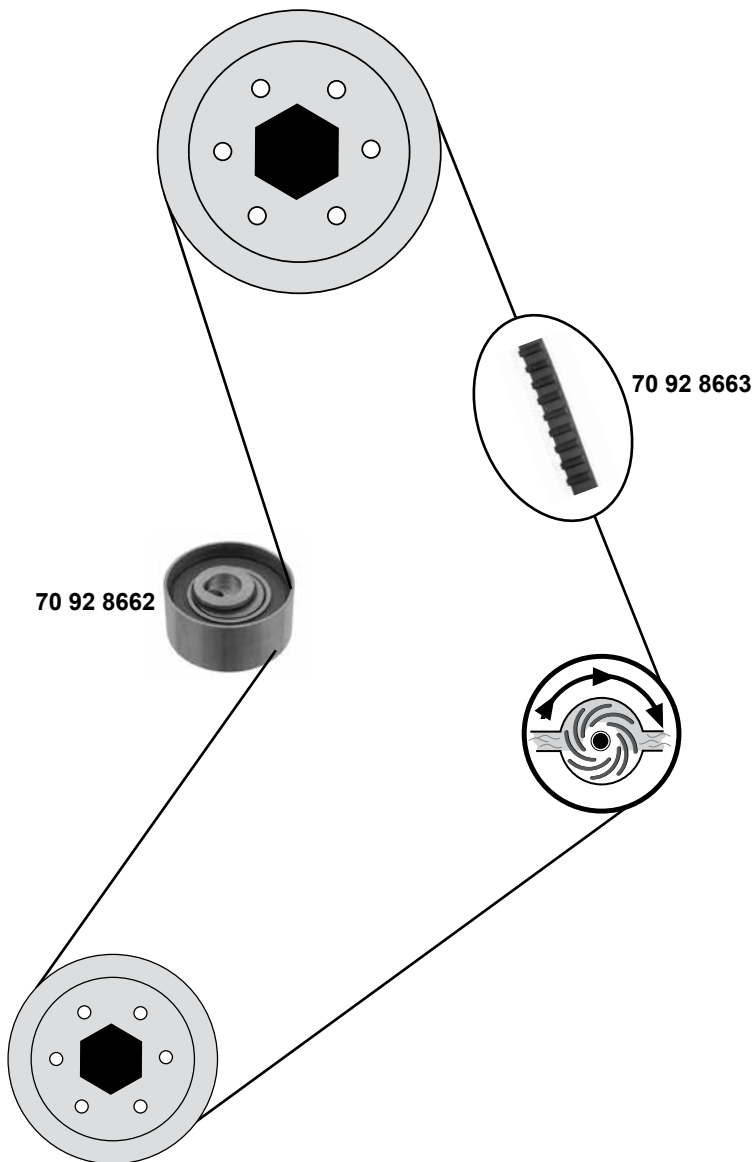


50 04 0008	6 029 398
50 05 0005	1 434 861
50 91 9553	1 004 549
50 92 4765	1 139 951
99 11 0008	6 156 318
99 11 0391	1 089 822
99 12 5159	1 434 861 S2

Nockenwellenrad / camshaft gear
Kurbelwellenrad / crankshaft gear
Riemenspanner / belt tensioner
Umlenkrolle / deflection pulley
Steuerkette / timing chain
Steuerkette / timing chain
Rep. Satz Steuerkette / rep. kit timing chain

04/03 →

Z 34
Z 17
ØA70 B21
ØA70 H25
455 / 46 E
114 E

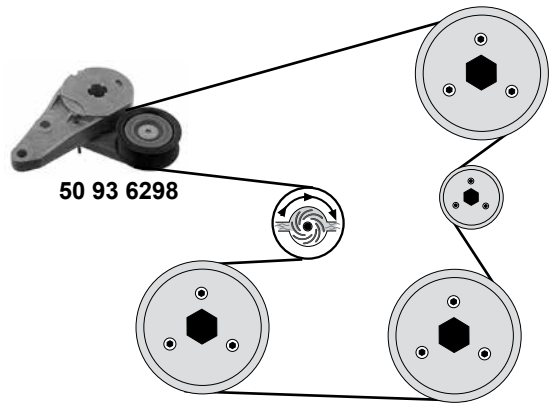
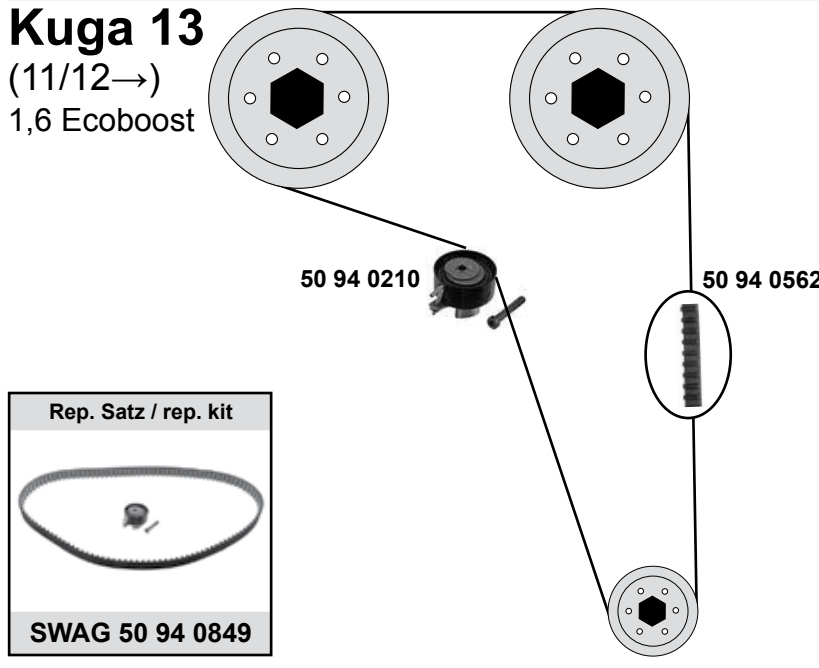
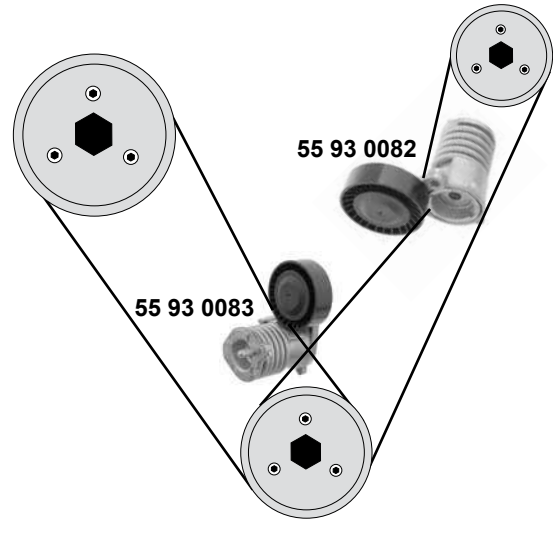
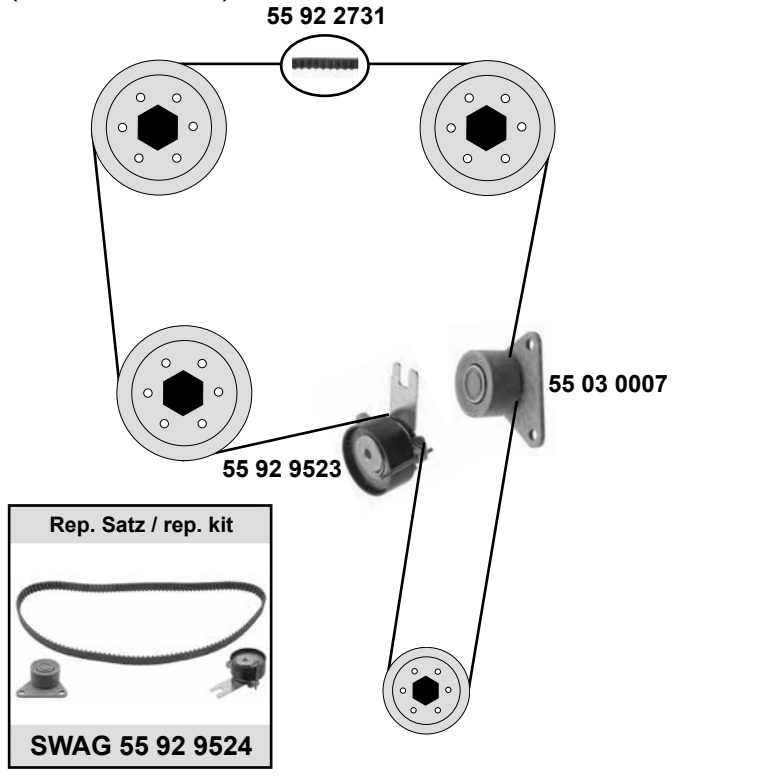


	Ref. - No.			
70 92 8662	1 535 439	Spannrolle / tension roller		ØA55,5 B26
70 92 8663	1 590 748	Zahnriemen / timing belt		Z 129
70 92 8664	1 590 748 S1	Rep. Satz Zahnriemen / rep. kit timing chain		

# FORD Kuga 08 (02/08→)

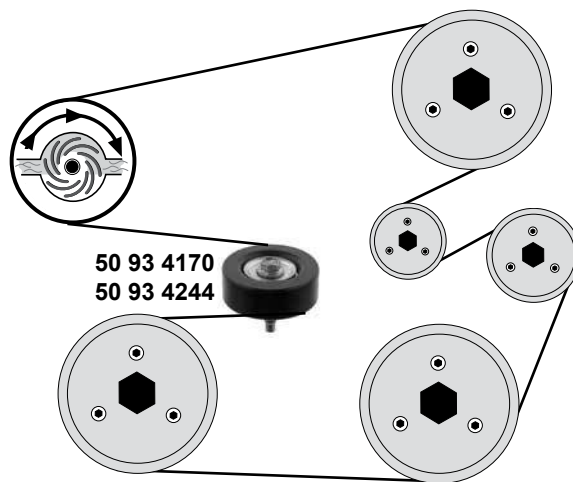


## 2,5 20 V (Duratec Turbo)

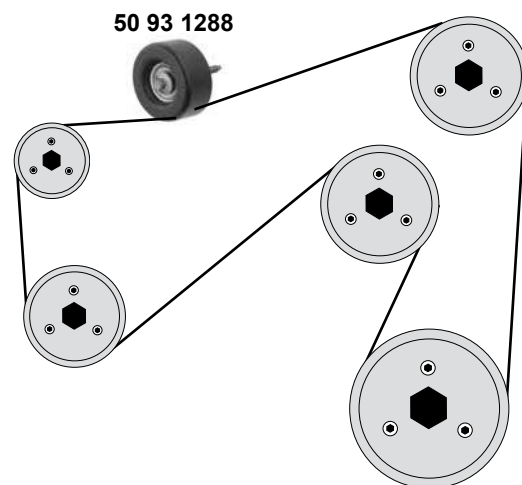
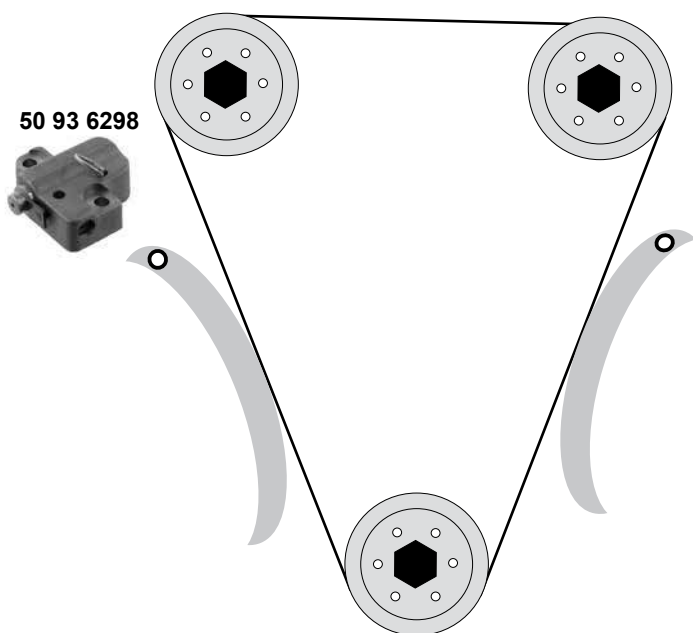


SWAG	Ref. - No.			
55 03 0007	1 371 753	Umlenkrolle / deflection pulley		ØA53 ØI24 B27
55 92 2731	1 372 015 S1	Zahnriemen / timing belt		Z 142 B23
55 92 9523	1 388 493	Spannrolle / tension roller		ØA 60B26,5
55 92 9524	1 372 015	Rep.Satz Zahnriemen / rep.kit timing belt		
55 93 0082	1 540 603	Riemenspanner / belt tensioner	→ 12/08	ØA65 B21
55 93 0083	1 540 605	Riemenspanner / belt tensioner	→ 12/08	ØA65 B21
50 93 9930	1 685 618	Riemenspanner / belt tensioner		ØA67 B 25
50 94 0210	1 685 747	Spannrolle / tension roller	1,6 Ecoboost	
50 94 0562	1 675 963	Zahnriemen / timing belt	1,6 Sigma GTDI 11/12→	Z 117 B22
50 94 0849	1 672 144 S1	Rep. Satz Zahnriemen / rep. kit timing belt		

**2,0**  
 (Zetec E)



**2,3**  
 (Duratec HE)



Ref. - No.



50 93 1288	1 387 385	Umlenkrolle / deflection pulley	12/03 →	ØA76 B30,5
50 93 4170	1 318 844	Umlenkrolle / deflection pulley		ØA70 B25,5
50 93 4244	1 114 544	Umlenkrolle / deflection pulley	12/03 →	ØA 70 B25,5
50 93 6298	1 347 669	Kettenspanner / chain tensioner		

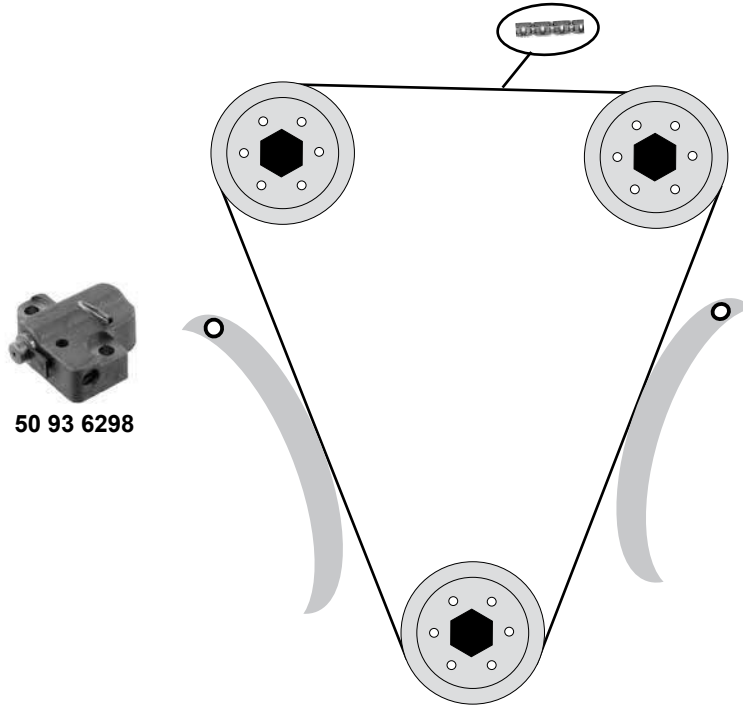
# FORD Maverick 01

(01→06/06)



**2,3**

(Duratec HE)

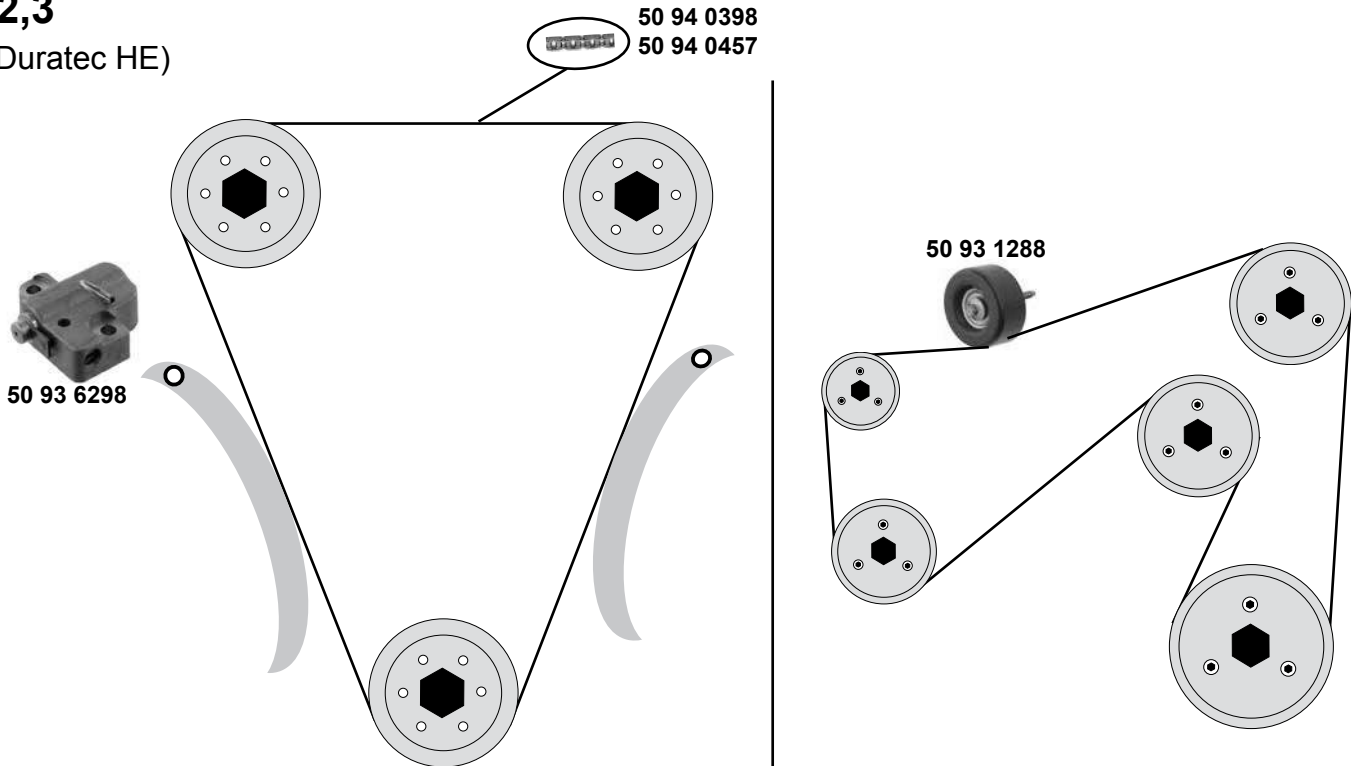


# Maverick 07

(05/06→)

**2,3**

(Duratec HE)



Ref. - No.

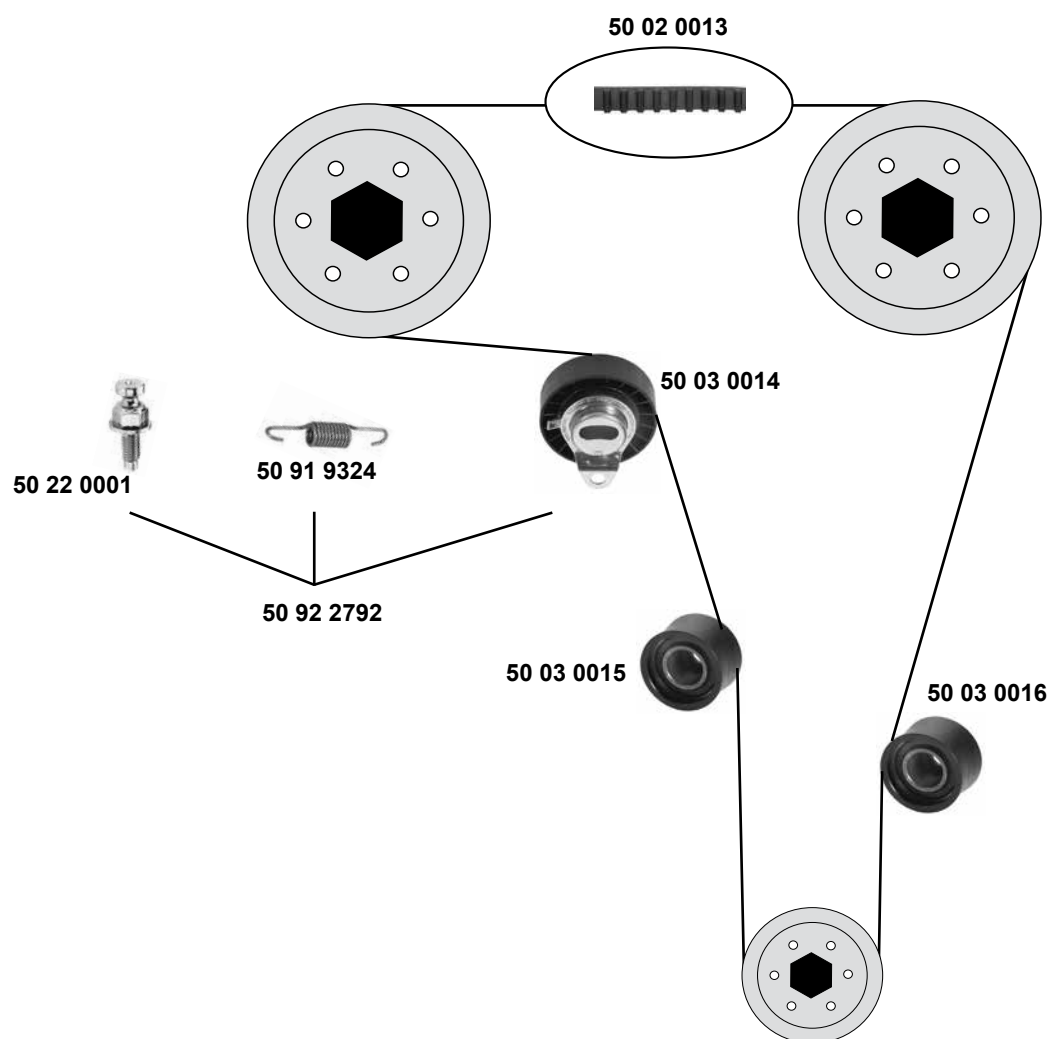


50 93 1288	1 387 385
50 93 6298	1 347 669
50 94 0457	1 124 373

Umlenkrolle / deflection pulley
Kettenspanner / chain tensioner
Steuerkette / timing chain

→07
03→07
→12

ØA76 B30,5
D 138 E



Rep. Satz / rep. kit



SWAG 50 02 0023

Rep. Satz / rep. kit



SWAG 50 92 2792

50 02 0013	6 764 162	Zahnriemen / timing belt	Z 131 B25,4
50 02 0023	6 794 162 S1	Rep. Satz Zahnriemen / rep. kit timing belt	
50 03 0014	6 635 941	Spannrolle / tension roller	ØA86 B30
50 03 0015	6 635 942	Umlenkrolle / deflection pulley	ØA60 ØI21 B30
50 03 0016	6 744 307	Umlenkrolle / deflection pulley	ØA48 ØI21 B30
50 22 0001	1 663 884	Schraube Spannrolle / screw tension roller	
50 91 9324	7 024 224	Zugfeder / return spring	
50 92 2792	6 635 941 S	Rep. Satz Spannrolle / rep kit tension roller	ØA86 B30

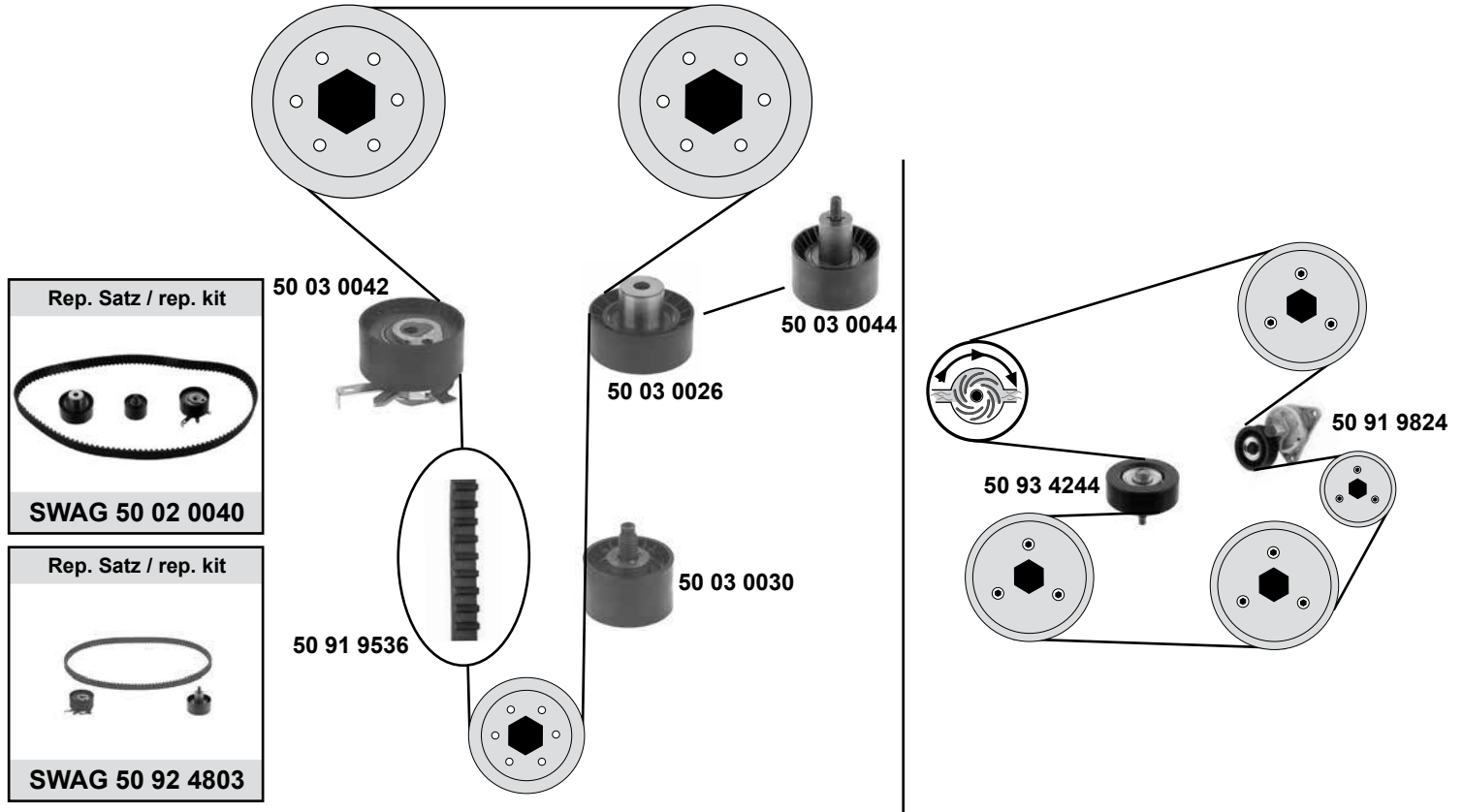
# FORD

## Mondeo 97

(05/98→09/00)



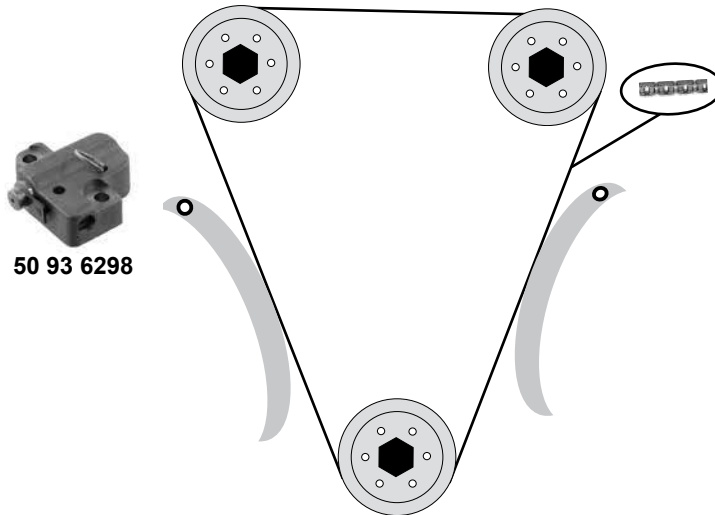
**1,6 16V / 1,8 16V / 2,0 16V**  
(Zetec E/ZH)



# Mondeo 00

(10/00→01/07)

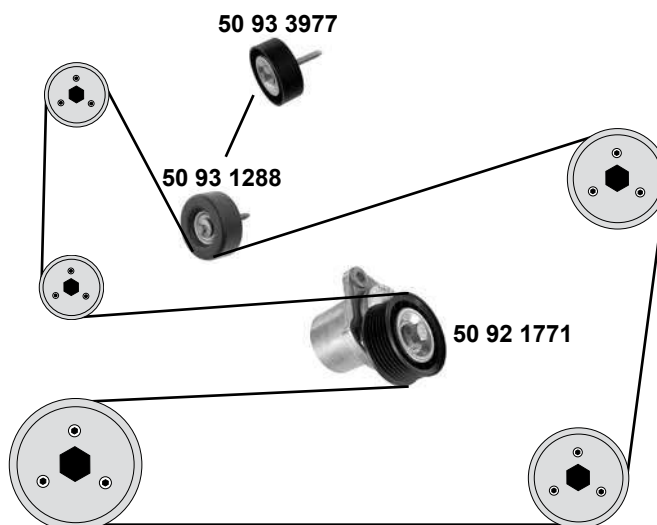
**1,8 / 2,0**  
(Duratec HE)



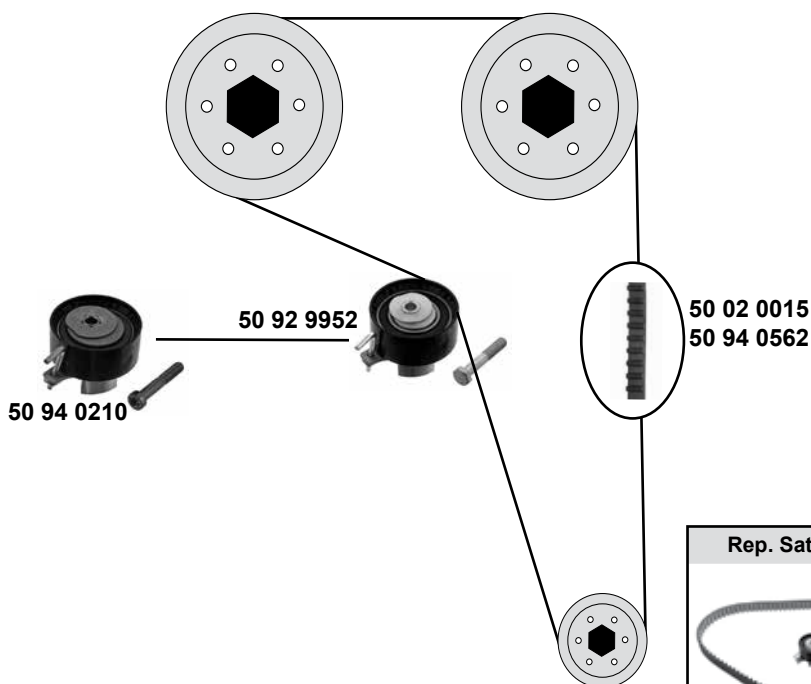
SWAG	Ref. - No.			
50 02 0040	1 000 156S1	Rep. Satz Zahnriemen / rep. kit timing belt	05/98 → 01/99	
50 03 0026	1 038 384	Umlenkrolle / deflection pulley	05/98 → 01/99	ØA70 ØI29 B47,9
50 03 0030	1 053 942	Umlenkrolle / deflection pulley		ØA47 ØI29 B51,5
50 03 0042	1 328 472	Spannrolle / tension roller		ØA60 ØI29 B33,3
50 03 0044	1 213 852	Umlenkrolle / deflection pulley	01/99 →	ØA60 ØI29 B69,5
50 91 9536	1 000 156	Zahnriemen / timing belt		Z 129 B25,4
50 91 9824	1 073 096	Riemenspanner / belt tensioner		ØA 73
50 92 4803	1 000 156S2	Rep. Satz Zahnriemen / rep. kit timing belt	01/99 →	Z 129 B25,4
50 93 4244	1 114 544	Umlenkrolle / deflection pulley		ØA 70 B25,5
50 93 6298	1 347 669	Kettenspanner / chain tensioner		
50 94 0398	1 119 172	Steuerkette / timing chain	→06 / 1,8 (ex.) 130PS	134 E



**1,8 16V / 2,0 16V**  
(Duratec HE)



**Mondeo 07**  
(02/07→)  
**1,6 16V / EcoBoost**  
(Zetec S/ZH)



(1) 1,6 Sigma GTDI 11/10→ / 1,6 Zetec 09/10→03/12 / 1,6 EcoBoost 10→

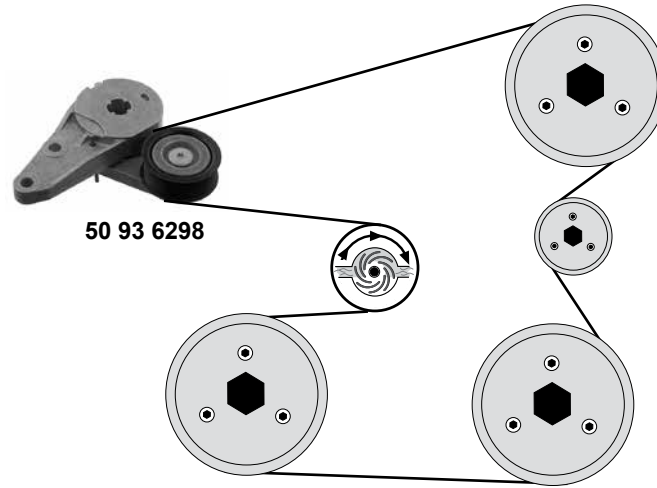
	Ref. - No.			
50 02 0015	1 004 299	Zahnriemen / timing belt		Z 117 B22
50 92 1771	1 306 666	Riemenspanner / belt tensioner		ØA 73
50 92 9952	1 376 164	Spannrolle / tension roller		ØA62 B26
50 92 9958	1 004 297 S3	Rep. Satz Zahnriemen / rep. kit timing belt		→10
50 93 1288	1 387 385	Umlenkrolle / deflection pulley		ØA76 B30,5
50 93 3977	1 387 066	Umlenkrolle / deflection pulley	→ 11/05	ØA 70 B 25,5
50 94 0210	1 685 747	Spannrolle / tension roller	11/05 → 01/07	ØA 63 B 27
50 94 0562	1 675 963	Zahnriemen / timing belt	10→ / 1,6 EcoBoost	Z 117 B22
50 94 0848	1 672 144	Rep. Satz Zahnriemen / rep. kit timing belt	(1)	
50 94 0849	1 672 144 S1	Rep. Satz Zahnriemen / rep. kit timing belt	10→	
			10→ / 1,6 EcoBoost	

# FORD Mondeo 07

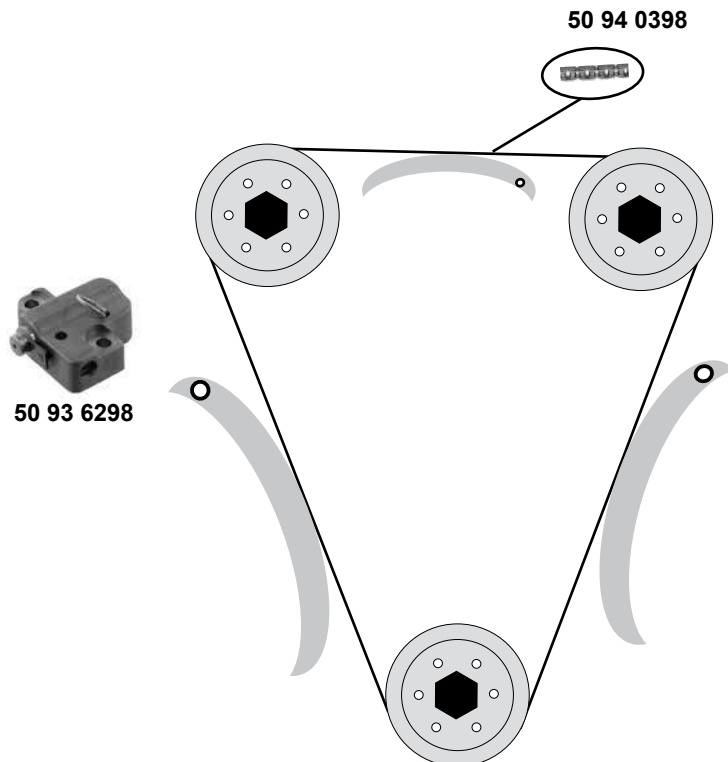
(02/07→)



## 1,6 16V (Zetec S/ZH)



## 1,8 / 2,0 (Duratec HE)



Ref. - No.



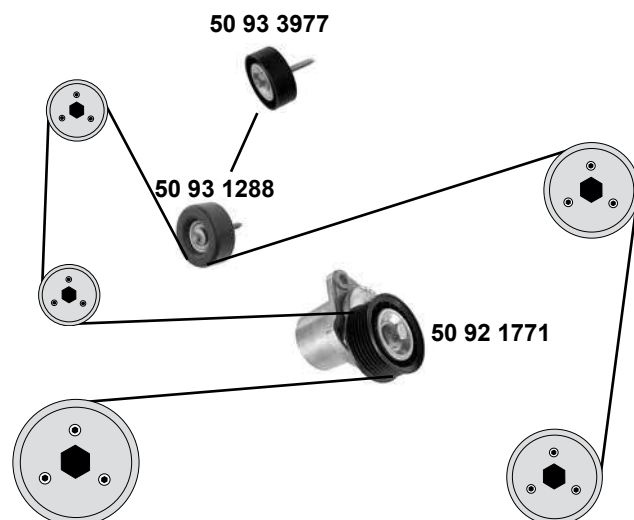
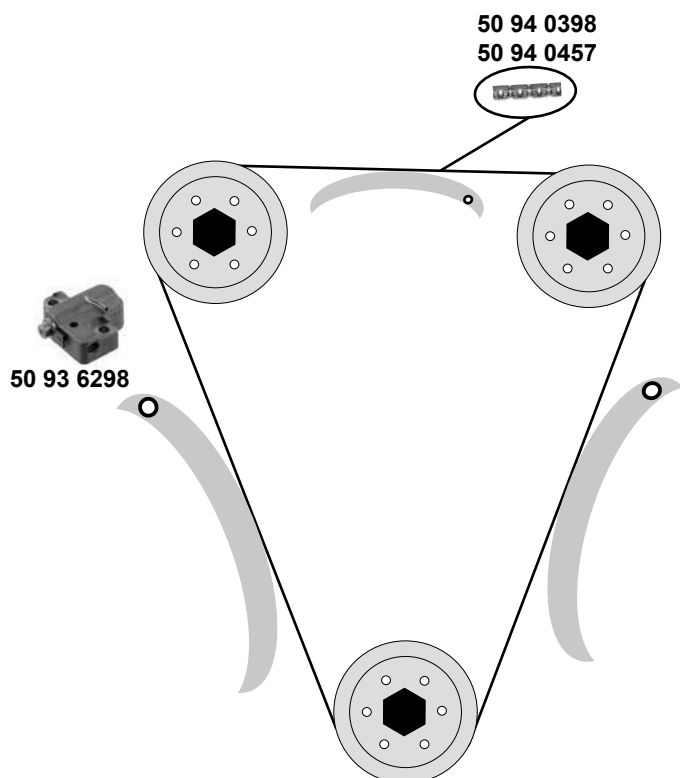
50 93 6298	1 347 669
50 93 9930	1 685 618
50 94 0398	1 119 172

Kettenspanner / chain tensioner  
Riemenspanner / belt tensioner  
Steuerkette / timing chain

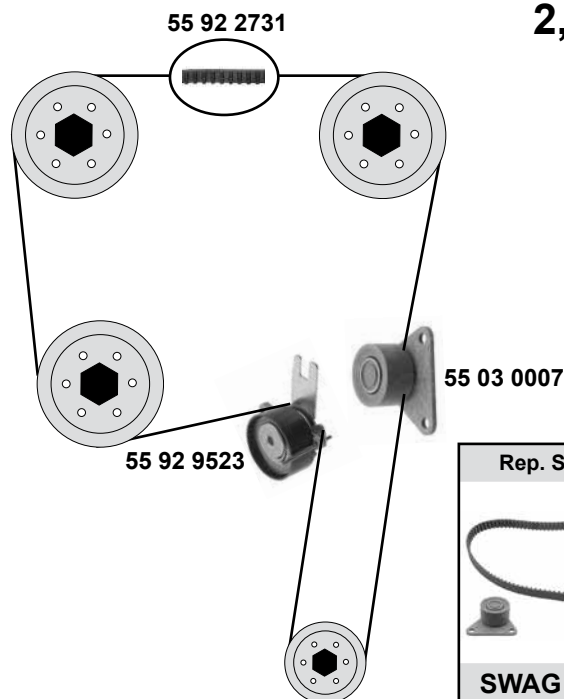
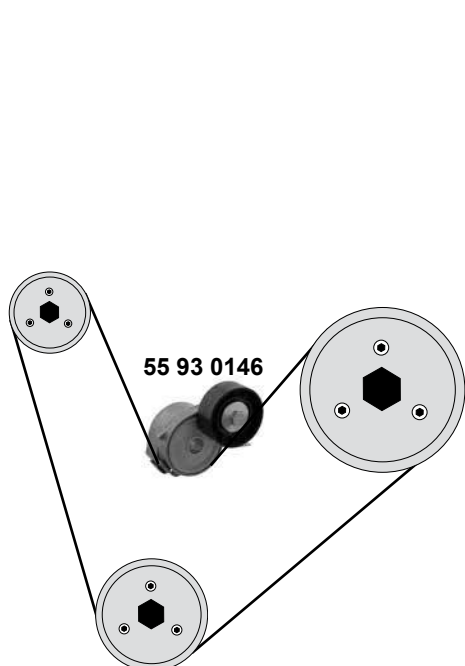
10→ / 1,6 Ecoboost  
2,0 HE (145 PS)

ØA67 B 25  
134 E

**2,0 / 2,3**  
(Duratec HE)



**2,5 Turbo**  
(Duratec)



Ref. - No.

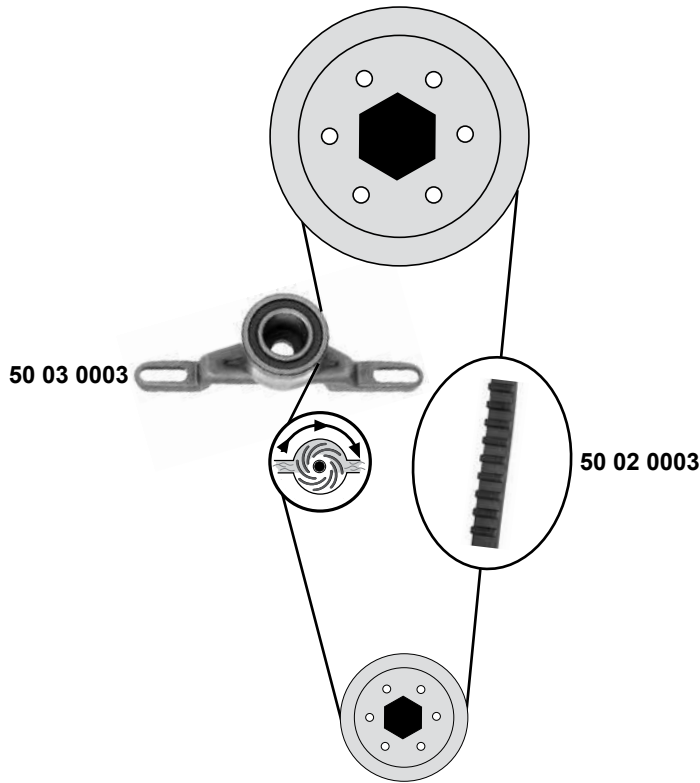


50 92 1771	1 371 224	Riemenspanner / belt tensioner		ØA73 B29
50 93 1288	1 387 385	Umlenkrolle / deflection pulley	(mot.) 2,3	ØA76 B30,5
50 93 3977	1 387 066	Umlenkrolle / deflection pulley	(mot.) 2,0	ØA 70 B 25,5
50 93 6298	1 347 669	Kettenspanner / chain tensioner		
50 94 0457	1 124 373	Steuerkette / timing chain	2,3 HE	D 138 E
55 03 0007	1 371 753	Umlenkrolle / deflection pulley		ØA53 ØI24 B27
55 92 2731	1 372 015 S1	Zahnriemen / timing belt		Z 142 B23
55 92 9523	1 388 493	Spannrolle / tension roller		ØA 60B26,5
55 92 9524	1 372 015	Rep.Satz Zahnriemen / rep.kit timing belt		
55 93 0146	1 563 519	Riemenspanner / belt tensioner		ØA73 B25

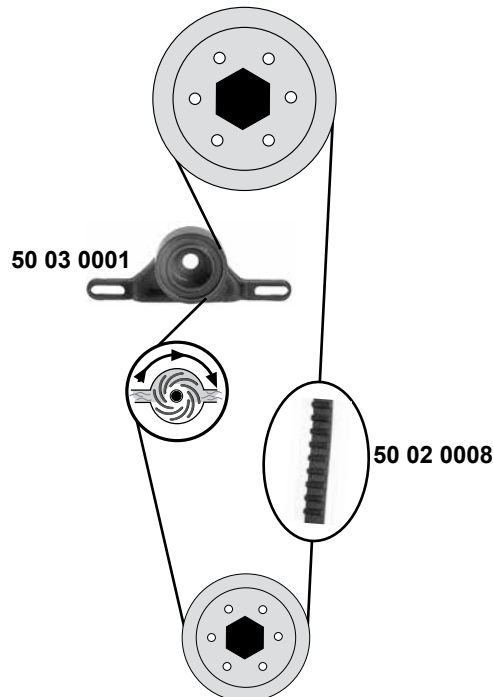
# FORD Orion 83 (06/83→12/85)



## 1,3 (CVH/HL)

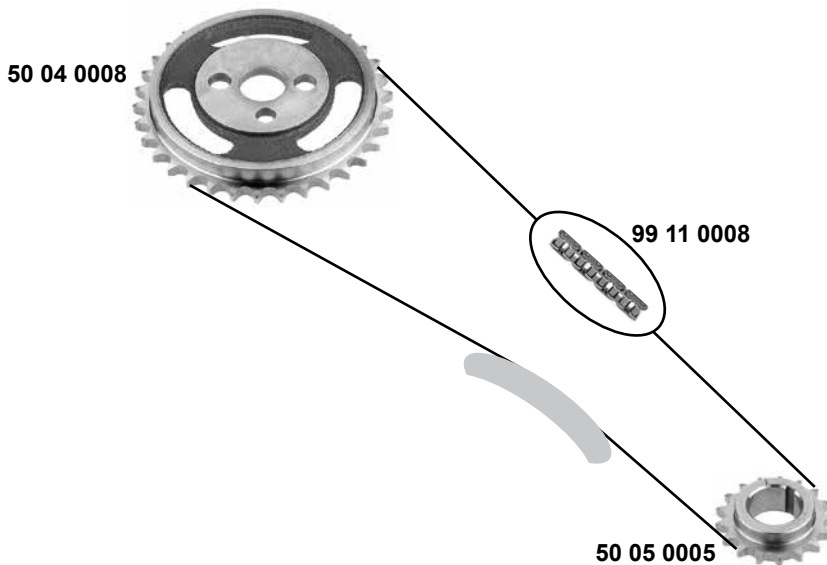


## 1,6 (CVH/HL)

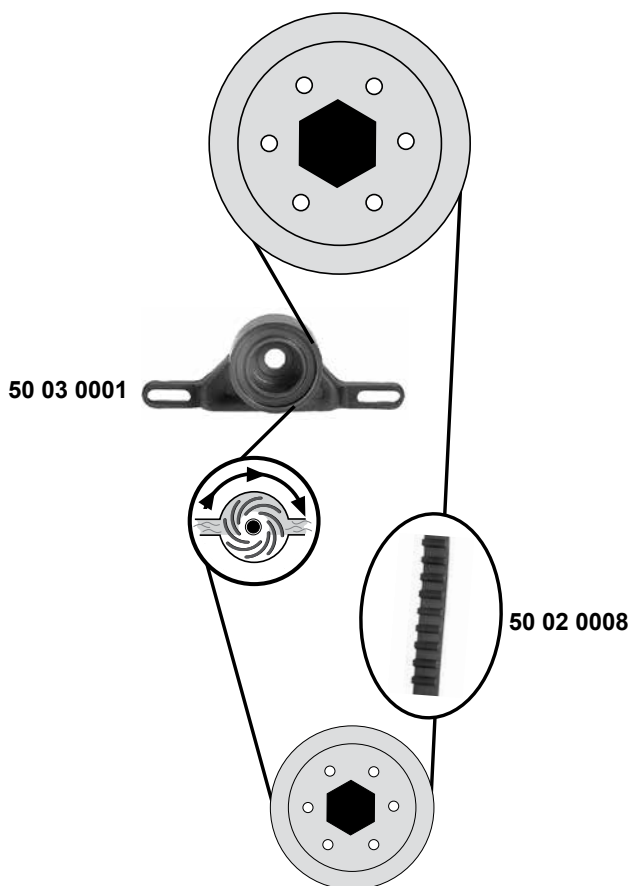


SWAG GERMANY	Ref. - No.			
50 02 0003	1 653 888	Zahnriemen / timing belt		Z 92 B19,8
50 02 0008	6 711 046	Zahnriemen / timing belt		Z 97 B19,8
50 02 0042	6 711 046 S1	Rep. Satz Zahnriemen / rep. kit timing belt		
50 03 0001	6 182 891	Spannrolle / tension roller		ØA89 ØI54,5 B30
50 03 0003	6 089 286	Spannrolle / tension roller		ØA47 ØI54 B29

**1,3**  
(OHV/BL)



**1,4 / 1,6**  
(CVH/HL)



	Ref. - No.			
<b>50 02 0008</b>	6 711 046	Zahnriemen / timing belt		Z 97 B19,8
<b>50 02 0042</b>	6 711 046 S1	Rep. Satz Zahnriemen / rep. kit timing belt		
<b>50 03 0001</b>	6 182 891	Spannrolle / tension roller		ØA89 ØI30 B54,5
<b>50 04 0008</b>	6 029 398	Nockenwellenrad / camshaft gear		Z 34
<b>50 05 0005</b>	1 434 861	Kurbelwellenrad / crankshaft gear		Z 17
<b>99 11 0008</b>	6 156 318	Steuerkette / timing chain		455 / 46 E
<b>99 12 5159</b>	1 434 861 S2	Rep. Satz Steuerkette / rep. kit timing chain		

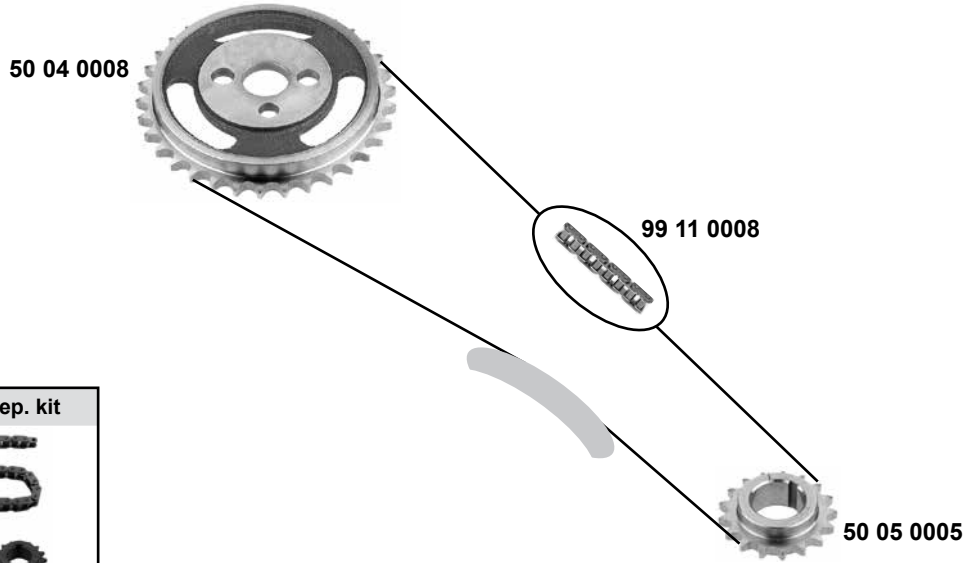
# FORD

## Orion 91

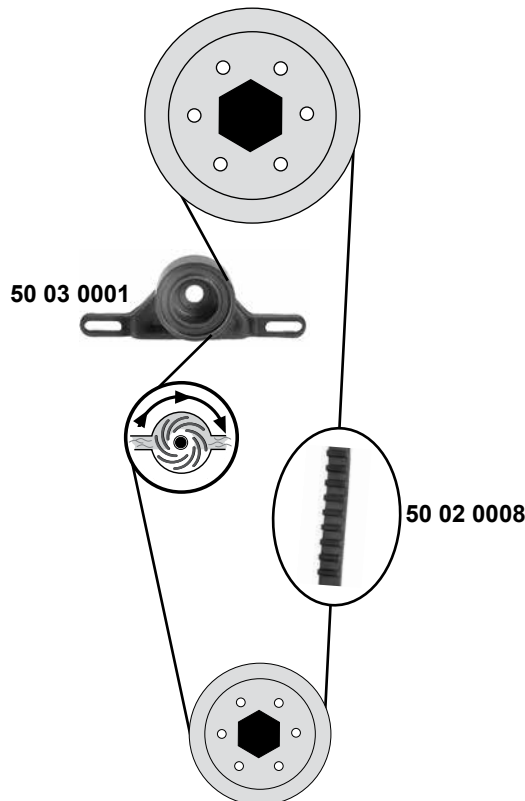
(08/90→10/93)



**1,3**  
(OHV/BL)

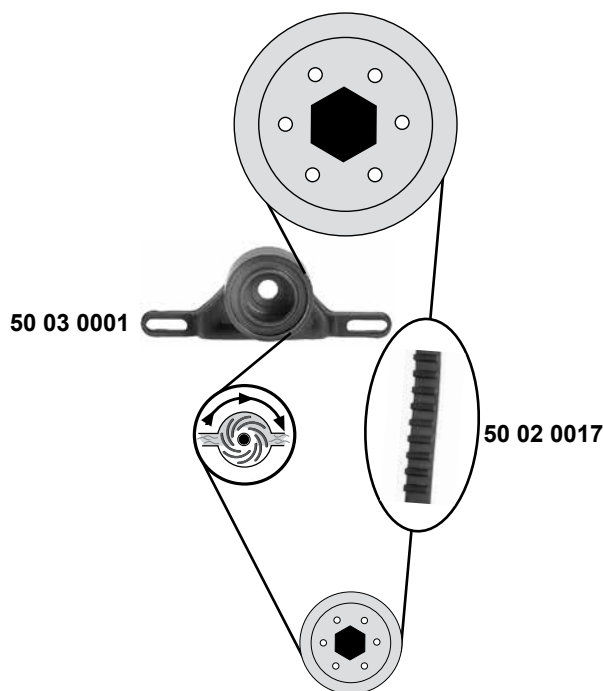


**1,4 / 1,6**  
(CVH/HL)  
(Modell:→04/92)

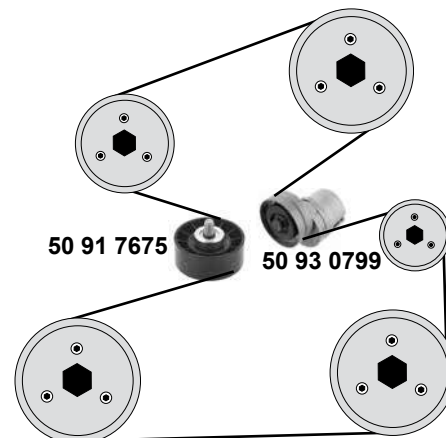
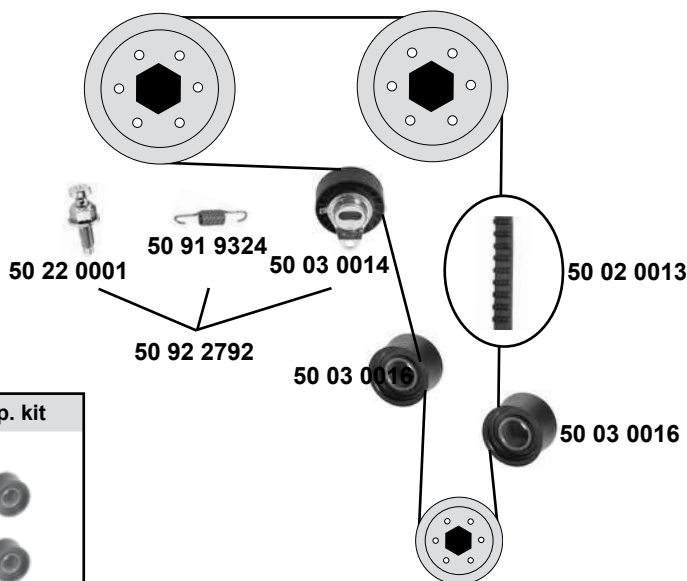


SWAG GERMANY	Ref. - No.			
50 02 0008	6 711 046	Zahnriemen / timing belt		Z 97 B19,8
50 02 0042	6 711 046 S1	Rep. Satz Zahnriemen / rep. kit timing belt		
50 03 0001	6 182 891	Spannrolle / tension roller		ØA89 ØA54,5 B30
50 04 0008	6 029 398	Nockenwellenrad / camshaft gear		
50 05 0005	1 434 861	Kurbelwellenrad / crankshaft gear		Z 17
99 11 0008	6 156 318	Steuerkette Nietverschluß / timing chain riveted link		455 / 46 E
99 12 5159	1 434 861 S2	Rep. Satz Steuerekette / rep. kit timing chain	mit / with	

**1,4 / 1,6**  
(CVH/HL)



**1,6 16V / 1,8 16V**  
(Zetec E/ZH)

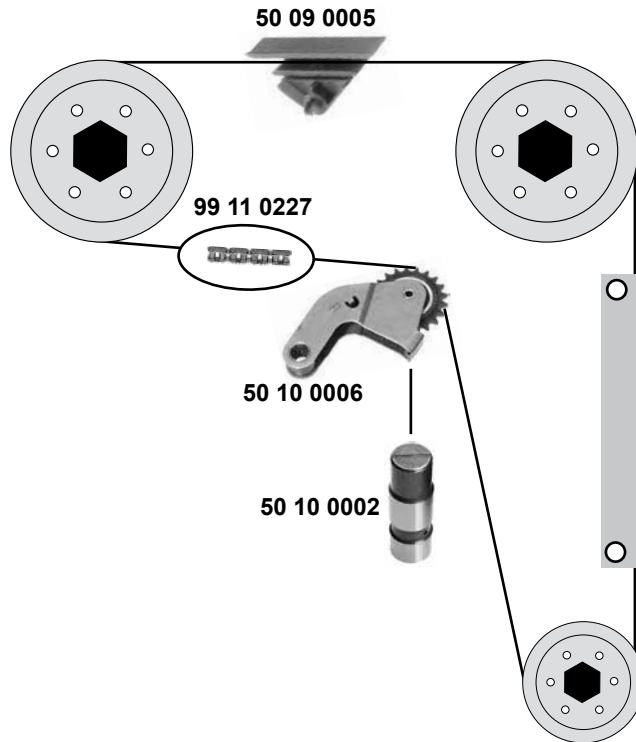


<b>50 02 0013</b>	6 764 162	Zahnriemen / timing belt		Z 131 B25,4
<b>50 02 0017</b>	6 711 044	Zahnriemen / timing belt		Z 97 B21,6
<b>50 02 0023</b>	6 794 162 S1	Rep. Satz Zahnriemen / rep. kit timing belt		
<b>50 02 0028</b>	6 711 044 S1	Rep. Satz Zahnriemen / rep. kit timing belt		
<b>50 03 0001</b>	6 182 891	Spannrolle / tension roller		ØA89 ØI30 B54,5
<b>50 03 0014</b>	6 635 941	Spannrolle / tension roller		ØA21 ØI60 B30
<b>50 03 0016</b>	6 744 307	Umlenkrolle / deflection pulley		ØA21 ØI48 B30
<b>50 22 0001</b>	1 663 884	Schraube Spannrolle / screw tension roller		
<b>50 91 7675</b>	1 015 375	Umlenkrolle / deflection pulley	servo  (ex.) AC	ØA 70 B28,7
<b>50 91 9324</b>	7 024 224	Zugfeder / return spring		
<b>50 92 2792</b>	6 635 941 S	Rep. Satz Spannrolle / rep kit tension roller	(mot.) 1,8 16V	ØA89 ØI30 B54,5
<b>50 93 0799</b>	6 710 259	Riemenspanner / belt tensioner		ØA 70 B26

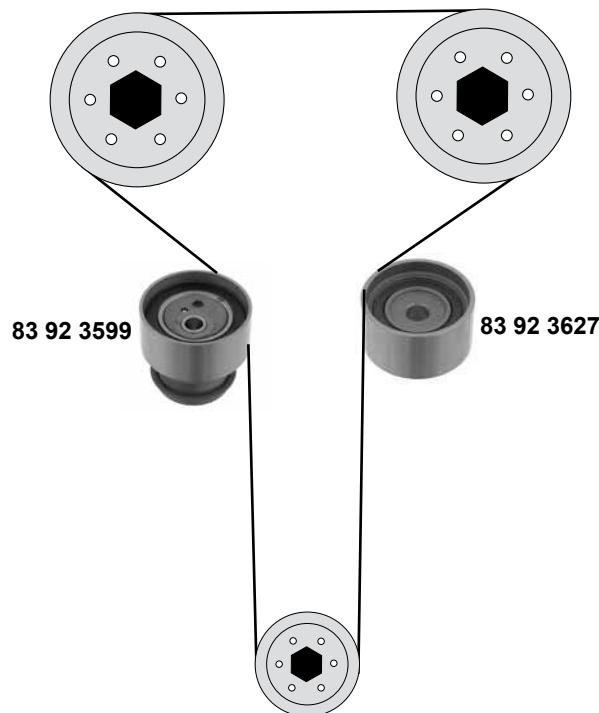
# FORD Orion 91 (09/91→08/93)



**2,0**  
(DOHC/DH)



**Probe**  
(10/92→09/97)  
**2,0 16V**  
(DOHC)



Ref. - No.



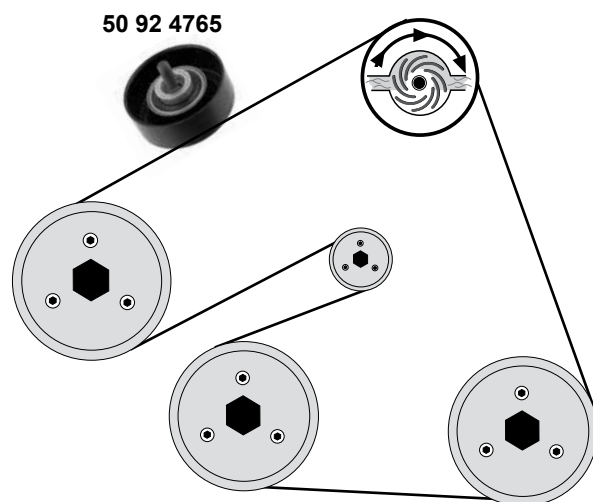
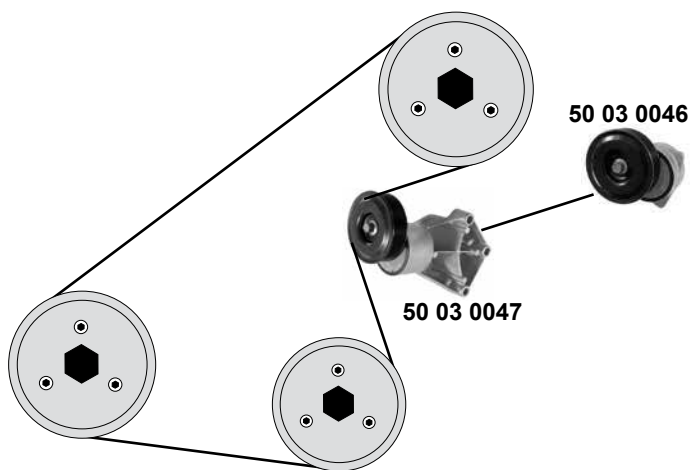
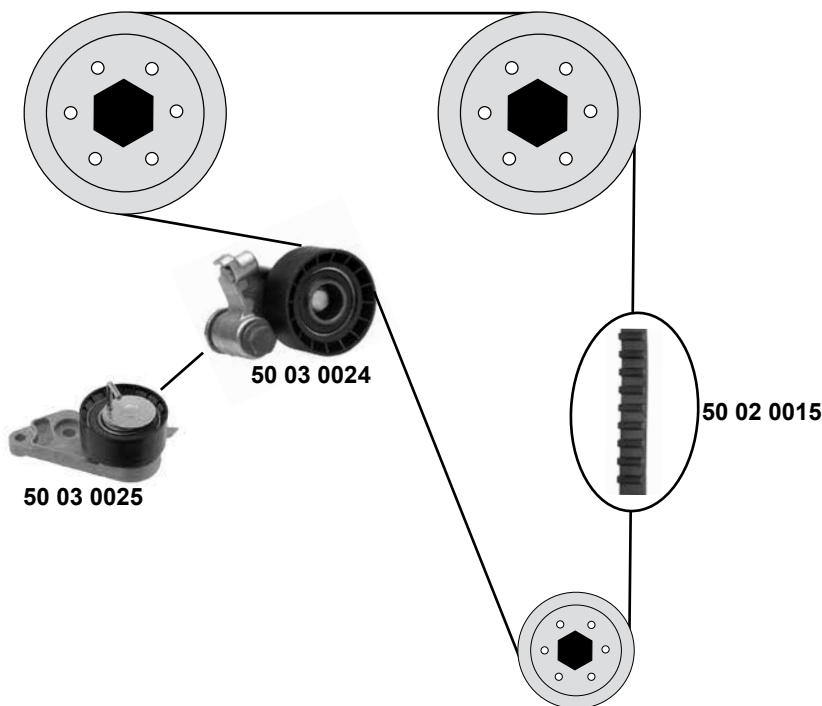
<b>50 09 0005</b>	6 177 698
<b>50 10 0002</b>	1 662 847
<b>50 10 0006</b>	1 022 214
<b>83 92 3599</b>	4 132 488
<b>83 92 3627</b>	3 396 014
<b>99 11 0227</b>	7 079 279

Gleitschiene / sliding rail
Kettenspanner / chain tensioner
Kettenspanner / chain tensioner
Spannrolle / tension roller
Umlenkrolle / deflection pulley
Steuerkette einfach / timing chain simple

ØA20 B60,5
ØA 62 H 28,5
ØA 52 H 28,5
458 / 138 E



**1,4 16V / 1,6 16V / 1,7 16V**  
(Zetec S/ZH)



(1) (mot.) 1.4 16V → 02/97 // (ex.) 1.7 16V

(3) servo AC

(2) (mot.) 1.7 16V 02/97 →

(4) servo (ex.) AC oder /or AC (ex.) servo



Ref. - No.



<b>50 02 0015</b>	1 004 299	Zahnriemen / timing belt		Z 117 B22
<b>50 02 0038</b>	1 004 299 S1	Rep. Satz Zahnriemen / rep. kit timing belt	(2)	
<b>50 02 0041</b>	1 004 299 S2	Rep. Satz Zahnriemen / rep. kit timing belt	(1)	
<b>50 03 0025</b>	1 361 840	Spannrolle / tension roller	(2)	ØA60 ØI26,6 B37,1
<b>50 03 0024</b>	1 004 409	Spannrolle / tension roller	(1)	ØA 62 B27
<b>50 03 0046</b>	1 077 689	Riemenspanner / belt tensioner	(3) (ex.) 1.7 16V	ØA103 B28
<b>50 03 0047</b>	1 004 481	Riemenspanner / belt tensioner	(4)	ØA103 B28
<b>50 92 4765</b>	1 139 951	Umlenkrolle / deflection pulley		ØA 70 H25

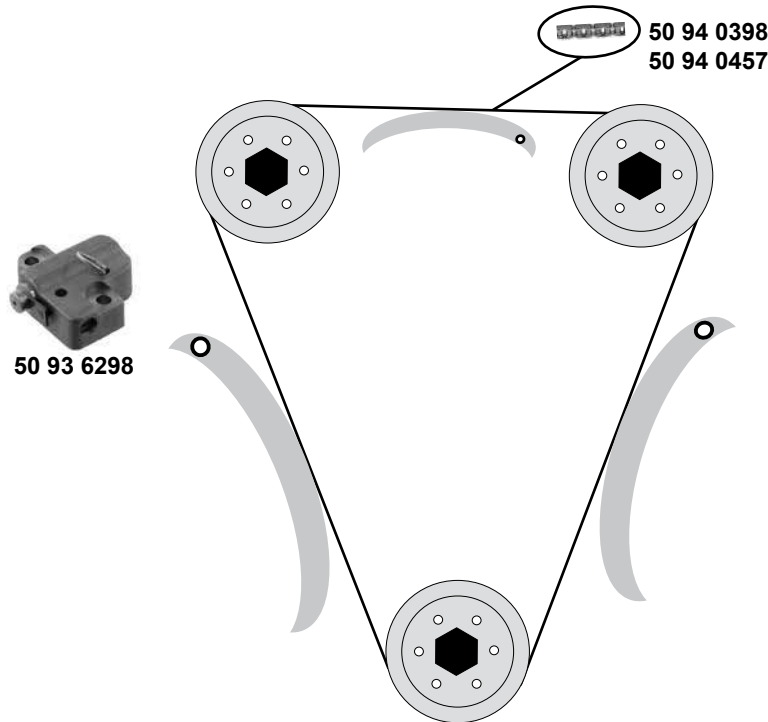
# FORD Ranger 12

(09/11→)



## 2,3

(Duratec HE)

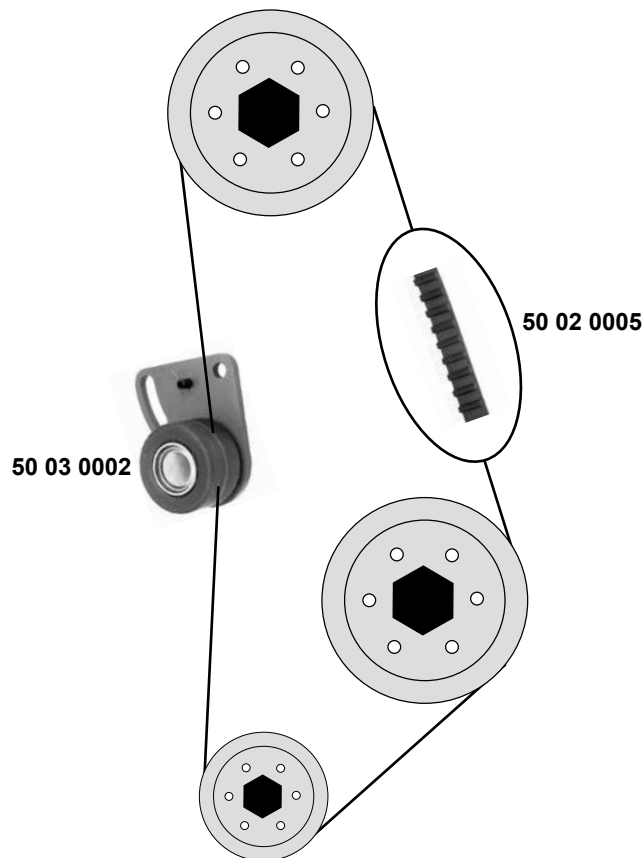


# Scorpio 85 / 92

(04/85→08/94)

1,8H / 2,0

(OHC)

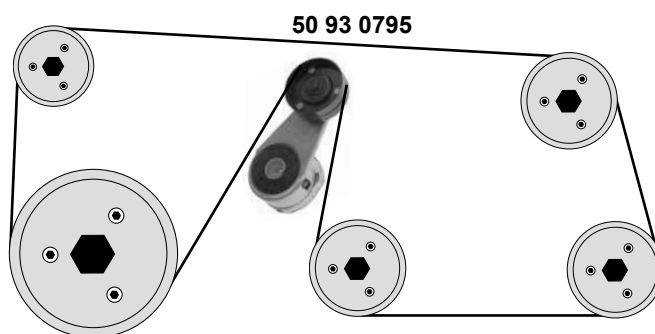
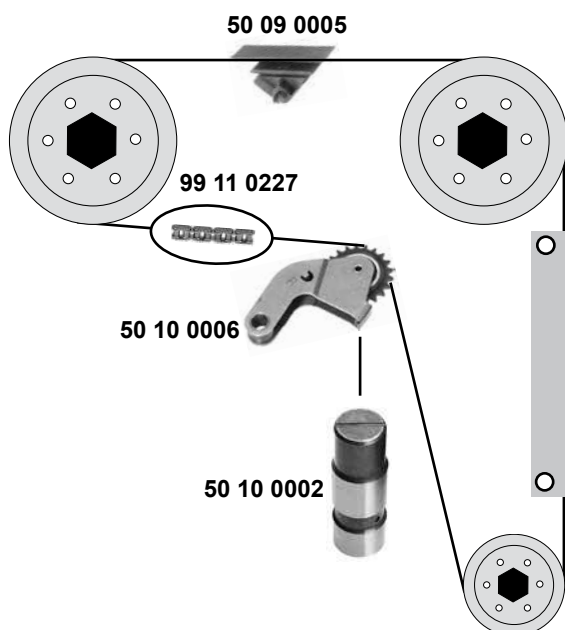
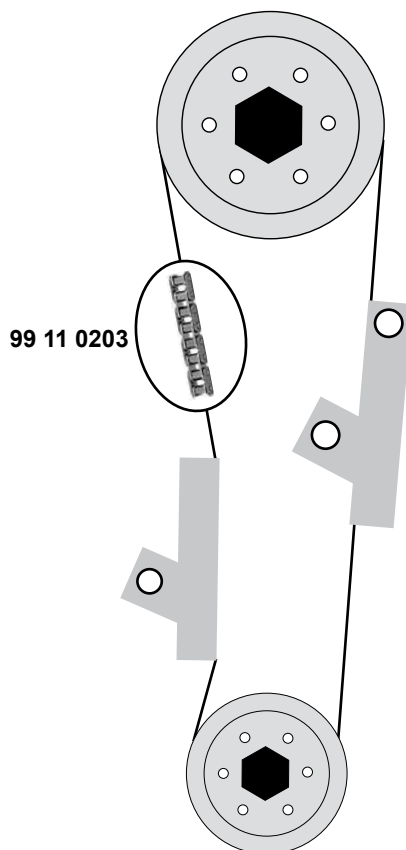


Ref. - No.



50 02 0005	6 139 911	Zahnriemen / timing belt	Z 122 B19
50 02 0033	6 139 911 S1	Rep. Satz Zahnriemen / rep. kit timing belt	
50 03 0002	1 496 915	Spannrolle / tension roller	ØA47 ØI27 B34,5
50 93 6298	1 347 669	Kettenspanner / chain tensioner	
50 94 0457	1 124 373	Steuerkette / timing chain	D 138 E

**2,0 / 2,3**  
 (DOHC / DH)

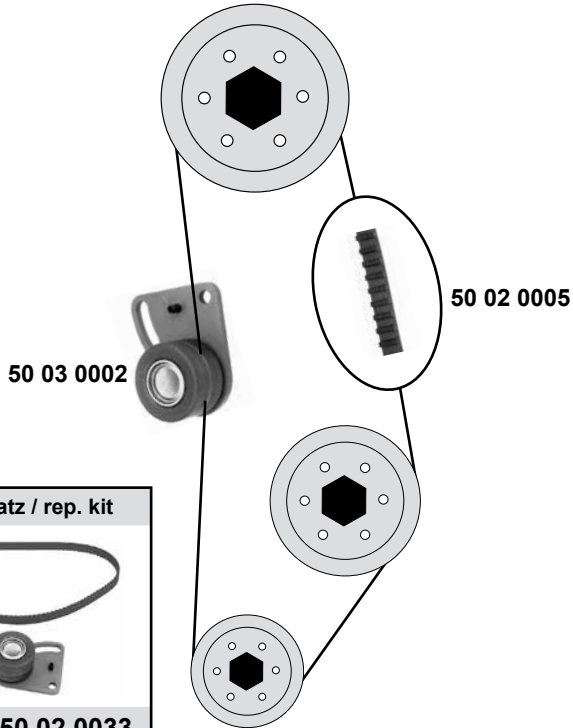
**2,0 / 2,3**  
 (DOHC/DH)

**2,4 / 2,9 V6**  
 (TV)


# FORD Sierra 83

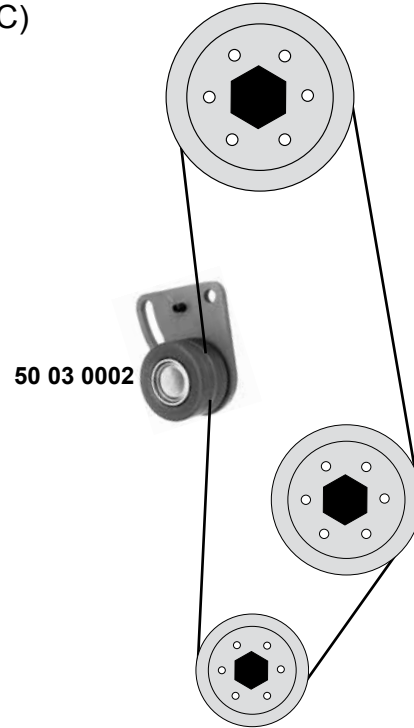
(06/82→01/87)



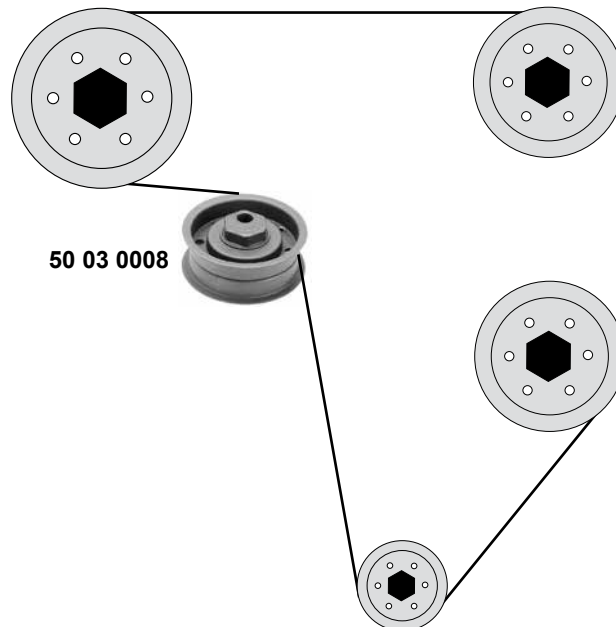
## 1,6E / 1,8H / 2,0 (OHC)



## 1,3 / 1,6 L / H / G (OHC)



## 2,0 Cosworth (DOHC/DL)



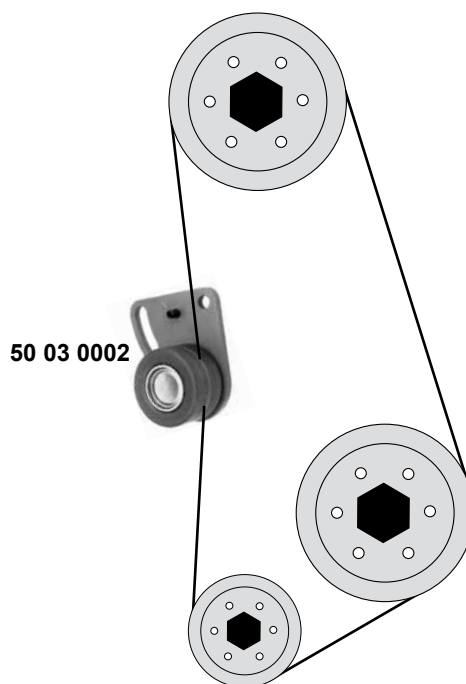
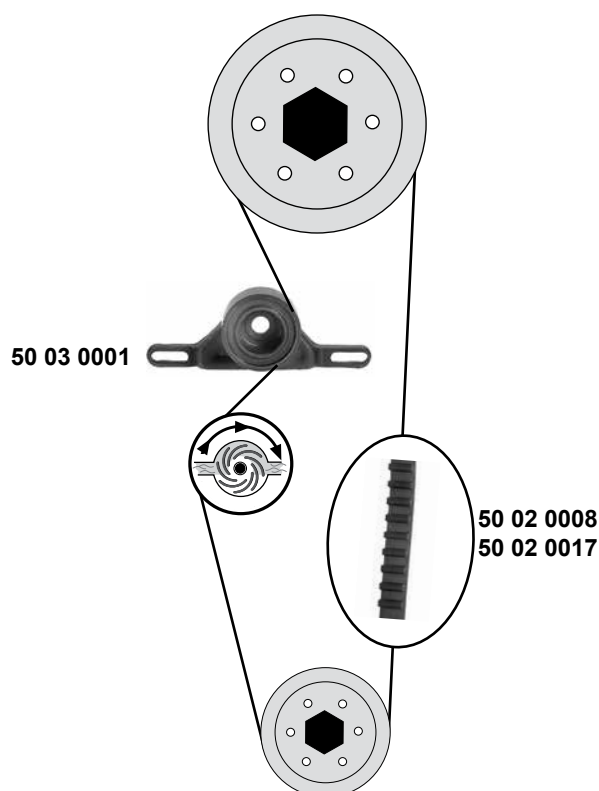
Ref. - No.



50 02 0005	6 139 911
50 02 0033	6 139 911 S1
50 03 0002	1 496 915
50 03 0008	1 639 176

Zahnriemen / timing belt
Rep. Satz Zahnriemen / rep. kit timing belt
Spannrolle / tension roller
Umlenkrolle / deflection pulley

Z 122 B19
ØA47ØI27 B34,5
ØA 82 H 30

**1,3 / 1,6 L / H / G**  
 (OHC)

**1,6**  
 (CVH/HL)


Rep. Satz / rep. kit



SWAG 50 94 0848

Rep. Satz / rep. kit



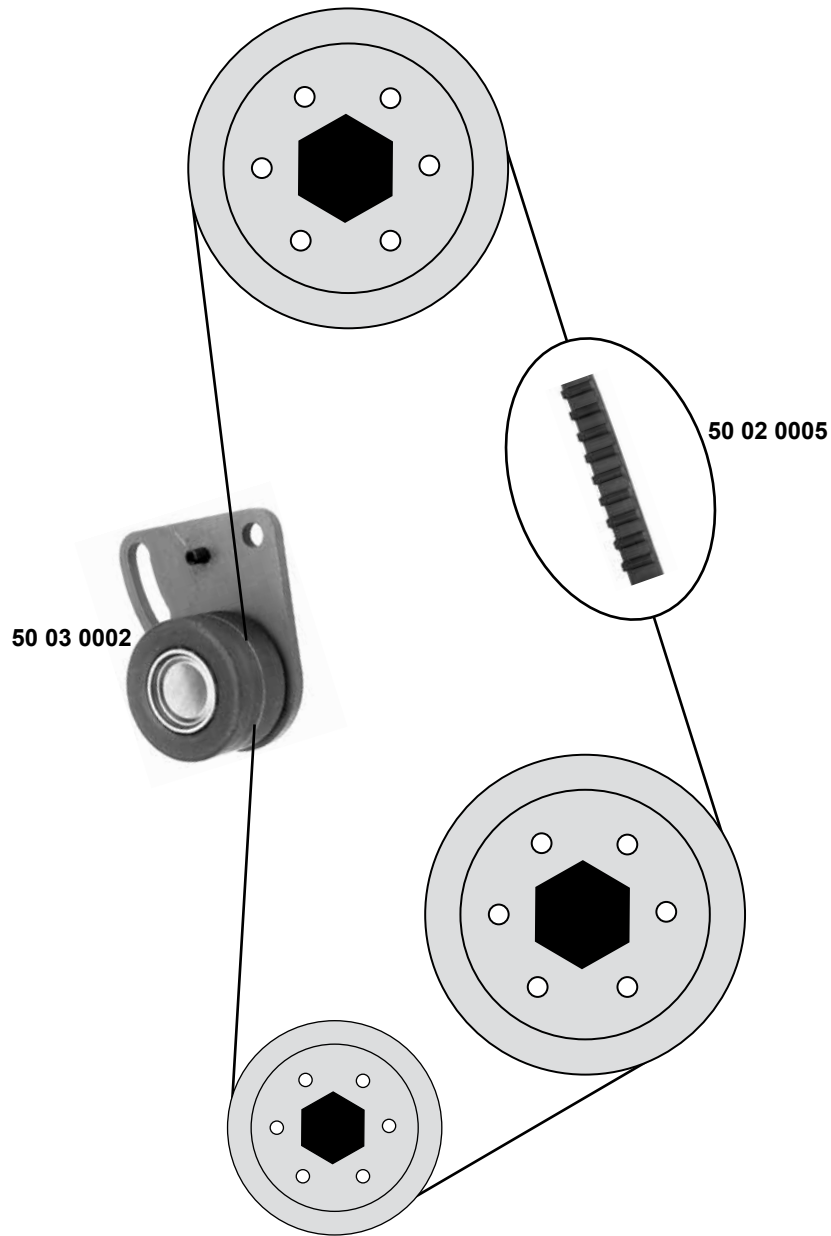
SWAG 50 94 0849

<b>50 02 0008</b>	6 711 046	Zahnriemen / timing belt	Modell: 01/87 → 04/92	Z 97 B19,8
<b>50 02 0017</b>	6 711 044	Zahnriemen / timing belt	Modell: 04/92 → 02/93	Z 97 B21,6
<b>50 02 0028</b>	6 711 044 S1	Rep. Satz Zahnriemen / rep. kit timing belt	Modell: 04/92 → 02/93	
<b>50 02 0042</b>	6 711 046 S1	Rep. Satz Zahnriemen / rep. kit timing belt	Modell: 01/87 → 04/92	
<b>50 03 0002</b>	1 496 915	Spannrolle / tension roller		ØA47ØI27 B34,5
<b>50 03 0002</b>	1 496 915	Spannrolle / tension roller		ØA47ØI27 B34,5

**FORD**  
**Sierra 87**  
 (01/87→02/93)



**1,6E / 1,8 H / 2,0**  
 (OHC)



(1) (mot:) 1,8H → 05/88



Ref. - No.

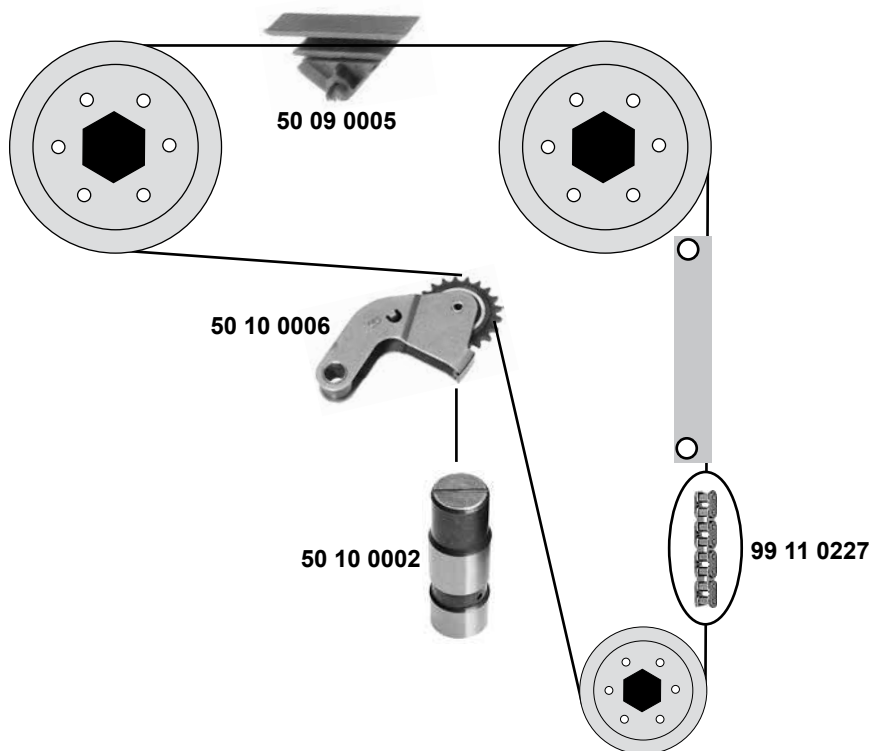


<b>50 02 0005</b>	6 139 911
<b>50 02 0033</b>	6 139 911 S1
<b>50 03 0002</b>	1 496 915

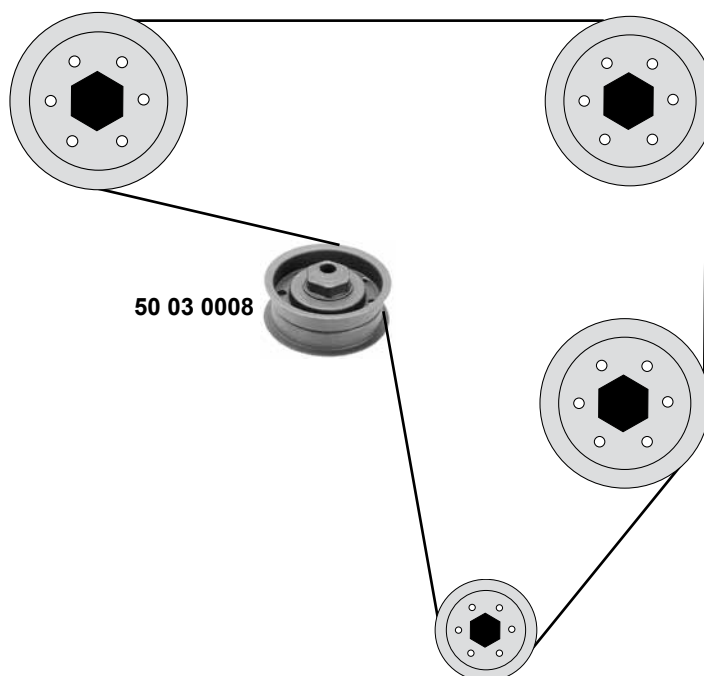
Zahnriemen / timing belt
Rep. Satz Zahnriemen / rep. kit timing belt
Spannrolle / tension roller

(1) Modell: → 12/92	Z 122 B19
(1) Modell: → 12/92	
(1) Modell: → 12/92	ØA47Ø127 B34,5

**2,0**  
(DOHC/DH)



**2,0 COSWORTH**  
(DOHC/DL)



Ref. - No.



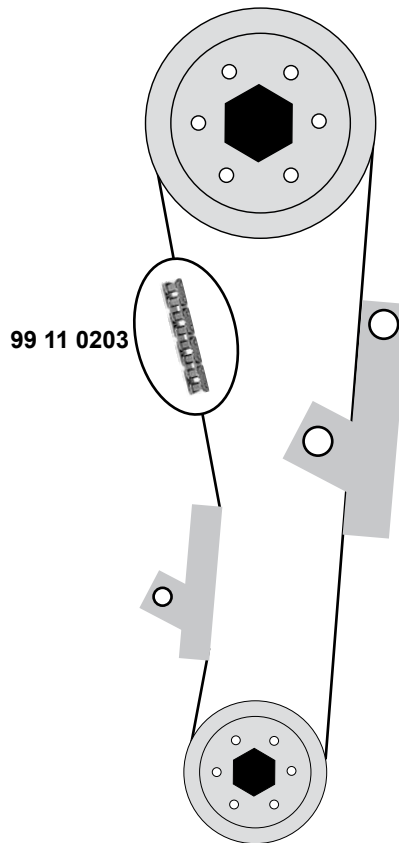
<b>50 03 0008</b>	1 639 176	Umlenkrolle / deflection pulley	ØA82 B30
<b>50 09 0005</b>	6 177 698	Gleitschiene / sliding rail	
<b>50 10 0002</b>	1 662 847	Kettenspanner / chain tensioner	ØA20 B60,5
<b>50 10 0006</b>	1 022 214	Kettenspanner / chain tensioner	
<b>99 11 0227</b>	7 079 279	Steuerkette einfach / timing chain simple	458 / 138 E

# FORD Sierra 87

(02/87→02/93)

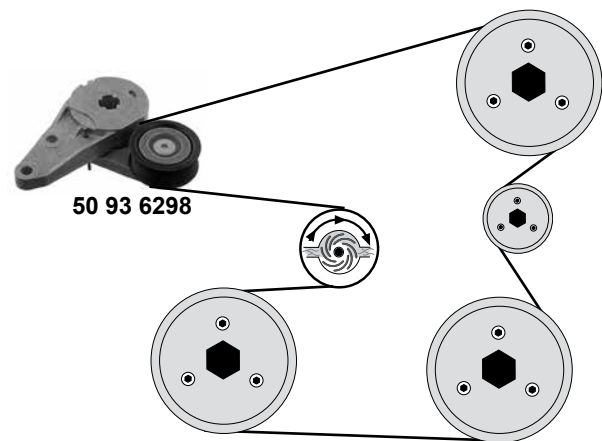
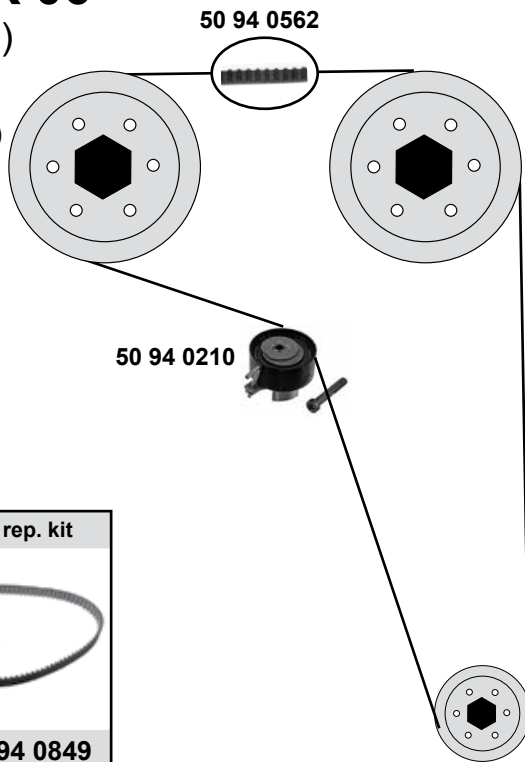


**2,4 / 2,9 V6**  
(TV)



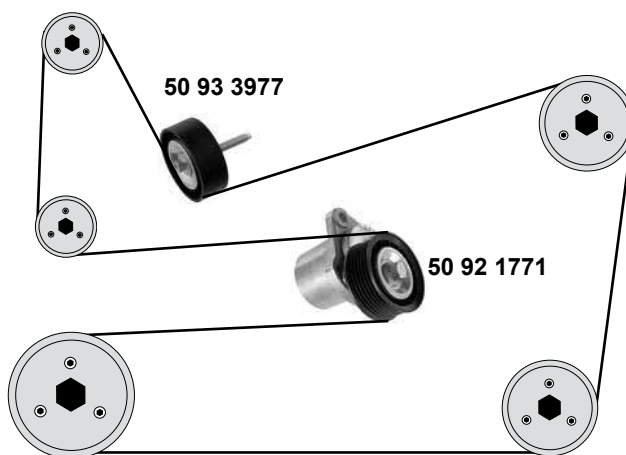
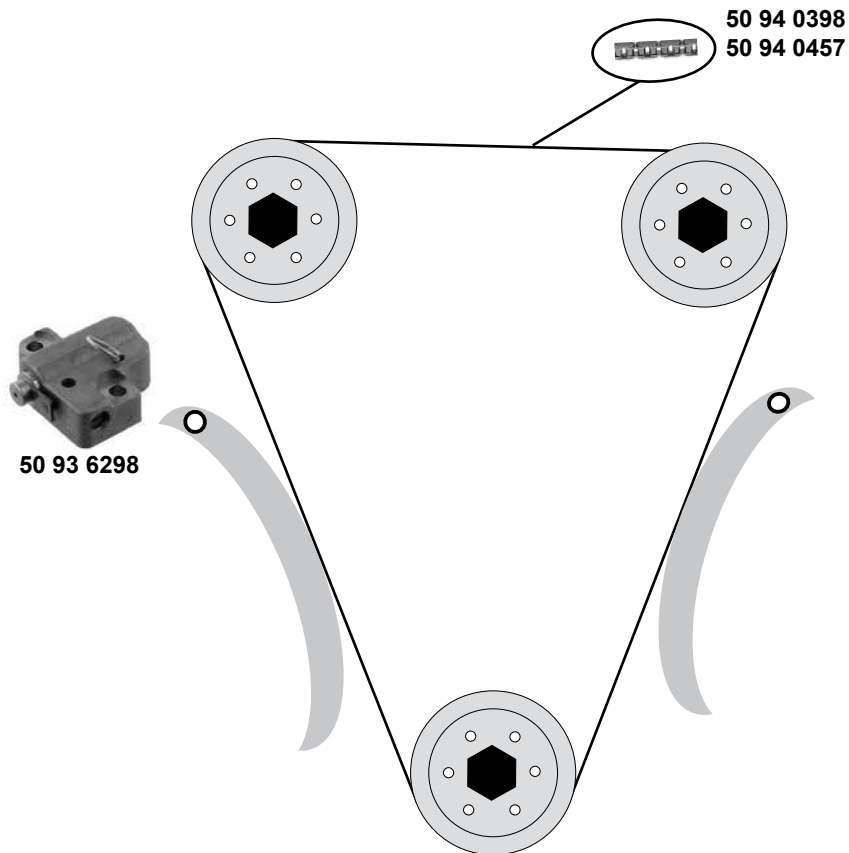
# S-MAX 06

(03/06→)  
**1,6**  
(Ecoboost)



SWAG	Ref. - No.			
50 93 9930	1 685 618	Riemenspanner / belt tensioner	10→	ØA67 B 25
50 94 0210	1 685 747	Spannrolle / tension roller	10→	
50 94 0562	1 675 963	Zahnriemen / timing belt	1,6 Sigma GTDI 11/10→	Z 117 B22
50 94 0849	1 672 144 S1	Rep. Satz Zahnriemen / rep. kit timing belt	10→	
99 11 0203	6 959 172	Steuerkette / timing chain		458 / 60 E





Ref. - No.



50 92 1771	1 371 224
50 93 3977	1 387 066
50 93 6298	1 347 669
50 94 0398	1 119 172
50 94 0457	1 124 373

Riemenspanner / belt tensioner
Umlenkrolle / deflection pulley
Kettenspanner / chain tensioner
Steuerkette / timing chain
Steuerkette / timing chain

2,0 HE (145 PS)
2,3 HE 07→

ØA73 B29
ØA70 N25,5
134 E
D 138 E

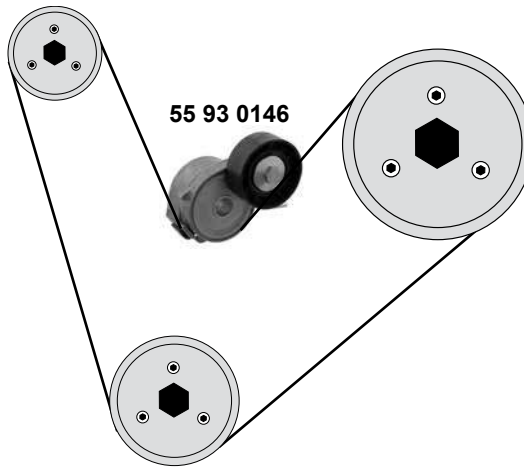
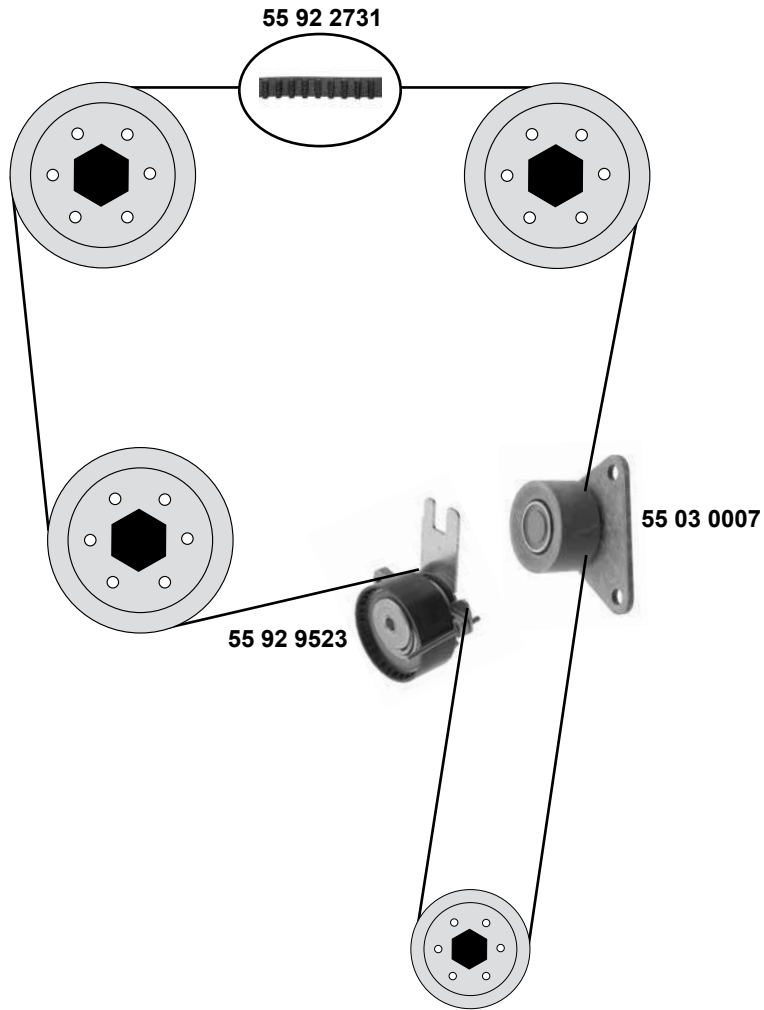
# FORD S-MAX 06

(03/06→)



## 2,5 Turbo

(Duratec)



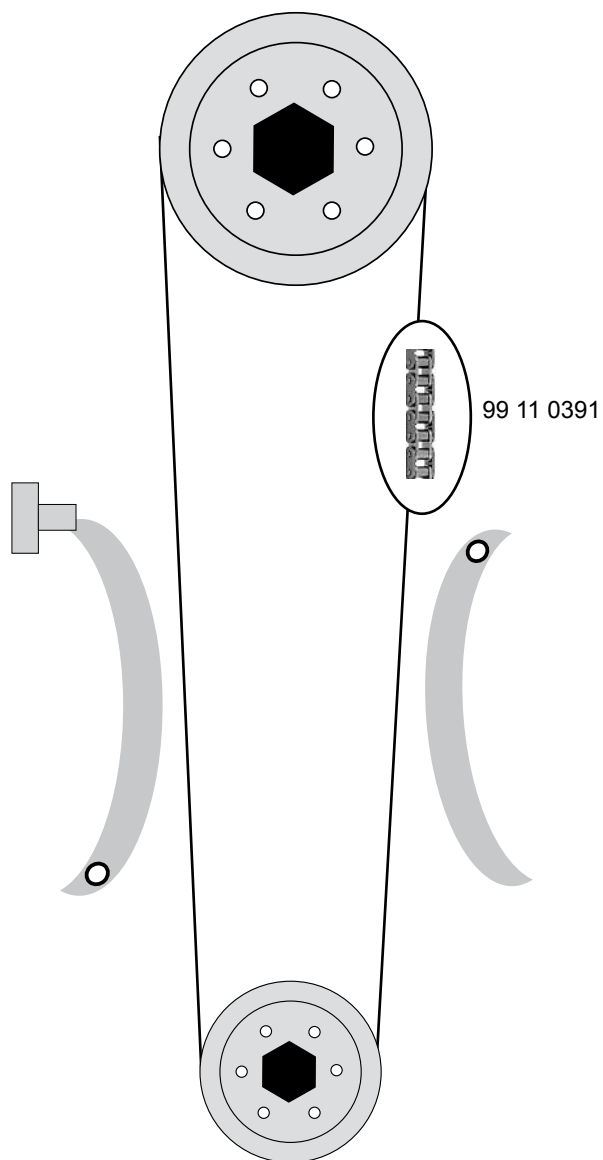
Ref. - No.



55 03 0007	1 371 753
55 92 2731	1 372 015 S1
55 92 9523	1 388 493
55 92 9524	1 372 015
55 93 0146	1 563 519

Umlenkrolle / deflection pulley
Zahnriemen / timing belt
Spannrolle / tension roller
Rep.Satz Zahnriemen / rep.kit timing belt
Riemenspanner / belt tensioner

ØA53 Ø124 B27
Z 142 B23
ØA 60B26,5
ØA73 B25



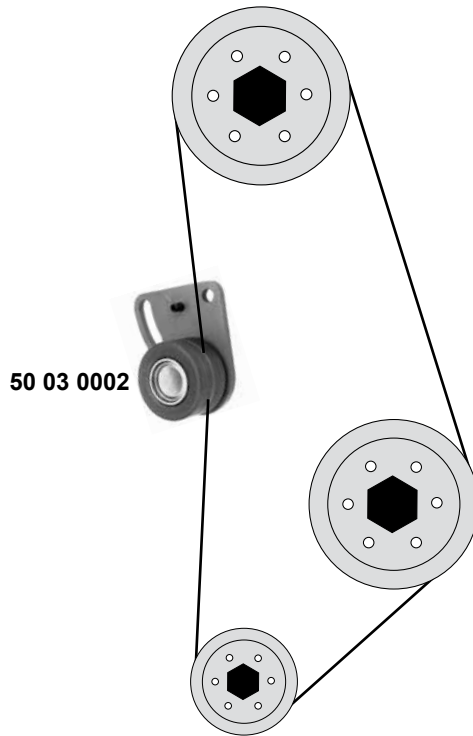
# FORD Taunus / Cortina

(08/70→06/82)



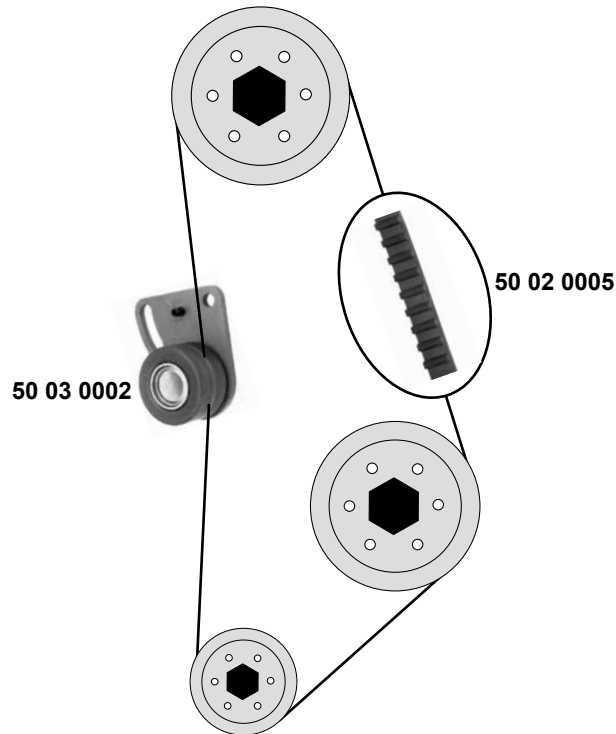
## 1,3 / 1,6 L / H / G

(OHC)



## 1,6E / 2,0 L / H / G

(OHC)



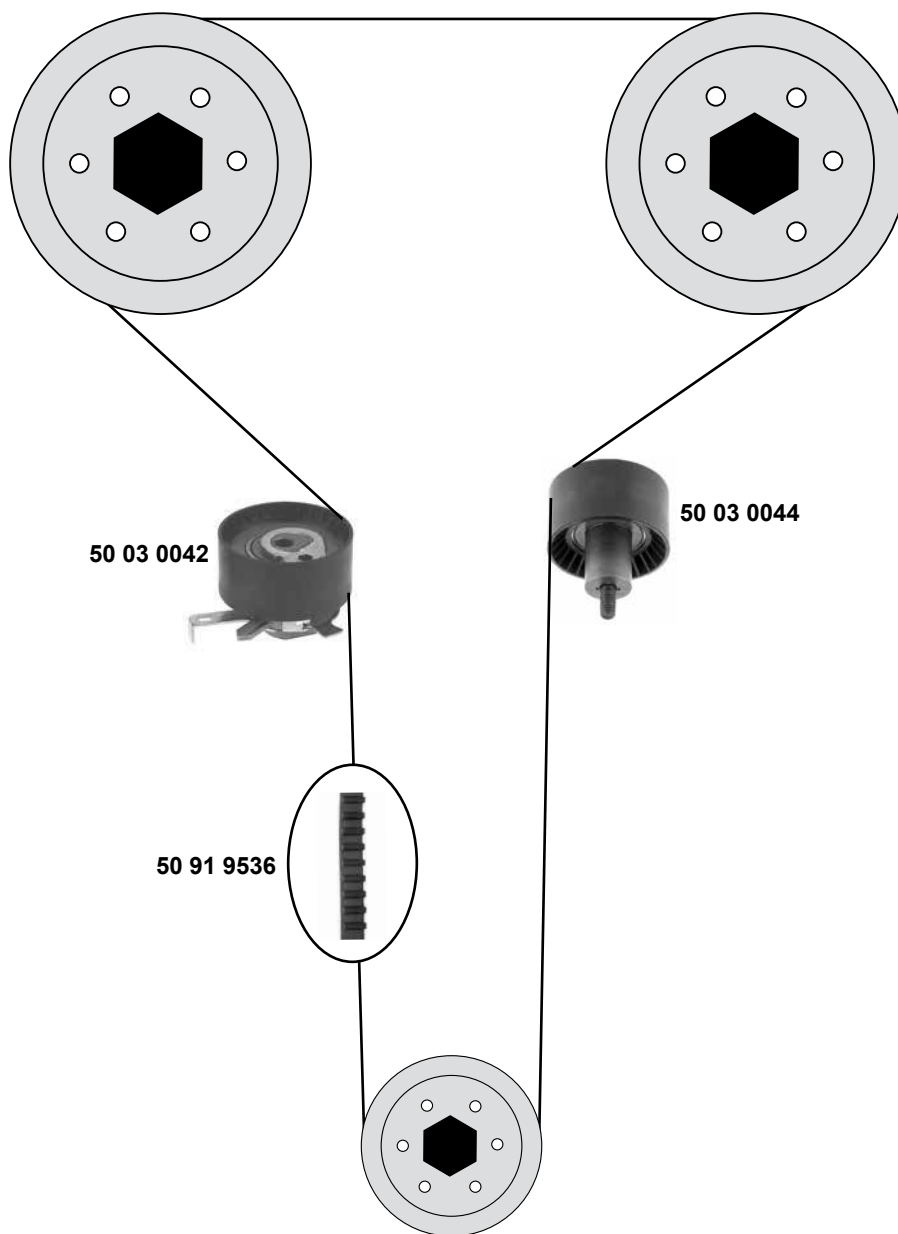
Ref. - No.



50 02 0005	6 139 911
50 02 0033	6 139 911 S1
50 03 0002	1 496 915

Zahnriemen / timing belt
Rep. Satz Zahnriemen / rep. kit timing belt
Spannrolle / tension roller

Z 122 B19
ØA47ØI27 B34,5



SWAG	Ref. - No.			
<b>50 03 0042</b>	1 328 472	Spannrolle / tension roller	05/02 →	ØA60 ØI29 B33,3
<b>50 03 0044</b>	1 213 852	Umlenkrolle / deflection pulley	05/02 →	ØA60 ØI29 B69,5
<b>50 91 9536</b>	1 000 156	Zahnriemen / timing belt	05/02 →	Z 129 B25,4
<b>50 92 4803</b>	1 000 156 S2	Rep.Satz. Zahnriemen / rep.kit. timing belt	05/02 →	Z 129 B25,4

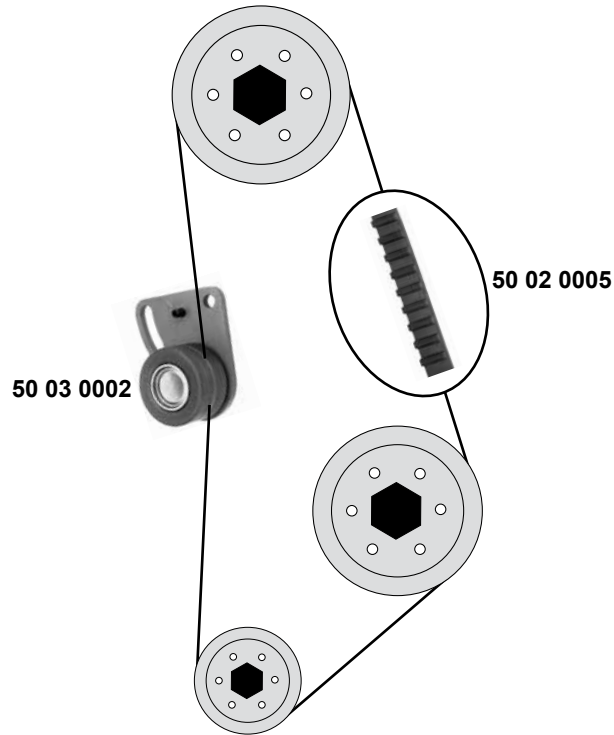
# FORD Transit

(02/78→08/94)



## 1,6 / 2,0

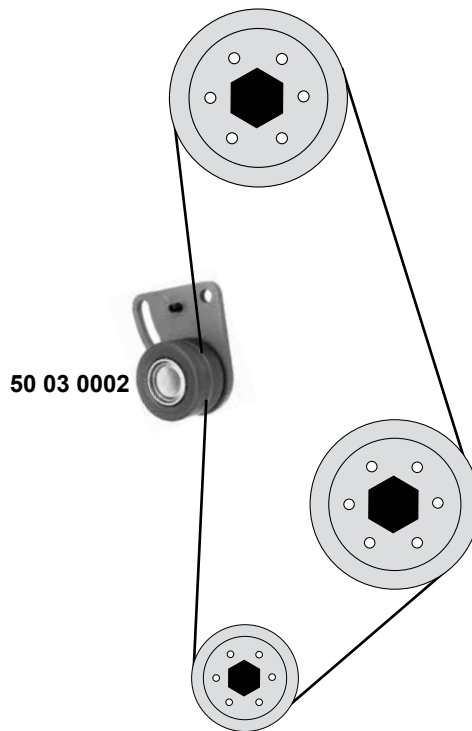
(OHC)



## 1,6 L / H / G

(OHC)

(→07/91)



Ref. - No.

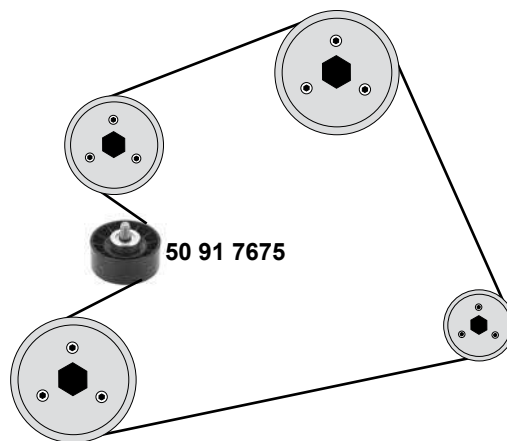
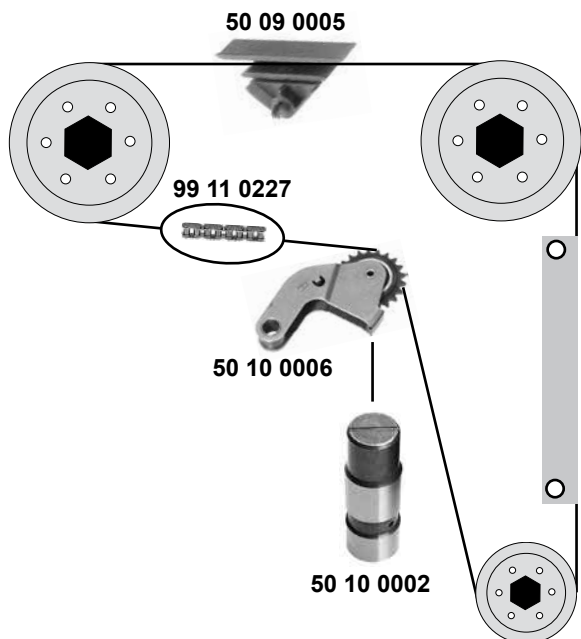


50 02 0005	6 139 911
50 02 0033	6 139 911 S1
50 03 0002	1 496 915

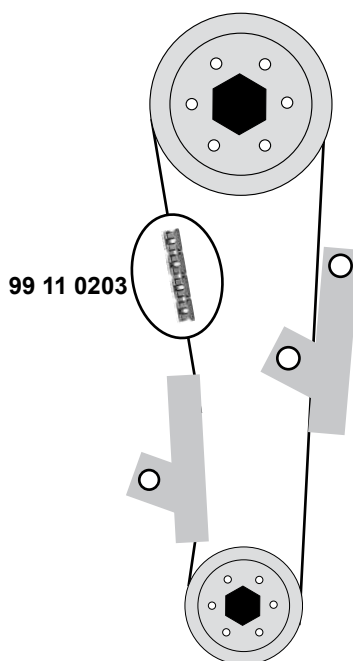
Zahnriemen / timing belt
Rep. Satz Zahnriemen / rep. kit timing belt
Spannrolle / tension roller

Z 122 B19
ØA47 B34,5

**2,0 / 2,3**  
(DOHC/DH)



**2,4 / 2,9 V6**  
(TV)



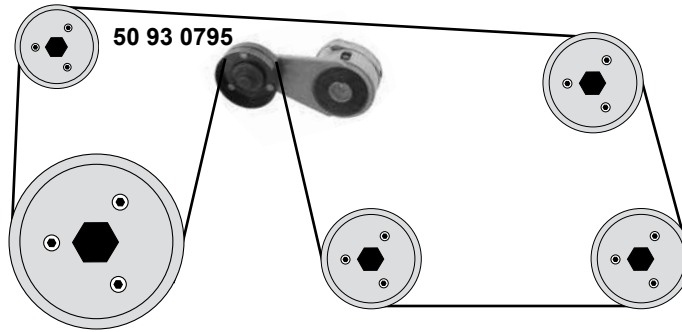
	Ref. - No.			
50 09 0005	6 177 698	Gleitschiene / sliding rail		
50 10 0002	1 662 847	Kettenspanner / chain tensioner		ØA20 B60,5
50 10 0006	1 022 214	Kettenspanner / chain tensioner		
99 11 0203	6 959 172	Steuerkette / timing chain		458 / 60 E
99 11 0227	7 079 279	Steuerkette einfach / timing chain simple		458 / 138 E
50 91 7675	1 015 375	Umlenkrolle / deflection pulley		ØA 70 B28,7

# FORD Transit 95 / 00

(08/94 → 11/06)



## 2,0 / 2,3 DOHC

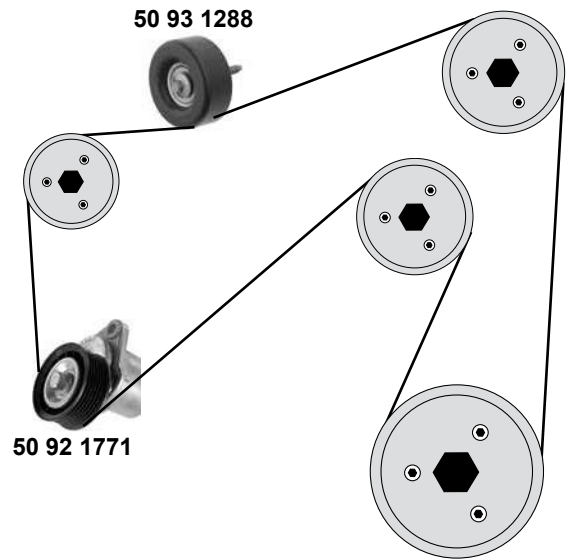
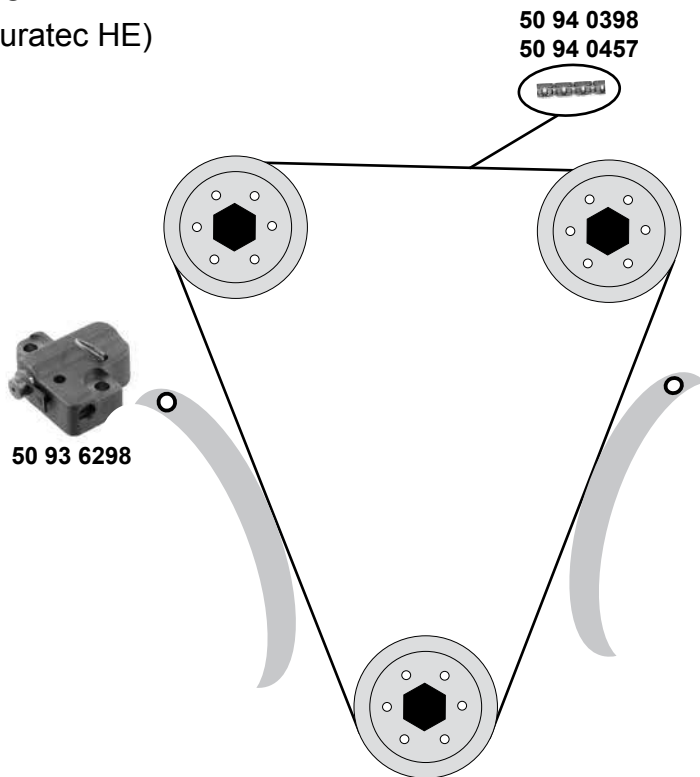


# Transit 06

(04/06 →)

2,3

(Duratec HE)



Ref. - No.



50 92 1771	1 371 224
50 93 0795	1 027 404
50 93 1288	1 387 385
50 93 6298	1 347 669
50 94 0457	1 124 373

Riemenspanner / belt tensioner
Riemenspanner / belt tensioner
Umlenkrolle / deflection pulley
Kettenspanner / chain tensioner
Steuerkette / timing chain

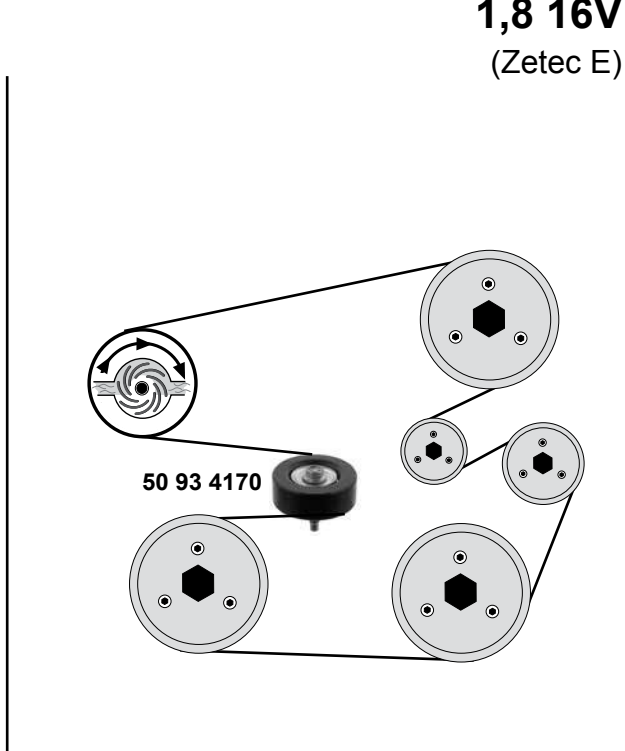
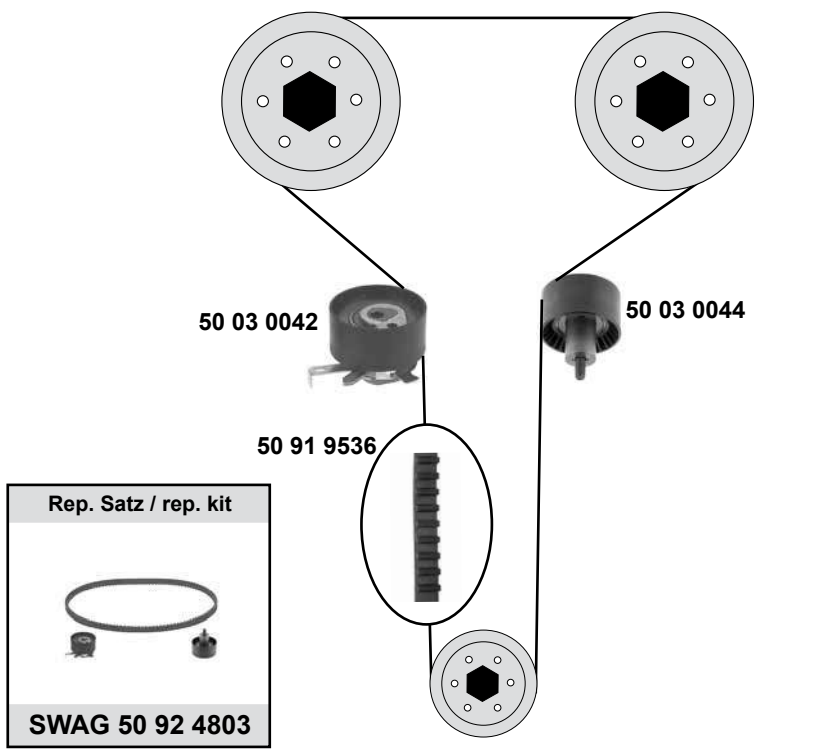
ØA73 B29
ØA76 B26
ØA76 B30,5
D 138 E



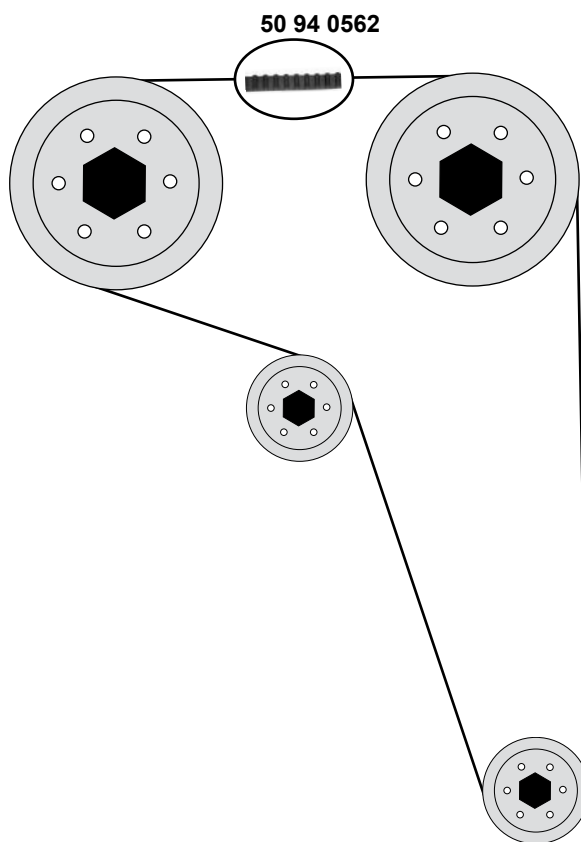


# FORD Transit Connect 02 (02/02→)

**1,8 16V**  
(Zetec E)



# Transit Connect 13 (11/13→) **1,6** (Sigma GTDI)



SWAG	Ref. - No.			
50 03 0042	1 328 472	Spannrolle / tension roller	05/02 →	ØA60 ØI29 B33,3
50 03 0044	1 213 852	Umlenkrolle / deflection pulley	05/02 →	ØA60 ØI29 B69,5
50 91 9536	1 000 156	Zahnriemen / timing belt	05/02 →	Z 129 B25,4
50 92 4803	1 000 156 S2	Rep.Satz. Zahnriemen / rep.kit. timing belt	05/02 →	Z 129 B25,4
50 93 4170	1 318 844	Umlenkrolle / deflection pulley		ØA 70 B25,5
50 94 0562	1 675 963	Zahnriemen / timing belt		Z 117 B22

# HONDA

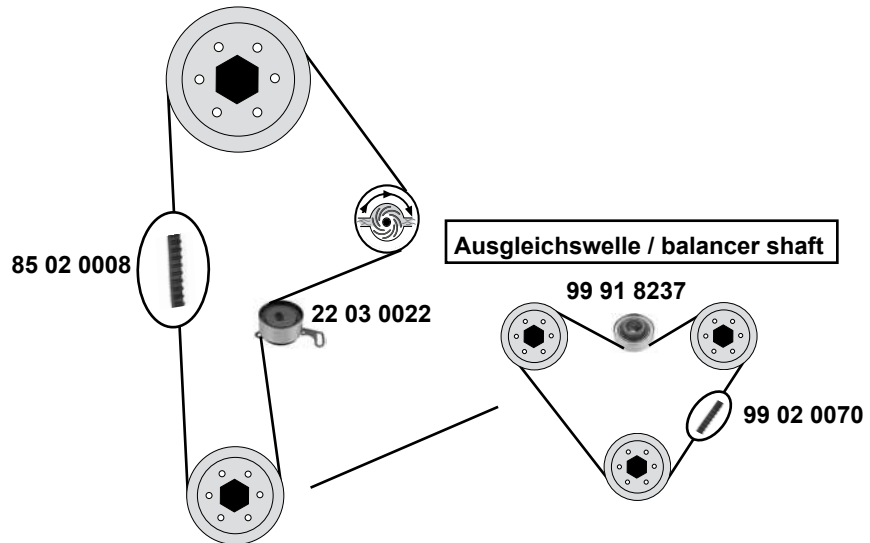
## Accord IV / V

(90→98)



### 2,0 / 2,2

(F20A2,F20A4-5,F20A6-A8/B3, F20Z1/Z2/Z3,F22A3,F22A7,F22A8,F22B5,H23A3)

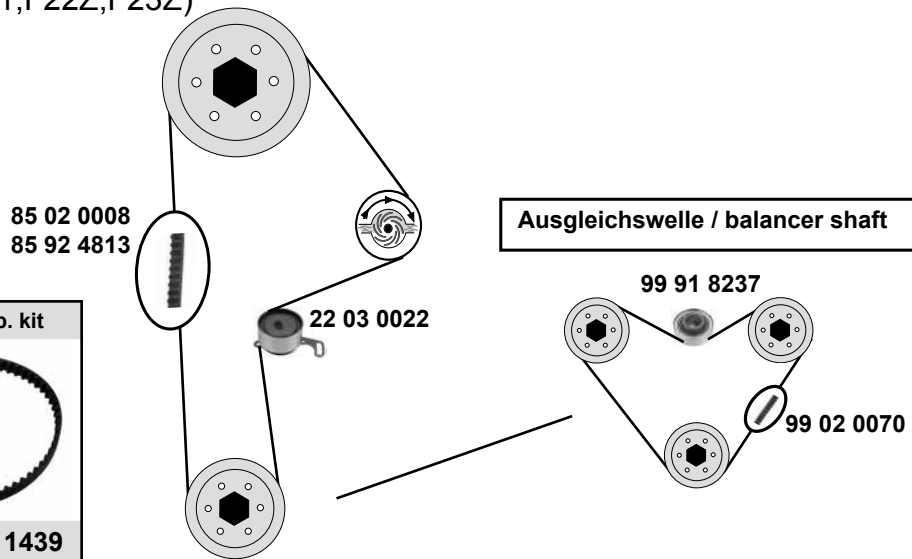


### Accord VI / VII

(96→02)

### 1,8 / 2,0 / 2,2 / 2,3 SOHC

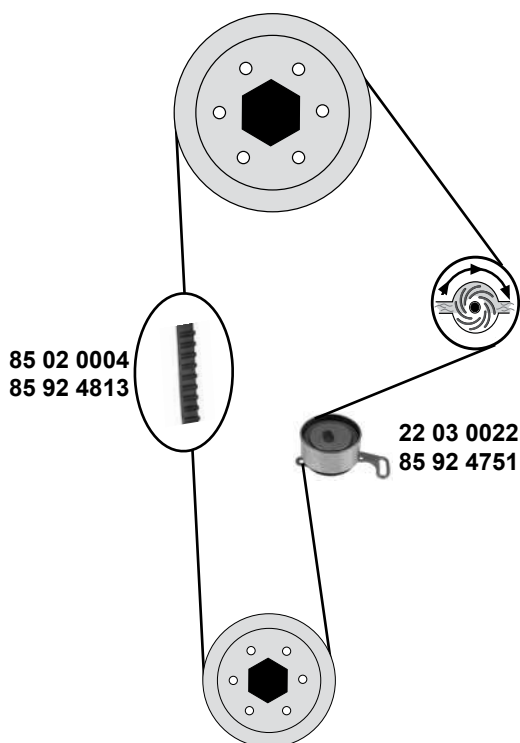
(F18A3/B2,F18B,F20B,F20A4/Z1,F22Z,F23Z)



- (1) Accord IV/V : mot.F20A2/A4/A5/A7/A8/B3/Z1-Z3,F22A3/A7/B5    Accord VI : (mot.) F18A3 /F20A4
- (2) Accord VI / VII mot. F18B / F20B / F22Z / F23Z
- (3) (ex.) mot. F20A6 / F22A8
- (4) Accord IV/V: mot.F20A2/A4-A8/Z1-Z3/B3,F22A3/A7/A8/B5,H23A3  
Accord VI/VII: mot. F18A3/B2, F20B5-B7/Z1,F23Z5

SWAG GERMANY	Ref. - No.			
22 03 0022	14510-PT0-004	Spannrolle / tension roller	(3)	Ø A 62 H27
85 02 0008	14400-P45-G01	Zahnriemen / timing belt	(1)	Z 113 B24
85 92 4813	14400-PDA-E01	Zahnriemen / timing belt	(2)	Z 112 B24
85 92 4814	14400-PDA-E01S1	Rep.Satz Zahnriemen / rep.kit timing belt	(2)	Z 112 B24
85 92 6076	14400-P45-G01 S1	Rep. Satz Zahnriemen / rep. kit timing belt	(1)	Z 113 B24
85 93 1439	13405-PT0-004 S1	Rep. Satz Zahnriemen / rep. kit timing belt	(4)	
99 02 0070	13405-PT0-004	Zahnriemen / timing belt	(4)	Z 70 B16
99 91 8237	13404-PT0-004	Spannrolle / tension roller	(4)	Ø A

**1,6 SOHC / 2,0 SOHC VTEC**  
(D16B6/B7) (F20B)



Rep. Satz / rep. kit



SWAG 85 92 4814

Rep. Satz / rep. kit

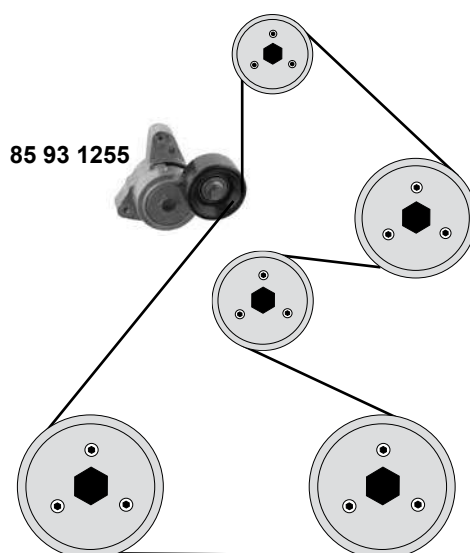


SWAG 85 92 4817

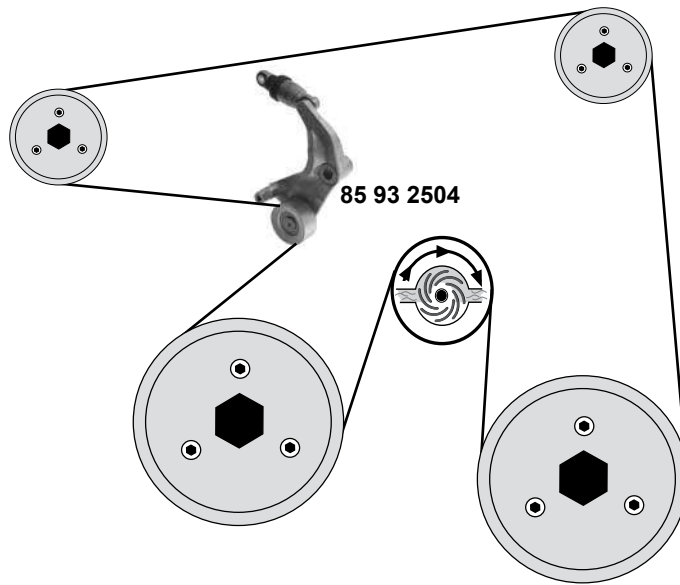
## Accord VIII / Tourer

(03→08)

**2,0 2,4**  
(K20Z2) (K24A3)



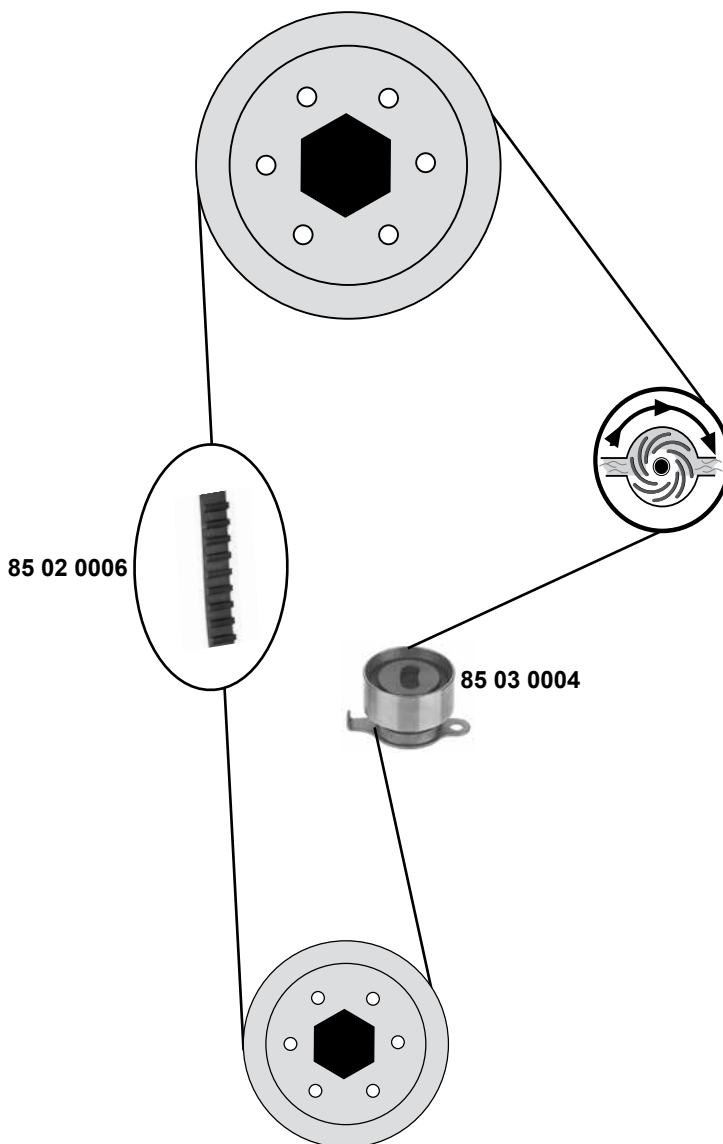
22 03 0022	14510-PT0-003	Spannrolle / tension roller	(mot.) 2,0	Ø A 62 H27
85 02 0004	14400-P2E-004	Zahnriemen / timing belt	(mot.) 1,6	Z 104 B24
85 92 4751	14510-P2A-004	Spannrolle / tension roller	(mot.) 1,6	Ø A 53 H26
85 92 4813	14400-PDA-E01	Zahnriemen / tension roller	(mot.) 2,0	Z 112 B24
85 92 4814	14400-PDA-E01S1	Rep. Satz Zahnriemen / rep. kit timing belt	(mot.) 2,0	
85 92 4817	14400-P2E-004 S1	Rep. Satz Zahnriemen / rep. kit timing belt	(mot.) 1,6	
85 93 1255	31170-PNA-023	Riemenspanner / belt tensioner		Ø A 76 H33



**1,3 SOHC**  
(D13B1/B2)

**1,4 SOHC**  
(D14A1)

**1,5 SOHC**  
(D15B2)



Rep. Satz / rep. kit

**SWAG 85 92 6075**

	Ref. - No.			
<b>85 02 0006</b>	14400-P1J-E01	Zahnriemen / timing belt		Z 106 B24
<b>85 03 0004</b>	14510-PM7-004	Spannrolle / tension roller		Ø A56,5 H26
<b>85 92 6075</b>	14400-P1J-E01 S1	Rep. Satz Zahnriemen / rep. kit timing belt		Z 106 B24

# HONDA Civic III / IV / V

(87→01)



## 1,3 SOHC

(D13B2)

## 1,4 SOHC

(D14A2/-A6/A8/Z1-Z4)

## 1,5 SOHC

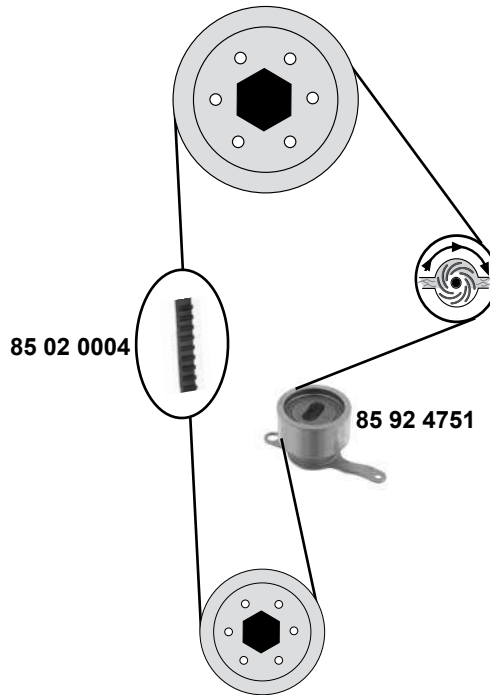
(D15Z1/Z3/Z6/Z8)

## 1,6 SOHC

(D16B2/B6/B7/Y3/W3/W4)

## 1,6 SOHC Vtec

(D16Y2/Y5)

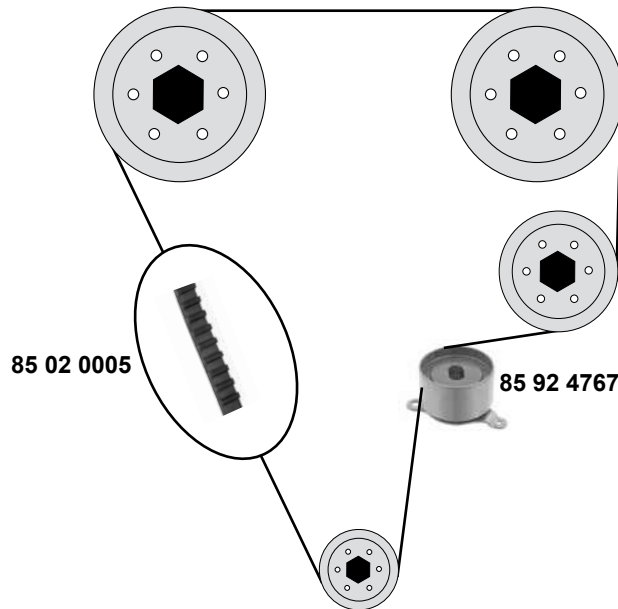


## 1,6 DOHC

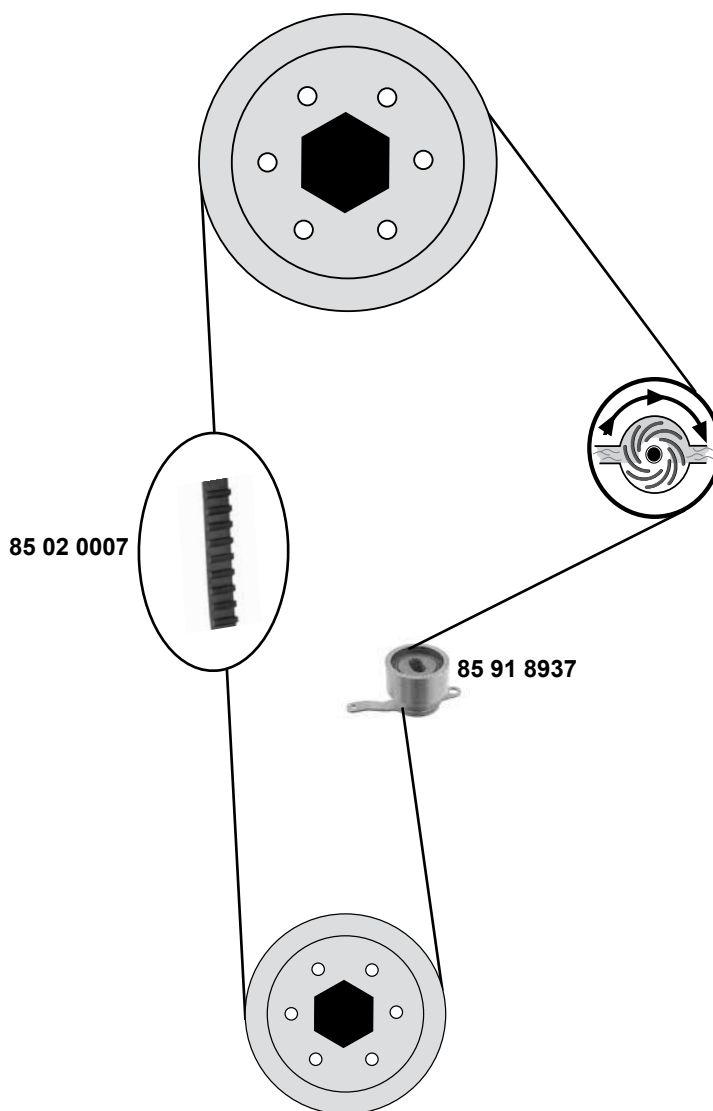
(D16A9)

## 1,6 DOHC Vtec

(B16A1/D16A1/A2)



SWAG GERMANY	Ref. - No.			
85 02 0004	14400-P1H-E01	Zahnriemen / timing belt		Z 104 B 24
85 02 0005	14400-PR3-004	Zahnriemen / timing belt		Z 124 B 26
85 92 4751	14510-P2A-004	Spannrolle / tension roller	(mot.) B16A1 (92 → 00)	Ø A 53 H26
85 92 4767	14510-P30-003	Spannrolle / tension roller	(mot.) 1,4/1,5/1,6 (00)	Ø A 55 H30
85 92 4819	14400-PR3-004 S1	Rep. Satz Zahnriemen / rep. kit. timing belt	(mot.) B16A1 (92 → 00)	



Ref. - No.



<b>85 02 0007</b>	14400-P1G-E01	Zahnriemen / timing belt
<b>85 91 8937</b>	14520-P2A-306	Spannrolle / tension roller
<b>85 92 6136</b>	14400-P1G-E01 S1	Rep. Satz Zahnriemen / rep. kit timing belt

Z 103 B24
Ø A53 H26
Z 103 B24

# HONDA Civic V

(95→01)



## 1,4 SOHC

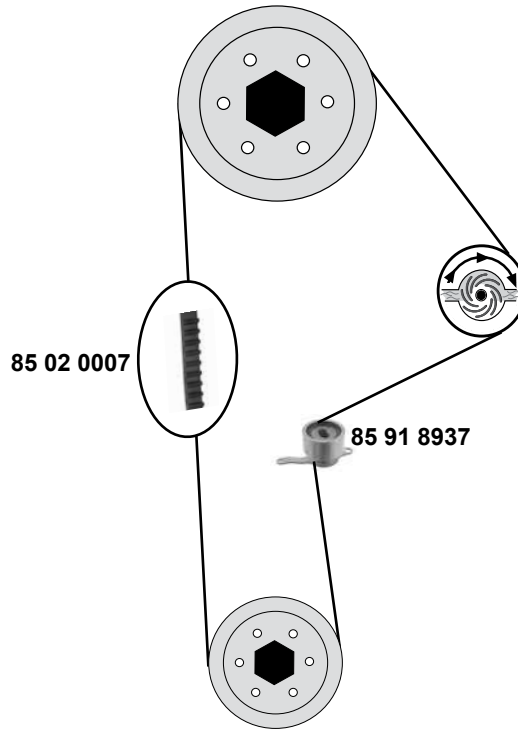
(D14A3/A4/A7)

## 1,5 SOHC Vtec

(D15Z6/Z8)

## 1,6 SOHC / Vtec

(D16B2)

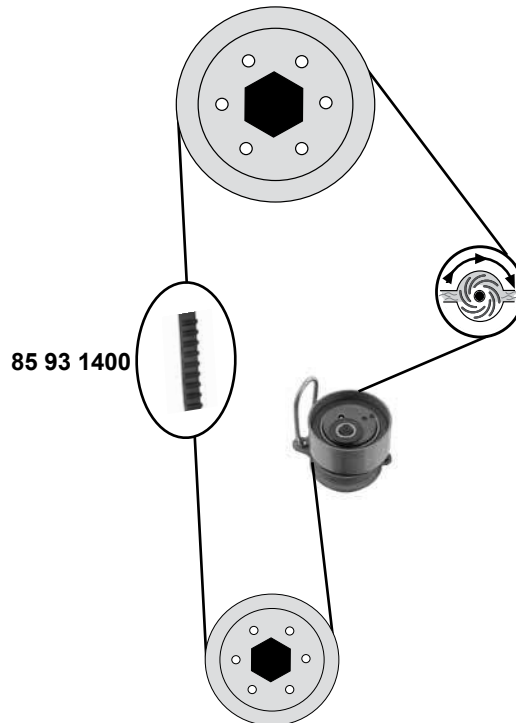


# Civic VI

(01→05)

## 1,4 SOHC

(D14Z6)



Ref. - No.



85 02 0007	14400-P1G-E01	Zahnriemen / timing belt		Z 103 B24
85 91 8937	14520-P2A-306	Spannrolle / tension roller		Ø A53 H26
85 92 6136	14400-P1G-E01 S1	Rep. Satz Zahnriemen / rep. kit timing belt		Z 103 B24
85 93 1400	14400-PLA-004	Zahnriemen / timing belt	02/01 → 09/05	Z 103 B22
85 93 1840	14400-P1G-E01 S1	Rep. Satz Zahnriemen / rep. kit timing belt	02/01 → 09/05	Z 103
85 93 1850	04145-PLC-315 S1	Rep. Satz Spannrolle / rep. kit tension roller		

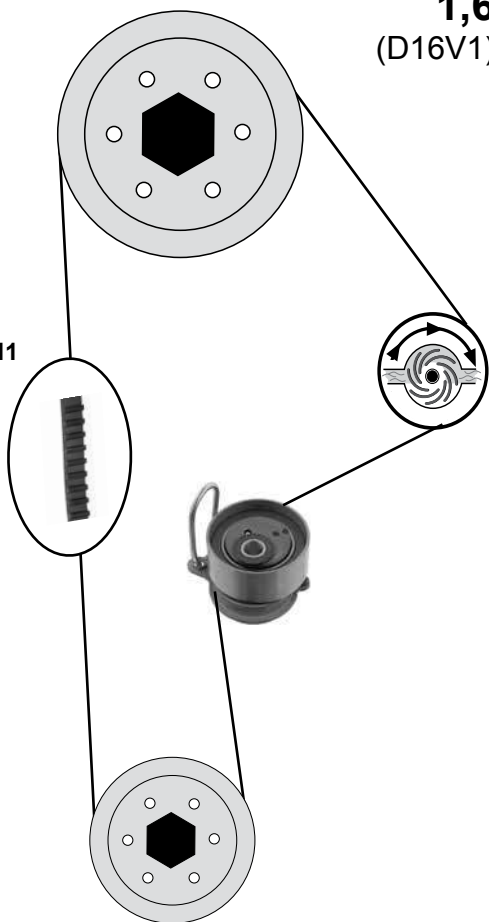




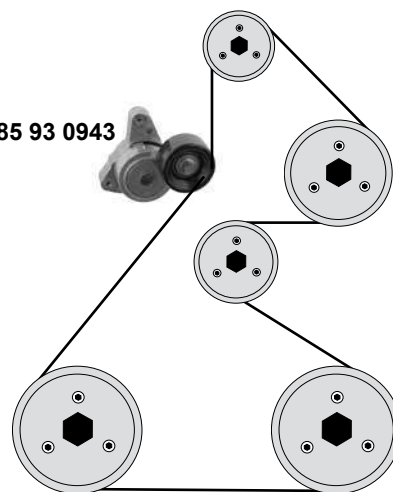
**1,6**  
(D16V1)

**2,0**  
(K20A2/3)

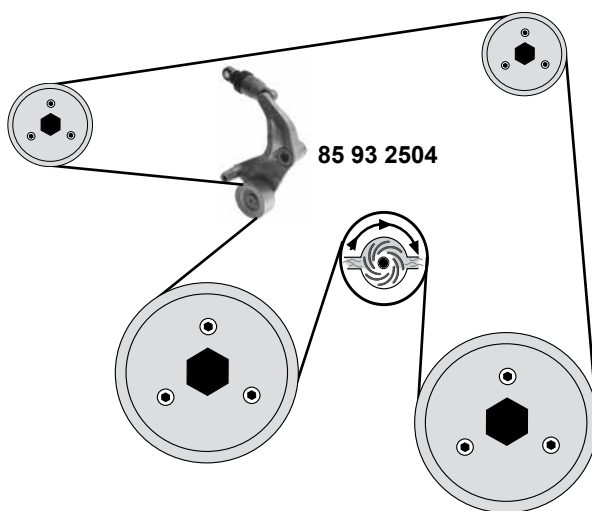
85 92 4811



85 93 0943



**Civic VII**  
(01/07→)  
**1,8**  
(R18A2)

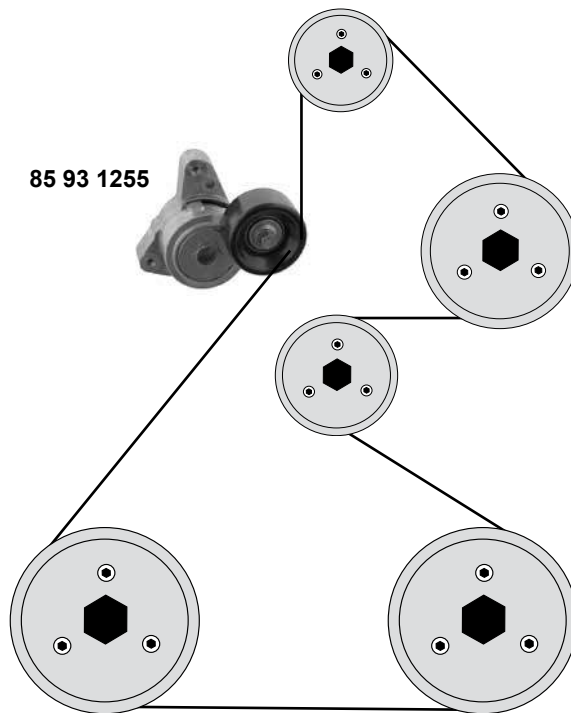


Ref. - No.



85 92 4811	14400-PLM-014	Zahnriemen / timing belt	→ 09/05	Z 104 B22
85 93 0943	31170-PND-013	Riemenspanner / belt tensioner		
85 93 1850	04145-PLC-315 S1	Rep. Satz Spannrolle / rep.kit tension roller		
85 93 1960	14400-PLM-014 S1	Rep. Satz Zahnriemen / rep. kit timing belt	→ 09/05	Z 104 B22
85 93 2504	31170-RZP-G03	Riemenspanner / belt tensioner		ØA 70 B30,5

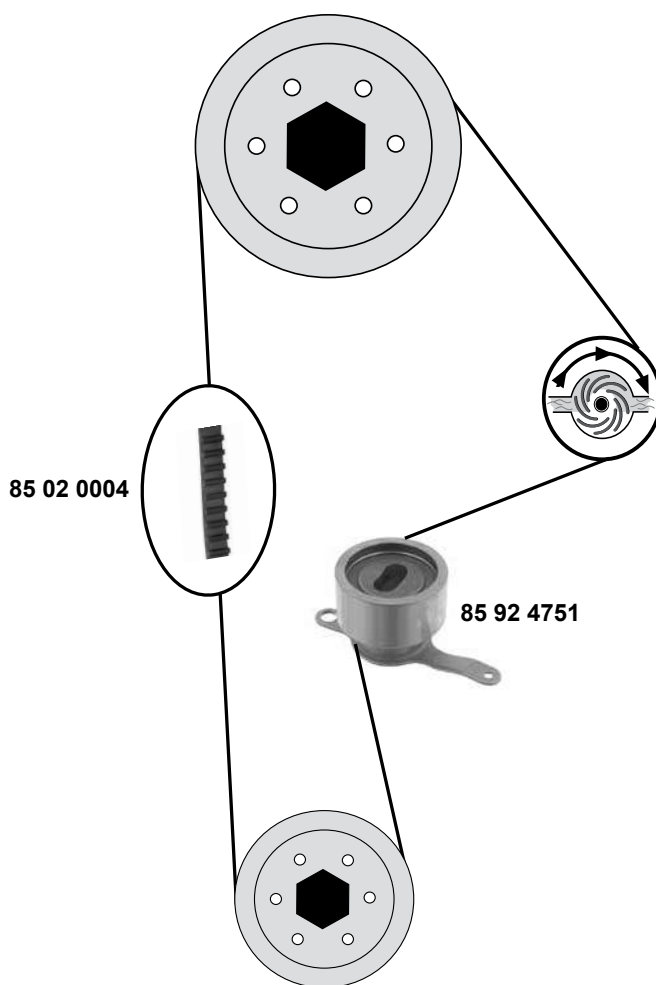
**2,0**  
(K20Z4)



**1,5 SOHC**  
(D15B7)

**1,6 SOHC**  
(D16Y7)

**1,6 SOHC Vtec**  
(D16Y6/Y8/Z6/Z9)



Ref. - No.



<b>85 02 0004</b>	14400-P1H-E01
<b>85 92 4751</b>	14510-P2A-004
<b>85 92 4817</b>	14400-P2E-004 S1

Zahnriemen / timing belt  
Spannrolle / tension roller  
Rep.Satz Zahnriemen / rep. kit timing belt

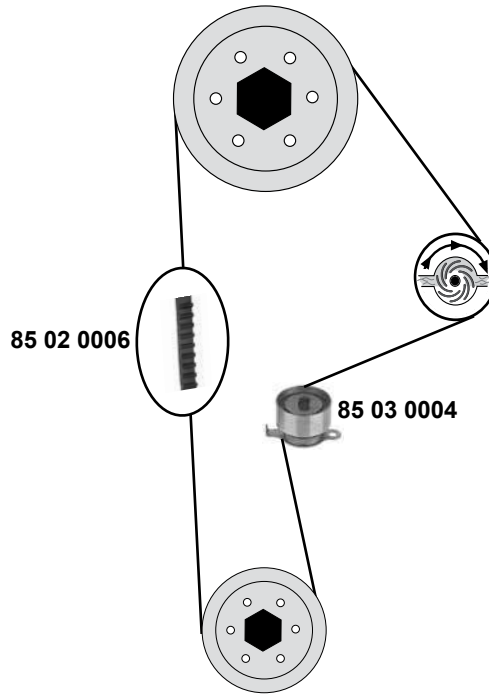
Z 104 B 24  
Ø A 53 H26

# HONDA Concerto

(89→95)



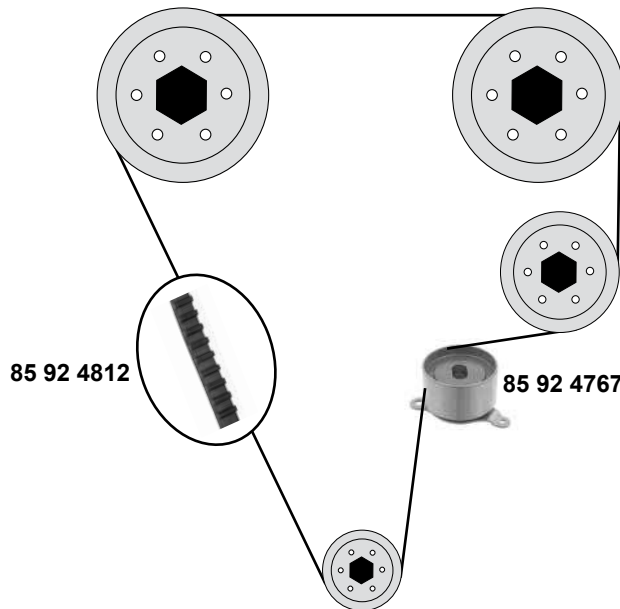
**1,4 / 1,5 16V SOHC**  
(D14A1/D14A8/D15B2)



# CR-V I

(97→01)

**2,0 16V DOHC**  
(B20B / B20Z)



Ref. - No.

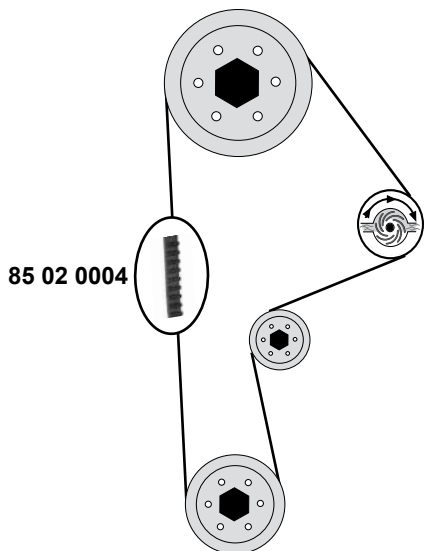


<b>85 02 0006</b>	14400-P1J-E01
<b>85 03 0004</b>	14510-PM7-004
<b>85 92 4767</b>	14510-P30-003
<b>85 92 4812</b>	14400-P7J-004
<b>85 92 4818</b>	14400-P7J-004 S1
<b>85 92 6075</b>	14400-P1J-E01 S1

Zahnriemen / timing belt
Spannrolle / tension roller
Spannrolle / tension roller
Zahnriemen / timing belt
Rep. Satz Zahnriemen / rep. kit timing belt
Rep. Satz Zahnriemen / rep. kit timing belt

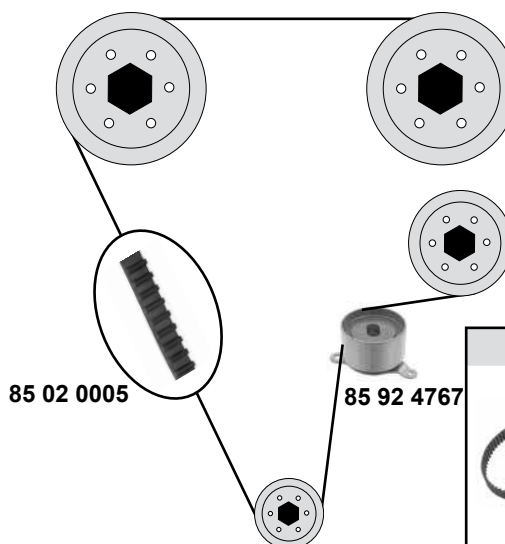
Z 106 B24
Ø A56,5 H26
Ø A 55 H30
Z 125 B26
Z 106 B24

## 1,6 SOHC Vtec (D16Y8/Z6/Z7)

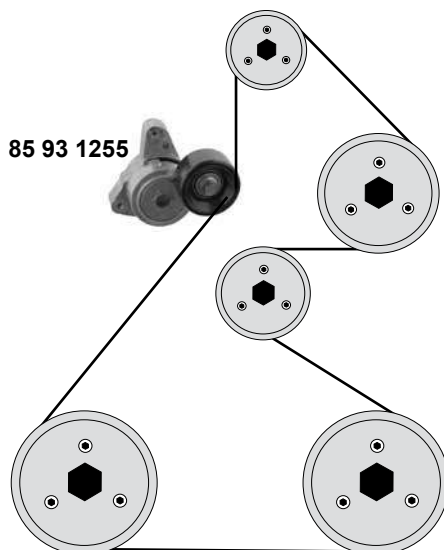


## 1,6 DOHC (D16A8/A9/Z5)

## 1,6 DOHC Vtec (B16A1/A2)



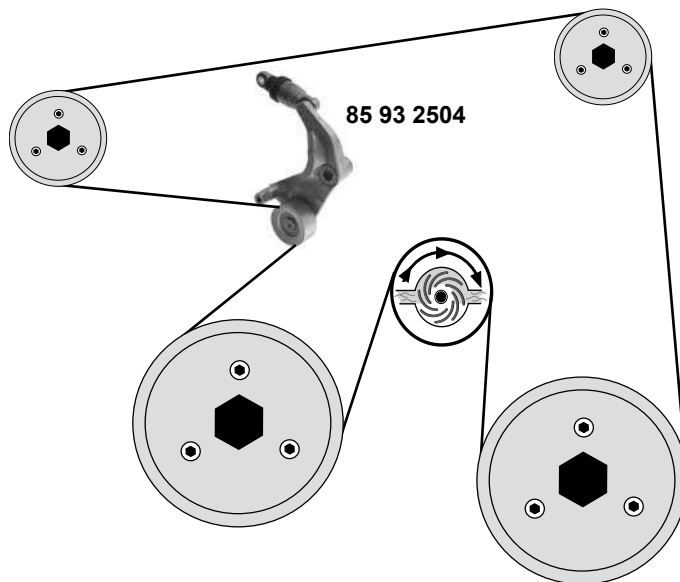
## CR-V II (03→06) 2,0 (K20A4)



Ref. - No.



85 02 0004	14400-P1H-E01	Zahnriemen / timing belt		Z 104 B 24
85 02 0005	14400-PR3-004	Zahnriemen / timing belt		Z 124 B 26
85 92 4767	14510-P30-003	Spannrolle / tension roller	(mot.) B16A (92 → 97)	Ø A 55 B30
85 92 4819	14400-PR3-004 S1	Rep. Satz Zahnriemen / rep. kit. timing belt	(mot.) B16A (92 → 97)	
85 93 1255	31170-PNA-023	Spannrolle / tension roller		Ø A 76 H33



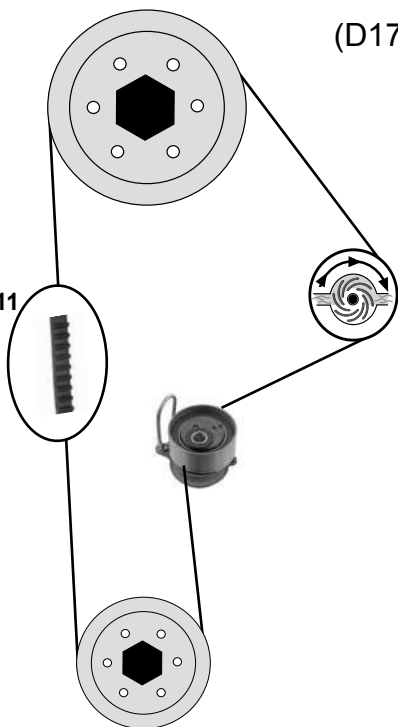


**1,7**  
(D17A2)

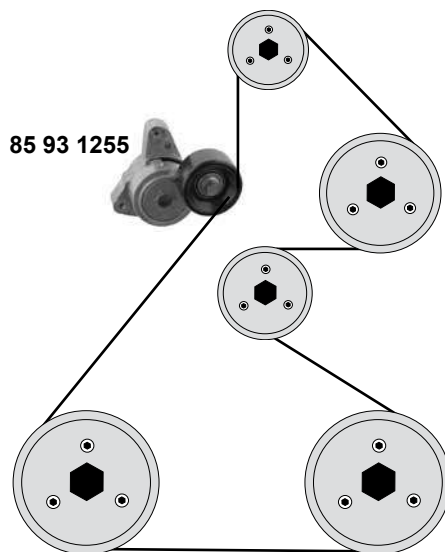
**2,0**  
(K20A1)



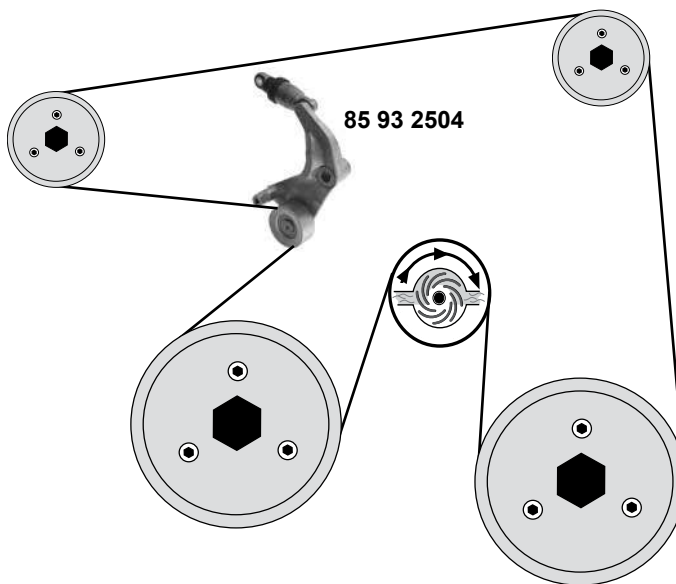
85 92 4811



85 93 1255



**1,8**  
(R18A1)



Ref. - No.



85 92 4811	14400-PLM-014	Zahnriemen / timing belt	→ 09/05	Z 104 B22
85 93 1255	31170-PNA-023	Riemenspanner / belt tensioner		Ø A 76 H33
85 93 1840	14400-PLA-004 S1	Rep. Satz Zahnriemen / rep. kit timing belt	→ 09/05	
85 93 1850	04145-PLC-315 S1	Rep. Satz Spannrolle / rep. kit tension roller		
85 93 2504	31170-RZP-G03	Riemenspanner / belt tensioner	01/07 →	ØA 70 B30,5

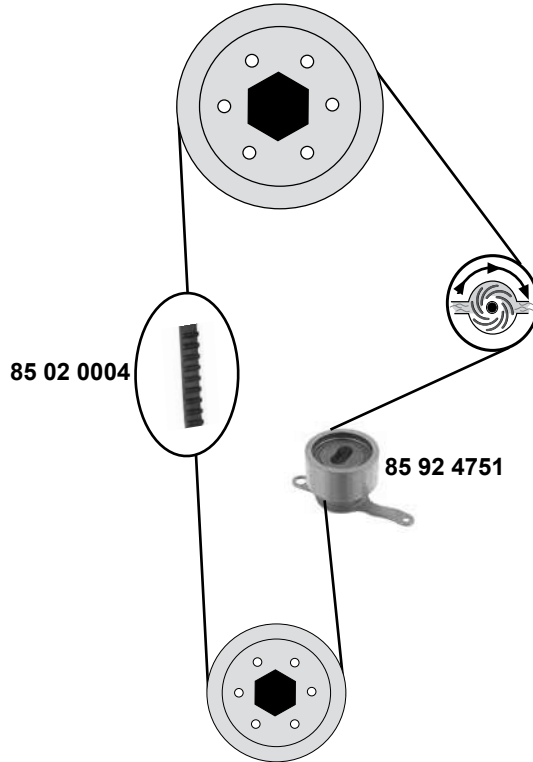
# HONDA HR-V

(98→05)



## 1,6 SOHC

(D16W1/W2/W5)

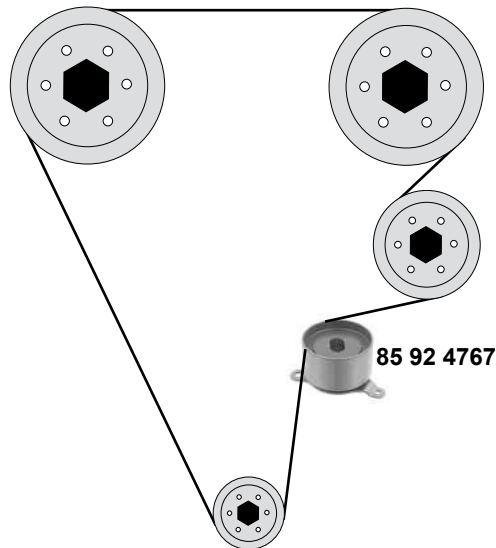


## Integra

(92→01)

## 1,8 DOHC Vtec

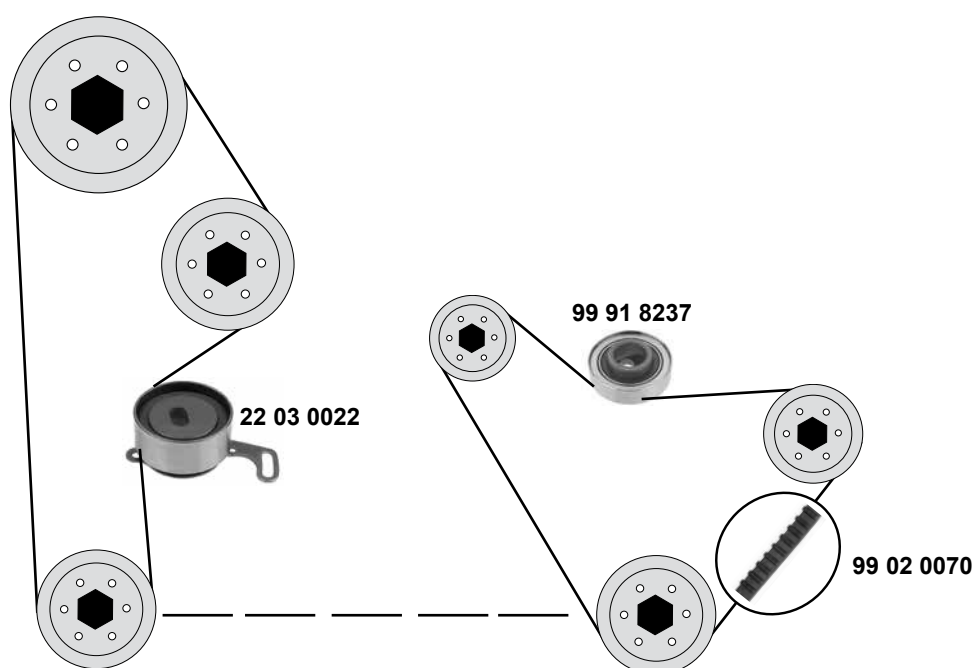
(B18C)



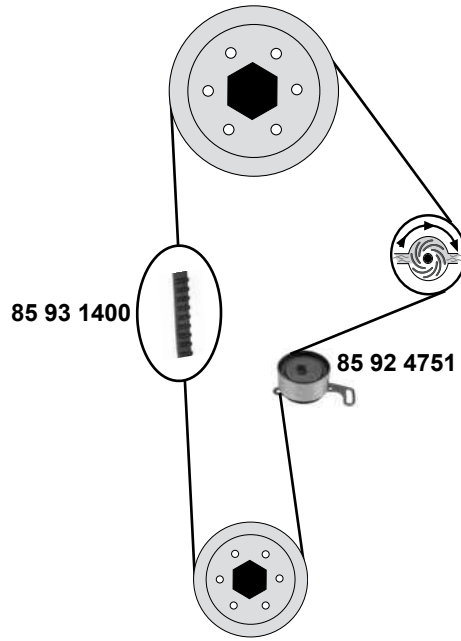
SWAG GERMANY	Ref. - No.			
85 02 0004	14400-P1H-E01	Zahnriemen / timing belt		Z 104 B 24
85 92 4751	14510-P2A-004	Spannrolle / tension roller	(mot.) D16W (99 → 05)	Ø A 53 H2
85 92 4767	14510-P30-003	Spannrolle / tension roller		Ø A 55 H30
85 92 4817	14400-P2E-004 S1	Rep.Satz Zahnriemen / rep. kit timing belt	(mot.) D16W (99 → 05)	



**SOHC ( Modell: 90→)**  
(CB1/CB3/CB7/CE1/CE2/CC7/CE7/CE8/CE9/CF1)

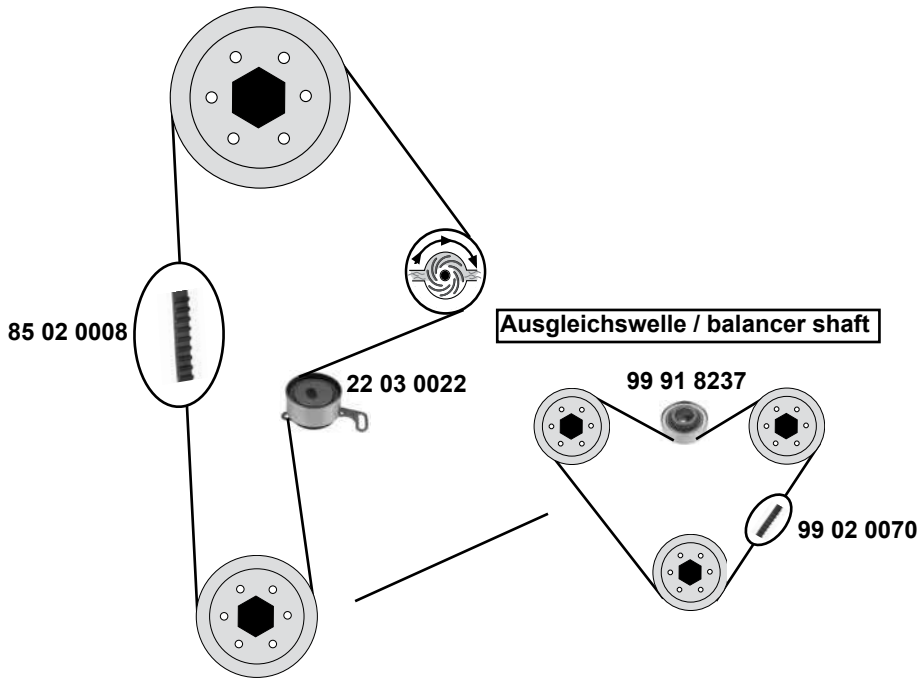


**1,3 SOHC**  
(D13B7)



**Prelude IV/V**

(92→01)  
**2,0 SOHC**  
(F20A4)  
**2,2 SOHC**  
(F22A2)  
**2,3 SOHC**  
(H23A4)



SWAG	Ref. - No.			
<b>22 03 0022</b>	14510-PT0-004	Spannrolle / tension roller	(ex.) (mot.) H23A4	Ø A 62 H27
<b>85 02 0008</b>	14400-P45-G01	Zahnriemen / timing belt	(ex.) (mot.) H23A4	Z 113 B24
<b>85 92 4751</b>	14510-P2A-004	Spannrolle / tension roller		Ø A 53 H26
<b>85 92 6076</b>	14400-P45-G01 S1	Rep. Satz Zahnriemen / rep. kit timing belt	(ex.) (mot.) H23A4	Z 113 B24
<b>85 93 1400</b>	14400-PLA-004	Zahnriemen / timing belt	03/99 → 03/02	Z 103 B23
<b>85 93 1439</b>	13405-PT0-004 S1	Rep. Satz Zahnriemen / rep. kit timing belt	(ex.) (mot.) F22A2	
<b>99 02 0070</b>	13405-PT0-004	Zahnriemen / timing belt	(ex.) (mot.) F22A2	Z 70 B16
<b>99 91 8237</b>	13404-PT0-004	Spannrolle / tension roller	(ex.) (mot.) F22A2	Ø A 70 B19

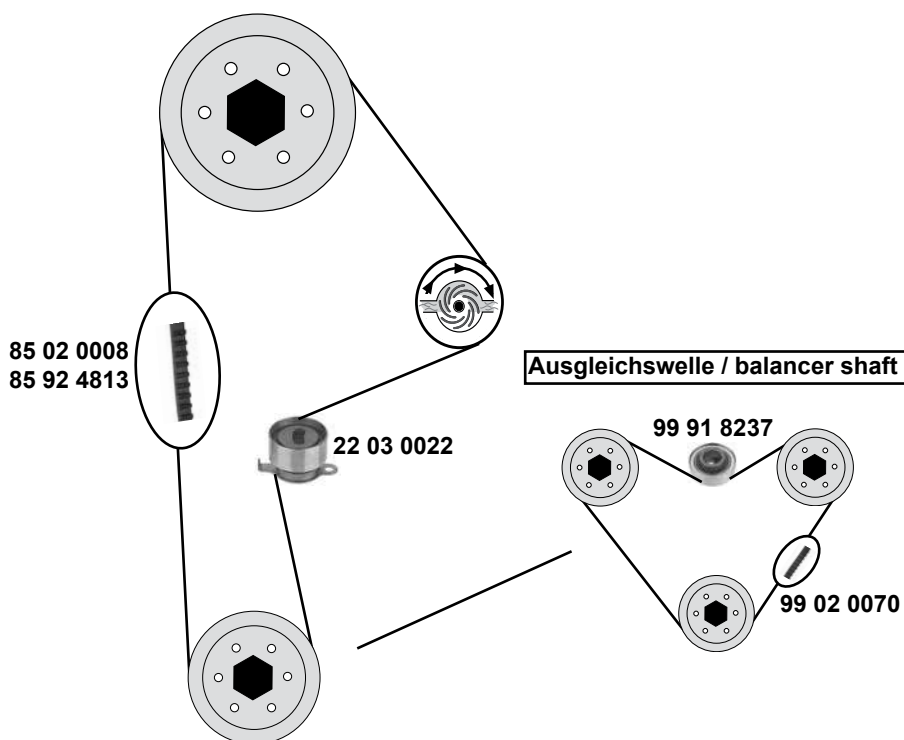


# HONDA Shuttle

(94→99)

## 2,2 SOHC (F22B8)

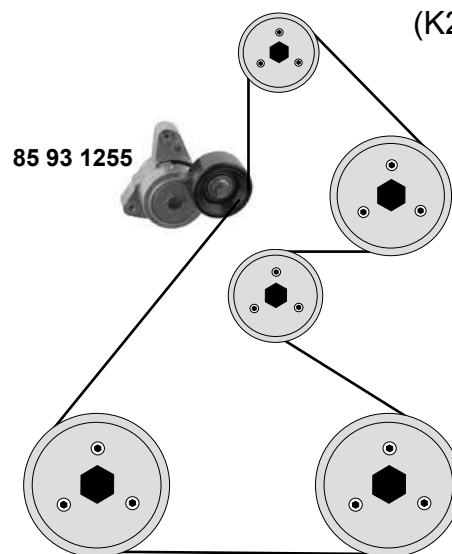
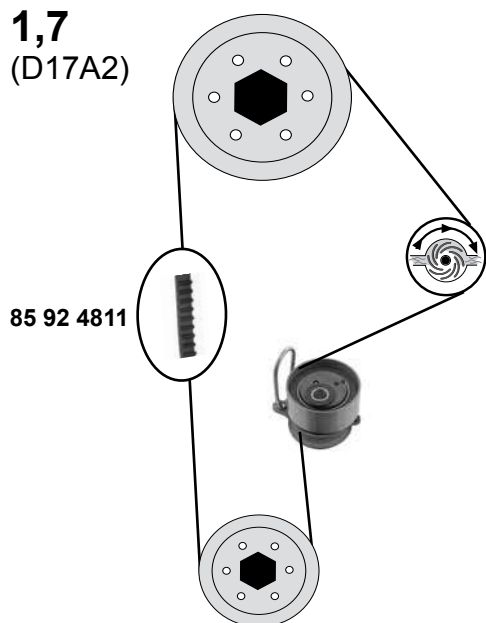
## 2,3 SOHC/Vtec (F23A)



## Stream (01→)

## 2,0 (K20A1)

## 1,7 (D17A2)



Ref. - No.



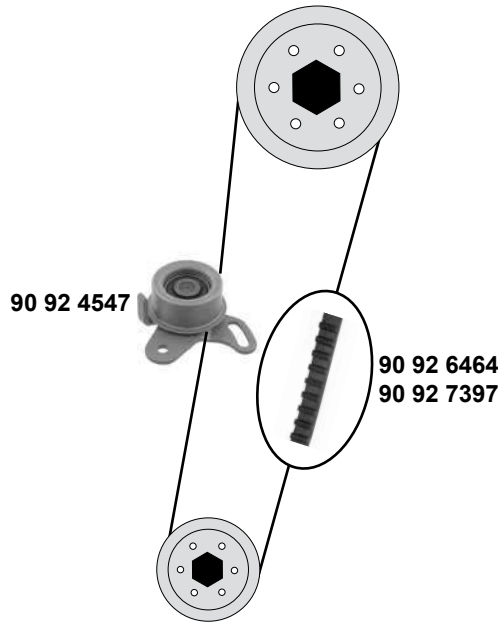
Part No.	Ref. - No.	Description	Engine	Accessories
22 03 0022	14510-PT0-004	Spannrolle / tension roller	(mot.) F22B8	Ø A62 H27
85 02 0008	14400-P45-G01	Zahnriemen / timing belt	(mot.) F22B8	Z 113 B24
85 92 4811	14400-PLM-014	Zahnriemen / timing belt	(mot.) F23A	Z 104 B22
85 92 4813	14400-PDA-E01	Zahnriemen / tension roller	(mot.) F23A	Z 112 B24
85 92 4814	14400-PDA-E01 S1	Rep. Satz Zahnriemen / rep. kit timing belt	(mot.) F22B8	Z 113 B24
85 92 6076	14400-P45-G01 S1	Rep. Satz Zahnriemen / rep. kit timing belt	(mot.) F22B8	Ø A 76 H33
85 93 1255	31170-PNA-023	Spannrolle / tension roller	(mot.) F22B8	Z 70 B16
85 93 1439	13405-PT0-004 S1	Rep. Satz Zahnriemen / rep. kit timing belt	05/01→	Z 104 B22
85 93 1850	04145-PLC-315 S1	Rep. Satz Spannrolle / rep. kit tension roller	(mot.) F22B8	Z 70 B16
85 93 1960	14400-PLM-014 S1	Rep. Satz Zahnriemen / rep. kit timing belt	(mot.) F22B8	Ø A 70 B19
99 02 0070	13405-PT0-004	Zahnriemen / timing belt		
99 91 8237	13404-PT0-004	Spannrolle / tension roller		

# HYUNDAI Accent / Verna

(10/94→)



## 1,3 / 1,5 12V (SOHC)



## 1,4

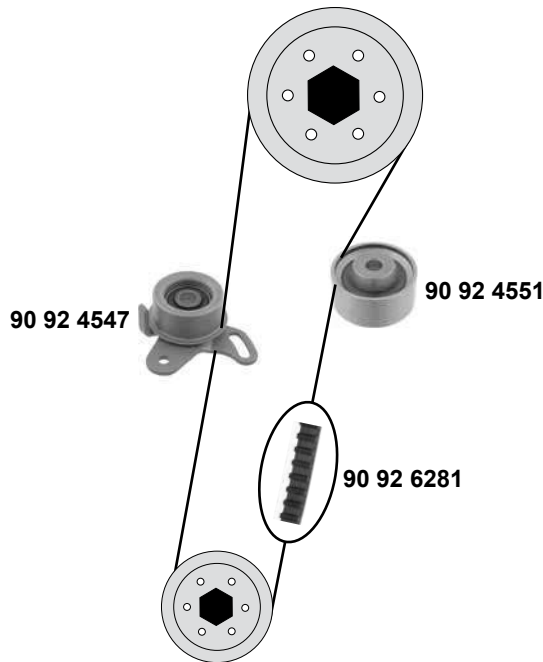
12/05→

## 1,5

10/95→08/02

## 1,6

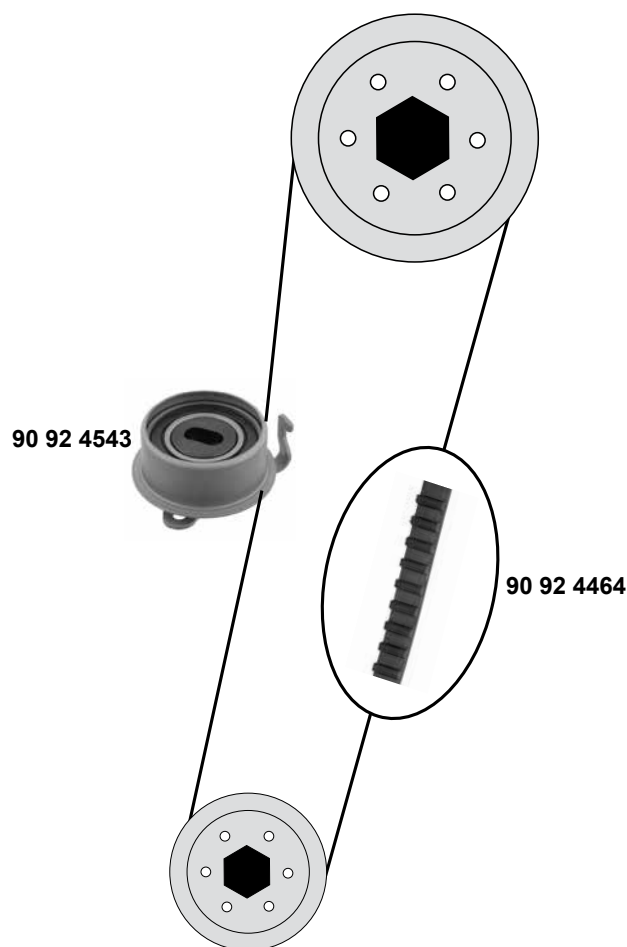
08/02→



Ref. - No.



<b>90 92 4547</b>	24410-26000	Spannrolle / tension roller		Ø A 60 B29
<b>90 92 4551</b>	24810-26020	Umlenkrolle / deflections pulley		Ø A 55 B25
<b>90 92 6281</b>	24312-26001	Zahnriemen / timing belt		Z 105
<b>90 92 6464</b>	24312-22613	Zahnriemen / timing belt	01/00 → 03/06	Z 110
<b>90 92 7397</b>	24312-22010	Zahnriemen / timing belt	→ 01/00	Z 92
<b>90 92 7398</b>	24312-22010 S1	Rep. Satz Zahnriemen / rep. kit timing belt	→ 01/00	Z 92
<b>90 93 1059</b>	24312-22613 S1	Rep. Satz Zahnriemen / rep. kit timing belt	01/00 → 03/06	Z 110
<b>90 93 1061</b>	24312-26001 S1	Rep. Satz Zahnriemen / rep. kit timing belt		Z 105



Rep. Satz / rep. kit



SWAG 90 92 4791



(1)	Atos	1,0	97 → 03
	Atos Prime	1,0	99 → 03
	Atos Prime	1,1	05 →

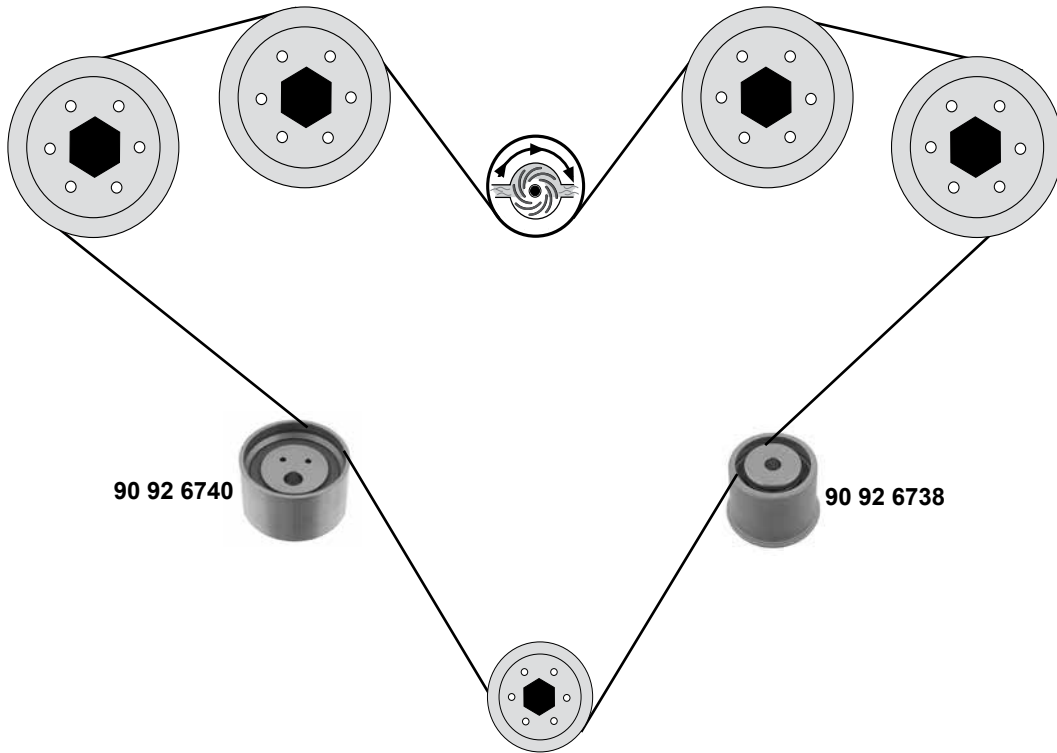


Ref. - No.



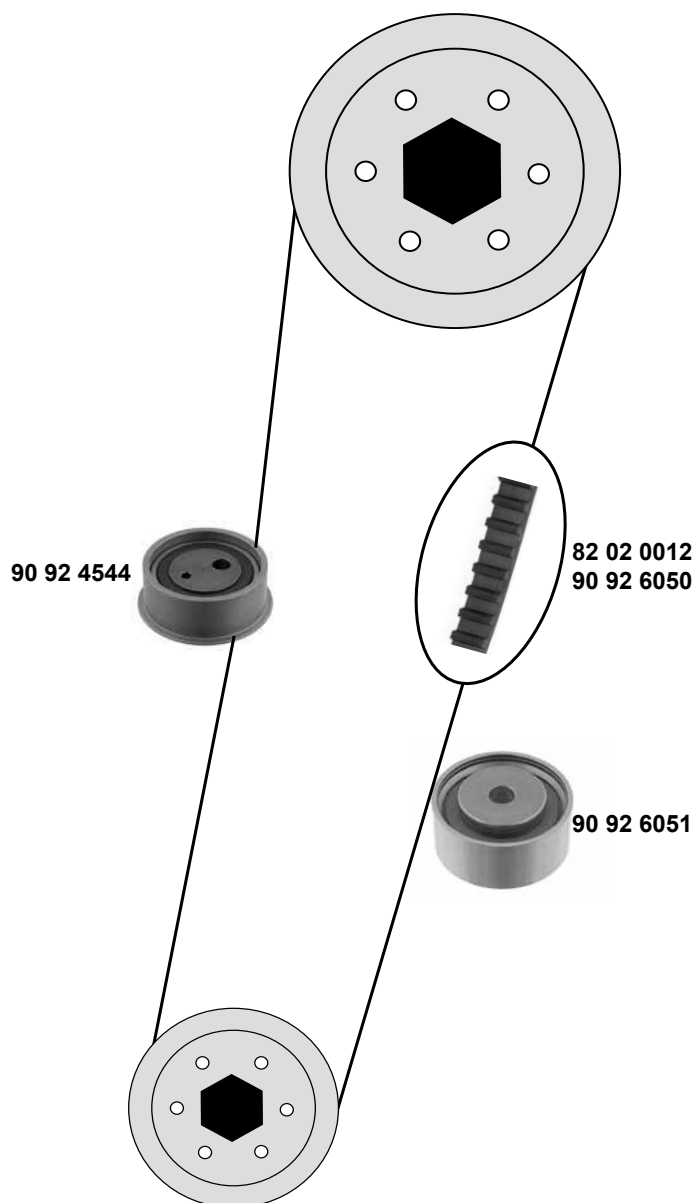
90 92 4464	24312-02701	Zahnriemen / timing belt	(1)	Z 101
90 92 4543	24410-02550	Spannrolle / tension roller	(1)	ØA 57 B25,5
90 92 4791	24312-02701	Rep. Satz Zahnriemen / rep. kit timing chain	(1)	Z 101




**3,5 24V**



90 92 6740

90 92 6738



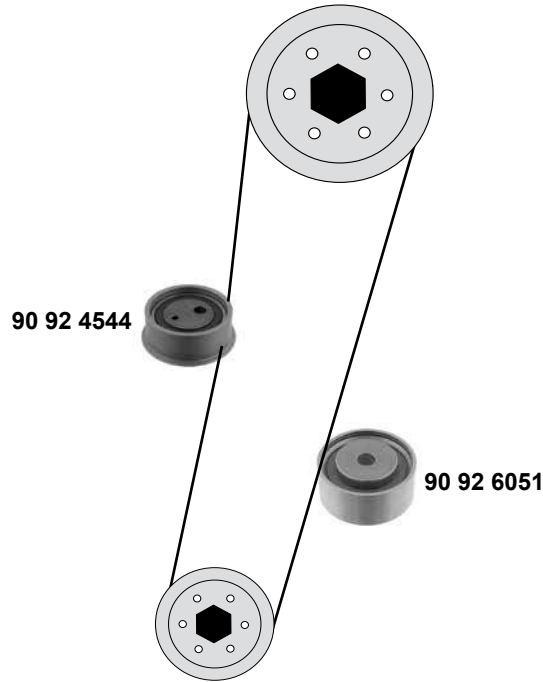
SWAG	Ref. - No.			
82 02 0012	24312-23001	Zahnriemen / timing belt	(mot.) 1,6→ 06/00	Z 111
90 92 4544	24410-23400	Spannrolle / tension roller	→ 09/01	ØA70 B30
90 92 6050	24312-23202	Zahnriemen / timing belt	(mot.) 2,0	Z 113
90 92 6051	24810-23400	Umlenkrolle / deflection pulley	(mot.) 1,6 → 09/01	ØA60 H28,5
90 92 6052	24312-23202 S1	Rep. Satz Zahnriemen / rep. kit timing belt	(mot.) 2,0 → 09/01	Z 113
90 92 6903	24312-23001 S1	Rep. Satz Zahnriemen / rep. kit timing belt	(mot.) 1,6 → 06/00	Z 113

# HYUNDAI Coupe (GK)

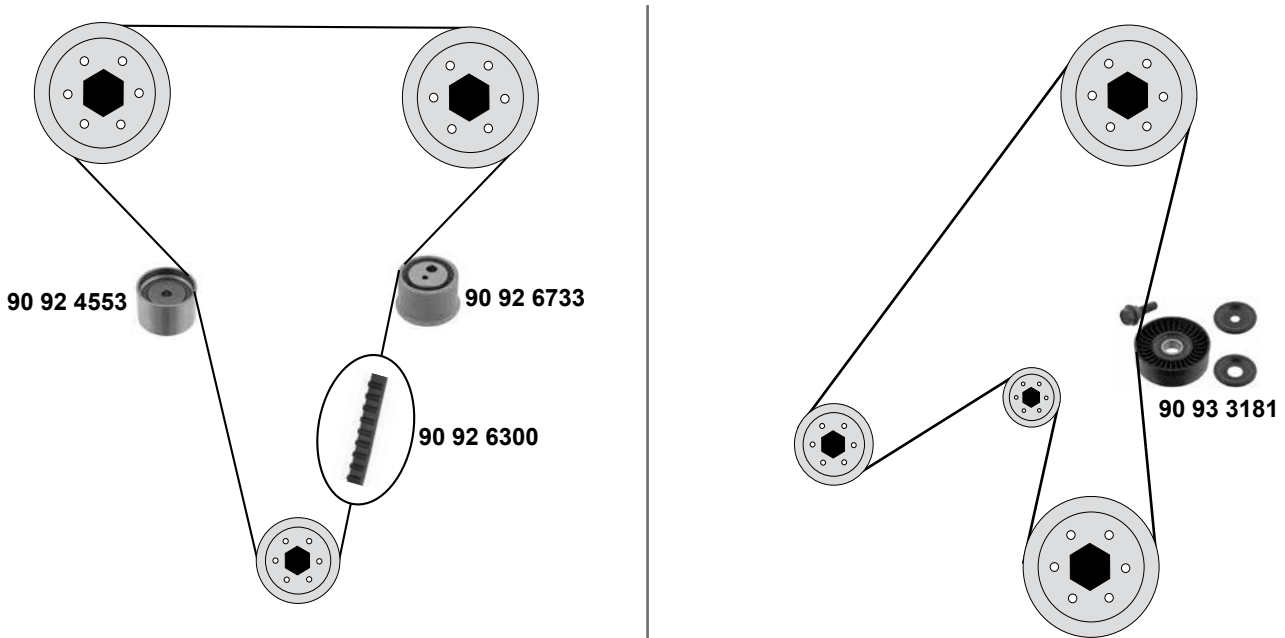
(01→)



## 2,0 16V



## 2,7 24V



Ref. - No.



90 92 4544	24410-23400
90 92 4553	24450-37120
90 92 6051	24810-23400
90 92 6300	24312-37500
90 92 6733	24810-37120
90 93 3181	25286-37100

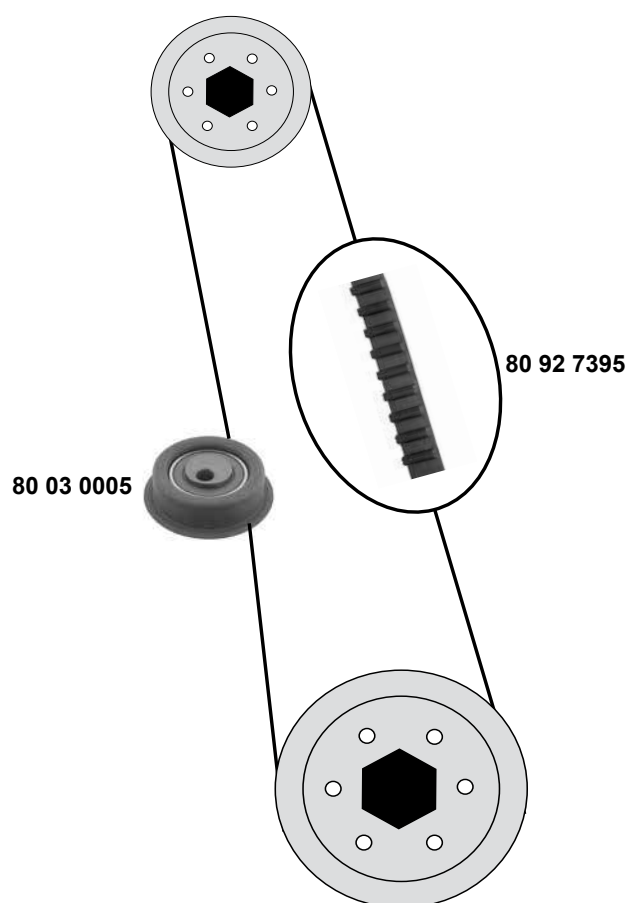
Spannrolle / tension roller
Spannrolle / tension roller
Umlenkrolle / deflection pulley
Zahnriemen / timing belt
Spannrolle / tensioner roller
Umlenkrolle / deflection pulley

→ 05/06
→ 10/08

ØA70 B30
ØA60 B35
ØA60 H28,5
Z 207
ØA57,5 B39



**für Ausgleichswelle / for balancer shaft**

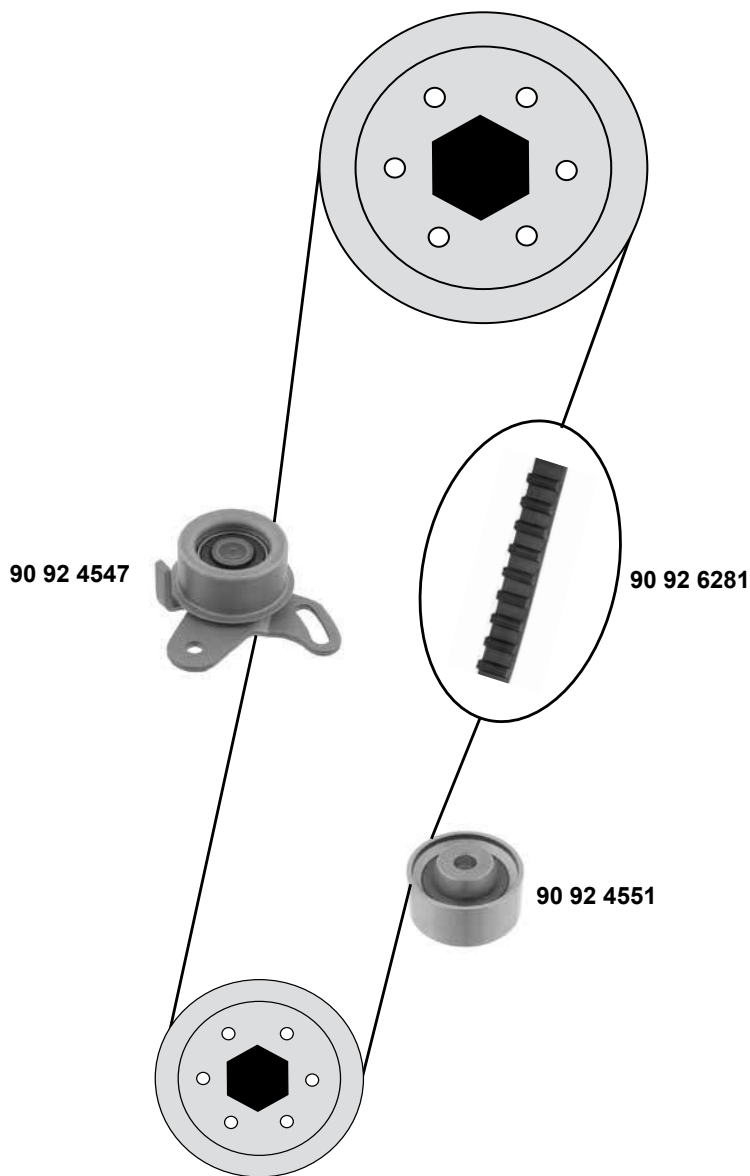


Rep. Satz / rep. kit



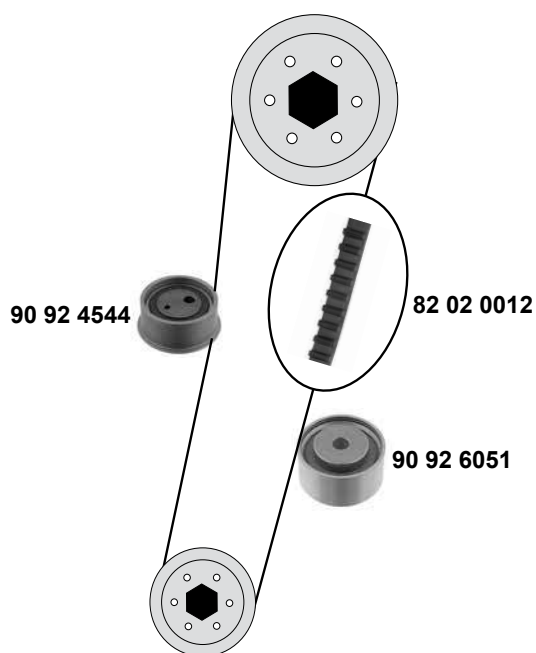
**SWAG 80 92 7396**

1,6

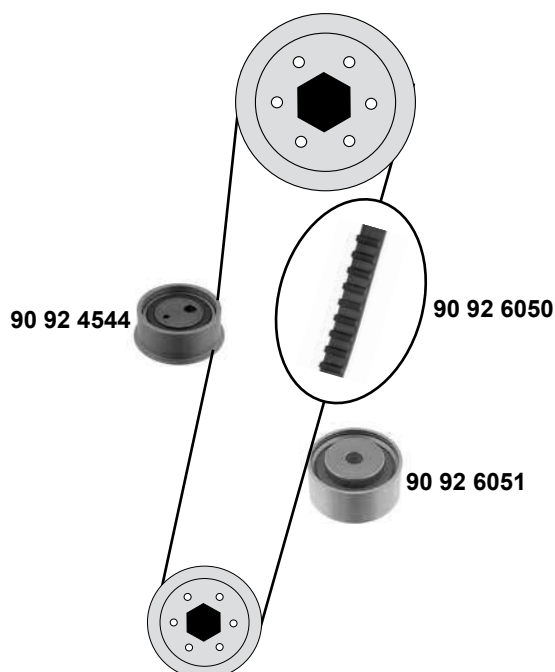


SWAG	Ref. - No.			
90 92 4547	24410-26000	Spannrolle / tension roller	→ 08/06	ØA 60 B29
90 92 4551	24810-26020	Umlenkrolle / deflection pulley	→ 08/06	ØA 55 B25
90 92 6281	24312-26001	Zahnriemen / timing belt	→ 08/06	Z 105
90 93 1061	34312-26001 S1	Rep. Satz Zahnriemen / rep. kit timing belt	→ 08/06	

### 1,8 16V (DOHC)



### 2,0 (MPI)



(1) (mot.) 1,8 → 08/06

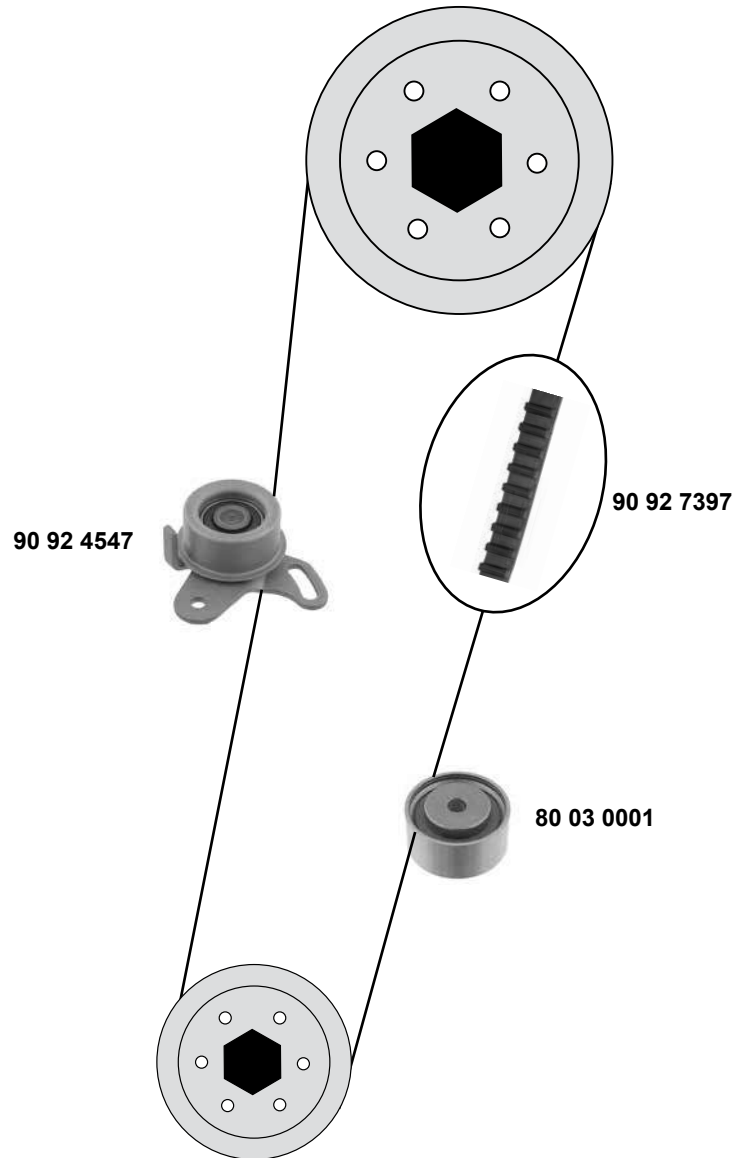


Ref. - No.

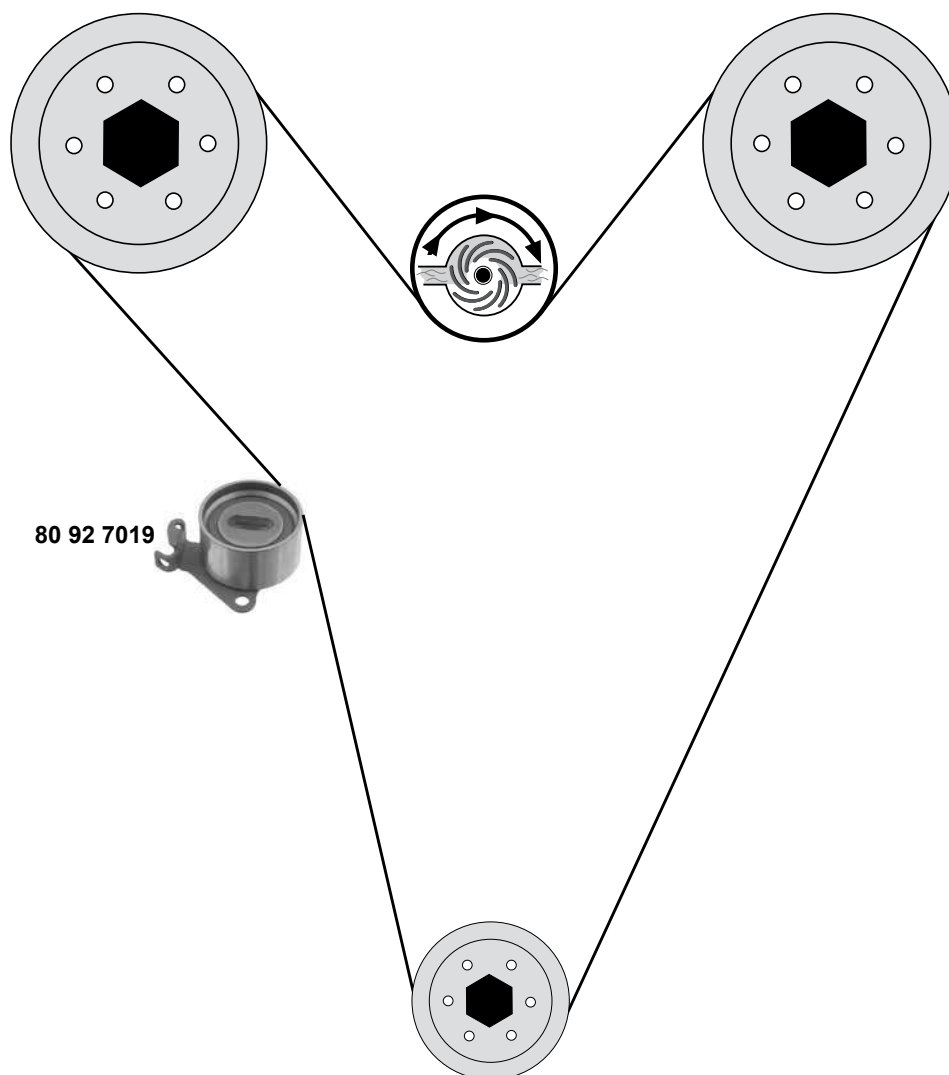


82 02 0012	24312-23001	Zahnriemen / timing belt	(mot.) 1,6→ 06/00	Z 111
90 92 4544	24410-23400	Spannrolle / tension roller	→ 09/01	ØA70 B30
90 92 6050	24312-23202	Zahnriemen / timing belt	(mot.) 2,0	Z 113
90 92 6051	24810-23400	Umlenkrolle / deflection pulley	(1)	ØA60 H28,5
90 92 6052	24312-23202 S1	Rep. Satz Zahnriemen / rep. kit timing belt	(mot.) 2,0 → 09/01	Z 113
90 92 6903	24312-23001 S1	Rep. Satz Zahnriemen / rep. kit timing belt		Z 111

## 1,3 / 1,5 12V (SOHC)

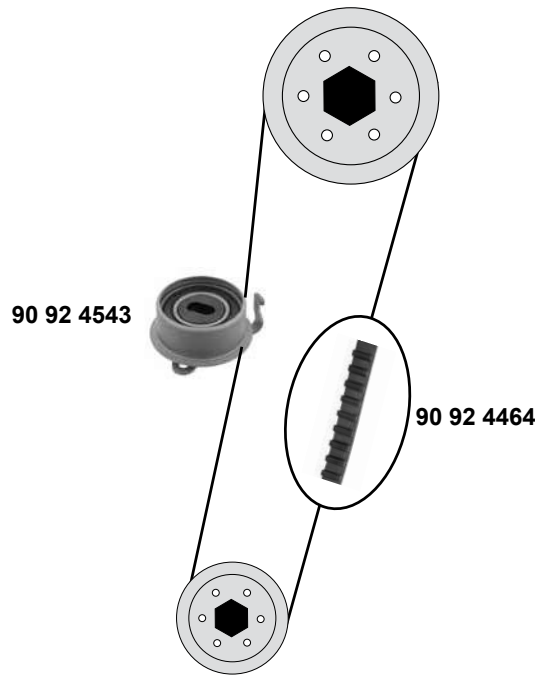


SWAG GERMANY	Ref. - No.			
80 03 0001	24410-21010	Spannrolle / tension roller		ØA 60 B36
90 92 4547	24410-26000	Spannrolle / tension roller		ØA 60 B29
90 92 7397	24312-22010	Zahnriemen / timing belt		Z 92
90 92 7398	24312-22010 S1	Rep. Satz Zahnriemen / rep. kit timing belt		



80 92 7019

1,1



1,3

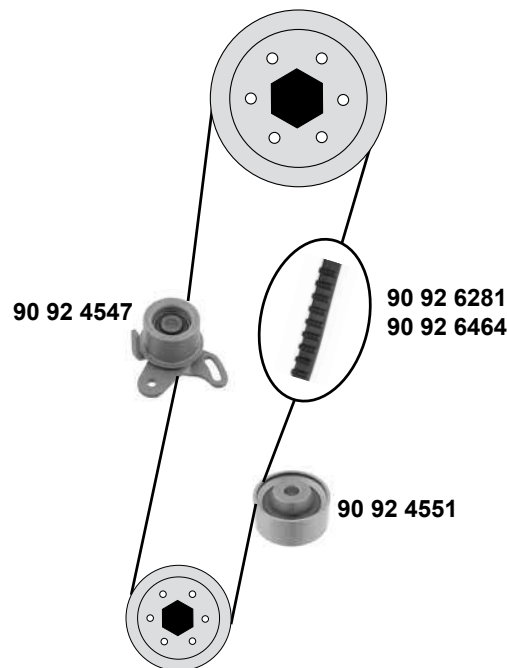
05/02→

1,4

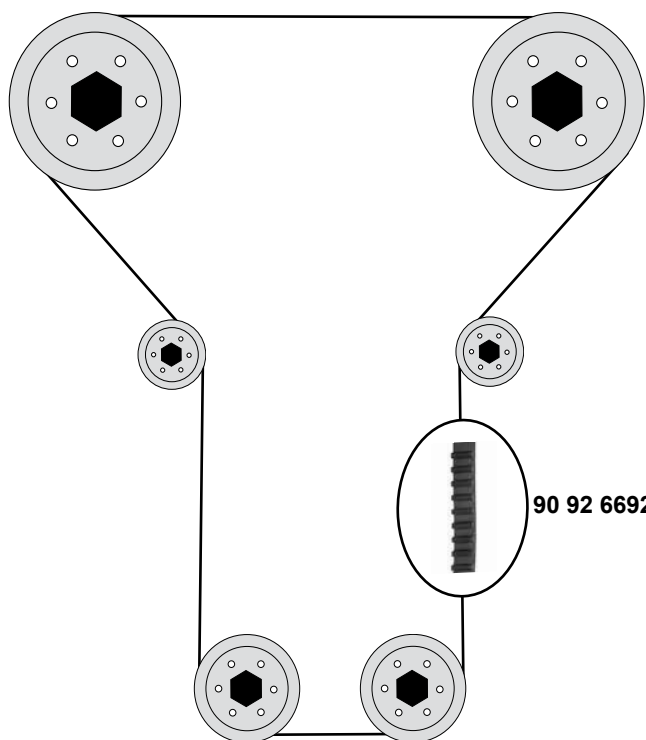
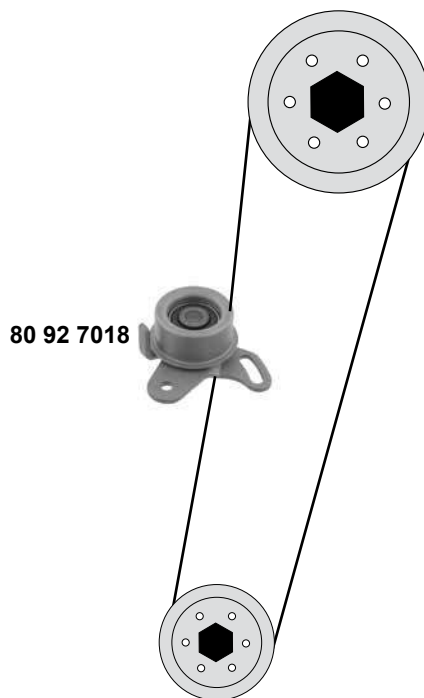
08/05→

1,6

05/02→



<b>SWAG</b> GERMANY	Ref. - No.			
90 92 4464	24312-02701	Zahnriemen / timing belt		Z 101
90 92 4543	24410-02550	Spannrolle / tension roller		ØA 57 B25,5
90 92 4547	24410-26000	Spannrolle / tension roller		ØA 60 B2
90 92 4551	24810-26020	Umlenkrolle / deflection pulley	(mot.) 1,4 / 1,6	ØA 55 B25
90 92 4791	24312-02701	Rep. Satz Zahnriemen / rep. kit timing chain		Z 101
90 92 6281	24312-26001	Zahnriemen / timing belt	(mot.) 1,4 / 1,6	Z 105
90 92 6464	24312-22613	Zahnriemen / timing belt	(mot.) 1,3	Z 110
90 93 1059	24312-22613 S1	Rep. Satz Zahnriemen / rep. kit timing chain	(mot.) 1,3	



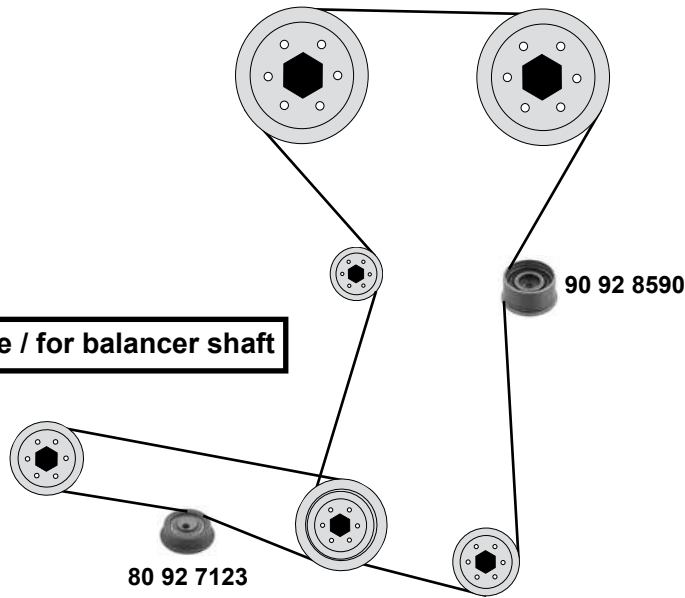
# HYUNDAI H-1

(07/01→05/07)

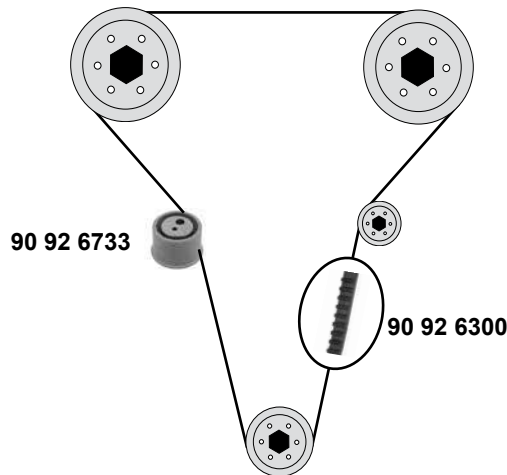


## 2,4 16V MPI

für Ausgleichswelle / for balancer shaft



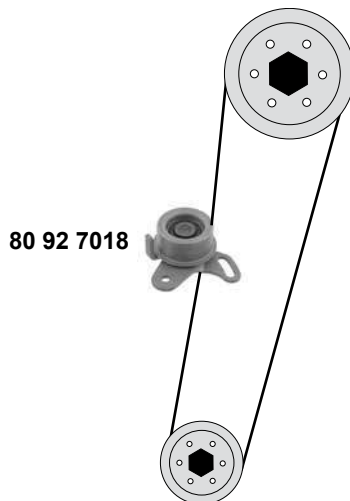
## 2,7



## H-100

(07/93→03/00)

## 2,4 (SOHC)



Ref. - No.



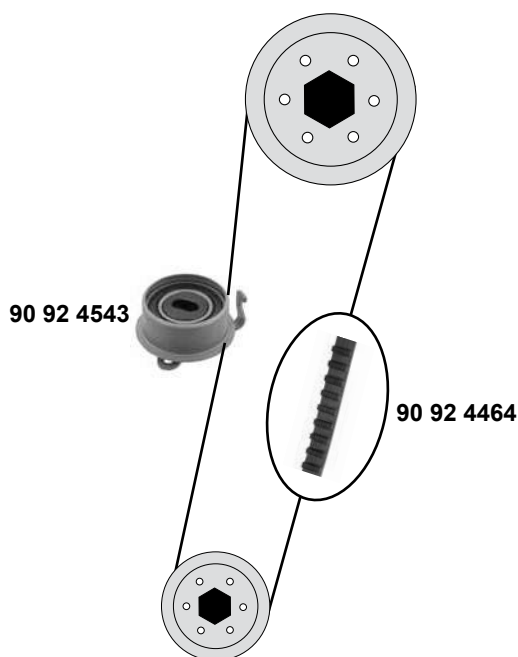
90 92 6300	24312-37500
90 92 6733	24810-37120
80 92 7018	24410-32020
80 92 7123	23357-38001
90 92 8590	24450-38011

Zahnriemen / timing belt
Spannrolle / tension roller
Spannrolle / tension roller
Spannrolle / tension roller
Spannrolle / tension roller

Z 207
ØA 57,5 B39
ØA 60 B29
ØA 55 B18
ØA 60,5 B33,5



**1,1**



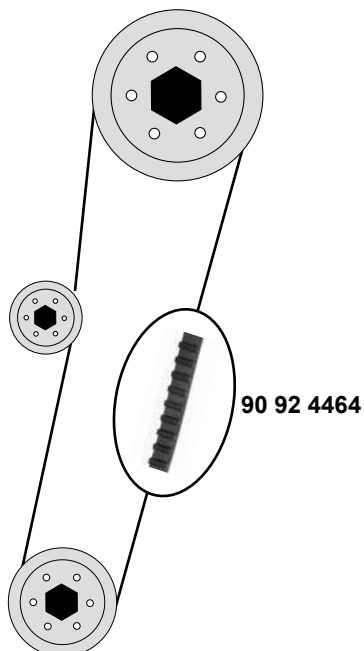
**i30**

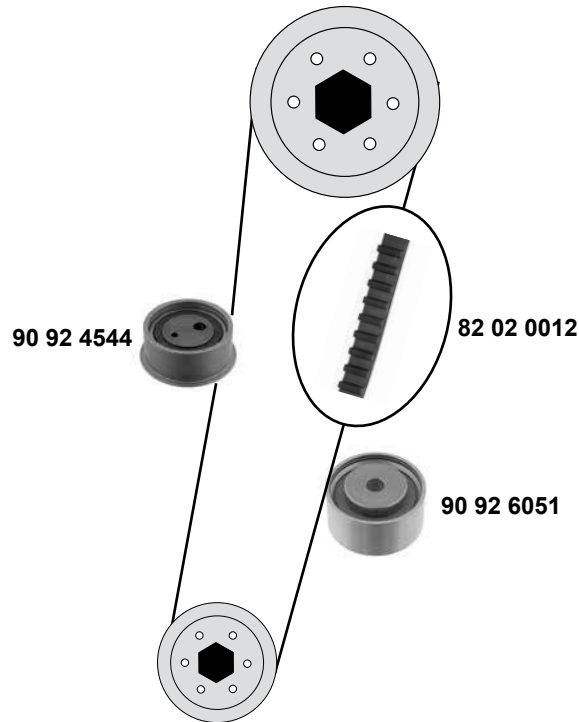
(05/07→)

**i30cw**

(10/08→)

**2,0**

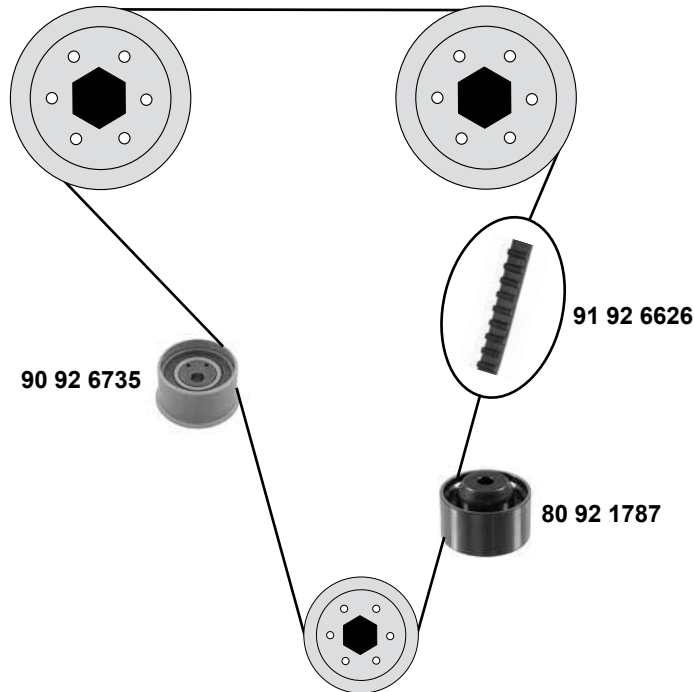




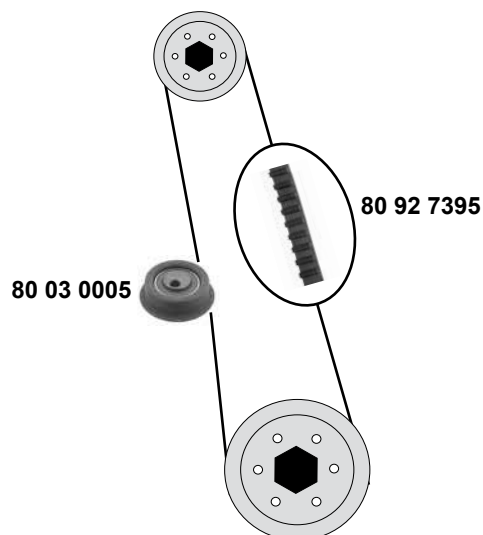
## Lantra

(10/90→11/95)

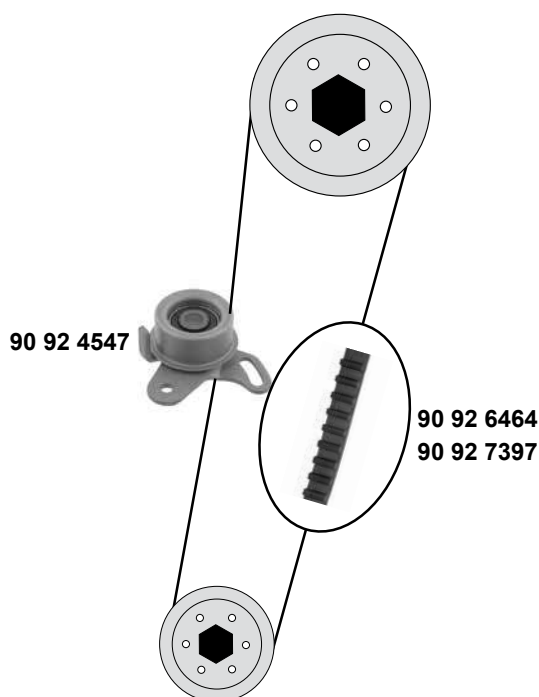
**1,8 16V (DOHC)**



	Ref. - No.			
<b>82 02 0012</b>	24312-23001	Zahnriemen / timing belt	<b>(mot.)</b> 1,6→ 06/00	Z 111
<b>80 92 1787</b>	24810-33024	Umlenkrolle / deflection pulley		ØA 60 B32
<b>90 92 4544</b>	24410-23400	Spannrolle / tension roller	→ 09/01	ØA70 B30
<b>90 92 6051</b>	24810-23400	Umlenkrolle / deflection pulley	→ 05/06	ØA60 H28,5
<b>91 92 6626</b>	24312-33160	Zahnriemen / timing belt		Z 153
<b>90 92 6735</b>	24450-33020	Spannrolle / tension roller		ØA 60 B32,5

**1,6 16V / 1,8 16V**
**für Ausgleichswelle / for balancer shaft**


Rep. Satz / rep. kit


**SWAG 80 92 7396**
**Lantra (J2)**  
 (12/96→)  
**1,5 16V**


Rep. Satz / rep. kit


**SWAG 90 92 7398**

<b>80 03 0005</b>	23357-33130	Spannrolle / tension roller			ØA 55 B19
<b>90 92 4547</b>	24410-26000	Spannrolle / tension roller		→ 07/00	ØA 60 B29
<b>90 92 6464</b>	24312-22613	Zahnriemen / timing belt		11/98 →	Z 110
<b>80 92 7395</b>	23356-33160	Zahnriemen / timing belt			Z 65
<b>80 92 7396</b>	23356-33160 S1	Rep. Satz Zahnriemen / rep. kit timing belt			Z 65
<b>90 92 7397</b>	24312-22010	Zahnriemen / timing belt		→ 11/98	Z 92
<b>90 92 7398</b>	24312-22010 S1	Rep. Satz Zahnriemen / rep. kit timing belt		→ 11/98	Z 92

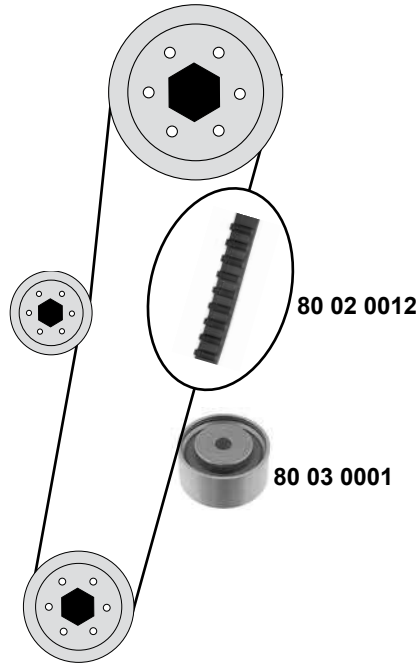
# HYUNDAI

## Lantra (J1)

(10/90→11/95)



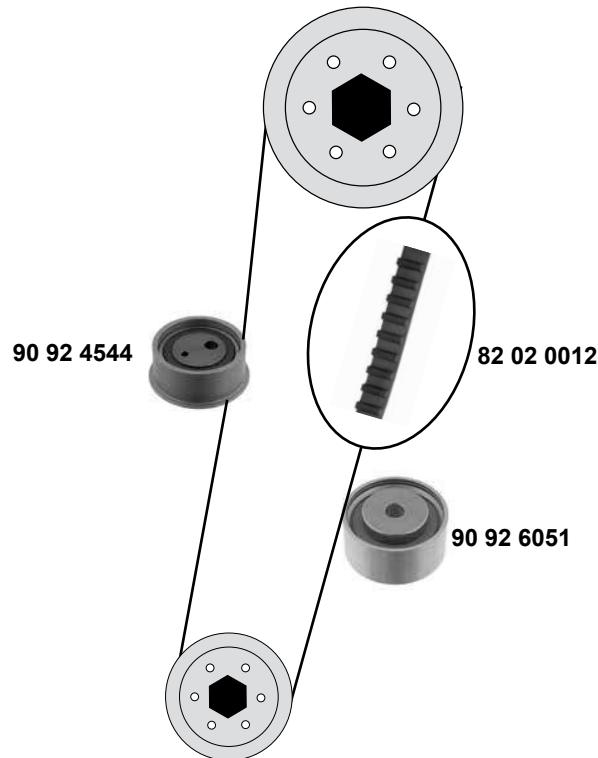
1,5 8V / 1,6 16V



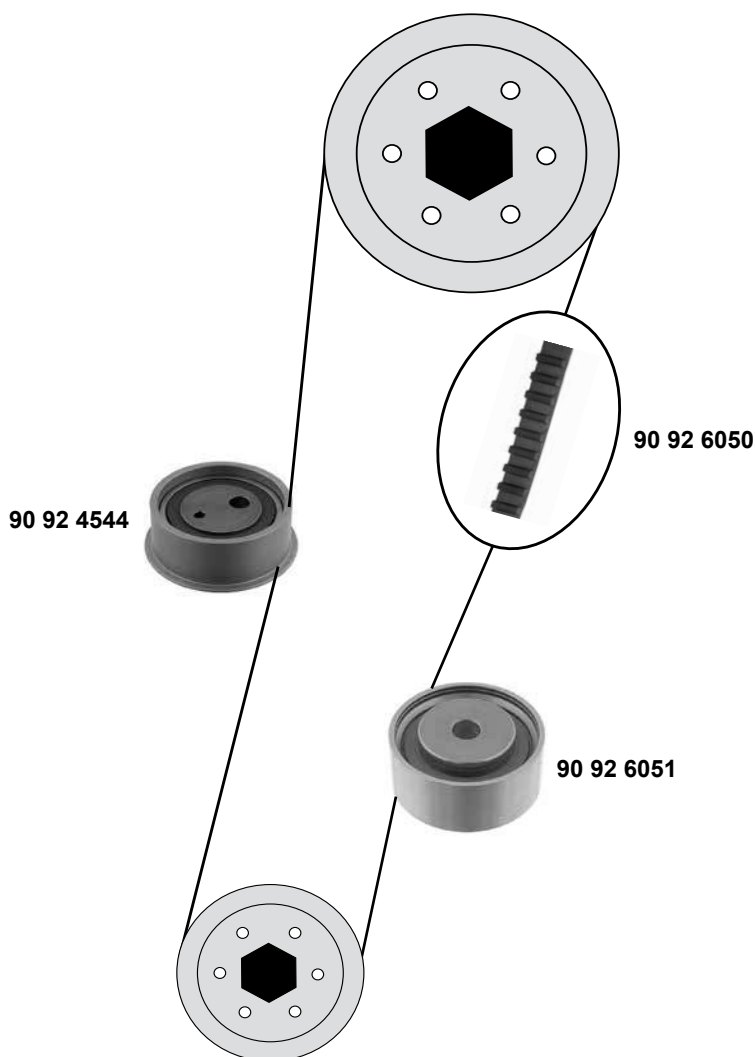
## Lantra (J2)

(11/95→)

1,6 16V  
1,8 16V



SWAG GERMANY	Ref. - No.			
80 02 0012	24312-33060	Zahnriemen / timing belt	(mot.) 1,6 8V	Z 151 B29
80 03 0001	24410-21010	Spannrolle / tension roller	(mot.) 1,5 8V	ØA60 B26
82 02 0012	24312-23001	Zahnriemen / timing belt	→ 07/00	Z 111
90 92 4544	24410-23400	Spannrolle / tension roller	→ 09/00	ØA70 B30
90 92 6051	24810-23400	Umlenkrolle / deflection pulley	→ 09/00	ØA60 H28,5
90 92 6903	24312-23001 S1	Rep. Satz Zahnriemen / rep. kit timing belt	→ 07/00	Z 111



Rep. Satz / rep. kit



SWAG 90 92 6052



Ref. - No.



<b>90 92 4544</b>	24410-23400
<b>90 92 6050</b>	24312-23202
<b>90 92 6051</b>	24810-23400
<b>90 92 6052</b>	24312-23202 S1

Spannrolle / tension roller
Zahnriemen / timing belt
Umlenkrolle / deflection pulley
Rep. Satz Zahnriemen / rep. kit timing belt

(mot.) 2,0

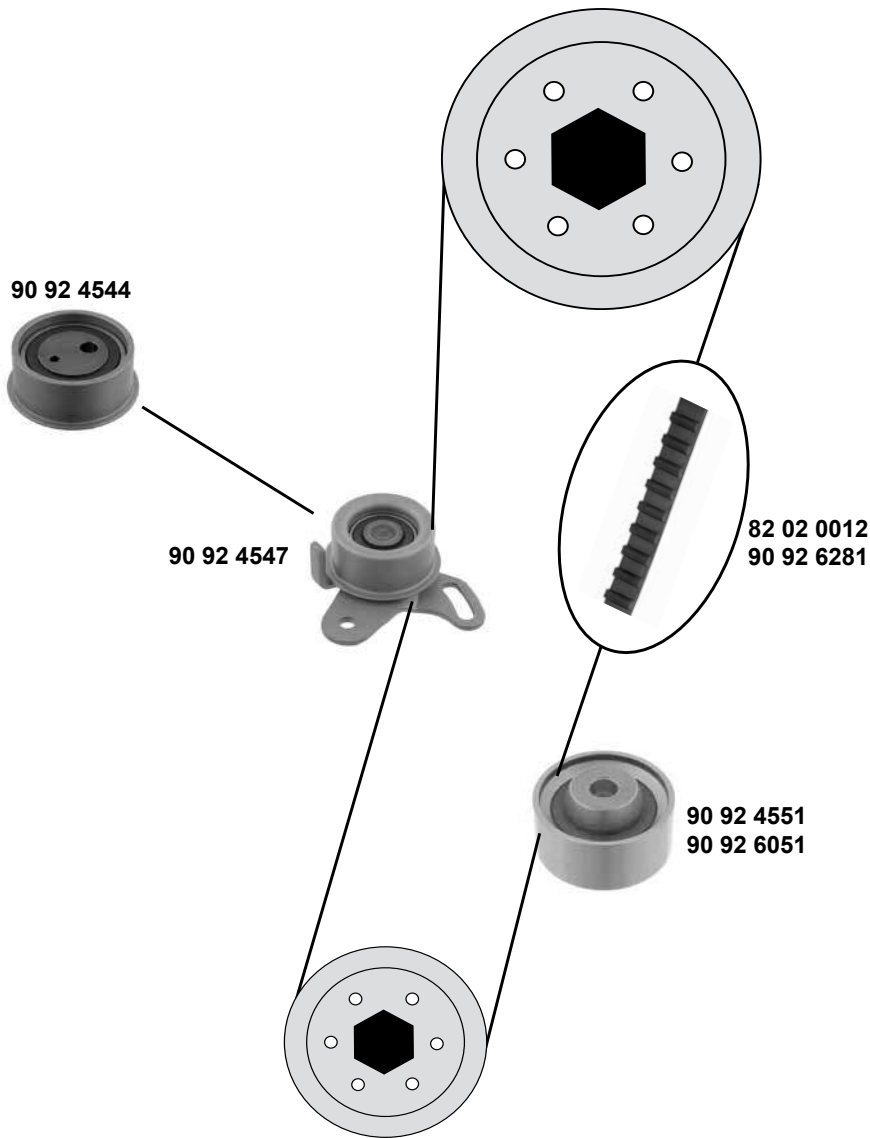
ØA70 B30
Z 113
ØA60 H28,5
Z 113

# HYUNDAI Matrix / Lavita

(05/01→)



1,6 / 1,8 16V



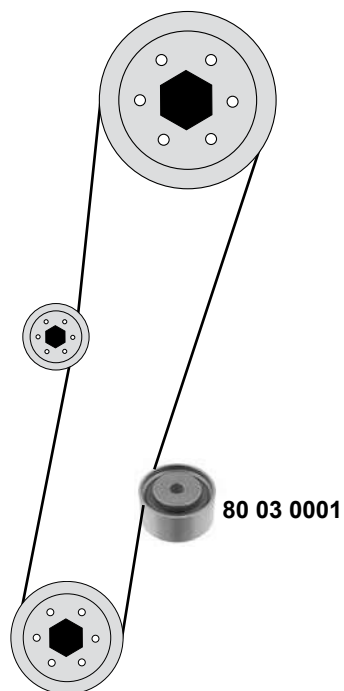
- (1) Lavita 02/07 →
- (2) Matrix 05/01 → // Lavita 04/08 →



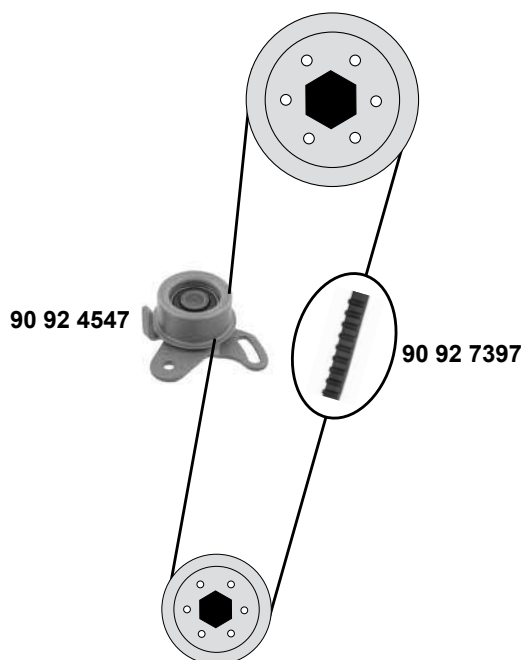
Ref. - No.



Ref. - No.				
82 02 0012	24312-23001	Zahnriemen / timing belt	(mot.) 1,8 (1)	Z 105 B25,5
90 92 4544	24410-23400	Spannrolle / tension roller	(mot.) 1,8 → 05/06	ØA70 B30
90 92 4547	24410-26000	Spannrolle / tension roller	(mot.) 1,6 (1)	ØA60 B29
90 92 4551	24810-26020	Umlenkrolle / deflection pulley	(mot.) 1,6	ØA55 B25
90 92 6051	26810-23400	Umlenkrolle / deflection pulley	(mot.) 1,8 → (2)	ØA60 B28,5
90 92 6281	24312-26001	Zahnriemen / timing belt	(mot.) 1,6	Z 105 B22



**Pony**  
(10/94→01/00)  
**1,3 / 1,5 12V (SOHC)**



Ref. - No.

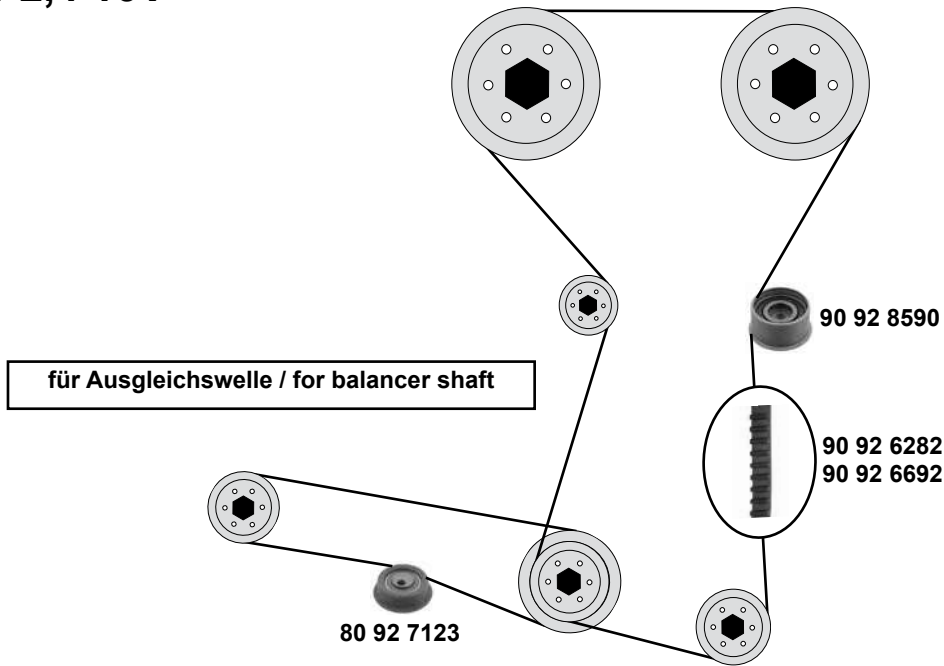


<b>80 03 0001</b>	24410-21010
<b>90 92 4547</b>	24410-26000
<b>90 92 7397</b>	24312-22010
<b>90 92 7398</b>	24312-22010 S1

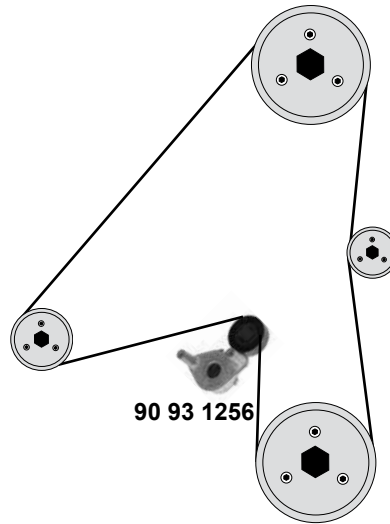
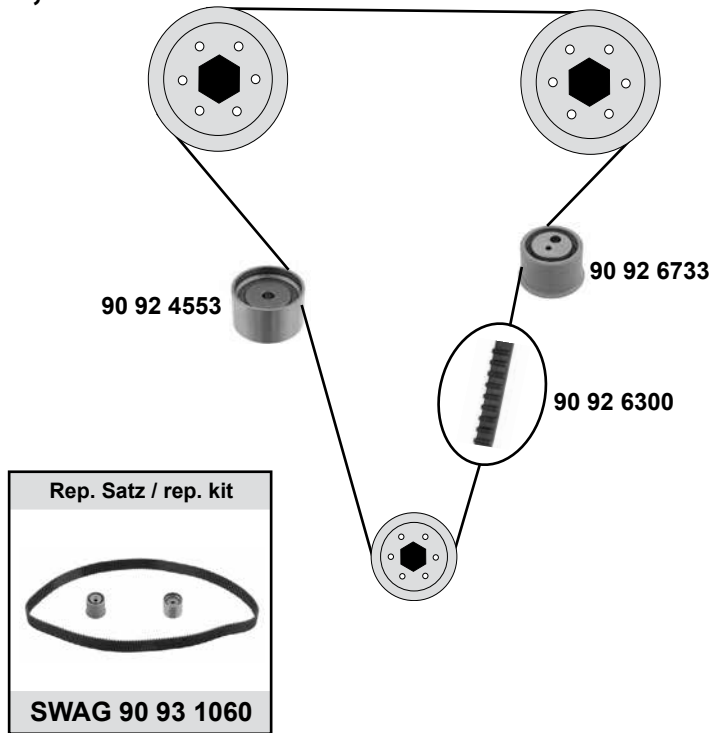
Spannrolle / tension roller
Spannrolle / tension roller
Zahnriemen / timing belt
Rep. Satz Zahnriemen / rep. kit timing belt

ØA 60 B26
ØA 60 B29
Z 92
Z 92

**2,0 / 2,4 16V**

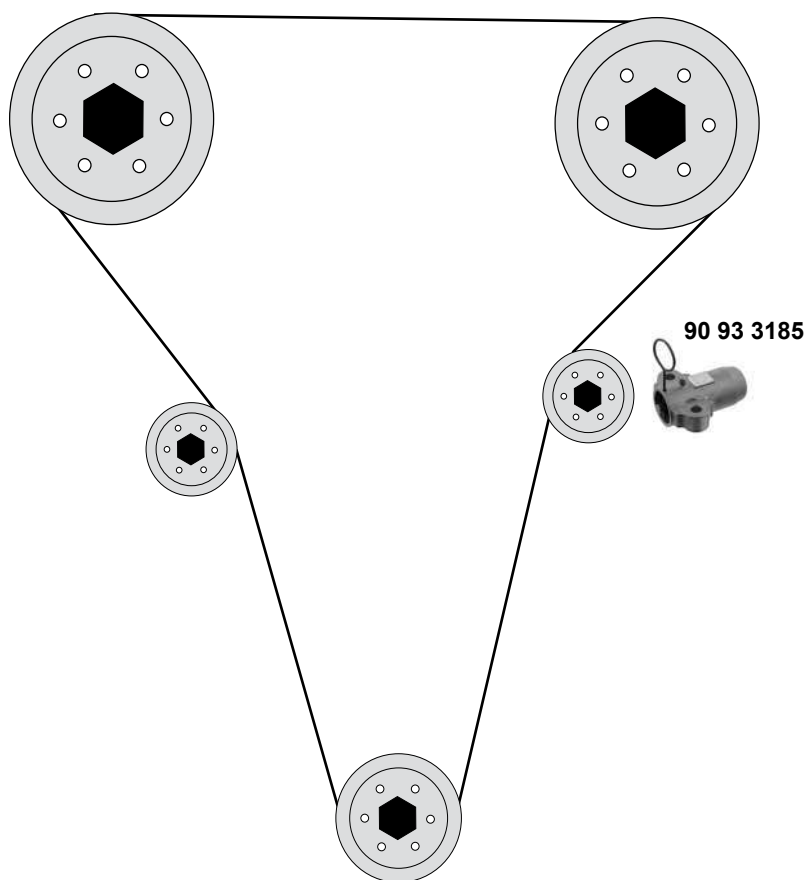


**2,7 24V**



SWAG GERMANY	Ref. - No.			
90 92 4553	24450-37120	Umlenkrolle / deflection pulley		ØA 60 B35
90 92 6282	24312-38020	Zahnriemen / timing belt	(mot.) 2,0	Z 173
90 92 6300	24312-37500	Zahnriemen / timing belt		Z 207
90 92 6692	24312-38210	Zahnriemen / timing belt	(mot.) 2,4	Z 175
90 92 6733	24810-37120	Spannrolle / tension roller		ØA 57,5 B39
80 92 7123	23357-38001	Spannrolle / tension roller		ØA 55 B18
90 92 8590	24450-38011	Spannrolle / tension roller		ØA 60,5 B33,5
90 93 1060	24312-37500 S1	Rep. Satz Zahnriemen / rep. kit timing chain		Z 207
90 93 1256	25281-37120	Riemenspanner / belt tensioner		





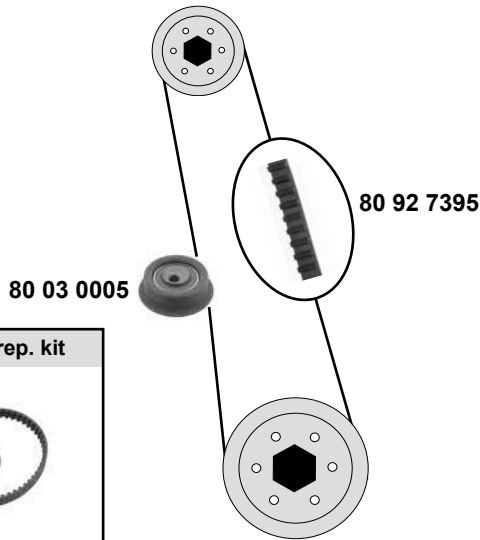
# HYUNDAI Santamo

(99→)



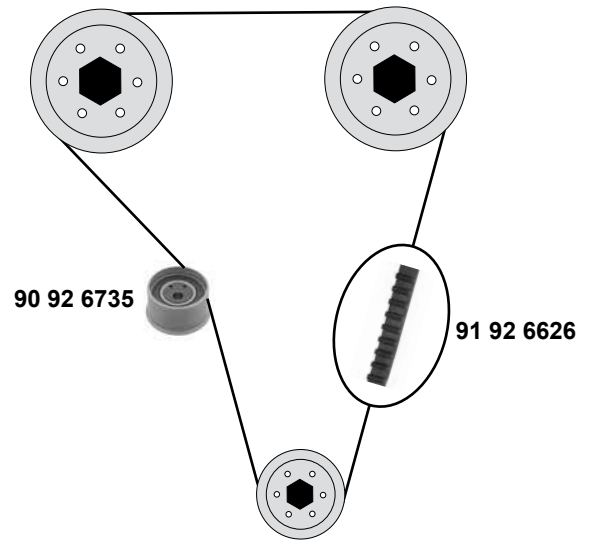
## 2,0 16V (SOHC)

für Ausgleichswelle / for balancer shaft



## 2,0 16V (DOHC)

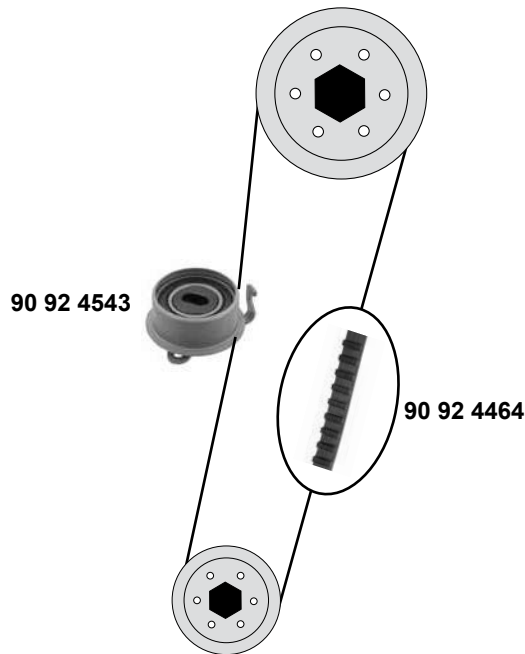
(09/98→01/02)



# Santro

(03→05)

1,0 (SOHC)

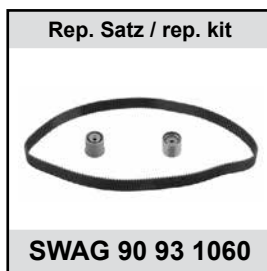
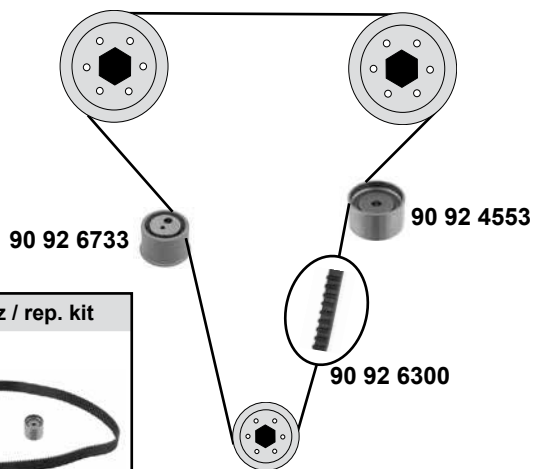


Ref. - No.



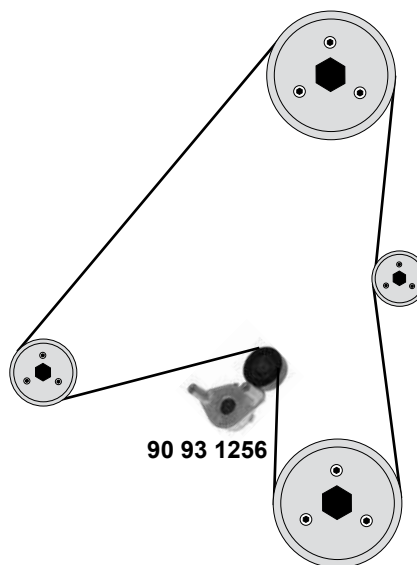
80 03 0005	23357-33130	Spannrolle / tension roller	ØA 55 B19
90 92 4464	24312-02701	Zahnriemen / timing belt	Z 101
90 92 4543	24410-02550	Spannrolle / tension roller	ØA 57 B25,5
90 92 4791	24312-02701	Rep. Satz Zahnriemen / rep. kit timing belt	Z 101
91 92 6626	24312-33160	Zahnriemen / timing belt	Z 153
90 92 6735	24450-33020	Spannrolle / tension roller	ØA 60 B32,5
80 92 7395	23356-33160	Zahnriemen / timing belt	Z 65
80 92 7396	23356-33160 S1	Rep. Satz Zahnriemen / rep. kit timing belt	Z 65

## 1,5 12V (SOHC)



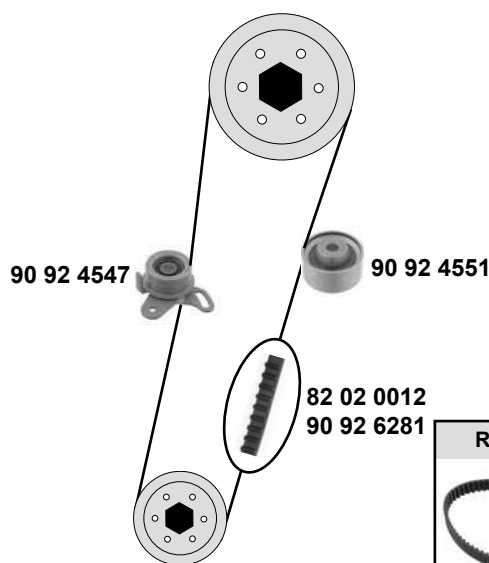
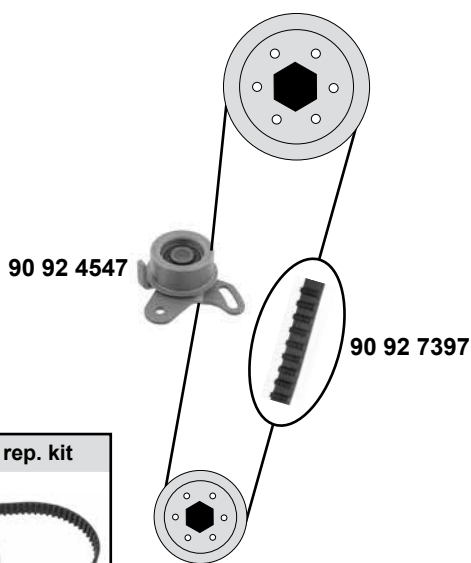
## S Coupe

(07/93→05/96)



## Coupe

(12/96→06/00)



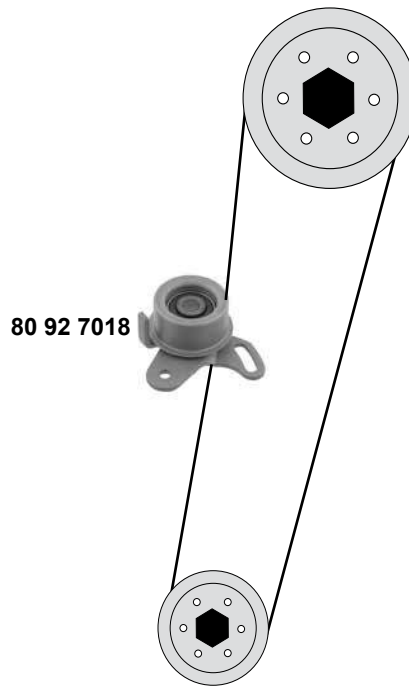
Ref. - No.



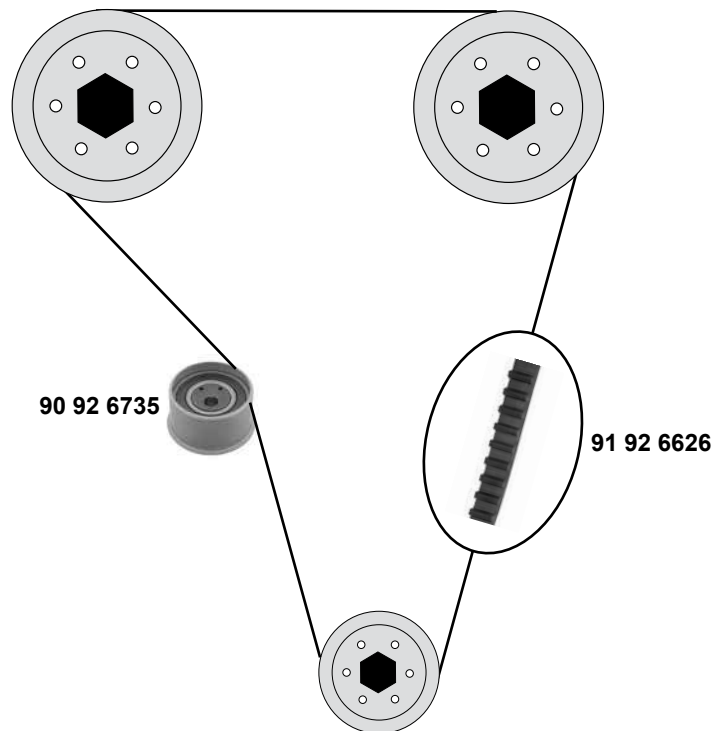
82 02 0012	24312-23001	Zahnriemen / timing belt	Z 111
90 92 4547	24410-26000	Spannrolle / tension roller	ØA 60 B29
90 92 4551	24810-26020	Umlenkrolle / deflection pulley	ØA 55 B25
90 92 4553	24450-37120	Umlenkrolle / deflection pulley	ØA 60 B35
90 92 6281	24312-26001	Zahnriemen / timing belt	Z 105
90 92 6300	24312-37500	Zahnriemen / timing belt	Z 207
90 92 6733	24810-37120	Spannrolle / tension roller	ØA 57,5 B39
90 92 7397	24312-22010	Zahnriemen / timing belt	Z 92
90 92 7398	24312-22010 S1	Rep. Satz Zahnriemen / rep. kit timing belt	Z 92
90 93 1060	34312-37500 S1	Rep. Satz Zahnriemen / rep. kit timing belt	Z 207
90 93 1061	34312-26001 S1	Rep. Satz Zahnriemen / rep. kit timing belt	Z 105
90 93 1256	25281-37120	Riemenspanner / belt tensioner	

06/00 → 12/06

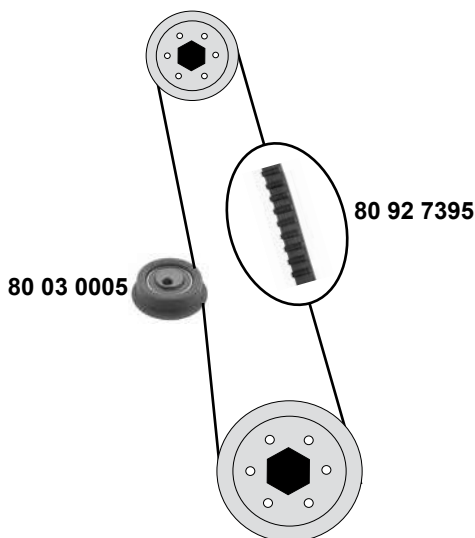
## 2,0 (SOHC)



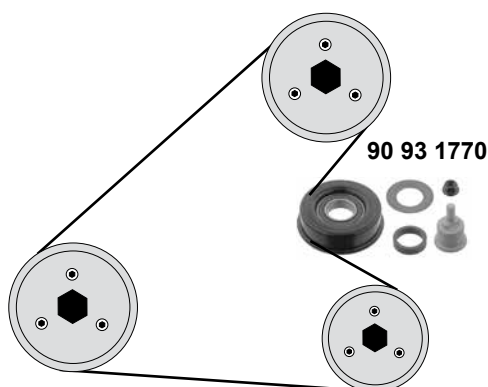
## 2,0 16V (DOHC)



**für Ausgleichswelle / for balancer shaft**



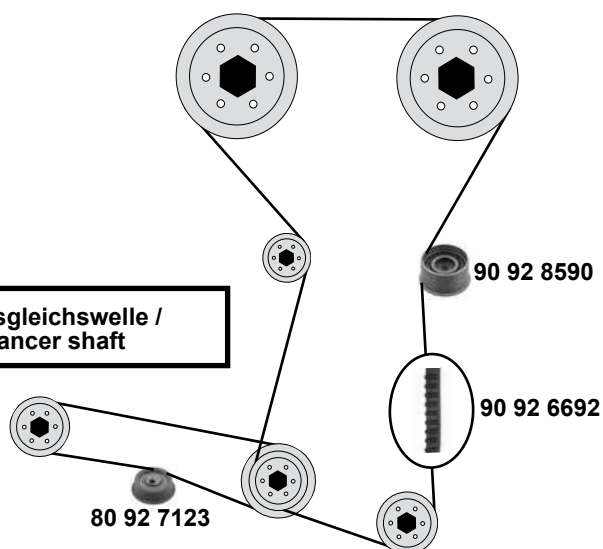
**AC**



## Sonata III EF

(03/98→10/01)  
2,0 / 2,4 16V

**für Ausgleichswelle / for balancer shaft**



(1) (mot.) 2,0 (mot.) 2,4 / 01/99 → 10/01



Ref. - No.



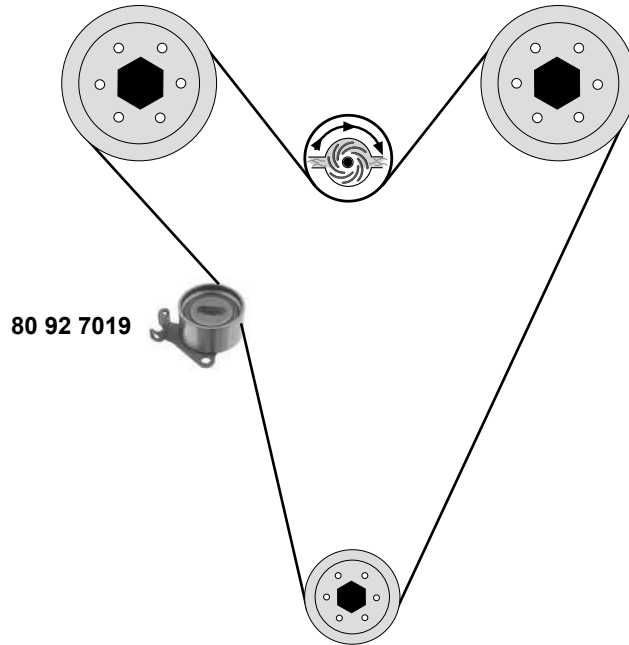
Ref. - No.	Part Name	Notes	Dimensions
80 03 0005	Spannrolle / tension roller		ØA 55 B19
90 92 6692	Zahnriemen / timing belt		Z 175
80 92 7123	Spannrolle / tension roller		ØA 55 B18
80 92 7395	Zahnriemen / timing belt		Z 65
80 92 7396	Rep. Satz Zahnriemen / rep. kit timing belt		Z 65
90 92 8590	Spannrolle / tension roller	(1)	ØA 60,5 B33,5
90 93 1770	Umlenkrolle / deflection pulley		ØA 90 IØ 29,90

# HYUNDAI Sonata

(01/91→06/98)



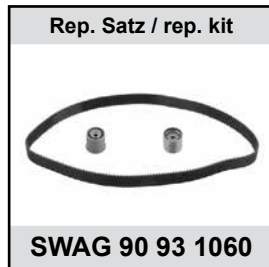
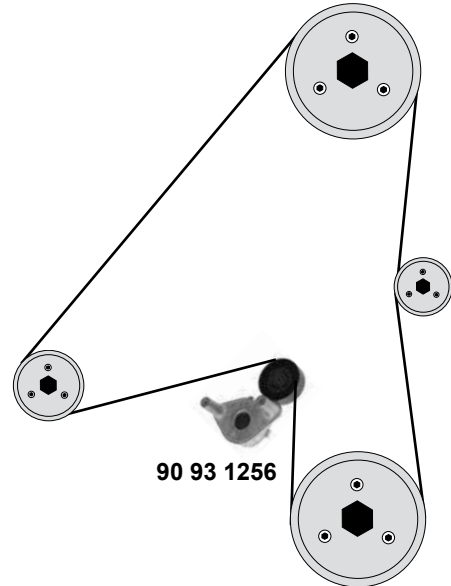
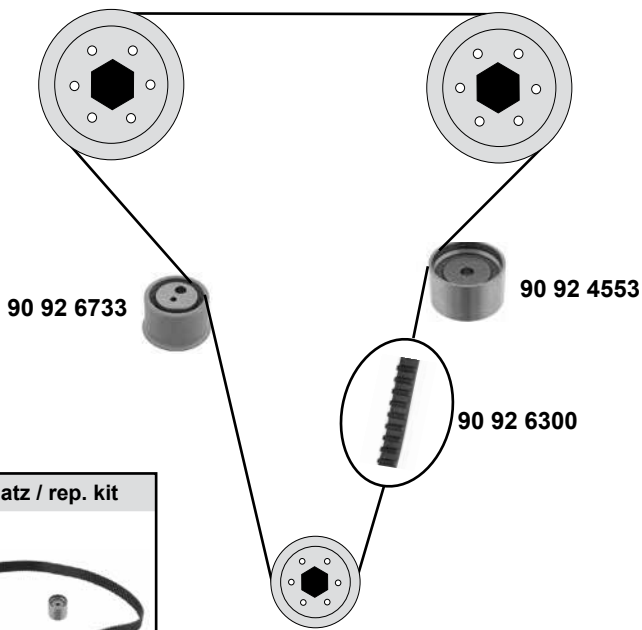
## 3,0 V6



## Sonata III (EF) / IV (EU)

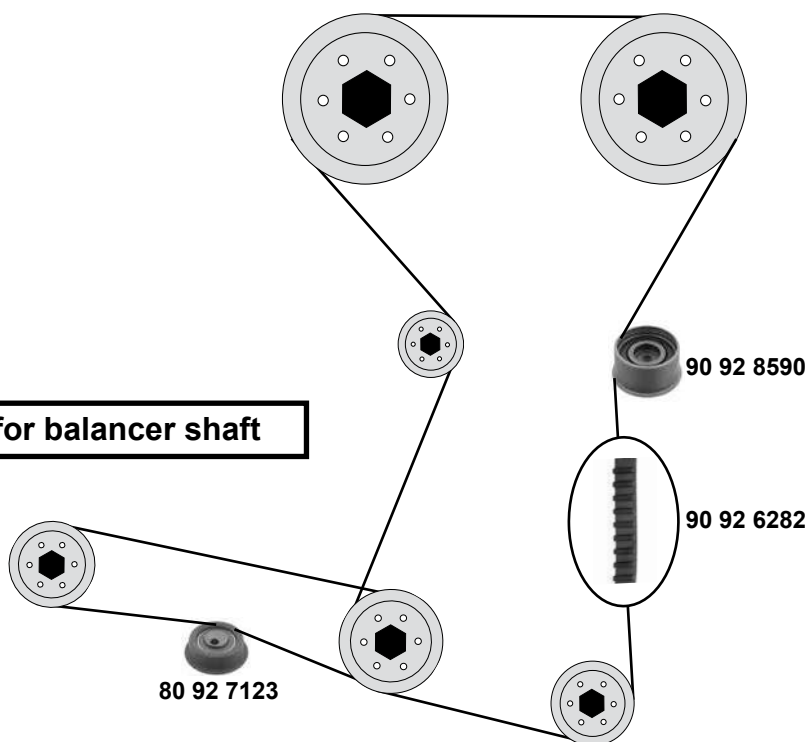
(98→04)

2,5 / 2,7

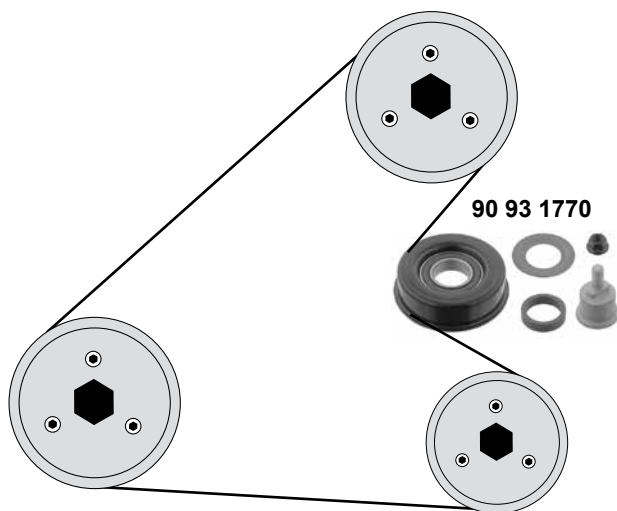


SWAG GERMANY	Ref. - No.			
90 92 4553	24450-37120	Umlenkrolle / deflection pulley		ØA 60 B35
90 92 6300	24312-37500	Zahnriemen / timing belt		Z 207
90 92 6733	24810-37120	Spannrolle / tension roller		ØA 57,5 B39
80 92 7019	24410-35060	Spannrolle / tension roller		ØA 60 B32
90 93 1060	24312-37500 S1	Rep. Satz Zahnriemen / rep. kit timing chain		Z 207
90 93 1256	25281-37120	Riemenspanner / belt tensioner		

**für Ausgleichswelle / for balancer shaft**



**AC**



Ref. - No.



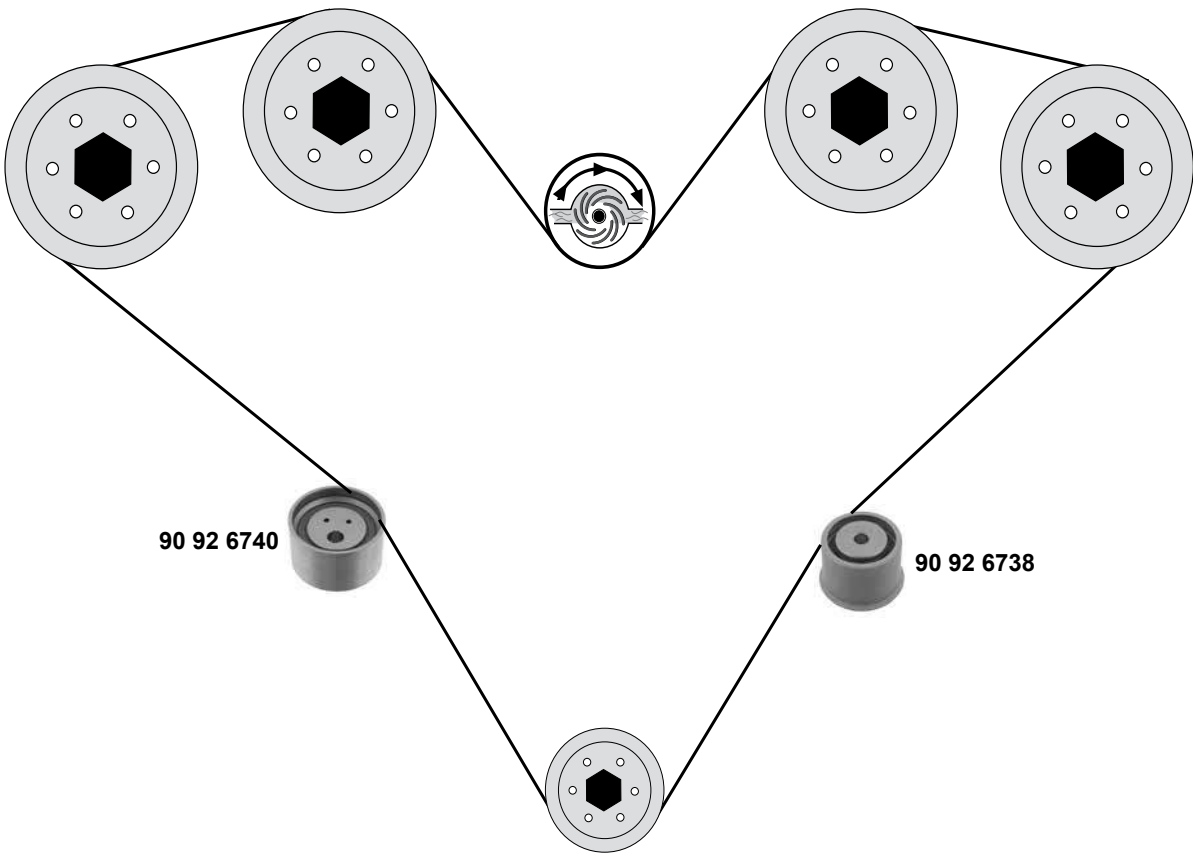
<b>90 92 6282</b>	24312-38020
<b>80 92 7123</b>	23357-38001
<b>90 92 8590</b>	24450-38011
<b>90 93 1770</b>	57212-38100

Zahnriemen / timing belt
Spannrolle / tension roller
Spannrolle / tension roller
Umlenkrolle / deflection pulley

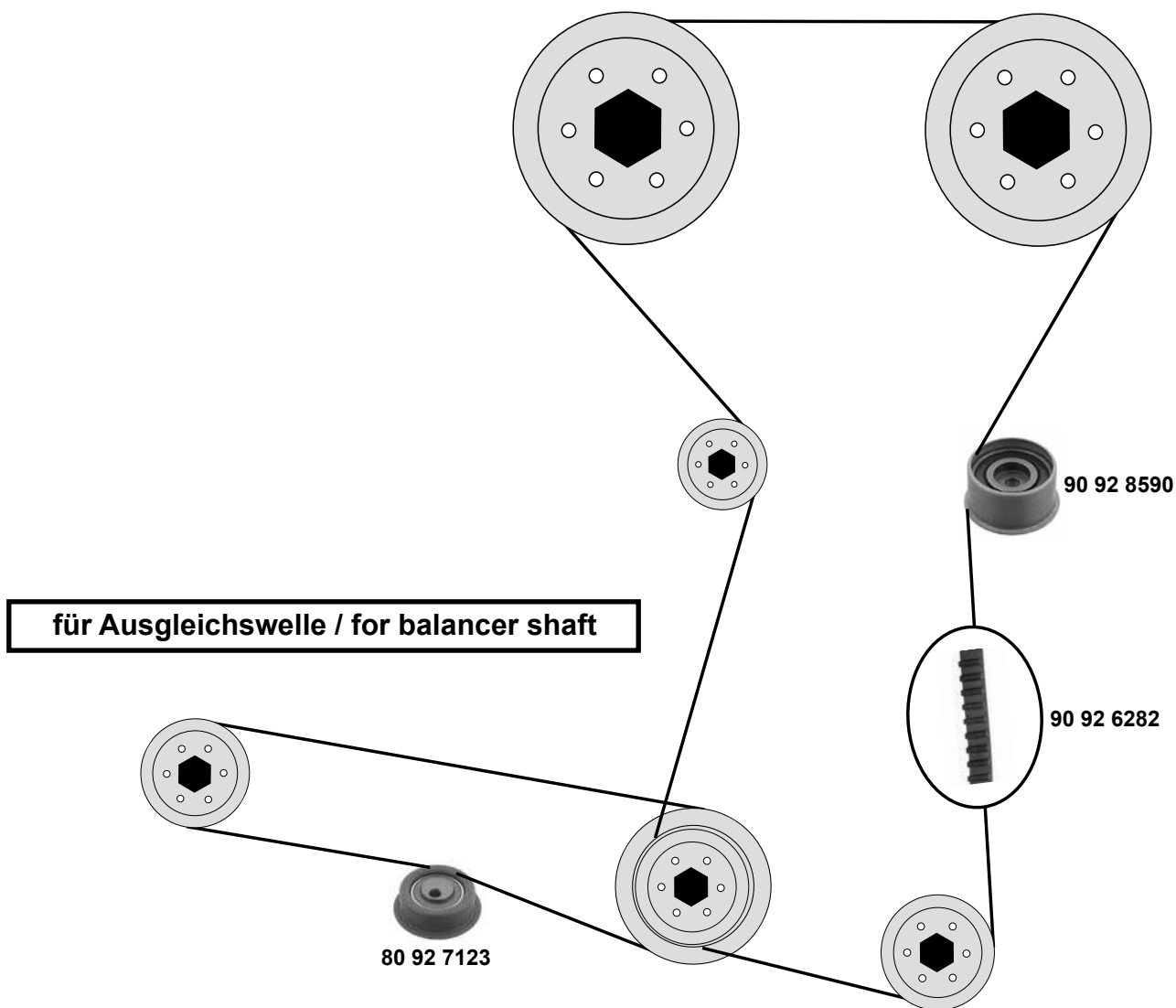
04/01 → 11/04
04/01 → 11/04

Z 173
ØA 55 B18
ØA 60,5 B33,5
ØA 90 IØ 29,90

## 3,5 24V

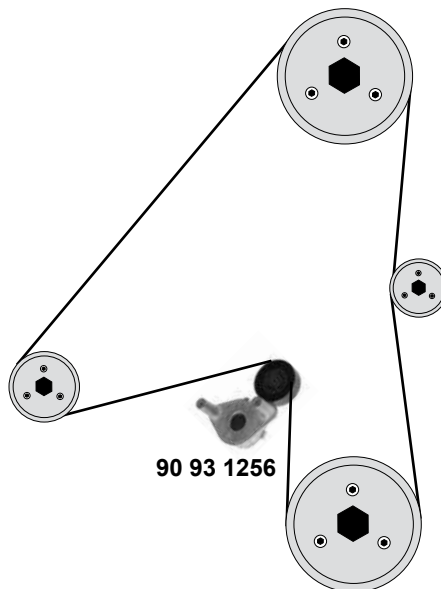
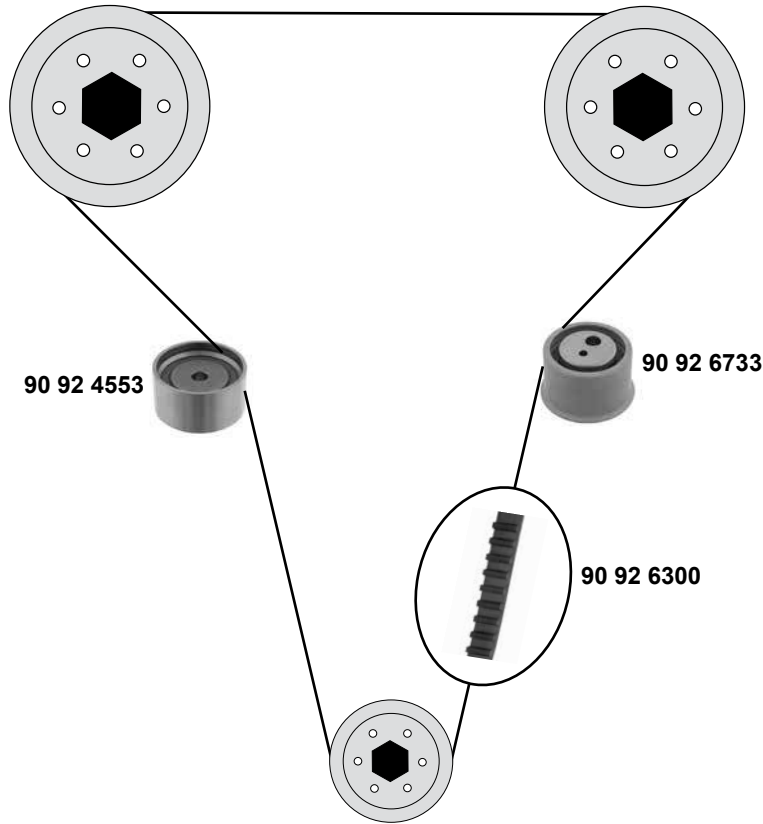




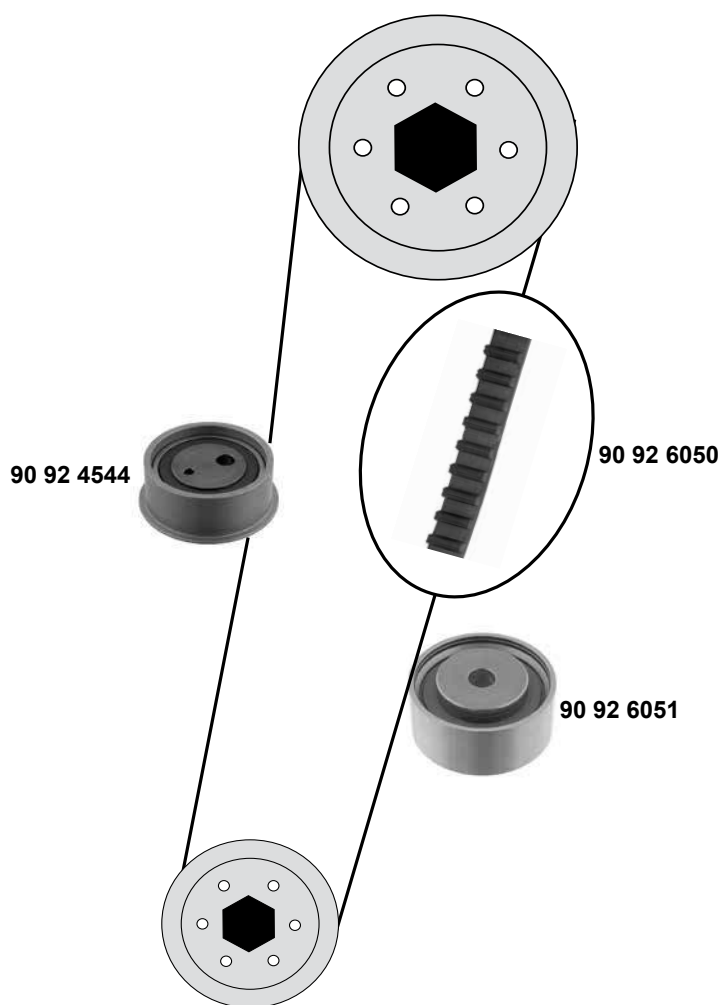


SWAG GERMANY	Ref. - No.			
90 92 6282	24312-38020	Zahnriemen / timing belt		Z 173
80 92 7123	23357-38001	Spannrolle / tension roller		ØA 55 B1
90 92 8590	24450-38011	Spannrolle / tension roller		ØA 60,5 B33,5

## 2,7



	Ref. - No.			
90 92 4553	24450-37120	Umlenkrolle / deflection pulley		ØA 60 B35
90 92 6300	24312-37500	Zahnriemen / timing belt		Z 207
90 92 6733	24810-37120	Spannrolle / tension roller		ØA 57,5 B39
90 93 1060	34312-37500 S1	Rep. Satz Zahnriemen / rep. kit timing chain		Z 207
90 93 1256	25281-37120	Riemenspanner / belt tensioner		



Rep. Satz / rep. kit



SWAG 90 92 6052



Ref. - No.



<b>90 92 4544</b>	24410-23400
<b>90 92 6050</b>	24312-23202
<b>90 92 6051</b>	24810-23400
<b>90 92 6052</b>	24312-23202 S1

Spannrolle / tension roller
Zahnriemen / timing belt
Umlenkrolle / deflection pulley
Rep. Satz Zahnriemen / rep. kit timing belt

02/04 → 05/06

02/04 → 05/07

ØA70 B30

Z 113

ØA60 H28,5

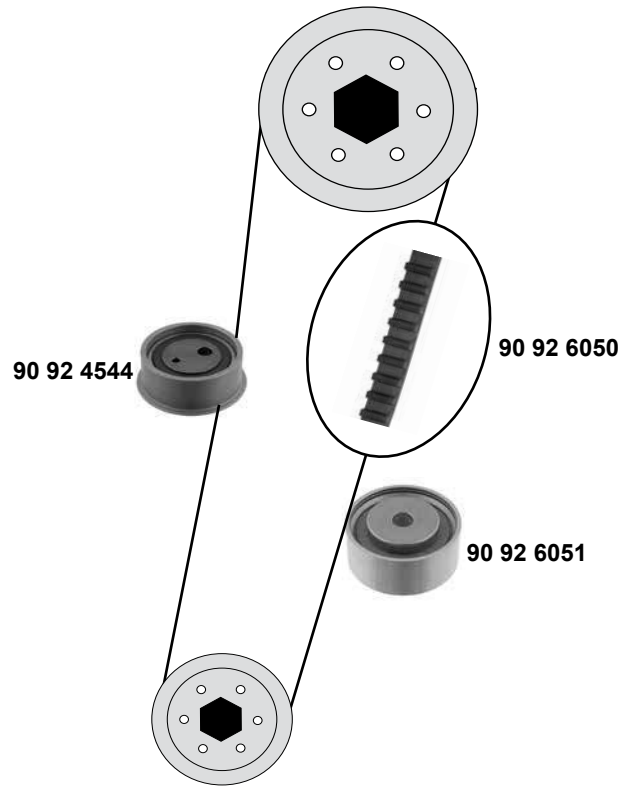
Z 113

# HYUNDAI Tucson (JM)

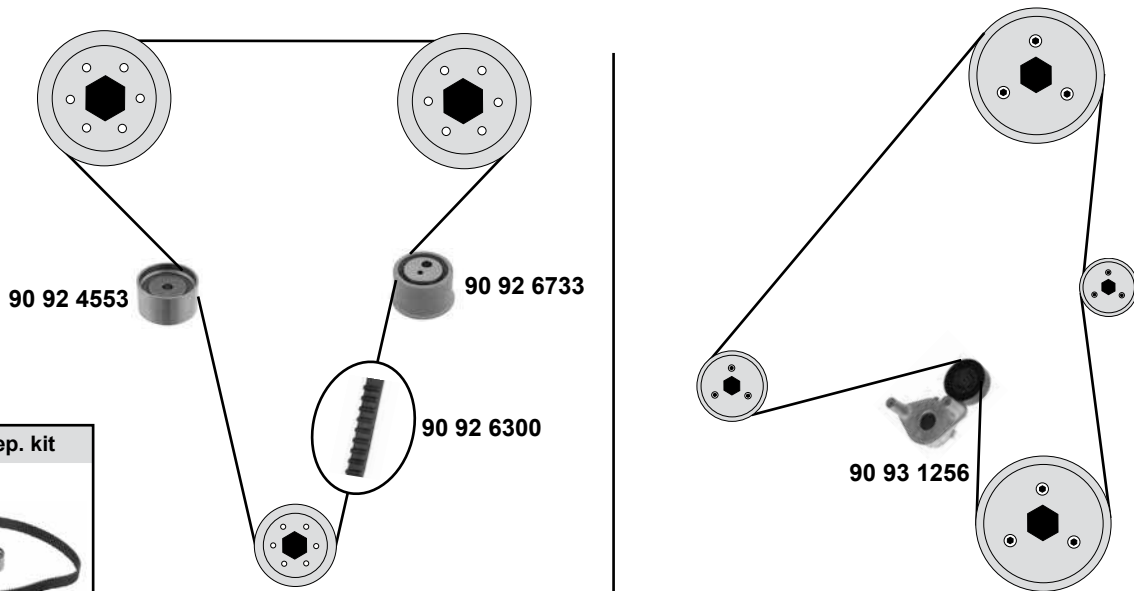
(04→)



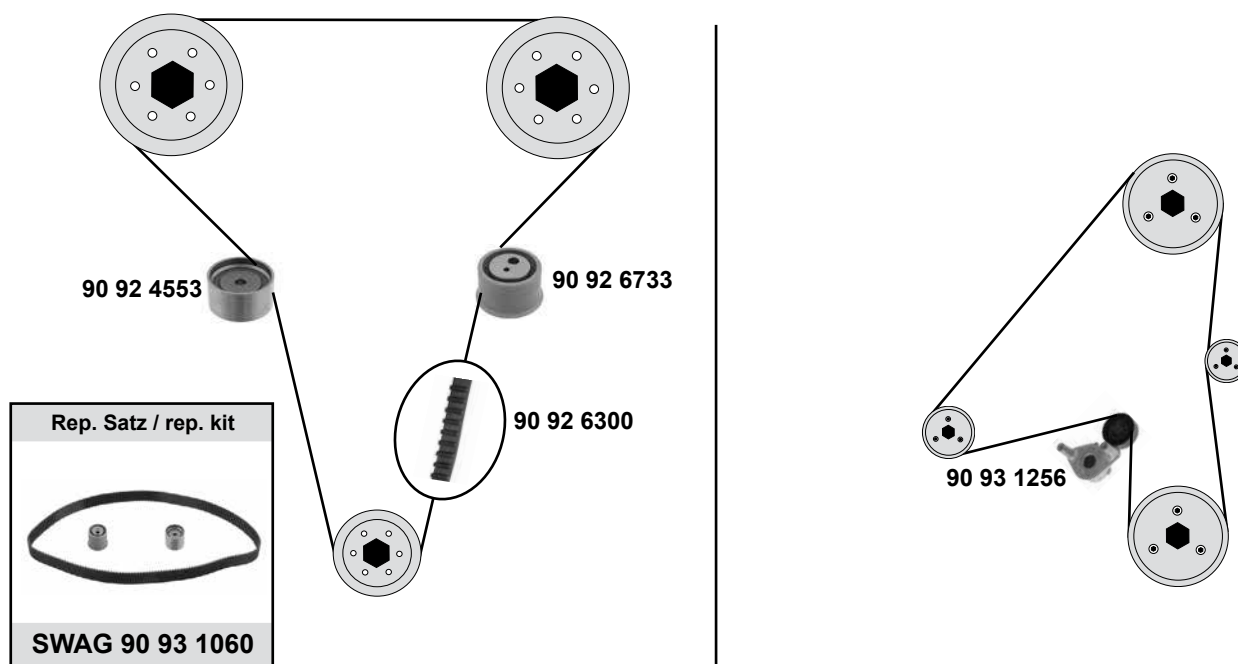
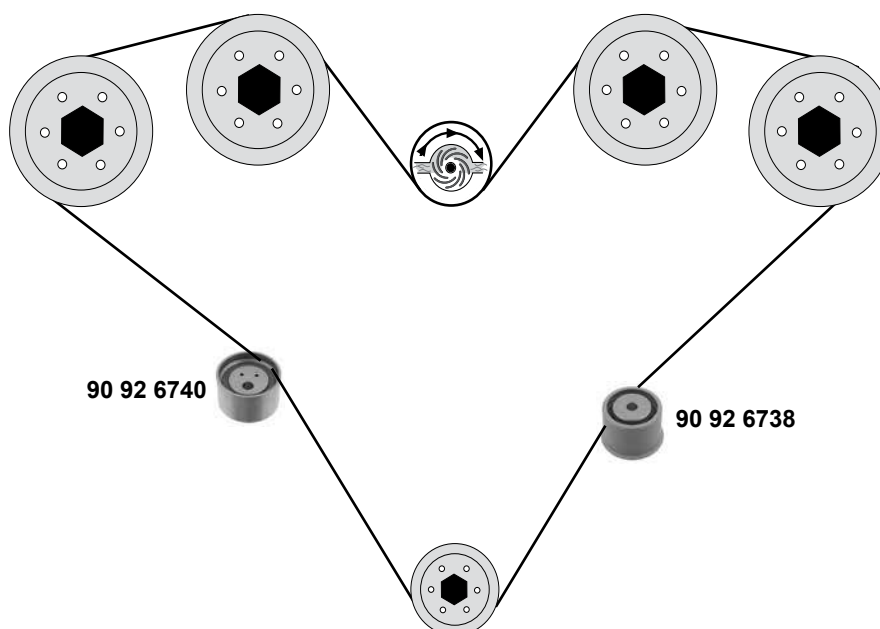
## 2,0 (MPI)



## 2,7

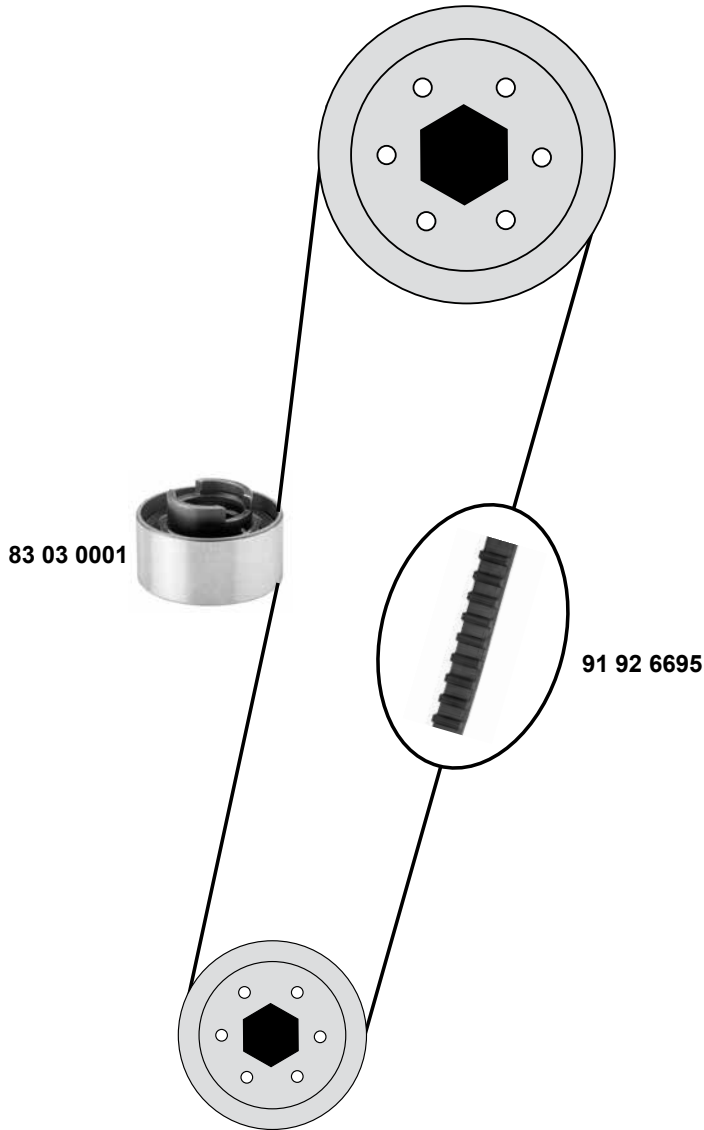


SWAG GERMANY	Ref. - No.			
90 92 4544	24410-23400	Spannrolle / tension roller	04/04 → 05/06	ØA70 B30
90 92 4553	24450-37120	Umlenkrolle / deflection pulley	04/04 → 12/06	ØA60 B35
90 92 6050	24312-23202	Zahnriemen / timing belt		Z 113
90 92 6051	24810-23400	Umlenkrolle / deflection pulley	04/04 → 12/06	ØA60 H28,5
90 92 6052	24312-23202 S1	Rep. Satz Zahnriemen / rep. kit timing belt		Z 113
90 92 6300	24312-37500	Zahnriemen / timing belt	04/04 → 12/06	Z 207
90 92 6733	24810-37120	Spannrolle / tension roller	04/04 → 12/06	ØA 57,5 B39
90 93 1060	24312-37500 S1	Rep. Satz Zahnriemen / rep. kit timing belt	04/04 → 12/06	Z 207
90 93 1256	25281-37120	Riemenspanner / belt tensioner	04/04 → 12/06	

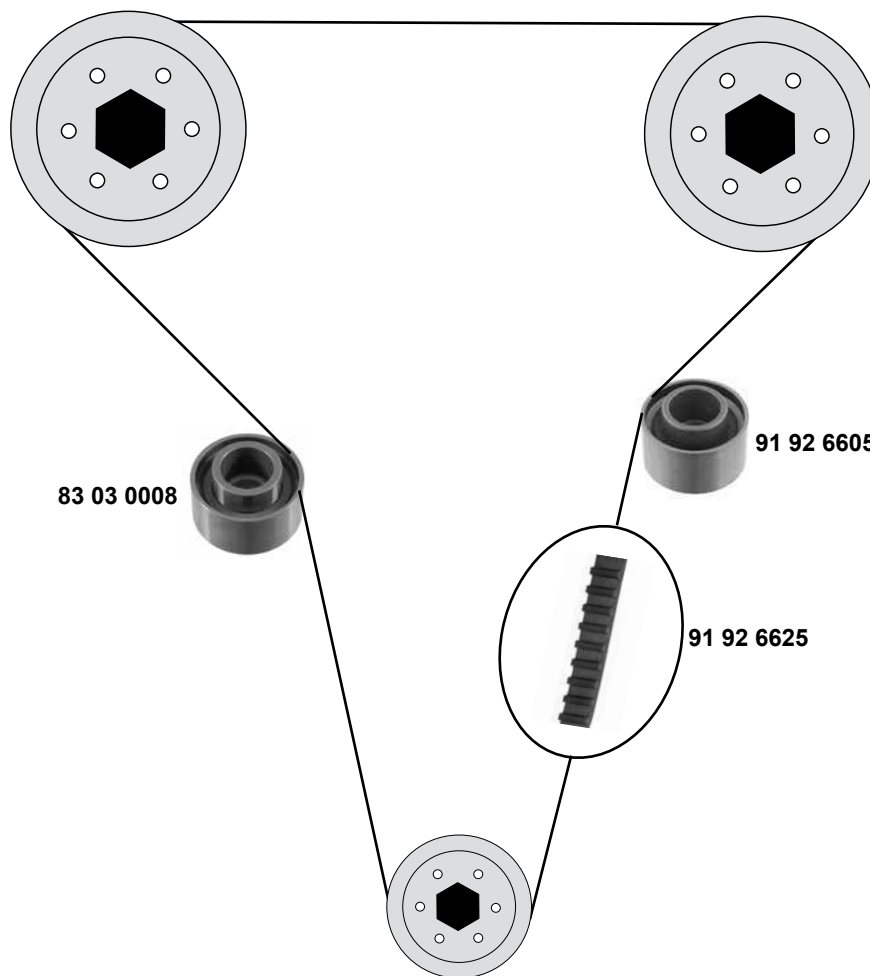
**2,5 24V**

**3,0 / 3,5 24V**


90 92 4553	24450-37120	Umlenkrolle / deflection pulley	Modell XG25	ØA60 B35
90 92 6300	24312-37500	Zahnriemen / timing belt	Modell XG25	Z 207
90 92 6733	24810-37120	Spannrolle / tension roller	Modell XG25	ØA 57,5 B39
90 92 6738	24810-35530	Umlenkrolle / deflection pulley		ØA57,5 H38,5
90 92 6740	24450-35530	Spannrolle / tension roller		ØA60 B35
90 93 1060	24312-37500 S1	Rep. Satz Zahnriemen / rep. kit timing belt	Modell XG25	Z 207
90 93 1256	25281-37120	Riemenspanner / belt tensioner	Modell XG25	

**1,3 8V (SOHC)**



Ref. - No.			
83 03 0001	MB630-12-700E	Spannrolle / tension roller	Ø A 52 B25
91 92 6695	KK350-12-205	Zahnriemen / timing belt	Z 107
91 92 6905	KK350-12-205 S1	Rep. Satz Zahnriemen / rep. kit timing belt	Z 107



Ref. - No.



<b>83 03 0008</b>	OK938-12-730
<b>91 92 6605</b>	OK247-12-700
<b>91 92 6625</b>	OK247-12-205

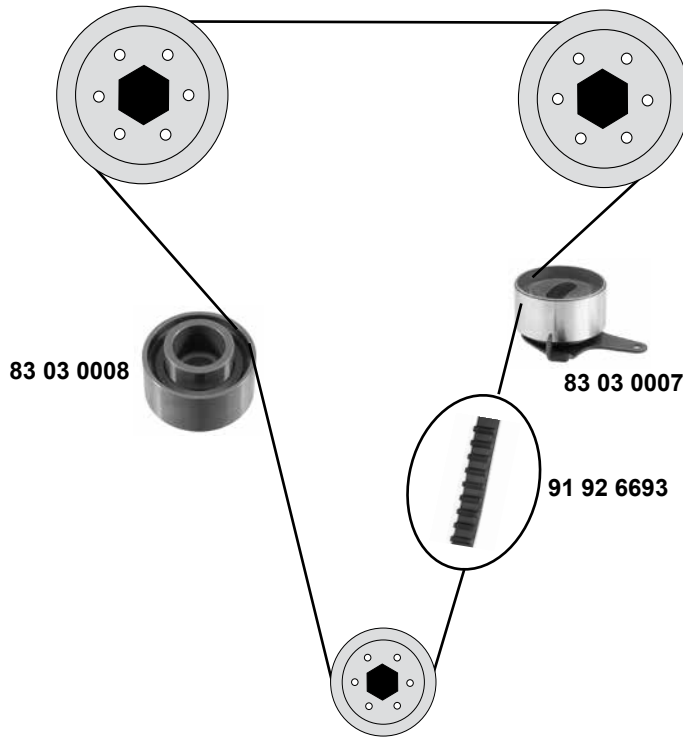
Umlenkrolle / deflection pulley
Spannrolle / tension roller
Zahnriemen / timing belt

Ø A52 B28,5
Ø A52 B28,5
Z 154 B22

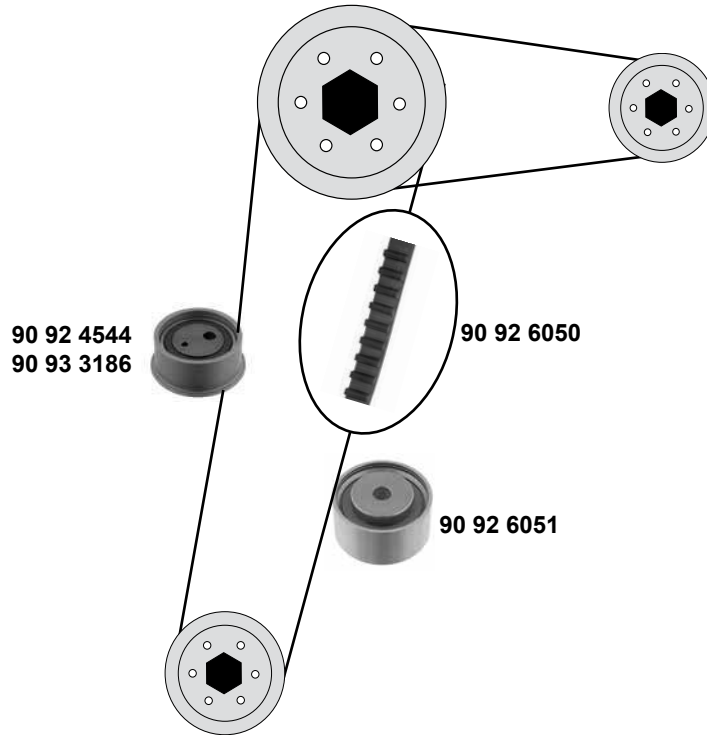
# KIA Carens II (02→)



1,6

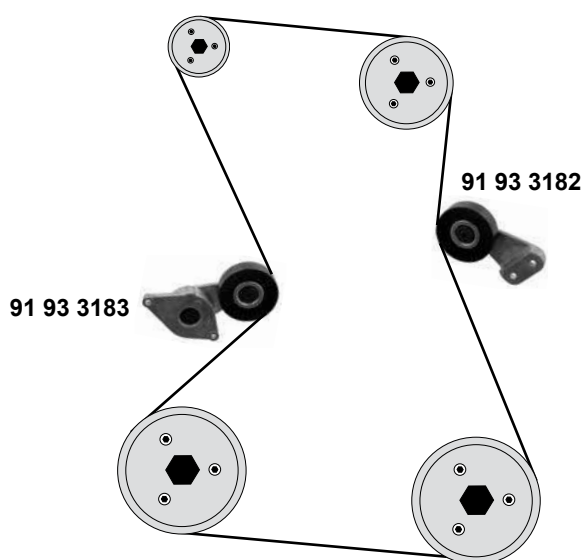
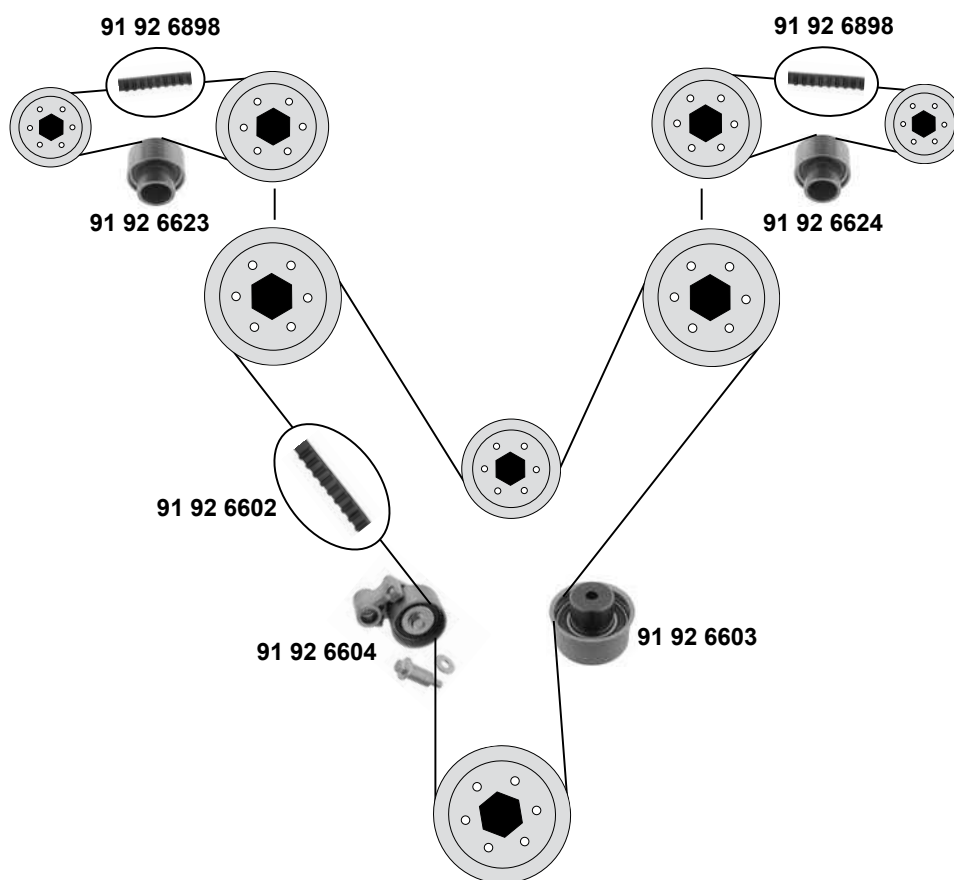






2,0 (MPI / DOHC)



SWAG GERMANY	Ref. - No.			
83 03 0007	24410-2X701	Spannrolle / tension roller		ØA52 B28,5
83 03 0008	0K938-12-730	Umlenkrolle / deflection pulley		ØA52 B31
90 92 4544	24410-23500	Spannrolle / tension roller	09/04 → 05/06	ØA70 B30
90 92 6050	24312-23202	Zahnriemen / timing belt	09/04 → 08/06	Z 113 B25,
90 92 6051	24810-23500	Umlenkrolle / deflection pulley	09/04 → 05/06	ØA60 H28,5
90 92 6052	24312-23202 S1	Rep. Satz Zahnriemen / rep. kit timing belt	09/04 → 05/06	Z 111
91 92 6693	0K30E-12-205	Zahnriemen / timing belt	12/03 →	Z 137
90 93 3186	24410-23050	Spannrolle / tension roller	05/06 → 08/06	ØA 70 B30
90 93 3187	24312-23202 S2	Rep. Satz Zahnriemen / rep. kit timing belt		





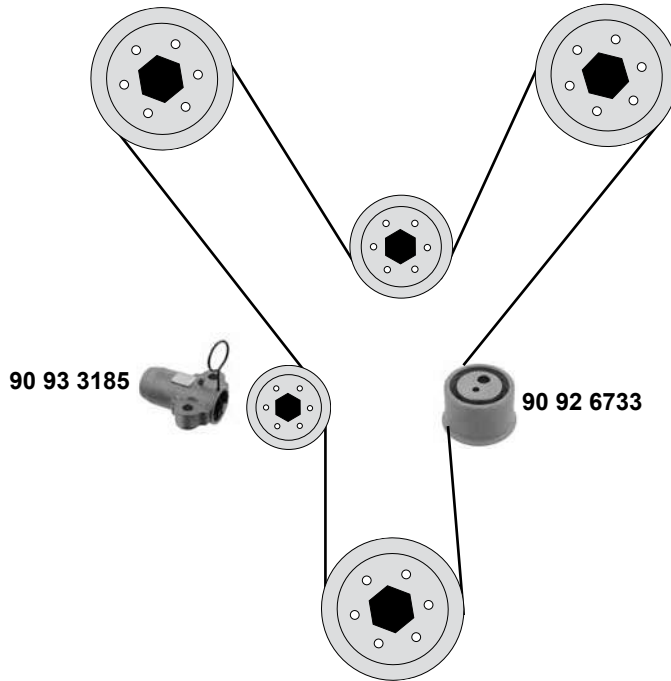
	Ref. - No.			
<b>91 92 6602</b>	OK9BV-12-205	Zahnriemen / timing belt	08/99 →	Z 176 B28
<b>91 92 6603</b>	OK9BV-12-730	Umlenkrolle / deflection pulley	08/99 →	Ø A 70 H35,5
<b>91 92 6604</b>	OK95K-12-750	Spannrolle / tension roller	08/99 →	Ø A60 H32
<b>91 92 6623</b>	OK9BV-12-790	Spannrolle / tension roller	08/99 →	Ø A60 H45,5
<b>91 92 6624</b>	OK9BV-12-780	Spannrolle / tension roller	08/99 →	Ø A60 H45,5
<b>91 92 6898</b>	OK9BV-12-206	Zahnriemen / timing belt	08/99 →	Z 59 B22
<b>91 93 3182</b>	OK9BV-10-730A	Umlenkrolle / deflection pulley	08/99 → 11.05	ØA 95,5 B26
<b>91 93 3183</b>	OK9BV-10-770	Riemenspanner / belt tensioner	08/99 → 11.05	ØA 95,5 B26

# KIA Carnival II

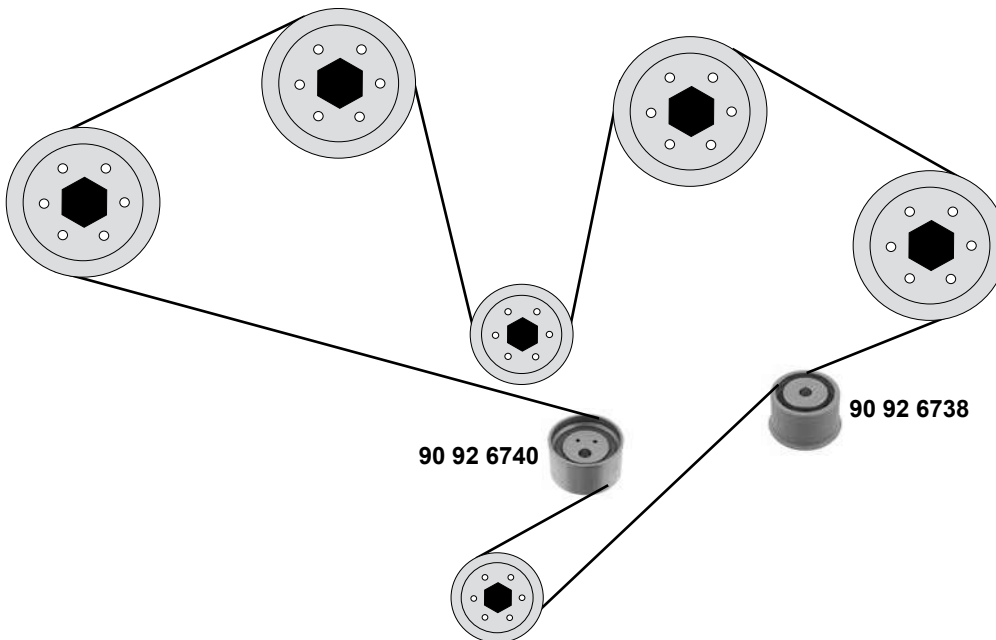
(02→)



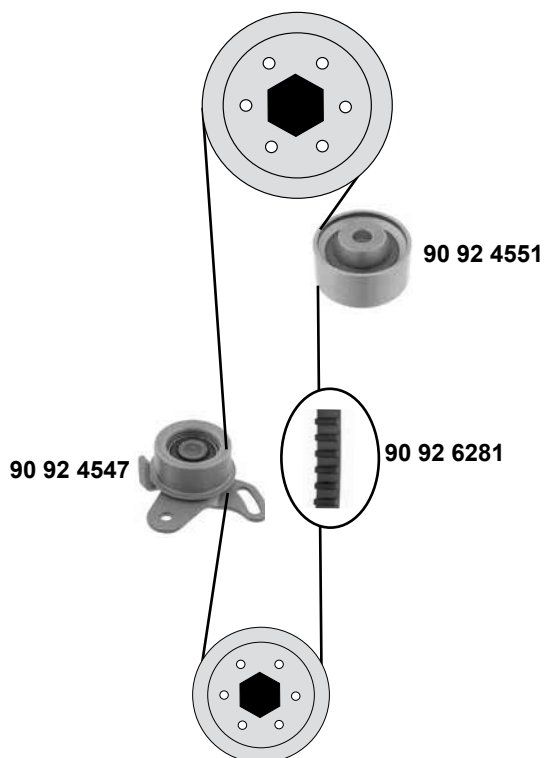
## 2,7 V6



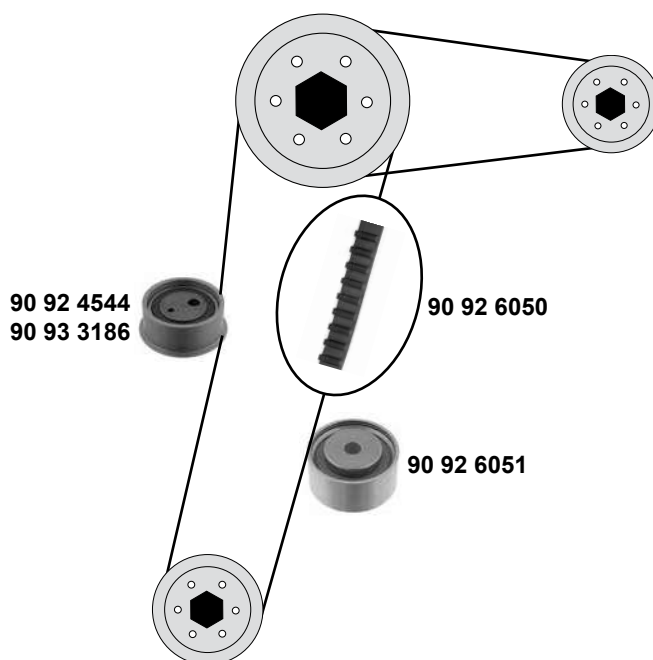
## 3,5 (24V, V6 DOHC)



	Ref. - No.			
90 92 6738	24810-39810	Umlenkrolle / deflection pulley	07/02 → 09/05	ØA57,5 B38,5
90 92 6733	24810-37120	Spannrolle / tension roller	03/06 →	
90 92 6740	24450-35530	Spannrolle / tension roller	07/02 → 09/05	ØA60 H35
90 93 3185	24410-3E500	Riemenspanner / belt tensioner	04/06 →	

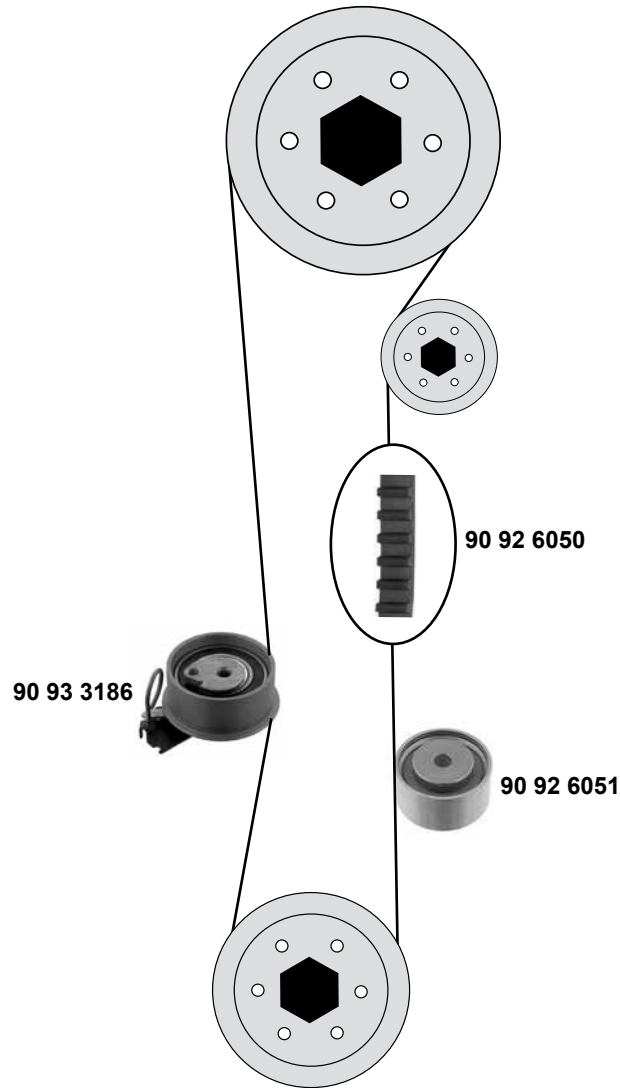






**2,0(MPI , DOHC)**

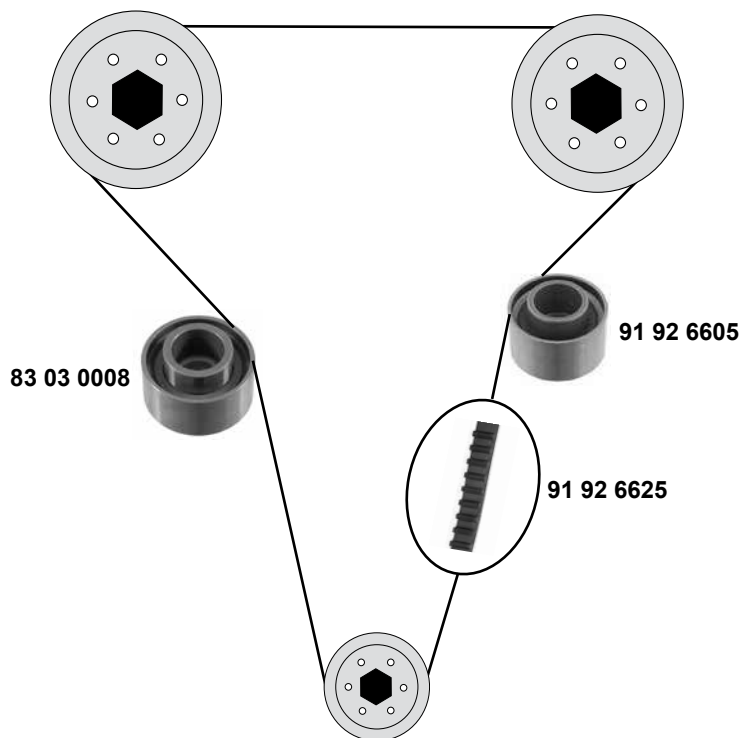


	Ref. - No.			
<b>90 92 4544</b>	24410-23500	Spannrolle / tension roller	02/04 → 05/06	ØA70 B30
<b>90 92 4547</b>	24410-26000	Spannrolle / tension roller	02/04 → 09/06	ØA60 B29
<b>90 92 4551</b>	24810-26020	Umlenkrolle / deflection pulley	02/04 → 05/06	ØA55 H25
<b>90 92 6050</b>	24312-23202	Zahnriemen / timing belt		Z 113 B25,4
<b>90 92 6051</b>	24810-23500	Umlenkrolle / deflection pulley		ØA60 H28,5
<b>90 92 6052</b>	24312-23202 S1	Rep. Satz Zahnriemen / rep. kit timing belt	02/04 → 05/06	Z 111
<b>90 92 6281</b>	24312-26001	Zahnriemen / timing belt	02/04 → 09/06	Z 105 B22
<b>90 93 1061</b>	24312-26001 S1	Rep. Satz Zahnriemen / rep. kit timing belt	02/04 → 10/06	
<b>90 93 3186</b>	24410-23050	Spannrolle / tension roller	05/06 →	ØA 70 B 30
<b>90 93 3187</b>	24312-23202 S2	Rep. Satz Zahnriemen / rep. kit timing belt	05/06 →	

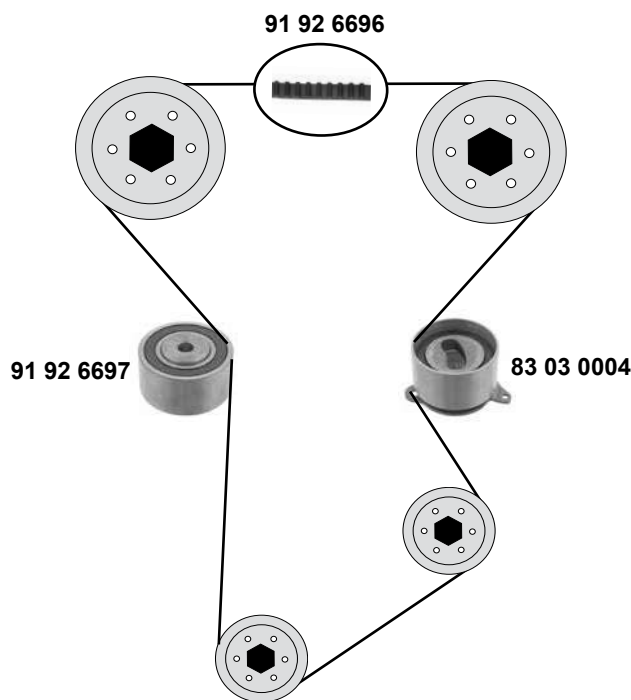
**2,0 (MPI / DOHC)**



	Ref. - No.			
90 92 6050	24312-23202	Zahnriemen / timing belt	05/06 →	Z 113 B25,4
90 92 6051	24810-23500	Umlenkrolle / deflection pulley		ØA60 H28,5
90 93 3186	24410-23050	Spannrolle / tension roller		ØA 70 B30
90 93 3187	24312-23202 S2	Rep. Satz Zahnriemen / rep. kit timing belt		

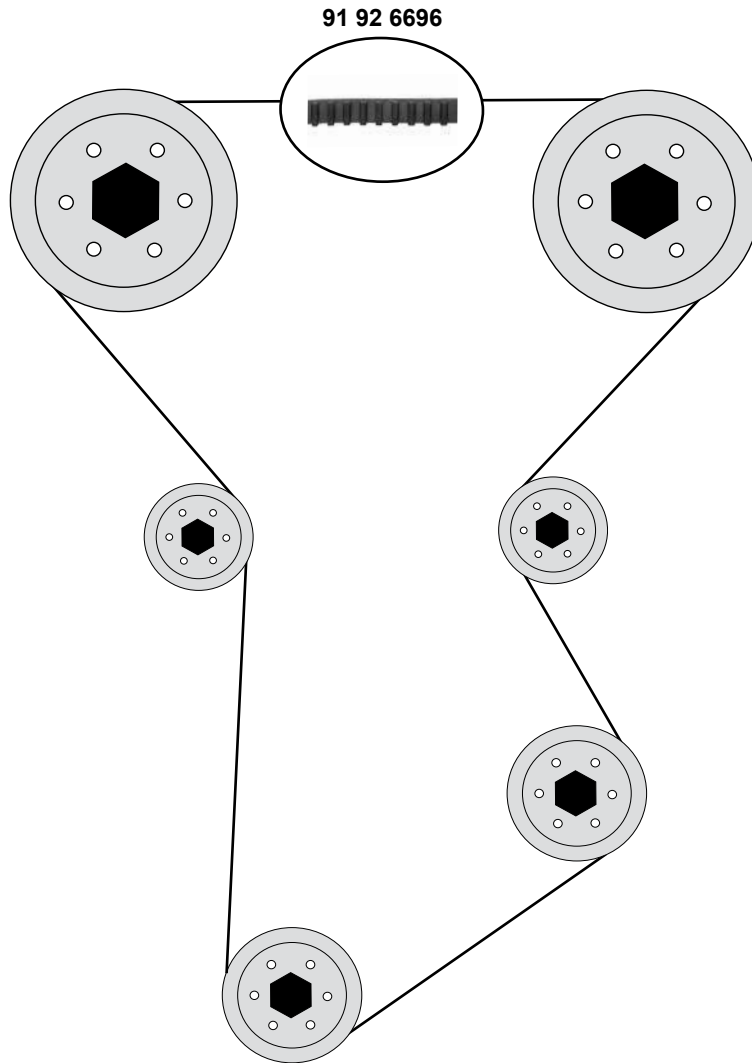


**2,0 16V(DOHC)**

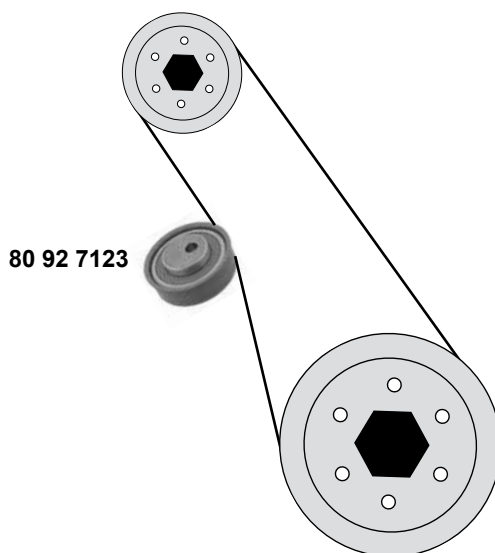
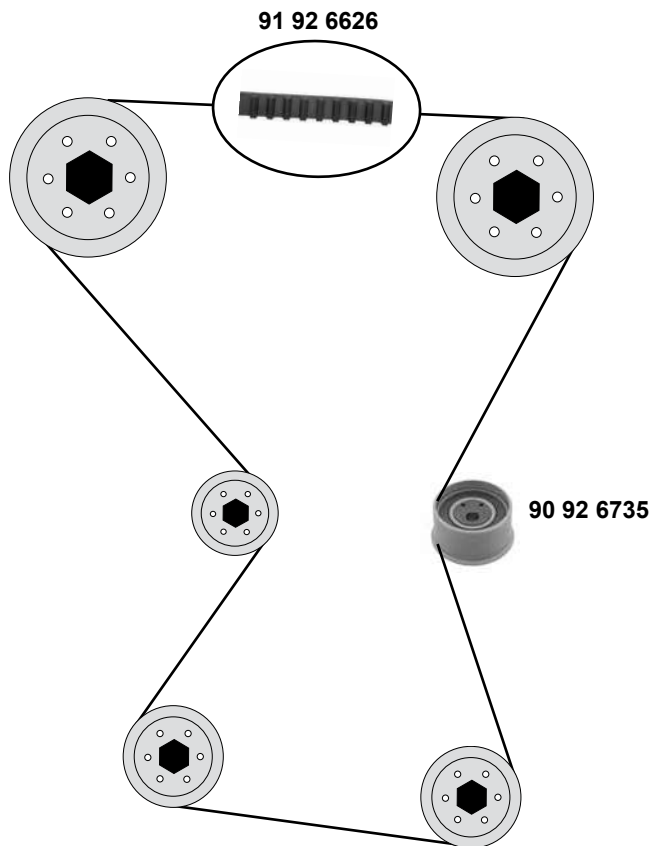


SWAG	Ref. - No.			
<b>83 03 0004</b>	OK972-12-700	Spannrolle / tension roller	07/96 → 04/00	ØA52 B28,5
<b>83 03 0008</b>	OK938-12-730	Umlenkrolle / deflection pulley		ØA52 B28,5
<b>91 92 6605</b>	OK247-12-700	Spannrolle / tension roller	07/96 → 04/00	ØA52 B28,5
<b>91 92 6625</b>	OK247-12-205	Zahnriemen / timing belt	07/96 → 04/00	Z 154 B22
<b>91 92 6696</b>	OK954-12-205	Zahnriemen / timing belt	07/96 → 04/00	Z 168
<b>91 92 6697</b>	OK955-12-730	Umlenkrolle / deflection pulley	07/96 → 12/00	ØA60 H30
<b>91 92 6904</b>	OK954-12-205 S1	Rep. Satz Zahnriemen / rep. kit timing belt	07/96 → 04/00	Z 168

**2,0 16V (DOHC)**



**2,0 16V (DOHC)**

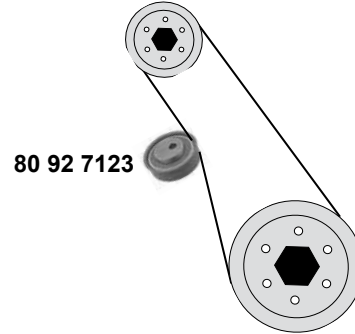
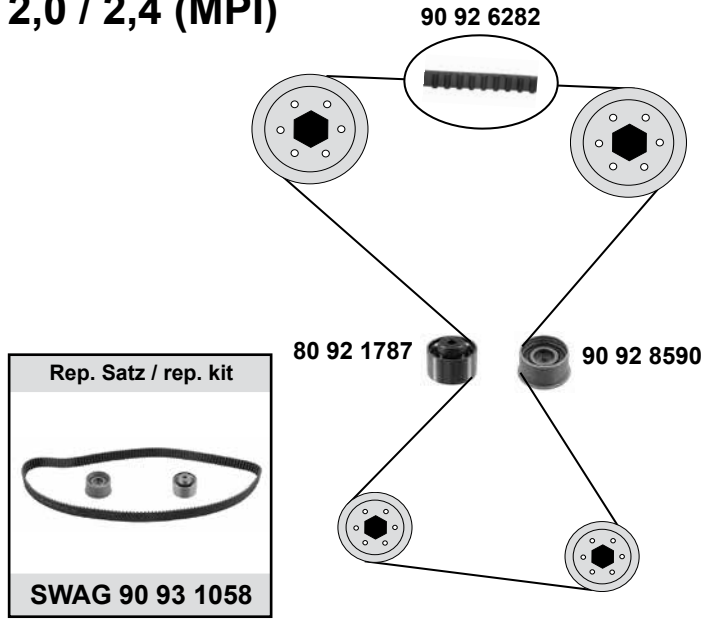


# KIA Magentis (GD)

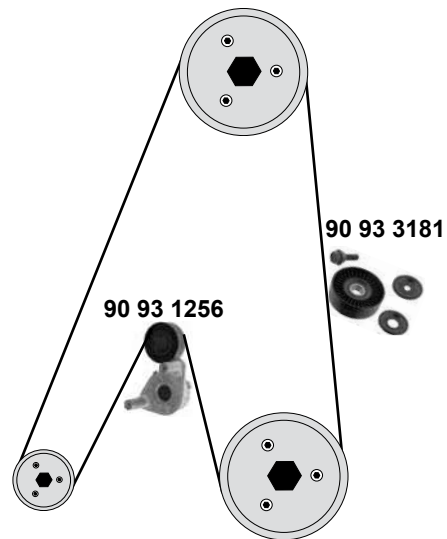
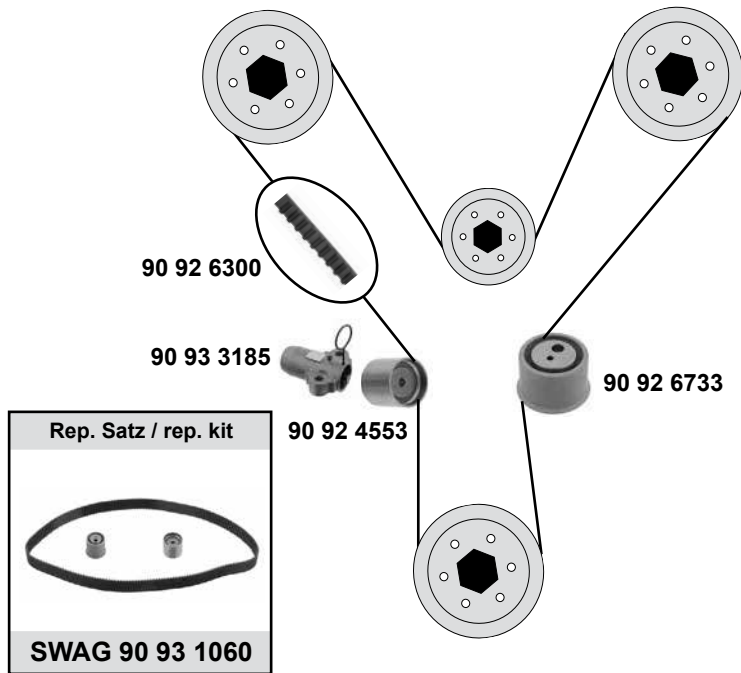
(00→)



## 2,0 / 2,4 (MPI)



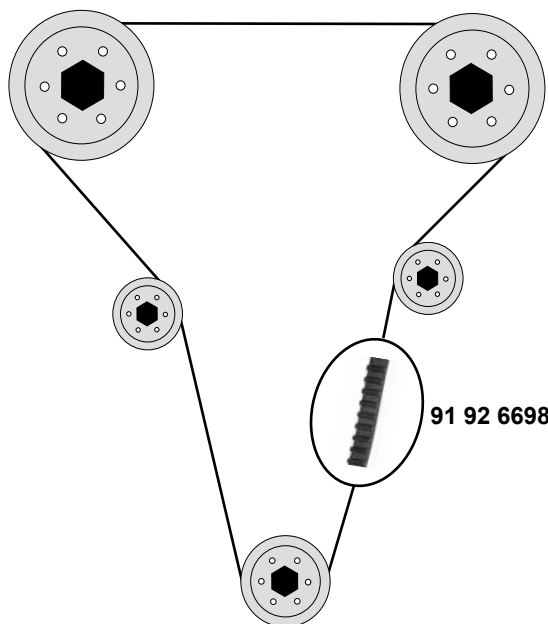
## 2,5 V6 / 2,7 V6



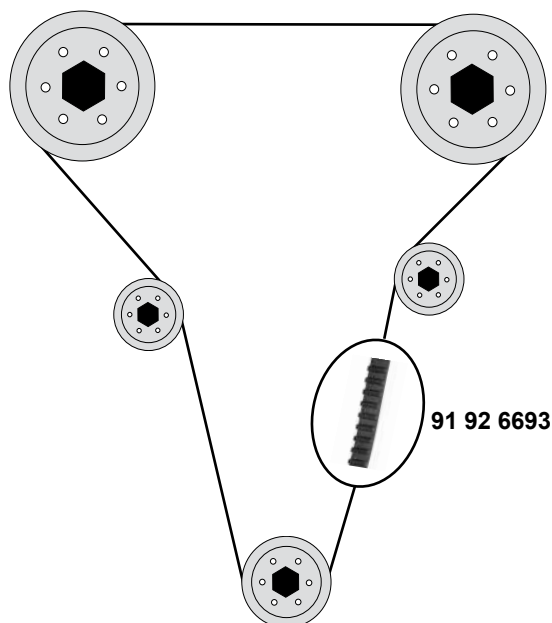
(1) (mot.) 2,5 V6 12/00 → / (mot.) 2,7 V6 10/05 →

SWAG GERMANY	Ref. - No.			
80 92 1787	24810-33024	Umlenkrolle / deflection pulley	→ 09/05	ØA 60 B32
90 92 4553	24450-37100	Umlenkrolle / deflection pulley	→ 09/05	ØA 60 B35
90 92 6282	24312-38020	Zahnriemen / timing belt	(mot.) 2,0 / 05/01 →	Z 173 B29
90 92 6300	24312-37500	Zahnriemen / timing belt	(1)	Z 207 B32
90 92 6733	24810-37120	Spannrolle / tension roller	(1)	ØA 57,5 H39
80 92 7123	23357-38001	Spannrolle / tension roller	(mot.) 2,0 / → 09/05	ØA 55 H18
90 92 8590	24450-38011	Spannrolle / tension roller	(mot.) 2,4 / → 09/05	
90 93 1058	24312-38020 S1	Rep. Satz Zahnriemen / rep. kit timing belt	→ 09/05	
90 93 1060	24312-37500 S1	Rep. Satz Zahnriemen / rep. kit timing belt	→ 09/05	Z 207
90 93 1256	25281-37120	Riemenspanner / belt tensioner	(mot.) 2,5 / → 09/05	
90 93 3181	25286-37100	Umlenkrolle / deflection pulley	(mot.) 2,5 / 07/01 → 09/05	ØA 82 H25,8
90 93 3185	24410-3E500	Riemenspanner / belt tensioner	11/05 → 12/06	





**Mentor II**  
(00→04)  
**1,6**

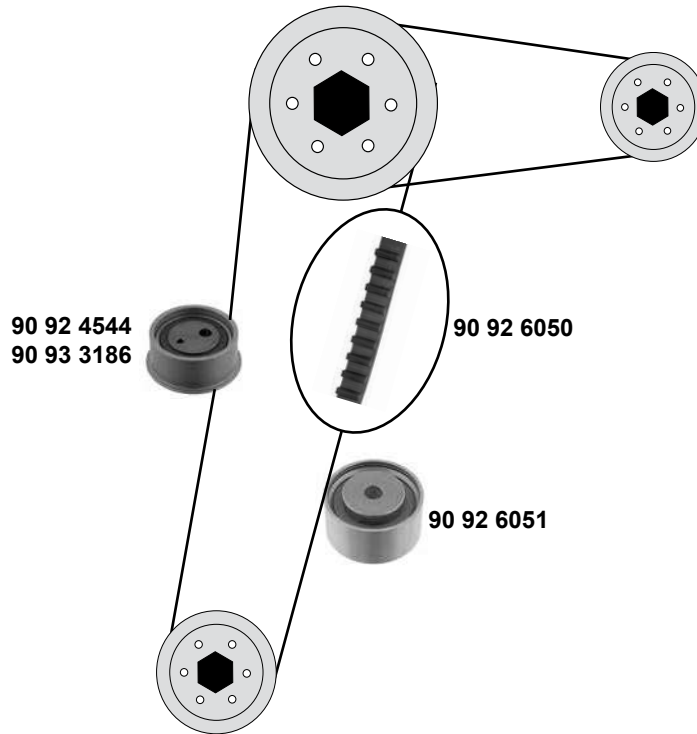


# KIA Sportage

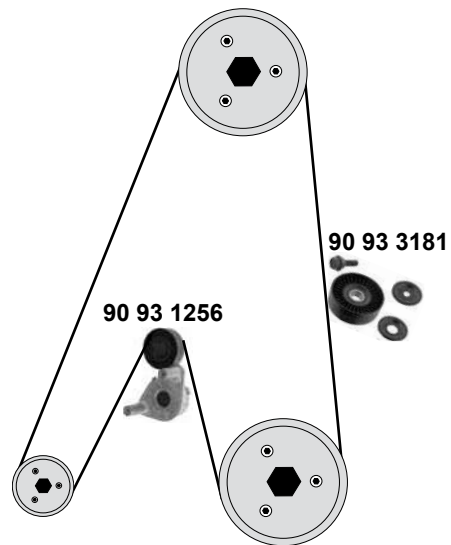
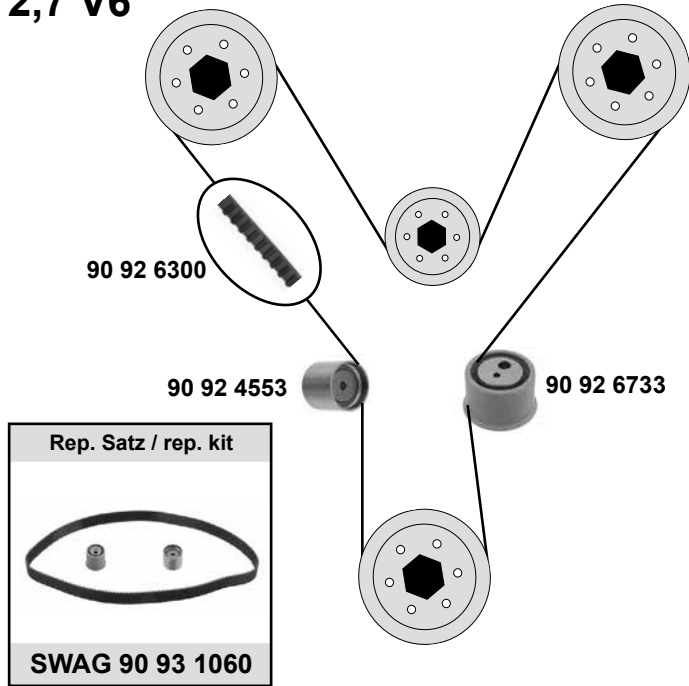
(04→)



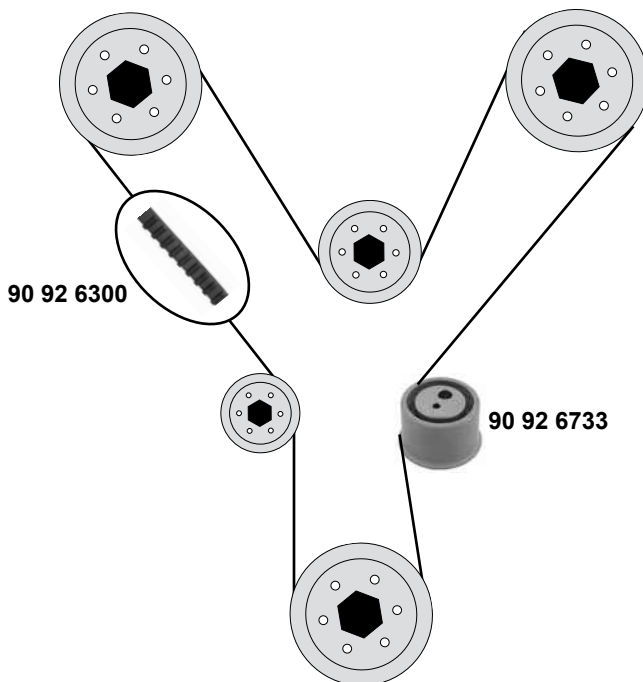
## 2,0 (MPI, DOHC)



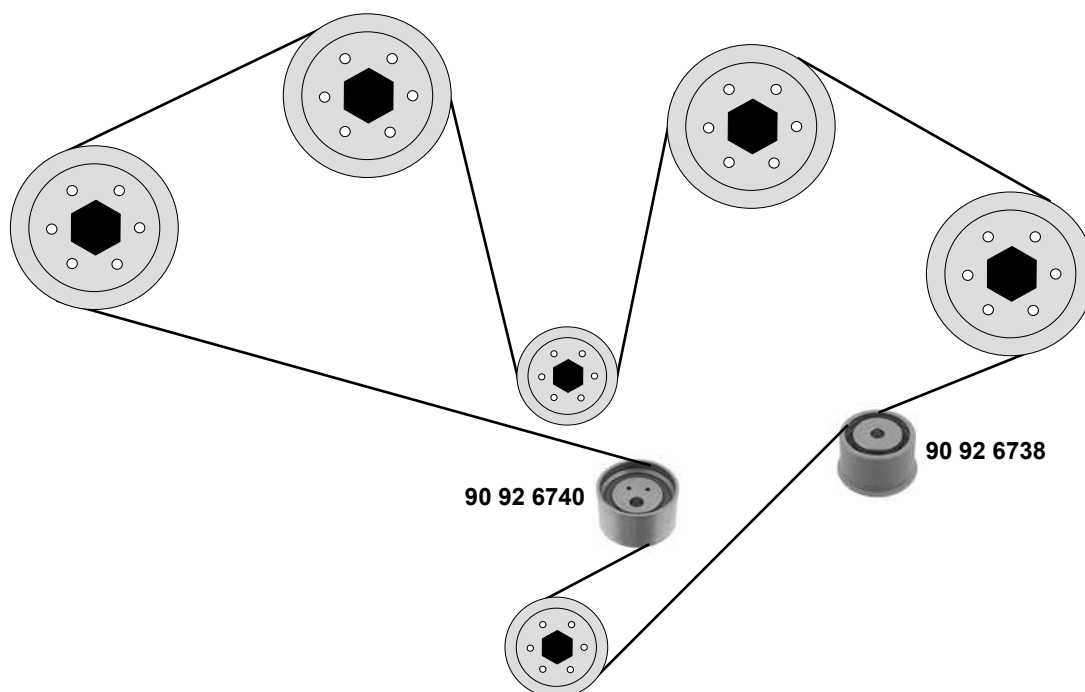
## 2,7 V6



SWAG GERMANY	Ref. - No.			
90 92 4544	24410-23500	Spannrolle / tension roller	→ 05/06	ØA 70 B30
90 92 4553	24450-37100	Umlenkrolle / deflection pulley	→ 12/06	ØA 60 B35
90 92 6050	24312-23202	Zahnriemen / timing belt		Z 113
90 92 6051	24810-23500	Umlenkrolle / deflection pulley	→ 05/06	ØA 60 H28,5
90 92 6052	24312-23202 S1	Rep. Satz Zahnriemen / rep. kit timing belt	→ 05/06	Z 111
90 92 6300	24312-37500	Zahnriemen / timing belt		Z 207 B32
90 92 6733	24810-37120	Spannrolle / tension roller		ØA 57,5 H39
90 93 1060	24312-37500 S1	Rep. Satz Zahnriemen / rep. kit timing belt		Z 207
90 93 1256	25281-37120	Riemenspanner / belt tensioner	09/06 →	
90 93 3181	25286-37100	Umlenkrolle / deflection pulley		ØA 82 H25,8
90 93 3186	24410-23050	Spannrolle / tension roller	05/06 →	ØA 70 B30
90 93 3187	24312-23202 S2	Rep. Satz Zahnriemen / rep. kit timing belt	05/06 →	



**3,5 (24V, V6 DOHC)**

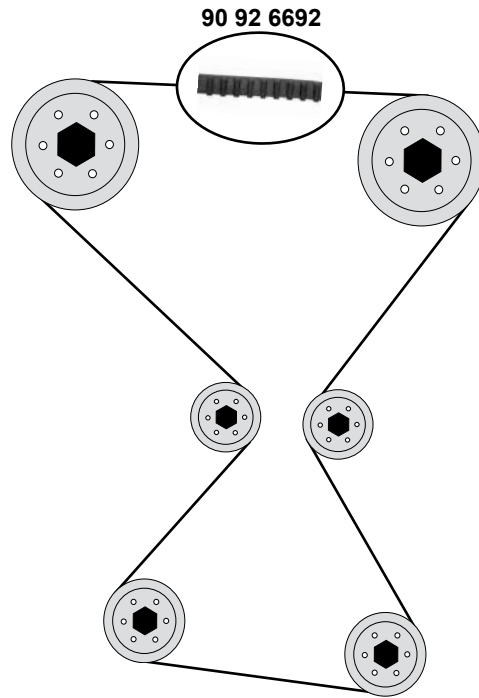


Ref. - No.

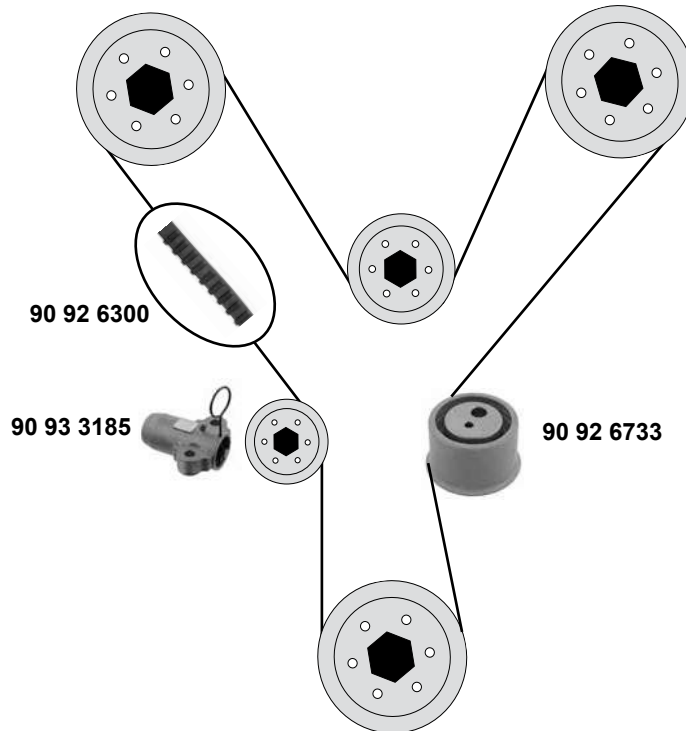


<b>90 92 6300</b>	24312-37500	Zahnriemen / timing belt	05/05 →	Z 207 B32
<b>90 92 6733</b>	24810-37120	Spannrolle / tension roller	05/05 →	ØA 57,5 H39
<b>90 92 6738</b>	24810-39810	Umlenkrolle / deflection pulley	07/03 →	ØA 57,5 H38,5
<b>90 92 6740</b>	24450-35530	Spannrolle / tension roller	07/03 →	ØA 60 H35

**2,4**



**2,5 V6 / 2,7 V6**



(1) (mot.) 2,5 V6 12/00 → / (mot.) 2,7 V6 10/05 →



Ref. - No.



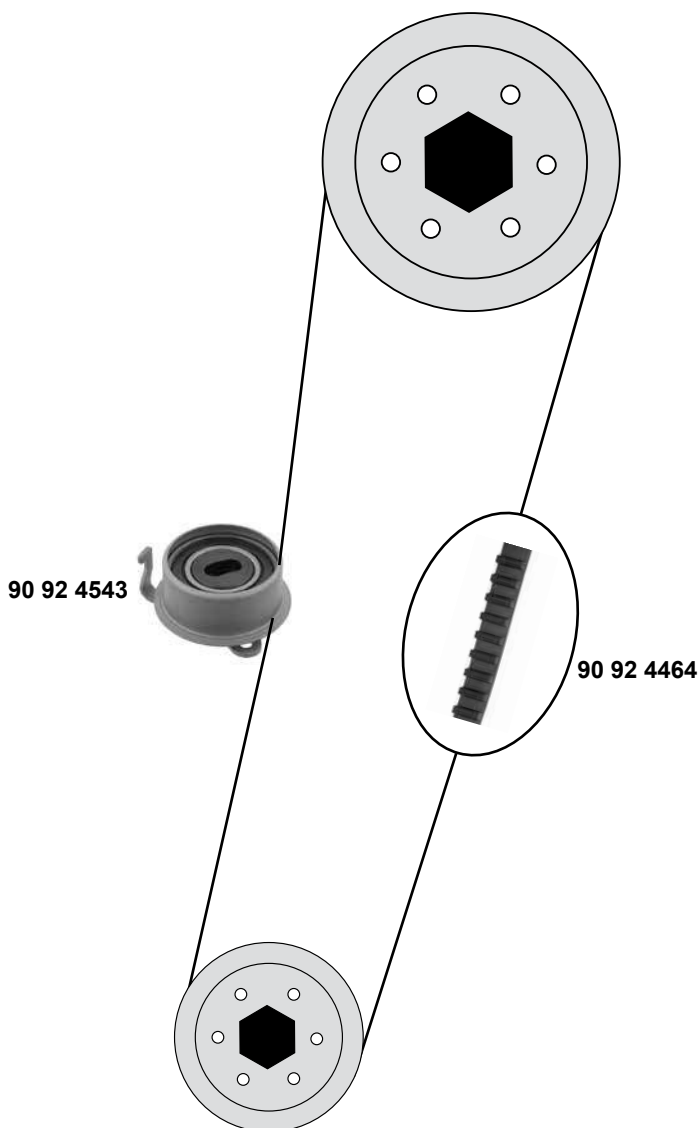
Zahnriemen / timing belt  
Zahnriemen / timing belt  
Spannrolle / tension roller  
Riemenspanner / belt tensioner



(1)  
01/02 → 09/05  
(1)  
09/06 →



Z 207 B32  
Z 175 B29  
ØA 57,5 H39



Rep. Satz / rep. kit



SWAG 90 92 4791



(1) (mot.) 1,1 04 → 07 / (mot.) 1,0 05 → 07 / (mot.) 1,0 ; 1,1 07 →



Ref. - No.



<b>90 92 4464</b>	24312-02701
<b>90 92 4543</b>	24410-02550
<b>90 92 4791</b>	24312-02701 S1

Zahnriemen / timing belt	(1)
Spannrolle / tension roller	(1)
Rep. Satz Zahnriemen / rep. kit timing belt	(1)

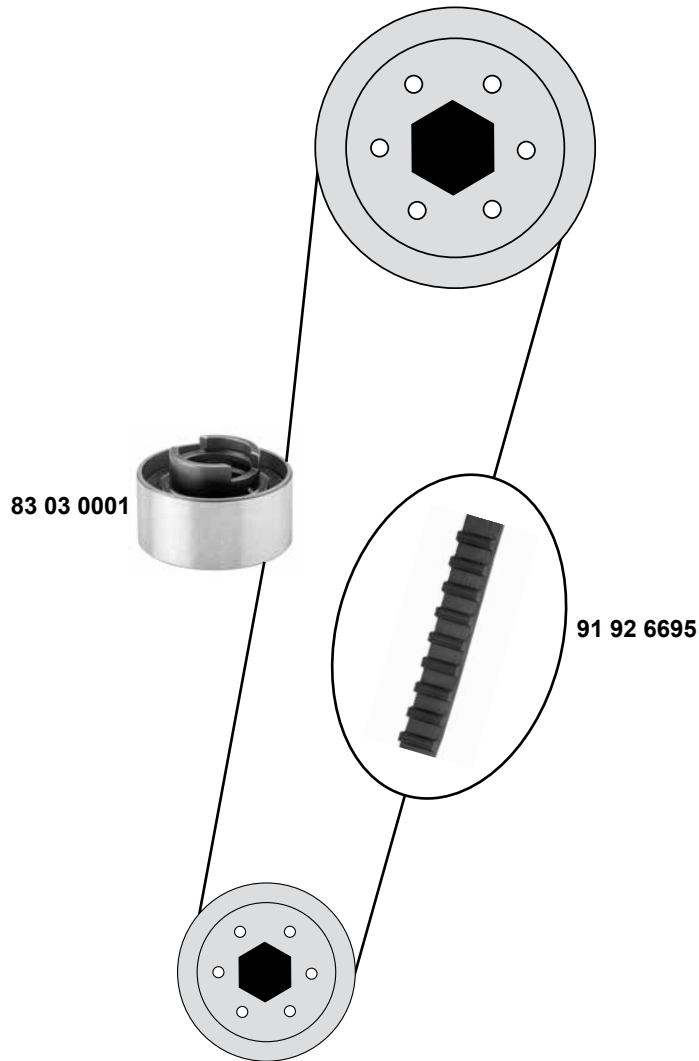
Z 101 B20
ØA 57 B25,5
Z 101

**1,1 8V (SOHC)**

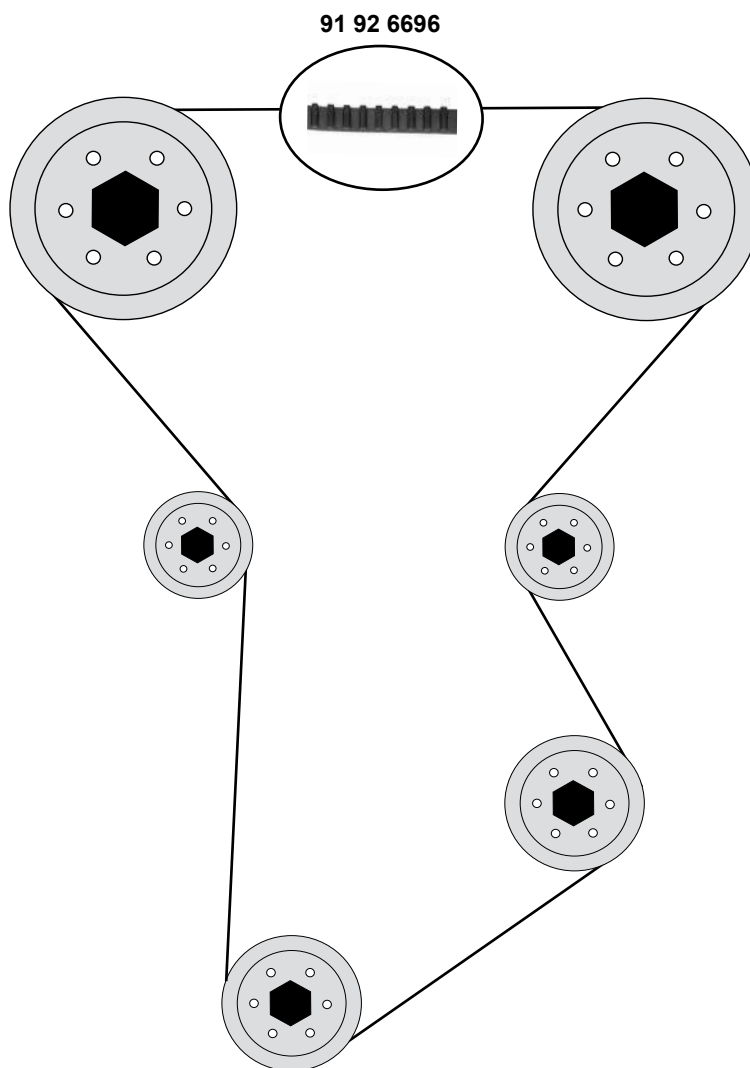
01/92→01/00

**1,3 8V (SOHC)**

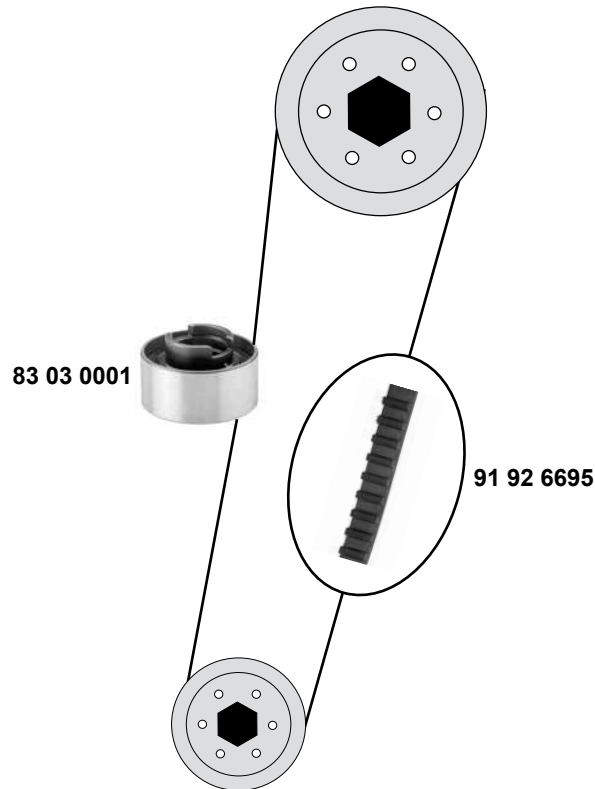
01/90→01/00



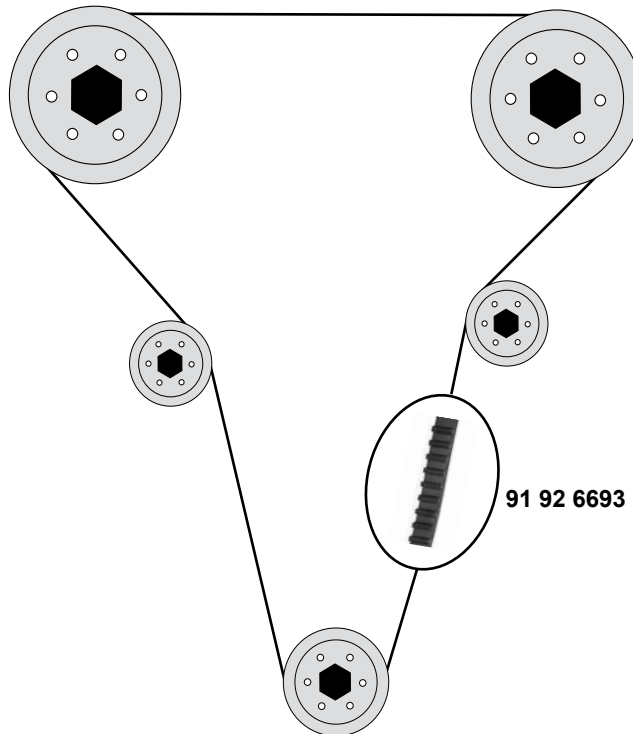
SWAG	Ref. - No.			
83 03 0001	MB630-12-700E	Spannrolle / tension roller		ØA 52 B25
91 92 6695	KK350-12-205	Zahnriemen / timing belt		Z 107
91 92 6905	KK350-12-205 S1	Rep. Satz Zahnriemen / rep. kit timing belt		Z 107



**1,3 8V (SOHC)**



**1,5**

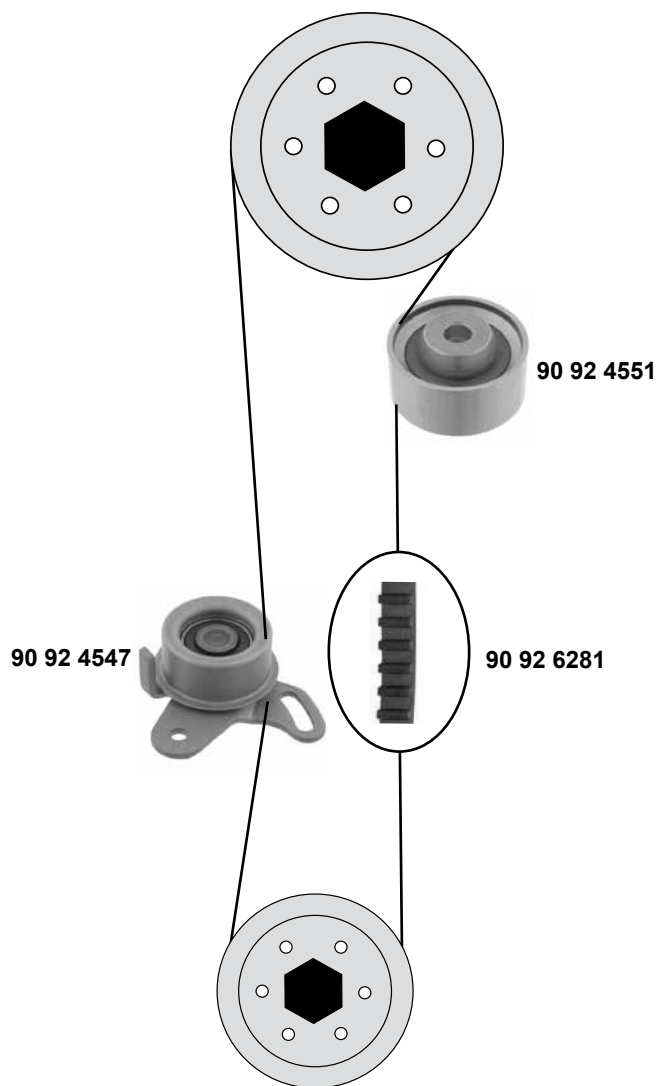


SWAG	Ref. - No.			
83 03 0001	MB630-12-700E	Spannrolle / tension roller	04/00 → 05/05	ØA 52 B25
91 92 6695	KK350-12-205	Zahnriemen / timing belt		Z 107
91 92 6693	0K30E-12-205	Zahnriemen / timing belt		Z 137
91 92 6905	KK350-12-205 S1	Rep. Satz Zahnriemen / rep. kit timing belt		Z 107



**1,4 16V MPI (DOHC)**  
09/06→

**1,6 16V MPI (DOHC)**  
04/05→



Ref. - No.



<b>90 92 4547</b>	24410-26000
<b>90 92 4551</b>	24810-26020
<b>90 92 6281</b>	24312-26001
<b>90 93 1061</b>	24312-26001 S1

Spannrolle / tension roller
Umlenkrolle / deflection pulley
Zahnriemen / timing belt
Rep. Satz Zahnriemen / rep. kit timing belt

04.05 →

ØA60 B29
ØA55 H25
Z 105 B22

# KIA Sephia I

(93→04)

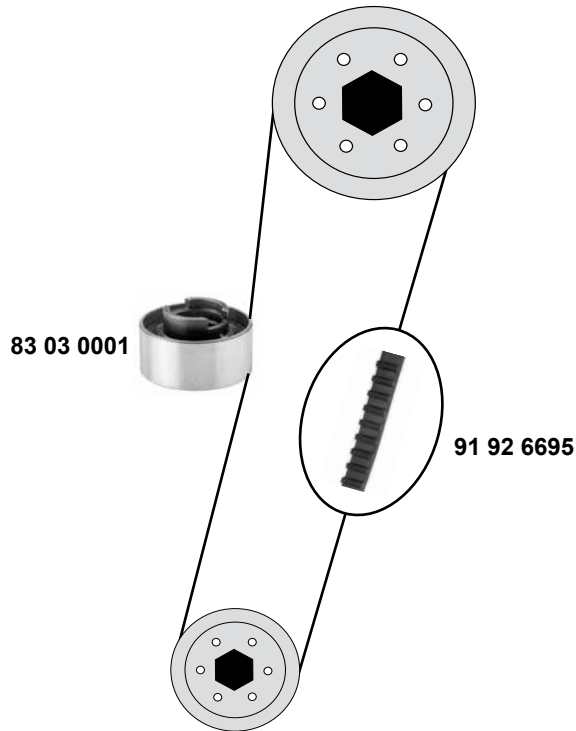


## 1,5 8V (SOHC)

02/96→

## 1,6 8V (SOHC)

04/94→02/96



## 1,5 16V (DOHC)

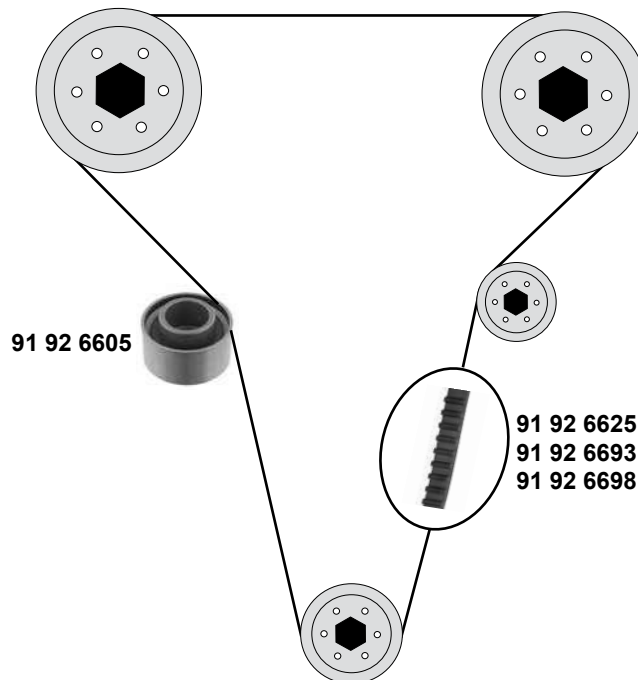
95→00

## 1,6 16V (DOHC)

00→04

## 1,8 16V (DOHC)

95→



Ref. - No.



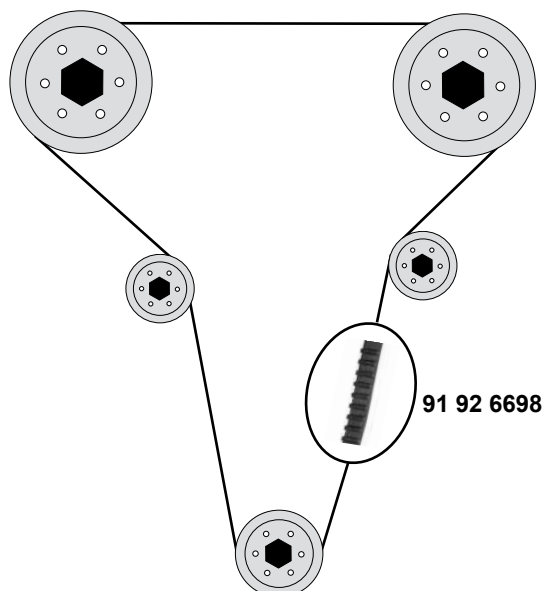
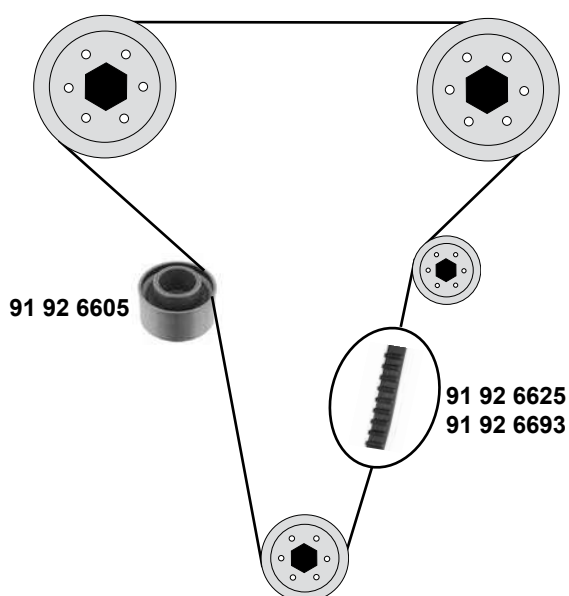
83 03 0001	MB630-12-700E
91 92 6605	OK247-12-700
91 92 6625	OK247-12-205
91 92 6693	OK30E-12-205
91 92 6695	KK350-12-205
91 92 6698	OK203-12-205
91 92 6905	KK350-12-205 S1

Spannrolle / tension roller
Spannrolle / tension roller
Zahnriemen / tension roller
Zahnriemen / timing belt
Zahnriemen / timing belt
Zahnriemen / timing belt
Rep. Satz Zahnriemen / rep. kit timing belt

(mot.) 1,8 16V  
(mot.) 1,8 16V  
(mot.) 1,6 16V

(mot.) 1,5 16V

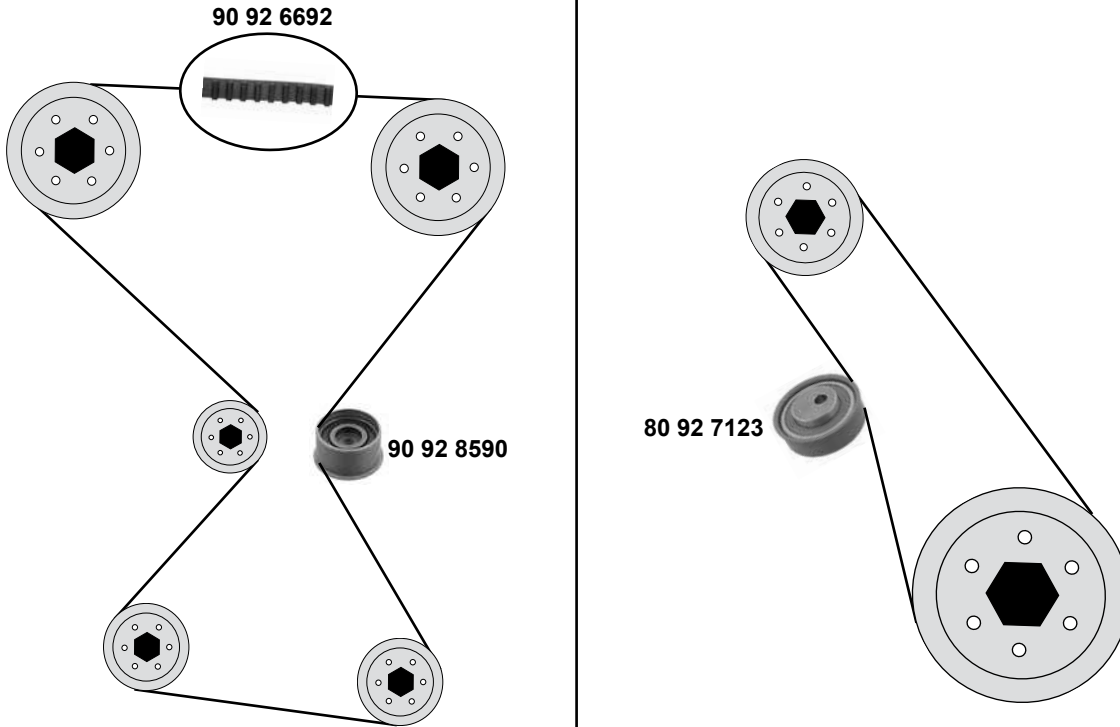
ØA 52 B25
ØA 52 B28,5
Z 154 B22
Z 137
Z 107
Z 145 B22
Z 107

**1,5 16V (DOHC)**

**1,6 / 1,8**


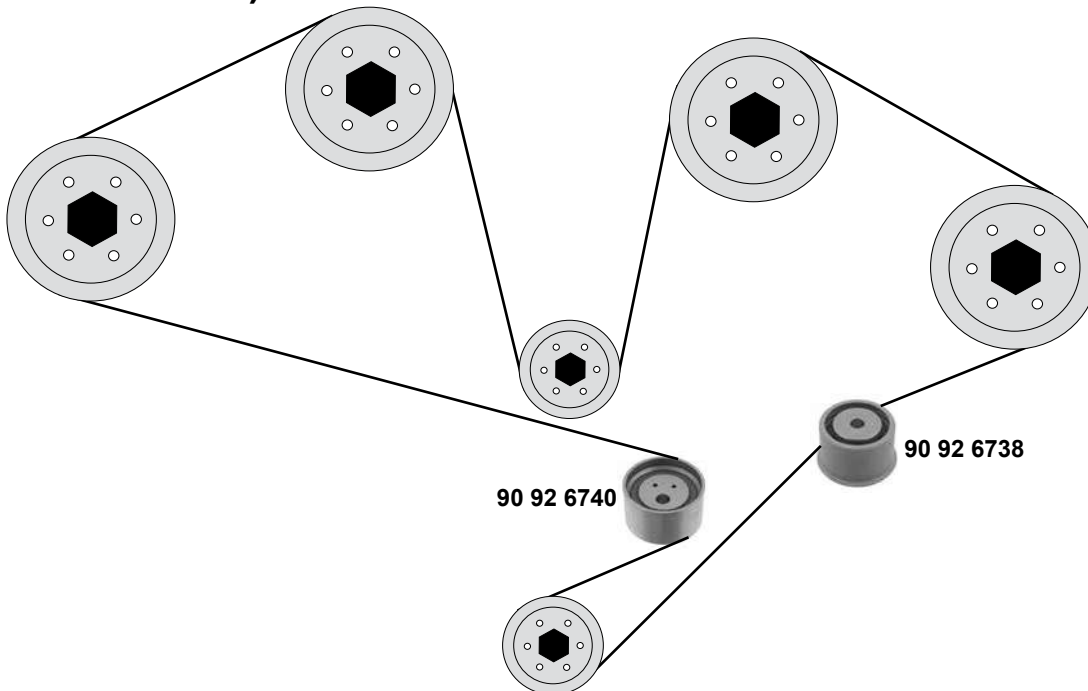
# KIA Sorento (02→)







## 2,4 16V

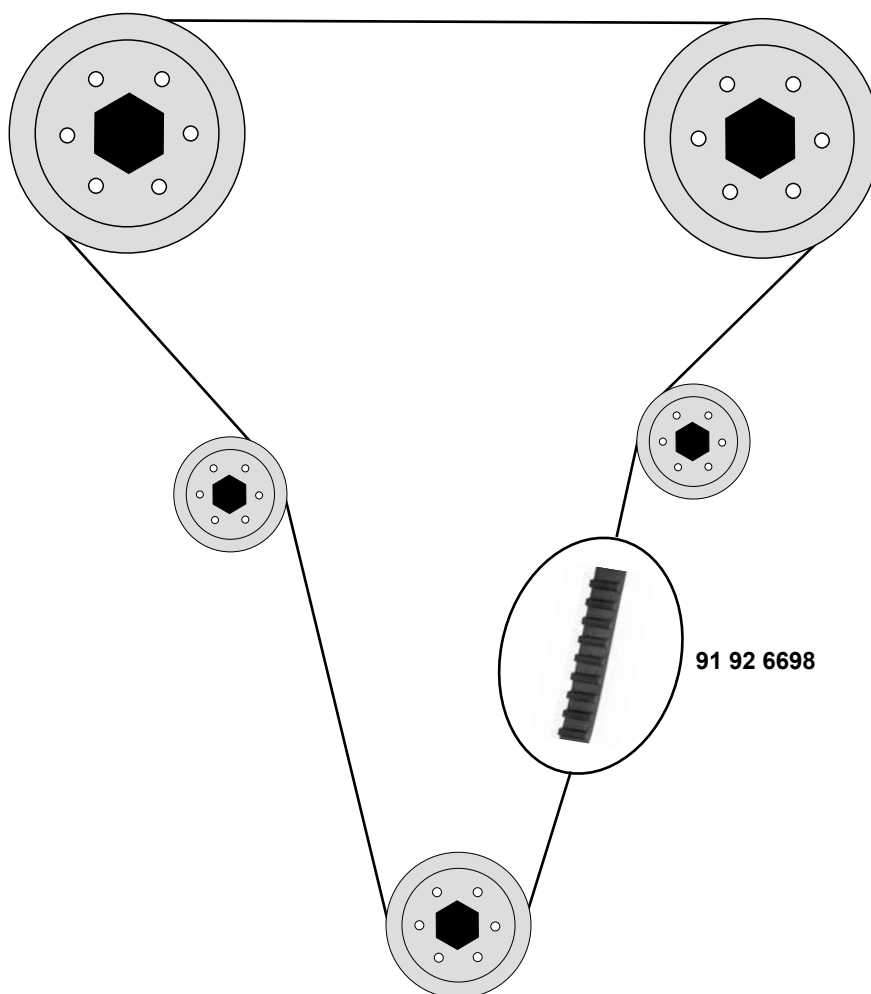


## 3,5 (24V / V6 DOHC)



	Ref. - No.			
90 92 6692	24312-38210	Zahnriemen / timing belt		Z 175 B29
90 92 6738	24810-39810	Umlenkrolle / deflection pulley		ØA 57,5 H38,5
90 92 6740	24450-35530	Spannrolle / tension roller		ØA 60 H35
80 92 7123	23357-38001	Spannrolle / tension roller	→ 04/06	ØA 55 H18
90 92 8590	24450-38011	Spannrolle / tension roller	→ 04/06	ØA 60,5 H33,5

**1,5 16V (DOHC)**

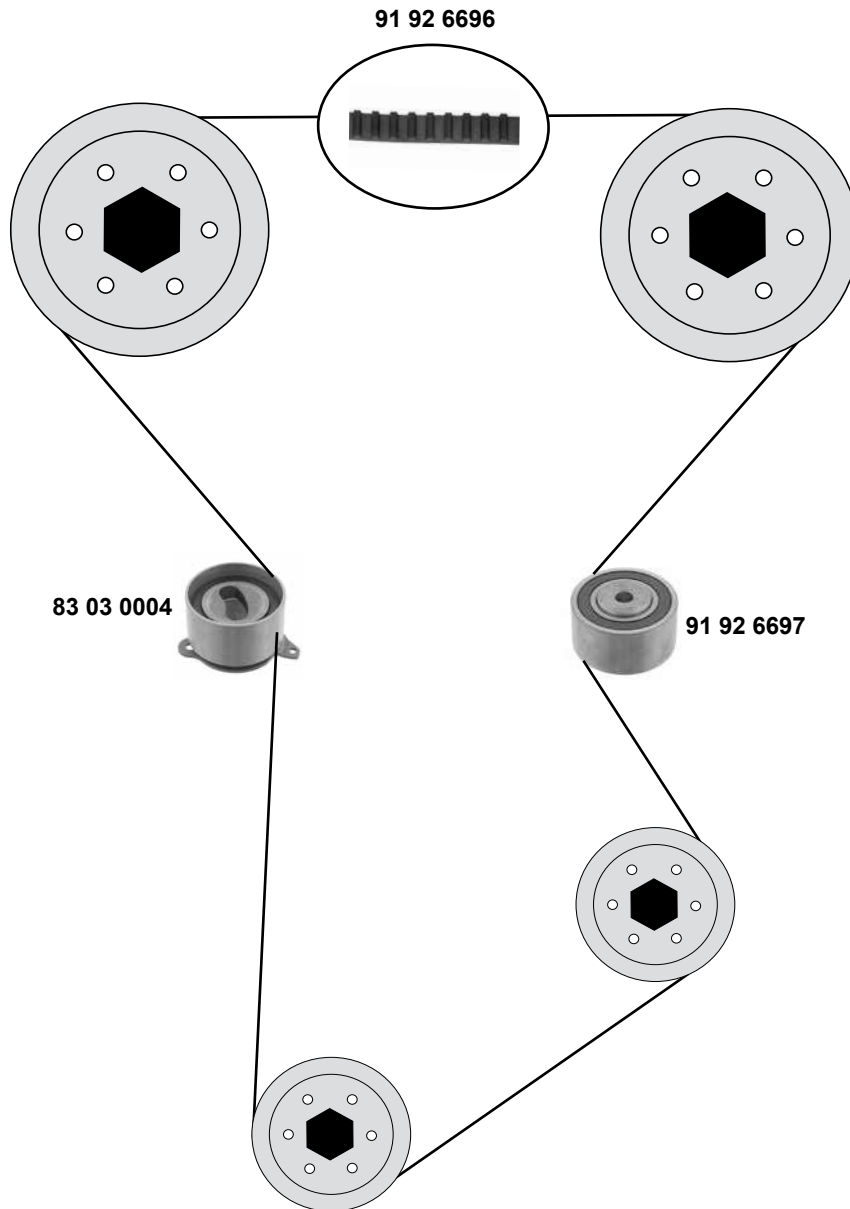


# KIA Sportage (K00)

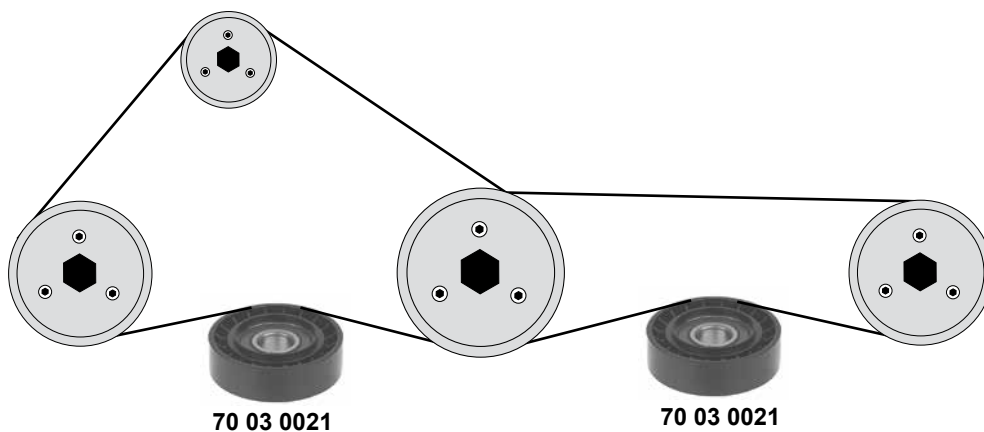
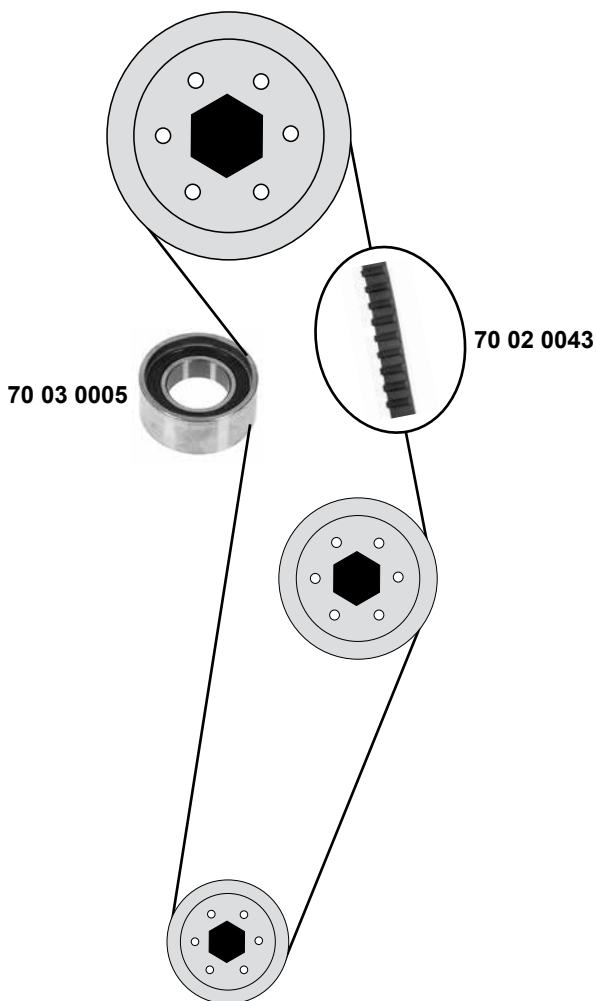
(94→03)



## 2,0 16V (DOHC)



	Ref. - No.			
<b>83 03 0004</b>	0K972-12-700	Spannrolle / tension roller	→ 05/03	ØA52 B28,5
<b>91 92 6696</b>	0K954-12-205	Zahnriemen / timing belt	→ 05/03	Z 168 B25,4
<b>91 92 6697</b>	0K955-12-730	Umlenkrolle / deflection pulley	→ 05/03	ØA60 H30
<b>91 92 6904</b>	0K954-12-205 S1	Rep. Satz Zahnriemen / rep. kit timing belt	→ 05/03	Z 168



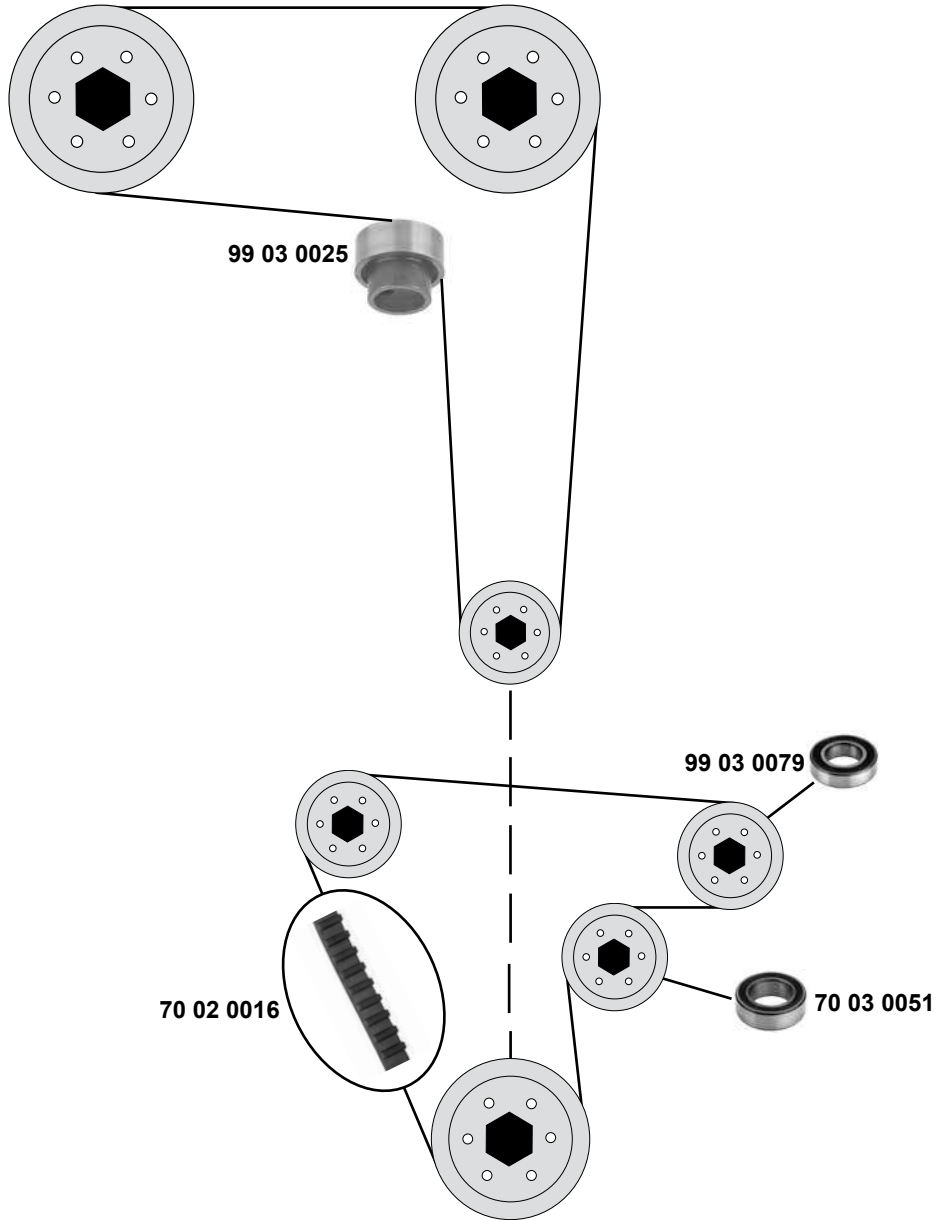
Ref. - No.



<b>70 02 0043</b>	71719005
<b>70 03 0005</b>	71740977
<b>70 03 0021</b>	46424716
<b>99 02 0040</b>	46408751 S1

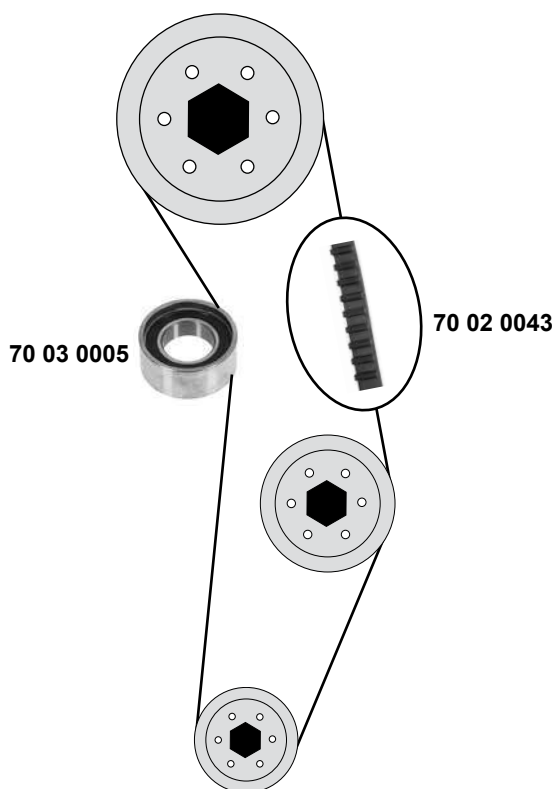
Zahnriemen / timing belt
Spannrolle / tension roller
Spannrolle / tension roller
Rep. Satz Zahnriemen / rep. kit timing belt

Z 138 B15
ØA57 H24
ØA80 H24

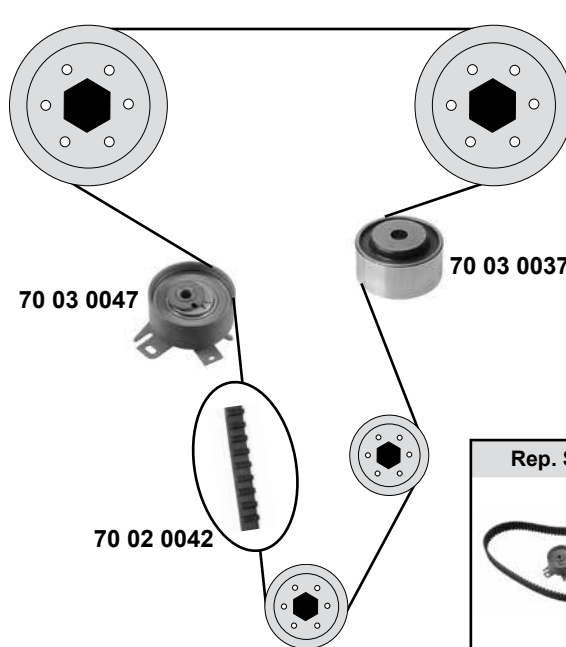
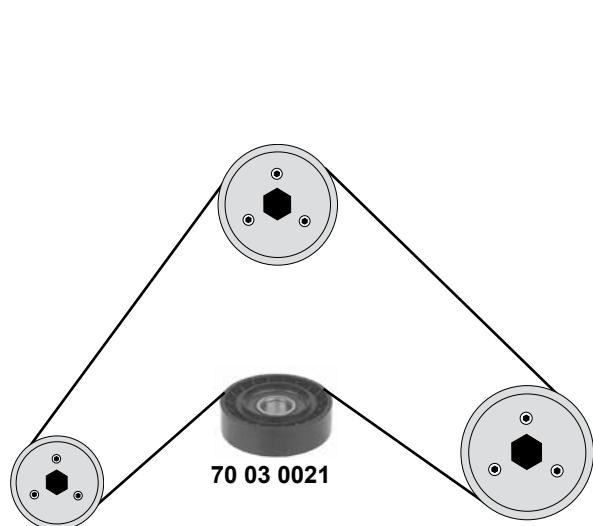




**1,6 8V**



**1,6 16V**



<b>70 02 0042</b>	55188191	Zahnriemen / timing belt	Z158 B25,4
<b>70 02 0043</b>	71719005	Zahnriemen / timing belt	Z 138 B15
<b>70 02 0056</b>	71736715	Rep. Satz Zahnriemen / rep. kit timing belt	
<b>70 03 0005</b>	71740977	Spannrolle / tension roller	ØA57 H24
<b>70 03 0021</b>	46424716	Umlenkrolle / deflection pulley	ØA80 H24
<b>70 03 0037</b>	55211287	Umlenkrolle / deflection pulley	ØA65 H30,4 / 35,4
<b>70 03 0047</b>	71734799	Spannrolle / tension roller	ØA60 H29
<b>99 02 0040</b>	46408751 S1	Rep. Satz Zahnriemen / rep. kit timing belt	

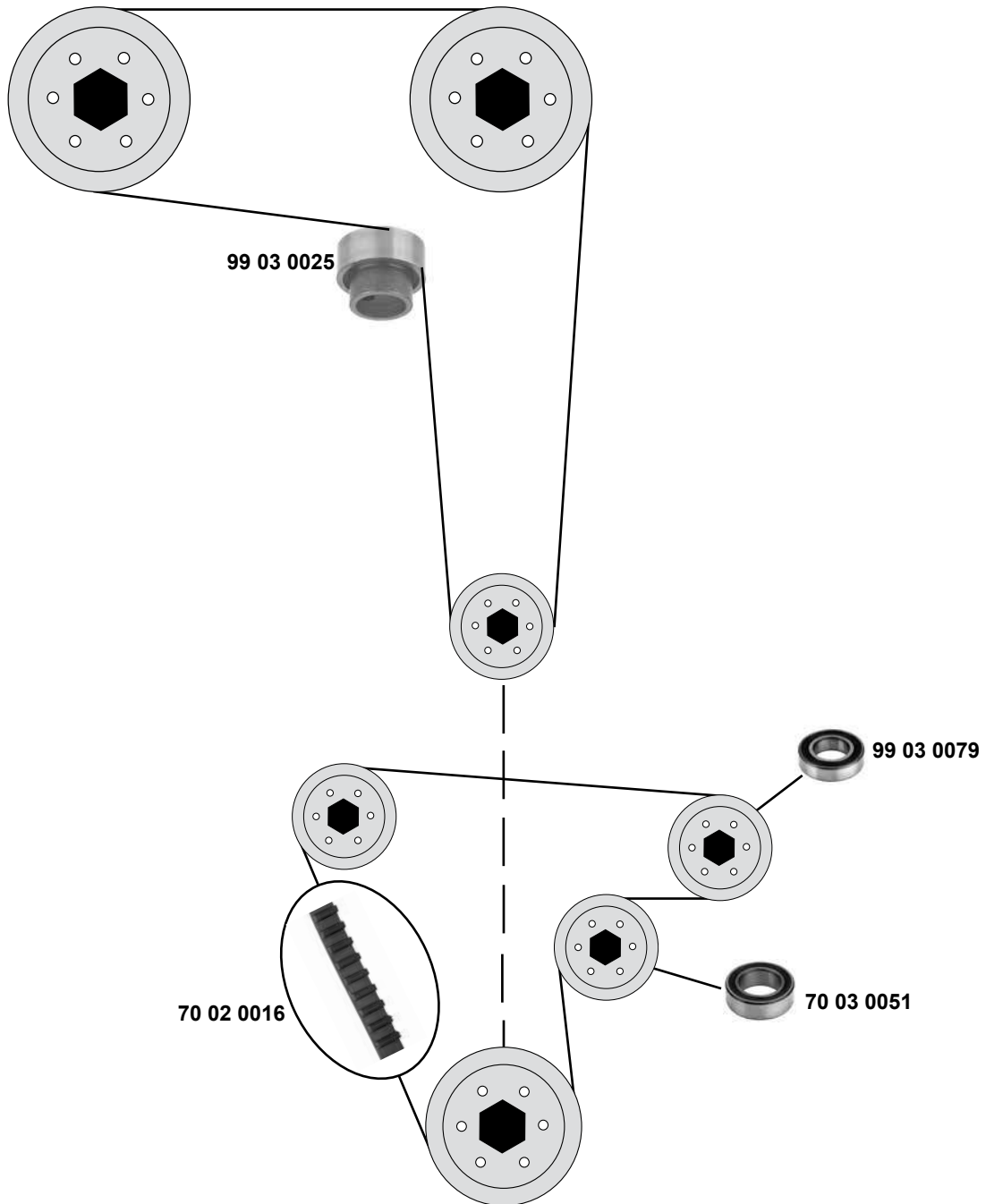
# LANCIA

## Dedra / SW (835)

(89→99)



### 1,8 / 2,0 8V



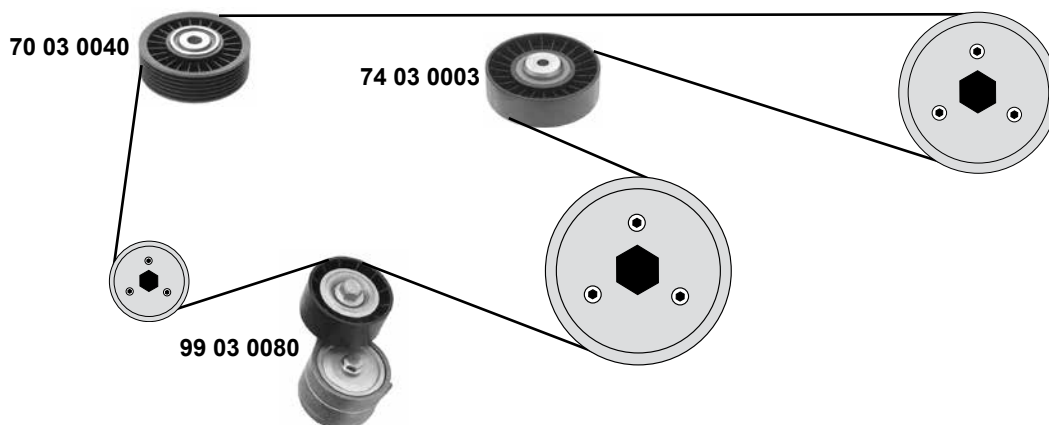
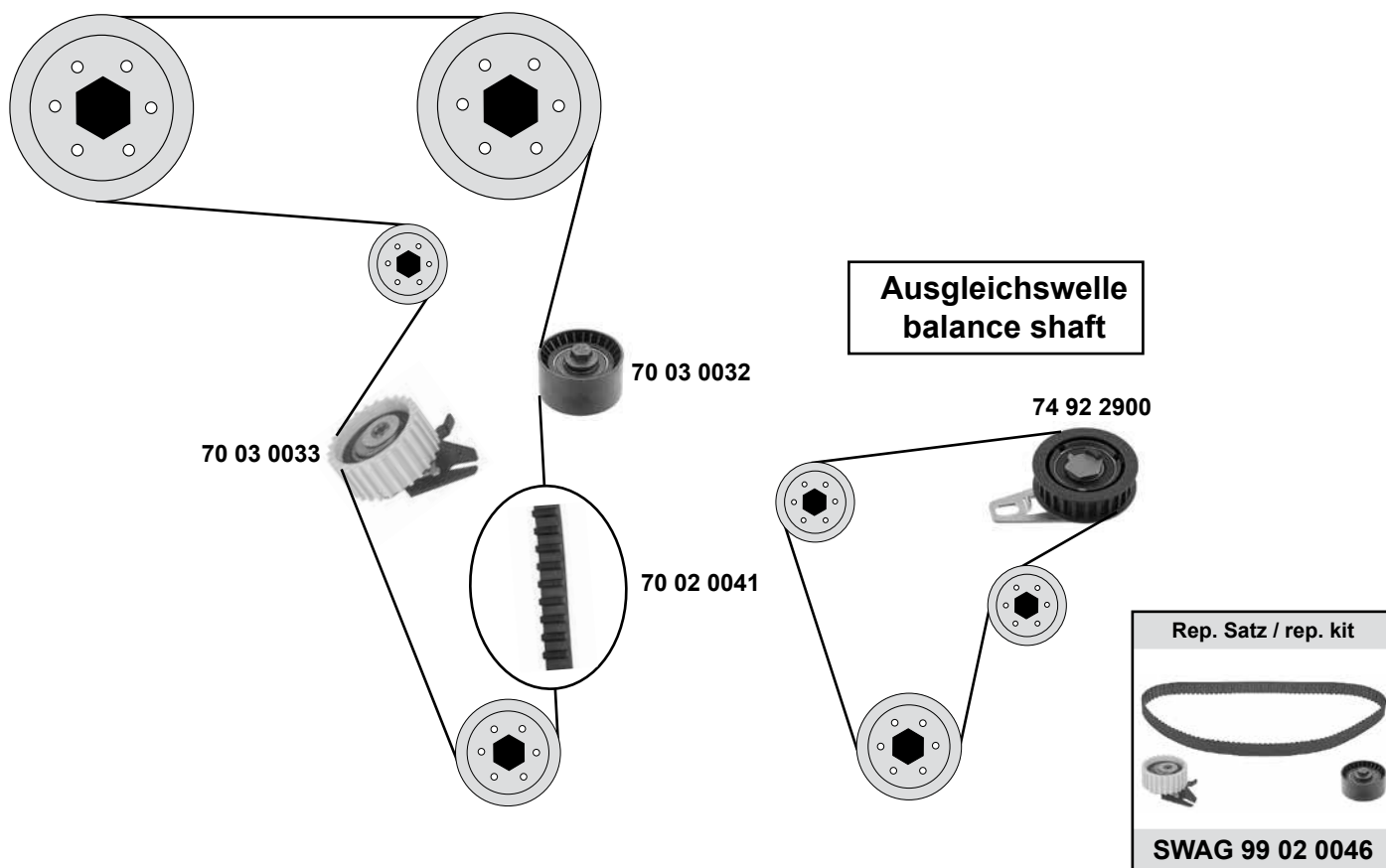
Ref. - No.



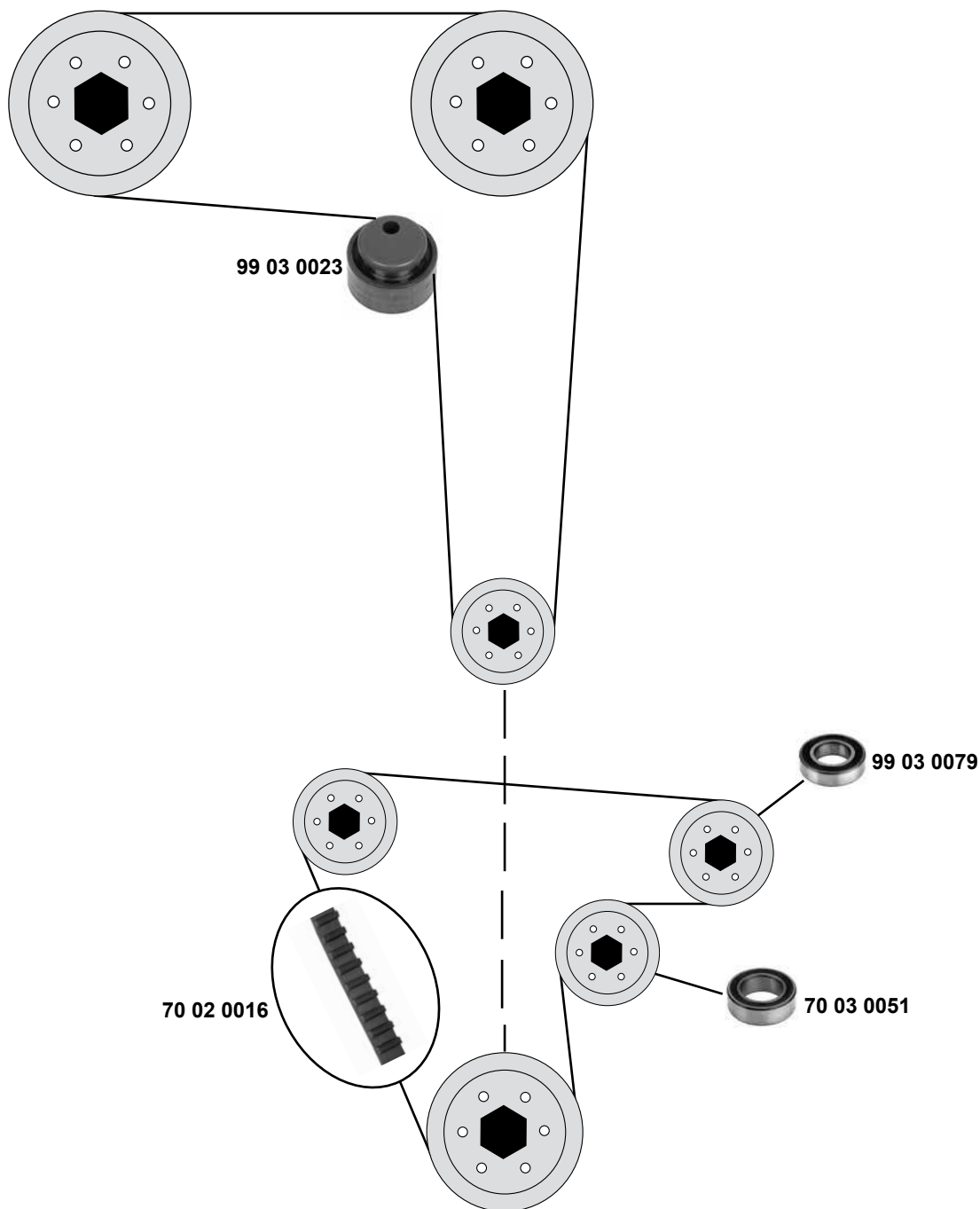
70 02 0016	7614999
70 03 0051	5999795
99 03 0025	7541718
99 03 0079	7541712

Zahnriemen Ausgleichsw. / timing belt balance shaft
Umlenkrolle / deflection pulley
Spannrolle / tension roller
Umlenkrolle / deflection pulley

Z 97 B15
ØA68 Ø1 40 H21
ØA56 H27/ 39,5
ØA47 Ø1 25 H12



**2,0 16 V**



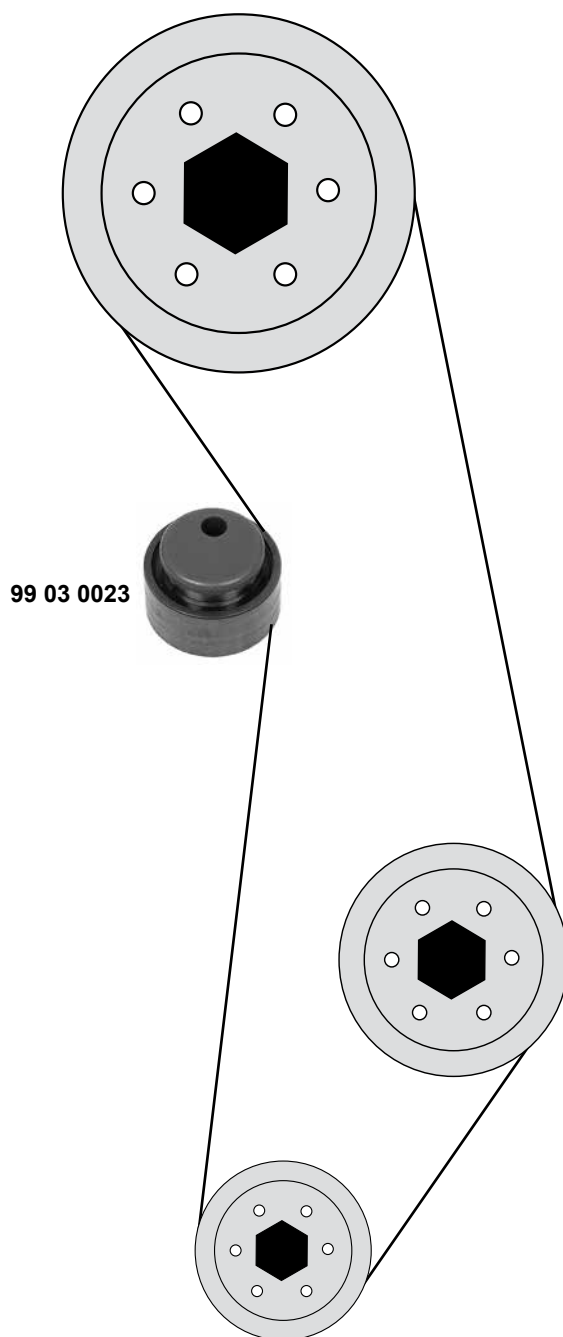
Ref. - No.



70 02 0016	7614999
70 03 0051	5999795
99 03 0023	5997325
99 03 0079	7541712

Zahnriemen Ausgleichsw. / timing belt balance shaft
Umlenkrolle / deflection pulley
Spannrolle / tension roller
Umlenkrolle / deflection pulley

Z 97 B15
ØA68 Ø1 40 H21
ØA56 H27/39,5
ØA47 Ø125 H12



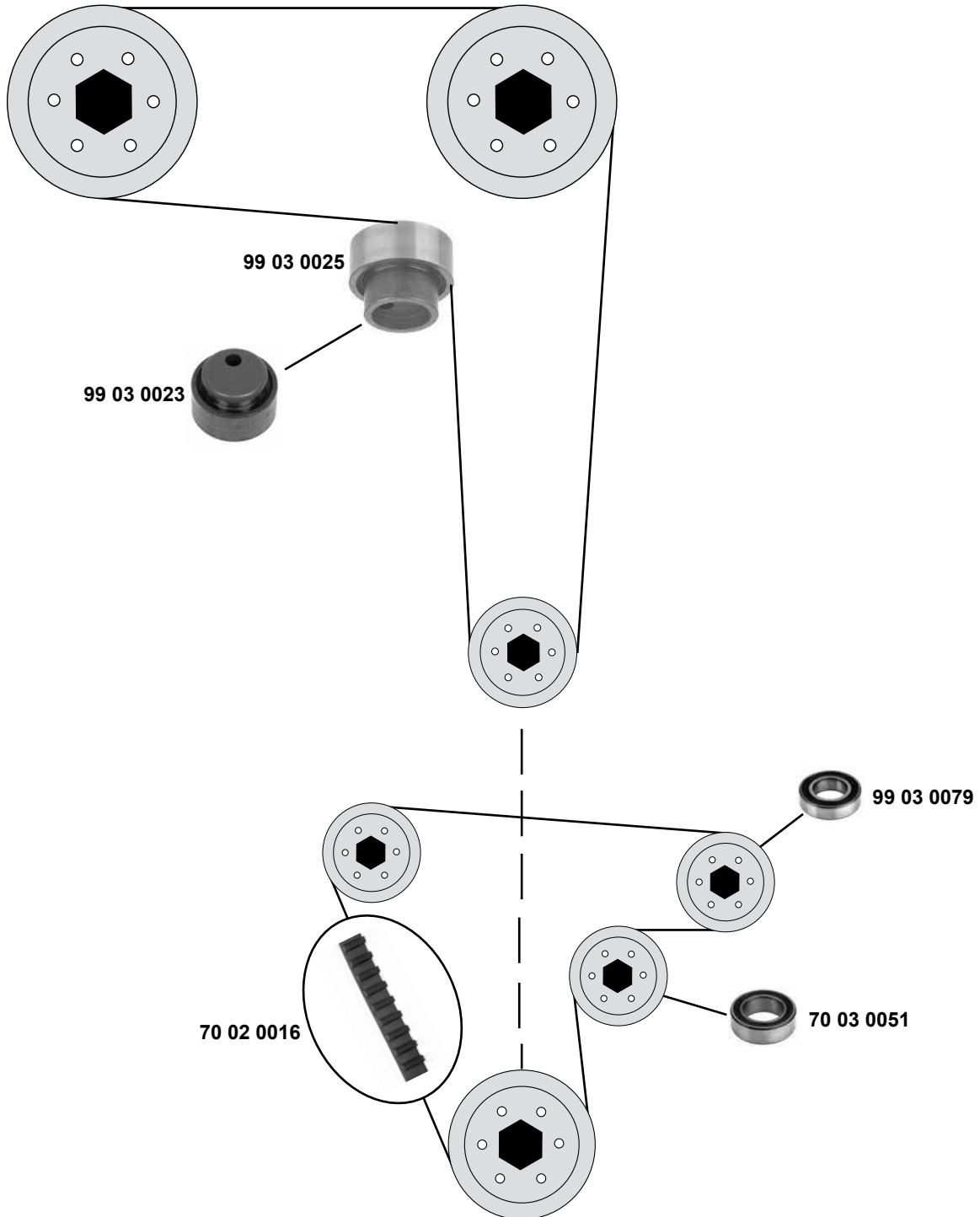
# LANCIA

## Delta I (831)

(86→94)

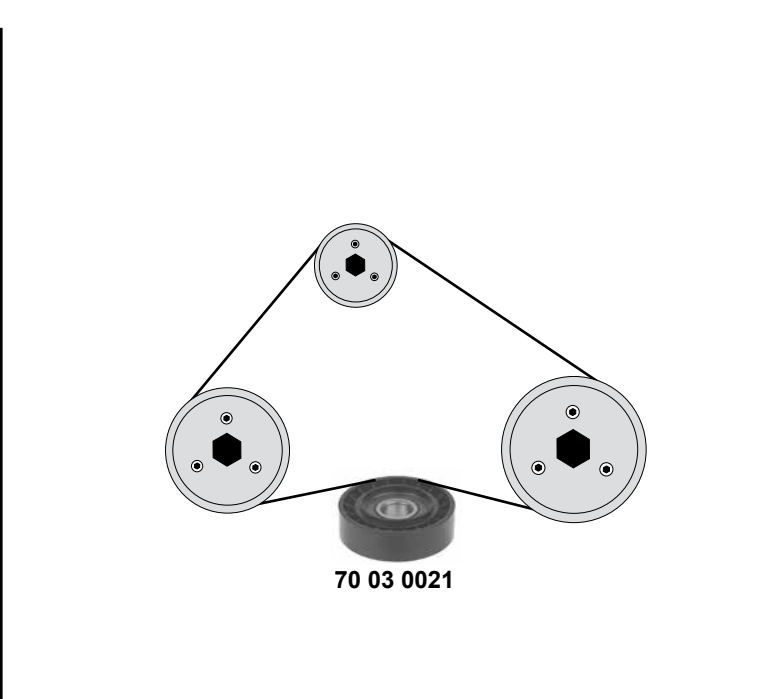
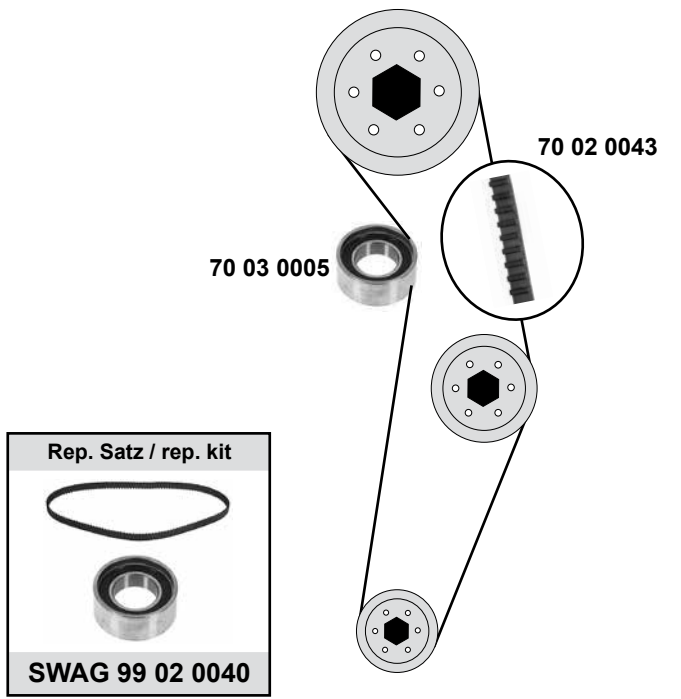


2,0 8V / 16V

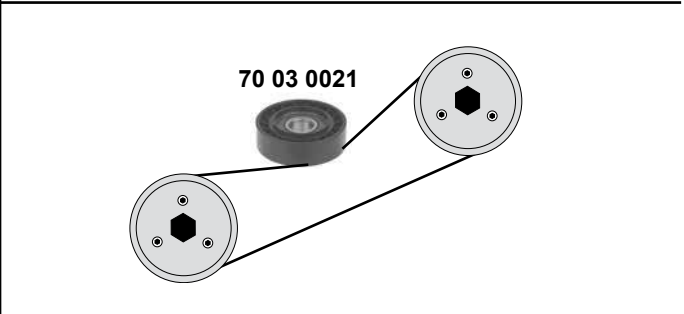
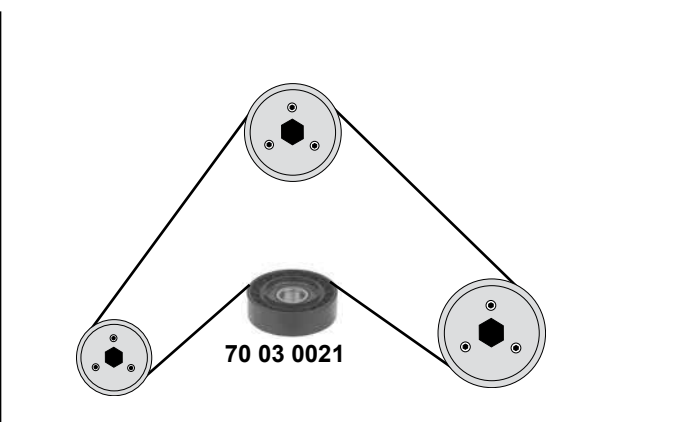
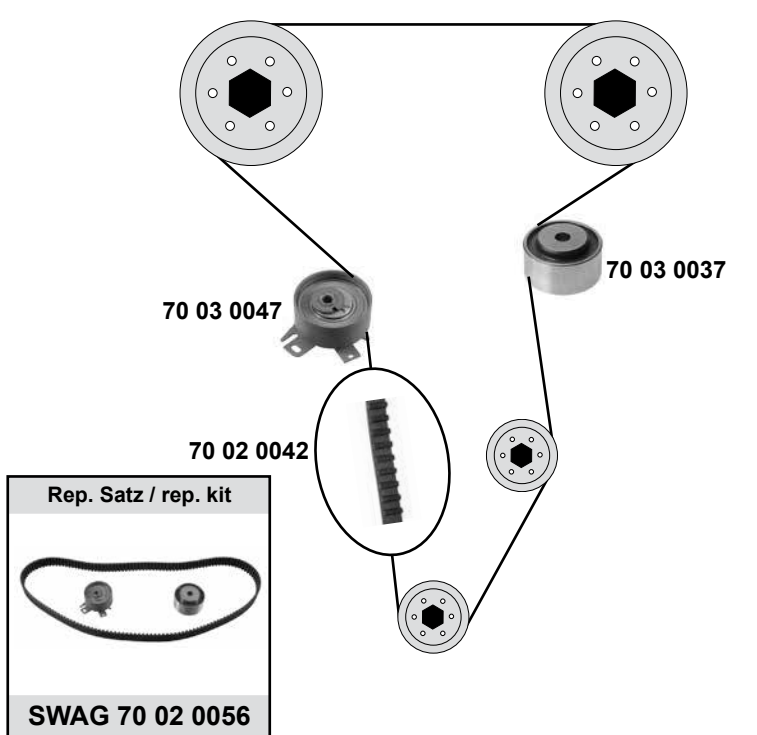


SWAG GERMANY	Ref. - No.			
70 02 0016	7614999	Zahnriemen Ausgleichsw. / timing belt balance shaft		Z 97 B15
70 03 0051	5999795	Umlenkrolle / deflection pulley		ØA 68 ØI 40 H21
99 03 0023	5997325	Spannrolle / tension roller	(mot.) 2,0 16V	ØA 56 H 27/39,5
99 03 0025	7541718	Spannrolle / tension roller	(mot.) 2,0 8V	ØA 60 H 25/46,5
99 03 0079	7541712	Umlenkrolle / deflection pulley		ØA47 ØI 25 H12

1,4 / 1,6 8V



1,6 16V



SWAG	Ref. - No.			
70 02 0042	55188191	Zahnriemen / timing belt		Z 158 B25,4
70 02 0043	71719005	Zahnriemen / timing belt		Z 138 B15
70 02 0056	71736715	Rep. Satz Zahnriemen / rep. kit timing belt		
70 03 0005	71740977	Spannrolle / tension roller		ØA57 H24
70 03 0021	46424716	Spannrolle / tension roller		ØA80 H24
70 03 0037	55211287	Umlenkrolle / deflection pulley	93 → 99	ØA65 H30,4 / 35,4
70 03 0047	71734799	Spannrolle / tension roller		ØA60 H29
99 02 0040	46408751 S1	Rep. Satz Zahnriemen / rep. kit timing belt		

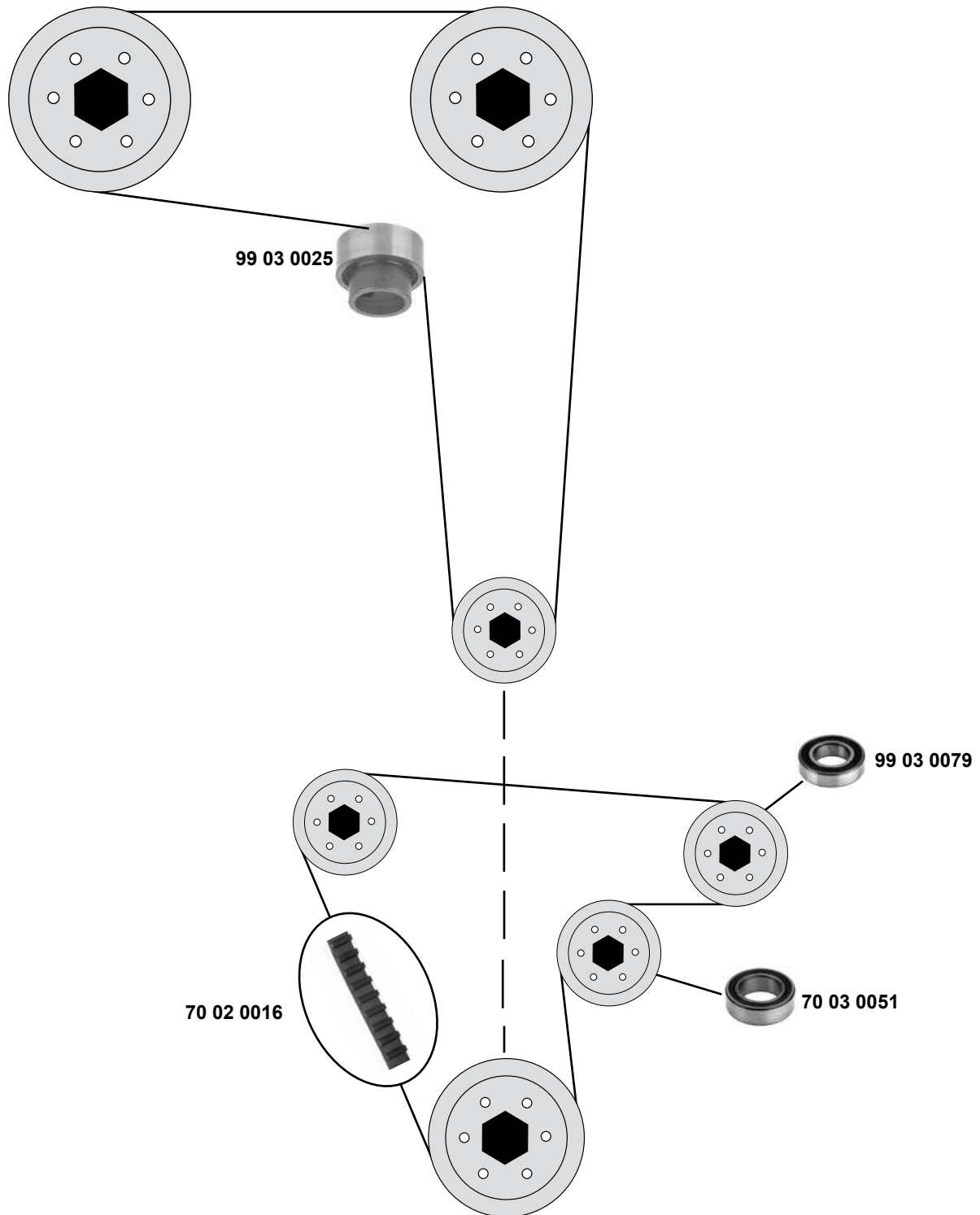
# LANCIA

## Delta II (836)

(93→99)

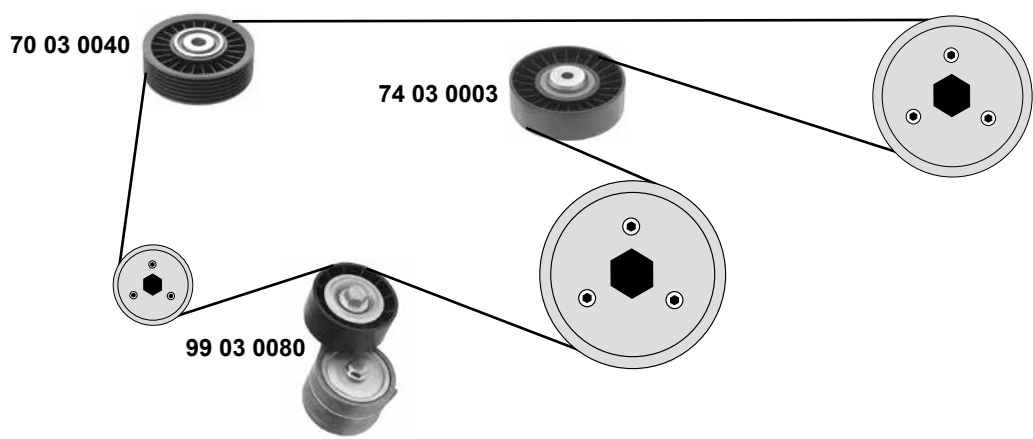
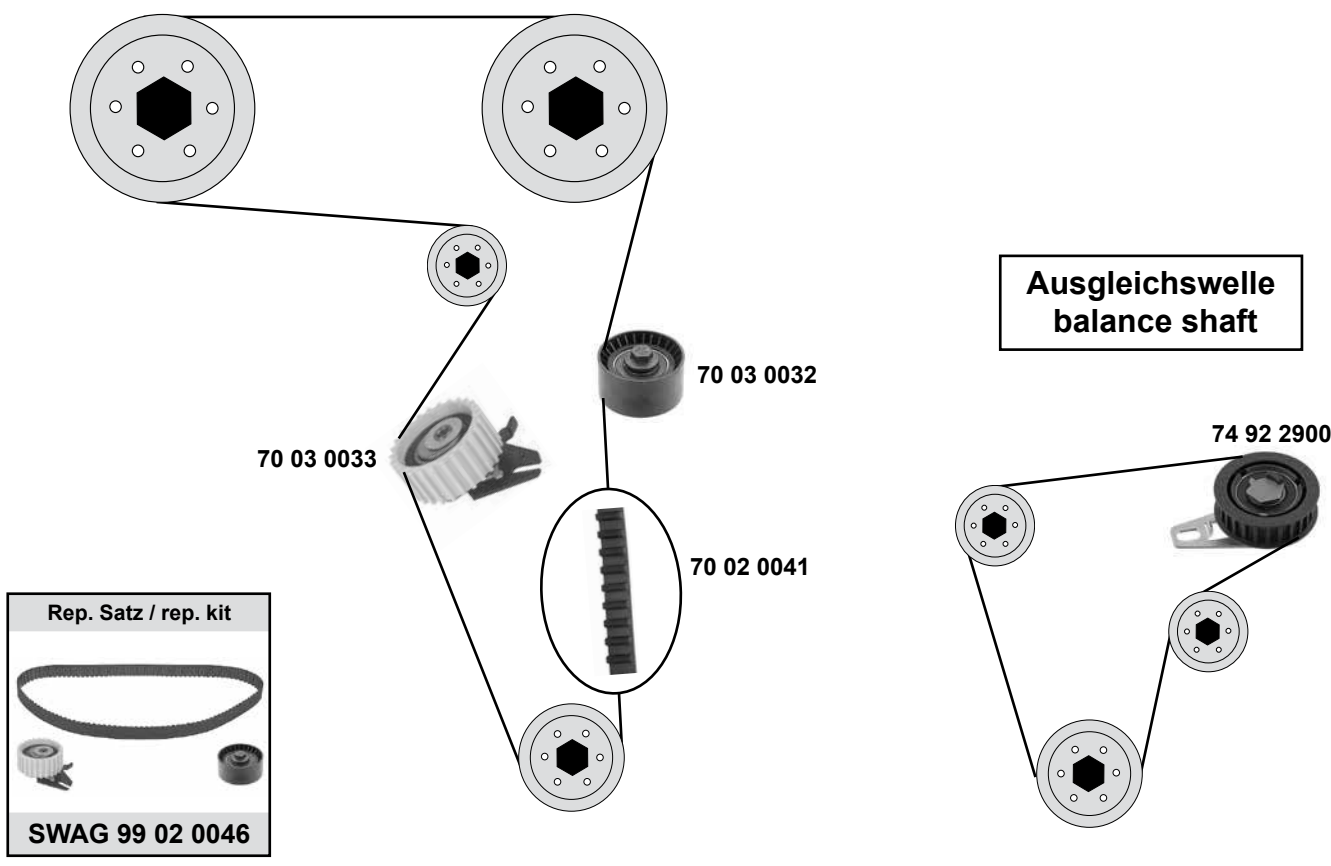


1,8 8V



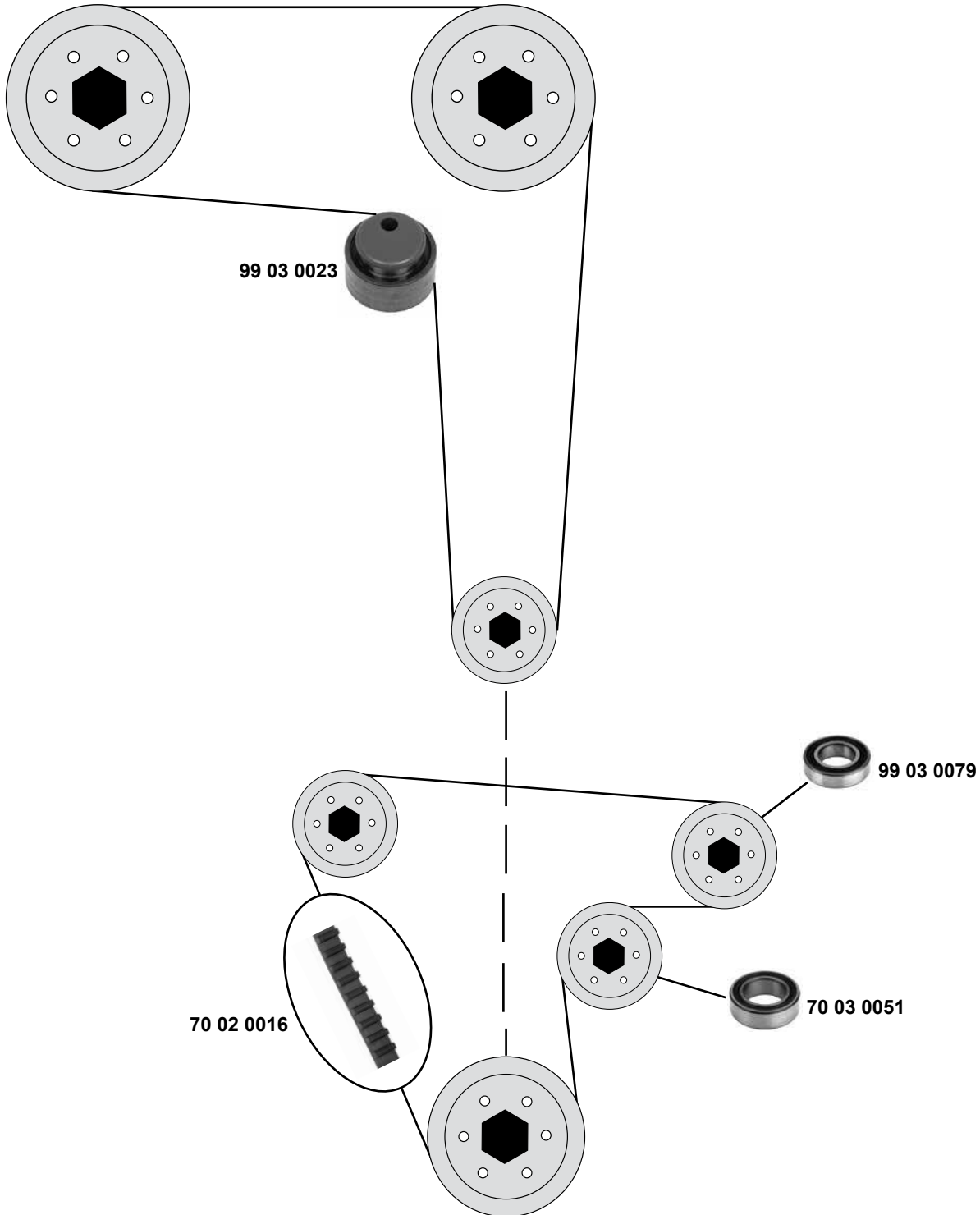
SWAG GERMANY	Ref. - No.			
70 02 0016	7614999	Zahnriemen Ausgleichsw. / timing belt balance shaft		Z 97 B15
70 03 0051	5999795	Umlenkrolle / deflection pulley		ØA68 ØI 40 H21
99 03 0025	7541718	Spannrolle / tension roller		ØA56 H27 / 39,5
99 03 0079	7541712	Umlenkrolle / deflection pulley		ØA47 ØI 25 H12








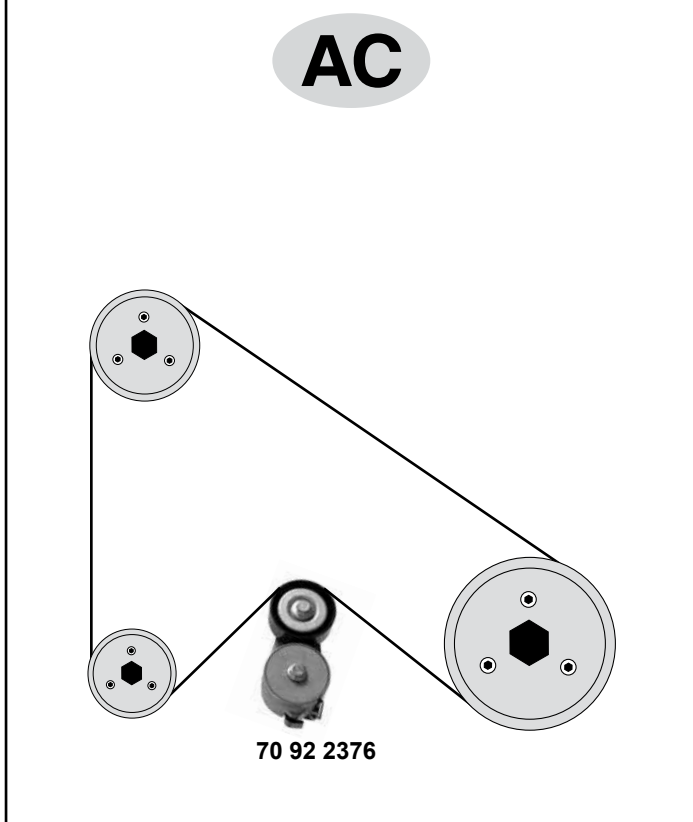
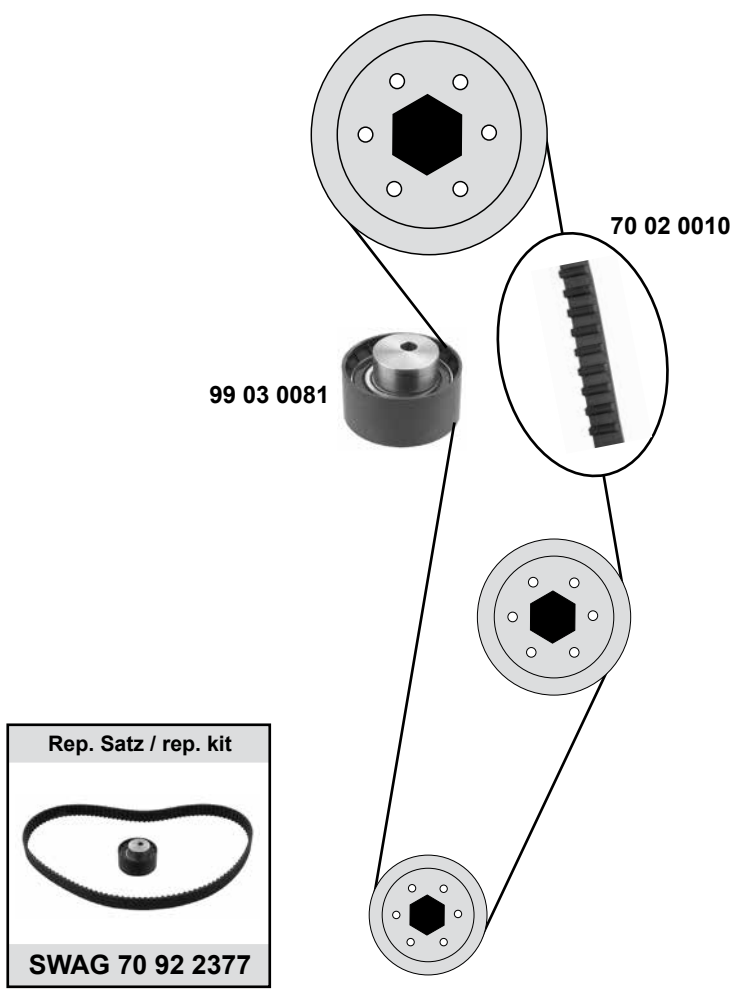
SWAG GERMANY	Ref. - No.			
70 02 0041	55210628	Zahnriemen / timing belt	AC 83kW / 96kW	Z 168 B24 ØA57 H29/35 ØA65 H29 ØA50 Ø110 H23 ØA100 B29 ØA 64 B19,4
70 03 0032	60652129	Umlenkrolle / deflection roller		
70 03 0033	55192239	Spannrolle / tension roller		
70 03 0040	7740252	Umlenkrolle / deflection pulley		
74 03 0003	60602136	Umlenkrolle / deflection pulley		
74 92 2900	55221253	Spannrolle / tension roller		
99 02 0046	71736724	Rep. Satz Zahnriemen / rep. kit timing belt		
99 03 0080	46524692	Riemenspanner / belt tensioner		

**2,0 16 V**

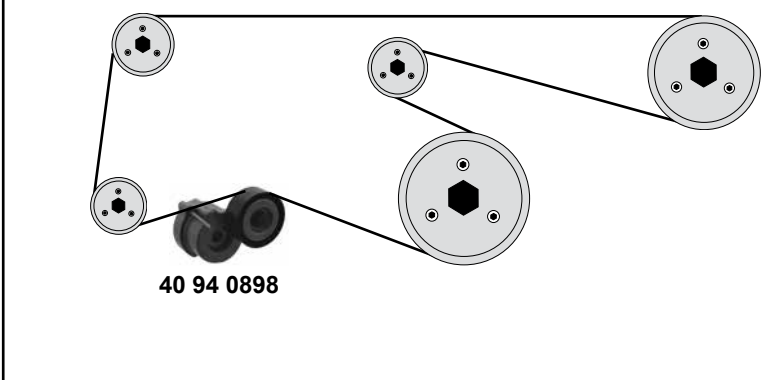
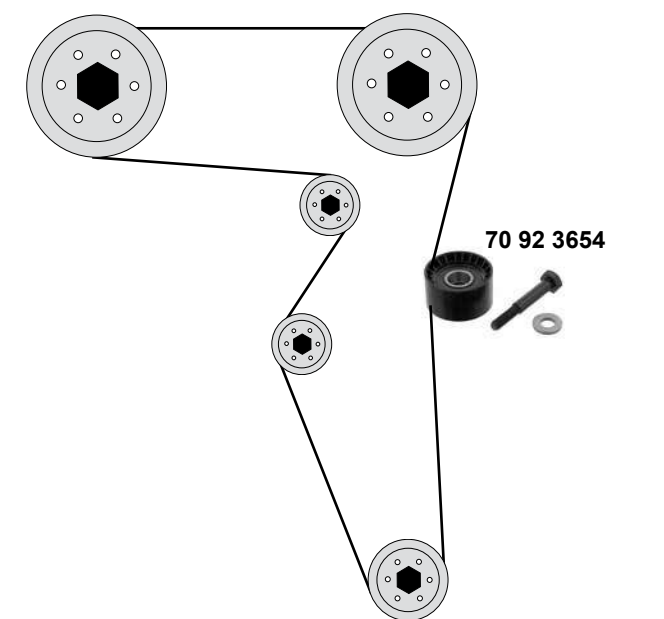


SWAG <sup>®</sup>	Ref. - No.			
70 02 0016	7614999	Zahnriemen Ausgleichsw. / timing belt blance shaft		Z 97 B15
70 03 0051	5999795	Umlenkrolle / deflection pulley		ØA68 ØI 40 H21
99 03 0023	5997325	Spannrolle / tension roller		ØA56 H27/39,5
99 03 0079	7541712	Umlenkrolle / deflection pulley		ØA47 ØI 25 H12

**1,4 / 1,6**



**1,8 16 V**



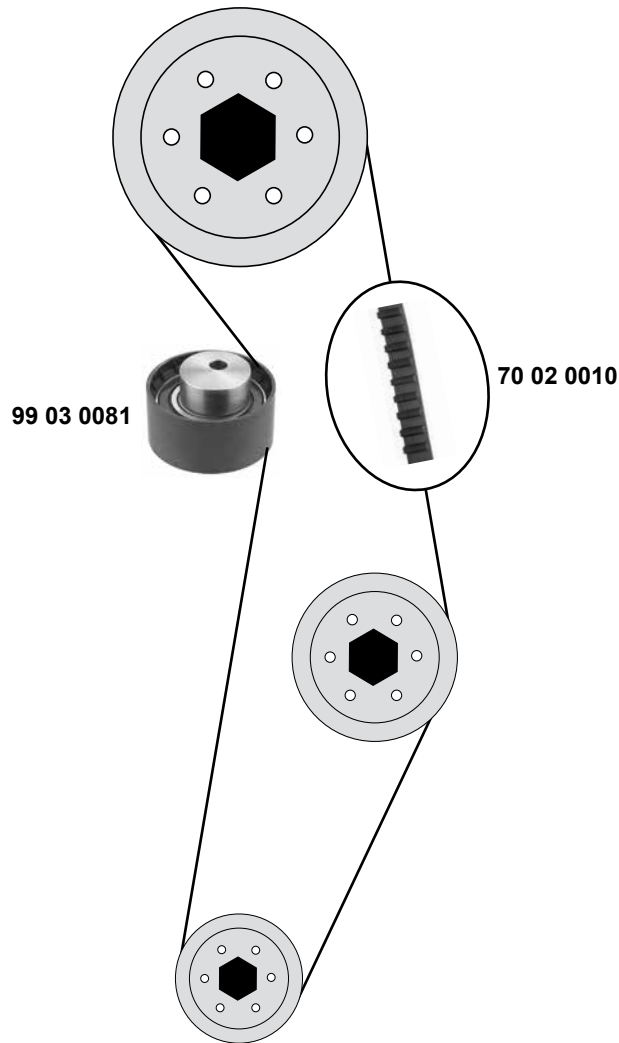
SWAG	Ref. - No.			
40 94 0898	51820520	Riemenspanner / belt tensioner	→11 AC	ØA 65 B 26
70 02 0010	46403659	Zahnriemen / timing belt	→11 1,4 16V	Z 124 B22
70 92 2376	55232827	Riemenspanner / belt tensioner	(mot.) 1,6 88kW	ØA 65 B23,5
70 92 2377	71736717	Rep. Satz Zahnriemen / rep. kit timing belt	1,4 16V	Z 124 B22
70 92 3654	55187100	Umlenkrolle / deflection pulley		
99 03 0081	55248394	Spannrolle / tension roller	→11 1,4 16V	ØA 60 H29

# LANCIA DELTA My

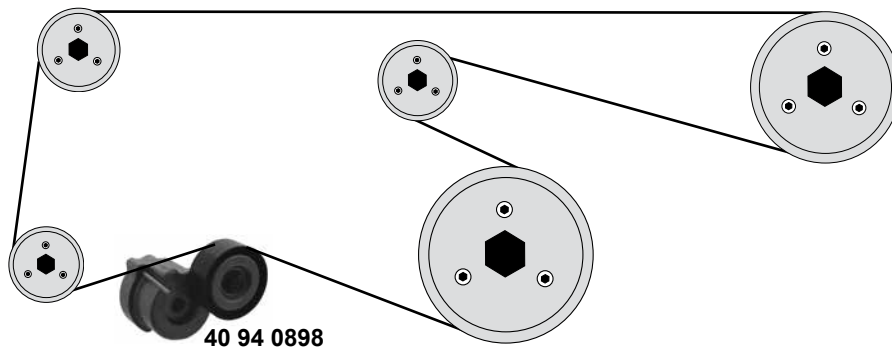
(11→)



## 1,4 16 V



## 1,8 16 V



Ref. - No.



40 94 0898	51820520
70 02 0010	46403659
70 92 2377	71736717
99 03 0081	55248394

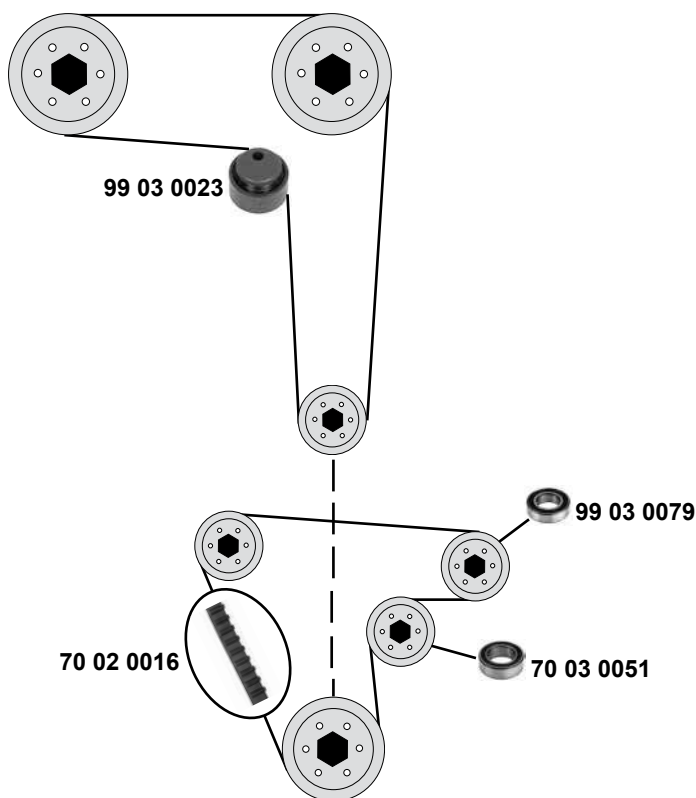
Riemenspanner / belt tensioner
Zahnriemen / timing belt
Rep. Satz Zahnriemen / rep. kit timing belt
Spannrolle / tension roller

AC

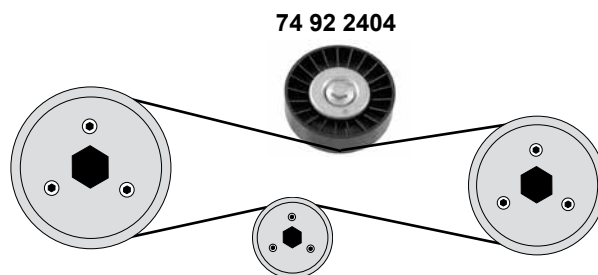
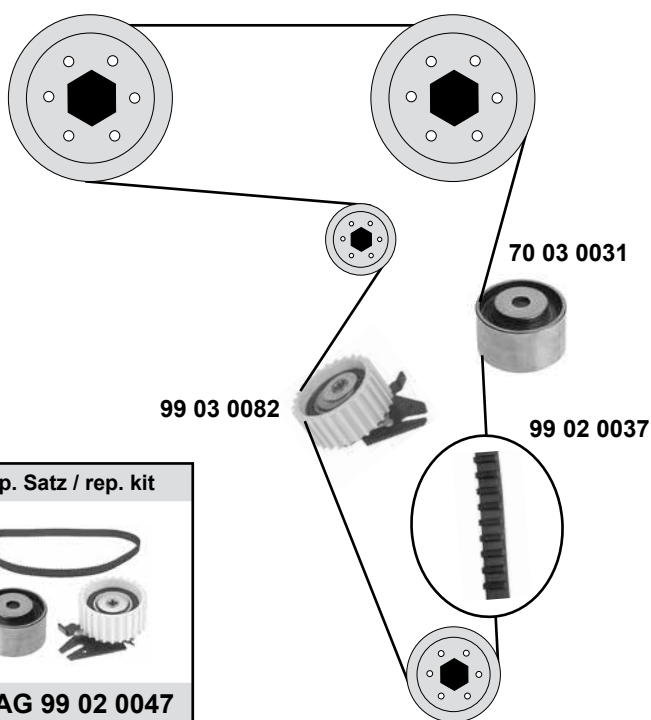
→11 / 1,4 16V

ØA 65 B 26
Z 124 B22
Z 124
ØA 60 H29

**2,0 16 V Turbo**

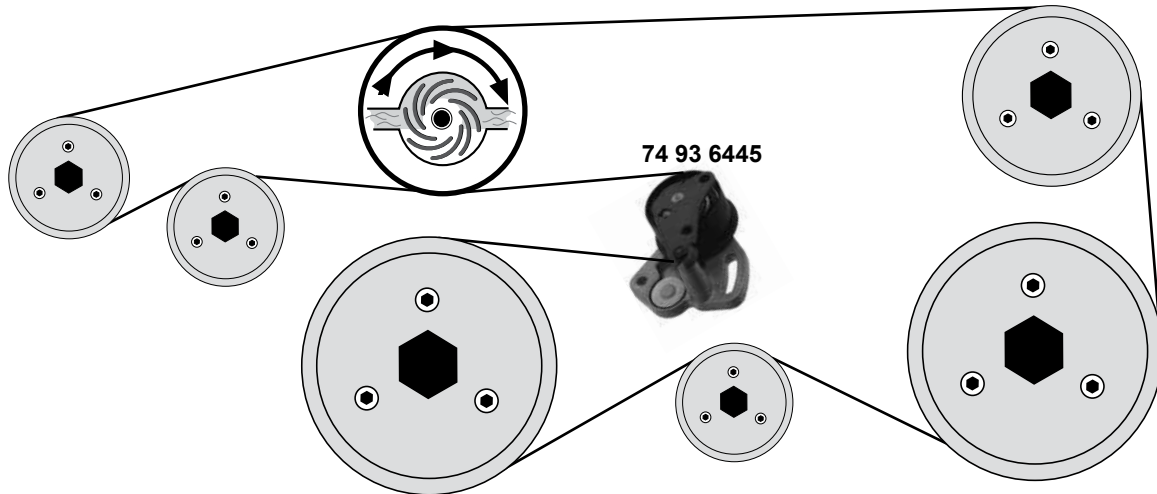


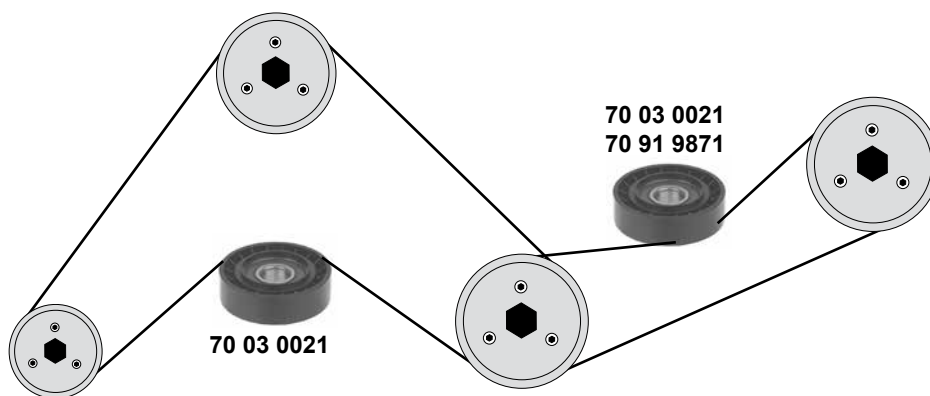
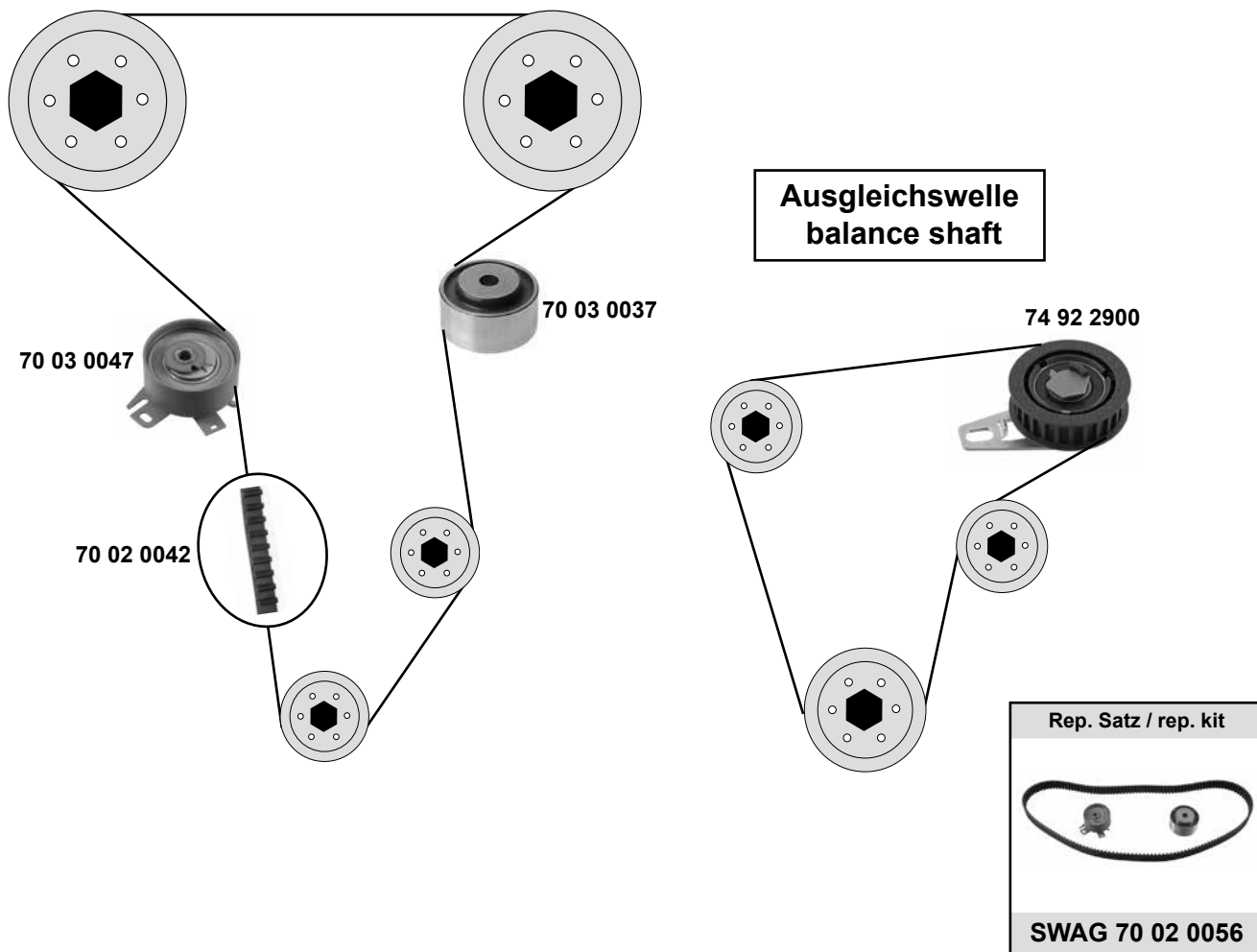
**2,0 20V / 2,4 20V**



<b>70 02 0016</b>	7614999	Zahnriemen Ausgleichsw. / timing belt blance shaft	Z 97 B15
<b>70 03 0031</b>	71736493	Umlenkrolle / deflection pulley	ØA53 B29
<b>70 03 0051</b>	5999795	Umlenkrolle / deflection pulley	ØA68 ØI 40 H21
<b>74 92 2404</b>	46547566	Umlenkrolle / deflection pulley	ØA90
<b>99 02 0037</b>	46541065	Zahnriemen / timing belt	Z 167 B24
<b>99 02 0047</b>	46541065 S1	Rep. Satz Zahnriemen / rep. kit timing belt	
<b>99 03 0023</b>	5997325	Spannrolle / tension roller	ØA56 H27/39,5
<b>99 03 0079</b>	7541712	Umlenkrolle / deflection pulley	ØA47 ØI 25 H12
<b>99 03 0082</b>	55192773	Spannrolle / tension roller	ØA65 H30

**3,0 V6**





Ref. - No.



<b>70 02 0042</b>	55188191
<b>70 02 0056</b>	71736715
<b>70 03 0021</b>	46424716
<b>70 03 0037</b>	55211287
<b>70 03 0047</b>	71734799
<b>70 91 9871</b>	46537101
<b>74 92 2900</b>	55221253

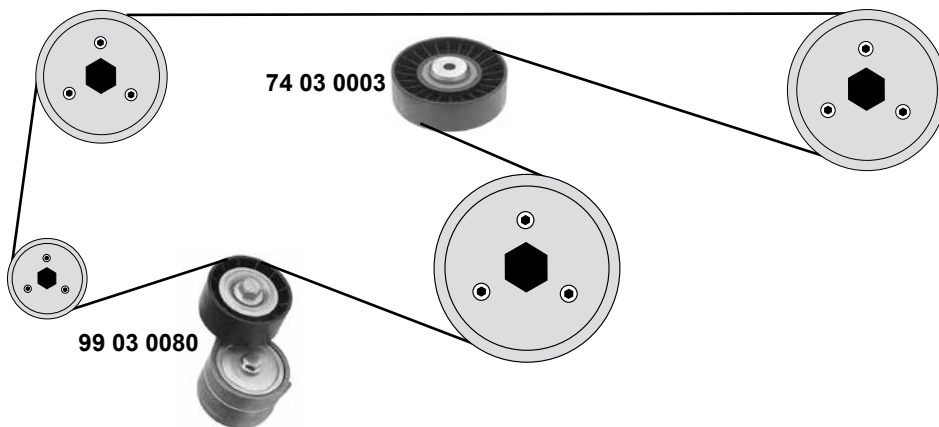
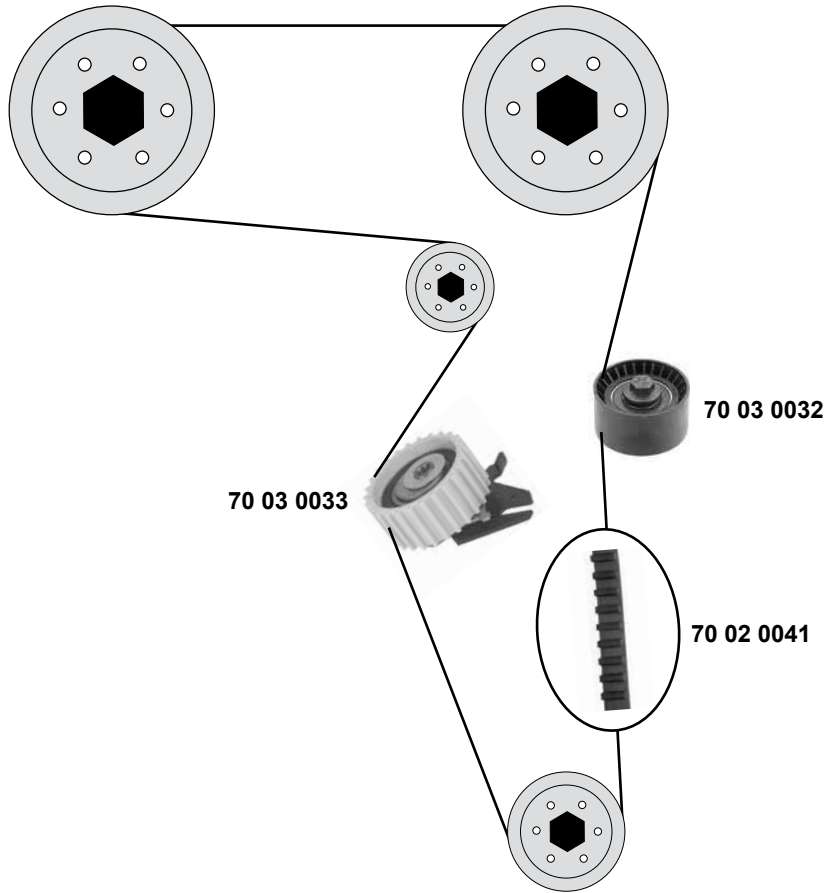
Zahnriemen / timing belt
Rep. Satz Zahnriemen / rep. kit timing belt
Spannrolle / tension roller
Umlenkrolle / deflection pulley
Spannrolle / tension roller
Umlenkrolle / deflection pulley
Spannrolle / tension roller

→ 02/2000

02/2000 →

ØA80 / H24
ØA65 / H30,4 / 35,4
ØA60 / H29
ØA 64 B19,4

**1,8 16V**



Ref. - No.



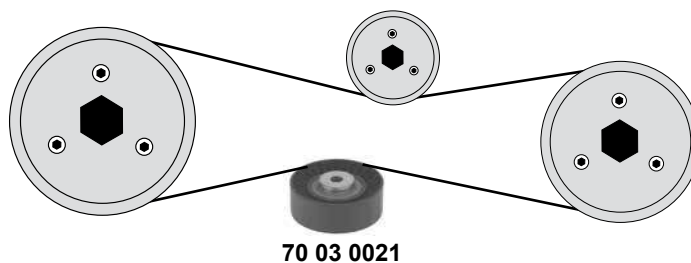
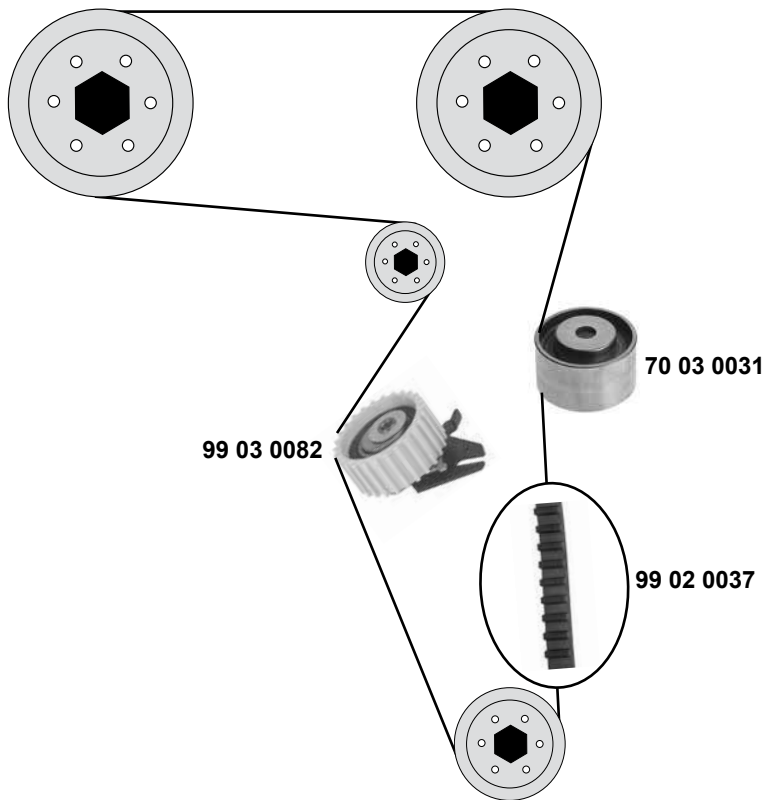
<b>70 02 0041</b>	55210628
<b>70 03 0032</b>	60652129
<b>70 03 0033</b>	55192239
<b>74 03 0003</b>	60602136
<b>99 02 0046</b>	71736724
<b>99 03 0080</b>	46524692

Zahnriemen / timing belt
Umlenkrolle / deflection pulley
Spannrolle / tension roller
Umlenkrolle / deflection pulley
Rep. Satz Zahnriemen / rep. kit timing belt
Riemenspanner / belt tensioner

Modell → 09/2003

Z 168 B24
ØA57 H29/35
ØA65 H29
ØA100 B29





Ref. - No.



<b>70 03 0021</b>	46424716
<b>70 03 0031</b>	71736493
<b>99 02 0037</b>	0773 2676
<b>99 02 0047</b>	46541065
<b>99 03 0082</b>	55192773

Spannrolle / tension roller
Umlenkrolle / deflection pulley
Zahnriemen / timing belt
Rep. Satz Zahnriemen / rep. kit timing belt
Spannrolle / tension roller

AC

ØA53 B29

ØA65 H30

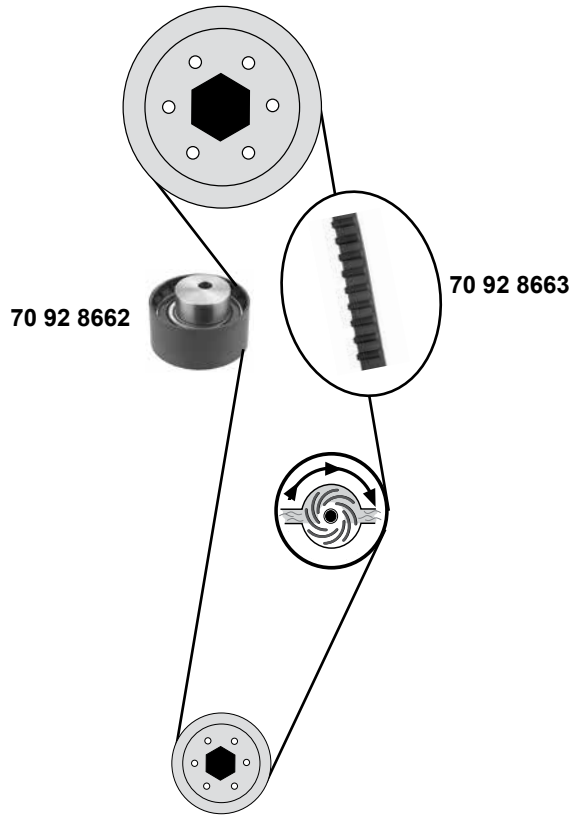
# LANCIA

## Musa (350)

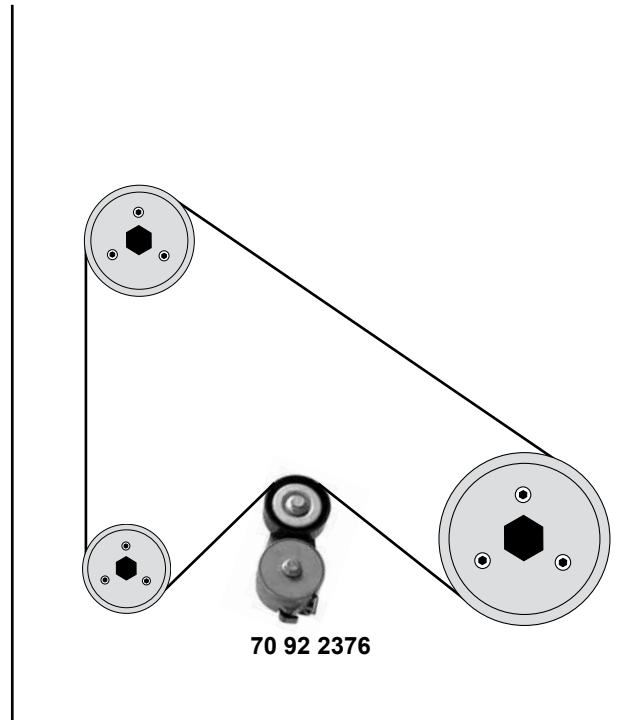
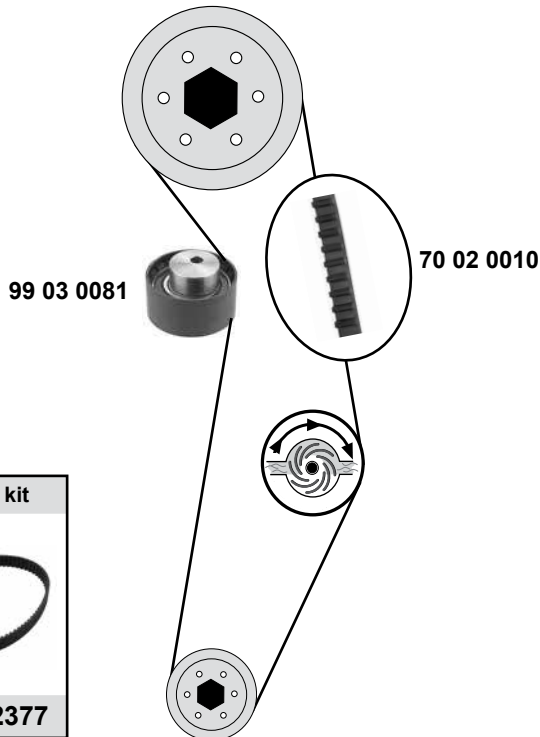
(04→12)



### 1,4 8V



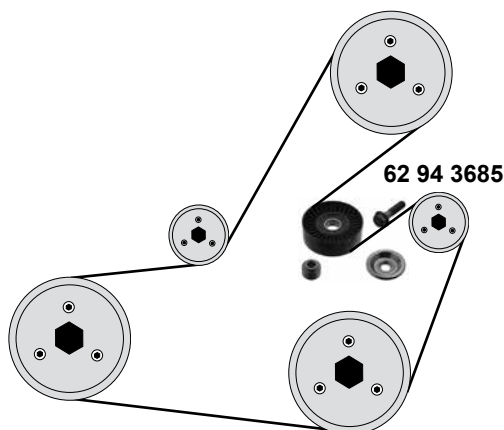
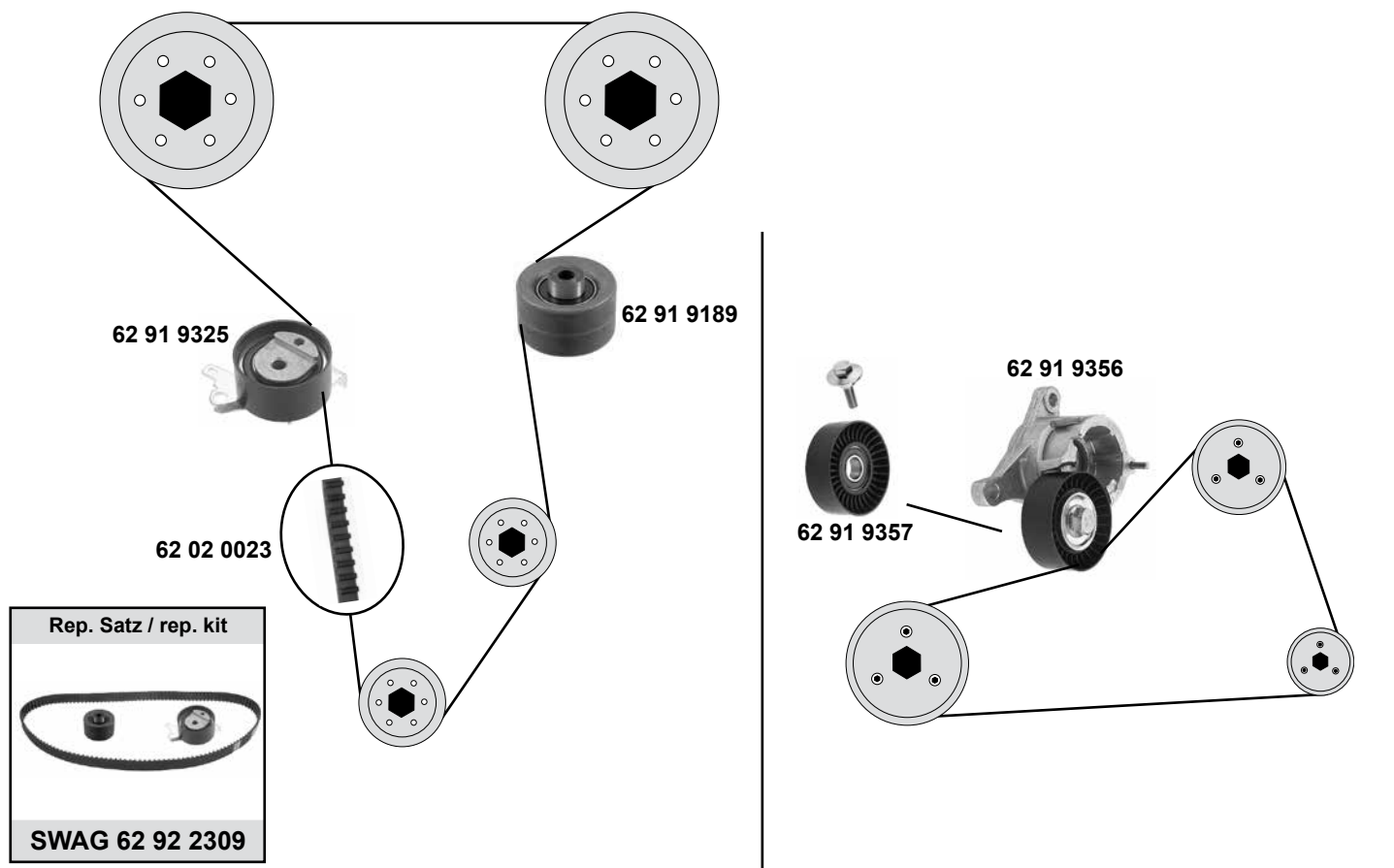
### 1,4 16V



Ref. - No.



70 02 0010	46403659	Zahnriemen / timing belt	→12	Z 124 B22
70 92 2376	55232827	Riemenspanner / belt tensioner		ØA 65 B23,5
70 92 2377	71736717	Rep. Satz Zahnriemen / rep. kit timing belt		Z 124 B22
70 92 8662	55233759	Spannrolle / tension roller	→ 12	ØA 55,5 B26
70 92 8663	71753156	Zahnriemen / timing belt	→ 12	Z 129 B22
70 92 8664	71775900	Rep. Satz Zahnriemen / rep. kit timing belt	→ 12	Z 129 B22
99 03 0081	55248394	Spannrolle / tension roller	→12 66 / 70kW	ØA 60 H29



(1) 2,0 BZ (100kW) / (ex.) servo



Ref. - No.



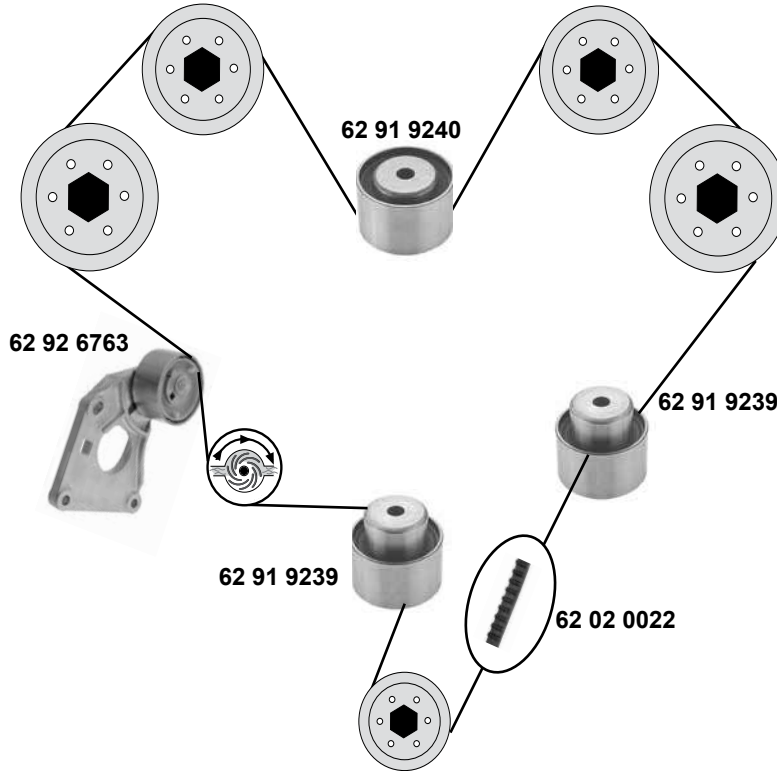
62 02 0023	9464464980	Zahnriemen / timing belt		Z 153 B25,4
62 91 9189	9400830429	Umlenkrolle / deflection pulley		ØA 60 B31
62 91 9325	9400829929	Spannrolle / tension roller		ØA 62 B29
62 91 9356	9636207480	Spannrolle / tension roller		ØA 65 B25
62 91 9357	9636640580	Spannrolle / tension roller		ØA78 B25
62 92 2309	9467628080	Rep. Satz Zahnriemen / rep. kit timing belt		Z 153 B25,4
62 94 3685	9653342680	Umlenkrolle / deflection pulley	(1)	ØA78 B25

# LANCIA Phedra (179)

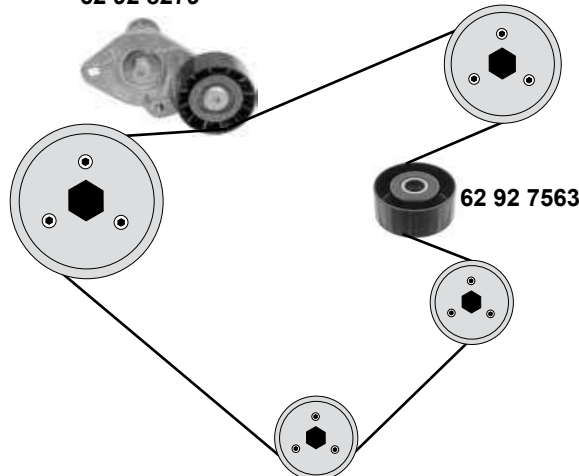
(01→10)



## 3,0 V6



62 92 8278  
62 92 8279



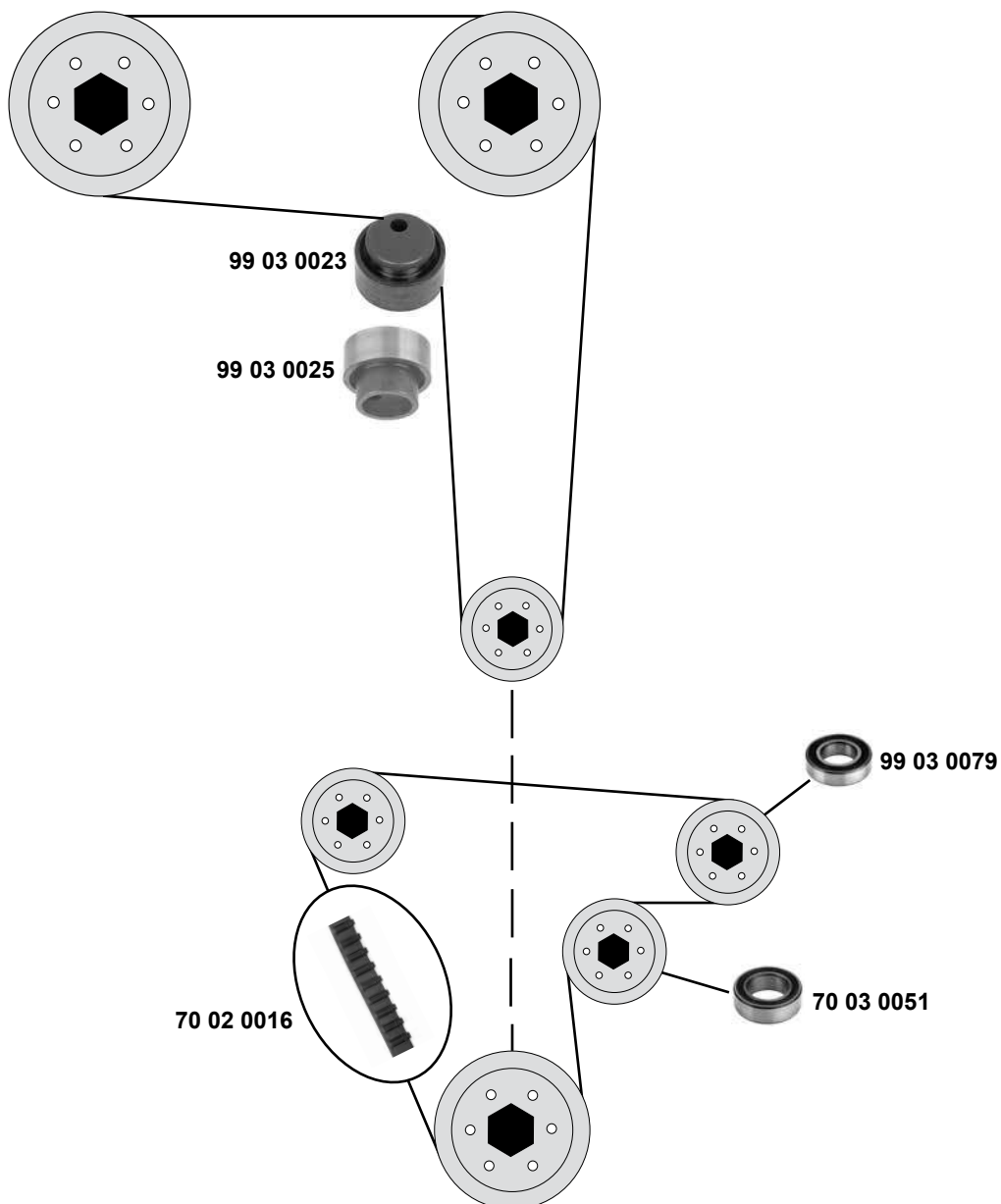
Ref. - No.



<b>62 02 0022</b>	9632959380
<b>62 91 9239</b>	9400830589
<b>62 91 9240</b>	9400830599
<b>62 92 6763</b>	9467557280
<b>62 92 7563</b>	9635638380
<b>62 92 8103</b>	9467628880
<b>62 92 8278</b>	9620038880
<b>62 92 8279</b>	9651019680

Zahnriemen / timing belt
Umlenkrolle / deflection pulley
Umlenkrolle / deflection pulley
Spannrolle / tension roller
Umlenkrolle / deflection pulley
Rep. Satz Zahnriemen / rep. kit timing belt
Riemenspanner / belt tensioner
Riemenspanner / belt tensioner

Z 259
ØA 65 B36/54
ØA 65 B36
ØA 70 H36
ØA 65 B26,5
Z 259
ØA 65 B25,5



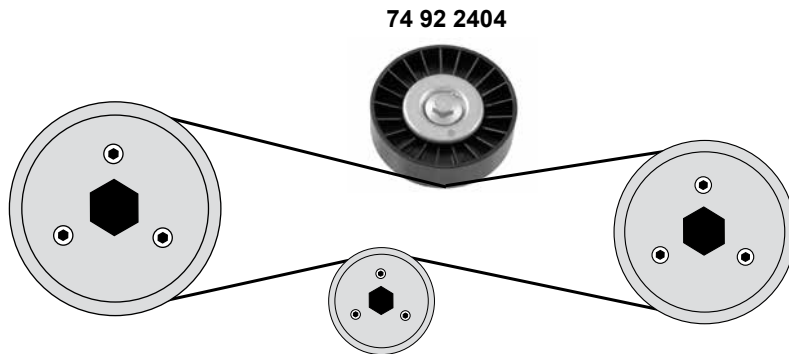
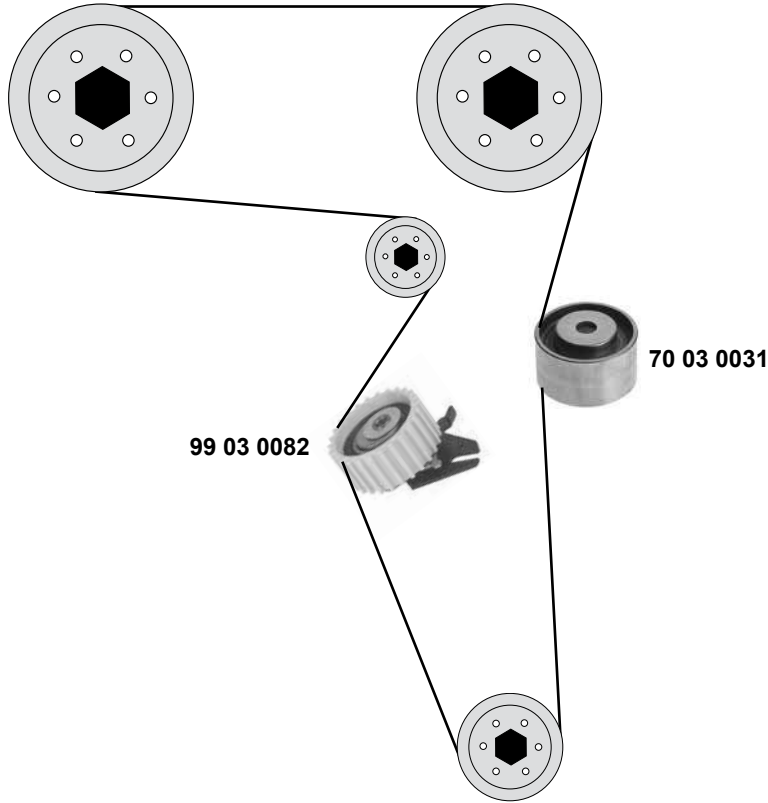
# LANCIA

## Thesis (841)

(01→07)



**2,0 20V / 2,4 20V**



(1) 2.4 (ex.) 136kW / → 07



Ref. - No.

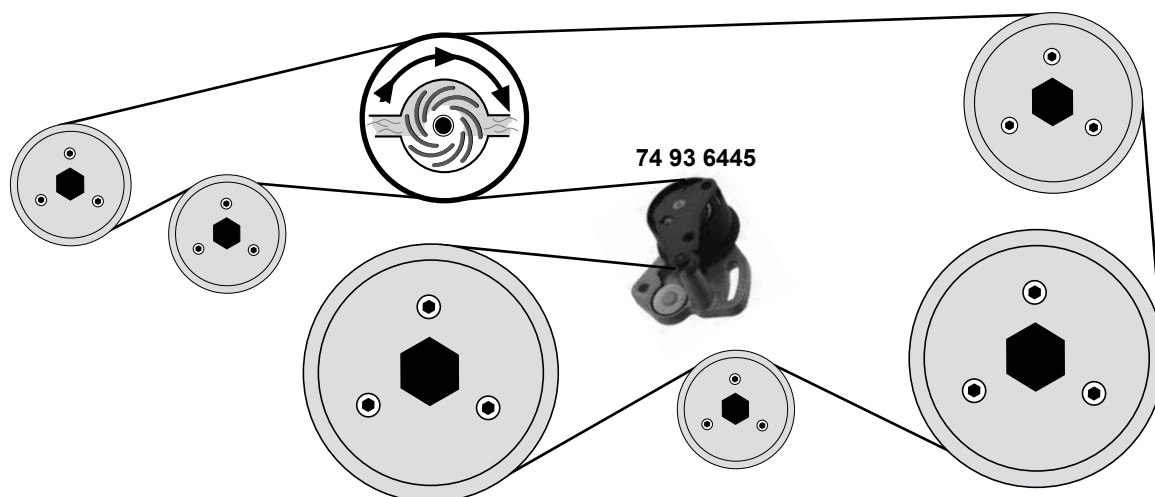


70 03 0031	71736493
74 92 2404	46547566
99 03 0082	55192773

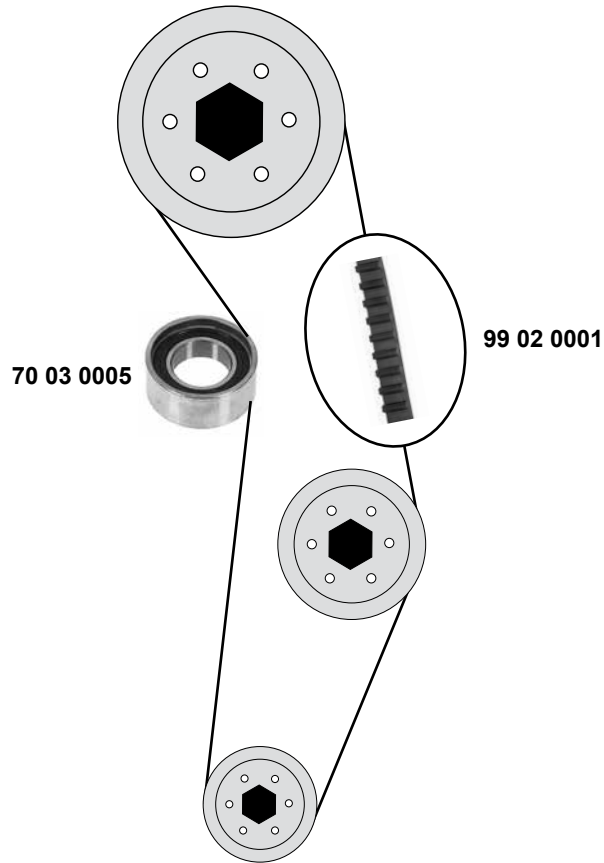
Umlenkrolle / deflection pulley
Umlenkrolle / deflection pulley
Spannrolle / tension roller

(1)

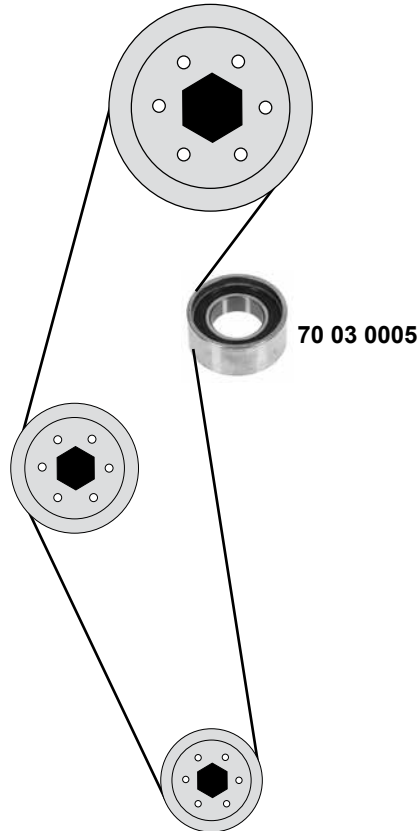
ØA53 B29
ØA90
ØA65 H30



1,1 / 1,2



1,3



Ref. - No.



70 03 0005 71740977

99 02 0001 7554701

99 02 0039 7554701 S1

Spannrolle / tension roller

Zahnriemen / timing belt

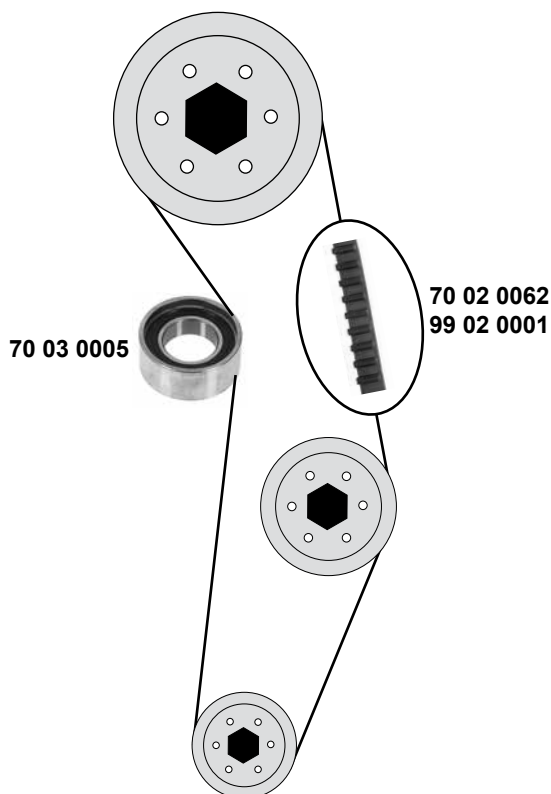
Rep. Satz Zahnriemen / rep. kit timing belt

ØA57 H24

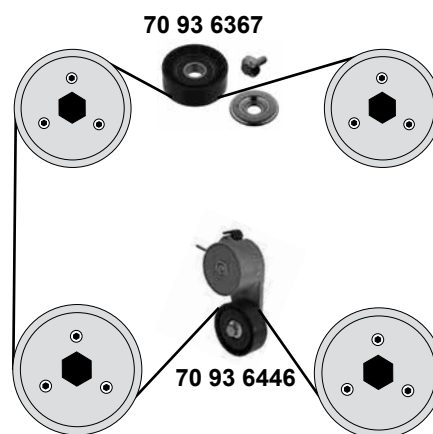
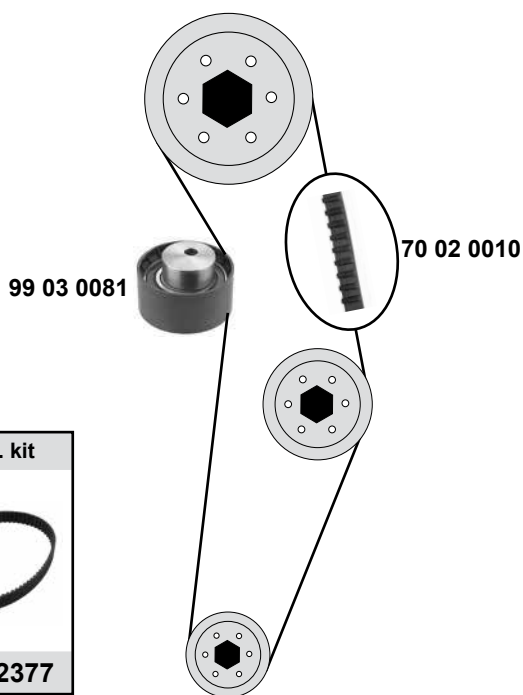
Z 104 B15



**1,1 / 1,2 8V**



**1,2 16V**

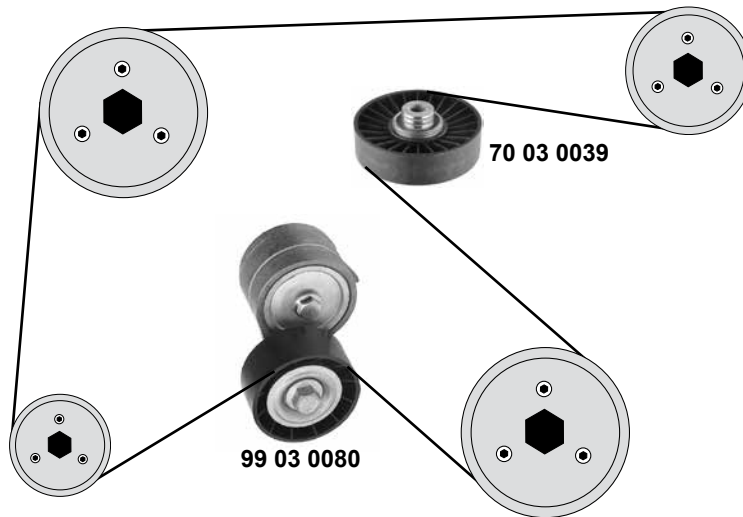
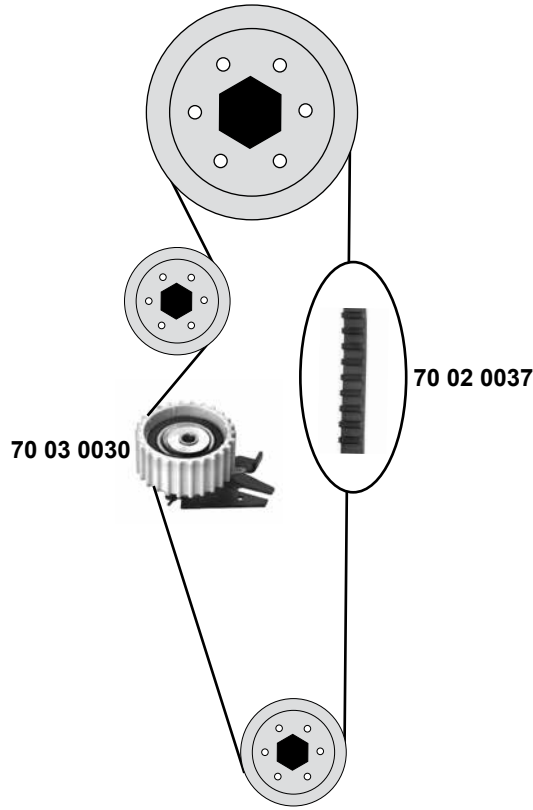


Ref. - No.



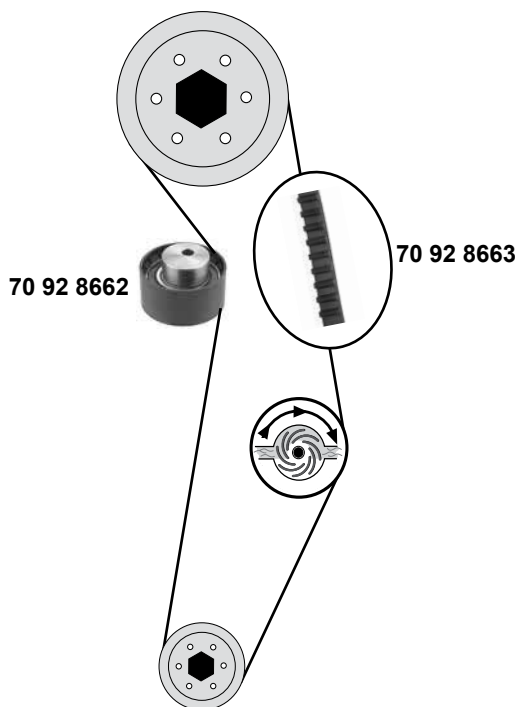
70 02 0010	46403659	Zahnriemen / timing belt			Z 124 B22
70 02 0062	71719652	Zahnriemen / timing belt		(mot.) 1,2 8V	Z 137 B25
70 03 0005	71740977	Spannrolle / tension roller			ØA57 H24
70 91 9658	71771576	Rep. Satz Zahnriemen / rep. kit timing belt		(mot.) 1,2 8V	Z 137 B25
70 92 2377	71736717	Rep. Satz Zahnriemen / rep. kit timing belt			
70 93 6367	46742968	Umlenkrolle / deflection pulley		AC / 00→	ØA65 B23
70 93 6446	55193330	Riemenspanner / belt tensioner		AC / 00→	ØA65 B23
99 02 0001	7554701	Zahnriemen / timing belt		(mot.) 1,1	Z 104 B15
99 02 0039	7554701 S1	Rep. Satz Zahnriemen / rep. kit timing belt		(mot.) 1,1	
99 03 0081	55248394	Spannrolle / tension roller			ØA60 H29

**1,4 12 V**

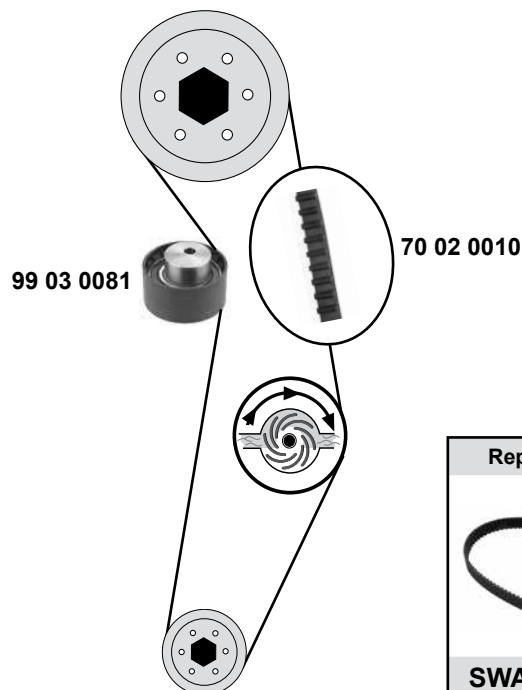
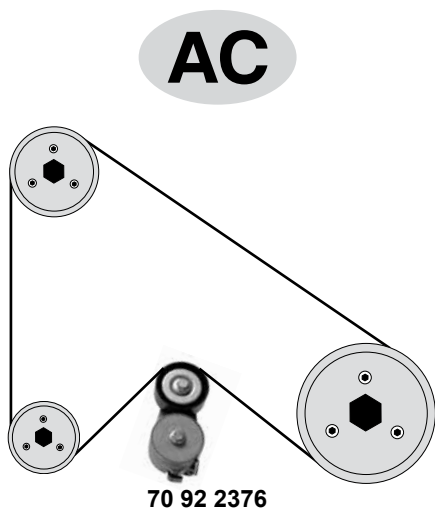


SWAG	Ref. - No.			
70 02 0037	7762910	Zahnriemen / timing belt	→00	Z 134 B18
70 02 0058	7762910 S1	Rep. Satz Zahnriemen / rep.kit timing belt		
70 03 0030	55196971	Spannrolle / tension roller	→00	ØA65 H29
70 03 0039	60610908	Umlenkrolle / deflection pulley	→ 00 / AC	ØA 90 ØI 10 H24,5
99 03 0080	46524692	Riemenspanner / belt tensioner	AC	

1,2 8V / 1,4 8V



1,2 16V / 1,4 16V



(1) (mot.) 1,2 44kW / 59kW  
(mot.) 1,4 56kW / 80kW



Ref. - No.



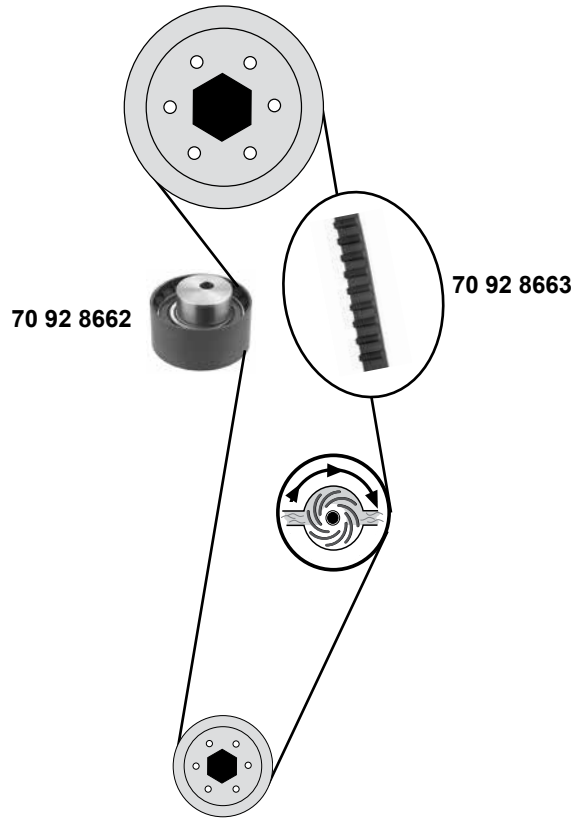
70 02 0010	46403659	Zahnriemen / timing belt	(1)	Z 124 B22
70 92 2376	55232827	Riemenspanner / belt tensioner		ØA 65 B23,5
70 92 2377	71736717	Rep. Satz Zahnriemen / rep. kit timing belt		Z 124 B22
70 92 8662	55233759	Spannrolle / tension belt		ØA 55,5 B26
70 92 8663	71753156	Zahnriemen / timing belt		Z 129 B22
70 92 8664	71775900	Rep. Satz Zahnriemen / rep. kit timing belt		Z 129 B22
99 03 0081	55248394	Spannrolle / tension belt	ØA 60 H29	

# LANCIA Ypsilon New (846)

(11→)

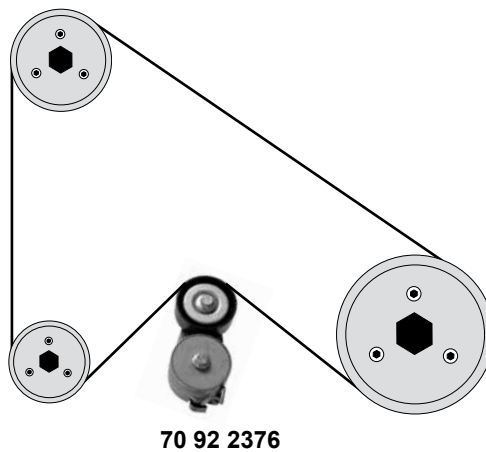


1,2 8V

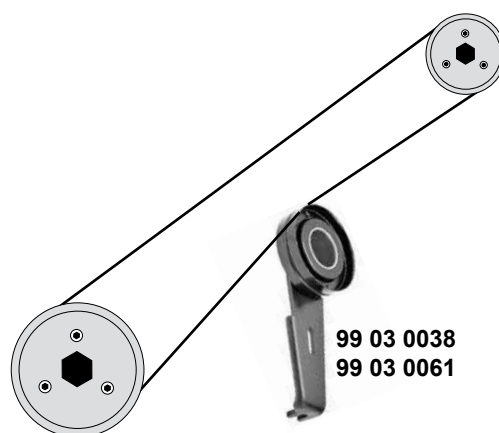
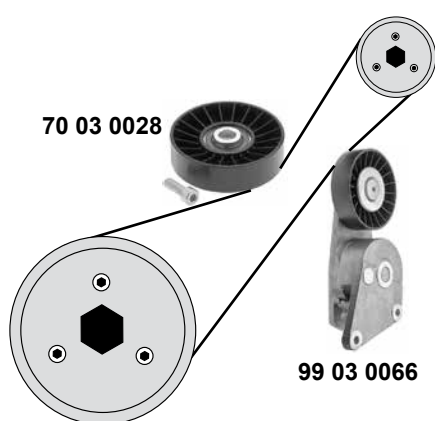
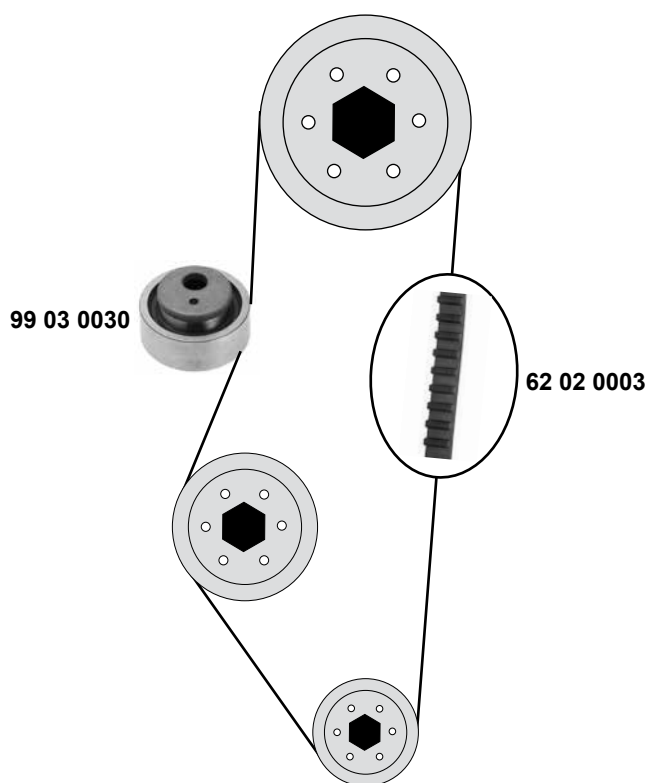


1,2

**AC**



SWAG GERMANY	Ref. - No.			
70 92 2376	55232827	Riemenspanner / belt tensioner		ØA 65 B23,5
70 92 8662	55233759	Spannrolle / tension roller		ØA 55,5 B26
70 92 8663	71753156	Zahnriemen / timing belt		Z 129 B22
70 92 8664	71775900	Rep. Satz Zahnriemen / rep. kit timing belt		Z 129 B22



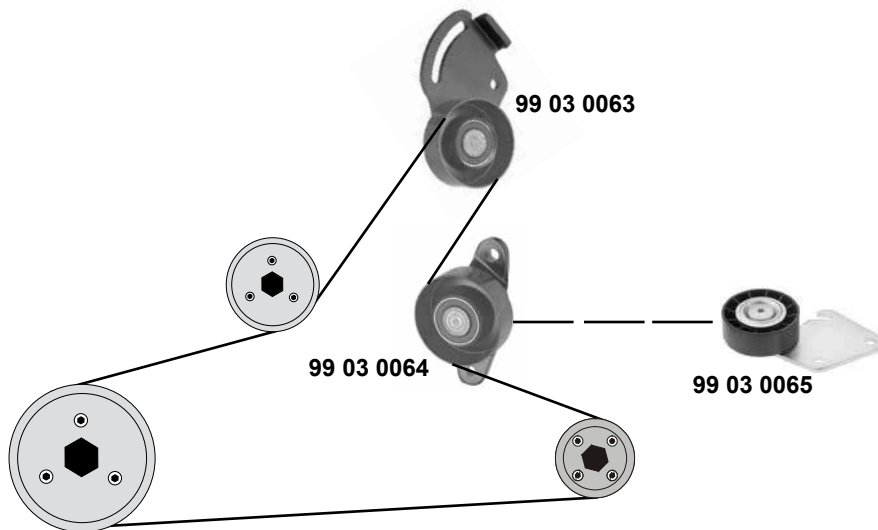
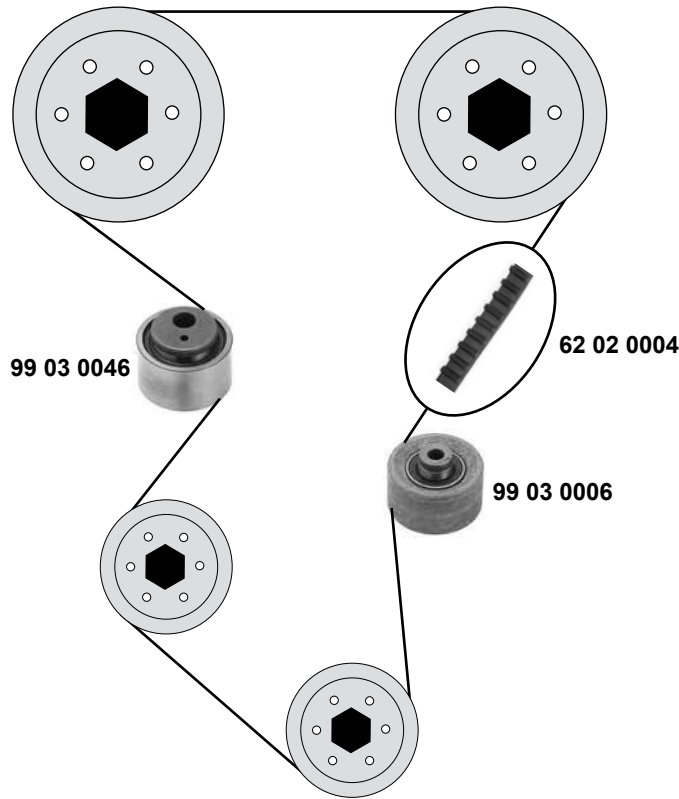
# LANCIA

## Zeta (220)

(94→02)



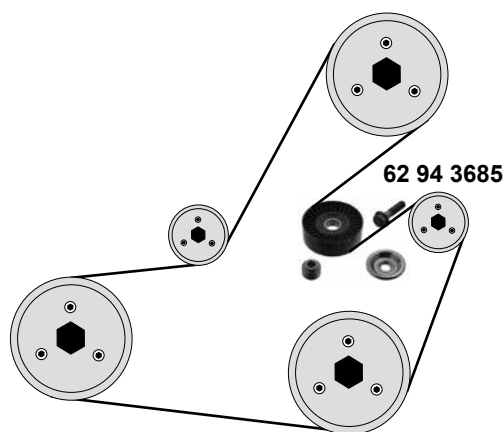
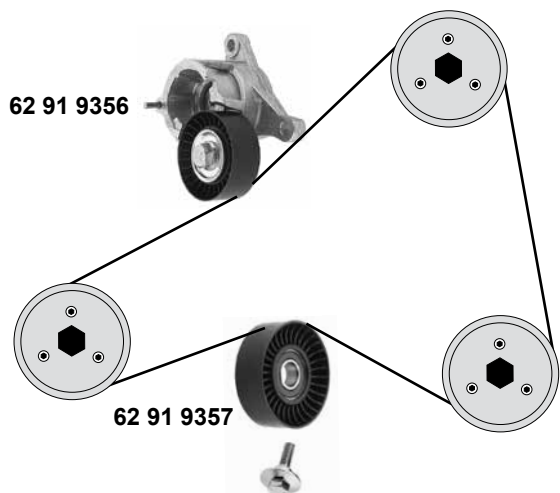
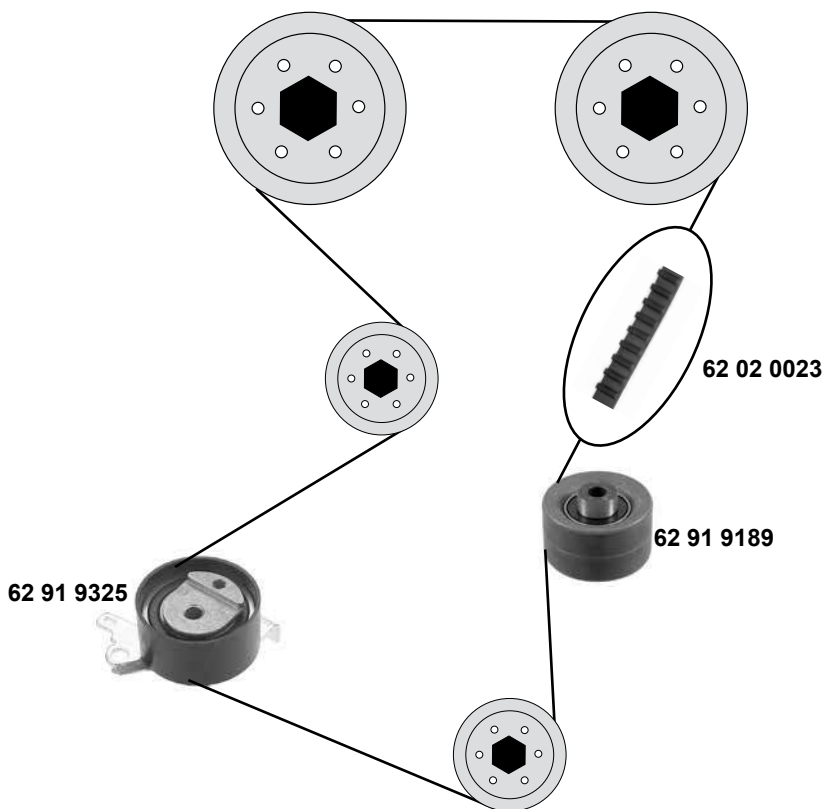
**2,0 16V**  
(RFV)



Ref. - No.



<b>62 02 0004</b>	71739919	Zahnriemen / timing belt	Z 136 B25,4
<b>62 02 0014</b>	9400831489	Rep. Satz Zahnriemen / rep. kit timing belt	Z 136 B25,4
<b>99 03 0006</b>	9400830379	Umlenkrolle / deflection pulley	ØA60 ØI10 H34
<b>99 03 0046</b>	9622574480	Spannrolle / tension roller	ØA57 ØI13 H33
<b>99 03 0063</b>	9625621780	Spannrolle / tension roller	ØA70 B24,5
<b>99 03 0064</b>	9625621880	Umlenkrolle / deflection pulley	ØA70 B24,5
<b>99 03 0065</b>	9622234180	Umlenkrolle / deflection pulley	ØA69,5 H24,5



(1) 2,0 BZ 100kW (ex.) servo



Ref. - No.



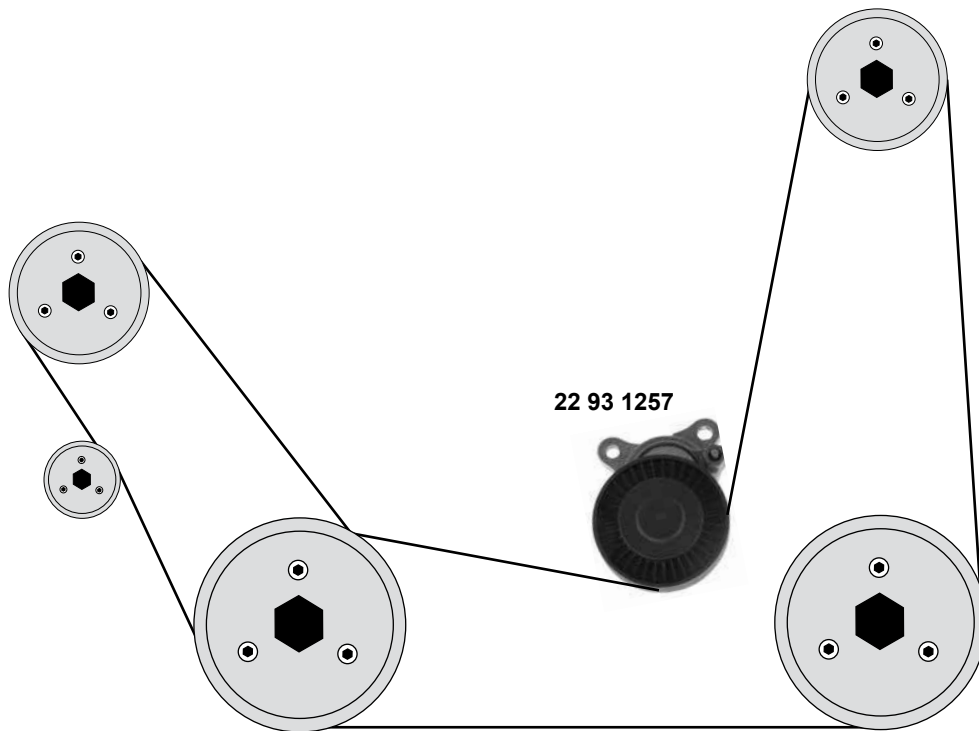
<b>62 02 0023</b>	9464464980
<b>62 91 9189</b>	9400830429
<b>62 91 9325</b>	9400829929
<b>62 91 9356</b>	9636207480
<b>62 91 9357</b>	9636640580
<b>62 92 2309</b>	9467628080
<b>62 94 3685</b>	9653342680

Zahnriemen / timing belt
Umlenkrolle / deflection pulley
Spannrolle / tension roller
Spannrolle / tension roller
Spannrolle / tension roller
Rep. Satz Zahnriemen / rep. kit timing belt
Umlenkrolle / deflection pulley

(1)

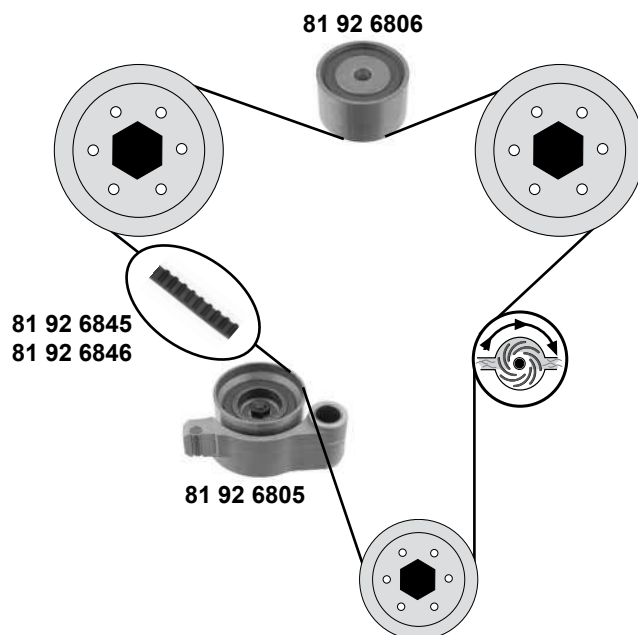
Z 153 B25,4
ØA 60 B31
ØA 62 B29
ØA 65 B25
ØA78 B25
ØA78 B25

1,8





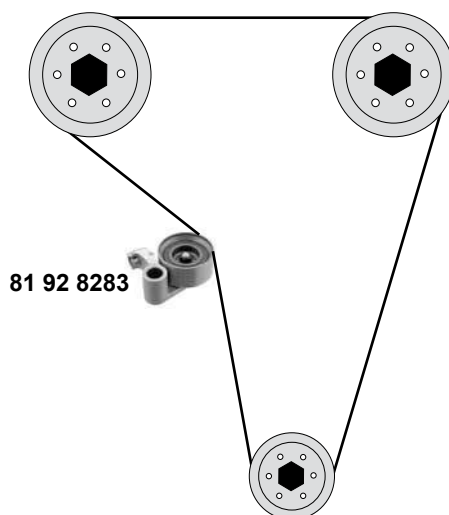
**2,5 / 3,0 24 V**  
(1MZFE / 2VZFE / 3VZFE)



**GS300 (JZS147)**  
(01/93→08/97)

**GS300 / 400 / 430 (JZS160)**  
(08/98→01/05)

**3,0 24 V**  
(2JZGE)



(1) (mot.) 2VZFE 06/91→07/91  
(mot.) 1MZFE 09/96→  
(mot.) 3VZFE 03/92→08/96

(2) (mot.) 3VZFE 07/91→08/96

(3) Modell MCV20 (mot.) 1MZFE 08/96→07/01  
Modell MCV30 (mot.) 1MZFE 07/01→  
Modell MCU1,15 (mot.) 1MZFE 01/98→02/03  
Modell MCU3 (mot.) 3MZFE 02/03→02/06  
Modell MHU3,38 (mot.) 3MZFE 03/05→



# LEXUS GS300 / 400 / 430 (UZS)

(08/97→)

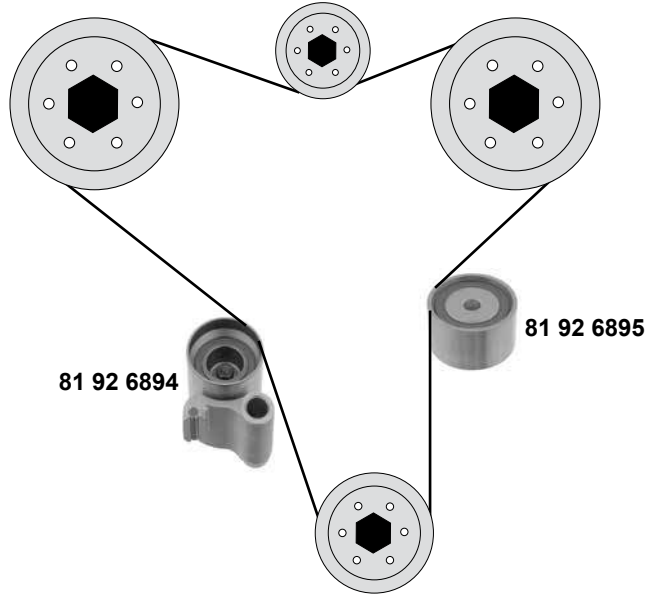
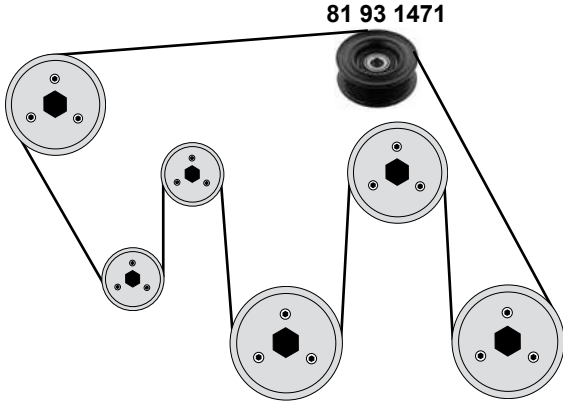


**4,0**

(1UZFE)→08/00

**4,3**

(3UZFE)

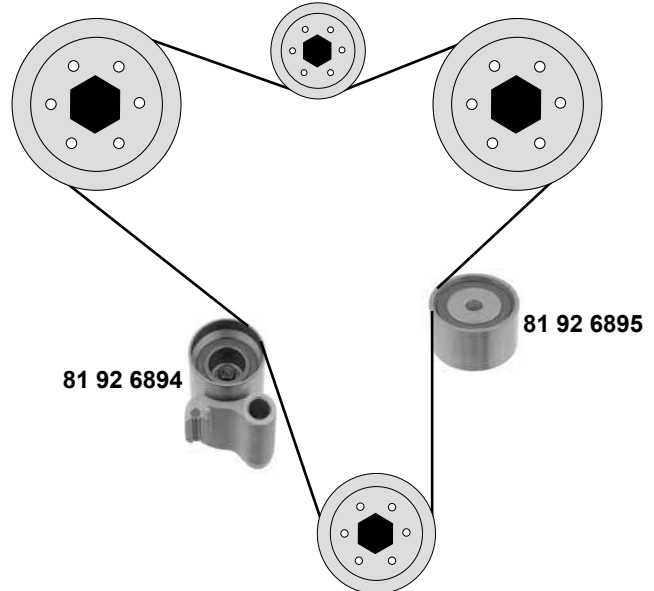
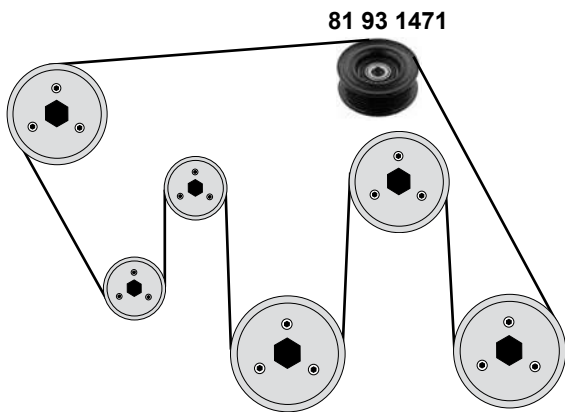


# GX470 (UZJ)

(11/02→)

**4,7**

(2UZFE)



(1) Modell GS 430 (UZS190) (mot.) **3UZFE** 01/05→09/07 / Modell GS 400 (UZS160) (mot.) **1UZFE** 08/97→07/00  
Modell GS 430 (UZS161) (mot.) **3UZFE** 08/97→01/05



Ref. - No.



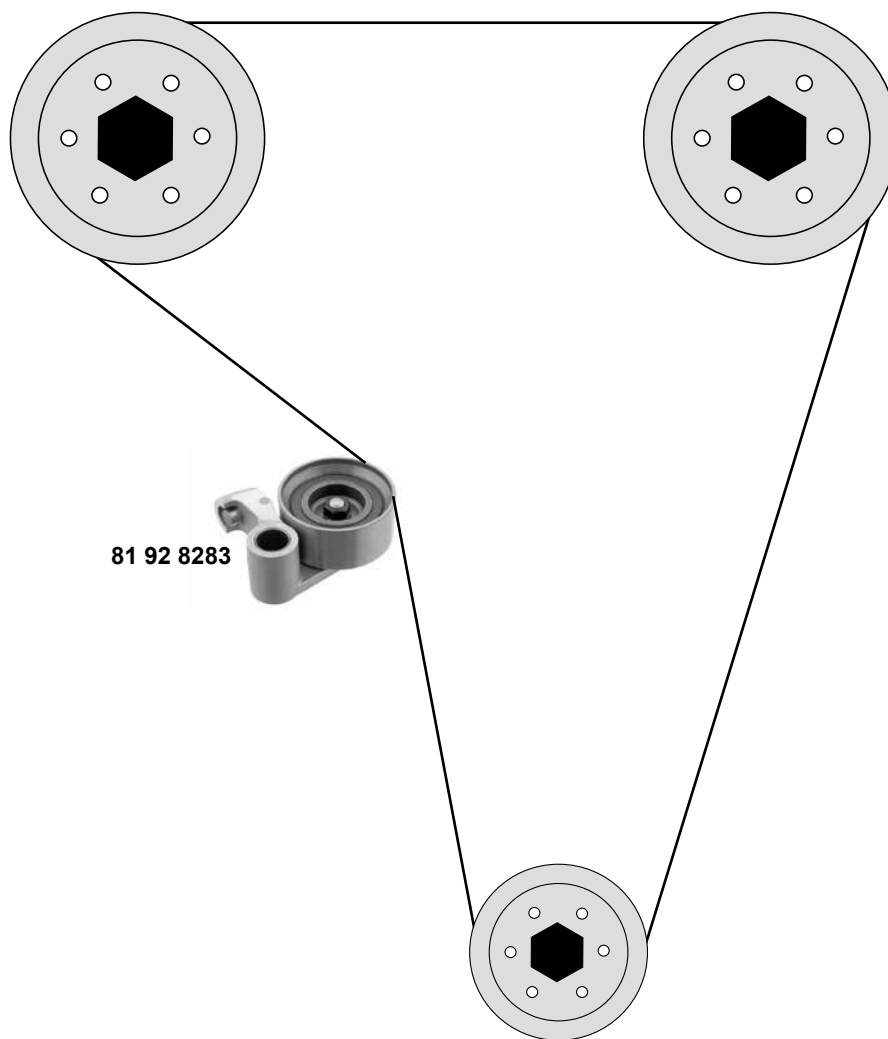
Spannrolle / tension roller  
Umlenkrolle / deflection pulley  
Umlenkrolle / deflection pulley



(1)



ØA 62 B37,5  
ØA 66 B37,5  
ØA 75 H29



# LEXUS LS400 / 430 / LX470 (UCF / UZJ)

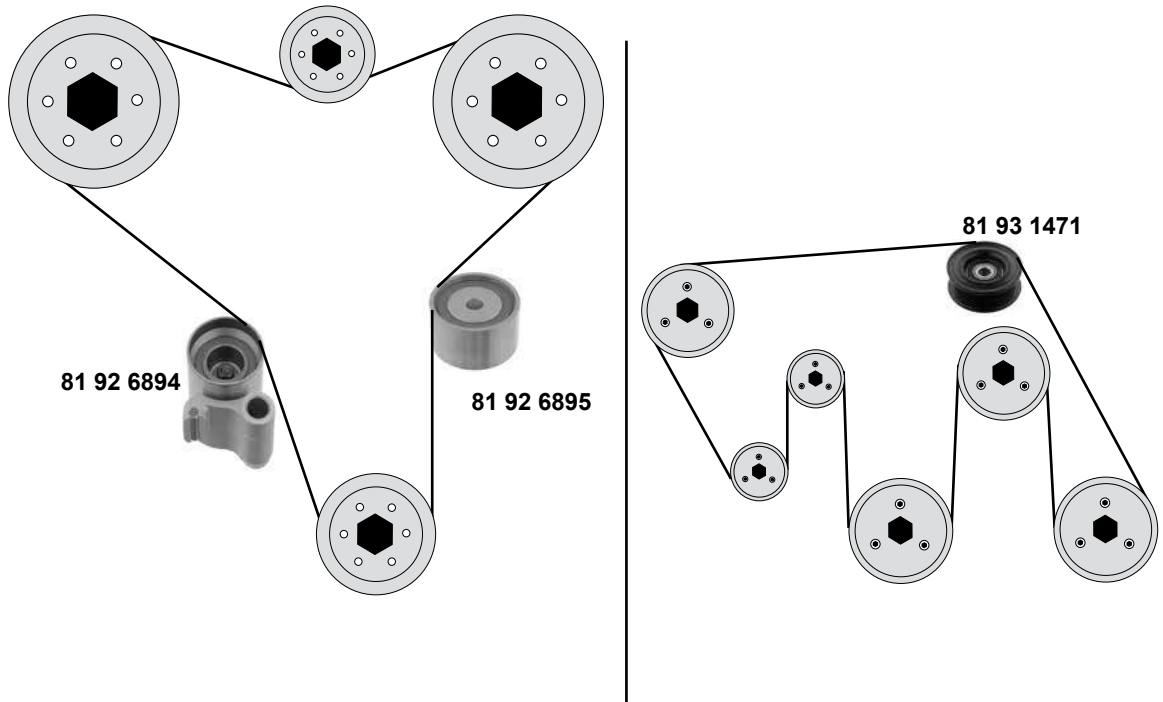
(97→)



**4,0**  
(1UZFE)→08/00

**4,3**  
(3UZFE) 08/00→

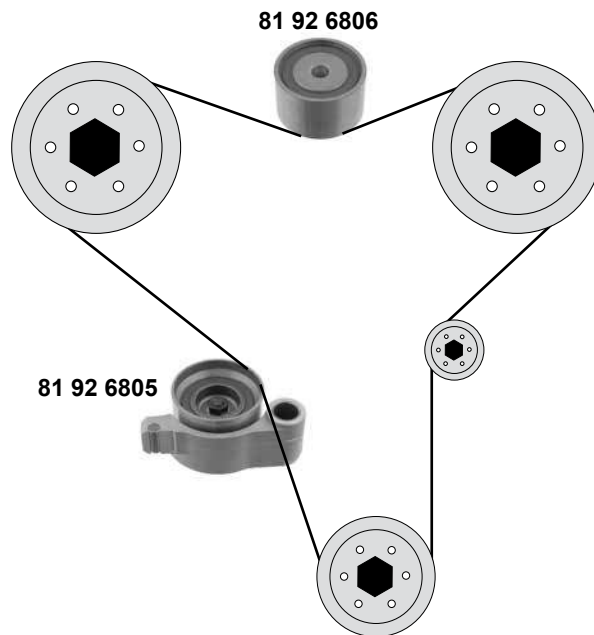
**4,7**  
(2UZFE) 01/98→



# RX300 / 400 H (U1 / U3 /U15 / U38)

(98→)

**3,0 / 3,3 24 V**  
(1MZFE / 3MZFE)



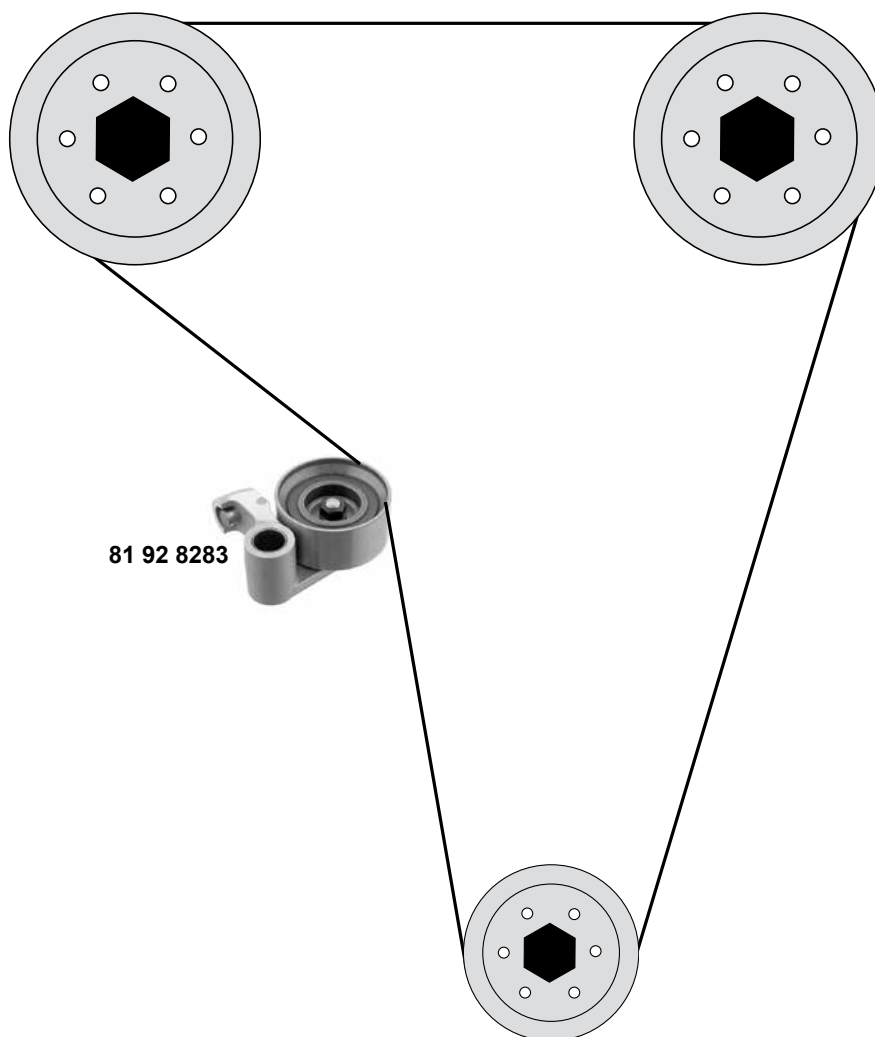
- (1) (mot.) 1MZFE 01/98→02/03 / (mot.) 3VZFE 03/92→08/96  
Modell RX 300 (U3) (mot.) 3MZFE 02/03→02/06 / Modell RX 400 H (U3 / U38 ) (mot.) 3MZFE 03/05→
- (2) Modell LS 400 (UCF10) (mot.) 1UZFE 05/89→10/94 / Modell LS 400 (UCF20) (mot.) 1UZFE 11/94→08/00  
Modell LS 430 (UCF30) (mot.) 3UZFE 08/00→08/06 / Modell LX 470 (UZJ100) (mot.) 2UZFE 01/98→08/07



Ref. - No.



81 92 6805	13505-20030	Spannrolle / tension roller	(1)	ØA 62 B36,5
81 92 6806	13503-62030	Umlenkrolle / deflection pulley	(1)	ØA 62 B36,5
81 92 6894	13505-50030	Spannrolle / tension roller		ØA 62 B37,5
81 92 6895	13503-50011	Umlenkrolle / deflection pulley		ØA 66 B37,5
81 93 1471	16604-50030	Umlenkrolle / deflection pulley	(2)	ØA 75 H29



# LEXUS SC 400 / 430 (JZZ / UZZ)

(97→)

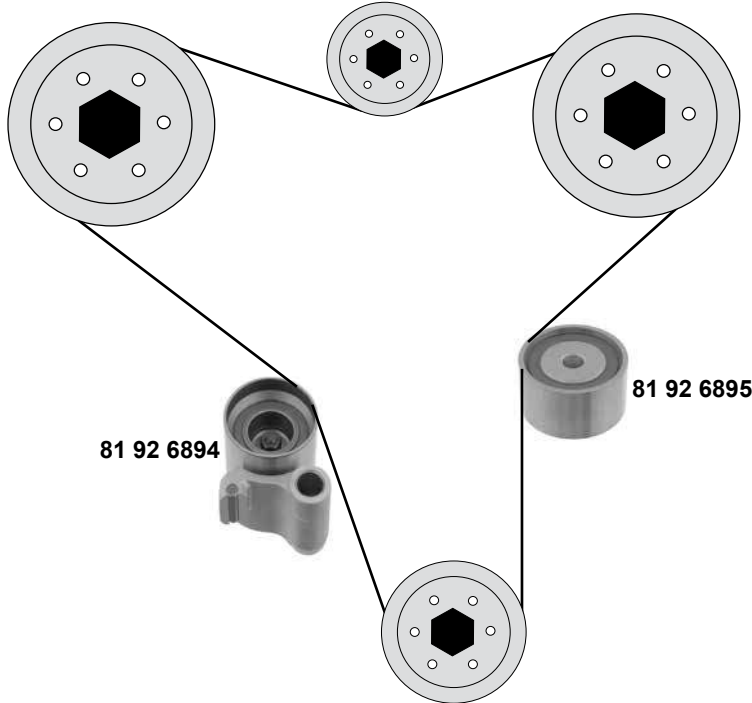


**4,0**

(1UZFE) 09/97→07/00

**4,3**

(3UZFE) 01/01→

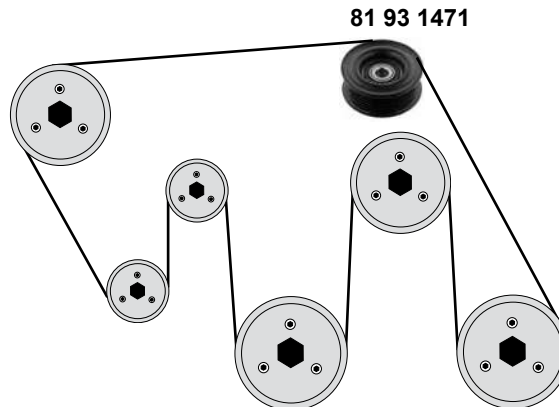


**4,0**

(1UZFE) 04/91→07/00

**4,3**

(3UZFE) 01/01→



Ref. - No.

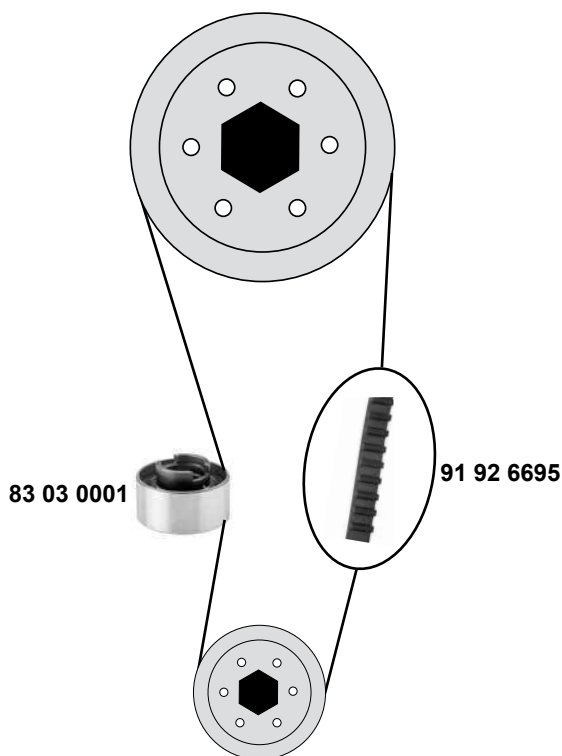


81 92 6894	13505-50030
81 92 6895	13503-50011
81 93 1471	16604-50030

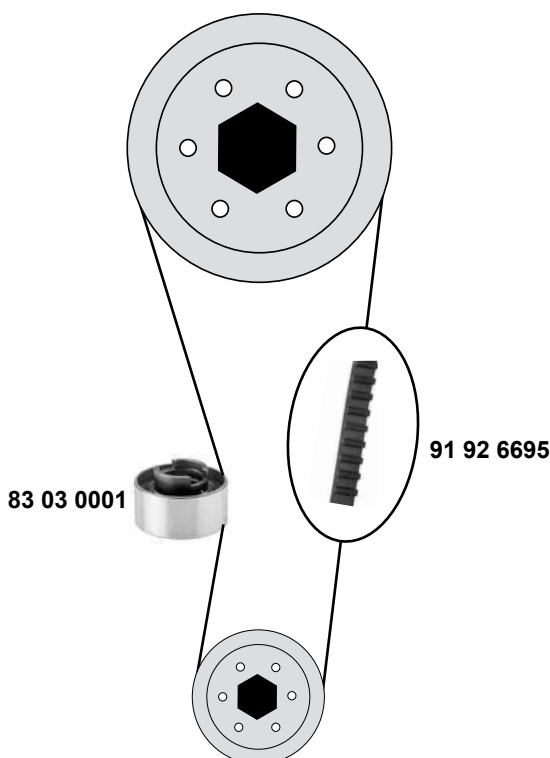
Spannrolle / tension roller
Umlenkrolle / deflection pulley
Umlenkrolle / deflection pulley

ØA 62 B37,5
ØA 66 B37,5
ØA 75 H29

**121 (DA/DB)**  
**1,1 / 1,3**



**323 (BF/BJ/BW/BG)**  
**1,3 → 1,8 8V**



(1) 323 (BF) 02/89→91 (mot.) 1,3 / 1,5 / **1,6 (ex.)** Turbo



Ref. - No.



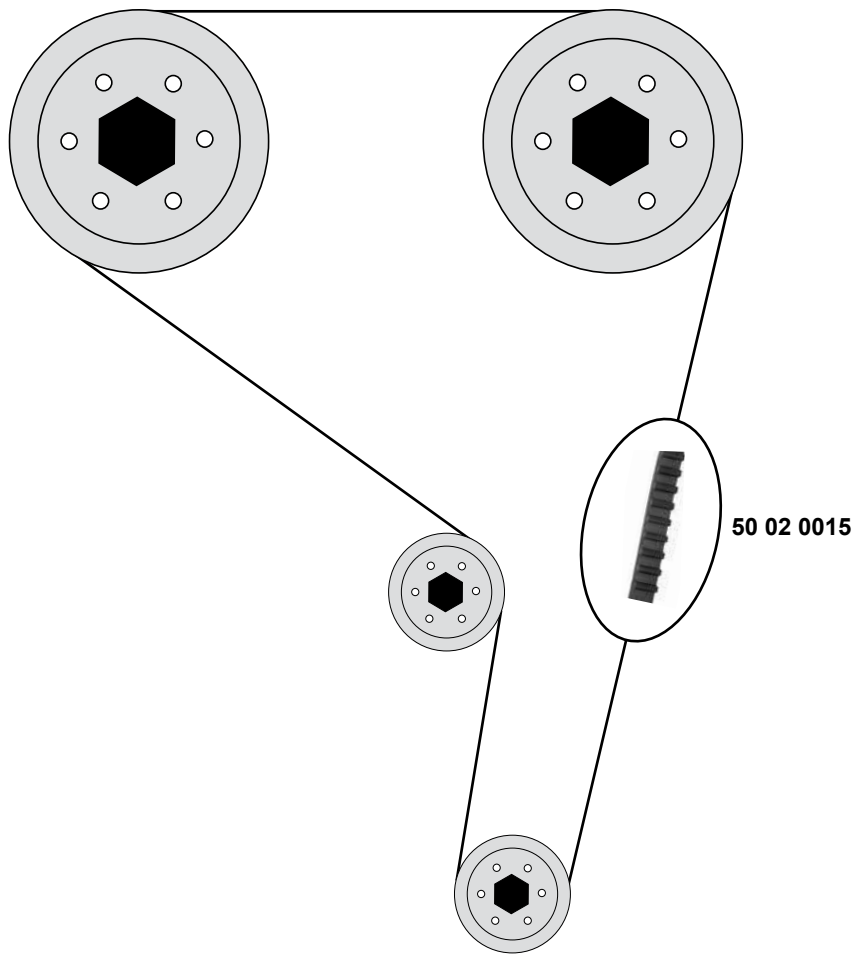
**83 03 0001** B630-12-700E  
**91 92 6695** BP02-12-205A  
**91 92 6905** BP02-12-205A S1

Spannrolle / tension roller  
Zahnriemen / timing belt  
Rep. Satz Zahnriemen / rep. kit timing belt

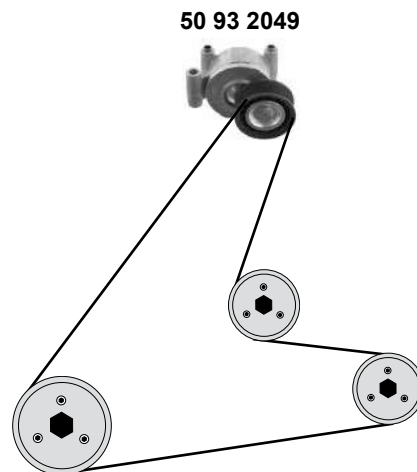
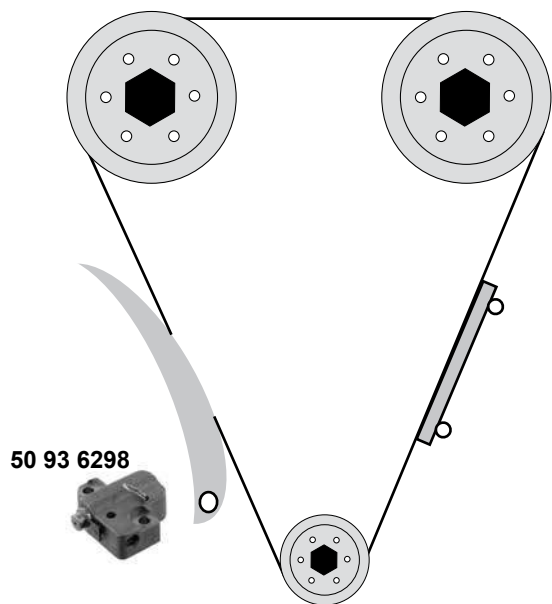
(1)

ØA 52 H25  
Z 107 B22  
Z 107 B22

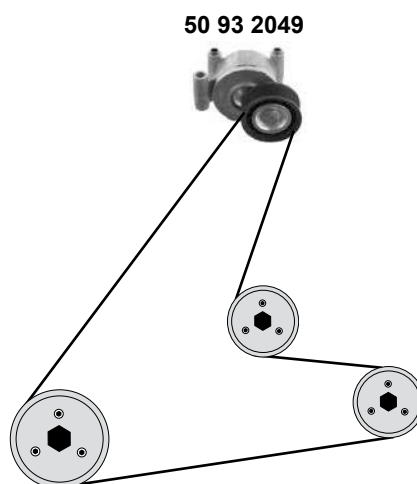
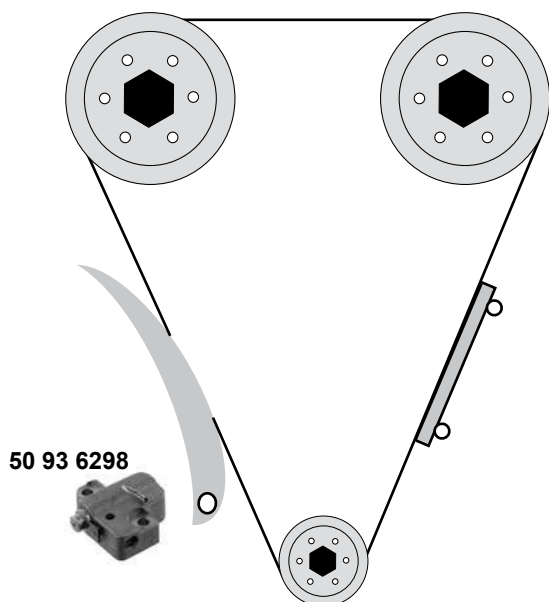
**1,25 / 1,4 / 1,6**







**Mazda 5 (CR/CW)**  
 (03→)  
**1,8 / 2,0**



(1) Mazda 3 (mot.) BL 06/09→  
 Mazda 5 (mot.) CW 09/10→



Ref. - No.



Riemenspanner / belt tensioner  
 Kettenspanner / chain tensioner



(ex.) CW  
 (1)

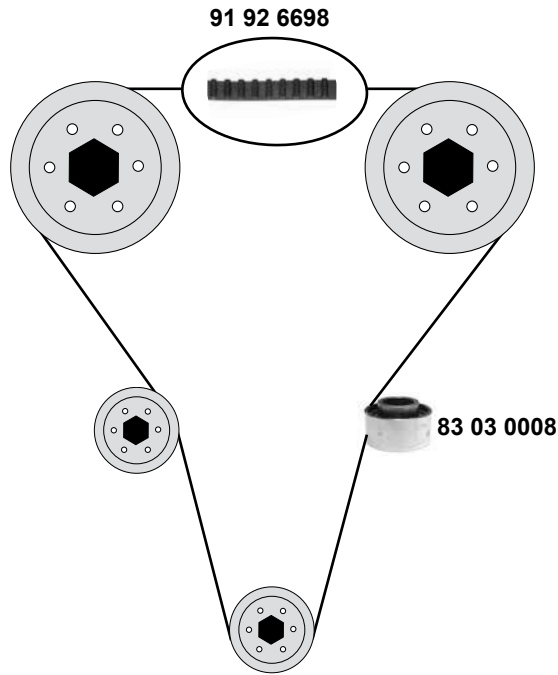


AØ 72,5 B29

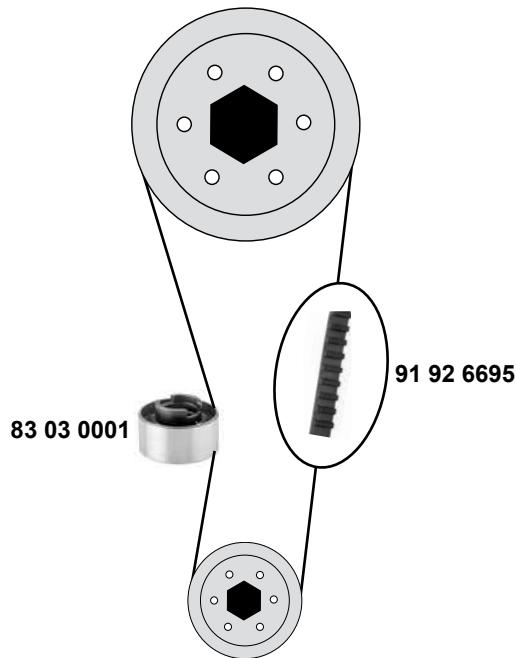
**MAZDA**  
**323 (BF / BG)**  
 (85→91)



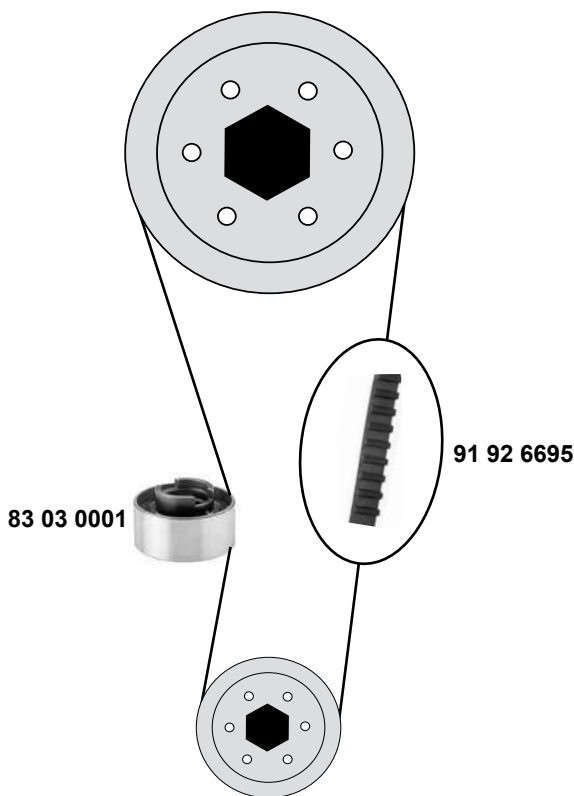
**1,6 16V TURBO / 1,8 16V DOHC**



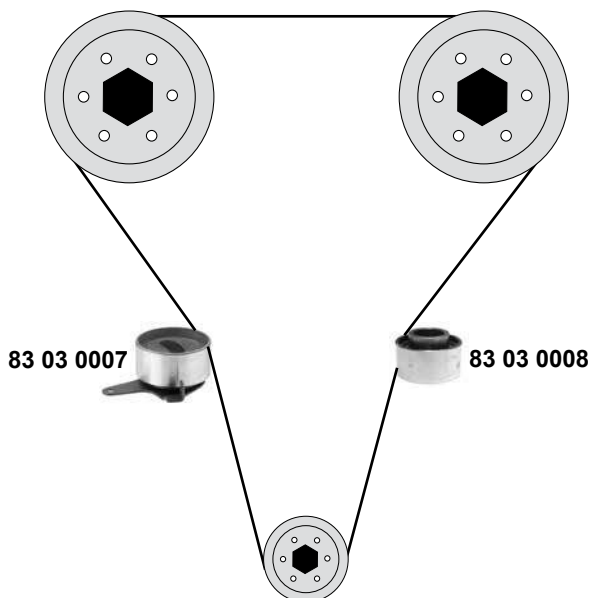
**323 (BG)**  
 (89→94)  
**1,3 16V**



Ref. - No.			
<b>83 03 0001</b>	B630-12-700E	Spannrolle / tension roller	Modell→94
<b>83 03 0008</b>	B660-12-730C	Umlenkrolle / deflection pulley	
<b>91 92 6695</b>	BP02-12-205A	Zahnriemen / timing belt	
<b>91 92 6698</b>	B6S7-12-205D	Zahnriemen / timing belt	
<b>91 92 6905</b>	BP02-12-205A S1	Rep. Satz Zahnriemen / rep. kit timing belt	
			ØA 52 H25 ØA 52 H31 Z 107 B22 Z 145 B22 Z 107 B22



**1,5 16V / 1,6 16V / 1,8 16V**



Ref. - No.



<b>83 03 0007</b>	B660-12-700F
<b>83 03 0001</b>	B630-12-700E
<b>83 03 0008</b>	B660-12-730C
<b>91 92 6905</b>	BP02-12-205A S1
<b>91 92 6695</b>	BP02-12-205A

Spannrolle / tension roller
Spannrolle / tension roller
Umlenkrolle / deflection pulley
Rep. Satz Zahnriemen / rep. kit timing belt
Zahnriemen / timing belt

Modell→94

ØA 52 H25
ØA 52 H25
ØA 52 H31
Z 107 B22
Z 107 B22

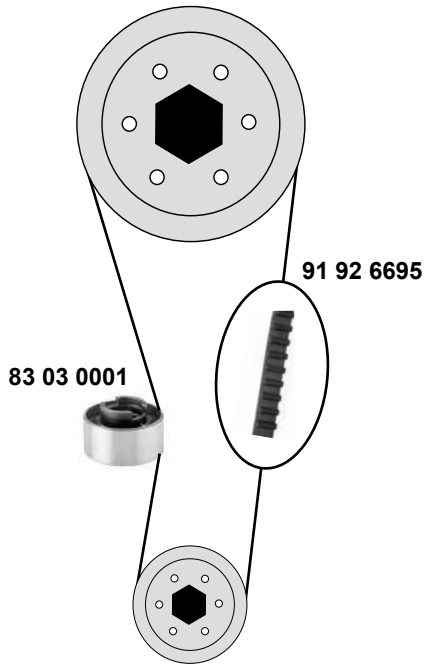
# MAZDA

## 323 (BJ)

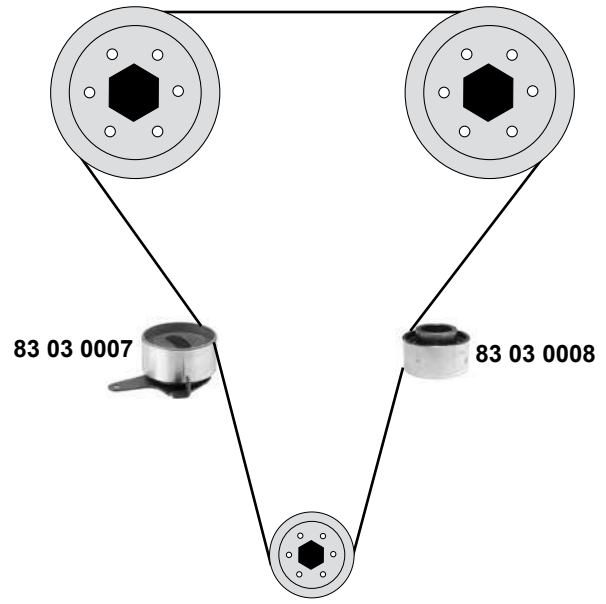
(98→03)



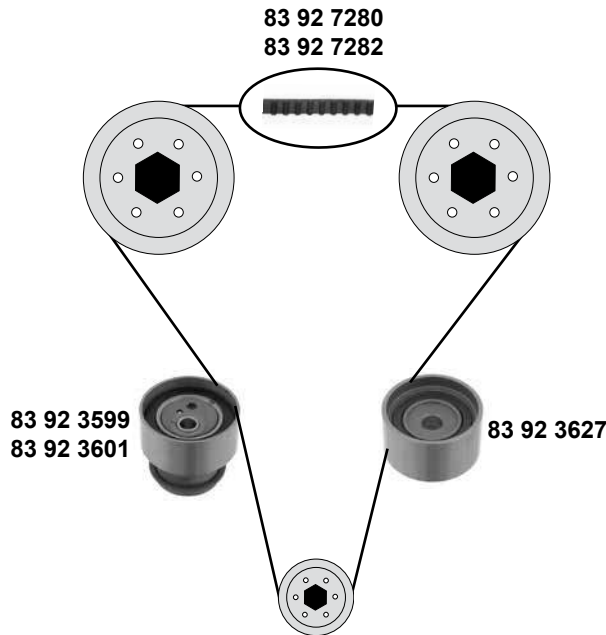
### 1,3 16V



### 1,5 16V / 1,6 16V

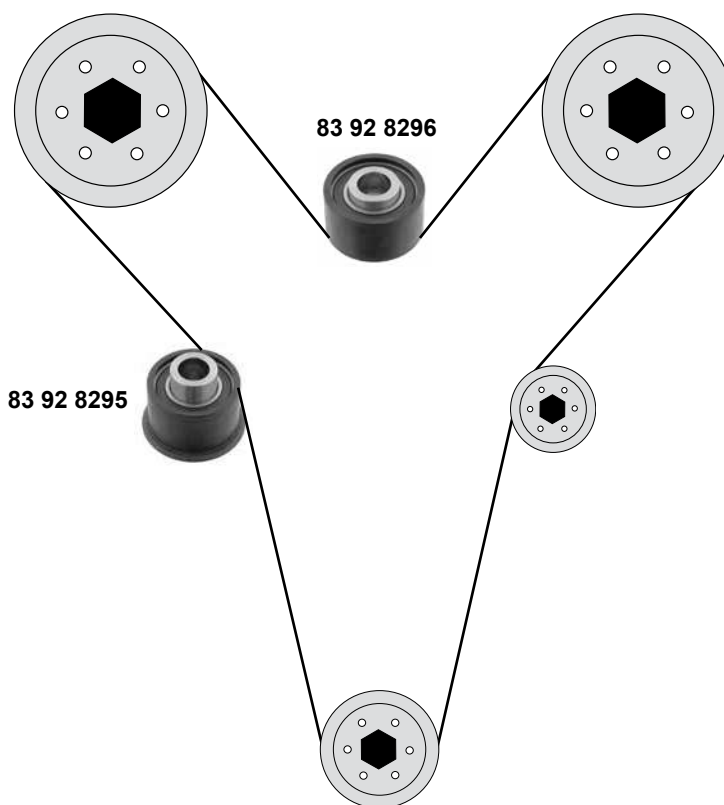


### 1,8 16V / 2,0 16V

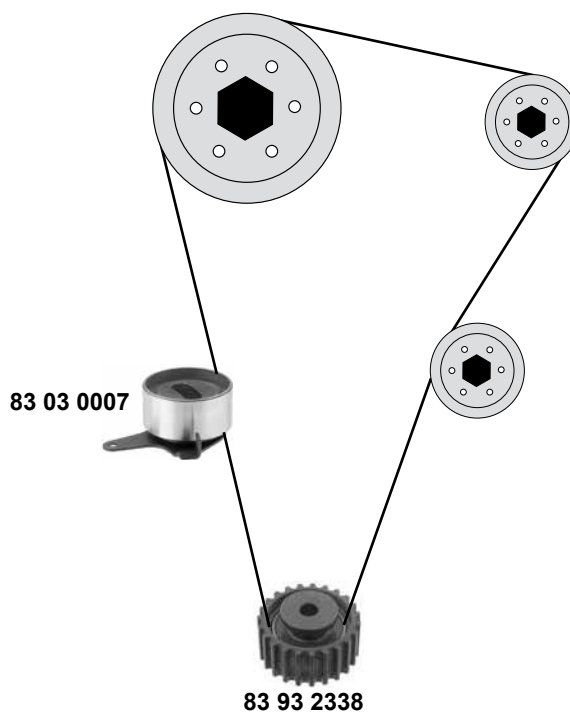


SWAG	Ref. - No.			
83 03 0001	B630-12-700E	Spannrolle / tension roller	(mot.) 1,3 16V	ØA 52 H25
83 03 0007	B660-12-700F	Spannrolle / tension roller	(ex.) (mot.) 1,5 16V	ØA 52 H 25
83 03 0008	B660-12-730C	Umlenkrolle / deflection pulley	(mot.) 2,0 16V	ØA 62 H 28,5
83 92 3599	FS01-12-700B	Spannrolle / tension roller	(mot.) 1,8 16V	ØA 62 H 28,5
83 92 3601	FP01-12-700A	Spannrolle / tension roller	(mot.) 1,8 16V	Z 135 B25
83 92 3627	FS01-12-730A	Umlenkrolle / deflection pulley	(mot.) 2,0 16V	ØA 52 H 28,5
83 92 7281	FP01-12-205A S1	Rep.Satz Zahnriemen / rep. kit timing belt	(mot.) 2,0 16V	
83 92 7282	FS01-12-205A	Zahnriemen / timing belt	(mot.) 1,3 16V	Z 107 B22
83 92 7283	FS01-12-205A S1	Rep. Satz Zahnriemen / rep. kit timing belt	(mot.) 1,3 16V	Z 107 B22
91 92 6905	BP02-12-205A S1	Rep. Satz Zahnriemen / rep. kit timing belt	(mot.) 1,3 16V	
91 92 6695	BP02-12-205A	Zahnriemen / timing belt	(mot.) 1,3 16V	

**2,0 24V V6**



**323/323F (BA/BJ)**  
(94→)  
**1,5 V16**



Ref. - No.



<b>83 03 0007</b>	B660-12-700F
<b>83 92 8295</b>	KL01-12-740
<b>83 92 8296</b>	KL01-12-730A
<b>83 93 2338</b>	Z501-12-730

Spannrolle / tension roller
Umlenkrolle / deflection pulley
Umlenkrolle / deflection pulley
Umlenkrolle / deflection pulley

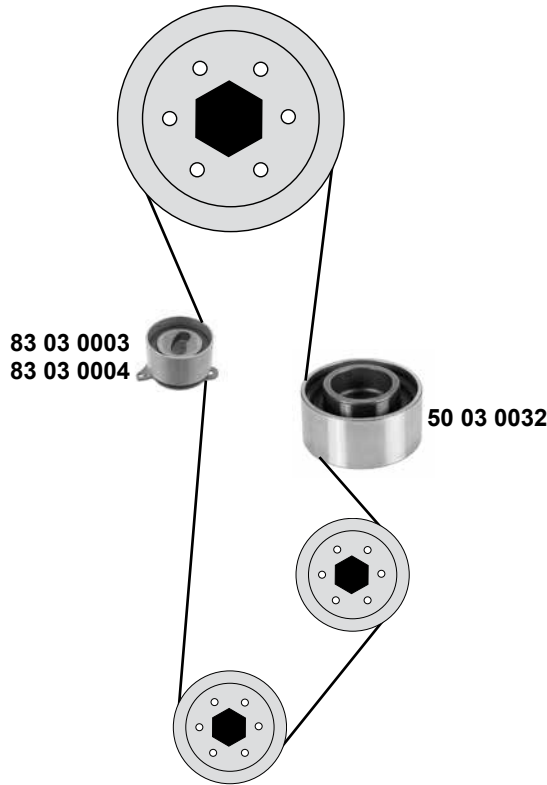
→ 97

ØA 52 H25
ØA 60 H35
ØA 60 H35
ØA 57,5 B25,5

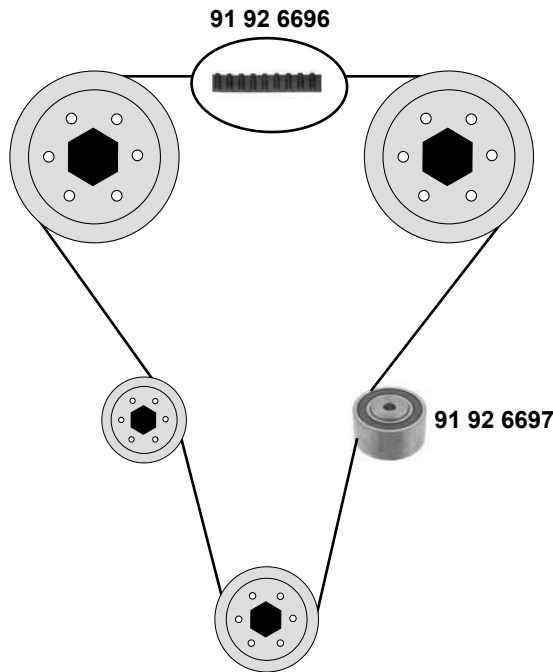
**MAZDA**  
**626 (GD / GV)**  
 (87→97)



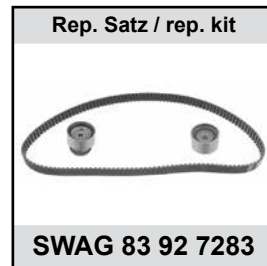
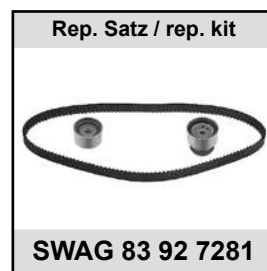
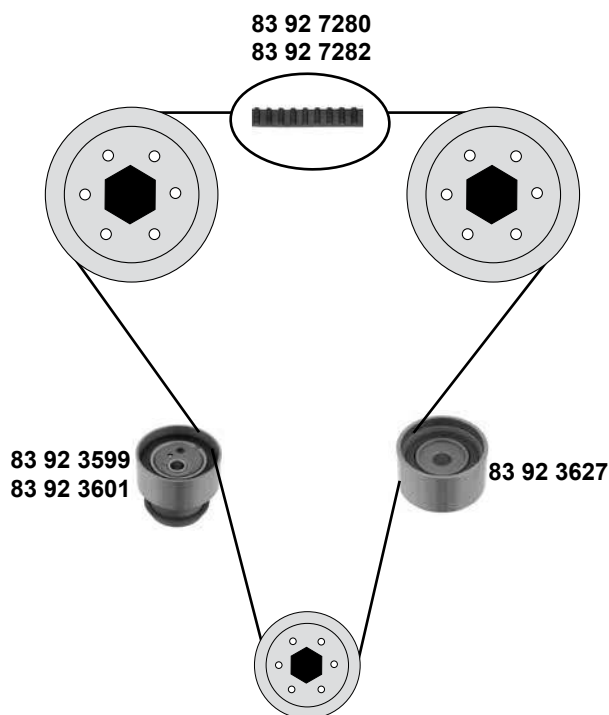
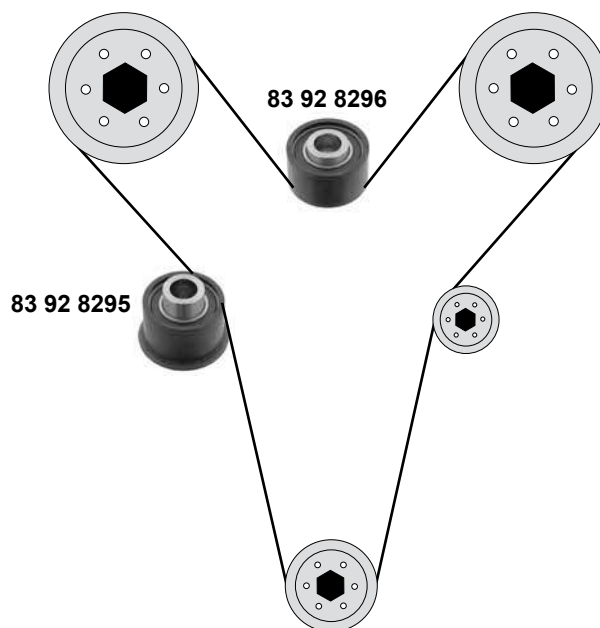
**1,6 / 1,8 / 2,0 / 2,2**



**2,0 16V (DOHC)**



	Ref. - No.			
50 03 0032	FE1H-12-730A	Umlenkrolle / deflection pulley	(mot.) 1,8 / 2,0	ØA 60 H28,5
83 03 0003	F805-12-700C	Spannrolle / tension roller	(mot.) 1,6 / 2,0	
83 03 0004	FE1H-12-700A	Spannrolle / tension roller	(mot.) 1,6 / 1,8 / 2,0 OHC	ØA 52 H28,5
91 92 6696	FE3N-12-205	Zahnriemen / timing belt		Z 168
91 92 6697	FE3N-12-730	Umlenkrolle / deflection pulley		ØA 60 H30

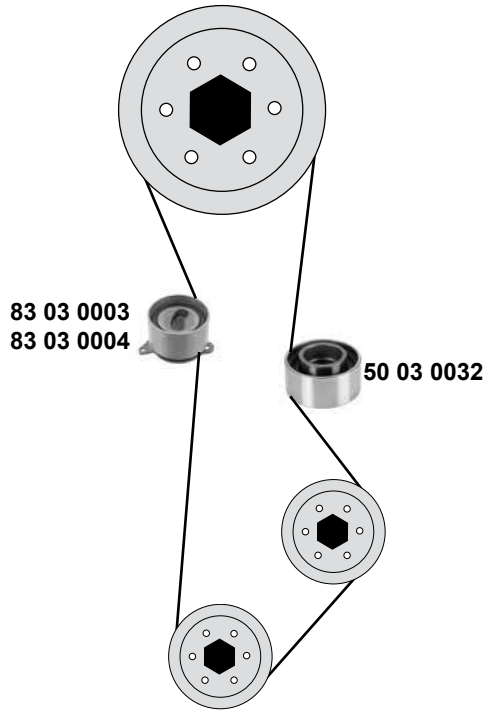


	Ref. - No.			
<b>83 92 3599</b>	FS01-12-700B	Spannrolle / tension roller	(mot.) 2,0 16 V	ØA 62 H 28,5
<b>83 92 3601</b>	FP01-12-700A	Spannrolle / tension roller	(mot.) 1,8 16 V	ØA 62 H 28,5
<b>83 92 3627</b>	FS01-12-730A	Umlenkrolle / deflection pulley		ØA 52 H 28,5
<b>83 92 7280</b>	FP01-12-205A	Zahnriemen / timing belt	(mot.) 1,8 16 V	Z 135 B25
<b>83 92 7281</b>	FP01-12-205A S1	Rep.Satz Zahnriemen / rep. kit timing belt	(mot.) 1,8 16V	
<b>83 92 7282</b>	FS01-12-205A	Zahnriemen / timing belt	(mot.) 2,0 16 V	Z 135 B25
<b>83 92 7283</b>	FS01-12-205A S1	Rep. Satz Zahnriemen / rep. kit timing belt	(mot.) 2,0 16 V	Z 135 B25
<b>83 92 8295</b>	KL01-12-740	Umlenkrolle / deflection pulley		ØA 60 H 35
<b>83 92 8296</b>	KL01-12-730A	Umlenkrolle / deflection pulley		ØA 60 H 35

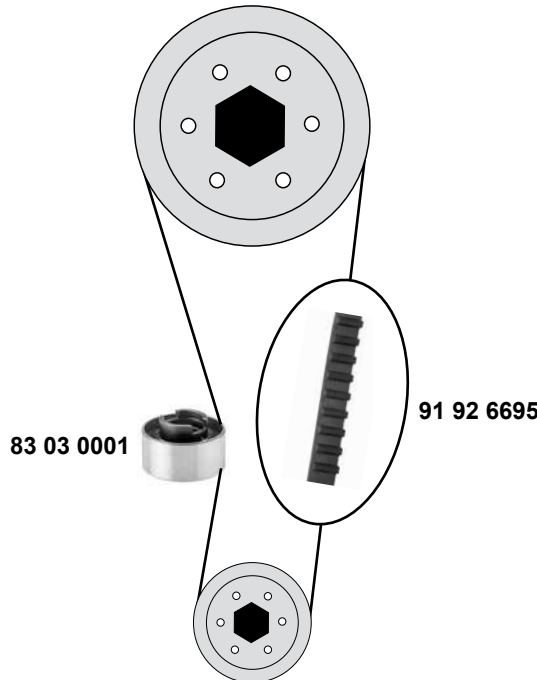
**MAZDA**  
**B1600→2600**  
(82→)



**1,6 / 1,8 / 2,0 / 2,2**  
(UF / UN)  
**(Modell: 84→99)**

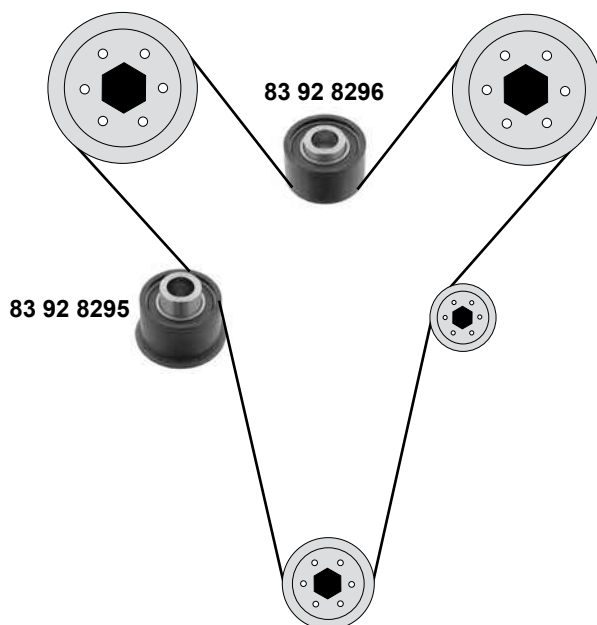
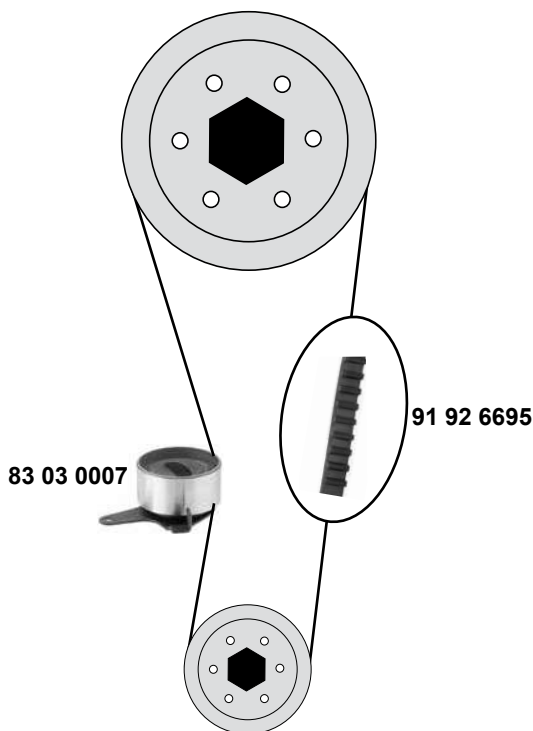


**Demio**  
(98→)  
**1,3 16V / 1,5 16V**



	Ref. - No.			
<b>50 03 0032</b>	FE1H-12-730A	Umlenkrolle / deflection pulley	(mot.) 2,0 / 2,2	ØA 60 H 28,5
<b>83 03 0001</b>	B630-12-700E	Spannrolle / tension roller		ØA 52 H25
<b>83 03 0003</b>	F805-12-700C	Spannrolle / tension roller	(ex.) (mot.) 2,2	
<b>83 03 0004</b>	FE1H-12-700A	Spannrolle / tension roller	(mot.) 2,2	ØA 52 H28,5
<b>91 92 6695</b>	BP02-12-205A	Zahnriemen / timing belt		Z 107 B22
<b>91 92 6905</b>	BP02-12-205A S1	Rep. Satz Zahnriemen / rep. kit timing belt		Z 107 B22





Ref. - No.



<b>83 03 0007</b>	B660-12-700F
<b>83 92 8295</b>	KL01-12-740
<b>83 92 8296</b>	KL01-12-730A
<b>91 92 6695</b>	BP02-12-205A
<b>91 92 6905</b>	BP02-12-205A S1

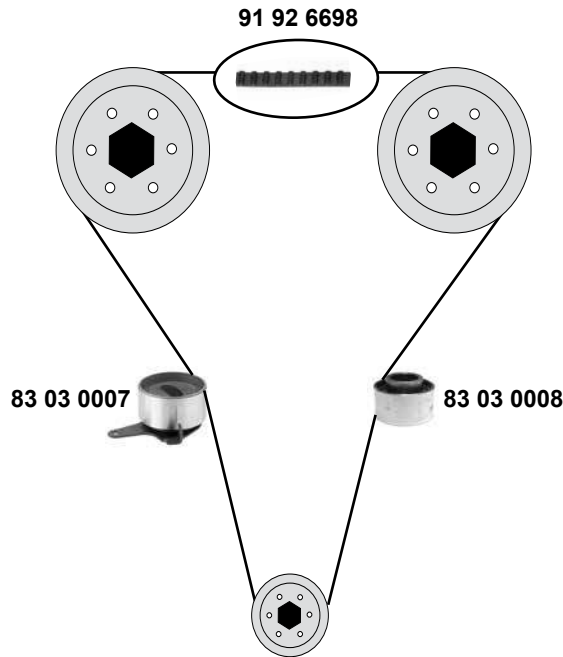
Spannrolle / tension roller
Umlenkrolle / deflection pulley
Umlenkrolle / deflection pulley
Zahnriemen / timing belt
Rep. Satz Zahnriemen / rep. kit timing belt

ØA 52 H 25
ØA 60 H 35
ØA 60 H 35
Z 107 B22
Z 107 B22

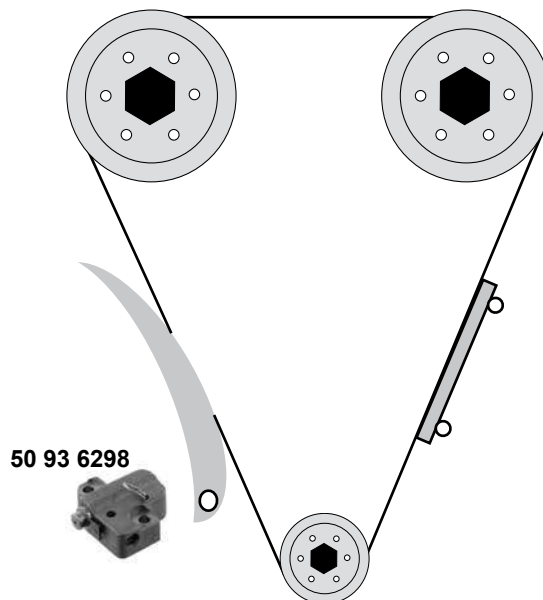
**MAZDA**  
**MX-5 (NA / NB)**  
 (89→)



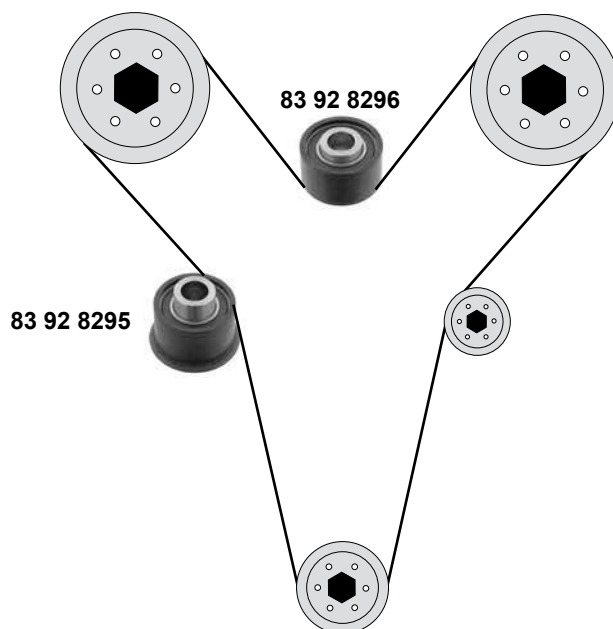
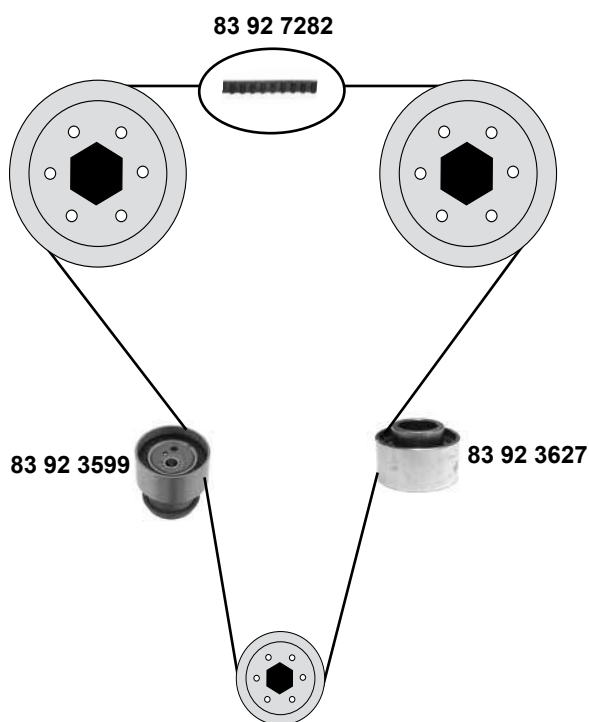
**1,6 16V / 1,8 16V**



**MX-5 (NC)**  
 (05→)  
**1,8 / 2,0**



	Ref. - No.			
50 93 6298	LF02-12-500	Kettenspanner / chain tensioner		
83 03 0007	B660-12-700F	Spannrolle / tension roller		ØA 52 H25
83 03 0008	B660-12-730C	Umlenkrolle / deflection pulley		ØA 52 H31
91 92 6698	B6S7-12-205D	Zahnriemen / timing belt		Z 145 B22

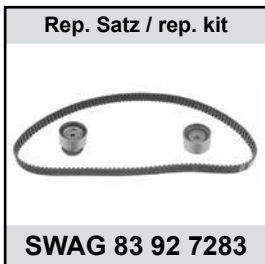
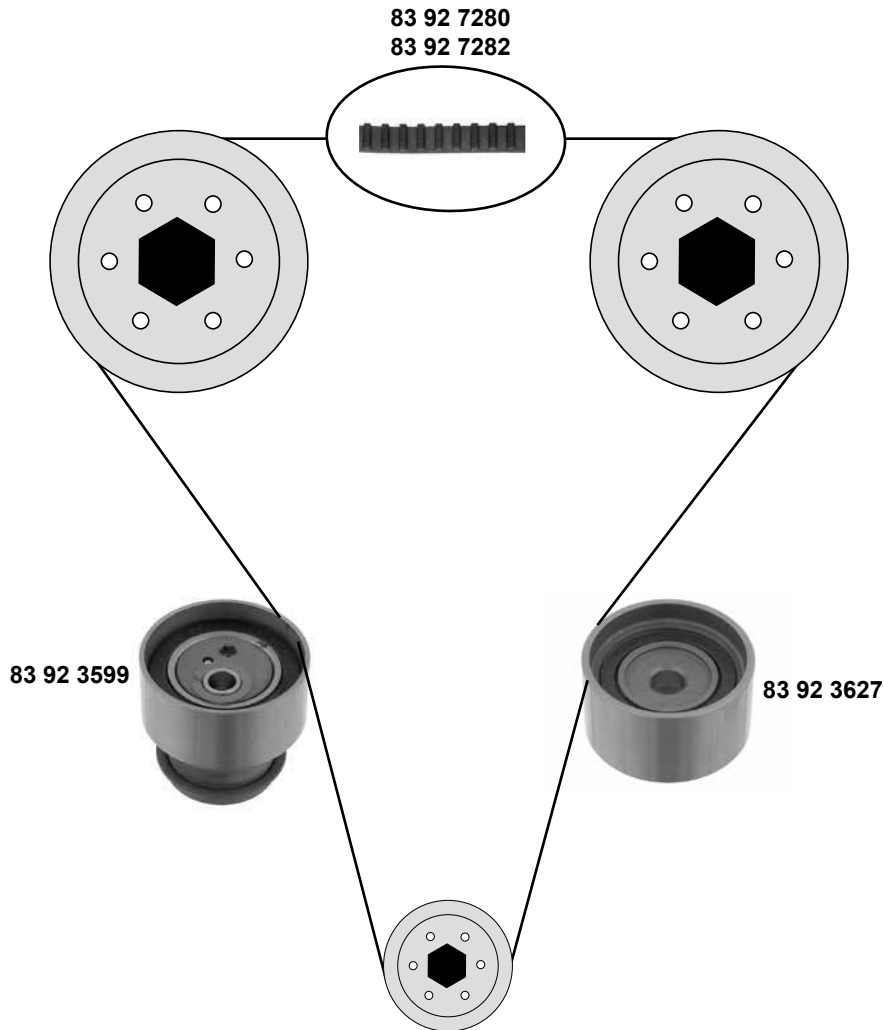


83 92 3599	FS01-12-700B	Spannrolle / tension roller	ØA 62 H28,5
83 92 3627	FS01-12-730A	Umlenkrolle / deflection pulley	ØA 52 H28,5
83 92 7282	FS01-12-205A	Zahnriemen / timing belt	Z 135 B25
83 92 7283	FS01-12-205A S1	Rep. Satz Zahnriemen / rep. kit timing belt	Z 135 B25
83 92 8295	KL01-12-740	Umlenkrolle / deflection pulley	ØA 60 H 35
83 92 8296	KL01-12-730A	Umlenkrolle / deflection pulley	ØA 60 H 35

**MAZDA**  
**MPV (LW)**  
(99→)

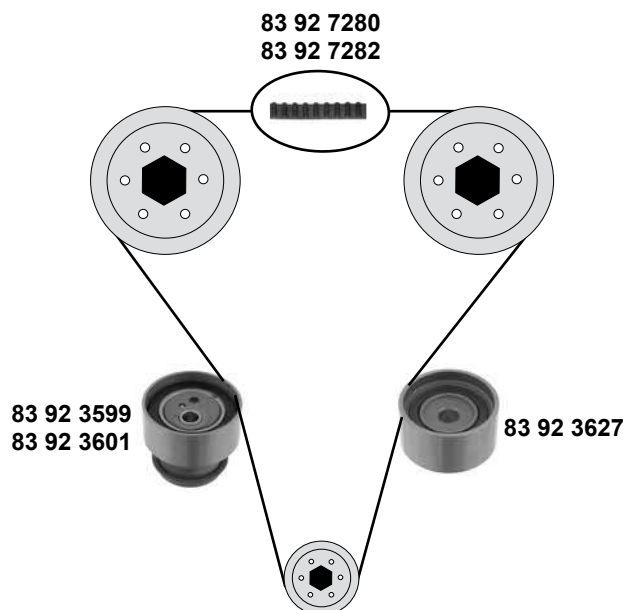


**1,8 16V / 2,0 16V**



SWAG GERMANY	Ref. - No.			
83 92 3599	FS01-12-700B	Spannrolle / tension roller		ØA 62 H 28,5
83 92 3627	FS01-12-730A	Umlenkrolle / deflection pulley		ØA 52 H 28,5
83 92 7280	FP01-12-205A	Zahnriemen / timing belt	(mot.) 1,8 16V	Z 133 B25
83 92 7282	FS01-12-205A	Zahnriemen / timing belt	(mot.) 2,0 16V	Z 135 B25
83 92 7283	FS01-12-205A S1	Rep. Satz Zahnriemen / rep. kit timing belt	(mot.) 2,0 16V	Z 135 B25

### 1,8 16V / 2,0 16V



Rep. Satz / rep. kit

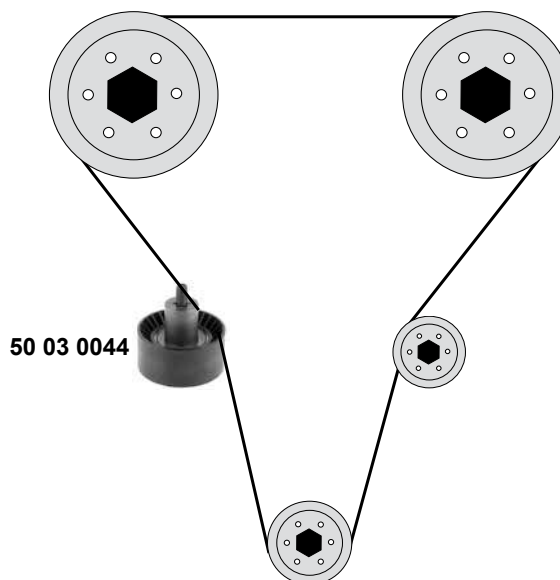


SWAG 83 92 7281

## TRIBUTE (EP)

(00→)

### 2,0 16V



<b>50 03 0044</b>	YF09-12-730	Umlenkrolle / deflection pulley			ØA 60 H 29
<b>83 92 3599</b>	FS01-12-700B	Spannrolle / tension roller		(mot.) 2,0 16V	ØA 62 H 28,5
<b>83 92 3601</b>	FP01-12-700A	Spannrolle / tension roller		(mot.) 1,8 16V	ØA 62 H 28,5
<b>83 92 3627</b>	FS01-12-730A	Umlenkrolle / deflection pulley			ØA 52 H 28,5
<b>83 92 7280</b>	FP01-12-205A	Zahnriemen / timing belt		(mot.) 1,8 16V	Z 133 B25
<b>83 92 7281</b>	FP01-12-205A S1	Rep. Satz Zahnriemen / rep. kit timing belt		(mot.) 1,8 16V	
<b>83 92 7282</b>	FS01-12-205A	Zahnriemen / timing belt		(mot.) 2,0 16V	Z 135 B25

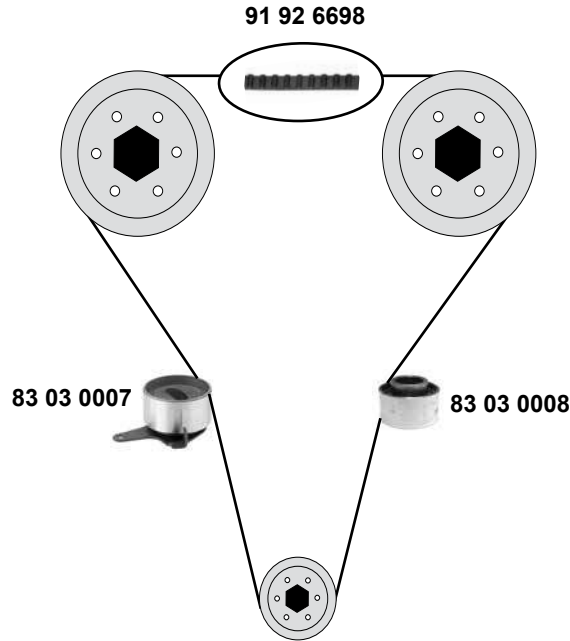
# MAZDA

## Xedos 6

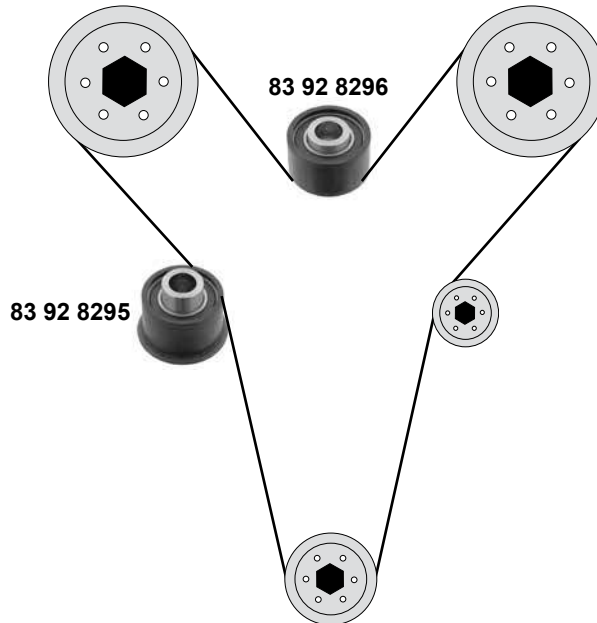
(92→)



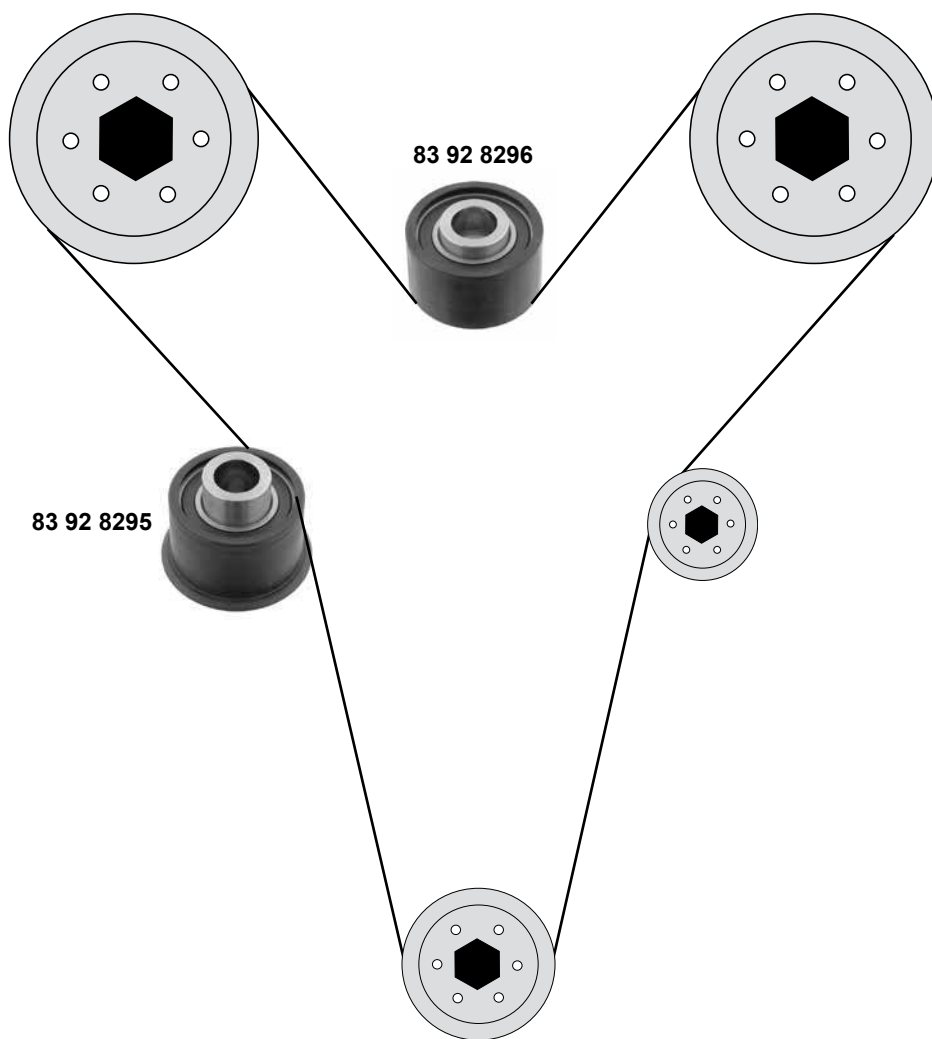
### 1,6 16V (CA)



### 2,5 24V V6



	Ref. - No.			
83 03 0007	B660-12-700F	Spannrolle / tension roller		ØA 52 H 25
83 03 0008	B660-12-730C	Umlenkrolle / deflection pulley		ØA 52 H 31
83 92 8295	KL01-12-740	Umlenkrolle / deflection pulley		ØA 60 H 35
83 92 8296	KL01-12-730A	Umlenkrolle / deflection pulley		ØA 60 H 35
91 92 6698	B6S7-12-205D	Zahnriemen / timing belt		Z 145 B22



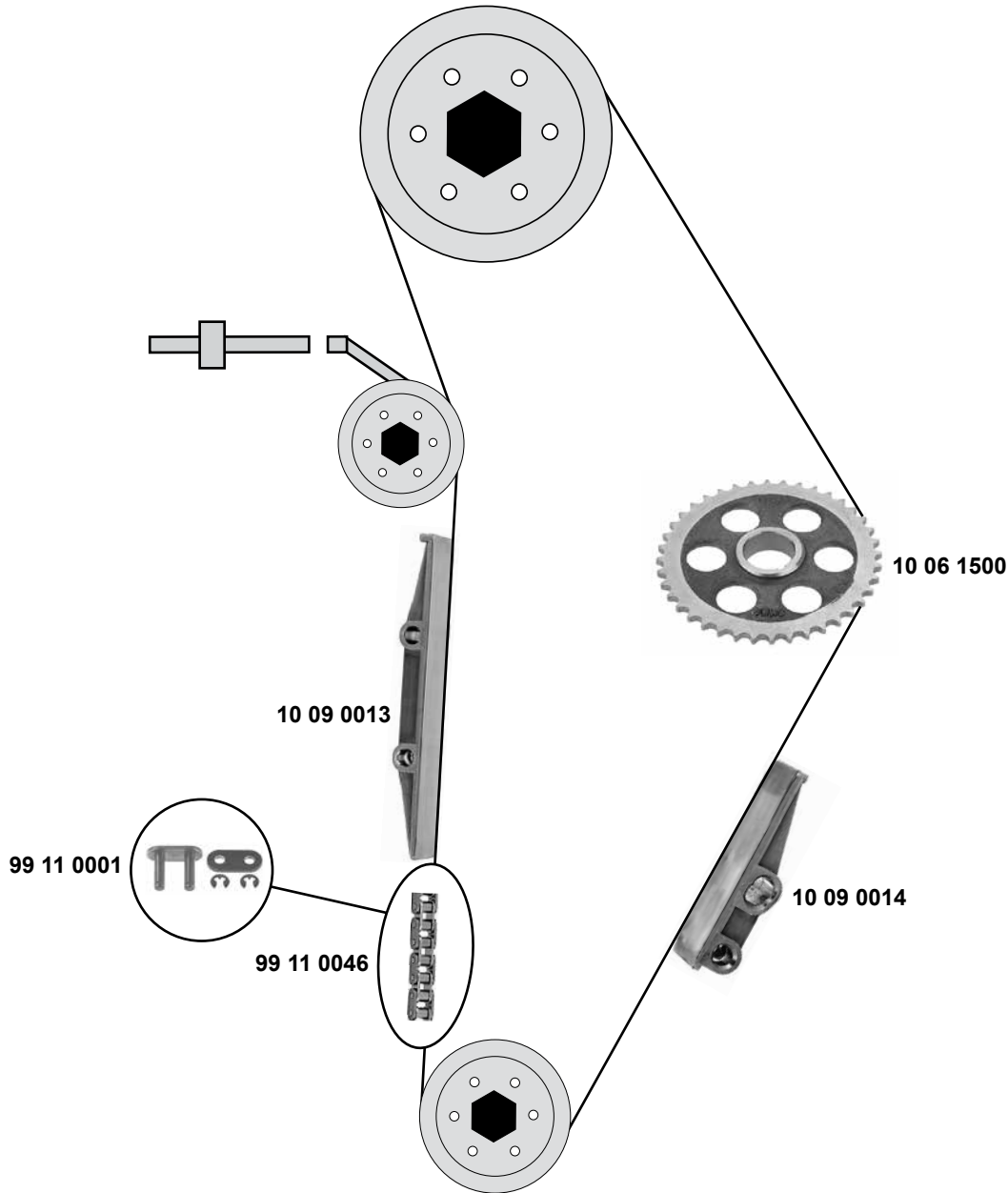
# MERCEDES-BENZ BM 110 (Heckflosse)

(61→68)



## 230

(M 180.945, 950)



(1) Federverschluß / split link / fermeture de ressort / cierre de resorte / falsa maglia



Ref. - No.



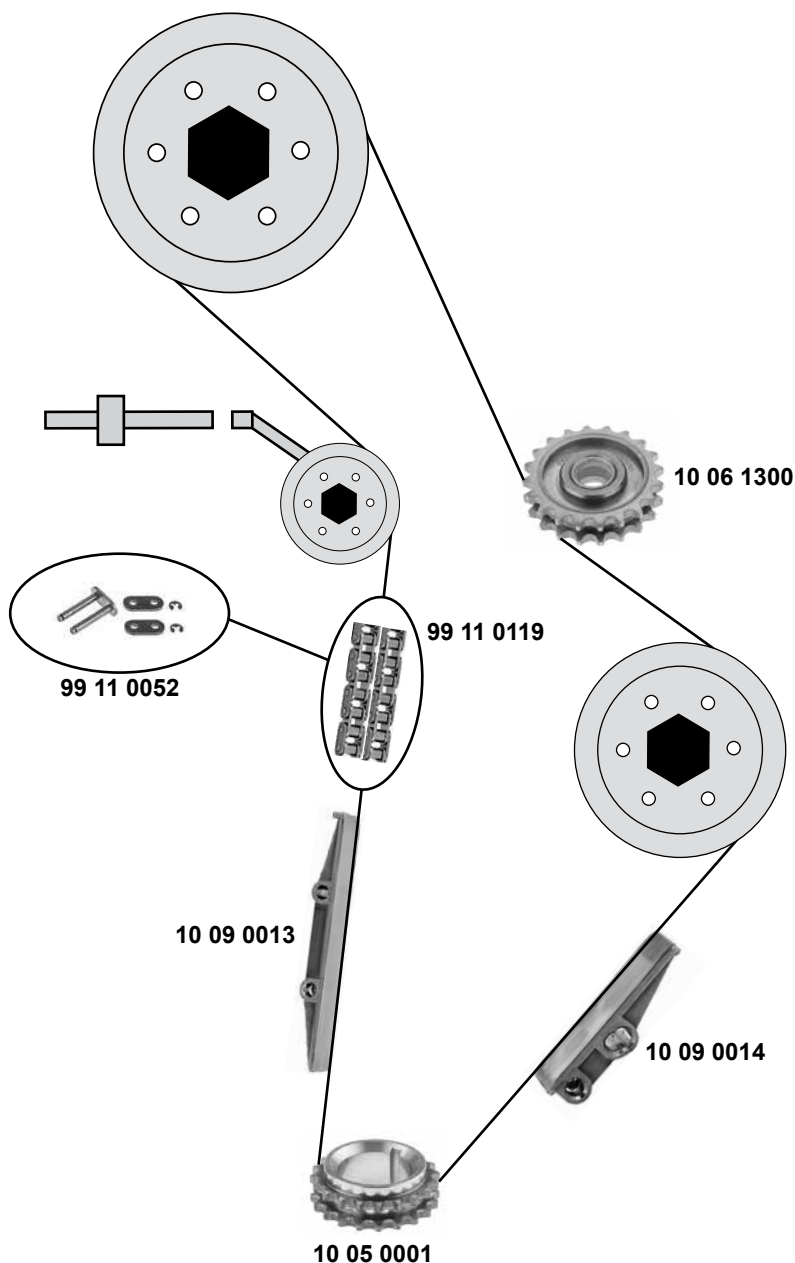
10 06 1500	114 052 01 02
10 09 0013	115 052 04 16
10 09 0014	115 052 07 16
99 11 0001	000 997 04 98
99 11 0046	000 997 68 94

Zwischenrad / intermediate gear
Gleitschiene / sliding rail
Gleitschiene / sliding rail
Kettenglied / chain link
Steuerkette / timing chain

(1)

455 / 124 F



**280 SEC**  
 (M 130.980)


(1) Federverschluß / split link / fermeture de ressort / cierre de resorte / falsa maglia



Ref. - No.



10 05 0001	615 052 02 03
10 06 1300	621 050 04 09
10 09 0013	115 052 04 16
10 09 0014	115 052 07 16
99 11 0052	000 997 05 98
99 11 0119	000 997 46 94

Kurbelwellenzahnrad / crankshaft gear
Zwischenrad / intermediate gear
Gleitschiene / sliding rail
Gleitschiene / sliding rail
Kettenglied / chain link
Steuerkette / timing chain

(1)

Z 20 Ø1 36

 11 / D 455  
 D 455 / 134 F

# MERCEDES-BENZ

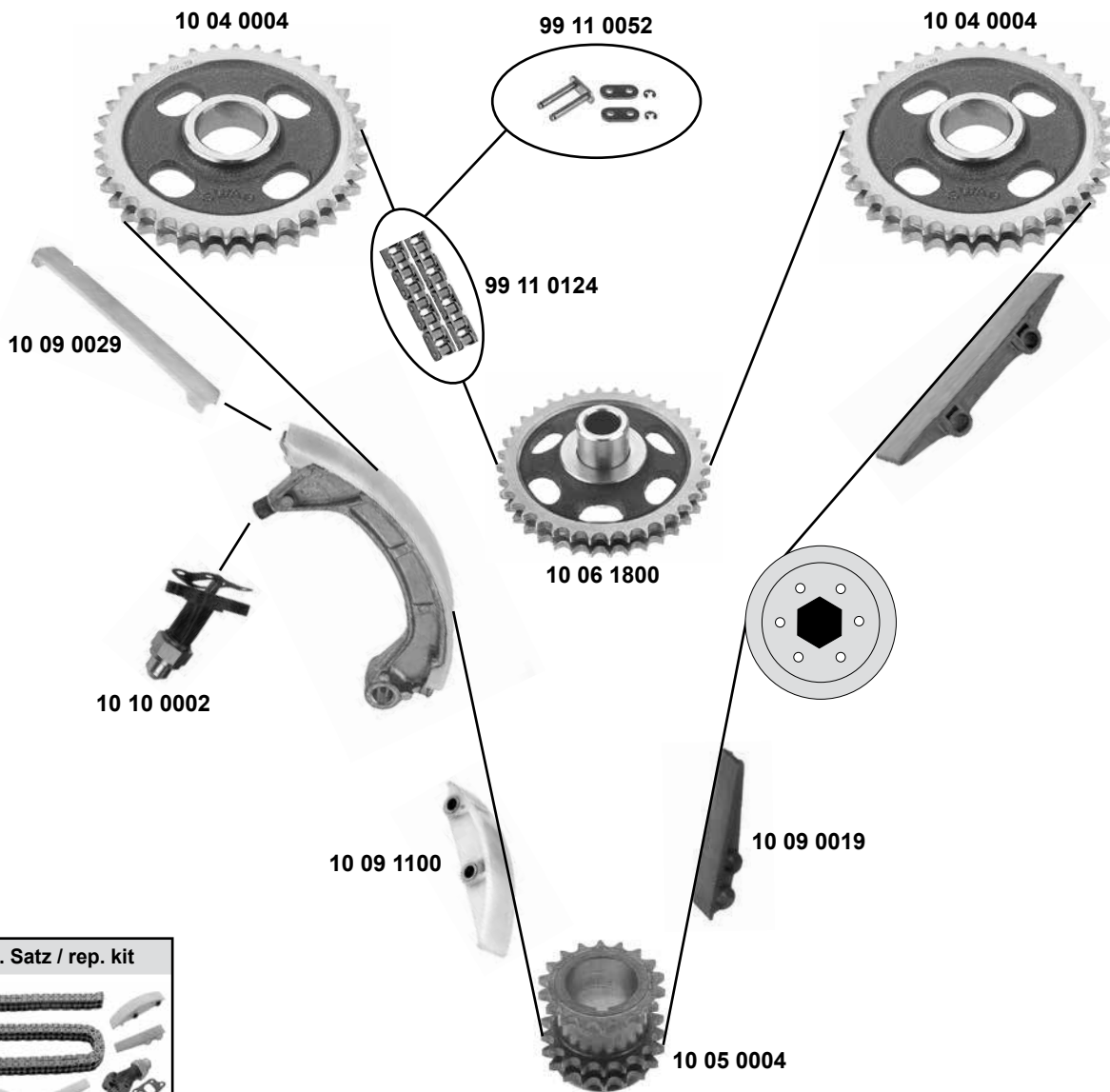
## BM 111 (Heckflosse)

(65→71)



### 280 SEC 3.5

(M 116. 980)



(1) Federverschluß / split link / fermeture de ressort / cierre de resorte / falsa maglia

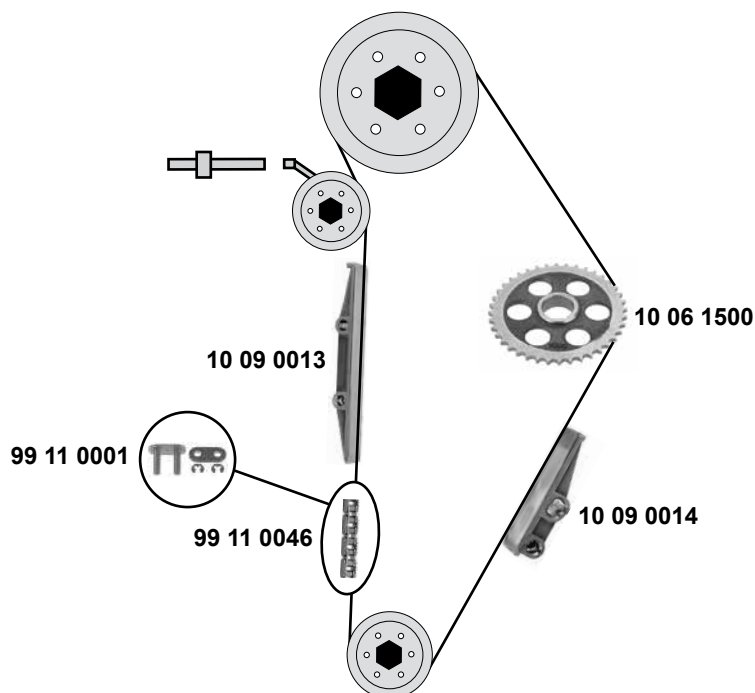


Ref. - No.

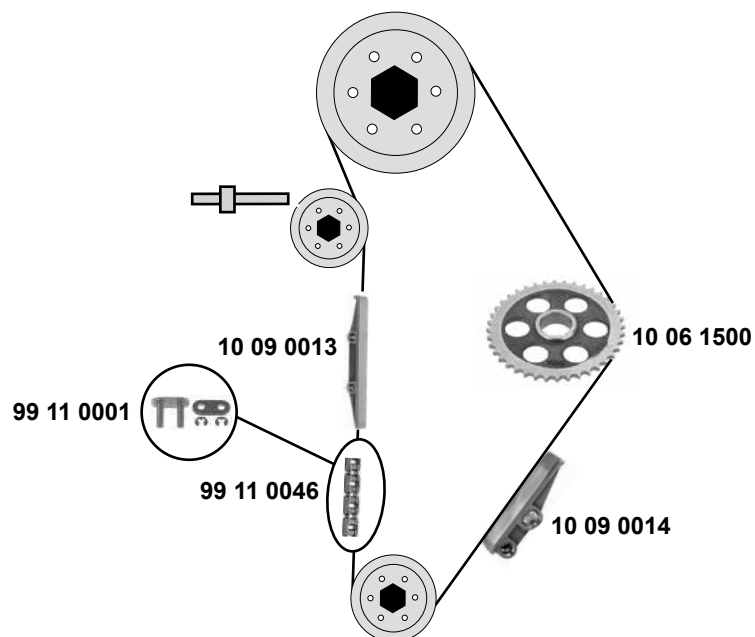


10 04 0004	116 052 06 01	Nockenwellenrad / camshaft gear		Z 36
10 05 0004	119 052 01 03	Kurbelwellenzahnrad / crankshaft gear		Z 18
10 06 1800	116 050 05 05	Zwischenrad / intermediate gear		Z 36
10 09 0021	116 052 17 16	Gleitschiene / sliding rail		
10 09 0029	116 052 00 83	Gleitschienenbelag / sliding rail lining		
10 09 1100	116 050 27 16	Gleitschiene / sliding rail		
10 10 0002	116 050 16 11	Kettenspanner / chain tensioner		
99 11 0052	000 997 05 98	Kettenglied / chain link		11 / D 455
99 11 0124	000 997 75 94	Steuerkette / timing chain	(1)	D 455 / 186 F
99 13 0310	116 050 16 11 S1	Rep.Satz Steuerkette / rep.kit. timing chain		

**230 / 230.6**  
(M 180. 954)



**250 / 250C**  
(M 114. 920)



(1) Federverschluß / split link / fermeture de ressort / cierre de resorte / falsa maglia



Ref. - No.



<b>10 06 1500</b>	114 052 01 02
<b>10 09 0013</b>	115 052 04 16
<b>10 09 0014</b>	115 052 07 16
<b>99 11 0001</b>	000 997 04 98
<b>99 11 0046</b>	000 997 68 94

Zwischenrad / intermediate gear
Gleitschiene / sliding rail
Gleitschiene / sliding rail
Kettenglied / chain link
Rollenkette einfach / roller chain simple

(1)

11 / 455  
455 / 124 F

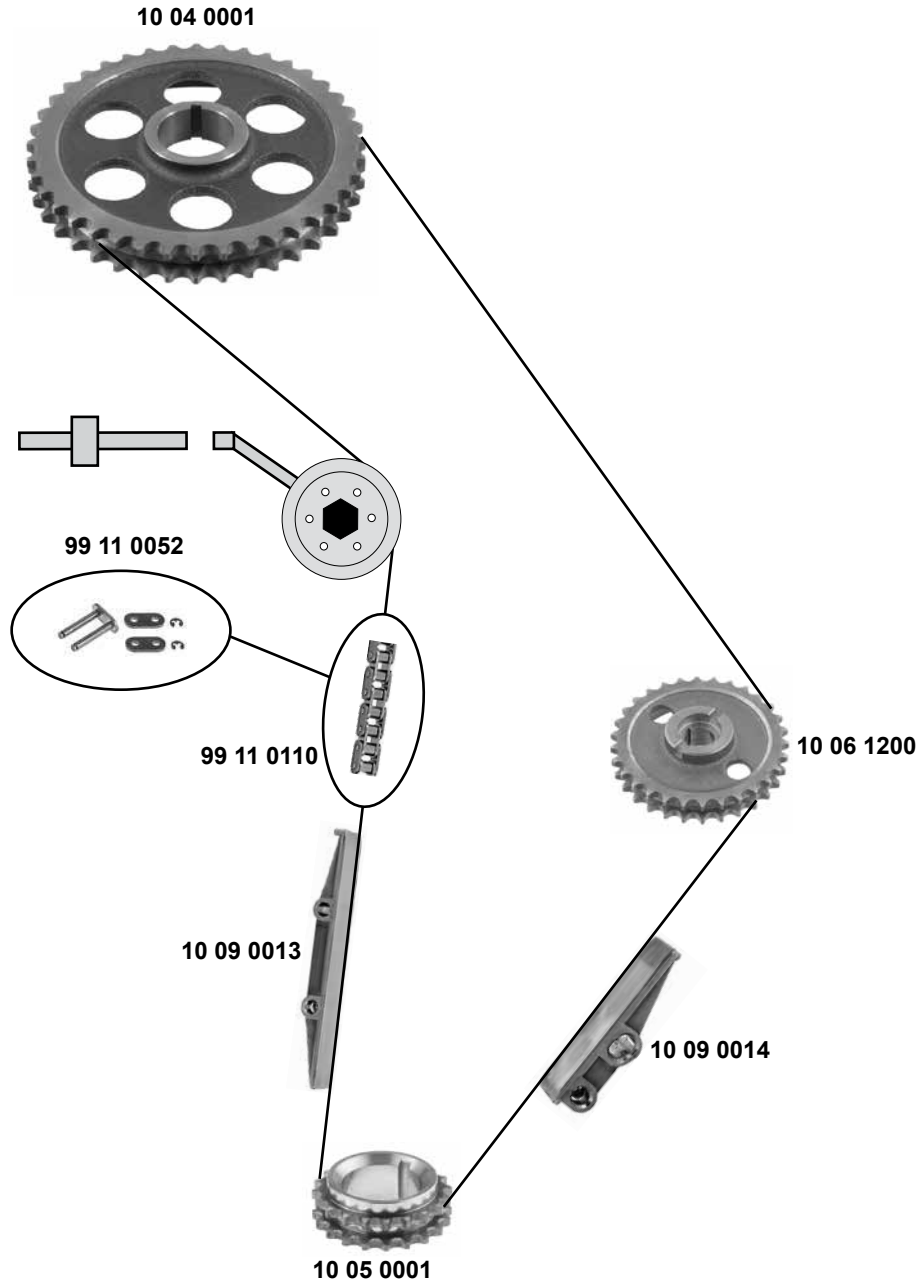
# MERCEDES-BENZ BM 114 ( / 8)

(68→76)



## 250E / CE

(M 114. 980/981)



(1) Federverschluß / split link / fermeture de ressort / cierre de resorte / falsa maglia



Ref. - No.



10 04 0001	121 052 03 01
10 05 0001	615 052 02 03
10 06 1200	114 052 00 02
10 09 0013	115 052 04 16
10 09 0014	115 052 07 16
99 11 0052	000 997 05 98
99 11 0110	000 997 70 94

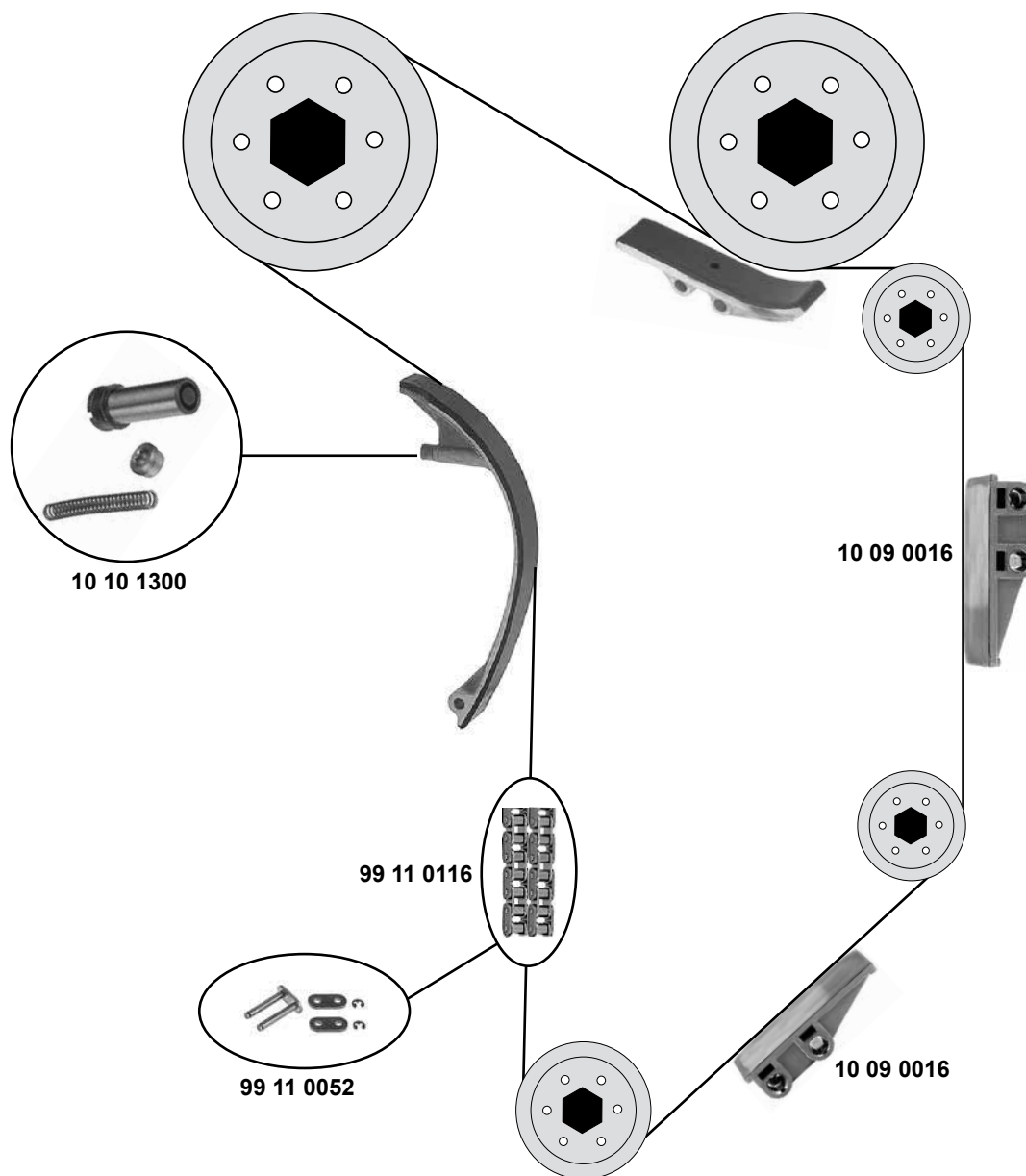
Nockenwellenrad / camshaft gear
Kurbelwellenzahnrad / crankshaft gear
Zwischenrad / intermediate gear
Gleitschiene / sliding rail
Gleitschiene / sliding rail
Kettenglied / chain link
Steuerkette / timing chain

Modell: 250 CE

(1)

Z 20 ØI 36

11 / D 455  
D 455 / 124 F

**280 / 280 C / 280 E / 280 CE**  
 (M 110.921, 981)


(1) Federverschluß / split link / fermeture de ressort / cierre de resorte / falsa maglia



Ref. - No.



<b>10 09 0016</b>	110 052 08 16
<b>10 10 1300</b>	110 050 06 11
<b>99 11 0116</b>	000 997 69 94
<b>99 11 0052</b>	000 997 05 98

Gleitschiene / sliding rail	
Kettenspanner / chain tensioner	
Steuerkette / timing chain	(1)
Kettenglied / chain link	

D 455 / 130 F
11 / D 455

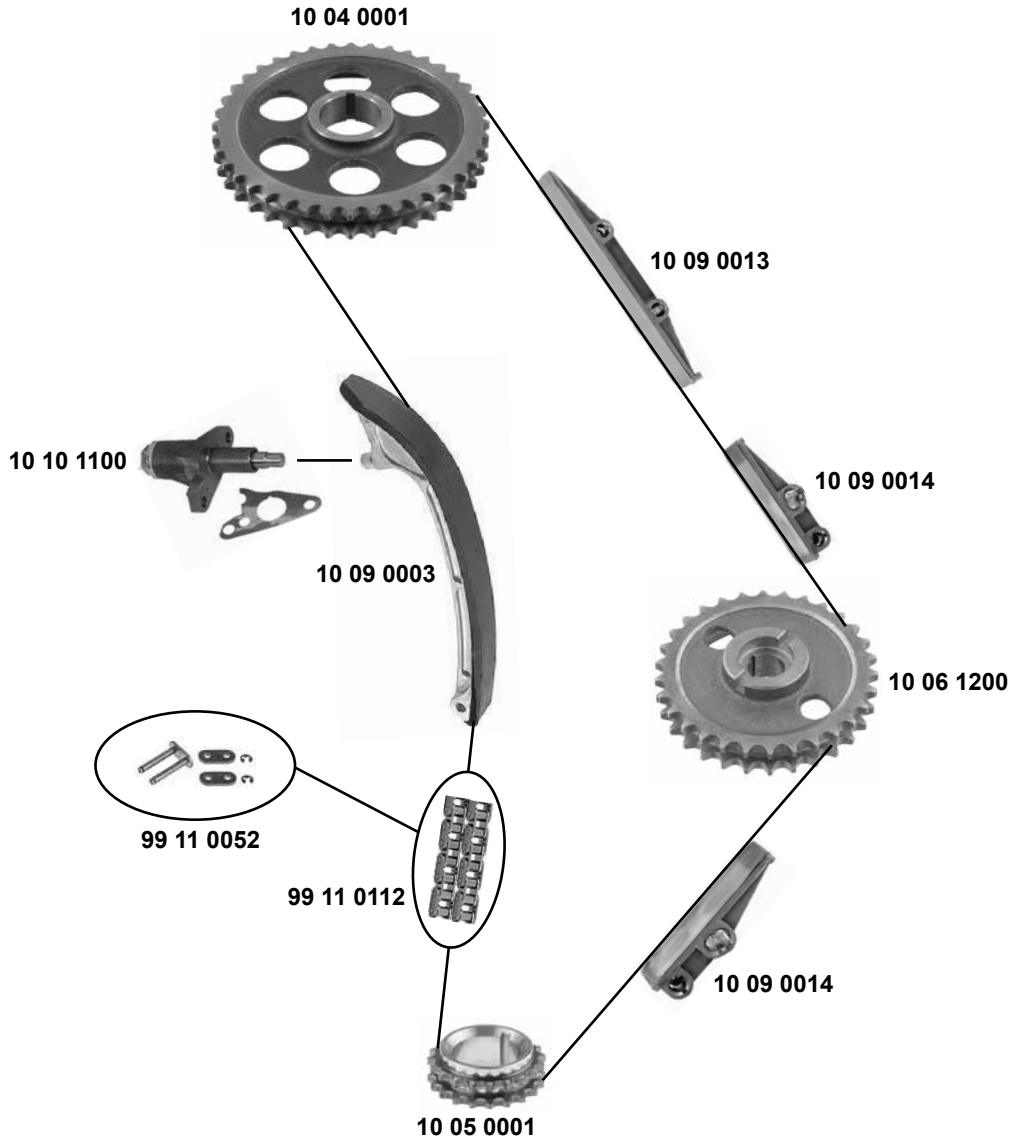
# MERCEDES-BENZ BM 115 ( / 8)

(68→76)



## 200 / 220

(M 115. 920 / 921 / 923 / 924 / 926)



(1) Federverschluß / split link / fermeture de ressort / cierre de resorte / falsa maglia

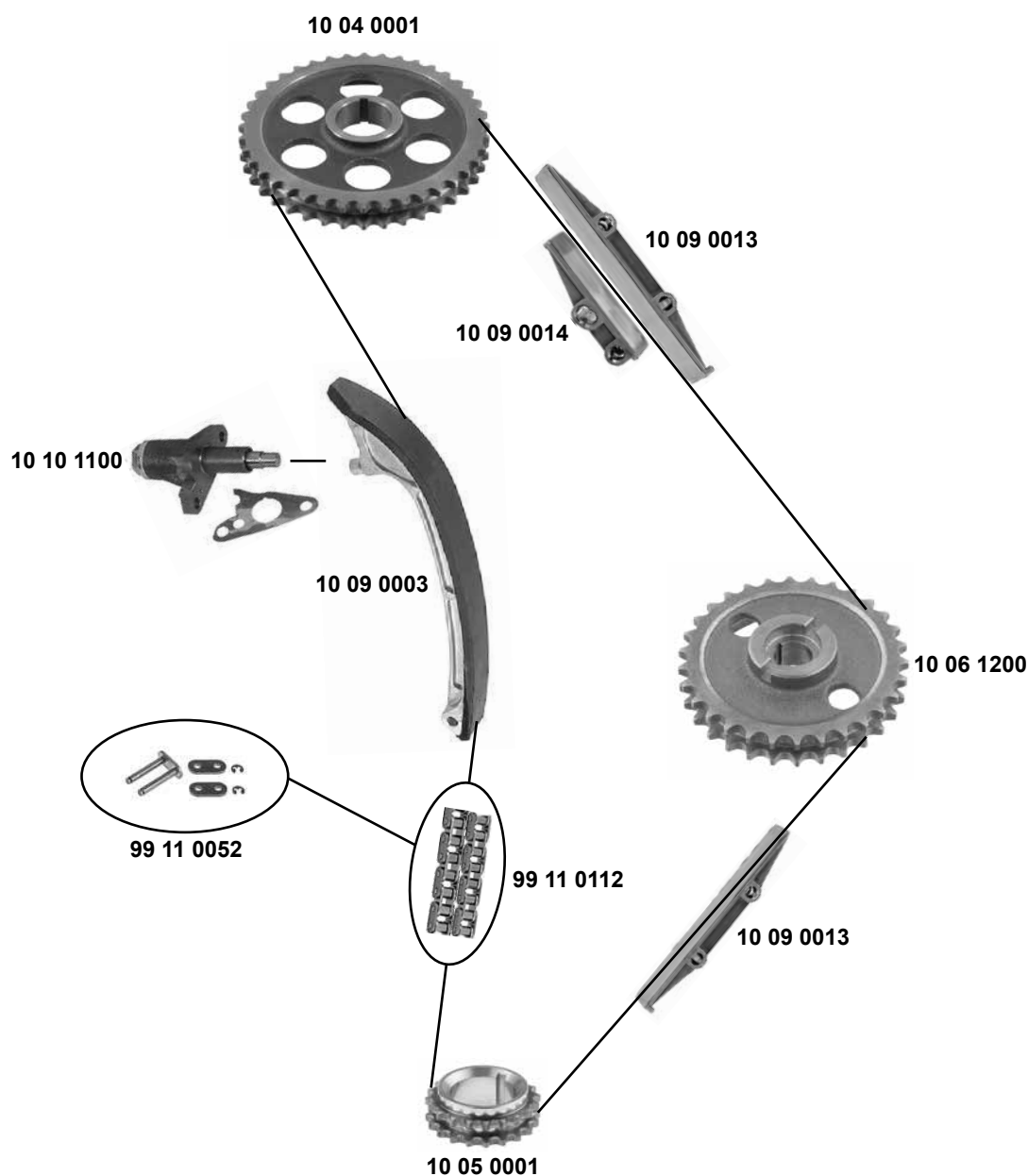
(2) (mot.) 052646 → (ex.) (mot.) 921 / 923



Ref. - No.



Ref. - No.	Description	Notes	Dimensions
10 04 0001	Nockenwellenrad / camshaft gear		
10 05 0001	Kurbelwellenrad / crankshaft gear		Z 20 Ø1 36
10 06 1200	Zwischenrad / intermediate gear	(ex.) (mot.) 921	
10 09 0003	Gleitschiene / sliding rail	nur / only: Modell 200	
10 09 0013	Gleitschiene / sliding rail	(ex.) (mot.) 921 / 923	
10 09 0014	Gleitschiene / sliding rail	(ex.) (mot.) 921 / 923	
10 10 1100	Kettenspanner / chain tensioner	(2)	
99 11 0052	Kettenglied / chain link	(ex.) (mot.) 921 / 923	11 / D 455
99 11 0112	Steuerkette / timing chain	(1)	455 / 124 F



(1) Federverschluß / split link / fermeture de ressort /  
cierre de resorte / falsa maglia

(2)  (mot.) 027766 →

 (mot.) 016982 →



Ref. - No.



Ref. - No.	Ref. - No.	Description	Quantity	Notes
10 04 0001	121 052 03 01	Nockenwellenrad / camshaft gear		
10 05 0001	615 052 02 03	Kurbelwellenzahnrad / crankshaft gear		Z 20 ØI 36
10 06 1200	114 052 00 02	Zwischenrad / intermediate gear		
10 09 0003	115 050 08 16	Gleitschiene / sliding rail		
10 09 0013	115 052 04 16	Gleitschiene / sliding rail		
10 09 0014	115 052 07 16	Gleitschiene / sliding rail		
10 10 1100	115 050 11 11	Kettenspanner / chain tensioner	(2)	
99 11 0052	000 997 05 98	Kettenglied / chain link		11 / D 455
99 11 0112	000 997 71 94	Steuerkette / timing chain	(1)	D 455 / 126 F

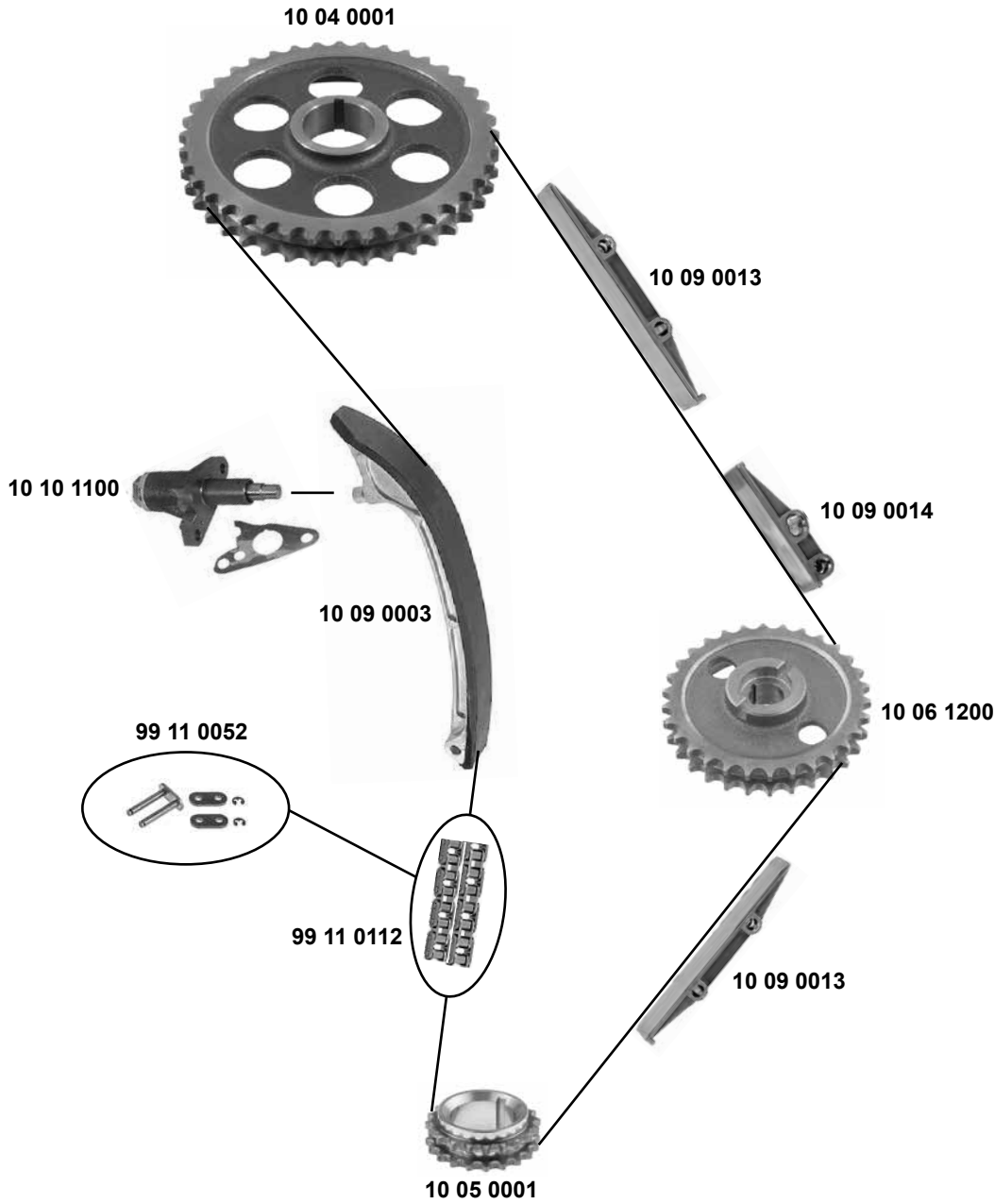
# MERCEDES-BENZ BM 123

(76→85)



**200**

(M 115.938,939)



(1) Federverschluß / split link / fermeture de ressort / cierre de resorte / falsa maglia



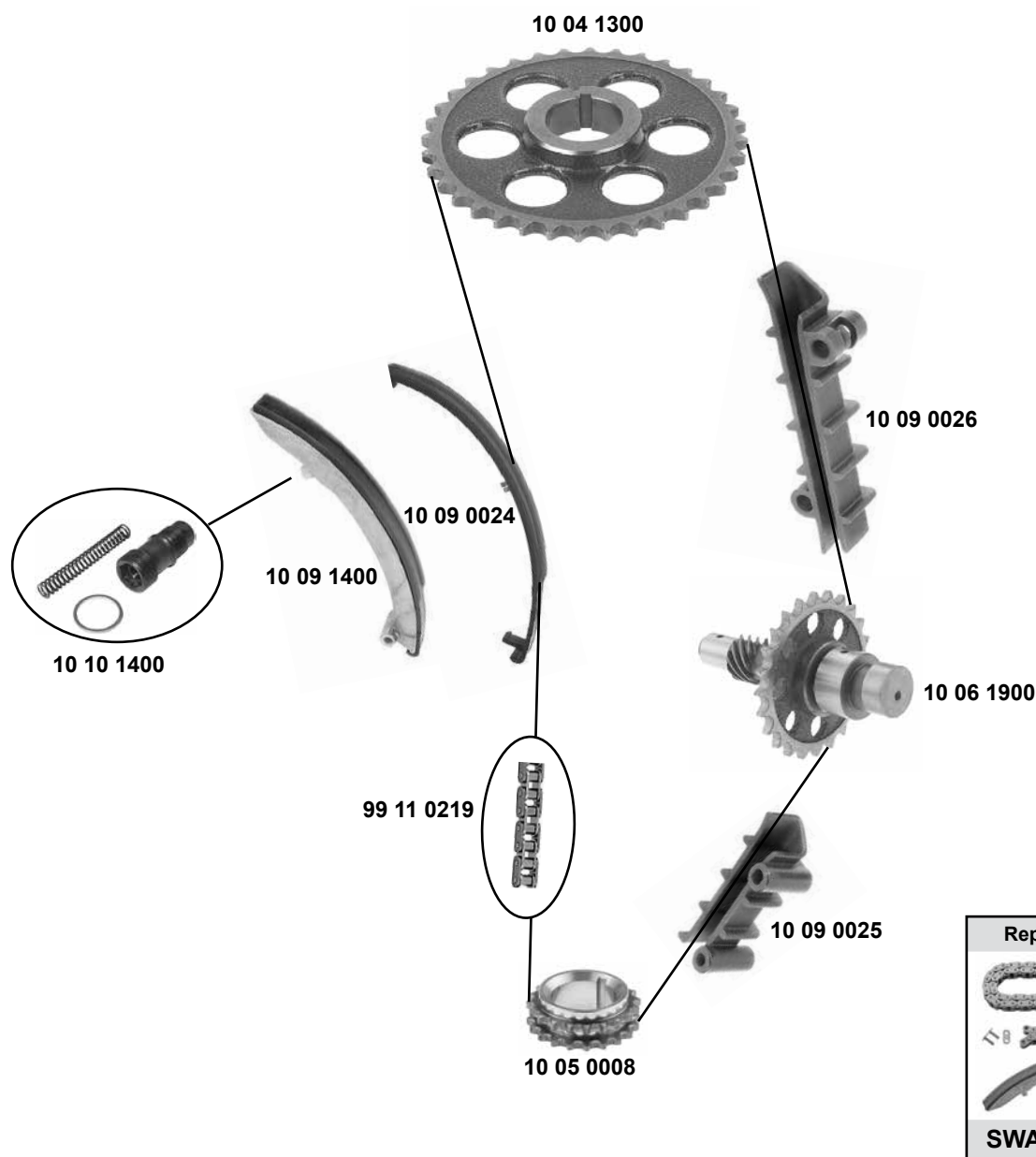
Ref. - No.



10 04 0001	121 052 03 01	Nockenwellenrad / camshaft gear	
10 05 0001	615 052 02 03	Kurbelwellenzahnrad / crankshaft gear	Z 20 ØI 36
10 06 1200	114 052 00 02	Zwischenrad / intermediate gear	
10 09 0003	115 050 08 16	Gleitschiene / sliding rail	
10 09 0013	115 052 04 16	Gleitschiene / sliding rail	
10 09 0014	115 052 07 16	Gleitschiene / sliding rail	
10 10 1100	115 050 11 11	Kettenspanner / chain tensioner	
99 11 0052	000 997 05 98	Kettenglied / chain link	11 / D 455
99 11 0112	000 997 71 94	Steuerkette / timing chain	D 455 / 126 F

(1)



**200 / 200 T / 230 E / 230 CE / 230 TE**  
 (M 102.920, 939, 980)

 (1) Federverschluß / split link / fermeture de ressort /  
 cierre de resorte / falsa maglia

 (2) Nietverschluß / riveted link / bouchon de rivet /  
 rivetti / cierre de roblón


Ref. - No.



Part No.	Ref. - No.	Description	Notes	Dimensions
10 04 1300	102 052 02 01	Nockenwellenrad / camshaft gear	(ex.) mot. 939	Z 36
10 05 0008	102 052 00 03	Kurbelwellenzahnrad / crankshaft gear	(ex.) mot. 939	Z 18 Ø1 30
10 06 1900	102 050 08 06	Zwischenwelle / intermediate shaft	(ex.) mot. 939	
10 09 0024	102 052 04 83	Gleitschienenbelag /		
10 09 0025	102 052 03 16	Gleitschiene / sliding rail		
10 09 0026	102 052 04 16	Gleitschiene / sliding rail		
10 09 1400	102 050 08 16	Gleitschiene / sliding rail		
10 10 1400	102 050 10 11	Kettenspanner / chain tensioner		
99 11 0219	003 997 82 94	Steuerkette / timing chain	(2)	458 / 106 N
99 13 0305	102 050 10 11 S1	Rep. Satz Steuerkette / rep. kit timing chain		

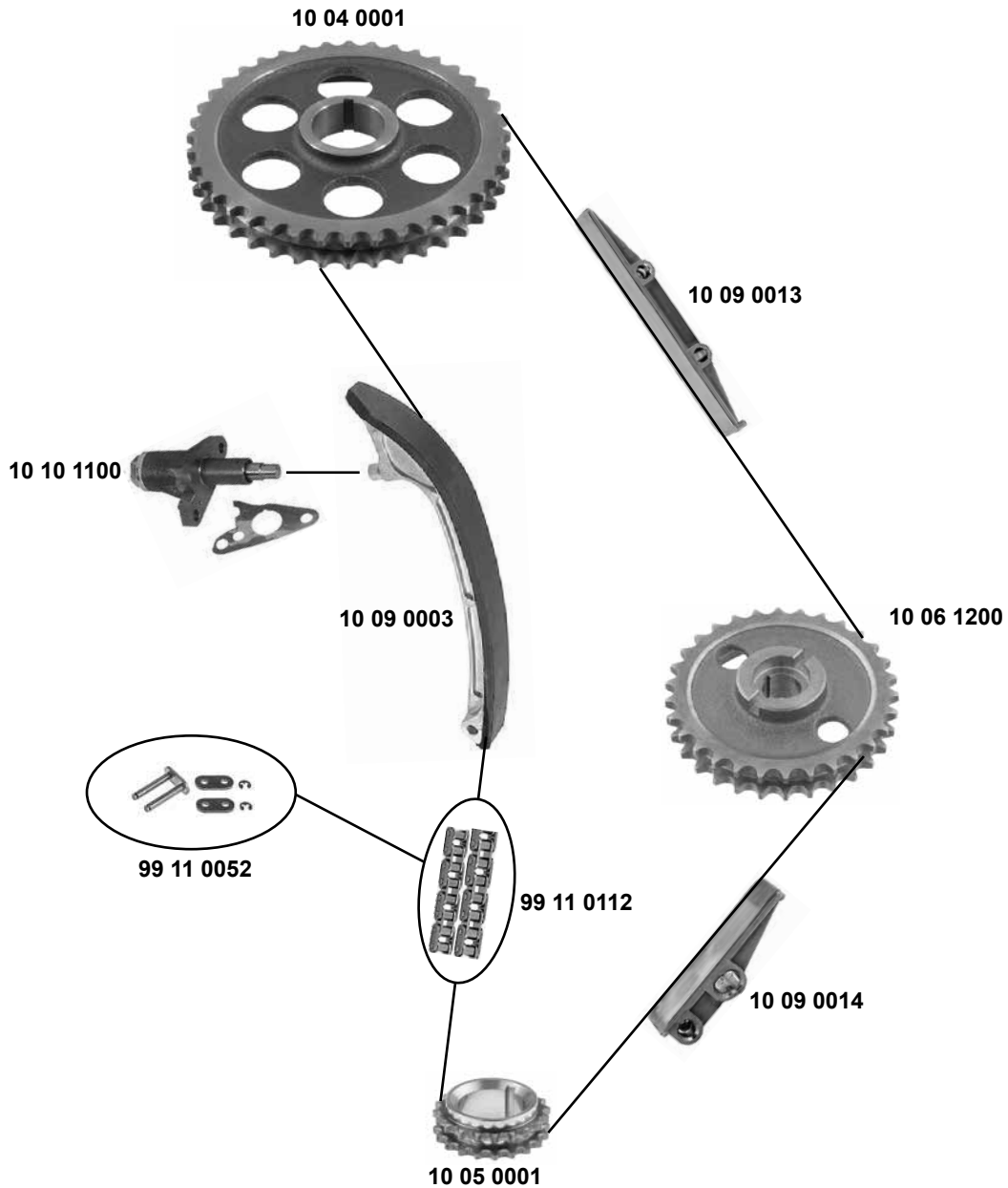
# MERCEDES-BENZ BM 123

(76 → 85)



## 230 / 230 C / 230 T

(M 115.954)



(1) Federverschluß / split link / fermeture de ressort / cierre de resorte / falsa maglia

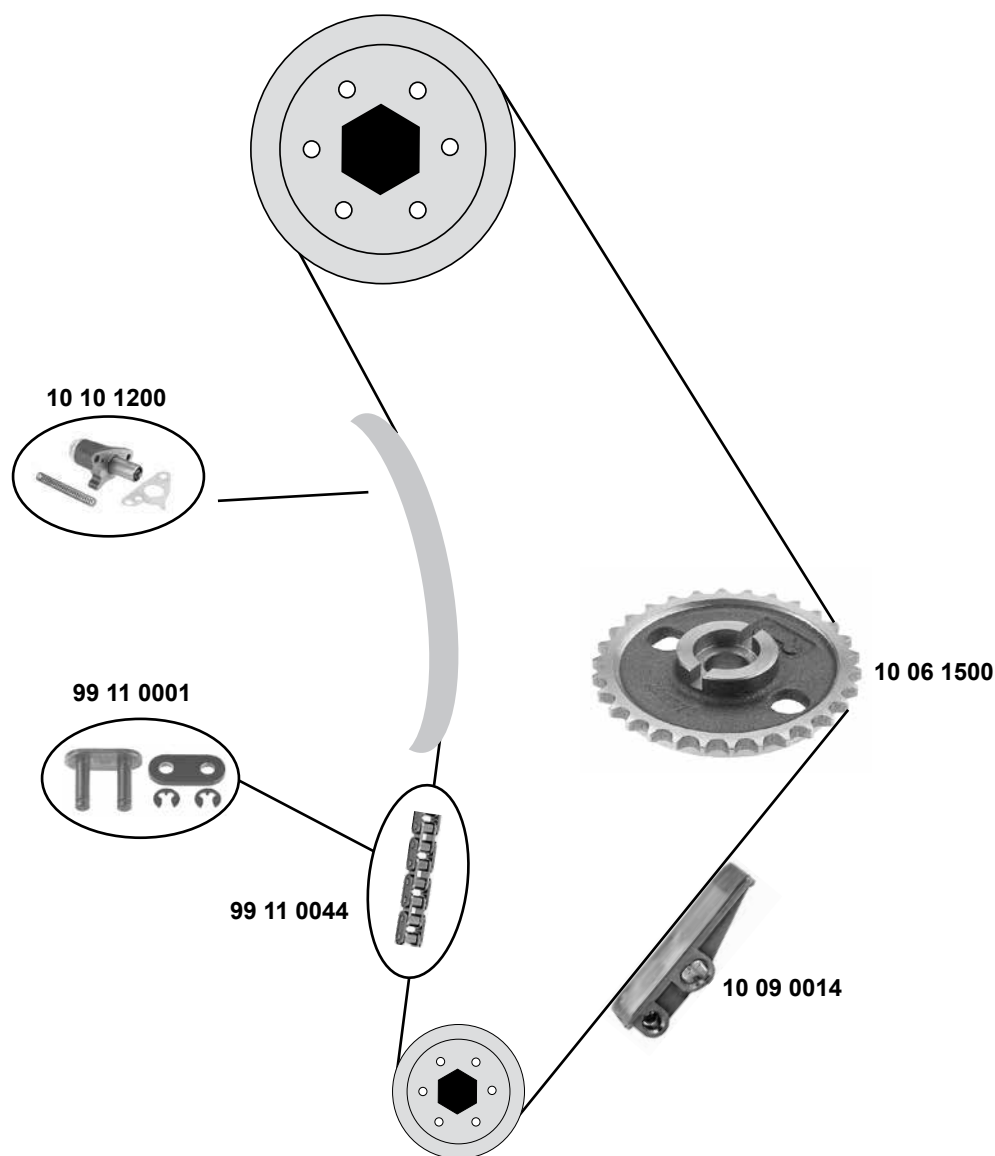


Ref. - No.



Ref. - No.	Ref. - No.	Description	Keyway
10 04 0001	121 052 03 01	Nockenwellenrad / camshaft gear	
10 05 0001	615 052 02 03	Kurbelwellenzahnrad / crankshaft gear	Z 20 ØI 36
10 06 1200	114 052 00 02	Zwischenrad / intermediate gear	
10 09 0003	115 050 08 16	Gleitschiene / sliding rail	
10 09 0013	115 052 04 16	Gleitschiene / sliding rail	
10 09 0014	115 052 07 16	Gleitschiene / sliding rail	
10 10 1100	115 050 11 11	Kettenspanner / chain tensioner	
99 11 0052	000 997 05 98	Kettenglied / chain link	11 / D 455
99 11 0112	000 997 71 94	Steuerkette / timing chain	D 455 / 126 F

(1)



(1) Federverschluß / split link / fermeture de ressort / cierre de resorte / falsa maglia



Ref. - No.



<b>10 06 1500</b>	114 052 01 02
<b>10 09 0014</b>	115 052 07 16
<b>10 10 1200</b>	123 050 04 11
<b>99 11 0001</b>	000 997 04 98
<b>99 11 0044</b>	000 997 80 94

Zwischenrad / intermediate gear
Gleitschiene / sliding rail
Kettenspanner / chain tensioner
Kettenglied / chain link
Rollenkette einfach / roller chain simple

(1)

 11 / 455  
 455 / 118 F

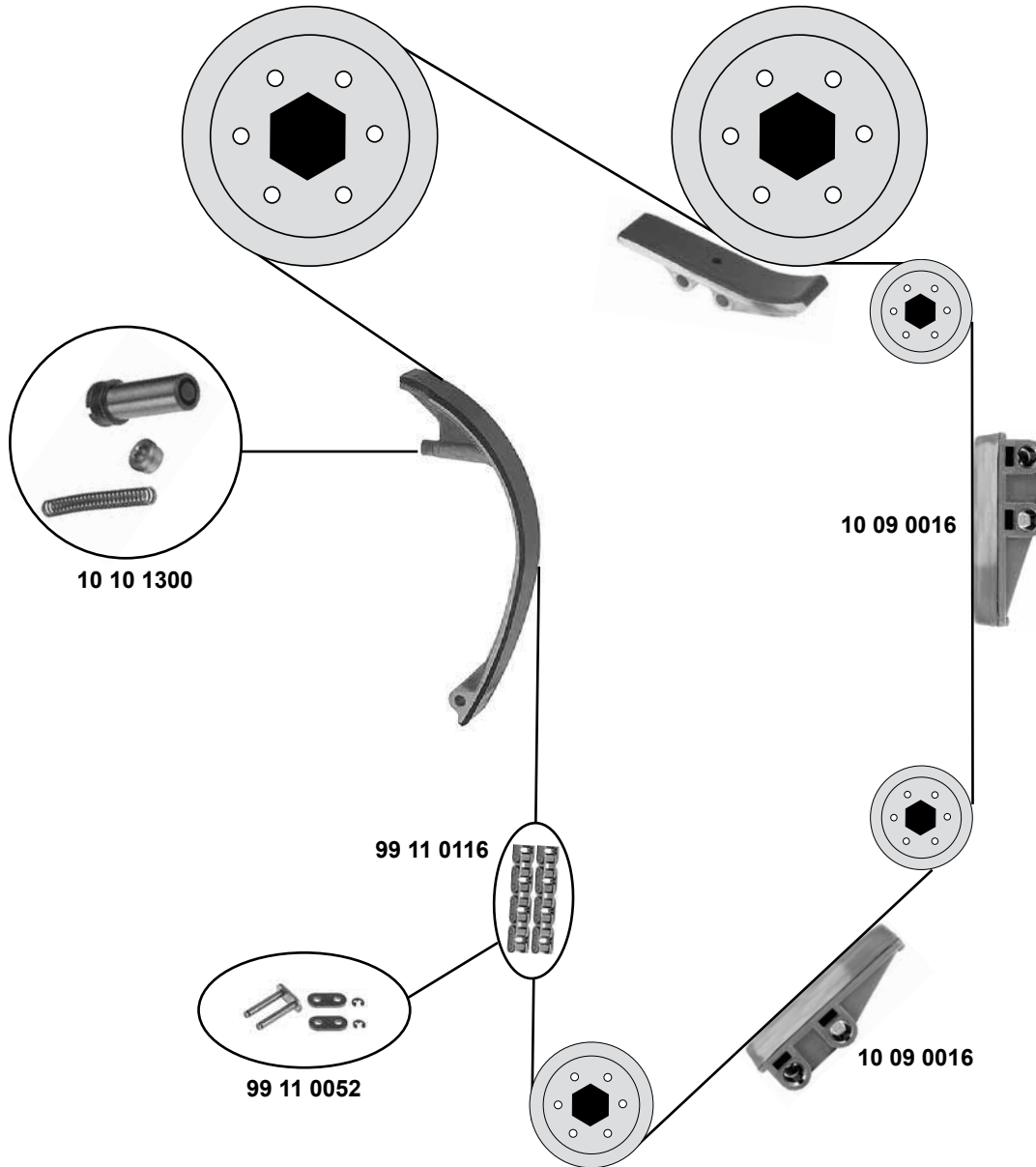
# MERCEDES-BENZ BM 123

(76→85)



**280 / 280 E / 280 C / 280 CE / 280 TE**

(M 110.923, 984, 988)



(1) Federverschluß / split link / fermeture de ressort / cierre de resorte / falsa maglia



Ref. - No.

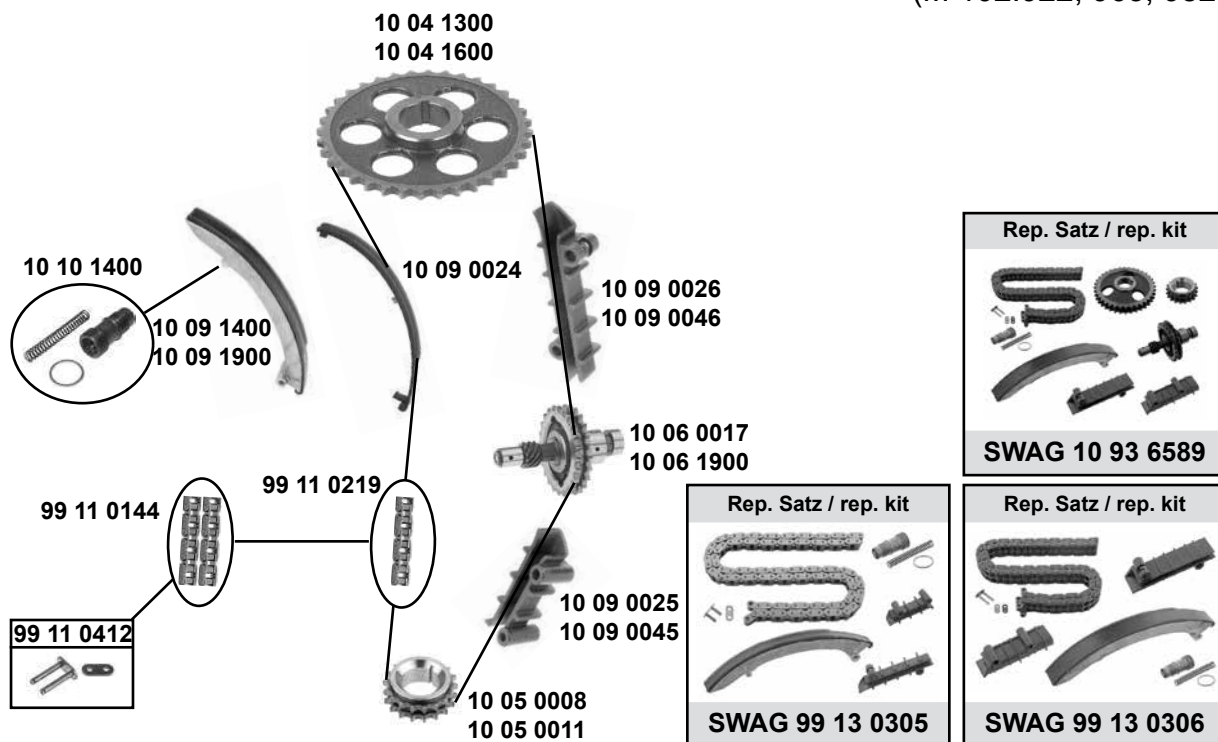


10 09 0016	110 052 08 16
10 10 1300	110 050 06 11
99 11 0116	000 997 69 94
99 11 0052	000 997 05 98

Gleitschiene / sliding rail
Kettenspanner / chain tensioner
Rollenkette zweifach / roller chain double
Kettenglied / chain link

(1)

D 455 / 130 F  
11 / D 455

**200 / 200 E / 200 T / 200 TE 230 E / 230 TE / 230 CE**  
 (M 102.922, 963, 982)


	(1) Nietverschluß / riveted link	(3) 922:  (mot.) 057135 → (mot.) 022831 →	(5) 922:  (mot.) → 057134 (mot.) → 022830
	(2)  (mot.) → 057134 (mot.) → 022830	(4) 963:  (mot.) 006835 → (mot.) 000357 → 982:  (mot.) 091912 → (mot.) 088447 →	963:  (mot.) → 006834 (mot.) → 000356 982:  (mot.) → 091911 (mot.) → 000758
(6) mit Duplexkette / with duplex chain			

	Ref. - No.			
10 04 1300	102 052 02 01	Nockenwellenrad / camshaft gear	(2)	Z 36
10 04 1600	102 052 09 01	Nockenwellenrad / camshaft gear	(3) (4)	Z 36
10 05 0008	102 052 00 03	Kurbelwellenzahnrad / crankshaft gear	(2)	Z 18 ØI 30
10 05 0011	102 052 01 03	Kurbelwellenrad / crankshaft gear	(3) (4)	Z 20 ØI 36
10 06 0017	102 050 09 06	Zwischenwelle / intermediate shaft	(3) (4)	
10 06 1900	102 050 08 06	Zwischenwelle / intermediate shaft	(2)	
10 09 0024	102 052 04 83	Gleitschienenbelag / sliding rail lining		
10 09 0025	102 052 03 16	Gleitschiene / sliding rail	(2)	
10 09 0026	102 052 04 16	Gleitschiene / sliding rail	(2)	
10 09 0045	102 052 13 16	Gleitschiene / sliding rail	(3) (4)	
10 09 0046	102 052 14 16	Gleitschiene / sliding rail	(3) (4)	
10 09 1400	102 050 08 16	Gleitschiene / sliding rail	(1)	
10 09 1900	102 050 12 16	Gleitschiene / sliding rail	(3) (4)	
10 10 1400	102 050 10 11	Kettenspanner / chain tensioner		
10 93 6589	102 052 09 01 S1	Rep. Satz Steuerkette / rep. kit timing chain	(3) (4)	
99 11 0134	002 997 17 94	Steuerkette / timing chain	M 102.922	
99 11 0144	002 997 03 94	Steuerkette / timing chain	(1) (3) (4)	D 455 / 106 N
99 11 0219	003 997 82 94	Steuerkette / timing chain	(1) (2)	458 / 106 N
99 11 0412	000 997 22 98	Kettenglied / chain link	(1) (3) (4)	
99 13 0305	102 050 10 11 S2	Rep. Satz Steuerkette / rep. kit timing chain	(5)	
99 13 0306	102 050 10 11 S2	Rep. Satz Steuerkette / rep. kit timing chain	(3) (6)	

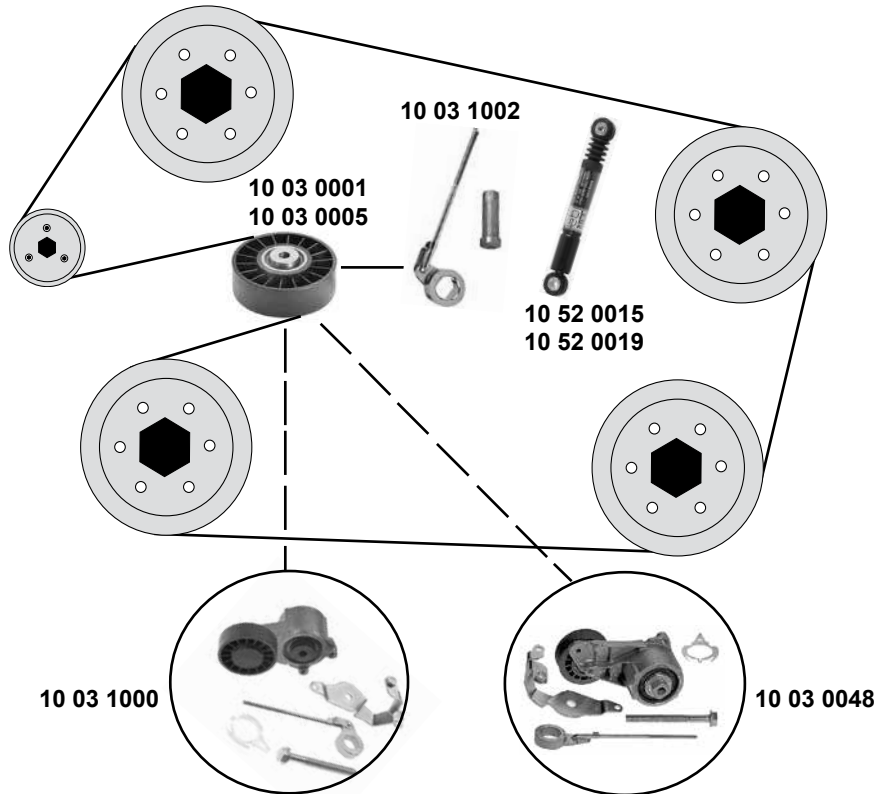
# MERCEDES-BENZ BM 124

(85→95)



**200 / 200 E / 200 T / 200 TE / 230 E / 230 TE / 230 CE**

(M 102.922, 963, 982)



- (1) 922: + **AC (mot.)** 000935 → 054114  
 (mot.) 000255 → 021733  
 963: + **AC (mot.)** 000001 → 006316  
 (mot.) 000001 → 000335  
 982: + **AC (mot.)** 000996 → 086551  
 (mot.) 000659 → 083196

- (2) 922: + **AC (mot.)** 054115 →  
 (mot.) 021734 →  
 963: + **AC (mot.)** 006317 →  
 (mot.) 000336 →  
 982: + **AC (mot.)** 086552 →  
 (mot.) 083196 →

- (3) 200/T/E/TE / 230E/TE: → 09/89  
 200 CE Italien /230 E Japan/CE/TE Japan: 09/89 →



Ref. - No.

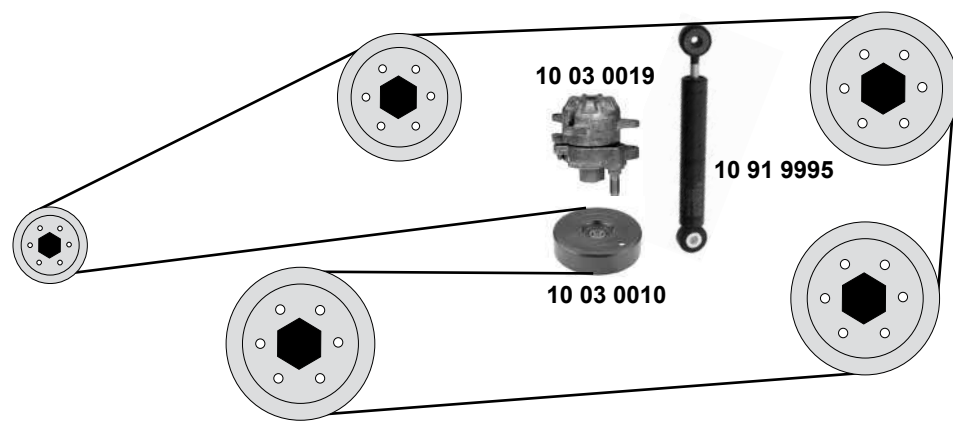
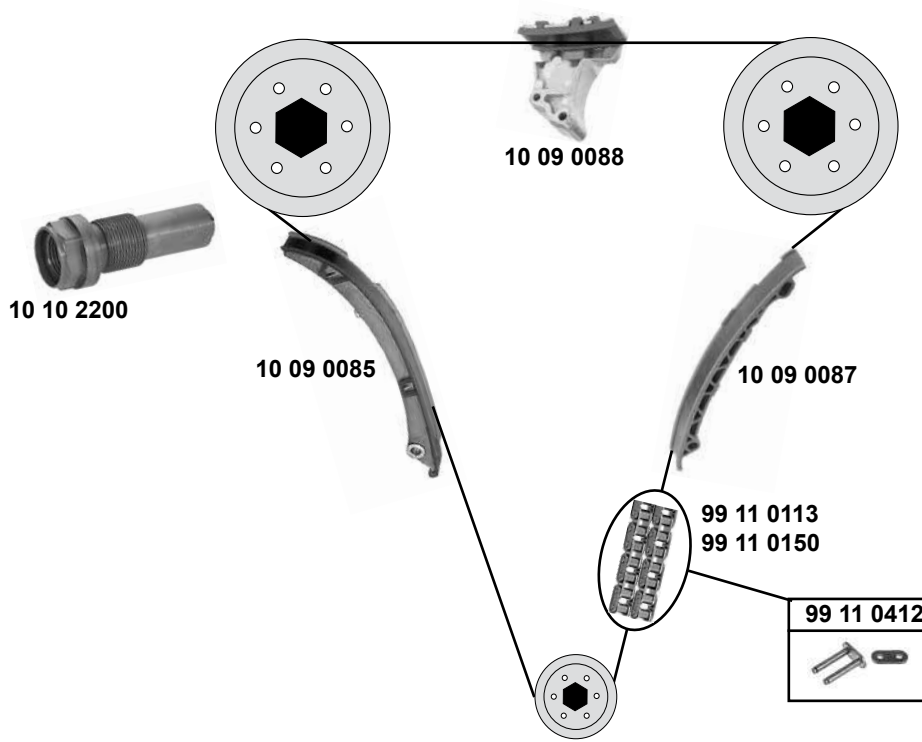


<b>10 03 0001</b>	601 200 07 70	Umlenkrolle / deflection pulley	man.	75 x 26/31,5
<b>10 03 0005</b>	601 200 09 70	Spannrolle / tension roller	servo	80 x 25 / 31
<b>10 03 0048</b>	102 200 69 70 S	Riemenspanner / belt tensioner	man.	
<b>10 03 1000</b>	102 200 69 70	Riemenspanner / belt tensioner	servo	
<b>10 03 1002</b>	102 200 02 36	Spannstange / tensioning rod		
<b>10 52 0015</b>	102 200 14 14	Schwingungsdämpfer / vibration damper	(2)	90N - 900N
<b>10 52 0019</b>	102 200 15 14	Schwingungsdämpfer / vibration damper	(1)	90N - 1000N
<b>10 91 2515</b>	102 200 02 36	Rep.Satz Spannstange / rep kit tensioning rod	(3)	



# MERCEDES-BENZ BM 124 (85→95)

**200 E / 200 CE / 200 TE ( E 200 )  
220 E / 220 CE / 220 TE ( E 220 )  
(M 111.940, 960)**



SWAG	Ref. - No.			
10 03 0010	111 200 00 70	Spannrolle / tension roller		110 x 28 x 15
10 03 0019	111 200 07 70	Riemenspanner / belt tensioner		
10 09 0085	111 050 14 16	Gleitschiene / sliding rail		
10 09 0087	111 052 10 16	Gleitschiene / sliding rail		
10 09 0088	111 050 11 16	Gleitschiene / sliding rail		
10 10 2200	111 050 04 11	Kettenspanner / chain tensioner		
10 91 9995	111 200 04 14	Schwingungsdämpfer / vibration damper		55 N - 435 N
10 94 0621	111 050 04 11 S2	Rep. Satz Steuerkette / rep. kit timing chain		
99 11 0113	002 997 93 94	Steuerkette / timing chain		126 E
99 11 0150	003 997 17 94	Steuerkette / timing chain		D 455 / 126 N
99 11 0412	000 997 22 98	Kettenglied / chain link		
99 13 0304	111 050 04 11 S1	Rep. Satz Steuerkette / rep. kit timing chain		



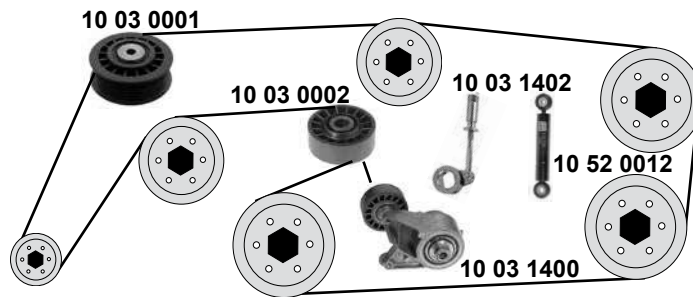
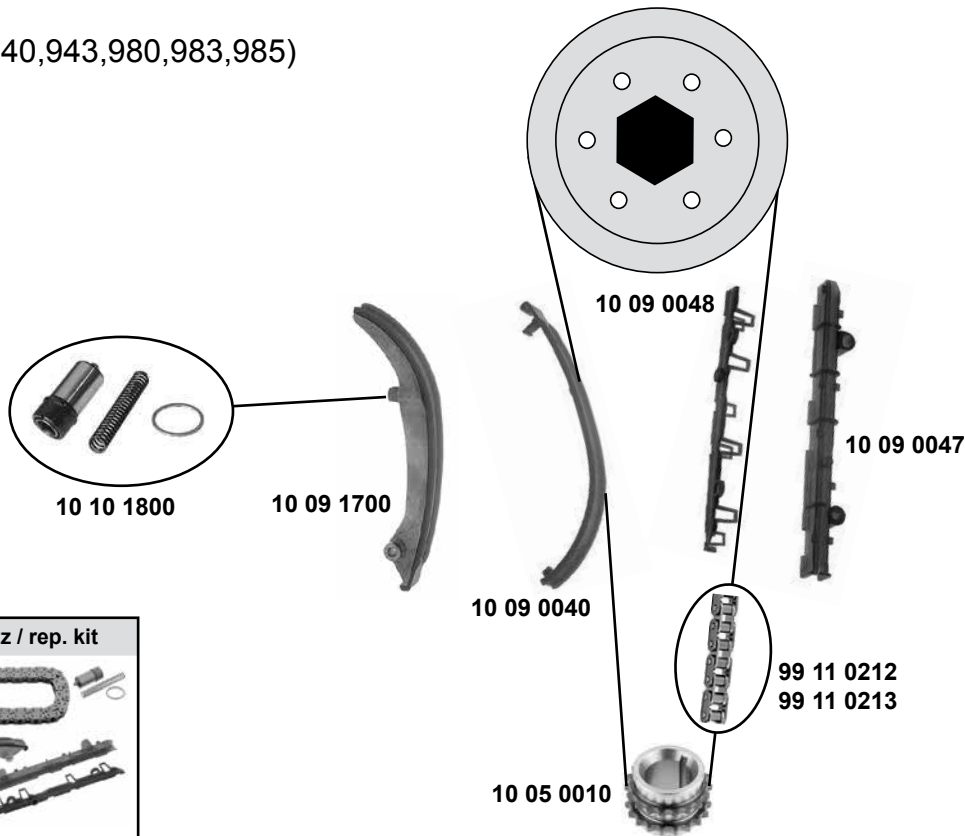
# MERCEDES-BENZ BM 124

(85→95)



## 260 E

(M 103.940,943,980,983,985)



(1) 940 : (mot.) 027640 →

(2) Nietverschluß / riveted link / bouchon de rivet / rivetti / cierre de roblón

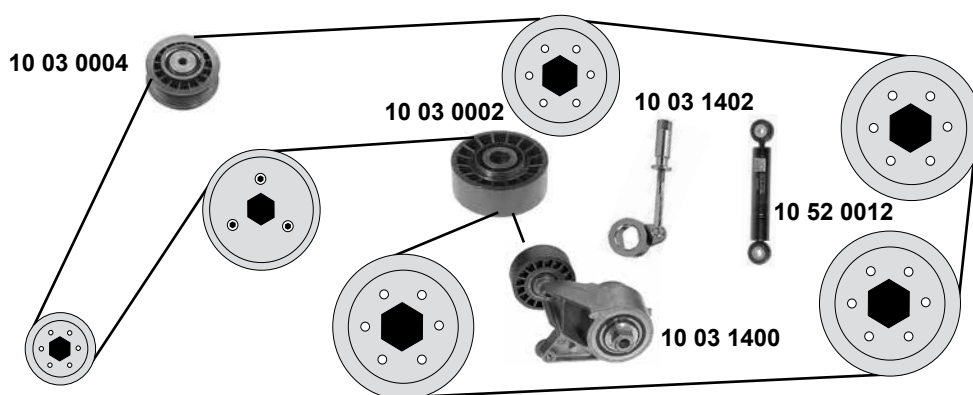
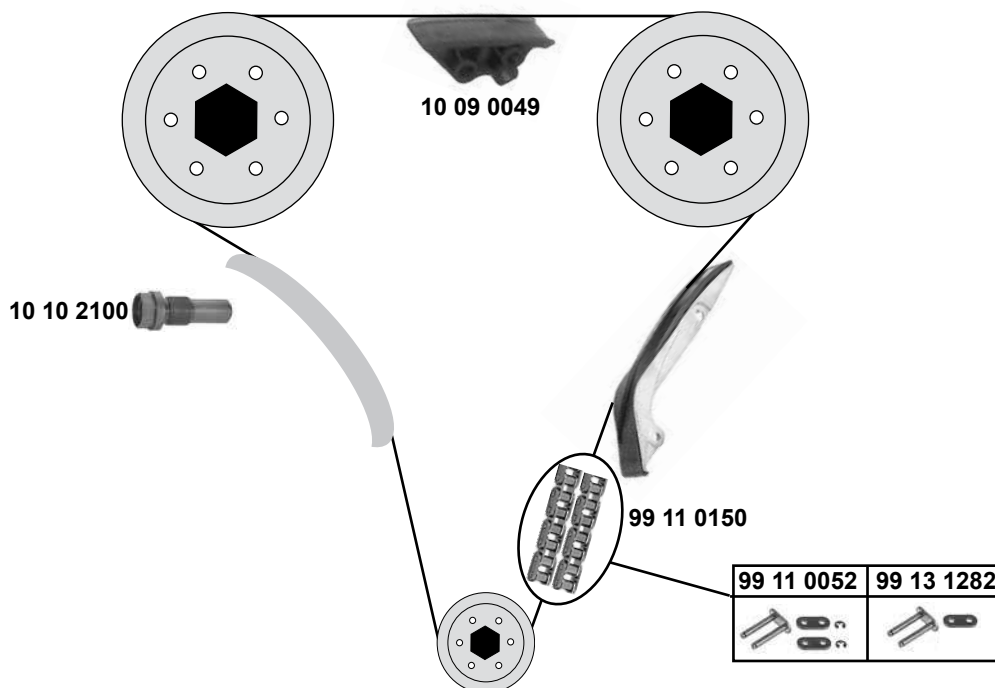


Ref. - No.



Ref. - No.	Description	Notes	Dimensions
10 03 0001	Umlenkrolle / deflection pulley		
10 03 0002	Spannrolle / tension roller		70 x 25
10 03 1400	Riemenspanner / belt tensioner		
10 03 1402	Spannstange / tensioning rod		
10 05 0010	Kurbelwellenrad / crankshaft gear	(mot.) 103.940	Z 18
10 09 0040	Gummibelag Gleitschiene / rubber lining sliding rail		
10 09 0047	Gleitschiene / sliding rail		
10 09 0048	Gleitschiene / sliding rail		
10 09 1700	Gleitschiene / sliding rail		
10 10 1800	Kettenspanner / chain tensioner		
10 52 0012	Schwingungsdämpfer / vibration damper	(1)	80N - 1050N
99 11 0212	Steuerkette endlos / timing chain endless		96 E
99 11 0213	Steuerkette / timing chain	(2)	96 N
99 13 0307	Rep. Satz Steuerkette / rep. kit timing chain		



**280 E / 280 TE / (E 280)**  
 (M 104.942)


(1) Nietverschluß / riveted link / bouchon de rivet / rivetti / cierre de roblón

(2) Federverschluß / split link / fermeture de ressort / cierre de resorte / falsa maglia

(3) 942: (mot.) → 005789  
 (mot.) → 048696

Ref. - No.



10 03 0002	103 200 05 70	Spannrolle / tension roller	(3)	70 x 253
10 03 0004	601 200 10 70	Umlenkrolle / deflection pulley		
10 03 1400	103 200 08 70	Riemenspanner / belt tensioner	(3)	
10 03 1402	103 200 02 36	Spannstange / tensioning rod		
10 09 0049	104 052 14 16	Gleitschiene / sliding rail		
10 10 2100	120 050 02 11	Kettenspanner / chain tensioner		
10 52 0012	103 200 01 14	Schwingungsdämpfer / vibration damper	(3)	80N - 1050N
99 11 0052	000 997 05 98	Kettenglied / chain link		11 / D 455
99 11 0150	003 997 17 94	Steuerkette / timing chain	(2)	D 455 / 126 N
99 13 1282	000 997 22 98	Kettenglied / chain link	(1)	

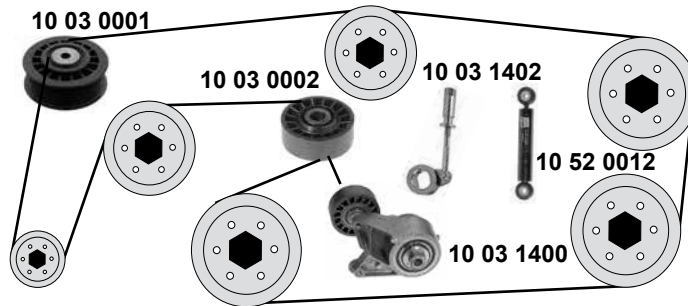
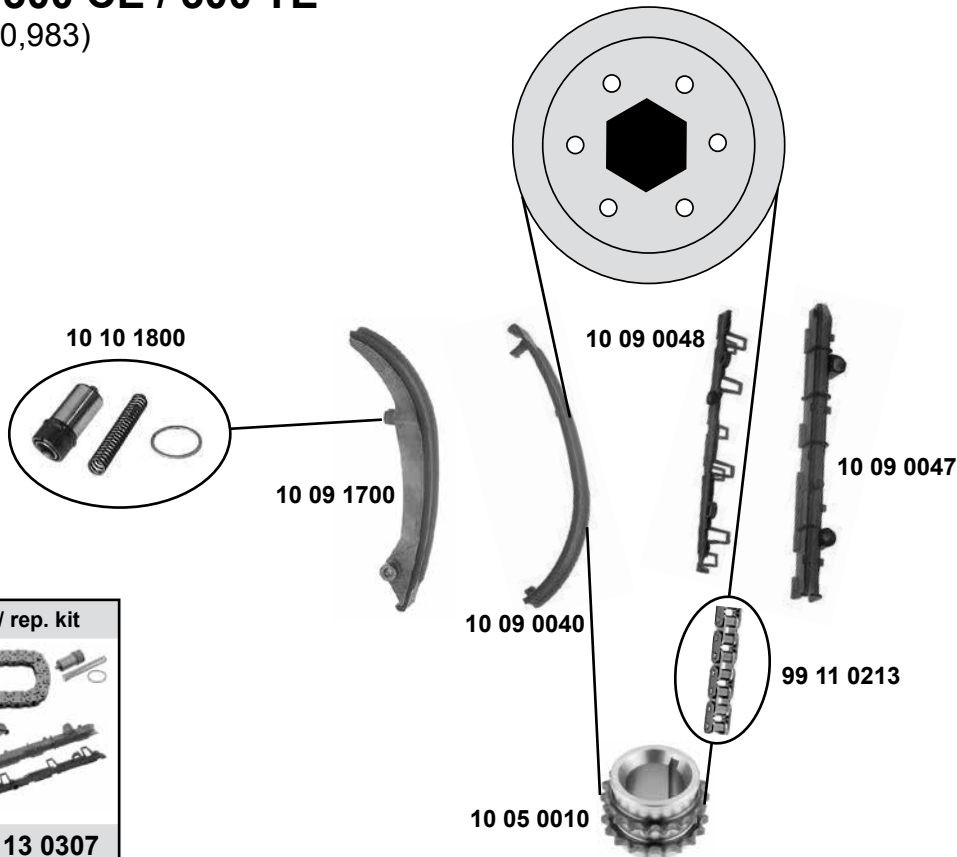
# MERCEDES-BENZ BM 124

(85→95)



## 300 E / 300 CE / 300 TE

(M 103.980,983)



(1) 983: (mot.) 032928

(2) Nietverschluß / riveted link / bouchon de rivet / rivetti / cierre de roblón



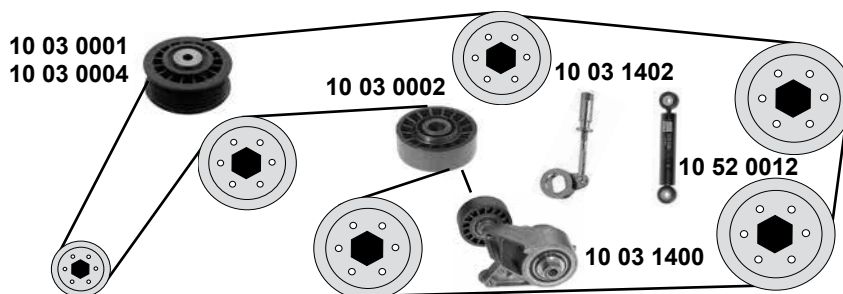
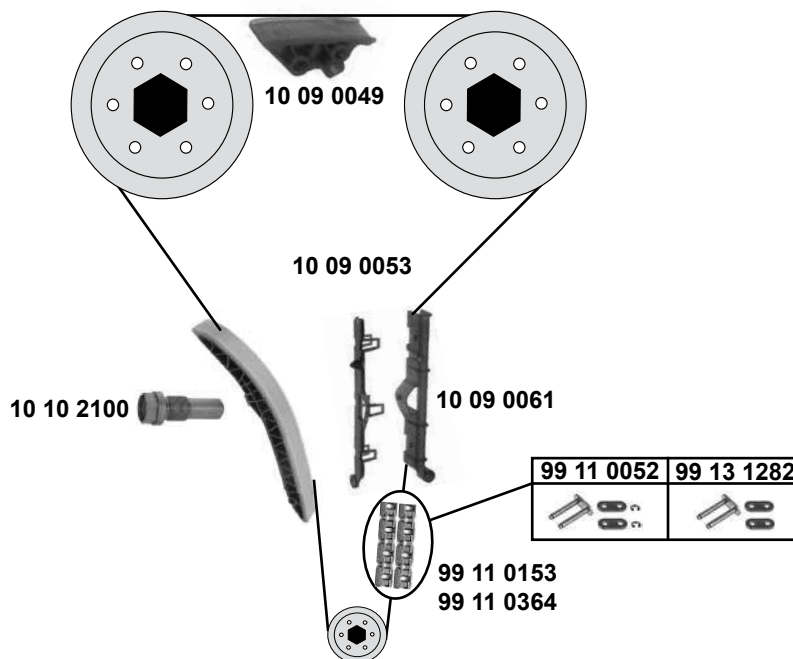
Ref. - No.



10 03 0001	601 200 07 70	Umlenkrolle / deflection pulley	
10 03 0002	103 200 05 70	Spannrolle / tension roller	70 x 25
10 03 1400	103 200 08 70	Riemenspanner / belt tensioner	
10 03 1402	103 200 02 36	Spannstange / tensioning rod	
10 05 0010	103 052 00 03	Kurbelwellenzahnrad / crankshaft gear	Z 18
10 09 0040	103 052 00 83	Gleitschienenbelag / sliding rail lining	
10 09 0047	103 052 07 16	Gleitschiene / sliding rail	
10 09 0048	103 052 08 16	Gleitschiene / sliding rail	
10 09 1700	103 050 03 16	Gleitschiene / sliding rail	
10 10 1800	103 050 06 11	Kettenspanner / chain tensioner	
10 52 0012	103 200 01 14	Schwingungsdämpfer / vibration damper	(1) 80N - 1050N
99 11 0213	003 997 80 94	Steuerkette / timing chain	(2) E 96
99 13 0307	103 050 06 11 S1	Rep. Satz Steuerkette / rep. kit timing chain	E 96

### 300 E-24 / 300 CE-24 / 300 TE-24

(M 104.980)



- (1) Nietverschluß / riveted link / bouchon de rivet / rivetti / cierre de roblón
- (4) Federverschluß / split link / fermeture de ressort cierre de resorte / falsa maglia

- (2) 980: (mot.) → 002875  
 (mot.) → 012944
- (3) 980: (mot.) 002876 →  
 (mot.) 012945 →

	Ref. - No.			
10 03 0001	601 200 07 70	Umlenkrolle / deflection pulley		ØA75 B31,5/26
10 03 0002	103 200 05 70	Spannrolle / tension roller		70 x 25
10 03 0004	601 200 10 70	Umlenkrolle / deflection pulley		
10 03 1400	103 200 08 70	Riemenspanner / belt tensioner		
10 03 1402	103 200 02 36	Spannstange / tensioning rod		
10 09 0049	104 052 14 16	Gleitschiene / sliding rail		
10 09 0053	104 052 07 16	Gleitschiene / sliding rail	(2)	
10 09 0061	104 052 04 16	Gleitschiene / sliding rail	(3)	
10 10 2100	120 050 02 11	Kettenspanner / chain tensioner		
10 52 0012	103 200 01 14	Schwingungsdämpfer / vibration damper		80N - 1050N
99 11 0052	000 997 05 98	Kettenglied / chain link	(4)	11 / D 455
99 11 0153	003 997 19 94	Steuerkette / timing chain	(1)	D 455 / 130 N
99 11 0364	003 997 18 94	Steuerkette / timing chain		130 E
99 13 1282	000 997 22 98	Kettenglied / chain link	(1)	

# MERCEDES-BENZ

## BM 124

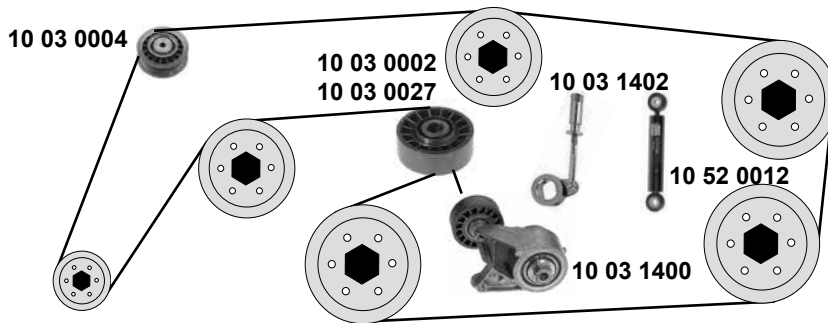
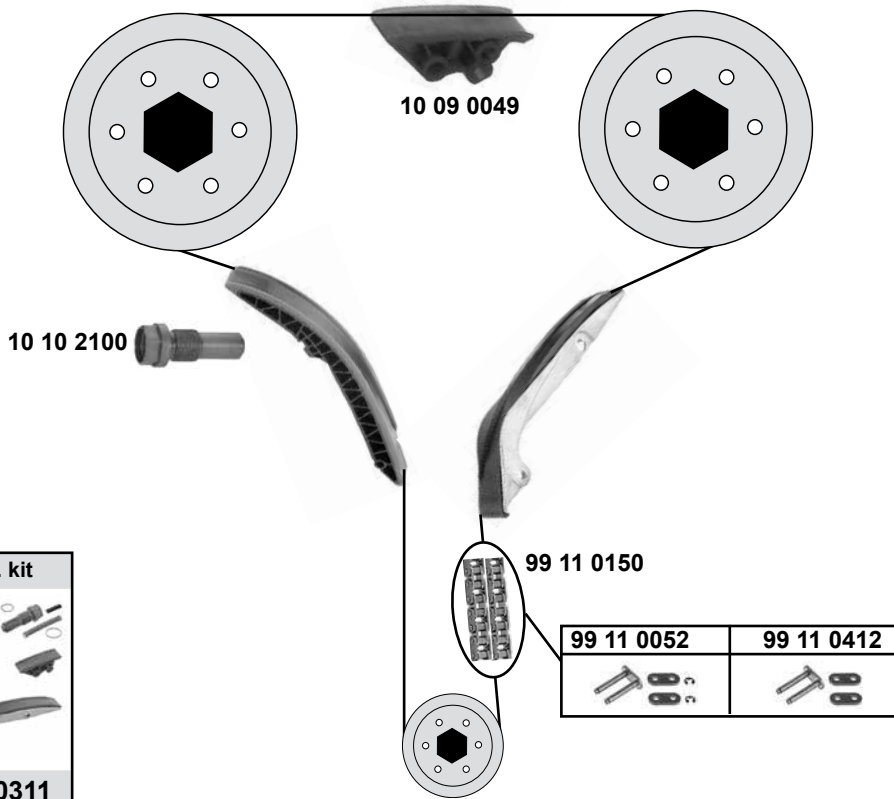
(85→95)



### 320 E / 320 CE / 320 TE (E320)

### E 36 AMG

(M 104.992)

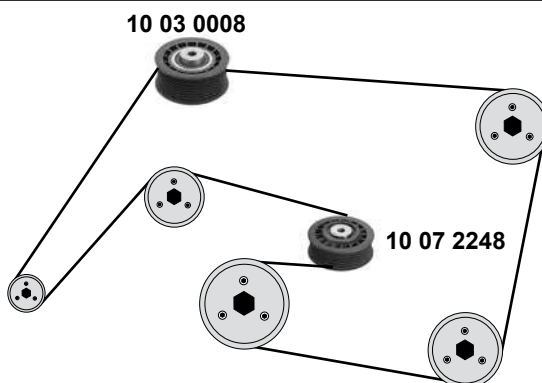
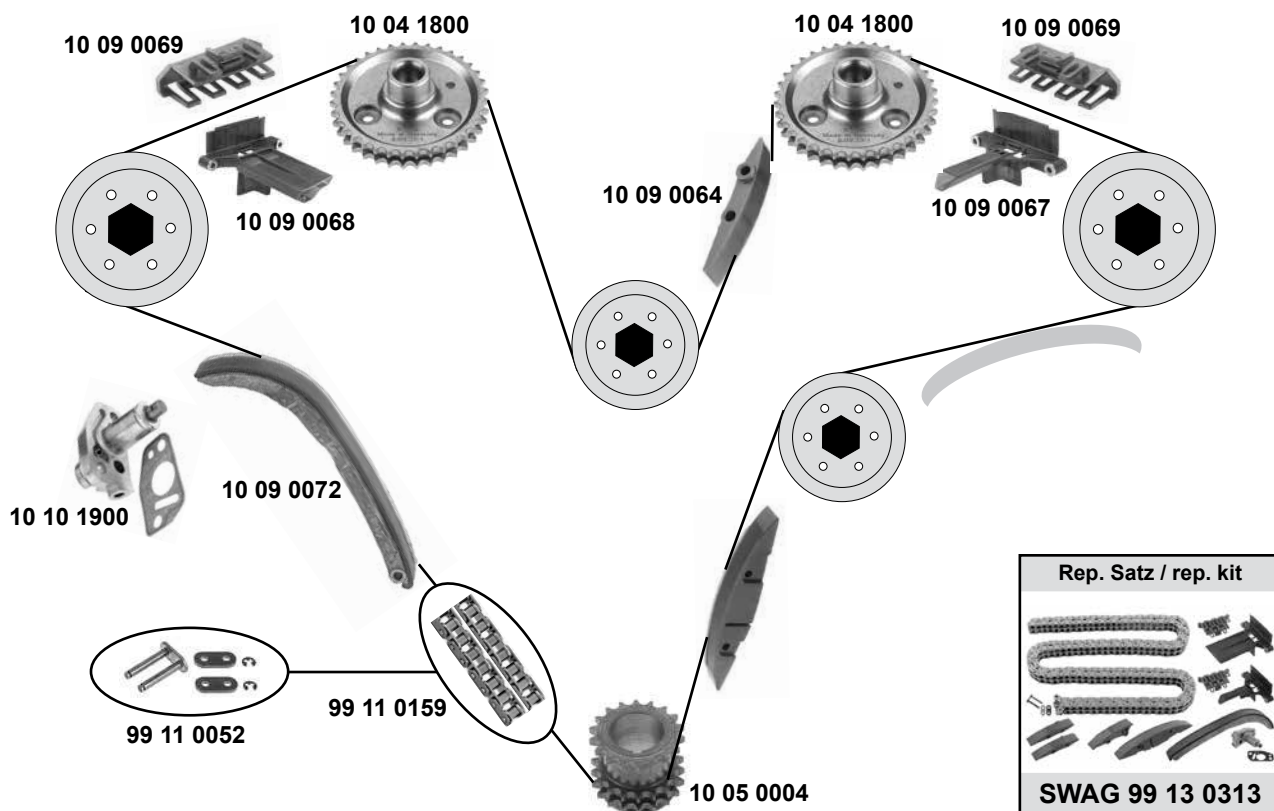


- (1) Nietverschluß / riveted link / bouchon de rivet / rivetti / cierre de roblón
- (4) Federverschluß / split link / fermeture de ressort / cierre de resorte / falsa maglia

- (2) 992: (mot.) → 004356  
 (mot.) → 072236

- (3) 992: (mot.) 005603 →  
 (mot.) 102821 →

SWAG GERMANY	Ref. - No.			
10 03 0002	103 200 05 70	Spannrolle / tension roller		70 x 25
10 03 0004	601 200 10 70	Umlenkrolle / deflection pulley		
10 03 0027	104 200 10 70	Spannrolle / tension roller	(3)	ØA 80
10 03 1400	103 200 08 70	Riemenspanner / belt tensioner		
10 03 1402	103 200 02 36	Spannstange / tensioning rod		
10 09 0049	104 052 14 16	Gleitschiene / sliding rail		
10 10 2100	120 050 02 11	Kettenspanner / chain tensioner		
10 52 0012	103 200 01 14	Schwingungsdämpfer / vibration damper		80N - 1050N
99 11 0052	000 997 05 98	Kettenglied / chain link	(4)	11 / D 455
99 11 0150	003 997 17 94	Rollenkette zweifach / roller chain double	(1) (2)	D 455 / 126 N
99 11 0412	000 997 22 98	Kettenglied / chain link	(1)	
99 13 0311	120 050 02 11 S1	Rep. Satz Steuerkette / rep. kit timing chain		

**400 E / E 420 / 500 E / E 500**  
 (M 119.970,971,974, 975)


(1) Nietverschluß / riveted link / bouchon de rivet / rivetti / cierre de roblón



Ref. - No.



Ref. - No.			
10 03 0008	119 200 04 70	Umlenkrolle / deflection pulley	(mot.) 970/971/974
10 04 1800	119 050 10 04	Nockenwellenrad / camshaft gear	(mot.) 974 / 975
10 05 0004	119 052 01 03	Kurbelwellenrad / crankshaft gear	(mot.) 974 / 975
10 07 2248	601 200 07 70	Spannrolle / tension roller	(mot.) 974 / 975
10 09 0064	119 052 11 16	Gleitschiene / sliding rail	(mot.) 974 / 975
10 09 0067	119 052 02 16	Gleitschiene / sliding rail	(mot.) 974 / 975
10 09 0068	119 050 03 16	Gleitschiene / sliding rail	(mot.) 974 / 975
10 09 0069	119 052 09 16	Gleitschiene / sliding rail	(mot.) 974 / 975
10 09 0072	119 050 04 16	Gleitschiene / sliding rail	(mot.) 974 / 975
10 10 1900	119 050 17 11	Kettenspanner / chain tensioner	(mot.) 974 / 975
99 11 0052	000 997 05 98	Kettenglied / chain link	(mot.) 974 / 975
99 11 0159	003 997 44 94	Steuerkette / timing chain	(1) (mot.) 974 / 975
99 13 0313	119 050 17 11 S1	Rep. Satz Steuerkette / rep. kit timing chain	11 / D 455 D 455 / 216 N E 216



# MERCEDES-BENZ

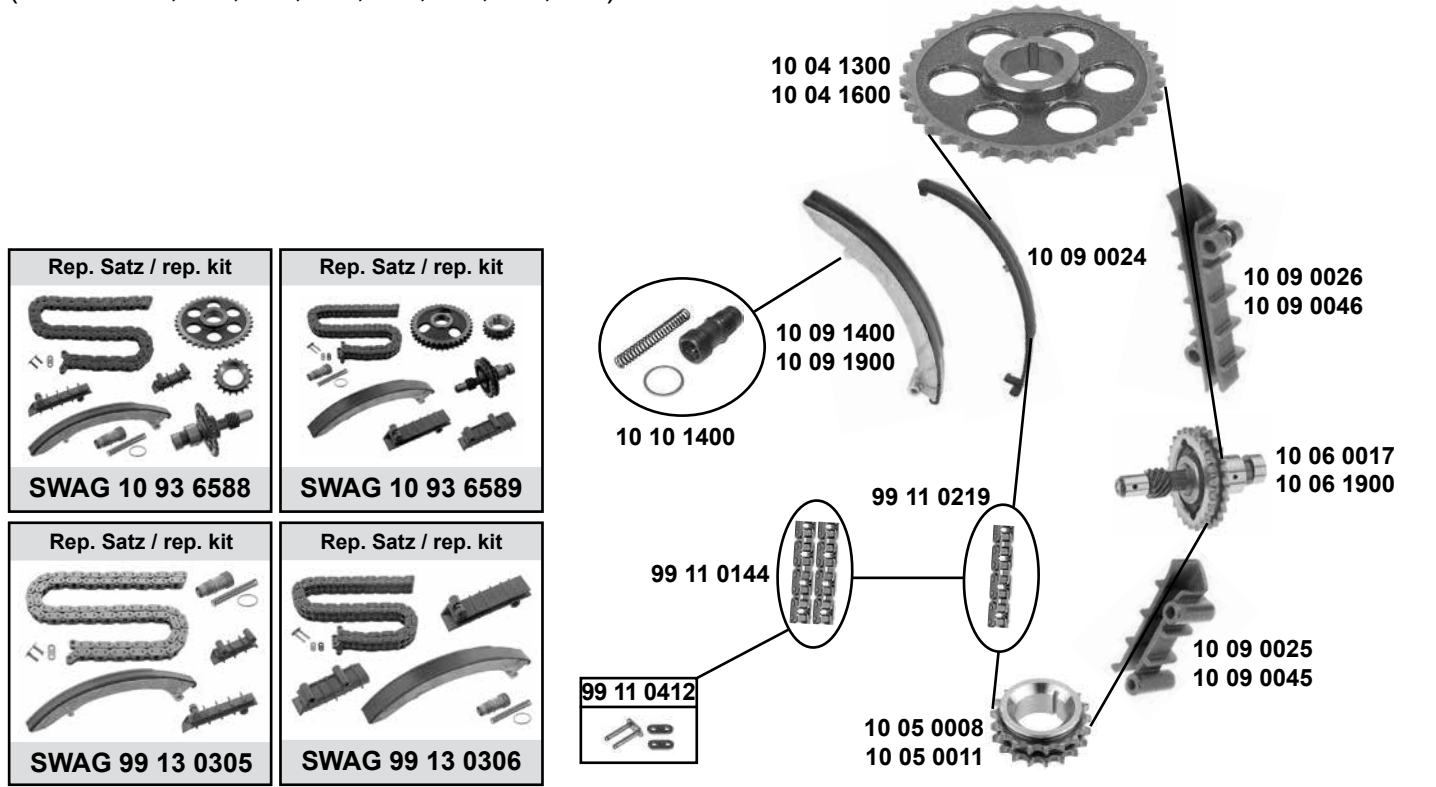
## 190er (BM 201)

(83→92)



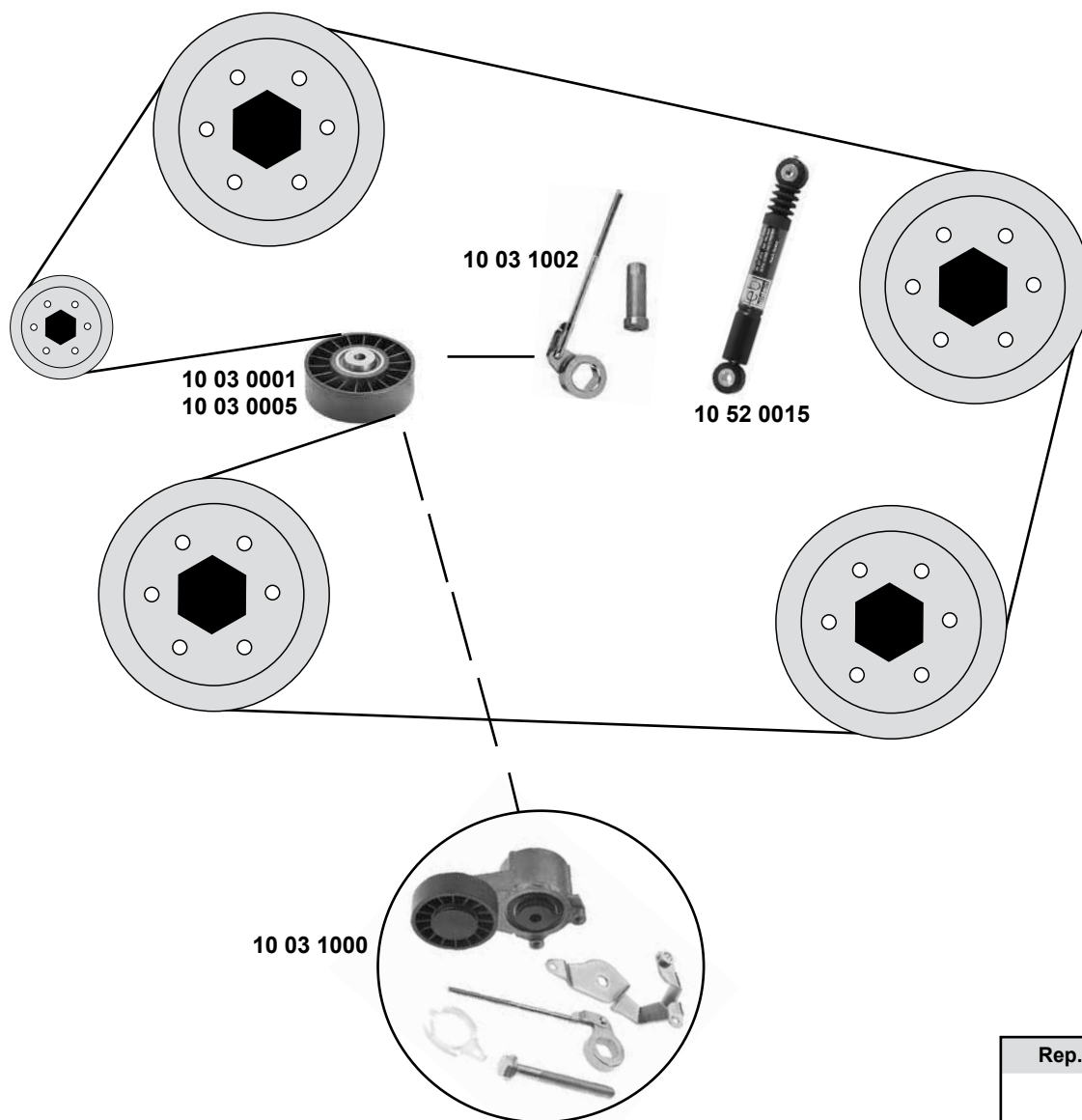
### 190

(M 102.910,919,921,924,938,961,962,985)



(1) 962	(mot.) 166152 → (mot.) 084537 →	(2) 924	(mot.) → 042150 (mot.) → 010534 921 / 938: alle / all	(3) 924	(mot.) 040151 → (mot.) 010535 →
	(4) 985	(mot.) 022013 → (mot.) 067143 →	M102.921,924,938	(5) M 102.910,919,985	(6) mit Duplexkette / with duplex chain
	(7) Federverschluß / split link / fermeture de ressort cierre de resorte / falsa maglia				
(8) Nietverschluß / riveted link / bouchon de rivet / rivetti / cierre de roblón rivetti / cierre de roblón					

	Ref. - No.			
10 04 1300	102 052 02 01	Nockenwellenrad / camshaft gear	(2)	Z 36
10 04 1600	102 052 09 01	Nockenwellenrad / camshaft gear	(3)	Z 36
10 05 0008	102 052 00 03	Kurbelwellenrad / crankshaft gear	(2)	Z 18 ØI 30
10 05 0011	102 052 01 03	Kurbelwellenrad / crankshaft gear	(3)	
10 06 0017	102 050 09 06	Zwischenrad / intermediate gear	(3)	
10 06 1900	102 050 08 06	Zwischenrad / intermediate gear	(2)	
10 09 0024	102 052 04 83	Gummibelag / rubber lining		
10 09 0025	102 052 03 16	Gleitschiene / sliding rail	(2)	
10 09 0026	102 052 04 16	Gleitschiene / sliding rail	(2)	
10 09 0045	102 052 13 16	Gleitschiene / sliding rail	(3)	
10 09 0046	102 052 14 16	Gleitschiene / sliding rail	(9)	
10 09 1400	102 050 08 16	Gleitschiene / sliding rail	(2)	
10 09 1900	102 050 12 16	Gleitschiene / sliding rail	(3)	
10 10 1400	102 050 10 11	Kettenspanner / chain tensioner	(7)	
10 93 6588	102 052 02 01 S1	Rep. Satz Steuerkette / rep. kit timing chain	M102.921,938,961	E 106
10 93 6589	102 052 09 01 S1	Rep. Satz Steuerkette / rep. kit timing chain	(1) (3) (4) (5) (6)	
99 11 0144	002 997 03 94	Steuerkette / timing chain	(8) (3)	D 455 / 106 N
99 11 0219	003 997 82 94	Steuerkette / timing chain	(8) (2)	458 / 106 N
99 11 0412	000 997 22 98	Kettenglied / chain link	(3) (8)	
99 13 0305	102 050 10 11 S1	Rep. Satz Steuerkette / rep. kit timing chain	(3)	
99 13 0306	102 050 10 11 S2	Rep. Satz Steuerkette / rep. kit timing chain	(3)	



	(1) 924:  (mot.) 042151 →	(2) 924:  (mot.) → 040718	(3) 924:  (mot.) 030910 →
	(mot.) 010535 →	(mot.) → 010273	(mot.) 007945 →

	Ref. - No.			
10 03 0001	601 200 07 70	Umlenkrolle / deflection pulley	man.	75 x 26/31,5
10 03 0005	601 200 09 70	Spannrolle / tension roller		
10 03 1000	102 200 69 70	Riemenspanner / belt tensioner	(1)	90N - 900N
10 03 1002	102 200 02 36	Spannstange / tensioning rod	(3)	
10 52 0015	102 200 14 14	Schwingungsdämpfer / vibration damper	(2)	
10 91 2515	102 200 02 36 S1	Rep Satz Spannstange / rep. kit tensioning rod	Australien/Japan 89 →	

# MERCEDES-BENZ

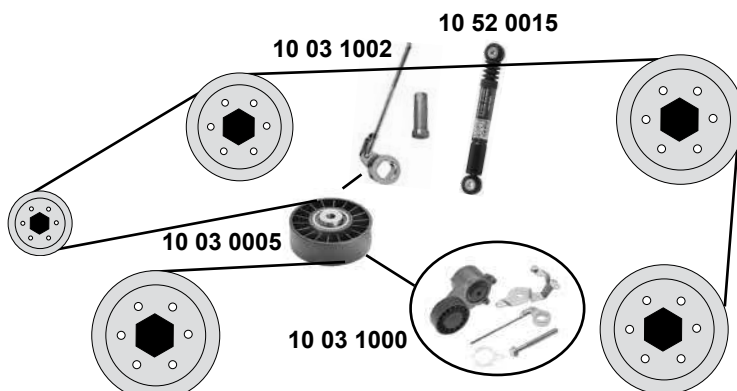
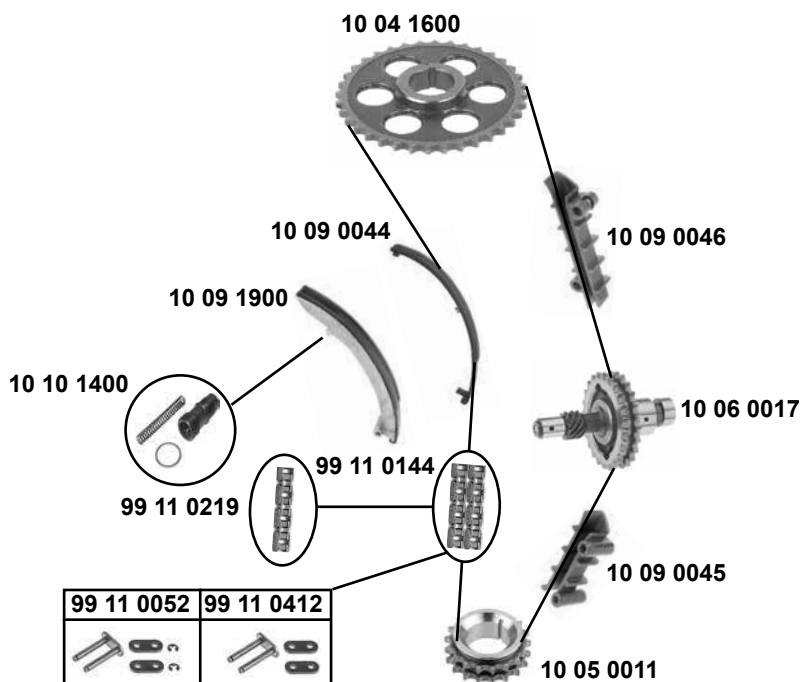
## 190er (BM 201)

(83→93)



### 190 E 1.8

(M 102.910,919)



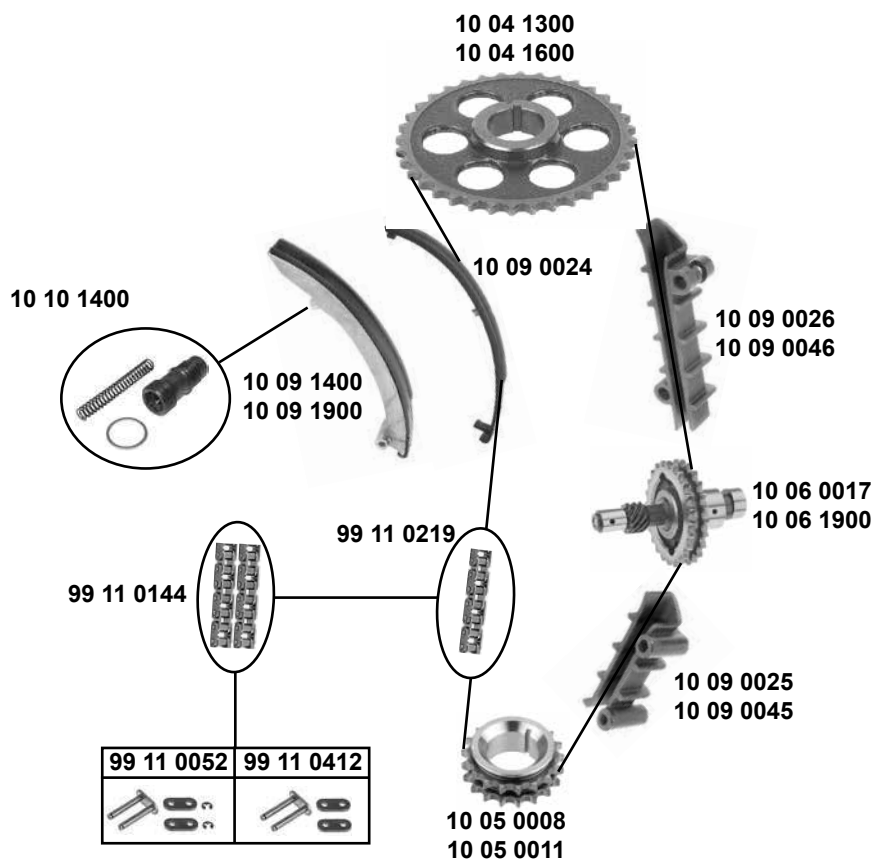
- (1) Nietverschluß / riveted link / bouchon de rivet / rivetti / cierre de roblón
- (2) Federverschluß / split link / fermeture de ressort / cierre de resorte / falsa maglia

SWAG	Ref. - No.			
10 03 0005	601 200 09 70	Spannrolle / tension roller		80 x 25/31
10 03 1000	102 200 69 70	Riemenspanner / belt tensioner		
10 03 1002	102 200 02 36	Spannstange / tensioning rod		
10 04 1600	102 052 09 01	Nockenwellenrad / camshaft gear		Z 36
10 05 0011	102 052 01 03	Kurbelwellenrad / crankshaft gear		
10 06 0017	102 050 09 06	Zwischenrad / intermediate gear		
10 09 0044	102 052 06 83	Gummibelag Gleitschiene / rubber lining sliding rail		
10 09 0045	102 052 13 16	Gleitschiene / sliding rail		
10 09 0046	102 052 14 16	Gleitschiene / sliding rail		
10 09 1900	102 050 12 16	Gleitschiene / sliding rail		
10 10 1400	102 050 10 11	Kettenspanner / chain tensioner		
10 52 0015	102 200 14 14	Schwingungsdämpfer / vibration damper		90N - 900N
10 91 2515	102 200 02 36 S1	Rep. Satz Spannstange / rep. kit tensioning rod	Australien/Japan 89 →	
10 93 6589	102 052 09 01 S1	Rep. Satz Steuerkette / rep. kit timing chain		
99 11 0052	000 997 05 98	Kettenglied / chain link	(2)	11 / D 455
99 11 0144	002 997 03 94	Rollenkette zweifach / roller chain double	(1)	D455 / 106 N
99 11 0219	003 997 82 94	Steuerkette / timing chain		S 458 / 106 N
99 11 0412	000 997 22 98	Kettenglied / chain link	(1)	
99 13 0306	10 050 10 11 S2	Rep. Satz Steuerkette / rep. kit timing chain		



### 190 E 2.0 / 2.3

(M 102.961,962,985)

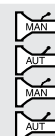


(1) Nietverschluss / riveted link / bouchon de rivet / rivetti / cierre de roblón

(2) 961: alle / all

962: (mot.) → 166151  
 (mot.) → 084536  
 985: (mot.) → 022012  
 (mot.) → 067142

(3) 962:



(mot.) 166152 →  
 (mot.) 084537 →  
 (mot.) 022013 →  
 (mot.) 067143 →



**SWAG**  
GERMANY

Ref. - No.



Part No.	Ref. - No.	Description	Quantity	Notes
10 04 1300	102 052 02 01	Nockenwellenrad / camshaft gear	(2)	Z 36
10 04 1600	102 052 09 01	Nockenwellenrad / camshaft gear	(3)	Z 36
10 05 0008	102 052 00 03	Kurbelwellenrad / crankshaft gear	(2)	Z 18 Ø1 30
10 05 0011	102 052 01 03	Kurbelwellenrad / crankshaft gear	(3)	
10 06 0017	102 050 09 06	Zwischenrad / intermediate gear	(3)	
10 06 1900	102 050 08 06	Zwischenrad / intermediate gear	(2)	
10 09 0024	102 052 04 83	Gummibelag Gleitschiene / rubber lining sliding rail		
10 09 0025	102 052 03 16	Gleitschiene / sliding rail		
10 09 0026	102 052 04 16	Gleitschiene / sliding rail		
10 09 0045	102 052 13 16	Gleitschiene / sliding rail	(3)	
10 09 0046	102 052 14 16	Gleitschiene / sliding rail	(3)	
10 09 1400	102 050 08 16	Gleitschiene / sliding rail	(2)	
10 09 1900	102 050 12 16	Gleitschiene / sliding rail	(3)	
10 10 1400	102 050 10 11	Kettenspanner / chain tensioner		
10 93 6588	102 052 02 01 S1	Rep. Satz Steuerkette / rep. kit timing chain		E 106
10 93 6589	102 052 09 01 S1	Rep. Satz Steuerkette / rep. kit timing chain		
99 11 0052	000 997 05 98	Kettenglied / chain link		11 / D 455
99 11 0144	002 997 03 94	Rollenkette zweifach / roller chain double	(1) (3)	D 455 / 106 N
99 11 0219	003 997 82 94	Rollenkette einfach / roller chain simple	(1) (2)	458 / 106 N
99 13 0305	102 050 10 11 S1	Rep. Satz Steuerkette / rep. kit timing chain	(2)	
99 13 0306	102 050 10 11 S2	Rep. Satz Steuerkette / rep. kit timing chain	(2)	
99 11 0412	000 997 22 98	Kettenglied / chain link	(3) (1)	

# MERCEDES-BENZ

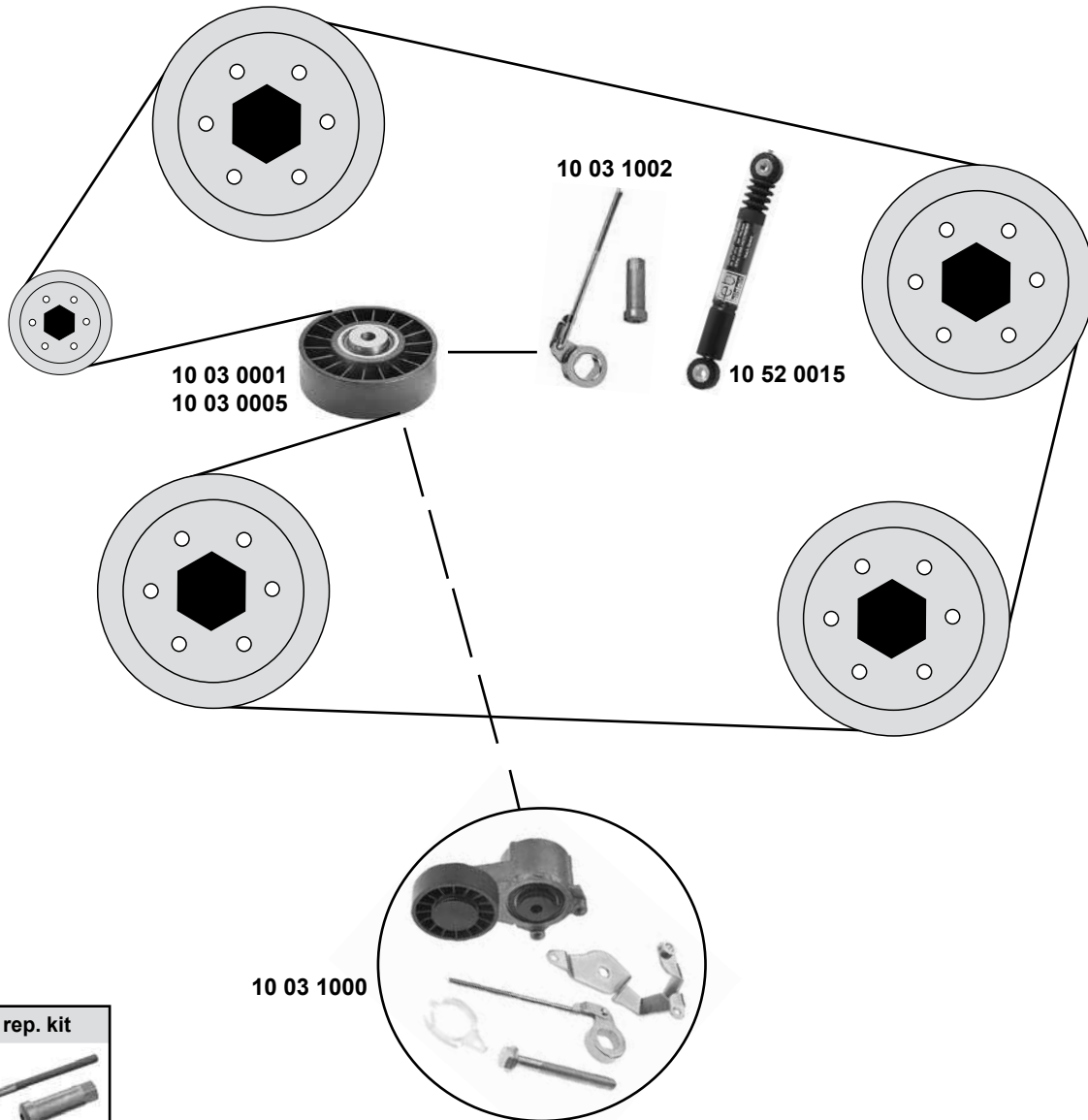
## 190er (BM 201)

(82→93)



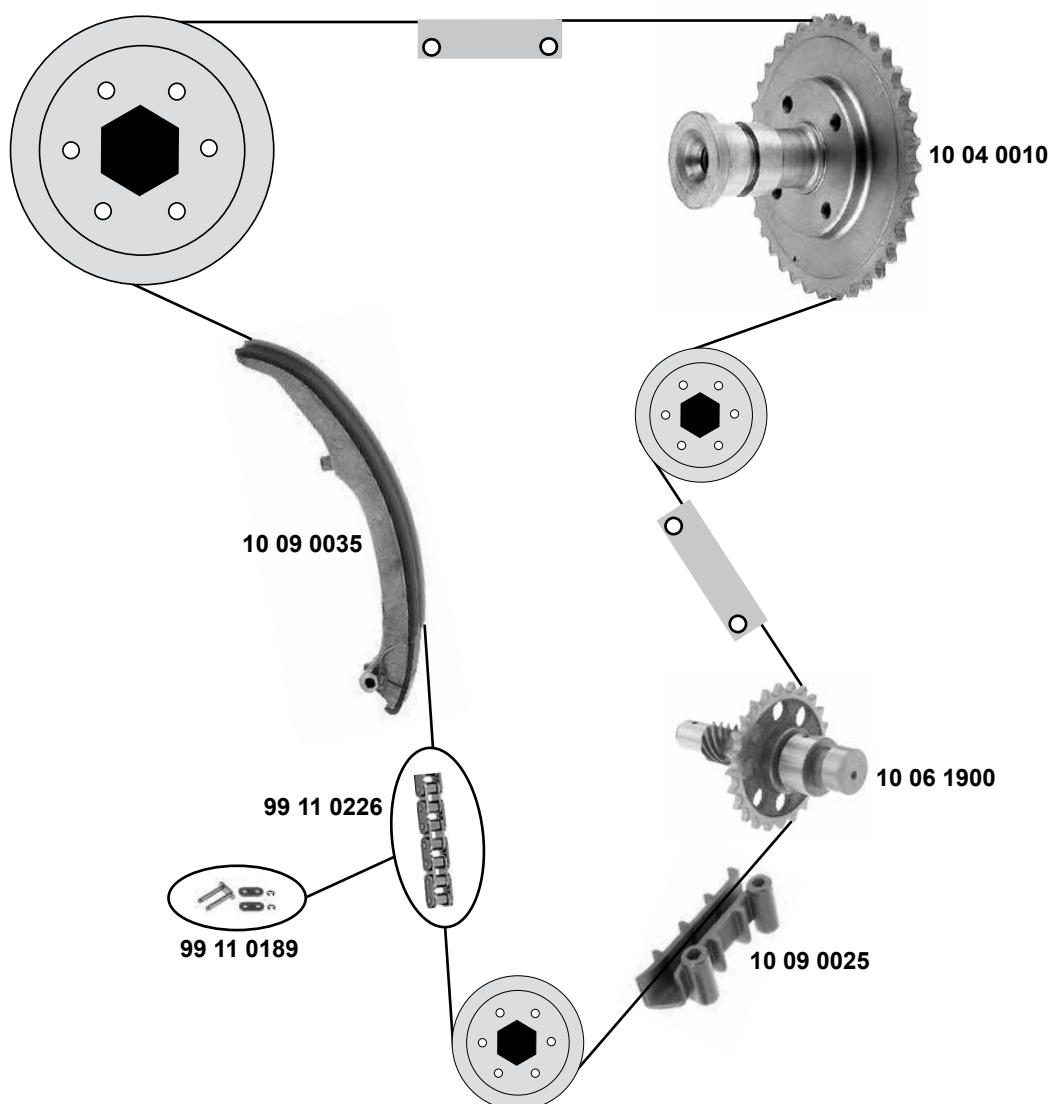
### 190 E 2.0 / 2.3

(M 102.962,985)



	(1) 962:  (mot.) 166151 → (mot.) 084536 →	(3) 962:  (mot.) 120485 → (mot.) 059793 →	(5) 985:  (mot.) 020298 → (mot.) 064022 →
	(2) 962:  (mot.) 159206 → (mot.) 080537 →	(4) 985:  (mot.) 022013 → (mot.) 067143 →	

	Ref. - No.			
10 03 0001	601 200 07 70	Spannrolle / tension roller		75 x 26/31,5
10 03 0005	601 200 09 70	Spannrolle / tension roller		80 x 25/31
10 03 1000	102 200 69 70	Riemenspanner / belt tensioner	(1) (4)	
10 03 1002	102 200 02 36	Spannstange / tensioning rod	(3)	
10 52 0015	102 200 14 14	Schwingungsdämpfer / vibration damper	(2) (5)	90N - 900N
10 91 2515	102 200 02 36 S1	Rep. Satz Spannstange / rep. kit tensioning rod	Australien/Japan 89 →	



(1) Nietverschluß / riveted link / bouchon de rivet / rivetti / cierre de roblón



Ref. - No.



Part No.	Ref. - No.	Description	Notes	Dimensions
10 04 0010	102 050 01 04	Nockenwellenrad Einlass / camshaft gear intake	(mot.) 983	Z 36
10 06 1900	102 050 08 06	Zwischenrad / intermediate gear	(mot.) 983	
10 09 0025	102 052 03 16	Gleitschiene / sliding rail	(mot.) 983	
10 09 0035	102 050 04 16	Gleitschiene / sliding rail	(mot.) 983 → 000562	
99 11 0189	000 997 32 98	Kettenglied / chain link	(mot.) 983	
99 11 0226	001 997 71 94	Rollenkette einfach / roller chain simple	(mot.) 983 (1)	458 / 134 N

# MERCEDES-BENZ

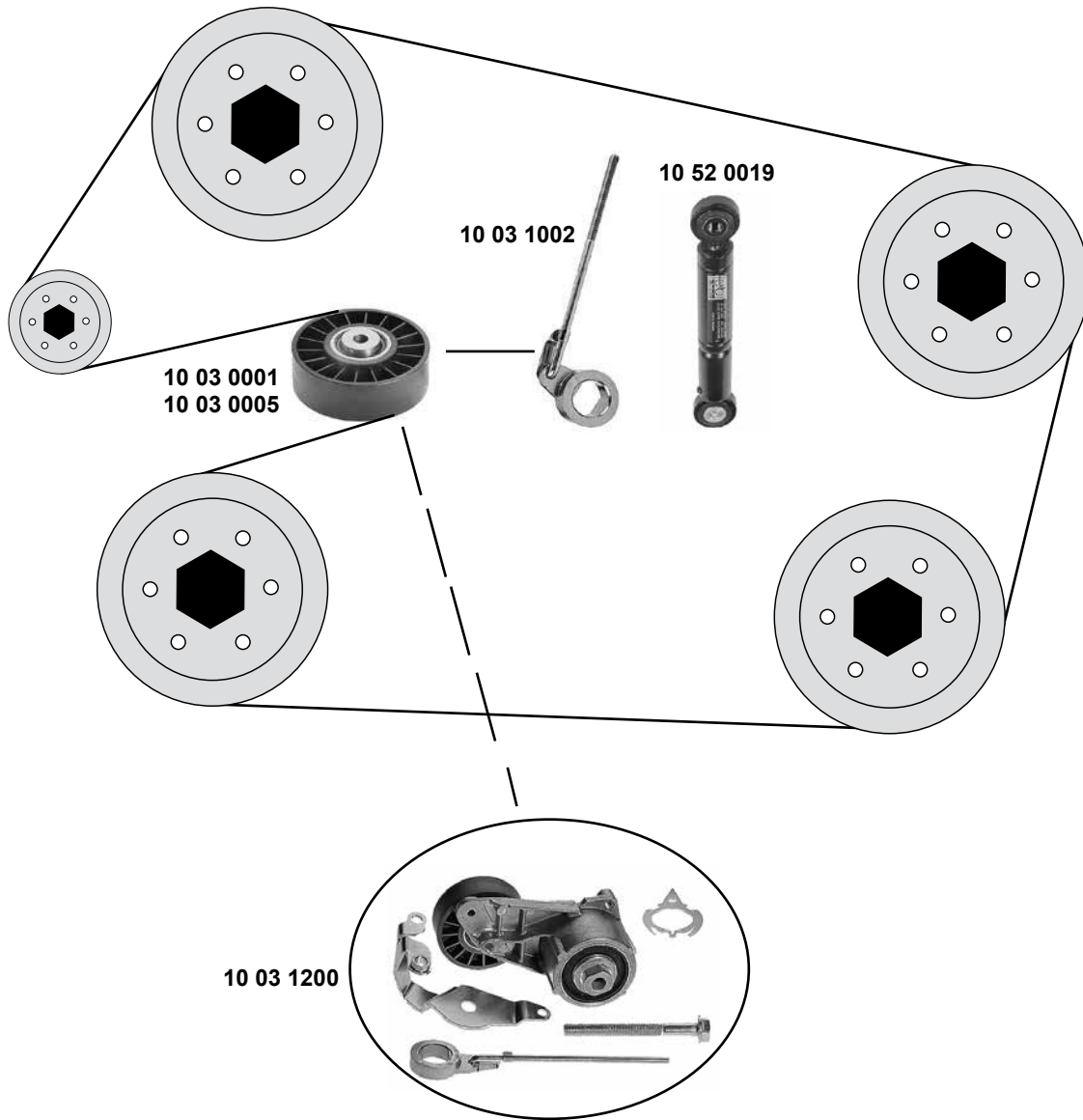
## 190er (BM 201)

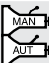
(83→92)




### 190 E 2.3 16V

(M 102.983)



(1) 983:  (mot.) 006950 →  
 (mot.) 000003 →

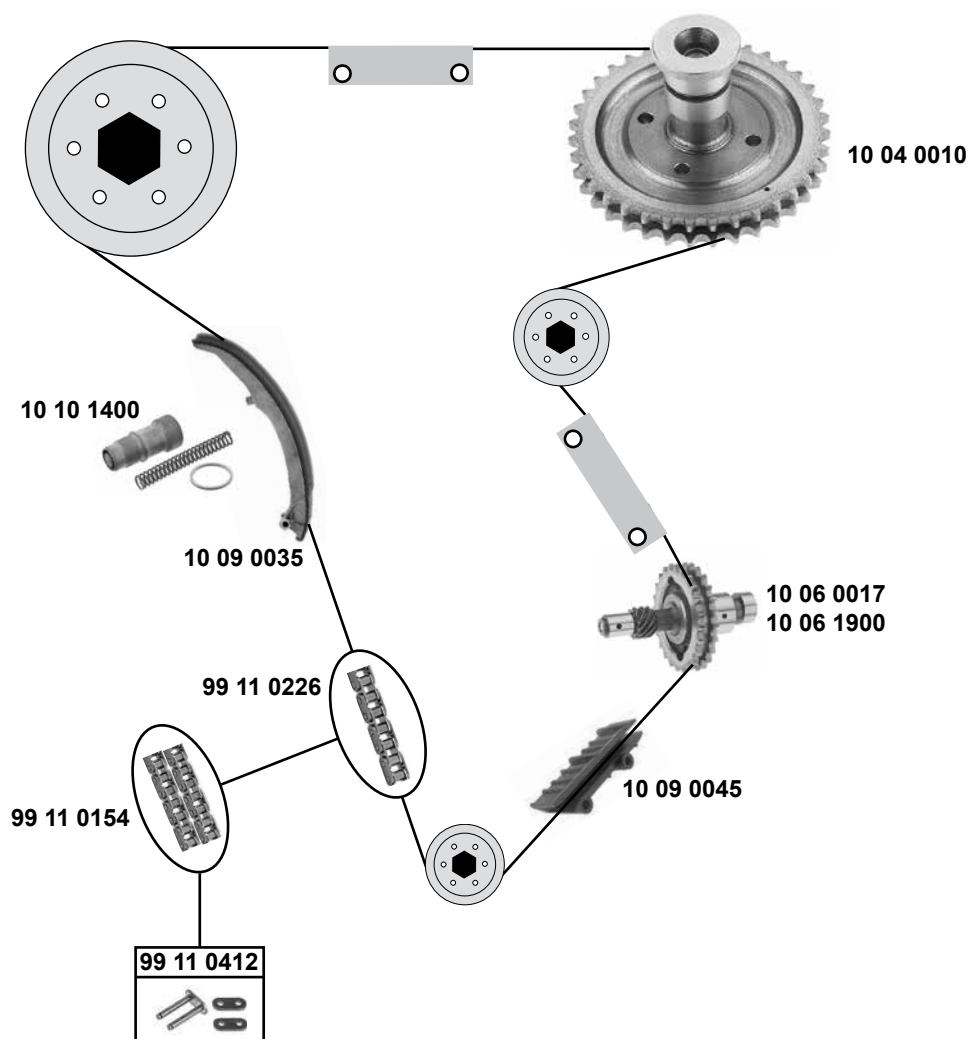
(2) 983:  (mot.) 015532 →  
 (mot.) 001752 →



Ref. - No.



10 03 0001	601 200 07 70	Umlenkrolle / deflection pulley		
10 03 0005	601 200 09 70	Spannrolle / tension roller		80 x 2/31
10 03 1002	102 200 02 36	Spannstange / tensioning rod	(2)	
10 03 1200	102 200 77 70	Riemenspanner / belt tensioner		
10 52 0019	102 200 15 14	Schwingungsdämpfer / vibration damper	(1)	90N - 1000N



(1) Nietverschluß / riveted link / bouchon de rivet / rivetti / cierre de roblón



Ref. - No.



Ref. - No.	Description	Notes	Dimensions
10 04 0010	Nockenwellenrad Einlass / camshaft gear intake	nur / only: 992	Z 36
10 06 0017	Zwischenrad / intermediate gear	(ex.) 983/992	
10 06 1900	Zwischenrad / intermediate gear	nur / only: 992	
10 09 0035	Gleitschiene / sliding rail		
10 09 0045	Gleitschiene / sliding rail	(ex.) 983	
10 10 1400	Kettenspanner / chain tensioner		
99 11 0226	Rollenkette einfach / roller chain simple	(1) nur / only: 992	458 / 134 N
99 11 0154	Rollenkette zweifach / roller chain double	(1) nur / only: 990,991	D 455 / 134 N
99 11 0412	Kettenglied / chain link	(1) nur / only: 990/991	

# MERCEDES-BENZ

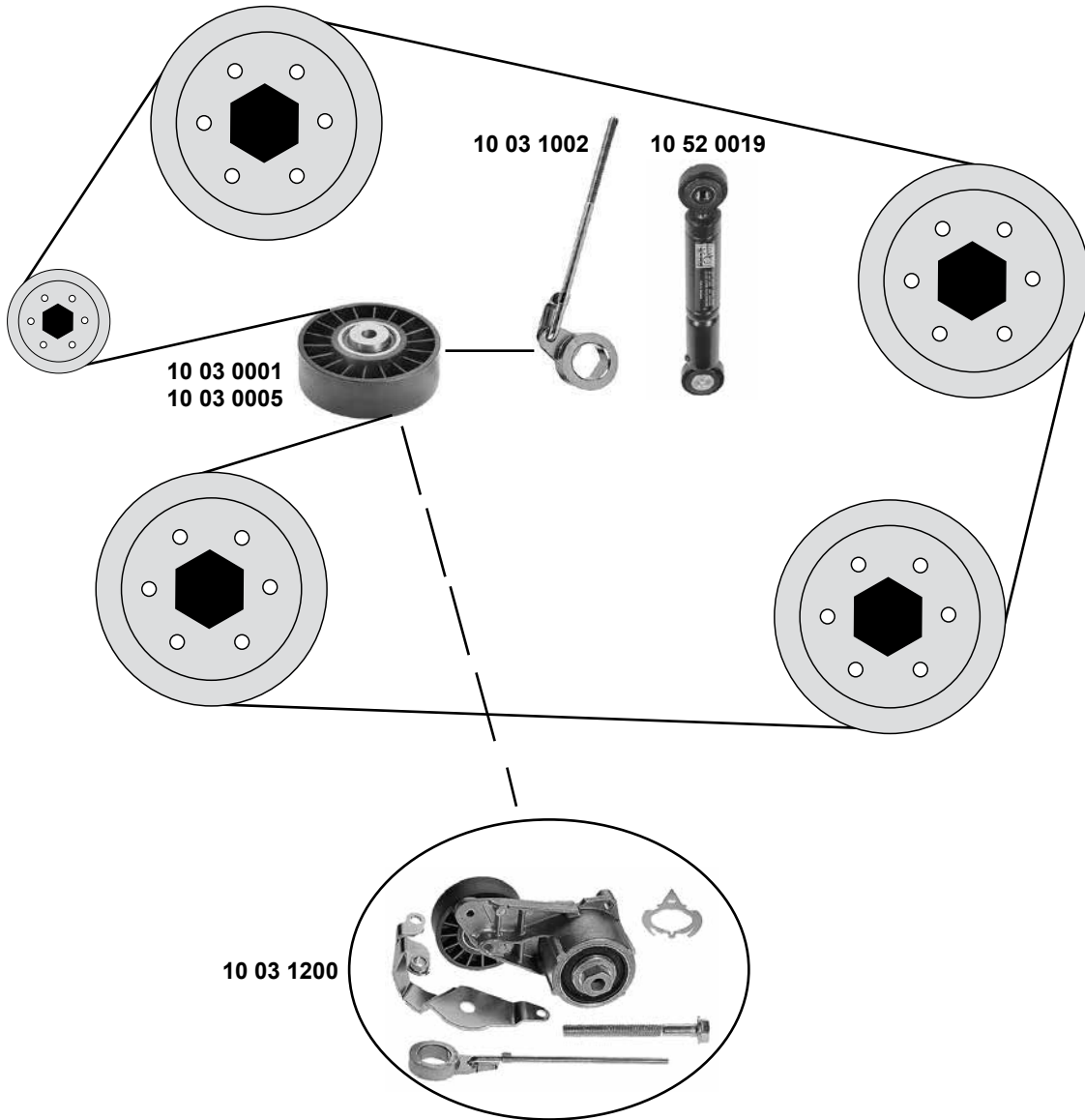
## 190er (BM 201)

(83→92)



### 190 E 2.5 16V

(M 102.990,991,992)



Ref. - No.

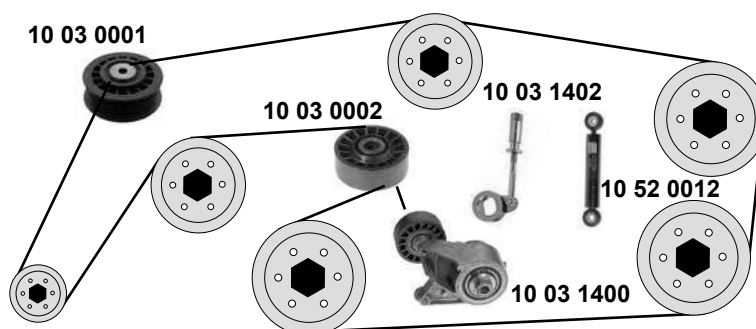
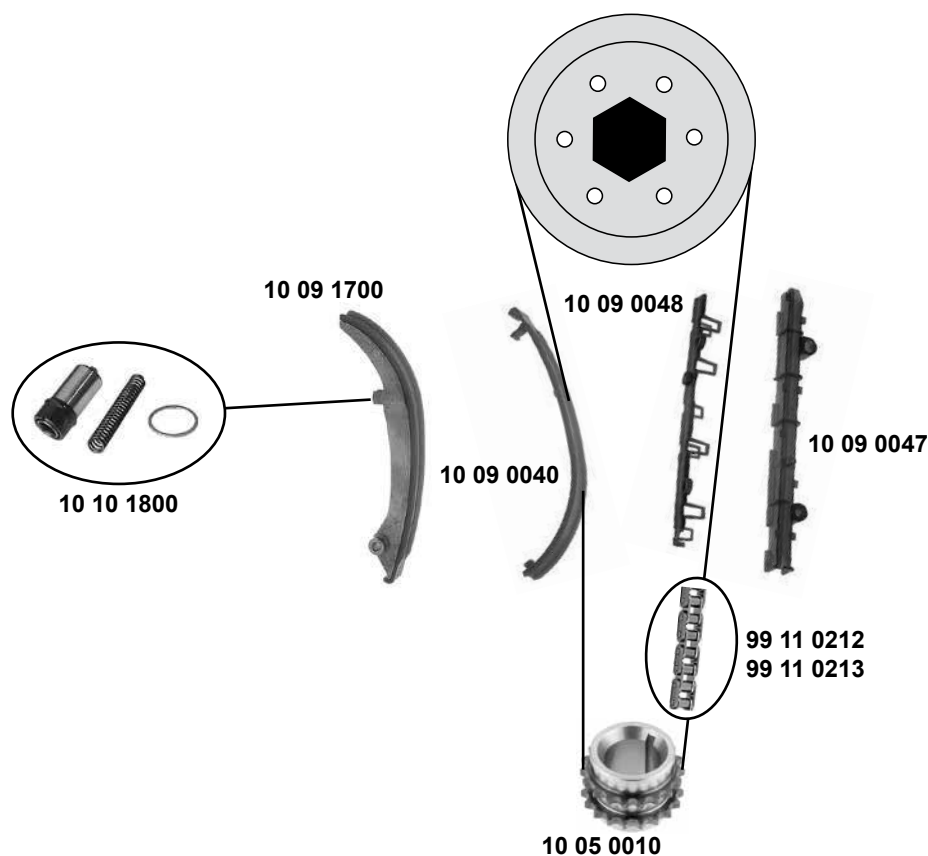


10 03 0001	601 200 07 70
10 03 0005	601 200 09 70
10 03 1002	102 200 02 36
10 03 1200	102 200 77 70
10 52 0019	102 200 15 14

Umlenkrolle / deflection pulley
Spannrolle / tension roller
Spannstange / tensioning rod
Riemenspanner / belt tensioner
Schwingungsdämpfer / vibration damper

80 x 2/31

90N - 1000N



(1) Nietverschluß / riveted link / bouchon de rivet / rivetti / cierre de roblón



Ref. - No.



Ref. - No.	Description	Part No.	Notes
10 03 0001	Umlenkrolle / deflection pulley		
10 03 0002	Spannrolle / tension roller		
10 03 1400	Riemenspanner / belt tensioner		(mot.) 103.942
10 03 1402	Spannstange / tensioning rod		(mot.) 103.942
10 05 0010	Kurbelwellenrad / crankshaft gear		(mot.) 103.942
10 09 0040	Gummibelag Gleitschiene / rubber lining sliding rail		Z 18
10 09 0047	Gleitschiene / sliding rail		
10 09 0048	Gleitschiene / sliding rail		
10 09 1700	Gleitschiene / sliding rail		
10 10 1800	Kettenspanner / chain tensioner		
10 52 0012	Schwingungsdämpfer / vibration damper		(mot.) 103.942
99 11 0212	Steuerkette endlos / timing chain endless		(mot.) 103.942
99 11 0213	Rollenkette einfach / roller chain simple		(1)( mot.) 103.942
99 13 0307	Rep. Satz Steuerkette / rep. kit. timing chain		80N - 1050N 96 E 96 N



# MERCEDES-BENZ

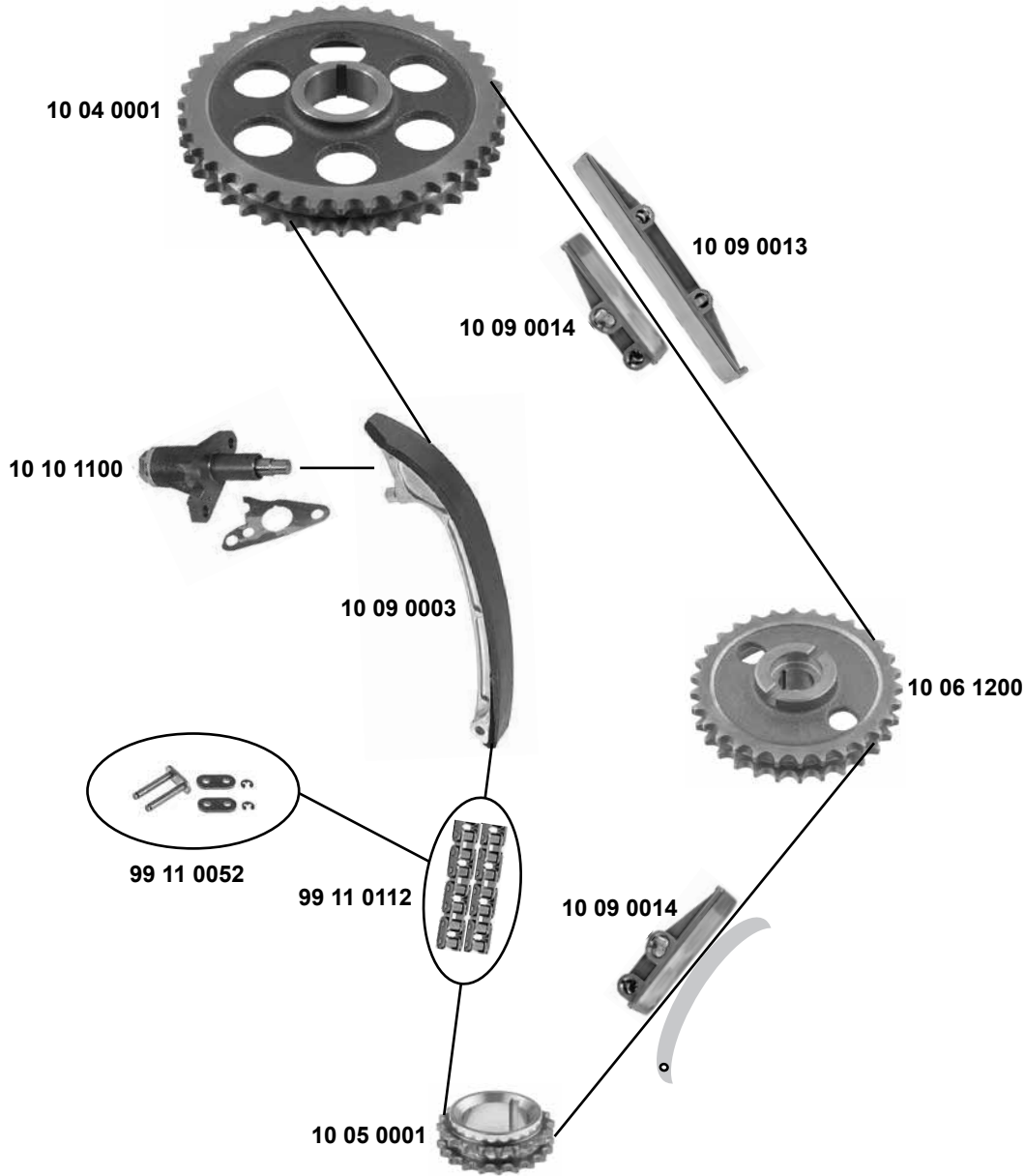
## 207/307D - 210/310D (BM 601 / 602)

(73→95)



### 208 / 210 / 308 / 310

(M 115.955,972)



(1) Federverschluß / split link / fermeture de ressort / cierre de resorte / falsa maglia



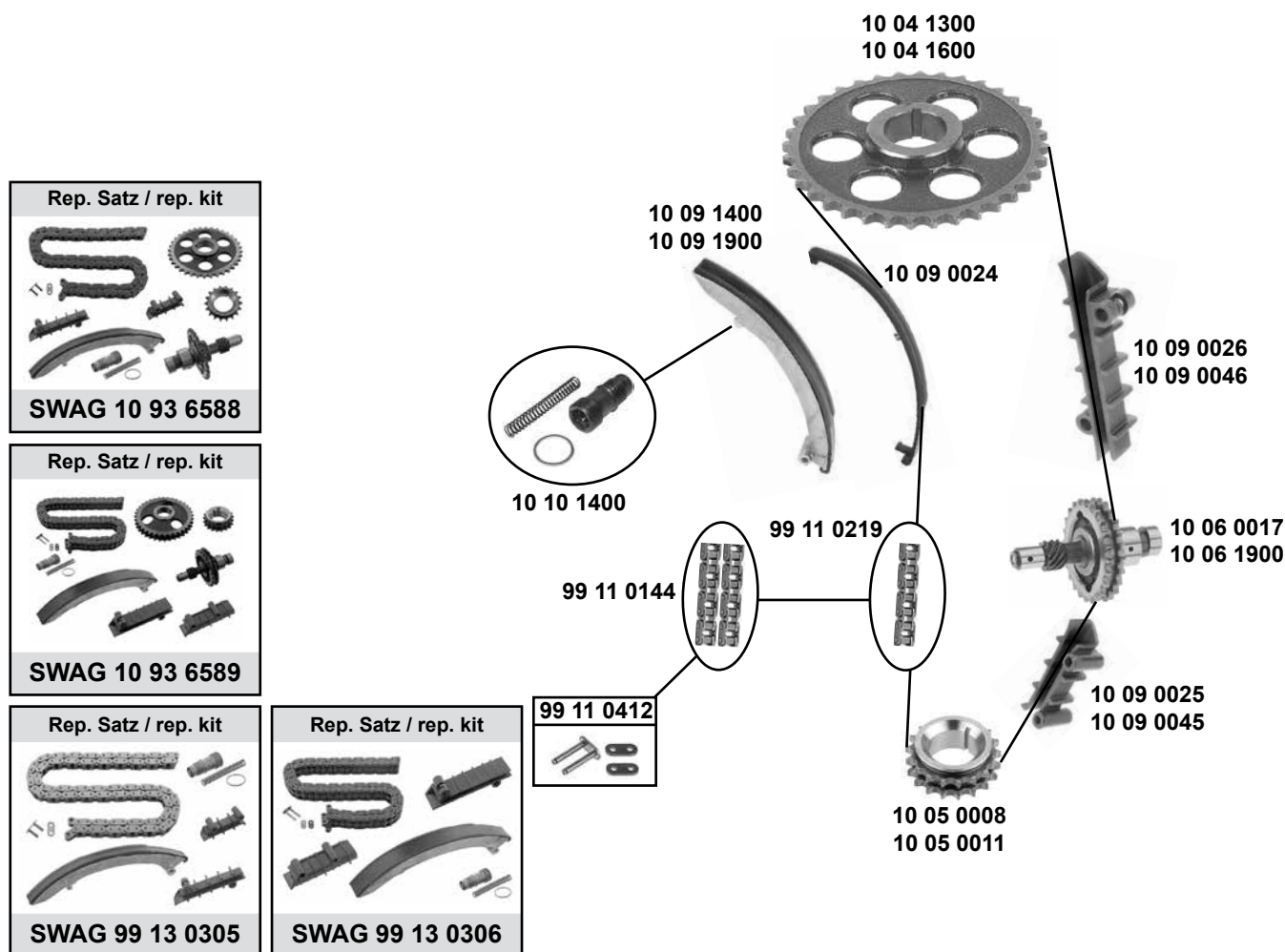
Ref. - No.



10 04 0001	121 052 03 01	Nockenwellenrad / camshaft gear	
10 05 0001	615 052 02 03	Kurbelwellenrad / crankshaft gear	Z 20 Ø1 36
10 06 1200	114 052 00 02	Zwischenrad / intermediate gear	
10 09 0003	115 050 08 16	Gleitschiene / sliding rail	
10 09 0013	115 052 04 16	Gleitschiene / sliding rail	
10 09 0014	115 052 07 16	Gleitschiene / sliding rail	
10 10 1100	115 050 11 11	Kettenspanner / chain tensioner	
99 11 0052	000 997 05 98	Kettenglied / chain link	11 / D 455
99 11 0112	000 997 71 94	Rollenkette zweifach / roller chain double	D 455 / 126 F



**208 / 210 / 308 / 310 / 410**  
(M 102.942,945)



(1) 945: (mot.) → 006997  
 (mot.) → 000697

(2) 945: (mot.) 006998 →  
 (mot.) 000698 →

(3) Nietverschluß / riveted link  
bouchon de rivet / rivetti / cierre de roblón



Ref. - No.



10 04 1300	102 052 02 01	Nockenwellenrad / camshaft gear	(1)	Z 36
10 04 1600	102 052 09 01	Nockenwellenrad / camshaft gear	(2)	Z 36
10 05 0008	102 052 00 03	Kurbelwellenrad / crankshaft gear	(1)	Z 18 Ø1 30
10 05 0011	102 052 01 03	Kurbelwellenzahnrad / crankshaft gear	(2)	
10 06 0017	102 050 09 06	Zwischenwelle / intermediate shaft	(2)	
10 06 1900	102 050 08 06	Zwischenwelle / intermediate shaft	(1)	
10 09 0024	102 052 04 83	Gummibelag Gleitschiene / rubber lining sliding rail		
10 09 0025	102 052 03 16	Gleitschiene / sliding rail	(1)	
10 09 0026	102 052 04 16	Gleitschiene / sliding rail	(1)	
10 09 0045	102 052 13 16	Gleitschiene / sliding rail	(2)	
10 09 0046	102 052 14 16	Gleitschiene / sliding rail	(2)	
10 09 1400	102 050 08 16	Gleitschiene / sliding rail	(1)	
10 09 1900	102 050 12 16	Gleitschiene / sliding rail	(2)	
10 10 1400	102 050 10 11	Kettenspanner / chain tensioner		
10 93 6588	102 052 02 01 S1	Rep.Satz Steuerkette / rep. kit timing chain		
10 93 6589	102 052 09 01 S1	Rep.Satz Steuerkette / rep. kit timing chain		
99 11 0144	002 997 03 94	Steuerkette / timing chain	(2) (3)	D 455 / 106 N
99 11 0219	003 997 82 94	Steuerkette / timing chain	(1) (3)	458 / 106 N
99 11 0412	000 997 22 98	Kettenglied / chain link	(2) (3)	
99 13 0305	102 050 10 11 S1	Rep. Satz Steuerkette / rep. kit timing chain	(1)	
99 13 0306	102 050 10 11 S2	Rep.Satz Steuerkette / rep. kit timing chain	(2)	

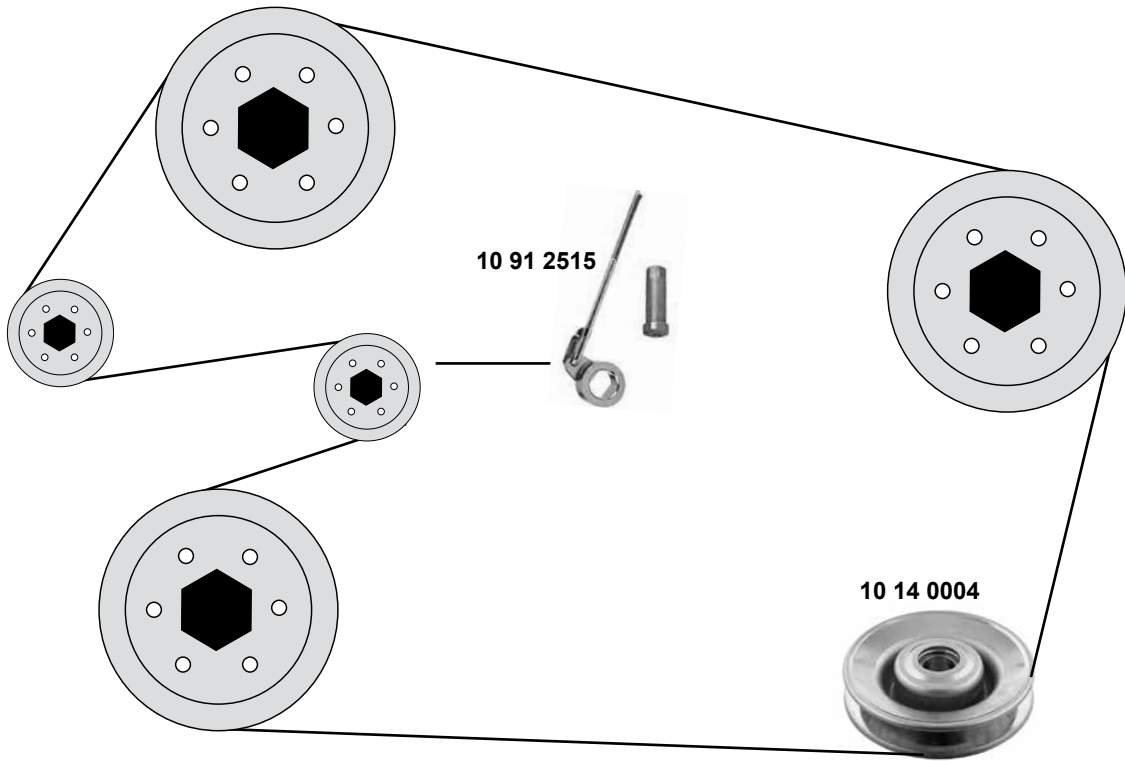
# MERCEDES-BENZ 207/307/407D-210/310/410D

(BM 601 / 602 / 611) (77→96)



**208 / 210 / 308 / 310 / 410**

(M 102.942,945)



Ref. - No.

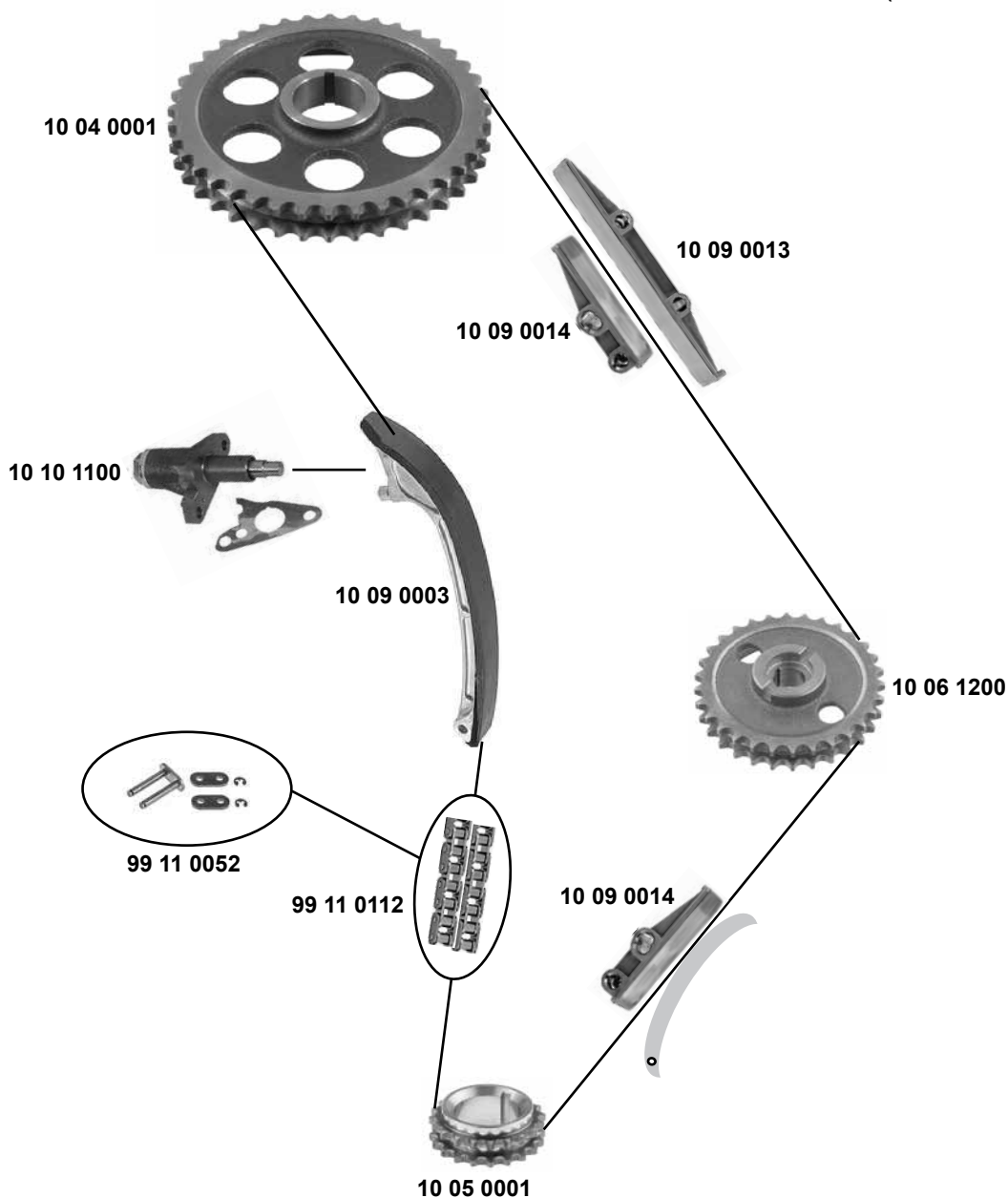


**10 14 0004** 116 130 04 60  
**10 91 2515** 102 200 02 36 S1

Riemenscheibe / belt pulley  
Rep. Satz Spannstange / rep. kit tensioning rod

15X97X24

**208 / 210 / 308 / 310**  
(M 115.955,972 )



(1) Federverschluß / split link / fermeture de ressort / cierre de resorte / falsa maglia



Ref. - No.



Ref. - No.	Part Description	Quantity	Dimensions
10 04 0001	Nockenwellenrad / camshaft gear		
10 05 0001	Kurbelwellenrad / crankshaft gear		Z 20 Ø1 36
10 06 1200	Zwischenrad / intermediate gear		
10 09 0003	Gleitschiene / sliding rail		
10 09 0013	Gleitschiene / sliding rail		
10 09 0014	Gleitschiene / sliding rail		
10 10 1100	Kettenspanner / chain tensioner		
99 11 0052	Kettenglied / chain link		11 / D 455
99 11 0112	Rollenkette zweifach / roller chain double	(1)	D 455 / 126 F

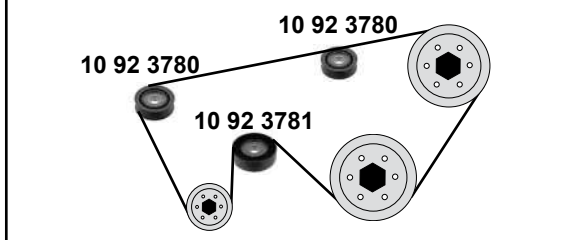
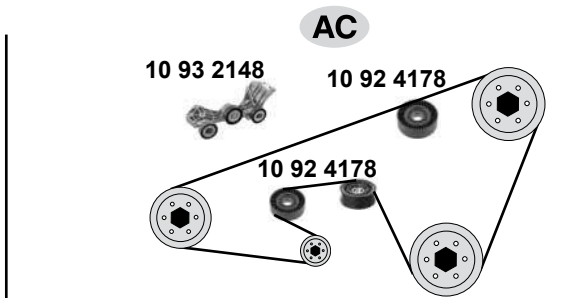
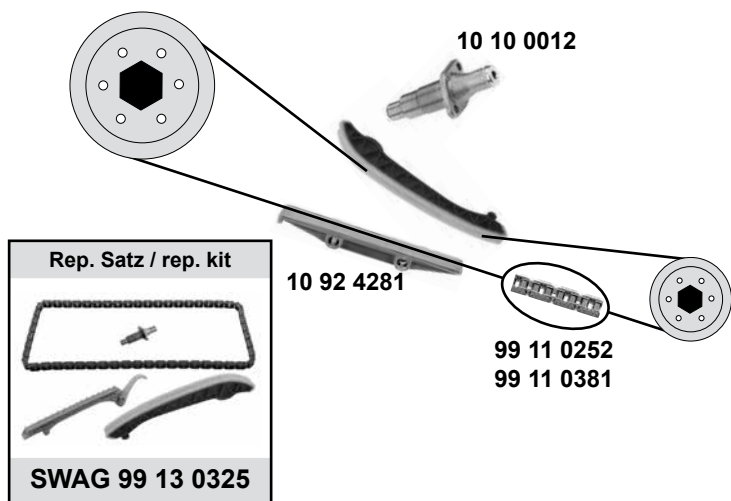
# MERCEDES-BENZ A-Klasse (BM 168)

(97→04)



## A 140 / A 160 / A 190 / A 210 Evolution

(M 166.940,960, 990,995)

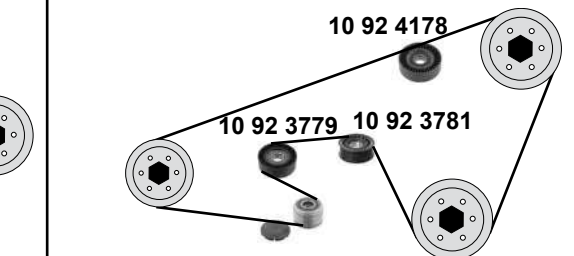
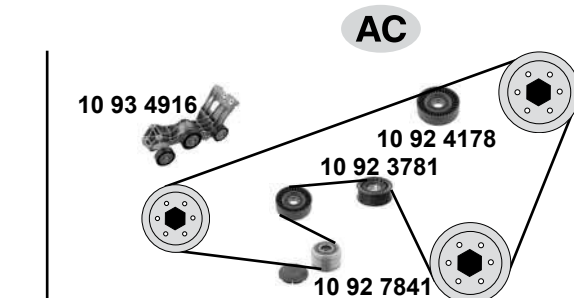
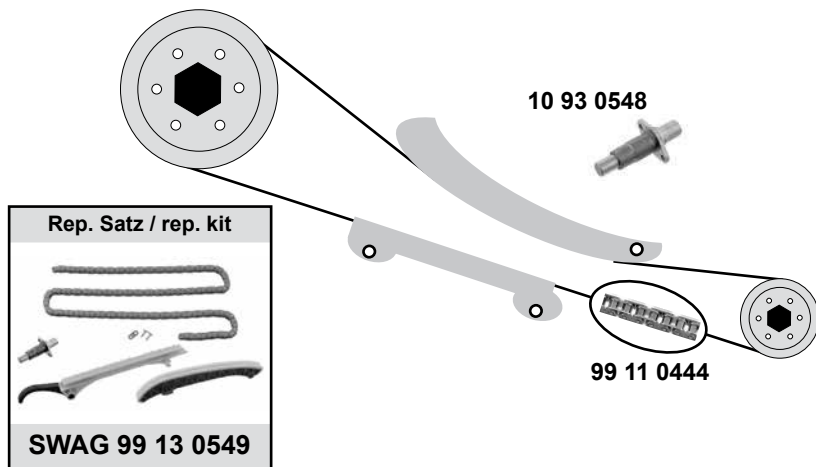


## A-Klasse (BM 169)

(04→)

### A 150 / A 170 / A 200 / Turbo

(M 266.920,940,960,980)



(1) Rollenkette mit Nietverschluss / roller chain with riveted

(2) Rollenkette endlos / roller chain endless

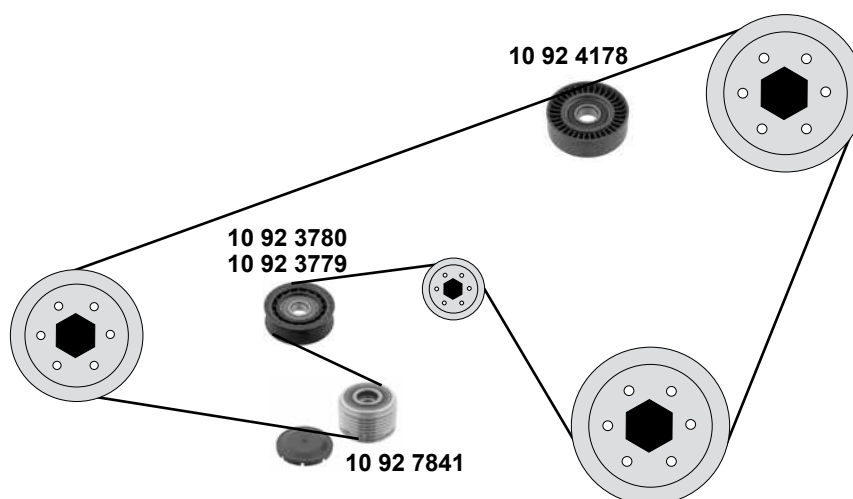
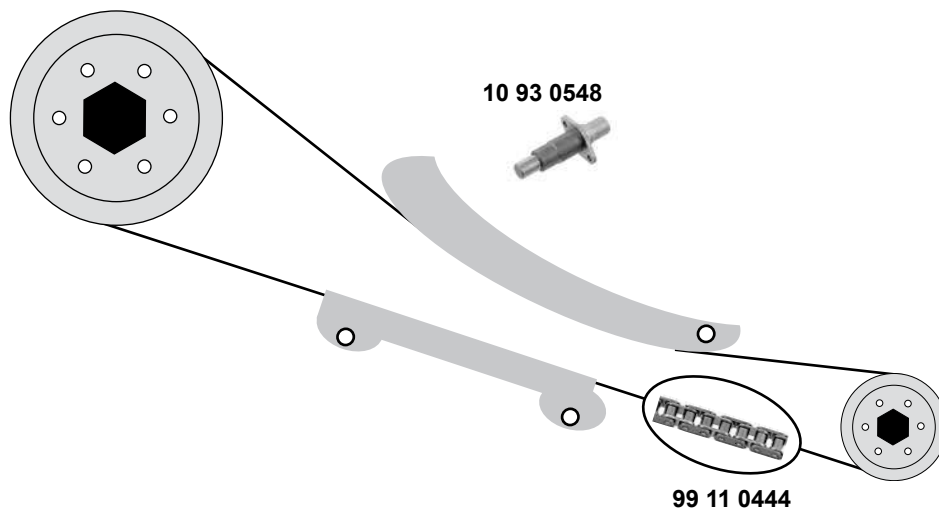






Ref. - No.



10 10 0012	166 050 00 11	Kettenspanner / chain tensioner		
10 92 3779	640 202 04 19	Spannrolle / tension roller		
10 92 3780	640 202 03 19	Umlenkrolle / deflection pulley	AC	
10 92 3781	166 202 06 19	Umlenkrolle / deflection pulley	(ex.) AC	ØA 69,2 B21,3
10 92 4178	266 202 00 19	Umlenkrolle / deflection pulley		ØA 70 B22
10 92 4281	166 052 00 16	Gleitschiene / sliding rail		
10 92 7841	266 155 01 15	Generatorfreilauf / freewheel clutch, generator	(mot.) 920,980	
10 93 0548	266 050 02 11	Kettenspanner / chain tensioner		
10 93 2148	166 200 09 70	Riemenspanner / belt tensioner		
10 93 4916	266 200 09 70	Riemenspanner / belt tensioner		
99 11 0381	166 997 09 94	Steuerkette / timing chain	(2)	
99 11 0252	166 997 09 94	Steuerkette / timing chain	(1)	108 E
99 11 0444	000 993 11 76	Steuerkette / timing chain		
99 13 0325	166 050 00 11 S1	Rep. Satz Steuerekette / rep. kit. timing chain		
99 13 0549	266 050 02 11 S1	Rep. Satz Steuerekette / rep. kit. timing chain		E 126

**B 150 / 170 / 200 / Turbo**  
(M 266.920,940,960,980)



	Ref. - No.			
<b>10 92 3779</b>	640 202 04 19	Umlenkrolle / deflection pulley	<b>AC</b>	ØA 69,2 B 21,3 ØA 70 B22
<b>10 92 3780</b>	640 202 03 19	Umlenkrolle / deflection pulley	<b>(ex.) AC</b>	
<b>10 92 4178</b>	266 202 00 19	Umlenkrolle / deflection pulley		
<b>10 92 7841</b>	266 155 01 15	Riemenscheibe Freilauf / belt pulley free wheel	<b>(mot.) 920,980</b>	
<b>10 93 0548</b>	266 050 02 11	Kettenspanner / chain tensioner		
<b>99 11 0444</b>	000 993 11 76	Rollenkette / roller chain		
<b>99 13 0549</b>	266 050 02 11 S1	Rep. Satz Steuerkette / rep. kit timing chain		E 126

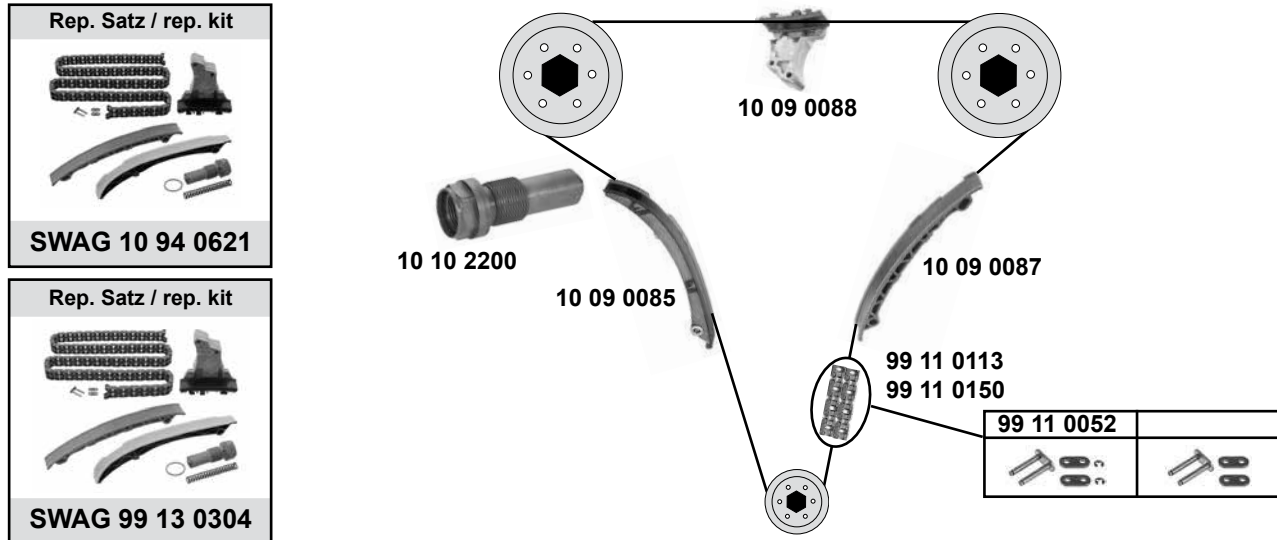
# MERCEDES-BENZ C- Klasse (BM 202)

(92→01)

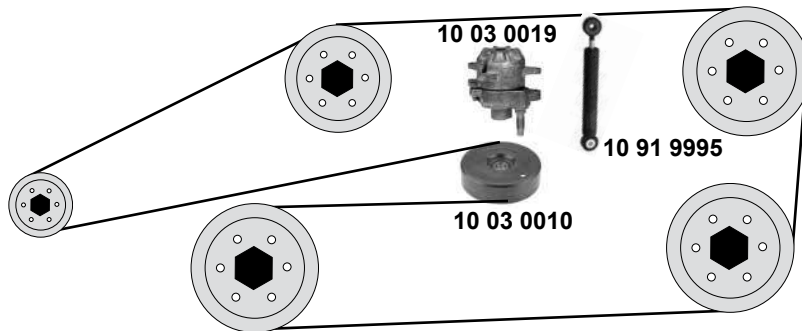


## C 180 / C 180 T / C 200 / C 200 T

(M 111.920,921,941,944,945,952,956,961,974)



( M 111.920,921,941,945 )



- (1) 920: (mot.) 000051 →  
 921: (mot.) 000012 →  
 921: (mot.) → 042148  
 945: (mot.) → 000041  
 945: (mot.) → 037932

(2) Nietverschluß / riveted link / bouchon de rivet / rivetti / cierre de roblón

(3) Federverschluß / split link / fermeture de ressort / cierre de resorte / falsa maglia



Ref. - No.

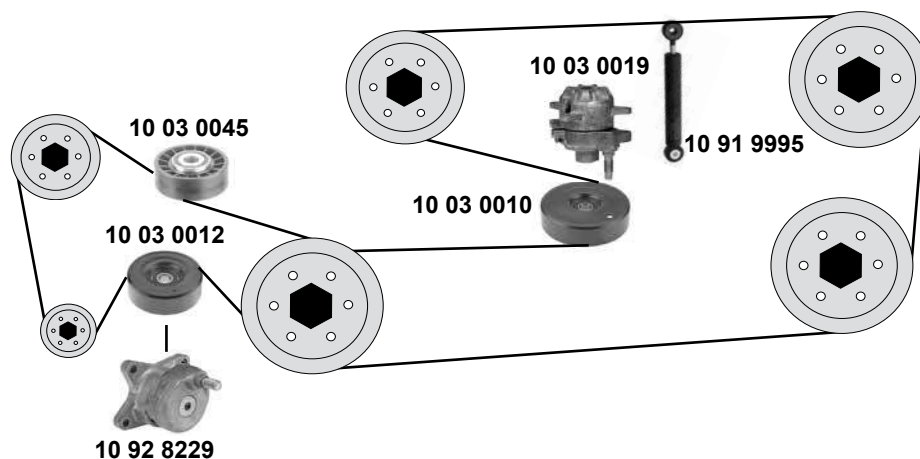
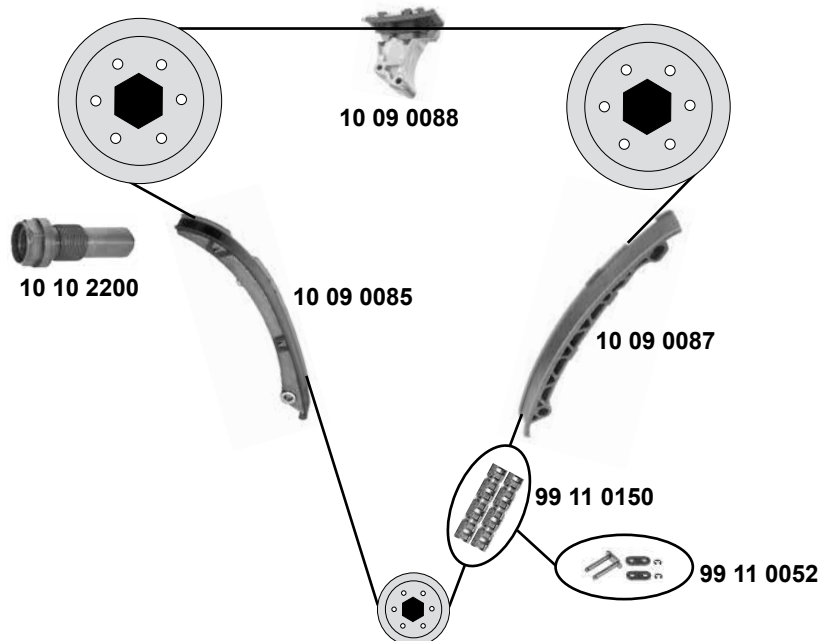


Ref. - No.	Description	Notes	Dimensions
10 10 2200	Kettenspanner / chain tensioner		
10 03 0019	Riemenspanner / belt tensioner	(1)	
10 03 0010	Spannrolle / tension roller		110 x 28 x 15
10 09 0085	Gleitschiene / sliding rail		
10 91 9995	Schwingungsdämpfer / vibration damper		55 N - 435 N
10 09 0087	Gleitschiene / sliding rail		
10 09 0088	Gleitschiene / sliding rail		
10 94 0621	Rep. Satz Steuerkette / rep. kit timing chain		
99 11 0052	Kettenglied / chain link	(3) 920,921,941,945	11 / D 455
99 11 0150	Steuerkette / timing chain		D 455 / 126 N
99 11 0113	Steuerkette / timing chain		126 E
99 11 0412	Kettenglied / chain link	(2)	
99 13 0304	Rep. Satz Steuerkette / rep. kit timing chain	(ex.) 974	



### C 200 Kompressor / T

(M 111.944,961)



(1) 944: (mot.) 001126 →

(2) Nietverschluß / riveted link /  
bouchon de rivet / rivetti / cierre de  
roblón

(3) 961: (mot.) → 000184



Ref. - No.



Ref. - No.	Description	Dimensions
10 03 0010	Spannrolle / tension roller	110 x 28 x 15
10 03 0012	Spannrolle / tension roller	
10 03 0019	Riemenspanner / belt tensioner	(1) (3)
10 03 0045	Spannrolle / tension roller	(ex.) 961
10 09 0085	Gleitschiene / sliding rail	
10 09 0087	Gleitschiene / sliding rail	
10 09 0088	Gleitschiene / sliding rail	
10 10 2200	Kettenspanner / chain tensioner	
10 91 9995	Schwingungsdämpfer / vibration damper	55 N - 435 N
10 92 8229	Riemenspanner / belt tensioner	
99 11 0052	Kettenglied / chain link	11 / D 455
99 11 0150	Steuerkette / timing chain	(2) D 455 / 126 E
99 13 0304	Rep. Satz Steuerkette / rep. kit timing chain	E 126

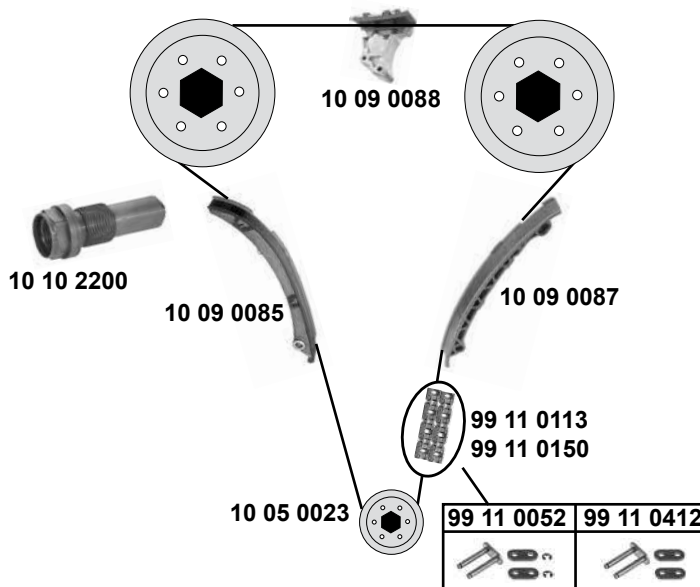
# MERCEDES-BENZ C-Klasse (BM 202)

(92→01)

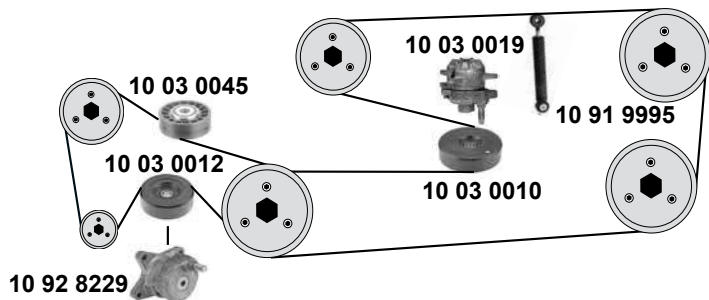


## C 230 / C 230 T / C 230 Kompressor

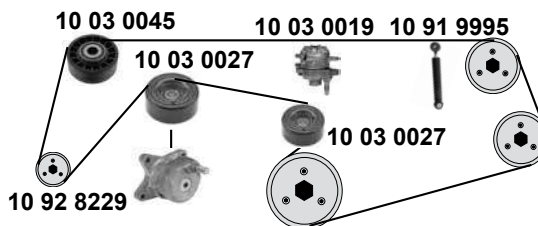
(M 111.956,974,975)



(M 111.956,974,975)



( M 111.956 )



(1) 974: (mot.) 041969 →

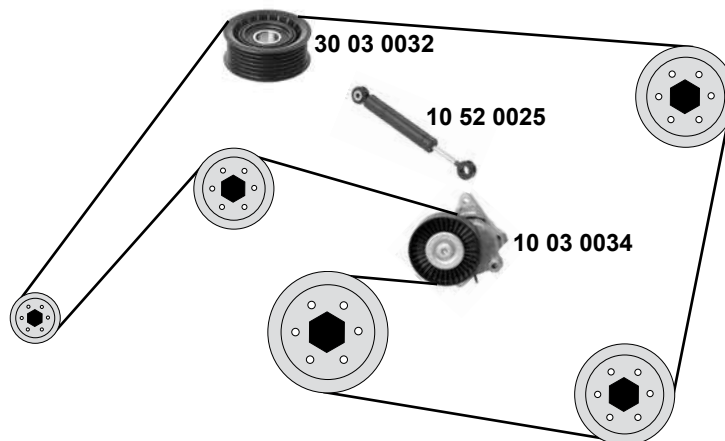
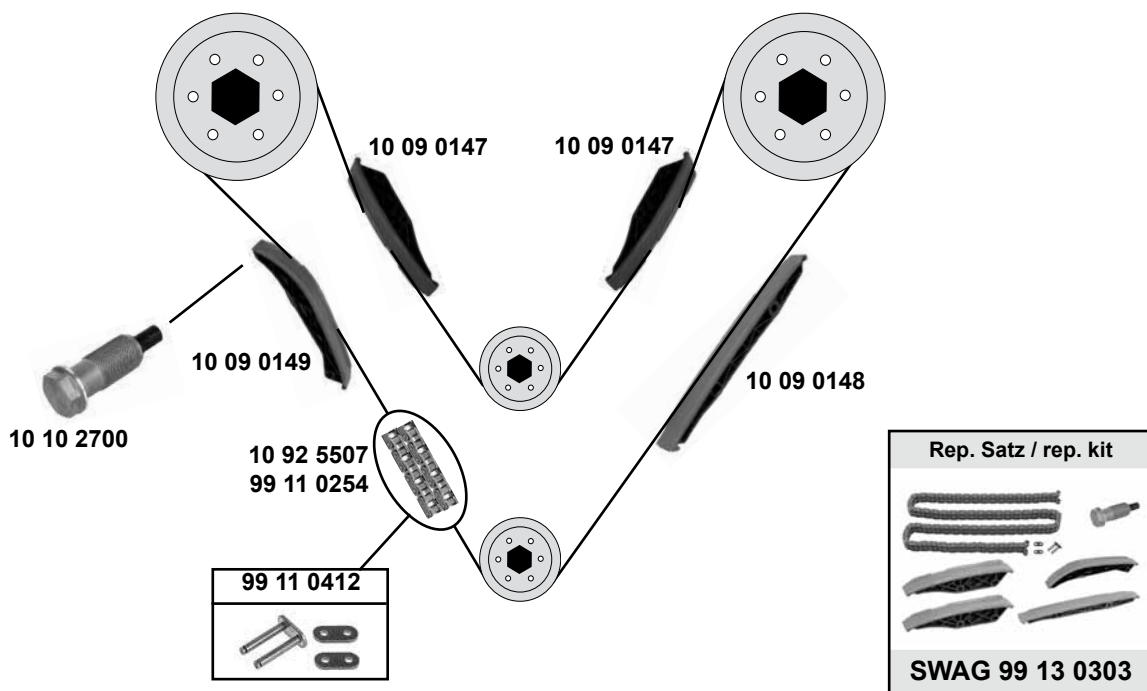
(2) Nietverschluss / riveted link / bouchon de rivet / rivetti / cierre de roblón

(3) Federverschluß / split link / fermeture de ressort / cierre de resorte / falsa maglia

SWAG GERMANY	Ref. - No.			
10 03 0010	111 200 00 70	Spannrolle / tension roller		110 x 28 x 15
10 03 0012	119 200 14 70	Spannrolle / tension roller		
10 03 0019	111 200 07 70	Riemenspanner / belt tensioner	(1)	
10 03 0027	104 200 10 70	Spannrolle / tension roller	(mot.) 111.956	ØA 80
10 09 0085	111 050 14 16	Gleitschiene / sliding rail	(mot.) 111.974/975	
10 09 0087	111 052 10 16	Gleitschiene / sliding rail	(mot.) 111.974/975	
10 09 0088	111 050 11 16	Gleitschiene / sliding rail	(mot.) 111.974/975	
10 10 2200	111 050 04 11	Kettenspanner / chain tensioner	(mot.) 111.974/975	
10 91 9995	111 200 04 14	Schwingungsdämpfer / vibration damper		55 N - 435 N
10 92 8229	111 200 13 70	Riemenspanner / belt tensioner		
10 94 0621	111 050 04 11 S2	Rep. Satz Steuerkette / rep. kit timing chain		
23 03 0005	111 202 01 19	Spannrolle / tension roller	(ex.) 111.974	
99 11 0052	000 997 05 98	Kettenglied / chain link	(3) (mot.) 111.974/975	11 / D 455
99 11 0113	002 997 93 94	Steuerkette / timing chain		126 E
99 11 0150	003 997 17 94	Rollenkette zweifach / roller chain double	(mot.) 111.974/975	D 455 / 126 E
99 11 0412	000 997 22 98	Kettenglied / chain link	(2) (mot.) 111.974/975	
99 13 0304	111 050 04 11 S1	Rep. Satz Steuerkette / rep. kit timing chain		



**C 240 / C 280 / C 43 / T**  
(M 112.910,915,920 / 113.944)



(1) (mot.) 112.910,915,920

(2) Nietverschluß / riveted link / bouchon de rivet / rivetti / cierre de roblón



Ref. - No.



Ref. - No.	Part Description	Quantity	Dimensions
10 03 0034	Riemenspanner / belt tensioner		Ø 95
10 09 0147	Gleitschiene / sliding rail	(1)	
10 09 0148	Gleitschiene / sliding rail	(1)	
10 09 0149	Gleitschiene / sliding rail	(1)	
10 10 2700	Kettenspanner / chain tensioner		
10 52 0025	Schwingungsdämpfer / vibration damper	(1)	55 N - 600 N
10 92 5507	Steuerkette / timing chain	(2)	168 E
30 03 0032	Umlenkrolle / deflection pulley		ØA 64 ØI 17 B23
99 11 0254	Steuerkette / timing chain	(2)	168 N
99 13 0303	Rep. Satz Steuerkette / rep. kit timing chain		E 168
99 13 1282	Kettenglied / chain link	(2)	

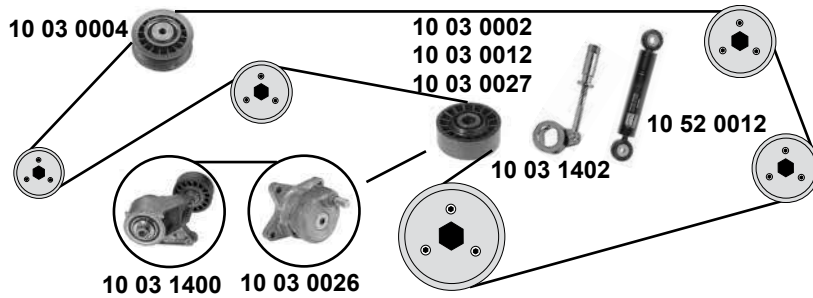
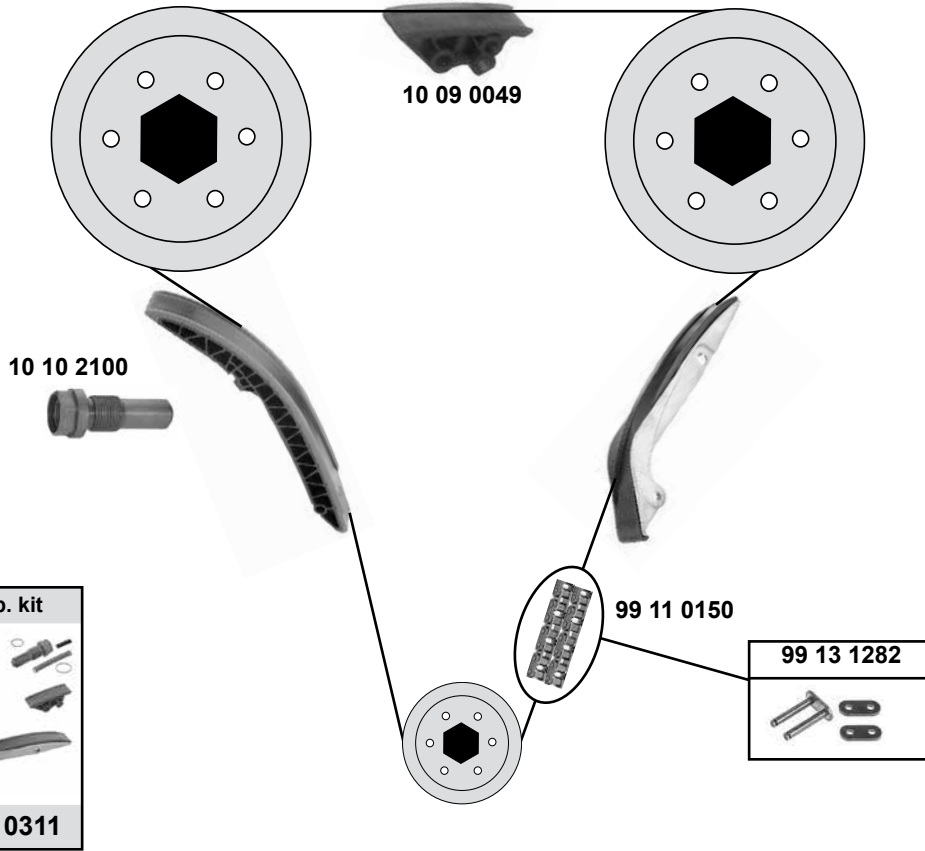
# MERCEDES-BENZ C- Klasse (BM 202)

(92→01)



## C 280 / C 36 AMG

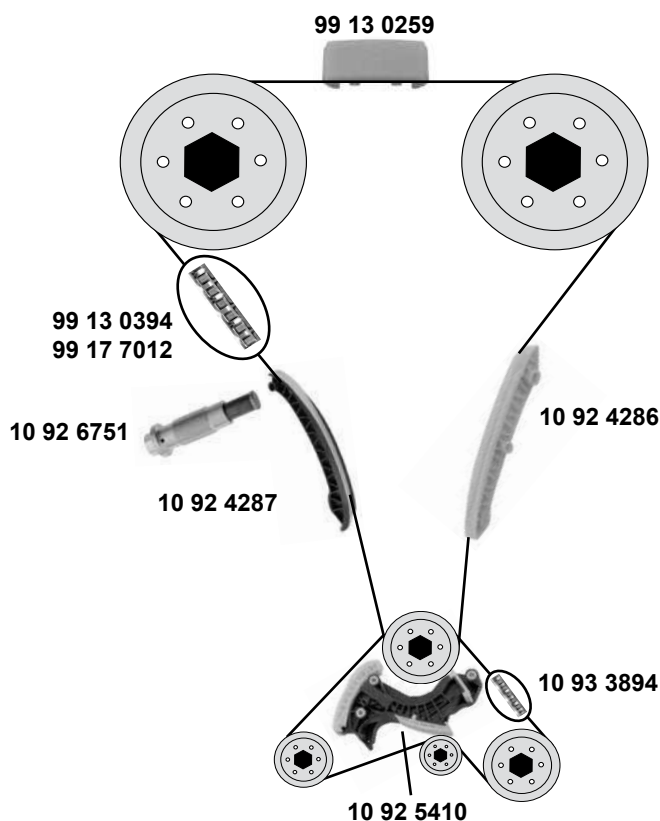
(M 104.941)



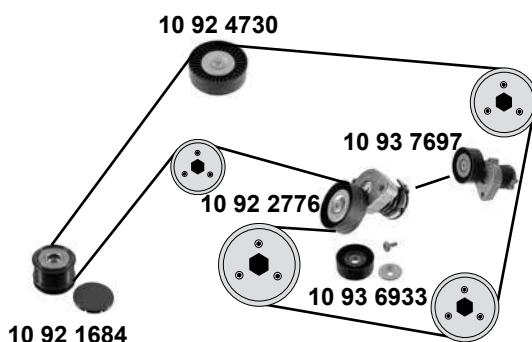
- (1) (mot.) → 004058    (2) (mot.) 004159 →    (3) (mot.) 004159 → 006600    (4) (mot.) 006601 →
- (mot.) → 034966    (mot.) 034967 →    (mot.) 034967 → 075764    (mot.) 075765 →

(5) Nietverschluß / riveted link / bouchon de rivet / rivetti / cierre de roblón

	Ref. - No.			
10 03 0002	103 200 05 70	Spannrolle / tension roller	(1)	70 x 25
10 03 0004	601 200 10 70	Umlenkolle / deflection pulley		69 x 26 / 31,5
10 03 0012	119 200 14 70	Spannrolle / tension roller	(3)	
10 03 0026	104 200 08 70	Riemenspanner / belt tensioner	(2)	
10 03 0027	104 200 10 70	Spannrolle / tension roller	(4)	ØA 80
10 03 1400	103 200 08 70	Riemenspanner / belt tensioner	(1)	
10 03 1402	103 200 02 36	Spannstange / tensioning rod	(1)	
10 09 0049	104 052 14 16	Gleitschiene / sliding rail		
10 10 2100	120 050 02 11	Kettenspanner / chain tensioner		
10 52 0012	103 200 01 14	Schwingungsdämpfer / vibration damper	(1)	80 N - 1050 N
99 11 0150	003 997 17 94	Steuerkette / timing chain	(4)	D 455 / 126 N
99 11 0412	000 997 22 98	Kettenglied / chain link	(5)	
99 13 0311	120 050 02 11 S1	Rep. Satz Steuerkette / rep. kit timing chain		



**C 160 / 180 / 200 / 230**  
**(SC / CLC / CGI / Kompressor)**  
 (M 271.911,921,940,942,946,948,957)



(1) (mot.) 271.940/942/946/948 / Für Lichtmaschine / for alternator 271 154 08 02 / 271 154 09 02 / 271 154 10 02  
 (2) für Fahrzeuge mit Lanchester-Ausgleich / for vehicles with lanchester balancing system

	Ref. - No.			
10 92 1684	271 155 01 15	Riemenscheibe Lichtmaschine / belt pulley alternator	(1)	60 x 46,2
10 92 2776	271 200 02 70	Riemenstapfer / belt tensioner		
10 92 4286	271 052 10 16	Gleitschiene links / sliding rail left		
10 92 4287	271 052 11 16	Gleitschiene rechts / sliding rail right		
10 92 4730	271 206 00 19	Umlenkrolle / deflection pulley		ØA 90 B28
10 92 5410	271 030 09 63	Kettenspanner / chain tensioner	(2) (ex.) 271.911	
10 92 6751	271 050 06 11	Kettenspanner / chain tensioner		
10 93 3894	000 993 20 76 S1	Steuerkette endlos / timing chain endless	(ex.) 271.957	106 E
10 93 6933	271 200 05 70	Riemenstapfer / belt tensioner		ØA76 B28
10 93 7697	271 200 04 70	Riemenstapfer / belt tensioner	(mot.) 31216220 →	ØA76 B28
10 94 0953	271 050 06 11 S3	Rep. Satz Steuerkette / rep. kit timing chain	(ex.) 271.911	
10 94 0954	271 050 06 11 S4	Rep. Satz Steuerkette / rep. kit timing chain		
99 13 0259	271 052 04 16	Gleitschiene / sliding rail		
99 13 0315	271 050 06 11 S1	Rep. Satz Steuerkette / rep. kit timing chain	(ex.) 271.911	
99 13 0316	271 050 06 11 S2	Rep. Satz Steuerkette / rep. kit timing chain	(2) (ex.) 271.911	106 N
99 13 0393	000 993 20 76	Steuerkette mit Nietverschluss/ timing chain with riveting link	(ex.) 271.957	142 N
99 13 0394	000 993 19 76	Steuerkette mit Nietverschluss/ timing chain with riveting link		142 N
99 17 7012	000 993 21 76	Steuerkette mit Nietverschluss/ timing chain with riveting link		

# MERCEDES-BENZ C- Klasse (BM 203)

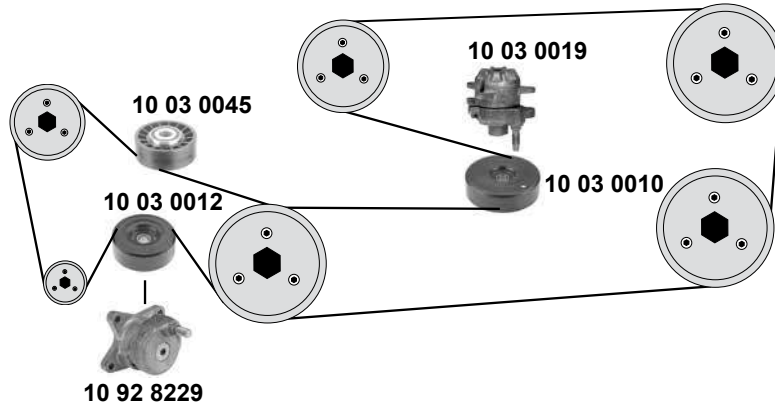
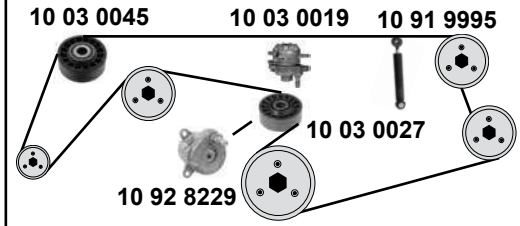
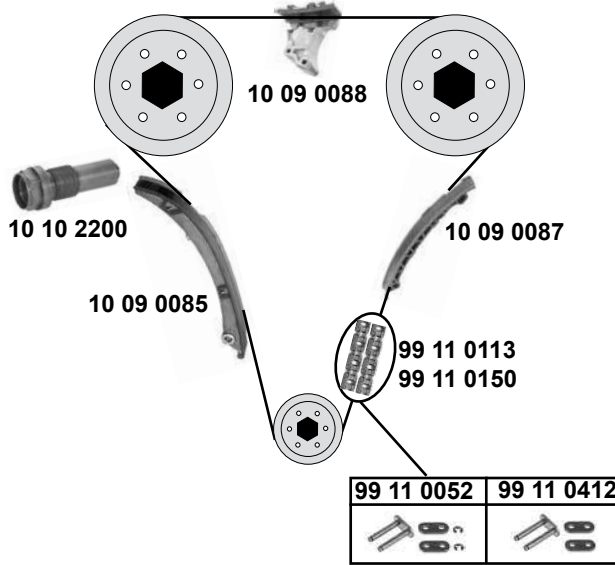
(00→07)



## C 180 / C 200 / C 230

(Kompressor)

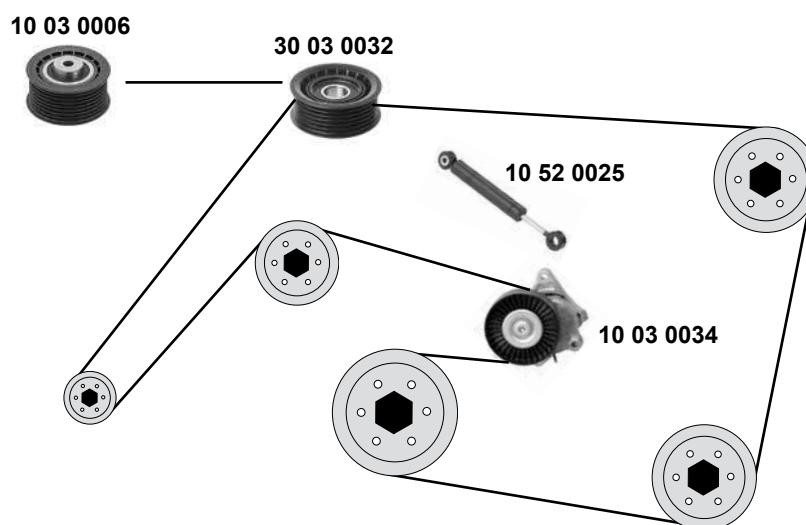
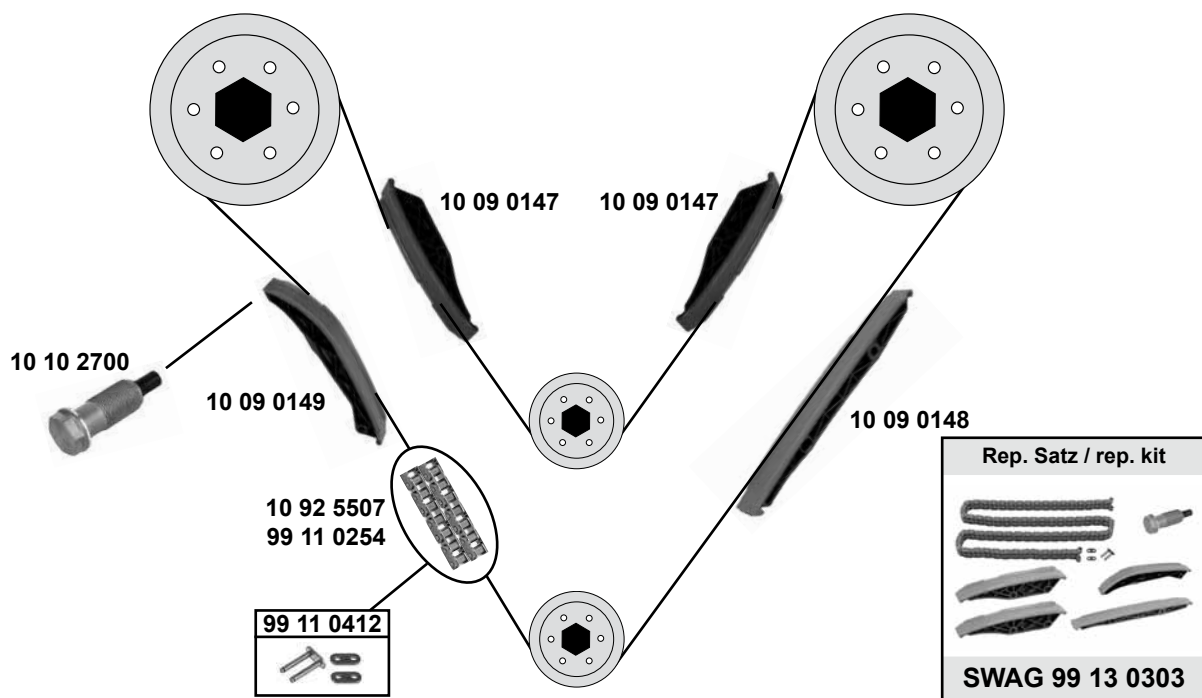
(M 111.951,955,981)



(1) Nietverschluß / riveted link / bouchon de rivet / rivetti / cierre de roblón

SWAG GERMANY	Ref. - No.			
10 03 0010	111 200 00 70	Spannrolle / tension roller		110 x 28 x 15
10 03 0012	119 200 14 70	Spannrolle / tension roller	(ex.) 951	
10 03 0019	111 200 07 70	Riemenspanner / belt tensioner		
10 03 0027	104 200 10 70	Spannrolle / tension roller	(mot.) 955	ØA 80
10 03 0045	111 202 01 19	Spannrolle / tension roller	(ex.) 951/981	
10 09 0085	111 050 14 16	Gleitschiene / sliding rail		
10 09 0087	111 052 10 16	Gleitschiene / sliding rail		
10 09 0088	111 050 11 16	Gleitschiene / sliding rail		
10 10 2200	111 050 04 11	Kettenspanner / chain tensioner	(ex.) 981	
10 91 9995	111 200 04 14	Schwingungsdämpfer / vibration damper		55 N - 435 N
10 92 8229	111 200 13 70	Riemenspanner / belt tensioner	(ex.) 951	
10 94 0621	111 050 04 11 S2	Rep. Satz Steuerkette / rep. kit timing chain		
99 11 0052	000 997 05 98	Kettenglied / chain link		11 / D 455
99 11 0113	002 997 93 94	Steuerkette / timing chain		126 E
99 11 0150	003 997 17 94	Rollenkette zweifach / roller chain double	(1)	D 455 / 126 N
99 13 0304	111 050 04 11 S1	Rep. Satz Steuerkette / rep. kit timing chain		
99 11 0412	000 997 22 98	Kettenglied / chain link	(1)	

**C 240 / C 320**  
(M 112.912,916,946,953,960,961 / 113.988)



(1) (mot.) 112.912,946,953

(2) Nietverschluß / riveted link / bouchon de rivet / rivetti / cierre de roblón



Ref. - No.



Ref. - No.	Description	Notes	Dimensions
10 03 0006	Spannrolle / tension roller	(mot.) 960 / 961	
10 03 0034	Riemenspanner / belt tensioner	(1)	Ø 95
10 09 0147	Gleitschiene / sliding rail	(mot.) 912 / 946	
10 09 0148	Gleitschiene / sliding rail	(mot.) 912 / 946	
10 09 0149	Gleitschiene / sliding rail	(mot.) 912 / 946	
10 10 2700	Kettenspanner / chain tensioner	(ex.) 960	
10 52 0025	Schwingungsdämpfer / vibration damper	(mot.) 912 / 916	55 N - 600 N
10 92 5507	Steuerkette / timing chain	(2) (ex.) 960	168 E
30 03 0032	Umlenkrolle / deflection pulley	(ex.) 960 / 961	ØA 64 ØI 17 B23
99 11 0254	Rollenkette zweifach / roller chain double	(2) (ex.) 960	168 N
99 11 0412	Kettenglied / chain link	(2)	
99 13 0303	Rep. Satz Steuerkette / rep. kit timing chain	(ex.) 960	E 168



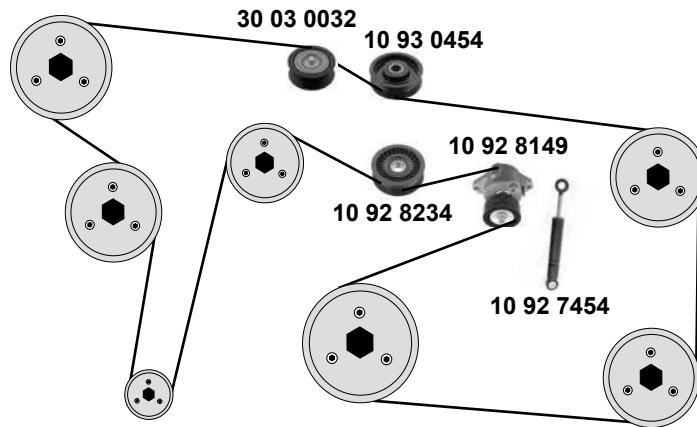
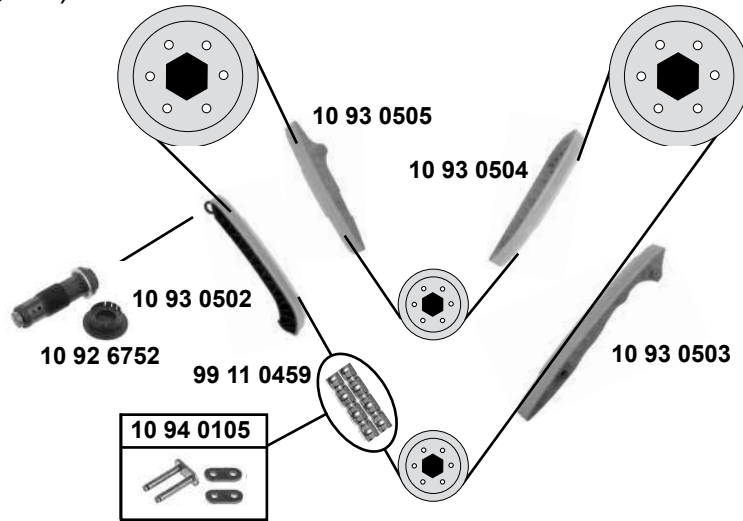
# MERCEDES-BENZ C- Klasse (BM 203)

(00→07)



## C/SC/T 230 / 280/T/4 Matic / 350/T/4 Matic

(M 272. 920,940,941,960,970)



(1) (mot.) → 30089231/ → 05.05 / (ex.) mot. 272.948

(2) (mot.) 30058377→

(3) (mot.) 30009529 →

(4) (mot.) → 30058376



Ref. - No.

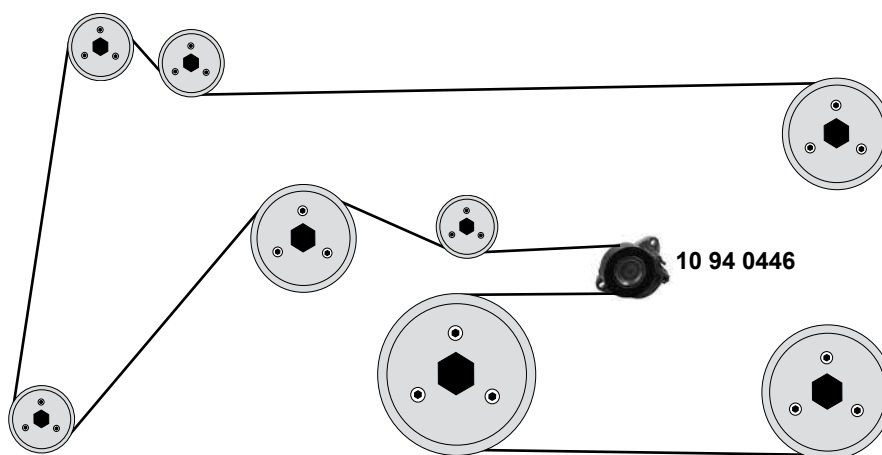


Ref. - No.	Description	Quantity	Notes
10 92 6752	Kettenspanner / chain tensioner	(1)	
10 92 7454	Schwingungsdämpfer / vibration damper		55 N - 400 N
10 92 8149	Riemenspanner / belt tensioner		ØA 76
10 92 8234	Umlenkrolle / deflection pulley	(4)	80 x 28 x 17
10 93 0454	Umlenkrolle / deflection pulley	(2)	ØA 70 B22
10 93 0460	Rep. Satz Riemenstpanner / rep. kit. belt tensioner		
10 93 0502	Gleitschiene / sliding rail	(mot.) 30089233→	
10 93 0503	Gleitschiene / sliding rail		
10 93 0504	Gleitschiene / sliding rail	(3)	
10 93 0505	Gleitschiene / sliding rail		
10 94 0105	Kettenglied / chain link		
30 03 0032	Umlenkrolle / deflection pulley		ØA 64 ØI 17 B23
99 11 0459	Steuerkette / timing chain		
99 13 0328	Rep. Satz Steuerkette / rep. kit timing chain	(mot.) 30089233→	216 N



# MERCEDES-BENZ C-Klasse (BM 204) (07→)

**C-Klasse**  
(M 156.985)



Ref. - No.



10 94 0446 156 200 05 70

Riemenspanner / belt tensioner

ØA 76 B26

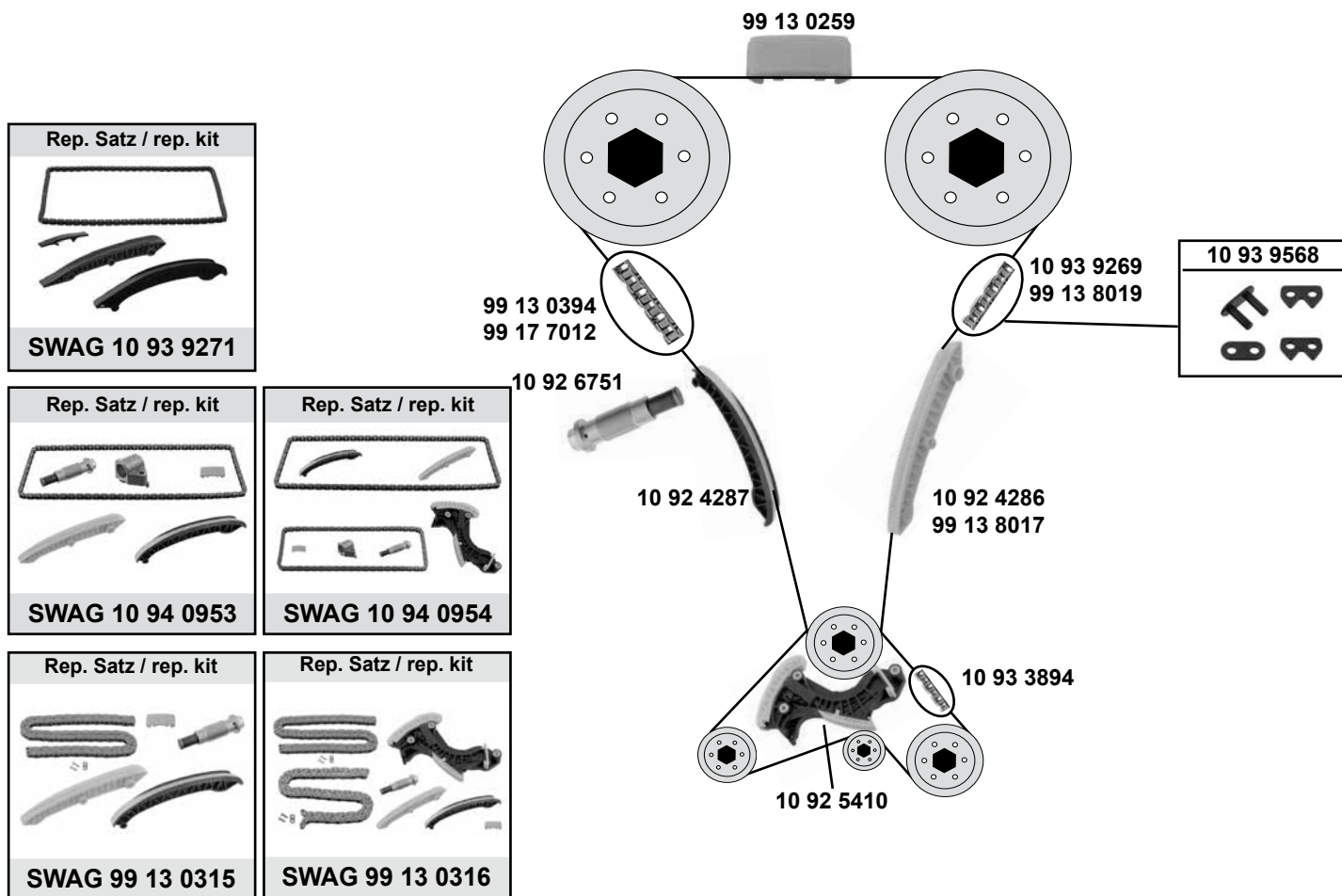
# MERCEDES-BENZ C-Klasse (BM 204)

(07→)



## C 180 / C 200 Kompressor

(M 271.820,860,910,950,952,958)



(1) mot. 271.910/950/952

(2) (ex.) mot. 271.910

(3) mot. 271.950,952 mit Lanchester-Ausgleich / with Lanchester balancing system

(4) (mot.) 271.958 / (mot.) 271.820/860 (mot.) 30064508→

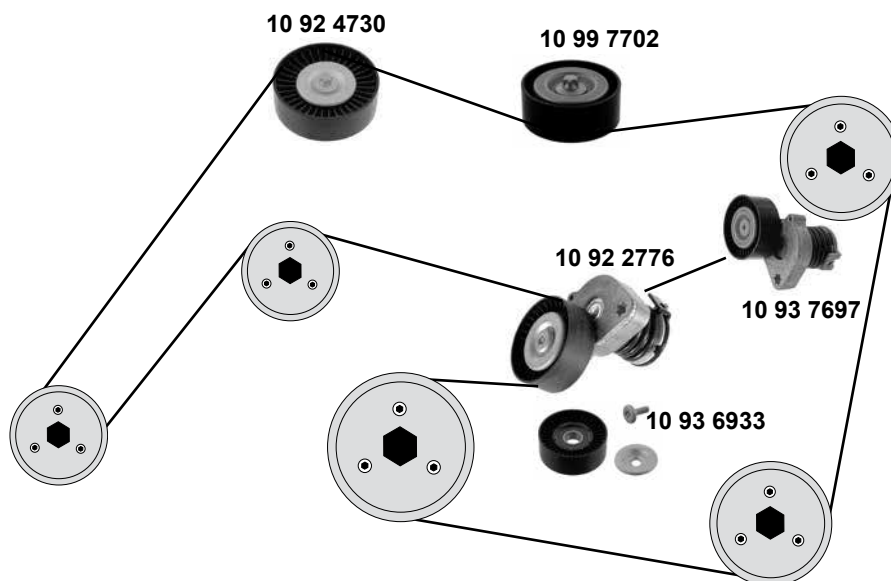
(5) für Fahrzeuge mit Lanchester-Ausgleich / for vehicles with lanchester balancing system

SWAG GERMANY	Ref. - No.			
10 92 4286	271 052 10 16	Gleitschiene links / sliding rail left	(1)	
10 92 4287	271 052 11 16	Gleitschiene rechts / sliding rail right	(1)	
10 92 5410	271 030 09 63	Kettenspanner / chain tensioner	(2)	
10 92 6751	271 050 06 11	Kettenspanner / chain tensioner	(1)	
10 93 3894	000 993 20 76 S1	Steuerkette endlos / timing chain endless	(4)	106 E
10 93 9269	000 993 10 78	Steuerkette mit Nietverschluss / timing chain with	(mot.) 820,860	142 N
10 93 9271	000 993 09 78 S2	Rep. Satz Steuerkette / rep. kit timing chain	M 271.820,860	
10 93 9568	000 993 10 78 S3	Kettenglied / chain link	(mot.) 820,860	
10 94 0953	271 050 06 11 S3	Rep. Satz Steuerkette / rep. kit timing chain	(1)	
10 94 0954	271 050 06 11 S4	Rep. Satz Steuerkette / rep. kit timing chain	(5) (mot.) 950,952	
99 13 0259	271 052 04 16	Gleitschiene / sliding rail	(1)	
99 13 0315	271 050 06 11 S1	Rep. Satz Steuerkette / rep. kit timing chain	(1)	
99 13 0316	271 050 06 11 S2	Rep. Satz Steuerkette / rep. kit timing chain	(3)	
99 13 0393	000 993 20 76	Steuerkette mit Nietverschluss/ timing chain with	(4)	106 N
99 13 0394	000 993 19 76	Steuerkette mit Nietverschluss/ timing chain with	(1)	142 N
99 13 8019	000 993 09 78	Steuerkette / roller chain	(mot.) 820,860	142 E
99 17 7012	000 993 21 76	Rollenkette mit Nietverschluss / roller chain with riveted	(1)	140 N



### C 180 / C 200 Kompressor

(M 271.820,860,910,950,952,958)



Rep. Satz / rep. kit



SWAG 10 93 7703



(1) (mot.) 271.910/950/952

(2) (ex.) mot. 271.910

(3) (mot.) 271.820/860 / mot. 271.910/950/952 (mot.) 31216220→



Ref. - No.



SWAG Ref. - No.	Description	Quantity	Dimensions
10 92 2776	Riemenspanner /belt tensioner	(1)	
10 92 4730	Umlenkrolle / deflection pulley	(1)	ØA 90 B 28
10 93 6933	Riemenspanner /belt tensioner	(1)	ØA76 B28
10 93 7697	Riemenspanner / belt tensioner	(3)	ØA76 B28
10 93 7703	Rep.Satz Umlenkrolle / rep. kit deflection pulley	(mot.) 820,860	ØA 67
10 99 7702	Umlenkrolle / deflection pulley	(mot.) 820,860	B 26

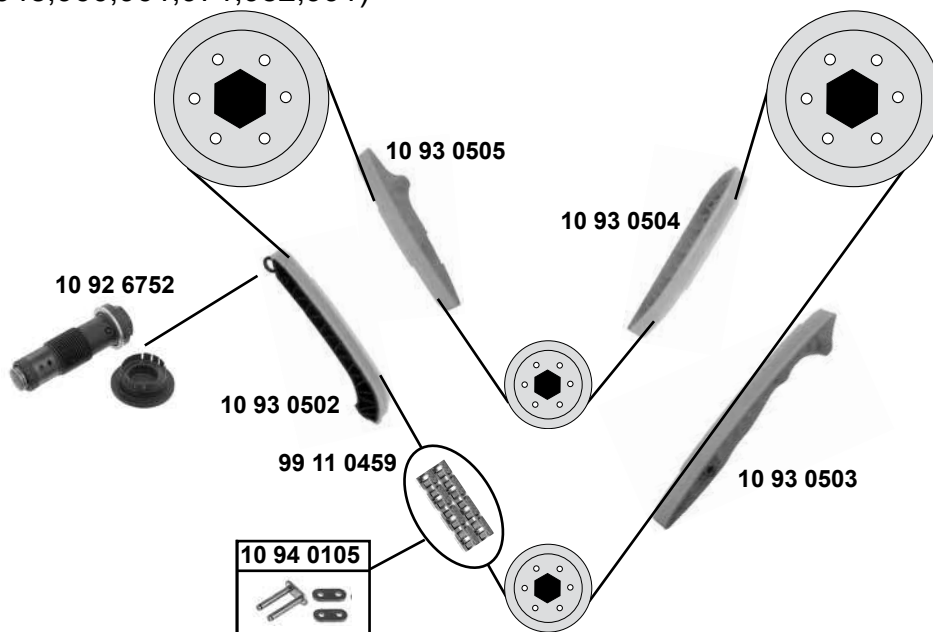
# MERCEDES-BENZ C-Klasse (BM 204)

(07→)



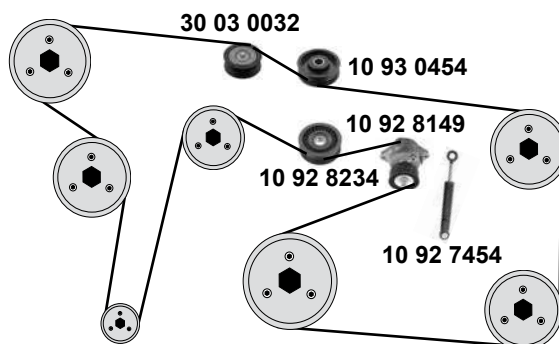
## C 230 / C280

(M 272.911,921,947,948,960,961,971,982,991)



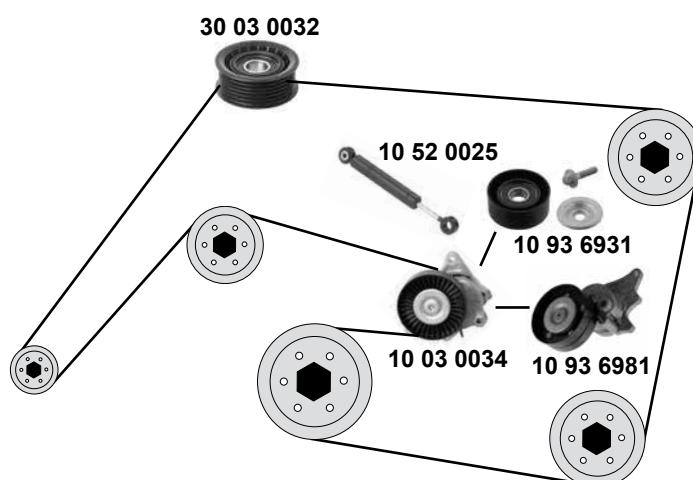
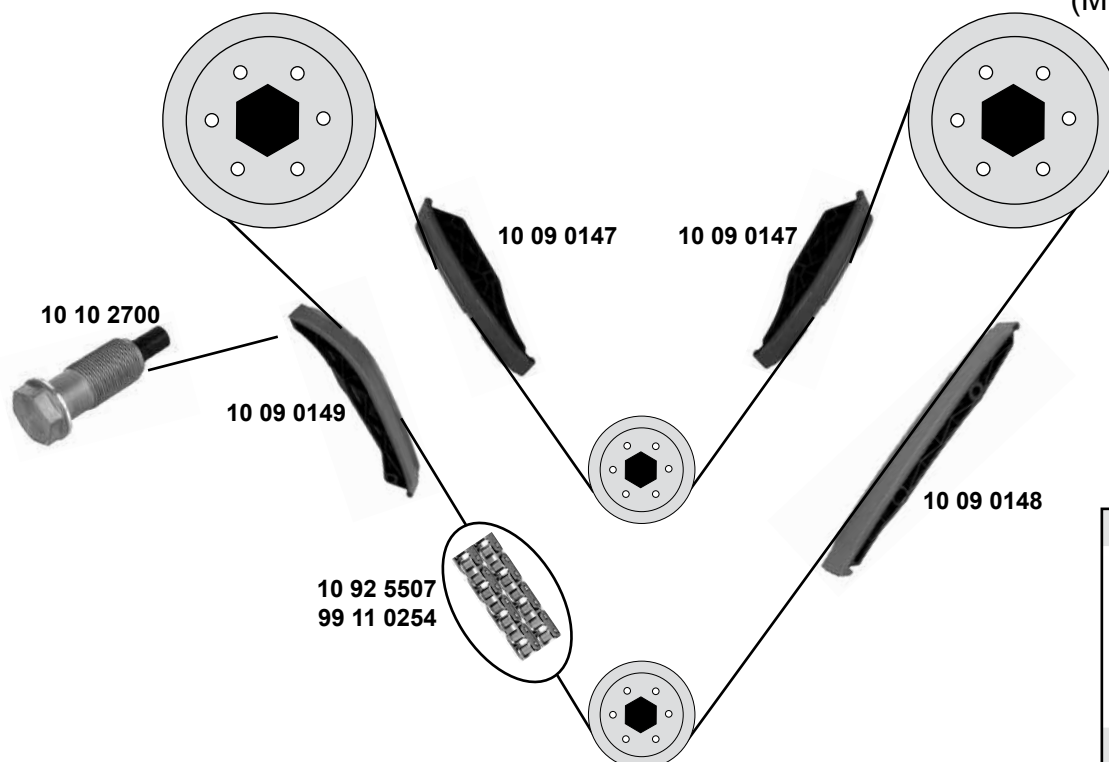
## C 230 / C280

(M 272.911,921,947,948,960,961,968,971,982,991)



	(1) (mot.) 272.960/961	(4) (mot.) 272.911,921,947,948,961,971,981,991 (mot.) 30089233→
	(2) (ex.) 272.960	(5) (mot.) 272.911,921,947,948,961,971,991 (mot.) 30009529→
	(3) (ex.) 272.960/ 968 (mot.) 30058377→	(6) (mot.) 272.982

	Ref. - No.			
10 92 6752	272 050 01 11	Kettenspanner / chain tensioner	(ex.) 272.948,960	55 N - 400 N ØA 76 ØA 80 ØA 70 B22
10 92 7454	272 200 01 14	Schwingungsdämpfer / vibration damper	(ex.) 272.960	
10 92 8149	272 200 02 70	Riemenspanner / belt tensioner	(ex.) 272.960	
10 92 8234	272 202 01 19	Umlenkrolle / deflection pulley	(1)	
10 93 0454	272 202 14 19	Umlenkrolle / deflection pulley	(3)	
10 93 0460	272 200 02 70 S1	Rep. Satz Riemen­spanner / rep. kit belt tensioner	(ex.) 272.960	
10 93 0502	272 052 13 16	Gleitschiene / sliding rail	(4)	
10 93 0503	272 052 00 16	Gleitschiene / sliding rail	(ex.) 960	
10 93 0504	272 052 15 16	Gleitschiene / sliding rail	(5) (6)	
10 93 0505	272 052 02 16	Gleitschiene / sliding rail	(ex.) 960	
10 94 0105	000 993 06 76 S2	Kettenglied / chain link	(ex.) 960	
30 03 0032	272 202 09 19	Umlenkrolle / deflection pulley	(2)	ØA 64 ØI 17 B23 216 N
99 13 0328	272 050 08 11 S1	Rep. Satz Steuerkette / rep. kit timing chain	(4)	
99 11 0459	000 993 06 76	Steuerkette / timing chain	(ex.) 960	



(1) Nietverschluß / riveted link / bouchon de rivet / rivetti / cierre de roblón

(2) (mot.) → 290775



Ref. - No.



Ref. - No.				
10 03 0034	112 200 09 70	Riemenspanner / belt tensioner	(2) M 113.960	Ø 95
10 09 0147	112 052 01 16	Gleitschiene / sliding rail	M 113.960	
10 09 0148	112 052 00 16	Gleitschiene / sliding rail	M 113.960	
10 09 0149	112 052 02 16	Gleitschiene / sliding rail	M 113.960	
10 10 2700	112 050 08 11	Kettenspanner / chain tensioner		
10 52 0025	112 200 00 14	Schwingungsdämpfer / vibration damper	M 113.960	55 N - 600 N
10 92 5507	003 997 68 94 S1	Steuerkette / roller chain	(1)	168 E
10 93 6931	113 202 00 19	Spannrolle / tension roller	(mot.) M 113.991	
10 93 6981	113 200 01 70	Riemenspanner / belt tensioner	(mot.) M 113.991	ØA90 B32
30 03 0032	272 202 10 19	Umlenkrolle / deflection pulley	M 113.960	ØA 64 ØI 17 B23
99 11 0254	003 997 68 94	Steuerkette / roller chain	(1)	168 N
99 13 0303	112 050 08 11 S1	Rep. Satz Steuerkette / rep. kit timing chain		

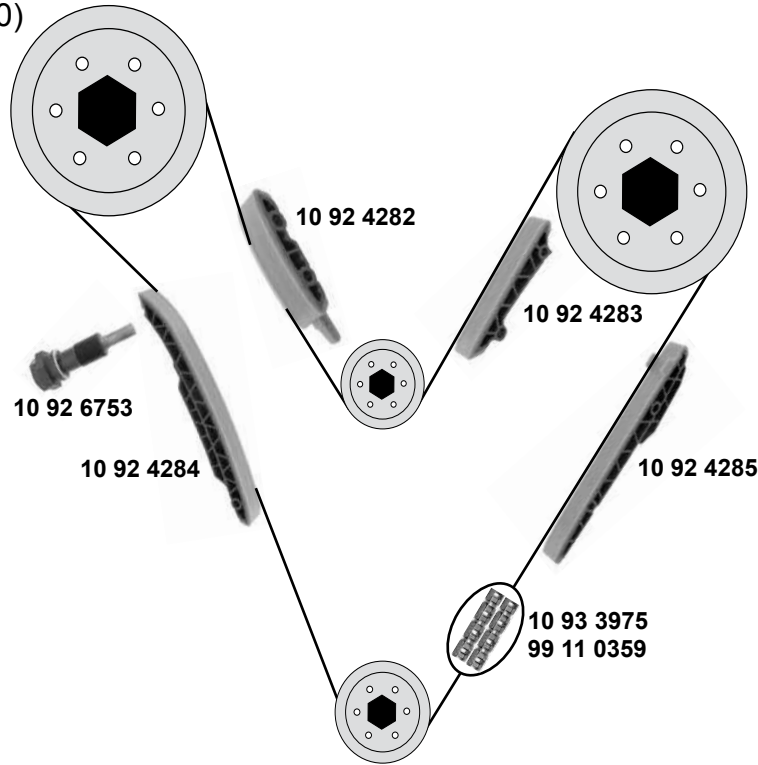
# MERCEDES-BENZ CL-Klasse (BM 215)

(99→06)



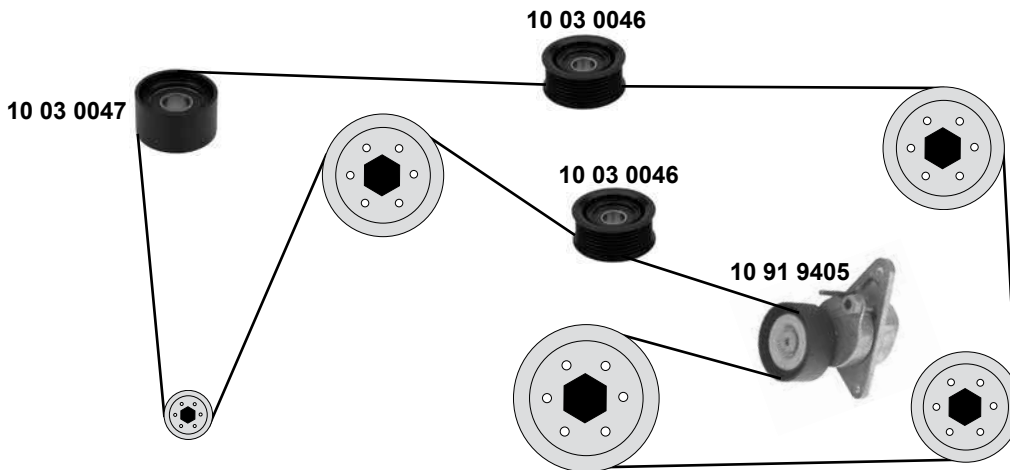
## CL 600

(M 137.970 / M.275.950)



## CL 600

(M 137.970)

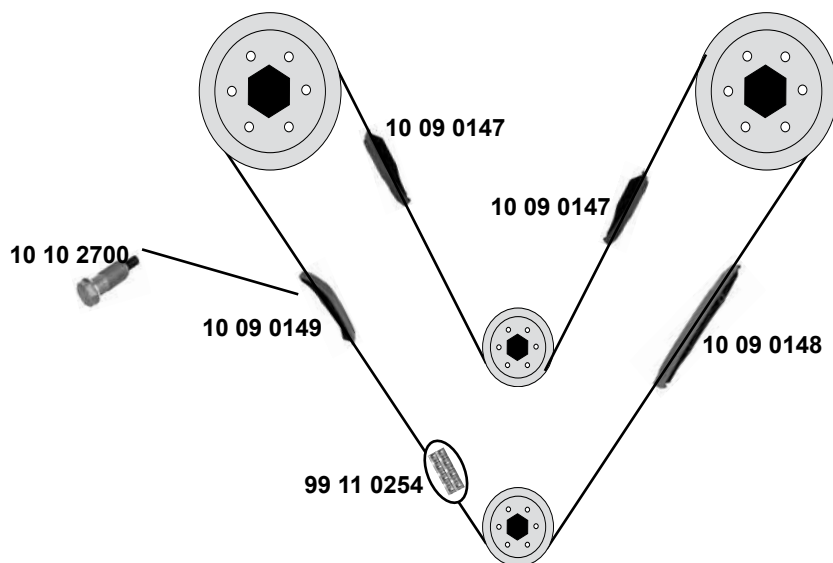


SWAG	Ref. - No.			
10 03 0046	000 202 07 19	Umlenkrolle / deflection pulley		ØA64 ØI17 B30
10 03 0047	137 202 01 19	Umlenkrolle / deflection pulley		ØA54 Ø I 17
10 91 9405	137 200 02 70	Riemenspanner / belt tensioner		
10 92 4282	137 052 04 16	Gleitschiene / sliding rail	(mot.) M 275.950	
10 92 4283	137 052 05 16	Gleitschiene / sliding rail	(mot.) M 275.950	
10 92 4284	137 052 07 16	Gleitschiene / sliding rail	(mot.) M 275.950	
10 92 4285	137 052 08 16	Gleitschiene / sliding rail	(mot.) M 275.950	
10 92 6753	275 050 05 11	Kettenspanner / chain tensioner	(mot.) M 275.950	
10 93 3975	004 997 18 94	Steuerkette / roller chain	(mot.) M 275.950	164 E
99 11 0359	003 997 95 94	Steuerkette / roller chain	(mot.) M 137.970	164 N
99 13 0318	275 050 05 11 S1	Rep. Satz Steuerkette / rep kit timing chain	(mot.) M 275.950	

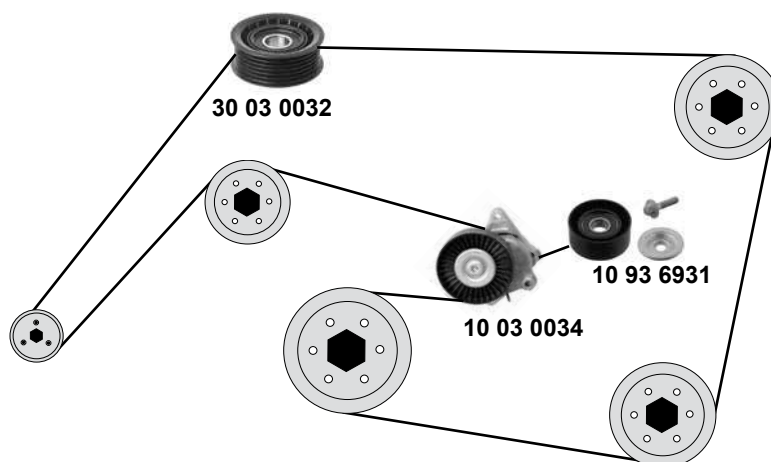


# MERCEDES-BENZ CL-Klasse (BM 215) (99→06)

## CL 55 AMG (M 113.986)



## CL 55 AMG (M 113.960,986,991)



(1) (mot.) 113.986 → 290775



Ref. - No.



Ref. - No.	Description	Quantity	Notes
10 03 0034	Riemenspanner / belt tensioner	(1)	Ø 95
10 09 0147	Gleitschiene / sliding rail		
10 09 0148	Gleitschiene / sliding rail		
10 09 0149	Gleitschiene / sliding rail		
10 10 2700	Kettenspanner / chain tensioner		
10 92 6753	Kettenspanner / chain tensioner		
10 93 6931	Spannrolle / tension roller	(mot.) M 113.991	ØA65 B26
30 03 0032	Umlenkrolle / deflection pulley		ØA 64 Ø1 17 B23
99 11 0254	Steuerkette / roller chain		168 N
99 13 0303	Rep. Satz Steuerkette / rep. kit timing chain		

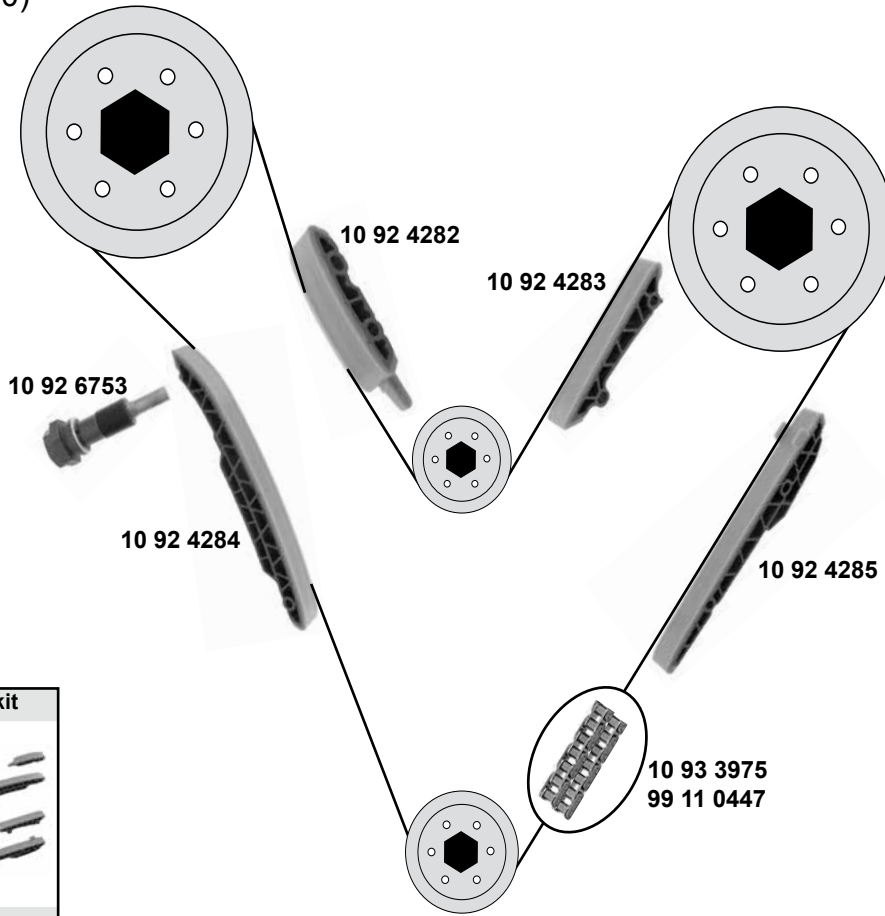
# MERCEDES-BENZ CL-Klasse (BM 215)

(99→06)



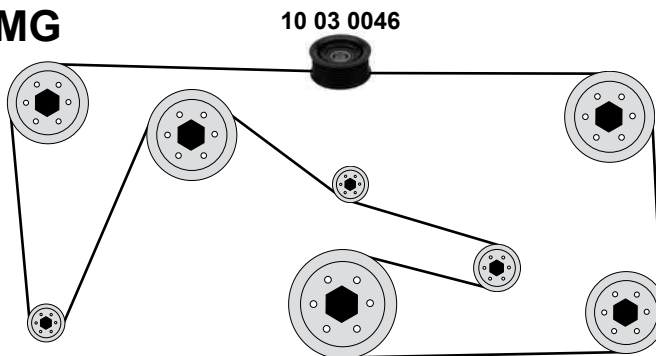
## CL 65 AMG

(M 275.950,980)



## CL 600 / CL 65 AMG

(M 275.950,980)



(1) CL 600 M275.950 (mot.) →40027371 / CL 65AMG M275.980 (mot.) →60006826



Ref. - No.



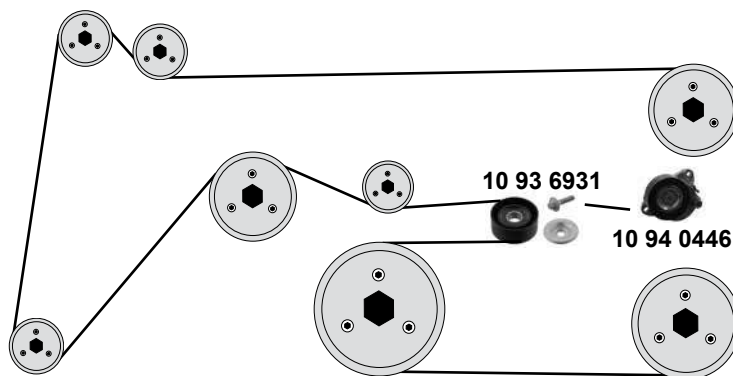
Ref. - No.	Description	Quantity	Dimensions
10 03 0046	Umlenkrolle / deflection pulley	(1)	ØA64 ØI17 B30
10 92 4282	Gleitschiene / sliding rail		
10 92 4283	Gleitschiene / sliding rail		
10 92 4284	Gleitschiene / sliding rail		
10 92 4285	Gleitschiene / sliding rail		
10 92 6753	Kettenspanner / chain tensioner		
10 93 3975	Steuerkette / roller chain		164 E
99 11 0447	Steuerkette mit Nietverschluss/ timing chain with		164 N
99 13 0318	Rep. Satz Steuerkette / rep kit timing chain		



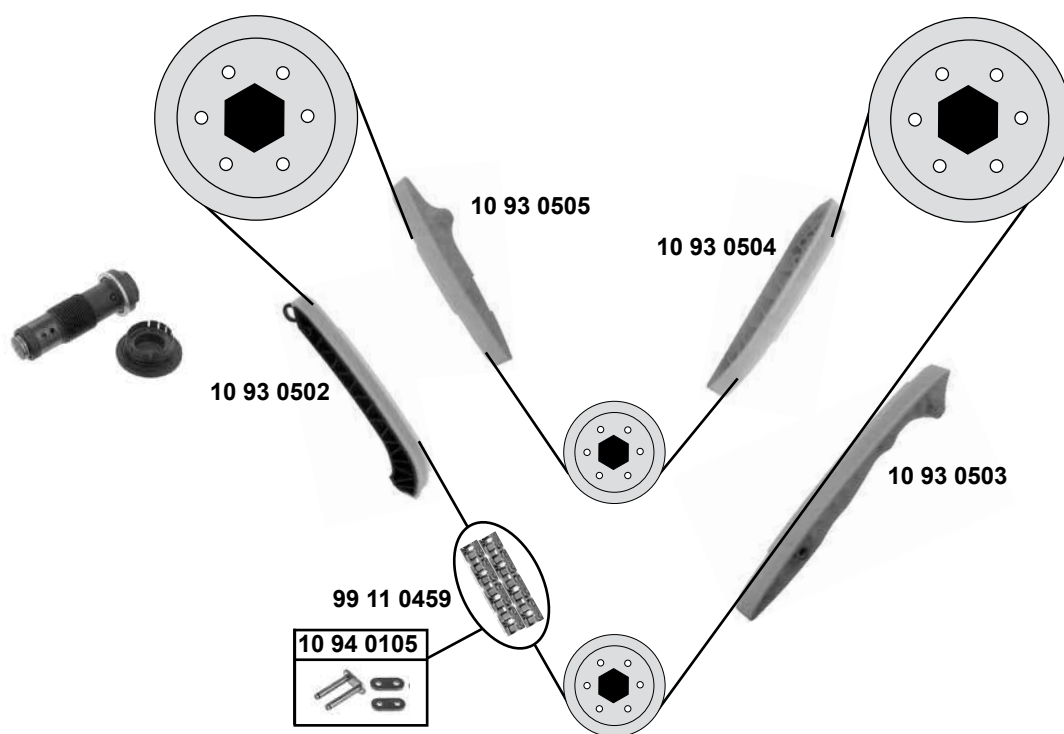


# MERCEDES-BENZ CL-Klasse (BM 216) (06→)

**CL Klasse**  
(M 156.984)



## CL 500 / CL 500 4Matic (M 273.961,968)



SWAG	Ref. - No.			
10 93 0502	272 052 13 16	Gleitschiene / sliding rail		
10 93 0503	272 052 00 16	Gleitschiene / sliding rail		
10 93 0504	272 052 15 16	Gleitschiene / sliding rail		
10 93 0505	272 052 02 16	Gleitschiene / sliding rail		
10 93 6931	113 202 00 19	Spannrolle / tension roller	(mot.) →6001452	ØA 65 B26
10 94 0105	000 993 06 76 S2	Kettenglied / chain link		
10 94 0446	156 200 05 70	Riemenspanner / belt tensioner		ØA 76 B26
99 11 0459	000 993 06 76	Steuerkette / timing chain		216 N
99 13 0328	272 050 08 11 S1	Rep. Satz Steuerkette / rep. kit timing chain		

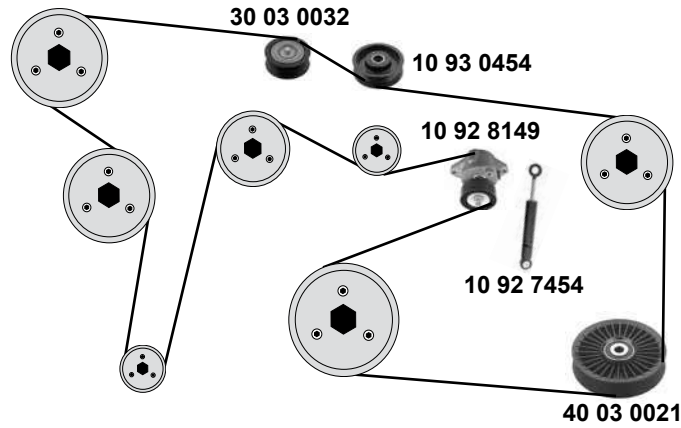
# MERCEDES-BENZ CL-Klasse (BM 216)

(06→)



## CL 500 / CL 500 4Matic

(M 273.961,968)

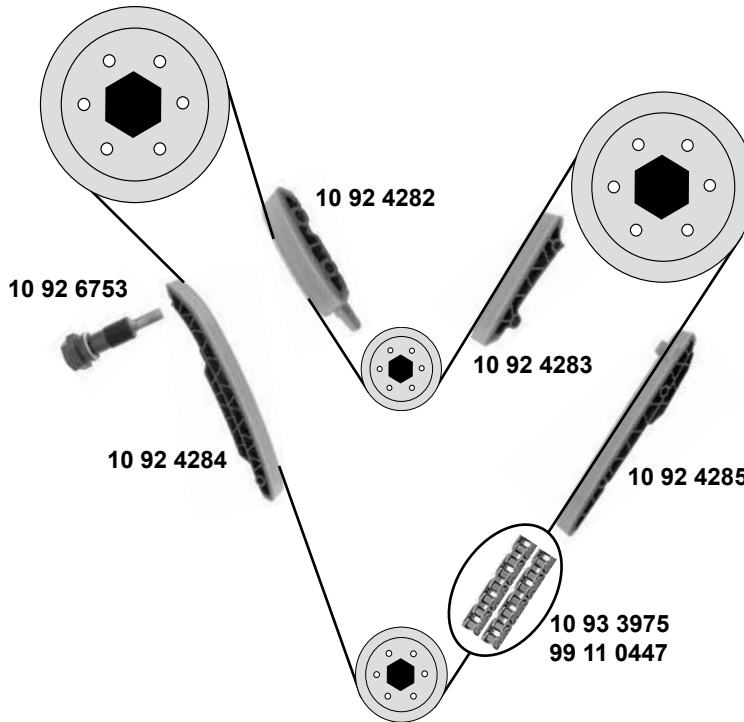


## CL-Klasse (BM 216)

(06→)

### CL 600

(M 275.953,982)



SWAG GERMANY	Ref. - No.			
10 92 4282	137 052 04 16	Gleitschiene / sliding rail		
10 92 4283	137 052 05 16	Gleitschiene / sliding rail		
10 92 4284	137 052 07 16	Gleitschiene / sliding rail		
10 92 4285	137 052 08 16	Gleitschiene / sliding rail		
10 92 6753	275 050 05 11	Kettenspanner / chain tensioner		
10 92 7454	272 200 01 14	Schwingungsdämpfer / vibration damper		
10 92 8149	272 200 02 70	Riemenspanner / belt tensioner		
10 93 0454	272 202 14 19	Umlenkrolle / deflection pulley		ØA 70 B22
10 93 0460	272 200 02 70 S1	Rep. Satz Riemen <span>spanner</span> / rep. kit belt tensioner		
10 93 3975	004 997 18 94	Steuerkette / roller chain		164 E
30 03 0032	000 202 09 19	Umlenkrolle / deflection pulley		
40 03 0021	611 234 02 93	Umlenkrolle / deflection pulley	(mot.) A 022 955 →	
99 11 0447	004 997 20 94	Steuerkette mit Nietverschluss/ timing chain with		164 N
99 13 0318	275 050 05 11 S1	Rep. Satz Steuerkette / rep. kit timing chain		

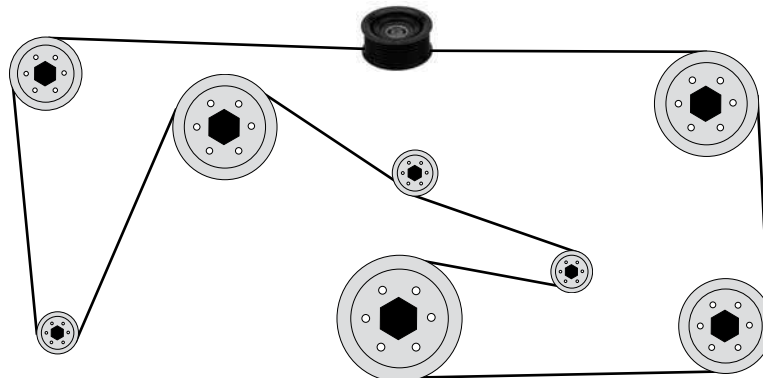




# MERCEDES-BENZ CL-Klasse (BM 216) (06→)

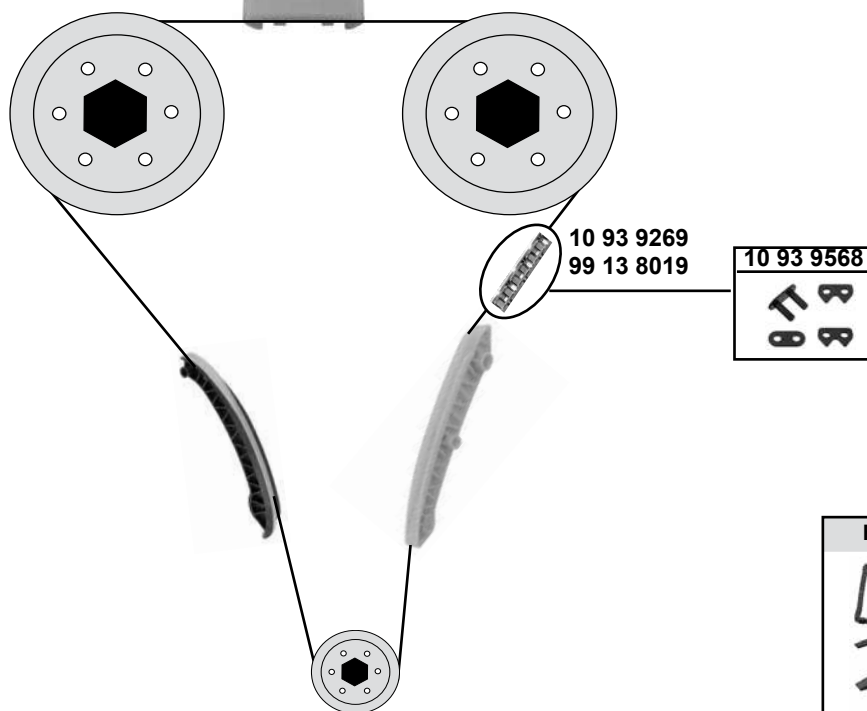
**CL 600**  
(M 275.953,982)

10 03 0046



# CLK-Klasse (BM 207) (09→) (M 271.820,860)

30 03 0032



(1) CL 600 M275.953 (mot.) →40027371 / CL 65AMG M275.982 (mot.) →60006826



Ref. - No.



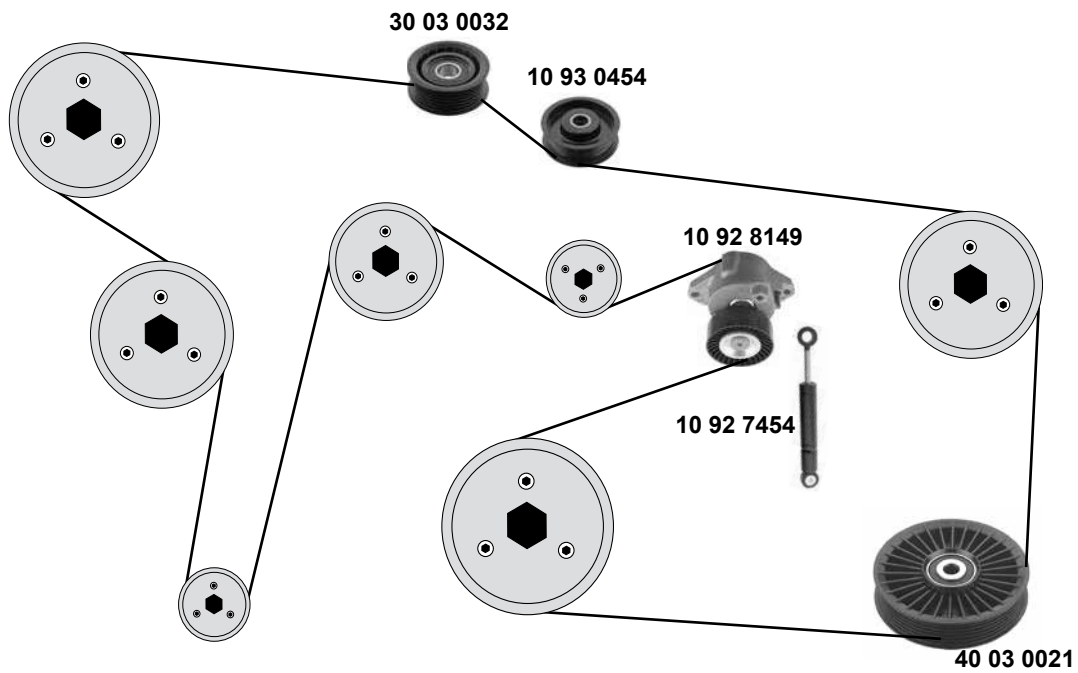
10 03 0046	000 202 07 19	Umlenkrolle / deflection pulley	(1)	ØA64 ØI17 B30
10 93 9269	000 993 10 78	Steuerkette mit Nietverschluss / timing chain with		142 N
10 93 9271	000 993 09 78 S2	Rep. Satz Steuerkette / rep. kit timing chain		
10 93 9568	000 993 10 78 S3	Kettenglied / chain link		
99 13 8019	000 993 09 78	Steuerkette / roller chain		142 E

# MERCEDES-BENZ CLK-Klasse (BM 207)

(09→)



(M 272.982,984 / 273.966,971)



(1) (mot.) 272.982 ,984 (ch.) 30058377 →

SWAG GERMANY	Ref. - No.			
10 92 7454	272 200 01 14	Schwingungsdämpfer / vibration damper	(ex.) 272.971	ØA 70 B22
10 92 8149	272 200 02 70	Riemenspanner / belt tensioner	(ex.) 272.971	
10 93 0454	272 202 14 19	Umlenkrolle / deflection pulley	(1)	
10 93 0460	272 200 02 70 S1	Rep. Satz Riemenspanner / rep. kit belt tensioner	(ex.) 272.971	
30 03 0032	000 202 09 19	Umlenkrolle / deflection pulley	(ex.) 272.984	
40 03 0021	611 234 02 93	Umlenkrolle / deflection pulley	(ex.) 272.971	

# MERCEDES-BENZ

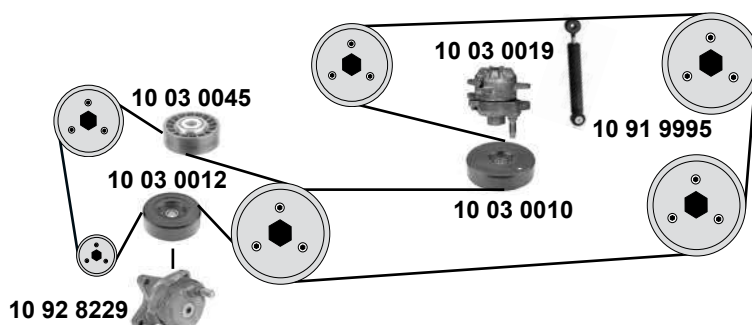
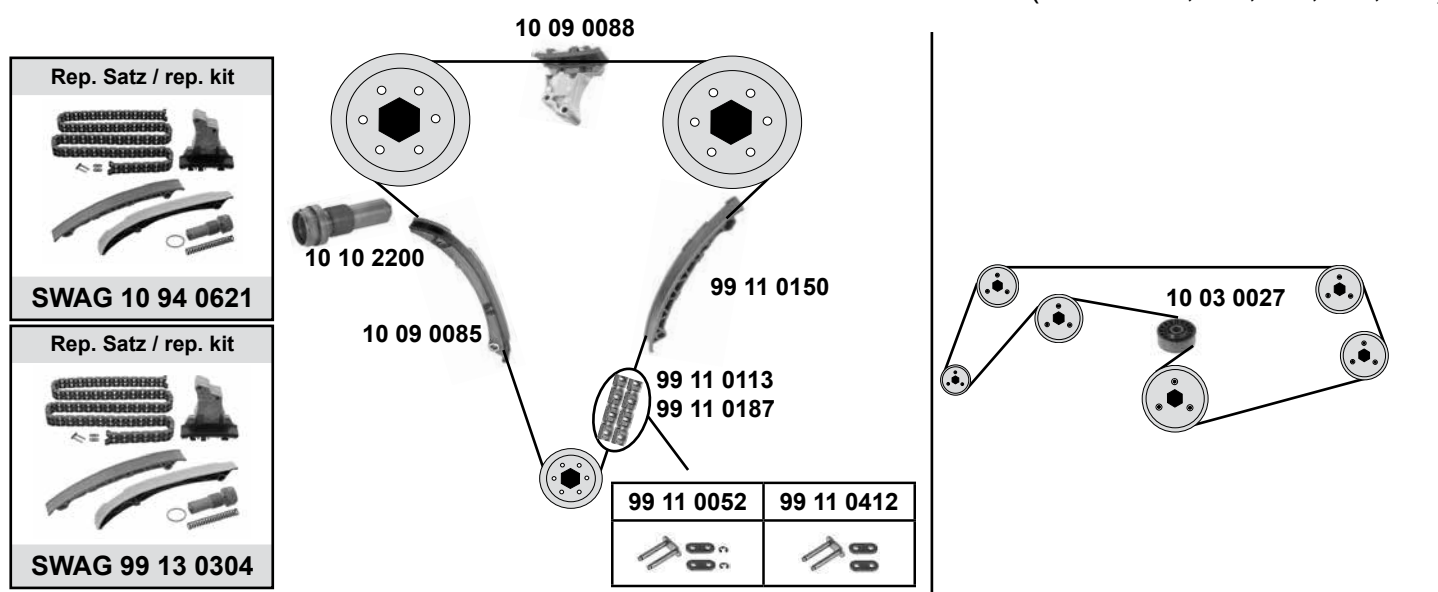
## CLK-Klasse (BM 208)

(97→)



### CLK 200 / CLK 230 / Kompressor

(M 111.944,945,956,975,982)



(1) 945: (mot.) → 037932    (2) 945: (mot.) 050296 →  
 (mot.) → 030017    (mot.) 037932 →

(3) 975: (mot.) 021442 →  
 (mot.) 063010 →

(4) Nietverschluß / riveted link / bouchon de rivet / rivetti /  
 cierre de roblón

(5) Federverschluß / split link / fermeture de ressort /  
 cierre de resorte / falsa maglia

SWAG GERMANY	Ref. - No.			
10 03 0010	111 200 00 70	Spannrolle / tension roller		110 x 28 x 15
10 03 0012	119 200 14 70	Spannrolle / tension roller		
10 03 0019	111 200 07 70	Riemenspanner / belt tensioner	(1) (3)	
10 03 0027	104 200 10 70	Spannrolle / tension roller		ØA 80
10 03 0045	111 202 01 19	Spannrolle / tension roller	(2) (ex.) 944 / 945	
10 09 0085	111 050 14 16	Gleitschiene / sliding rail	(ex.) 956 / 982	
10 09 0087	111 052 10 16	Gleitschiene / sliding rail		
10 09 0088	111 050 11 16	Gleitschiene / sliding rail		
10 10 2200	111 050 04 11	Kettenspanner / chain tensioner		
10 91 9995	111 200 04 14	Schwingungsdämpfer / vibration damper	(ex.) 956 / 982	
10 92 8229	111 200 13 70	Riemenspanner / belt tensioner		
10 94 0621	111 050 04 11 S2	Rep. Satz Steuerkette / rep. kit timing chain		
99 11 0052	000 997 05 98	Kettenglied / chain link	(5)	11 / D 455
99 11 0113	002 997 93 94	Steuerkette / timing chain		126 E
99 11 0150	003 997 17 94	Steuerkette / timing chain	(4)	D 455 / 126 N
99 11 0412	000 997 22 98	Kettenglied / chain link	(4) (ex.) 944	
99 13 0304	111 050 04 11 S1	Rep. Satz Steuerkette / rep. kit timing chain		

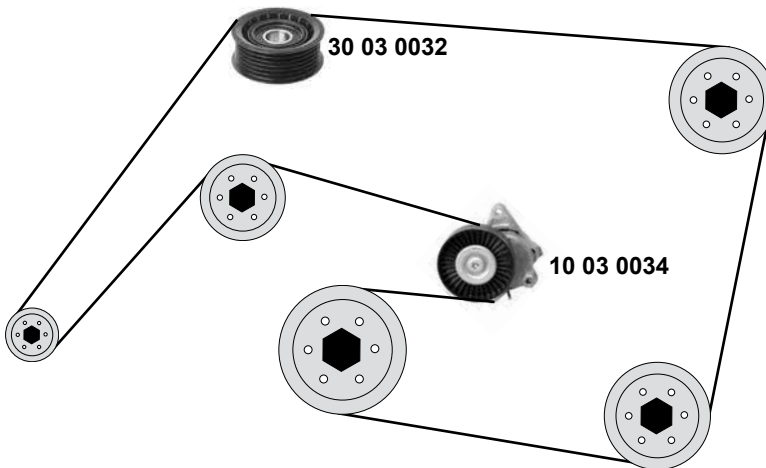
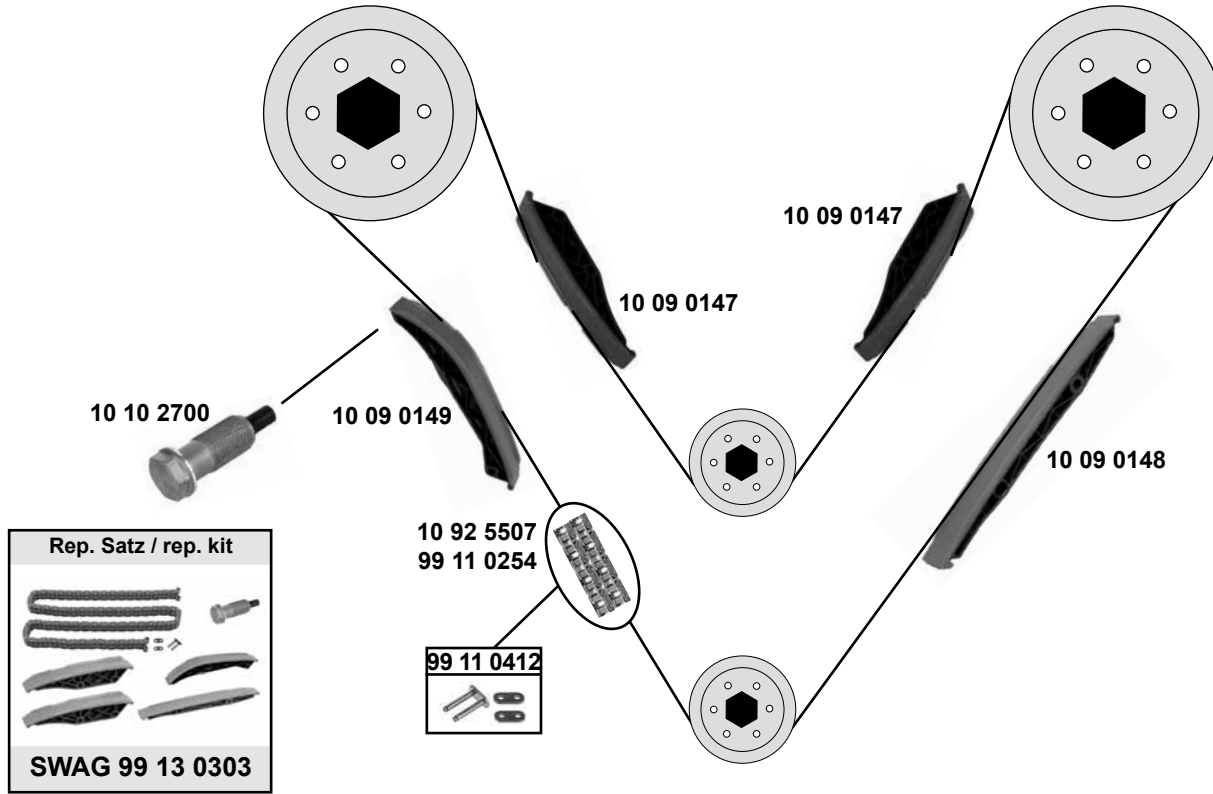
# MERCEDES-BENZ CLK-Klasse (BM 208)

(97→)



## CLK 320 / CLK 430 / CLK 55 AMG

(M 112.940 / M113.943,984)



(1) Nietverschluss / riveted link / bouchon de rivet / rivetti / cierre de roblón



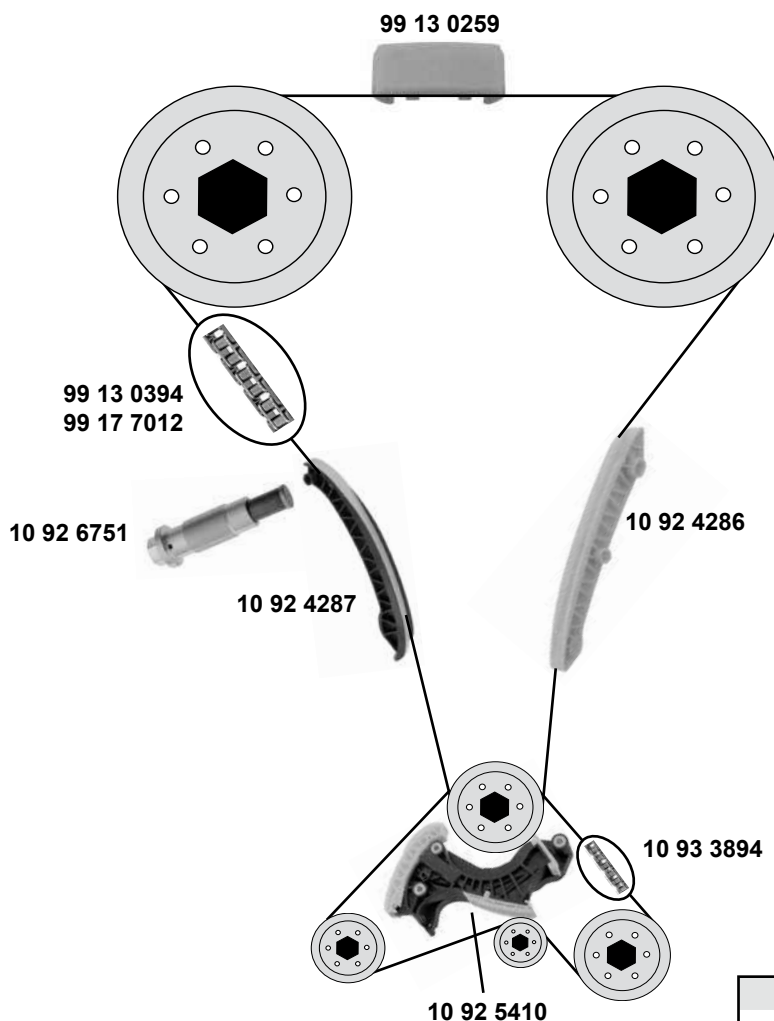
Ref. - No.



<b>10 03 0034</b>	112 200 09 70	Riemenspanner / belt tensioner		Ø 95
<b>10 09 0147</b>	112 052 01 16	Gleitschiene / sliding rail		
<b>10 09 0148</b>	112 052 00 16	Gleitschiene / sliding rail		
<b>10 09 0149</b>	112 052 02 16	Gleitschiene / sliding rail		
<b>10 10 2700</b>	112 050 08 11	Kettenspanner / chain tensioner		
<b>10 92 5507</b>	003 997 68 94 S1	Steuerkette / timing chain	(1)	168 E
<b>30 03 0032</b>	272 202 09 19	Umlenkrolle / deflection pulley		ØA 64 ØI 17 B23
<b>99 11 0254</b>	003 997 68 94	Steuerkette / timing chain	(1)	168 N
<b>99 11 0412</b>	000 997 22 98	Kettenglied / chain link	(1)	
<b>99 13 0303</b>	112 050 08 11 S1	Rep. Satz Steuerkette / rep. kit timing chain		168 E

### CLK 200 CGI / Kompressor

(M 271.910,940,942,950,952,955)



(1) (mot.) 271.940/942/955

(2) für Fahrzeuge mit Lanchester-Ausgleich / for vehicles with lanchester balancing system



Ref. - No.



Ref. - No.	Part Description	Quantity	Notes
10 92 4286	Gleitschiene links / sliding rail left	(1)	
10 92 4287	Gleitschiene rechts / sliding rail right	(1)	
10 92 5410	Kettenspanner / chain tensioner	(1)	
10 92 6751	Kettenspanner / chain tensioner	(1)	
10 93 3894	Steuerkette endlos / timing chain endless	(1)	
10 94 0953	Rep. Satz Steuerkette / rep. kit timing chain	(1)	
10 94 0954	Rep. Satz Steuerkette / rep. kit timing chain	(1) (2)	
99 13 0259	Gleitschiene / sliding rail	(1)	
99 13 0315	Rep. Satz Steuerkette / rep. kit timing chain	(1)	
99 13 0316	Rep. Satz Steuerkette / rep. kit timing chain	(1)	
99 13 0393	Steuerkette / timing chain	(1)	E 106
99 13 0394	Steuerkette mit Nietverschluss/ timing chain with	(1)	142 N
99 17 7012	Steuerkette / timing chain	(1)	142 E

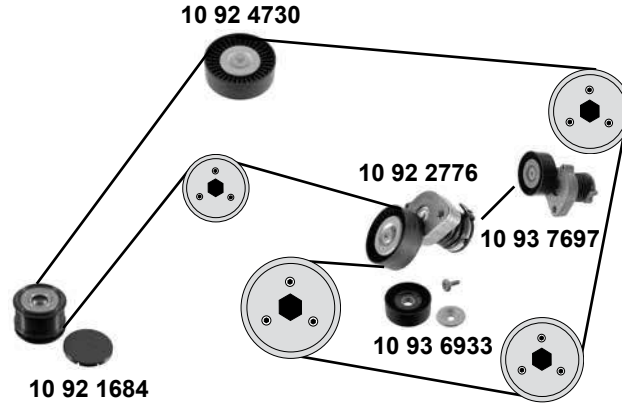
# MERCEDES-BENZ CLK-Klasse (BM 209)

(02→09)



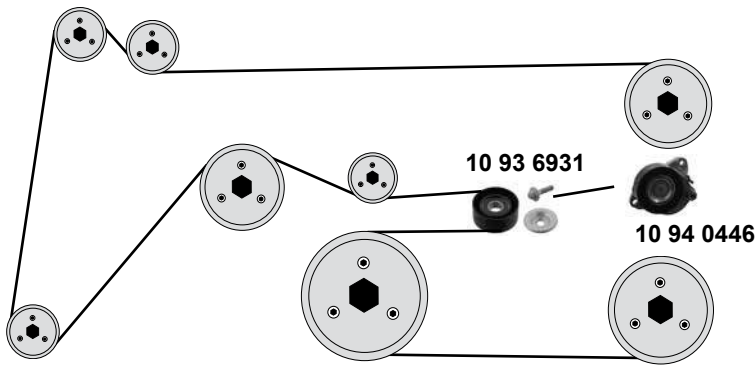
## CLK 200 CGI / Kompressor

(M 271.910,940,942,950,952,955)



## CLK Klasse

(M 156.982)



(1) (mot.) 271.940,942 für Lichtmaschine/for alternator 2711540802 / 2711540902/ 2711541002

(2) (mot.) 271.910,950,952

(3) (mot.) 271.940/942/955



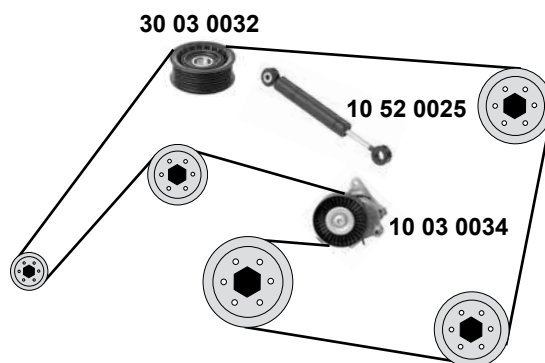
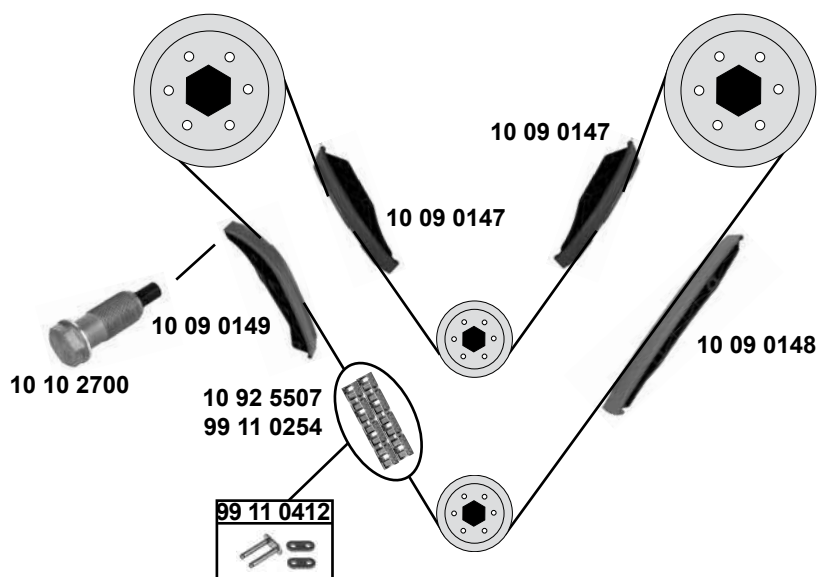
Ref. - No.



10 92 1684	271 155 01 15	Riemenscheibe Lichtmaschine / belt pulley alternator	(1)	60 x 46,2
10 92 2776	271 200 02 70	Riemenspanner / belt tensioner	(2)	
10 92 4730	271 206 00 19	Umlenkrolle / deflection pulley	(3)	ØA 90 B 28
10 93 6931	113 202 00 19	Spannrolle / tension roller	(mot.) →6001452	ØA 65 B26
10 93 6933	271 200 05 70	Riemenspanner /belt tensioner	(3)	ØA76 B28
10 93 7697	271 200 04 70	Riemenspanner / belt tensioner	(3) (mot.) 31216220 →	ØA65 B26
10 94 0446	156 200 05 70	Riemenspanner / belt tensioner		ØA 76 B26

### CLK 240 / 320 / 500 / 55 AMG

(M 112.912, 955/ M 113.968, 987)



(1) Nietverschluß / riveted link / bouchon de rivet / rivetti / cierre de roblón



Ref. - No.



Ref. - No.	Description	Notes	Dimensions
10 03 0034	Riemenspanner / belt tensioner		Ø 95
10 09 0147	Gleitschiene / sliding rail		
10 09 0148	Gleitschiene / sliding rail		
10 09 0149	Gleitschiene / sliding rail		
10 10 2700	Kettenspanner / chain tensioner		
10 52 0025	Schwingungsdämpfer / vibration damper	(mot.) 112.912	55 N - 600 N
10 92 5507	Steuerkette / timing chain	(1)	168 E
30 03 0032	Umlenkrolle / deflection pulley		ØA 64 ØI 17 B23
99 11 0254	Steuerkette / timing chain	(1)	168 N
99 11 0412	Kettenglied / chain link	(1)	
99 13 0303	Rep. Satz Steuerkette / rep. kit timing chain		



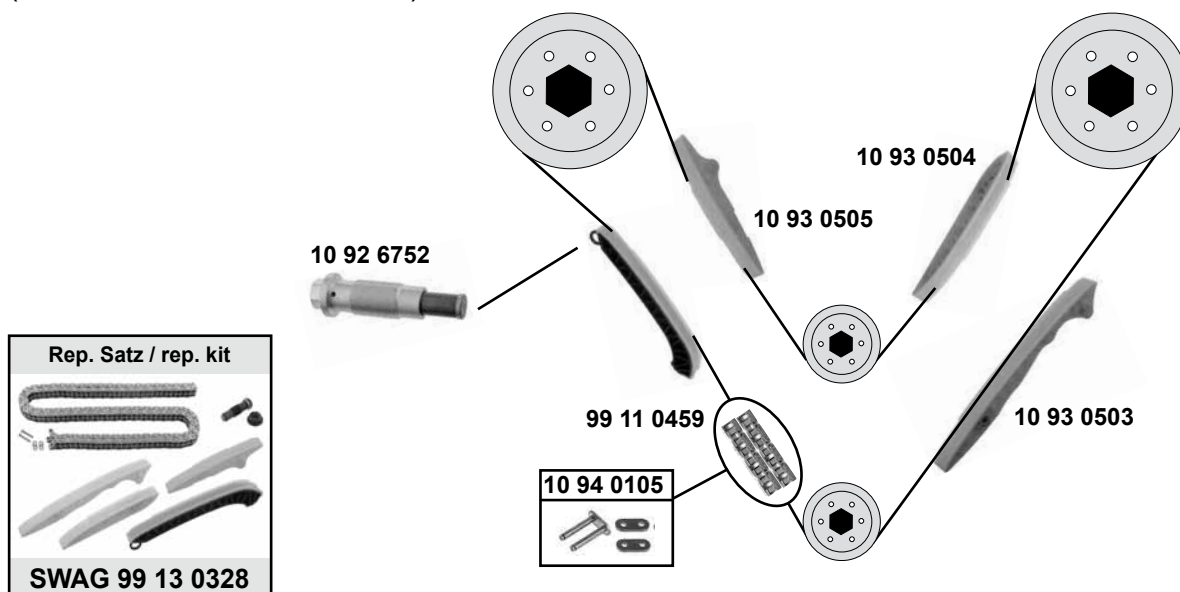
# MERCEDES-BENZ CLK-Klasse (BM 209)

(02→)



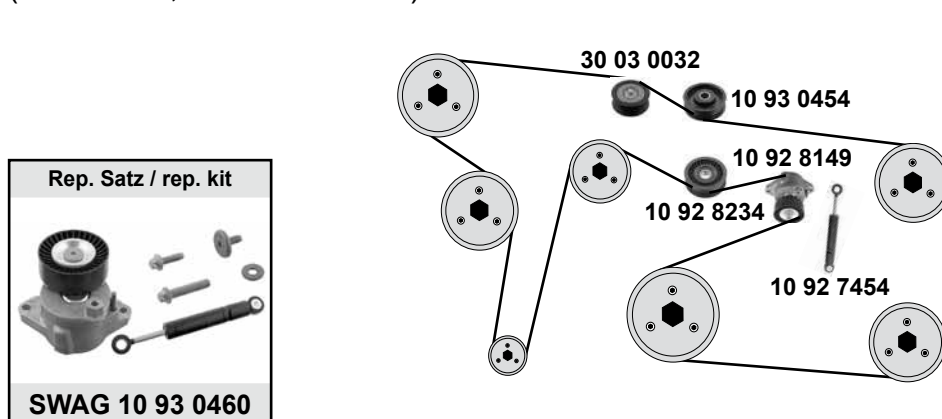
## CLK 280 / 350

(M 272.940,960 / M 273.967)



## CLK 280 / 350

(M 272.940,960 / M 273.967)



- (1) (mot.) 272.940,960 (mot.) → 30089231 / → 06.05
- (2) (mot.) 30058377 →
- (3) mot. 272.940,960 : (mot.) 30009529 → / (mot.) 273.967
- (4) mot. 272.940 / 272.960 : (mot.) → 30058376
- (5) (mot.) 272.940,960 (mot.) 30089233 → / (mot.) 273.967 (mot.) 30089233 →

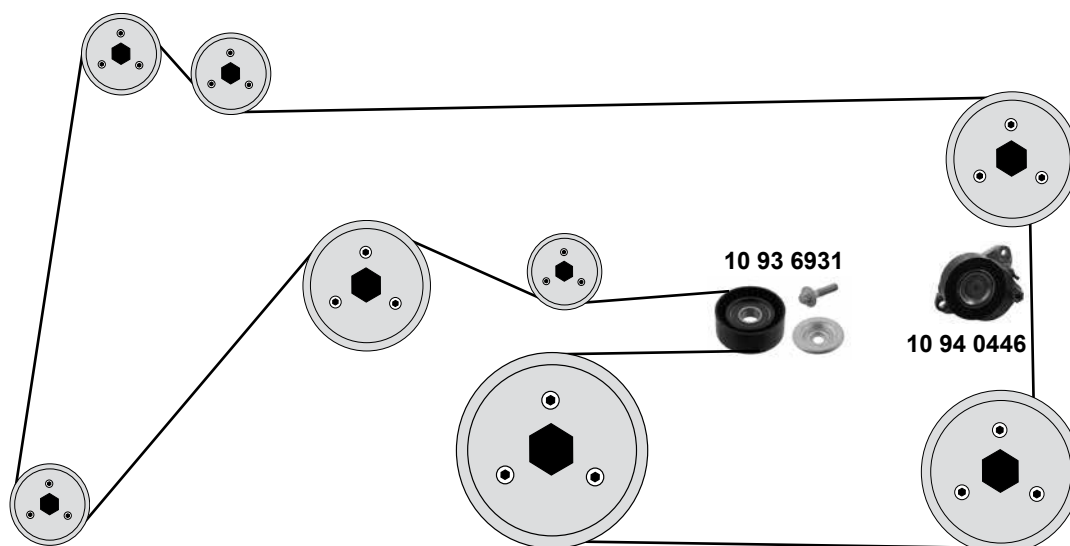
SWAG	Ref. - No.			
10 92 6752	272 050 01 11	Kettenspanner / chain tensioner	(1)	
10 92 7454	272 200 01 14	Schwingungsdämpfer / vibration damper		55 N - 400 N
10 92 8149	272 200 02 70	Riemenspanner / belt tensioner		ØA 76
10 92 8234	272 202 01 19	Umlenkrolle / deflection pulley	(4)	80 x 28 x 17
10 93 0454	272 202 14 19	Umlenkrolle / deflection pulley	(2)	ØA 70 B22
10 93 0460	272 200 02 70 S1	Rep. Satz Riemenstpanner / rep. kit. timing belt		
10 93 0503	272 052 00 16	Gleitschiene / sliding rail		
10 93 0504	272 052 15 16	Gleitschiene / sliding rail	(3)	
10 93 0505	272 052 02 16	Gleitschiene / sliding rail		
10 94 0105	000 993 06 76 S2	Kettenglied / chain link		
30 03 0032	000 202 09 19	Umlenkrolle / deflection pulley		ØA 64 ØI 17 B23
99 11 0459	000 993 06 76	Steuerkette / timing chain		216 N
99 13 0328	272 050 08 11 S1	Rep. Satz Steuerkette / rep. kit timing chain	(5)	





# MERCEDES-BENZ CLS-Klasse (BM 219) (04→)

**CLS**  
(M156.983)



Ref. - No.



**10 93 6931** 113 202 00 19  
**10 94 0446** 156 200 05 70

Spannrolle / tension roller  
Riemenspanner / belt tensioner

(mot.) →6001452

ØA 65 B26  
ØA 76 B26

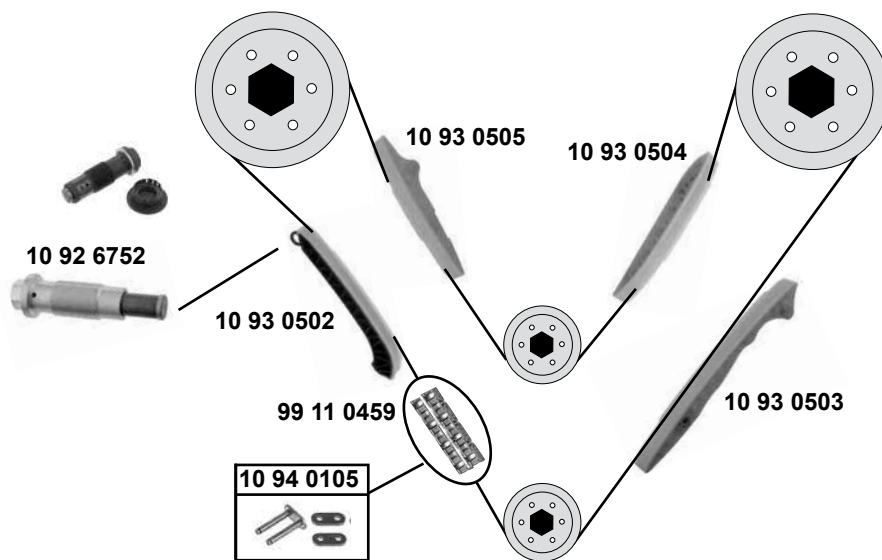
# MERCEDES-BENZ CLS-Klasse (BM 219)

(04→)



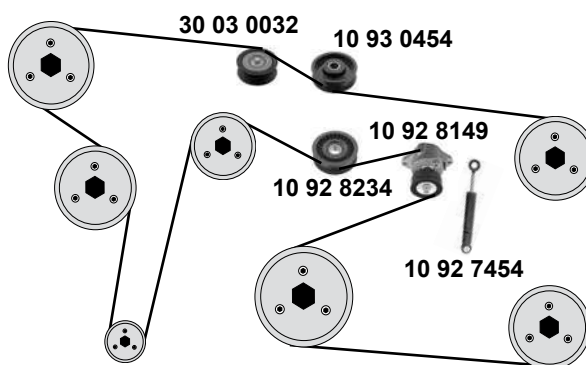
## CLS 350/CGI / CLS 500

(M 272.943,964,985/273.960,961)



## CLS 350 / CGI

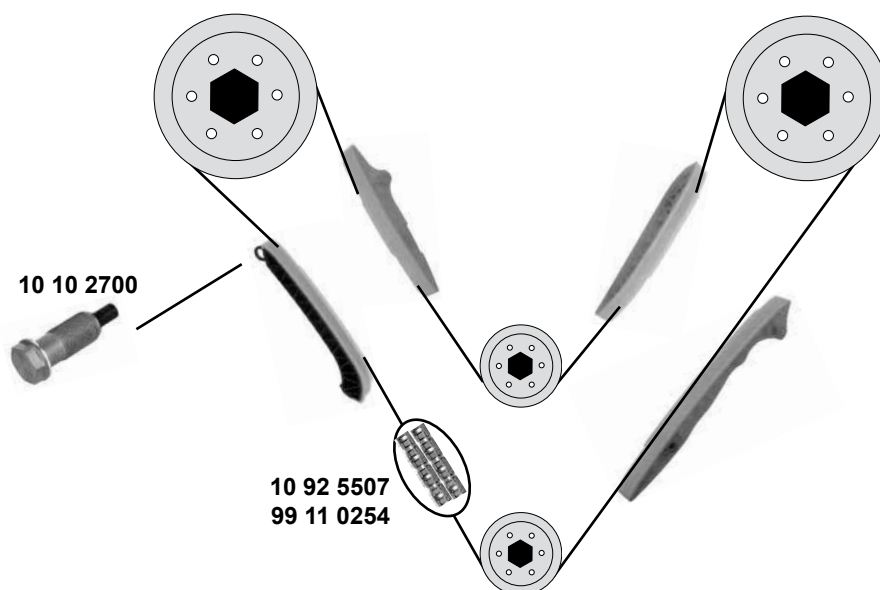
(M 272.943,964,985 / M 273.960)



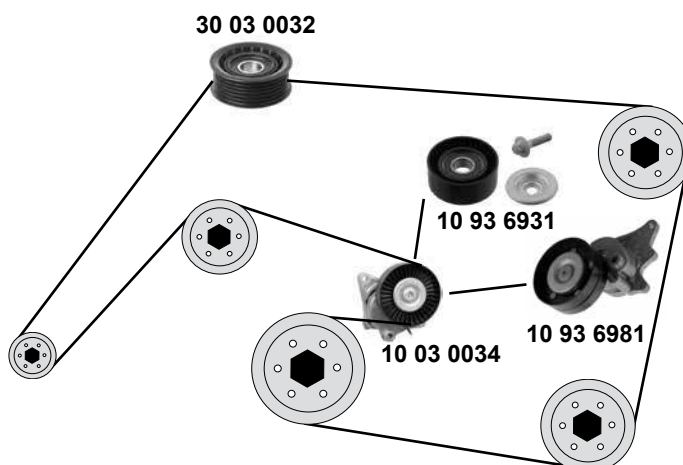
- (1) (mot.) 272.964 (ch.) → 30089231/ → 06.05
- (2) (mot.) 272.943,964,985 (ch.) 30058377 → / (mot.) M 273.960
- (3) (mot.) 272.943,964 (mot.) 30009529 → / (mot.) M 272.985 / (mot.) M 273.960,961
- (4) (mot.) 272.964 : (ch.) → 30058376 / (ex.) mot. 272.943
- (5) (ch.) 30015317 → 30089232/ → 05.05
- (6) (mot.) 272.943,964,985 (mot.) 30089233 → / (mot.) 273.960

SWAG GERMANY	Ref. - No.			
10 92 6752	272 050 01 11	Kettenspanner / chain tensioner	(1) (mot.) 272.	
10 92 7454	272 200 01 14	Schwingungsdämpfer / vibration damper	(ex.) 961	55 N - 400 N
10 92 8149	272 200 02 70	Riemenspanner / belt tensioner	(ex.) 961	ØA 76
10 92 8234	272 202 01 19	Umlenkrolle / deflection pulley	(4)	80 x 28 x 17
10 93 0454	272 202 14 19	Umlenkrolle / deflection pulley	(2)	ØA 70 B22
10 93 0460	272 200 02 70 S1	Rep. Satz Riemenstpanner / rep. kit belt tensioner	(ex.) 961	
10 93 0502	272 052 13 16	Gleitschiene / sliding rail	(6)	
10 93 0503	272 052 00 16	Gleitschiene / sliding rail	(ex.) 961	
10 93 0504	272 052 15 16	Gleitschiene / sliding rail	(3)	
10 93 0505	272 052 02 16	Gleitschiene / sliding rail	(ex.) 961	
10 94 0105	000 993 06 76 S2	Kettenglied / chain link	(ex.) 961	
30 03 0032	000 202 09 19	Umlenkrolle / deflection pulley		ØA 64 ØI 17 B23
99 11 0459	000 993 06 76	Steuerkette / timing chain	(ex.) 961	216 N
99 13 0328	272 050 08 11 S1	Rep. Satz Steuerkette / rep. kit timing chain	(6)	
99 13 0330	272 050 01 11 S2	Rep. Satz Steuerkette / rep. kit timing chain	(5) (mot.) 272.	E 216

**CLS 500**  
(M 113.967,990)



**CLS 500**  
(M 113.967,986,990)



(1) Nietverschluß / riveted link / bouchon de rivet / rivetti / cierre de roblón



Ref. - No.



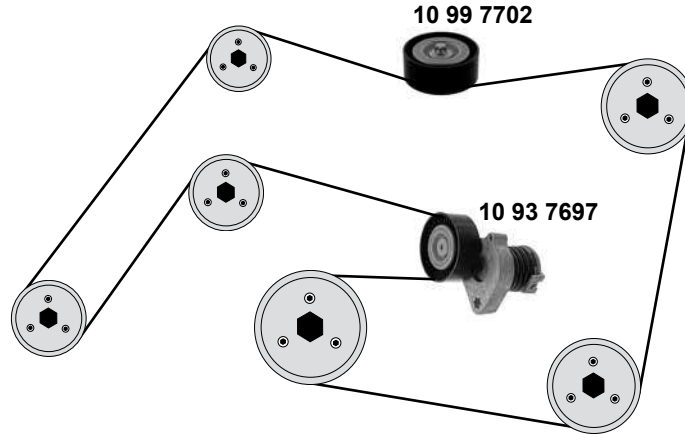
Ref. - No.	Description	Quantity	Notes
10 03 0034	Riemenspanner / belt tensioner	(ex.) 986	
10 10 2700	Kettenspanner / chain tensioner	(1)	
10 92 5507	Steuerkette / timing chain	(mot.) M 113.990	168 E
10 93 6931	Spannrolle / tension roller	(mot.) M 113.990	ØA65 B26
10 93 6981	Riemenspanner / belt tensioner	(1)	ØA90 B32
30 03 0032	Umlenkrolle / deflection pulley	(1)	ØA 64 ØI 17 B23
99 11 0254	Steuerkette / timing chain	(1)	168 N
99 13 0303	Rep. Satz Steuerkette / rep. kit timing chain		

# MERCEDES-BENZ E-Klasse (BM 207)

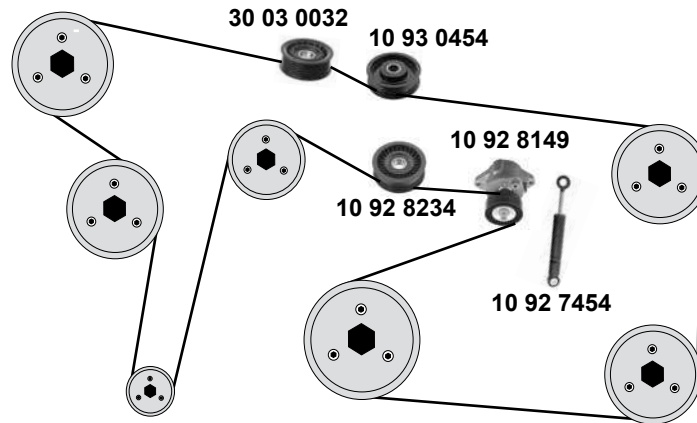
(09→)



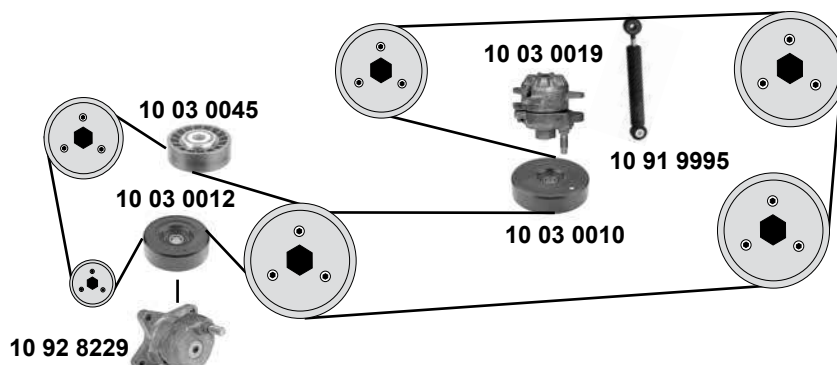
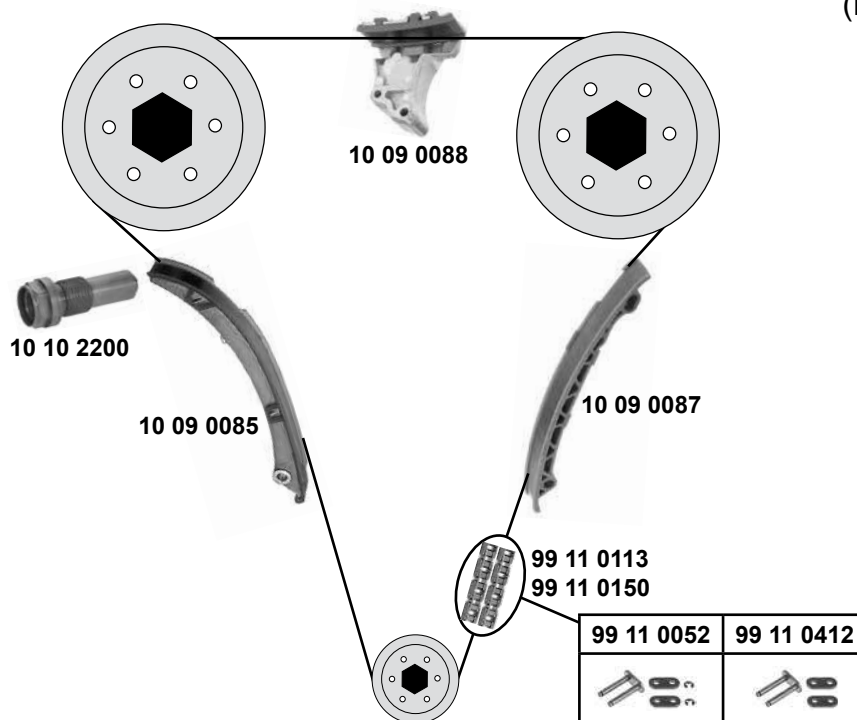
(M 271.820,860)



(M 272.982,984 / 273.966)



SWAG GERMANY	Ref. - No.			
10 92 7454	000 202 09 19	Schwingungsdämpfer / vibration damper		
10 92 8149	272 202 01 19	Riemenspanner / belt tensioner		
10 92 8234	272 202 01 19	Umlenkrolle / deflection pulley		
10 93 0454	272 202 14 19	Umlenkrolle / deflection pulley		ØA 70 ØI 15 B22
10 93 0460	272 200 02 70 S1	Rep. Satz Riemen­spanner / rep. kit belt tensioner		
10 93 7697	271 200 04 70	Riemenspanner / belt tensioner		ØA76 B28
10 93 7703	000 202 16 19	Rep.Satz Umlenkrolle / rep. kit deflection pulley		ØA 67
10 99 7702	000 202 17 19	Umlenkrolle / deflection pulley		B 26
30 03 0032	272 202 10 19	Umlenkrolle / deflection pulley		ØA 64 ØI 17 B23

**E 200 Komp. / E 200 T Komp./ E 230 / E 230 T**  
 (M 111.942,947,957,970)


(1) Nietverschluss / riveted link / bouchon de rivet / rivetti / cierre de roblón

(2) Federverschluß / split link / fermeture de ressort / cierre de resorte / falsa maglia

	Ref. - No.			
10 03 0010	111 200 00 70	Spannrolle / tension roller	(mot.) 957,970	110 x 28 x 15
10 03 0012	119 200 14 70	Spannrolle / tension roller	(mot.) 957	
10 03 0019	111 200 07 70	Riemenspanner / belt tensioner	(mot.) 957,970	
10 03 0045	111 202 01 19	Spannrolle / tension roller	(mot.) 957	
10 09 0085	111 050 14 16	Gleitschiene / sliding rail	(mot.) 970	
10 09 0087	111 052 10 16	Gleitschiene / sliding rail		
10 09 0088	111 050 11 16	Gleitschiene / sliding rail		
10 10 2200	111 050 04 11	Kettenspanner / chain tensioner		
10 91 9995	111 200 04 14	Schwingungsdämpfer / vibration damper	(mot.) 957,970	55 N - 435 N
10 92 8229	111 200 13 70	Riemenspanner / belt tensioner	(mot.) 957	
10 94 0621	111 050 04 11 S2	Rep. Satz Steuerkette / rep. kit timing chain		
99 11 0052	000 997 05 98	Kettenglied / chain link	(2) (mot.) 957,970	11 / D 455
99 11 0113	002 997 93 94	Steuerkette / timing chain		126 E
99 11 0150	003 997 17 94	Steuerkette / timing chain	(1)	D 455 / 126 N
99 11 0412	000 997 22 98	Kettenglied / chain link	(2)	
99 13 0304	111 050 04 11 S1	Rep. Satz Steuerkette / rep. kit timing chain		

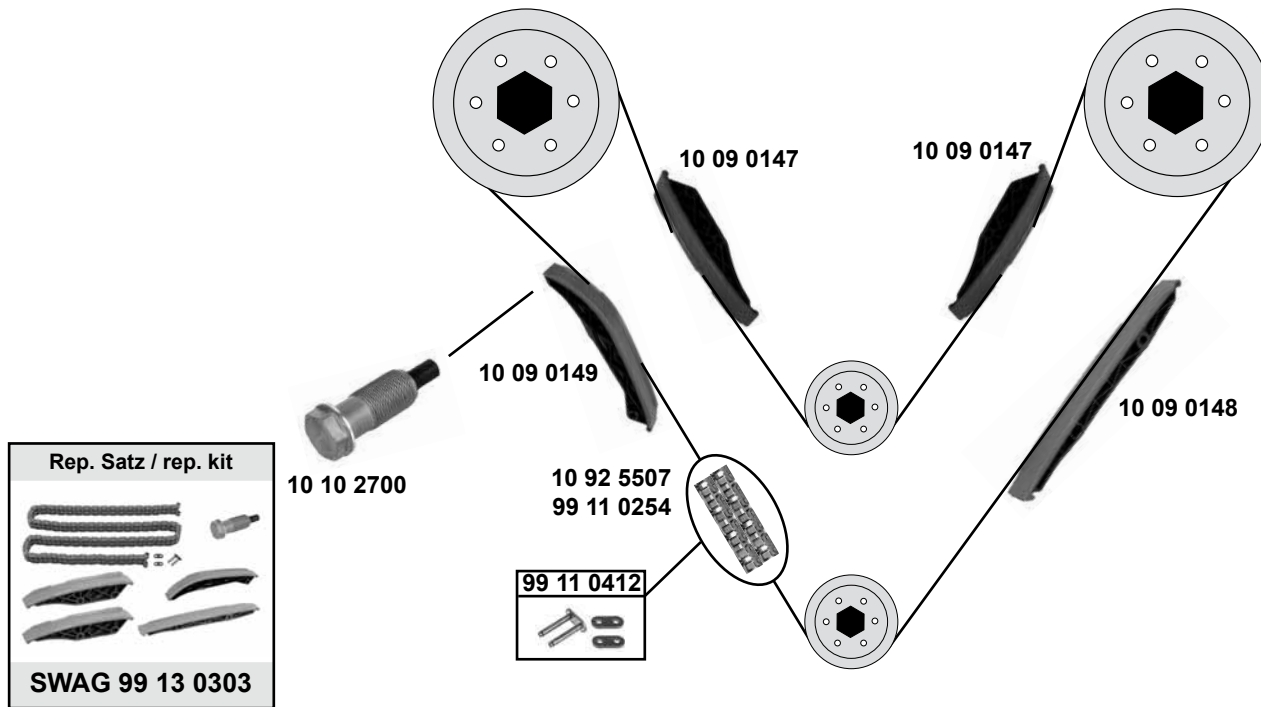
# MERCEDES-BENZ E-Klasse (BM 210)

(95→03)



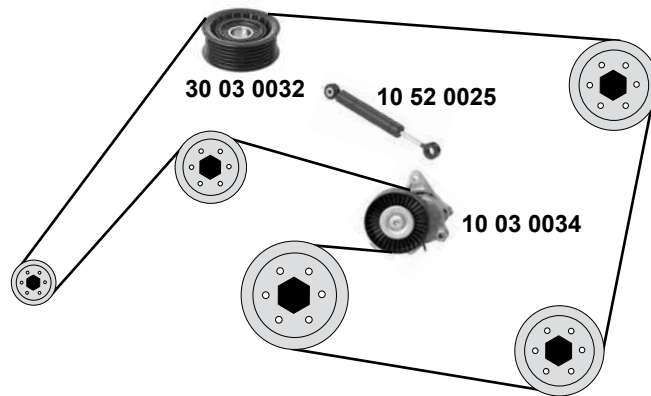
## E 240 / E 240 T

(M 112.911,914 921,941 / M113.940,980)



## E 240 / E 240 T / E 430 / E 430T

(M 112.911,914 921,941/ M 113.940,980)



(1) Nietverschluß / riveted link / bouchon de rivet / rivetti / cierre de roblón

(2) (mot.) M 112.911,914 921,941

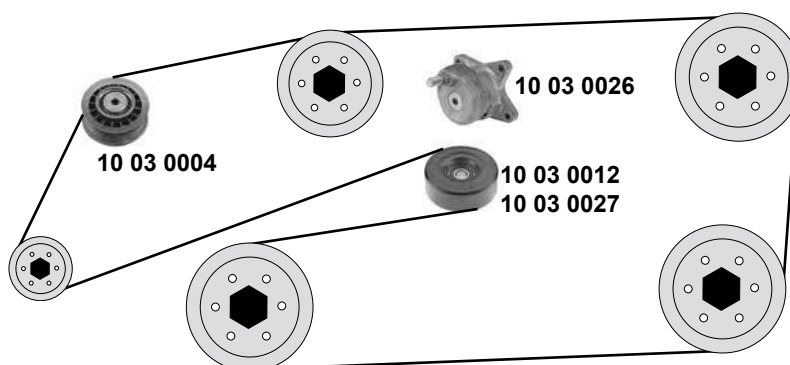
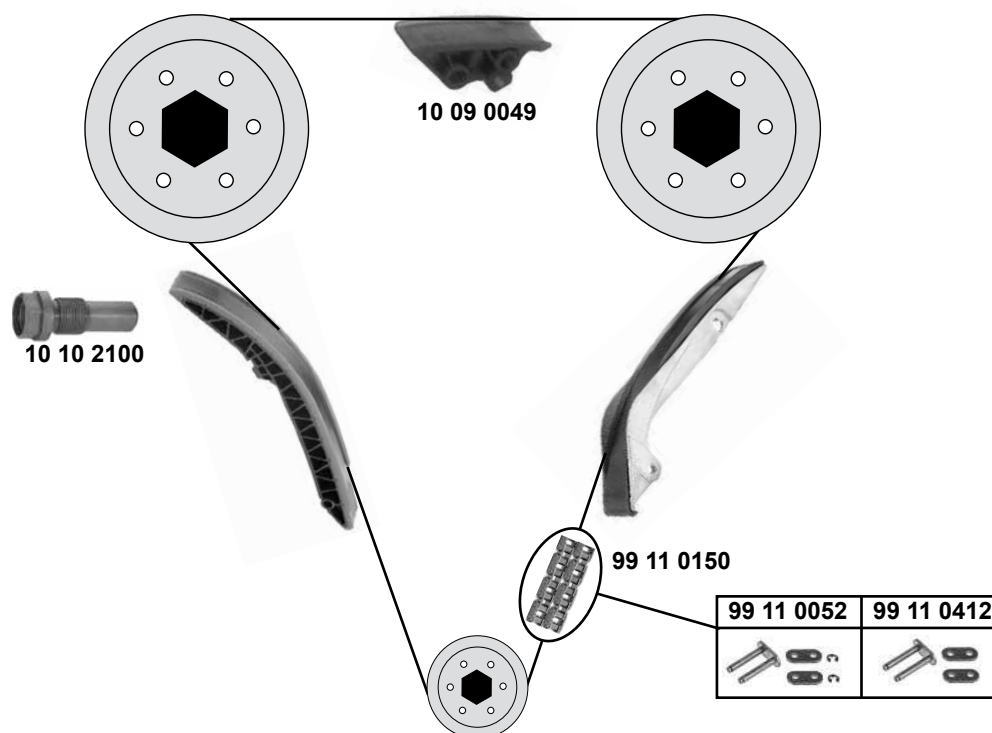


Ref. - No.



Ref. - No.	Description	Notes	Dimensions
10 03 0034	Riemenspanner / belt tensioner		Ø 95
10 09 0147	Gleitschiene / sliding rail	(mot.) 112.911,914	
10 09 0148	Gleitschiene / sliding rail	(mot.) 112.911,914	
10 09 0149	Gleitschiene / sliding rail	(mot.) 112.911,914	
10 10 2700	Kettenspanner / chain tensioner		
10 52 0025	Schwingungsdämpfer / vibration damper	(mot.) 112.911,914,921	55 N - 600 N
10 92 5507	Steuerkette / timing chain	(1)	168 E
30 03 0032	Umlenkrolle / deflection pulley		ØA 64 ØI 17 B23
99 11 0254	Steuerkette / timing chain	(1)	168 N
99 11 0412	Kettenglied / chain link	(1) (2)	
99 13 0303	Rep. Satz Steuerkette / rep. kit timing chain	(2)	E 168



**E 280**  
 (M 104.945)

 (1) (mot.) → 000500  
 (mot.) → 002627

 (2) (mot.) 000501 →  
 (mot.) 002628 →

 (3) Nietverschluss / riveted link /  
 bouchon de rivet / rivetti /  
 cierre de roblón


Ref. - No.



Ref. - No.	Description	Quantity	Dimensions
10 03 0004	Umlenkrolle / deflection pulley		69 x 26/31,5
10 03 0012	Spannrolle / tension roller	(1)	
10 03 0026	Riemenspanner / belt tensioner		
10 03 0027	Spannrolle / tension roller	(2)	ØA 80
10 09 0049	Gleitschiene / sliding rail		
10 10 2100	Kettenspanner / chain tensioner		
99 11 0052	Kettenglied / chain link		11 / D 455
99 11 0150	Steuerkette / timing chain	(3)	D 455 / 126 N
99 11 0412	Kettenglied / chain link	(3)	
99 13 0311	Rep. Satz Steuerkette / rep. kit timing chain		

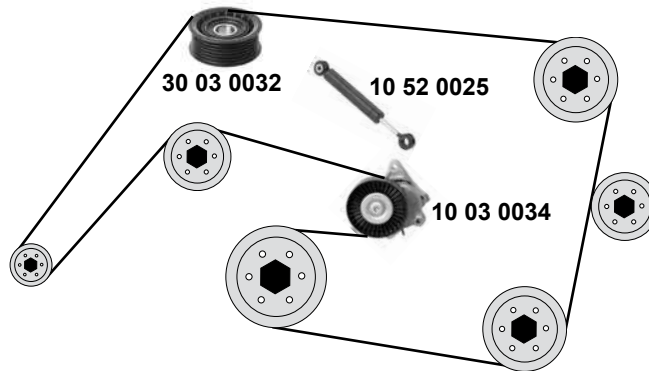
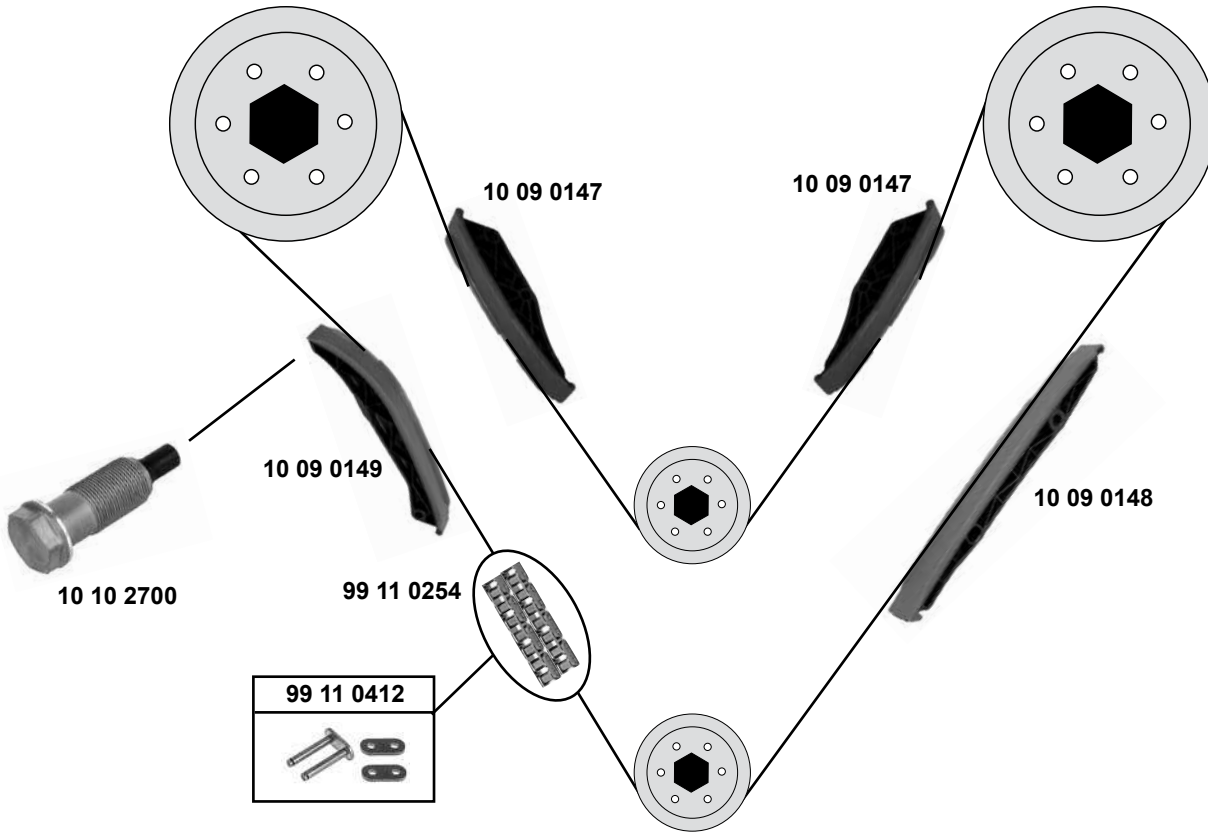
# MERCEDES-BENZ E-Klasse (BM 210)

(95→03)



## E 280 / E 280 T

(M 112.921)



(1) Nietverschluss / riveted link / bouchon de rivet / rivetti / cierre de roblón

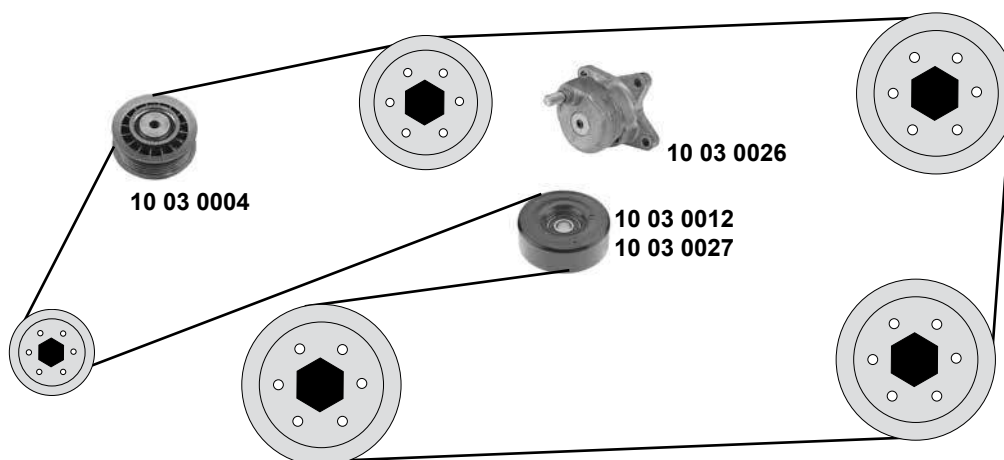
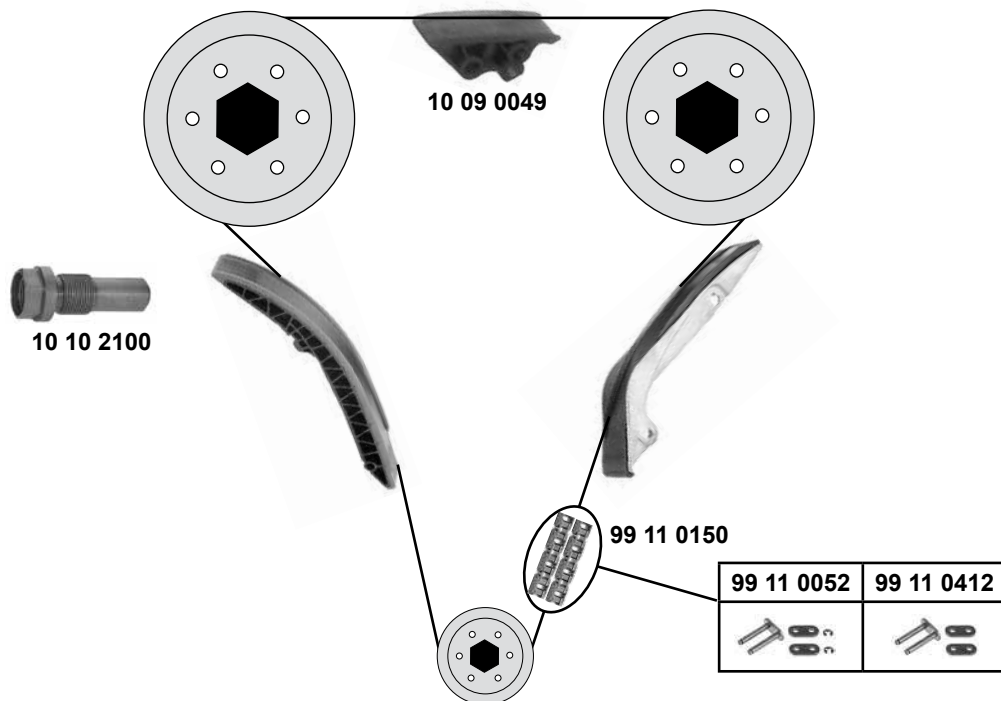


Ref. - No.



10 03 0034	112 200 09 70	Riemenspanner / belt tensioner	(mot.) → 019834	Ø 95
10 09 0147	112 052 01 16	Gleitschiene / sliding rail		
10 09 0148	112 052 00 16	Gleitschiene / sliding rail		
10 09 0149	112 052 02 16	Gleitschiene / sliding rail		
10 10 2700	112 050 08 11	Kettenspanner / chain tensioner		
10 52 0025	112 200 00 14	Schwingungsdämpfer / vibration damper		55 N - 600 N
30 03 0032	272 202 10 19	Umlenkrolle / deflection pulley		ØA 64 ØI 17 B23
99 11 0254	003 997 68 94	Steuerkette / timing chain		168 E
99 11 0412	000 997 22 98	Kettenglied / chain link	(1)	





(1) Nietverschluß / riveted link / bouchon de rivet / rivetti / cierre de roblón



(2) (mot.) → 034379

(3) (mot.) 034380 →



Part No.	Ref. - No.	Description	Quantity	Dimensions
10 03 0004	601 200 10 70	Umlenkrolle / deflection pulley		69 x 26/31,5
10 03 0012	119 200 14 70	Spannrolle / tension roller	(2)	
10 03 0026	104 200 08 70	Riemenspanner / belt tensioner		
10 03 0027	104 200 10 70	Spannrolle / tension roller	(3)	ØA 80
10 09 0049	104 052 14 16	Gleitschiene / sliding rail		
10 10 2100	120 050 02 11	Kettenspanner / chain tensioner		
99 11 0052	000 997 05 98	Kettenglied / chain link		11 / D 455
99 11 0150	003 997 17 94	Steuerkette / timing chain	(1)	D 455 / 126 N
99 11 0412	000 997 22 98	Kettenglied / chain link	(1)	
99 13 0311	120 050 02 11 S1	Rep. Satz Steuerkette / rep. kit timing chain		

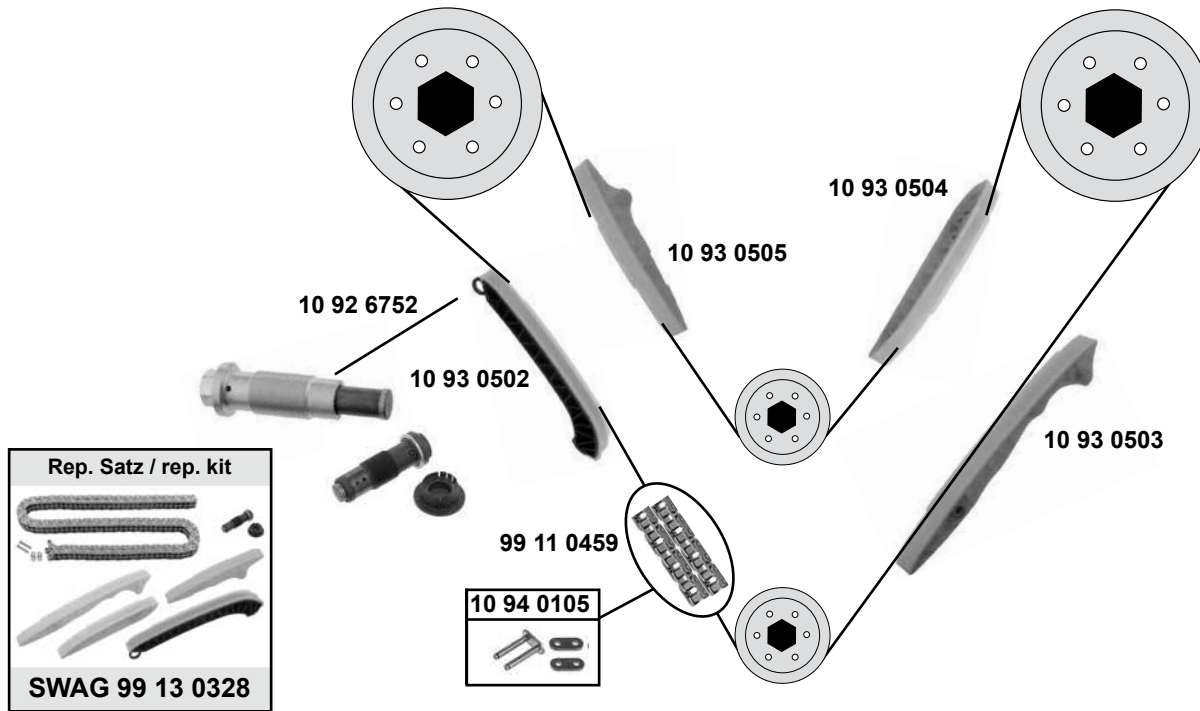
# MERCEDES-BENZ E-Klasse (BM 207)

(09 →)

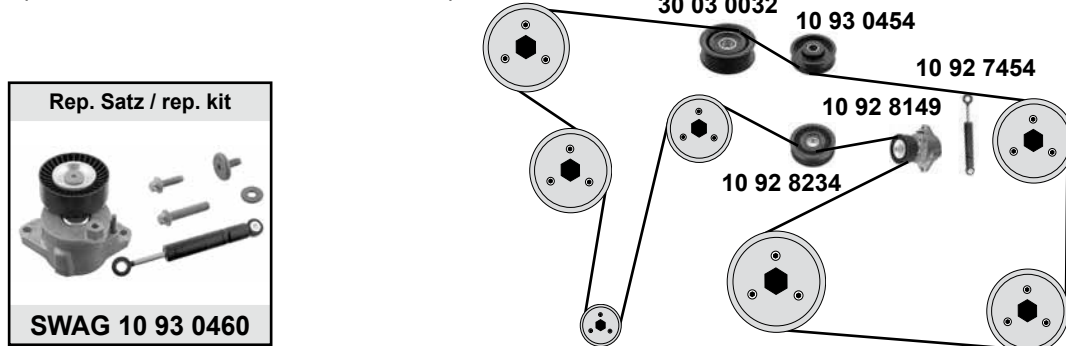


## E 350 / E 350 CGI

(M 272.982,984,988 / 273.966,971)



(M 272.961,982,984 / 273.966)



(1) mot. 272.984 : 30058377→

(2) (mot.) 272.982,984,988 (mot.) 30089233→ / (mot.) 273.966,971

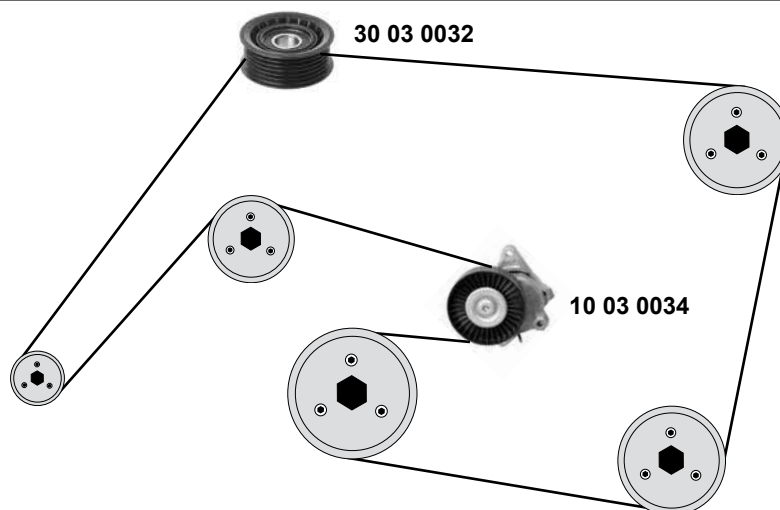
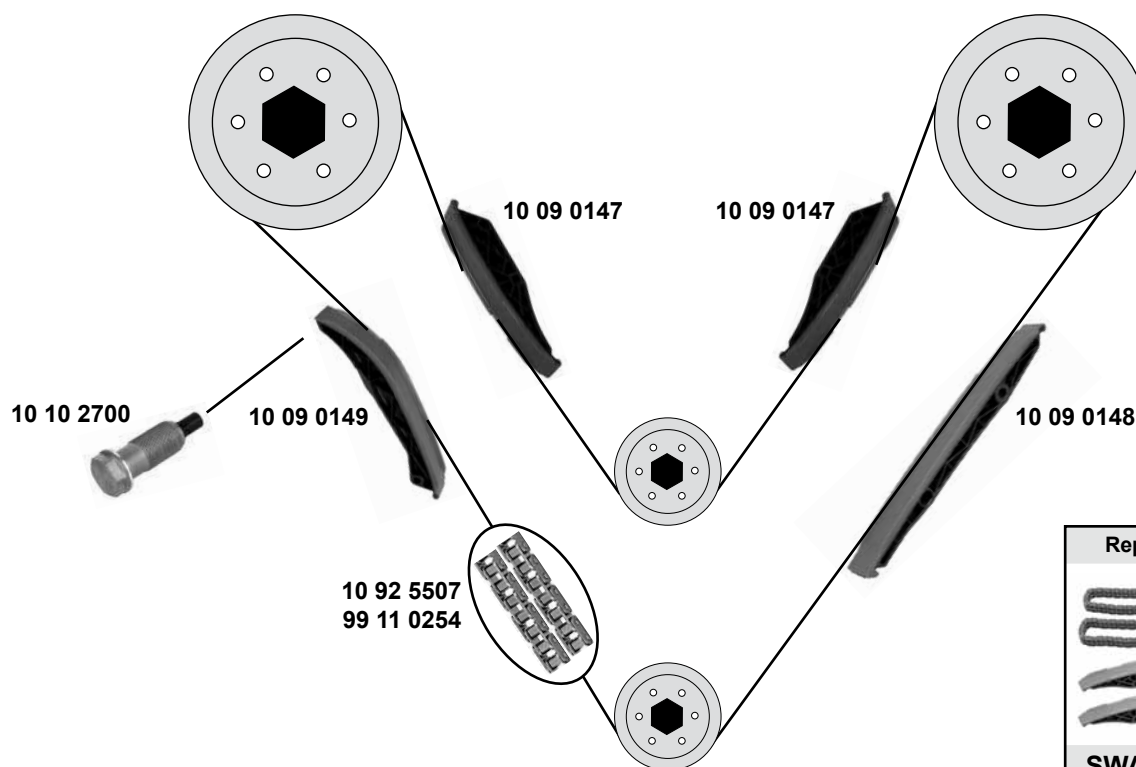
(3) M 272.982 (mot.) 3009529→ / M 272.982,984 / (mot.) 273.966,971



Ref. - No.



Part No.	Ref. - No.	Description	Notes	Dimensions
10 92 6752	272 200 01 14	Kettenspanner / chain tensioner	(mot.) M 272.	
10 92 7454	272 200 01 14	Schwingungsdämpfer / vibration damper		
10 92 8149	272 200 02 70	Riemenspanner / belt tensioner		
10 92 8234	272 202 01 19	Umlenkrolle / deflection pulley	→ 30058376	Ø117 ØA80 B25
10 93 0454	272 202 14 19	Umlenkrolle / deflection pulley	(1)	ØA70 B22
10 93 0460	272 200 02 70 S1	Rep. Satz Riemenstpanner / rep. kit belt tensioner	(2)	
10 93 0502	272 052 13 16	Gleitschiene / sliding rail	(mot.) 272.	
10 93 0503	272 052 00 16	Gleitschiene / sliding rail	(3)	
10 93 0504	272 052 15 16	Gleitschiene / sliding rail	(mot.) 272.	
10 93 0505	272 052 02 16	Gleitschiene / sliding rail		
10 94 0105	000 993 06 76 S2	Kettenglied / chain link		
30 03 0032	000 202 09 19	Umlenkrolle / deflection pulley	(1)	ØA 64 B23
99 11 0459	000 993 06 76	Steuerkette / timing chain	(mot.) 272.	216 N
99 13 0328	272 050 08 11 S1	Rep. Satz Steuerkette / rep. kit timing chain	(2)	



(1) Nietverschluß / riveted link / bouchon de rivet / rivetti / cierre de roblón



Ref. - No.



Ref. - No.			
10 03 0034	112 200 09 70	Riemenspanner / belt tensioner	(mot.) → 019834
10 09 0147	112 052 01 16	Gleitschiene / sliding rail	
10 09 0148	112 052 00 16	Gleitschiene / sliding rail	
10 09 0149	112 052 02 16	Gleitschiene / sliding rail	
10 10 2700	112 050 08 11	Kettenspanner / chain tensioner	
10 92 5507	003 997 68 94 S1	Steuerkette / timing chain	(1)
30 03 0032	272 202 10 19	Umlenkrolle / deflection pulley	
99 11 0254	003 997 68 94	Steuerkette / timing chain	(1)
99 13 0303	112 050 08 11 S1	Rep Satz Steuerkette / rep. kit timing chain	168 E ØA 64 ØI 17 B23 168 N

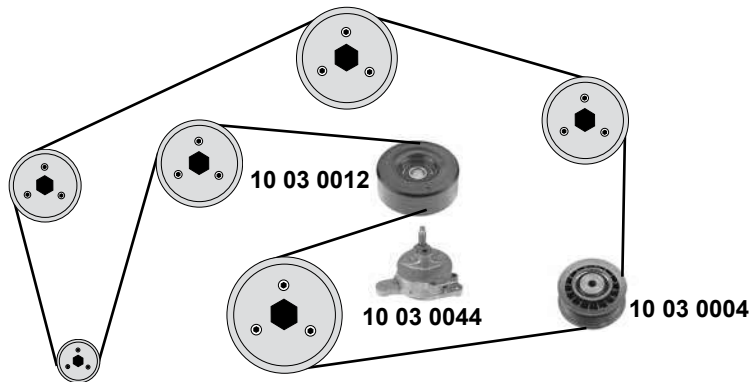
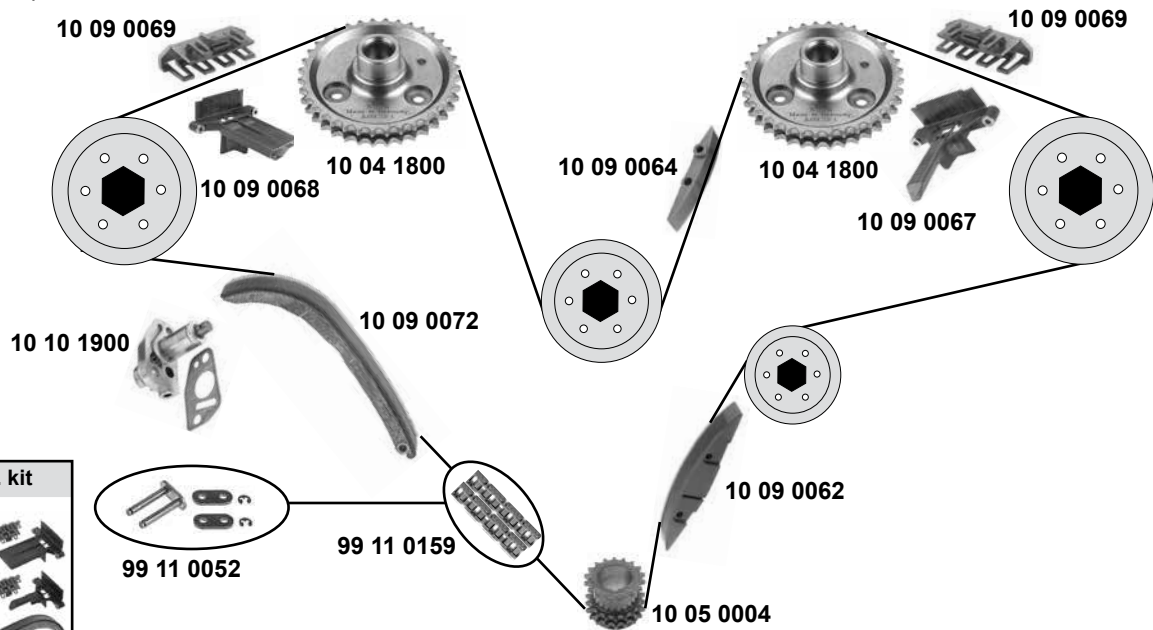
# MERCEDES-BENZ E-Klasse (BM 210)

(95 → 03)



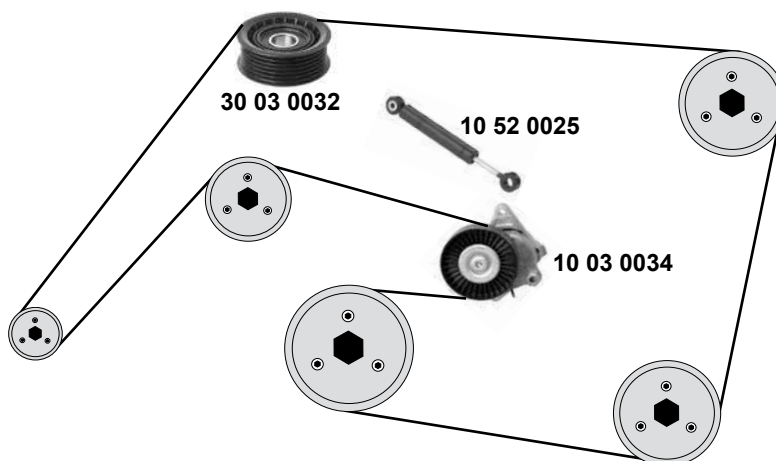
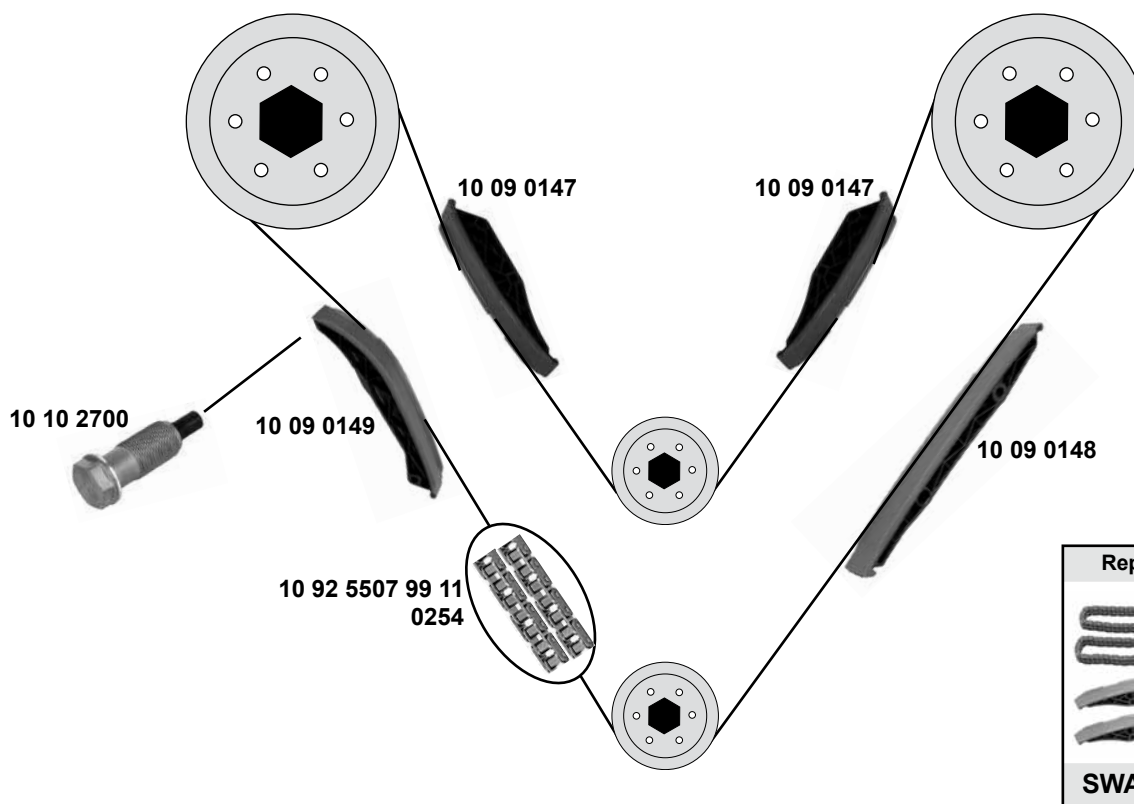
## E 420 / E 420 T / E 50 AMG

(M 119.980,985)



(1) Nietverschluss / riveted link / bouchon de rivet / rivetti / cierre de roblón

SWAG GERMANY	Ref. - No.			
10 03 0004	601 200 10 70	Umlenkrolle / deflection pulley		69 x 26/31,5
10 03 0012	119 200 14 70	Spannrolle / tension roller		
10 03 0044	119 200 11 70	Riemenspanner / belt tensioner		
10 04 1800	119 050 10 04	Nockenwellenrad / camshaft gear		Z 36
10 05 0004	119 052 01 03	Kurbelwellenzahnrad / crankshaft gear		Z 18
10 09 0062	119 052 12 16	Gleitschiene / sliding rail		
10 09 0064	119 052 11 16	Gleitschiene / sliding rail		
10 09 0067	119 050 02 16	Gleitschiene / sliding rail		
10 09 0068	119 050 03 16	Gleitschiene / sliding rail		
10 09 0069	119 052 09 16	Gleitschiene / sliding rail		
10 09 0072	119 050 04 16	Gleitschiene / sliding rail		
10 10 1900	119 050 17 11	Kettenspanner / chain tensioner		
99 11 0052	000 997 05 98	Kettenglied / chain link		11 / D 455
99 11 0159	003 997 44 94	Steuerkette / timing chain	(1)	D 455 / 216 N
99 13 0313	119 050 17 11 S1	Rep. Satz Steuerkette / rep. kit timing chain		



(1) Nietverschluß / riveted link / bouchon de rivet / rivetti / cierre de roblón



Ref. - No.



Ref. - No.	Description	Quantity	Part Number
10 03 0034	Riemenspanner / belt tensioner	(mot.)	→ 290775
10 09 0147	Gleitschiene / sliding rail		
10 09 0148	Gleitschiene / sliding rail		
10 09 0149	Gleitschiene / sliding rail		
10 10 2700	Kettenspanner / chain tensioner		
10 52 0025	Schwingungsdämpfer / vibration damper	(ex.) 980	55 N - 600 N
10 92 5507	Steuerkette / timing chain	(1)	168 E
30 03 0032	Umlenkrolle / deflection pulley	(1)	ØA 64 ØI 17 B23
99 11 0254	Steuerkette / timing chain	(1)	168 N
99 13 0303	Rep. Satz Steuerkette / rep. kit timing chain		

# MERCEDES-BENZ E-Klasse (BM 211)

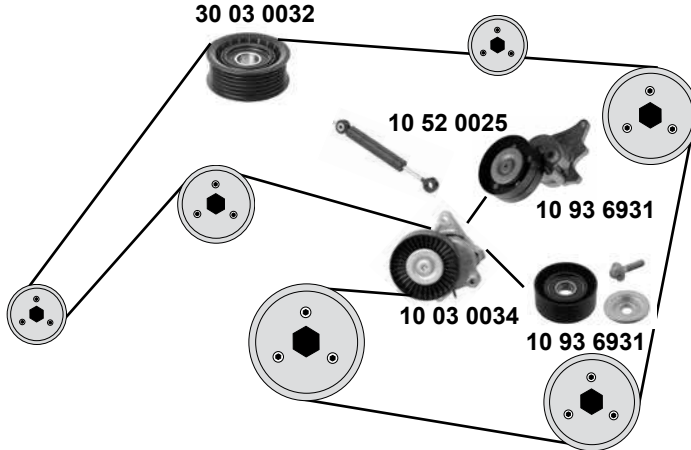
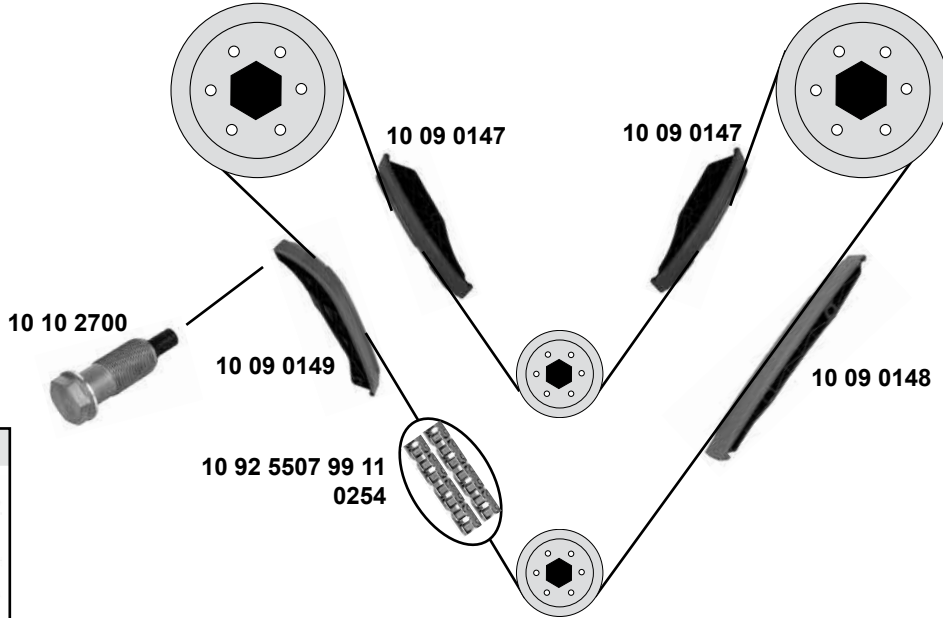
(02 →)



## E 240 - E 500

(M 112.913, 917, 949, 954)

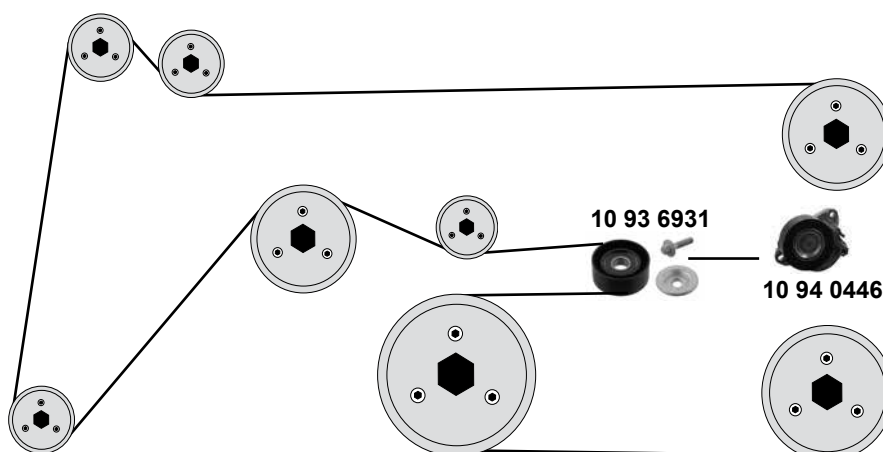
(M 113.967, 969, 990)



(1) Nietverschluß / riveted link / bouchon de rivet / rivetti / cierre de roblón

SWAG	Ref. - No.			
10 03 0034	112 200 09 70	Riemenspanner / belt tensioner		
10 09 0147	112 052 01 16	Gleitschiene / sliding rail		
10 09 0148	112 052 00 16	Gleitschiene / sliding rail		
10 09 0149	112 052 02 16	Gleitschiene / sliding rail		
10 10 2700	112 050 08 11	Kettenspanner / chain tensioner		
10 52 0025	112 200 00 14	Schwingungsdämpfer / vibration damper	(mot.) 912.913,917	55 N - 600 N
10 92 5507	003 997 68 94 S1	Steuerkette / timing chain	(1)	168 E
10 93 6931	113 202 00 19	Spannrolle / tension roller	(mot.) M 113.990	ØA65 B26
10 93 6981	113 200 01 70	Riemenspanner / belt tensioner	(mot.) M 113.990	ØA90 B32
30 03 0032	272 202 09 19	Umlenkrolle / deflection pulley	(ex.) M 113.990	ØA 64 ØI 17 B23
99 11 0254	003 997 68 94	Steuerkette / timing chain	(1)	168 N
99 13 0303	112 050 08 11 S1	Rep. Satz Steuerkette / rep. kit timing chain		





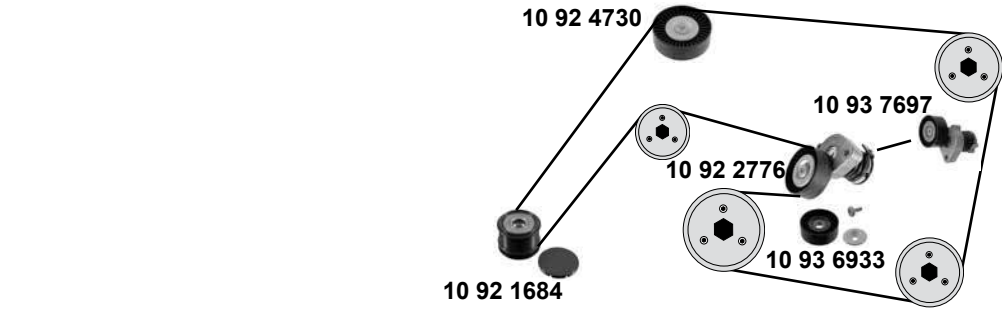
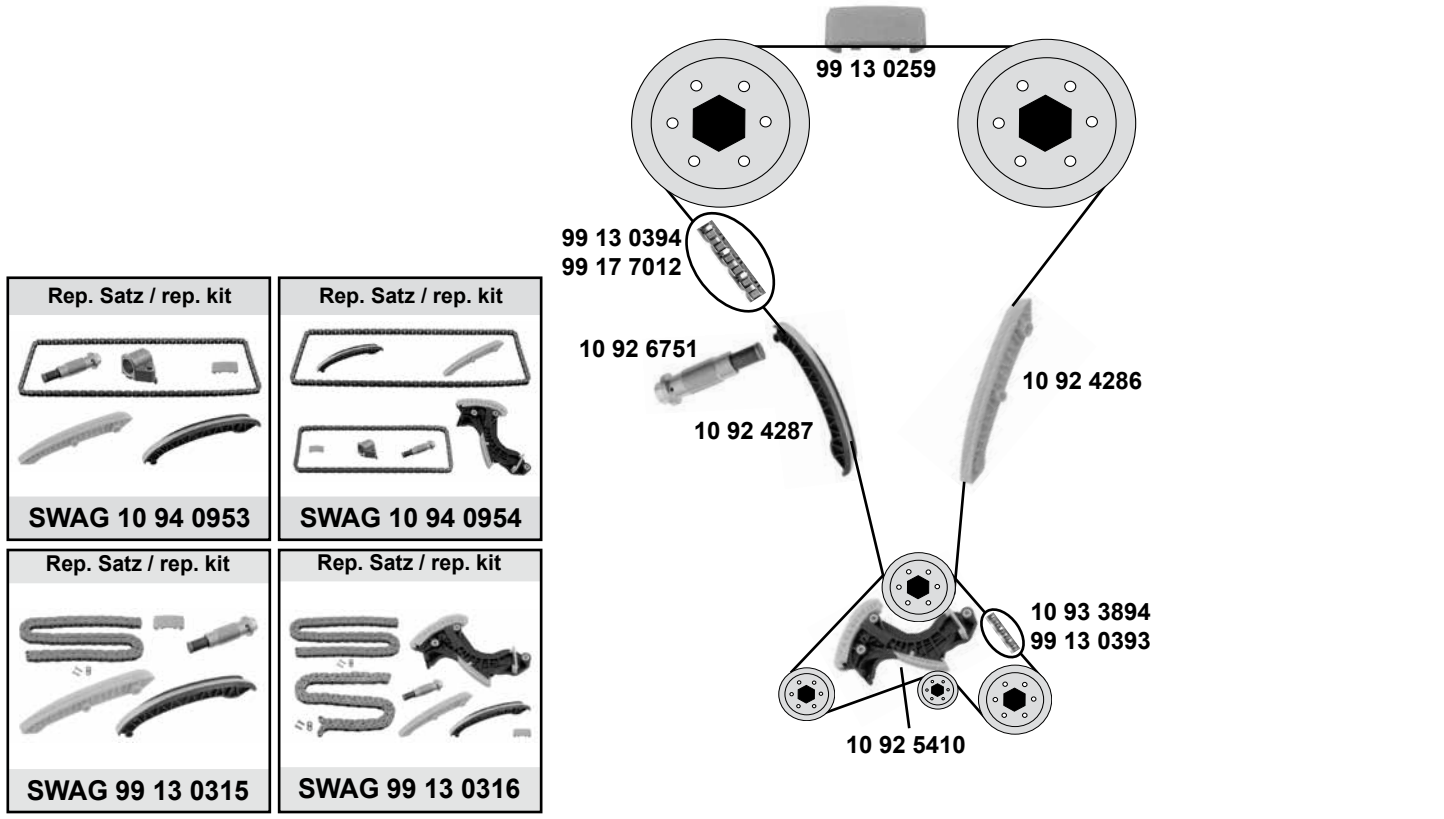
# MERCEDES-BENZ E-Klasse (BM 211)

(02 →)



## E 200 Kompressor

(M 271.941,956)

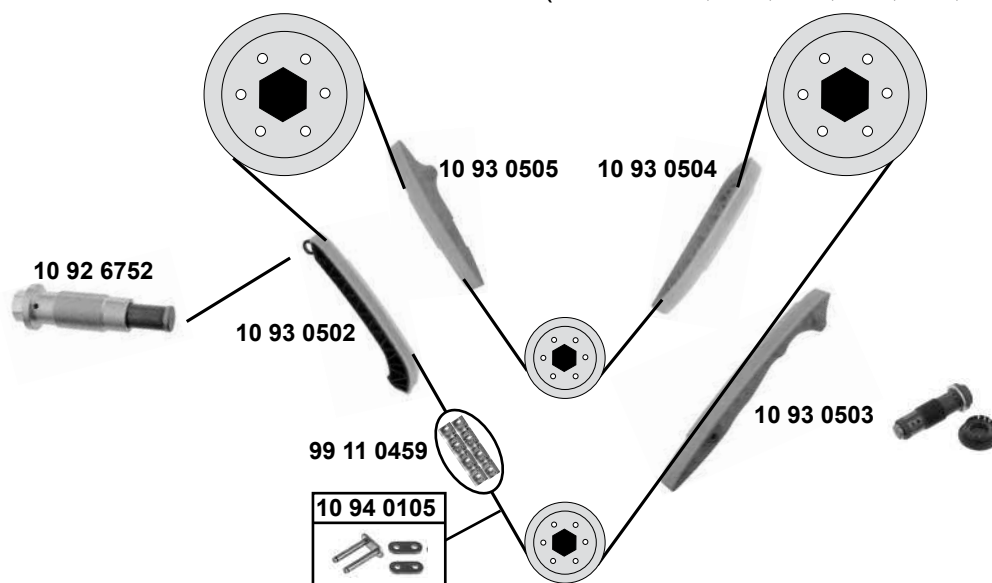


SWAG	Ref. - No.			
10 92 1684	271 155 00 16	Riemenscheibe Lichtmaschine / belt pulley alternator	(mot.) 271.941	60 x 46,2
10 92 2776	271 200 02 70	Riemenspanner /belt tensioner		
10 92 4286	271 052 10 16	Gleitschiene / sliding rail		
10 92 4287	271 052 11 16	Gleitschiene / sliding rail		
10 92 4730	271 206 00 19	Umlenkrolle / deflection pulley		90,5 x 28
10 92 5410	271 030 08 63	Kettenspanner / chain tensioner		
10 92 6751	271 050 06 11	Kettenspanner / chain tensioner		
10 93 3894	000 993 20 76 S1	Steuerkette endlos / timing chain endless		106 E
10 93 6933	271 200 05 70	Riemenspanner /belt tensioner		ØA76 B28
10 93 7697	271 200 04 70	Riemenspanner / belt tensioner	(mot.) 31216220→	ØA65 B26
10 94 0953	271 050 06 11 S3	Rep. Satz Steuerkette / rep. kit timing chain		
10 94 0954	271 050 06 11 S4	Rep. Satz Steuerkette / rep. kit timing chain		
99 13 0259	271 052 04 16	Gleitschiene / sliding rail		
99 13 0315	271 052 06 11 S1	Rep. Satz Steuerkette / rep. kit timing chain		
99 13 0316	271 050 06 11 S2	Rep. Satz Steuerkette / rep. kit timing chain		142 E
99 13 0393	000 993 20 76	Steuerkette mit Nietverschluss/ timing chain with riveting link		106 N
99 13 0394	000 993 19 76	Steuerkette endlos/ timing chain with endless		142 E
99 17 7012	000 993 21 76	Steuerkette mit Nietverschluss / timing chain with riveting link		142 N



**E 230 / 250 / 280 / 300/4-Matic / 350**

(M 272.922,943,944,964,972,974,985 / M 273.960,962)



Rep. Satz / rep. kit

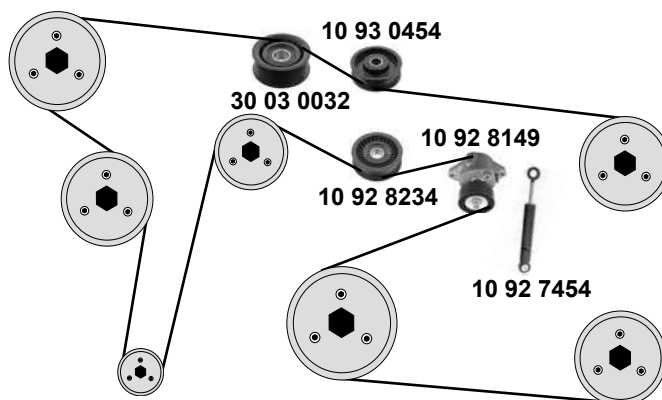


SWAG 99 13 0328

Rep. Satz / rep. kit



SWAG 99 13 0330



Rep. Satz / rep. kit



SWAG 10 93 0460

(1) (mot.) 272.943,944,964,972 : → (mot.) 290775 / → 06.05

(4) M 272.922,943,944,964,972 (mot.) 30009529 → / M 272.985 / M 273.960,962

(2) (mot.) 272. ... : 3005837 → / (ex.) (mot.) 272.974 (mot.) 273.960,962

(5) (mot.) 272.964,972: (ch.) 30058376

(3) (ex.) (mot.) 273. 960,962

(6) (mot.) 272. ... : 30015317 → 30089232 / 04.04 → 05.05

(7) (mot.) 272.922,943,944,964,972,985 (mot.) 30089233 → / (mot.) 273.960,962



Ref. - No.



Part No.	Ref. - No.	Description	Quantity	Notes
10 92 6752	272 050 01 11	Kettenspanner / chain tensioner	(1)	
10 92 7454	272 200 01 14	Schwingungsdämpfer / vibration damper	(ex.) 974	55 N - 400 N
10 92 8149	272 200 00 70	Riemenspanner / belt tensioner	(ex.) 974	ØA 76
10 92 8234	272 202 01 19	Riemenspanner / belt tensioner	(3) (5)	80 x 28 x 17
10 93 0454	272 202 14 19	Umlenkrolle / deflection pulley	(2)	ØA 70 B22
10 93 0460	272 200 02 70 S1	Rep. Satz Riemen­spanner / rep. kit belt tensioner	(ex.) 974	
10 93 0502	272 052 13 16	Gleitschiene / sliding rail	(7)	
10 93 0503	272 052 00 16	Gleitschiene / sliding rail	(ex.) 974	
10 93 0504	272 052 15 16	Gleitschiene / sliding rail	(4)	
10 93 0505	272 052 02 16	Gleitschiene / sliding rail	(ex.) 974	
10 94 0105	000 993 06 76 S2	Kettenglied / chain link	(ex.) 974	
30 03 0032	272 202 10 19	Umlenkrolle / deflection pulley		ØA 64 ØI 17 B23
99 11 0459	000 993 06 76	Steuerkette / timing chain	(ex.) 974	216 N
99 13 0328	272 050 08 11 S1	Rep. Satz Steuerkette / rep. kit timing chain	(7)	
99 13 0330	272 050 01 11 S2	Rep. Satz Steuerkette / rep. kit timing chain	(6)	

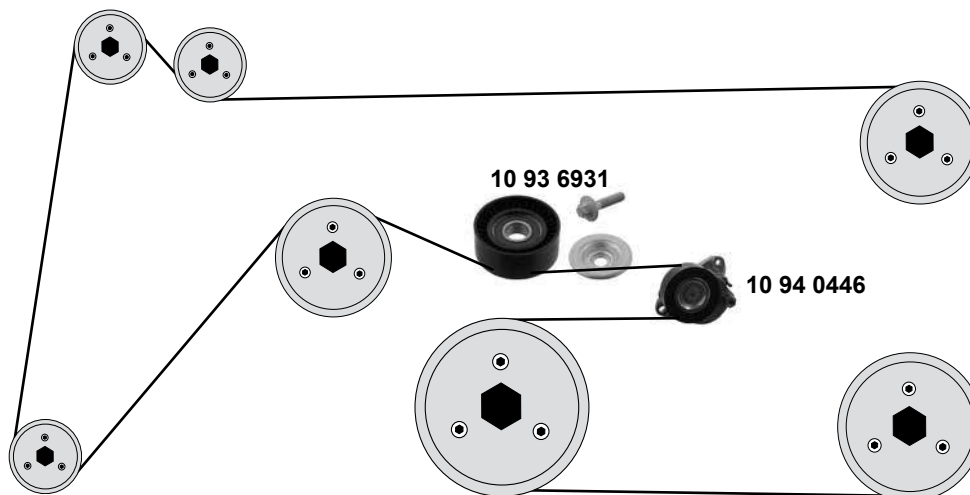
# MERCEDES-BENZ E-Klasse (BM 212)

( 02 →)



## E-Klasse

(M 156.980,985)



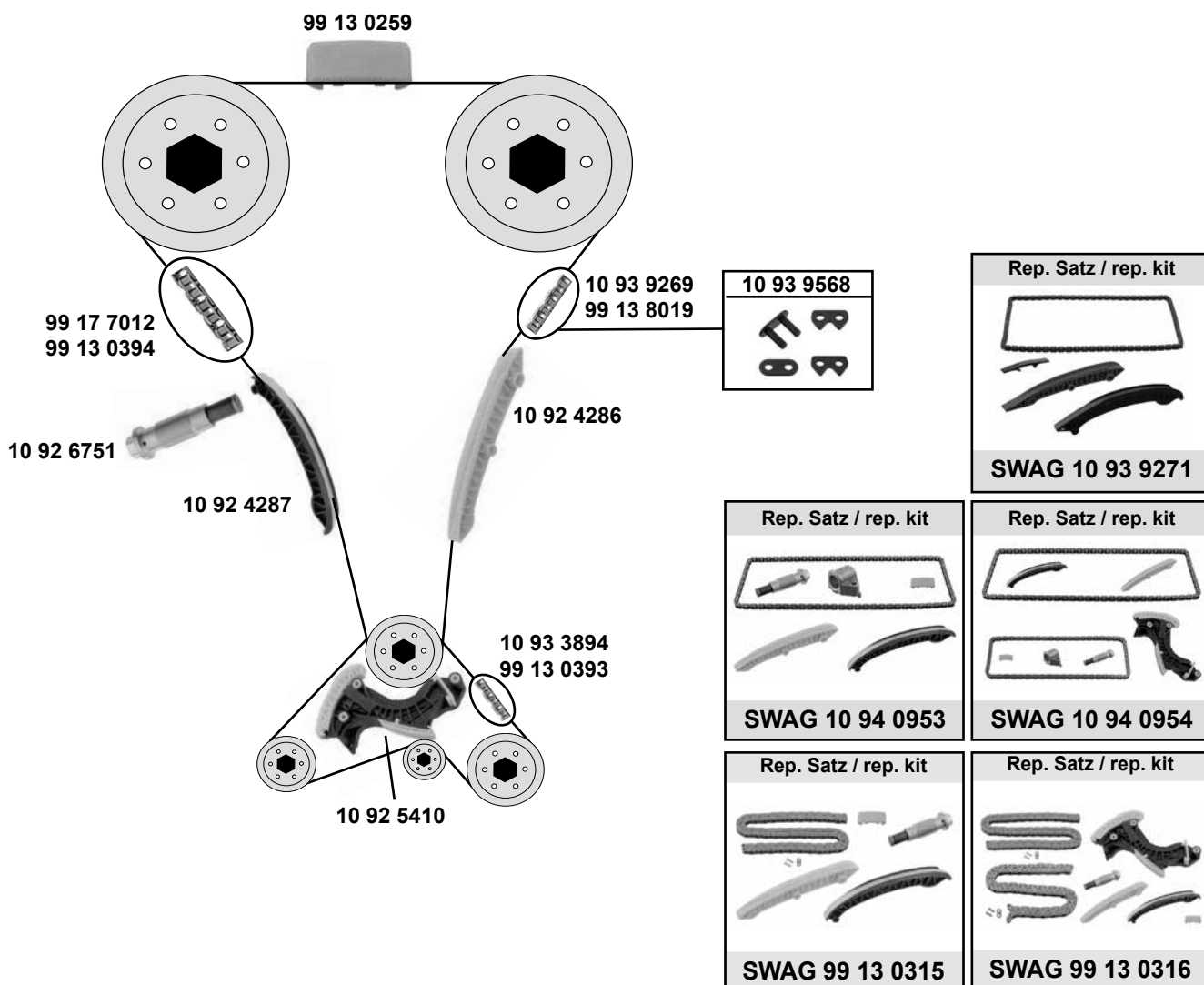
Ref. - No.



10 93 6931 113 202 00 19  
10 94 0446 156 200 05 70

Spannrolle / tension roller  
Riemenspanner / belt tensioner

ØA 76 B26

**E-Klasse**  
 (M 271.820/860/958)


(1) (mot.) 271.958 / (mot.) 271.820/860 (mot.) 30064508→

(2) für Fahrzeuge mit Lanchester-Ausgleich / for vehicles with lanchester balancing system

	Ref. - No.			
10 92 4286	271 052 10 16	Gleitschiene links / sliding rail left	(mot.) 271.958	
10 92 4287	271 052 11 16	Gleitschiene rechts / sliding rail right	(mot.) 271.958	
10 92 5410	271 030 09 63	Kettenspanner / chain tensioner		
10 92 6751	271 050 06 11	Kettenspanner / chain tensioner	(mot.) 271.958	
10 93 3894	000 993 20 76 S1	Steuerkette endlos / timing chain endless	(1)	106 E
10 93 9269	000 993 10 78	Steuerkette mit Nietverschluss / timing chain with	(ex.) 271.958	142 N
10 93 9271	000 993 09 78 S2	Rep. Satz Steuerkette / rep. kit timing chain	(ex.) 271.958	
10 93 9568	000 993 10 78 S3	Kettenglied / chain link	(ex.) 271.958	
10 94 0953	271 050 06 11 S3	Rep. Satz Steuerkette / rep. kit timing chain	(mot.) 271.958	
10 94 0954	271 050 06 11 S4	Rep. Satz Steuerkette / rep. kit timing chain	(2) (mot.) 271.958	
99 13 0259	271 052 04 16	Gleitschiene / sliding rail	(mot.) 271.958	
99 13 0315	271 050 06 11 S1	Rep. Satz Steuerkette / rep. kit timing chain	(mot.) 271.958	
99 13 0316	271 050 06 11 S2	Rep. Satz Steuerkette / rep. kit timing chain	(mot.) 271.958	142 E
99 13 0393	000 993 20 76	Steuerkette mit Nietverschluss/ timing chain with riveting link	(1)	106 N
99 13 0394	000 993 19 76	Steuerkette mit Nietverschluss/ timing chain with	(mot.) 271.958	142 N
99 13 8019	000 993 09 78	Steuerkette / roller chain	(ex.) 271.958	142 E
99 17 7012	000 993 21 76	Steuerkette mit Nietverschluss/ timing chain with riveting link	(mot.) 271.958	142 N

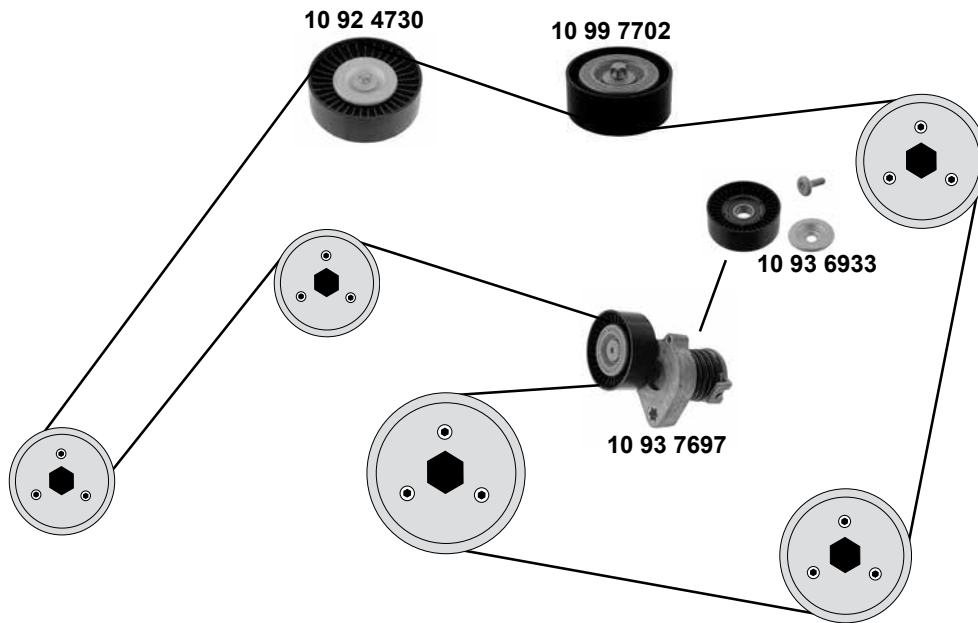
# MERCEDES-BENZ E-Klasse (BM 212)

( 02 → )



## E-Klasse

(M 271.820/860/958)



(1) (mot.) 271.820/860 / (mot.) 271.958 (mot.) 31216220 →

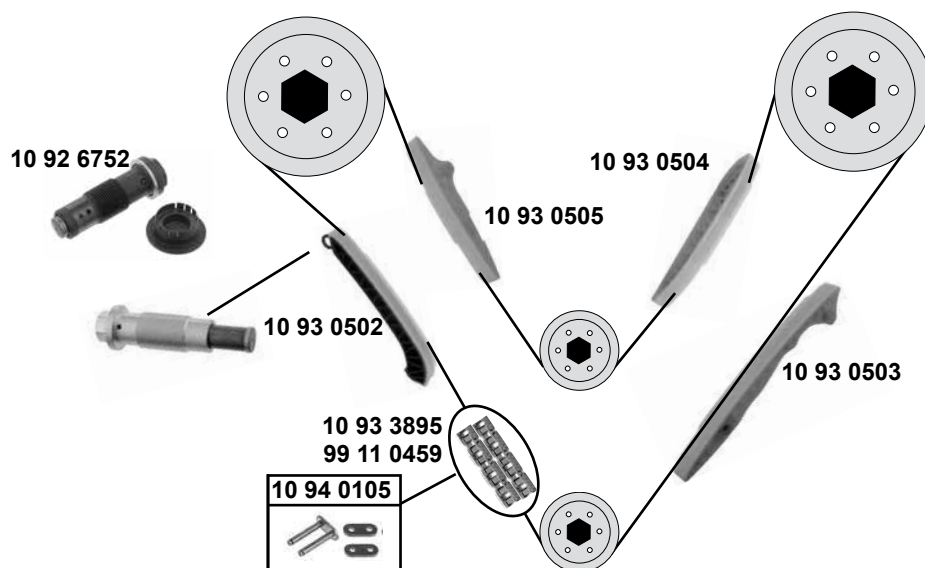


Ref. - No.



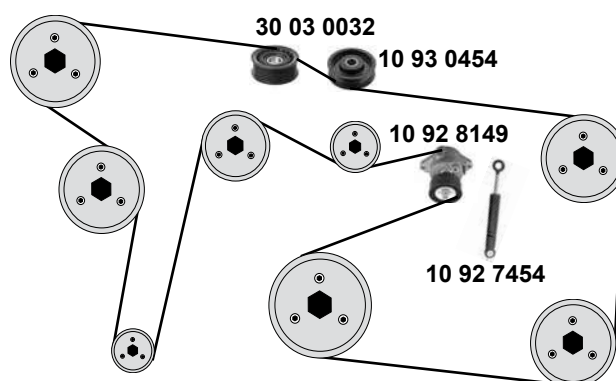
10 92 4730	271 206 00 19	Umlenkrolle / deflection pulley	(mot.) 271.958	ØA90 B 28
10 93 6933	271 200 05 70	Riemenspanner / belt tensioner	(mot.) 271.958	ØA76 B28
10 93 7697	271 200 04 70	Riemenspanner / belt tensioner	(1)	
10 99 7702	000 202 17 19	Umlenkrolle / deflection pulley	(ex.) 271.958	B 26
10 93 7703	000 202 16 19	Rep.Satz Umlenkrolle / rep. kit deflection pulley		ØA 67

(M 272.923,952,977,980,983/273.971)



### E 300 / 350/ 4-Matic/ CGI

(M 272.923,952,977,980,983 / 273.970,971)



- (1) (mot.) 272.952,977,980,983: (ch.) 3005837 → / (mot.) 273.970,971
- (2) (mot.) 272.923,952,977,980 (mot.) 30009529 → / M 272.983 / M 273.971
- (3) (mot.) 272.923,952,977,980,983 (mot.) 30089233 → / (mot.) 273:970,971
- (4) (mot.) →30089231 / →30.06.2005



Ref. - No.



Ref. - No.				
10 92 6752	272 050 01 11	Kettenspanner / chain tensioner	(4)	
10 92 7454	272 200 01 14	Schwingungsdämpfer / vibration damper		55 N - 400 N
10 92 8149	272 200 00 70	Riemenspanner / belt tensioner		ØA 76
10 93 0454	272 202 14 19	Umlenkrolle / deflection pulley	(1)	ØA 70 B22
10 93 0460	272 200 02 70 S1	Rep. Satz Riemenstpanner / rep. kit belt tensioner		
10 93 0502	272 052 13 16	Gleitschiene / sliding rail	(3)	
10 93 0503	272 052 00 16	Gleitschiene / sliding rail		
10 93 0504	272 052 15 16	Gleitschiene / sliding rail	(2)	
10 93 0505	272 052 02 16	Gleitschiene / sliding rail		
10 93 3895	000 993 06 76 S1	Steuerkette / timing chain		216 E
10 94 0105	000 993 06 76 S2	Kettenglied / chain link		
30 03 0032	272 202 10 19	Umlenkrolle / deflection pulley	(ex.) 923,970	ØA 64 ØI 17 B23
99 11 0459	000 993 06 76	Steuerkette / timing chain	(3)	216 N
99 13 0328	272 050 08 11 S1	Rep. Satz Steuerkette / rep. kit timing chain	(3)	

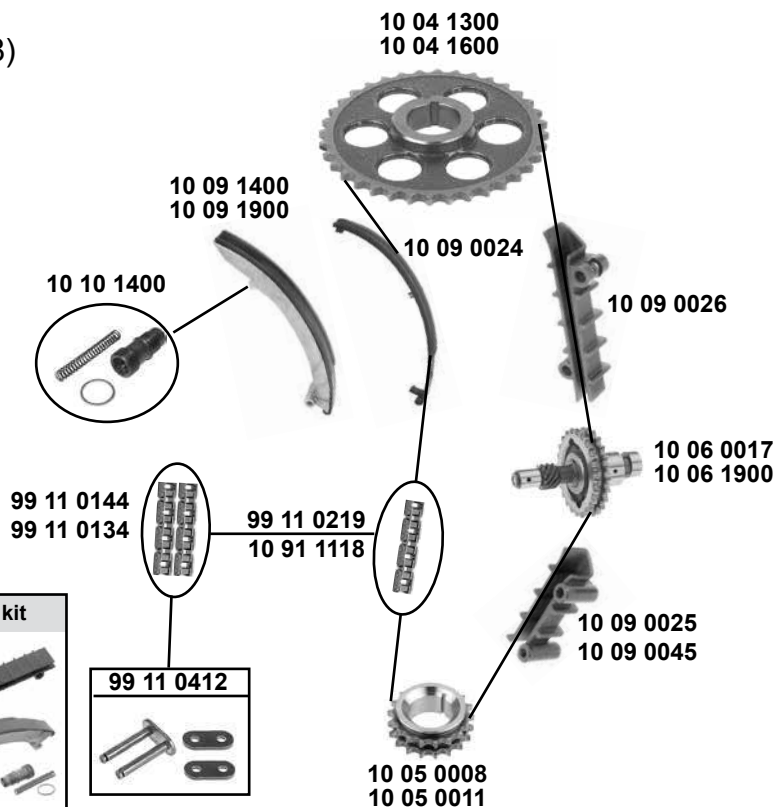
# MERCEDES-BENZ G-Klasse (BM 460)

(89 → 93)



## 200 GE / 230 GE

(M 102.964,981,987,973,987,998)



(1) 964: (mot.) → 000413

(2) 964: (mot.) 000414 →

(3) Federverschluß / split link

(4) Nietverschluß / riveted link

(7) mit Duplexkette / with duplex chain

(5) 987: (mot.) 001589 →  
(mot.) 000759 →

(6) 981/ 998 : alle /all  
987: (mot.) → 001588  
 (mot.) → 000758

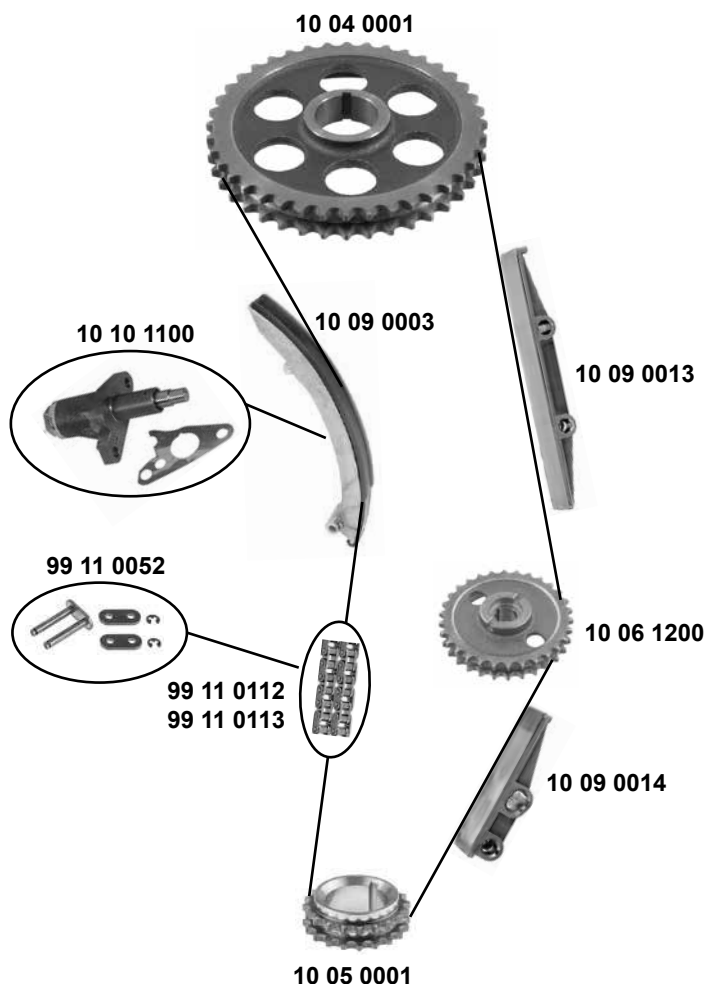


Ref. - No.



Part No.	Ref. - No.	Description	Quantity	Notes
10 04 1300	102 052 02 01	Nockenwellenrad / camshaft gear	(1)	Z 36
10 04 1600	102 052 09 01	Nockenwellenrad / camshaft gear	(2) (5)	
10 05 0008	102 052 00 03	Kurbelwellenzahnrad / crankshaft gear	(1)	Z 20 Ø1 36
10 05 0011	102 052 01 03	Kurbelwellenzahnrad / crankshaft gear	(2) (5)	
10 06 0017	102 050 09 06	Zwischenwelle / intermediate shaft	(2) (5)	
10 06 1900	102 050 08 06	Zwischenwelle / intermediate shaft	(1)	
10 09 0024	102 052 04 83	Gummibelag / rubber lining	SWAG 10 09 1400	
10 09 0025	102 052 03 16	Gleitschiene / sliding rail	(1) (6)	
10 09 0026	102 052 04 16	Gleitschiene / sliding rail	(1) (6)	
10 09 0045	102 052 13 16	Gleitschiene / sliding rail	(2) (5)	
10 09 0046	102 052 14 16	Gleitschiene / sliding rail	(2) (5)	
10 09 1400	102 050 08 16	Gleitschiene / sliding rail	(1) (6)	
10 09 1900	102 050 12 16	Gleitschiene / sliding rail	(2) (5)	
10 10 1400	102 050 10 11	Kettenspanner / chain tensioner	(1) (6) (2) (5)	
10 91 1118	003 997 82 94 S	Steuerkette / timing chain	(1) (3)	458 / 106 F
10 93 6589	102 052 09 01 S1	Rep. Satz Steuerkette / rep. kit timing chain	(2) (5) (7)	
99 11 0134	002 997 17 94	Steuerkette / timing chain	(2) (5)	106 E
99 11 0144	002 997 03 94	Steuerkette / timing chain	(2) (4) (5)	D 455 / 106 N
99 11 0219	003 997 82 94	Steuerkette / timing chain	(1) (4)	458 / 106 N
99 11 0412	000 997 22 98	Kettenglied / chain link	(2) (4) (5)	
99 13 0305	102 050 10 11 S1	Rep. Satz Steuerkette / rep. kit timing chain	(1) (6)	
99 13 0306	102 050 10 11 S2	Rep. Satz Steuerkette / rep. kit timing chain		



**230 GE**  
 (M 115.973)


(1) Federverschluß / split link

(2) Nietverschluß / riveted link



Ref. - No.



Ref. - No.	Description	Quantity	Part No.
10 04 0001	Nockenwellenrad / camshaft gear		
10 05 0001	Kurbelwellenzahnrad / crankshaft gear		
10 06 1200	Zwischenrad / intermediate gear		
10 09 0003	Gleitschiene / sliding rail		
10 09 0013	Gleitschiene / sliding rail		
10 09 0014	Gleitschiene / sliding rail		
10 10 1100	Kettenspanner / chain tensioner		
10 93 9273	Rep. Satz Steuerkette / rep. kit timing chain		
99 11 0112	Steuerkette / timing chain	(2)	D 455 / 126 N
99 11 0052	Kettenglied / chain link	(1)	11 / D 455
99 11 0113	Steuerkette / timing chain		126 E

# MERCEDES-BENZ

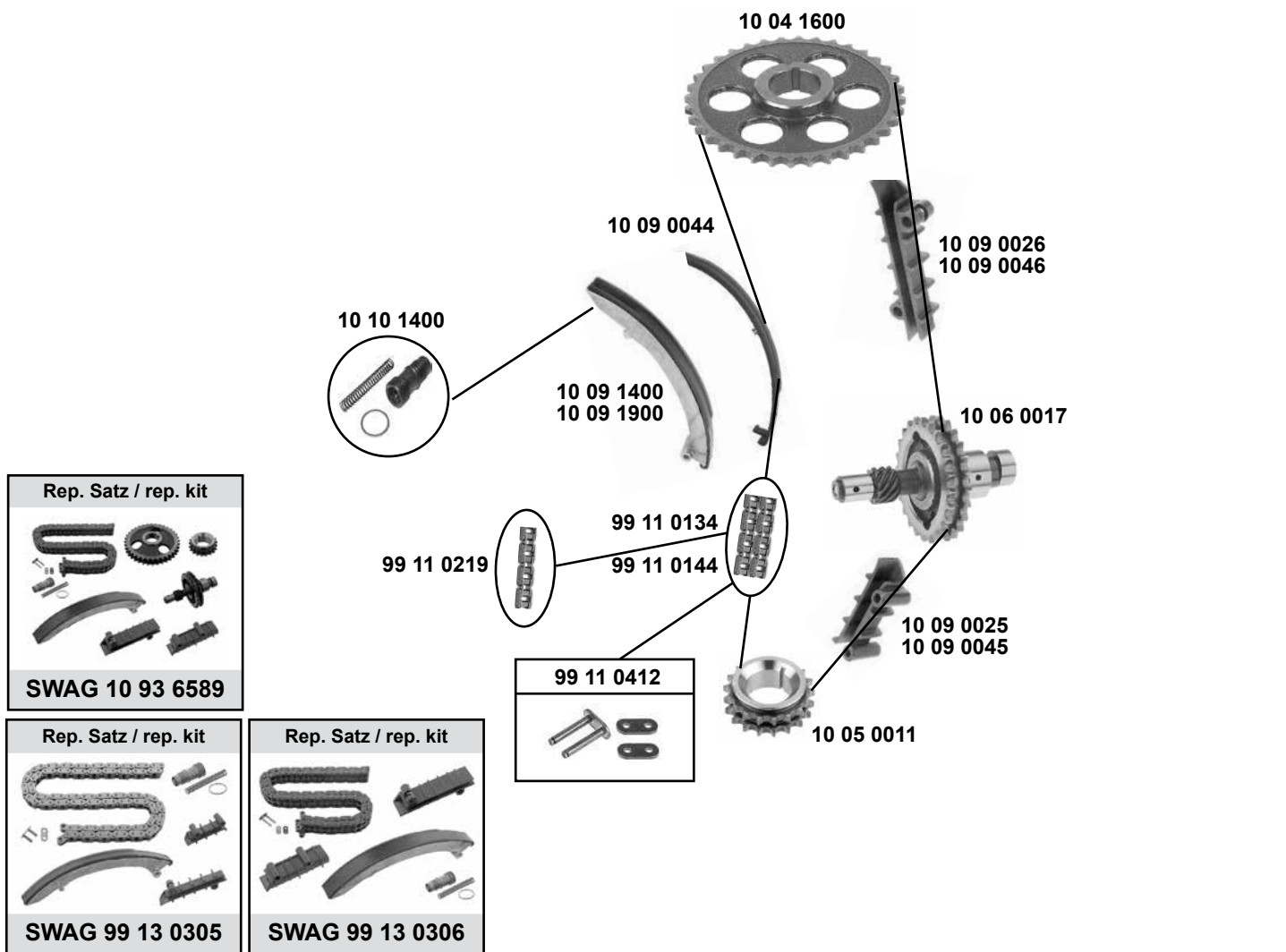
## G- Klasse (BM 461)

(89 → 93)



### 230 GE

(M 102.958,979,981,996,997,998)



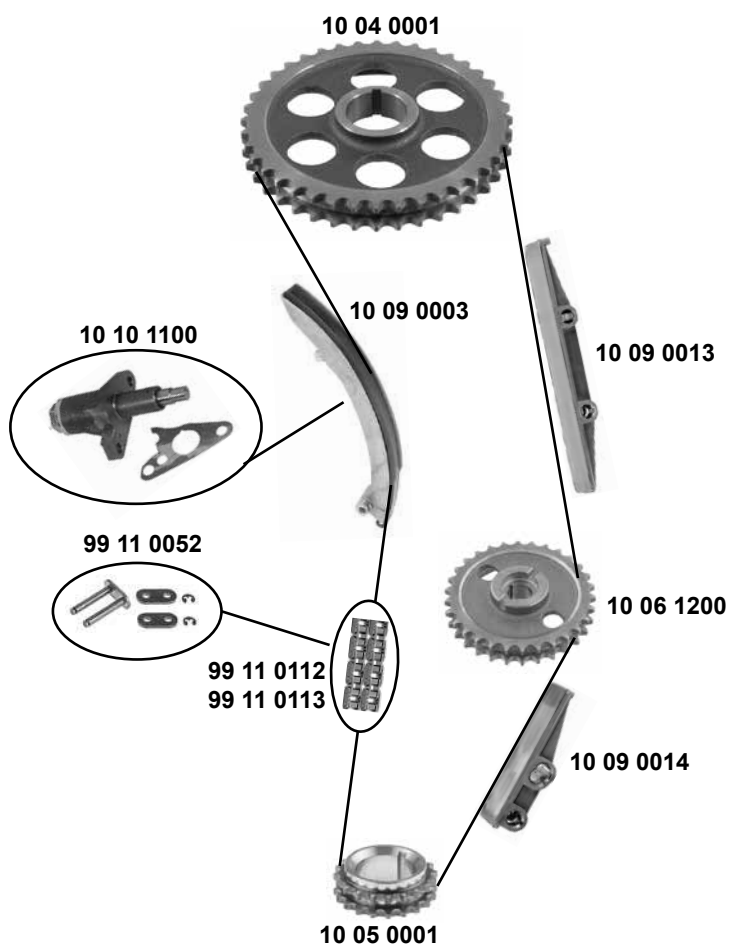
- (1) Nietverschluss / riveted link / bouchon de rivet / rivetti / cierre de roblón
- (2) mit Duplexkette / with duplex chain / (mot.) M102.979,996,997



Ref. - No.			
10 04 1600	102 052 09 01	Nockenwellenrad / camshaft gear	(mot.) 979,996,997
10 05 0011	102 052 01 03	Kurbelwellenrad / crankshaft gear	(mot.) 979,996,997
10 06 0017	102 050 09 06	Zwischenrad / intermediate gear	(mot.) 979,996,997
10 09 0025	102 052 03 16	Gleitschiene / sliding rail	(mot.) 958
10 09 0026	102 052 04 16	Gleitschienen / sliding rail	(mot.) 958
10 09 0044	102 052 06 83	Gummibelag / rubber lining	(mot.) 996,997
10 09 0045	102 052 13 16	Gleitschiene / sliding rail	(mot.) 996,997
10 09 0046	102 052 14 16	Gleitschiene / sliding rail	(mot.) 996,997
10 09 1400	102 050 08 16	Gleitschiene / sliding rail	(mot.) 958,998
10 09 1900	102 050 12 16	Gleitschiene / sliding rail	(mot.) 102.996,997
10 10 1400	102 050 10 11	Kettenspanner / chain tensioner	(ex.) 979,998
10 93 6589	102 052 09 01 S1	Rep. Satz Steuerkette / rep. kit timing chain	(2)
99 11 0134	002 997 17 94	Steuerkette / timing chain	(mot.) 979,996,997
99 11 0144	002 997 03 94	Steuerkette / timing chain	(1) (mot.) 996,997
99 11 0219	003 997 82 94	Steuerkette / timing chain	(1) (mot.) 958
99 11 0412	000 997 22 98	Kettenglied / chain link	(mot.) 979,996,997
99 13 0305	105 050 10 11 S1	Rep. Satz Steuerkette / rep. kit timing chain	(mot.) 102.958
99 13 0306	102 050 10 11 S2	Rep. Satz Steuerkette / rep. kit. timing chain	(mot.) 102.996,997





**230 G**  
 (M 115.974)


(1) Nietverschluß / riveted link / bouchon de rivet / rivetti / cierre de roblón

(2) Federverschluß / split link / fermeture de ressort



Ref. - No.



SWAG Ref. - No.	Ref. - No.	Description	Quantity	Notes
10 04 0001	121 052 03 01	Nockenwellenrad / camshaft gear		
10 05 0001	615 052 02 03	Kurbelwellenzahnrad / crankshaft gear		Z 20 ØI 36
10 06 1200	114 052 00 02	Zwischenrad / intermediate gear		
10 09 0003	115 050 08 16	Gleitschiene / sliding rail		
10 09 0013	115 052 04 16	Gleitschiene / sliding rail		
10 09 0014	115 052 07 16	Gleitschiene / sliding rail		
10 10 1100	115 050 11 11	Kettenspanner / chain tensioner		
10 93 9273	115 050 11 11 S1	Rep. Satz Steuerkette / rep. kit timing chain		
99 11 0052	000 997 05 98	Kettenglied / chain link	(2)	11 / D 455
99 11 0112	000 997 71 94	Steuerkette / timing chain	(1)	D 455 / 126 N
99 11 0113	002 997 93 94	Steuerkette / timing chain		126 E

# MERCEDES-BENZ

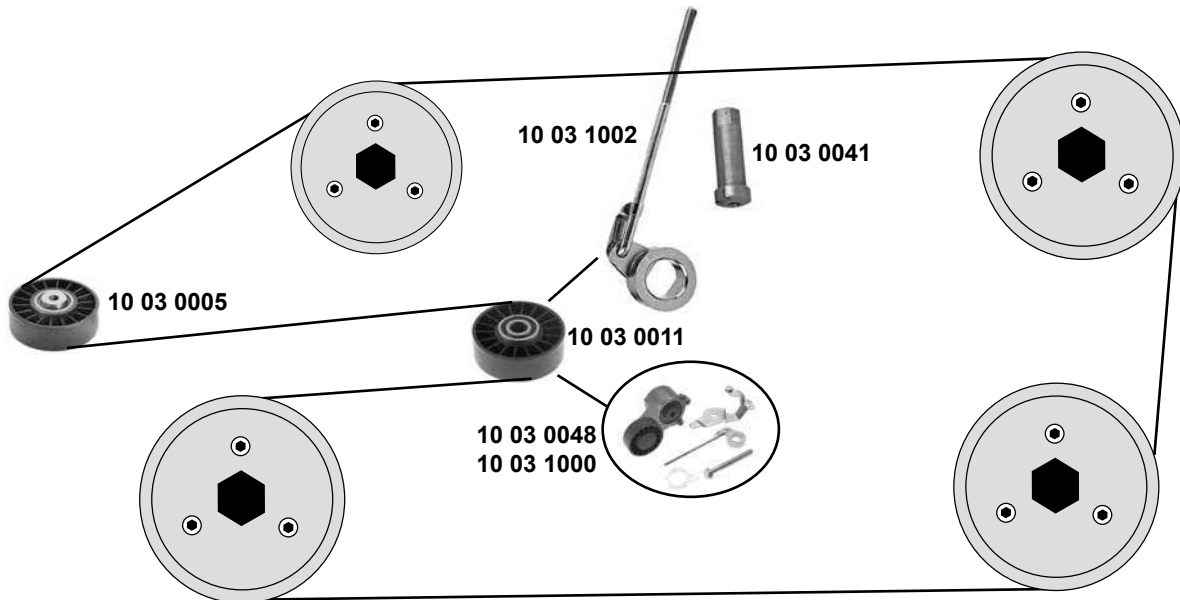
## G- Klasse (BM 461)

(90 →)



### 230 GE

(M 102.979,996,997)



(1) (ex.) mot. 102.979 servo

(2) (ex.) mot. 102.979 (ex.) servo



Ref. - No.



<b>10 03 0005</b>	601 200 09 70	Spannrolle / tension roller	(ex.) 102.979	80 x 25/31
<b>10 03 0011</b>	601 200 12 70	Spannrolle / tension roller		
<b>10 03 0041</b>	102 202 02 72	Spannmutter / tension nut		
<b>10 03 0048</b>	102 200 69 70 S1	Riemenspanner / belt tensioner	(2)	
<b>10 03 1000</b>	102 200 69 70	Riemenspanner / belt tensioner	(1)	
<b>10 03 1002</b>	102 200 02 36	Spannstange / tensioning rod		
<b>10 91 2515</b>	102 200 02 36 S1	Rep. Satz Spannstange / rep. kit tensioning rod		



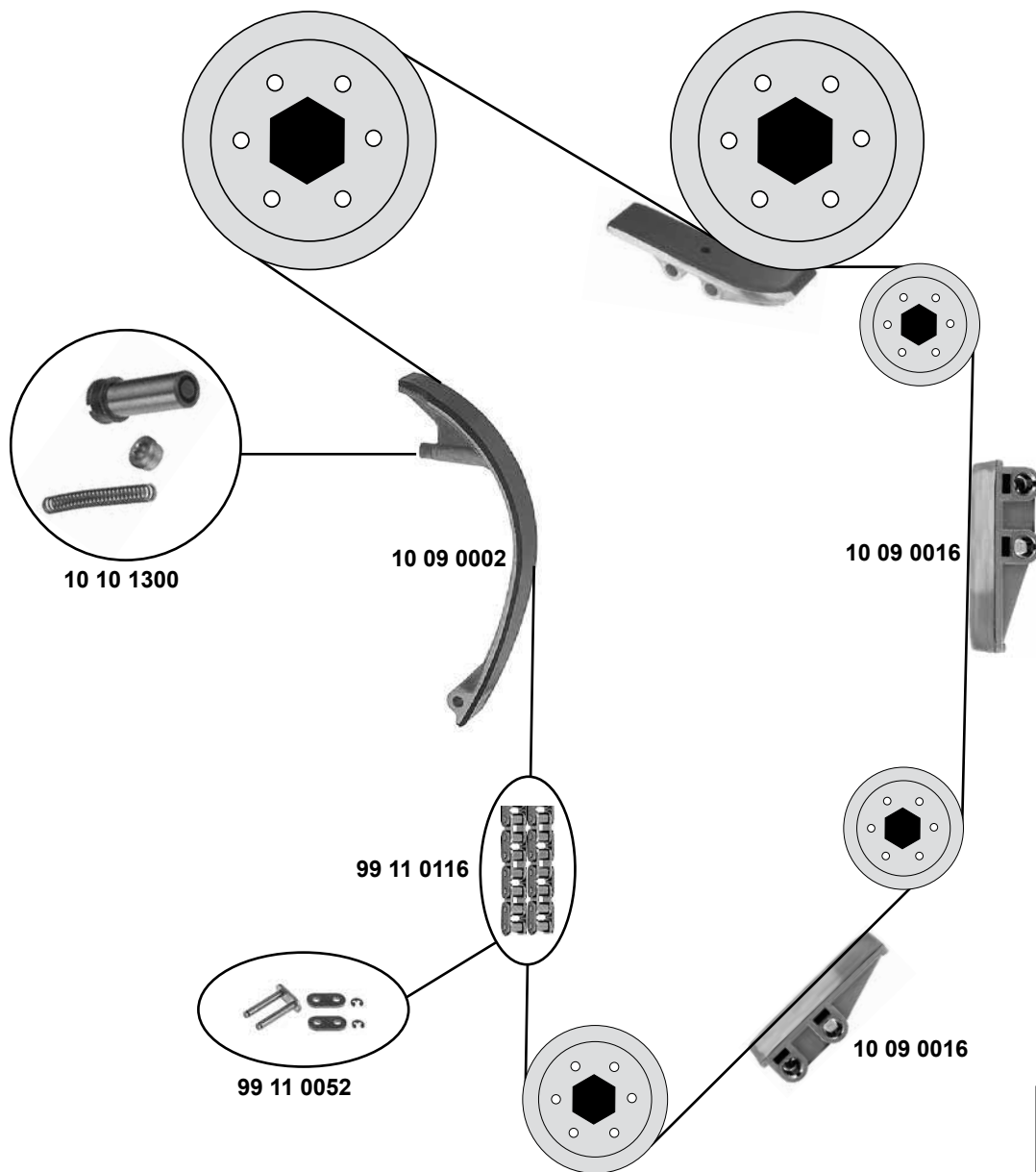
# MERCEDES-BENZ

## G- Klasse (BM 460 / 461)

(89 → 93)

### 230 GE / 280 GE

(M 110.994)



(1) Nietverschluss / riveted link / bouchon de rivet / rivetti / cierre de roblón



Ref. - No.



Ref. - No.	Description	Quantity	Notes
10 09 0002	Gleitschiene / sliding rail		
10 09 0016	Gleitschiene / sliding rail		
10 10 1300	Kettenspanner / chain tensioner		
99 11 0052	Kettenglied / chain link		
99 11 0116	Steuerkette / timing chain	(1)	
99 13 0308	Rep. Satz Steuerkette / rep. kit timing chain		

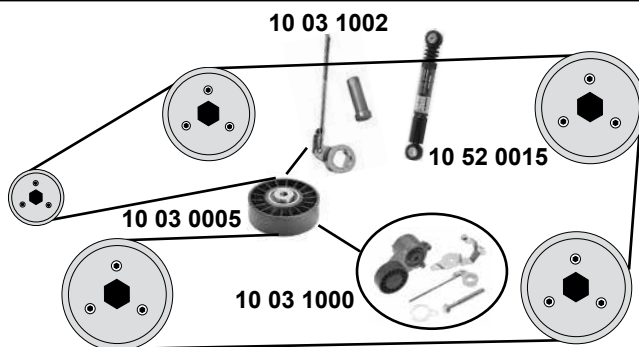
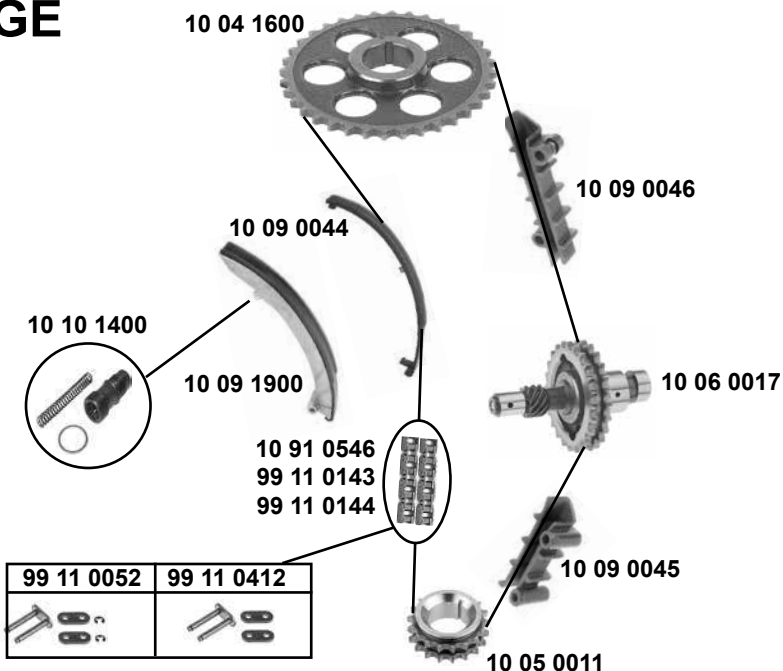
# MERCEDES-BENZ G- Klasse (BM 463)

(89 → 93)



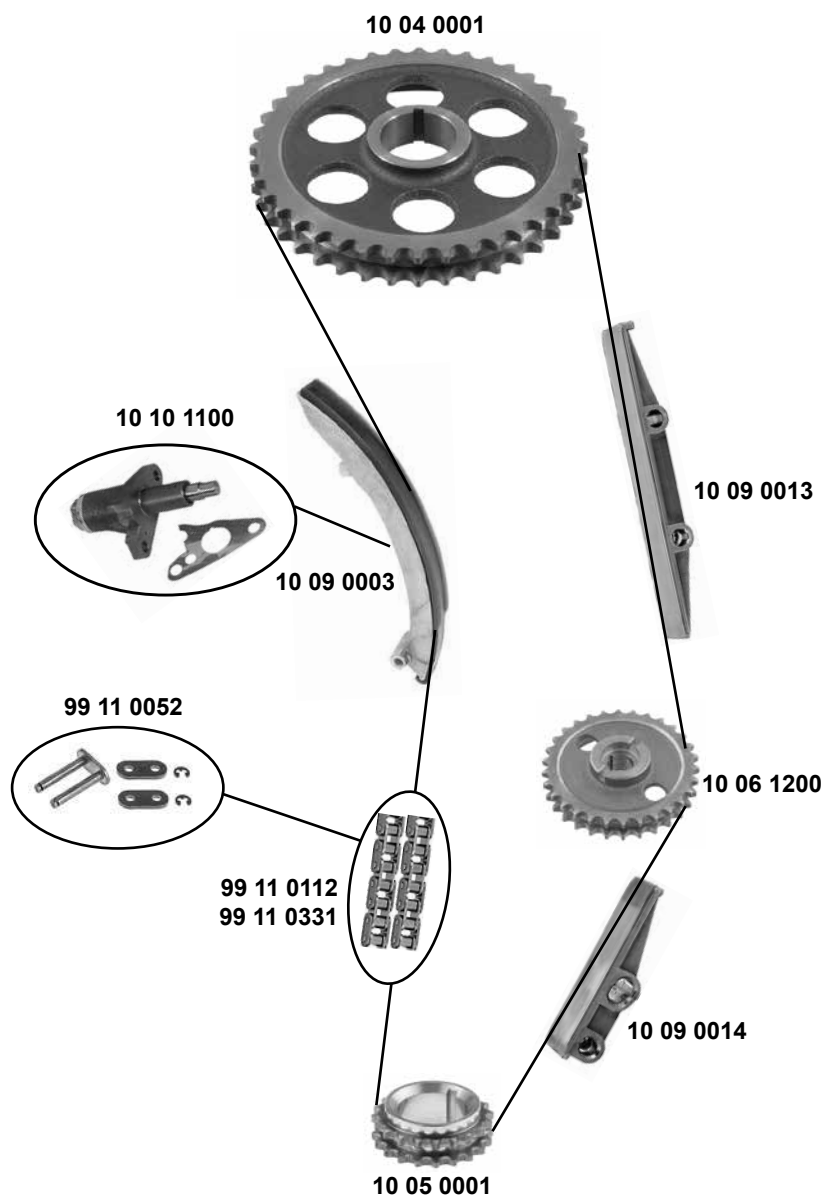
## 200 GE / 230 GE

(M 102.965,979,989)



- (1) Nietverschluss / riveted link / bouchon de rivet / rivetti
- (2) Federverschluß / split link / fermeture de ressort
- (3) mit Duplexkette / with duplex chain / (mot.) M102.979,996,997

SWAG	Ref. - No.			
10 03 0005	601 200 09 70	Spannrolle / tension roller	(ex.) 102.979	80 x 25/31
10 03 1000	102 200 69 70	Riemenspanner / belt tensioner	(ex.) mot. 102.979	
10 03 1002	102 200 02 36	Spannstange / tensioning rod	(ex.) 102.979	
10 04 1600	102 052 09 01	Nockenwellenrad / camshaft gear		
10 05 0011	102 052 01 03	Kurbelwellenzahnrad / crankshaft gear	(ex.) 102.979	
10 06 0017	102 050 09 06	Zwischenrad / intermediate gear	(ex.) 102.979	
10 09 1900	102 050 12 16	Gleitschiene / sliding rail		
10 09 0044	102 052 06 83	Gummibelag / rubber lining		
10 09 0045	102 052 13 16	Gleitschiene / sliding rail		
10 09 0046	102 052 14 16	Gleitschiene / sliding rail		
10 10 1400	102 050 10 11	Kettenspanner / chain tensioner		
10 52 0015	102 200 14 14	Schwingungsdämpfer / vibration damper		
10 91 0546	002 997 03 94 S	Steuerkette / timing chain	(2) (ex.) 102.979	90N - 900N D 455 / 106 F
10 91 2515	102 200 02 36 S1	Rep. Satz Spannstange / rep. kit tensioning rod	(ex.) 102.979	
10 93 1282	000 997 22 98	Kettenglied / chain link	(1) (ex.) 102.979	
10 93 6589	102 052 09 01 S1	Rep. Satz Steuerkette / rep. kit timing chain	(3)	
99 11 0052	000 997 05 98	Kettenglied / chain link	(2) (ex.) 102.979	11 / D 455
99 11 0134	002 997 17 94	Steuerkette / timing chain	(mot.) 965,989	
99 11 0144	002 997 03 94	Steuerkette / timing chain	(1) (ex.) 102.979	106 E
99 13 0306	102 050 10 11 S2	Rep. Satz Steuerkette / rep. kit. timing chain		D 455 / 106 N



(1) Nietverschluss / riveted link / bouchon de rivet / rivetti / cierre de roblón



Ref. - No.



Ref. - No.	Description	Quantity	Notes
10 04 0001	Nockenwellenrad / camshaft gear		
10 05 0001	Kurbelwellenzahnrad / crankshaft gear		Z 20 ØI 36
10 06 1200	Zwischenrad / intermediate gear		
10 09 0003	Gleitschiene / sliding rail		
10 09 0013	Gleitschiene / sliding rail		
10 09 0014	Gleitschiene / sliding rail		
10 10 1100	Kettenspanner / chain tensioner		
10 93 9273	Rep. Satz Steuerkette / rep. kit timing chain		
99 11 0052	Kettenglied / chain link		
99 11 0112	Steuerkette / timing chain	(1)	11 / D 455
99 11 0331	Steuerkette / timing chain		D 455 / 126 N 126 E

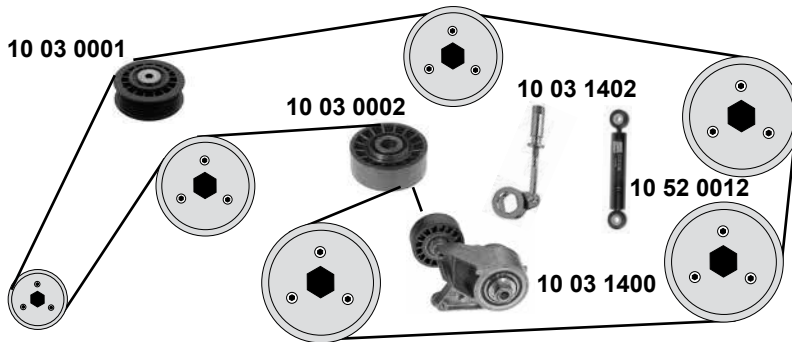
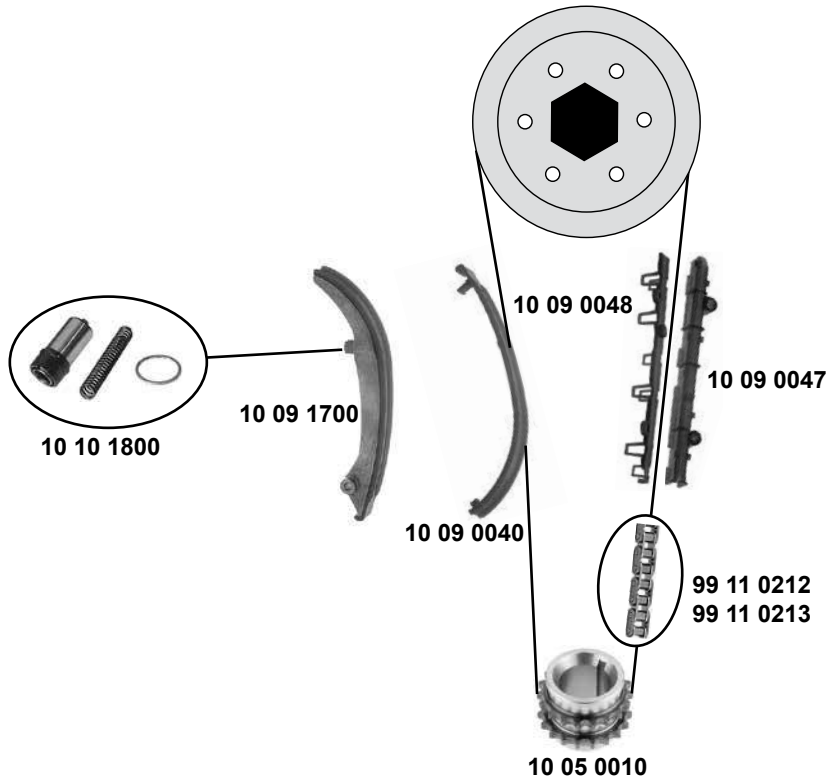
# MERCEDES-BENZ G- Klasse (BM 463)

(89 → 93)



## 300 GE / G 300

(M 103.987)



(1) Nietverschluss / riveted link / bouchon de rivet / rivetti / cierre de roblón

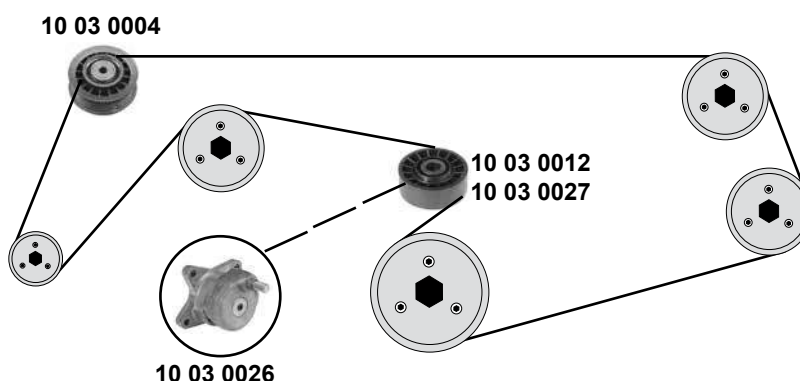
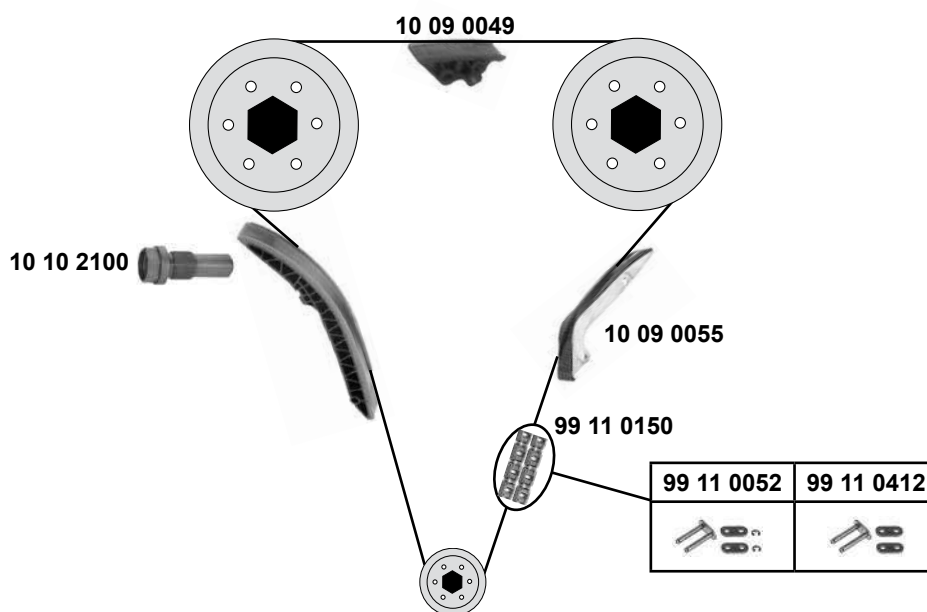


Ref. - No.



10 03 0001	601 200 07 70	Umlenkrolle / deflection pulley	
10 03 0002	103 200 05 70	Spannrolle / tension roller	
10 03 1400	103 200 08 70	Riemenspanner / belt tensioner	ØA70 ØI 25 B31,5
10 03 1402	103 200 02 36	Spannstange / tensioning rod	
10 05 0010	103 052 00 03	Kurbelwellenzahnrad / crankshaft gear	Z 18
10 09 0040	103 052 00 83	Gummibelag Gleitschiene / rubber lining sliding rail	
10 09 0047	103 052 07 16	Gleitschiene / sliding rail	
10 09 0048	103 052 08 16	Gleitschiene / sliding rail	
10 09 1700	103 050 03 16	Gleitschiene / sliding rail	
10 10 1800	103 050 06 11	Kettenspanner / chain tensioner	
10 52 0012	103 200 01 14	Schwingungsdämpfer / vibration damper	80N - 1050N
99 11 0212	001 997 22 94	Steuerkette endlos / timing chain endless	96 E
99 11 0213	003 997 80 94	Steuerkette / timing chain	96 N
99 13 0307	103 050 06 11 S1	Rep. Satz Steuerkette / rep. kit timing chain	(1)





(1) Nietverschluß / riveted link / bouchon de rivet / rivetti / cierre de roblón

(2) (mot.) → 034379

(3) (mot.) 034380 →

(4) Federverschluß / split link / fermeture de ressort / cierre de resorte / falsa maglia



Ref. - No.



Ref. - No.	Part Description	Quantity	Notes
10 03 0004	Umlenkrolle / deflection pulley		
10 03 0012	Spannrolle / tension roller	(2)	
10 03 0026	Riemenspanner / belt tensioner		
10 03 0027	Spannrolle / tension roller	(3)	ØA 80
10 09 0049	Gleitschiene / sliding rail		
10 09 0055	Gleitschiene / sliding rail		
10 10 2100	Kettenspanner / chain tensioner		
99 11 0052	Kettenglied / chain link	(4)	11 / D 455
99 11 0150	Steuerkette / timing chain	(1)	D 455 / 126 N
99 11 0412	Kettenglied / chain link	(1)	
99 13 0311	Rep. Satz Steuerkette / rep. kit timing chain		

# MERCEDES-BENZ

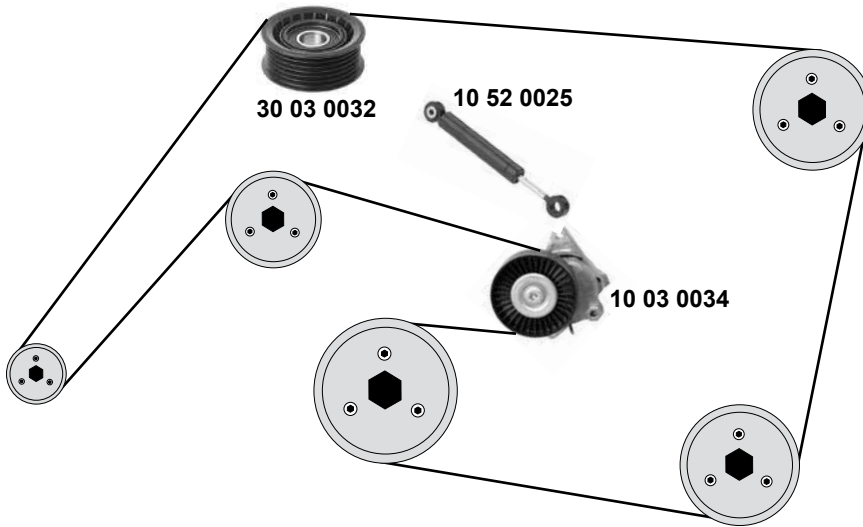
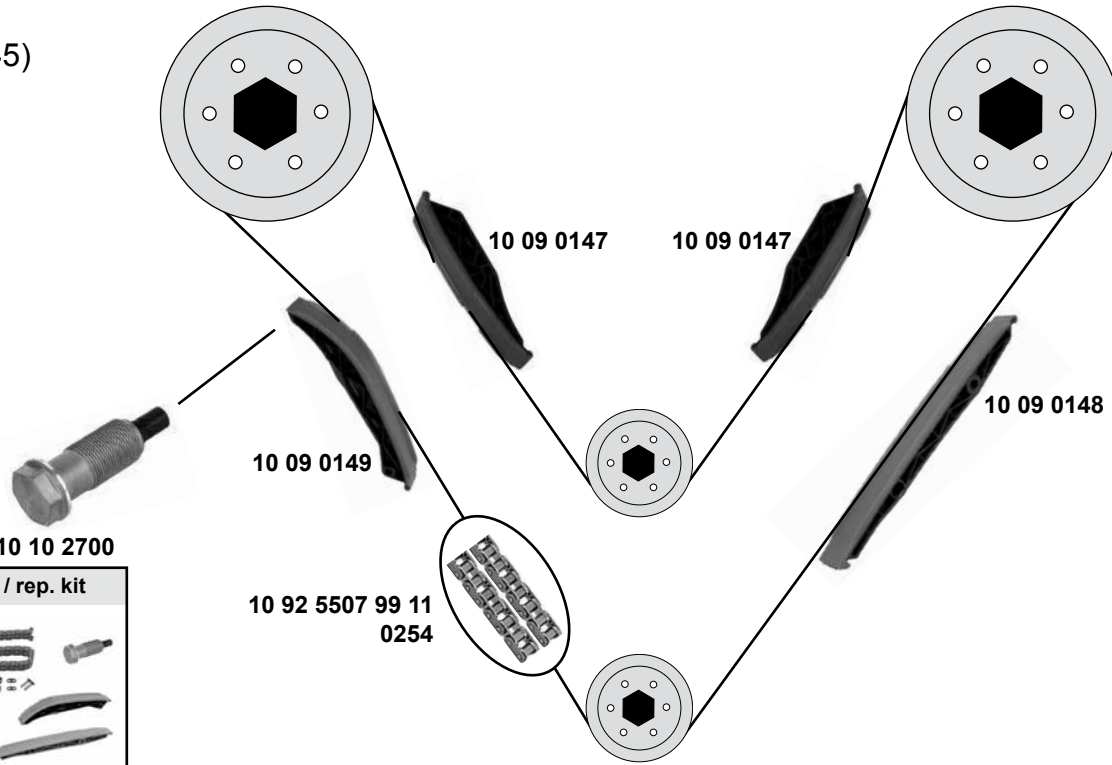
## G- Klasse (BM 463)

(93 →)



### G 320

(M 112.945)



(1) Nietverschluß / riveted link / bouchon de rivet / rivetti / cierre de roblón

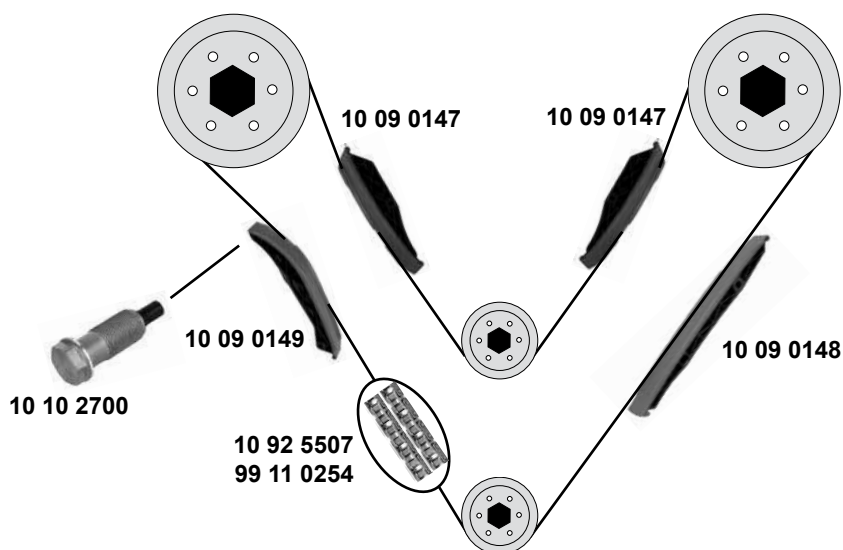


Ref. - No.

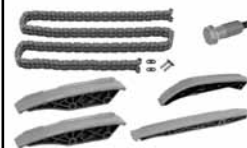


10 03 0034	112 200 09 70	Riemenspanner / belt tensioner		
10 09 0147	112 052 01 16	Gleitschiene / sliding rail		
10 09 0148	112 052 00 16	Gleitschiene / sliding rail		
10 09 0149	112 052 02 16	Gleitschiene / sliding rail		
10 10 2700	112 050 08 11	Kettenspanner / chain tensioner		
10 52 0025	112 200 00 14	Schwingungsdämpfer / vibration damper		
10 92 5507	003 997 68 94 S1	Steuerkette / timing chain	(1)	55 N - 600 N 168 E
30 03 0032	272 202 09 19	Umlenkrolle / deflection pulley		ØA 64 ØI 17 B23
99 11 0254	003 997 68 94	Steuerkette / timing chain	(1)	168 N
99 13 0303	112 050 08 11 S1	Rep. Satz Steuerkette / rep. kit timing chain		

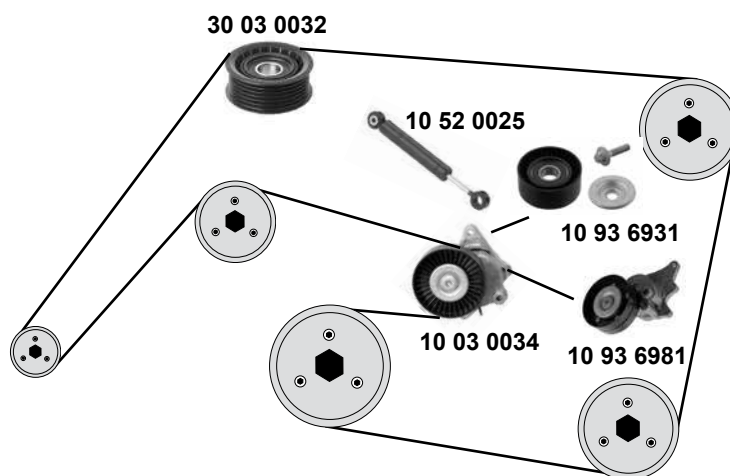




Rep. Satz / rep. kit



SWAG 99 13 0303



(1) Nietverschluß / riveted link / bouchon de rivet / rivetti / cierre de roblón



Ref. - No.



Ref. - No.	Description	Quantity	Price	Notes
10 03 0034	Riemenspanner / belt tensioner	(1)	113.962	
10 09 0147	Gleitschiene / sliding rail	(mot.)	113.962	
10 09 0148	Gleitschiene / sliding rail	(mot.)	113.962	
10 09 0149	Gleitschiene / sliding rail	(mot.)	113.962	
10 10 2700	Kettenspanner / chain tensioner	(mot.)	113.962	
10 52 0025	Schwingungsdämpfer / vibration damper	(mot.)	113.962	
10 92 5507	Steuerkette / timing chain	(1)	113.962	
10 93 6931	Spannrolle / tension roller	(mot.)	113.993	
10 93 6981	Riemenspanner / belt tensioner	(mot.)	113.993	
30 03 0032	Umlenkrolle / deflection pulley	(1)	113.962	
99 11 0254	Steuerkette / timing chain	(1)	113.962	
99 13 0303	Rep. Satz Steuerkette / rep. kit timing chain	(mot.)	113.962	

# MERCEDES-BENZ

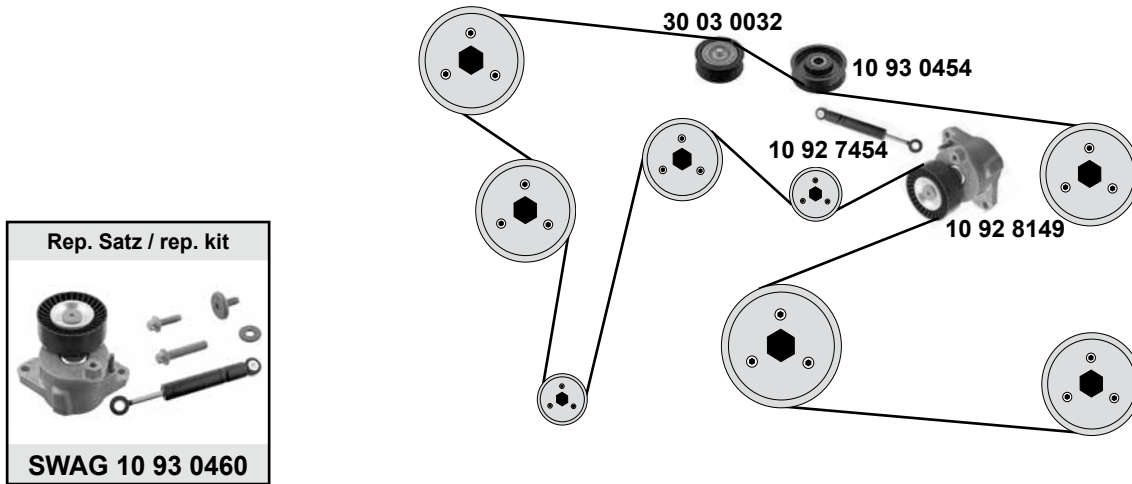
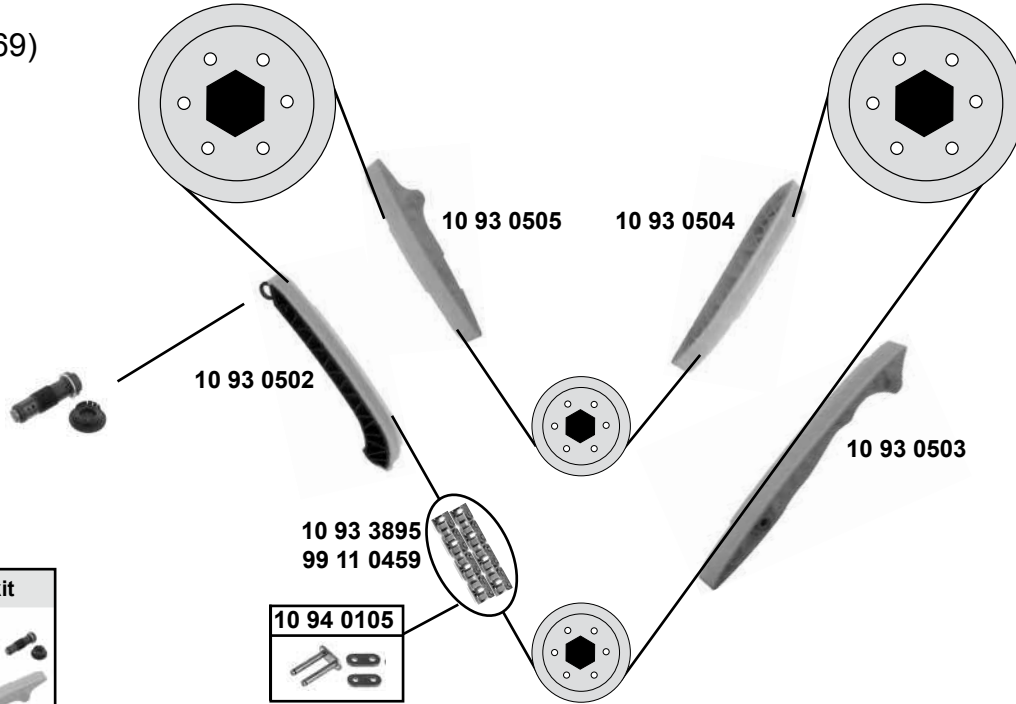
## G- Klasse (BM 463)

(93 →)



### G 500

(M 273.963,969)



SWAG	Ref. - No.			
10 92 7454	272 200 01 14	Schwingungsdämpfer / vibration damper		
10 92 8149	272 200 02 70	Riemenspanner / belt tensioner		
10 93 0454	272 202 14 19	Umlenkrolle / deflection pulley		ØA 70 B 22
10 93 0460	272 200 02 70 S1	Rep. Satz Riemen­spanner / rep. kit belt tensioner		
10 93 0502	272 052 13 16	Gleitschiene / sliding rail		
10 93 0503	272 052 00 16	Gleitschiene / sliding rail		
10 93 0504	272 052 15 16	Gleitschiene / sliding rail		
10 93 0505	272 052 02 16	Gleitschiene / sliding rail		
10 93 3895	000 993 06 76 S1	Steuerkette / timing chain		216 E
10 94 0105	000 993 06 76 S2	Kettenglied / chain link		
30 03 0032	000 202 09 19	Umlenkrolle / deflection pulley		ØA 64 Ø1 17 B23
99 11 0459	000 993 06 76	Steuerkette / timing chain		216 N
99 13 0328	272 050 08 11 S1	Rep. Satz Steuerkette / rep. kit timing chain		



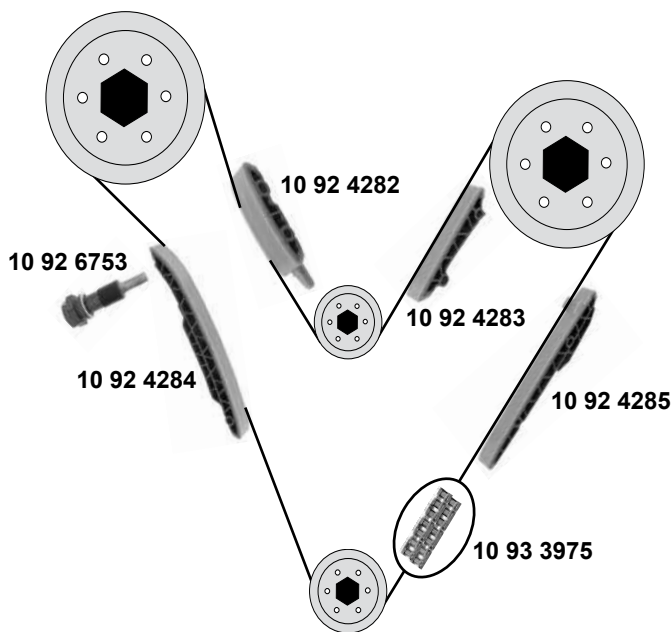
# MERCEDES-BENZ

## G- Klasse (BM 463)

(93 →)

### G 65 AMG

(M 279.982)

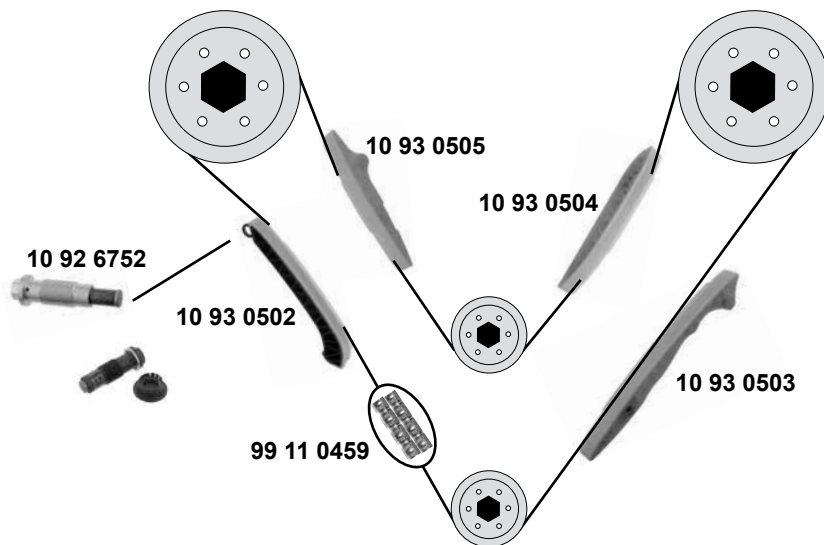


### GLK-Klasse (BM 204)

(06/08 →)

## 280

(M 272.948,971)



(1) (mot.) 30009529 → / 09/04 →

(2) (mot.) → 30089231 / 30/06/05 →



Ref. - No.



Ref. - No.	Description	Quantity	Notes
10 92 4282	Gleitschiene / sliding rail		
10 92 4283	Gleitschiene / sliding rail		
10 92 4284	Gleitschiene / sliding rail		
10 92 4285	Gleitschiene / sliding rail		
10 92 6752	Kettenspanner / chain tensioner	(2)	
10 92 6753	Kettenspanner / chain tensioner		
10 93 0502	Gleitschiene / sliding rail	(mot.) 30089233→	
10 93 0503	Gleitschiene / sliding rail	(mot.) 30089233→	
10 93 0504	Gleitschiene / sliding rail	(1)	
10 93 0505	Gleitschiene / sliding rail	(mot.) 30089233→	
10 93 3975	Steuerkette / roller chain		164 E
99 11 0459	Steuerkette / timing chain	(mot.) 30089233→	216 N
99 13 0318	Rep. Satz Steuerkette / rep kit timing chain		
99 13 0328	Rep. Satz Steuerkette / rep. kit timing chain	(mot.) 30089233→	

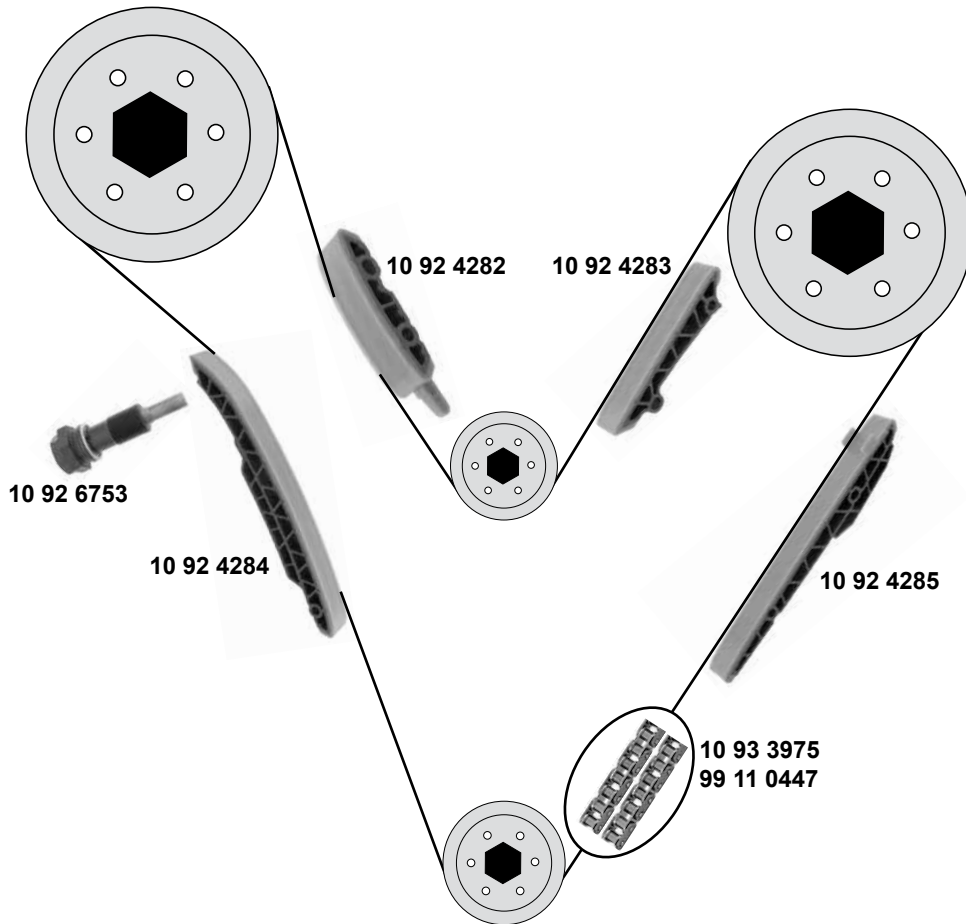
# MERCEDES-BENZ Maybach (BM 240)

(05 →)

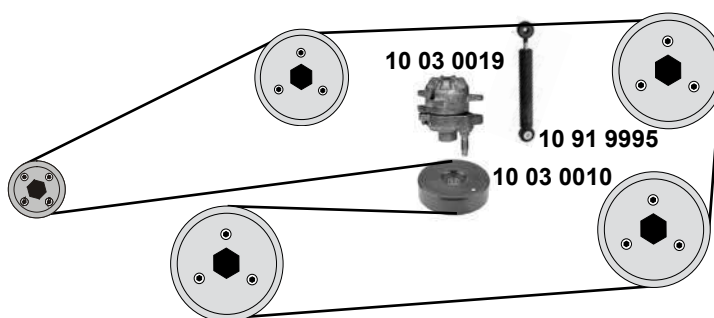
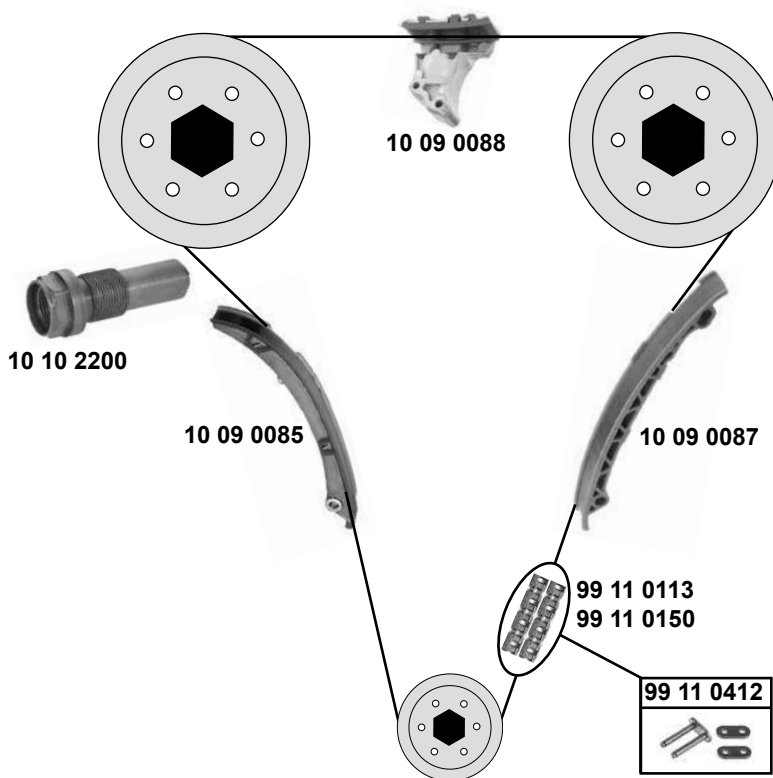


## 57 / 57S / 62 / 62S

(M 285.950,980)



SWAG GERMANY	Ref. - No.			
<b>10 92 4282</b>	137 052 04 16	Gleitschiene / sliding rail		
<b>10 92 4283</b>	137 052 05 16	Gleitschiene / sliding rail		
<b>10 92 4284</b>	137 052 07 16	Gleitschiene / sliding rail		
<b>10 92 4285</b>	137 052 08 16	Gleitschiene / sliding rail		
<b>10 92 6753</b>	275 050 05 11	Kettenspanner / chain tensioner		
<b>10 93 3975</b>	004 997 18 94	Steuerkette / roller chain		164 E
<b>99 11 0447</b>	004 997 20 94	Steuerkette / timing chain		164 N
<b>99 13 0318</b>	275 050 05 11 S1	Rep. Satz Steuerketten / rep. kit timing chain		



(1) Nietverschluß / riveted link / bouchon de rivet / rivetti / cierre de roblón



Ref. - No.



10 03 0019	111 200 07 70	Riemenspanner / belt tensioner	
10 03 0010	111 200 00 70	Spannrolle / tension roller	110 x 28 x 15
10 09 0085	111 050 14 16	Gleitschiene / sliding rail	
10 09 0087	111 052 10 16	Gleitschiene / sliding rail	
10 09 0088	111 050 11 16	Gleitschiene / sliding rail	
10 10 2200	111 050 04 11	Kettenspanner / chain tensioner	
10 91 9995	111 200 04 14	Schwingungsdämpfer / vibration damper	55 N - 435 N
10 94 0621	111 050 04 11 S2	Rep. Satz Steuerkette / rep. kit timing chain	
99 11 0113	002 997 93 94	Steuerkette / timing chain	126 E
99 11 0150	003 997 17 94	Steuerkette / timing chain	D 455 / 126 N
99 11 0412	000 997 22 98	Kettenglied / chain link	
99 13 0304	111 050 04 11 S1	Rep. Satz Steuerkette / rep. kit timing chain	E 126

(1)

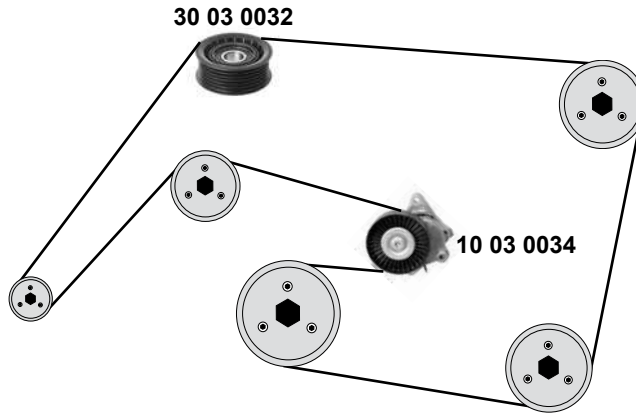
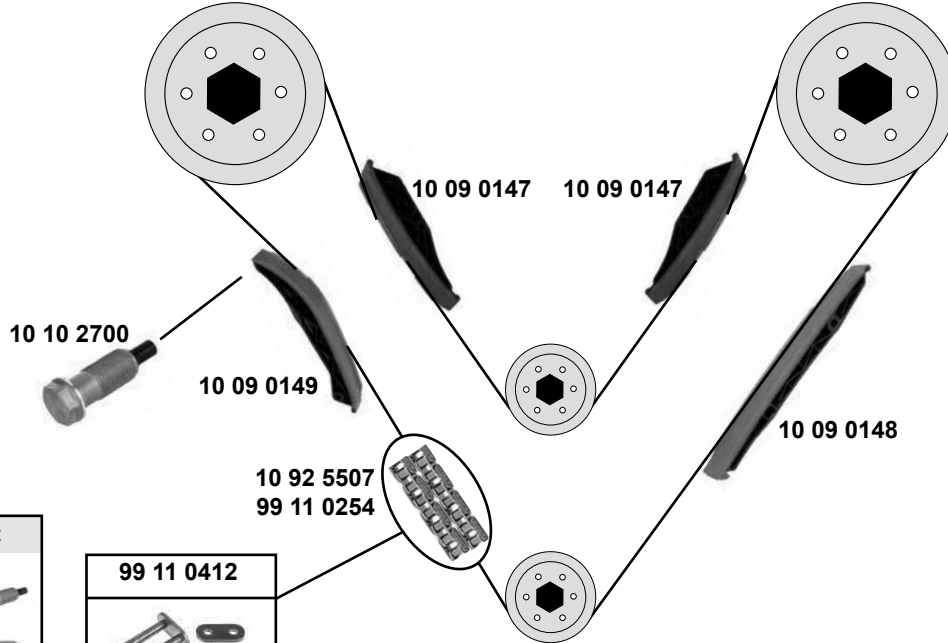
# MERCEDES-BENZ M-Klasse (BM 163)

(00 → 05)



## ML 320 / 430 / 500 / 55 AMG

(M 112.942,970 / M 113.942,965,981)



(1) Nietverschluss / riveted link / bouchon de rivet / rivetti / cierre de roblón

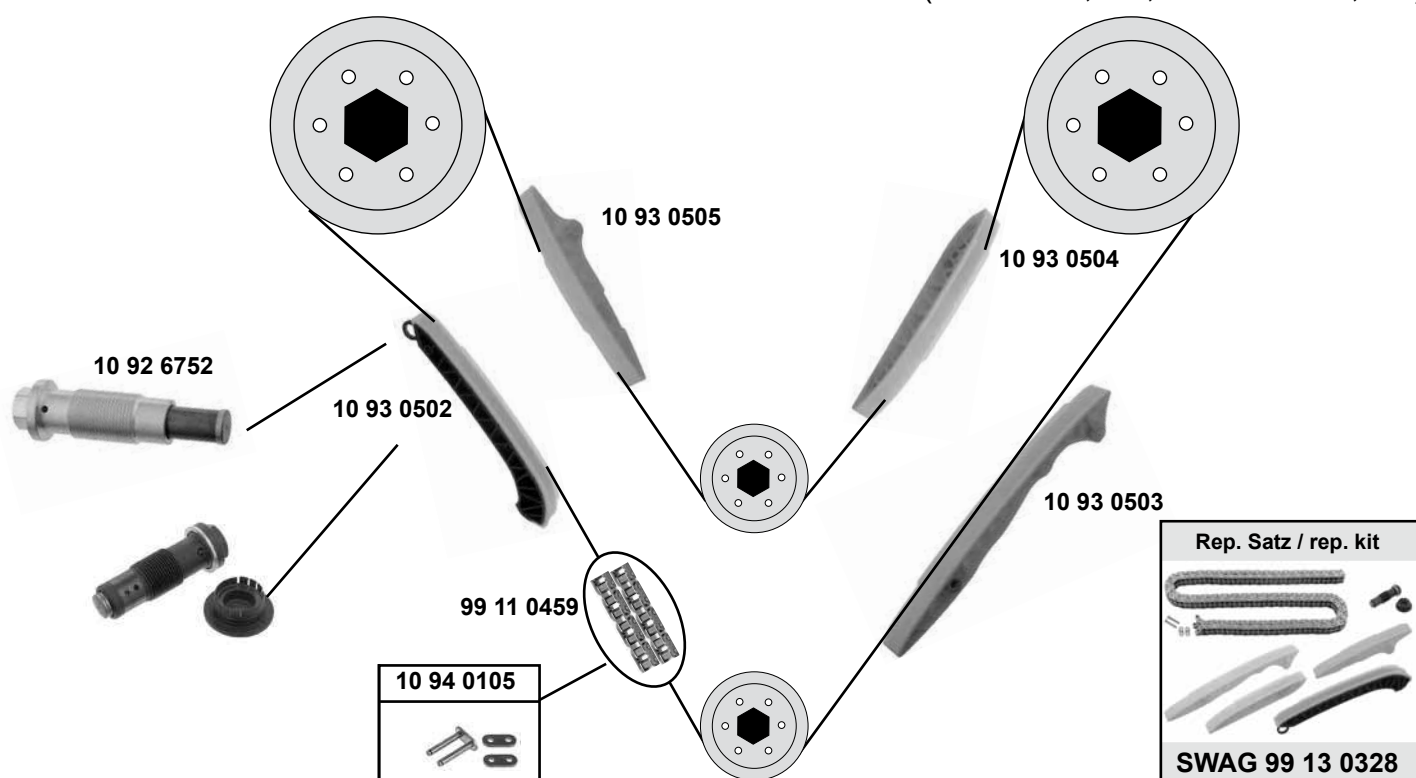
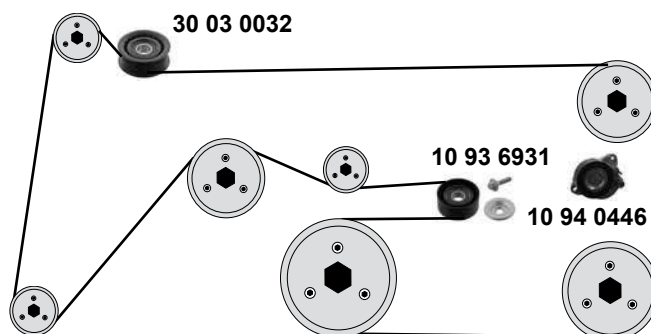


Ref. - No.



10 03 0034	112 200 09 70	Riemenspanner / belt tensioner		
10 09 0147	112 052 01 16	Gleitschiene / sliding rail		
10 09 0148	112 052 00 16	Gleitschiene / sliding rail		
10 09 0149	112 052 02 16	Gleitschiene / sliding rail		
10 10 2700	112 050 08 11	Kettenspanner / chain tensioner		
10 92 5507	003 997 68 94 S1	Steuerkette / timing chain	(1)	168 E
30 03 0032	000 202 09 19	Umlenkrolle / deflection pulley		ØA 64 ØI 17 B23
99 11 0254	003 997 68 94	Steuerkette / timing chain	(1)	168 N
99 11 0412	000 997 22 98	Kettenglied / chain link	(1)	
99 13 0303	112 050 08 11 S1	Rep. Satz Steuerkette / rep. kit timing chain		





(1) (mot.) 272.967 → (ch.) 30089231 / → 30/06/05

(2) (mot.) 272.945,967,973 (mot.) 30089233 → / (mot.) 273.923,963

(3) (mot.) 272.945,967, (mot.) 30009529 → / (mot.) 272.973 / (mot.) 273.923,963



Ref. - No.



Ref. - No.	Description	Quantity	Notes
10 92 6752	272 050 01 11 Kettenspanner / chain tensioner	(1)	
10 93 0502	272 052 13 16 Gleitschiene / sliding rail	(2)	
10 93 0503	272 052 00 16 Gleitschiene / sliding rail	(3)	
10 93 0504	272 052 15 16 Gleitschiene / sliding rail	(3)	
10 93 0505	272 052 02 16 Gleitschiene / sliding rail	(3)	
10 93 6931	113 202 00 19 Spannrolle / tension roller	(mot.) →6001452	ØA 65 B26
10 94 0105	000 993 06 76 S2 Kettenglied / chain link	(ex.) 923	ØA 76 B26
10 94 0446	156 200 05 70 Riemen spanner / belt tensioner	(ex.) 923	ØA 64 Ø B23
30 03 0032	000 202 09 19 Umlenkrolle / deflection pulley	(ex.) 923	ØA 64 Ø B23
99 11 0459	000 993 06 76 Steuerkette / timing chain	(2)	216 N
99 13 0328	272 050 08 11 S1 Rep. Satz Steuerkette / rep. kit timing chain	(2)	

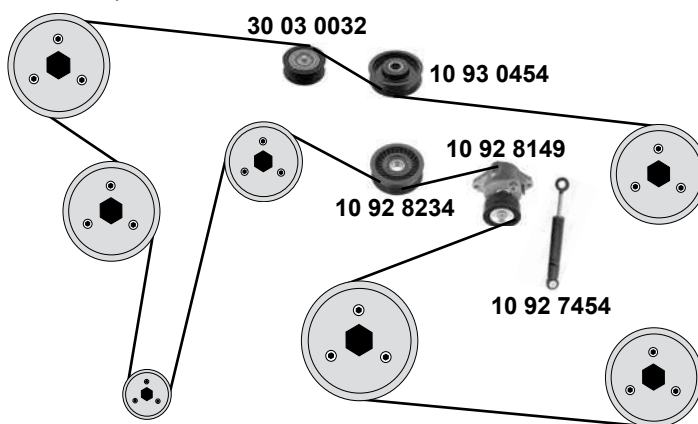
# MERCEDES-BENZ M-Klasse (BM 164)

(05 →)



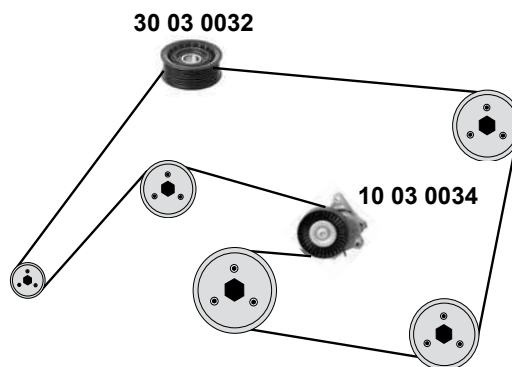
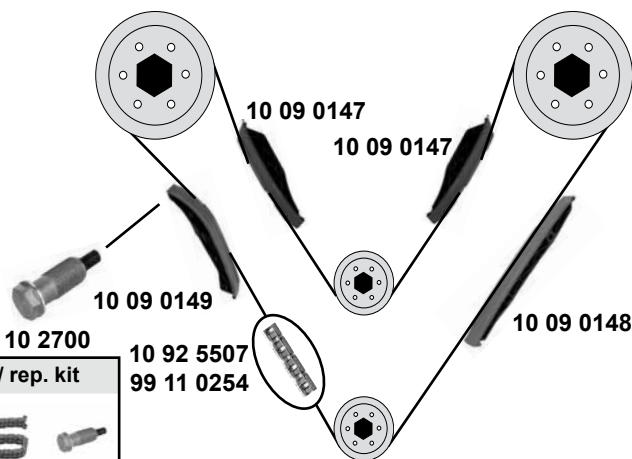
## ML 350

(M 272.945,967,973 / 273.923,963)



## ML 350 / 500

(M 113.964 / 272.967)



- (1) (ch.) → 30058376 / (ex.) mot. 272.945 / 273.923/963
- (2) mot. 272.945,967: 30058377 →
- (3) Nietverschluss / riveted link / bouchon de rivet / rivetti / cierre de roblón



Ref. - No.

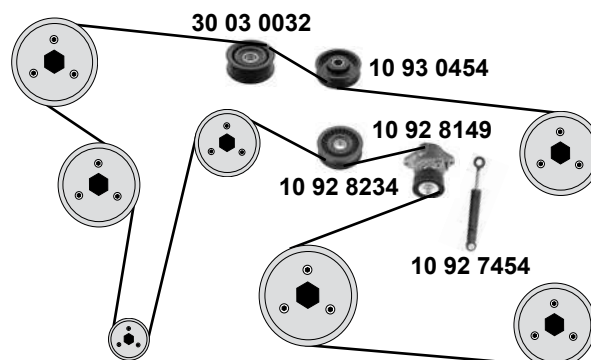
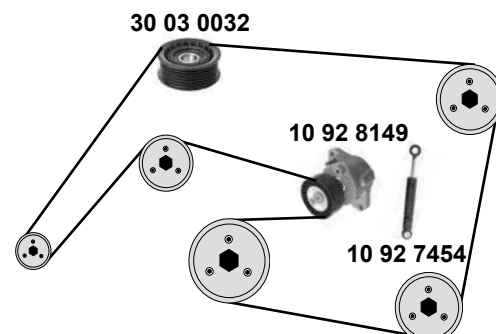
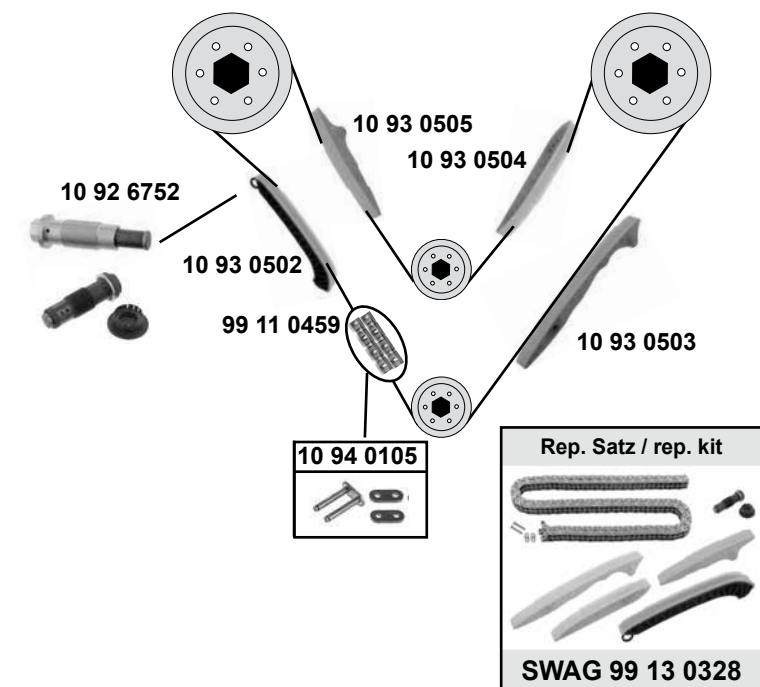


10 03 0034	112 200 09 70	Riemenspanner / belt tensioner		
10 09 0147	112 052 01 16	Gleitschiene / sliding rail		
10 09 0148	112 052 00 16	Gleitschiene / sliding rail		
10 09 0149	112 052 02 16	Gleitschiene / sliding rail		
10 10 2700	112 050 08 11	Kettenspanner / chain tensioner	M 113.964	
10 92 5507	003 997 68 94 S1	Steuerkette / timing chain	(3) M 113.964	168 E
10 92 7454	272 200 01 14	Schwingungsdämpfer / vibration damper		55 N - 400 N
10 92 8149	272 200 02 70	Riemenspanner / belt tensioner		ØA 76
10 92 8234	272 202 01 19	Riemenspanner / belt tensioner	(1)	80 x 28 x 17
10 93 0454	272 202 14 19	Umlenkrolle / deflection pulley	(2)	ØA 70 B22
10 93 0460	272 200 02 70 S1	Rep. Satz Riemenspanner / rep.kit. belt tensioner	(1)	
30 03 0032	272 202 10 19	Umlenkrolle / deflection pulley	(ex.) 973	ØA 64 ØI 17 B23
99 11 0254	003 997 68 94	Steuerkette / timing chain	(3) M 113.964	168 N
99 13 0303	112 050 08 11 S1	Rep. Satz Steuerkette / rep. kit timing chain		



### R 280 / R 350

(M 272.945,967 / M 273.963)



- (1) (mot.) 272.967 : mot. → 290775 / → 06.05
- (2) (mot.) 272.945,967: mot. 30058377 → / (mot.) 273.963
- (3) (mot.) 272.945,967: 30009529 → / (mot.) 273.963
- (4) (mot.) 272.945,967 (mot.) 30089233 → / (mot.) 273.963



Ref. - No.



Ref. - No.			
10 92 6752	272 050 01 11	Kettenspanner / chain tensioner	(1)
10 92 7454	272 200 01 14	Schwingungsdämpfer / vibration damper	
10 92 8149	272 200 00 70	Riemenspanner / belt tensioner	
10 92 8234	272 202 01 19	Riemenspanner / belt tensioner	(mot.) 272.967
10 93 0454	272 202 14 19	Umlenkrolle / deflection pulley	(2)
10 93 0460	272 200 02 70 S1	Rep. Satz Riemen­spanner / rep. kit belt tensioner	
10 93 0502	272 052 13 16	Gleitschiene / sliding rail	(4)
10 93 0503	272 052 00 16	Gleitschiene / sliding rail	
10 93 0504	272 052 15 16	Gleitschiene / sliding rail	(3)
10 93 0505	272 052 02 16	Gleitschiene / sliding rail	
10 94 0105	000 993 06 76 S2	Kettenglied / chain link	
30 03 0032	272 202 09 19	Umlenkrolle / deflection pulley	
99 11 0459	000 993 06 76	Steuerkette / timing chain	
99 13 0328	272 050 08 11 S1	Rep. Satz Steuerkette / rep. kit timing chain	(4)

55 N - 400 N  
ØA 76  
80 x 28 x 17  
ØA 70 B22

ØA 64 ØI 17 B23  
216 N

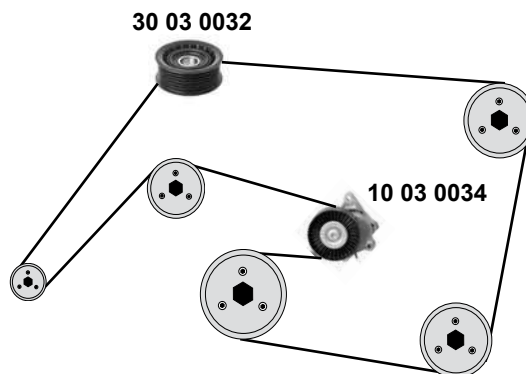
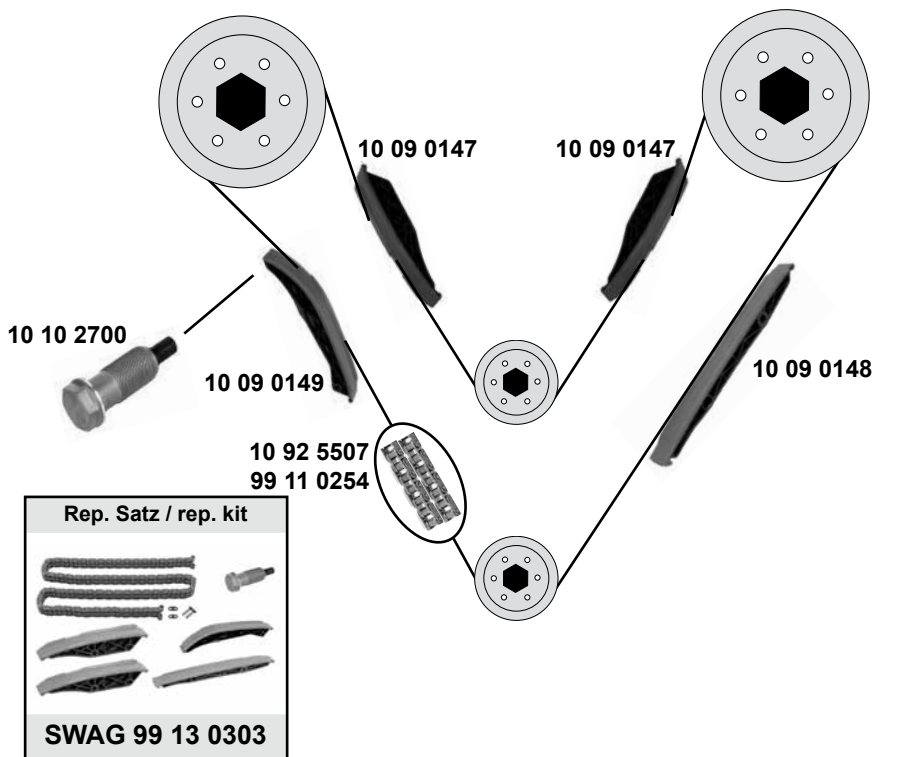
# MERCEDES-BENZ R-Klasse (BM 251)

(05 →)



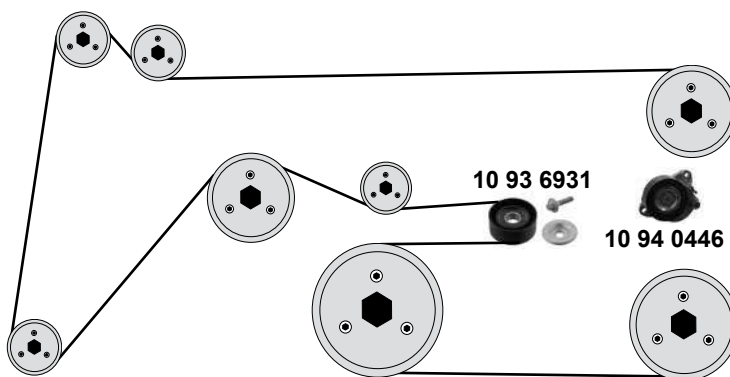
## R 500

(M 113.971)



## R- Klasse

(M 156.980)



(1) (ch.) 30009529 → / 09/04 →

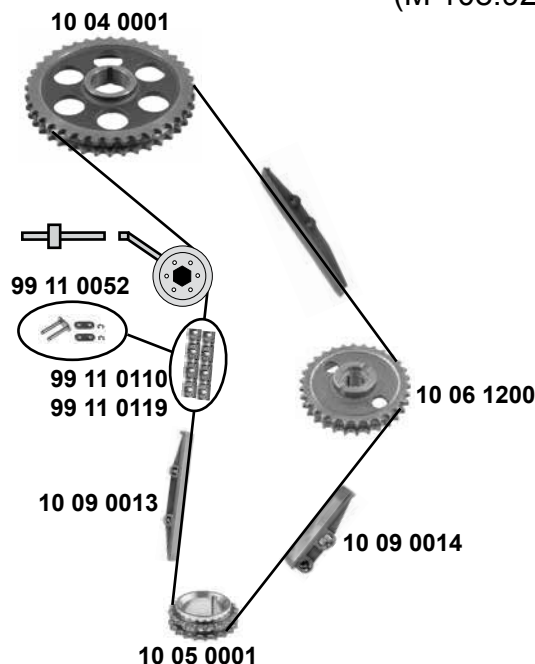
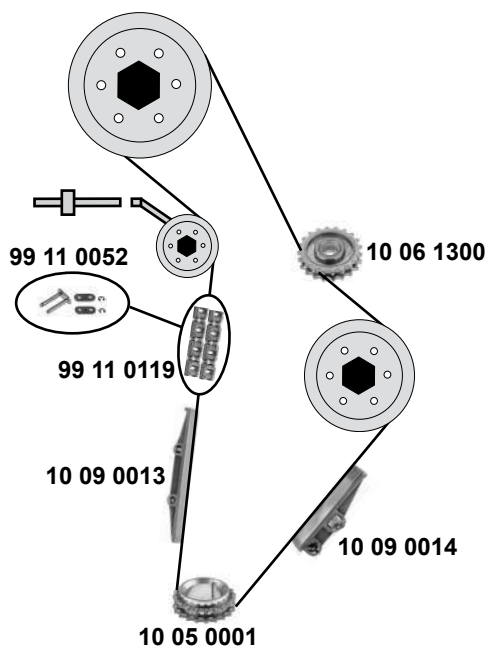
(2) Nietverschluss / riveted link / bouchon de rivet / rivetti / cierre de roblón



Ref. - No.



Ref. - No.	Ref. - No.	Description	Notes	Dimensions
10 03 0034	112 200 09 70	Riemenspanner / belt tensioner	05/05 →	
10 09 0147	112 052 01 16	Gleitschiene / sliding rail	05/05 →	
10 09 0148	112 052 00 16	Gleitschiene / sliding rail	(1)	
10 09 0149	112 052 02 16	Gleitschiene / sliding rail	05/05 →	
10 10 2700	112 050 08 11	Kettenspanner / chain tensioner		
10 92 5507	003 997 68 94 S1	Steuerkette / timing chain	(2)	168 E
10 93 6931	113 202 00 19	Spannrolle / tension roller	(mot.) →6001452	ØA 65 B26
10 94 0446	156 200 05 70	Riemenspanner / belt tensioner		ØA 76 B26
30 03 0032	30 03 0032	Umlenkrolle / deflection pulley		
99 11 0254	003 997 68 94	Steuerkette / timing chain	(2)	168 N
99 13 0303	112 050 08 11 S1	Rep. Satz Steuerkette / rep. kit timing chain		

**250 S / 250 SE / 280 S**  
 (M 108.920/924 / M 129.980 / M 130.920)

**280 SE / SEL**  
 (M 130.980)


(1) Federverschluß / split link / fermeture de ressort / cierre de resorte / falsa maglia



Ref. - No.



<b>10 04 0001</b>	121 052 03 01	Nockenwellenrad / camshaft gear	(mot.) 920	
<b>10 05 0001</b>	615 052 02 03	Kurbelwellenzahnrad / crankshaft gear		Z 20 Ø1 36
<b>10 06 1200</b>	114 052 00 02	Zwischenrad / intermediate gear	Modell: 250 S	
<b>10 06 1300</b>	621 050 04 09	Zwischenrad / intermediate gear		
<b>10 09 0013</b>	115 052 04 16	Gleitschiene / sliding rail		
<b>10 09 0014</b>	115 052 07 16	Gleitschiene / sliding rail	(1) Modell: 250 / 280 S	
<b>99 11 0052</b>	000 997 05 98	Kettenglied / chain link		11 / D 455
<b>99 11 0110</b>	000 997 70 94	Steuerkette / timing chain		
<b>99 11 0119</b>	000 997 46 94	Steuerkette / timing chain	(1) Modell: 250SE	D 455 / 134 F

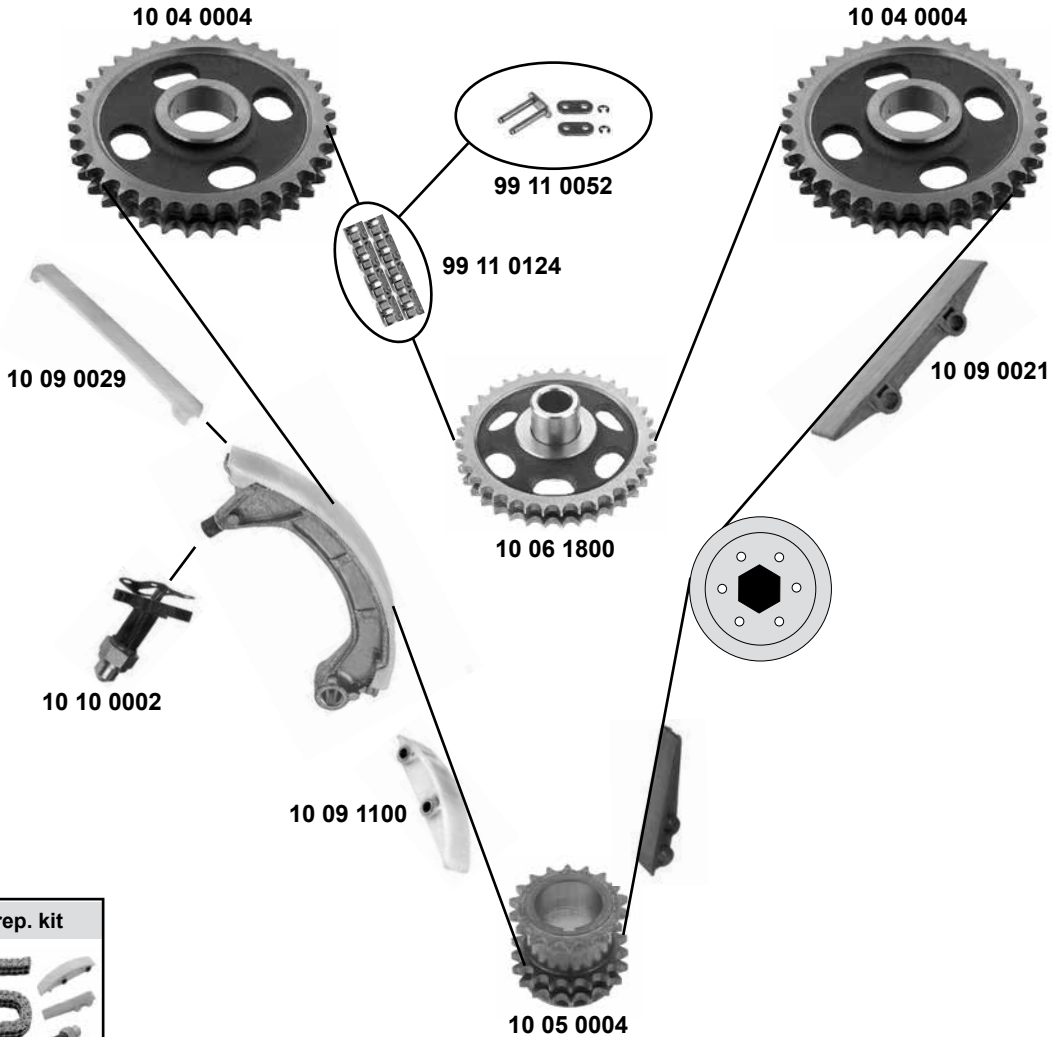
# MERCEDES-BENZ S-Klasse (BM 108 / 109)

(65 → 72)



## 280 SE / SEL 3.5 300 SEL 3.5

(M 116.980,981,991 / 189.989)



- (1) Federverschluß / split link / fermeture de ressort / cierre de resorte / falsa maglia
- (2) mot. 116.981 / 189.989
- (3) mot. 116.980 / 981/991 / 117.981/984
- (4) (ex.) mot. 189.989



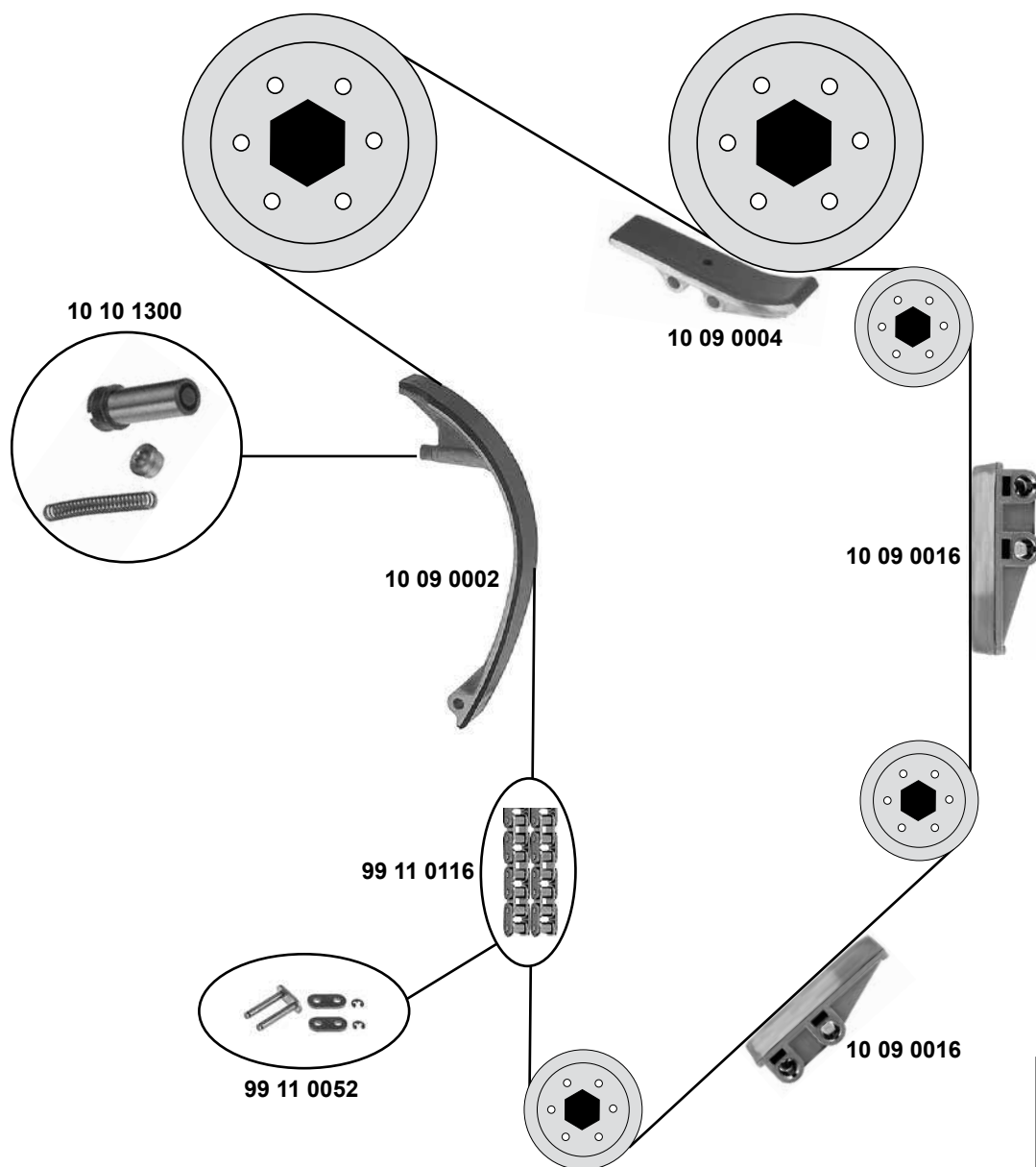
Ref. - No.



Part No.	Description	Quantity	Notes
10 04 0004	Nockenwellenrad / camshaft gear	(2)	Z 36
10 05 0004	Kurbelwellenzahnrad / crankshaft gear	(2)	Z 18
10 06 1800	Zwischenrad / intermediate gear	(2)	Z 36
10 09 0021	Gleitschiene / sliding rail	(2)	
10 09 0029	Belag Gleitschiene / lining sliding rail	(2)	
10 09 1100	Gleitschiene / sliding rail	(3)	
10 10 0002	Kettenspanner / chain tensioner	(2)	
99 11 0052	Kettenglied / chain link	(2)	
99 11 0124	Steuerkette / timing chain	(1)	D 455 / 186 F
99 13 0310	Rep. Satz. Steuerkette / rep. kit. timing chain	(4)	

### 280 S / SE / SEL

(M 110.922, 983, 985)



(1) Federverschluß / split link / fermeture de ressort / cierre de resorte / falsa maglia

(2) 922: (mot.) 028630 →  
922: (mot.) 016982 →



Ref. - No.



Ref. - No.	Description	Quantity	Dimensions
10 09 0002	Gleitschiene / sliding rail		
10 09 0004	Gleitschiene / sliding rail		
10 09 0016	Gleitschiene / sliding rail		
10 10 1300	Kettenspanner / chain tensioner	(2)	ØA 64 ØI 17 B23
99 11 0052	Kettenglied / chain link		11 / D 455
99 11 0116	Steuerkette / timing chain	(1)	D 455 / 130 E
99 13 0308	Rep. Satz Steuerkette / rep. kit timing chain		

# MERCEDES-BENZ

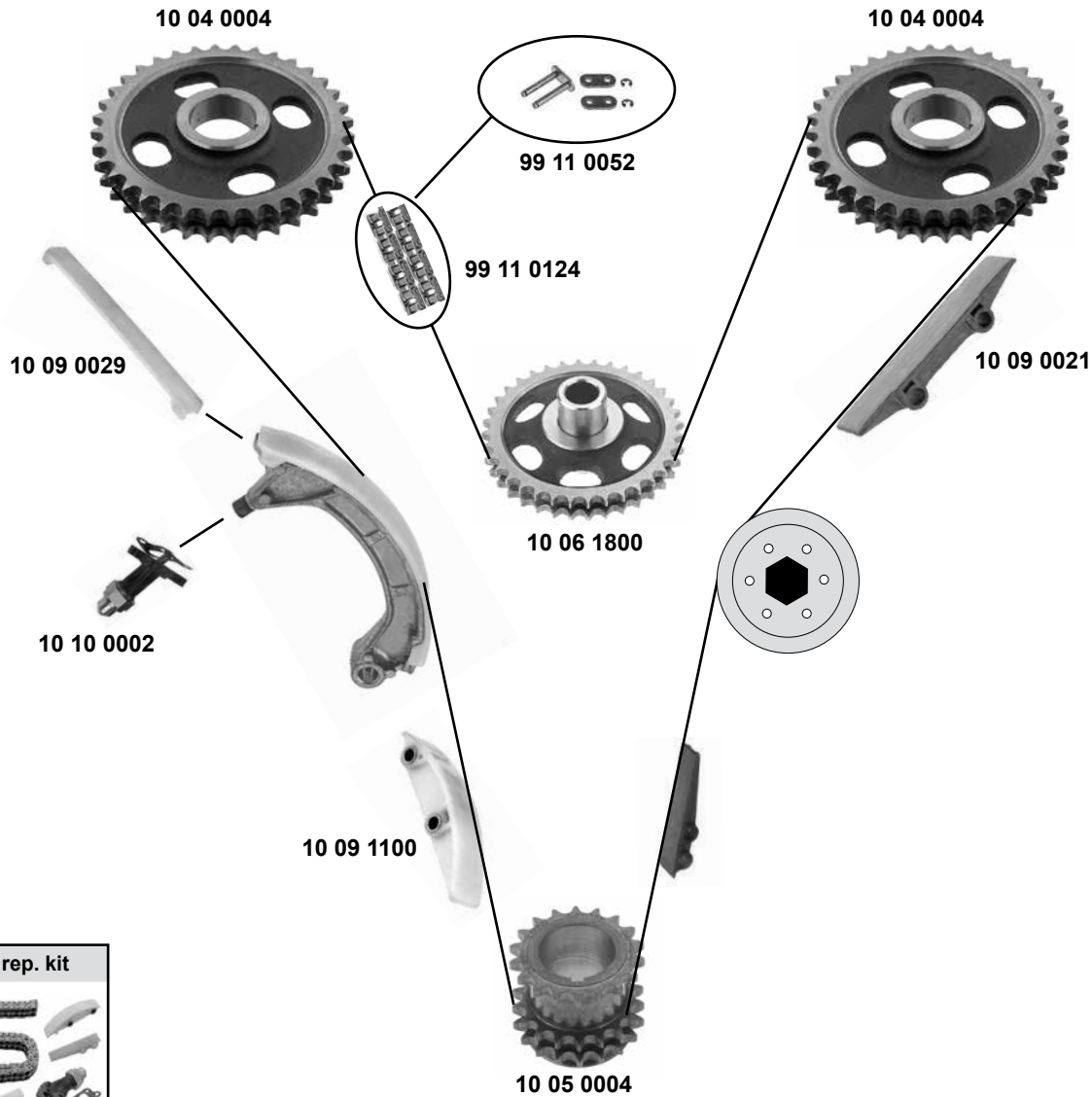
## S- Klasse (BM 116)

(72 → 80)



### 350 SE / SEL / 450 SE

(M 116.983,985 / 117.983,986)



(1) Federverschluß / split link /  
fermeture de ressort /  
cierre de resorte / falsa maglia

(2) 983: (mot.) → 002755  
983: (mot.) → 013467

(3) (mot.) 116.983/985

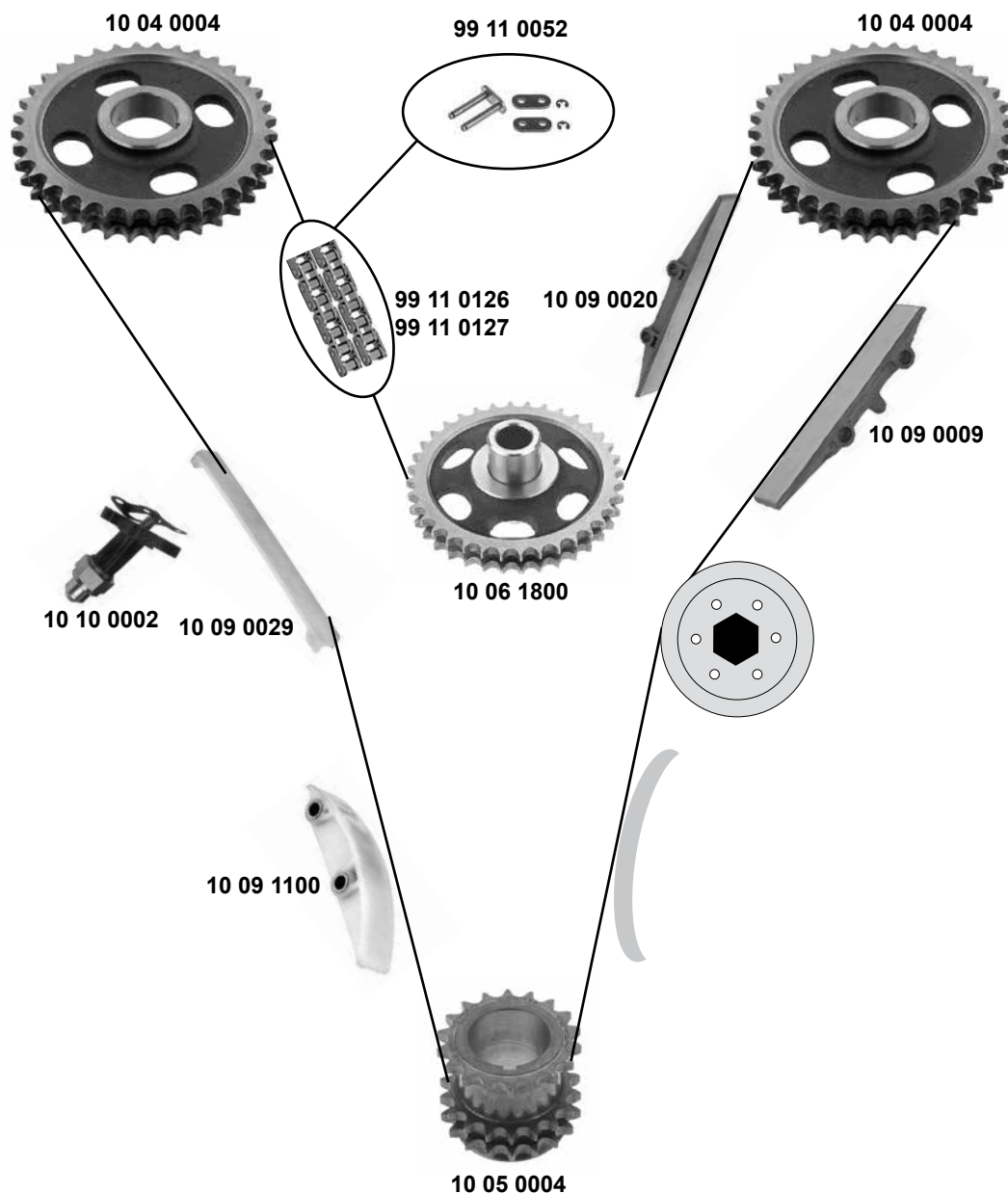


Ref. - No.



Ref. - No.	Description	Quantity	Notes
10 04 0004	Nockenwellenrad / camshaft gear	(3)	Z 36
10 05 0004	Kurbelwellenzahnrad / crankshaft gear	(3)	Z 18
10 06 1800	Zwischenrad / intermediate gear	(3)	Z 36
10 09 0021	Gleitschiene / sliding rail	(2) (3)	
10 09 0029	Belag Gleitschiene / lining sliding rail	(3)	
10 09 1100	Gleitschiene / sliding rail		
10 10 0002	Kettenspanner / chain tensioner	(3)	
99 11 0052	Kettenglied / chain link	(3)	11 / D 455
99 11 0124	Steuerkette / timing chain	(1) (3)	D 455 / 186 F
99 13 0310	Rep. Satz Steuerkette / rep. kit timing chain	(3)	





(1) Federverschluß / split link / fermeture de ressort / cierre de resorte / falsa maglia



Ref. - No.



SWAG Ref. - No.	Hand-drawn icon	Description	Information icon (i)	Caliper icon
10 04 0004		Nockenwellenrad / camshaft gear	(mot.) 986	Z 36
10 05 0004		Kurbelwellenzahnrad / crankshaft gear	(mot.) 986	Z 18
10 06 1800		Zwischenrad / intermediate gear	(mot.) 986	Z 36
10 09 0009		Gleitschiene / sliding rail	(mot.) 986	
10 09 0020		Gleitschiene / sliding rail	(mot.) 986	
10 09 0029		Belag Gleitschiene / lining sliding rail	(mot.) 986	
10 09 1100		Gleitschiene / sliding rail	(mot.) 993	
10 10 0002		Kettenspanner / chain tensioner	(mot.) 986	
99 11 0052		Kettenglied / chain link	(mot.) 986	11 / D 455
99 11 0126		Steuerkette / timing chain	(mot.) 986 (1)	D 455 / 198 F
99 11 0127		Steuerkette / timing chain	(mot.) 986	

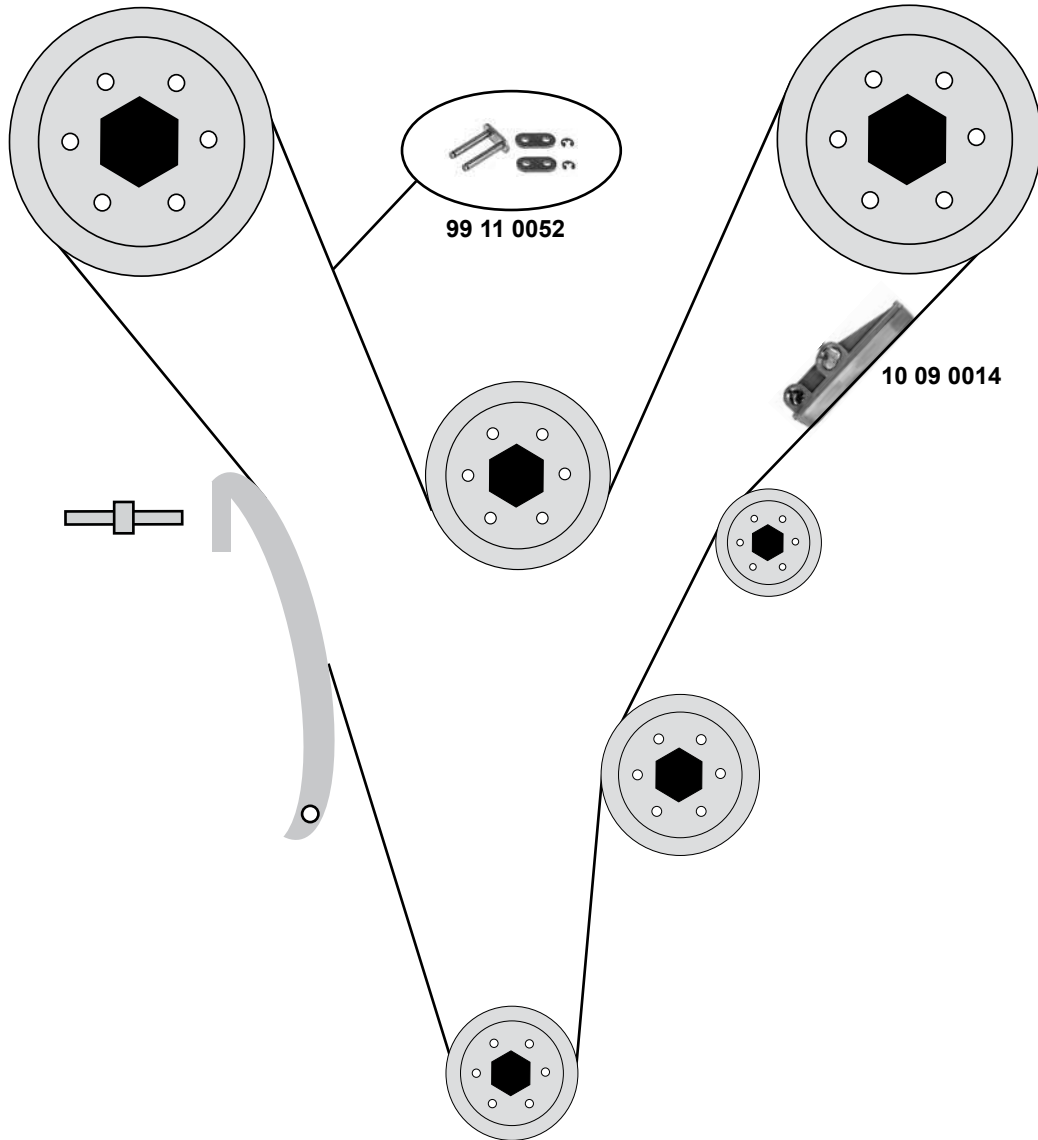
# MERCEDES-BENZ S-Klasse (BM 116)

(72 → 80)

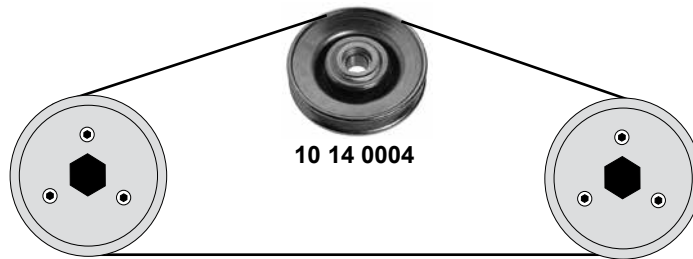


## 450 SEL 6,9

(M 100.985)

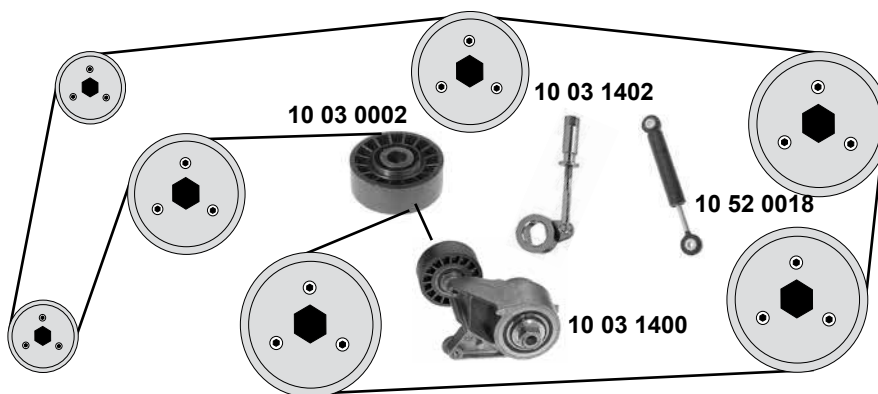
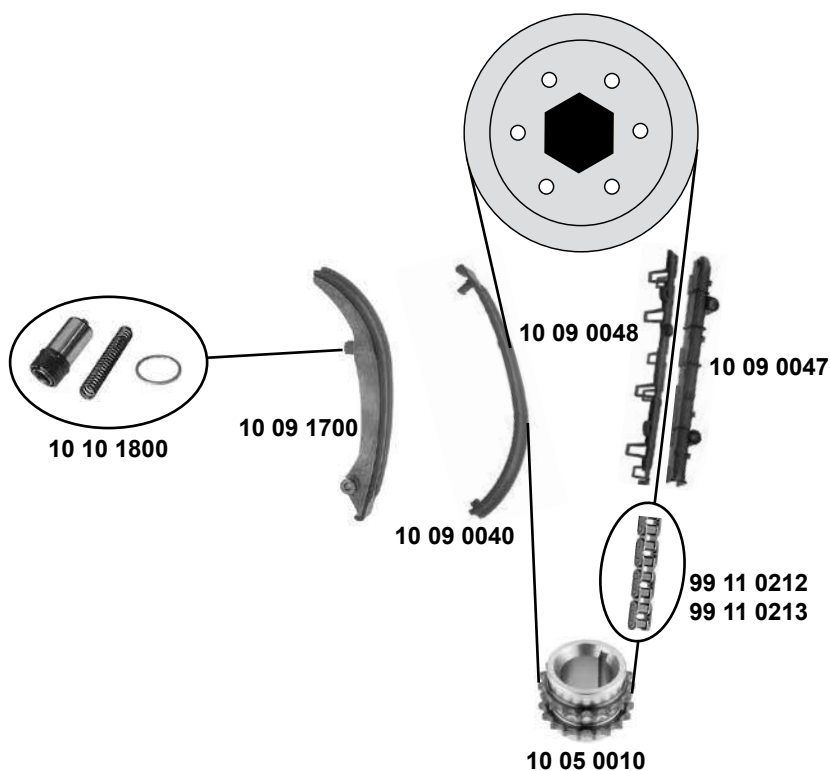


**Für Fahrzeuge mit Luftpressor, Kältekompressor oder Hydraulikpumpe  
For Engines with Compressor, Air Cooler or Hydraulic Pump**



SWAG GERMANY	Ref. - No.			
10 09 0014	115 052 07 16	Gleitschiene / sliding rail		
10 14 0004	116 130 04 60	Riemenscheibe / belt pulley	(mot.) 006033 →	
99 11 0052	000 997 05 98	Kettenglied / chain link		11 / D 455





(1) Nietverschluß / riveted link bouchon de rivet / rivetti



Ref. - No.



Ref. - No.	Part Description	Quantity	Notes
10 03 0002	Spannrolle / tension roller	(ex.) 981	ØA70ØI25 B31,5
10 03 1400	Riemenspanner / belt tensioner	(ex.) 981	
10 03 1402	Spannstange / tensioning rod	(ex.) 981	Z 18
10 05 0010	Kurbelwellenzahnrad / crankshaft gear	(ex.) 981	
10 09 0040	Gummibelag Gleitschiene / rubber lining sliding rail	(ex.) 981	55 N - 900 N
10 09 0047	Gleitschiene / sliding rail	(ex.) 981	
10 09 0048	Gleitschiene / sliding rail	(ex.) 981	96 E
10 09 1700	Gleitschiene / sliding rail	(ex.) 981	
10 10 1800	Kettenspanner / chain tensioner	(ex.) 981	96 N
10 52 0018	Schwingungsdämpfer / vibration damper	(ex.) 981	
99 11 0212	Steuerkette endlos / timing chain endless	(1)	
99 11 0213	Steuerkette / timing chain	(1)	
99 13 0307	Rep. Satz Steuerkette / rep. kit timing chain	(ex.) 981	

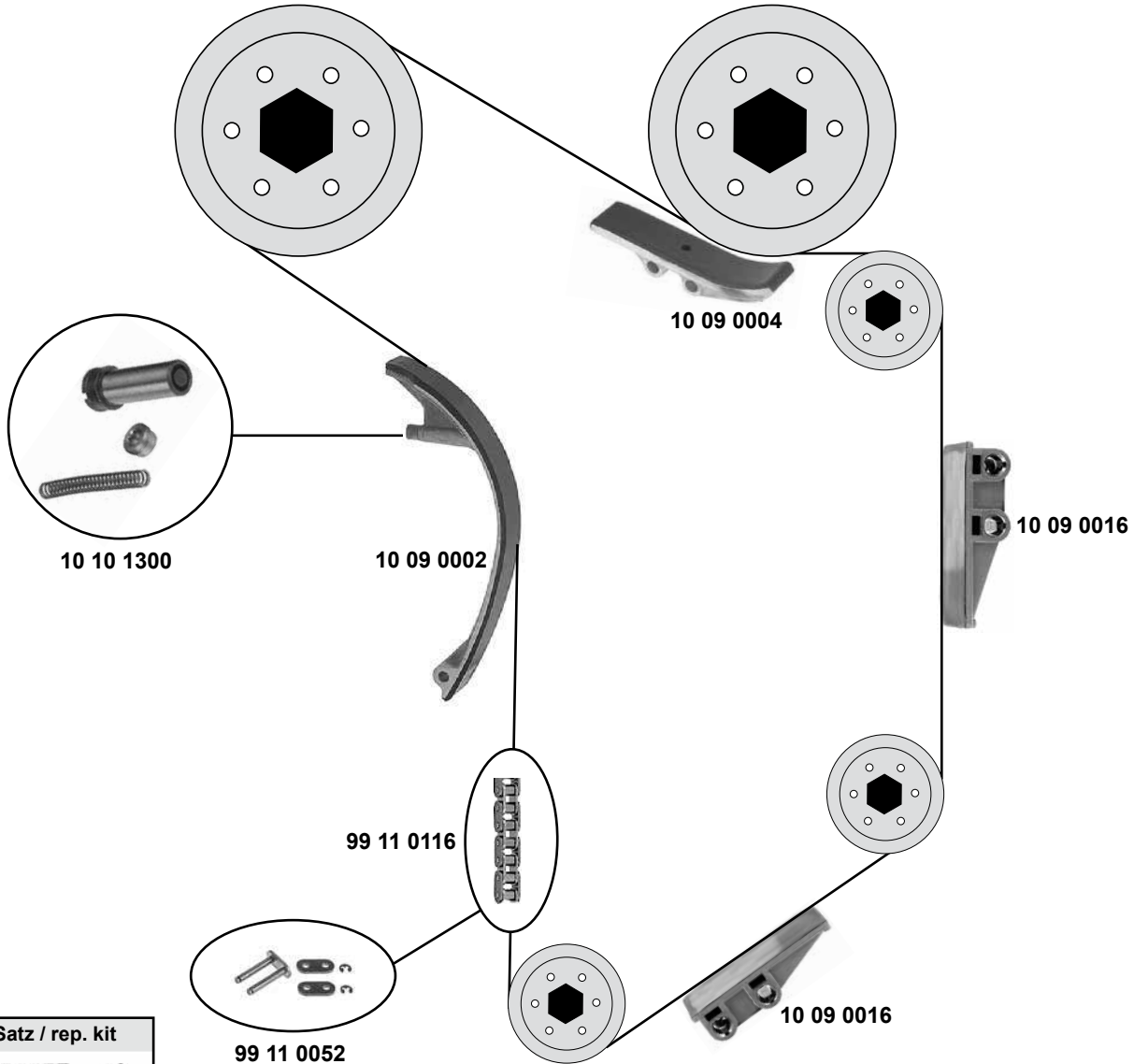
# MERCEDES-BENZ S-Klasse (BM 126)

(80 → 90)



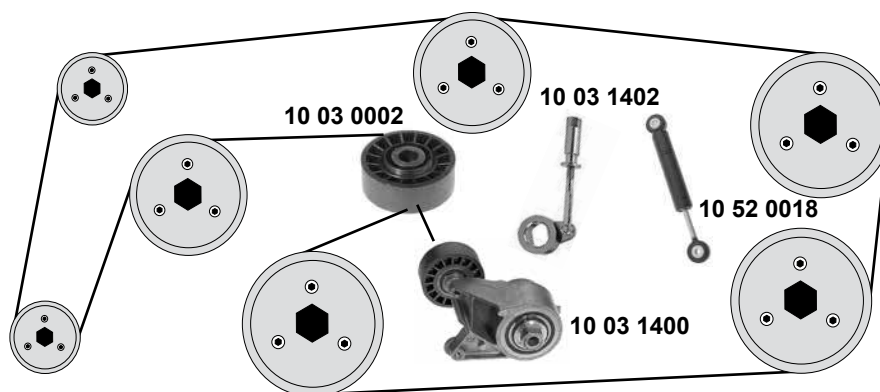
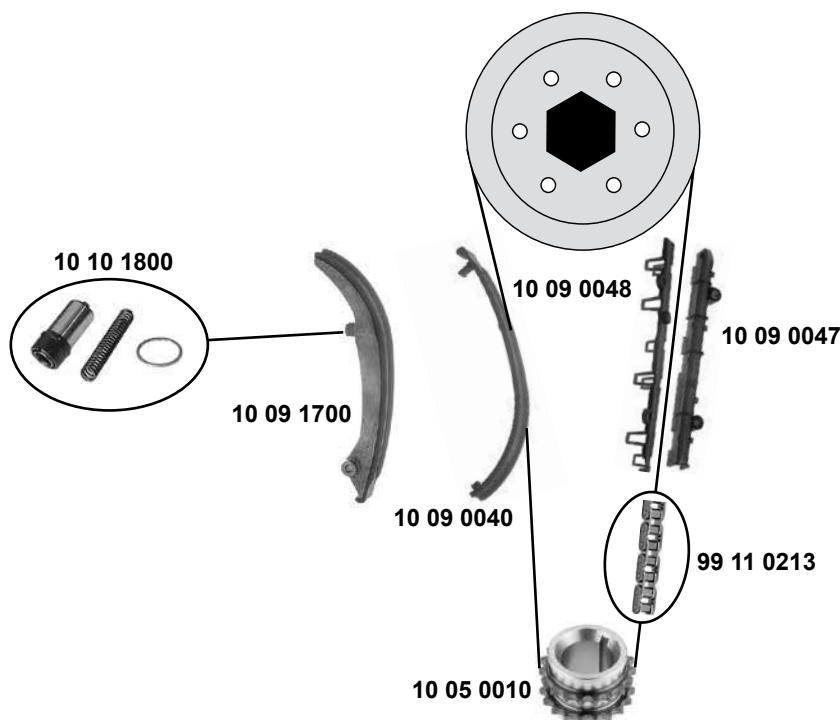
## 280 S / 280 SE / 280 SEL

(M 110.924, 926, 987, 989)



**(1)** Federverschluß / split link / fermeture de ressort / cierre de resorte / falsa maglia

SWAG GERMANY	Ref. - No.			
10 09 0002	110 050 18 16	Gleitschiene / sliding rail		
10 09 0004	110 050 15 16	Gleitschiene / sliding rail		
10 09 0016	110 052 08 16	Gleitschiene / sliding rail		
10 10 1300	110 050 06 11	Kettenspanner / chain tensioner		
99 11 0052	000 997 05 98	Kettenglied / chain link		
99 11 0116	000 997 69 94	Steuerkette / timing chain	(1)	11 / D 455
99 13 0308	110 050 06 11 S1	Rep. Satz Steuerecke / rep. kit timing chain		D 455 / 130 F



(1) Nietverschluss / riveted link bouchon de rivet / rivetti



Ref. - No.



Ref. - No.	Part Name	Quantity	Dimensions / Notes
10 03 0002	Spannrolle / tension roller		ØA70ØI25 B31,5
10 03 1400	Riemenspanner / belt tensioner		
10 03 1402	Spannstange / tensioning rod		
10 05 0010	Kurbelwellenzahnrad / crankshaft gear		Z 18
10 09 0040	Gummibelag Gleitschiene / rubber lining sliding rail		
10 09 0047	Gleitschiene / sliding rail		
10 09 0048	Gleitschiene / sliding rail		
10 09 1700	Gleitschiene / sliding rail		
10 10 1800	Kettenspanner / chain tensioner		
10 52 0018	Schwingungsdämpfer / vibration damper		55N - 900 N
99 11 0213	Steuerkette / timing chain	(1)	E 96
99 13 0307	Rep. Satz Steuerkette / rep. kit timing chain		E 96

# MERCEDES-BENZ

## S-Klasse (BM 126)

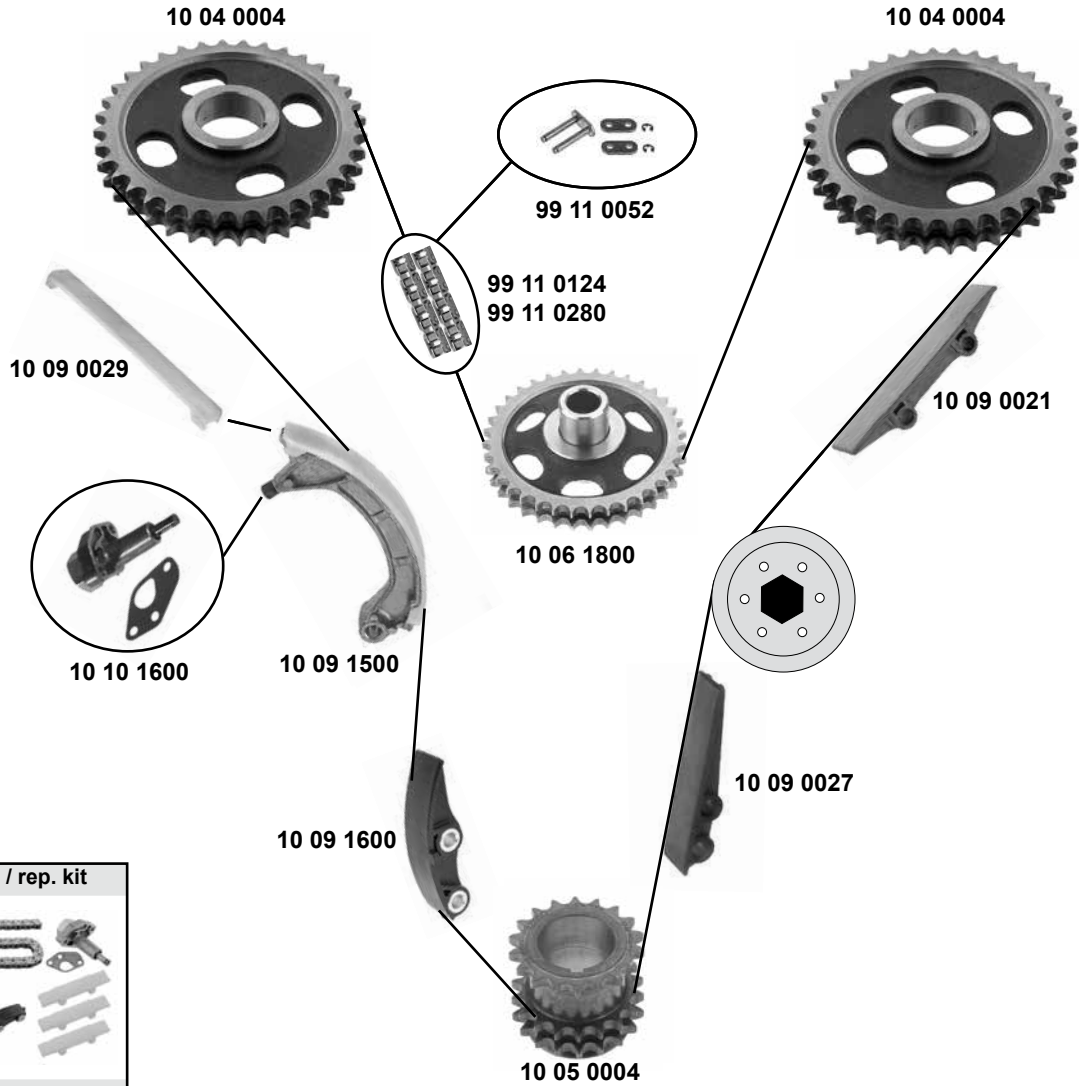
(80 → 91)



### 380 SE / 380 SEC / 380 SEL

### 420 SE / 420 SEC / 420 SEL

(M 116.961,963,965)



- (1) (mot.) 116.965 Federverschluß / split link / fermeture de ressort / cierre de resorte / falsa maglia
- (2) (mot.) 116.961 / 116.963



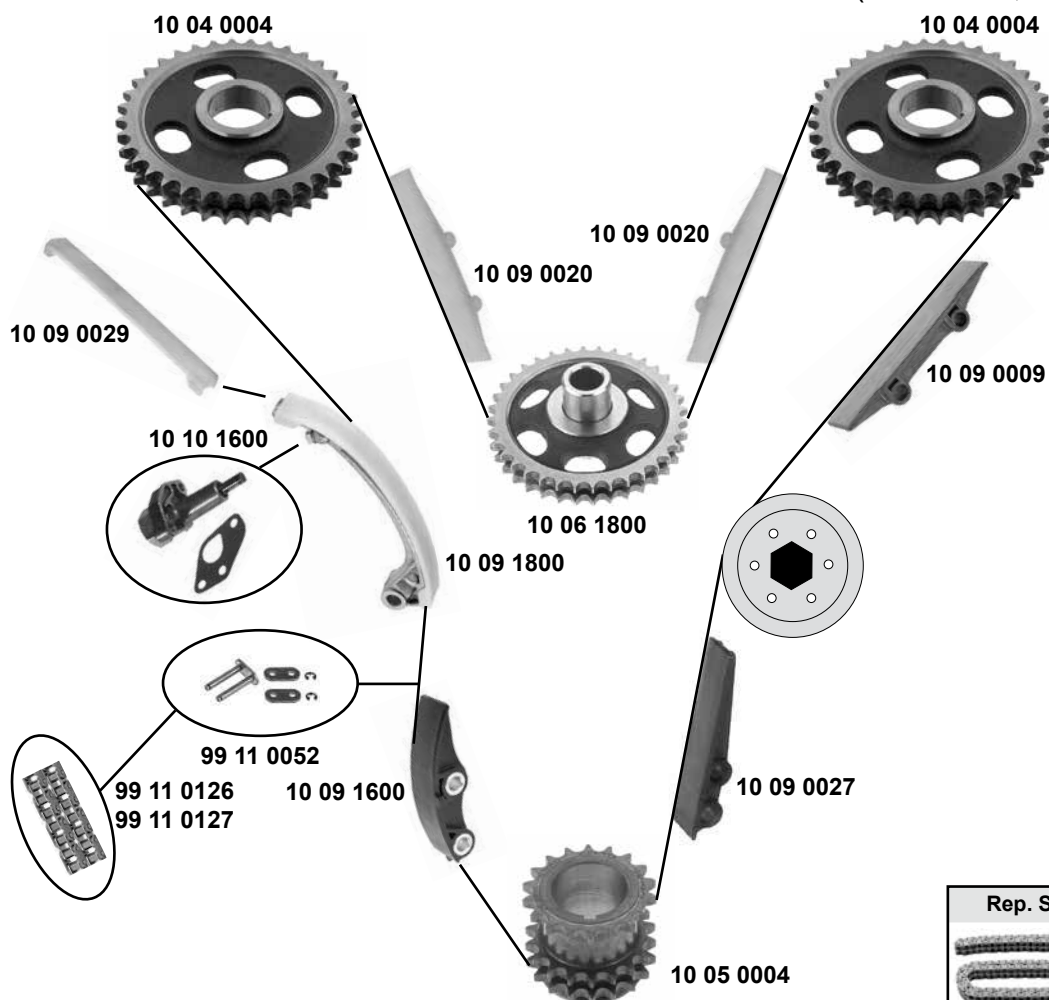
Ref. - No.



Ref. - No.	Description	Quantity	Part Number
10 04 0004	Nockenwellenrad / camshaft gear		Z 36
10 05 0004	Kurbelwellenzahnrad / crankshaft gear		Z 18
10 06 1800	Zwischenrad / intermediate gear		Z 36
10 09 0021	Gleitschiene / sliding rail	(2)	
10 09 0027	Gleitschiene / sliding rail	(2)	
10 09 0029	Gummibelag / rubber lining		
10 09 1500	Gleitschiene / sliding rail	(2)	
10 09 1600	Gleitschiene / sliding rail	(2)	
10 10 1600	Kettenspanner / chain tensioner	(2)	
10 93 0309	Rep. Satz Steuerkette / Rep. kit roller chain	(2)	
99 11 0052	Kettenglied / chain link		11 / D 455
99 11 0124	Steuerkette / timing chain	(1)	D 455 / 186 F
99 11 0280	Rep. Satz Steuerkette / roller chain simple	(2)	

**500 SE / 500 SEC / 500 SEL**  
**560 SE / 560 SEC / 560 SEL**

(M 117.961,963,965,968)



(1) Federverschluß / split link / fermeture de ressort / cierre de resorte / falsa maglia



Ref. - No.



Part No.	Ref. - No.	Description	Notes	Quantity
10 04 0004	116 052 06 01	Nockenwellenrad / camshaft gear		Z 36
10 05 0004	119 052 01 03	Kurbelwellenzahnrad / crankshaft gear		Z 18
10 06 1800	116 050 05 05	Zwischenrad / intermediate gear		Z 36
10 09 0009	117 052 08 16	Gleitschiene / sliding rail		
10 09 0020	117 052 09 16	Gleitschiene / sliding rail		
10 09 0027	117 052 10 16	Gleitschiene / sliding rail		
10 09 0029	116 052 00 83	Gummibelag Gleitschiene / rubber lining sliding rail		
10 09 1600	117 050 18 16	Gleitschiene / sliding rail		
10 09 1800	117 050 16 16	Gleitschiene / sliding rail		
10 10 1600	116 050 18 11	Kettenspanner / chain tensioner		
99 11 0052	000 997 05 98	Kettenglied / chain link		
99 11 0126	000 997 76 94	Steuerkette / timing chain	(1)	D 455 / 198 F
99 11 0127	000 997 32 94	Steuerkette / timing chain		D 455 / 198 E
99 13 0312	116 050 18 11 S2	Rep. Satz Steuerkette / Rep. kit roller chain	(ex.) 968	

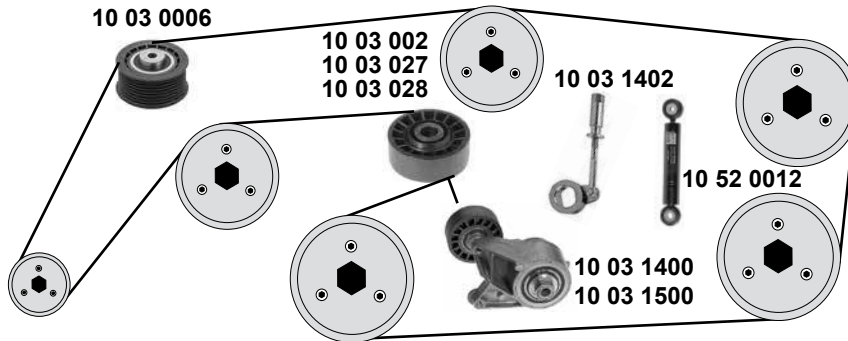
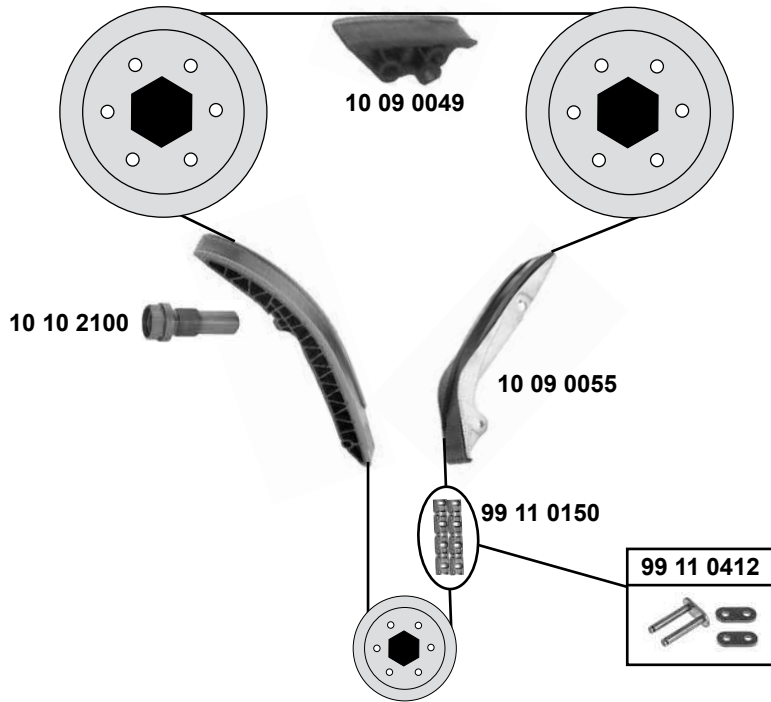
# MERCEDES-BENZ S-Klasse (BM 140)

(91 → 99)



## 300 SE / SEL (S 320)

(M 104.944,990,994)



(1) Nietverschluss / riveted link /  
bouchon de rivet / rivetti

(2) 944: (mot.) → 016164  
944: (mot.) → 001105

(3) 944: (mot.) 016165 →  
944: (mot.) 001106 →



Ref. - No.

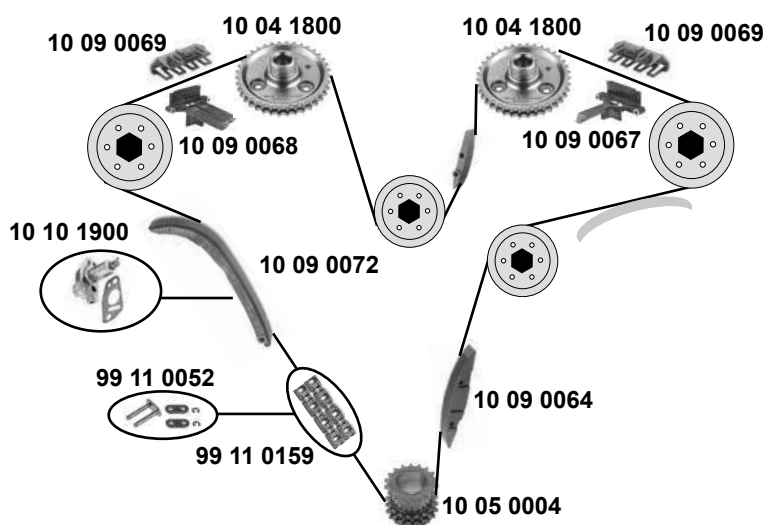


10 03 0002	103 200 05 70	Spannrolle / tension roller	(2)	
10 03 0006	120 200 04 70	Spannrolle / tension roller	nur / only: 990	ØA 69 B33
10 03 0027	104 200 10 70	Spannrolle / tension roller	(3)	ØA 80
10 03 0028	104 200 04 70	Spannrolle / tension roller	nur / only: 990	
10 03 1400	103 200 08 70	Riemenspanner / belt tensioner	(2)	
10 03 1402	103 200 02 36	Spannstange / tensioning rod	nur / only: 990	
10 03 1500	104 200 05 70	Riemenspanner / belt tensioner		
10 09 0049	104 052 14 16	Gleitschiene / sliding rail		
10 09 0055	104 050 15 16	Gleitschiene / sliding rail		
10 10 2100	120 050 02 11	Kettenspanner / chain tensioner		
10 52 0012	103 200 01 14	Schwingungsdämpfer / vibration damper	(2)	80N - 1050N
99 11 0150	003 997 17 94	Steuerkette / timing chain	(1)	D 455 / 126 N
99 11 0412	000 997 22 98	Kettenglied / chain link	(1)	
99 13 0311	120 050 02 11 S1	Rep. Satz Steuerkette / rep. kit timing chain		

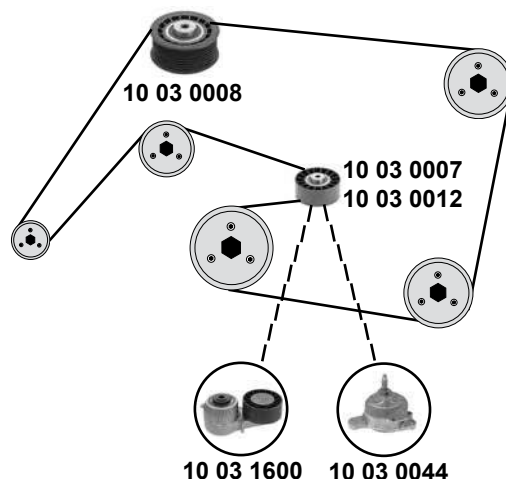


**400 SE / SEL / 400 (S 420)**  
**500 SE / SEC / SEL (S 500)**

(M 119.970,971,980,981)


**400 SE / 400 SEL (S420)**  
**500 SE / 500 SEL / 500 SEC (S500)**

(M 119.970,971,974)



(1) Nietverschluss / riveted link bouchon de rivet / rivetti



Ref. - No.



10 03 0007	119 200 03 70	Spannrolle / tension roller		
10 03 0008	119 200 04 70	Umlenkrolle / deflection Pulley		ØA 75 B 33
10 03 0012	119 200 14 70	Spannrolle / tension roller		
10 03 0044	119 200 11 70	Riemenspanner / belt tensioner		
10 03 1600	119 200 02 70	Riemenspanner / belt tensioner		
10 04 1800	119 050 10 04	Nockenwellenrad / camshaft gear		Z 36
10 05 0004	119 052 01 03	Kurbelwellenzahnrad / crankshaft gear		Z 18
10 09 0064	119 052 11 16	Gleitschiene / sliding rail		
10 09 0067	119 050 02 16	Gleitschiene / sliding rail		
10 09 0068	119 050 03 16	Gleitschiene / sliding rail		
10 09 0069	119 052 09 16	Gleitschiene / sliding rail		
10 09 0072	119 050 04 16	Gleitschiene / sliding rail		
10 10 1900	119 050 17 11	Kettenspanner / chain tensioner		
99 11 0052	000 997 05 98	Kettenglied / chain link		11 / D 455
99 11 0159	003 997 44 94	Steuerkette / timing chain	(1)	D 455 / 216 N
99 13 0313	119 050 17 11 S1	Rep. Satz Steuerkette / rep. kit timing chain	(1)	E 216

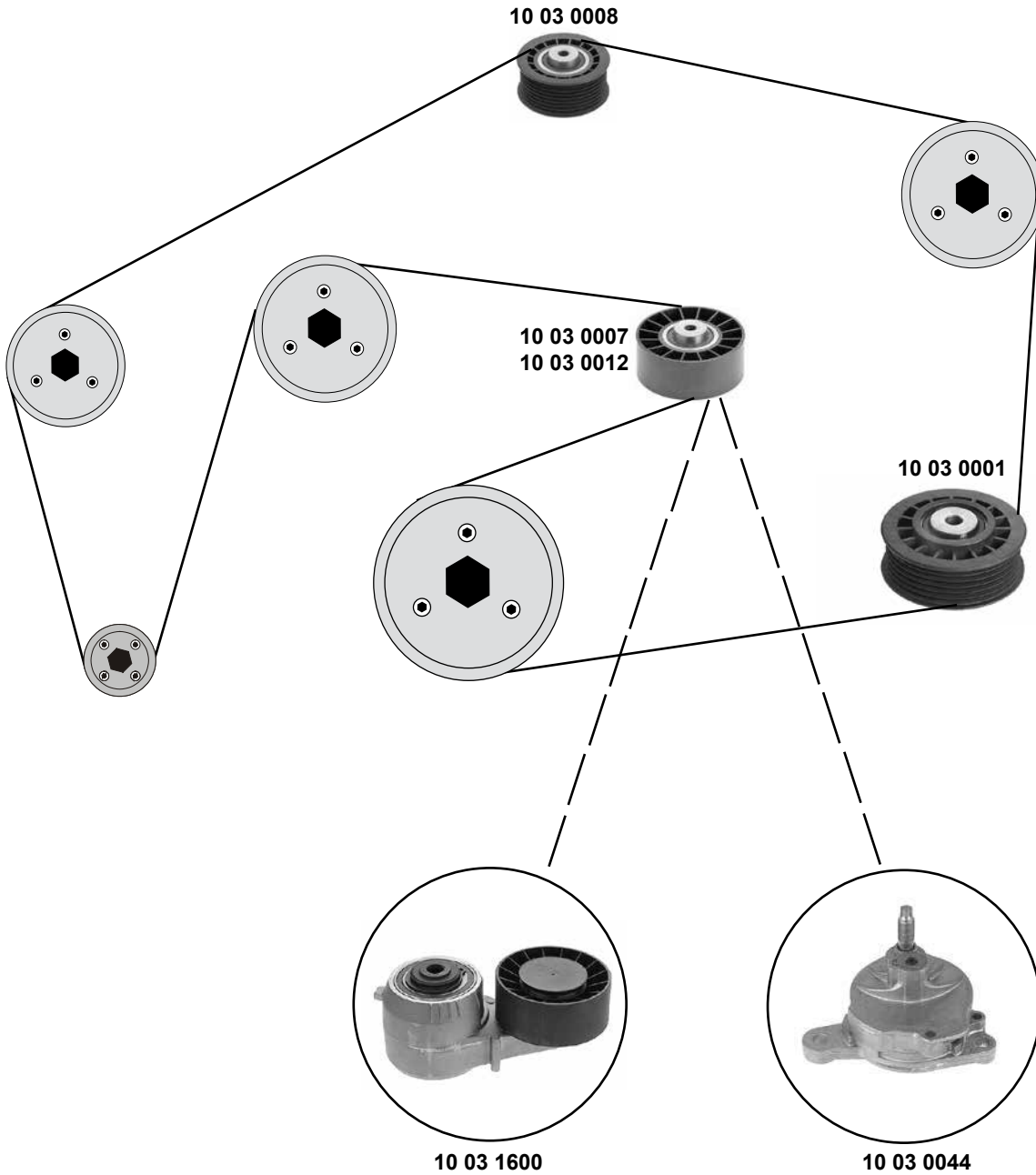
# MERCEDES-BENZ S-Klasse (BM 140)

(91 → 99)



## 400 SE / SEL / SEC (S 420) 500 SE / SEC / SEL (S 500)

(M 119.970,971,980,981)



(1) 971: (mot.) → 011682

(3) 970: (mot.) → 026390

(2) 971: (mot.) 011683 →

(4) 970: (mot.) 032288 →



Ref. - No.



10 03 0001	601 200 07 70
10 03 0007	119 200 03 70
10 03 0008	119 200 04 70
10 03 0012	119 200 14 70
10 03 0044	119 200 11 70
10 03 1600	119 200 02 70

Umlenkrolle / deflection pulley
Spannrolle / tension roller
Umlenkrolle / deflection Pulley
Spannrolle / tension roller
Riemenspanner / belt tensioner
Riemenspanner / belt tensioner

(2) (4)  
(1) (3)

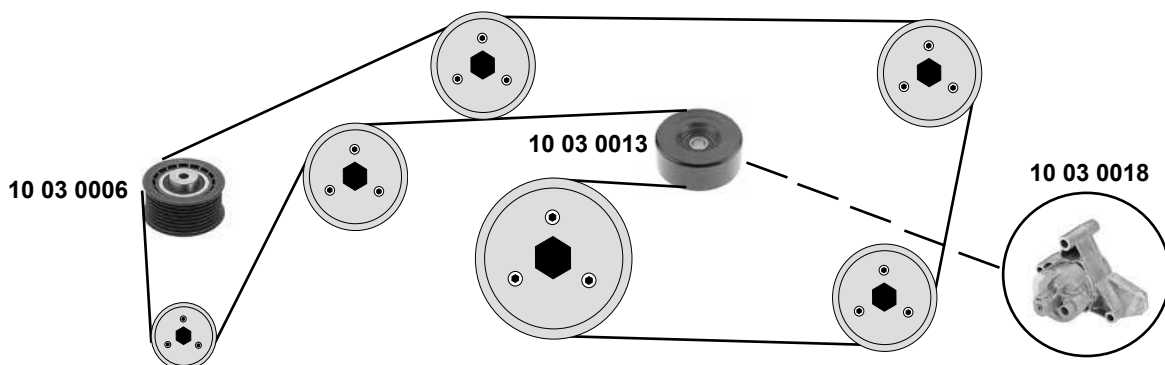
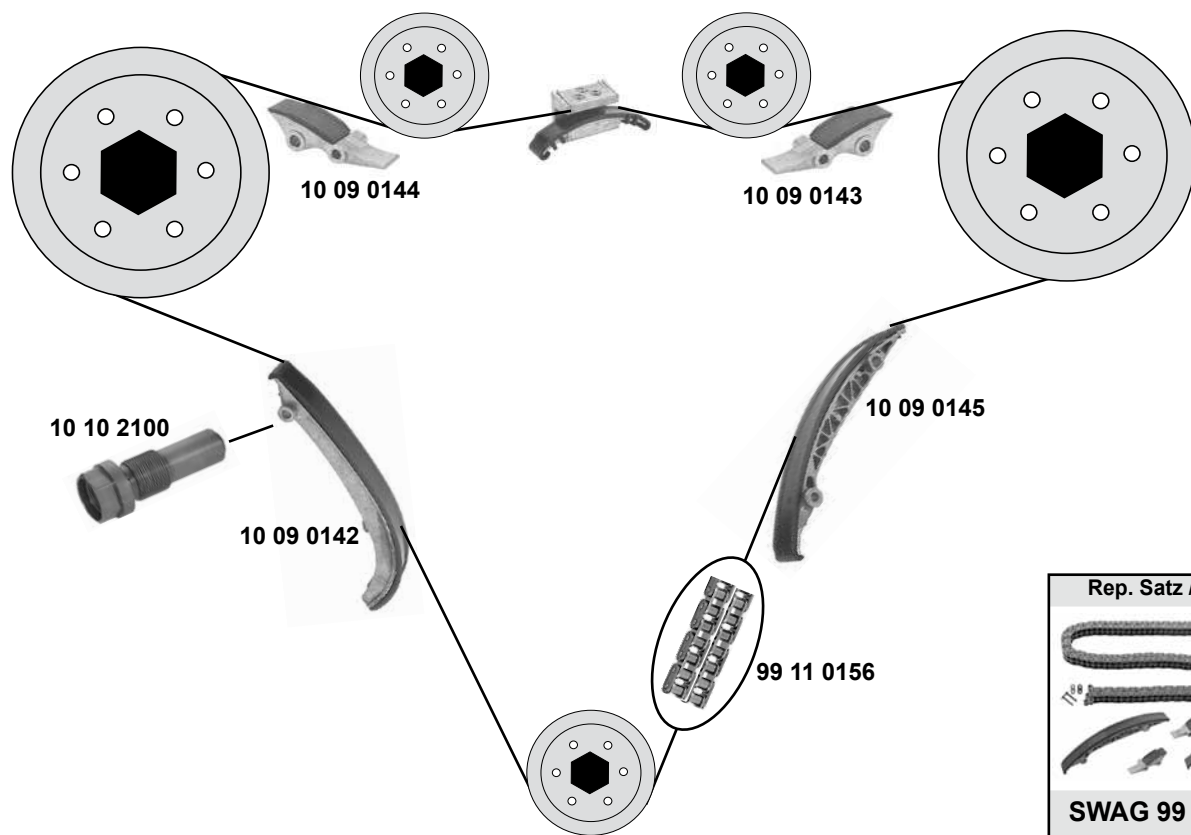
75 x 26/31,5  
80 x 32  
ØA 75 B 33





# MERCEDES-BENZ S-Klasse (BM 140) (91 → 99)

## 600 SE / SEL / SEC (S 600) (M 120.980,982)



(1) Nietverschluß / riveted link bouchon de rivet / rivetti / cierre de roblón



Ref. - No.



Ref. - No.	Description	Quantity	Part Number
10 03 0006	Spannrolle / tension roller	(ex.) 982	ØA 69 B33
10 03 0013	Spannrolle / tension roller		92 x 37
10 03 0018	Riemenspanner / belt tensioner		
10 09 0142	Gleitschiene / sliding rail		
10 09 0143	Gleitschiene / sliding rail		
10 09 0144	Gleitschiene / sliding rail		
10 09 0145	Gleitschiene / sliding rail		
10 10 2100	Kettenspanner / chain tensioner		
99 11 0156	Steuerkette / timing chain	(1)	D 455 / 122 N
99 13 0317	Rep. Satz Steuerkette / rep kit timing chain		

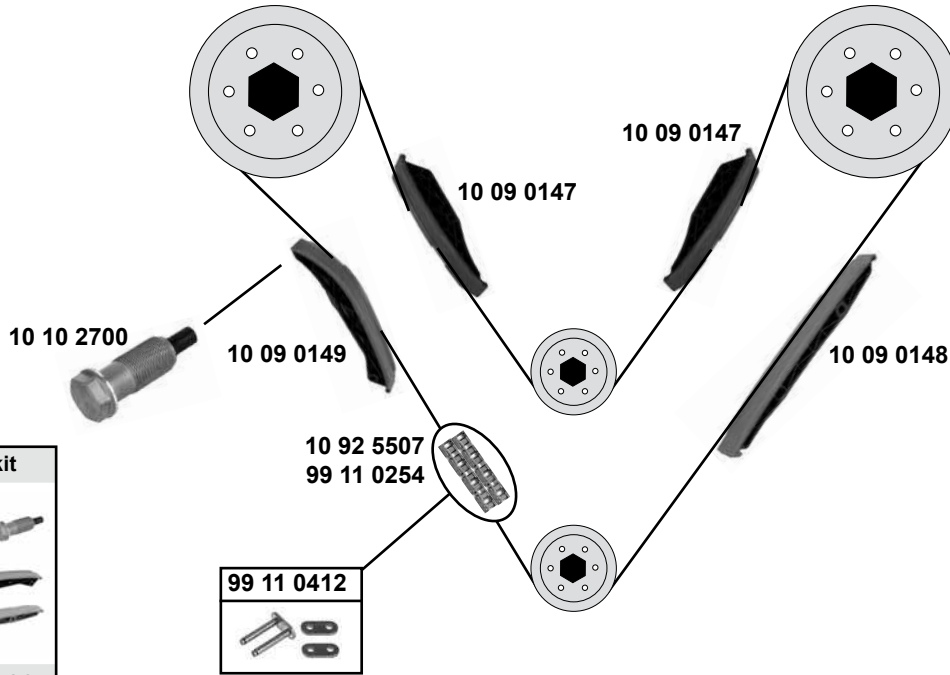
# MERCEDES-BENZ S-Klasse (BM 220)

(98 → 05)



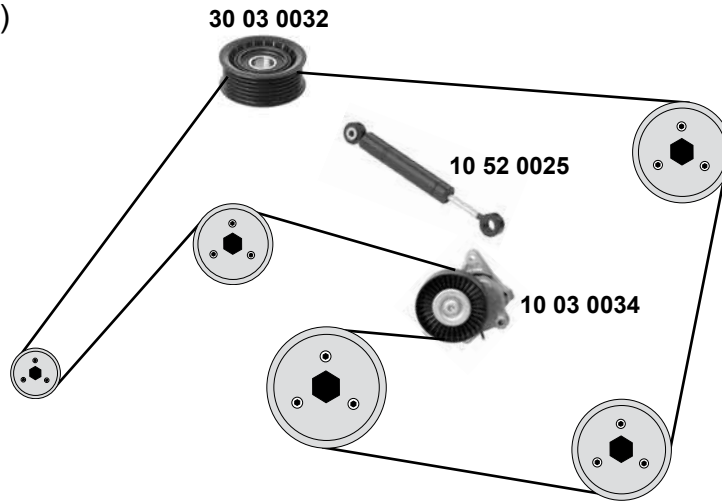
## S 280 / S 320 / S 430

(M 112.922,944,972,975)



## S 280 / S 320 / S 430

(M 112.922,944,972,975)



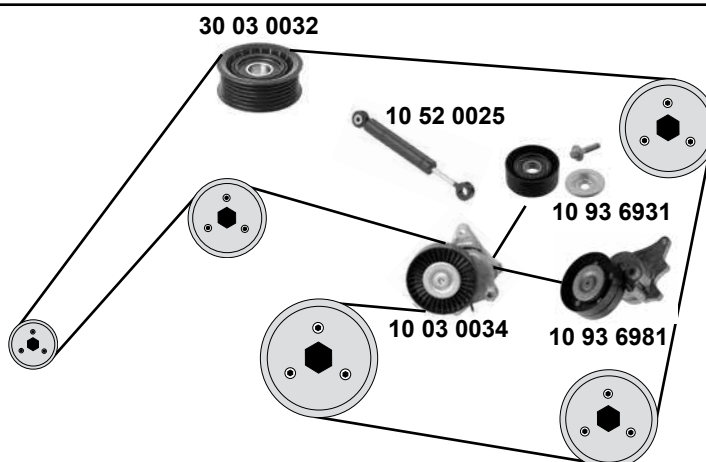
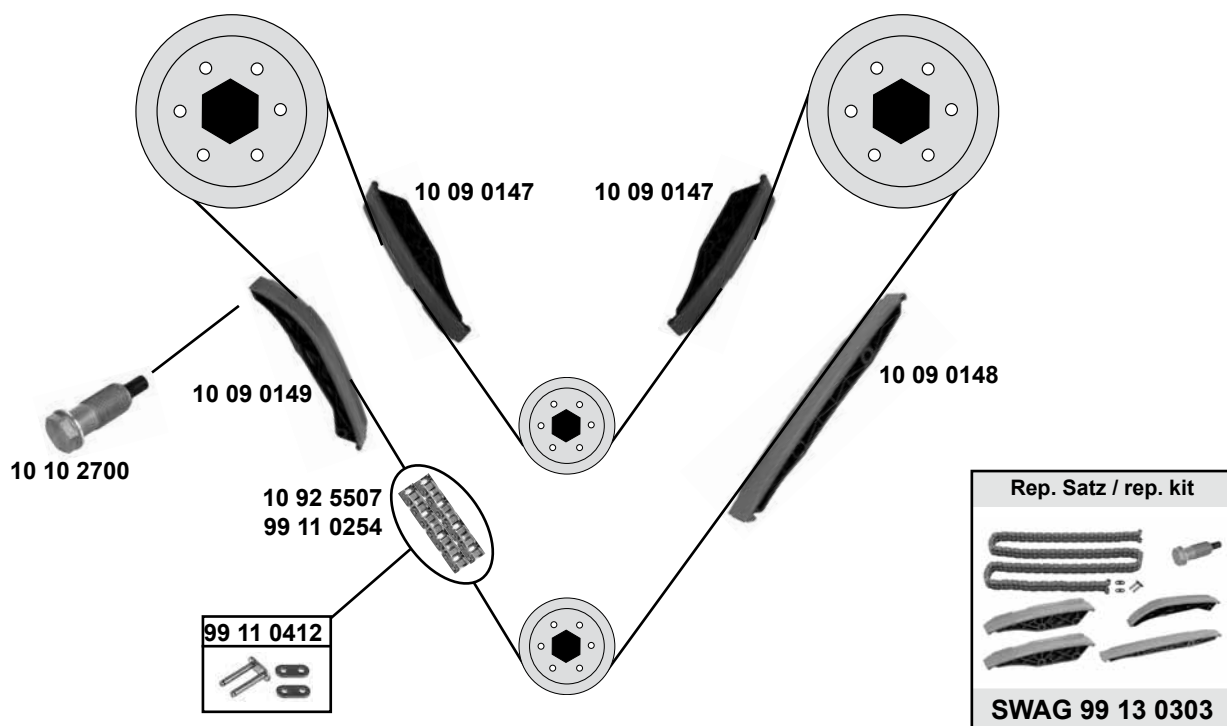
(1) Nietverschluß / riveted link / bouchon de rivet / rivetti / cierre de roblón



Ref. - No.



10 03 0034	112 200 09 70	Riemenspanner / belt tensioner		
10 09 0147	112 052 01 16	Gleitschiene / sliding rail		
10 09 0148	112 052 00 16	Gleitschiene / sliding rail		
10 09 0149	112 052 02 16	Gleitschiene / sliding rail		
10 10 2700	112 050 08 11	Kettenspanner / chain tensioner		
10 52 0025	112 200 00 14	Schwingungsdämpfer / vibration damper	(mot.) 112.922	55 N - 600 N
10 92 5507	003 997 68 94 S1	Steuerkette / timing chain	(1)	168 E
30 03 0032	272 202 09 19	Umlenkrolle / deflection pulley		ØA 64 ØI 17 B23
99 11 0254	003 997 68 94	Steuerkette / timing chain	(1)	168 N
99 11 0412	000 997 22 98	Kettenglied / chain link	(1)	
99 13 0303	112 050 08 11 S1	Rep. Satz Steuerkette / rep. kit timing chain		E 168

**S 430 / S 500 / S 55 AMG**  
 (M 113.941,948,960,966,986,991)


(1) Nietverschluss / riveted link bouchon de rivet / rivetti / cierre de roblón



Ref. - No.



Ref. - No.	Description	Part No.	Notes
10 03 0034	Riemenspanner / belt tensioner		
10 09 0147	Gleitschiene / sliding rail		
10 09 0148	Gleitschiene / sliding rail		
10 09 0149	Gleitschiene / sliding rail		
10 10 2700	Kettenspanner / chain tensioner		
10 52 0025	Schwingungsdämpfer / vibration damper	(mot.) M113.941,960	55 N - 600 N
10 92 5507	Steuerkette / timing chain	(1)	168 E
10 93 6931	Spannrolle / tension roller	(mot.) M 113.991	ØA65 B26
10 93 6981	Riemenspanner / belt tensioner	(mot.) M 113.991	ØA90 B32
30 03 0032	Umlenkrolle / deflection pulley		ØA 64 ØI 17 B23
99 11 0254	Steuerkette / timing chain	(1)	168 N
99 11 0412	Kettenglied / chain link		
99 13 0303	Rep. Satz Steuerkette / rep. kit timing chain		E 168

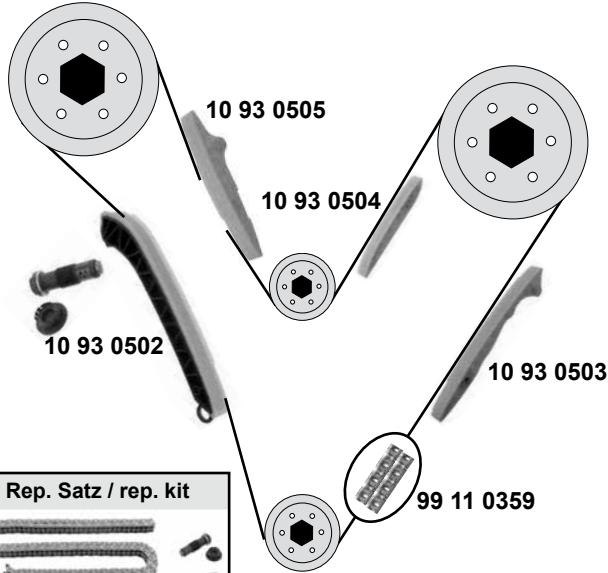
# MERCEDES-BENZ S-Klasse (BM 220)

(98 → 05)



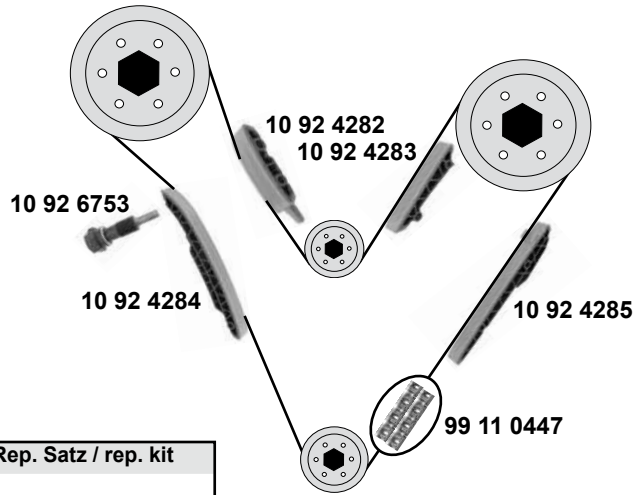
## S 600

(M 273.963)



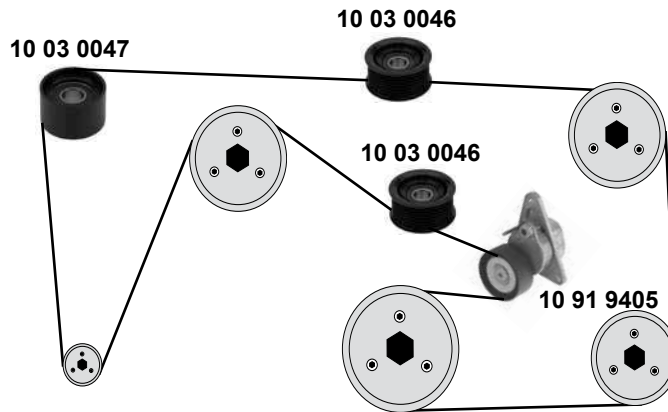
## S 600

(M 275.950,980)



## S 600

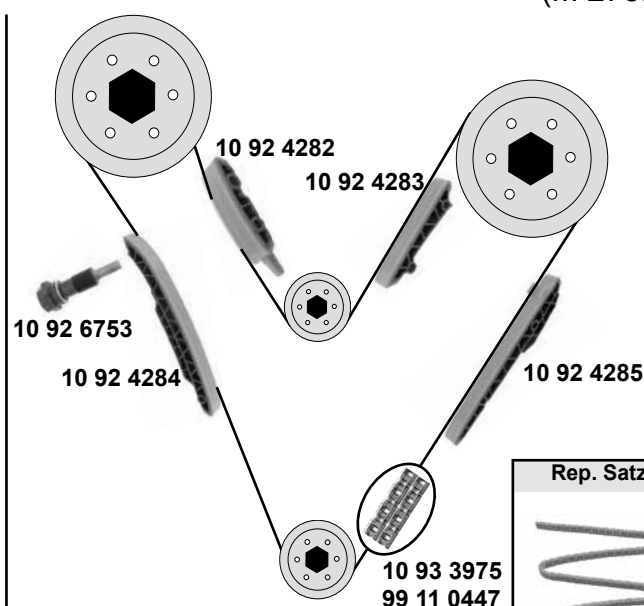
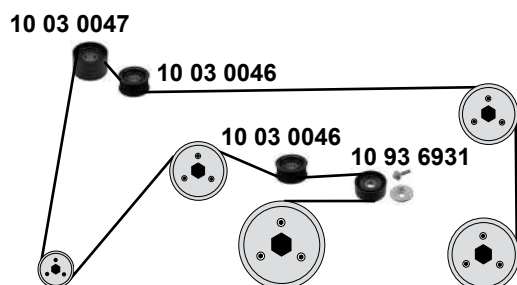
(M 137.970)



SWAG GERMANY	Ref. - No.			
10 03 0046	000 202 07 19	Umlenkrolle / deflection pulley		ØA 54 Ø I 17
10 03 0047	137 202 01 19	Umlenkrolle / deflection pulley		
10 91 9405	137 200 02 70	Riemenspanner / belt tensioner		
10 92 4282	137 052 04 16	Gleitschiene / sliding rail		
10 92 4283	137 052 05 16	Gleitschiene / sliding rail		
10 92 4284	137 052 07 16	Gleitschiene / sliding rail		
10 92 4285	137 052 08 16	Gleitschiene / sliding rail		
10 92 6753	275 050 05 11	Kettenspanner / chain tensioner		
10 93 0502	272 052 13 16	Gleitschiene / sliding rail		
10 93 0503	272 052 00 16	Gleitschiene / sliding rail		
10 93 0504	272 052 15 16	Gleitschiene / sliding rail		
10 93 0505	272 052 02 16	Gleitschiene / sliding rail		
99 11 0359	003 997 95 94	Steuerkette / timing chain		
99 11 0447	004 997 20 94	Steuerkette mit Nietverschluss/ timing chain with	164 N	
99 13 0318	275 050 05 11 S1	Rep. Satz Steuerkette / rep. kit timing chain		
99 13 0328	272 050 08 11 S1	Rep. Satz Steuerkette / rep. kit timing chain	E 216	

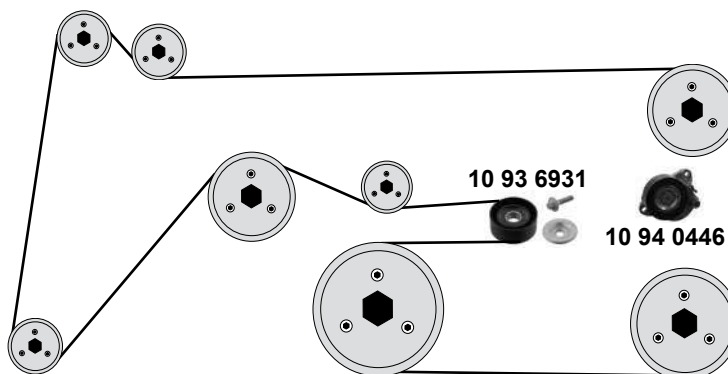
### S 65 AMG

(M 275.950,980)



### S-Klasse (BM 221)

(05 → )  
(M 156.980,984,985)



(1) S 600 M275.950 (mot.) → 40027371 / S 65 AMG M275.980 (mot.) → 60006826

(2) M 156.980,984 (mot.) → 6001452



Ref. - No.



Ref. - No.				
10 03 0046	000 202 07 19	Umlenkrolle / deflection pulley	(1)	ØA64 B30
10 03 0047	137 202 01 19	Umlenkrolle / deflection pulley		ØA 54 Ø I 17
10 92 4282	137 052 04 16	Gleitschiene / sliding rail		
10 92 4283	137 052 05 16	Gleitschiene / sliding rail		
10 92 4284	137 052 07 16	Gleitschiene / sliding rail		
10 92 4285	137 052 08 16	Gleitschiene / sliding rail		
10 92 6753	275 050 05 11	Kettenspanner / chain tensioner		
10 93 3975	004 997 18 94	Steuerkette / roller chain		164 E
10 93 6931	113 202 00 19	Spannrolle / tension roller	(2)	ØA 65 B26
10 94 0446	156 200 05 70	Riemenspanner / belt tensioner	M 156.984,985	ØA 76 B26
99 11 0447	004 997 20 94	Steuerkette / timing chain		D 164 E
99 13 0318	275 050 05 11 S1	Rep. Satz Steuerkette / rep. kit timing chain		



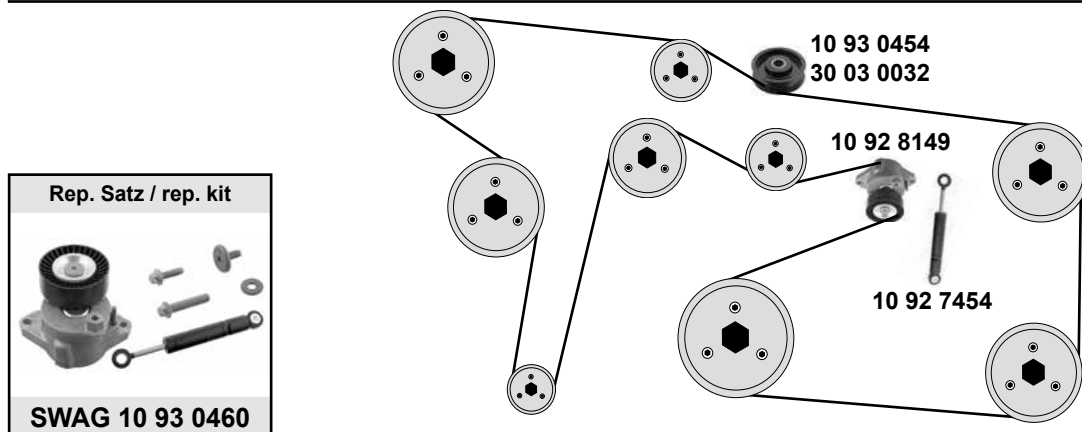
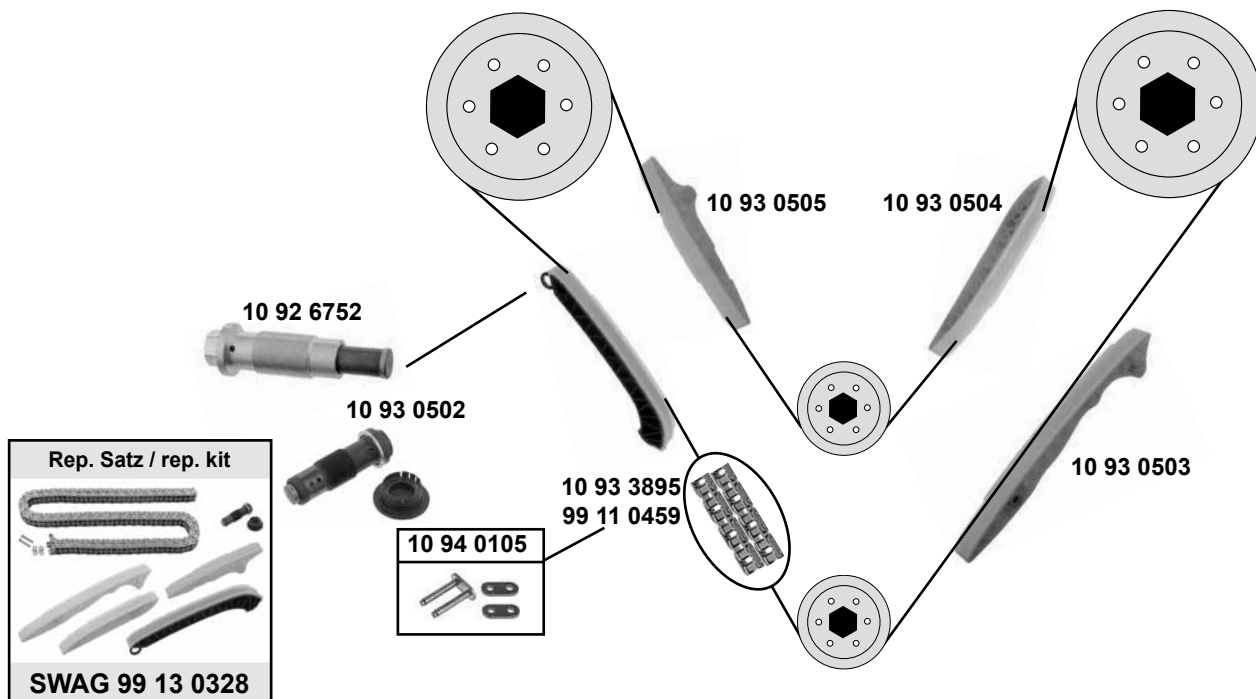
# MERCEDES-BENZ S-Klasse (BM 221)

(05 →)



## S 280 / 350 4-Matic / 400 Hybrid

(M 272.946,965,974,975 / M 273.922,924,961,968)



(1) (mot.) 272.965 : (mot.) → 290775 / → 05.05

(2) (mot.) 272.946,965,975 : 30058377 → / (mot.) 273.922,924,961,968

(3) (mot.) 272.946,965,974,975 (mot.) 30089233 → / (mot.) 273.922,924,961,968

(4) (mot.) 272.946,965,975 (mot.) 30009529 → / (mot.) 272.974 / (mot.) 273.922,924,961,968



Ref. - No.

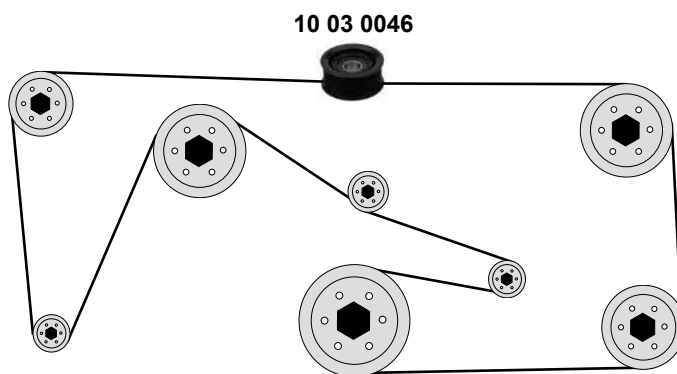
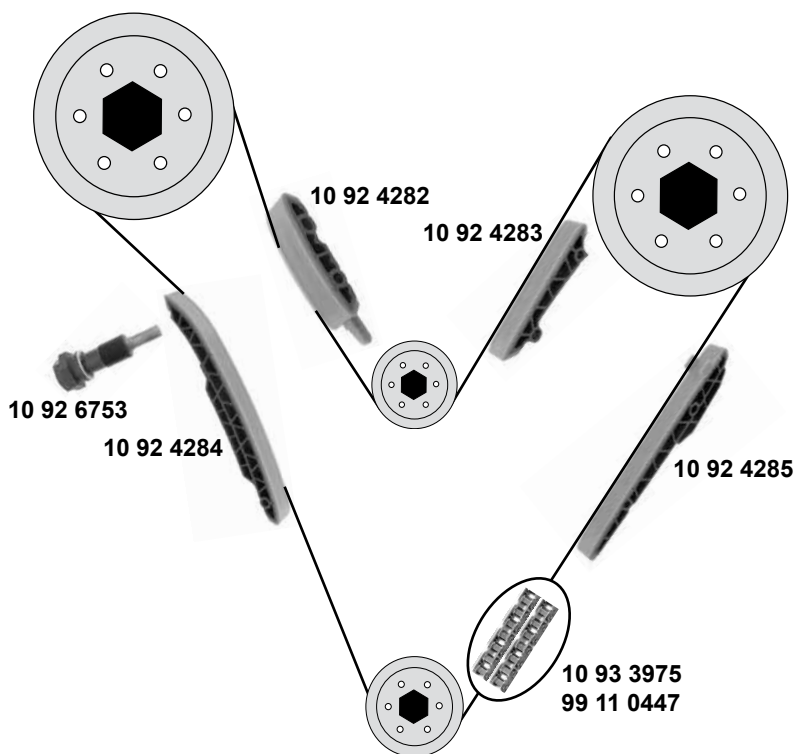


Ref. - No.	Part Name	Quantity	Notes
10 92 6752	272 050 01 11 Kettenspanner / chain tensioner	(1)	
10 92 7454	272 200 01 14 Schwingungsdämpfer / vibration damper		55 N - 400 N
10 92 8149	272 200 00 70 Riemenspanner / belt tensioner		ØA 76
10 93 0454	272 202 14 19 Umlenkrolle / deflection pulley	(2)	ØA 70 B22
10 93 0460	272 200 02 70 S1 Rep. Satz Riemenspanner / rep. kit belt tensioner	(3)	
10 93 0502	272 052 13 16 Gleitschiene / sliding rail	(3)	
10 93 0503	272 052 00 16 Gleitschiene / sliding rail	(4)	
10 93 0504	272 052 15 16 Gleitschiene / sliding rail	(4)	
10 93 0505	272 052 02 16 Gleitschiene / sliding rail	(4)	
10 93 3895	000 993 06 76 S1 Steuerkette / timing chain		216 E
10 94 0105	000 993 06 76 S2 Kettenglied / chain link		
30 03 0032	000 202 09 19 Umlenkrolle / deflection pulley	(ex.) 272.974	ØA 64 Ø1 17 B23
99 11 0459	000 993 06 76 Steuerkette / timing chain		
99 13 0328	272 050 08 11 S1 Rep. Satz Steuerkette / rep. kit timing chain	(3)	



# MERCEDES-BENZ S-Klasse (BM 221) (05 →)

## S 600 / S 65 AMG (M 275.953,982)



(1) S 600 M275.953 (mot.) →40027371 / S 65 AMG M275.982 (mot.) →60006826



Ref. - No.



Ref. - No.	Description	Quantity	Notes
10 03 0046	Umlenkrolle / deflection pulley	(1)	ØA64 B30
10 92 4282	Gleitschiene / sliding rail		
10 92 4283	Gleitschiene / sliding rail		
10 92 4284	Gleitschiene / sliding rail		
10 92 4285	Gleitschiene / sliding rail		
10 92 6753	Kettenspanner / chain tensioner		
10 93 3975	Steuerkette / roller chain		164 E
99 11 0447	Steuerkette mit Nietverschluss/ timing chain with		164 E
99 13 0318	Rep. Satz Steuerkette / rep. kit timing chain		

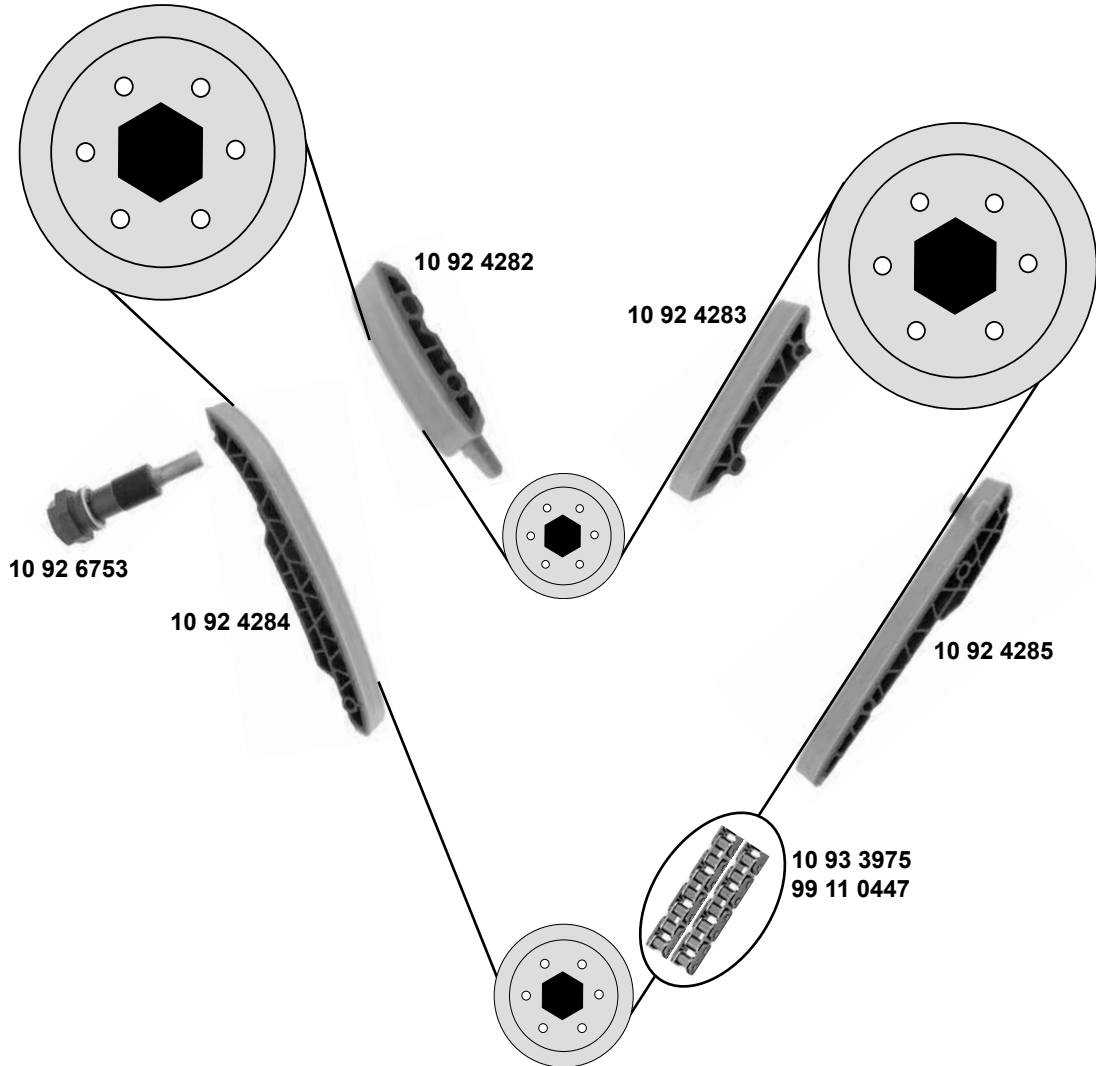
# MERCEDES-BENZ S-Klasse (BM 222)

(05/13 →)



## S 63 AMG

(M 279.980)

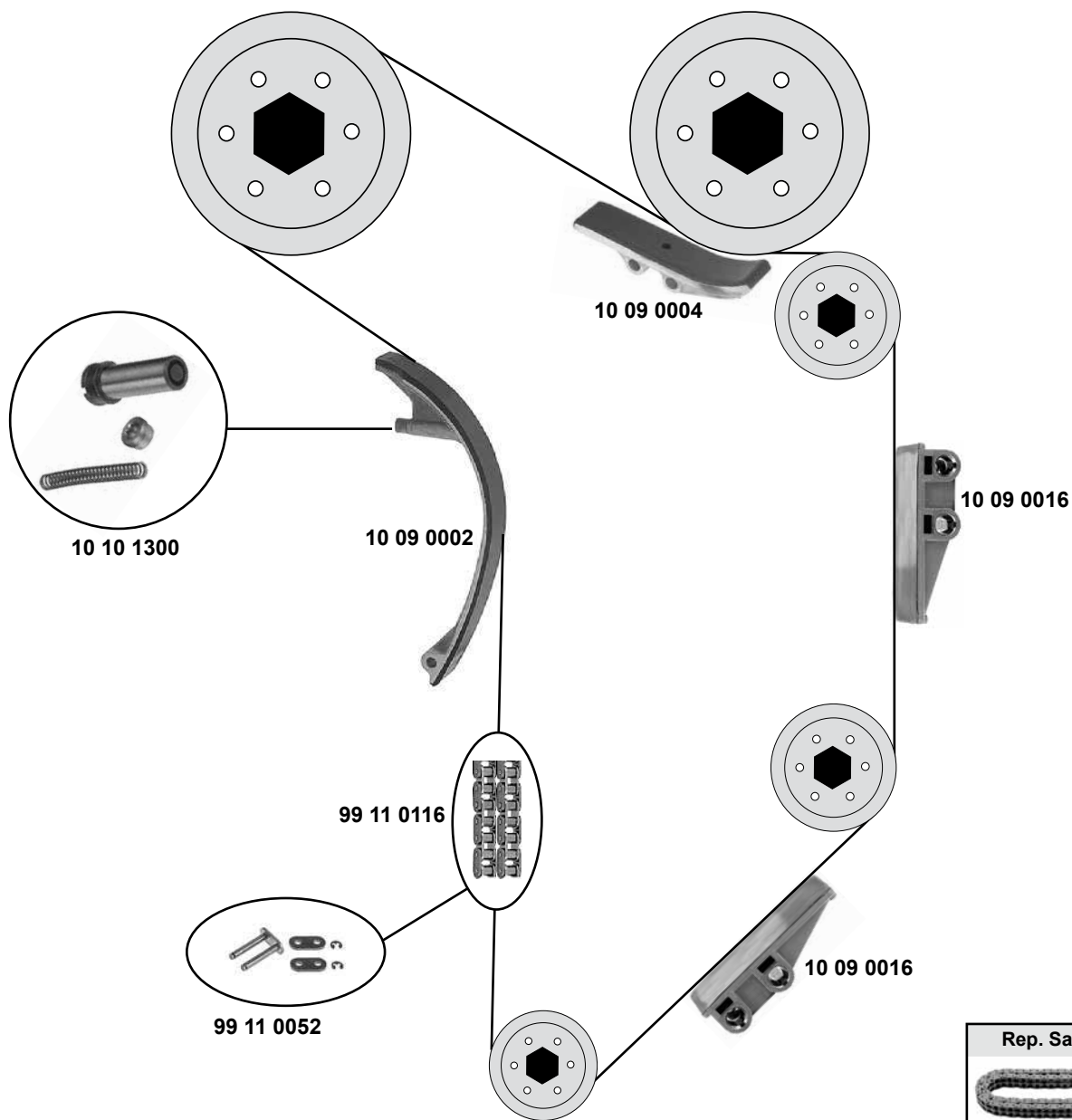


SWAG GERMANY	Ref. - No.			
<b>10 92 4282</b>	137 052 04 16	Gleitschiene / sliding rail		
<b>10 92 4283</b>	137 052 05 16	Gleitschiene / sliding rail		
<b>10 92 4284</b>	137 052 07 16	Gleitschiene / sliding rail		
<b>10 92 4285</b>	137 052 08 16	Gleitschiene / sliding rail		
<b>10 92 6753</b>	275 050 05 11	Kettenspanner / chain tensioner		
<b>10 93 3975</b>	004 997 18 94	Steuerkette / roller chain		164 E
<b>99 11 0447</b>	004 997 20 94	Steuerkette mit Nietverschluss/ timing chain with		164 E
<b>99 13 0318</b>	275 050 05 11 S1	Rep. Satz Steuerkette / rep. kit timing chain		



### 280 SL / SLC

(M 110.982,986,990)



(1) Federverschluß / split link / fermeture de ressort / cierre de resorte / falsa maglia / fermeture de ressort / cierre de resorte



Ref. - No.



Ref. - No.	Description	Quantity	Part No.
10 09 0002	Gleitschiene / sliding rail		
10 09 0004	Gleitschiene / sliding rail		
10 09 0016	Gleitschiene / sliding rail		
10 10 1300	Kettenspanner / chain tensioner		
99 11 0052	Kettenglied / chain link		
99 11 0116	Steuerkette / timing chain	(1)	D 455 / 130 F
99 13 0308	Rep. Satz Steuerkette / rep. kit timing chain		

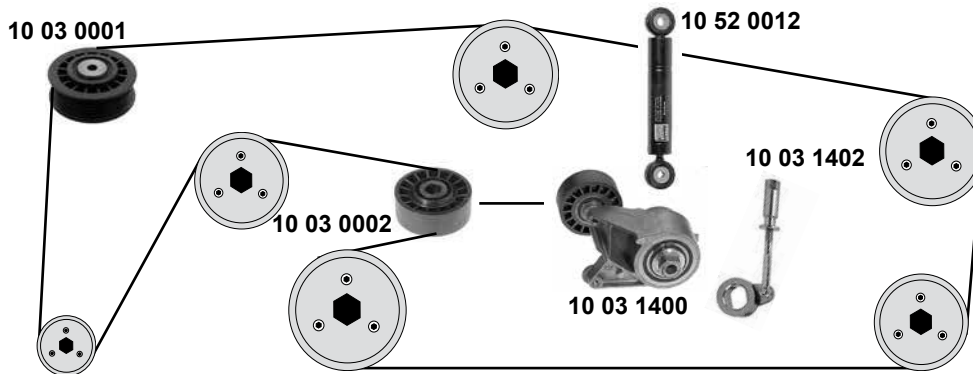
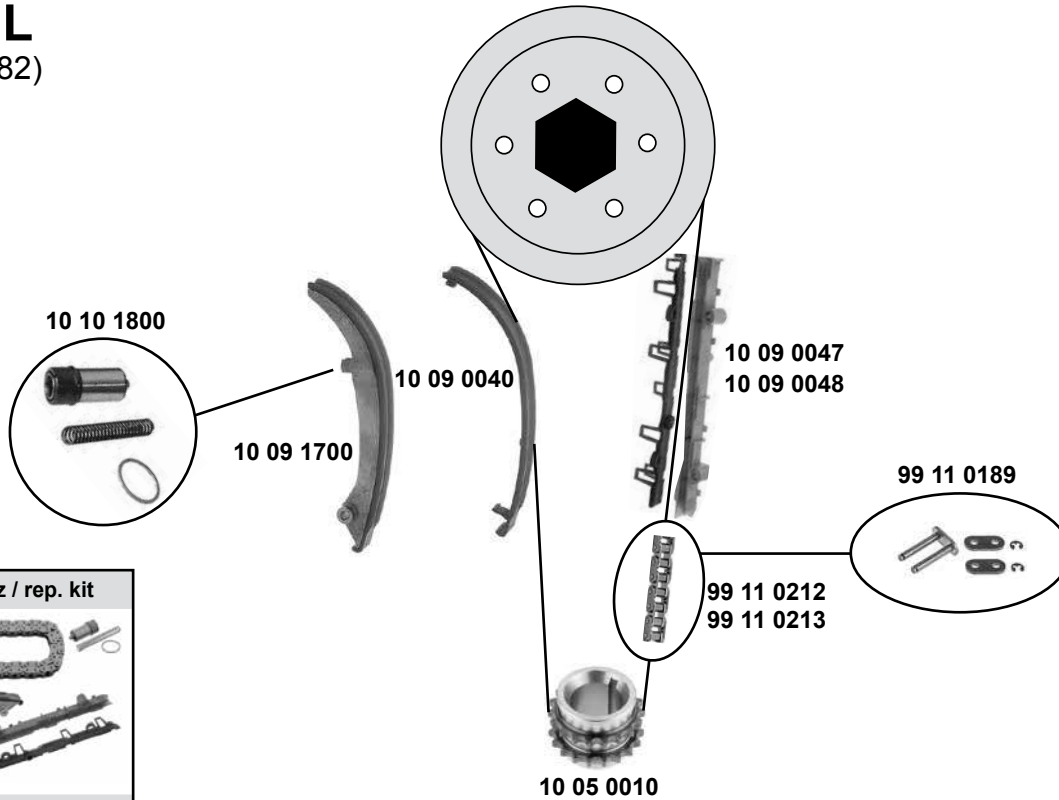
# MERCEDES-BENZ SL-Klasse (BM 107)

(71 → 89)



## 300 SL

(M 103.982)



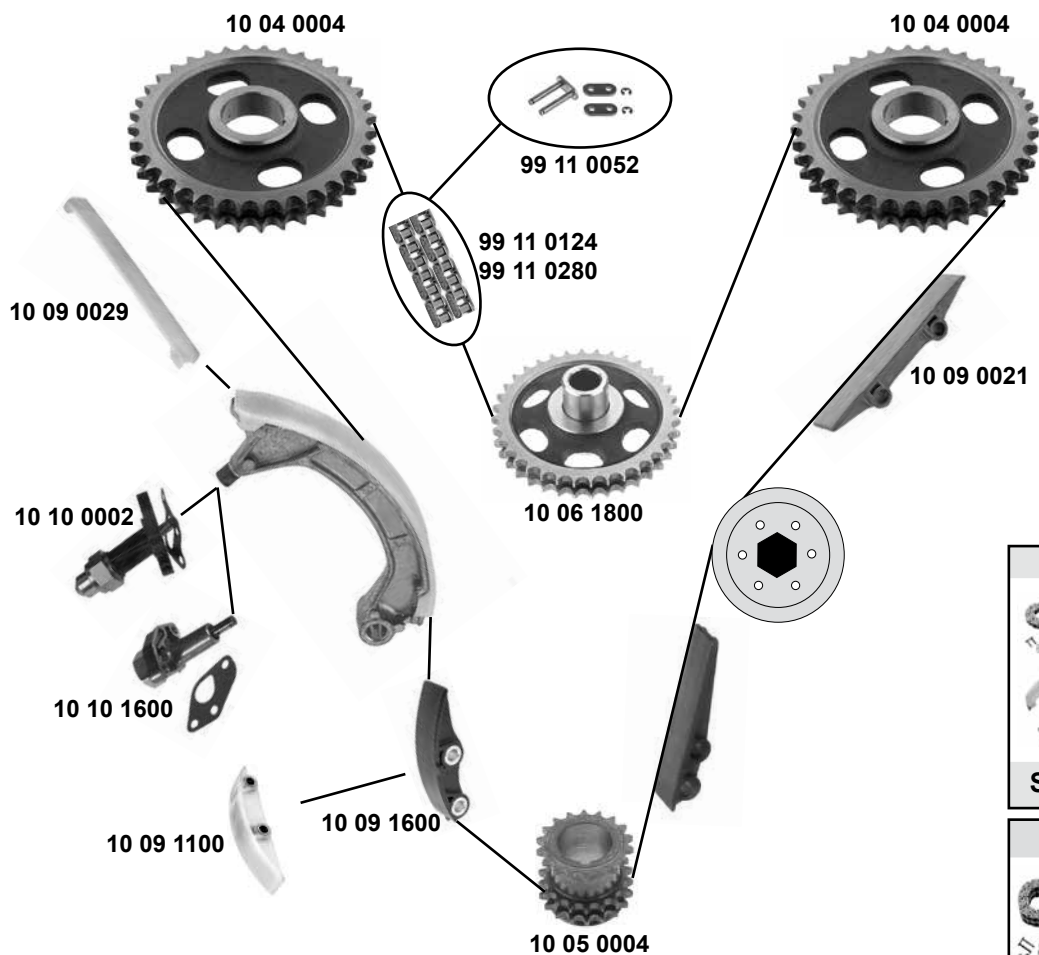
(1) Nietverschluss / riveted link / bouchon de rivet / rivetti / cierre de roblón



Ref. - No.



10 03 0001	601 200 07 70	Umlenkrolle / deflection pulley	
10 03 0002	103 200 05 70	Spannrolle / tension roller	
10 03 1400	103 200 08 70	Riemenspanner / belt tensioner	ØA70ØI25 B31,5
10 03 1402	103 200 02 36	Spannstange / tensioning rod	
10 05 0010	103 052 00 03	Kurbelwellenzahnrad / crankshaft gear	Z 18
10 09 0040	103 052 00 83	Gummibelag Gleitschiene / rubber lining sliding rail	
10 09 0047	103 052 07 16	Gleitschiene / sliding rail	
10 09 0048	103 052 08 16	Gleitschiene / sliding rail	
10 09 1700	103 050 03 16	Gleitschiene / sliding rail	
10 10 1800	103 050 06 11	Kettenspanner / chain tensioner	
10 52 0012	103 200 01 14	Schwingungsdämpfer / vibration damper	
99 11 0189	000 997 32 98	Kettenglied / chain link	
99 11 0212	001 997 22 94	Steuerkette endlos / timing chain endless	96 E
99 11 0213	003 997 80 94	Steuerkette / timing chain	96 N
99 13 0307	103 050 06 11 S1	Rep. Satz Steuerkette / rep. kit. timing chain	(1)

**350 SL / SLC → 380 SL / SLC**  
 (M 116.960,982,984)


Rep. Satz / rep. kit



SWAG 10 93 0309

Rep. Satz / rep. kit



SWAG 99 13 0310



(1) Federverschluß / split link / fermeture de ressort / cierre de resorte / falsa maglia

(2) Modell: 350 SL / SLC / (ex.) mot. 116.960



Ref. - No.



Ref. - No.			
10 04 0004	116 052 06 01	Nockenwellenrad / camshaft gear	Z 36
10 05 0004	119 052 01 03	Kurbelwellenzahnrad / crankshaft gear	Z 18
10 06 1800	116 050 05 05	Zwischenrad / intermediate gear	Z 36
10 09 0021	116 052 17 16	Gleitschiene / sliding rail	
10 09 0029	116 052 00 83	Belag Gleitschiene / lining sliding rail	
10 09 1100	116 050 27 16	Gleitschiene / sliding rail	
10 09 1600	117 050 18 16	Gleitschiene / sliding rail	
10 10 0002	116 050 16 11	Kettenspanner / chain tensioner	
10 10 1600	116 050 18 11	Kettenspanner / chain tensioner	
10 93 0309	115 050 18 11 S1	Rep.Satz Steuerkette / Rep.kit. timing chain	
99 11 0052	000 997 05 98	Kettenglied / chain link	
99 11 0124	000 997 75 94	Steuerkette / timing chain	(2) Modell: 380 SL / SLC
99 11 0280	001 997 68 94	Steuerkette / timing chain	Modell: 350 SL / SLC
99 13 0310	116 050 16 11 S1	Rep.Satz Steuerkette / Rep.kit timing chain	Modell: 380 SL / SLC
			Modell: 350 SL / SLC
			11 / D 455
			(1) Modell: 350 SL / SLC D 455 / 186 F
			Modell: 380 SL / SLC D 458 / 186 N
			Modell: 350 SL / SLC

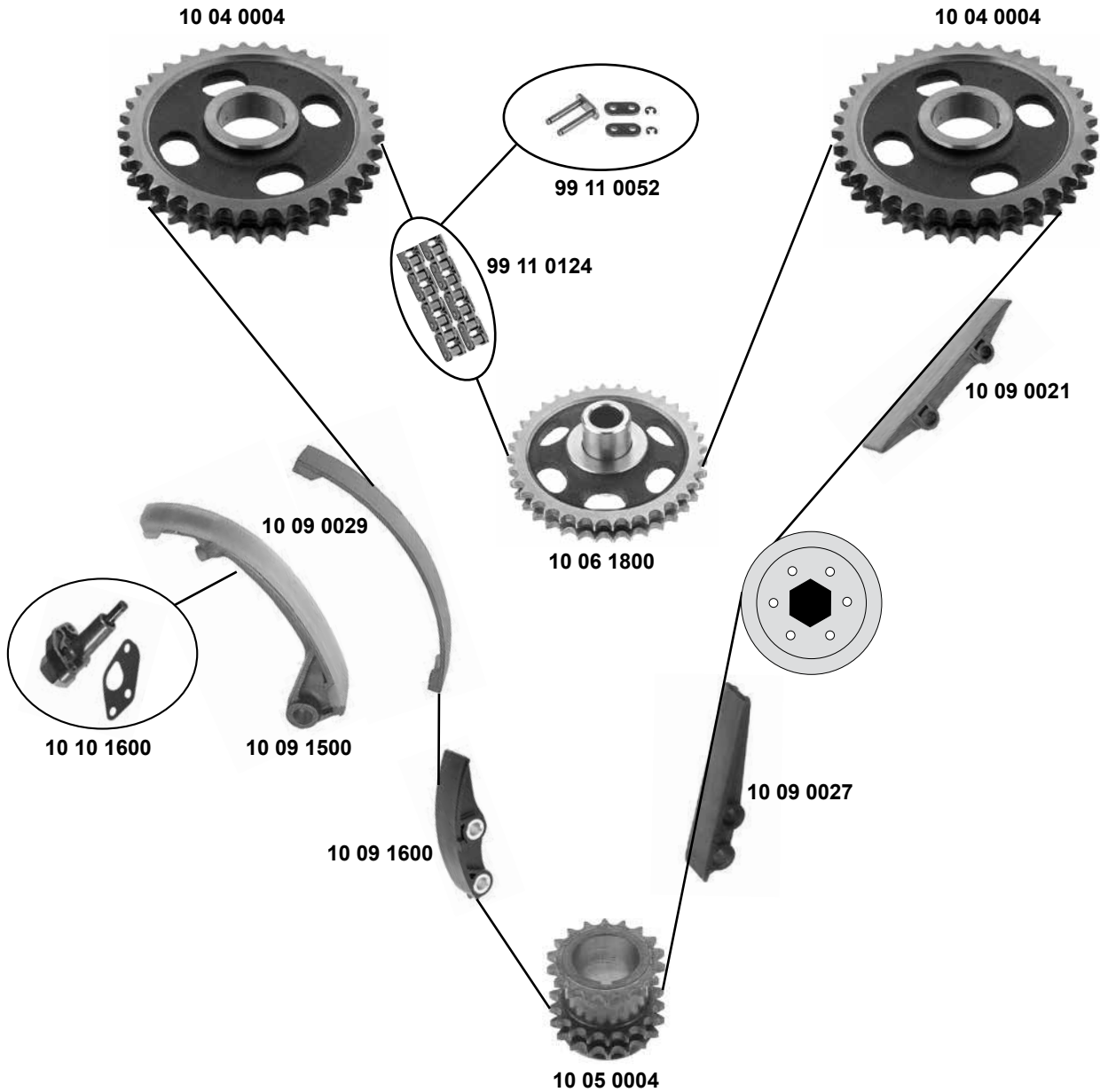
# MERCEDES-BENZ SL-Klasse (BM 107)

(71 → 89)



## 420 SL

(M 116.964)



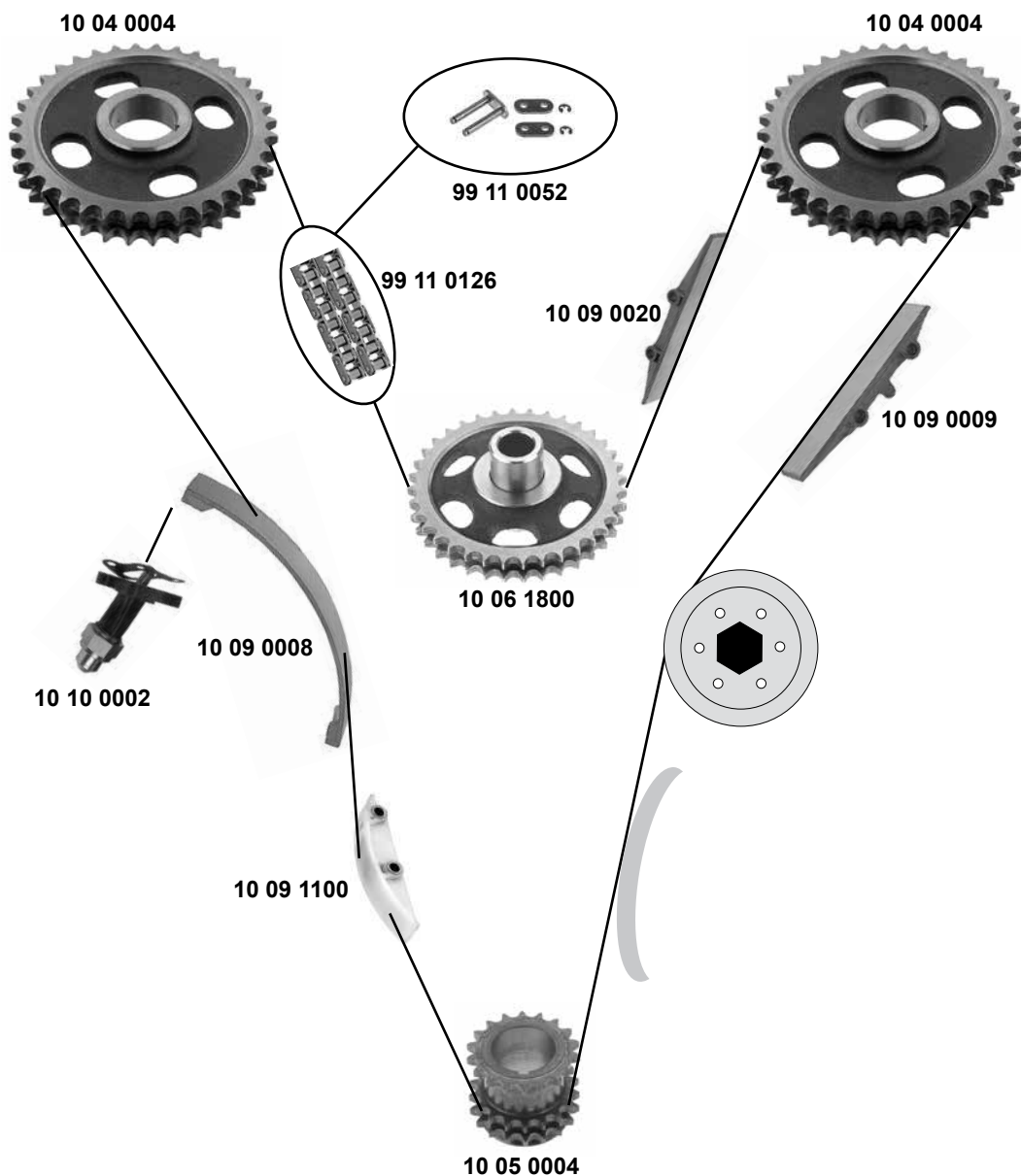
(1) Federverschluß / split link / fermeture de ressort / cierre de resorte / falsa maglia



Ref. - No.



10 04 0004	116 052 06 01	Nockenwellenrad / camshaft gear		Z 36
10 05 0004	119 052 01 03	Kurbelwellenzahnrad / crankshaft gear		Z 18
10 06 1800	116 050 05 05	Zwischenrad / intermediate gear		Z 36
10 09 0021	116 052 17 16	Gleitschiene / sliding rail		
10 09 0027	117 052 10 16	Gleitschiene / sliding rail		
10 09 0029	116 052 00 83	Gleitschienenbelag / sliding rail lining		
10 09 1500	116 050 31 16	Gleitschiene / sliding rail		
10 09 1600	117 050 18 16	Gleitschiene / sliding rail		
10 10 1600	116 050 18 11	Kettenspanner / chain tensioner		
99 11 0052	000 997 05 98	Kettenglied / chain link		
99 11 0124	000 997 75 94	Steuerkette / timing chain	(1)	D 455 / 186 F



(1) Federverschluß / split link / fermeture de ressort / cierre de resorte / falsa maglia

(2) (ex.) mot. 117. 985



Ref. - No.



Ref. - No.				
10 04 0004	116 052 06 01	Nockenwellenrad / camshaft gear	(2)	Z 36
10 05 0004	119 052 01 03	Kurbelwellenzahnrad / crankshaft gear	(2)	Z 18
10 06 1800	116 050 05 05	Zwischenrad / intermediate gear	(2)	Z 36
10 09 0008	117 052 00 83	Gummibelag Gleitschiene / rubber lining sliding rail	(2) mot. 024587 →	
10 09 0009	117 052 08 16	Gleitschiene / sliding rail	(2) 982/ 018343 →	
10 09 0020	117 052 09 16	Gleitschiene / sliding rail	(2)	
10 09 1100	116 050 27 16	Gleitschiene / sliding rail		
10 10 0002	116 050 16 11	Kettenspanner / chain tensioner	(2)	
99 11 0052	000 997 05 98	Kettenglied / chain link	(2)	11 / D 455
99 11 0126	000 997 76 94	Steuerkette / timing chain	(1) (2)	D 455 / 198 F

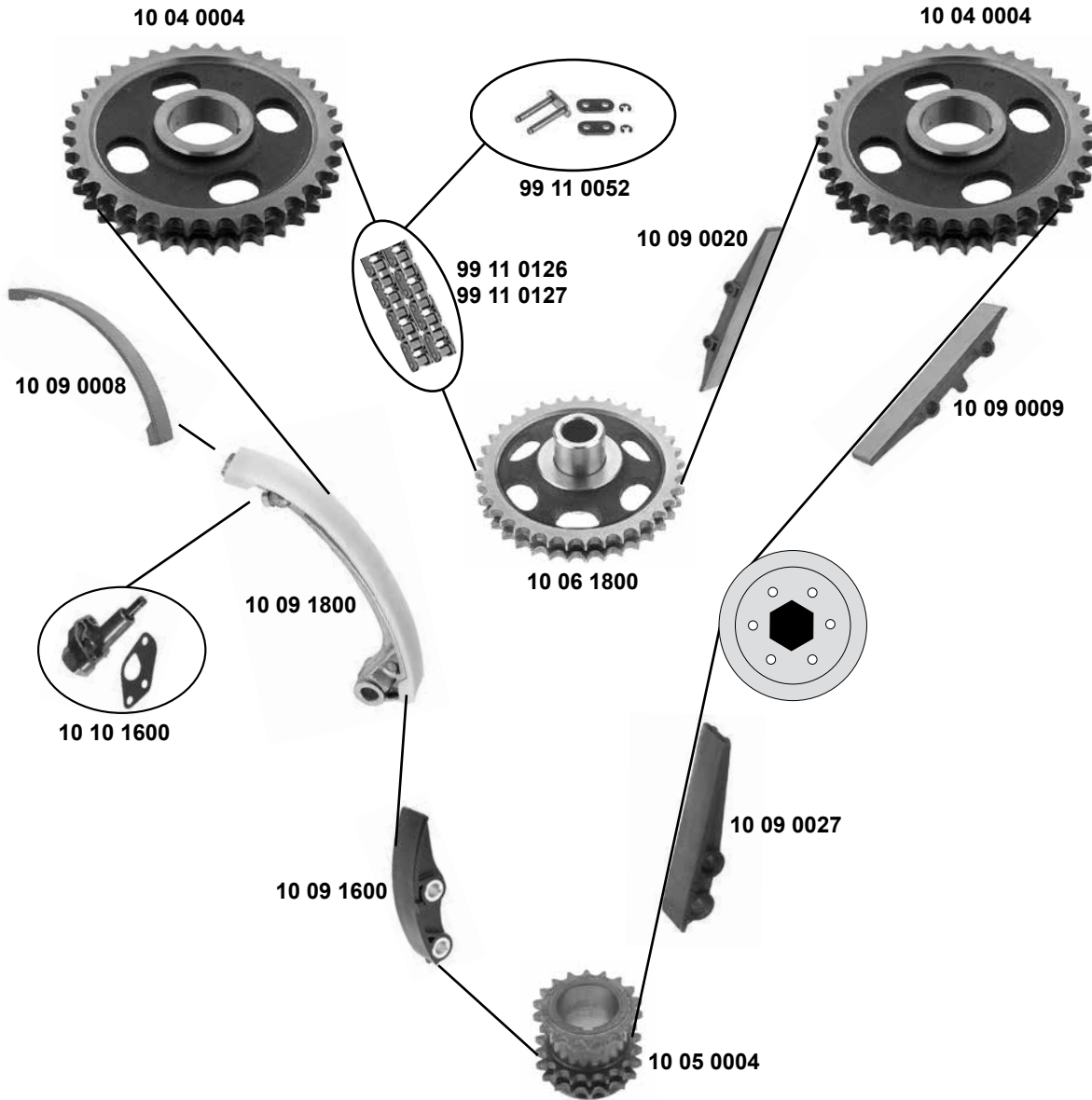
# MERCEDES-BENZ SL-Klasse (BM 107)

(71 → 89)



## 450 SL / SLC / 500 SLC

(M 117.960)



(1) Federverschluß / split link / fermeture de ressort / cierre de resorte / falsa maglia

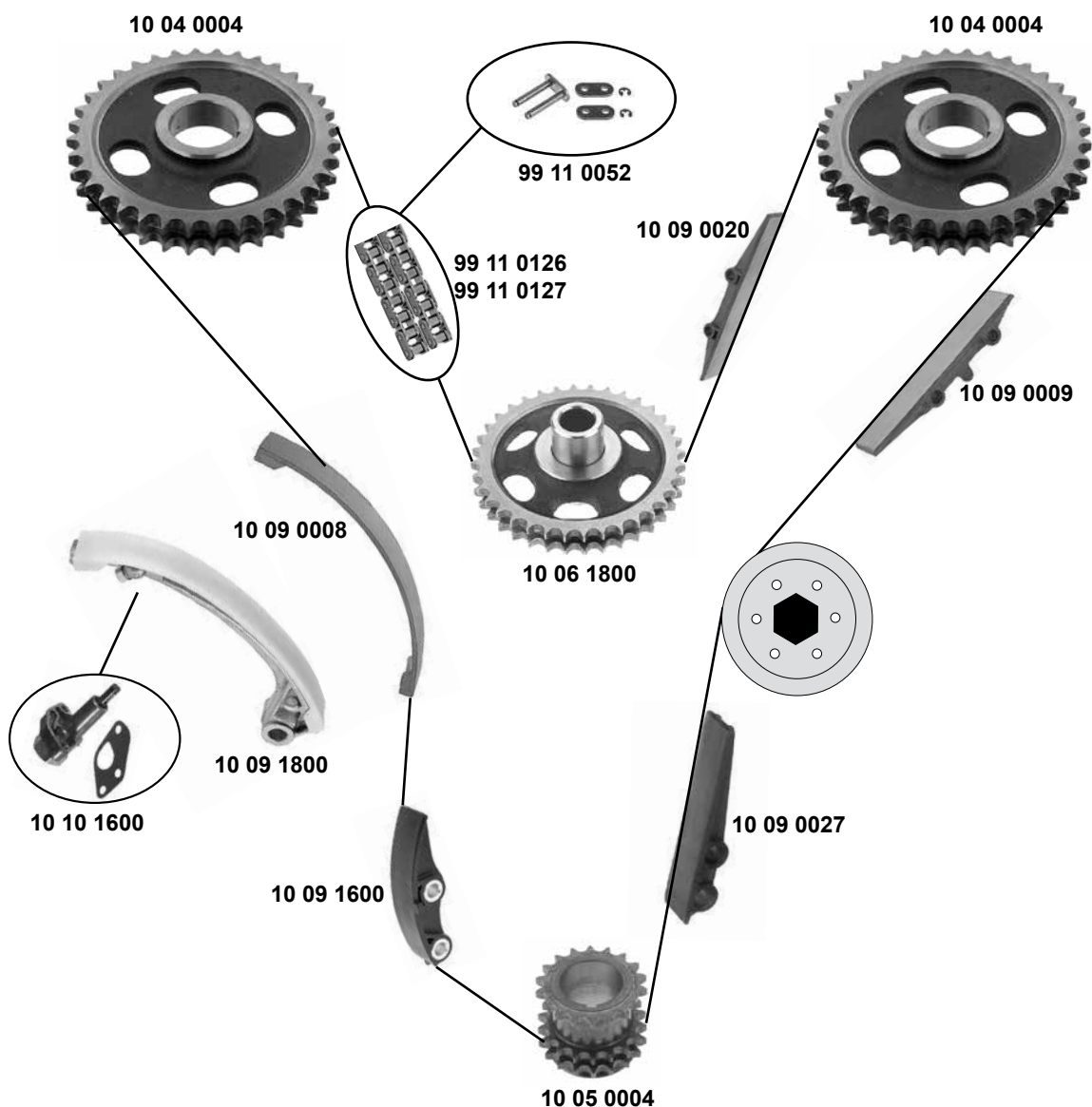


Ref. - No.



10 04 0004	116 052 06 01	Nockenwellenrad / camshaft gear		Z 36
10 05 0004	119 052 01 03	Kurbelwellenzahnrad / crankshaft gear		Z 18
10 06 1800	116 050 05 05	Zwischenrad / intermediate gear		Z 36
10 09 0008	117 052 00 83	Gummibelag Gleitschiene / rubber lining sliding rail		
10 09 0009	117 052 08 16	Gleitschiene / sliding rail		
10 09 0020	117 052 09 16	Gleitschiene / sliding rail		
10 09 0027	117 052 10 16	Gleitschiene / sliding rail		
10 09 1600	117 050 18 16	Gleitschiene / sliding rail		
10 09 1800	117 050 16 16	Gleitschiene / sliding rail		
10 10 1600	116 050 18 11	Kettenspanner / chain tensioner		
99 11 0052	000 997 05 98	Kettenglied / chain link		11 / D 455
99 11 0126	000 997 76 94	Steuerkette / timing chain	(1)	D 455 / 198 F
99 11 0127	000 997 32 94	Steuerkette / timing chain		D 455 / 198 E





(1) Federverschluß / split link / fermeture de ressort / cierre de resorte / falsa maglia



Ref. - No.



Ref. - No.			
10 04 0004	116 052 06 01	Nockenwellenrad / camshaft gear	Z 36
10 05 0004	119 052 01 03	Kurbelwellenzahnrad / crankshaft gear	Z 18
10 06 1800	116 050 05 05	Zwischenrad / intermediate gear	Z 36
10 09 0008	117 052 00 83	Gummibelag Gleitschiene / rubber lining sliding rail	(mot.) 018343 →
10 09 0009	117 052 08 16	Gleitschiene / sliding rail	
10 09 0020	117 052 09 16	Gleitschiene / sliding rail	
10 09 0027	117 052 10 16	Gleitschiene / sliding rail	
10 09 1600	117 050 18 16	Gleitschiene / sliding rail	
10 09 1800	117 050 16 16	Gleitschiene / sliding rail	
10 10 1600	116 050 18 11	Kettenspanner / chain tensioner	
99 11 0052	000 997 05 98	Kettenglied / chain link	
99 11 0126	000 997 76 94	Steuerkette / timing chain	(1) D 455 / 198 F
99 11 0127	000 997 32 94	Steuerkette / timing chain	

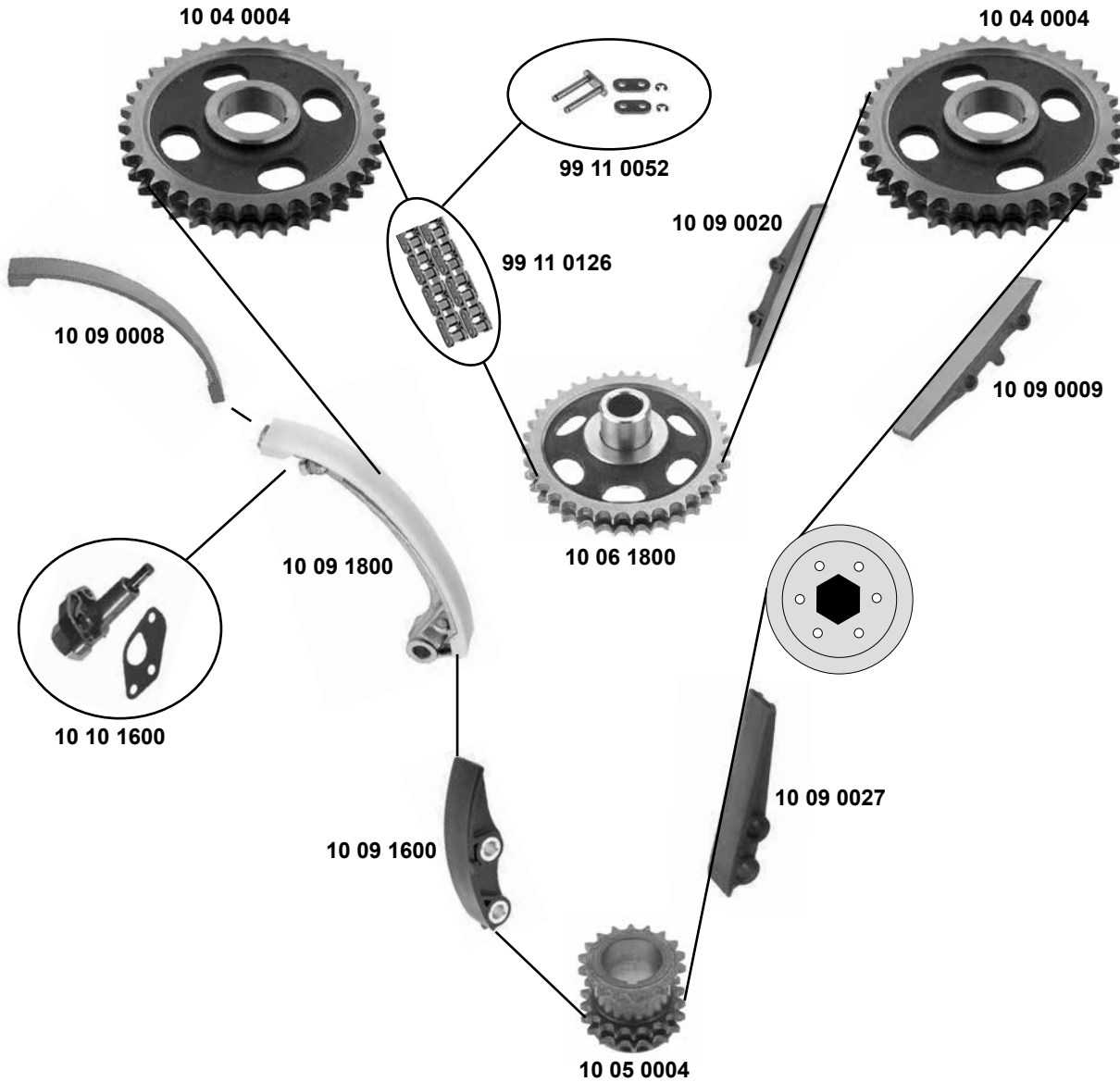
# MERCEDES-BENZ SL-Klasse (BM 107)

(71 → 89)



## 560 SL

(M 117.967)



(1) Federverschluß / split link / fermeture de ressort / cierre de resorte / falsa maglia

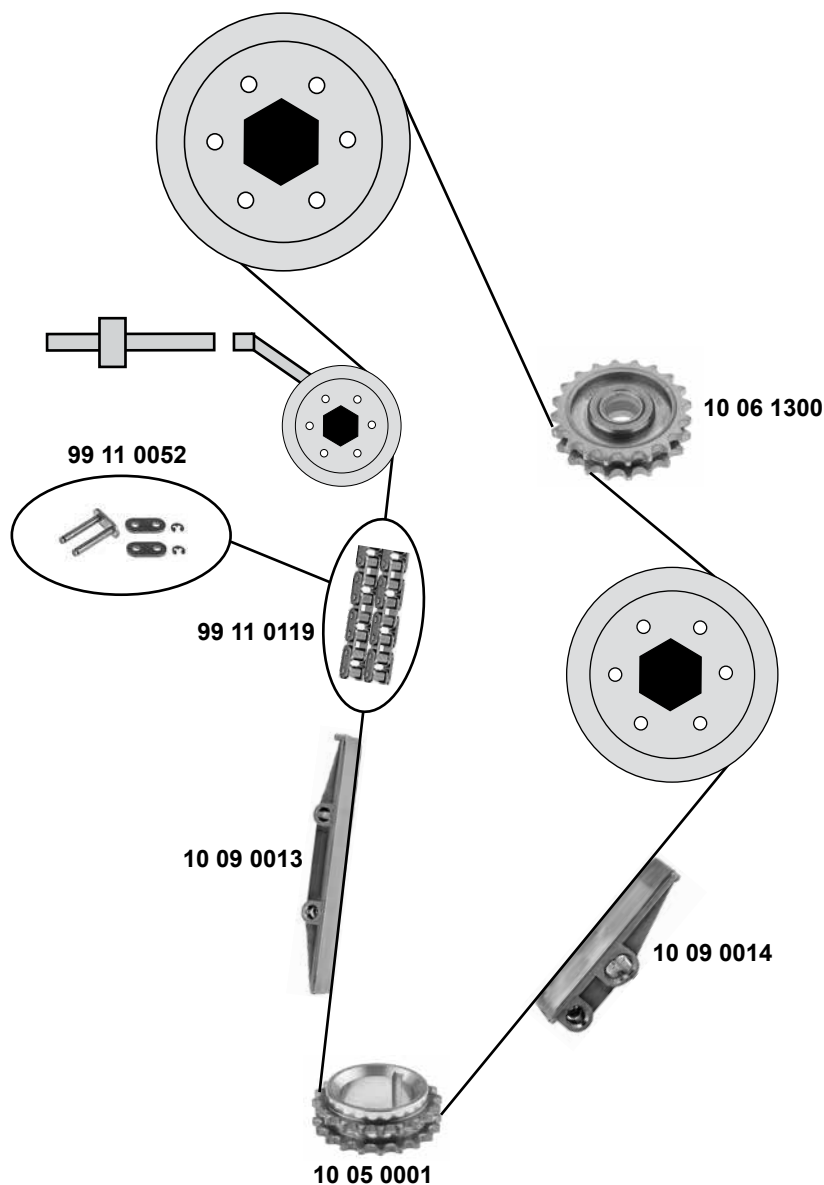


Ref. - No.



10 04 0004	116 052 06 01	Nockenwellenrad / camshaft gear		Z 36
10 05 0004	119 052 01 03	Kurbelwellenzahnrad / crankshaft gear		Z 18
10 06 1800	116 050 05 05	Zwischenrad / intermediate gear		Z 36
10 09 0008	117 052 00 83	Gummibelag Gleitschiene / rubber lining sliding rail		
10 09 0009	117 052 08 16	Gleitschiene / sliding rail		
10 09 0020	117 052 09 16	Gleitschiene / sliding rail		
10 09 0027	117 052 10 16	Gleitschiene / sliding rail		
10 09 1600	117 050 18 16	Gleitschiene / sliding rail		
10 09 1800	117 050 16 16	Gleitschiene / sliding rail		
10 10 1600	116 050 18 11	Kettenspanner / chain tensioner		
99 11 0052	000 997 05 98	Kettenglied / chain link		
99 11 0126	000 997 76 94	Steuerkette / timing chain	(1)	D 455 / 198 F



**250 SL / 280 SL**  
 (M 129.982 / M 130.983)


(1) Federverschluß / split link / fermeture de ressort / cierre de resorte / falsa maglia



Ref. - No.



<b>10 05 0001</b>	615 052 02 03
<b>10 06 1300</b>	621 050 04 09
<b>10 09 0013</b>	115 052 04 16
<b>10 09 0014</b>	115 052 07 16
<b>99 11 0052</b>	000 997 05 98
<b>99 11 0119</b>	000 997 46 94

Kurbelwellenzahnrad / crankshaft gearr
Zwischenrad / intermediate gear
Gleitschiene / sliding rail
Gleitschiene / sliding rail
Kettenglied / chain link
Steuerkette / timing chain

(1)

Z 20 Ø1 36

 11 / D 455  
 D 455 / 134 F

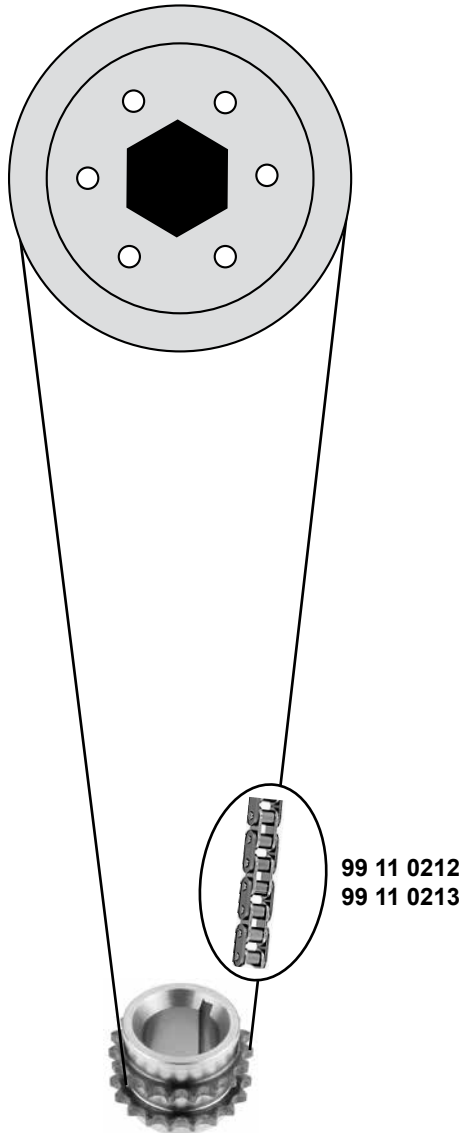
# MERCEDES-BENZ SL-Klasse (BM 129)

(89 →)



## SL Klasse

(M 103.984)



99 11 0212  
99 11 0213



Ref. - No.



99 11 0212 001 997 22 94  
99 11 0213 003 997 80 94

Steuerkette endlos / timing chain endless  
Steuerkette / timing chain

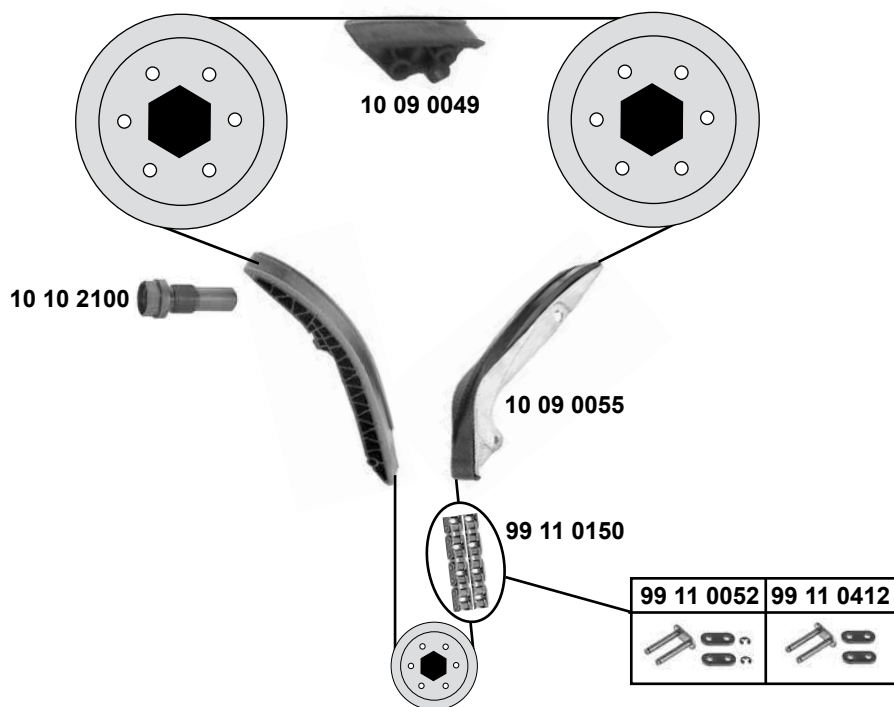
96 E  
96 N



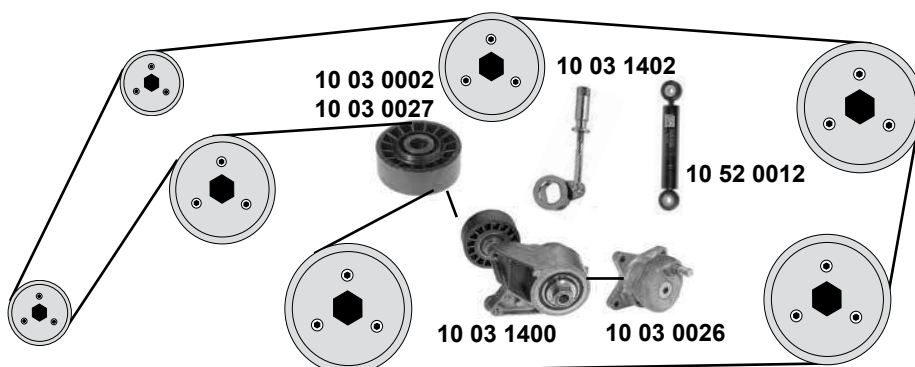
# MERCEDES-BENZ SL-Klasse (BM 129)

(89 →)

## SL 280 (M 104.943)



## SL 280 (M 104.943)



	(1) Nietverschluß / riveted link	(3) 943:  (mot.) → 000900	(4) 943:  (mot.) 000901 →
	(2) Federverschluß / split link	(mot.) → 003620	(mot.) 003621 →

	Ref. - No.			
10 03 0002	103 200 05 70	Spannrolle / tension roller	(3)	ØA70 ØI25 B31,5
10 03 0026	104 200 08 70	Riemenspanner / belt tensioner	(4)	
10 03 0027	104 200 10 70	Spannrolle / tension roller	(4)	ØA 80
10 03 1400	103 200 08 70	Riemenspanner / belt tensioner	(3)	
10 03 1402	103 200 02 36	Spannstange / tensioning rod	(3)	
10 09 0049	104 052 14 16	Gleitschiene / sliding rail		
10 09 0055	104 050 15 16	Gleitschiene / sliding rail		
10 10 2100	120 050 02 11	Kettenspanner / chain tensioner		
10 52 0012	103 200 01 14	Schwingungsdämpfer / vibration damper	(3)	80N - 1050N 11 / D 455 D 455 / 126 N
99 11 0052	000 997 05 98	Kettenglied / chain link	(2)	
99 11 0150	003 997 17 94	Steuerkette / timing chain	(1)	
99 11 0412	000 997 22 98	Kettenglied / chain link	(1)	
99 13 0311	120 050 02 11 S1	Rep. Satz Steuerkette / rep. kit timing chain		

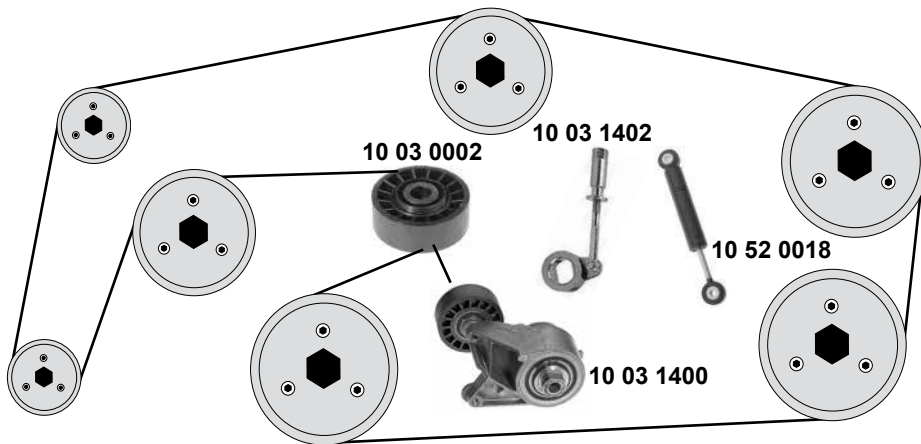
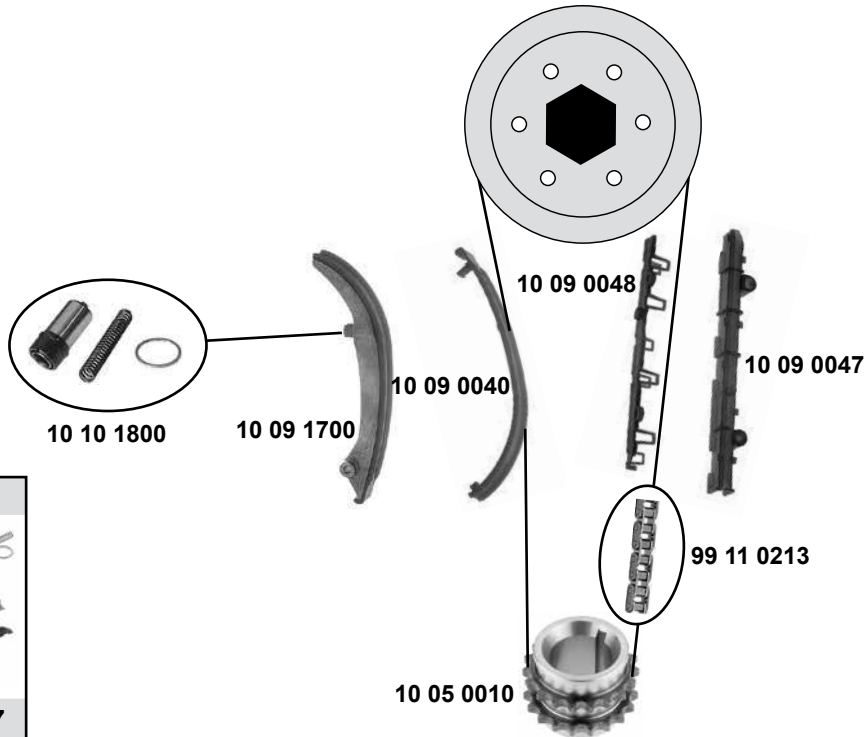
# MERCEDES-BENZ SL-Klasse (BM 129)

(89 →)



## 300 SL

(M 103.984)



(1) Nietverschluß / riveted link / bouchon de rivet / rivetti / cierre de roblón



Ref. - No.



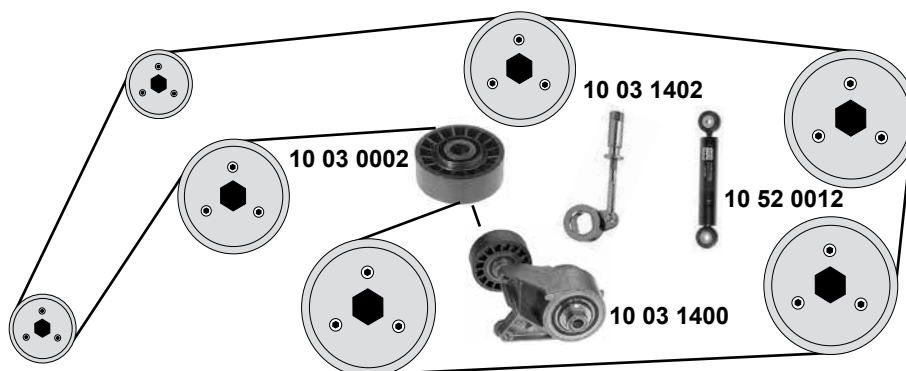
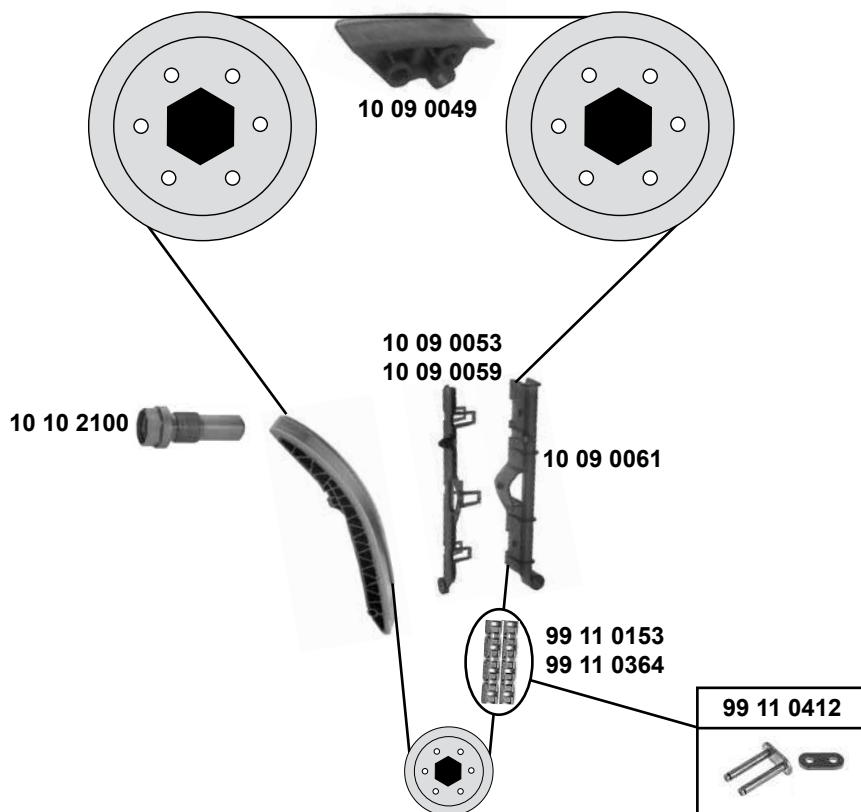
10 03 0002	103 200 05 70	Spannrolle / tension roller		ØA70 ØI25 B31,5
10 03 1400	103 200 08 70	Riemenspanne / belt tensioner		
10 03 1402	103 200 02 36	Spannstange / tensioning rod		
10 05 0010	103 052 00 03	Kurbelwellenzahnrad / crankshaft gear		Z 18
10 09 0040	103 052 00 83	Gummibelag Gleitschiene / rubber lining sliding rail		
10 09 0047	103 052 07 16	Gleitschiene / sliding rail		
10 09 0048	103 052 08 16	Gleitschiene / sliding rail		
10 09 1700	103 050 03 16	Gleitschiene / sliding rail		
10 10 1800	103 050 06 11	Kettenspanner / chain tensioner		
10 52 0018	604 200 03 14	Schwingungsdämpfer / vibration damper		
99 11 0213	003 997 80 94	Steuerkette / timing chain	(1)	458 / 96 N
99 13 0307	103 050 06 11 S1	Rep. Satz Steuerkette / rep. kit. timing chain		



# MERCEDES-BENZ SL-Klasse (BM 129)

(89 →)

## 300 SL-24 (M 104.981,991)



(1) Nietverschluß / riveted link

(2) 981: (mot.) → 000561  
 (mot.) → 005459

(3) 981: (mot.) 000562 →  
 (mot.) 005462 →



Ref. - No.



Part No.	Ref. - No.	Description	Notes	Dimensions
10 03 0002	103 200 05 70	Spannrolle / tension roller		ØA70ØI25 B31,5
10 03 1400	103 200 08 70	Riemenspanner / belt tensioner		
10 03 1402	103 200 02 36	Spannstange / tensioning rod		
10 09 0049	104 052 14 16	Gleitschiene / sliding rail		
10 09 0053	104 052 07 16	Gleitschiene / sliding rail	(3) nur / only: 981	
10 09 0059	104 052 05 16	Gleitschiene / sliding rail	(2) nur / only: 981	
10 09 0061	104 052 04 16	Gleitschiene / sliding rail	(2) nur / only: 981	
10 10 2100	120 050 02 11	Kettenspanner / chain tensioner		
10 52 0012	103 200 01 14	Schwingungsdämpfer / vibration damper		80N - 1050N
99 11 0153	003 997 19 94	Steuerkette / timing chain	(1) nur / only: 981	D 455 / 130 N
99 11 0364	003 997 18 94	Steuerkette / timing chain	nur / only: 981	130 E
99 11 0412	000 997 22 98	Kettenglied / chain link	(1)	

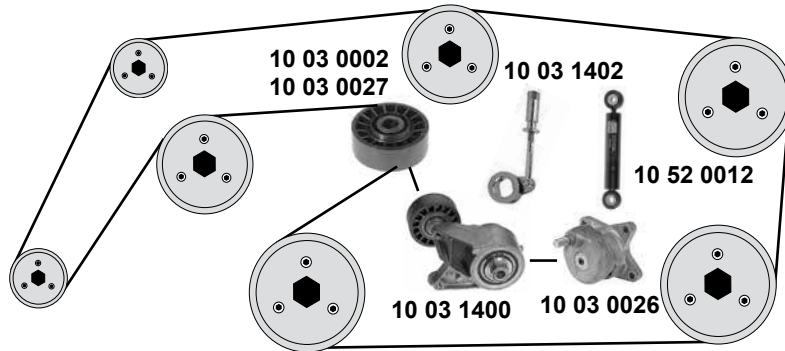
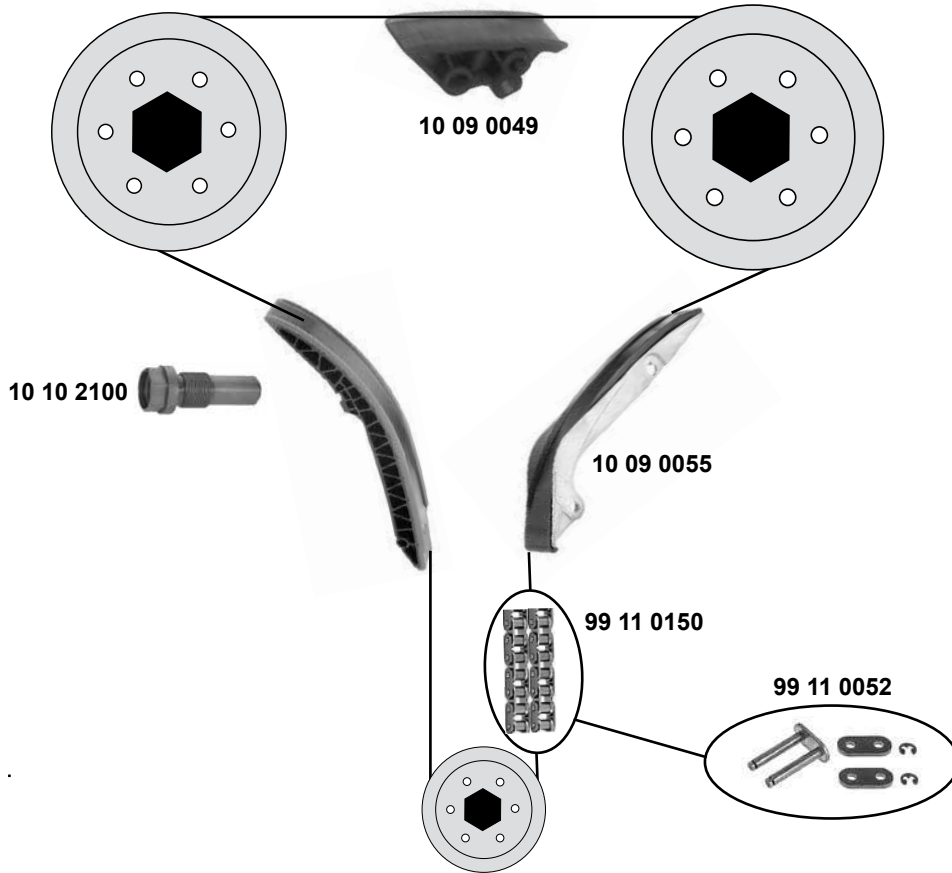
# MERCEDES-BENZ SL-Klasse (BM 129)

(89 →)



## SL 320

(M 104.991)



(1) Nietverschluß / riveted link

(2) 991: (mot.) → 009985

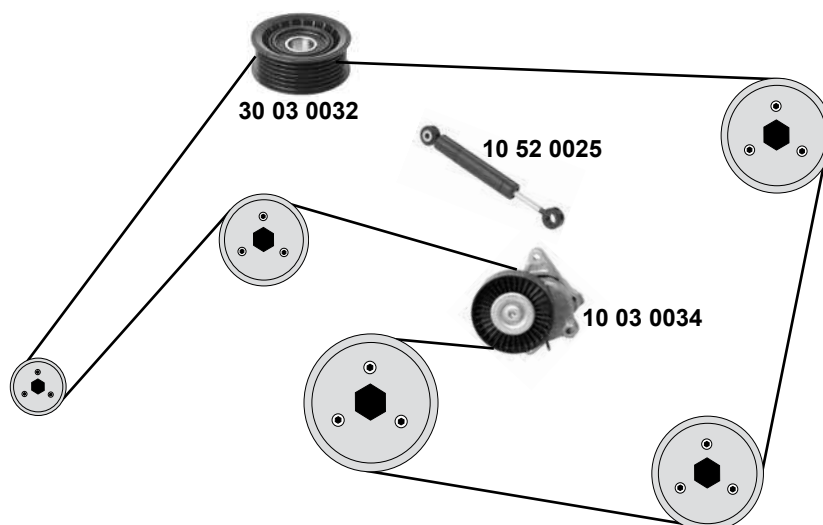
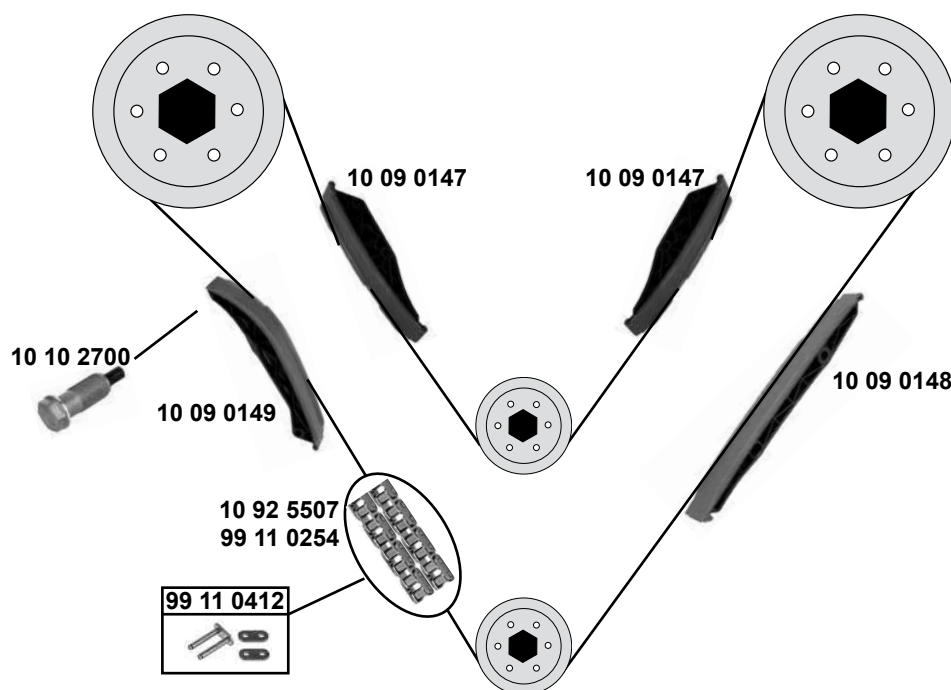
(3) 991: (mot.) 009986 →



Ref. - No.



10 03 0002	103 200 05 70	Spannrolle / tension roller	(2)	ØA70 ØI 25 B31,5
10 03 0026	104 200 08 70	Riemenspanner / belt tensioner	(3)	
10 03 0027	104 200 10 70	Spannrolle / tension roller	(3)	ØA 80
10 09 0049	104 052 14 16	Gleitschiene / sliding rail		
10 09 0055	104 050 15 16	Gleitschiene / sliding rail		
10 03 1400	103 200 08 70	Riemenspanner / belt tensioner	(2)	
10 03 1402	103 200 02 36	Spannstange / tensioning rod		
10 10 2100	120 050 02 11	Kettenspanner / chain tensioner		
10 52 0012	103 200 01 14	Schwingungsdämpfer / vibration damper	(2)	80N - 1050N
99 11 0052	000 997 05 98	Kettenglied / chain link		
99 11 0150	003 997 17 94	Steuerkette / timing chain	(1)	D 455 / 126 N



(1) Nietverschluss / riveted link / bouchon de rivet / rivetti / cierre de roblón



Ref. - No.



Ref. - No.	Part Name	Quantity	Notes
10 03 0034	Riemenspanner / belt tensioner		
10 09 0147	Gleitschiene / sliding rail	(ex.) M 113	
10 09 0148	Gleitschiene / sliding rail	(ex.) M 113	
10 09 0149	Gleitschiene / sliding rail	(ex.) M 113	
10 10 2700	Kettenspanner / chain tensioner		
10 52 0025	Schwingungsdämpfer / vibration damper		55 N - 600 N
10 92 5507	Steuerkette / timing chain	(1)	168 E
30 03 0032	Umlenkrolle / deflection pulley		ØA 64 ØI 17 B23
99 11 0254	Steuerkette / timing chain	(1)	168 N
99 11 0412	Kettenglied / chain link	(1)	
99 13 0303	Rep. Satz Steuerkette / rep. kit timing chain	(1) (ex.) M 113	



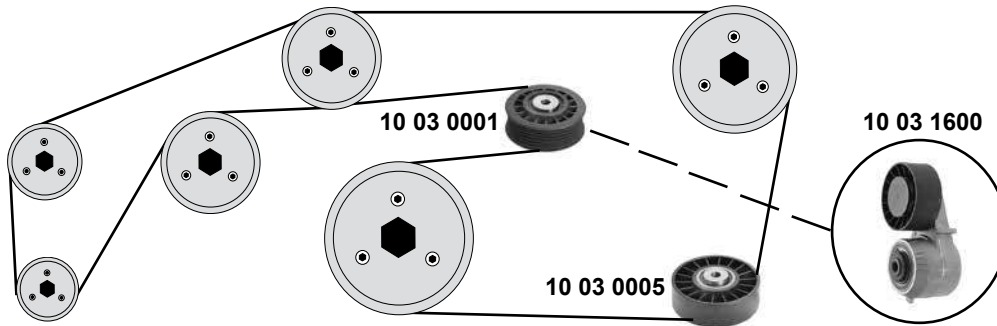
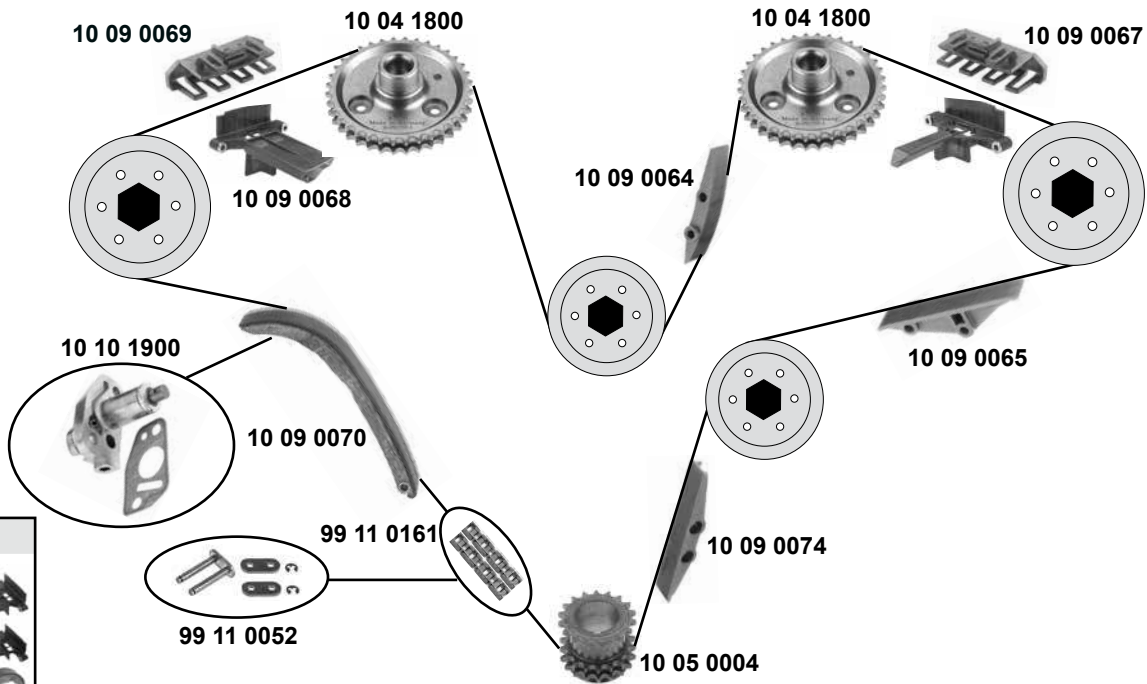
# MERCEDES-BENZ SL-Klasse (BM 129)

(89 →)



## 500 SL

(M 119.960)



SWAG GERMANY	Ref. - No.			
10 03 0001	601 200 07 70	Spannrolle / tension roller		75 X 26731,5
10 03 0005	601 200 09 70	Umlenkrolle / deflection pulley		80 x 25/31
10 03 1600	119 200 02 70	Riemenspanner / belt tensioner		
10 04 1800	119 050 10 04	Nockenwellenrad / camshaft gear		Z 36
10 05 0004	119 052 01 03	Kurbelwellenzahnrad / crankshaft gear		Z 18
10 09 0064	119 052 11 16	Gleitschiene / sliding rail		
10 09 0065	119 052 06 16	Gleitschiene / sliding rail		
10 09 0067	119 050 02 16	Gleitschiene / sliding rail		
10 09 0068	119 050 03 16	Gleitschiene / sliding rail		
10 09 0069	119 052 09 16	Gleitschiene / sliding rail		
10 09 0070	119 050 01 16	Gleitschiene / sliding rail		
10 09 0074	119 052 01 16	Gleitschiene / sliding rail		
10 10 1900	119 050 17 11	Kettenspanner / chain tensioner		
99 11 0052	000 997 05 98	Kettenglied / chain link		11 / D 455
99 11 0161	002 997 83 94	Steuerkette / timing chain	→ 06/98	D 455 / 216 N
99 13 0314	119 050 17 11 S2	Rep. Satz Steuerkette / rep. kit timing chain		



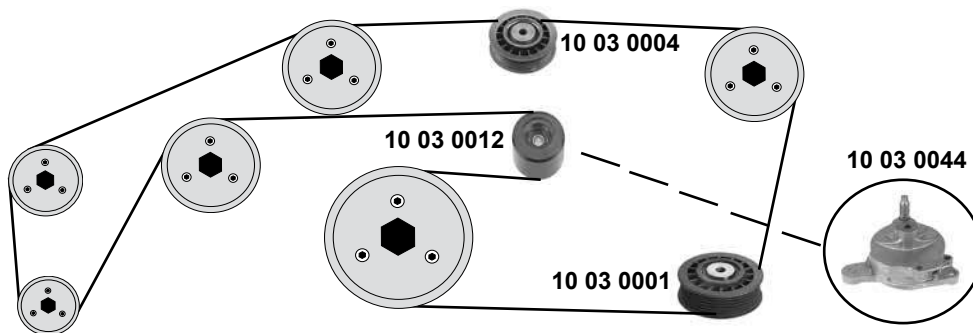
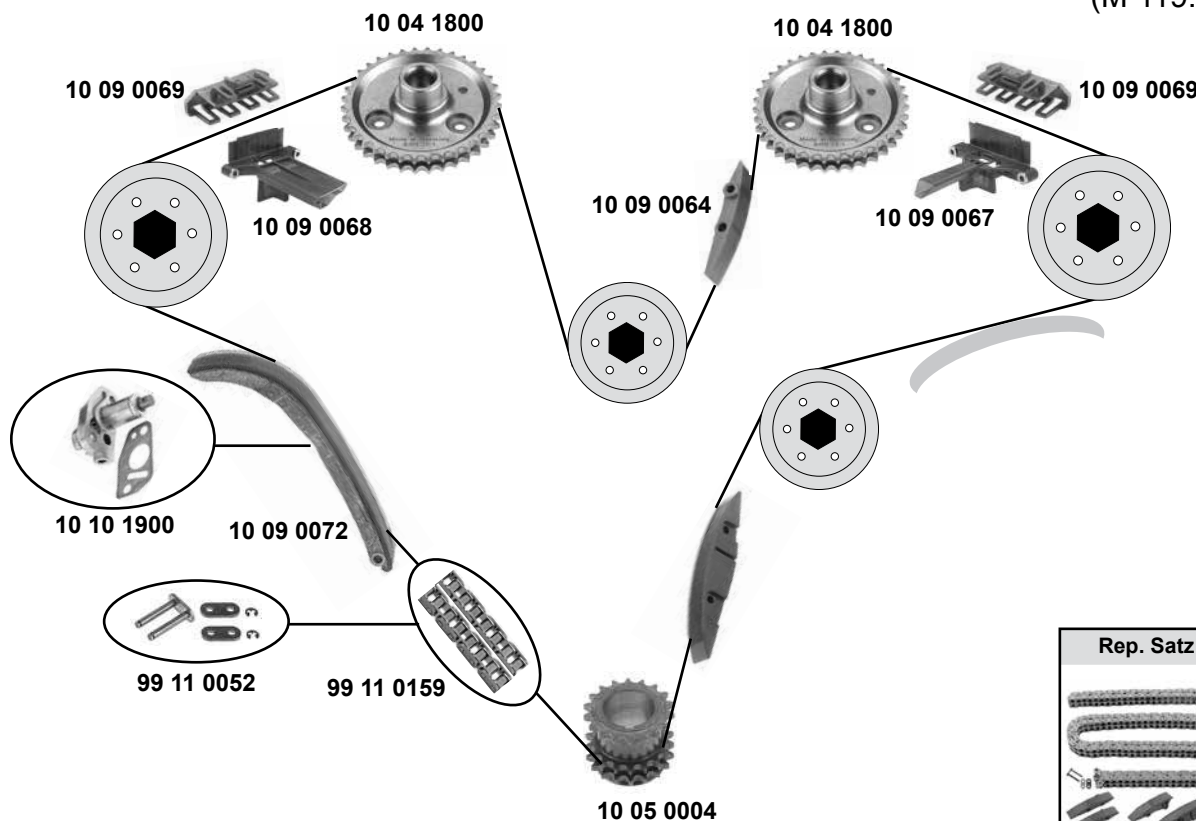


# MERCEDES-BENZ SL-Klasse (BM 129)

(89 →)

## 500 SL

(M 119.972,982)



Ref. - No.



10 03 0001	601 200 07 70	Umlenkrolle / deflection pulley	(ex.) 972:→ 003228	75 X 26731,5
10 03 0004	601 200 10 70	Umlenkrolle / deflection pulley	(mot.) 982	69 x 26/31,5
10 03 0012	119 200 14 70	Spannrolle / tension roller		
10 03 0044	119 200 11 70	Riemenspanner / belt tensioner	(ex.) 972: → 003228	
10 04 1800	119 050 10 04	Nockenwellenrad / camshaft gear		
10 05 0004	119 052 01 03	Kurbelwellenzahnrad / crankshaft gear		Z 18
10 09 0064	119 052 11 16	Gleitschiene / sliding rail		
10 09 0067	119 050 02 16	Gleitschiene / sliding rail		
10 09 0068	119 050 03 16	Gleitschiene / sliding rail		
10 09 0069	119 052 09 16	Gleitschiene / sliding rail		
10 09 0072	119 050 04 16	Gleitschiene / sliding rail		
10 10 1900	119 050 17 11	Kettenspanner / chain tensioner		
99 11 0052	000 997 05 98	Kettenglied / chain link		11 / D 455
99 11 0159	003 997 44 94	Steuerkette / timing chain		D 455 / 216 N
99 13 0313	119 050 17 11 S1	Rep. Satz Steuerkette / rep. kit timing chain		216 E

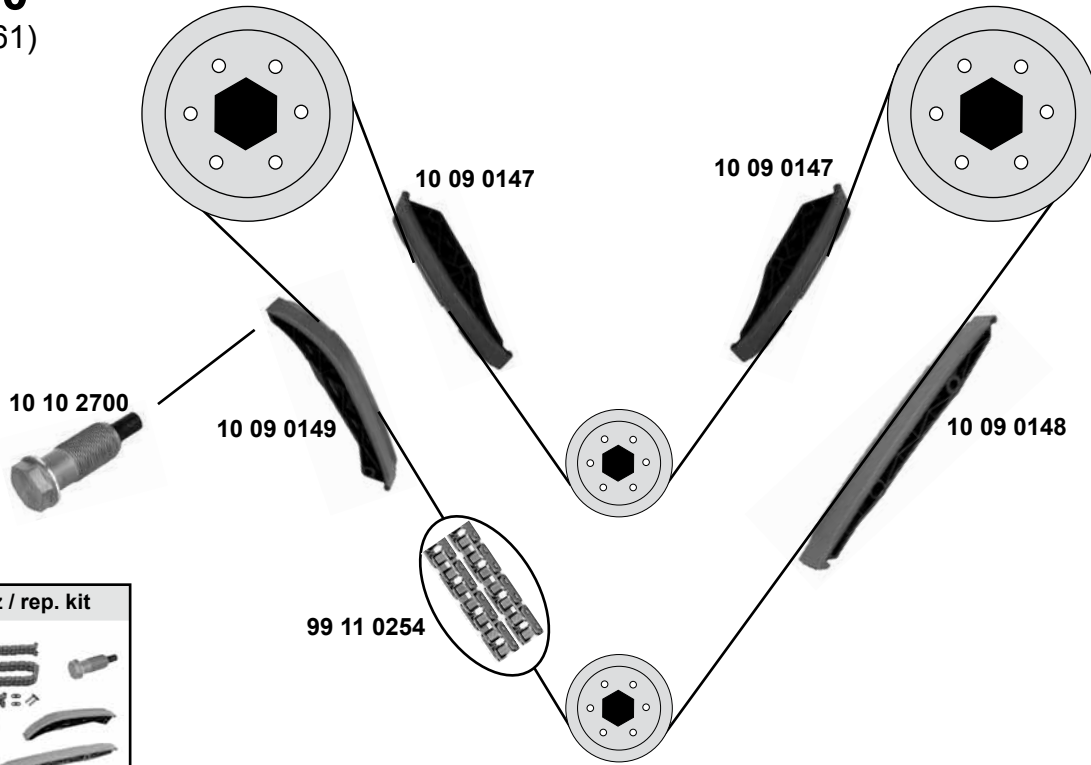
# MERCEDES-BENZ SL-Klasse (BM 129)

(89 →)



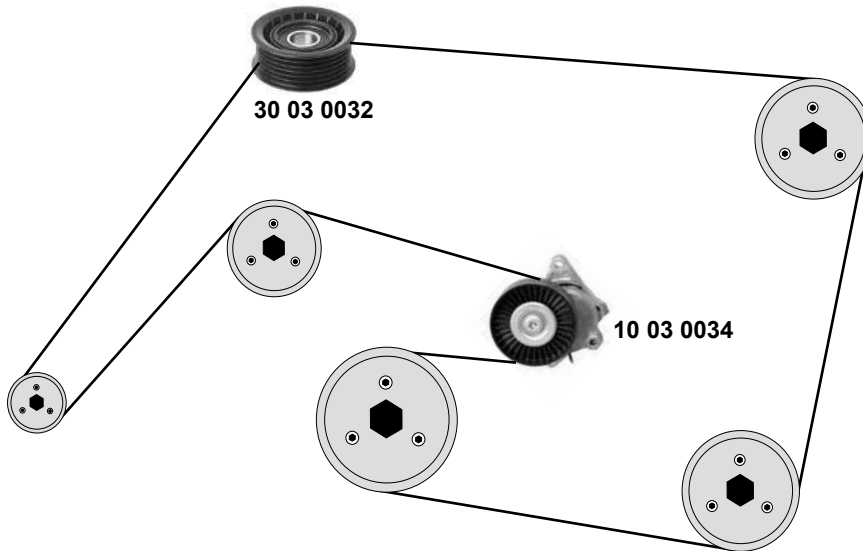
## SL 500

(M 113.961)



Rep. Satz / rep. kit

**SWAG 99 13 0303**

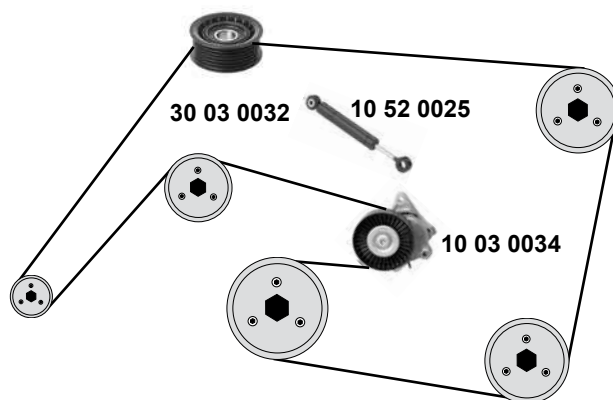
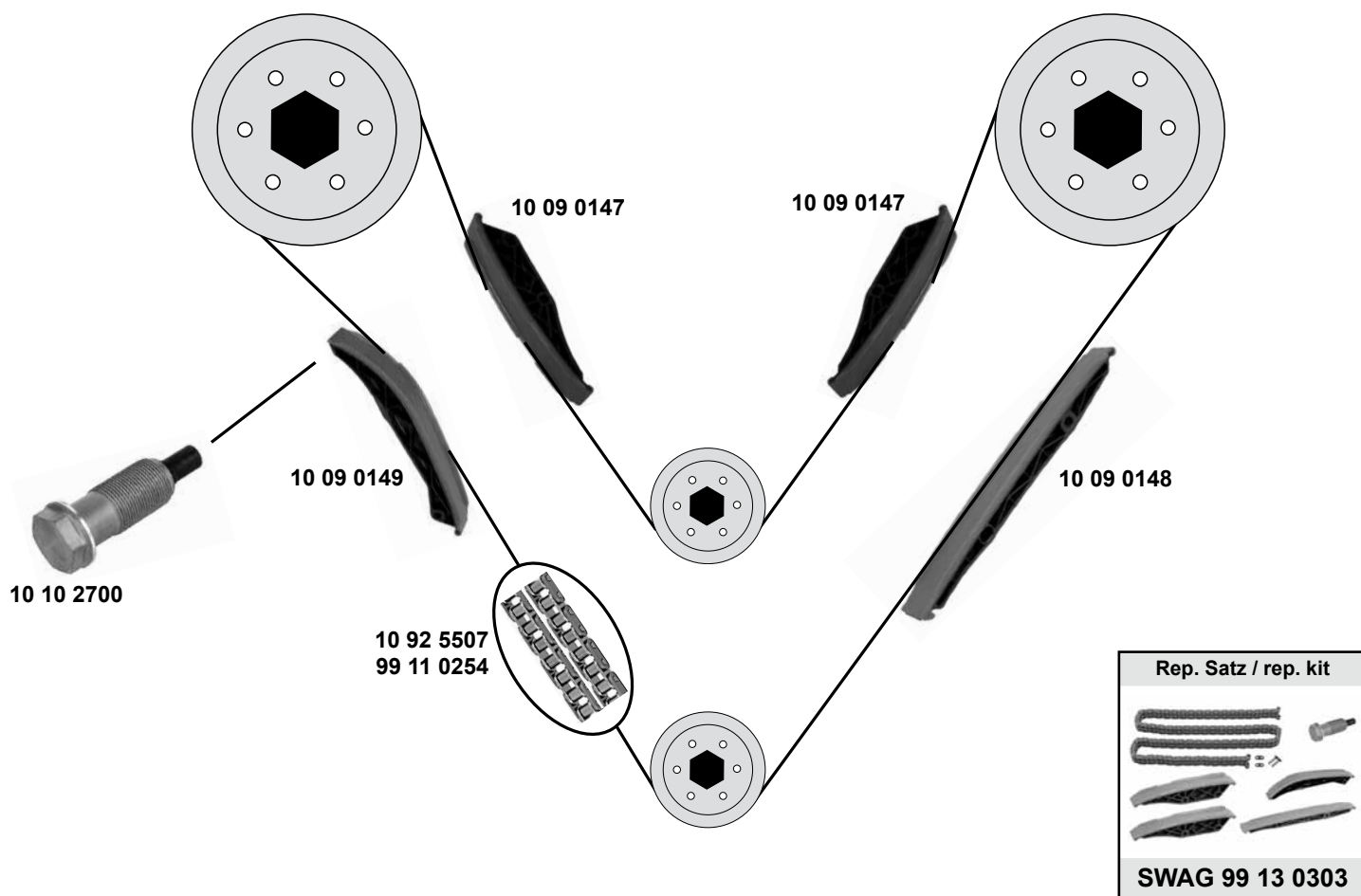


(1) Nietverschluß / riveted link / bouchon de rivet / rivetti / cierre de roblón

SWAG GERMANY	Ref. - No.			
10 03 0034	112 200 09 70	Riemenspanner / belt tensioner		
10 09 0147	112 052 01 16	Gleitschiene / sliding rail		
10 09 0148	112 052 00 16	Gleitschiene / sliding rail		
10 09 0149	112 052 02 16	Gleitschiene / sliding rail		
10 10 2700	112 050 08 11	Kettenspanner / chain tensioner		
30 03 0032	272 202 10 19	Umlenkrolle / deflection pulley		
99 11 0254	003 997 68 94	Steuerkette / timing chain	(1)	
99 13 0303	112 050 08 11 S1	Rep. Satz Steuerkette / rep. kit timing chain		168 E

**SL 350 / SL 500 / 55 AMG**

(M 112.943 / 113.993, 992)



<b>10 03 0034</b>	112 200 09 70	Riemenspanner / belt tensioner	
<b>10 09 0147</b>	112 052 01 16	Gleitschiene / sliding rail	
<b>10 09 0148</b>	112 052 00 16	Gleitschiene / sliding rail	
<b>10 09 0149</b>	112 052 02 16	Gleitschiene / sliding rail	
<b>10 10 2700</b>	112 050 08 11	Kettenspanner / chain tensioner	
<b>10 92 5507</b>	003 997 68 94 S1	Steuerkette / timing chain	168 E
<b>10 52 0025</b>	112 200 00 14	Schwingungsdämpfer / vibration damper	55 N - 600 N
<b>30 03 0032</b>	272 202 09 19	Umlenkrolle / deflection pulley	ØA 64 ØI 17 B23
<b>99 11 0254</b>	003 997 68 94	Steuerkette / timing chain	
<b>99 13 0303</b>	112 050 08 11 S1	Rep. Satz Steuerkette / rep. kit timing chain	168 E

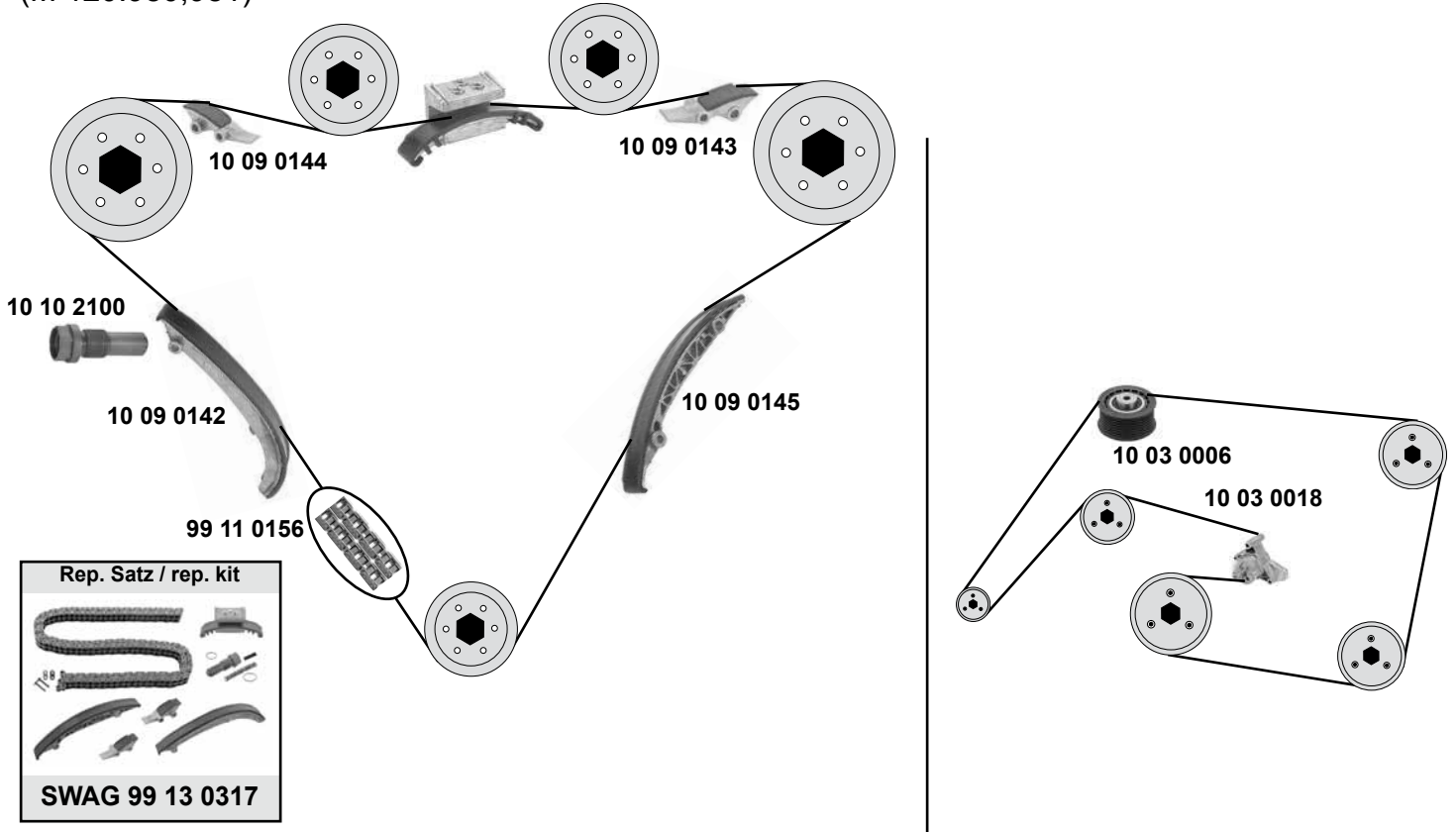
# MERCEDES-BENZ SL-Klasse (BM 129)

(01 →)



## 600 SL / SL 600

(M 120.980,981)

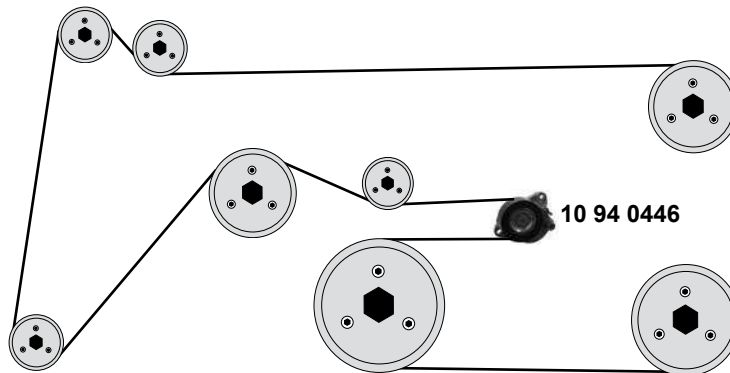


## SL-Klasse (BM 230)

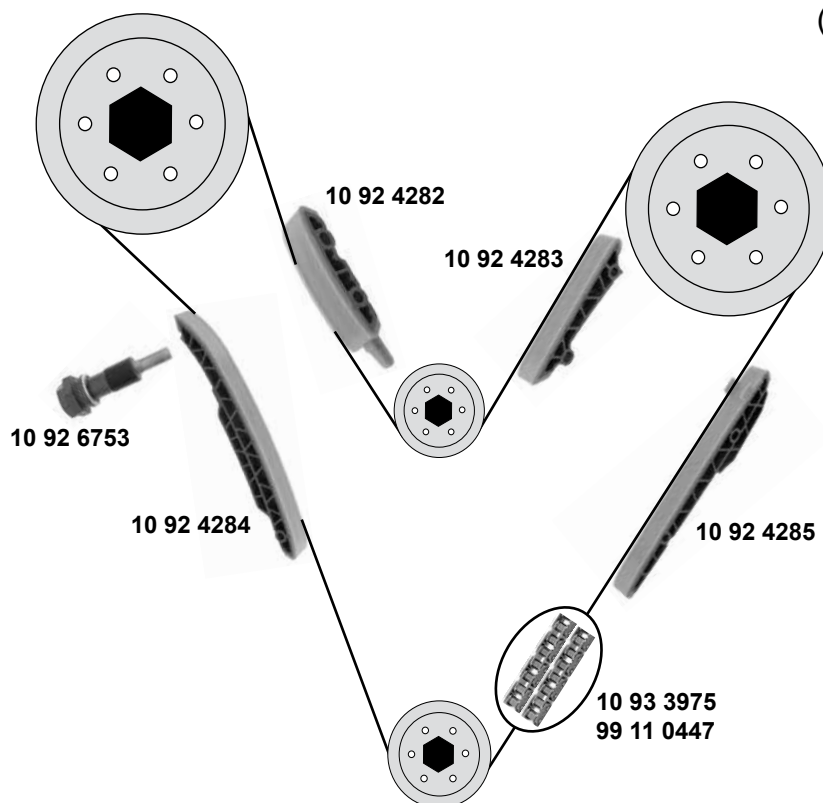
(01 →)

### SL-Klasse

(M 156.981)



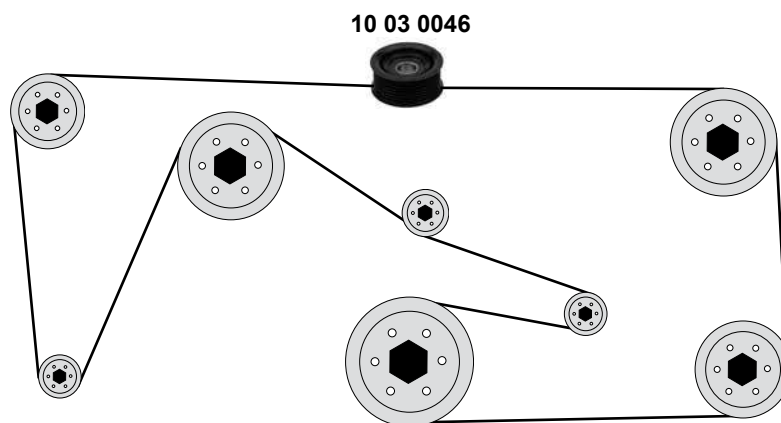
SWAG GERMANY	Ref. - No.			
10 03 0006	120 200 04 70	Spannrolle / tension roller		ØA 69 B33
10 03 0018	120 200 05 70	Riemenspanner / belt tensioner		
10 09 0142	120 050 03 16	Gleitschiene / sliding rail		
10 09 0143	120 050 05 16	Gleitschiene / sliding rail		
10 09 0144	120 050 06 16	Gleitschiene / sliding rail		
10 09 0145	120 050 07 16	Gleitschiene / sliding rail		
10 10 2100	120 050 02 11	Kettenspanner / chain tensioner		ØA 76 B26 D 455/ 170 N
10 94 0446	156 200 05 70	Riemenspanner / belt tensioner		
99 11 0156	002 997 75 94	Steuerkette / timing chain		
99 13 0317	120 050 02 11 S2	Rep. Satz Steuerkette / rep kit timing chain		



Rep. Satz / rep. kit



SWAG 99 13 0318



(1) SL 600 M275.951,954 (mot.) →40027371 / SL 65AMG M275.981 (mot.) →60006826



Ref. - No.



Ref. - No.	Description	Quantity	Notes
10 03 0046	Umlenkrolle / deflection pulley	(1)	ØA64 B30
10 92 4282	Gleitschiene / sliding rail	(ex.) 983	
10 92 4283	Gleitschiene / sliding rail	(ex.) 983	
10 92 4284	Gleitschiene / sliding rail	(ex.) 983	
10 92 4285	Gleitschiene / sliding rail	(ex.) 983	
10 92 6753	Kettenspanner / chain tensioner	(ex.) 983	
10 93 3975	Steuerkette / roller chain	(ex.) 983	164 E
99 11 0447	Steuerkette mit Nietverschluss/ timing chain with	(ex.) 983	164 N
99 13 0318	Rep. Satz Steuerkette / rep kit timing chain	(ex.) 983	

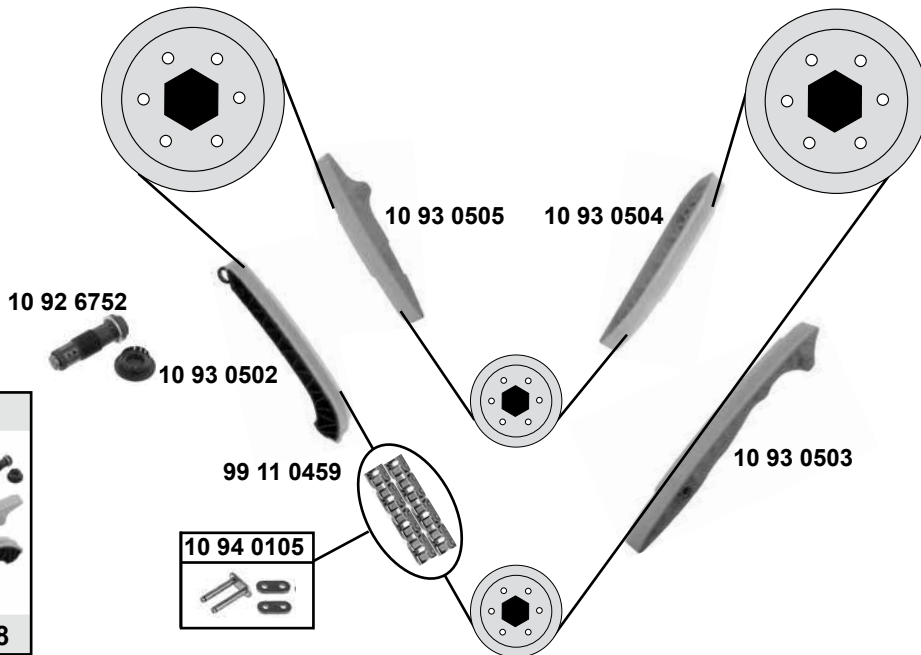
# MERCEDES-BENZ SL-Klasse (BM 230)

(01 →)



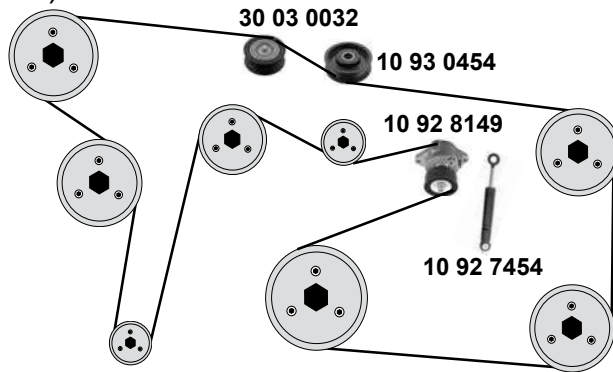
## SL 280 / SL 300

(M 272.949,966,968 / 273.965)



## SL 280 / SL 300

(M 272.949,966,968 / 273.965)



- (1) (mot.) 272.949,966,968 (mot.) 30089233 → / (mot.) 273.965
- (2) (mot.) 272.949,966,968 30058377 → / (mot.) 273.965
- (3) M 272.966,968 (mot.) →30089231 / →30.06.2005
- (4) (mot.) 272.949,966 (mot.) 30009529 → / (mot.) 272.968 / (mot.) 273.965



Ref. - No.

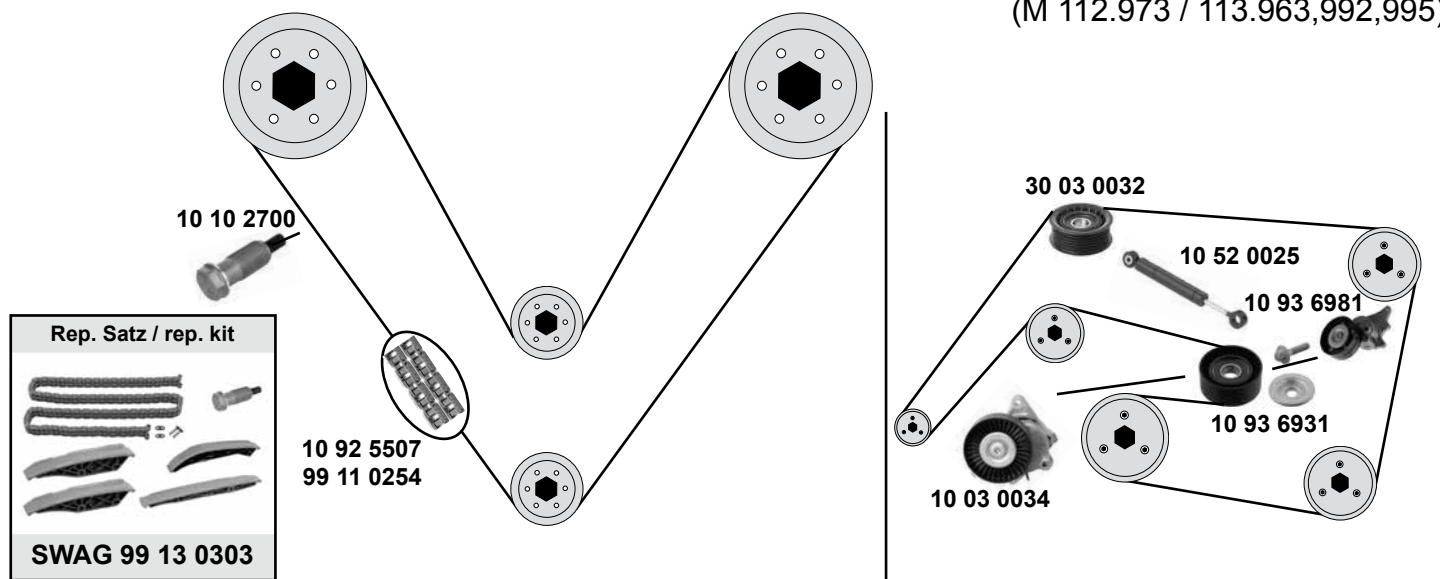


Ref. - No.	Description	Quantity	Dimensions
10 92 6752	Kettenspanner / chain tensioner	(3)	
10 92 7454	Schwingungsdämpfer / vibration damper		55 N - 400 N
10 92 8149	Riemenspanner / belt tensioner		ØA 76
10 93 0454	Umlenkrolle / deflection pulley	(2)	ØA 70 B 22
10 93 0460	Rep. Satz Riemenstpanner / rep kit belt tensioner		
10 93 0502	Gleitschiene / sliding rail	(1)	
10 93 0503	Gleitschiene / sliding rail		
10 93 0504	Gleitschiene / sliding rail	(4)	
10 93 0505	Gleitschiene / sliding rail		
10 94 0105	Kettenglied / chain link		
30 03 0032	Umlenkrolle / deflection pulley	(ex.) M 272,968	ØA 67 B25
99 11 0459	Steuerkette / timing chain		216 N
99 13 0328	Rep. Satz Steuerkette / rep. kit timing chain	(1)	



**SL 350 / SL 500**

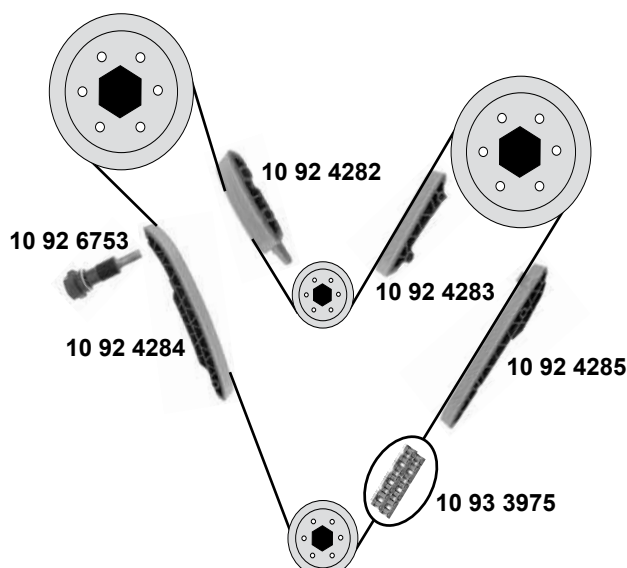
(M 112.973 / 113.963,992,995)


**SL-Klasse (BM 231)**

(01 →)

**SL 65 AMG**

(M 279.981)



Rep. Satz / rep. kit



SWAG 99 13 0318



(1) Nietverschluss / riveted link / bouchon de rivet / rivetti / cierre de roblón

	Ref. - No.			
10 03 0034	112 200 09 70	Riemenspanner / belt tensioner		
10 10 2700	112 050 08 11	Kettenspanner / chain tensioner		
10 52 0025	112 200 00 14	Schwingungsdämpfer / vibration damper	(mot.) 112. 973	55 N - 600 N
10 92 4282	137 052 04 16	Gleitschiene / sliding rail		
10 92 4283	137 052 05 16	Gleitschiene / sliding rail		
10 92 4284	137 052 07 16	Gleitschiene / sliding rail		
10 92 4285	137 052 08 16	Gleitschiene / sliding rail		
10 92 5507	003 997 68 94 S1	Steuerkette / timing chain	(1)	168 E
10 92 6753	275 050 05 11	Kettenspanner / chain tensioner		
10 93 3975	004 997 18 94	Steuerkette / roller chain		164 E
10 93 6931	113 202 00 19	Spannrolle / tension roller	M 113.992,995	(mot.) M 113.990
10 93 6981	113 200 01 70	Riemenspanner / belt tensioner	M 113.992,995	ØA90 B32
30 03 0032	272 202 10 190	Umlenkrolle / deflection pulley		ØA 64 ØI 17 B23
99 11 0254	003 997 68 94	Steuerkette / timing chain	(1)	168 N
99 13 0303	112 050 08 11 S1	Rep. Satz Steuerkette / rep. kit timing chain		
99 13 0318	275 050 05 11 S1	Rep. Satz Steuerkette / rep kit timing chain		

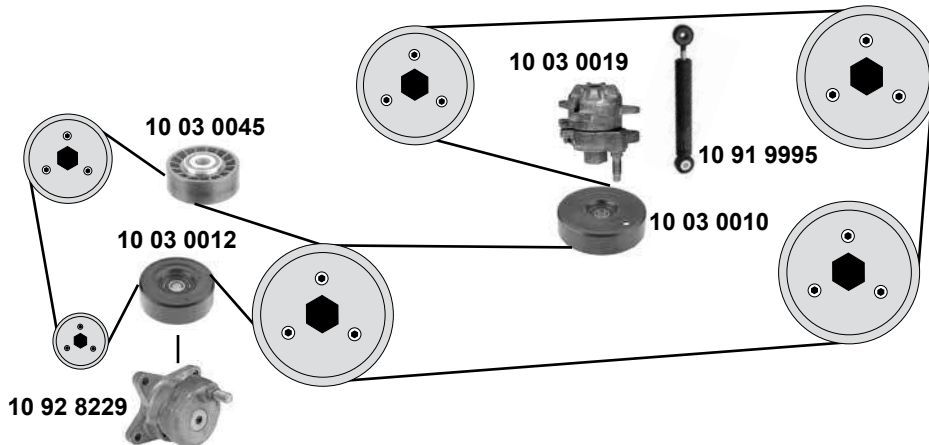
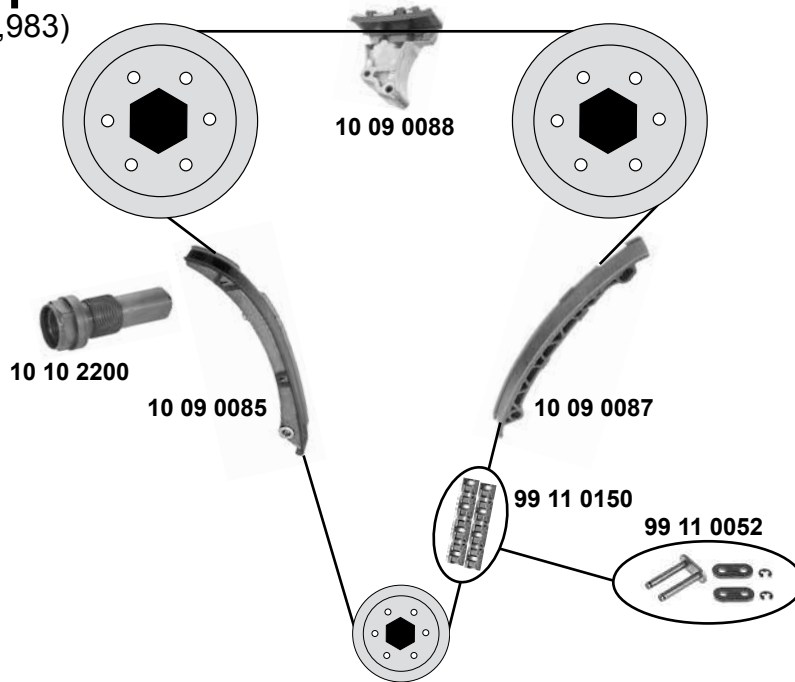
# MERCEDES-BENZ SLK-Klasse (170)

(96 → 04)



## SLK 200 / Kompressor

(M 111.943,946,958,973,983)



(1) (ex.) (mot.) 973,983

(2) Nietverschluß / riveted link / bouchon de rivet / rivetti / cierre de roblón



Ref. - No.

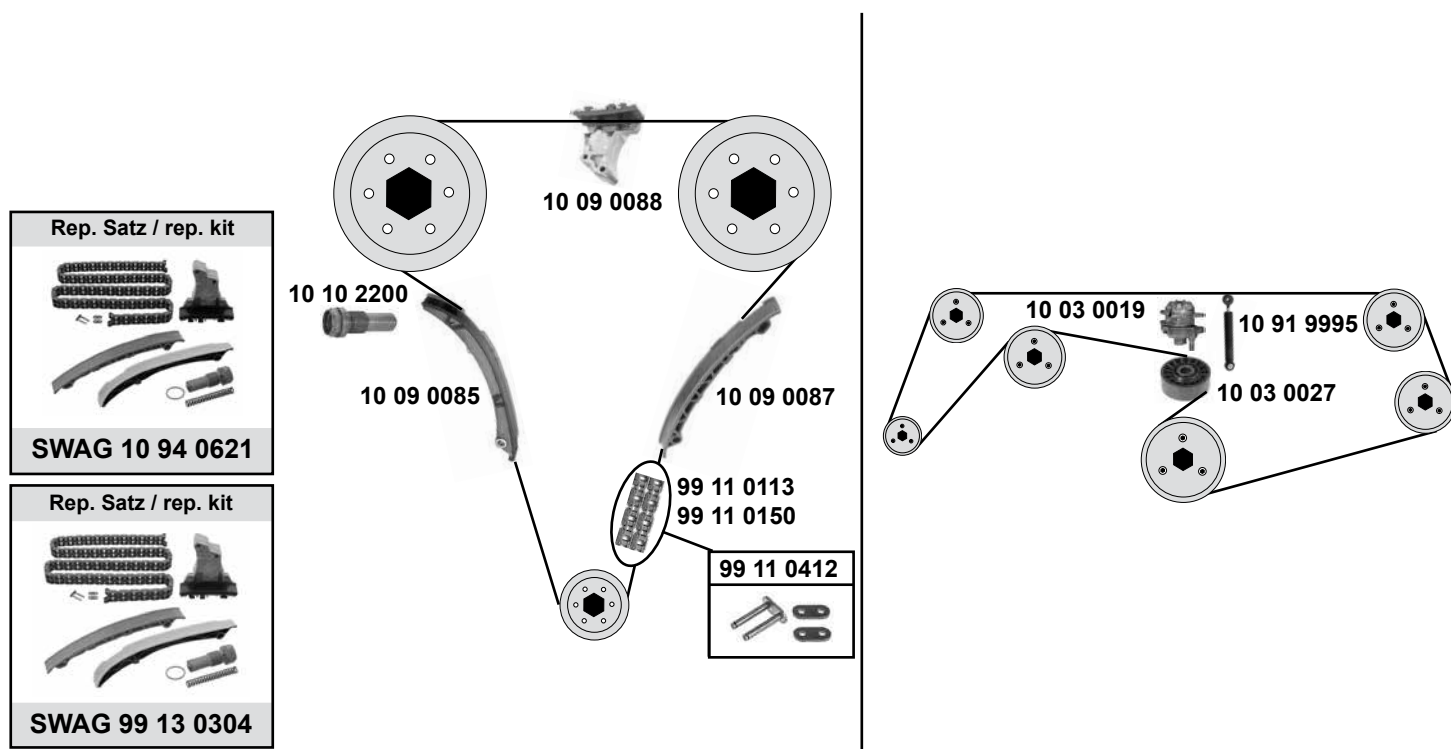


Ref. - No.	Description	Quantity	Dimensions
10 03 0010	Spannrolle / tension roller		110 x 28 x 15
10 03 0012	Spannrolle / tension roller		
10 03 0019	Riemenspanner / belt tensioner		
10 03 0045	Spannrolle / tension roller	(ex.) 946	
10 09 0085	Gleitschiene / sliding rail	(2)	
10 09 0087	Gleitschiene / sliding rail	(1)	
10 09 0088	Gleitschiene / sliding rail		
10 10 2200	Kettenspanner / chain tensioner		
10 91 9995	Schwingungsdämpfer / vibration damper	(2)	55 N - 435 N
10 92 8229	Riemenspanner / belt tensioner		
10 94 0621	Rep. Satz Steuerkette / rep. kit timing chain		
99 11 0052	Kettenglied / chain link	(1)	11 / D 455
99 11 0150	Steuerkette / timing chain	(1) (2)	D 455 / 126 N
99 13 0304	Rep. Satz Steuerkette / rep. kit timing chain		



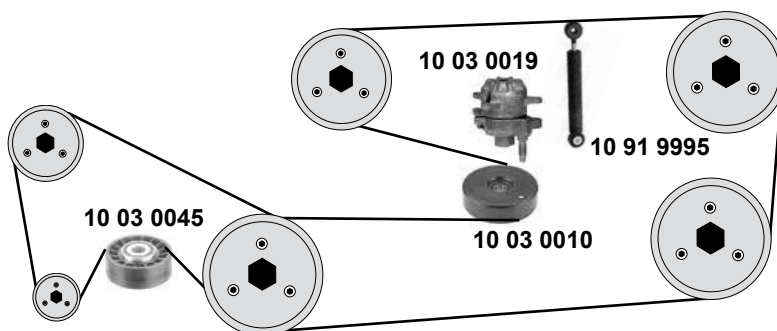
### SLK 230 Kompressor

(M 111.943,946,958,973,983)



### SLK 230 Kompressor

(M 111.973,983)



(1) Nietverschluss / riveted link / bouchon de rivet / rivetti / cierre de roblón

(2) (mot.) 023380 →



Ref. - No.



Ref. - No.			
10 03 0010	111 200 00 70	Spannrolle / tension roller	110 x 28 x 15
10 03 0019	111 200 07 70	Riemenspanner / belt tensioner	
10 03 0027	104 200 10 70	Spannrolle / tension roller	
10 03 0045	111 202 01 19	Spannrolle / tension roller	
10 09 0085	111 050 14 16	Gleitschiene / sliding rail	(ex.) 983
10 09 0087	111 052 10 16	Gleitschiene / sliding rail	
10 09 0088	111 050 11 16	Gleitschiene / sliding rail	
10 10 2200	111 050 04 11	Kettenspanner / chain tensioner	
10 91 9995	111 200 04 14	Schwingungsdämpfer / vibration damper	(2) 55 N - 435 N
10 94 0621	111 050 04 11 S2	Rep. Satz Steuerkette / rep. kit timing chain	
99 11 0113	002 997 93 94	Steuerkette / timing chain	126 E
99 11 0150	003 997 17 94	Steuerkette / timing chain	(1) D 455 / 126 N
99 11 0412	000 997 22 98	Kettenglied / chain link	D67ZN-17
99 13 0304	111 050 04 11 S1	Rep. Satz Steuerkette / rep. kit timing chain	126 E

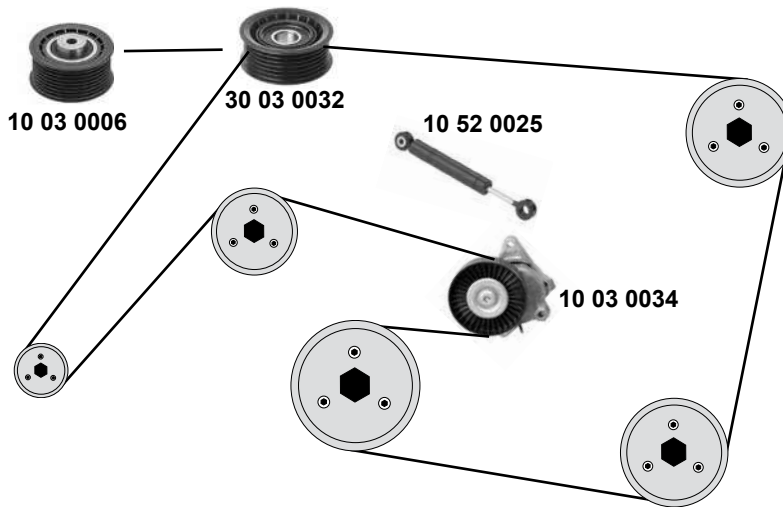
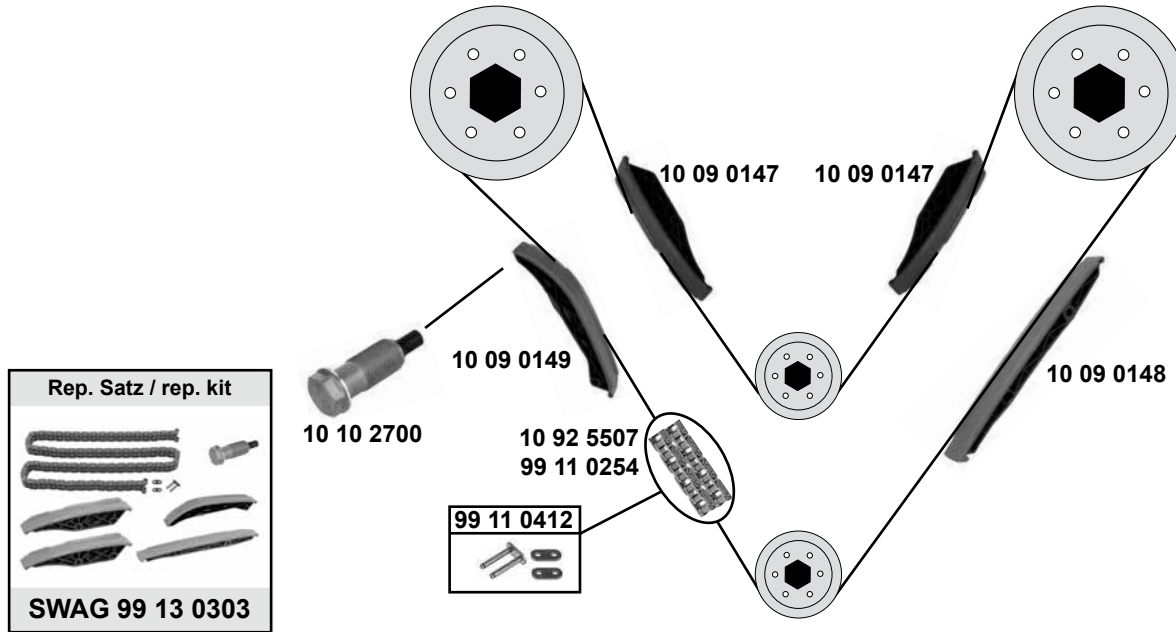
# MERCEDES-BENZ SLK-Klasse (BM 170)

(96 → 04)



## SLK 320 / 32 AMG

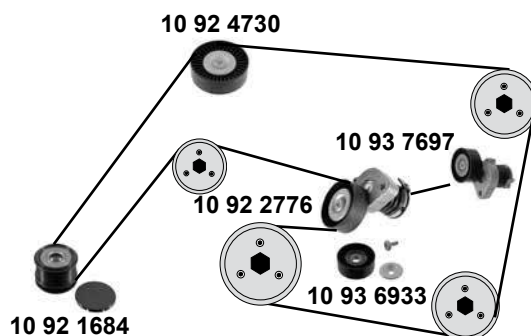
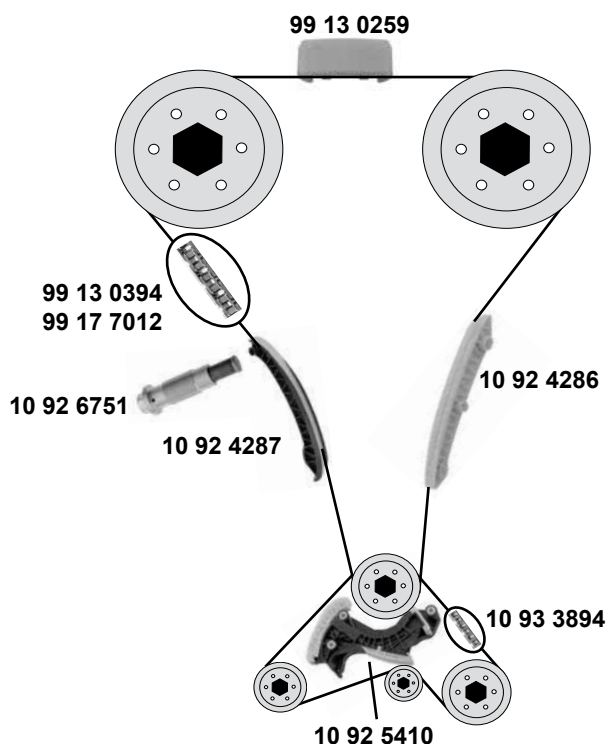
(M 112.947, 960,961)



- (1) Nietverschluß / riveted link / bouchon de rivet / rivetti / cierre de roblón
- (2) nur / only: 32 AMG / mot. 960,961

SWAG	Ref. - No.			
10 03 0006	120 200 04 70	Spannrolle / tension roller	(2)	ØA 69 B33
10 03 0034	112 200 09 70	Riemenspanner / belt tensioner	(mot.) 947	
10 09 0147	112 052 01 16	Gleitschiene / sliding rail	(ex.) 961	55 N - 600 N 168 E ØA 64 ØI 17 B23 168 N
10 09 0148	112 052 00 16	Gleitschiene / sliding rail	(ex.) 961	
10 09 0149	112 052 02 16	Gleitschiene / sliding rail	(ex.) 961	
10 10 2700	112 050 08 11	Kettenspanner / chain tensioner	(ex.) 961	
10 52 0025	112 200 00 14	Schwingungsdämpfer / vibration damper	(mot.) 112. 947	
10 92 5507	003 997 68 94 S1	Steuerkette / timing chain	(1) (ex.) 961	D 168
30 03 0032	272 202 00 19	Umlenkrolle / deflection pulley	(mot.) 947	
99 11 0254	003 997 68 94	Steuerkette / timing chain	(1) (ex.) 961	
99 11 0412	000 997 22 98	Kettenglied / chain link	(1) (ex.) 961	
99 13 0303	112 050 08 11 S1	Rep. Satz Steuerkette / rep. kit timing chain	(ex.) 961	

## SLK 200 Kompressor (M 271.861,944,954)



(1) 271.944 Für Lichtmaschine / for alternator 271 154 08 02 / 271 154 09 02 / 271 154 10 02

(2) 271.944,954 nur mit Lanchester-Ausgleich / only with Lanchester balancing system

(3) für Fahrzeuge mit Lanchester-Ausgleich / for vehicles with lanchester balancing system



Ref. - No.



Ref. - No.	Description	Notes	Dimensions
10 92 1684	Riemenscheibe Lichtmaschine / belt pulley alternator	(1)	60 x 46,2
10 92 2776	Riemenspanner / belt tension	(mot.) 271. 944/954	
10 92 4286	Gleitschiene links / sliding rail left	(mot.) 271.944/954	
10 92 4287	Gleitschiene rechts / sliding rail right	(mot.) 271.944/954	
10 92 4730	Umlenkrolle / deflection pulley	(mot.) 271.944/954	ØA90 B 28
10 92 5410	Kettenspanner / chain tensioner	(mot.) 271.944/954	
10 92 6751	Kettenspanner / chain tensioner	(mot.) 271.944/954	
10 93 3894	Steuerkette endlos / timing chain endless	(mot.) 271.944/954	106 E
10 93 6933	Riemenspanner / belt tensioner	(mot.) 271.944/954	ØA76 B28
10 93 7697	Riemenspanner / belt tensioner	(mot.) 31216220 →	ØA65 B26
10 94 0953	Rep. Satz Steuerkette / rep. kit timing chain	(3)	
10 94 0954	Rep. Satz Steuerkette / rep. kit timing chain	(mot.) 271.944/954	
99 13 0259	Gleitschiene / sliding rail	(2)	142 E
99 13 0315	Rep. Satz Steuerkette / rep. kit timing chain	(mot.) 271.944/954	
99 13 0316	Rep. Satz Steuerkette / rep. kit timing chain	(mot.) 271.944/954	106 N
99 13 0393	Steuerkette mit Nietverschluss/ timing chain with riveting link	(mot.) 271.944/954	142 N
99 13 0394	Steuerkette mit Nietverschluss/ timing chain with riveting link	(mot.) 271.944/954	
99 17 7012	Steuerkette mit Nietverschluss/ timing chain with riveting link	(mot.) 271.944/954	

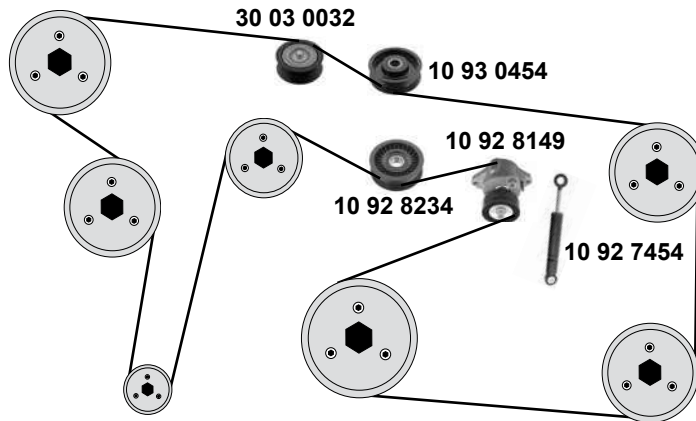
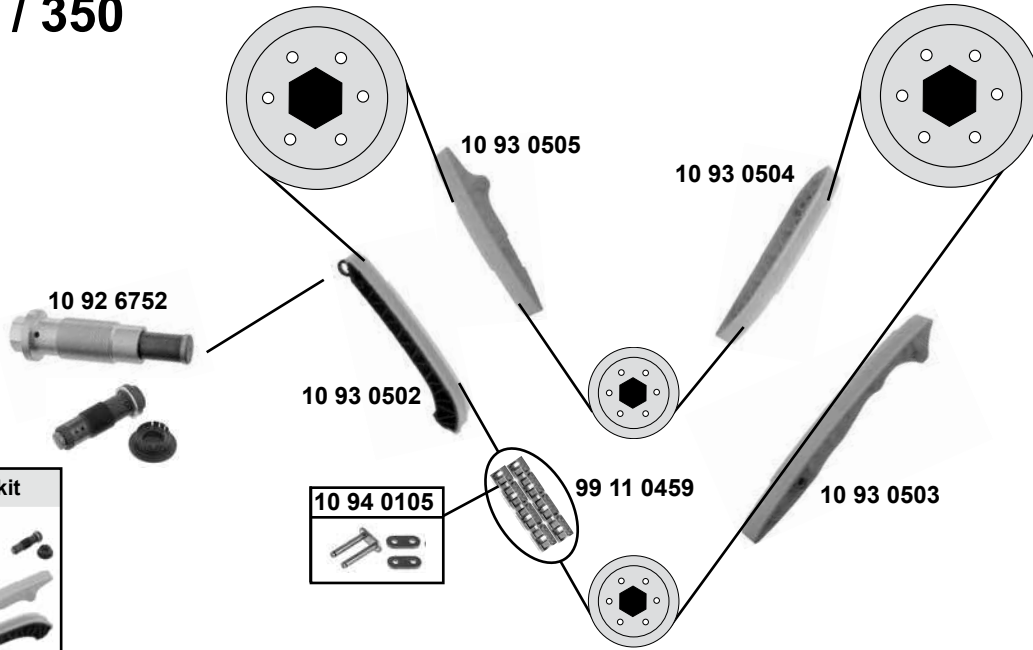
# MERCEDES-BENZ SLK-Klasse (BM 171)

(04 →)



## SLK 280 / 350

(M 272. ...)



- (1) 272.942,963 : (mot.) → 30089231/ → 30/06/05/
- (2) 272.942,963,969 : (mot.) 30058377 →
- (3) (mot.) 272.942,963 (ch.) 30009529 → / (mot.) 272.969
- (4) (mot.) 272.942,963,969 / (ch.) 30089233 →
- (5) (mot.) 272.967 / (ch.) → 30058376 →



Ref. - No.



Ref. - No.	Description	Notes
10 92 6752	272 050 01 11 Kettenspanner / chain tensioner	(1)
10 92 7454	272 200 01 14 Schwingungsdämpfer / vibration damper	(mot.) 942,963,969
10 92 8149	272 200 00 70 Riemenspanner / belt tensioner	(mot.) 942,963,969
10 92 8234	272 202 01 19 Umlenkrolle / deflection pulley	(5) ØA 80 B25
10 93 0454	272 202 14 19 Umlenkrolle / deflection pulley	(2) ØA 70 B22
10 93 0460	272 200 02 70 S1 Rep.Satz Riemenspanner / rep. kit belt tensioners	(mot.) 942,963,969
10 93 0502	272 052 13 16 Gleitschiene / sliding rail	(4)
10 93 0503	272 052 00 16 Gleitschiene / sliding rail	(mot.) 942,963,969
10 93 0504	272 052 15 16 Gleitschiene / sliding rail	(3)
10 93 0505	272 052 02 16 Gleitschiene / sliding rail	(mot.) 942,963,969
10 94 0105	000 993 06 76 S2 Kettenglied / chain link	(mot.) 942,963,969
30 03 0032	000 202 09 19 Umlenkrolle / deflection pulley	(mot.) 942,963,969
99 11 0459	000 993 06 76 Steuerkette / timing chain	(mot.) 942,963,969
99 13 0328	272 050 08 11 S1 Rep. Satz Steuerkette / rep. kit timing chain	(4)

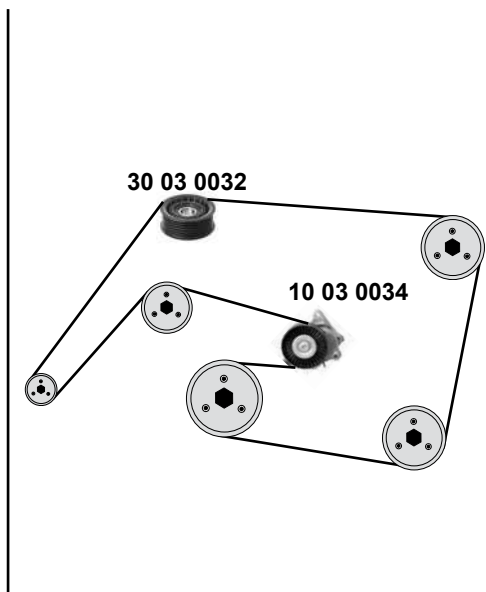
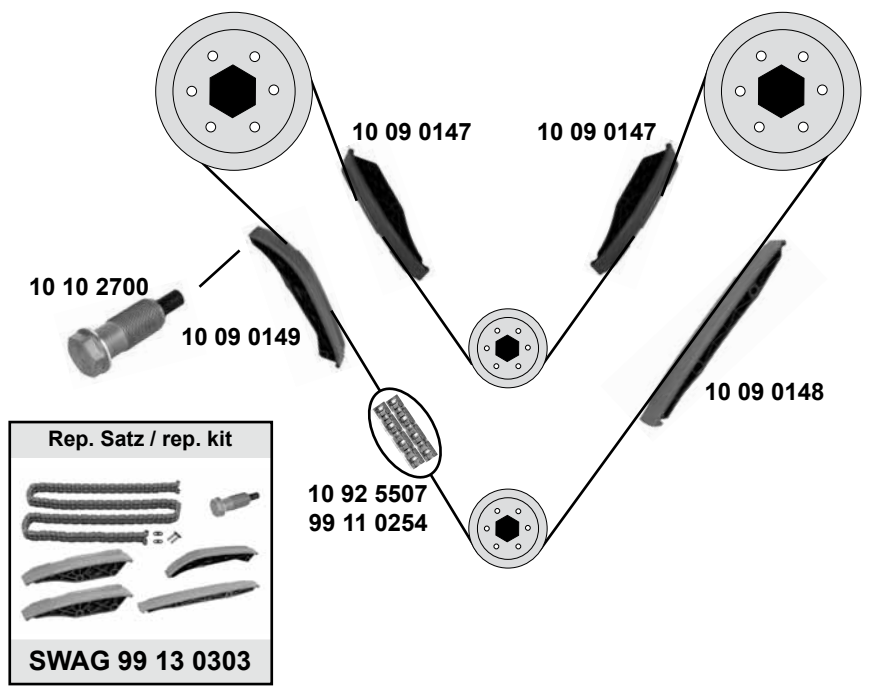


# MERCEDES-BENZ SLK-Klasse (BM 171)

(04 →)

## SLK 55 AMG

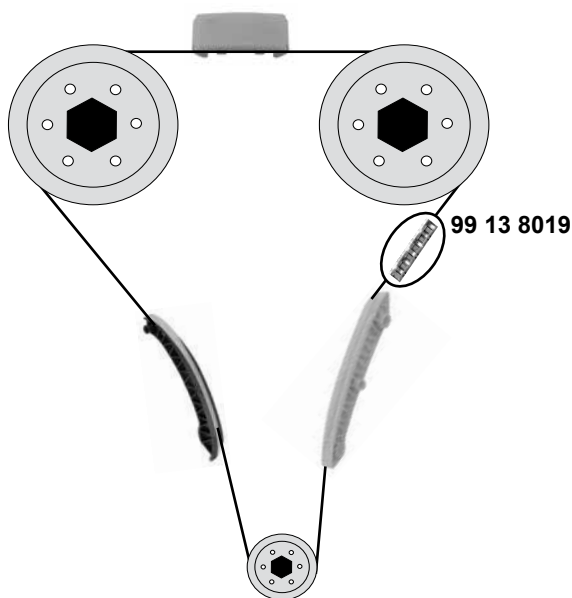
(M 113.)



## SLK (BM 172)

(02/11 →)

(M 171.861)



(1) (mot.) M113. 989

(2) Nietverschluß / riveted link / bouchon de rivet / rivetti / cierre de roblón



Ref. - No.



SWAG Ref. - No.	Part Name	Quantity	Notes
10 03 0034	Riemenspanner / belt tensioner	(mot.) 981,986	
10 09 0147	Gleitschiene / sliding rail	(mot.) 981	
10 09 0148	Gleitschiene / sliding rail	(mot.) 981	
10 09 0149	Gleitschiene / sliding rail		
10 10 2700	Kettenspanner / chain tensioner	(1)	
10 92 5507	Steuerkette / timing chain	(2)	168 E
10 93 9271	Rep. Satz Steuerkette / rep. kit timing chain		
30 03 0032	Umlenkrolle / deflection pulley	(mot.) 981,989	ØA 64 ØI 17 B23
99 11 0254	Steuerkette / timing chain	(2)	168 N
99 13 0393	Rep. Satz Steuerkette / rep. kit timing chain	M113.989	106 E
99 13 8019	Steuerkette / roller chain		142 E

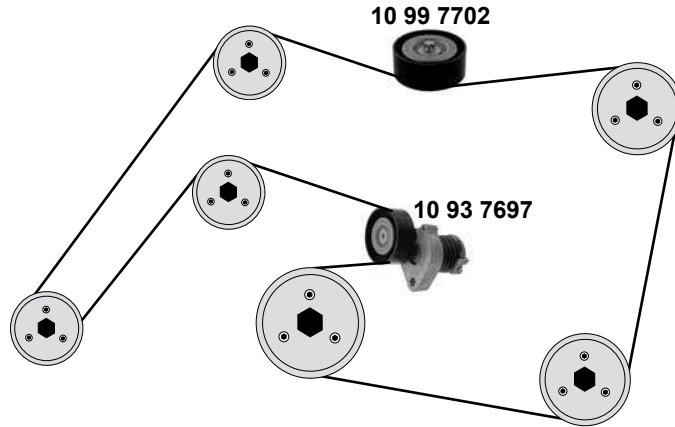


# MERCEDES-BENZ SLK-Klasse (BM 172)

(02/11 →)



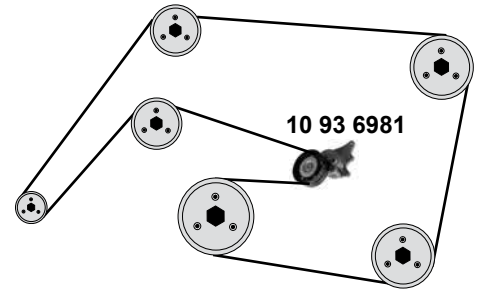
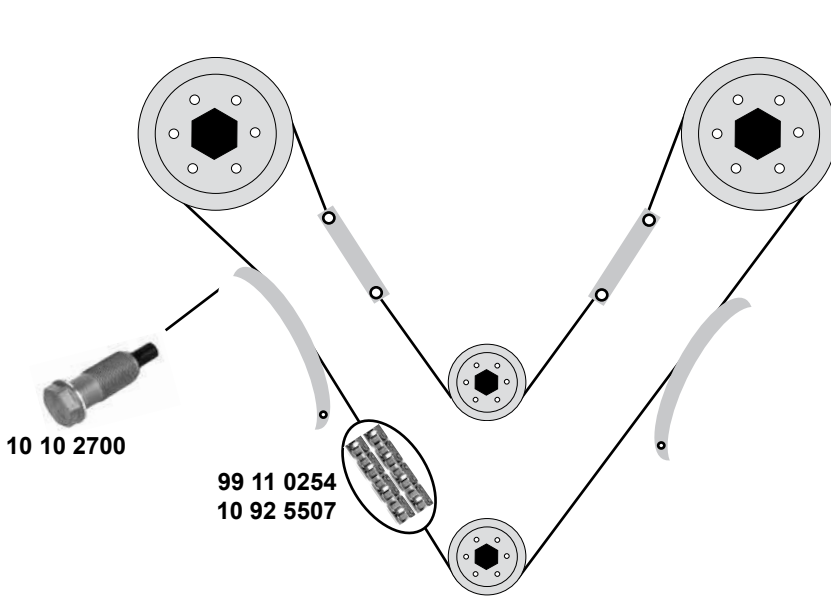
(M 172.861)



# SLR (BM 199)

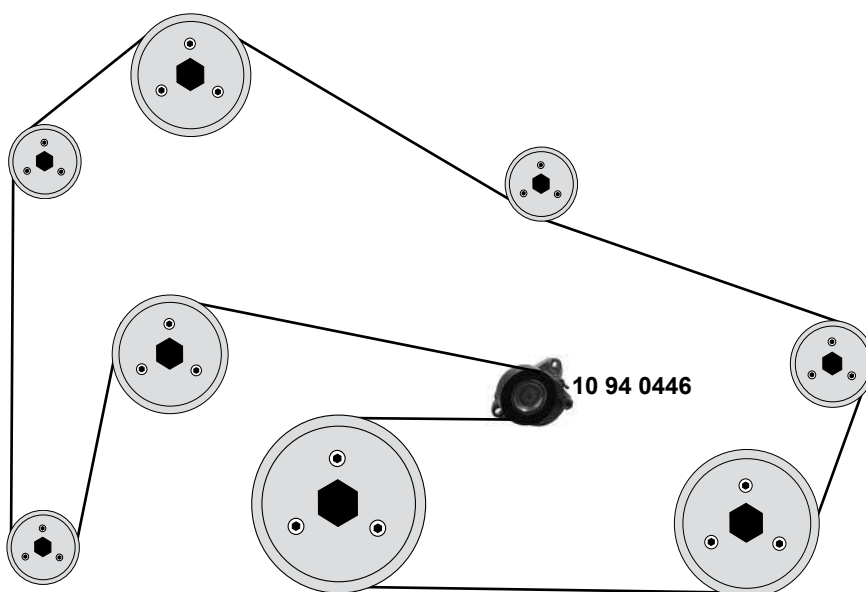
(04 →)

(M 155.980,986)



- (1) (mot.) M155.980
- (2) Nietverschluß / riveted link / bouchon de rivet / rivetti / cierre de roblón

SWAG GERMANY	Ref. - No.			
10 10 2700	112 050 08 11	Kettenspanner / chain tensioner	(1)	
10 92 5507	003 997 68 94 S1	Steuerkette / timing chain	(1) (2)	168 E
10 93 6981	113 200 01 70	Riemenspanner / belt tensioner	M 155.980	ØA90 B32
10 93 7697	271 200 04 70	Riemenspanner / belt tensioner		ØA76 B28
10 93 7702	000 202 17 19	Umlenkrolle / deflection pulley		ØA65 B26
10 93 7703	000 202 16 19	Rep.Satz Umlenkrolle / rep. kit deflection pulley		ØA 67
99 11 0254	003 997 68 94	Steuerkette / timing chain	(1) (2)	168 N



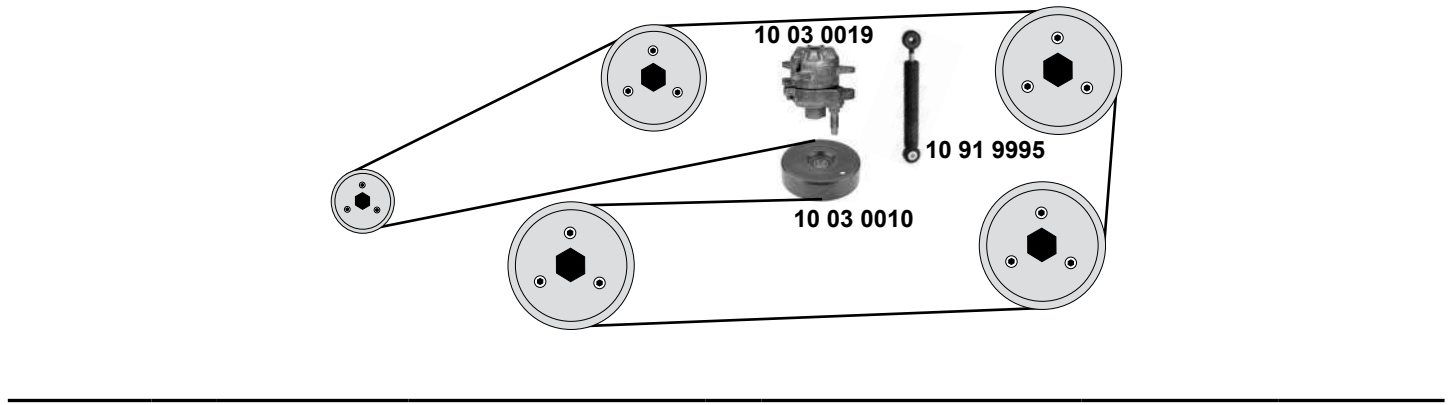
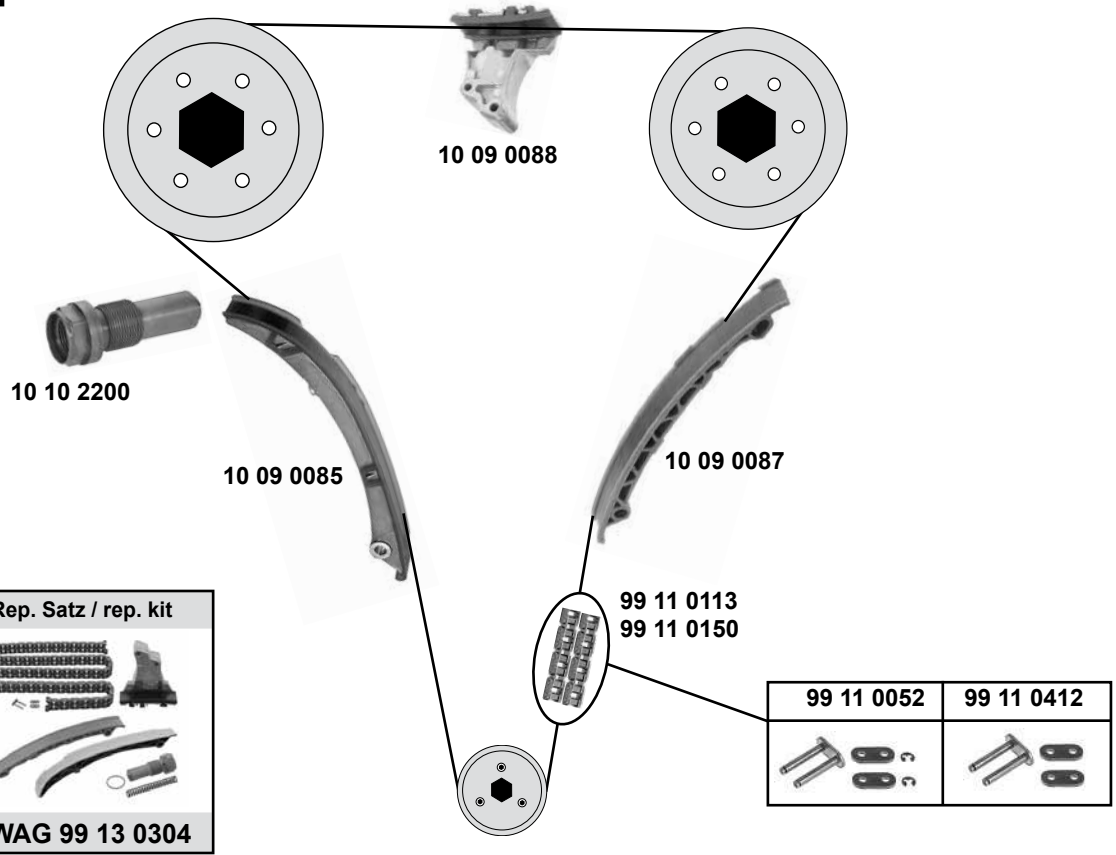
# MERCEDES-BENZ Sprinter (BM 901 → 904)

(95 →)



## 214 / 314 / 414

(M 111.979,984)



(1) nur / only: 32 AMG / mot. 960,961

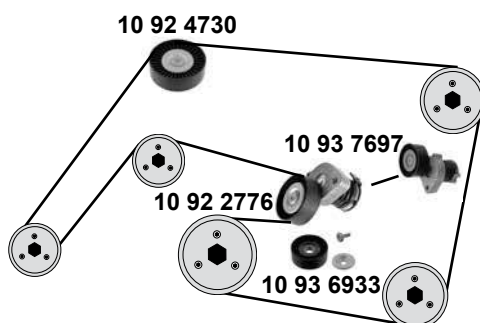
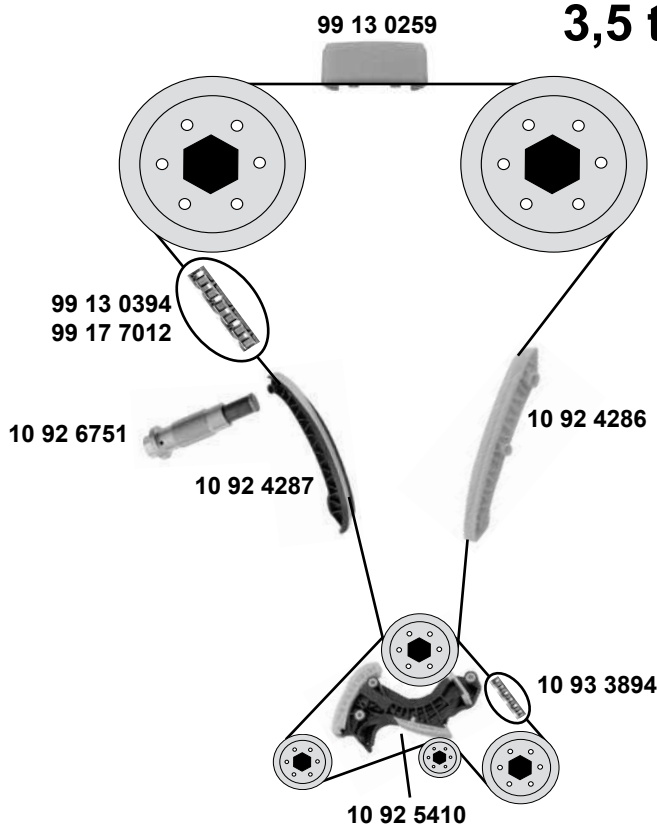
(2) Federverschluß / split link / fermeture de ressort /  
cierre de resorte / falsa maglia

SWAG GERMANY	Ref. - No.			
10 03 0010	111 200 00 70	Spannrolle / tension roller		110 x 28 x 15
10 03 0019	111 200 07 70	Riemenspanner / belt tensioner		
10 09 0085	111 050 14 16	Gleitschiene / sliding rail		
10 09 0087	111 052 10 16	Gleitschiene / sliding rail		
10 09 0088	111 050 11 16	Gleitschiene / sliding rail		
10 10 2200	111 050 04 11	Kettenspanner / chain tensioner		
10 91 9995	111 200 04 14	Schwingungsdämpfer / vibration damper		55 N - 435 N
10 94 0621	111 050 04 11 S2	Rep. Satz Steuerkette / rep. kit timing chain		
99 11 0052	000 997 05 98	Kettenglied / chain link	(2)	11 / D 455
99 11 0113	002 997 93 94	Steuerkette / timing chain		126 E
99 11 0150	003 997 17 94	Steuerkette / timing chain	(1)	D 455 / 126 N
99 11 0412	000 997 22 98	Kettenglied / chain link	(1)	
99 13 0304	111 050 04 11 S1	Rep. Satz Steuerkette / rep. kit timing chain	(mot.)	111.984



### 3,5 t Pritsche / Bus / Kasten

(M 271.951)



(1) für Fahrzeuge mit Lanchester-Ausgleich / for vehicles with lanchester balancing system



Ref. - No.



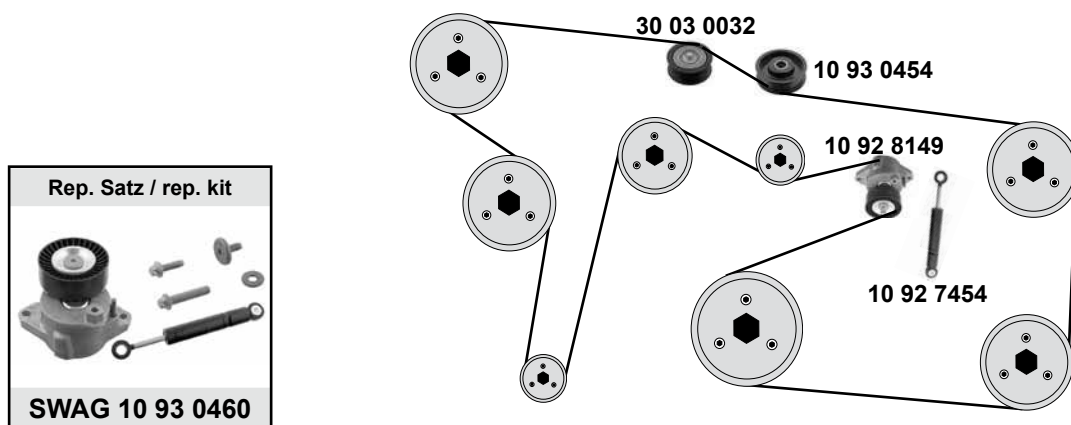
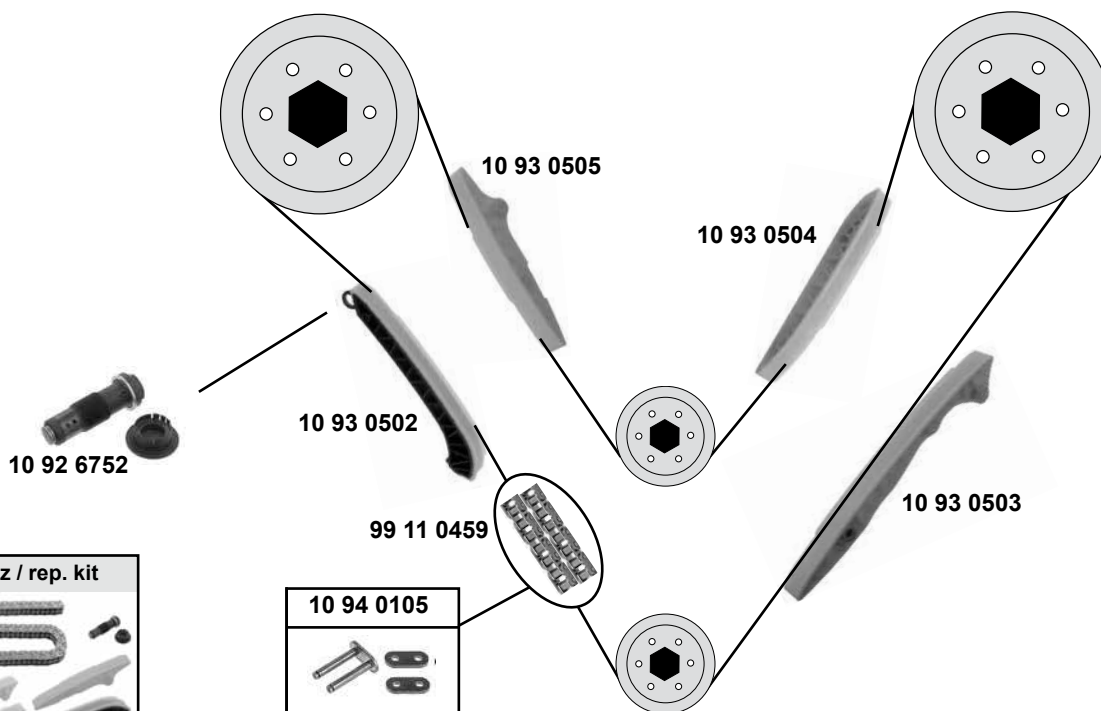
10 92 2776	271 200 02 70	Riemenspanner / belt tension		
10 92 4286	271 052 10 16	Gleitschiene links / sliding rail left		
10 92 4287	271 052 11 16	Gleitschiene rechts / sliding rail right		
10 92 4730	271 206 00 19	Umlenkrolle / deflection pulley		ØA 90 B 28
10 92 5410	271 030 09 63	Kettenspanner / chain tensioner		
10 92 6751	271 050 06 11	Kettenspanner / chain tensioner		
10 93 3894	000 993 20 76 S1	Steuerkette endlos / timing chain endless		106 E
10 93 6933	271 200 05 70	Riemenspanner /belt tensioner		ØA76 B28
10 93 7697	271 200 04 70	Riemenspanner / belt tensioner	(mot.) 31216220 →	ØA65 B26
10 94 0953	271 050 06 11 S3	Rep. Satz Steuerkette / rep. kit timing chain	(1)	
10 94 0954	271 050 06 11 S4	Rep. Satz Steuerkette / rep. kit timing chain		
99 13 0259	271 052 04 16	Gleitschiene / sliding rail		
99 13 0315	271 052 06 11 S1	Rep. Satz Steuerkette / rep. kit timing chain		
99 13 0316	271 050 06 11 S2	Rep. Satz Steuerkette / rep. kit timing chain		
99 13 0393	000 993 20 76	Steuerkette / timing chain		106 E
99 13 0394	000 993 19 76	Steuerkette mit Nietverschluss/ timing chain with		142 N
99 17 7012	000 993 21 76	Steuerkette mit Nietverschluss/ timing chain with		142 N

# MERCEDES-BENZ Sprinter 224/322/324/524 (BM 906)

(06 →)



(M 272.979)



(1) (mot.) →30089231 →30.06.2005

SWAG GERMANY	Ref. - No.			
10 92 6752	272 050 01 11	Kettenspanner / chain tensioner	(1)	
10 92 7454	271 200 01 14	Schwingungsdämpfer / vibration damper		L 202
10 92 8149	271 200 02 70	Riemenspanner / belt tensioner		
10 93 0454	272 202 14 19	Umlenkrolle / deflection pulley	(mot.) 30058377→	ØA 70 B22
10 93 0460	271 200 02 70 S1	Rep. Satz Riemenstpanner / rep. kit belt tensioner		
10 93 0502	272 052 13 16	Gleitschiene / sliding rail	(mot.) 30089233→	
10 93 0503	272 052 00 16	Gleitschiene / sliding rail		
10 93 0504	272 052 15 16	Gleitschiene / sliding rail	(mot.) 30009529→	
10 93 0505	272 052 02 16	Gleitschiene / sliding rail		
10 94 0105	000 993 06 76 S2	Kettenglied / chain link		
30 03 0032	000 202 09 19	Umlenkrolle / deflection pulley		
99 11 0459	000 993 06 76	Steuerkette / timing chain		D 216 E
99 13 0328	272 050 08 11 S1	Rep. Satz Steuerkette / rep. kit timing chain	(mot.) 30089233→	

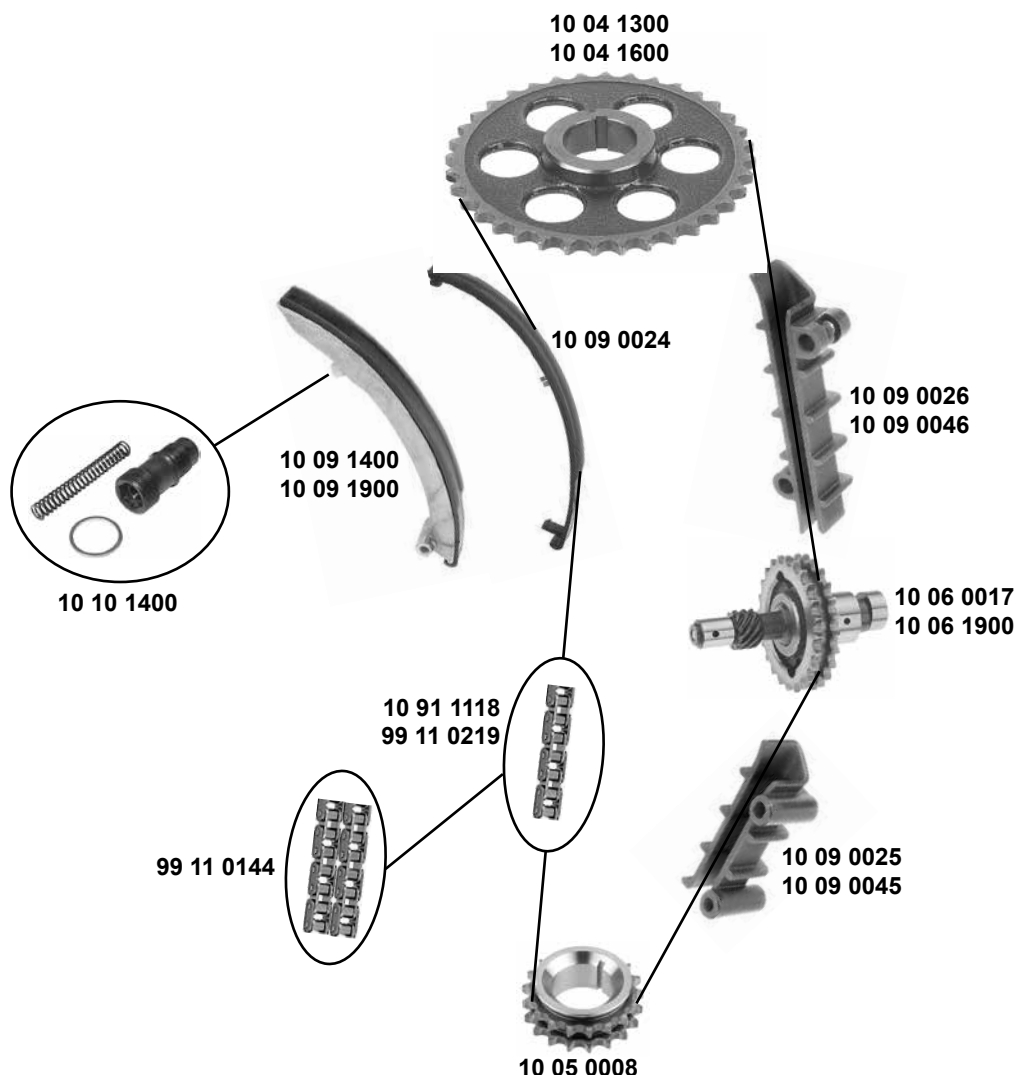
# MERCEDES-BENZ

## T2 (BM 667)

(85 → 95)



**510**  
(M 102.946)



(1) 946: (mot.) → 000353  
 (mot.) → 000029

(2) 946: (mot.) 000354 →  
 (mot.) 000030 →

(3) Nietverschluß / riveted link

(4) Federverschluß / split link



Ref. - No.



Part No.	Ref. - No.	Description	Quantity	Notes
10 04 1300	102 052 02 01	Nockenwellenrad / camshaft gear	(1)	Z 36
10 04 1600	102 052 09 01	Nockenwellenrad / camshaft gear	(2)	
10 05 0008	102 052 00 03	Kurbelwellenzahnrad / crankshaft gear	(1)	
10 06 0017	102 050 09 06	Zwischenrad / intermediate gear	(2)	
10 06 1900	102 050 08 06	Zwischenrad / intermediate gear	(2)	
10 09 0024	102 052 04 83	Gummibelag / rubber lining	für / for	
10 09 0025	102 052 03 16	Gleitschiene / sliding rail	(2)	
10 09 0026	102 052 04 16	Gleitschiene / sliding rail	(1)	
10 09 0045	102 052 13 16	Gleitschiene / sliding rail	(2)	
10 09 0046	102 052 14 16	Gleitschiene / sliding rail	(2)	
10 09 1400	102 050 08 16	Gleitschiene / sliding rail	(1)	
10 09 1900	102 050 12 16	Gleitschiene / sliding rail	(2)	
10 10 1400	102 050 10 11	Kettenspanner / chain tensioner	(1)	
10 91 1118	001 997 70 94 S1	Steuerkette / timing chain	(1) (4)	458 / 106 F
99 11 0144	002 997 03 94	Steuerkette / timing chain	(2) (3)	D 455 / 106 N
99 11 0219	003 997 82 94	Steuerkette / timing chain	(1) (3)	458 / 106 N

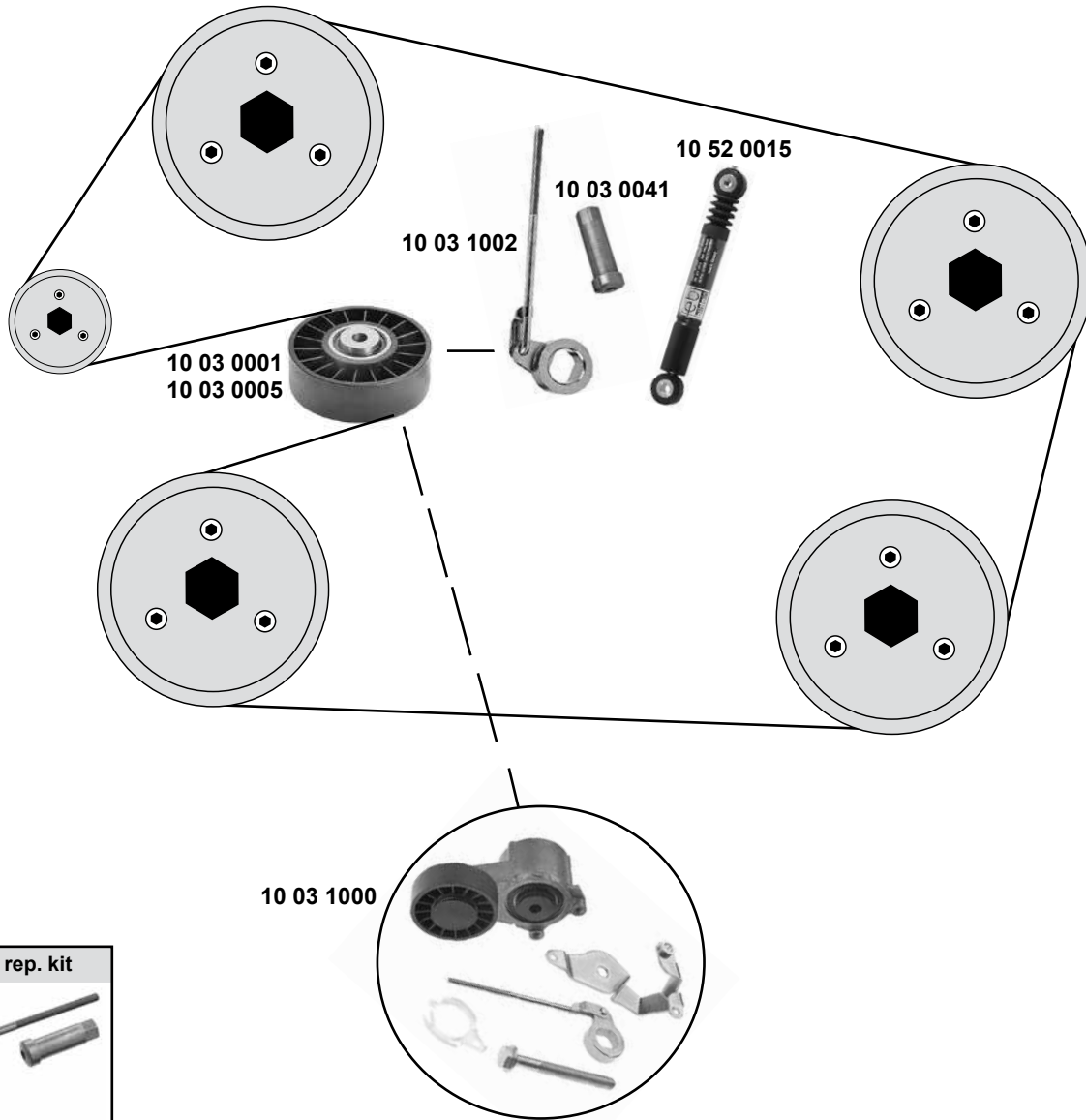
# MERCEDES-BENZ T2 (BM 667)

(86 → 95)



## 510

(M 102.946)



- (1) 946: (mot.) 000354 → (mot.) 000030 →
- (2) 946: (mot.) 000145 → (mot.) 000021 →
- (3) 946: (mot.) 000330 → (mot.) 000029 →

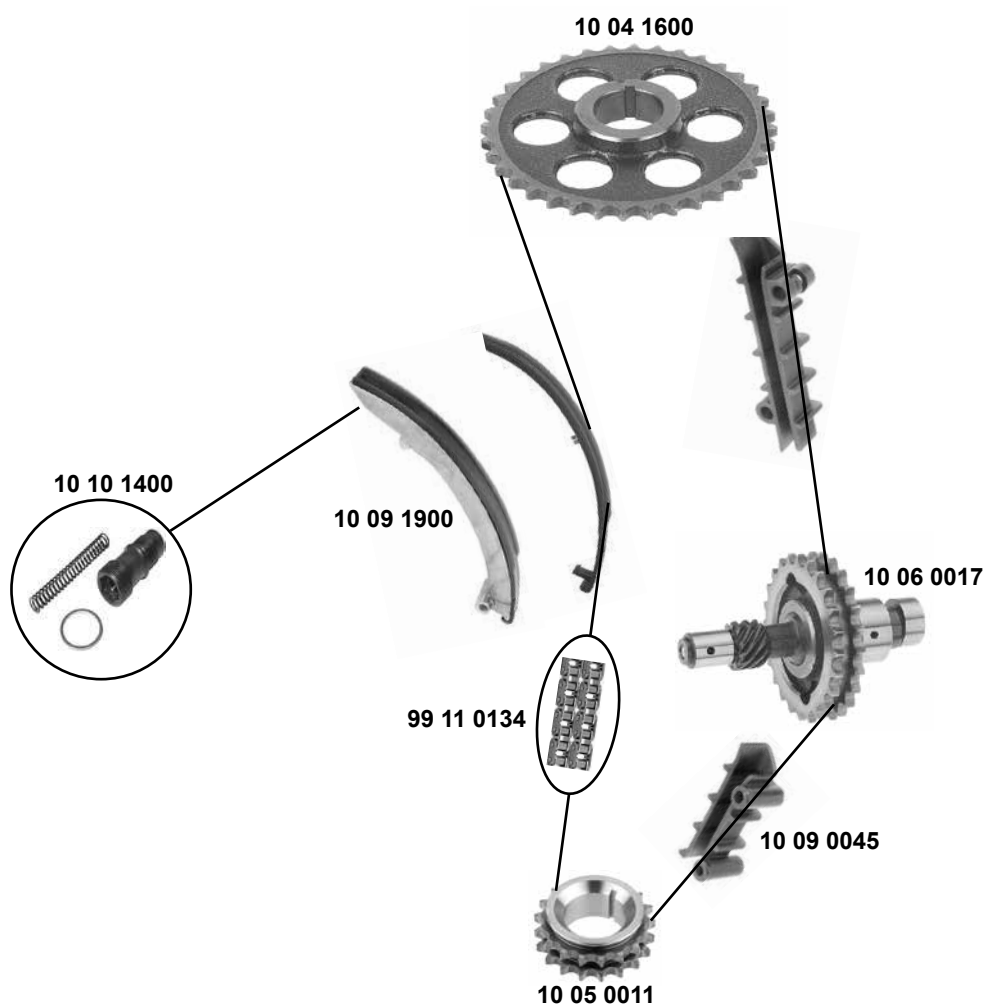
SWAG GERMANY	Ref. - No.			
10 03 0001	601 200 07 70	Spannrolle / tension roller	man.	75 x 26/31,5 80 x 25/31
10 03 0005	601 200 09 70	Spannrolle / tension roller	servo	
10 03 0041	102 202 02 72	Spannmutter / tension nut		
10 03 1000	102 200 69 70	Riemenspanner / belt tensioner	(1)	
10 03 1002	102 200 02 36	Spannstange / tensioning rod	(2)	
10 52 0015	102 200 14 14	Schwingungsdämpfer / vibration damper	(3)	
10 91 2515	102 200 02 36 S1	Rep. Satz Spannstange / rep. kit tensioning rod		90N - 900N



# MERCEDES-BENZ Transporter (BM 601/602/611)

(86 → 95)

(M 102.945)



(1) 946: (mot.) 006998 →  
 (mot.) 000698 →

(2) mit Duplexkette / with duplex chain



Ref. - No.



10 04 1600	102 052 09 01	Nockenwellenrad / camshaft gear
10 05 0011	102 052 01 03	Kurbelwellenrad / crankshaft gear
10 06 0017	102 050 09 06	Zwischenrad / intermediate gear
10 09 0045	102 052 13 16	Gleitschiene / sliding rail
10 09 0046	102 052 14 16	Gleitschiene / sliding rail
10 09 1900	102 050 12 16	Gleitschiene / sliding rail
10 10 1400	102 050 10 11	Kettenspanner / chain tensioner
10 93 6589	102 052 09 01 S1	Rep. Satz Steuerkette / rep. kit timing chain
99 11 0134	002 997 17 94	Steuerkette / timing chain

(1) (2)

106 E

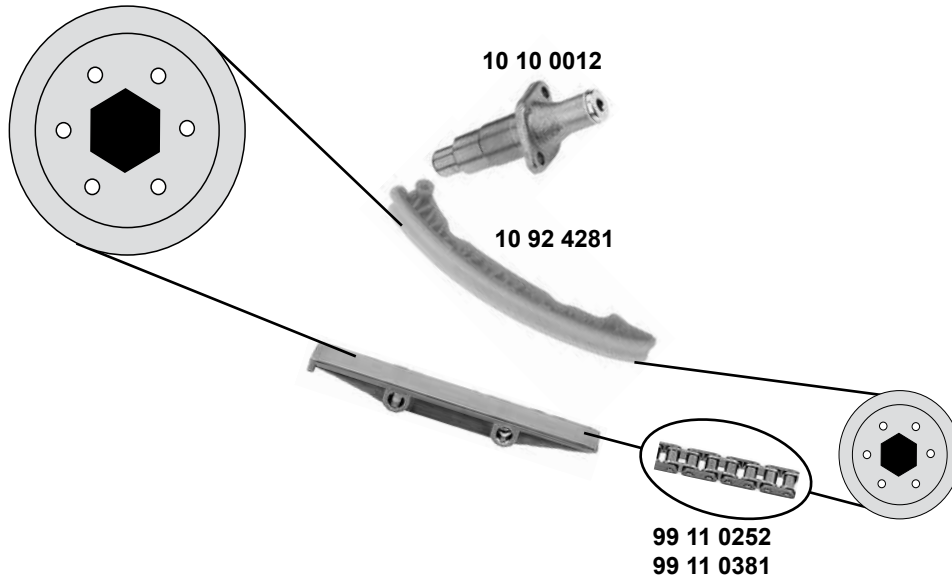
# MERCEDES-BENZ

## Vaneo (BM 414)

(02 →)

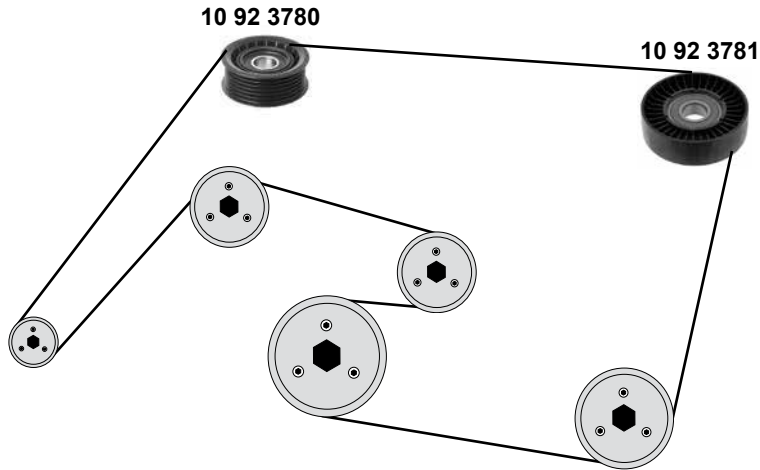


(M 166.961,991)



(M 166.961)

(ex.) **AC**



- (1) Steuerkette mit Nietverschluss / timing chain with riveted
- (2) Steuerkette endlos / timing chain endless



Ref. - No.



10 10 0012	166 050 00 11	Kettenspanner / chain tensioner		
10 92 3780	640 202 03 19	Umlenkrolle / deflection pulley		
10 92 3781	166 202 06 19	Spannrolle / tension roller		ØA 76 B 22
10 92 4281	166 052 00 16	Gleitschiene / sliding rail		
99 11 0252	166 997 09 94	Steuerkette / timing chain	(1)	108 E
99 11 0381	166 997 09 94	Steuerkette / timing chain	(2)	108 E
99 13 0325	166 050 00 11 S1	Rep. Satz Steuerkette / rep. kit timing chain		





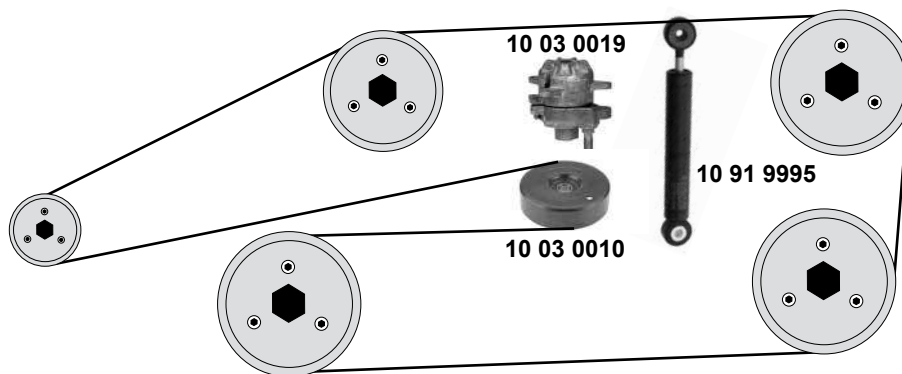
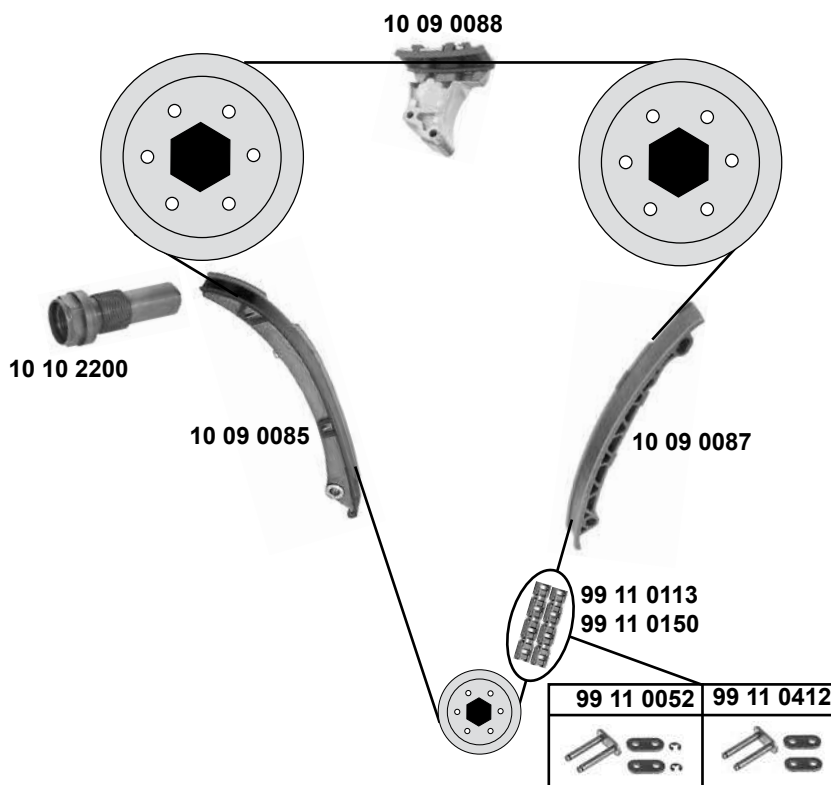
# MERCEDES-BENZ

## Vito / V-Klasse (BM 638)

(95 → 04)

### Vito 113 / 114

(M 111.948,950,978,980)



(1) 946: (mot.) → 002321  
 (mot.) → 000128

(2) Nietverschluss / riveted link

(3) Federverschluß / split link



Ref. - No.



Ref. - No.	Description	Notes	Dimensions
10 03 0010	Spannrolle / tension roller		110 x 28 x 15
10 03 0019	Riemenspanner / belt tensioner		
10 09 0085	Gleitschiene / sliding rail		
10 09 0087	Gleitschiene / sliding rail		
10 09 0088	Gleitschiene / sliding rail		
10 10 2200	Kettenspanner / chain tensioner	(ex.) 948/950	
10 91 9995	Schwingungsdämpfer / vibration damper		55 N - 435 N
10 94 0621	Rep. Satz Steuerkette / rep. kit timing chain		
99 11 0052	Kettenglied / chain link	(3)	11 / D 455
99 11 0113	Steuerkette / timing chain		126 E
99 11 0150	Steuerkette / timing chain		D 455 / 126 N
99 11 0412	Kettenglied / chain link	(1) (2)	
99 13 0304	Rep. Satz Steuerkette / rep. kit timing chain		

# MERCEDES-BENZ

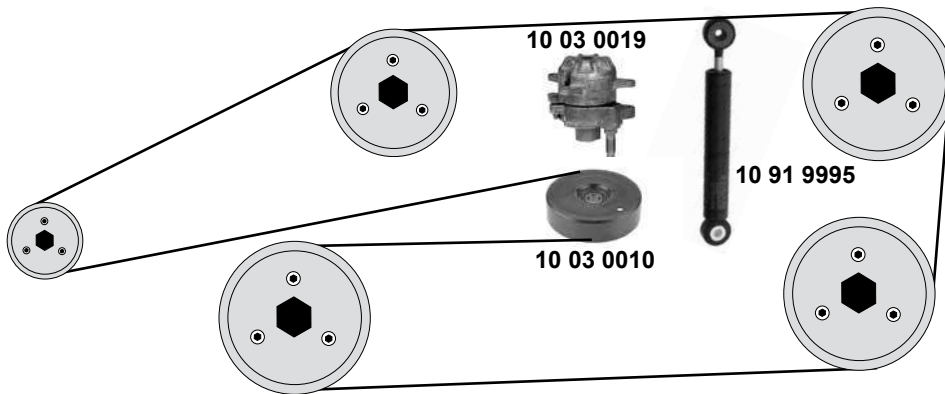
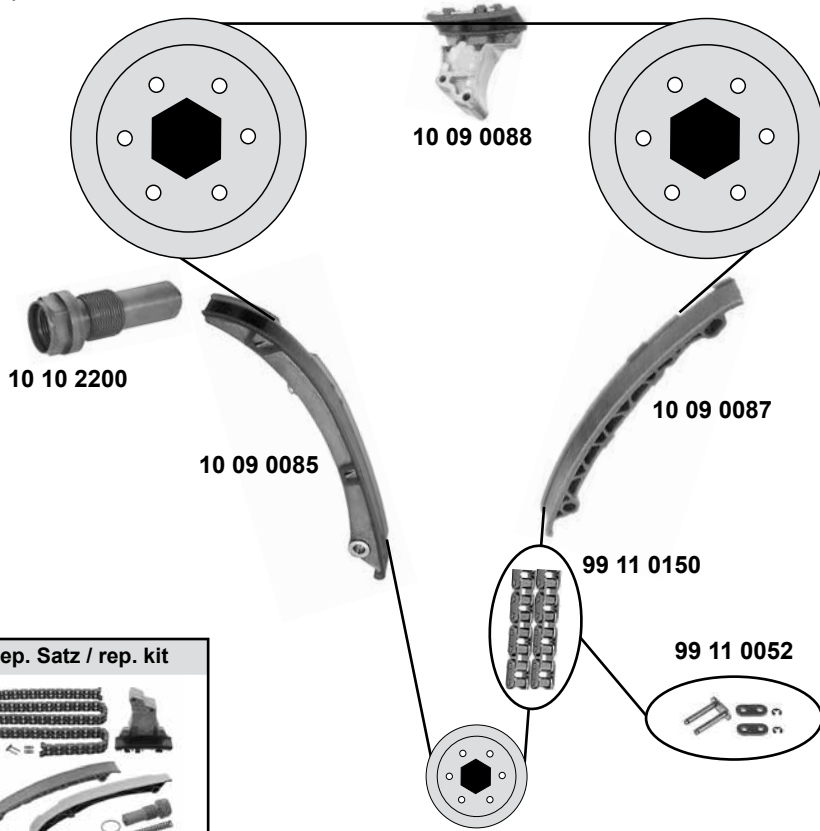
## Vito / V-Klasse (BM 638)

(95 → 04)



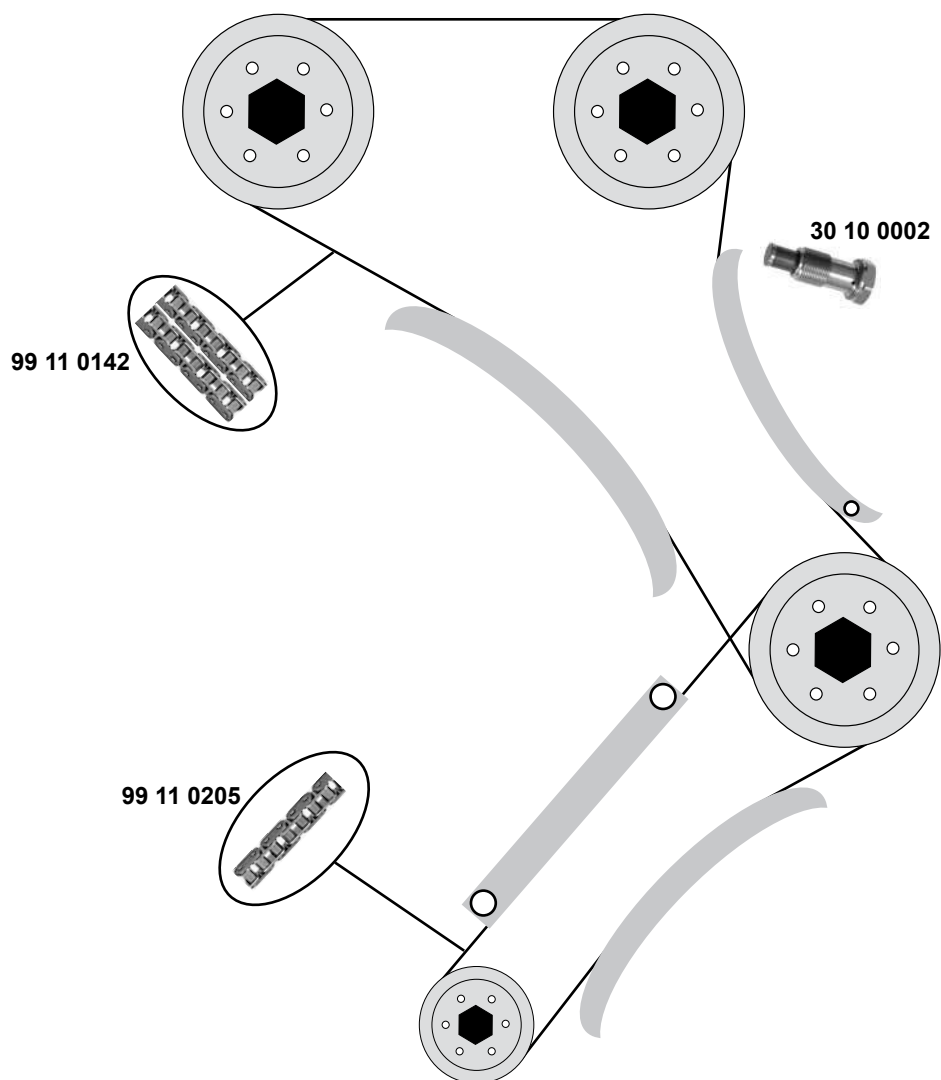
### Vito 113 / 114

(M 111.948,950,978,980)



SWAG	Ref. - No.			
10 03 0010	111 200 00 70	Spannrolle / tension roller	(mot.) 950,980	110 x 28 x 15
10 03 0019	111 200 07 70	Riemenspanner / belt tensioner	(mot.) 950,980	
10 09 0085	111 050 14 16	Gleitschiene / sliding rail		
10 09 0087	111 052 10 16	Gleitschiene / sliding rail		
10 09 0088	111 050 11 16	Gleitschiene / sliding rail		
10 10 2200	111 050 04 11	Kettenspanner / chain tensioner		
10 91 9995	111 200 04 14	Schwingungsdämpfer / vibration damper	(mot.) 950,980	55 N - 435 N
10 94 0621	111 050 04 11 S2	Rep. Satz Steuerkette / rep. kit timing chain		
99 11 0052	000 997 05 98	Kettenglied / chain link	(mot.) 950,980	11 / D 455
99 11 0150	003 997 17 94	Steuerkette / timing chain		D 455 / 126 N
99 13 0304	111 050 04 11 S1	Rep. Satz Steuerkette / rep. kit timing chain	(mot.) 950,980	126 E



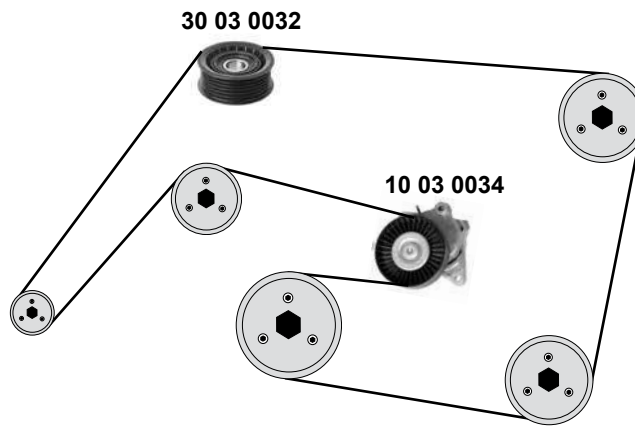
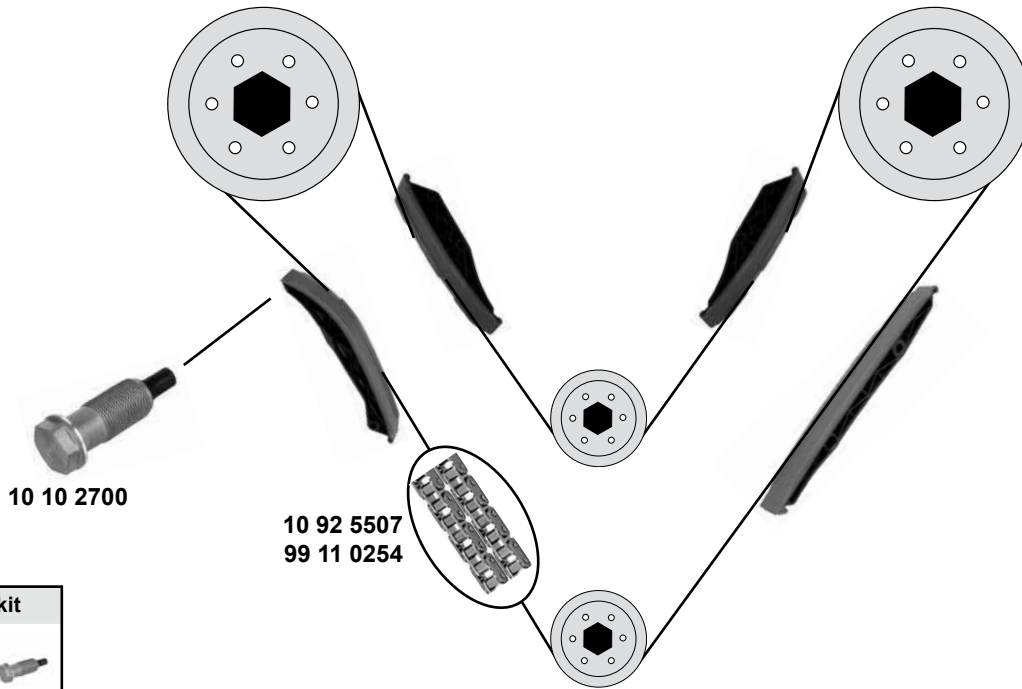


# MERCEDES-BENZ Vito / Viano (BM 639)

(03 →)



(M 112.951,976)



(1) Nietverschluss / riveted link / bouchon de rivet / rivetti / cierre de roblón

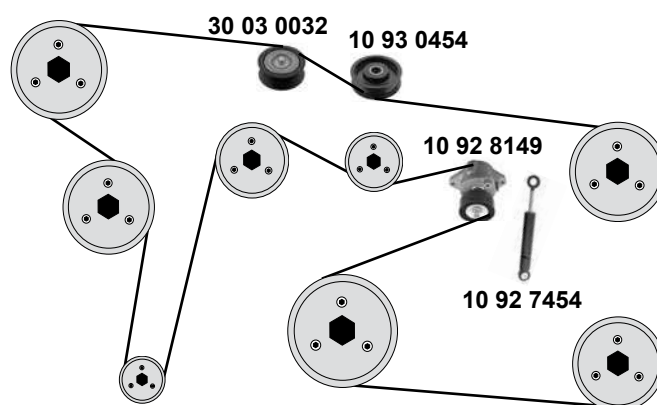
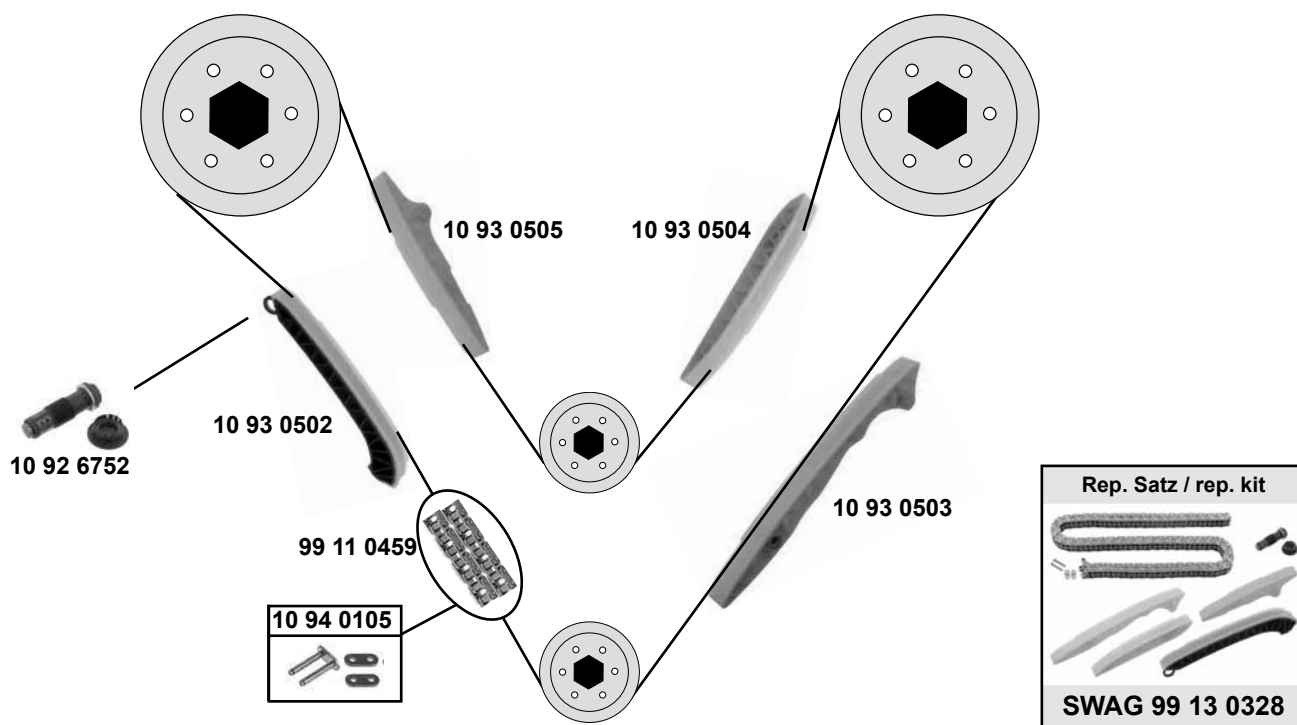


Ref. - No.



10 03 0034	112 200 09 70	Riemenspanner / belt tensioner		
10 10 2700	112 050 08 11	Kettenspanner / chain tensioner		
10 92 5507	003 997 68 94 S1	Steuerkette / timing chain	(1)	168 E
30 03 0032	272 202 09 19	Umlenkrolle / deflection pulley		AØ 64 B 23
99 11 0254	003 997 68 94	Steuerkette / timing chain	(1)	168 N
99 13 0303	112 050 08 11 S1	Rep. Satz Steuerkette / rep. kit timing chain		

(M 272.978)



(1) (mot.) → 30089231 / → 30.06.2005



Ref. - No.



Ref. - No.				
10 92 6752	272 050 01 11	Kettenspanner / chain tensioner	(1)	
10 92 7454	271 200 01 14	Schwingungsdämpfer / vibration damper		
10 92 8149	271 200 02 70	Riemenspanner / belt tensioner	(mot.) 30058377 →	
10 93 0454	272 202 14 19	Umlenkrolle / deflection pulley		
10 93 0460	271 200 02 70 S1	Rep. Satz Riemenstpanner / rep. kit belt tensioner	(mot.) 30089233 →	
10 93 0502	272 052 13 16	Gleitschiene / sliding rail	(mot.) 30009529 →	
10 93 0503	272 052 00 16	Gleitschiene / sliding rail		
10 93 0504	272 052 15 16	Gleitschiene / sliding rail		
10 93 0505	272 052 02 16	Gleitschiene / sliding rail		
10 94 0105	000 993 06 76 S2	Kettenglied / chain link		
30 03 0032	272 202 10 19	Umlenkrolle / deflection pulley		AØ 64 B 23
99 11 0459	000 993 06 76	Steuerkette / timing chain		216 N
99 13 0328	272 050 08 11 S1	Rep. Satz Steuerkette / rep. kit timing chain	(mot.) 30089233 →	

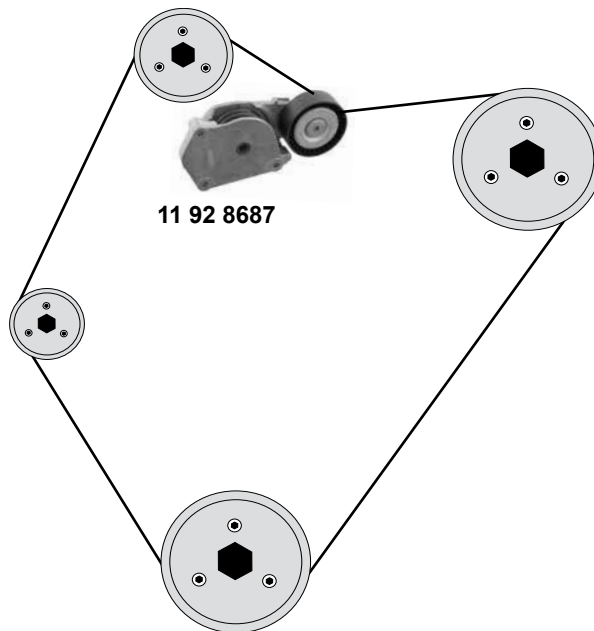
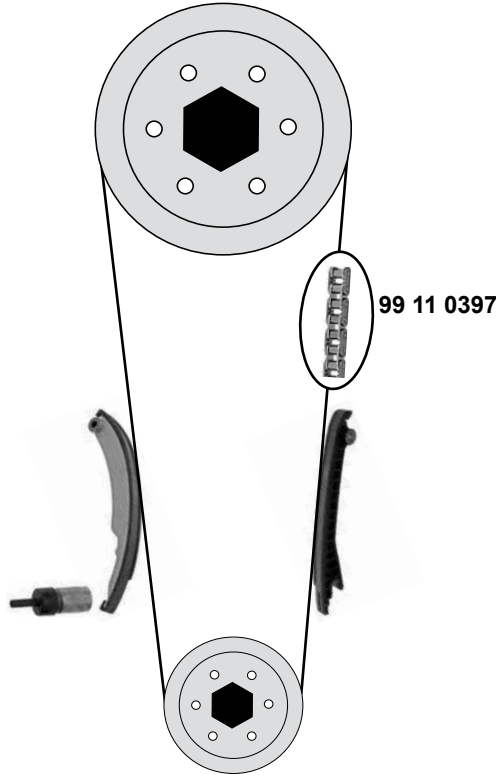
# MINI Mini II (R50/R52)

(01→09)



## Coupe Cooper / One 1,4 / 1,6

AC



Ref. - No.



11 92 8687

11 28 1 482 199

Riemenspanner / belt tensioner

ØA 70 B24

11 93 7590

11 31 1 485 400 S1

Rep. Satz Steuerkette / rep. kit timing chain

112 E

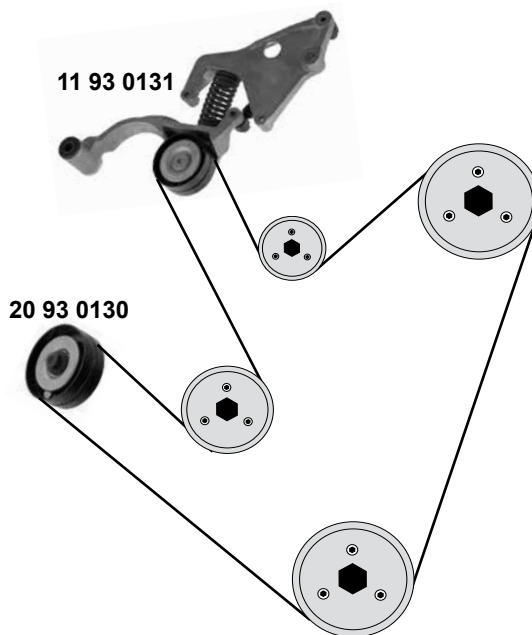
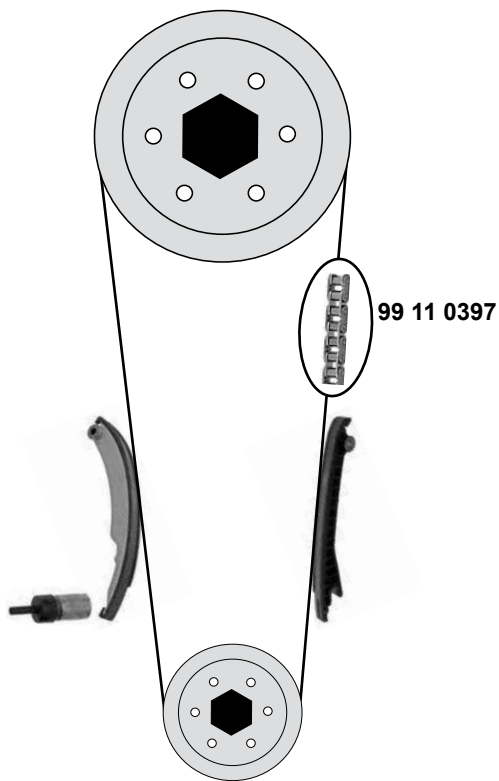
99 11 0397

11 31 1 485 400

Steuerkette / roller chain

112 E

**Cabrio / Coupe / Cooper S**



Ref. - No.



11 93 0131	11 28 7 509 476
20 93 0130	11 28 0 946 004
99 11 0397	11 31 1 485 400

Riemenspanner / belt tensioner  
 Spannrolle / tension roller  
 Steuerkette / roller chain

AC

ØA 65 B26  
 ØA 70 B26  
 112 E

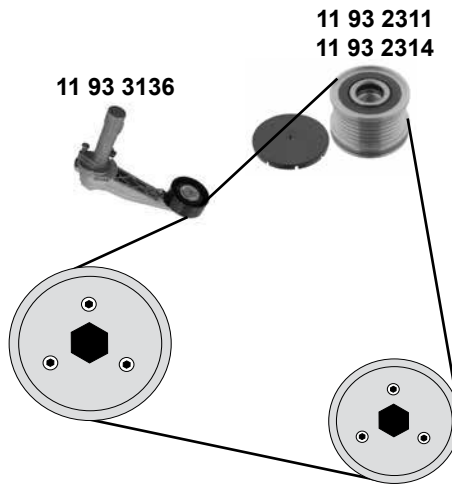
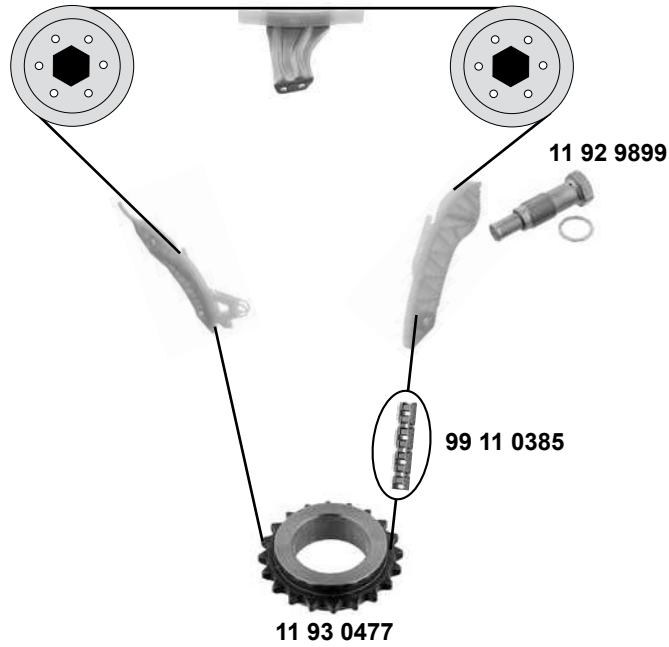
# MINI

## Mini II (R55/R56/R57)

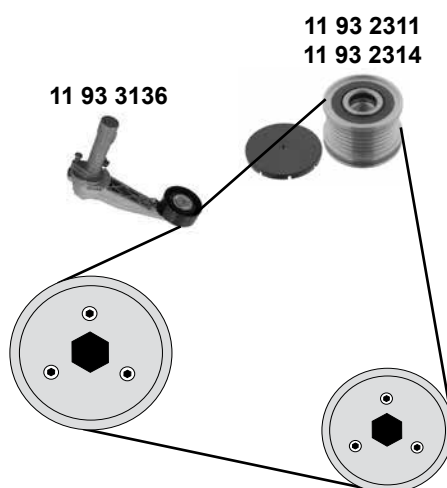
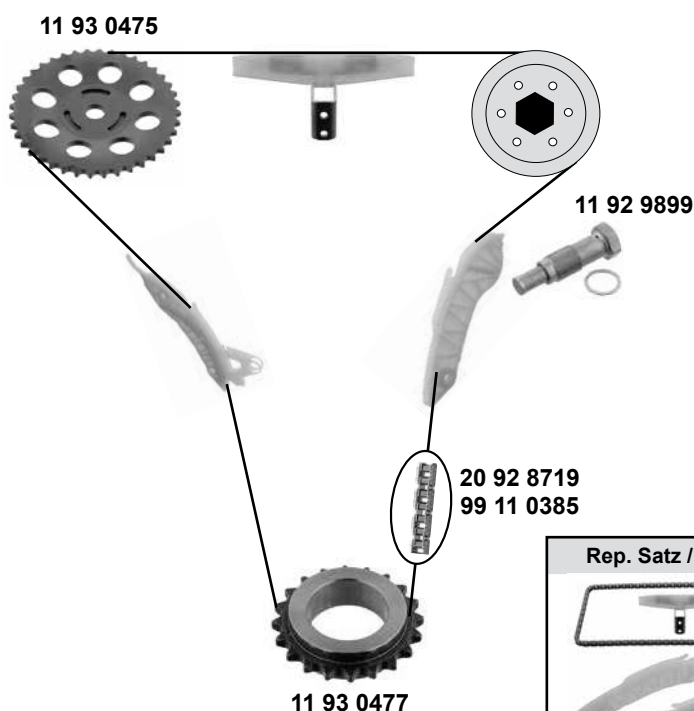
(07→10)



### Clubman / Coupe / Cabriolet / Cooper / One



SWAG GERMANY	Ref. - No.			
11 92 9899	11 31 4 609 483	Kettenspanner / chain tensioner		
11 93 0477	11 21 7 588 996	Kurbelwellenzahnrad / crankshaft gear		
11 93 2311	12 31 7 576 515	Generatorfreilauf / Freewheel Clutch, generator	VALEO 120 A	Z 20
11 93 2314	12 31 7 575 518	Generatorfreilauf / Freewheel Clutch, generator	BOSCH 150A	Z 33
11 93 3136	11 28 7 571 015	Riemenspanner / belt tensioner		Z 33
99 11 0385	11 31 1 439 853	Steuerkette / roller chain		ØA 65 B25
99 13 3162	11 31 1 439 853 S2	Rep. Satz Steuerkette / rep. kit timing chain		138 E
				138 E

**Clubman / Coupe / Cabriolet / Roadster / Cooper S+SJCW**


	Ref. - No.			
<b>11 92 9899</b>	11 31 7 593 309	Kettenspanner / chain tensioner		
<b>11 93 0475</b>	11 36 7 547 955	Nockenwellenrad / camshaft gear		Z 40
<b>11 93 0477</b>	11 21 7 588 996	Kurbelwellenzahnrad / crankshaft gear		Z 20
<b>11 93 2311</b>	12 31 7 576 515	Generatorfreilauf / Freewheel Clutch, generator	VALEO 120 A	Z 33
<b>11 93 2314</b>	12 31 7 575 518	Generatorfreilauf / Freewheel Clutch, generator	BOSCH 150A	Z 33
<b>11 93 3136</b>	11 28 7 571 015	Riemenspanner / belt tensioner		
<b>20 92 8719</b>	11 31 7 516 088	Steuerkette / roller chain	(mot.) N14	144 E
<b>99 11 0385</b>	11 31 1 439 853	Steuerkette / roller chain	(ex.) N14	138 E
<b>99 13 0452</b>	11 31 7 516 088 S3	Rep. Satz Steuerkette / rep. kit timing chain	(mot.) N14	138 E
<b>99 13 3162</b>	11 31 1 439 853 S2	Rep. Satz Steuerkette / rep. kit timing chain	(ex.) N14	138 E

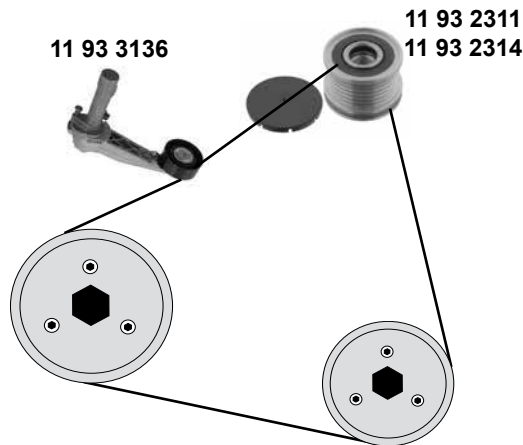
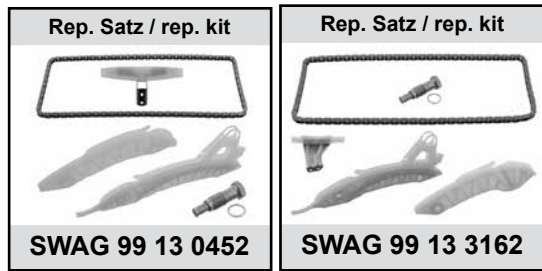
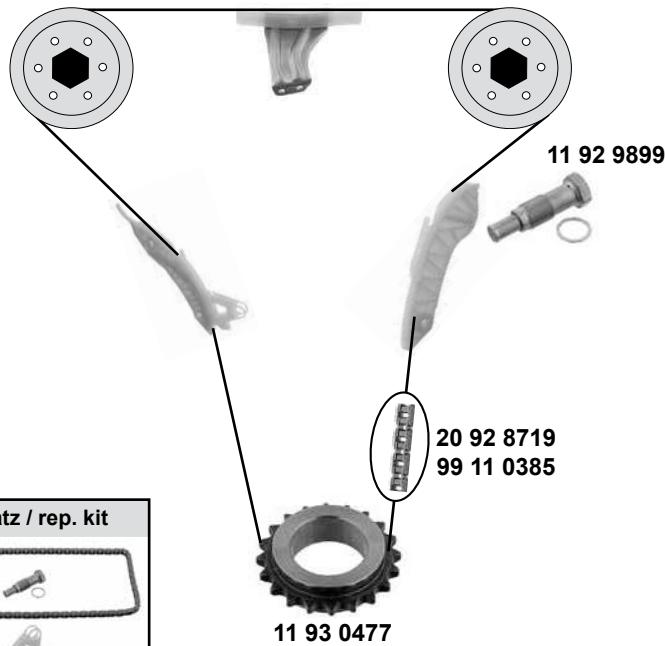
# MINI

## Mini II (R55LCI/R56LCI/R57LCI/R58/R60/R61)

(10→)



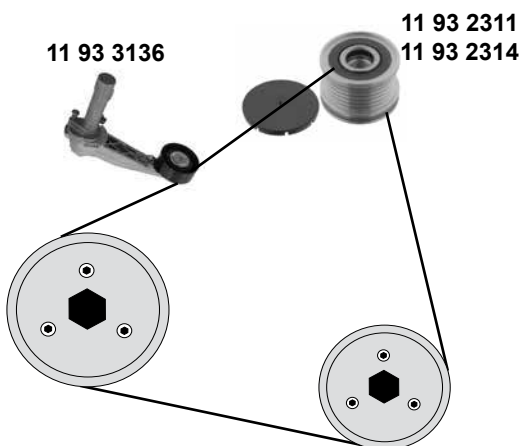
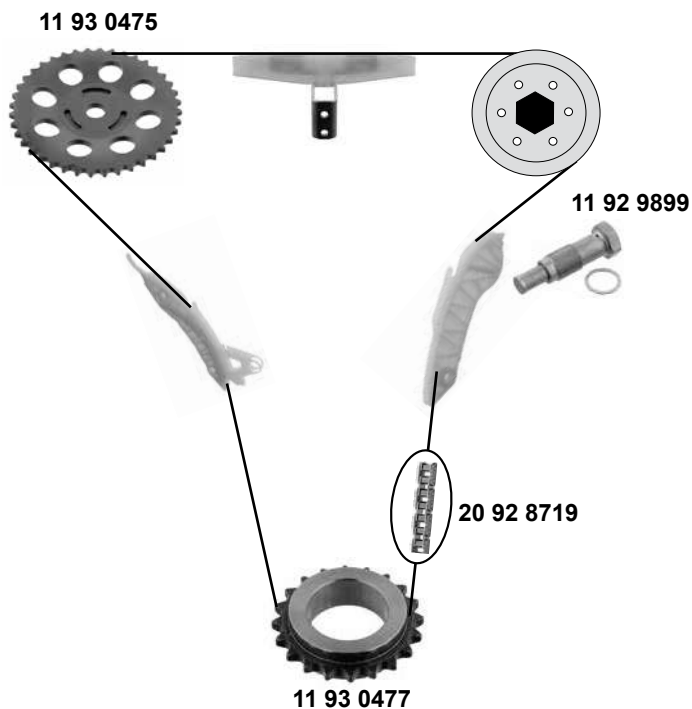
### Clubman / Coupe / Cabriolet / Countryman / Paceman Cooper / S / SX / One / ECO / SJCW



SWAG GERMANY	Ref. - No.			
11 92 9899	11 31 4 609 483	Kettenspanner / chain tensioner		
11 93 0477	11 21 7 588 996	Kurbelwellenzahnrad / crankshaft gear		
11 93 2311	12 31 7 576 515	Generatorfreilauf / Freewheel Clutch, generator	VALEO 120 A (ex.) R60	20 Z
11 93 2314	12 31 7 575 518	Generatorfreilauf / Freewheel Clutch, generator	BOSCH 150A	Z 33
11 93 3136	11 28 7 571 015	Riemenspanner / belt tensioner		Z 33
20 92 8719	11 31 7 516 088	Steuerkette / roller chain	(mot.) N14	ØA 65 B25
99 11 0385	11 31 1 439 853	Steuerkette / roller chain	(ex.) N14	144 E
99 13 0452	11 31 7 516 088 S3	Rep. Satz Steuerkette / rep. kit timing chain	(mot.) N14	138 E
99 13 3162	11 31 1 439 853 S2	Rep. Satz Steuerkette / rep. kit timing chain	(ex.) N14	138 E



### Clubman / Coupe / Cabriolet / Roadster Cooper SJCW



	Ref. - No.			
11 92 9899	11 31 4 609 483	Kettenspanner / chain tensioner		
11 93 0475	11 36 7 547 955	Nockenwellenrad / camshaft gear		Z 40
11 93 0477	11 21 7 588 996	Kurbelwellenzahnrad / crankshaft gear		Z 20
11 93 2311	12 31 7 576 515	Generatorfreilauf / Freewheel Clutch, generator	VALEO 120 A (ex.) R60	Z 33
11 93 2314	12 31 7 575 518	Generatorfreilauf / Freewheel Clutch, generator	BOSCH 150A	Z 33
11 93 3136	11 28 7 571 015	Riemenspanner / belt tensioner		ØA 65 B25
20 92 8719	11 31 7 516 088	Steuerkette / roller chain		144 E
99 13 0452	11 31 7 516 088 S3	Rep. Satz Steuerkette / rep. kit timing chain		144 E

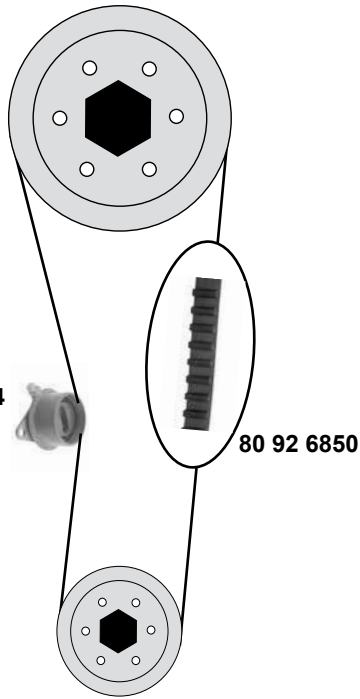
# MITSUBISHI

## Carisma (DA\_)

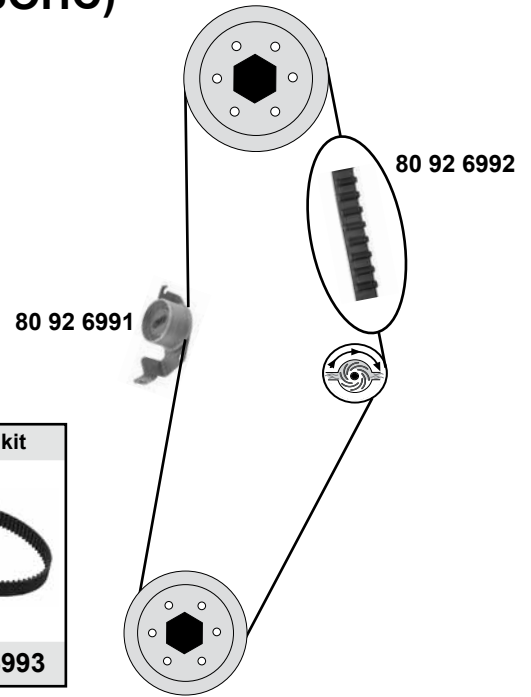
(95→06)



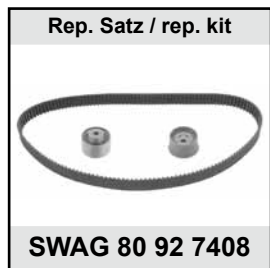
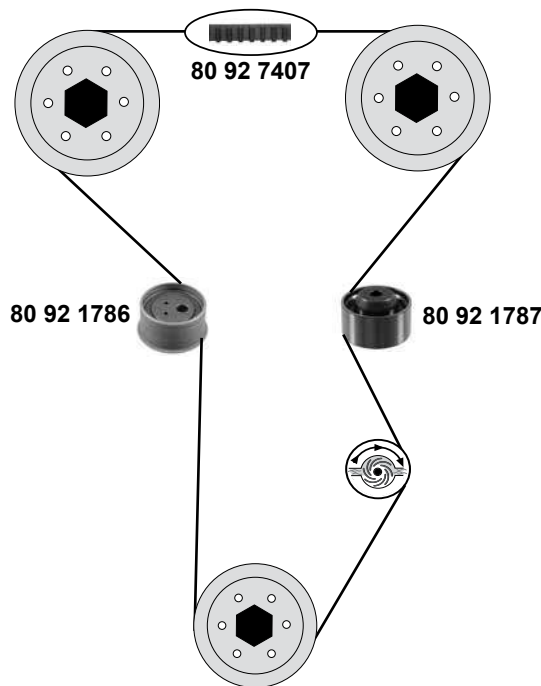
1,3



1,6 16V (SOHC)



1,8 16V (DOHC)



(1) 05/97 →

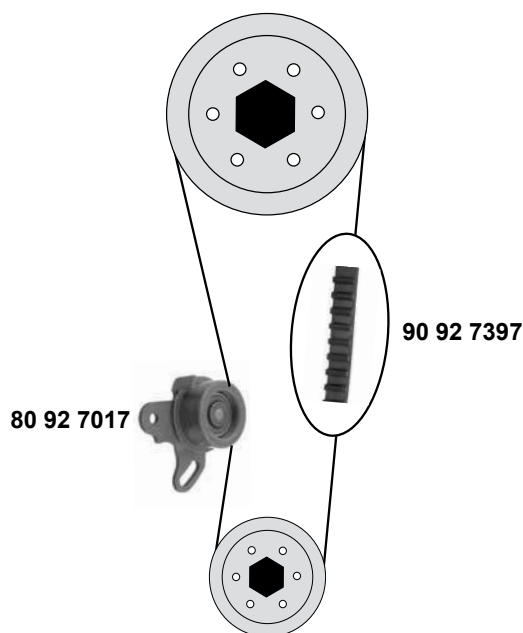


Ref. - No.



80 92 1786	MD169592	Spannrolle / tension roller		ØA 57,5 B33,5
80 92 1787	MD156604	Umlenkrolle / deflection pulley		ØA 60 B32
80 92 6850	1145A051	Zahnriemen / timing belt	05/95 → 12/03	Z 109 B25
80 92 6991	MD320174	Spannrolle / tension roller		ØA 57,5 B33,5
80 92 6992	MD314456	Zahnriemen / timing belt		Z 111 B29
80 92 6993	MD314456 S1	Rep.Satz Zahnriemen / rep. kit timing belt		Z 111 B29
80 92 6994	MD356509	Spannrolle / tension roller	05/95 → 12/03	ØA 57 B31
80 92 7407	MD319023	Zahnriemen / timing belt	(1)	Z 154 B29
80 92 7408	MD319023 S1	Rep.Satz Zahnriemen / rep. kit timing belt	(1)	Z 154 B29
80 93 1398	1145A051 S1	Rep.Satz Zahnriemen / rep. kit timing belt	05/95 → 12/03	Z 109 B25

### 1,3 8V (SOHC) / 1,5 8V (SOHC)

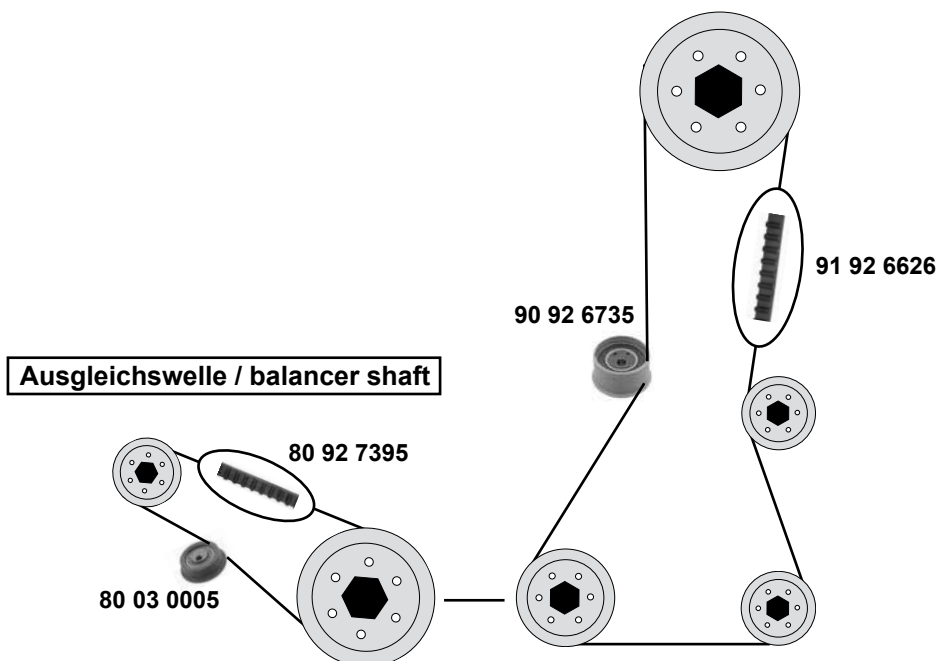


Rep. Satz / rep. kit



SWAG 80 92 7409

### 1,8 16V



Rep. Satz / rep. kit



SWAG 80 92 7396



(1) (mot.) 1,8 16V 06/90→05/92

(2) (mot.) 1,3 8V 06/90→05/92 /  
(mot.) 1,5 8V 06/90→04/92

Ref. - No.



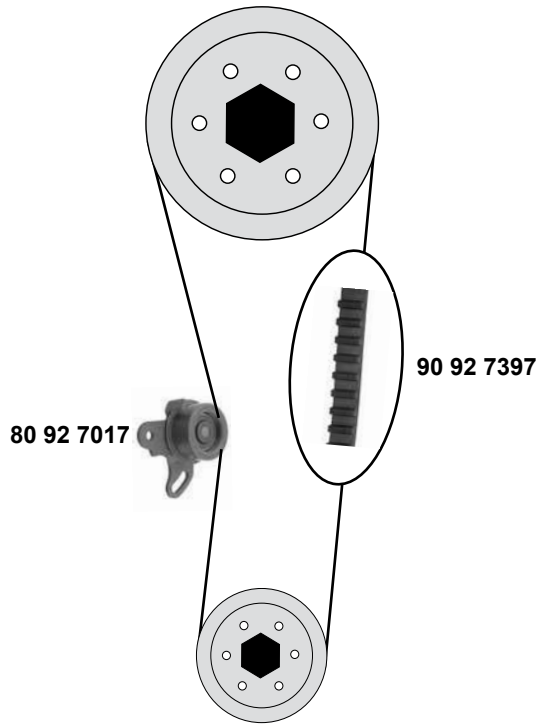
80 03 0005	MD115976	Spannrolle / tension roller	(1)	ØA 55 H18
80 92 7017	MD146186	Spannrolle / tension roller	(2)	ØA 60 H29
80 92 7395	MD182295	Zahnriemen / timing belt	(1)	Z 65 B12,7
80 92 7396	MD182295 S1	Rep.Satz Zahnriemen / rep. kit timing belt	(1)	Z 65 B12,7
80 92 7409	MD145813 S1	Rep.Satz Zahnriemen / rep. kit timing belt	(2)	Z 92 B22
90 92 6735	MD129355	Spannrolle / tension roller	(1)	ØA 60 H32,5
90 92 7397	MD145813	Zahnriemen / timing belt	(2)	Z 92 B22
91 92 6626	MD326059	Zahnriemen / timing belt	(1)	Z 153 B29

# MITSUBISHI Colt IV (CA1A/CA4A/CB4A/CC4A/CD4A)

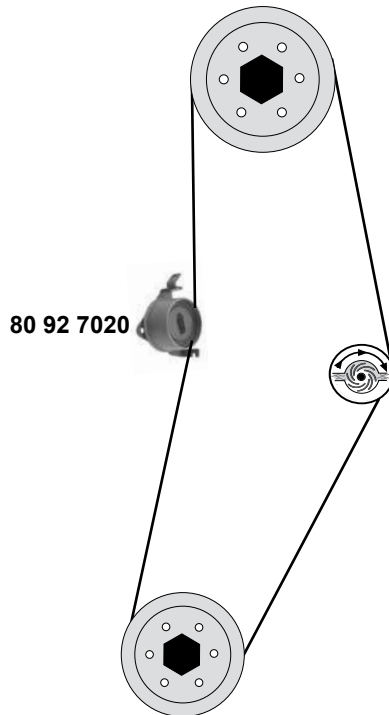
(92→95)



## 1,3 12V (SOHC)



## 1,6 16V (SOHC)



Ref. - No.

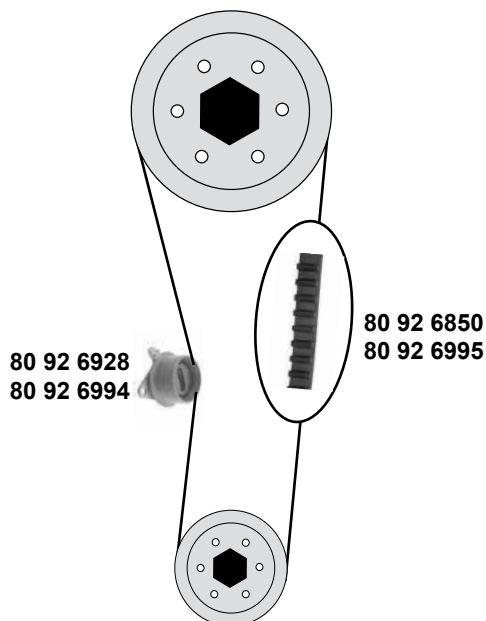


80 92 7017	MD146186
80 92 7020	MD315265
80 92 7409	MD145813 S1
90 92 7397	MD145813

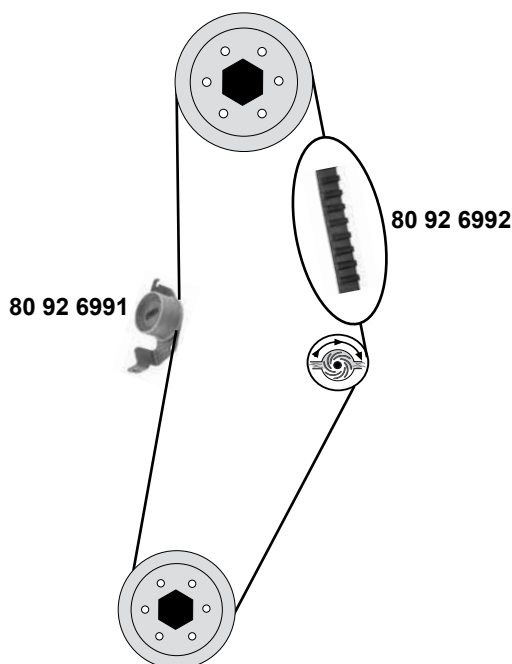
Spannrolle / tension roller
Spannrolle / tension roller
Rep.Satz Zahnriemen / rep. kit timing belt
Zahnriemen / timing belt

ØA 60 H29
ØA 57,5 H33,5
Z 92 B22
Z 92 B22

1,3 12V / 16V (SOHC)  
1,5 16V (SOHC)



1,6 16V (SOHC)



(1) (mot.) 1,3 12V / 1,5 11/95→11/98

(2) (mot.) 1,3 12V / 1,5 11/95→05/00



Ref. - No.



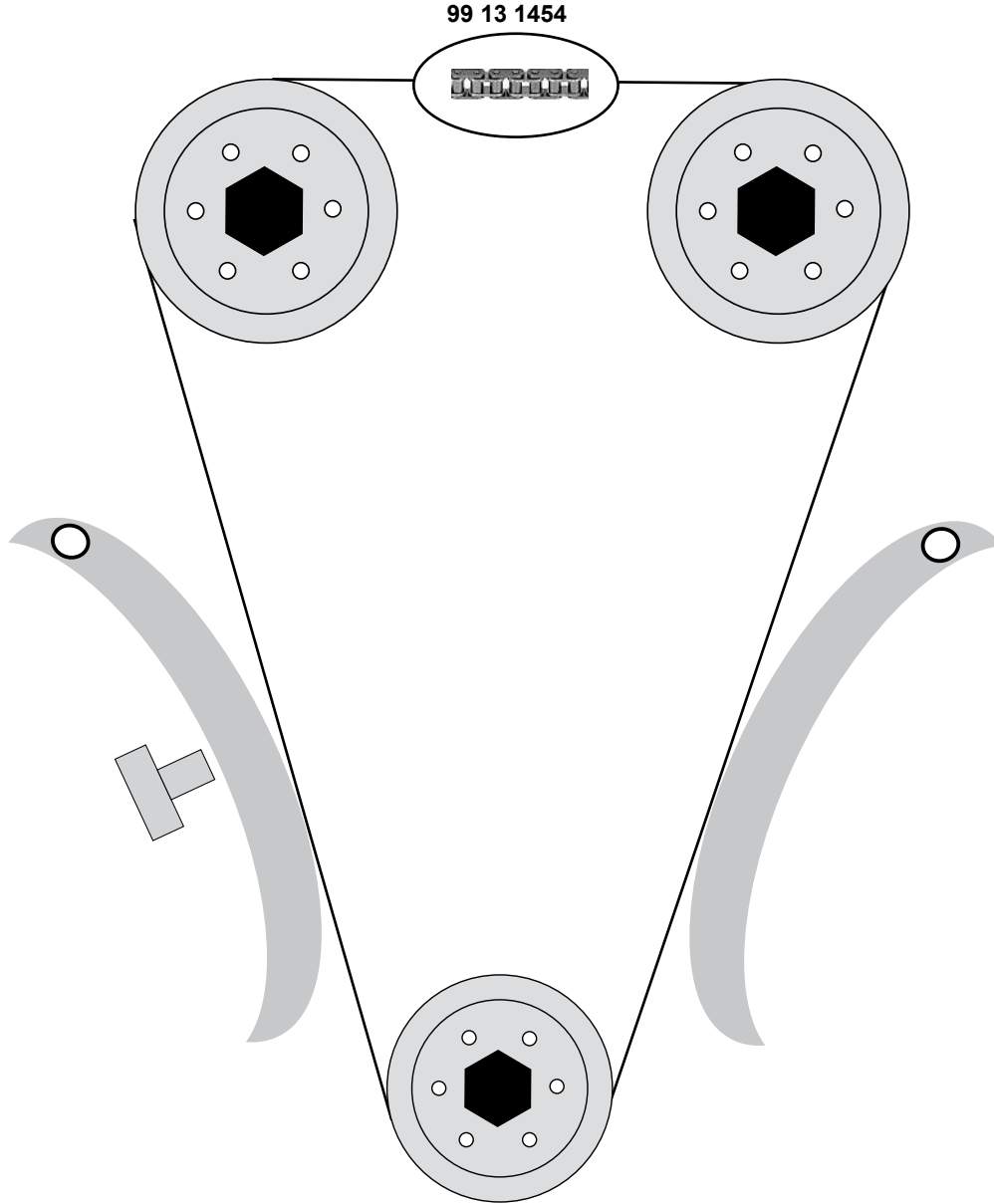
Part No.	Ref. - No.	Description	Validity	Dimensions
80 92 6850	1145A051	Zahnriemen / timing belt	06/00 → 06/03	Z 109 B25
80 92 6928	MD329976	Spannrolle / tension roller	(1)	ØA 57 B31
80 92 6991	MD320174	Spannrolle / tension roller	05/96 → 09/00	ØA 57,5 B33,5
80 92 6992	MD314456	Zahnriemen / timing belt	05/96 → 09/00	Z 111 B29
80 92 6993	MD314456 S1	Rep.Satz Zahnriemen / rep. kit timing belt	05/96 → 09/00	Z 111 B29
80 92 6994	MD356509	Spannrolle / tension roller	06/00 → 06/03	ØA 57 B31
80 92 6995	MD340625	Zahnriemen / timing belt	(2)	Z 107 B25
80 93 1398	1145A051 S1	Rep.Satz Zahnriemen / rep. kit timing belt	06/00 → 06/03	Z 109 B25
80 93 2477	1145A049 S1	Rep.Satz Zahnriemen / rep. kit timing belt	11/95 → 11/98	Z 107 B25

# MITSUBISHI Colt VI (Z32A/Z34A/Z36A)

(04→)



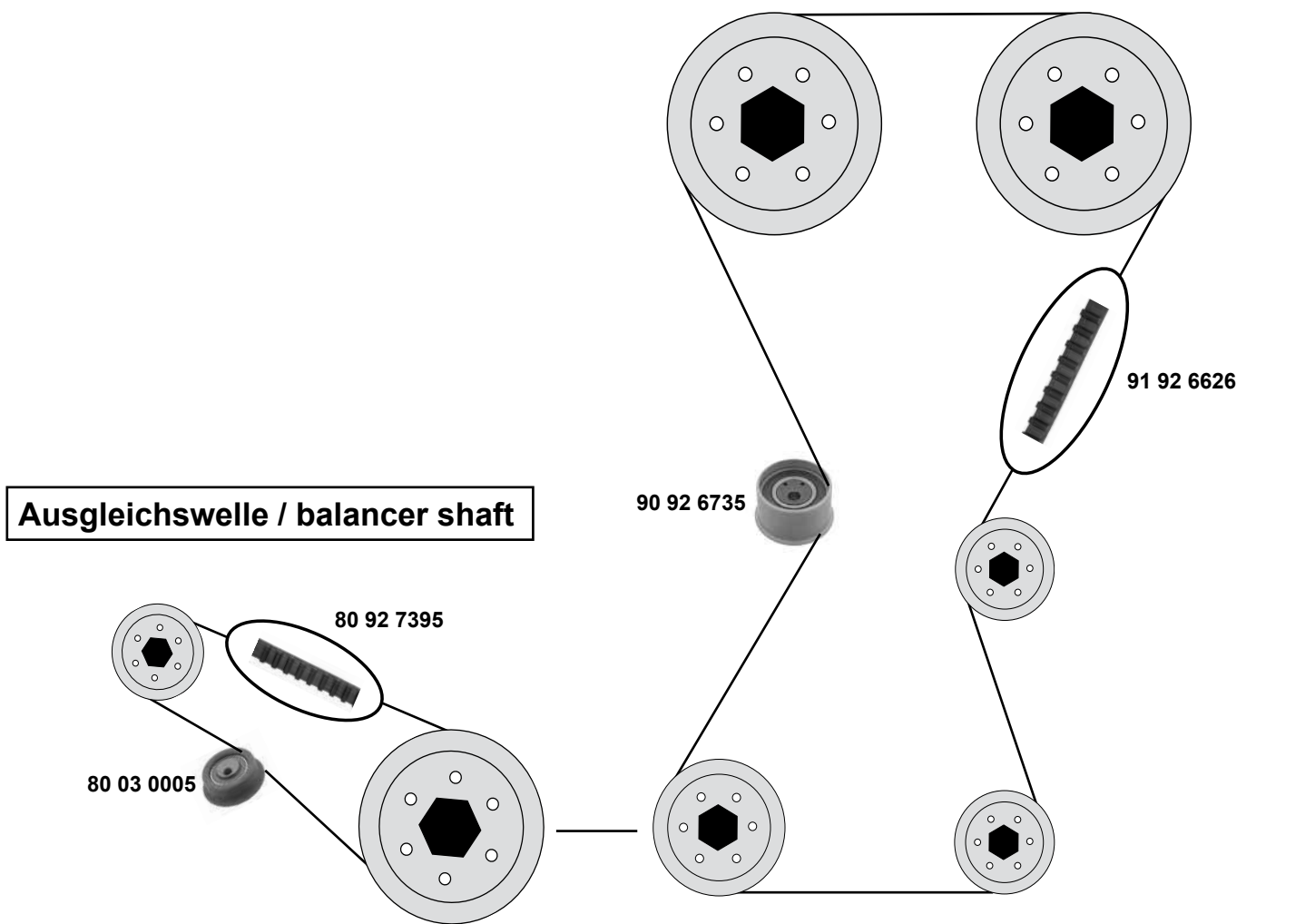
1,1 / 1,3 / 1,5





# MITSUBISHI Eclipse I (D22A/D27A) (89→95)

2,0 16 (DOHC)



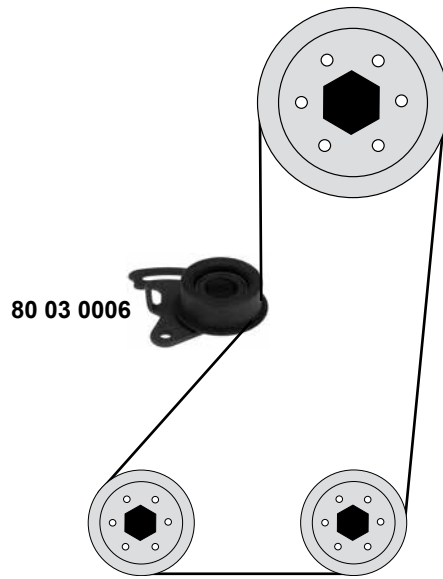
SWAG	Ref. - No.			
80 03 0005	MD115976	Spannrolle / tension roller		ØA 55 H 18
80 92 7395	MD182295	Zahnriemen / timing belt		Z 65 B12,7
80 92 7396	MD 182 295 S1	Rep.Satz Zahnriemen / rep. kit timing belt		Z 65 B12,7
90 92 6735	MD129355	Spannrolle / tension roller		ØA 60 H 32,5
91 92 6626	MD326059	Zahnriemen / timing belt		Z 153 B29

# MITSUBISHI Galant III (E15A) / IV (E33A/E38A/E39)

(84→92)

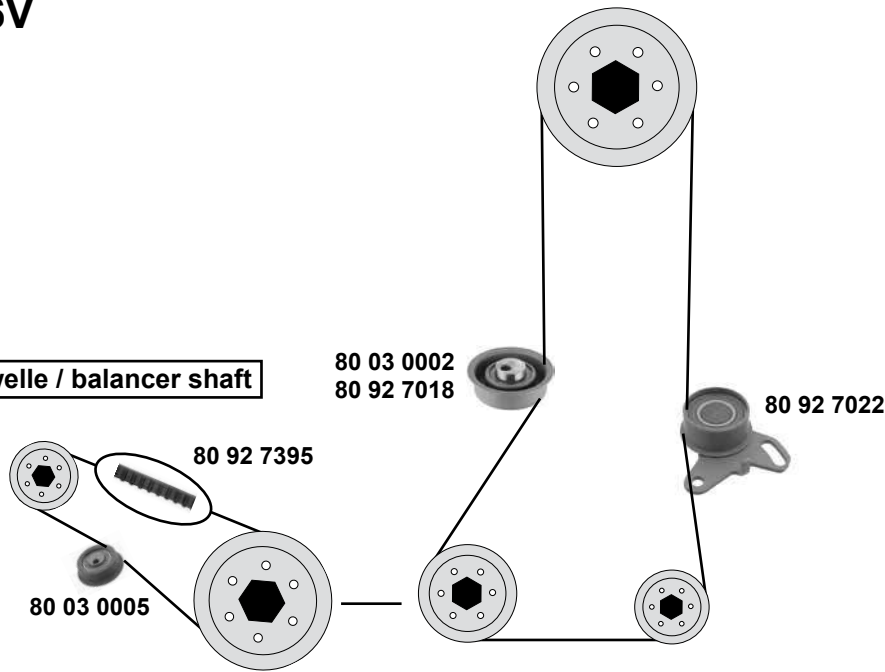


1,8



2,0 8V / 2,0 16V

Ausgleichswelle / balancer shaft



(1) (E15A) (mot.) 2,0 8V 06/84→12/87 / (E33A) (mot.) 2,0 16V 04/89→10/92 / (E38A) (mot.) 2,0 8V

(2) (E15A) (mot.) 2,0 16V 06/84→12/87

(3) (E33A) (mot.) 2,0 SOHC 11/87→10/92 / (E38A;E39A) (mot.) 2,0 SOHC 04/89→10/92



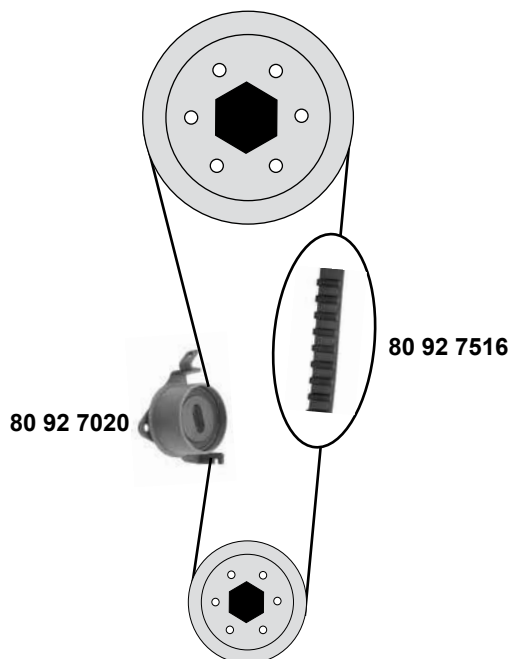
Ref. - No.



80 03 0005	MD115976	Spannrolle / tension roller	(1)	ØA 55 H18
80 03 0006	MD109958	Spannrolle / tension roller		ØA 60 H25
80 03 0002	MD040754	Spannrolle / tension roller		ØA 60 H19
80 92 7018	MD011536	Spannrolle / tension roller	(2)	ØA 60 H29
80 92 7022	MD129033	Spannrolle / tension roller	(3)	ØA 60 H28,8
80 92 7395	MD182295	Zahnriemen / timing belt	(1)	Z 65 B12,7
80 92 7396	MD182295 S1	Rep.Satz Zahnriemen / rep. kit timing belt	(1)	Z 65 B12,7



### 1,8 16V (SOHC)

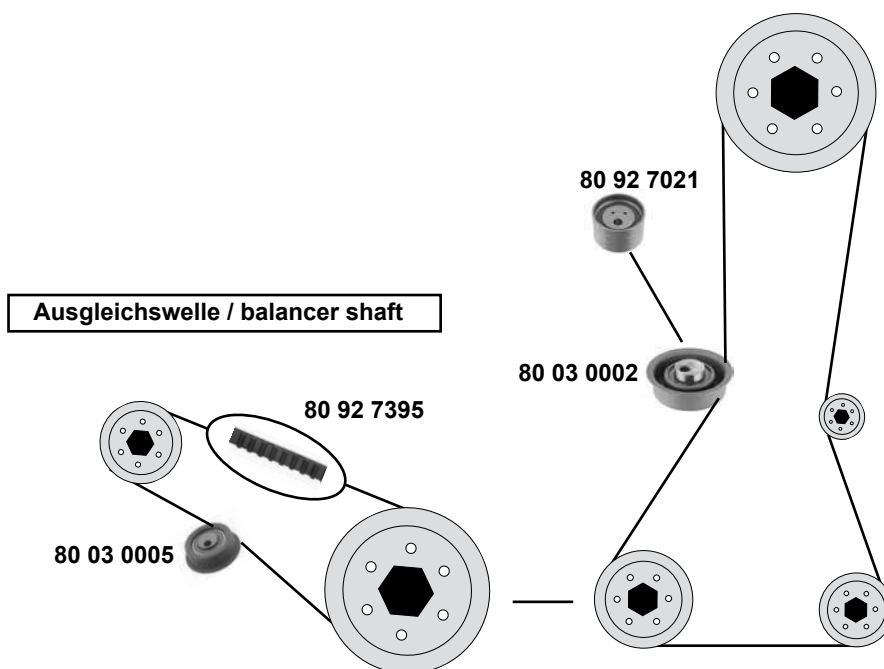


Rep. Satz / rep. kit



SWAG 80 92 7535

### 2,0 16V (SOHC)



Rep. Satz / rep. kit



SWAG 80 92 7396

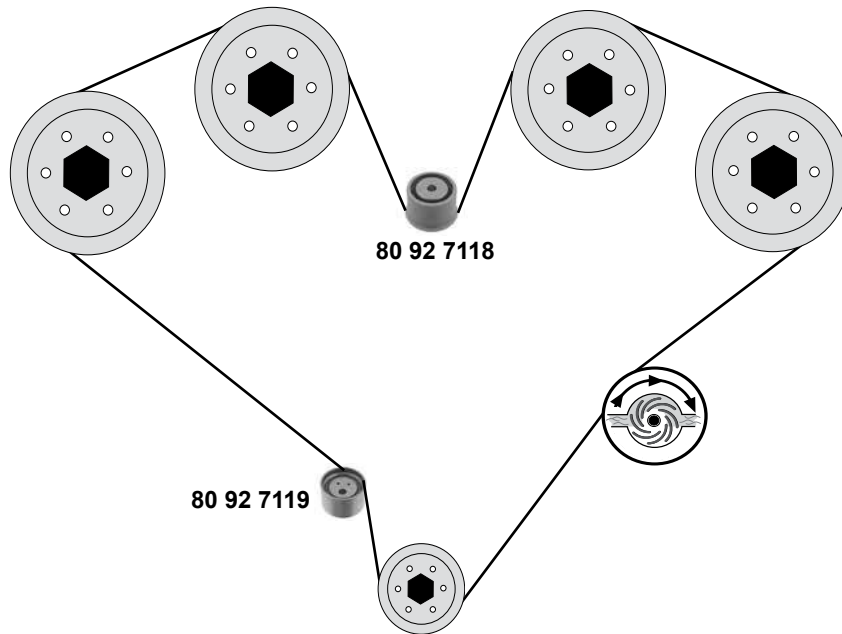
80 03 0002	MD040754	Spannrolle / tension roller	ØA 60 H19
80 03 0005	MD115976	Spannrolle / tension roller	ØA 55 H18
80 92 7020	MD315265	Spannrolle / tension roller	ØA 57,5 H33,5
80 92 7021	MD182537	Spannrolle / tension roller	ØA 60 H32,5
80 92 7395	MD182295	Zahnriemen / timing belt	Z 65 B12,7
80 92 7396	MD182295 S1	Rep.Satz Zahnriemen / rep. kit timing belt	Z 65 B12,7
80 92 7516	MD176387	Zahnriemen / timing belt	Z 121 B29
80 92 7535	MD176387 S1	Rep.Satz Zahnriemen / rep. kit timing belt	Z 121 B29

# MITSUBISHI Galant V (E54A/E88A)

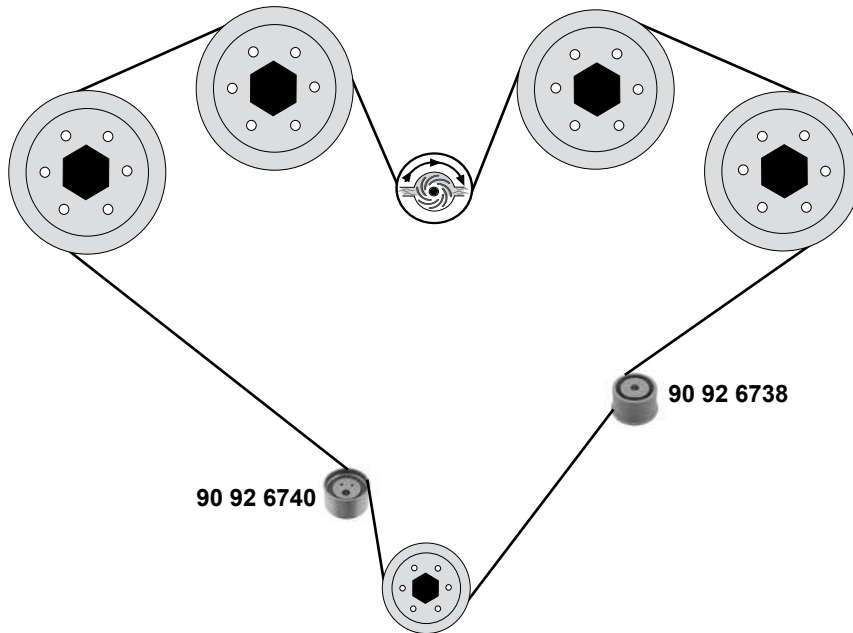
(92→96)



## 2,0 24V (V6)



## 2,5 24V (V6)



Ref. - No.



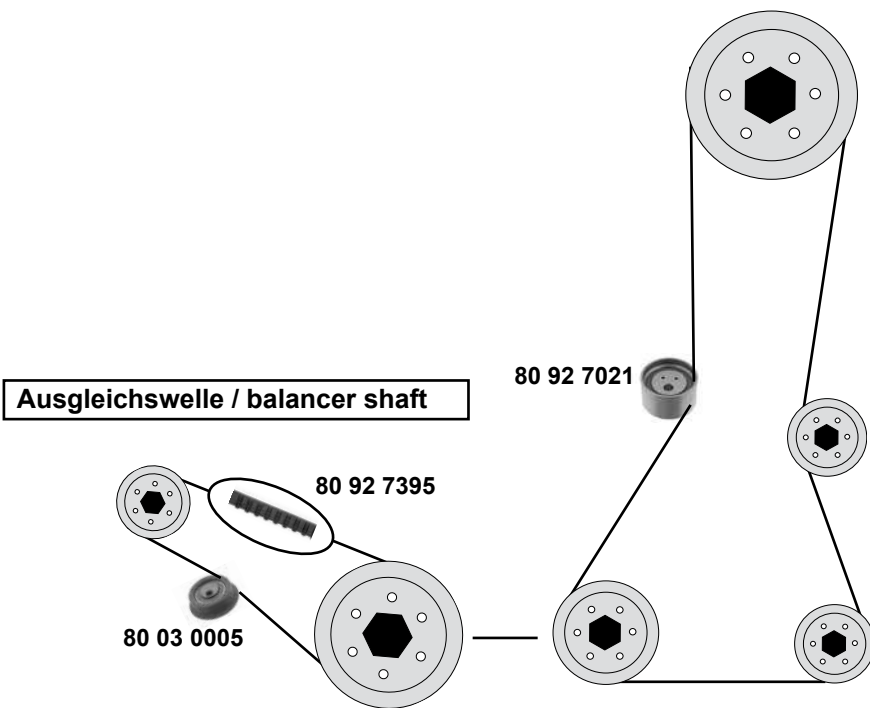
80 92 7118	MD179597
80 92 7119	MD316826
90 92 6738	MD151447
90 92 6740	MD140071

Umlenkrolle / deflection pulley
Spannrolle / tension roller
Umlenkrolle / deflection pulley
Spannrolle / tension roller

09/94→05/96

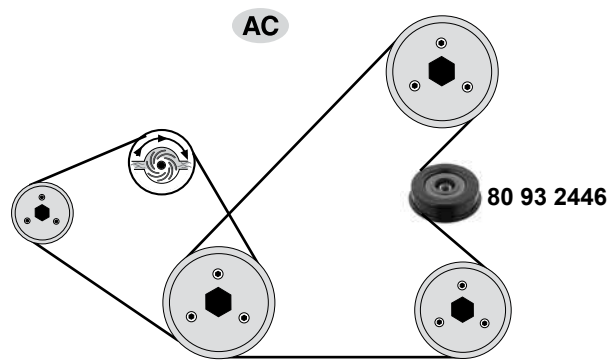
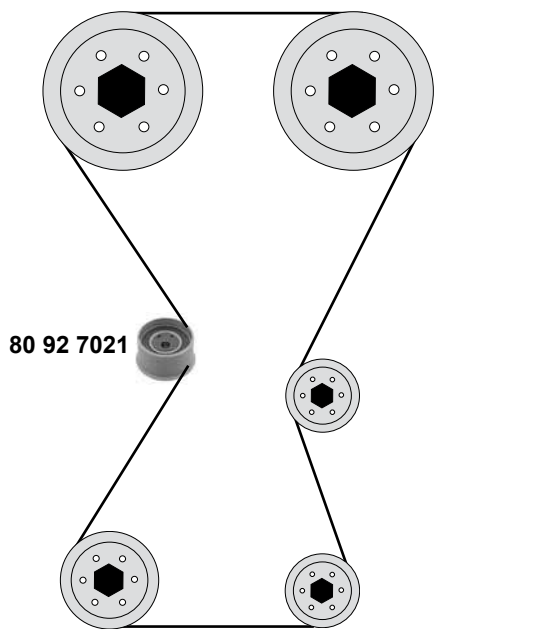
ØA 69,7 B38
ØA 62 B33
ØA 57,5 B38,5
ØA 60 B35

2,0 16V



2,4 16 V (DOHC)

2,0 / 2,4



(1) (mot.) 2,0: 96 →  
(mot.) 2,4: 99 →



Ref. - No.



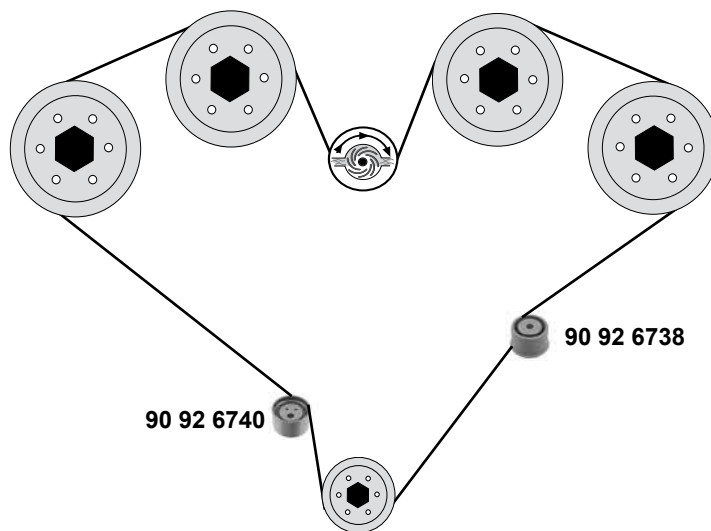
80 03 0005	MD115976	Spannrolle / tension roller	(1)	ØA 55 H18
80 92 7021	MD182537	Spannrolle / tension roller		ØA 60 H32,5
80 92 7395	MD182295	Zahnriemen / timing belt		Z 65 B12,7
80 92 7396	MD182295 S1	Rep.Satz Zahnriemen / rep. kit timing belt		Z 65 B12,7
80 93 2446	MD362028	Spannrolle / tension roller		ØA 90 B25

# MITSUBISHI Galant VI (EA2A/W)

(96→03)



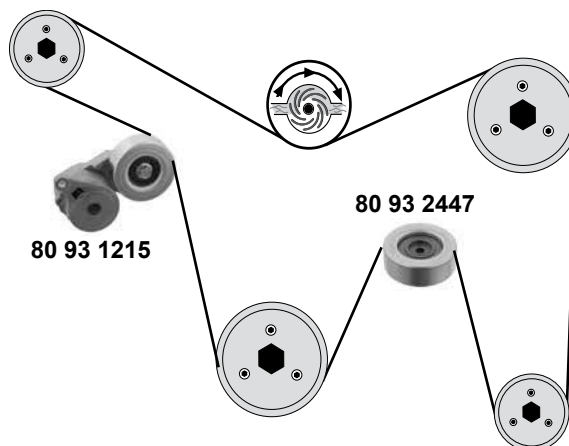
**2,5 24V (V6)**



# Galant VII

(06→)

**2,0 / 2,4**



Ref. - No.

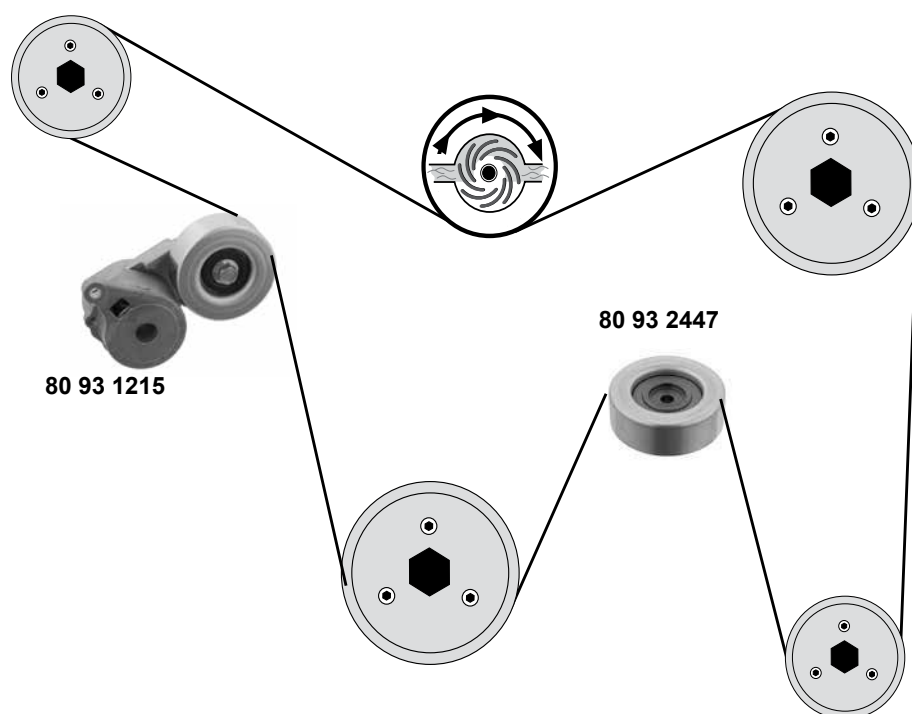


<b>80 93 1215</b>	MN149179
<b>80 93 2447</b>	MD374877
<b>90 92 6738</b>	MD151447
<b>90 92 6740</b>	MD140071

Riemenspanner / tensioner assembly
Umlenkrolle / deflection pulley
Umlenkrolle / deflection pulley
Spannrolle / tension roller

2,4 (DJ1A / DM1A)

ØA 80 B28
ØA 90 B30
ØA 57,5 B38,5
ØA 60 B35



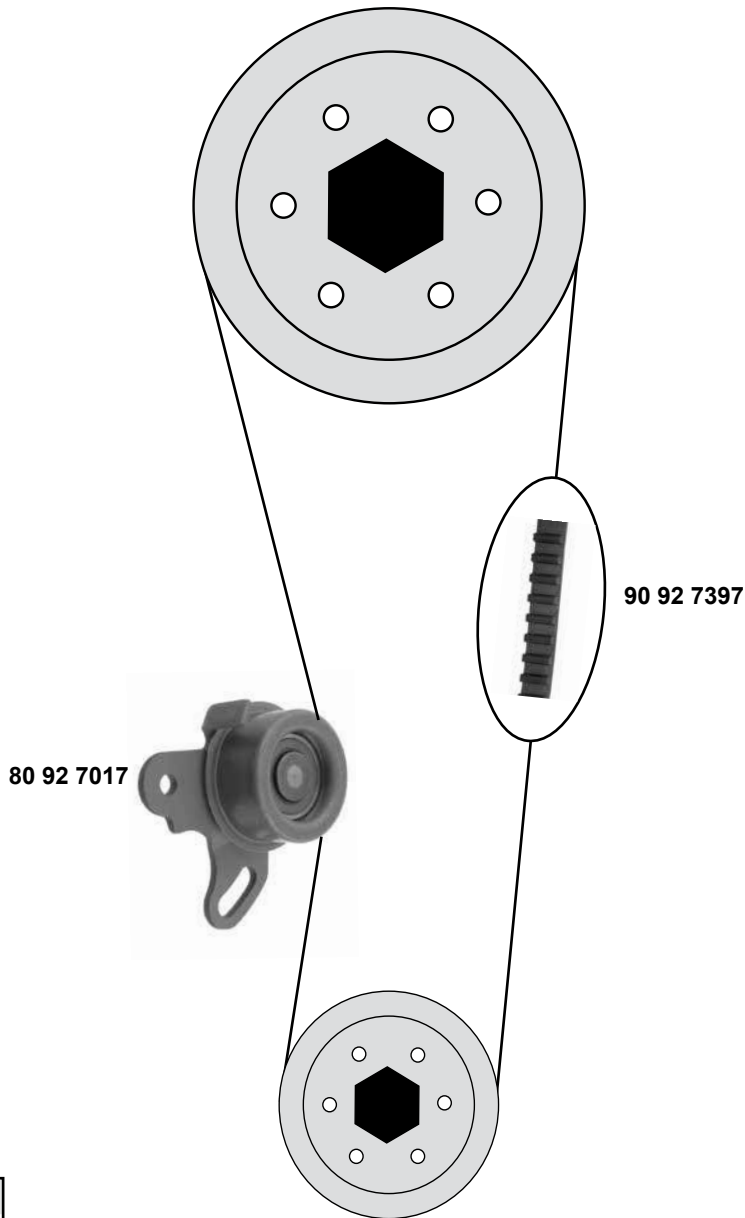
80 93 1215

80 93 2447

**MITSUBISHI**  
**Lancer III (C12V)**  
 (83→92)

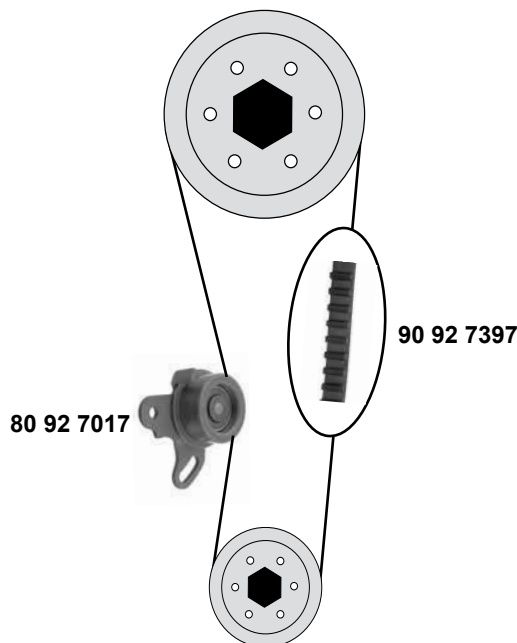


**1,5 8V (SOHC)**



SWAG	Ref. - No.			
80 92 7017	MD146186	Spannrolle / tension roller	06/90→03/92	ØA 60 H29
80 92 7409	MD145813 S1	Rep.Satz Zahnriemen / rep. kit timing belt	06/90→03/92	Z 92 B22
90 92 7397	MD145813	Zahnriemen / timing belt	06/90→03/92	Z 92 B22

### 1,3 8V/12V (SOHC) / 1,5 8V (SOHC)

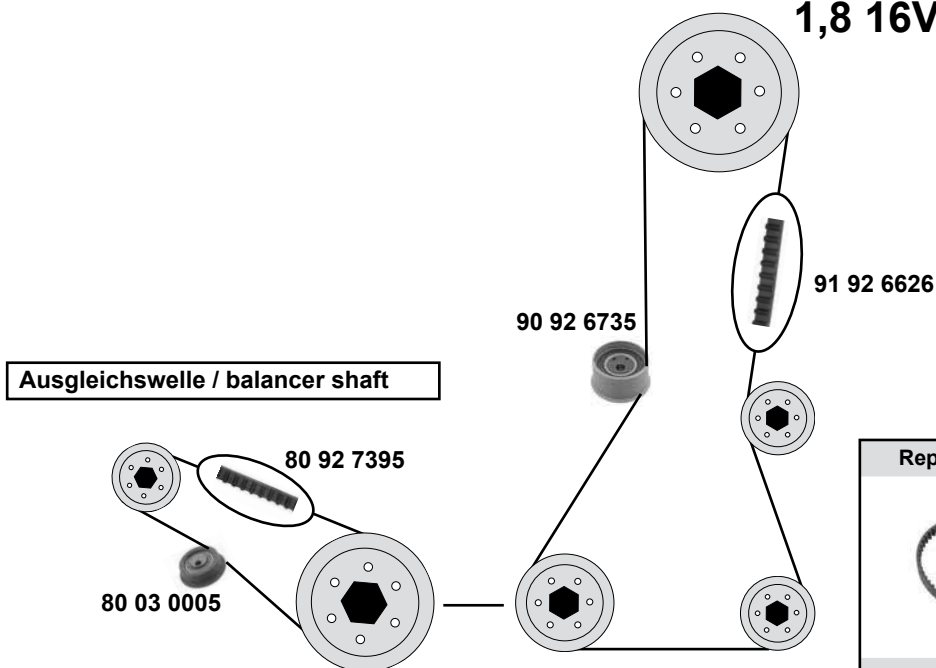


Rep. Satz / rep. kit



SWAG 80 92 7409

### 1,8 16V / 2,0 16V



Rep. Satz / rep. kit



SWAG 80 92 7396



(1) (mot.) 1,8 16V 11/89→05/92 / (mot.) 2,0 8V 06/92→

(2) (mot.) 1,3 8V / 1,5 8V 06/90→07/95 / (mot.) 1,3 12V 06/92→

(3) (mot.) 1,8 16V 11/89



Ref. - No.

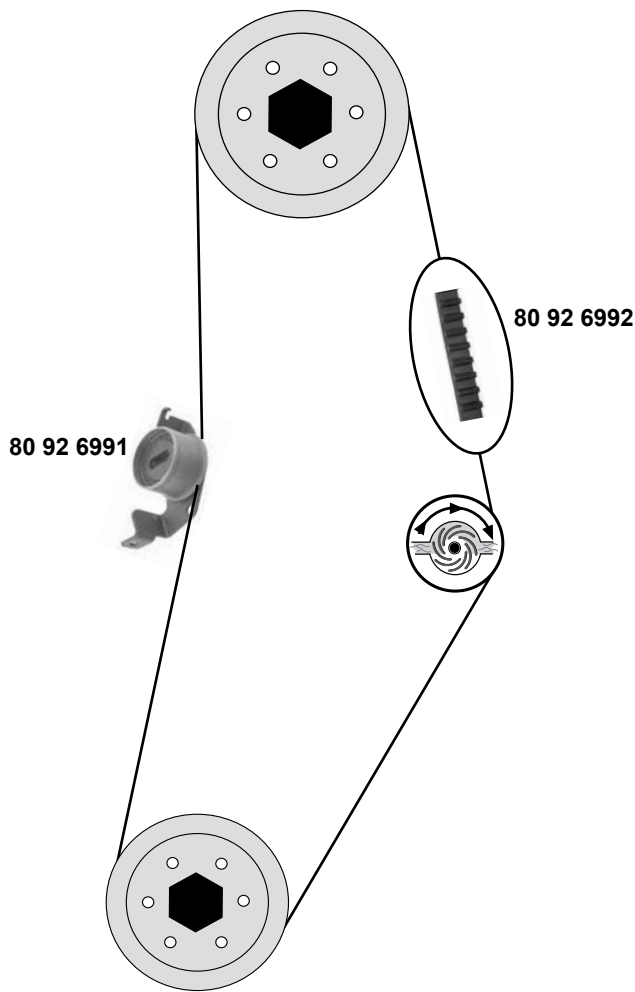


80 03 0005	MD115976	Spannrolle / tension roller	(1)	ØA 55 H18
80 92 7017	MD146186	Spannrolle / tension roller	(2)	ØA 60 H29
80 92 7395	MD182295	Zahnriemen / timing belt	(1)	Z 65 B12,7
80 92 7396	MD182295 S1	Rep.Satz Zahnriemen / rep. kit timing belt	(1)	Z 65 B12,7
80 92 7409	MD145813 S1	Rep.Satz Zahnriemen / rep. kit timing belt	(2)	Z 92 B22
90 92 6735	MD129355	Spannrolle / tension roller	(3)	ØA 60 H32,5
90 92 7397	MD145813	Zahnriemen / timing belt	(2)	Z 92 B22
91 92 6626	MD326059	Zahnriemen / timing belt	(3)	Z 153 B29

**MITSUBISHI**  
**Lancer V (CK4A)**  
 (95→03)



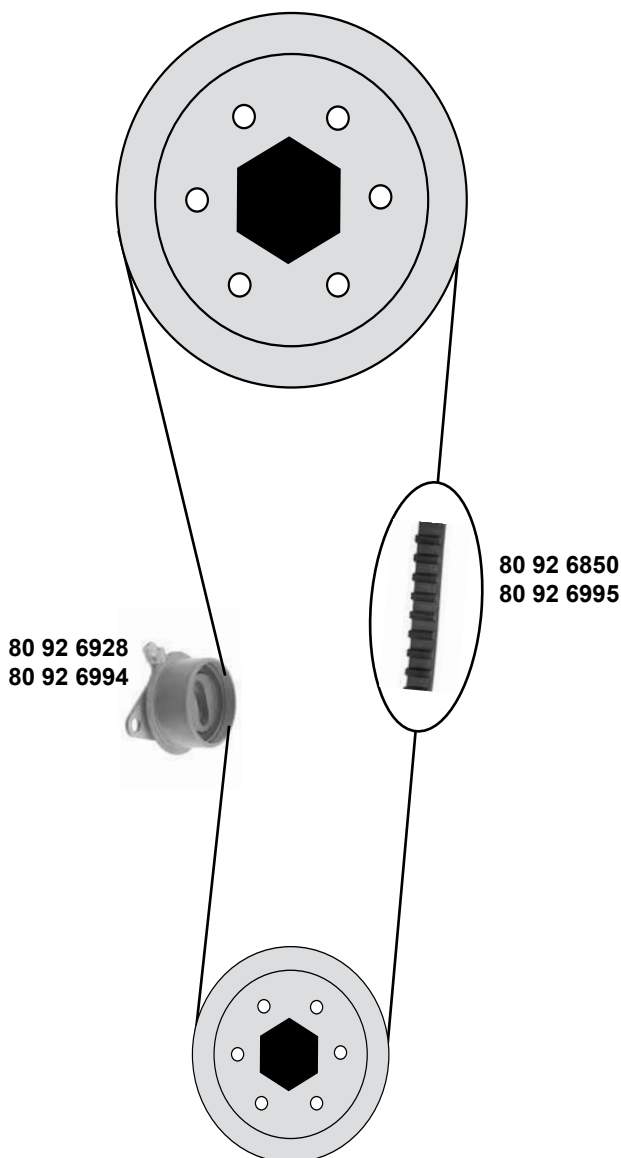
**1,6 16V (SOHC)**



SWAG	Ref. - No.			
80 92 6991	MD320174	Spannrolle / tension roller		ØA 57,5 B33,5
80 92 6992	MD314456	Zahnriemen / timing belt		Z 111 B29
80 92 6993	MD314456 S1	Rep.Satz Zahnriemen / rep. kit timing belt		Z 111 B29



1,3 12V / 16V (SOHC)  
1,5 16 V (SOHC)



Rep. Satz / rep. kit



SWAG 80 93 1398

Rep. Satz / rep. kit



SWAG 80 93 2477



(1) (mot.) 1,3 12V / 1,5 16V 11/95→11/98

(2) (mot.) 1,3 12V 11/95→05/00 /  
(mot.) 1,5 16V 11/95→05/00

Ref. - No.



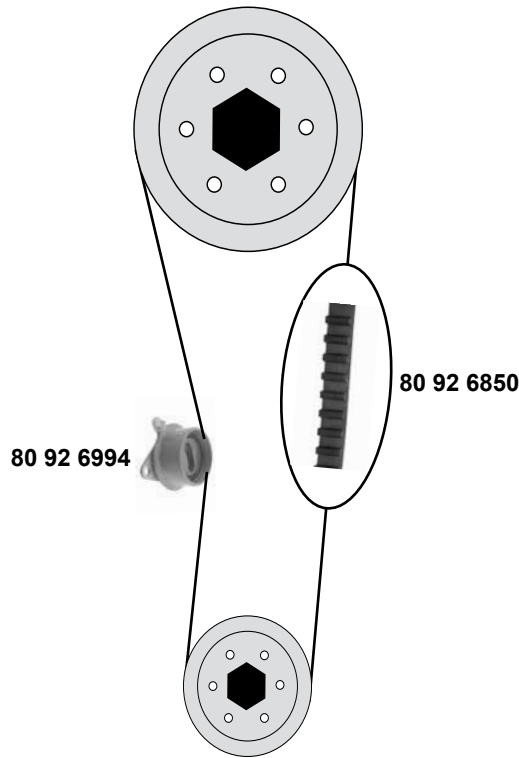
Ref. - No.				
80 92 6850	1145A051	Zahnriemen / timing belt	06/00 → 06/03	Z 109 B25
80 92 6928	MD329976	Spannrolle / tension roller	(1)	ØA 57 B31
80 92 6994	MD356509	Spannrolle / tension roller	06/00 → 06/03	ØA 57 B31
80 92 6995	MD340625	Zahnriemen / timing belt	(2)	Z 107 B25,4
80 93 1398	1145A051 S1	Rep. Satz Zahnriemen / rep. kit timing belt	06/00 → 06/03	Z 107 B25,4
80 93 2477	1145A049 S1	Rep. Satz Zahnriemen / rep. kit timing belt	11/95 → 11/98	Z 107 B25

# MITSUBISHI Lancer VII (CS1A/CS3A/W)

(03→08)



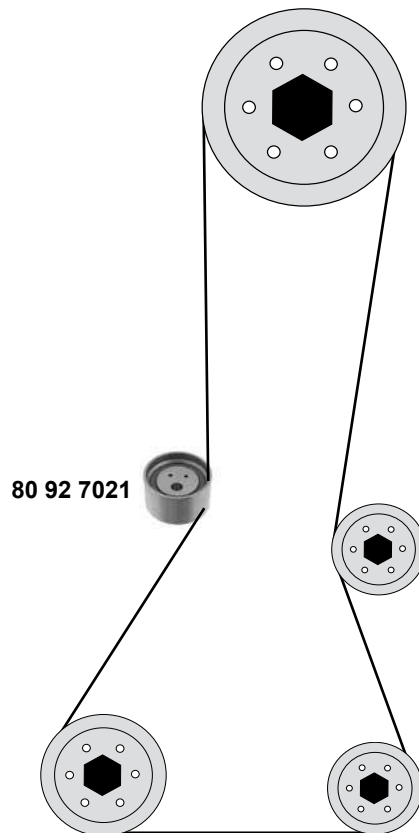
1,3 / 1,6



## Lancer (CS)

(03→08)

2,0 / 2,0 (DOHC)



Ref. - No.

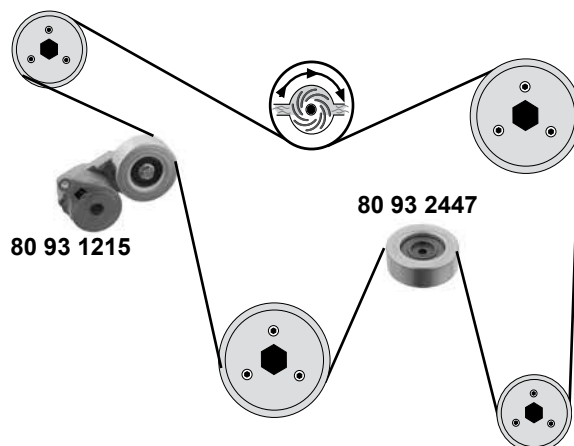
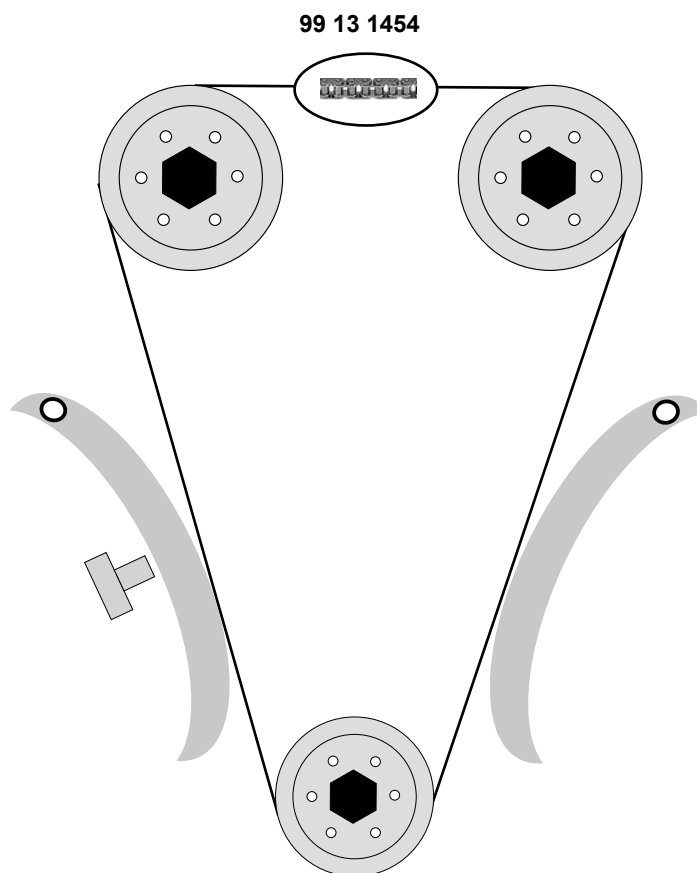


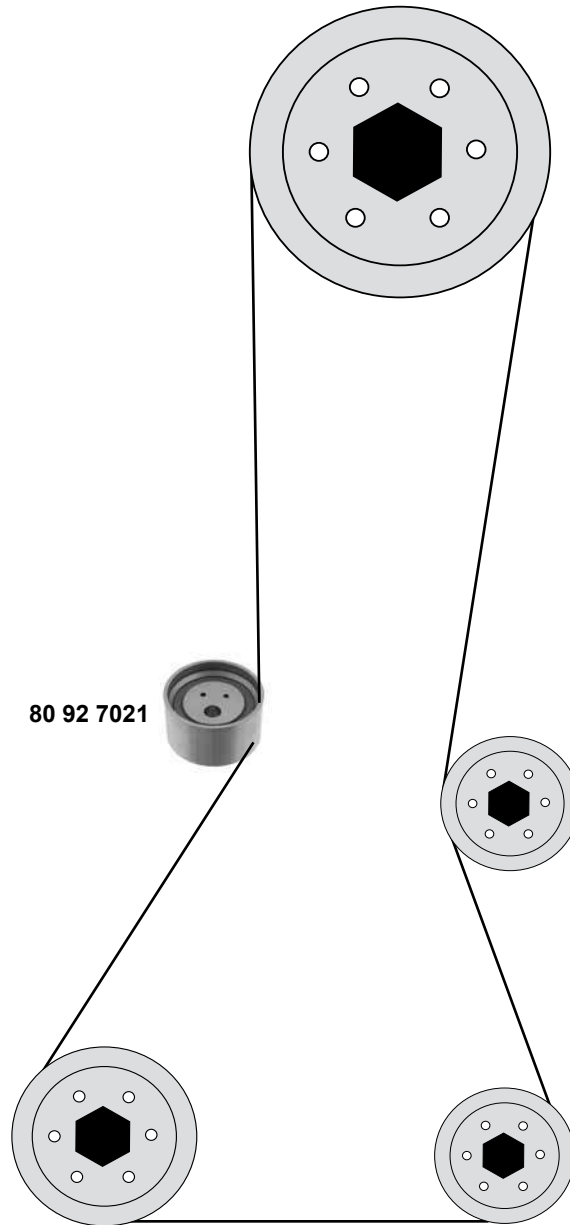
80 92 6850	1145A051
80 92 6994	MD356509
80 92 7021	MD182537
80 93 1398	1145A051 S1

Zahnriemen / timing belt
Spannrolle / tension roller
Spannrolle / tension roller
Rep. Satz Zahnriemen / rep. kit timing belt

06/00 → 01/08
06/00 → 01/08
06/00 → 01/08

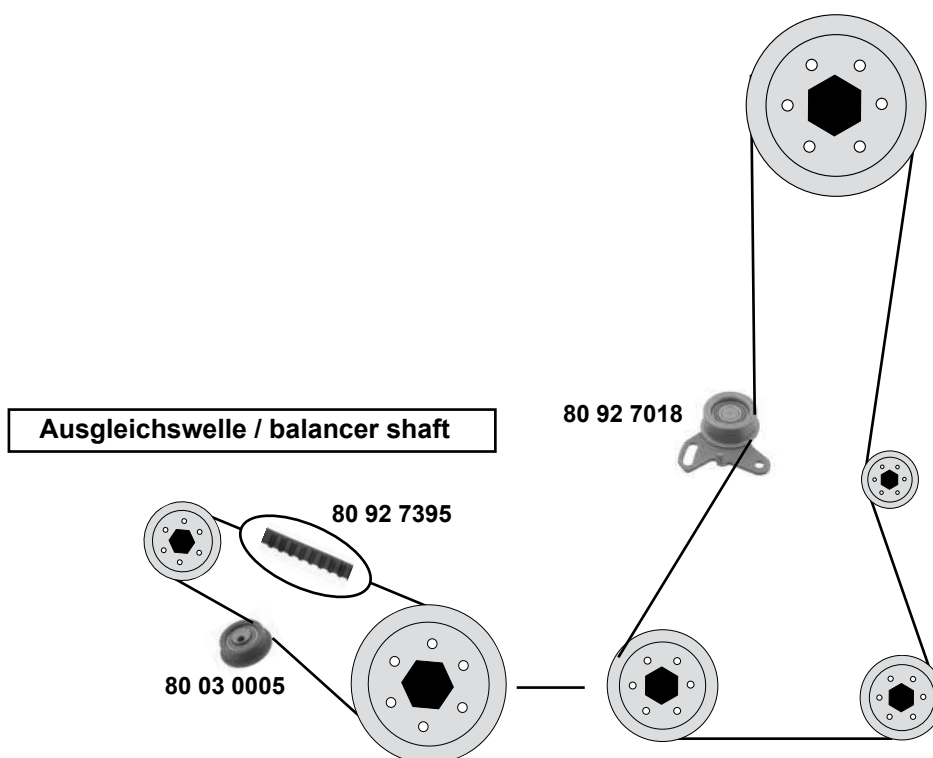
Z 109 B25
ØA 57 B31
ØA 60 H32,5
Z 107 B25,4


**Lancer (CY2A)**  
 (07→)  
**1,5**




80 92 7021

(L037G/P03W/V/P13V/P23V/W/P13T/P00W/ P04W/P14V/P04V/P24W/V)  
 2,0 8V / 2,0 16V / 2,4 16V



Rep. Satz / rep. kit



SWAG 80 92 7396



(1) (mot.) 2,0 8V 11/86→ / (mot.) 2,0 16V 07/96→ / (mot.) 2,4 16V 11/90→

(2) (mot.) 2,0 / P13T 07/94→



Ref. - No.



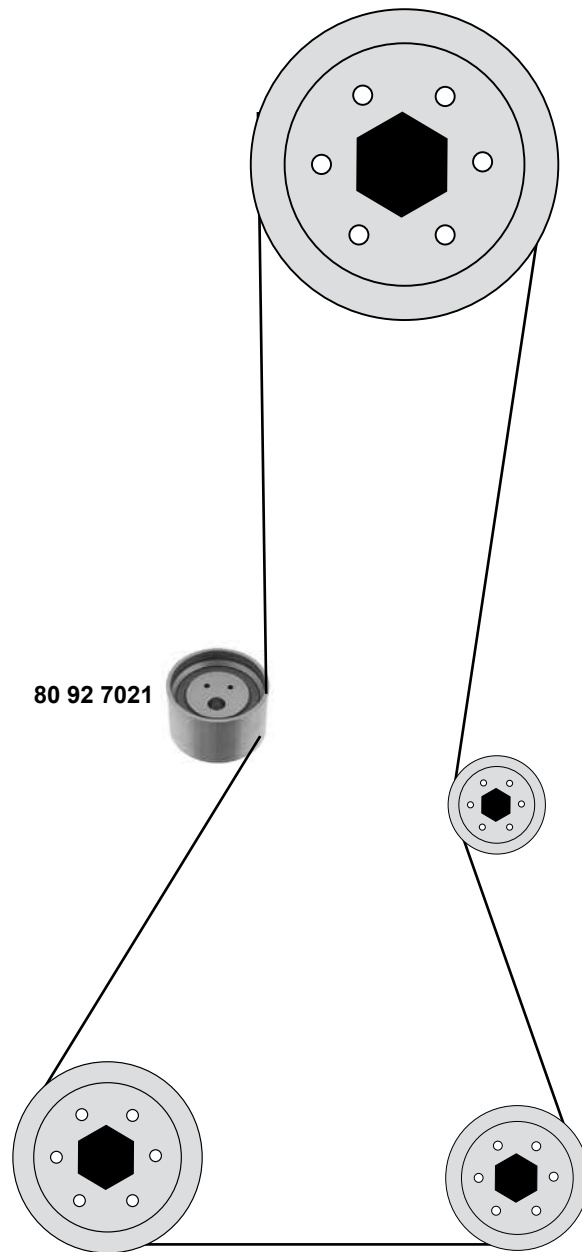
80 03 0005 MD115976  
 80 92 7018 MD011536  
 80 92 7395 MD182295  
 80 92 7396 MD182295 S1

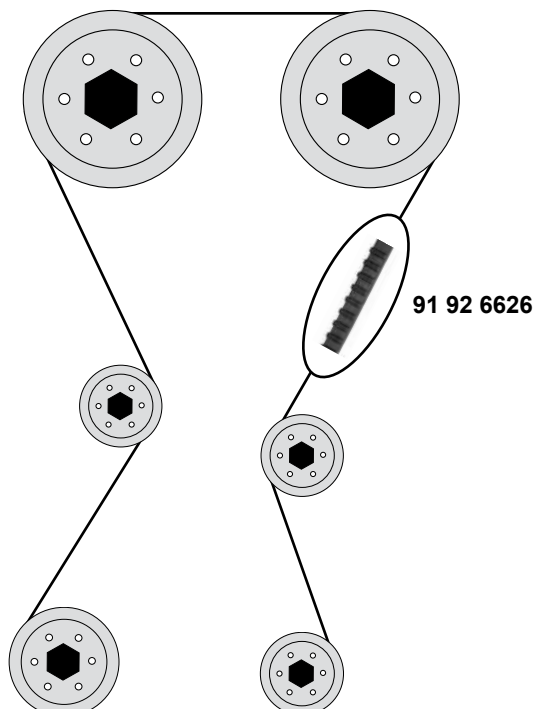
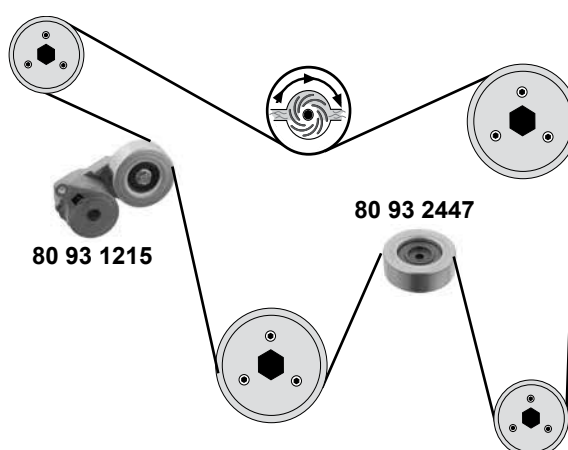
Spannrolle / tension roller  
 Spannrolle / tension roller  
 Zahnriemen / timing belt  
 Rep.Satz Zahnriemen / rep. kit timing belt

(1)  
 11/86→05/94  
 (1)  
 (1)

ØA 55 H18  
 ØA 60 H29  
 Z 65 B12,7  
 Z 65 B12,7

**2,0 (SOHC)**




**2,0 / 2,4 (CU2W/CU5W)**


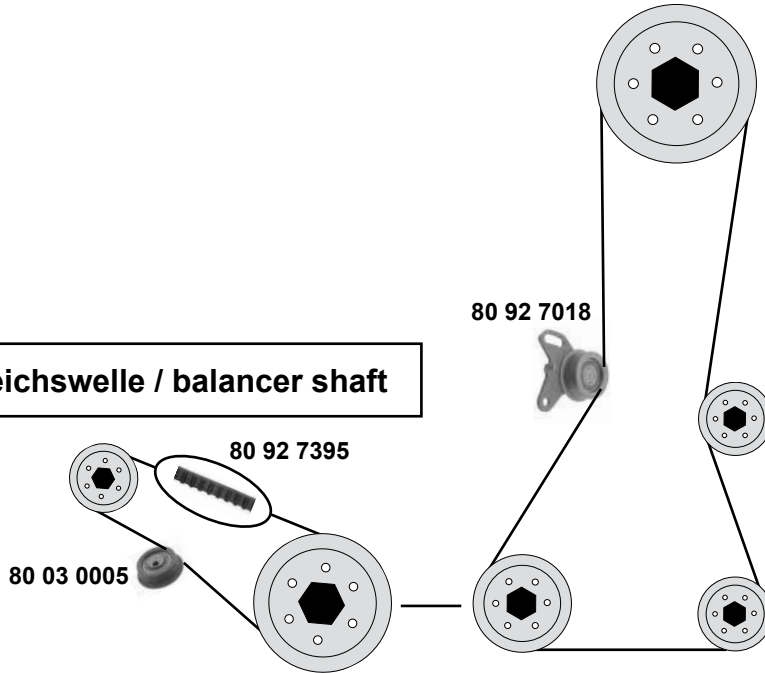
# MITSUBISHI Pajero II (V2\_W/V4\_W/V\_7W/K90/K96W)

(90→00)

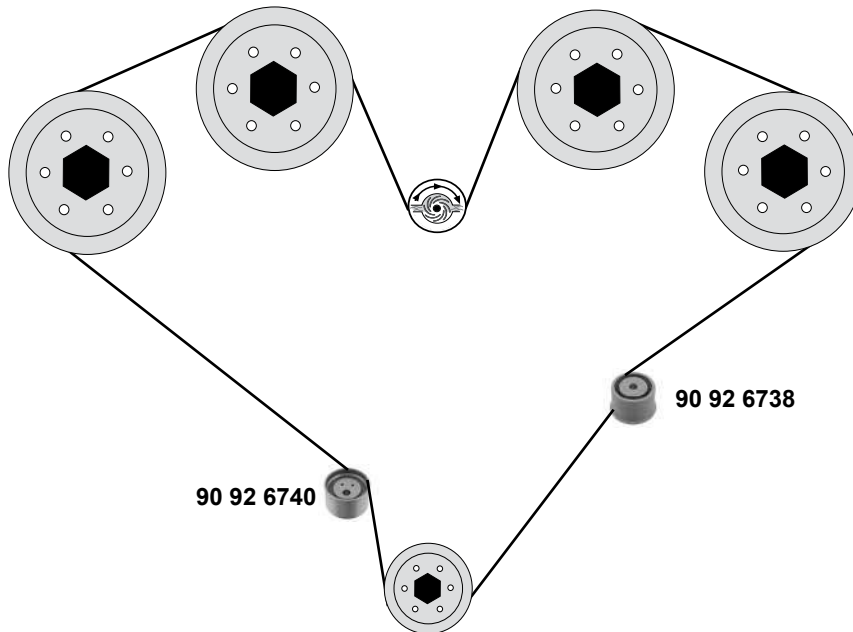


2,4 12V

Ausgleichswelle / balancer shaft



3,0 / 3,5 24V V6

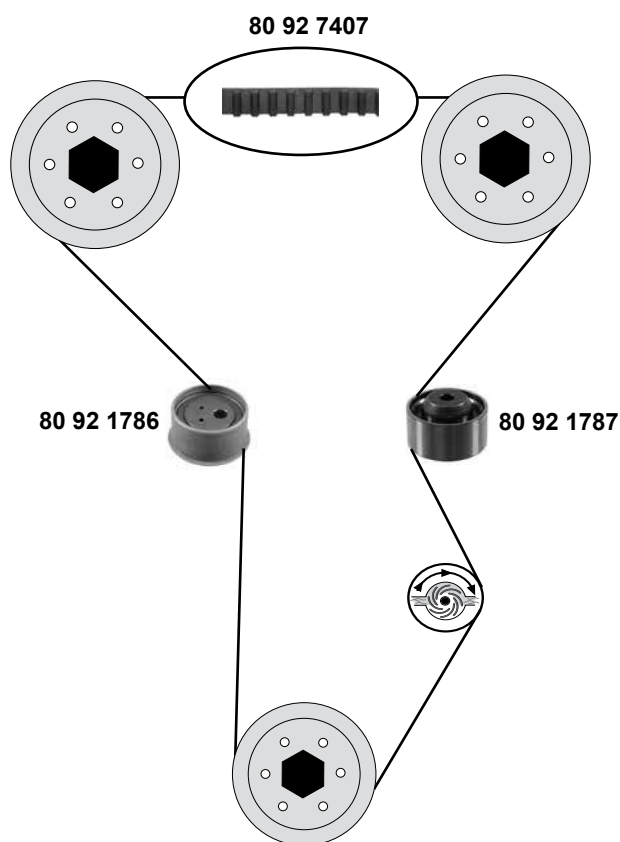


Ref. - No.



80 03 0005	MD115976	Spannrolle / tension roller	04/91→04/00	ØA 55 H18
80 92 7018	MD011536	Spannrolle / tension roller	04/91→04/00	ØA 60 H29
80 92 7395	MD182295	Zahnriemen / timing belt	04/91→04/00	Z 65 B12,7
80 92 7396	MD182295 S1	Rep.Satz Zahnriemen / rep. kit timing belt	04/91→04/00	Z 65 B12,7
90 92 6738	MD151447	Umlenkrolle / deflection pulley	06/96→04/00	ØA 57,5 B38,5
90 92 6740	MD140071	Spannrolle / tension roller	06/96→04/00	ØA 60 B35





Rep. Satz / rep. kit



SWAG 80 92 7408

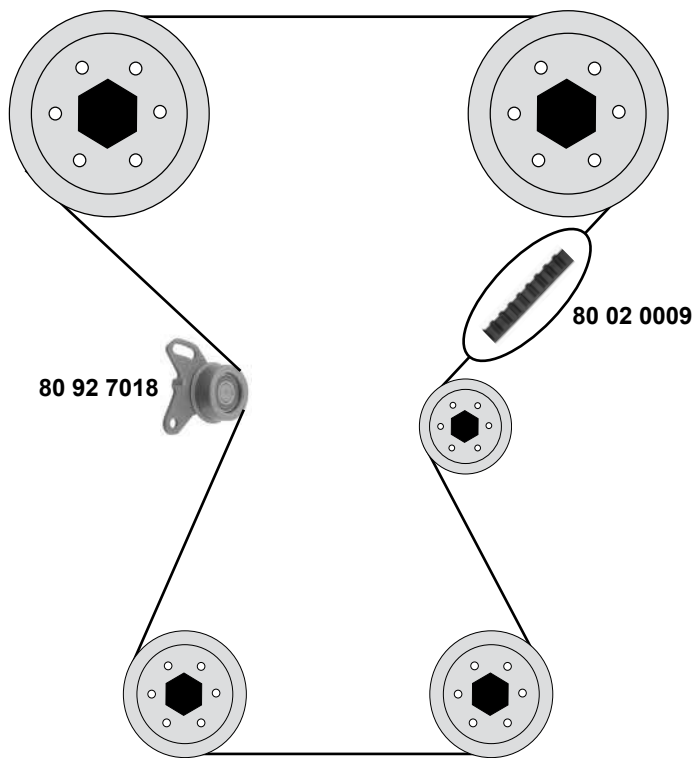


Ref. - No.

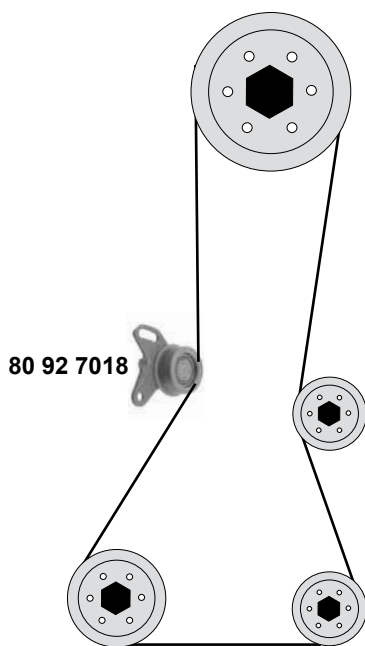


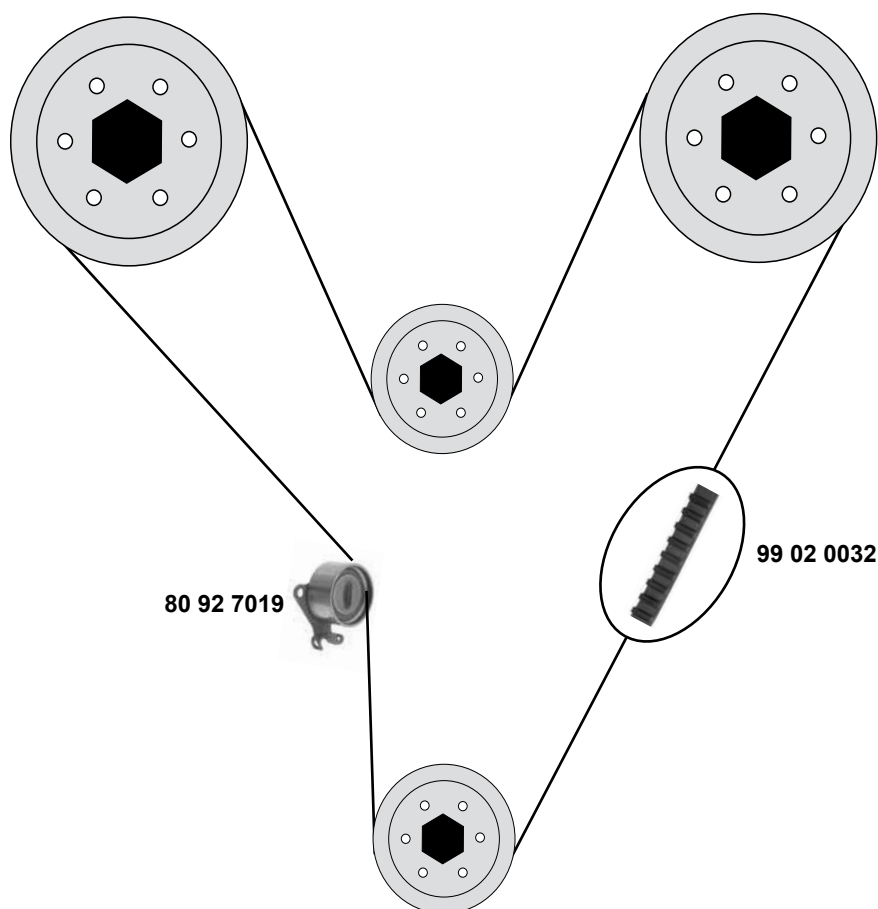
80 92 1786	MD169592	Spannrolle / tension roller	08/99→06/00	ØA 57,5 B33,5
80 92 1787	MD156604	Umlenkrolle / deflection pulley	08/99→06/00	ØA 60 B32
80 92 7407	MD319023	Zahnriemen / timing belt	08/99→06/00	Z 154 B29
80 92 7408	MD319023 S1	Rep.Satz Zahnriemen / rep. kit timing belt	08/99→06/00	Z 154 B29

**2,0 8V / 2,0 8V Turbo**



**2,4 (SOHC)**





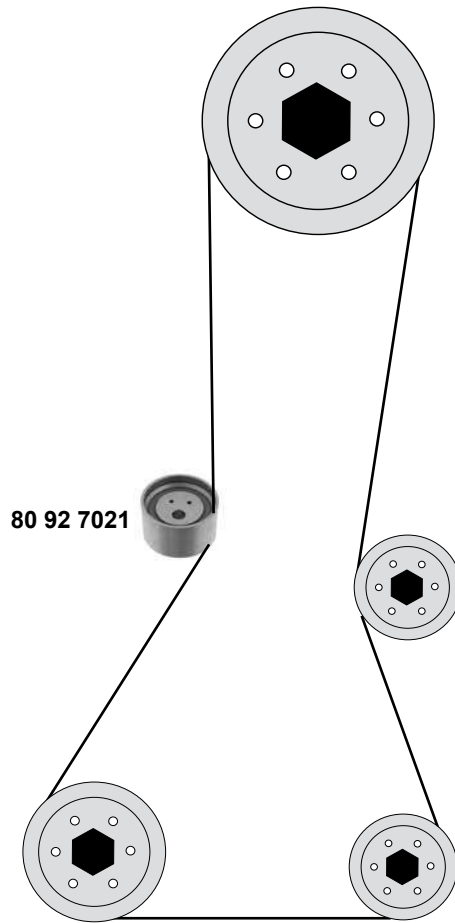
# MITSUBISHI

## Space Gear (PA3V/W/PA4V/W/PB3V)

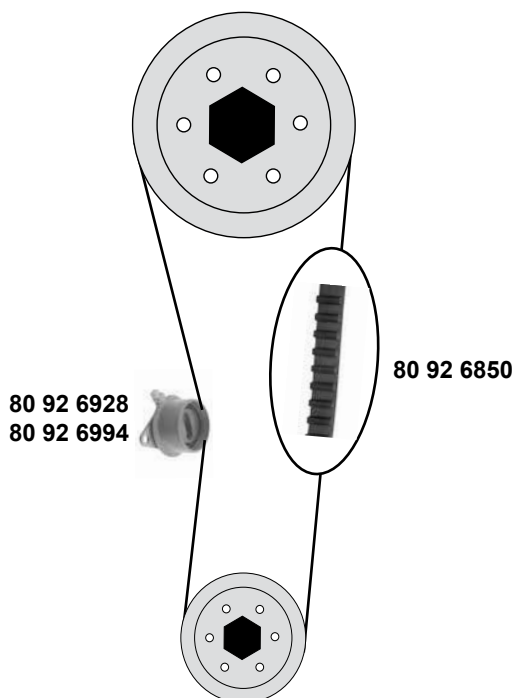
(95→00)



2,0 / 2,4 16V (SOHC)



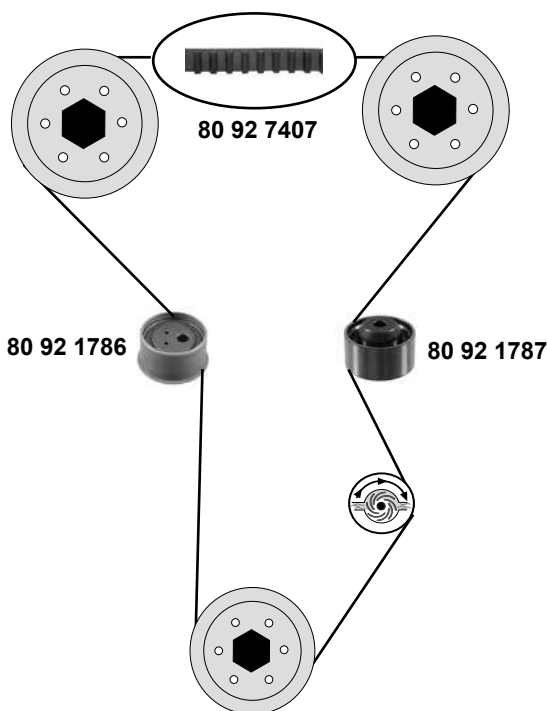
### 1,3 / 1,6 16V (DOHC)



### Space Star (DG5A)

(98→05)

### 1,8 16V (DOHC)



(1) (mot.) 1,3 16V →05/98



Ref. - No.



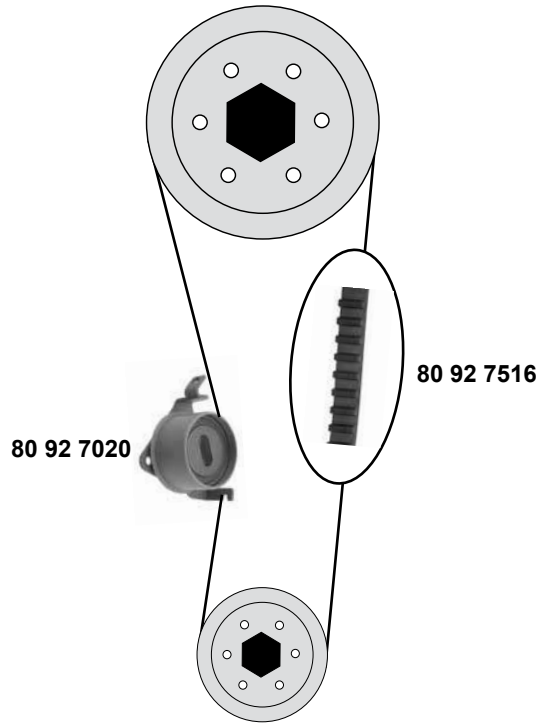
Part No.	Ref. - No.	Description	Validity	Dimensions
80 92 1786	MD169592	Spannrolle / tension roller	10/98 → 08/02	ØA 57,5 B33,5
80 92 1787	MD156604	Umlenkrolle / deflection pulley	10/98 → 08/02	ØA 60 B32
80 92 6850	1145A051	Zahnriemen / timing belt	06/98 → 12/04	Z 109 B25
80 92 6928	MD329976	Spannrolle / tension roller	(1)	ØA 57 B31
80 92 6994	MD356509	Spannrolle / tension roller	06/98 → 12/04	ØA 57 B31
80 92 7407	MD319023	Zahnriemen / timing belt	10/98 → 08/02	Z 154 B29
80 92 7408	MD319023 S1	Rep.Satz Zahnriemen / rep. kit timing belt	10/98 → 08/02	Z 154 B29
80 93 1398	1145A051 S1	Rep.Satz Zahnriemen / rep. kit timing belt	06/98 → 12/04	Z 109 B25

# MITSUBISHI Space Runner (N11W/N21W/M63W)

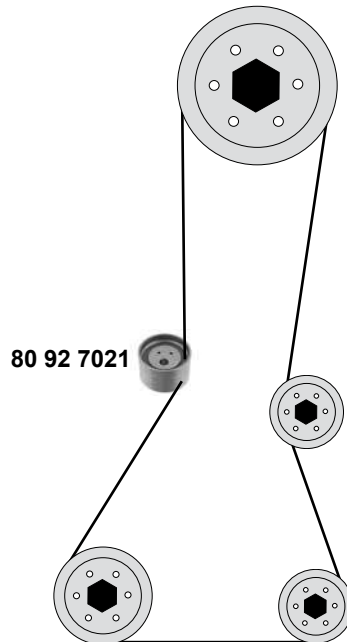
(91→99)



## 1,8 16V (SOHC)



## 2,0 (SOHC)

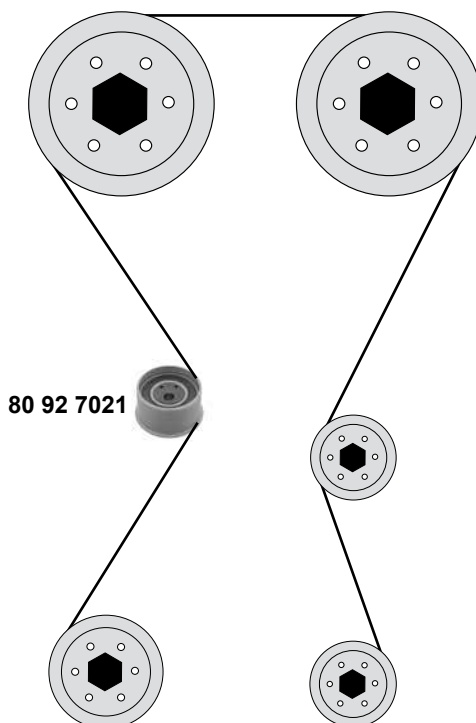


Ref. - No.



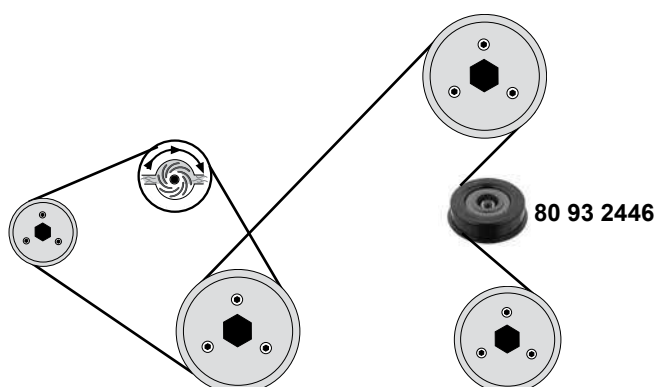
80 92 7020	MD315265	Spannrolle / tension roller	10/91 → 05/92	ØA 57,5 H33,5
80 92 7021	MD182537	Spannrolle / tension roller	06/97 →	ØA 60 H32,5
80 92 7516	MD176387	Zahnriemen / timing belt	10/91 → 05/92	Z 121 B29
80 92 7535	MD176387 S1	Rep.Satz Zahnriemen / rep. kit timing belt	10/91 → 05/92	Z 121 B29

**2,4 (DOHC)**



**2,0 / 2,4**

**AC**



Ref. - No.



**80 92 7021** MD182537  
**80 93 2446** MD362028

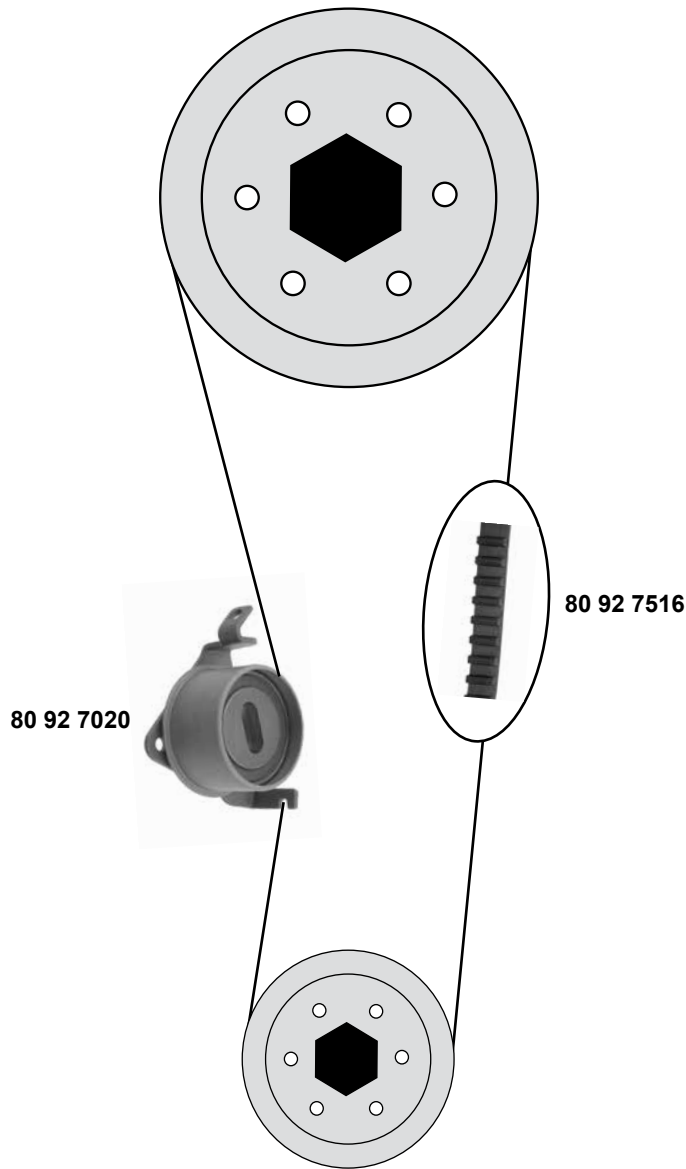
Spannrolle / tension roller  
 Spannrolle / tension roller

ØA 60 H32,5  
 ØA 90 B25

**MITSUBISHI**  
**Space Wagon (N31W/N41W)**  
 (91→98)



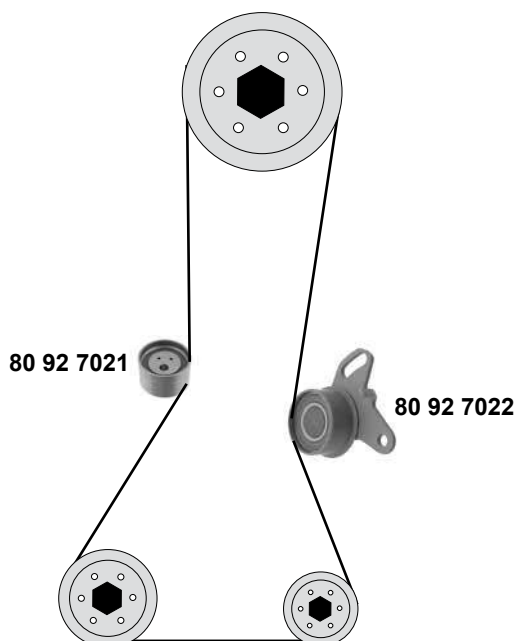
**1,8 16V (SOHC)**



SWAG	Ref. - No.			
80 92 7020	MD315265	Spannrolle / tension roller		ØA 57,5 H33,5
80 92 7516	MD176387	Zahnriemen / timing belt		Z 121 B29
80 92 7535	MD176387 S1	Rep.Satz Zahnriemen / rep. kit timing belt		Z 121 B29



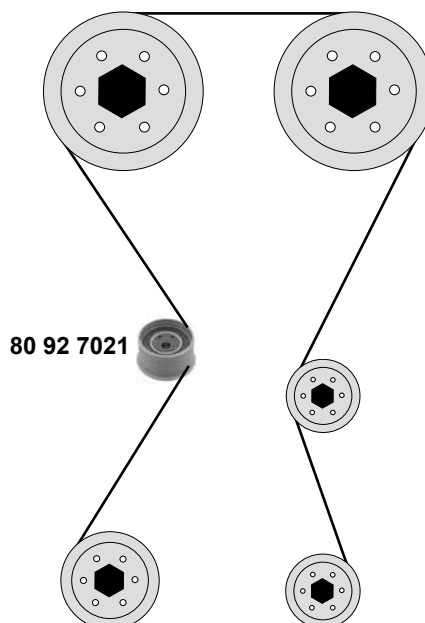
### 2,0 (SOHC)



### Space Wagon (N34W)

(98→)

### 2,4 (DOHC)



(1) (mot.) 2,0 SOHC 10/92→10/98

(2) (mot.) 2,4 SOHC 05/91→10/96



Ref. - No.



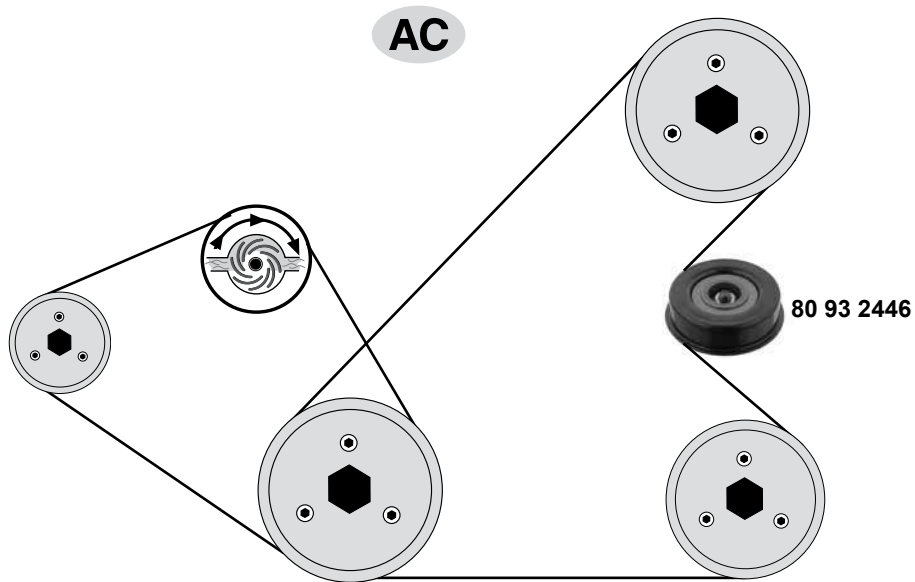
80 92 7021 MD182537  
80 92 7022 MD129033

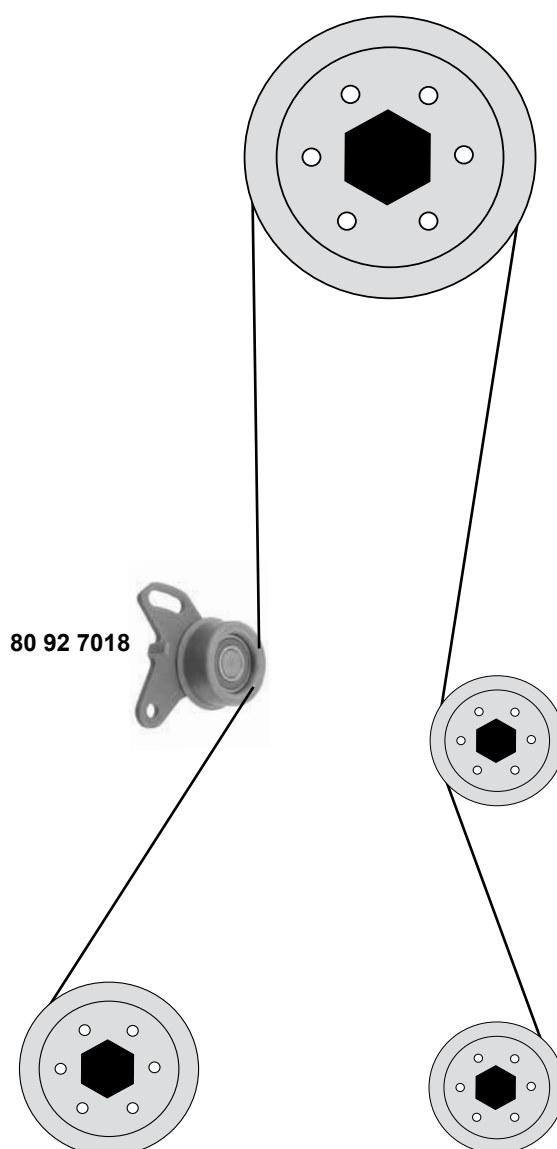
Spannrolle / tension roller  
Spannrolle / tension roller

(1)  
(2)

ØA 60 H32,5  
ØA 60 H28,8

2,0 / 2,4





# NISSAN

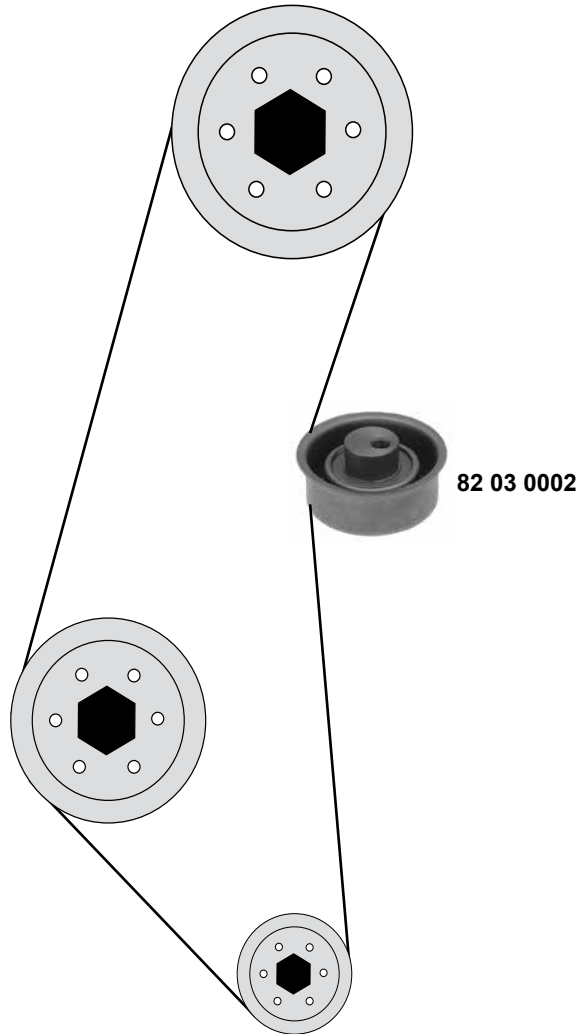
## Cherry / Sunny / Prairie

(81→90)



(N10+12 / B11+12 / N13 / M10)

1,0→1,6  
(E10, E 13, E 15, E16)



Ref. - No.

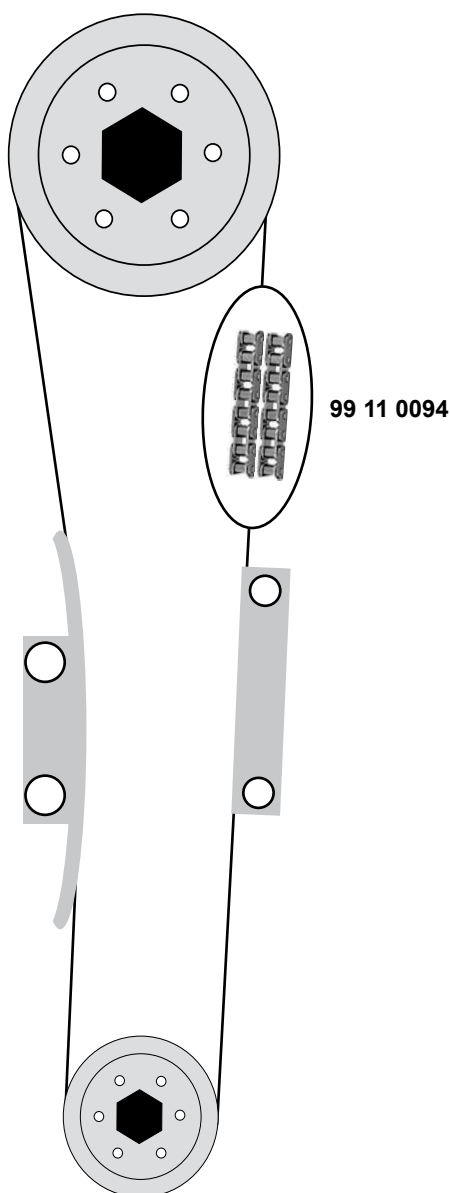


82 03 0002

13070-01M00

Spannrolle / tension roller

ØA60 H26



(1) Nietverschluss / riveted link / bouchon de rivet / rivetti / cierre de roblón

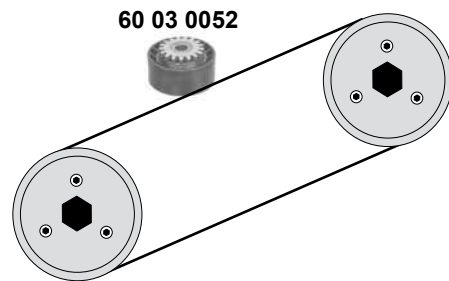
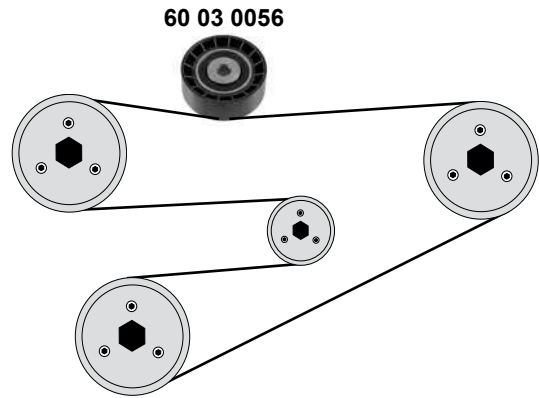
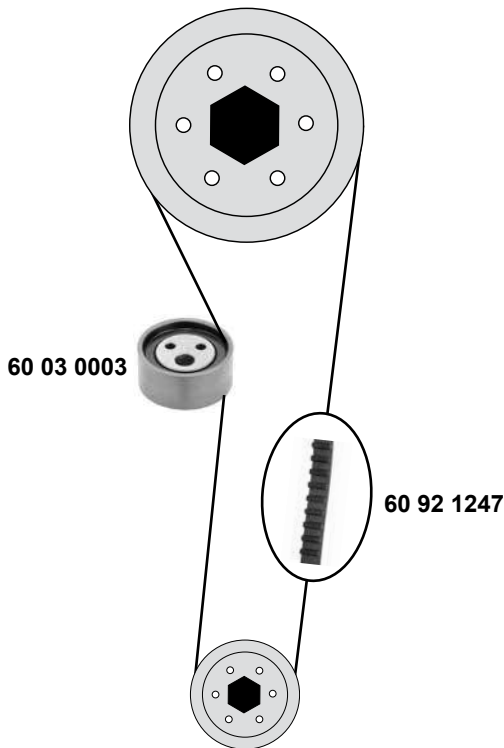


# NISSAN Kubistar (X76)

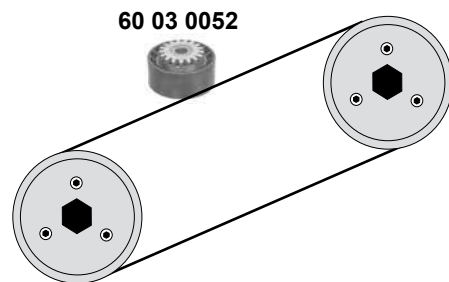
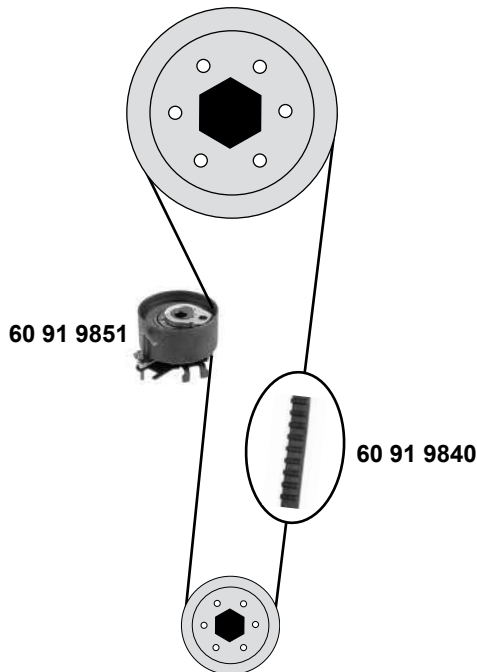
(03→)



**1,2**  
(D7F)



**1,2 16V**  
(D4F)



Ref. - No.

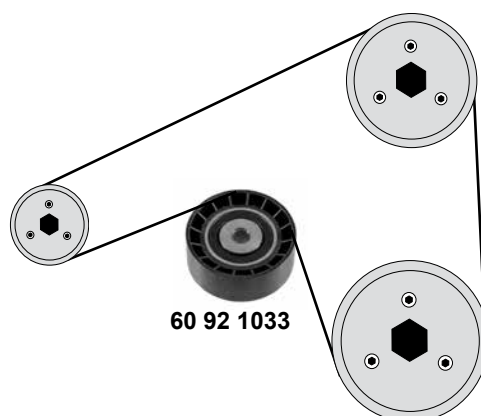
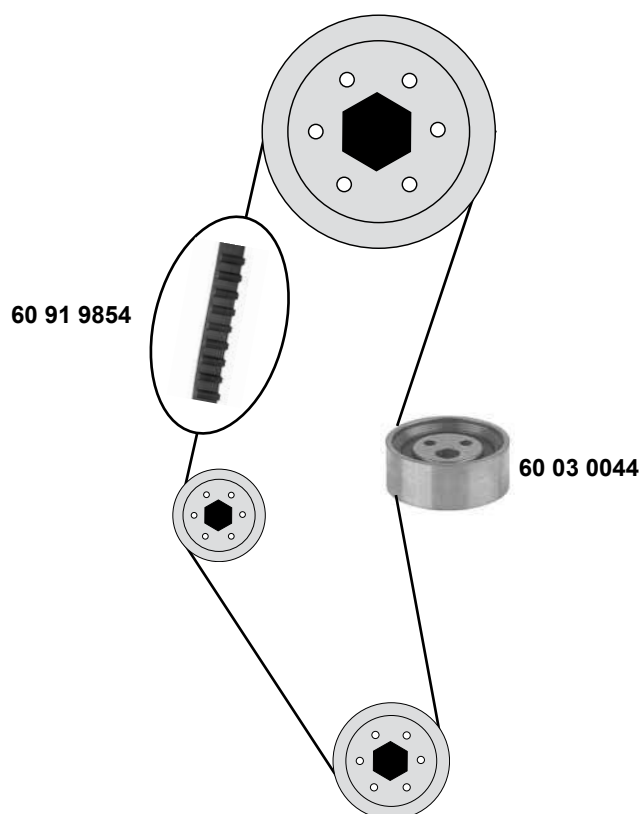


60 02 0021	16806-00QAT	Rep. Satz Zahnriemen / rep. kit timing belt
60 03 0003	13077-00QAD	Spannrolle / tension roller
60 03 0052	11750-00QAS	Umlenkrolle / deflection pulley
60 03 0056	11750-00QAF	Umlenkrolle / deflection pulley
60 91 9840	16806-00QA0	Zahnriemen / timing belt
60 91 9851	13077-00QAG	Spannrolle / tension roller
60 91 9852	16806-00QAW	Rep. Satz Zahnriemen / rep. kit timing belt
60 92 1247	16806-00QAM	Zahnriemen / timing belt

AC  
AC + servo

ØA 50 B22
AØ 56,5 B24
ØA 56 B21
Z 95 B23,4
ØA 59 ØI 28 B24
Z 95 B23,4
Z 87 B17

**1,4**  
(K7J)

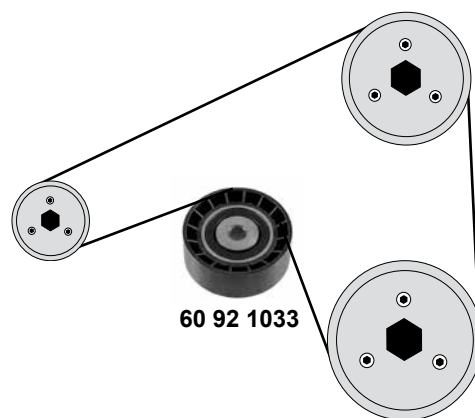
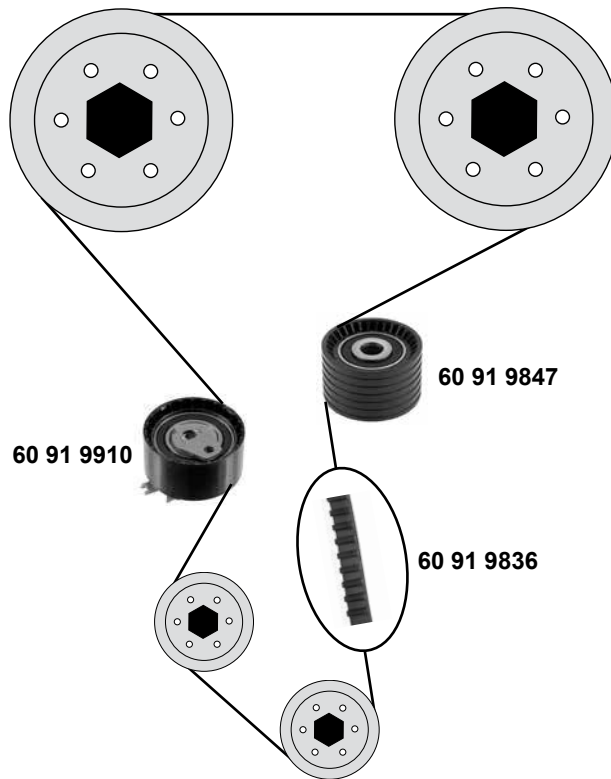


# NISSAN Kubistar (X76)

(03→)

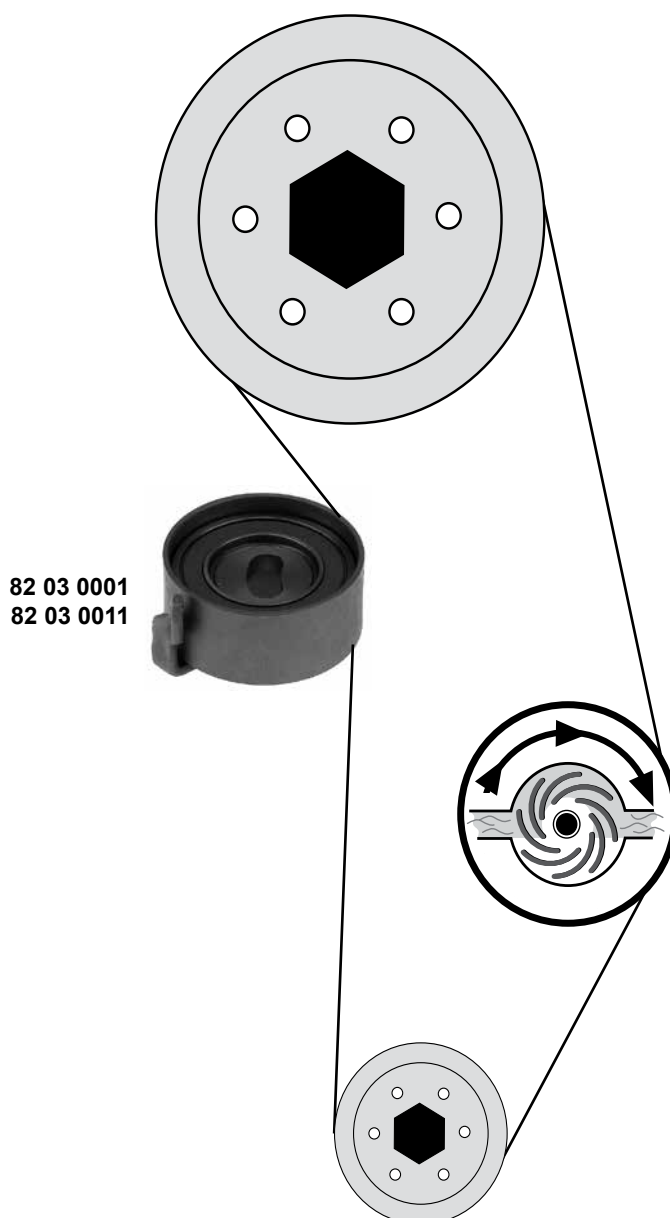


**1,4 16V**  
(K4M)



SWAG	Ref. - No.			
60 91 9836	16806-00QA1	Zahnriemen / timing belt		Z 132 B27
60 91 9847	13070-00QAA	Umlenkrolle / deflection pulley		ØA 54 B32
60 91 9910	13070-00QAB	Spannrolle / tension roller		ØA 56 B32
60 91 9918	16806-00QAB	Rep. Satz Zahnriemen / rep. kit timing belt		
60 92 1033	11927-00QAA	Umlenkrolle / deflection pulley	AC	ØA 60,2 B25,5



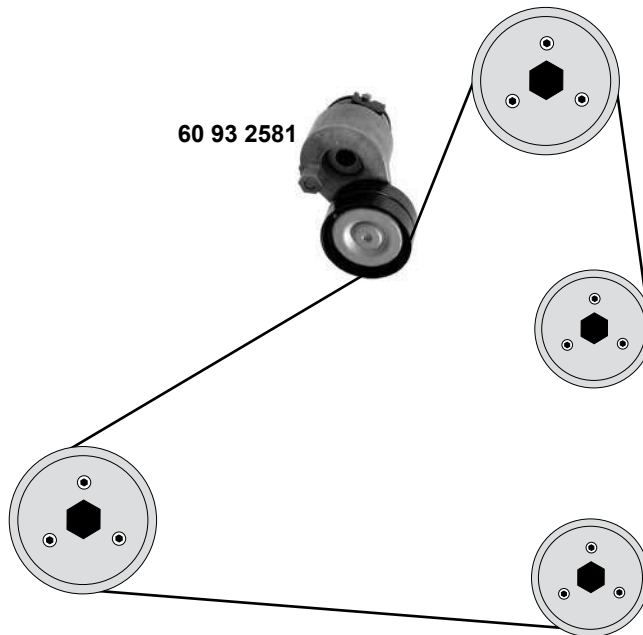
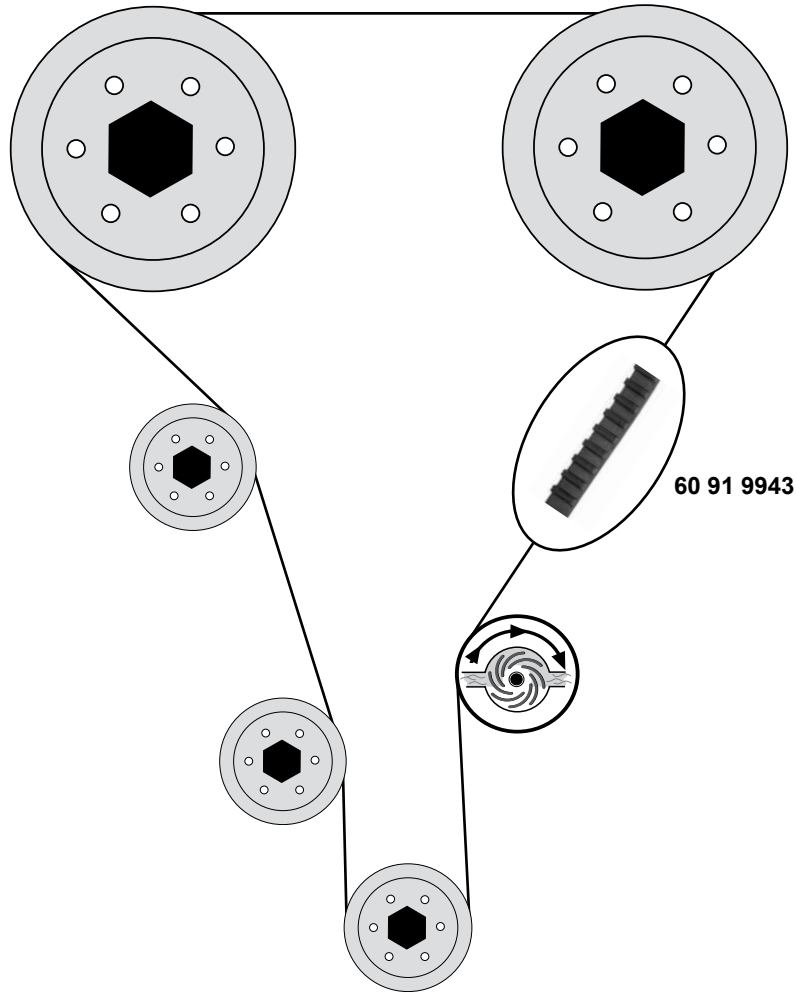


# NISSAN Primastar (X83)

(01→09)



**2,0**  
(F4R)



Ref. - No.



60 91 9943  
60 93 2581

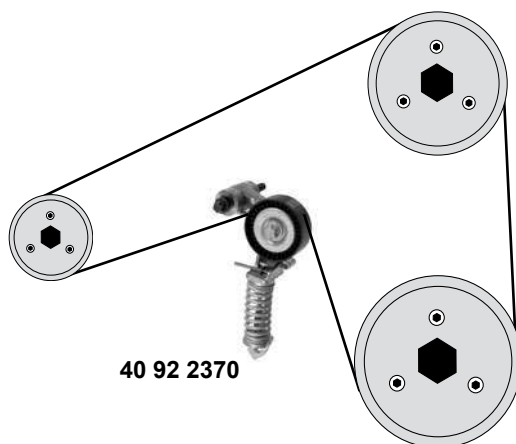
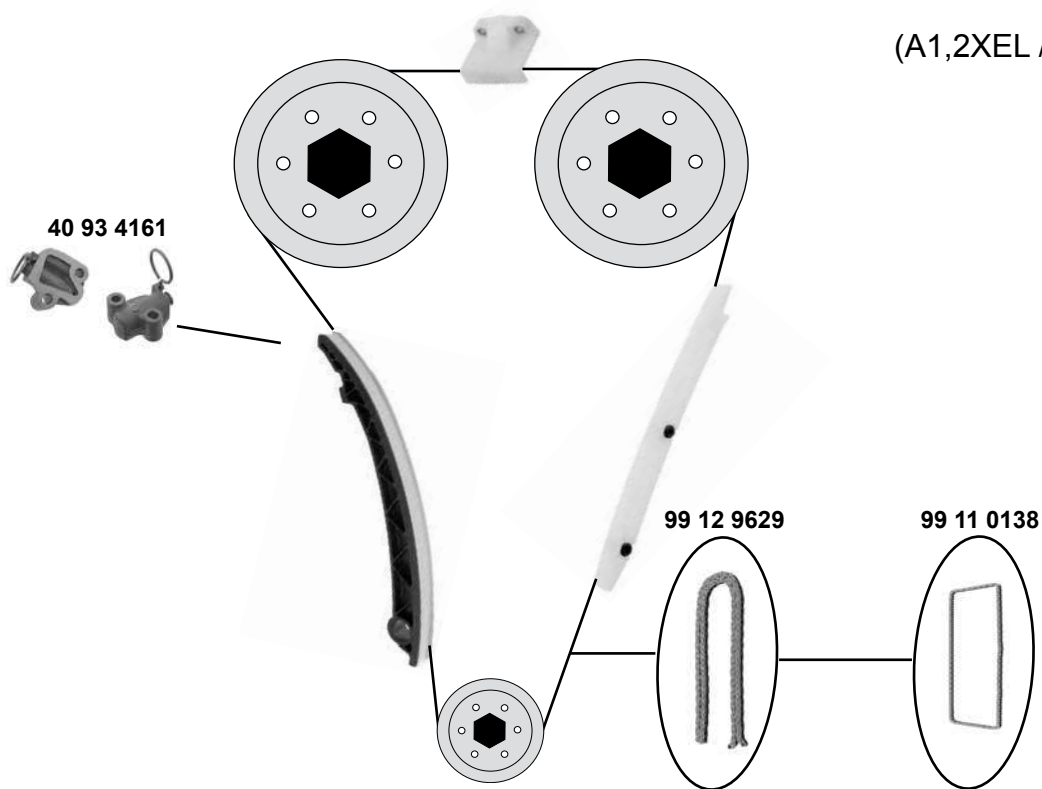
16806-00Q0F  
11750-00Q0A

Zahnriemen / timing belt  
Riemenspanner / belt tensioner

→05  
(ex.) AC

Z 126 B 27  
ØA65

**1,2 / 1,4**  
(A1,2XEL / A1,4XEL / A1,4XER)



- (1) Steuerkette geschlossen / timing chain endless
- (2) Spezialwerkzeug zur Montage notwendig / Requires special tools for mounting



Ref. - No.

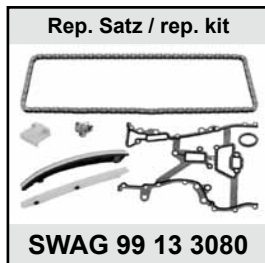
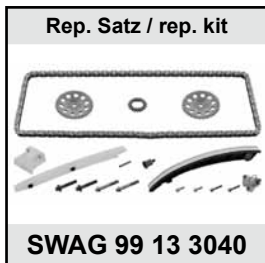
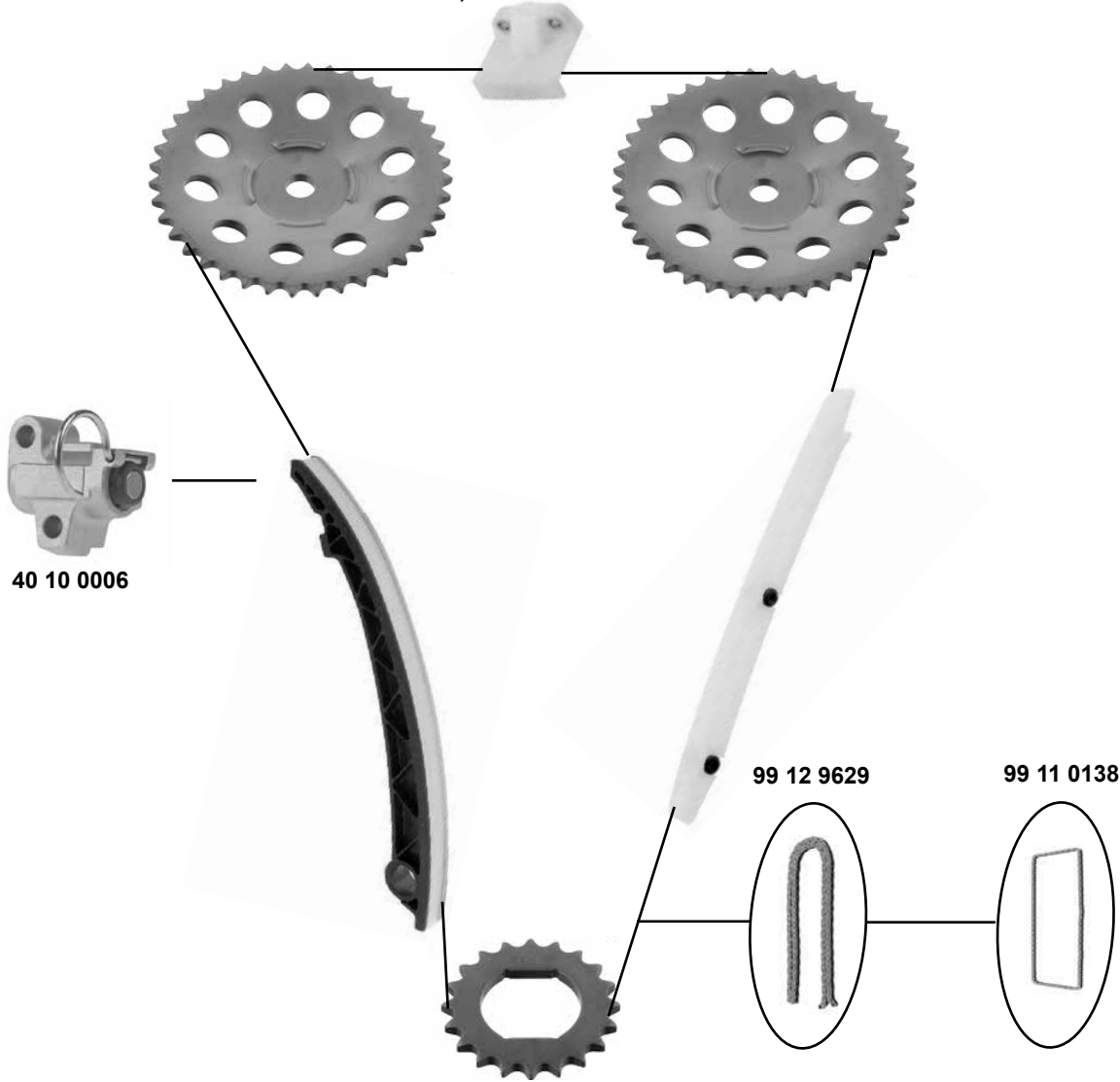


40 92 2370	1340 267	Riemenspanner / belt tensioner		70x24
40 93 4161	0636 059	Kettenspanner / chain tensioner		
99 11 0138	5636 457	Steuerkette / timing chain	(1)	130 E
99 12 9629	0637 241 S1	Steuerkette / timing chain	(2)	130 N
99 13 4162	0637 241 S2	Rep. Satz Steuerkette / rep. kit timing chain	(1)	130 E

# OPEL Agila A (00→08)

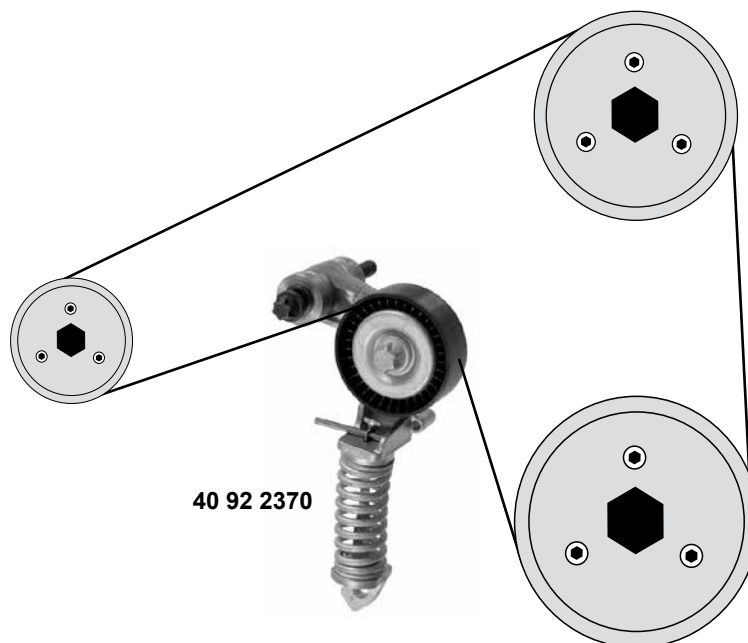


**1,0 12V / 1,2 16V**  
(Z1,0XE / Z1,0XEP / Z1,2XE / Z1,2XEP)



**1,0 12V / 1,2 16V**

(Z1,0XE / Z1,0XEP / Z1,2XE / Z1,2XEP / B1,2XEL / B1,4XEL / B1,4XER)


**40 92 2370**

- (1)** Steuerkette geschlossen / timing chain endless  
**(2)** Steuerkette offen / timing chain open  
**(3)** Steuerkette geschlossen und mit Steuerkettenradsatz / timing chain endless and with control chain wheel kit  
**(4)** Steuerkette geschlossen mit Dichtung / timing chain endless with gasket  
**(5)** Steuerkette geschlossen mit Dichtung und Steuerkettenradsatz / timing chain endless with gasket and control chain wheel kit  
**(6)** Spezialwerkzeug zur Montage notwendig / Requires special tools for mounting


**SWAG**  
 GERMANY

Ref. - No.



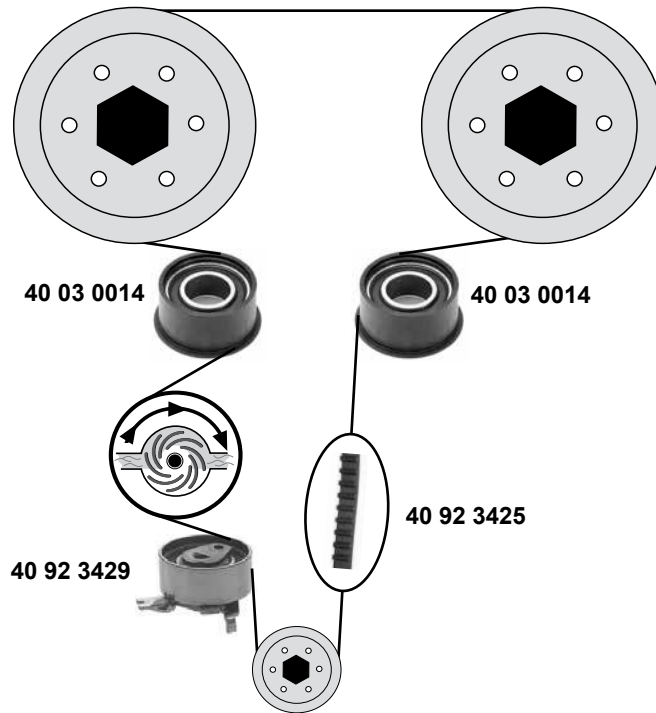
Ref. - No.				
<b>40 10 0006</b>	5636 457	Kettenspanner / chain tensioner		
<b>40 92 2370</b>	1340 267	Riemenspanner / belt tensioner		70x24
<b>99 11 0138</b>	0637 241	Steuerkette / timing chain	<b>(1)</b>	130 E
<b>99 12 9629</b>	0637 241 S1	Steuerkette / timing chain	<b>(2) (6)</b>	130 N
<b>99 13 0372</b>	6606 022 SK1	Rep. Satz Steuerkette / rep. kit timing chain	<b>(1)</b>	130 E
<b>99 13 3040</b>	6606 022	Rep. Satz Steuerkette / rep. kit timing chain	<b>(3)</b>	130 E
<b>99 13 3080</b>	6606 022 SK3	Rep. Satz Steuerkette / rep. kit timing chain	<b>(4)</b>	130 E
<b>99 13 3082</b>	6606 022 S2	Rep. Satz Steuerkette / rep. kit timing chain	<b>(5)</b>	130 E

# OPEL Antara

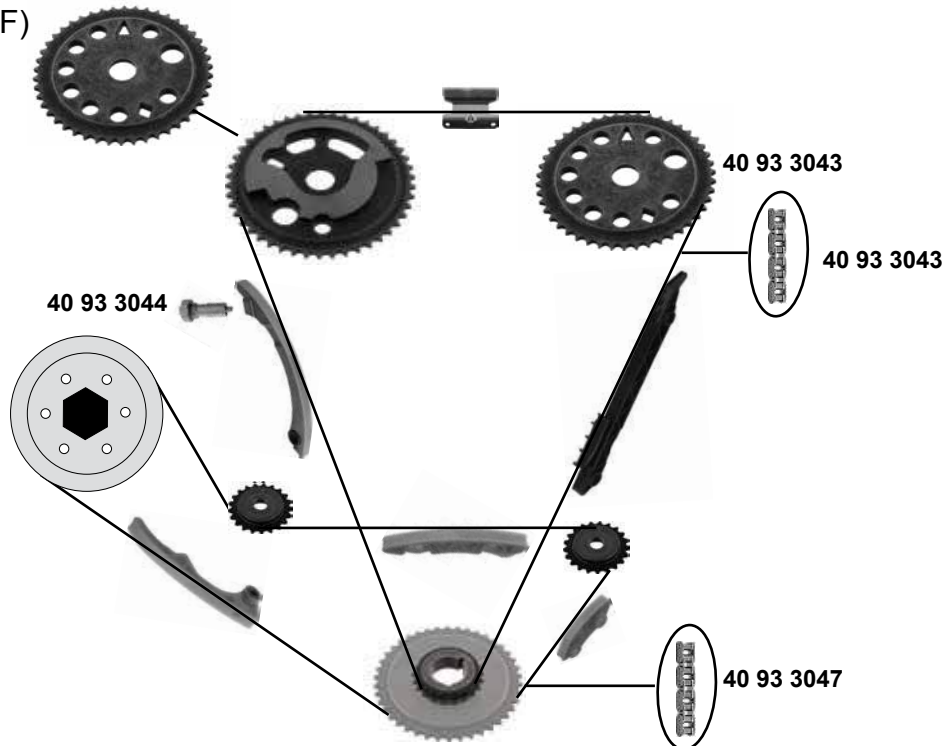
(06→)



**2,4**  
(Z 2,4 XE)



**2,4**  
(A 2,4 XE / A 2,4 XF)

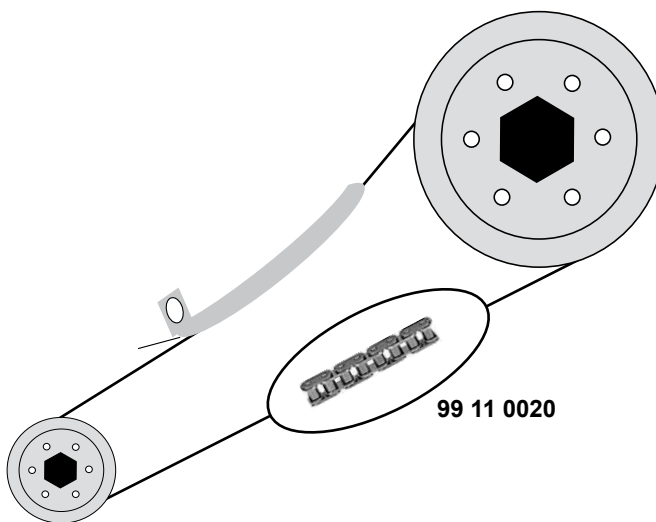


Ref. - No.

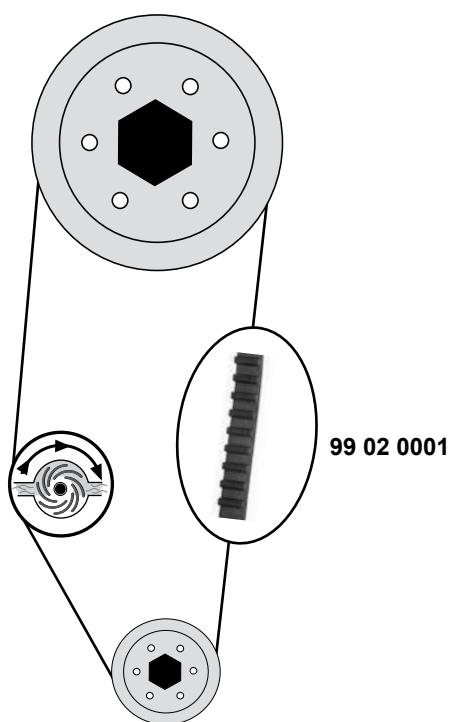


40 03 0014	5636 425	Umlenkrolle / deflection pulley	ØA 52,5 B27
40 92 3425	4805292	Zahnriemen / timing belt	Z 171
40 92 3427	1606 198	Rep. Satz Zahnriemen / rep. kit timing belt	Z 171
40 92 3429	0636 729	Spannrolle / tension roller	ØA 59 B27
40 93 3043	5636 396	Steuerkette endlos / timing chain endless	148 E
40 93 3044	4807 839	Kettenspanner / chain tensioner	
40 93 3047	5636 381	Steuerkette / timing chain	134 E

**1,2**  
(CIH)



**1,3**  
(N/S)



Ref. - No.



**99 02 0001**  
**99 11 0020**

0636 357  
0636 351

Zahnriemen / timing belt  
Steuerkette / timing chain

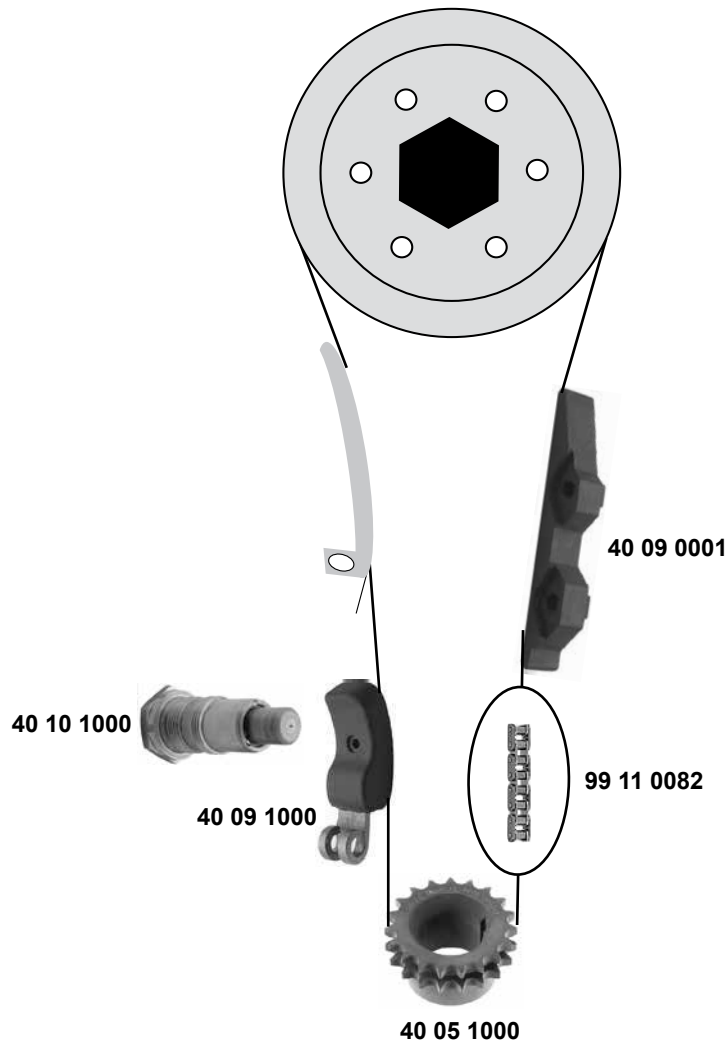
Z 104 B15  
455 /56 E

# OPEL Ascona B/ Manta B

(76→81)



**1,6→2,0**  
(CIH)



Ref. - No.



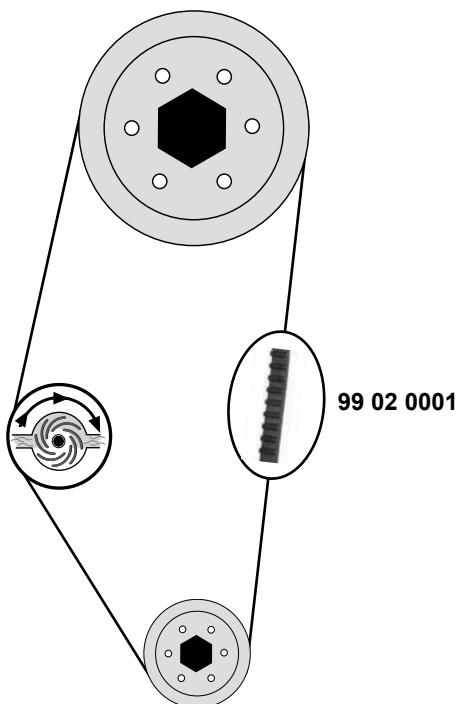
<b>40 05 1000</b>	1606 109 SK	Kurbelwellenzahnrad / crankshaft gear
<b>40 09 0001</b>	0636 812	Gleitschiene / sliding rail
<b>40 09 1000</b>	0636 700	Gleitschiene / sliding rail
<b>40 10 1000</b>	0636 377	Kettenspanner / chain tensioner
<b>99 11 0082</b>	0636 353	Steuerkette / timing chain

Z 19

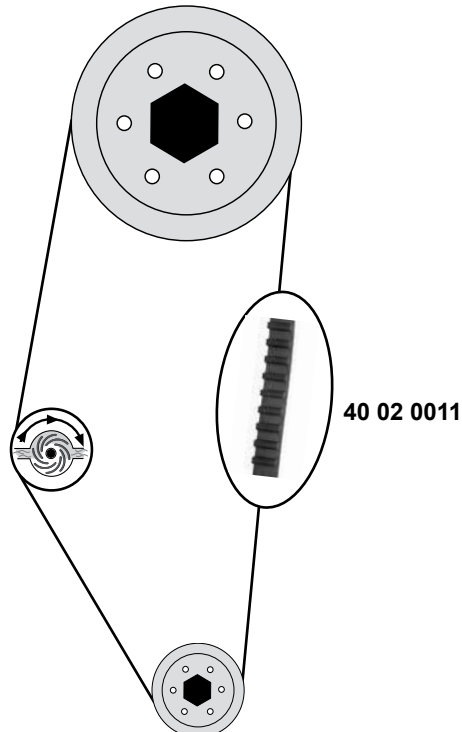
D 455 / 88 E



**1,3 / 1,3 N / 1,3 S**



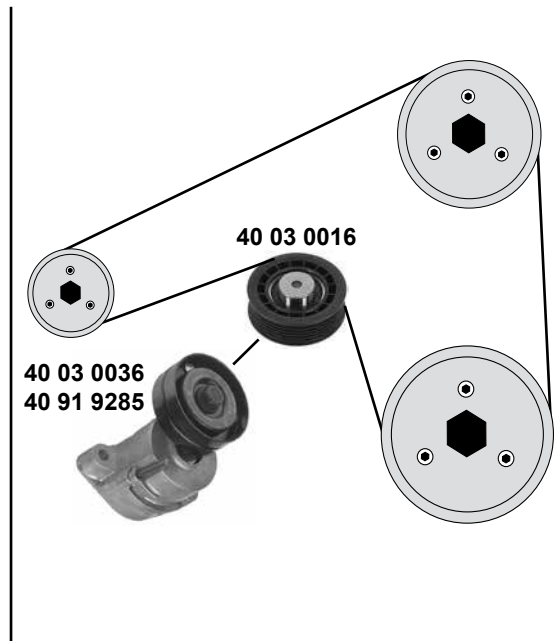
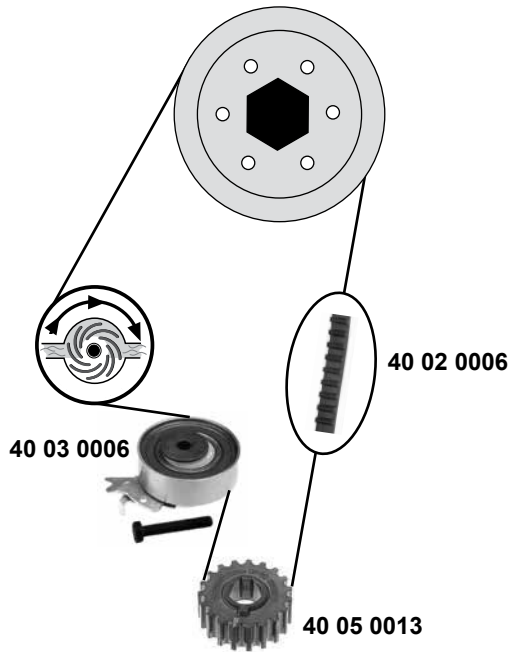
**1,6→2,0**  
 (C1,6N /S/ SH/1,8/2,0)



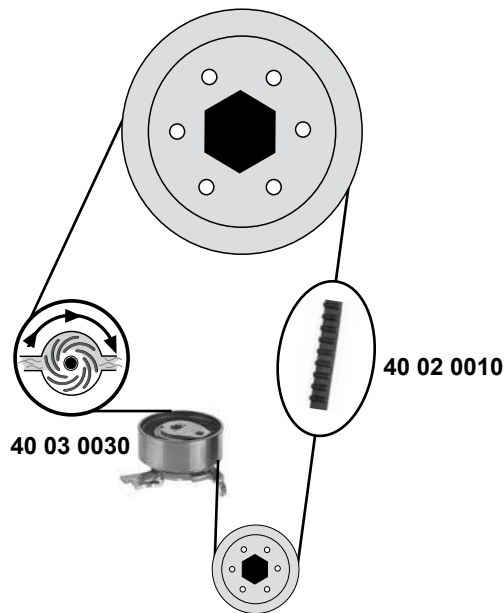
# OPEL Astra F (92→98)



## 1,4 8V / 1,6 8V (ex.) LZ2 / NZ2



## 1,6 8V (LZ2 / NZ2)



(1) (mot.) 1,4 SE: man. + AC / (ch.) → R 2642771, → R 5146295

(2) man. + AC

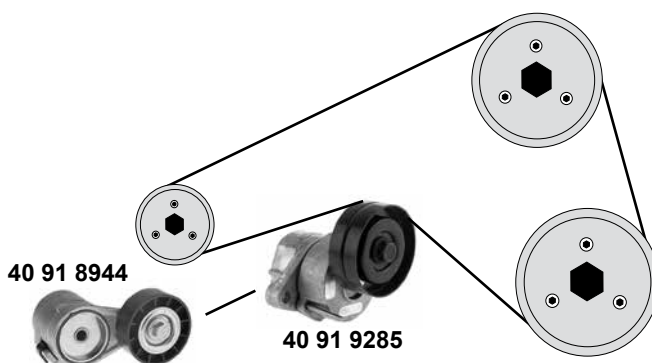
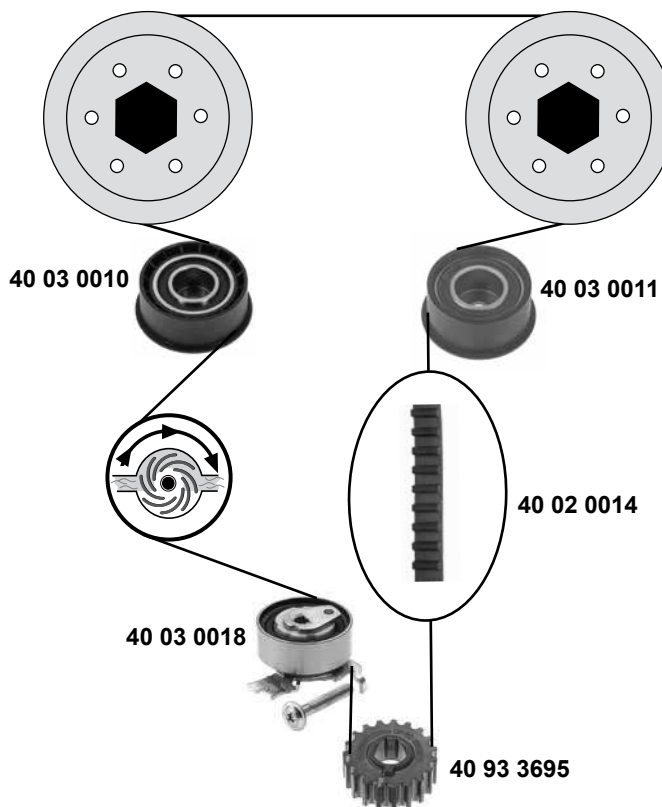


Ref. - No.



40 02 0006	5636 364	Zahnriemen / timing belt		Z 111 B17
40 02 0010	5636 562	Zahnriemen / timing belt		Z 146 B20
40 02 0027	5636 562S1	Rep. Satz Zahnriemen / rep. kit timing belt		
40 02 0030	1606 369	Rep. Satz Zahnriemen / rep. kit timing belt		
40 03 0006	5636 722	Spannrolle / tension roller		Ø59 B 19
40 03 0016	1340 535	Umlenkrolle / deflection pulley	(2)	ØA 80 B26,4
40 03 0030	5636 429	Spannrolle / tension roller		ØA 59 B22
40 03 0036	1340 533	Riemenspanner / belt tensioner	(1)	
40 05 0013	0614 526	Kurbelwellenzahnrad / crankshaft gear		
40 91 9285	6340 532	Riemenspanner / belt tensioner	(ex.) AC	

**1,4 16V / 1,6 16V**

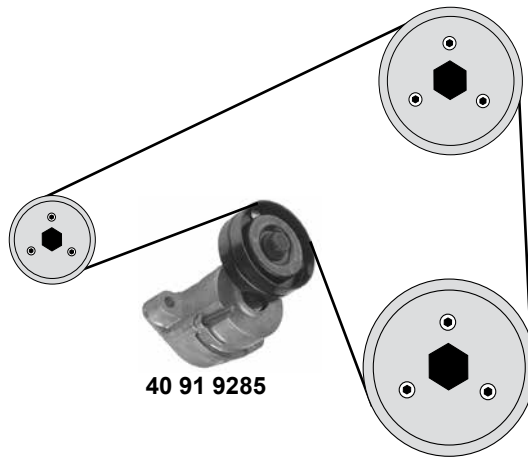
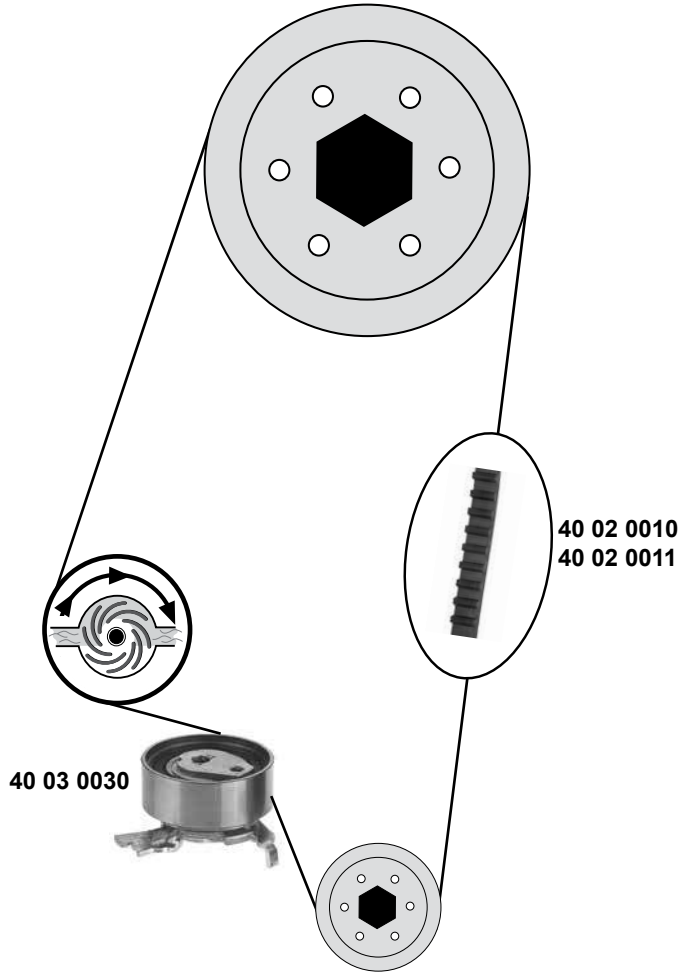


SWAG	Ref. - No.			
40 02 0014	5636 565	Zahnriemen / timing belt		Z 169 B20
40 02 0025	1606 274	Rep. Satz Zahnriemen / rep. kit timing belt		
40 03 0010	5636 455	Umlenkrolle / deflection pulley		ØA 62,5 Ø1 23
40 03 0011	5636 427	Umlenkrolle / deflection pulley		ØA 58,5 B25
40 03 0018	5636 740	Spannrolle / tension roller		ØA 59 B22
40 91 8944	1206 990	Riemenspanner / belt tensioner	man.  (ex.) AC servo  / AC	
40 91 9285	6340 532	Riemenspanner / belt tensioner		
40 92 1098	1606 190	Rep. Satz Zahnriemen / rep. kit timing belt		
40 93 3695	0614 546	Kurbelwellenzahnrad / crankshaft gear		Z 23

# OPEL Astra F (92→98)



**1,8 8V / 2,0 8V**  
(C1,8 NZ / C2,0 NE)



(1) 1,8 (mot.) → 14254438, 2,0 (mot.) → 14608700

(2) 1,8 (mot.) 14254439 →, 2,0 (mot.) 14608701 →



Ref. - No.

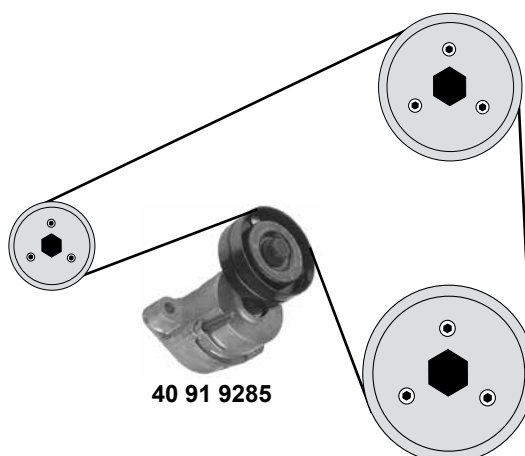
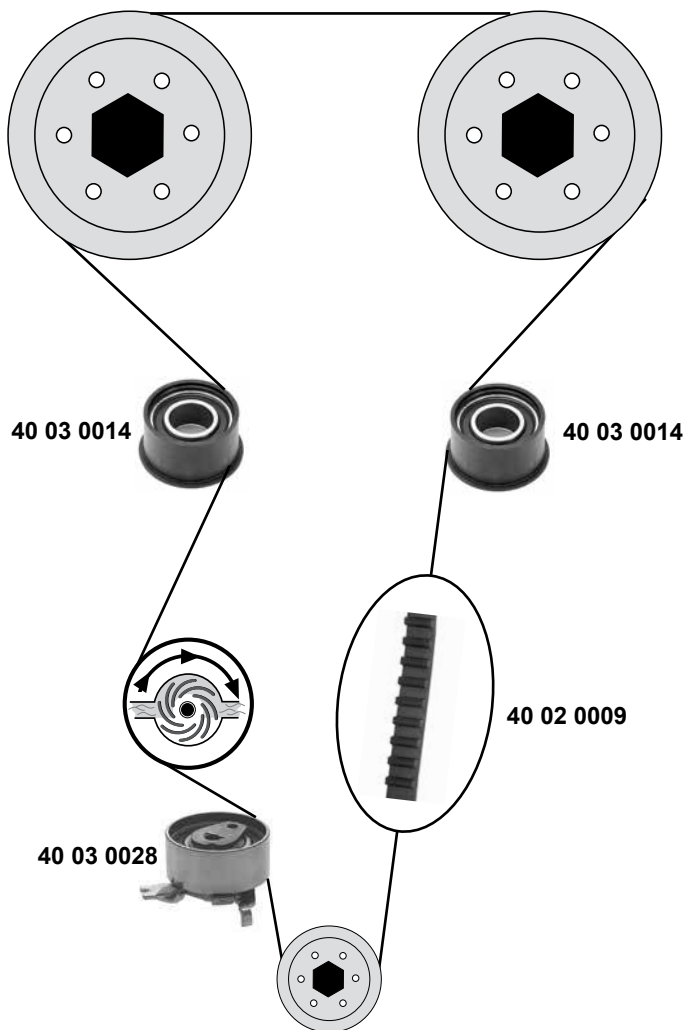


40 02 0010	5636 562
40 02 0011	0636 565
40 02 0027	5636 562S1
40 03 0030	5636 429
40 91 9285	6340 532

Zahnriemen / timing belt
Zahnriemen / timing belt
Rep. Satz Zahnriemen / rep. kit timing belt
Spannrolle / tension roller
Riemenspanner / belt tensioner

(2)
(1)
(2)
servo  + AC

Z 146 B20
Z 111 B20
ØA 59 B22



Ref. - No.



<b>40 02 0009</b>	5636 363
<b>40 02 0028</b>	1606 192
<b>40 03 0014</b>	5636 425
<b>40 03 0028</b>	5636 738
<b>40 91 9285</b>	6340 532

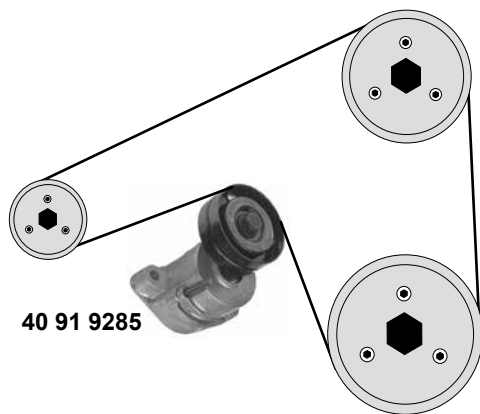
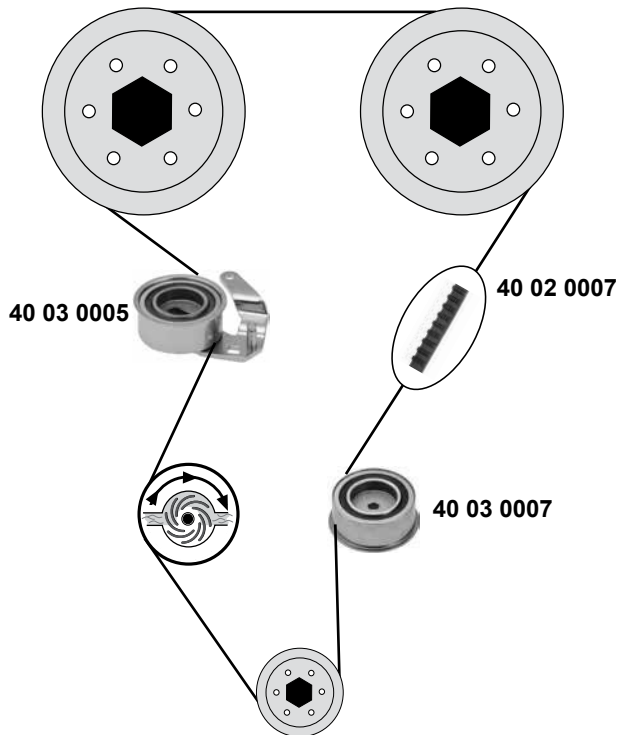
Zahnriemen / timing belt
Rep. Satz Zahnriemen / rep. kit timing belt
Umlenkrolle / deflection pulley
Spannrolle / tension roller
Riemenspanner / belt tensioner

Z 169 B24

ØA 58,5 B29,5  
ØA 59 B26

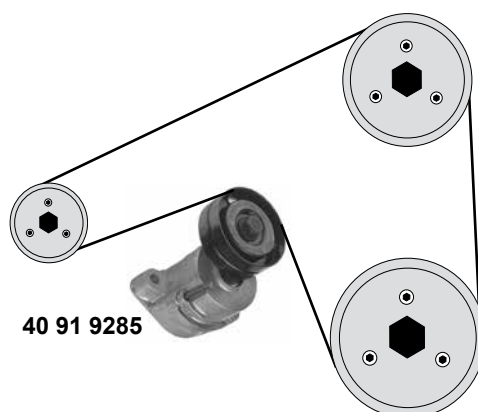
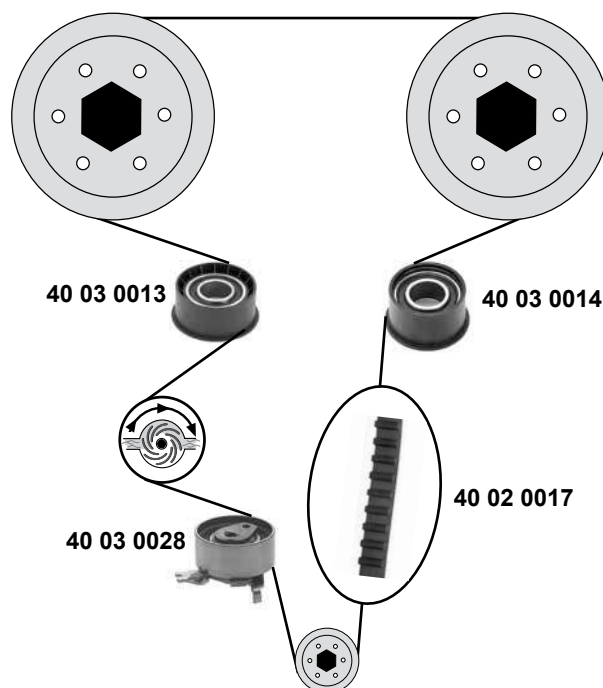
**2,0 16V**

(mot.)→14142838



	Ref. - No.			
40 02 0007	0636 567	Zahnriemen / timing belt		Z 141 B24
40 02 0021	1606 197	Rep. Satz Zahnriemen / rep. kit timing belt		
40 03 0005	0636 732	Spannrolle / tension roller		ØA 67 B27
40 03 0007	0636 423	Umlenkrolle / deflection pulley		ØA 67 B27
40 91 9285	6340 532	Riemenspanner / belt tensioner		

(mot.) 14142839→



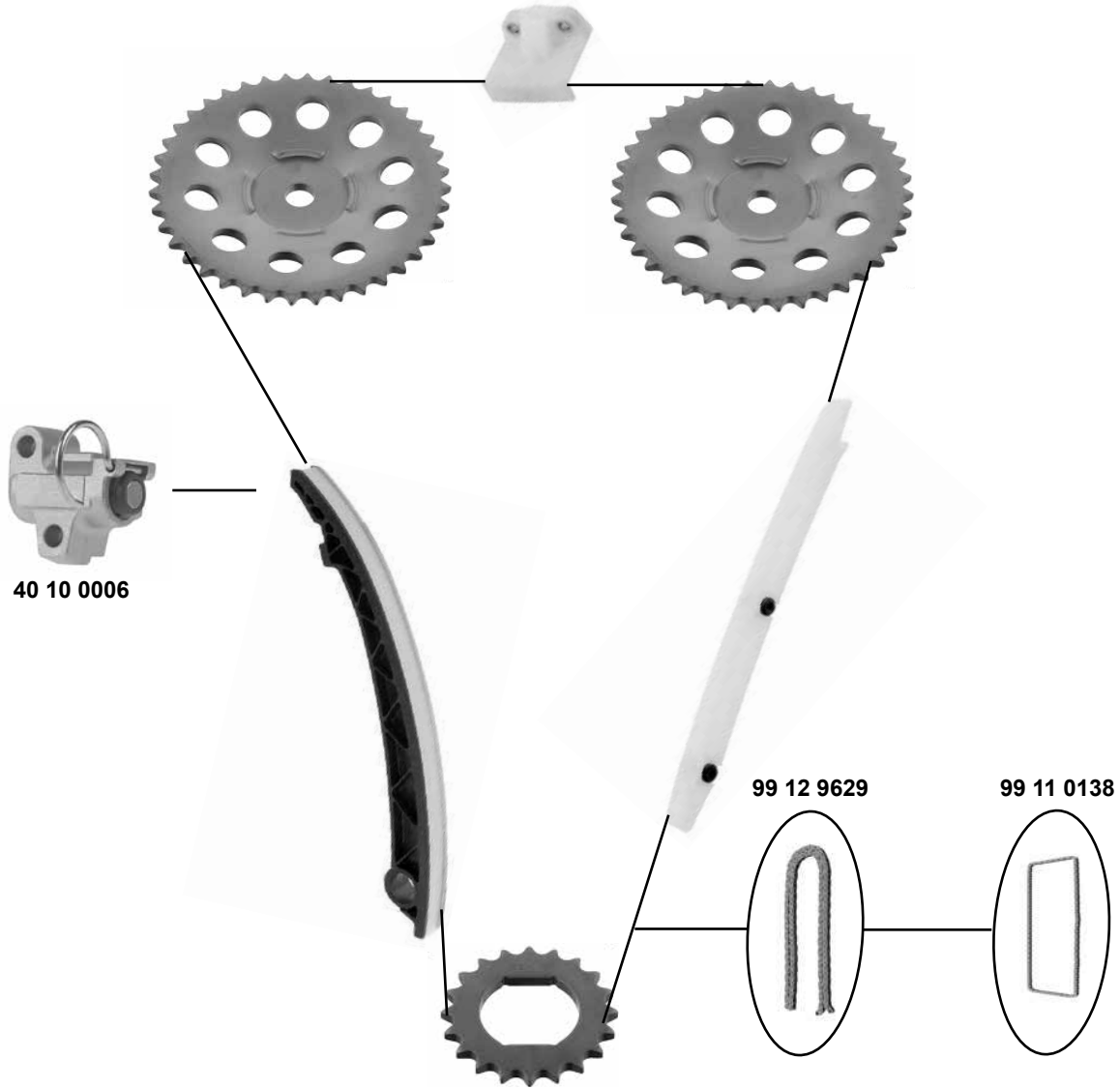
# OPEL Astra G

(98→04)



## 1,2 / 1,4

( X1,2XE / Z1,2XE / Z1,4XEP )



Rep. Satz / rep. kit

**SWAG 99 13 0372**

Rep. Satz / rep. kit

**SWAG 99 13 3040**

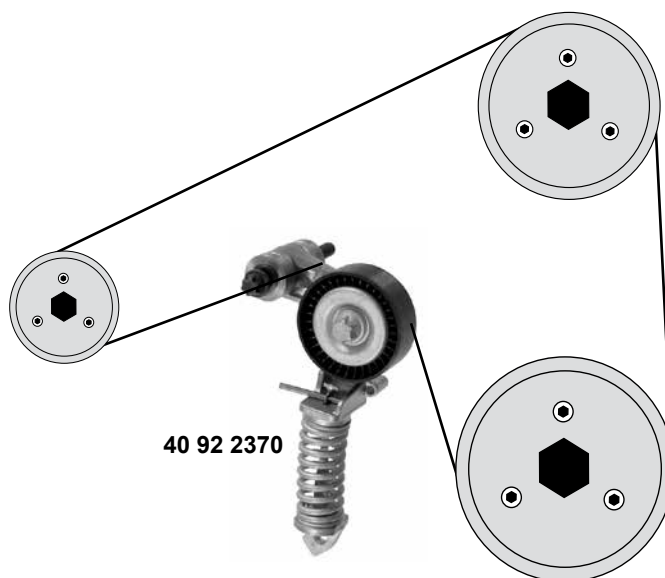
Rep. Satz / rep. kit

**SWAG 99 13 3080**

Rep. Satz / rep. kit

**SWAG 99 13 3082**





40 92 2370



- (1) Steuerkette geschlossen / timing chain endless
- (2) Steuerkette offen / timing chain open
- (3) Steuerkette geschlossen und mit Steuerkettenradsatz / timing chain endless and with control chain wheel kit
- (4) Steuerkette geschlossen mit Dichtung / timing chain endless with gasket
- (5) Steuerkette geschlossen mit Dichtung und Steuerkettenradsatz / timing chain endless with gasket and control chain wheel kit
- (6) Spezialwerkzeug zur Montage notwendig / Requires special tools for mounting



Ref. - No.



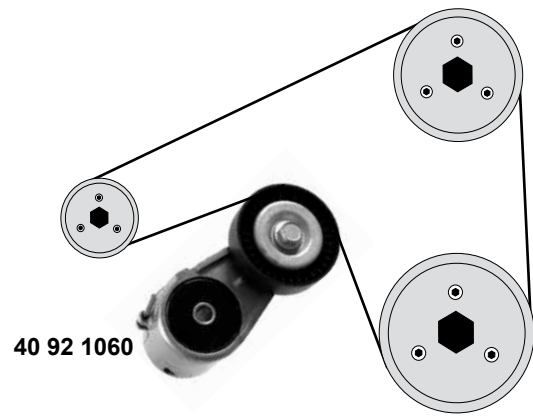
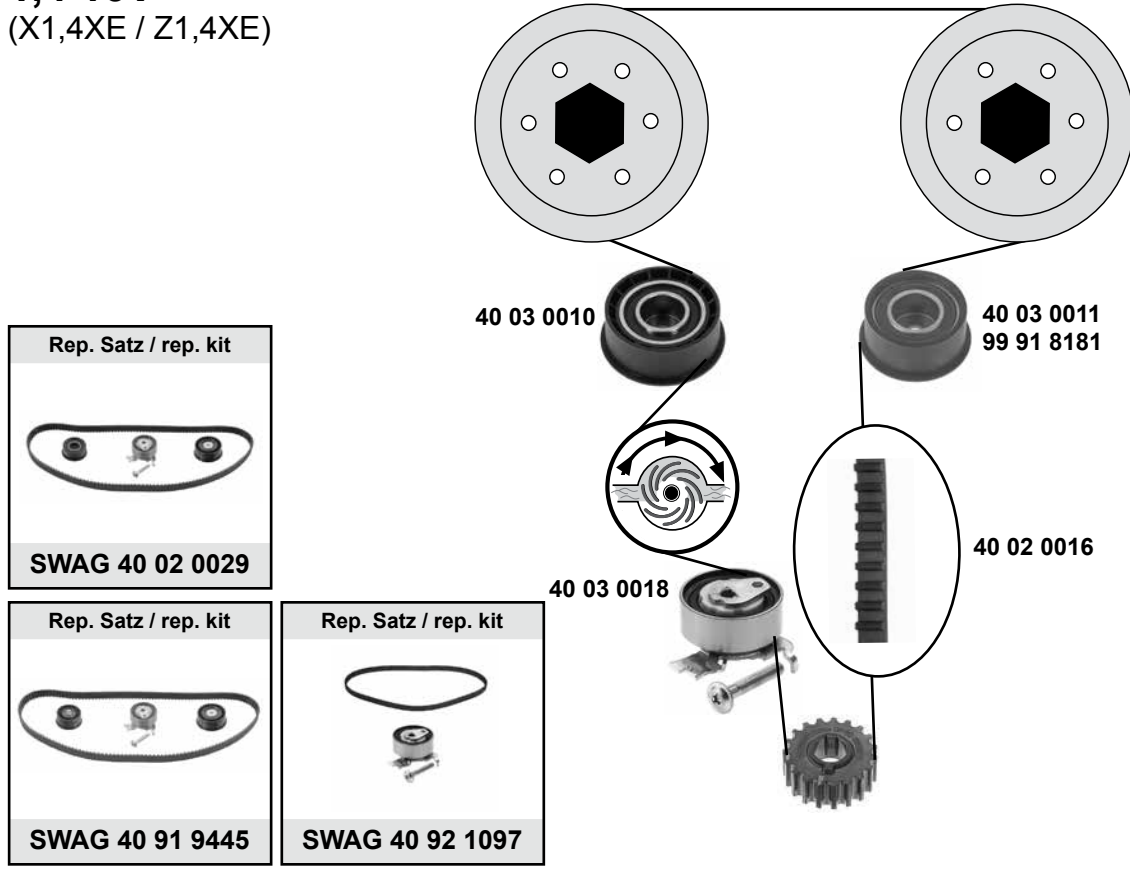
Ref. - No.	Ref. - No.	Description	Notes	Dimensions
40 10 0006	5636 457	Kettenspanner / chain tensioner		
40 92 2370	1340 267	Riemenspanner / belt tensioner		70x24
99 11 0138	0637 241	Steuerkette / timing chain	(1)	130 E
99 12 9629	0637 241 S1	Steuerkette / timing chain	(2) (6)	130 N
99 13 0372	6606 022 SK1	Rep. Satz Steuerkette / rep. kit timing chain	(1)	130 E
99 13 3040	6606 022	Rep. Satz Steuerkette / rep. kit timing chain	(3)	130 E
99 13 3080	6606 022 SK3	Rep. Satz Steuerkette / rep. kit timing chain	(4)	130 E
99 13 3082	6606 022 S2	Rep. Satz Steuerkette / rep. kit timing chain	(5)	130 E

# OPEL Astra G

(98→04)

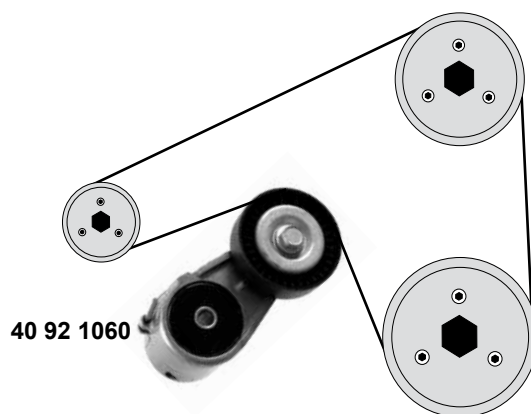
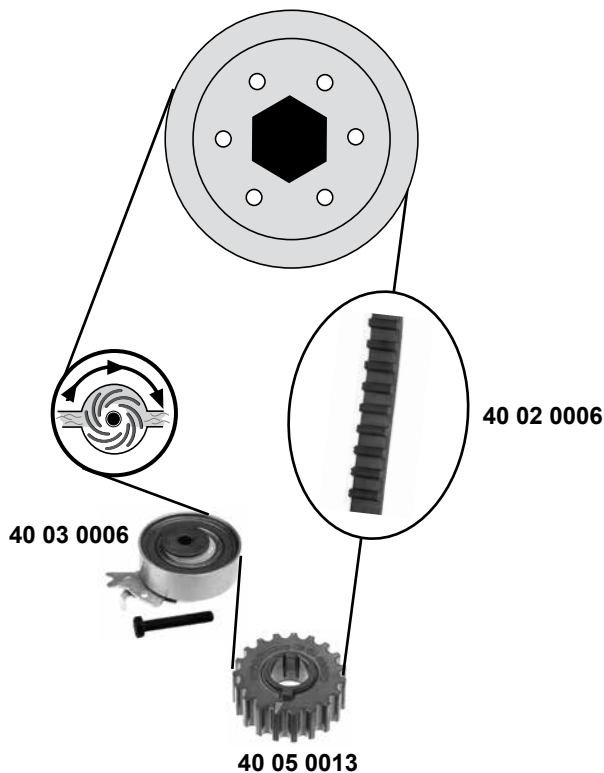


**1,4 16V**  
(X1,4XE / Z1,4XE)



- (1) (mot.) 02HL5118 → 200416911 →
- (2) (mot.) →02HL5117 → 20041690

SWAG GERMANY	Ref. - No.			
40 02 0016	5636 564	Zahnriemen / timing belt		Z 162 B20
40 02 0029	1606 281	Rep. Satz Zahnriemen / rep. kit timing belt	(2)	
40 03 0010	5636 455	Umlenkrolle / deflection pulley		ØA 62,5
40 03 0011	5636 427	Umlenkrolle / deflection pulley	(2)	52,5/58x 8/24x 22/25
40 03 0018	0636 654	Spannrolle / tension roller		ØA 59 B22
40 91 9445	1606 306	Rep. Satz Zahnriemen / rep. kit timing belt	(1)	
40 92 1060	1340 555	Riemenspanner / belt tensione		
40 92 1097	1606 189	Rep. Satz Zahnriemen / rep. kit timing belt		
40 93 3695	0614 546	Kurbelwellenzahnrad / crankshaft gear		Z 23
99 91 8181	5636 454	Umlenkrolle / deflection pulley	(1)	ØA 52,5 B27



Ref. - No.



40 02 0006	5636 364
40 02 0030	1606 369
40 03 0006	5636 722
40 05 0013	0614 526
40 92 1060	1340 555

Zahnriemen / timing belt
Rep. Satz Zahnriemen / rep. kit timing belt
Spannrolle / tension roller
Kurbelwellenzahnrad / crankshaft gear
Riemenspanner / belt tensioner

Z 111 B17
Ø59 B19
Z 19

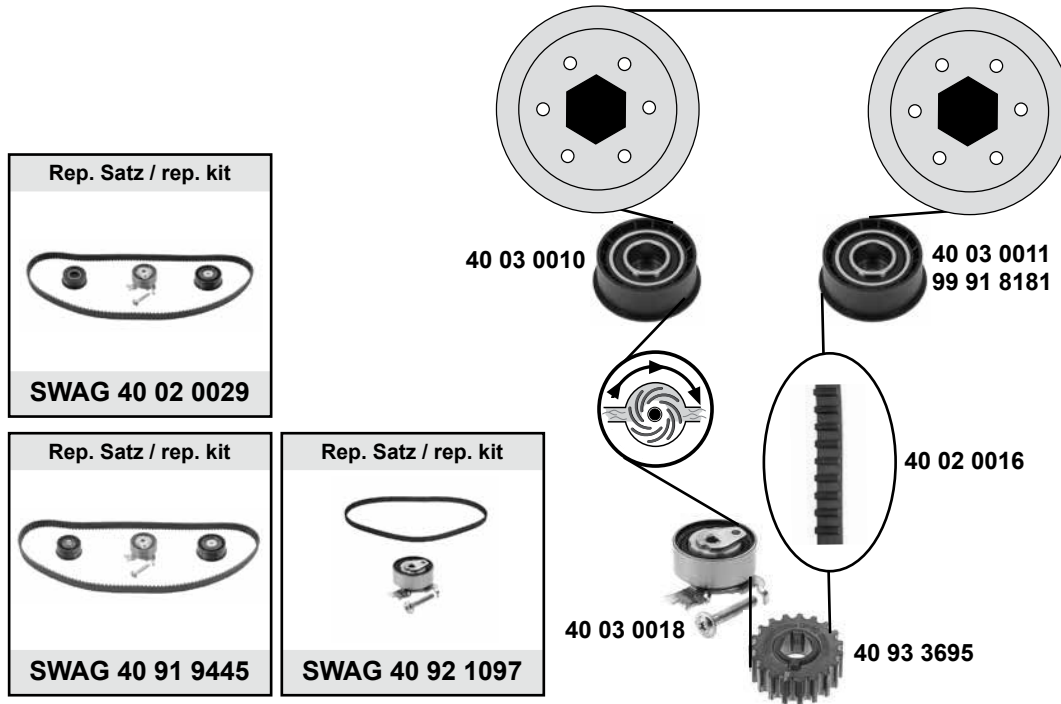
# OPEL Astra G

(98→04)



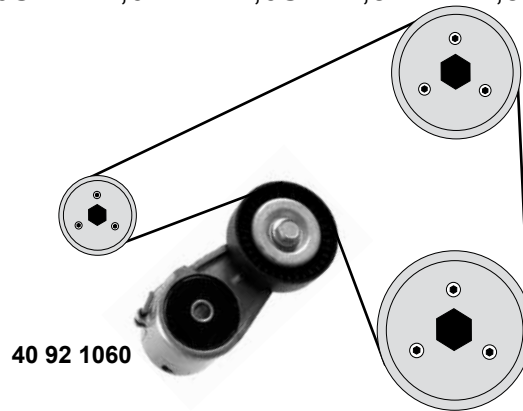
## 1,6 16V / 1,8 16V

(Z1,6YNG/Z1,6XE/Z1,6XEP/Z1,6XEL/C1,6SEL/X1,6XEL/X1,8XE1/Z1,8XE/Z1,8XEL,X1,8XE1)



## 1,6 16V / 1,8 16V

(Z1,6YNG/Z1,6XE/Z1,6SZR//C1,6SEL/X1,6XEL/Z1,6SEX1,8XE1/Z1,8XE/Z1,8XEL)



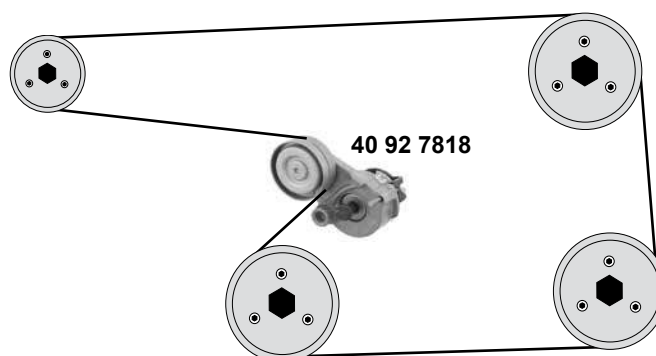
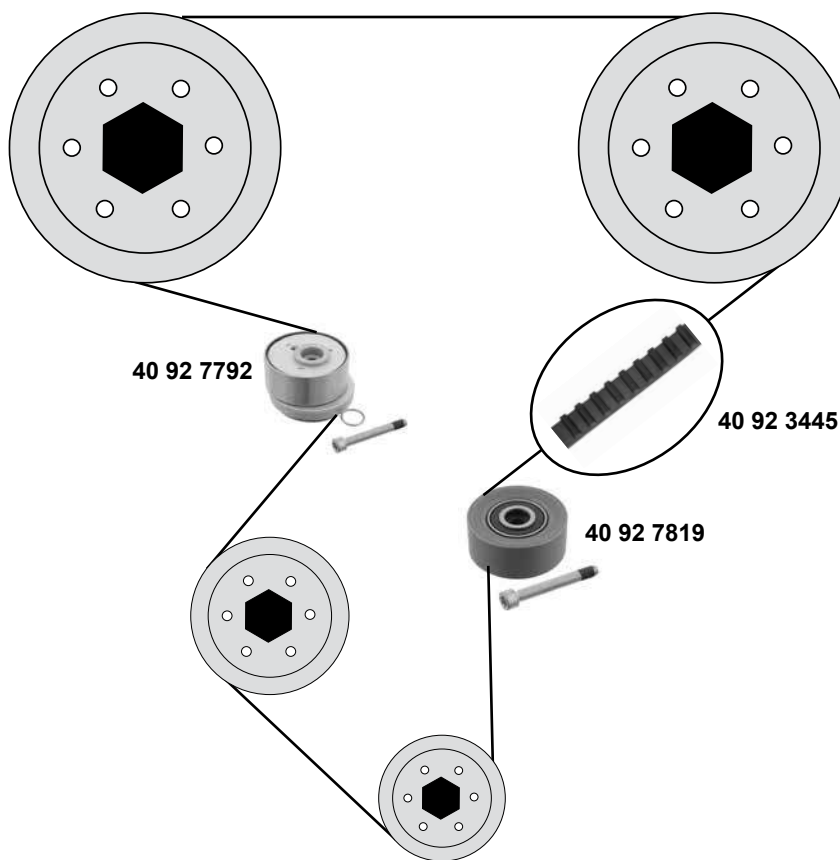
- (1) (mot.) C1,6SEL/Z1,6XEX1,6XEL/X1,8XE1/Z1,8XE (mot.)02HL5118→, 200416911→
- (2) (mot.)→02HL5117,→20041690 / (ex.) X1,8XE1
- (3) (mot.) Z1,6XE/X1,6XEL/Z1,8XEL/X1,8XE1/Z1,6YNG
- (4) (ex.) C1,6SEL / X1,8XE1



Ref. - No.



Ref. - No.	Description	Quantity	Notes
40 02 0016	Zahnriemen / timing belt	(ex.) X1,8XE1	Z 162 B20
40 02 0029	Rep. Satz Zahnriemen / rep. kit timing belt	(2) (ex.) C1,6SEL	
40 03 0010	Umlenkrolle / deflection pulley	(ex.) X1,8XE1	ØA 62,5
40 03 0011	Umlenkrolle / deflection pulley	(2) (ex.) C1,6SEL	52,5/58x 8/24x 22/25
40 03 0018	Spannrolle / tension roller	(ex.) X1,8XE1	ØA 59 B22
40 91 9445	Rep. Satz Zahnriemen / rep. kit timing belt	(1) (ex.) X1,8XE1	
40 92 1060	Riemenspanner / belt tensioner	(4)	
40 92 1097	Rep. Satz Zahnriemen / rep. kit timing belt	(3)	
40 93 3695	Kurbelwellenzahnrad / crankshaft gear	(ex.) Z1,6XEL	Z 23
99 91 8181	Umlenkrolle / deflection pulley	(ex.) X1,8XE1	ØA 52,5 B27



	Ref. - No.			
40 92 3445	5636 452	Zahnriemen / timing belt	(mot.) Z 1,6 XEP	Z 146 B24 ØA66 ØI8 B29
40 92 7792	5636 486	Spannrolle / tension roller	(mot.) Z 1,6 XEP	ØA 63
40 92 7818	1340 268	Riemenspanner / belt tensioner	(mot.) Z 1,6 XEP	ØA 61 B28
40 92 7819	5636 978	Umlenkrolle / deflection pulley	(mot.) Z 1,6 XEP	Z 146 B24
40 92 7825	1606 314	Rep. Satz Zahnriemen / rep. kit timing belt	(mot.) Z 1,6 XEP	

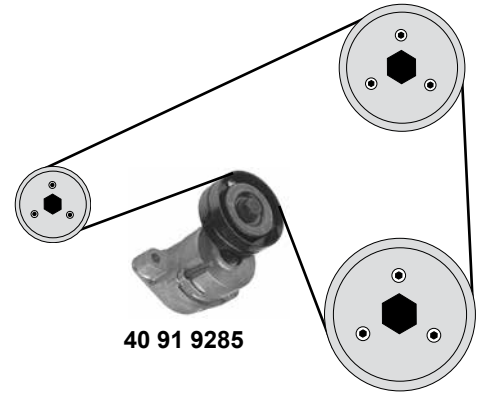
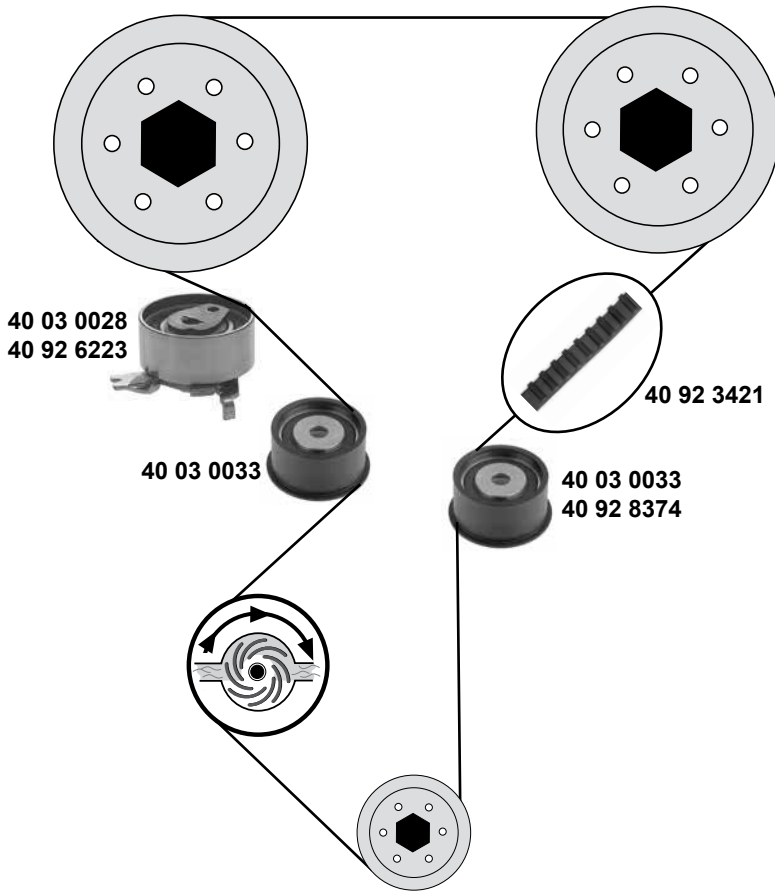
# OPEL Astra G

(98→04)

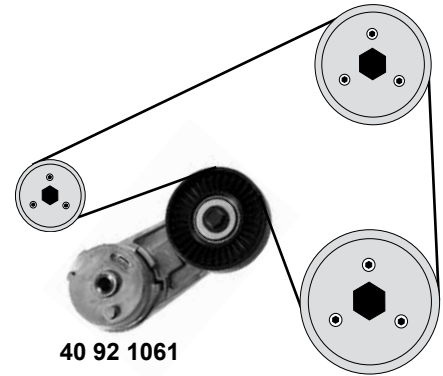


## 2,0 16V

(X 2,0XEV, X 2,0XER / Z2,0 LET)



## 2,2 16V (Z 2,2 SE)

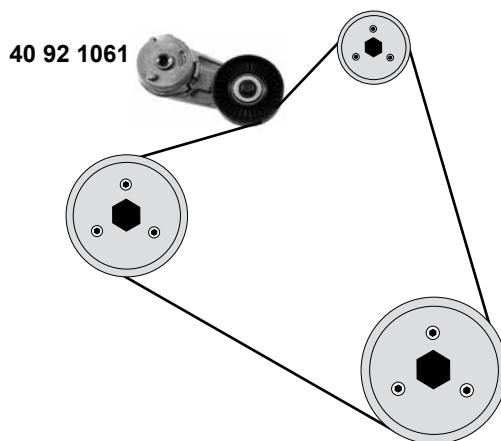
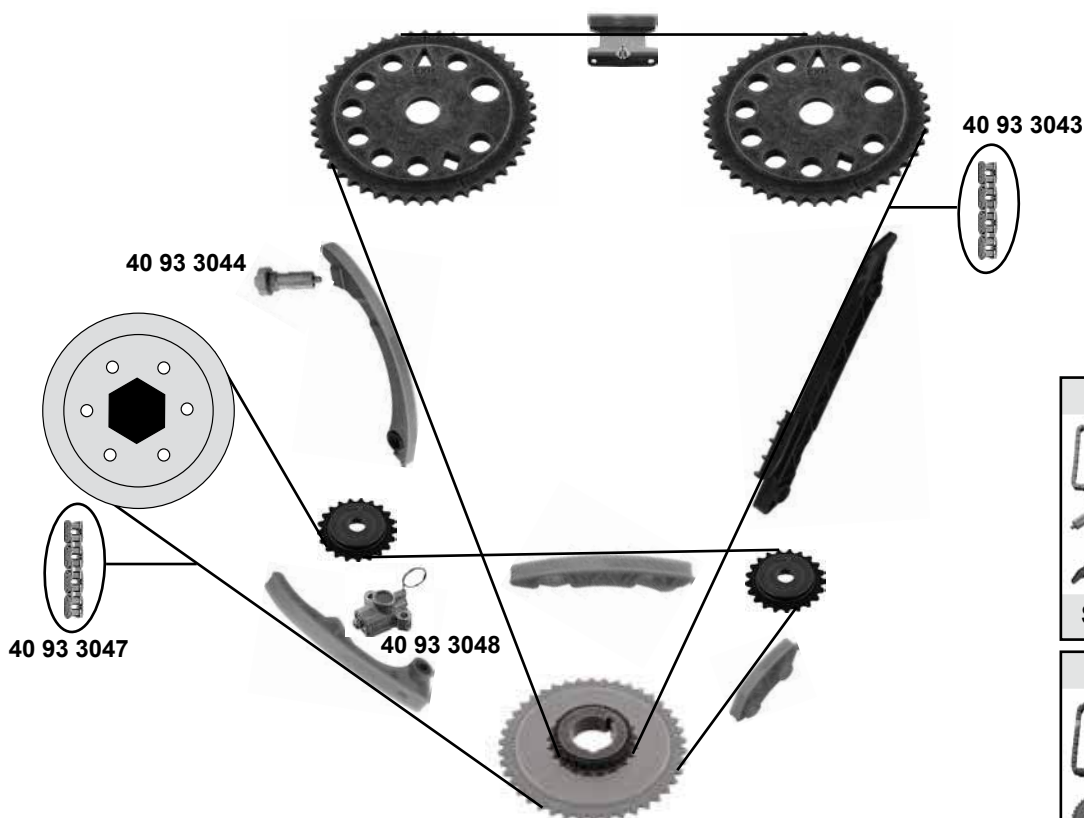


Rep. Satz / rep. kit	Rep. Satz / rep. kit	Rep. Satz / rep. kit
<b>SWAG 40 92 3423</b>	<b>SWAG 40 92 6224</b>	<b>SWAG 40 92 8375</b>

- (1) (ex.) (mot.) Z 2,0 LET / X 2,0 XER
- (2) (mot.) Z 2,0 LET→3299999, 35999999, 36999999, 38999999, 3B9999999, 3H999999 / (mot.) Z 2,0 XER alle / all
- (3) (mot.) Z 2,0 LET 42000001 ,45000001,48000001, 4B000001, 4H000001→
- (4) (ex.) (mot.) Z 2,0 LET 42000001 ,45000001,48000001, 4B000001, 4H000001→nur Auslaßseite / only exhaust side (mot.) Z 2,0 XER alle / all (mot.)→ 02HL5117 →20041690



SWAG GERMANY	Ref. - No.			
40 03 0028	5636 738	Spannrolle / tension roller	(1)	ØA 59 B26
40 03 0033	5636 423	Umlenkrolle / deflection pulley	(4)	ØA 54 B29,3
40 91 9285	6340 532	Riemenspanner / belt tensioner	AC	
40 92 1061	0614 533	Riemenspanner / belt tensioner		
40 92 3421	5636 566	Zahnriemen / timing belt		Z 168 B24
40 92 3423	1606 194	Rep. Satz Zahnriemen / rep. kit timing belt		Z 168 B24
40 92 6223	5636 746	Spannrolle / tension roller	(2)	ØA 59 B 26
40 92 6224	1606 196	Rep. Satz Zahnriemen / rep. kit timing belt	(2)	Z 168 B24
40 92 8374	5636 449	Umlenkrolle / deflection pulley	(3)	
40 92 8375	1606 305	Rep. Satz Zahnriemen / rep. kit timing belt	(3)	Z 168



	Ref. - No.			
<b>40 92 1061</b>	0614 533	Riemenspanner / belt tensioner		
<b>40 93 3043</b>	5636 396	Steuerkette endlos / timing chain endless		148 E
<b>40 93 3044</b>	4807 839	Kettenspanner / chain tensioner		
<b>40 93 3047</b>	5636 381	Steuerkette endlos / timing chain endless		134 E
<b>40 93 3048</b>	5636 380	Kettenspanner / chain tensioner		
<b>99 13 3045</b>	5636 400	Rep. Satz Steuerkette / rep. kit timing chain		148 E
<b>99 13 3046</b>	0615 418	Rep. Satz Steuerkette / rep. kit timing chain		134 E



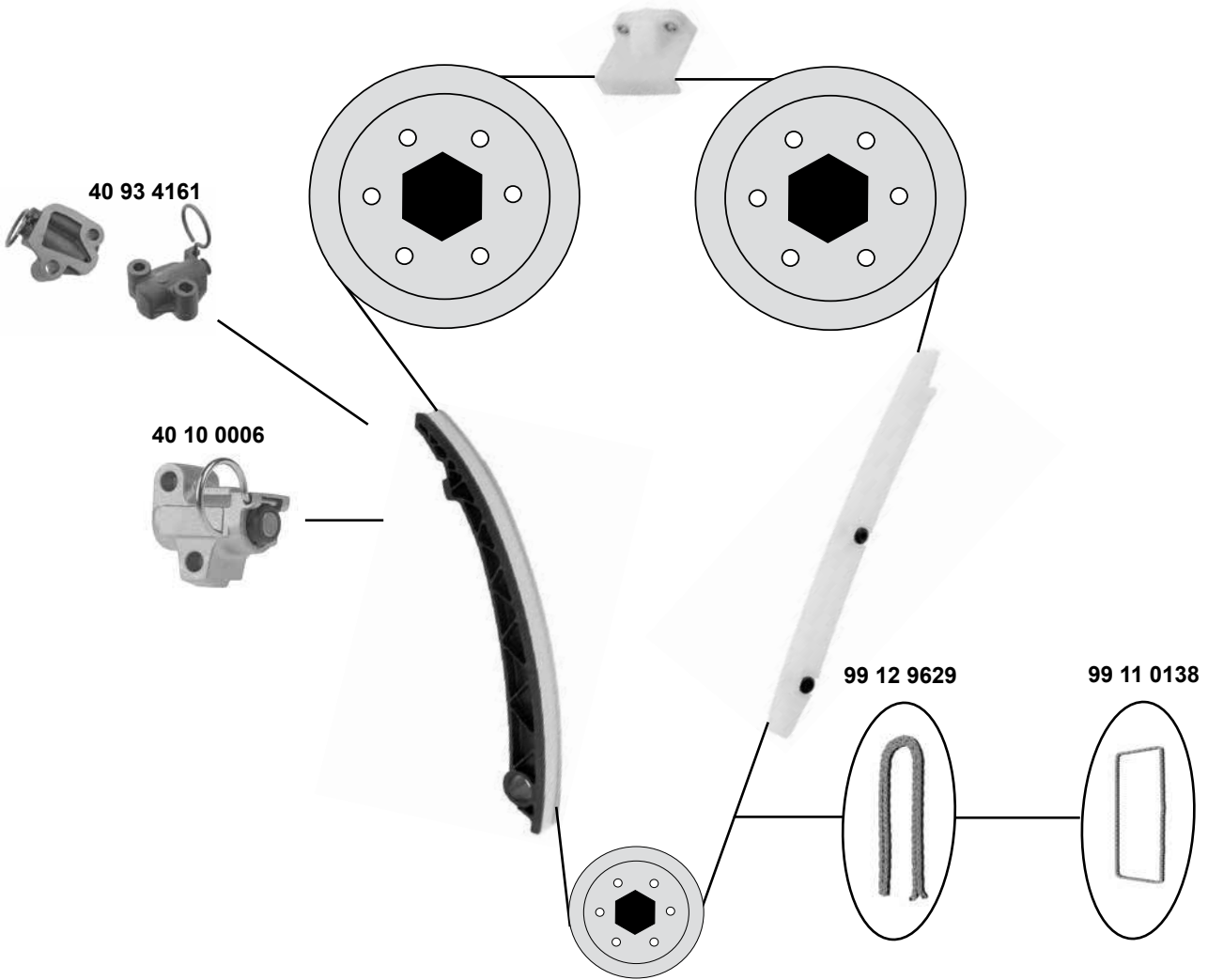
# OPEL Astra H

(04→09)



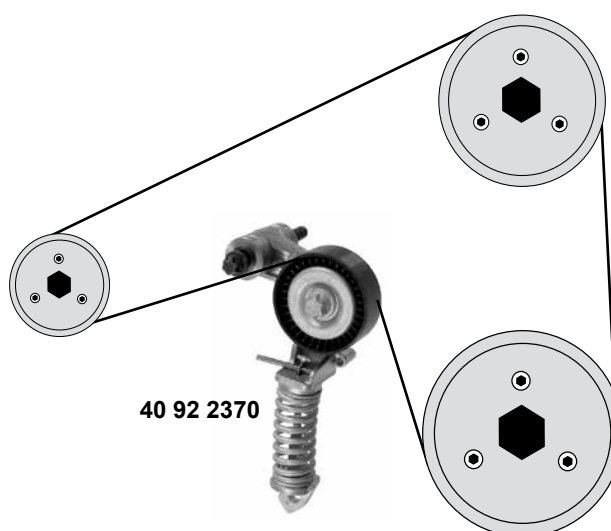
**1,2 / 1,4**

(Z1,2XE / Z 1,4 XEL / Z1,4XEP)



Rep. Satz / rep. kit	Rep. Satz / rep. kit	Rep. Satz / rep. kit	Rep. Satz / rep. kit	Rep. Satz / rep. kit
<b>SWAG 99 13 0372</b>	<b>SWAG 99 13 3040</b>	<b>SWAG 99 13 3080</b>	<b>SWAG 99 13 3082</b>	<b>SWAG 99 13 4162</b>



**1,2 / 1,4**  
 (Z 1,2 XEP / Z 1,4 XEL / Z 1,4 XEP)


- (1)** Steuerkette geschlossen / timing chain endless  
**(2)** Steuerkette offen / timing chain open  
**(3)** Steuerkette geschlossen und mit Steuerkettenradsatz / timing chain endless and with control chain wheel kit  
**(4)** Steuerkette geschlossen mit Dichtung / timing chain endless with gasket  
**(5)** Steuerkette geschlossen mit Dichtung und Steuerkettenradsatz / timing chain endless with gasket and control chain wheel kit  
**(6)** Spezialwerkzeug zur Montage notwendig / requires special tools for mounting  
**(7)** (mot.) Z 1,4 XEP → (mot) 19TR2328  
**(8)** (mot.) Z 1,4 XEP (mot) 19TR2329 →



Ref. - No.



SWAG	Ref. - No.			
40 10 0006	5636 457	Kettenspanner / chain tensioner	(7)	
40 92 2370	1340 267	Riemenspanner / belt tensioner		70x24
40 93 4161	0636 059	Kettenspanner / chain tensioner	(8)	
99 11 0138	0637 241	Steuerkette / timing chain	(1)	130 E
99 12 9629	0637 241 S1	Steuerkette / timing chain	(2) (6)	130 N
99 13 0372	6606 022 SK1	Rep. Satz Steuerkette / rep. kit timing chain	(1) (7)	130 E
99 13 3040	6606 022	Rep. Satz Steuerkette / rep. kit timing chain	(3) (7)	130 E
99 13 3080	6606 022 SK3	Rep. Satz Steuerkette / rep. kit timing chain	(4) (7)	130 E
99 13 3082	6606 022 S2	Rep. Satz Steuerkette / rep. kit timing chain	(5) (7)	130 E
99 13 4162	0637 241 S2	Rep. Satz Steuerkette / rep. kit timing chain	(1) (8)	130 E

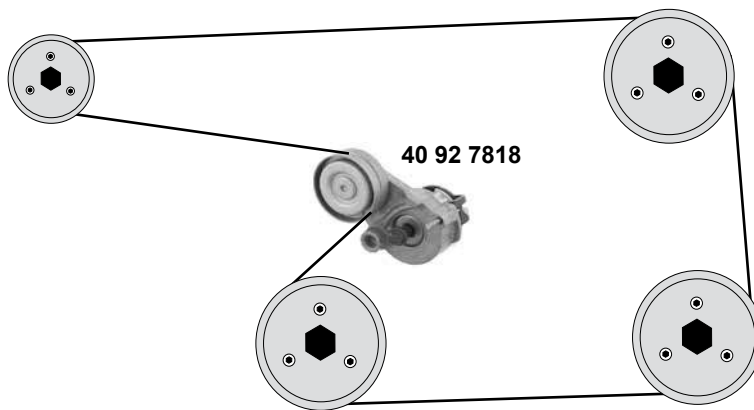
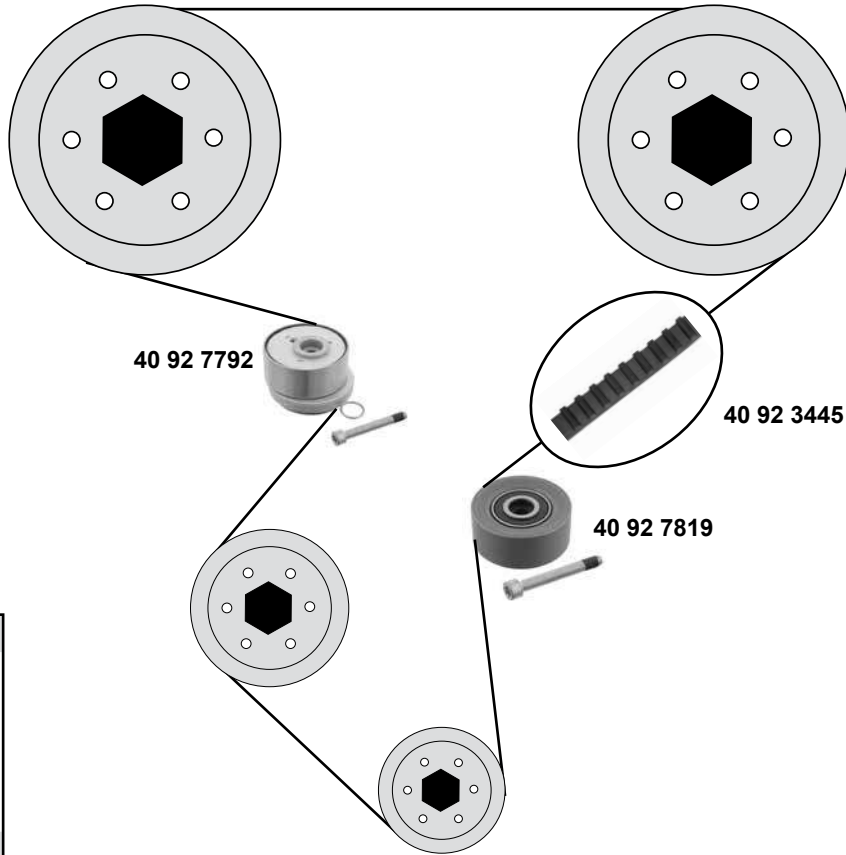
# OPEL Astra H

(04→)



## 1,6 16V / 1,8 16V

(A1,6LET / Z1,6XEP / Z1,6LET / Z1,6XE1 / A1,6XER / Z1,6XER / A1,8XER / Z1,8XER)



(1) (mot.) Z1,6XEP / Z1,6LET / Z1,6XE1 / Z1,6XER / Z1,8XER



Ref. - No.



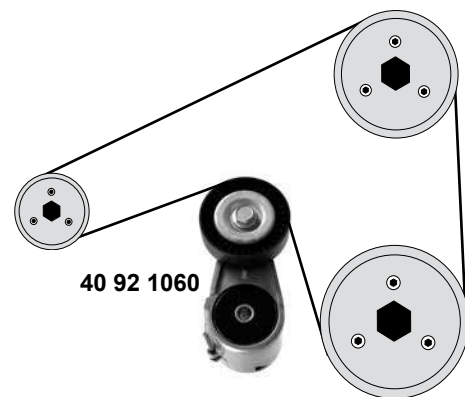
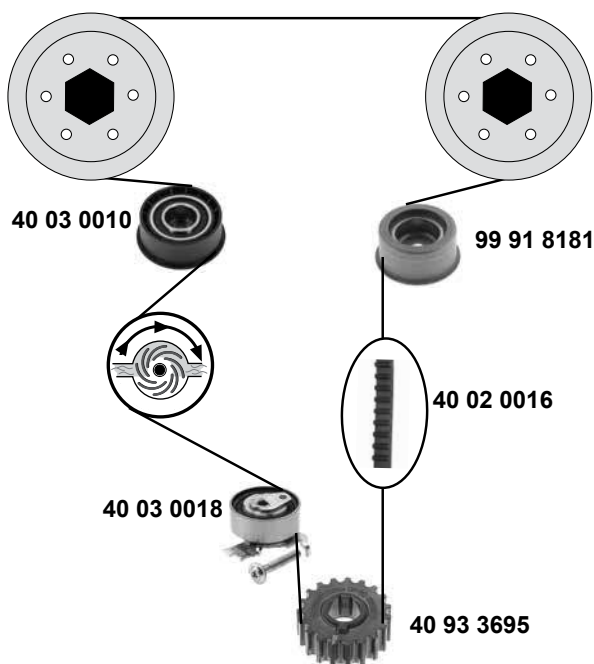
40 92 3445	5636 452	Zahnriemen / timing belt	(1)	Z 146 B24
40 92 7792	5636 486	Spannrolle / tension roller	(ex.) A1,6 XER	ØA66 Ø18 B29
40 92 7818	1340 268	Riemenspanner / belt tensioner		ØA 63
40 92 7819	5636 978	Umlenkrolle / deflection pulley		ØA 61 B 28
40 92 7825	1606 314	Rep. Satz Zahnriemen / rep. kit timing belt		Z 146 B24



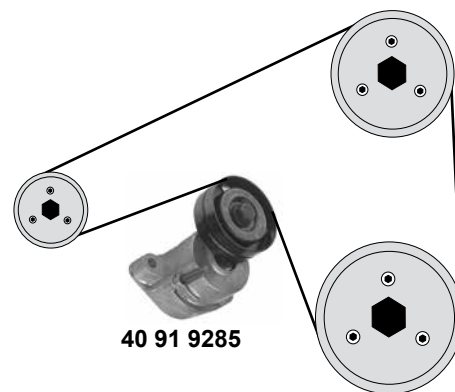
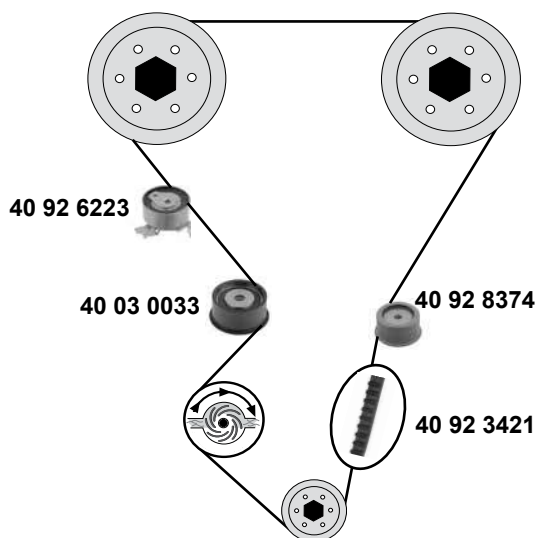
# OPEL Astra H

(04→)

**1,8 16V**  
(Z1,8 XE)



**2,0 16V**  
(Z 2,0 LEL, Z 2,0 LEH, Z 2,0 LER)



Ref. - No.



40 02 0016	5636 564	Zahnriemen / timing belt	Z 162 B20
40 03 0010	5636 455	Umlenkrolle / deflection pulley	ØA 62,5 Ø1 23
40 03 0018	0636 654	Spannrolle / tension roller	ØA 59 B22
40 03 0033	5636 423	Umlenkrolle / deflection pulley	ØA 54 B29,3
40 91 9285	6340 532	Riemenspanner / belt tensioner	
40 91 9445	1606 306	Rep. Satz Zahnriemen / rep. kit timing belt	Z 162 B20
40 92 1060	1340 555	Riemenspanner / belt tensioner	
40 92 1097	1606 189	Rep. Satz Zahnriemen / rep. kit timing belt	Z 162 B20
40 92 3421	5636 566	Zahnriemen / timing belt	Z 168 B24
40 92 6223	5636 746	Umlenkrolle / deflection pulley	ØA 59 B26
40 92 8374	5636 449	Umlenkrolle / deflection pulley	ØA 54 Ø110
40 92 8375	1606 305	Rep. Satz Zahnriemen / rep. kit timing belt	Z 168 B24
40 93 3695	0614 546	Kurbelwellenzahnrad / crankshaft gear	Z 23
99 91 8181	5636 454	Umlenkrolle / deflection pulley	ØA 52,5 B27

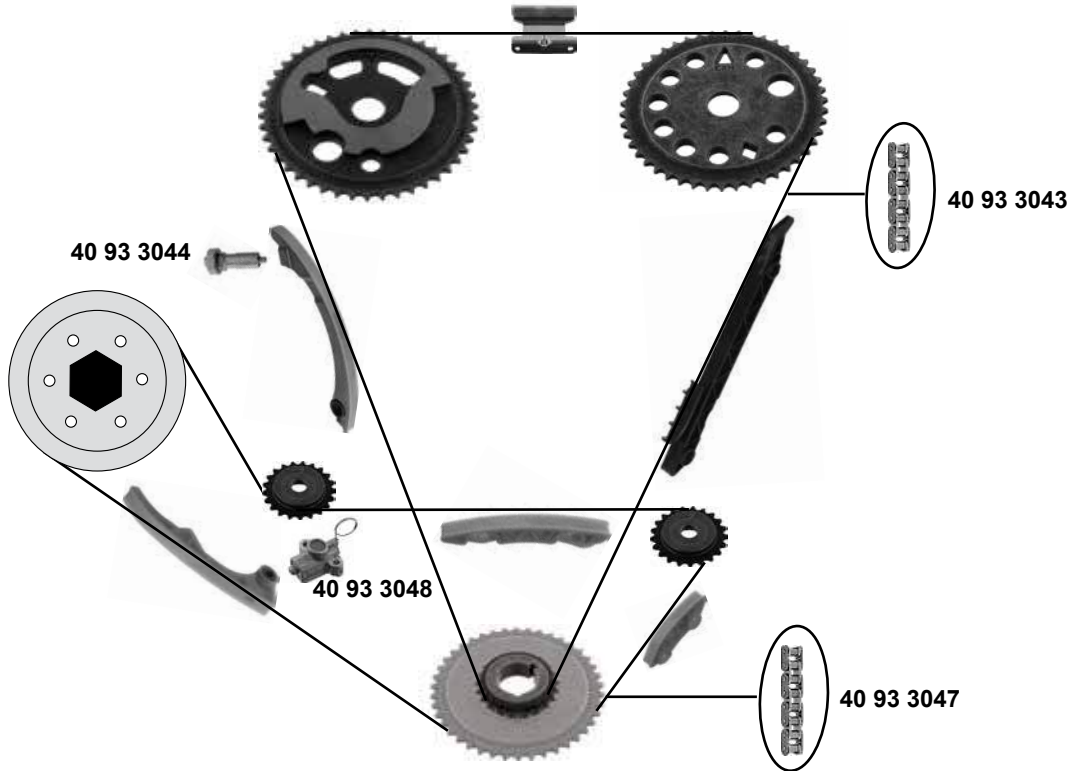
# OPEL Astra H

(04→09)



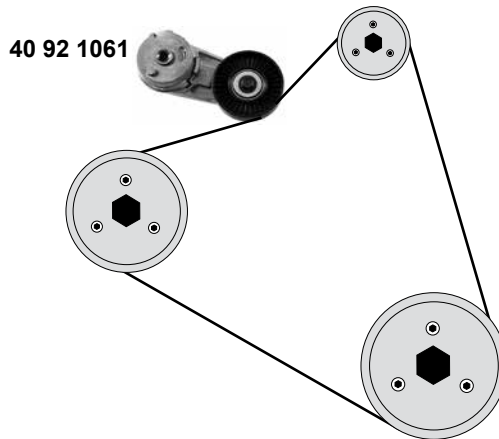
**2,2**

(Z 2,2YH)



**2,2**

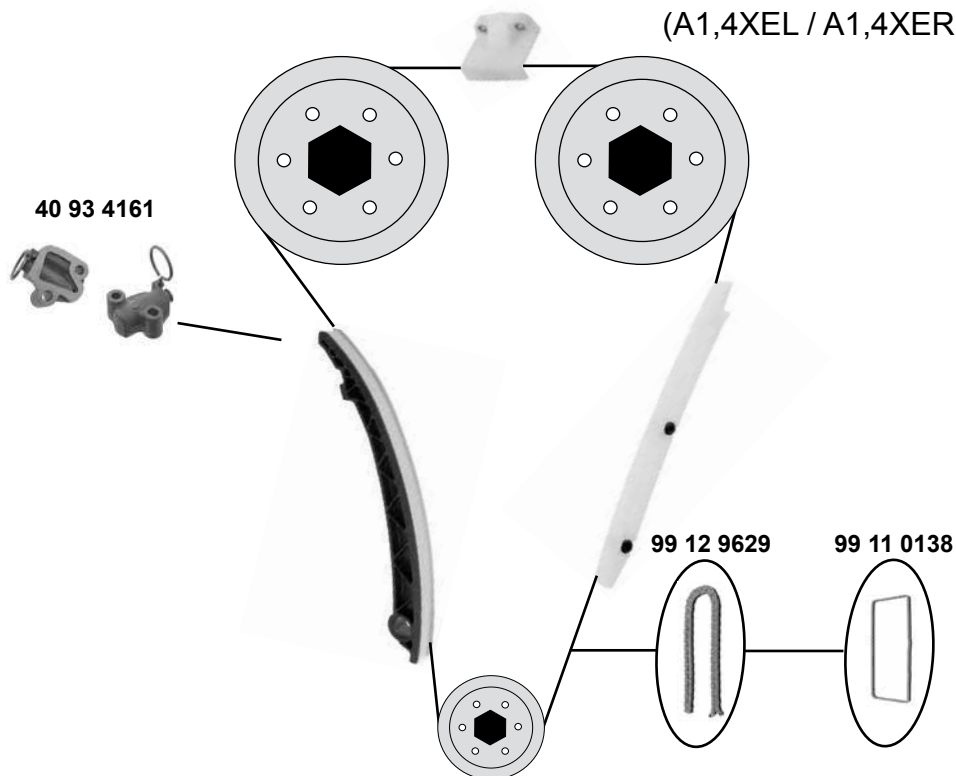
(Z 2,2 YH)



	Ref. - No.			
<b>40 92 1061</b>	0614 533	Riemenspanner / belt tensioner		
<b>40 93 3043</b>	5636 396	Steuerkette endlos / timing chain endless		148 E
<b>40 93 3044</b>	4807 839	Kettenspanner / chain tensioner		
<b>40 93 3047</b>	0636 258	Steuerkette endlos / timing chain endless		134 E
<b>40 93 3048</b>	5636 380	Kettenspanner / chain tensioner		
<b>99 13 3042</b>	0636 176	Rep. Satz Steuerkette / rep. kit timing chain		148 E
<b>99 13 3046</b>	0615 418	Rep. Satz Steuerkette / rep. kit timing chain		134 E

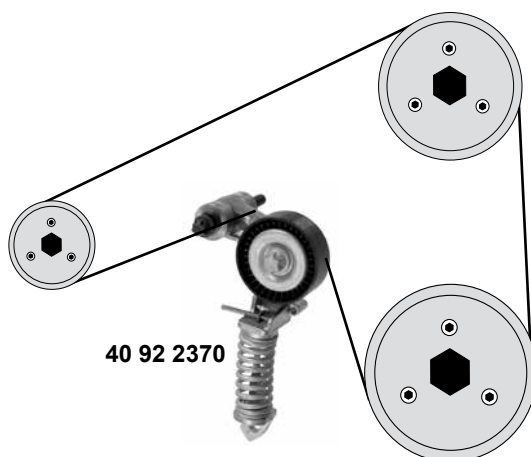
**1,4**

(A1,4XEL / A1,4XER / A1,4NEL / A1,4NET)



**1,2 / 1,4**

(A1,4XEL / A1,4XERX / A1,4NEL / A1,4 NET)



- (1) Steuerkette geschlossen / timing chain endless
  - (2) Steuerkette offen / timing chain open
- Spezialwerkzeug zur Montage notwendig / requires special tools for mounting



Ref. - No.



Ref. - No.	Part Name	Quantity	Part Name
40 92 2370	1340 267 Riemen Spanner / belt tensioner		70x24
40 93 4161	0636 059 Kettenspanner / chain tensioner		
99 11 0138	0637 241 Steuerkette / timing chain	(1)	130 E
99 12 9629	0637 241 S1 Steuerkette / timing chain	(2)	130 N
99 13 4162	0637 241 S2 Rep. Satz Steuerkette / rep. kit timing chain	(1)	130 E

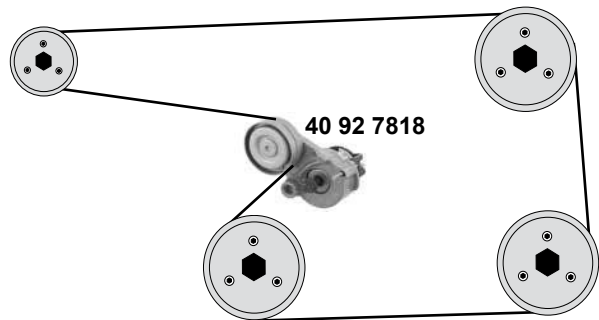
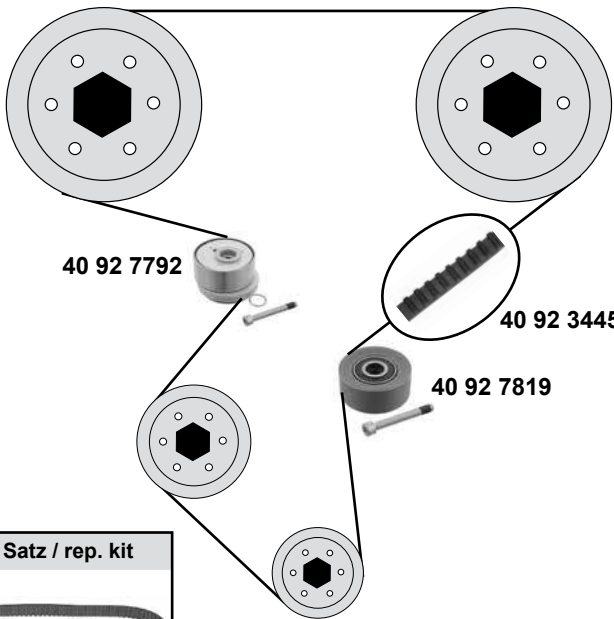
# OPEL Astra J

(09→)



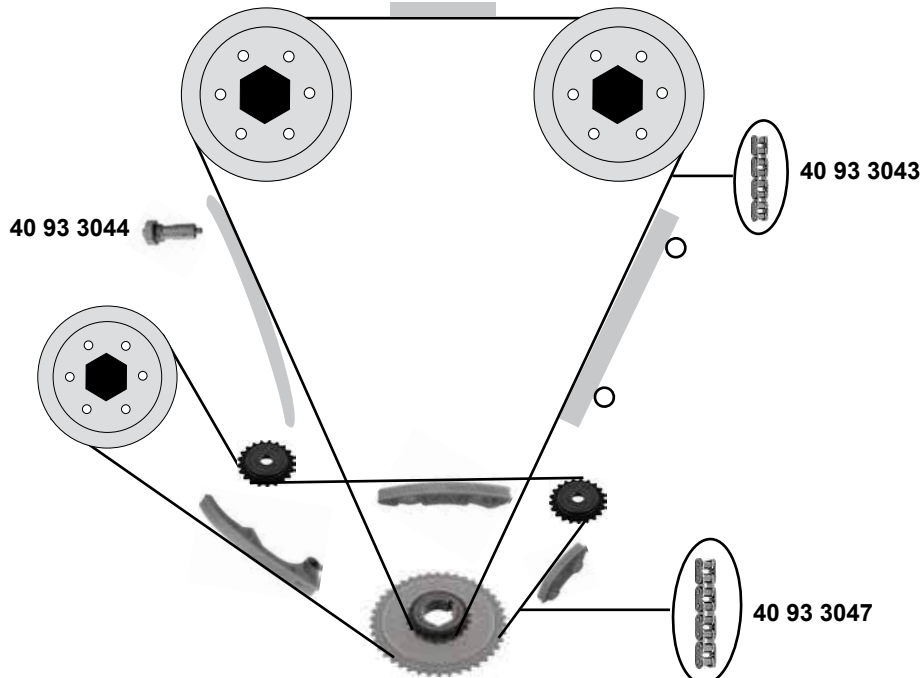
## 1,6 16V / 1,8L

(A1,6XER / A1,6LET / A1,8XER)



## 2,0

(A2,0NFT)



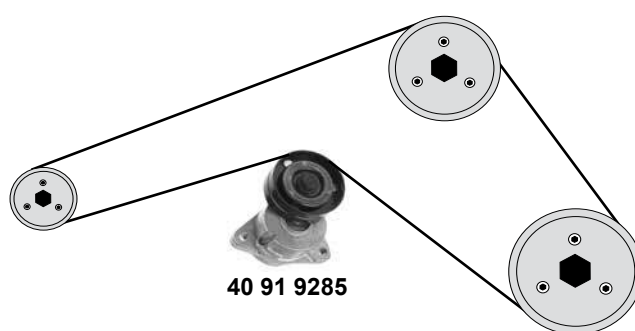
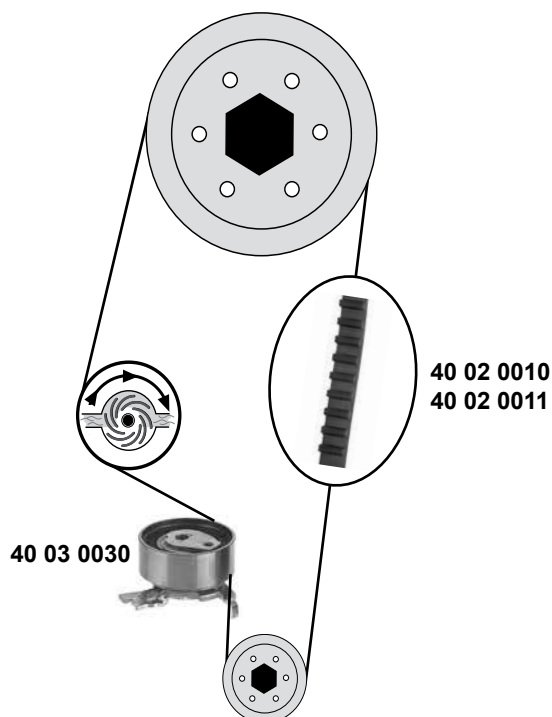
Ref. - No.



40 92 3445	5636 452	Zahnriemen / timing belt
40 92 7792	5636 486	Spannrolle / tension roller
40 92 7818	1340 268	Riemenspanner / belt tensioner
40 92 7819	5636 978	Umlenkrolle / deflection pulley
40 92 7825	1606 314	Rep. Satz Zahnriemen / rep. kit timing belt
40 93 3043	5636 396	Steuerkette endlos / timing chain endless
40 93 3044	4807 839	Kettenspanner / chain tensioner
40 93 3047	0636 258	Steuerkette endlos / timing chain endless

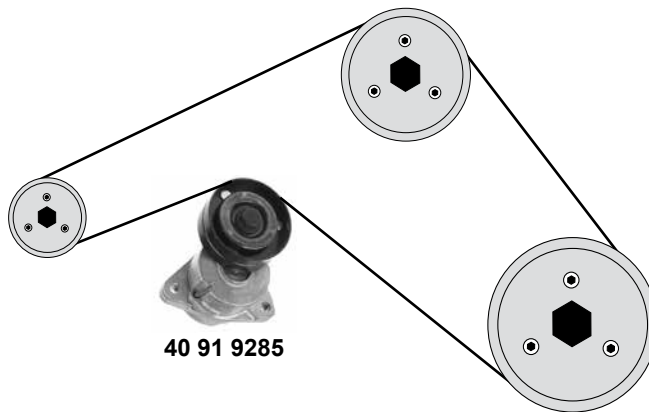
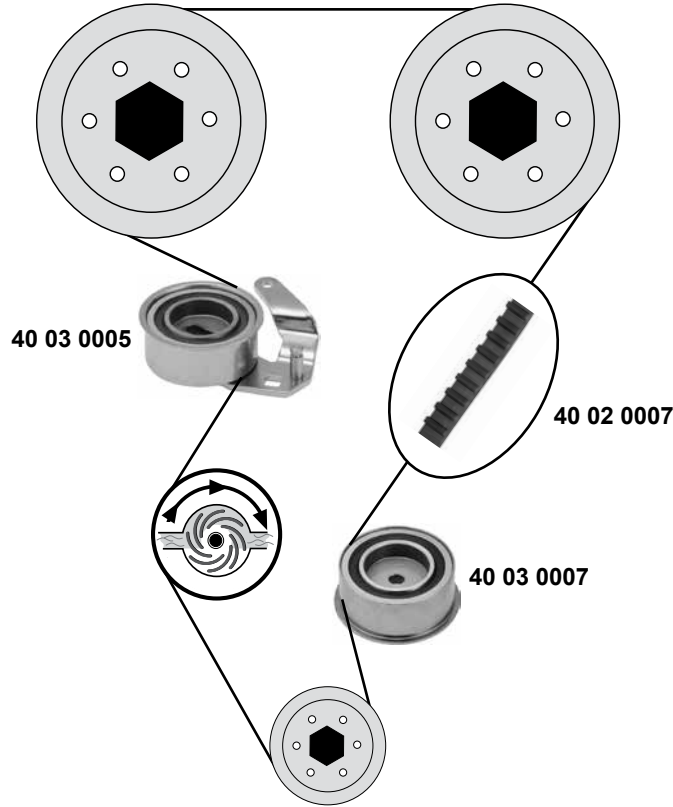
(mot.) A1,6XER




Z 146 B24
ØA66 Ø18 B29
ØA 63 x 22
ØA 61 B 28
Z 146 B24
148 E
134 E



**2,0 16V**

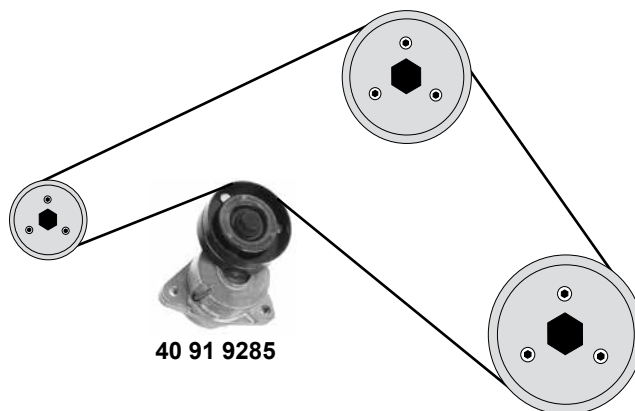
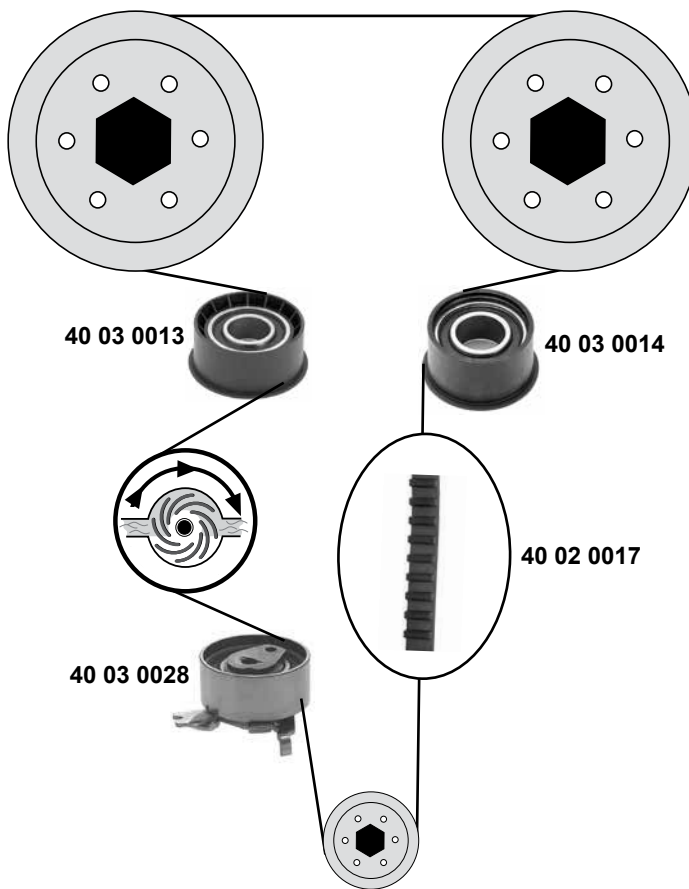
(mot.) 2,0 XE, C 2,0 XE → 14142838 / C 2,0 LET → 14002934



SWAG <sup>®</sup>	Ref. - No.			
40 02 0007	0636 567	Zahnriemen / timing belt		Z 141 B24
40 02 0021	1606 197	Rep. Satz Zahnriemen / rep. kit timing belt		
40 03 0005	0636 732	Spannrolle / tension roller		ØA 67 B27
40 03 0007	0636 423	Umlenkrolle / deflection pulley		ØA 67 B27
40 91 9285	6340 532	Riemenspanner / belt tensioner	(ch.) P1→ / P9→	



(mot.) 2,0 XE, C 2,0 XE 14142839→/ C 2,0 LET 14002934→

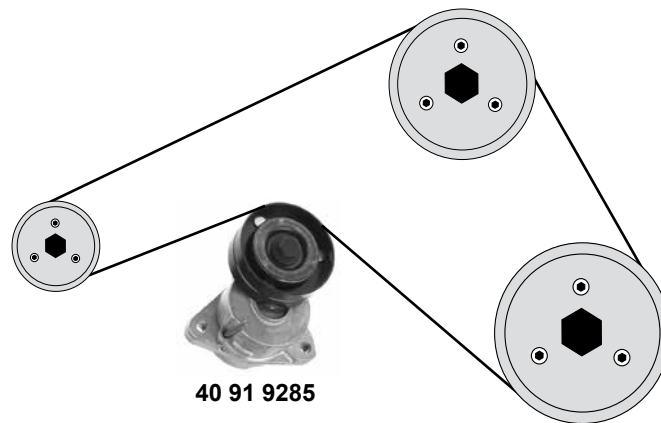
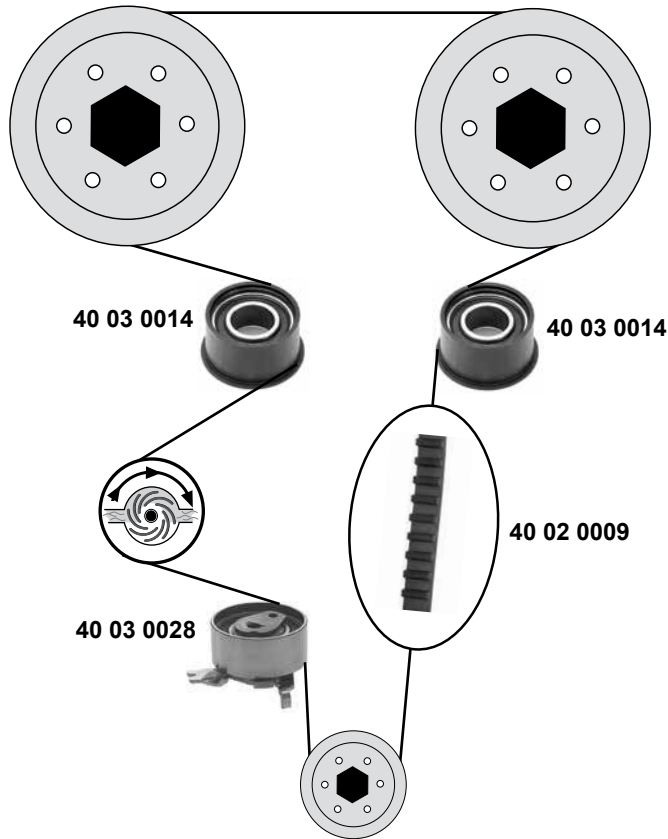


	Ref. - No.			
40 02 0017	5636 355	Zahnriemen / timing belt		Z 176 B24
40 02 0024	1606 193	Rep. Satz Zahnriemen / rep. kit timing belt		
40 03 0013	0636 416	Umlenkrolle / deflection pulley		ØA 62,7 B27
40 03 0014	5636 425	Umlenkrolle / deflection pulley		ØA 58,5 B29,5
40 03 0028	5636 738	Spannrolle / tension roller		ØA 59 B26
40 91 9285	6340 532	Riemenspanner / belt tensioner	(ch.) P1→/ P9→	

# OPEL Calibra (89→97)



**2,0 16V**  
(X 2,0 XEV)



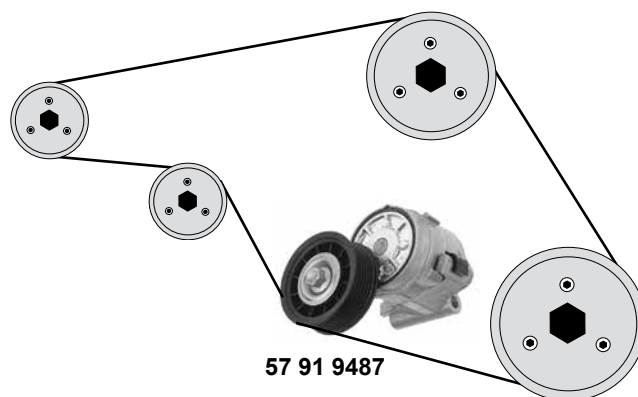
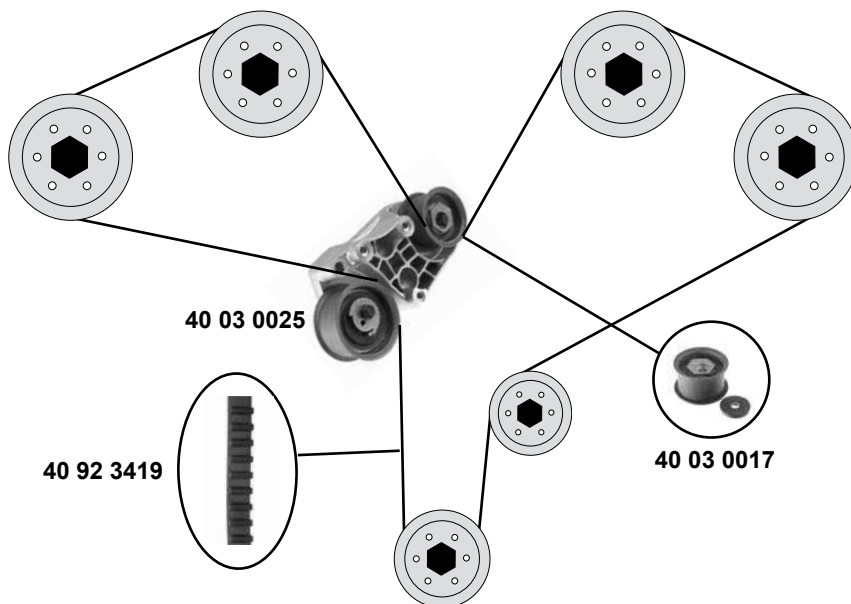
Ref. - No.



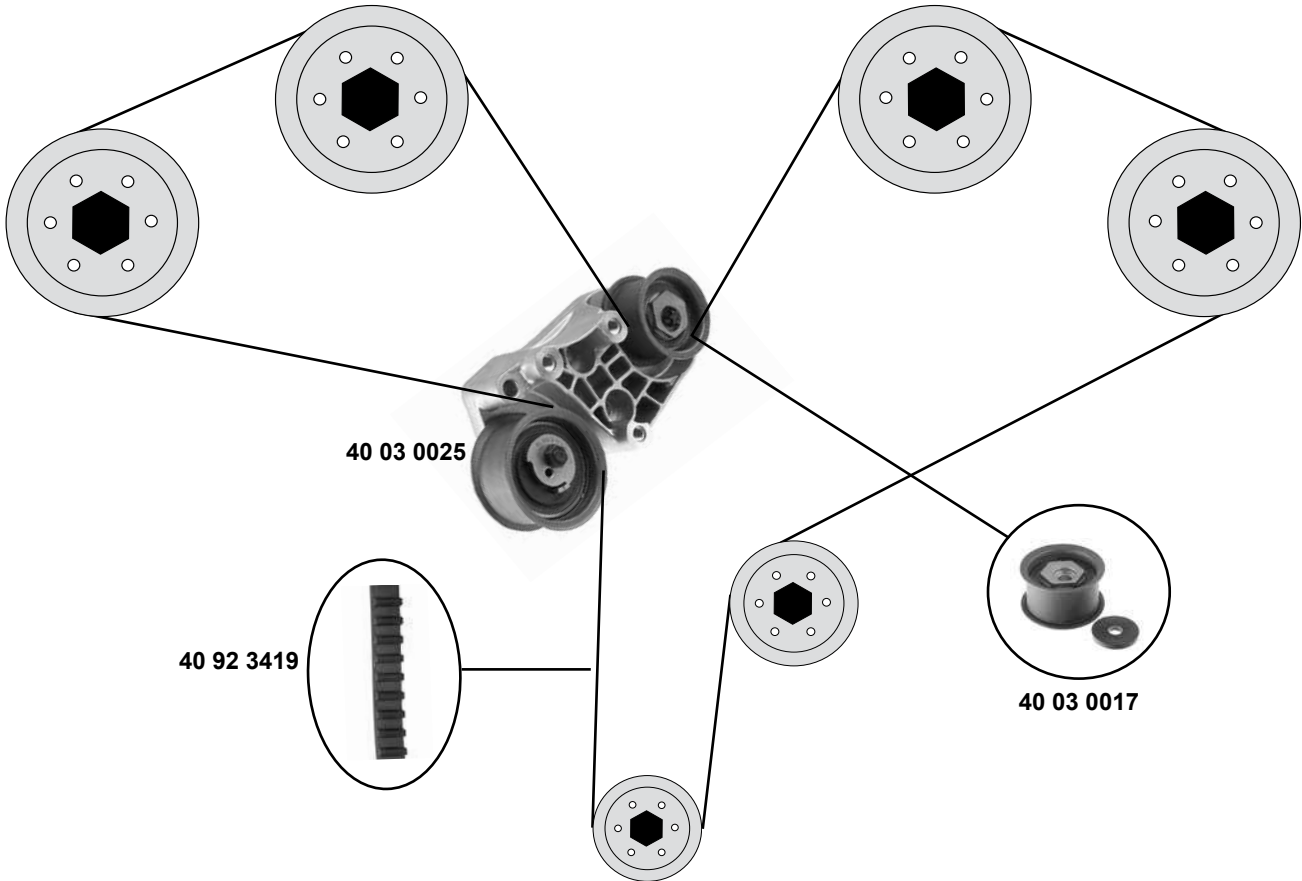
40 02 0009	5636 363
40 02 0028	1606 192
40 03 0014	5636 425
40 03 0028	5636 738
40 91 9285	6340 532

Zahnriemen / timing belt
Rep. Satz Zahnriemen / rep. kit timing belt
Umlenkrolle / deflection pulley
Spannrolle / tension roller
Riemenspanner / belt tensioner

Z 169 B24
ØA 58,5 B29,5
ØA 59 B26



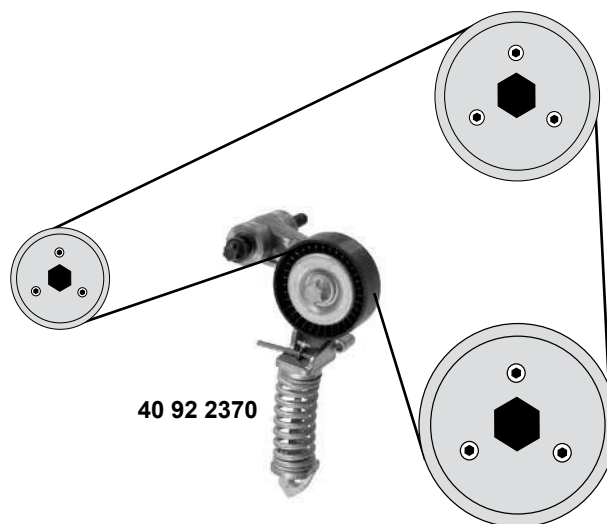
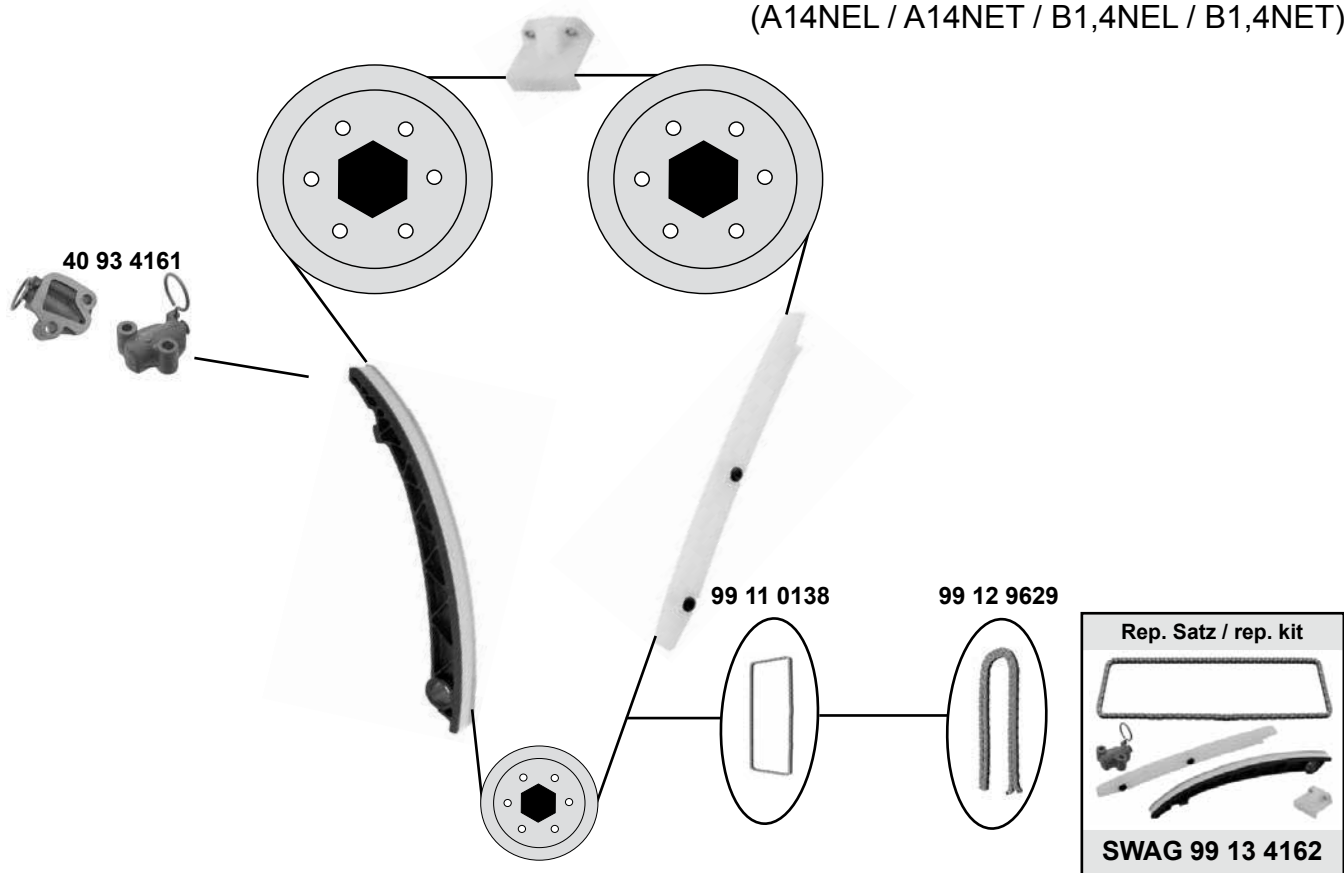
	Ref. - No.			
40 03 0017	5636 422	Umlenkrolle / deflection pulley		ØA 64 B37
40 03 0025	5636 730	Riemenspanner / belt tensioner		
40 92 3419	5636 371	Zahnriemen / timing belt		Z 225 B30
40 92 7295	0636 728 SK	Rep. Satz Zahnriemen / rep. kit timing belt		Z 225 B30
57 91 9487	6340 538	Riemenspanner / belt tensioner		



SWAG	Ref. - No.			
40 03 0017	5636 422	Umlenkrolle / reversing pulley		
40 03 0025	5636 730	Riemenspanner / belt tensioner		
40 92 3419	5636 371	Zahnriemen / timing belt		Z 225 B30
40 92 7295	0636 728 SK	Rep. Satz Zahnriemen / rep. kit timing belt		Z 225 B30

**1,4**

(A14NEL / A14NET / B1,4NEL / B1,4NET)



- (1) Steuerkette geschlossen / timing chain endless
- (2) Steuerkette offen / timing chain open  
Spezialwerkzeug zur Montage notwendig / requires special tools for mounting



Ref. - No.



40 92 2370	1340 267	Riemenspanner / belt tensioner		
40 93 4161	0636 059	Kettenspanner / chain tensioner		
99 11 0138	0637 241	Steuerkette / timing chain	(1)	130 E
99 12 9629	0637 241 S1	Steuerkette / timing chain	(2)	130N
99 13 4162	0637 241 S2	Rep. Satz Steuerkette / rep. kit timing chain	(1)	130 E

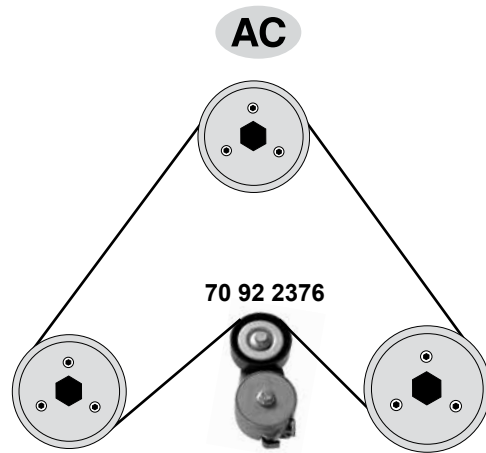
# OPEL Combo D

(94→01)



**1,4**

(A14FC / A14FP)

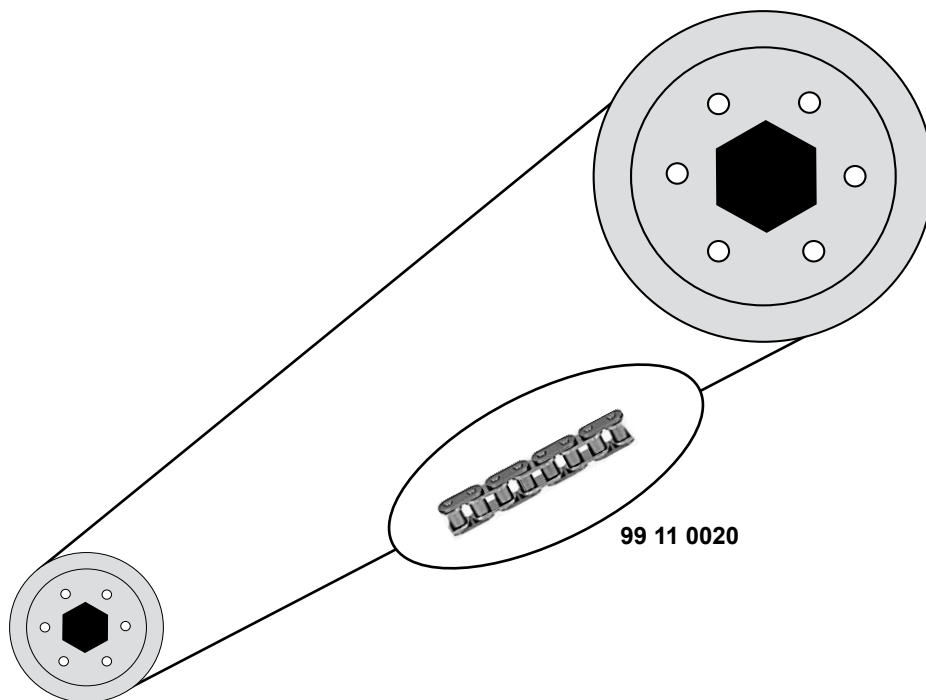


# Corso A

(83→92)

**1,0 / 1,2**

(OHV)



Ref. - No.



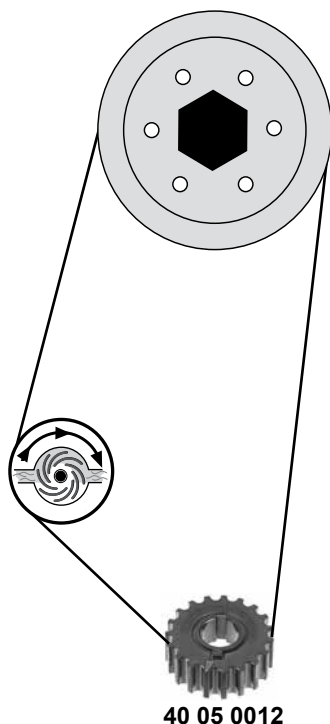
70 92 2376  
99 11 0020

1204 299  
0636 351

Riemenspanner / belt tensioner  
Steuerkette / timing chain

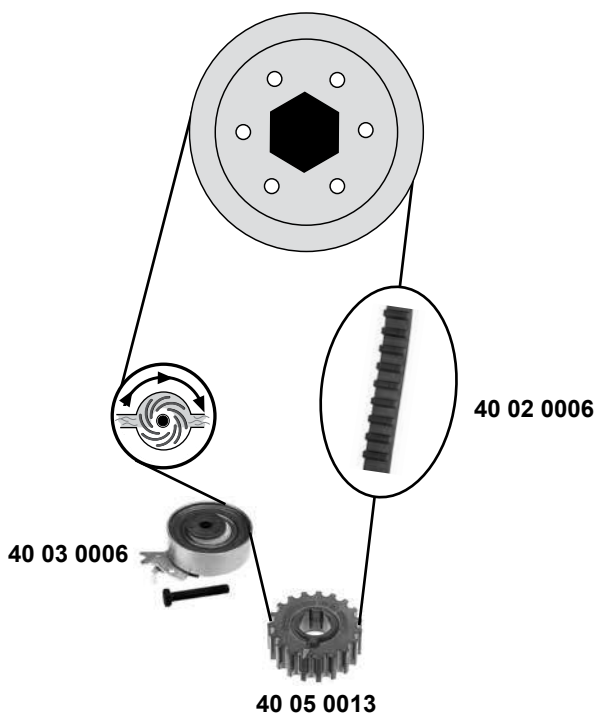
ØA 65 B23,5  
455 / 56 E

**1,2S/ST/NV**



40 05 0012

**C1,2NZ**



40 05 0013

Rep. Satz / rep. kit



**SWAG 40 02 0030**



Ref. - No.



40 02 0006	5636 364
40 02 0030	1606 369
40 03 0006	5636 722
40 05 0012	0614 564
40 05 0013	0614 526
40 92 2370	1340 267

Zahnriemen / timing belt
Rep. Satz Zahnriemen / rep. kit timing belt
Spannrolle / tension roller
Kurbelwellenzahnrad / crankshaft gear
Kurbelwellenzahnrad / crankshaft gear
Riemenspanner / belt tensioner

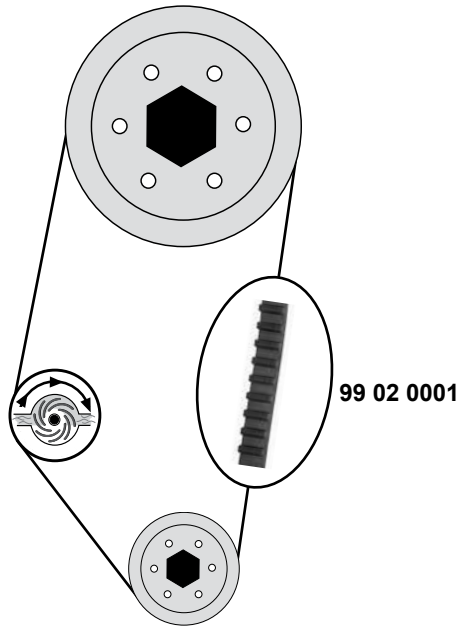
(mot.)→649300  
(ch.) A92411→

Z 111 B17
Ø59 B19
Z 19
Z 19
70x24

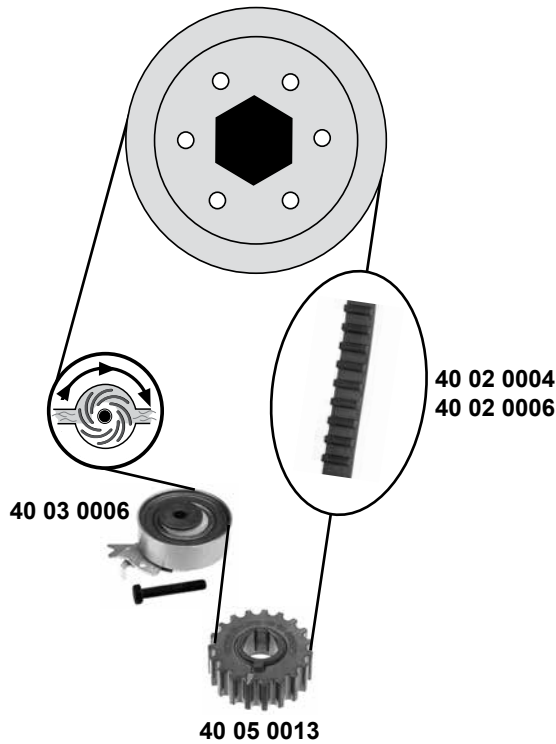
# OPEL Corsa A (83→92)



## 1,3 (13S/SB/NB/C13N)



## 1,4 / 1,6 (14NV/C14SE/NZ)



(1) (mot.) 1,4NV 19307806→ / C1,4NZ 19311759→  
02J22350→02J22350→  
(mot.) 1,6 02J22350→

(2) (mot.) 1,4NV →19307805 / C1,4NZ→19311758  
→02J22349→02J22349  
(mot.) 1,6 →02J22349



Ref. - No.

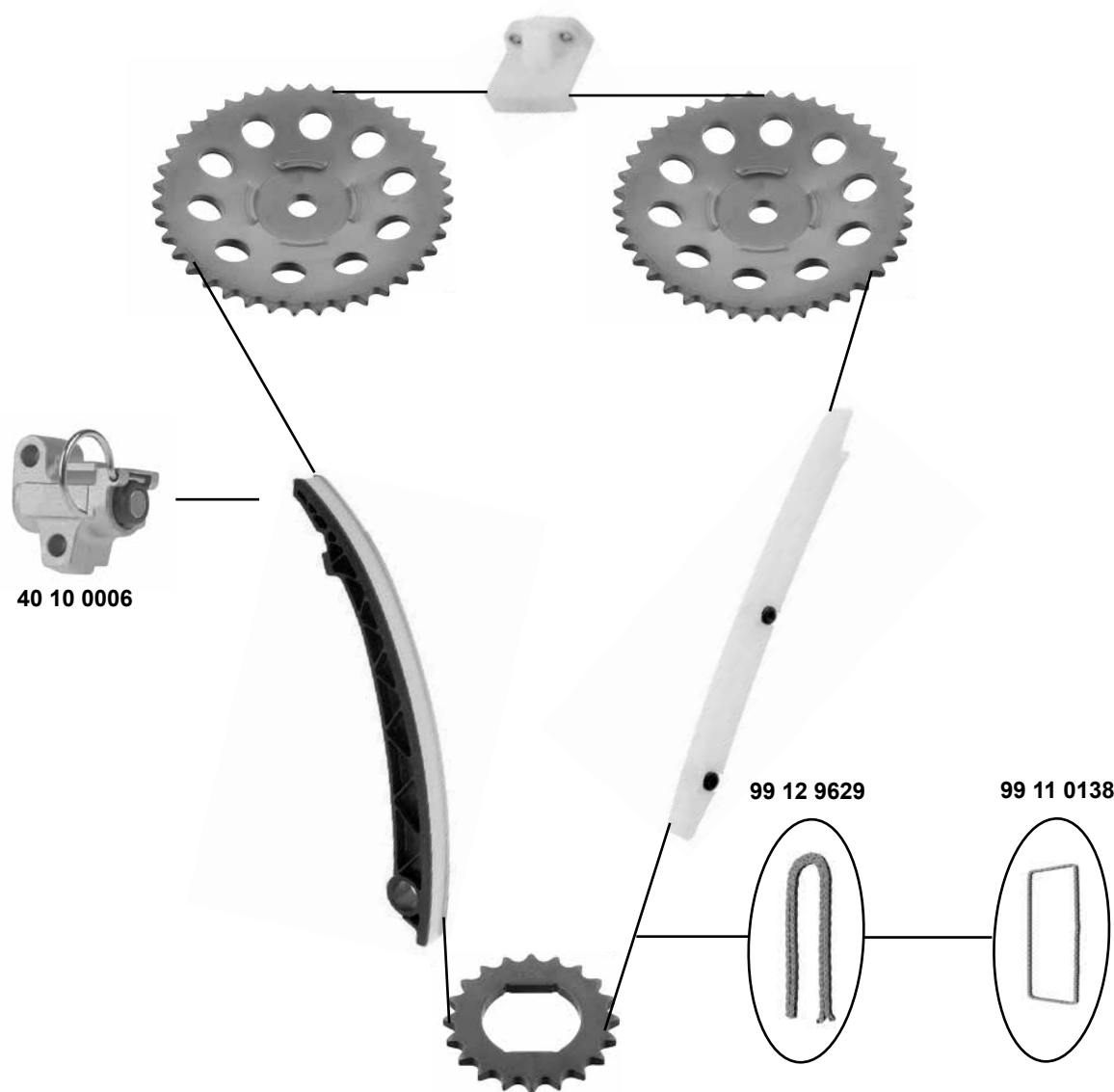


40 02 0004	0636 562	Zahnriemen / timing belt
40 02 0006	5636 364	Zahnriemen / timing belt
40 02 0030	1606 369	Rep. Satz Zahnriemen / rep. kit timing belt
40 03 0006	5636 722	Spannrolle / tension roller
40 05 0013	0614 526	Kurbelwellenzahnrad / crankshaft gear
99 02 0001	0636 357	Zahnriemen / timing belt

(2)	Z 104 B17
(1) C1,4 SE	Z 111 B17
(1) C1,4 SE	Ø59 B19
	Z 19
	Z 104 B15



**1,0 12V / 1,2 16V**  
(X1,0XE, X1,2XE)



Rep. Satz / rep. kit

**SWAG 99 13 0372**

Rep. Satz / rep. kit

**SWAG 99 13 3040**

Rep. Satz / rep. kit

**SWAG 99 13 3080**

Rep. Satz / rep. kit

**SWAG 99 13 3082**

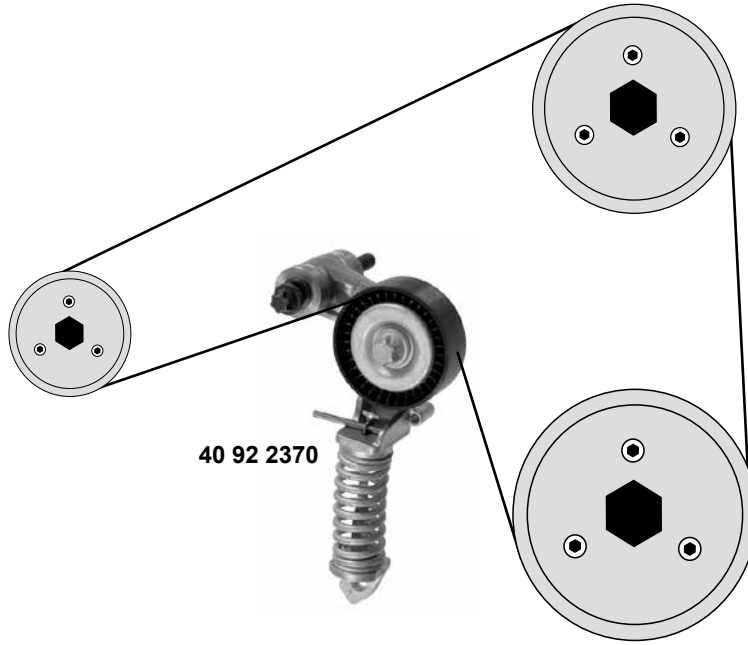
# OPEL Corsa B

(93→00)



**1,0 12V / 1,2 16V**

(X1,0XE, X1,2XE)



40 92 2370

- (1) Steuerkette geschlossen / timing chain endless
- (2) Steuerkette offen / timing chain open
- (3) Steuerkette geschlossen und mit Steuerkettenradsatz / timing chain endless and with control chain wheel kit
- (4) Steuerkette geschlossen mit Dichtung / timing chain endless with gasket
- (5) Steuerkette geschlossen mit Dichtung und Steuerkettenradsatz / timing chain endless with gasket and control chain wheel kit
- (6) Spezialwerkzeug zur Montage notwendig / requires special tools for mounting

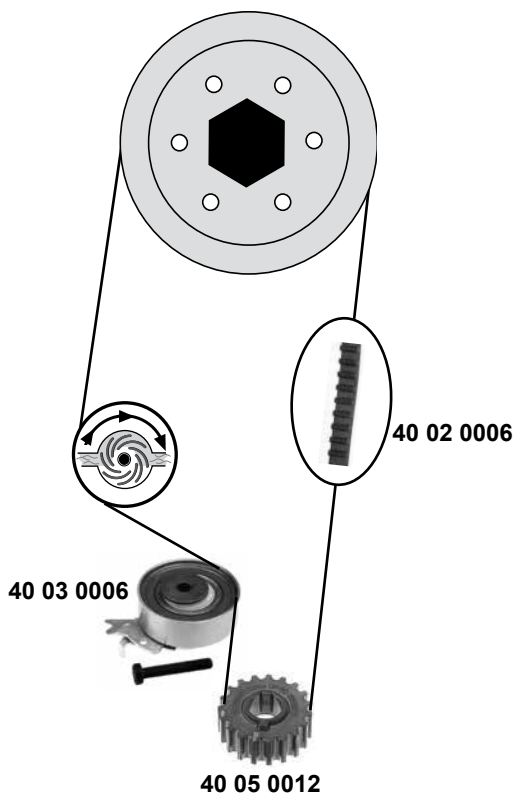


Ref. - No.

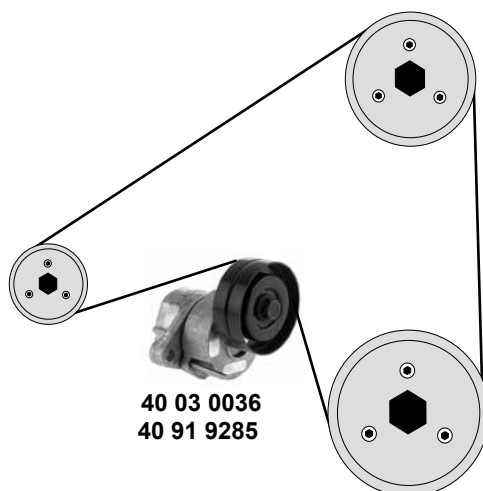


Ref. - No.	Part Description	Notes	Dimensions
40 10 0006	5636 457 Kettenspanner / chain tensioner		
40 92 2370	1340 267 Riemen spanner / belt tensioner		70x24
99 11 0138	0637 241 Steuerkette / timing chain	(1)	130 E
99 12 9629	0637 241 S1 Steuerkette / timing chain	(2) (6)	130N
99 13 0372	6606 022 SK1 Rep. Satz Steuerkette / rep. kit timing chain	(1)	130E
99 13 3040	6606 022 Rep. Satz Steuerkette / rep. kit timing chain	(3)	130E
99 13 3080	6606 022 SK3 Rep. Satz Steuerkette / rep. kit timing chain	(4)	130E
99 13 3082	6606 022 S2 Rep. Satz Steuerkette / rep. kit timing chain	(5)	130E

**1,2 8V / 1,4 8V**

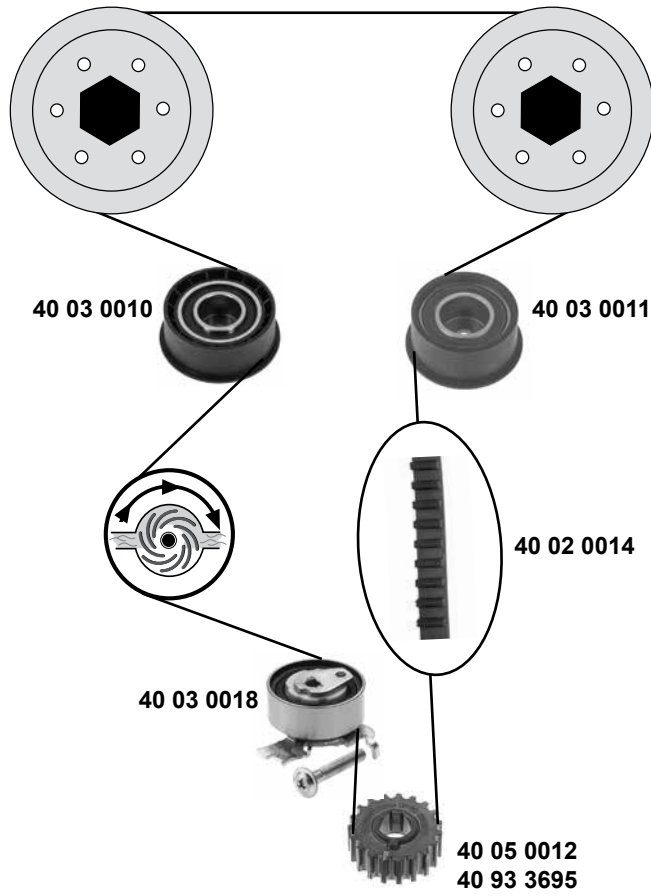


**1,2 8V / 1,4 1,6**

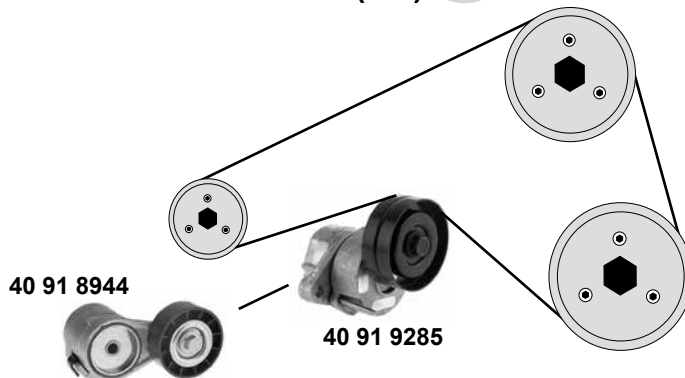


	Ref. - No.			
40 02 0006	5636 364	Zahnriemen / timing belt		Z 111 B17
40 02 0030	1606 369	Rep. Satz Zahnriemen / rep. kit timing belt		
40 03 0006	5636 722	Spannrolle / tension roller		Ø59 B19
40 03 0036	1340 533	Riemenspanner / belt tensioner	(mot.) 1,2 / 1,4 servo	Z 19
40 05 0012	0614 564	Kurbelwellenzahnrad / crankshaft gear		
40 91 9285	6340 532	Riemenspanner / belt tensioner	AC	

**1,4 16V / 1,6 16V**

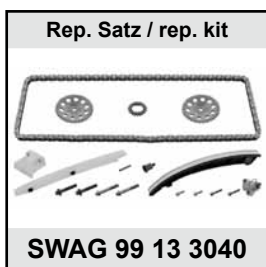
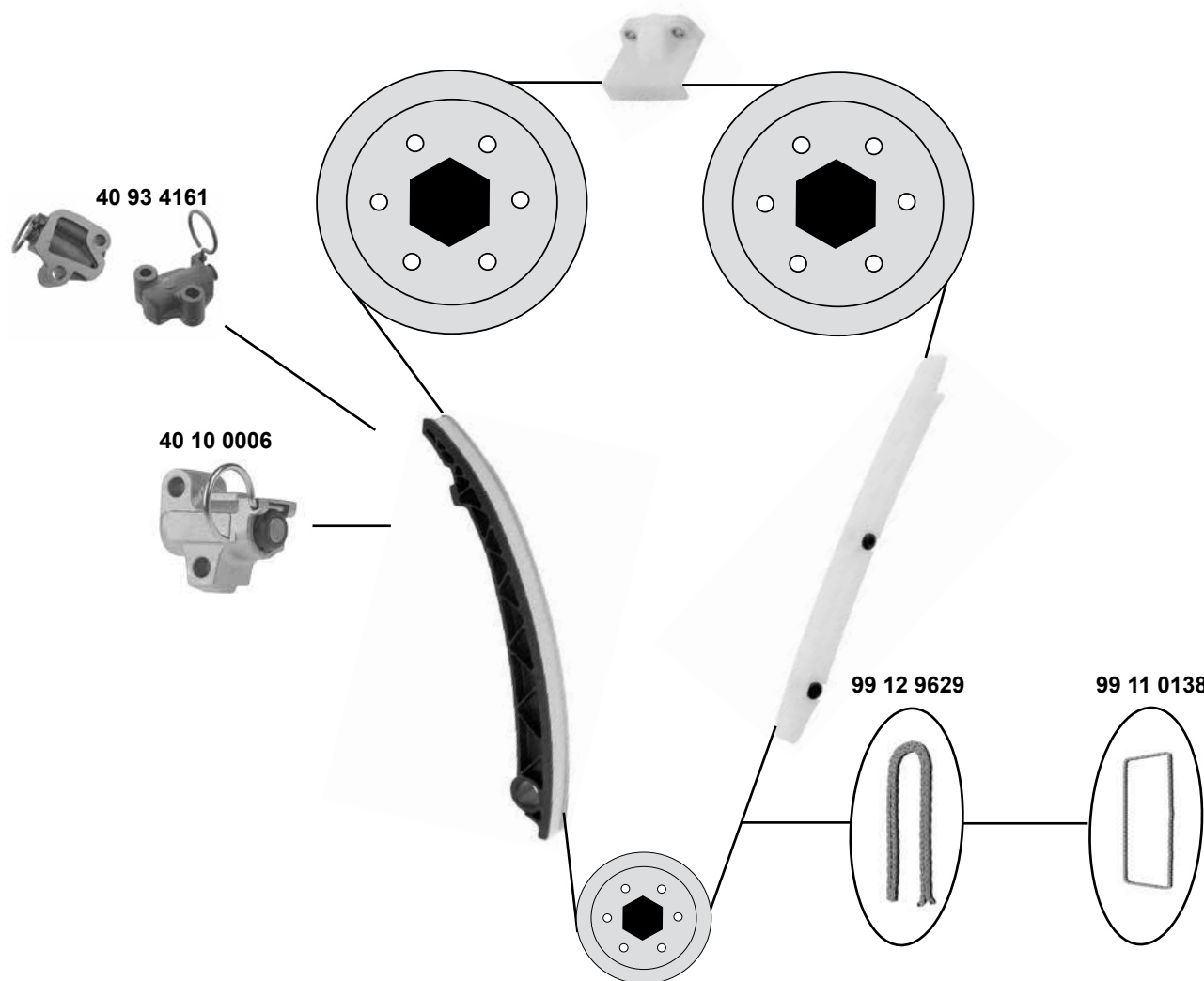


(ex.) AC



SWAG	Ref. - No.			
40 02 0014	5636 565	Zahnriemen / timing belt		Z 169 B20
40 02 0025	1606 274	Rep. Satz Zahnriemen / rep. kit timing belt		
40 03 0010	5636 455	Umlenkrolle / deflection pulley		ØA 62,5 ØI 23
40 03 0011	5636 427	Umlenkrolle / deflection pulley		ØA 58,5 B25
40 03 0018	5636 740	Spannrolle / tension roller		ØA 59 B22
40 91 8944	1206 990	Riemenspanner / belt tensioner	man.  R 4235380→	
40 91 9285	6340 532	Riemenspanner / belt tensioner	servo  R 4235380→	
40 92 1098	1606 190	Rep. Satz Zahnriemen / rep. kit timing belt		
40 93 3695	0614 546	Kurbelwellenzahnrad / crankshaft gear		Z 23

**1,0 / 1,2 / 1,4**  
(Z1,0XE, Z1,0XEP, Z1,2XE, Z1,2XEP, Z1,4XEP)



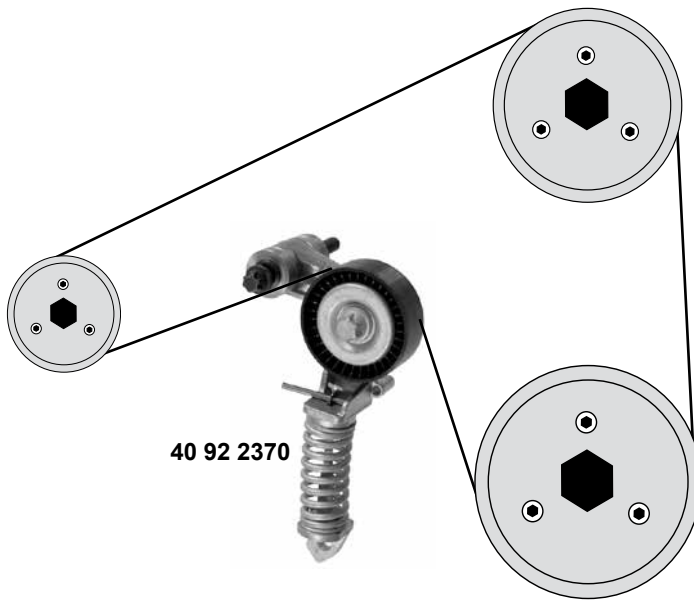
# OPEL Corsa C

(01→05)



**1,0 / 1,2 / 1,4**

(Z1,0XE, Z1,0XEP, Z1,2XE, Z1,2XEP, Z1,4XEP)



40 92 2370

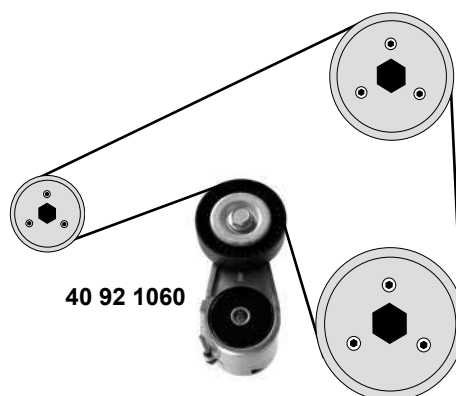
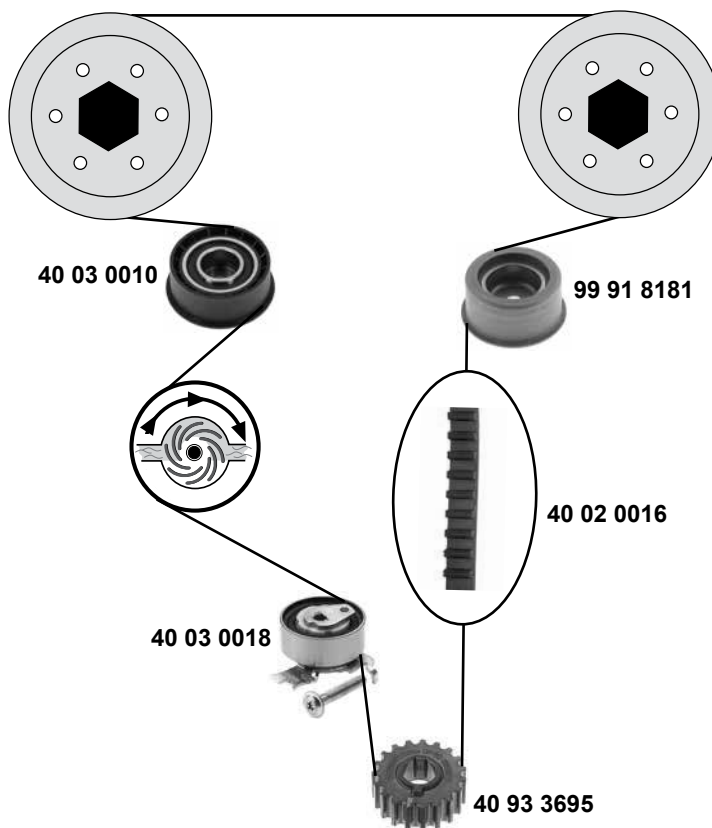
- (1) Steuerkette geschlossen / timing chain endless
- (2) Steuerkette offen / timing chain open
- (3) Steuerkette geschlossen und mit Steuerkettenradsatz / timing chain endless and with control chain wheel kit
- (4) Steuerkette geschlossen mit Dichtung / timing chain endless with gasket
- (5) Steuerkette geschlossen mit Dichtung und Steuerkettenradsatz / timing chain endless with gasket and control chain wheel kit
- (6) Spezialwerkzeug zur Montage notwendig / requires special tools for mounting
- (7) (mot.) Z 1,4 XEP→(mot) 19TR2328
- (8) (mot.) Z 1,4 XEP (mot) 19TR2329→



Ref. - No.



Ref. - No.	Description	Notes	Dimensions
40 10 0006	5636 457 Kettenspanner / chain tensioner	(7)	
40 92 2370	1340 267 Riemen­spanner / belt tensioner		70x24
40 93 4161	0636 059 Kettenspanner / chain tensioner	(8)	
99 11 0138	0637 241 Steuerkette / timing chain	(1)	130 E
99 12 9629	0637 241 S1 Steuerkette / timing chain	(2) (6)	130 N
99 13 0372	6606 022 SK1 Rep. Satz Steuerkette / rep. kit timing chain	(1) (7)	130 E
99 13 3040	6606 022 Rep. Satz Steuerkette / rep. kit timing chain	(3) (7)	130 E
99 13 3080	6606 022 SK3 Rep. Satz Steuerkette / rep. kit timing chain	(4) (7)	130 E
99 13 3082	6606 022 S2 Rep. Satz Steuerkette / rep. kit timing chain	(5) (7)	130 E
99 13 4162	0637 241 S2 Rep. Satz Steuerkette / rep. kit timing chain	(1) (8)	130 E



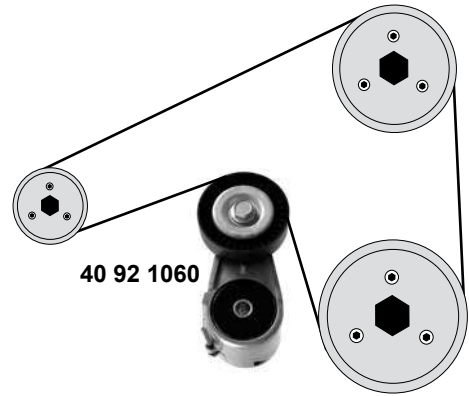
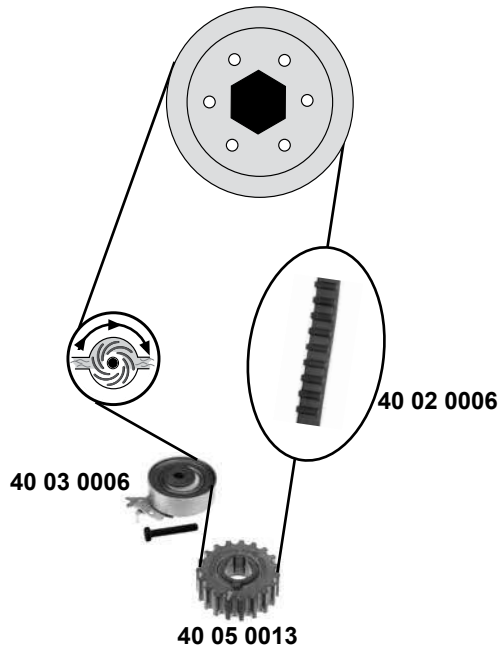
SWAG	Ref. - No.			
40 02 0016	5636 564	Zahnriemen / timing belt		Z 162 B20
40 03 0010	5636 455	Umlenkrolle / deflection pulley		ØA 62,5 Ø1 23
40 03 0018	0636 654	Spannrolle / tension roller		ØA 59 B22
40 91 9445	1606 306	Rep. Satz Zahnriemen / rep. kit timing belt	servo  / AC	
40 92 1060	1340 555	Riemenspanner / belt tensioner		
40 92 1097	1606 189	Rep. Satz Zahnriemen / rep. kit timing belt		
40 93 3695	0614 546	Kurbelwellenzahnrad / crankshaft gear		Z 23
99 91 8181	5636 454	Umlenkrolle / deflection pulley		ØA 52,5 B27

# OPEL Corsa C

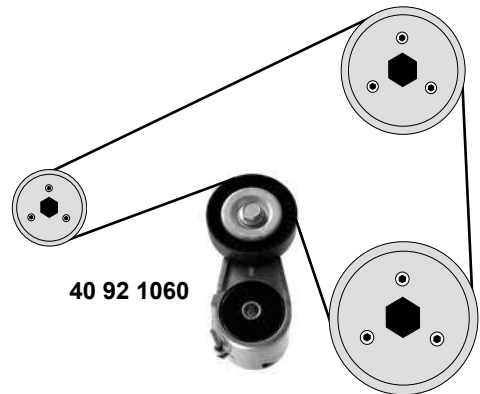
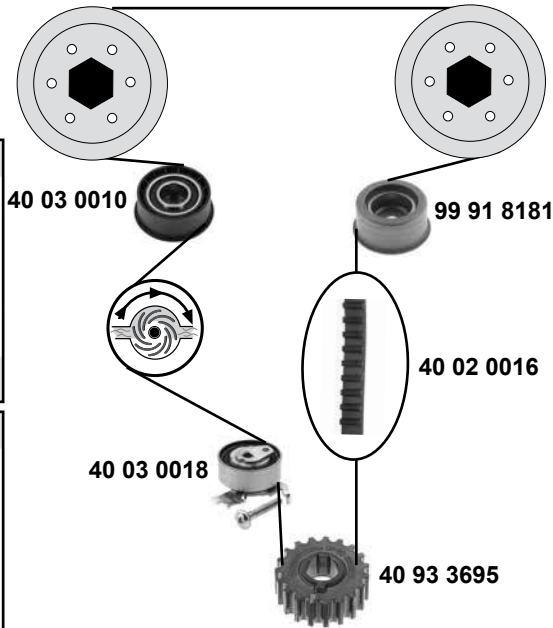
(01→05)



## 1,6 (Z1,6SE)



## 1,6 / 1,8 16V (Y1,6YNG , Z1,6YNG) (Z1,8XE)



Ref. - No.

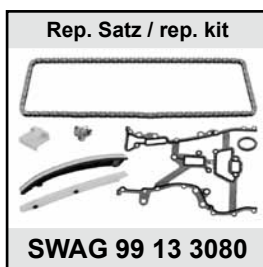
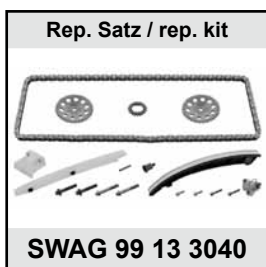
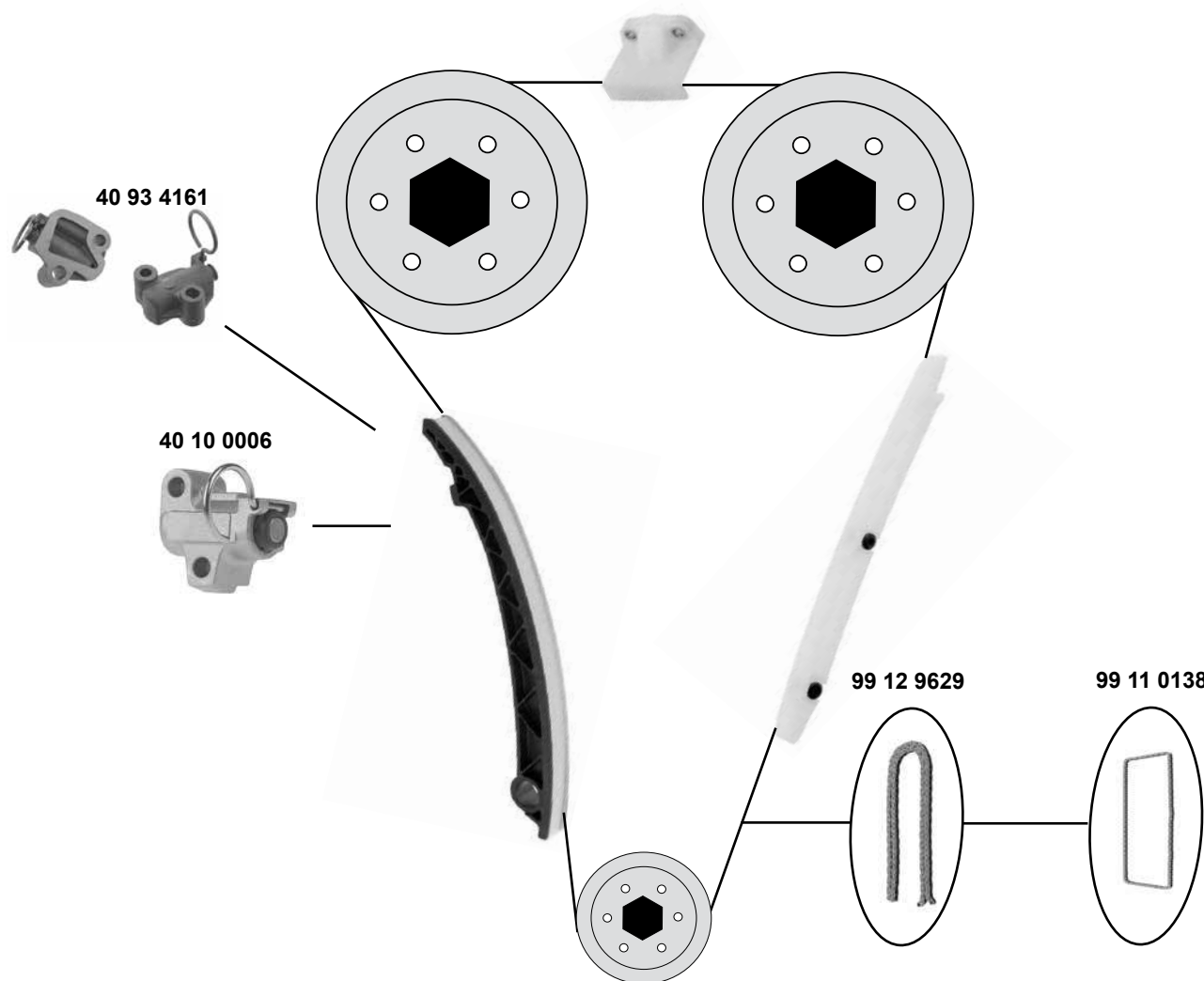


40 02 0006	5636 364	Zahnriemen / timing belt		Z 111 B17
40 02 0030	1606 369	Rep. Satz Zahnriemen / rep. kit timing belt		
40 02 0016	5636 564	Zahnriemen / timing belt	(mot.) 1,8	Z 162 B20
40 03 0006	5636 722	Spannrolle / tension roller		Ø59 B 19
40 03 0010	5636 455	Umlenkrolle / deflection pulley	(mot.) 1,8	ØA 62,5 ØI 23
40 03 0018	0636 654	Spannrolle / tension roller	(mot.) 1,8	ØA 59 B22
40 05 0013	0614 526	Kurbelwellenzahnrad / crankshaft gear		Z 19
40 91 9445	1606 306	Rep. Satz Zahnriemen / rep. kit timing belt	(mot.) 1,8	
40 92 1060	1340 555	Riemenspanner / belt tensioner	(mot.) 1,8	
40 92 1097	1606 189	Rep. Satz Zahnriemen / rep. kit timing belt	(mot.) 1,8	
40 93 3695	0614 546	Kurbelwellenzahnrad / crankshaft gear		Z 23
99 91 8181	5636 454	Umlenkrolle / deflection pulley	(mot.) 1,8	ØA 52,5 B27



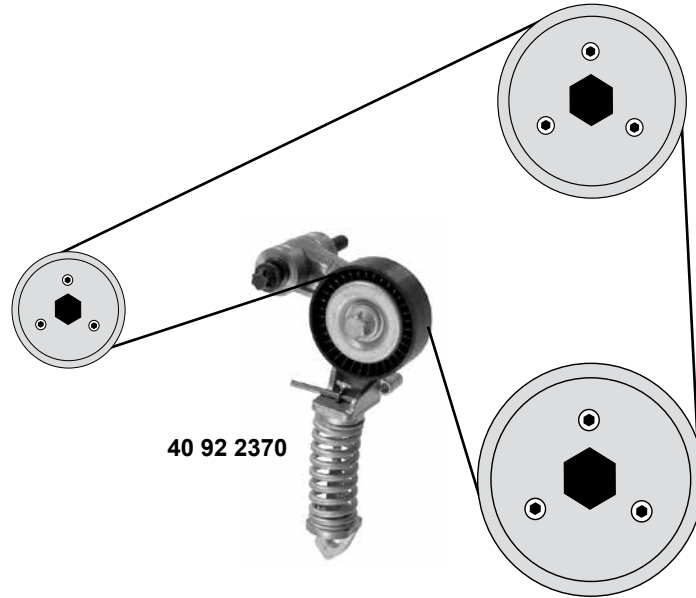
**1,0 / 1,2 / 1,4**

(Z1,0XEP / A1,0XEP / Z1,2XEP / A1,2XEL / A1,2XER / Z1,4 XEP / A1,4XER / A1,4XEL)



**1,0 / 1,2 / 1,4**

(Z1,0XEP/ A1,0XEP/ Z1,2XEP / A1,2XEL / A1,2XER / Z1,4 XEP / A1,4XER / A1,4XEL)



40 92 2370

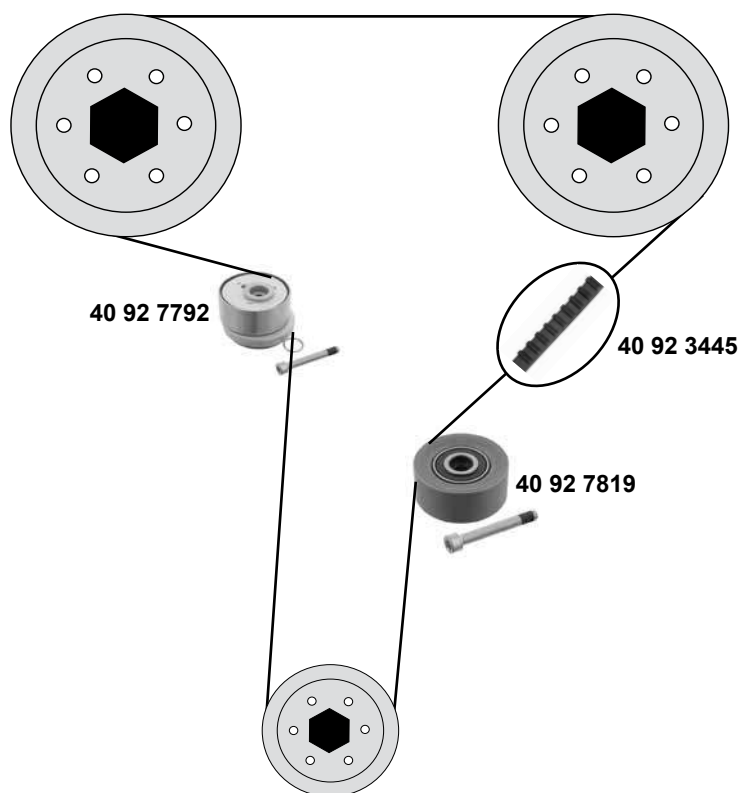
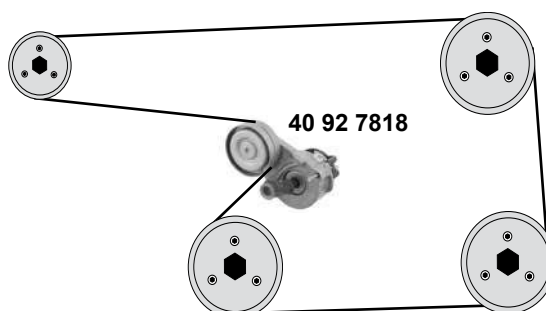
- (1) Steuerkette geschlossen / timing chain endless
- (2) Steuerkette offen / timing chain open
- (3) Steuerkette geschlossen und mit Steuerkettenradsatz / timing chain endless and with control chain wheel kit
- (4) Steuerkette geschlossen mit Dichtung / timing chain endless with gasket
- (5) Steuerkette geschlossen mit Dichtung und Steuerkettenradsatz / timing chain endless with gasket and control chain wheel kit
- (6) Spezialwerkzeug zur Montage notwendig / requires special tools for mounting
- (7) (mot.) Z1,2XEP / Z1,4XEP→ (mot) 19TR2328 / (mot.) Z 1,0 XE alle/all
- (8) (mot.) Z1,2XEP / Z1,4XEP (mot) 19TR2328→  
(mot.)A1,0XEP/A1,2XEL/A1,2XER/A1,4XEL/A1,4XER alle/all



Ref. - No.



Ref. - No.	Description	Notes	Dimensions
40 10 0006	5636 457 Kettenspanner / chain tensioner	(7)	
40 92 2370	1340 267 Riemen <span>spanner</span> / belt tensioner		70x24
40 93 4161	0636 059 Kettenspanner / chain tensioner	(8)	
99 11 0138	0637 241 Steuerkette / timing chain	(1)	130 E
99 12 9629	0637 241 S1 Steuerkette / timing chain	(2) (6)	130 N
99 13 0372	6606 022 SK1 Rep. Satz Steuerkette / rep. kit timing chain	(1) (7)	130 E
99 13 3040	6606 022 Rep. Satz Steuerkette / rep. kit timing chain	(3) (7)	130 E
99 13 3080	6606 022 SK3 Rep. Satz Steuerkette / rep. kit timing chain	(4) (7)	130 E
99 13 3082	6606 022 S2 Rep. Satz Steuerkette / rep. kit timing chain	(5) (7)	130 E
99 13 4162	0637 241 S2 Rep. Satz Steuerkette / rep. kit timing chain	(1) (8)	130 E

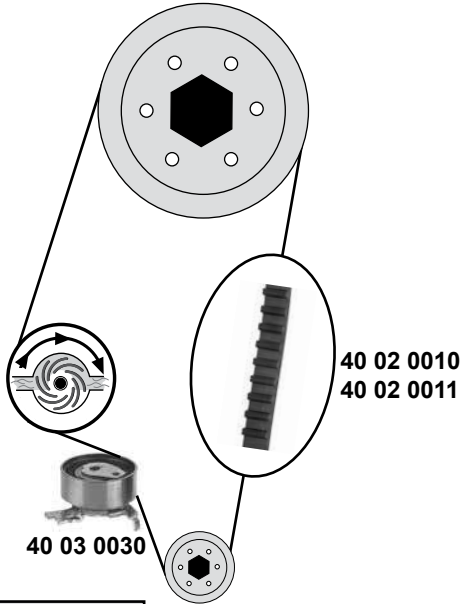
**1,6 16V**  
 (A1,6 LEL/LER / Z1,6 LEL/LER)

**1,6 16V**  
 (A1,6 LER / Z1,6 LER)


# OPEL Frontera A + B

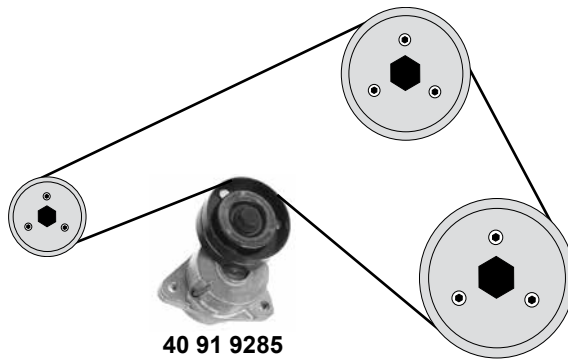
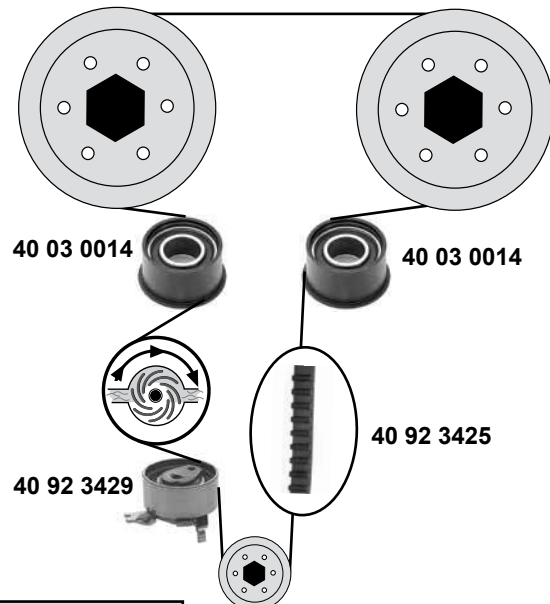
(92→04)



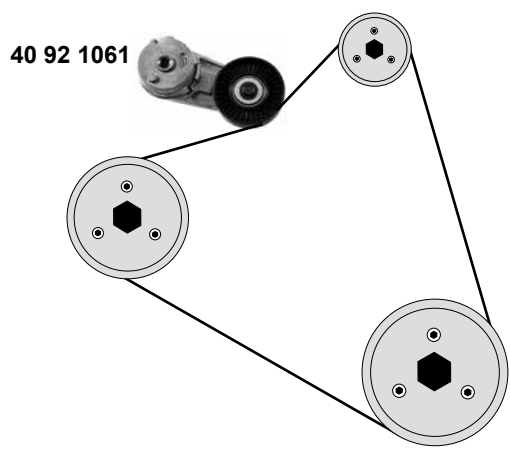
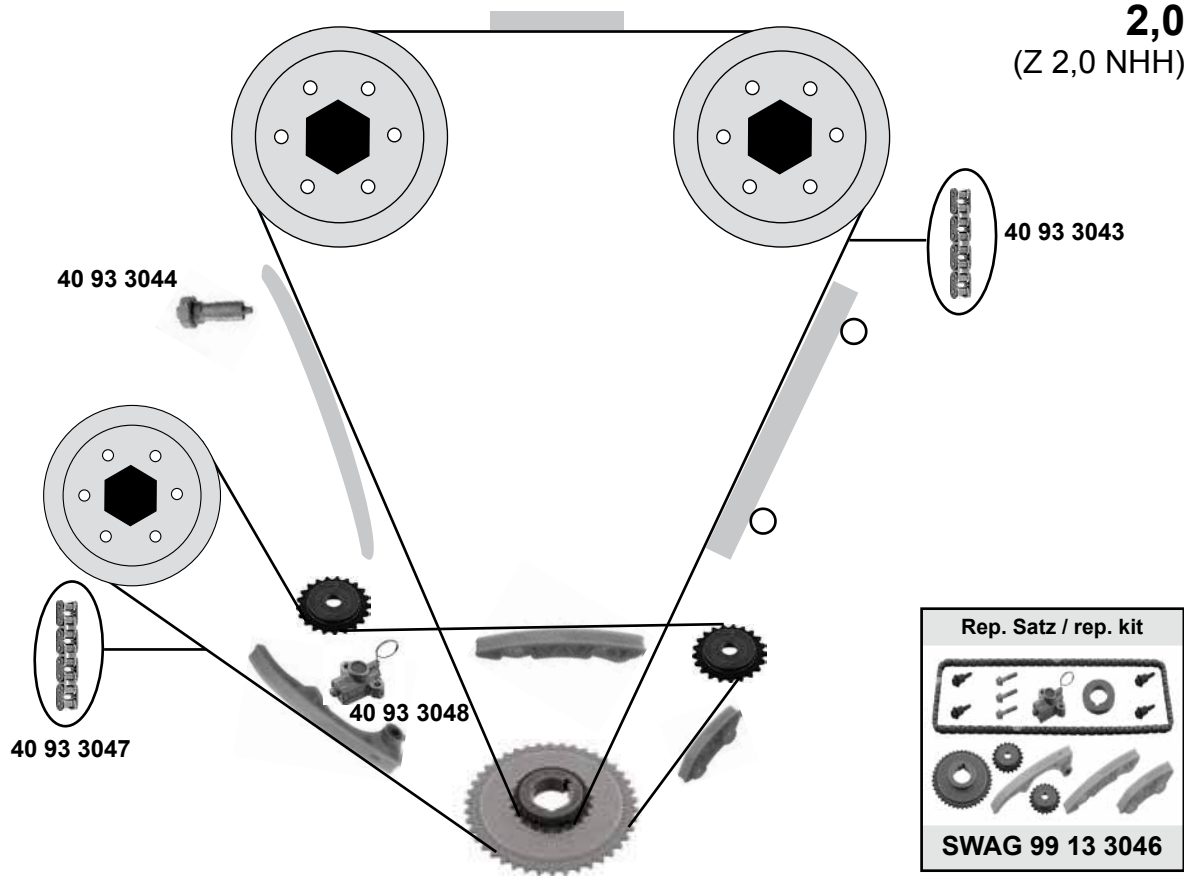
**2,2**  
(X 2,2 SE / X 2,2 XE / Y 2,2 SE)



**2,0**  
(X 2,0 SE)



SWAG	Ref. - No.			
40 02 0010	5636 562	Zahnriemen / timing belt	<b>C2,ONE</b> 14608701→	Z 146 B20
40 02 0011	0636 565	Zahnriemen / timing belt	<b>C2,ONE</b> →14608700	Z 111 B20
40 02 0027	5636 562S1	Rep. Satz Zahnriemen / rep. kit timing belt	<b>C2,ONE</b> 14608701→	
40 03 0014	5636 425	Umlenkrolle / deflection pulley		ØA 58,5 B29,5
40 03 0030	5636 429	Spannrolle / tension roller		ØA 59 B22
40 91 9285	6340 532	Riemenspanner / belt tensioner		
40 92 3425	5636 372	Zahnriemen / timing belt		Z 171 B24
40 92 3427	1606 198	Rep. Satz Zahnriemen / rep. kit timing belt		
40 92 3429	0636 729	Spannrolle / tension roller		ØA 59 B22



	Ref. - No.			
40 92 1061	0614 533	Riemenspanner / belt tensioner		
40 93 3043	5636 396	Steuerkette / timing chain		148 E
40 93 3044	4807 839	Kettenspanner / chain tensioner		
40 93 3047	5636 381	Steuerkette / timing chain		134 E
40 93 3048	5636 380	Kettenspanner / chain tensioner		
99 13 3046	0615 418	Rep. Satz Steuerkette / rep. kit timing chain		134 E

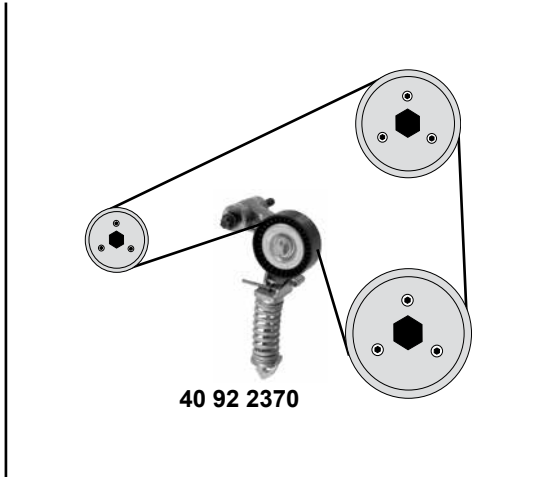
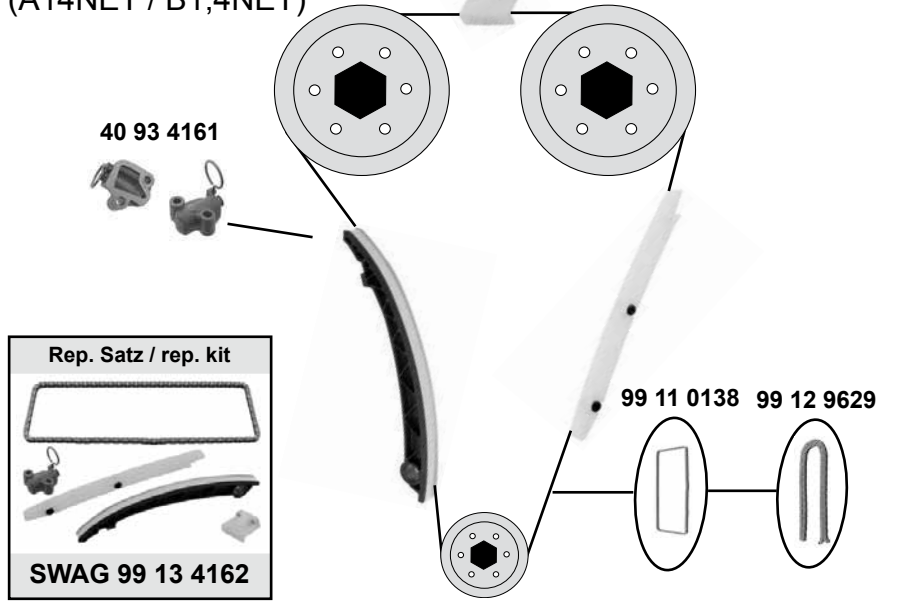
# OPEL Insignia

(07/08→)



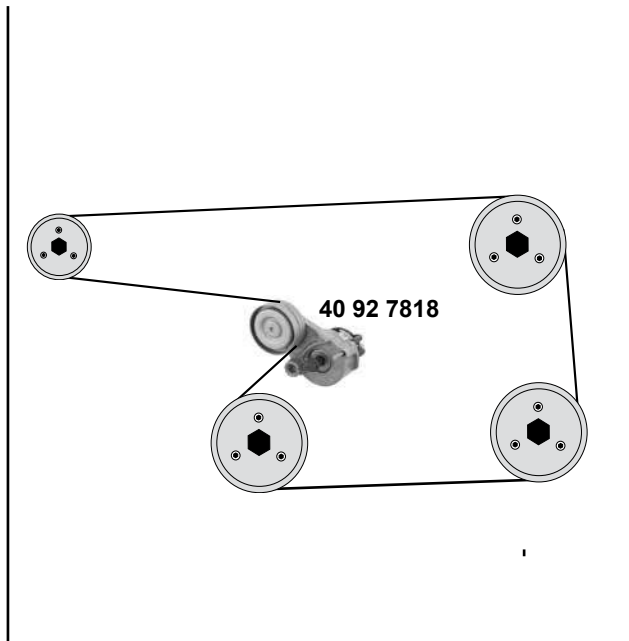
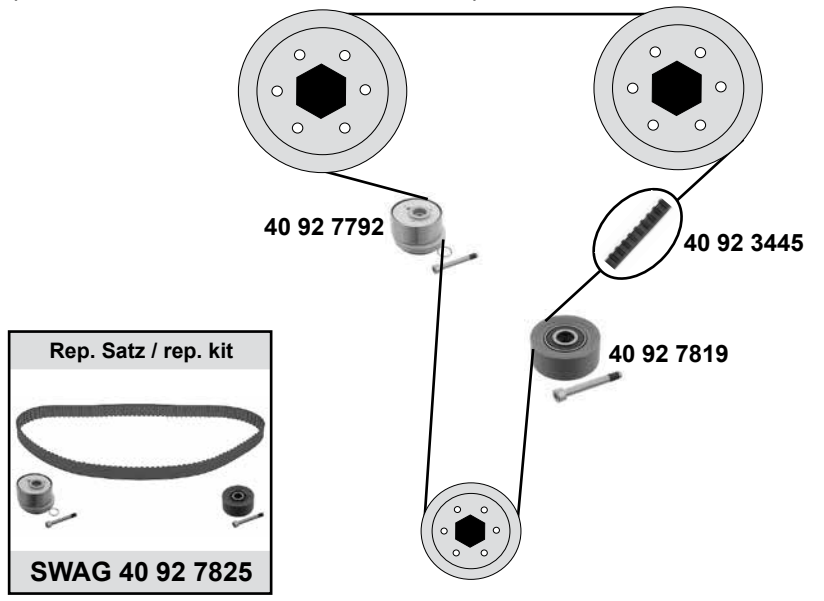
## 1,4

(A14NET / B1,4NET)



## 1,6 / 1,8 16V

(A1,6XER / A1,6 LET / A 1,8XER)



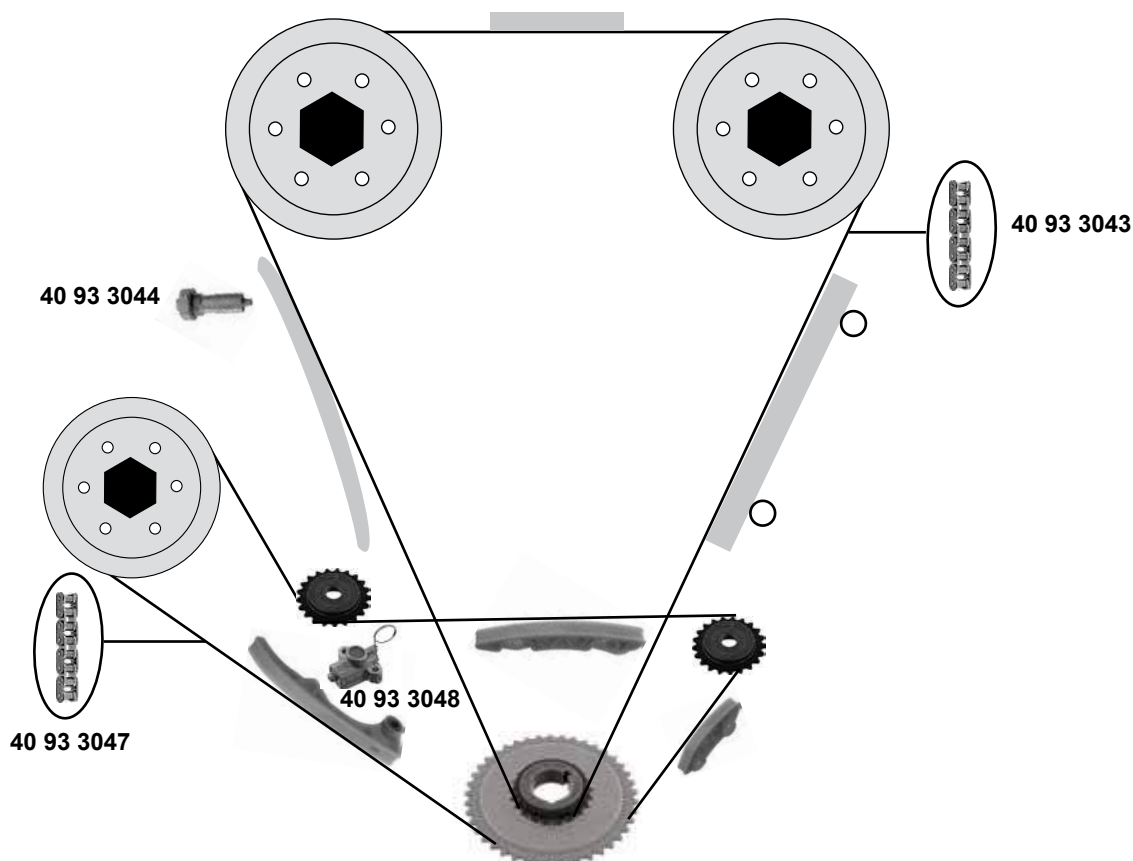
- (1) Steuerkette geschlossen / timing chain endless
- (2) Steuerkette offen / timing chain open  
Spezialwerkzeug zur Montage notwendig / requires special tools for mounting



Ref. - No.



Ref. - No.	Part No.	Description	Info	Dimensions
40 92 2370	1340 267	Riemenspanner / belt tensioner		70x24
40 92 3445	5636 452	Zahnriemen / timing belt		Z 146 B24
40 92 7792	5636 486	Spannrolle / tension roller		ØA66 Ø18 B29
40 92 7818	1340 268	Riemenspanner / belt tensioner		ØA 63 B 22
40 92 7819	5636 978	Umlenkrolle / deflection pulley		ØA 61 B 28
40 92 7825	1606 314	Rep. Satz Zahnriemen / rep. kit timing belt		
40 93 4161	0636 059	Kettenspanner / chain tensioner		
99 11 0138	0637 241	Steuerkette / timing chain	(1)	130 E
99 12 9629	0637 241 S1	Steuerkette / timing chain	(2)	130 N
99 13 4162	0637 241 S2	Rep. Satz Steuerkette / rep. kit timing chain	(1)	130 E



Ref. - No.



40 93 3043	5636 396
40 93 3044	4807 839
40 93 3047	5636 381
40 93 3048	5636 380

Steuerkette / timing chain
Kettenspanner / chain tensioner
Steuerkette / timing chain
Kettenspanner / chain tensioner

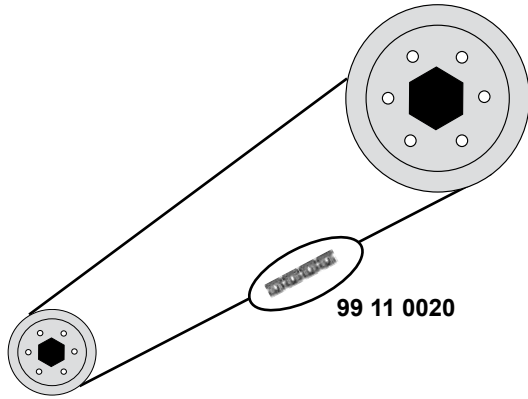
148 E
134 E

# OPEL Kadett C

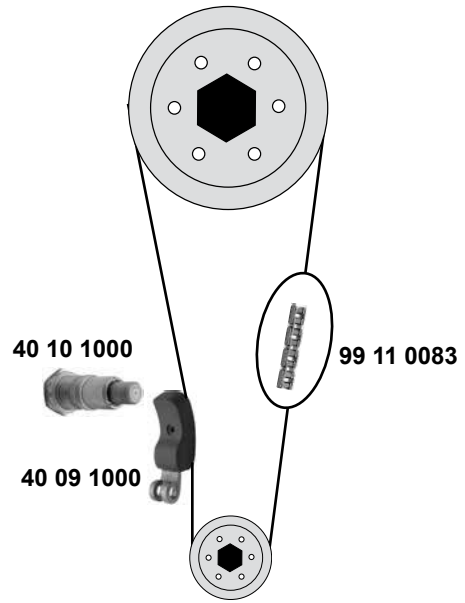
(74→79)



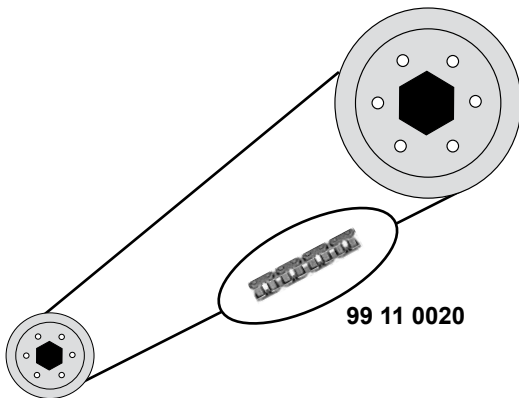
**1,0 / 1,2**  
(OHV)



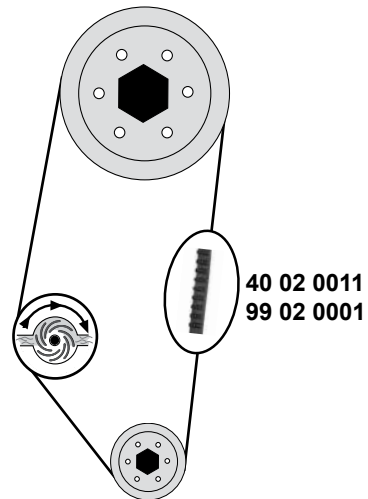
**1,6→2,0**  
(CIH)



**Kadett D**  
(79→84)  
**1,0 / 1,2**  
(OHV)



**1,3→1,8**



Ref. - No.



40 02 0011	0636 565
40 09 1000	0636 700
40 10 1000	0636 377
99 02 0001	0636 357
99 11 0020	0636 351
99 11 0083	0636 353

Zahnriemen / timing belt
Gleitschiene / sliding rail
Kettenspanner / chain tensioner
Zahnriemen / timing belt
Steuerkette / timing chain
Steuerkette / timing chain

(mot.) 1,6, 1,8

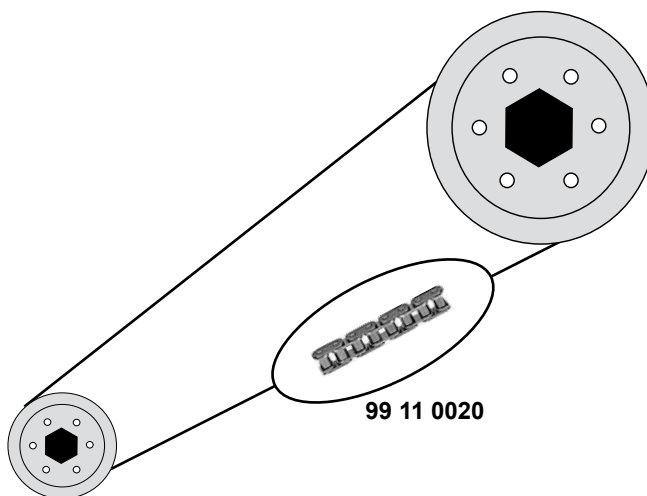
Z 111 B20

(mot.) 1,3

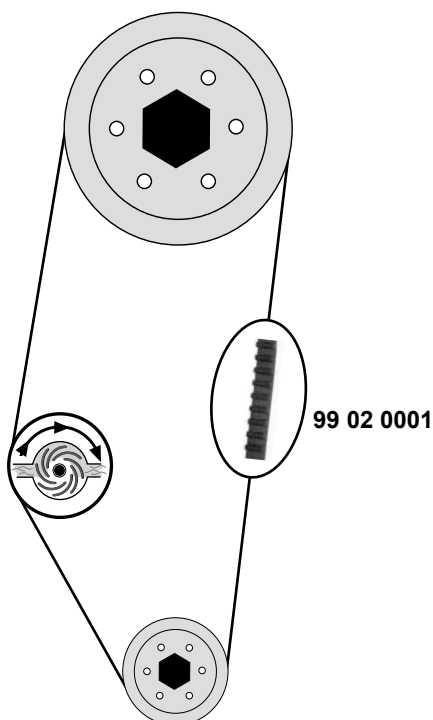
Z 104 B15  
455 / 56 E  
D 455 / 88 E



**1,2**  
(OHV)



**1,3**  
(13N / NB/ S / C13N)



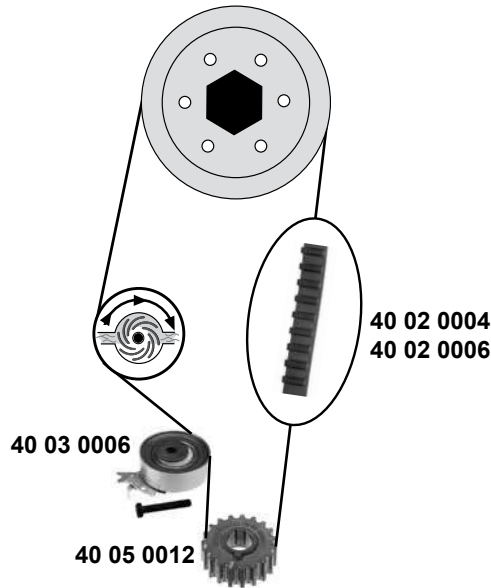
# OPEL Kadett E

(85→93)

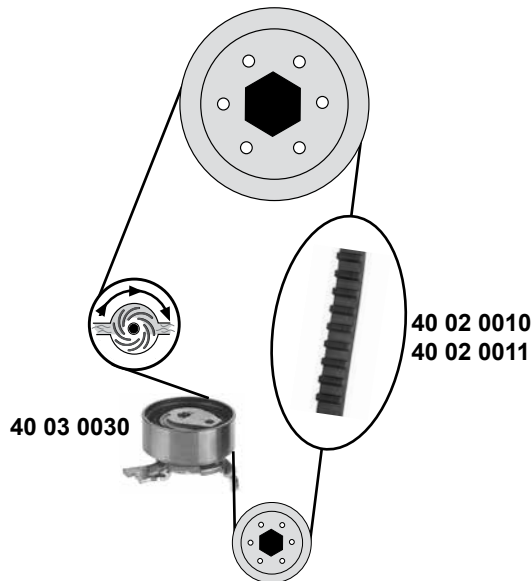


## 1,4 / 1,6

(1,4NV / C14NZ / 1,6SV / E1,6LZ / C1,6NZ)



## 1,8 8V / 2,0 8V



(1) (mot.) 1,4 NV→19307805, 02J22349  
(mot.) C 1,4NZ→19311737, 02J22349  
(mot.) 1,6→ww

(2) (mot.) 1,4 NV 19307806→  
(mot.) C 1,4NZ 19311738→  
(mot.) 1,6 02J22350→

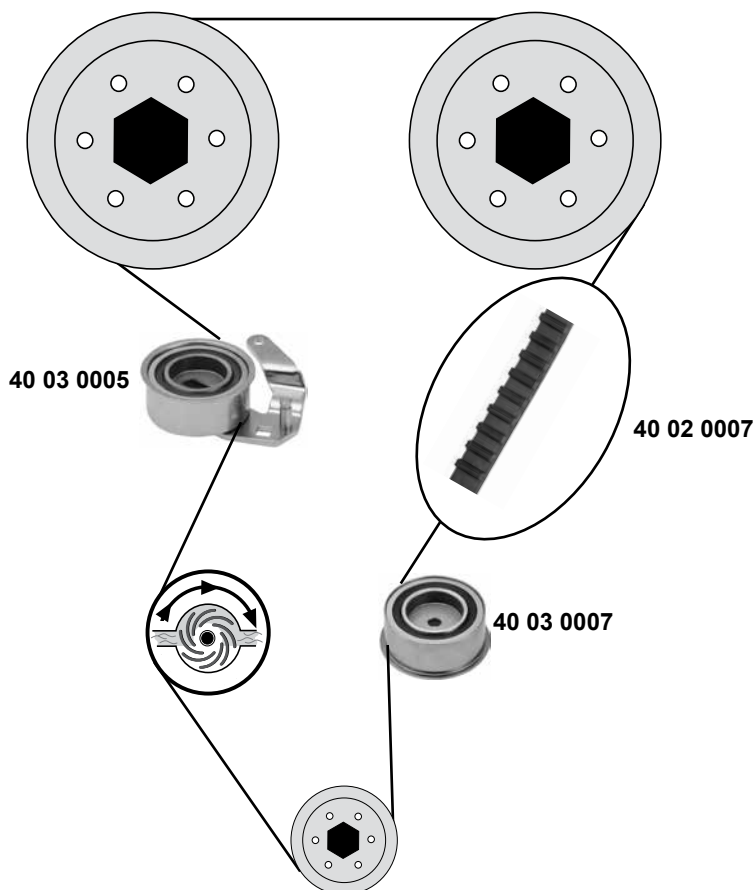


Ref. - No.



Ref. - No.	Description	Quantity	Part No.
40 02 0004	Zahnriemen / timing belt	(1)	Z 104 B17
40 02 0006	Zahnriemen / timing belt	(2)	Z 111 B17
40 02 0010	Zahnriemen / timing belt		Z 146 B20
40 02 0011	Zahnriemen / timing belt		Z 111 B20
40 02 0027	Rep. Satz Zahnriemen / rep. kit timing belt		
40 02 0030	Rep. Satz Zahnriemen / rep. kit timing belt	(2)	
40 03 0006	Spannrolle / tension roller		Ø 59 B 19
40 03 0030	Spannrolle / tension roller		ØA 59 B22
40 05 0012	Kurbelwellenzahnrad / crankshaft gear		Z 19

**(mot.)→14142838**



Ref. - No.

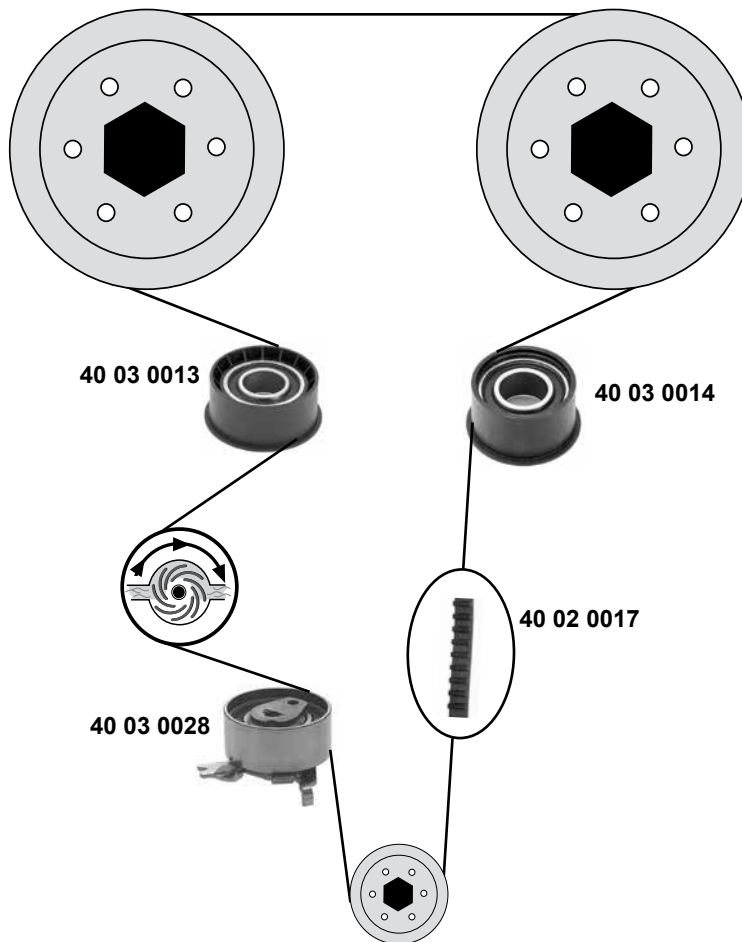


40 02 0007	0636 567
40 02 0021	1606 197
40 03 0005	0636 732
40 03 0007	0636 423

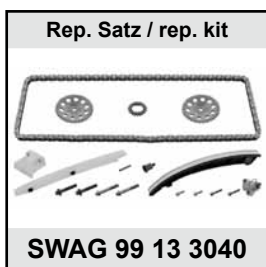
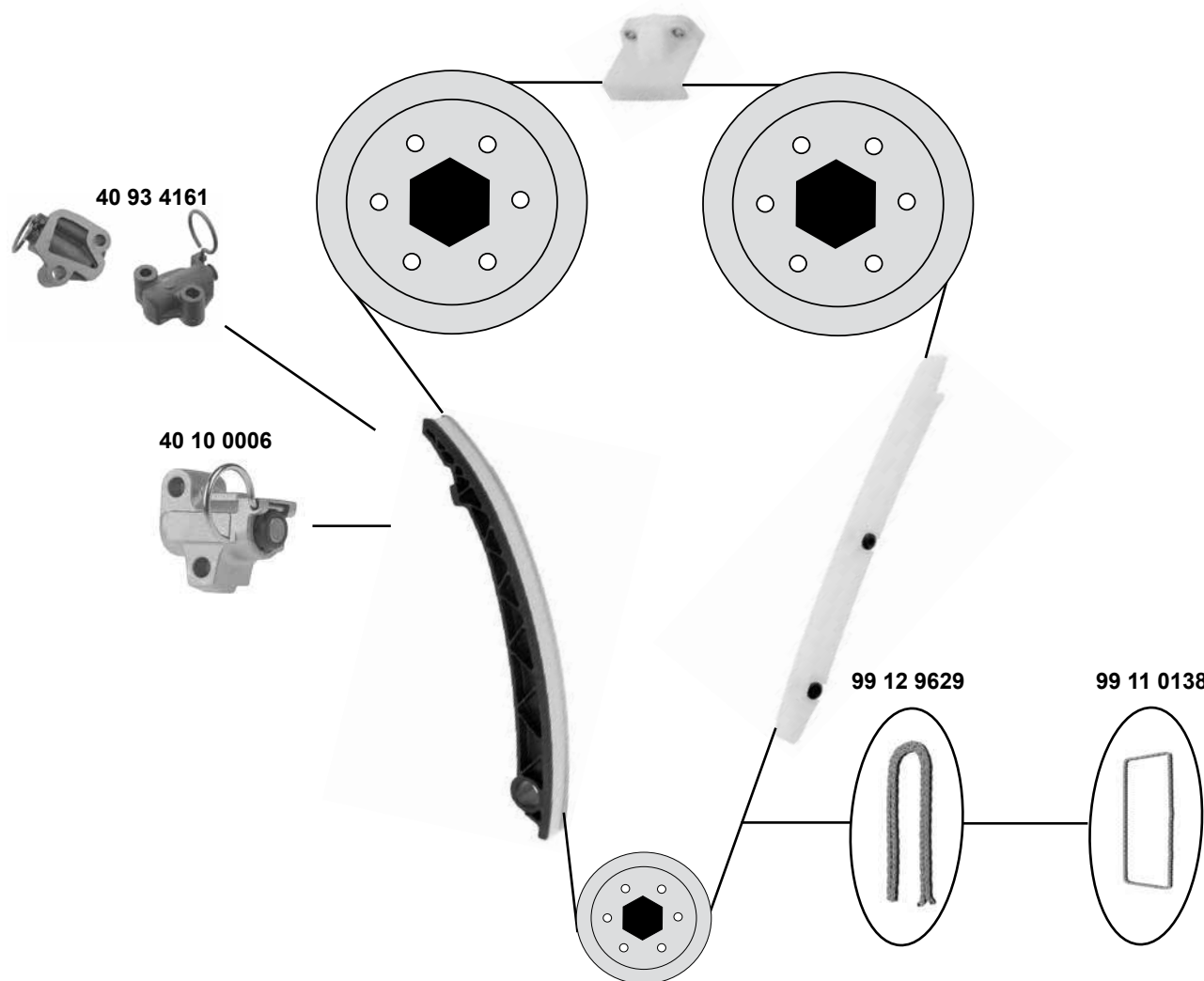
Zahnriemen / timing belt
Rep. Satz Zahnriemen / rep. kit timing belt
Spannrolle / tension roller
Umlenkrolle / deflection pulley

Z 141 B24
ØA 67 B27
ØA 67 B27

(mot.) 14142839 →



Ref. - No.			
40 02 0017	5636 355	Zahnriemen / timing belt	Z 176 B24
40 02 0024	1606 193	Rep. Satz Zahnriemen / rep. kit timing belt	
40 03 0013	0636 416	Umlenkrolle / deflection pulley	ØA 62,7 B27
40 03 0014	5636 425	Umlenkrolle / deflection pulley	ØA 58,5 B29,5
40 03 0028	5636 738	Spannrolle / tension roller	ØA 59 B26



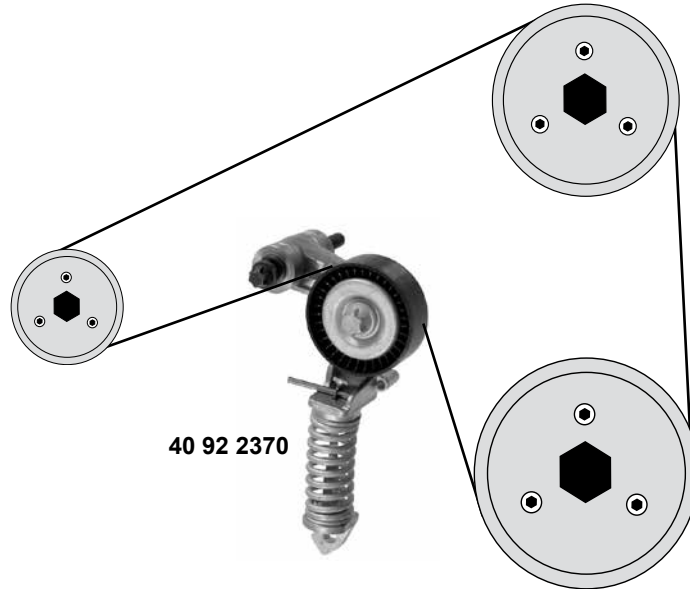
# OPEL Meriva A

(03→10)



**1,4**

(Z1,4XEP)



40 92 2370

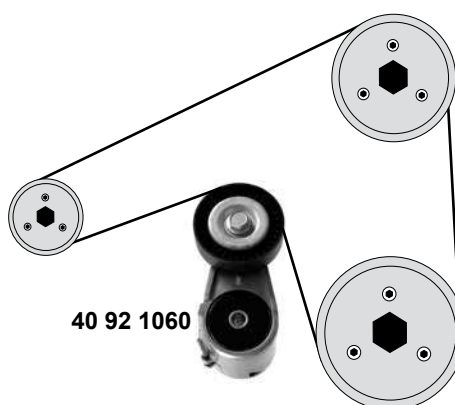
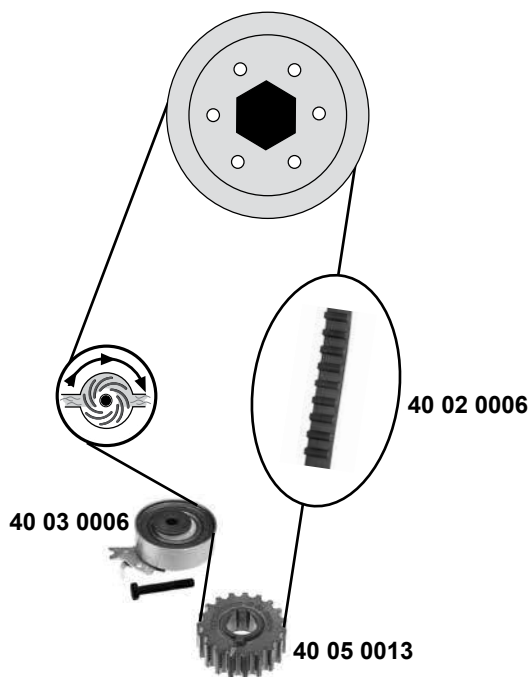
- (1) Steuerkette geschlossen / timing chain endless
- (2) Steuerkette offen / timing chain open
- (3) Steuerkette geschlossen und mit Steuerkettenradsatz / timing chain endless and with control chain wheel kit
- (4) Steuerkette geschlossen mit Dichtung / timing chain endless with gasket
- (5) Steuerkette geschlossen mit Dichtung und Steuerkettenradsatz / timing chain endless with gasket and control chain wheel kit
- (6) Spezialwerkzeug zur Montage notwendig / requires special tools for mounting
- (7) →(mot) 19TR2328
- (8) (mot) 19TR2329→



Ref. - No.



Ref. - No.	Description	Notes	Dimensions
40 10 0006	5636 457 Kettenspanner / chain tensioner	(7)	
40 92 2370	1340 267 Riemenspanner / belt tensioner		70x24
40 93 4161	0636 059 Kettenspanner / chain tensioner	(8)	
99 11 0138	0637 241 Steuerkette / timing chain	(1)	130 E
99 12 9629	0637 241 S1 Steuerkette / timing chain	(2) (6)	130 N
99 13 0372	6606 022 SK1 Rep. Satz Steuerkette / rep. kit timing chain	(1) (7)	130 E
99 13 3040	6606 022 Rep. Satz Steuerkette / rep. kit timing chain	(3) (7)	130 E
99 13 3080	6606 022 SK3 Rep. Satz Steuerkette / rep. kit timing chain	(4) (7)	130 E
99 13 3082	6606 022 S2 Rep. Satz Steuerkette / rep. kit timing chain	(5) (7)	130 E
99 13 4162	0637 241 S2 Rep. Satz Steuerkette / rep. kit timing chain	(1) (8)	130 E



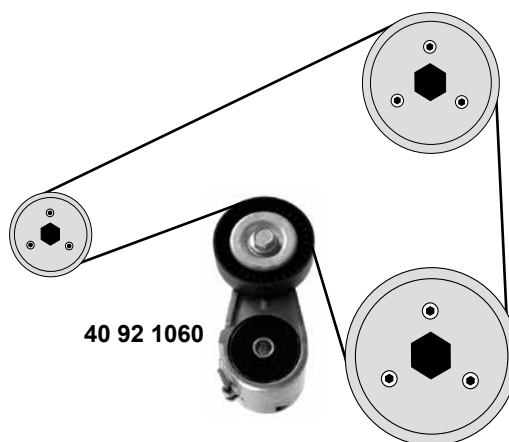
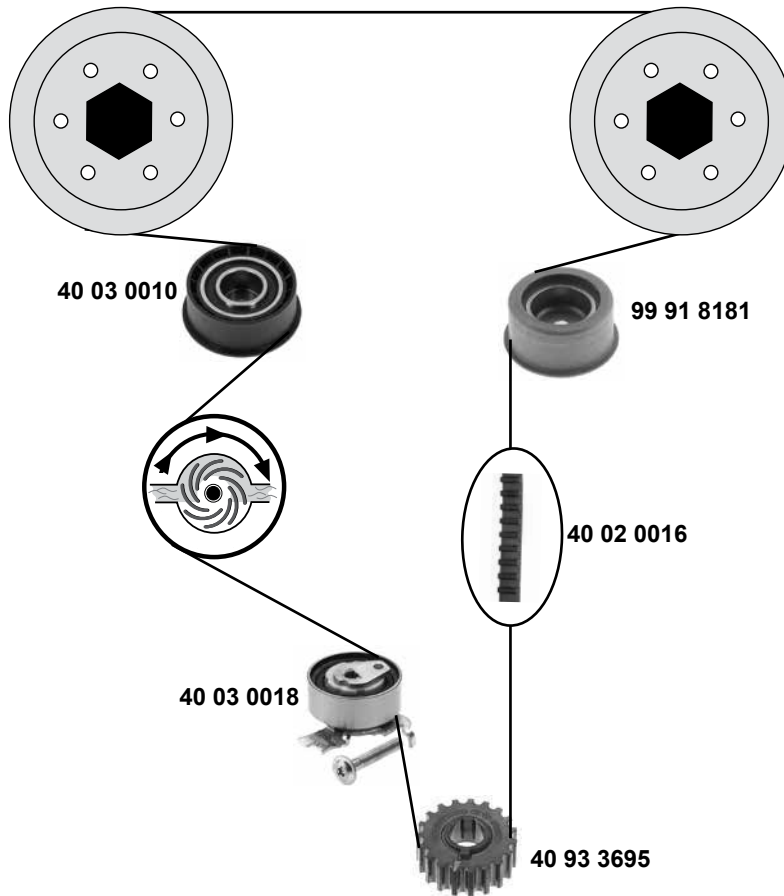
	Ref. - No.			
40 02 0006	5636 364	Zahnriemen / timing belt		Z 111 B17
40 02 0030	1606 369	Rep. Satz Zahnriemen / rep. kit timing belt		Z 111 B17
40 03 0006	5636 722	Spannrolle / tension roller		Ø59 B 19
40 05 0013	0614 526	Kurbelwellenzahnrad / crankshaft gear		Z 19
40 92 1060	1340 555	Riemenspanner / belt tensioner		76 x 22

# OPEL Meriva A

(03→10)

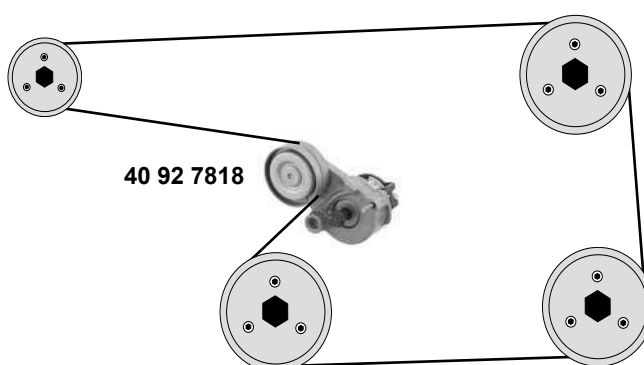
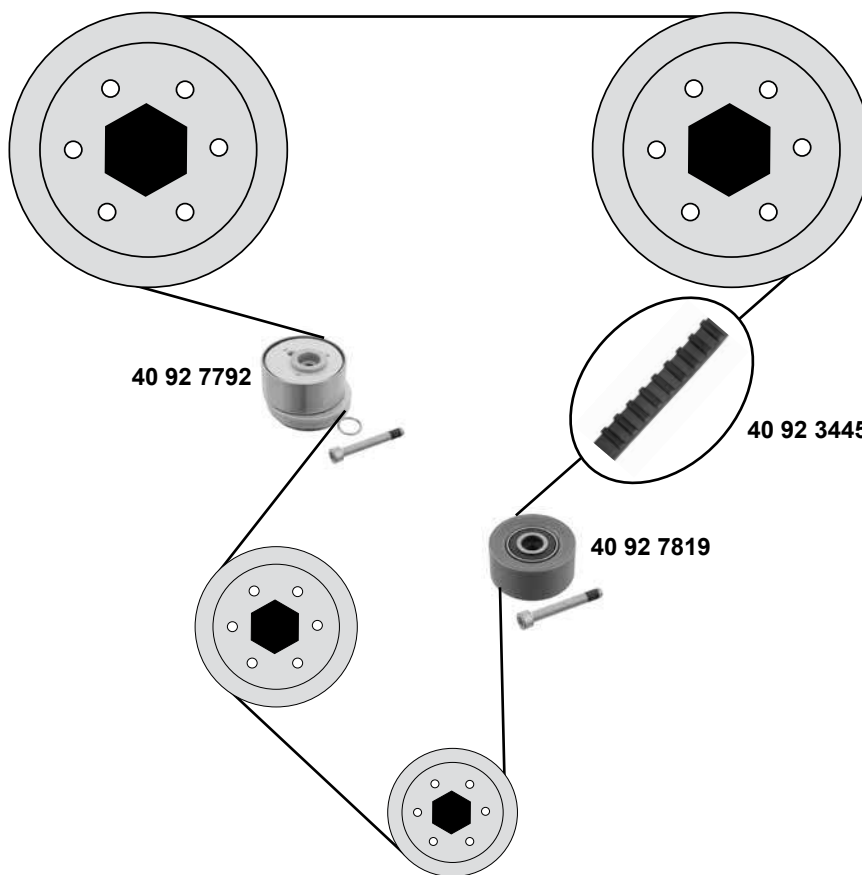


**1,6 16V / 1,8 16V**  
(Z 1,6 XE / Z1,8XE)



SWAG GERMANY	Ref. - No.			
40 02 0016	5636 564	Zahnriemen / timing belt		Z 162 B20
40 03 0010	5636 455	Umlenkrolle / deflection pulley		ØA 62,5 Ø1 23
40 03 0018	5636 654	Spannrolle / tension roller		ØA 59 B22
40 91 9445	1606 306	Rep. Satz Zahnriemen / rep. kit timing belt		Z 162 B20
40 92 1060	1340 555	Riemenspanner / belt tensioner		76 x 22
40 92 1097	1606 189	Rep. Satz Zahnriemen / rep. kit timing belt		Z 162 B20
40 93 3695	0614 546	Kurbelwellenzahnrad / crankshaft gear		Z 23
99 91 8181	5636 454	Umlenkrolle / deflection pulley		ØA 52,5 B27





Ref. - No.

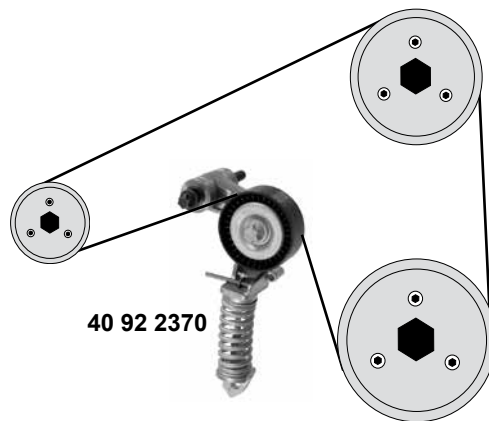
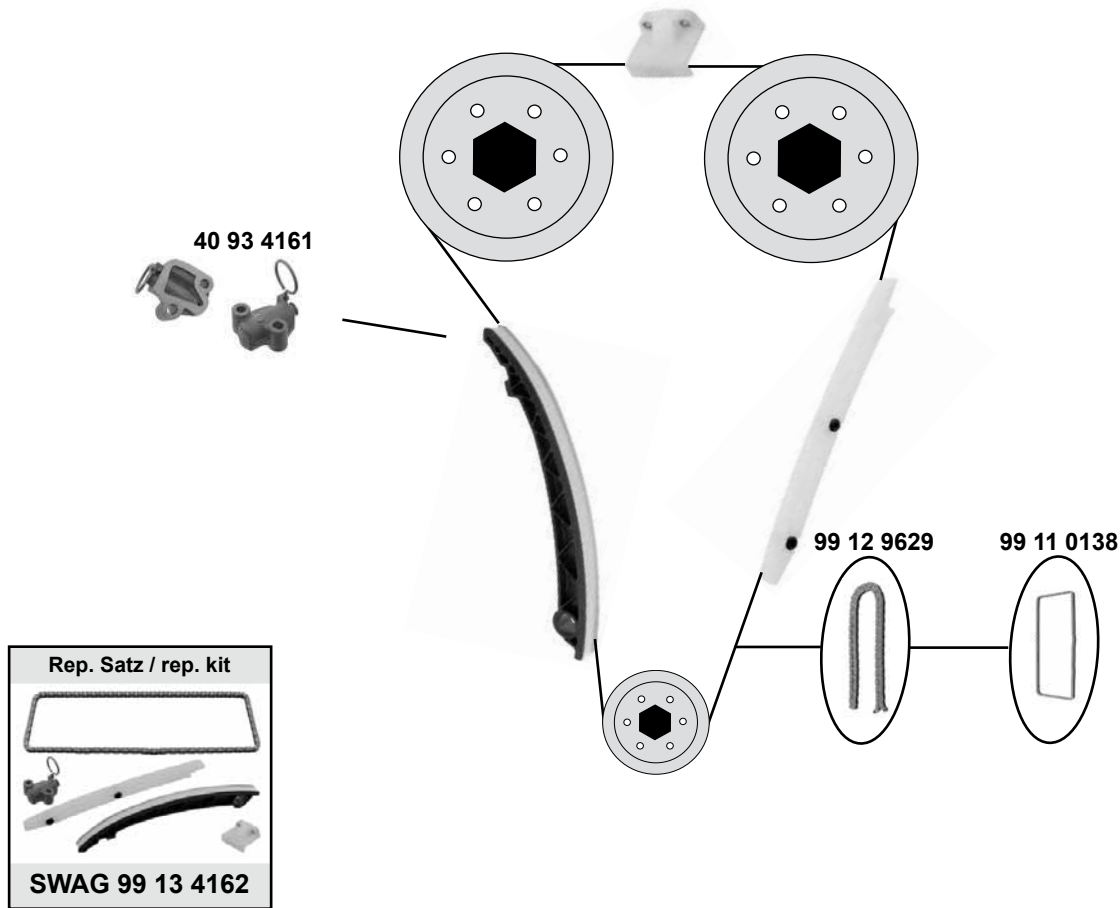


40 92 3445	5636 452
40 92 7792	5636 486
40 92 7818	1340 268
40 92 7819	5636 978
40 92 7825	1606 314

Zahnriemen / timing belt
Spannrolle / tension roller
Riemenspanner / belt tensioner
Umlenkrolle / deflection pulley
Rep. Satz Zahnriemen / rep. kit timing belt

Z 146 B24
ØA66 ØI8 B29
ØA 63 B 22
ØA 61 B 28
Z 146 B24

**1,4**  
(A1,4XER / A1,4NEL / A1,4NET / B1,4XER / B1,4NET / B1,4NEL)



- (1) Steuerkette geschlossen / timing chain endless
- (2) Steuerkette offen / timing chain open  
Spezialwerkzeug zur Montage notwendig / requires special tools for mounting

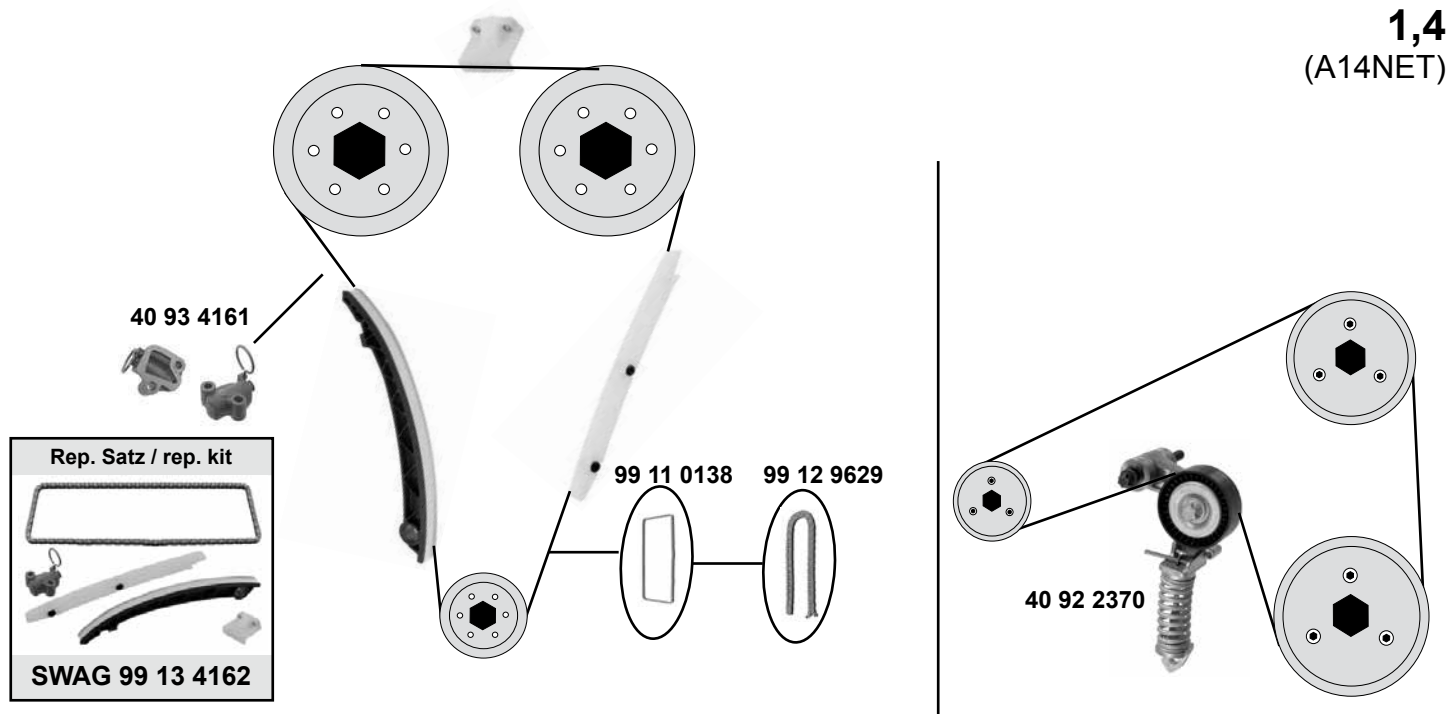


Ref. - No.

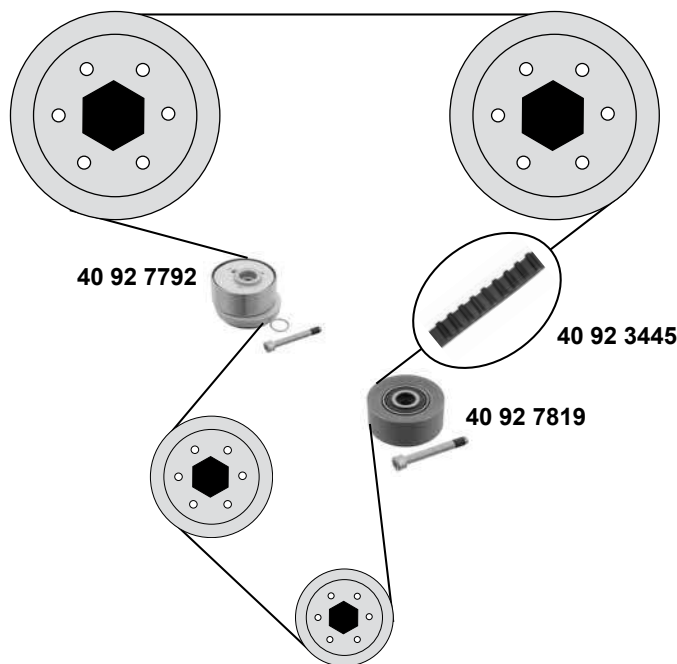


40 92 2370	1340 267	Riemenspanner / belt tensioner		70x24
40 93 4161	0636 059	Kettenspanner / chain tensioner		
99 11 0138	0637 241	Steuerkette / timing chain	(1)	130 E
99 12 9629	0637 241 S1	Steuerkette / timing chain	(2)	130 N
99 13 4162	0637 241 S2	Rep. Satz Steuerkette / rep. kit timing chain	(1)	130 E

**1,4**  
(A14NET)



**1,6 / 1,8**  
(Z1,6 XER / A 1,8 XER)



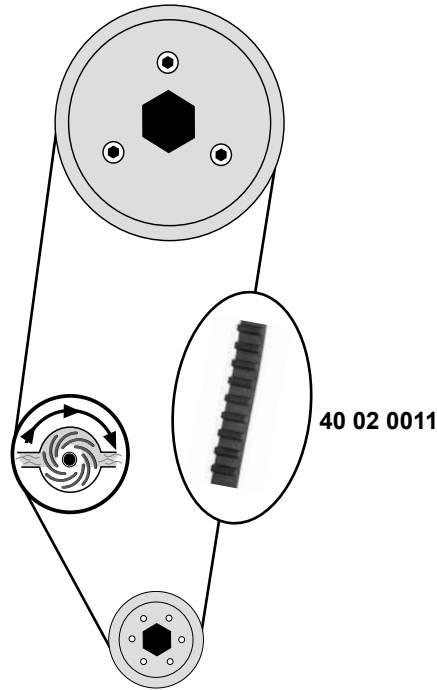
- (1) Steuerkette geschlossen / timing chain endless
- (2) Steuerkette offen / timing chain open  
Spezialwerkzeug zur Montage notwendig / requires special tools for mounting

	Ref. - No.			
40 92 2370	1340 267	Riemenspanner / belt tensioner		
40 92 3445	5636 452	Zahnriemen / timing belt		Z 146 B24
40 92 7792	5636 486	Spannrolle / tension roller		ØA66 B29
40 92 7819	5636 978	Umlenkrolle / deflection pulley		ØA 61 B 28
40 92 7825	1606 314	Rep. Satz Zahnriemen / rep. kit timing belt		
40 93 4161	0636 059	Kettenspanner / chain tensioner		
99 11 0138	0637 241	Steuerkette / timing chain	(1)	130 E
99 12 9629	0637 241 S1	Steuerkette / timing chain	(2)	130N
99 13 4162	0637 241 S2	Rep. Satz Steuerkette / rep. kit timing chain	(1)	130 E

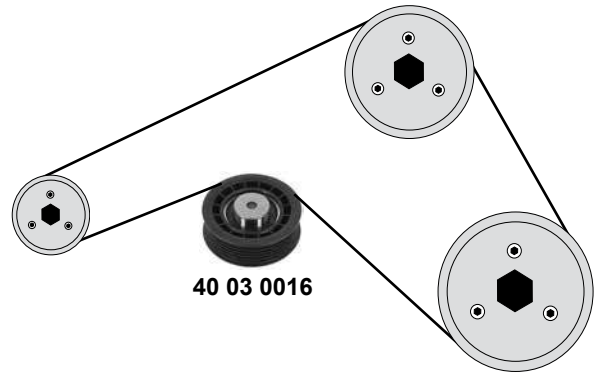
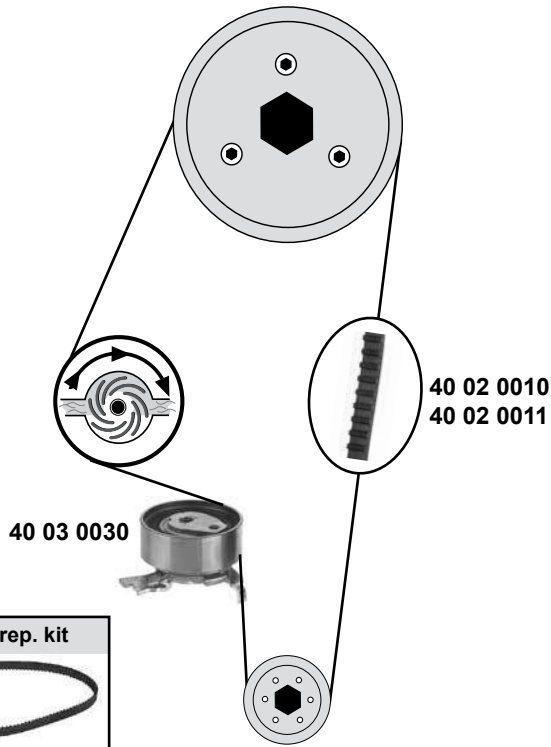
# OPEL Omega A (87→93)



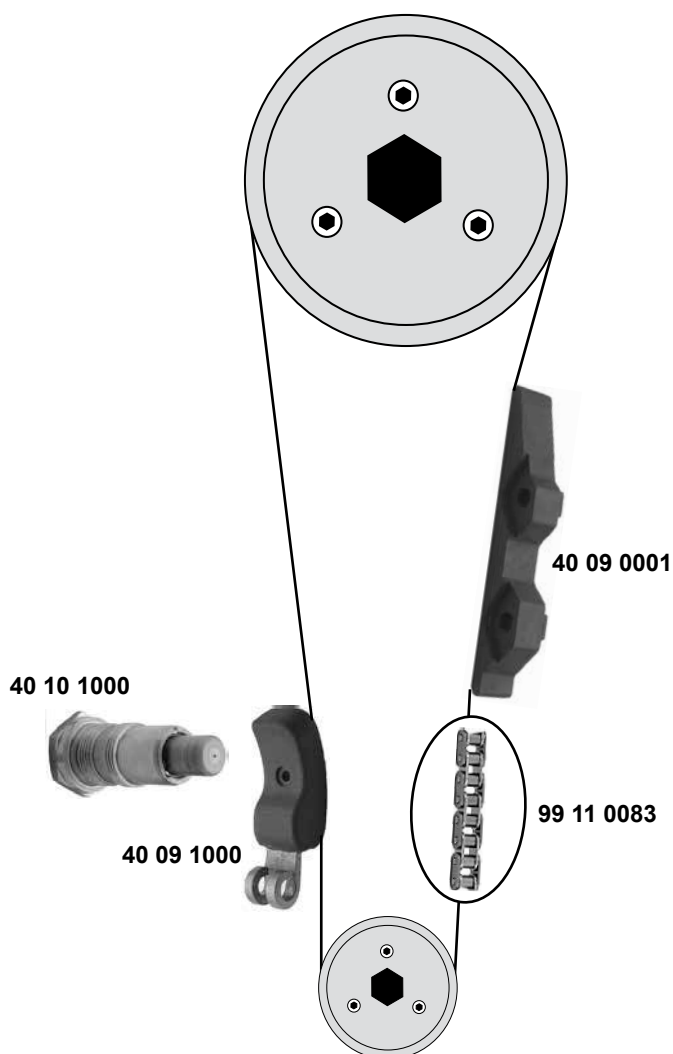
1,8



2,0



SWAG GERMANY	Ref. - No.			
40 02 0010	5636 562	Zahnriemen / timing belt	(mot.) 2,0 14608701→	Z 146 B20
40 02 0011	0636 565	Zahnriemen / timing belt	(mot.) 2,0→14608700	Z 111 B20
40 02 0027	5636 562S1	Rep. Satz Zahnriemen / rep. kit timing belt	(mot.) 2,0 14608701→	
40 03 0016	1340 535	Umlenkrolle / deflection pulley	AC	ØA 80 B26,4
40 03 0030	5636 429	Spannrolle / tension roller		ØA 59 B22



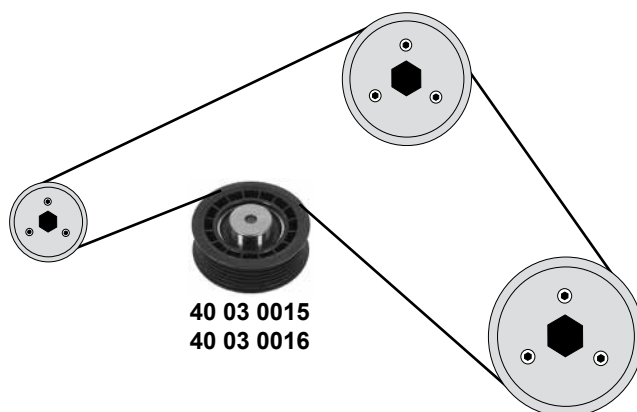
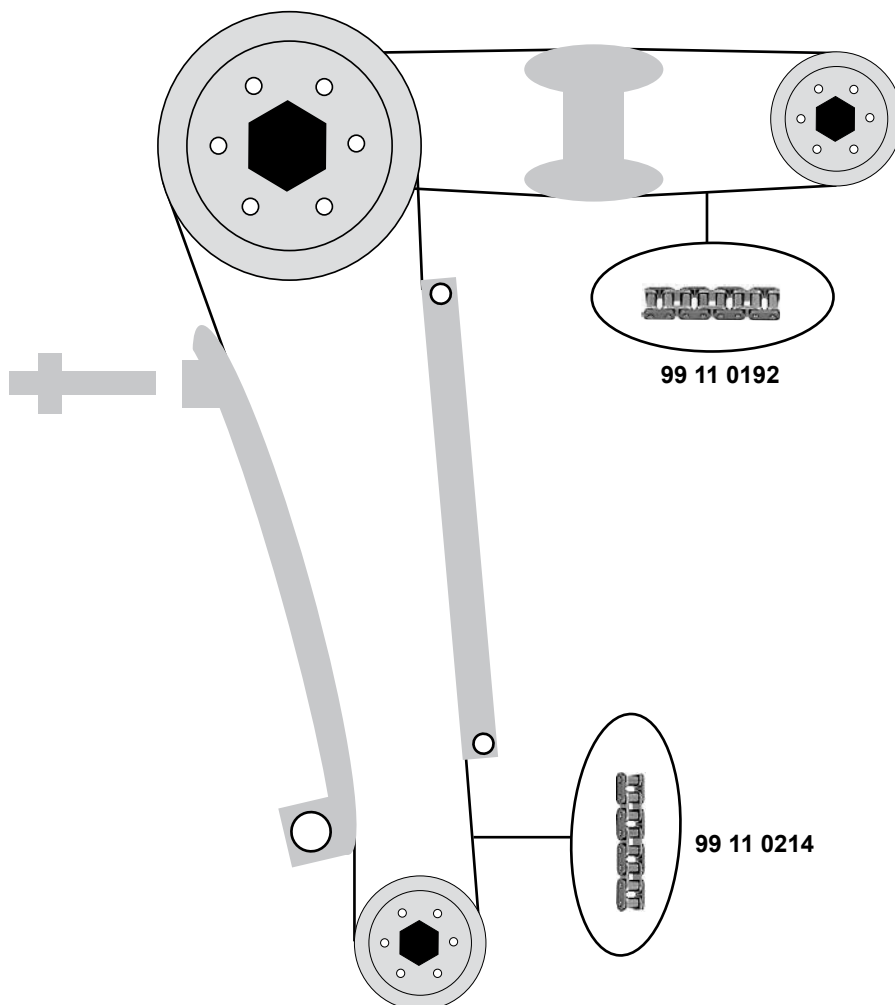
# OPEL

## Omega A

(87→93)



3,0 24V / 3,6



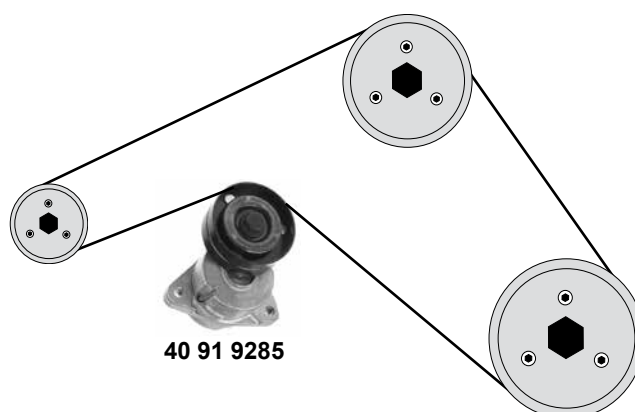
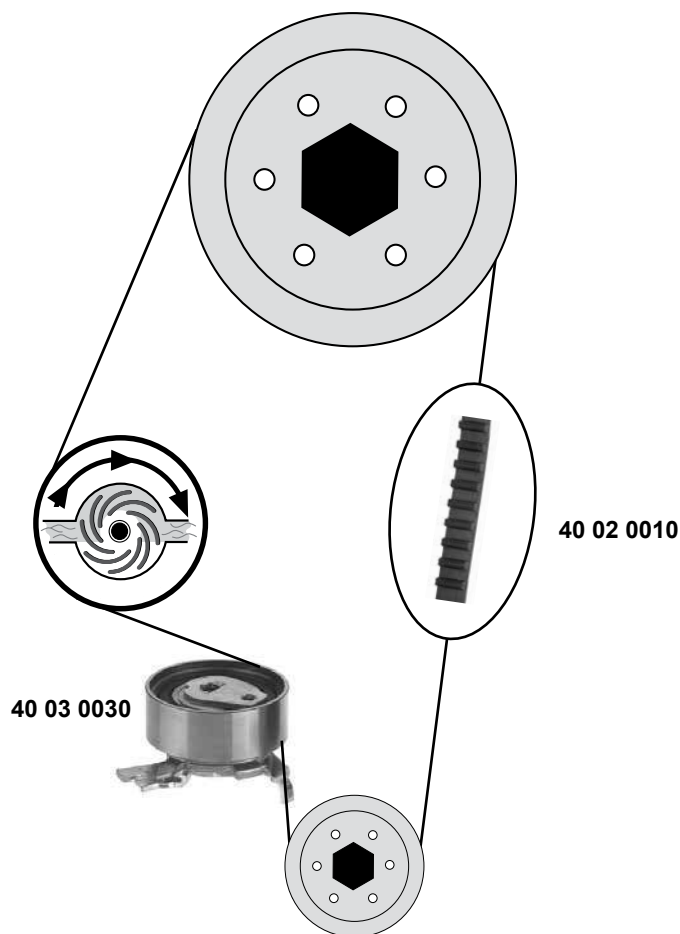
(1) (mot.) 3,0NE / C 3,0 NE 0103967→(mot.) C 3,0 SE 01024730→  
 (2) (ch.) M 1000001→



Ref. - No.



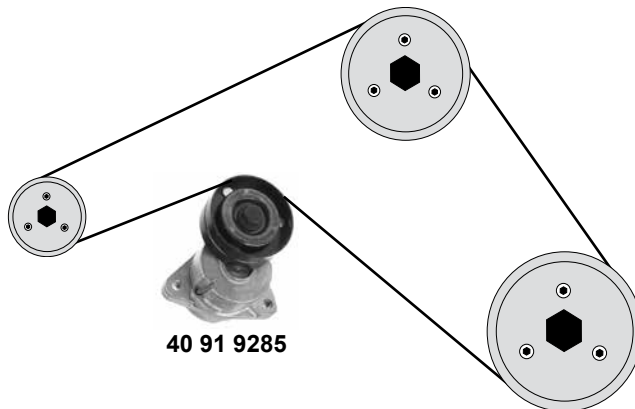
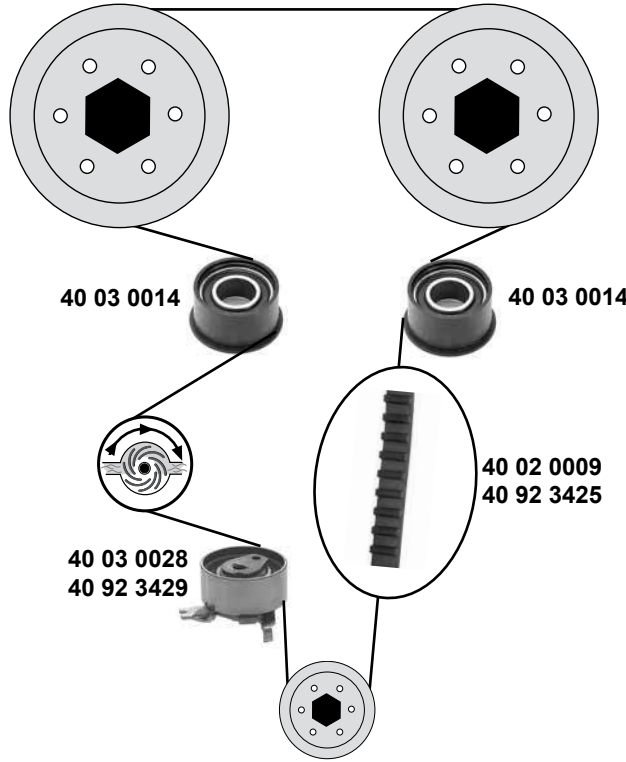
40 03 0015	1854 429	Umlenkrolle / deflection pulley	(2) AC	ØA 80 B26,4
40 03 0016	1340 535	Umlenkrolle / deflection pulley	(1) AC	ØA 80 B26,4
99 11 0192	0636 374	Steuerkette / timing chain		458 / 42 E
99 11 0214	0636 572	Steuerkette / timing chain		104 E



# OPEL Omega B (94→03)



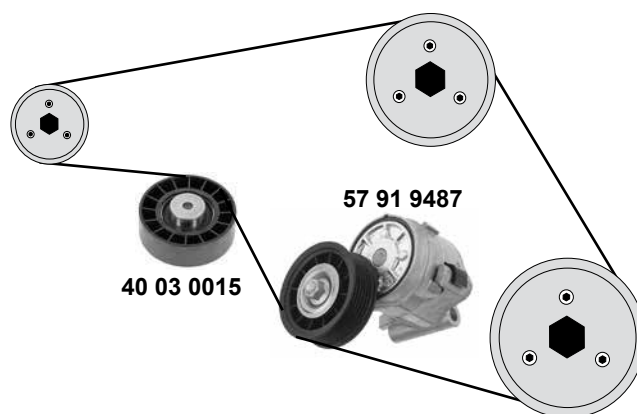
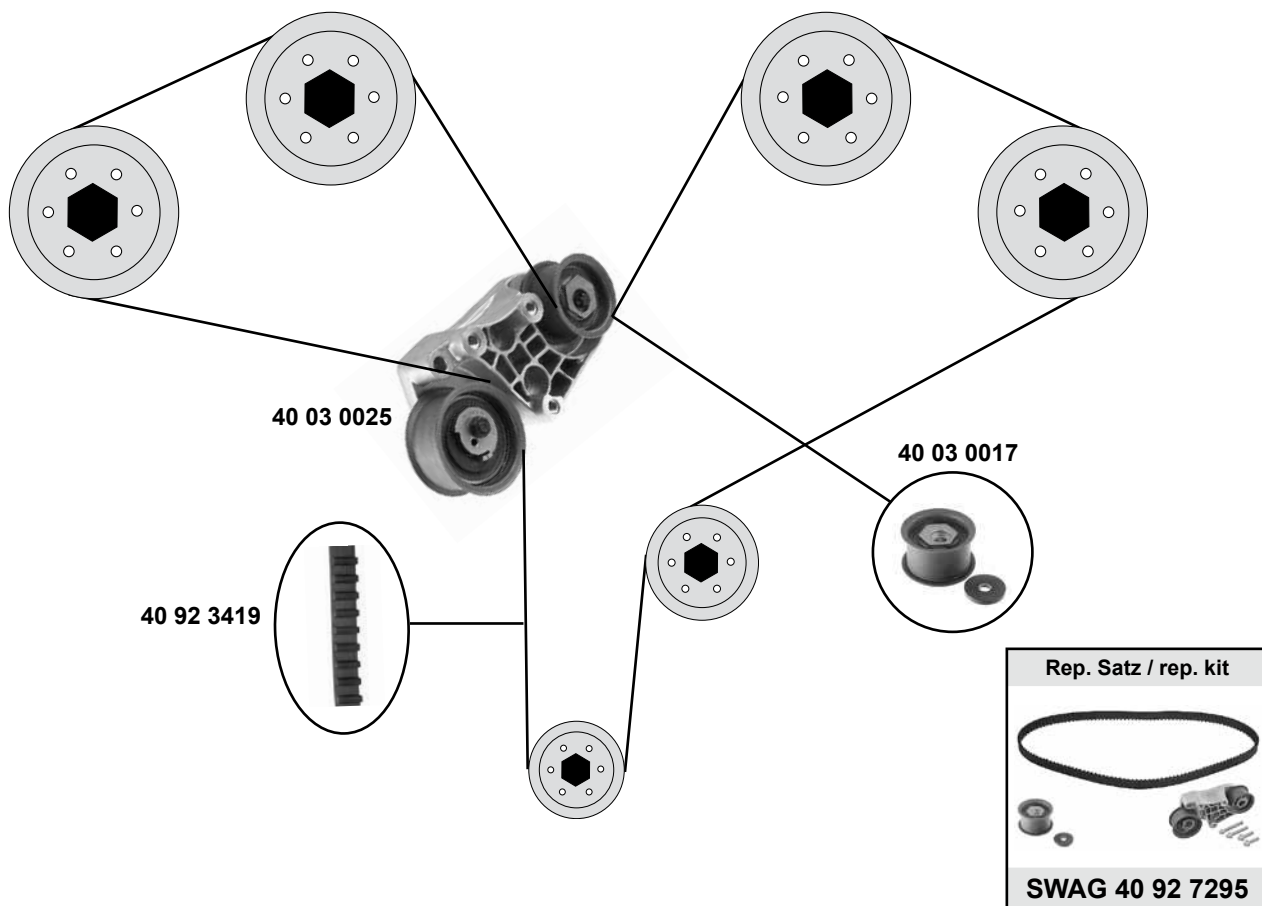
**2,0 / 2,2 16V**  
(X 2,0 XEV / Y 2,2 XE / Z 2,2 XE)



SWAG GERMANY	Ref. - No.			
40 02 0009	5636 363	Zahnriemen / timing belt	(mot.) 2,0 16V	Z 169 B24
40 02 0028	1606 192	Rep. Satz Zahnriemen / rep. kit timing belt	(mot.) 2,0 16V	
40 03 0014	5636 425	Umlenkrolle / deflection pulley		ØA 58,5 B29,5
40 03 0028	5636 738	Spannrolle / tension roller	(mot.) 2,0 16V	ØA 59 B26
40 91 9285	6340 532	Riemenspanner / belt tensioner		
40 92 3425	5636 372	Zahnriemen / timing belt	(mot.) 2,2 16V	Z 171 B24
40 92 3427	1606 198	Rep. Satz Zahnriemen / rep. kit timing belt	(mot.) 2,2 16V	
40 92 3429	0636 729	Spannrolle / tension roller	(mot.) 2,2 16V	ØA 59 B22



**2,5 / 2,6 / 3,0 / 3,2 V6**



(1) (mot.) 2,5 / 3,0 /→08300418



Ref. - No.



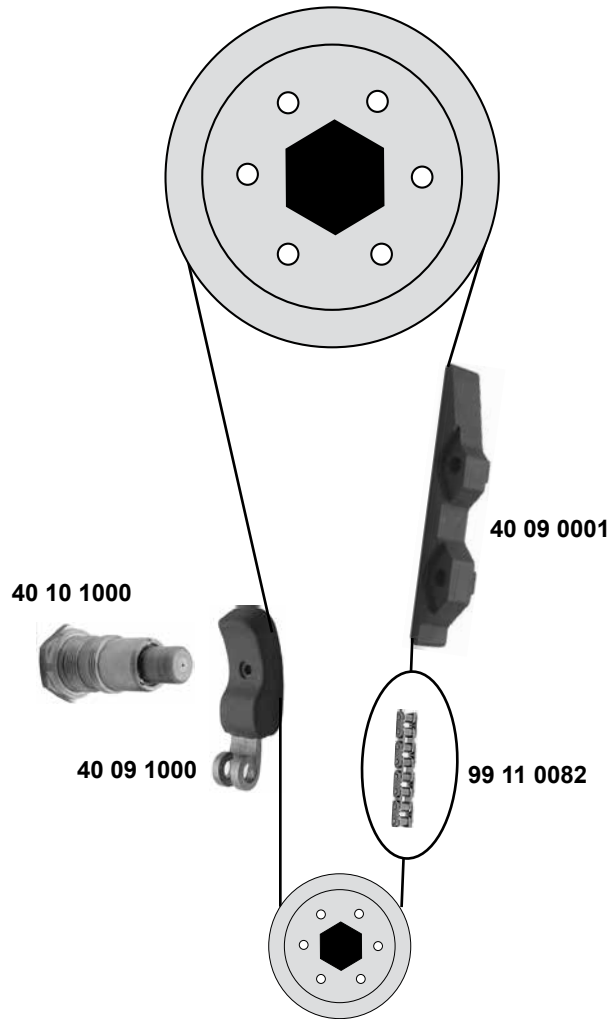
40 03 0015	1854 429	Umlenkrolle / deflection pulley	
40 03 0025	5636 730	Riemenspanner / belt tensioner	(1)
40 03 0017	5636 422	Umlenkrolle / deflection pulley	(1)
40 92 3419	5636 371	Zahnriemen / timing belt	(1)
40 92 7295	0636 728 SK	Rep. Satz Zahnriemen / rep. kit timing belt	(1)
57 91 9487	6340 538	Riemenspanner / belt tensioner	

ØA 64 B37  
Z 225 B30

**OPEL**  
**Rekord E / Commodore C (77→86)**  
**Monza / Senator A (78→86)**



**1,7→3,0**  
 (CIH)



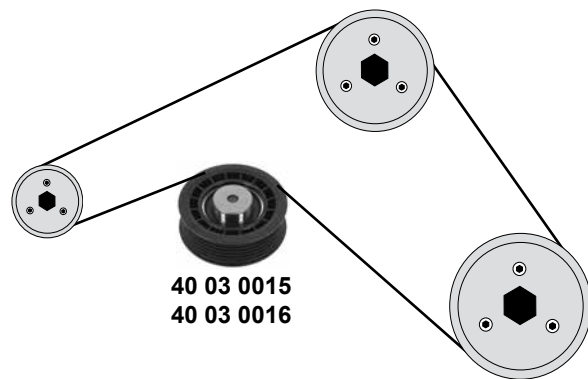
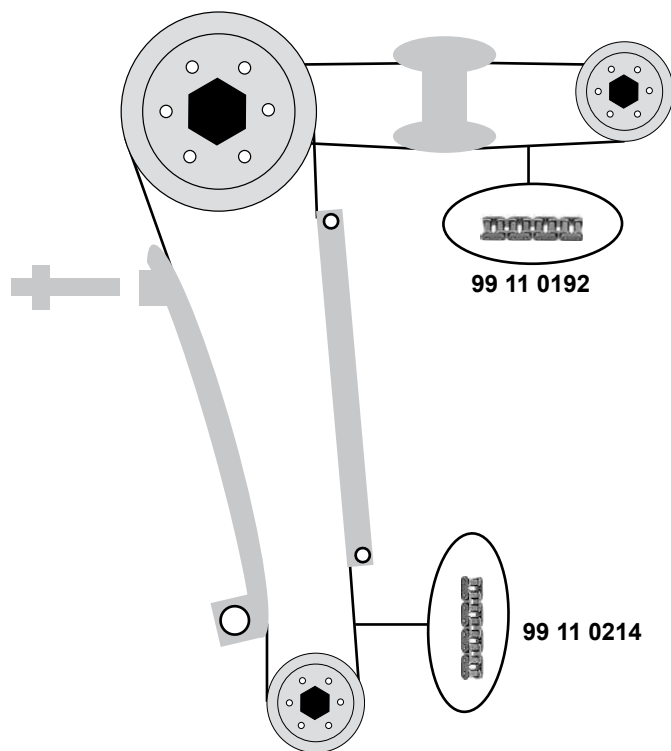
Ref. - No.



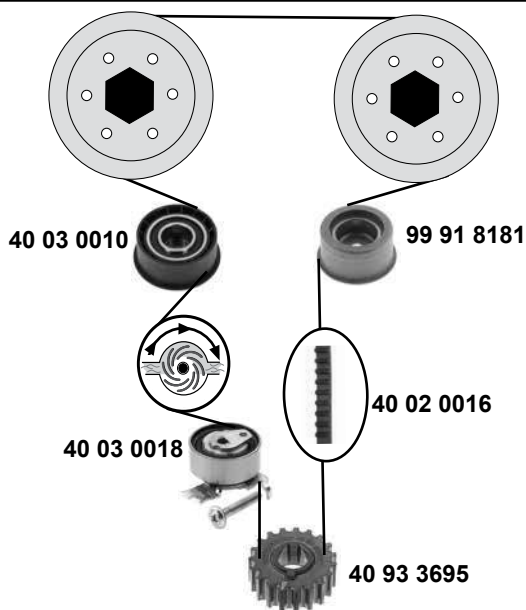
40 09 0001	0636 812	Gleitschiene / sliding rail
40 09 1000	0636 700	Gleitschiene / sliding rail
40 10 1000	0636 377	Kettenspanner / chain tensioner
99 11 0082	0636 353	Steuerkette / timing chain

D 455 / 88 E

**3,0 24V / 3,6**



## Signum (02→08) 1,8 16 V (Z 1,8XE)



(1) (mot.) 3,0NE / C 3,0 NE 01039675→ (mot.) C 3,0 SE 01024730→

(2) (ch.) M 1000001→



Ref. - No.

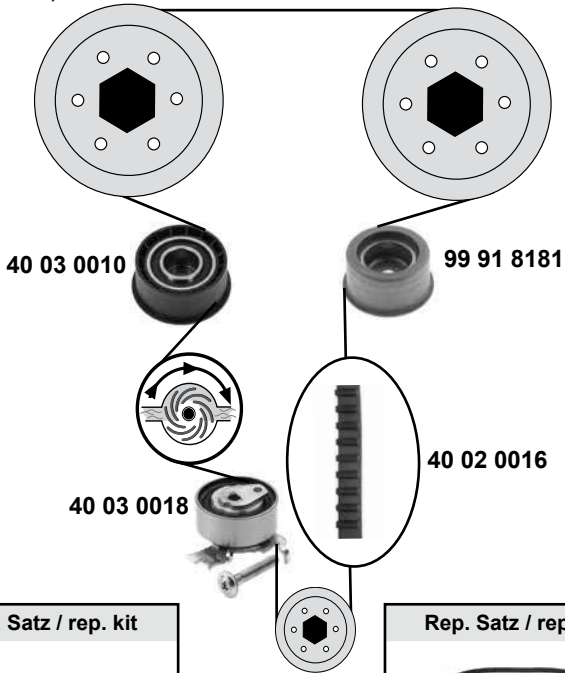


Ref. - No.	Description	Notes	Dimensions
40 02 0016	Zahnriemen / timing belt		Z 162 B20
40 03 0010	Umlenkrolle / deflection pulley		ØA 62,5
40 03 0015	Umlenkrolle / deflection pulley	(2) AC	ØA 80 B26,4
40 03 0016	Umlenkrolle / deflection pulley	(1) AC	ØA 80 B26,4
40 91 9445	Rep. Satz Zahnriemen / rep. kit timing belt		
40 93 3695	Kurbelwellenzahnrad / crankshaft gear		Z 23
99 11 0192	Steuerkette / timing chain		458 / 42 E
99 11 0214	Steuerkette / timing chain		104 E
99 91 8181	Umlenkrolle / deflection pulley		ØA 52,5 B27

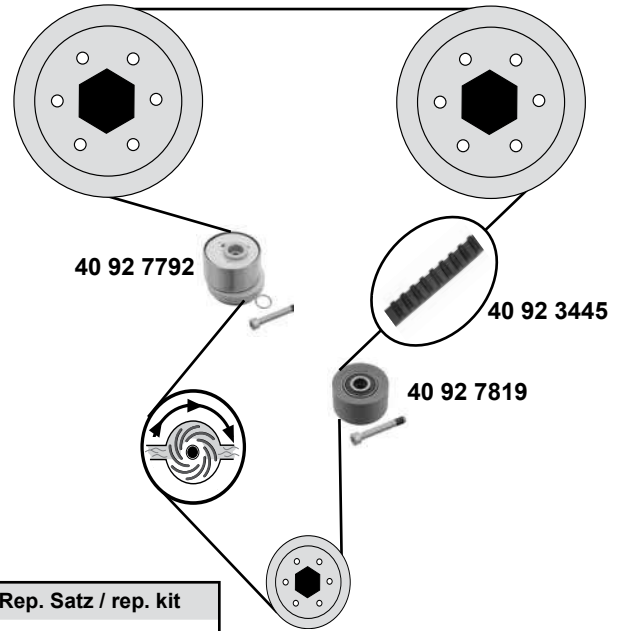
# OPEL Signum (02→08)



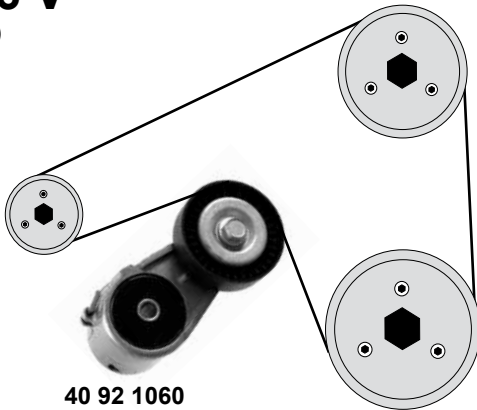
## 1,8 16 V (Z 1,8XER)



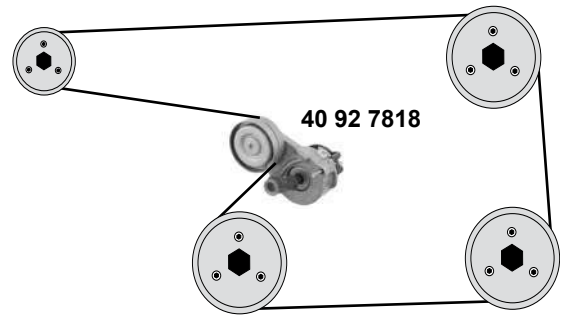
## 1,8 16 V (Z 1,8XER)



## 1,8 16 V (Z 1,8XE)



## 1,8 16 V (Z 1,8XER)



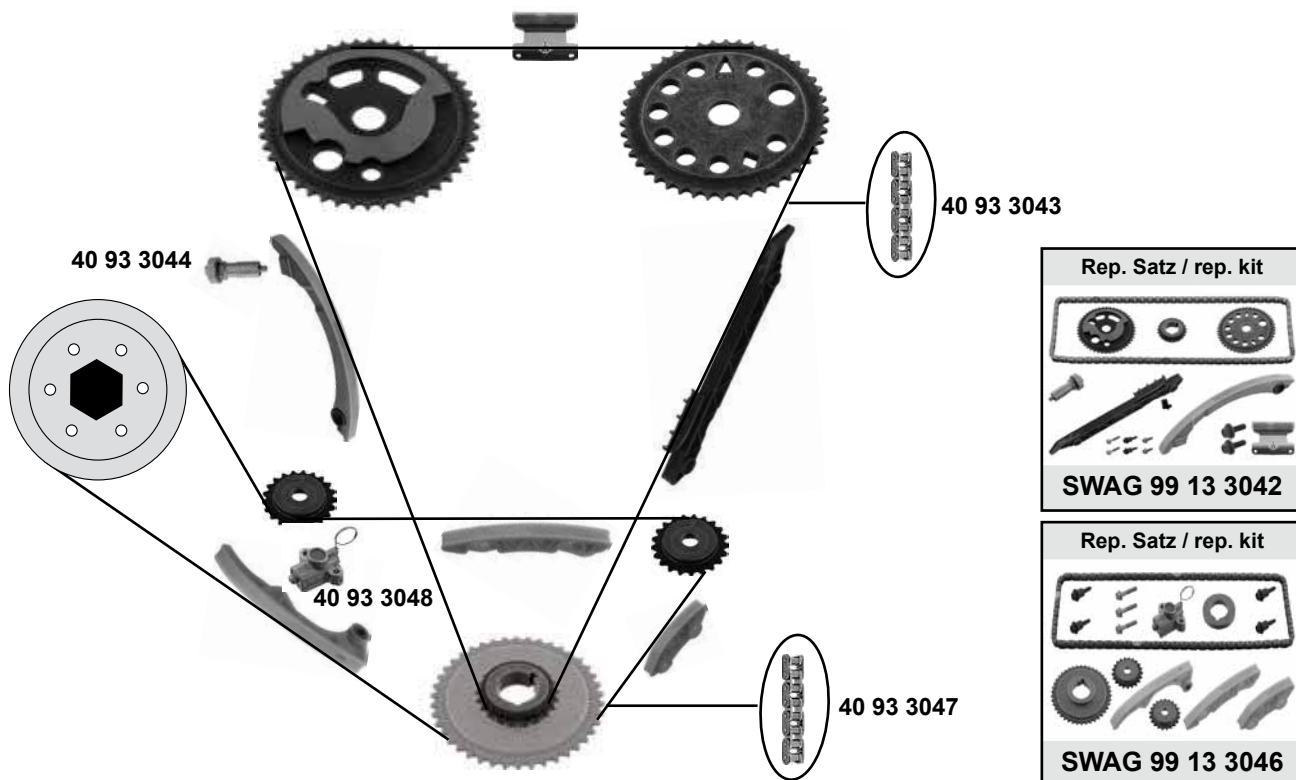
Ref. - No.



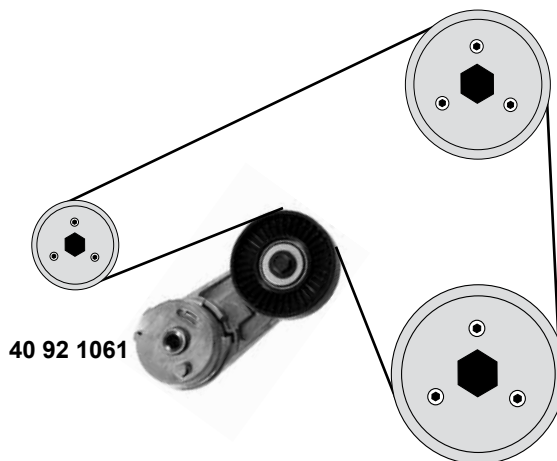
40 02 0016	5636 564
40 03 0010	5636 455
40 03 0018	5636 740
40 91 9445	1606 306
40 92 1060	1340 555
40 92 1097	1606 189
40 92 3445	5636 452
40 92 7792	5636 486
40 92 7818	1340 268
40 92 7819	5636 978
40 92 7825	1606 314
99 91 8181	5636 454

Zahnriemen / timing belt
Umlenkrolle / deflection pulley
Spannrolle / tension roller
Rep. Satz Zahnriemen / rep. kit timing belt
Riemenspanner / belt tensioner
Rep. Satz Zahnriemen / rep. kit timing belt
Zahnriemen / timing belt
Spannrolle / tension roller
Riemenspanner / belt tensioner
Umlenkrolle / deflection pulley
Rep. Satz Zahnriemen / rep. kit timing belt
Umlenkrolle / deflection pulley

Z 162 B20
ØA 62,5
ØA 59 B22
Z 146 B24
ØA66 Ø18 B29
ØA 63 B 22
ØA 61 B28
Z 146 B24
ØA 52,5 B27

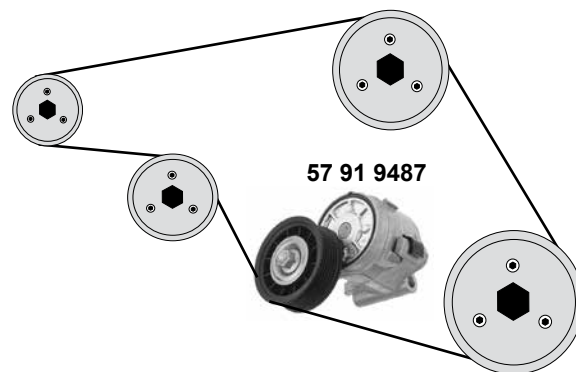
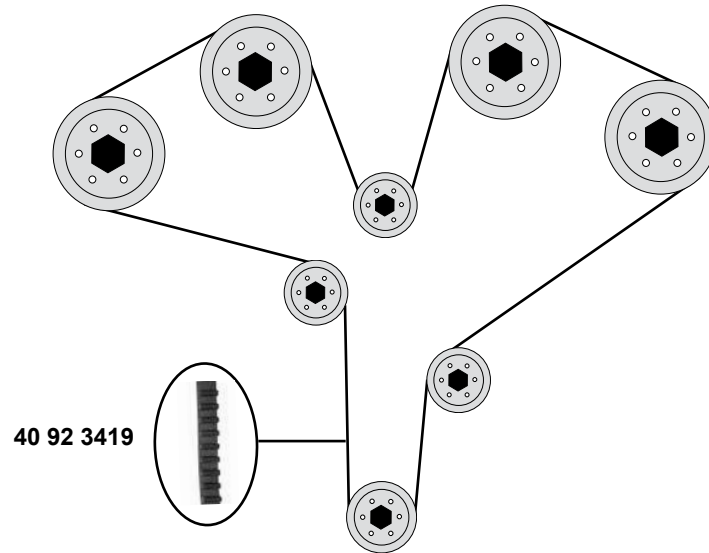


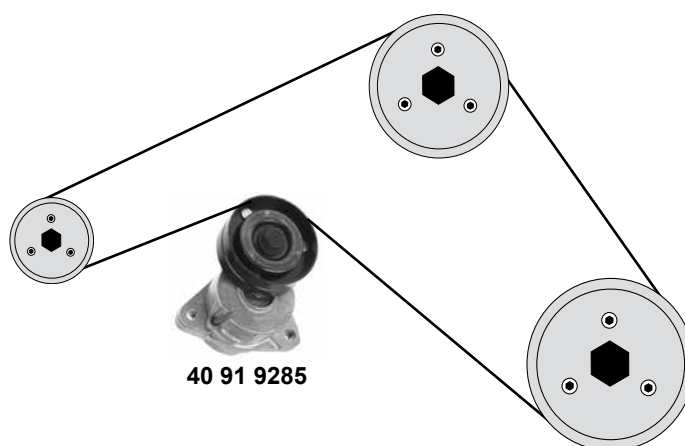
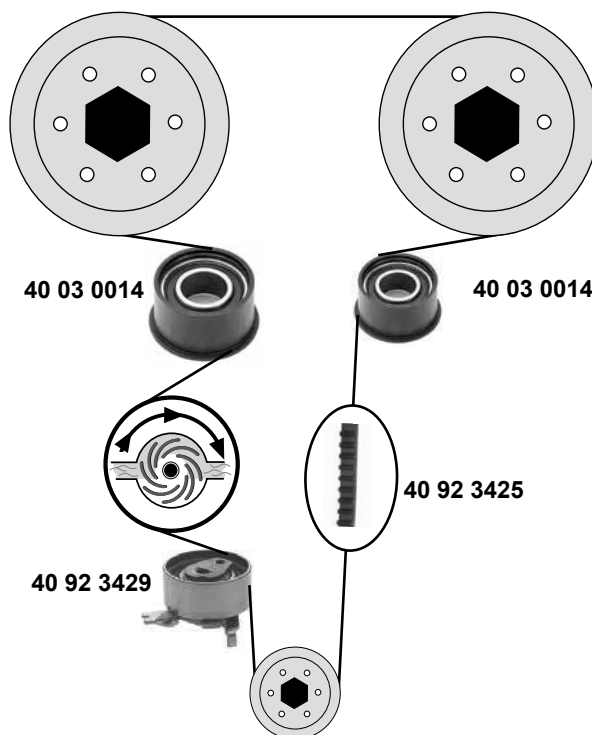
**2,0 / 2,2**  
(Z2,0NET, Z2,2SE, Z2,2YH)



	Ref. - No.			
40 92 1061	0614 533	Riemenspanner / belt tensioner		
40 93 3043	5636 396	Steuerkette endlos / timing chain endless		148 E
40 93 3044	4807 839	Kettenspanner / chain tensioner		
40 93 3047	5636 381	Steuerkette endlos / timing chain endless		134 E
40 93 3048	5636 380	Kettenspanner / chain tensioner		
99 13 3042	0636 176	Rep. Satz Steuerkette / rep. kit timing chain	(mot.) 2,2	148 E
99 13 3046	0615 418	Rep. Satz Steuerkette / rep. kit timing chain	(mot.) 2,2	134 E

**3,2 V6**





Ref. - No.



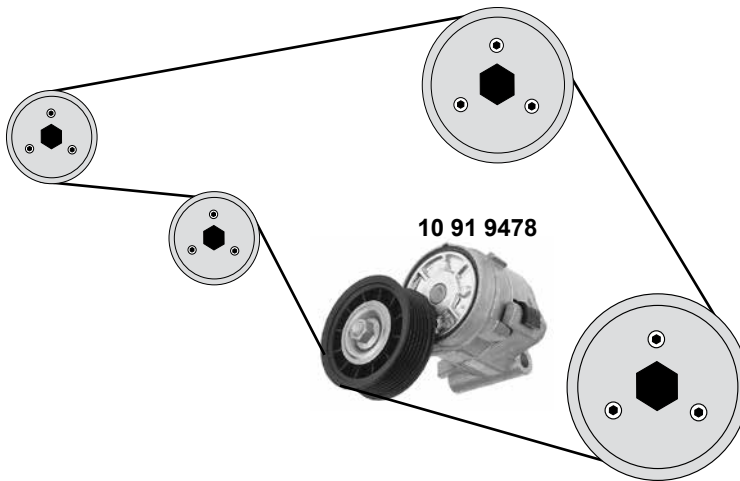
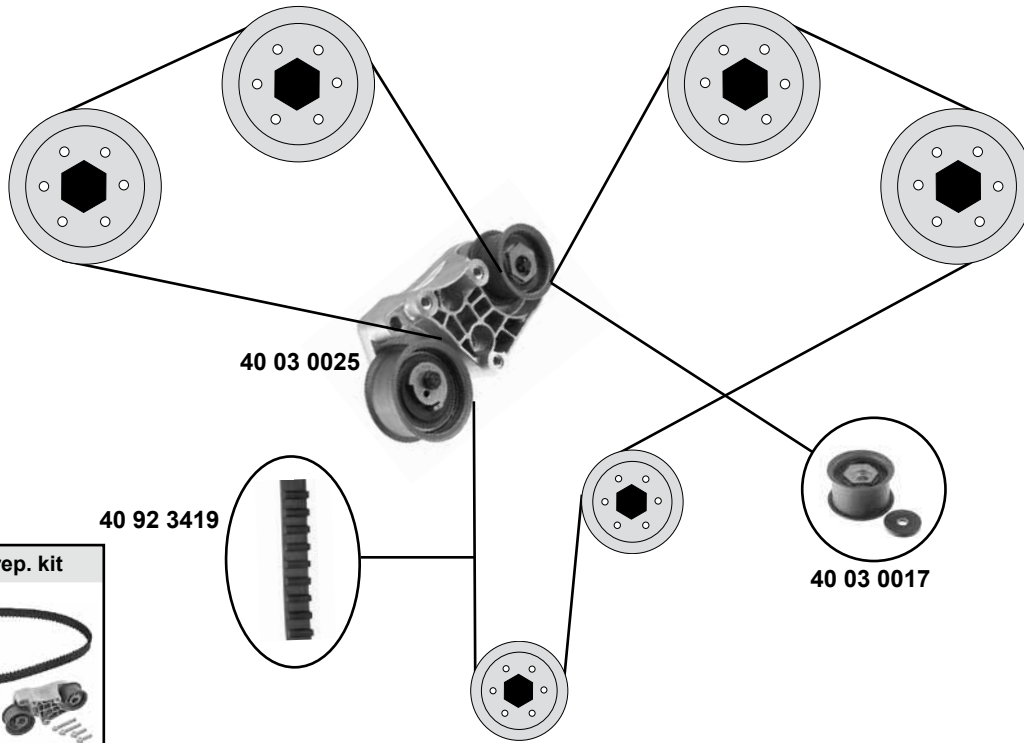
40 03 0014	5636 425
40 91 9285	6340 532
40 92 3425	5636 372
40 92 3427	1606 198
40 92 3429	0636 729

Umlenkrolle / deflection pulley
Riemenspanner / belt tensioner
Zahnriemen / timing belt
Rep. Satz Zahnriemen / rep. kit timing belt
Spannrolle / tension roller

AC

ØA 58,5 B29,5
Z 171 B24
ØA 59 B22

**3,0 V6**  
(X 3,0 XE)



(1) (mot.) 08292479→08299999

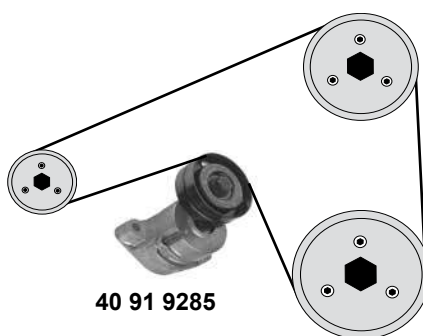
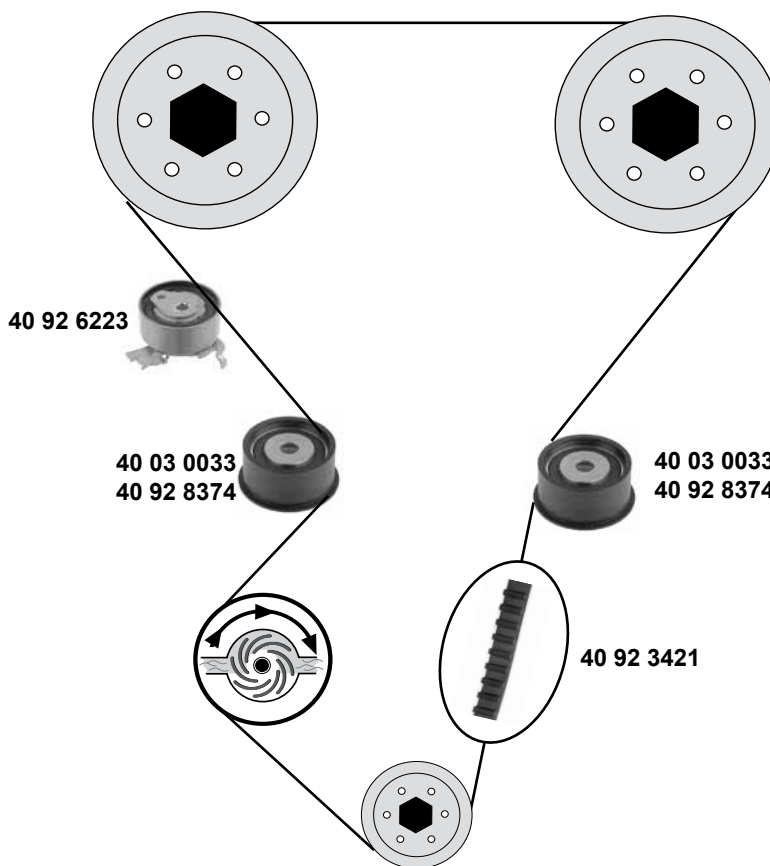


Ref. - No.



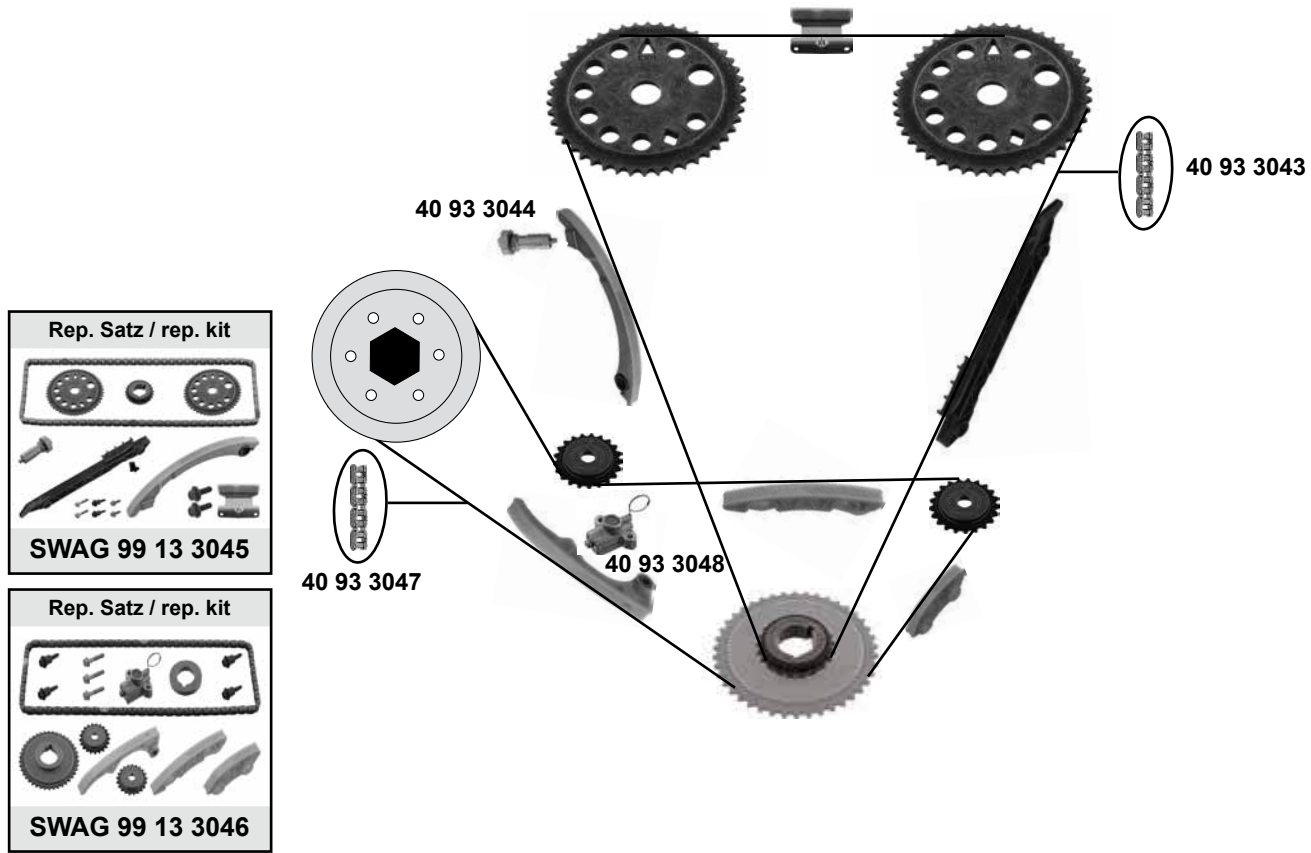
10 91 9478	6340 538	Riemenspanner / belt tensioner		
40 03 0017	5636 422	Umlenkrolle / deflection pulley	(1)	ØA 64 B37
40 03 0025	5636 730	Riemenspanner / belt tensioner	(1)	
40 92 3419	5636 371	Zahnriemen / timing belt	(1)	Z 225 B30
40 92 7295	0636 728 SK	Rep. Satz Zahnriemen / rep. kit timing belt	(1)	Z 225 B30



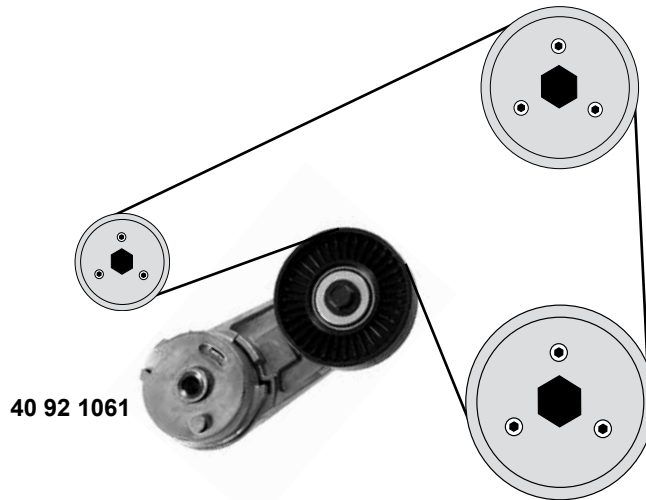






SWAG	Ref. - No.			
40 03 0033	5636 423	Umlenkrolle / deflection pulley	(mot.) → 3N 999 999	ØA 54 B29,3
40 91 9285	6340 532	Riemenspanner / belt tensioner		
40 92 3421	5636 566	Zahnriemen / timing belt		Z 168 B24
40 92 6223	5636 746	Spannrolle / tension roller		ØA 59 B26
40 92 6224	1606 196	Rep. Satz Zahnriemen / rep. kit timing belt	(mot.) → 3N 999 999	Z 168 B24
40 92 8374	5636 449	Umlenkrolle / deflection pulley	(mot.) 4N 000 001→	ØA54 Ø110
40 92 8375	1606 305	Rep. Satz Zahnriemen / rep. kit timing belt	(mot.) 4N 000 001→	Z 168 B24

**2,2**

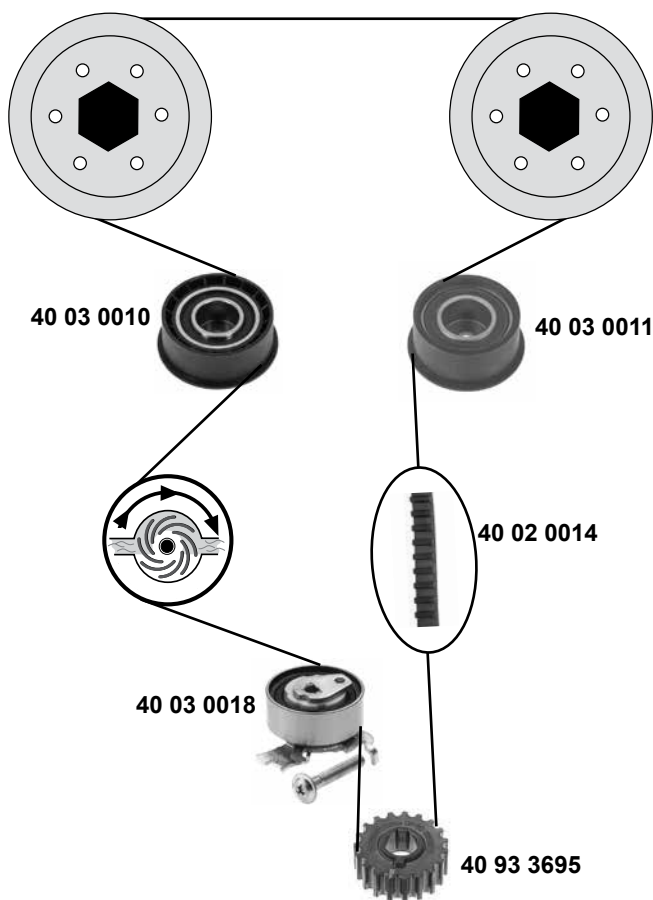


**2,2**

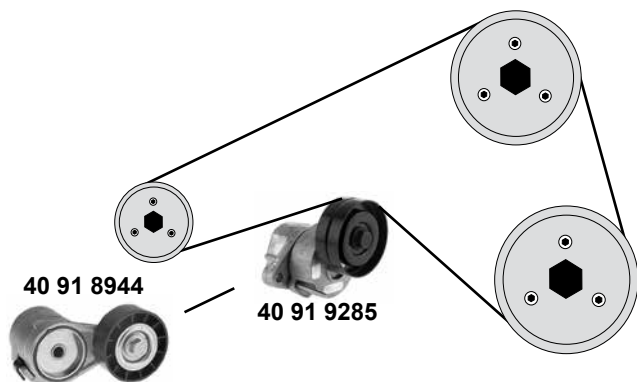


	Ref. - No.			
<b>40 92 1061</b>	0614 533	Riemenspanner / belt tensioner		
<b>40 93 3043</b>	5636 396	Steuerkette endlos / timing chain endless		148 E
<b>40 93 3044</b>	4807 839	Kettenspanner / chain tensioner		
<b>40 93 3047</b>	5636 381	Steuerkette / timing chain		134 E
<b>40 93 3048</b>	5636 380	Kettenspanner / chain tensioner		
<b>99 13 3045</b>	5636 400	Rep. Satz Steuerkette / rep. kit timing chain		148 E
<b>99 13 3046</b>	0615 418	Rep. Satz Steuerkette / rep. kit timing chain		134 E

**1,4 16V / 1,6 16V**



**1,2 / 1,4 16V / 1,6 16V**



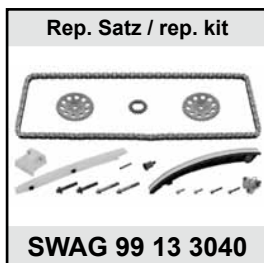
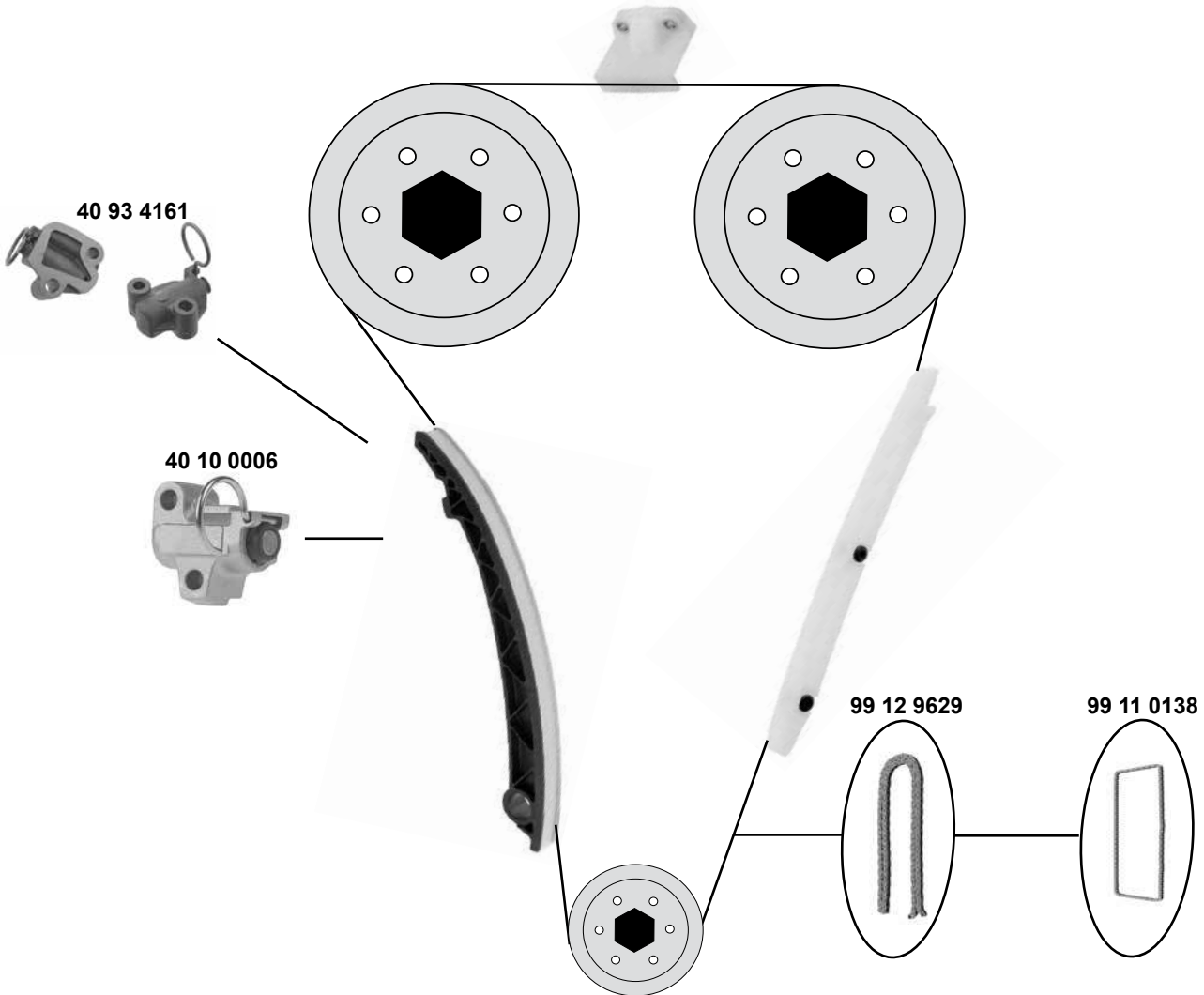
**(1) (ex.) (mot.) 1,2**  
**(2) (mot.) 1,2 8V, 1,4, 1,6 AC / (mot.) 1,4 16V, 1,6 servo (ex.) AC R4235380→**

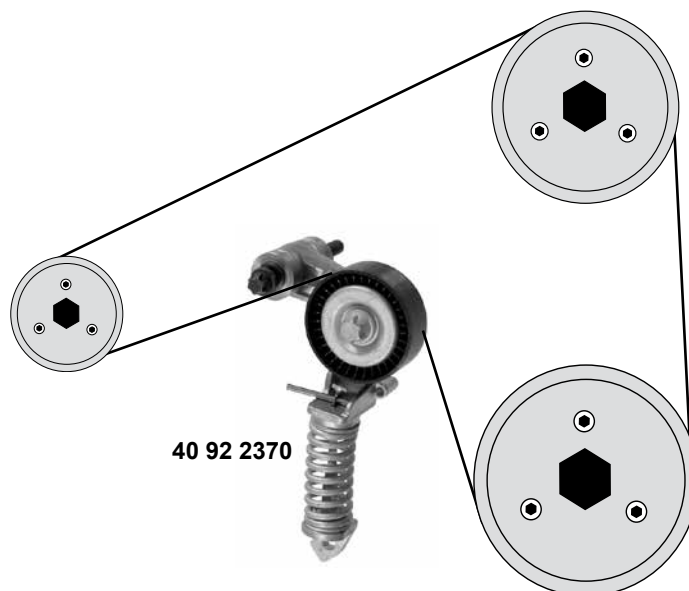
	Ref. - No.			
40 02 0014	5636 565	Zahnriemen / timing belt		Z 169 B20
40 02 0025	1606 274	Rep. Satz Zahnriemen / rep. kit timing belt		ØA 62,5 Ø1 23
40 03 0010	5636 455	Umlenkrolle / deflection pulley		ØA 58,5 B25
40 03 0011	5636 427	Umlenkrolle / deflection pulley		ØA 59 B22
40 03 0018	5636 740	Spannrolle / tension roller		
40 91 8944	1206 990	Riemenspanner / belt tensioner		(1) man. (ex.) AC
40 91 9285	6340 532	Riemenspanner / belt tensioner	(2)	
40 92 1098	1606 190	Rep. Satz Zahnriemen / rep. kit timing belt		Z 23
40 93 3695	0614 546	Kurbelwellenzahnrad / crankshaft gear		

# OPEL Tigra B (03→)



**1,4**  
(Z 1,4 XEP)





40 92 2370



- (1) Steuerkette geschlossen / timing chain endless
- (2) Steuerkette offen / timing chain open
- (3) Steuerkette geschlossen und mit Steuerkettenradsatz / timing chain endless and with control chain wheel kit
- (4) Steuerkette geschlossen mit Dichtung / timing chain endless with gasket
- (5) Steuerkette geschlossen mit Dichtung und Steuerkettenradsatz / timing chain endless with gasket and control chain wheel kit
- (6) → (mot) 19TR2328
- (7) (mot) 19TR2329→
- (8) Spezialwerkzeug zur Montage notwendig / Requires special tools for mounting



Ref. - No.

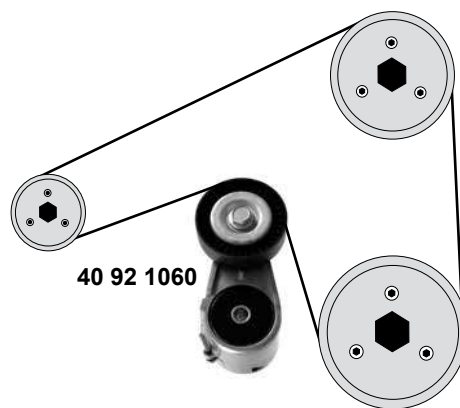
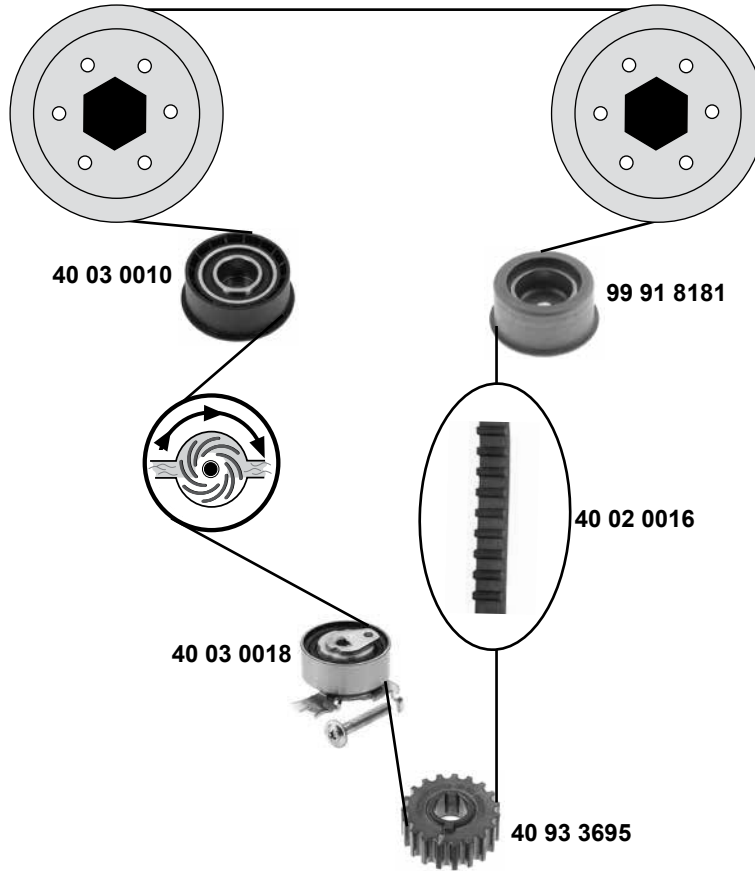


Ref. - No.				
40 10 0006	5636 457	Kettenspanner / chain tensioner	(6)	
40 92 2370	1340 267	Riemenspanner / belt tensioner		70x24
40 93 4161	0636 059	Kettenspanner / chain tensioner	(7)	
99 11 0138	0637 241	Steuerkette / timing chain	(1)	130 E
99 12 9629	0637 241 S1	Steuerkette / timing chain	(2) (8)	130 N
99 13 0372	93191271	Rep. Satz Steuerkette / rep. kit timing chain	(1) (6)	130 E
99 13 3040	93191271	Rep. Satz Steuerkette / rep. kit timing chain	(3) (6)	130 E
99 13 3080	93191271 SK3	Rep. Satz Steuerkette / rep. kit timing chain	(4) (6)	130 E
99 13 3082	93191271 S2	Rep. Satz Steuerkette / rep. kit timing chain	(5) (6)	130 E
99 13 4162	0637 241 S2	Rep. Satz Steuerkette / rep. kit timing chain	(1) (7)	130 E

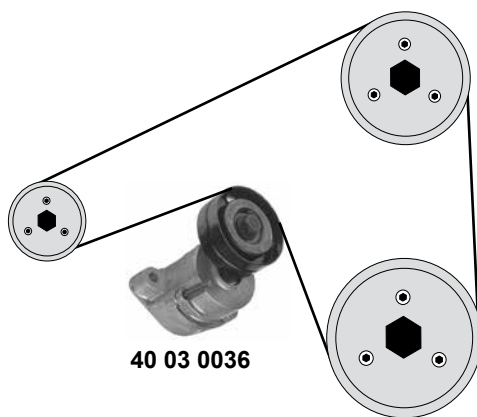
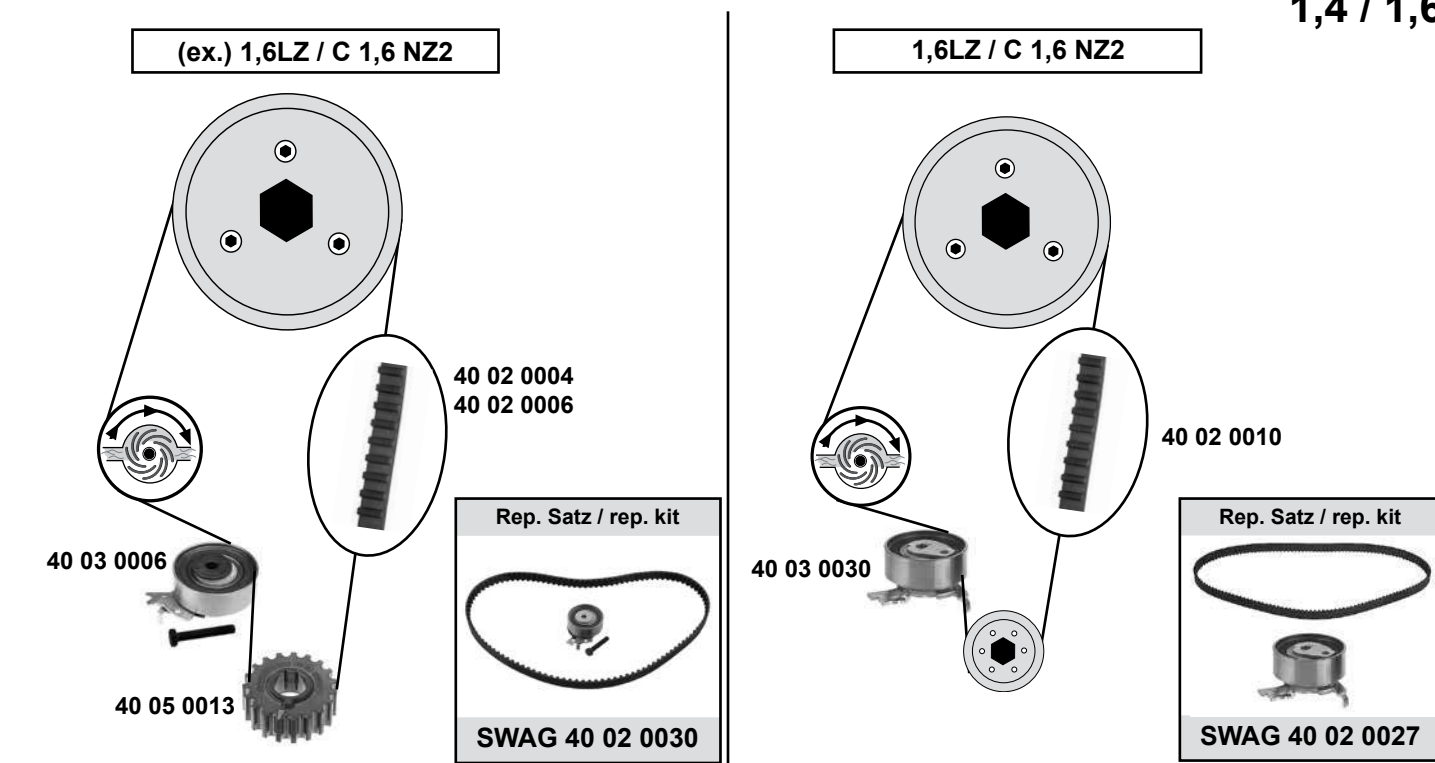
# OPEL Tigra B (03→)



**1,8 16V**  
(Z1,8XE)



SWAG GERMANY	Ref. - No.			
40 02 0016	5636 564	Zahnriemen / timing belt		Z 162 B20
40 03 0010	5636 455	Umlenkrolle / deflection pulley		ØA 62,5 ØI 23
40 03 0018	0636 654	Spannrolle / tension roller		ØA 59 B22
40 91 9445	1606 306	Rep. Satz Zahnriemen / rep. kit timing belt		
40 92 1060	1340 555	Riemenspanner / belt tensioner		
40 92 1097	1606 189	Rep. Satz Zahnriemen / rep. kit timing belt		
40 93 3695	0614 546	Kurbelwellenzahnrad / crankshaft gear		Z 23
99 91 8181	5636 454	Umlenkrolle / deflection pulley		ØA 52,5 B27



- (1) (mot.) C1,6NZ / E1,6NZ (ch.) P1000001→, P 5000001→, P 7000001→ servo +
- (2) (mot.) 1,4→02J22349,→19307805 / 1,6 SV / C 1,6 NZ / X 1,6 SZ, E 1,6 NZ→02J3349
- (3) (mot.) 1,4 02J22350→, 19307806→ / 1,6 SV / C 1,6 NZ / X 1,6 SZ, E 1,6 NZ 02J3350→

	Ref. - No.			
40 02 0004	0636 562	Zahnriemen / timing belt	(2)	Z 104 B17
40 02 0006	5636 364	Zahnriemen / timing belt	(3)	Z 111 B17
40 02 0010	5636 562	Zahnriemen / timing belt		Z 146 B20
40 02 0027	5636 562S1	Rep. Satz Zahnriemen / rep. kit timing belt		
40 02 0030	1606 369	Rep. Satz Zahnriemen / rep. kit timing belt	(3)	
40 03 0006	5636 722	Spannrolle / tension roller		Ø59 B19
40 03 0030	5636 429	Spannrolle / tension roller		ØA 59 B22
40 03 0036	1340 533	Riemenspanner / belt tensioner	(1)	
40 05 0013	0614 526	Kurbelwellenzahnrad / crankshaft gear	(ex.) 1,4	Z 19



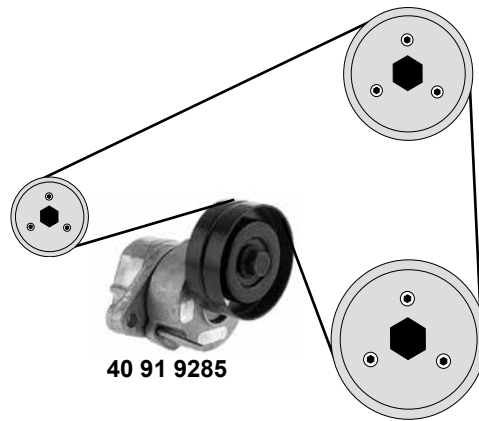
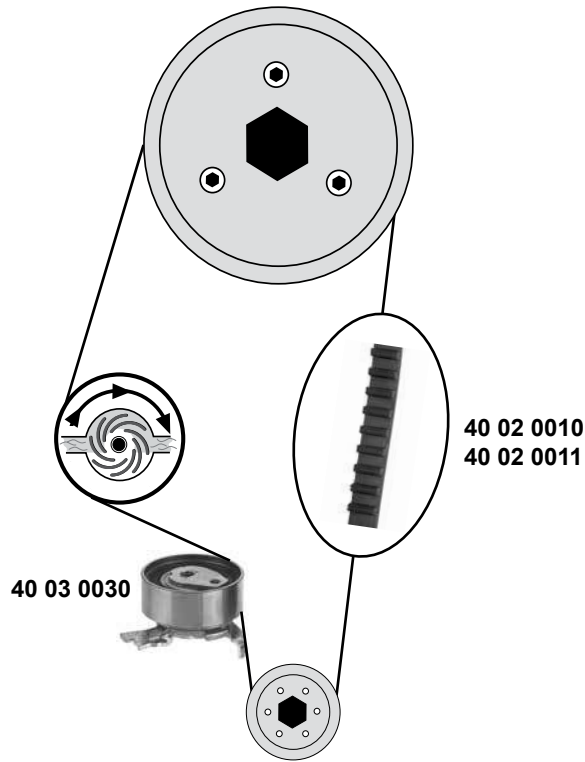
# OPEL Vectra A

(89→95)



**1,8 8V / 2,0 8V**

(ex.) SEH



(1) (mot.) 08292479→08299999

(2) (mot.) 1,8 14254439→2,0 NE, C 2,0 NE 14608701→



Ref. - No.

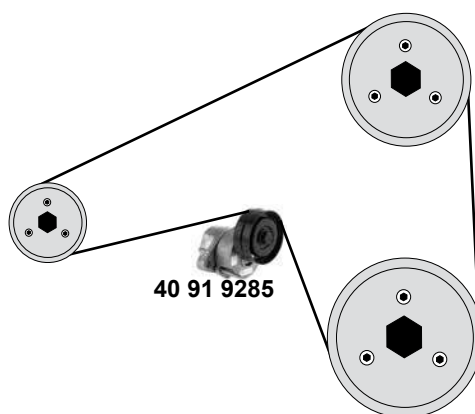
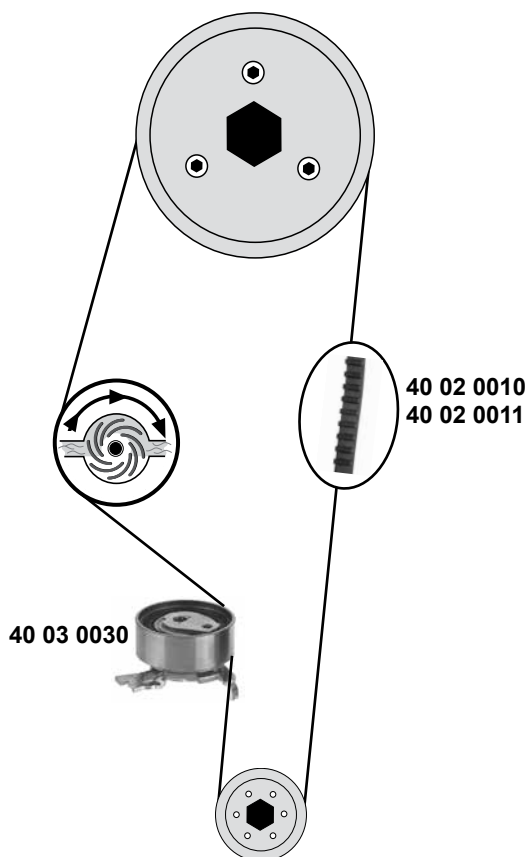


40 02 0010	5636 562
40 02 0011	0636 565
40 02 0027	5636 562S1
40 03 0030	5636 429
40 91 9285	6340 532

Zahnriemen / timing belt	(2)
Zahnriemen / timing belt	(1)
Rep.Satz Zahnriemen / rep. kit timing belt	(2)
Spannrolle / tension roller	
Riemenspanner / belt tensioner	

Z 146 B20
Z 111 B20
ØA 59 B22





- (1) (ch.)→MV 999999, M 1999999, M 5999999
- (2) (ch.) NV 000001, N 100001, N 5000001→



Ref. - No.



40 02 0010	5636 562	Zahnriemen / timing belt	(2)	Z 146 B20
40 02 0011	0636 565	Zahnriemen / timing belt	(1)	Z 111 B20
40 02 0027	5636 562S1	Rep.Satz Zahnriemen / rep. kit timing belt	(2)	
40 03 0030	5636 429	Spannrolle / tension roller		ØA 59 B22
40 91 9285	6340 532	Riemenspanner / belt tensioner		

# OPEL Vectra A

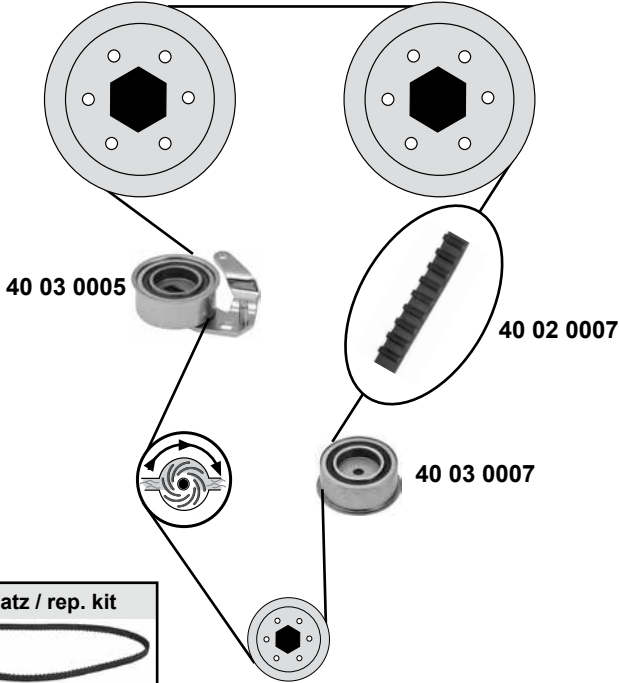
(89→95)



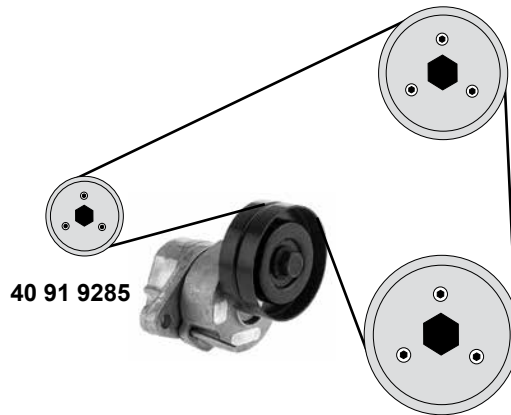
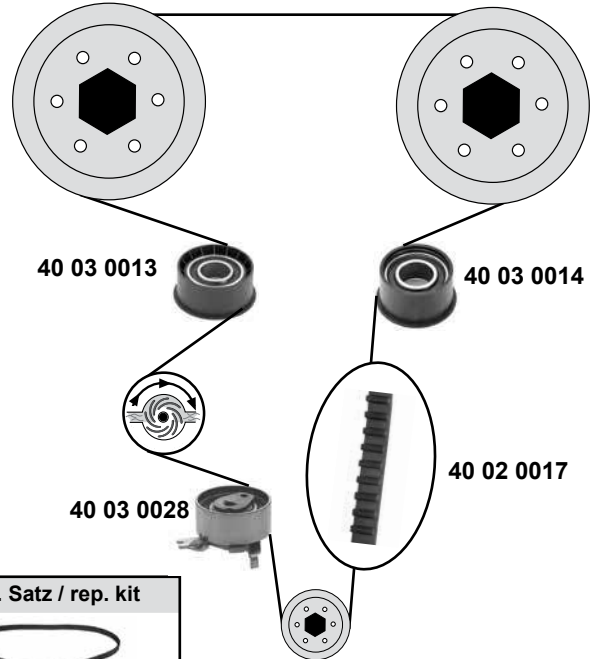
## 2,0 16V

(2,0XE, C 2, 0XE, C 2,0LET)

(mot.) XE→14142838 / LET→14002934



(mot.) XE 14142839→ / LET 14002935→

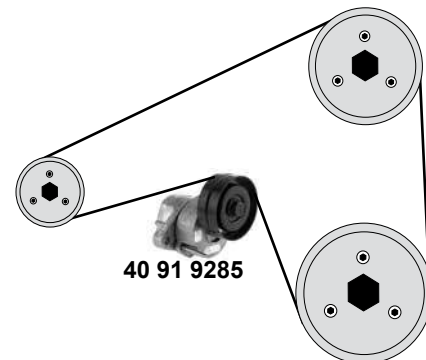
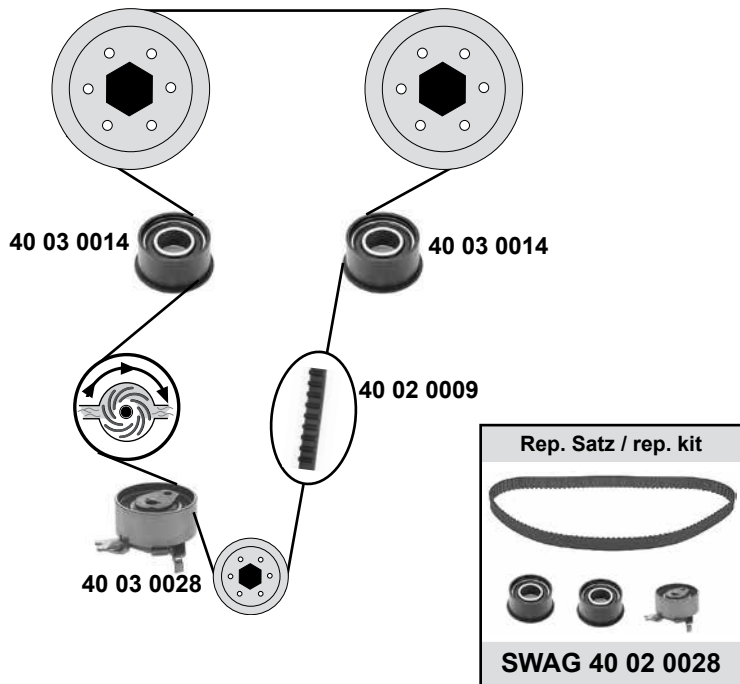


Ref. - No.

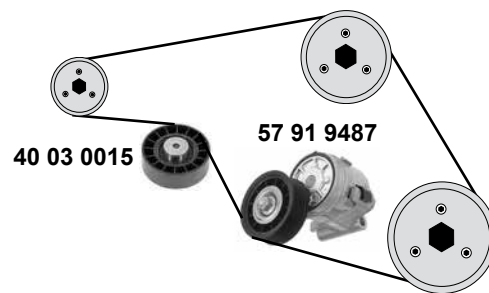
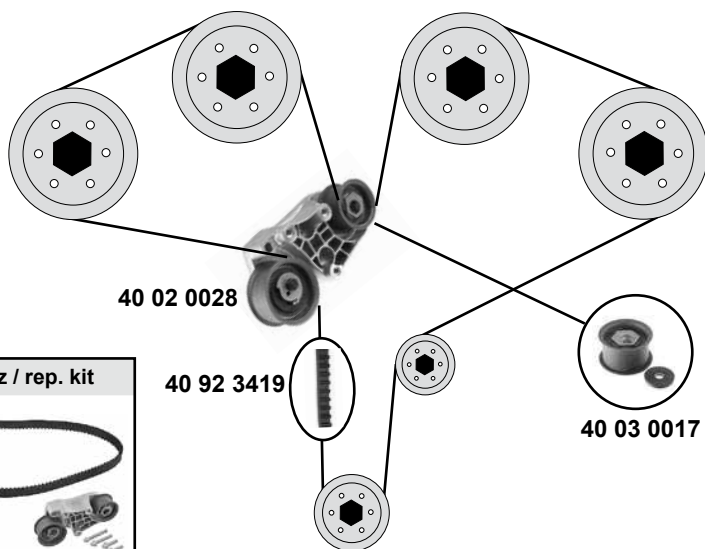


40 02 0007	0636 567	Zahnriemen / timing belt		Z 141 B24
40 02 0017	5636 355	Zahnriemen / timing belt		Z 176 B24
40 02 0021	1606 197	Rep. Satz Zahnriemen / rep. kit timing belt		
40 02 0024	1606 193	Rep. Satz Zahnriemen / rep. kit timing belt		
40 03 0005	0636 732	Spannrolle / tension roller		ØA 67 B27
40 03 0007	0636 423	Umlenkrolle / deflection pulley		ØA 67 B27
40 03 0013	0636 416	Umlenkrolle / deflection pulley		ØA 62,7 B27
40 03 0014	5636 425	Umlenkrolle / deflection pulley		ØA 58,5 B29,5
40 03 0028	5636 738	Spannrolle / tension roller		ØA 59 B26
40 91 9285	6340 532	Riemenspanner / belt tensioner	AC	

**2,0 16V**  
(X 2,0 XEV)



**2,5 V6**  
(C 2,5 XE)



	Ref. - No.			
40 02 0009	5636 363	Zahnriemen / timing belt		Z 169 B24
40 02 0028	1606 192	Rep. Satz Zahnriemen / rep. kit timing belt		
40 03 0014	5636 425	Umlenkrolle / deflection pulley		ØA 58,5 B29,5
40 03 0015	1854 429	Umlenkrolle / deflection pulley		ØA 80 B26,4
40 03 0017	5636 422	Umlenkrolle / deflection pulley		ØA 64 B37
40 03 0025	5636 730	Riemenspanner / belt tensioner		
40 03 0028	5636 738	Spannrolle / tension roller		ØA 59 B26
40 91 9285	6340 532	Riemenspanner / belt tensioner		
40 92 3419	5636 371	Zahnriemen / timing belt		Z 225 B30
40 92 7295	0636 728 SK	Rep.Satz Zahnriemen / rep. kit timing belt		Z 225 B30
57 91 9487	6340 538	Riemenspanner / belt tensioner		

# OPEL Vectra B

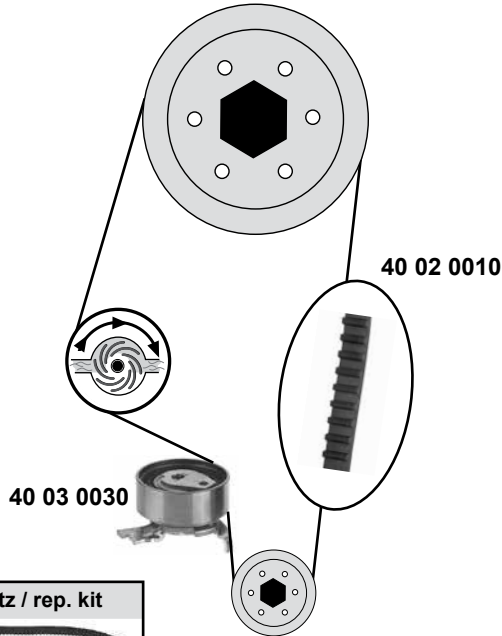
(96→02)



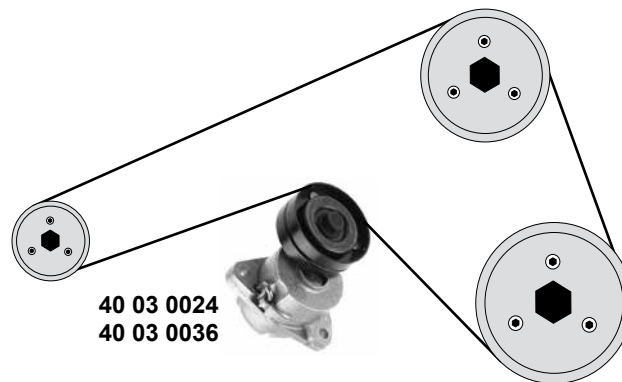
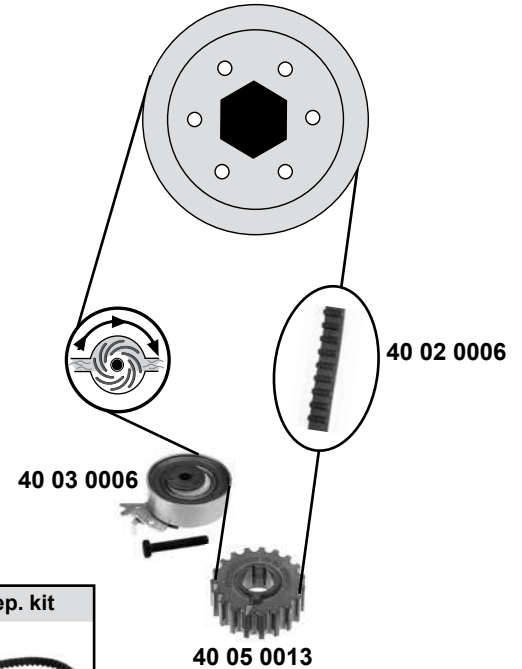
## 1,6

(LZ2 / X 1,6 SZR)

nur / only: LZ2



nur / only: X 1,6 SZR



(1) (ex.) X 1,6 SZR

(2) X 1,6 SZR: (ex.) AC



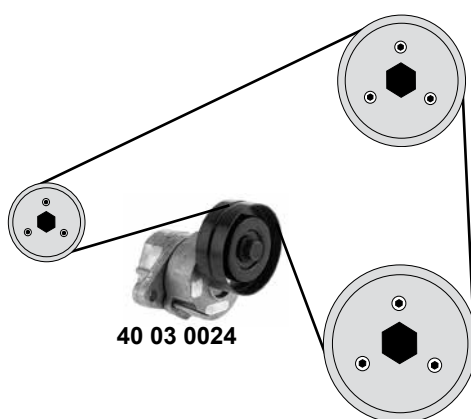
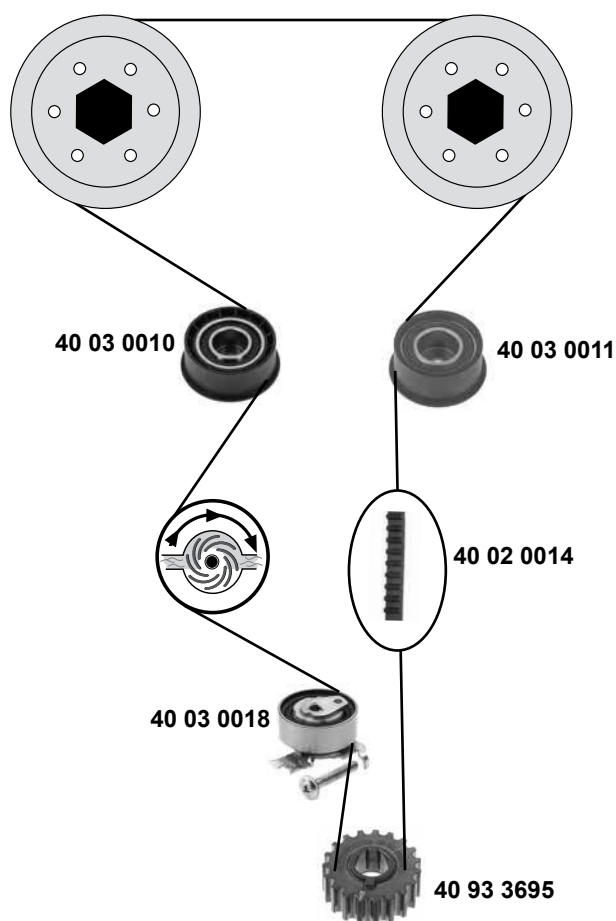
Ref. - No.



40 02 0006	5636 364	Zahnriemen / timing belt		Z 111 B17
40 02 0010	5636 562	Zahnriemen / timing belt		Z 146 B20
40 02 0027	5636 562S1	Rep.Satz Zahnriemen / rep. kit timing belt		
40 02 0030	1606 369	Rep.Satz Zahnriemen / rep. kit timing belt		
40 03 0006	5636 722	Spannrolle / tension roller		Ø59 B 19
40 03 0024	6340 532	Riemenspanner / belt tensioner	(1)	
40 03 0030	5636 429	Spannrolle / tension roller		ØA 59 B22
40 03 0036	1340 533	Riemenspanner / belt tensioner	(2)	
40 05 0013	0614 526	Kurbelwellenzahnrad / crankshaft gear		Z 19

### 1,6 16V / 1,8 16V

(X 1,6 XEL / X1,8XE1 / Y 1,6 XE / Z 1,6 XE / Z1,8XE / Z1,8XEL)



40 02 0014	5636 565	Zahnriemen / timing belt	
40 02 0025	1606 274	Rep. Satz Zahnriemen / rep. kit timing belt	
40 03 0010	5636 455	Umlenkrolle / deflection pulley	
40 03 0011	5636 427	Umlenkrolle / deflection pulley	
40 03 0018	5636 740	Spannrolle / tension roller	
40 03 0024	6340 532	Riemenspanner / belt tensioner	
40 92 1098	1606 190	Rep. Satz Zahnriemen / rep. kit timing belt	
40 93 3695	0614 546	Kurbelwellenzahnrad / crankshaft gear	

Z 169 B20

ØA 62,5 ØI 23

ØA 58,5 B25

ØA 59 B22

Z 23

# OPEL

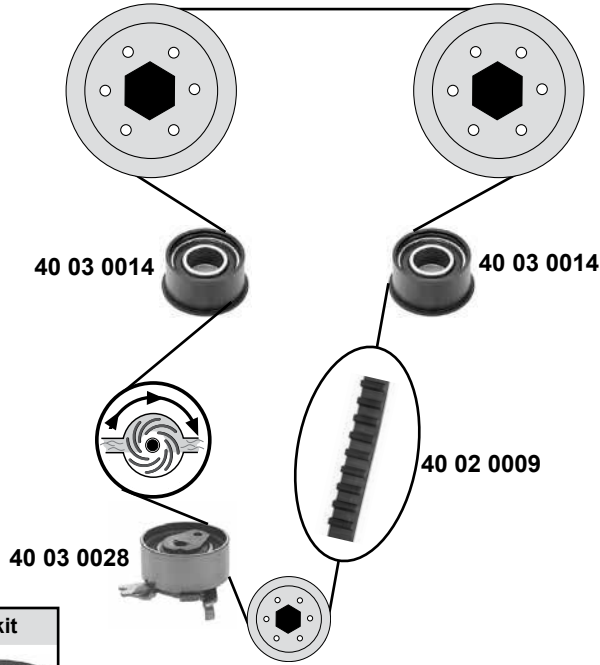
## Vectra B

(96→02)



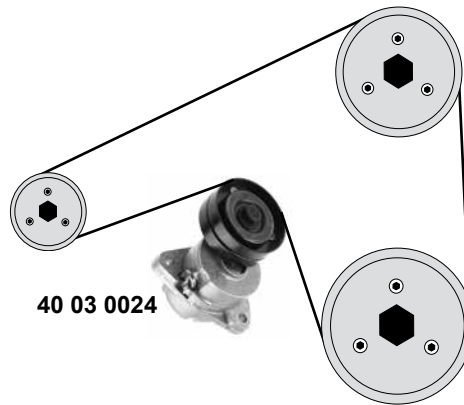
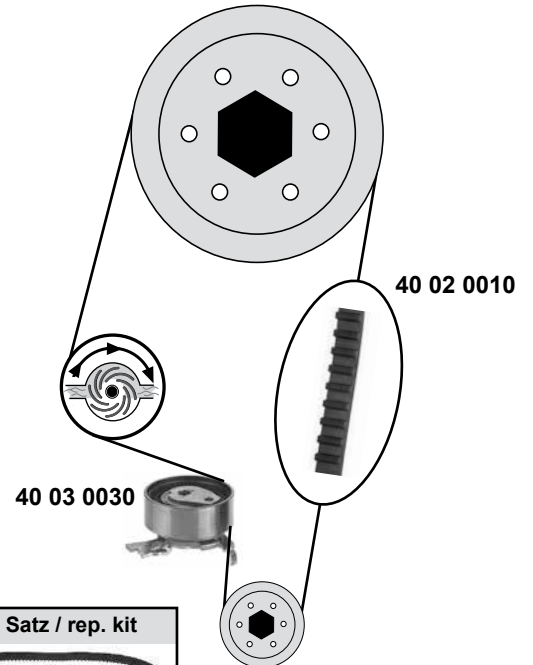
### 1,8 16V / 2,0 16V

(X 1,8 XE / C 2,0 SEL / X 2,0 XEV)

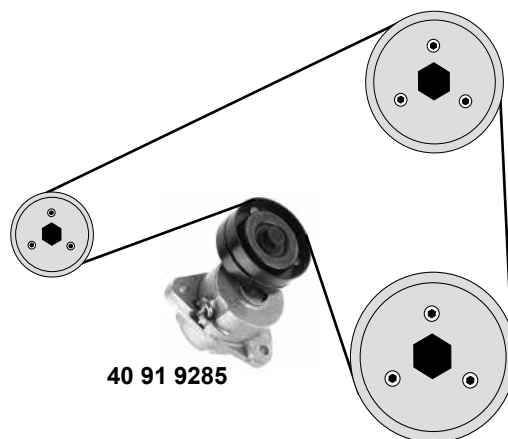
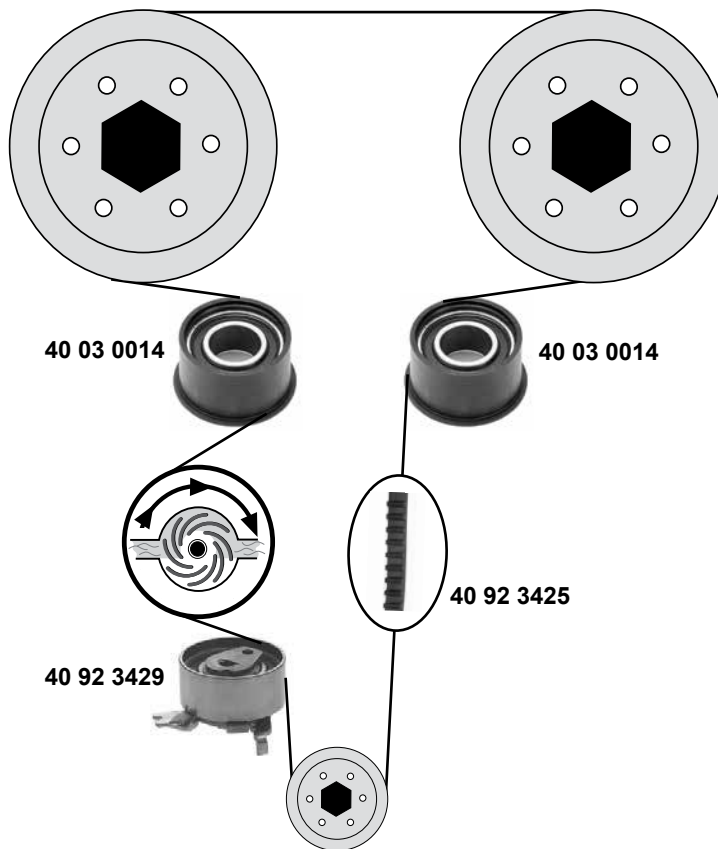


### 2,0

(C 2,0 NFJ)



SWAG	Ref. - No.			
40 02 0009	5636 363	Zahnriemen / timing belt		Z 169 B24
40 02 0010	5636 562	Zahnriemen / timing belt		Z 146 B20
40 02 0027	5636 562S1	Rep.Satz Zahnriemen / rep. kit timing belt		
40 02 0028	1606 192	Rep. Satz Zahnriemen / rep. kit timing belt		
40 03 0014	5636 425	Umlenkrolle / deflection pulley		ØA 58,5 B29,5
40 03 0024	6340 532	Riemenspanner / belt tensioner		
40 03 0028	5636 738	Spannrolle / tension roller		ØA 59 B26
40 03 0030	5636 429	Spannrolle / tension roller		ØA 59 B22



Ref. - No.



40 03 0014	5636 425
40 91 9285	6340 532
40 92 3425	5636 372
40 92 3427	1606 198
40 92 3429	0636 729

Umlenkrolle / deflection pulley
Riemenspanner / belt tensioner
Zahnriemen / timing belt
Rep. Satz Zahnriemen / rep. kit timing belt
Spannrolle / tension roller

ØA 58,5 B29,5
Z 171 B24
ØA 59 B22



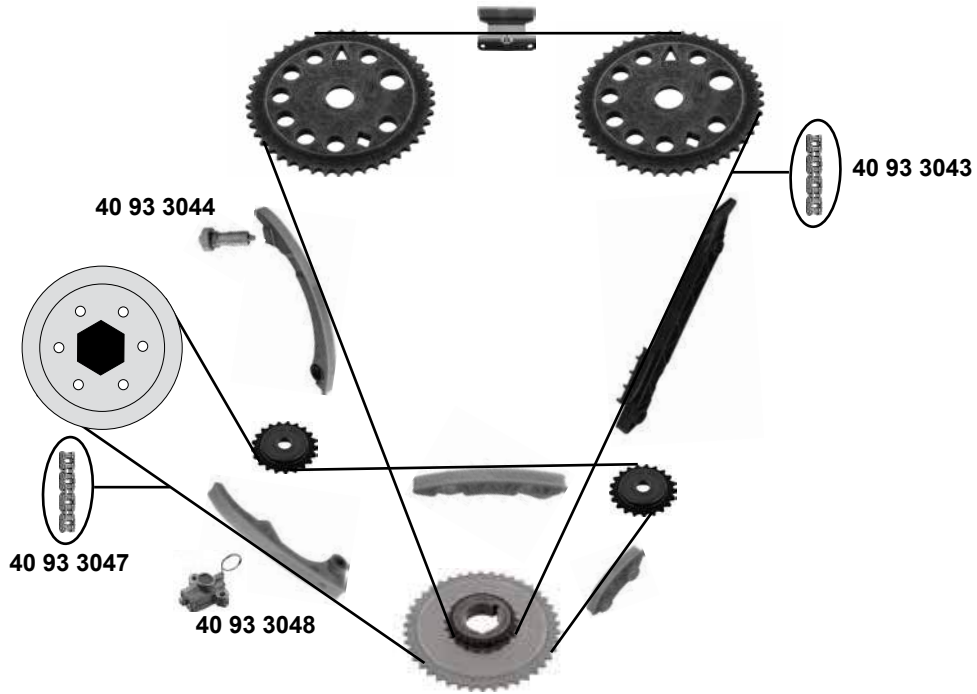
# OPEL Vectra B

(96→02)



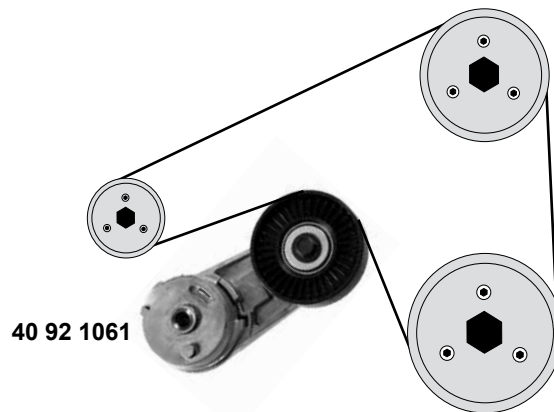
**2,2**

(Z 2,2 SE)



**2,2**

(Z 2,2 SE)

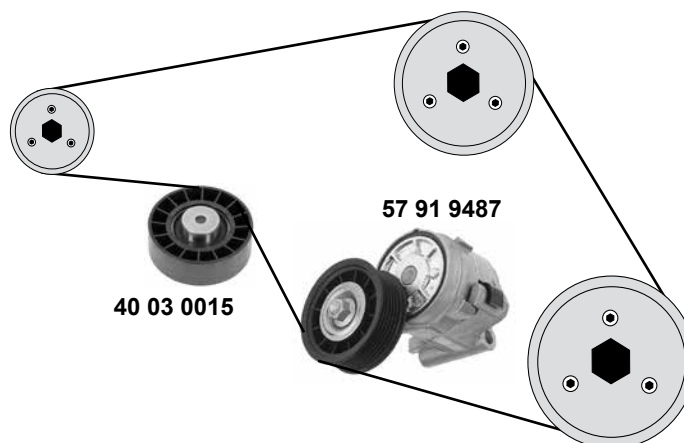
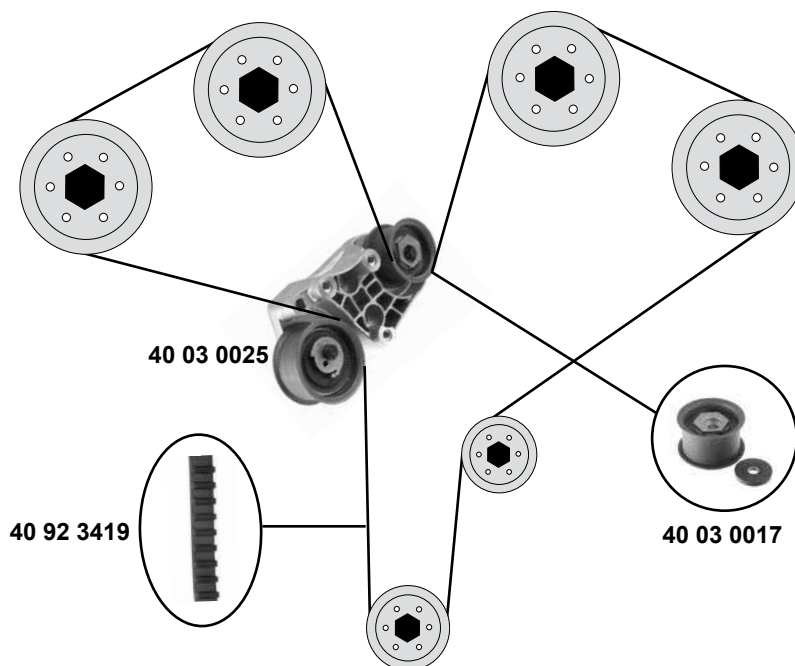


Ref. - No.



40 92 1061	0614 533	Riemenspanner / belt tensioner	
40 93 3043	5636 396	Steuerkette endlos / timing chain endless	148 E
40 93 3044	4807 839	Kettenspanner / chain tensioner	
40 93 3047	5636 381	Steuerkette / timing chain	134 E
40 93 3048	5636 380	Kettenspanner / chain tensioner	
99 13 3045	5636 400	Rep. Satz Steuerkette / rep. kit timing chain	148 E
99 13 3046	0615 418	Rep. Satz Steuerkette / rep. kit timing chain	134 E





(1) (ch.)→W 1238518,→W 5276825,→W 7154528

	Ref. - No.			
40 03 0015	1854 429	Umlenkrolle / deflection pulley	AC	ØA 80 B26,4
40 03 0017	5636 422	Umlenkrolle / deflection pulley		ØA 64 B37
40 03 0025	5636 730	Riemenspanner / belt tensioner	(1)	
40 92 3419	5636 371	Zahnriemen / timing belt		Z 225 B30
40 92 7295	0636 728 SK	Rep.Satz Zahnriemen / rep. kit timing belt	(1)	
57 91 9487	6340 538	Riemenspanner / belt tensioner		

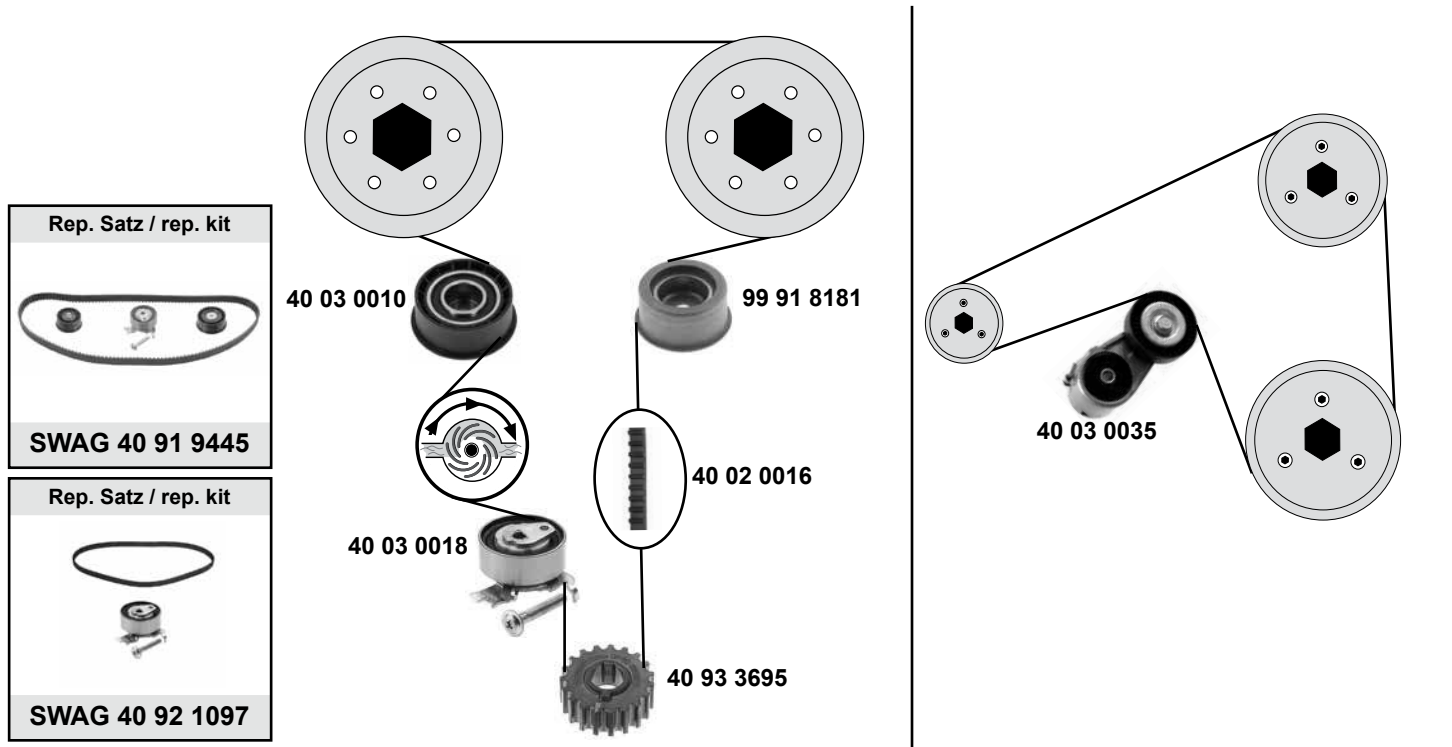
# OPEL Vectra C

(02→08)



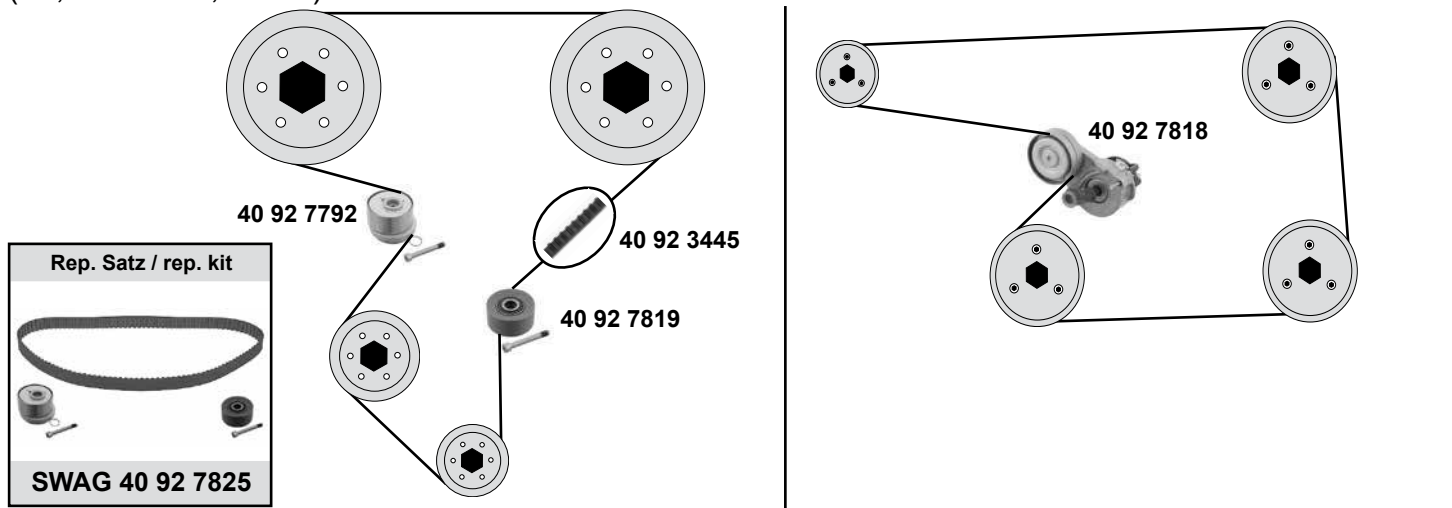
## 1,6 16 V / 1,8 16 V

(Z 1,6 XE / Z 1,8XE / Z 1,8 XEL / Z1,8XE1)



## 1,6 16 V / 1,8 16V

(Z1,6 XEP/ Z1,8 XER)

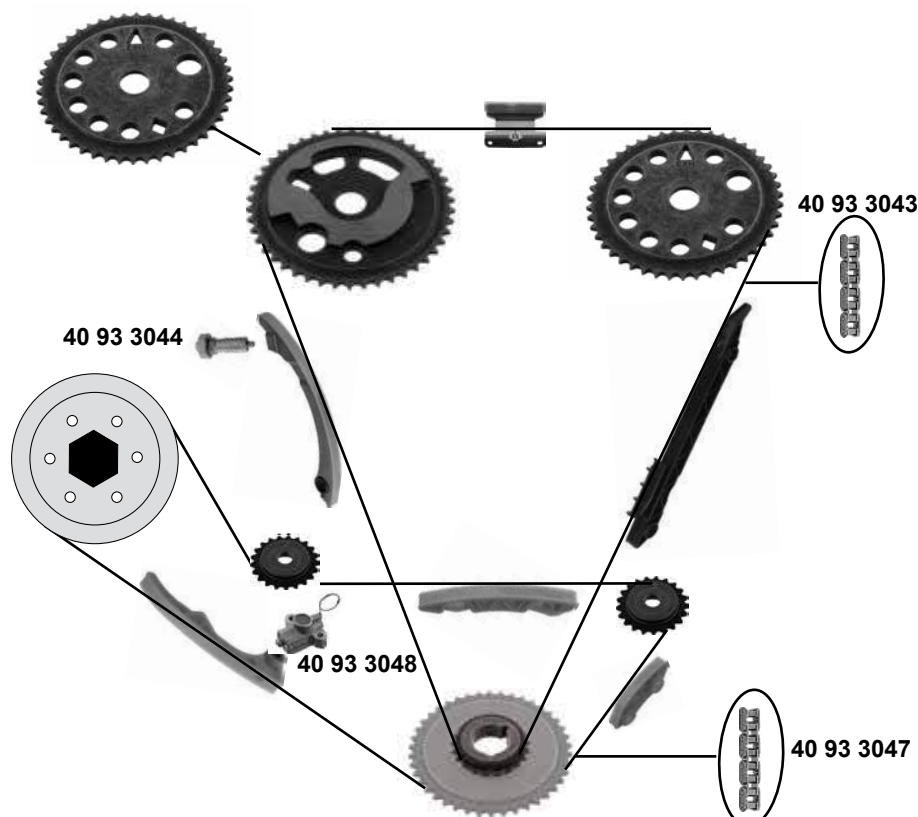


Ref. - No.

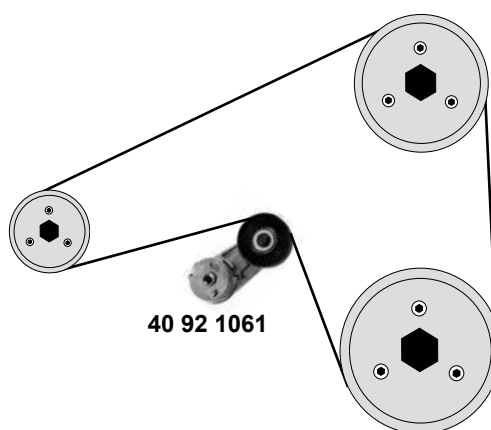


40 02 0016	5636 564	Zahnriemen / timing belt		Z 162 B20
40 03 0010	5636 455	Umlenkrolle / deflection pulley		ØA 62,5
40 03 0018	0636 654	Spannrolle / tension roller		ØA 59 B22
40 03 0035	1340 555	Riemenspanner / belt tensioner	(ex.) Z1,8XE1	
40 91 9445	1606 306	Rep. Satz Zahnriemen / rep. kit timing belt		
40 92 1097	1606 189	Rep. Satz Zahnriemen / rep. kit timing belt	(ex.) Z1,8XE1	
40 92 3445	5636 452	Zahnriemen / timing belt		Z 146 B24
40 92 7792	5636 486	Spannrolle / tension roller		ØA66 Ø18 B29
40 92 7818	1340 268	Riemenspanner / belt tensioner		ØA 63 B 22
40 92 7819	5636 978	Umlenkrolle / deflection pulley		ØA 61 B28
40 92 7825	1606 314	Rep. Satz Zahnriemen / rep. kit timing belt		Z 146 B24
40 93 3695	0614 546	Kurbelwellenzahnrad / crankshaft gear	(ex.) Z1,8XE1	Z 23
99 91 8181	5636 454	Umlenkrolle / deflection pulley		ØA 52,5 B27

**2,0 (Z2,0NET)**  
**2,2 (Z 2,2 YH / Z 2,2 SE)**

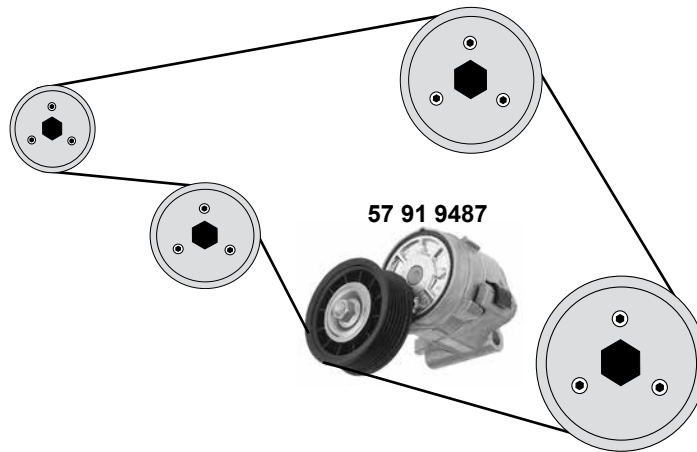
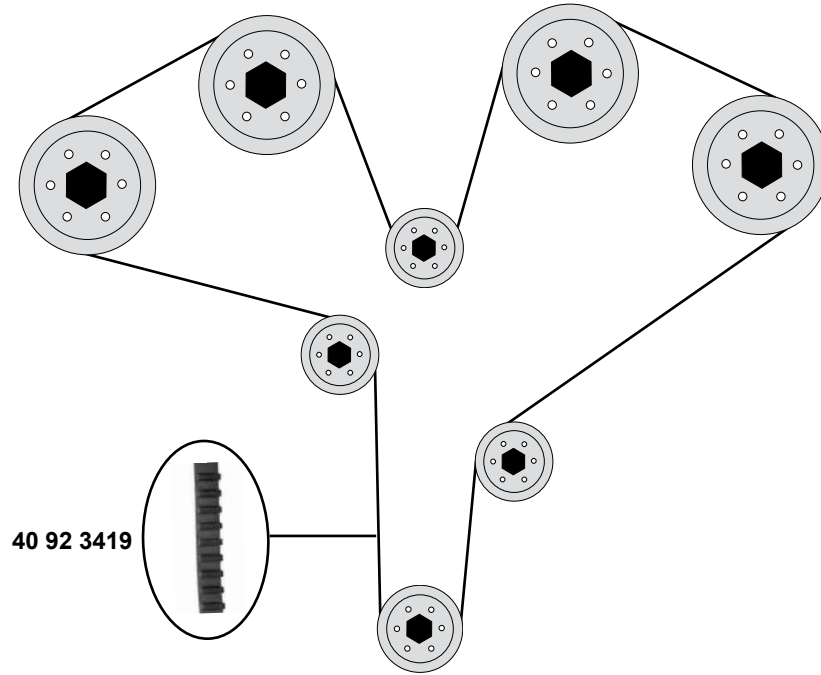


**2,2**  
 (Z2,0NET / Z2,2SE / Z2,2YH)

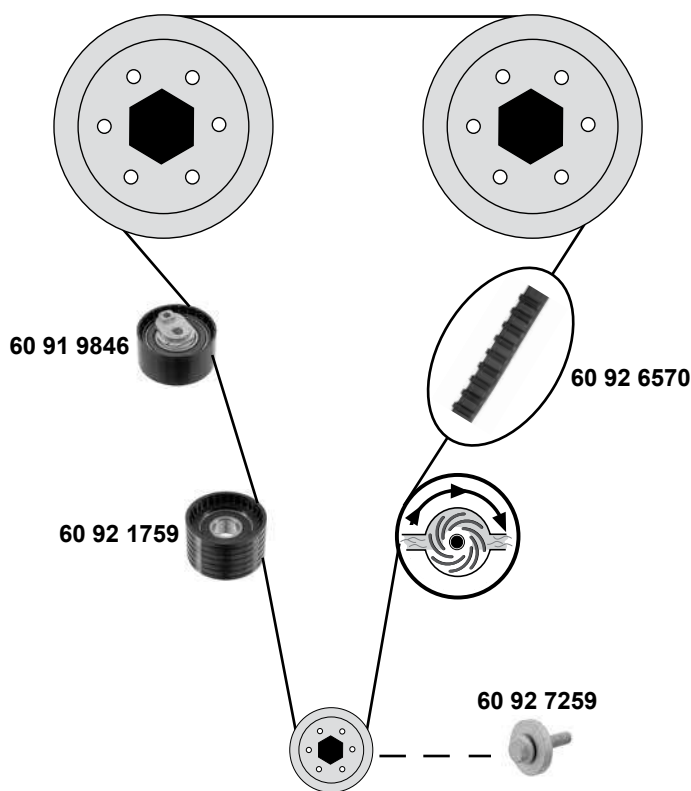


	Ref. - No.			
40 92 1061	0614 533	Riemenspanner / belt tensioner		
40 93 3043	5636 396	Steuerkette endlos / timing chain endless		148 E
40 93 3044	4807 839	Kettenspanner / chain tensioner		
40 93 3047	5636 381	Steuerkette endlos / timing chain endless		134 E
40 93 3048	5636 380	Kettenspanner / chain tensioner		
99 13 3042	0636 176	Rep. Satz Steuerkette / rep. kit timing chain	(mot.) Z 2,2 YH	148 E
99 13 3045	5636 400	Rep. Satz Steuerkette / rep. kit timing chain	(mot.) Z 2,2 SE	148 E
99 13 3046	0615 418	Rep. Satz Steuerkette / rep. kit timing chain	(ex.) Z 2,0NET	134 E

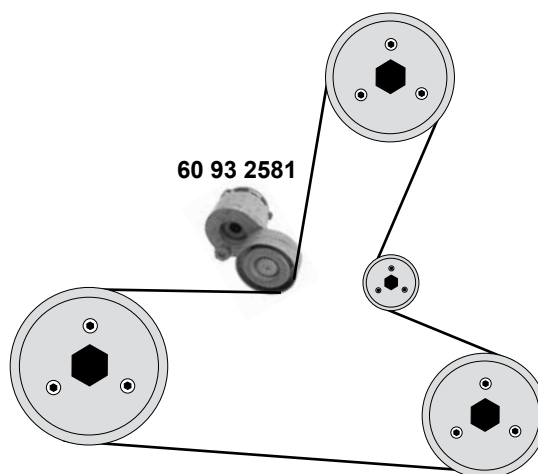
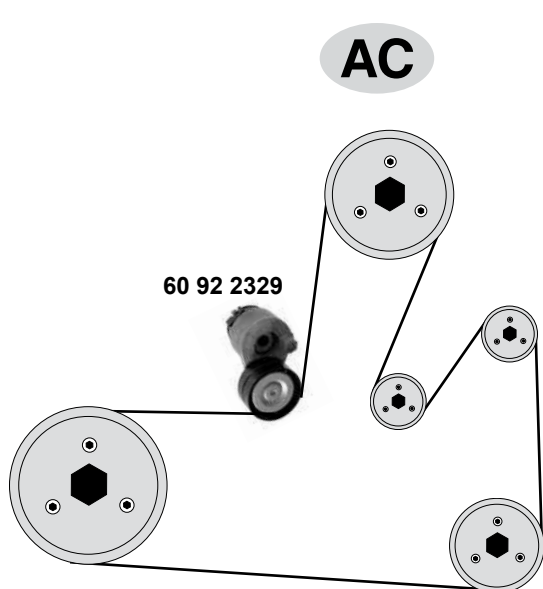
**3,2 V6**



**2,0 16 V**  
(20P F4R-720 / -820)



**2,0 16V / EOTEC**  
(F4R-720,820)



60 91 9846	4409 959
60 92 1759	4410 548
60 92 2329	4411 707
60 92 6567	4430 895
60 92 6570	4416 576
60 92 7259	4434 433
60 93 2581	4401 567

Spannrolle / tension roller
Umlenkrolle / deflection pulley
Riemenspanner / belt tensioner
Rep. Satz Zahnriemen / rep. kit timing belt
Zahnriemen / timing belt
Kurbelwellenschraube / crankshafts screw
Riemenspanner / belt tensioner

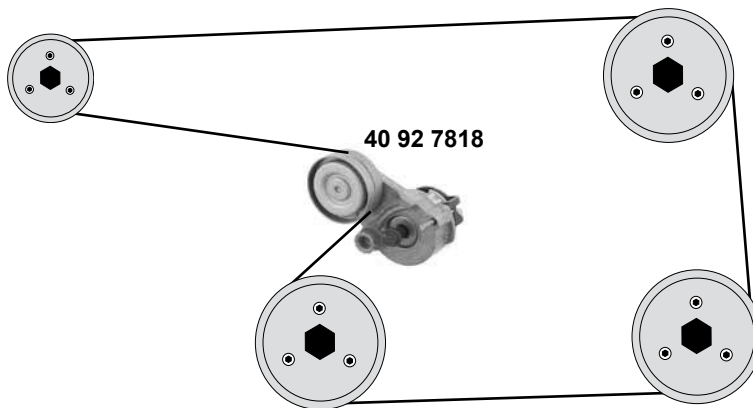
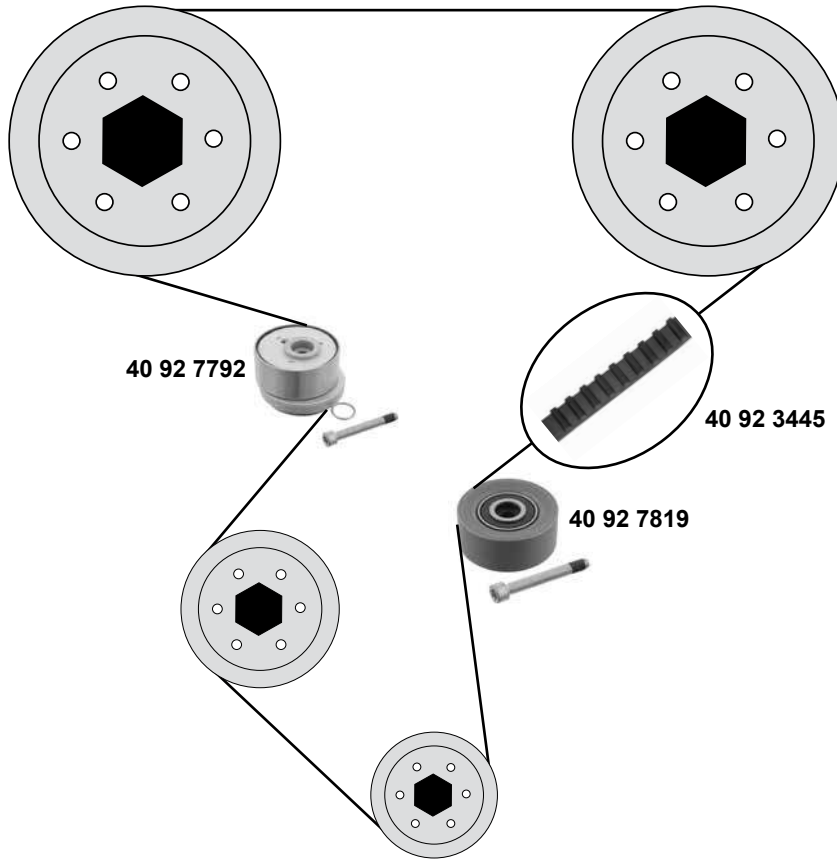
ØA 66 B32
ØA 54 B32
Z 126 B27
Z 126 B27
M 12 x 1,25
ØA 65

# OPEL Zafira A

(98→04)

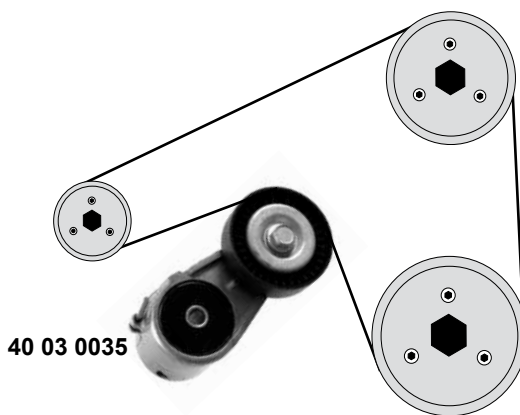
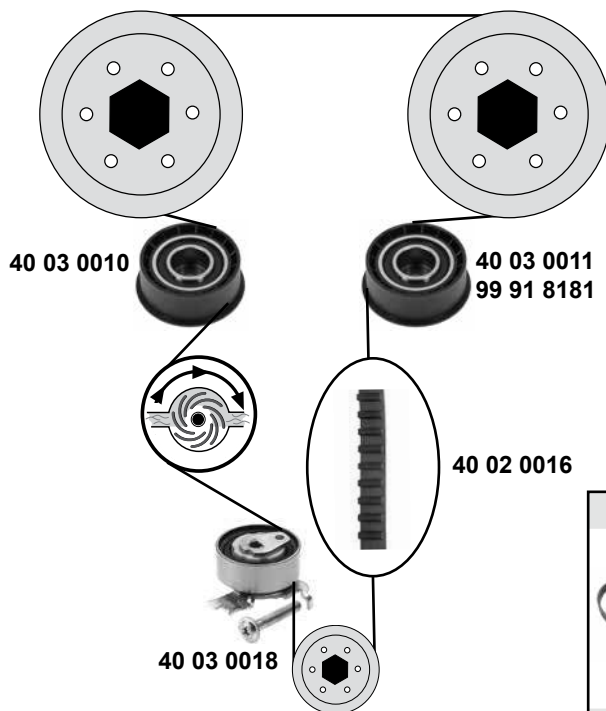


**1,6 16V**  
(Z1,6XEP)



SWAG GERMANY	Ref. - No.			
40 92 3445	5636 452	Zahnriemen / timing belt		Z 146 B24
40 92 7792	5636 486	Spannrolle / tension roller		
40 92 7818	1340 268	Riemenspanner / belt tensioner		ØA 63
40 92 7819	5636 978	Umlenkrolle / deflection pulley		ØA 61 B28
40 92 7825	1606 314	Rep. Satz Zahnriemen / rep. kit timing belt		Z 146 B24

**1,6 16V / 1,8 16V**  
(ex.) Z 1,6XEP)



(1) (mot.) 02HL5118→, 20041691→

(2) (mot.)→02HL5117,→20041690

	Ref. - No.			
40 02 0016	5636 564	Zahnriemen / timing belt		Z 162 B20
40 02 0029	1606 281	Rep. Satz Zahnriemen / rep. kit timing belt	(2)	
40 03 0010	5636 455	Umlenkrolle / deflection pulley		ØA 62,5
40 03 0011	5636 427	Umlenkrolle / deflection pulley	(2)	52,5/58x 8/24x 22/25
40 03 0018	5636 740	Spannrolle / tension roller		ØA 59 B22
40 03 0035	1340 555	Riemenspanner / belt tensioner		
40 91 9445	1606 306	Rep. Satz Zahnriemen / rep. kit timing belt	(1)	
40 92 1097	1606 189	Rep. Satz Zahnriemen / rep. kit timing belt		
99 91 8181	5636 454	Umlenkrolle / deflection pulley	(1)	ØA 52,5 B27



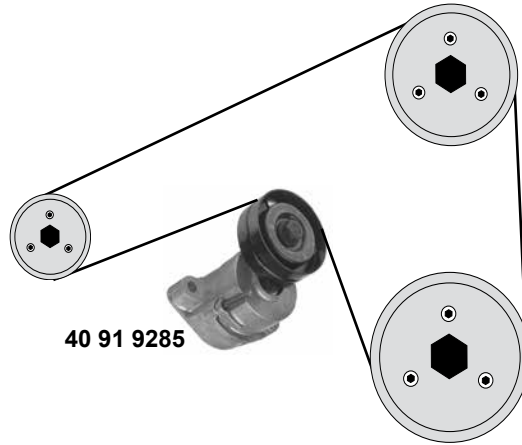
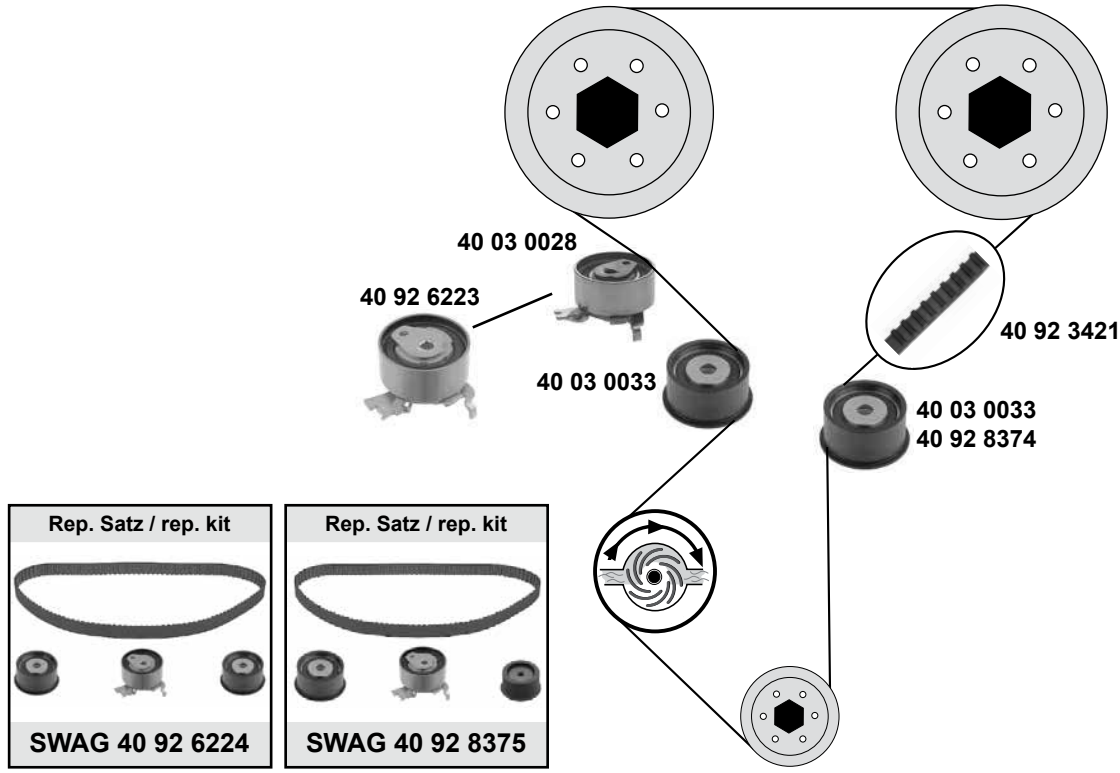
# OPEL Zafira A

(98→04)



## 2,0 16V

(X 2,0XEV / X 2,0XER / Z 2,0 LET / Z 2,0 LER / Z 2,0 LEH)

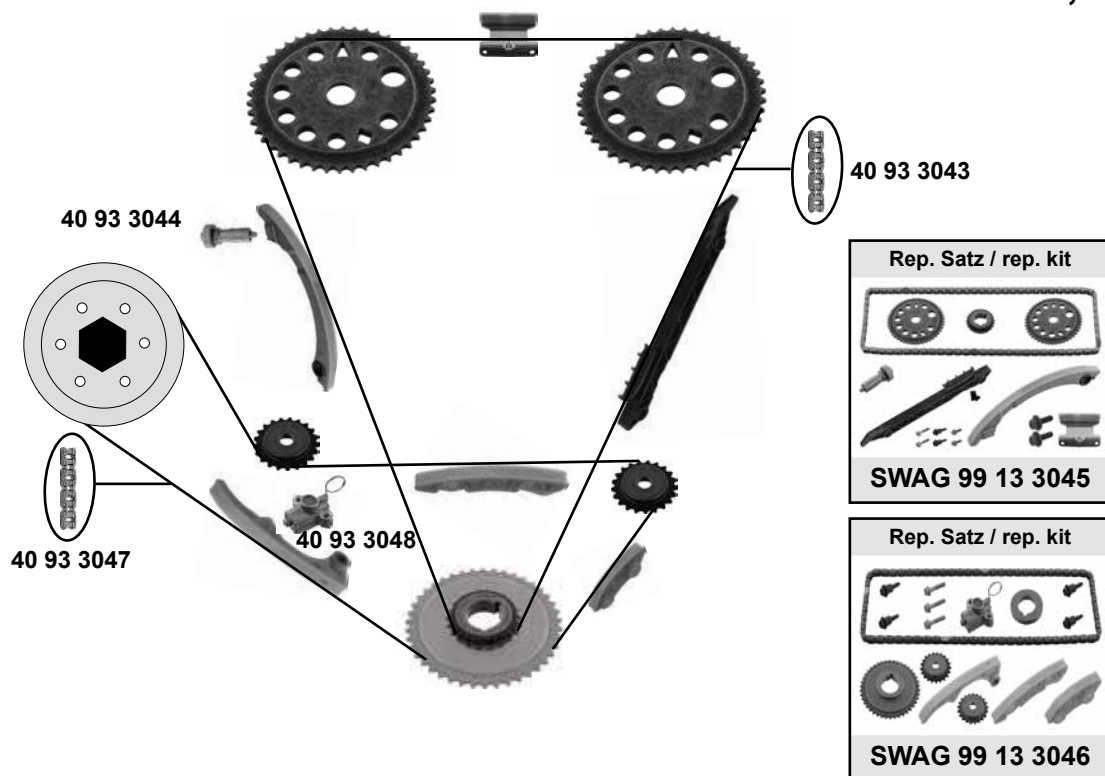


(1) (mot.) Z 2,0 LET 42000001, 45000001, 48000001, 4B000001, 4H000001→

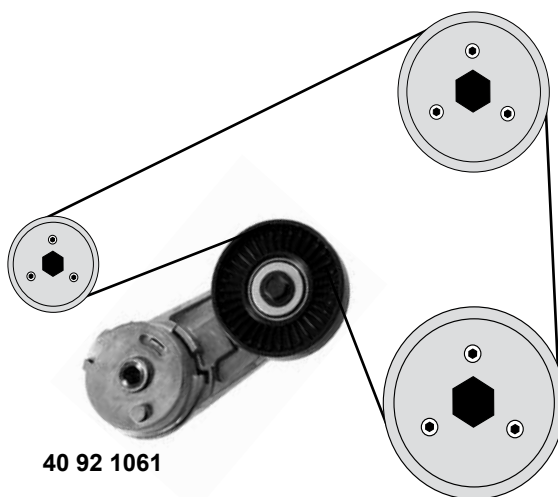
SWAG GERMANY	Ref. - No.			
40 03 0028	5636 738	Spannrolle / tension roller	(ex.) (mot.) X 2,0 XER	ØA 59 B26
40 03 0033	5636 423	Umlenkrolle / deflection pulley		ØA 54 B29,3
40 91 9285	6340 532	Riemenspanner / belt tensioner	AC	Z 168 B24
40 92 3421	5636 566	Zahnriemen / timing belt	(mot.) X 2,0 XER	ØA 59 B 26
40 92 6223	5636 746	Spannrolle / tension roller	(mot.) X 2,0 XER	
40 92 6224	1606 196	Rep. Satz Zahnriemen / rep. kit timing belt	(1)	
40 92 8374	5636 449	Umlenkrolle / deflection pulley	(1)	
40 92 8375	1606 305	Rep. Satz Zahnriemen / rep. kit timing belt	(1)	



**2,2**



**2,2 16V**  
(Z 2,2 SE)



40 92 1061

	Ref. - No.			
40 92 1061	0614 533	Riemenspanner / belt tensioner		
40 93 3043	5636 396	Steuerkette / timing chain		148 E
40 93 3044	4807 839	Kettenspanner / chain tensioner		
40 93 3047	5636 381	Steuerkette / timing chain		134 E
40 93 3048	5636 380	Kettenspanner / chain tensioner		
99 13 3045	5636 400	Rep. Satz Steuerkette / rep. kit timing chain		148 E
99 13 3046	0615 418	Rep. Satz Steuerkette / rep. kit timing chain		134 E

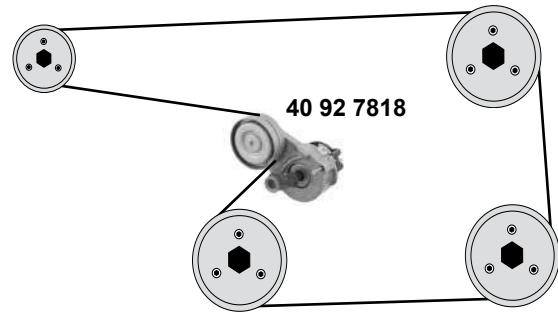
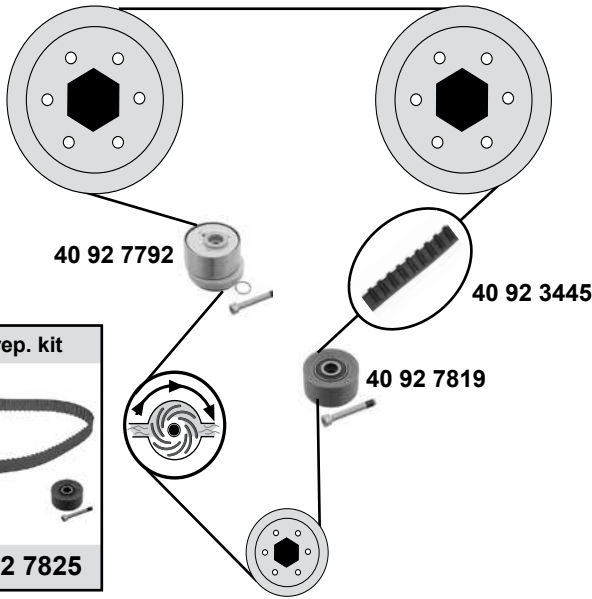
# OPEL Zafira B

(04 → 11)

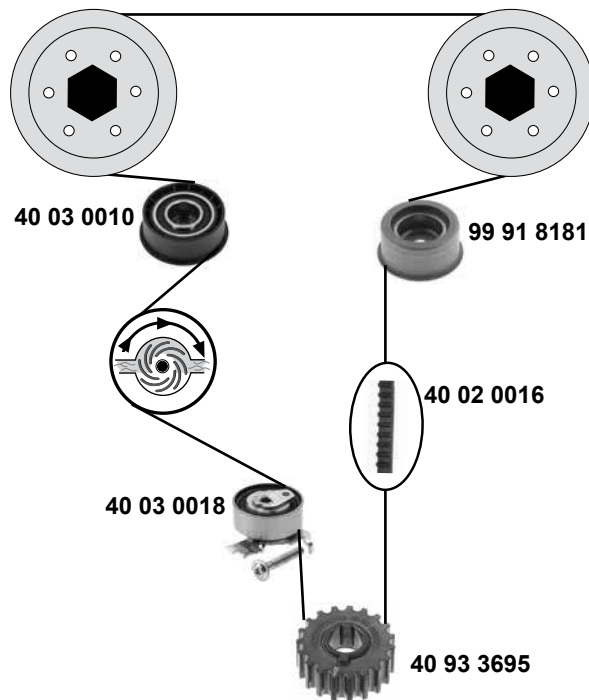


## 1,6 16V / 1,8 16V

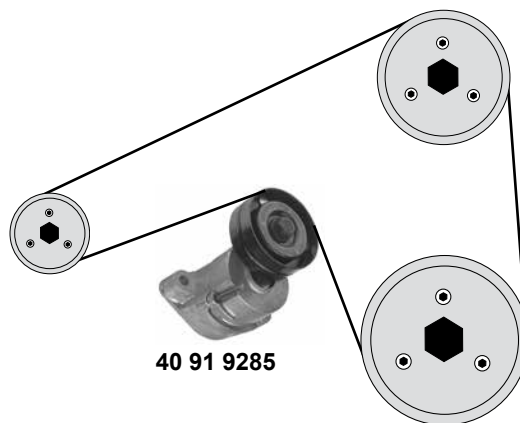
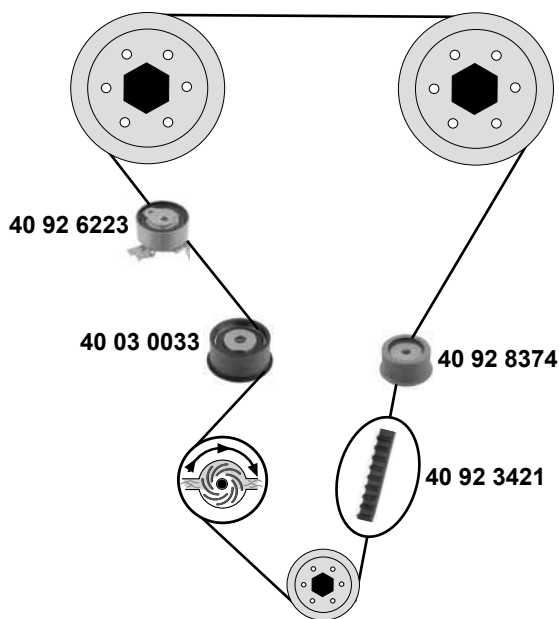
(Z1,6XEP / Z1,6XE1 / A1,6XER / Z1,6XER / Z1,6XNT / A1,6XNT / A1,8XER / Z1,8 XER)



## 1,6 16V (Z1,6YNG)



SWAG	Ref. - No.			
40 02 0016	5636 564	Zahnriemen / timing belt		Z 162 B20
40 03 0010	5636 455	Umlenkrolle / deflection pulley		
40 03 0018	0636 654	Spannrolle / tension roller		ØA 59 B 22
40 91 9445	1606 306	Rep. Satz Zahnriemen / rep. kit timing belt		
40 92 3445	5636 452	Zahnriemen / timing belt		Z 146 B24
40 92 7792	5636 486	Spannrolle / tension roller		ØA66 Ø18 B29
40 92 7818	1340 268	Riemenspanner / belt tensioner		ØA 63 B 22
40 92 7819	5636 978	Umlenkrolle / deflection pulley		ØA 61 B 28
40 92 7825	1606 314	Rep. Satz Zahnriemen / rep. kit timing belt		Z 146 B24
40 93 3695	0614 546	Kurbelwellenzahnrad / crankshaft gear	(ex.) Z1,8XE1	Z 23
99 91 8181	5636 454	Umlenkrolle / deflection pulley		ØA 58 B23



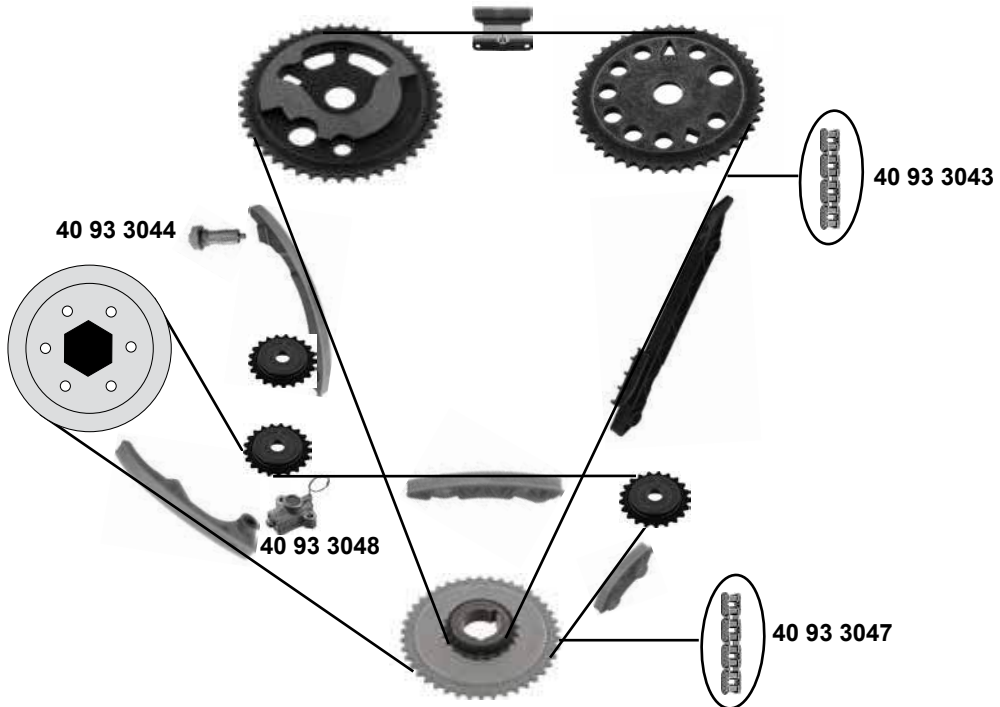
	Ref. - No.			
40 03 0033	5636 423	Umlenkrolle / deflection pulley		ØA 54 B29,3
40 91 9285	6340 532	Riemenspanner / belt tensioner		
40 92 3421	5636 566	Zahnriemen / timing belt		Z 168 B24
40 92 6223	5636 746	Umlenkrolle / deflection pulley		ØA 59 B 26
40 92 8374	5636 449	Umlenkrolle / deflection pulley		
40 92 8375	1606 305	Rep. Satz Zahnriemen / rep. kit timing belt		Z 168 B24

# OPEL Zafira B

(04→11)

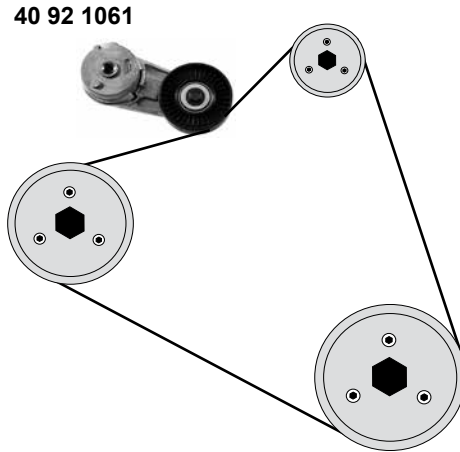


2,2



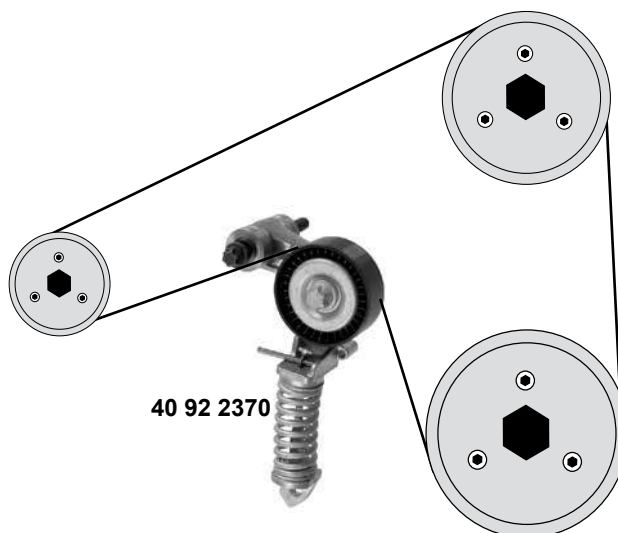
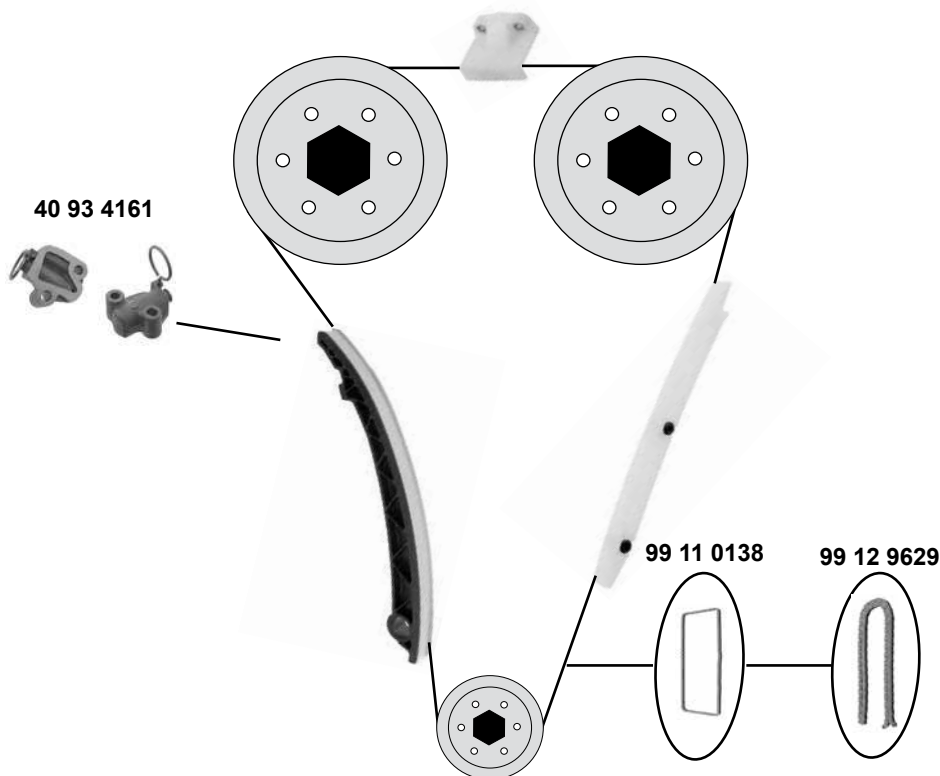
2,2

(Z 2,2 YH)



SWAG GERMANY	Ref. - No.			
40 92 1061	0614 533	Riemenspanner / belt tensioner		
40 93 3043	5636 396	Steuerkette endlos / timing chain endless		148 E
40 93 3044	4807 839	Kettenspanner / chain tensioner		
40 93 3047	5636 381	Steuerkette endlos / timing chain endless		134 E
40 93 3048	5636 380	Kettenspanner / chain tensioner		
99 13 3042	0636 176	Rep. Satz Steuerkette / rep. kit timing chain		148 E
99 13 3046	0615 418	Rep. Satz Steuerkette / rep. kit timing chain		134 E

**1,4**  
(A14NEL / A14 NET)



- (1) Steuerkette geschlossen / timing chain endless
- (2) Steuerkette offen / timing chain open  
Spezialwerkzeug zur Montage notwendig / Requires special tools for mounting



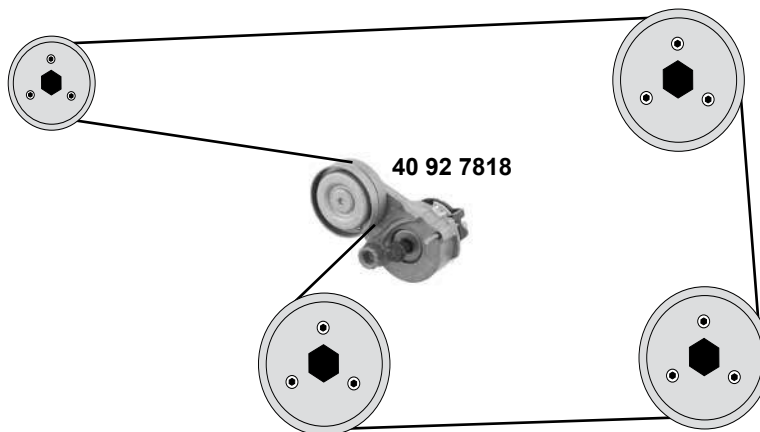
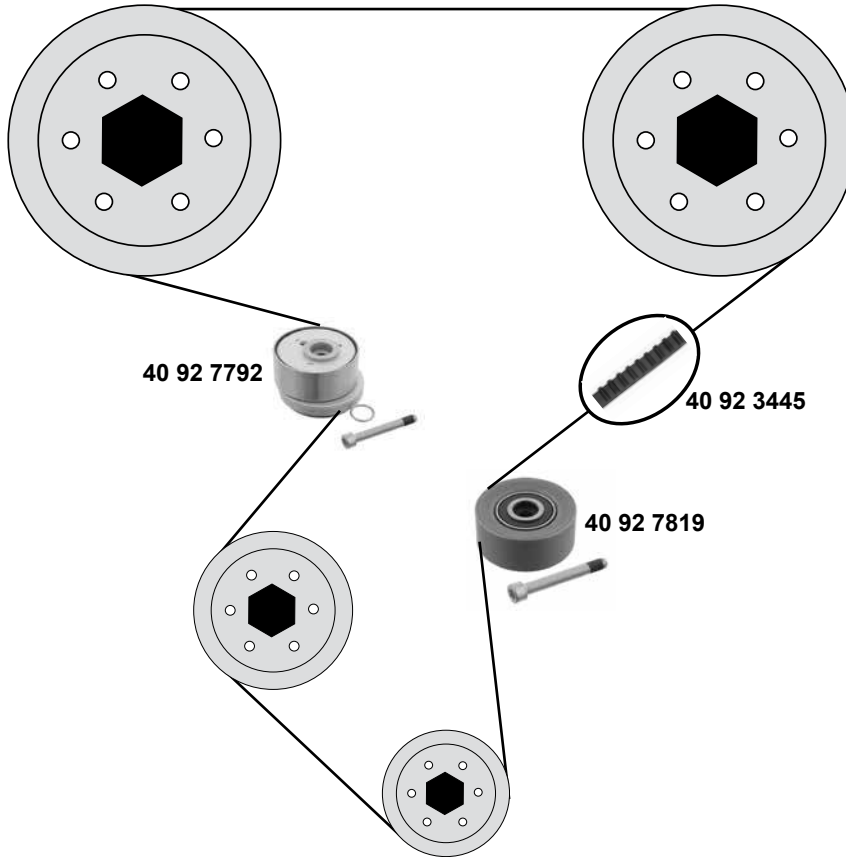
Ref. - No.



Ref. - No.	Part Name	Quantity	Part Number
40 92 2370	Riemenspanner / belt tensioner		
40 93 4161	Kettenspanner / chain tensioner		
99 11 0138	Steuerkette / timing chain	(1)	130 E
99 12 9629	Steuerkette / timing chain	(2)	130N
99 13 4162	Rep. Satz Steuerkette / rep. kit timing chain	(1)	130 E

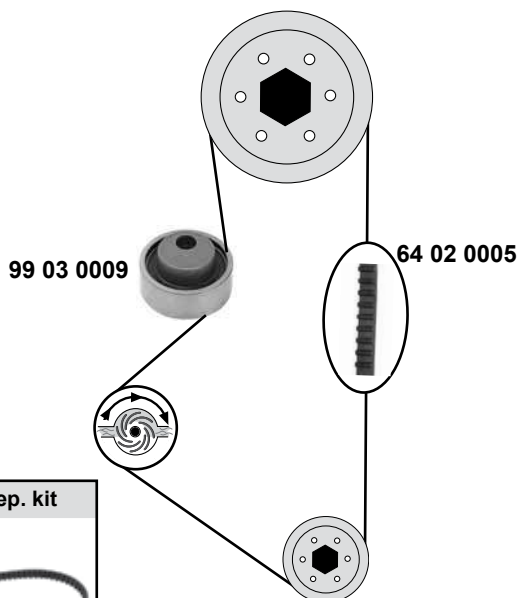
**1,6 / 1,8**

(A16XNT / A18XEL / A18XER)

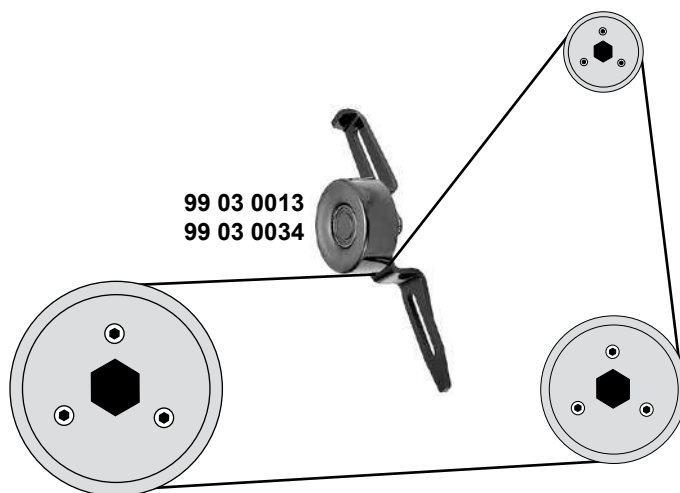
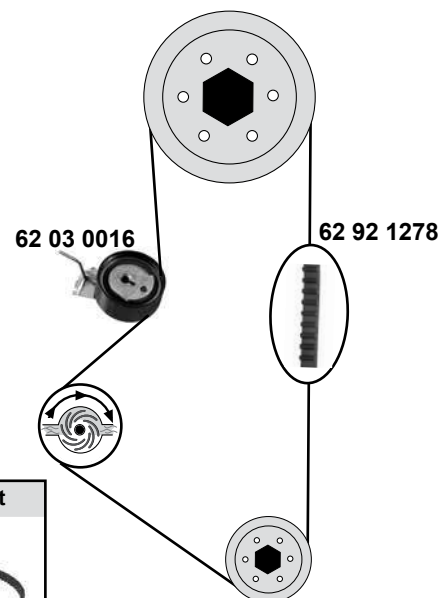


**1,0 / 1,1**  
(TU1 / TU1M / TU1JP / TU9 / TU9M)

(mot.)→M 3762433



(mot.) M 3762434→



	Ref. - No.			
64 02 0005	0816.56	Zahnriemen / timing belt		Z 104 B17
62 02 0017	0831.02	Rep. Satz Zahnriemen / rep. kit timing belt		
62 03 0016	0829.90	Spannrolle / tension roller		ØA 60 B25
62 92 1278	0816.F0	Zahnriemen / timing belt		Z 100 B17
62 92 1280	0831.84	Rep. Satz Zahnriemen / rep. kit timing belt		
99 03 0009	0831.24	Spannrolle / tension roller		ØA 59 ØI 13
99 03 0013	6453.G4	Spannrolle / tension roller	(ch.)→S50987717 AC	ØA 66 B26
99 03 0034	6453.S5	Spannrolle / tension roller	(ch.) S50987718→ AC	ØA 65 B26,5



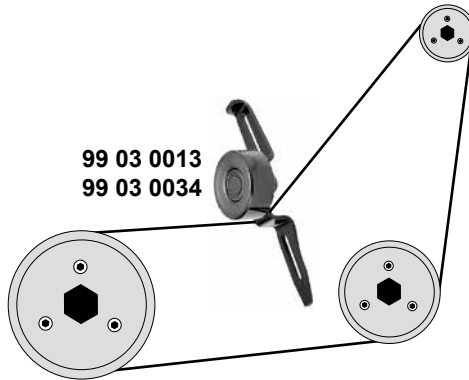
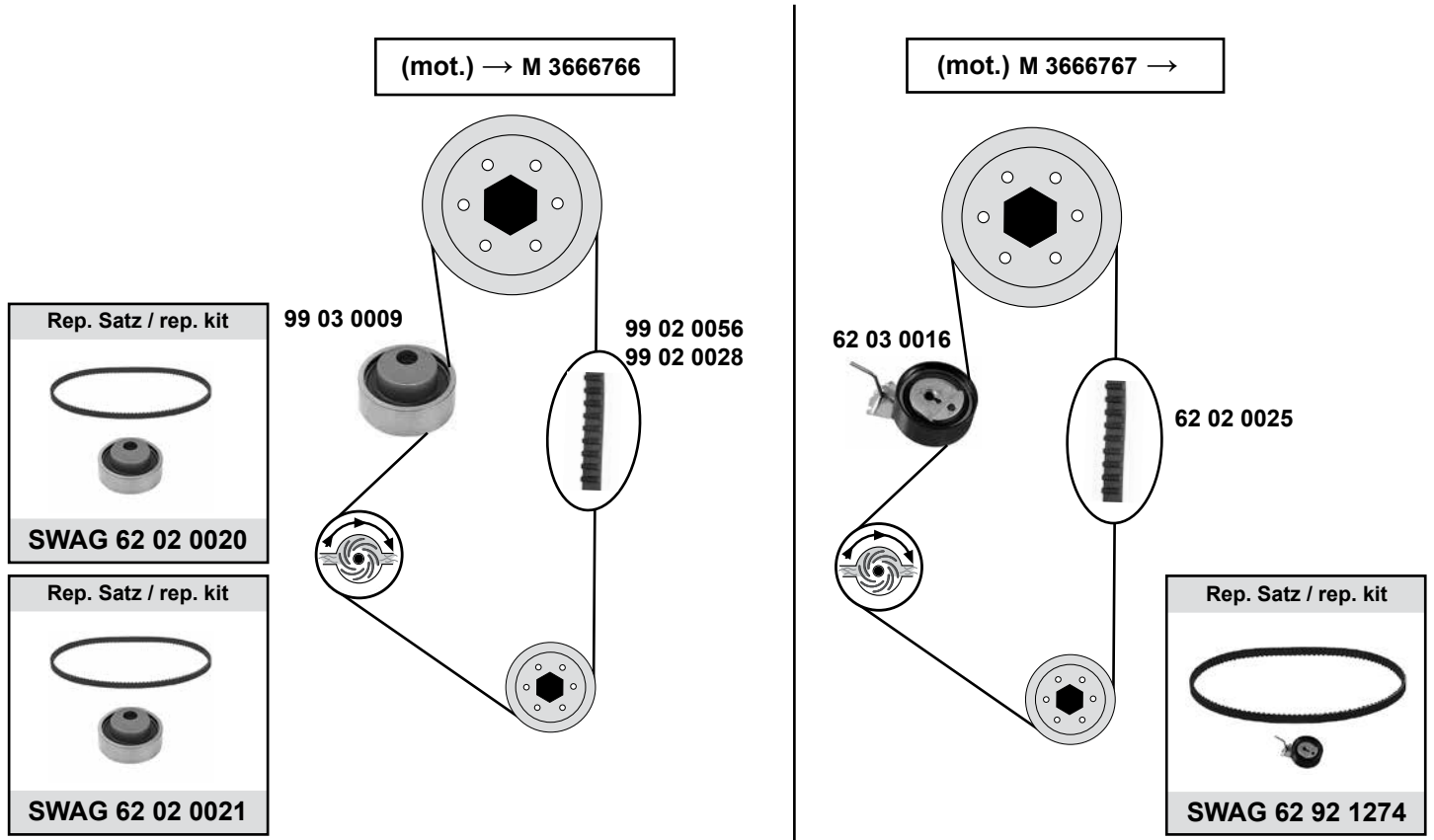
# PEUGEOT 106

(91→03)



1,4

(TU3J / TU3-2 / TU3JP / TU3M / TU3MC)



(1) TU3M: mit Alu Motorblock / Alu Engine (ch.) →50355042  
TU3MC: mit Alu Motorblock / Alu Engine



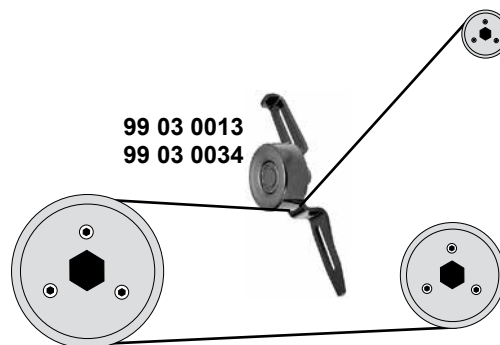
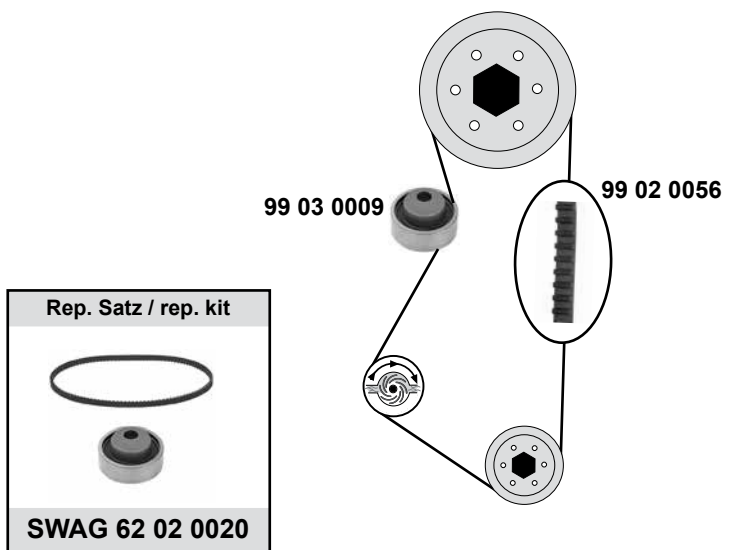
Ref. - No.



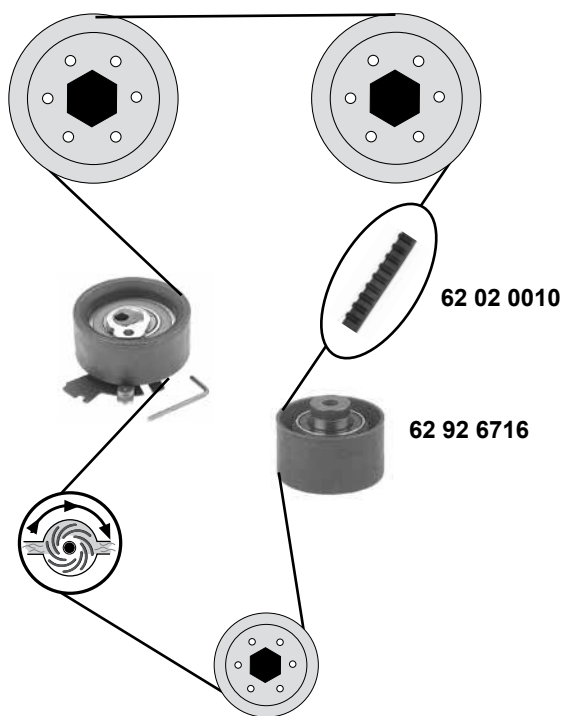
62 02 0020	0831.24	Rep. Satz Zahnriemen / rep. kit timing belt	TU3J	
62 02 0021	0831.14	Rep. Satz Zahnriemen / rep. kit timing belt	(1)	
62 02 0025	0816.F2	Zahnriemen / timing belt		Z104 B17 ØA 60 B25
62 03 0016	0829.90	Spannrolle / tension roller		
62 92 1274	0831.86	Rep. Satz Zahnriemen / rep. kit timing belt		
99 02 0028	0816.44	Zahnriemen / timing belt	(1)	Z 108 B17
99 02 0056	0816.55	Zahnriemen / timing belt	TU3J	Z 101 B17 ØA 59 ØI 13
99 03 0009	0831.24	Spannrolle / tension roller		ØA 66 B26
99 03 0013	6453.G4	Spannrolle / tension roller	(ch.)→S50987717 AC	ØA 65 B26,5
99 03 0034	6453.S5	Spannrolle / tension roller	(ch.) S50987718→ AC	



**1,6**  
(TU5J2 / TU5JP / TU5JP2)



**1,6 16V**  
(TU5J4)



(1) Abgasnorm L3 / L4 = Euro 2/3

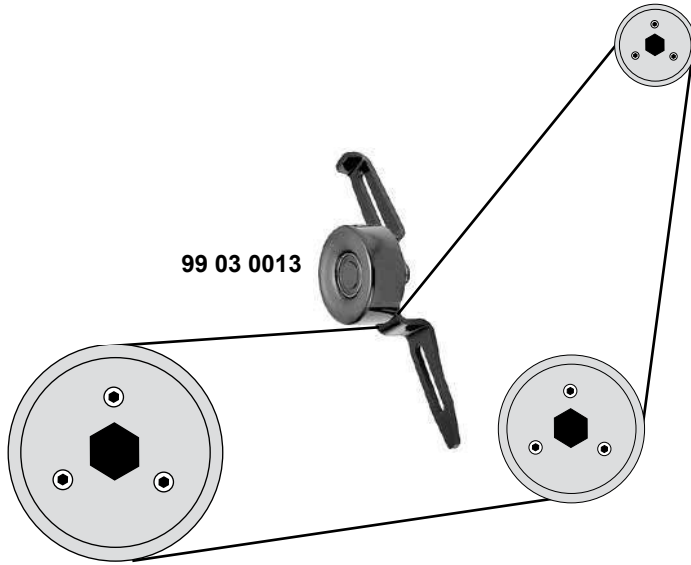
	Ref. - No.			
62 02 0010	0816.H6	Zahnriemen / timing belt		Z 134 B25,4
62 02 0011	0816.H6 S2	Rep. Satz Zahnriemen / rep. kit timing belt		
62 02 0020	0831.24	Rep. Satz Zahnriemen / rep. kit timing belt		
62 03 0006	0829.49	Spannrolle / tension roller		ØA 70 B32
62 03 0007	0830.61	Umlenkrolle / deflection pulley	(1)	ØA 57 B32
99 02 0056	0816.55	Zahnriemen / timing belt		Z 101 B17
99 03 0009	0831.24	Spannrolle / tension roller		ØA 59 Ø I13
99 03 0013	6453.G4	Spannrolle / tension roller	(ch.) → S50987717	ØA 66 B26
99 03 0034	6453.S5	Spannrolle / tension roller	(ch.) S50987718 →	ØA 65 B26,5

# PEUGEOT 106

(91→03)

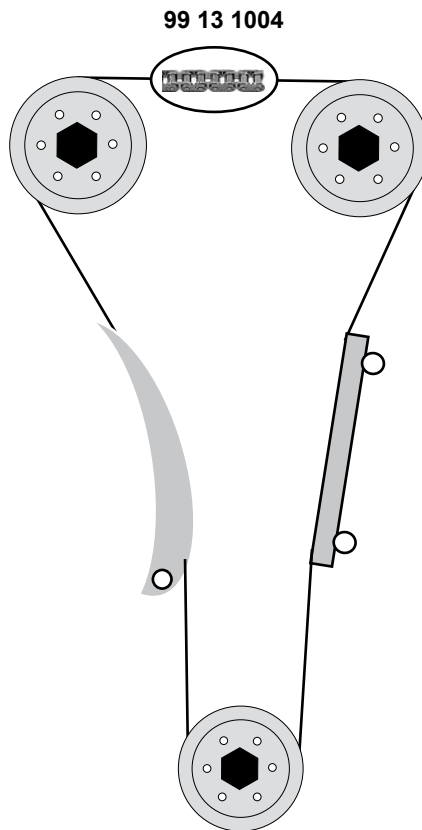


**1,6 16V**  
(TU5J4)



# 107

(05→)



Ref. - No.



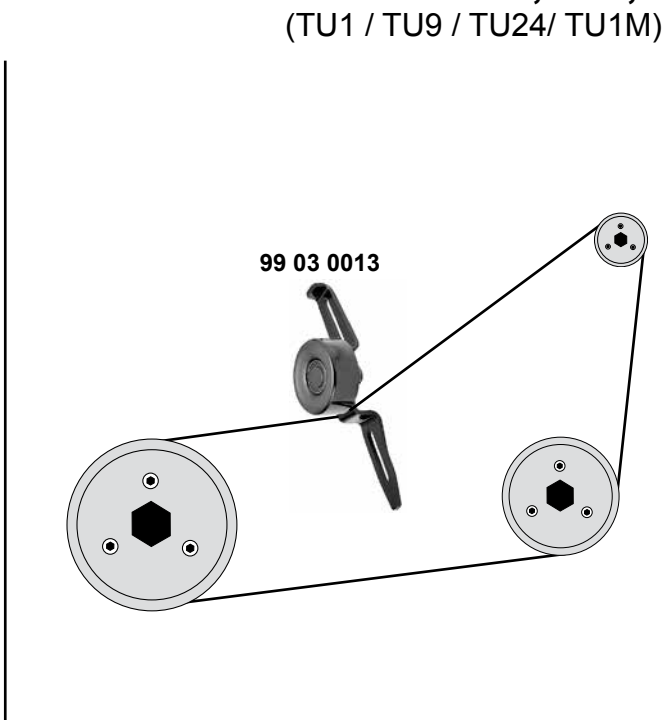
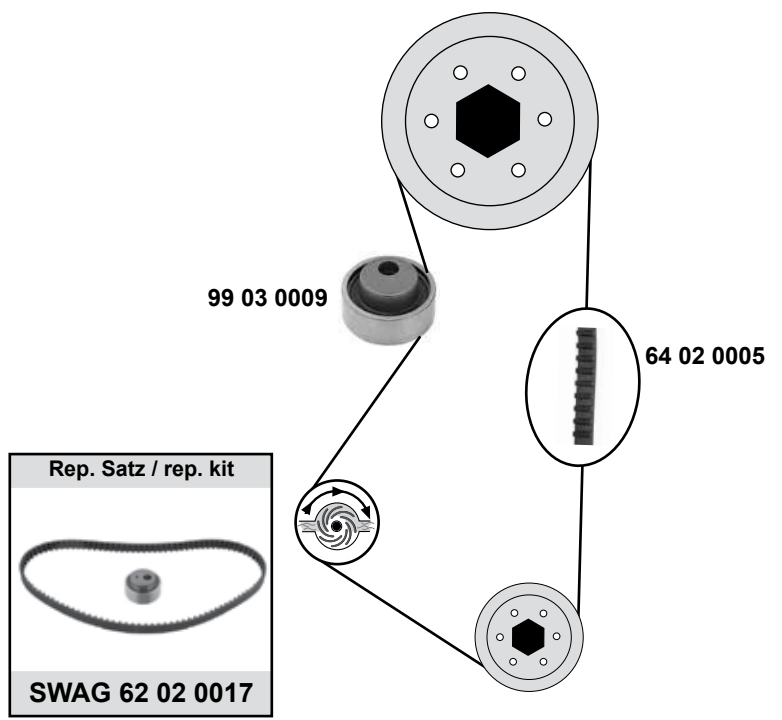
99 03 0013 6453.G4  
99 13 1004 0816.H1

Spannrolle / tension roller  
Steuerkette / timing chain

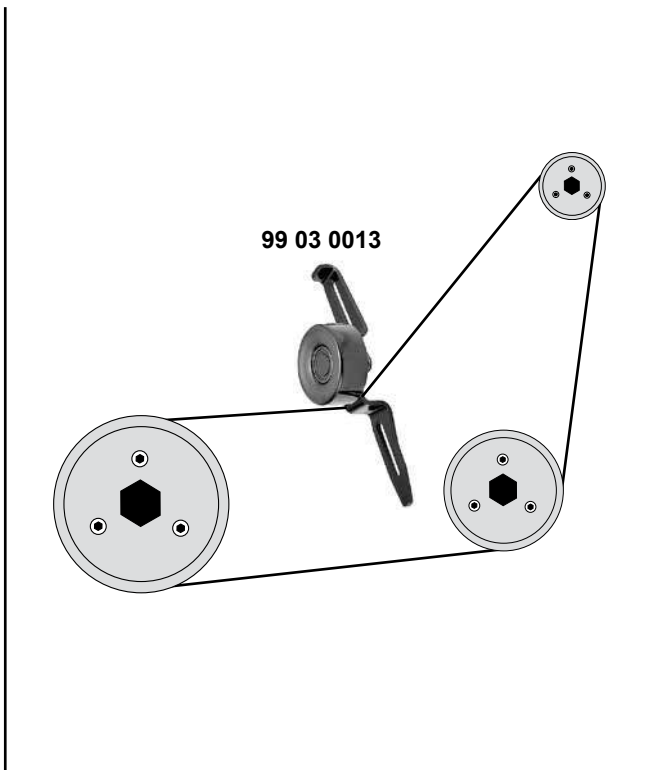
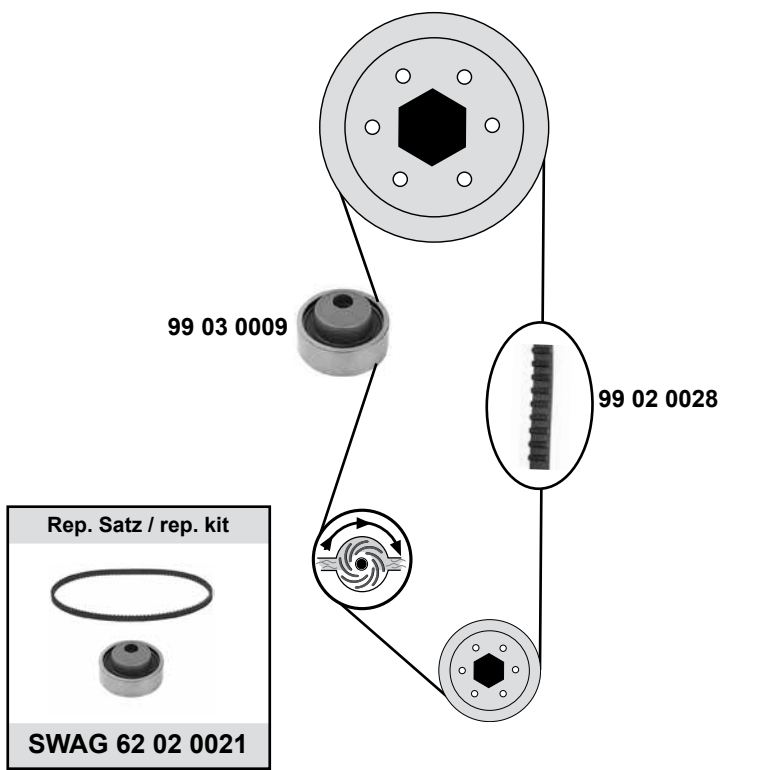
(ch.) → S50987717 AC

ØA 66 B26  
124 E

**1,0 / 1,1**  
(TU1 / TU9 / TU24/ TU1M)



**1,4**  
(TU3 / TU3A / TU3CP / TU3M / TU3S)



	Ref. - No.			
62 02 0017	0831.02	Rep. Satz Zahnriemen / rep. kit timing belt		
62 02 0021	0831.14	Rep. Satz Zahnriemen / rep. kit timing belt		
64 02 0005	0816.56	Zahnriemen / timing belt		Z 104 B17
99 02 0028	0816.44	Zahnriemen / timing belt		Z 108 B17
99 03 0009	0831.24	Spannrolle / tension roller		ØA 59 Ø I13
99 03 0013	6453.G4	Spannrolle / tension roller	AC	ØA 66 B66

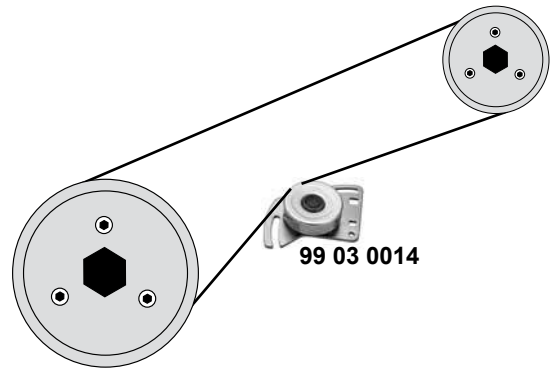
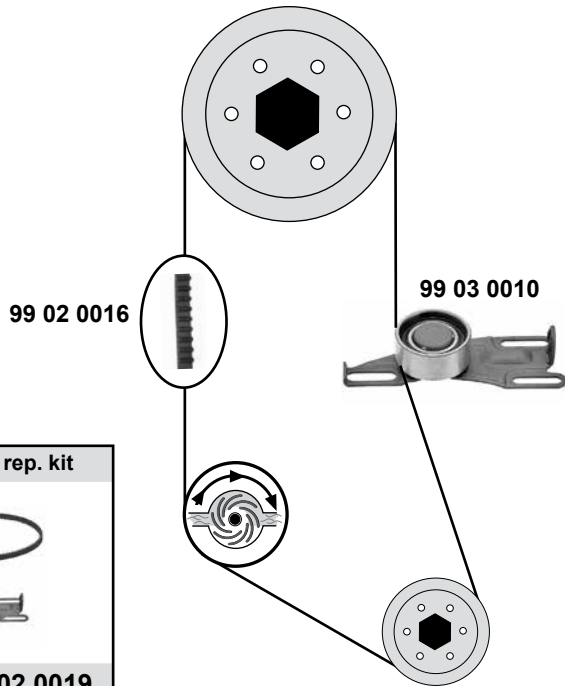
# PEUGEOT 205

(83→96)



**1,6 / 1,9**  
(XU→(ex.) 16V)

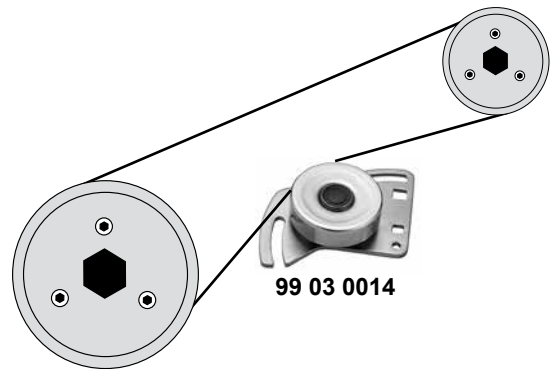
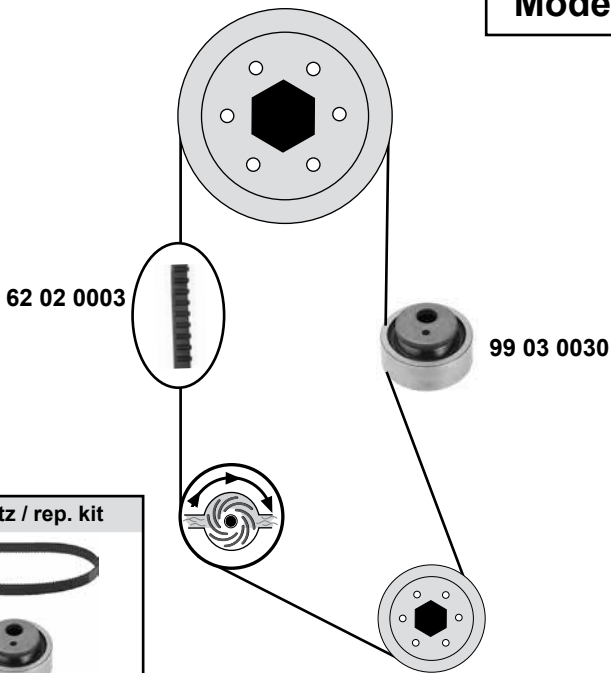
**Modell: → 01/92**



Rep. Satz / rep. kit

**SWAG 62 02 0019**

**Modell: 01/92 →**



Rep. Satz / rep. kit

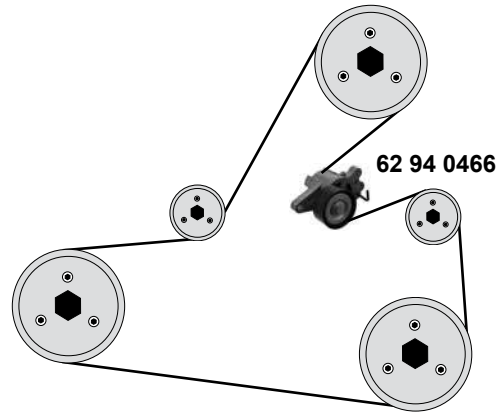
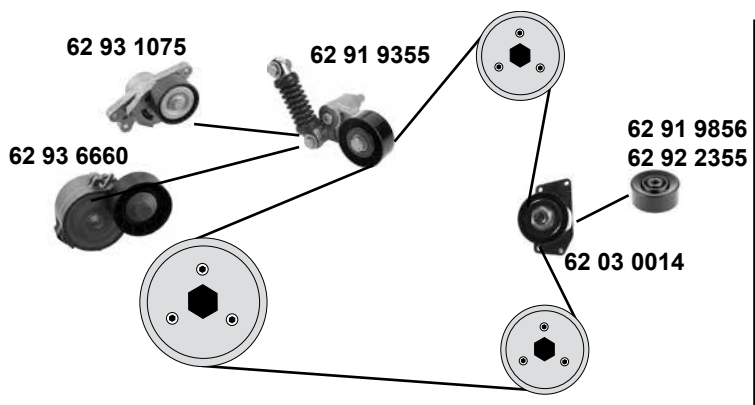
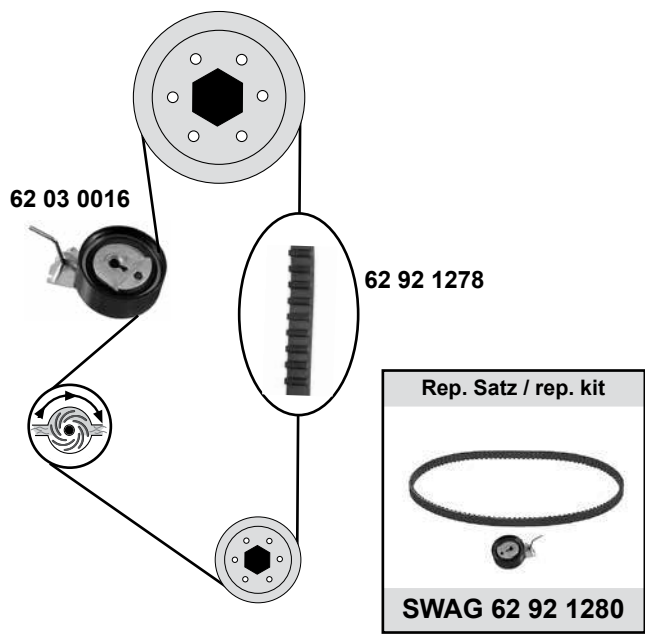
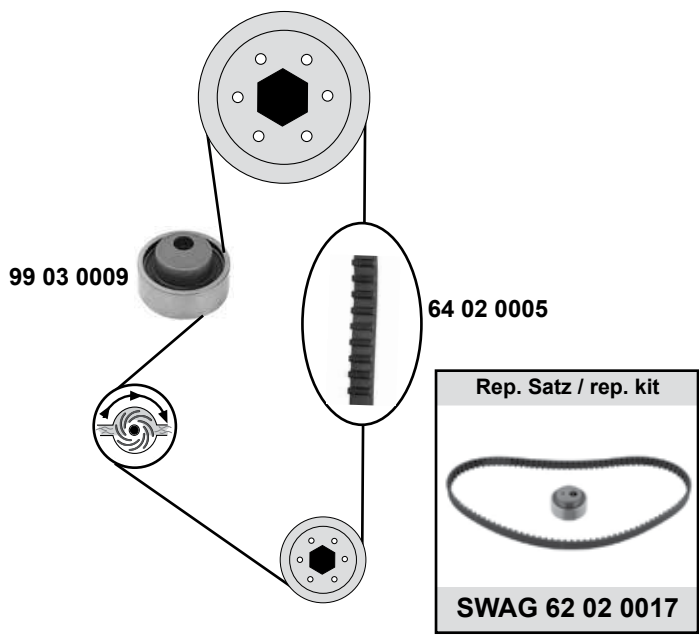
**SWAG 99 02 0057**

SWAG	Ref. - No.			
62 02 0003	0816.71	Zahnriemen / timing belt		Z 114 B17
62 02 0019	0816.67 S1	Rep. Satz Zahnriemen / rep. kit timing belt		
99 02 0016	0816.67	Zahnriemen / timing belt		Z 113 B17
99 02 0057	0831.06	Rep. Satz Zahnriemen / rep. kit timing belt		
99 03 0010	0829.12	Spannrolle / tension roller		ØA 57 B24
99 03 0014	6453.76	Spannrolle / tension roller	AC	ØA 58 B22,5
99 03 0030	0829.29	Spannrolle / tension roller		ØA 59 B22

(mot.) → M 3762433

(mot.) M 3762434 →

**1,1**  
(TU1JP)



- (1) servo AC (ex.) variable servo TU3MC: mit Alu Motorblock / Alu Engine
- (2) servo AC
- (3) O 09590 - 10392

	Ref. - No.			
62 02 0017	0831.02	Rep. Satz Zahnriemen / rep. kit timing belt		
62 03 0014	5751.50	Umlenkrolle / deflection pulley		
62 03 0016	0829.90	Spannrolle / tension roller	(ex.) servo  AC	
62 91 9355	5751.52	Riemenspanner / belt tensioner	(1)→O 09275	ØA 60 B25
62 91 9856	5751.51	Umlenkrolle / deflection pulley	(1)→O 09275	ØA 65 B26,5
62 92 1278	0816.F0	Zahnriemen / timing belt		ØA 70 B27
62 92 1280	0831.S1	Rep. Satz Zahnriemen / rep. kit timing belt		Z 100 B17
62 92 2355	5751.C9	Umlenkrolle / deflection pulley	(1) O 09276→	
62 93 1075	5751.AC	Riemenspanner / belt tensioner	(2) O 09276→	
62 93 6660	5751.E9	Riemenspanner / belt tensioner	(2) O 11179→	ØA 60 B25
62 94 0466	5751.A2	Riemenspanner / belt tensioner	(3)	ØA 60 B26
64 02 0005	0816.56	Zahnriemen / timing belt		ØA 60 B17
99 03 0009	0831.24	Spannrolle / tension roller		ØA 59 ØI 13

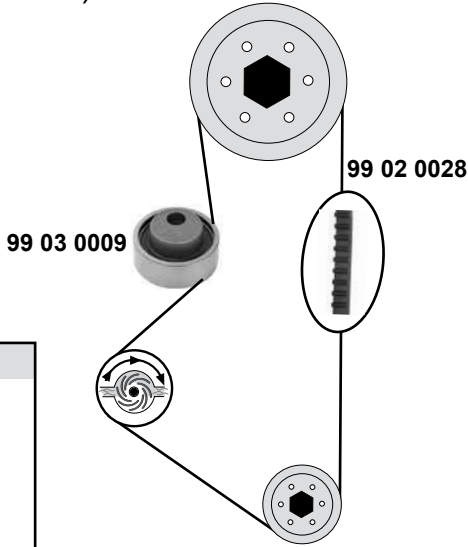
# PEUGEOT 206

(98→09)

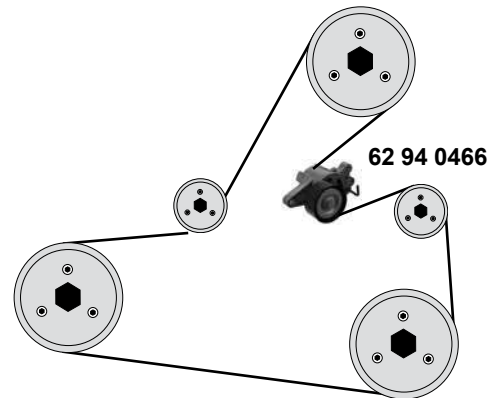
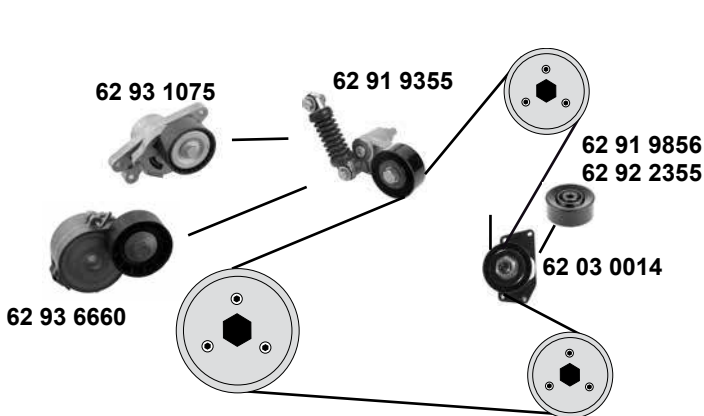
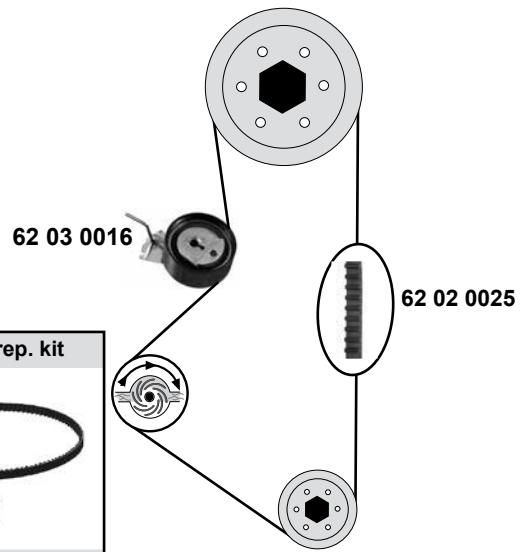


**1,4**  
(TU3A/TU3AF/TU3JP)

(mot.) → M 3666765



(mot.) M 3666766 →



- (1) servo AC (ex.) variable servo
- (3) servo AC

- (2) servo AC O 09590→O 11178

- (4) (mot.)TU3JP



Ref. - No.



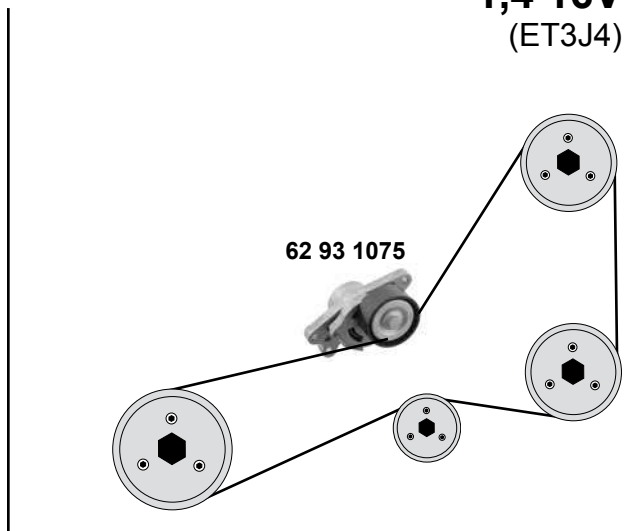
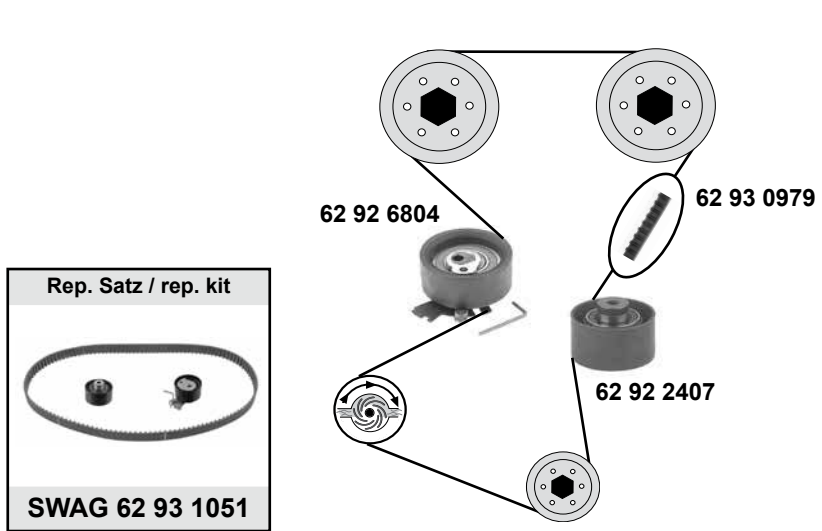
Ref. - No.			
62 02 0021	0831.Q4	Rep. Satz Zahnriemen / rep. kit timing belt	Z108
62 02 0025	0816.F2	Zahnriemen / timing belt	Z104 B17
62 03 0014	5751.50	Umlenkrolle / deflection pulley	ØA 70 B27
62 03 0016	0829.90	Spannrolle / tension roller	ØA 60 B25
62 91 9355	5751.52	Riemenspanner / belt tensioner	ØA 65 B26,5
62 91 9856	5751.51	Umlenkrolle / deflection pulley	ØA 70 B27
62 92 1274	0831.86	Rep. Satz Zahnriemen / rep. kit timing belt	
62 92 2355	5751.C9	Umlenkrolle / deflection pulley	
62 93 1075	5751.AC	Riemenspanner / belt tensioner	
62 93 6660	5751.E9	Riemenspanner / belt tensioner	ØA 60 B25
62 94 0466	5751.A2	Riemenspanner / belt tensioner	ØA 60 B26
99 02 0028	0816.44	Zahnriemen / timing belt	Z108
99 03 0009	0831.24	Spannrolle / tension roller	ØA 59 ØI 13

- (4)
- (4) servo AC
- (mot.) TU3JP
- (1)(4)→O 09589
- (1) (4) →O 09275
- (4)
- (1) (4) O 09276→
- (2) (4)
- (3) O. 11179→
- (4) O. 09590 -10392

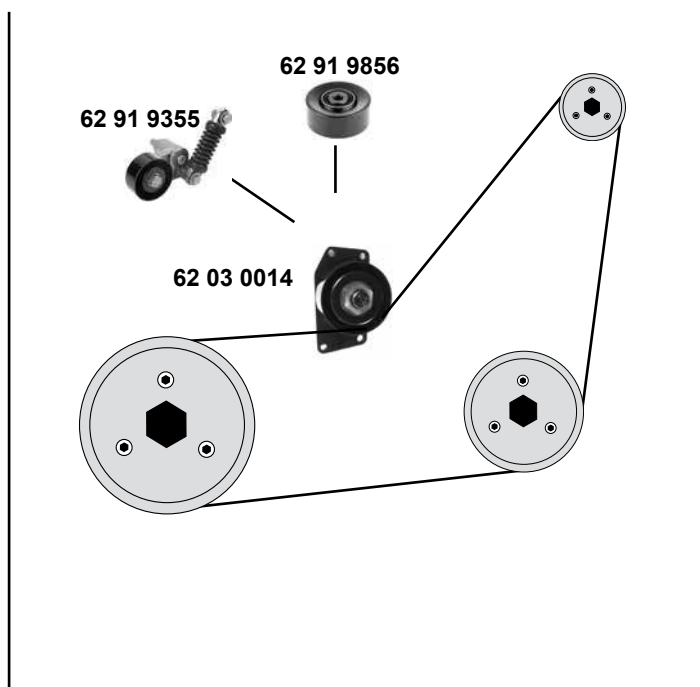
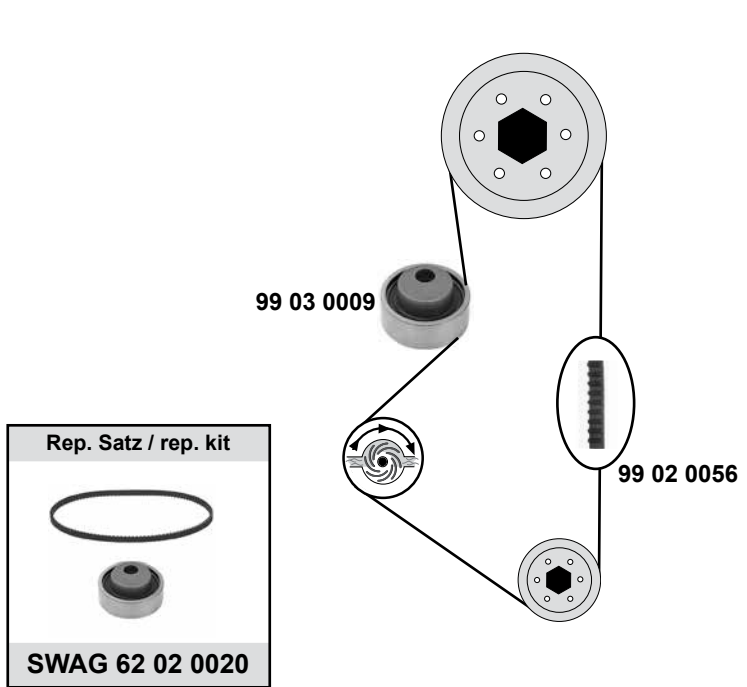


# PEUGEOT 206 (98→09)

## 1,4 16V (ET3J4)



## 1,6 8V (TU5JP)



- (1) servo AC (ex.) variable servo
- (2) servo AC 09590 → 11178

SWAG	Ref. - No.			
62 02 0020	0831.24	Rep.Satz Zahnriemen / rep. kit timing belt		Z 101
62 03 0014	5751.50	Umlenkrolle / deflection pulley	(ex.) servo  AC	
62 91 9355	5751.52	Riemenspanner / belt tensioner	(1)→ 09589	ØA 65 B26,5
62 91 9856	5751.51	Umlenkrolle / deflection pulley	(1)→ 09275	ØA 70 B27
62 92 2407	0830.60	Umlenkrolle / deflection pulley		ØA 60 B29
62 92 6804	0829.C6	Spannrolle / tension roller		Z 135 B25
62 93 0979	0813.H5	Zahnriemen / timing belt		Z 135 B25
62 93 1051	0831.L4	Rep. Satz Zahnriemen / rep. kit timing belt		
62 93 1075	5751.AC	Riemenspanner / belt tensioner	(2)	Z 101
99 02 0056	0816.55	Zahnriemen / timing belt		ØA 59 ØI 13
99 03 0009	0831.24	Spannrolle / tension roller		

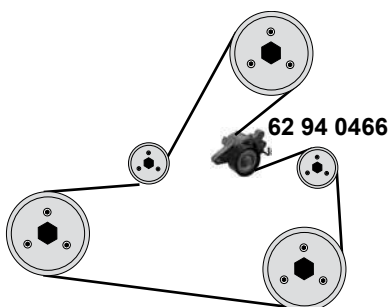


# PEUGEOT 206

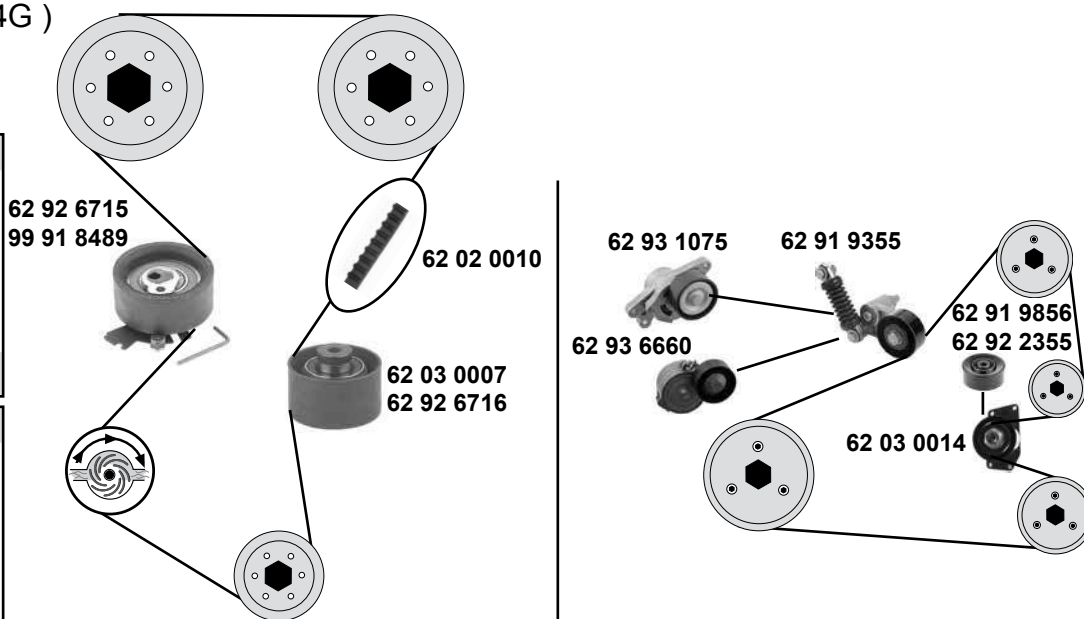
(98→09)



## 1,6 8V (TU5JP)



## 1,6 16V (TU5JP4 / TU5JP4G )



- (1) servo AC (ex.) variable servo
- (2) (mot.) TU5JP4G servo AC O 09590→O 11178
- (3) (mot.) TU5JP4 O.08701→ / (mot.) TU5JP4 O.08911→ / (mot.) TU5JP4G
- (4) TU5JP4 O.08701→ / (mot.) 1806405→ / TU5JP4→ O.11253 / (mot.) 1850062→ / TU5JP4G
- (5) TU5JP4 O.08701→ / →(mot.)1806404 / TU5JP4 O.08701→ / (mot.) →1850061
- (6) TU5JP4
- (7) TU5JP4 O.08701→ / →(mot.) 1806404 / TU5JP4 O.08701→ O.10543
- (8) TU5JP4 O.08701→ (mot.) 1806404→ / TU5JP4 10544→11253 / TU5JP4G
- (9) TU5JP4 O.08701→ / (mot.) 1806405→ / TU5JP4 08701→ / (mot.) 1850062 → / TU5JP4G

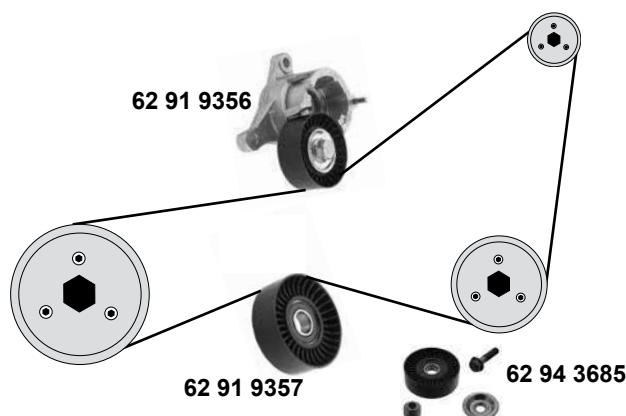
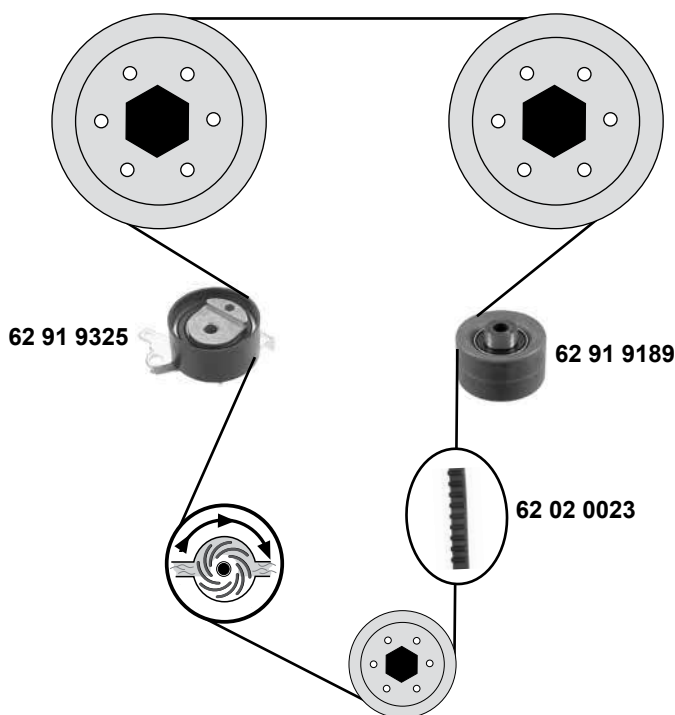


Ref. - No.



Ref. - No.	Description	Notes	Dimensions
62 02 0010	Zahnriemen / timing belt	(3)	Z134 B25,4
62 03 0007	Umlenkrolle / deflection pulley	(5)	ØA 57 Ø I8 B32
62 03 0014	Umlenkrolle / deflection pulley	(6) (ex.) servo  AC	
62 91 9355	Riemenspanner / belt tensioner	(6) (1)→O 09589	ØA 65 B26
62 91 9856	Umlenkrolle / deflection pulley	(6) (1)→O 09275	ØA 70 B27
62 92 2327	Rep. Satz Zahnriemen / rep. kit timing belt	(5)	Z 134
62 92 2355	Umlenkrolle / deflection pulley	(6) (1) O 09276→	
62 92 6715	Spannrolle / tension roller	(8)	ØA 70 B30
62 92 6716	Umlenkrolle / deflection pulley	(9)	ØA 60 B30
62 92 6717	Rep. Satz Zahnriemen / rep. kit timing belt	(4)	Z 134 B25,4
62 93 1075	Riemenspanner / belt tensioner	(2)	ØA 60
62 93 6660	Riemenspanner / belt tensioner	(6) O 11179→	ØA 60 B25
62 94 0466	Riemenspanner / belt tensioner	O 09590 -10392	ØA 60 B26
99 91 8489	Spannrolle / tension roller	(7)	ØA 73 B31





- (1) 206 Break / CC (mot.) EW10J4 → O 10264
- (3) 206 (mot.) EW10J4S / EW10J4 O 10265→

- (2) 206 (mot.) EW10J4S / EW10J4 → O 10264
- (4) 206 Break / CC (mot.) EW10J4 O 10265→



Ref. - No.



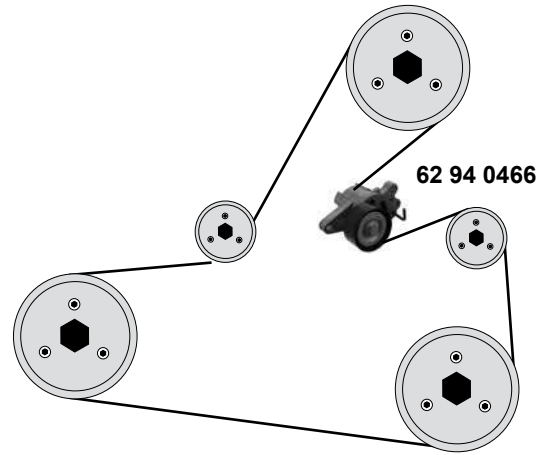
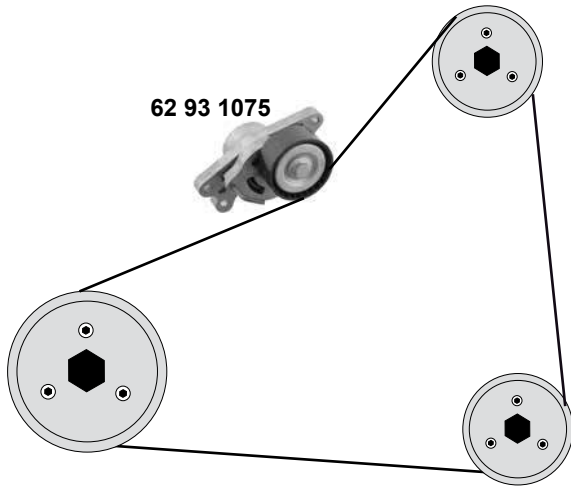
Ref. - No.	Description	Notes	Dimensions
62 02 0023	0816.A1 Zahnriemen / timing belt		Z 153 B25,4
62 91 9189	0830.42 Umlenkrolle / deflection pulley		ØA 60 B31
62 91 9325	0829.96 Spannrolle / tension roller		ØA 62 B29
62 91 9356	5751.61 Riemenspanner / belt tensioner		ØA 65 B25
62 91 9357	5751.60 Umlenkrolle / deflection pulley	(1) (2)	ØA 78 B25
62 92 2309	0831.T4 Rep. Satz Zahnriemen / rep. kit timing belt		
62 94 3685	5751.E4 Umlenkrolle / deflection pulley	(3) (4)	ØA 78 B25

# PEUGEOT 206 CC

(00→07)



## 1,6 16V (TU5JP4)

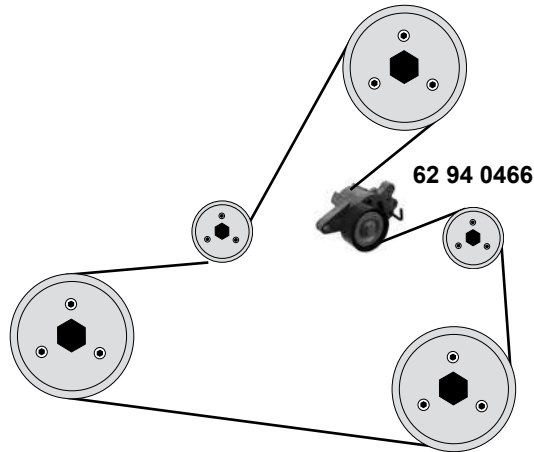


## 206 SW

(02→07)

## 1,6 8V

(TU1JP / TU3A / TU3JP / TU5JP4)



(1) 206 SW servo AC O 09276 -10394

(2) 206 CC servo AC O 09276 →



Ref. - No.



62 93 1075 5751.A2

Riemenspanner / belt tensioner

servo AC

ØA 60

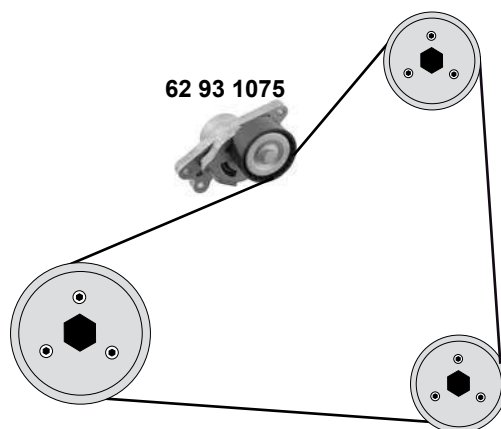
62 94 0466 5751.A2

Riemenspanner / belt tensioner

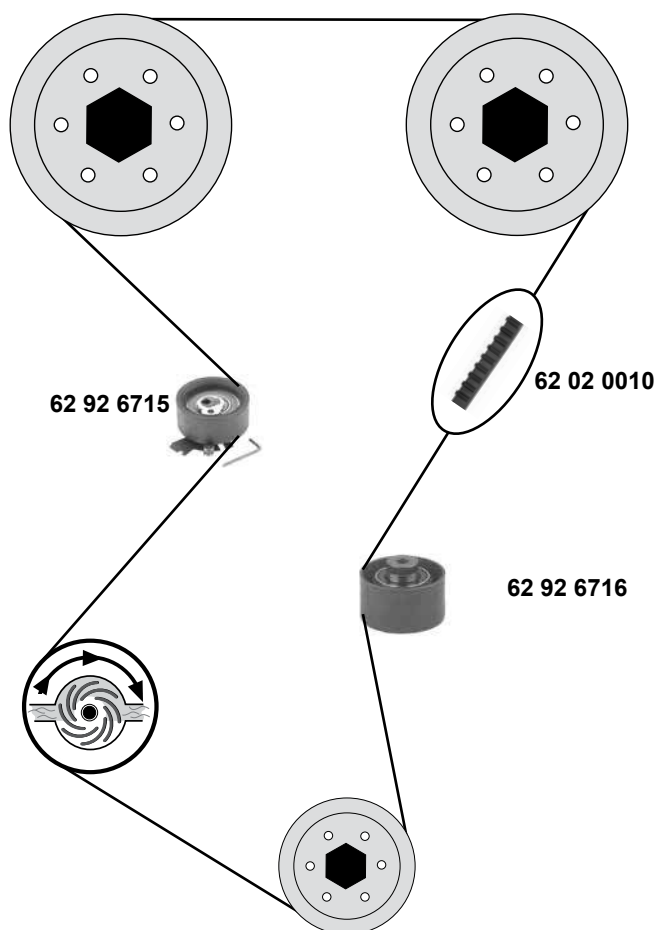
(1) (2)

ØA 60 B26

**1,1 / 1,4**  
(TU1A / TU3A)



**1,6 16V**  
(TU5JP4)



Ref. - No.



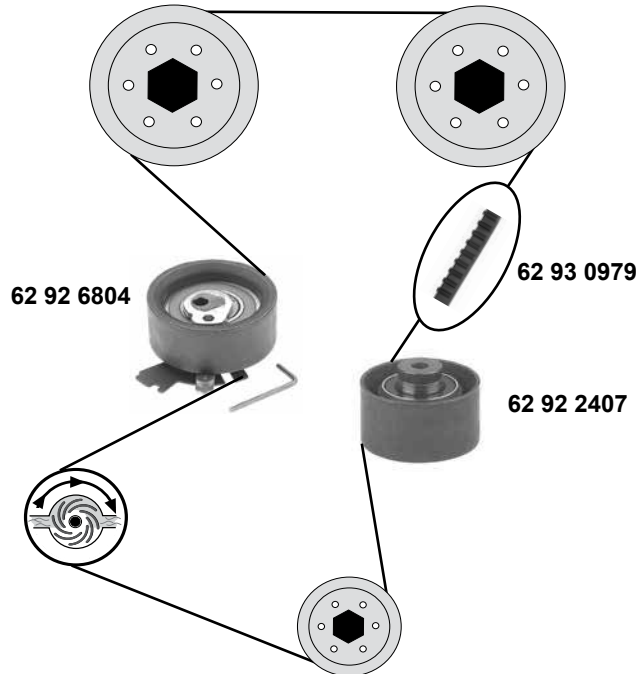
<b>62 02 0010</b>	0816.H6	Zahnriemen / timing belt	Z134 B25,4
<b>62 92 6715</b>	0829.C8	Spannrolle / tension roller	ØA 70 B30
<b>62 92 6716</b>	0830.62	Umlenkrolle / deflection pulley	ØA 60 B30
<b>62 92 6717</b>	0831.R9	Rep. Satz Zahnriemen / rep. kit timing belt	Z 134 B25,4
<b>62 93 1075</b>	5751.A2	Spannrolle / tension roller	ØA 60

# PEUGEOT 207

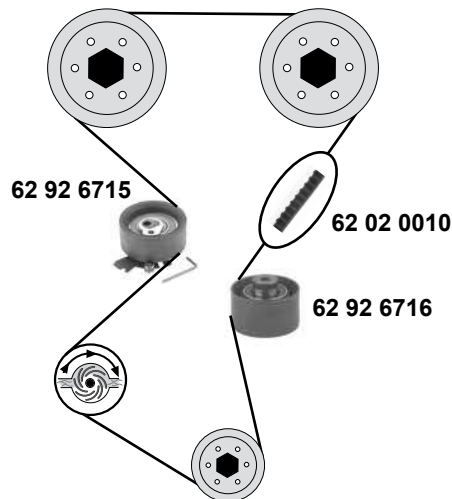
(06→)



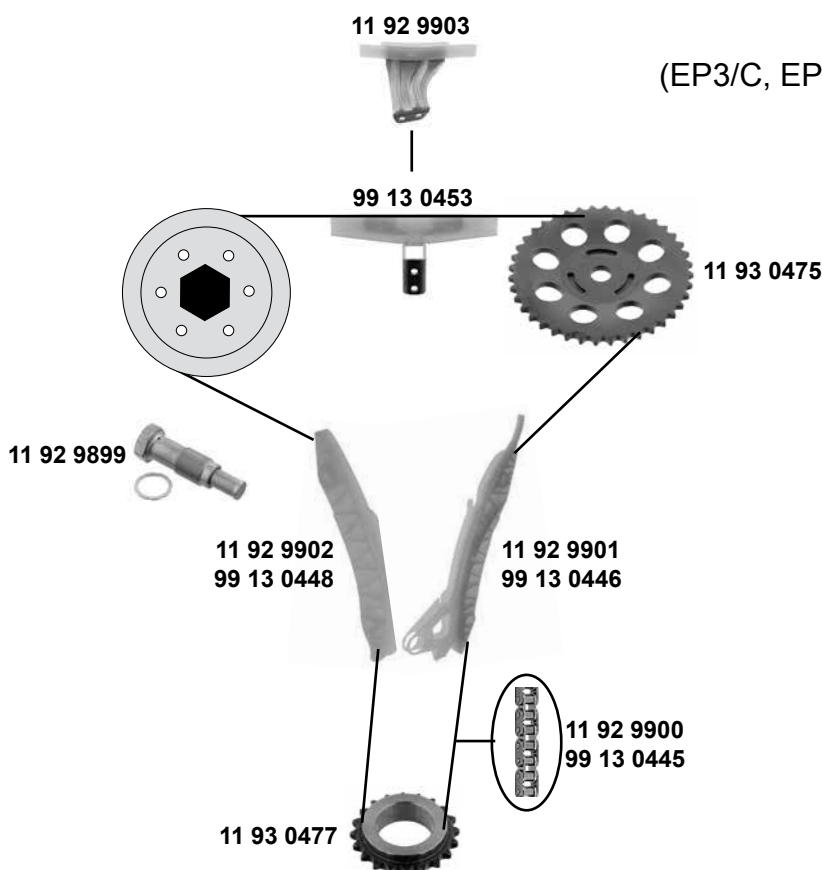
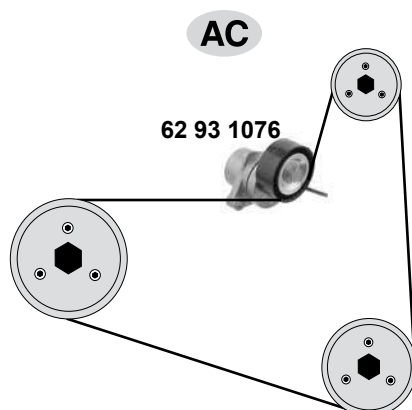
## 1,4 16V (ET3J4)



## 1,6 16V (TU5JP4)



SWAG	Ref. - No.			
62 02 0010	0816.H6	Zahnriemen / timing belt		Z 134 B25,4
62 92 2407	0830.60	Umlenkrolle / deflection pulley		ØA 60 B30,5
62 92 6715	0829.C8	Spannrolle / tension roller		ØA 70 B30
62 92 6716	0830.62	Umlenkrolle / deflection pulley		ØA 60 B30
62 92 6717	0831.R9	Rep. Satz Zahnriemen / rep. kit timing belt		Z 134 B25,4
62 92 6804	0829.C6	Spannrolle / tension roller		ØA 60 B29
62 93 0979	0816.H5	Zahnriemen / timing belt		Z 135 B25
62 93 1051	0831.L4	Rep. Satz Zahnriemen / rep. kit timing belt		Z 135 B25

**1,4 / 1,6**  
 (TU3A,TU3AE5,ET3J4,TU5JP4)


Rep. Satz / rep. kit



SWAG 99 13 0345

Rep. Satz / rep. kit



SWAG 99 13 0452



Ref. - No.



Ref. - No.	Description	Notes	Dimensions
11 92 9899	0829.E1 Kettenspanner / chain tensioner	(ex.) EP3C	M 22x1,5
11 92 9900	0816.J2 Steuerkette / timing chain	(mot.) EP3, EP6/C	
11 92 9901	0818.30 Gleitschiene / sliding rail	(mot.) EP3, EP6/C	
11 92 9902	0818.33 Gleitschiene / sliding rail	(mot.) EP3, EP6/C	
11 92 9903	0818.41 Gleitschiene / sliding rail	(mot.) EP3, EP6/C	
11 93 0475	0805.H6 Nockenwellenrad / camshaft gear	(mot.) EP6DT/DTS	Z 40
11 93 0477	0513.C8 Kurbelwellenzahnrad / crankshaft gear	(mot.) EP6DT/DTS	Z 20
62 93 1076	5751.G7 Spannrolle / tension roller		ØA 65 B25
99 13 0345	0816.J2 S1 Rep. Satz Steuerecke / rep. kit timing chain	(mot.) EP3/C, EP6/C	
99 13 0445	0816.H9 Steuerkette / timing chain	(mot.) EP6DT/DTS	
99 13 0446	0818.31 Gleitschiene / sliding rail	(mot.) EP6DT/DTS	
99 13 0448	0818.30 Gleitschiene / sliding rail	(mot.) EP6DT/DTS	
99 13 0452	0816.H9 S1 Rep. Satz Steuerkette / rep. kit timing chain	(mot.) EP6DT/DTS	
99 13 0453	0818.29 Gleitschiene / sliding rail	(mot.) EP6DT/DTS	

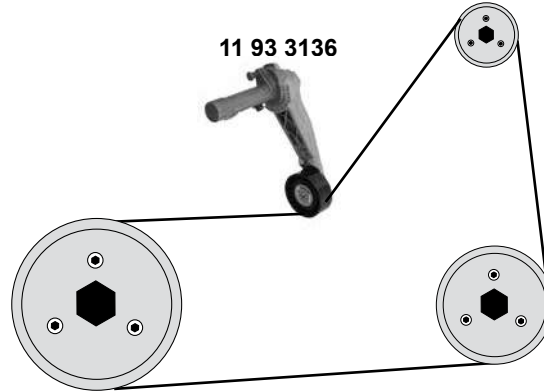
# PEUGEOT 207

(06→)



## 1,6 16V Turbo

(EP3/C, EP6/C, EP6DT, EP6DTS)

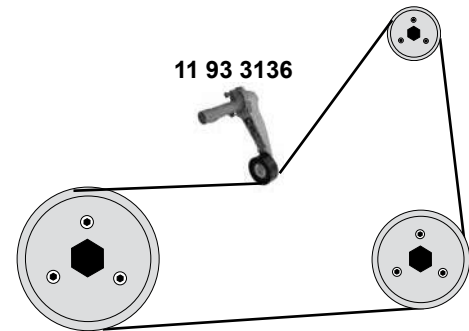
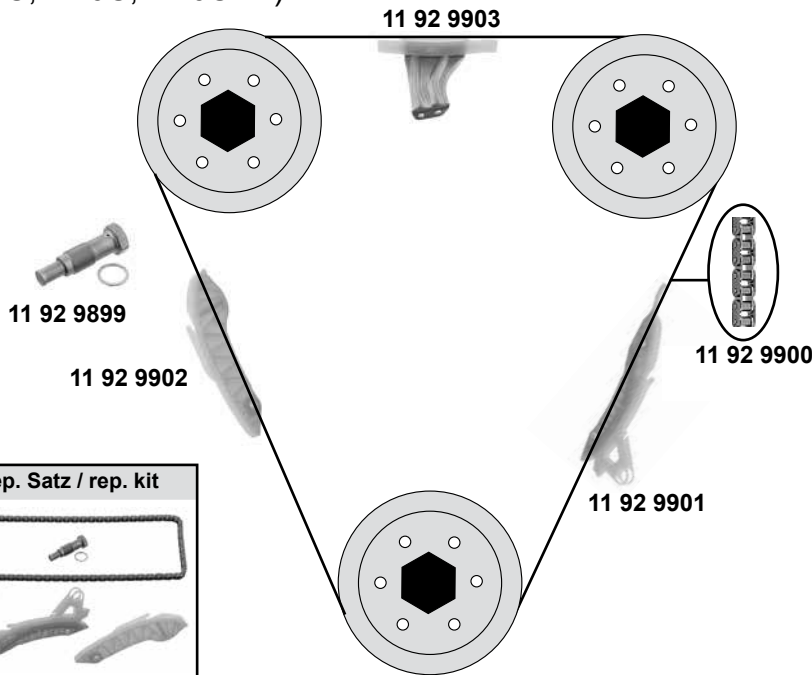


## 208

(12→)

## 1,4 / 1,6

(EP3C, EP6C, EP6CDT)



- (1) 207 (mot.) EP3/C, EP6/C, EP6DTS AC / (mot.) EP6DT
- (2) 208 (mot.) EP3C, EP6C, EP6DTS AC



Ref. - No.



11 92 9899	0829.G3
11 92 9900	0816.J2
11 92 9901	0818.40
11 92 9902	0818.33
11 92 9903	0818.41
11 93 3136	5751.G9
99 13 0345	0816.J2 S1

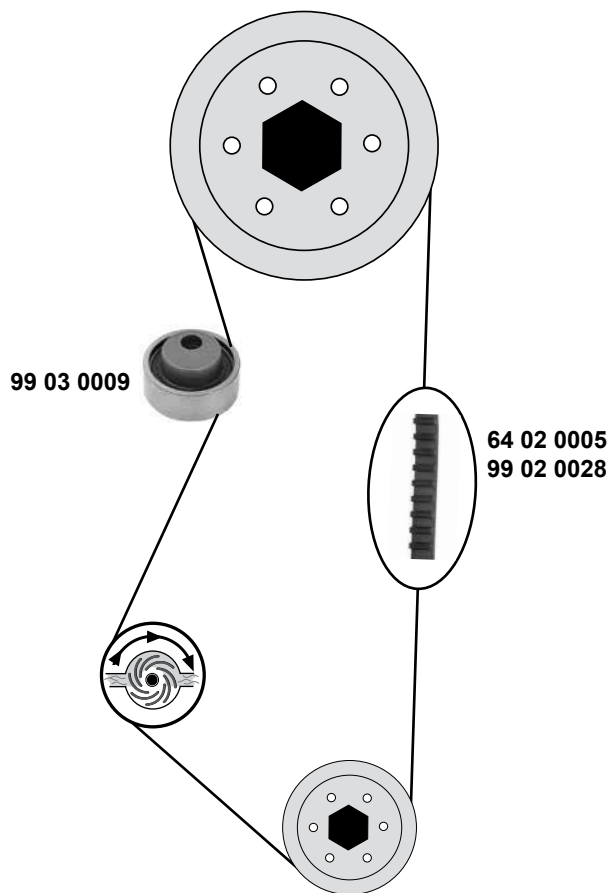
Kettenspanner / chain tensioner
Steuerkette / timing chain
Gleitschiene / sliding rail
Gleitschiene / sliding rail
Gleitschiene / sliding rail
Riemenspanner / belt tensioner
Rep. Satz Steurekette / rep. kit timing chain

(ex.) EP6CDT
(ex.) EP6CDT
(ex.) EP6CDT
(ex.) EP6CDT
(1) (2)
(ex.) EP6CDT

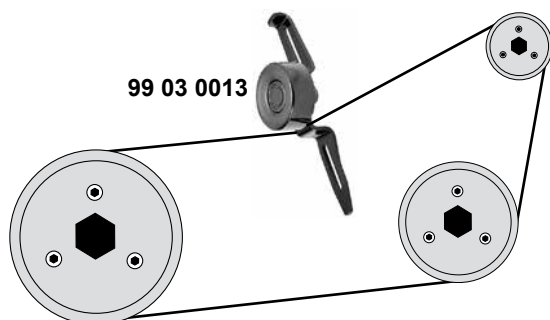
138 E
ØA65 B25

**1,1 / 1,4**

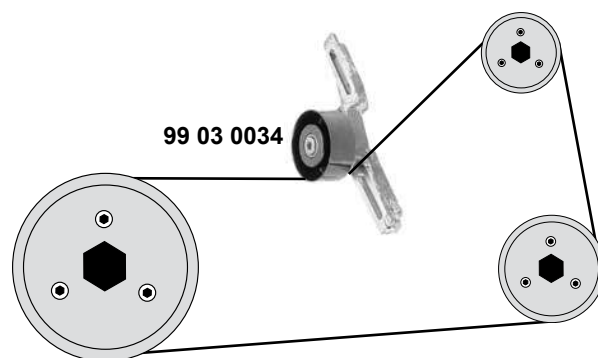
(TU1M / TU3 / TU3.2 / TU3JP→M 3666766 / TU3MC)



Modell:→12/94



Modell:12/94→



Ref. - No.

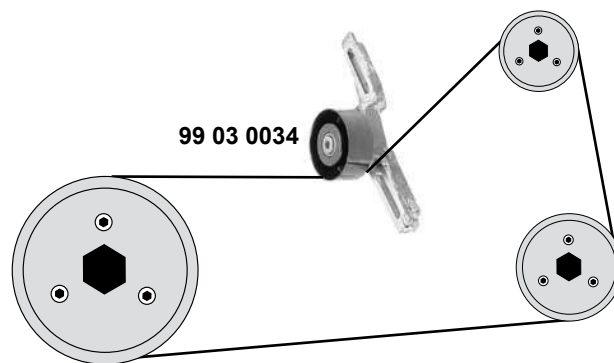
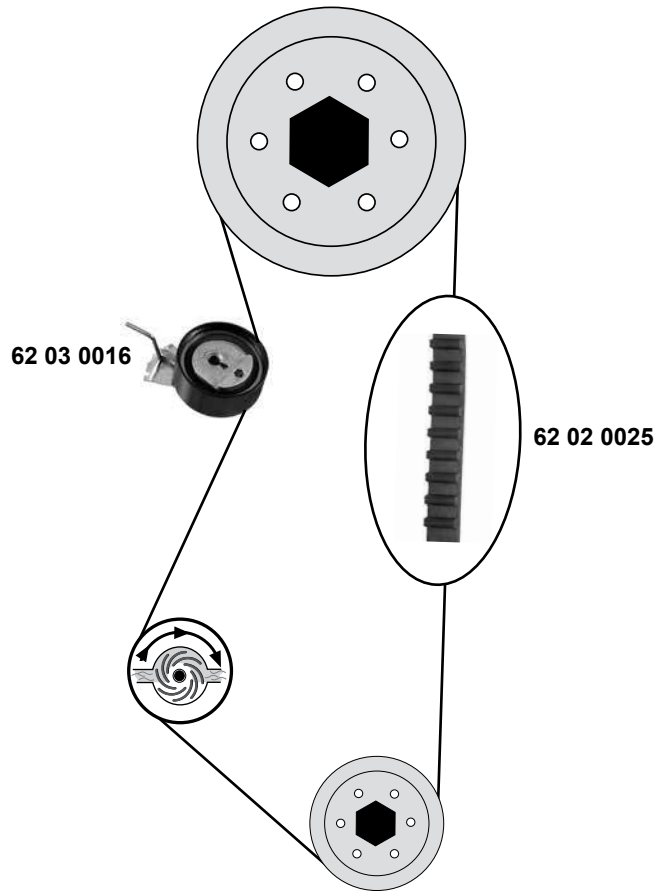


<b>62 02 0021</b>	0831.Q4	Rep. Satz Zahnriemen / rep. kit timing belt
<b>64 02 0005</b>	0816.56	Zahnriemen / timing belt
<b>99 02 0028</b>	0816.44	Zahnriemen / timing belt
<b>99 03 0009</b>	0831.24	Spannrolle / tension roller
<b>99 03 0013</b>	6453.G4	Spannrolle / tension roller
<b>99 03 0034</b>	6453.S5	Spannrolle / tension roller

(mot.) 1,1 TU1M  
(ex.) 1,1 TU1M

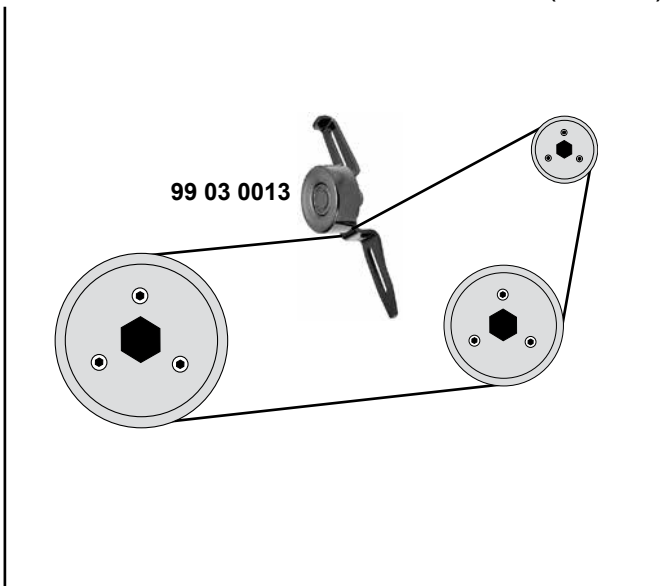
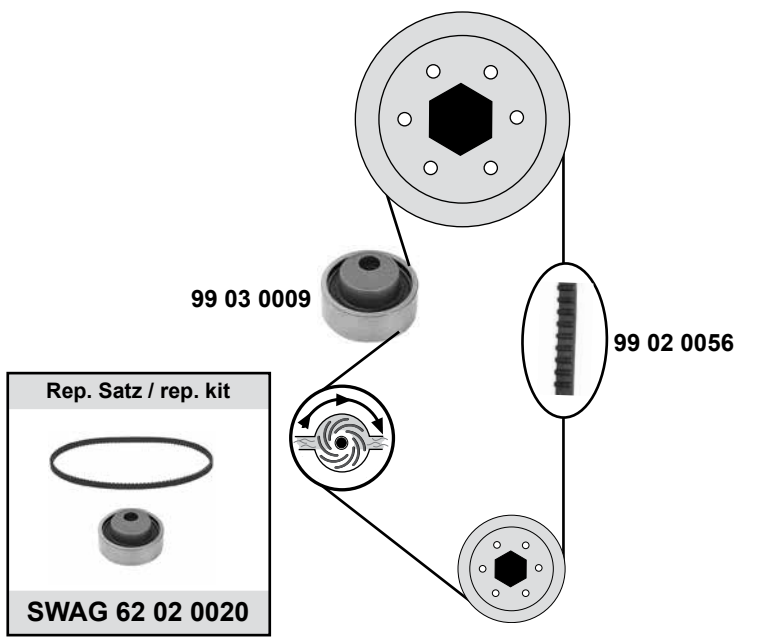
AC

Z 104 B17  
Z 108 B17  
ØA 59 Ø I13  
ØA 66 B26  
ØA 65 B26,5

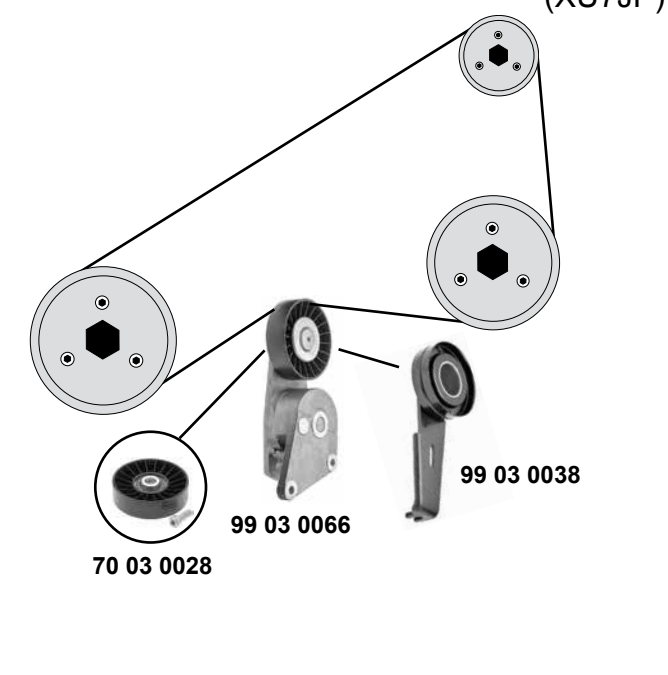
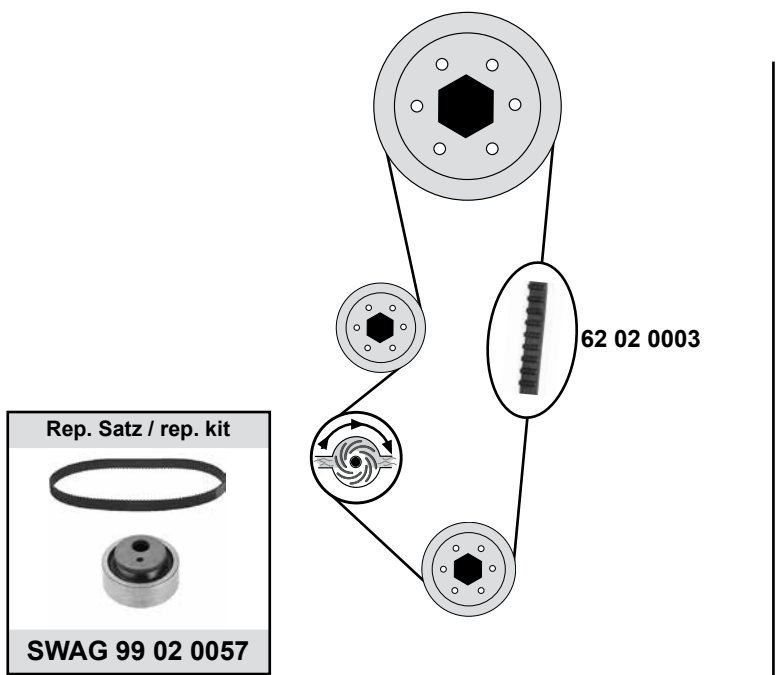




**1,6**  
(TU5JP)



**1,8**  
(XU7JP)



- (1) servo (ex.) AC / man. AC
- (2) servo AC



Ref. - No.



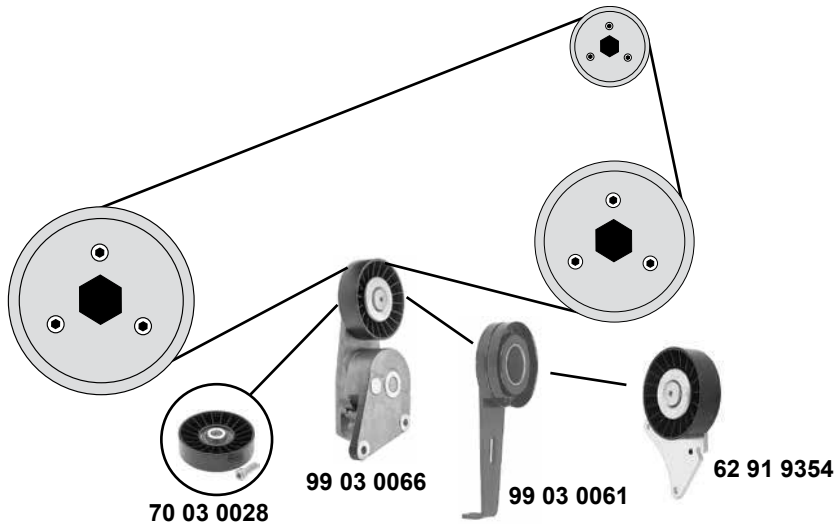
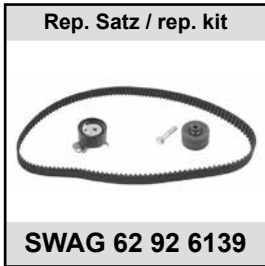
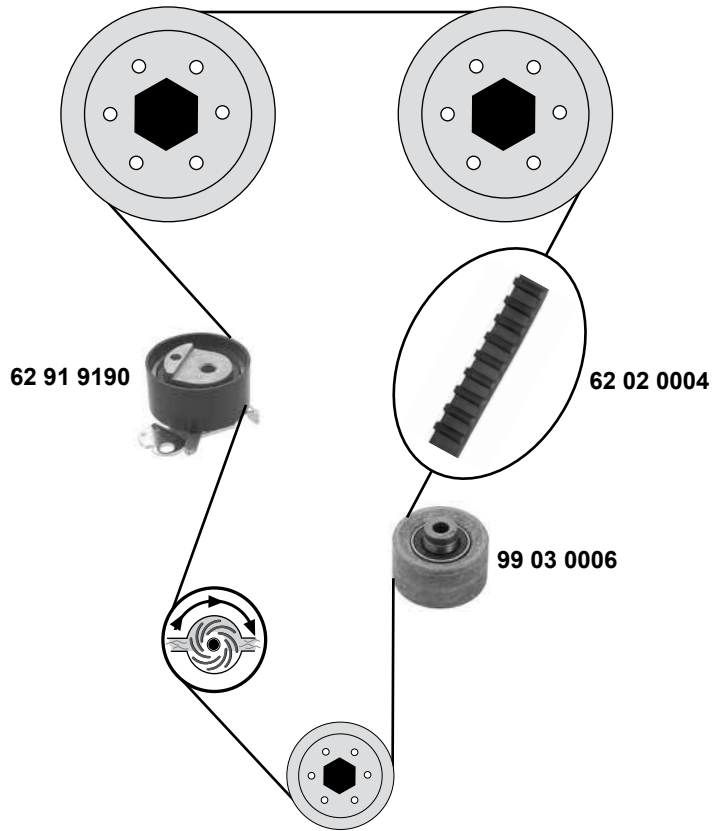
62 02 0003	0816.71	Zahnriemen / timing belt		Z 114 B17
62 02 0020	0831.24	Rep. Satz Zahnriemen / rep. kit timing belt		Z 101
70 03 0028	5751.20	Spannrolle / tension roller		ØA 90 B25
99 02 0056	0816.55	Zahnriemen / timing belt		Z 101 B17
99 02 0057	0831.06	Rep. Satz Zahnriemen / rep. kit timing belt		Z 114 B 17
99 03 0009	0831.24	Spannrolle / tension roller		ØA 59 Ø 113
99 03 0013	6453.G4	Spannrolle / tension roller	AC	ØA 66 B26
99 03 0038	5751.18	Spannrolle / tension roller	(1)	ØA 90 B24,5
99 03 0066	5751.35	Riemenspanner / belt tensioner	(2)	ØA 90 B25

# PEUGEOT 306

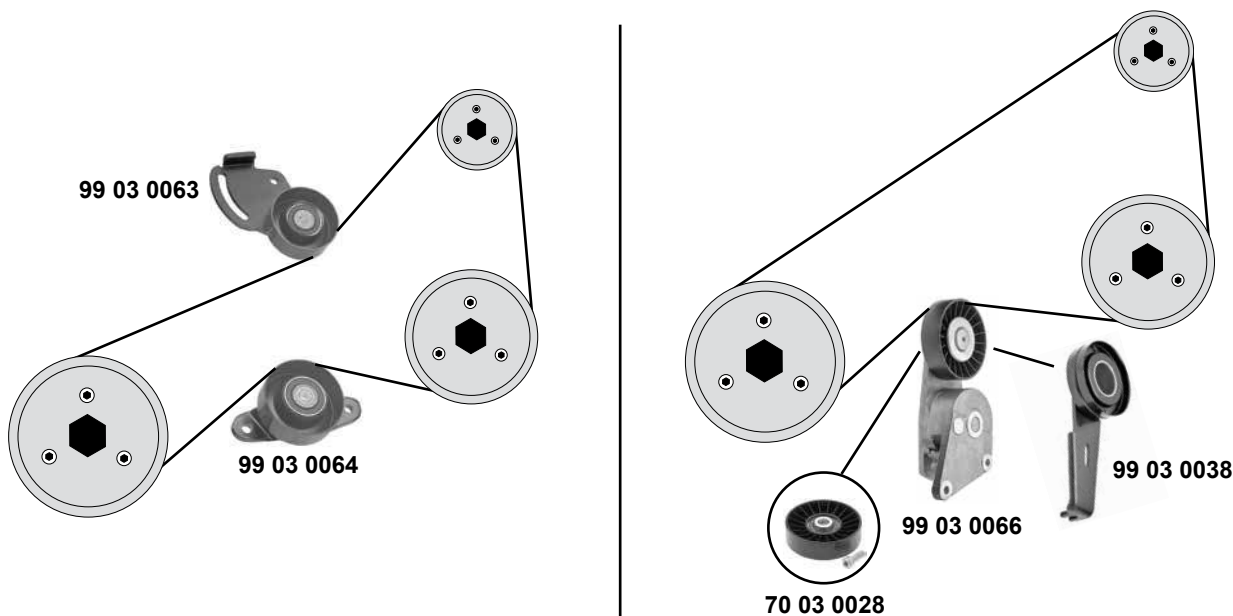
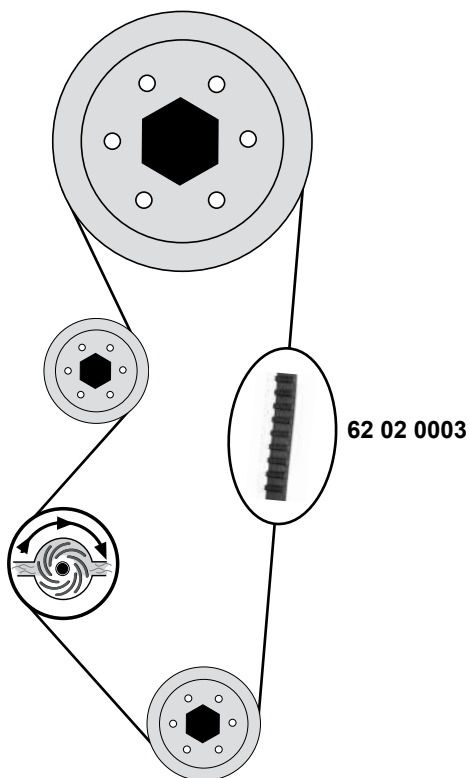
(93→01)



**1,8 16V**  
(XU7JP4)



SWAG GERMANY	Ref. - No.			
62 02 0004	0816.98	Zahnriemen / timing belt		Z 136 B25,4
62 91 9190	0829.69	Spannrolle / tension roller		ØA 60 B29
62 91 9354	5751.36	Umlenkrolle / deflection pulley	AC	ØA 90
62 92 6139	0831.S9	Rep. Satz Zahnriemen / rep. kit timing belt		
70 03 0028	5751.20	Spannrolle / tension roller		ØA 90 B25
99 03 0006	0830.37	Umlenkrolle / deflection pulley		ØA 60 Ø110 B34
99 03 0061	5751.53	Spannrolle / tension roller	(ex.) AC	ØA 90 B24
99 03 0066	5751.35	Riemenspanner / belt tensioner	servo  AC	



(1) servo (ex.) AC / man. AC

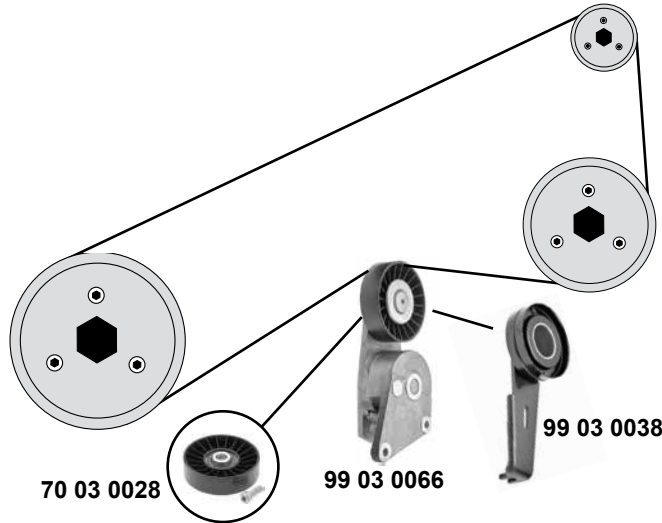
(2) servo AC / O 07175→(ex.) AC



Ref. - No.



<b>62 02 0003</b>	0816.71	Zahnriemen / timing belt		Z 114 B17
<b>70 03 0028</b>	5751.20	Spannrolle / tension roller		ØA 90 B25
<b>99 02 0057</b>	0831.06	Rep. Satz Zahnriemen / rep. kit timing belt		
<b>99 03 0038</b>	5751.18	Spannrolle / tension roller	(1)	ØA 90 B24,5
<b>99 03 0063</b>	5751.32	Spannrolle / tension roller		ØA 70 B24,5
<b>99 03 0064</b>	5751.33	Umlenkrolle / deflection pulley		ØA 70 B24,5
<b>99 03 0066</b>	5751.35	Riemenspanner / belt tensioner	(2)	



(1) servo (ex.) AC / man. AC

(2) servo AC



Ref. - No.



70 03 0028

5751.20

Umlenkrolle / deflection pulley

99 03 0038

5751.18

Spannrolle / tension roller

(1)

ØA 90 B25

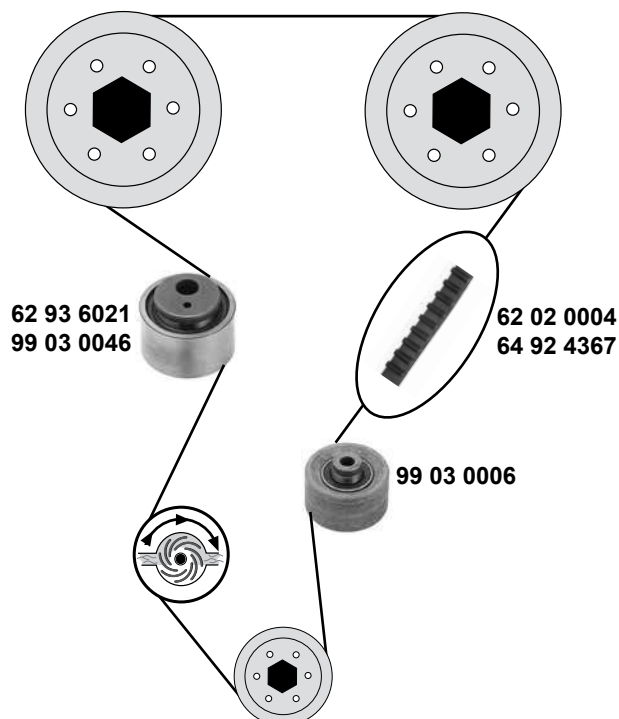
99 03 0066

5751.35

Riemenspanner / belt tensioner

(2)

ØA 90 B24,5



Rep. Satz / rep. kit

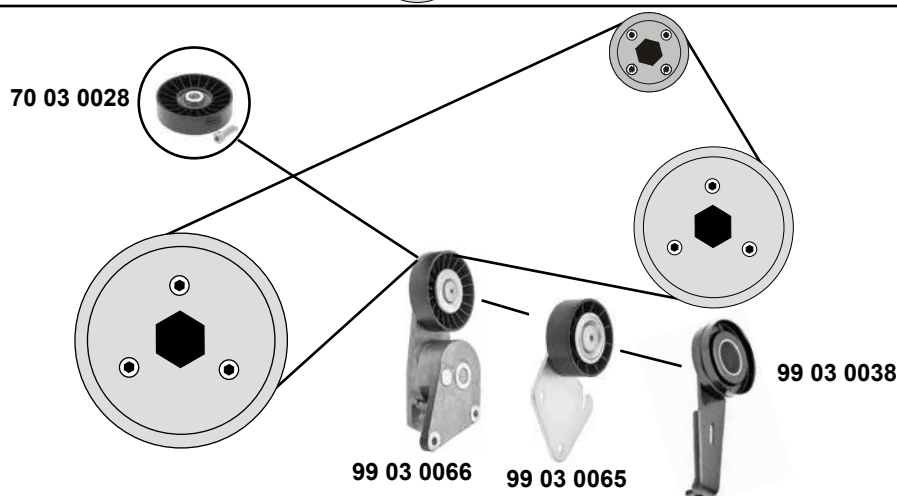


SWAG 62 02 0014

Rep. Satz / rep. kit



SWAG 62 93 9090



(1) servo (ex.) AC / man. AC

(2) servo AC

(3) (mot.) XU10J4RS O 08547 →



Ref. - No.



62 02 0004	0816.98	Zahnriemen / timing belt			Z 136
62 02 0014	0831.48	Rep. Satz Zahnriemen / rep. kit timing belt			Z 136
62 93 6021	0829.84	Spannrolle / tension roller		(3)	ØA 73,5 B29
62 93 9090	0831.T1	Rep. Satz Zahnriemen / rep. kit timing belt		(3) 97→	
64 92 4367	0816.G7	Zahnriemen / timing belt		(3) 97→	Z 137 B25
70 03 0028	5751.20	Umlenkrolle / deflection pulley			
99 03 0006	0830.37	Umlenkrolle / deflection pulley			ØA 60 Ø I10 B34
99 03 0038	5751.18	Spannrolle / tension roller		(1)	ØA 90 B24,5
99 03 0046	0829.35	Spannrolle / tension roller			ØA 57 Ø I13 B33
99 03 0065	5751.34	Umlenkrolle / deflection pulley		AC	ØA 69,5 B24,5
99 03 0066	5751.35	Riemenspanner / belt tensioner		(2)	

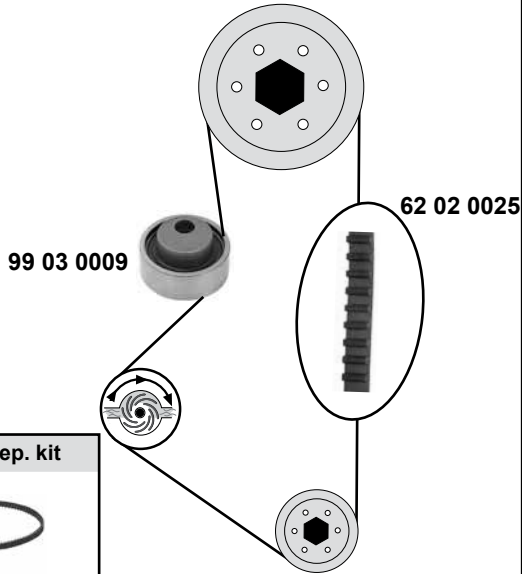
# PEUGEOT 307

(01→07)

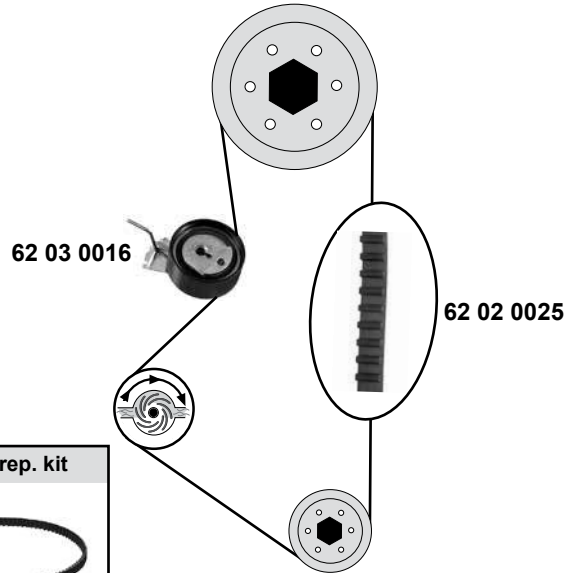


**1,4**  
(TU3JP)

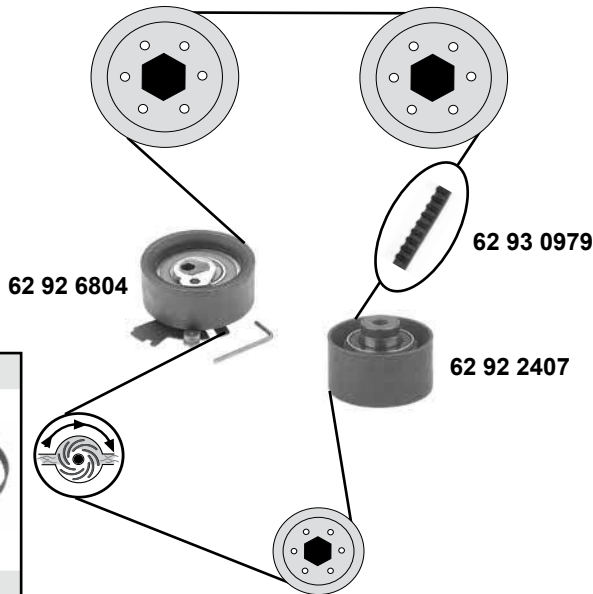
(mot.) → M 3666766



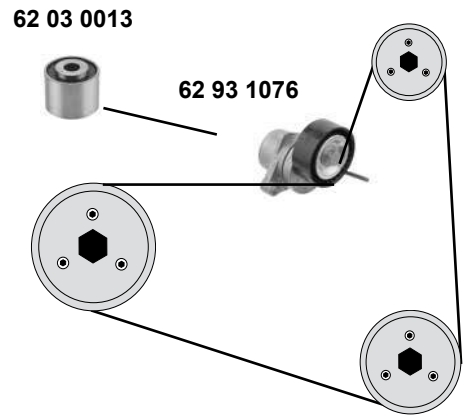
(mot.) M 3666767 →



**1,4 16V**  
(ET3J4)



AC



Ref. - No.

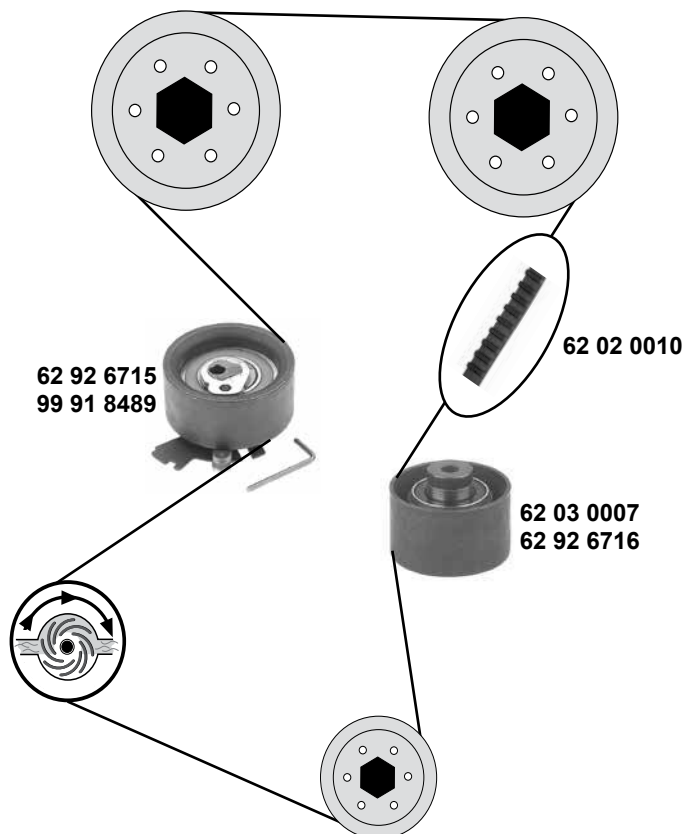


62 02 0020	0831.Q5	Rep. Satz Zahnriemen / rep. kit timing belt		
62 02 0025	0816.F2	Zahnriemen / timing belt		Z104 B17
62 03 0013	5751.91	Umlenkrolle / deflection pulley	01→	ØA 60 B26,5
62 03 0016	0829.90	Spannrolle / tension roller		ØA 60 B25
62 92 1274	0831.86	Rep. Satz Zahnriemen / rep. kit timing belt		
62 92 2407	0830.60	Umlenkrolle / deflection pulley		ØA 60 ØI 8
62 92 6804	0829.C6	Spannrolle / tension roller		ØA 60 B29
62 93 0979	0816.H5	Zahnriemen / timing belt		Z 135 B25
62 93 1051	0831.L4	Rep. Satz Zahnriemen / rep. kit timing belt		Z 135 B25
62 93 1076	5751.G7	Spannrolle / tension roller		ØA 65 B25
99 03 0009	0831.24	Spannrolle / tension roller		ØA 59 ØI 13

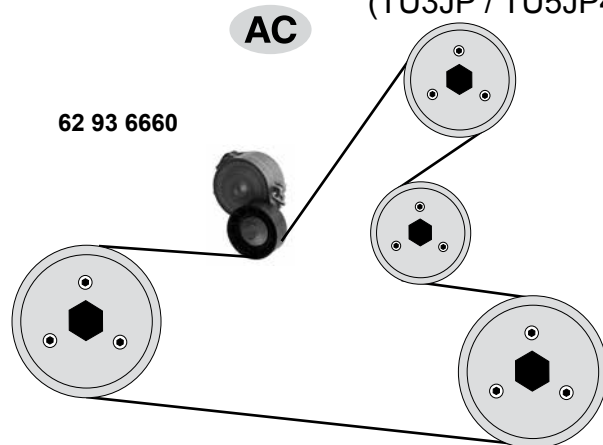
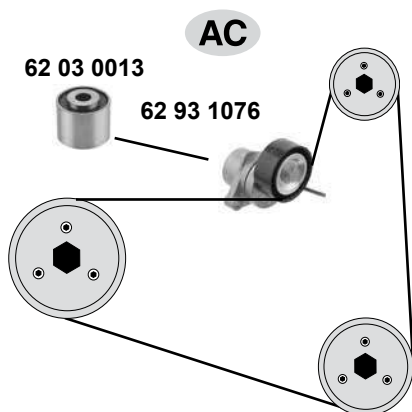


# PEUGEOT 307 (00→07)

**1,6 16V**  
(TU5JP4)



**1,4 / 1,6 16V**  
(TU3JP / TU5JP4)



- |   |   |
|---|---|
| (1) 307 Restyling 05/05→ / TU5JP4 O 10367→      | (2) 307 (mot.) 1806405→                           |
| (3) 307 Restyling 05/05→ / TU5JP4 O 10367→11253 | (4) 307 Restyling 05/05→ / (ex.) servo  → O 12620 |
| (5) (mot.) TU5JP4 / (mot.) TU3JP O 10290→       |   |



Ref. - No.



Ref. - No.	Description	Part No.	Notes
62 02 0010	Zahnriemen / timing belt	(1)	Z 134 B25,4
62 03 0007	Umlenkrolle / deflection pulley	→(mot.) 1806404	ØA 57 ØI 59 B32
62 03 0013	Umlenkrolle / deflection pulley	01→	ØA 60 B26,5
62 92 2327	Rep. Satz Zahnriemen / rep. kit timing belt	→(mot.) 18064404	Z 134
62 92 6715	Spannrolle / tension roller	(2) (3)	ØA 70 B30
62 92 6716	Umlenkrolle / deflection pulley	(1) (2)	ØA 60 B30
62 92 6717	Rep. Satz Zahnriemen / rep. kit timing belt	(1) (2)	Z 134 B25,4
62 93 1076	Spannrolle / tension roller	(5)	ØA65 B25
62 93 6660	Riemenspanner / belt tensioner	(4) (mot.) TU5JP4	ØA60 B25
99 91 8489	Spannrolle / tension roller	→(mot.) 18064404	ØA 73 B31

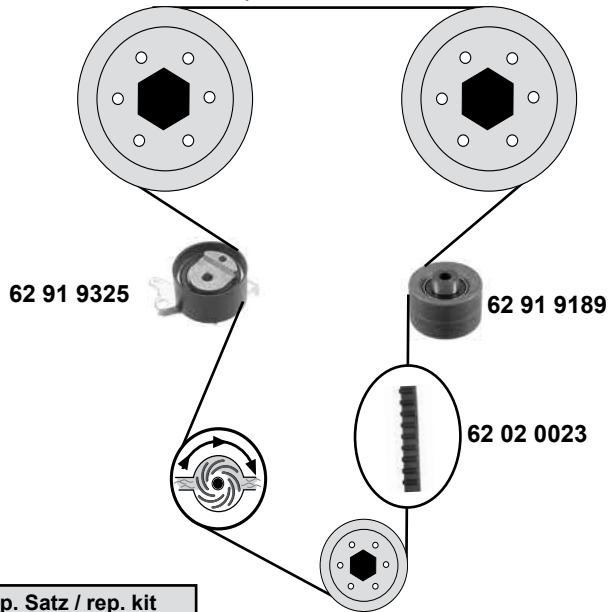


# PEUGEOT 307

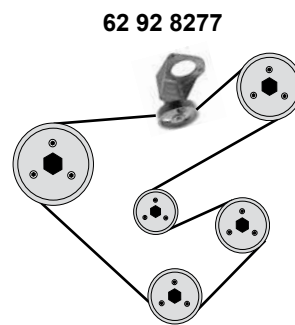
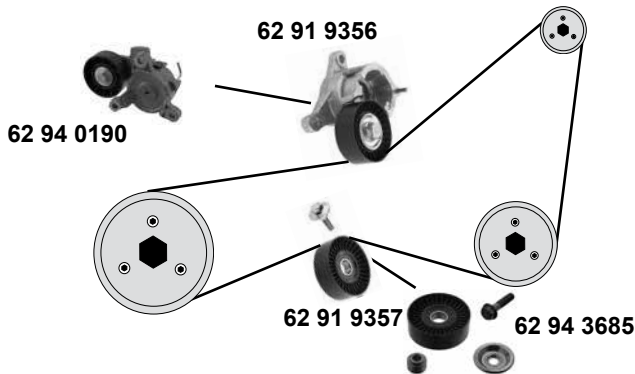
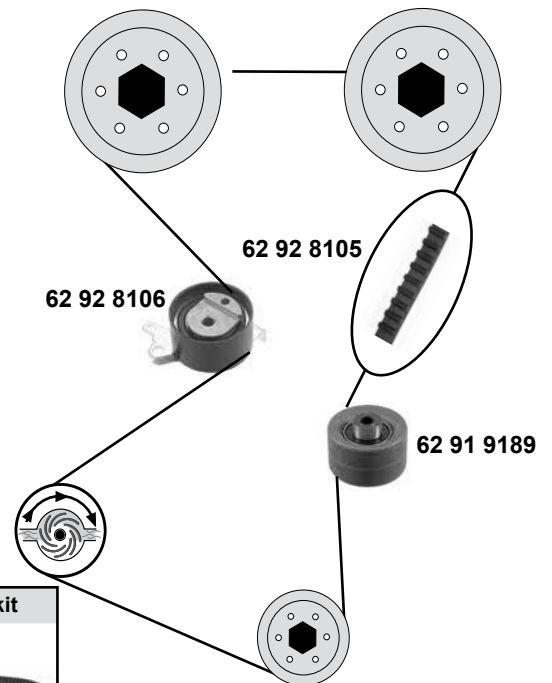
(01→07)



## 2,0 16V (EW10J4 / EW10J4S)



## 2,0 16V (EW10A)



(1) 307 Restyling 05→ (mot.) EW10J4S 05→

(2) 307 →05 (mot.) EW10J4S O 10248→

(3) 307 Restyling 05→ (mot.) EW10A O 10367→11270

(4) 307 →05 (mot.) EW10A O →11270 / (mot.) EW10J4 O 10248→



Ref. - No.

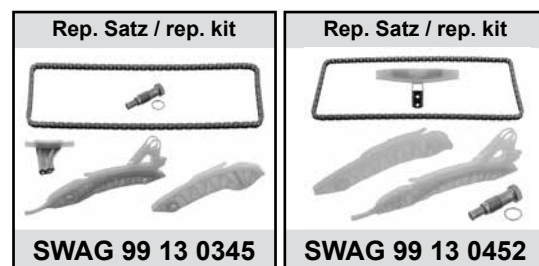
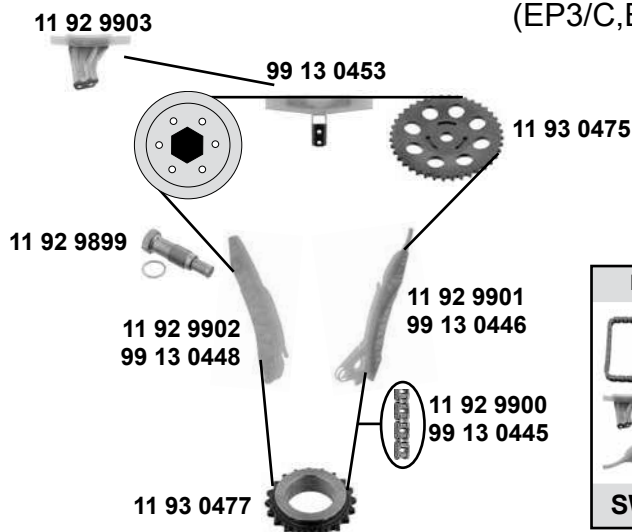


Ref. - No.	Description	Notes	Dimensions
62 02 0023	Zahnriemen / timing belt		Z 153 B25,4
62 91 9189	Umlenkrolle / deflection pulley		ØA 60 B31
62 91 9325	Spannrolle / tension roller		ØA 65 B25
62 91 9356	Riemenspanner / belt tensioner		ØA 78 B25
62 91 9357	Umlenkrolle / deflection pulley	→ O 10247 →05	ØA 78 B25
62 92 2309	Rep. Satz Zahnriemen / rep. kit timing belt		
62 92 8105	Zahnriemen / timing belt		ØA 62 B29
62 92 8106	Spannrolle / tension roller		Z 153 B25
62 92 8107	Rep. Satz Zahnriemen / rep. kit timing belt		ØA 132 B28
62 92 8277	Umlenkrolle / deflection pulley		ØA 70 B25
62 94 0190	Riemenspanner / belt tensioner	(3) (4)	ØA 78 B25
62 94 3685	Umlenkrolle / deflection pulley	(1) (2)	

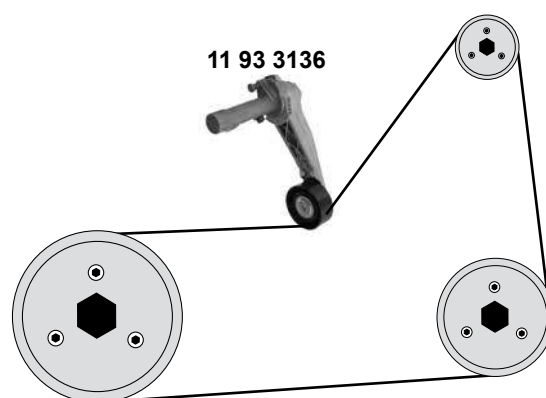


**1,6 16V**

(EP3/C,EP6/C,EP6DT,EP6DTS,EP6CDTX)


**1,6 16V**

(EP3/C,EP6/C, EP6CM, EP6DT,EP6DTS ,EP6CDT, ,EP6CDTM EP6CDTX,EP6CDTMD)



- (1) (mot.) EP3 / EP6 / EP6DT / EP6DTS  
 (2) (mot.) EP3/C / EP6/C / EP6CDTX  
 (3) (mot.) EP3 / EP6CDT/EP3C/EP6C/EP6CDTM/EP6CDTXEP6CM/EP6CDTMD AC  
 (4) (mot.) EP6DT/EP6/EP6DTS/



Ref. - No.



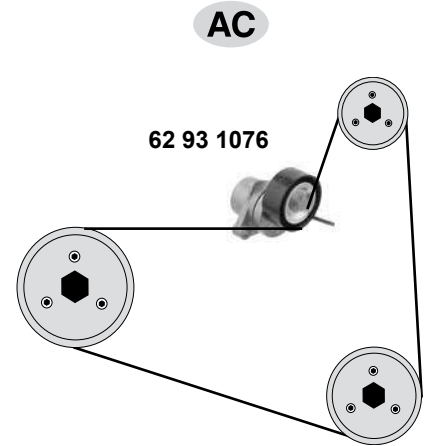
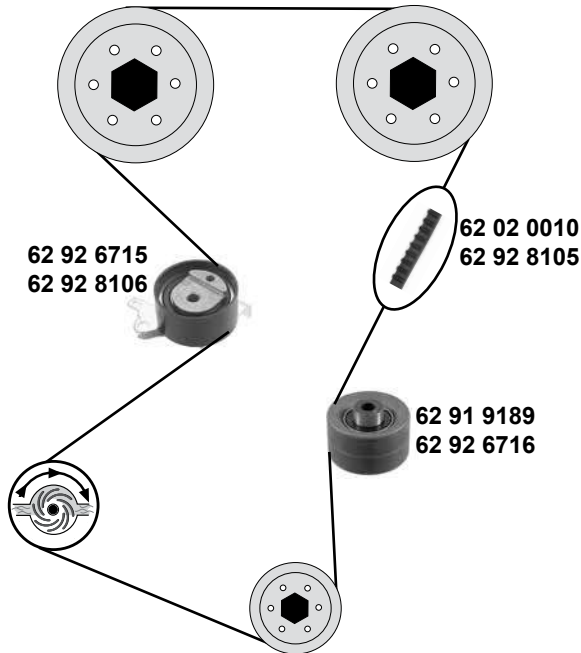
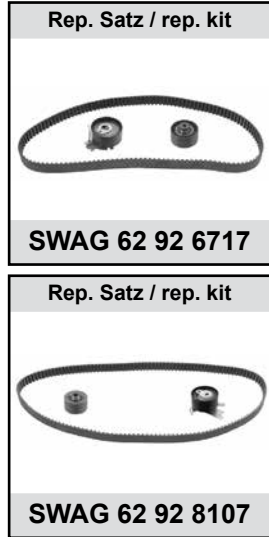
Part No.	Ref. - No.	Description	Notes	Dimensions
11 92 9899	0829.E1	Kettenspanner / chain tensioner	(1)	M 22x1,5
11 92 9900	0816.J2	Steuerkette / timing chain	(mot.) EP3 / EP6	
11 92 9901	0818.30	Gleitschiene / sliding rail	(mot.) EP3 / EP6	
11 92 9902	0818.33	Gleitschiene / sliding rail	(mot.) EP3 / EP6	
11 92 9903	0818.41	Gleitschiene / sliding rail	(mot.) EP3 / EP6	
11 93 0475	0805.H6	Nockenwellenzahnrad / camshaft gear	(mot.) EP6DT/DTS	Z 40
11 93 0477	0513.C8	Kurbelwellenrad / crankshaft gear	(mot.) EP6DT/DTS	Z 20
11 93 3136	5751.G9	Riemenspanner / belt tensioner	(3) (4)	ØA 65 B25
99 13 0345	0816.J2 S1	Rep. Satz Steuerkette / rep. kit timing chain	(2)	
99 13 0445	0816.H9	Steuerkette / timing chain	(mot.) EP6 DT/DTS	
99 13 0446	0818.31	Gleitschiene / sliding rail	(mot.) EP6 DT/DTS	
99 13 0448	0818.30	Gleitschiene / sliding rail	(mot.) EP6 DT/DTS	
99 13 0452	0816.H9 S1	Rep. Satz Steuerkette / rep. kit timing chain	(mot.) EP6 DT/DTS	
99 13 0453	0818.29	Gleitschiene / sliding rail	(mot.) EP6 DT/DTS	

# PEUGEOT 308

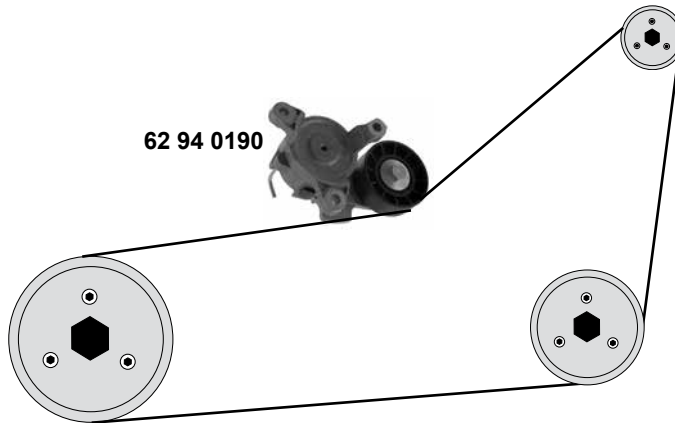
(07→)



**1,6 16 V / 2,0 16 V**  
(TU5JP4) (EW10A)



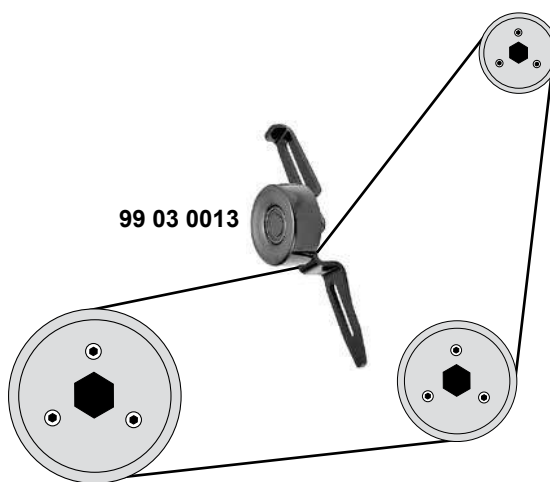
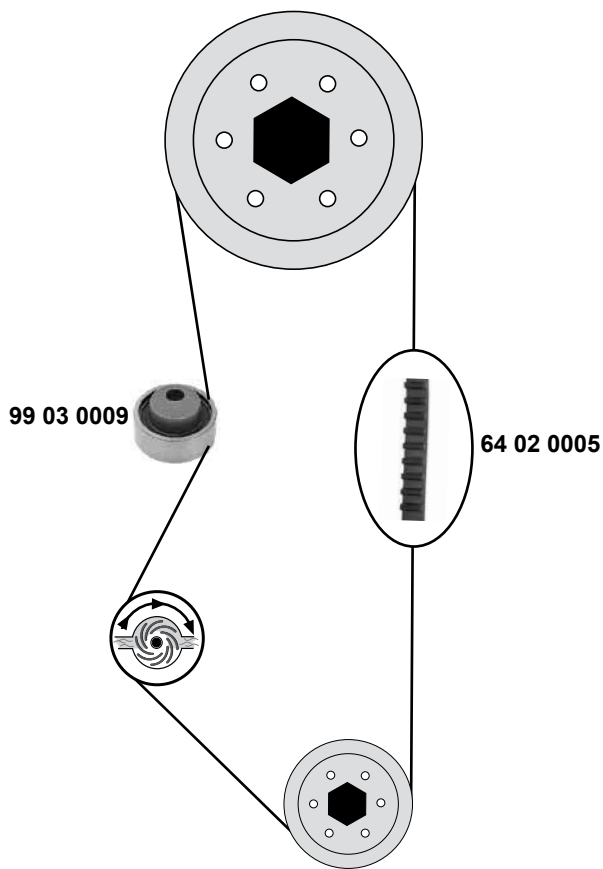
**2,0 16V**  
(EW10A)



Ref. - No.



62 02 0010	0816.H6	Zahnriemen / timing belt	(mot.) 1,6 16V	Z134 B25,4
62 91 9189	0830.42	Umlenkrolle / deflection pulley	(mot.) 2,0 16V	ØA 60 B31
62 92 6715	0829.C8	Spannrolle / tension roller	(mot.) 1,6 16V	ØA 70 B30
62 92 6716	0830.62	Umlenkrolle / deflection pulley	(mot.) 1,6 16V	ØA 60 B30
62 92 6717	0831.R9	Rep. Satz Zahnriemen / rep. kit timing belt	(mot.) 1,6 16V	Z134 B25,4
62 92 8105	0816.G4	Zahnriemen / timing belt	(mot.) 2,0 16V	Z 153 B25
62 92 8106	0829.A9	Spannrolle / tension roller	(mot.) 2,0 16V	ØA 62 B29
62 92 8107	0831.V6	Rep. Satz Zahnriemen / rep. kit timing belt	(mot.) 2,0 16V	Z 153 B25
62 93 1076	5751.G7	Spannrolle / tension roller	(mot.) 1,6 16V	ØA 65 B25
62 94 0190	5751.G8	Riemenspanner / belt tensioner		ØA 70 B25



Ref. - No.



<b>62 02 0017</b>	0831.02
<b>64 02 0005</b>	0816.56
<b>99 03 0009</b>	0831.24
<b>99 03 0013</b>	6453.G4

Rep. Satz Zahnriemen / rep. kit timing belt
Zahnriemen / timing belt
Spannrolle / tension roller
Spannrolle / tension roller

AC

Z 104 B17,31
Z 104
ØA 59 ØI 13
ØA 66 B26

# PEUGEOT 309

(86→93)



1,4

(TU3 / TU3A / TU3S / TU3M / TU3FM)

Rep. Satz / rep. kit



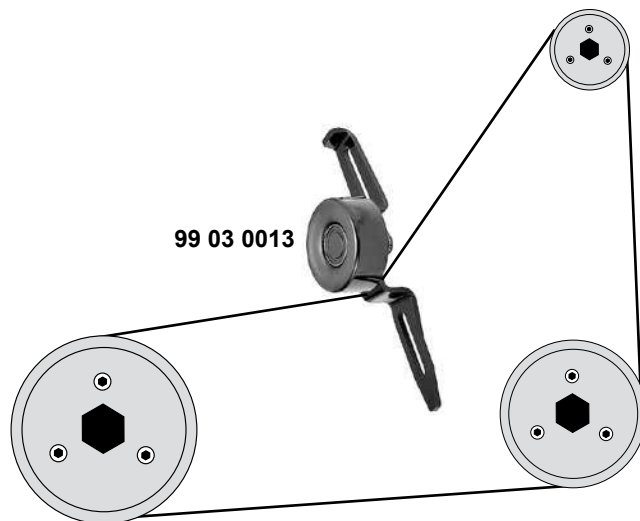
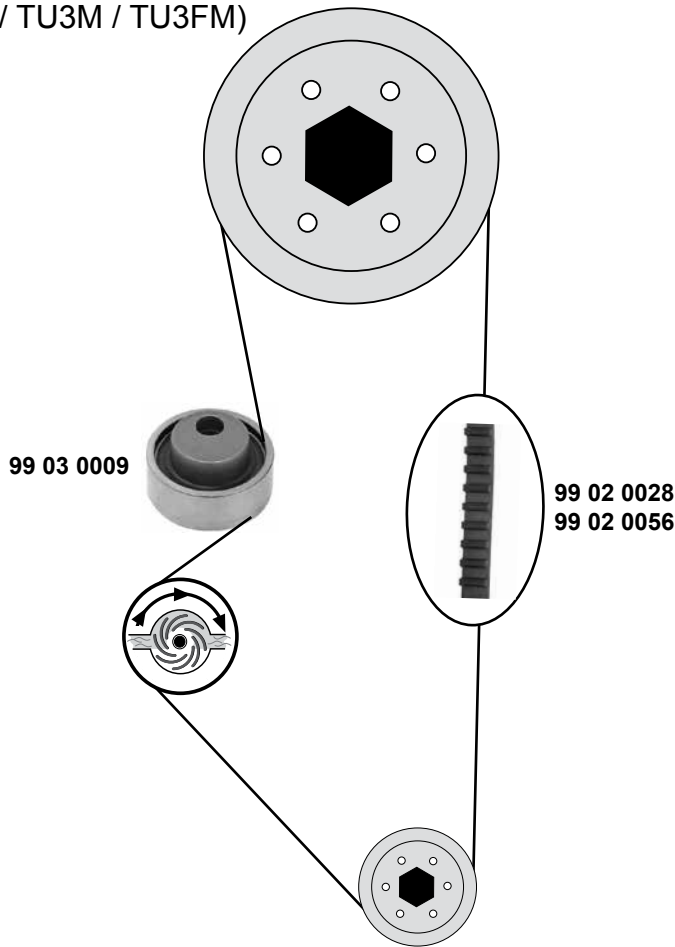
**SWAG 62 02 0020**





---

Rep. Satz / rep. kit



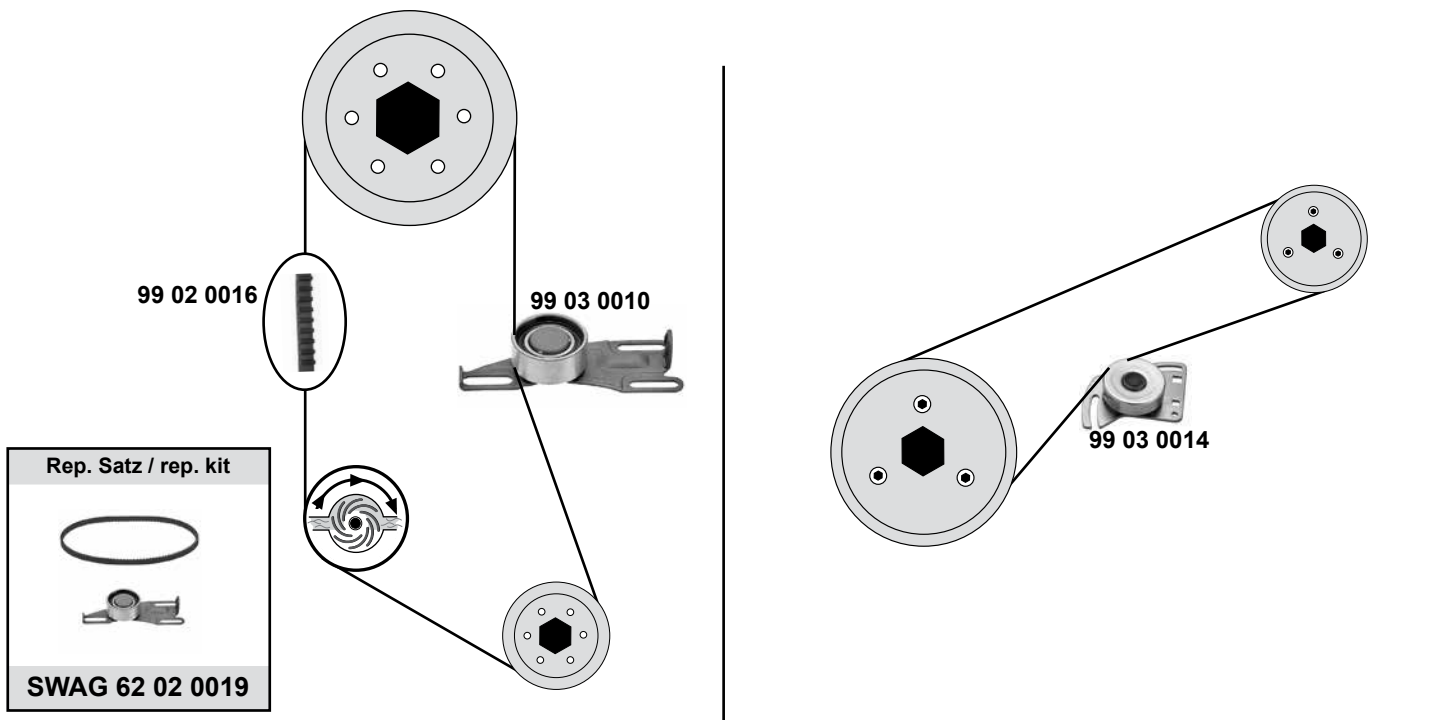
**SWAG 62 02 0021**



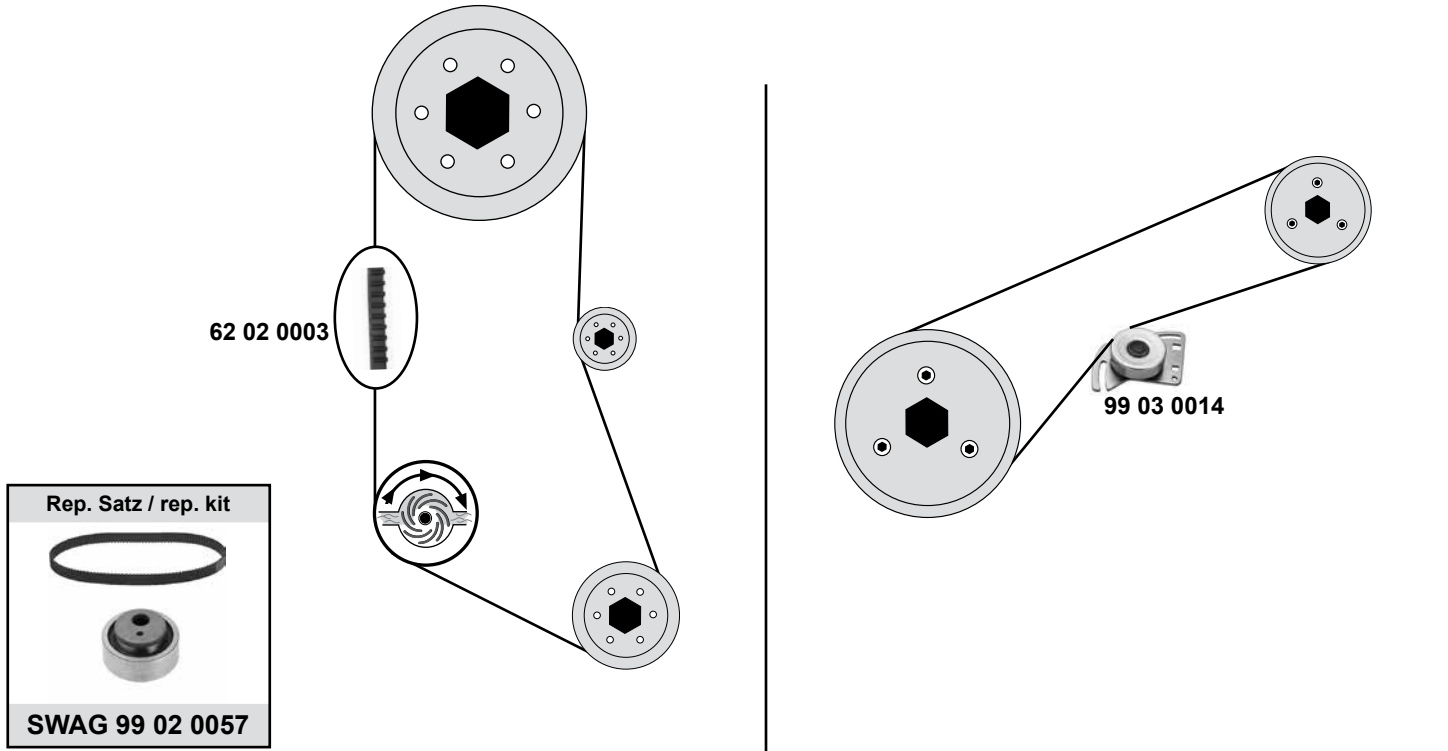
	Ref. - No.			
<b>62 02 0020</b>	0831.24	Rep. Satz Zahnriemen / rep. kit timing belt	TU3F2/FM	
<b>62 02 0021</b>	0831.14	Rep. Satz Zahnriemen / rep. kit timing belt	<b>(ex.)</b> TU3F2/FM	
<b>99 02 0028</b>	0816.44	Zahnriemen / timing belt	<b>(ex.)</b> TU3F2/FM	Z 108 B17
<b>99 02 0056</b>	0816.55	Zahnriemen / timing belt	TU3F2/FM	Z 101 B17
<b>99 03 0009</b>	0831.24	Spannrolle / tension roller		ØA 59 ØI 13
<b>99 03 0013</b>	6453.G4	Spannrolle / tension roller	<b>AC</b>	ØA 66 B26

**Modell: → 01/92**

**1,6 / 1,9**  
(XU→(ex.) 16V)



**Modell: 01/92 →**



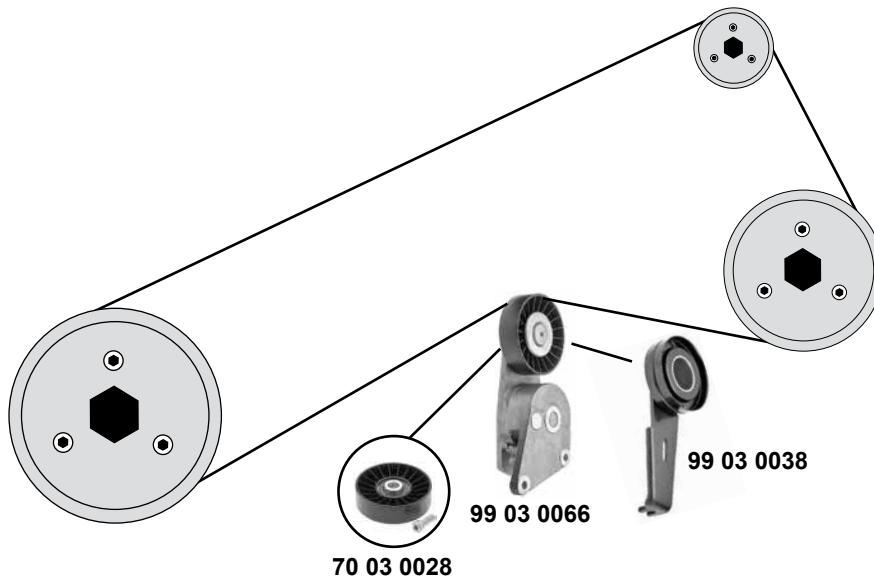
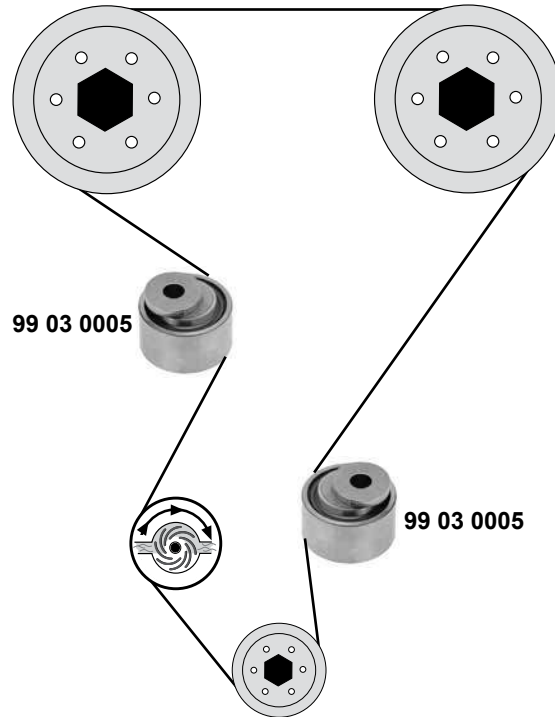
	Ref. - No.			
62 02 0003	0816.71	Zahnriemen / timing belt		Z 114 B17
62 02 0019	0816.67 S1	Rep. Satz Zahnriemen / rep. kit timing belt		Z 113 B17
99 02 0016	0816.67	Zahnriemen / timing belt		
99 02 0057	0831.06	Rep. Satz Zahnriemen / rep. kit timing belt		
99 03 0010	0829.12	Spannrolle / tension roller		ØA 57 B24
99 03 0014	6453.76	Spannrolle / tension roller	AC	ØA 58 B22,5

# PEUGEOT 309

(86→93)



**1,9 16V**  
(XU9J4)



(1) servo (ex.) AC / man. AC

(2) servo AC



Ref. - No.



70 03 0028

5751.20

Umlenkrolle / deflection pulley

99 03 0005

0829.20

Spannrolle / tension roller

99 03 0038

5751.18

Spannrolle / tension roller

(1)

ØA57 B31

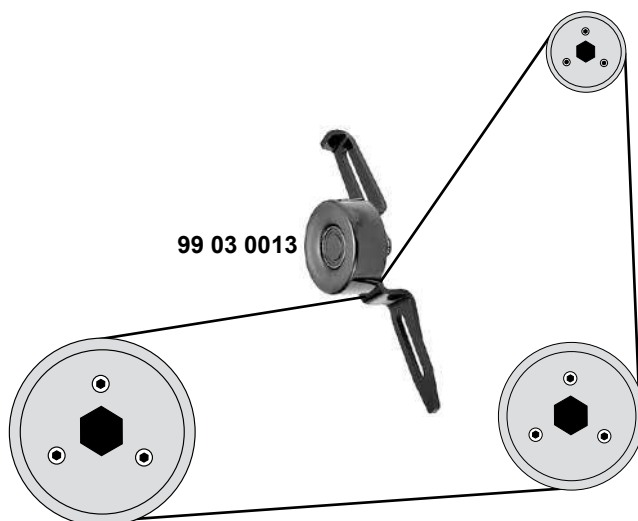
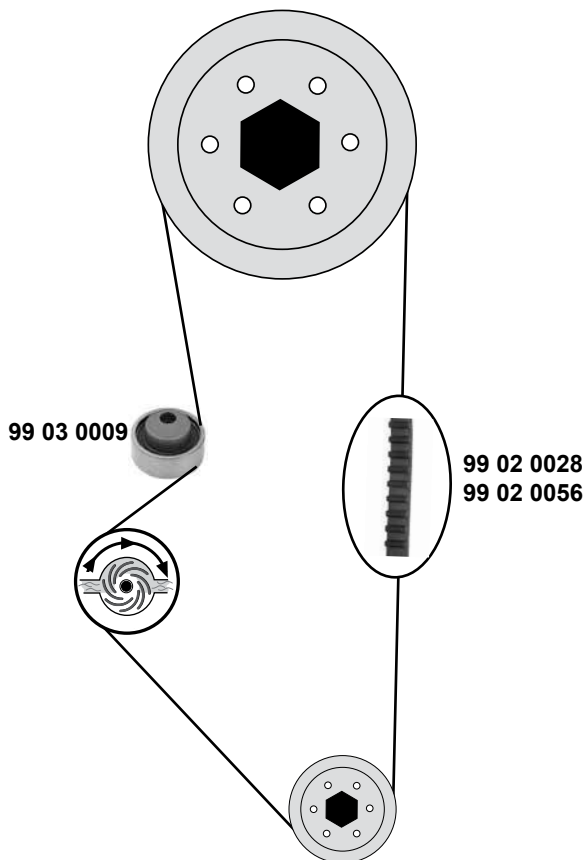
99 03 0066

5751.35

Riemenspanner / belt tensioner

(2)

ØA90 B24,5



	Ref. - No.			
<b>62 02 0020</b>	0831.24	Rep. Satz Zahnriemen / rep. kit timing belt	TU3F2	Z 108 B17 Z 101 B17 ØA 59 Ø I13 ØA66 B26
<b>62 02 0021</b>	081644 S	Rep. Satz Zahnriemen / rep. kit timing belt	<b>(ex.)</b> TU3F2	
<b>99 02 0028</b>	0816.44	Zahnriemen / timing belt	<b>(ex.)</b> TU3F2	
<b>99 02 0056</b>	0816.55	Zahnriemen / timing belt	TU3F2	
<b>99 03 0009</b>	0831.24	Spannrolle / tension roller		
<b>99 03 0013</b>	6453.G4	Spannrolle / tension roller	<b>AC</b>	

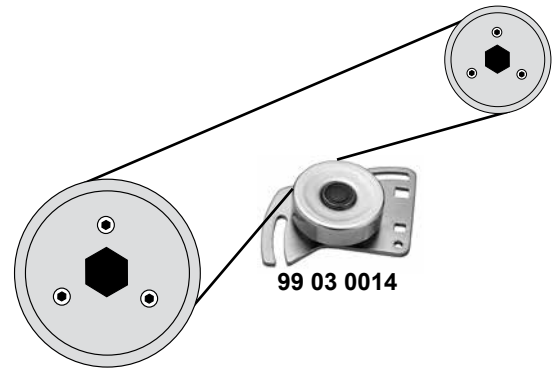
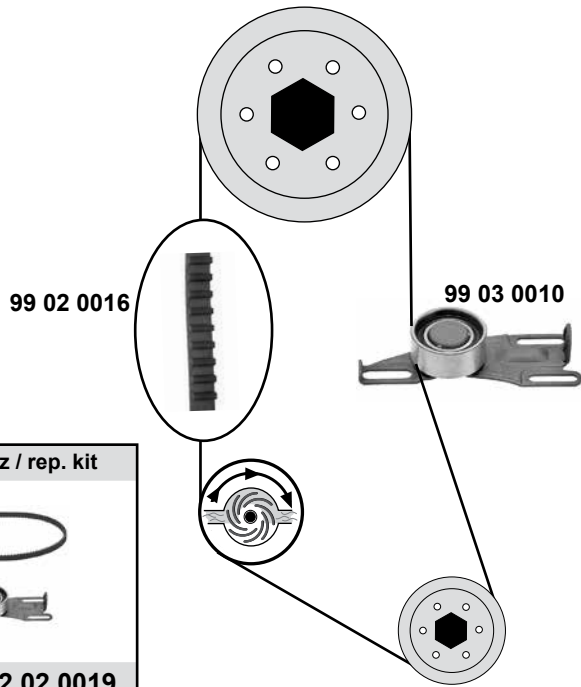
# PEUGEOT 405

(88→92)



**1,6→2,0**  
(XU→(ex.) 16V)

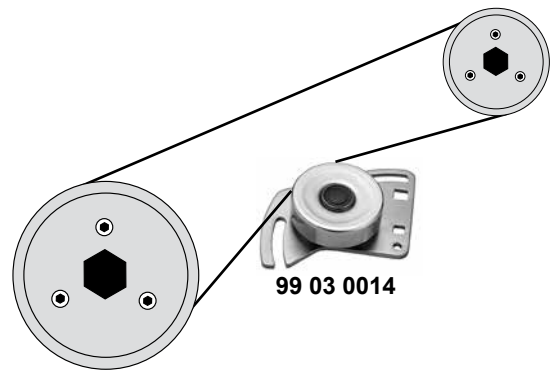
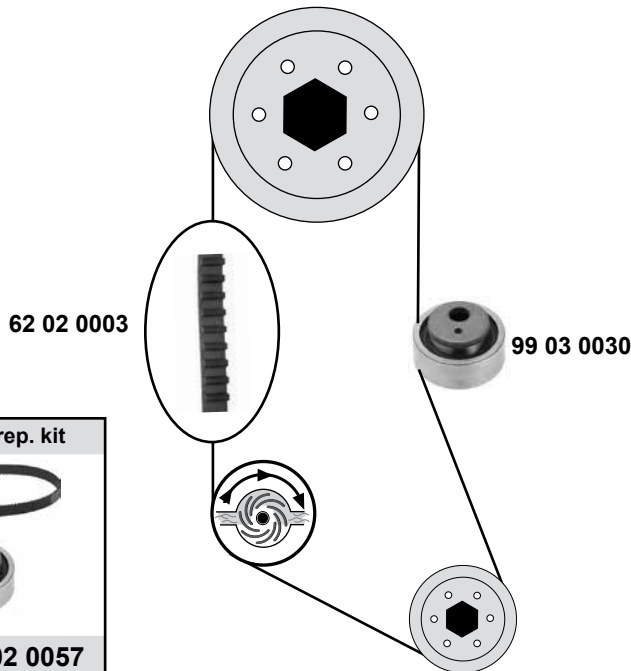
**(ch.) → 70521463**



Rep. Satz / rep. kit

**SWAG 62 02 0019**

**(ch.) 70521464 →**



Rep. Satz / rep. kit

**SWAG 99 02 0057**



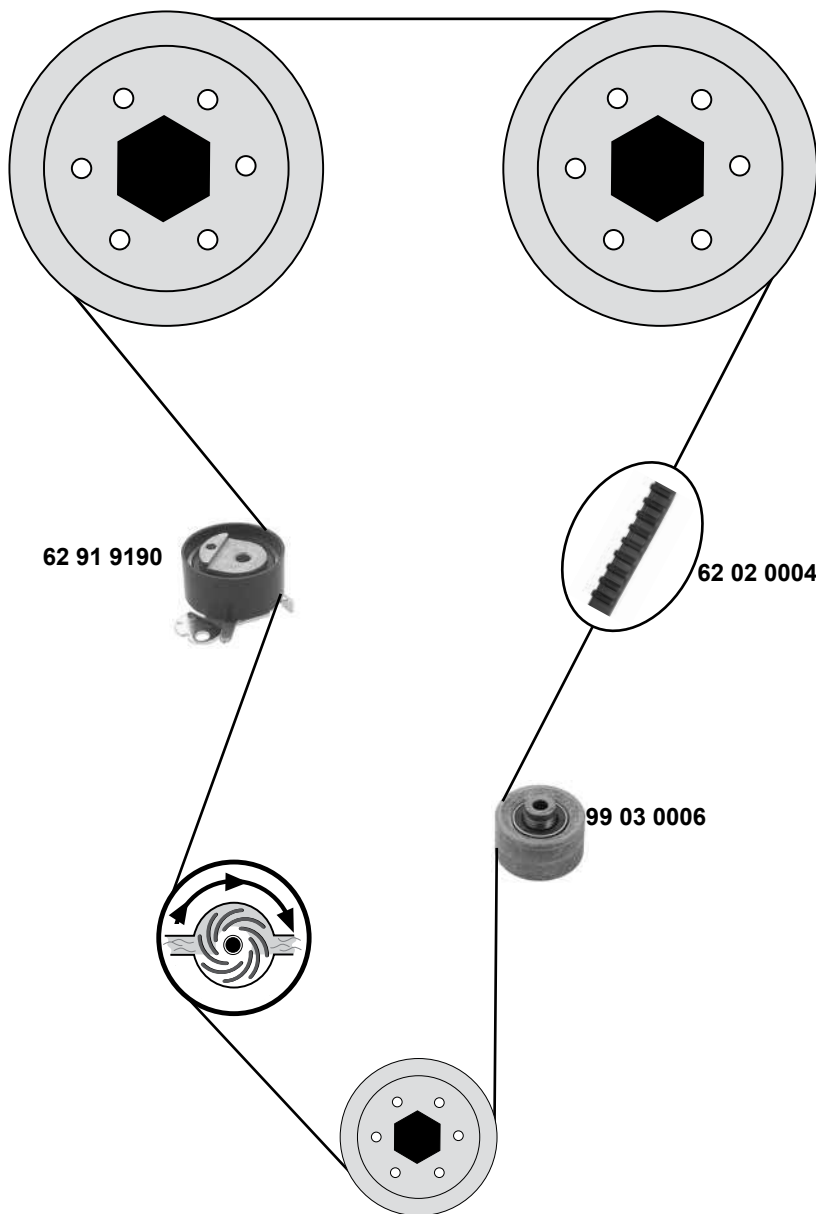
Ref. - No.



<b>62 02 0003</b>	0816.71	Zahnriemen / timing belt	Z 114 B17
<b>62 02 0019</b>	0816.67 S1	Rep. Satz Zahnriemen / rep. kit timing belt	
<b>99 02 0016</b>	0816.67	Zahnriemen / timing belt	Z 113 B17
<b>99 02 0057</b>	0831.06	Rep. Satz Zahnriemen / rep. kit timing belt	
<b>99 03 0010</b>	0829.12	Spannrolle / tension roller	ØA 57 B24
<b>99 03 0014</b>	6453.76	Spannrolle / tension roller	ØA 58 B22,5
<b>99 03 0030</b>	0829.29	Spannrolle / tension roller	ØA 59 B22

AC





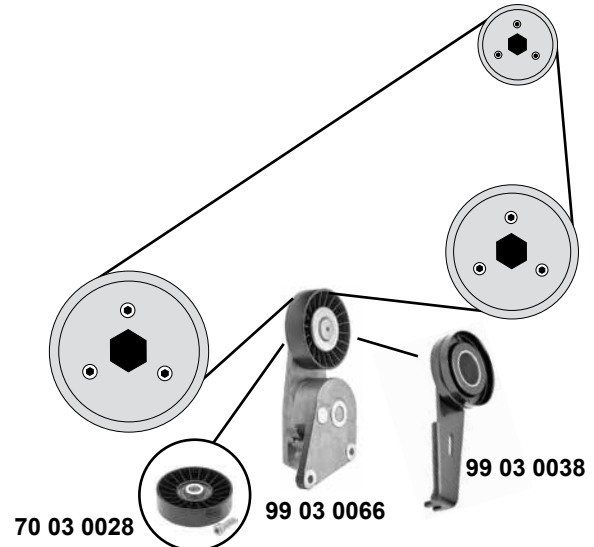
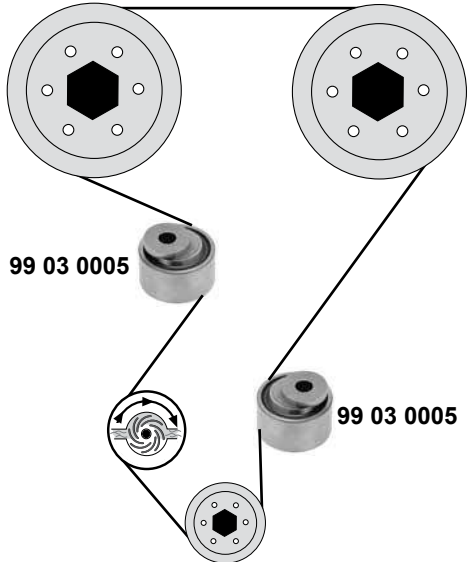
	Ref. - No.			
62 02 0004	0816.98	Zahnriemen / timing belt		Z 136 B25,4
62 91 9190	0829.69	Spannrolle / tension roller		ØA 60 B29
62 92 6139	0831.S9	Rep. Satz Zahnriemen / rep. kit timing belt		
99 03 0006	0830.37	Umlenkrolle / deflection pulley		ØA 60 ØI10 B34

# PEUGEOT 405

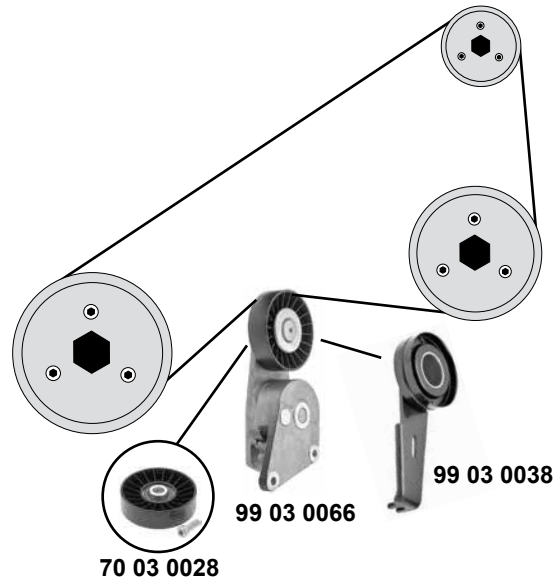
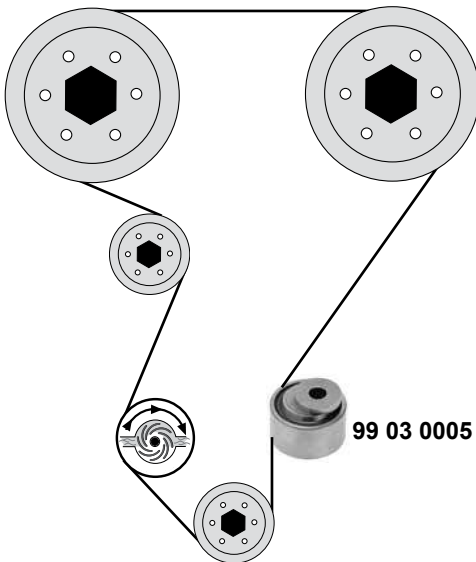
(93→96)



## 1,9 16V (XU9J4)



## 2,0 16V (XU10J4 / XU10J4TE)



(1) servo (ex.) AC / man. AC

(2) servo AC



Ref. - No.



70 03 0028

5751.20

Umlenkrolle / deflection pulley

99 03 0005

0829.20

Spannrolle / tension roller

99 03 0038

5751.18

Spannrolle / tension roller

99 03 0066

5751.35

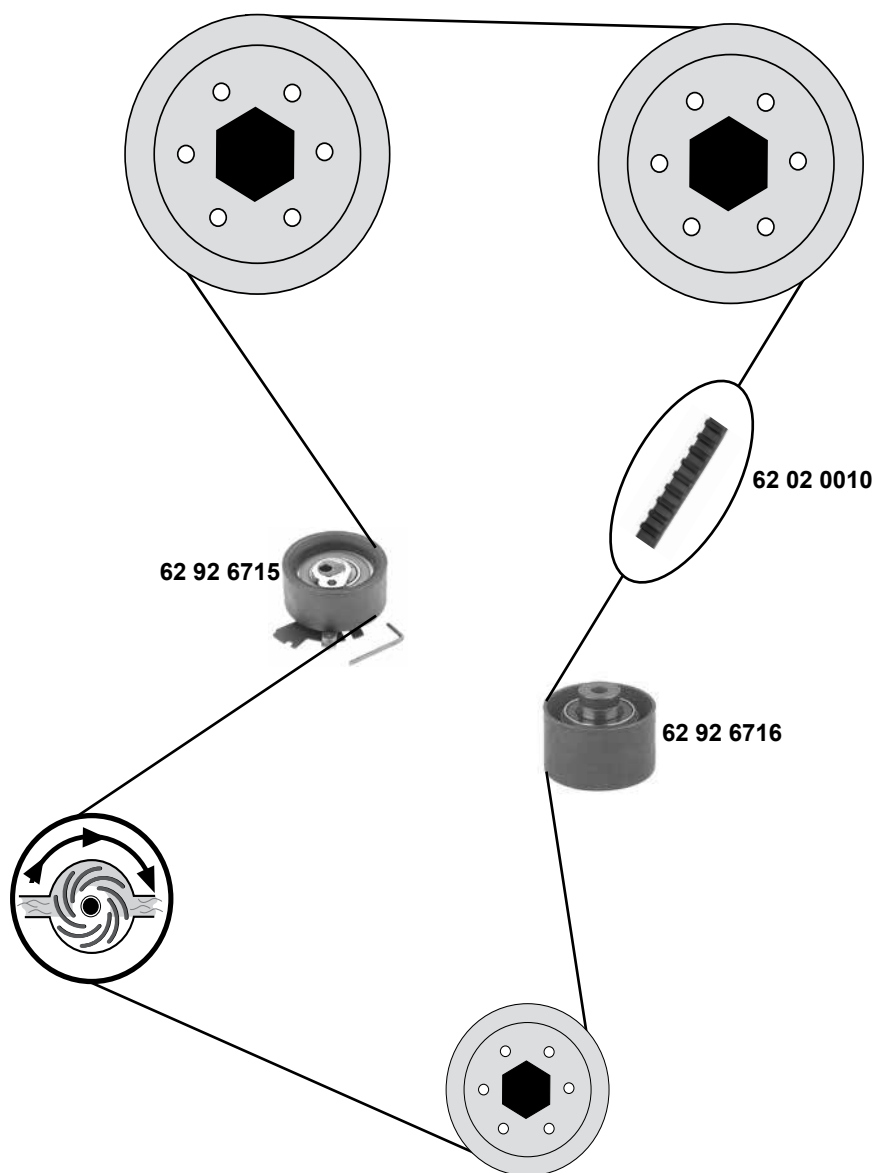
Riemenspanner / belt tensioner

(1)

(2)

ØA 57 B31

ØA 90 B24,5



Rep. Satz / rep. kit



SWAG 62 92 6717



Ref. - No.



62 02 0010	0816.H6	Zahnriemen / timing belt	
62 92 6715	0829.C8	Spannrolle / tension roller	
62 92 6716	0830.62	Umlenkrolle / deflection pulley	
62 92 6717	0831.R9	Rep. Satz Zahnriemen / rep. kit timing belt	

Z 134 B25,4
ØA 70 B30
ØA 60 B30
Z 134 B25,4

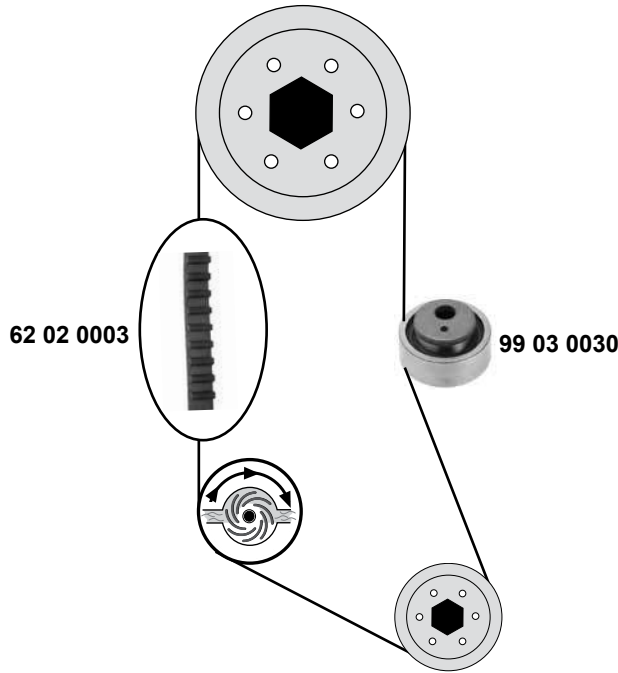
# PEUGEOT 406

(96→04)

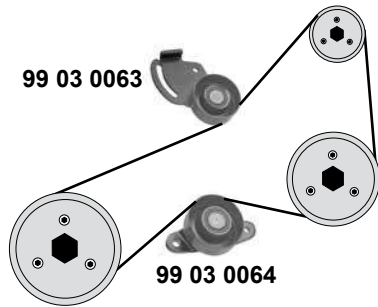


**1,6→2,0**

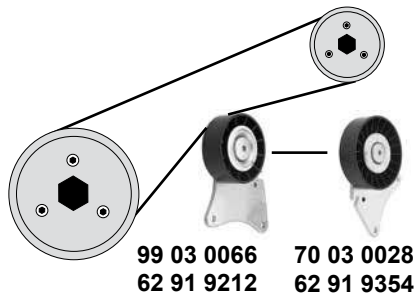
(XU→(ex.) 16V)



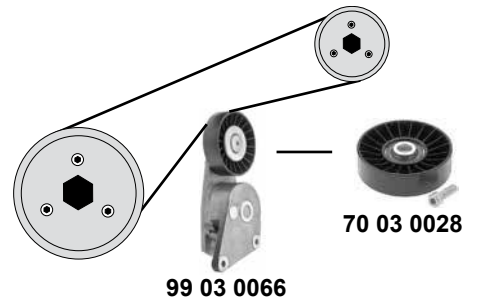
**(mot.) XU10J2TE**



**(mot.) XU7JB**



**(mot.) XU5JP**



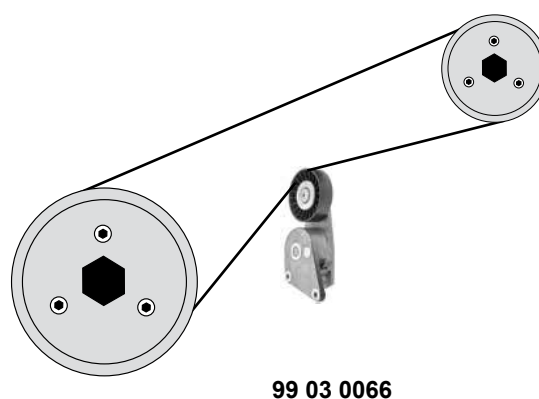
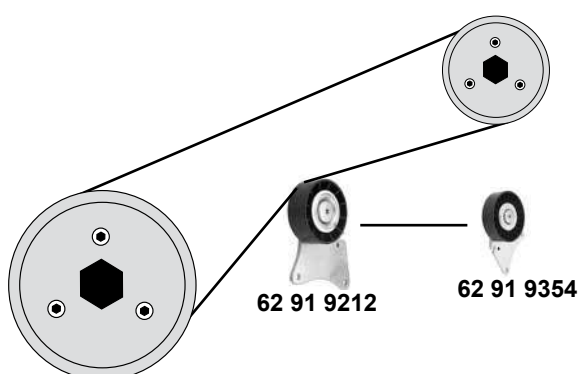
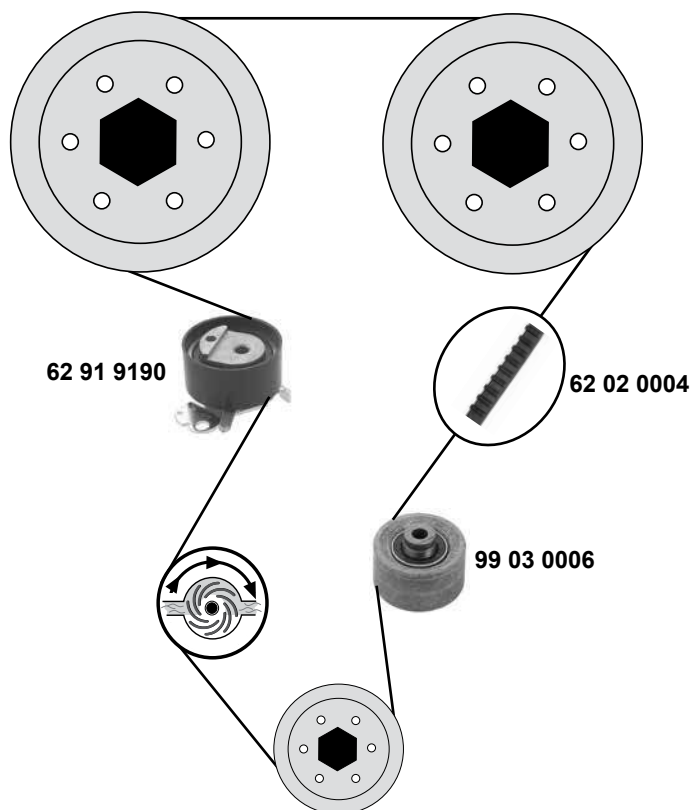
Ref. - No.



62 02 0003	0816.71	Zahnriemen / timing belt		Z 114 B17
62 91 9212	5751.37	Umlenkrolle / deflection pulley		ØA 70 B25
62 91 9354	5751.36	Umlenkrolle / deflection pulley		
70 03 0028	5751.20	Umlenkrolle / deflection pulley		ØA 90 B25
99 02 0057	0831.06	Rep. Satz Zahnriemen / rep. kit timing belt		ØA 59 B22
99 03 0030	0829.29	Spannrolle / tension roller		ØA 70 B24,5
99 03 0063	5751.32	Spannrolle / tension roller		ØA 70 B24,5
99 03 0064	5751.33	Umlenkrolle / deflection pulley		
99 03 0066	5751.35	Riemenspanner / belt tensioner		

AC servo AC

(mot.)XU10J2TE(ex.) AC servo AC  
(mot.)XU10J2TE(ex.) AC servo AC



Ref. - No.



<b>62 02 0004</b>	0816.98
<b>62 91 9190</b>	0829.79
<b>62 91 9212</b>	5751.37
<b>62 91 9354</b>	5751.36
<b>62 92 6139</b>	0831.S9
<b>99 03 0006</b>	0830.37
<b>99 03 0066</b>	5751.35

Zahnriemen / timing belt
Spannrolle / tension roller
Umlenkrolle / deflection pulley
Umlenkrolle / deflection pulley
Rep. Satz Zahnriemen / rep. kit timing belt
Umlenkrolle / deflection pulley
Riemenspanner / belt tensioner

O 08470→  
AC  
AC  
O 08470→  
servo AC

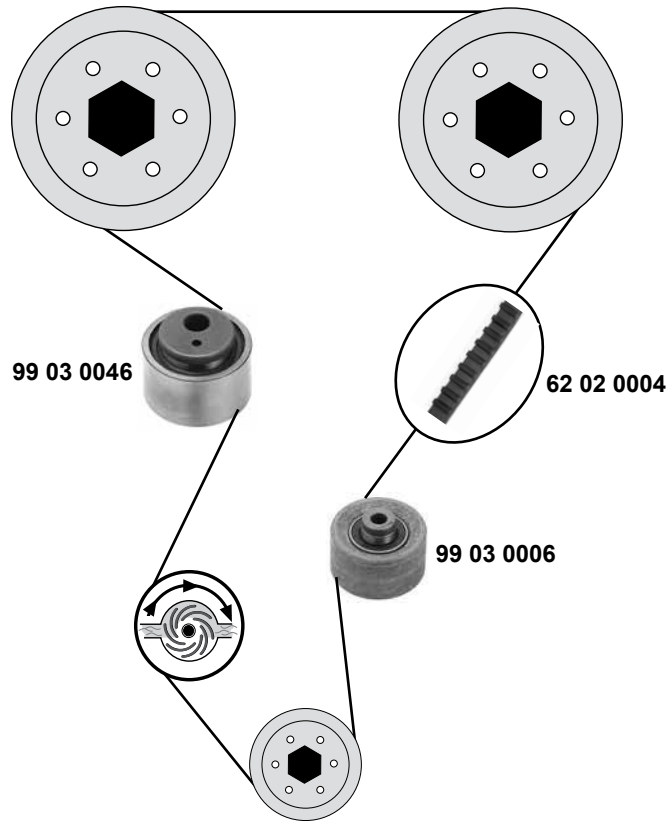
Z 136 B25,4
ØA 70
ØA 90
ØA 60 ØI 10 B34

# PEUGEOT 406

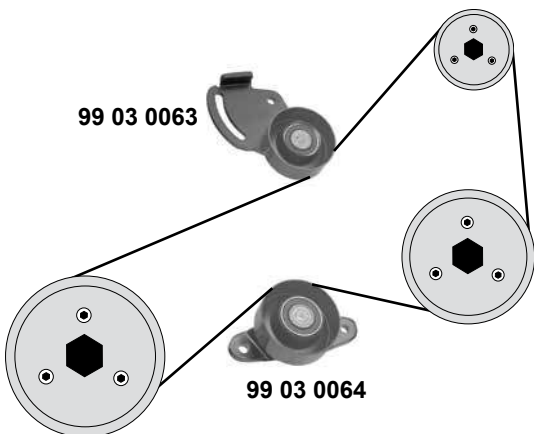
(96→04)



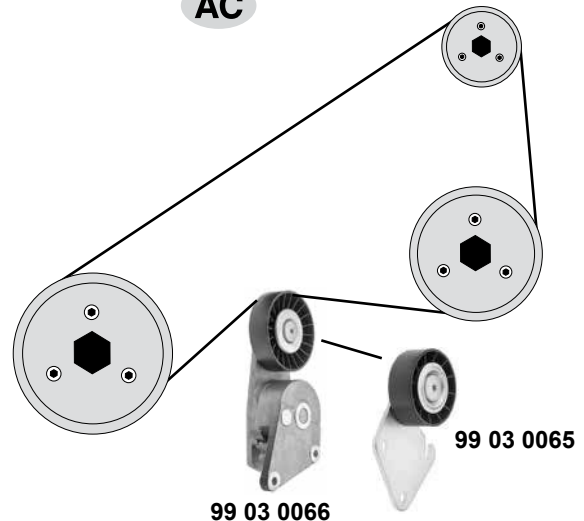
**2,0 16V**  
(XU10J4R)



(ex.) AC



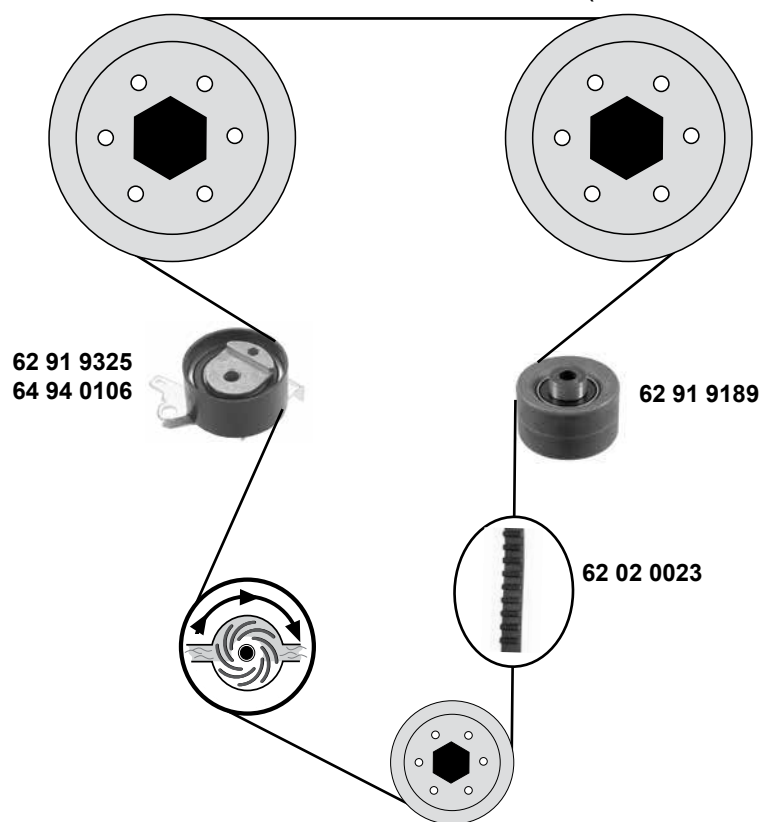
AC



Ref. - No.



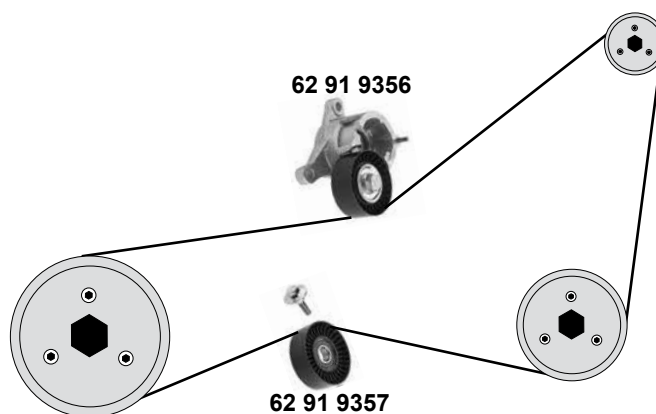
<b>62 02 0004</b>	0816.98	Zahnriemen / timing belt		Z 136
<b>62 02 0014</b>	0831.R5	Rep. Satz Zahnriemen / rep. kit timing belt	0 →08469	
<b>99 03 0006</b>	0830.37	Umlenkrolle / deflection pulley		ØA 60 ØI 10 B34
<b>99 03 0046</b>	0829.35	Spannrolle / tension roller	<b>0 →08469</b>	ØA 57 ØI 13 B33
<b>99 03 0063</b>	5751.32	Spannrolle / tension roller	(ex.) AC	ØA 70 B24,5
<b>99 03 0064</b>	5751.33	Umlenkrolle / deflection pulley	(ex.) AC	ØA 70 B24,5
<b>99 03 0066</b>	5751.35	Riemenspanner / belt tensioner	servo  AC	
<b>99 03 0065</b>	5751.34	Umlenkrolle / deflection pulley	AC	

**1,8 16V / 2,0 16V / 2,2 16V**  
 (EW7J4 / EW10J4 / EW12J4/EW10D)


Rep. Satz / rep. kit



SWAG 62 92 2309



- (1) 406 Restyling / Break 99→  
 (2) 406 Restyling / Coupe (mot.) EW12J4 / EW10J4 99→



Ref. - No.



62 02 0023	0816.A1	Zahnriemen / timing belt	(ex.) DW10D	Z 153 B25,4
62 91 9189	0830.42	Umlenkrolle / deflection pulley	(ex.) DW10D	ØA 60 B31
62 91 9325	0829.96	Spannrolle / tension roller	(ex.) DW10D	ØA 62 B29
62 91 9356	5751.61	Riemenspanner / belt tensioner	(ex.) DW10D	ØA 65 B25
62 91 9357	5751.60	Umlenkrolle / deflection pulley	(1) (2)	ØA 78 B25
62 92 2309	0831.T4	Rep. Satz Zahnriemen / rep. kit timing belt	(ex.) DW10D	
64 94 0106	0829.98	Spannrolle / tension roller	(mot.) EW10D 99→	ØA 60 B29

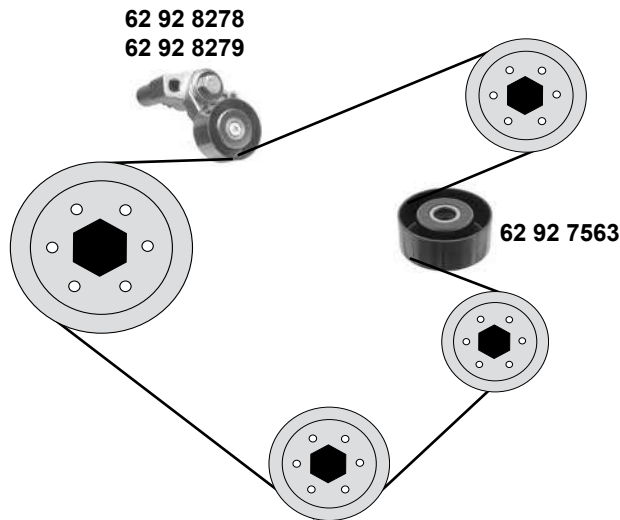
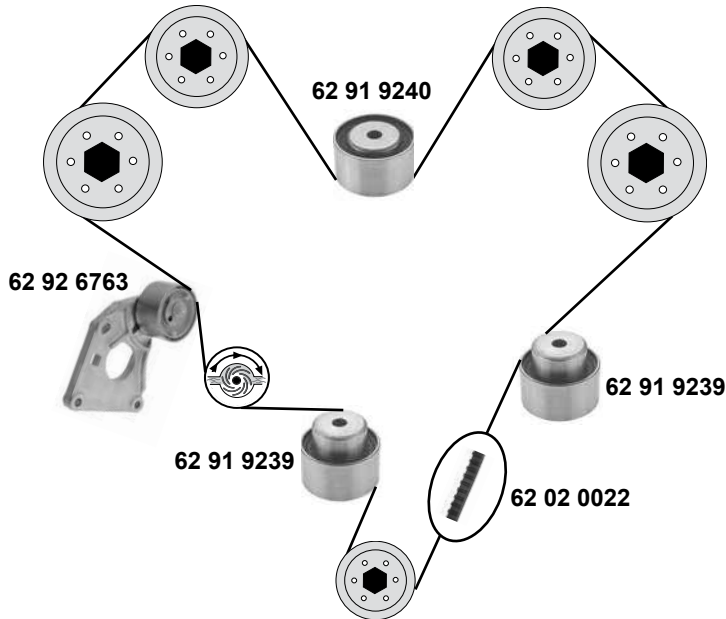
# PEUGEOT 406

(96→04)



## 3,0 24V

(ES9J4 / ES9J4S)

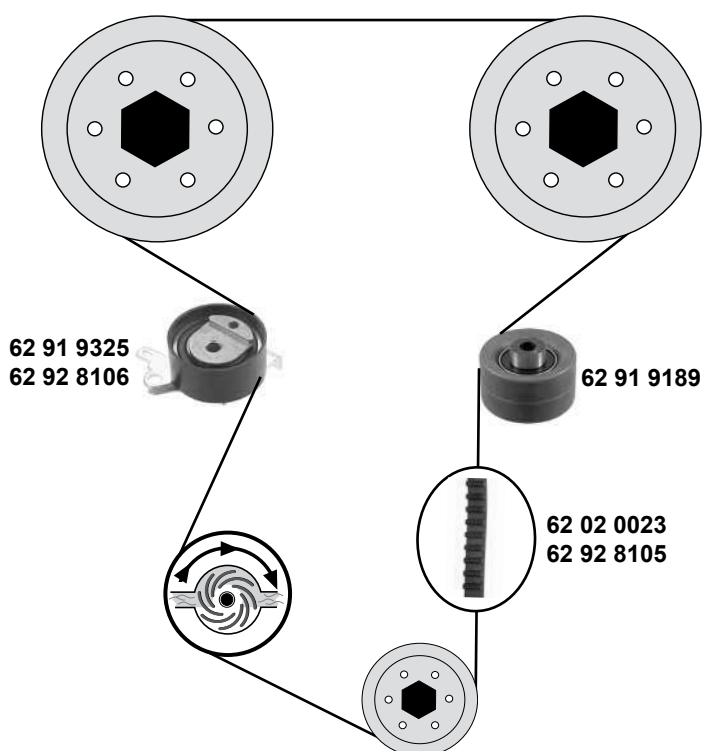


Ref. - No.



62 02 0022	0816.H3	Zahnriemen / timing belt		Z259 B32
62 91 9239	0830.58	Umlenkrolle / deflection pulley		ØA 65 B36/54
62 91 9240	0830.59	Umlenkrolle / deflection pulley		ØA 65 B36
62 92 6763	0829.C5	Spannrolle / tension roller		ØA 70 B36
62 92 7563	5751.75	Umlenkrolle / deflection pulley		ØA 65 B26,5
62 92 8103	0831.V2	Rep. Satz Zahnriemen / rep. kit timing belt		Z 259 B32
62 92 8278	5751.41	Riemenspanner / belt tensioner	(mot.) ES9J4S	
62 92 8279	5751.A9	Riemenspanner / belt tensioner	(mot.) ES9J4S	ØA 65 B25,5



**1,8 16V / 2,0 16V / 2,2 16V**  
 (EW7J4 / EW7A / EW10A / EW10J4 / EW12J4)


Rep. Satz / rep. kit

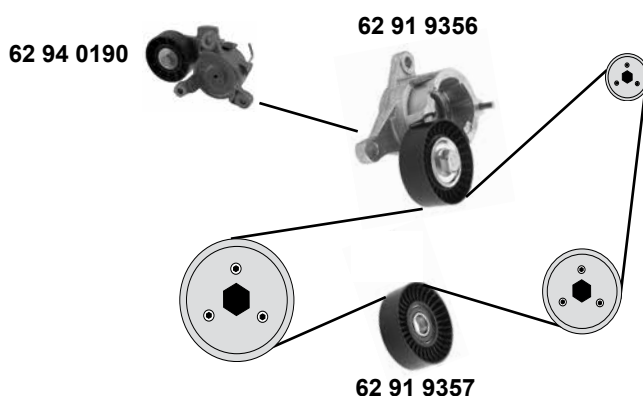


SWAG 62 92 2309

Rep. Satz / rep. kit



SWAG 62 92 8107



(1) (mot.) EW7A / EW10A

(2) (ex.) (mot.) EW7A / EW10A

(3) (mot.) EW7J/(mot.) EW12J4/EW12J4 → O 10247

(4) (mot.) EW12J4 Euro4 / Euro 3 O 10248→

(5) (mot.) EW7A EW10A

(6) (mot.) EW10J4 O 10248→



Ref. - No.



Part No.	Description	Quantity	Dimensions
62 02 0023	Zahnriemen / timing belt	(2)	Z 153 B25,4
62 91 9189	Umlenkrolle / deflection pulley		ØA 60 B31
62 91 9325	Spannrolle / tension roller	(2)	ØA 62 B29
62 91 9356	Riemenspanner / belt tensioner	(2)	ØA 65 B25
62 91 9357	Umlenkrolle / deflection pulley	(3)	ØA 78 B25
62 92 2309	Rep. Satz Zahnriemen / rep. kit timing belt	(2)	
62 92 8105	Zahnriemen / timing belt	(1)	Z 153 B25
62 92 8106	Spannrolle / tension roller	(1)	ØA 62 B29
62 92 8107	Rep. Satz Zahnriemen / rep. kit timing belt	(1)	Z 153 B25
62 94 0190	Riemenspanner / belt tensioner	(4) (5) (6)	ØA 70 B25

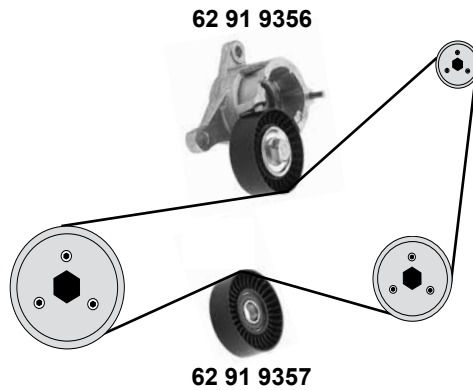
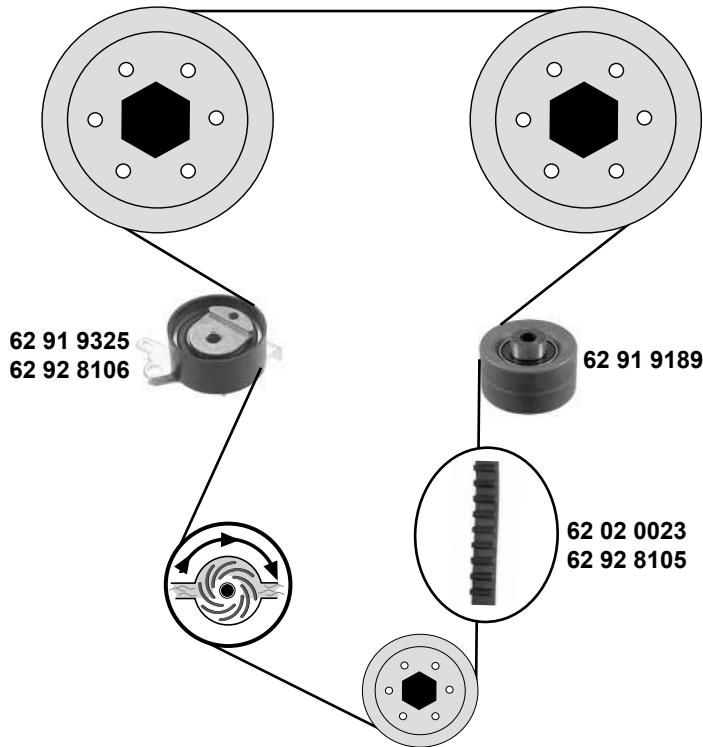
# PEUGEOT 407

(04→)



## 1,8 16V / 2,0 16V / 2,2 16V

(EW7J4 / EW7A / EW10A / EW10J4 / EW12J4)



(1) (mot.) EW7A / EW10A

(2) (ex.) (mot.) EW7A / EW10A



Ref. - No.

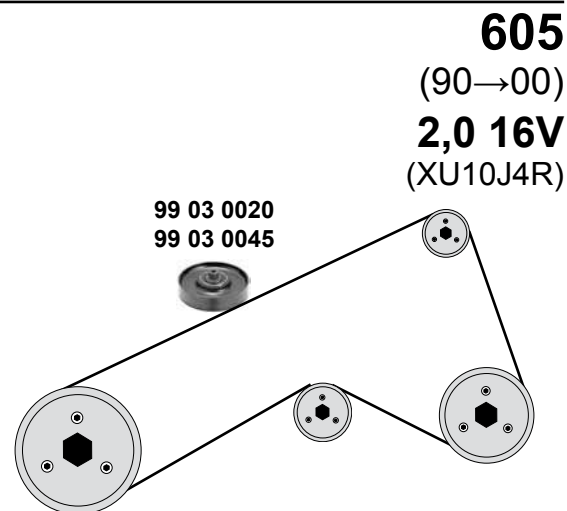
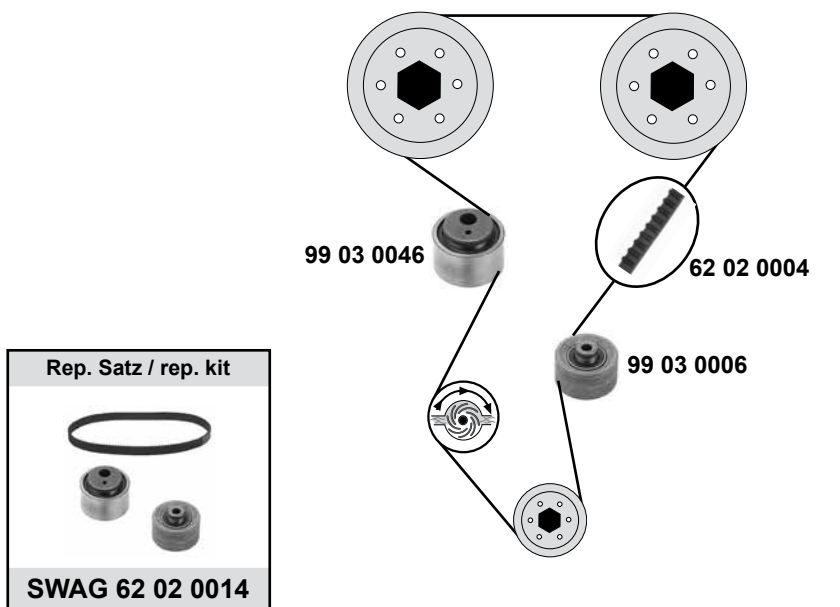
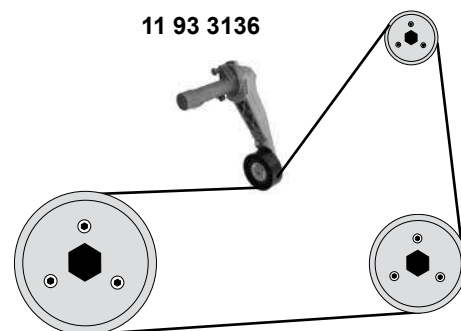
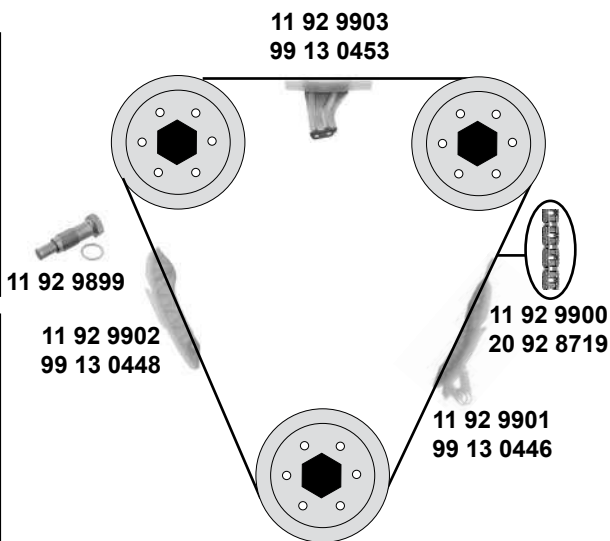


Part No.	Ref. - No.	Description	Quantity	Dimensions
62 02 0023	0816.A1	Zahnriemen / timing belt	(2)	Z 153 B25,4
62 91 9189	0830.42	Umlenkrolle / deflection pulley		ØA 60 B31
62 91 9325	0829.96	Spannrolle / tension roller	(2)	ØA 62 B29
62 91 9356	5751.61	Riemenspanner / belt tensioner	(2)	ØA 65 B25
62 91 9357	5751.60	Umlenkrolle / deflection pulley	(2)	ØA 78 B25
62 92 2309	0831.T4	Rep. Satz Zahnriemen / rep. kit timing belt		Z 153
62 92 8105	0816.G4	Zahnriemen / timing belt	(1)	Z 153 B25
62 92 8106	0829.A9	Spannrolle / tension roller	(1)	ØA 62 B29
62 92 8107	0831.V6	Rep. Satz Zahnriemen / rep. kit timing belt	(1)	Z 153 B25



# PEUGEOT 508 (10→)

## 1,6 VTI / THP (EP6C / EP6CDT/EP6CDTM)



SWAG	Ref. - No.			
11 92 9899	0829.G3	Kettenspanner / chain tensioner	(mot.) EP6C / EP6CDT	
11 92 9900	0816.J2	Steuerkette / timing chain	(mot.) EP6C	
11 92 9901	0818.40	Gleitschiene / sliding rail	(mot.) EP6C	
11 92 9902	0818.33	Gleitschiene / sliding rail	(mot.) EP6C	
11 92 9903	0818.41	Gleitschiene / sliding rail	(mot.) EP6C	
11 93 3136	5751.G9	Riemenspanner / belt tensioner	AC	ØA65 B25
20 92 8719	0816.H9	Steuerkette / timing chain	(mot.) EP6CDT	
62 02 0004	0816.98	Zahnriemen / timing belt		Z 136
62 02 0014	0831.R5	Rep. Satz Zahnriemen / rep. kit timing belt		Z 136
99 03 0006	0830.37	Umlenkrolle / deflection pulley		ØA 60 B34
99 03 0020	5751.12	Umlenkrolle / deflection pulley		ØA 95 B20,5
99 03 0045	5751.21	Umlenkrolle / deflection pulley		ØA 95 B20,5
99 03 0046	0829.35	Spannrolle / tension roller		ØA 59 B25
99 13 0345	0816.J2 S1	Rep. Satz Steuerkette / rep. kit timing chain	(mot.) EP6C	
99 13 0446	0818.31	Gleitschiene / sliding rail	(mot.) EP6CDT	
99 13 0448	0818.30	Gleitschiene / sliding rail	(mot.) EP6CDT	
99 13 0452	0816.H9 S1	Rep. Satz Steuerkette / rep. kit timing chain	(mot.) EP6CDT	
99 13 0453	0818.29	Gleitschiene / sliding rail	(mot.) EP6CDT	

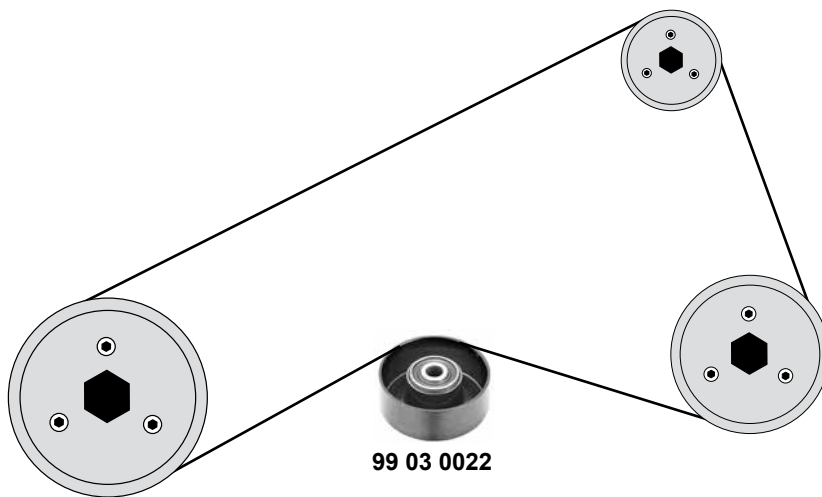
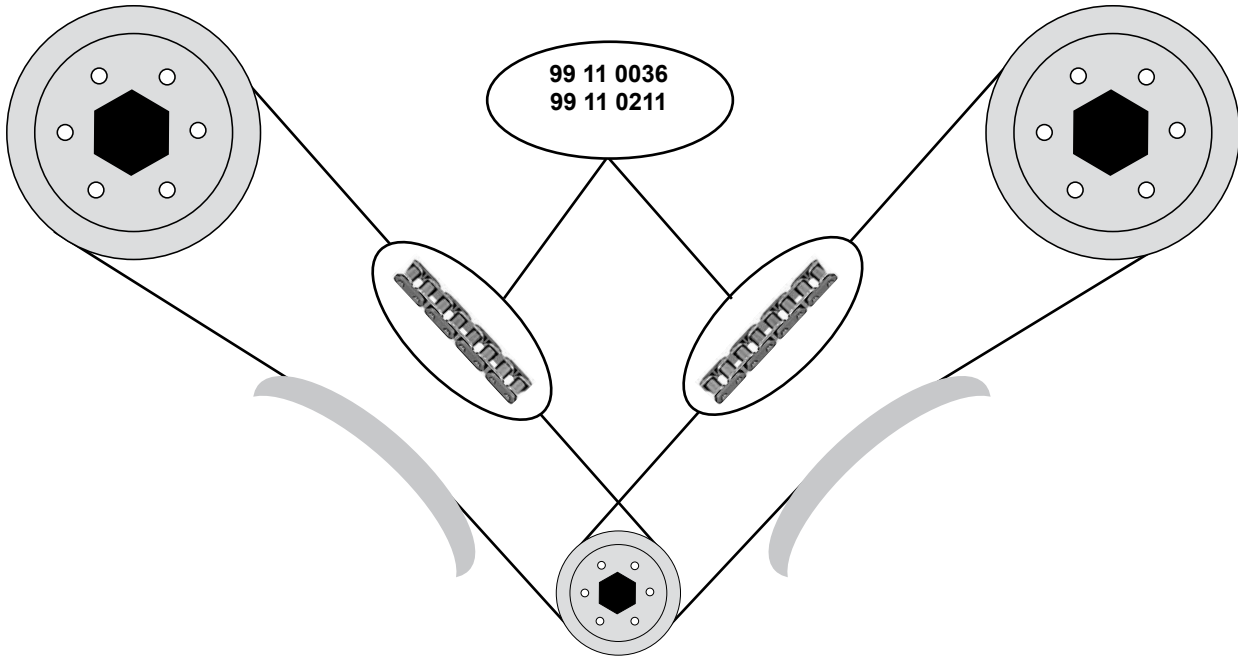
# PEUGEOT 605

(90→00)



## 3,0 / 3,0 24V

(ZPJ / ZPJ4)



Ref. - No.

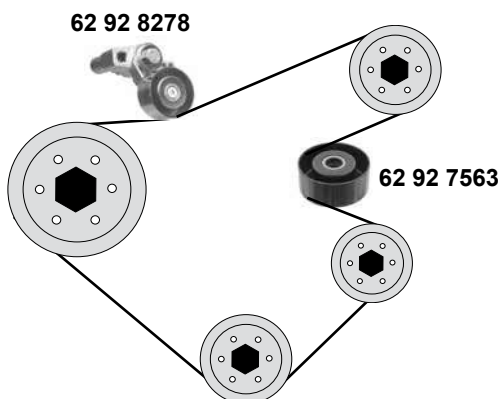
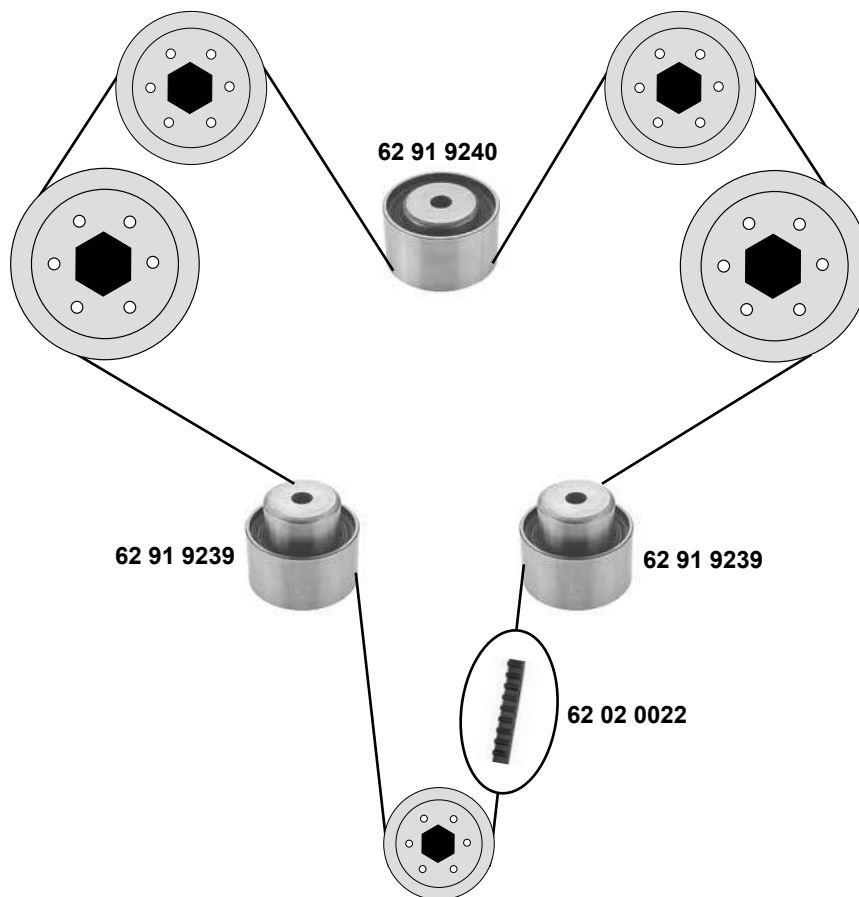


99 03 0022	1281.19
99 11 0036	0816.13
99 11 0211	0816.52

Spannrolle / tension roller  
Steuerkette / timing chain  
Steuerkette / timing chain

AC  
(mot.) ZPJ  
(mot.) ZPJ4

ØA66 ØI10 B26  
455 / 94E  
94E



	Ref. - No.			
<b>62 02 0022</b>	0816.H3	Zahnriemen / timing belt		Z 259 B32
<b>62 91 9239</b>	0830.58	Umlenkrolle / deflection pulley		ØA 65 B36/54
<b>62 91 9240</b>	0830.59	Umlenkrolle / deflection pulley		ØA 65 B36
<b>62 92 7563</b>	5751.75	Umlenkrolle / deflection pulley	97→99	ØA 65 B26,5
<b>62 92 8278</b>	5751.41	Riemenspanner / belt tensioner		

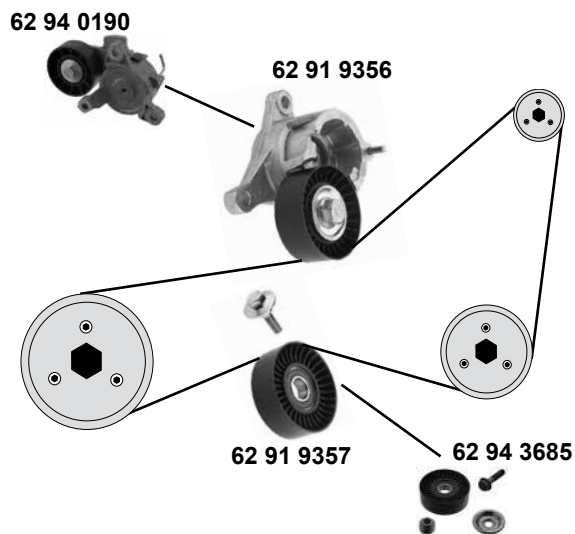
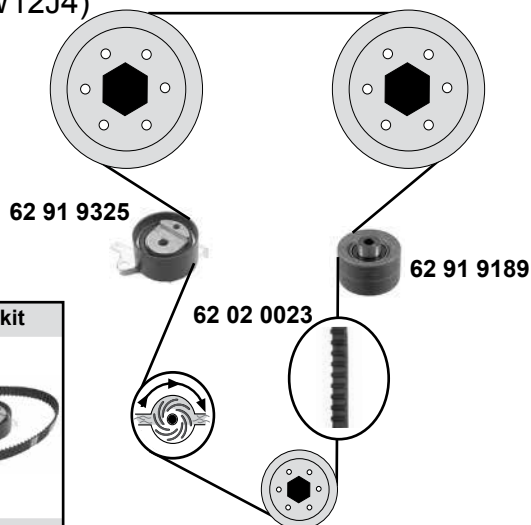
# PEUGEOT 607

(00→)



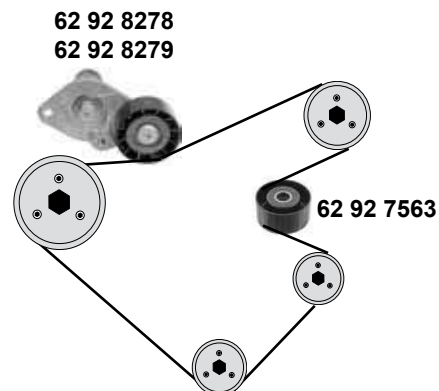
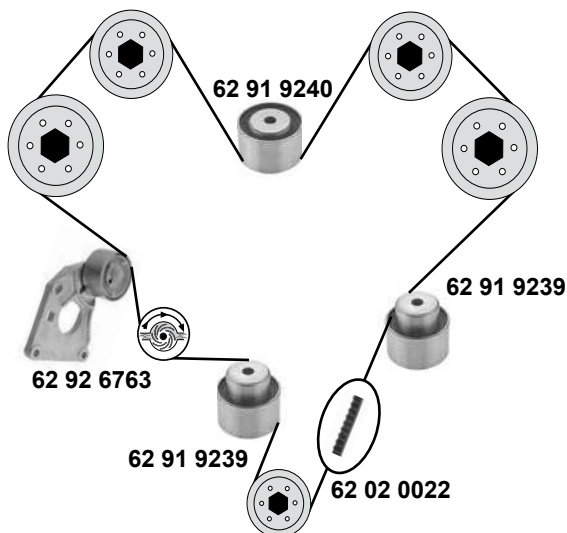
## 2,0 16V / 2,2 16V

(EW10J4 / EW12J4)



## 3,0 24V

(ES9J4/S / ES9A)



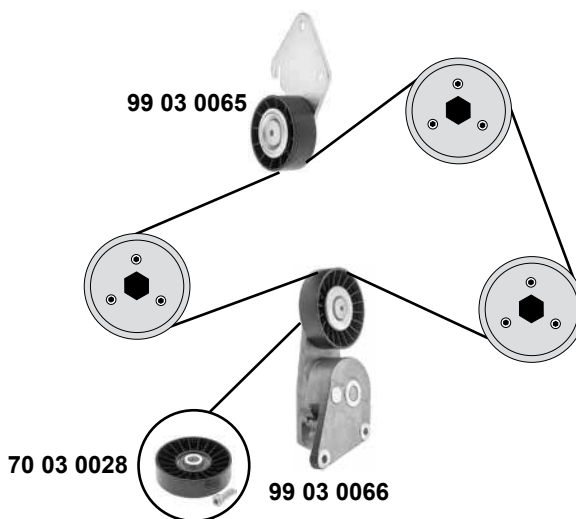
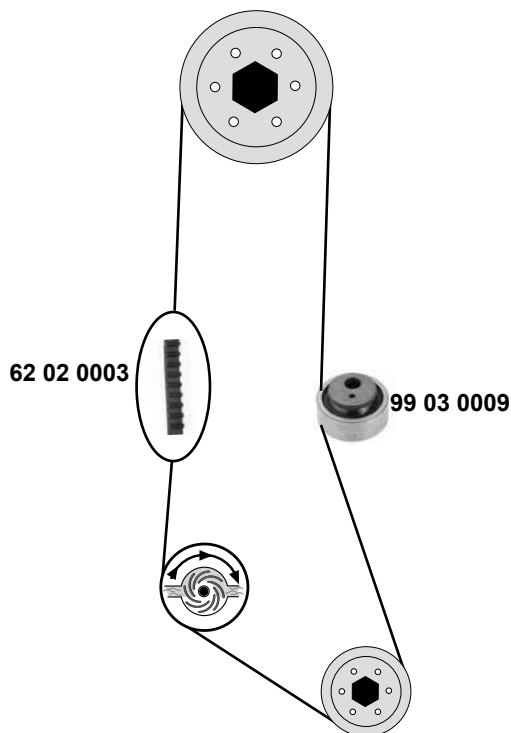
(1) (mot.) EW12J4 04→10 Euro 4



Ref. - No.



62 02 0022	0816.H3	Zahnriemen / timing belt		Z259 B32
62 02 0023	0816.A1	Zahnriemen / timing belt		Z 153 B25,4
62 91 9189	0830.42	Umlenkrolle / deflection pulley		ØA 60 B31
62 91 9239	0830.58	Umlenkrolle / deflection pulley		ØA 65 B36/54
62 91 9240	0830.59	Umlenkrolle / deflection pulley		ØA 65 B36
62 91 9325	0829.96	Spannrolle / tension roller		ØA 62 B29
62 91 9356	5751.61	Spannrolle / tension roller		ØA 65 B25
62 91 9357	5751.60	Umlenkrolle / deflection pulley	→04	ØA 78 B25
62 92 2309	0831.T4	Rep. Satz Zahnriemen / rep. kit timing belt		
62 92 6763	0829.C5	Spannrolle / tension roller		
62 92 7563	5751.75	Umlenkrolle / deflection pulley	(ex.) ES9A	ØA 65 B26,5
62 92 8103	0831.V2	Rep. Satz Zahnriemen / rep. kit timing belt		Z 259 B32
62 92 8278	5751.41	Riemenspanner / belt tensioner	(mot.) ES9J4S	
62 92 8279	5751.A9	Riemenspanner / belt tensioner	(mot.) ES9J4S / ES9A	ØA 65 B25,5
62 94 0190	5751.G8	Riemenspanner / belt tensioner		
62 94 3685	5751.E4	Umlenkrolle / deflection pulley	(mot.) EW12J4 04→10	ØA 78 B25



(1) XU10J2TE (mot.) O 07392→



Ref. - No.



<b>62 02 0003</b>	0816.71	Zahnriemen / timing belt		Z 114 B17
<b>70 03 0028</b>	5751.20	Umlenkrolle / deflection pulley		ØA90 B25
<b>99 02 0057</b>	0831.06	Rep. Satz Zahnriemen / rep. kit timing belt		ØA 59 ØI 13 B22
<b>99 03 0009</b>	0829.29	Spannrolle / tension roller		ØA90 B25
<b>99 03 0065</b>	5751.34	Umlenkrolle / deflection pulley	<b>AC</b> servo	ØA 90 B25
<b>99 03 0066</b>	5751.35	Riemenspanner / belt tensioner	(1)	ØA 90 B25

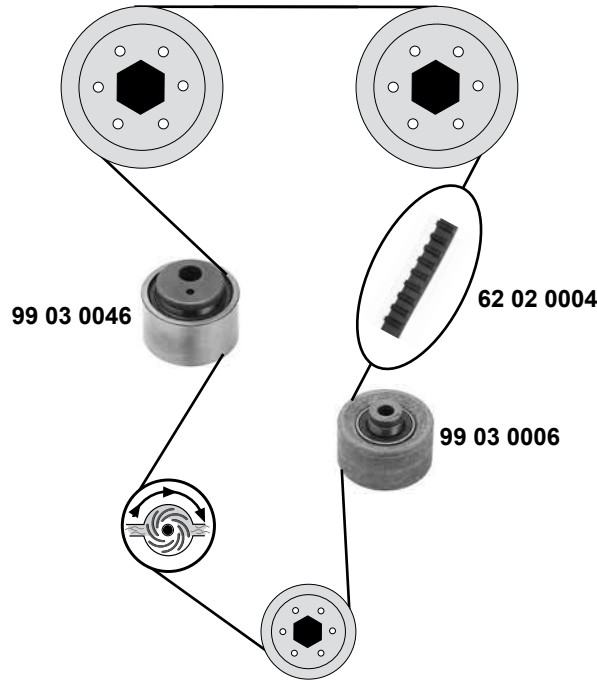


# PEUGEOT 806

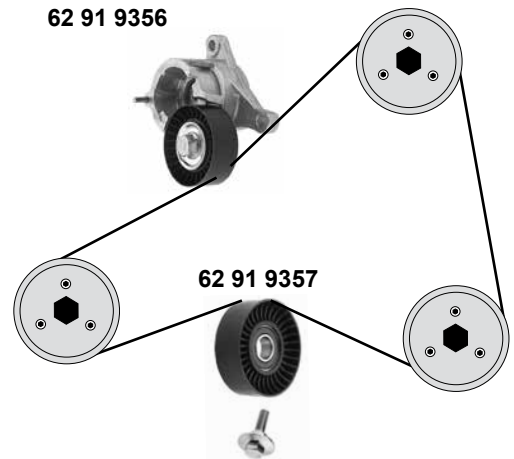
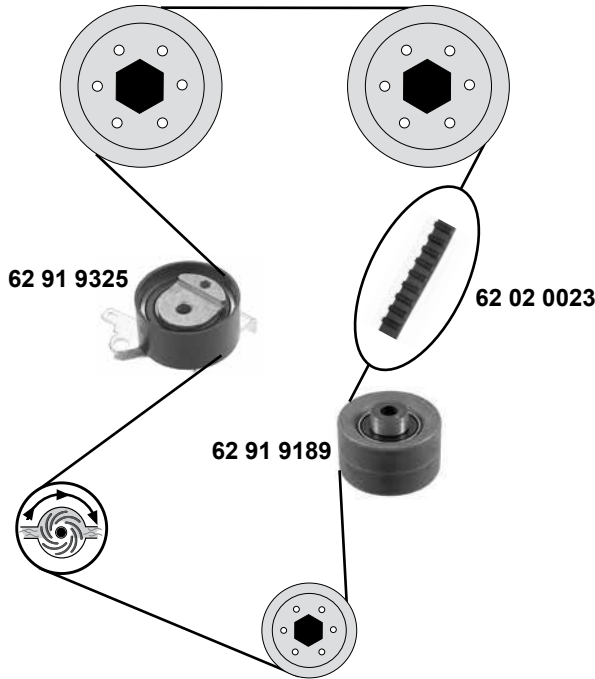
(94→02)



## 2,0 16 V (XU10J4R)



## 2,0 16 V (EW10J4)



Ref. - No.



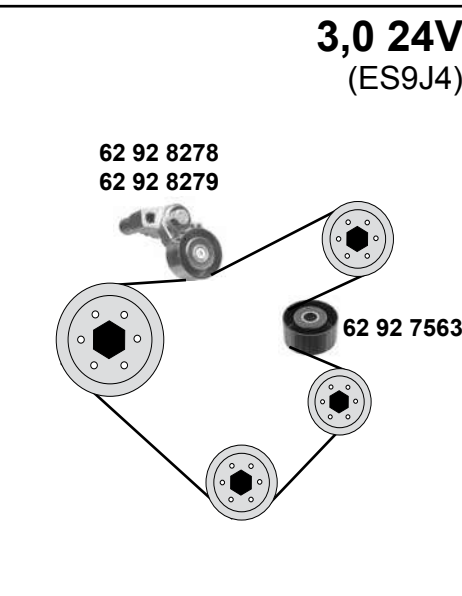
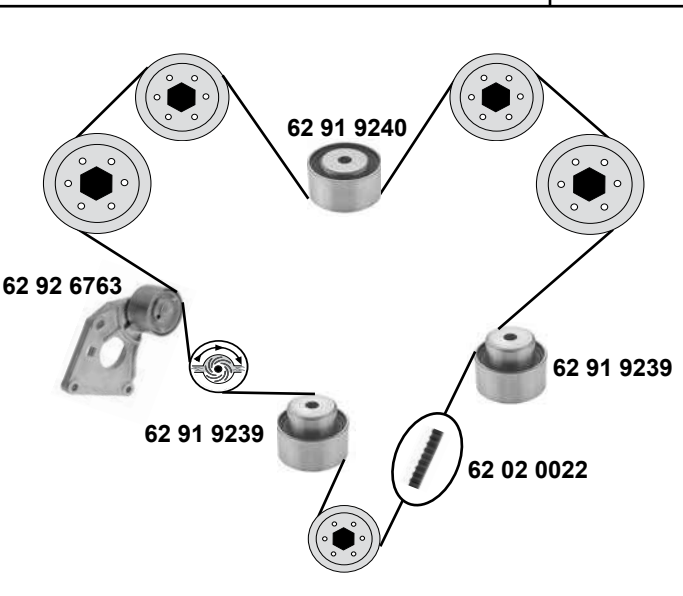
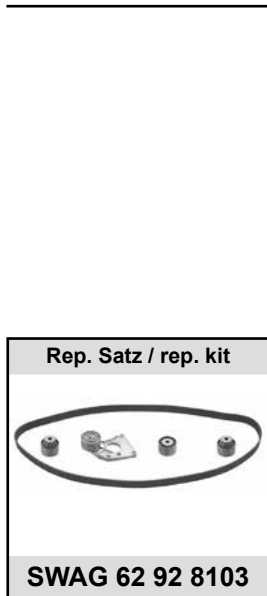
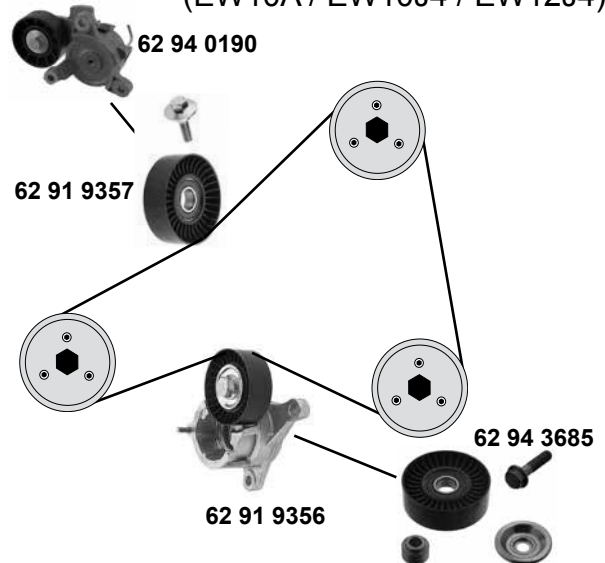
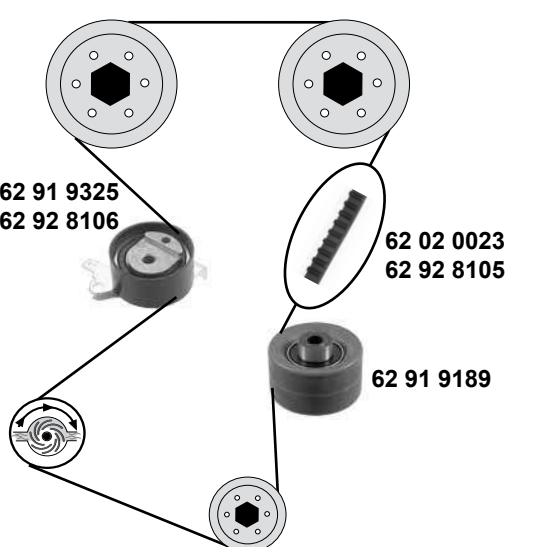
62 02 0004	0716.98	Zahnriemen / timing belt	Z 136
62 02 0014	0831.R5	Rep. Satz Zahnriemen / rep. kit timing belt	Z 136
62 02 0023	0816.A1	Zahnriemen / timing belt	Z 153 B25,4
62 91 9189	0830.42	Umlenkrolle / deflection pulley	ØA 60 B31
62 91 9325	0829.96	Spannrolle / tension roller	ØA 62 B29
62 91 9356	5751.61	Riemenspanner / belt tensioner	ØA 65 B25
62 91 9357	5751.60	Umlenkrolle / deflection pulley	ØA 78 B25
62 92 2309	0831.T4	Rep. Satz Zahnriemen / rep. kit timing belt	
99 03 0006	0830.37	Umlenkrolle / deflection pulley	ØA 60 ØI 10 B34
99 03 0046	0829.35	Spannrolle / tension roller	ØA 57 ØI 13 B33





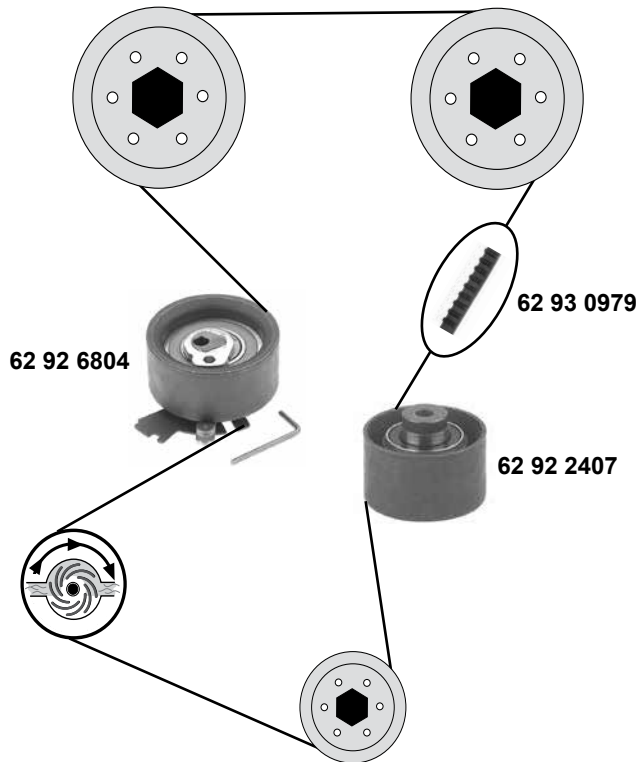
# PEUGEOT 807 (02→)

## 2,0 16 V / 2,2 16V (EW10A / EW10J4 / EW12J4)

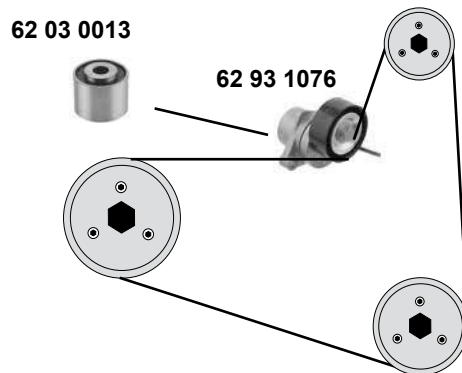


SWAG GERMANY	Ref. - No.			
62 02 0022	0816.H3	Zahnriemen / timing belt		Z 259
62 02 0023	0816.A1	Zahnriemen / timing belt	(ex.)(mot.) EW10A	Z 153 25,4
62 91 9189	0830.42	Umlenkrolle / deflection pulley		ØA 60 B30
62 91 9239	0830.58	Umlenkrolle / deflection pulley		ØA 65 B36/54
62 91 9240	0830.59	Umlenkrolle / deflection pulley		ØA 65 B36
62 91 9325	0829.96	Spannrolle / tension roller		
62 91 9356	5751.61	Riemenspanner / belt tensioner	(ex.) EW10A	ØA 65 B25
62 91 9357	5751.60	Umlenkrolle / deflection pulley	(ex.) EW10A → O 10247	ØA 78 ØI17 B25
62 92 2309	0831.T4	Rep. Satz Zahnriemen / rep. kit timing belt	(ex.) EW10A	
62 92 6763	0829.C5	Spannrolle / tension roller		ØA 70 B36
62 92 7563	5751.75	Umlenkrolle / deflection pulley		ØA 65 B26,5
62 92 8103	0831.V2	Rep. Satz Zahnriemen / rep. kit timing belt		Z 259 B32
62 92 8105	0816.G4	Zahnriemen / timing belt	(mot.) EW10A	Z 153 B25
62 92 8106	0829.A9	Spannrolle / tension roller	(mot.) EW10A	ØA 62 B29
62 92 8107	0831.V6	Rep. Satz Zahnriemen / rep. kit timing belt	(mot.) EW10A	Z 153 B25
62 92 8278	5751.41	Riemenspanner / belt tensioner		
62 92 8279	5751.A9	Riemenspanner / belt tensioner		ØA 65 B25,5
62 94 0190	5751.G8	Riemenspanner / belt tensioner	(mot.) EW10A	
62 94 3685	5751.E4	Umlenkrolle / deflection pulley	(ex.) EW10A O 10248→	ØA 78 B25

## 1,4 16 V (ET3J4/TU3JP4)



### AC



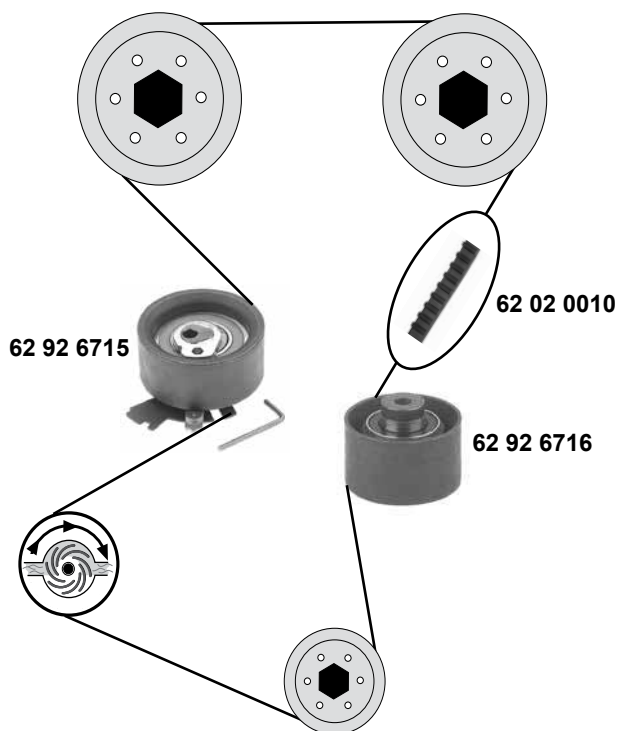
(1) (mot.) ET3J4 / (mot.) TU3JP4 O 10290→



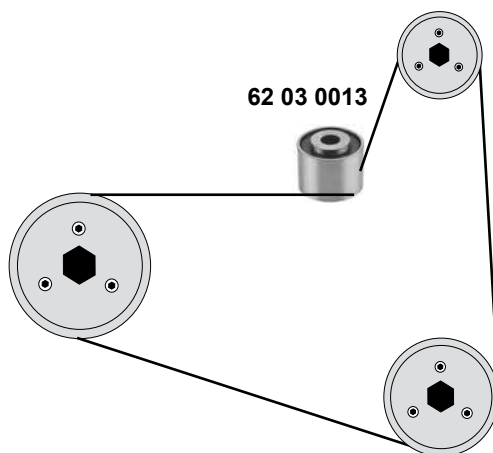
Ref. - No.



62 03 0013	5751.91	Umlenkrolle / deflection pulley	(mot.) TU3JP	ØA 60 B26,5
62 92 2407	0830.60	Umlenkrolle / deflection pulley	(mot.) ET3J4	ØA 60 B30,5
62 92 6804	0829.C6	Spannrolle / tension roller	(mot.) ET3J4	ØA 60 B29
62 93 0979	0813.H5	Zahnriemen / timing belt	(mot.) ET3J4	Z 135 B25
62 93 1051	0831.V0	Rep. Satz Zahnriemen / rep. kit timing belt	(mot.) ET3J4	Z 135 B25
62 92 1076	5751.G7	Spannrolle / tension roller	(1)	ØA 65 B25



**AC**



	Ref. - No.			
<b>62 02 0010</b>	0816.H6	Zahnriemen / timing belt		Z 134 B25,4
<b>62 03 0013</b>	5751.91	Umlenkrolle / deflection pulley	→ O 10289	ØA 60 B26,5
<b>62 92 6715</b>	0829.C8	Spannrolle / tension roller	→ 09	ØA 70 B30
<b>62 92 6716</b>	0830.62	Umlenkrolle / deflection pulley	→ 09	ØA 60 B30
<b>62 92 6717</b>	0831.R9	Rep. Satz Zahnriemen / rep. kit timing belt	→ 09	Z 134 B25,4

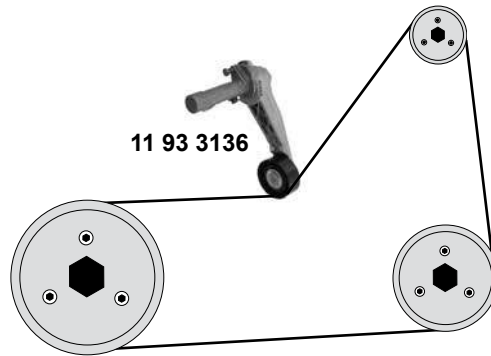
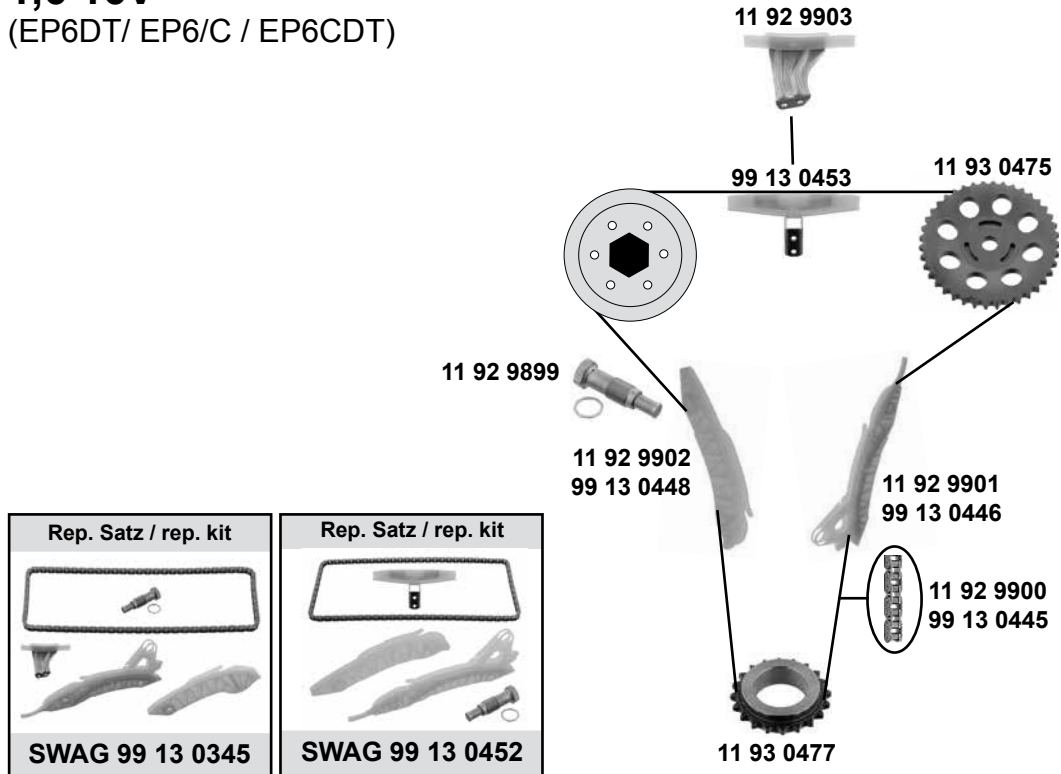
# PEUGEOT 3008

(09→)



## 1,6 16V

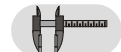
(EP6DT/ EP6/C / EP6CDT)



- (1) 5008 (mot.) EP6CDT
- (2) 3008
- (3) 3008 (mot.) EP6CDT , EP6C , EP6 , EP6DT / (mot.)EP6CDTM , EP6CDTMD AC
- (4) 5008 (mot.)EP6CDT / (mot.) EP6CDT , EP6C , EP6 AC / (mot.)EP6CDT MD AC 05.11.2012→

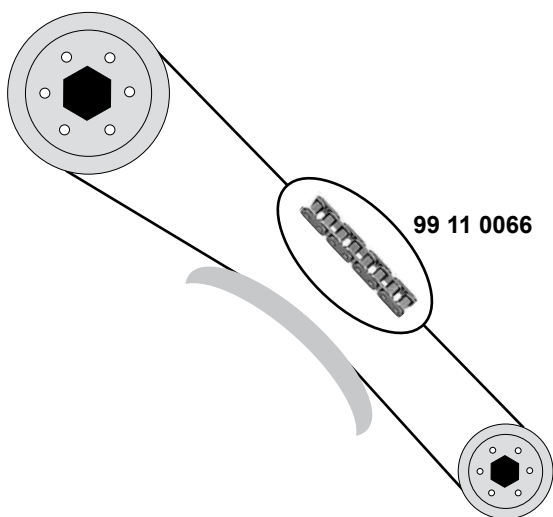


Ref. - No.

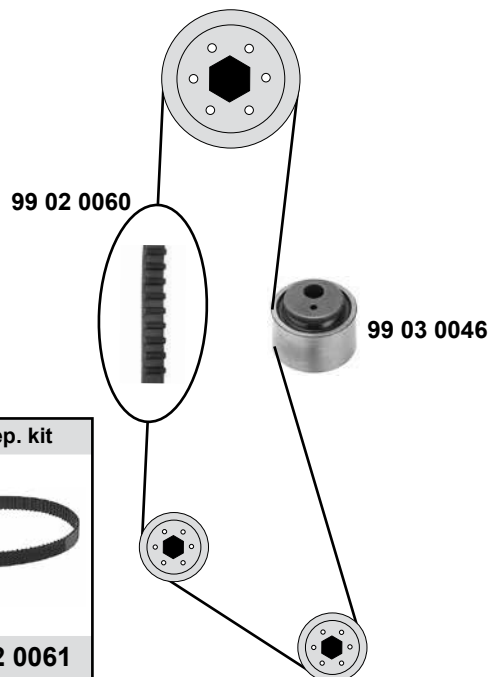


Ref. - No.	Description	Quantity	Notes
11 92 9900	Steuerkette / timing chain	(2) (mot.) EP6	
11 92 9901	Gleitschiene / sliding rail	(2) (mot.) EP6	
11 92 9902	Gleitschiene / sliding rail	(2) (mot.) EP6	
11 92 9903	Gleitschiene / sliding rail	(2) (mot.) EP6	
11 93 0475	Nockenwellenrad / camshaft gear	3008 (mot.) EP6DT	Z 40
11 93 0477	Kurbelwellenzahnrad / crankshaft gear	3008 (mot.) EP6DT	Z 20
11 93 3136	Riemenspanner / belt tensioner	(3) (4)	ØA65 B25
30 92 9889	Kettenspanner / chain tensioner	(2) (mot.) EP6DT/EP6	M 22x1,5
99 13 0345	Rep. Satz Steuerkette / rep. kit timing chain	(mot.) EP6/C	
99 13 0445	Steuerkette / timing chain	(2) (mot.) EP6DT	
99 13 0446	Gleitschiene / sliding rail	(2) (mot.) EP6DT	
99 13 0448	Gleitschiene / sliding rail	(2) (mot.) EP6DT	
99 13 0452	Rep. Satz Steuerkette / rep. kit timing chain	(1) (2) (mot.) EP6DT	
99 13 0453	Gleitschiene / sliding rail	3008 (mot.) EP6DT	

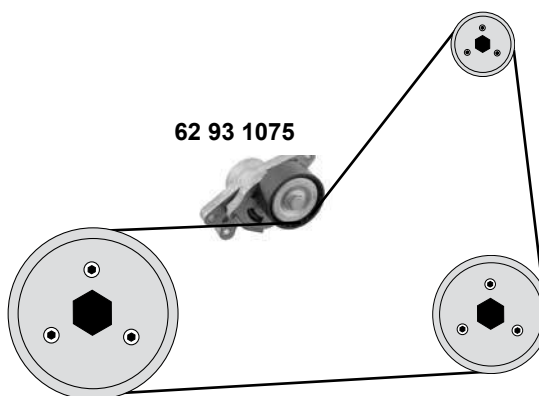
**J5**  
**1,8 / 2,0**  
(XM7T / XN1T / XN1TA)



**Boxer**  
**2,0**  
(XU102C / XU10J2)



**Bipper**  
(08→)  
**1,4**  
(TU3A)



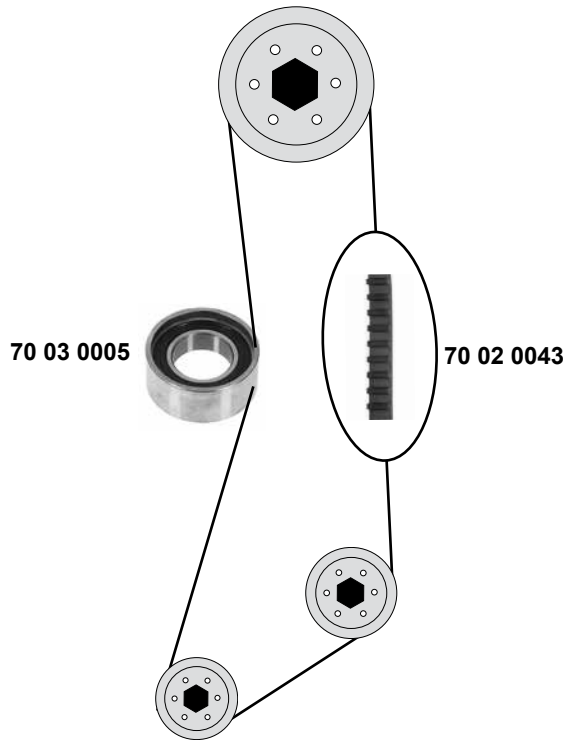
	Ref. - No.			
62 93 1075	5751.A2	Riemenspanner / belt tensioner		ØA 60
99 02 0060	0816.69	Zahnriemen / timing belt		Z 114 7 B25,4
99 02 0061	0831.34	Rep. Satz Zahnriemen / rep. kit timing belt		
99 03 0046	0829.35	Spannrolle / tension roller		ØA 57 ØI 13 B32
99 11 0066	0816.07	Steuerkette / timing chain		455 / 58E

# PEUGEOT Expert I+II

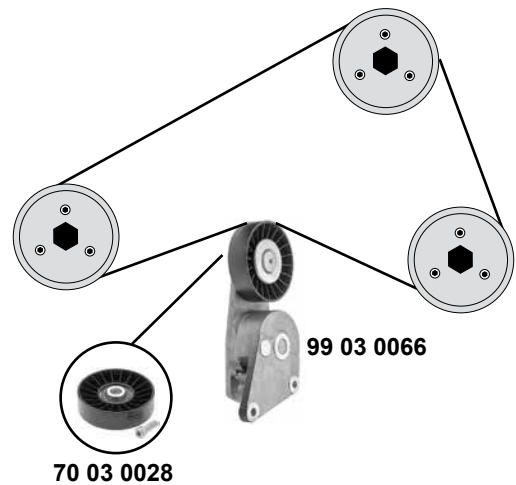
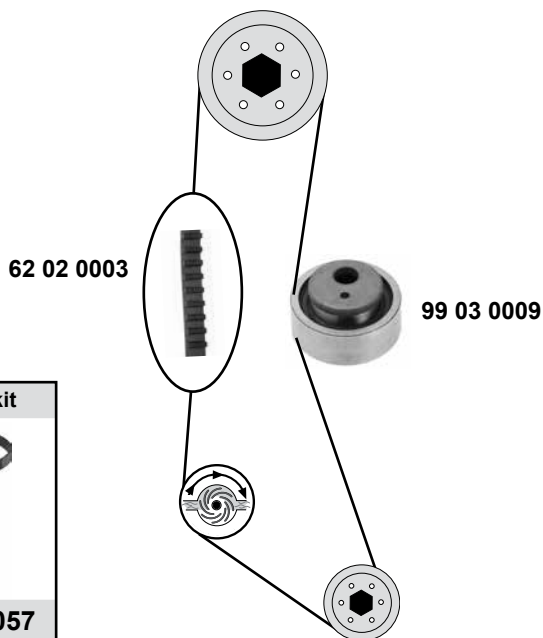
(95→06)



**1,6**  
(1580SPI)



**1,8**  
(XU7JP)

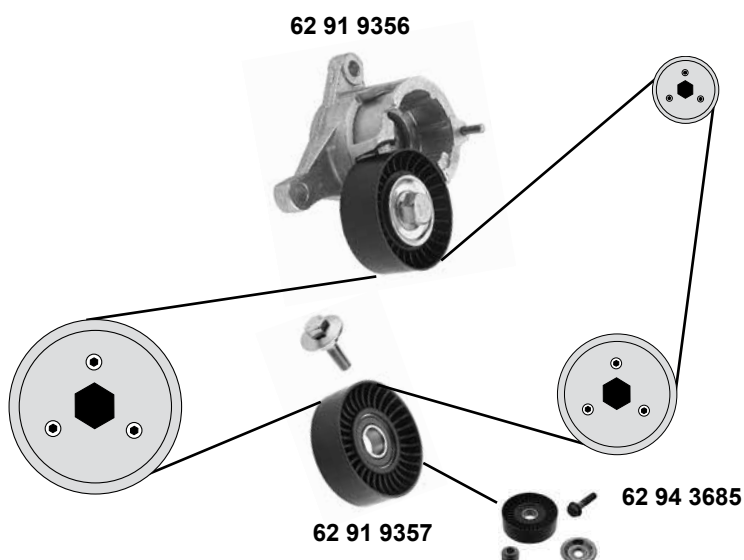
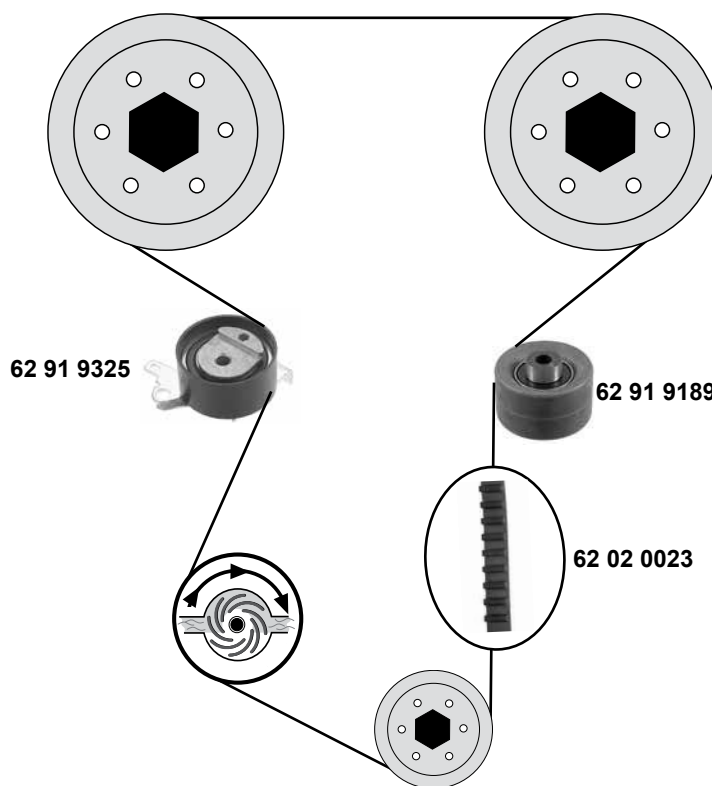


**SWAG** Ref. - No.



<b>62 02 0003</b>	0816.71	Zahnriemen / timing belt	Z 114 B17
<b>70 02 0043</b>	0816.79	Zahnriemen / timing belt	Z 138 B15
<b>70 03 0005</b>	0829.17	Spannrolle / tension roller	ØA 57 B24
<b>70 03 0028</b>	5751.20	Umlenkrolle / deflection pulley	
<b>99 02 0040</b>	0816.79 S1	Rep. Satz Zahnriemen / rep. kit timing belt	
<b>99 02 0057</b>	0831.R1	Rep. Satz Zahnriemen / rep. kit timing belt	
<b>99 03 0009</b>	0829.29	Spannrolle / tension roller	ØA 59 B22
<b>99 03 0066</b>	5751.35	Riemenspanner / belt tensioner	





SWAG	Ref. - No.			
62 02 0023	0816.A1	Zahnriemen / timing belt		Z 153 B25,4
62 91 9189	0830.42	Umlenkrolle / deflection pulley		ØA 60 B31
62 91 9325	0829.96	Spannrolle / tension roller		
62 91 9356	5751.61	Riemenspanner / belt tensioner		ØA 65 B25
62 91 9357	5751.60	Umlenkrolle / deflection pulley	→ O 10613	ØA 78 B25
62 92 2309	0831.T4	Rep. Satz Zahnriemen / rep. kit timing belt		
62 94 3685	5751.E4	Umlenkrolle / deflection pulley	O 10614 →	ØA 78 B25

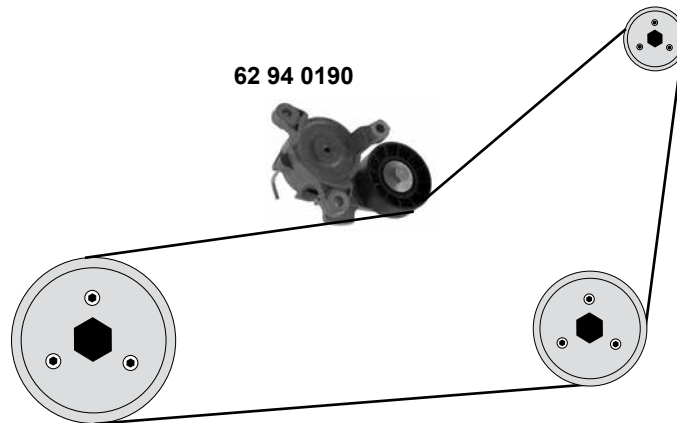
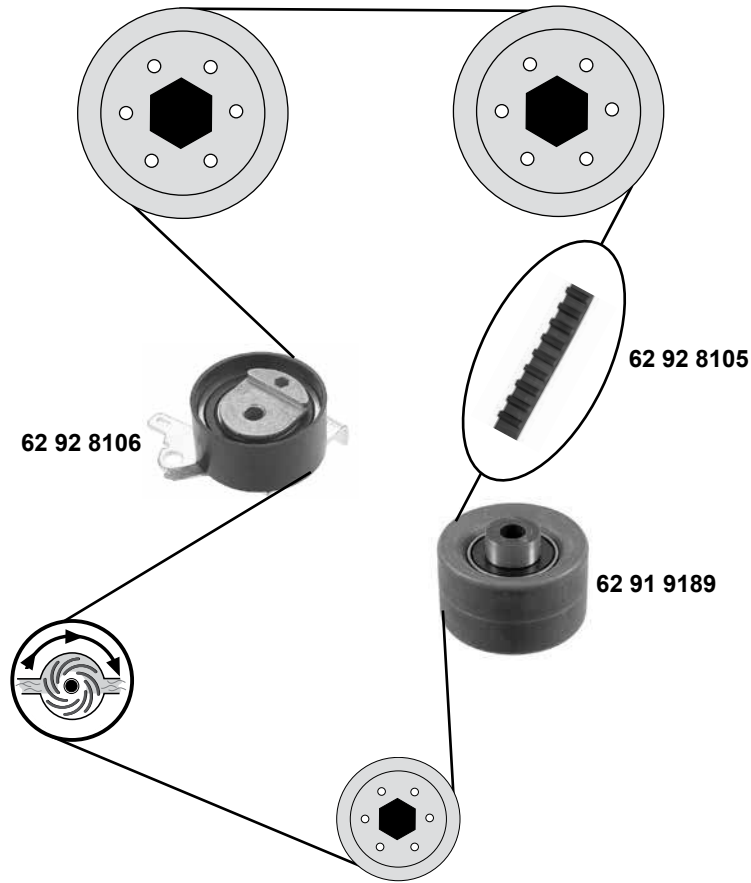


# PEUGEOT Expert III

(07→)



**2,0 16 V**  
(EW10A)



Ref. - No.



62 91 9189	0830.42
62 92 8105	0816.G4
62 92 8106	0829.A9
62 92 8107	0831.V6
62 94 0190	5751.G8

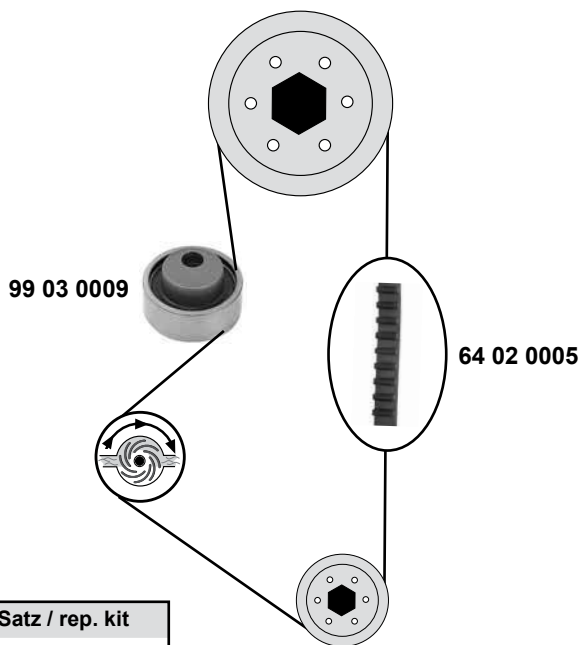
Umlenkrolle / deflection pulley
Zahnriemen / timing belt
Spannrolle / tension roller
Rep. Satz Zahnriemen / rep. kit timing belt
Riemenspanner / belt tensioner

ØA 60 B31
Z 153 B25
ØA 62 B29
Z 153 B25
ØA 70 B25

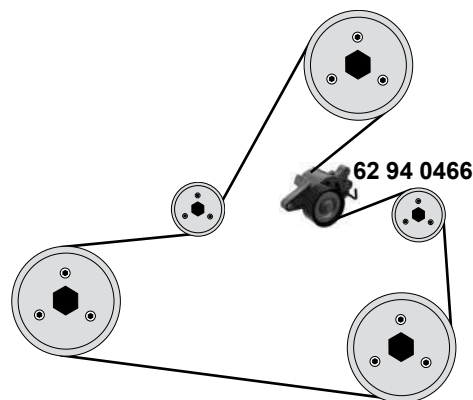
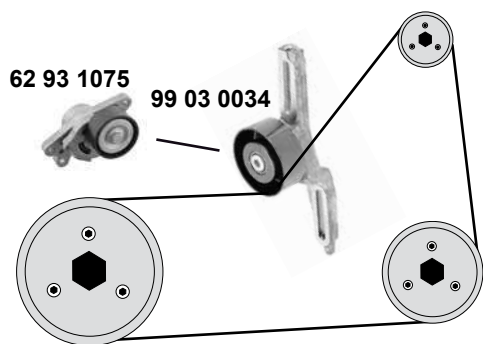
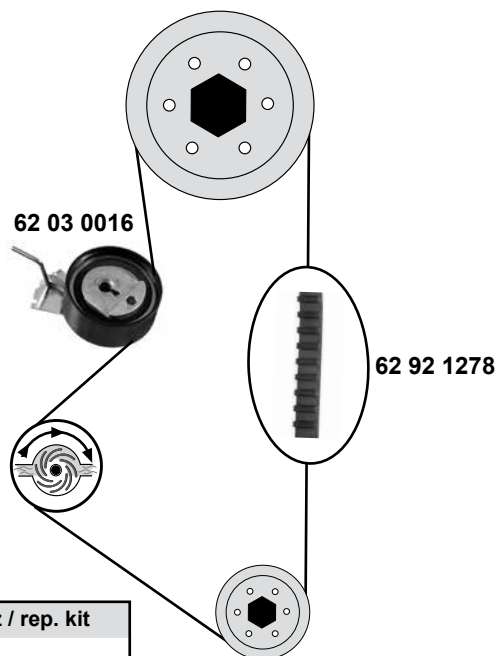


**1,1**  
(TU1JP)

(mot.) → M 3762433



(mot.) M 3762434 →



(1) AC 02→ / O 09457 - 10562



Ref. - No.



62 02 0017	0831.02	Rep. Satz Zahnriemen / rep. kit timing belt	
62 03 0016	0829.90	Spannrolle / tension roller	ØA 60 B25
62 92 1278	0816.F0	Zahnriemen / timing belt	Z 100 B17
62 92 1280	0831.S1	Rep. Satz Zahnriemen / rep. kit timing belt	
62 93 1075	5751.A2	Riemenspanner / belt tensioner	ØA 60
62 94 0466	5751.A2	Riemenspanner / belt tensioner	ØA 60 B26
64 02 0005	0816.56	Zahnriemen / timing belt	Z 104 B17
99 03 0009	0831.24	Spannrolle / tension roller	ØA 59 ØI 13
99 03 0034	6453.S5	Spannrolle / tension roller	ØA 65 B26,5

AC 02→  
(1)

AC servo →02

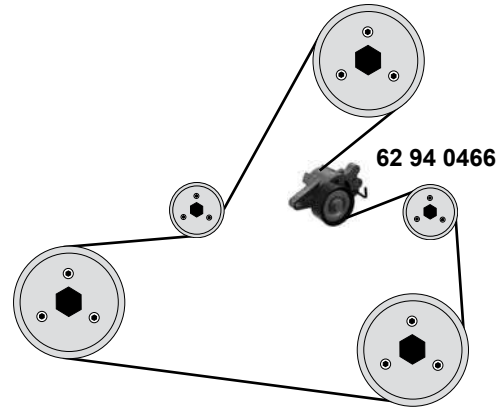
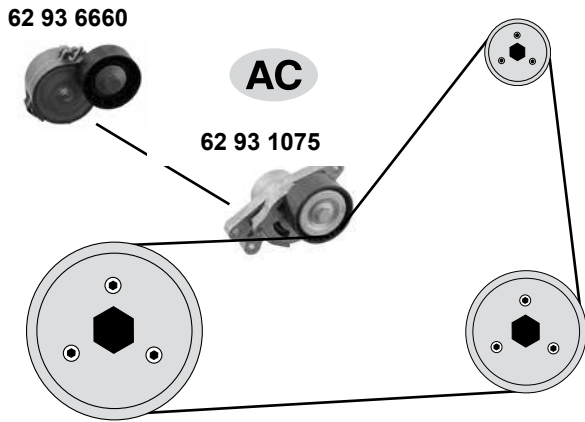
# PEUGEOT Partner I+II

(96→08)



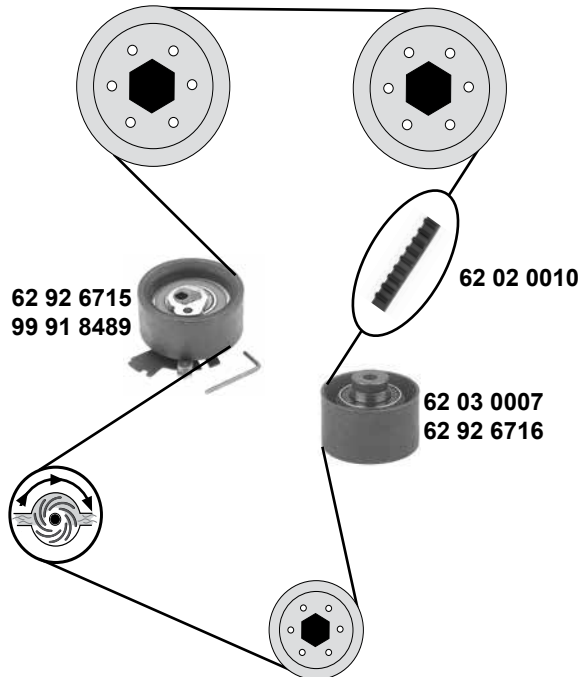
## 1,4 / 1,6

(TU3JP / TU3A / TU5JP4)



## 1,6 16V

(TU5JP4/TU5JP4B)



- (1) →02 (mot.) TU5JP4 O 08764→ / 02 → (mot.) TU5JP4
- (2) 02 → (mot.) TU5JP4 (mot.) 1806405→
- (3) →02 (mot.) TU5JP4 O 11254→ / 02 → (mot.) TU5JP4 (mot.) 1806405
- (4) →02 (mot.) TU5JP4 O 08764→11253 / 02→ (mot.) TU5JP4 (mot.)→1806404
- (5) 02 → (mot.) TU5JP4 O 12110→
- (6) 02→ (mot.) TU5JP4 O 09457 - 10310 / (mot.) TU3JP O 09457 - 10562



Ref. - No.

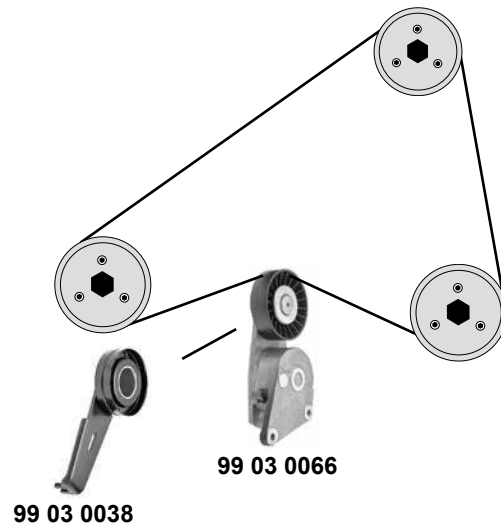
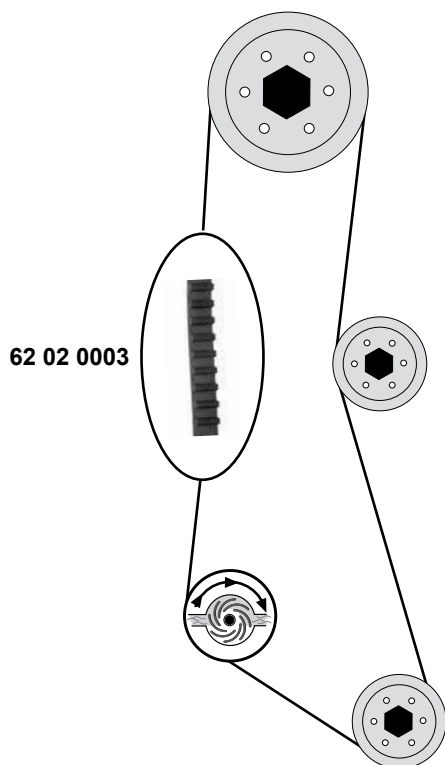


Ref. - No.	Description	Part No.	Notes
62 02 0010	Zahnriemen / timing belt	(1)	Z 134 B25,4
62 03 0007	Umlenkrolle / deflection pulley	(4)	ØA 57 B32
62 92 2327	Rep. Satz Zahnriemen / rep. kit timing belt	(4)	
62 92 6715	Spannrolle / tension roller	(2)	ØA 70 B30
62 92 6716	Umlenkrolle / deflection pulley	(3)	ØA 60 B30
62 92 6717	Rep. Satz Zahnriemen / rep. kit timing belt	(2)	Z 134 B25,4
62 93 1075	Riemenspanner / belt tensioner	02→	ØA 60
62 93 6660	Riemenspanner / belt tensioner	(5)	ØA 60 B25
62 94 0466	Riemenspanner / belt tensioner	(6) AC	ØA 60 B26
99 91 8489	Spannrolle / tension roller	(4)	ØA 73 B31



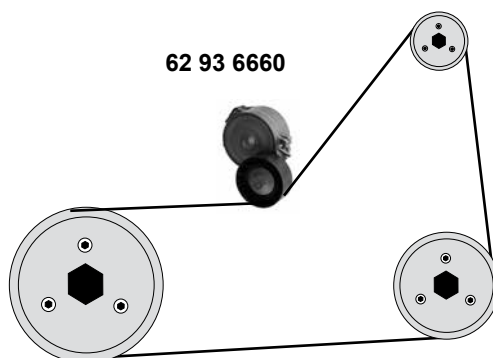
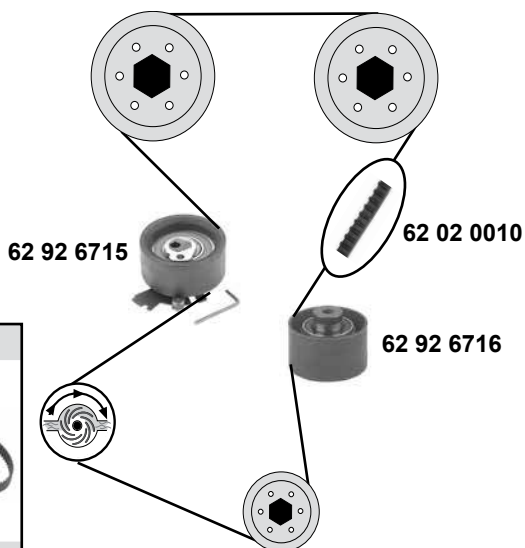
# PEUGEOT Partner I+II (96→08)

**1,8**  
(XU7JB)



# Partner III (08→)

**1,6 16V**  
(TU5JP4/TU5JP4B)



SWAG	Ref. - No.			
62 02 0003	0816.71	Zahnriemen / timing belt		Z 114 B17
62 02 0010	0816.H6	Zahnriemen / timing belt		Z 134 B25,4
62 92 6715	0829.C8	Spannrolle / tension roller		ØA 70 B30
62 92 6716	0830.62	Umlenkrolle / deflection pulley		ØA 60 B30
62 92 6717	0831.R9	Rep. Satz Zahnriemen / rep. kit timing belt		Z 134 B25,4
62 93 6660	5751.E9	Riemenspanner / belt tensioner		ØA 60 B25
99 02 0057	0831.06	Rep. Satz Zahnriemen / rep. kit timing belt		
99 03 0038	5751.18	Spannrolle / tension roller		
99 03 0066	5751.35	Riemenspanner / belt tensioner		

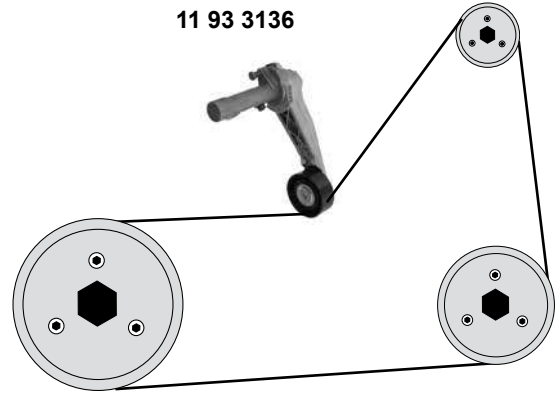
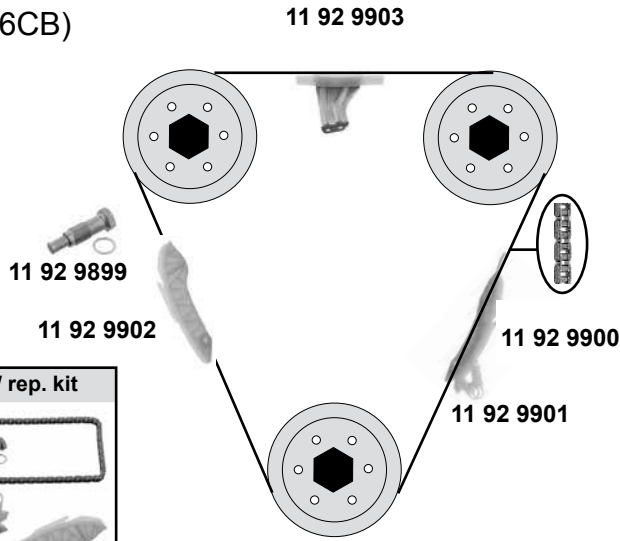
(ex.) servo   
AC servo

# PEUGEOT Partner III

(08→)



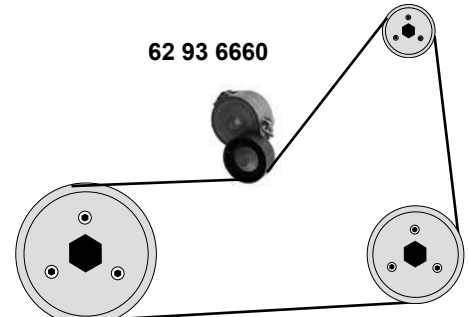
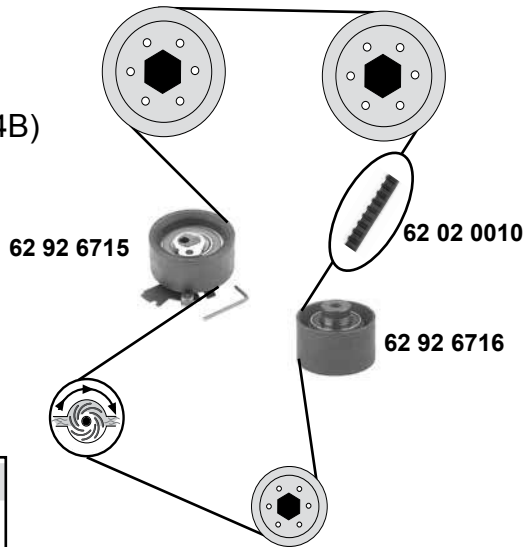
## 1,6 16V (EP6C/EP6CB)



## Partner Tepee III

(08→)

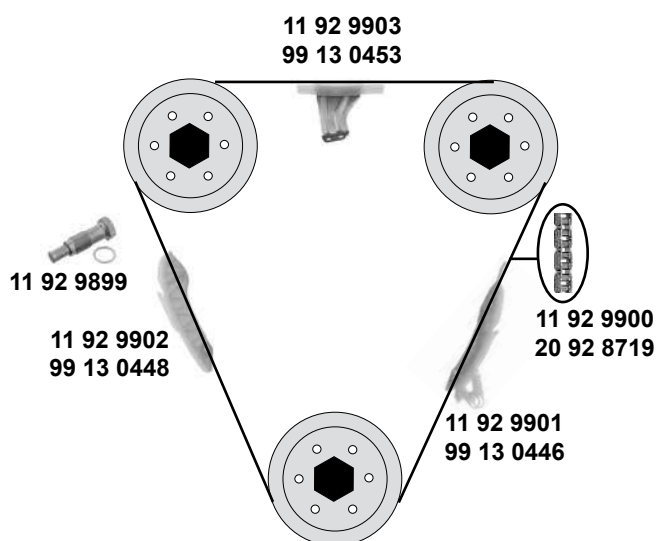
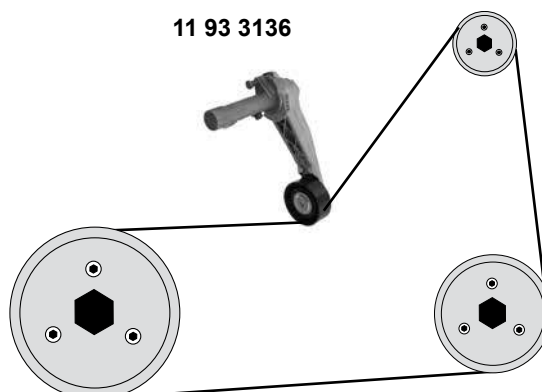
## 1,6 (TU5JP4 / TU5JP4B)



Ref. - No.



11 92 9899	0829.G3	Kettenspanner / chain tensioner	(mot.) EP6C	
11 92 9900	0816.J2	Steuerkette / timing chain	(mot.) EP6C	
11 92 9901	0818.40	Gleitschiene / sliding rail	(mot.) EP6C	
11 92 9902	0818.33	Gleitschiene / sliding rail	(mot.) EP6C	
11 92 9903	0818.41	Gleitschiene / sliding rail	(mot.) EP6C	
11 93 3136	5751.G9	Riemenspanner / belt tensioner	AC	ØA65 B25
62 02 0010	0816.H6	Zahnriemen / timing belt		Z 134 B25,4
62 92 6715	0829.C8	Spannrolle / tension roller		ØA 70 B30
62 92 6716	0830.62	Umlenkrolle / deflection pulley		ØA 60 B30
62 92 6717	0831.R9	Rep. Satz Zahnriemen / rep. kit timing belt		Z 134 B25,4
62 93 6660	5751.E9	Riemenspanner / belt tensioner		ØA60 B25
99 13 0345	0816.J2 S1	Rep. Satz Steuerekette / rep. kit timing chain	(mot.) EP6C	

**1,6 16V**  
 (EP6CDTX / EP6CDT)

**1,6 16V**  
 (EP6CDTX / EP6CDT / EP6CDTMD / EP6CDTM)

 (1) (mot.) EP6CDTX / EP6CDT / EP6CDT MD <sup>AC</sup> / (mot.) EP6CDT M


Ref. - No.



Ref. - No.	Description	Notes	Dimensions
11 92 9899	0829.G3	Kettenspanner / chain tensioner	
11 92 9900	0816.J2	Steuerkette / timing chain	(mot.) EP6CDTX 138 E
11 92 9901	0818.40	Gleitschiene / sliding rail	(mot.) EP6CDTX
11 92 9902	0818.33	Gleitschiene / sliding rail	(mot.) EP6CDTX
11 92 9903	0818.41	Gleitschiene / sliding rail	(mot.) EP6CDTX
11 93 3136	5751.G9	Riemenspanner / belt tensioner	(1)
20 92 8719	0816.H9	Steuerkette / timing chain	(mot.) EP6CDT ØA65 B25 144 E
99 13 0345	0816.J2 S1	Rep. Satz Steuerkette / rep. kit timing chain	(mot.) EP6CDTX
99 13 0446	0818.31	Gleitschiene / sliding rail	(mot.) EP6CDT
99 13 0448	0818.30	Gleitschiene / sliding rail	(mot.) EP6CDT
99 13 0452	0816.H9 S1	Rep. Satz Steuerkette / rep. kit timing chain	(mot.) EP6CDT
99 13 0453	0818.29	Gleitschiene / sliding rail	(mot.) EP6CDT

# PORSCHE

**911** (65→97)

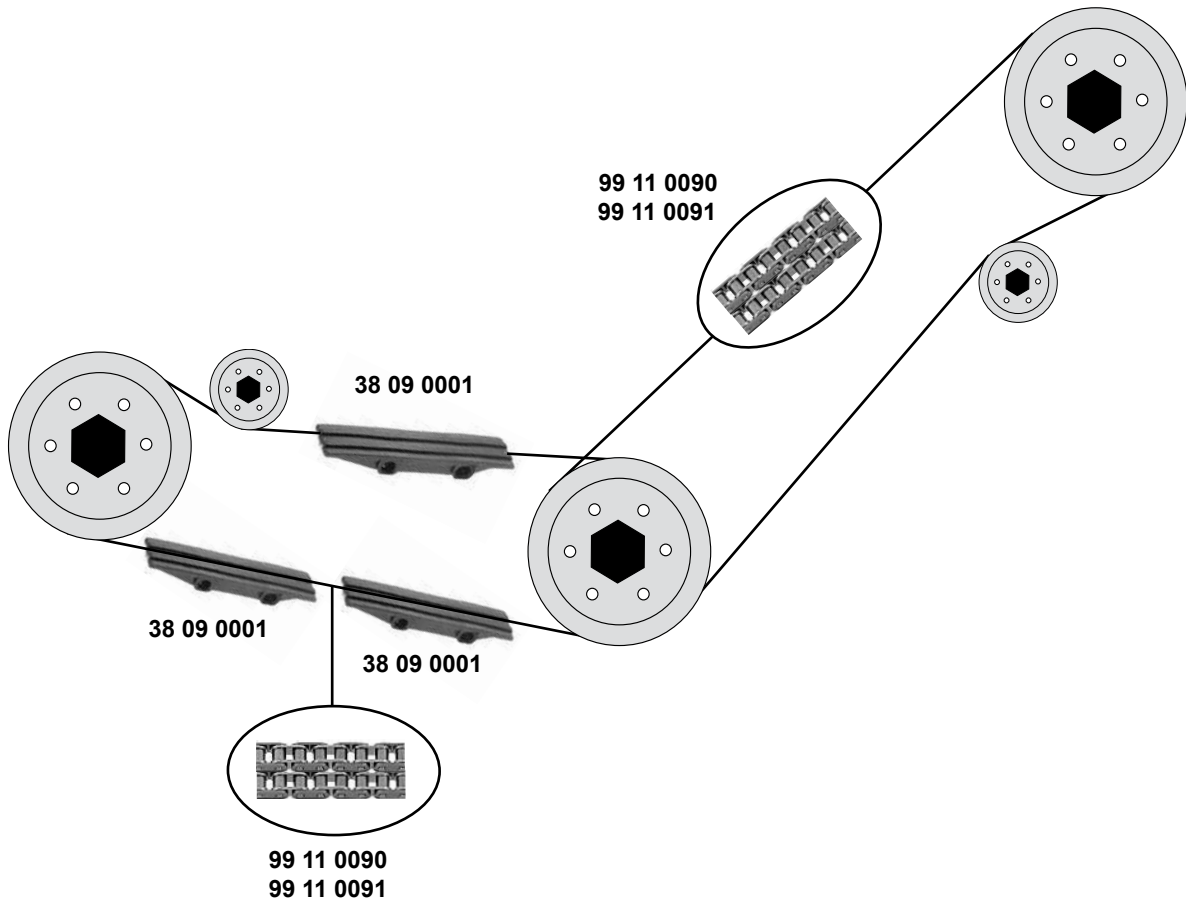
**914 / 6** (70→75)



**911 T** (75→77)

**964** (89→94)

**993** (94→98)



(1) nur / only 911 (ch.) 74 → 93

(2) Federverschluß / split link / fermeture de ressort / cierre de resorte / falsa maglia



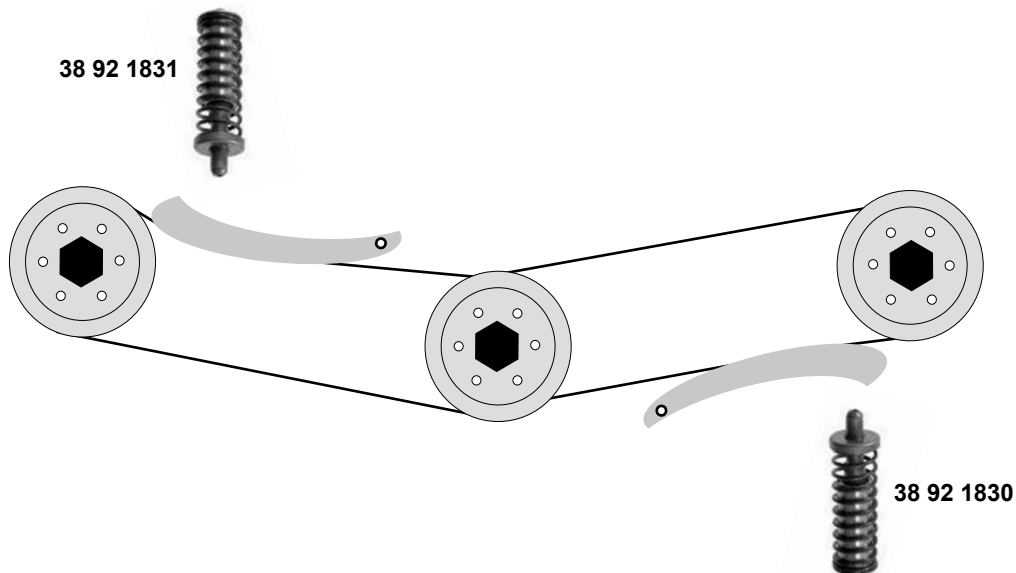
Ref. - No.



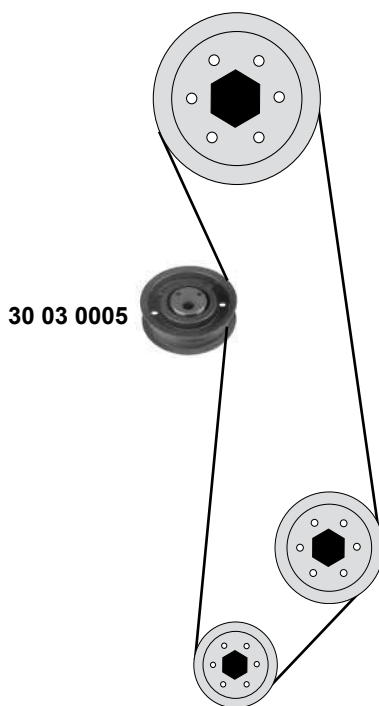
38 09 0001	911 105 222 06
99 11 0090	911 105 529 50
99 11 0091	911 105 529 00

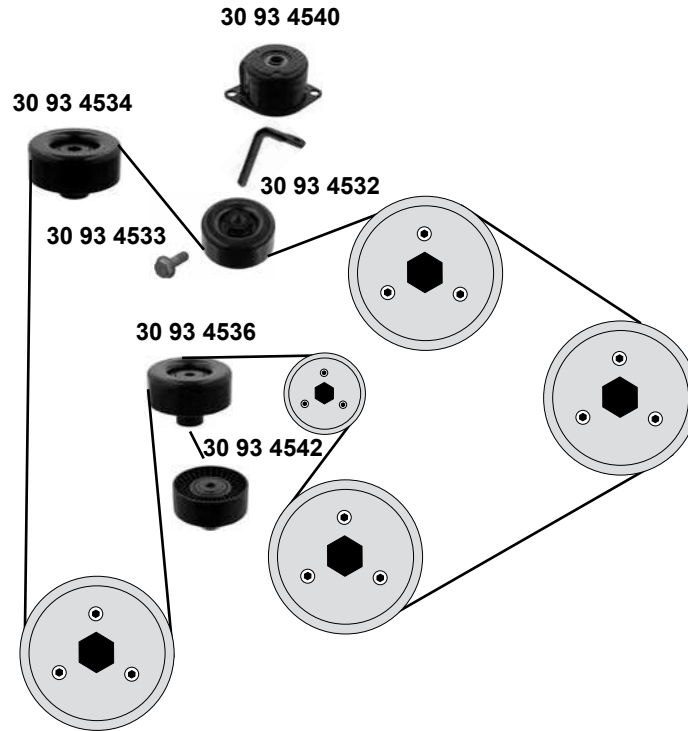
Gleitschiene / sliding rail	(1)
Rollenkette zweifach / roller chain double	(2)
Rollenkette zweifach / roller chain double	

D 455 / 98 F
D 455 / 98 E



**924 L**  
 (76→85)  
**2,0**





- (1) 996 (mot.) M96.01 / M96.02 / M96.03 / M96.04 98 → 05  
997-1 (mot.) M97.01 / M96.05 05 → 08
- (2) 997-1 (mot.) M96.05 mit Tiptronic / with tiptronic 05 → 08
- (3) 996 (mot.) M96.01 / M96.02 / M96.03 / M96.04 98 → 05 (ex.) man. ⚙️  
987-1 (mot.) M96.05 05 → 08 (ex.) man. ⚙️
- (4) 997-1 (mot.) M96.05 / M97.01 05 → 08 Schaltgetriebe / manual transmission  
996 (mot.) M96.01 / M96.02 / M96.03 98 → 05 Schaltgetriebe / manual transmission



Ref. - No.

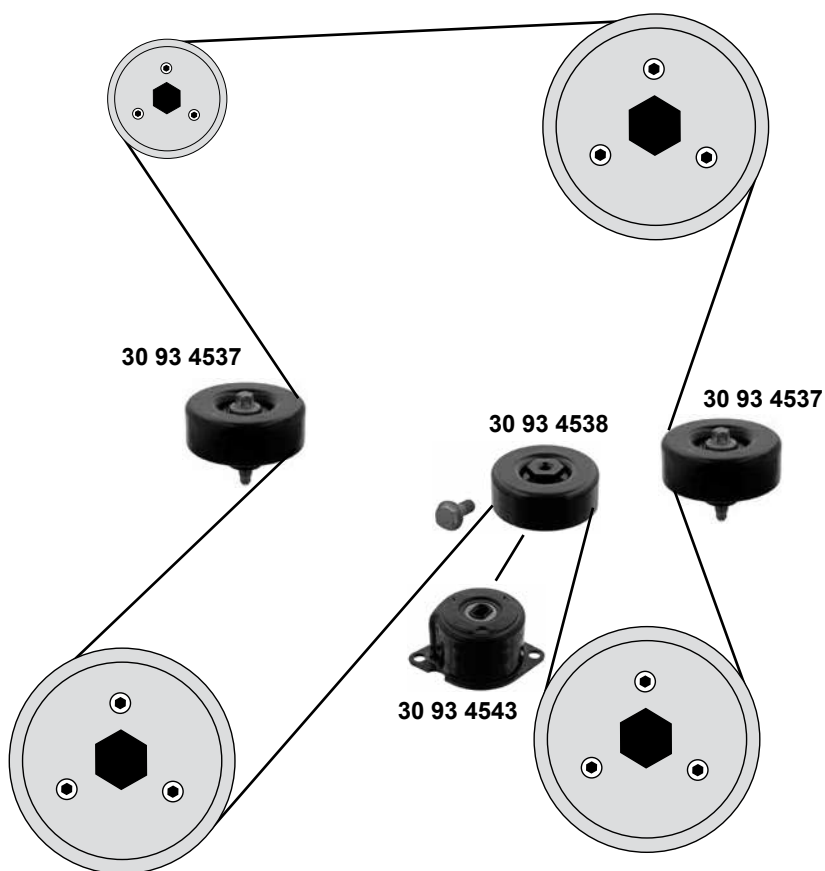


30 93 4532	996 102 360 51
30 93 4533	996 102 117 57
30 93 4534	996 102 118 56
30 93 4536	996 102 119 58
30 93 4540	997 102 260 00
30 93 4542	997 102 119 00

Spannhebel / Clamping lever
Spannrolle / tension roller
Umlenkrolle / deflection pulley
Umlenkrolle / deflection pulley
Riemenspanner / belt tensioner
Umlenkrolle / deflection pulley

(1)
(2)
(1)
(3)
(1)
(4)





(1) 996-T (mot.) alle/all 01 → 05 / 997-T (mot.) M97.70 07 → 09 / 997-T2 (mot.) M97.70 10 → 11



Ref. - No.



30 93 4537	996 115 015 75
30 93 4538	996 115 016 72
30 93 4543	996 115 221 72

Umlenkrolle / deflection pulley	(1)
Umlenkrolle / deflection pulley	
Riemenspanner / belt tensioner	

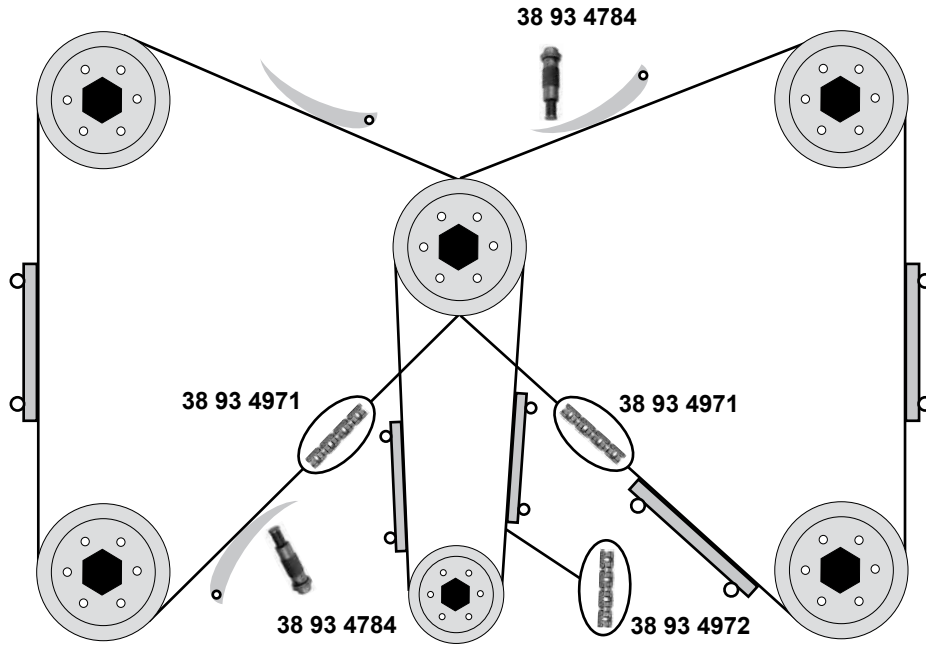
# PORSCHE

## 911 (987-2)

(09→12)



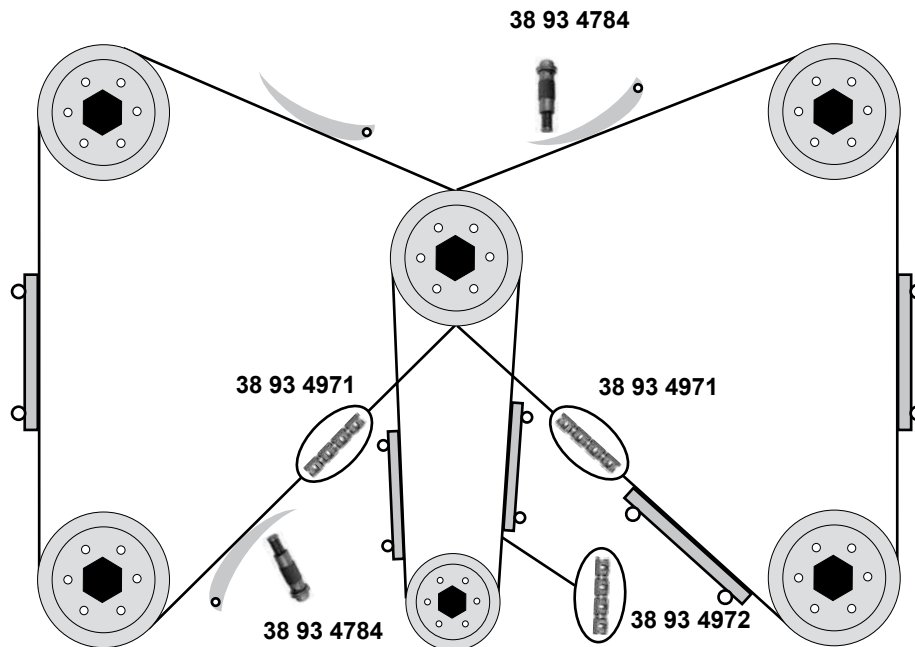
(MA1.01/MA1.02)



## 911 (987-T2)

(09→12)

(MA1.70)

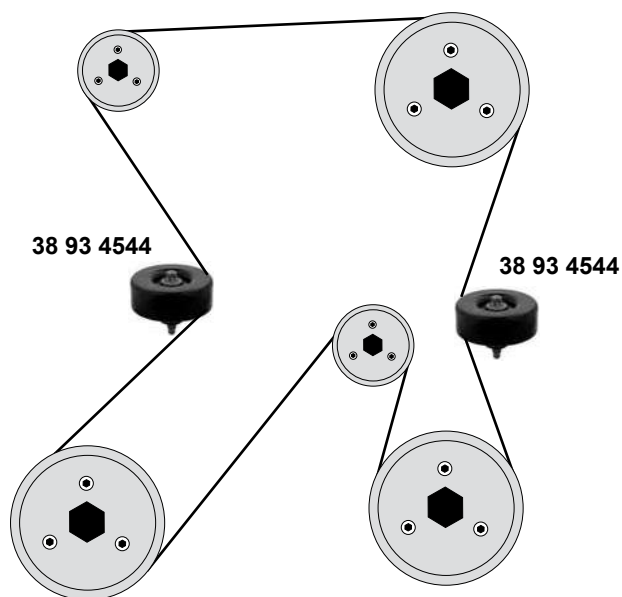


Ref. - No.

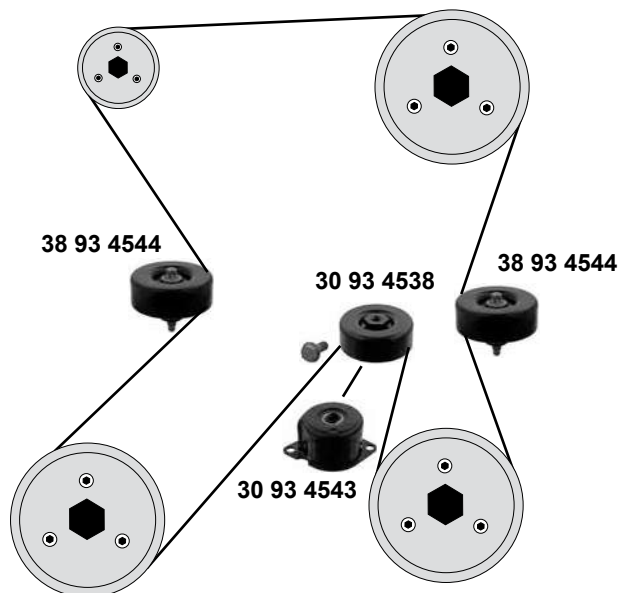


38 93 4784	9A1 105 157 02
38 93 4971	9A1 105 142 02
38 93 4972	9A1 105 233 02
38 93 4973	9A1 105 142 02 S1

Kettenspanner / chain tensioner
Steuerkette / timing chain
Steuerkette für Ölpumpe / timing chain for oil pump
Rep. Satz Steuerkette / rep. kit timing chain



**GT3-2**  
(07→11)  
(M96.76/79)

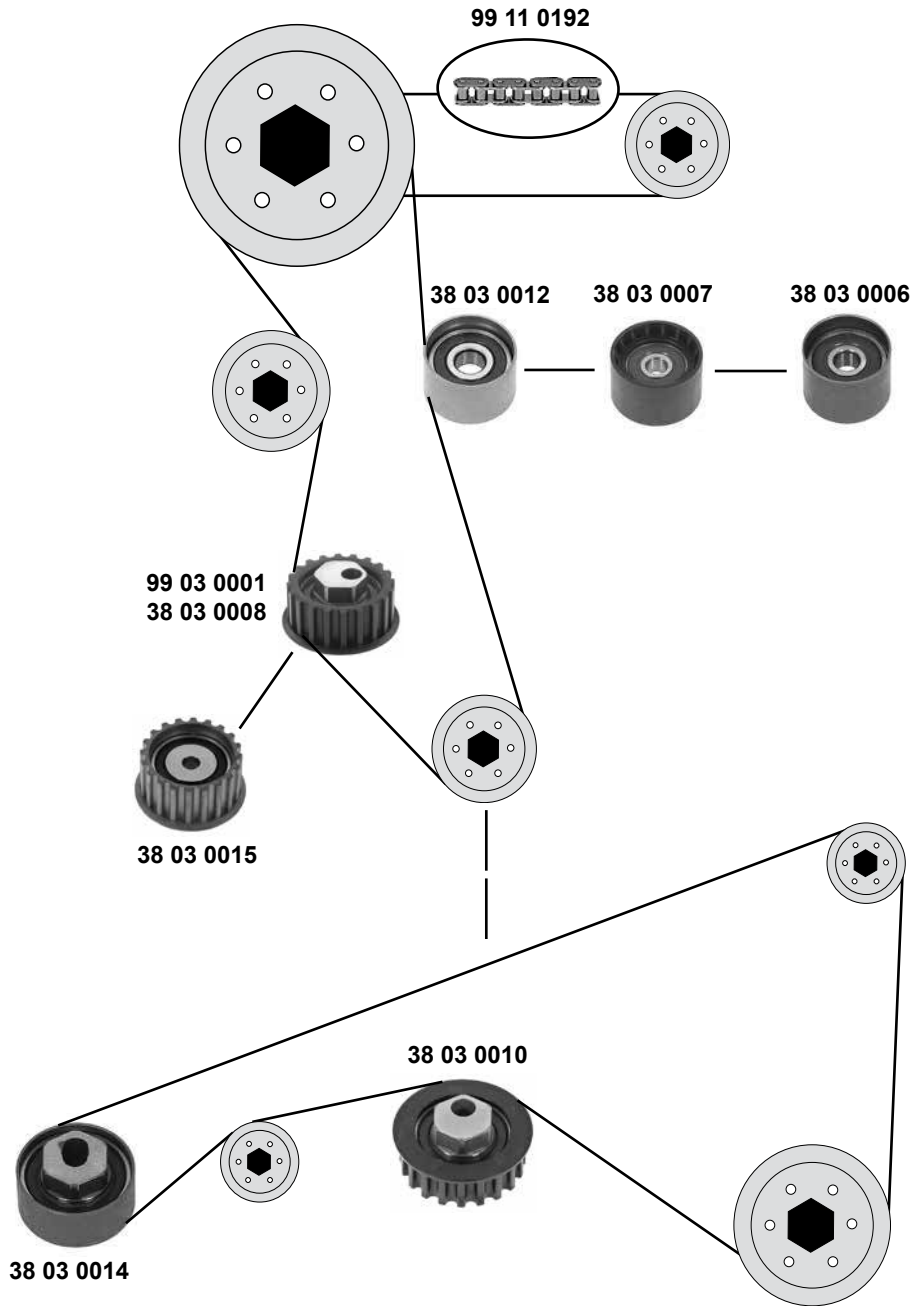


# PORSCHE 924 S / 944 S

(83→91)



## 2,5 8V / 16V



(1) 924 (8V) Modell: → 86

(4) 944 (8V) Modell: 82 → 85

(2) 924 (8V) Modell: 87 →

(5) 944 (16V) Modell: 87 → 91

(3) 944 (8V) Modell: 87 → 93

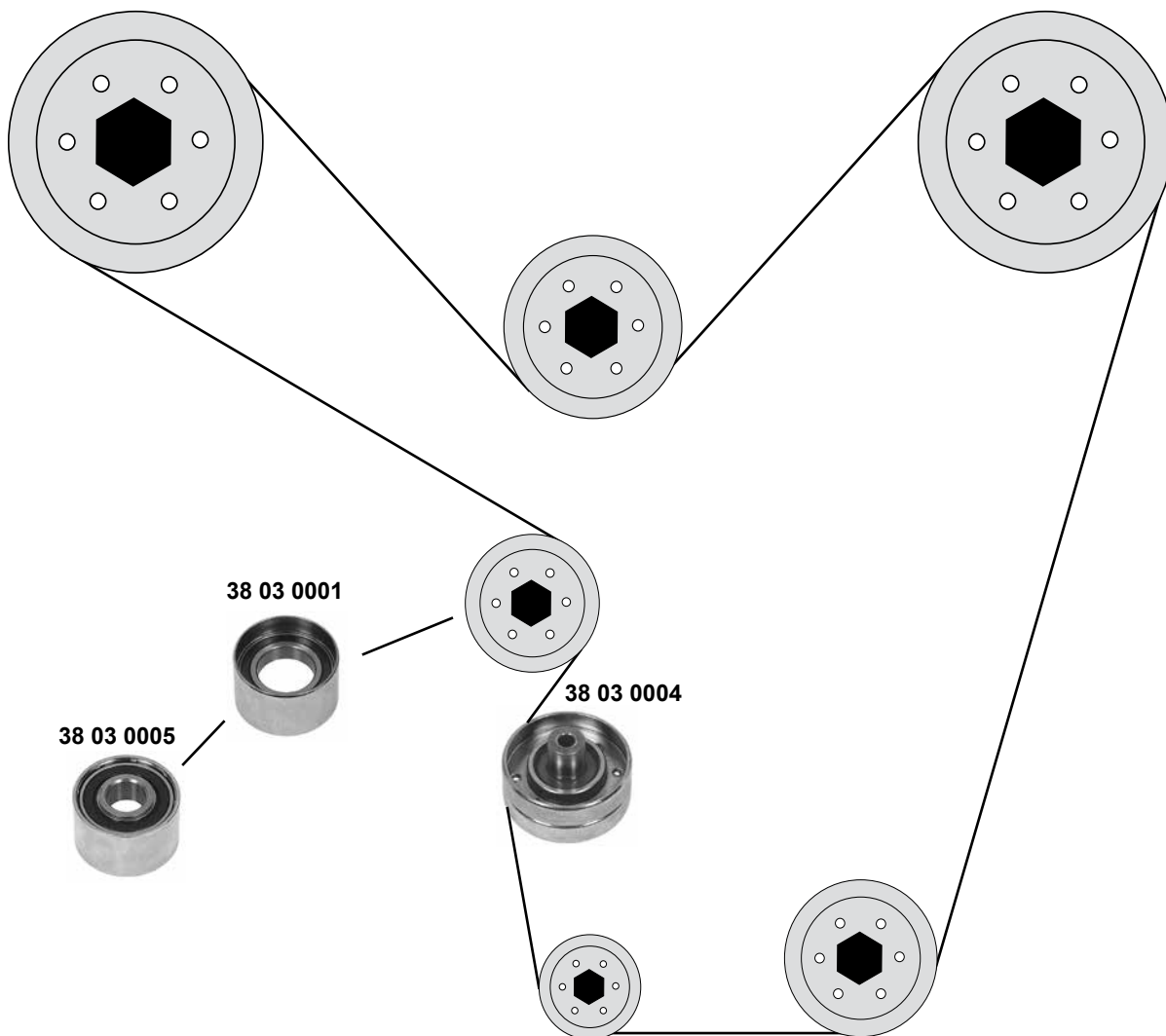
(6) M44.40/41 (16V)



Ref. - No.



Ref. - No.	Description	Quantity	Dimensions
38 03 0006	Umlenkrolle / deflection pulley	(5)	ØA 37 ØI 10 B28
38 03 0007	Umlenkrolle / deflection pulley	(2)	ØA 32 ØI 10 B28
38 03 0008	Spannrolle / tension roller	(2) (3)	ØA 59 ØI 10 B26
38 03 0010	Spannrolle Ausgleichsw. / tension roller balance shaft		ØA 60 ØI 11 B22
38 03 0012	Umlenkrolle / deflection pulley	(1)	ØA 32 ØI 10 B21
38 03 0014	Spannrolle Ausgleichsw. / tension roller balance shaft		ØA 50 B22
38 03 0015	Spannrolle / tension roller	(5)	ØA 60 ØI 10 B30
99 03 0001	Spannrolle / tension roller	(1) (4)	ØA 60 ØI10,5 B23
99 11 0192	Rollenkette einfach / roller chain simple	(6)	458 / 42 E



(1) (mot.) 4,5 / 4,7 Modell: 82 →  
(mot.) 5,0 Modell: 85 → 96

(2) (mot.) 5,0 Modell: 87 → 96

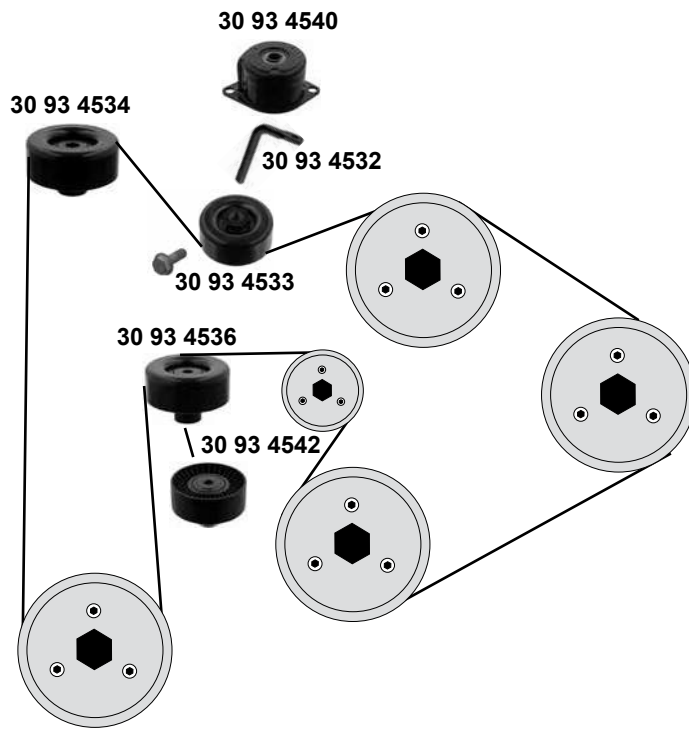


Ref. - No.



<b>38 03 0001</b>	928 105 571 04	Umlenkrolle / deflection pulley	(2)	ØA 46 ØI 25 B28
<b>38 03 0004</b>	928 105 512 12	Spannrolle / tension roller	(1)	ØA 69 ØI 8,5 B30
<b>38 03 0005</b>	928 105 571 02	Umlenkrolle / deflection pulley	4,6 S	ØA 46 ØI 17 B28

# PORSCHE Boxster (97→)



(1) 986 (mot.) M96.20 / M96.21 / M96.22 / M96.23 / M96.24 97 → 04  
987 (mot.) M96.25 / M96.26 / M97.20 / M97.21 / M97.22 05 → 08

(2) 987 (mot.) M96.25 / M96.26 05 → 08  
M97.20 / M97.21 / M97.22 mit Tiptronic / with tiptronic 05 → 08

(3) 986 (mot.) M96.20 / M96.21 / M96.22 / M96.23 / M96.24 97 → 04  
987 (mot.) M96.25 / M96.26 / M97.20 / M97.21 / M97.22 05 → 08 (ex.) man.

(4) 987 (mot.) M96.25 / M96.26 / M97.20 / M97.21 / M97.22 05 → 08 Schaltgetriebe / manual transmission



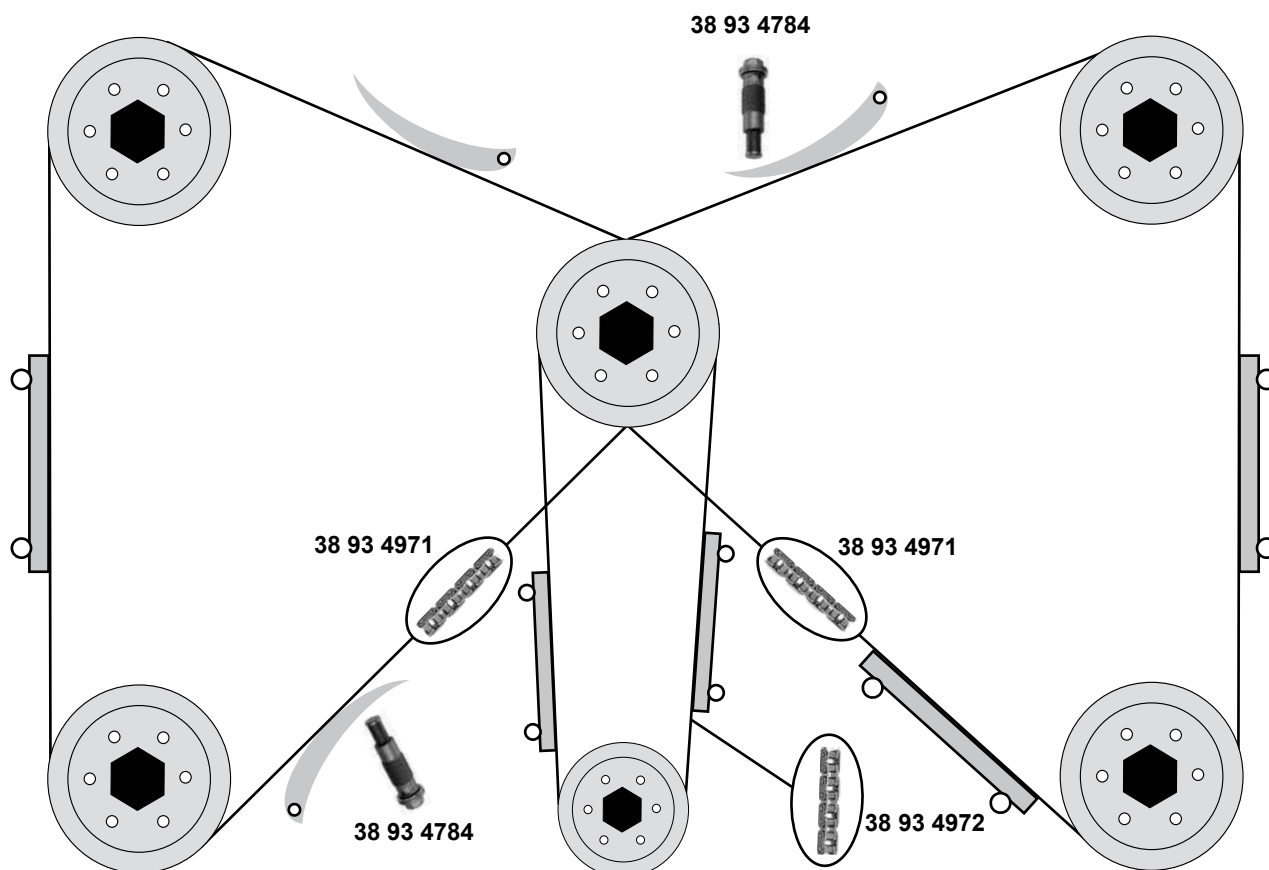
Ref. - No.



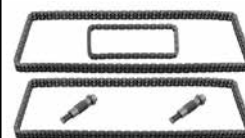
30 93 4532	996 102 360 51
30 93 4533	996 102 117 57
30 93 4534	996 102 118 56
30 93 4536	996 102 119 58
30 93 4540	997 102 260 00
30 93 4542	997 102 119 00

Spannhebel / Clamping lever
Spannrolle / tension roller
Umlenkrolle / deflection pulley
Umlenkrolle / deflection pulley
Riemenspanner / belt tensioner
Umlenkrolle / deflection pulley

(1)
(2)
(1)
(3)
(1)
(4)



Rep. Satz / rep. kit



SWAG 38 93 4973



Ref. - No.



38 93 4784 9A1 105 157 02

Kettenspanner / chain tensioner

38 93 4971 9A1 105 142 02

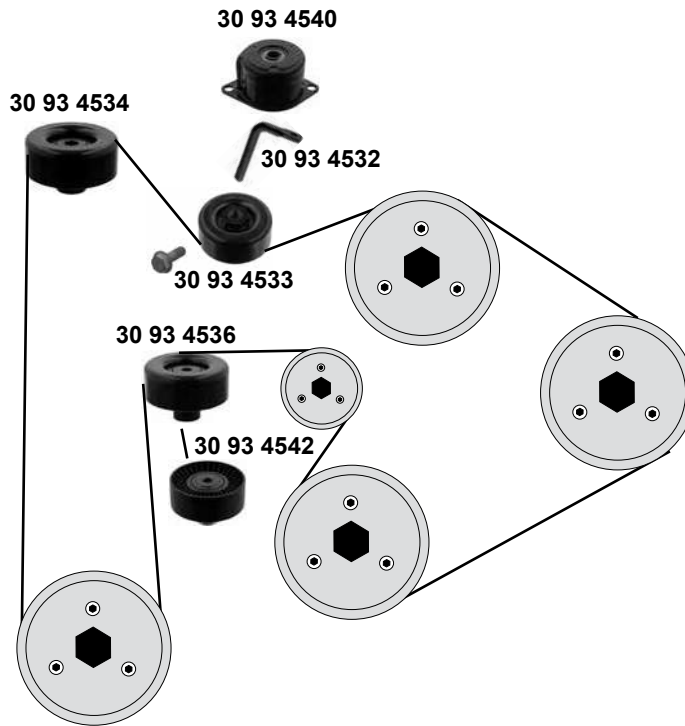
Steuerkette / timing chain

38 93 4972 9A1 105 233 02

Steuerkette für Ölpumpe / timing chain for oil pump

38 93 4973 9A1 105 142 02 S1

Rep. Satz Steuerkette / rep. kit timing chain



- (1) 987 (mot.) M99.25 / M96.26 / M97.20 / M97.21 / M97.22  
987C (mot.) M97.20 / M97.21
- (2) 987C (mot.) M97.20 / M97.21 mit Tiptronic / with tiptronic
- (3) 987C (mot.) M97.20 / M97.21 (ex.) man. 
- (4) 987C (mot.) M97.20 Schaltgetriebe / manual transmission



Ref. - No.

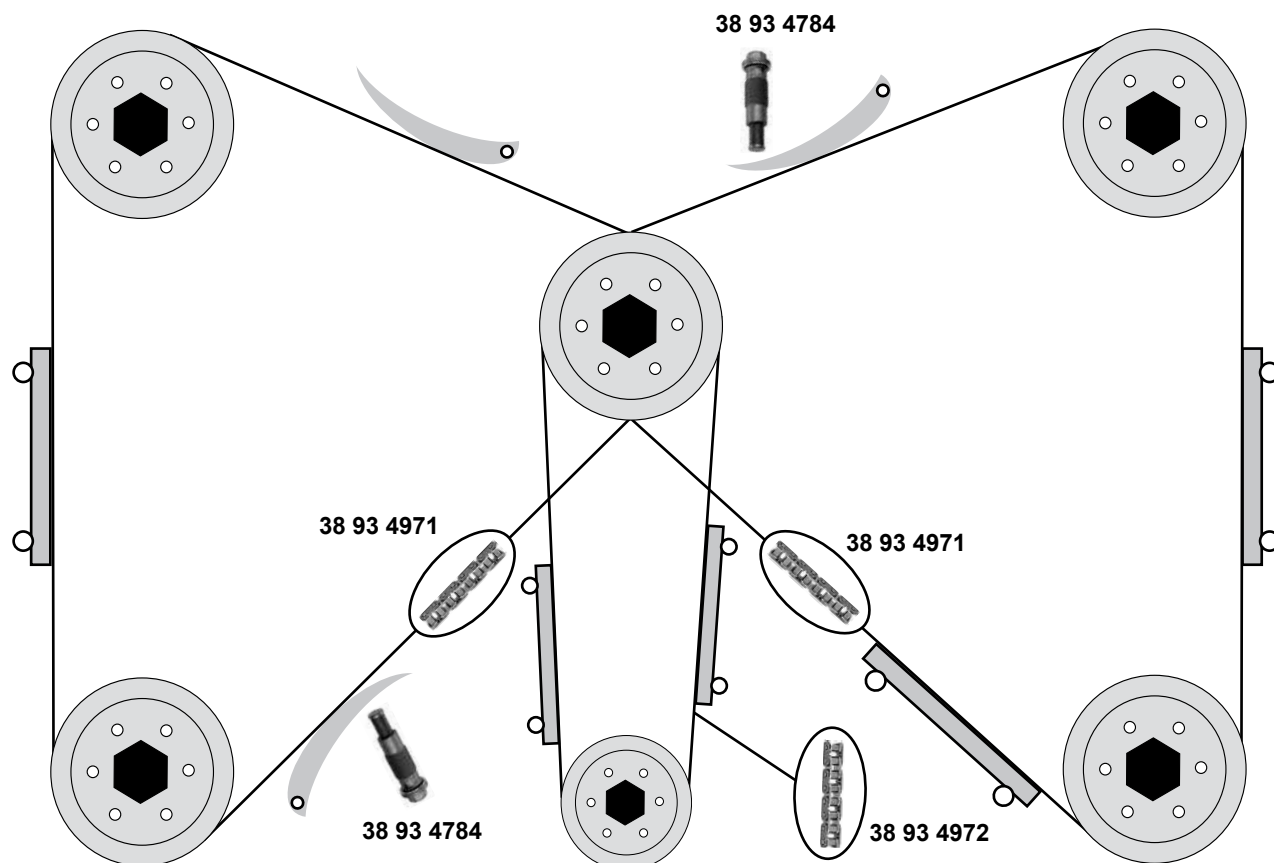


30 93 4532	996 102 360 51
30 93 4533	996 102 117 57
30 93 4534	996 102 118 56
30 93 4536	996 102 119 58
30 93 4540	997 102 260 00
30 93 4542	997 102 119 00

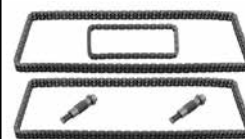
Spannhebel / Clamping lever
Spannrolle / tension roller
Umlenkrolle / deflection pulley
Umlenkrolle / deflection pulley
Riemenspanner / belt tensioner
Umlenkrolle / deflection pulley

(1)
(2)
(1)
(3)
(1)
(4)





Rep. Satz / rep. kit



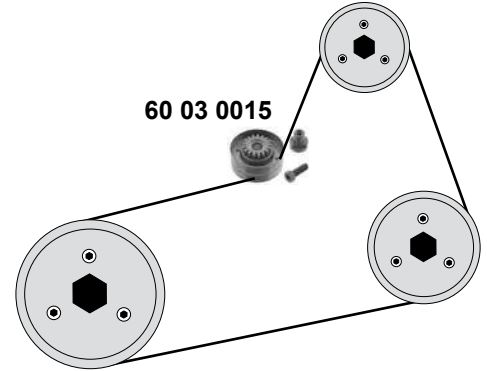
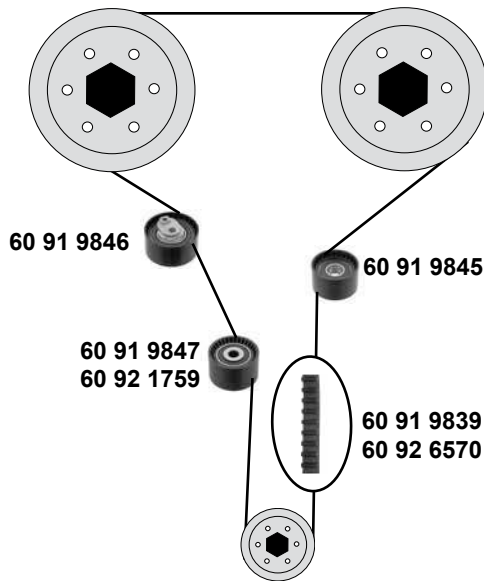
SWAG 38 93 4973

# RENAULT Avantime

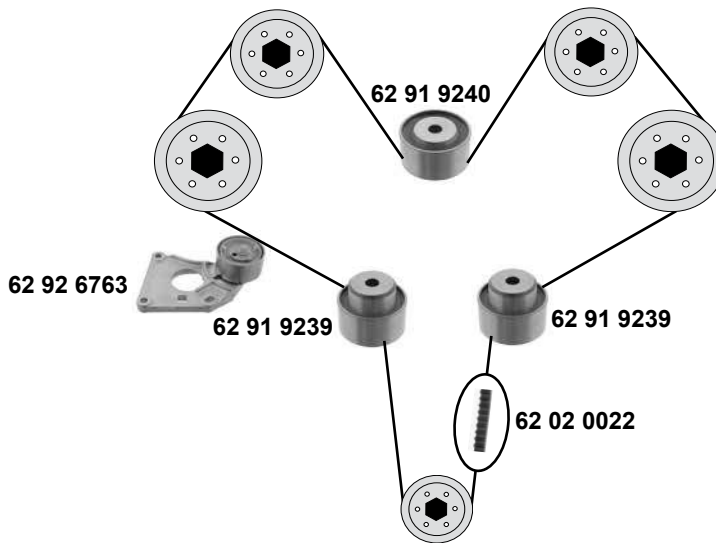
(01→03)



## 2,0 16V (F4R)

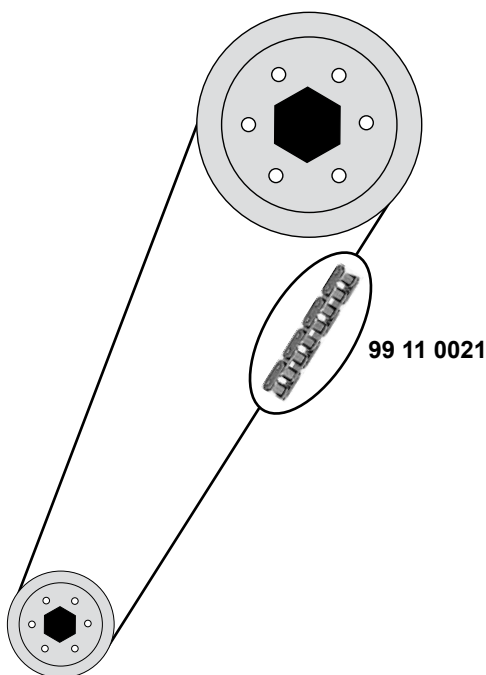


## 3,0 V6 24V (L7X)

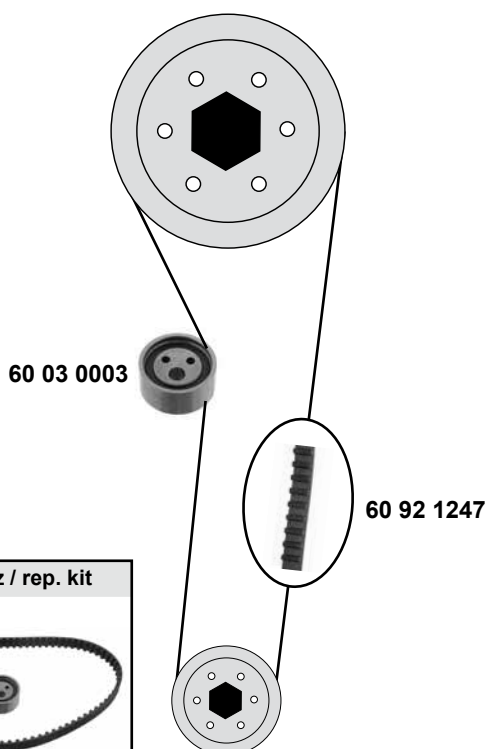


SWAG GERMANY	Ref. - No.			
60 03 0015	77 00 851 321	Spannrolle / tension roller	<b>AC</b>	ØA 70 B28
60 91 9839	77 01 063 999	Zahnriemen / timing belt	→Modell 04/01	Z 128
60 91 9845	82 00 483 288	Umlenkrolle / deflection pulley	→Modell 04/01	ØA 54 ØI 19 B32
60 91 9846	82 00 676 404	Spannrolle / tension roller		ØA 66 B32
60 91 9847	77 00 107 150	Umlenkrolle / deflection pulley	→Modell 04/01	ØA 54 B32
60 91 9951	77 01 472 292	Rep. Satz Zahnriemen / rep. kit timing belt	→Modell 04/01	Z 128
60 92 1759	82 00 064 664	Umlenkrolle / deflection pulley	Modell 04/01→	ØA 54 ØI 12 B32
60 92 6567	77 01 474 023	Rep. Satz Zahnriemen / rep. kit timing belt	Modell 04/01→	Z 128
60 92 6570	82 00 542 739	Zahnriemen / timing belt	Modell 04/01→	Z 128
62 02 0022	96 18 337 580	Zahnriemen / timing belt		Z 259
62 91 9239	96 16 660 580	Umlenkrolle / deflection pulley		ØA 65 B36/54
62 91 9240	96 16 660 780	Umlenkrolle / deflection pulley		ØA 65 B36
62 92 6763	96 42 184 080	Spannrolle / tension roller		ØA 70 B36
62 92 8103	77 01 473 569	Rep. Satz Zahnriemen / rep. kit timing belt		Z 259

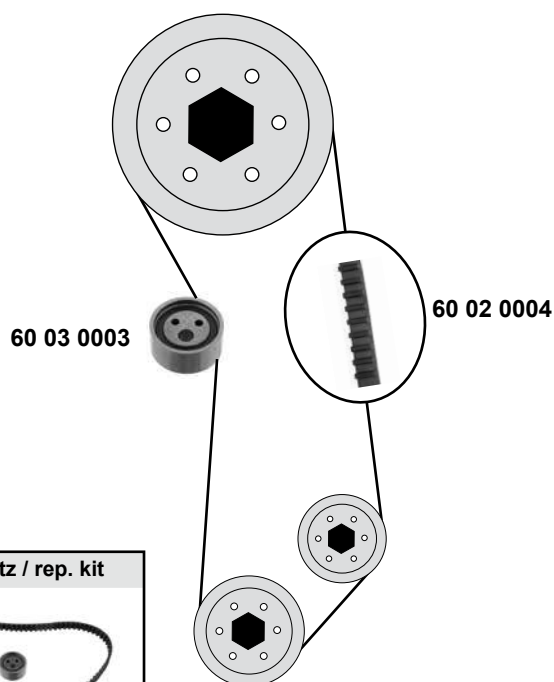
**1,2**  
(C1E-100 / C3G)



**1,2**  
(D7D-730)



**1,2 / 1,4**  
(E5F / E6J / E7F / E7J)



60 02 0004	77 00 736 969	Zahnriemen / timing belt
60 02 0019	77 01 472 726	Rep. Satz Zahnriemen / rep. kit timing belt
60 02 0021	77 01 477 013	Rep. Satz Zahnriemen / rep. kit timing belt
60 03 0003	77 00 736 085	Spannrolle / tension roller
60 92 1247	82 00 545 581	Zahnriemen / timing belt
99 11 0021	77 00 722 758	Rollenkette einfach / roller chain simple

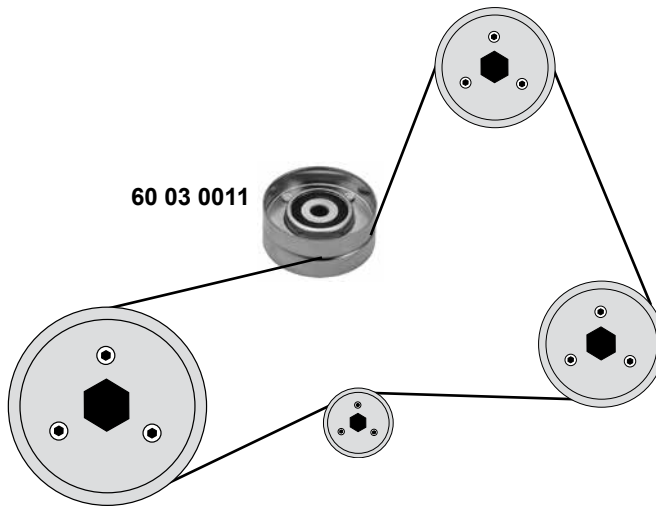
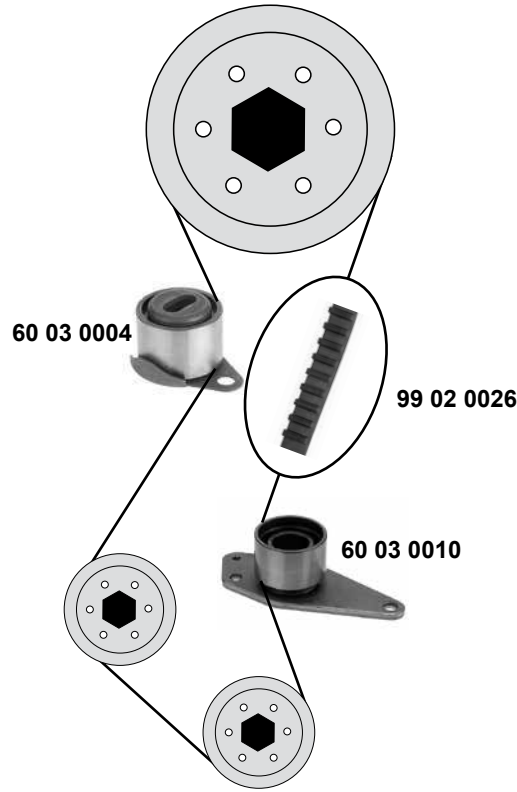
# RENAULT

## Clio 1

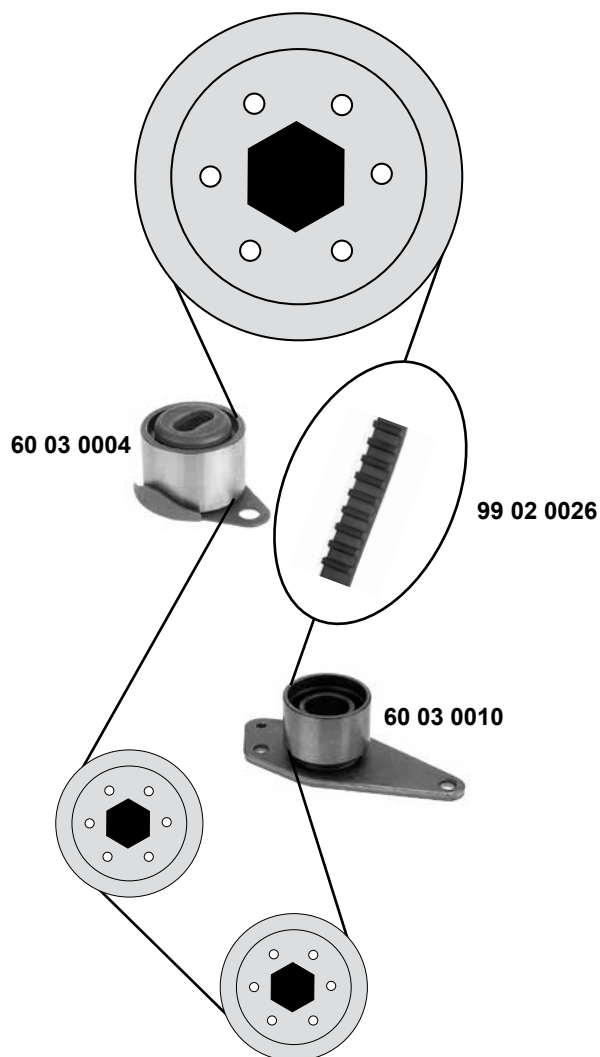
(85→98)



1,7  
(F2N)



SWAG GERMANY	Ref. - No.			
60 03 0004	77 00 726 440	Spannrolle / tension roller	servo	ØA 50 Ø1 23,5 B31 ØA 50 B31 ØA 70 B30
60 03 0010	82 00 051 091	Umlenkrolle / deflection pulley		
60 03 0011	77 00 850 603	Spannrolle / tension roller		
99 02 0026	77 00 725 577	Zahnriemen / timing belt		
99 02 0053	77 01 468 167	Rep. Satz Zahnriemen / rep. kit timing belt		



Rep. Satz / rep. kit



SWAG 99 02 0053



(1) (mot.) (B57) 710 (1/93→95) / (B57) 755 (1/85→4/95) / (C57) 710/714 (1/93→)  
 (C57) 712/755/758 (6/90→4/95) / (B57) 754/755 (1/96→98) / (C57) (1/96→98)



Ref. - No.



**60 03 0004** 77 00 726 440  
**60 03 0010** 82 00 051 091  
**99 02 0026** 77 00 725 577  
**99 02 0053** 77 01 468 167

Spannrolle / tension roller  
 Umlenkrolle / deflection pulley  
 Zahnriemen / timing belt  
 Rep. Satz Zahnriemen / rep. kit timing belt

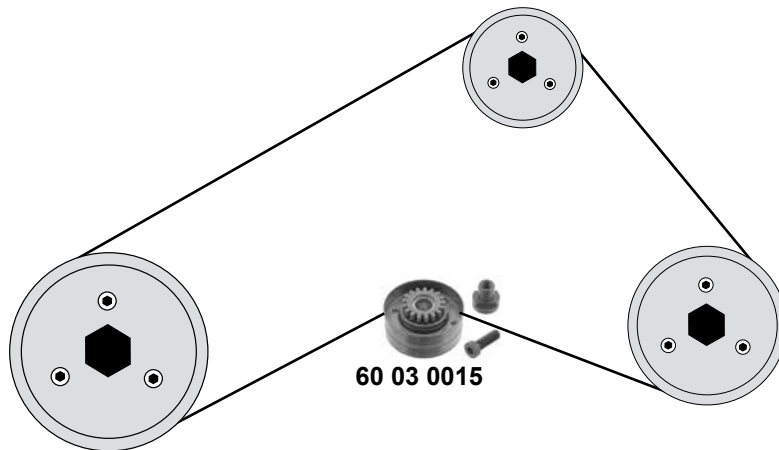
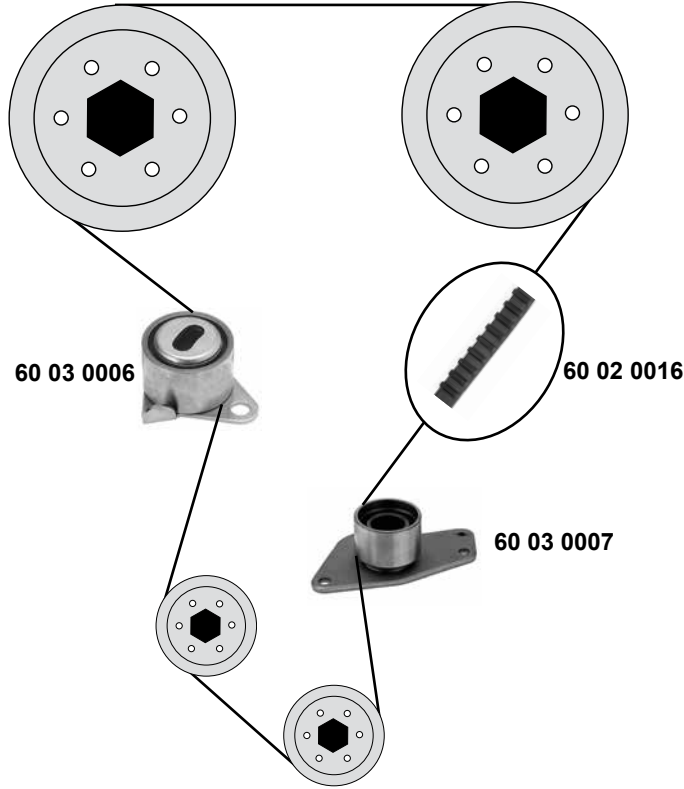
ØA 50 ØI 23,5 B31  
 ØA 50 B31

# RENAULT Clio 1

(85→98)



**1,8 16V / 2,0 16V**  
(F7P / F7R)



Ref. - No.



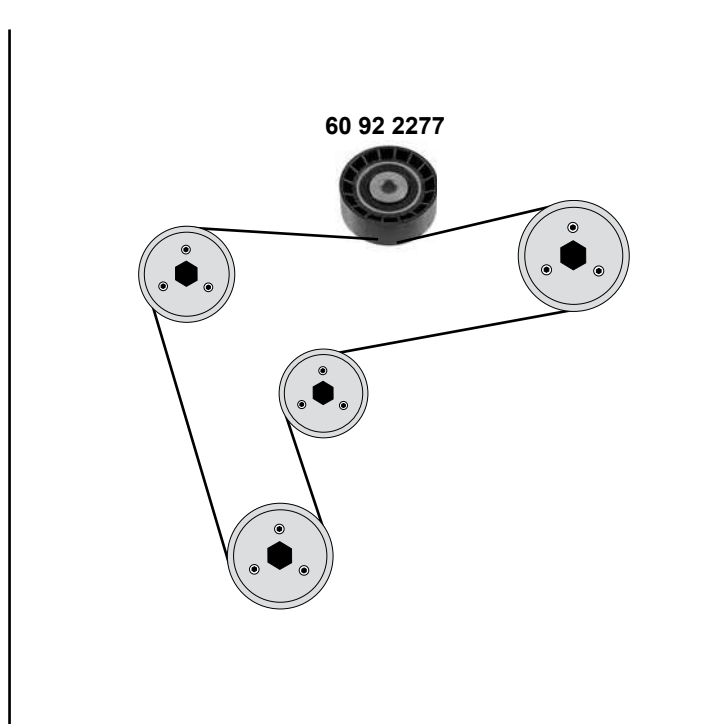
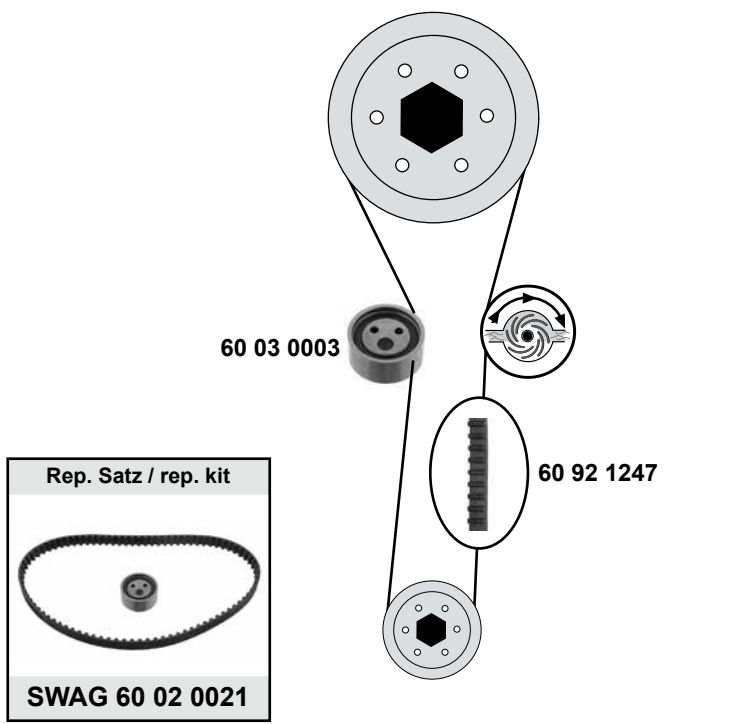
60 02 0016	77 00 743 777
60 02 0017	77 01 469 775
60 03 0006	77 00 736 419
60 03 0007	82 00 469 376
60 03 0015	77 00 851 321

Zahnriemen / timing belt
Rep. Satz Zahnriemen / rep. kit timing belt
Spannrolle / tension roller
Umlenkrolle / deflection pulley
Spannrolle / tension roller

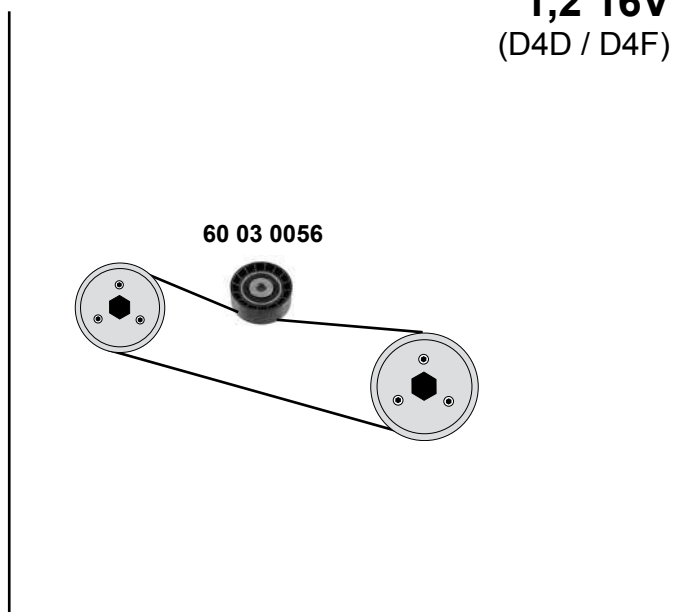
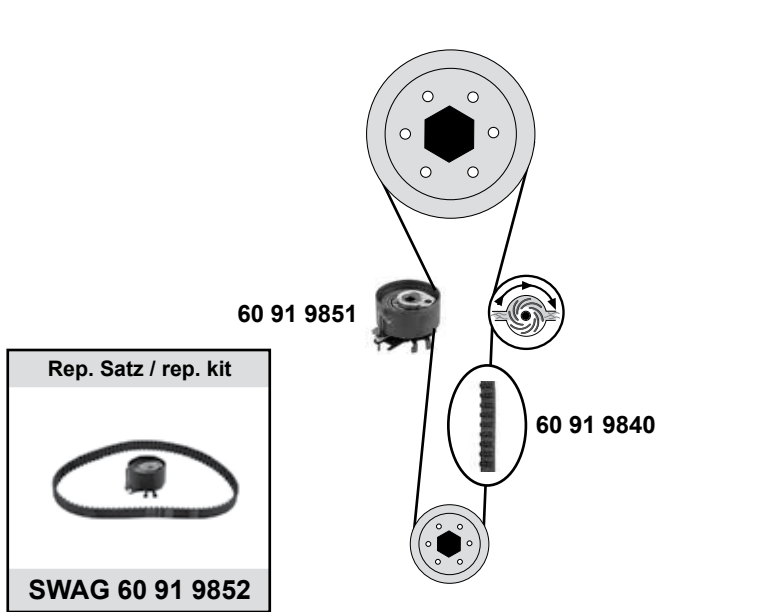


Z 148 B25,4
ØA 50 B30,5
ØA 50 B30,5
ØA 70 B28

**1,2**  
(D7D)



**1,2 16V**  
(D4D / D4F)



- (1) D7F-726, 720 AC + servo
- (2) D7F-726, 720 04/00→ / D7F-726 98→ AC + servo



Ref. - No.



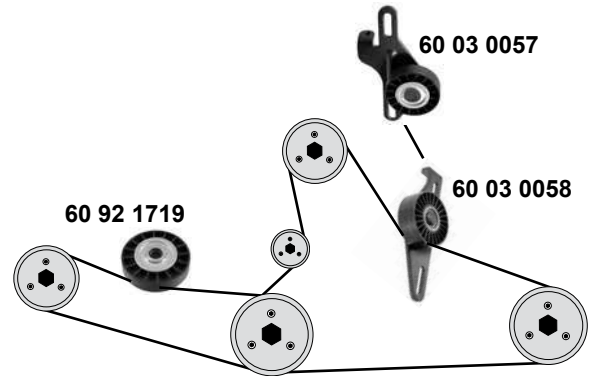
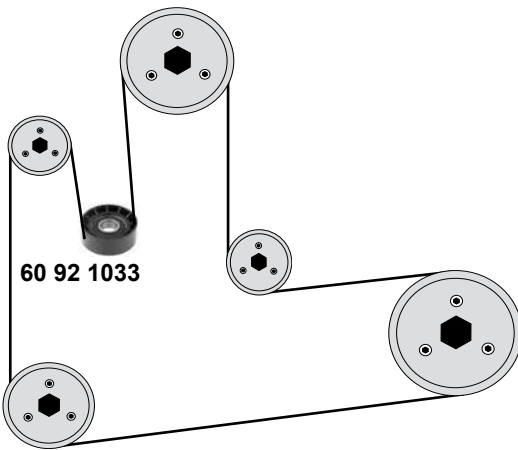
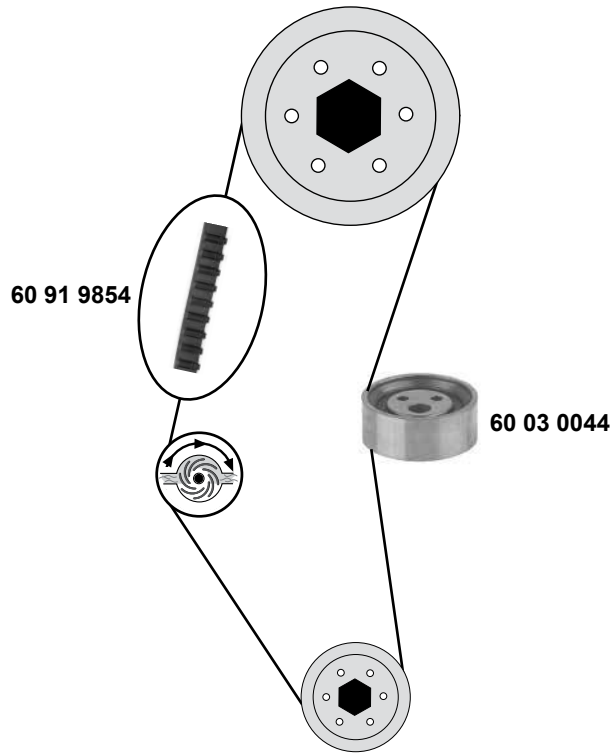
Ref. - No.	Part Name	Quantity	Dimensions
60 02 0021	Rep. Satz Zahnriemen / rep. kit timing belt		
60 03 0003	Spannrolle / tension roller		ØA 50 B22
60 03 0056	Umlenkrolle / deflection pulley	(2)	
60 91 9840	Zahnriemen / timing belt		Z 95 B23,4
60 91 9851	Spannrolle / tension roller		ØA 59 B24
60 91 9852	Rep. Satz Zahnriemen / rep. kit timing belt		Z 95 B23,4
60 92 1247	Zahnriemen / timing belt		Z 87 B17
60 92 2277	Umlenkrolle / deflection pulley	(1)	ØA 56 B24

# RENAULT Clio 2

(98→05)



**1,4 / 1,6**  
(E7J / K7J / K7M)



(1) (ex.) AC / E7J-634, 635 / K7M-746 / K7J-700, 701

(2) AC K4J / K4M / K7J / E7J-634, 635

(3) (ex.) AC / E7J-780 / K7M-744, 745



Ref. - No.



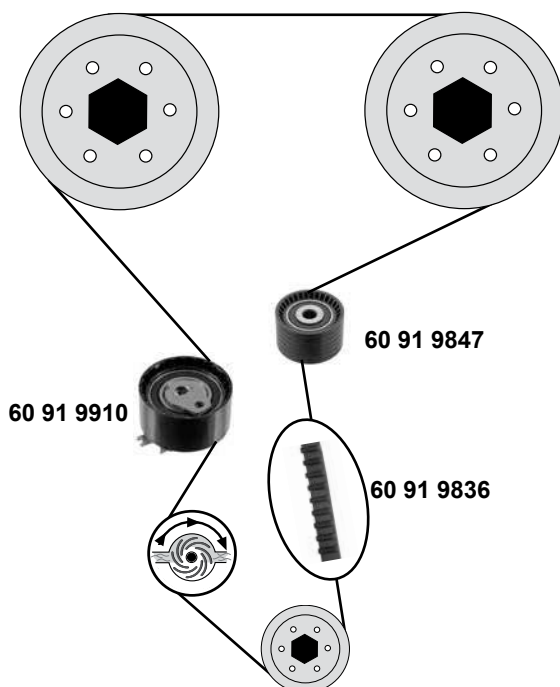
60 03 0044	82 00 211 784
60 03 0057	77 00 870 432
60 03 0058	82 00 582 997
60 91 9854	82 00 537 021
60 92 1033	82 00 104 754
60 92 1719	77 00 869 684
60 92 1725	77 01 477 024

Spannrolle / tension roller
Riemenspanner / belt tensioner
Riemenspanner / belt tensioner
Zahnriemen / timing belt
Umlenkrolle / deflection pulley
Spannrolle / tension roller
Rep. Satz Zahnriemen / rep. kit timing belt

(3)  
(1)  
(2)  
(mot.) E7J 780

ØA 55 B22
ØA 70 B18
ØA 70 B25,5
Z 96 B17
ØA 60,2 B25,5
ØA 70 B15

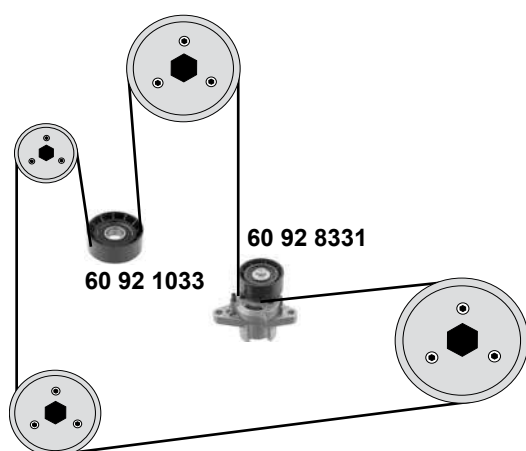
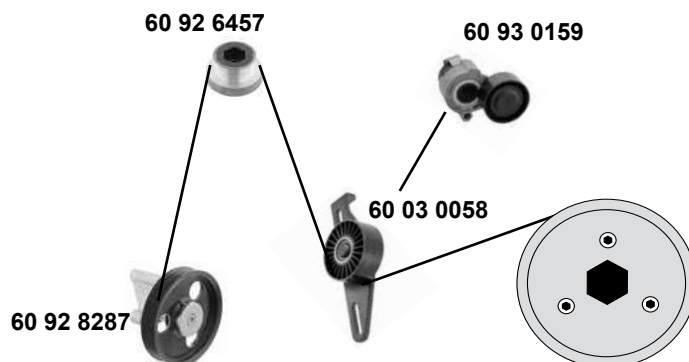


**1,4 16V / 1,6 16V**  
 (K4J / K4M)


Rep. Satz / rep. kit



SWAG 60 91 9918

**AC****(ex.) AC**

- (1) (ex.) AC (mot.) K4J-710-713 / K4M-708, 732, 734, 740, 742, 743, 746, 748 / K7M-746 / E7J-634,635  
 (2) (ex.) AC (mot.) K4J-710, 711 / K4M-744, 745, 746 / (ex.) AC (ex.) servo (mot.) K4M-742, 743  
 (3) AC (mot.) K4J-710 - 713 / K4M-708, 732, 734, 736, 740, 742, 743, 746, 748 (mot.) K4J-744, 745→09/04  
 (4) (mot.) K4J-711 06/04→05  
 (5) (mot.) K4J-710,711,712,713 / K4M-708,740,748



Ref. - No.



Ref. - No.	Description	Quantity	Notes
60 03 0058	Riemenspanner / belt tensioner	(1)	ØA 70 B25,5
60 91 9836	Zahnriemen / timing belt	(mot.) K4J / K4M	Z 132 B27
60 91 9847	Umlenkrolle / deflection pulley	(mot.) K4J / K4M	ØA 54 B32
60 91 9910	Spannrolle / tension roller	(5)	ØA 65 B32
60 91 9918	Rep. Satz Zahnriemen / rep. kit timing belt	(5)	
60 92 1033	Umlenkrolle / deflection pulley	AC	ØA 60,2 ØI 17 B25,5
60 92 6457	Generatorfreilauf / Freewheel Clutch, generator	Valeo	ØA 78 B40,2
60 92 8287	Umlenkrolle / deflection pulley	(2)	ØA 131,5
60 92 8331	Riemenspanner / belt tensioner	(3)	ØA 60
60 93 0159	Riemenspanner / belt tensioner	(4)	ØA 65

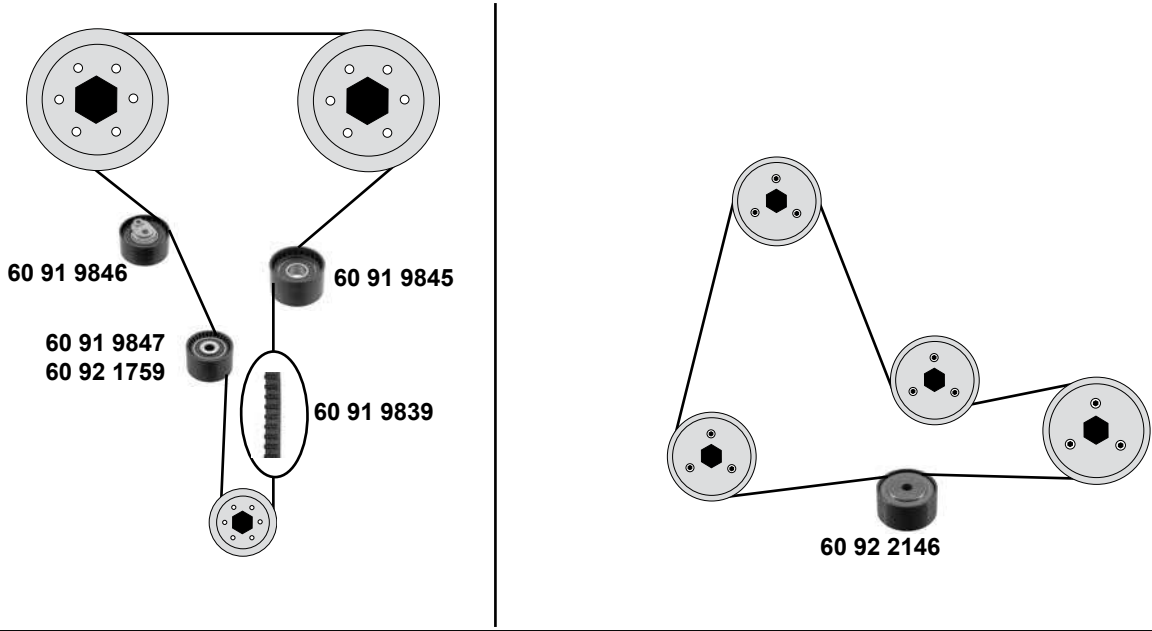
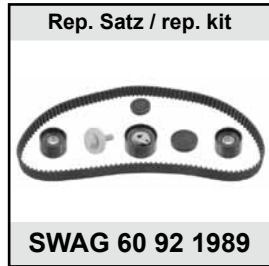
# RENAULT Clio 2

(98→05)



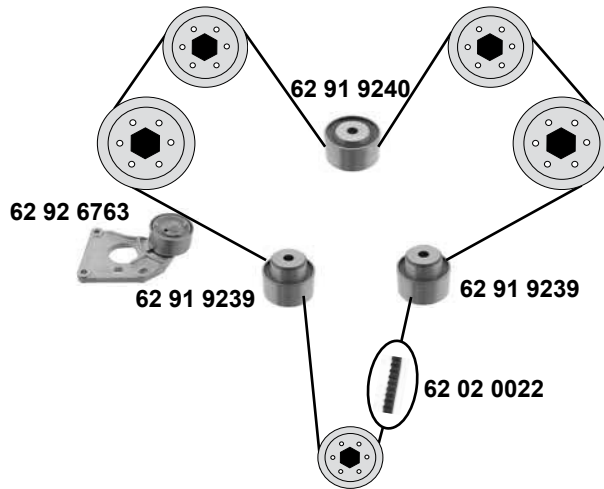
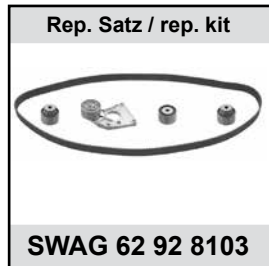
## 2,0 16V

(F4R-730/732/736)



## RS Sport V6

(L7X)



(1) F4R-730 alle / all  
F4R-732,736→Modell 04/01

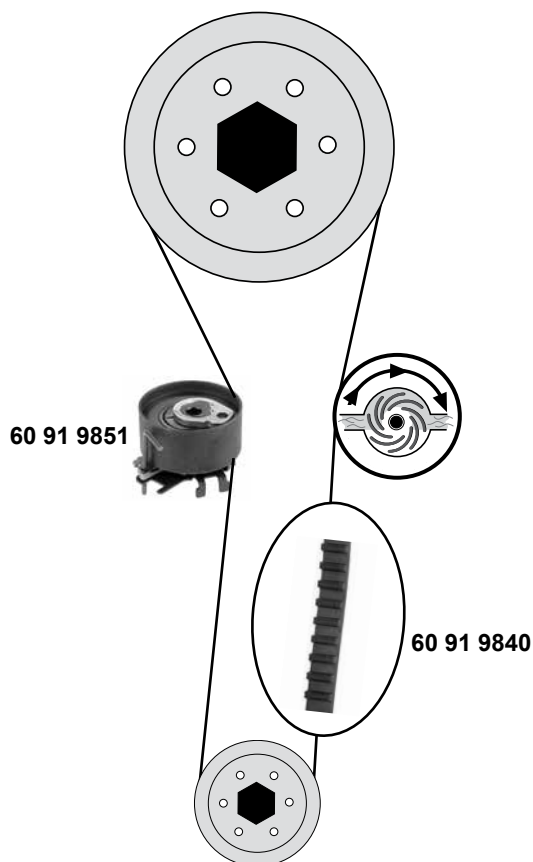
(2) F4R-732,736 Modell 04/01→



Ref. - No.



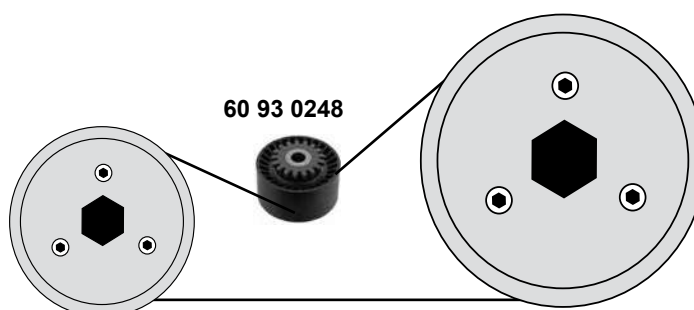
60 91 9839	77 01 063 999	Zahnriemen / timing belt		Z 128
60 91 9845	82 00 483 288	Umlenkrolle / deflection pulley		ØA 54 ØI 19 B32
60 91 9846	82 00 676 404	Spannrolle / tension roller		ØA 66 B32
60 91 9847	77 00 107 150	Umlenkrolle / deflection pulley	(1)	ØA 54 B32
60 91 9951	77 01 472 292	Rep. Satz Zahnriemen / rep. kit timing belt	(1)	Z 128
60 92 1759	82 00 064 664	Umlenkrolle / deflection pulley	(2)	ØA 54 ØI 12 B32
60 92 1989	77 01 476 675	Rep. Satz Zahnriemen / rep. kit timing belt	(2)	Z 128
60 92 2146	82 00 065 479	Umlenkrolle / deflection pulley	AC	ØA 50 ØI 8 B26
62 02 0022	96 18 337 580	Zahnriemen / timing belt		Z259
62 91 9239	96 16 660 580	Umlenkrolle / deflection pulley		ØA 65 B36/54
62 91 9240	96 16 660 780	Umlenkrolle / deflection pulley		ØA 65 B36
62 92 6763	96 42 184 080	Spannrolle / tension roller		ØA 70 B36
62 92 8103	77 01 473 569	Rep. Satz Zahnriemen / rep. kit timing belt		Z259

**1,2 16V**  
 (D4F)


Rep. Satz / rep. kit



SWAG 60 91 9852

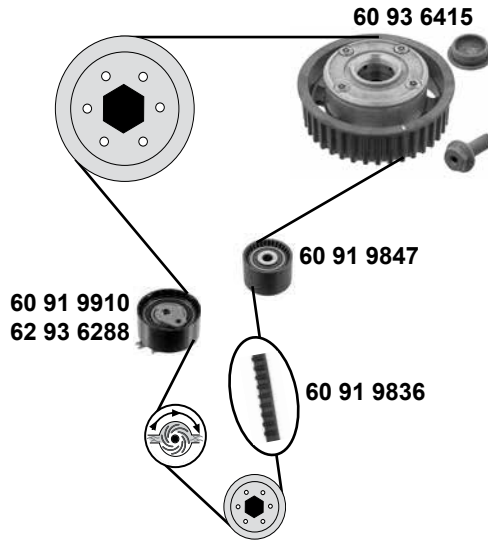
**1,2 16V**  
 (D4F-740,764,784)


# RENAULT Clio 3

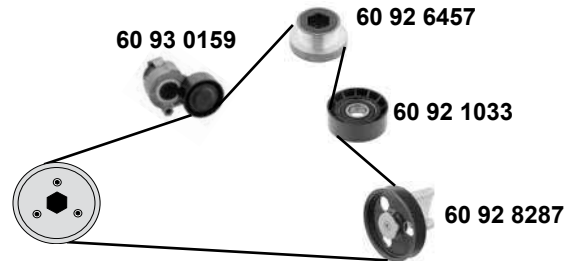
(05→12)



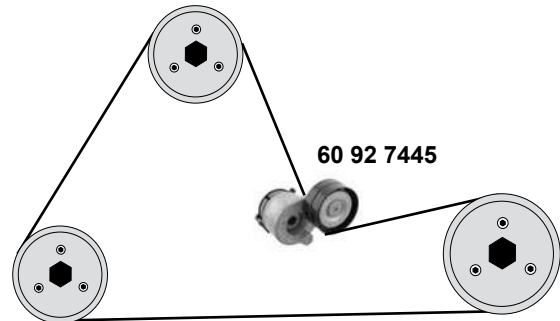
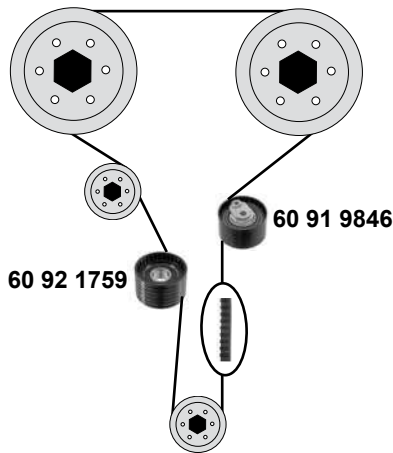
## 1,4 16V/ 1,6 16V (K4J / K4M)



## 1,4 / 1,6 (K4J / K4M)



## 2,0 16V (F4R)



SWAG GERMANY	Ref. - No.			
60 91 9836	82 00 537 026	Zahnriemen / timing belt		Z 132 B27
60 91 9846	82 00 061 345	Spannrolle / tension roller	(mot.) F4R-730	ØA 66 H32
60 91 9847	77 00 107 150	Umlenkrolle / deflection pulley	(mot.) K4J-780 / →08/10	ØA 54 B32
60 91 9910	77 00 108 117	Spannrolle / tension roller	(mot.) K4J-780 / →08/10	ØA 65 B32
60 91 9918	77 01 477 014	Rep. Satz Zahnriemen / rep. kit timing belt	AC	ØA 60,2 ØI 17 B25,5
60 92 1033	82 00 104 754	Umlenkrolle / deflection pulley	(mot.) F4R-730	ØA 54 ØI 12 H 32
60 92 1759	82 00 064 664	Umlenkrolle / deflection pulley	Valeo / Bosch	ØA 78 B40,2
60 92 6457	77 00 110 616	Generatorfreilauf / Freewheel Clutch, generator	(mot.) F4R-730	ØA65 H30
60 92 6567	77 01 477 093	Rep. Satz Zahnriemen / rep. kit timing belt	(ex.) AC	ØA131,5
60 92 7445	82 00 472 180	Riemenspanner / belt tensioner		ØA 65
60 92 8287	82 00 641 468	Umlenkrolle / deflection pulley		ØA65 H32
60 93 0159	82 00 608 550	Riemenspanner / belt tensioner		
60 93 6300	77 01 477 023	Rep. Satz Zahnriemen / rep. kit timing belt		
60 93 6415	77 01 478 505	Nockenwellenrad / camshaft timing gear		
62 93 6288	82 00 623 883	Spannrolle / tension roller		

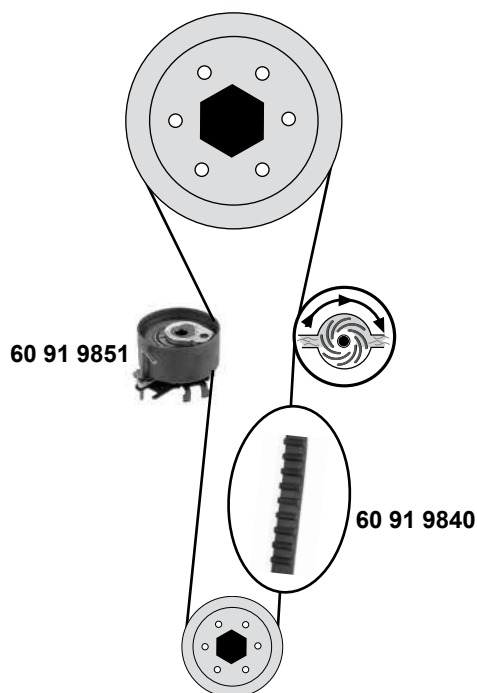
# RENAULT

## Clio 4

(13→)



**1,2 16V**  
(D4F)



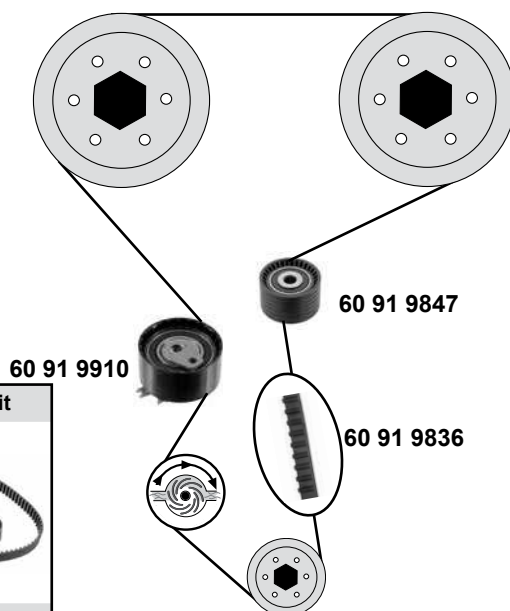
Rep. Satz / rep. kit



SWAG 60 91 9852

**Duster**  
(10→)  
**2,0 16V**  
(F4R)

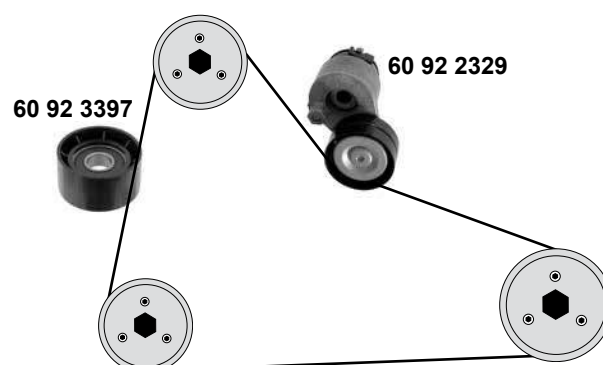
**1,6 16V**  
(K4M)



Rep. Satz / rep. kit



SWAG 60 91 9918



Ref. - No.



60 91 9836	82 00 537 026	Zahnriemen / timing belt	→08/10	Z 132 B27
60 91 9840	82 00 106 085	Zahnriemen / timing belt		Z 95 B23,4
60 91 9847	77 00 107 150	Umlenkrolle / deflection pulley	→08/10	ØA 54 B32
60 91 9851	82 00 704 394	Spannrolle / tension roller		ØA59 H28,3/24,45
60 91 9852	77 01 476 745	Rep. Satz Zahnriemen / rep. kit timing belt		Z 95 B23,4
60 91 9910	77 00 108 117	Spannrolle / tension roller	→08/10	ØA65 B32
60 91 9918	77 01 477 014	Rep. Satz Zahnriemen / rep. kit timing belt	→08/10	
60 92 2329	82 00 071 402	Riemenspanner / belt tensioner	10→	ØA65 B30
60 92 3397	82 00 285 009	Umlenkrolle / deflection pulley		ØA 60

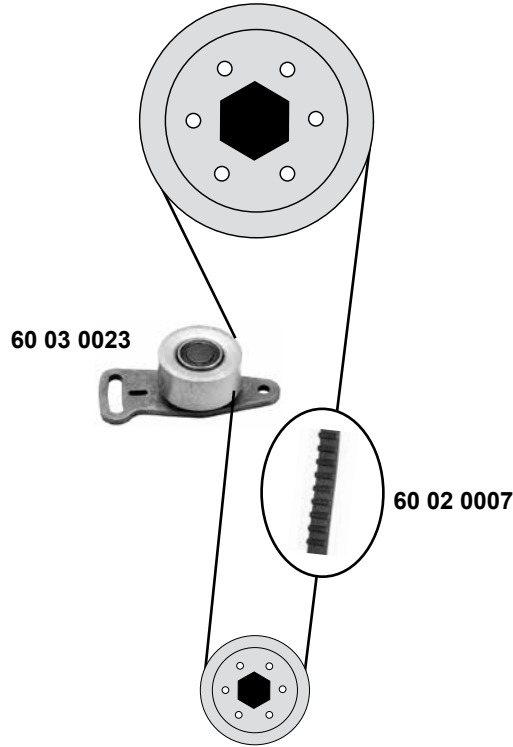
# RENAULT

## Espace 1 / 2

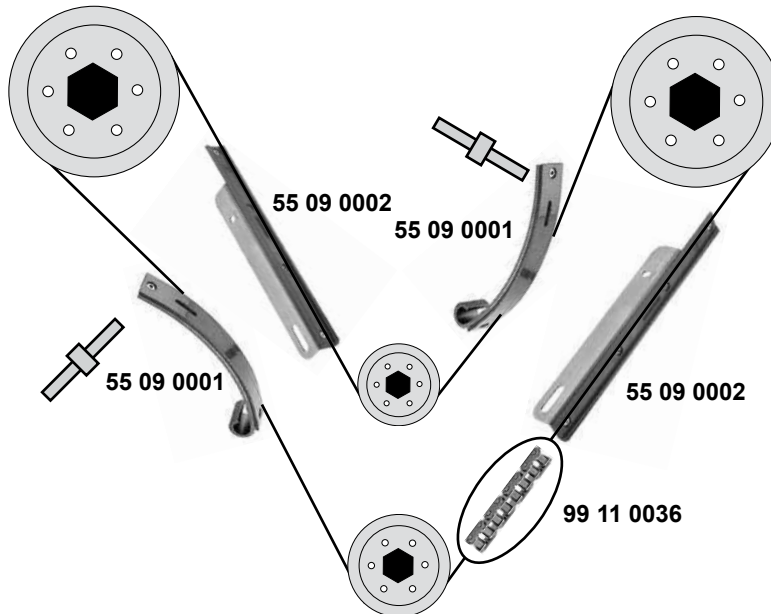
(85→96)



**2,2**  
(J7T)

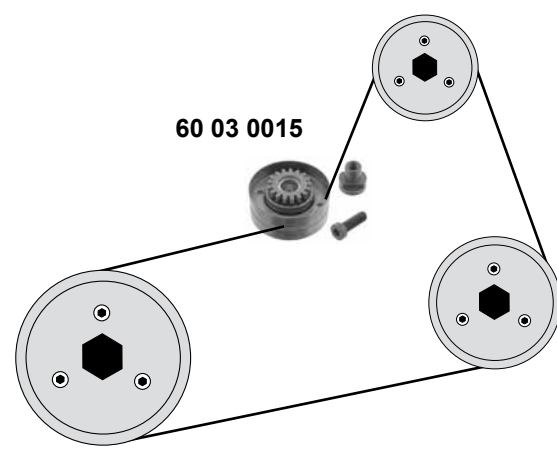
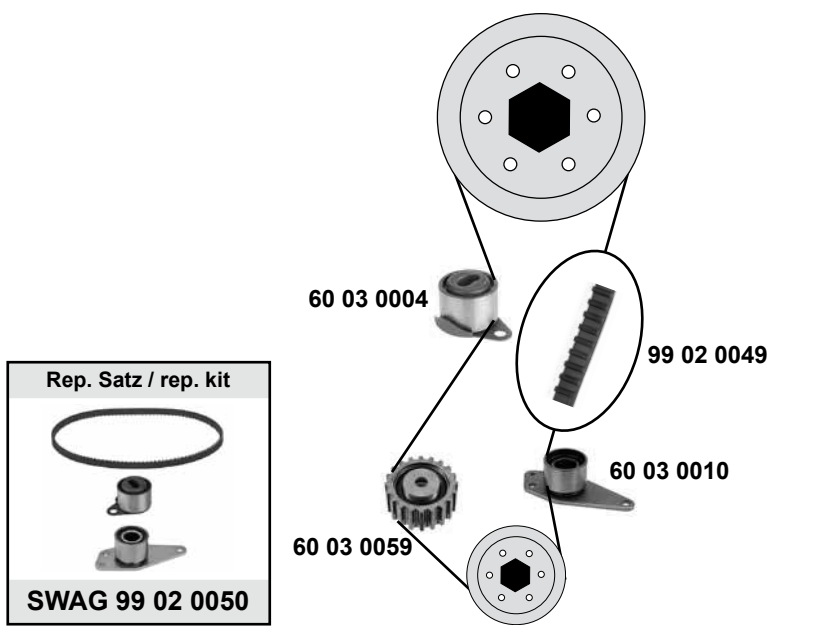


**2,8 V6**  
(Z7W-712,713)

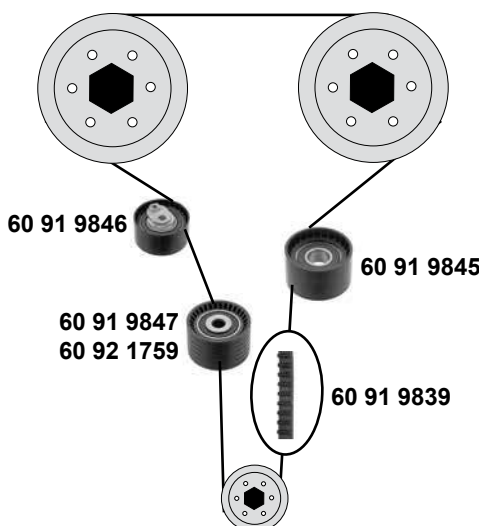


	Ref. - No.			
55 09 0001	79 10 246 065	Gleitschiene / sliding rail	J7T-768	ØA 55 B26 455 / 94 E
55 09 0002	79 10 247 528	Gleitschiene / sliding rail		
60 02 0007	77 00 856 351	Zahnriemen / timing belt		
60 03 0023	77 00 871 168	Spannrolle / tension roller		
99 11 0036	79 10 245 301	Rollenkette einfach / roller chain simple		

**2,0**  
(F3R)



**2,0 16V**  
(F4R-700, 701)



**i** (1) D7F-726, 720 AC + servo

	Ref. - No.		<b>i</b>	
60 03 0004	77 00 726 440	Spannrolle / tension roller		ØA 50 B31
60 03 0010	82 00 051 091	Umlenkrolle / deflection pulley		ØA 50 B31
60 03 0015	77 00 851 321	Spannrolle / tension roller	<b>AC</b>	ØA 70 B28
60 03 0059	77 00 875 305	Umlenkrolle / deflection pulley	<b>(1)</b>	ØA 59,4 B25
60 91 9839	77 01 063 999	Zahnriemen / timing belt		Z 128
60 91 9845	82 00 483 288	Umlenkrolle / deflection pulley		ØA 54 ØI 19 B32
60 91 9846	82 00 676 404	Spannrolle / tension roller		ØA 66 B32
60 91 9847	77 00 107 150	Umlenkrolle / deflection pulley	→ Modell 04/01	ØA 54 B32
60 91 9951	77 01 472 292	Rep. Satz Zahnriemen / rep. kit timing belt	→ Modell 04/01	Z 128
60 92 1759	82 00 064 664	Umlenkrolle / deflection pulley	Modell 04/01→	ØA 54 ØI 12 B32
60 92 1989	77 01 476 675	Rep. Satz Zahnriemen / rep. kit timing belt	Modell 04/01→	Z 128
99 02 0049	77 00 857 325	Zahnriemen / timing belt		Z 127 B19
99 02 0050	77 01 469 776	Rep. Satz Zahnriemen / rep. kit timing belt		



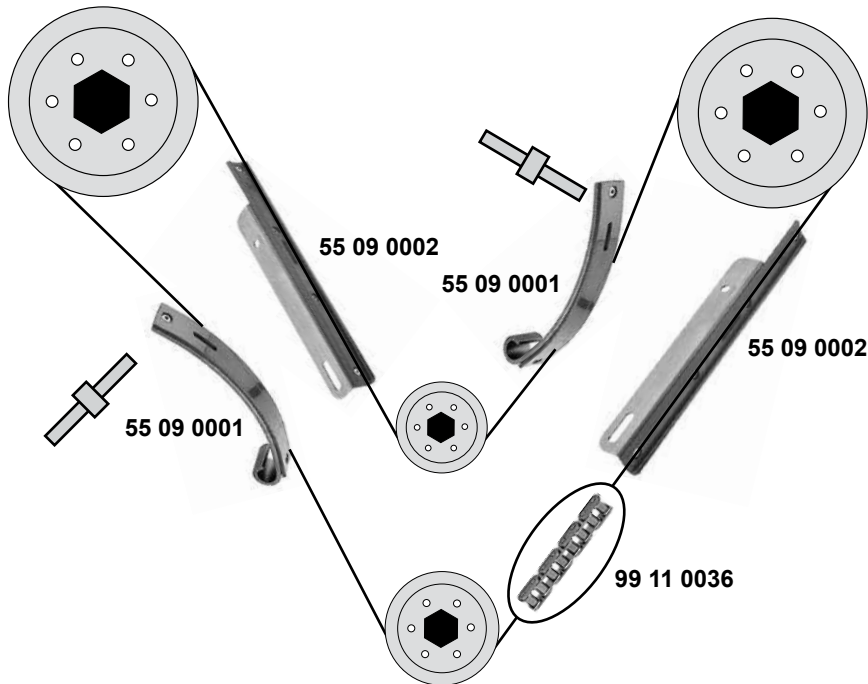
# RENAULT Espace 3

(96→01)



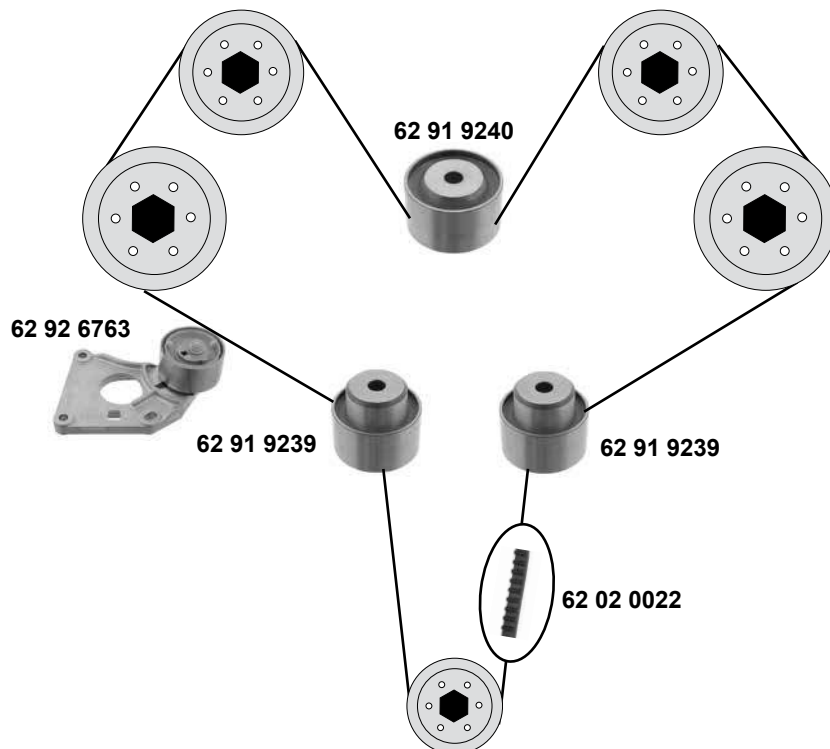
## 3,0 V6

(Z7X-721,722,723,753,755)



## 3,0 V6 24V

(L7X)



Ref. - No.

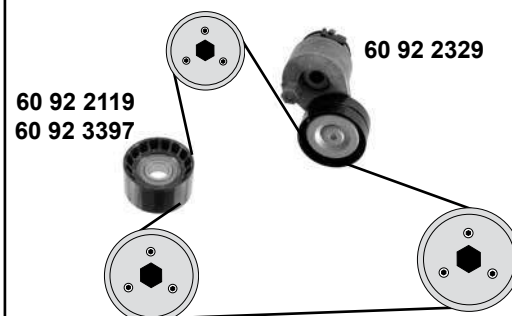
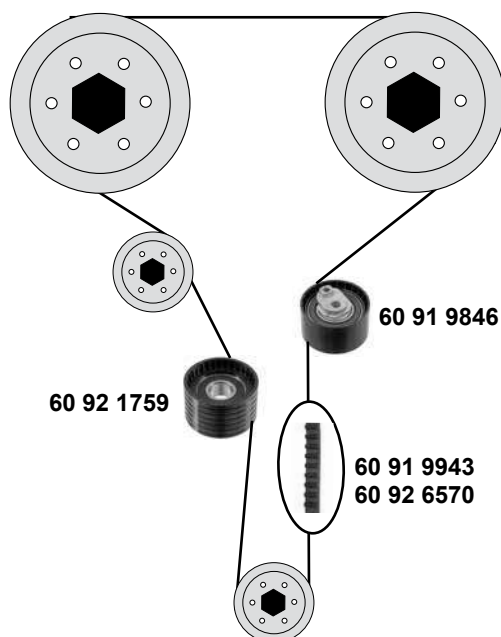
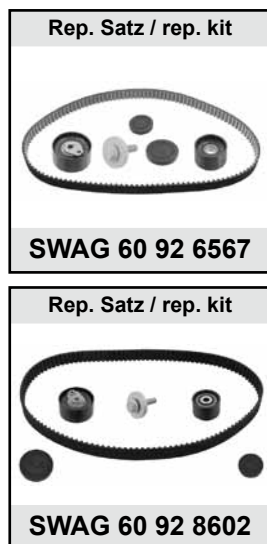


55 09 0001	79 10 246 065	Gleitschiene / sliding rail	
55 09 0002	79 10 247 528	Gleitschiene / sliding rail	
62 02 0022	96 18 337 580	Zahnriemen / timing belt	Z 259
62 91 9239	96 16 660 580	Umlenkrolle / deflection pulley	ØA 65 B36/54
62 91 9240	96 16 660 780	Umlenkrolle / deflection pulley	ØA 65 B36
62 92 6763	96 42 184 080	Spannrolle / tension roller	ØA 70 B36
62 92 8103	77 01 473 569	Rep. Satz Zahnriemen / rep. kit timing belt	Z 259
99 11 0036	79 10 245 301	Rollenkette einfach / roller chain simple	455 / 94 E



**2,0 16V**

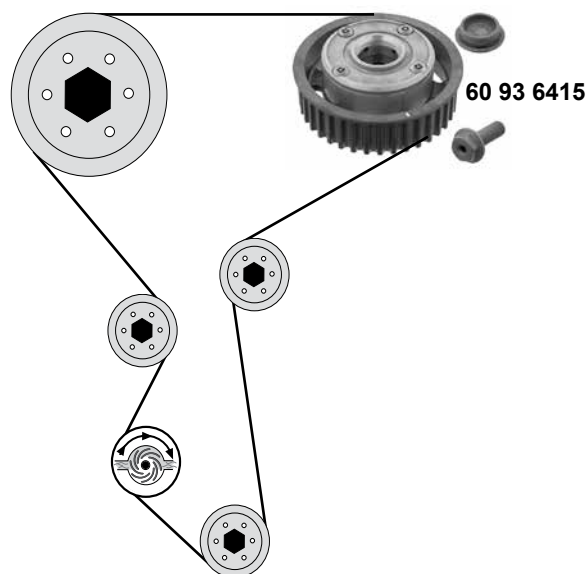
(F4R-790,792,794,795,796,797,892,897)


**Fluence**

(10→)

**1,6**

(K4M-838,839)



(1) (mot.) F4R-790,794,795

(2) (mot.) F4R-792,797,892,897

(3) (mot.) F4R-790,792,794,795,796,797,892,897

(4) (mot.) F4R-790,792,796,797 02→



Ref. - No.



SWAG	Ref. - No.			
60 91 9846	82 00 676 404	Spannrolle / tension roller		ØA 66 B32
60 91 9943	77 01 064 316	Zahnriemen / timing belt	(1)	Z 126 B27
60 92 1759	82 00 064 664	Umlenkrolle / deflection pulley		ØA 54 ØI 12 B32
60 92 2119	82 00 071 404	Umlenkrolle / deflection pulley	(3)	
60 92 2329	82 00 071 402	Riemenspanner / belt tensioner	(1)	ØA 65 B30
60 92 3397	82 00 947 837	Umlenkrolle / deflection pulley	(4)	ØA 60
60 92 6567	77 01 477 093	Rep. Satz Zahnriemen / rep. kit timing belt	(2)	Z 126 B27
60 92 6570	82 00 542 739	Zahnriemen / timing belt	(2)	Z 126 B27
60 92 8602	77 01 477 022	Rep. Satz Zahnriemen / rep. kit timing belt	(1)	
60 93 6415	77 01 478 505	Nockenwellenrad / camshaft timing gear		

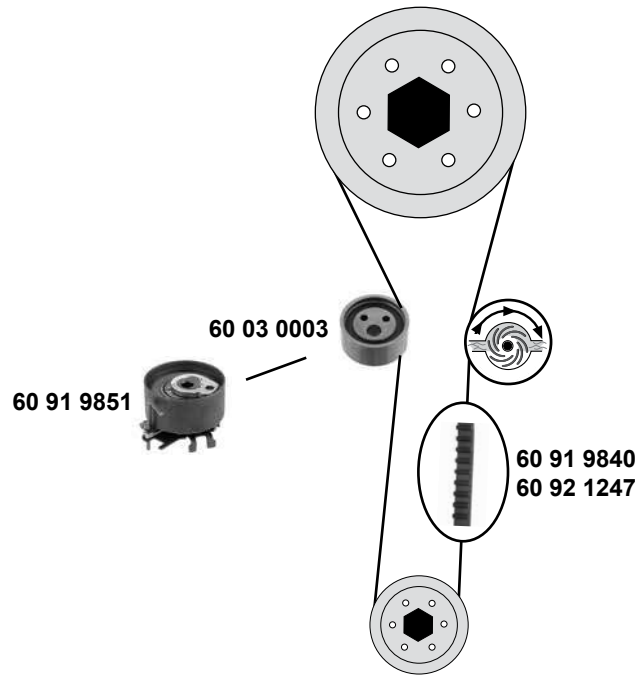
# RENAULT Kangoo I

(98→08)



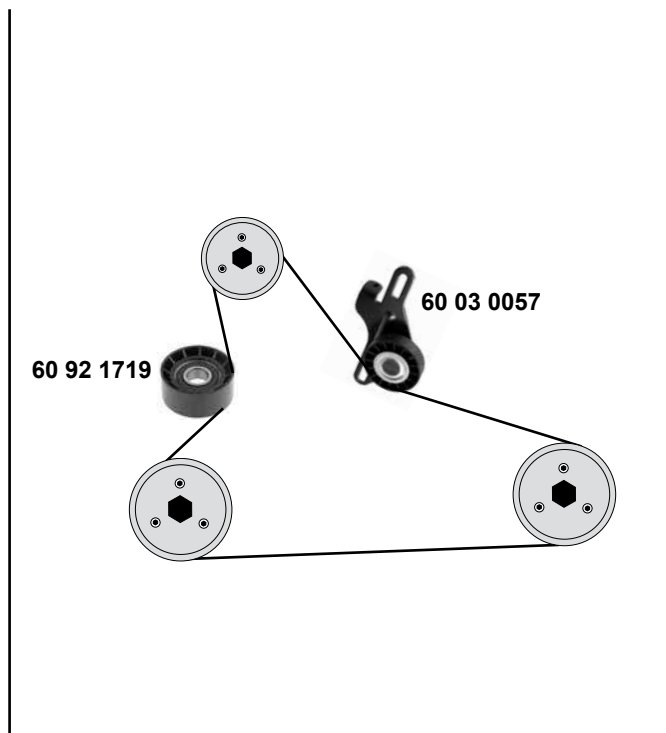
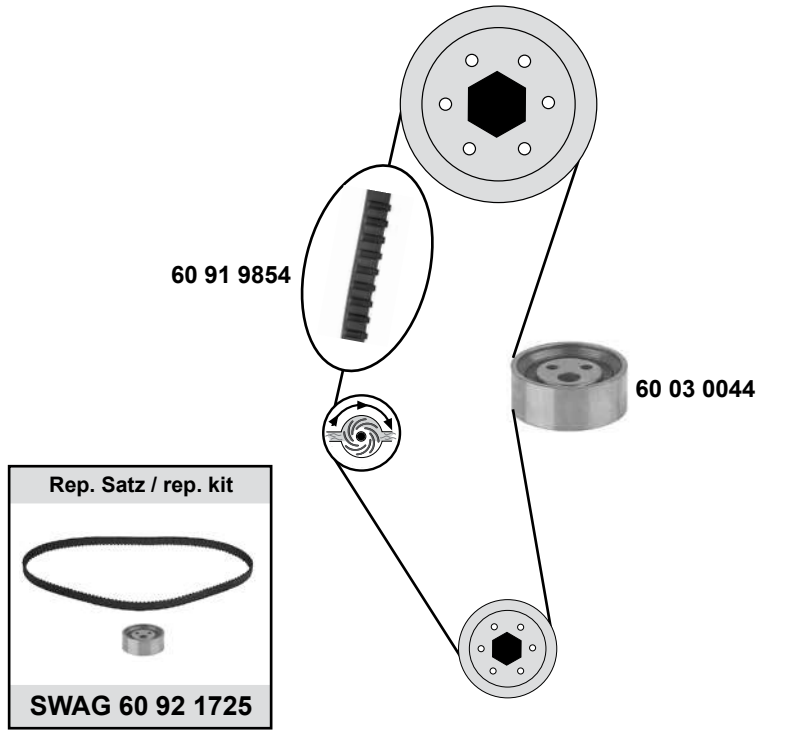
## 1,2 / 1,2 16V

(D7D / D7F / D4D / D4F)

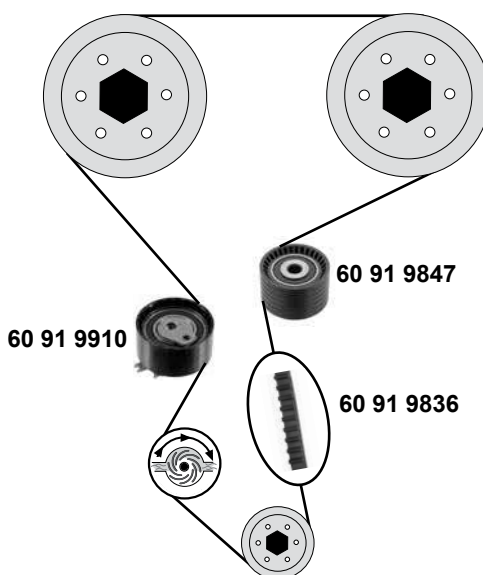


## 1,4 / 1,6

(E7J / K7J / K7M)



SWAG	Ref. - No.			
60 02 0021	77 01 477 013	Rep. Satz Zahnriemen / rep. kit timing belt	D7D / D7F (ex.) 16V	ØA 50 B22
60 03 0003	77 00 736 085	Spannrolle / tension roller	D7D / D7F (ex.) 16V	ØA 55 B22
60 03 0044	82 00 211 784	Spannrolle / tension roller		ØA 70 B18
60 03 0057	77 00 870 432	Riemenspanner / belt tensioner	(ex.) AC E7J-780	Z 95 B23,4
60 91 9840	82 00 106 085	Zahnriemen / timing belt	D4D / D4F 16V	ØA 59 ØI 28 B24
60 91 9851	82 00 704 394	Spannrolle / tension roller	D4D / D4F 16V	Z 95 B23,4
60 91 9852	77 01 476 745	Rep. Satz Zahnriemen / rep. kit timing belt	D4D / D4F 16V	Z 96 B17
60 91 9854	82 00 537 021	Zahnriemen / timing belt		Z 87 B17
60 92 1247	82 00 545 581	Zahnriemen / timing belt	D7D / D7F (ex.) 16V	ØA 70 B15
60 92 1719	77 00 869 684	Umlenkrolle / deflection pulley	E7J-780	Z 96
60 92 1725	77 01 477 024	Rep. Satz Zahnriemen / rep. kit timing belt		

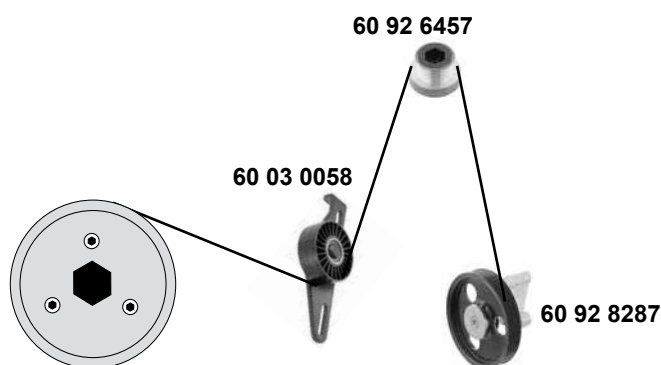
**1,6 16V**  
 (K4M)


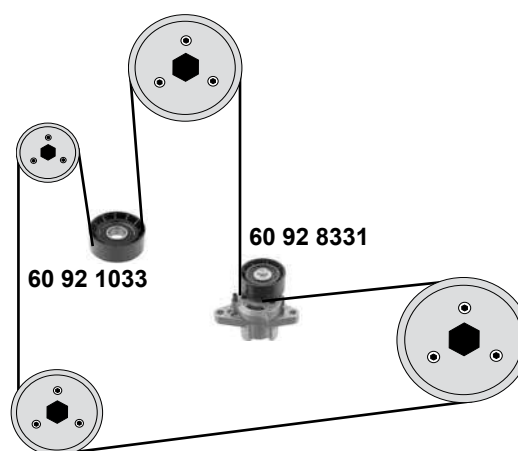
Rep. Satz / rep. kit



SWAG 60 91 9918

**1,4 / 1,6 16V**  
 (K4M/K7J/K7M/E7J)

**(ex.) AC**

**1,4 / 1,6 16V**  
 (K4J/K4M/K7J/K7M/E7J-634,635)

**AC**


(1) (mot.) K4J-700, 701 / (mot.) K4M-708, 730, 732, 850 / (mot.) K4M-750, 752, 753, 754→04/06 / K7M

(2) (mot.) E7J-634,635 / K7M / K4M-709,730,732,750,753 / K7J-700,701

(3) (mot.) K4J / K4M / K7J / E7J-634,35

(4) (mot.) K4M-750,752,753



Ref. - No.



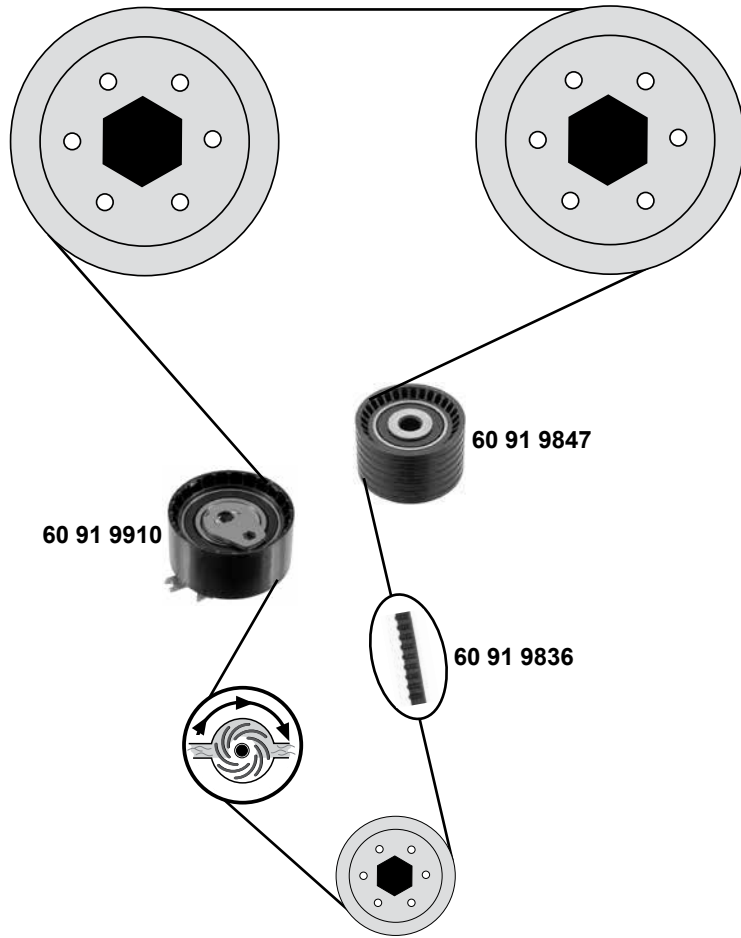
60 03 0058	82 00 582 997	Riemenspanner / belt tensioner	(2) (ex.) AC	ØA 70 B25,5
60 91 9836	82 00 537 026	Zahnriemen / timing belt		Z 132 B27
60 91 9847	77 00 107 150	Umlenkrolle / deflection pulley		ØA 54 B32
60 91 9910	77 00 108 117	Spannrolle / tension roller	(4)	ØA 65 B32
60 91 9918	77 01 477 014	Rep. Satz Zahnriemen / rep. kit timing belt	(4)	
60 92 1033	82 00 104 754	Umlenkrolle / deflection pulley	(3) AC	ØA 60 ØI 17 B25,5
60 92 6457	77 00 110 616	Generatorfreilauf / Freewheel Clutch, generator	Valeo (mot.) K7M-746	ØA 78 B40,2
60 92 8287	82 00 641 468	Umlenkrolle / deflection pulley	(ex.) AC (ex.) servo	ØA131,5
60 92 8331	82 00 277 606	Riemenspanner / belt tensioner	(1)	ØA 60

# RENAULT Kangoo II

(08→)



**1,6 16V**  
(K4M)



60 91 9910

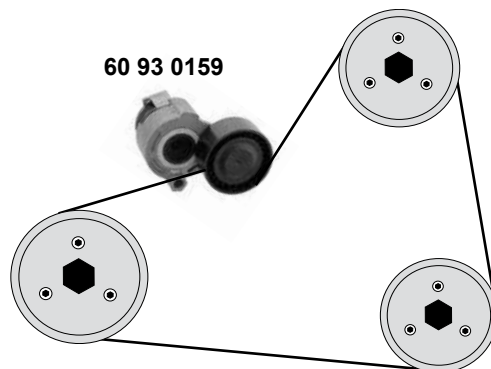
60 91 9847

60 91 9836



**1,6 16V**

(K4M-830,831,834)



60 93 0159



Ref. - No.



60 91 9836	82 00 537 026
60 91 9847	77 00 107 150
60 91 9910	77 00 108 117
60 91 9918	77 01 477 014
60 93 0159	82 00 608 550

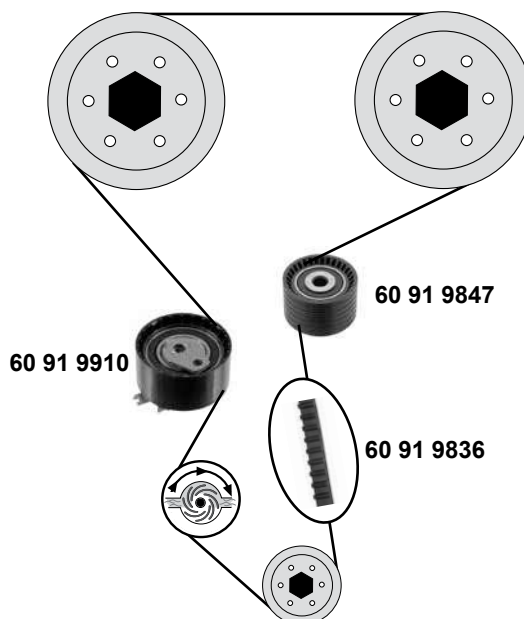
Zahnriemen / timing belt
Umlenkrolle / deflection pulley
Spannrolle / tension roller
Rep. Satz Zahnriemen / rep. kit timing belt
Riemenspanner / belt tensioner

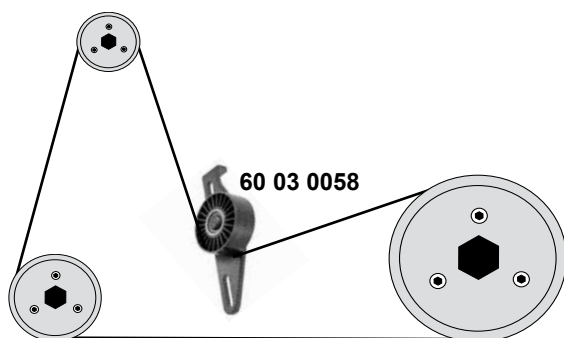
→08/10

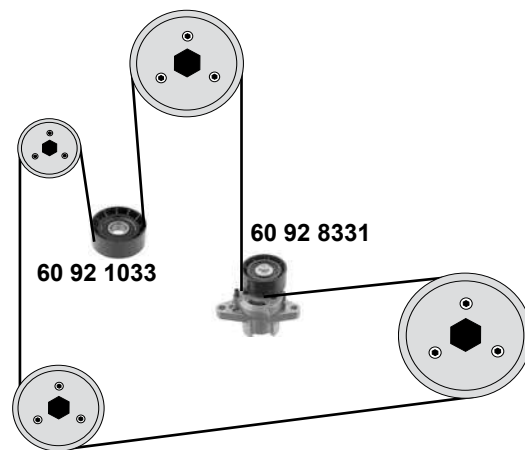
→08/10

AC

Z 132 B27
ØA 54 B32
ØA 65 B32
ØA 65

**1,6 16V**  
 (K4M)

**1,6 16V**  
 (K4M)

 (ex.) **AC**

**1,6 16V**  
 (K4M)

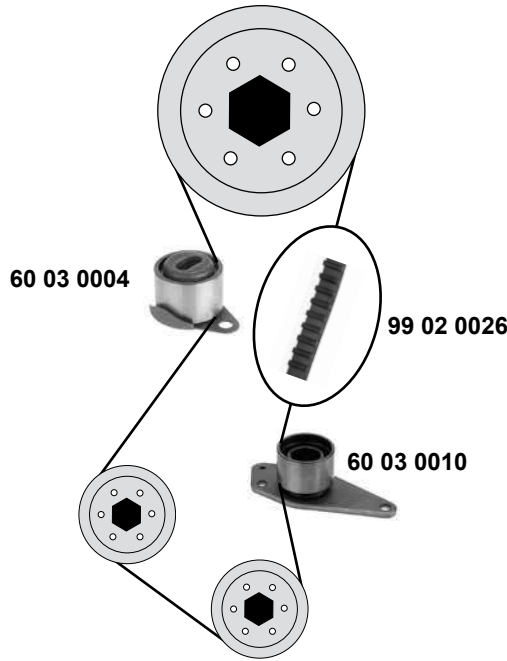
**AC**


# RENAULT Laguna 1

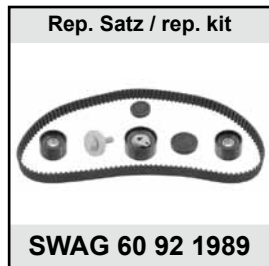
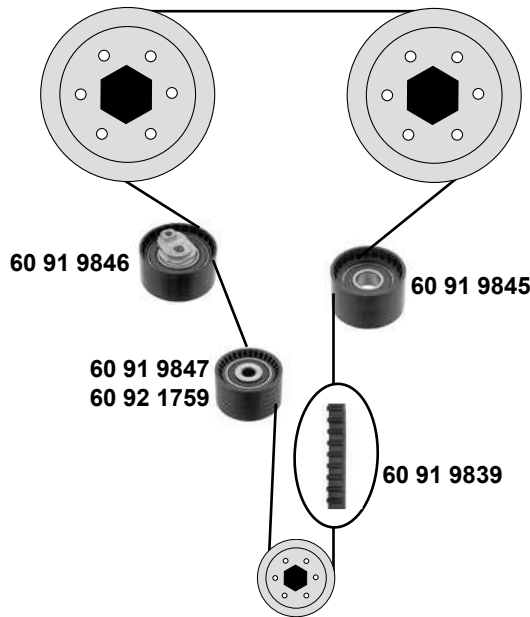
(93→01)



**1,8**  
(F3P)

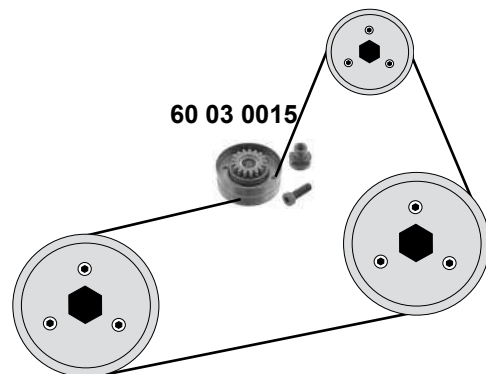
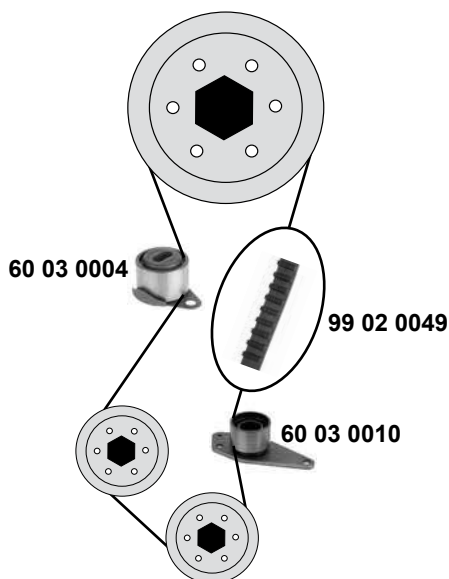


**1,8 16V**  
(F4P)

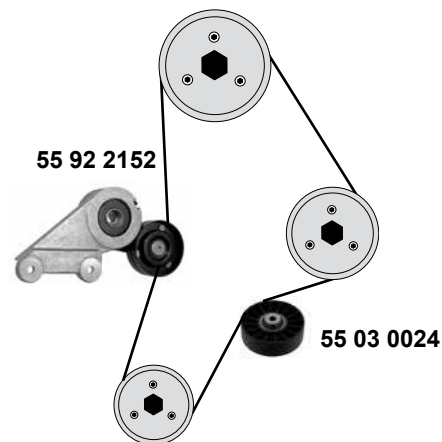
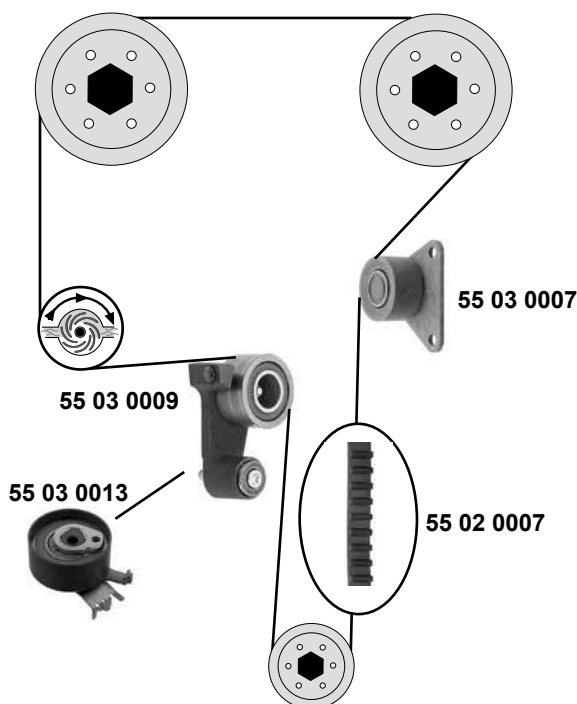


SWAG GERMANY	Ref. - No.			
60 03 0004	77 00 726 440	Spannrolle / tension roller		Ø A50 ØI 23,5 B31
60 03 0010	82 00 051 091	Umlenkrolle / deflection pulley		Ø A50 B31
60 91 9839	77 01 063 999	Zahnriemen / timing belt		Z 128
60 91 9845	82 00 483 288	Umlenkrolle / deflection pulley		ØA 54 ØI 19 B32
60 91 9846	82 00 676 404	Spannrolle / tension roller		ØA 66 B32
60 91 9847	77 00 107 150	Umlenkrolle / deflection pulley	→Modell 04/01	ØA 54 B32
60 91 9951	77 01 472 292	Rep. Satz Zahnriemen / rep. kit timing belt	→Modell 04/01	
60 92 1759	82 00 064 664	Umlenkrolle / deflection pulley	Modell 04/01→	ØA 54 ØI 12 B32
60 92 1989	77 01 476 675	Rep. Satz Zahnriemen / rep. kit timing belt	Modell 04/01→	
99 02 0026	77 00 725 577	Zahnriemen / timing belt		Z 125 B19
99 02 0053	77 01 468 167	Rep. Satz Zahnriemen / rep. kit timing belt		

**2,0**  
(F3R)



**2,0 16V**  
(N7Q - 700,704)



Ref. - No.



55 02 0007	74 39 135 733
55 02 0012	74 39 135 733 S
55 03 0007	74 38 630 590
55 03 0009	74 39 135 036
55 03 0013	74 38 642 251
55 03 0024	74 39 146 139
55 92 2152	74 31 275 380
60 03 0004	77 00 726 440
60 03 0010	82 00 051 091
60 03 0015	77 00 851 321
99 02 0049	77 00 857 325
99 02 0050	77 01 469 776

Zahnriemen / timing belt
Rep. Satz Zahnriemen / rep. kit timing belt
Umlenkrolle / deflection pulley
Spannrolle / tension roller
Spannrolle / tension roller
Umlenkrolle / deflection pulley
Riemenspanner / belt tensioner
Spannrolle / tension roller
Umlenkrolle / deflection pulley
Spannrolle / tension roller
Zahnriemen / timing belt
Rep. Satz Zahnriemen / rep. kit timing belt

→Modell 12/97  
→Modell 12/97  
→Modell 12/97  
Modell 12/97→  
**(ex.) AC**  
95→

servo + AC

ØA 53 ØI 24 B27
ØA 53 ØI 24 B27
ØA 59 ØI 8 B27
ØA 124 B26
ØA 76 B26
Ø A50 ØI 23,5 B31
Ø A50 B31
Ø A70 B28
Z 127 B19



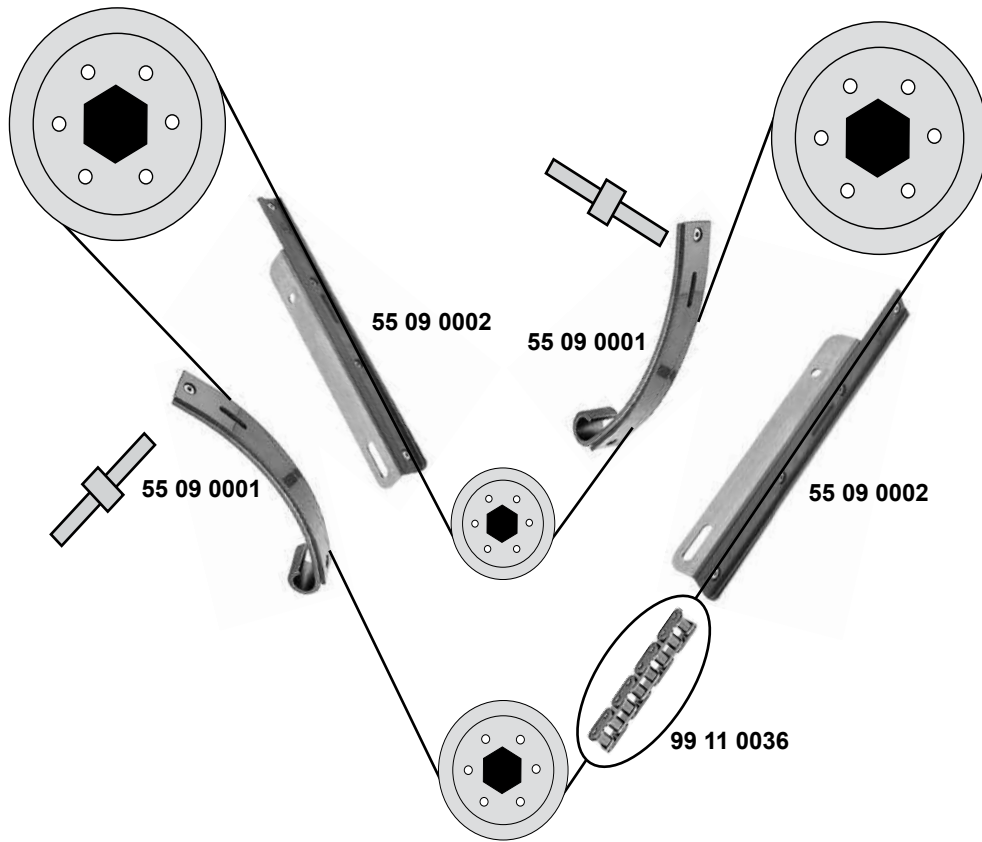
# RENAULT Laguna 1

(93→01)



## 3,0 V 6

(Z7X-760, 765, 767)



Ref. - No.



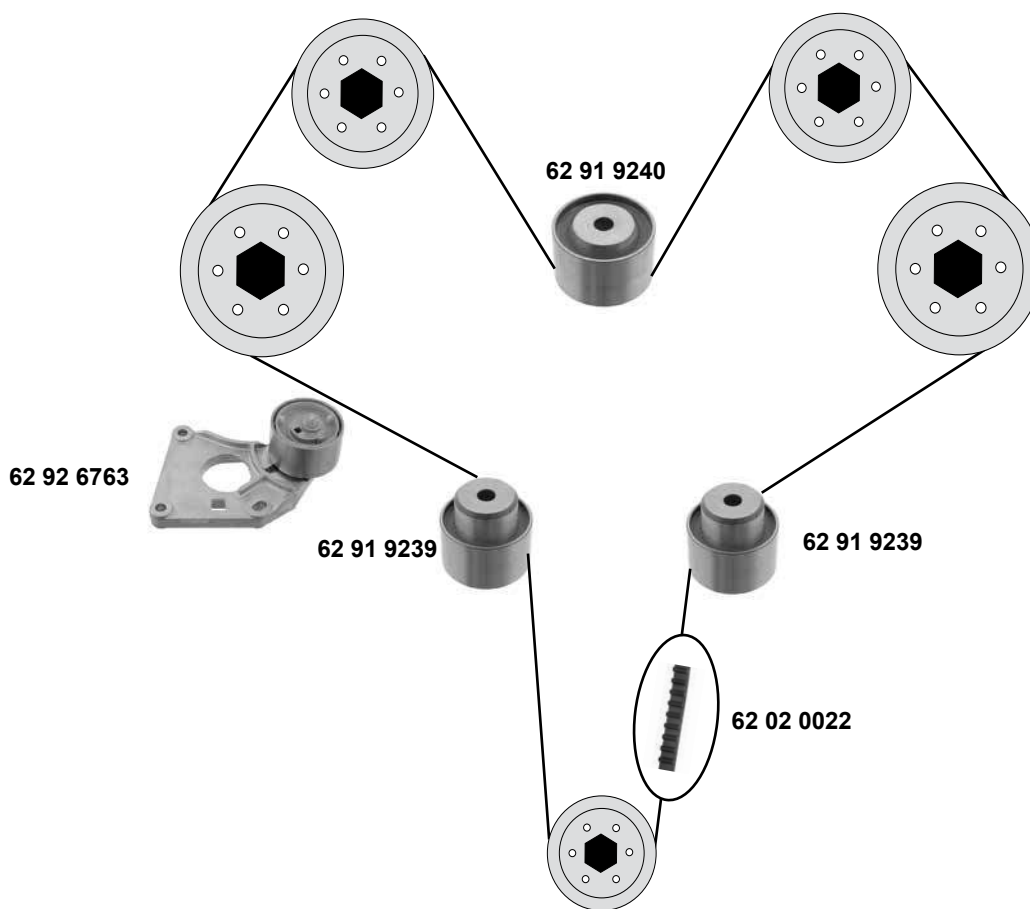
55 09 0001	79 10 246 065
55 09 0002	79 10 247 528
99 11 0036	79 10 245 301

Gleitschiene / sliding rail
Gleitschiene / sliding rail
Rollenkette / roller chain

455 / 94 E



## 3,0 V6 24V (L7X)



Ref. - No.



<b>62 02 0022</b>	96 18 337 580
<b>62 91 9239</b>	96 16 660 580
<b>62 91 9240</b>	96 16 660 780
<b>62 92 6763</b>	96 42 184 080
<b>62 92 8103</b>	77 01 473 569

Zahnriemen / timing belt
Umlenkrolle / deflection pulley
Umlenkrolle / deflection pulley
Spannrolle / tension roller
Rep. Satz Zahnriemen / rep. kit timing belt

12/99→01  
12/99→01

Z 259
ØA 65 B36/54
ØA 65 B36
ØA 70 B36
Z 259

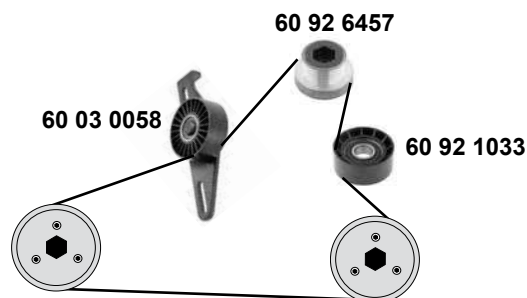
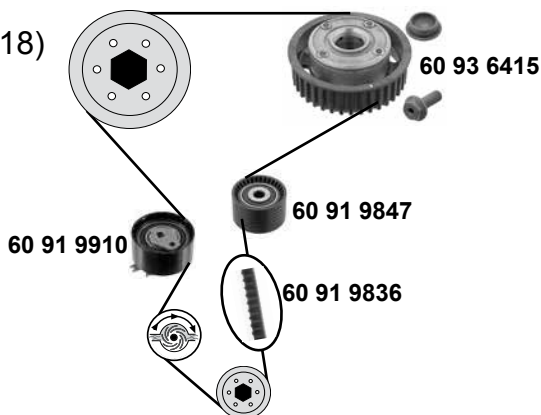
# RENAULT Laguna 2

(01→07)



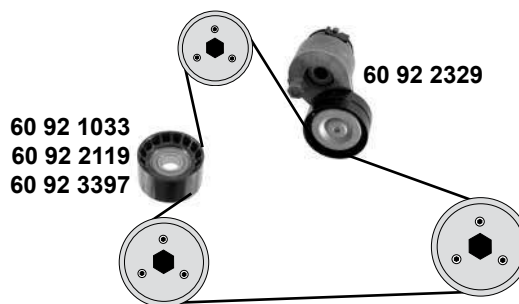
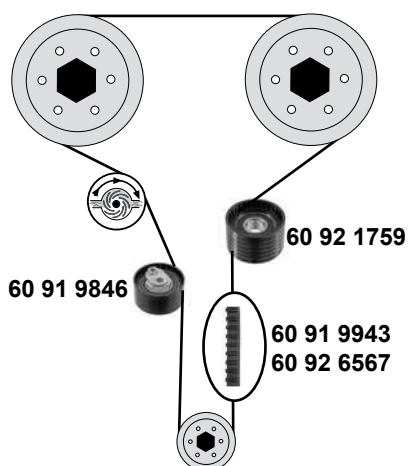
## 1,6 16V

(K4M-710/714/716/718)



## 1,8 16V / 2,0 16V

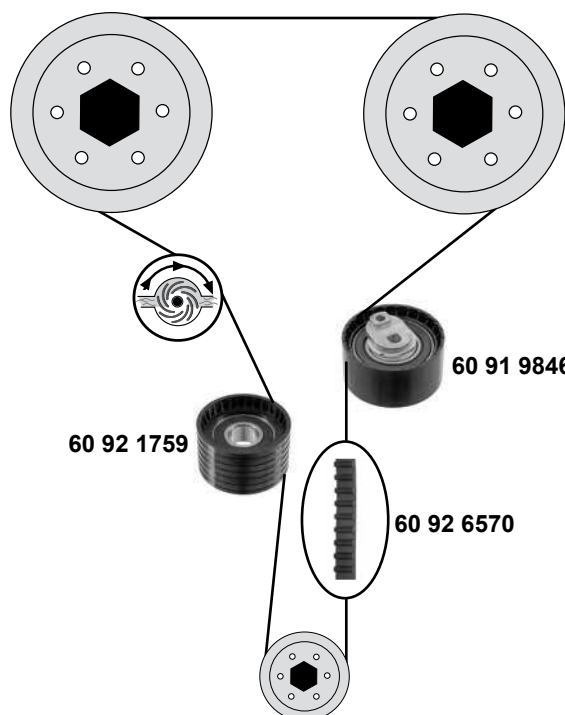
(F4P/F4R/F5R)



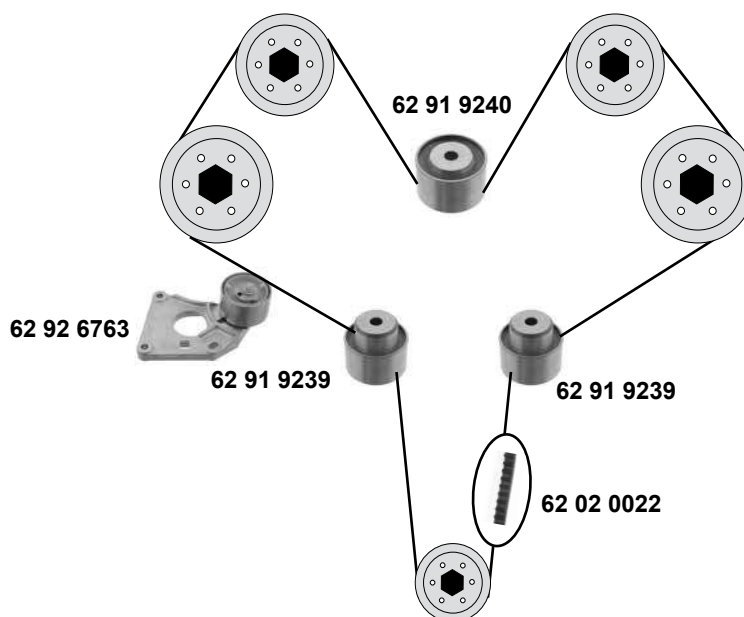
- (1) (mot.) F4R-712,713 01/02→/ (mot.) F4P-770-773  
 (2) (mot.) F4R-712,713 01→01/02 / F4R-715 01→07/05 / F4R-714,764,765,786,787  
 (3) (mot.) K4M / F4P  
 (4) (mot.) F4R / F4P-770,771,772,773  
 (5) (mot.) F4P-770,771,772,774,775  
 (mot.) F4R-712,713,714,715,764,,765,784,786,787  
 (mot.) F5R-700

SWAG GERMANY	Ref. - No.			
60 03 0058	82 00 582 997	Riemenspanner / belt tensioner	(ex.) AC	ØA 70 B25,5
60 91 9836	82 00 537 026	Zahnriemen / timing belt		Z 132 B27
60 91 9846	82 00 676 404	Spannrolle / tension roller	(1) (2)	ØA 66 B32
60 91 9847	77 00 107 150	Umlenkrolle / deflection pulley		ØA 54 B32
60 91 9910	77 00 108 117	Spannrolle / tension roller	(mot.) K4M-710	ØA 65 B32
60 91 9918	77 01 477 014	Rep. Satz Zahnriemen / rep. kit timing belt	(mot.) K4M-710	
60 91 9943	77 01 064 316	Zahnriemen / timing belt	(1)	Z 126 B27
60 92 1033	82 00 104 754	Umlenkrolle / deflection pulley	(3) AC	ØA 60 ØI 17 B25,5
60 92 1759	82 00 064 664	Umlenkrolle / deflection pulley	(1) (2)	ØA 54 B32
60 92 2119	82 00 071 404	Umlenkrolle / deflection pulley	(4)	
60 92 2329	82 00 071 402	Riemenspanner / belt tensioner	(4)	ØA 65 B30
60 92 3397	82 00 947 837	Umlenkrolle / deflection pulley	(5)	
60 92 6457	77 00 110 616	Generatorfreilauf / Freewheel Clutch, generator	Valeo / Bosch	ØA 78 B40,2
60 92 6567	77 01 477 093	Rep. Satz Zahnriemen / rep. kit timing belt	(2)	Z 126 B27
60 92 6570	82 00 542 739	Zahnriemen / timing belt	(2)	Z 126 B27
60 92 8602	77 01 477 022	Rep. Satz Zahnriemen / rep. kit timing chain	(1)	
60 93 6415	77 01 478 505	Nockenwellenrad / camshaft timing gear		

**2,0 16V**  
(F5R-700 , F4R)



**3,0 V6 24V**  
(L7X)



(1) Laguna 2 (mot.) F4R-714,715,764,765,784,786,787,886,887



Ref. - No.



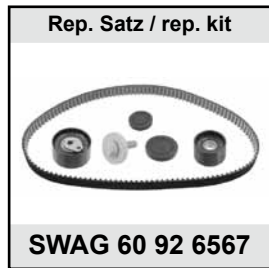
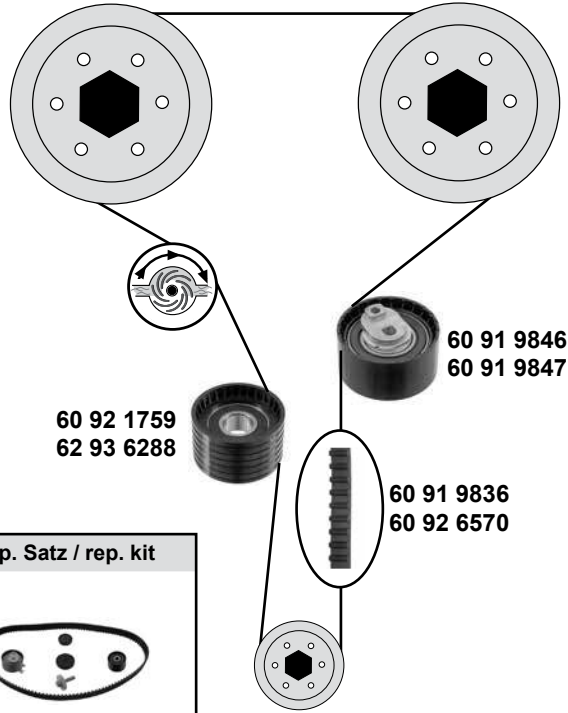
<b>60 91 9846</b>	82 00 676 404	Spannrolle / tension roller	(1)	ØA 66 H32
<b>60 92 1759</b>	82 00 064 664	Umlenkrolle / deflection pulley	(1) Modell 04/01→	ØA 54 ØI 12 B32
<b>60 92 6567</b>	77 01 477 093	Rep. Satz Zahnriemen / rep. kit . timing belt	(1)	
<b>60 92 6570</b>	82 00 542 739	Zahnriemen / timing belt	(1)	Z 126 B 27
<b>62 02 0022</b>	96 18 337 580	Zahnriemen / timing belt		Z259
<b>62 91 9239</b>	96 16 660 580	Umlenkrolle / deflection pulley		ØA 65 B36/54
<b>62 91 9240</b>	96 16 660 780	Umlenkrolle / deflection pulley		ØA 65 B36
<b>62 92 6763</b>	96 42 184 080	Spannrolle / tension roller		ØA 70 B36
<b>62 92 8103</b>	77 01 473 569	Rep. Satz Zahnriemen / rep. kit timing belt		Z259

# RENAULT Laguna 3

(07→)

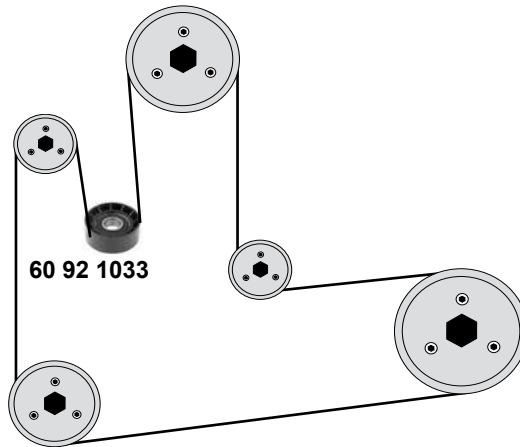


**2,0 16V**  
(F4R)



**1,6 16V**  
(K4M-824)

**AC**



(1) (mot.) F4R-800,811,813

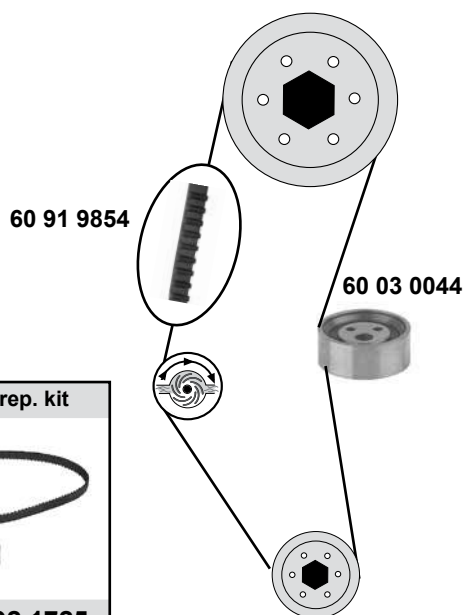


Ref. - No.

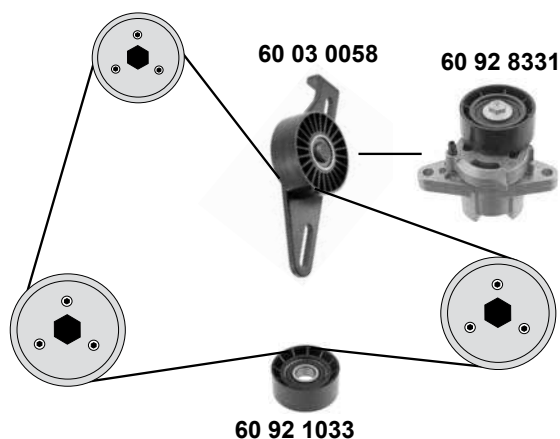


<b>60 91 9836</b>	82 00 537 026	Zahnriemen / timing belt		Z 132 B27
<b>60 91 9846</b>	82 00 676 404	Spannrolle / tension roller	(1)	ØA 66 H32
<b>60 91 9847</b>	77 00 107 150	Umlenkrolle / deflection pulley		ØA 54 B32
<b>60 92 1033</b>	82 00 104 754	Umlenkrolle / deflection pulley		ØA 60,2 H25,5
<b>60 92 1759</b>	82 00 064 664	Umlenkrolle / deflection pulley	(1) Modell 04/01→	ØA 54 ØI 12 B32
<b>60 92 6567</b>	77 01 477 093	Rep. Satz Zahnriemen / rep. kit . timing belt	(1)	
<b>60 92 6570</b>	82 00 542 739	Zahnriemen / timing belt	(1)	Z 126 B 27
<b>60 93 6300</b>	77 01 477 023	Rep. Satz Zahnriemen / rep. kit timing chain		
<b>62 93 6288</b>	82 00 623 883	Spannrolle / tension roller		ØA65 H32

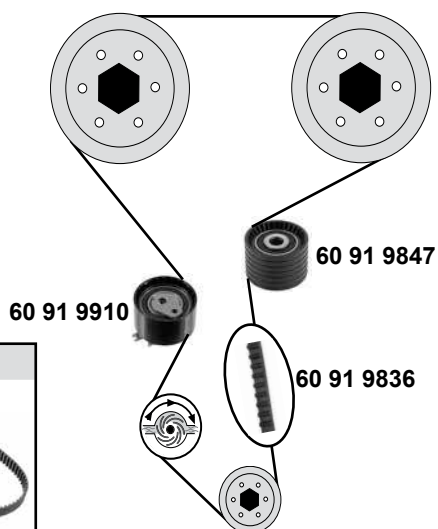
**1,4 / 1,6**  
(K7J-710,714/K7M-710,718)



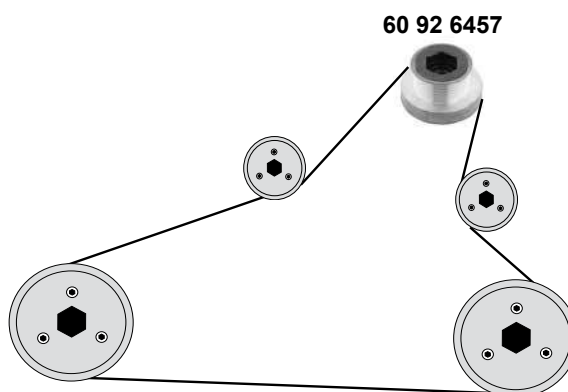
**1,4 / 1,6**  
(K7J/K7M)



**1,6 16V**  
(K4M-690/694/698)



**1,6 16V**  
(K4M)

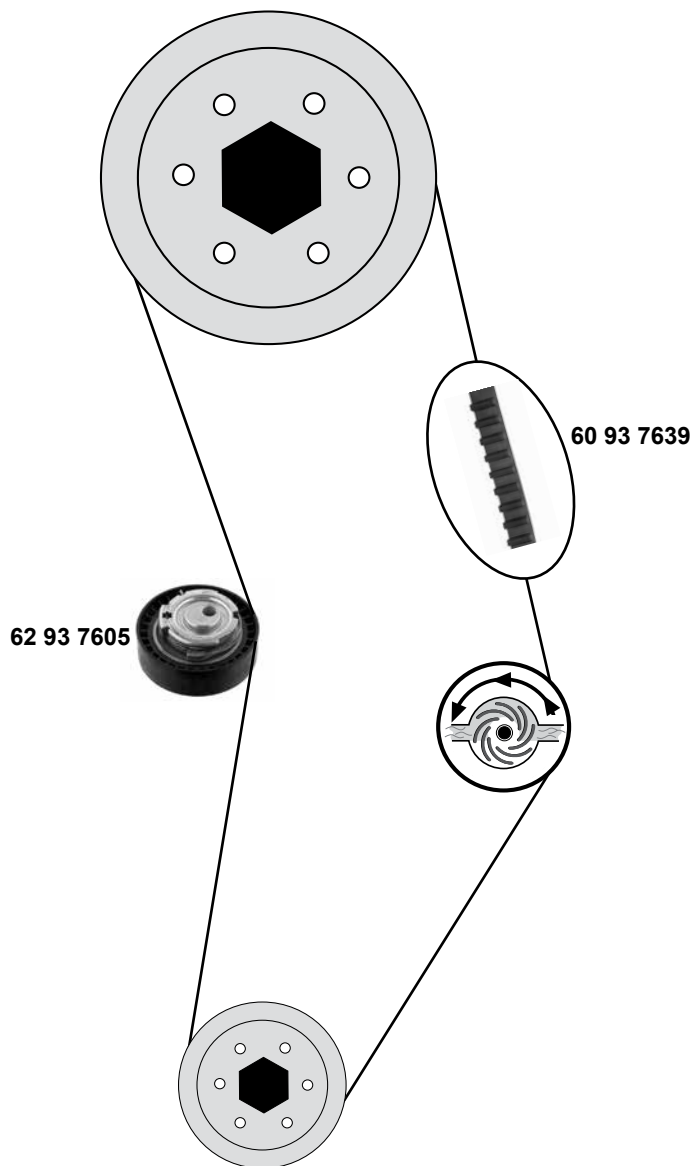


Ref. - No.



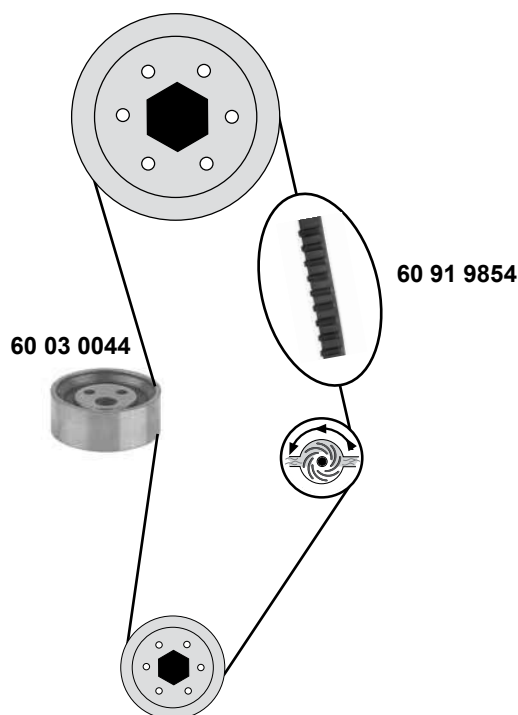
60 03 0044	82 00 211 784	Spannrolle / tension roller		ØA 55 B22
60 03 0058	82 00 582 997	Riemenspanner / belt tensioner	(ex.) AC (mot.) K7J	ØA 70 B25,5
60 91 9836	82 00 537 026	Zahnriemen / timing belt		Z 132 B27
60 91 9847	77 00 107 150	Umlenkrolle / deflection pulley		ØA 54 B32
60 91 9854	82 00 537 021	Zahnriemen / timing belt		Z 96 B17
60 91 9910	77 00 108 117	Spannrolle / tension roller		ØA 56 B32
60 91 9918	77 01 477 014	Rep. Satz Zahnriemen / rep. kit timing belt		
60 92 1033	82 00 104 754	Umlenkrolle / deflection pulley	AC	ØA 60,2 ØI 17 B5,5
60 92 1725	77 01 477 024	Rep. Satz Zahnriemen / rep. kit timing belt		→11/09
60 92 6457	77 00 110 616	Generatorfreilauf / alternator overrun pulley	Valeo / Bosch	ØA 78 B40,2
60 92 8331	82 00 277 606	Riemenspanner / belt tensioner	AC servo	ØA 60

**1,4 / 1,6**  
 (K7M-710,718 / K7J-710,714)



SWAG	Ref. - No.			
60 93 7639	82 00 939 081	Zahnriemen / timing belt		Z 96 B17,3
60 93 7640	13 0C 174 80R	Rep. Satz Zahnriemen / rep. kit timing belt		
62 93 7605	82 00 908 180	Spannrolle / tensioner bearing		ØA 73,5 H 22

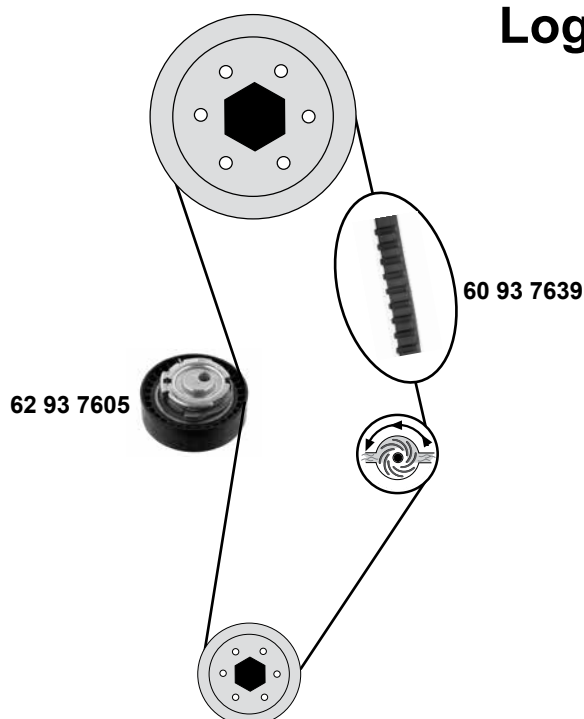
**1,4 / 1,6**  
(K7J-710/K7M-710,718)



## Logan MCV / Pick-Up

(11/09→)

**1,4 / 1,6**  
(K7J-710/K7M-710,718)



- |     |                |  |
|-----|----------------|--|
| (1) | MCV<br>Pick-Up | (mot.) K7J-710 / K7M-710,718<br>(mot.) K7M-710,718 08→ |
| (2) | MCV<br>Pick-Up | (mot.) K7J-710 / K7M-710,718<br>(mot.) K7M-800,818 08→ |



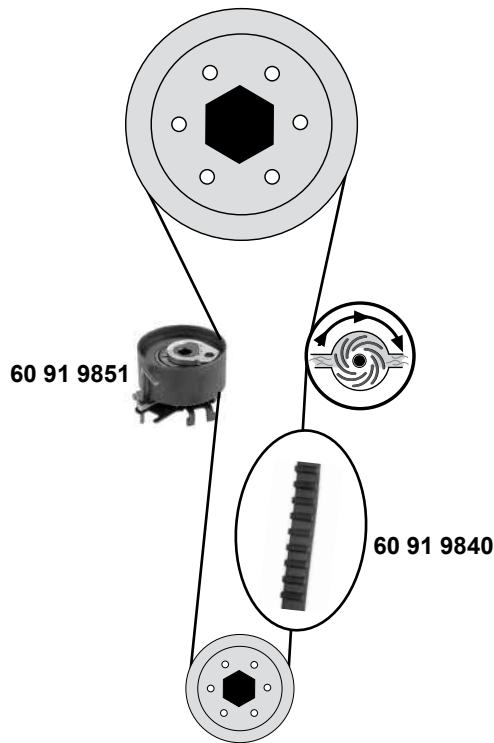
<b>60 03 0044</b>	82 00 211 784	Spannrolle / tension roller	(1)	ØA 55 B22
<b>60 91 9854</b>	82 00 537 021	Zahnriemen / timing belt	(1)	Z 96 B17
<b>60 92 1725</b>	77 01 477 024	Rep. Satz Zahnriemen / rep. kit timing belt	(1)	
<b>60 93 7639</b>	82 00 939 081	Zahnriemen / timing belt	(2)	Z 96 B17,3
<b>60 93 7640</b>	13 0C 174 80R	Rep. Satz Zahnriemen / rep. kit timing belt	(2)	
<b>62 93 7605</b>	82 00 908 180	Spannrolle / tensioner bearing	(2)	ØA 73,5 H 22



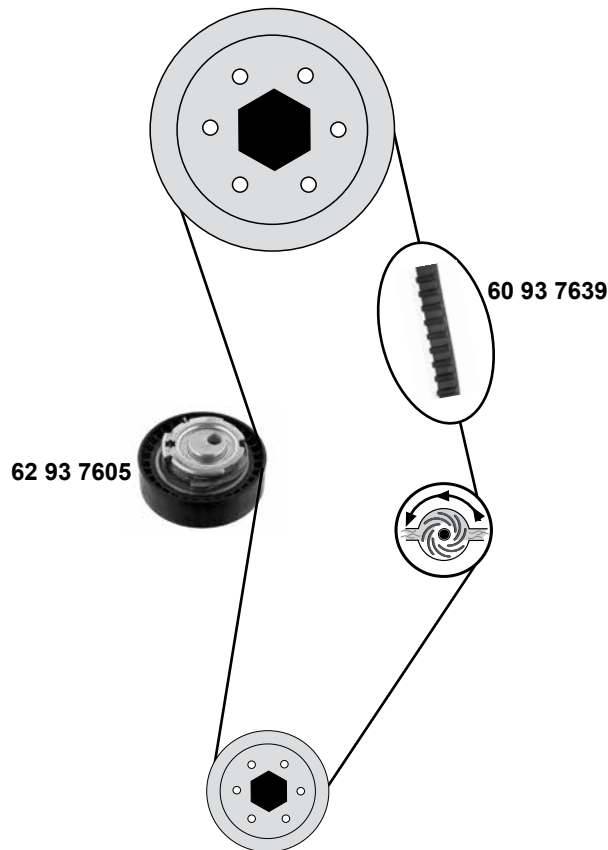
# RENAULT Logan 2 (13→)



**1,2 16V**  
(D4F)



**1,6**  
(K7M-812)



Ref. - No.



60 91 9840	82 00 106 085
60 91 9851	82 00 704 394
60 91 9852	77 01 476 745
60 93 7639	82 00 939 081
60 93 7640	13 0C 174 80R
62 93 7605	82 00 908 180

Zahnriemen / timing belt
Spannrolle / tension roller
Rep. Satz Zahnriemen / rep. kit timing belt
Zahnriemen / timing belt
Rep. Satz Zahnriemen / rep. kit timing belt
Spannrolle / tensioner bearing

Z 95 B23,4
ØA59 H28,3/24,45
Z 95 B23,4
Z 96 B17,3
ØA 73,5 H 22



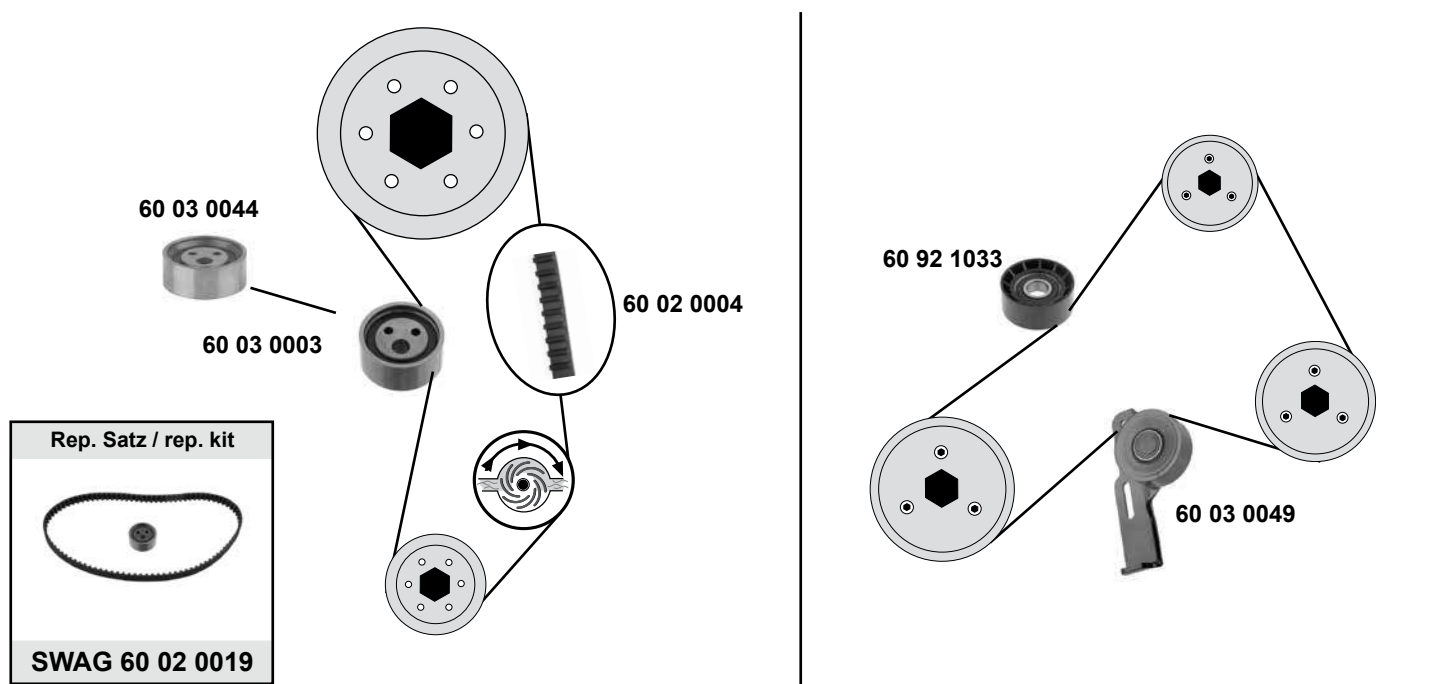
# RENAULT

## Megane 1 / Scénic 1

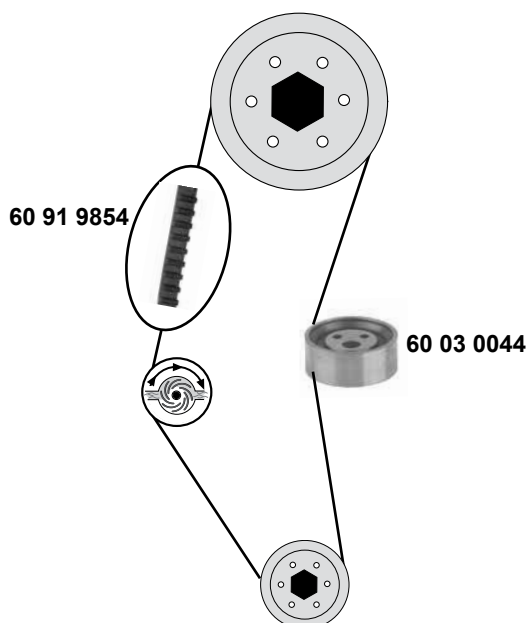
(96→03)



**1,4 / 1,6**  
(E7J 624, 764 / K7M - 702, 703, 790)



**1,4 / 1,6**  
(E7J-626 / K7M-720)



(1) Megane 1  
Classic/Break  
Scenic

(mot.) E7J-626 / K7M-720 →02  
(mot.) E7J-626 →02  
(mot.) K7M-720 →02



Ref. - No.



Ref. - No.	Description	Modell	Dimensions
60 02 0004	Zahnriemen / timing belt	Modell→12/98	ØA 50 B22
60 02 0019	Rep. Satz Zahnriemen / rep. kit timing belt	Modell→12/98	ØA 55 B22
60 03 0003	Spannrolle / tension roller	Modell 10/97→	ØA 70 B26
60 03 0044	Spannrolle / tension roller		Z 96 B17
60 03 0049	Spannrolle / tension roller		ØA 60,2 ØI 17 B25,5
60 91 9854	Zahnriemen / timing belt		
60 92 1033	Umlenkrolle / deflection pulley	AC	
60 92 1725	Rep. Satz Zahnriemen / rep. kit timing belt	(1)	

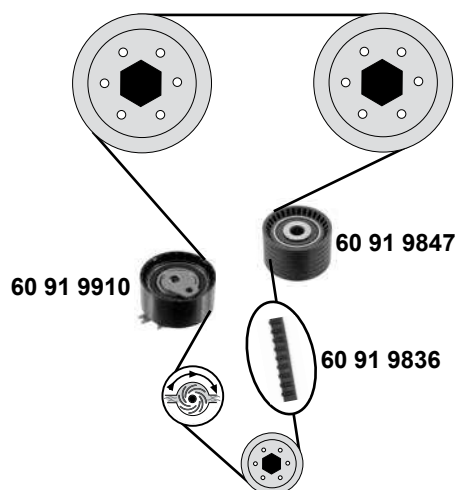
# RENAULT Megane 1 / Scénic 1

(96→03)



## 1,4 16V / 1,6 16V

(K4J / K4M)



## 1,4 / 1,6 16V

### Classic / Break

(K7M / K4J-714,750 / K4M-700,701,704,706,708,709,712)

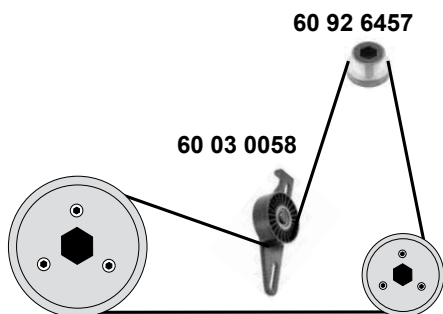
### Coach / Cabrio

(K4J-714,750 / K4M-700,701,708,709)

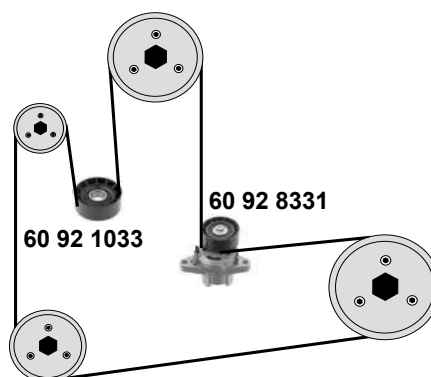
### Scenic

(K4J-714,750 / K4M-700,701,704,706-709,712)

(ex.) AC



AC



- (1) Megane 1 (mot.) K4J-714,750 / K4M →02
- Classic/Break (mot.) K4J-714,750 / K4M
- Coach/Cabrio (mot.) K4J-714,750 / K4M-700,701,706,708,709

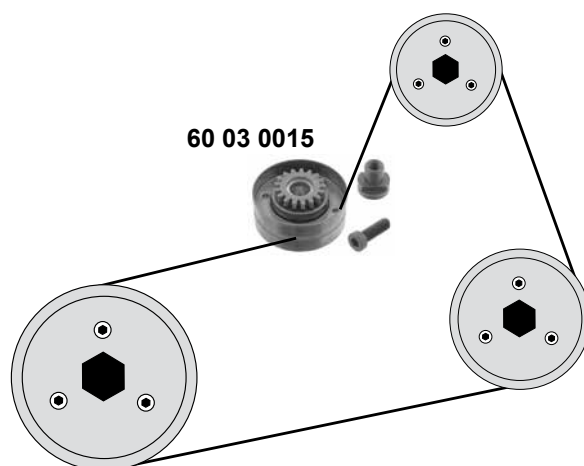
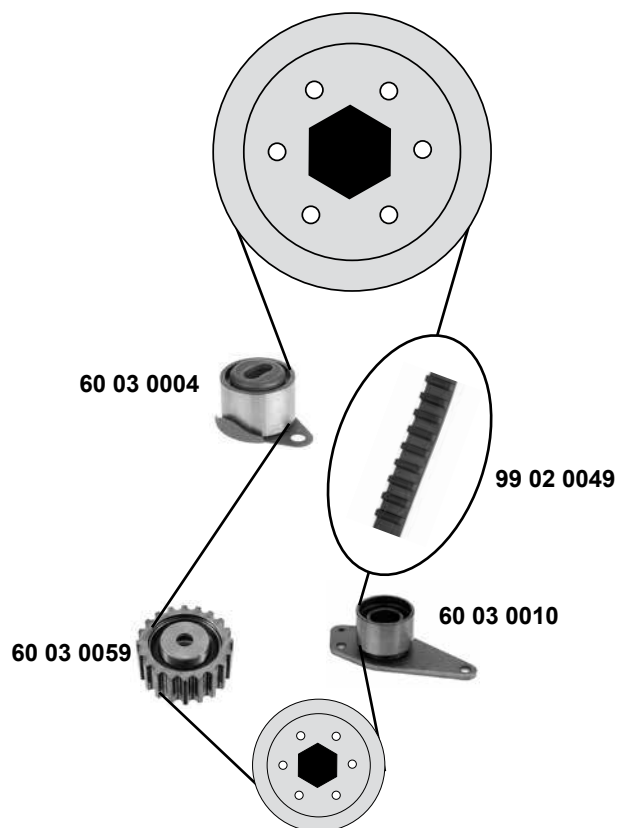


Ref. - No.



60 03 0058	82 00 582 997	Riemenspanner / belt tensioner	(ex.) mot. K7M-704	ØA 70 B25,5
60 91 9836	82 00 537 026	Zahnriemen / timing belt		Z 132 B27
60 91 9847	77 00 107 150	Umlenkrolle / deflection pulley		ØA 54 B32
60 91 9910	77 00 108 117	Spannrolle / tension roller	(1)	ØA 65 B32
60 91 9918	77 01 477 014	Rep. Satz Zahnriemen / rep. kit timing belt	(1)	
60 92 1033	82 00 104 754	Umlenkrolle / deflection pulley	AC	ØA 60,2 ØI 17 B25,5
60 92 6457	77 00 110 616	Generatorfreilauf / Freewheel Clutch, generator	Valeo	ØA 78 B40,2
60 92 8331	82 00 277 606	Riemenspanner / belt tensioner	(1)	ØA 60

**2,0**  
(F3R)



(1) nur / only: F3R-791/796/797/798



Ref. - No.



60 03 0004	77 00 726 440
60 03 0010	82 00 051 091
60 03 0015	77 00 851 321
60 03 0059	77 00 875 305
99 02 0049	77 00 857 325
99 02 0050	77 01 469 776

Spannrolle / tension roller	
Umlenkrolle / deflection pulley	
Spannrolle / tension roller	AC
Umlenkrolle / deflection pulley	(1)
Zahnriemen / timing belt	
Rep. Satz Zahnriemen / rep. kit timing belt	

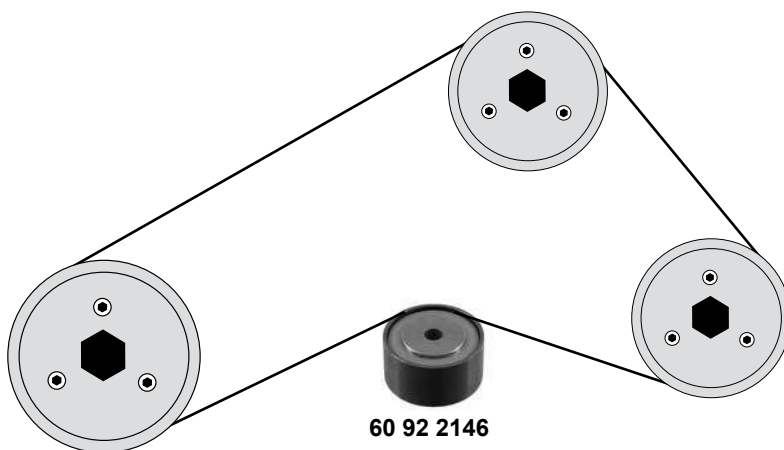
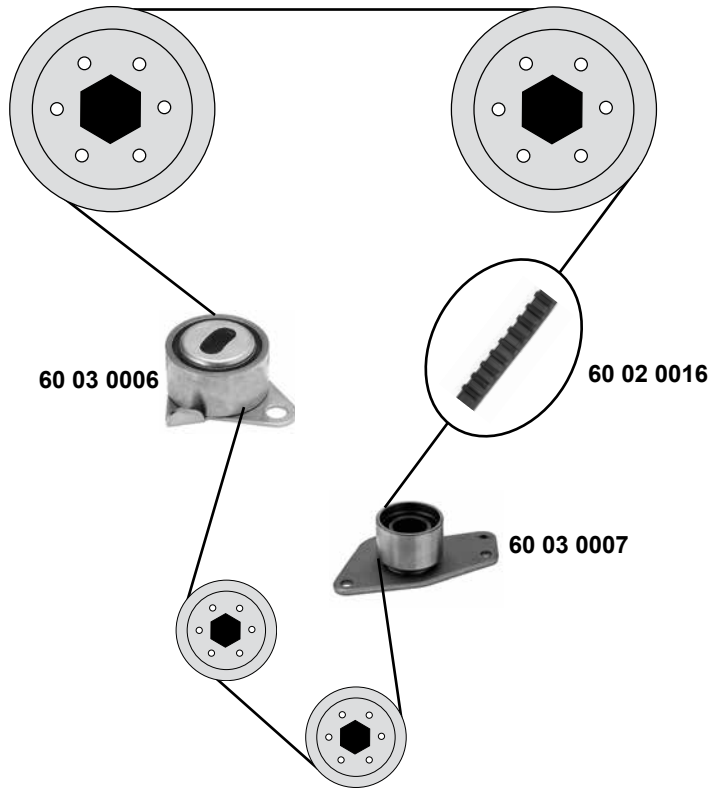
ØA 50 B31
ØA 50 B31
ØA 70 B28
ØA 59,4 B25

# RENAULT Megane 1 / Scénic 1

(96→03)



**2,0 16V**  
(F7R)



Ref. - No.



60 02 0016	77 00 743 777
60 02 0017	77 01 469 775
60 03 0006	77 00 736 419
60 03 0007	82 00 469 376
60 92 2146	82 00 065 479

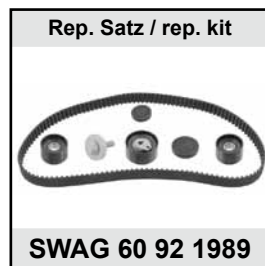
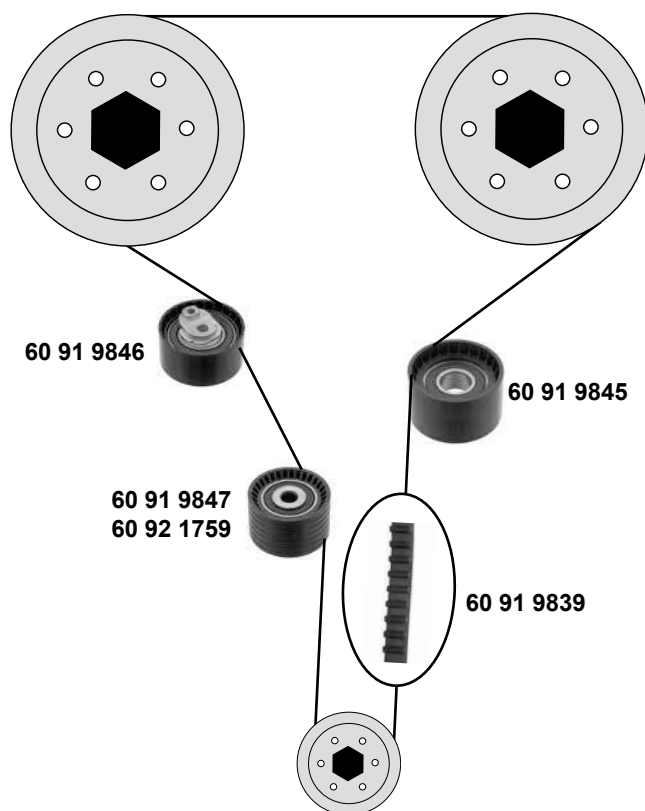
Zahnriemen / timing belt
Rep. Satz Zahnriemen / rep. kit timing belt
Spannrolle / tension roller
Umlenkrolle / deflection pulley
Umlenkrolle / deflection pulley

AC

Z 148 B25,4
ØA 50 B30,5
ØA 50 B30,5
ØA 50 ØI 8 B26

### 2,0 16V

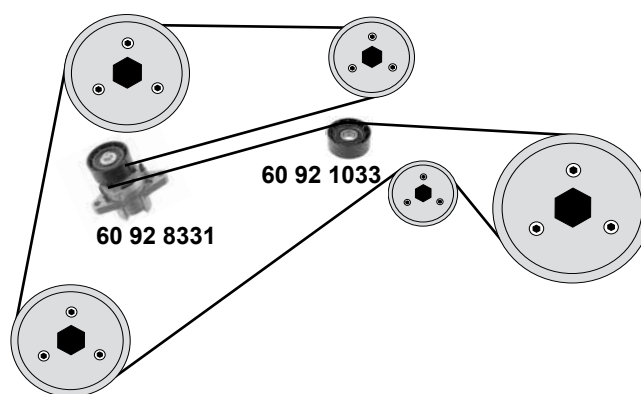
(F4P-720, 722, / F4R-740,741,744,746,747)



### 2,0 16V

(F4P-720,722/F4R-740-741,744,746,747/F5R)

## AC



60 91 9839	77 01 063 999	Zahnriemen / timing belt		Z 128
60 91 9845	82 00 483 288	Umlenkrolle / deflection pulley		ØA 54 ØI 19 B32
60 91 9846	82 00 676 404	Spannrolle / tension roller		ØA 66 B32
60 91 9847	77 00 107 150	Umlenkrolle / deflection pulley	Modell→04/01	ØA 54 B32
60 91 9951	77 01 472 292	Rep. Satz Zahnriemen / rep. kit timing belt	Modell→04/01	
60 92 1033	82 00 104 754	Umlenkrolle / deflection pulley	(ex.) F5R	ØA 60,2 ØI 17 B25,5
60 92 1759	82 00 064 664	Umlenkrolle / deflection pulley	Modell 04/01→	ØA 54 ØI 12 B32
60 92 1989	77 01 476 675	Rep. Satz Zahnriemen / rep. kit timing belt	Modell 04/01→	Z 128
60 92 8331	82 00 277 606	Riemenspanner / belt tensioner		ØA 60

# RENAULT

## Scénic 2

(03→09)

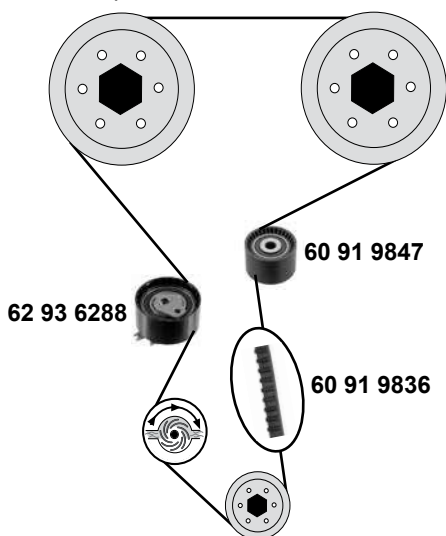
## Megane 2

(03→08)



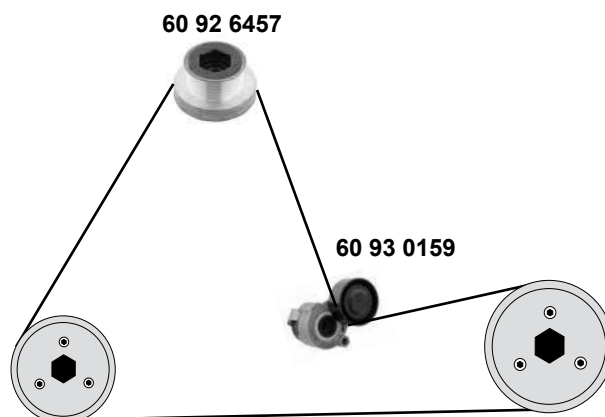
### 1,6 16V / 1,4 16V

(K4M- 760 / 761 / 812 / 813)



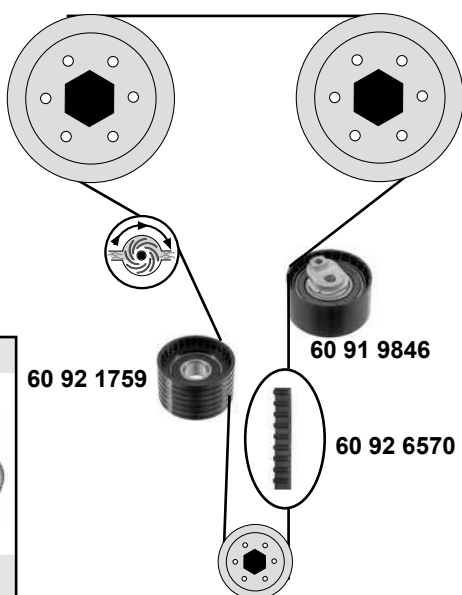
### 1,6 16V / 1,4 16V

(K4J / K4M)



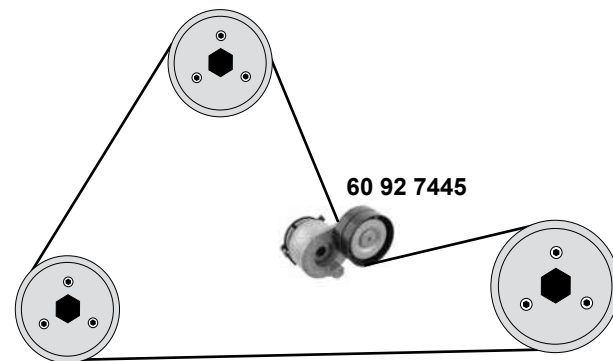
### 2,0 16V

(F4R 700/771/774/776)



### 2,0 16V

(F4R 700/771/776/770)



- (1) Megane 2 (mot.) K4J-730,732 / K4M-760,761 04/05→08 (mot.) K4M 812,813 02→08  
 Scenic 2 (mot.) K4J-730,740 04/03→nur/only AC / K4M-761 02→ nur/only AC / K4M-782,812,813  
 (2) Megane 2 (mot.) F4R-770,771,774-776 02→  
 Scenic 2 (mot.) F4R-770,771,776 03→



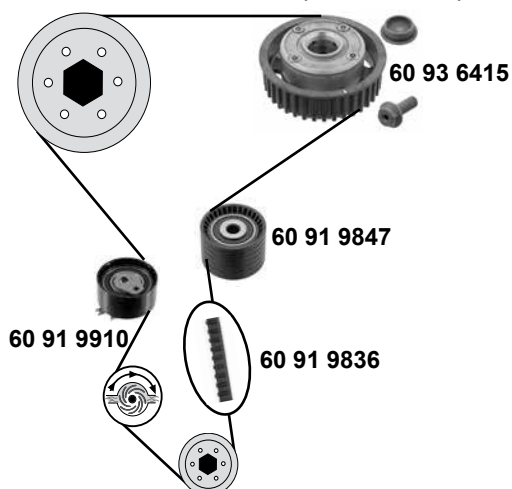
Ref. - No.



Ref. - No.	Description	Quantity	Notes
60 91 9836	Zahnriemen / timing belt		Z 132 B27
60 91 9846	Spannrolle / tension roller	(2)	ØA 66 B32
60 91 9847	Umlenkrolle / deflection pulley		ØA 54 B32
60 92 1759	Umlenkrolle / deflection pulley	(2)	ØA 54 ØI 12 B32
60 92 6457	Generatorfreilauf / alternator overrun pulley		ØA 78 H 40,2
60 92 6567	Rep. Satz Zahnriemen / rep. kit timing belt	(2)	Z 126 B27
60 92 6570	Zahnriemen / timing belt	(2)	Z 126 B27
60 92 7445	Riemenspanner / belt tensioner		ØA65 H30
60 93 0159	Riemenspanner / belt tensioner	(1)	ØA 65
60 93 6300	Rep. Satz Zahnriemen / rep. kit timing belt		
62 93 6288	Spannrolle / tension roller		ØA65 H32

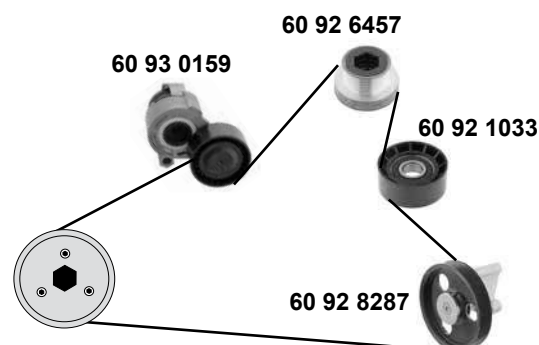
### 1,4 16V / 1,6 16V

(K4J / K4M)



### 1,4 16V / 1,6 16V

(K4J-730/732/740 / K4M-760/761/812/813)

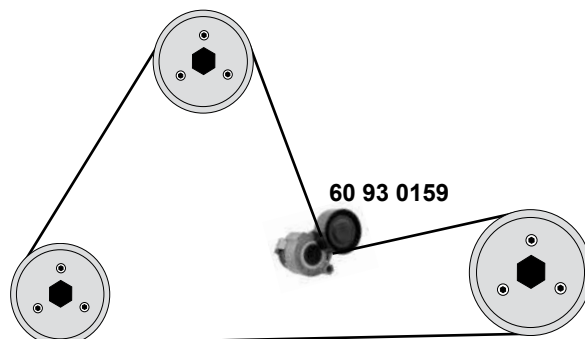
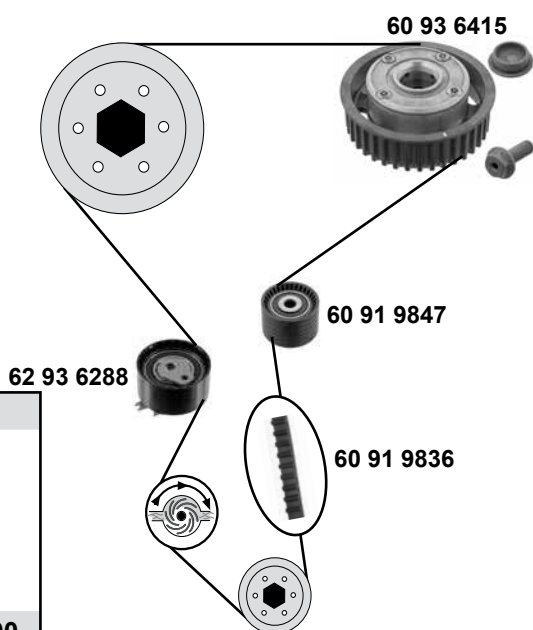


### Megane 3

(08→)

### 1,6 16V

(K4M-848,858,866)



(1) (mot.) K4J-730,732 04/05→ (mot.) K4M-760,761 04/05→ / 812,813 02→ (ex.) (mot.) K4J-740  
 (2) (mot.) K4J-730,732,740 / K4M-788,856



Ref. - No.



60 91 9836	82 00 537 026
60 91 9847	77 00 107 150
60 91 9910	77 00 108 117
60 91 9918	77 01 477 014
60 92 1033	82 00 104 754
60 92 6457	77 00 110 616
60 92 8287	82 00 641 468
60 93 0159	82 00 608 550
60 93 6300	77 01 477 023
60 93 6415	77 01 478 505
62 93 6288	82 00 623 883

Zahnriemen / timing belt
Umlenkrolle / deflection pulley
Spannrolle / tension roller
Rep. Satz Zahnriemen / rep. kit timing belt
Umlenkrolle / deflection pulley
Generatorfreilauf / alternator overrun pulley
Umlenkrolle / deflection pulley
Riemenspanner / belt tensioner
Rep. Satz Zahnriemen / rep. kit timing belt
Nockenwellenrad / camshaft timing gear
Spannrolle / tension roller

(2)  
 (2)  
 AC  
 Valeo / Bosch  
 (ex.) AC  
 (1)

Z 132 B27
ØA 54 B32
ØA 65 B32
Z 132 B27
ØA 60,2 ØI 17 B25,5
ØA 78 B40,2
ØA131,5
ØA 65
ØA65 H32

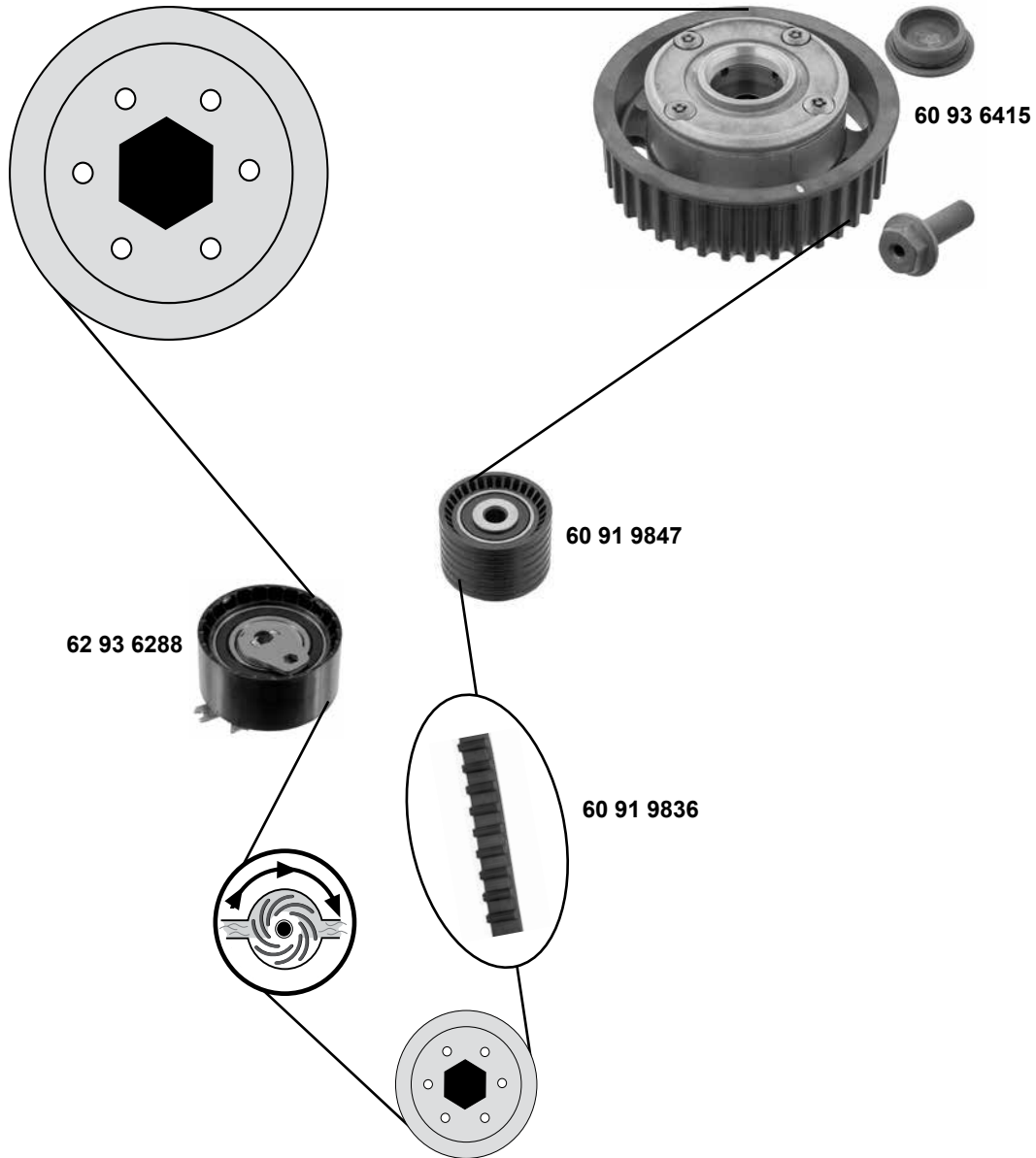


# RENAULT Megane Generation

(10→)



**1,6 16V**  
(K4M-838 / 839)

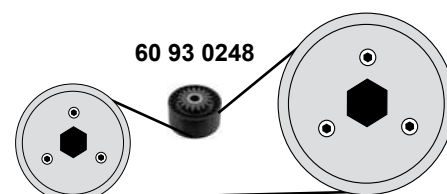
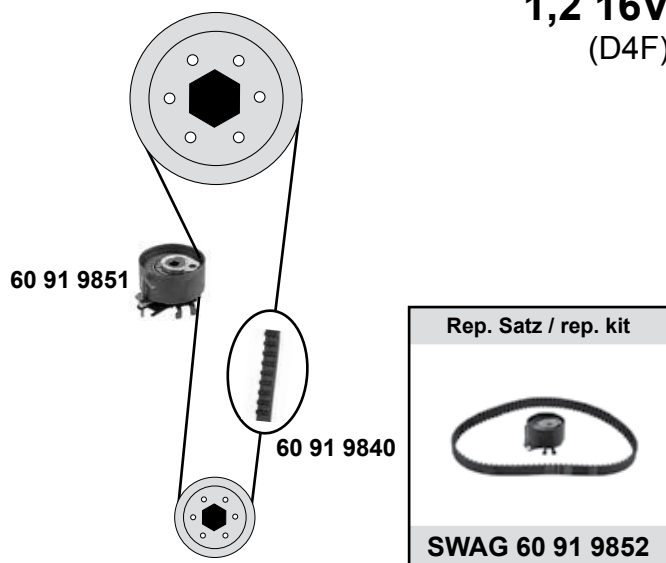


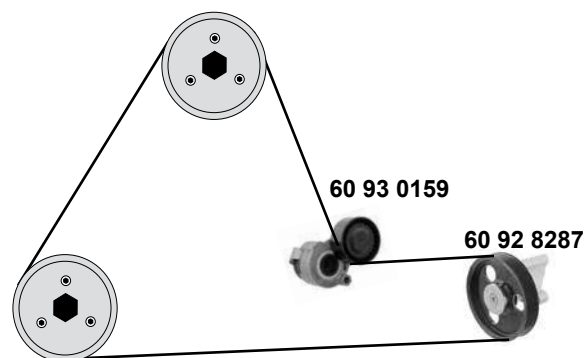
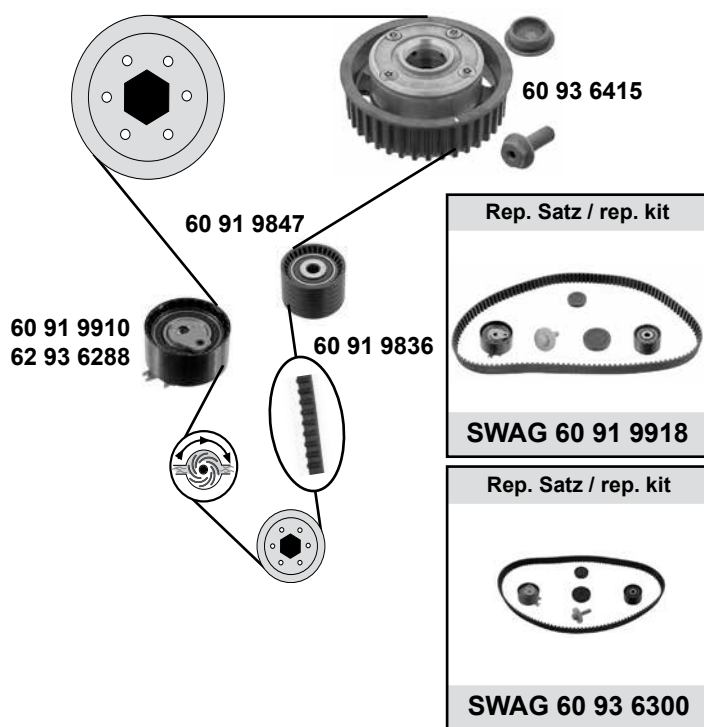
SWAG GERMANY	Ref. - No.			
60 91 9836	82 00 537 026	Zahnriemen / timing belt		Z 132 B27
60 91 9847	77 00 107 150	Umlenkrolle / deflection pulley		ØA 54 B32
60 93 6300	77 01 477 023	Rep. Satz Zahnriemen / rep. kit timing belt		
60 93 6415	77 01 478 505	Nockenwellenrad / camshaft timing gear		
62 93 6288	82 00 623 883	Spannrolle / tension roller		ØA65 H32



**1,2 16V**  
 (D4F)

(D4F-740,764,784)


**1,4 16V / 1,6 16V**  
 (K4J / K4M-790/791/800/801)

**1,4 16V / 1,6 16V**  
 (K4J-770/780 / K4M-790/791/794/800/801)


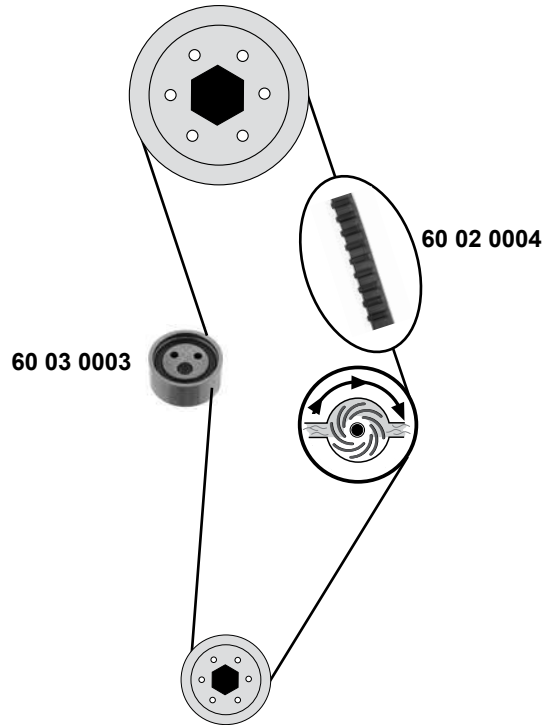
60 91 9836	82 00 537 026	Zahnriemen / timing belt	Z 132 B27
60 91 9840	82 00 106 085	Zahnriemen / timing belt	Z 95 B23,4
60 91 9847	77 00 107 150	Umlenkrolle / deflection pulley	ØA54 B32
60 91 9851	82 00 704 394	Spannrolle / tension roller	ØA59 ØI28 B24
60 91 9852	77 01 476 745	Rep. Satz Zahnriemen / rep. kit timing belt	Z 95 B23,4
60 91 9910	77 00 108 117	Spannrolle / tension roller	ØA65 B32
60 91 9918	77 01 477 014	Rep. Satz Zahnriemen / rep. kit timing belt	ØA131,5
60 92 8287	82 00 641 468	Umlenkrolle / deflection pulley	(mot.) K4M-770,780
60 93 0159	82 00 608 550	Riemenspanner / belt tensioner	(mot.) K4M-770,780
60 93 0248	82 00 769 155	Umlenkrolle / deflection pulley	(ex.) AC
60 93 6300	77 01 477 023	Rep. Satz Zahnriemen / rep. kit timing belt	(mot.) K4M-794 04/05 →
60 93 6415	77 01 478 505	Nockenwellenrad / camshaft timing gear	ØA65
62 93 6288	82 00 623 883	Spannrolle / tension roller	ØA60 H30
			ØA65 H32

07→

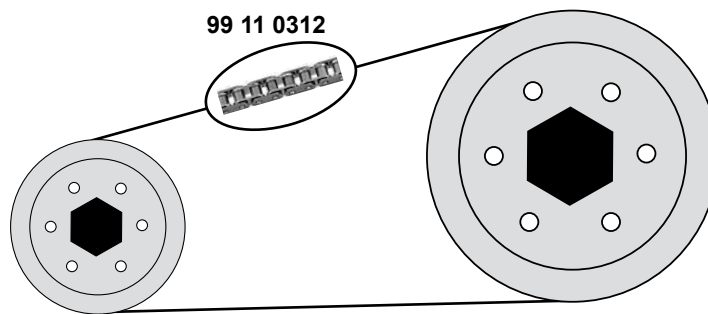
# RENAULT Rapid (86→92)



**1,4**  
(E6J / E7J)

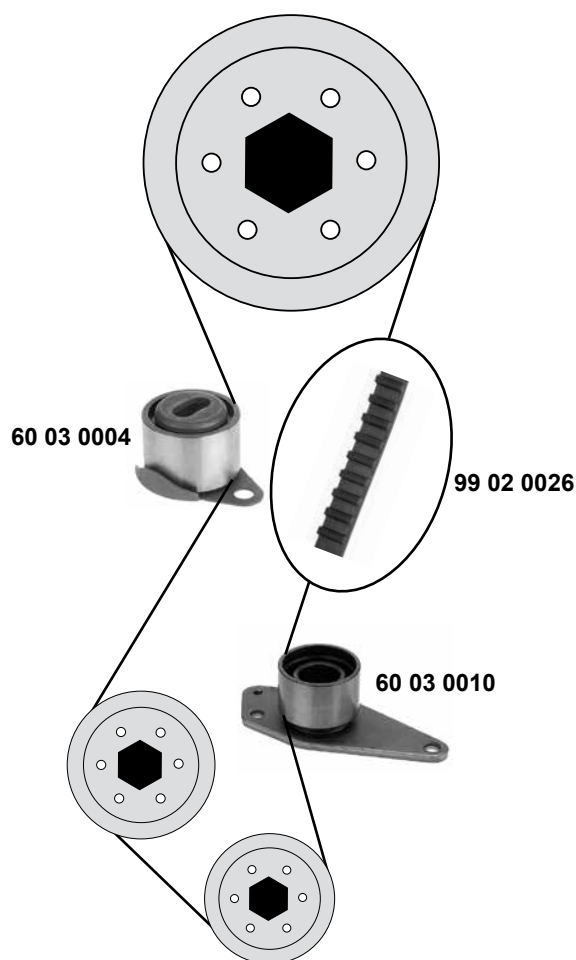


**R4**  
(62→83)  
**0,8 8V**  
(800-701,705)



SWAG GERMANY	Ref. - No.			
60 02 0004	77 00 736 969	Zahnriemen / timing belt		Z 95 B17
60 02 0019	77 01 472 726	Rep. Satz Zahnriemen / rep. kit timing belt		
60 03 0003	77 00 736 085	Spannrolle / tension roller		ØA 50 B22
99 11 0312	08 55 789 200	Rollenkette einfach (endlos) / roller chain simple (endless)		E 64

**1,7**  
 (F2N-740/742 / F3N-716/717)

**Modell: 02/88 →**


Rep. Satz / rep. kit



SWAG 99 02 0053



Ref. - No.



60 03 0004	77 00 726 440
60 03 0010	82 00 051 091
99 02 0026	77 00 725 577
99 02 0053	77 01 468 167

Spannrolle / tension roller
Umlenkrolle / deflection pulley
Zahnriemen / timing belt
Rep. Satz Zahnriemen / rep. kit timing belt

ØA 50 ØI 23,5 B31
ØA 50 B31
Z 125 B19

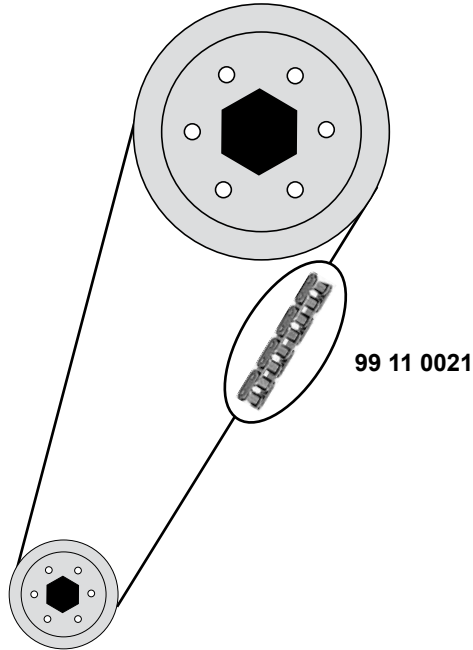
# RENAULT R 19

(89→96)



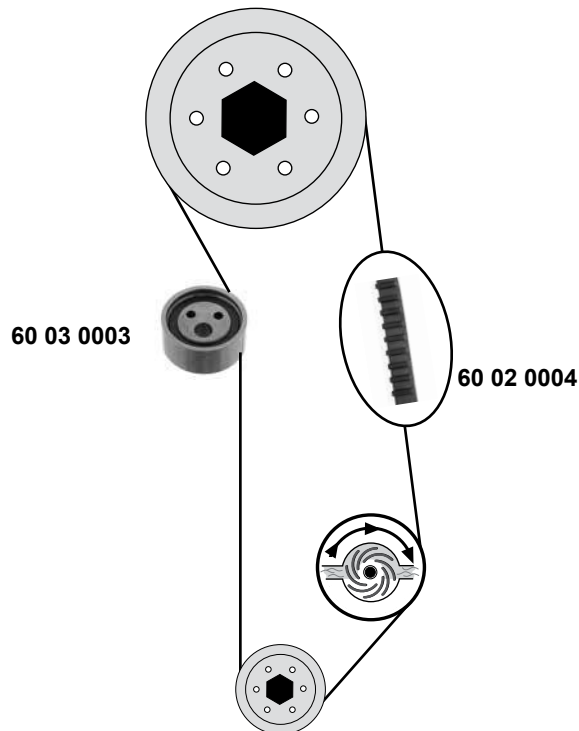
**1,2**

(C1G / C3J)

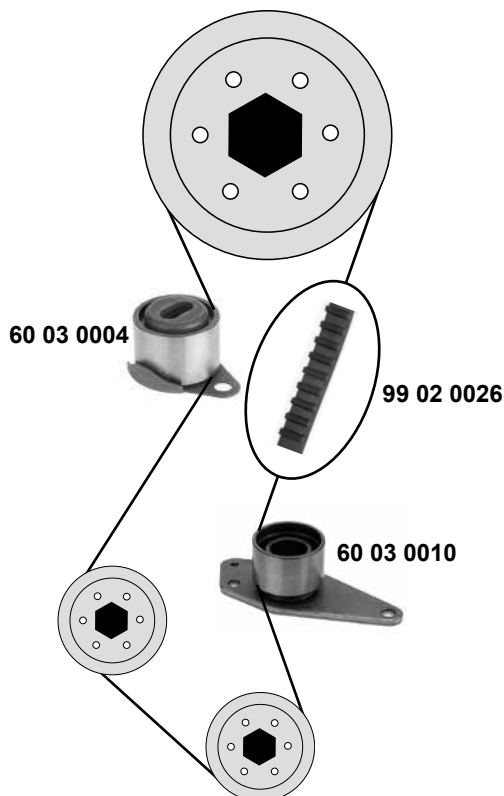


**1,2 / 1,4**

(E6J / E7F / E7J)



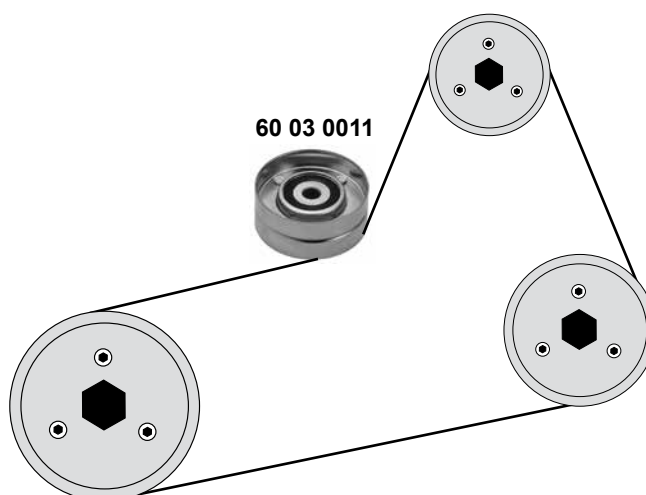
SWAG GERMANY	Ref. - No.			
60 02 0004	77 00 736 969	Zahnriemen / timing belt		Z 95 B17
60 02 0019	77 01 472 726	Rep. Satz Zahnriemen / rep. kit timing belt		
60 03 0003	77 00 736 085	Spannrolle / tension roller		ØA 50 B22
99 11 0021	77 00 722 758	Rollenkette einfach / roller chain simple		455 / 58 E



Rep. Satz / rep. kit



SWAG 99 02 0053

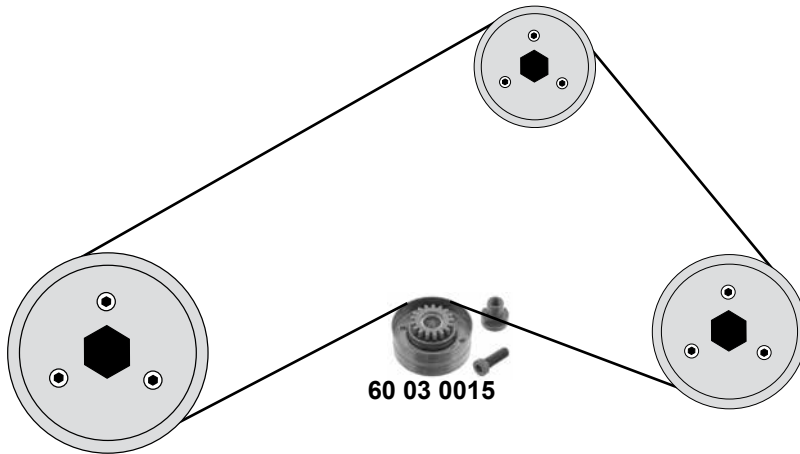
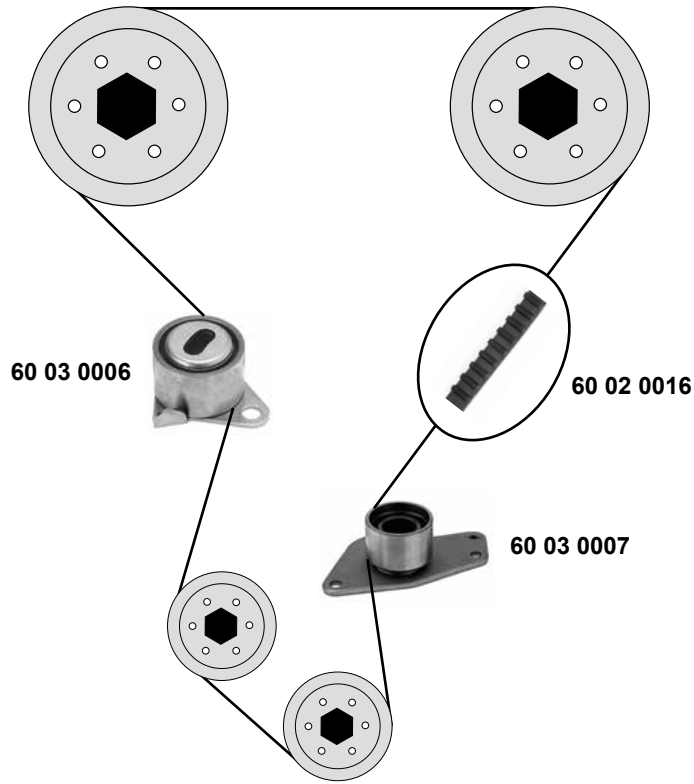


# RENAULT R 19

(89→96)



**1,8 16V**  
(F7P)



Ref. - No.

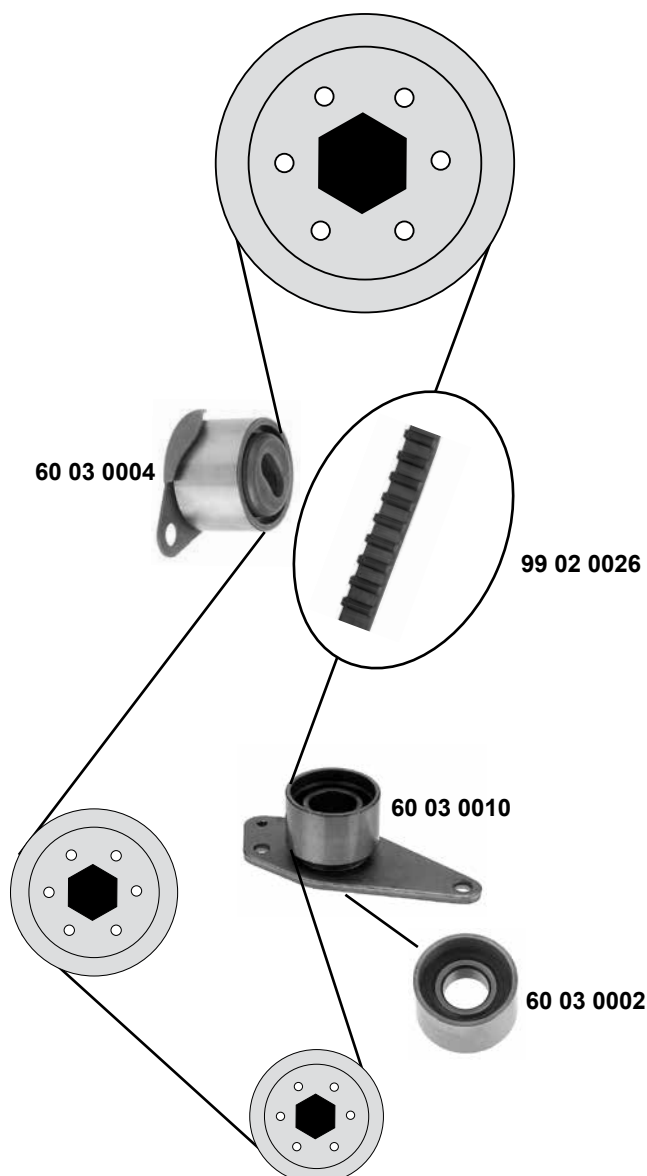


60 02 0016	77 00 743 777
60 02 0017	77 01 469 775
60 03 0006	77 00 736 419
60 03 0007	82 00 469 376
60 03 0015	77 00 851 321

Zahnriemen / timing belt
Rep. Satz Zahnriemen / rep. kit timing belt
Spannrolle / tension roller
Umlenkrolle / deflection pulley
Spannrolle / tension roller

servo + AC

Z 148 B25,4
ØA 50 B30,5
ØA 50 B30,5
ØA 70 B28



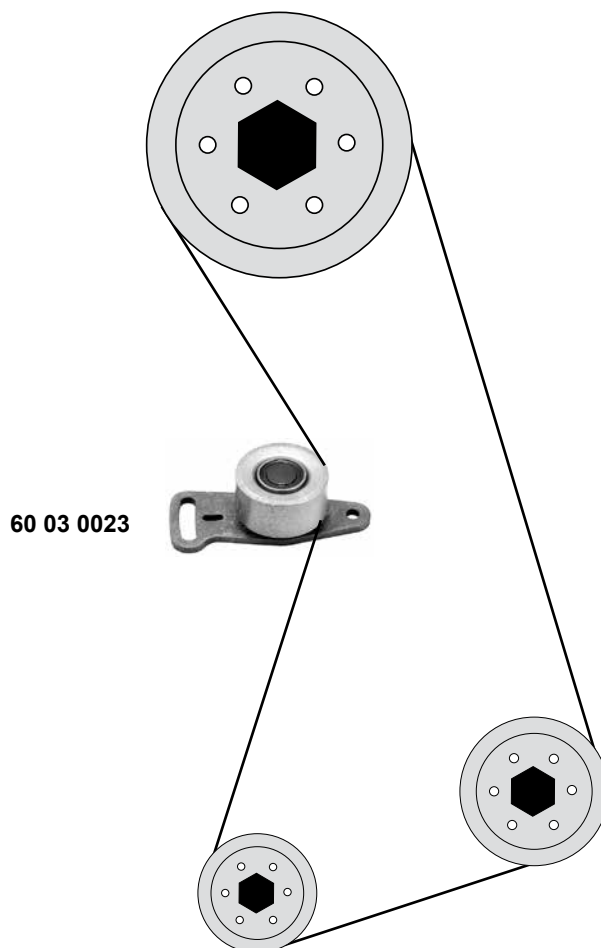
- (1) nur / only: F2N - 711,754,758,783,786 (86→94) / F2N - 710,712,716,750,752 (2/88→94) / F3N - 723 (86→94)  
 F3N - 722,726 (2/88→94)
- (2) nur / only: (L48) F2N - 710,712,750,752 (1/86→1/88) / F3N - 722,726 (1/86→1/88)  
 (K48) F2N - 710 (1/86 → C 00290918) / F2N - 712 (1/87 → C 00028979) / F2N - 750  
 (1/87→C 00291322) F2N - 752 (1/87→C 00290415)



Ref. - No.



Ref. - No.				
60 03 0002	77 00 696 987	Umlenkrolle / deflection pulley	(2)	ØA 50 B31,5
60 03 0004	77 00 726 440	Spannrolle / tension roller	(1)	ØA 50 ØI 23,5 B31
60 03 0010	82 00 051 091	Umlenkrolle / deflection pulley	(1)	ØA 50 B31
99 02 0026	77 00 725 577	Zahnriemen / timing belt		Z 125 B19
99 02 0053	77 01 468 167	Rep. Satz Zahnriemen / rep. kit timing belt	(1)	

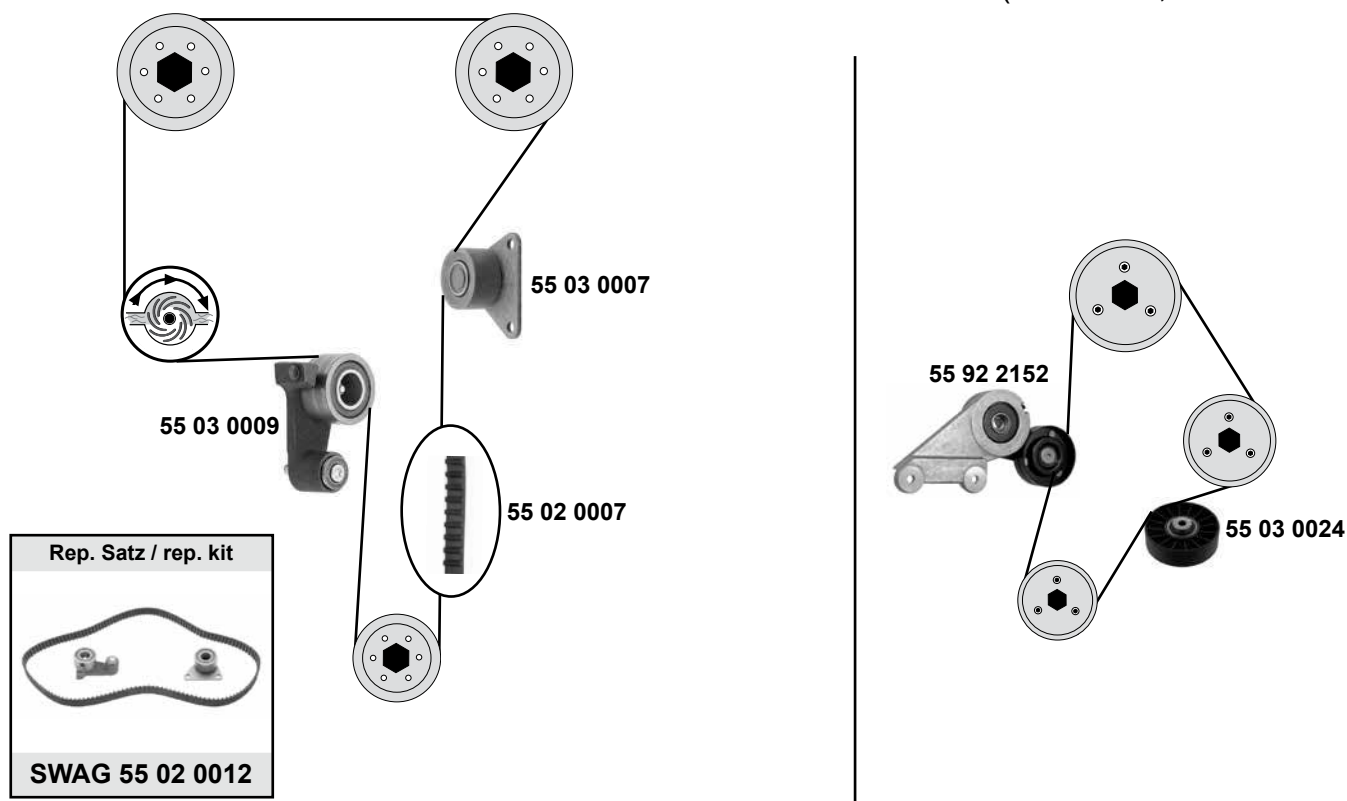
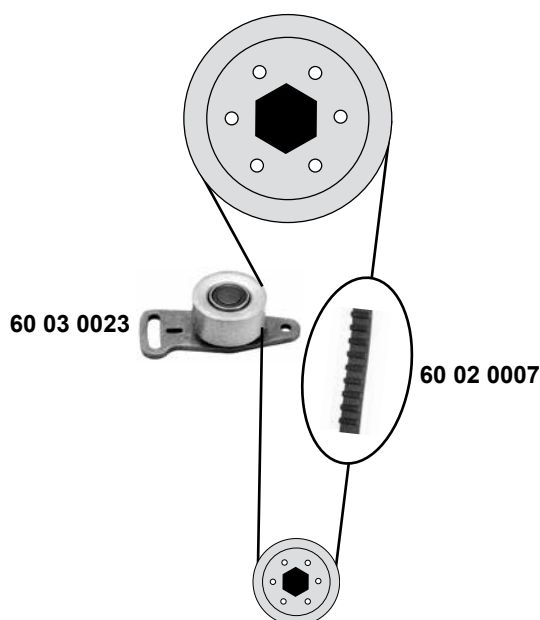


60 03 0023



(1) nur / only: ( L48 ) J7R-740,746,747,754,756 / J6R-758 ( ch.) F 00311745→/ J6R-759 (ch.) F 00310951→  
J6R-792,793 (6/90→94) / J7R-751 (ch.) F 00197768→/ J7R-752 (ch.) F 00209863→  
( K48 ) J7R-740,746,747 (87→94) / J6R 6/90→94 / J7R-750 (ch.) F 00209864→



**2,0 16V**  
 (N7Q - 710,711 / N7U-100,701)

**2,2**  
 (J7T- 762)


	Ref. - No.			
55 02 0007	74 39 135 733	Zahnriemen / timing belt		Z 148 B23
55 02 0012	74 39 135 733 S	Rep. Satz Zahnriemen / rep. kit timing belt		
55 03 0007	74 39 146 376	Umlenkrolle / deflection pulley		ØA 53 Ø1 24 B27
55 03 0009	74 39 135 036	Spannrolle / tension roller		ØA 53 Ø1 24 B27
55 03 0024	74 39 146 139	Umlenkrolle / deflection pulley	(ex.) AC	ØA 124 B26
55 92 2152	74 31 275 380	Riemenspanner / belt tensioner	96→	ØA 76 B26
60 02 0007	77 00 856 351	Zahnriemen / timing belt		Z 118 B19
60 03 0023	77 00 871 168	Spannrolle / tension roller		ØA 55 B26

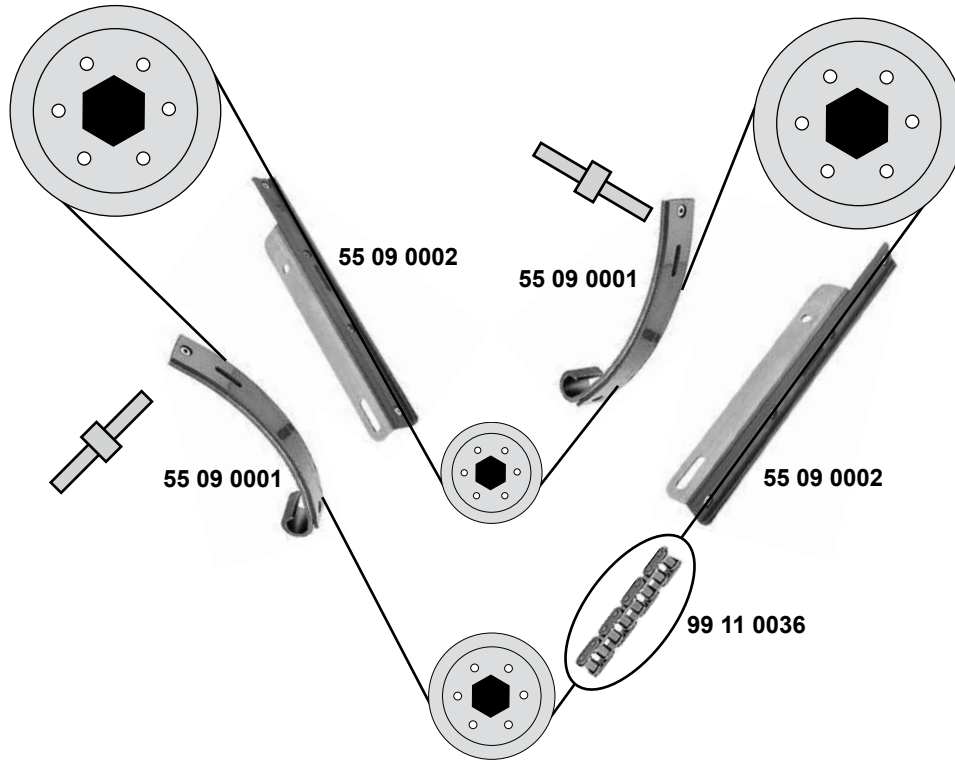
# RENAULT Safrane

(92→00)



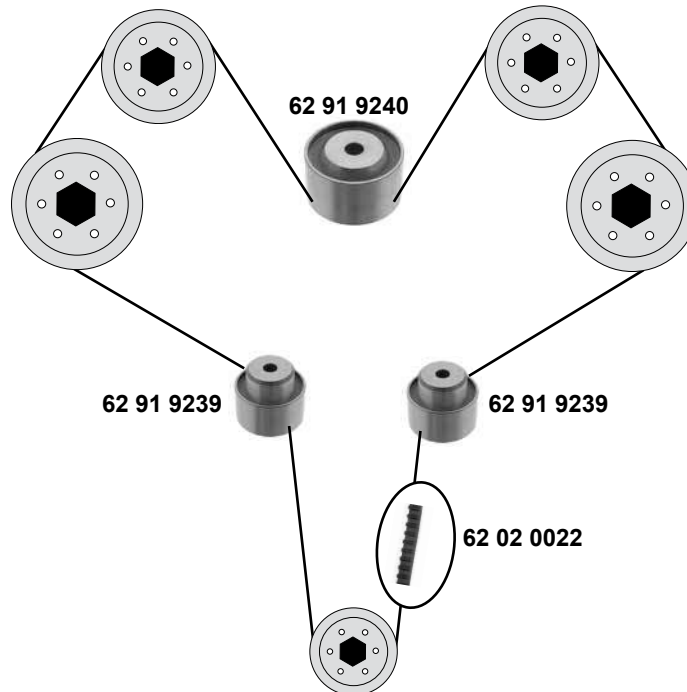
## 3,0 V6

(Z7X-721,722,723,753,755)



## 3,0 V6 24V

(L7X)



Ref. - No.

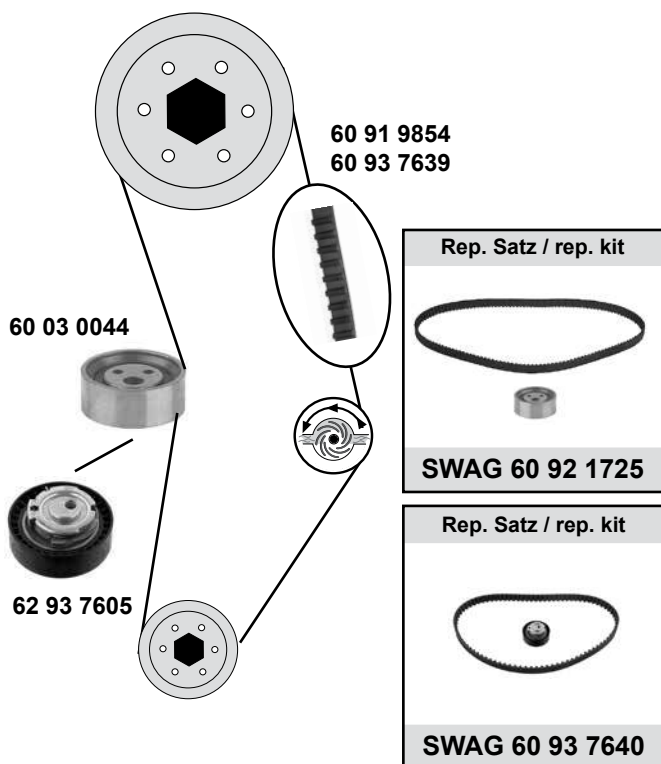


55 09 0001	79 10 246 065
55 09 0002	79 10 247 528
62 02 0022	96 18 337 580
62 91 9239	96 16 660 580
62 91 9240	96 16 660 780
99 11 0036	79 10 245 301

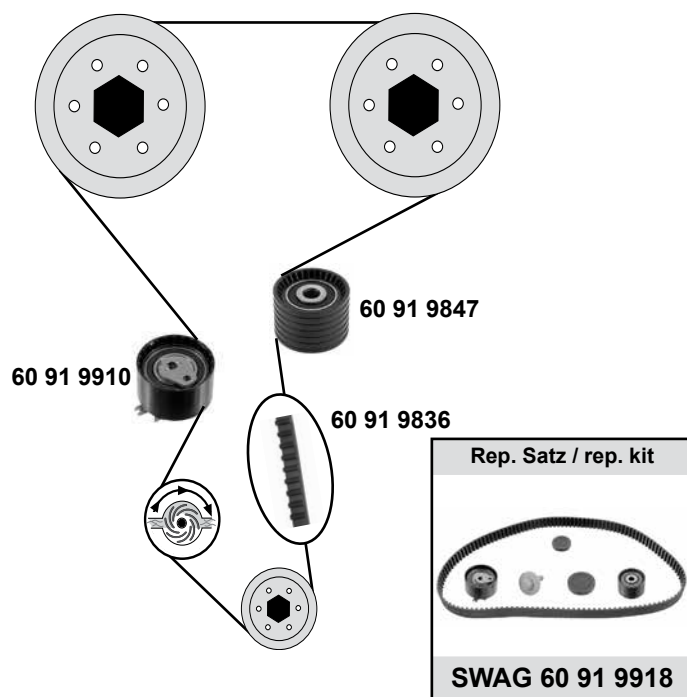
Gleitschiene / sliding rail
Gleitschiene / sliding rail
Zahnriemen / timing belt
Umlenkrolle / deflection pulley
Umlenkrolle / deflection pulley
Rollenkette / roller chain

Z259
ØA 65 B36/54
ØA 65 B36
94 E

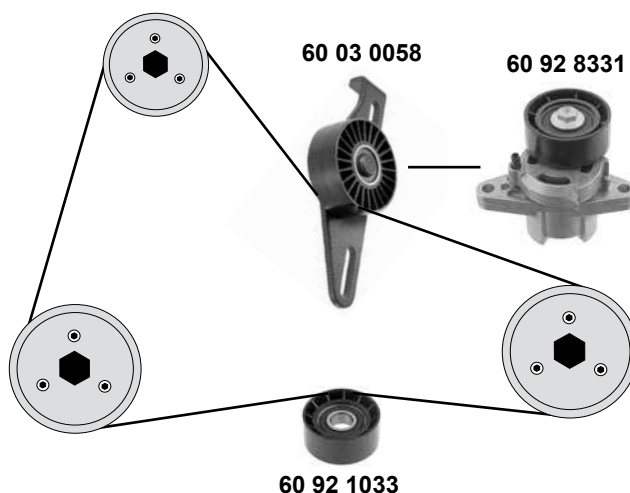
## 1,4 / 1,6 (K7J)



## 1,6 16V (K4M-690/694/698)



## 1,4 / 1,6 (K7M/K7J)



Ref. - No.

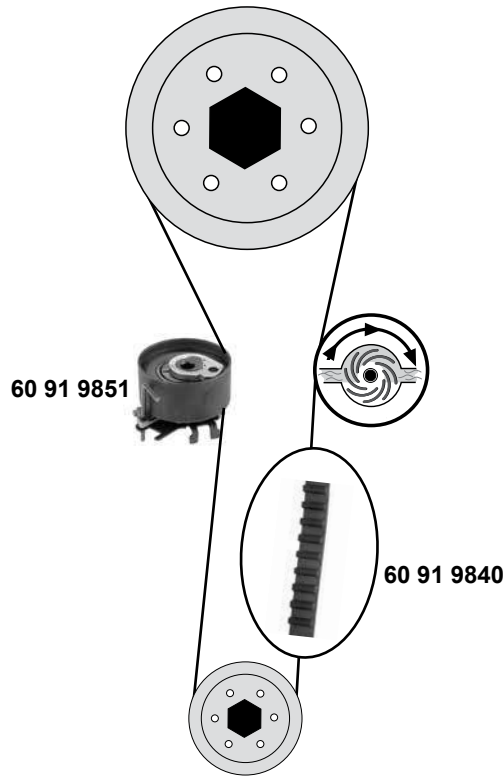


60 03 0044	82 00 211 784	Spannrolle / tension roller	→11/09	ØA 55 B22
60 03 0058	82 00 582 997	Riemenspanner / belt tensioner	(ex.) AC (mot.) K7J	ØA 70 B25,5
60 91 9836	82 00 537 026	Zahnriemen / timing belt		Z 132 B27
60 91 9847	77 00 107 150	Umlenkrolle / deflection pulley		ØA 54 B32
60 91 9854	82 00 537 021	Zahnriemen / timing belt	→11/09	Z 96 B17
60 91 9910	77 00 108 117	Spannrolle / tension roller		ØA 56 B32
60 91 9918	77 01 477 014	Rep. Satz Zahnriemen / rep. kit timing belt		
60 92 1033	82 00 104 754	Umlenkrolle / deflection pulley	AC	ØA 60,2 H 25,5
60 92 1725	77 01 477 024	Rep. Satz Zahnriemen / rep. kit timing belt	→11/09	
60 92 8331	82 00 603 359	Riemenspanner / belt tensioner	AC / servo	ØA 60
60 93 7639	82 00 939 081	Zahnriemen / timing belt	11/09→	Z 96 B17,3
60 93 7640	13 0C 174 80R	Rep. Satz Zahnriemen / rep. kit timing belt	11/09→	
62 93 7605	82 00 908 180	Spannrolle / tension roller	11/09→	ØA 73,5 H 22

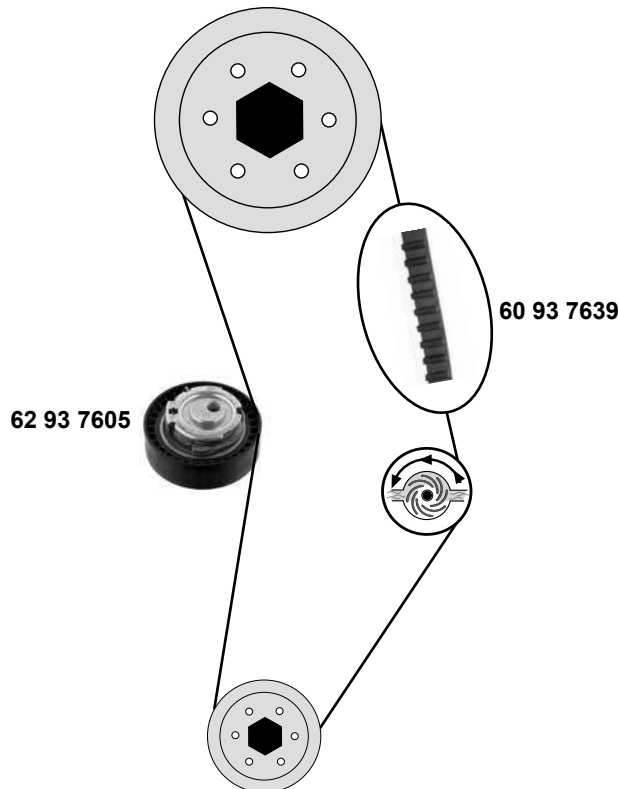
# RENAULT Sandero 2 (13→)



**1,2 16V**  
(D4F)



**1,6**  
(K7M-712)



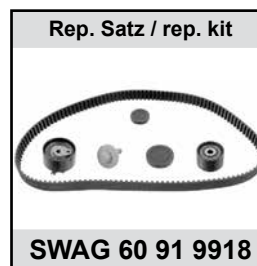
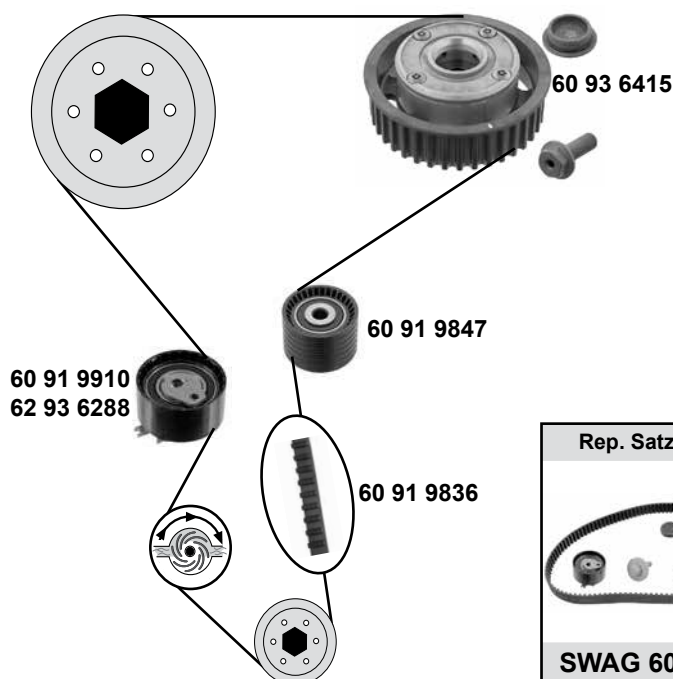
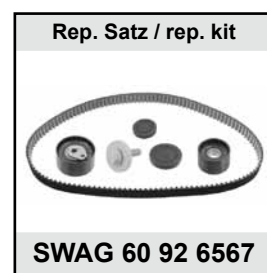
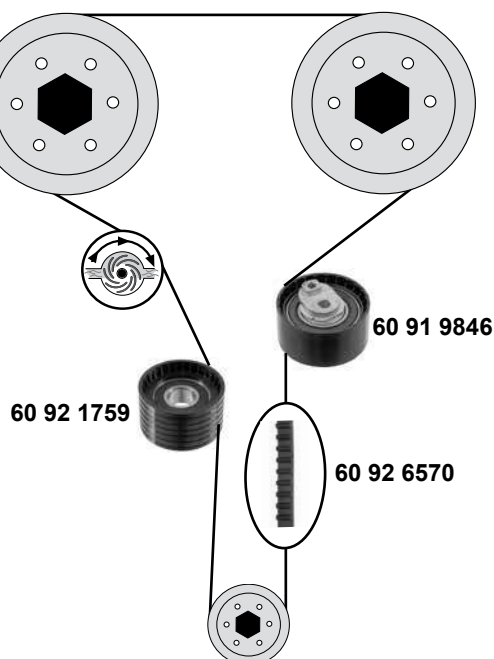
Ref. - No.



60 91 9840	82 00 106 085
60 91 9851	82 00 704 394
60 91 9852	77 01 476 745
60 93 7639	82 00 939 081
60 93 7640	13 0C 174 80R
62 93 7605	82 00 908 180

Zahnriemen / timing belt
Spannrolle / tension roller
Rep. Satz Zahnriemen / rep. kit timing belt
Zahnriemen / timing belt
Rep. Satz Zahnriemen / rep. kit timing belt
Spannrolle / tensioner bearing

Z 95 B23,4
ØA59 H28,3/24,45
Z 95 B23,4
Z 96 B17,3
ØA 73,5 H 22

**1,4 16V / 1,6 16V**  
 (K4J / K4M)

**2,0 16V**  
 (F4R 700/771/776)


(1) (mot.) F4R-770,771 03→07/05 / (mot.) F4R-776 03→

(2) (mot.) K4J-730,740 03→ / (mot.) K4M-764,788 03→

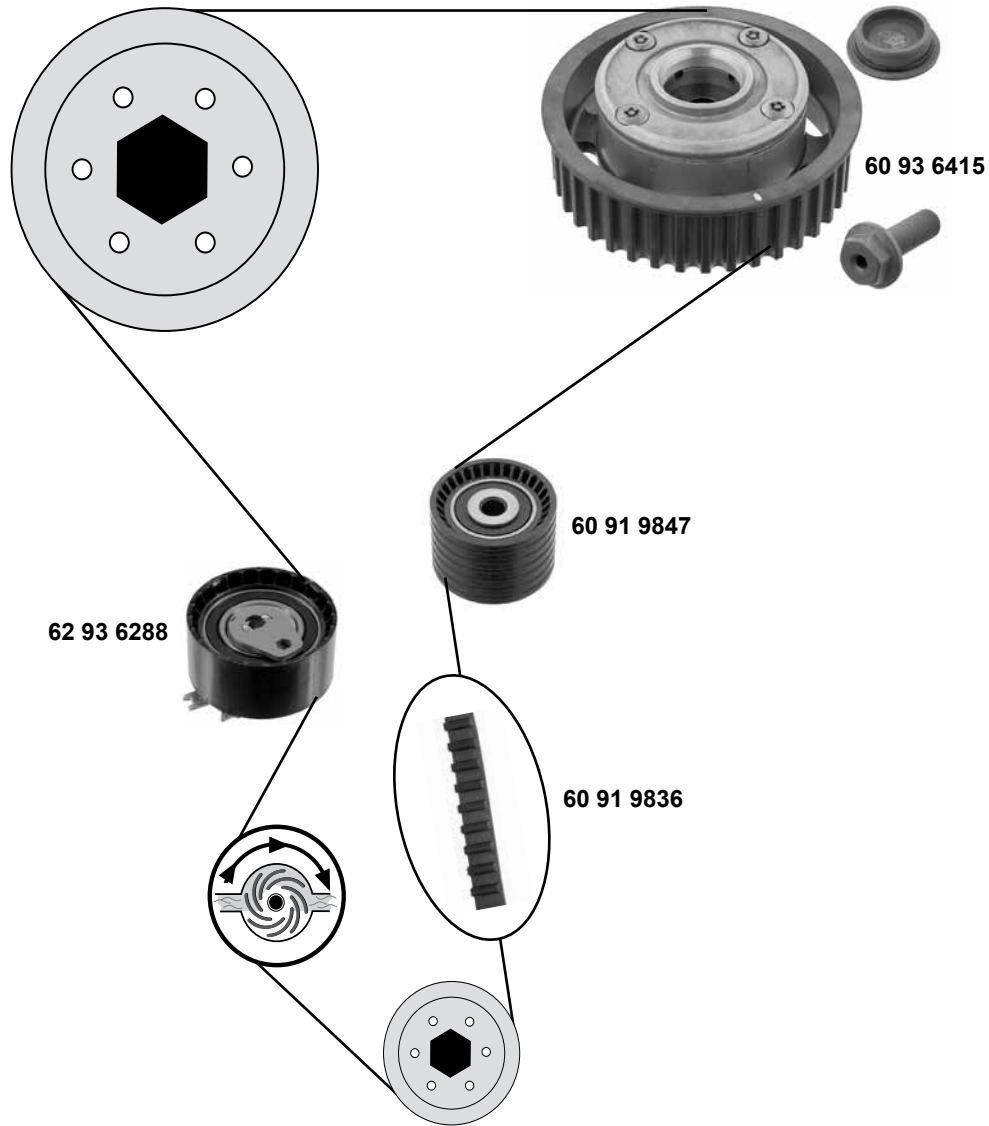


Ref. - No.

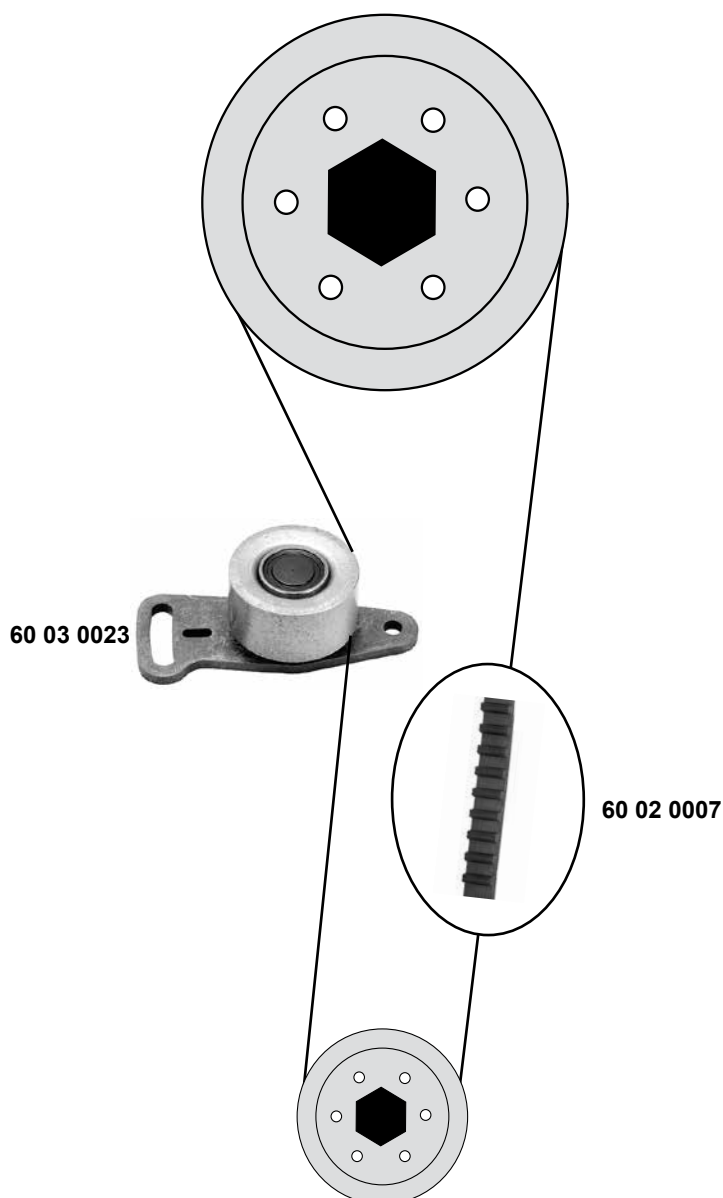


SWAG Ref. - No.				
60 91 9836	82 00 537 026	Zahnriemen / timing belt		Z 132 B27
60 91 9846	82 00 676 404	Spannrolle / tension roller	(1)	ØA 66 H32
60 91 9847	77 00 107 150	Umlenkrolle / deflection pulley		ØA 54 B32
60 91 9910	77 00 108 117	Spannrolle / tension roller	(2)	ØA 65 B32
60 91 9918	77 01 477 014	Rep. Satz Zahnriemen / rep. kit timing belt	(2)	
60 92 1759	82 00 064 664	Umlenkrolle / deflection pulley	(1)	ØA 54 ØI 12 B32
60 92 6567	77 01 477 093	Rep. Satz Zahnriemen / rep. kit timing belt	(1)	
60 92 6570	77 01 477 093	Zahnriemen / timing belt	(1)	Z 126 B27
60 93 6300	77 01 477 023	Rep. Satz Zahnriemen / rep. kit timing belt		
60 93 6415	77 01 478 505	Nockenwellenrad / camshaft timing gear		
62 93 6288	82 00 623 883	Spannrolle / tension roller		ØA65 H32

**1,6 16V**  
(K4M-858 / 866)



SWAG GERMANY	Ref. - No.			
60 91 9836	82 00 537 026	Zahnriemen / timing belt		Z 132 B27
60 91 9847	77 00 107 150	Umlenkrolle / deflection pulley		ØA 54 B32
60 93 6300	77 01 477 023	Rep. Satz Zahnriemen / rep. kit timing belt		
60 93 6415	77 01 478 505	Nockenwellenrad / camshaft timing gear		
62 93 6288	82 00 623 883	Spannrolle / tension roller		ØA65 H32

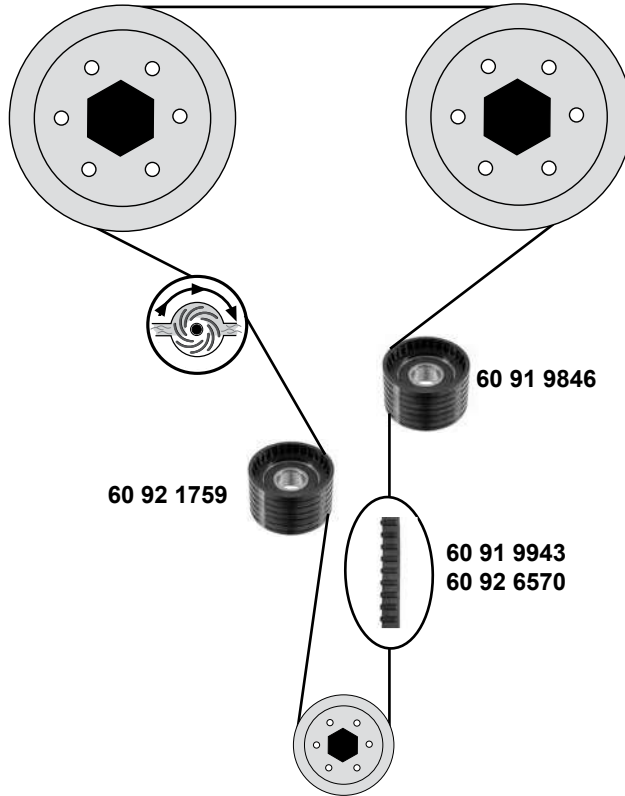


# RENAULT Trafic 2

(01→)



**2,0 16V**  
(F4R)



Rep. Satz / rep. kit

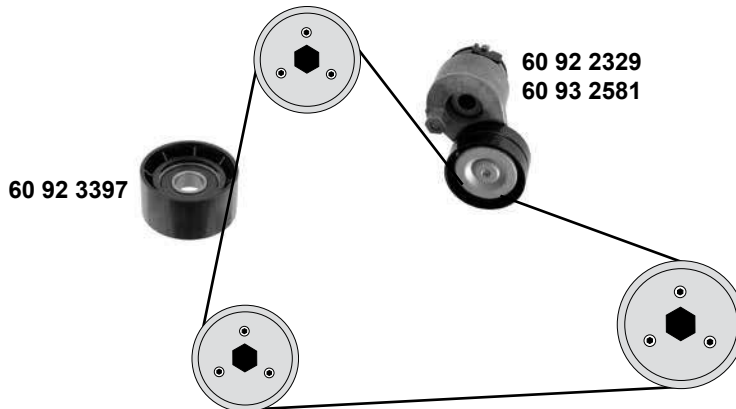


**SWAG 60 92 6567**

Rep. Satz / rep. kit



**SWAG 60 92 8602**



(1) (mot.) F4R-720 (ex.) AC

(2) (mot.) F4R-720 AC



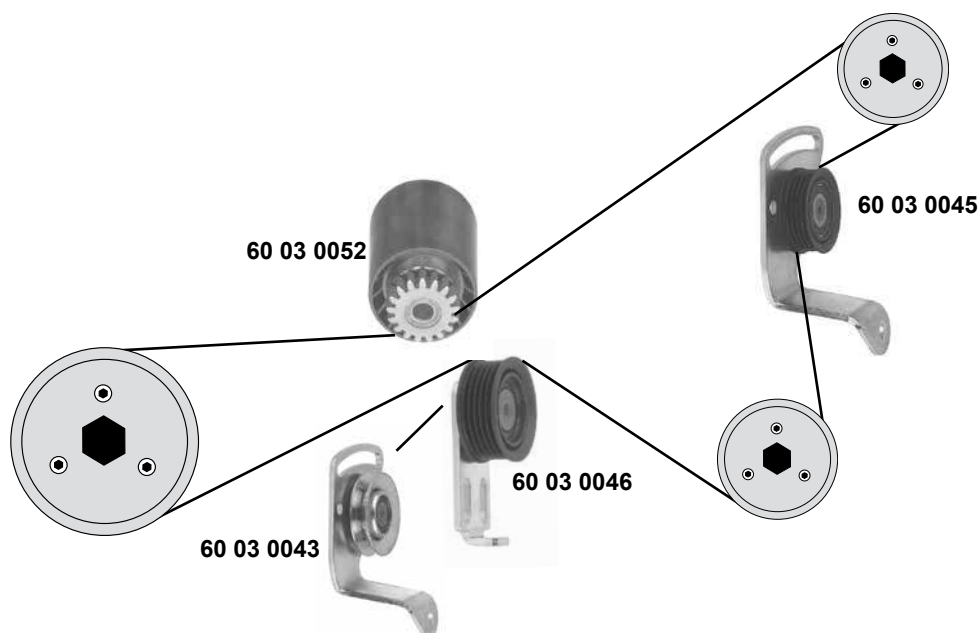
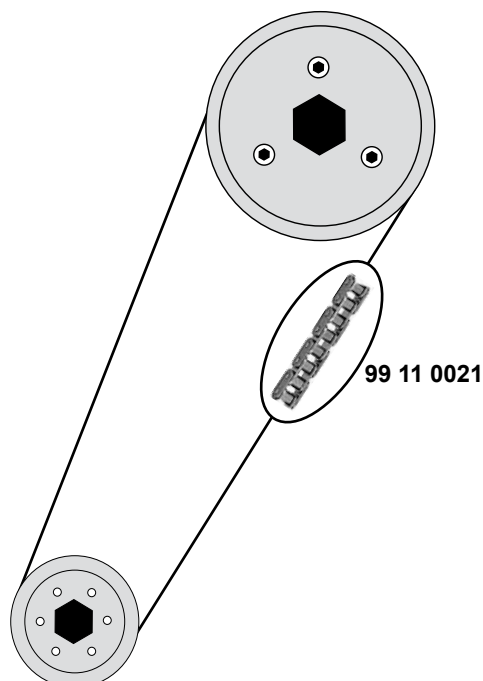
Ref. - No.



<b>60 91 9846</b>	82 00 064 664	Umlenkrolle / deflection pulley	(mot.) F4R-720.820	ØA 54 B32
<b>60 91 9943</b>	77 01 064 316	Zahnriemen / timing belt	(mot.) F4R-720,767	Z 126 B27
<b>60 92 1759</b>	82 00 058 022	Umlenkrolle / deflection pulley	(mot.) F4R-720,820	ØA 54 ØI 12 H32
<b>60 92 2329</b>	82 00 071 402	Riemenspanner / belt tensioner	(2)	ØA 65 B30
<b>60 92 3397</b>	82 00 285 009	Umlenkrolle / deflection pulley	AC	ØA 60 B31
<b>60 92 6567</b>	77 01 477 093	Rep. Satz Zahnriemen / rep. kit timing belt	(mot.) F4R-820	
<b>60 92 6570</b>	82 00 542 739	Zahnriemen / timing belt	(mot.) F4R-820	Z 126 B27
<b>60 92 8602</b>	77 01 477 022	Rep. Satz Zahnriemen / rep. kit timing belt	(mot.) F4R-720	
<b>60 93 2581</b>	82 00 840 824	Riemenspanner / belt tensioner	(1)	



**1,2**  
(C3G)

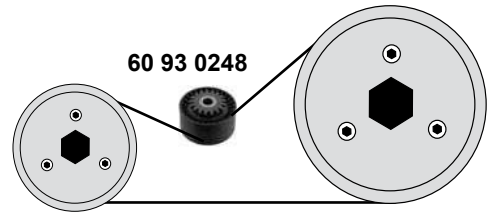
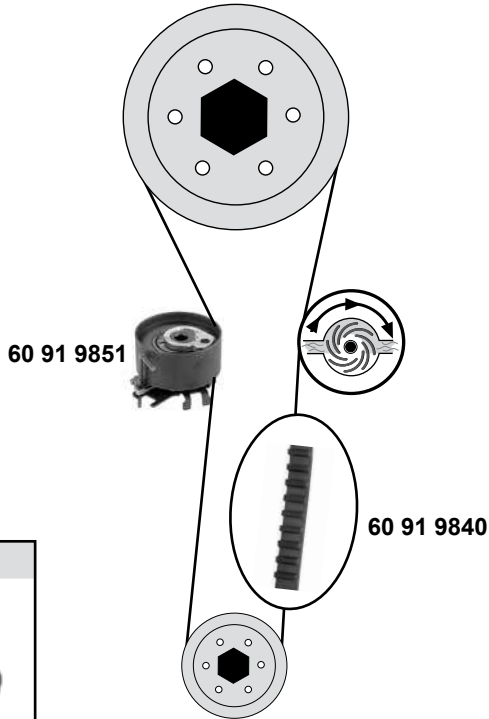


# RENAULT Twingo 1 (93→07)

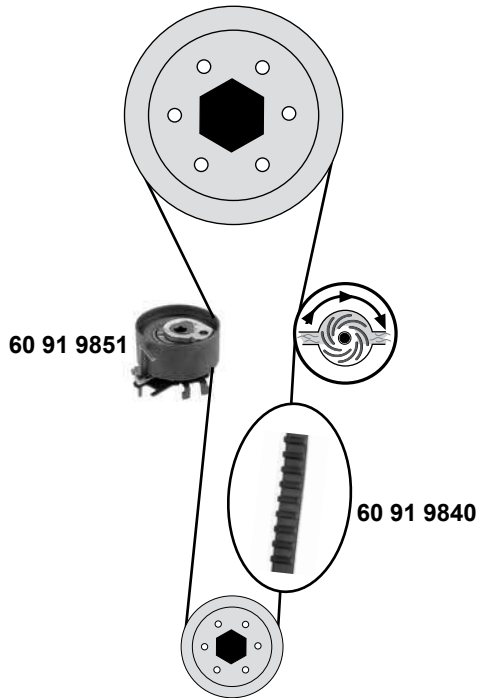


**1,2 16V**  
(D4D / D4F / D4F-772 / 780)

**1,2 16V**  
(D4F-772,780,800 / D7F-800)

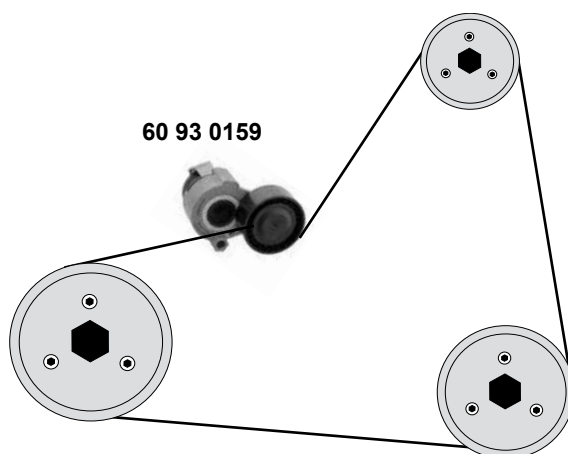
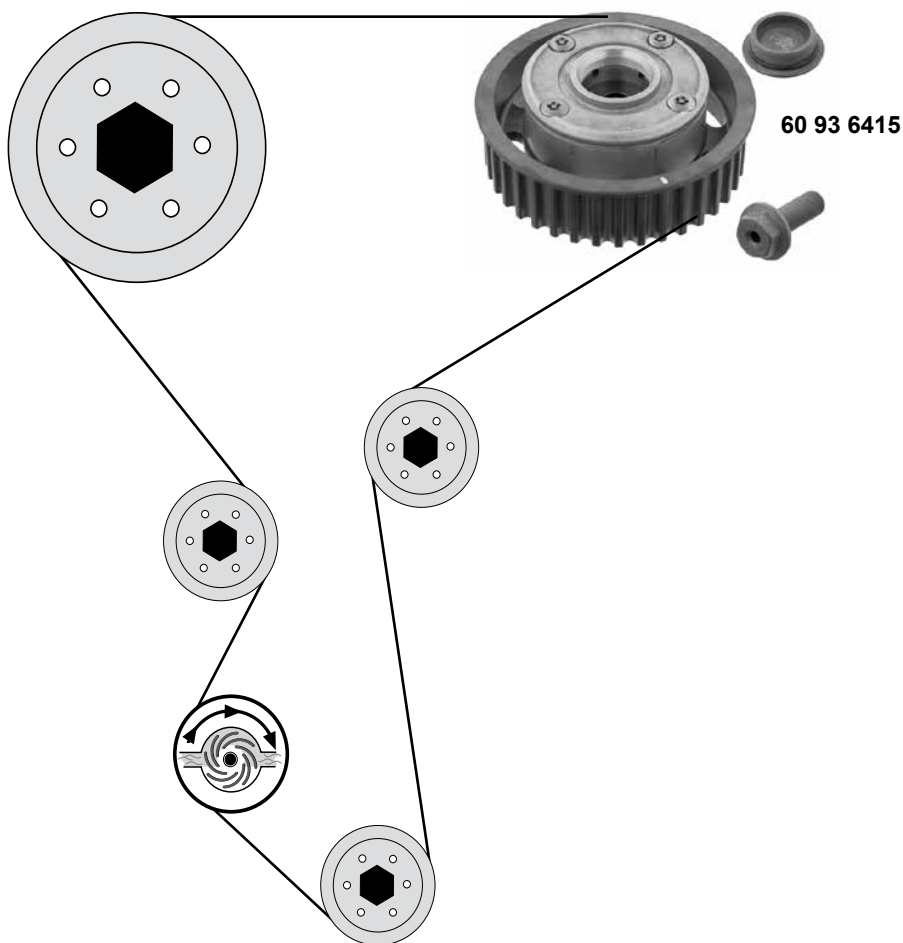


**Twingo 2**  
(07→)  
**1,2 16V**  
(D4F-772,780)



SWAG GERMANY	Ref. - No.			
60 91 9840	82 00 106 085	Zahnriemen / timing belt		Z 95 B23,4
60 91 9851	82 00 704 394	Spannrolle / tension roller		ØA 59 B24
60 91 9852	77 01 476 745	Rep. Satz Zahnriemen / rep. kit timing belt		Z 95 B23,4
60 93 0248	82 00 769 155	Umlenkrolle / deflection pulley		ØA 60 H30

**1,6 16V**  
(K4M-854)

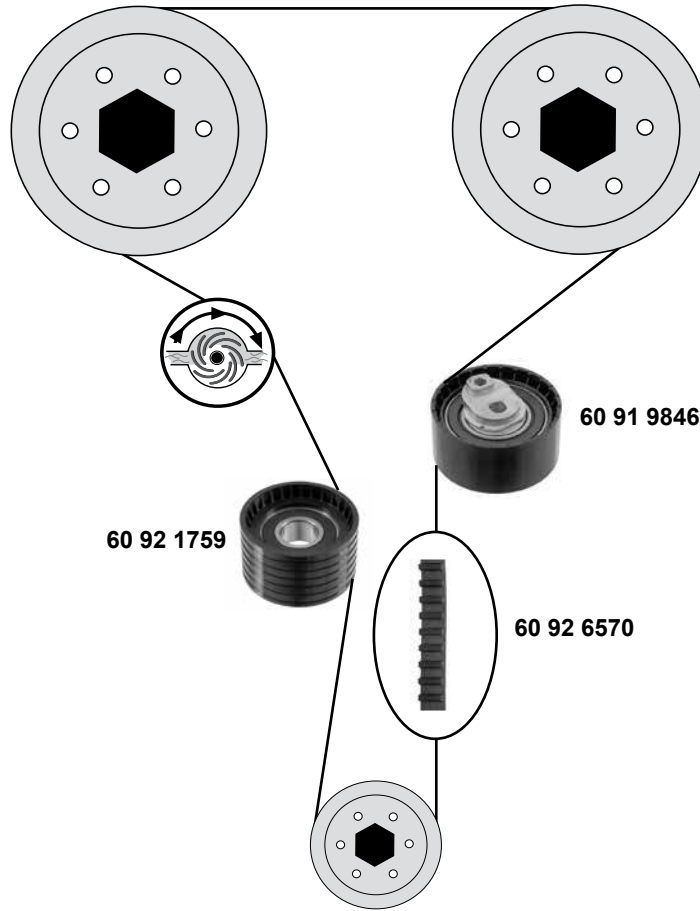


# RENAULT Vel Satis

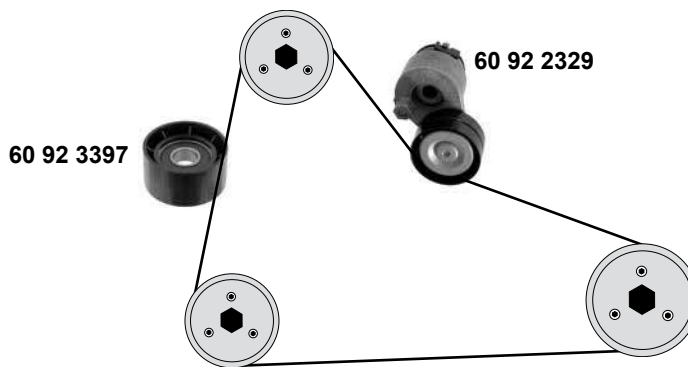
(02→)



**2,0 16V**  
(F4R-766/767/867)



**2,0 16V**  
(F4R-762/763/764/765/766/767)



(1) (mot.) F4R-762,763,766,767

(2) (mot.) F4R-762,763,764,765



Ref. - No.



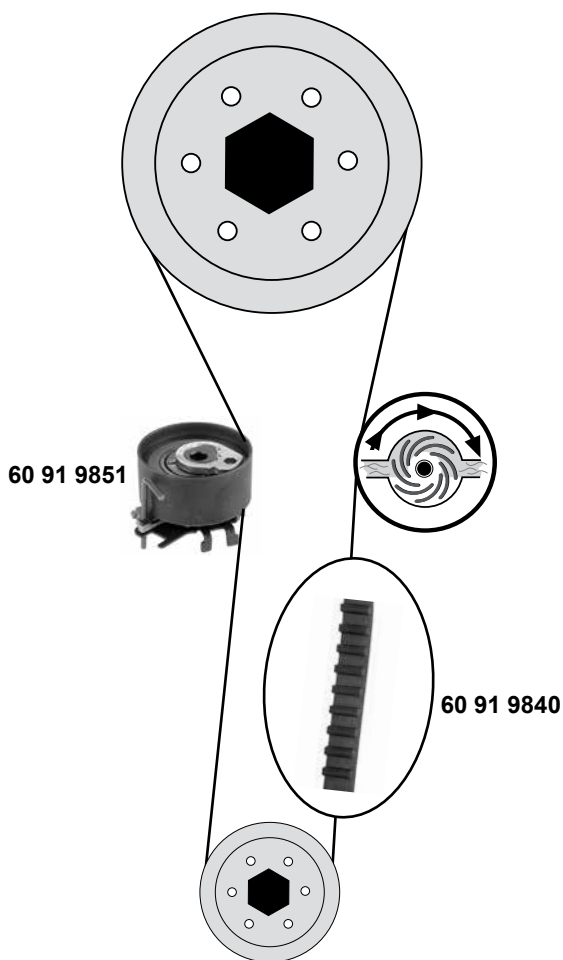
60 91 9846	82 00 676 404
60 92 1759	82 00 064 664
60 92 2329	82 00 071 402
60 92 3397	82 00 285 009
60 92 6567	77 01 477 093
60 92 6570	82 00 542 739

Spannrolle / tension roller
Umlenkrolle / deflection pulley
Riemenspanner / belt tensioner
Umlenkrolle / deflection pulley
Rep. Satz. Zahnriemen / rep.kit timing belt
Zahnriemen / timing belt

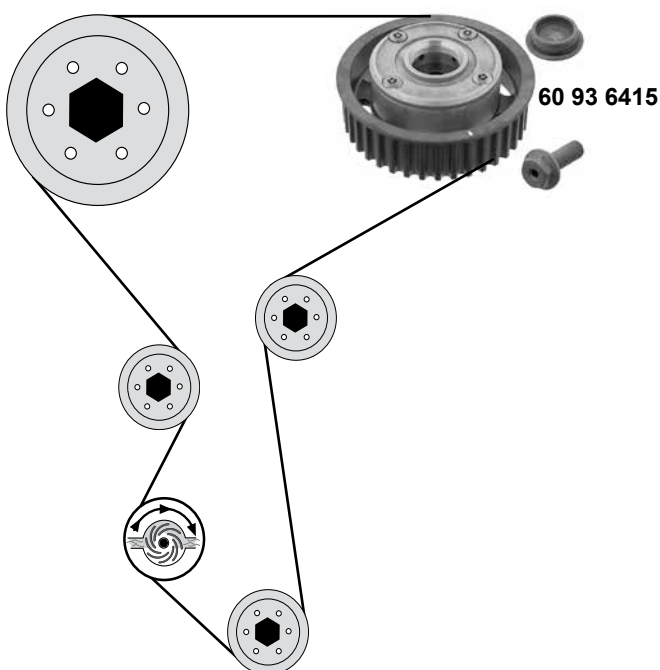
(2)  
(1)

ØA 54 ØI 12 B32
ØA 65 B30
ØA 60
Z 126 B27
Z 126 B27

**1,2 16V**  
(D4F-780)



**1,6 16V**  
(K4M-854)



Ref. - No.

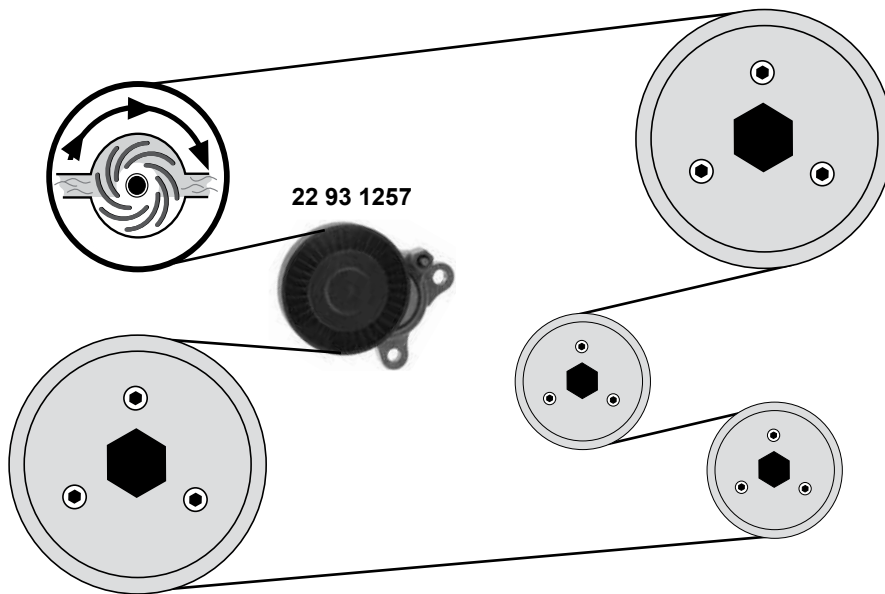


<b>60 91 9840</b>	82 00 106 085
<b>60 91 9851</b>	82 00 704 394
<b>60 91 9852</b>	77 01 476 745
<b>60 93 6415</b>	77 01 478 505

Zahnriemen / timing belt
Spannrolle / tension roller
Rep. Satz Zahnriemen / rep. kit timing belt
Nockenwellenrad / camshaft timing gear

Z 95 B23,4
ØA 59 B24
Z 95 B23,4

1,4 / 1,6 / 1,8



(1) 45: (mot.) 1,4 16V / 1,6 16V / 1,8 Modell: 02/00→



Ref. - No.



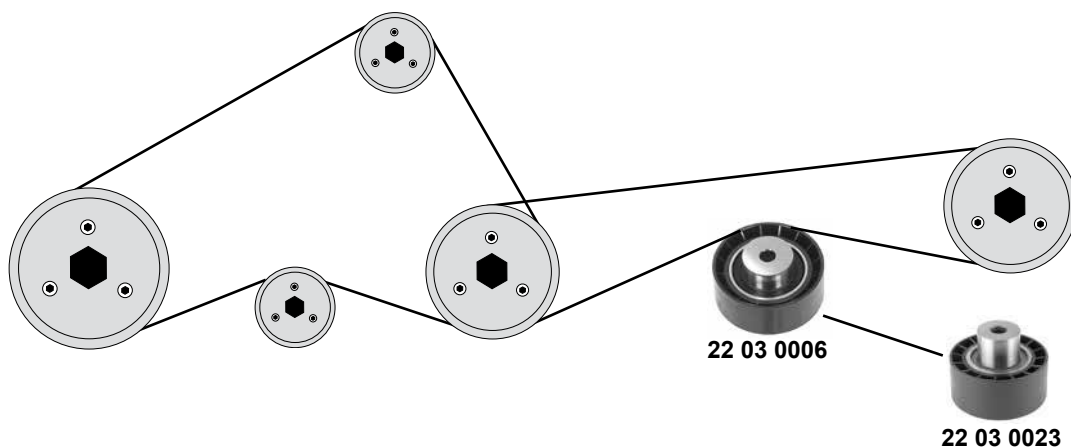
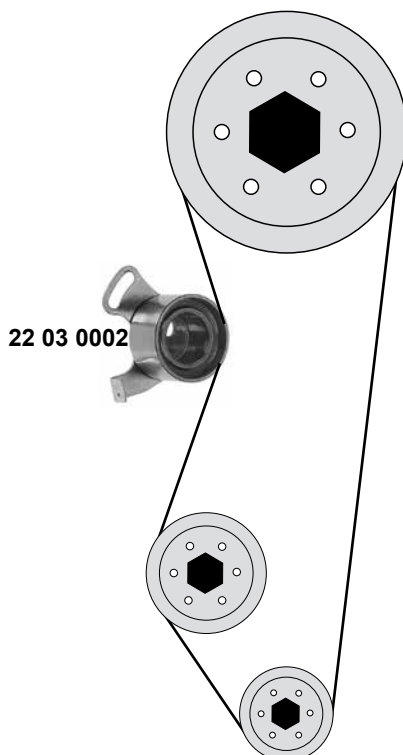
22 93 1257

PQG 100180A

Riemenspanner / belt tensioner

(1)

ØA 76,5 B14,5



(1) 100: alle / all  
 200: Modell 10/92→(ex.) Coupe / Cabriolet / Tourer



Ref. - No.

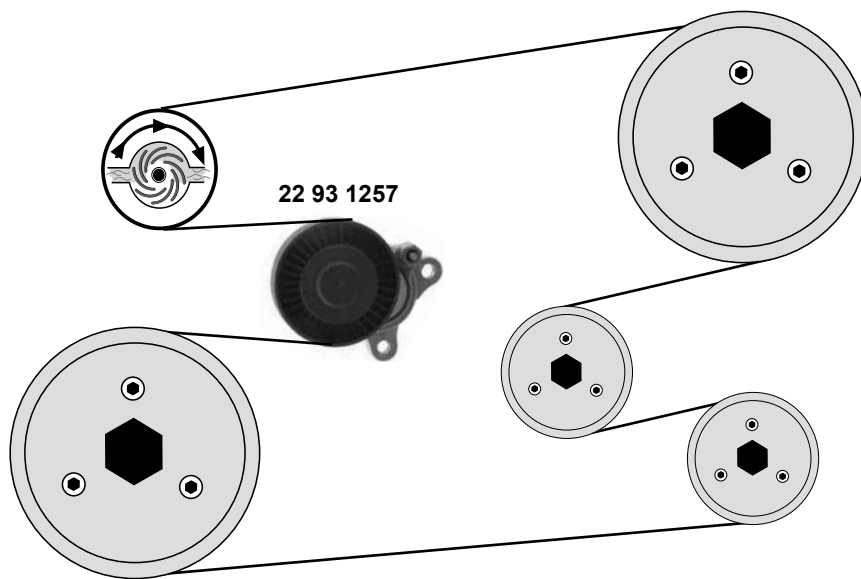


**22 03 0002** LHP 10014  
**22 03 0006** PQR 10028  
**22 03 0023** LHV 100110

Spannrolle / tension roller  
 Spannrolle / tension roller  
 Umlenkrolle / deflection pulley

(1)  
 200: (mot.) 1,4 + AC  
 nur / only: 75

ØA 55 B32  
 ØA 65 B26  
 ØA 70 B32



(1) 03→/ 1,8 Turbo



Ref. - No.



Riemenspanner / belt tensioner



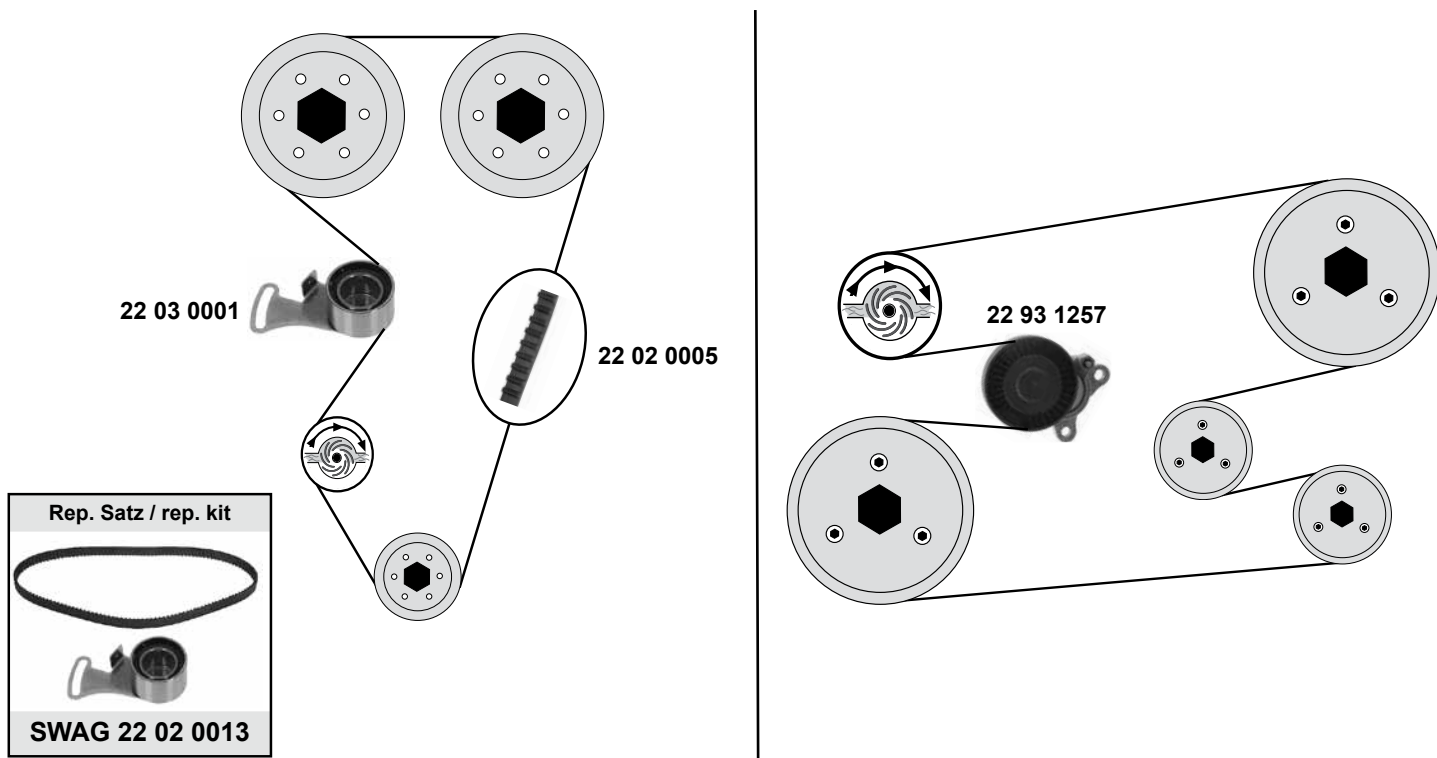
(1)



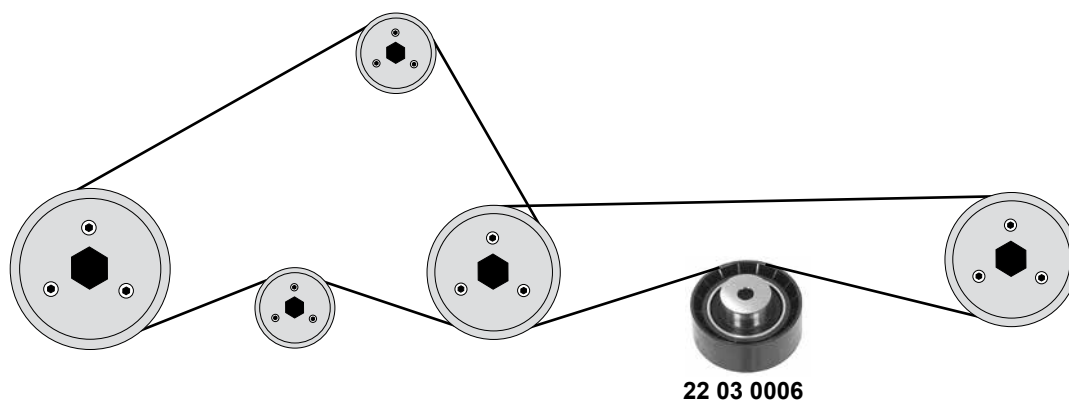
ØA 76,5 B14,5



**1,4 16V / 1,6 16V / 1,8**



**2,8 V6**



(1) 114: (mot.) 1,4 16V  
200: (mot.) 1,6 / 1,8 Coupe / Cabriolet / Tourer Modell: 03/96→  
200: (mot.) 1,4 16V / 1,6 16V / 1,8 Modell: 10/92→

(2) 200: (mot.) 1,4 16V / 1,6 16V / 1,8 Modell: 11/95→11/99



Ref. - No.



22 02 0005	GTB 1238	Zahnriemen / timing belt	(1)	Z 143 B23
22 02 0013	GTB 1238 S1	Rep. Satz Zahnriemen / rep. kit Timing Belt	(1)	
22 03 0001	LHP 10015	Spannrolle / tension roller	(1)	ØA 55 B32
22 03 0006	PQR 10028	Spannrolle / tension roller	(mot.) 1,4 + AC	ØA 65 B 26
22 93 1257	PQG 100180A	Riemenspanner / belt tensioner	(2)	ØA 76,5 B14,5

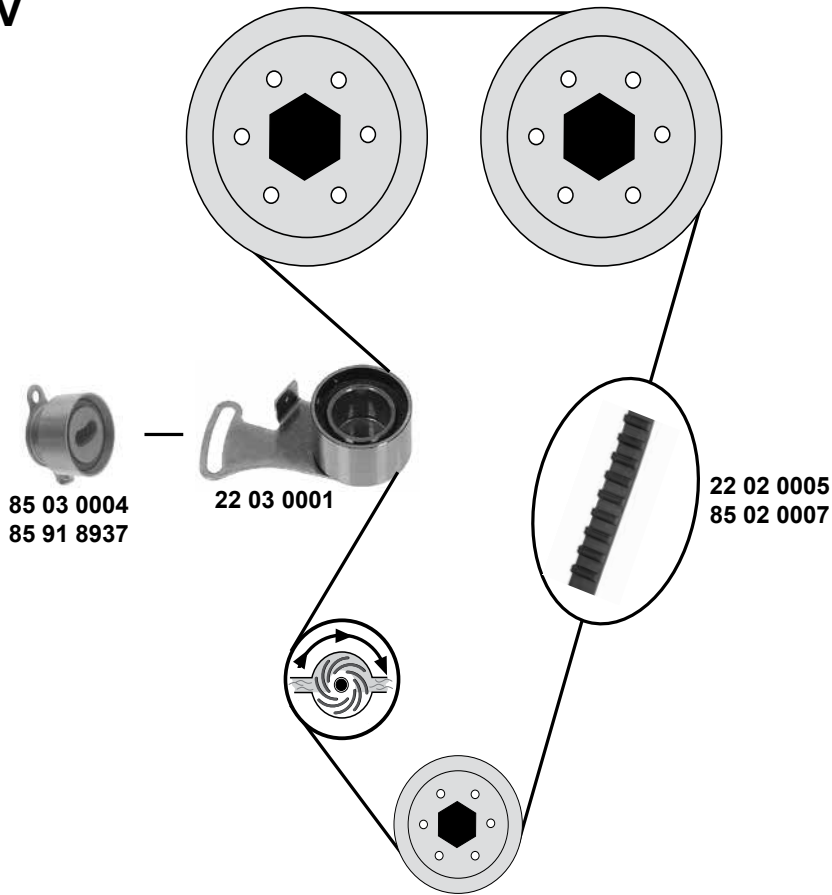
# ROVER

## 400 / 416

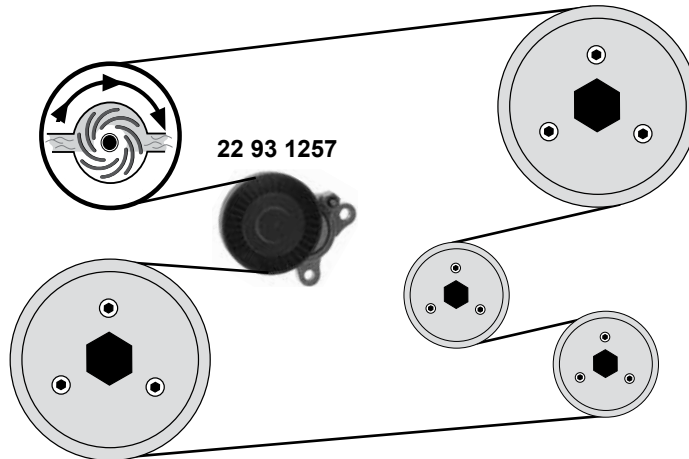
(05/95→00)



### 1,4 16V / 1,6 16V

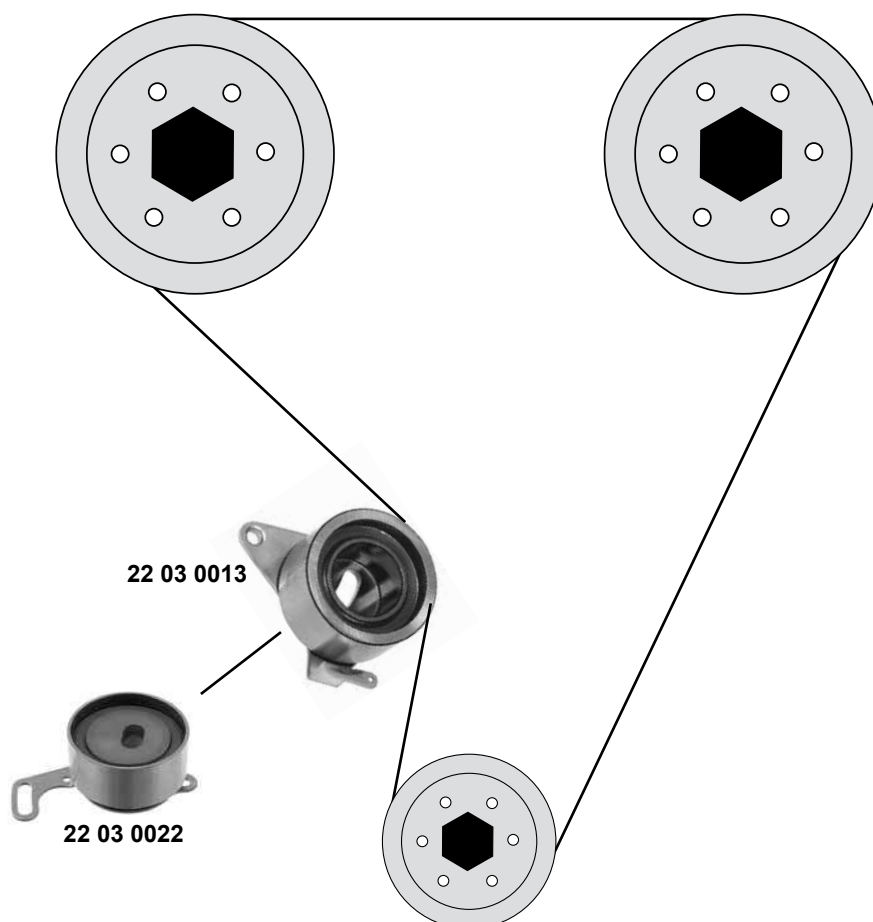


### 1,4 16V / 1,6 16V / 1,8V



- (1) nur /only: 400
- (2) nur /only: 416→ (E)D16Y3E299999
- (3) nur /only: 416 (E)D16B2E100001→

SWAG GERMANY	Ref. - No.			
22 02 0005	GTB 1238	Zahnriemen / timing belt	(1)	Z 143 B23
22 02 0013	GTB 1238 S1	Rep. Satz Zahnriemen / rep. kit timing belt	(1)	
22 03 0001	LHP 10015	Spannrolle / tension roller	(1)	ØA 55 B32
22 93 1257	PQG 100180A	Riemenspanner / belt tensioner		ØA 76,5 B14,5
85 02 0007	GTB 1293 XS	Zahnriemen / timing belt	(3)	Z 103
85 03 0004	FDU 2691	Spannrolle / tension roller	(2)	ØA 56,5 B26
85 91 8937	LHP 100 790	Spannrolle / tension roller	(3)	ØA 53 B26



(1) nur / only: 420 / 620 Turbo / 820 (mot.) 2,0

(2) nur / only: 618 / 620 (ex.) Turbo / 623

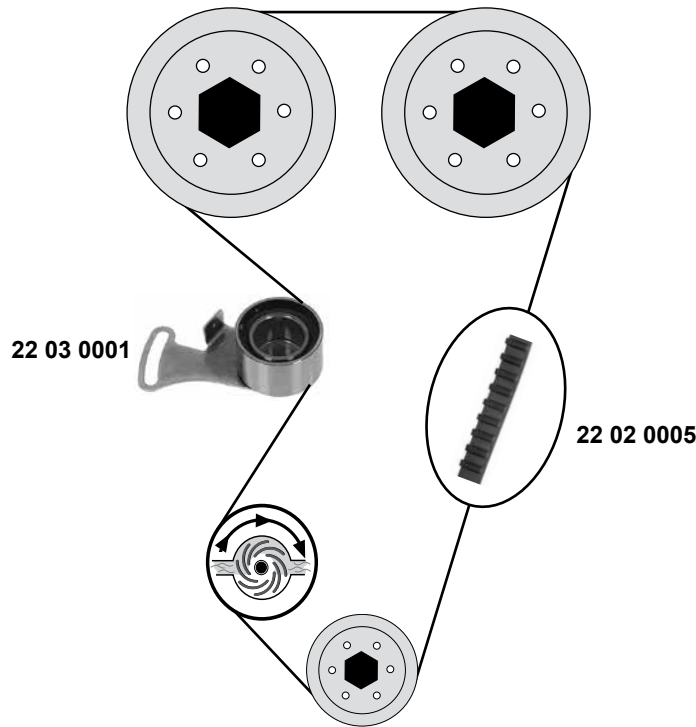


# ROVER MGF

(92→99)



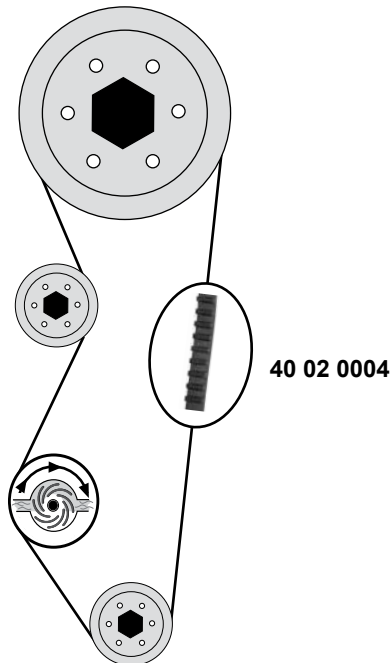
1,8



# Maestro / Montego

(01/86→95)

2,0



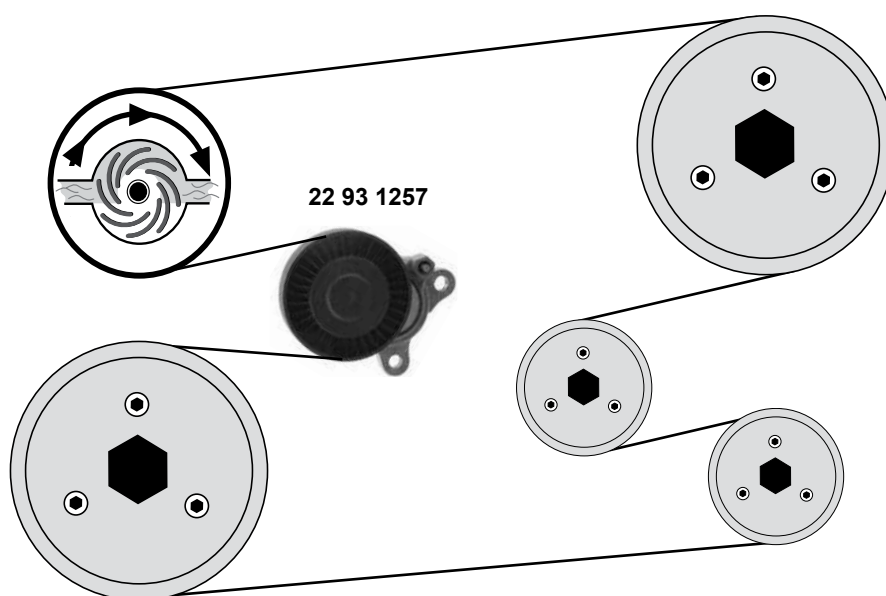
Ref. - No.



22 02 0005	GTB 1238
22 02 0013	GTB 1238 S1
22 03 0001	LHP 10015
40 02 0004	GTB 1127 A

Zahnriemen / timing belt
Rep. Satz Zahnriemen / rep. kit timing belt
Spannrolle / tension roller
Zahnriemen / timing belt

Z 143 B23
ØA 55 B32
Z 104 B17

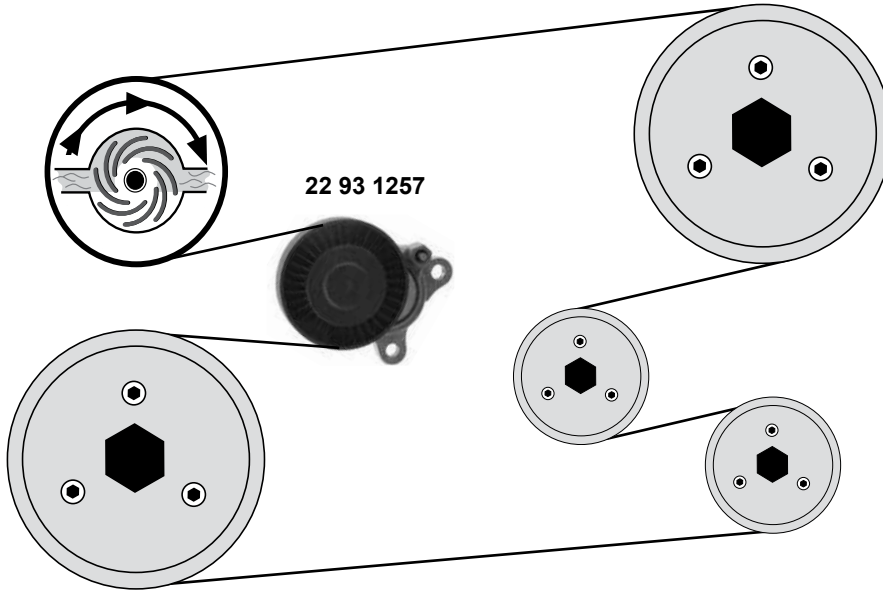


# ROVER MG ZS

(01→)



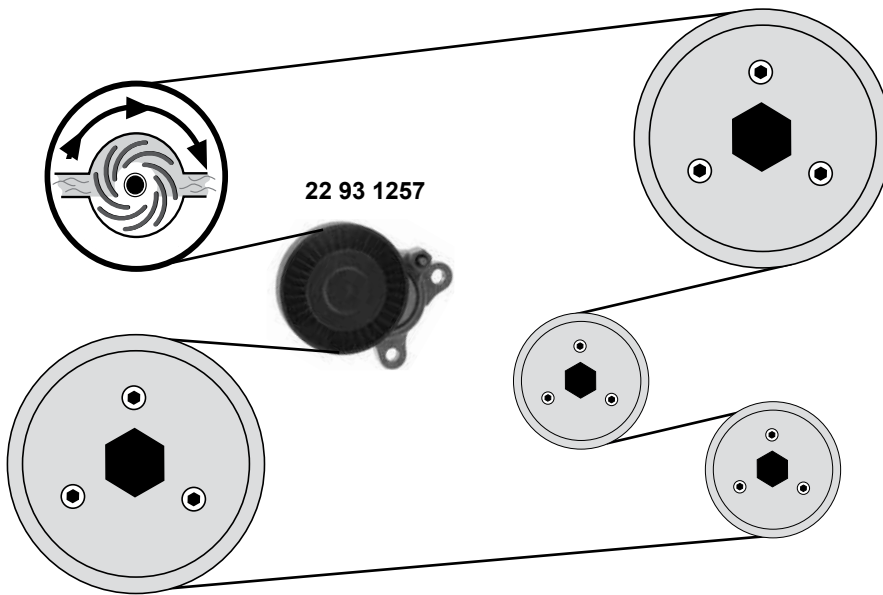
1,8



# MG ZR

(01→)

1,4 / 1,8 Turbo



Ref. - No.

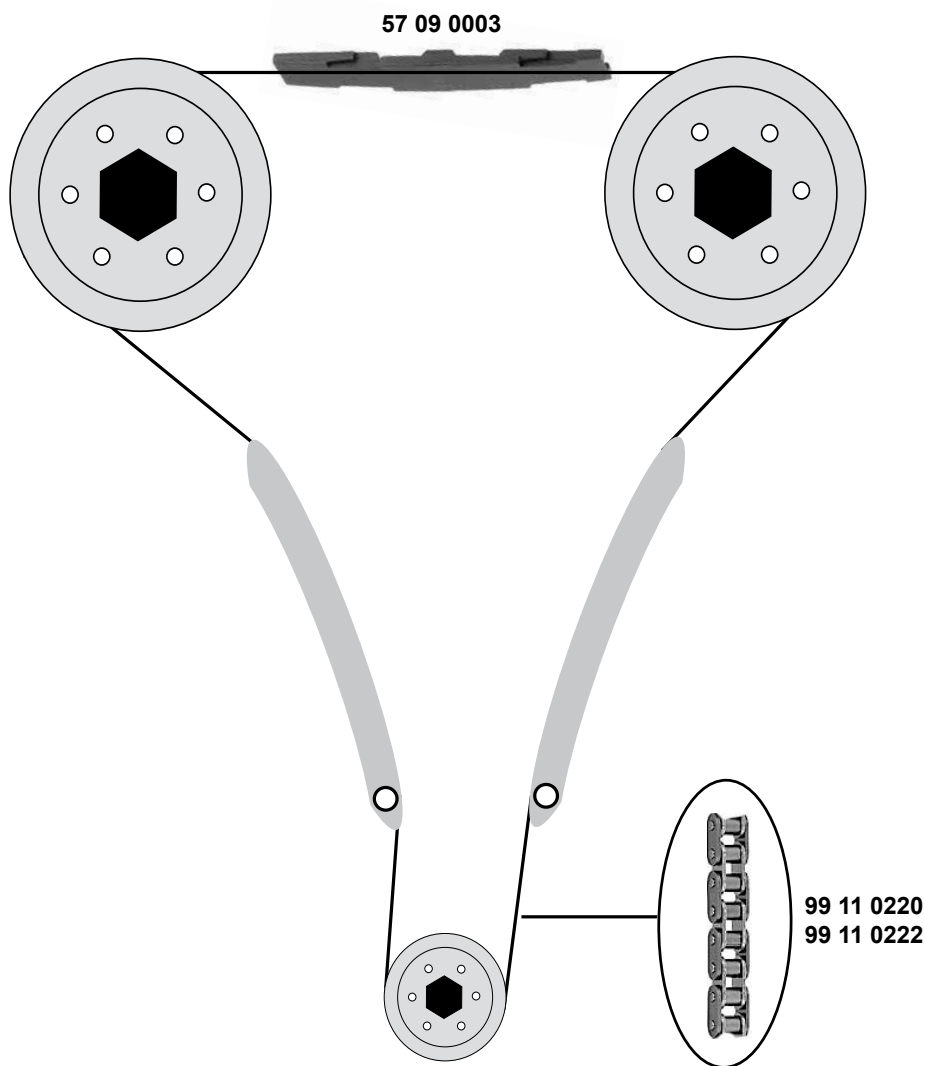


22 93 1257

PQG 100180A

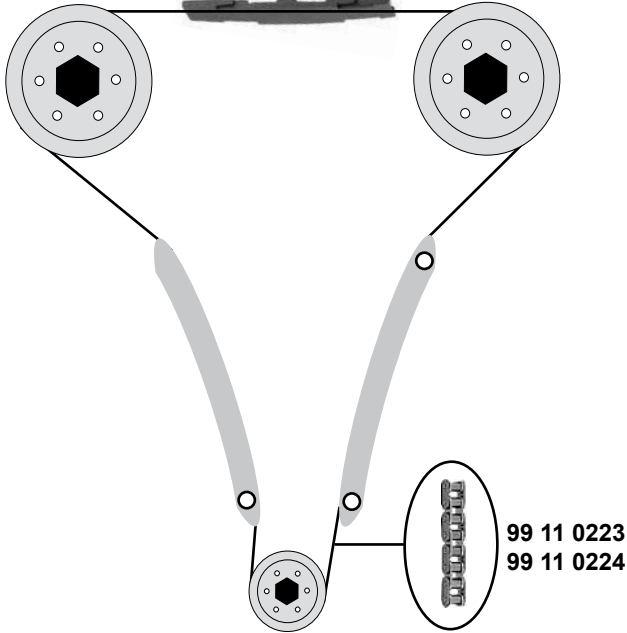
Riemenspanner / belt tensioner

ØA 76,5 B14,5

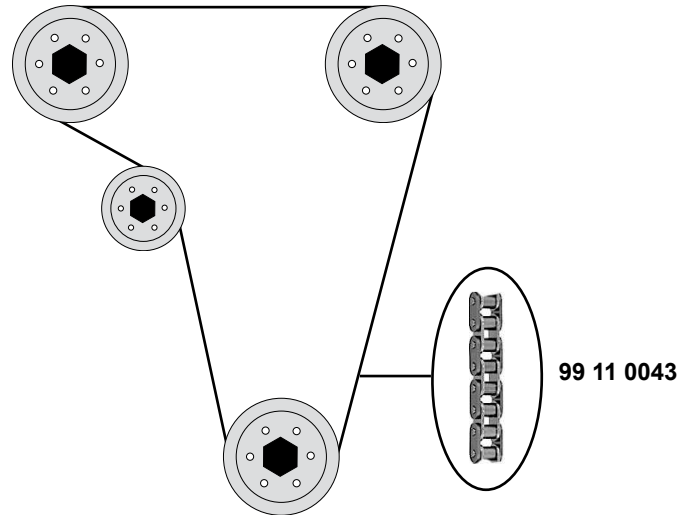


**4 Zylinder / cylinder**

57 09 0003



**Ausgleichswelle / balance shaft**

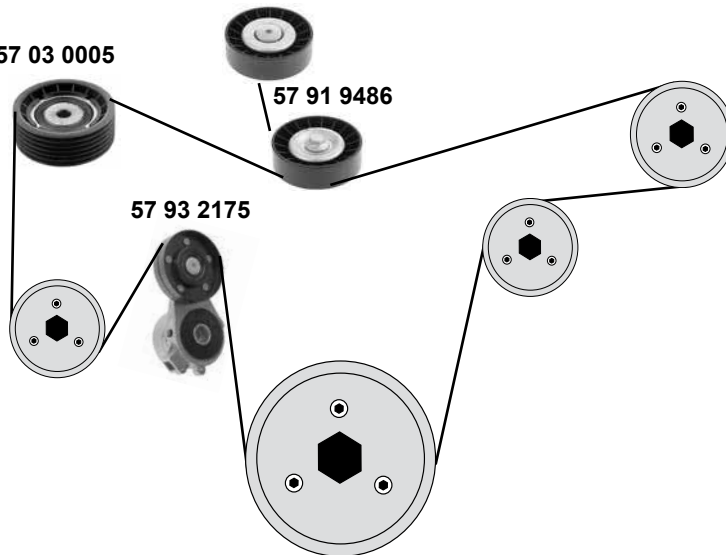


57 91 9485

57 03 0005

57 91 9486

57 93 2175



Ref. - No.

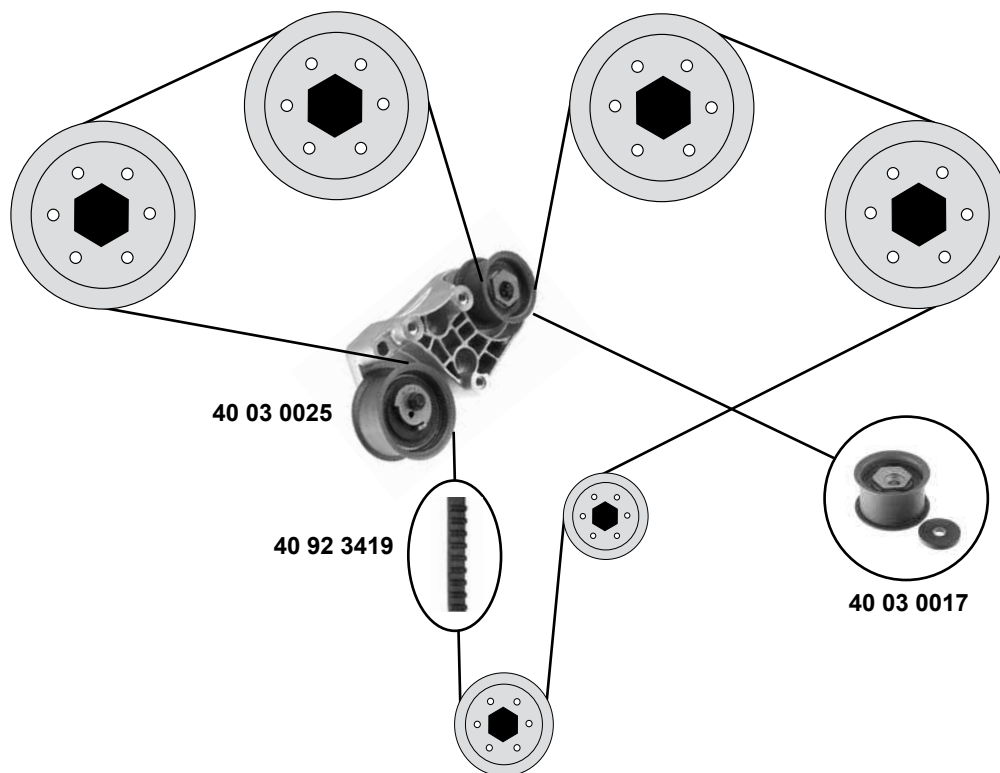


57 03 0005	43 56 127	Umlenkrolle / deflection pulley		64,5 x 23,5
57 09 0003	88 59 324	Gleitschiene / silding rail		
57 91 9485	49 60 290	Umlenkrolle / deflection pulley	(mot.)→V088652	ØA 80 B24
57 91 9486	47 52 960	Umlenkrolle / deflection pulley	(mot.) V088653→	ØA 80 B24
57 93 2175	43 56 119	Riemenspanner / belt tensioner		
99 11 0043	74 85 105	Rollenkette endlos / roller chain endless		116 E
99 11 0223	91 31 145	Rollenkette endlos / roller chain endless		130 E
99 11 0224	93 21 845	Rollenkette Nietverschluß / roller chain riveted link		130 E



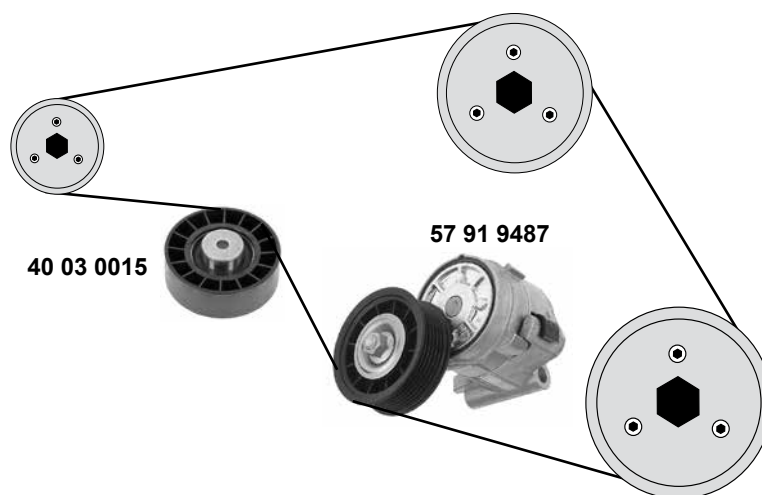
**6 Zylinder / cylinder**

(mot.) → 146671



Rep. Satz / rep. kit

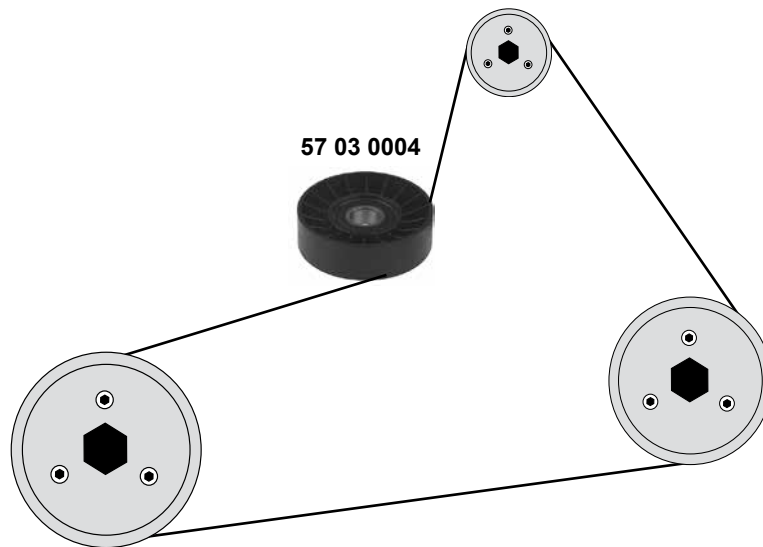
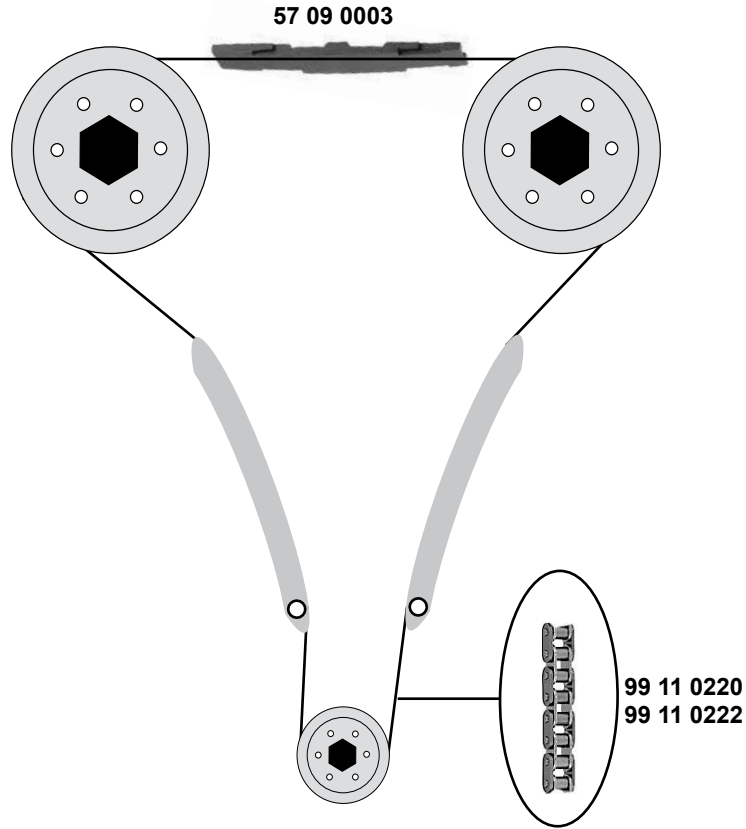
**SWAG 40 92 7295**



Ref. - No.



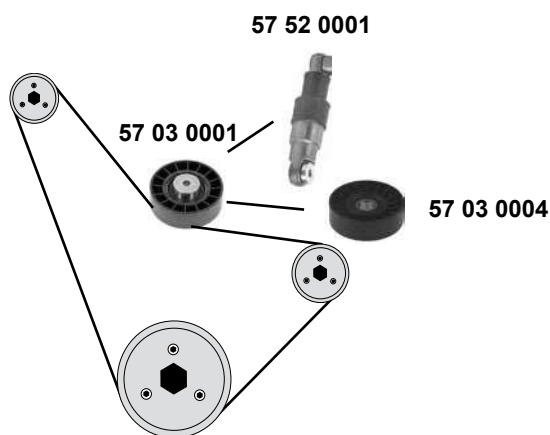
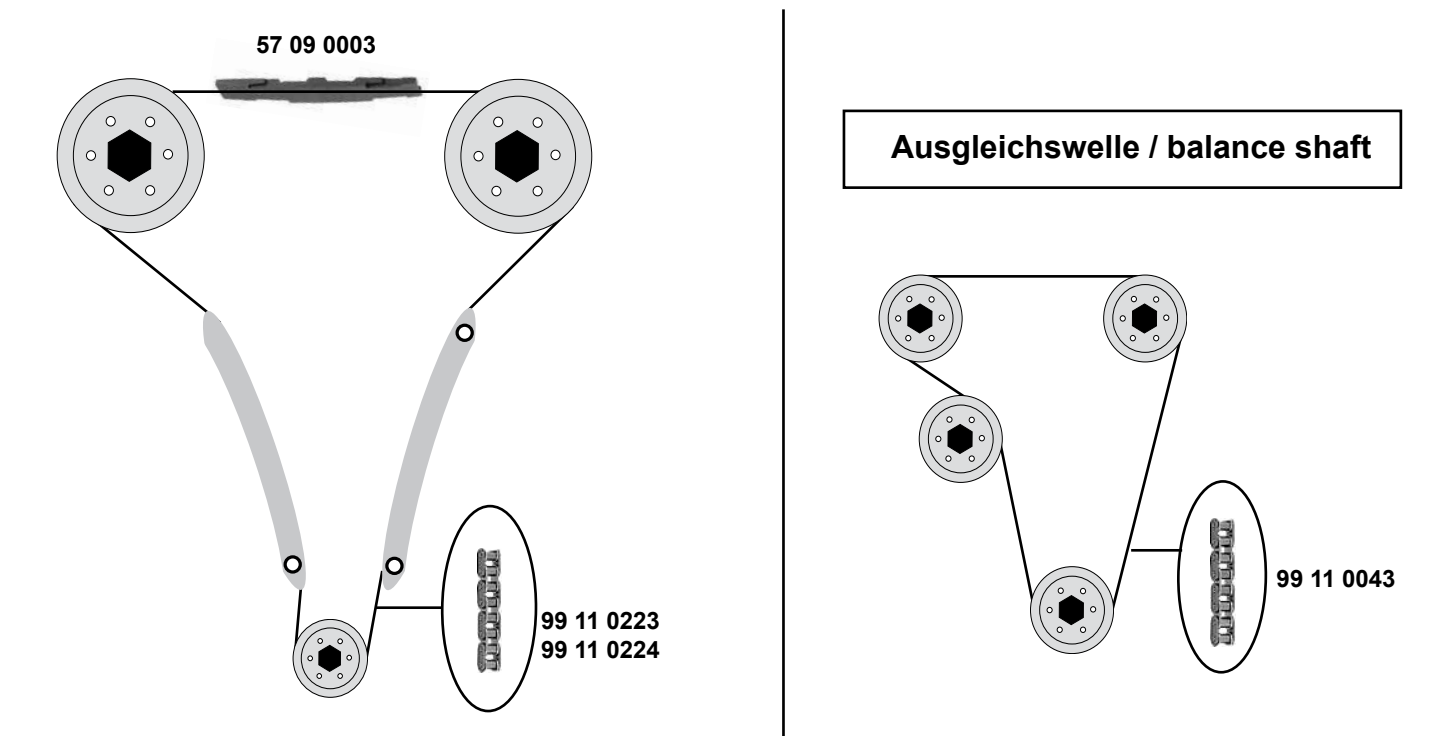
<b>40 03 0015</b>	42 37 038	Umlenkrolle / deflection pulley	ØA 80 B25
<b>40 03 0025</b>	46 23 906	Riemenspanner / belt tensioner	
<b>40 03 0017</b>	90 543 739	Umlenkrolle / deflection pulley	ØA 64 B37
<b>40 92 3419</b>	47 70 491	Zahnriemen / timing belt	Z 225 B30
<b>40 92 7295</b>	47 70 491 S1	Rep. Satz Zahnriemen / rep. kit timing belt	Z 225 B30
<b>57 91 9487</b>	47 50 220	Riemenspanner / belt tensioner	ØA 76 B27,5



**2,0 / 2,3 (4 Zyl.)**

(Modell 90→93 nur/only (mot.) B234)

(Modell 94→98 alle /all 4Zyl)

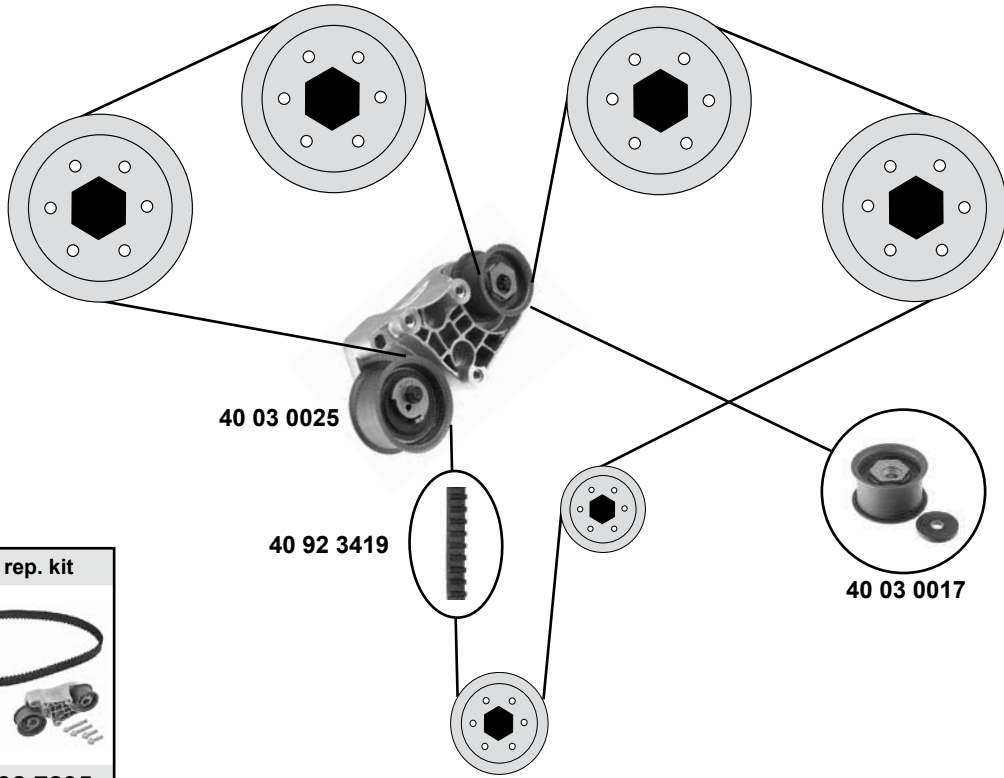


(1) (mot.) B234→N 418766

	Ref. - No.			
57 03 0001	49 01 419	Umlenkrolle / deflection pulley		ØA 80 B25
57 03 0004	49 01 625	Umlenkrolle / deflection pulley	(ch.)→V1030032	ØA 80 B25
57 09 0003	88 59 324	Gleitschiene / silding rail		
57 52 0001	49 01 419	Riemenspanner / belt tensioner	(1)	Z 143 B23
99 11 0224	93 21 845	Rollenkette Nietverschluß / roller chain riveted link		130 E
99 11 0223	91 31 145	Rollenkette endlos / roller chain endless	<b>NEW</b>	130 E
99 11 0043	74 85 105	Rollenkette Nietverschluß / roller chain riveted link		116 E

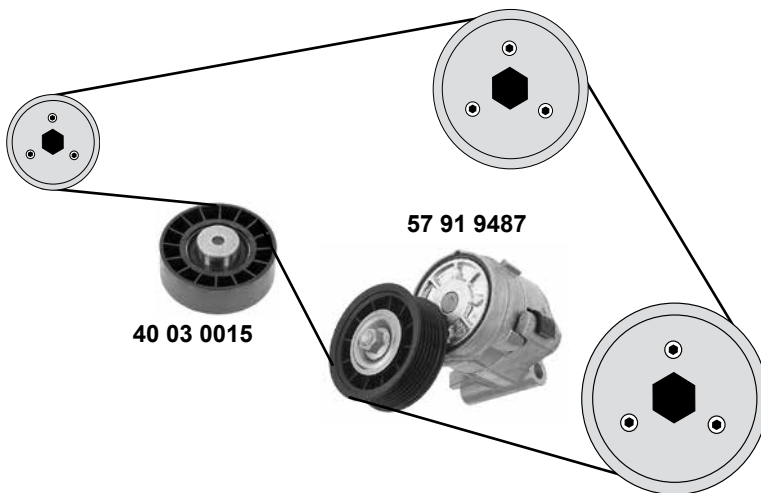
**6 Zylinder / cylinder**

(mot.) → 146659



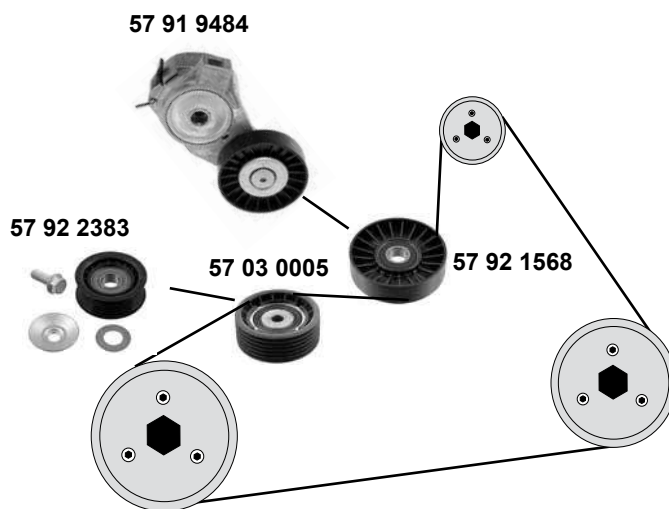
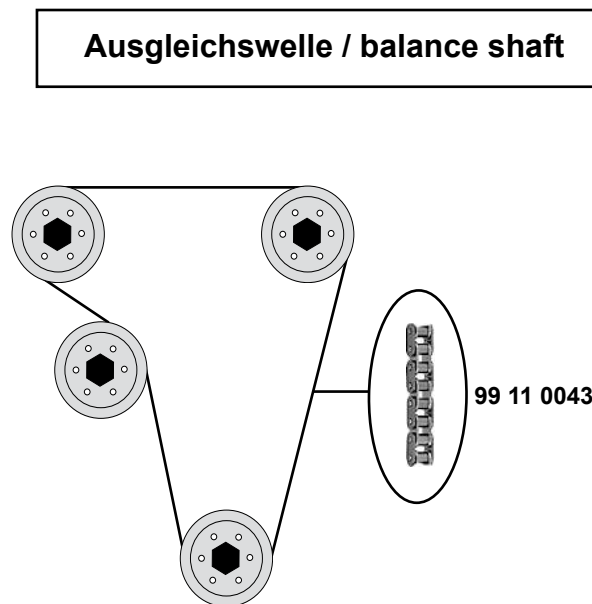
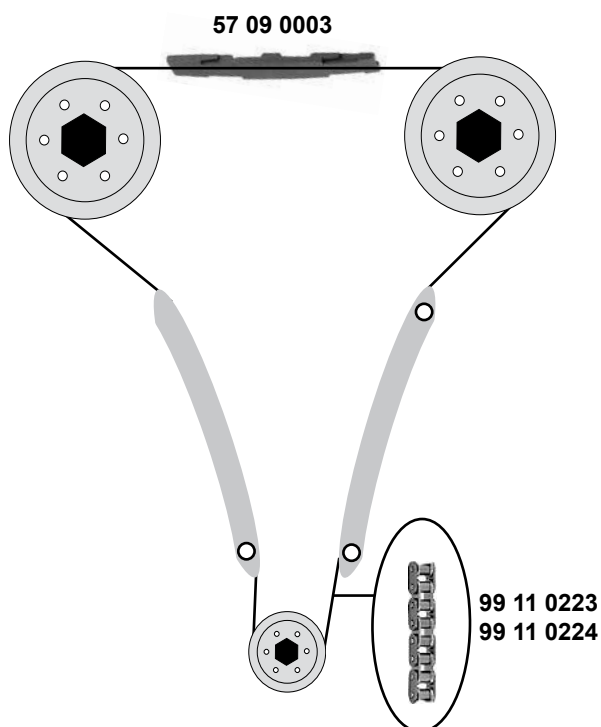
Rep. Satz / rep. kit

**SWAG 40 92 7295**



SWAG GERMANY	Ref. - No.			
40 03 0015	42 37 038	Umlenkrolle / deflection pulley		ØA 80 B25
40 03 0025	46 23 906	Riemenspanner / belt tensioner		
40 03 0017	90 543 739	Umlenkrolle / deflection pulley		ØA 64 B37
40 92 3419	47 70 491	Zahnriemen / timing belt		Z 225 B30
40 92 7295	47 70 491 S1	Rep. Satz Zahnriemen / rep. kit timing belt		Z 225 B30
57 91 9487	47 50 220	Riemenspanner / belt tensioner		ØA 76 B27,5

**4 Zylinder / cylinder**



- (1) (ch.)→X 2028400, X 7022778
- (2) (ch.) X 2028401, X 70227898→

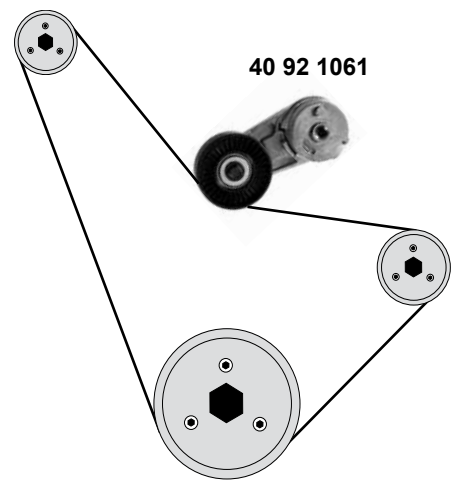
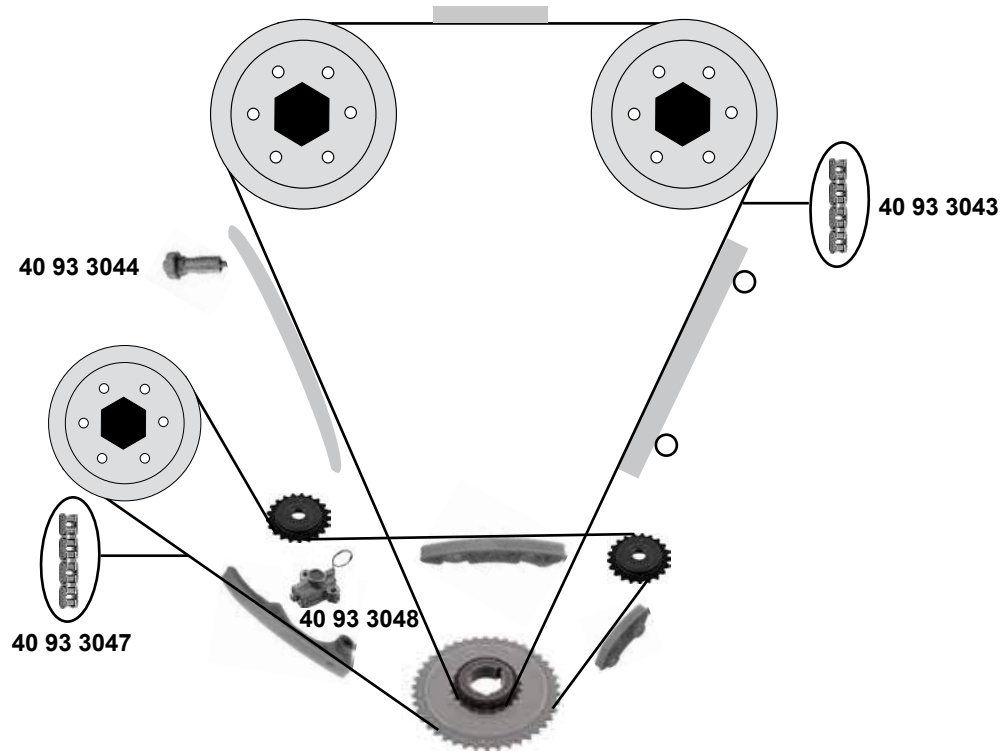






Ref. - No.

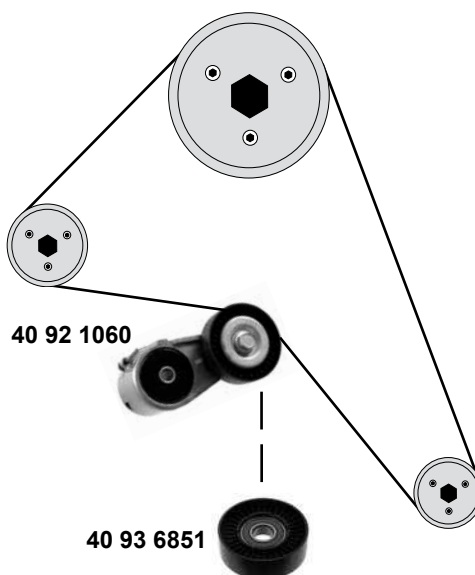
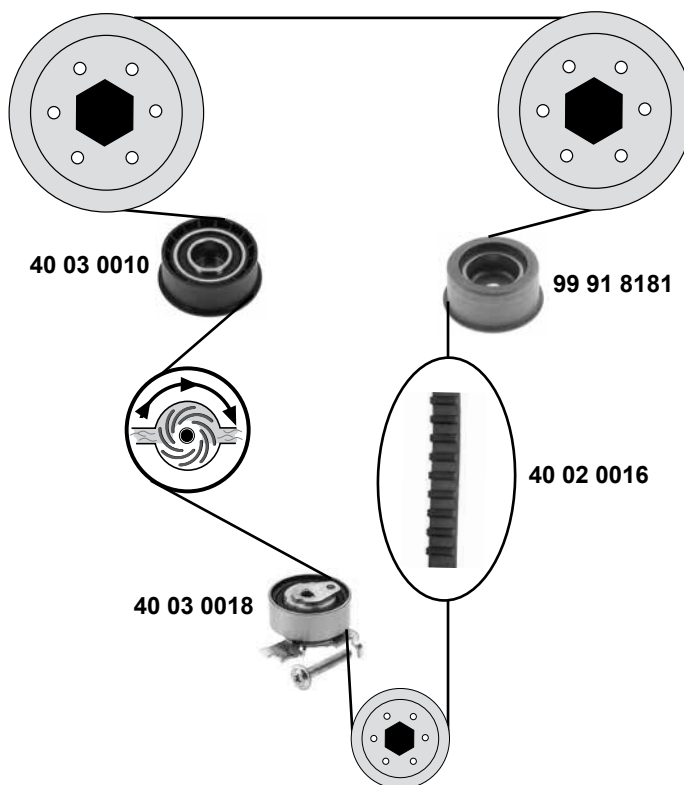


Ref. - No.	Description	Info	Dimensions
57 03 0005	Umlenkrolle / deflection pulley	(1)	ØA 64,5 B23,5
57 09 0003	Gleitschiene / silding rail		
57 91 9484	Riemenspanner / belt tensioner		
57 92 1568	Spannrolle / tension roller		ØA 90 B23
57 92 2383	Umlenkrolle / deflection pulley	(2)	ØA 69 B22,5
99 11 0043	Rollenkette Nietverschluß / roller chain riveted link		116 E
99 11 0223	Rollenkette endlos / roller chain endless		130 E
99 11 0224	Rollenkette Nietverschluß / roller chain riveted link		130 E

**B207**

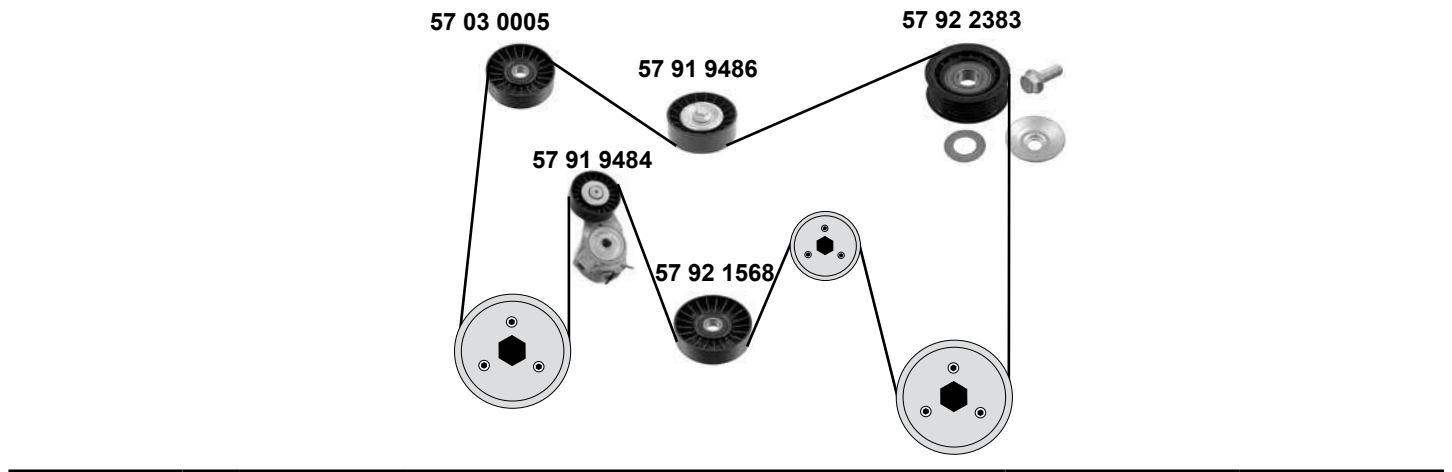
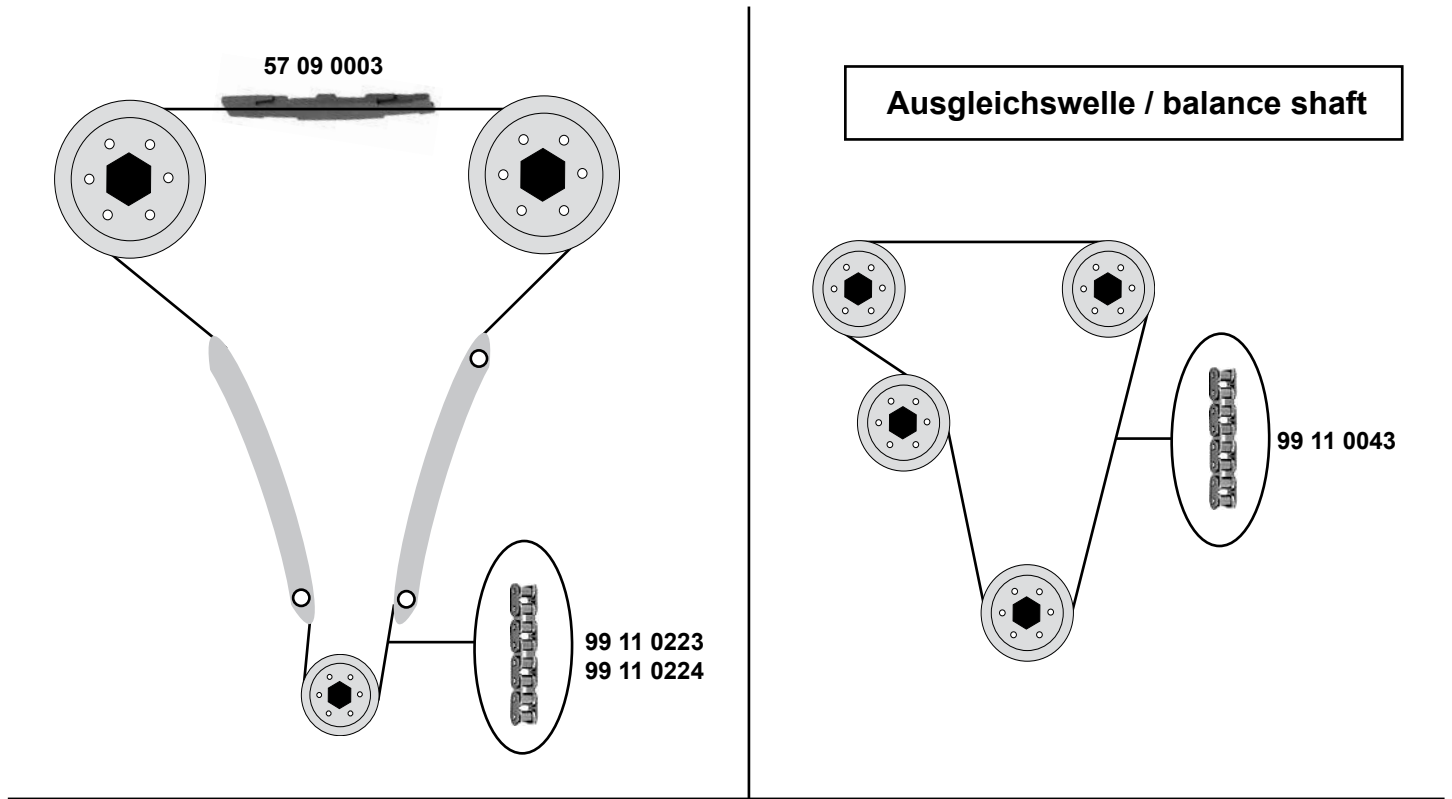


	Ref. - No.			
40 92 1061	24 430 296	Riemenspanner / belt tensioner		
40 93 3043	24 461 834	Steuerkette / timing chain		148 E
40 93 3044	12 608 580	Kettenspanner / chain tensioner		
40 93 3047	90 537 370	Steuerkette / timing chain		134 E
40 93 3048	90 537 300	Kettenspanner / chain tensioner		



	Ref. - No.			
<b>40 02 0016</b>	24 451 895	Zahnriemen / timing belt		Z 162 B20
<b>40 03 0010</b>	55 350 580	Umlenkrolle / deflection pulley		ØA 62,5 ØI 23
<b>40 03 0018</b>	24 426 500	Spannrolle / tension roller		ØA 59 B22
<b>40 91 9445</b>	24 451 895 S1	Rep. Satz Zahnriemen / rep. kit timing belt		
<b>40 92 1060</b>	90 571 758	Riemenspanner / belt tensioner		
<b>40 93 6851</b>	90 571 758 SK1	Spannrolle / tension roller		ØA 77 ØI 17 B 22
<b>99 91 8181</b>	55 352 713	Umlenkrolle / deflection pulley		ØA 52,5 B27

**4 Zylinder / cylinder**



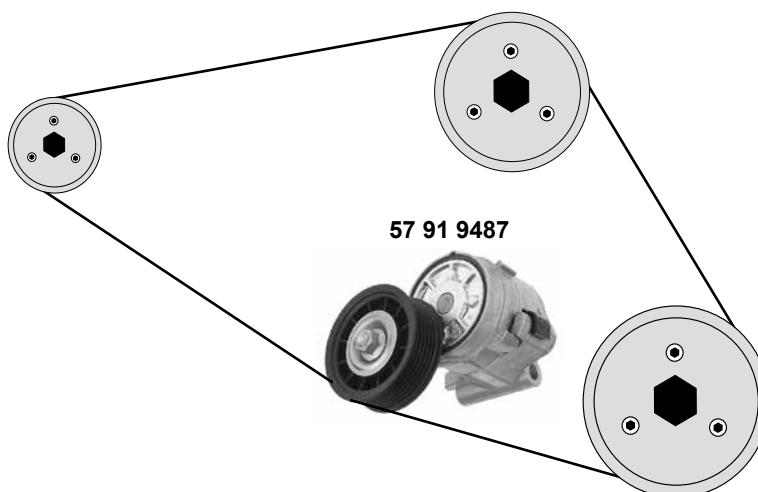
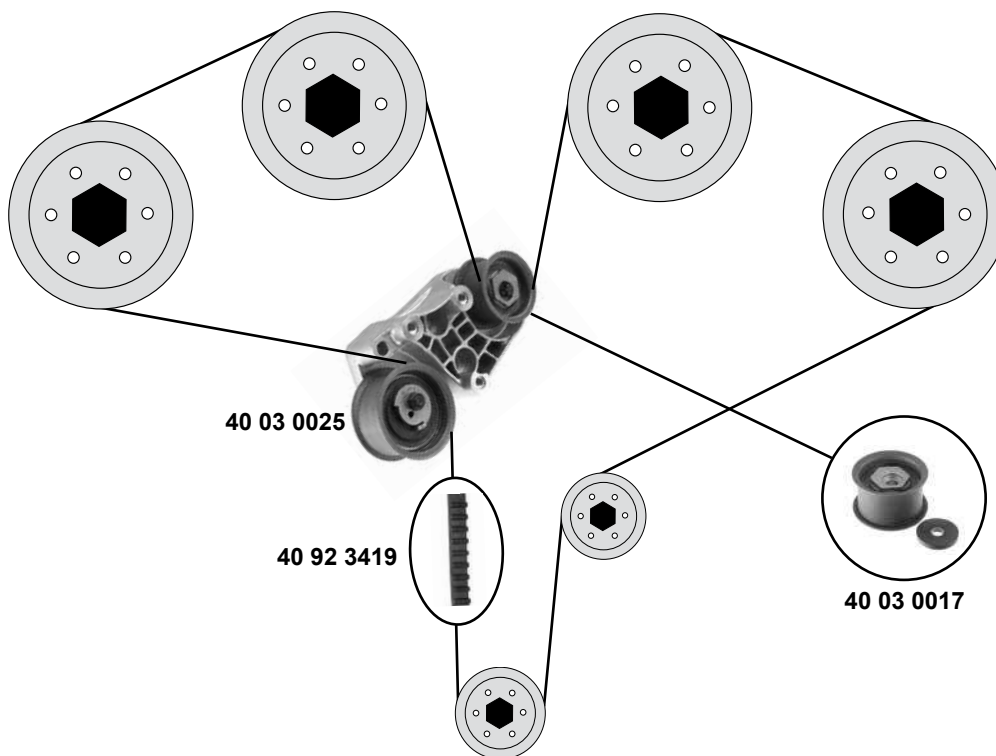
- (1) (ch.) → X 3022043
- (2) (ch.) → 43505871
- (3) (ch.) X 3022044 →

	Ref. - No.			
57 03 0005	43 56 127	Umlenkrolle / deflection pulley	(1)	ØA 64,5 B23
57 09 0003	88 59 324	Gleitschiene / silding rail		
57 91 9484	48 98 755	Riemenspanner / belt tensioner		
57 91 9486	47 52 960	Umlenkrolle / deflection pulley	(2)	Ø80 B24
57 92 1568	51 72 309	Spannrolle / tension roller		ØA 90 B25
57 92 2383	55 562 635	Umlenkrolle / deflection pulley	(3)	
99 11 0224	93 21 845	Rollenkette Nietverschluß / roller chain riveted link		130 E
99 11 0223	91 31 145	Rollenkette endlos / roller chain endless		130 E
99 11 0043	74 85 105	Rollenkette Nietverschluß / roller chain riveted link		





**6 Zylinder / cylinder**



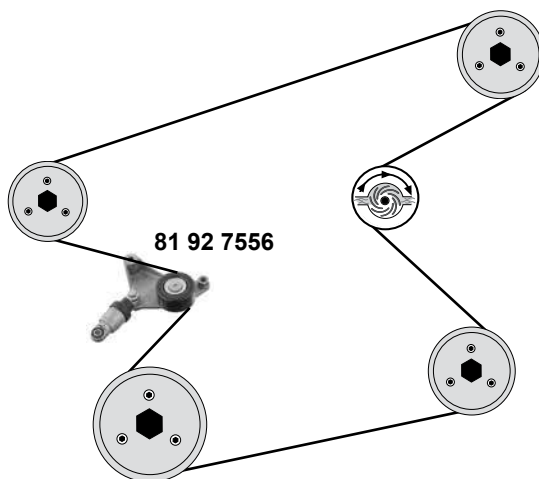
	Ref. - No.			
40 03 0017	90 543 739	Umlenkrolle / deflection pulley	(mot.)→Y 304 00000	ØA 64 B37
40 03 0025	46 23 906	Riemenspanner / belt tensioner		Z 225 B13
40 92 3419	47 70 491	Zahnriemen / timing belt		ØA 76 B27,5
57 91 9487	47 50 220	Riemenspanner / belt tensioner		

# SCION Scion TC (ANT10)

(04→07)



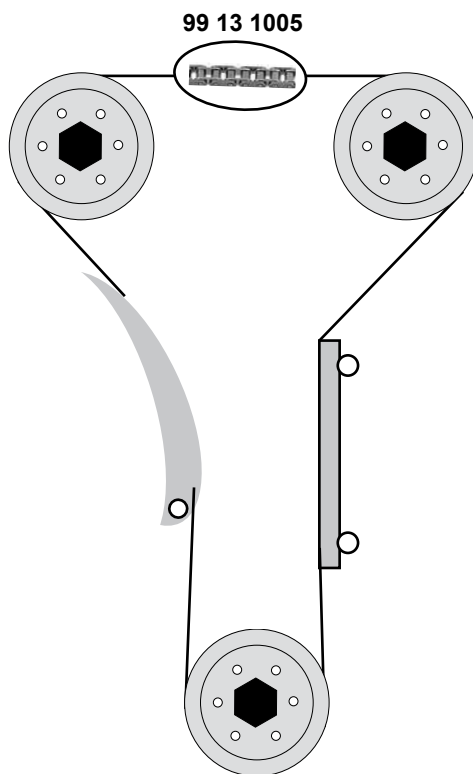
**2,4 16V**  
(2AZFE)



# Scion XD (ZSP110)

(06/07→)

**1,8 16V**  
(2ZRFE)



Ref. - No.

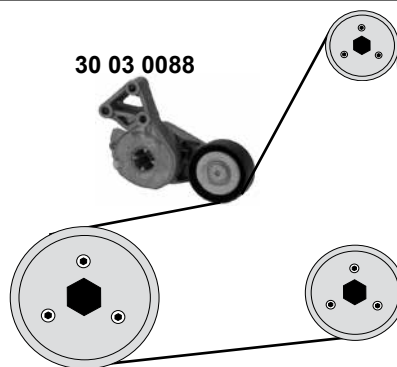
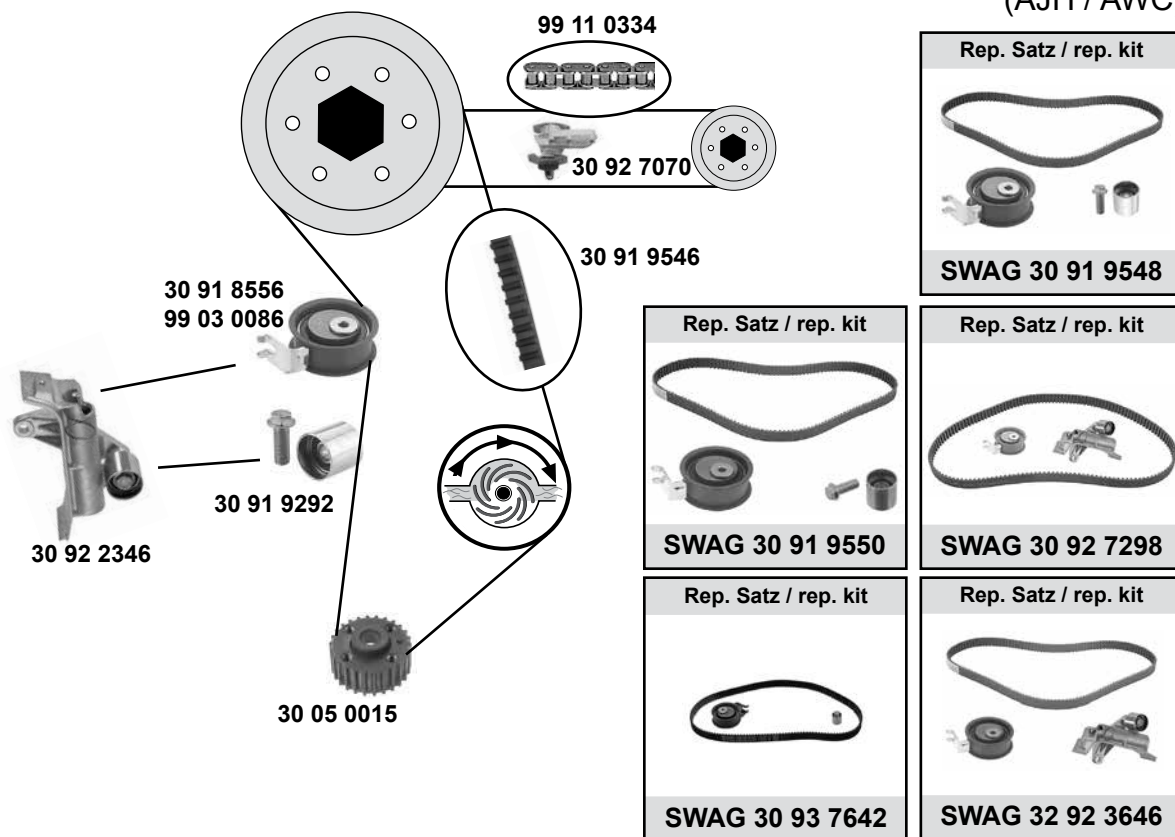


81 92 7556 16620-28070  
99 13 1005 13506-37010

Riemenspanner / belt tensioner  
Steuerkette / timing chain

ØA 70 B31,5  
140 E

**1,8**  
(AJH / AWC)



(1) (mot.) AJA 98→00  
(mot.) AWC 00→10



Ref. - No.



Ref. - No.	Description	Notes	Dimensions
30 03 0088	Riemenspanner / belt tensioner		ØA 70 B24
30 05 0015	Kurbelwellenzahnrad / crankshaft gear		Z 25
30 91 8556	Spannrolle / tension roller	(mot.) AWC	ØA 72 B31
30 91 9292	Umlenkrolle / deflection pulley		ØA 28,5 B27
30 91 9546	Zahnriemen / timing belt		Z 150 B23
30 91 9548	Rep. Satz Zahnriemen / rep. kit timing belt	→00 (mot.) AJH (mot.) AWC	Z 150 B23
30 91 9550	Rep. Satz Zahnriemen / rep. kit timing belt		
30 92 2346	Riemenspanner / belt tensioner		
30 92 7070	Kettenspanner / chain tensioner	(mot.) AJH/AWC	
30 92 7298	Rep. Satz Zahnriemen / rep. kit timing belt	→00 (mot.) AJH	
30 93 7642	Rep. Satz Zahnriemen / rep. kit timing belt	(1)	
32 92 3646	Rep. Satz Zahnriemen / rep. kit timing belt	(mot.) AWC	ØA 72 B30
99 03 0086	Spannrolle / tension roller	(mot.) AJH	50 E
99 11 0334	Steuerkette / timing chain		

# SEAT

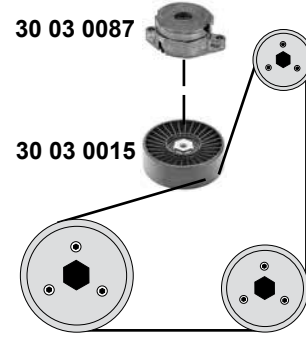
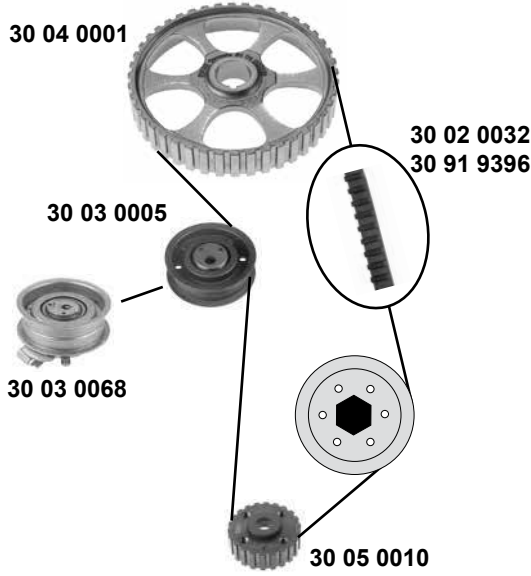
## Alhambra (7M)

(96→10)



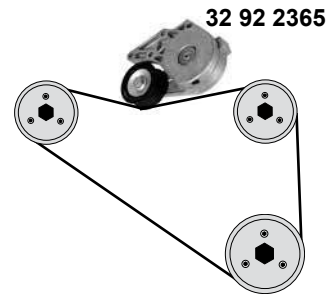
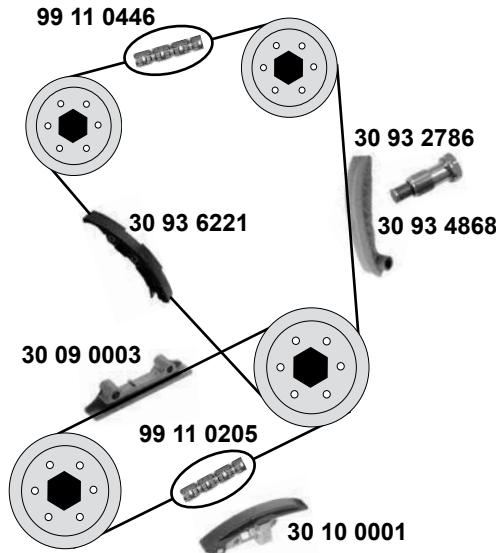
### 2,0

(ADY / ATM)



### 2,8 VR6

(AYL)

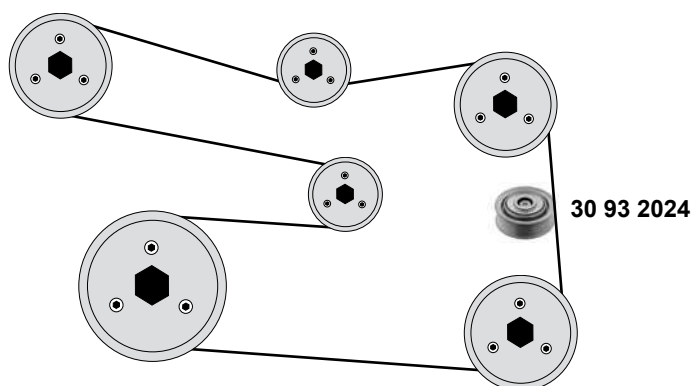
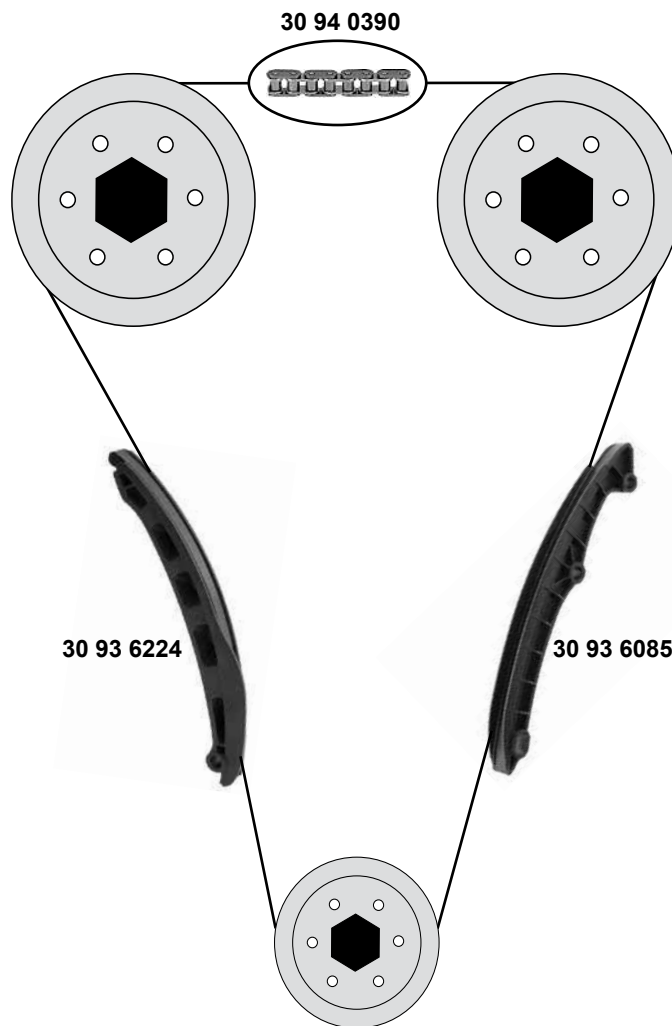


Ref. - No.



30 02 0032	037 109 119 C	Zahnriemen / timing belt
30 02 0041	037 109 119 C S1	Rep. Satz Zahnriemen / rep. kit timing belt
30 03 0005	026 109 243 L	Spannrolle / tension roller
30 03 0015	028 145 278 E	Spannrolle / tension roller
30 03 0087	037 903 315 C	Spannelement / clamping component
30 03 0068	06A 109 479 C	Spannrolle / tension roller
30 04 0001	049 109 111 C	Nockenwellenrad / camshaft gear
30 05 0010	049 105 263 C	Kurbelwellenzahnrad / crankshaft gear
30 09 0003	021 109 469	Gleitschiene / sliding rail
30 10 0001	021 109 467	Kettenspanner / chain tensioner
30 91 9396	06A 109 119 C	Zahnriemen / timing belt
30 93 2786	03H 109 507	Kettenspanner / chain tensioner
30 93 4868	066 109 509 A	Gleitschiene / sliding rail
30 93 6221	066 109 513 A	Gleitschiene / sliding rail
30 93 6222	03H 109 503 S1	Rep. Satz Steuerkette / rep. kit timing chain
32 92 2365	022 145 299 D	Riemenspanner / belt tensioner
32 92 3634	06A 198 119	Rep. Satz Zahnriemen / rep. kit timing belt
99 11 0205	021 109 467	Steuerkette / timing chain
99 11 0446	066 109 503 C	Steuerkette / timing chain

(ex.) ATM	Z 124 B18
(ex.) ATM	
ADY	ØA 72 B20
AC	ØA 78 B26
ATM	ØA 72 B29
(ex.) ATM	Z 44
	Z 22
ATM	Z 138 B23
01→10	
00→	
00→	
00→	
	ØA 73
	70 E
	98 E



Ref. - No.



<b>30 93 2024</b>	03C 145 276 C
<b>30 93 6085</b>	03C 109 469 K
<b>30 93 6224</b>	03C 109 509 P
<b>30 94 0390</b>	03C 109 158 A

Umlenkrolle / deflection pulley
Gleitschiene/ sliding rail
Gleitschiene/ sliding rail
Steuerkette / timing chain

ØA 81 B37

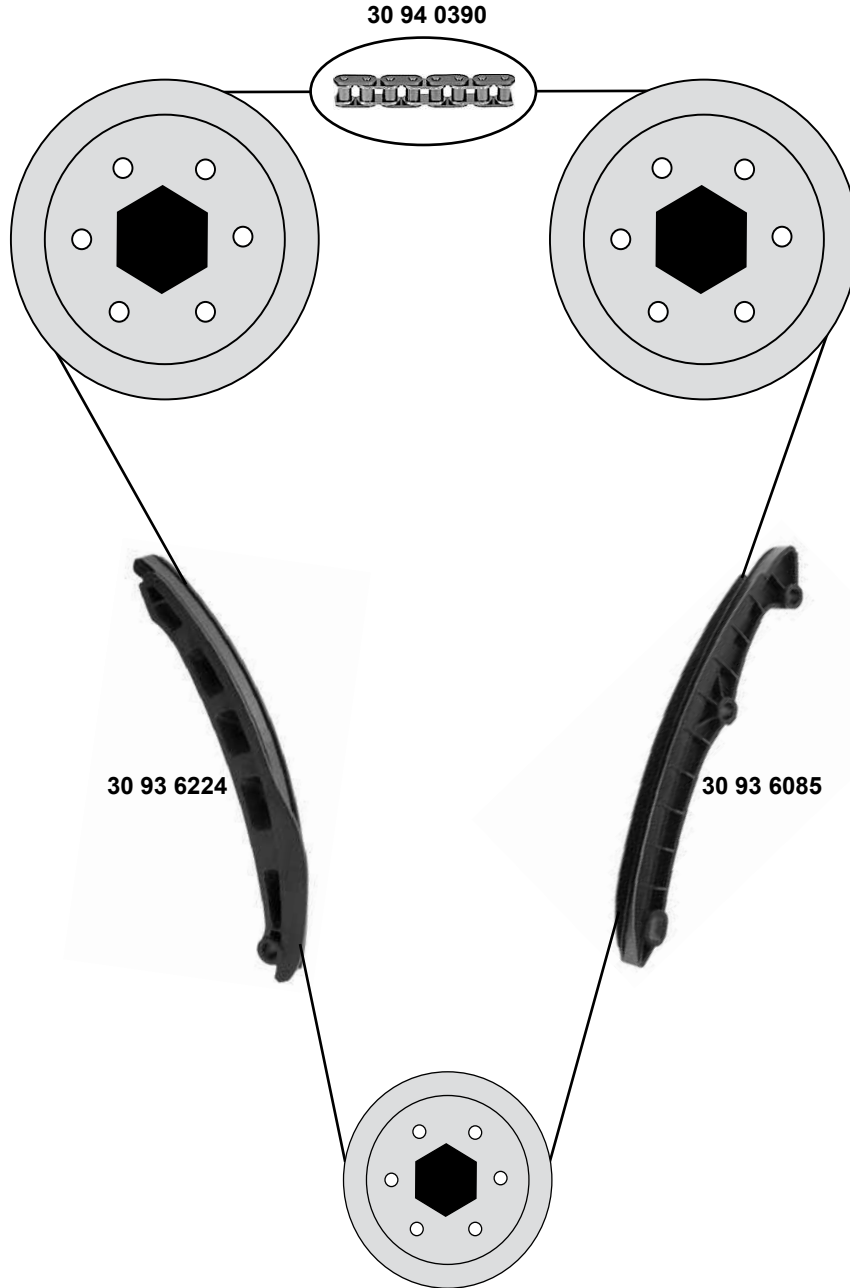
130 E

# SEAT Altea (5P)

(04→)



**1,4 B**  
(CAXC)



30 94 0390

30 93 6224

30 93 6085



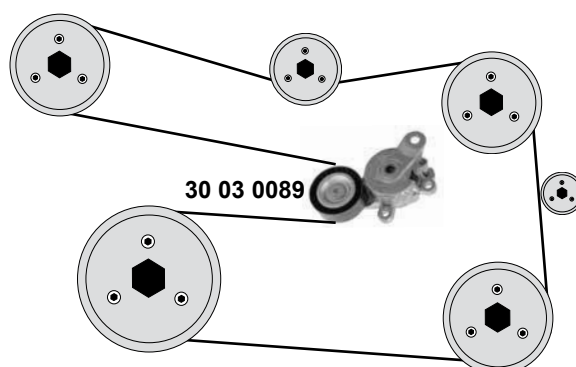
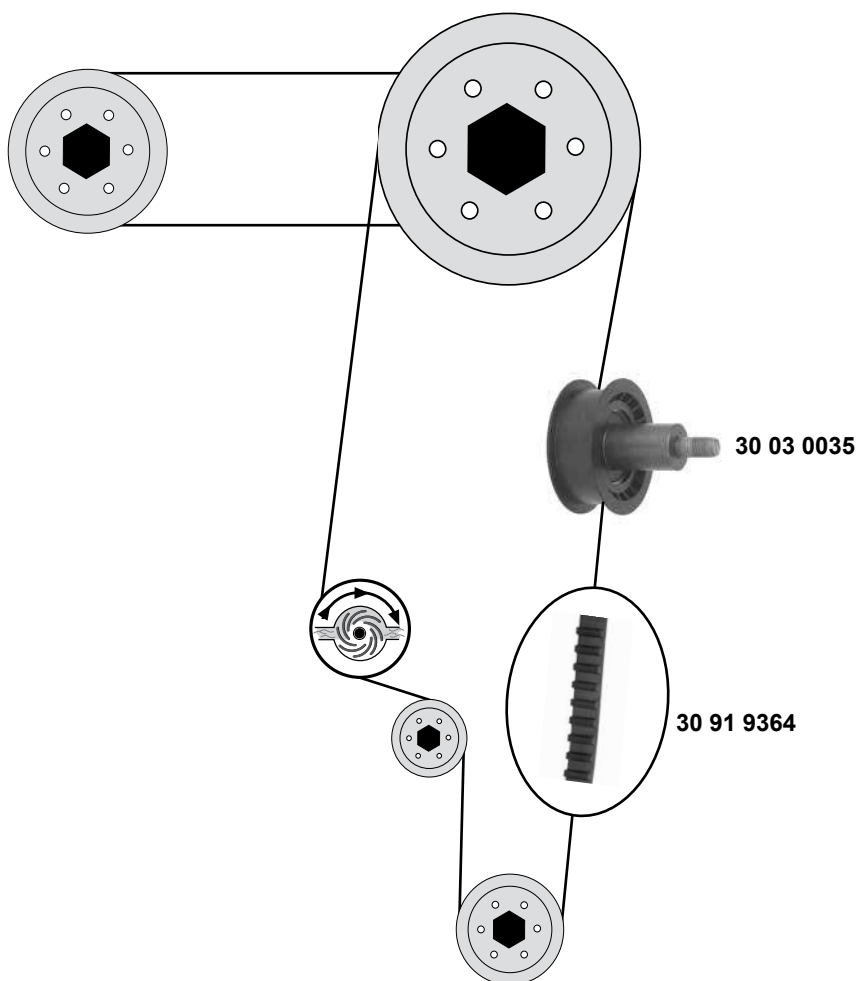
Ref. - No.



30 93 6085	03C 109 469 K
30 93 6224	03C 109 509 P
30 94 0390	03C 109 158 A

Gleitschiene/ sliding rail
Gleitschiene/ sliding rail
Steuerkette / timing chain

130 E



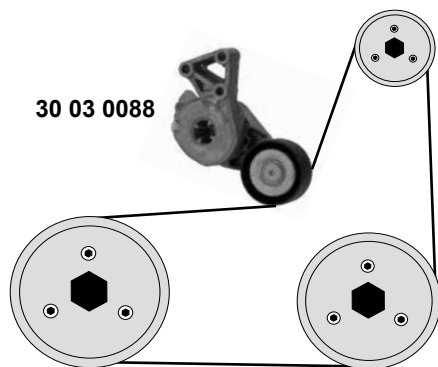
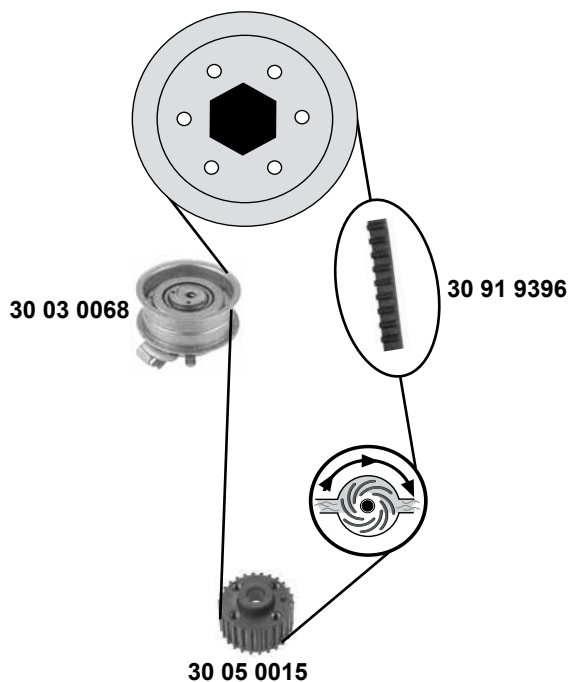
# SEAT

## Altea (5P1)

(04→)



**1,6**  
(BGU / BSE / BSF)



Ref. - No.

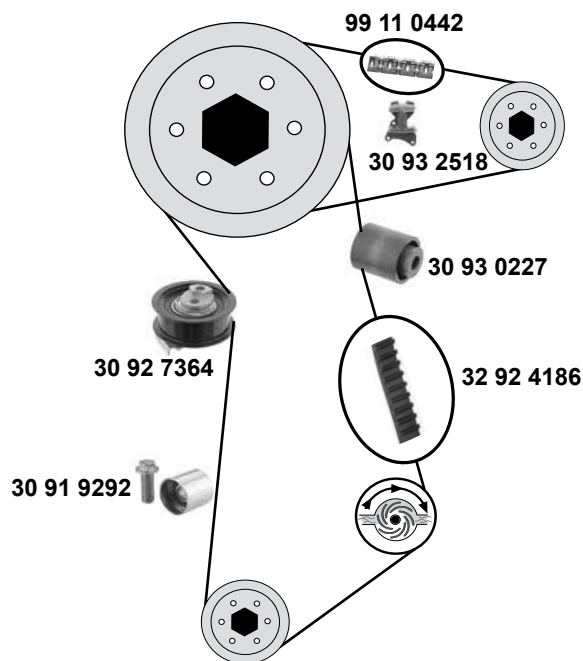


<b>30 03 0068</b>	06A 109 479 C	Spannrolle / tension roller
<b>30 03 0088</b>	06A 903 315 E	Riemenspanner / belt tensioner
<b>30 05 0015</b>	06A 105 263 E	Kurbelwellenzahnrad / crankshaft gear
<b>30 91 9396</b>	06A 109 119 C	Zahnriemen / timing belt
<b>32 92 3634</b>	06A 198 119	Rep. Satz Zahnriemen / rep. kit timing belt

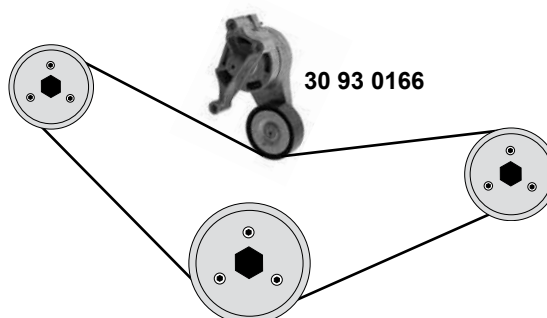
ØA 72 B25/29
ØA 70 B24
Z 25
Z 138 B23







**2,0 16V**  
(BLR / BLY / BVZ / BLY / BWA)



**2,0 16V**  
(BWA)



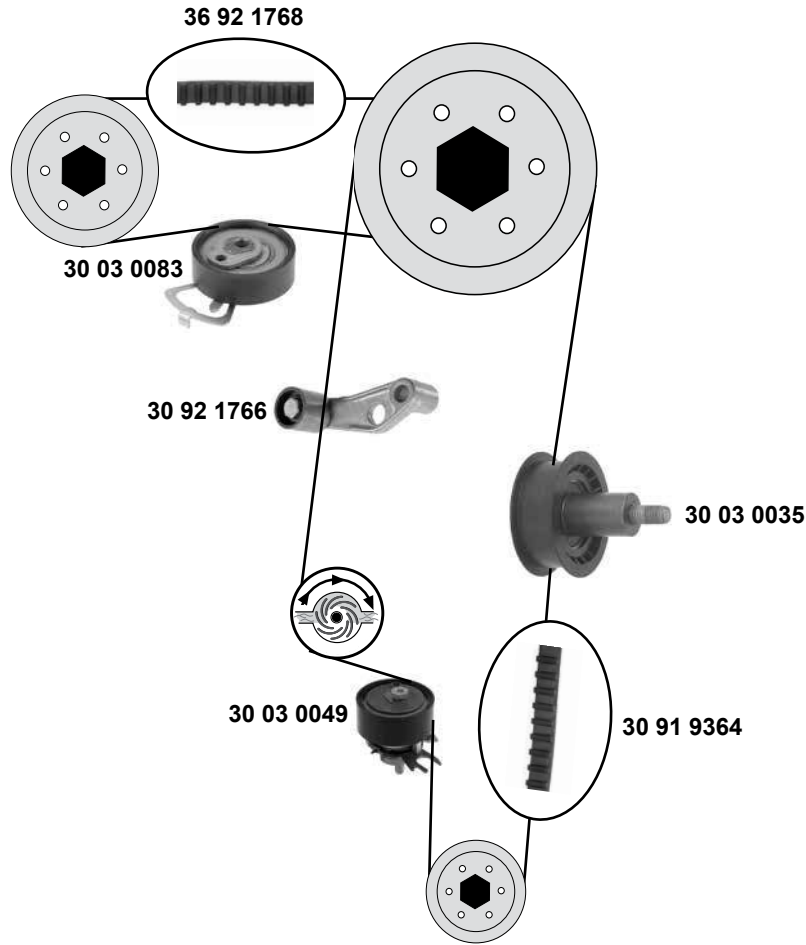
	Ref. - No.			
30 91 9292	06B 109 244	Umlenkrolle / deflection pulley	→10	ØA 28,5 B27
30 92 7364	06D 109 243 B	Spannrolle / tension roller		ØA 77 B25
30 93 0166	06F 903 315	Riemenspanner / belt tensioner		
30 93 0227	06D 109 244 E	Umlenkrolle / deflection pulley		ØA 28,5 B33,5
30 93 0586	06F 198 119 A	Rep. Satz Zahnriemen / rep. kit timing belt		
30 93 2518	06F 109 217 A	Kettenspanner / chain tensioner		
32 92 4186	06D 109 119 B	Zahnriemen / timing belt		Z 148
99 11 0442	06D 109 229 B	Steuerkette / timing chain		42E

# SEAT Altea (5P5)

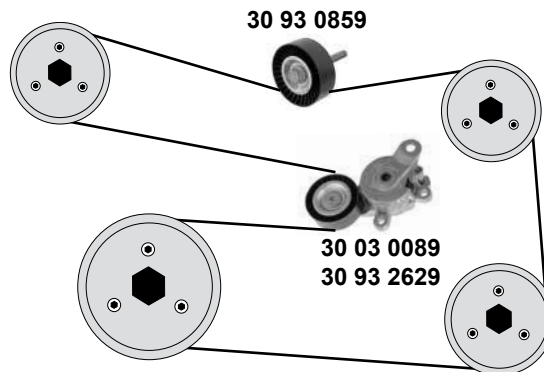
(04→)



## 1,4 16V (BXW / CGGB)

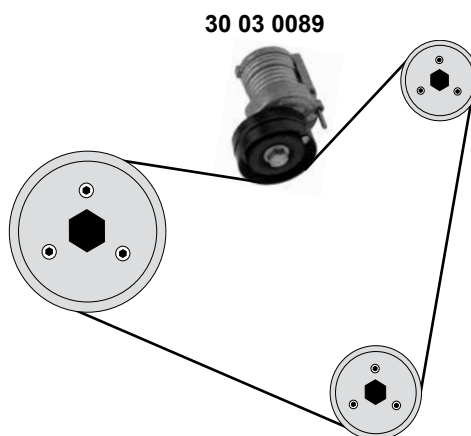
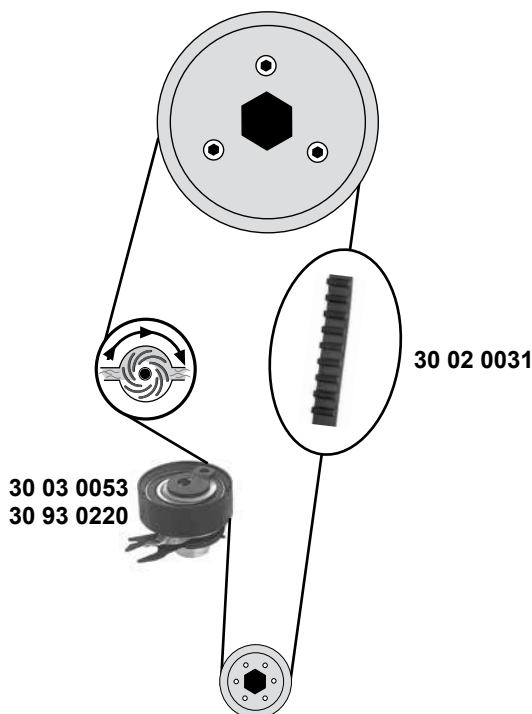


## 1,2 / 1,4 16V (BXW / CGGB / CBZB / CAXC)



SWAG	Ref. - No.			
30 03 0035	036 109 244 J	Umlenkrolle / deflection pulley		ØA 56 B22
30 03 0049	036 109 243 AB	Spannrolle / tension roller	(mot.) BXW	ØA 60 B25
30 03 0083	036 109 243 AE	Spannrolle / tension roller		ØA 60 B19
30 03 0089	030 145 299 F	Riemenspanner / belt tensioner	AC BXW/CGGB	ØA 70 B26
30 91 9364	036 109 119 Q	Zahnriemen / timing belt	(mot.) BXW	Z 130 B20
30 92 1766	036 109 181 A	Umlenkrolle / deflection pulley	(mot.) BXW	ØA 28 B30
30 92 1770	036 109 119 Q S1	Rep. Satz Zahnriemen / rep. kit timing belt	(mot.) BXW / 07→	
30 92 1772	036 109 119 Q S2	Rep. Satz Zahnriemen / rep. kit timing belt	(mot.) BXW	
30 92 1774	036 109 119 P S1	Rep. Satz Zahnriemen / rep. kit timing belt		
30 93 0859	1J0 145 276	Umlenkrolle / deflection pulley	AC CAXC	
30 93 2629	03C 145 299 Q	Riemenspanner / belt tensioner	AC CBZB/CAXC	
36 92 1768	036 109 119 P	Zahnriemen / timing belt		Z 58 B17

**1,0 8V - 1,4 8V**



- (1) (mot.) AER / ALL / AEX / APQ / AKV  
(mot.) ALD / AUC / ANV / AKK / AUD / ANW (ch.)→6H-Y-014 000
- (2) (mot.) ALD / AUC / ANV / AKK / AUD / ANW (ch.) 6H-Y-014 001→

	Ref. - No.			
<b>30 02 0031</b>	030 109 119 S	Zahnriemen / timing belt		Z 135 B19
<b>30 02 0038</b>	030 109 119 S S1	Rep. Satz Zahnriemen / rep. kit timing belt	(1)	
<b>30 03 0053</b>	030 109 243 K	Spannrolle / tension roller	(1)	ØA 72 ØI 10 B20
<b>30 03 0089</b>	030 145 299 F	Riemenspanner / belt tensioner		ØA 70 B 26
<b>30 93 0220</b>	030 109 243 M	Spannrolle / tension roller	(2)	ØA 61,7 ØI 8,78
<b>32 92 3644</b>	030 109 119 S S2	Rep. Satz Zahnriemen / rep. kit timing belt	(2)	

# SEAT

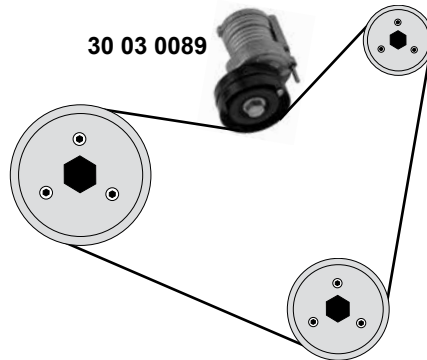
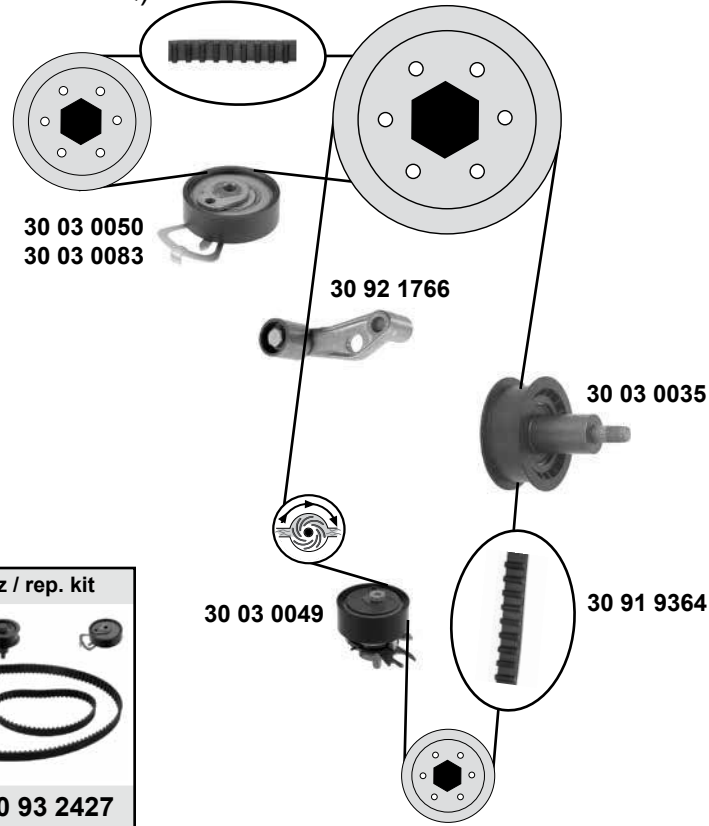
## Arosa (6H)

(97→04)



### 1,4 16V

(AHW / AFK / AQQ / AUB / ANW / AKQ) 36 92 1768



(1) (mot.) ANW → 160 000

(2) (mot.) AFK / AQQ / AUB

(3) (mot.) → AHW 160 000 / ANW / AKQ

(4) (mot.) AHW / AFK / AQQ / AUB

(5) (mot.) AFK / ANW / AQQ / AUB

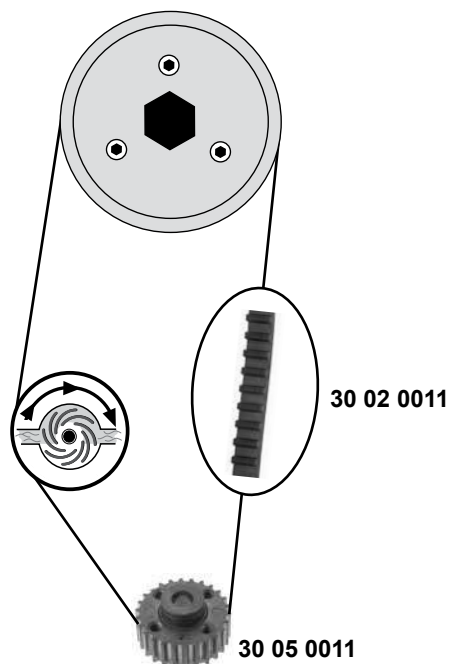


Ref. - No.

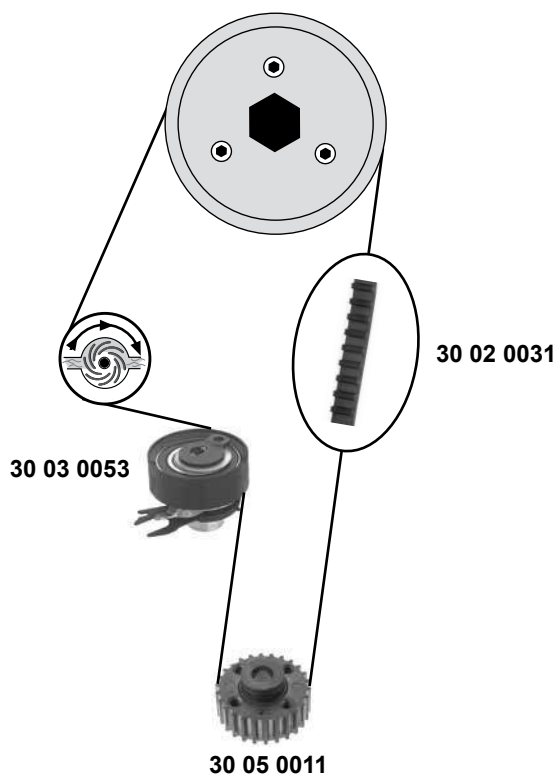


Ref. - No.	Description	Notes	Dimensions
30 03 0035	Umlenkrolle / deflection pulley	99 → 04	ØA 56 B22
30 03 0049	Spannrolle / tension roller		ØA 60 B25
30 03 0050	Spannrolle / tension roller	(1)	ØA 80 B18
30 03 0083	Spannrolle / tension roller	(2)	ØA 60 B19
30 03 0089	Riemenspanner / belt tensioner		ØA 70 B 26
30 91 9364	Zahnriemen / timing belt	(ex.) AHW / AKQ	Z 130 B20
30 92 1766	Umlenkrolle / deflection pulley		ØA 28 B30
30 92 1770	Rep. Satz Zahnriemen / rep. kit timing belt	(4)	
30 92 1772	Rep. Satz Zahnriemen / rep. kit timing belt	(2)	
30 92 1774	Rep. Satz Zahnriemen / rep. kit timing belt	(2)	
30 93 2427	Rep. Satz Zahnriemen / rep. kit timing belt	(3)	
36 92 1768	Zahnriemen / timing belt	(5)	Z 58 B17

**1,05 / 1,3**  
(AAU / AAV / 2G)



**1,4**  
(AEX)



Rep. Satz / rep. kit



**SWAG 30 02 0038**

<b>30 02 0011</b>	030 109 119 A	Zahnriemen / timing belt	Z 128 B19
<b>30 02 0031</b>	030 109 119 S	Zahnriemen / timing belt	Z 135 B19
<b>30 02 0038</b>	030 109 119 S S1	Rep. Satz Zahnriemen / rep. kit timing belt	
<b>30 03 0053</b>	030 109 243 K	Spannrolle / tension roller	ØA 72 ØI 10 B20
<b>30 05 0011</b>	030 105 263 C	Kurbelwellenzahnrad / crankshaft gear	Z 26

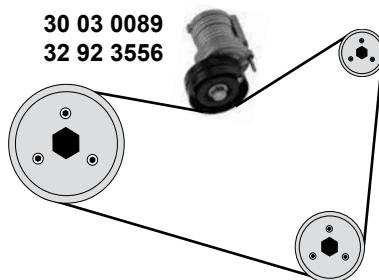
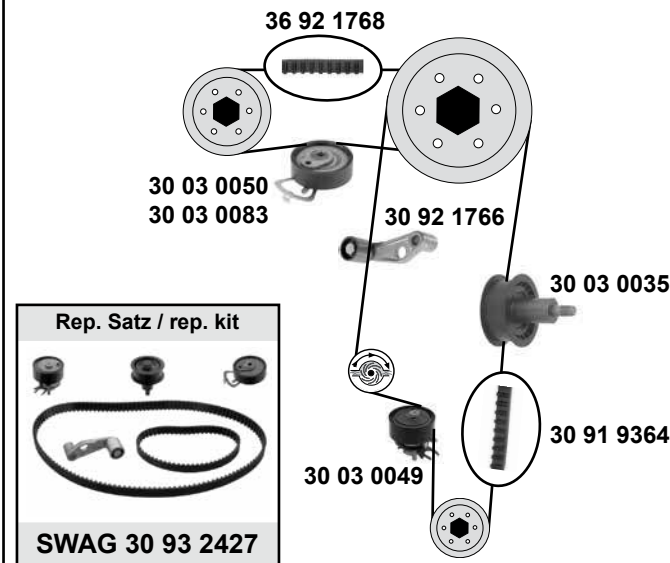
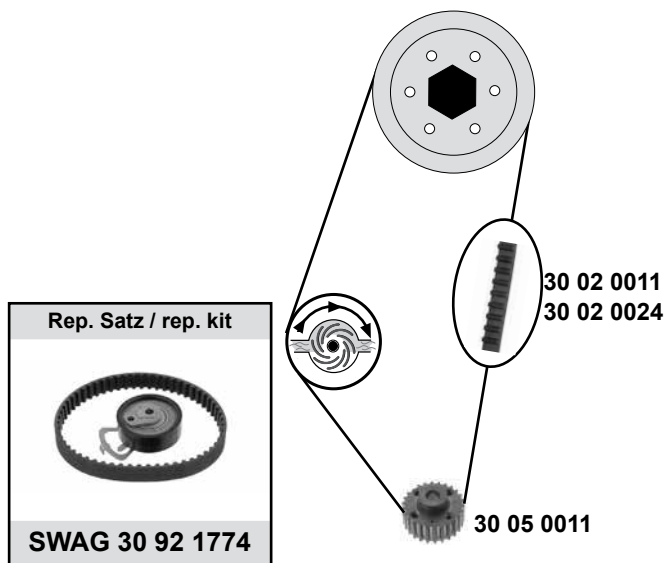
# SEAT

## Ibiza (6K) / Cordoba

(93→02)



**1,4 / 1,6**  
(AEE/AFH/ABU/ABD/APE/AQQ/AUA/AUB)



- |  |
|--|
| (1) (mot.) ABD (ch.) 6K-ZK 195 001→/ 6K-ZK 757 001→  |
| (2) Cordoba / Vario (mot.) AEE / AFH / APE / AQQ / AUA / AUB<br>Ibiza II (mot.) AEE / APE / AQQ / AUA / AUB / 96 →<br>Ibiza III (mot.) AEE / AFH / APE / AQQ / AUA / AUB / → 99<br>(mot.) AEE / AFH / APE / AQQ / AUA / AUB / 99 → |
| (3) Ibiza II / III (mot.) AEE / AFH / APE / AQQ / AUA / AUB  |
| (4) Cordoba / Vario (mot.) AEE / AFH / APE / AQQ / AUA / AUB<br>(mot.) AEE / APE / AQQ / AUA / AUB / 96 →  |
| (5) Cordoba / Vario (mot.) APE / AQQ / AUA / AUB<br>Ibiza III  |

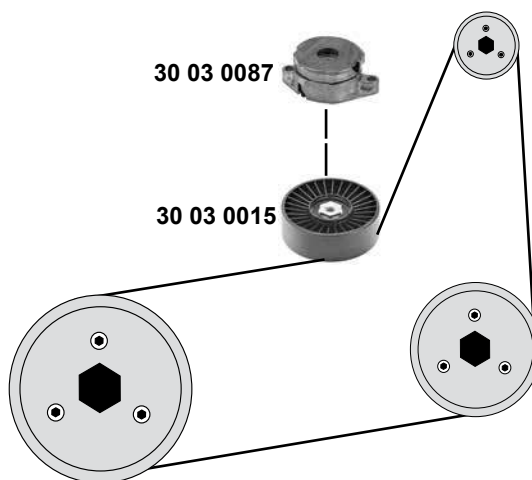
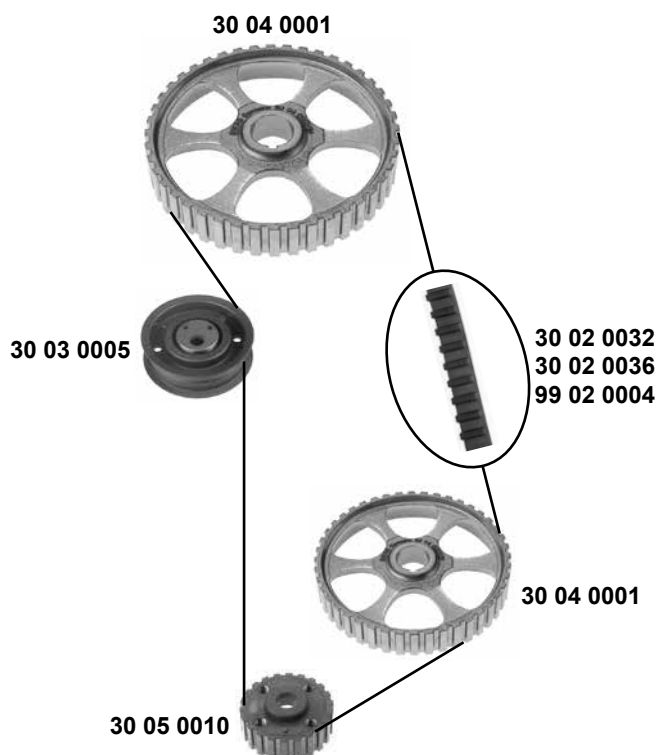


Ref. - No.



Ref. - No.	Description	Notes	Dimensions
30 02 0011	032 109 119 A Zahnriemen / timing belt	(mot.) ABD	Z 128 B19
30 02 0024	032 109 119 Zahnriemen / timing belt	(mot.) ABU	Z 133 B19
30 03 0035	036 109 244 J Umlenkrolle / deflection pulley	(mot.) ANW / AKQ	ØA 56 B22
30 03 0049	036 109 243 AD Spannrolle / tension roller	(mot.) ANW / AKQ	ØA 60 B25
30 03 0050	036 109 243 F Spannrolle / tension roller	(mot.) ANW / AKQ	ØA 80 B18
30 03 0083	036 109 243 AE Spannrolle / tension roller	(5)	ØA 60 B19
30 03 0089	030 145 299 F Riemen Spanner / belt tensioner	(1) servo	ØA 70 B26
30 05 0011	030 105 263 C Kurbelwellenzahnrad / crankshaft gear	(mot.) ABU / ABD	Z 26
30 91 9364	036 109 119 Q Zahnriemen / timing belt	(2)	Z 130 B20
30 92 1766	036 109 181 B Umlenkrolle / deflection pulley	(mot.) ANW / AKQ	ØA 28 B30
30 92 1774	036 109 119 P S1 Rep. Satz Zahnriemen / rep. kit timing belt	(5)	
30 93 2427	036 198 119 F Rep. Satz Zahnriemen / rep. kit timing belt	(mot.) ANW / AKQ	
32 92 3556	032 145 299 C Riemen Spanner / belt tensioner	servo  (ex.) ABD	
36 92 1768	036 109 119 P Zahnriemen / timing belt	(3) (4)	Z 58 B17

**1,6→2,0**  
(1F / ABS / 2E / ADZ / ACC / AFT / AGG)



- (1) nur / only: (mot.) ABS / 1F / ADZ / ACC
- (2) nur / only: (mot.) AFT
- (3) nur / only: (mot.) 2E / AGG
- (4) nur / only: (mot.) AGG

SWAG	Ref. - No.			
30 02 0032	037 109 119 C	Zahnriemen / timing belt	(3)	Z 124 B18
30 02 0036	026 109 119 B	Zahnriemen / timing belt	(2)	Z 121 B18
30 03 0005	026 109 243 L	Spannrolle / tension roller	(4)	ØA 72 ØI 10 B20
30 03 0015	028 145 278 E	Spannrolle / tension roller		ØA 78 ØI 8 B26
30 03 0087	037 903 315 C	Spannelement / clamping component		
30 04 0001	049 109 111 C	Nockenwellenrad / camshaft gear		Z 44
30 05 0010	049 105 263 C	Kurbelwellenzahnrad / crankshaft gear		Z 22
99 02 0004	056 109 119 A	Zahnriemen / timing belt	(1)	Z 121
99 02 0068	037 109 119 C S2	Rep. Satz Zahnriemen / rep. kit timing belt	(3)	



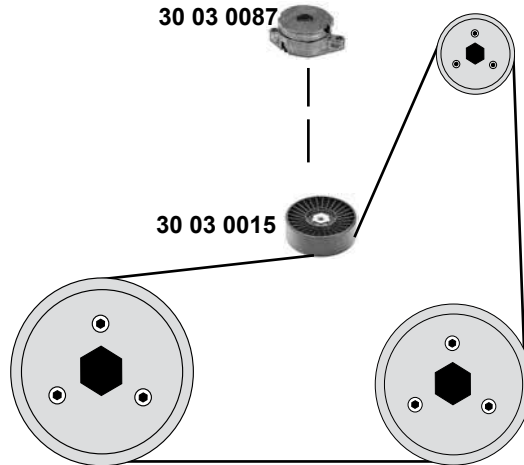
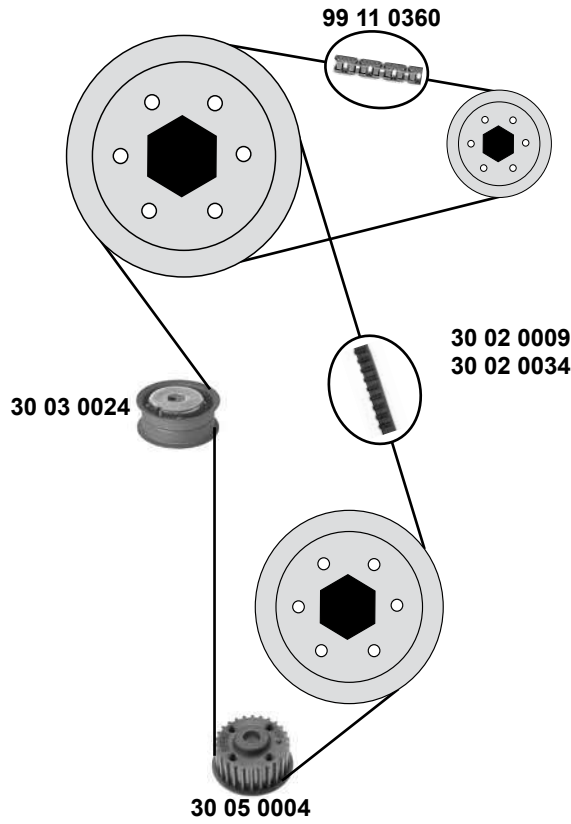
# SEAT

## Ibiza (6K) / Cordoba

(93→96)



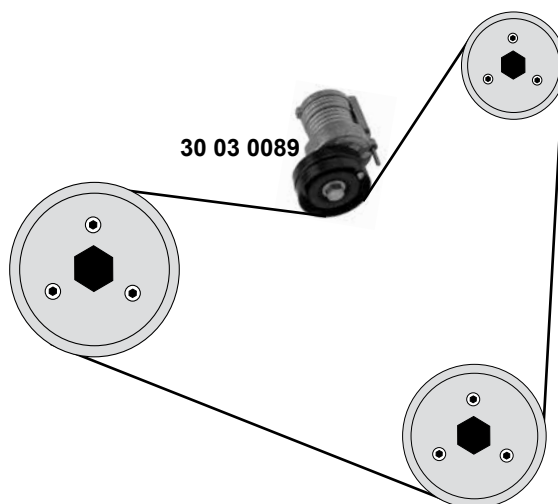
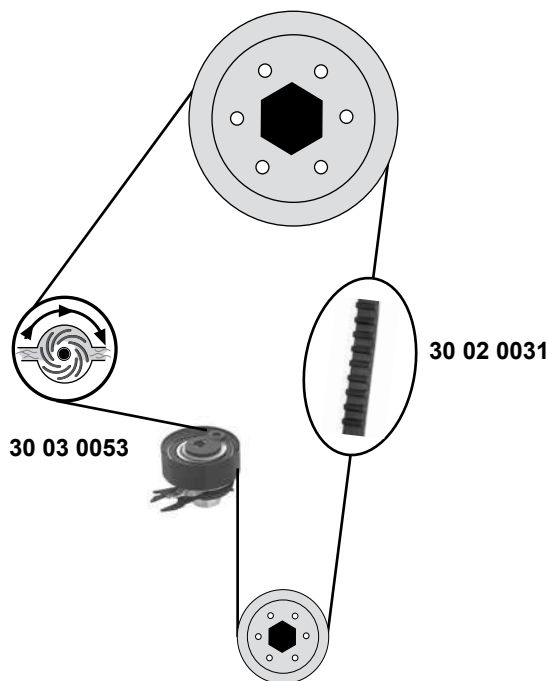
**1,8 / 2,0 16V**  
(ADL / ABF)



SWAG GERMANY	Ref. - No.			
<b>30 02 0009</b>	027 109 119 C	Zahnriemen / timing belt	(mot.) ADL	Z 147 B25
<b>30 02 0034</b>	048 109 119 G	Zahnriemen / timing belt	(mot.) ABF	Z 151 B25
<b>30 03 0015</b>	028 145 278 E	Spannrolle / tension roller	AC	ØA 78 B26
<b>30 03 0024</b>	051 109 243 A	Spannrolle / tension roller		ØA 72 ØI 8 B27
<b>30 03 0087</b>	037 903 315 C	Spannelement / clamping component		
<b>30 05 0004</b>	027 109 263 B	Kurbelwellenzahnrad / crankshaft gear		Z 26
<b>99 02 0065</b>	027 198 119	Rep. Satz Zahnriemen / rep. kit timing belt	(mot.) ADL	
<b>99 02 0066</b>	027 109 119 C S1	Rep. Satz Zahnriemen / rep. kit timing belt	(mot.) ABF	
<b>99 11 0360</b>	077 109 120	Steuerkette / timing chain		D 44 E



**1,0→1,6**  
(AER / AEX / AEE / AKV / ALM / APQ / ANX)



- (1) nur / only: (mot.) AER / AEE / AEX / APQ / ANX
- (2) nur / only: (mot.) AEX / AER / AKV / APQ / ANX
- (3) nur / only: (mot.) AEX / AER / APQ / ANX



Ref. - No.



30 02 0031	030 109 119 S	Zahnriemen / timing belt	(2)	Z 135 B19
30 02 0038	030 109 119 S S1	Rep. Satz Zahnriemen / rep. kit timing belt	(3)	
30 03 0053	030 109 243 K	Spannrolle / tension roller	(1)	ØA 61 ØI 8 B22
30 03 0089	030 145 299 F	Riemenspanner / belt tensioner		ØA 70 B26

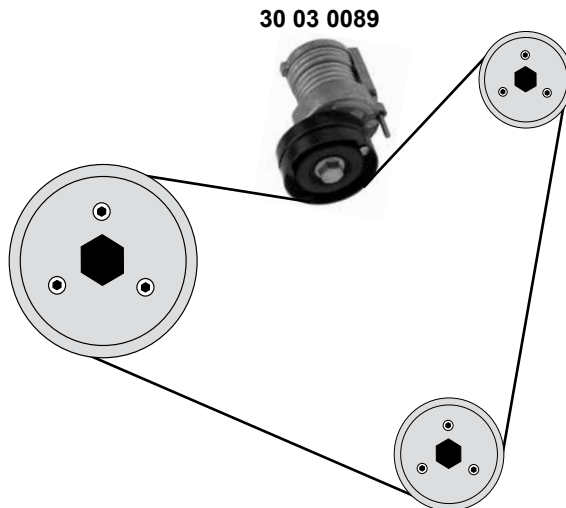
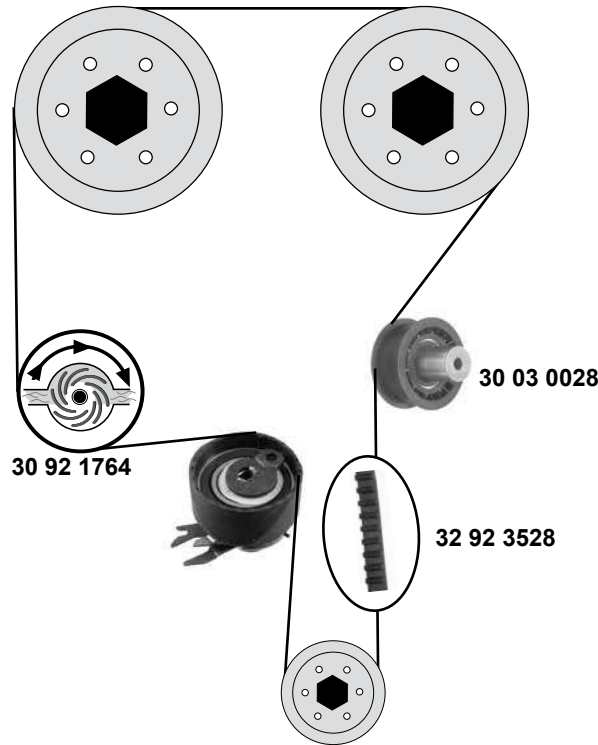
# SEAT

## Ibiza (6K) / Cordoba

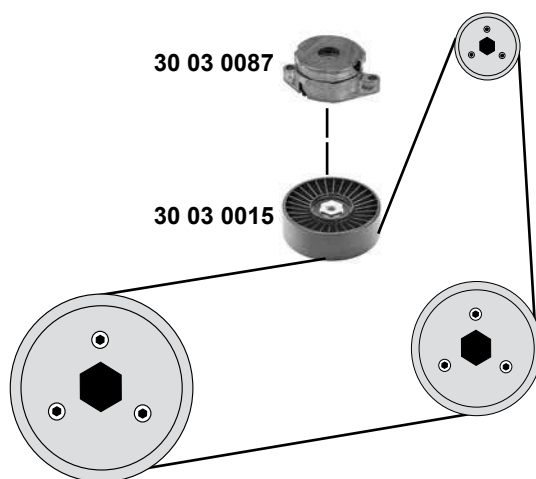
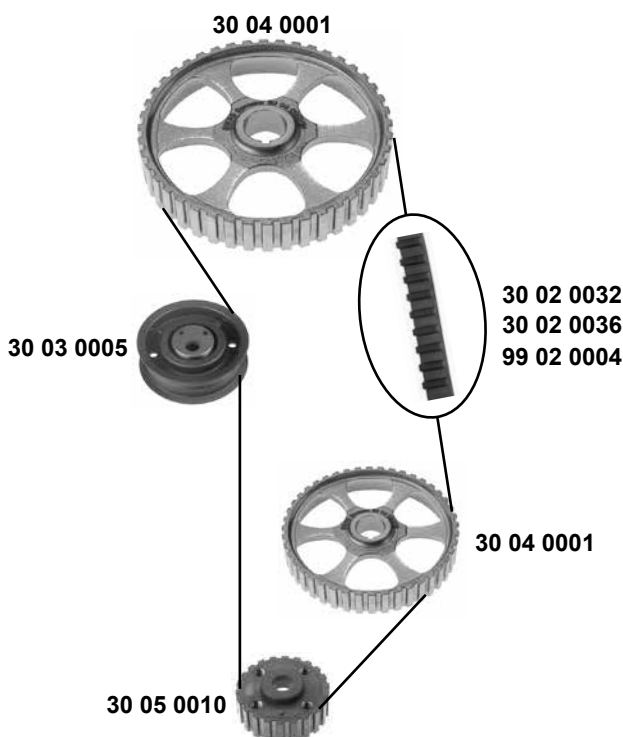
(97→99)



**1,0 16 V**  
(AFM)



SWAG GERMANY	Ref. - No.			
30 03 0028	036 109 244	Umlenkrolle / deflection pulley	(ex.) AC	ØA 56 B26
30 03 0089	030 145 299 F	Riemenspanner / belt tensioner		ØA 70 B26
30 92 1764	036 109 243 J	Spannrolle / tension roller		ØA 60 B37
32 92 3528	036 109 119 H	Zahnriemen / timing belt		Z 149
32 92 3530	6K0 198 001 C	Rep. Satz Zahnriemen / rep. kit timing belt		



- (1) nur / only: (mot.) EZ / ABN / 1F / RP / ACC
- (2) nur / only: (mot.) 2E / AGG
- (3) nur / only: (mot.) AFT

	Ref. - No.			
30 02 0032	037 109 119 C	Zahnriemen / timing belt	(2)	Z 124 B18
30 02 0036	026 109 119 B	Zahnriemen / timing belt	(3)	Z 121 B18
30 03 0005	026 109 243 L	Spannrolle / tension roller		ØA 72 ØI 10 B20
30 03 0015	028 145 278 E	Spannrolle / tension roller		ØA 78 ØI 8 B26
30 03 0087	037 903 315 C	Spannelement / clamping component		
30 04 0001	049 109 111 C	Nockenwellenrad / camshaft gear		Z 44
30 05 0010	049 105 263 C	Kurbelwellenzahnrad / crankshaft gear		Z 22
99 02 0004	056 109 119 A	Zahnriemen / timing belt	(1)	Z 121

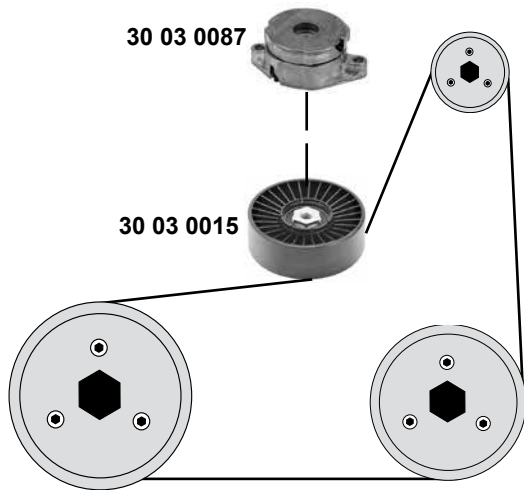
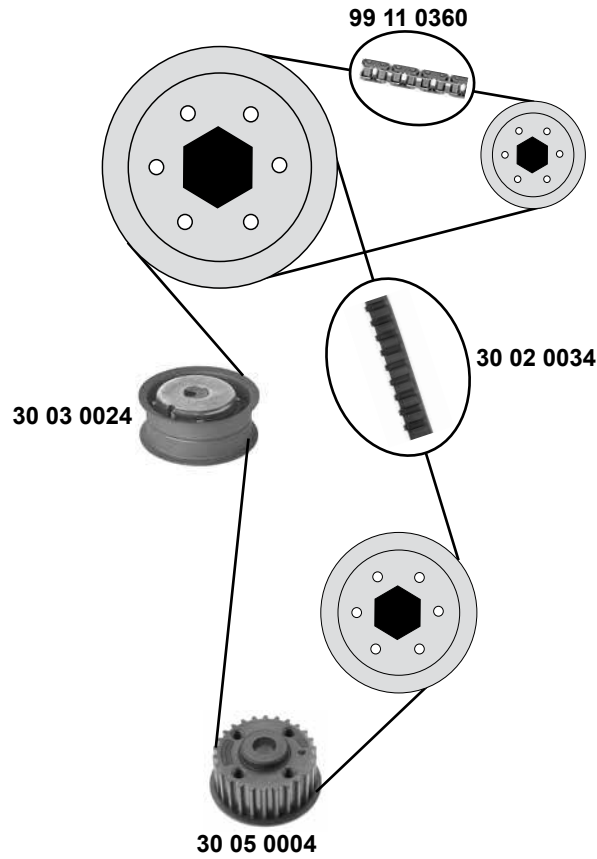
# SEAT

## Ibiza (6K) / Cordoba

(97→99)

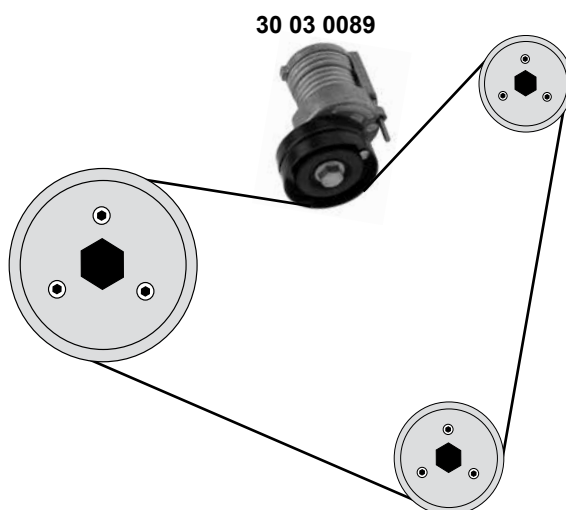
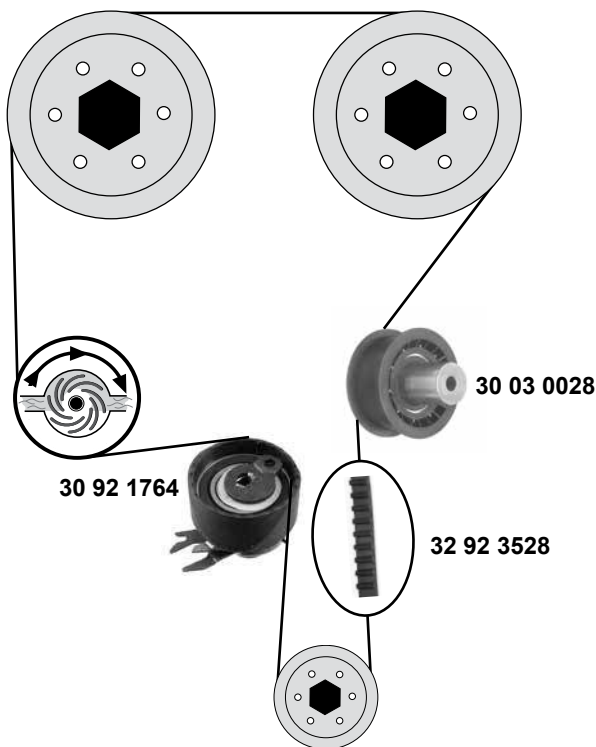


**2,0 16V**  
(ABF)



SWAG GERMANY	Ref. - No.			
30 02 0034	048 109 119 G	Zahnriemen / timing belt		Z 151 B25
30 03 0015	028 145 278 E	Spannrolle / tension roller	AC	ØA 78 B26
30 03 0024	051 109 243 A	Spannrolle / tension roller		ØA 72 B27
30 03 0087	037 903 315 C	Spannelement / clamping component		
30 05 0004	027 109 263 B	Kurbelwellenzahnrad / crankshaft gear		Z 26
99 11 0360	077 109 120	Steuerkette / timing chain		D 44 E

**1,0 16 V**  
(AST / AVZ)



Ref. - No.



<b>30 03 0028</b>	036 109 244
<b>30 03 0089</b>	030 145 299 F
<b>30 92 1764</b>	036 109 243 J
<b>32 92 3528</b>	036 109 119 H
<b>32 92 3530</b>	6K0 198 001 C

Umlenkrolle / deflection pulley
Riemenspanner / belt tensioner
Spannrolle / tension roller
Zahnriemen / timing belt
Rep. Satz Zahnriemen / rep. kit timing belt

(ex.) AC

ØA 56 ØI 8 B26
ØA 70 B 26
ØA 60 B37
Z 149

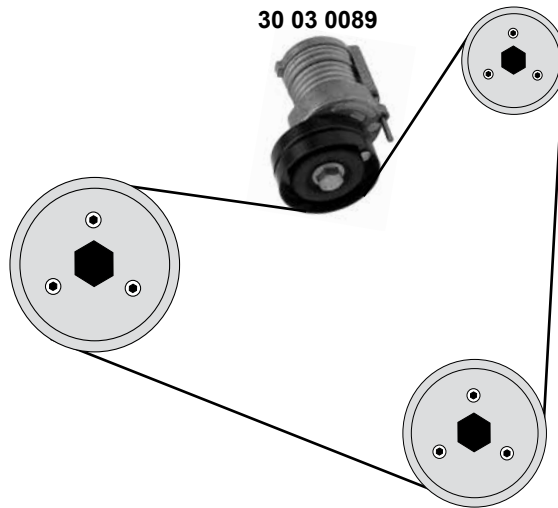
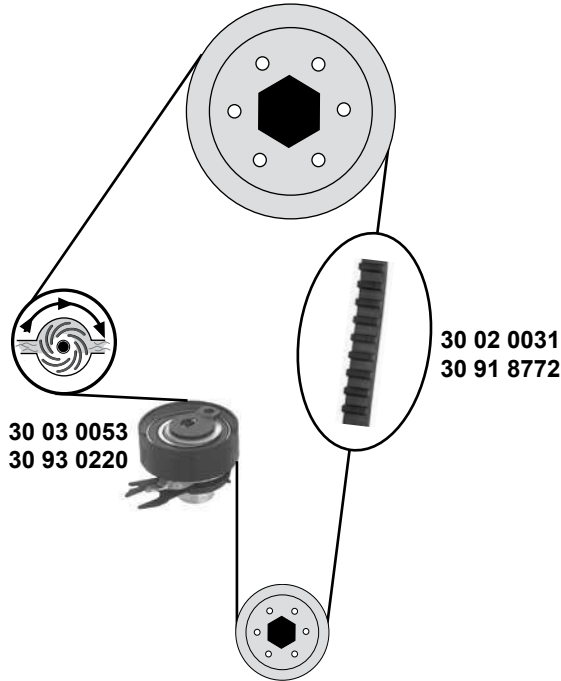
# SEAT

## Ibiza (6K) / Cordoba

(99→02)



**1,0→1,6**  
(ALD / ANV / AKK / ANW / AEE / ALM / AUC / AUD)



(1) ANV / ALM  
ALD (mot.)→037 979  
AKK (mot.)→127 806

(2) AUC / AUD  
ALD (mot.) 037 978→  
AKK (mot.) 127 805→



Ref. - No.



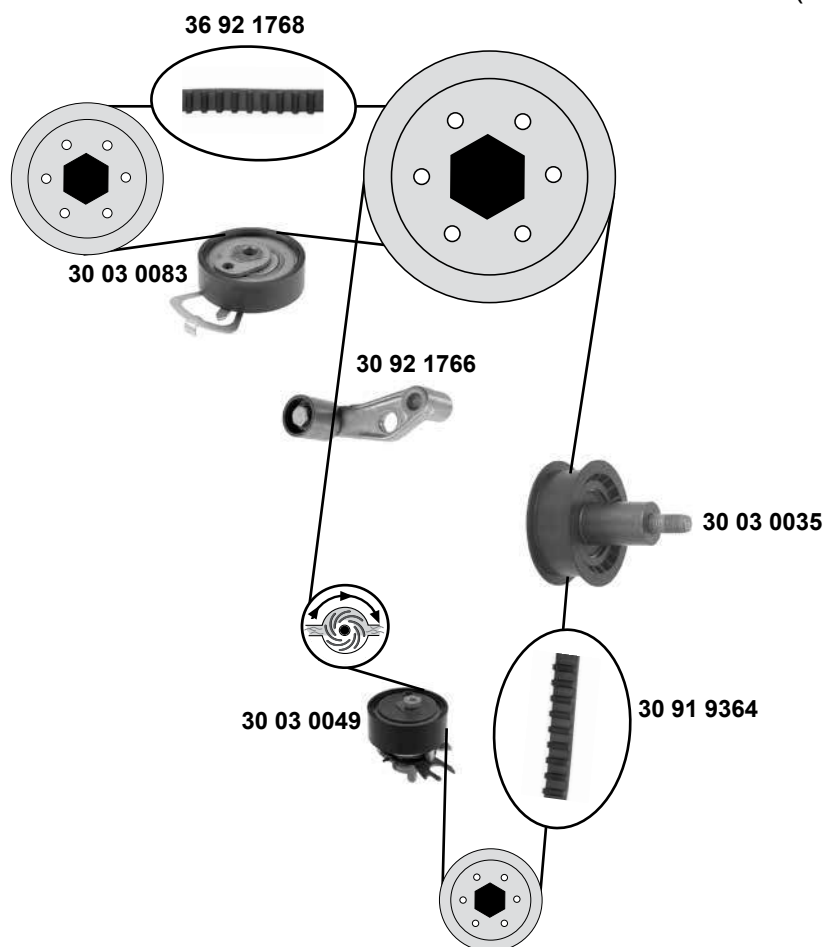
<b>30 02 0031</b>	030 109 119 S	Zahnriemen / timing belt	(mot.) AEE / ALM	Z 135 B19
<b>30 03 0053</b>	030 109 243 K	Spannrolle / tension roller	(1)	ØA 61 B22
<b>30 03 0089</b>	030 145 299 F	Riemenspanner / belt tensioner		ØA 70 B26
<b>30 91 8772</b>	032 109 119 J	Zahnriemen / timing belt	(mot.) ALM	Z 137 B19
<b>30 93 0220</b>	030 109 243 M	Spannrolle / tension roller	(2)	ØA 61,7 B50
<b>32 92 3640</b>	032 109 119 J S1	Rep. Satz Zahnriemen / rep. kit timing belt	(mot.) AEE / ALM	
<b>32 92 3644</b>	030 109 119 B	Rep. Satz Zahnriemen / rep. kit timing belt	(2)	

# SEAT

## Ibiza (6K) / Cordoba

(99→02)

**1,4 16V**  
(APE / AQQ / AUB/ AUA)



Rep. Satz / rep. kit



SWAG 30 92 1770

Rep. Satz / rep. kit

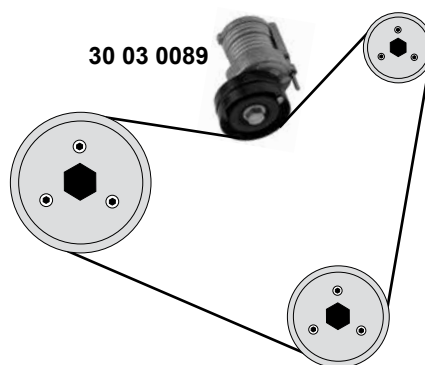


SWAG 30 92 1772

Rep. Satz / rep. kit



SWAG 30 92 1774



Ref. - No.



30 03 0035	036 109 244 J	Umlenkrolle / deflection pulley	ØA 56 B22
30 03 0083	036 109 243 AD	Spannrolle / tension roller	ØA 60 ØI 8 B25
30 03 0089	036 109 243 AE	Spannrolle / tension roller	ØA 60 B19
30 03 0089	030 145 299 F	Riemenspanner / belt tensioner	ØA 70 B 26
30 91 9364	036 109 119 Q	Zahnriemen / timing belt	Z 130 B20
30 92 1766	036 109 181 A	Umlenkrolle / deflection pulley	ØA 28 B30
30 92 1770	036 109 119 Q S1	Rep. Satz Zahnriemen / rep. kit timing belt	
30 92 1772	036 109 119 Q S2	Rep. Satz Zahnriemen / rep. kit timing belt	
30 92 1774	036 109 119 P S1	Rep. Satz Zahnriemen / rep. kit timing belt	
36 92 1768	036 109 119 P	Zahnriemen / timing belt	Z 58 B17

# SEAT

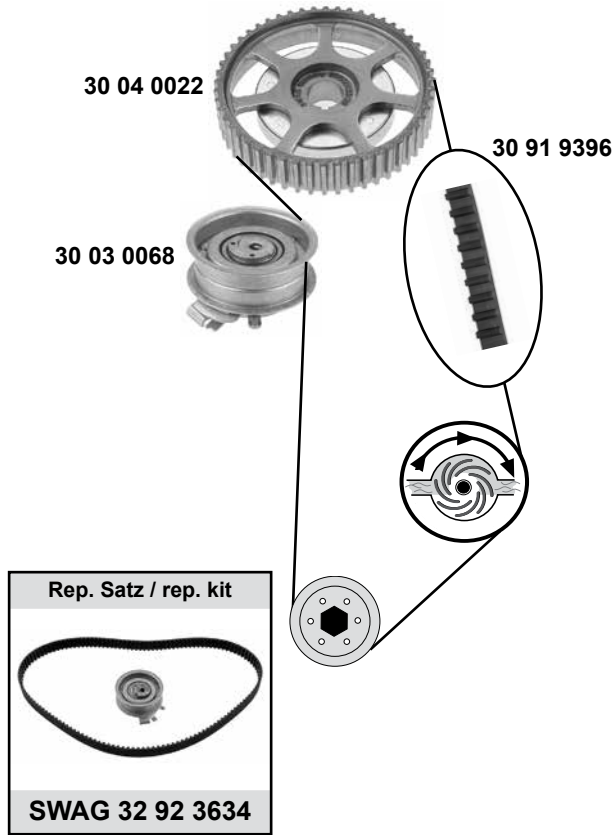
## Ibiza (6K) / Cordoba

(99→02)



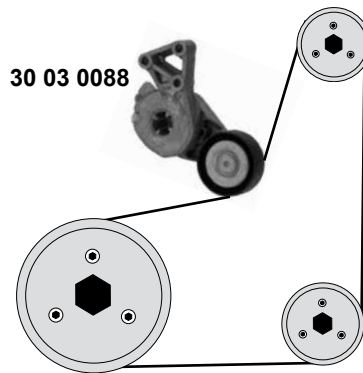
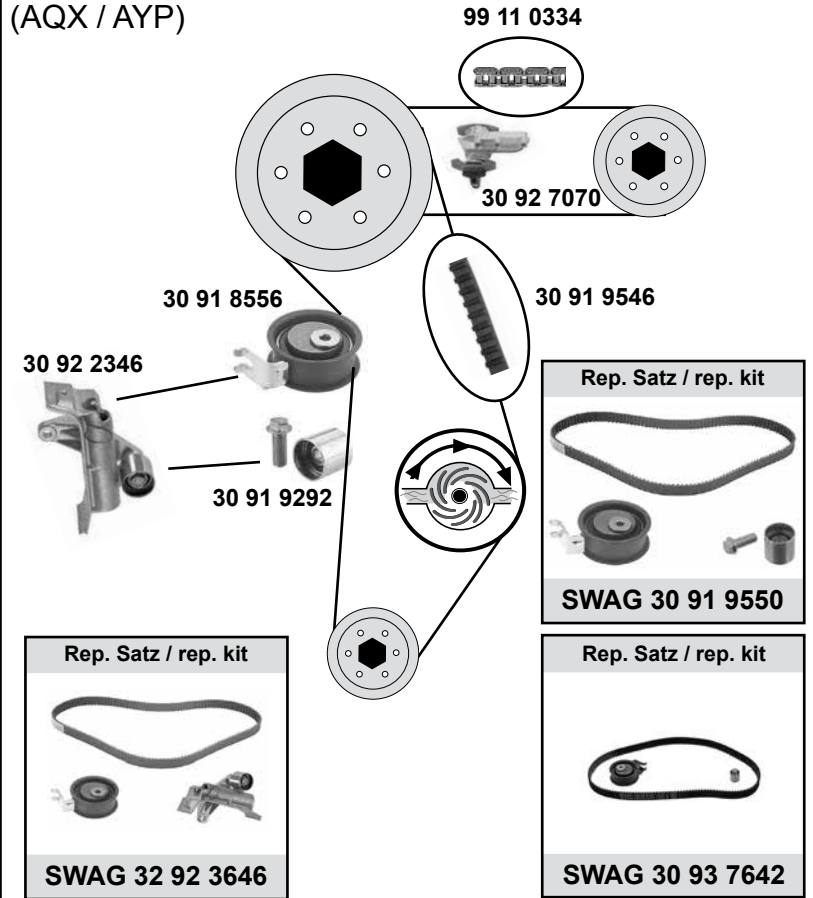
### 1,6

(AEH / AKL / APF / AUR)



### 1,8 20V

(AQX / AYP)



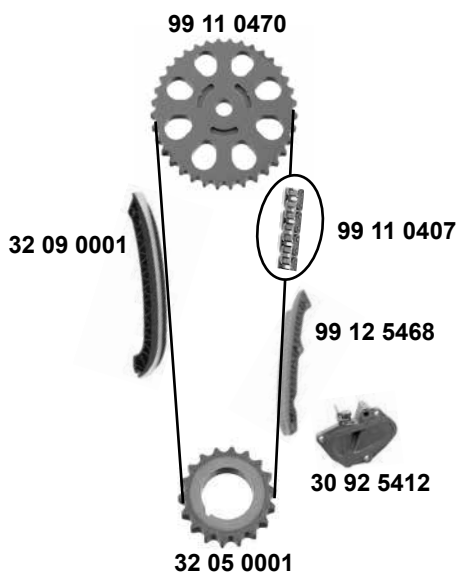
SWAG GERMANY	Ref. - No.			
30 03 0068	06A 109 479 C	Spannrolle / tension roller		ØA 72 B29
30 03 0088	06A 903 315 E	Riemenspanner / belt tensioner		ØA 70 B 24
30 04 0022	06A 109 105 C	Nockenwellenrad / camshaft gear		Z 52
30 91 8556	06B 109 243 D	Spannrolle / tension roller		ØA 72 B31
30 91 9292	06B 109 244	Umlenkrolle / deflection pulley		ØA 28,5 B27
30 91 9396	06A 109 119 C	Zahnriemen / timing belt		ØA 138 B23
30 91 9546	06B 109 119 A	Zahnriemen / timing belt		Z 150 B23
30 91 9550	06B 109 119 A S2	Rep. Satz Zahnriemen / rep. kit timing belt		
30 92 2346	06B 109 477	Riemenspanner / belt tensioner		
30 92 7070	058 109 217 B	Kettenspanner / chain tensioner		
30 93 7642	06A 198 119 B	Rep. Satz Zahnriemen / rep. kit timing belt		
32 92 3634	06A 198 119	Rep. Satz Zahnriemen / rep. kit timing belt		
32 92 3646	06B 109 119 A S3	Rep. Satz Zahnriemen / rep. kit timing belt		
99 11 0334	058 109 229 B	Steuerkette / timing chain		50 E



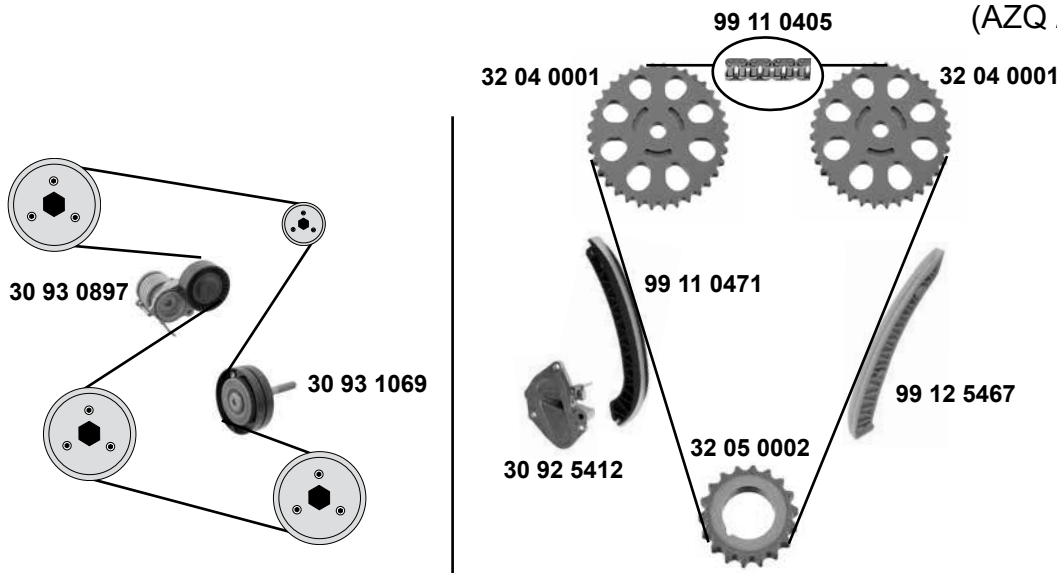


# SEAT Ibiza (6L) / Cordoba (02→)

**1,2 6V**  
(BBM)



**1,2 12V**  
(AZQ / BME / BXV / BZG)



- (1) (mot.) AZQ→05 / (mot.) BME/BXV/BZG→09 (2) Cordoba (ex.) (mot.) BZG
- (3) Cordoba (mot.) AZQ/BME/BXV 03→/ Ibiza (mot.) AZQ/BME/BXV→09 (4) Cordoba (ex.) (mot.) BXV/BZG

SWAG	Ref. - No.			
30 92 5412	03E 109 507 S	Kettenspanner / chain tensioner		
30 93 0897	03D 903 305 F	Riemenspanner / belt tensioner	(2) AC	
30 93 1069	03D 145 276 E	Umlenkrolle / deflection pulley	AC (4)	ØA 76 B24
32 04 0001	03E 109 571 B	Nockenwellenzahnrad / crankshaft gear	(1)	Z 36
32 05 0001	03D 105 209 E	Kurbelwellenzahnrad / crankshaft gear	06→	Z 20
32 05 0002	03E 105 209	Kurbelwellenzahnrad / crankshaft gear	(1)	Z 18
32 09 0001	03D 109 509 L	Gleitschiene / sliding rail	06→	
99 11 0405	03E 109 229 A	Steuerkette / timing chain		130 E
99 11 0407	03D 109 229	Steuerkette / timin chain	06→	118 E
99 11 0470	03D 109 571 L	Nockenwellenrad / camshaft gear	06→	Z 40 ØA 135,6
99 11 0471	03E 109 509	Gleitschiene / sliding rail		
99 12 5467	03E 109 469	Gleitschiene / sliding rail		
99 12 5468	03D 109 469 C	Gleitschiene / sliding rail	06→	
99 13 0478	03D 109 229 S1	Rep. Satz Steuerkette / rep. kit timing chain	06→	
99 13 0495	03D 109 229 S2	Rep. Satz Steuerkette / rep. kit timing chain	06→	
99 13 0497	03E 109 229 A S2	Rep. Satz Steuerkette / rep. kit timing chain	(3)	
99 13 0607	03E 198 229 A S1	Rep. Satz Steuerkette / rep. kit timing chain	(1)	

# SEAT

## Ibiza (6L) / Cordoba

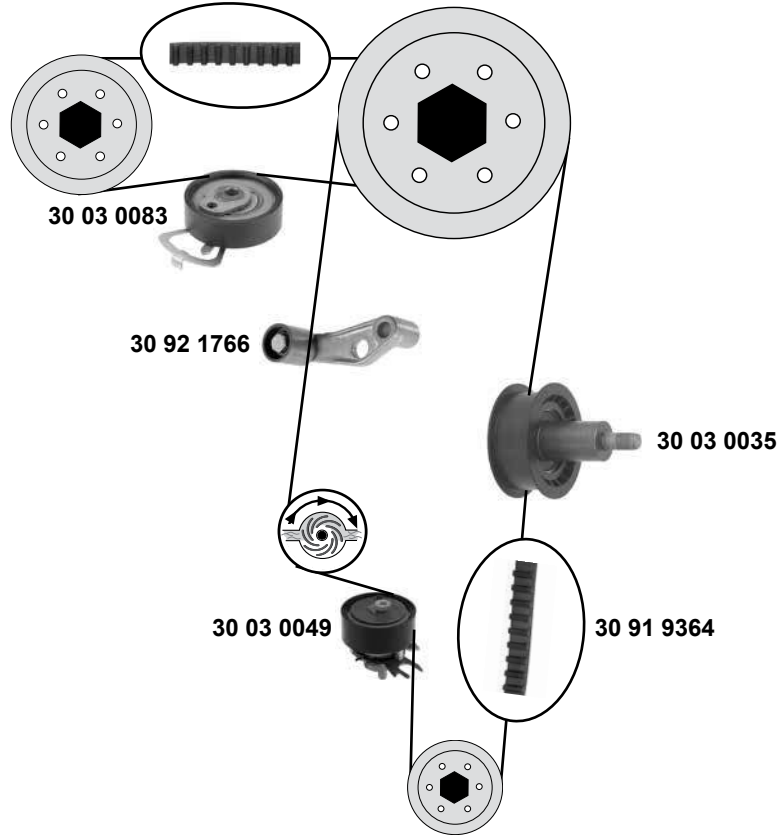
(02→)



### 1,4 16V

(BBY / BKY / AUA / BBZ / AUB / BXW)

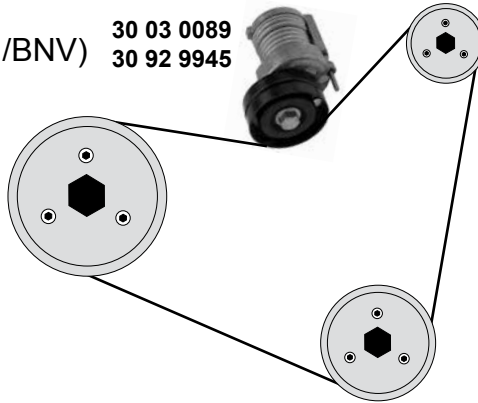
36 92 1768



### 1,4 16V

(BBY/BKY/AUA/BBZ/AUB/AMF/BNM/BNV)

30 03 0089  
30 92 9945



(1) (mot.) BBY / BKY / AUA / BBZ / AUB

(2) (mot.) AMF / BNM / BNV

(3) Ibiza (mot.) BBY / AUB / BBZ / BKY / BXW  
Cordoba (mot.) BBY / BBZ / BKY / BXW



Ref. - No.



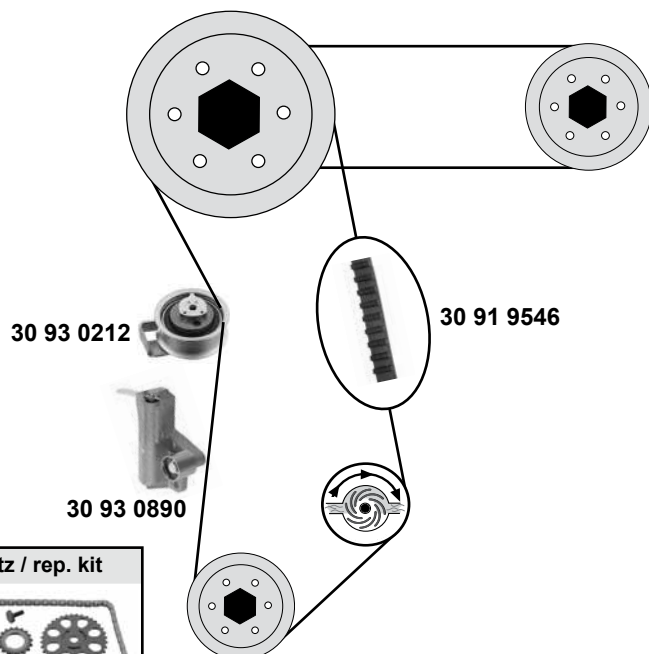
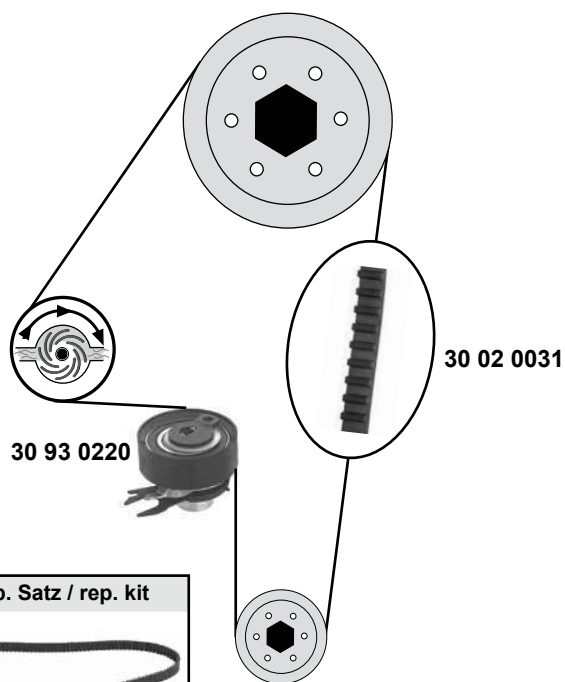
Ref. - No.	Description	Notes	Dimensions
30 03 0035	Umlenkrolle / deflection pulley	(ex.) AUA / AUB / → 09	ØA 56 B22
30 03 0049	Spannrolle / tension roller	(1)	ØA 60 B25
30 03 0083	Spannrolle / tension roller	(3)	ØA 60 B19
30 03 0089	Riemenspanner / belt tensioner	(1)	ØA 70 B26
30 91 9364	Zahnriemen / timing belt	(3)	Z 130 B20
30 92 1766	Umlenkrolle / deflection pulley	(1)	ØA 28 B30
30 92 1770	Rep. Satz Zahnriemen / rep. kit timing belt	(3) 03 →	
30 92 1772	Rep. Satz Zahnriemen / rep. kit timing belt	(1)	
30 92 1774	Rep. Satz Zahnriemen / rep. kit timing belt	(3)	
30 92 9945	Riemenspanner / belt tensioner	(2)	
36 92 1768	Zahnriemen / timing belt	(3)	Z 58 B17



# SEAT Ibiza (6L) / Cordoba (02→)

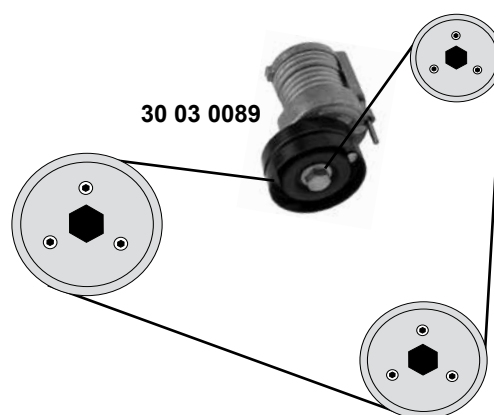
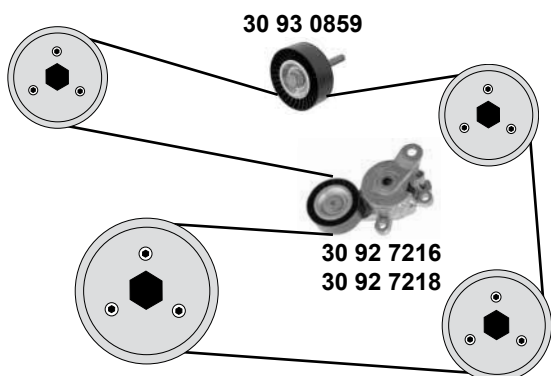
**1,6**  
(BAH)

**1,8 20V**  
(BKV / BJX / BBU / BLZ)



**1,6**  
(BTS)

**1,6 / 1,8 20V**  
(BAH / BKV / BJX / BBU / BLZ)



Ref. - No.



<b>30 02 0031</b>	030 109 119 S	Zahnriemen / timing belt		Z 135 B19
<b>30 03 0089</b>	030 145 299 F	Riemenspanner / belt tensioner		ØA 70 B 26
<b>30 91 9546</b>	06B 109 119 A	Zahnriemen / timing belt		Z 150 B23
<b>30 92 7216</b>	6Q0 145 299	Riemenspanner / belt tensioner	(ex.) AC	
<b>30 92 7218</b>	03C 145 299 C	Spannrolle / tension roller	AC	
<b>30 93 0212</b>	06B 109 243 C	Spannrolle / tension roller		ØA 81,7 B46,5
<b>30 93 0220</b>	030 109 243 M	Spannrolle / tension roller		ØA 61,7 ØI 8,78
<b>30 93 0859</b>	1J0 145 276	Umlenkrolle / deflection pulley	AC	ØA 76 B26
<b>30 93 0890</b>	06B 109 477 B	Riemendämpfer / belt tensioner		
<b>30 93 0891</b>	06B 109 119 A S6	Rep. Satz Zahnriemen / rep. kit timing belt		
<b>32 92 3644</b>	030 109 119 S S2	Rep. Satz Zahnriemen / rep. kit timing belt		

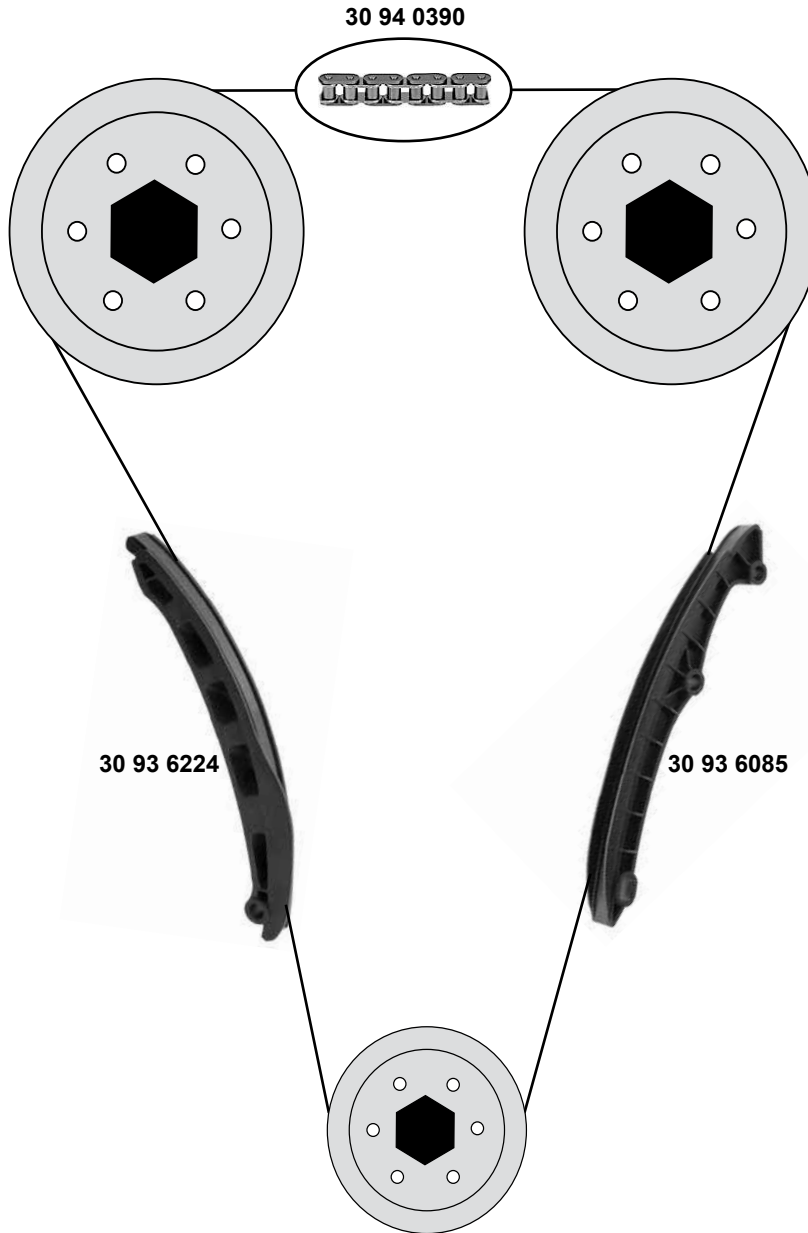
# SEAT

## Ibiza (6L) / Cordoba

(02→10)



**1,2→ 1,6**  
(BME/BXV/BTS/)



<b>(1)</b>	Cordoba	<b>(mot.)</b>	BME/BXV 03/09→
	Cordoba	<b>(mot.)</b>	BTS
	Ibiza IV	<b>(mot.)</b>	BME/BXV (ch.) 6L-9-042 557→
	Ibiza IV	<b>(mot.)</b>	BTS

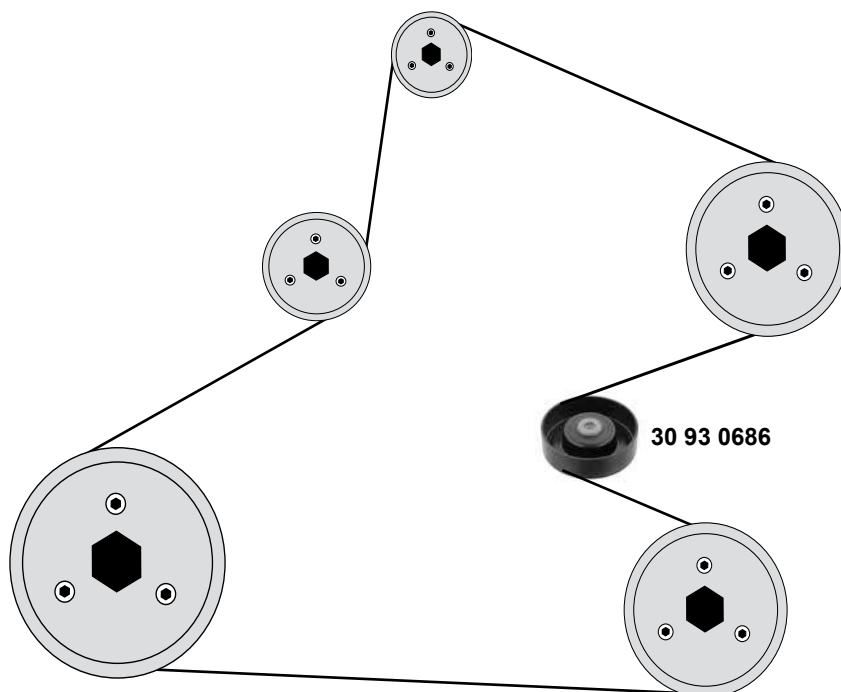


Ref. - No.



<b>30 93 6085</b>	03C 109 469 K	Gleitschiene/ sliding rail	<b>(1)</b>
<b>30 93 6224</b>	03C 109 509 P	Gleitschiene/ sliding rail	<b>(1)</b>
<b>30 94 0390</b>	03C 109 158 A	Steuerkette / timing chain	<b>(1)</b>

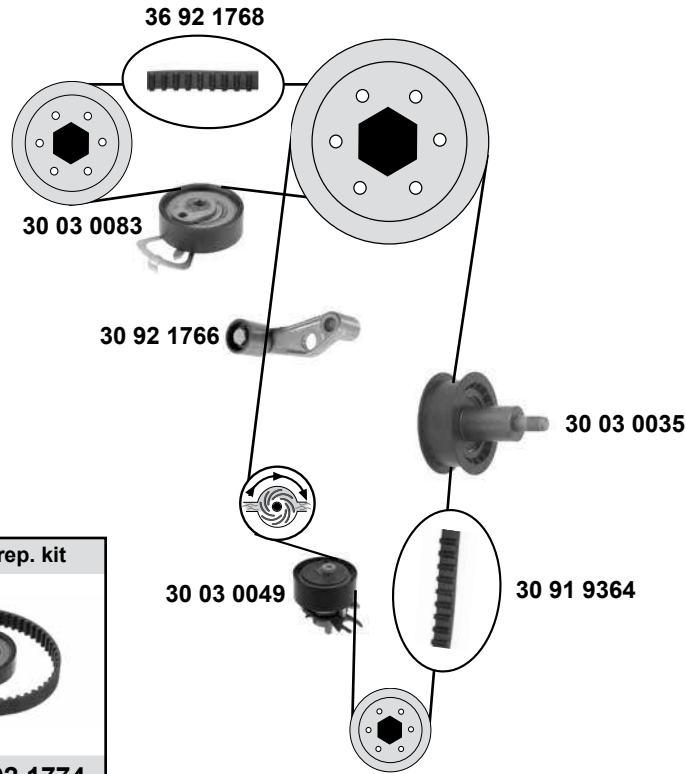
130 E



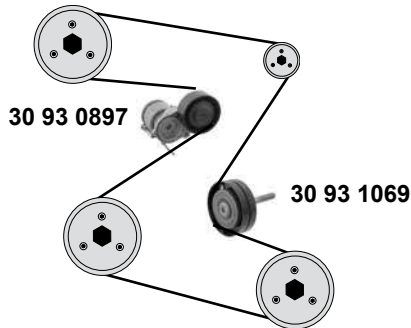
# SEAT Ibiza (6J) (08→)



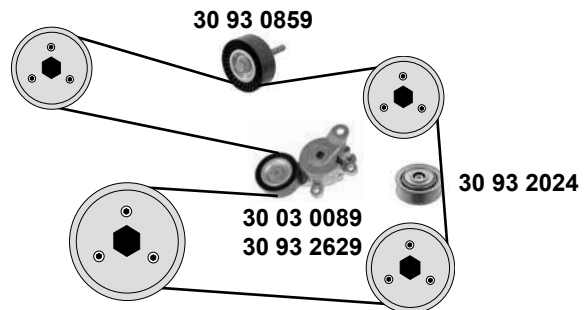
## 1,2→1,6 (BXW/CGGB/CBZB/CNKA)



## 1,2 (BZG / CGPA / CGPB)



## 1,2 / 1,4 / 1,6 16V (CBZB / CAVE / CAVF / BTS / CNKA / CNBA)



(1) Ibiza V Sportcoupe (mot.) BXW / CGGB  
Ibiza V (mot.) BXW  
Ibiza V ST (mot.) CGGB / 10 →

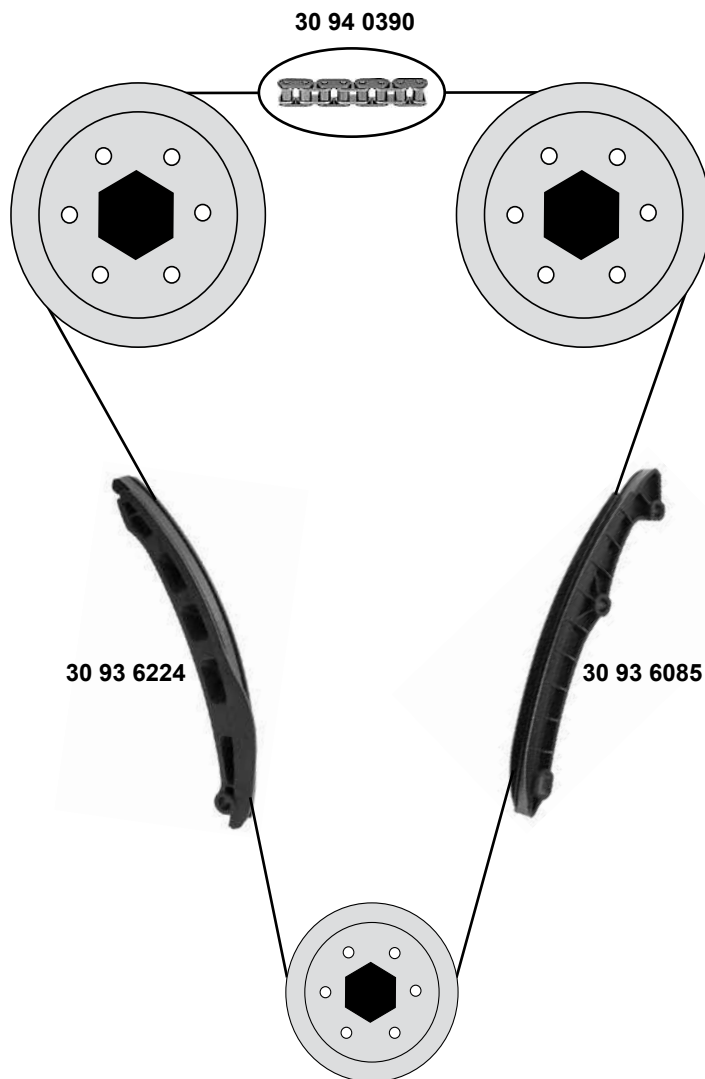
(2) Ibiza V Sportcoupe (mot.) BXW / CGGB  
Ibiza V (mot.) BXW / CBZB / CNKA  
Ibiza V ST (mot.) CGGB / CBZB / 10 →



Ref. - No.



30 03 0035	036 109 244 J	Umlenkrolle / deflection pulley	(mot.) BXW/CGGB	ØA 56 B22
30 03 0049	036 109 243 AB	Spannrolle / tension roller	(mot.) BXW/CGGB	ØA 80 ØI 8 B25
30 03 0083	036 109 243 AE	Spannrolle / tension roller	(1)	ØA 60 B19
30 03 0089	030 145 299 F	Riemenspanner / belt tensioner	AC / servo	ØA 70 B26
30 91 9364	036 109 119 Q	Zahnriemen / timing belt	(1)	Z 130 B20
30 92 1766	036 109 181 A	Umlenkrolle / deflection pulley	(mot.) BXW/CGGB	ØA 28 B30
30 92 1770	036 109 119 Q S1	Rep. Satz Zahnriemen / rep. kit timing belt	(mot.) BXW/CGGB	
30 92 1772	036 109 119 Q S2	Rep. Satz Zahnriemen / rep. kit timing belt	(mot.) BXW/CGGB	
30 92 1774	036 109 119 P S1	Rep. Satz Zahnriemen / rep. kit timing belt	(1)	
30 93 0859	1J0 145 276	Umlenkrolle / deflection pulley	(mot.) BTS/CNKA	ØA 76 B 26
30 93 0897	03D 903 305 F	Riemenspanner / belt tensioner	AC	ØA 76 B24
30 93 1069	03D 145 276 E	Umlenkrolle / deflection pulley	(ex.) AC	ØA 81 B 37
30 93 2024	03C 145 276 C	Umlenkrolle / deflection pulley	AC (mot.)	
30 93 2629	03C 145 299 Q	Riemenspanner / belt tensioner	(2)	Z 58 B17
36 92 1768	036 109 119 P	Zahnriemen / timing belt		



(1)	Ibiza V	(mot.)	BZG 03/09→
	Ibiza V/Sportcoupe	(mot.)	BZG/CGPA 03/09→
	Ibiza V	(mot.)	BTS/CAVF/CGPB/CNKA/CNUB/CTHF/CTJB
	Ibiza V Sportcoupe	(mot.)	BTS/CAVE/CAVF/CGPB/CNKA/CNUB/CTHECTHF/CTJB/CTJC
	Ibiza V ST	(mot.)	BTS/CAVF/CGPA/CGPB/CNUB/CTHF/CTJB
	Ibiza V/ST/Sportcoupe	(mot.)	CJLB



Ref. - No.



<b>30 93 6085</b>	03C 109 469 K
<b>30 93 6224</b>	03C 109 509 P
<b>30 94 0390</b>	03C 109 158 A

Gleitschiene/ sliding rail
Gleitschiene/ sliding rail
Steuerkette / timing chain

(1)
(1)
(1)

130 E



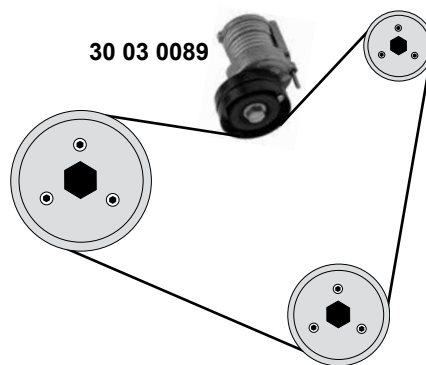
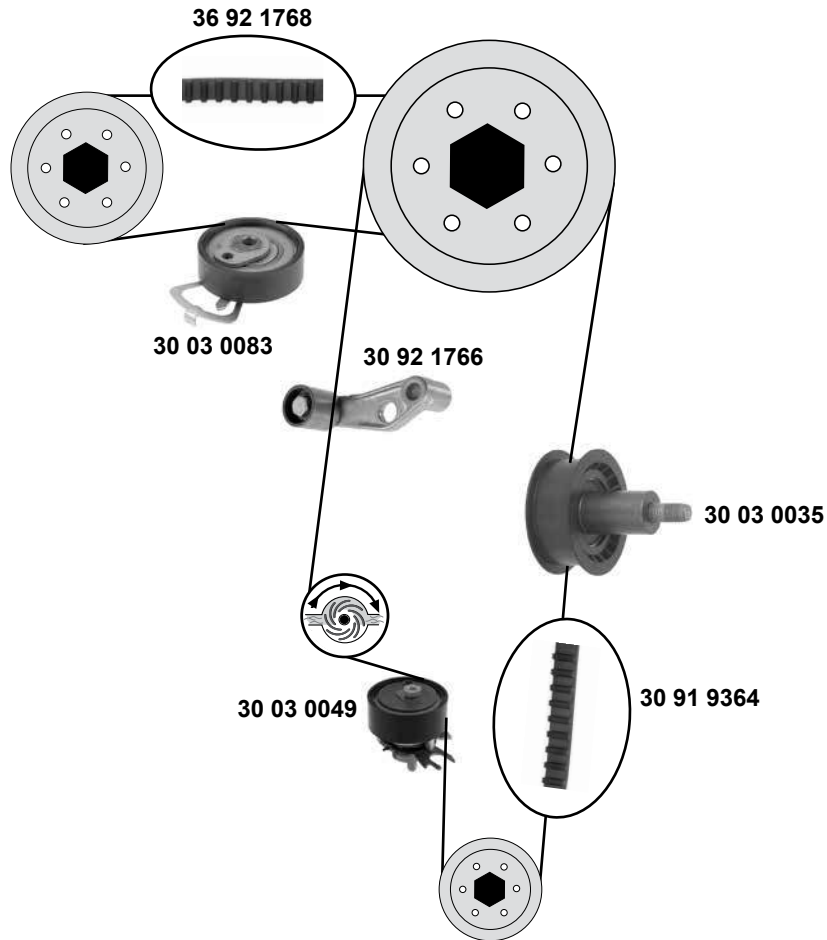
# SEAT

## Inca (6K9)

(95→03)



**1,4 16V**  
(AUA)



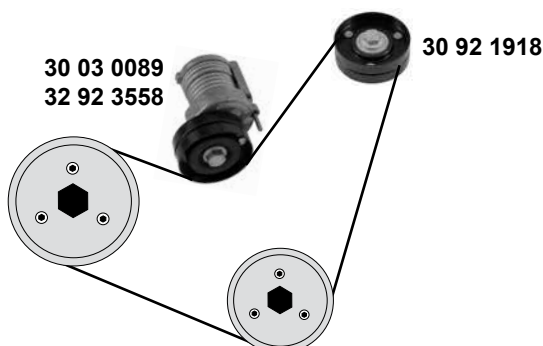
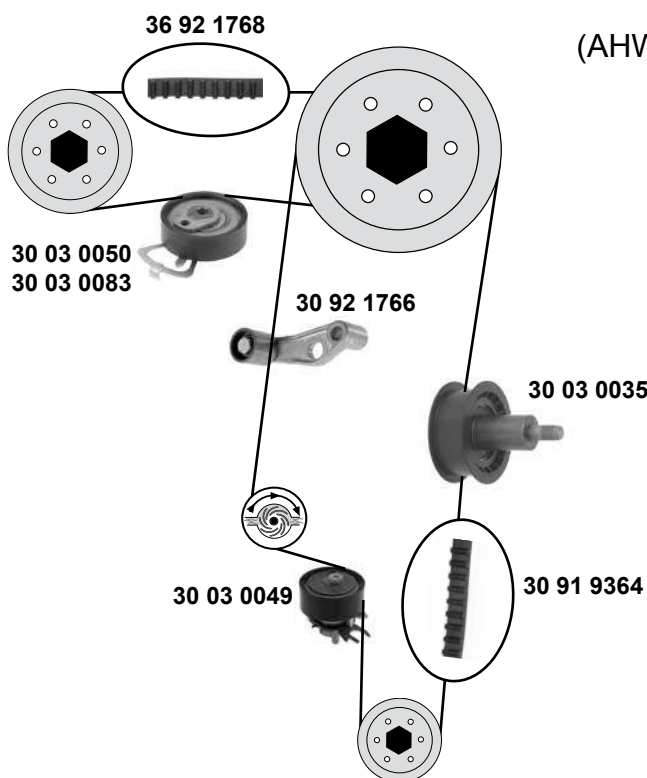
Ref. - No.



<b>30 03 0035</b>	036 109 244 J	Umlenkrolle / deflection pulley	ØA 56 B22
<b>30 03 0049</b>	036 109 243 AD	Spannrolle / tension roller	ØA 60 B25
<b>30 03 0083</b>	036 109 243 AE	Spannrolle / tension roller	ØA 60 B19
<b>30 03 0089</b>	030 145 299 F	Riemenspanner / belt tensioner	ØA 70 B26
<b>30 91 9364</b>	036 109 119 Q	Zahnriemen / timing belt	Z 130 B20
<b>30 92 1766</b>	036 109 181 A	Umlenkrolle / deflection pulley	ØA 28 B30
<b>30 92 1770</b>	036 109 119 Q S1	Rep. Satz Zahnriemen / rep. kit timing belt	
<b>30 92 1772</b>	036 109 119 Q S2	Rep. Satz Zahnriemen / rep. kit timing belt	
<b>30 92 1774</b>	036 109 119 P S1	Rep. Satz Zahnriemen / rep. kit timing belt	
<b>36 92 1768</b>	036 109 119 P	Zahnriemen / timing belt	Z 58 B17



**1,4 16V / 1,6 16V**  
(AHW/APW/AXP/AUS/AZD/APE/BCA/BCB)



(1) (mot.) APE / AUS / AXP / AZD  
(mot.) AHW → 160 000

(2) (mot.) APE / AXP / AUS / AZD / BCA / BCB  
(mot.) AHW 160 001→

(3) AC + servo (ex.) APW

(4) APE / AXP / AUS / AZD / BCA / BCB  
(mot.) AHW 160 001→



Ref. - No.

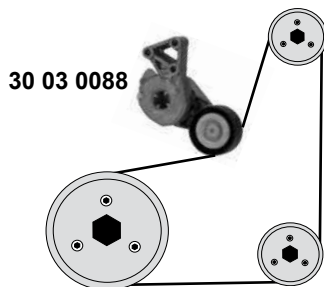
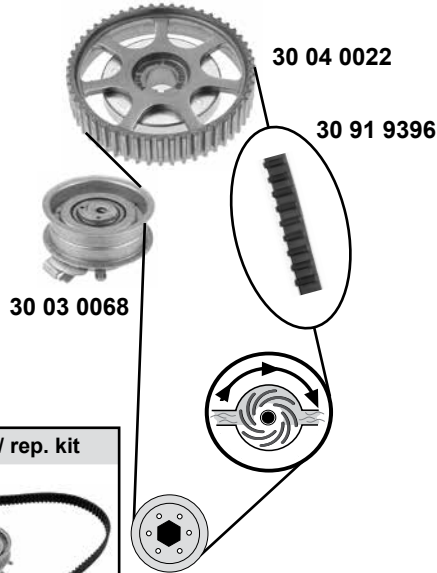


Ref. - No.				
30 03 0035	036 109 244 J	Umlenkrolle / deflection pulley	(ex.) APE/BCA/BCB	ØA 56 B22
30 03 0049	036 109 243 AD	Spannrolle / tension roller	(ex.) APE/BCA/BCB	ØA 60 ØI 8 B25
30 03 0050	036 109 243 F	Spannrolle / tension roller	(1)	ØA 60 B18
30 03 0083	036 109 243 AE	Spannrolle / tension roller	(4)	ØA 60 B19
30 03 0089	030 145 299 F	Riemenspanner / belt tensioner	(ex.) APE/BCA/BCB	ØA 70 B 26
30 91 9364	036 109 119 Q	Zahnriemen / timing belt	(ex.) APE	Z 130 B20
30 92 1766	036 109 181 A	Umlenkrolle / deflection pulley	(ex.) APE/BCA/BCB	ØA 28 B30
30 92 1770	036 109 119 Q S1	Rep. Satz Zahnriemen / rep. kit timing belt	(ex.) APW / 00→	
30 92 1772	036 109 119 Q S2	Rep. Satz Zahnriemen / rep. kit timing belt	(ex.) APE/BCA/BCB	
30 92 1774	036 109 119 P S1	Rep. Satz Zahnriemen / rep. kit timing belt	(2)	
30 92 1918	032 145 276	Umlenkrolle / deflection pulley	AC (ex.) APE/BCA/BCB	ØA 76 B26
30 93 2427	036 198 119 F	Rep. Satz Zahnriemen / rep. kit timing belt	(1)	
32 92 3558	032 145 299 A	Riemenspanner / belt tensioner	(3)	
36 92 1768	036 109 119 P	Zahnriemen / timing belt	(ex.) APE	Z 58 B17

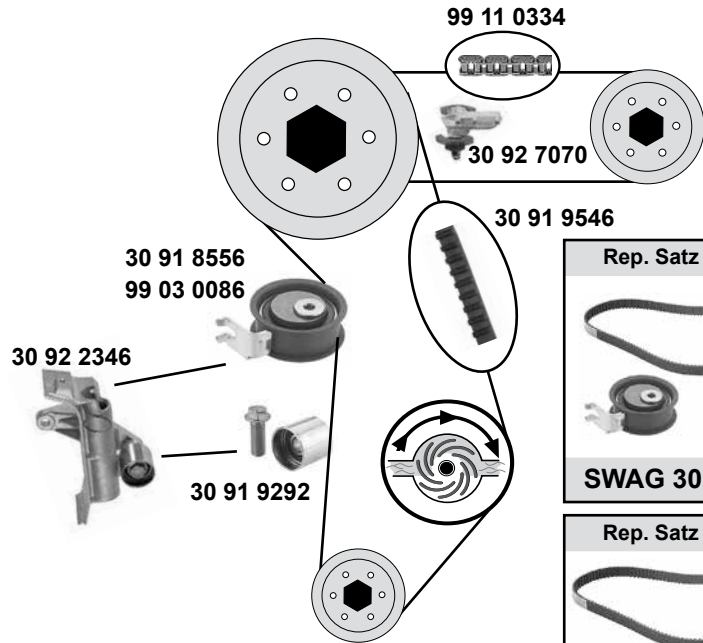
# SEAT Leon (1M) (99→06)



## 1,6 (AEH / AKL)



## 1,8 20V (AGN / APG / APP / AUQ / AJQ / ARY / AMK / BAM)



(1) (ch.)→1M-YB-088 000  
(ch.)→1M-YR-016 500

(2) (ch.) 1M-YB-088 001→  
(ch.) 1M-YR-016 501→

(3) (mot.) AJQ / APP→017000

(4) (mot.) AJQ / AMK / APP / ARY  
02→

(5) (mot.) AGN / APP 99→03  
(ch.) 1M-YB-088 001→  
(ch.) 1M-YR-016 501→

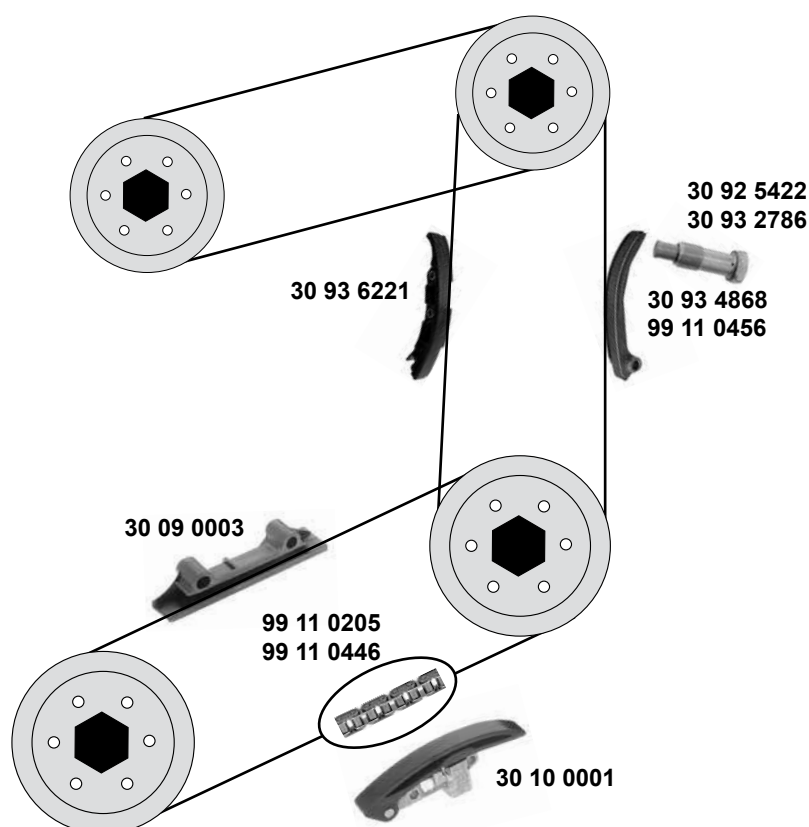
(6) (mot.) AMK / APG / AUQ / BAM  
02→06



Ref. - No.







30 03 0088	06A 903 315 E	Riemenspanner / belt tensioner		ØA 70 B24
30 03 0068	06A 109 479 C	Spannrolle / tension roller		ØA 72 B29
30 04 0022	06A 109 105 C	Nockenwellenrad / camshaft gear		Z 52
30 91 8556	06B 109 243 D	Spannrolle / tension roller	(2)	ØA 72 B31
30 91 9292	06B 109 244	Umlenkrolle / deflection pulley		ØA 28,5 B27
30 91 9396	06A 109 119 C	Zahnriemen / timing belt		Z 138 B23
30 91 9546	06B 109 119 A	Zahnriemen / timing belt		Z 150 B23
30 91 9548	06A 198 119 A	Rep. Satz Zahnriemen / rep. kit timing belt	(1)	Z 150 B23
30 91 9550	06B 109 119 A S2	Rep. Satz Zahnriemen / rep. kit timing belt	(2)	
30 92 7070	058 109 217 B	Kettenspanner / chain tensioner	(3)	
30 92 7298	06B 109 119 A S5	Rep. Satz Zahnriemen / rep. kit timing belt	→(ch.) 1M-08800	
30 93 7642	06A 198 119 B	Rep. Satz Zahnriemen / rep. kit timing belt	(4) (5) (6)	
32 92 3634	06A 198 119	Rep. Satz Zahnriemen / rep. kit timing belt		
32 92 3646	06B 109 119 A S3	Rep. Satz Zahnriemen / rep. kit timing belt	(2)	
99 03 0086	06B 109 243	Spannrolle / tension roller	(1)	ØA 72 B30
99 11 0334	058 109 229 B	Steuerkette / timing chain		50 E



Rep. Satz / rep. kit



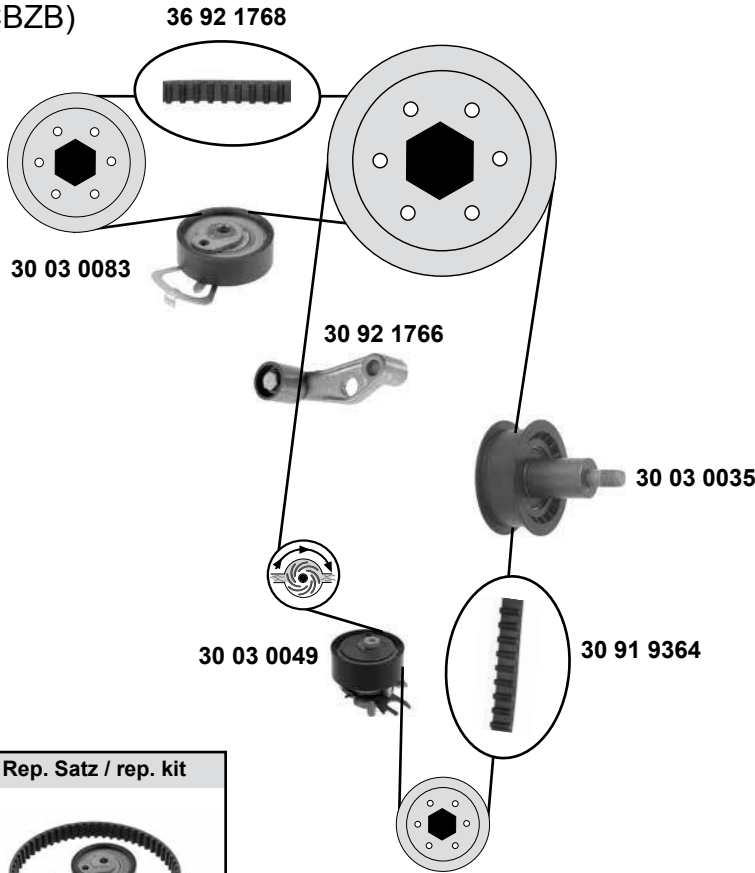
SWAG 30 93 6222

	Ref. - No.			
30 09 0003	021 109 469	Gleitschiene / sliding rail	(ex.) AQN	
30 10 0001	021 109 467	Kettenspanner / chain tensioner	(ex.) AQN	
30 92 5422	022 109 507 A	Kettenspanner / chain tensioner	(mot.) AUE	
30 93 2786	03H 109 507	Kettenspanner / chain tensioner	(ex.) AUE / 02→	
30 93 4868	066 109 509 A	Gleitschiene / sliding rail	(mot.) BDE	
30 93 6221	066 109 513 A	Gleitschiene / sliding rail	(mot.) BDE	
30 93 6222	03H 109 503 S1	Rep. Satz Steuerkette / rep. kit timing chain	(mot.) BDE	
99 11 0205	021 109 467	Steuerkette / timing chain	(ex.) AQN	70E
99 11 0446	066 109 503 C	Steuerkette / timing chain	(mot.) BDE	98E
99 11 0456	022 109 509 C	Gleitschiene / sliding rail	(mot.) AUE	

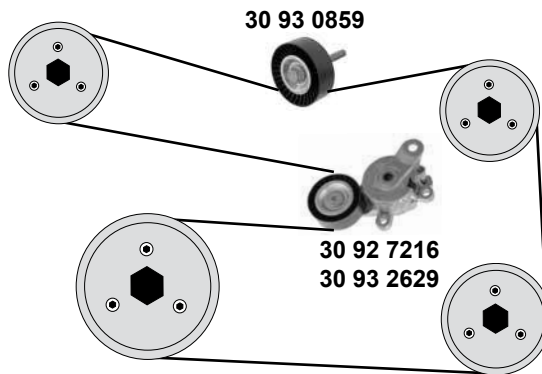
# SEAT Leon (1P) (05→)



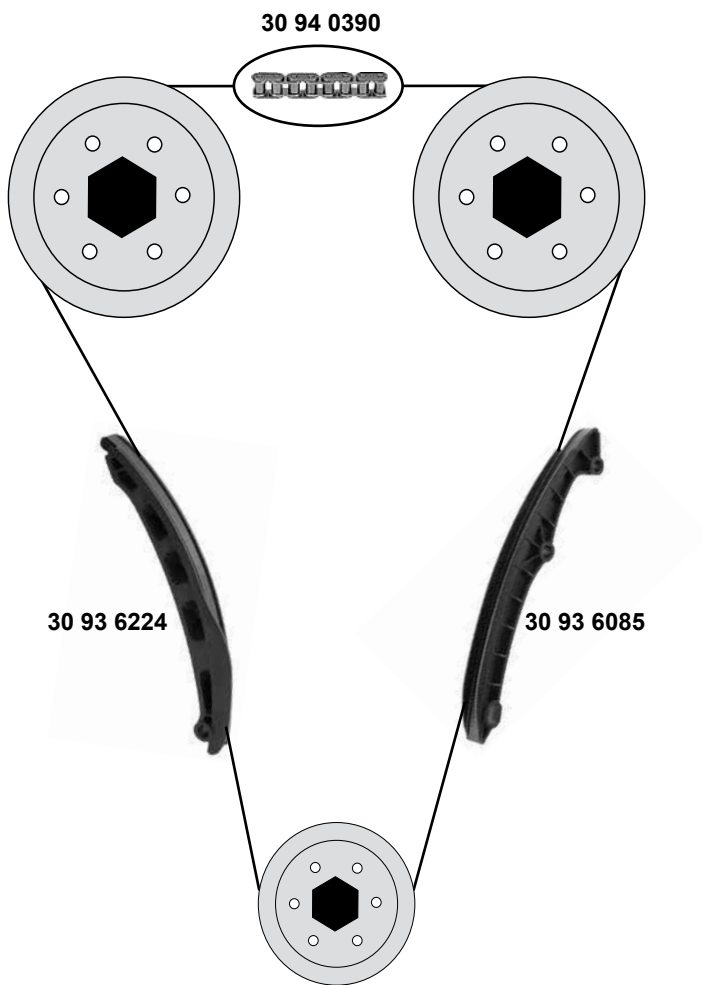
## 1,2 → 1,4 (BXW/CGGB/CAXC/CBZB)



## 1,4 16V (BXW/CAXC/CBZB)



SWAG	Ref. - No.			
30 03 0035	036 109 244 J	Umlenkrolle / deflection pulley	(mot.) BXW	ØA 56 B22
30 03 0049	036 109 243 AD	Spannrolle / tension roller	(mot.) BXW	ØA 60 B25
30 03 0083	036 109 243 AE	Spannrolle / tension roller	(mot.) BXW/CGGB	ØA 60 B19
30 91 9364	036 109 119 Q	Zahnriemen / timing belt	(mot.) BXW/CGGB	Z 130 B20
30 92 1766	036 109 181 A	Umlenkrolle / deflection pulley	(mot.) BXW	ØA 28 B30
30 92 1770	036 109 119 Q S1	Rep. Satz Zahnriemen / rep. kit timing belt	(mot.) BXW	
30 92 1772	036 109 119 Q S2	Rep. Satz Zahnriemen / rep. kit timing belt	(mot.) BXW	
30 92 1774	036 109 119 P S1	Rep. Satz Zahnriemen / rep. kit timing belt	(mot.) BXW/CGGB	
30 92 7216	6Q0 145 299	Riemenspanner / belt tensioner	(ex.) AC CBZB	
30 93 0859	1J0 145 276	Umlenkrolle / deflection pulley	AC (mot.) CAXC	ØA 76 B26
30 93 2629	03C 145 299 Q	Riemenspanner / belt tensioner	AC (ex.) BXW	
36 92 1768	036 109 119 P	Zahnriemen / timing belt		Z 58 B17



Ref. - No.



<b>30 93 6085</b>	03C 109 469 K
<b>30 93 6224</b>	03C 109 509 P
<b>30 94 0390</b>	03C 109 158 A

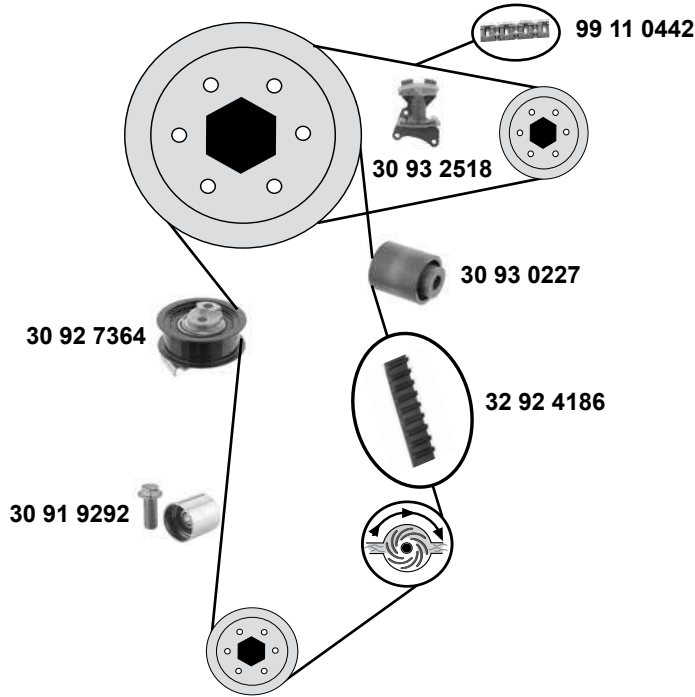
Gleitschiene/ sliding rail
Gleitschiene/ sliding rail
Steuerkette / timing chain

130 E

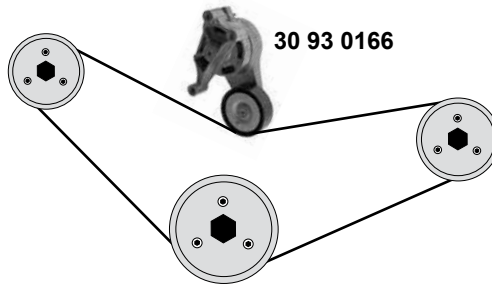
# SEAT Leon (1P) (06→)



## 2,0 16V (BLR / BLY / BVY / BVZ / BWA / BWJ / CDLD / CDLA / CDLC)



## 2,0 16V (BWA / BWJ / CDLA / CDLD)



(1) →10 (mot.) BWA/BLY/BLR/BVY/BVZ/BWJ/CDLD  
11→ (mot.) CDLC



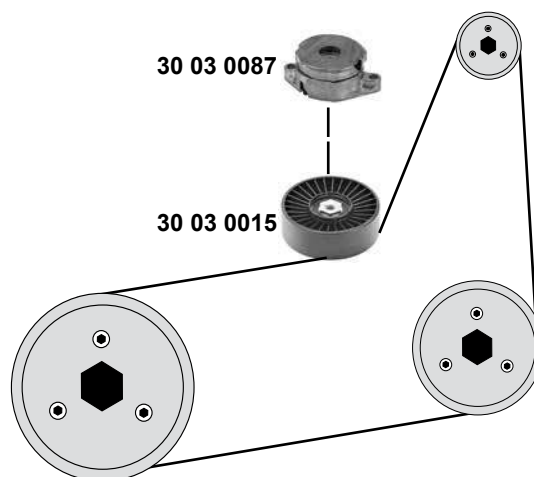
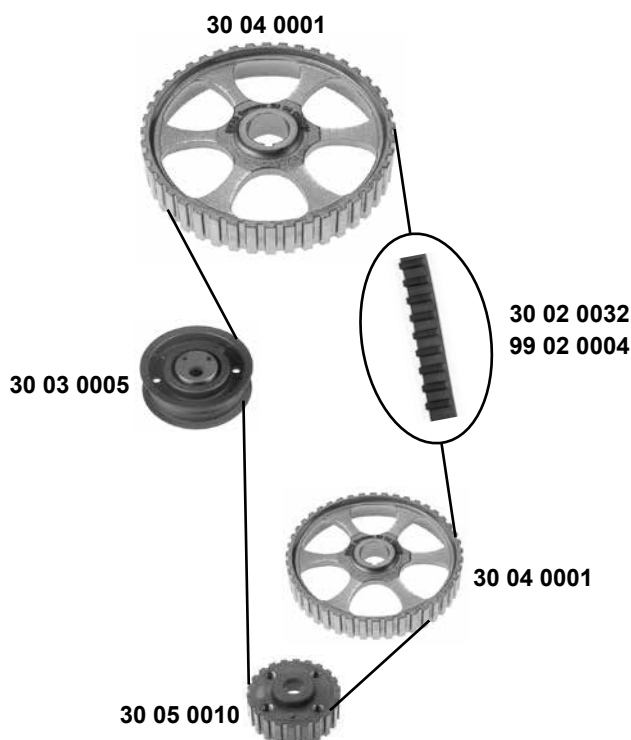
Ref. - No.



30 91 9292	06B 109 244	Umlenkrolle / deflection pulley	(1)	ØA 28,5 B 27
30 92 7364	06D 109 243 B	Spannrolle / tension roller		ØA 77 B25
30 93 0166	06F 903 315	Riemenspanner / belt tensioner		
30 93 0227	06D 109 244 E	Umlenkrolle / deflection pulley		ØA 28,5 B33,5
30 93 0586	06F 198 119 A	Rep. Satz Zahnriemen / rep. kit timing belt		
30 93 2518	06F 109 217 A	Kettenspanner / chain tensioner		
32 92 4186	06D 109 119 B	Zahnriemen / timing belt		Z 148
99 11 0442	06D 109 229 B	Steuerkette / timing chain		42E

### 1,6→2,0

(EZ / 1F / RP / ABS / 2E / ADZ / ACC / AGG / ABN / AFT)



(1) nur / only: (mot.) EZ / ABN / 1F / RP / ACC

(2) nur / only: (mot.) 2E / AGG



Ref. - No.



<b>30 02 0032</b>	037 109 119 C	Zahnriemen / timing belt	(2)	Z 124 B18
<b>30 03 0005</b>	026 109 243 L	Spannrolle / tension roller		ØA 72 B20
<b>30 03 0015</b>	028 145 278 E	Spannrolle / tension roller		ØA 78 B26
<b>30 03 0087</b>	037 903 315 C	Spannelement / clamping component		
<b>30 04 0001</b>	049 109 111 C	Nockenwellenrad / camshaft gear		Z 44
<b>30 05 0010</b>	049 105 263 C	Kurbelwellenzahnrad / crankshaft gear		Z 22
<b>99 02 0004</b>	056 109 119 A	Zahnriemen / timing belt	(1)	Z 121
<b>99 02 0068</b>	037 109 119 C S2	Rep. Satz Zahnriemen / rep. kit timing belt	(2)	

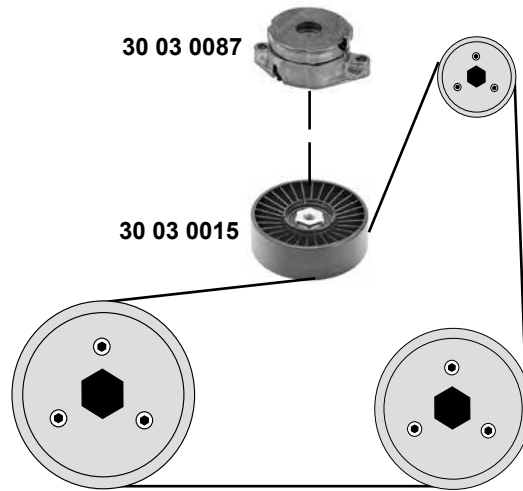
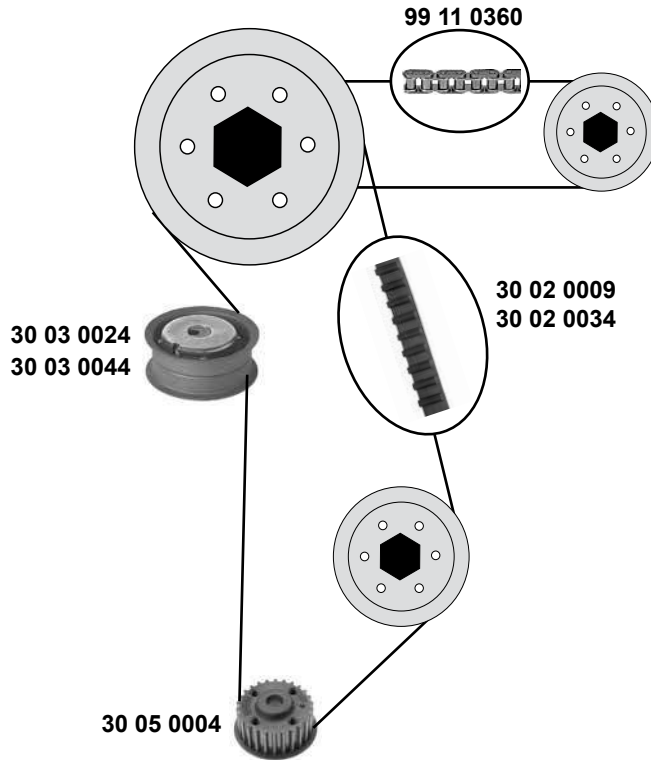


# SEAT Toledo I (1L)

(91→99)



**1,8 / 2,0 16V**  
(PL / KR / ABF)



Ref. - No.

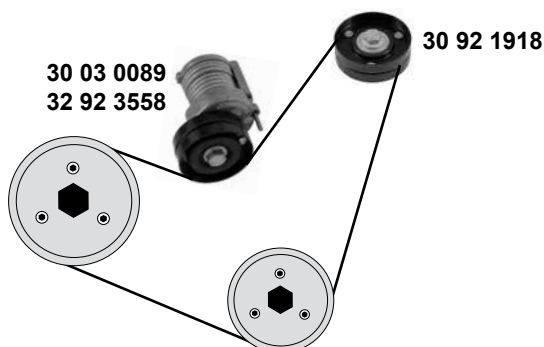
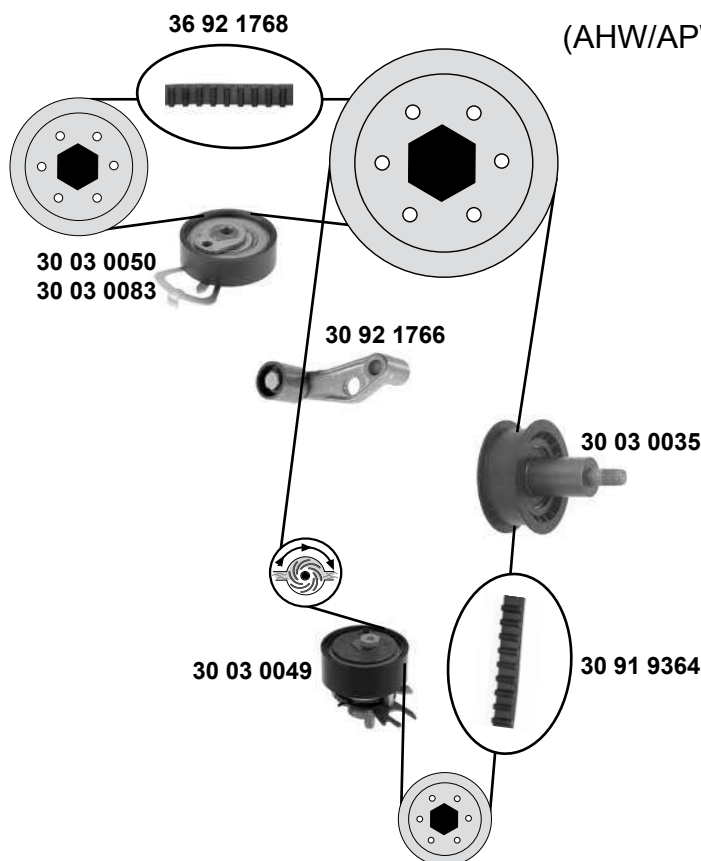


<b>30 02 0009</b>	027 109 119 C	Zahnriemen / timing belt	(mot.) PL/KR	Z 147 B25
<b>30 02 0034</b>	048 109 119 G	Zahnriemen / timing belt	(mot.) ABF	Z 151 B25
<b>30 03 0015</b>	028 145 278 E	Spannrolle / tension roller	(mot.) ABF <b>AC</b>	ØA 78 ØI 8 B26
<b>30 03 0024</b>	051 109 243 A	Spannrolle / tension roller	(mot.) ABF	ØA 72 ØI 8 B27
<b>30 03 0044</b>	051 109 243	Spannrolle / tension roller	(mot.) PL/KR	ØA 72 B27
<b>30 03 0087</b>	037 903 315 C	Spannelement / clamping component	(mot.) ABF	
<b>30 05 0004</b>	027 109 263 B	Kurbelwellenzahnrad / crankshaft gear		Z 26
<b>99 11 0360</b>	077 109 120	Steuerkette / timing chain		455 / 44 E



### 1,4 16V / 1,6 16V

(AHW/APW/APX/AUS/AZD/APE/BCA/BCB/AXP)



(1) (mot.) APE / AUS / AXP / AZD  
(mot.) AHW →160 000

(2) (mot.) APW / AXP / AUS / AZD / BCA / BCB / AHW  
(mot.) AHW 160 001→

(3) AC + servo (ex.) APW / APX / →05



Ref. - No.



30 03 0035	036 109 244 J	Umlenkrolle / deflection pulley	(ex.) APE/BCA/BCB	ØA 56 B22
30 03 0049	036 109 243 AD	Spannrolle / tension roller	(ex.) APE/BCA/BCB	ØA 60 B25
30 03 0050	036 109 243 F	Spannrolle / tension roller	(1)	ØA 60 B18
30 03 0083	036 109 243 AE	Spannrolle / tension roller	(2)	ØA 60 B19
30 03 0089	030 145 299 F	Riemenspanner / belt tensioner	(ex.) APE/BCA/BCB	ØA 70 B26
30 91 9364	036 109 119 Q	Zahnriemen / timing belt	(ex.) APW/APX	Z 130 B20
30 92 1766	036 109 181 A	Umlenkrolle / deflection pulley	(ex.) APE/BCA/BCB	ØA 28 B30
30 92 1770	036 109 119 Q S1	Rep. Satz Zahnriemen / rep. kit timing belt	(ex.) APW / →04	
30 92 1772	036 109 119 Q S2	Rep. Satz Zahnriemen / rep. kit timing belt	(ex.) APE/BCA/BCB	
30 92 1774	036 109 119 P S1	Rep. Satz Zahnriemen / rep. kit timing belt	(2) (ex.) AHW	
30 92 1918	032 145 276	Umlenkrolle / deflection pulley	AC (ex.) APE/BCA/BCB	ØA 76 B26
30 93 2427	036 198 119 F	Rep. Satz Zahnriemen / rep. kit timing belt	(1)	
32 92 3558	032 145 299 A	Riemenspanner / belt tensioner	(3)	
36 92 1768	036 109 119 P	Zahnriemen / timing belt	(ex.) APW/APX	Z 58 B17

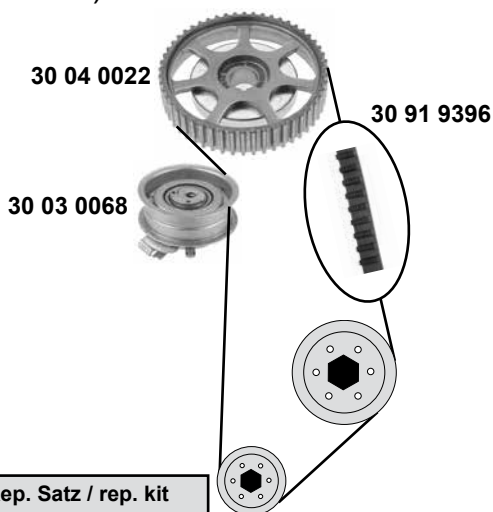
# SEAT Toledo II (1M2)

(98→06)



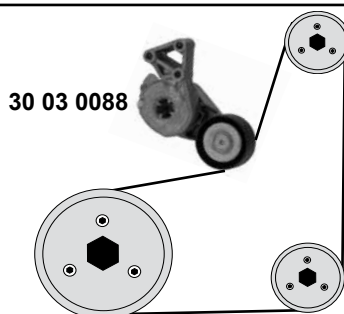
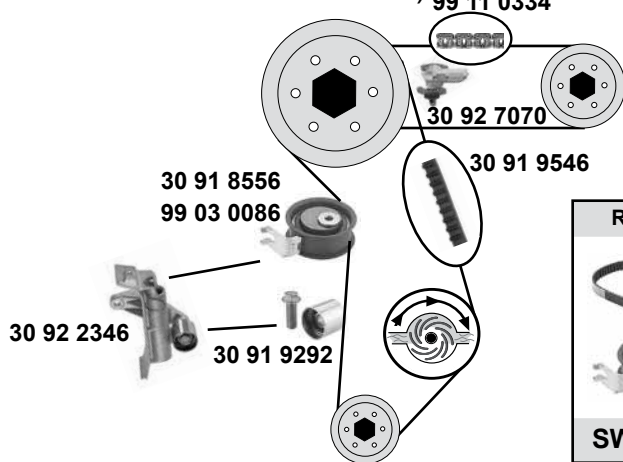
## 1,6

(AEH / AKL)



## 1,8 20V

(AGN / APG / APP / AUQ / AJQ / ARY)



(1) (ch.)→1M-YB-088 000  
(ch.)→1M-YR-016 500

(2) (ch.) 1M-YB-088 001→  
(ch.) 1M-YR-016 501→

(3) (mot.) AJQ / APP→017000

(4) (mot.) AJQ / AMK / ARY / BAM  
00→06

(5) (mot.) APG / AUQ  
00→05

(6) (mot.) AGN / APP 98→03  
(ch.) 1M-YB-088 001→  
(ch.) 1M-YR-016 501→



Ref. - No.

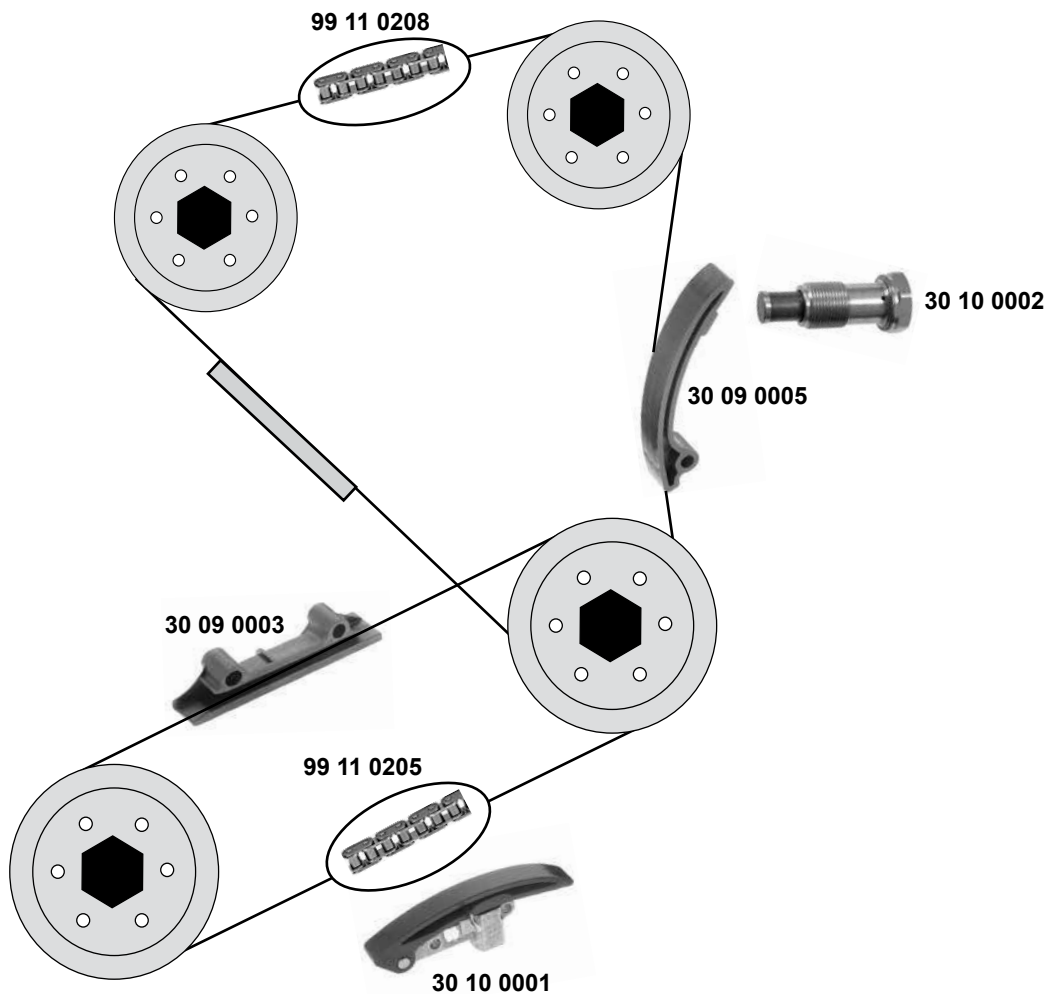


30 03 0068	06A 109 479 C
30 03 0088	06A 903 315 E
30 04 0022	06A 109 105 C
30 91 8556	06B 109 243 D
30 91 9292	06B 109 244
30 91 9396	06A 109 119 C
30 91 9546	06B 109 119 A
30 91 9548	06A 198 119 A
30 91 9550	06B 109 119 A S2
30 92 2346	06B 109 477
30 92 7070	058 109 217 B
30 93 7642	06A 198 119 B
32 92 3634	06A 198 119
32 92 3646	06B 109 119 A S3
99 03 0086	06B 109 243
99 11 0334	058 109 229 B

Spannrolle / tension roller
Riemenspanner / belt tensioner
Nockenwellenrad / camshaft gear
Spannrolle / tension roller
Umlenkrolle / deflection pulley
Zahnriemen / timing belt
Zahnriemen / timing belt
Rep. Satz Zahnriemen / rep. kit timing belt
Rep. Satz Zahnriemen / rep. kit timing belt
Riemenspanner / belt tensioner
Kettenspanner / chain tensioner
Rep. Satz Zahnriemen / rep. kit timing belt
Rep. Satz Zahnriemen / rep. kit timing belt
Rep. Satz Zahnriemen / rep. kit timing belt
Spannrolle / tension roller
Steuerkette / timing chain

(2)  
(1)  
(2)  
(3)  
(4) (5) (6)  
(2)  
(1)

ØA 72 B29
ØA 70 B 24
Z 52
ØA 72 B31
ØA 28,5 B27
Z 138 B23
Z 150 B23
Z 150 B23
ØA 72 B30
50 E



	Ref. - No.			
<b>30 09 0003</b>	021 109 469	Gleitschiene / sliding rail	(mot.)→051 000	
<b>30 09 0005</b>	021 109 509 E	Gleitschiene / sliding rail		
<b>30 10 0001</b>	021 109 467	Gleitschiene / sliding rail		
<b>30 10 0002</b>	021 109 507 B	Kettenspanner / chain tensioner		
<b>99 11 0205</b>	021 109 467	Steuerkette / timing chain		70 E
<b>99 11 0208</b>	021 109 503 D	Steuerkette / timing chain		90 E

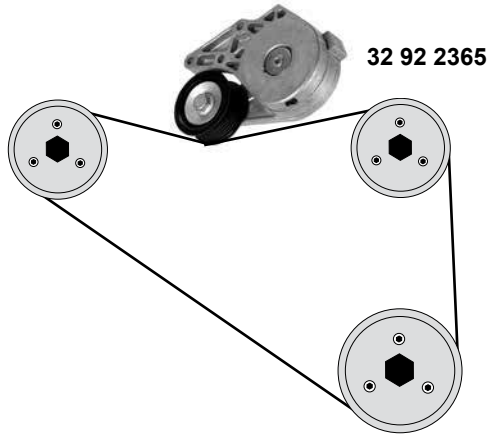
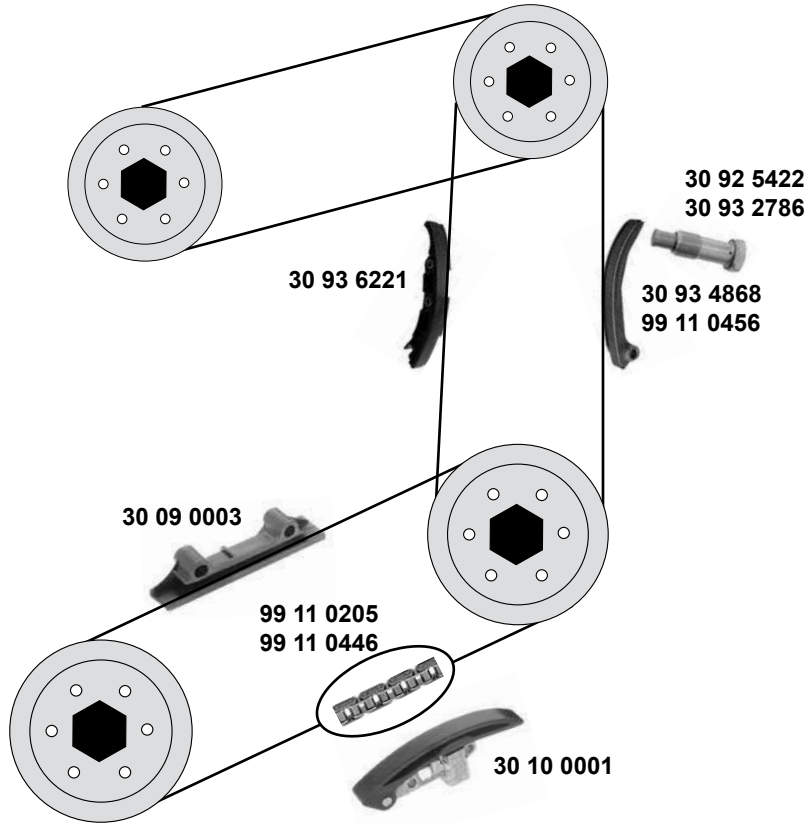
# SEAT Toledo II (1M2)

(99→05)

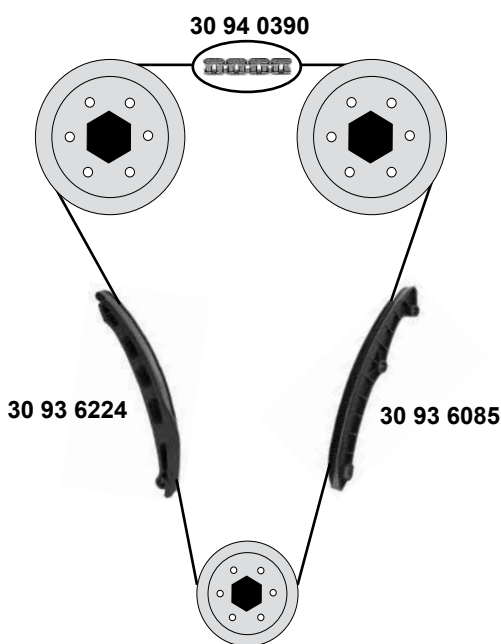
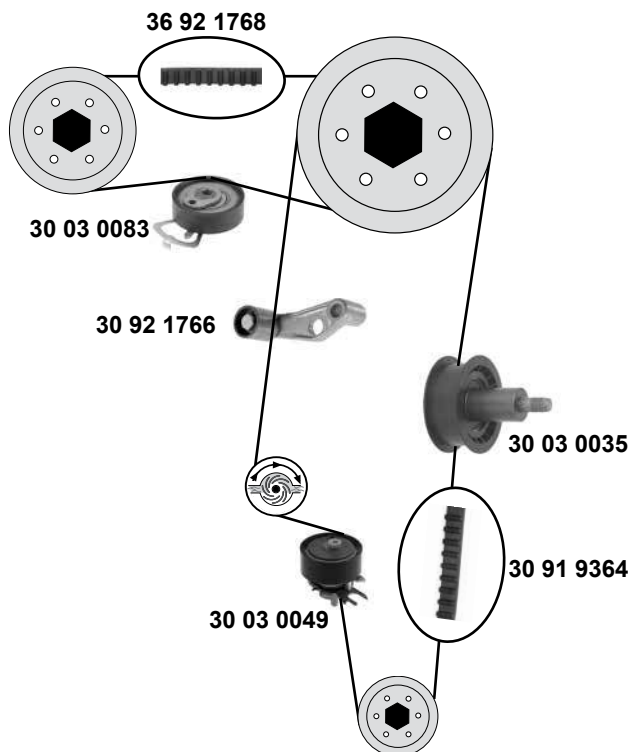


**2,8**

(AUE / AQN / BDE)



SWAG	Ref. - No.			
30 09 0003	021 109 469	Gleitschiene / sliding rail	(ex.) (mot.) AQN	ØA 73 70E 98E
30 10 0001	021 109 467	Kettenspanner / chain tensioner	(ex.) (mot.) AQN	
30 92 5422	022 109 507 A	Kettenspanner / chain tensioner	(mot.) AUE	
30 93 2786	03H 109 507	Kettenspanner / chain tensioner	(ex.) (mot.) AUE / 02→04	
30 93 4868	066 109 509 A	Gleitschiene / sliding rail	(mot.) BDE	
30 93 6221	066 109 513 A	Gleitschiene / sliding rail	(mot.) BDE	
30 93 6222	03H 109 503 S1	Rep. Satz Steuerkette / rep. kit timing chain	(mot.) BDE	
32 92 2365	022 145 299 D	Riemenspanner / belt tensioner	(ex.) (mot.) AQN	
99 11 0205	021 109 467	Steuerkette / timing chain	(ex.) (mot.) AQN	
99 11 0446	066 109 503 C	Steuerkette / timing chain	(mot.) BDE	
99 11 0456	022 109 509 C	Gleitschiene / sliding rail	(mot.) AUE	



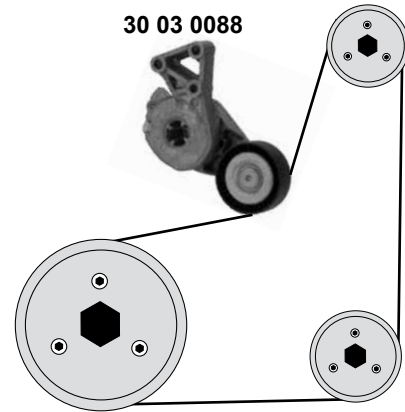
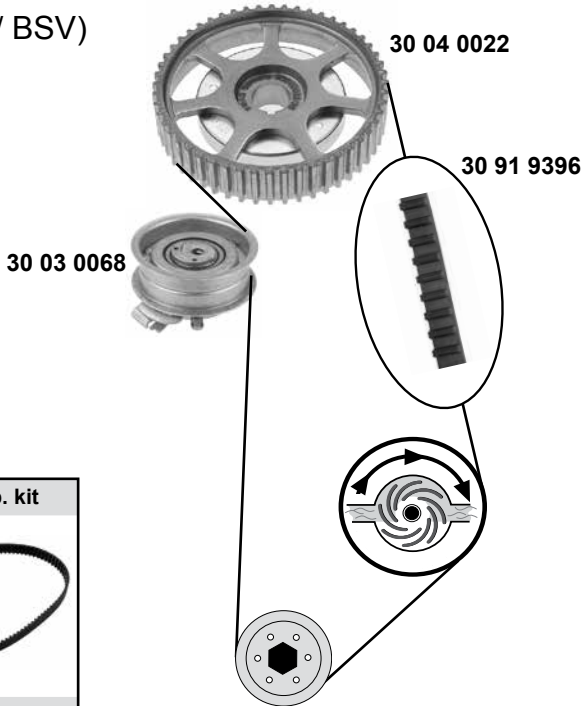
<b>30 03 0035</b>	036 109 244 J	Umlenkrolle / deflection pulley	05→	ØA 56 B22 ØA 60 ØI 8 B25 ØA 60 B19 Z 130 B20 ØA 28 B30
<b>30 03 0049</b>	036 109 243 AB	Spannrolle / tension roller		
<b>30 03 0083</b>	036 109 243 AE	Spannrolle / tension roller		
<b>30 91 9364</b>	036 109 119 Q	Zahnriemen / timing belt		
<b>30 92 1766</b>	036 109 181 A	Umlenkrolle / deflection pulley		
<b>30 92 1770</b>	036 109 119 Q S1	Rep. Satz Zahnriemen / rep. kit timing belt		
<b>30 92 1774</b>	036 109 119 P S1	Rep. Satz Zahnriemen / rep. kit timing belt		
<b>30 93 6085</b>	03C 109 469 K	Gleitschiene/ sliding rail		
<b>30 93 6224</b>	03C 109 509 P	Gleitschiene/ sliding rail		
<b>30 94 0390</b>	03C 109 158 A	Steuerkette / timing chain		

# SEAT Toledo III (5P)

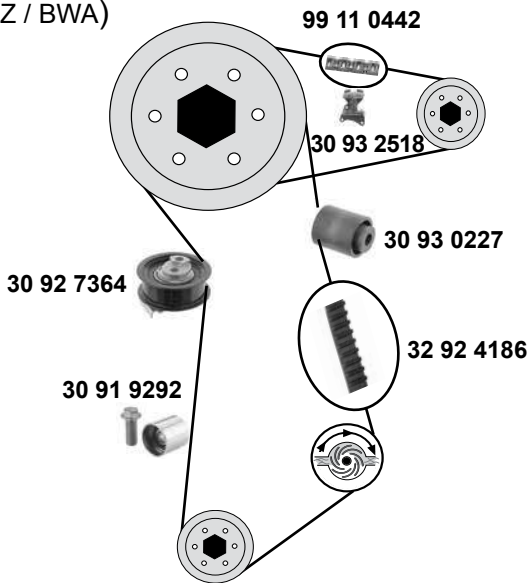
(05→)



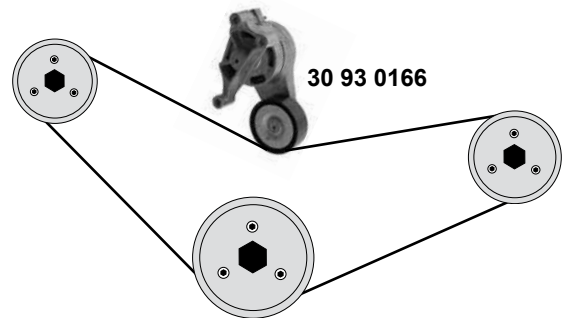
## 1,6 (BGU / BSE / BSV)



## 2,0 16V (BLR / BLY / BVY / BVZ / BWA)



## 2,0 16V (BWA)

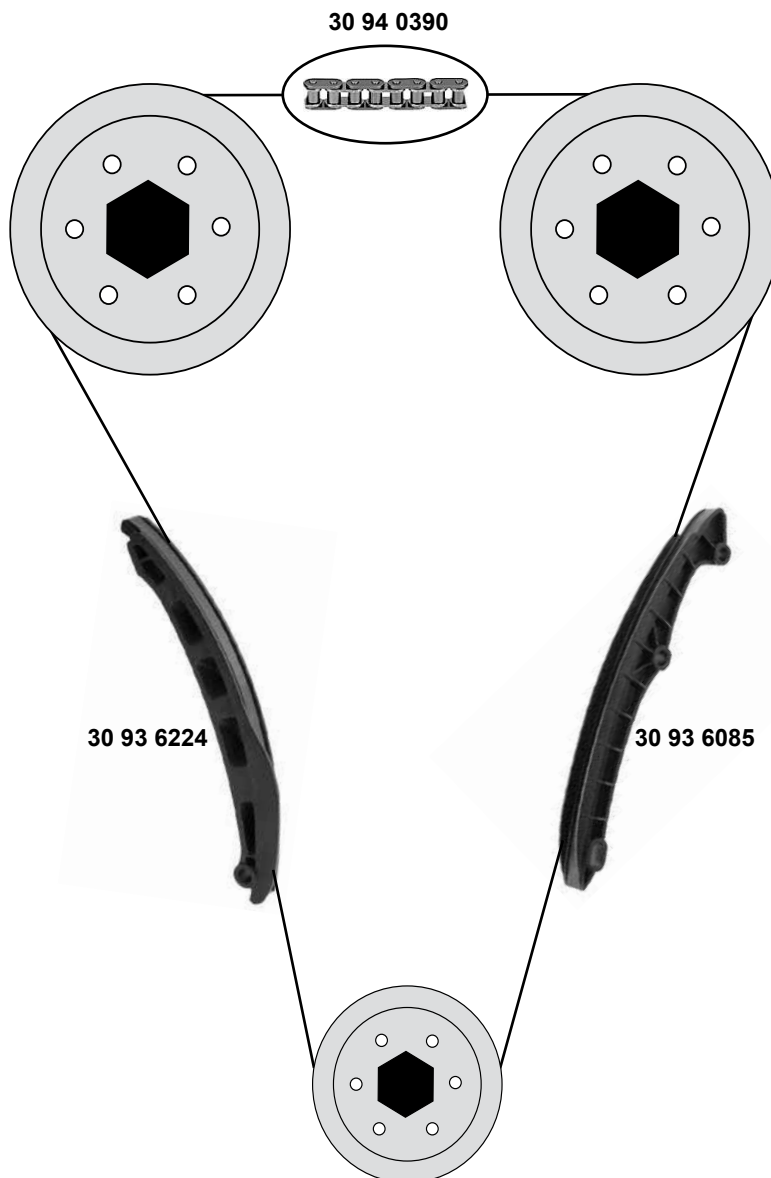


Ref. - No.



30 03 0068	06A 109 479 C	Spannrolle / tension roller	ØA 72 B29
30 03 0088	06A 903 315 E	Riemenspanner / belt tensioner	ØA 70 B24
30 04 0022	06A 109 105 C	Nockenwellenrad / camshaft gear	Z 52
30 91 9292	06B 109 244	Umlenkrolle / deflection pulley	ØA 28,5 B27
30 91 9396	06A 109 119 C	Zahnriemen / timing belt	Z 138 B23
30 92 7364	06D 109 243 B	Spannrolle / tension roller	ØA 77 B25
30 93 0166	06F 903 315	Riemenspanner / belt tensioner	ØA 28,5 B33,5
30 93 0227	06D 109 244 E	Umlenkrolle / deflection pulley	
30 93 0586	06F 198 119 A	Rep. Satz Zahnriemen / rep. kit timing belt	
30 93 2518	06F 109 217 A	Kettenspanner / chain tensioner	
32 92 3634	06A 198 119	Rep. Satz Zahnriemen / rep. kit timing belt	
32 92 4186	06D 109 119 B	Zahnriemen / timing belt	Z 148
99 11 0442	06D 109 229 B	Steuerkette / timing chain	42 E



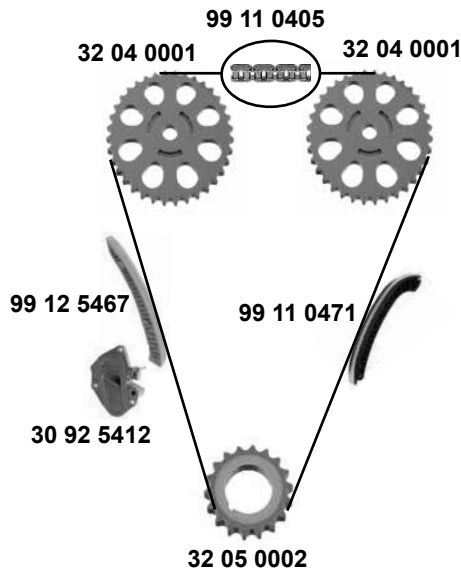


# SKODA Fabia (6Y)

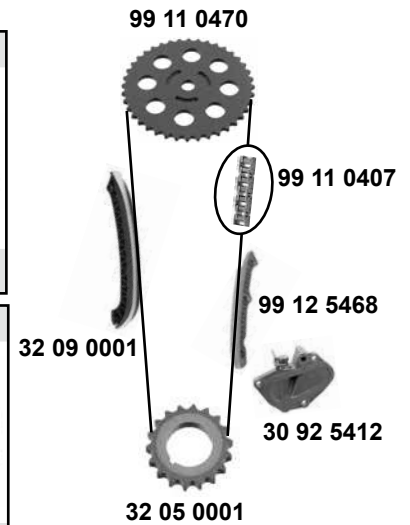
(00→08)



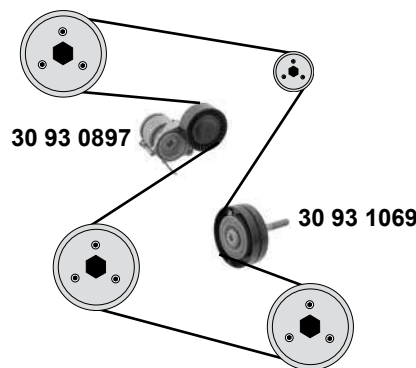
## 1,2 12V (AZQ / BME)



## 1,2 6V (AWY / BMD)



## 1,2 6V/12V (AWY / BMD / AZQ / BME)



SWAG GERMANY	Ref. - No.			
30 92 5412	03E 109 507 S	Kettenspanner / chain tensioner		
30 93 0897	03D 903 305 F	Riemenspanner / belt tensioner	AC	
30 93 1069	03D 145 276 E	Umlenkrolle / deflection pulley	AC	ØA 76 B24
32 04 0001	03E 109 571 B	Kettenrad Steuerkette / gear timing chain		Z 36
32 05 0001	03D 109 229	Kurbelwellenzahnrad / crankshaft gear		Z 20
32 05 0002	03E 105 209	Kurbelwellenzahnrad / crankshaft gear		Z 18
32 09 0001	03D 109 509 L	Gleitschiene / sliding rail		
99 11 0405	03E 109 229 A	Steuerkette / timing chain		130 E
99 11 0407	03D 109 229	Steuerkette / timing chain		118 E
99 11 0470	03D 109 571 L	Nockenwellenrad / camshaft gear		ØA 135,6 Z 40
99 11 0471	03E 109 509	Gleitschiene / sliding rail		
99 12 5467	03E 109 469	Gleitschiene / sliding rail		
99 12 5468	03D 109 469 C	Gleitschiene / sliding rail		
99 13 0478	03D 109 229 S1	Rep. Satz Steuerkette / rep. kit timing chain		
99 13 0495	03D 109 229 S2	Rep. Satz Steuerkette / rep. kit timing chain		
99 13 0497	03E 109 229 A S2	Rep. Satz Steuerkette / rep. kit timing chain		
99 13 0607	03E 198 229 A S1	Rep. Satz Steuerkette / rep. kit timing chain		

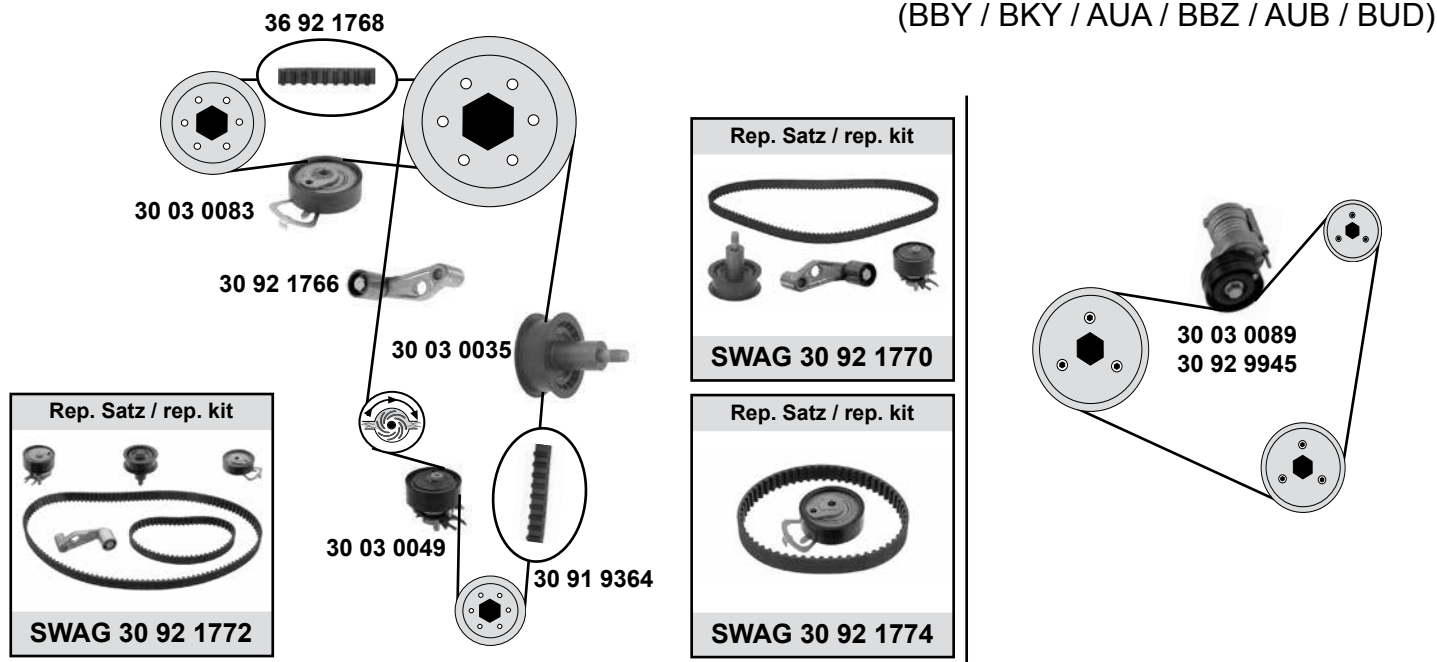




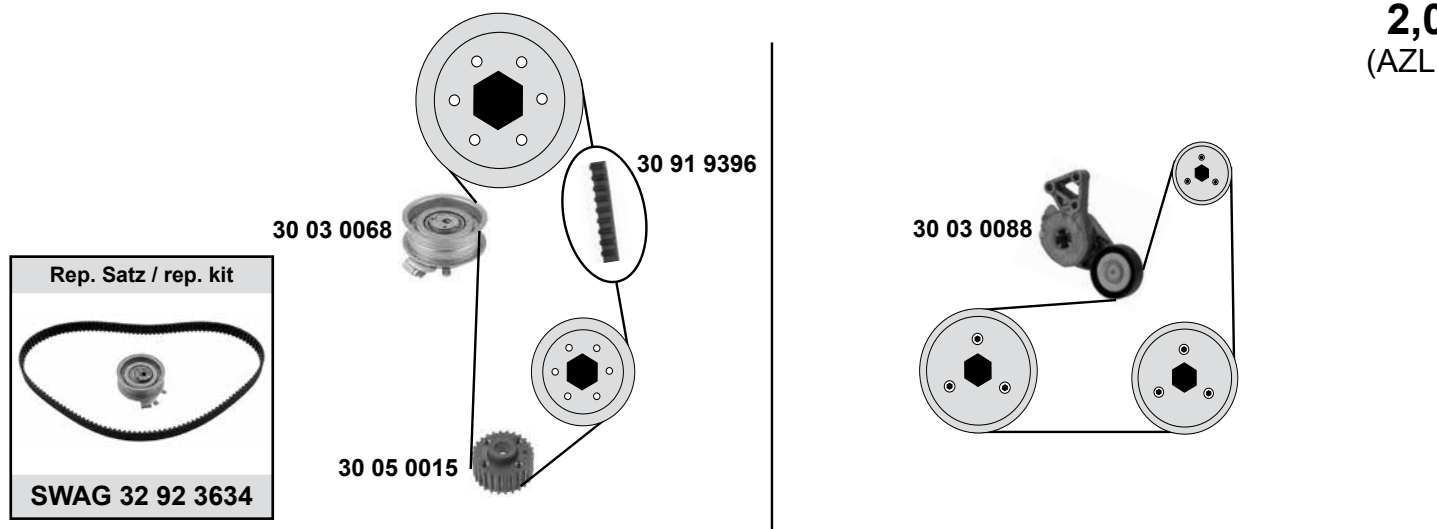
# SKODA Fabia (6Y) (99→08)

## 1,4 16V

(BBY / BKY / AUA / BBZ / AUB / BUD)



## 2,0 (AZL)



(1) (mot.) BBY / BKY / AUA / BBZ / AUB

(2) (mot.) AMF / BNM / BNV



Ref. - No.



Ref. - No.	Description	Notes	Dimensions
30 03 0035	036 109 244 J Umlenkrolle / deflection pulley		ØA 56 B22
30 03 0049	036 109 243 AB Spannrolle / tension roller		ØA 60 B25
30 03 0068	06A 109 479 C Spannrolle / tension roller		ØA 72 B25/29
30 03 0083	036 109 243 AE Spannrolle / tension roller		ØA 60 B19
30 03 0088	06A 903 315 E Riemenspanner / belt tensioner	(1)	ØA 70 B24
30 03 0089	030 145 299 F Riemenspanner / belt tensioner		ØA 70 B26
30 05 0015	06A 105 263 E Kurbelwellenzahnrad / crankshaft gear		
30 91 9364	036 109 119 Q Zahnriemen / timing belt		Z 130 B20
30 91 9396	06A 109 119 C Zahnriemen / timing belt		Z 138 B23
30 92 1766	036 109 181 A Umlenkrolle / deflection pulley		ØA 28 B30
30 92 1770	036 109 119 Q S1 Rep. Satz Zahnriemen / rep. kit timing belt	(ex.) BUD	
30 92 1772	036 109 119 Q S2 Rep. Satz Zahnriemen / rep. kit timing belt		
30 92 1774	036 109 119 P S1 Rep. Satz Zahnriemen / rep. kit timing belt		
30 92 9945	045 903 315 A Riemenspanner / belt tensioner	(2)	
32 92 3634	06A 198 119 Rep. Satz Zahnriemen / rep. kit timing belt		
36 92 1768	036 109 119 P Zahnriemen / timing belt		Z 58 B17

# SKODA Fabia (5J) (07→)



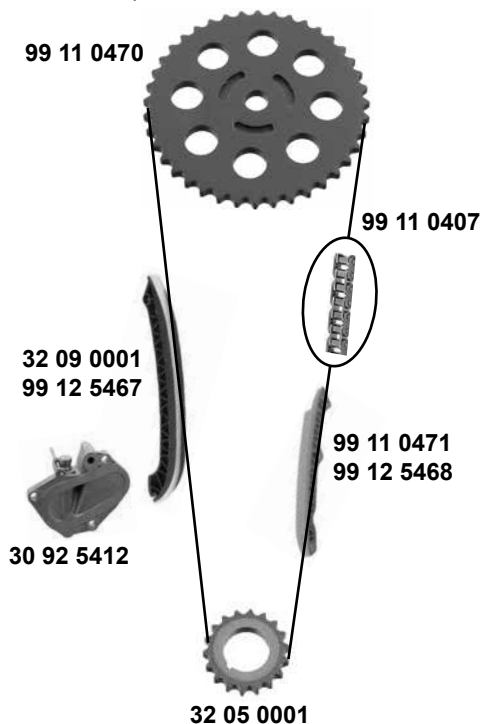
## 1,2 12V (BBM/CHTA/CHFA/BZG/CEVA)

Rep. Satz / rep. kit

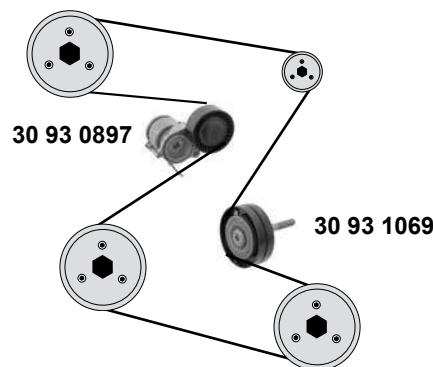
**SWAG 99 13 0478**

Rep. Satz / rep. kit

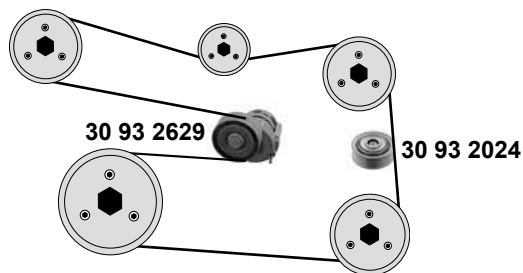
**SWAG 99 13 0495**



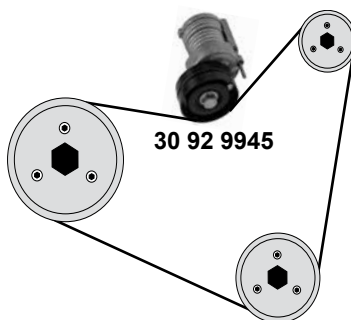
## 1,2 12V (BBM/CHTA/CHFA/BZG/CEVA/CGPA)



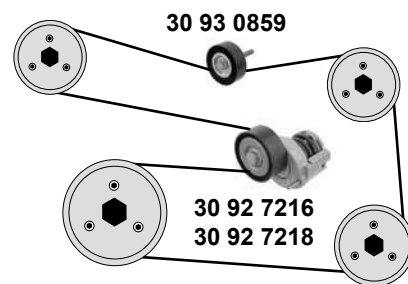
## 1,2 / 1,4 16V (CBZA / CBZB / CAVE)



## 1,4 16V (BNM / BNV)

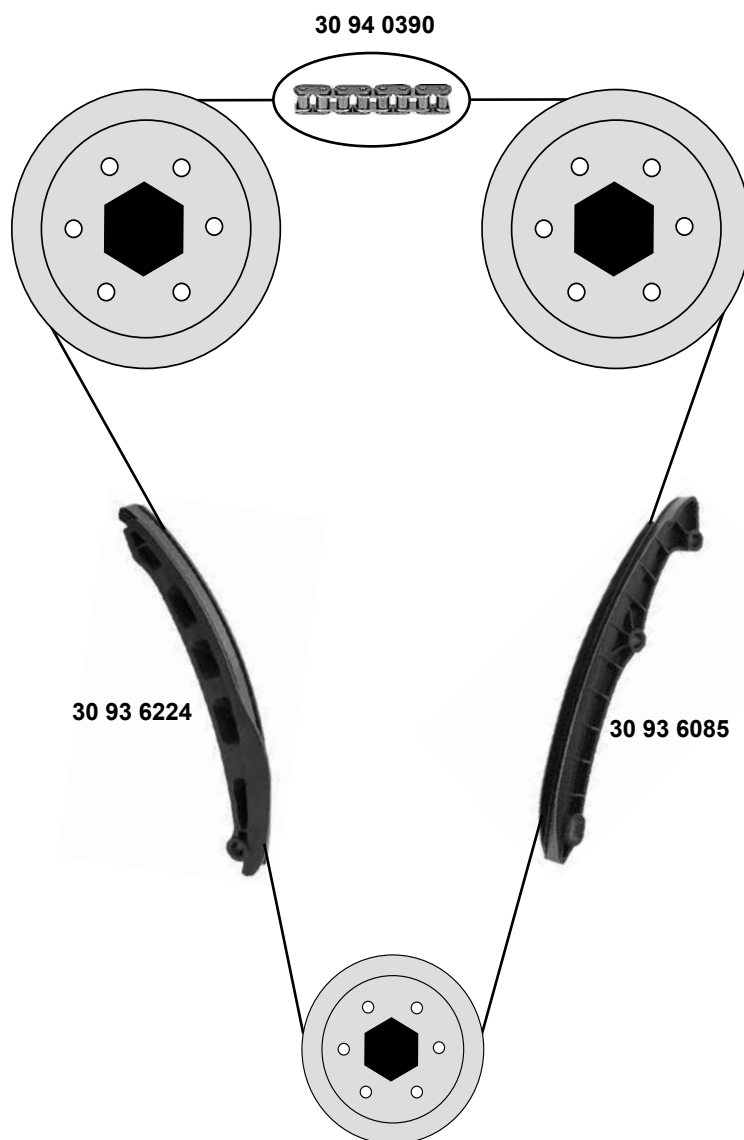


## 1,6 16V (BTS / CFNA / CLSA)



SWAG GERMANY	Ref. - No.			
30 92 5412	03E 109 507 S	Kettenspanner / chain tensioner	(ex.) (mot.) CHFA	
30 92 7216	6Q0 145 299	Riemenspanner / belt tensioner	(ex.) AC	
30 92 7218	03C 145 299 C	Riemenspanner / belt tensioner	AC	
30 92 9945	045 903 315 A	Riemenspanner / belt tensioner		
30 93 0859	1J0 145 276	Umlenkrolle / deflection pulley	AC	
30 93 0897	03D 903 305 F	Riemenspanner / belt tensioner		
30 93 1069	03D 145 276 E	Umlenkrolle / deflection pulley	AC (ex.) (mot) CGPB	ØA 76 B24
30 93 2024	03C 145 276 C	Umlenkrolle / deflection pulley	(mot.) CAVE	
30 93 2629	03C 145 299 Q	Riemenspanner / belt tensioner	AC (mot.) CBZA/CBZB	
32 05 0001	03D 109 229	Kurbelwellenzahnrad / crankshaft gear	(mot.) BBM	Z 20
32 09 0001	03D 109 509 L	Gleitschiene / sliding rail	(mot.) BBM	
99 11 0407	03D 109 229	Steuerkette / timing chain	(mot.) BBM	118 E
99 11 0470	03D 109 571 L	Nockenwellenrad / camshaft gear	(mot.) BBM	ØA 135,6 Z 40
99 11 0471	03E 109 509	Gleitschiene / sliding rail	(mot.) BZG/CEVA	
99 12 5467	03E 109 469	Gleitschiene / sliding rail	(mot.) BZG/CEVA	
99 12 5468	03D 109 469 C	Gleitschiene / sliding rail	(mot.) BBM / CHFA	
99 13 0478	03D 109 229 S1	Rep. Satz Steuerkette / rep. kit timing chain	(mot.) BBM	
99 13 0495	03E 109 229 A S2	Rep. Satz Steuerkette / rep. kit timing chain	(mot.) BZG / CHFA	

**1,2 / 1,4 / 1,6**  
 (BTS/CFNA/CGPA/CGPB/CHTA/CAVE/CTHE/CJLA/CLSA)



(1) Fabia/Kombi (mot.) BTS/CFNA/CGPA/CGPB/CHTA  
 Fabia RS/Kombi (mot.) CAVE/CTHE  
 Fabia (mot.) CJLA/CLSA



Ref. - No.



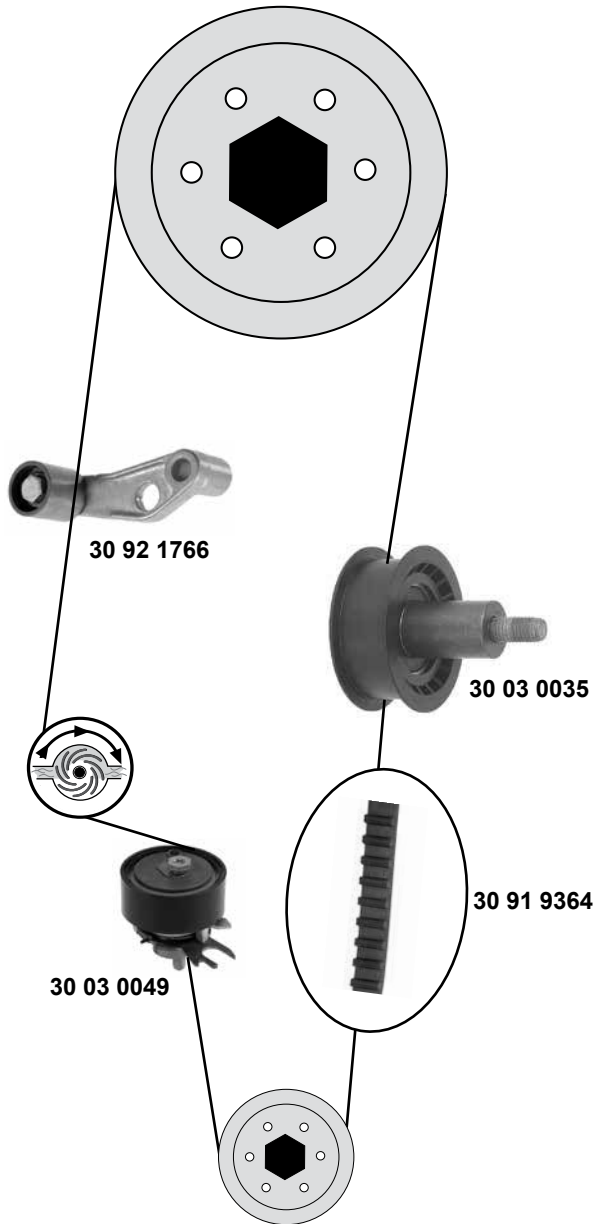
**30 93 6085** 03C 109 469 K  
**30 93 6224** 03C 109 509 P  
**30 94 0390** 03C 109 158 A

Gleitschiene/ sliding rail  
 Gleitschiene/ sliding rail  
 Steuerkette / timing chain

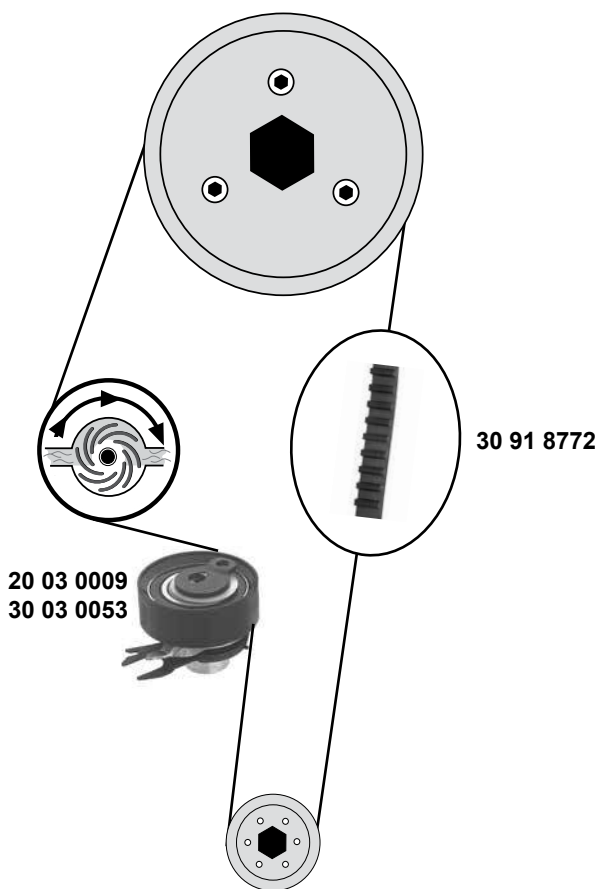
(1)  
 (1)  
 (1)

130 E

**1,4 16V**  
(BXW)



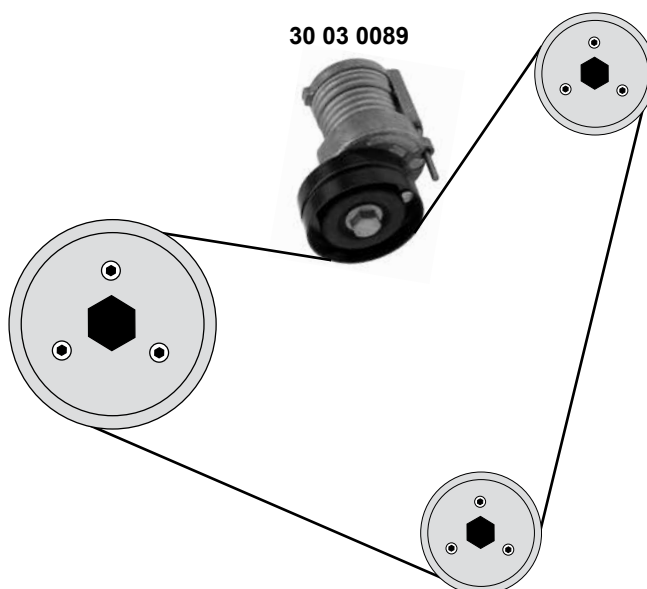
SWAG <sup>®</sup>	Ref. - No.			
30 03 0035	036 109 244 J	Umlenkrolle / deflection pulley		ØA 56 B22
30 03 0049	036 109 243 AB	Spannrolle / tension roller		ØA 60 ØI 8 B25
30 91 9364	036 109 119 Q	Zahnriemen / timing belt		Z 130 B20
30 92 1766	036 109 181 A	Umlenkrolle / deflection pulley		ØA 28 B30
30 92 1770	036 109 119 Q S1	Rep. Satz Zahnriemen / rep. kit timing belt		



Rep. Satz / rep. kit



SWAG 32 92 3640

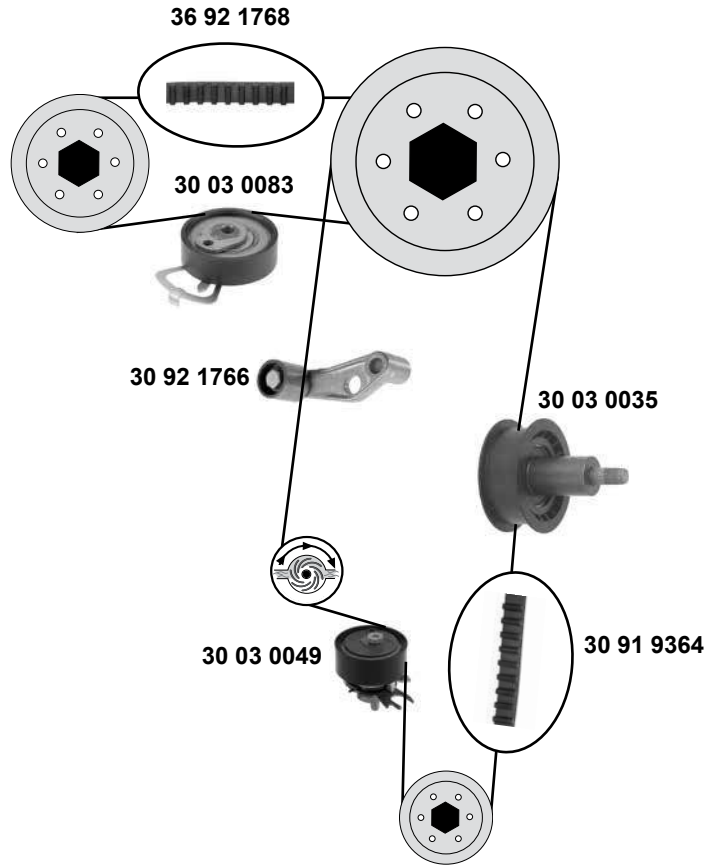


30 03 0089

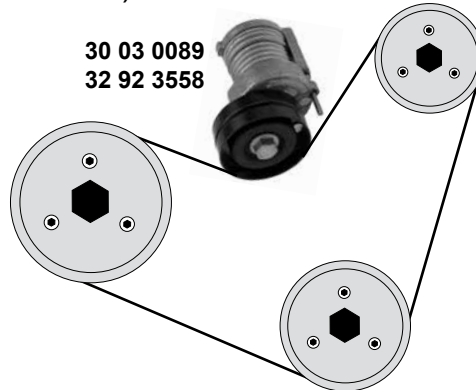
# SKODA Octavia (96→10)



## 1,4 (AXB / AXP / BCA)



## 1,4 / 1,6 (AEE / AEH / AKL / AVU / AXP / BCA / BFQ)



(1) servo / (ex.) AC / (mot.) AXP / AEE / BCA

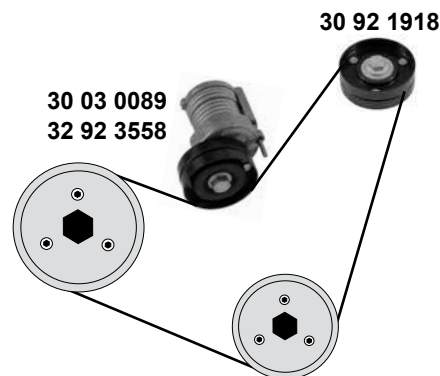
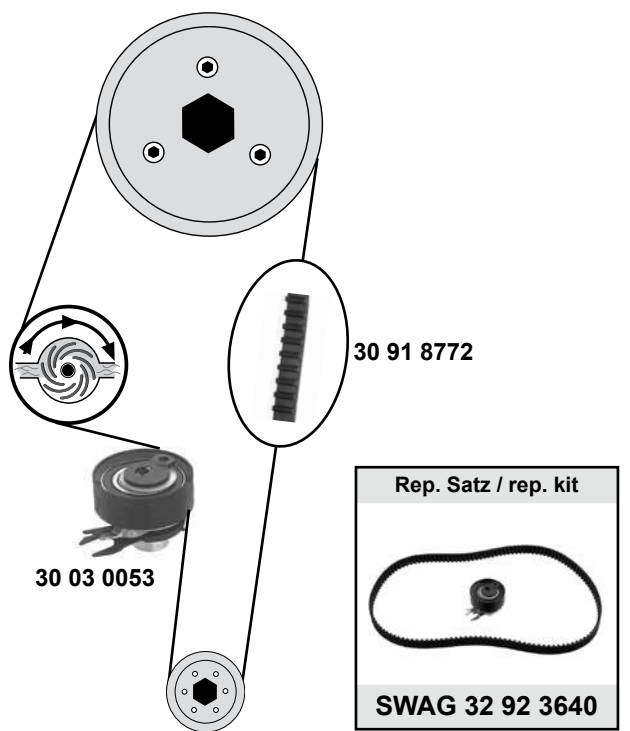


Ref. - No.

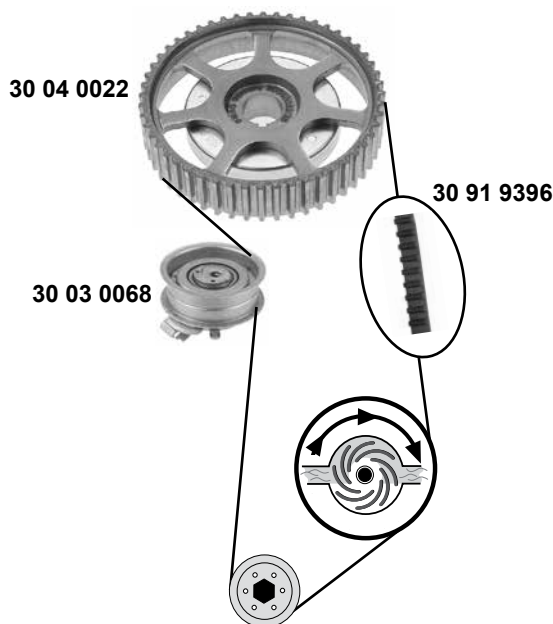


30 03 0035	036 109 244 J	Umlenkrolle / deflection pulley		ØA 56 B22
30 03 0049	036 109 243 AB	Spannrolle / tension roller		ØA 80 B25
30 03 0083	036 109 243 AE	Spannrolle / tension roller	(ex.) AXB	ØA 60 B19
30 03 0089	030 145 299 F	Riemenspanner / belt tensioner	(1)	ØA 70 B26
30 91 9364	036 109 119 Q	Zahnriemen / timing belt	(mot.) AXP/BCA	Z 130 B20
30 92 1766	036 109 181 A	Umlenkrolle / deflection pulley		ØA 28 B30
36 92 1768	036 109 119 P	Zahnriemen / timing belt	(ex.) AXB	Z 58 B17
30 92 1770	036 109 119 Q S1	Rep. Satz Zahnriemen / rep. kit timing belt	(mot.) AXP/BCA / 01→	
30 92 1772	036 109 119 Q S2	Rep. Satz Zahnriemen / rep. kit timing belt		
30 92 1774	036 109 119 P S1	Rep. Satz Zahnriemen / rep. kit timing belt	(ex.) AXB	
32 92 3558	032 145 299 A	Riemenspanner / belt tensioner	AC + servo	

**1,6**  
(AEE)



**1,6 / 2,0**  
(AEH / AKL / AQY / AEG / APK / AZH / AZJ / AVU / BFQ)



SWAG	Ref. - No.			
30 03 0053	030 109 243 K	Spannrolle / tension roller		
30 03 0068	06A 109 479 C	Spannrolle / tension roller		
30 03 0089	030 145 299 F	Riemenspanner / belt tensioner	(ex.) AC + servo	ØA 61 ØI 8 B22
30 04 0022	06A 109 105 C	Nockenwellenrad / camshaft gear		ØA 78 B25,5/29
30 91 8772	032 109 119 J	Zahnriemen / timing belt		ØA 70 B26
30 91 9396	06A 109 119 C	Zahnriemen / timing belt		Z 137 B19
30 92 1918	032 145 276	Umlenkrolle / deflection pulley		Z 138 B23
32 92 3558	032 145 299 A	Riemenspanner / belt tensioner	AC + servo	ØA 76 B26
32 92 3634	06A 198 119	Rep. Satz Zahnriemen / rep. kit timing belt	AC + servo	
32 92 3640	032 109 119 J S1	Rep. Satz Zahnriemen / rep. kit timing belt		



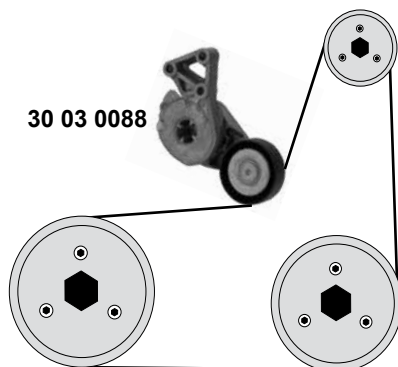
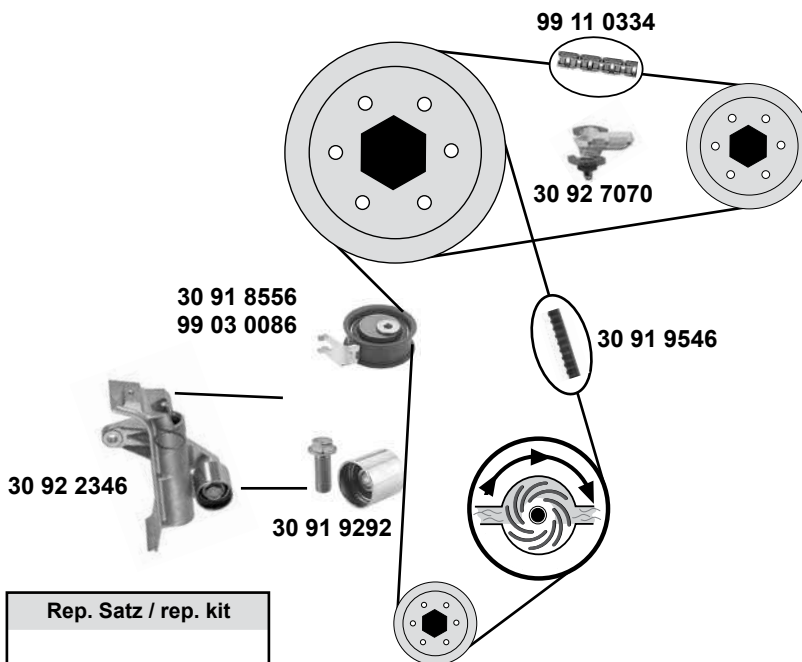
# SKODA Octavia (1U)

(97→10)



**1,8**

(AGN / AGU / ARZ / AUM)



(1) (mot.) AGN / AGU / ARZ / AUM / ARX / AUQ

(3) (mot.) AGN / AGU / ARZ 97→00

(ch.) 1U-Y2-390 953→

(ch.) 1U-Y8-298 302→

(5) (mot.) AUM 00→10

(2) (mot.) AGN / AGU / ARZ

(4) (mot.) AGU / ARZ 99→10

(ch.) 1U-Y2-390 953→

(ch.) 1U-Y8-298 302→



Ref. - No.



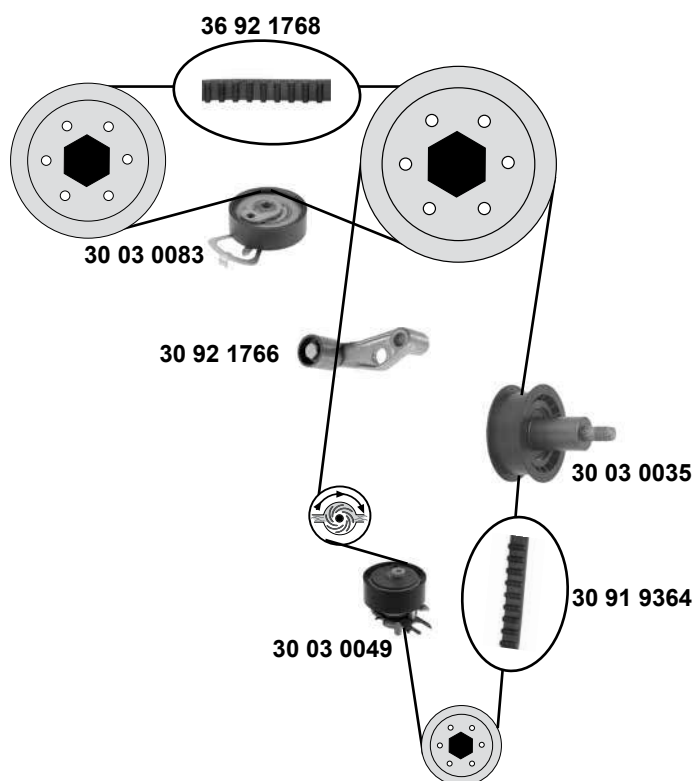
30 03 0088	06A 903 315 E
30 91 8556	06B 109 243 D
30 91 9292	06B 109 244
30 91 9546	06B 109 119 A
30 91 9548	06A 198 119 A
30 91 9550	06B 109 119 A S2
30 92 2346	06B 109 477
30 92 7070	058 109 217 B
30 92 7298	06B 109 119 A S5
30 93 7642	06A 198 119 B
32 92 3646	06B 109 119 A S3
99 03 0086	06B 109 243
99 11 0334	058 109 229 B

Riemenspanner / belt tensioner
Spannrolle / tension roller
Umlenkrolle / deflection pulley
Zahnriemen / timing belt
Rep. Satz Zahnriemen / rep. kit timing belt
Rep. Satz Zahnriemen / rep. kit timing belt
Riemenspanner / belt tensioner
Kettenspanner / chain tensioner
Rep. Satz Zahnriemen / rep. kit timing belt
Rep. Satz Zahnriemen / rep. kit timing belt
Rep. Satz Zahnriemen / rep. kit timing belt
Spannrolle / tension roller
Steuerkette / timing chain

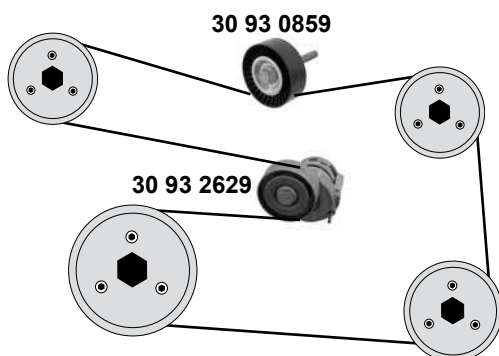
(2)
(2) (ch.) 1U-Y-390 000→
(1)
(2)
(2) (ch.)→1U-Y-390 000
(2) (ch.)1U-Y-390 000→
(2)
(2) (ex.) (mot.) AGN
(2) (ch.) → 1U-Y-390 000
(3) (4) (5)
(2) (ch.)1U-Y-390 000→
(2) (ch.)→1U-Y-390 000
(2)

ØA 70 B24
ØA 73 B31
ØA 28,5 B27
Z 150 B23
Z 150 B23
ØA 72 B30

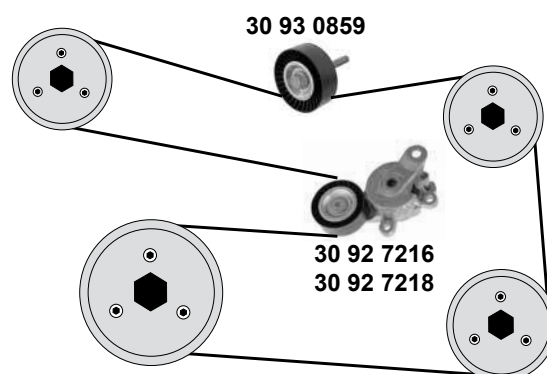




**1,2 / 1,4**  
(CBZB / CAXA)



**1,6**  
(BLF)



(1) Octavia  
Octavia Kombi

(mot.) BCA / BUD / CGGA  
(mot.) BUD / CGGA

(2) Octavia  
Octavia Kombi

(mot.) BCA / BUD / CAXA / CBZB / CGGA  
(mot.) BUD / CAXA / CBZB / CGGA



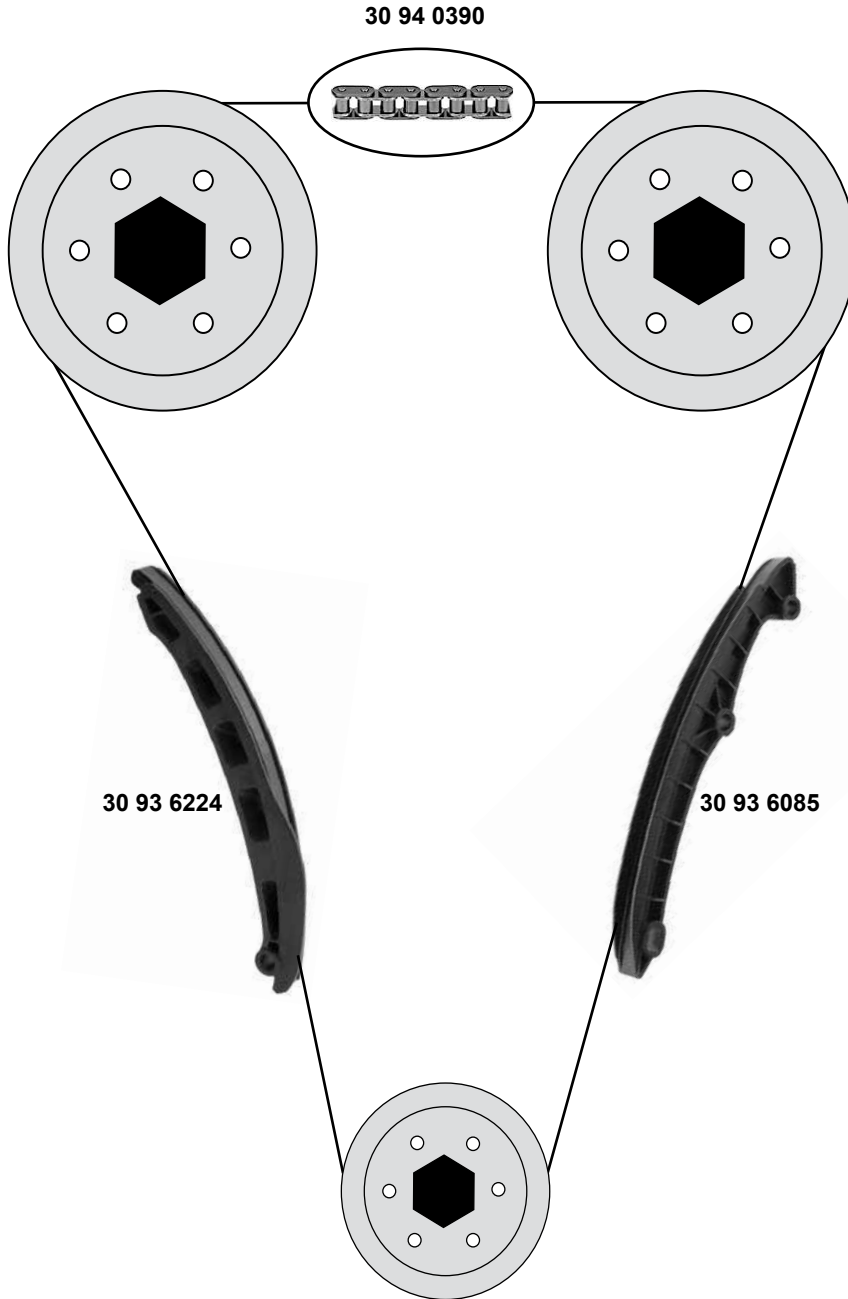
Ref. - No.



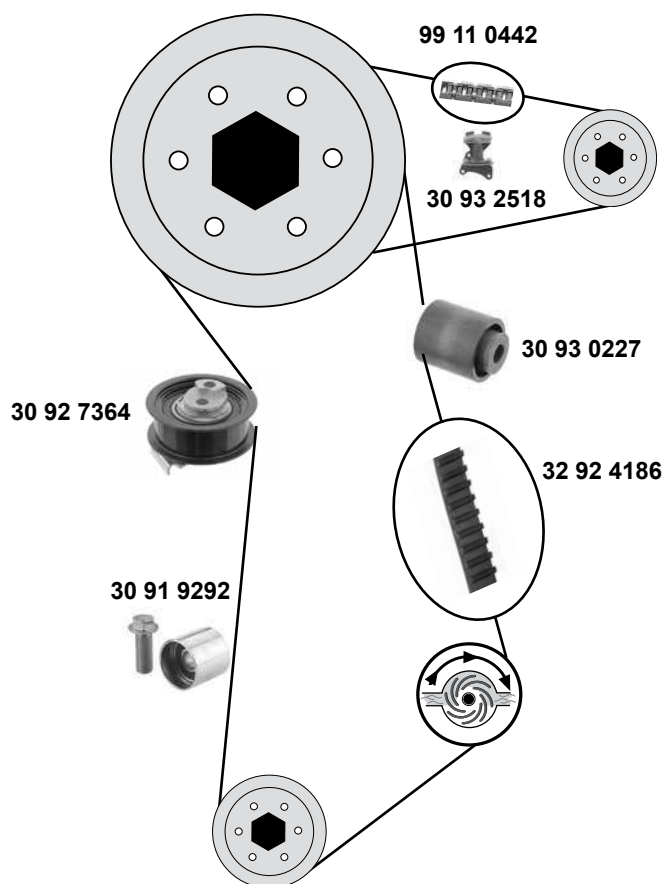
SWAG	Ref. - No.			
30 03 0035	036 109 244 J	Umlenkrolle / deflection pulley	(mot.) BCA/BUD	ØA 56 B22
30 03 0049	036 109 243 AB	Spannrolle / tension roller	(mot.) BCA/BUD	ØA 60 ØI 8 B25
30 03 0083	036 109 243 AE	Spannrolle / tension roller	(1)	ØA 60 B19
30 91 9364	036 109 119 Q	Zahnriemen / timing belt	(1)	Z 130 B20
30 92 1766	036 109 181 A	Umlenkrolle / deflection pulley	(mot.) BCA/BUD	ØA 28 B30
30 92 1770	036 109 119 Q S1	Rep. Satz Zahnriemen / rep. kit timing belt	(mot.) BCA/BUD	
30 92 1774	036 109 119 P S1	Rep. Satz Zahnriemen / rep. kit timing belt	(1)	
30 92 7216	6Q0 145 299	Riemenspanner / belt tensioner	(ex.) AC	
30 92 7218	03C 145 299 C	Spannrolle / tension roller	AC	
30 93 0859	1J0 145 276	Umlenkrolle / deflection pulley	AC (ex.) CBZB	
30 93 2629	03C 145 299 Q	Riemenspanner / belt tensioner	AC	
36 92 1768	036 109 119 P	Zahnriemen / timing belt	(2)	Z 58 B17

**1,4**

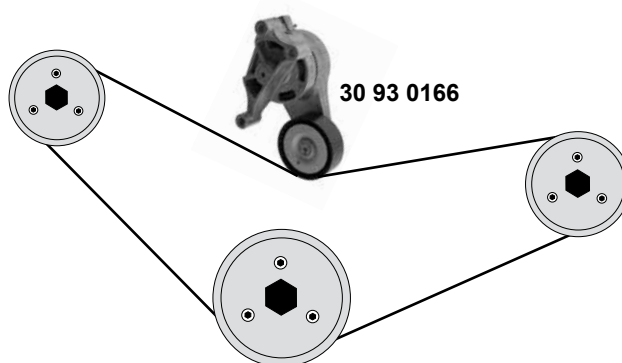
(BLF/CAXA)



## 2,0 16V (BLR / BLX / BLY / BVX / BVY / BVZ / BWA)



## 2,0 16V (BWA)

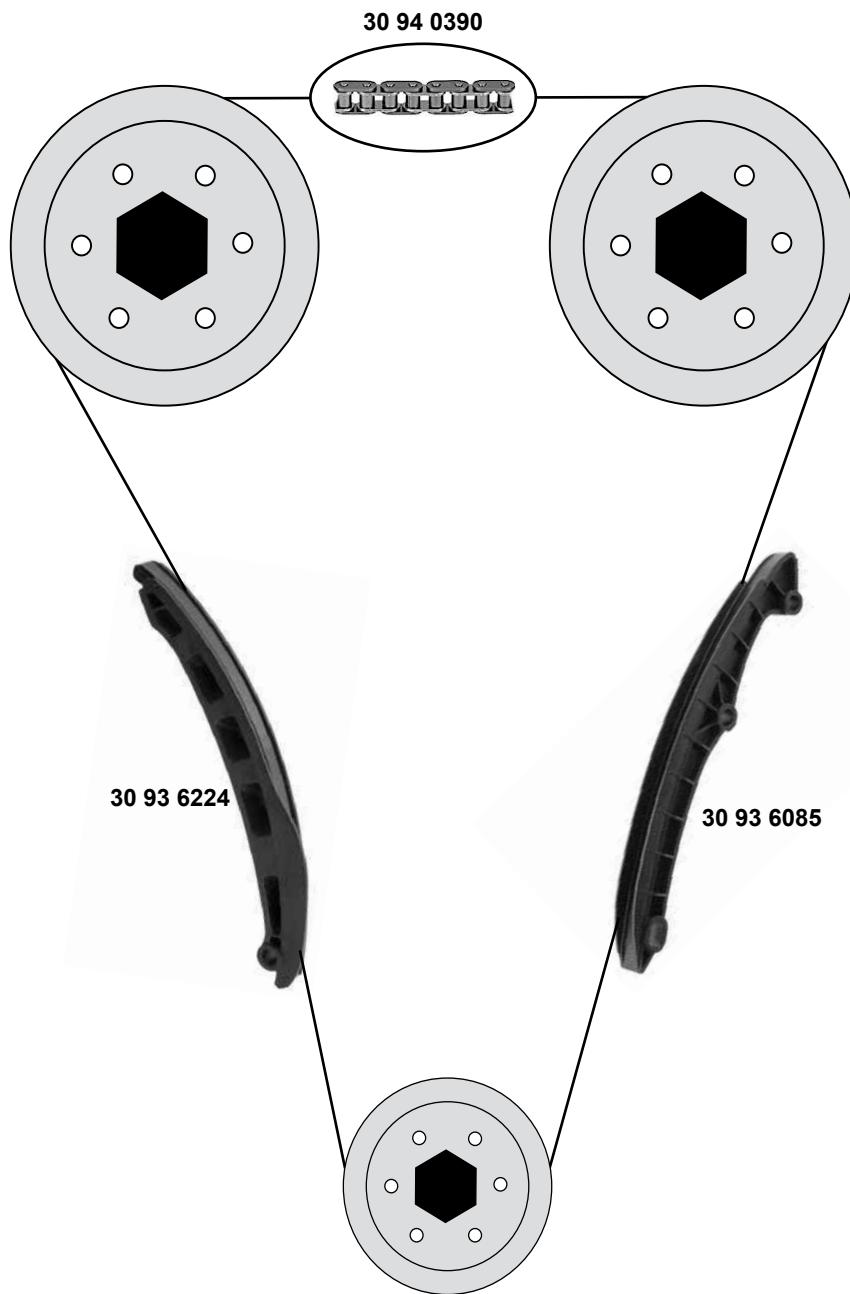


SWAG	Ref. - No.			
30 91 9292	06B 109 244	Umlenkrolle / deflection pulley		ØA 28,5 B27
30 92 7364	06D 109 243 B	Spannrolle / tension roller		ØA 77 B25
30 93 0166	06F 903 315	Riemenspanner / belt tensioner		
30 93 0227	06D 109 244 E	Umlenkrolle / deflection pulley		ØA 28,5 B33,5
30 93 0586	06F 198 119 A	Rep. Satz Zahnriemen / rep. kit timing belt		
30 93 2518	06F 109 217 A	Kettenspanner / chain tensioner	→08	
32 92 4186	06D 109 119 B	Zahnriemen / timing belt		Z 148
99 11 0442	06D 109 229 B	Steuerkette / timing chain		42E

# SKODA Rapid (N) (12→)



**1,2→1,6**  
(CLSA/CAXA/CFNA/CGPC)



Ref. - No.



<b>30 93 6085</b>	03C 109 469 K
<b>30 93 6224</b>	03C 109 509 P
<b>30 94 0390</b>	03C 109 158 A

Gleitschiene / sliding rail
Gleitschiene / sliding rail
Steuerkette / timing chain

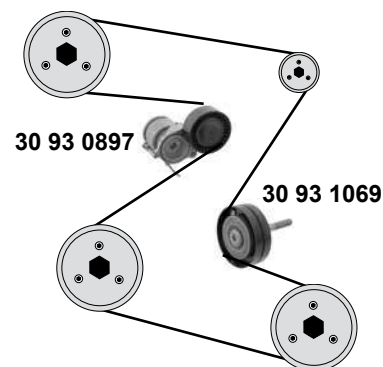
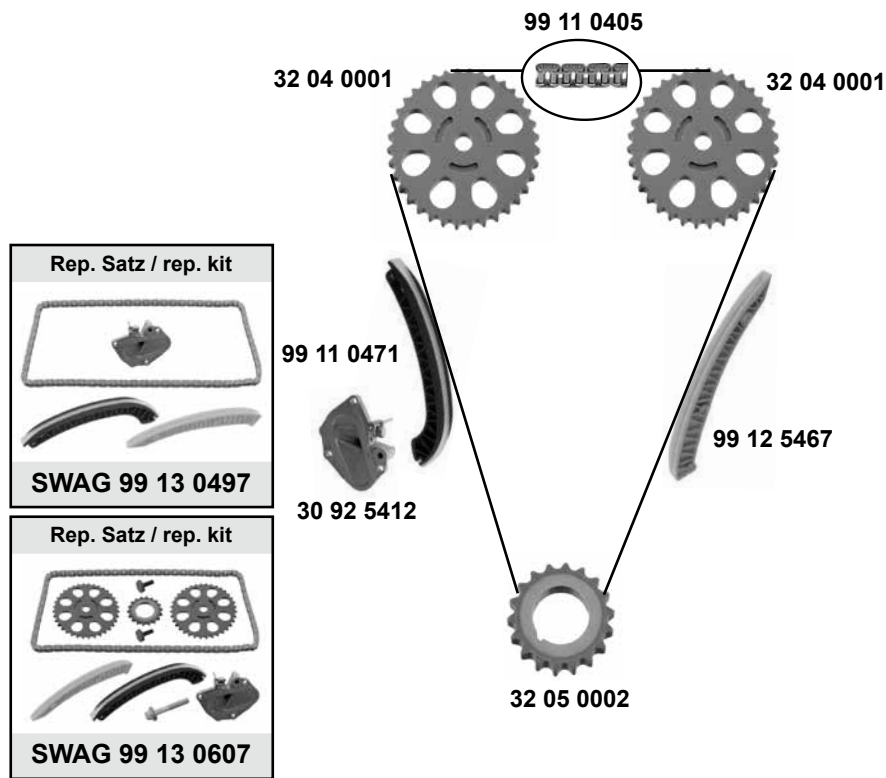
130 E



# SKODA Roomster (5J7) (06→)

**1,2 12V**  
(BME / BZG)

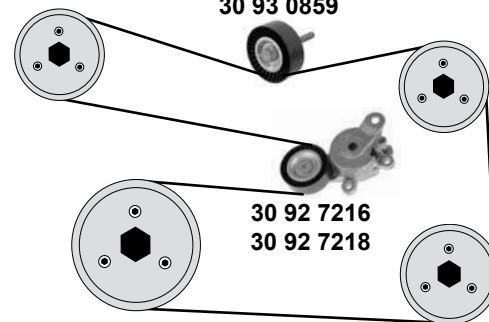
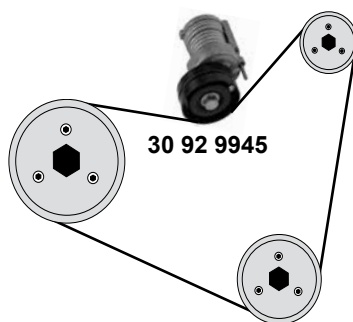
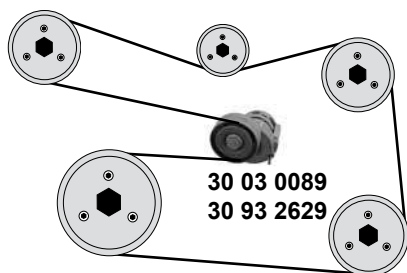
**1,2 12V**  
(BME / BZG / CGPA)



**1,2 / 1,4**  
(BCB/CBZA/BXW/CGGB)

**1,4 16V**  
(BNM BNV/BLS)

**1,6**  
(BTS/CFNA)



SWAG GERMANY	Ref. - No.			
30 03 0089	030 145 299 F	Riemenspanner / belt tensioner	AC	ØA 70 B26
30 92 5412	03E 109 507 S	Kettenspanner / chain tenioner	(ex.) AC	
30 92 7216	6Q0 145 299	Riemenspanner / belt tensioner	AC (ex.) CFNA	
30 92 7218	03C 145 299 C	Spannrolle / tension roller		
30 92 9945	045 903 315 A	Riemenspanner / belt tensioner		
30 93 0859	1J0 145 276	Umlenkrolle / deflection pulley		
30 93 0897	03D 903 305 F	Riemenspanner / belt tensioner		
30 93 1069	03D 145 276 E	Umlenkrolle / deflection pulley		
30 93 2629	03C 145 299 Q	Riemenspanner / belt tensioner	AC	ØA 76 B24
32 04 0001	03E 109 571 B	Nockenwellenrad / camshaft timing gear	(ex.) BZG	Z 36
32 05 0002	03E 105 209	Kurbelwellenzahnrad / crankshaft gear	(ex.) BZG	Z 18
99 11 0405	03E 109 229 A	Steuerkette / timing chain	(ex.) BZG	130 E
99 11 0471	03E 109 509	Gleitschiene / sliding rail		
99 12 5467	03E 109 469	Gleitschiene / sliding rail		
99 13 0497	03E 109 229 A S2	Rep. Satz Steuerkette / rep. kit timing chain		
99 13 0607	03E 198 229 A S1	Rep. Satz Steuerkette / rep. kit timing chain		

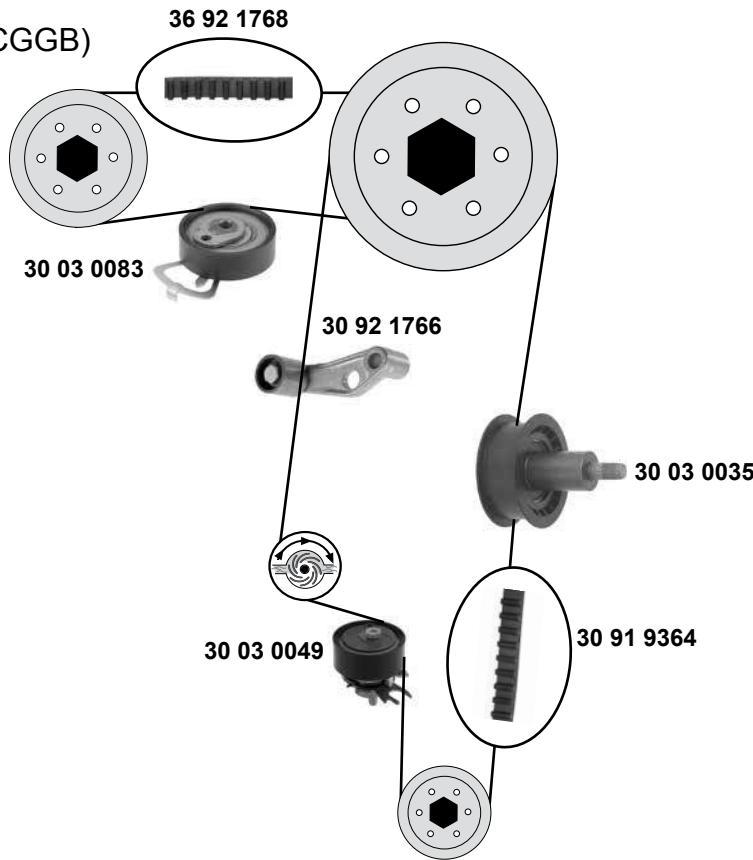
# SKODA Roomster (5J7)

(06→)



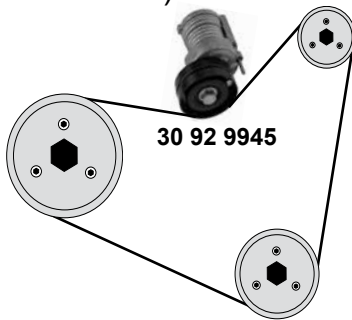
## 1,2 / 1,4

(CBZA/CBZB/BXW/CGGB)



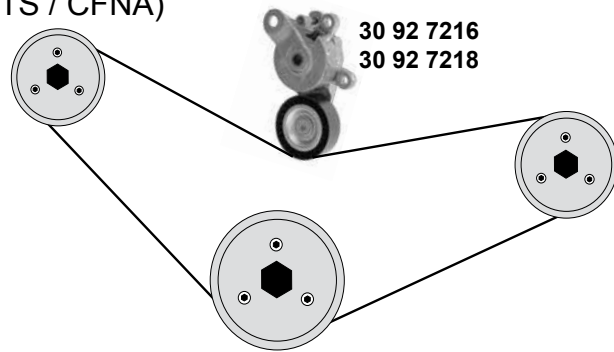
## 1,4 16V

(BNM / BNV / BLS)



## 1,6

(BTS / CFNA)



(1) Roomster  
Roomster Praktik (mot.) BXW / CGGB  
(mot.) BXW

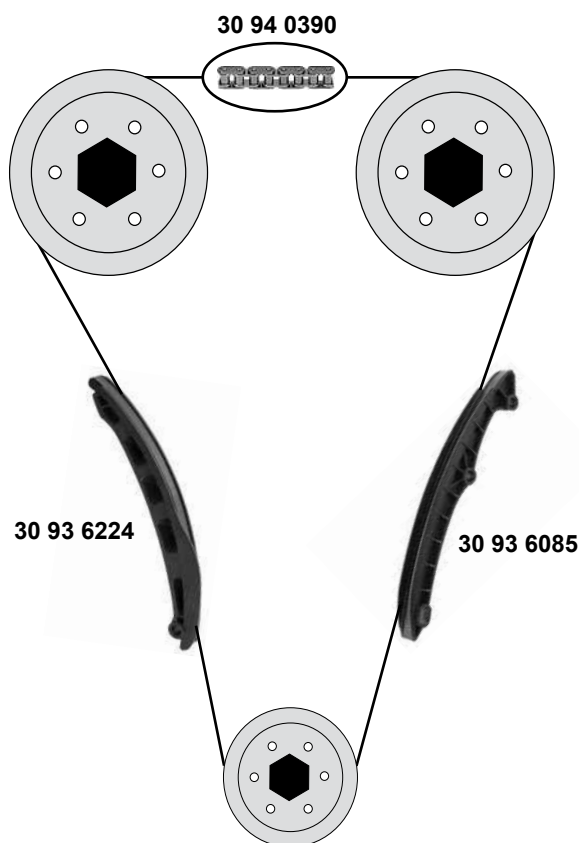


Ref. - No.

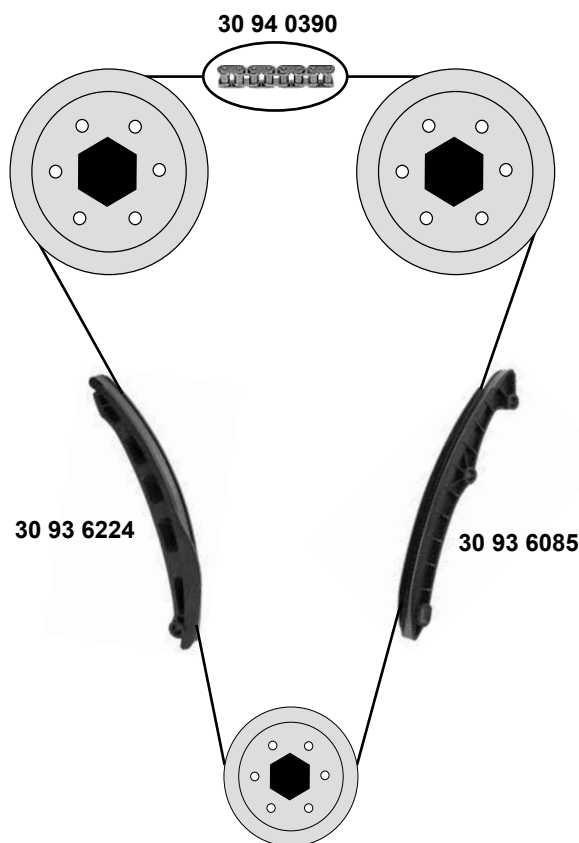


Ref. - No.	Description	Notes	Dimensions
30 03 0035	Umlenkrolle / deflection pulley	(mot.) BXW	ØA 56 B22
30 03 0049	Spannrolle / tension roller	(mot.) BXW	ØA 80 B25
30 03 0083	Spannrolle / tension roller	(mot.) BXW / CGGB	ØA 60 B19
30 91 9364	Zahnriemen / timing belt	(1)	Z 130 B20
30 92 1766	Umlenkrolle / deflection pulley	(mot.) BXW	ØA 28 B30
36 92 1768	Zahnriemen / timing belt		Z 58 B17
30 92 1770	Rep. Satz Zahnriemen / rep. kit timing belt	(mot.) BXW	
30 92 1774	Rep. Satz Zahnriemen / rep. kit timing belt	(mot.) BXW / CGGB	
30 92 7216	Riemenspanner / belt tensioner	(ex.) AC	
30 92 7218	Spannrolle / tension roller	AC (ex.) CFNA	
30 92 9945	Riemenspanner / belt tensioner		

**1,2 / 1,6**  
 (CGPA/BTS/CFNA)



**Superb (3T)**  
 (08→)  
**1,4**  
 (CAXC)



Ref. - No.



30 93 6085	03C 109 469 K
30 93 6224	03C 109 509 P
30 94 0390	03C 109 158 A

Gleitschiene/ sliding rail
Gleitschiene/ sliding rail
Steuerkette / timing chain

130 E

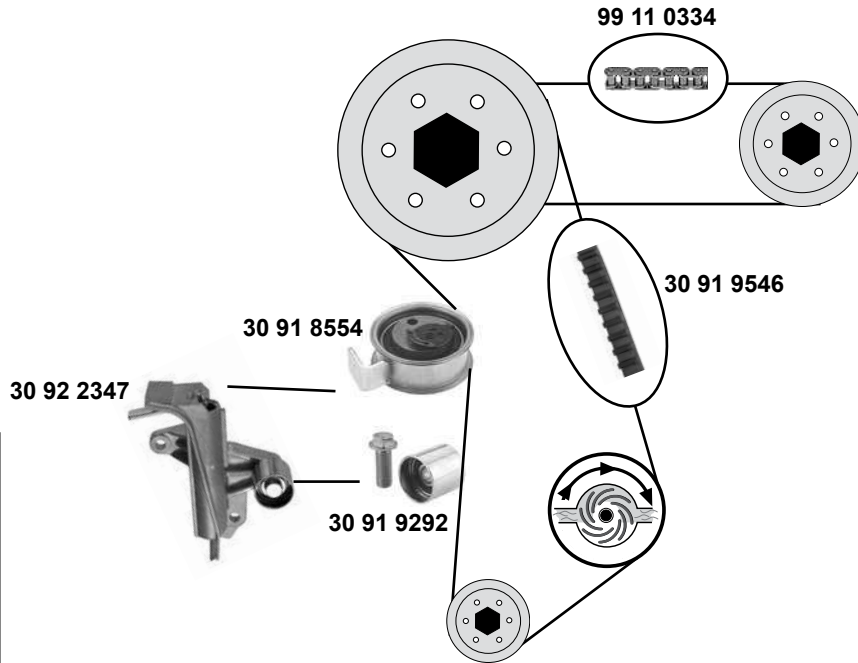


# SKODA Superb (3U)

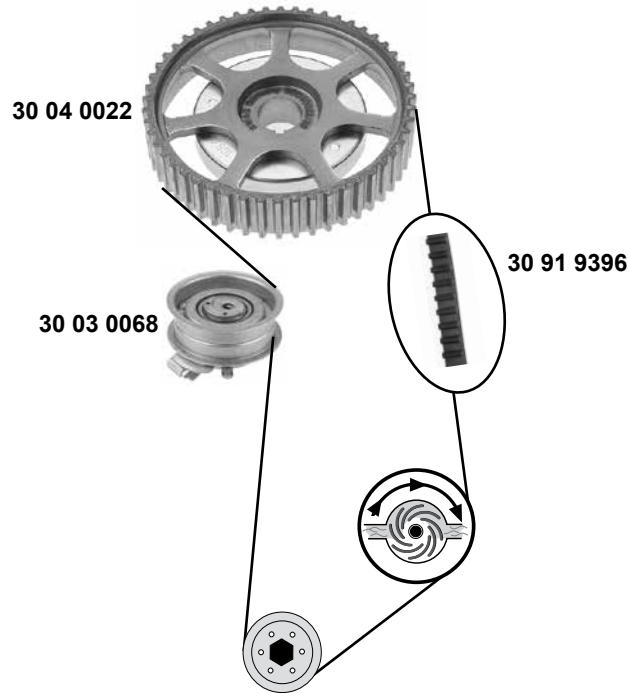
(02→)



**1,8**  
(AWT)

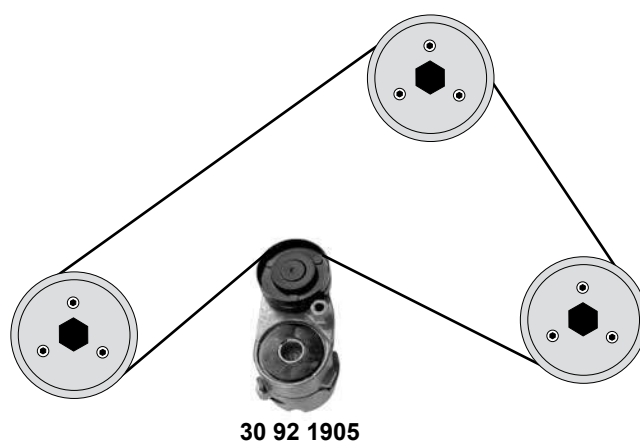
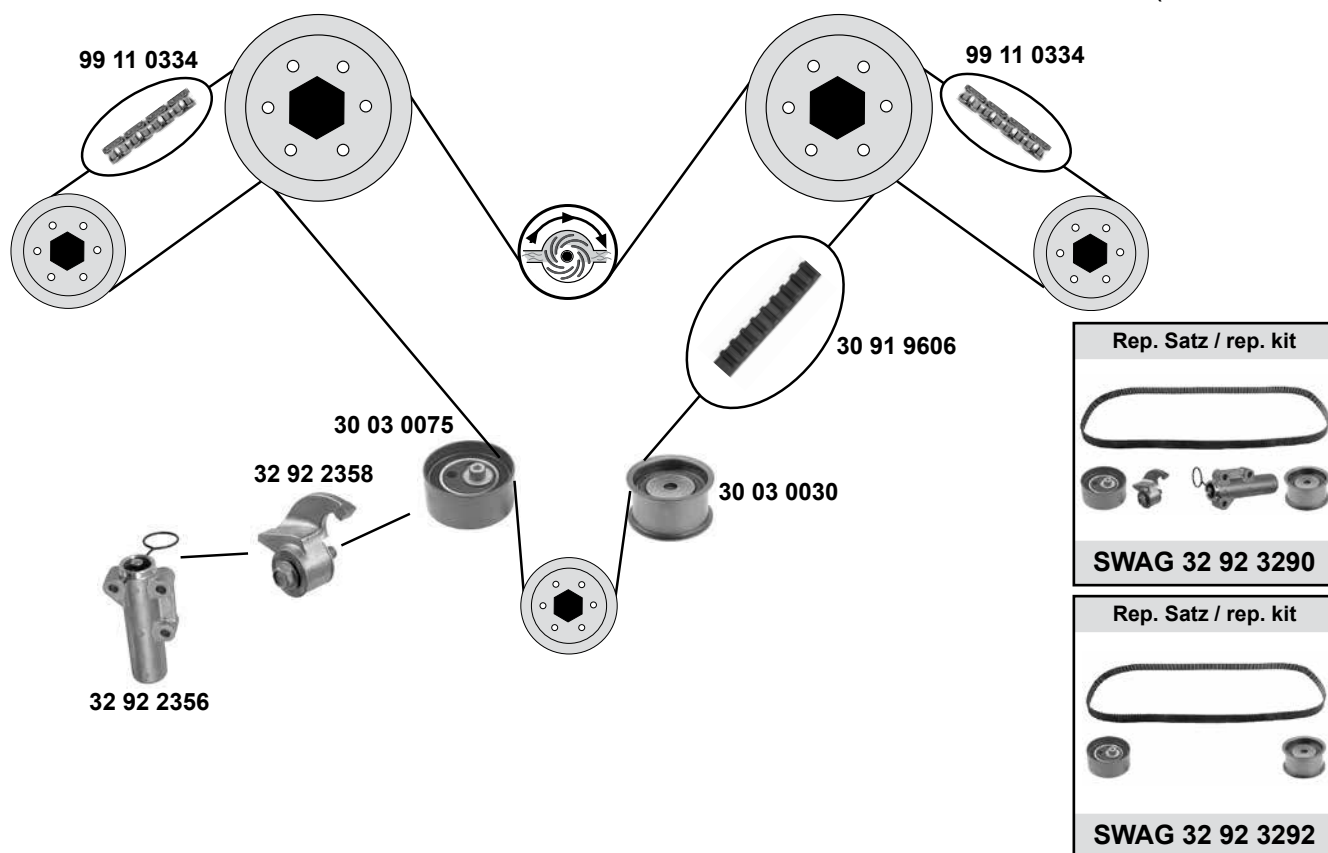


**2,0**  
(AZM)



SWAG GERMANY	Ref. - No.			
30 03 0068	06A 109 479 C	Spannrolle / tension roller		ØA 72 B38
30 04 0022	06A 109 105 C	Nockenwellenrad / camshaft gear		
30 91 8554	06B 109 243 B	Spannrolle / tension roller		ØA 72 B31
30 91 9292	06B 109 244	Umlenkrolle / deflection pulley		ØA 28,5 B27
30 91 9396	06A 109 119 C	Zahnriemen / timing belt		Z 138 B23
30 91 9546	06B 109 119 A	Zahnriemen / timing belt		Z 150 B23
30 92 2347	06B 109 477 A	Riemenspanner / belt tensioner		
32 92 3634	06A 198 119	Rep. Satz Zahnriemen / rep. kit timing belt		
32 92 3642	06B 109 119 F S4	Rep. Satz Zahnriemen / rep. kit timing belt		
99 11 0334	058 109 229 B	Steuerkette / timing chain		





<b>30 03 0030</b>	078 109 244 H	Umlenkrolle / deflection pulley
<b>30 03 0075</b>	078 109 243 R	Spannrolle / tension roller
<b>30 91 9606</b>	078 109 119 H	Zahnriemen / timing belt
<b>30 92 1905</b>	078 903 133 AB	Riemenspanner / belt tensioner
<b>32 92 2356</b>	078 109 479 E	Riemenspanner / belt tensioner
<b>32 92 2358</b>	078 109 487 A	Riemenspanner / belt tensioner
<b>32 92 3290</b>	078 198 479 S1	Rep. Satz Zahnriemen / rep. kit timing belt
<b>32 92 3292</b>	078 198 119	Rep. Satz Zahnriemen / rep. kit timing belt
<b>99 11 0334</b>	058 109 229 B	Steuerkette / timing chain

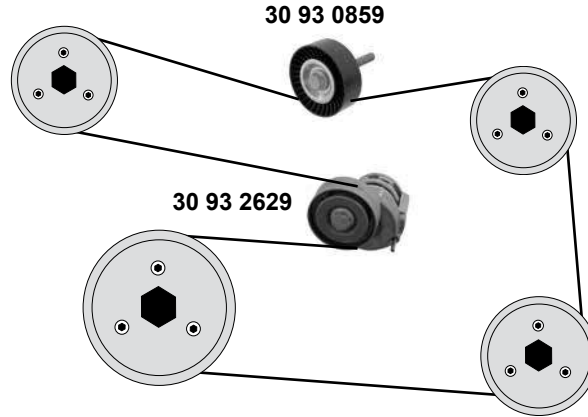
ØA 59 ØI 10 B31  
ØA 73,2 B32  
Z 253

# SKODA Superb/combi/4x4 (3T)

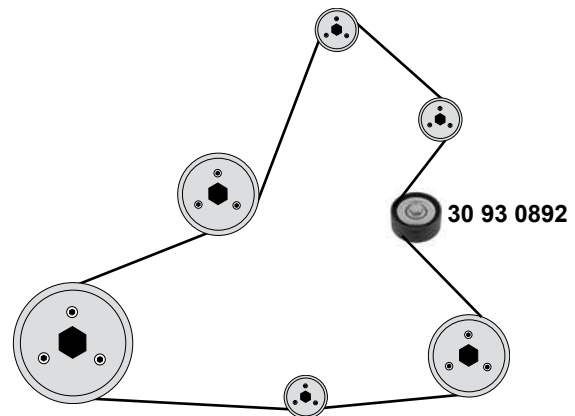
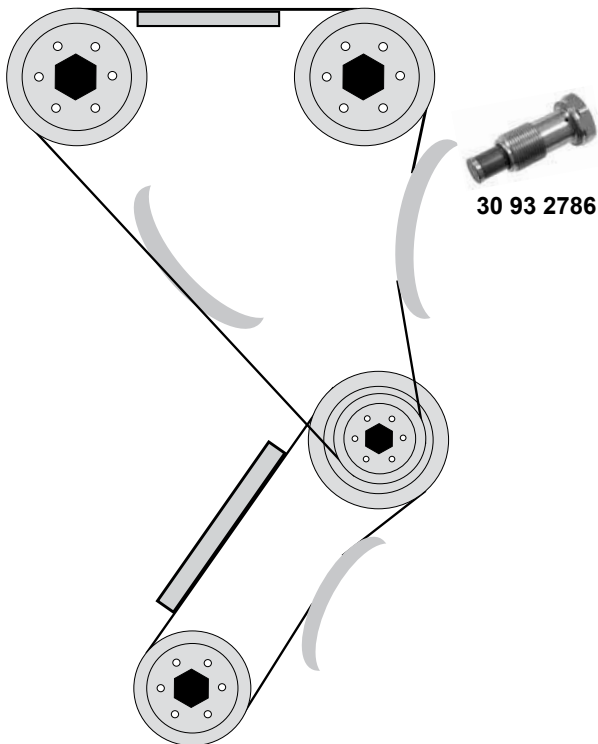
(08→)



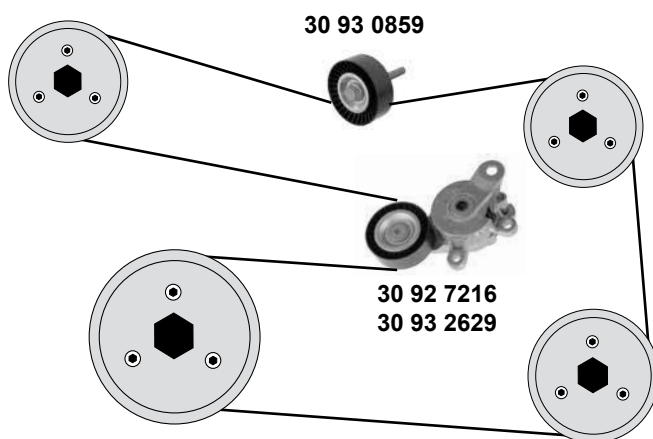
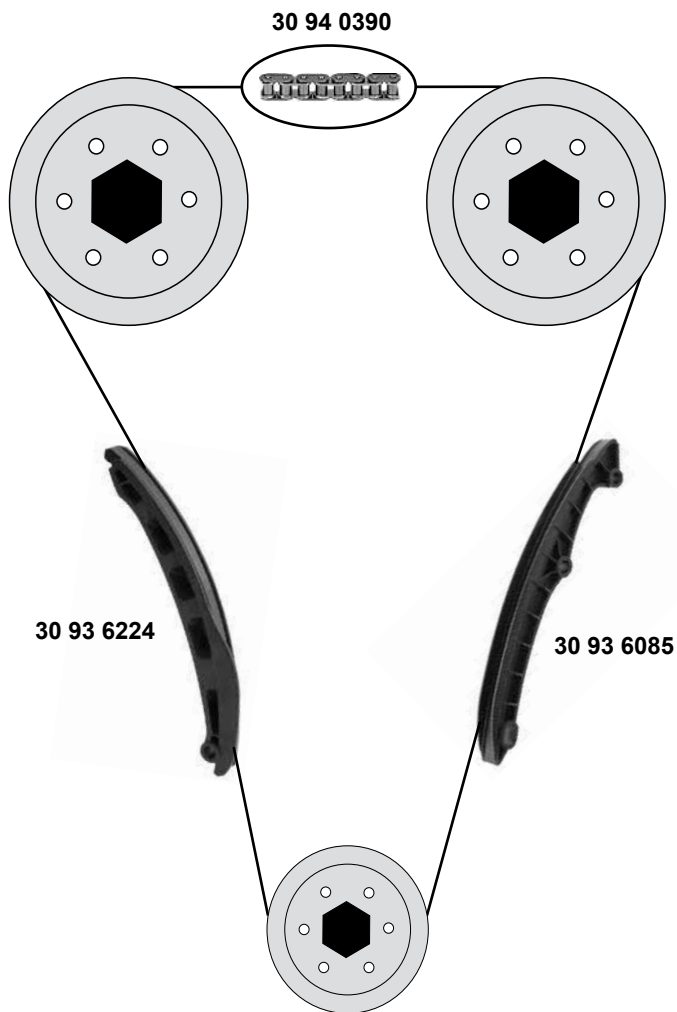
**1,4**  
(CAXA / CAXC)



**3,6 FSi**  
(CDVA)



SWAG GERMANY	Ref. - No.			
30 93 0859	1J0 145 276	Umlenkrolle / deflection pulley	AC	ØA 65 B28
30 93 0892	022 145 276 A	Umlenkrolle / deflection pulley	(ex.) CAXC/Yeti AC	
30 93 2629	03C 145 299 Q	Riemenspanner / belt tensioner	hydraulic	
30 93 2786	03H 109 507	Kettenspanner / chain tensioner		



<b>30 92 7216</b>	6Q0 145 299	Riemenspanner / belt tensioner
<b>30 93 0859</b>	1J0 145 276	Umlenkrolle / deflection pulley
<b>30 93 2629</b>	03C 145 299 Q	Riemenspanner / belt tensioner
<b>30 93 6085</b>	03C 109 469 K	Gleitschiene/ sliding rail
<b>30 93 6224</b>	03C 109 509 P	Gleitschiene/ sliding rail
<b>30 94 0390</b>	03C 109 158 A	Steuerkette / timing chain

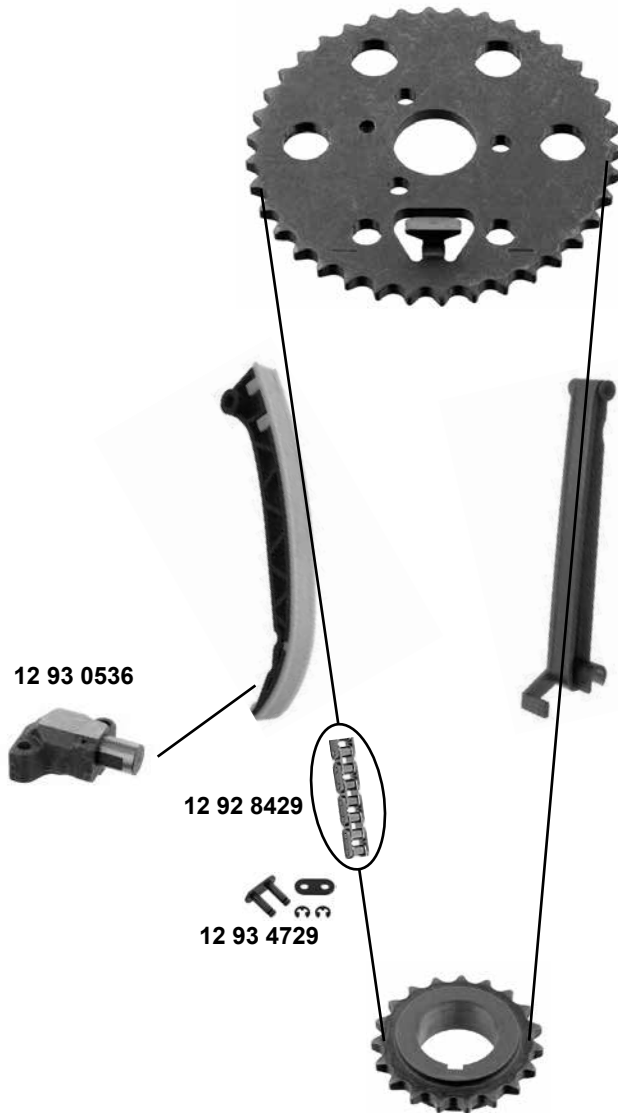
# SMART Fortwo / Roadster (BM 450/452)

(98→2007)



**0,6**

(M 160.450,452 )

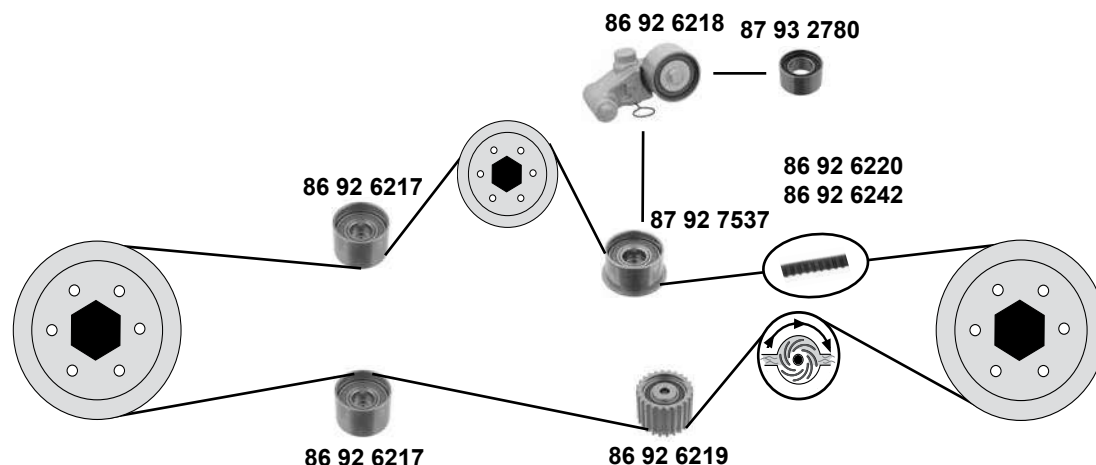


SWAG GERMANY	Ref. - No.			
12 92 8429	0007680V001	Steuerkette / timing chain		
12 93 0536	160 050 02 11	Kettenspanner / chain tensioner		
12 93 4729	0007681V001000000	Kettenglied für Federverschluß / chain link with split link		
99 13 0644	160 050 02 69	Rep. Satz Steuerkette / rep. kit timing chain		G53HP 110 E

### 2,0 16V

(mot.) EJ20J / 90 kW

(mot.) EJ20J / 92 kW



Rep. Satz / rep. kit



SWAG 87 92 7543

Rep. Satz / rep. kit



SWAG 87 92 7546



(1) (mot.) 2,0 SOHC (EJ20J) / 2,0 SOHC (EJ202) / 2,0 DOHC (EJ205)



Ref. - No.



Ref. - No.	Description	Part No.	Notes
86 92 6217	Umlenkrolle / deflection pulley	13073AA142	
86 92 6218	Spannrolle / tension roller	13033AA042	
86 92 6219	Umlenkrolle / deflection pulley	13085AA080	
86 92 6220	Zahnriemen / timing belt	13028AA102	(mot.) 90kW
86 92 6242	Zahnriemen / timing belt	13028AA230	(mot.) 92kW
87 92 7537	Umlenkrolle / deflection pulley	13073AA190	(mot.) 92kW
87 92 7543	Rep. Satz Zahnriemen / rep. kit timing belt	13028AA102 S2	(mot.) 90kW
87 92 7546	Rep. Satz Zahnriemen / rep. kit timing belt	13028AA230 S1	(mot.) 92kW
87 93 2780	Spannrolle / tension roller	13033AA042 S1	(1)

# SUBARU Forester II (S11)

(02→)



## 2,5 16V

(mot.) 251/155 kW

(12/03→)

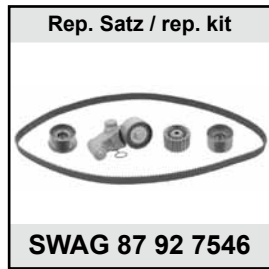
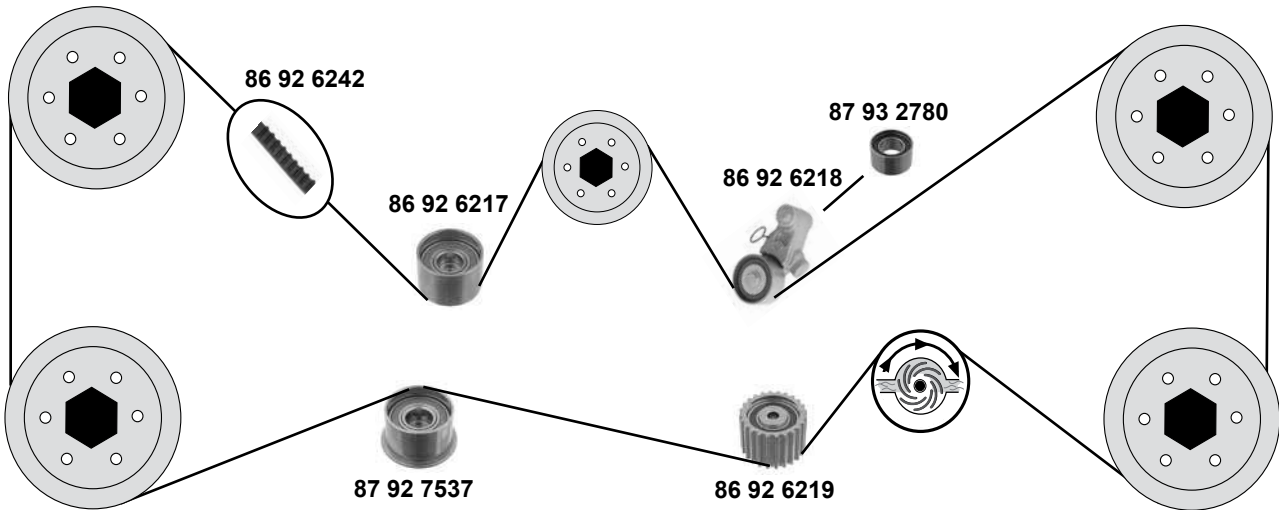
## 2,0 16V

(mot.) 201/92 kW

(09/02→)

(mot.) 253/169 kW

(09/05→)



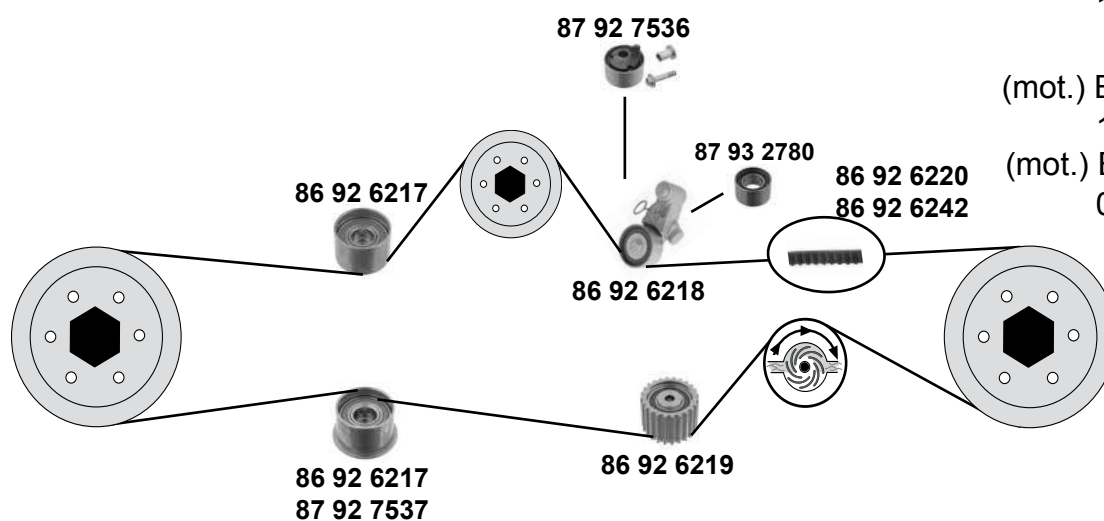
(1) 05/02→01/08 (mot.) 2,0 SOHC (EJ201) / 2,0 DOHC (EJ204/5)  
(mot.) 2,5 SOHC (EJ251/3) / 2,5 DOHC (EJ255)



Ref. - No.



<b>86 92 6217</b>	13073AA142	Umlenkrolle / deflection pulley		ØA 60 B35
<b>86 92 6218</b>	13033AA042	Spannrolle / tension roller		ØA 60 B34
<b>86 92 6219</b>	13085AA080	Umlenkrolle / deflection pulley		ØA 60 B35 Z 24
<b>86 92 6242</b>	13028AA230	Zahnriemen / timing belt		Z 223 B27
<b>87 92 7537</b>	13073AA190	Umlenkrolle / deflection pulley		ØA 60 B35 Z 24
<b>87 92 7546</b>	13028AA230 S1	Rep. Satz Zahnriemen / rep. kit timing belt		Z 223 B27
<b>87 93 2780</b>	13033AA042 S1	Spannrolle / tension roller	(1)	ØA60 B34

**1,6**(mot.) EJ16E/66 kW  
10/96→06/98(mot.) EJ161/70 kW  
12/96→12/00**1,8**(mot.) EJ18E/76 kW  
10/96→06/98(mot.) EJ181/76 kW  
12/96→12/00**2,0**(mot.) EJ20E/90 kW  
10/96→06/98(mot.) EJ201/92 kW  
06/98→12/00

(1) EJ18E / EJ20E / EJ22E,94+96 kW

(2) EJ18E,76 kW / EJ20E,85 kW / EJ22E, 94+96 kW

(3) (mot.) 1,6 SOHC (EJ16E/161)

(mot.) 2,0 SOHC (EJ20E/201)

(mot.) 1,8 SOHC (EJ18E/181)

(mot.) 2,0 DOHC (EJ20G/205)



Ref. - No.	Part Name	Quantity	Part Name
86 92 6217	Umlenkrolle / deflection pulley		ØA 60 B35
86 92 6218	Spannrolle / tension roller	(2)	ØA 60 B34
86 92 6219	Umlenkrolle / deflection pulley		ØA 60 B35 Z 24
86 92 6220	Zahnriemen / timing belt	(2)	Z 211 B30
86 92 6242	Zahnriemen / timing belt	(1)	Z 223 B27
87 92 7536	Spannrolle / tension roller	(2)	
87 92 7537	Umlenkrolle / deflection pulley	(1)	ØA 60 B35 Z 24
87 92 7542	Rep. Satz Zahnriemen / rep. kit timing belt	(2) ( 92 → 97 )	Z 211 B30
87 92 7546	Rep. Satz Zahnriemen / rep. kit timing belt	(1)	Z 223 B27
87 92 7543	Rep. Satz Zahnriemen / rep. kit timing belt	(2) ( 96 → 98 )	Z 211 B30
87 93 2780	Spannrolle / tension roller	(3)	ØA 60 B34

# SUBARU

## Impreza II (G11)

(00→)



### 1,6

(mot.) 161 / 70 kW

12/00→

### 2,0

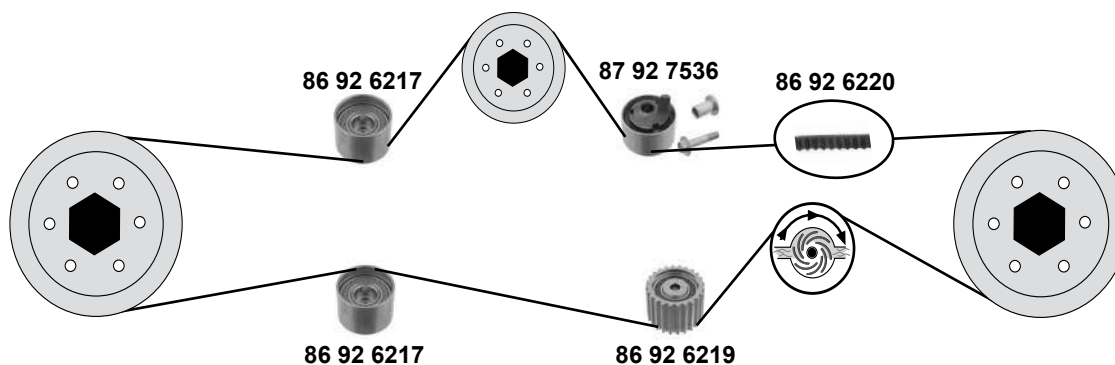
(mot.) 201 / 96 kW

12/00→

### 2,5

(mot.) 251

12/00→



Ref. - No.

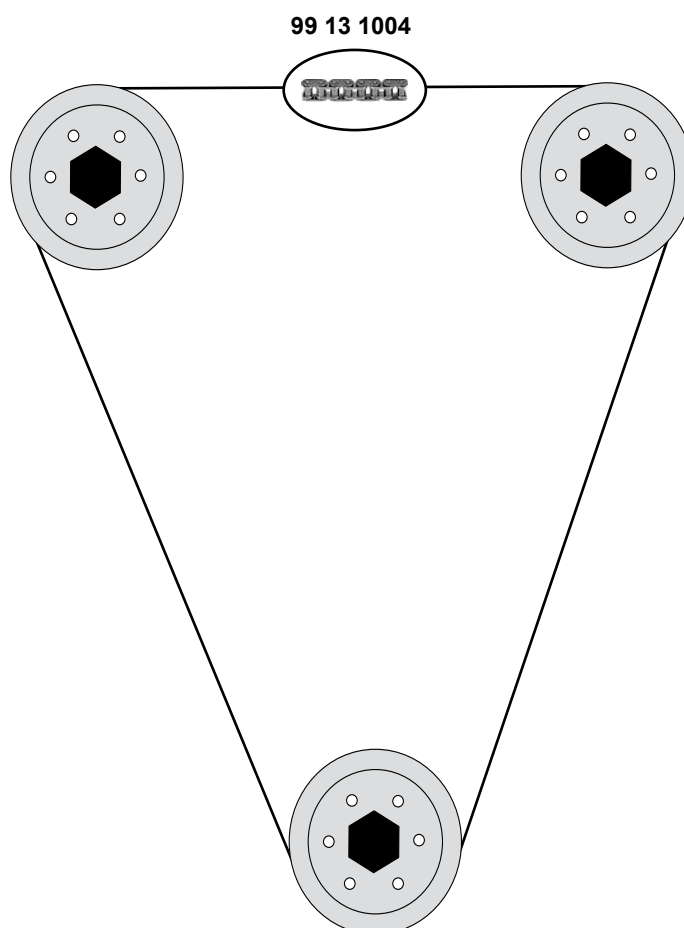


86 92 6217	13073AA142
86 92 6219	13085AA080
86 92 6220	13028AA102
87 92 7536	13069AA037

Umlenkrolle / deflection pulley
Umlenkrolle / deflection pulley
Zahnriemen / timing belt
Spannrolle / tension roller

ØA 60 B35
ØA 60 B35 Z 24
Z 211





# SUBARU

## Legacy I / II (B10)

(89→98)



**1,6**

(mot.) J16 / 90 kW

(05/89→09/94)

**1,8**

(mot.) EJ18 / 76 kW

(05/89→09/94)

**2,0**

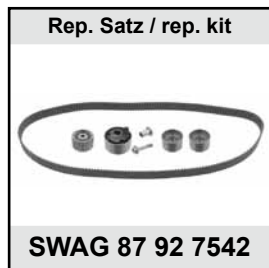
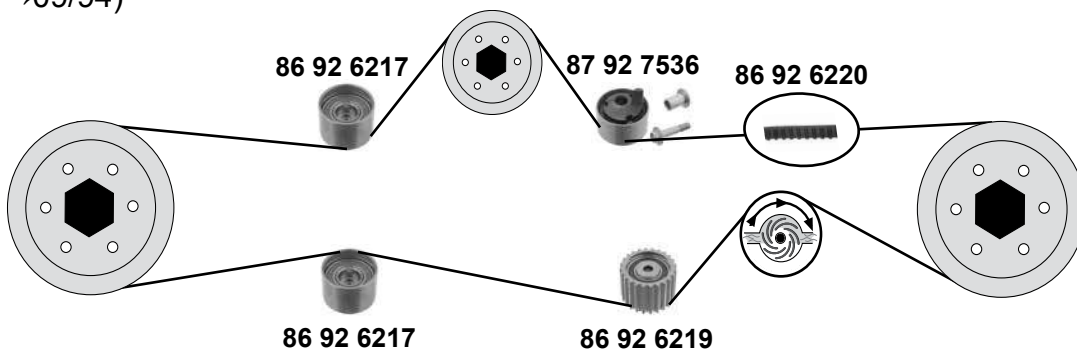
(mot.) EJ20 / 85kW

(05/89→09/94)

**2,2**

(mot.) EJ22 / 100kW

(05/89→09/94)



(1) EJ18E / EJ20E / EJ22E,94+96 kW



Ref. - No.



<b>86 92 6217</b>	13073AA142
<b>86 92 6219</b>	13085AA080
<b>86 92 6220</b>	13028AA102
<b>87 92 7536</b>	13069AA037
<b>87 92 7542</b>	13028AA102 S1

Umlenkrolle / deflection pulley
Umlenkrolle / deflection pulley
Zahnriemen / timing belt
Spannrolle / tension roller
Rep. Satz Zahnriemen / rep. kit timing belt

(1)

ØA 60 B35
ØA 60 B35 Z24
Z 211 B30
ØA 70 B34
Z 211 B30

**1,8**

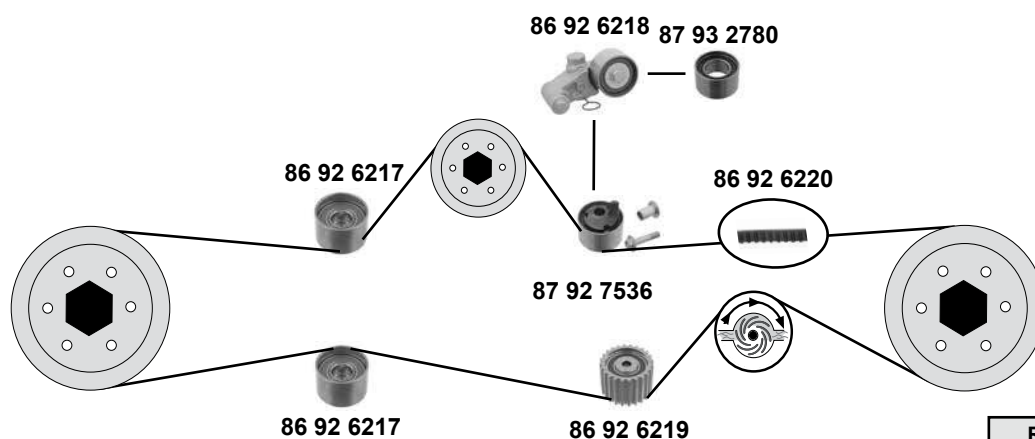
(mot.) EJ18E/76 kW

**2,0**

(mot.) EJ20E/85kW

**2,2**

(mot.) EJ22E/100 kW



Rep. Satz / rep. kit

**SWAG 87 92 7542**

Rep. Satz / rep. kit

**SWAG 87 92 7543**

(1) EJ18E / EJ20E / EJ22E,94+96 kW

(2) EJ18E,76 kW / EJ20E,85 kW / EJ22E,  
94+96 kW
 (3) 08/93→11/98 (mot.) 1,8 SOHC (EJ18E)  
 (mot.) 2,0 SOHC (EJ20E)  
 (mot.) 2,2 SOHC (EJ22E)  
 (mot.) 2,5 DOHC (EJ25D)


Ref. - No.



Ref. - No.	Description	Quantity	Part Number
86 92 6217	Umlenkrolle / deflection pulley		ØA 60 B35
86 92 6218	Spannrolle / tension roller	(2)	ØA 60 B34
86 92 6219	Umlenkrolle / deflection pulley		ØA 60 B35 Z24
86 92 6220	Zahnriemen / timing belt		Z 211 B30
87 92 7536	Spannrolle / tension roller	(1)	ØA 70 B34
87 92 7542	Rep. Satz Zahnriemen / rep. kit timing belt		Z 211 B30
87 92 7543	Rep. Satz Zahnriemen / rep. kit timing belt		ØA 60 B34
87 93 2780	Spannrolle / tension roller	(3)	ØA60 B34

# SUBARU

## Legacy III (B12) / IV (B13)

(99→)



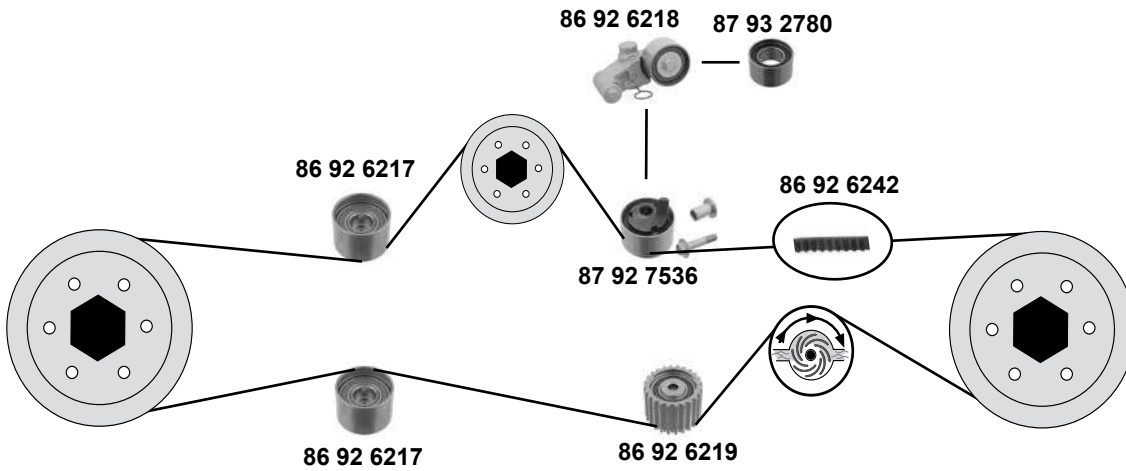
**2,0**

(mot.) EJ201 / 92 kW

04/99→

(mot.) 202 / 101 kW

09/03→



(1) Legacy (B12) 11/98→06/03 2,0 SOHC (EJ201)  
2,5 SOHC (EJ251)

(2) Legacy (B13) 06/03→09/09 2,0 SOHC (EJ202)  
2,0 DOHC (EJ204)  
2,0 DOHC (EJ20X)  
2,0 DOHC (EJ20Y)  
2,5 SOHC (EJ252/253)  
2,5 DOHC (EJ255)



Ref. - No.

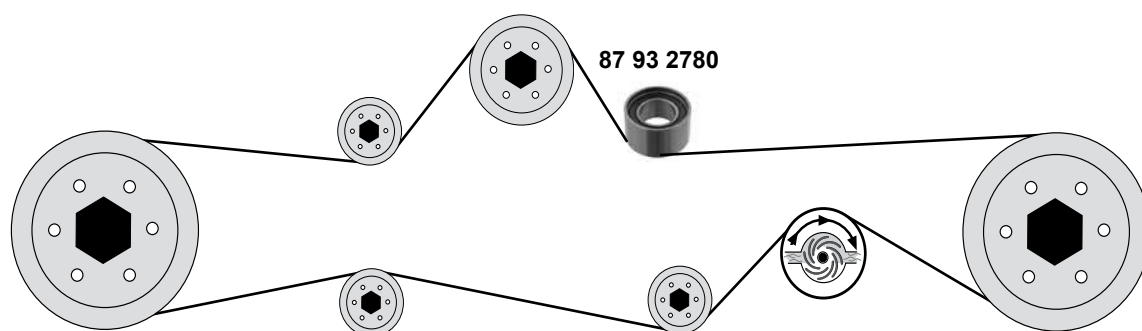


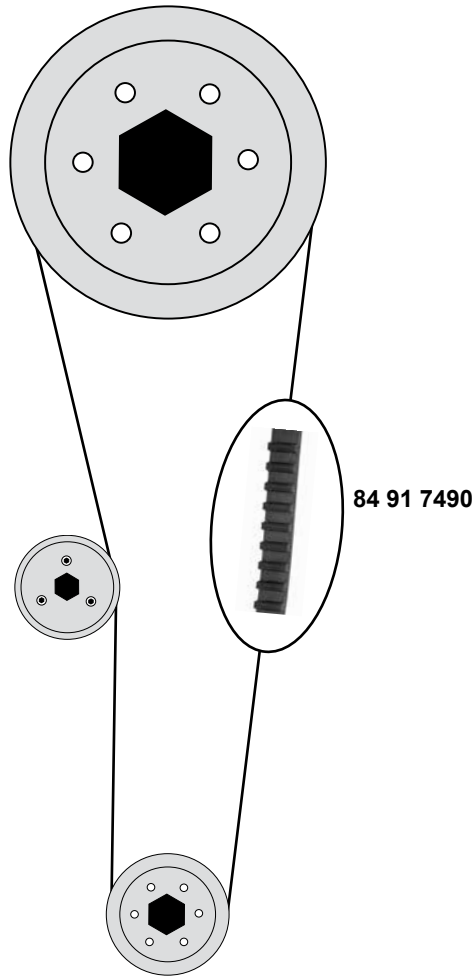
<b>86 92 6217</b>	13073AA142	Umlenkrolle / deflection pulley		ØA 60 B35
<b>86 92 6218</b>	13033AA042	Spannrolle / tension roller		
<b>86 92 6219</b>	13085AA080	Umlenkrolle / deflection pulley		ØA 60 B35 Z 24
<b>86 92 6242</b>	13028AA230	Zahnriemen / timing belt		Z 223 B2
<b>87 92 7536</b>	13069AA037	Spannrolle / tension roller		
<b>87 92 7546</b>	13028AA230 S1	Rep. Satz Zahnriemen / rep. kit timing belt		Z 223 B27
<b>87 93 2780</b>	13033AA042 S1	Spannrolle / tension roller	(1) (2)	ØA 60 B34

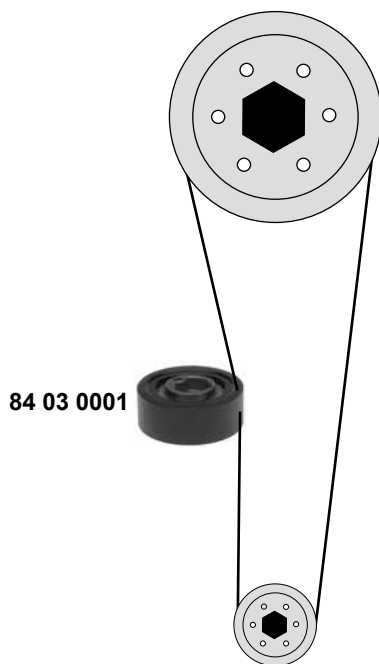
**2,5**

(mot.) EJ252/253

(mot.) EJ255



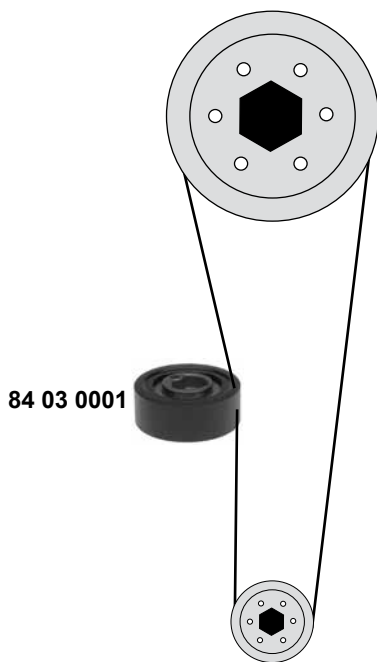




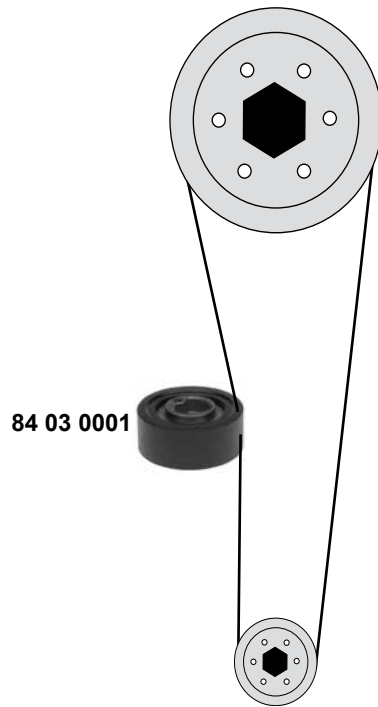
**Swift I**

(83→89)

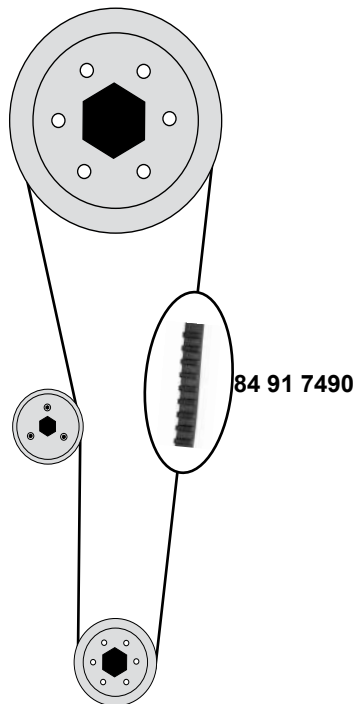
**1,0 / 1,3 8V**  
(ex.GTI)



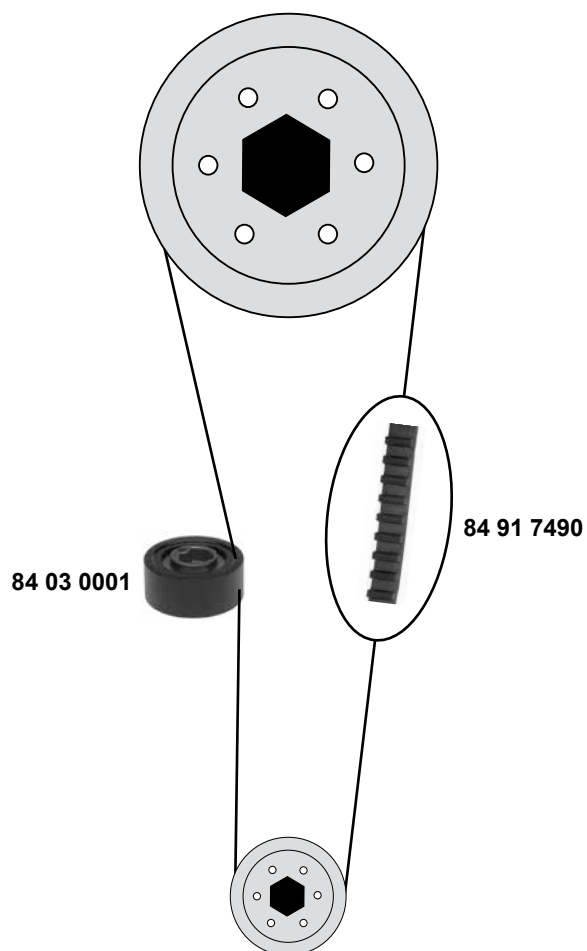
**1,3 8V**

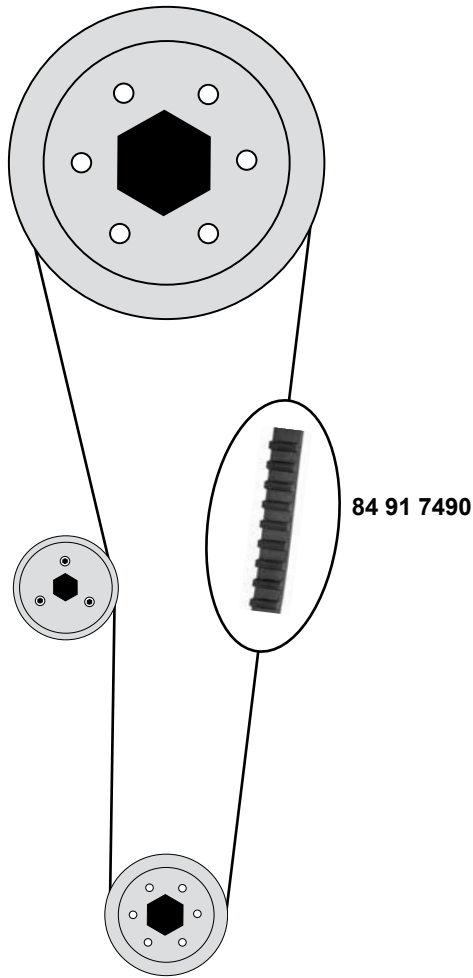


**1,6 16V**

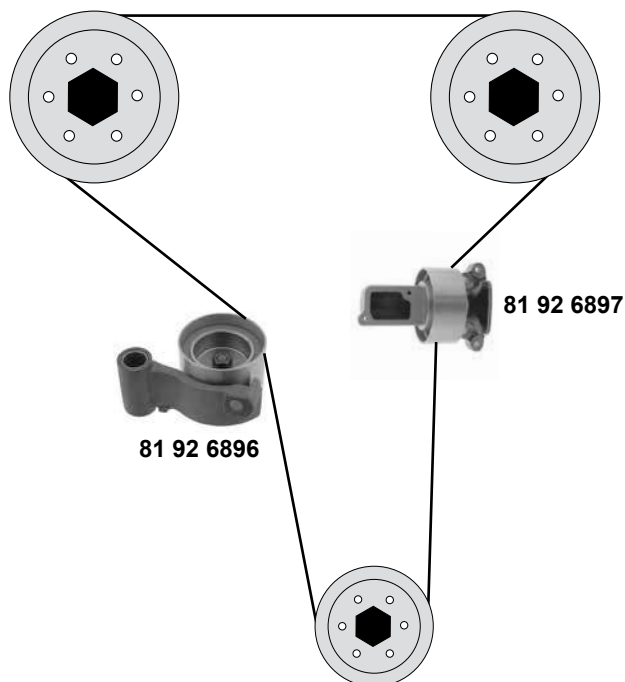




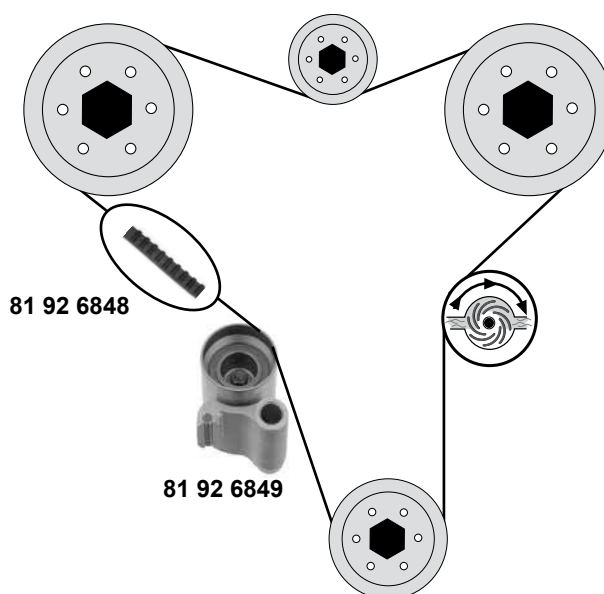




**3,0 12 V**  
(3VZE)



**4 Runner (VZN)**  
(11/95→11/02)  
**3,4 24 V**  
(5VZFE)

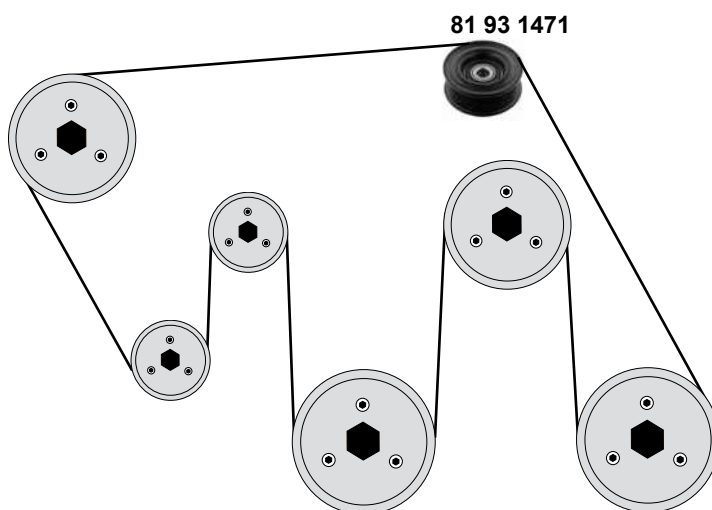
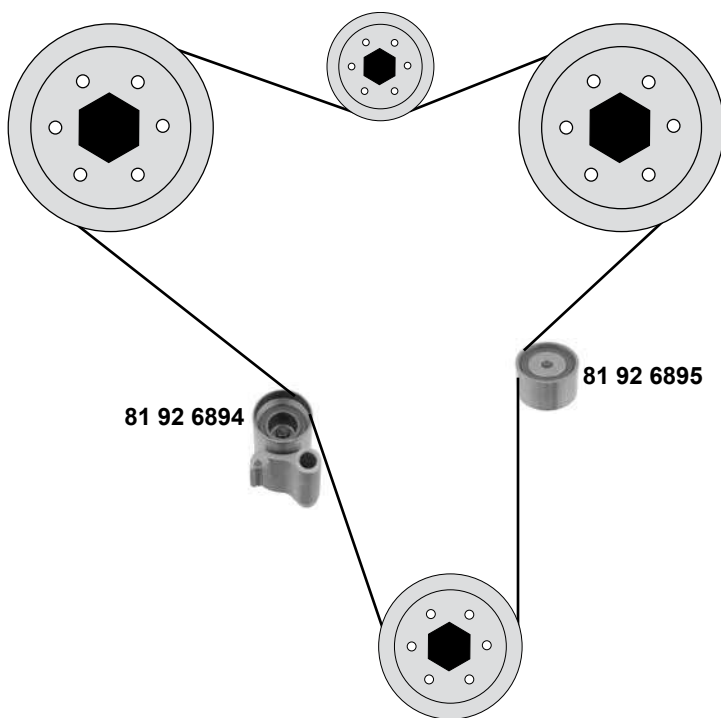


# TOYOTA 4 Runner (VZN)

(08/02→)



**4,7 32 V**  
(2UZFE)



Ref. - No.



81 92 6894	13505-50030
81 92 6895	13503-50011
81 93 1471	16604-50030

Spannrolle / tension roller
Umlenkrolle / deflection pulley
Umlenkrolle / deflection pulley

ØA 62 B37,5
ØA 66 B37,5
ØA 75 H29

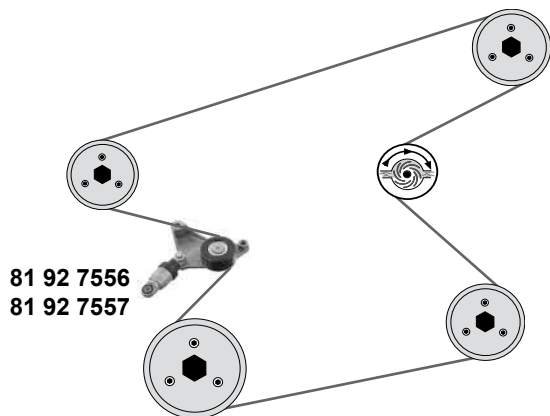


**TOYOTA**

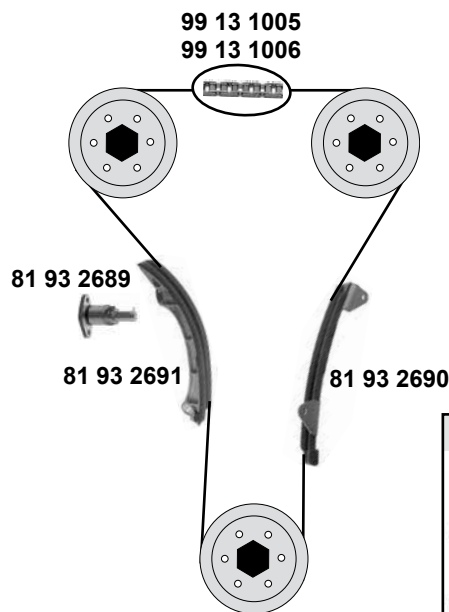
**Aurion ( ACV 40 ) / Auris (ACV 40)**

(06/07→03/07) / (10/06→)

**1,4 / 2,4**  
(4ZZFE / 2AZFE)



**1,4 / 1,6 / 1,8**  
(4ZZFE/1ZRFE/2ZRFE)

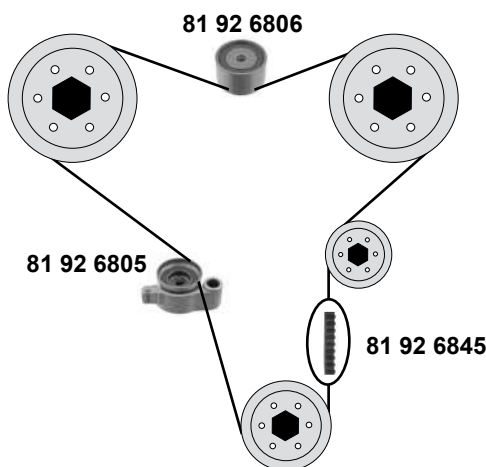


**Avalon (X10 / X20)**

(94→)

**3,0 24 V**

(1MZFE)



(1) Modell X10 09/94→08/99 / 04/00→

(2) Modell MCX10 09.94→  
Modell MCX2008.99→01.05

(3) Modell ZZE150 1,4 16V→10.08

(4) Modell ZRE151 1,6 16V 10.06→  
1,8 16V 05.07



Ref. - No.



81 92 6805	13505-20030	Spannrolle / tension roller	(1)	ØA 62 B36,5
81 92 6806	13503-62030	Umlenkrolle / deflection pulley	(1)	ØA 62 B36,5
81 92 6845	13568-29025	Zahnriemen / timing belt	(2)	Z 211 B32
81 92 7556	16620-28070	Riemenspanner / belt tensioner	Aurion	ØA 70 B31,5
81 92 7557	16620-22013	Spannrolle / tension roller	Auris	ØA 70 B26
81 93 2689	13540-22022	Kettenspanner / chain tensioner	(3) Auris	
81 93 2690	13561-22020	Gleitschiene / sliding rail	(3) Auris	
81 93 2691	13559-22011	Führungsschiene / timing chain guide	(3) Auris	
99 13 1005	13506-22030	Steuerkette / timing chain	(4) Auris	140 E
99 13 1006	13506-22030	Steuerkette / timing chain	(3) Auris	130 E
99 13 2692	13506-22030 S1	Rep. Satz Steuerkette / rep. kit timing chain	(3) Auris	

# TOYOTA

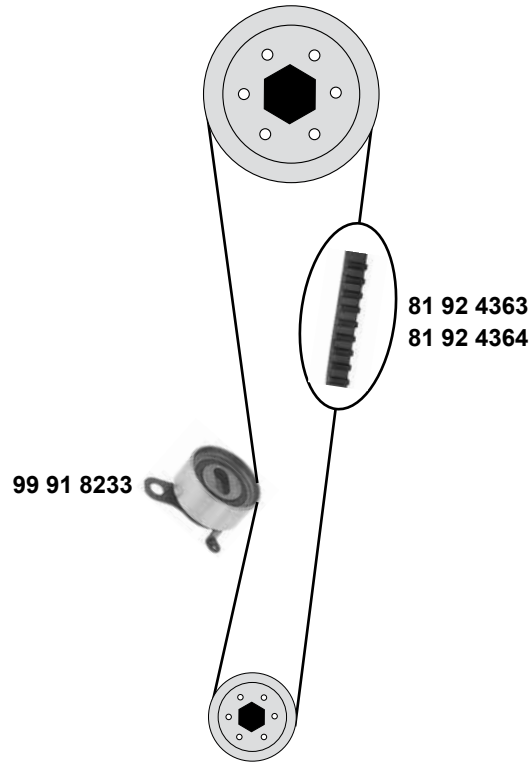
## Avensis (T22)

(97→03)



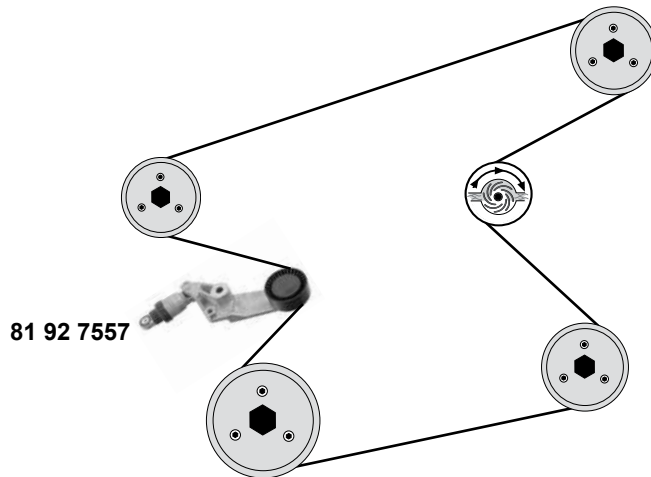
**1,6**  
(4AFE)

**1,8**  
(7AFE)



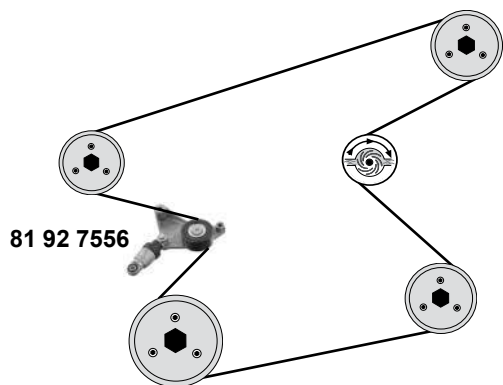
**1,6**  
(1ZZFE)

**1,8**  
(1ZZFE)

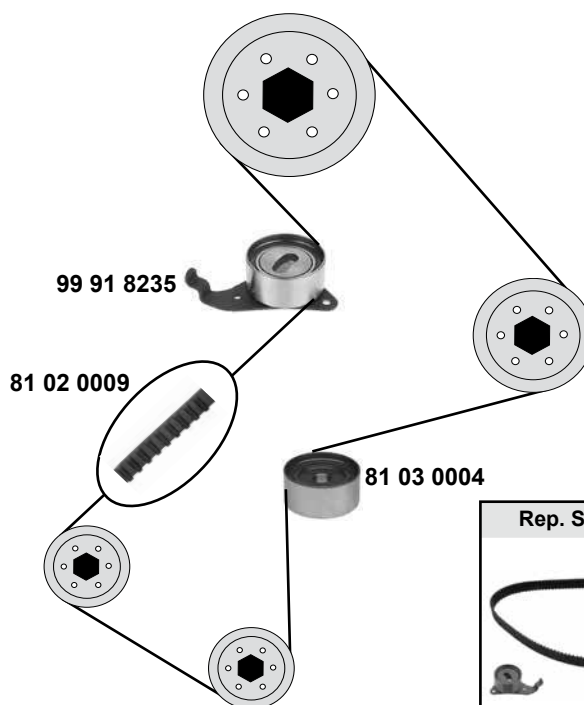


SWAG GERMANY	Ref. - No.			
81 92 4363	13568-09020	Zahnriemen / timing belt	(mot.) 1,6 10/97→07/00	Z 117 B21
81 92 4364	13568-09030	Zahnriemen / timing belt	(mot.) 1,8 10/97→07/00	Z 117 B21
81 92 4788	13568-09020 S1	Rep.Satz Zahnriemen / rep.kit timing belt	(mot.) 1,6 10/97→07/00	Z 117 B21
81 92 4789	13568-09030 S1	Rep.Satz Zahnriemen / rep.kit timing belt	(mot.) 1,8 10/97→07/00	Z 121 B21
81 92 7557	16620-22013	Spannrolle / tension roller	07/00→01/03	A 70 B26
99 91 8233	13505-15060	Spannrolle / tension roller		ØA 57 B25

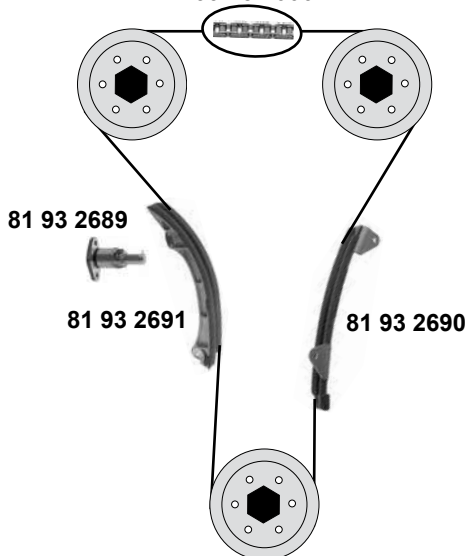
**2,0 16V**  
(1AZFSE)



**2,0 16V**  
(3SFE)



99 13 1006



**(ZZT220,221,230)**  
**1,6 / 1,8 16V**  
(3ZZFE, 1ZZFE)



(1) Modell: (ZZT220,221) 07/00→01/03

Modell: (ZZT250/251) 01/03→04.06



Ref. - No.



81 02 0009	13568-09041	Zahnriemen / timing belt		Z 163 B26,7
81 03 0004	13503-63011	Umlenkrolle / deflection pulley		ØA 57,5 B29
81 92 4790	13568-09041S1	Rep. Satz Zahnriemen / rep. kit timing chain		Z 163 B26,7
81 92 7556	16620-28070	Riemenspanner / belt tensioner	07/00→01/03	ØA 70 B31,5
81 93 2689	13540-22022	Kettenspanner / chain tensioner	(1)	130 E
81 93 2690	13561-22020	Gleitschiene / sliding rail	(1)	
81 93 2691	13559-22011	Führungsschiene / timing chain guide	(1)	
99 13 1006	13506-22030	Steuerkette / timing chain	(1)	
99 13 2692	13506-22030 S1	Rep. Satz Steuerkette / rep. kit timing chain	(1)	
99 91 8235	13505-74011	Spannrolle / tension roller		ØA 57,5 B29

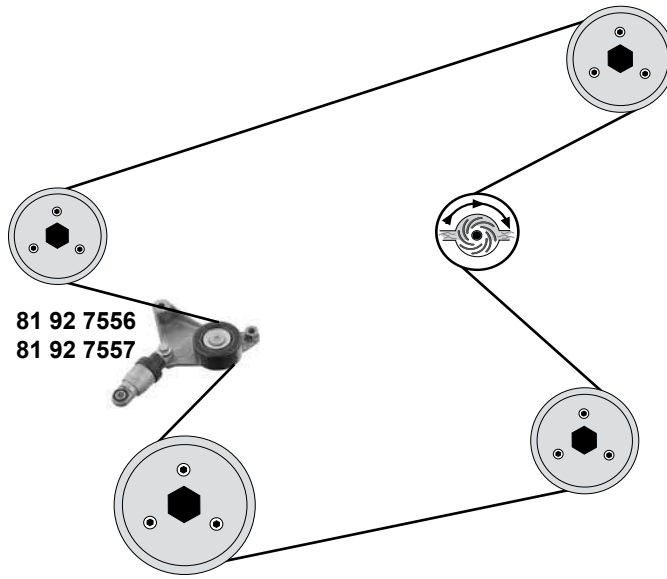
# TOYOTA

## Avensis (T25) /Avensis Verso (M20)

(06/07→03/07) (01→)



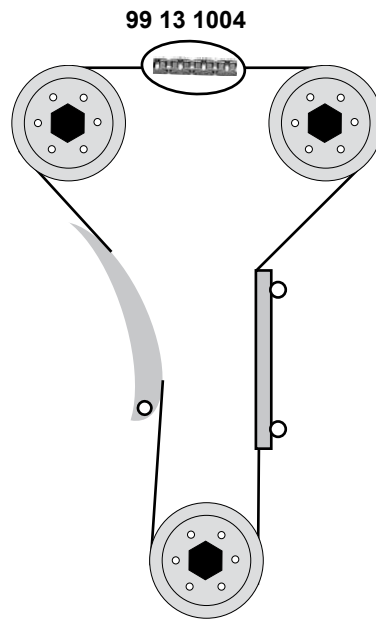
**1,6 / 1,8**  
(1ZZFE / 3ZZFE)  
**2,0 16V**  
(1AZFSE)



## Aygo (KGB10)

(02/05→)

**1,0**  
(1KRFE)



- (1) Avensis (T25) (mot.) 2,0→03/07 / Avensis Verso (M20) (mot.) 2,0 05/01→03/07
- (2) Avensis (T25) (mot.) 1,6 / 1,8 01/03→



Ref. - No.



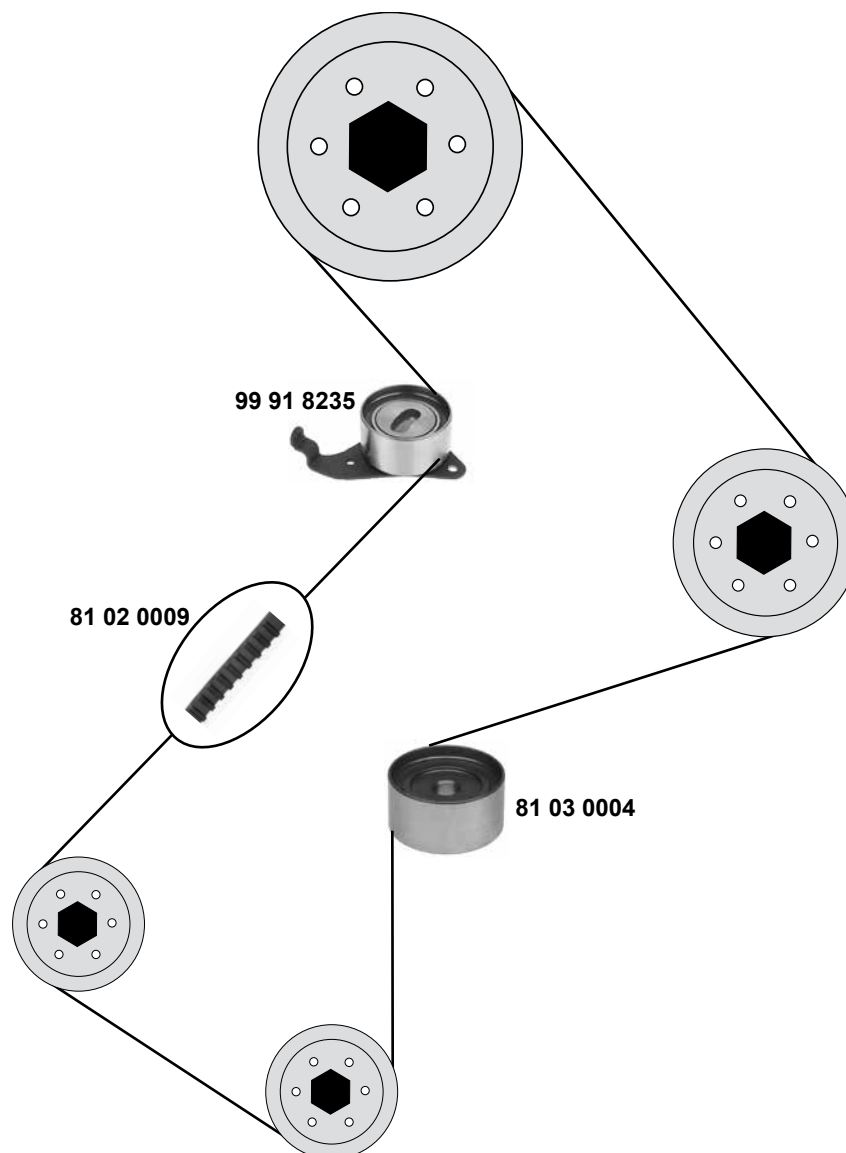
**81 92 7556** 16620-28070  
**81 92 7557** 16620-22013  
**99 13 1004** 13506-0Q010

Riemenspanner / belt tensioner  
Spannrolle / tension roller  
Steuerkette / timing chain

(1)  
(2)

ØA 70 B31,5  
ØA 70 B26  
Z 94 B19





Rep. Satz / rep. kit



SWAG 81 92 4790

(1) 2,2 16V (mot.) 5FSE Modell: (V10) 91→96  
Modell: (V20) 96→01

(2) 2,0 16V (mot.) 3FSE Modell: (V2) 86→91  
2,2 16V (mot.) 5FSE Modell: (V10) 91→96  
2,2 16V (mot.) 5FSE Modell: (V20) 96→01



Ref. - No.



Ref. - No.	Part Name	Quantity	Notes
81 02 0009	Zahnriemen / timing belt	(1)	Z 163 B26,7
81 03 0004	Umlenkrolle / deflection pulley	(2)	ØA 57,5 B29
81 92 4790	Rep. Satz Zahnriemen / rep. kit timing chain	(ex.)	Mod. V2 / (mot.) 3FSE
99 91 8235	Spannrolle / tension roller	(2)	ØA 57,5 B29

# TOYOTA

## Camry (V10/V20/V21/V30/V31/V36/V40/V41)

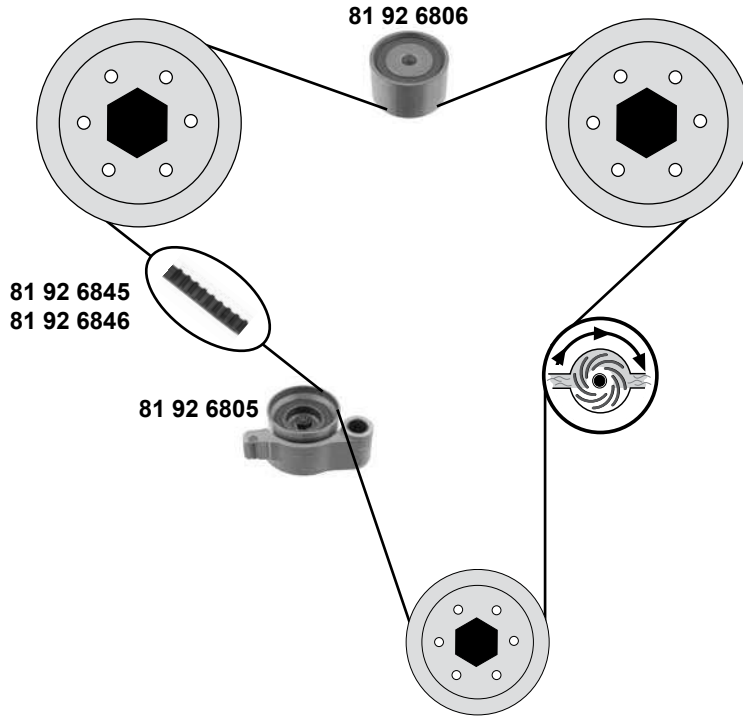
(91→06)



**2,5** (2VZFE)

**3,0** (1MZFE / 3VZFE)

**3,3** (3MZFE)



**2,0** (1AZFE)

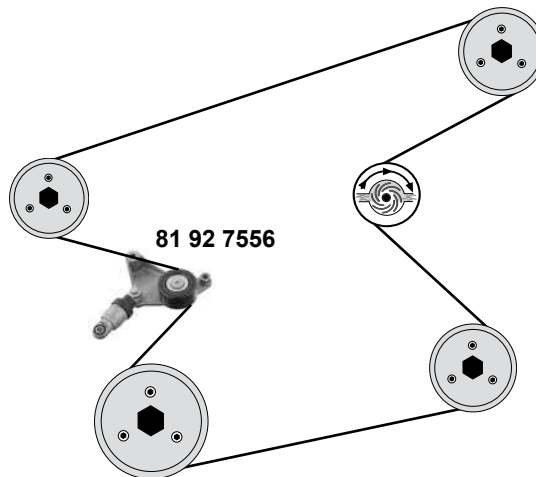
**(V30/V31)**

07/01→

**2,4** (2AZFE)

**(V36)** 08/02→

**(V40/V41)** 05/06→03/07



(1) Modell ( MCV/V10 ) (mot.) **1MZFE** 09/93→07/96  
 Modell ( MCV/V20 ) (mot.) **1MZFE** 08/96→09/01  
 Modell ( MCV/V31 ) (mot.) **3MZFE** 07/01→01/06  
 Modell ( MCV/V30/36 ) (mot.) **1MZFE** 08/01→01/06

(2) Modell ( MCV10 ) (mot.) **3VZFE** 06/91→08/96  
 Modell ( V21 ) (mot.) **2VZFE** 06/91→09/91



Ref. - No.



<b>81 92 6805</b>	13505-20030
<b>81 92 6806</b>	13503-62030
<b>81 92 6845</b>	13568-29025
<b>81 92 6846</b>	13568-62030
<b>81 92 7556</b>	16620-28070

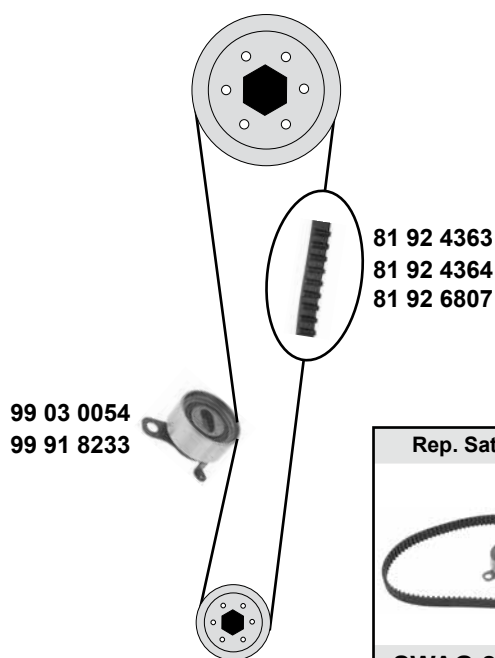
Spannrolle / tension roller
Umlenkrolle / deflection pulley
Zahnriemen / timing belt
Zahnriemen / timing belt
Riemenspanner / belt tensioner

(1) (2)
(1) (2)
(1)
(1) (2)

ØA 62 B36,5
ØA 62 B36,5
Z 211 B32
Z 191 B32
ØA 70 B31,5

**1,6** (4AF / 4AFE)

**1,8** (7AFE)



Rep. Satz / rep. kit



**SWAG 81 92 4788**

Rep. Satz / rep. kit



**SWAG 81 92 4789**

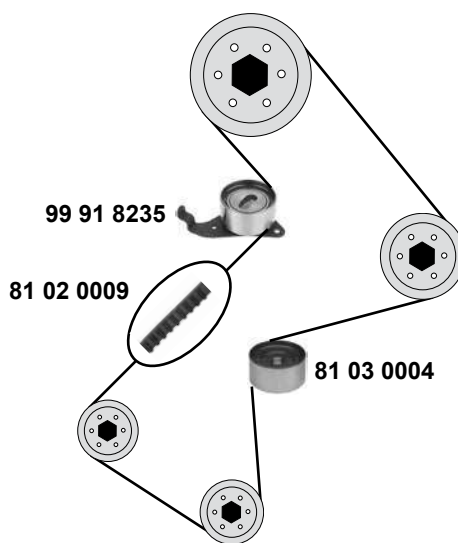
Rep. Satz / rep. kit



**SWAG 81 92 6902**

**2,0 16 V**

(3SFE)



Rep. Satz / rep. kit



**SWAG 81 92 4790**



(1) Modell: T17 87→92

Modell: T19 92→

(2) (mot.) 1,6 12/92→

(mot.) 1,8 10/94→



Ref. - No.

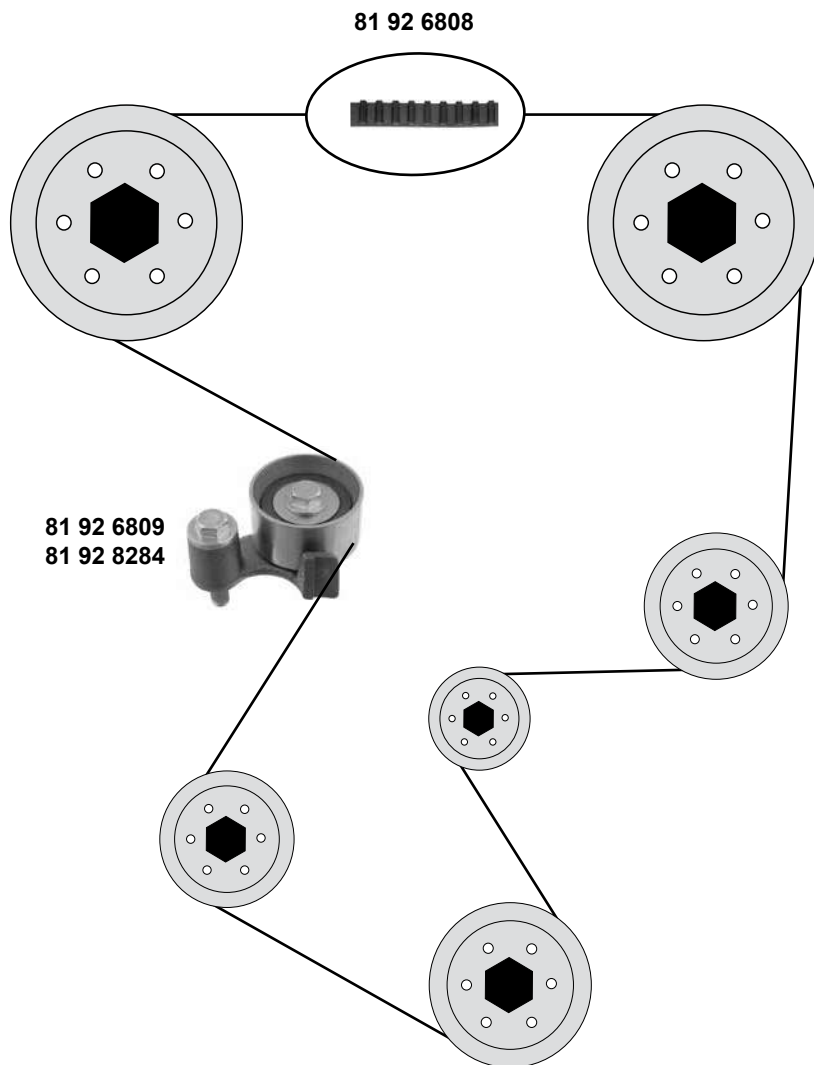


Ref. - No.	Description	Quantity	Part No.
81 02 0009	Zahnriemen / timing belt	(1)	Z 163 B26,7
81 03 0004	Umlenkrolle / deflection pulley	(1)	ØA 57,5 B29
81 92 4363	Zahnriemen / timing belt	(mot.) 1,6 12/92→	Z 117 B21
81 92 4364	Zahnriemen / timing belt	(mot.) 1,8 10/94→	Z 117 B21
81 92 4788	Rep.Satz Zahnriemen / rep.kit timing belt	(mot.) 1,6 12/92→	Z 117 B21
81 92 4789	Rep.Satz Zahnriemen / rep.kit timing belt	(mot.) 1,8 10/94→	Z 121 B21
81 92 4790	Rep.Satz Zahnriemen / rep.kit timing belt	(1)	
81 92 6807	Zahnriemen / timing belt	(mot.) 1,6→11/92	Z 94 B19
81 92 6902	Rep.Satz Zahnriemen / rep.kit timing belt	(mot.) 1,6→11/92	Z 94 B19
99 03 0054	Spannrolle / tension roller	(mot.) 1,6→11/92	ØA 52 B23
99 91 8233	Spannrolle / tension roller	(2)	ØA 57 B25
99 91 8235	Spannrolle / tension roller	(1)	ØA 57,5 B29

**TOYOTA**  
**Carina ( T19 )**  
 (05/92→01/96)



**2,0 16 V**  
 (3SGE)



Ref. - No.



81 92 6808	13568-79045
81 92 6809	13505-88383
81 92 8284	13505-88480

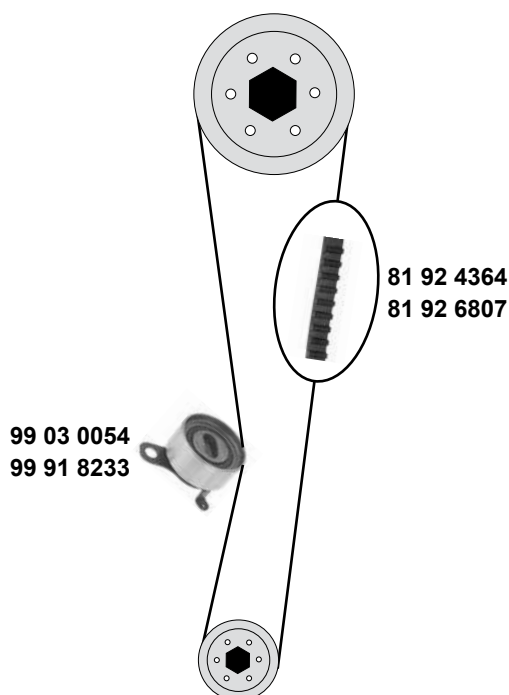
Zahnriemen / timing belt
Spannrolle / tension roller
Spannrolle / tension roller

→02/94
→02/94
02/94→

Z 178 B25,4
ØA 57,5 B30
ØA 57,5 B29

**1,6** (4AF / 4AFE)

**1,8** (7AFE)



Rep. Satz / rep. kit



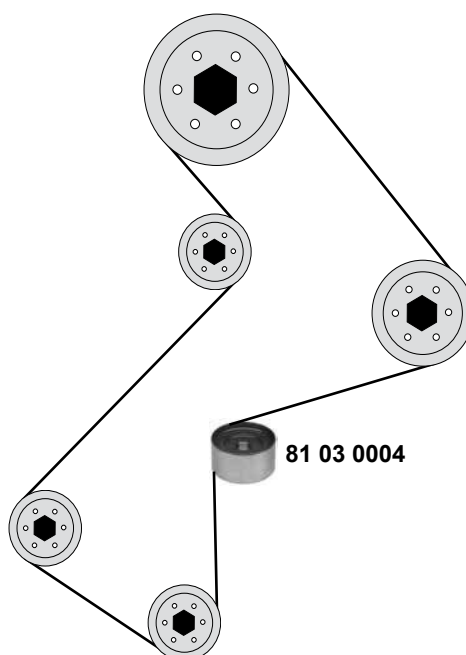
**SWAG 81 92 4789**

Rep. Satz / rep. kit



**SWAG 81 92 6902**

**2,0 16 V**  
(3SG)



<b>81 03 0004</b>	13503-63011	Umlenkrolle / deflection pulley		ØA 57,5 B29
<b>81 92 4364</b>	13568-09030	Zahnriemen / timing belt	(mot.) 1,8 09/93→	Z 121 B21
<b>81 92 4789</b>	13568-09030S1	Rep.Satz Zahnriemen / rep.kit timing belt	(mot.) 1,8 09/93→	Z 121 B21
<b>81 92 6807</b>	13568-19135	Zahnriemen / timing belt	(mot.) 1,6 →11/93	Z 94 B19
<b>81 92 6902</b>	13568-19135 S1	Rep.Satz Zahnriemen / rep.kit timing belt	(mot.) 1,6 →11/93	Z 94 B19
<b>99 03 0054</b>	13505-15041	Spannrolle / tension roller	(mot.) 1,6 →11/93	ØA 52 B23
<b>99 91 8233</b>	13505-15060	Spannrolle / tension roller	(mot.) 1,8 09/93→	ØA 57 B25

# TOYOTA Celica (T16 / T18)

(85→93)



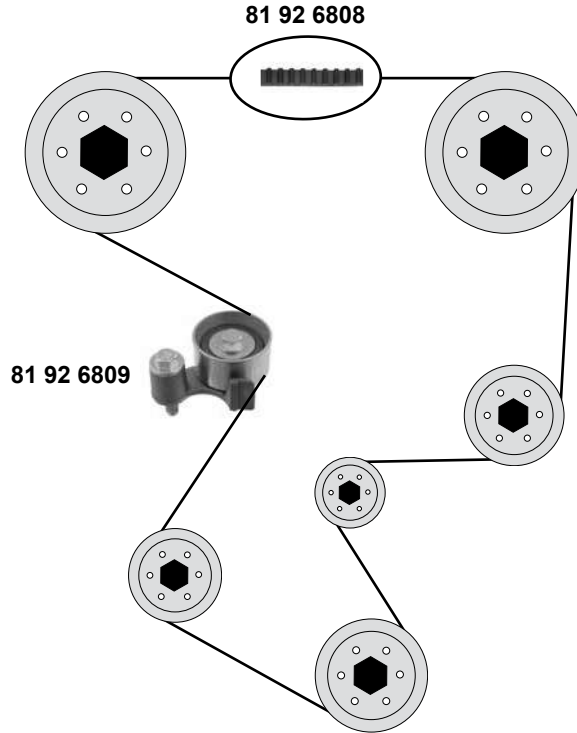
## 2,0

(3SGEL / 3SGELC) 08/85→08/89

(3SGE Turbo) 08/87→08/89

(3SGE) 10/89→11/93

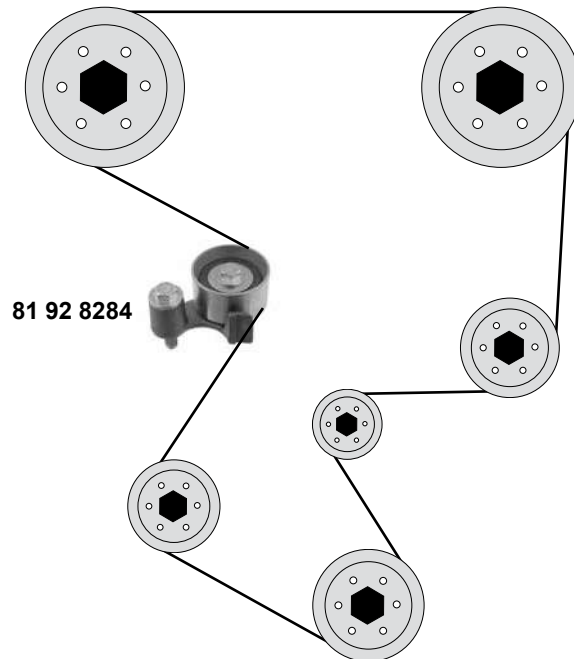
(3SGETE Turbo) 10/89→09/93



## Celica (T20)

(11/93→08/99)

(3SGETE Turbo)



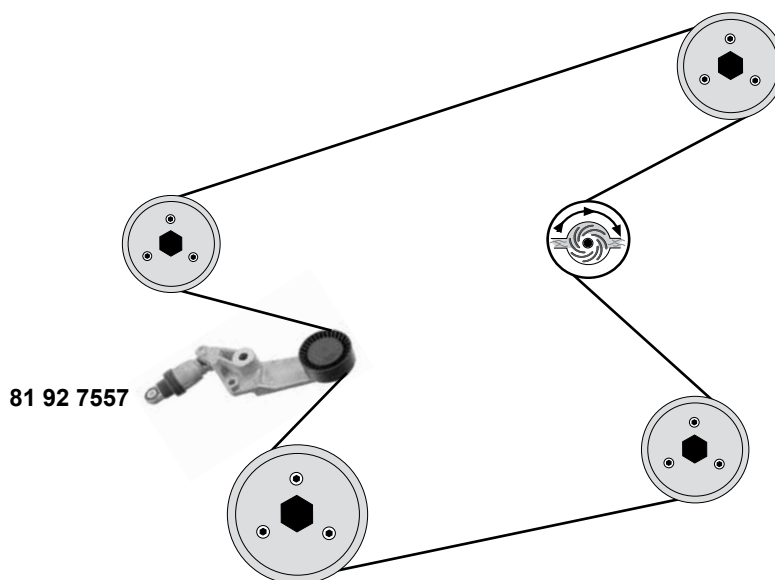
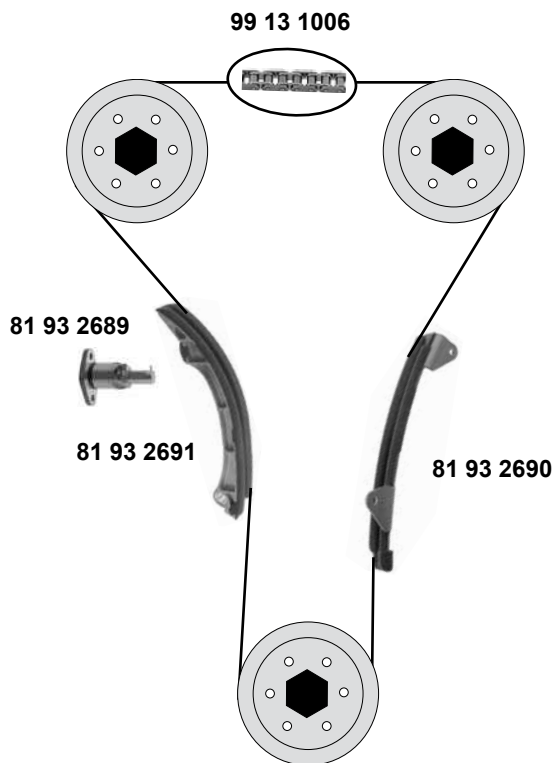
Ref. - No.



81 92 6808	13568-79045
81 92 6809	13505-88383
81 92 8284	13505-88480

Zahnriemen / timing belt
Spannrolle / tension roller
Spannrolle / tension roller

Z 178 B25,4
ØA 57,5 B30
ØA 57,5 B29



SWAG GERMANY	Ref. - No.			
81 92 7557	16620-22013	Spannrolle / tension roller		ØA 70 B26
81 93 2689	13540-22022	Kettenspanner / chain tensioner	→09/05	
81 93 2690	13561-22020	Gleitschiene / sliding rail	→09/05	
81 93 2691	13559-22011	Führungsschiene / timing chain guide	→09/05	
99 13 1006	13506-22030	Steuerkette / timing chain	→09/05	130 E
99 13 2692	13506-22030 S1	Rep. Satz Steuerkette / rep. kit timing chain	→09/05	

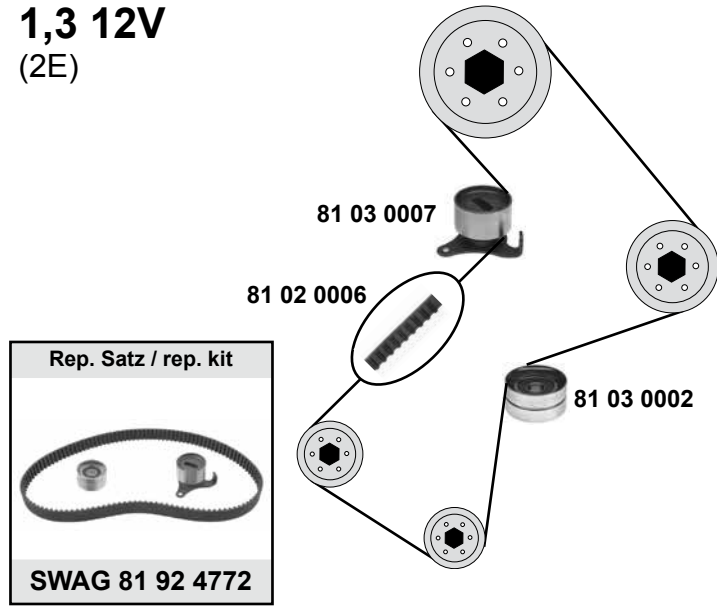
# TOYOTA

## Corolla (E8 / E9 / E10)

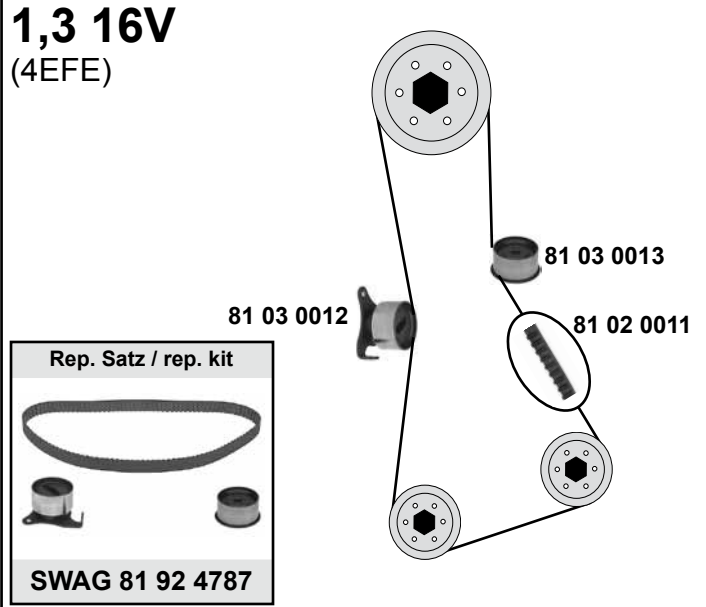
(84→97)



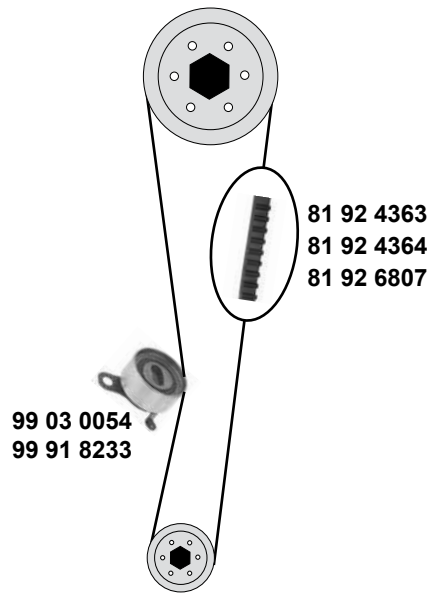
**1,3 12V**  
(2E)



**1,3 16V**  
(4EFE)



**1,6** (4AF / 4AFE)  
**1,8** (7AFE)



- (1) E9 (mot.) 1,6 05.87→04.92 / Wagon 05.87→08.95
- (2) E10 (mot.) 4AF 1,6 09.92→/ (mot.) 4AFE 1,6 05.92→10.97 / (mot.) 1,8 09.92→08.97 / Sprinter 02.94→05.96
- (3) E8 10.84→08.87 / E9: 08.87→08.93 / E10 05.92→10.97



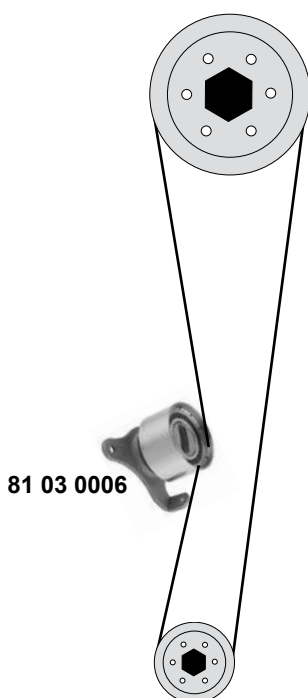
Ref. - No.



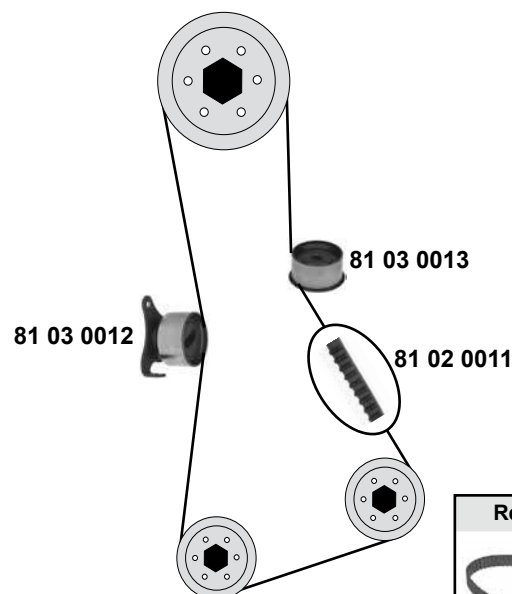
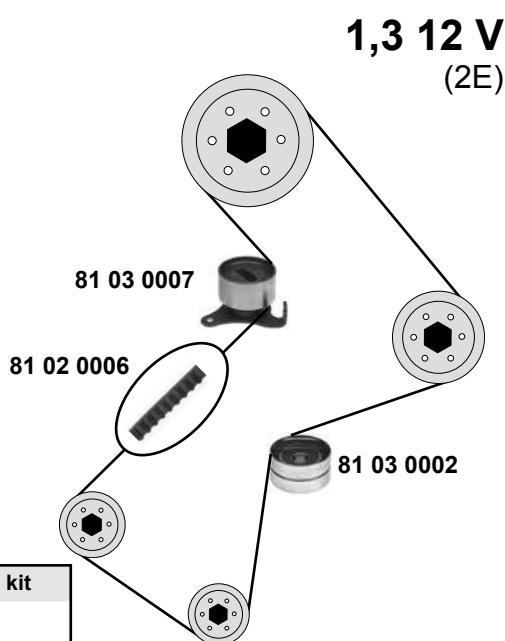
Ref. - No.	Description	Quantity	Notes	Part No.
81 02 0006	Zahnriemen / timing belt	(3)		Z 123 B24
81 03 0002	Umlenkrolle / deflection pulley	(3)		ØA 50,5 H27
81 03 0007	Spannrolle / tension roller	(3)		ØA 56 H29
81 92 4363	Zahnriemen / timing belt	(2)		Z 117 B21
81 92 4364	Zahnriemen / timing belt	(2)		Z 117 B21
81 92 4772	Rep. Satz Zahnriemen / rep. kit timing chain	(3)		Z 123 B24
81 92 4788	Rep.Satz Zahnriemen / rep.kit timing belt	(2)		Z 117 B21
81 92 4787	Rep. Satz Zahnriemen / rep. kit timing belt		E10 04/92→04/97	Z 124 B26
81 92 4789	Rep.Satz Zahnriemen / rep.kit timing belt	(2)		Z 121 B21
81 92 6807	Zahnriemen / timing belt	(1)		Z 94 B19
81 92 6902	Rep.Satz Zahnriemen / rep.kit timing belt	(1)		Z 94 B19
99 03 0054	Spannrolle / tension roller	(1)		ØA 52 B23
99 91 8233	Spannrolle / tension roller	(2)		ØA 57 B25



**1,3 12 V**  
(2 E-L)



**Corolla (E11)**  
(97→02)  
**1,3 16V**  
(4EFE)



Rep. Satz / rep. kit

**SWAG 81 92 4772**

Rep. Satz / rep. kit

**SWAG 81 92 4787**

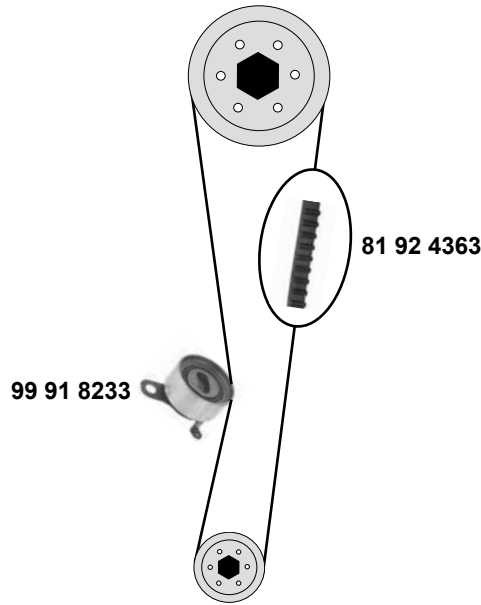
	Ref. - No.			
81 02 0011	13568-19106	Zahnriemen / timing belt		Z 124 B26
81 03 0006	13505-10010	Spannrolle / tension roller	→04/86	ØA 56 H29
81 03 0012	13505-11040	Spannrolle / tension roller		ØA 54 H29,5
81 03 0013	13503-11030	Umlenkrolle / deflection pulley		Z 123 B24
81 92 4772	13569-19025S1	Rep. Satz Zahnriemen / rep. kit timing chain	→09/01	Z 124 B26
81 92 4787	13568-19106S1	Rep. Satz Zahnriemen / rep. kit timing belt		

# TOYOTA Corolla (E11)

(97→02)

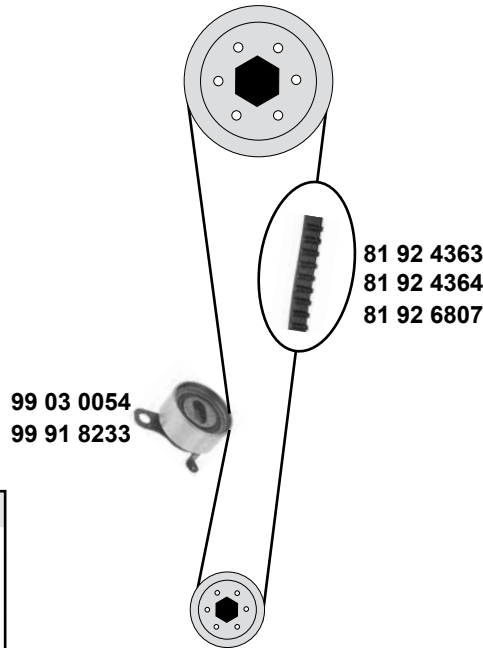


**1,5 16V**  
(5AFE)



**1,6** (4AF / 4AFE)

**1,8** (7AFE)



(1) (mot.) 5AFE 1,5 05/95→10/97 / (mot.) 4AF 1,6 04/97→10/99 / (mot.) 4AFE 1,6 05/95→09/01  
(mot.) 1,8 04/97→07/02 / Sprinter 02/94→05/96



Ref. - No.



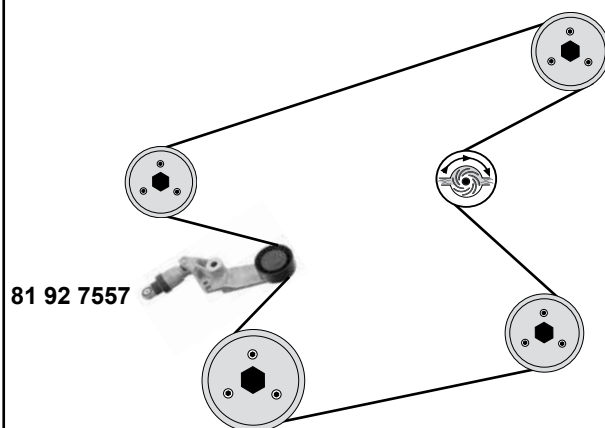
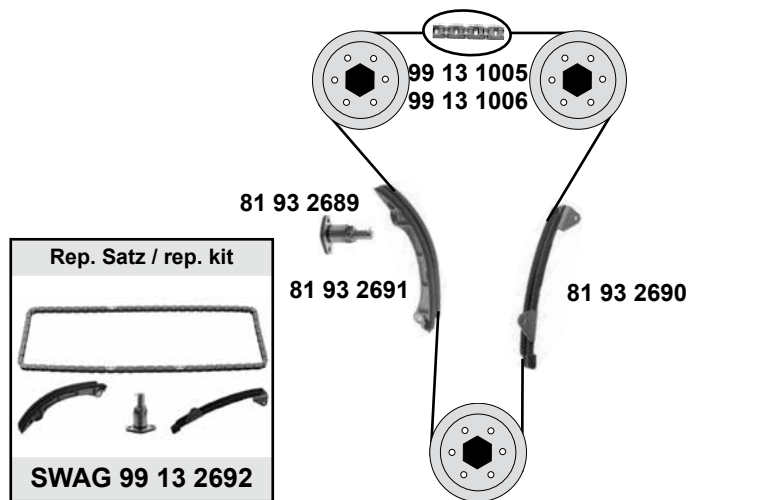
81 92 4363	13568-09020	Zahnriemen / timing belt	(1)	Z 117 B21
81 92 4364	13568-09030	Zahnriemen / timing belt	(1)	Z 117 B21
81 92 4788	13568-09020 S1	Rep.Satz Zahnriemen / rep.kit timing belt	(1)	Z 117 B21
81 92 4789	13568-09030S1	Rep.Satz Zahnriemen / rep.kit timing belt	(1)	Z 121 B21
81 92 6807	13568-19135	Zahnriemen / timing belt	(1)	Z 94 B19
81 92 6902	13568-19135 S1	Rep.Satz Zahnriemen / rep.kit timing belt	(1)	Z 94 B19
99 03 0054	13505-15041	Spannrolle / tension roller	(1)	ØA 52 B23
99 91 8233	13505-15060	Spannrolle / tension roller	(1)	ØA 57 B25



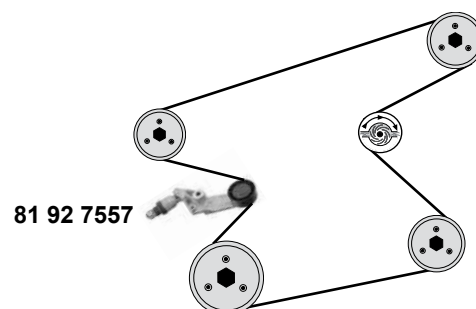
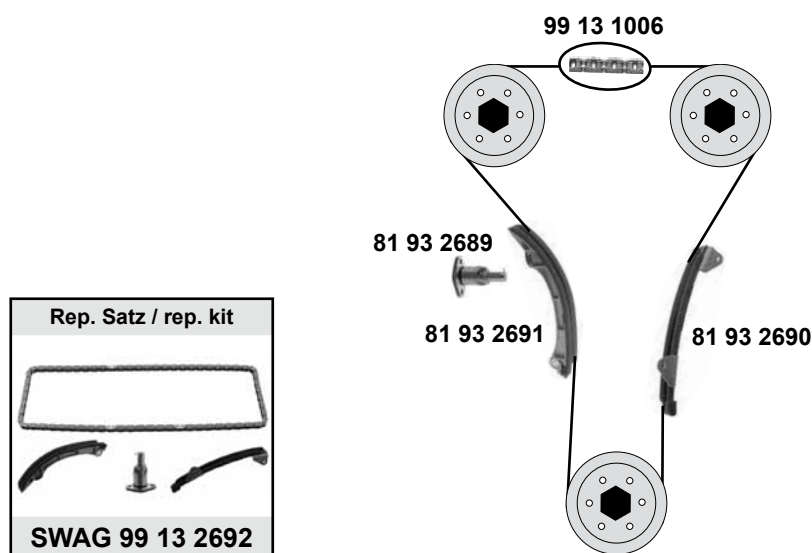
# TOYOTA Corolla (E11) (97→)

## 1,4 / 1,6 / 1,8 16V

**1,6** (3ZZFE) 10/99→01/02  
**1,8** (1ZZFE) 08/97→01/02



## Corolla / Corolla Verso (02→)



	(1) Corolla	1,4 16V	Modell ZZE150	(mot.) 4ZZFE	11.06→02.09
		1,4/1,6 16V	Modell ZZE111,112	(mot.) 4ZZFE/3ZZFE	10.99→10.01
		1,4/1,6 16V	Modell ZZE120,121	(mot.) 4ZZFE/3ZZFE	10.01→10.06
		1,8 16V	Modell ZZE110	(mot.) 1ZZFE	08.99→01.02
		1,8 16V	Modell ZZE122,130,134	(mot.) 1ZZFE	10.01→05.07
		1,8 16V	Modell ZZE142	(mot.) 1ZZFE/ZZFBE	03.08→
	Corolla verso	1,6/1,8 16V	Modell ZZE121,122	(mot.) 1ZZFE/3ZZFE	09.01→01.04
		1,6/1,8 16V	Modell ZNR10,11	(mot.) 1ZZFE/3ZZFE	02.04→
	(2) Corolla	1,6 16V	Modell ZRE120	(mot.) 1ZRFE	05.07→
		1,6 16V	Modell ZRE151	(mot.) 1ZRFE	11.06→
1,8 16V		Modell ZRE142	(mot.) 2ZRFE	12.07→	
1,8 16V		Modell ZRE152	(mot.) 2ZRFE	05.07→	



Ref. - No.



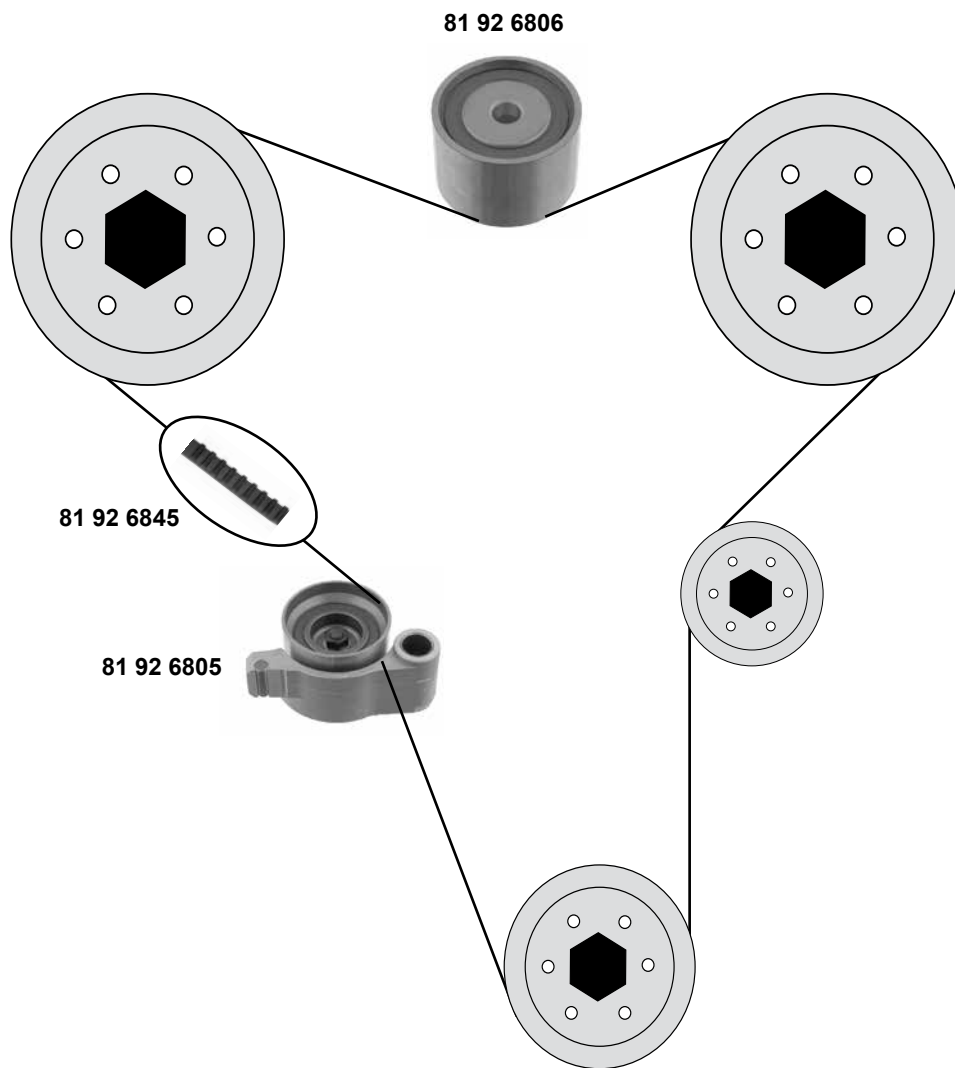
81 92 7557	16620-22013	Spannrolle / tension roller		ØA 70 B26
81 93 2689	13540-22022	Kettenspanner / chain tensioner	(1)	
81 93 2690	13561-22020	Gleitschiene / sliding rail	(1)	
81 93 2691	13559-22011	Führungsschiene / timing chain guide	(1)	
99 13 1005	13506-37010	Steuerkette / timing chain	(2)	140 E
99 13 1006	13506-22030	Steuerkette / timing chain	(1)	130 E
99 13 2692	13506-22030 S1	Rep. Satz Steuerkette / rep. kit timing chain	(1)	

# TOYOTA Highlander (U2)

(11/00→)



**3,0 / 3,3 24 V**  
(1MZFE / 3MZFE)



Ref. - No.

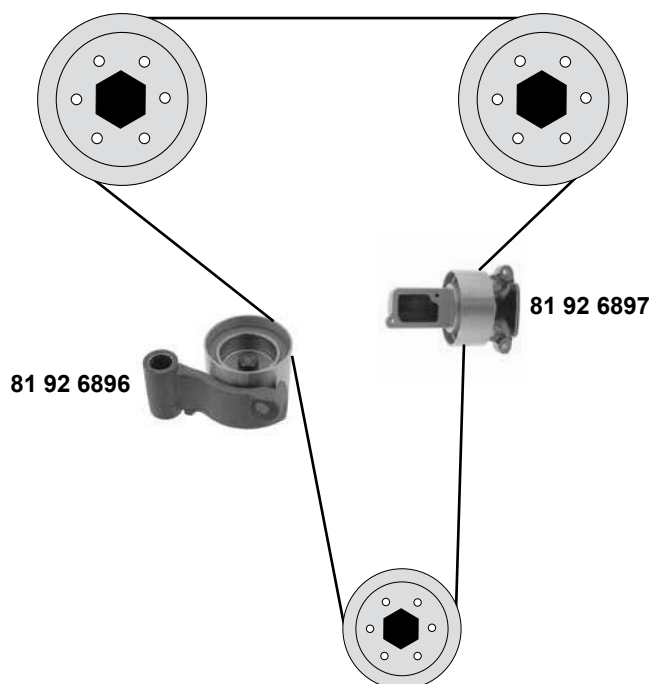
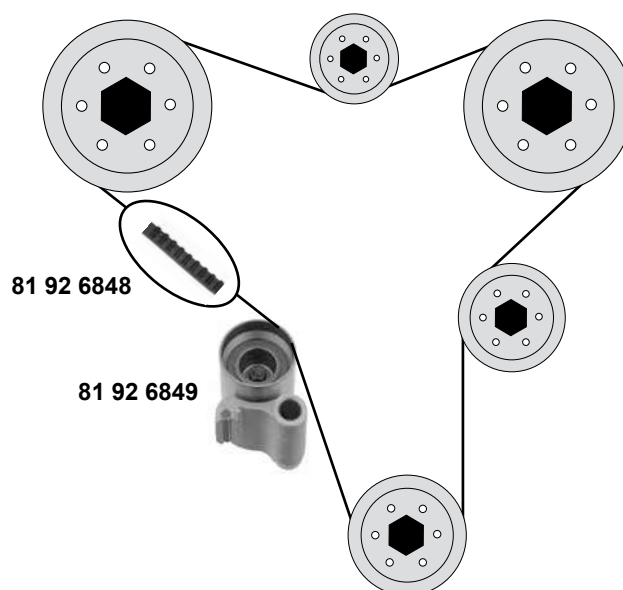


81 92 6805	13505-20030
81 92 6806	13503-62030
81 92 6845	13568-29025

Spannrolle / tension roller  
Umlenkrolle / deflection pulley  
Zahnriemen / timing belt

11/00→

ØA 62 B36,5  
ØA 62 B36,5  
Z211 B32

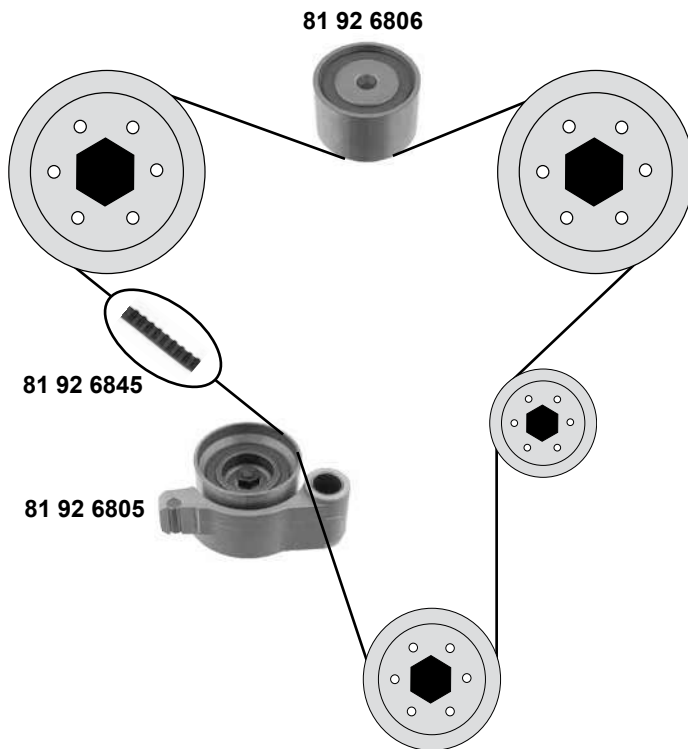
**3,0 12 V**  
 (3VZE)

**Hilux (VZN)**  
 (08/02→02/05)  
**3,4 24 V**  
 (5VZFE)


# TOYOTA Kluger (U28)

(08/03→)



**3,3 24 V**  
(3MZFE)



Ref. - No.



81 92 6805	13505-20030
81 92 6806	13503-62030
81 92 6845	13568-29025

Spannrolle / tension roller
Umlenkrolle / deflection pulley
Zahnriemen / timing belt

08/03→

ØA 62 B36,5
ØA 62 B36,5
Z211 B32

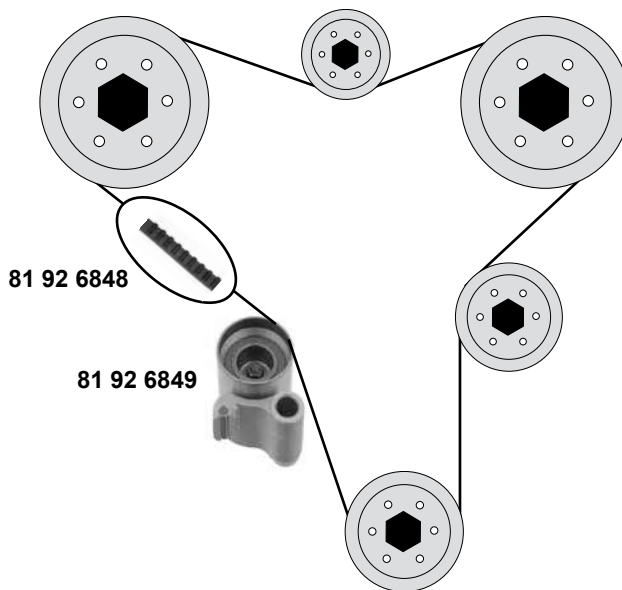


# TOYOTA

## Land Cruiser /Land Cruiser Prado (J9)

(04/96→09/02)

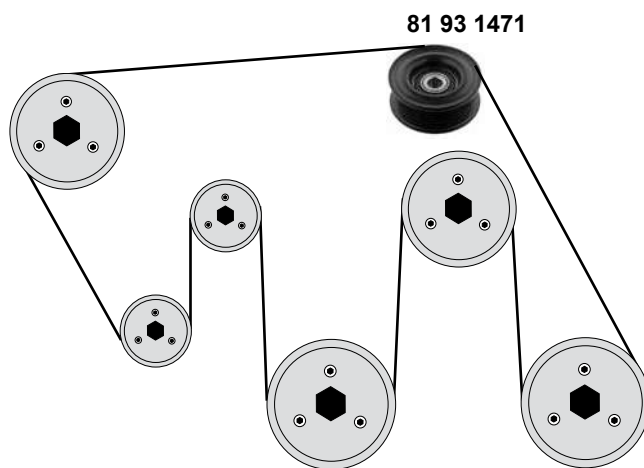
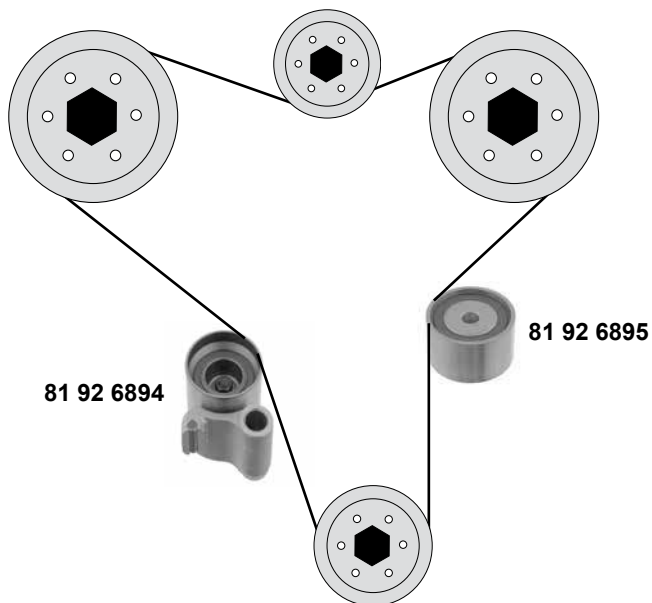
**3,4 24 V**  
(5VZFE)



## Land Cruiser 100 (UZJ)

(01/98→05/06)

**4,7 32 V**  
(2UZFE)



Ref. - No.



81 92 6848	13568-69095
81 92 6849	13505-62070
81 92 6894	13505-50030
81 92 6895	13503-50011
81 93 1471	16604-50030

Zahnriemen / timing belt
Spannrolle / tension roller
Spannrolle / tension roller
Umlenkrolle / deflection pulley
Umlenkrolle / deflection pulley

01/98→

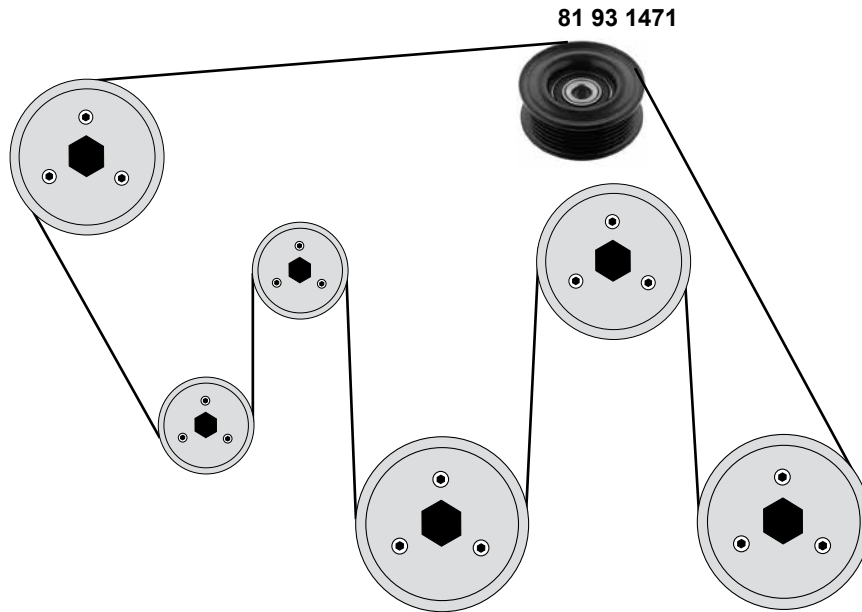
Z 191 B36
ØA 62 B40,5
ØA 62 B37,5
ØA 66 B37,5
ØA 75 H29

# TOYOTA Land Cruiser 200 (UZJ)

(09/07→)



**4,7 32 V**  
(2UZFE)

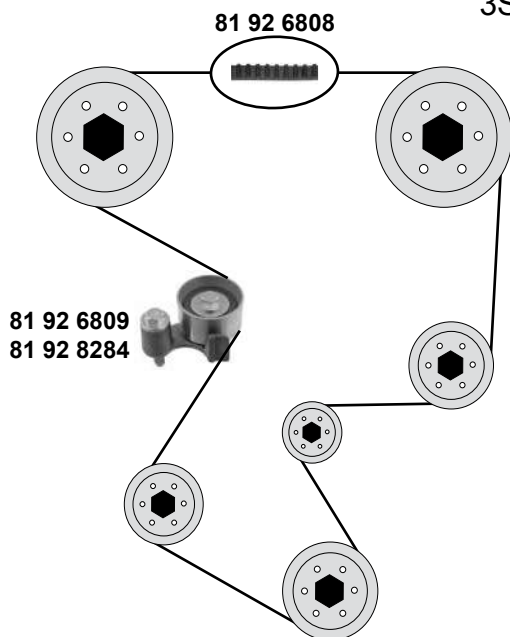




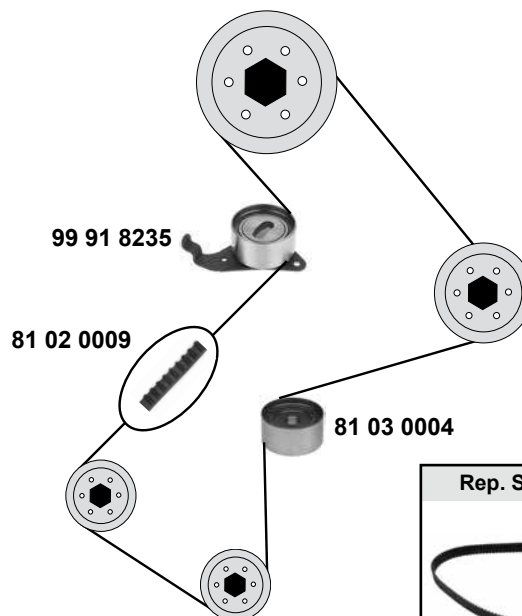


# TOYOTA MR 2 (W2) (89→00)

**2,0**  
(3SGE)  
3SGTE Turbo)

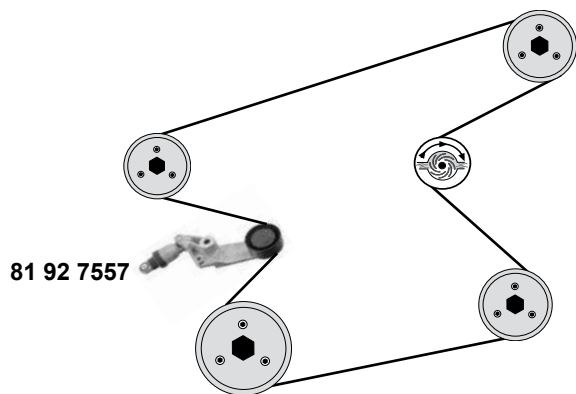


**2,0**  
(3SFE)

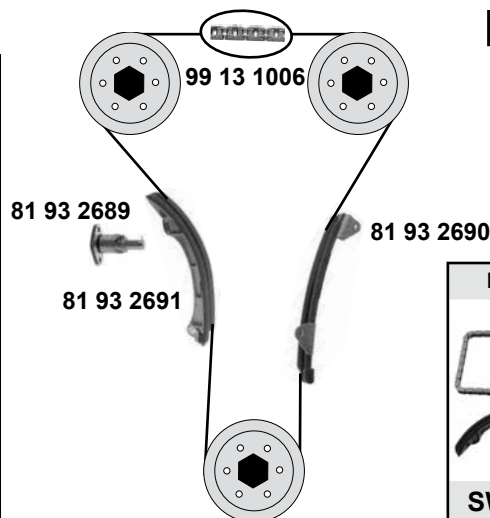


Rep. Satz / rep. kit

**SWAG 81 92 4790**



**MR 2 (W3)**  
(00→05)  
**1,8**  
(1ZZFE)



Rep. Satz / rep. kit

**SWAG 99 13 2692**



- (1) (mot.) ( 3SGE ) 12/89 → 11/93 / (mot.) ( 3SGTE Turbo ) 01/90 → 06/95  
(2) (mot.) ( 3SGE ) 11/93 → 08/99



Ref. - No.



Ref. - No.	Description	Notes	Dimensions
81 02 0009	Zahnriemen / timing belt		Z 163 B26,7
81 03 0004	Umlenkrolle / deflection pulley		ØA 57,5 B29
81 92 4790	Rep. Satz Zahnriemen / rep. kit timing chain		Z 163 B26,7
81 92 6808	Zahnriemen / Timing Belt	(1)	Z 178 B25,4
81 92 6809	Spannrolle / tension roller	(1)	ØA 57,5 B30
81 92 7557	Spannrolle / tension roller		ØA 70 B26
81 92 8284	Spannrolle / tension roller		ØA 57,5 B29
81 93 2689	Kettenspanner / chain tensioner	(2)	
81 93 2690	Gleitschiene / sliding rail	12/99 → 09/05	
81 93 2691	Führungsschiene / timing chain guide	12/99 → 09/05	
99 13 1006	Steuerkette / timing chain	12/99 → 09/05	
99 13 2692	Rep. Satz Steuerkette / rep. kit timing chain	12/99 → 09/05	
99 91 8235	Spannrolle / tension roller		ØA 57,5 B29

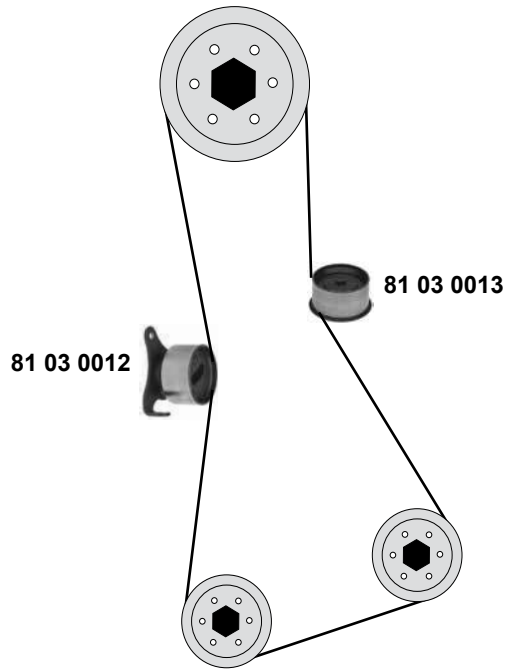
# TOYOTA

## Paseo

(95→99)



### 1,5 16V

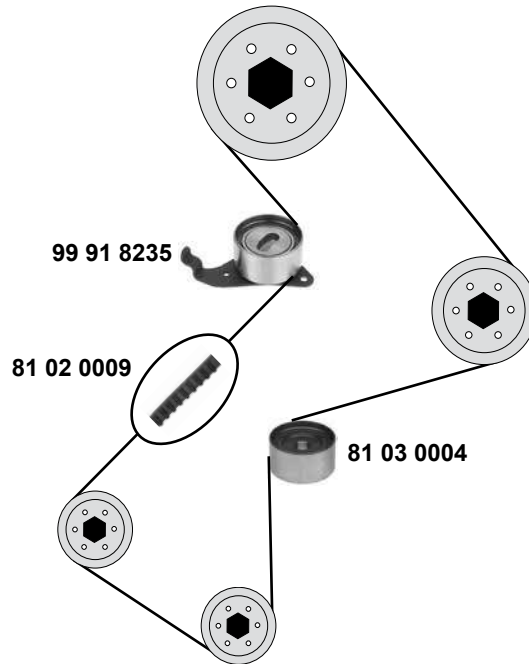


### Picnic (XM10)

(96→01)

### 2,0 16V

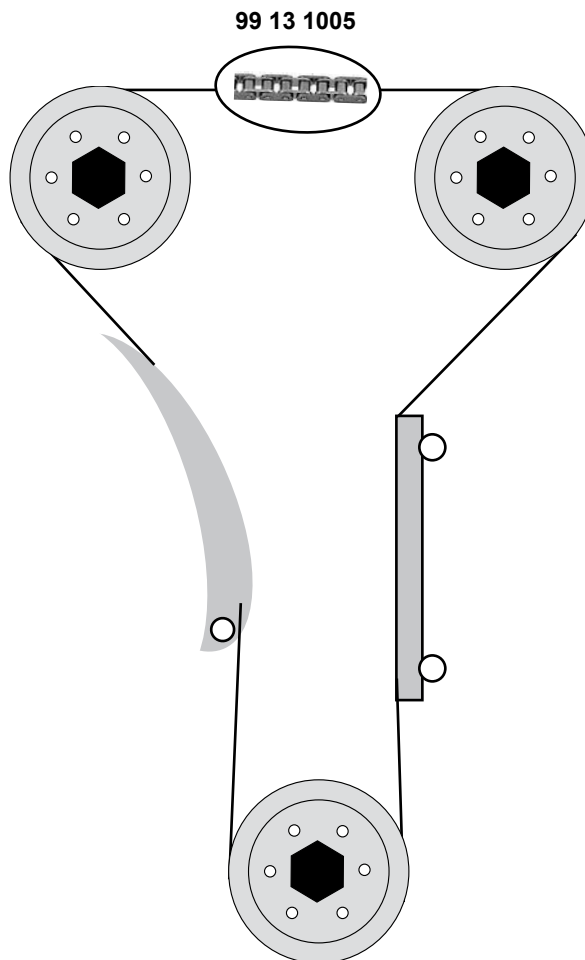
(3SFE)



Ref. - No.



81 02 0009	13568-09041	Zahnriemen / timing belt	Z 163 B26,7
81 03 0004	13503-63011	Umlenkrolle / deflection pulley	ØA 57,5 B29
81 03 0012	13505-11040	Spannrolle / tension roller	ØA 56 H29
81 03 0013	13503-11030	Umlenkrolle / deflection pulley	ØA 54 H29,5
81 92 4790	13568-09041 S1	Rep. Satz Zahnriemen / rep. kit timing chain	Z 163 B26,7
99 91 8235	13505-74011	Spannrolle / tension roller	ØA 57,5 B29

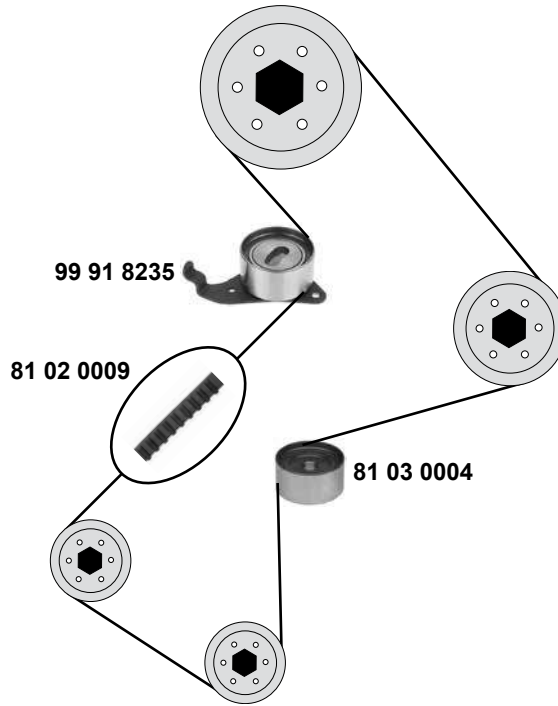


# TOYOTA RAV 4 I (SXA1)

(94→00)



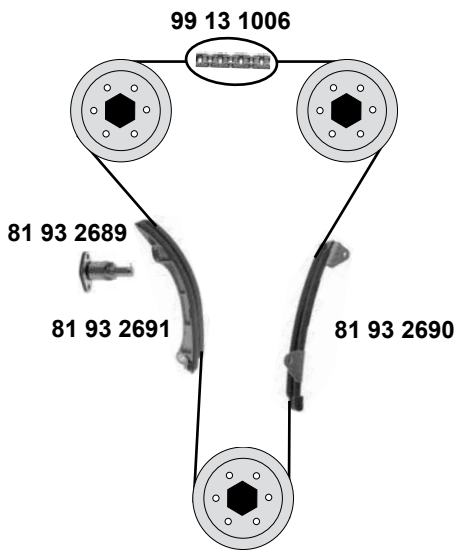
**2,0**  
(3SFE)



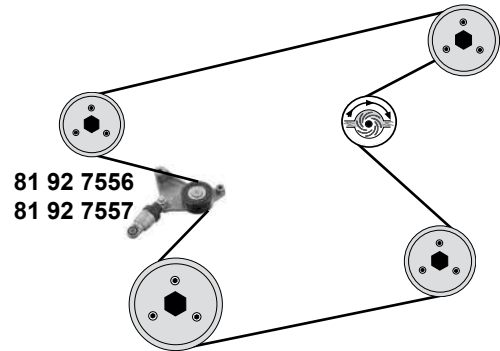
# RAV 4 II (ACA / CLA / ZCA)

(00→)

**1,8**  
(1ZZFE)



**1,8 / 2,0 / 2,4**  
(1ZZFE / 1AZFE / 2AZFE)

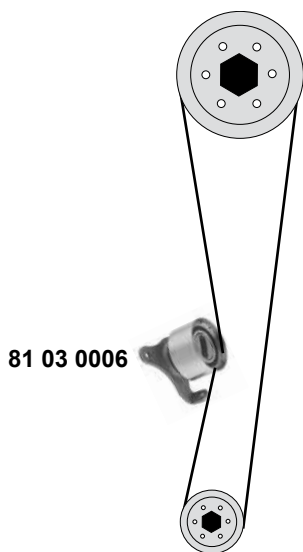


Ref. - No.

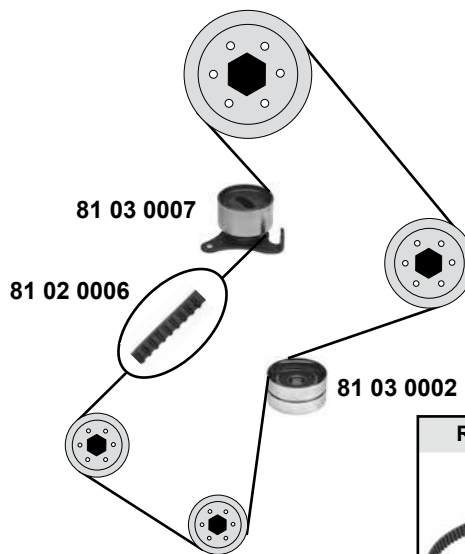


81 02 0009	13568-09041	Zahnriemen / timing belt		Z 163 B26,7
81 03 0004	13503-63011	Umlenkrolle / deflection pulley		ØA 57,5 B29
81 92 4790	13568-09041S1	Rep. Satz Zahnriemen / rep. kit timing chain		Z 163 B26,7
81 92 7556	16620-28070	Riemenspanner / belt tensioner	(mot.) 2AZFE	ØA 70 B31,5
81 92 7557	16620-22013	Spannrolle / tension roller	(mot.) 1ZZFE	ØA 70 B26
81 93 2689	13540-22022	Kettenspanner / chain tensioner	05/00→11/05	130 E
81 93 2690	13561-22020	Gleitschiene / sliding rail	05/00→11/05	
81 93 2691	13559-22011	Führungsschiene / timing chain guide	05/00→11/05	
99 13 1006	13506-22030	Steuerkette / timing chain	05/00→11/05	
99 13 2692	13506-22030 S1	Rep. Satz Steuerekette / rep. kit timing chain	05/00→11/05	
99 91 8235	13505-74011	Spannrolle / tension roller		ØA 57,5 B29

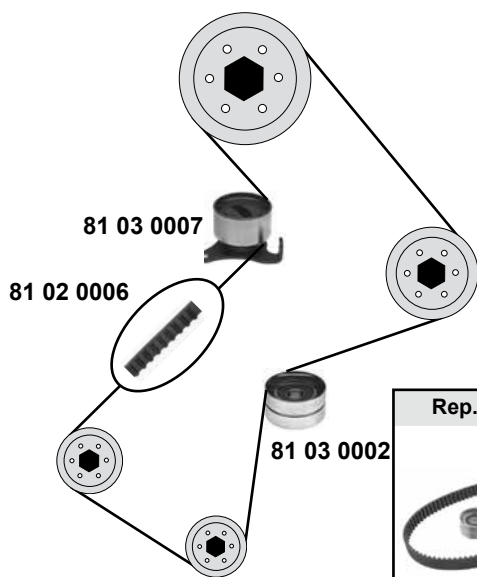
**1,0 / 1,3 (EP70/71)**  
(10/84→04/86)  
(1E-L / 2E-L)



**1,0 / 1,3**

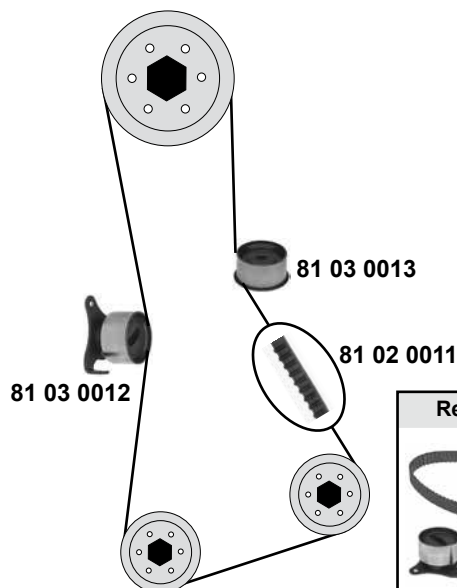


**1,3 12V**



**(EP91)**  
(96→)

**1,3 16V**



(1) EP81 05.92→01.96  
EP90 01.96→07.99



Ref. - No.



81 02 0006	13568-19025	Zahnriemen / timing belt	(1)	Z 123 B24
81 02 0011	13568-19106	Zahnriemen / timing belt		Z124 B26
81 03 0002	13503-10011	Umlenkrolle / deflection pulley	(1)	ØA 50,5 H27
81 03 0006	13505-10010	Spannrolle / tension roller		
81 03 0007	13505-11011	Spannrolle / tension roller	(1)	ØA 50 B27
81 03 0012	13505-11040	Spannrolle / tension roller		ØA 56 B29
81 03 0013	13503-11030	Umlenkrolle / deflection pulley		ØA 54 H29,5
81 92 4772	13568-19025S1	Rep.Satz Zahnriemen / rep. kit timing chain	(1)	
81 92 4787	13568-19106S1	Rep. Satz Zahnriemen / rep. kit timing belt		Z 124 B26

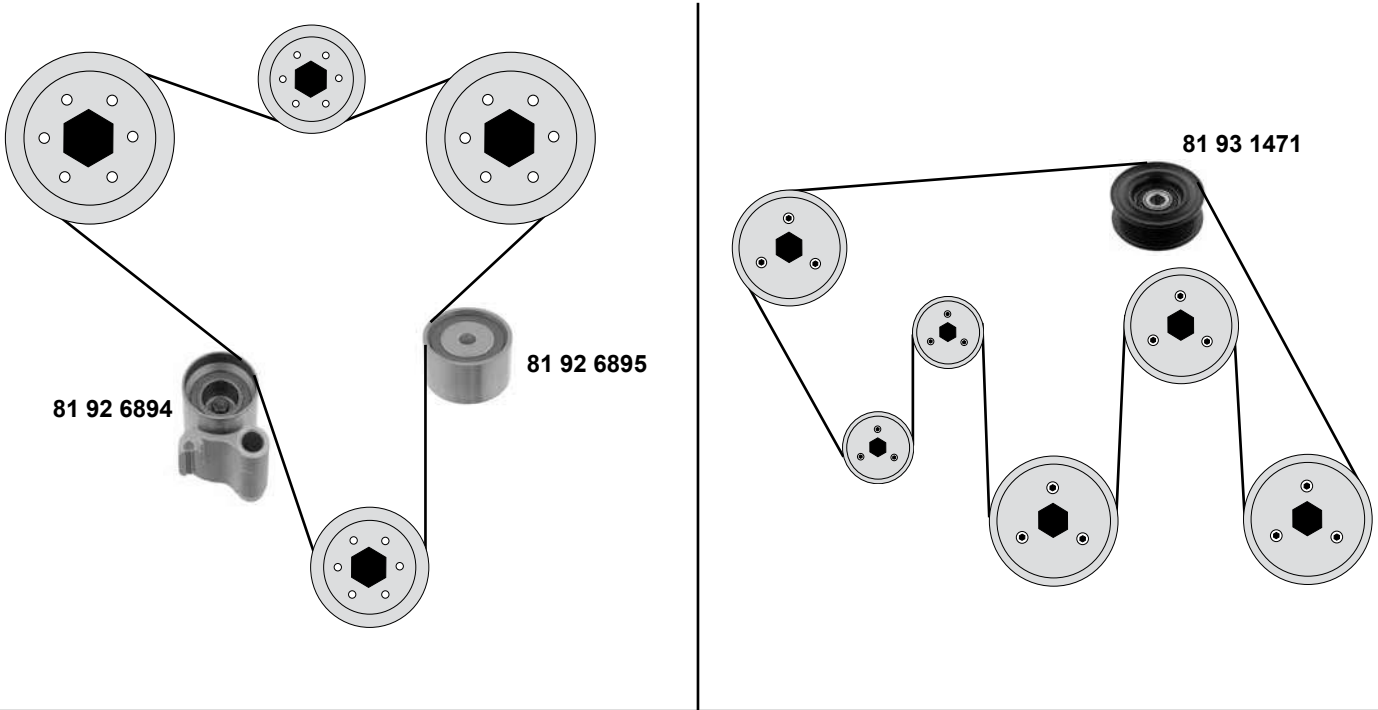
# TOYOTA

## Sequoia (UCK)

(09/00→)



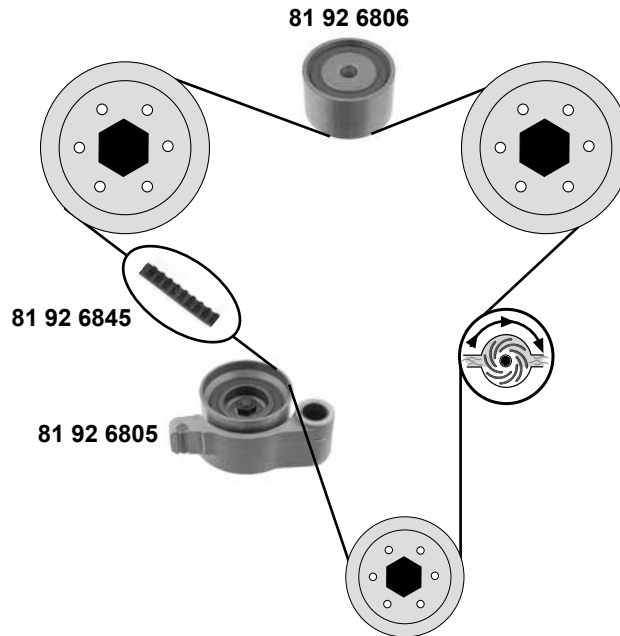
**4,7 32 V**  
(2UZFE)



## Sienna (L2 / 10)

(08/97→)

**3,0 / 3,3 24 V**



(1) **Sienna: Modell MCL2,10** 08/97→  
**Solara: Modell MCV31,20** 06/98→

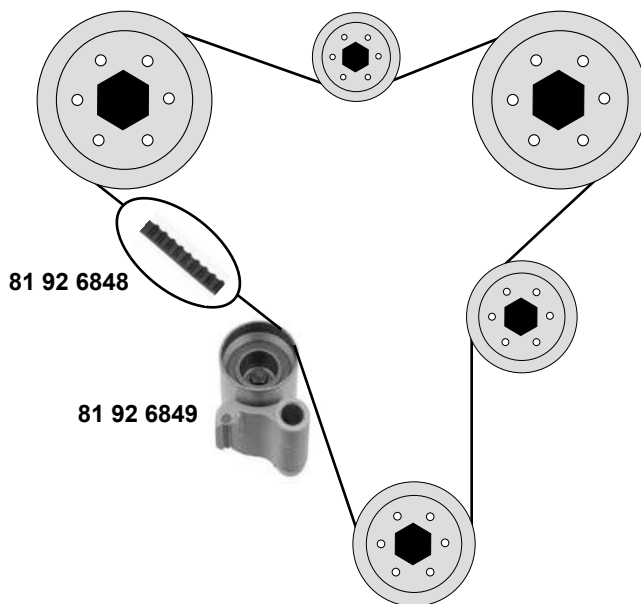


Ref. - No.

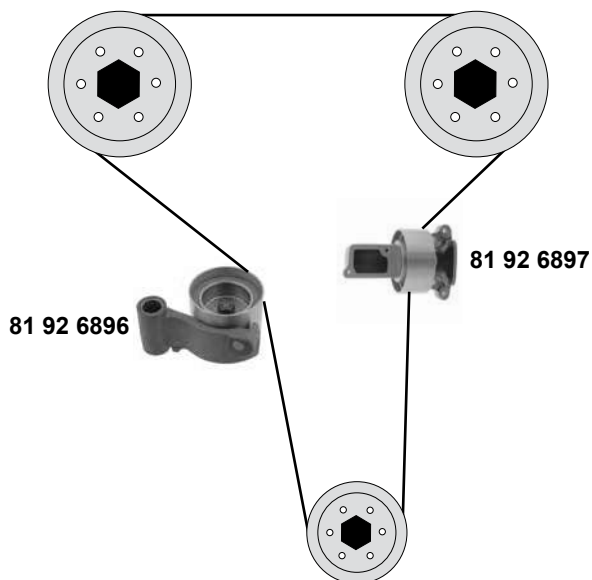


81 92 6805	13505-20030	Spannrolle / tension roller	(1)	ØA 62 B36,5
81 92 6806	13503-62030	Umlenkrolle / deflection pulley		ØA 62 B36,5
81 92 6845	13568-29025	Zahnriemen / timing belt		Z211 B32
81 92 6894	13505-50030	Spannrolle / tension roller		ØA 62 B37,5
81 92 6895	13503-50011	Umlenkrolle / deflection pulley		ØA 66 B37,5
81 93 1471	16604-50030	Umlenkrolle / deflection pulley		ØA 75 H29

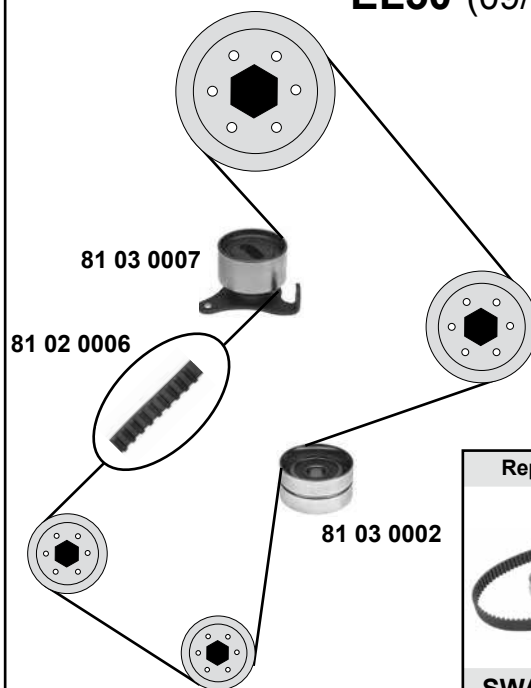
**3,4 24 V**  
(5VZFE)



**Tacoma (VZN)**  
(01/95→  
**3,0 12 V**  
(3VZE)



**Tercel**  
**EL40** (05/92→09/94)  
**EL50** (09/94→07/99)  
**3,0 12 V**  
(2E)



Rep. Satz / rep. kit

**SWAG 81 92 4772**

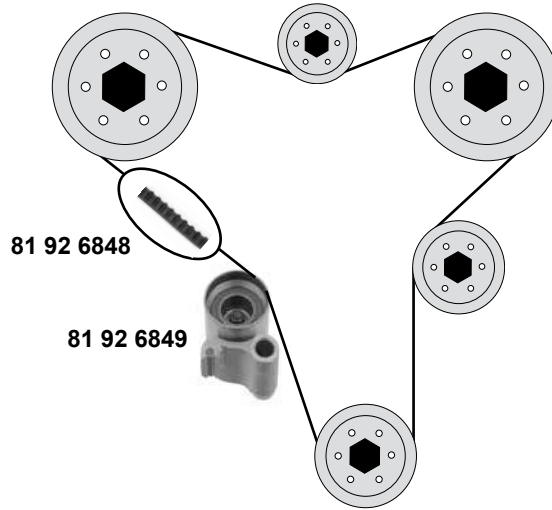
SWAG	Ref. - No.			
81 02 0006	13568-19025	Zahnriemen / timing belt		Z123 B24
81 03 0002	13503-10011	Umlenkrolle / deflection pulley		ØA 50,5 H27
81 03 0007	13505-11011	Spannrolle / tension roller		ØA 50 H27
81 92 4772	13568-19025S1	Rep. Satz Zahnriemen / rep. kit timing belt		Z123 B24
81 92 6848	13568-69095	Zahnriemen / timing belt	<b>VCK / 94-98</b>	Z 191 B36
81 92 6849	13505-62070	Spannrolle / tension roller	<b>VCK / 94-98</b>	ØA 62 B40,5
81 92 6896	13505-65040	Spannrolle / tension roller		ØA 62 B40
81 92 6897	13503-65010	Umlenkrolle / deflection pulley		ØA 93 B40

# TOYOTA Tundra (VCK)

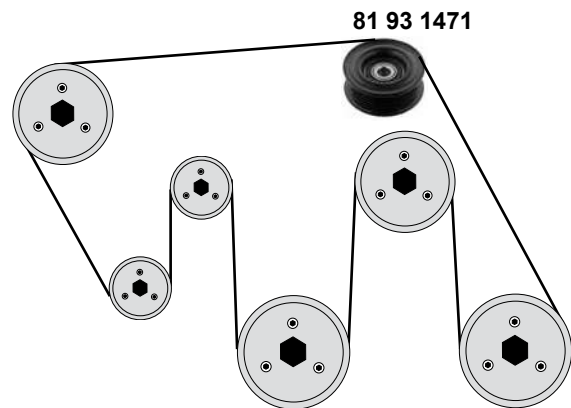
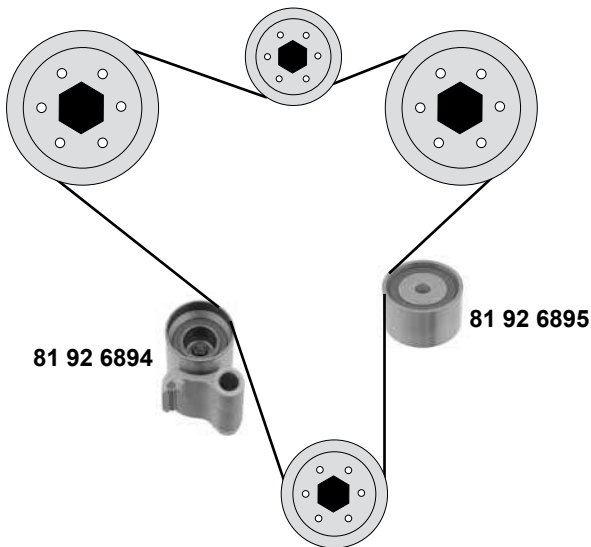
(02/99→08/04)



## 3,4 24 V (5VZFE)



## 4,7 32 V (2UZFE)



Ref. - No.



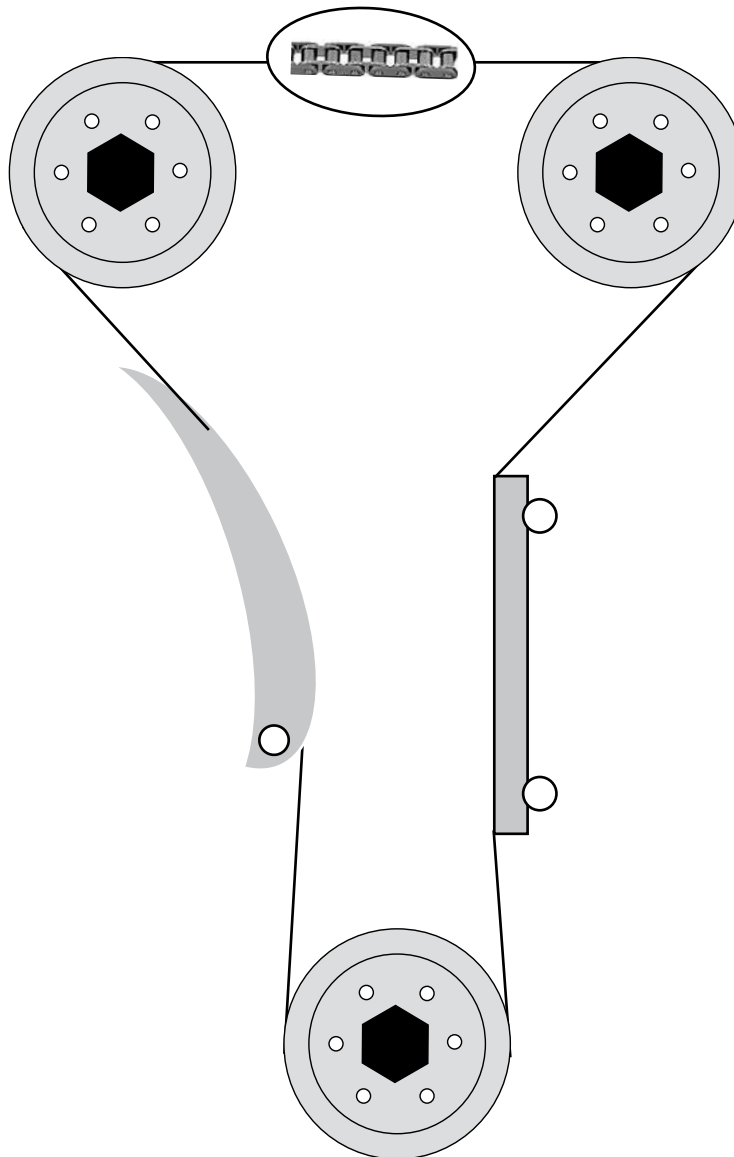
81 92 6848	13568-69095
81 92 6849	13505-62070
81 92 6894	13505-50030
81 92 6895	13503-50011
81 93 1471	16604-50030

Zahnriemen / timing belt
Spannrolle / tension roller
Spannrolle / tension roller
Umlenkrolle / deflection pulley
Umlenkrolle / deflection pulley

Z 191 B36
ØA 62 B40,5
ØA 62 B37,5
ØA 66 B37,5
ØA 75 B29



99 13 1005



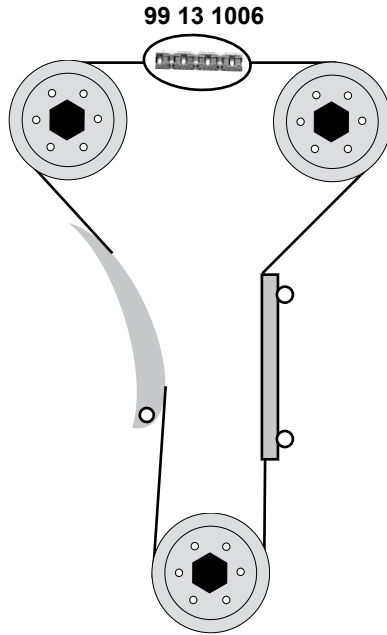
# TOYOTA Wish (ZNE10)

(04/08→)



## 1,8 16V

(DOHC, EFI, 1ZZFE)

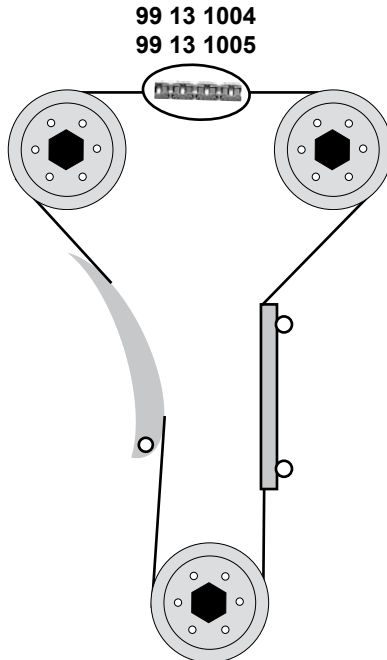


# Yaris (KSP90/ZSP90)

(11.05→)

## 1,0 12V / 1,6 16V / 1,8 16V

(1KRFE/2ZRFE/1ZRFE)



(1) Modell **ZSP90** (mot.) 2ZRFE 11/06→**EP90** 01.96→07.99  
Modell **ZSP91** (mot.) 2KRFE 05/08→



Ref. - No.



**99 13 1004**

13506-0Q010

Steuerkette / timing chain

124 E

**99 13 1005**

13506-37010

Steuerkette / timing chain

(1)

140 E

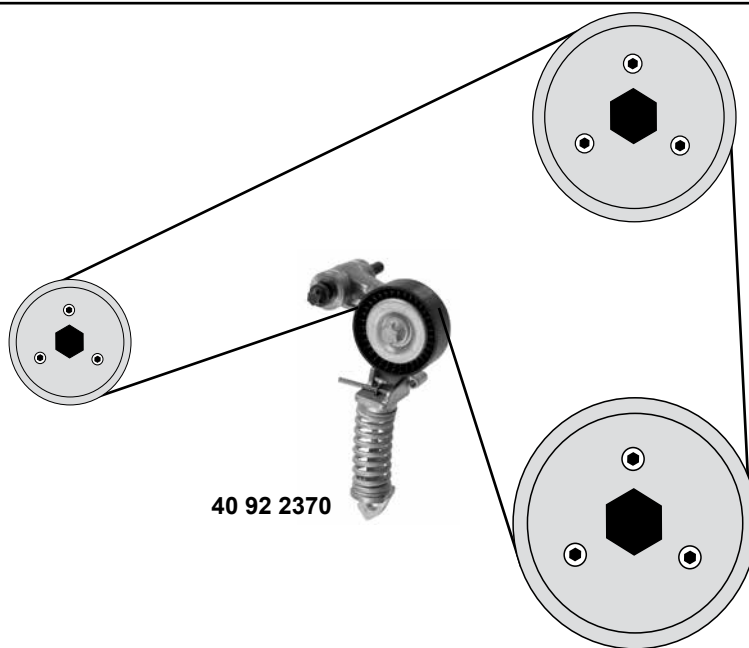
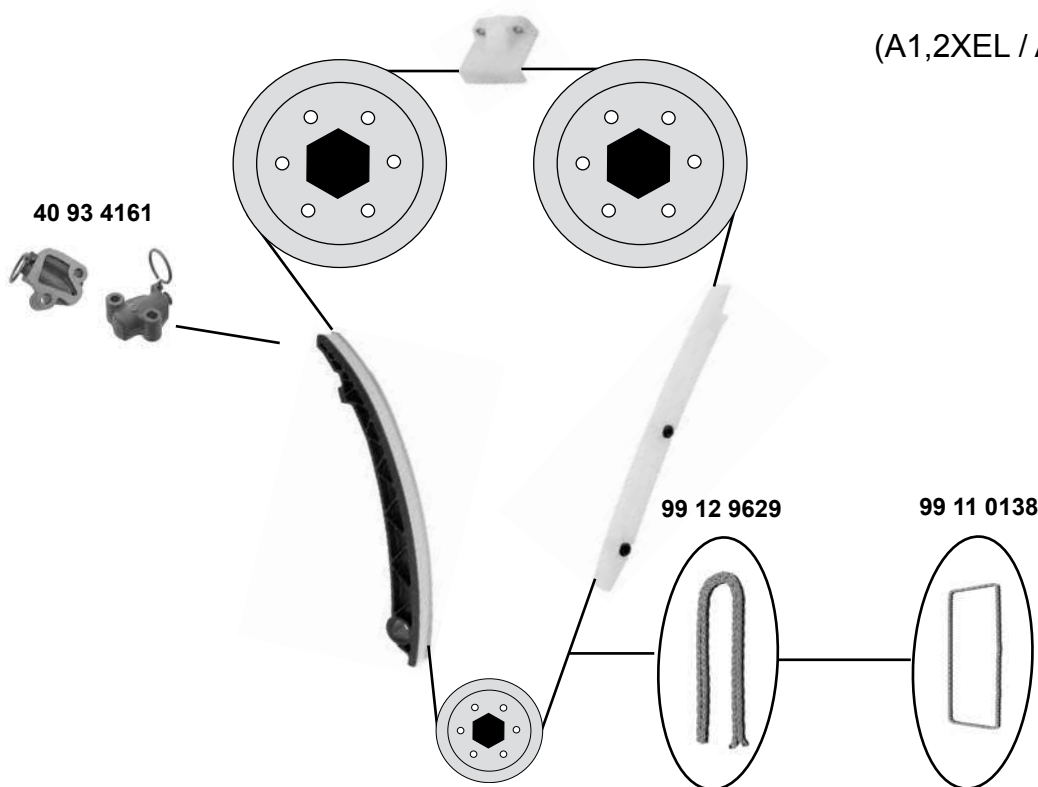
**99 13 1006**

13506-22030

Steuerkette / timing chain

130 E

**1,2 / 1,4**  
(A1,2XEL / A1,4XEL / A1,4XER)



- (1) Steuerkette geschlossen / timing chain endless
- (2) Spezialwerkzeug zur Montage notwendig / Requires special tools for mounting



Ref. - No.



40 92 2370	55565236	Riemenspanner / belt tensioner		70x24
40 93 4161	55562235	Kettenspanner / chain tensioner		
99 11 0138	55562234	Steuerkette / timing chain	(1)	130 E
99 12 9629	55562234 S1	Steuerkette / timing chain	(2)	130 N
99 13 4162	55562234 S2	Rep. Satz Steuerkette / rep. kit timing chain	(1)	130 E

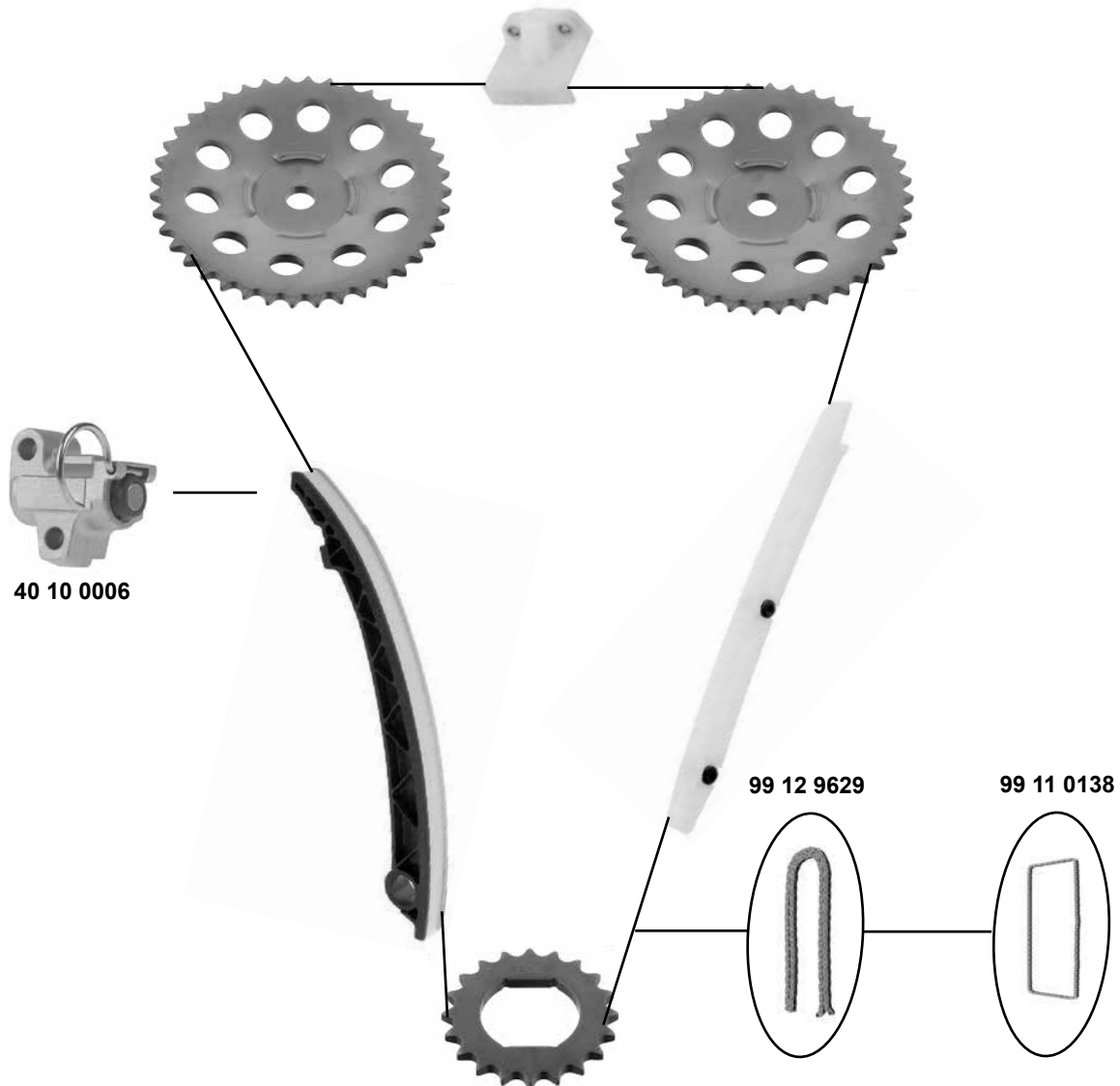
# VAUXHALL Agila Mk I / A

(00→08)

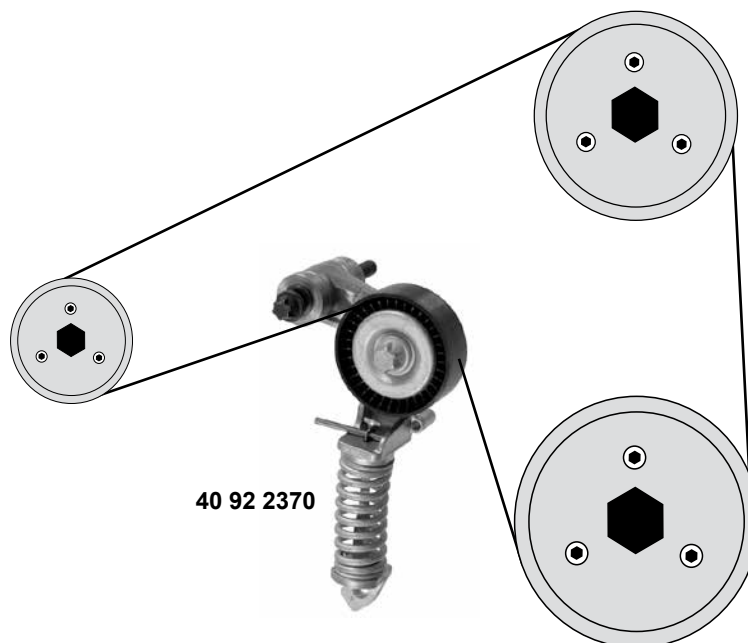


## 1,0 12V / 1,2 16V





(Z1,0XE / Z1,0XEP / Z1,2XE / Z1,2XEP)



<p>Rep. Satz / rep. kit</p> <p><b>SWAG 99 13 0372</b></p>	<p>Rep. Satz / rep. kit</p> <p><b>SWAG 99 13 0373</b></p>	<p>Rep. Satz / rep. kit</p> <p><b>SWAG 99 13 3040</b></p>	<p>Rep. Satz / rep. kit</p> <p><b>SWAG 99 13 3041</b></p>
<p>Rep. Satz / rep. kit</p> <p><b>SWAG 99 13 3080</b></p>	<p>Rep. Satz / rep. kit</p> <p><b>SWAG 99 13 3081</b></p>	<p>Rep. Satz / rep. kit</p> <p><b>SWAG 99 13 3082</b></p>	<p>Rep. Satz / rep. kit</p> <p><b>SWAG 99 13 3083</b></p>

**1,0 12V / 1,2 16V**  
 (Z1,0XE / Z1,0XEP / Z1,2XE / Z1,2XEP)


- i**
- (1) Steuerkette geschlossen / timing chain endless
  - (2) Steuerkette offen / timing chain open
  - (3) Steuerkette offen und mit Steuerkettenradsatz / timing chain open and with control chain wheel kit
  - (4) Steuerkette geschlossen und mit Steuerkettenradsatz / timing chain endless and with control chain wheel kit
  - (5) Steuerkette offen mit Dichtung / timing chain open with gasket
  - (6) Steuerkette geschlossen mit Dichtung / timing chain endless with gasket
  - (7) Steuerkette offen mit Dichtung und Steuerkettenradsatz / timing chain open with gasket and control chain wheel kit
  - (8) Steuerkette geschlossen mit Dichtung und Steuerkettenradsatz / timing chain endless with gasket and control chain wheel kit
  - (9) Spezialwerkzeug zur Montage notwendig / Requires special tools for mounting

	Ref. - No.			
<b>40 10 0006</b>	55352909	Kettenspanner / chain tensioner		
<b>40 92 2370</b>	55565236	Riemenspanner / belt tensioner	<b>NEW</b>	70x24
<b>99 11 0138</b>	55562234	Steuerkette / timing chain	(1)	130 E
<b>99 12 9629</b>	55562234 S1	Steuerkette / timing chain	(2) (9)	130 N
<b>99 13 0372</b>	93191271 SK1	Rep. Satz Steuerkette / rep. kit timing chain	(1)	130 E
<b>99 13 0373</b>	93191271 SK2	Rep. Satz Steuerkette / rep. kit timing chain	(2) (9)	130 N
<b>99 13 3040</b>	93191271	Rep. Satz Steuerkette / rep. kit timing chain	(4)	130 E
<b>99 13 3041</b>	93191271 S1	Rep. Satz Steuerkette / rep. kit timing chain	(3)	130 N
<b>99 13 3080</b>	93191271 SK3	Rep. Satz Steuerkette / rep. kit timing chain	(6)	130 E
<b>99 13 3081</b>	93191271 SK4	Rep. Satz Steuerkette / rep. kit timing chain	(5) (9)	130N
<b>99 13 3082</b>	93191271 S2	Rep. Satz Steuerkette / rep. kit timing chain	(8)	130 E
<b>99 13 3083</b>	93191271 S3	Rep. Satz Steuerkette / rep. kit timing chain	(7) (9)	130 N

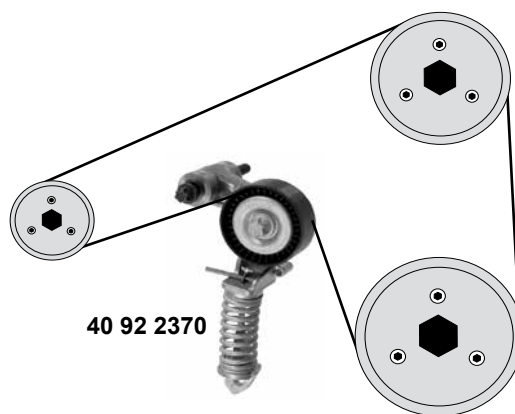
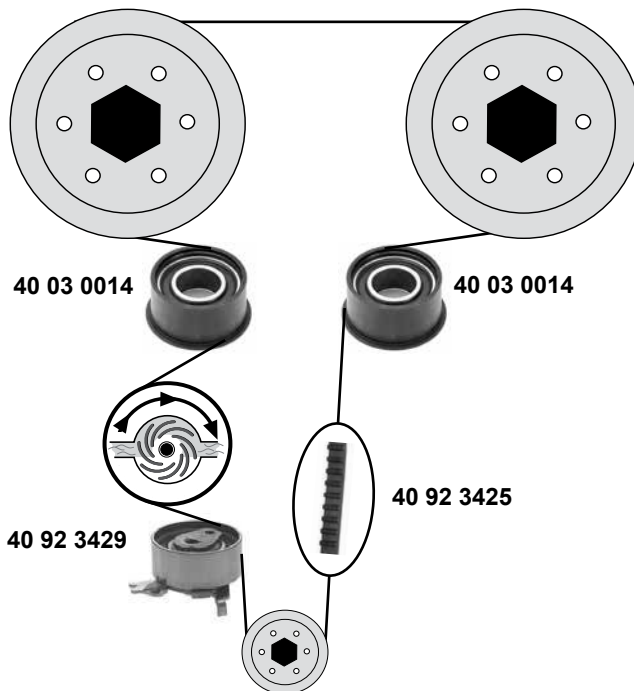
# VAUXHALL

## Antara

(06 →)



**2,4**  
(Z 2,4 XE)



Ref. - No.

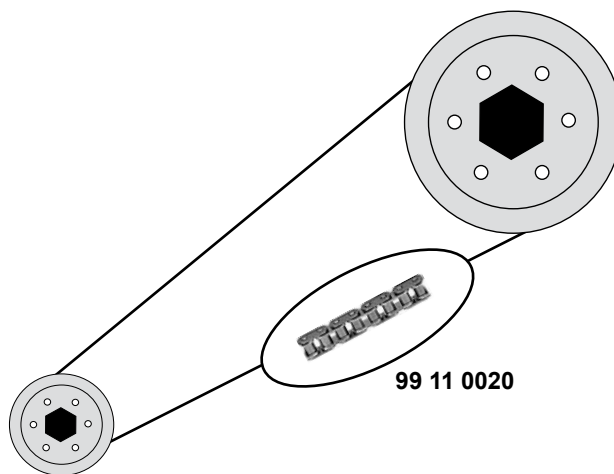


40 03 0014	9128738
40 92 2370	55565236
40 92 3425	9128722
40 92 3427	93174267
40 92 3429	90528603

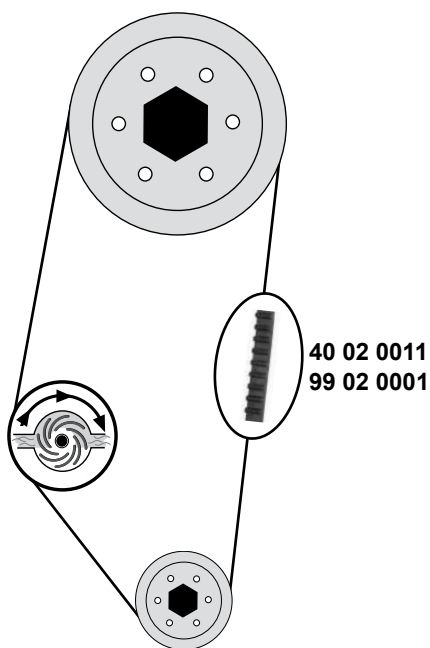
Umlenkrolle / deflection pulley
Riemenspanner / belt tensioner
Zahnriemen / timing belt
Rep. Satz Zahnriemen / rep. kit timing belt
Spannrolle / tension roller

ØA 52,5 B27
ØA 70 B 24
Z 171
Z 171
ØA 59 B27

**1,0 / 1,2**  
(OHV)



**1,3→1,8**

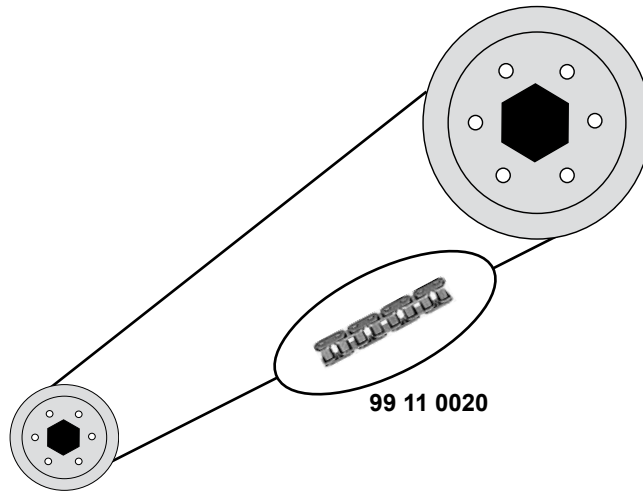


# VAUXHALL Astra Mk II

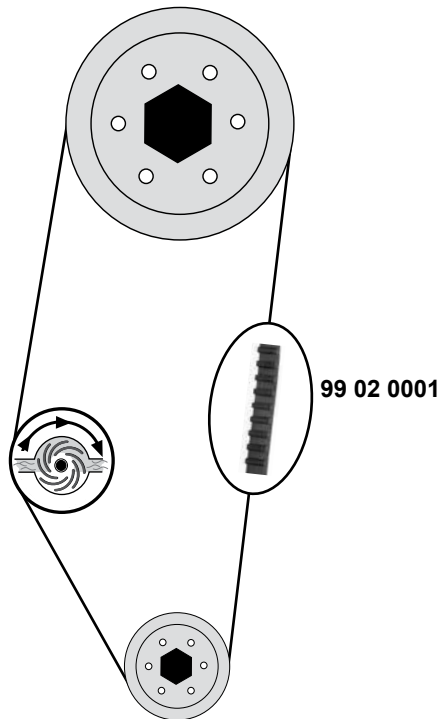
(85→93)



**1,2**  
(OHV)



**1,3**  
(13N / NB/ S / C13N)



Ref. - No.



99 02 0001 90080214  
99 11 0020 02866445

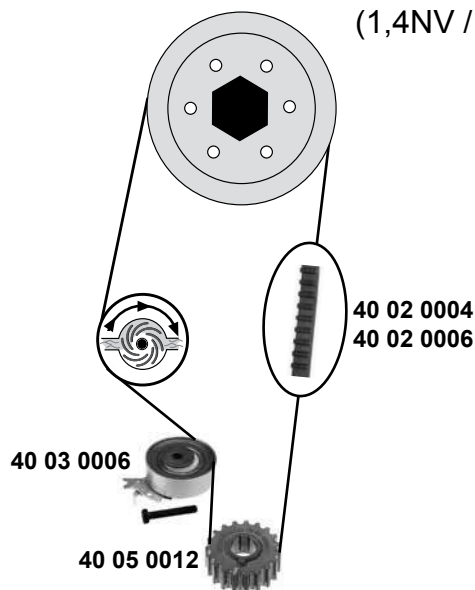
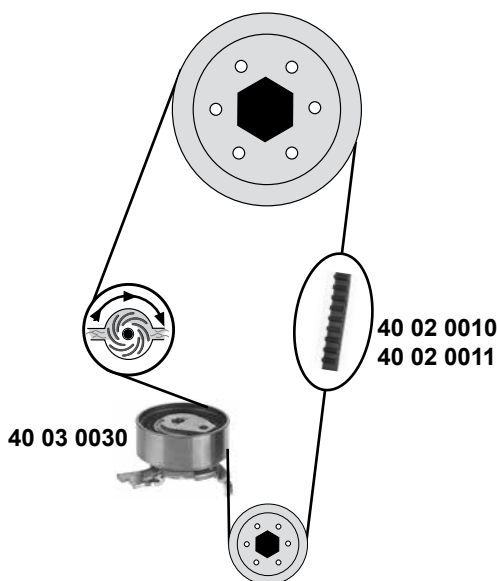
Zahnriemen / timing belt  
Rollenkette einfach / roller chain simple

Z 104 B15  
455 / 56 E



**1,4 / 1,6**

(1,4NV / C14NZ / 1,6SV / E1,6LZ / C1,6NZ)


**1,8 8V / 2,0 8V**


(1) (mot.) 1,4 NV:→19307805, 02J22349  
 (mot.) C 1,4NZ:→19311737, 02J22349  
 (mot.) 1,6:→ww

(2) (mot.) 1,4 NV: 19307806→  
 (mot.) C 1,4NZ: 19311738→  
 (mot.) 1,6: 02J22350 →



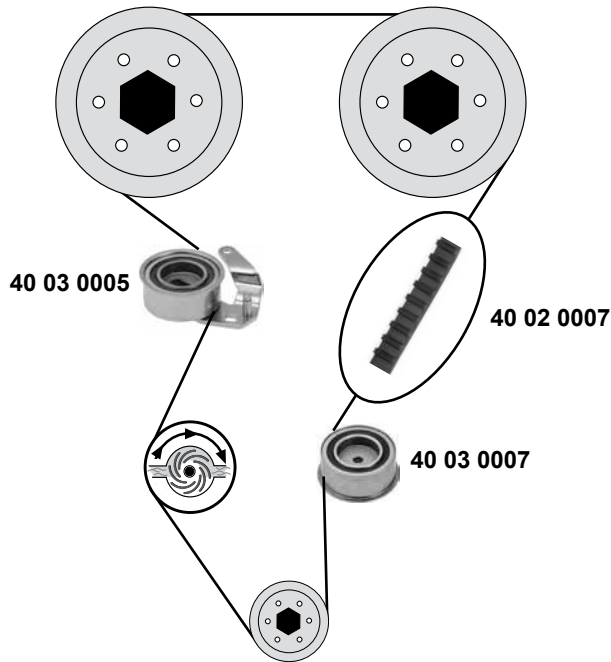
Ref. - No.



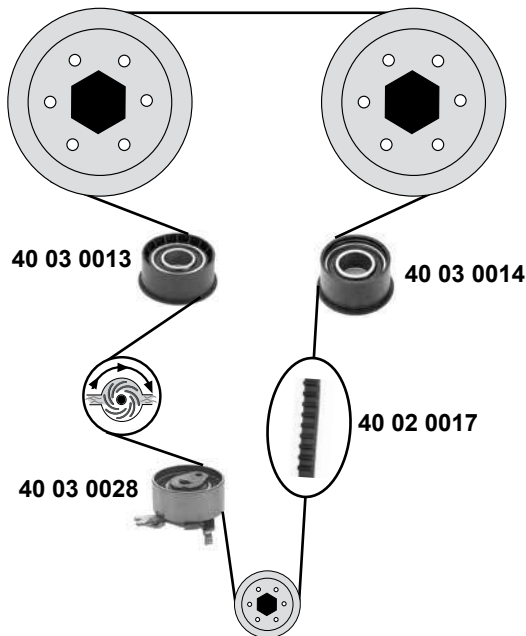
SWAG	Ref. - No.			
40 02 0004	90354783	Zahnriemen / timing belt	(1)	Z 104 B17
40 02 0006	90531677	Zahnriemen / timing belt	(2)	Z 111 B17
40 02 0010	09128725	Zahnriemen / timing belt		Z 146 B20
40 02 0011	90410014	Zahnriemen / timing belt		Z 111 B20
40 02 0027	09128725 S1	Rep. Satz Zahnriemen / rep. kit timing belt		
40 02 0030	93188126	Rep. Satz Zahnriemen / rep. kit timing belt	(2)	
40 03 0006	09202478	Spannrolle / tension roller		ØA 59 B19
40 03 0030	09158003	Spannrolle / tension roller		ØA 59 B22
40 05 0012	90502545	Kurbelwellenzahnrad / crankshaft gear		Z 19

## 2,0 16V

(mot.) → 14142838



(mot.) 14142839 →

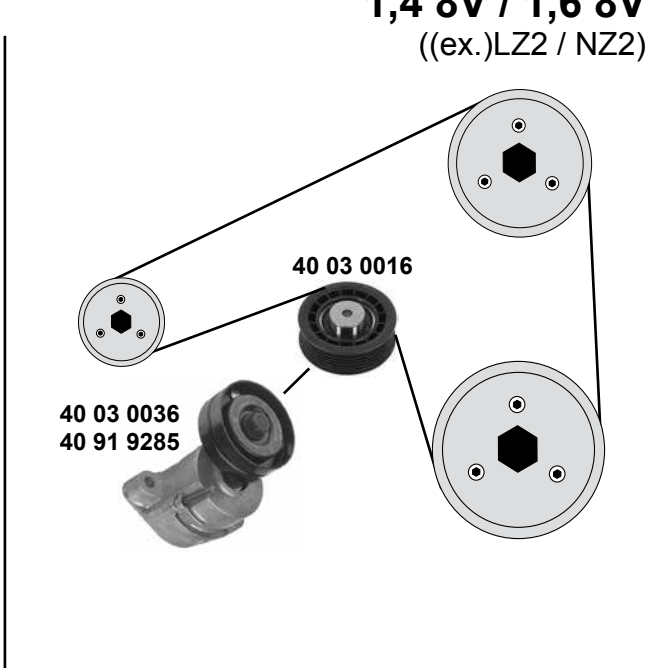
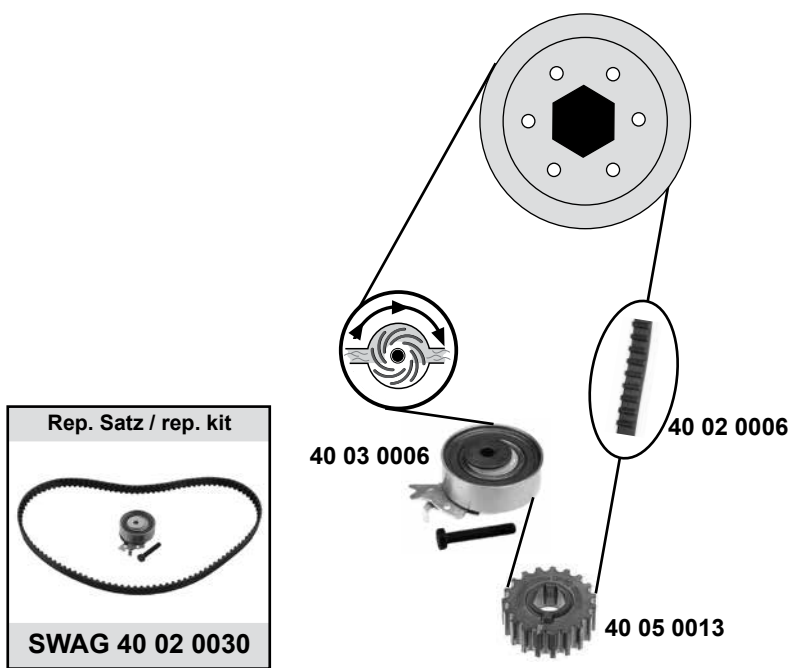


SWAG	Ref. - No.			
40 02 0007	90410225	Zahnriemen / timing belt		Z 141 B24
40 02 0017	90530598	Zahnriemen / timing belt		Z 176 B24
40 02 0021	93174266	Rep. Satz Zahnriemen / rep. kit timing belt		
40 02 0024	93174262	Rep. Satz Zahnriemen / rep. kit timing belt		
40 03 0005	90323501	Spannrolle / tension roller		ØA 67 B27
40 03 0007	90323503	Umlenkrolle / deflection pulley		ØA 67 B27
40 03 0013	90411773	Umlenkrolle / deflection pulley		ØA 62,7 B27
40 03 0014	9128738	Umlenkrolle / deflection pulley		ØA 58,5 B29,5
40 03 0028	09158004	Spannrolle / tension roller		ØA 59 B26

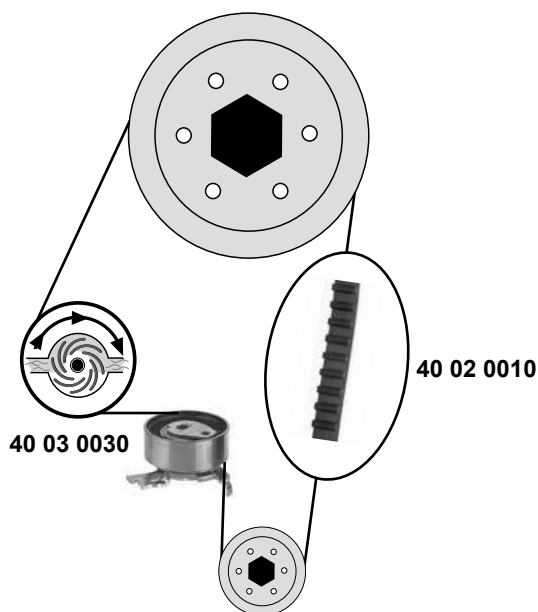


# VAUXHALL Astra Mk III / F (92→98)

**1,4 8V / 1,6 8V**  
(ex.)LZ2 / NZ2



**1,6 8V**  
( LZ2 / NZ2)



(1) (mot.) 1,4 SE: man. + AC / (ch.)→R 2642771,→R 5146295

(2) man. + AC



Ref. - No.



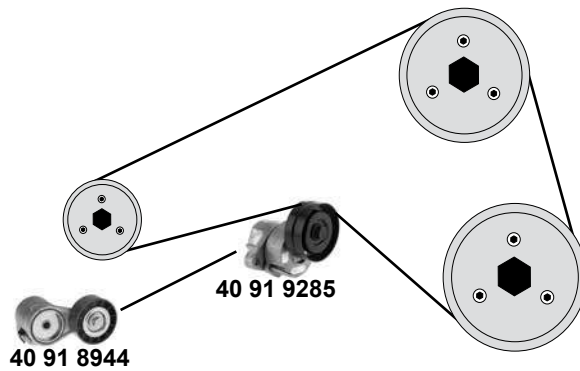
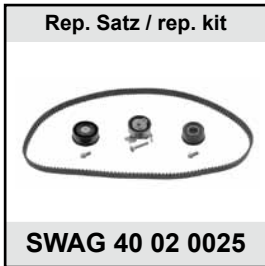
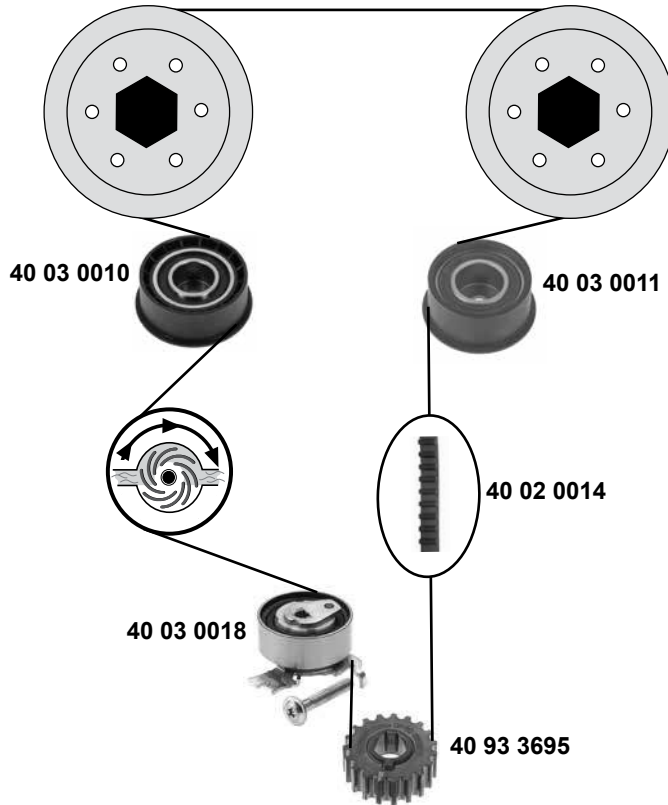
Ref. - No.			
40 02 0006	90531677	Zahnriemen / timing belt	Z 111 B17
40 02 0010	09128725	Zahnriemen / timing belt	Z 146 B20
40 02 0027	09128725 S1	Rep. Satz Zahnriemen / rep. kit timing belt	
40 02 0030	93188126	Rep. Satz Zahnriemen / rep. kit timing belt	
40 03 0006	09202478	Spannrolle / tension roller	ØA 59 B19
40 03 0016	90409238	Umlenkrolle / deflection pulley	(2) ØA 80 B26,4
40 03 0030	09158003	Spannrolle / tension roller	ØA 59 B22
40 03 0036	90411025	Riemenspanner / belt tensioner	(1) ØA 70 B26
40 05 0013	90502545	Kurbelwellenzahnrad / crankshaft gear	ØA5Ø120Z19
40 91 9285	24412292	Riemenspanner / belt tensioner	(ex.) AC

# VAUXHALL Astra Mk III / F

(92→98)

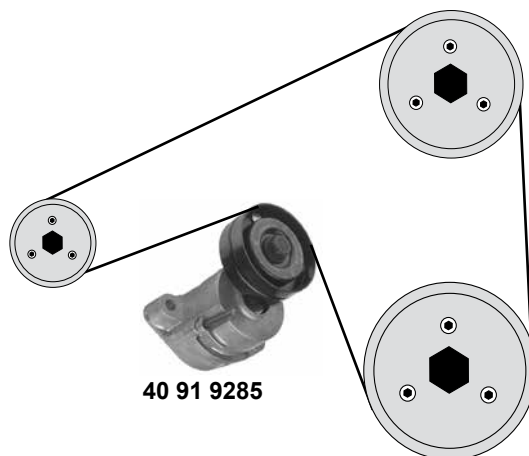
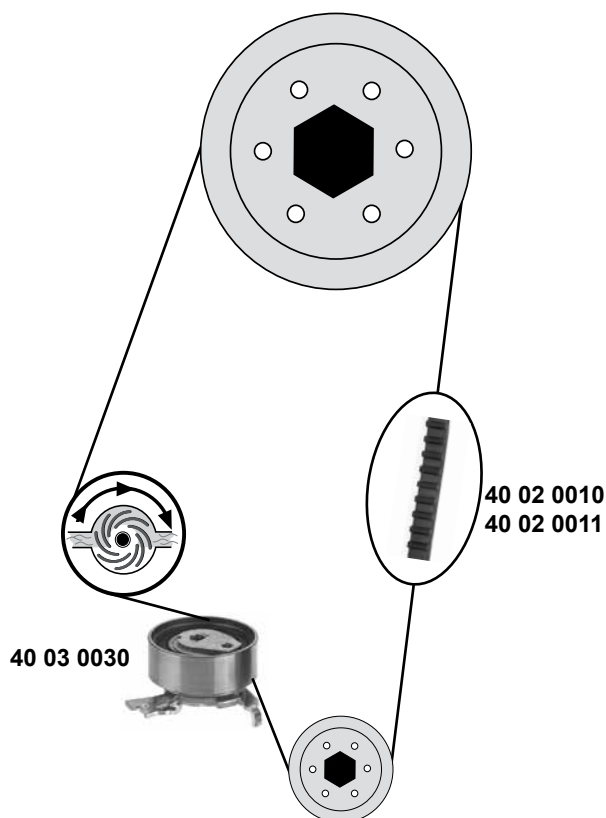


1,4 16V / 1,6 16V



SWAG GERMANY	Ref. - No.			
40 02 0014	24451896	Zahnriemen / timing belt		Z 169 B20
40 02 0025	93180219	Rep. Satz Zahnriemen / rep. kit timing belt		
40 03 0010	55350580	Umlenkrolle / deflection pulley		ØA 62,5 ØI 23
40 03 0011	09128740	Umlenkrolle / deflection pulley		ØA 58,5 B25
40 03 0018	55567191	Spannrolle / tension roller		ØA 59 B22
40 91 8944	90412884	Riemenspanner / belt tensioner	man.  (ex.) AC	
40 91 9285	24412292	Riemenspanner / belt tensioner	servo  / AC	
40 92 1098	93174120	Rep. Satz Zahnriemen / rep. kit timing belt		
40 93 3695	09129207	Kurbelwellenzahnrad / crankshaft gear		Z 23

**1,8 8V / 2,0 8V**  
(C1,8NZ / C2,0NE)



(1) 1,8 (mot.→14254438, 2,0 (mot.)→14608700

(2) 1,8 (mot.) 14254439→, 2,0 (mot.) 14608701→




Ref. - No.



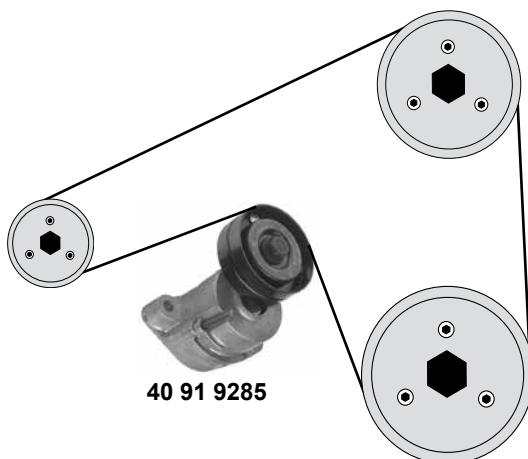
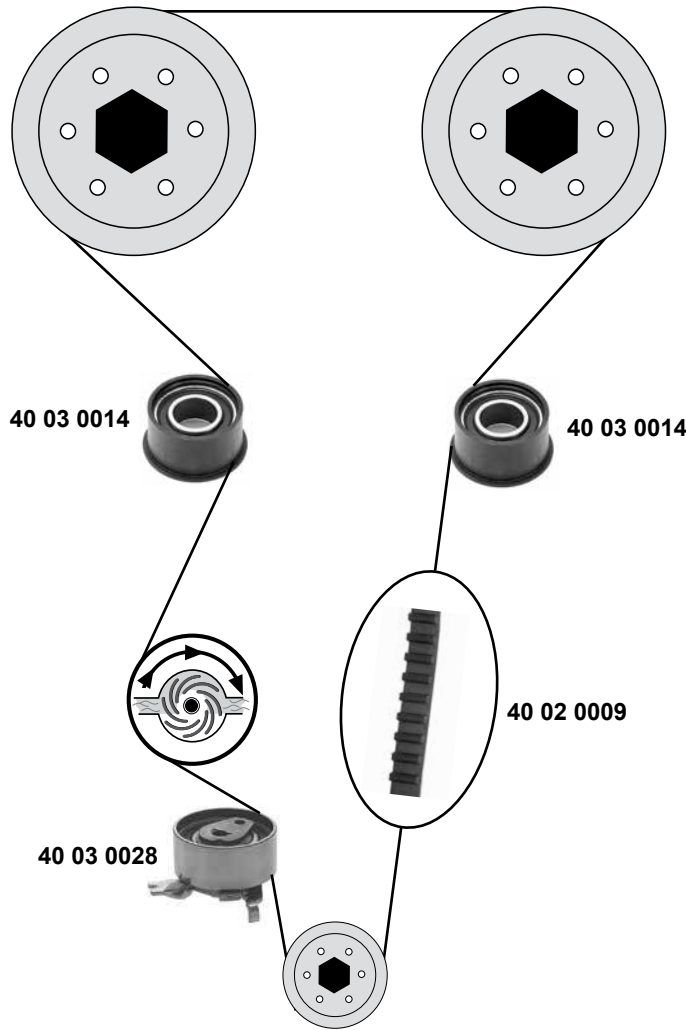
**40 02 0010** 09128725  
**40 02 0011** 90410014  
**40 02 0027** 09128725 S1  
**40 03 0030** 09158003  
**40 91 9285** 24412292





Zahnriemen / timing belt  
Zahnriemen / timing belt  
Rep. Satz Zahnriemen / rep. kit timing belt  
Spannrolle / tension roller  
Riemenspanner / belt tensioner

(2)  
(1)  
(2)  
servo  + AC

Z 146 B20  
Z 111 B20  
ØA 59 B22

**1,8 16V**

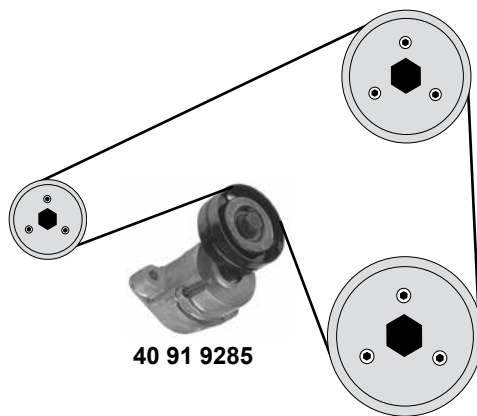
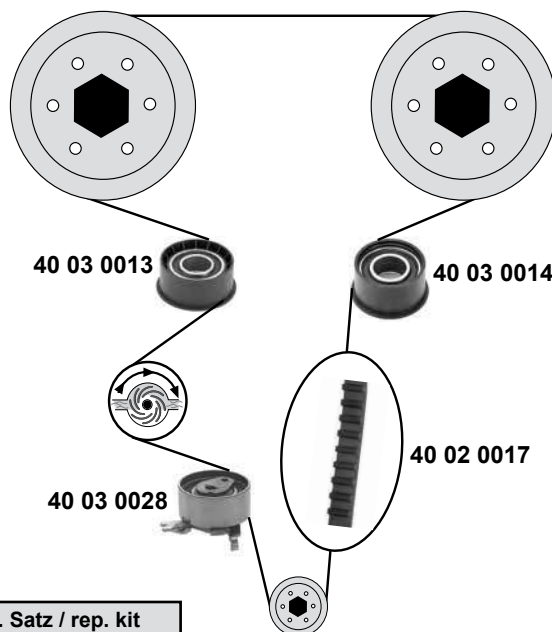
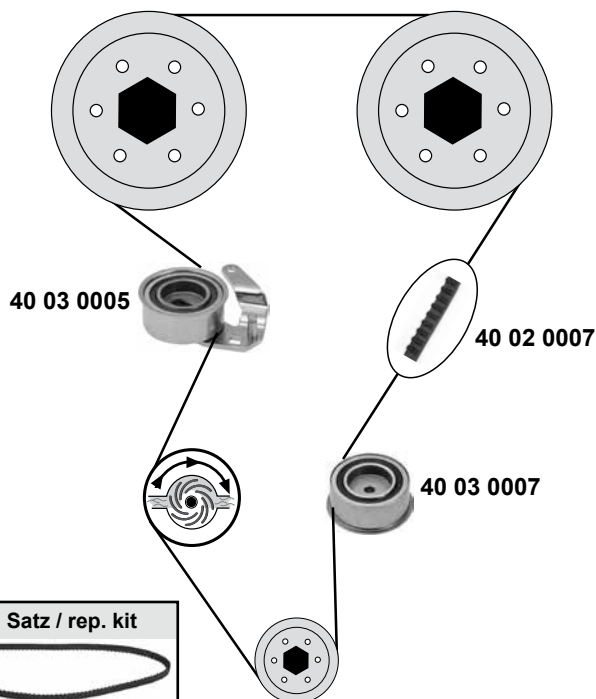


	Ref. - No.			
40 02 0009	90531682	Zahnriemen / timing belt		Z 169 B24
40 02 0028	93174260	Rep. Satz Zahnriemen / rep. kit timing belt		
40 03 0014	9128738	Umlenkrolle / deflection pulley		ØA 58,5 B29,5
40 03 0028	09158004	Spannrolle / tension roller		ØA 59 B26
40 91 9285	24412292	Riemenspanner / belt tensioner		

2,0 16V

(mot.) → 14142838

(mot.) 14142839 →



SWAG	Ref. - No.			
40 02 0007	90410225	Zahnriemen / timing belt		Z 141 B24
40 02 0017	90530598	Zahnriemen / timing belt		Z 176 B24
40 02 0021	93174266	Rep. Satz Zahnriemen / rep. kit timing belt		
40 02 0024	93174262	Rep. Satz Zahnriemen / rep. kit timing belt		
40 03 0005	90323501	Spannrolle / tension roller		ØA 67 B27
40 03 0007	90323503	Umlenkrolle / deflection pulley		ØA 67 B27
40 03 0013	90411773	Umlenkrolle / deflection pulley		ØA 62,7 B27
40 03 0014	9128738	Umlenkrolle / deflection pulley		ØA 58,5 B29,5
40 03 0028	09158004	Spannrolle / tension roller		ØA 59 B26
40 91 9285	24412292	Riemenspanner / belt tensioner		



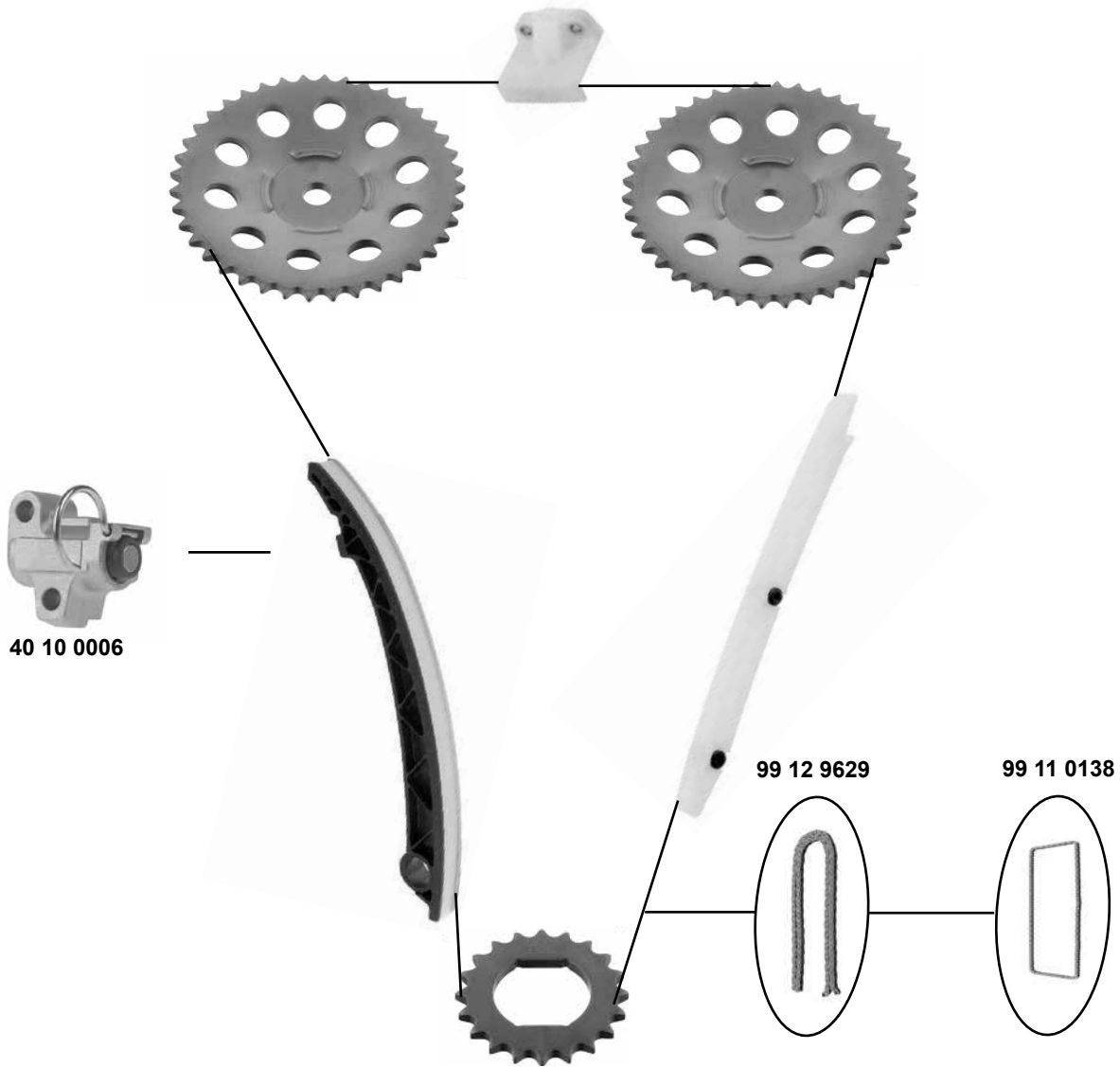
# VAUXHALL Astra Mk IV / G

(98→04)



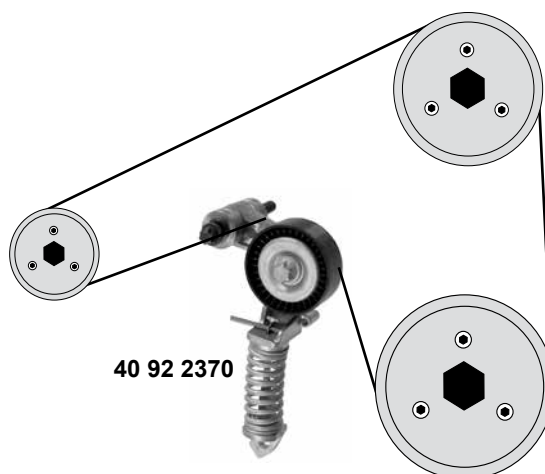
**1,2 / 1,4**

(X1,2XE / Z1,2XE / Z1,4XEP)







<p>Rep. Satz / rep. kit</p> <p><b>SWAG 99 13 0372</b></p>	<p>Rep. Satz / rep. kit</p> <p><b>SWAG 99 13 0373</b></p>	<p>Rep. Satz / rep. kit</p> <p><b>SWAG 99 13 3040</b></p>	<p>Rep. Satz / rep. kit</p> <p><b>SWAG 99 13 3041</b></p>
<p>Rep. Satz / rep. kit</p> <p><b>SWAG 99 13 3080</b></p>	<p>Rep. Satz / rep. kit</p> <p><b>SWAG 99 13 3081</b></p>	<p>Rep. Satz / rep. kit</p> <p><b>SWAG 99 13 3082</b></p>	<p>Rep. Satz / rep. kit</p> <p><b>SWAG 99 13 3083</b></p>





- i**
- (1) Steuerkette geschlossen / timing chain endless
  - (2) Steuerkette offen / timing chain open
  - (3) Steuerkette offen und mit Steuerkettenradsatz / timing chain open and with control chain wheel kit
  - (4) Steuerkette geschlossen und mit Steuerkettenradsatz / timing chain endless and with control chain wheel kit
  - (5) Steuerkette offen mit Dichtung / timing chain open with gasket
  - (6) Steuerkette geschlossen mit Dichtung / timing chain endless with gasket
  - (7) Steuerkette offen mit Dichtung und Steuerkettenradsatz / timing chain open with gasket and control chain wheel kit
  - (8) Steuerkette geschlossen mit Dichtung und Steuerkettenradsatz / timing chain endless with gasket and control chain wheel kit
  - (9) Spezialwerkzeug zur Montage notwendig / requires special tools for mounting

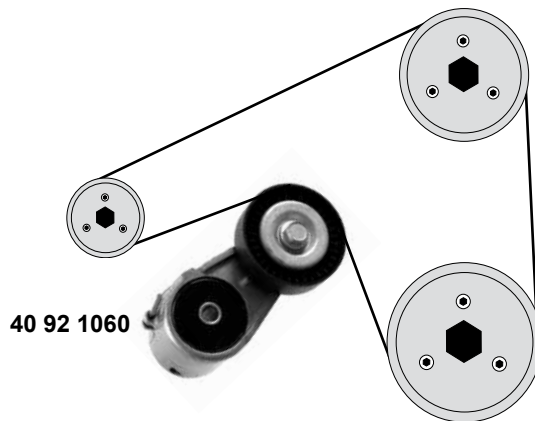
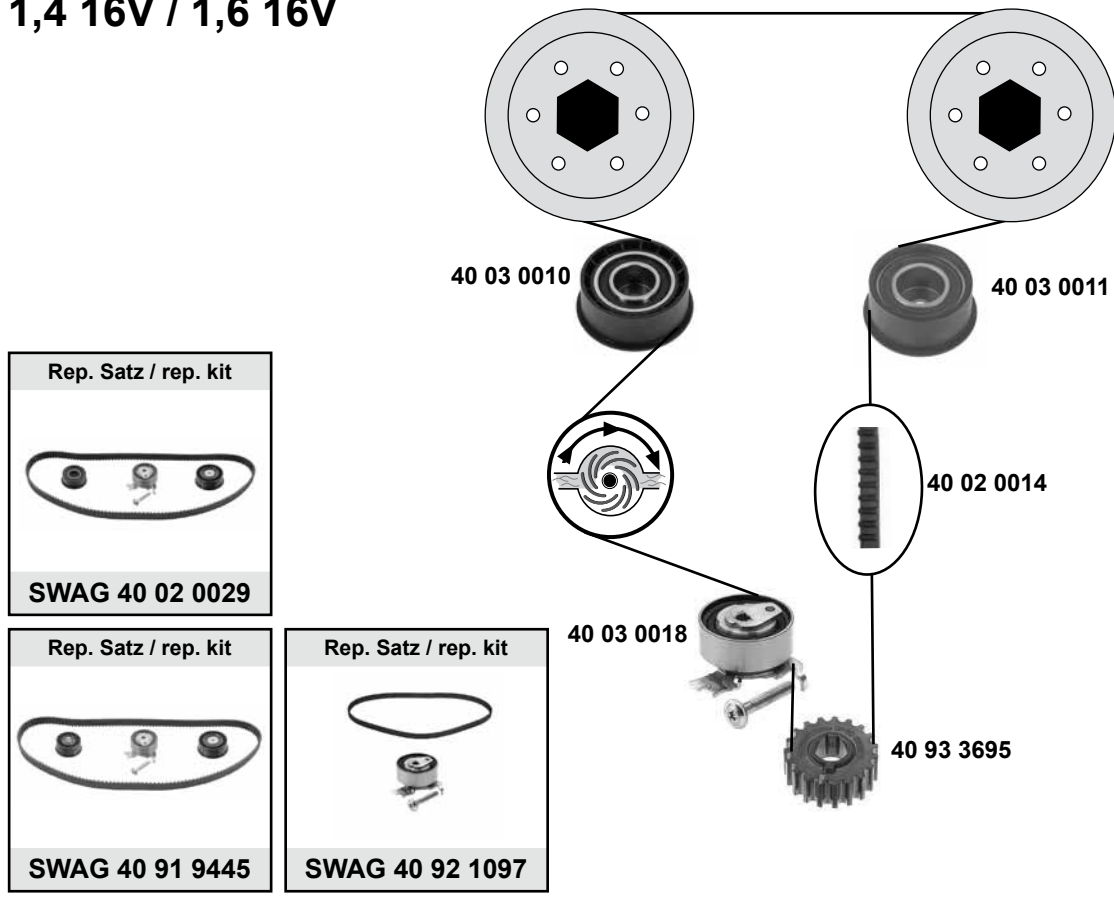
	Ref. - No.			
40 10 0006	55352909	Kettenspanner / chain tensioner		
40 92 2370	55565236	Riemenspanner / belt tensioner	<b>NEW</b>	70x24
99 11 0138	55562234	Steuerkette / timing chain	(1)	130 E
99 12 9629	55562234 S1	Steuerkette / timing chain	(2)	130 N
99 13 0372	93191271 SK1	Rep. Satz Steuerkette / rep. kit timing chain	(1)	130 E
99 13 0373	93191271 SK2	Rep. Satz Steuerkette / rep. kit timing chain	(2)	130 N
99 13 3040	93191271	Rep. Satz Steuerkette / rep. kit timing chain	(4)	130 E
99 13 3041	93191271 S1	Rep. Satz Steuerkette / rep. kit timing chain	(3)	130 N
99 13 3080	93191271 SK3	Rep. Satz Steuerkette / rep. kit timing chain	(6)	130 E
99 13 3081	93191271 SK4	Rep. Satz Steuerkette / rep. kit timing chain	(5) (9)	130N
99 13 3082	93191271 S2	Rep. Satz Steuerkette / rep. kit timing chain	(8)	130 E
99 13 3083	93191271 S3	Rep. Satz Steuerkette / rep. kit timing chain	(7) (9)	130 N

# VAUXHALL Astra Mk IV / G

(98→04)



1,4 16V / 1,6 16V



(1) (mot.) 02HL5118→, 20041691→

(2) (mot.)→02HL5117,→20041690

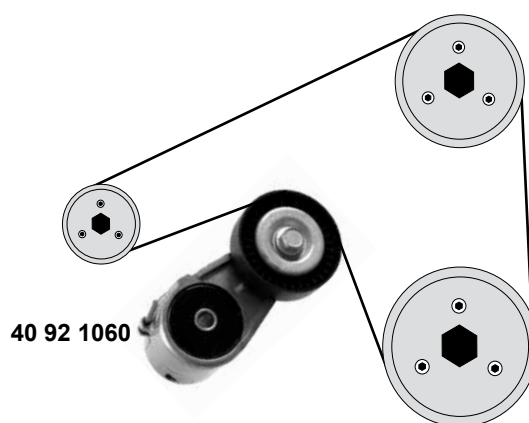
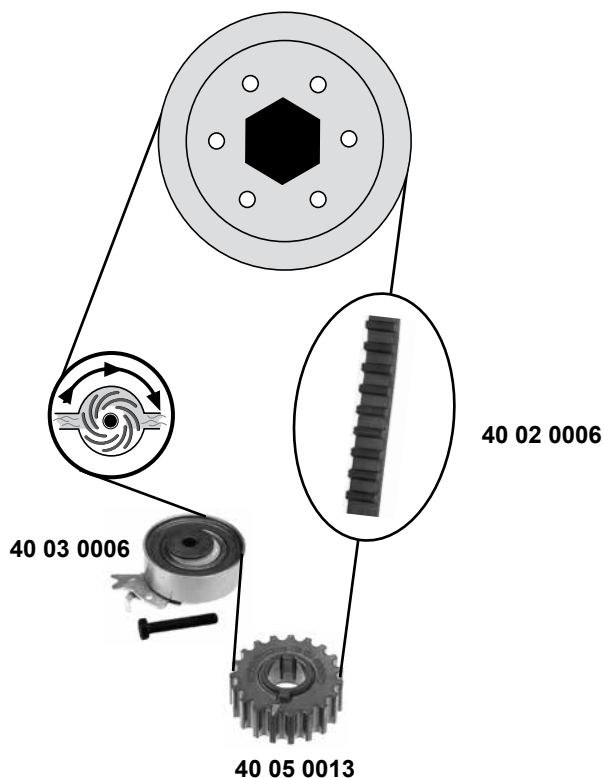


Ref. - No.



40 02 0016	24451895	Zahnriemen / timing belt			Z 162 B20
40 02 0029	93183572	Rep. Satz Zahnriemen / rep. kit timing belt		(2)	
40 03 0010	55350580	Umlenkrolle / deflection pulley			ØA 62,5
40 03 0011	09128740	Umlenkrolle / deflection pulley		(2)	52,5/58x 8/24x 22/25
40 03 0018	55567191	Spannrolle / tension roller			ØA 59 B22
40 91 9445	93185845	Rep. Satz Zahnriemen / rep. kit timing belt		(1)	
40 92 1060	90571758	Riemenspanner / belt tensioner			
40 92 1097	93174119	Rep. Satz Zahnriemen / rep. kit timing belt			
40 93 3695	09129207	Kurbelwellenzahnrad / crankshaft gear			Z 23
99 91 8181	55352713	Umlenkrolle / deflection pulley		(1)	ØA 52,5 B27

**1,6 8V**  
(X1,6 SZR / Z1,6SE)



SWAG	Ref. - No.			
40 02 0006	90531677	Zahnriemen / timing belt		Z 111 B17
40 02 0030	93188126	Rep. Satz Zahnriemen / rep. kit timing belt		
40 03 0006	09202478	Spannrolle / tension roller		ØA 59 B19
40 05 0013	90502545	Kurbelwellenzahnrad / crankshaft gear		ØA5 ØI 20 Z19
40 92 1060	90571758	Riemenspanner / belt tensioner		

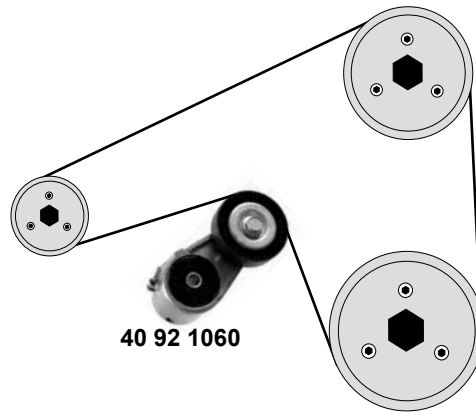
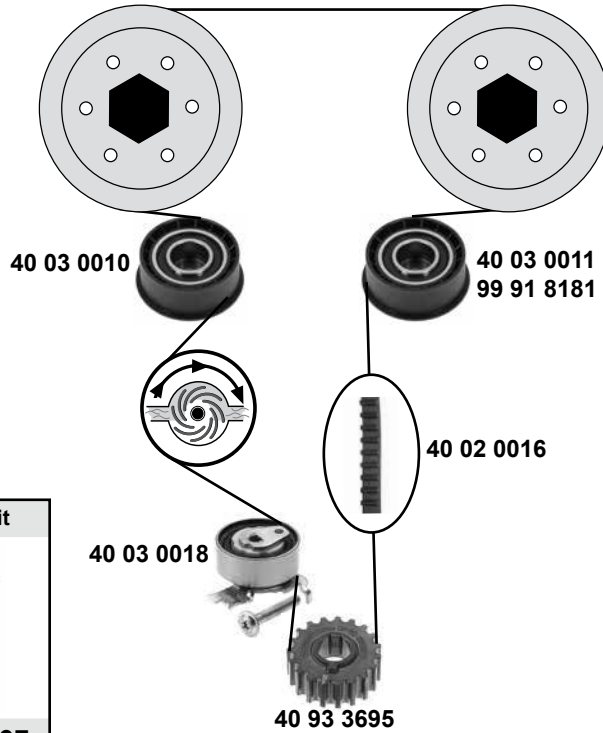
# VAUXHALL Astra Mk IV / G

(98→04)



## 1,6 16V / 1,8 16V

(ex.) Z1,6XEP)



(1) (mot.) 02HL5118→, 20041691→

(2) (mot.)→02HL5117,→20041690

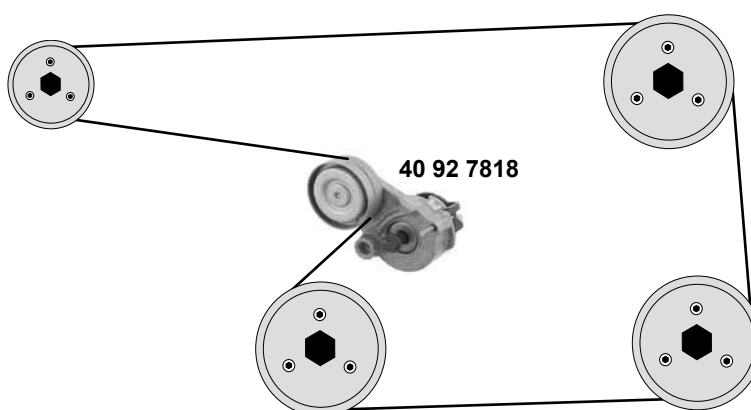
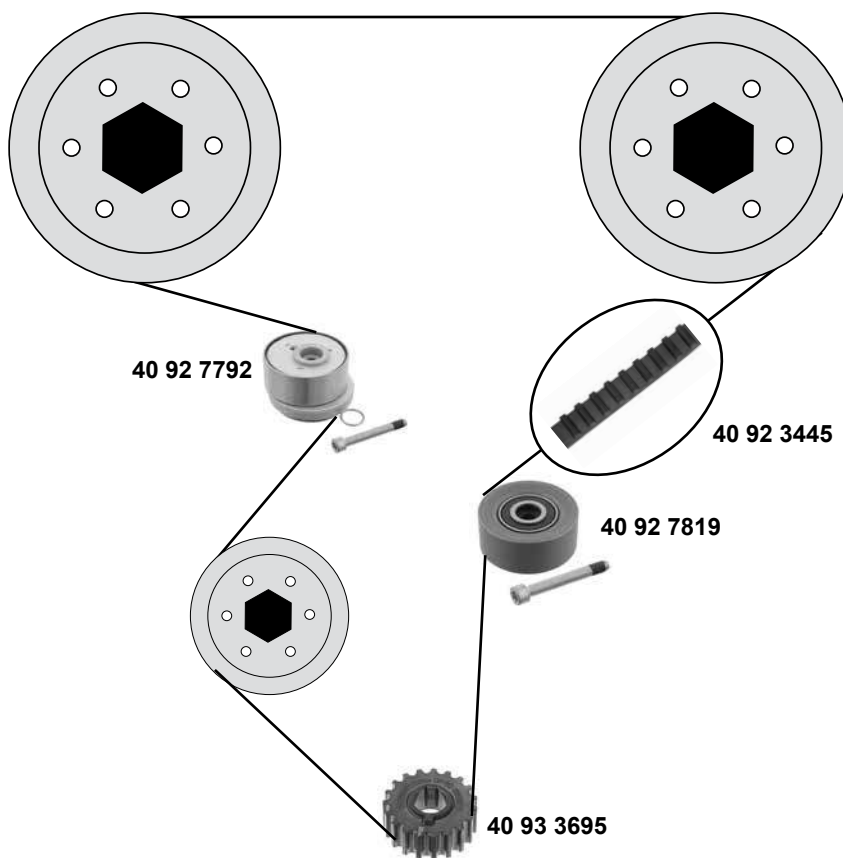


Ref. - No.



Ref. - No.	Description	Quantity	Dimensions
40 02 0016	Zahnriemen / timing belt		Z 162 B20
40 02 0029	Rep. Satz Zahnriemen / rep. kit timing belt	(2)	
40 03 0010	Umlenkrolle / deflection pulley		ØA 62,5
40 03 0011	Umlenkrolle / deflection pulley	(2)	52,5/58x 8/24x 22/25
40 03 0018	Spannrolle / tension roller		ØA 59 B22
40 91 9445	Rep. Satz Zahnriemen / rep. kit timing belt	(1)	
40 92 1060	Riemenspanner / belt tensioner		
40 92 1097	Rep. Satz Zahnriemen / rep. kit timing belt		
40 93 3695	Kurbelwellenzahnrad / crankshaft gear		Z 23
99 91 8181	Umlenkrolle / deflection pulley	(1)	ØA 52,5 B27

**1,6 16V**  
(Z1,6XEP)



	Ref. - No.			
40 92 3445	24422964	Zahnriemen / timing belt		Z 146 B24
40 92 7792	55562218	Spannrolle / tension roller		ØA 66 B29
40 92 7818	55563512	Riemenspanner / belt tensioner		ØA 63
40 92 7819	24436052	Umlenkrolle / deflection pulley		ØA 61 B28
40 92 7825	93185849	Rep. Satz Zahnriemen / rep. kit timing belt		Z 146 B24
40 93 3695	0614 546	Kurbelwellenzahnrad / crankshaft gear		Z 23

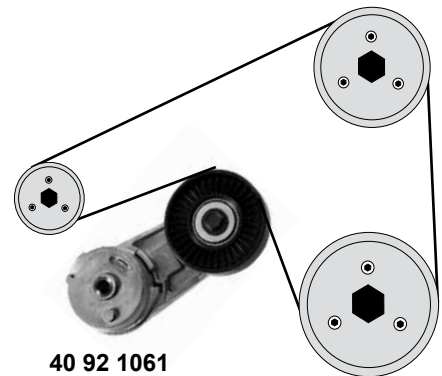
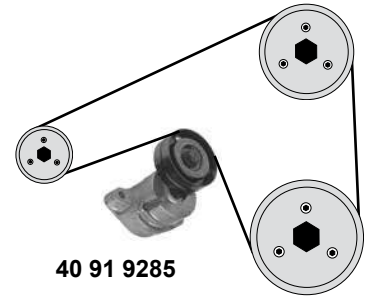
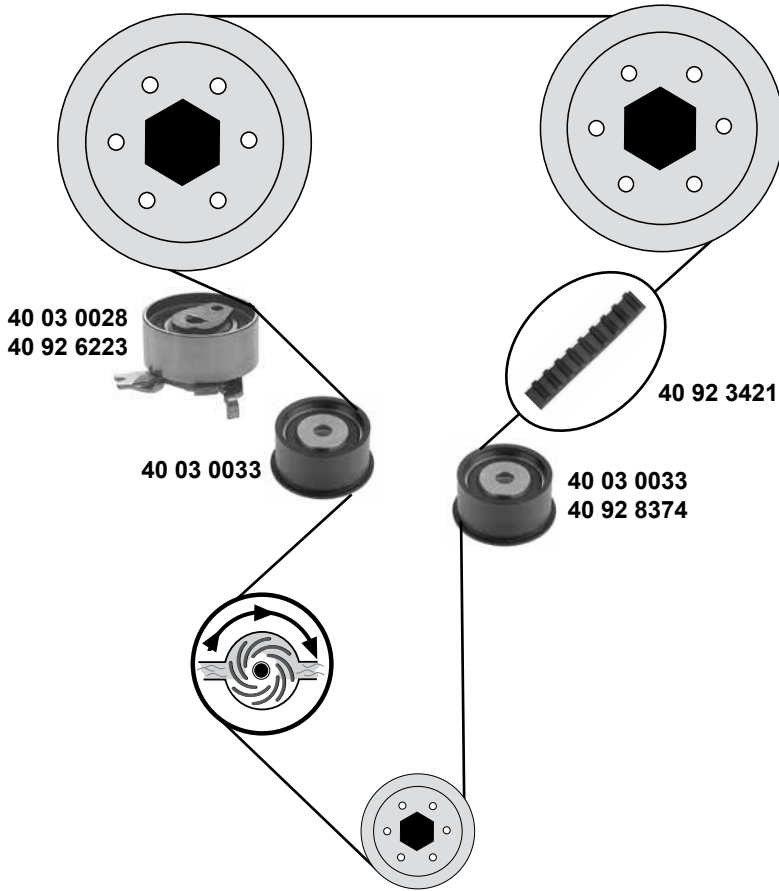
# VAUXHALL Astra Mk IV / G

(98→04)



## 2,0 16V

(X 2,0XEV, X 2,0XER / Z2,0 LET)



Rep. Satz / rep. kit	Rep. Satz / rep. kit	Rep. Satz / rep. kit
<b>SWAG 40 92 3423</b>	<b>SWAG 40 92 6224</b>	<b>SWAG 40 92 8375</b>

(1) (ex.) (mot.) Z 2,0 LET / X 2,0 XER

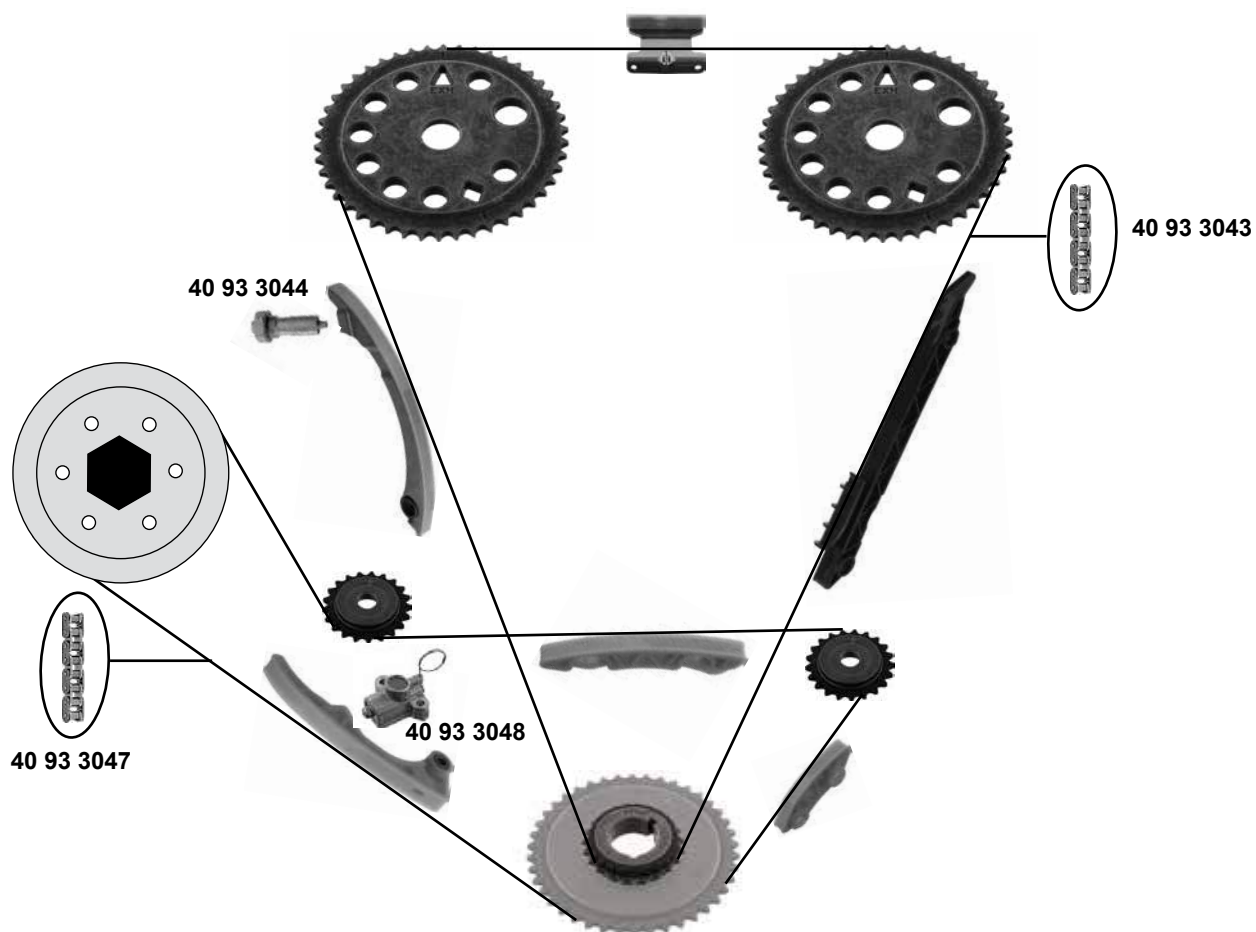
(2) (mot.) Z 2,0 LET→3299999, 35999999, 36999999, 38999999, 3B9999999, 3H999999 / (mot.) Z 2,0 XER alle / all

(3) (mot.) Z 2,0 LET 42000001, 45000001, 48000001, 4B000001, 4H000001→

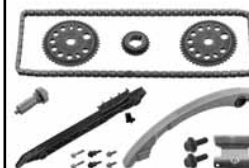
(4) (ex.) (mot.) Z 2,0 LET 42000001, 45000001, 48000001, 4B000001, 4H000001→nur Auslaßseite / only exhaustside  
(mot.) Z 2,0 XER alle / all (mot.)→02HL5117,→20041690



SWAG	Ref. - No.			
40 03 0028	09158004	Spannrolle / tension roller	(1)	ØA 59 B26
40 03 0033	90529810	Umlenkrolle / deflection pulley	(4)	ØA 54 B29,3
40 91 9285	24412292	Riemenspanner / belt tensioner	AC	
40 92 1061	24430296	Riemenspanner / belt tensioner		
40 92 3421	55351782	Zahnriemen / timing belt		Z 168 B24
40 92 3423	93174263	Rep. Satz Zahnriemen / rep. kit timing belt		Z 168 B24
40 92 6223	55353810	Spannrolle / tension roller	(2)	ØA 59 B 26
40 92 6224	93174265	Rep. Satz Zahnriemen / rep. kit timing belt	(2)	Z 168 B24
40 92 8374	55353701	Umlenkrolle / deflection pulley	(3)	ØA 54 B 31,5
40 92 8375	93185844	Rep. Satz Zahnriemen / rep. kit timing belt	(3)	Z 168



Rep. Satz / rep. kit



SWAG 99 13 3045

Rep. Satz / rep. kit



SWAG 99 13 3046

40 93 3043	24461834	Steuerkette endlos / timing chain endless	148 E
40 93 3044	12608580	Kettenspanner / chain tensioner	
40 93 3047	12645237	Steuerkette endlos / timing chain endless	134 E
40 93 3048	90537300	Kettenspanner / chain tensioner	
99 13 3045	55570337	Rep. Satz Steuerkette / rep. kit timing chain	148 E
99 13 3046	55563405	Rep. Satz Steuerkette / rep. kit timing chain	134 E



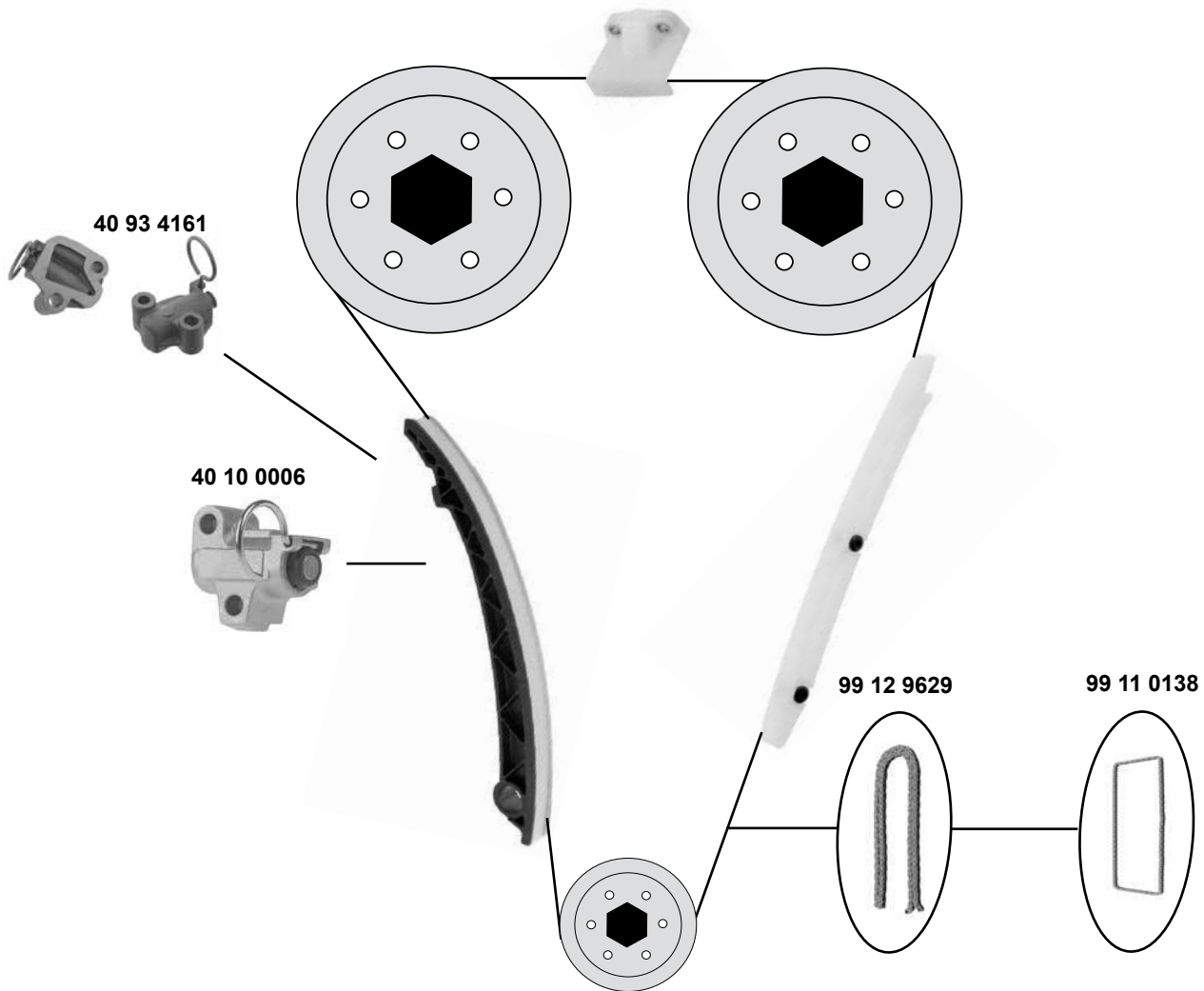
# VAUXHALL Astra Mk V / H

(04→09)



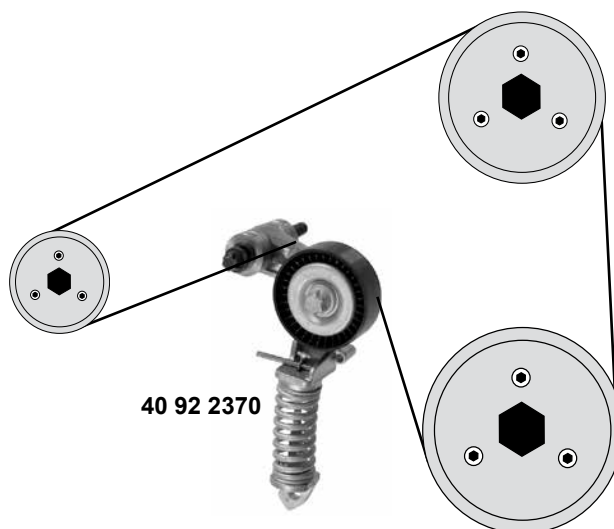
**1,2 / 1,4**

(Z1,2XE / Z 1,4 XEL / Z1,4XEP)



<p>Rep. Satz / rep. kit</p> <p><b>SWAG 99 13 0372</b></p>	<p>Rep. Satz / rep. kit</p> <p><b>SWAG 99 13 0373</b></p>	<p>Rep. Satz / rep. kit</p> <p><b>SWAG 99 13 3040</b></p>	<p>Rep. Satz / rep. kit</p> <p><b>SWAG 99 13 3041</b></p>	<p>Rep. Satz / rep. kit</p> <p><b>SWAG 99 13 3080</b></p>
<p>Rep. Satz / rep. kit</p> <p><b>SWAG 99 13 3081</b></p>	<p>Rep. Satz / rep. kit</p> <p><b>SWAG 99 13 3082</b></p>	<p>Rep. Satz / rep. kit</p> <p><b>SWAG 99 13 3083</b></p>	<p>Rep. Satz / rep. kit</p> <p><b>SWAG 99 13 4162</b></p>	<p>Rep. Satz / rep. kit</p> <p><b>SWAG 99 13 4163</b></p>



**1,2 / 1,4**  
 (Z 1,2 XEP / Z 1,4 XEL / Z 1,4 XEP)


40 92 2370

- (1)** Steuerkette geschlossen / timing chain endless  
**(2)** Steuerkette offen / timing chain open  
**(3)** Steuerkette offen und mit Steuerkettenradsatz / timing chain open and with control chain wheel kit  
**(4)** Steuerkette geschlossen und mit Steuerkettenradsatz / timing chain endless and with control chain wheel kit  
**(5)** Steuerkette offen mit Dichtung / timing chain open with gasket  
**(6)** Steuerkette geschlossen mit Dichtung / timing chain endless with gasket  
**(7)** Steuerkette offen mit Dichtung und Steuerkettenradsatz / timing chain open with gasket and control chain wheel kit  
**(8)** Steuerkette geschlossen mit Dichtung und Steuerkettenradsatz / timing chain endless with gasket and control chain wheel kit  
**(9)** Spezialwerkzeug zur Montage notwendig / requires special tools for mounting  
**(10)** (mot.) Z 1,4 XEP→(mot.) 19TR2328  
**(11)** (mot.) Z 1,4 XEP (mot.) 19TR2329→



Ref. - No.



SWAG	Ref. - No.			
40 10 0006	55352909	Kettenspanner / chain tensioner	<b>(10)</b>	
40 92 2370	55565236	Riemenspanner / belt tensioner	<b>NEW</b>	70x24
40 93 4161	55562235	Kettenspanner / chain tensioner	<b>(11)</b>	
99 11 0138	55562234	Rollenkette / roller chain	<b>(1) (10)</b>	130 E
99 12 9629	55562234 S1	Steuerkette / timing chain	<b>(2) (9) (10)</b>	130 N
99 13 0372	93191271 SK1	Rep. Satz Steuerkette / rep. kit timing chain	<b>(1) (10)</b>	130 E
99 13 0373	93191271 SK2	Rep. Satz Steuerkette / rep. kit timing chain	<b>(2) (9) (10)</b>	130 N
99 13 3040	93191271	Rep. Satz Steuerkette / rep. kit timing chain	<b>(4) (10)</b>	130 E
99 13 3041	93191271 S1	Rep. Satz Steuerkette / rep. kit timing chain	<b>(3) (10)</b>	130 N
99 13 3080	93191271 SK3	Rep. Satz Steuerkette / rep. kit timing chain	<b>(6) (10)</b>	130 E
99 13 3081	93191271 SK4	Rep. Satz Steuerkette / rep. kit timing chain	<b>(5) (9) (10)</b>	130N
99 13 3082	93191271 S2	Rep. Satz Steuerkette / rep. kit timing chain	<b>(8) (10)</b>	130 E
99 13 3083	93191271 S3	Rep. Satz Steuerkette / rep. kit timing chain	<b>(7) (9) (10)</b>	130 N
99 13 4162	55562234 S2	Rep. Satz Steuerkette / rep. kit timing chain	<b>(1) (11)</b>	130 E
99 13 4163	55562234 S3	Rep. Satz Steuerkette / rep. kit timing chain	<b>(2) (9) (11)</b>	130 N

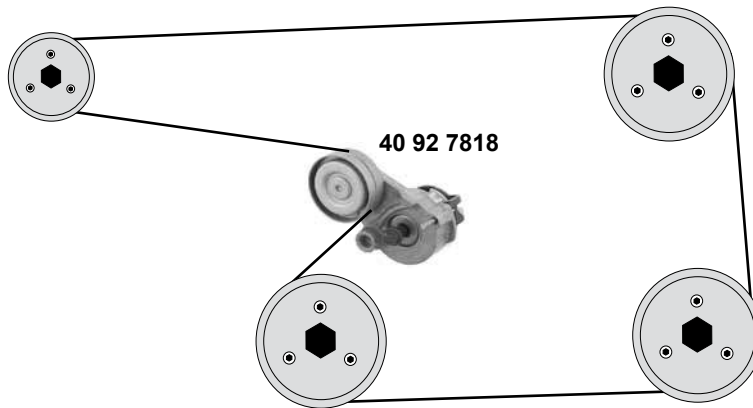
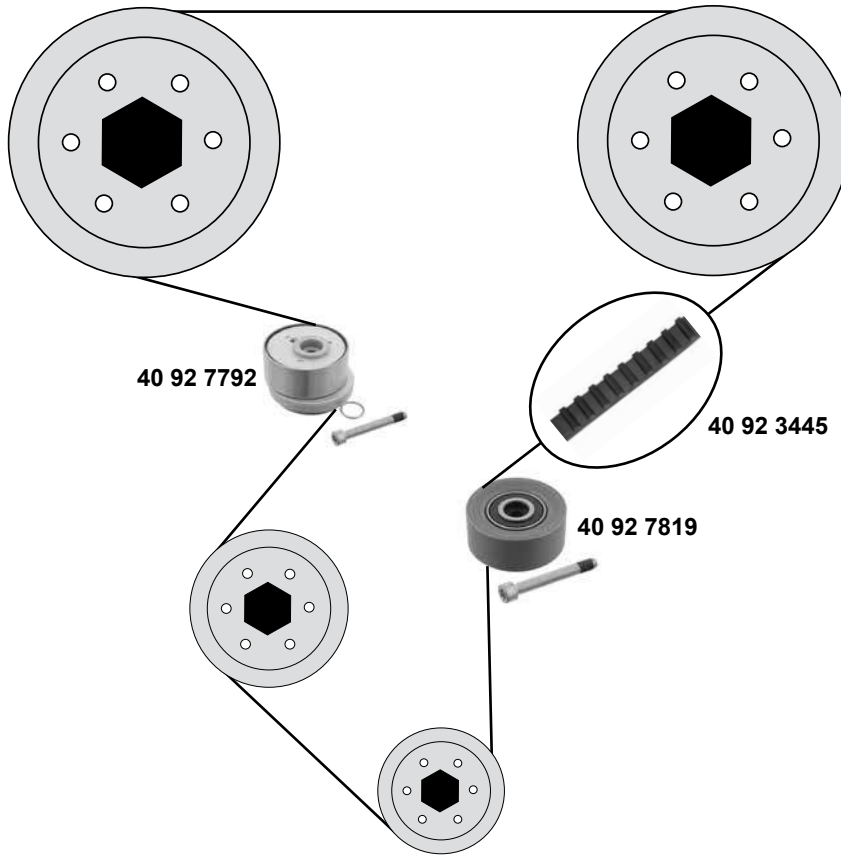
# VAUXHALL Astra Mk V / H

(04→09)



## 1,6 16V / 1,8 16V

(A1,6LET / Z1,6XEP / Z1,6LET / Z1,6XE1 / A1,6XER / Z1,6XER / Z1,8XER)



(1) (mot.) Z1,6XEP / Z1,6LET / Z1,6XE1 / Z1,6XER / Z1,8XER



Ref. - No.



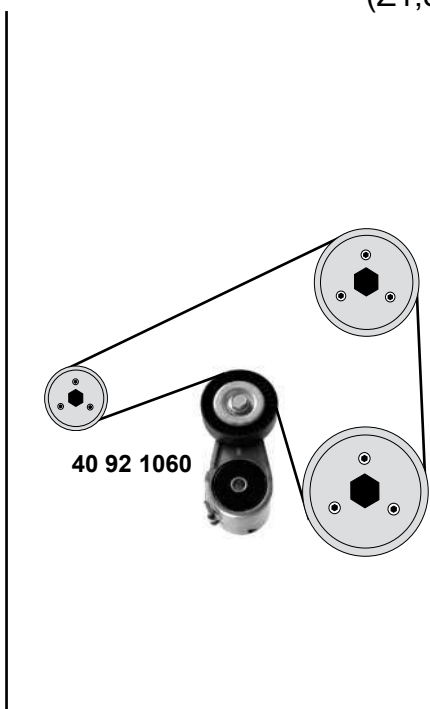
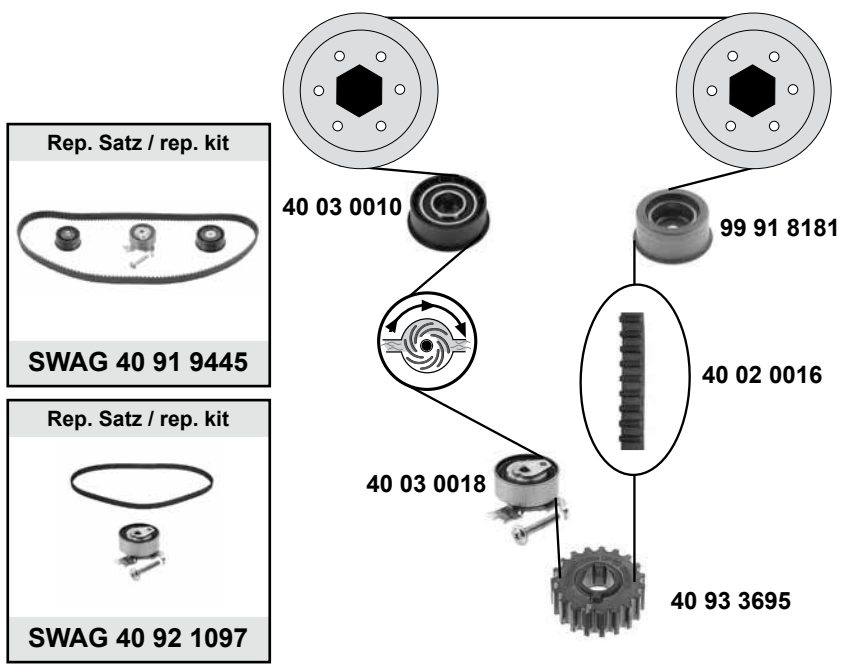
40 92 3445	24422964	Zahnriemen / timing belt		Z 146 B24
40 92 7792	55562218	Spannrolle / tension roller		ØA66 Ø18 B29
40 92 7818	55563512	Riemenspanner / belt tensioner		ØA 63
40 92 7819	24436052	Umlenkrolle / deflection pulley	(1)	ØA 61 B 28
40 92 7825	93185849	Rep. Satz Zahnriemen / rep. kit timing belt	(ex.) A1,6 XER	Z 146 B24



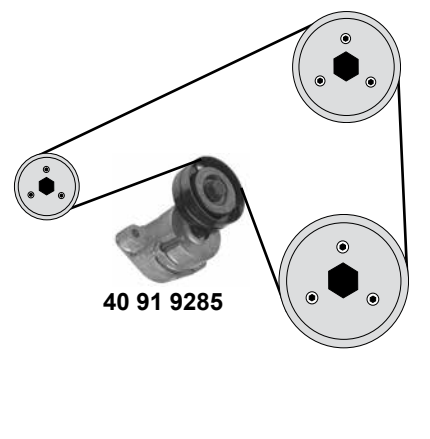
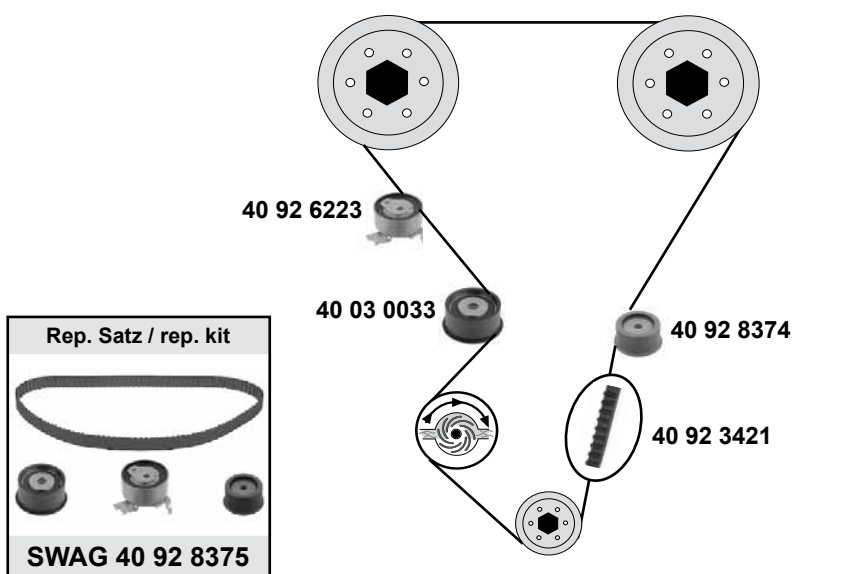
# VAUXHALL Astra Mk V / H

(04→09)

**1,8 16V**  
(Z1,8 XE)

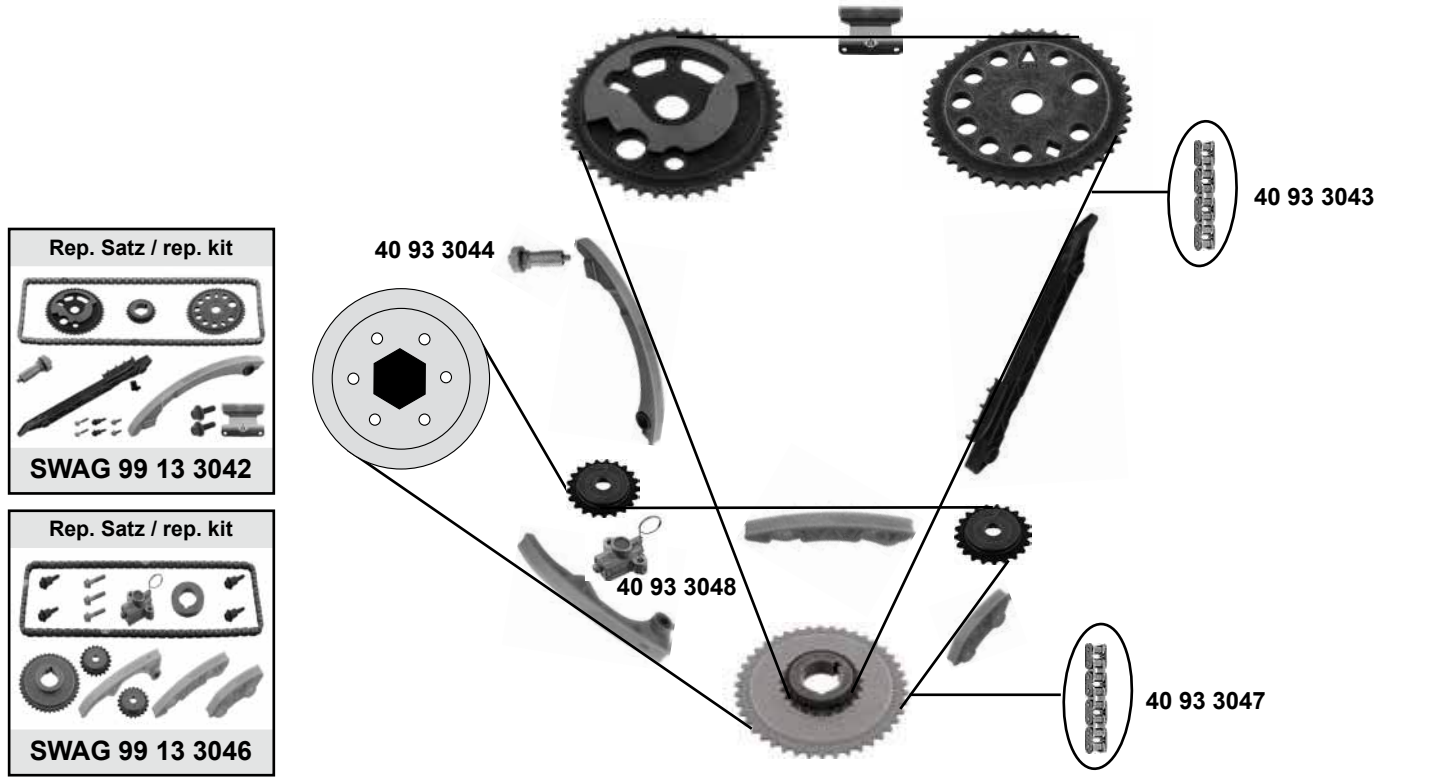


**2,0 16V**  
(Z 2,0 LEL, Z 2,0 LEH, Z 2,0 LER)



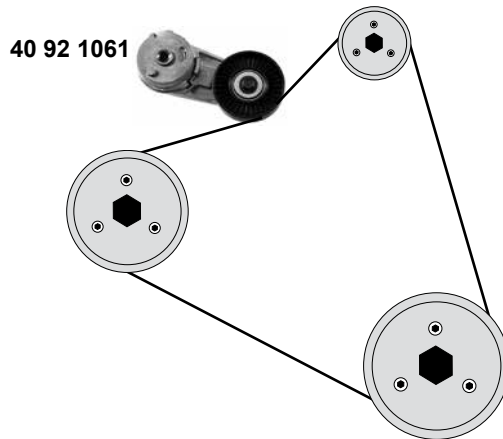
SWAG GERMANY	Ref. - No.			
40 02 0016	24451895	Zahnriemen / timing belt		Z 162 B20
40 03 0010	55350580	Umlenkrolle / deflection pulley		ØA 62,5 Ø1 23
40 03 0018	55567191	Spannrolle / tension roller		ØA 59 B22
40 03 0033	90529810	Umlenkrolle / deflection pulley		ØA 54 B29,3
40 91 9285	24412292	Riemenspanner / belt tensioner		Z 162 B20
40 91 9445	93185845	Rep. Satz Zahnriemen / rep. kit timing belt		Z 162 B20
40 92 1060	90571758	Riemenspanner / belt tensioner		Z 162 B20
40 92 1097	93174119	Rep. Satz Zahnriemen / rep. kit timing belt		Z 162 B20
40 92 3421	55351782	Zahnriemen / timing belt		Z 168 B24
40 92 6223	55353810	Umlenkrolle / deflection pulley		ØA 59 B26
40 92 8374	55353701	Umlenkrolle / deflection pulley		ØA 54 B31,5
40 92 8375	93185844	Rep. Satz Zahnriemen / rep. kit timing belt		Z 168 B24
40 93 3695	0614 546	Kurbelwellenzahnrad / crankshaft gear		Z 23
99 91 8181	55352713	Umlenkrolle / deflection pulley		ØA 52,5 B27

**2,2**



**2,2**

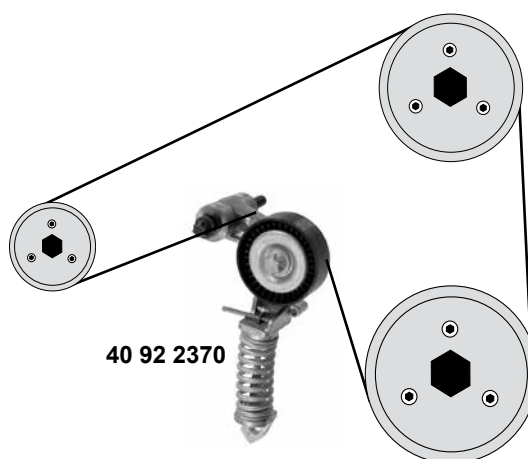
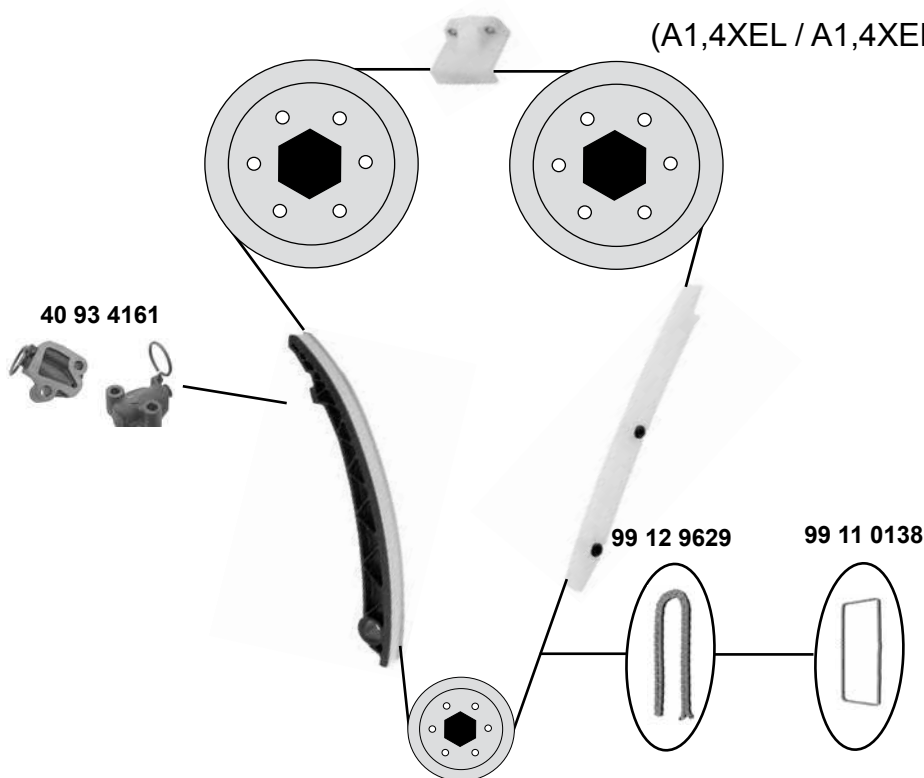
(Z 2,2 YH)



	Ref. - No.			
<b>40 92 1061</b>	24430296	Riemenspanner / belt tensioner		
<b>40 93 3043</b>	24461834	Steuerkette endlos / timing chain endless		148 E
<b>40 93 3044</b>	12608580	Kettenspanner / chain tensioner		
<b>40 93 3047</b>	12645237	Steuerkette endlos / timing chain endless		134 E
<b>40 93 3048</b>	90537300	Kettenspanner / chain tensioner		
<b>99 13 3042</b>	55569838	Rep. Satz Steuerecke / rep. kit timing chain		148 E
<b>99 13 3046</b>	55563405	Rep. Satz Steuerecke / rep. kit timing chain		134 E

**1,4**

(A1,4XEL / A1,4XER / A1,4NEL / A1,4NET)



40 92 2370



- (1) Steuerkette geschlossen / timing chain endless
  - (2) Steuerkette offen / timing chain open
- Spezialwerkzeug zur Montage notwendig / requires special tools for mounting



Ref. - No.



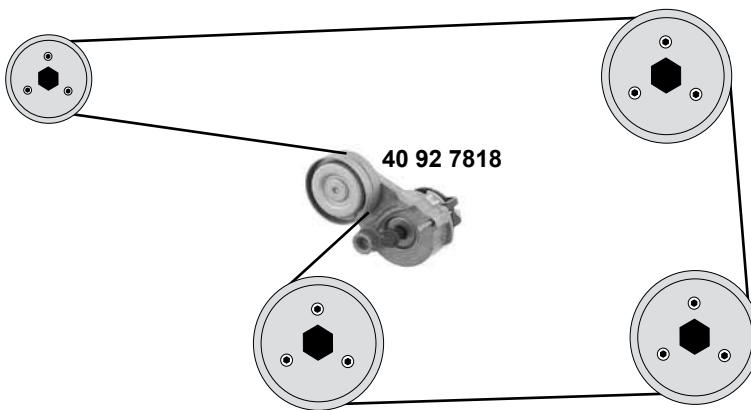
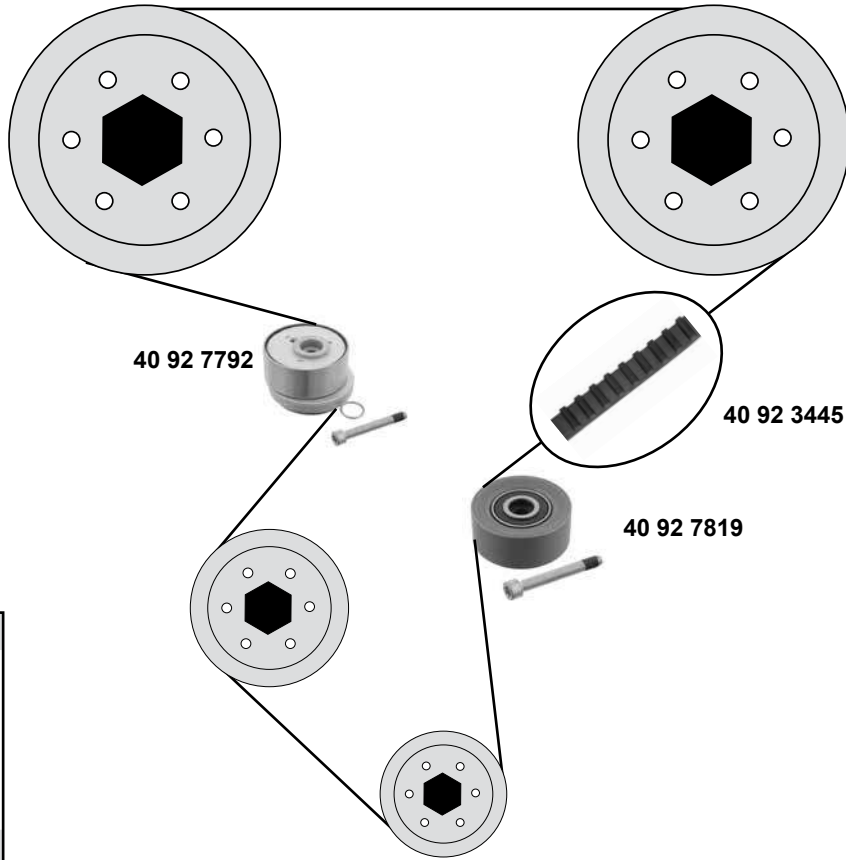
Ref. - No.	Part Name	Quantity	Part Name
40 92 2370	55565236		Riemenspanner / belt tensioner
40 93 4161	55562235		Kettenspanner / chain tensioner
99 11 0138	55562234		Rollenkette / roller chain
99 12 9629	55562234 S1	(1)	Steuerkette / timing chain
99 13 4162	55562234 S2	(2)	Rep. Satz Steuerkette / rep. kit timing chain
99 13 4163	55562234 S3	(1)	Rep. Satz Steuerkette / rep. kit timing chain
		(2)	Rep. Satz Steuerkette / rep. kit timing chain

# VAUXHALL Astra MK VI / J

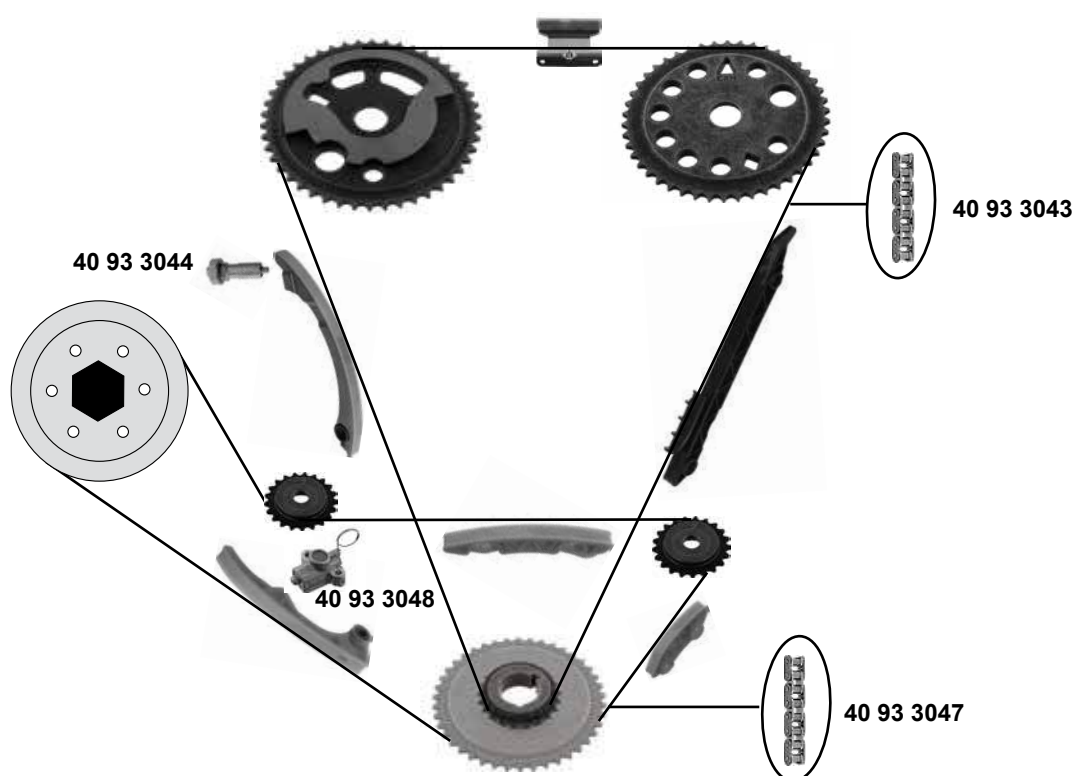
(09→)



**1,6 16V**  
(A1,6XER / A1,6LET)



SWAG GERMANY	Ref. - No.			
40 92 3445	24422964	Zahnriemen / timing belt		Z 146 B24
40 92 7792	55562218	Spannrolle / tension roller		ØA 66 B 29
40 92 7818	55563512	Riemenspanner / belt tensioner		ØA 63
40 92 7819	24436052	Umlenkrolle / deflection pulley		ØA 61 B 28
40 92 7825	93185849	Rep. Satz Zahnriemen / rep. kit timing belt		Z 146 B24





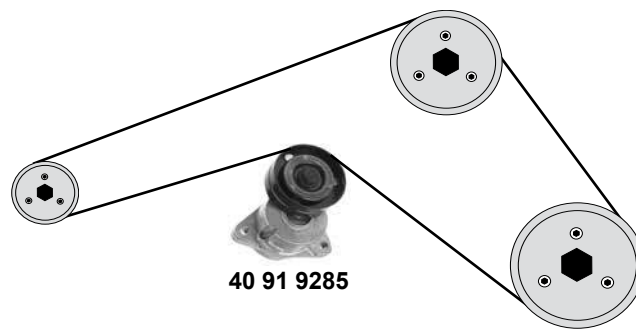
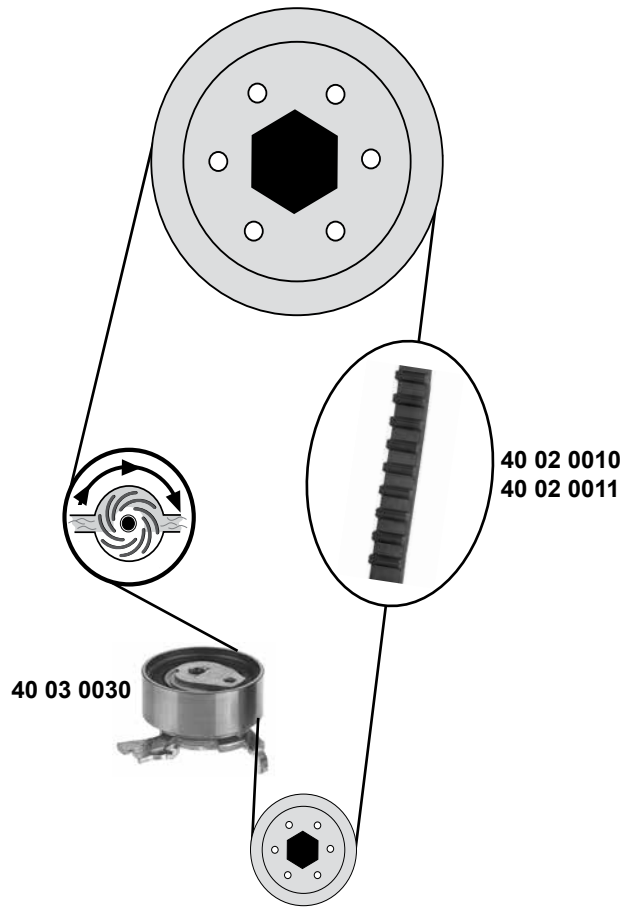
# VAUXHALL

## Calibra

(89→97)



**2,0**  
(C 2,0 NE)



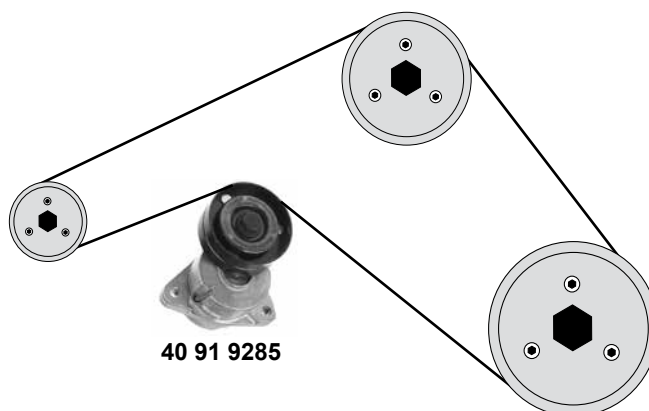
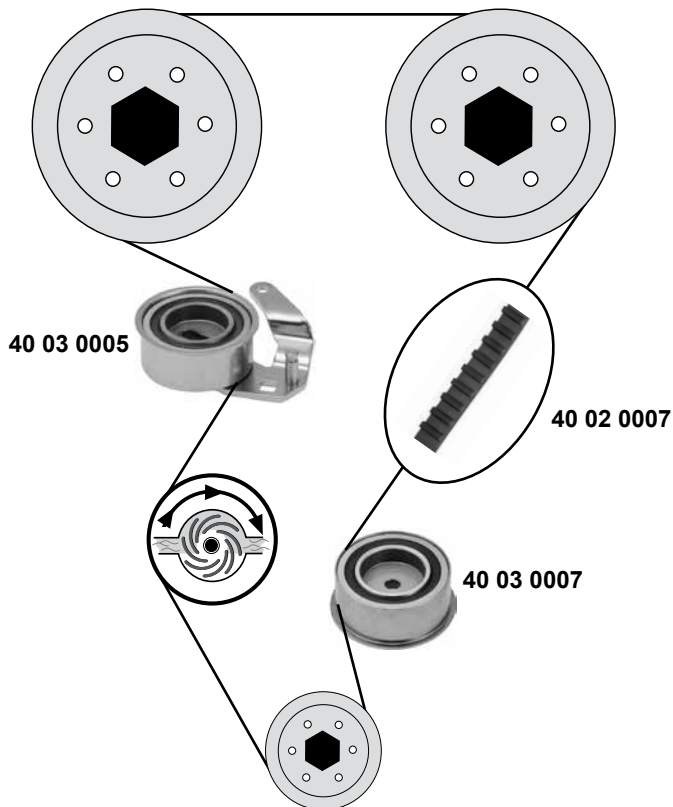
Ref. - No.



40 02 0010	09128725	Zahnriemen / timing belt	(ch.) N1→S1, S9	Z 146 B20
40 02 0011	90410014	Zahnriemen / timing belt	(ch.)→N1	Z 111 B20
40 02 0027	09128725 S1	Rep.Satz Zahnriemen / rep. kit timing belt	(ch.) N1→S1, S9	
40 03 0030	09158003	Spannrolle / tension roller		ØA 59 B22
40 91 9285	24412292	Riemenspanner / belt tensioner		



(mot.) 2,0 XE, C 2,0 XE→14142838 / C 2,0 LET→14002934



Ref. - No.



40 02 0007	90410225
40 02 0021	93174266
40 03 0005	90323501
40 03 0007	90323503
40 91 9285	24412292

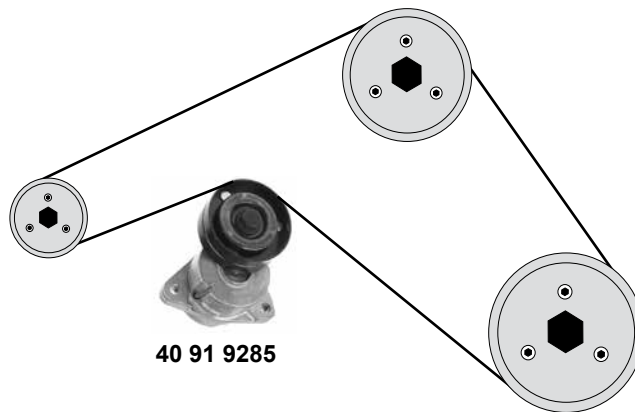
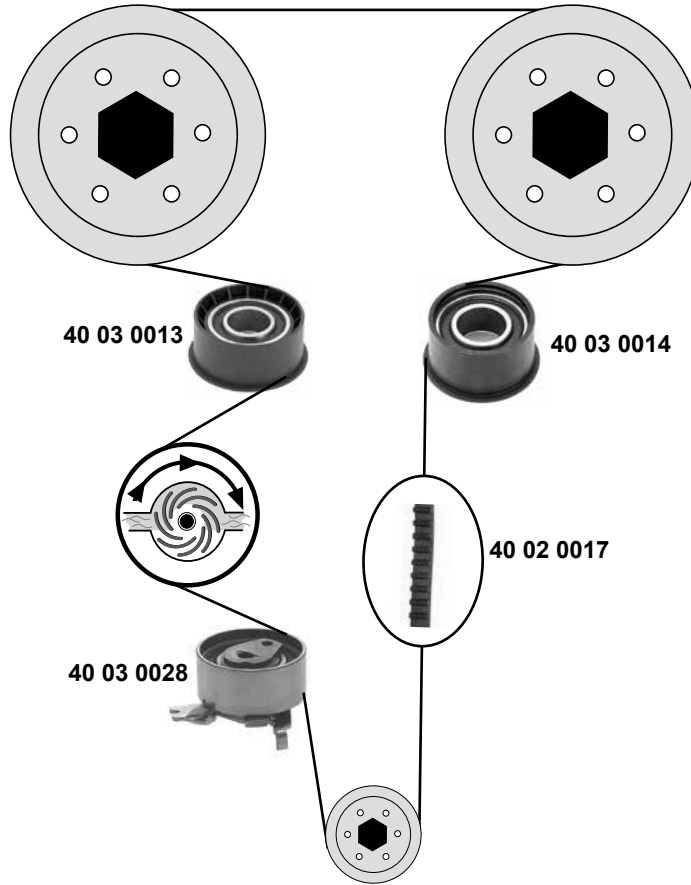
Zahnriemen / timing belt
Rep. Satz Zahnriemen / rep. kit timing belt
Spannrolle / tension roller
Umlenkrolle / deflection pulley
Riemenspanner / belt tensioner

(ch.) P1→ / P9→

Z 141 B24
ØA 67 B27
ØA 67 B27

**2,0 16V**

(mot.) 2,0 XE, C 2,0 XE 14142839 → / C 2,0 LET 14002934 →

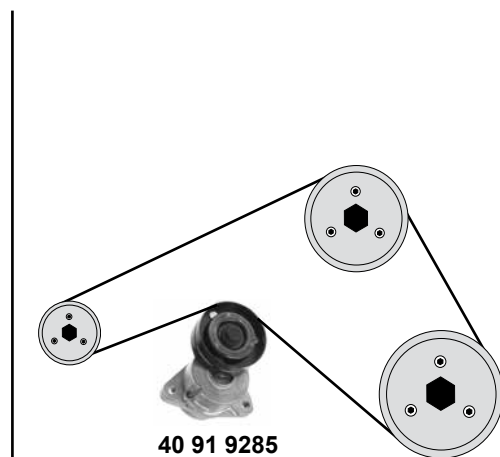
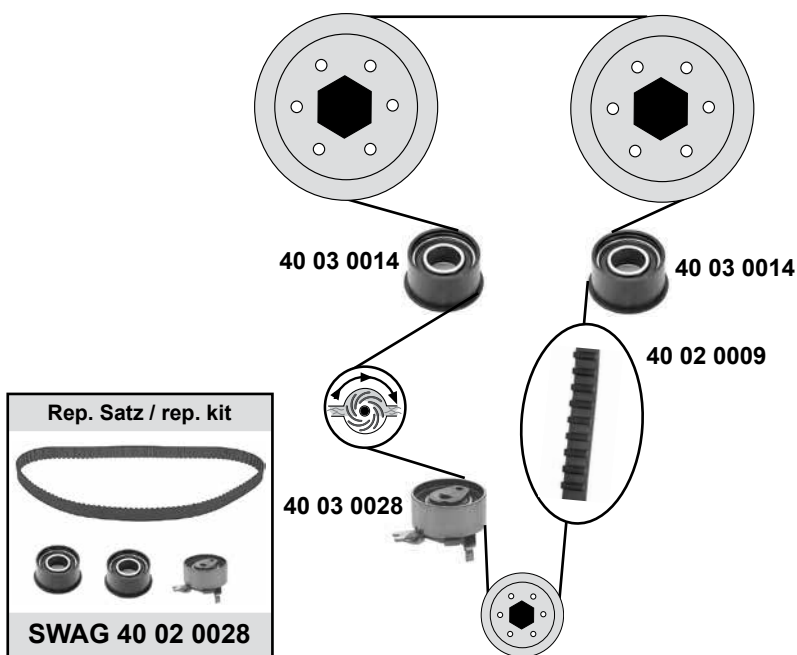


SWAG GERMANY	Ref. - No.			
40 02 0017	90530598	Zahnriemen / timing belt		Z 176 B24
40 02 0024	93174262	Rep. Satz Zahnriemen / rep. kit timing belt		
40 03 0013	90411773	Umlenkrolle / deflection pulley		ØA 62,7 B27
40 03 0014	9128738	Umlenkrolle / deflection pulley		ØA 58,5 B29,5
40 03 0028	09158004	Spannrolle / tension roller		ØA 59 B26
40 91 9285	24412292	Riemenspanner / belt tensioner	(ch.) P1→ / P9→	

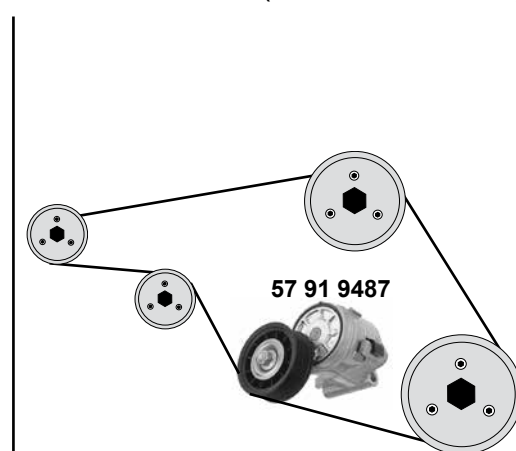
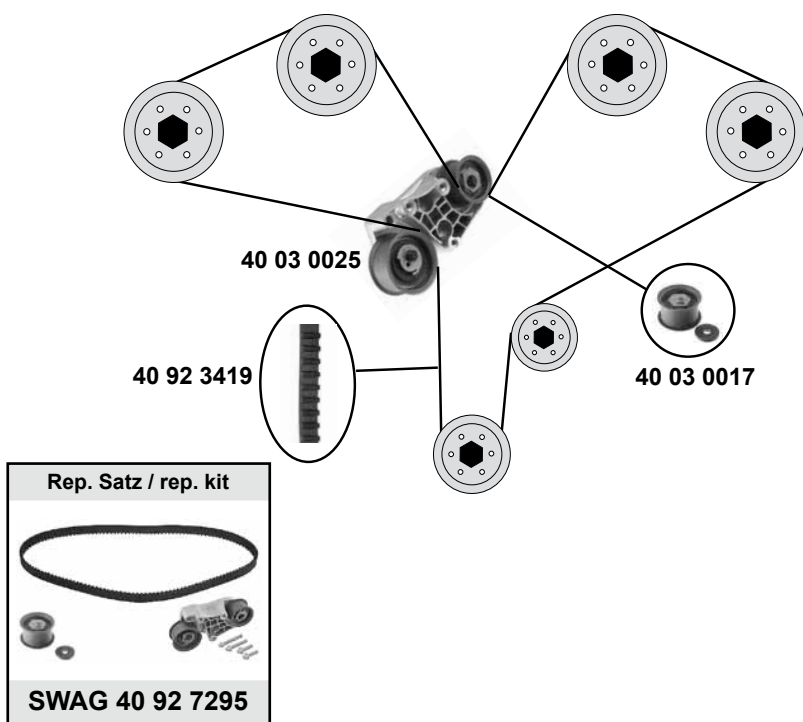


# VAUXHALL Calibra (89→97)

**2,0 16V**  
(X 2,0 XEV)



**2,5 V6**  
(X2,5XE / Y2,6SE)



Ref. - No.



40 02 0009	90531682	Zahnriemen / timing belt	Z 169 B24
40 02 0028	93174260	Rep. Satz Zahnriemen / rep. kit timing belt	
40 03 0014	9128738	Umlenkrolle / deflection pulley	ØA 58,5 B29,5
40 03 0017	90543739	Umlenkrolle / deflection pulley	ØA 64 B37
40 03 0025	09128444	Riemenspanner / belt tensioner	
40 03 0028	09158004	Spannrolle / tension roller	ØA 59 B26
40 91 9285	24412292	Riemenspanner / belt tensioner	
40 92 3419	09128500	Zahnriemen / timing belt	Z 225 B30
40 92 7295	09120501 SK	Rep. Satz Zahnriemen / rep. kit timing belt	Z 225 B30
57 91 9487	09202550	Riemenspanner / belt tensioner	ØA 76 B27,5

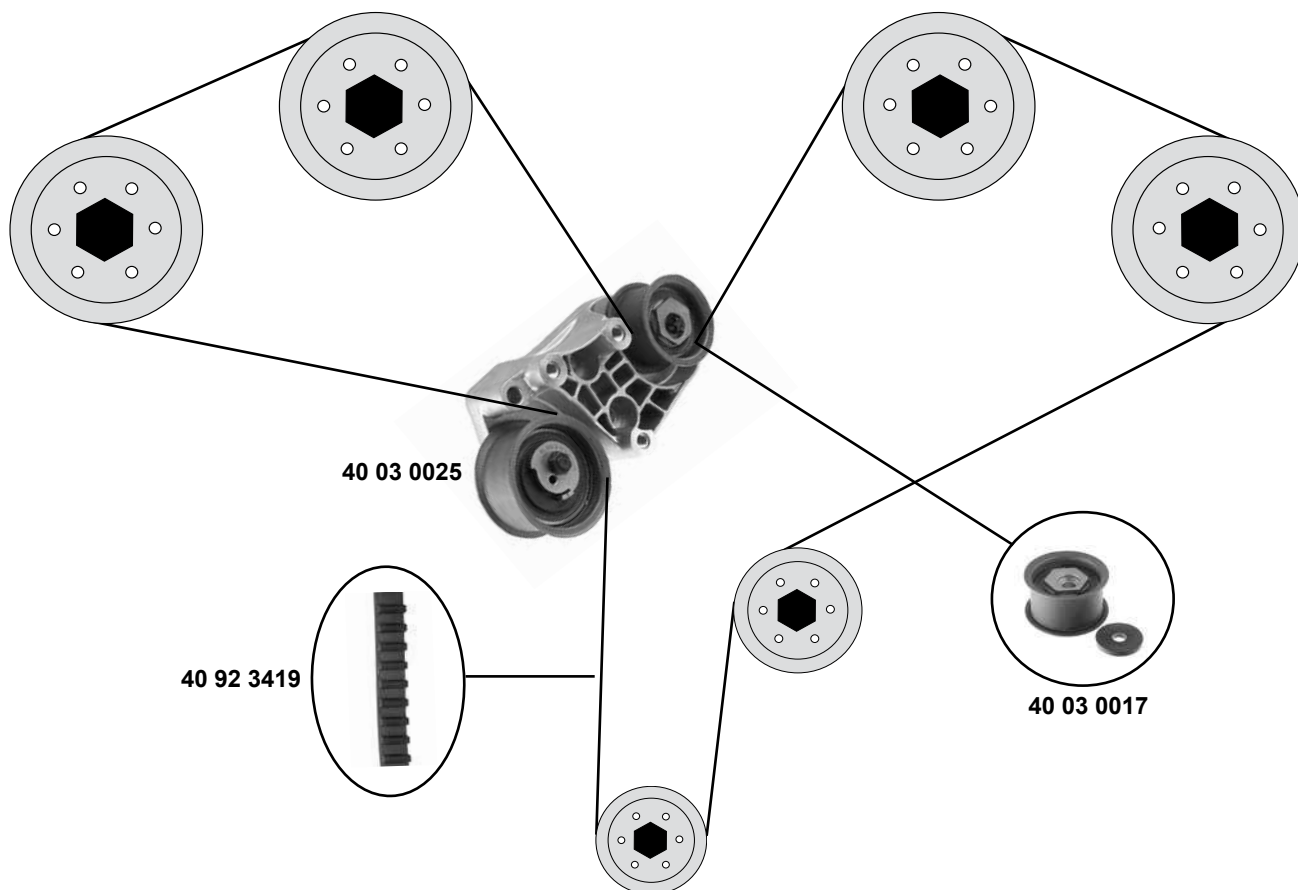
# VAUXHALL

## Calibra

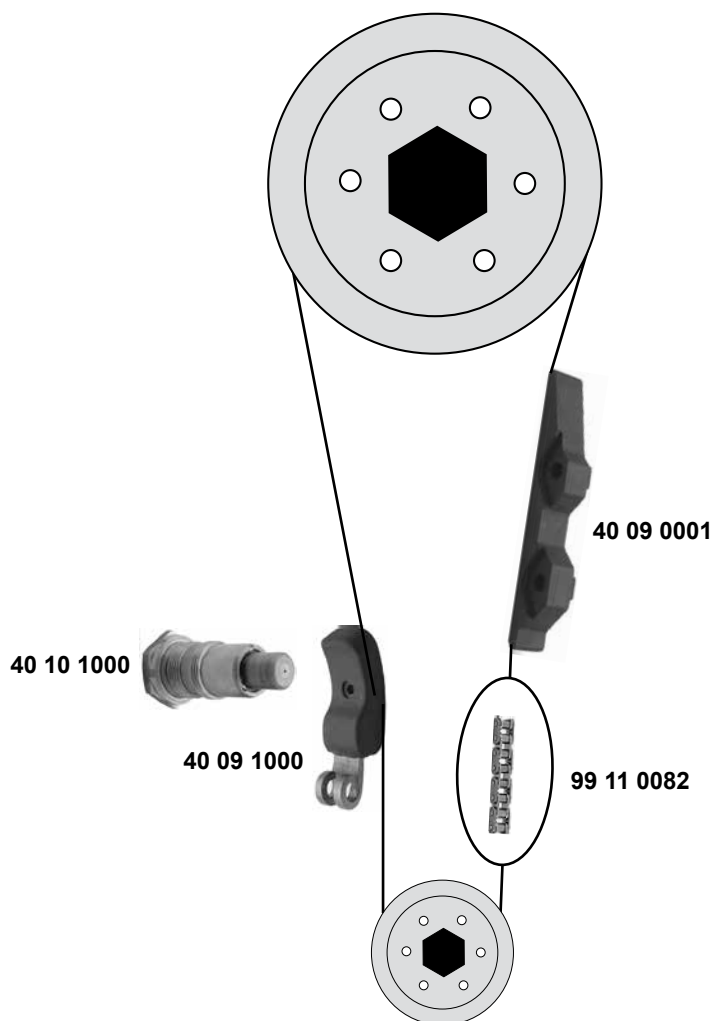
(89→95)



**2,5 V6**  
(C 2,5 XE)



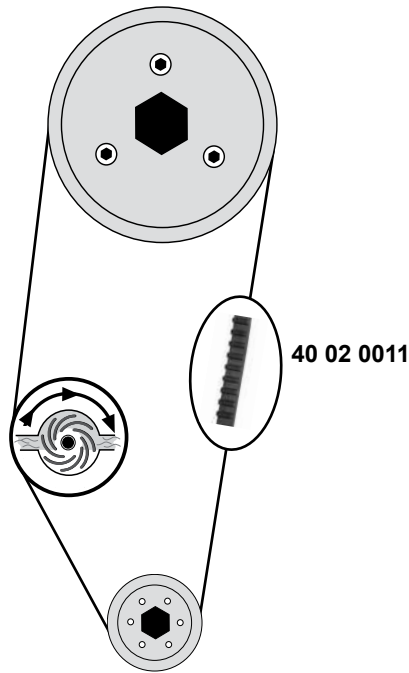
SWAG GERMANY	Ref. - No.			
40 03 0017	90543739	Umlenkrolle / deflection pulley		Ø64 B37
40 03 0025	09128444	Riemenspanner / belt tensioner		
40 92 3419	09128500	Zahnriemen / timing belt		Z 225 B30
40 92 7295	09120501 SK	Rep. Satz Zahnriemen / rep. kit timing belt		Z 225 B30



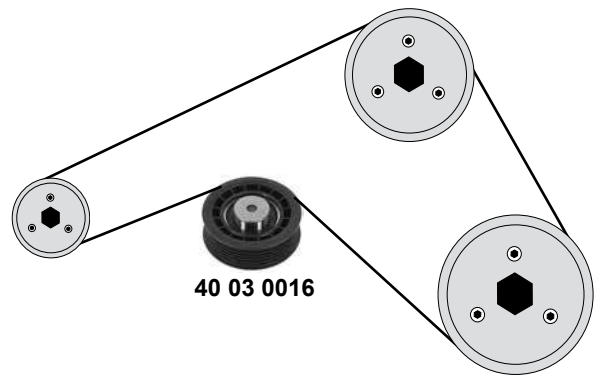
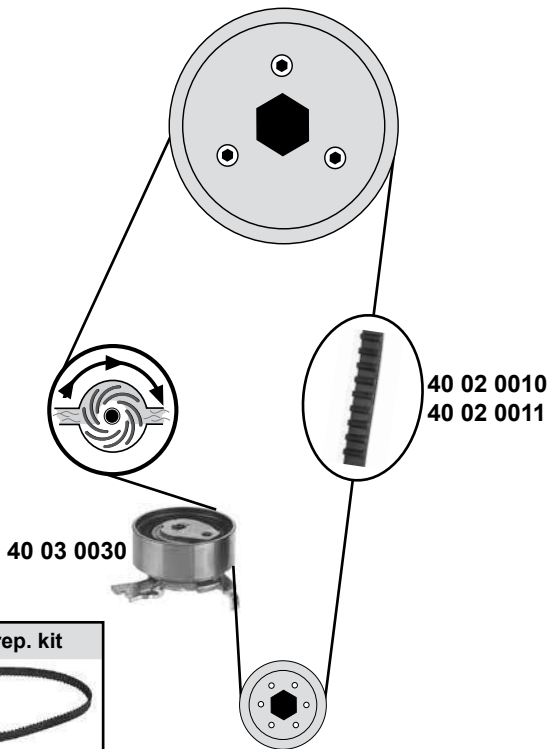
# VAUXHALL Carlton Mk II (87→93)



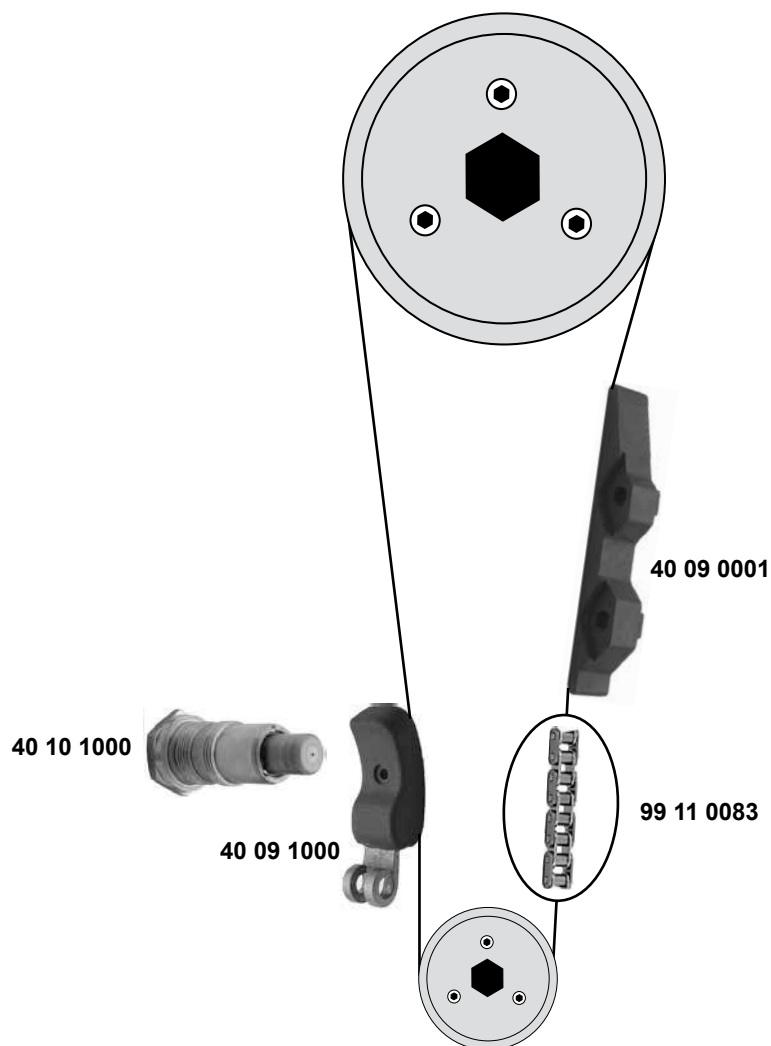
1,8



2,0



SWAG GERMANY	Ref. - No.			
40 02 0010	09128725	Zahnriemen / timing belt	(mot.) 2,0 14608701→	Z 146 B20
40 02 0011	90410014	Zahnriemen / timing belt	(mot.) 2,0→14608700	Z 111 B20
40 02 0027	09128725 S1	Rep. Satz Zahnriemen / rep. kit timing belt	(mot.) 2,0 14608701→	
40 03 0016	90409238	Umlenkrolle / deflection pulley	AC	ØA 80 B26,4
40 03 0030	09158003	Spannrolle / tension roller		ØA 59 B22

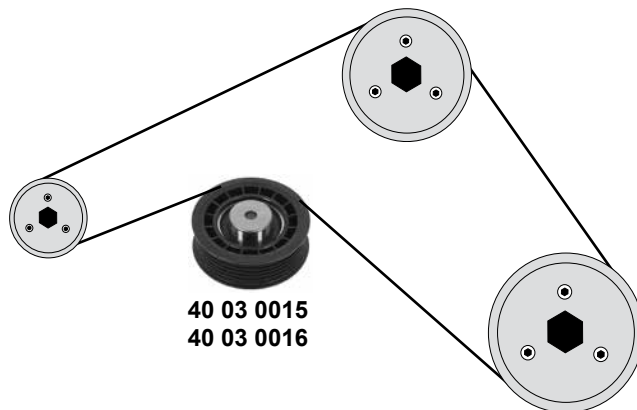
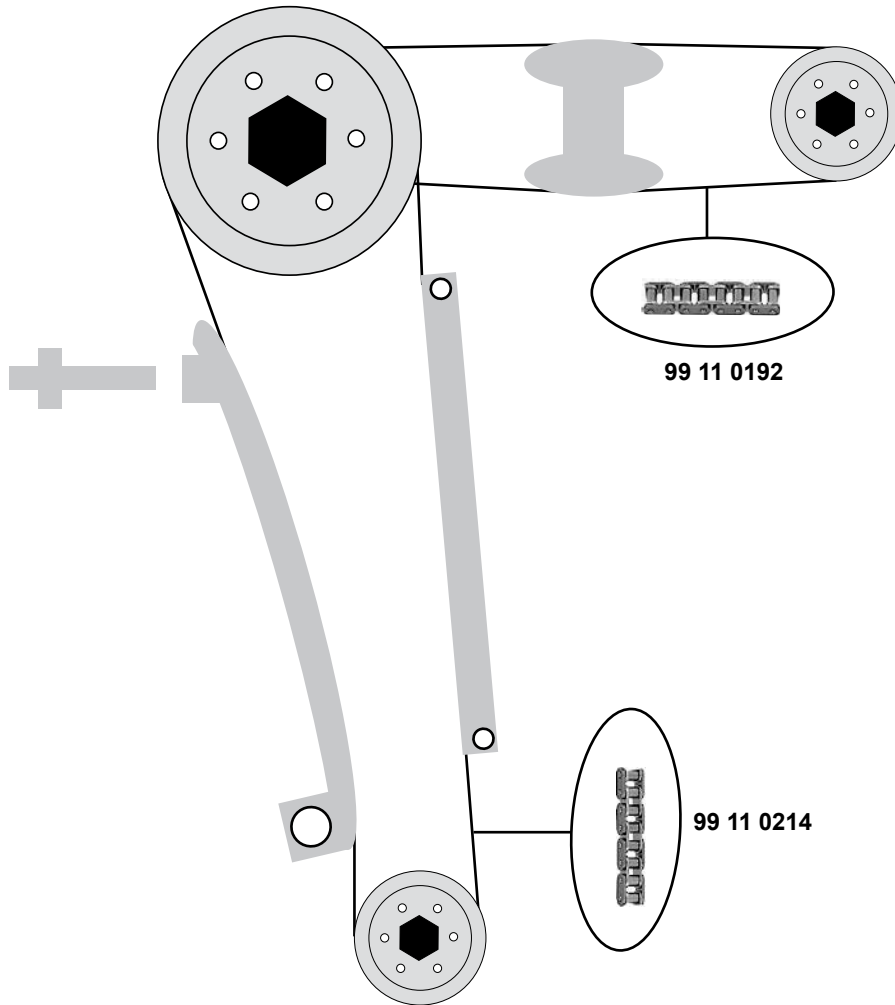


# VAUXHALL Carlton Mk II

(87→93)



3,0 24V / 3,6



(1) (mot.) 3,0NE / C 3,0 NE 01039675→ (mot.) C 3,0 SE 01024730→

(2) (ch.) M 1000001→



Ref. - No.

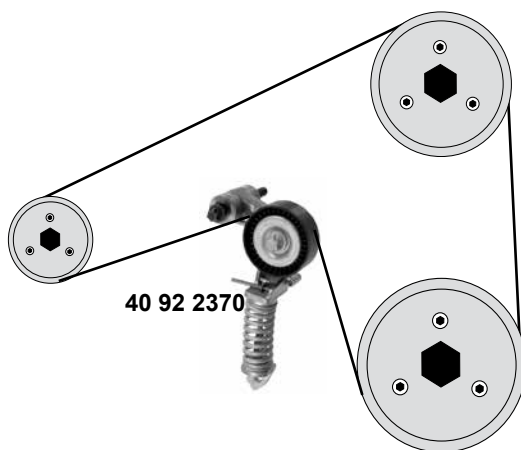
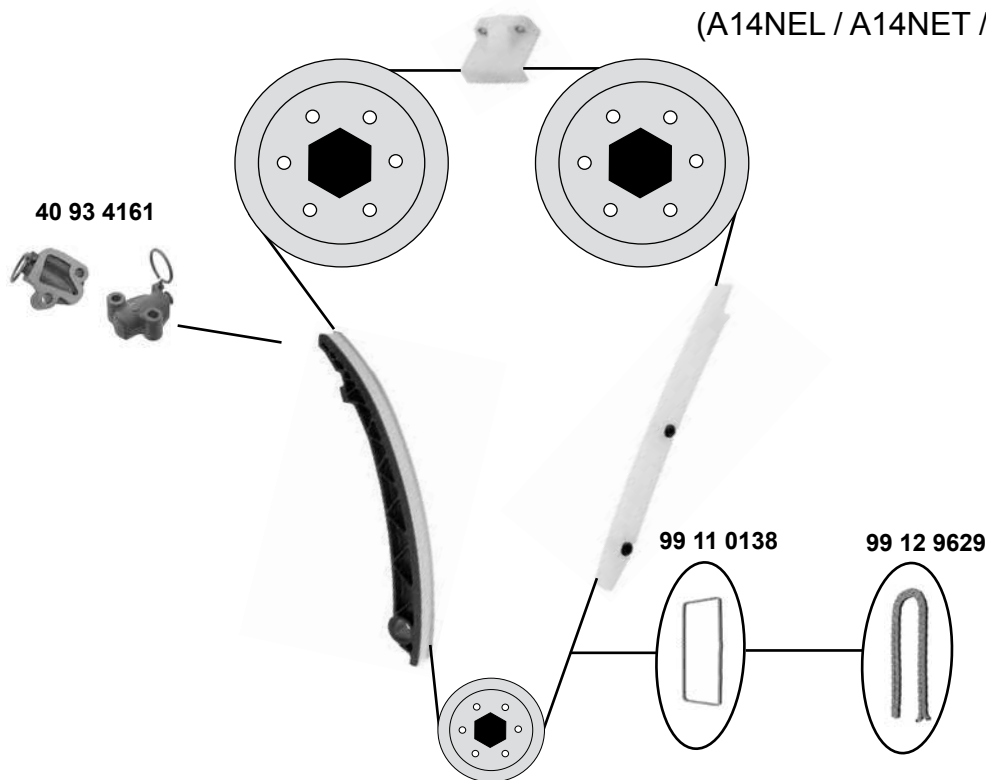


40 03 0015	90324097	Umlenkrolle / deflection pulley	(2) AC	ØA 80 B25
40 03 0016	90409238	Umlenkrolle / deflection pulley	(1) AC	ØA 80 B26,4
99 11 0192	90324533	Rollenkette einfach / roller chain simple		42 E
99 11 0214	90466047	Rollenkette einfach / roller chain simple		104 E



**1,4**

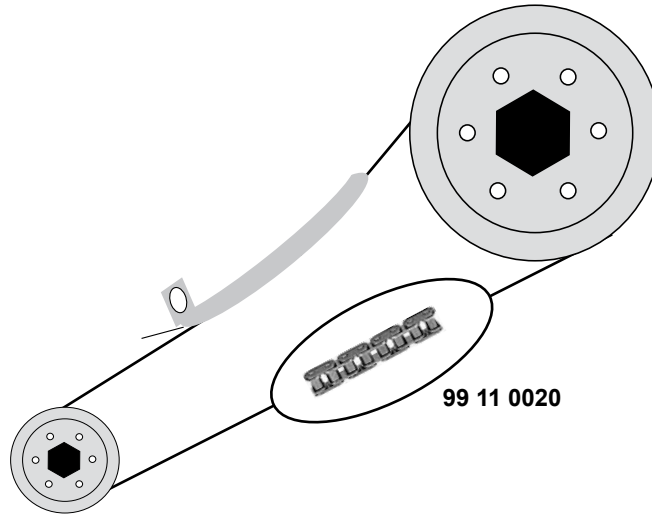
(A14NEL / A14NET / B1,4NEL / B1,4NET)



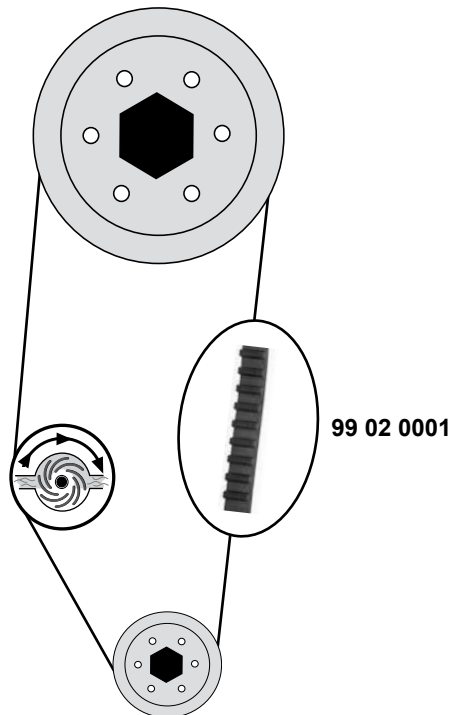
- (1) Steuerkette geschlossen / timing chain endless
- (2) Steuerkette offen / timing chain open  
Spezialwerkzeug zur Montage notwendig / requires special tools for mounting

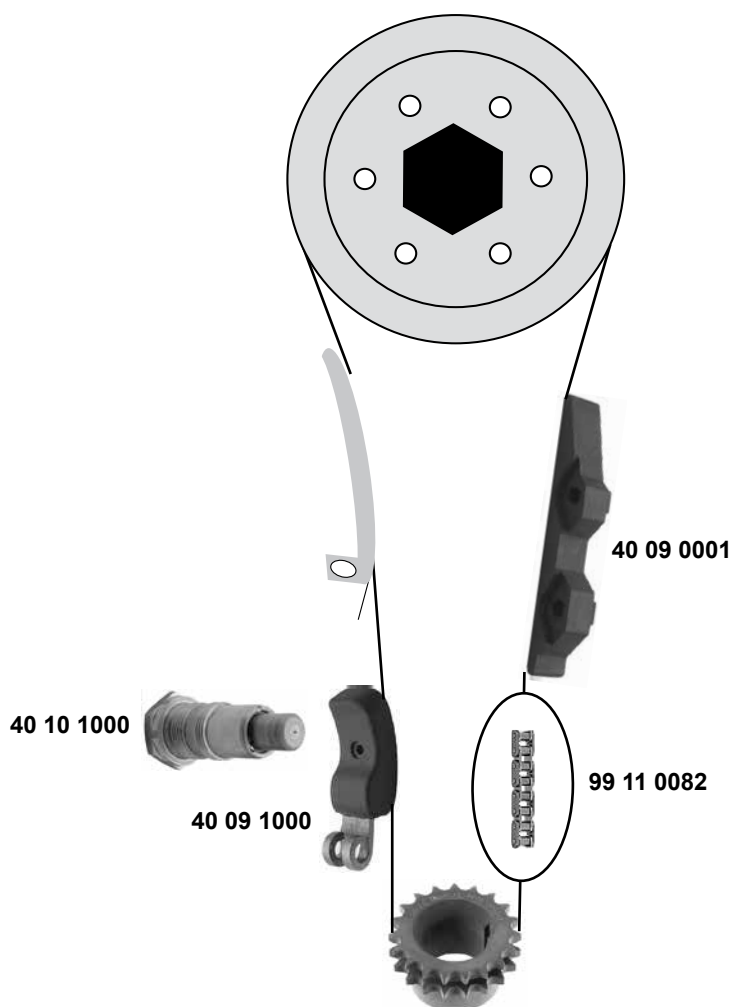
	Ref. - No.			
40 92 2370	55565236	Riemenspanner / belt tensioner		
40 93 4161	55562235	Kettenspanner / chain tensioner		
99 11 0138	55562234	Steuerkette / timing chain	(1) A1,4 NEL/NET	130 E
99 12 9629	55562234 S1	Steuerkette / timing chain	(2)	130N
99 13 4162	55562234 S2	Rep. Satz Steuerkette / rep. kit timing chain	(1) A1,4 NEL/NET	130 E

## 1,2 (CIH)



## 1,3 (N/S)





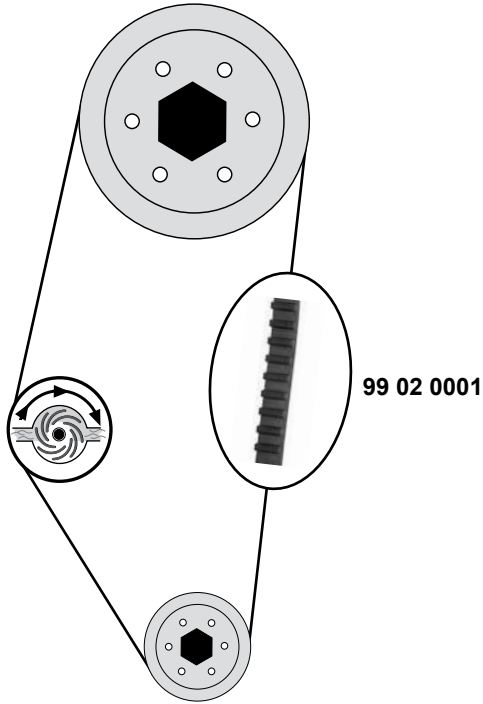
40 09 0001	90080903	Gleitschiene / sliding rail
40 09 1000	08930030	Gleitschiene / sliding rail
40 10 1000	02898847	Kettenspanner / chain tensioner
99 11 0082	08930102	Rollenkette zweifach / roller chain double

# VAUXHALL Cavalier Mk I / Mk II

(82→88)

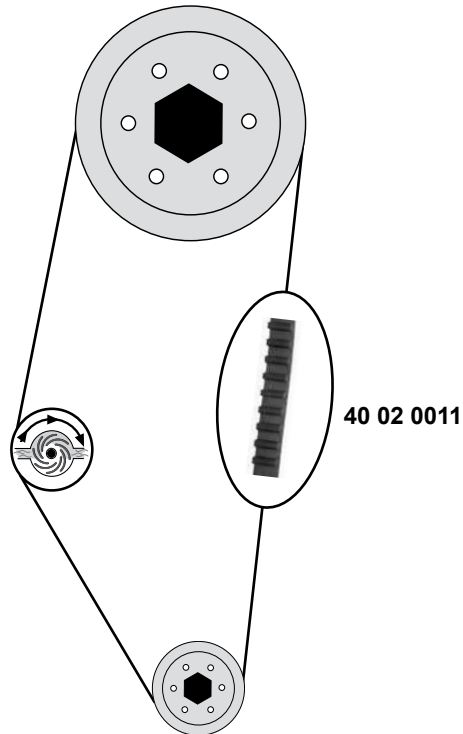


1,3 / 1,3 N / 1,3 S



1,6→2,0

(C1,6N /S/ SH/1,8/2,0)



Ref. - No.



40 02 0011 90410014  
99 02 0001 90080214

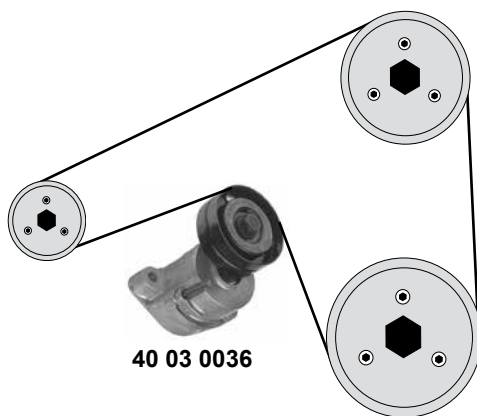
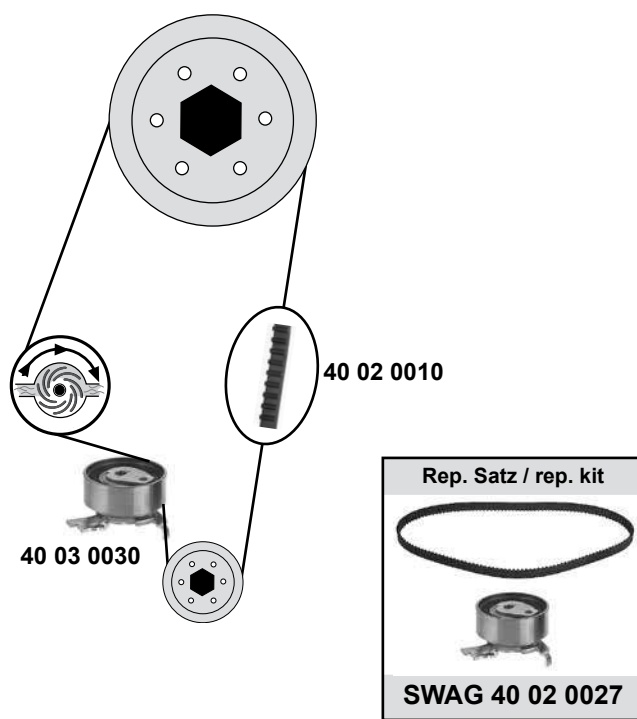
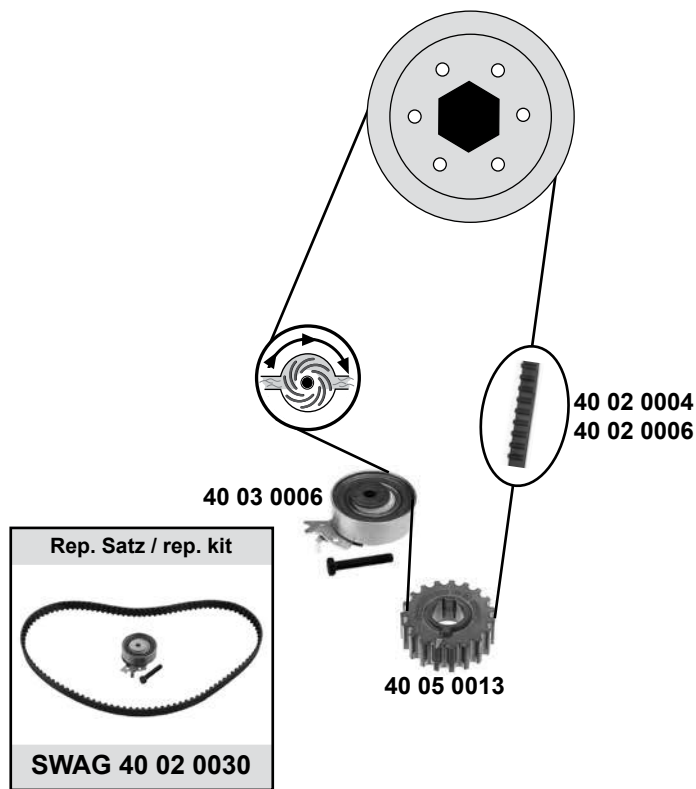
Zahnriemen / timing belt  
Zahnriemen / timing belt

Z 111 B20  
Z 104 B15

1,4 / 1,6

(ex.) 1,6LZ / C 1,6 NZ2

1,6LZ / C 1,6 NZ2



- (1) (mot.) C1,6NZ / E1,6NZ (ch.) P1000001→, P 5000001→, P 7000001→ servo
- (2) (mot.) 1,4→02J22349,→19307805 / 1,6 SV / C 1,6 NZ / X 1,6 SZ, E 1,6 NZ→02J3349
- (3) (mot.) 1,4 02J22350→, 19307806→ / 1,6 SV / C 1,6 NZ / X 1,6 SZ, E 1,6 NZ 02J3350→

	Ref. - No.			
40 02 0004	90354783	Zahnriemen / timing belt	(2)	Z 104 B17
40 02 0006	90531677	Zahnriemen / timing belt	(3)	Z 111 B17
40 02 0010	09128725	Zahnriemen / timing belt		Z 146 B20
40 02 0027	09128725 S1	Rep. Satz Zahnriemen / rep. kit timing belt		
40 02 0030	93188126	Rep. Satz Zahnriemen / rep. kit timing belt	(3)	
40 03 0006	09202478	Spannrolle / tension roller		ØA 59 B19
40 03 0030	09158003	Spannrolle / tension roller		ØA 59 B22
40 03 0036	90411025	Riemenspanner / belt tensioner	(1)	ØA 70 B26
40 05 0013	0614 526	Kurbelwellenzahnrad / crankshaft gear	(ex.) 1,4	ØA 5 ØI20 Z19

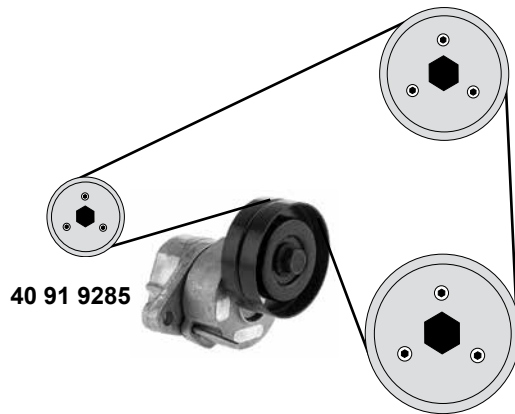
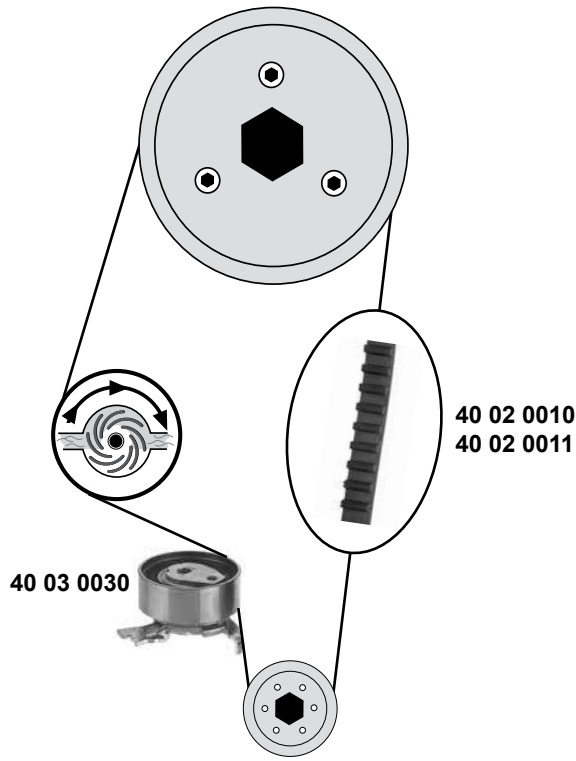
# VAUXHALL Cavalier Mk III

(89→95)



**1,8 8V / 2,0 8V**

((ex.) SEH)



- (1) (mot.) 08292479→08299999
- (2) (mot.) 1,8 14254439→ / 2,0 NE, C 2,0 NE 14608701→

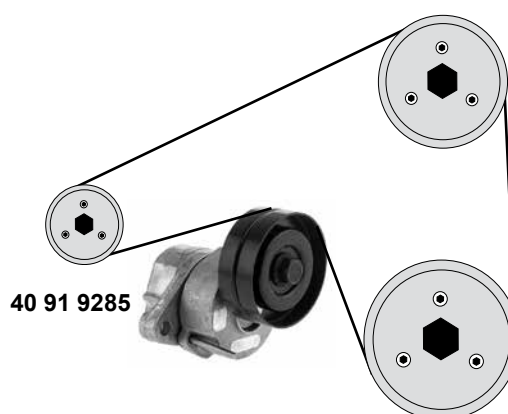
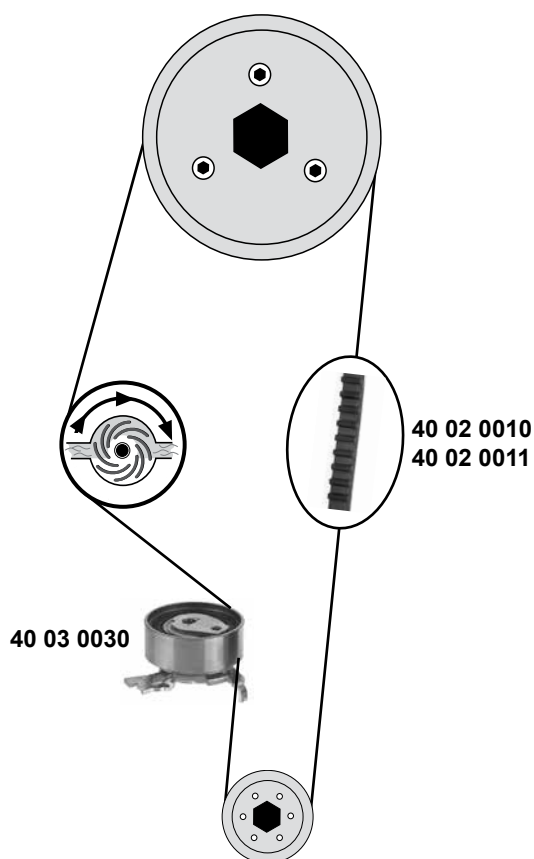


Ref. - No.



40 02 0010	09128725	Zahnriemen / timing belt	(2)	Z 146 B20
40 02 0011	90410014	Zahnriemen / timing belt	(1)	Z 111 B20
40 02 0027	09128725 S1	Rep.Satz Zahnriemen / rep. kit timing belt	(2)	
40 03 0030	09158003	Spannrolle / tension roller		ØA 59 B22
40 91 9285	24412292	Riemenspanner / belt tensioner		

**2,0 8V**  
(SEH)



- (1) (ch.)→MV 999999, M 1999999, M 5999999  
(2) (ch.) NV 000001, N 100001, N 5000001→



Ref. - No.



Ref. - No.				
40 02 0010	09128725	Zahnriemen / timing belt	(2)	Z 146 B20
40 02 0011	90410014	Zahnriemen / timing belt	(1)	Z 111 B20
40 02 0027	09128725 S1	Rep.Satz Zahnriemen / rep. kit timing belt	(2)	
40 03 0030	09158003	Spannrolle / tension roller		ØA 59 B22
40 91 9285	24412292	Riemenspanner / belt tensioner		

# VAUXHALL Cavalier Mk III

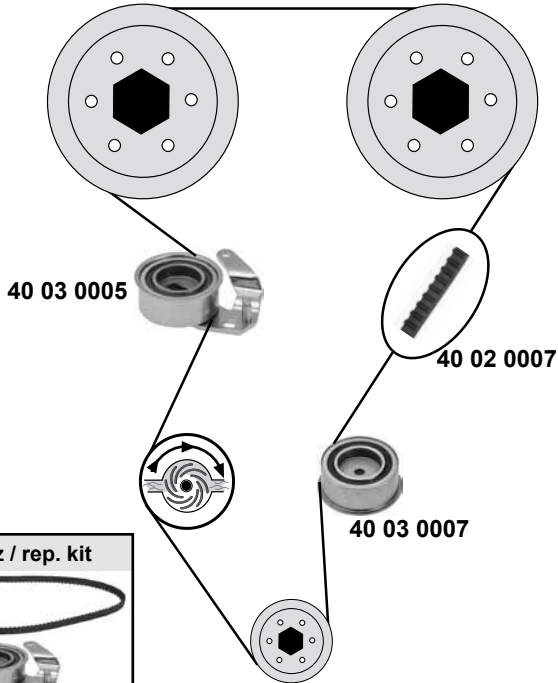
(89→95)



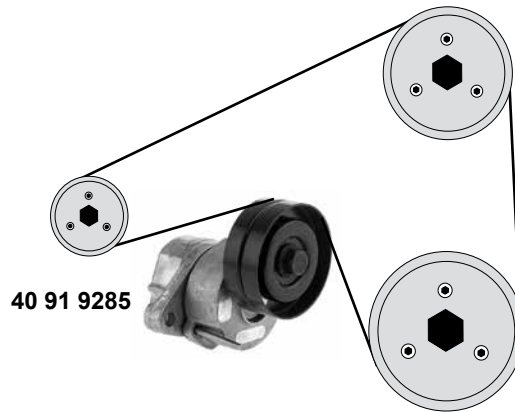
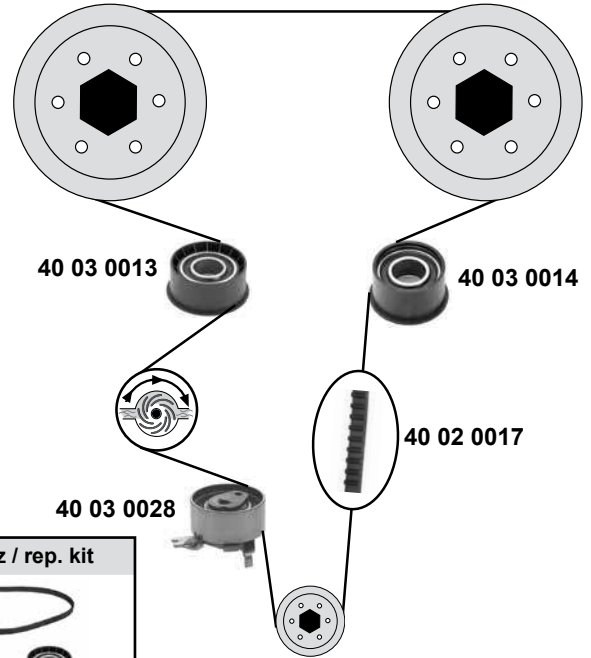
## 2,0 16V

(2,0 XE, C 2,0 XE, C 2,0 LET)

(mot.) XE → 14142838 / LET → 14002934



(mot.) XE 14142839 → / LET 14002935 →



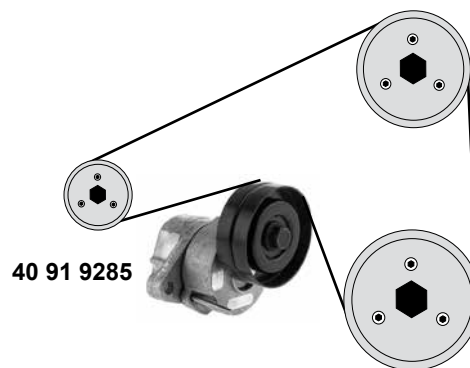
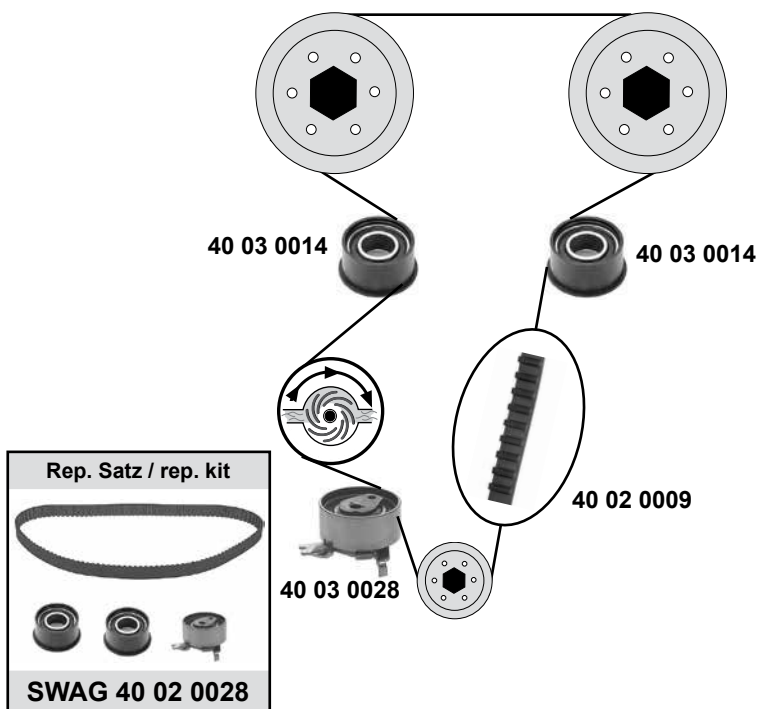
SWAG GERMANY	Ref. - No.			
40 02 0007	90410225	Zahnriemen / timing belt		Z 141 B24
40 02 0017	90530598	Zahnriemen / timing belt		Z 176 B24
40 02 0021	93174266	Rep. Satz Zahnriemen / rep. kit timing belt		
40 02 0024	93174262	Rep. Satz Zahnriemen / rep. kit timing belt		
40 03 0005	90323501	Spannrolle / tension roller		ØA 67 B27
40 03 0007	90323503	Umlenkrolle / deflection pulley		ØA 67 B27
40 03 0013	90411773	Umlenkrolle / deflection pulley		ØA 62,7 B27
40 03 0014	9128738	Umlenkrolle / deflection pulley		ØA 58,5 B29,5
40 03 0028	09158004	Spannrolle / tension roller		ØA 59 B26
40 91 9285	24412292	Riemenspanner / belt tensioner	AC	



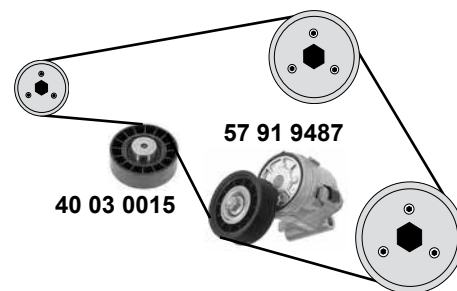
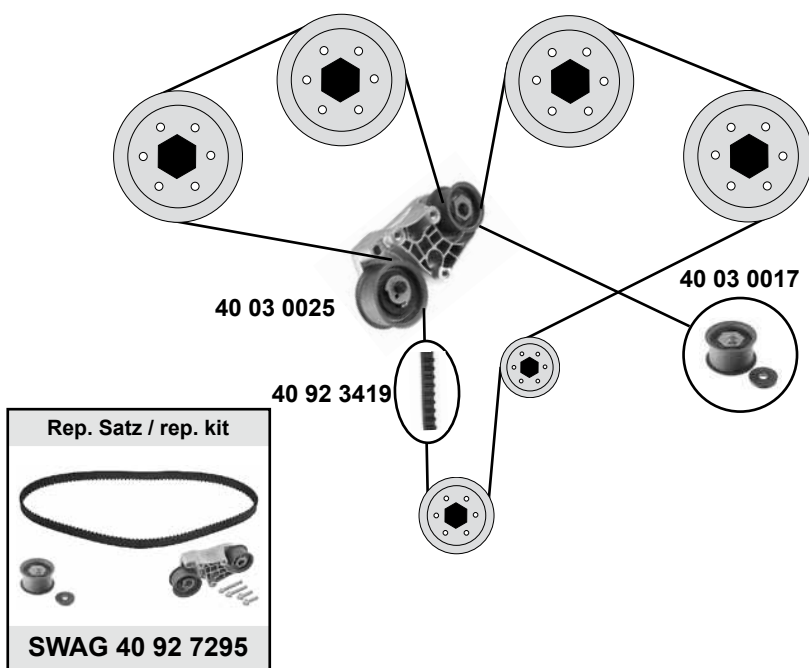


# VAUXHALL Cavalier Mk III (89→95)

**2,0 16V**  
(X 2,0 XEV)



**2,5 V6**  
(C 2,5 XE)



Ref. - No.

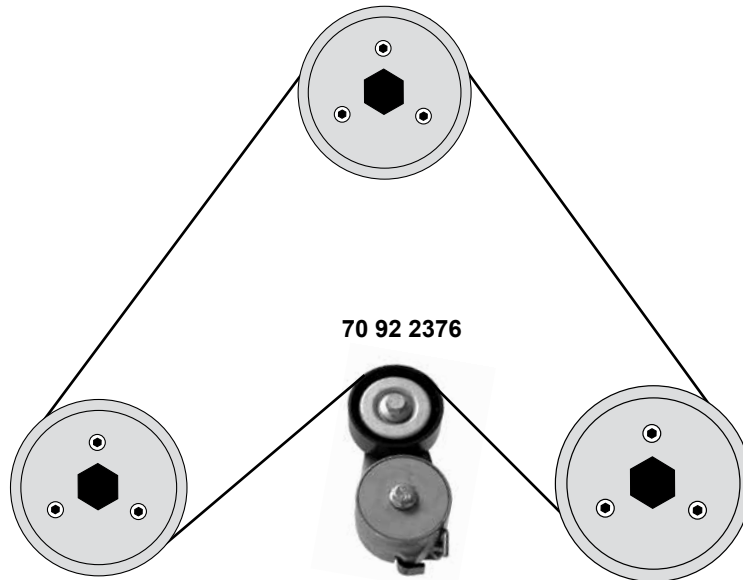


40 02 0009	90531682	Zahnriemen / timing belt	Z 169 B24
40 02 0028	93174260	Rep. Satz Zahnriemen / rep. kit timing belt	
40 03 0014	9128738	Umlenkrolle / deflection pulley	ØA 58,5 B29,5
40 03 0015	90324097	Umlenkrolle / deflection pulley	ØA 80 B25
40 03 0017	90543739	Umlenkrolle / deflection pulley	ØA 64 B37
40 03 0025	09128444	Riemenspanner / belt tensioner	
40 03 0028	09158004	Spannrolle / tension roller	ØA 59 B26
40 91 9285	24412292	Riemenspanner / belt tensioner	
40 92 3419	09128500	Zahnriemen / timing belt	Z 225 B30
40 92 7295	09120501 SK	Rep.Satz Zahnriemen / rep. kit timing belt	Z 225 B30
57 91 9487	09202550	Riemenspanner / belt tensioner	ØA 76 B27,5

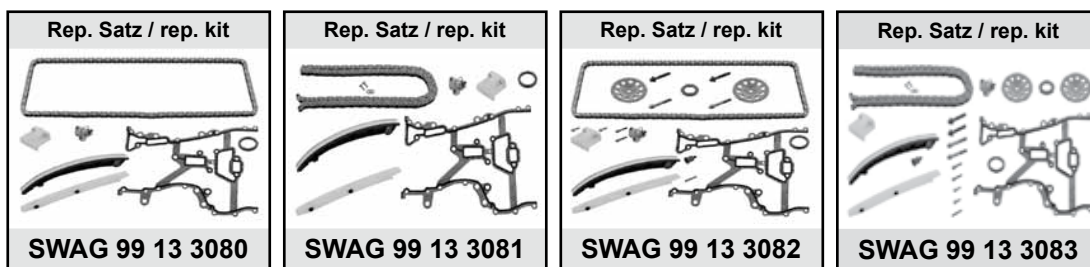
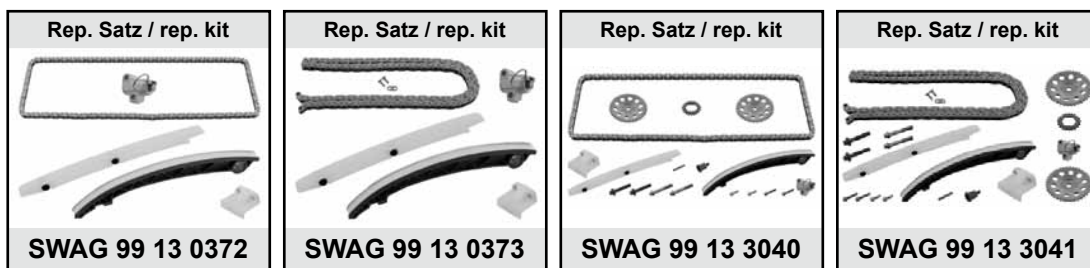
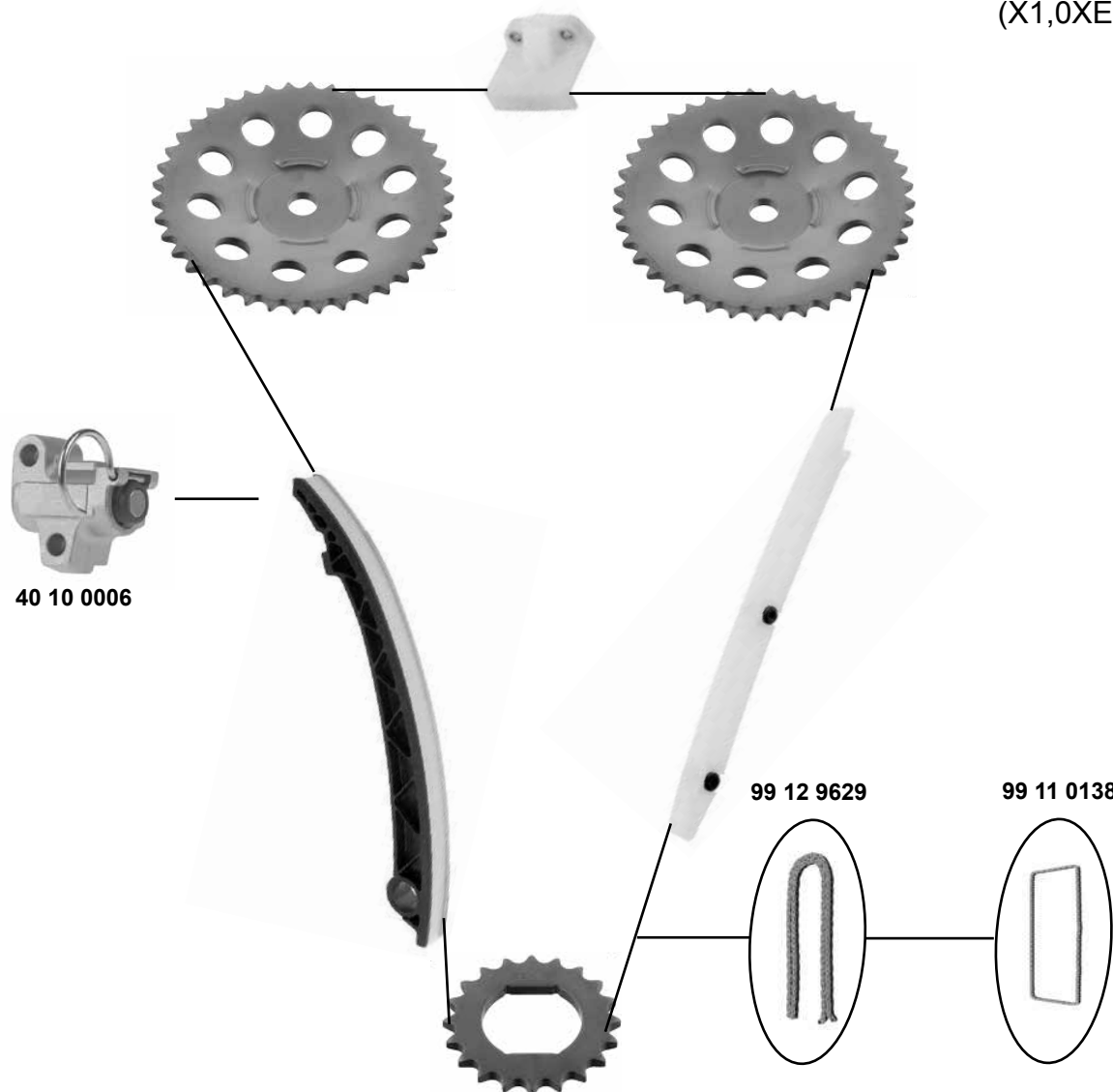
**1,4**

(A14FC / A14FP)

**AC**



**1,0 12V / 1,2 16V**  
 (X1,0XE, X1,2XE)

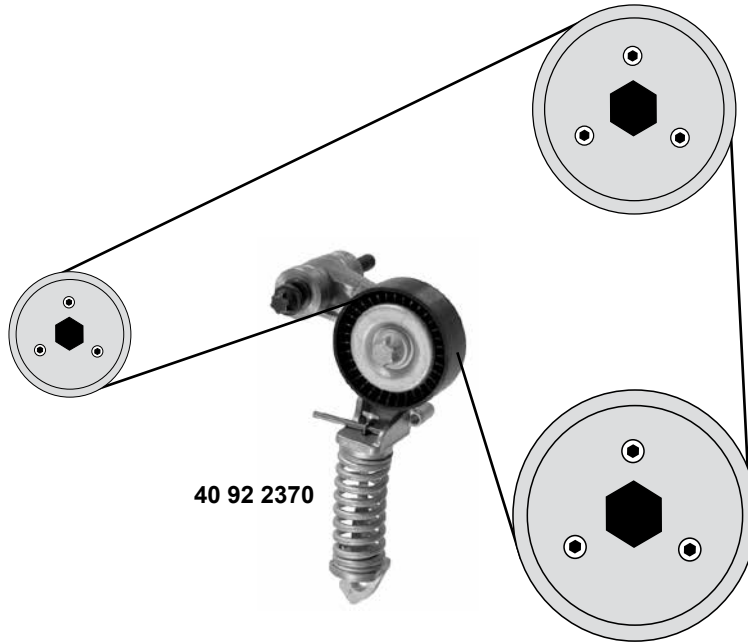


# VAUXHALL Corsa Mk I / B

(93→00)



**1,0 12V / 1,2 16V**  
(X1,0XE, X1,2XE)



40 92 2370

- (1) Steuerkette geschlossen / timing chain endless
- (2) Steuerkette offen / timing chain open
- (3) Steuerkette offen und mit Steuerkettenradsatz / timing chain open and with control chain wheel kit
- (4) Steuerkette geschlossen und mit Steuerkettenradsatz / timing chain endless and with control chain wheel kit
- (5) Steuerkette offen mit Dichtung / timing chain open with gasket
- (6) Steuerkette geschlossen mit Dichtung / timing chain endless with gasket
- (7) Steuerkette offen mit Dichtung und Steuerkettenradsatz / timing chain open with gasket and control chain wheel kit
- (8) Steuerkette geschlossen mit Dichtung und Steuerkettenradsatz/timing chain endless with gasket and control chain wheel kit
- (9) Spezialwerkzeug zur Montage notwendig / Requires special tools for mounting

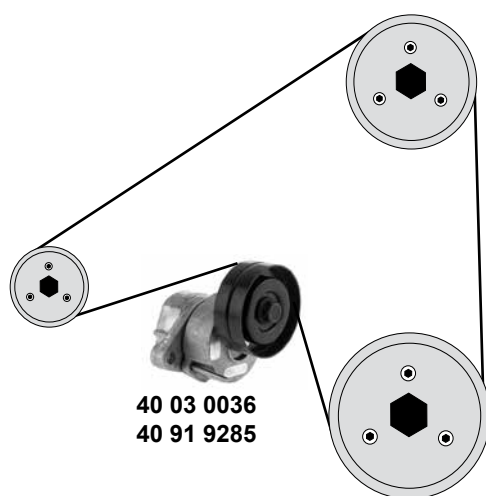
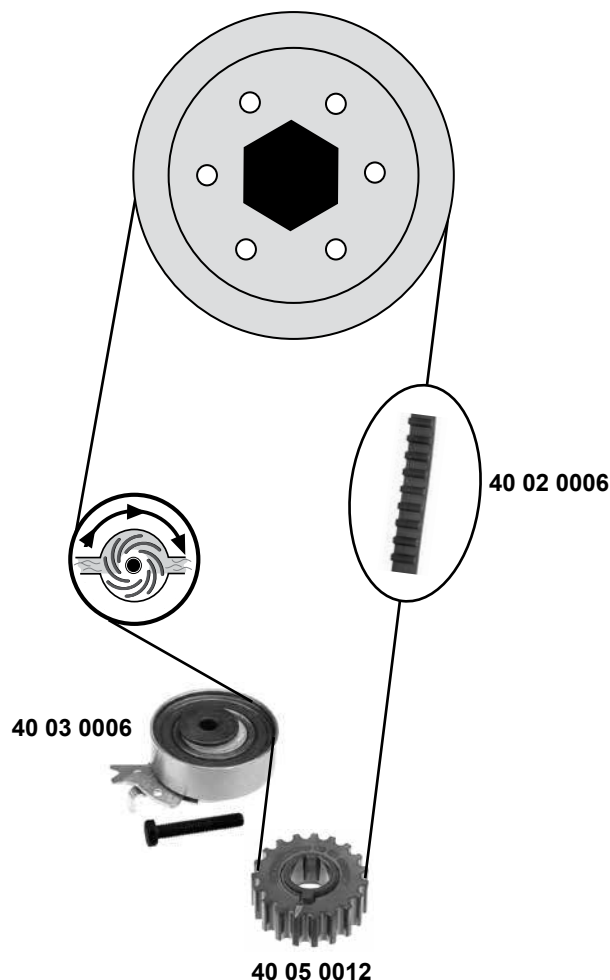


Ref. - No.



Ref. - No.	Description	Notes	Dimensions
40 10 0006	55352909 Kettenspanner / chain tensioner		
40 92 2370	55565236 Riemenspanner / belt tensioner	<b>NEW</b>	70x24
99 11 0138	55562234 Steuerkette / timing chain	(1)	130 E
99 12 9629	55562234 S1 Steuerkette / timing chain	(2) (9)	130 N
99 13 0372	93191271 SK1 Rep. Satz Steuerkette / rep. kit timing chain	(1)	130 E
99 13 0373	93191271 SK2 Rep. Satz Steuerkette / rep. kit timing chain	(2) (9)	130 N
99 13 3040	93191271 Rep. Satz Steuerkette / rep. kit timing chain	(4)	130 E
99 13 3041	93191271 S1 Rep. Satz Steuerkette / rep. kit timing chain	(3)	130 N
99 13 3080	93191271 SK3 Rep. Satz Steuerkette / rep. kit timing chain	(6)	130 E
99 13 3081	93191271 SK4 Rep. Satz Steuerkette / rep. kit timing chain	(5) (9)	130 N
99 13 3082	93191271 S2 Rep. Satz Steuerkette / rep. kit timing chain	(8)	130 E
99 13 3083	93191271 S3 Rep. Satz Steuerkette / rep. kit timing chain	(7) (9)	130 N

**1,2 8V / 1,4 8V**



Ref. - No.



40 02 0006	90531677
40 02 0030	93188126
40 03 0006	09202478
40 03 0036	90411025
40 05 0012	90502545
40 91 9285	24412292

Zahnriemen / timing belt
Rep. Satz Zahnriemen / rep. kit timing belt
Spannrolle / tension roller
Riemenspanner / belt tensioner
Kurbelwellenzahnrad / crankshaft gear
Riemenspanner / belt tensioner

servo

AC

Z 111 B17
ØA 59 B19
ØA 70 B26
Z 19

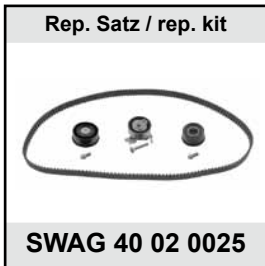
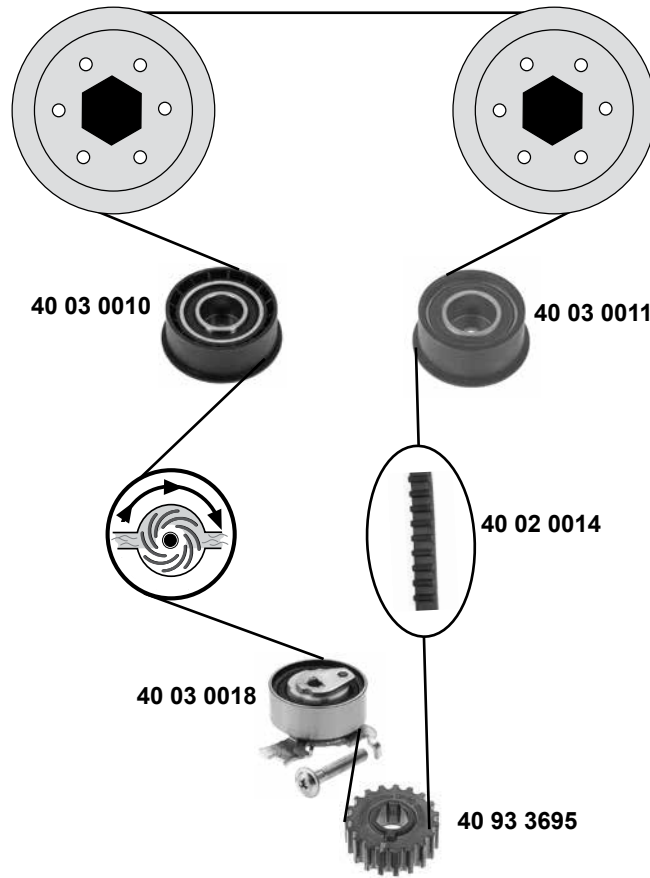
# VAUXHALL

## Corsa Mk I / B

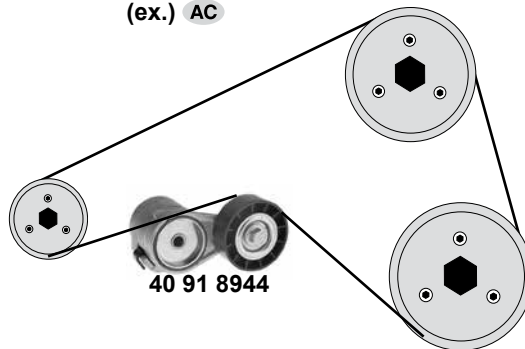
(93→00)



1,4 16V / 1,6 16V

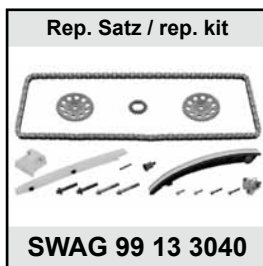
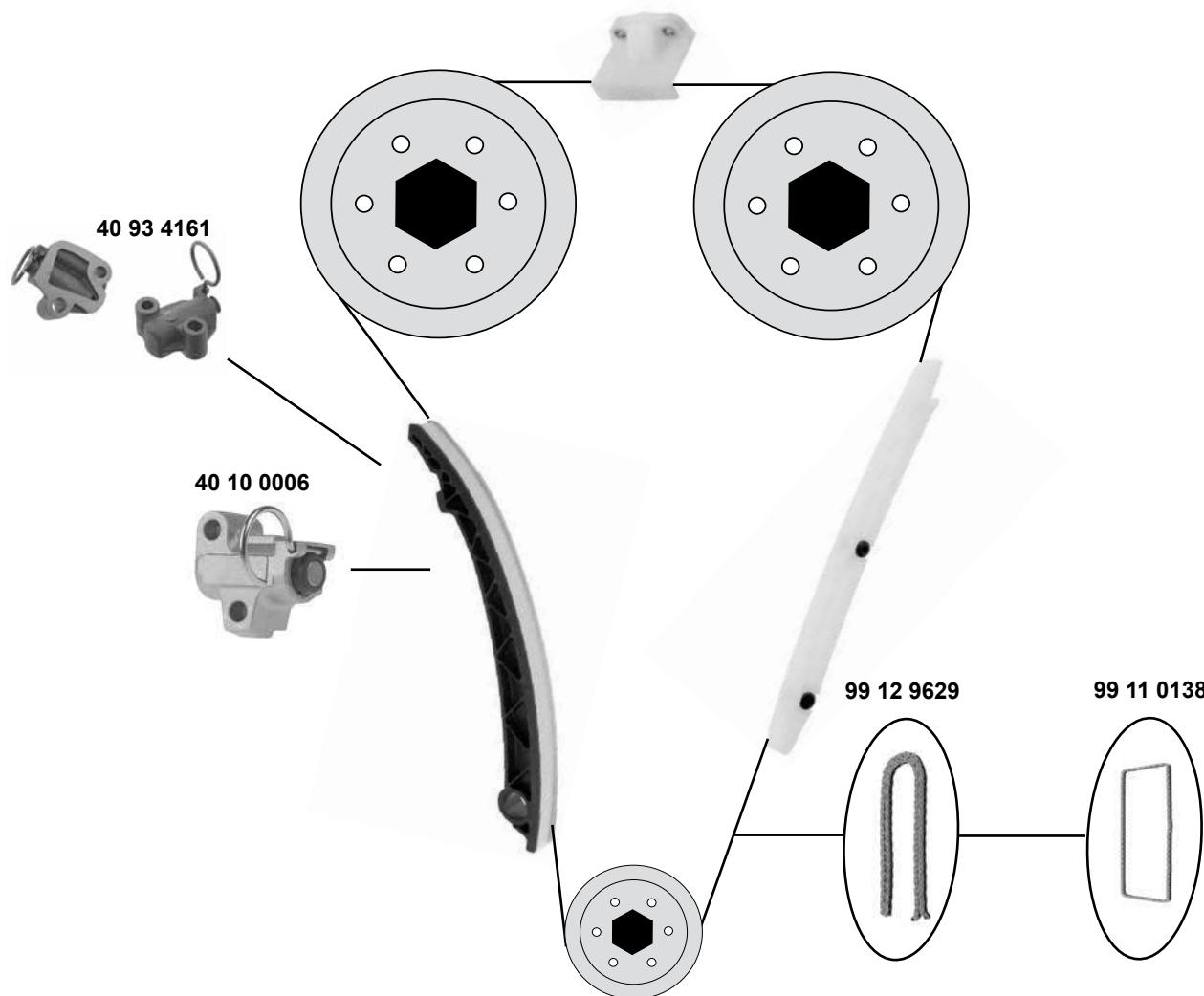


(ex.) AC



SWAG GERMANY	Ref. - No.			
40 02 0014	24451896	Zahnriemen / timing belt		Z 169 B20
40 02 0025	93180219	Rep. Satz Zahnriemen / rep. kit timing belt		
40 03 0010	55350580	Umlenkrolle / deflection pulley		ØA 62,5 ØI 23
40 03 0011	09128740	Umlenkrolle / deflection pulley		ØA 58,5 B25
40 03 0018	55567191	Spannrolle / tension roller		ØA 59 B22
40 91 8944	90412884	Riemenspanner / belt tensioner	man.	
40 92 1098	93174120	Rep. Satz Zahnriemen / rep. kit timing belt		
40 93 3695	0614 546	Kurbelwellenzahnrad / crankshaft gear		Z 23

**1,0 / 1,2 / 1,4**  
 (Z1,0XE, Z1,0XEP, Z1,2XE, Z1,2XEP, Z1,4XEP)





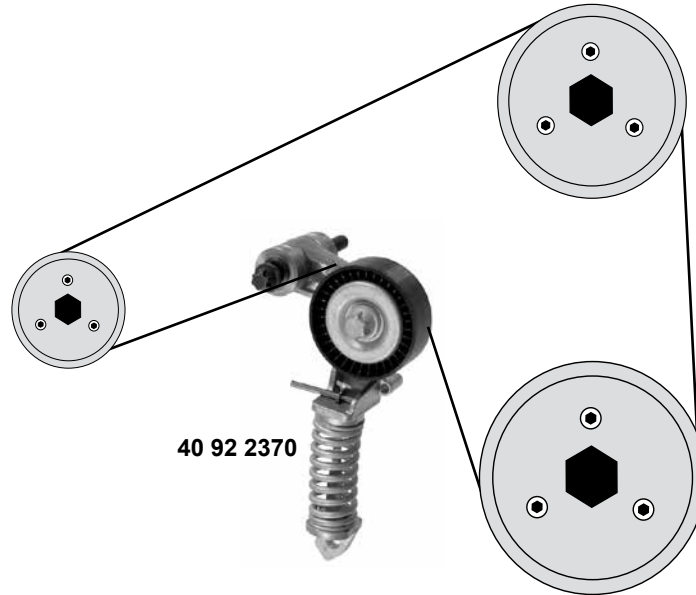
# VAUXHALL Corsa Mk II / C

(01→05)



**1,0 / 1,2 / 1,4**

(Z1,0XE, Z1,0XEP, Z1,2XE, Z1,2XEP, Z1,4XEP)



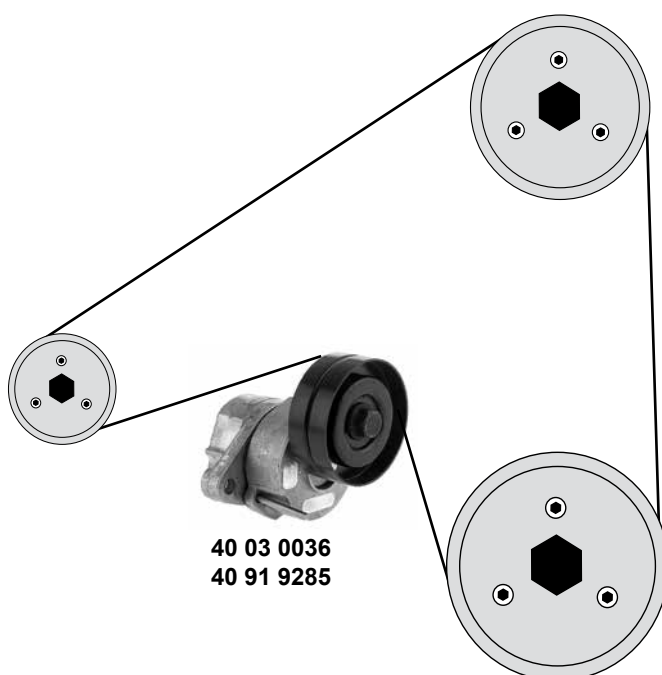
40 92 2370

- (1) Steuerkette geschlossen / timing chain endless
- (2) Steuerkette offen / timing chain open
- (3) Steuerkette offen und mit Steuerkettenradsatz / timing chain open and with control chain wheel kit
- (4) Steuerkette geschlossen und mit Steuerkettenradsatz / timing chain endless and with control chain wheel kit
- (5) Steuerkette offen mit Dichtung / timing chain open with gasket
- (6) Steuerkette geschlossen mit Dichtung / timing chain endless with gasket
- (7) Steuerkette offen mit Dichtung und Steuerkettenradsatz / timing chain open with gasket and control chain wheel kit
- (8) Steuerkette geschlossen mit Dichtung und Steuerkettenradsatz / timing chain endless with gasket and control chain wheel kit
- (9) Spezialwerkzeug zur Montage notwendig / requires special tools for mounting
- (10) (mot.) Z 1,4 XEP→(mot) 19TR2328
- (11) (mot.) Z 1,4 XEP (mot) 19TR2329→



SWAG GERMANY		Ref. - No.			
40 10 0006	55352909	Kettenspanner / chain tensioner		(10)	
99 11 0138	55562234	Rollenkette / roller chain		(1)	130 E
40 92 2370	55565236	Riemenspanner / belt tensioner		NEW	70x24
40 93 4161	55562235	Kettenspanner / chain tensioner		(11)	
99 12 9629	55562234 S1	Steuerkette / timing chain		(2) (9)	130 N
99 13 0372	93191271 SK1	Rep. Satz Steuerkette / rep. kit timing chain		(1) (10)	130 E
99 13 0373	93191271 SK2	Rep. Satz Steuerkette / rep. kit timing chain		(2) (9) (10)	130 N
99 13 3040	93191271	Rep. Satz Steuerkette / rep. kit timing chain		(4) (10)	130 E
99 13 3041	93191271 S1	Rep. Satz Steuerkette / rep. kit timing chain		(3) (10)	130 N
99 13 3080	93191271 SK3	Rep. Satz Steuerkette / rep. kit timing chain		(6) (10)	130 E
99 13 3081	93191271 SK4	Rep. Satz Steuerkette / rep. kit timing chain		(5) (9) (10)	130N
99 13 3082	93191271 S2	Rep. Satz Steuerkette / rep. kit timing chain		(8) (10)	130 E
99 13 3083	93191271 S3	Rep. Satz Steuerkette / rep. kit timing chain		(7) (9) (10)	130 N
99 13 4162	55562234 S2	Rep. Satz Steuerkette / rep. kit timing chain		(1) (11)	130 E
99 13 4163	55562234 S3	Rep. Satz Steuerkette / rep. kit timing chain		(2) (9) (11)	130 N



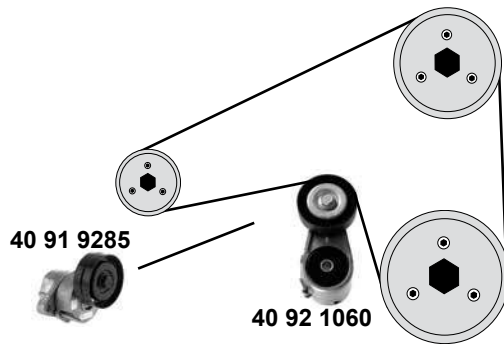
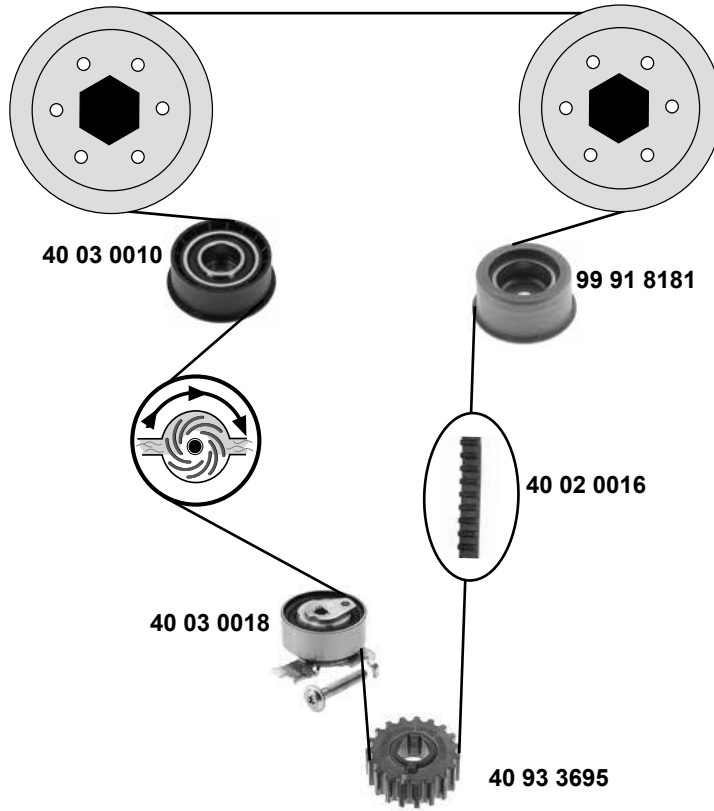


# VAUXHALL Corsa Mk II / C

(01→05)



**1,4 16V**  
(Z1,4 XE)



(1) servo R 4235380 →

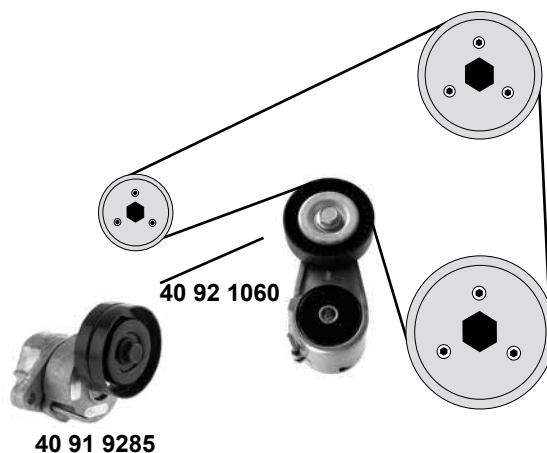
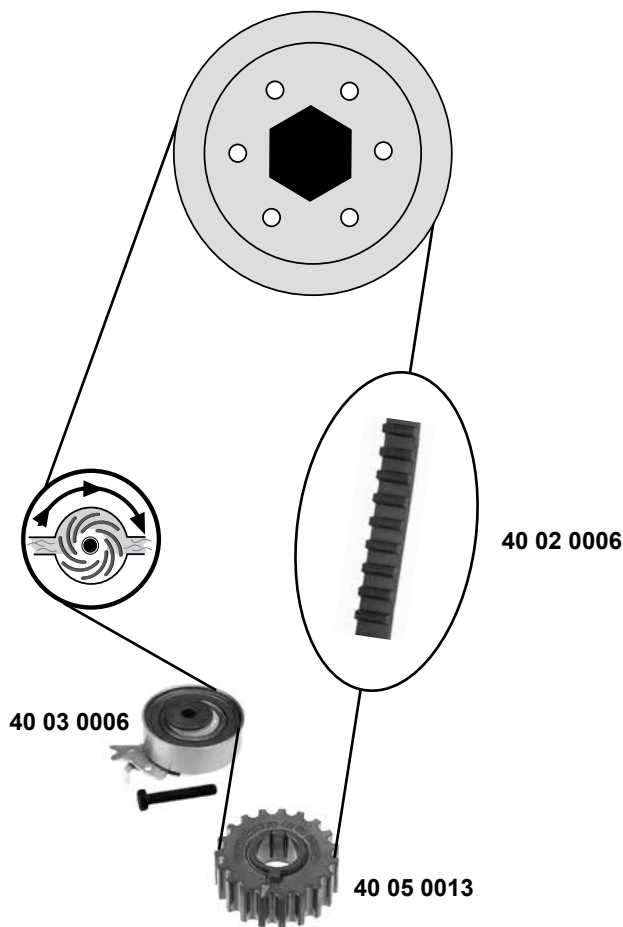


Ref. - No.



<b>40 02 0016</b>	24451895	Zahnriemen / timing belt	(1) man.  (ex.) AC servo  / AC	Z 162 B20 ØA 62,5 ØI 23 ØA 59 B22
<b>40 03 0010</b>	55350580	Umlenkrolle / deflection pulley		
<b>40 03 0018</b>	55567191	Spannrolle / tension roller		
<b>40 91 9285</b>	24412292	Riemenspanner / belt tensioner		
<b>40 91 9445</b>	93185845	Rep. Satz Zahnriemen / rep. kit timing belt		
<b>40 92 1060</b>	90571758	Riemenspanner / belt tensioner		
<b>40 92 1097</b>	93174119	Rep. Satz Zahnriemen / rep. kit timing belt		
<b>40 93 3695</b>	09129207	Kurbelwellenzahnrad / crankshaft gear		Z 23
<b>99 91 8181</b>	55352713	Umlenkrolle / deflection pulley		ØA 52,5 B27

**1,6**  
(Z1,6SE)



	Ref. - No.			
40 02 0006	90531677	Zahnriemen / timing belt		Z 111 B17
40 02 0030	93188126	Rep. Satz Zahnriemen / rep. kit timing belt		ØA 59 B19
40 03 0006	09202478	Spannrolle / tension roller		ØA 5 ØI20 Z19
40 05 0013	90502545	Kurbelwellenzahnrad / crankshaft gear		
40 91 9285	24412292	Riemenspanner / belt tensioner	servo  R 4235380→	
40 92 1060	90571758	Riemenspanner / belt tensioner		

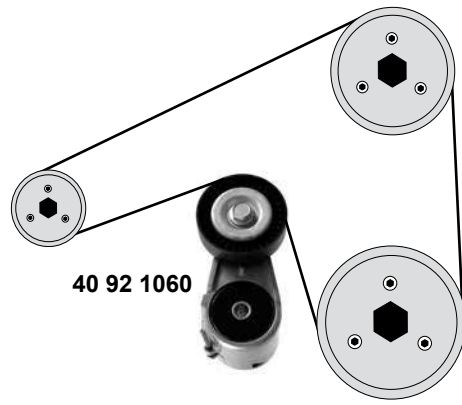
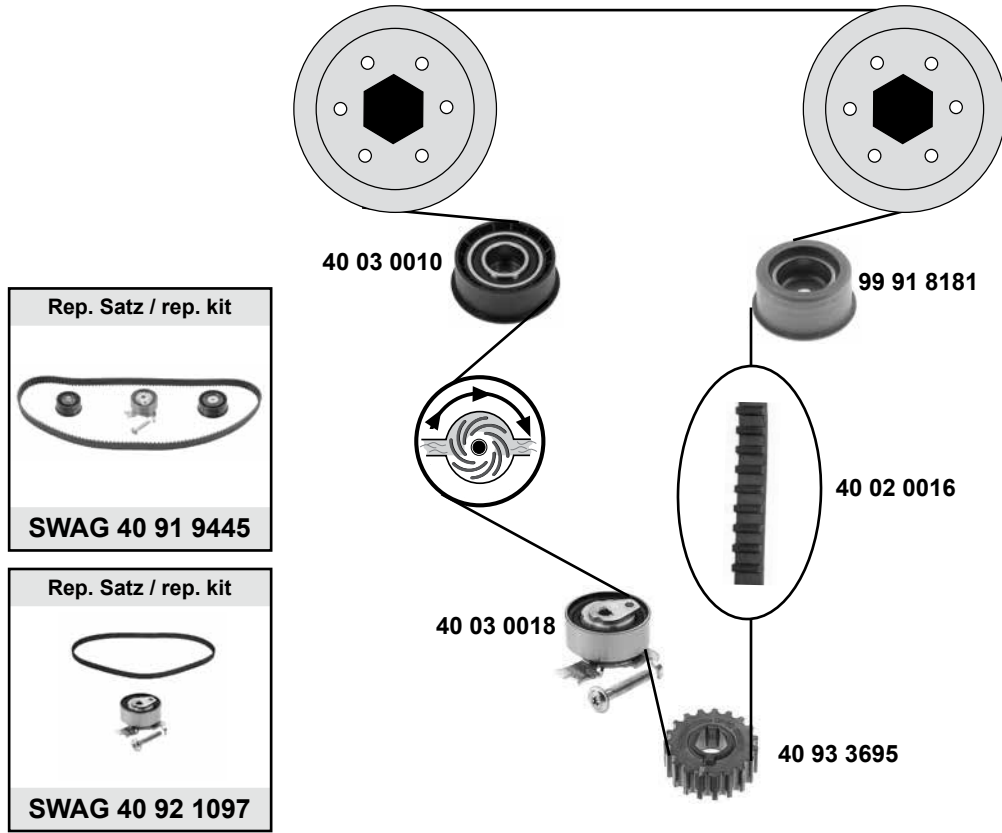
# VAUXHALL Corsa Mk II / C

(01→05)



## 1,6 / 1,8 16V

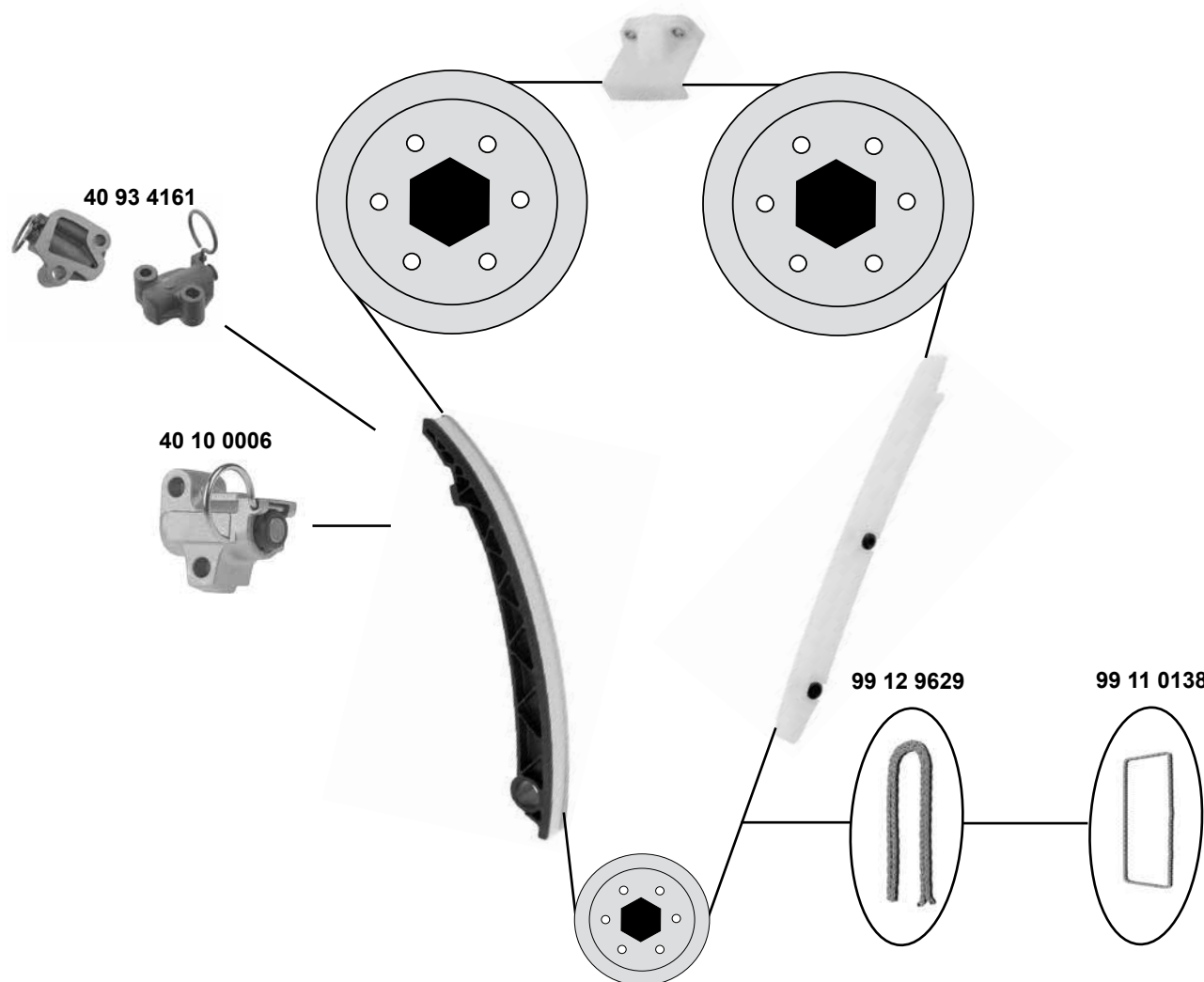
(Y1,6YNG , Z1,6YNG) (Z1,8XE)



SWAG GERMANY	Ref. - No.			
40 02 0016	24451895	Zahnriemen / timing belt	(mot.) 1,8	Z 162 B20
40 03 0010	55350580	Umlenkrolle / deflection pulley	(mot.) 1,8	ØA 62,5 ØI 23
40 03 0018	55567191	Spannrolle / tension roller	(mot.) 1,8	ØA 59 B22
40 91 9445	93185845	Rep. Satz Zahnriemen / rep. kit timing belt	(mot.) 1,8	
40 92 1060	90571758	Riemenspanner / belt tensioner	(mot.) 1,8	
40 92 1097	93174119	Rep. Satz Zahnriemen / rep. kit timing belt	(mot.) 1,8	
40 93 3695	09129207	Kurbelwellenzahnrad / crankshaft gear		Z 23
99 91 8181	55352713	Umlenkrolle / deflection pulley	(mot.) 1,8	ØA 52,5 B27

**1,0 / 1,2 / 1,4**

(Z1,0XEP / A1,0XEP / Z1,2XEP / A1,2XEL / A1,2XER / Z1,4 XEP / A1,4XER / A1,4XEL)



# VAUXHALL

## Corsa Mk III / D

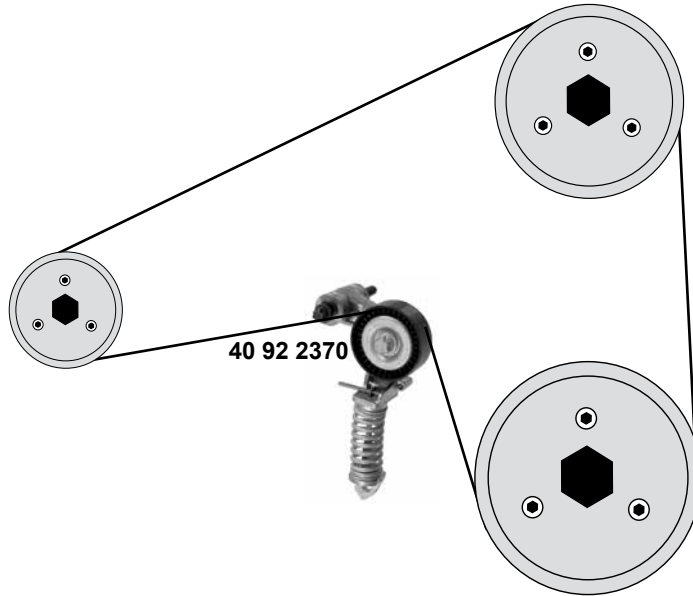
(06→)

# SWAG®

GERMANY

### 1,0 / 1,2 / 1,4

(Z1,0XEP/ A1,0XEP/ Z1,2XEP / A1,2XEL / A1,2XER / Z1,4 XEP / A1,4XER / A1,4XEL)



- (1)** Steuerkette geschlossen / timing chain endless  
**(2)** Steuerkette offen / timing chain open  
**(3)** Steuerkette offen und mit Steuerkettenradsatz / timing chain open and with control chain wheel kit  
**(4)** Steuerkette geschlossen und mit Steuerkettenradsatz / timing chain endless and with control chain wheel kit  
**(5)** Steuerkette offen mit Dichtung / timing chain open with gasket  
**(6)** Steuerkette geschlossen mit Dichtung / timing chain endless with gasket  
**(7)** Steuerkette offen mit Dichtung und Steuerkettenradsatz / timing chain open with gasket and control chain wheel kit  
**(8)** Steuerkette geschlossen mit Dichtung und Steuerkettenradsatz / timing chain endless with gasket and control chain wheel kit  
**(9)** Spezialwerkzeug zur Montage notwendig / requires special tools for mounting  
**(10)** (mot.) Z1,2XEP / Z1,4XEP→(mot) 19TR2328 / (mot.) Z 1,0 XE alle/all  
**(11)** (mot.) Z1,2XEP / Z1,4XEP (mot) 19TR2328→  
 (mot.)A1,0XEP/A1,2XEL/E1,2XER/A1,4XEL/A1,4XER alle/all

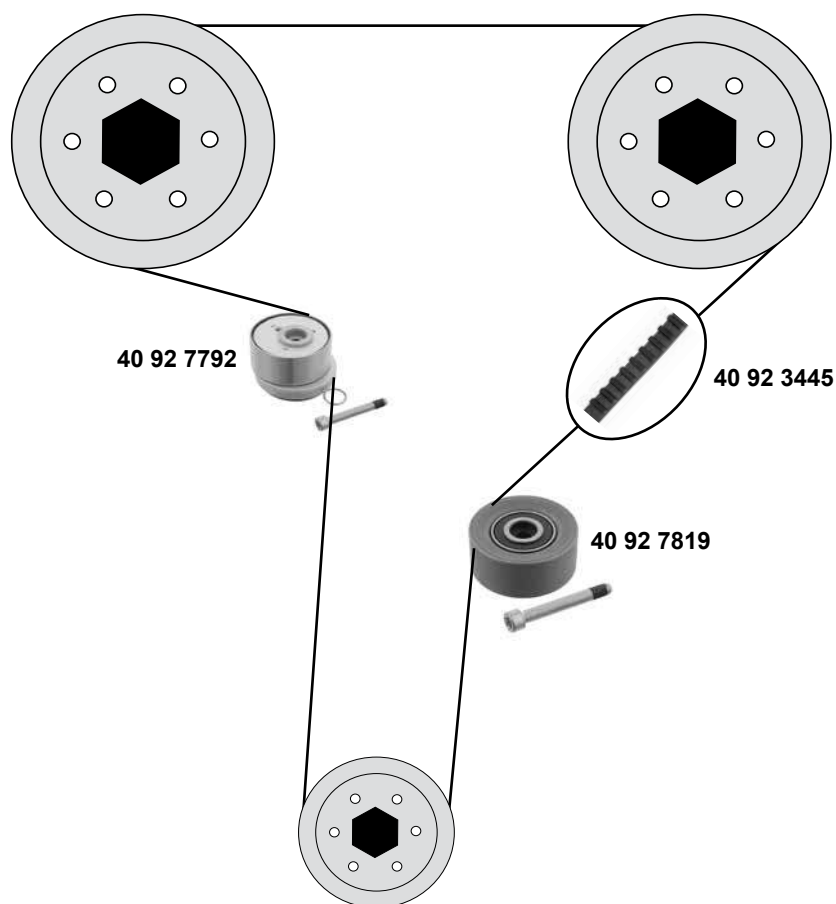


Ref. - No.



Ref. - No.	Description	Notes	Dimensions
40 10 0006	55352909	Kettenspanner / chain tensioner	(10)
40 92 2370	55565236	Riemenspanner / belt tensioner	NEW
40 93 4161	55562235	Kettenspanner / chain tensioner	(11)
99 11 0138	55562234	Rollenkette / roller chain	(1)
99 12 9629	55562234 S1	Steuerkette / timing chain	(2) (9)
99 13 0372	93191271 SK1	Rep. Satz Steuerkette / rep. kit timing chain	(1) (10)
99 13 0373	93191271 SK2	Rep. Satz Steuerkette / rep. kit timing chain	(2) (9) (10)
99 13 3040	93191271	Rep. Satz Steuerkette / rep. kit timing chain	(4) (10)
99 13 3041	93191271 S1	Rep. Satz Steuerkette / rep. kit timing chain	(3) (10)
99 13 3080	93191271 SK3	Rep. Satz Steuerkette / rep. kit timing chain	(6) (10)
99 13 3081	93191271 SK4	Rep. Satz Steuerkette / rep. kit timing chain	(5) (9) (10)
99 13 3082	93191271 S2	Rep. Satz Steuerkette / rep. kit timing chain	(8) (10)
99 13 3083	93191271 S3	Rep. Satz Steuerkette / rep. kit timing chain	(7) (9) (10)
99 13 4162	55562234 S2	Rep. Satz Steuerkette / rep. kit timing chain	(1) (11)
99 13 4163	55562234 S3	Rep. Satz Steuerkette / rep. kit timing chain	(2) (9) (11)

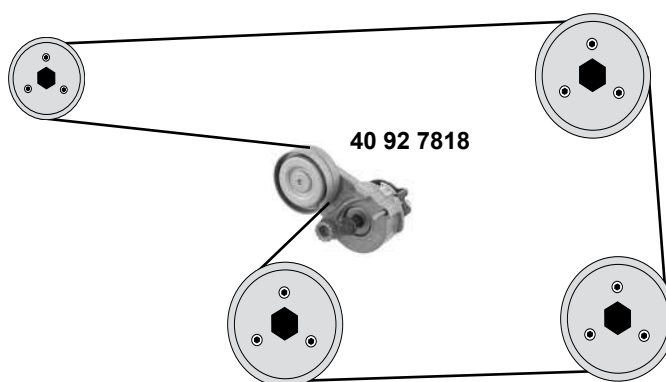
**1,6 16V**  
(A1,6 LEL/LER / Z1,6 LEL/LER)



Rep. Satz / rep. kit



SWAG 40 92 7825

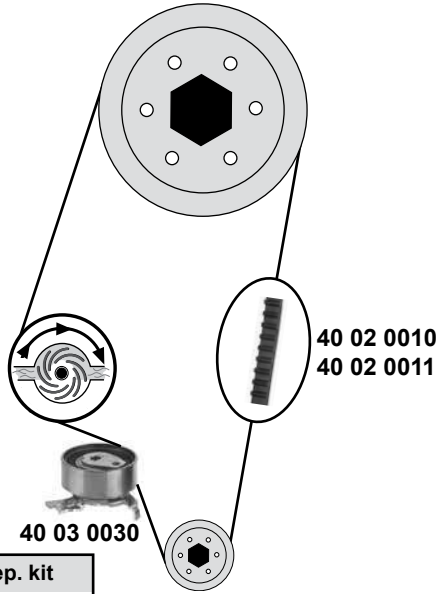


# VAUXHALL Frontera Mk I / Mk II

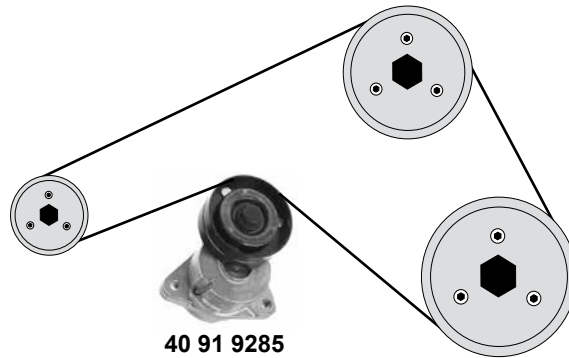
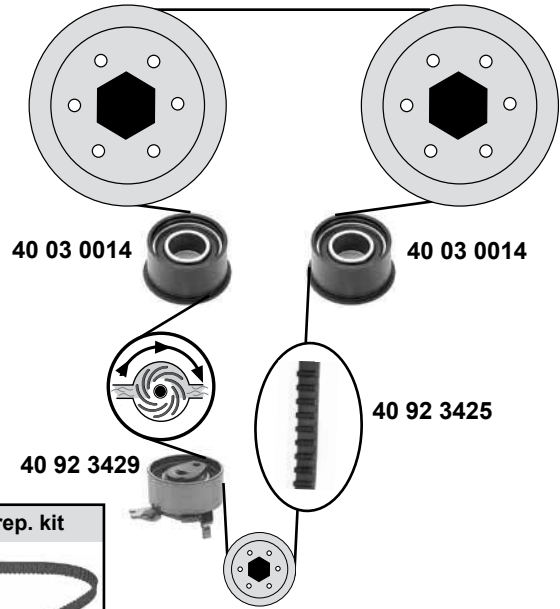
(92→04)



**2,2**  
(X 2,2 SE / X 2,2 XE / Y 2,2 SE)

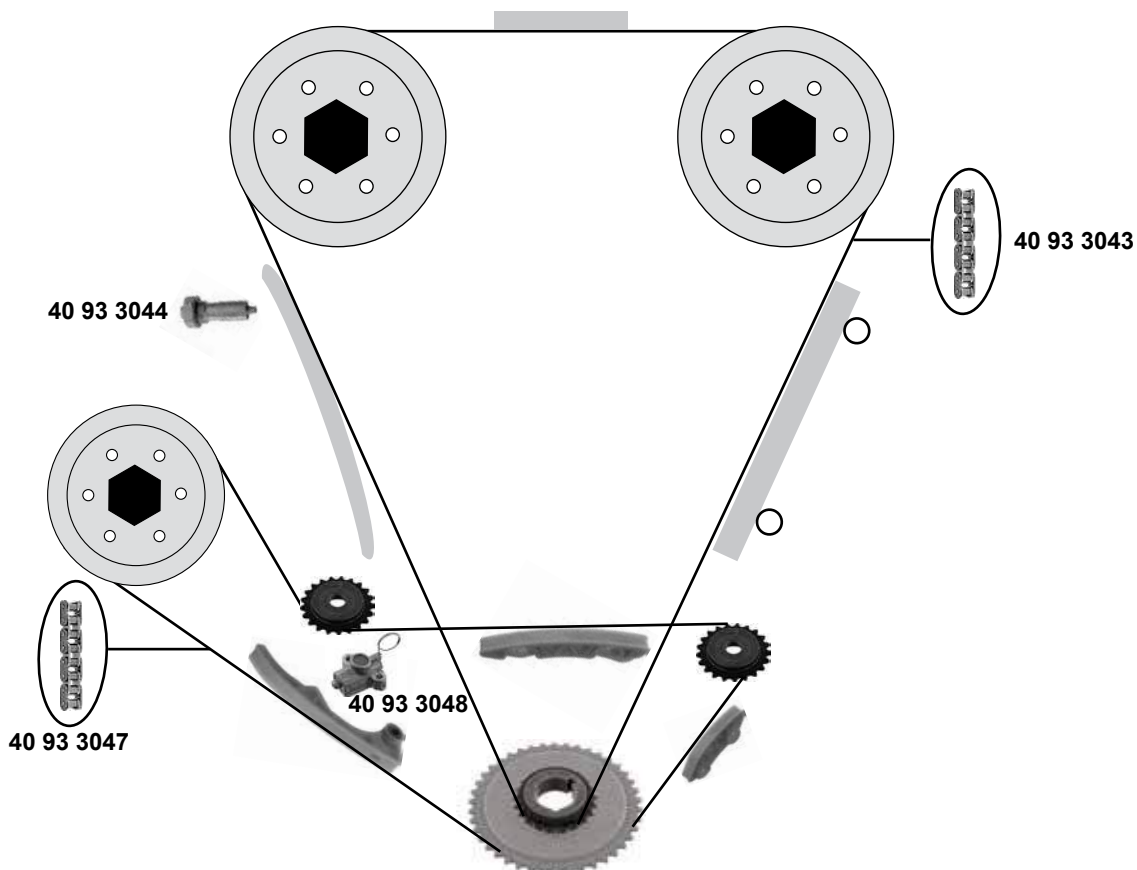


**2,0**  
(X 2,0 SE)



SWAG GERMANY	Ref. - No.				
<b>40 02 0010</b>	09128725	Zahnriemen / timing belt	<b>C2,0NE</b> 14608701→	Z 146 B20	
<b>40 02 0011</b>	90410014	Zahnriemen / timing belt		<b>C2,0NE</b> →14608700	Z 111 B20
<b>40 02 0027</b>	09128725 S1	Rep. Satz Zahnriemen / rep. kit timing belt		<b>C2,0NE</b> 14608701→	
<b>40 03 0014</b>	9128738	Umlenkrolle / deflection pulley		ØA 58,5 B29,5	
<b>40 03 0030</b>	09158003	Spannrolle / tension roller		ØA 59 B22	
<b>40 91 9285</b>	24412292	Riemenspanner / belt tensioner			
<b>40 92 3425</b>	9128722	Zahnriemen / timing belt		Z 171 B24	
<b>40 92 3427</b>	93174267	Rep. Satz Zahnriemen / rep. kit timing belt			
<b>40 92 3429</b>	90528603	Spannrolle / tension roller		ØA 59 B22	

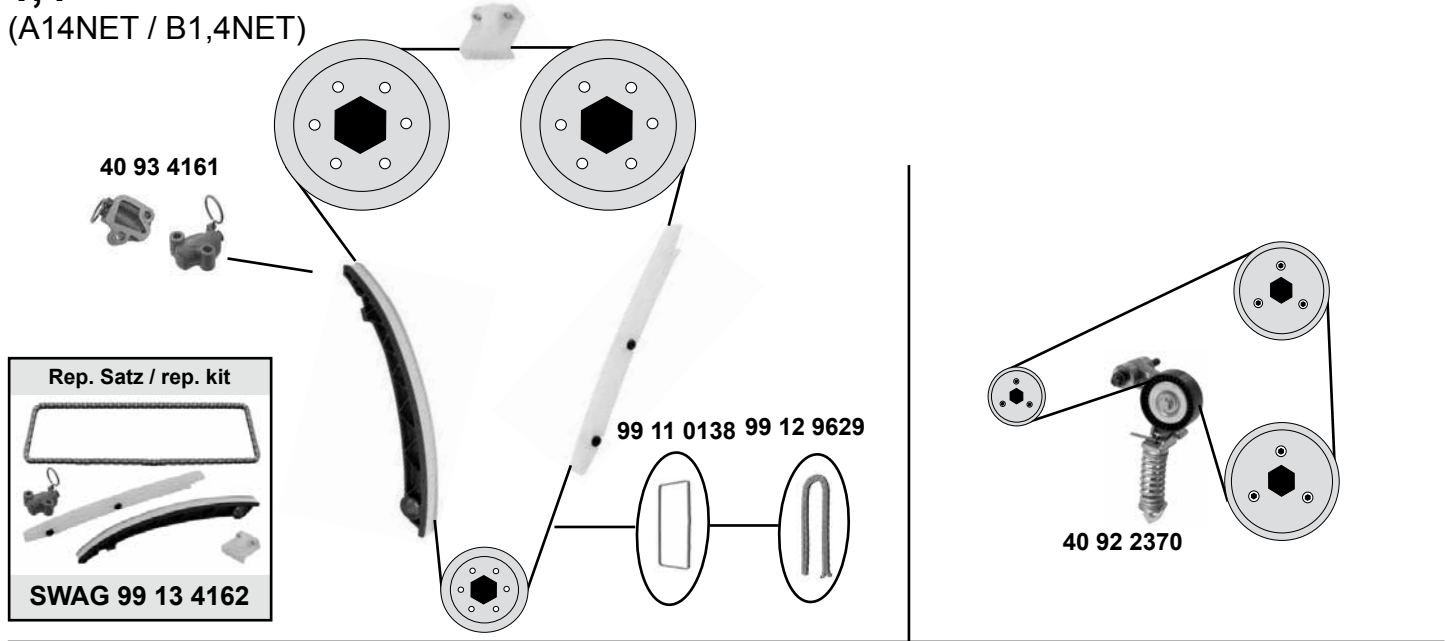




	Ref. - No.			
<b>40 93 3043</b>	24461834	Steuerkette / timing chain		148 E
<b>40 93 3044</b>	12608580	Kettenspanner / chain tensioner		
<b>40 93 3047</b>	90537370	Steuerkette / timing chain		134 E
<b>40 93 3048</b>	90537300	Kettenspanner / chain tensioner		
<b>99 13 3046</b>	55563405	Rep. Satz Steuerkette / rep. kit timing chain		134 E

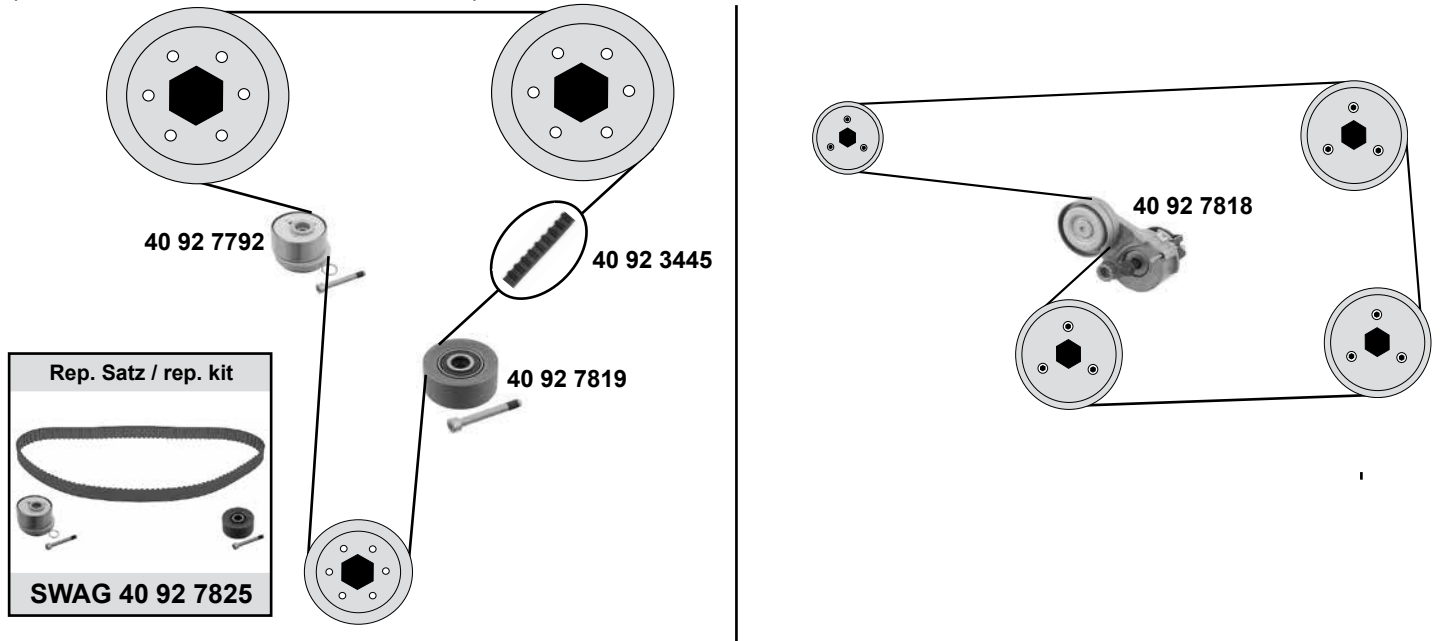
## 1,4

(A14NET / B1,4NET)



## 1,6 / 1,8 16V

(A1,6XER / A1,6 LET / A 1,8XER)



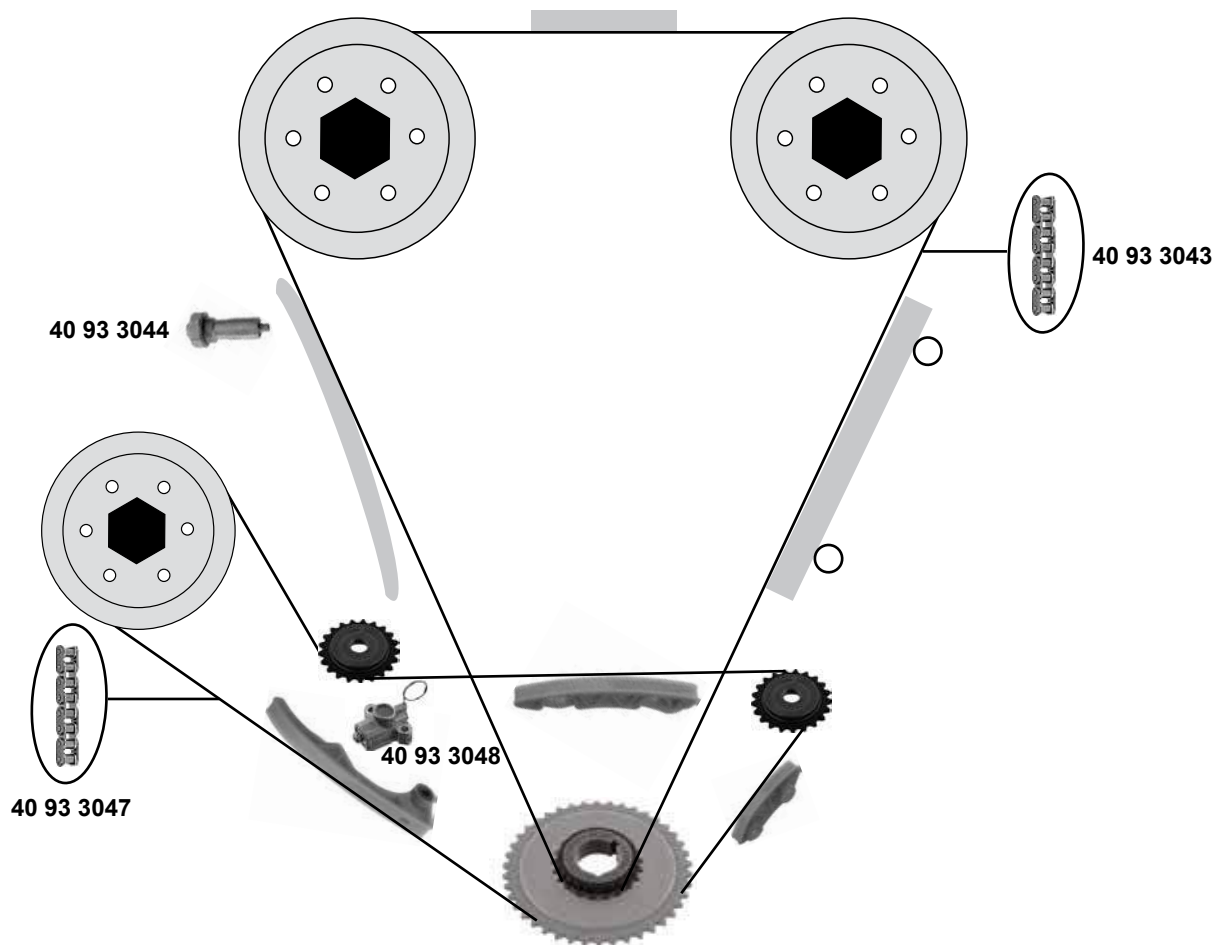
- (1) Steuerkette geschlossen / timing chain endless
- (2) Steuerkette offen / timing chain open  
Spezialwerkzeug zur Montage notwendig / requires special tools for mounting



Ref. - No.



Ref. - No.	Description	Quantity	Part No.
40 92 2370	Riemenspanner / belt tensioner		70x24
40 92 3445	Zahnriemen / timing belt		Z 146 B24
40 92 7792	Spannrolle / tension roller		ØA66 Ø18 B29
40 92 7818	Riemenspanner / belt tensioner		ØA 63 B 22
40 92 7819	Umlenkrolle / deflection pulley		ØA 61 B 28
40 92 7825	Rep. Satz Zahnriemen / rep. kit timing belt		
40 93 4161	Kettenspanner / chain tensioner		
99 11 0138	Steuerkette / timing chain	(1) A1,4NET	130 E
99 12 9629	Steuerkette / timing chain	(2)	130 N
99 13 4162	Rep. Satz Steuerkette / rep. kit timing chain	(1)	130 E



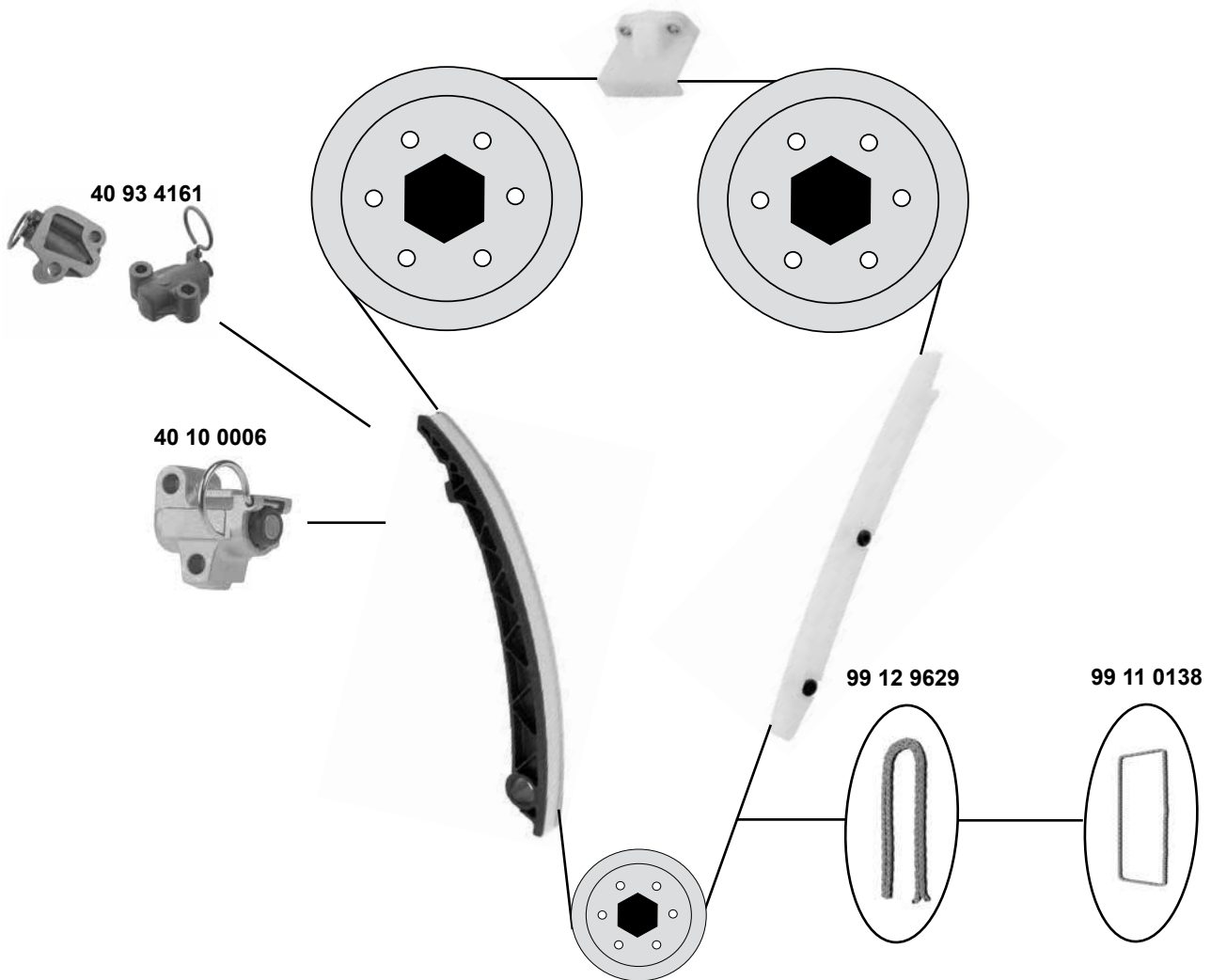
	Ref. - No.			
<b>40 93 3043</b>	24461834	Steuerkette / timing chain		148 E
<b>40 93 3044</b>	12608580	Kettenspanner / chain tensioner		
<b>40 93 3047</b>	90537370	Steuerkette / timing chain		134 E
<b>40 93 3048</b>	90537300	Kettenspanner / chain tensioner		
<b>99 13 3046</b>	55563405	Rep. Satz Steuerkette / rep. kit timing chain		134 E

# VAUXHALL Meriva Mk I / A

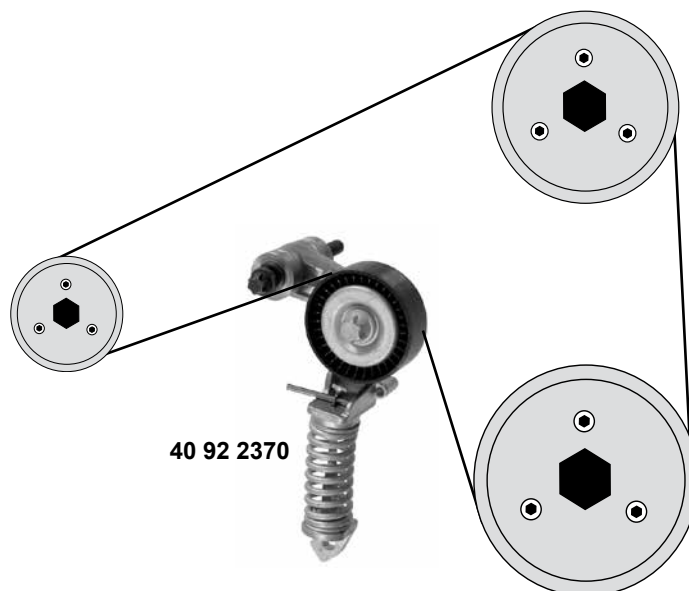
(03→10)



**1,4**  
(Z1,4XEP)



<p>Rep. Satz / rep. kit</p> <p><b>SWAG 99 13 0372</b></p>	<p>Rep. Satz / rep. kit</p> <p><b>SWAG 99 13 0373</b></p>	<p>Rep. Satz / rep. kit</p> <p><b>SWAG 99 13 3040</b></p>	<p>Rep. Satz / rep. kit</p> <p><b>SWAG 99 13 3041</b></p>	<p>Rep. Satz / rep. kit</p> <p><b>SWAG 99 13 3080</b></p>
<p>Rep. Satz / rep. kit</p> <p><b>SWAG 99 13 3081</b></p>	<p>Rep. Satz / rep. kit</p> <p><b>SWAG 99 13 3082</b></p>	<p>Rep. Satz / rep. kit</p> <p><b>SWAG 99 13 3083</b></p>	<p>Rep. Satz / rep. kit</p> <p><b>SWAG 99 13 4162</b></p>	<p>Rep. Satz / rep. kit</p> <p><b>SWAG 99 13 4163</b></p>



40 92 2370

- (1)** Steuerkette geschlossen / timing chain endless  
**(2)** Steuerkette offen / timing chain open  
**(3)** Steuerkette offen und mit Steuerkettenradsatz / timing chain open and with control chain wheel kit  
**(4)** Steuerkette geschlossen und mit Steuerkettenradsatz / timing chain endless and with control chain wheel kit  
**(5)** Steuerkette offen mit Dichtung / timing chain open with gasket  
**(6)** Steuerkette geschlossen mit Dichtung / timing chain endless with gasket  
**(7)** Steuerkette offen mit Dichtung und Steuerkettenradsatz / timing chain open with gasket and control chain wheel kit  
**(8)** Steuerkette geschlossen mit Dichtung und Steuerkettenradsatz / timing chain endless with gasket and control chain wheel kit  
**(9)** Spezialwerkzeug zur Montage notwendig / requires special tools for mounting  
**(10)** →(mot) 19TR2328  
**(11)** (mot) 19TR2329→



Ref. - No.



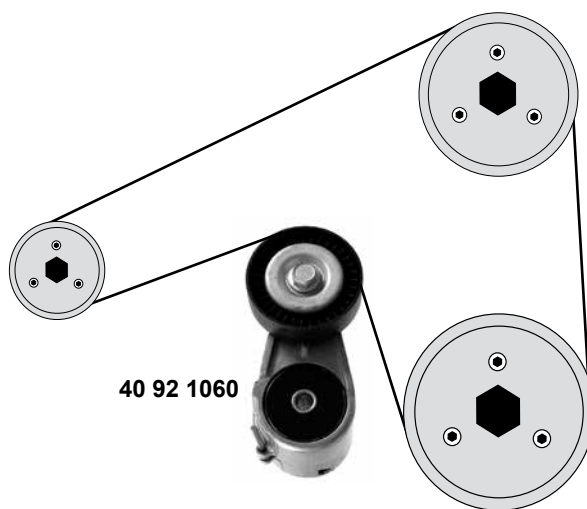
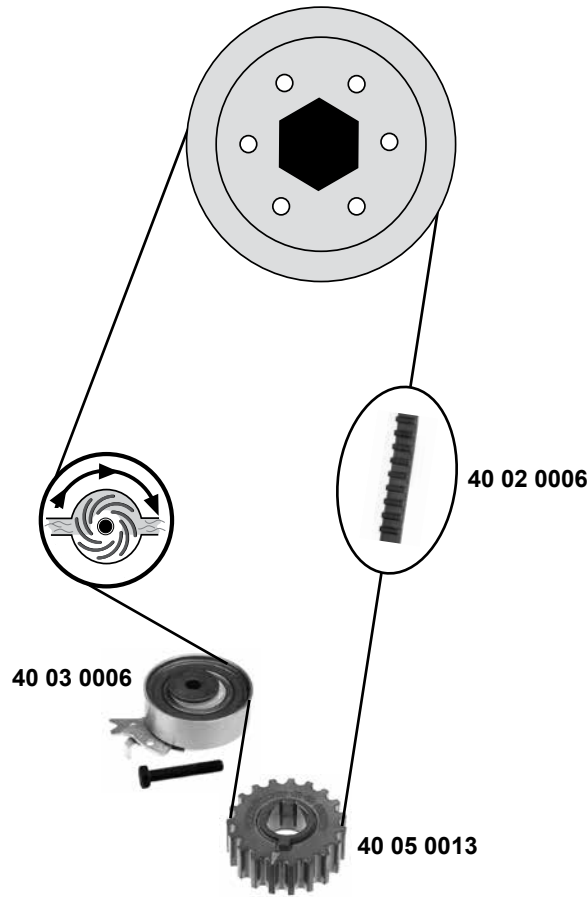
Ref. - No.				
40 10 0006	55352909	Kettenspanner / chain tensioner	(10)	
40 92 2370	55565236	Riemenspanner / belt tensioner		70x24
40 93 4161	55562235	Kettenspanner / chain tensioner	(11)	
99 11 0138	55562234	Rollenkette / roller chain	(1)	130 E
99 12 9629	55562234 S1	Steuerkette / timing chain	(2)	130 N
99 13 0372	93191271 SK1	Rep. Satz Steuerkette / rep. kit timing chain	(1) (10)	130 E
99 13 0373	93191271 SK2	Rep. Satz Steuerkette / rep. kit timing chain	(2) (10)	130 N
99 13 3040	93191271	Rep. Satz Steuerkette / rep. kit timing chain	(4) (10)	130 E
99 13 3041	93191271 S1	Rep. Satz Steuerkette / rep. kit timing chain	(3) (10)	130 N
99 13 3080	93191271 SK3	Rep. Satz Steuerkette / rep. kit timing chain	(6) (10)	130 E
99 13 3081	93191271 SK4	Rep. Satz Steuerkette / rep. kit timing chain	(5) (9) (10)	130N
99 13 3082	93191271 S2	Rep. Satz Steuerkette / rep. kit timing chain	(8) (10)	130 E
99 13 3083	93191271 S3	Rep. Satz Steuerkette / rep. kit timing chain	(7) (9) (10)	130 N
99 13 4162	55562234 S2	Rep. Satz Steuerkette / rep. kit timing chain	(1) (11)	130 E
99 13 4163	55562234 S3	Rep. Satz Steuerkette / rep. kit timing chain	(2) (9) (11)	130 N

# VAUXHALL Meriva Mk I / A

(03→10)

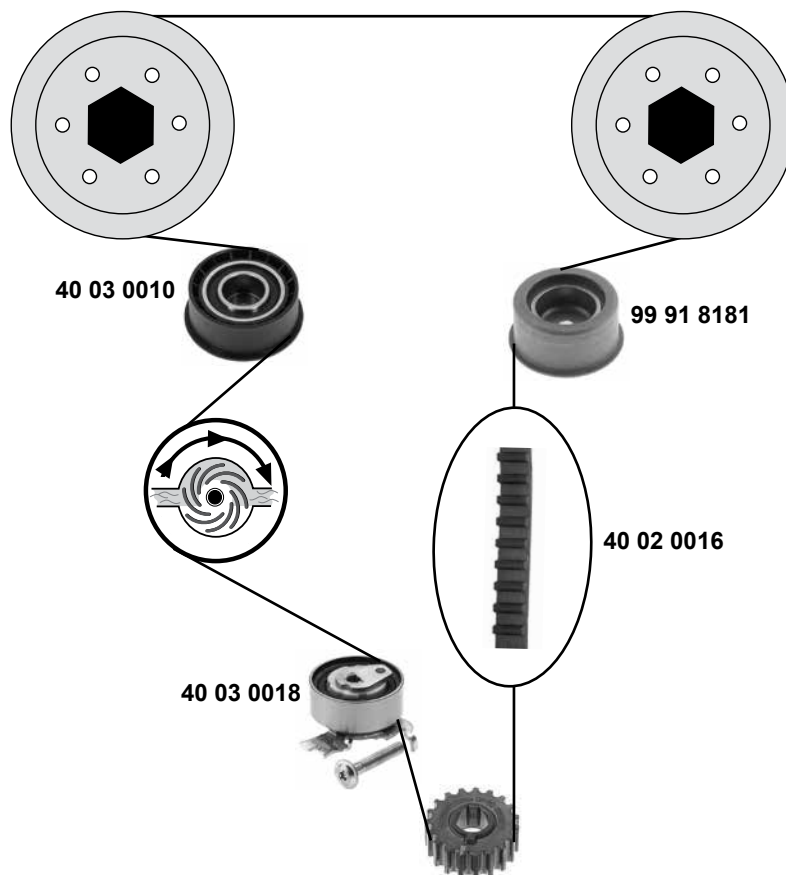


**1,6 8V**  
(Z1,6SE)



SWAG GERMANY	Ref. - No.			
40 02 0006	90531677	Zahnriemen / timing belt		Z 111 B17
40 02 0030	93188126	Rep. Satz Zahnriemen / rep. kit timing belt		Z 111 B17
40 03 0006	09202478	Spannrolle / tension roller		Ø59 B19
40 05 0013	90502545	Kurbelwellenzahnrad / crankshaft gear		Z 19
40 92 1060	90571758	Riemenspanner / belt tensioner		76 x 22

**1,6 16V / 1,8 16V**  
(Z 1,6 XE / Z1,8XE)



Rep. Satz / rep. kit

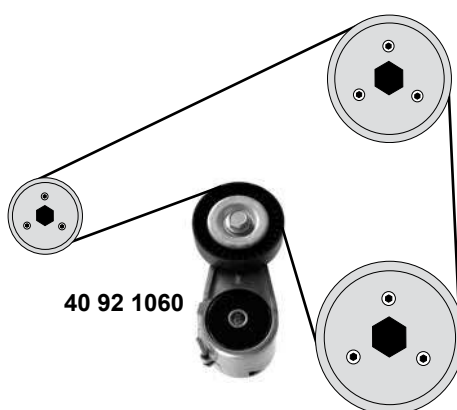


SWAG 40 91 9445

Rep. Satz / rep. kit



SWAG 40 92 1097

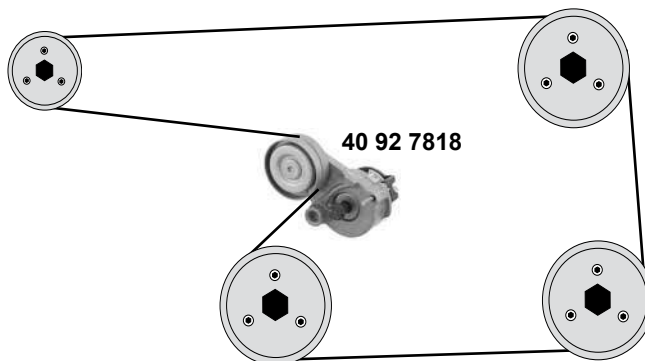
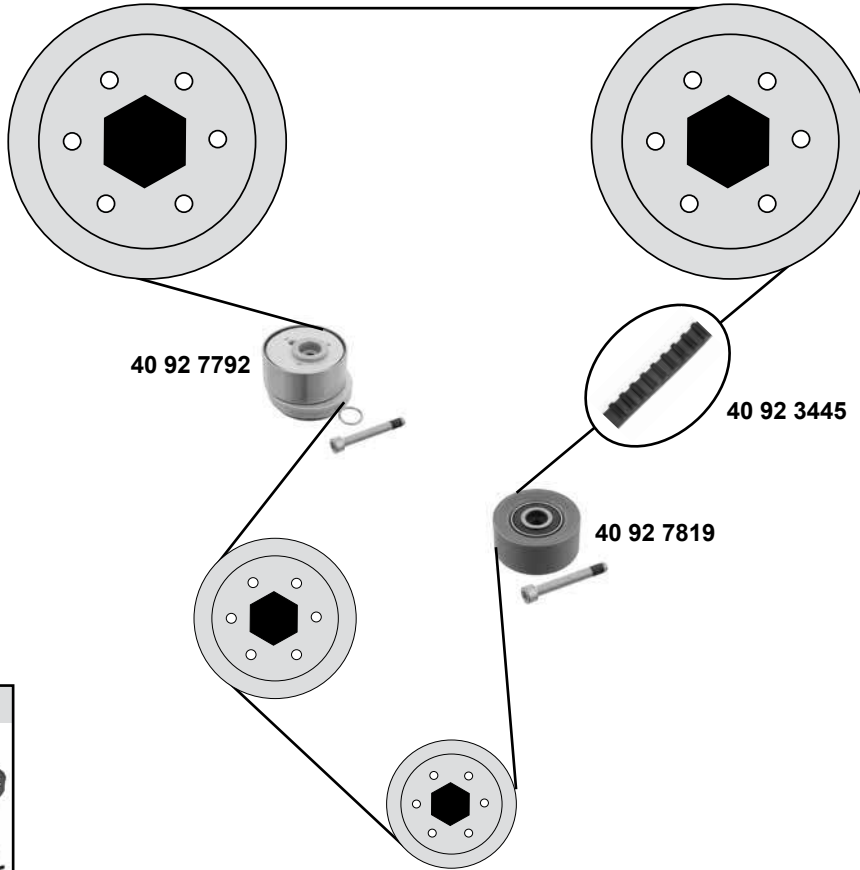


40 02 0016	24451895	Zahnriemen / timing belt	Z 162 B20
40 03 0010	55350580	Umlenkrolle / deflection pulley	ØA 62,5 ØI 23
40 03 0018	55567191	Spannrolle / tension roller	ØA 59 B22
40 91 9445	93185845	Rep. Satz Zahnriemen / rep. kit timing belt	Z 162 B20
40 92 1060	90571758	Riemenspanner / belt tensioner	76 x 22
40 92 1097	93174119	Rep. Satz Zahnriemen / rep. kit timing belt	Z 162 B20
40 93 3695	09129207	Kurbelwellenzahnrad / crankshaft gear	Z 23
99 91 8181	55352713	Umlenkrolle / deflection pulley	ØA 52,5 B27



## 1,6 16V

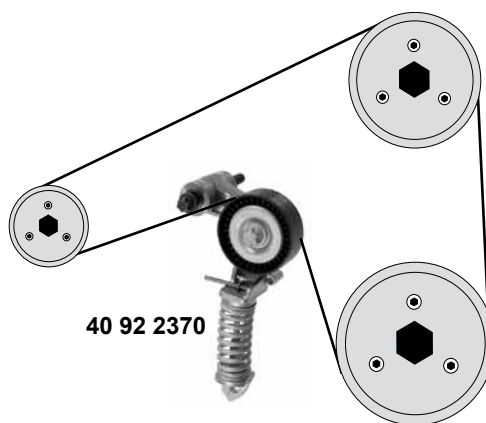
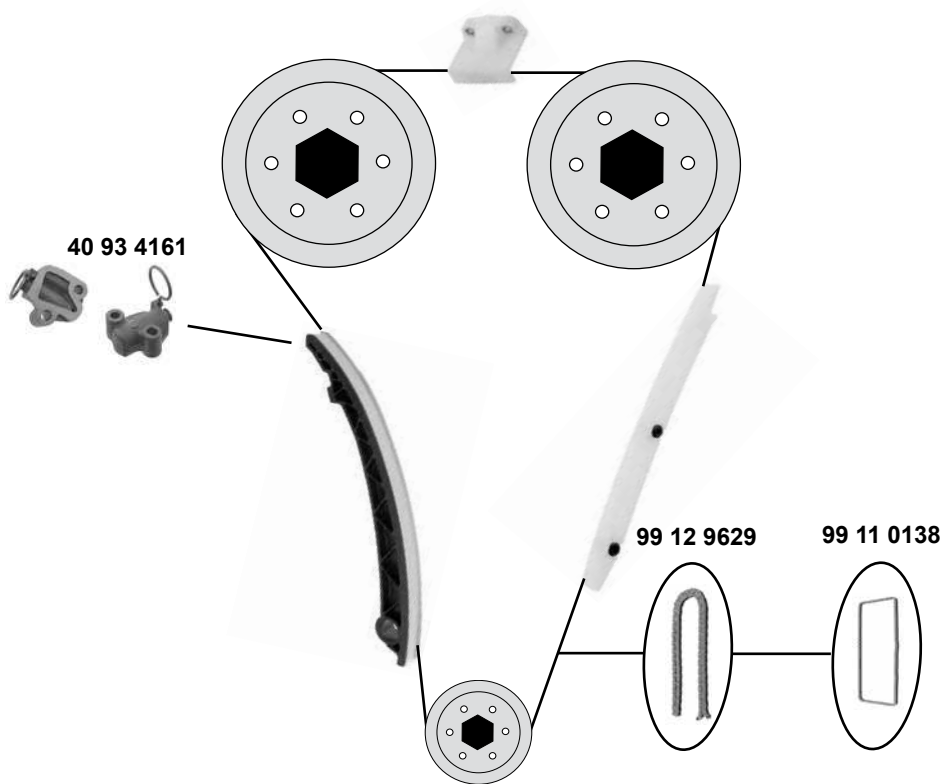
(Z1,6 XEP / Z 1,6 LET)



SWAG GERMANY	Ref. - No.			
40 92 3445	24422964	Zahnriemen / timing belt		Z 146 B24
40 92 7792	55562218	Spannrolle / tension roller		ØA 66 B29
40 92 7818	55563512	Riemenspanner / belt tensioner		ØA 63
40 92 7819	24436052	Umlenkrolle / deflection pulley		ØA 61 B28
40 92 7825	93185849	Rep. Satz Zahnriemen / rep. kit timing belt		Z 146 B24



**1,4**  
(A1,4XER / A1,4NEL / A1,4NET)



- (1) Steuerkette geschlossen / timing chain endless
  - (2) Steuerkette offen / timing chain open
- Spezialwerkzeug zur Montage notwendig / requires special tools for mounting

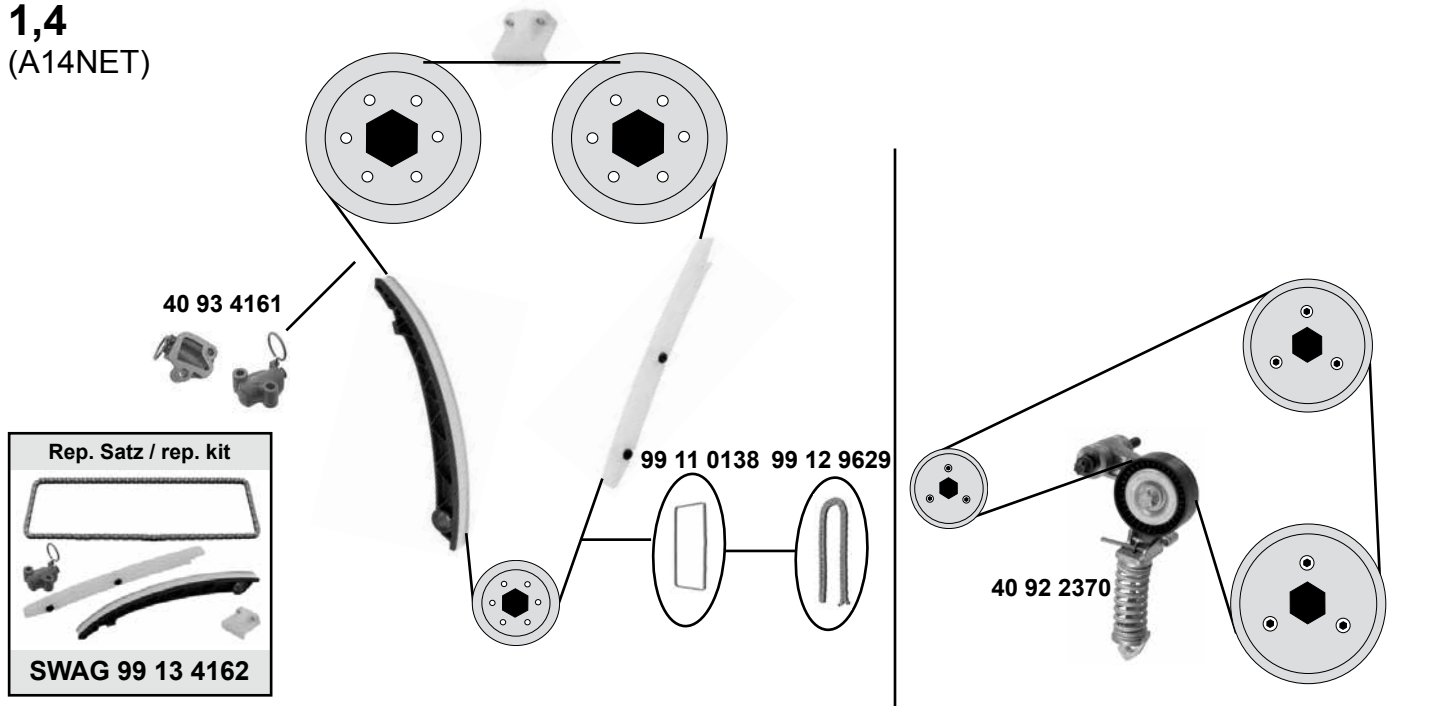


Ref. - No.

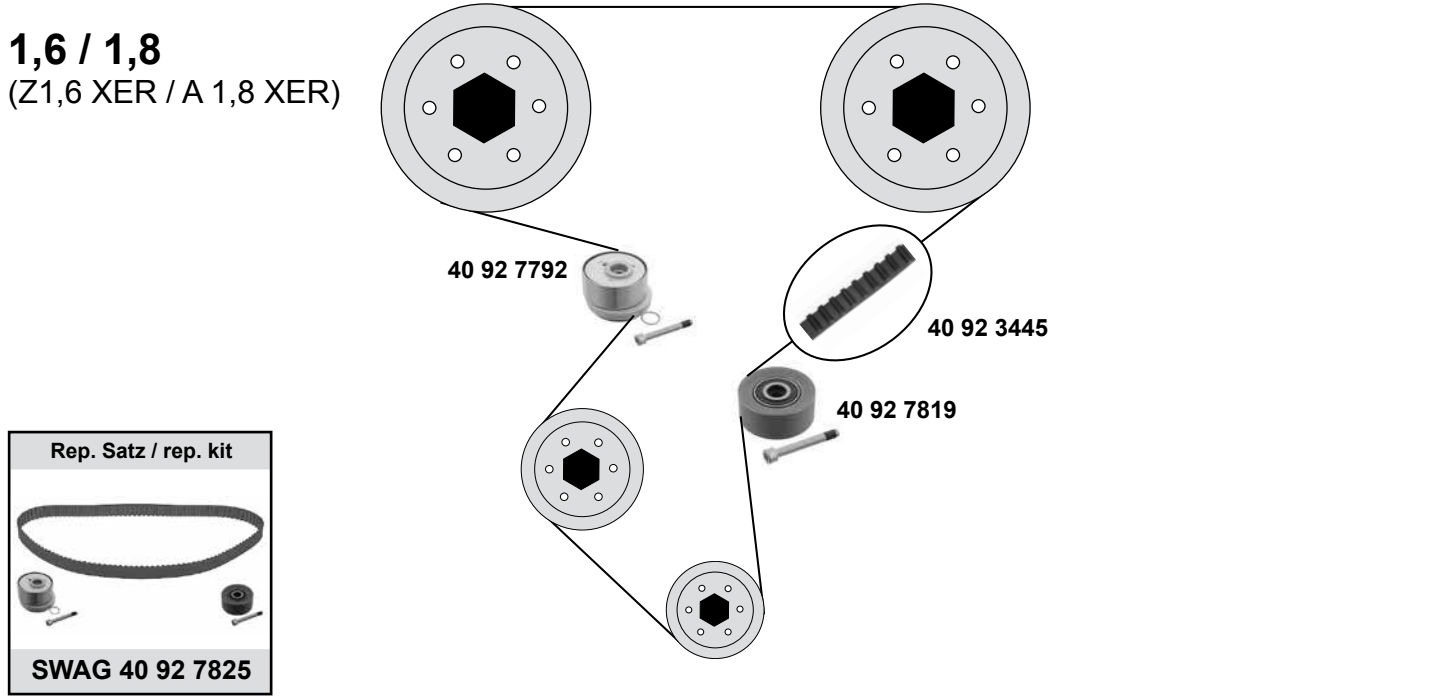


Ref. - No.	Description	Quantity	Part No.
40 92 2370	Riemenspanner / belt tensioner		70x24
40 93 4161	Kettenspanner / chain tensioner		
99 11 0138	Rollenkette / roller chain	(1)	130 E
99 12 9629	Steuerkette / timing chain	(2)	130 N
99 13 4162	Rep. Satz Steuerkette / rep. kit timing chain	(1)	130 E
99 13 4163	Rep. Satz Steuerkette / rep. kit timing chain	(2)	130 N

### 1,4 (A14NET)

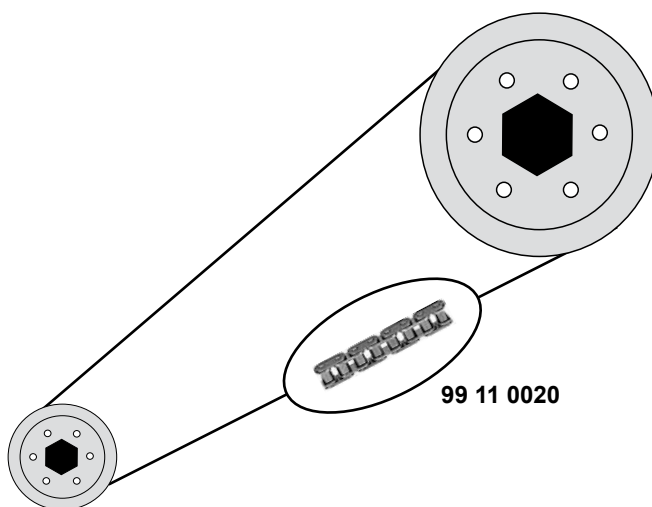


### 1,6 / 1,8 (Z1,6 XER / A 1,8 XER)

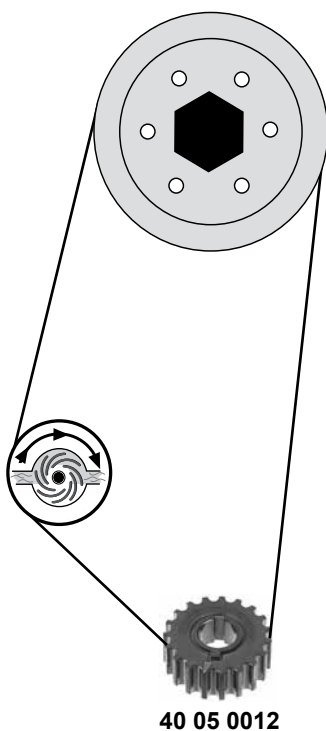


- (1) Steuerkette geschlossen / timing chain endless
- (2) Steuerkette offen / timing chain open  
Spezialwerkzeug zur Montage notwendig / requires special tools for mounting

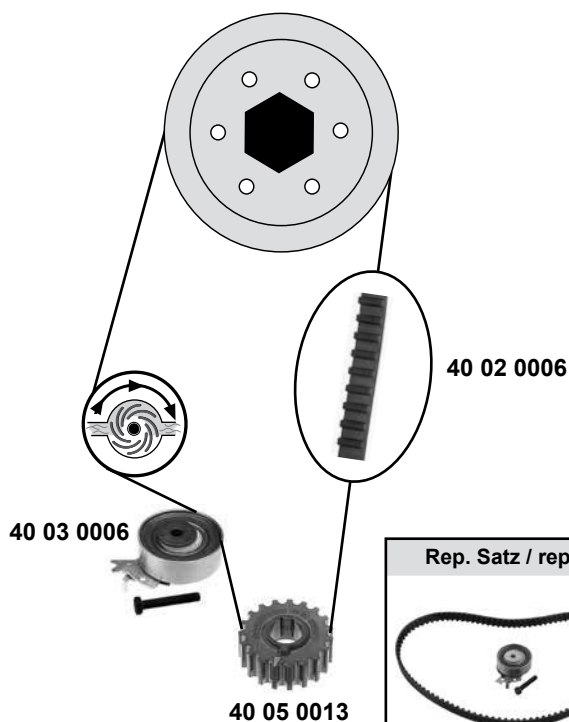
SWAG GERMANY	Ref. - No.			
40 92 2370	55565236	Riemenspanner / belt tensioner		
40 92 3445	24422964	Zahnriemen / timing belt		Z 146 B24
40 92 7792	55562218	Spannrolle / tension roller		ØA66 B29
40 92 7819	24436052	Umlenkrolle / deflection pulley		ØA 61 B 28
40 92 7825	93185849	Rep. Satz Zahnriemen / rep. kit timing belt		
40 93 4161	55562235	Kettenspanner / chain tensioner		
99 11 0138	55562234	Steuerkette / timing chain	(1)	130 E
99 12 9629	55562234 S1	Steuerkette / timing chain	(2)	130N
99 13 4162	55562234 S2	Rep. Satz Steuerkette / rep. kit timing chain	(1)	130 E



**1,2S/ST/NV**



**C1,2NZ**



**1,2**  
OHC



Ref. - No.



<b>40 02 0006</b>	90531677
<b>40 02 0030</b>	93188126
<b>40 03 0006</b>	09202478
<b>40 05 0012</b>	90502545
<b>40 05 0013</b>	90502545
<b>99 11 0020</b>	02866445

Zahnriemen / timing belt
Rep. Satz Zahnriemen / rep. kit timing belt
Spannrolle / tension roller
Kurbelwellenzahnrad / crankshaft gear
Kurbelwellenzahnrad / crankshaft gear
Rollenkette einfach / roller chain simple

(mot.)→649300  
(ch.) A92411→

Z 111 B17
ØA 59 B19
Z 19
ØA5Ø120Z19
56 E

# VAUXHALL

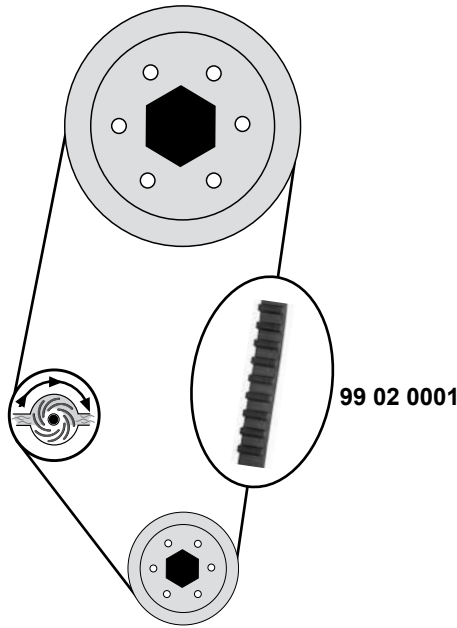
## Nova

(83→92)



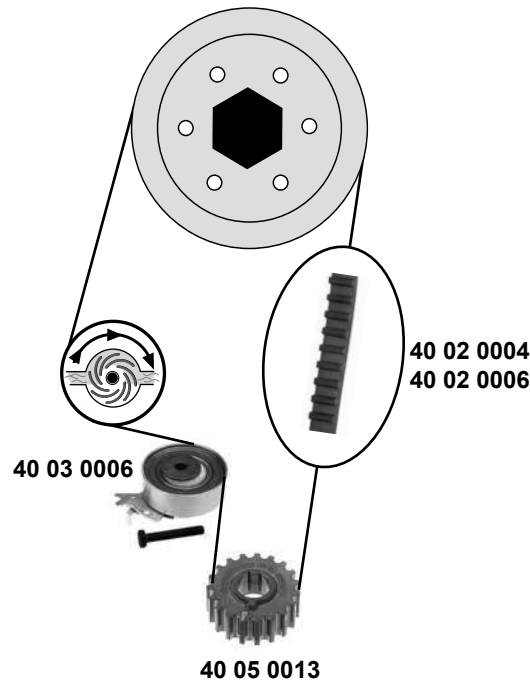
### 1,3

(13S/SB/NB/C13N)



### 1,4 / 1,6

(14NV/C14SE/NZ)



(1) (mot.) 1,4NV 19307806→/ C1,4NZ 19311759→  
02J22350→02J22350→  
(mot.) 1,6 02J22350→

(2) (mot.) 1,4NV →19307805 / C1,4NZ→19311758  
→02J22349→02J22349  
(mot.) 1,6 →02J22349

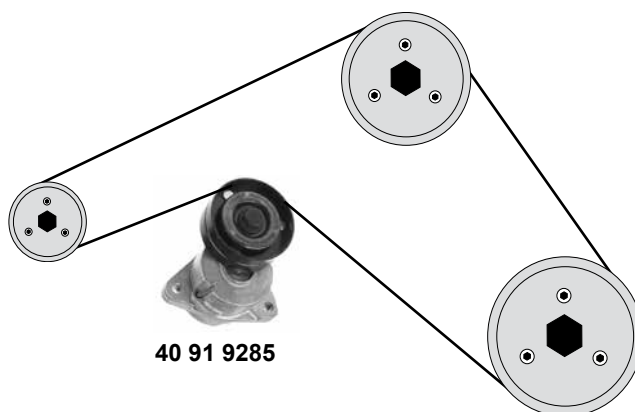
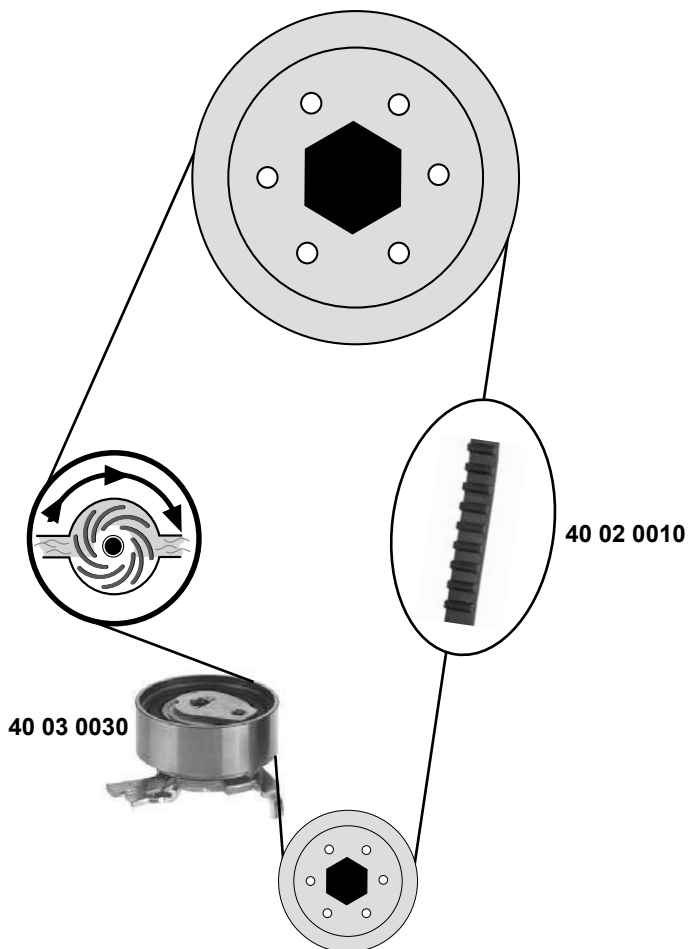


Ref. - No.



40 02 0004	90354783	Zahnriemen / timing belt
40 02 0006	90531677	Zahnriemen / timing belt
40 02 0030	93188126	Rep. Satz Zahnriemen / rep. kit timing belt
40 03 0006	09202478	Spannrolle / tension roller
40 05 0013	90502545	Kurbelwellenzahnrad / crankshaft gear
99 02 0001	90080214	Zahnriemen / timing belt

(2)	Z 104 B17
(1) C1,4 SE:	Z 111 B17
(1) C1,4 SE:	ØA 59 B19
	ØA5ØI20Z19
	Z 104 B15



Ref. - No.



<b>40 02 0010</b>	09128725
<b>40 02 0027</b>	09128725 S1
<b>40 03 0030</b>	09158003
<b>40 91 9285</b>	24412292

Zahnriemen / timing belt
Rep. Satz Zahnriemen / rep. kit timing belt
Spannrolle / tension roller
Riemenspanner / belt tensioner

Z 146 B20
ØA 59 B22

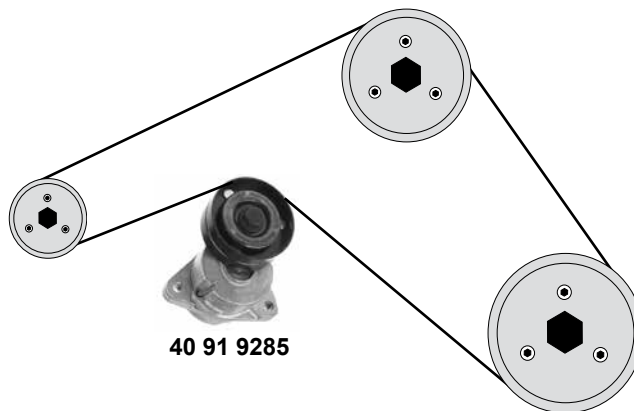
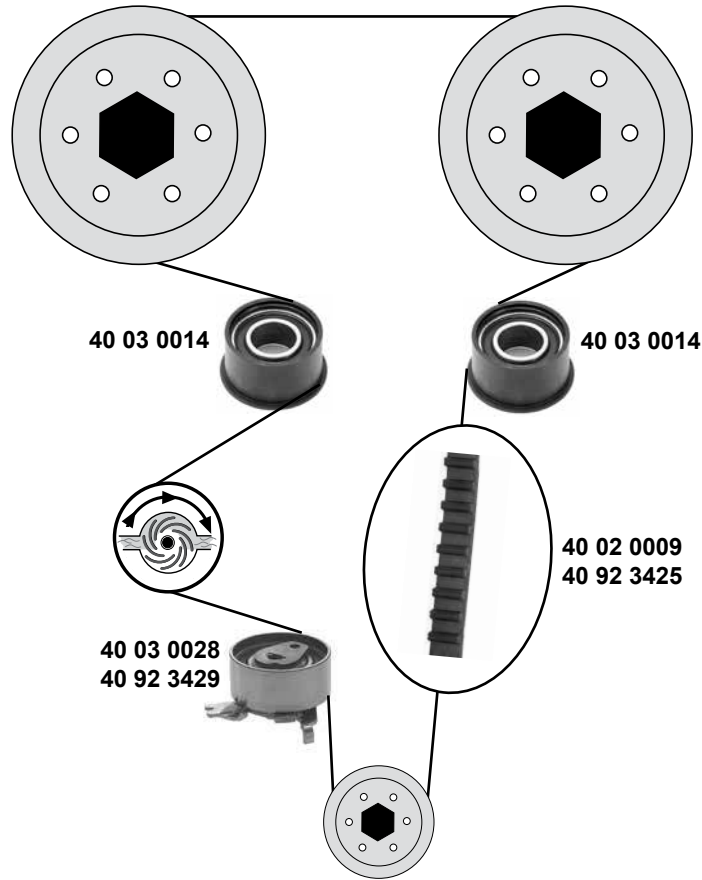
# VAUXHALL Omega B

(94→03)



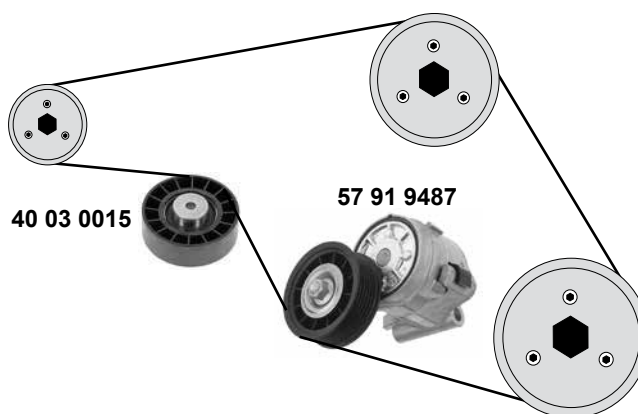
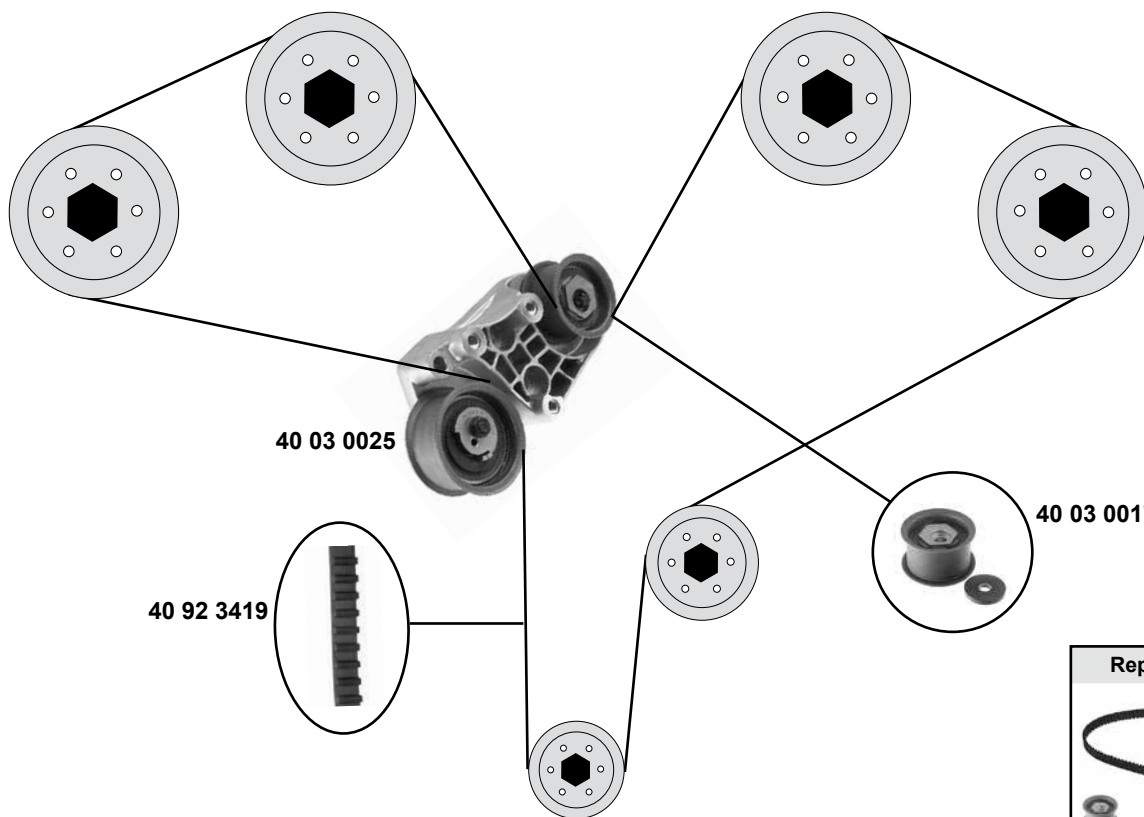
## 2,0 / 2,2 16V

(X 2,0 XEV / Y 2,2 XE / Z 2,2 XE)



SWAG GERMANY	Ref. - No.			
40 02 0009	90531682	Zahnriemen / timing belt	(mot.) 2,0 16V	Z 169 B24
40 02 0028	93174260	Rep. Satz Zahnriemen / rep. kit timing belt	(mot.) 2,0 16V	
40 03 0014	9128738	Umlenkrolle / deflection pulley		ØA 58,5 B29,5
40 03 0028	09158004	Spannrolle / tension roller	(mot.) 2,0 16V	ØA 59 B26
40 91 9285	24412292	Riemenspanner / belt tensioner		
40 92 3425	9128722	Zahnriemen / timing belt	(mot.) 2,2 16V	Z 171 B24
40 92 3427	93174267	Rep. Satz Zahnriemen / rep. kit timing belt	(mot.) 2,2 16V	
40 92 3429	90528603	Spannrolle / tension roller	(mot.) 2,2 16V	ØA 59 B22

2,5 / 2,6 / 3,0 / 3,2 V6



(1) (mot.) 2,5 / 3,0→08300418



Ref. - No.



Ref. - No.	Description	Quantity	Dimensions
40 03 0015	Umlenkrolle / deflection pulley		ØA 80 B 25
40 03 0017	Umlenkrolle / deflection pulley	(1)	ØA 64 B37
40 03 0025	Riemenspanner / belt tensioner	(1)	
40 92 3419	Zahnriemen / timing belt	(1)	Z 225 B30
40 92 7295	Rep. Satz Zahnriemen / rep. kit timing belt	(1)	
57 91 9487	Riemenspanner / belt tensioner		ØA 76 B27,5

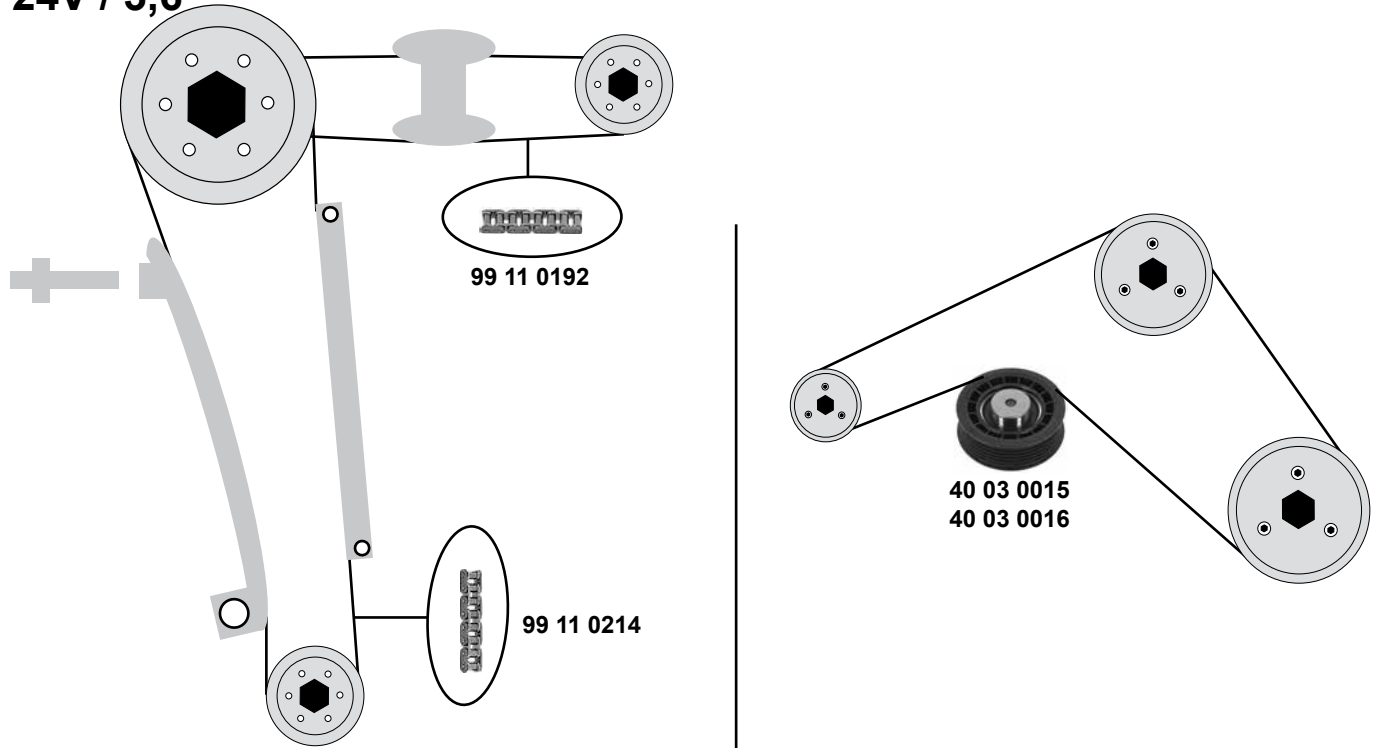
# VAUXHALL

## Senator

(87→93)



**3,0 24V / 3,6**

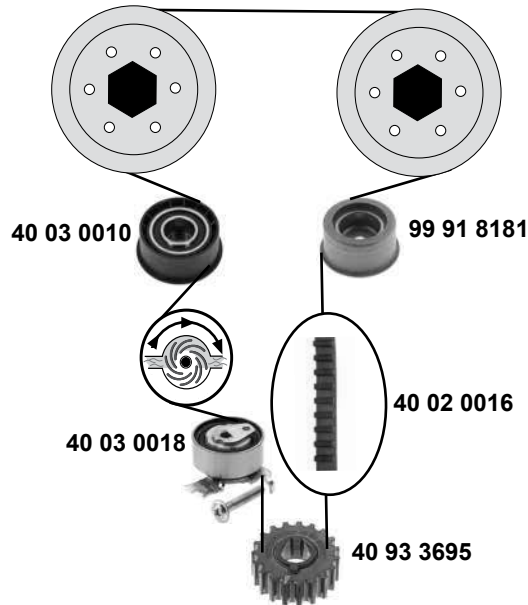


# Signum

(02→08)

## 1,8 16 V

(Z 1,8XE)



- (1) (mot.) 3,0NE / C 3,0 NE 01039675→ / (mot.) C 3,0 SE 01024730→  
 (2) (ch.) M 1000001→



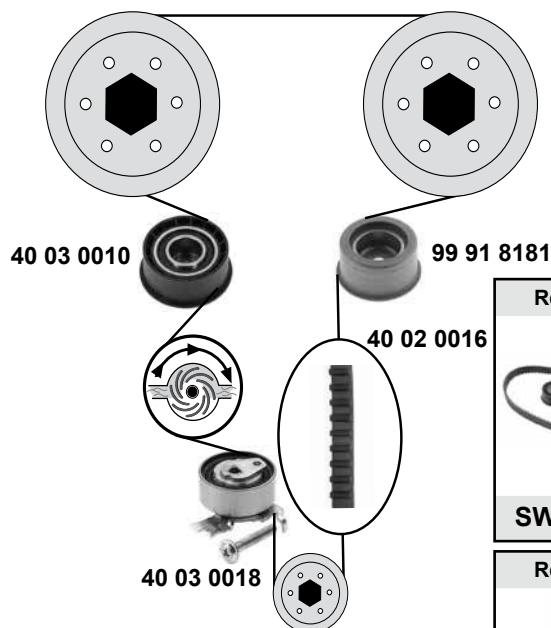
Ref. - No.



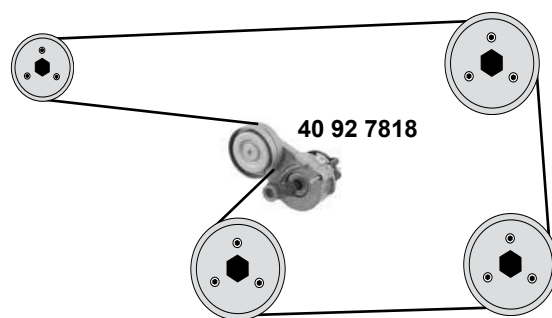
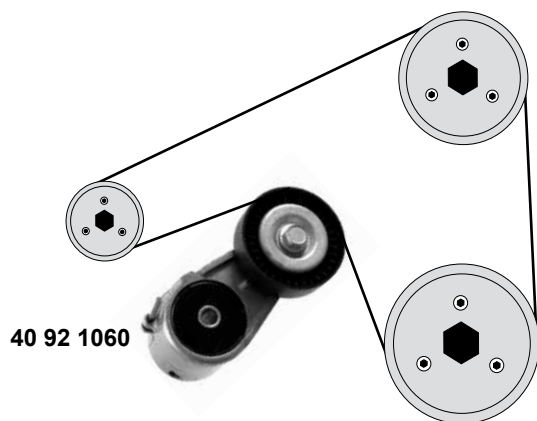
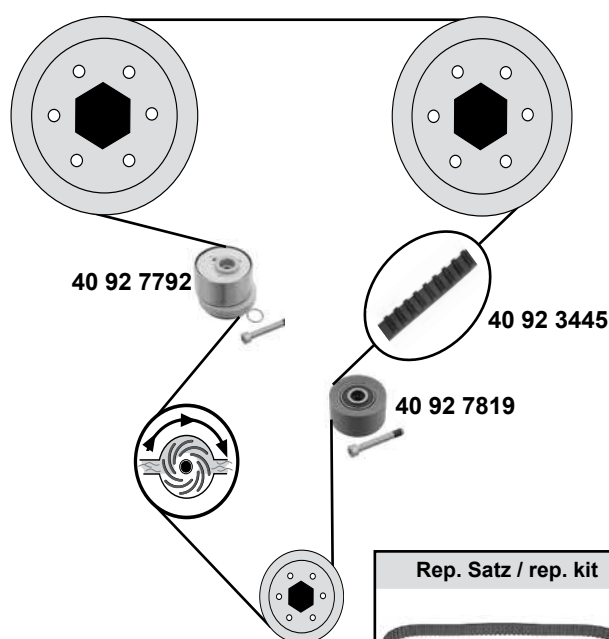
Ref. - No.	Description	Quantity	Notes
40 02 0016	Zahnriemen / timing belt		Z 162 B20
40 03 0010	Umlenkrolle / deflection pulley		ØA 62,5
40 03 0015	Umlenkrolle / deflection pulley	(2) AC	ØA 80 B25
40 03 0016	Umlenkrolle / deflection pulley	(1) AC	ØA 80 B26,4
40 03 0018	Spannrolle / tension roller		ØA 59 B22
40 91 9445	Rep. Satz Zahnriemen / rep. kit timing belt		
40 93 3695	Kurbelwellenzahnrad / crankshaft gear		Z 23
99 11 0192	Rollenkette einfach / roller chain simple		458 / 42 E
99 11 0214	Rollenkette einfach / roller chain simple		104 E
99 91 8181	Umlenkrolle / deflection pulley		ØA 52,5 B27



**1,8 16 V**  
(Z 1,8XER)



**1,8 16 V**  
(Z 1,8XER)

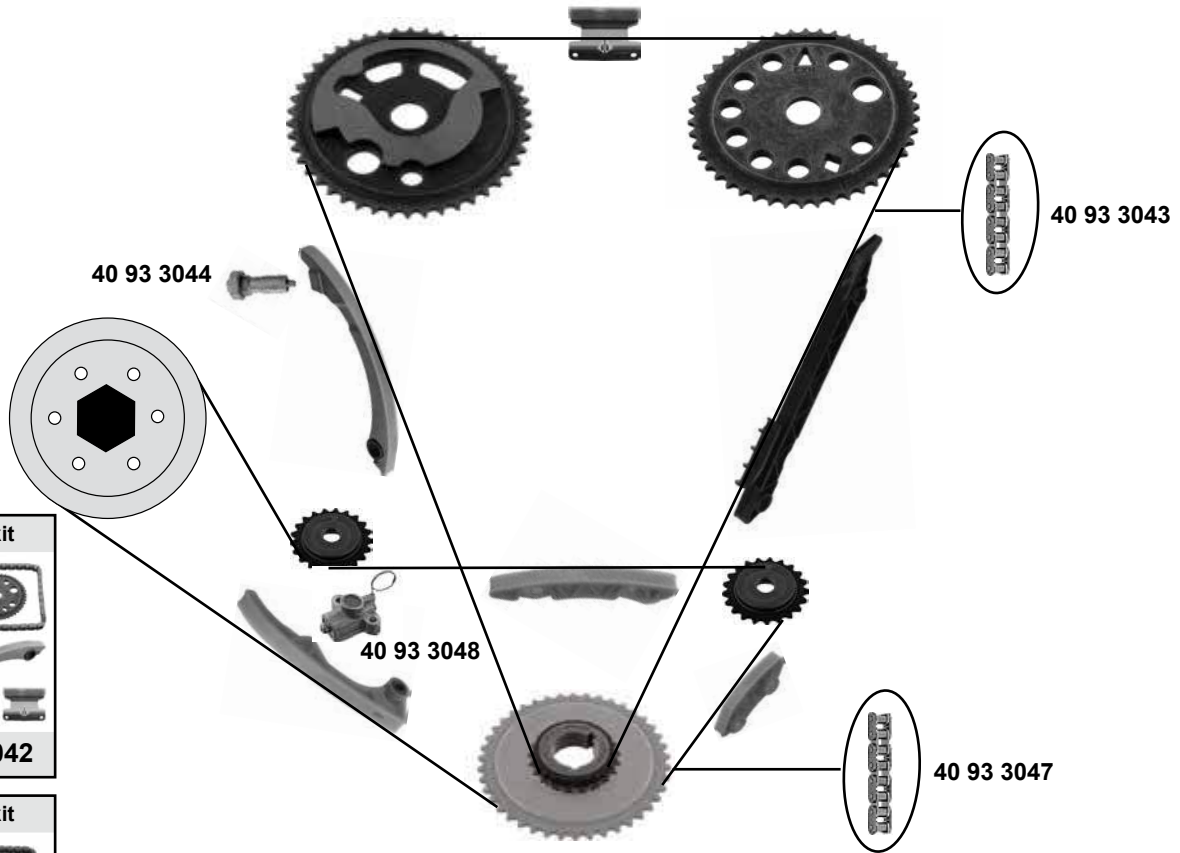


Ref. - No.

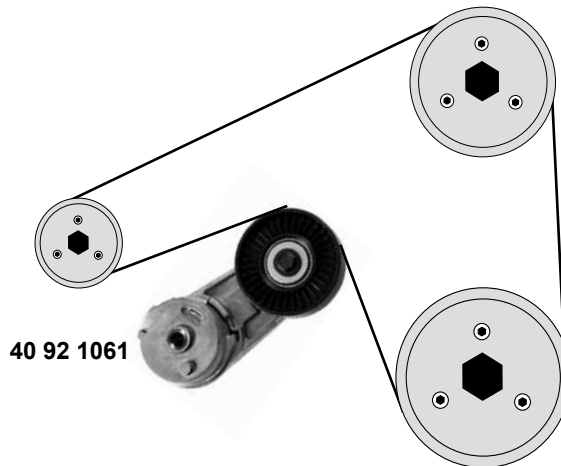


40 03 0010	55350580	Umlenkrolle / deflection pulley	ØA 62,5
40 02 0016	24451895	Zahnriemen / timing belt	Z 162 B20
40 03 0018	55567191	Spannrolle / tension roller	ØA 59 B22
40 91 9445	93185845	Rep. Satz Zahnriemen / rep. kit timing belt	
40 92 1060	90571758	Riemenspanner / belt tensioner	
40 92 1097	93174119	Rep. Satz Zahnriemen / rep. kit timing belt	
40 92 3445	24422964	Zahnriemen / timing belt	Z 146 B24
40 92 7792	55562218	Spannrolle / tension roller	ØA 66 B29
40 92 7818	55563512	Riemenspanner / belt tensioner	ØA 63
40 92 7819	24436052	Umlenkrolle / deflection pulley	ØA 61 B28
40 92 7825	93185849	Rep. Satz Zahnriemen / rep. kit timing belt	Z 146 B23,6
99 91 8181	55352713	Umlenkrolle / deflection pulley	ØA 52,5 B27

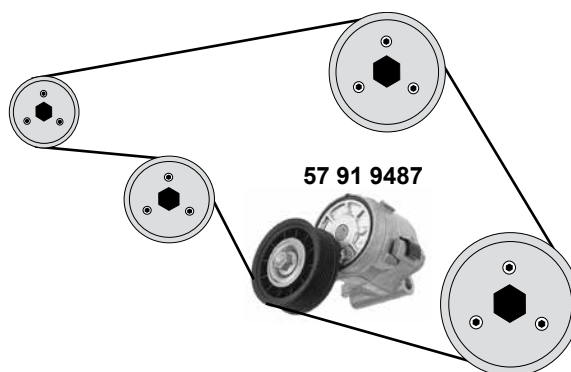
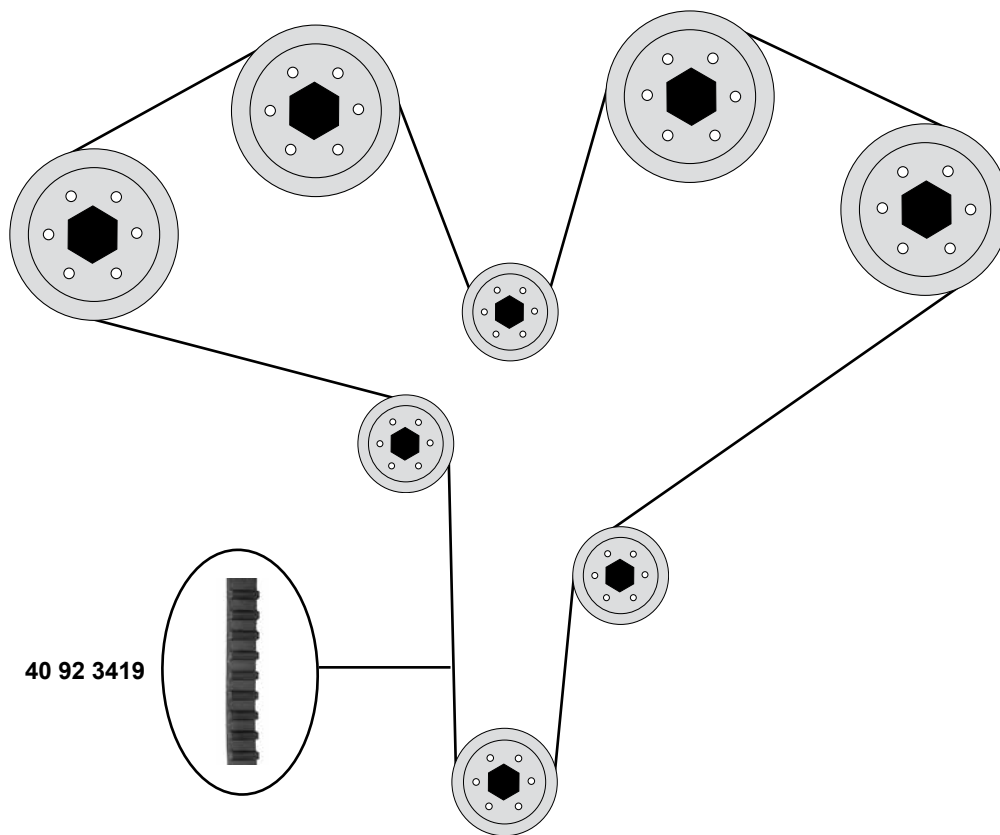
**2,0 / 2,2**



**2,2**  
(Z2,0NET, Z2,2SE, Z2,2YH)

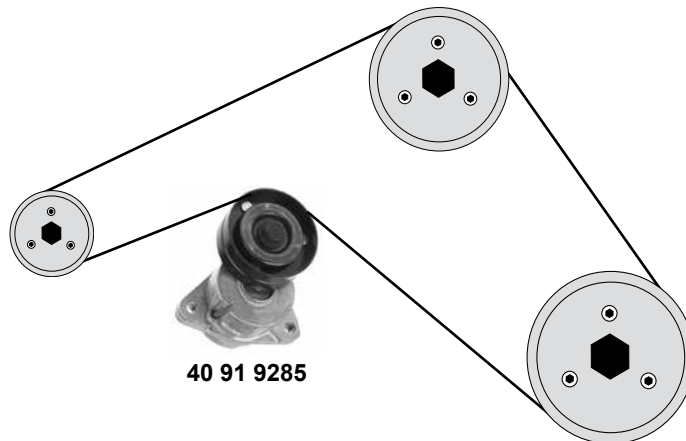
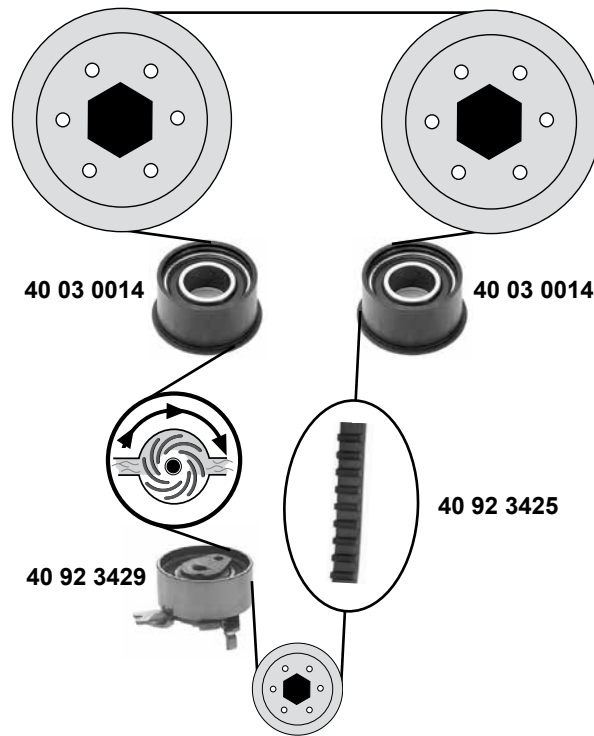


	Ref. - No.			
<b>40 92 1061</b>	24430296	Riemenspanner / belt tensioner		
<b>40 93 3043</b>	24461834	Steuerkette endlos / timing chain endless		148 E
<b>40 93 3044</b>	12608580	Kettenspanner / chain tensioner		
<b>40 93 3047</b>	12645237	Steuerkette endlos / timing chain endless		134 E
<b>40 93 3048</b>	90537300	Kettenspanner / chain tensioner		
<b>99 13 3042</b>	55569838	Rep. Satz Steuerkette / rep. kit timing chain	<b>(mot.) 2,2</b>	148 E
<b>99 13 3046</b>	55563405	Rep. Satz Steuerkette / rep. kit timing chain		134 E



### 2,2 16V

(X 2,2 XE)



Ref. - No.

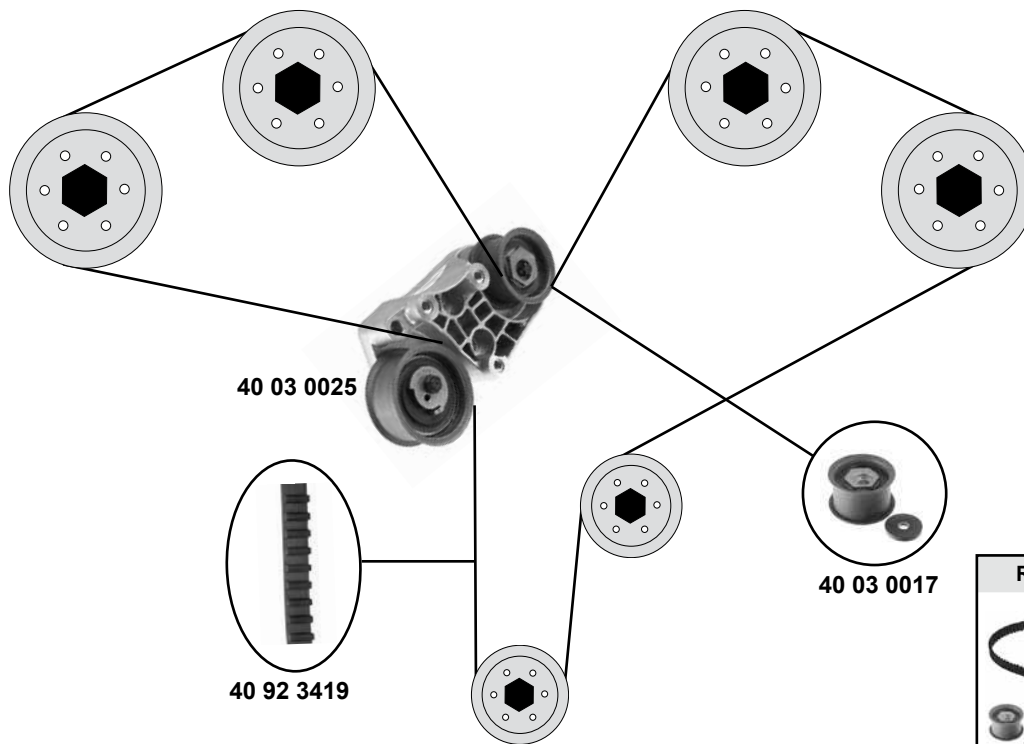


40 03 0014	9128738
40 91 9285	24412292
40 92 3425	9128722
40 92 3427	93174267
40 92 3429	90528603

Umlenkrolle / deflection pulley
Riemenspanner / belt tensioner
Zahnriemen / timing belt
Rep. Satz Zahnriemen / rep. kit timing belt
Spannrolle / tension roller

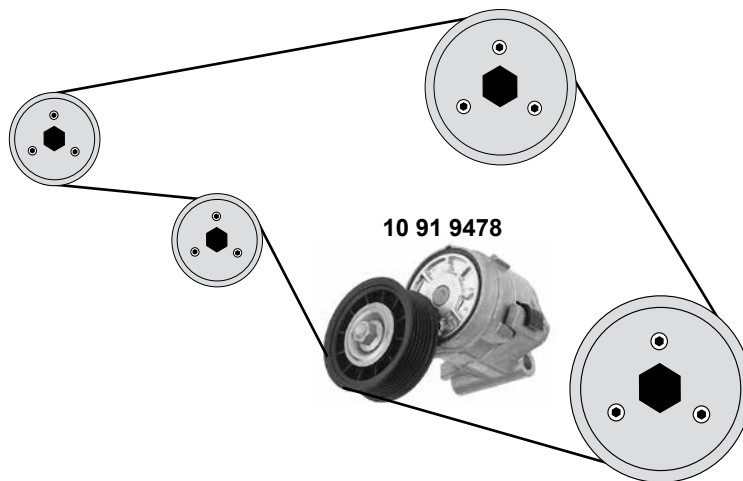
AC

ØA 58,5 B29,5
Z 171 B24
ØA 59 B22



Rep. Satz / rep. kit

**SWAG 40 92 7295**



(1) (mot.) 08292479→08299999



Ref. - No.



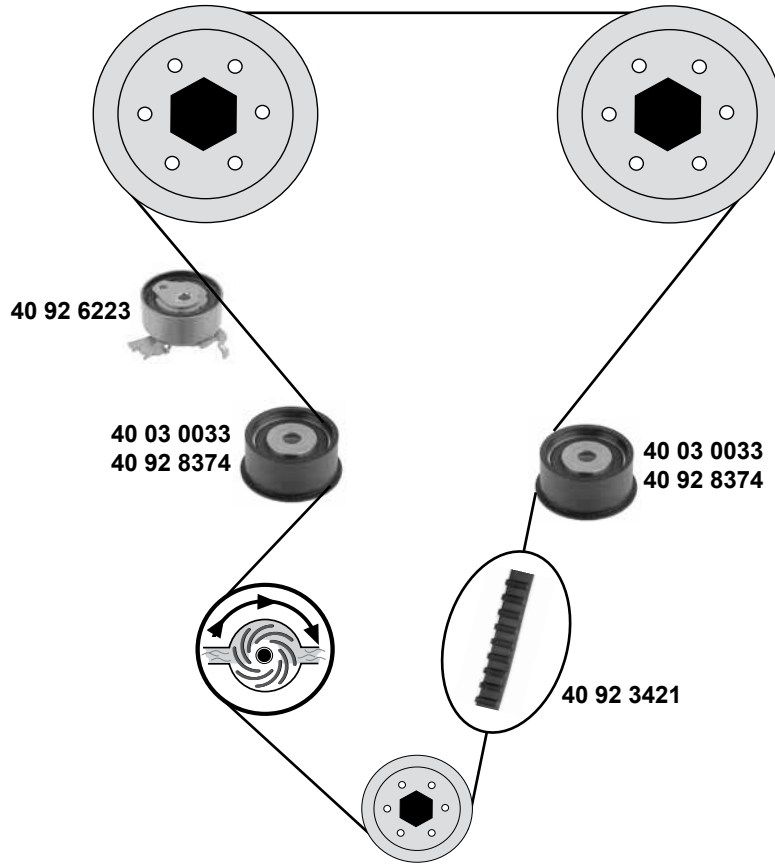
<b>10 91 9478</b>	09202550	Riemenspanner / belt tensioner		ØA 76 B27,5
<b>40 03 0025</b>	09128444	Riemenspanner / belt tensioner	(1)	
<b>40 03 0017</b>	90543739	Umlenkrolle / deflection pulley	(1)	ØA 64 B37
<b>40 92 3419</b>	09128500	Zahnriemen / timing belt	(1)	Z 225 B30
<b>40 92 7295</b>	09120501 SK	Rep. Satz Zahnriemen / rep. kit timing belt	(1)	Z 225 B30

# VAUXHALL Speedster

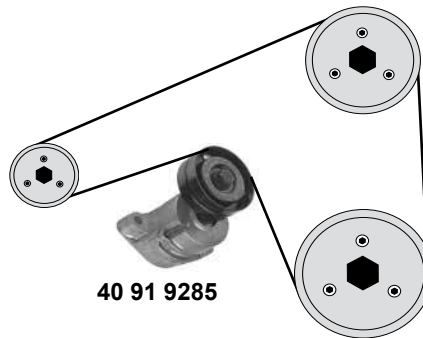
(01→04)



**2,0 16V**  
(Z 2,0 LET)

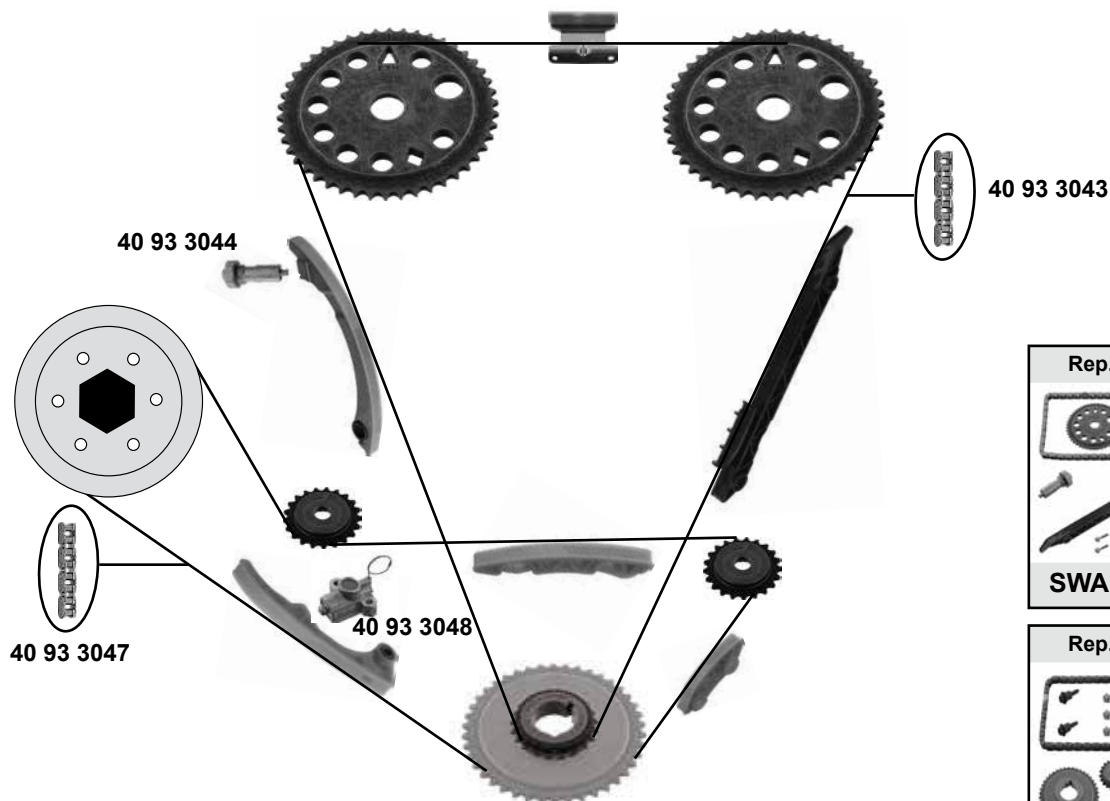


**2,0 16V**  
(Z 2,0 LET)

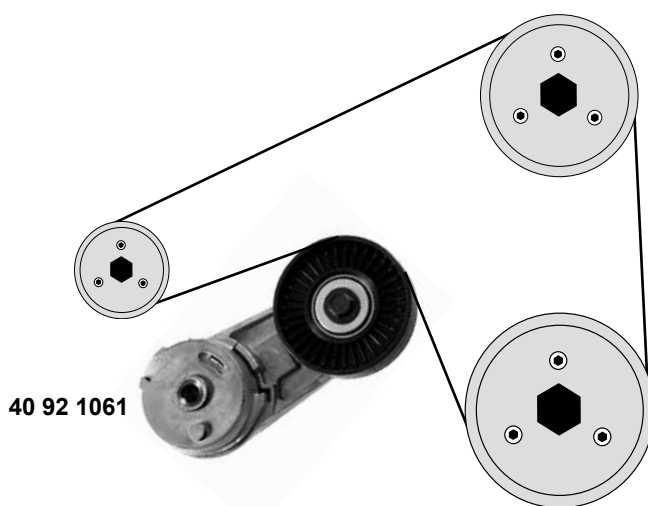


SWAG GERMANY	Ref. - No.			
40 03 0033	90529810	Umlenkrolle / deflection pulley	(mot.) → 3N 999 999	ØA 54 B29,3
40 91 9285	24412292	Riemenspanner / belt tensioner		
40 92 3421	55351782	Zahnriemen / timing belt		Z 168 B24
40 92 6223	55353810	Spannrolle / tension roller		ØA 59 B26
40 92 6224	93174265	Rep. Satz Zahnriemen / rep. kit timing belt	(mot.) → 3N 999 999	Z 168 B24
40 92 8374	55353701	Umlenkrolle / deflection pulley	(mot.) 4N 000 001→	ØA 54 B31,5
40 92 8375	93185844	Rep. Satz Zahnriemen / rep. kit timing belt	(mot.) 4N 000 001→	Z 168 B24

2,2



2,2



40 92 1061	24430296	Riemenspanner / belt tensioner	
40 93 3043	24461834	Steuerkette / timing chain	148 E
40 93 3044	12608580	Kettenspanner / chain tensioner	
40 93 3047	90537370	Steuerkette / timing chain	134 E
40 93 3048	90537300	Kettenspanner / chain tensioner	
99 13 3045	12577385	Rep. Satz Steuerkette / rep. kit timing chain	148 E
99 13 3046	55563405	Rep. Satz Steuerkette / rep. kit timing chain	134 E

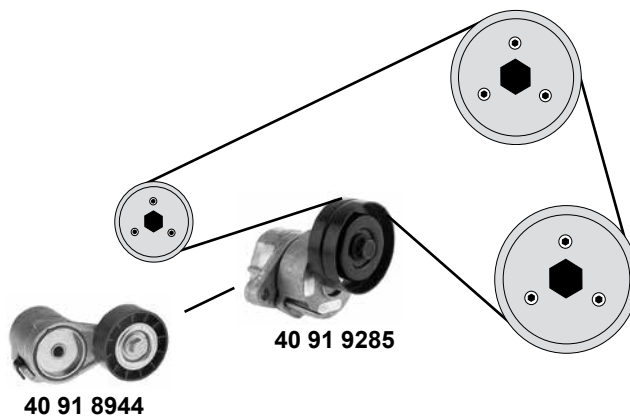
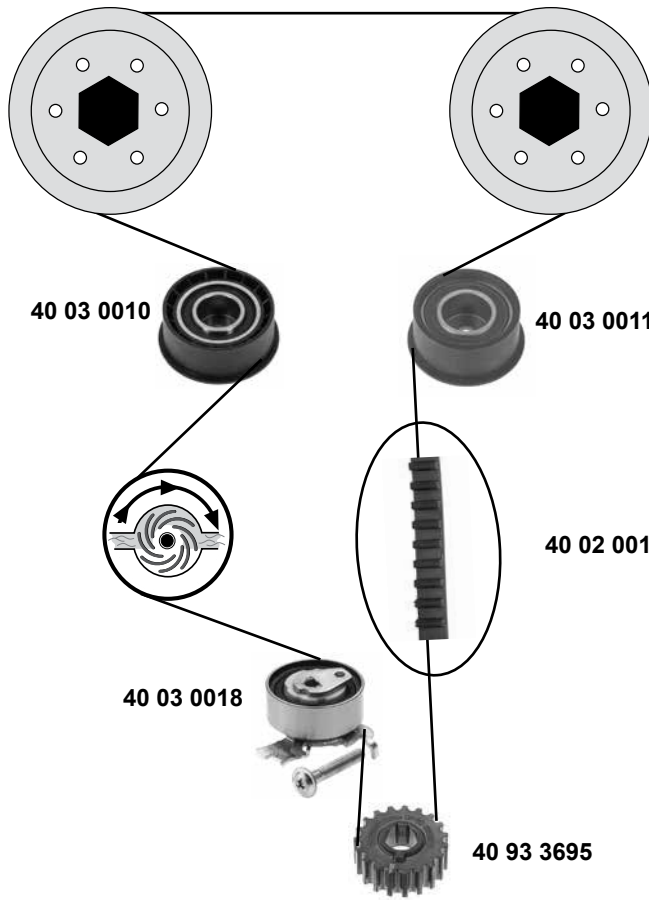


# VAUXHALL Tigra Mk I / A

(93→00)



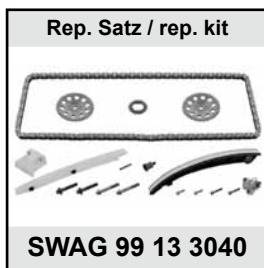
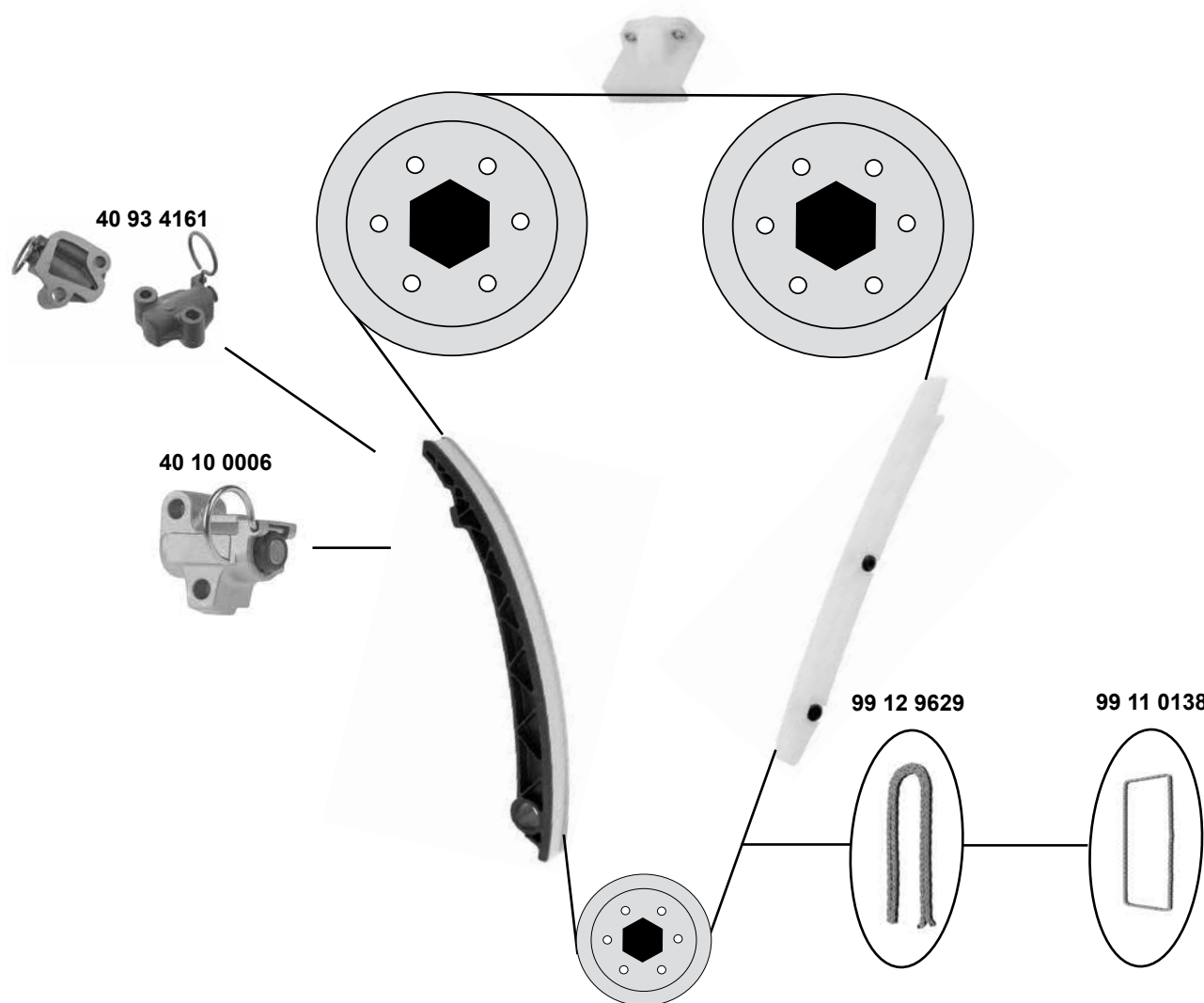
1,4 16V / 1,6 16V



SWAG	Ref. - No.			
<b>40 02 0014</b>	24451896	Zahnriemen / timing belt		Z 169 B20
<b>40 02 0025</b>	93180219	Rep. Satz Zahnriemen / rep. kit timing belt		
<b>40 03 0010</b>	55350580	Umlenkrolle / deflection pulley		ØA 62,5 ØI 23
<b>40 03 0011</b>	09128740	Umlenkrolle / deflection pulley		ØA 58,5 B25
<b>40 03 0018</b>	55567191	Spannrolle / tension roller		ØA 59 B22
<b>40 91 8944</b>	90412884	Riemenspanner / belt tensioner	man.  (ex.) AC	
<b>40 91 9285</b>	24412292	Riemenspanner / belt tensioner	servo  / AC	
<b>40 92 1098</b>	93174120	Rep. Satz Zahnriemen / rep. kit timing belt		
<b>40 93 3695</b>	09129207	Kurbelwellenzahnrad / crankshaft gear		Z 23



**1,4**  
(Z 1,4 XEP)



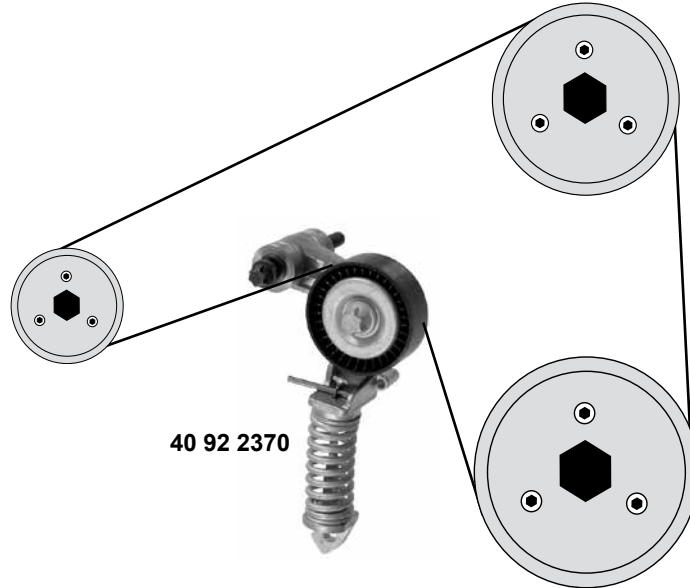
# VAUXHALL Tigra Mk II / B

(03→)



1,4

(Z 1,4 XEP)



40 92 2370

- (1) Steuerkette geschlossen / timing chain endless
- (2) Steuerkette offen / timing chain open
- (3) Steuerkette offen und mit Steuerkettenradsatz / timing chain open and with control chain wheel kit
- (4) Steuerkette geschlossen und mit Steuerkettenradsatz / timing chain endless and with control chain wheel kit
- (5) Steuerkette offen mit Dichtung / timing chain open with gasket
- (6) Steuerkette geschlossen mit Dichtung / timing chain endless with gasket
- (7) Steuerkette offen mit Dichtung und Steuerkettenradsatz / timing chain open with gasket and control chain wheel kit
- (8) Steuerkette geschlossen mit Dichtung und Steuerkettenradsatz / timing chain endless with gasket and control chain wheel kit
- (9) Spezialwerkzeug zur Montage notwendig / requires special tools for mounting
- (10) →(mot) 19TR2328
- (11) (mot) 19TR2329→

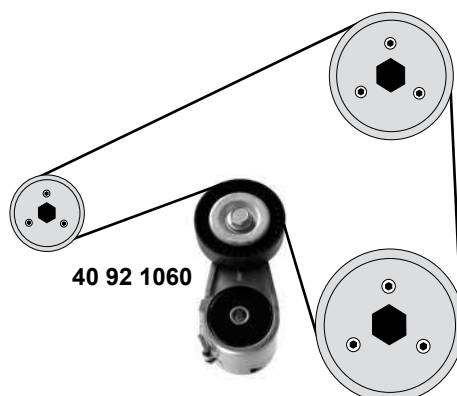
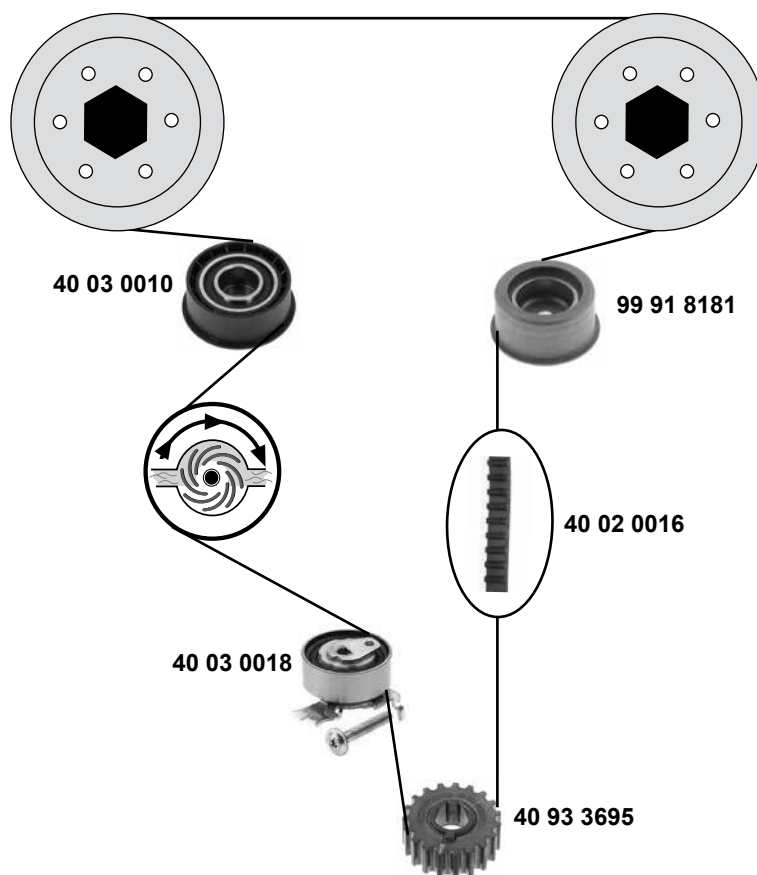


Ref. - No.



Ref. - No.	Description	Notes	Dimensions
40 10 0006	55352909 Kettenspanner / chain tensioner	(10)	
40 92 2370	55565236 Riemenspanner / belt tensioner	NEW	70x24
40 93 4161	55562235 Kettenspanner / chain tensioner	(11)	
99 11 0138	55562234 Rollenkette / roller chain	(1)	130 E
99 12 9629	55562234 S1 Steuerkette / timing chain	(2)	130 N
99 13 0372	93191271 SK1 Rep. Satz Steuerkette / rep. kit timing chain	(1) (10)	130 E
99 13 0373	93191271 SK2 Rep. Satz Steuerkette / rep. kit timing chain	(2) (9) (10)	130 N
99 13 3040	93191271 Rep. Satz Steuerkette / rep. kit timing chain	(4) (10)	130 E
99 13 3041	93191271 S1 Rep. Satz Steuerkette / rep. kit timing chain	(3) (10)	130 N
99 13 3080	93191271 SK3 Rep. Satz Steuerkette / rep. kit timing chain	(6) (10)	130 E
99 13 3041	93191271 SK4 Rep. Satz Steuerkette / rep. kit timing chain	(5) (9) (10)	130 N
99 13 3082	93191271 S2 Rep. Satz Steuerkette / rep. kit timing chain	(8) (10)	130 E
99 13 3083	93191271 S3 Rep. Satz Steuerkette / rep. kit timing chain	(7) (9) (10)	130 N
99 13 4162	55562234 S2 Rep. Satz Steuerkette / rep. kit timing chain	(1) (11)	130 E
99 13 4163	55562234 S3 Rep. Satz Steuerkette / rep. kit timing chain	(2) (9) (11)	130 N

**1,8 16V**  
(Z1,8XE)



	Ref. - No.			
<b>40 02 0016</b>	24451895	Zahnriemen / timing belt		Z 162 B20
<b>40 03 0010</b>	55350580	Umlenkrolle / deflection pulley		ØA 62,5 Ø1 23
<b>40 03 0018</b>	55567191	Spannrolle / tension roller		ØA 59 B22
<b>40 91 9445</b>	93185845	Rep. Satz Zahnriemen / rep. kit timing belt		
<b>40 92 1060</b>	90571758	Riemenspanner / belt tensioner		
<b>40 92 1097</b>	93174119	Rep. Satz Zahnriemen / rep. kit timing belt		
<b>40 93 3695</b>	09129207	Kurbelwellenzahnrad / crankshaft gear		Z 23
<b>99 91 8181</b>	55352713	Umlenkrolle / deflection pulley		ØA 52,5 B27

# VAUXHALL Vectra Mk I / B

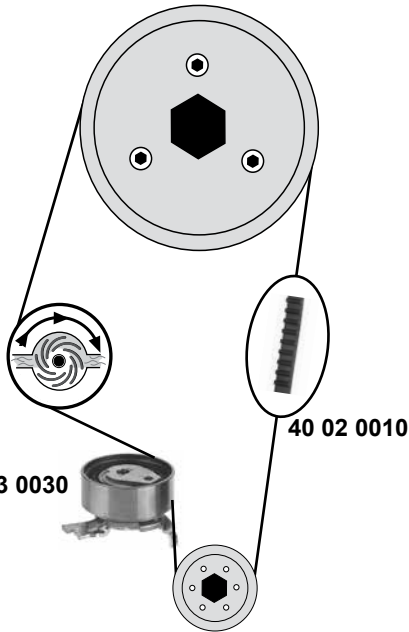
(96→02)



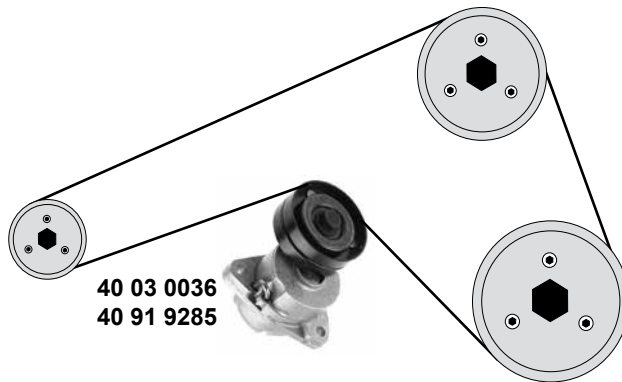
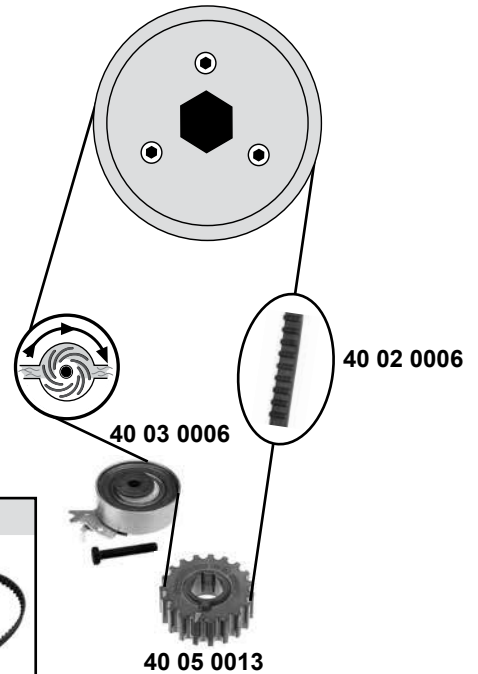
**1,6**

(LZ2 / X 1,6 SZR)

nur / only: LZ2



nur / only: X 1,6 SZR



(1) (ex.) X 1,6 SZR

(2) X 1,6 SZR: (ex.) AC



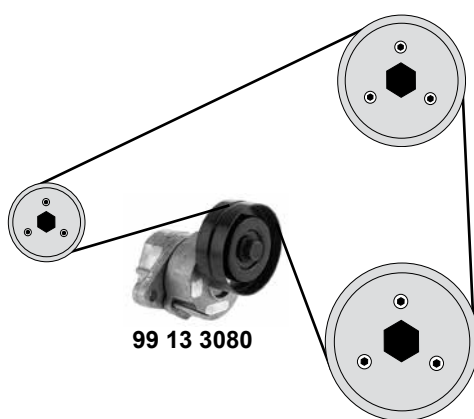
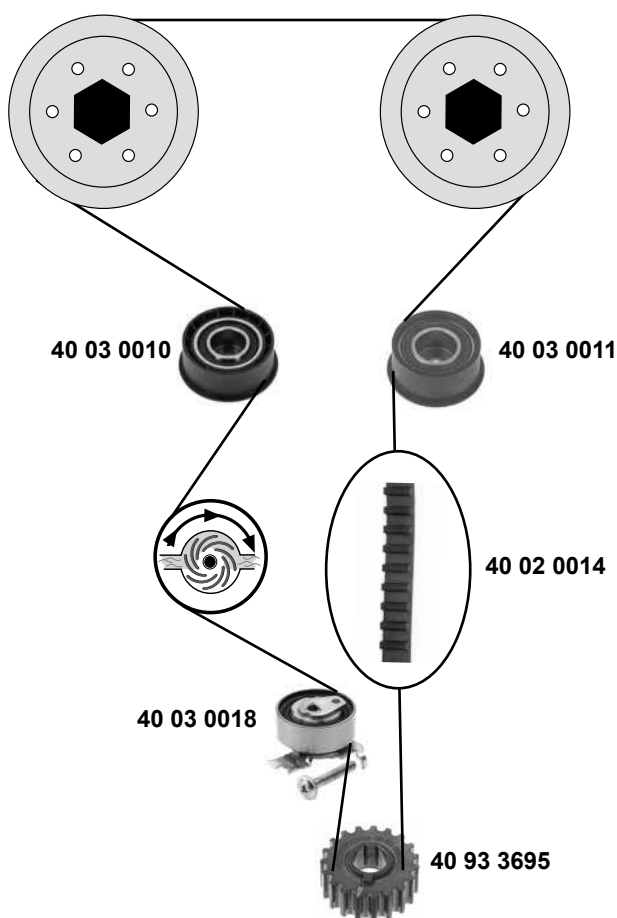
Ref. - No.



40 02 0006	90531677	Zahnriemen / timing belt		Z 111 B17
40 02 0010	09128725	Zahnriemen / timing belt		Z 146 B20
40 02 0027	09128725 S1	Rep.Satz Zahnriemen / rep. kit timing belt		
40 02 0030	93188126	Rep.Satz Zahnriemen / rep. kit timing belt		
40 03 0006	09202478	Spannrolle / tension roller		ØA 59 B19
40 03 0030	09158003	Spannrolle / tension roller		ØA 59 B22
40 03 0036	90411025	Riemenspanner / belt tensioner	(2)	ØA 70 B26
40 05 0013	90502545	Kurbelwellenzahnrad / crankshaft gear		ØA 5Ø1 20Z19
40 91 9285	24412292	Riemenspanner / belt tensioner	(1)	

### 1,6 16V / 1,8 16V

(X 1,6 XEL / X1,8XE1 / Y 1,6 XE / Z 1,6 ZE / Z1,8XE / Z1,8XEL)



SWAG	Ref. - No.			
40 02 0014	24451896	Zahnriemen / timing belt		Z 169 B20
40 02 0025	93180219	Rep. Satz Zahnriemen / rep. kit timing belt		
40 03 0010	55350580	Umlenkrolle / deflection pulley		ØA 62,5 Ø1 23
40 03 0011	09128740	Umlenkrolle / deflection pulley		ØA 58,5 B25
40 03 0018	55567191	Spannrolle / tension roller		ØA 59 B22
40 92 1098	93174120	Rep. Satz Zahnriemen / rep. kit timing belt		
40 93 3695	09129207	Kurbelwellenzahnrad / crankshaft gear		Z 23
99 13 3080	24412292	Riemenspanner / belt tensioner		

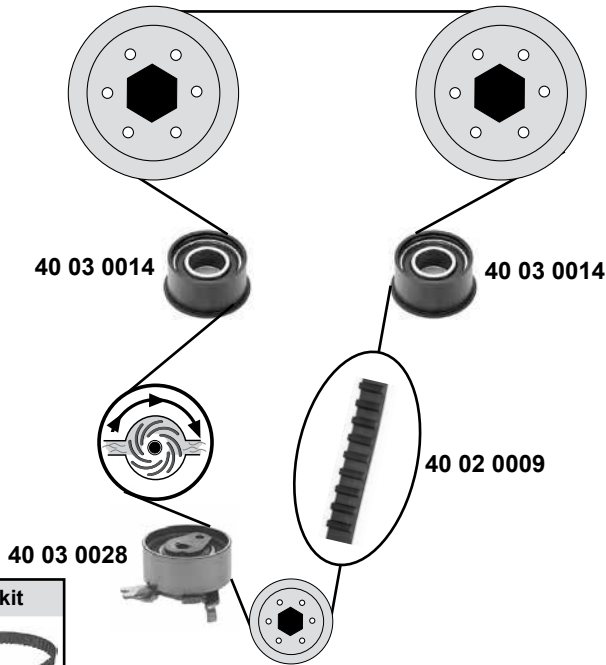
# VAUXHALL Vectra Mk I

(96→02)



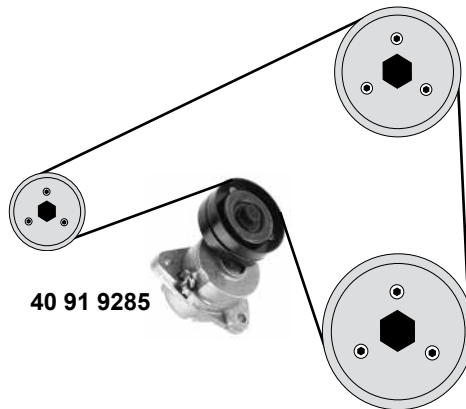
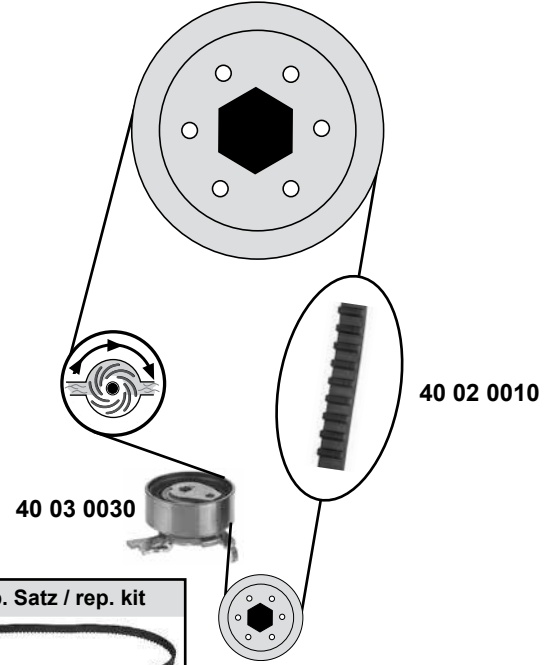
## 1,8 16V / 2,0 16V

(X 1,8 XE / C 2,0 SEL / X 2,0 XEV)



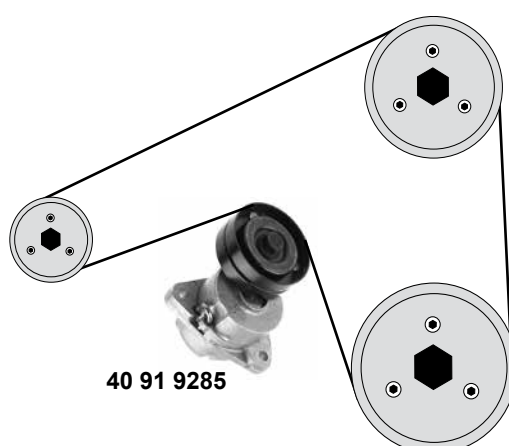
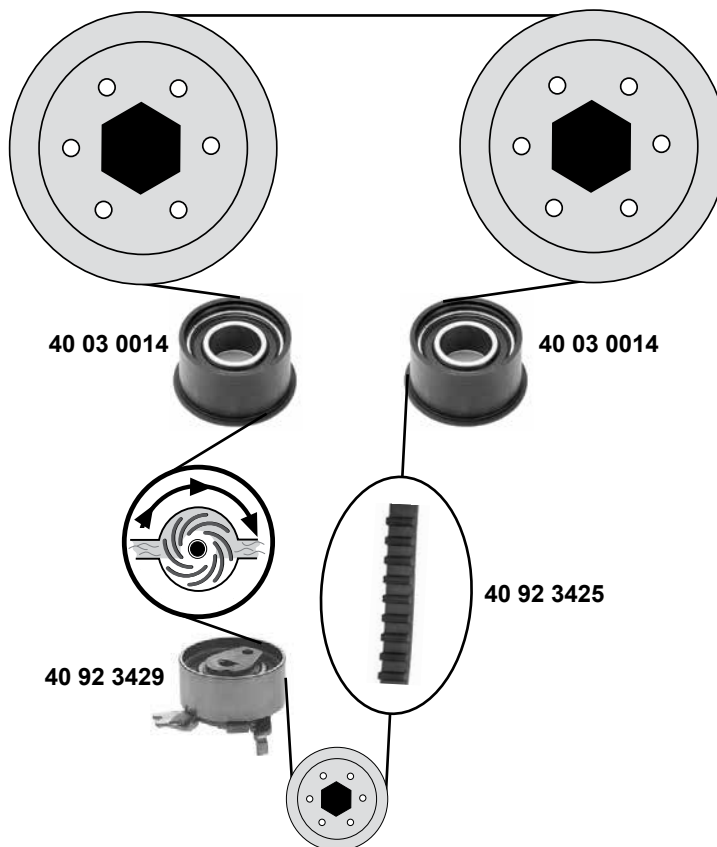
## 2,0

(C 2,0 NFJ)



40 91 9285

SWAG	Ref. - No.			
40 02 0009	90531682	Zahnriemen / timing belt		Z 169 B24
40 02 0010	09128725	Zahnriemen / timing belt		Z 146 B20
40 02 0027	09128725 S1	Rep.Satz Zahnriemen / rep. kit timing belt		
40 02 0028	93174260	Rep. Satz Zahnriemen / rep. kit timing belt		
40 03 0014	9128738	Umlenkrolle / deflection pulley		ØA 58,5 B29,5
40 03 0028	09158004	Spannrolle / tension roller		ØA 59 B26
40 03 0030	09158003	Spannrolle / tension roller		ØA 59 B22
40 91 9285	24412292	Riemenspanner / belt tensioner		



Ref. - No.



40 03 0014	9128738	Umlenkrolle / deflection pulley	ØA 58,5 B29,5
40 91 9285	24412292	Riemenspanner / belt tensioner	
40 92 3425	9128722	Zahnriemen / timing belt	Z 171 B24
40 92 3427	93174267	Rep. Satz Zahnriemen / rep. kit timing belt	
40 92 3429	90528603	Spannrolle / tension roller	ØA 59 B22



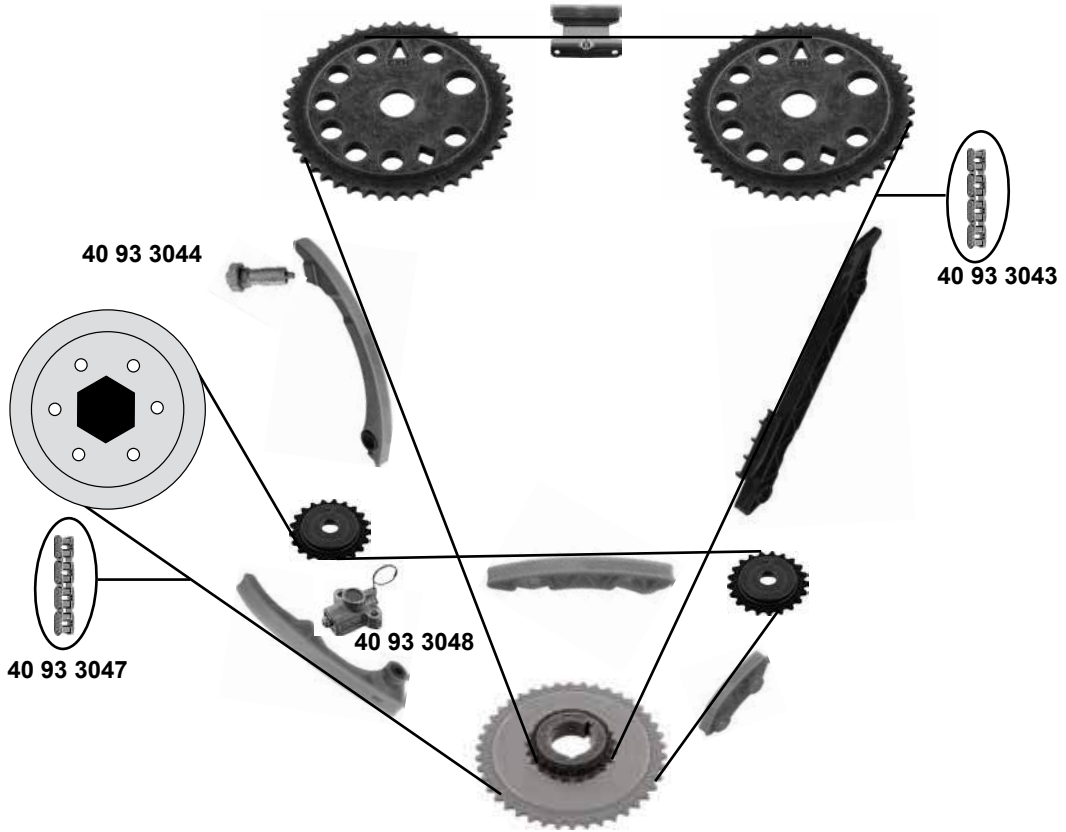
# VAUXHALL Vectra Mk I / B

(96→02)



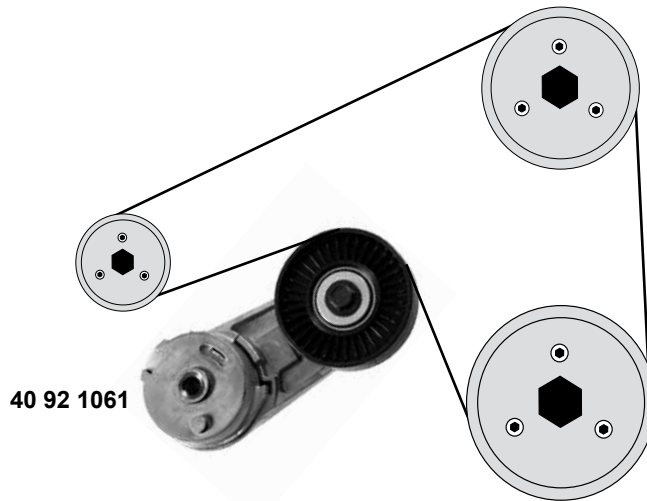
**2,2**

(Z 2,2 SE)



**2,2**

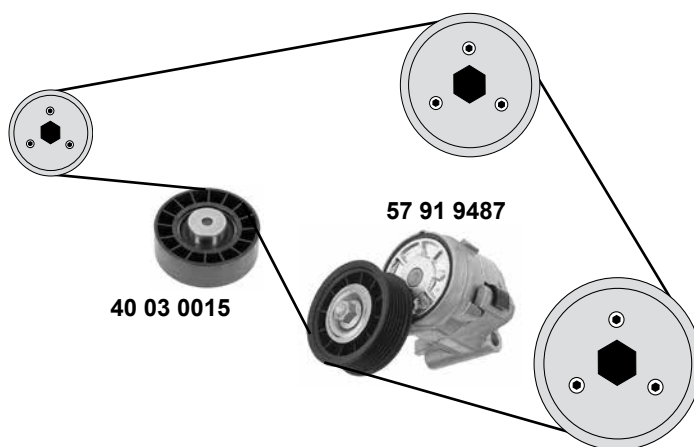
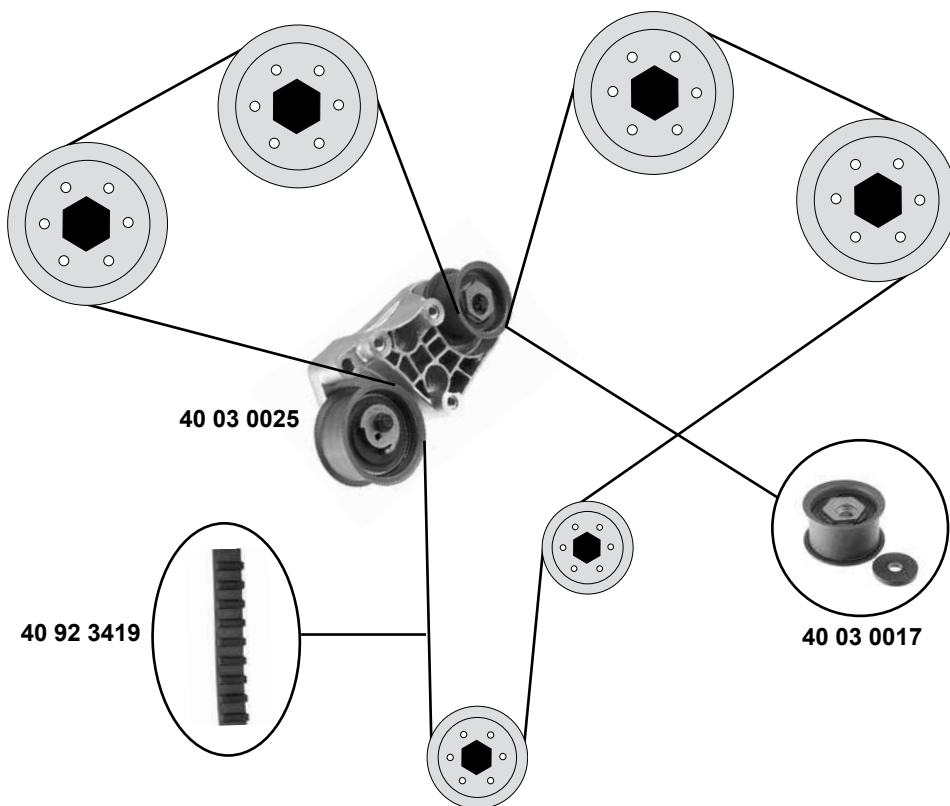
(Z 2,2 SE)



SWAG GERMANY	Ref. - No.			
40 92 1061	24430296	Riemenspanner / belt tensioner		
40 93 3043	24461834	Steuerkette / timing chain		148 E
40 93 3044	12608580	Kettenspanner / chain tensioner		
40 93 3047	90537370	Steuerkette / timing chain		134 E
40 93 3048	90537300	Kettenspanner / chain tensioner		
99 13 3045	12577385	Rep. Satz Steuerkette / rep. kit timing chain		148 E
99 13 3046	55563405	Rep. Satz Steuerkette / rep. kit timing chain		134 E



**2,5 V6**  
(X 25 XE / Y 26 SE)



(1) (ch.)→W 1238518,→W 5276825,→W 7154528



Ref. - No.



Ref. - No.	Description	AC	Dimensions
40 03 0015	Umlenkrolle / deflection pulley		ØA 80 B25
40 03 0017	Umlenkrolle / deflection pulley		ØA 64 B37
40 03 0025	Riemenspanner / belt tensioner	(1)	
40 92 3419	Zahnriemen / timing belt		Z 225 B30
40 92 7295	Rep.Satz Zahnriemen / rep. kit timing belt	(1)	
57 91 9487	Riemenspanner / belt tensioner		ØA 76 B27,5

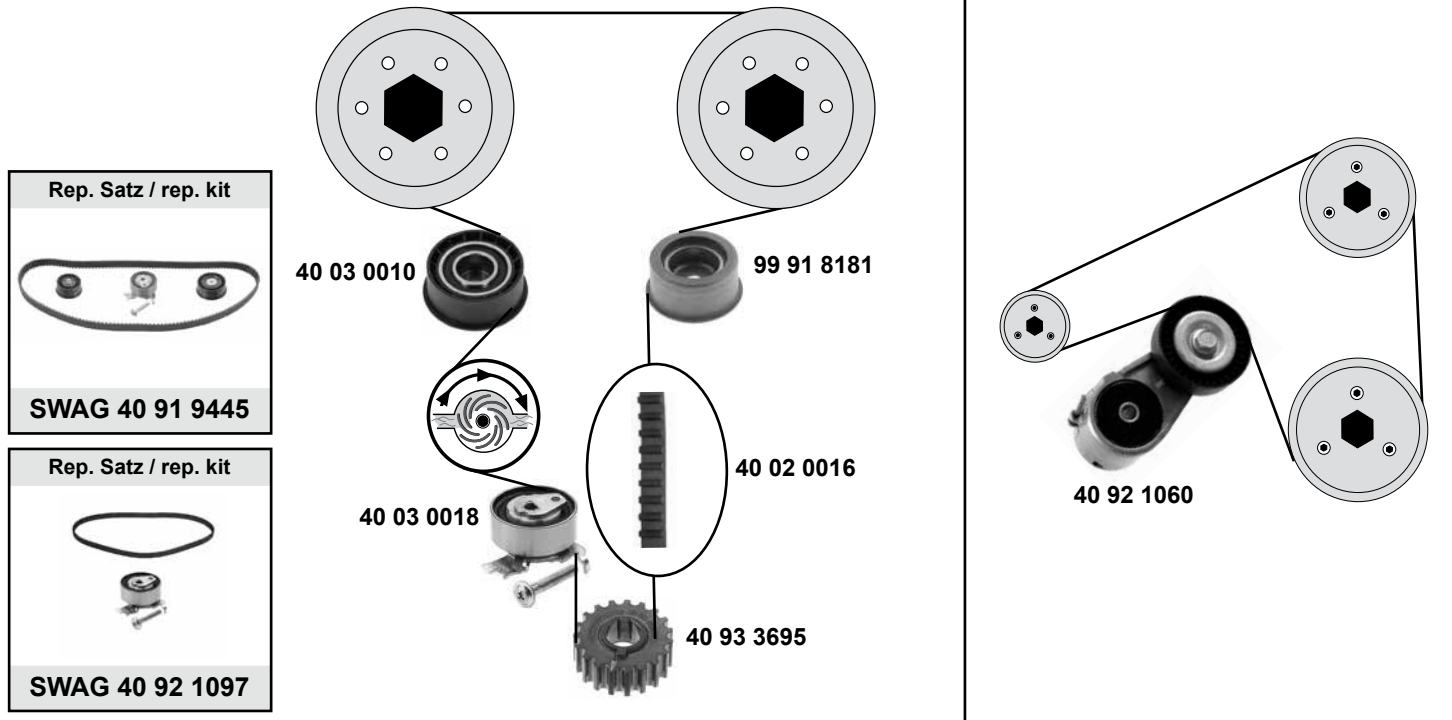
# VAUXHALL Vectra Mk II / C

(02→08)



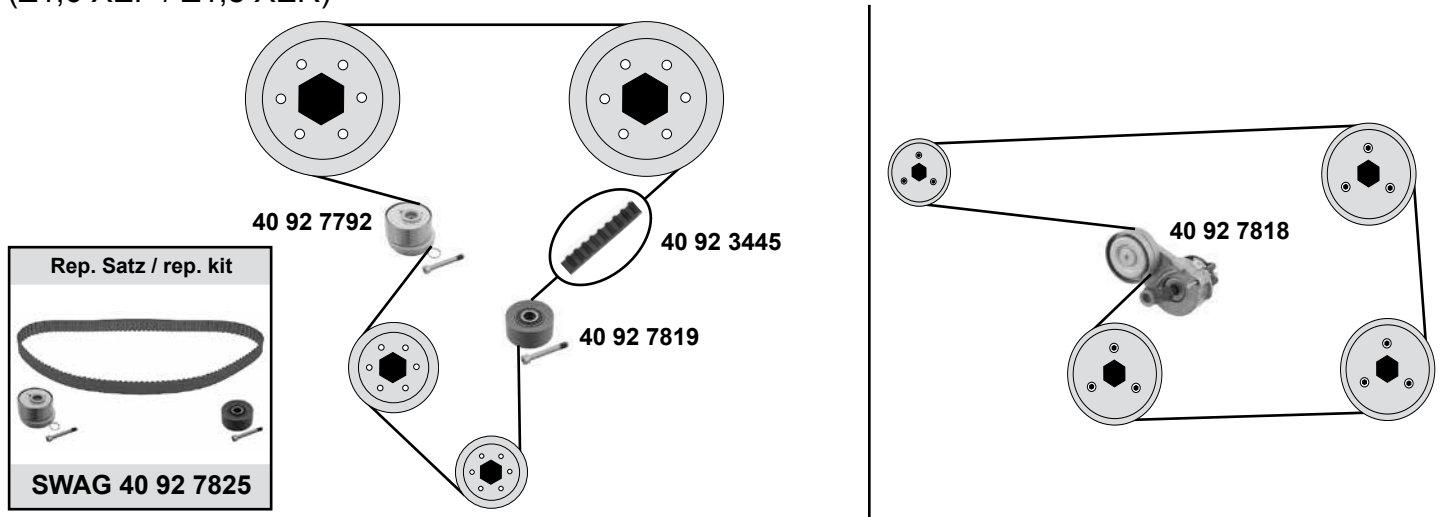
## 1,6 16 V / 1,8 16 V

(Z 1,6 XE / Z 1,8XE / Z 1,8 XEL)



## 1,6 16 V / 1,8 16V

(Z1,6 XEP / Z1,8 XER)



Ref. - No.

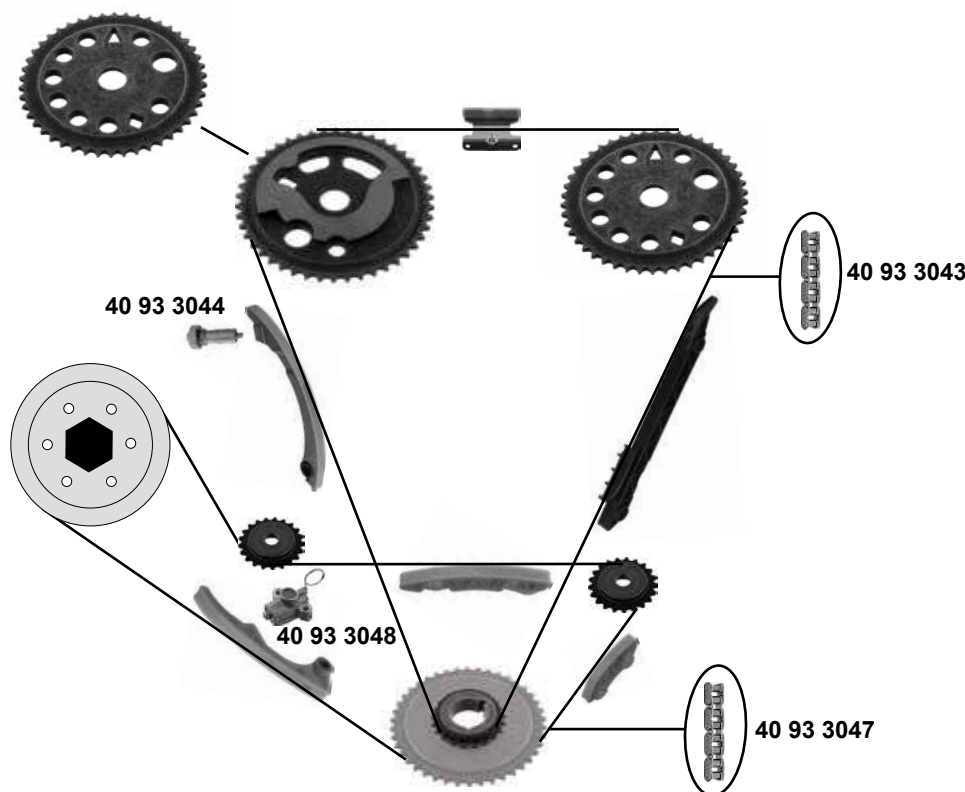


40 02 0016	24451895	Zahnriemen / timing belt	Z 162 B20
40 03 0010	55350580	Umlenkrolle / deflection pulley	ØA 62,5
40 03 0018	55567191	Spannrolle / tension roller	ØA 59 B22
40 91 9445	93185845	Rep. Satz Zahnriemen / rep. kit timing belt	
40 92 1060	90571758	Riemenspanner / belt tensioner	
40 92 1097	93174119	Rep. Satz Zahnriemen / rep. kit timing belt	
40 92 3445	24422964	Zahnriemen / timing belt	Z 146 B24
40 92 7792	55562218	Spannrolle / tension roller	ØA 66 B29
40 92 7818	55563512	Riemenspanner / belt tensioner	ØA 63
40 92 7819	24436052	Umlenkrolle / deflection pulley	ØA 61 B28
40 92 7825	93185849	Rep. Satz Zahnriemen / rep. kit timing belt	Z 146 B24
40 93 3695	09129207	Kurbelwellenzahnrad / crankshaft gear	Z 23
99 91 8181	55352713	Umlenkrolle / deflection pulley	ØA 52,5 B27

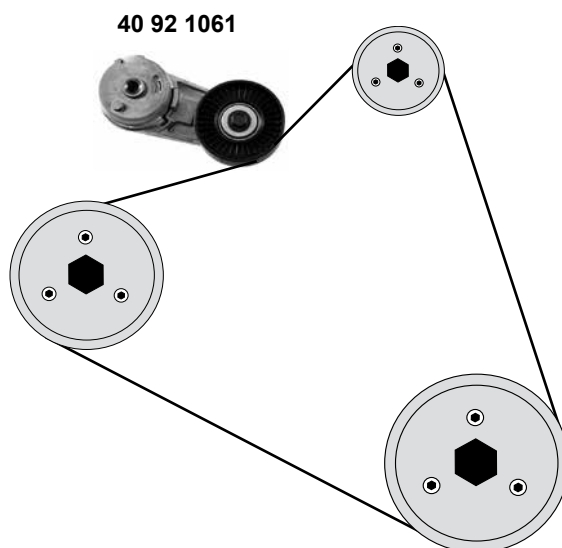


# VAUXHALL Vectra Mk II / C (02→08)

## Z 2,2 YH / Z 2,2 SE

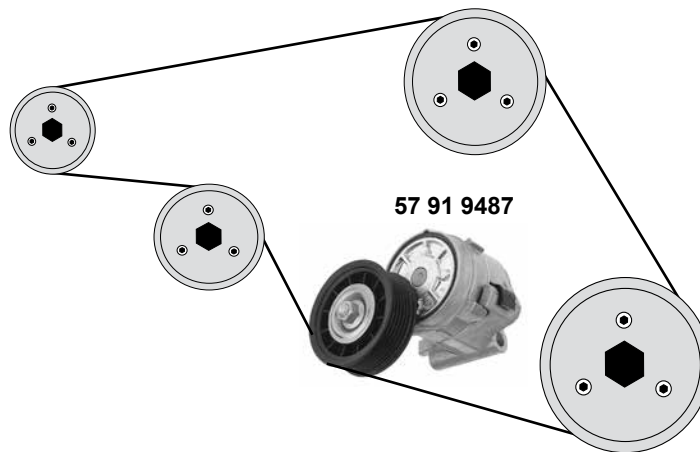
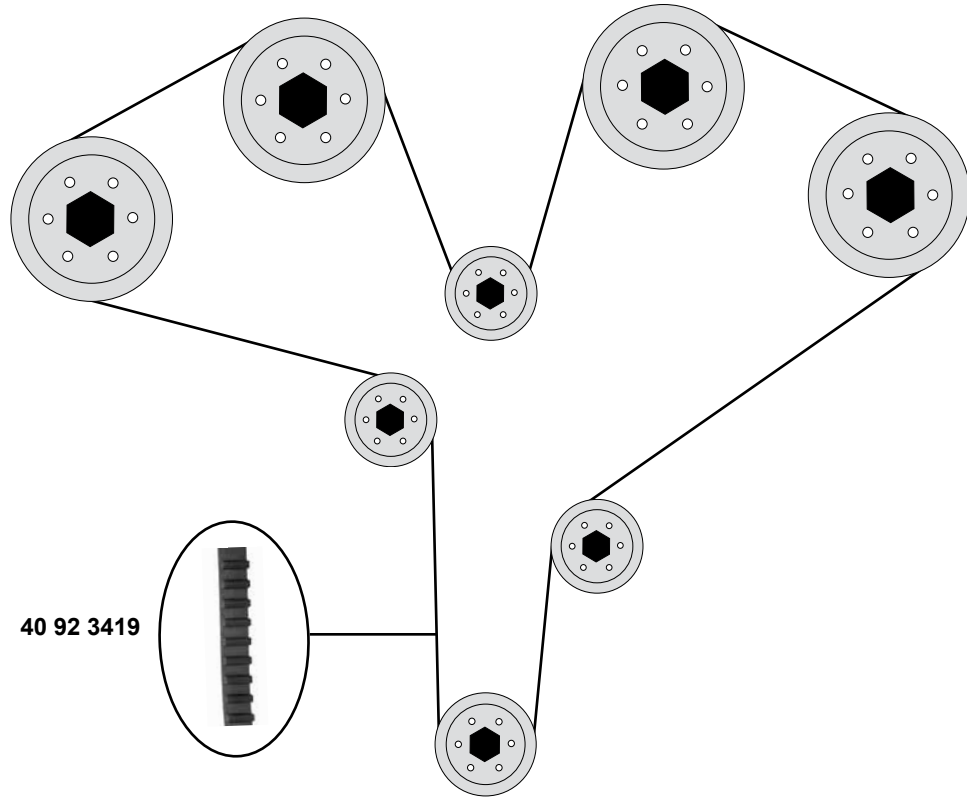


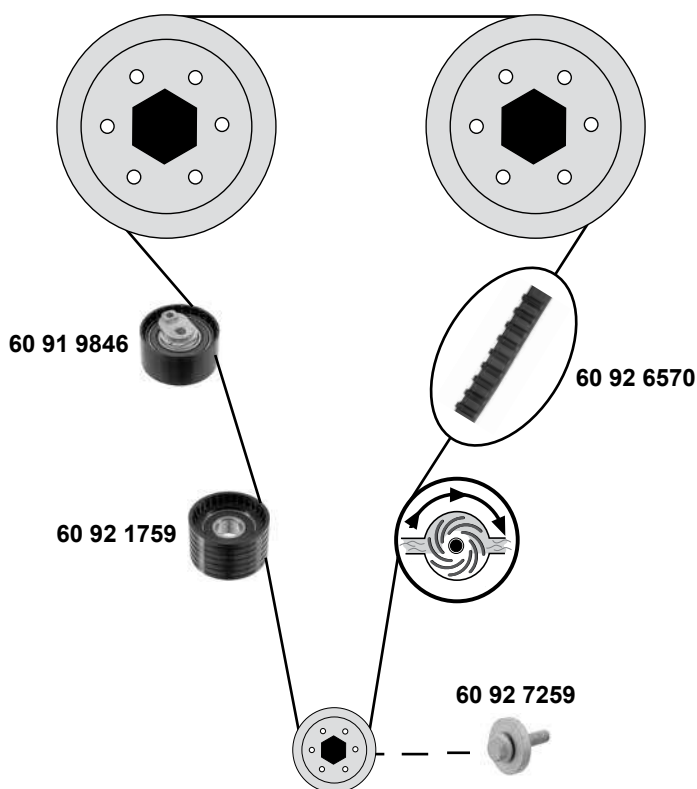
**2,2**  
(Z 2,2 YH)



SWAG	Ref. - No.			
40 92 1061	24430296	Riemenspanner / belt tensioner		
40 93 3043	24461834	Steuerkette endlos / timing chain endless		148 E
40 93 3044	12608580	Kettenspanner / chain tensioner		
40 93 3047	12645237	Steuerkette endlos / timing chain endless		134 E
40 93 3048	90537300	Kettenspanner / chain tensioner		
99 13 3042	55569838	Rep. Satz Steuerkette / rep. kit timing chain	(mot.) Z 2,2 YH	148 E
99 13 3045	55570337	Rep. Satz Steuerkette / rep. kit timing chain	(mot.) Z 2,2 SE	148 E
99 13 3046	55563405	Rep. Satz Steuerkette / rep. kit timing chain		134 E

**3,2 V6**

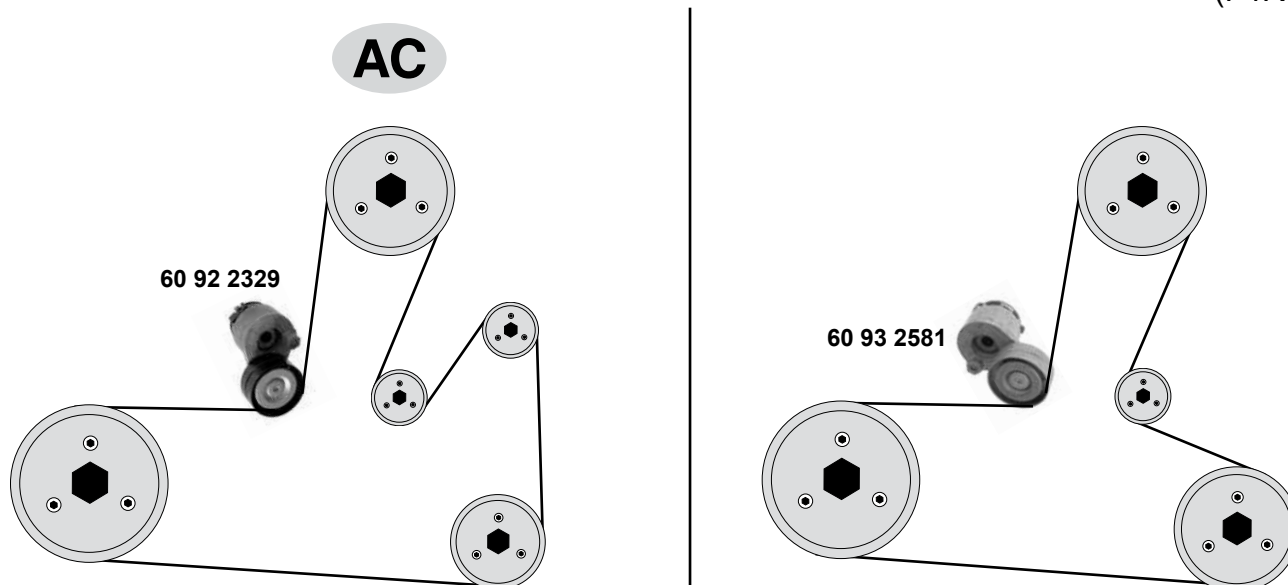


**2,0 16 V**  
 (20P F4R-720 / -820)


Rep. Satz / rep. kit



SWAG 60 92 6567

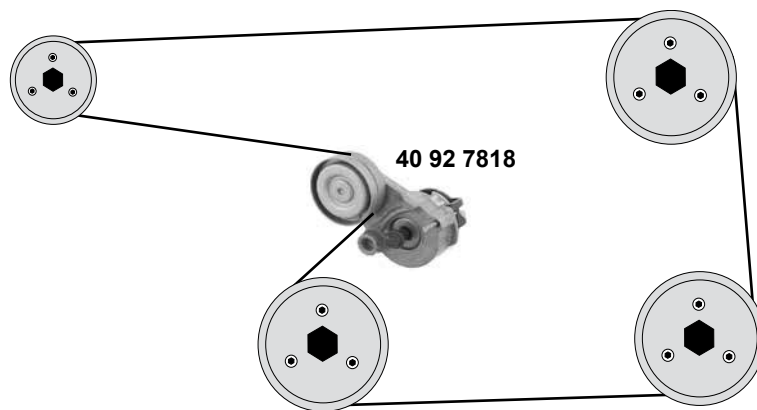
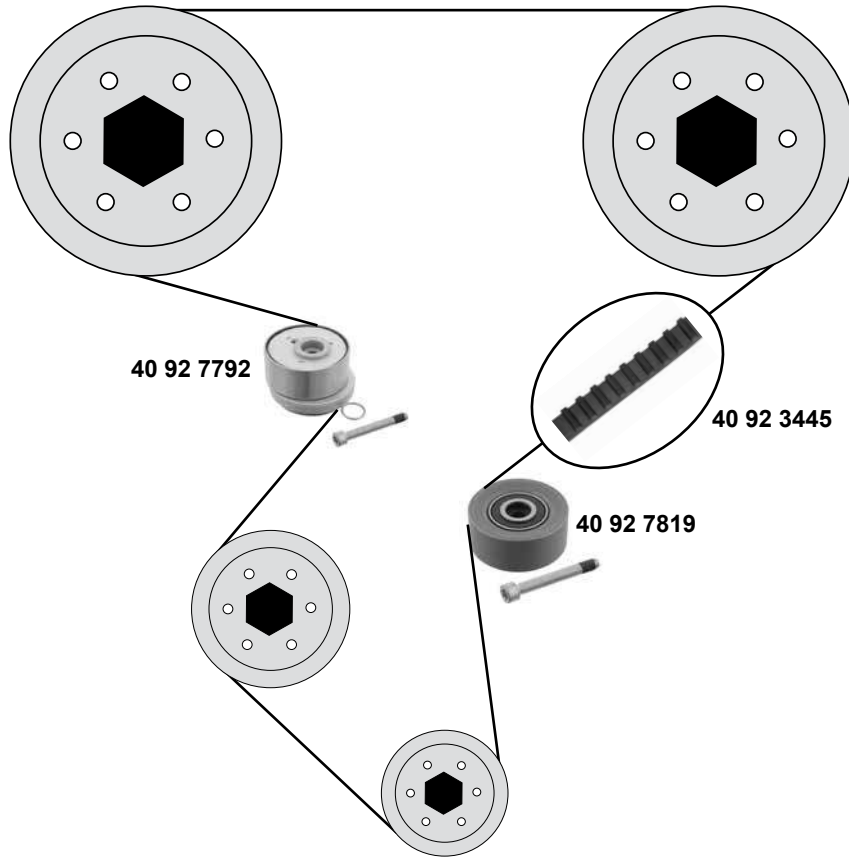
**2,0 16V / EOTEC**  
 (F4R-720,820)


<b>60 91 9846</b>	93160130
<b>60 92 1759</b>	93160244
<b>60 92 2329</b>	93160746
<b>60 92 6567</b>	93161481
<b>60 92 6570</b>	93188702
<b>60 92 7259</b>	93161363
<b>60 93 2581</b>	09109567

Spannrolle / tension roller
Umlenkrolle / deflection pulley
Riemenspanner / belt tensioner
Rep. Satz Zahnriemen / rep. kit timing belt
Zahnriemen / timing belt
Kurbelwellenschraube / crankshafts screw
Riemenspanner / belt tensioner

ØA 66 B32
ØA 54 B32
ØA 65 B30
Z 126 B27
Z 126 B27
M 12 x 1,25
ØA 65

**1,6 16V**  
(Z1,6XEP)



Ref. - No.



40 92 3445	24422964
40 92 7792	55562218
40 92 7818	55563512
40 92 7819	24436052
40 92 7825	93185849

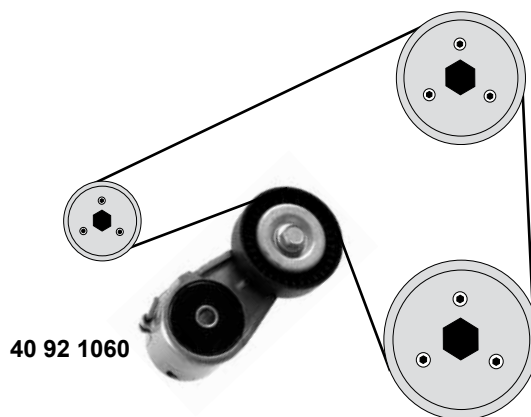
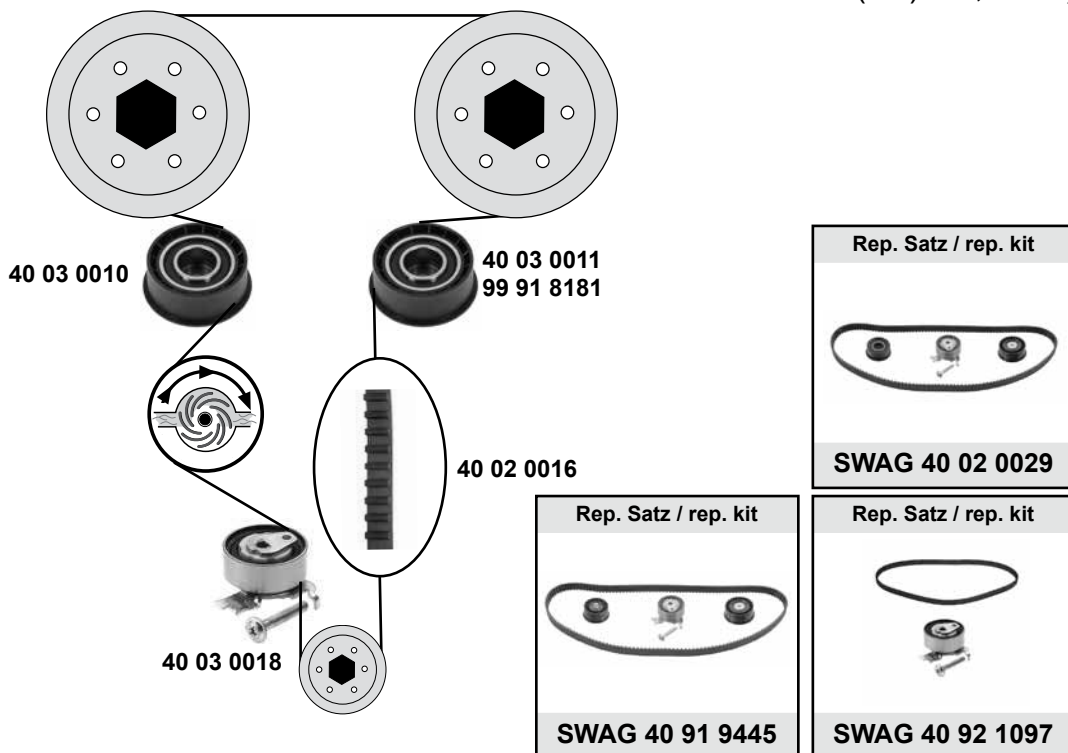
Zahnriemen / timing belt
Spannrolle / tension roller
Riemenspanner / belt tensioner
Umlenkrolle / deflection pulley
Rep. Satz Zahnriemen / rep. kit timing belt

Z 146 B24
ØA 66 B29
ØA 63
ØA 61 B28
Z 146 B24



# VAUXHALL Zafira Mk I / A (98→04)

**1,6 16V / 1,8 16V**  
(ex.) Z 1,6XEP)



(1) (mot.) 02HL5118→, 20041691→

(2) (mot.)→02HL5117,→20041690



Ref. - No.



Ref. - No.	Description	Quantity	Part Number
40 02 0016	Zahnriemen / timing belt		Z 162 B20
40 02 0029	Rep. Satz Zahnriemen / rep. kit timing belt	(2)	
40 03 0010	Umlenkrolle / deflection pulley		ØA 62,5
40 03 0011	Umlenkrolle / deflection pulley	(2)	52,5/58x 8/24x 22/25
40 03 0018	Spannrolle / tension roller		ØA 59 B22
40 91 9445	Rep. Satz Zahnriemen / rep. kit timing belt	(1)	
40 92 1060	Riemenspanner / belt tensioner		
40 92 1097	Rep. Satz Zahnriemen / rep. kit timing belt		
99 91 8181	Umlenkrolle / deflection pulley	(1)	ØA 52,5 B27



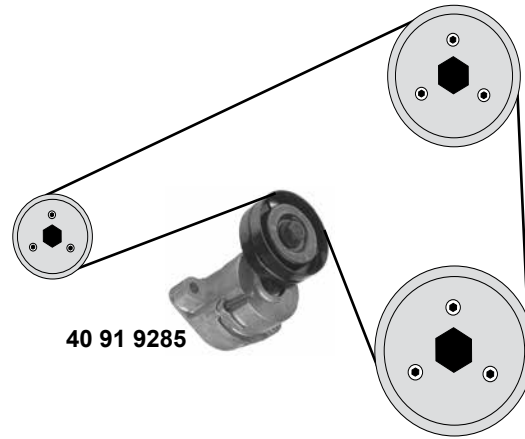
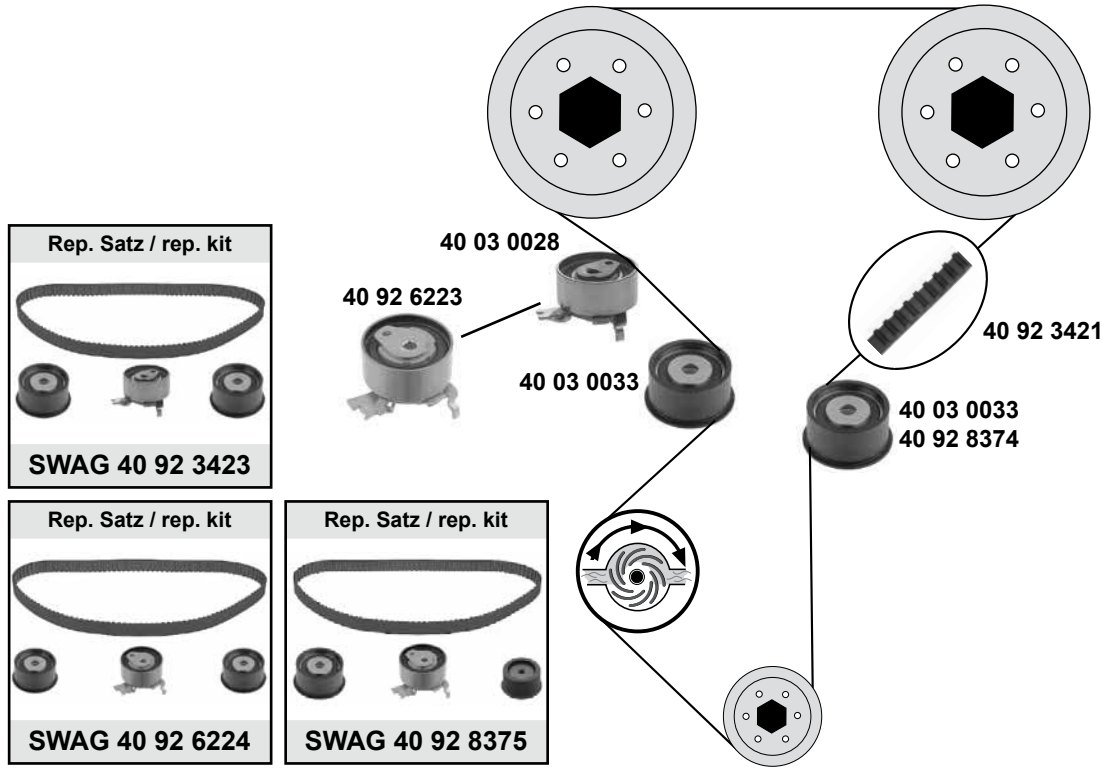
# VAUXHALL Zafira Mk I / A

(98→04)



## 2,0 16V

(X 2,0XEV / X 2,0XER / Z 2,0 LET / Z 2,0 LER / Z 2,0 LEH)



(1) (mot.) Z 2,0 LET 42000001, 45000001, 48000001, 4B000001, 4H000001→



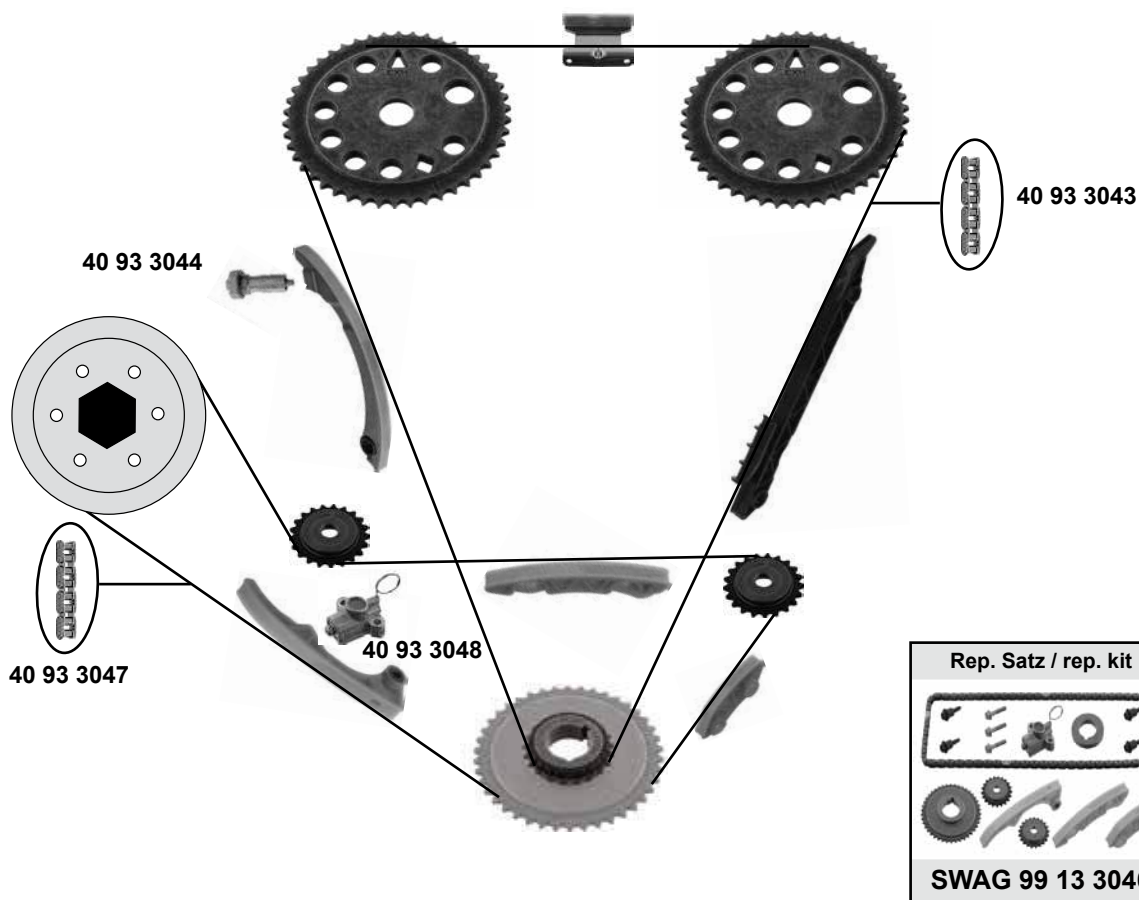
Ref. - No.



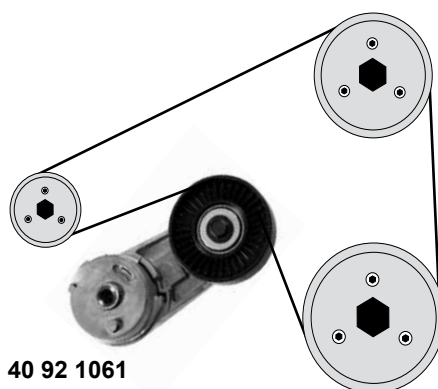
40 03 0028	09158004	Spannrolle / tension roller	(ex.) (mot.) X 2,0 XER	ØA 59 B26
40 03 0033	90529810	Umlenkrolle / deflection pulley		ØA 54 B29,3
40 91 9285	24412292	Riemenspanner / belt tensioner	AC	
40 92 3421	55351782	Zahnriemen / timing belt		Z 168 B24
40 92 3423	93174263	Rep. Satz Zahnriemen / rep. kit timing belt	(ex.) (mot.) X 2,0 XER	
40 92 6223	55353810	Spannrolle / tension roller	(mot.) X 2,0 XER	ØA 59 B26
40 92 6224	93174265	Rep. Satz Zahnriemen / rep. kit timing belt	(mot.) X 2,0 XER	
40 92 8374	55353701	Umlenkrolle / deflection pulley	(1)	ØA 54 B31,5
40 92 8375	93185844	Rep. Satz Zahnriemen / rep. kit timing belt	(1)	



2,2

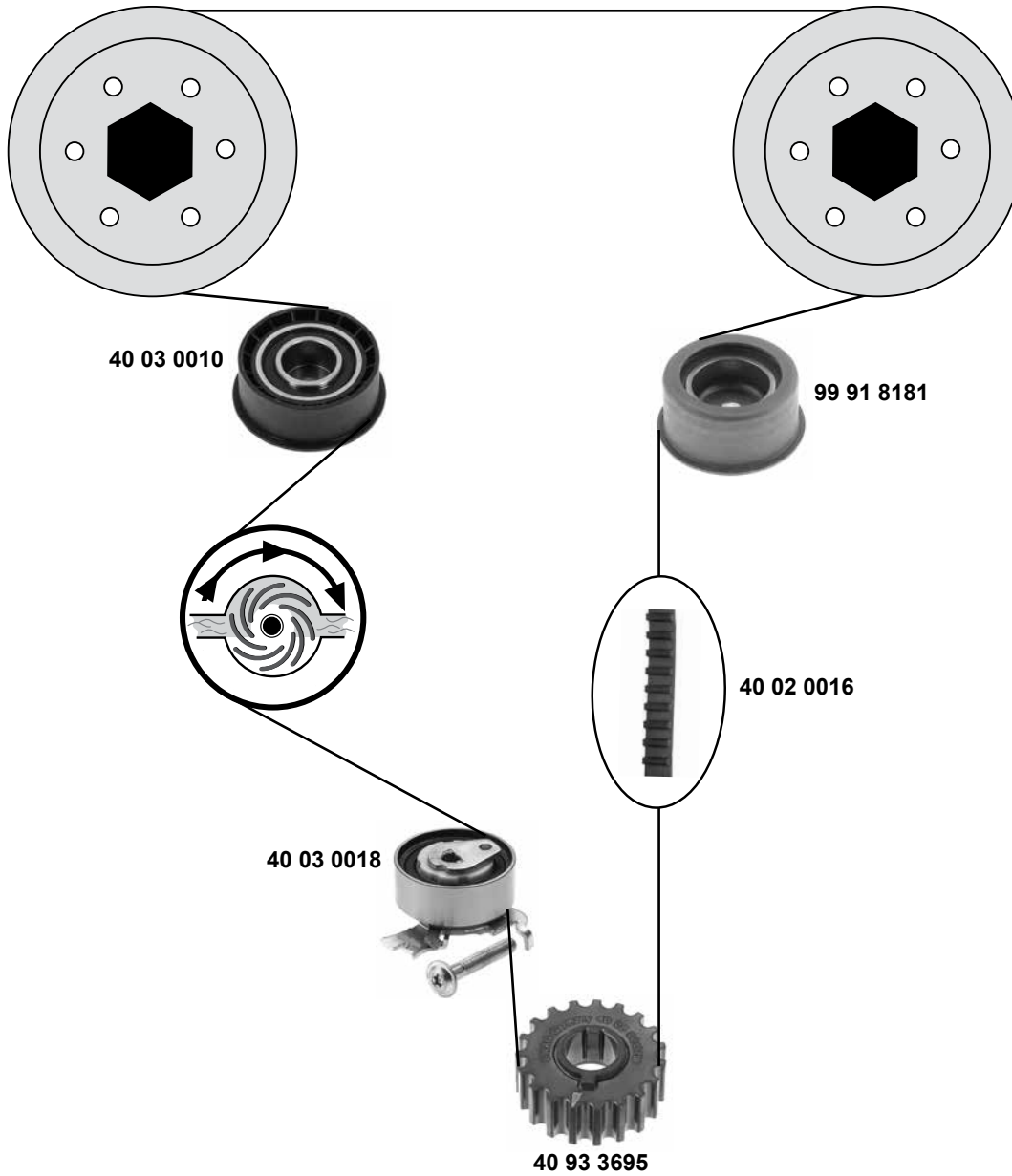


**2,2 16V**  
(Z 2,2 SE)



40 92 1061	24430296	Riemenspanner / belt tensioner	
40 93 3043	24461834	Steuerkette / timing chain	148 E
40 93 3044	12608580	Kettenspanner / chain tensioner	
40 93 3047	90537370	Steuerkette / timing chain	134 E
40 93 3048	90537300	Kettenspanner / chain tensioner	
99 13 3046	55563405	Rep. Satz Steuerkette / rep. kit timing chain	134 E

**1,6 16V**  
(Z1,6YNG)



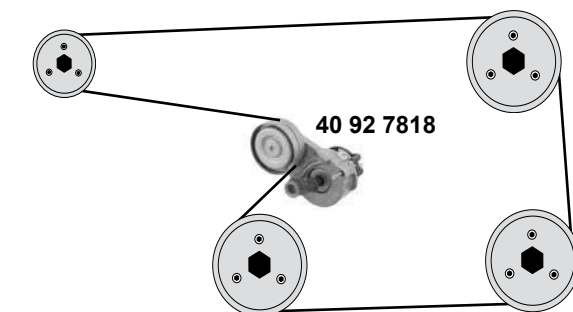
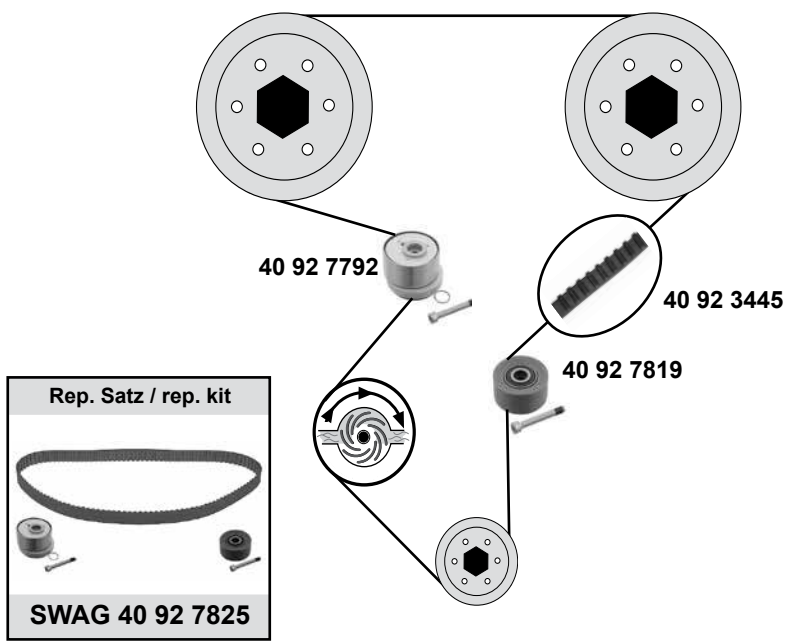
SWAG <sup>®</sup>	Ref. - No.			
40 02 0016	24451895	Zahnriemen / timing belt		Z 162 B20
40 03 0010	55350580	Umlenkrolle / deflection pulley		
40 03 0018	55567191	Spannrolle / tension roller		ØA 59 B 22
40 91 9445	93185845	Rep. Satz Zahnriemen / rep. kit timing belt		
99 99 8181	55352713	Umlenkrolle / deflection pulley		ØA 58 B23



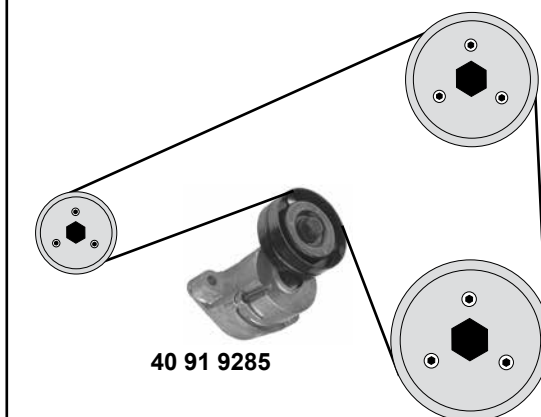
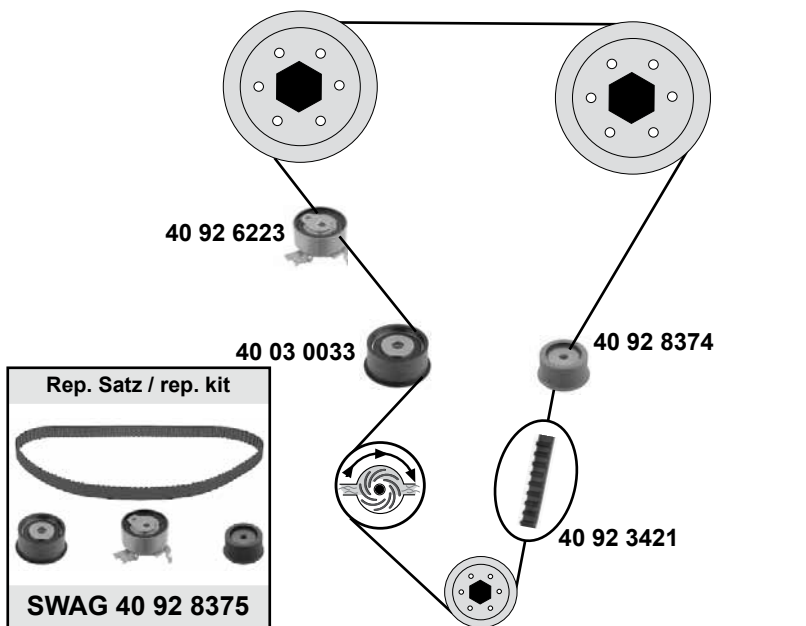
# VAUXHALL Zafira Mk II / B (04→11)

## 1,6 16V / 1,8 16V

(Z1,6XEP / Z1,6XP1 / A1,6XER / Z1,6XER / Z1,6XNT / A1,6XNT / A1,8XER / Z1,8 XER)



## 2,0 16V (Z 2,0 LEL, Z 2,0 LEH)



Ref. - No.



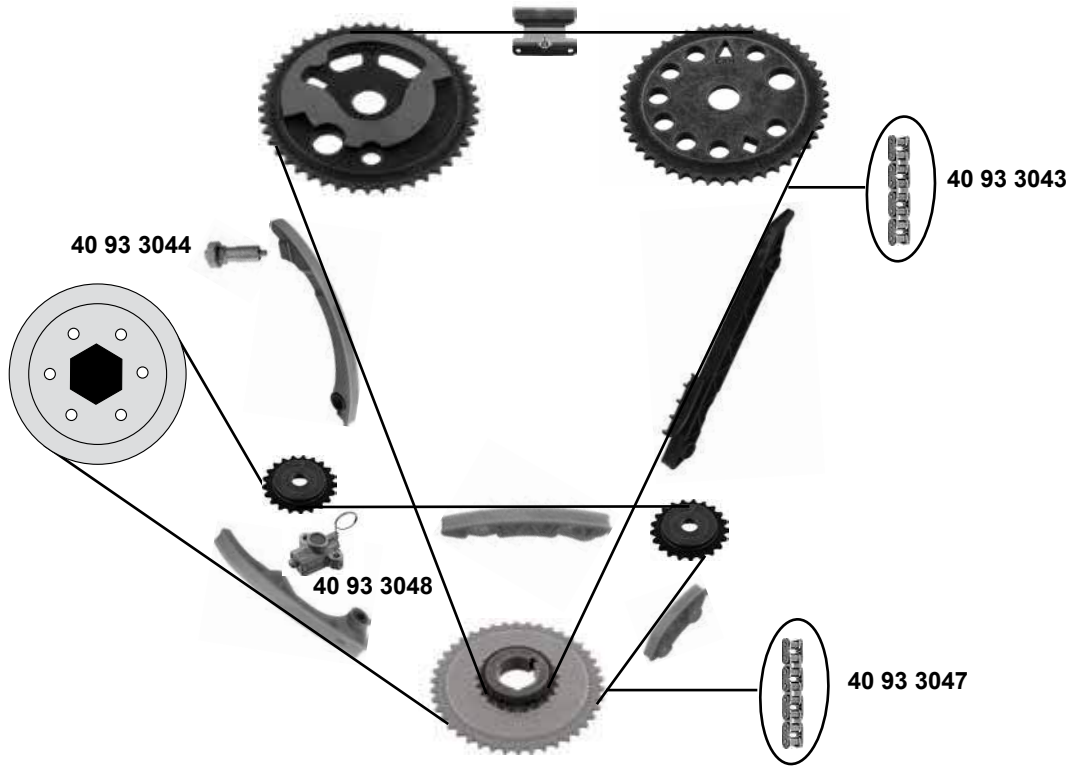
40 03 0033	90529810	Umlenkrolle / deflection pulley	ØA 54 B29,3
40 91 9285	24412292	Riemenspanner / belt tensioner	Z 168 B24
40 92 3421	55351782	Zahnriemen / timing belt	Z 146 B24
40 92 3445	24422964	Zahnriemen / timing belt	ØA 59 B26
40 92 6223	55353810	Umlenkrolle / deflection pulley	ØA 66 B29
40 92 7792	55562218	Spannrolle / tension roller	ØA 63
40 92 7818	55563512	Riemenspanner / belt tensioner	ØA 61 B28
40 92 7819	24436052	Umlenkrolle / deflection pulley	Z 146 B24
40 92 7825	93185849	Rep. Satz Zahnriemen / rep. kit timing belt	ØA 54 B31,5
40 92 8374	55353701	Umlenkrolle / deflection pulley	Z 168 B24
40 92 8375	93185844	Rep. Satz Zahnriemen / rep. kit timing belt	

# VAUXHALL Zafira Mk II / B

(04→11)

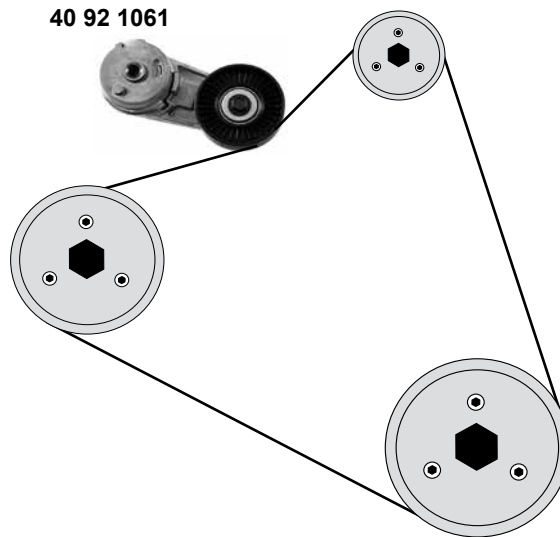


2,2



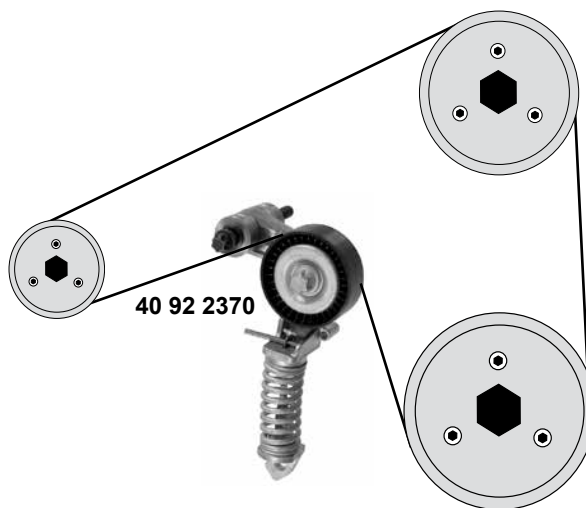
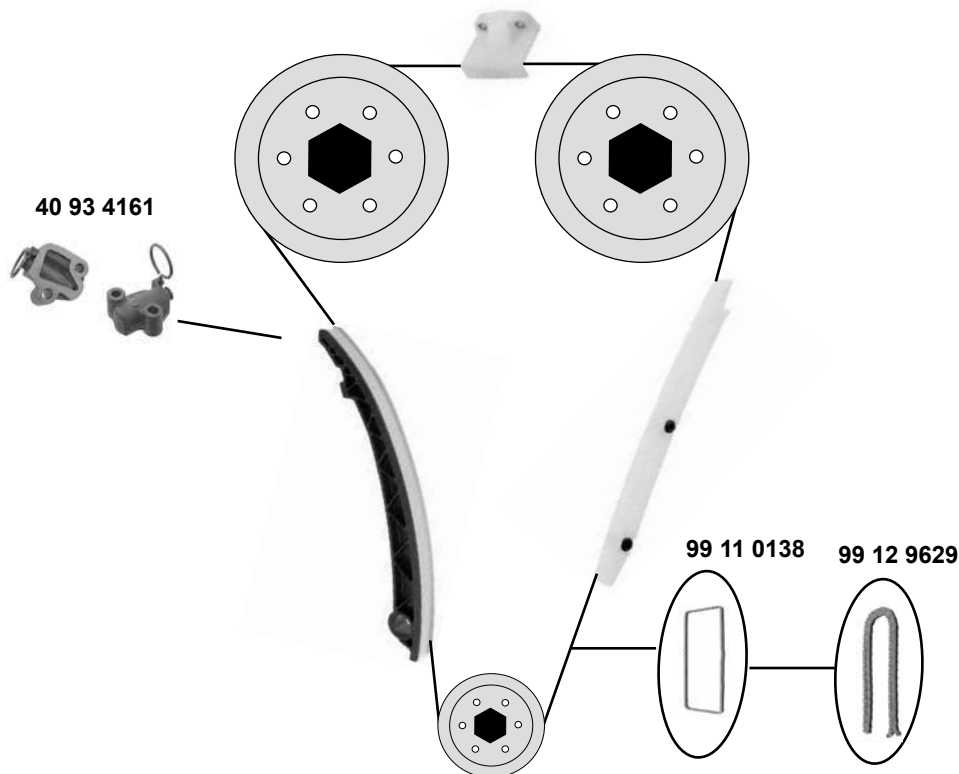
2,2

( Z 2,2 YH )



SWAG GERMANY	Ref. - No.			
40 92 1061	24430296	Riemenspanner / belt tensioner		
40 93 3043	24461834	Steuerkette endlos / timing chain endless		148 E
40 93 3044	12608580	Kettenspanner / chain tensioner		
40 93 3047	12645237	Steuerkette endlos / timing chain endless		134 E
40 93 3048	90537300	Kettenspanner / chain tensioner		
99 13 3042	55569838	Rep. Satz Steuerkette / rep. kit timing chain		148 E
99 13 3046	55563405	Rep. Satz Steuerkette / rep. kit timing chain		134 E

**1,4**  
(A14NEL / A14 NET)



- (1) Steuerkette geschlossen / timing chain endless
- (2) Steuerkette offen / timing chain open  
Spezialwerkzeug zur Montage notwendig / Requires special tools for mounting



Ref. - No.



40 92 2370	55565236	Riemenspanner / belt tensioner		
40 93 4161	55562235	Kettenspanner / chain tensioner		
99 11 0138	55562234	Steuerkette / timing chain	(1)	130 E
99 12 9629	55562234 S1	Steuerkette / timing chain	(2)	130 N
99 13 4162	55562234 S2	Rep. Satz Steuerkette / rep. kit timing chain	(1)	130 E

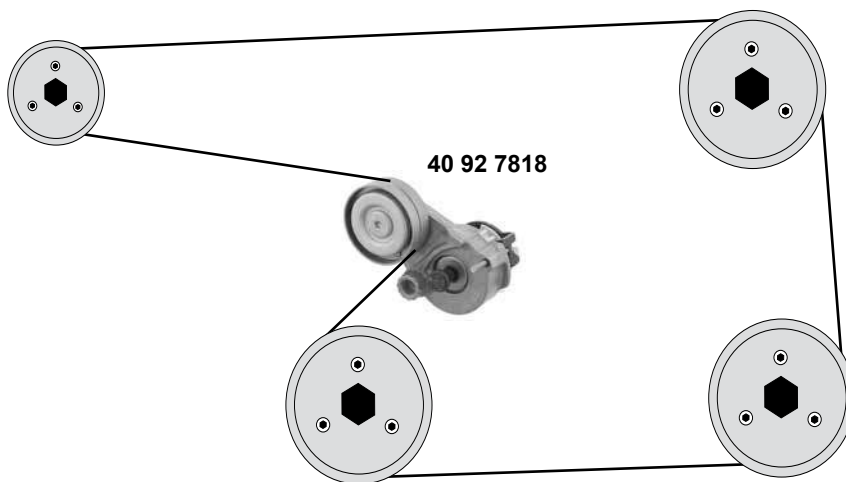
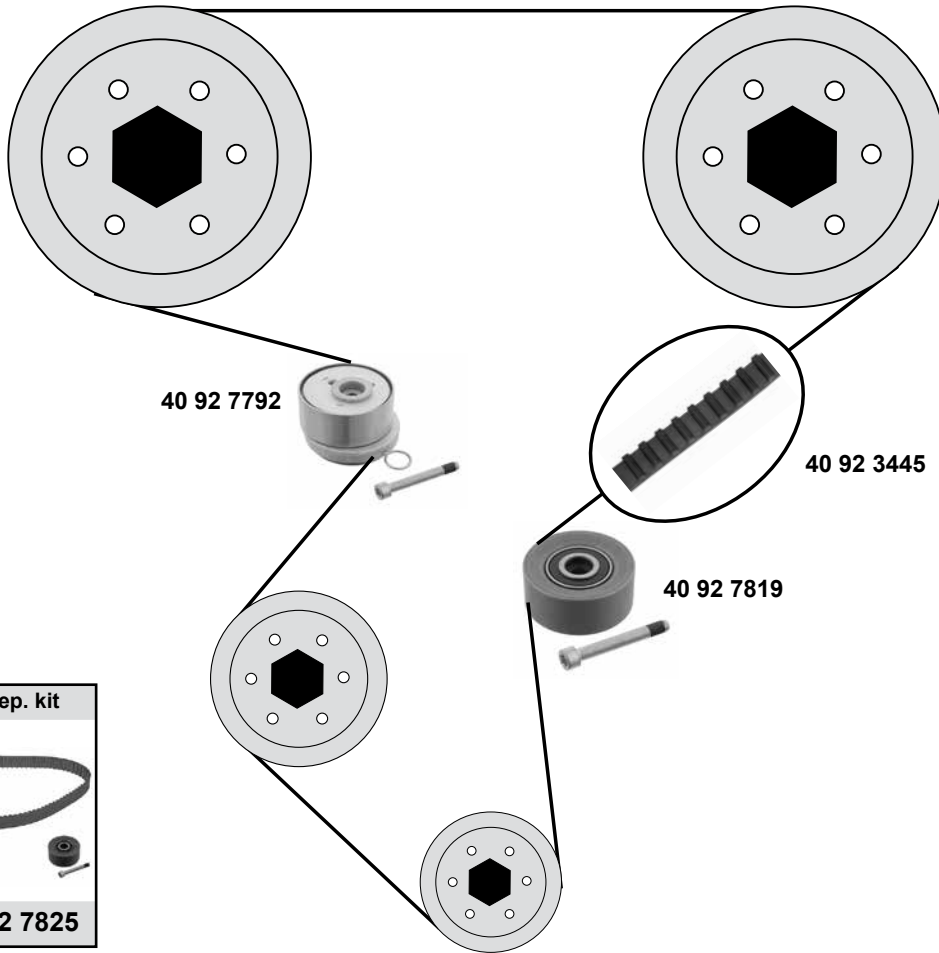
# VAUXHALL Zafira Mk III / C

(11→)



**1,6 / 1,8**

(A16XNT / A18XEL / A18XER)



Ref. - No.

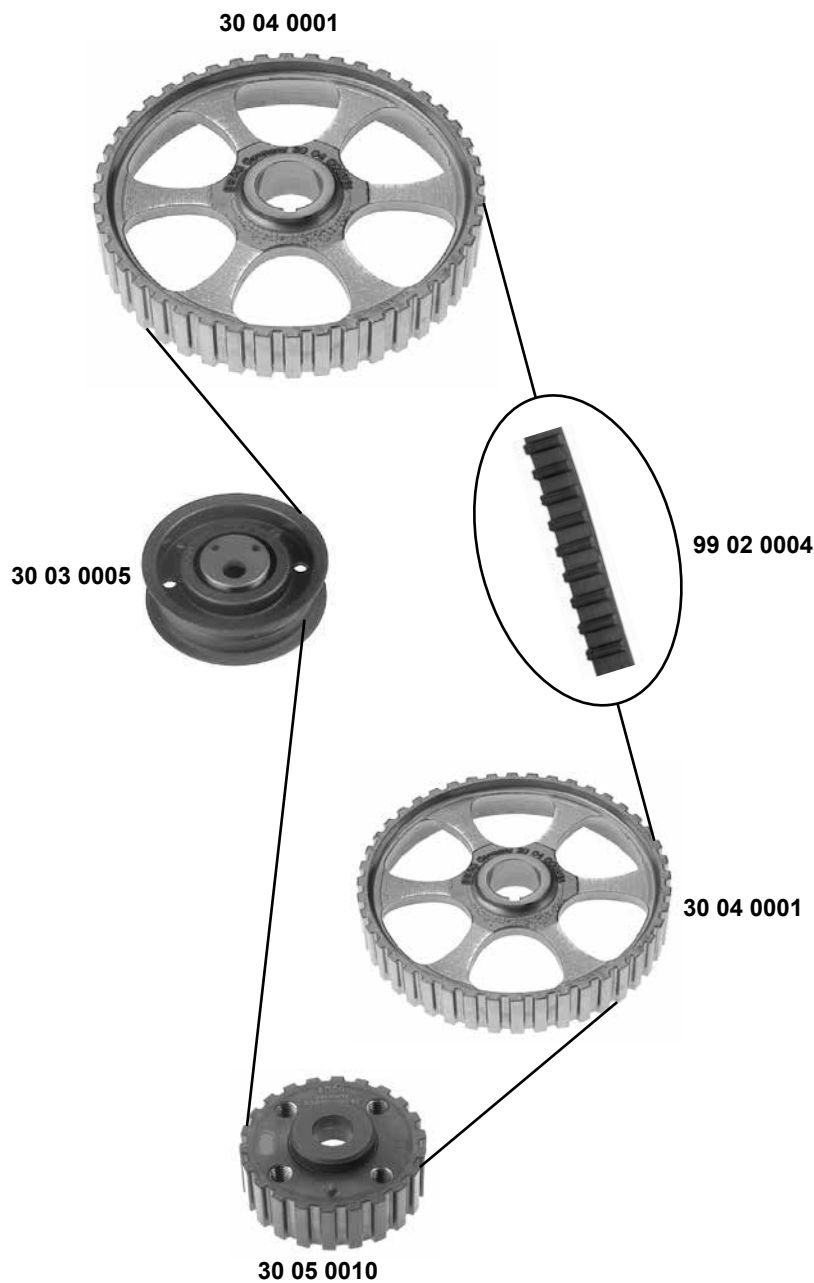


40 92 3445	24422964
40 92 7792	55562218
40 92 7818	55563512
40 92 7819	24436052
40 92 7825	93185849

Zahnriemen / timing belt
Spannrolle / tension roller
Riemenspanner / belt tensioner
Umlenkrolle / deflection pulley
Rep. Satz Zahnriemen / rep. kit timing belt

→ (ch.) C2999999

Z 146 B24
ØA 66 B 29
ØA 63 B 22
ØA 61 B 28
Z 146 B24





# VOLKSWAGEN

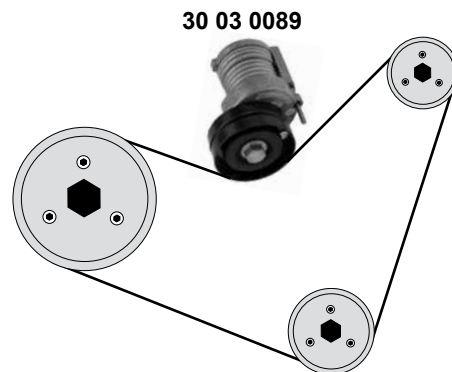
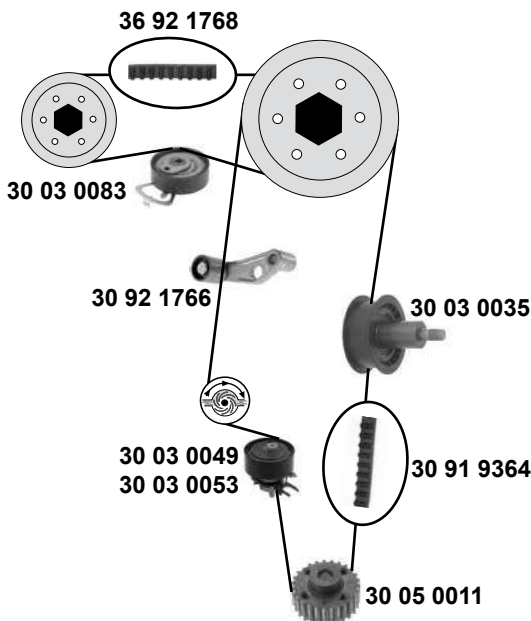
## Caddy 2 / Pickup (9K/9U)

(95→04)



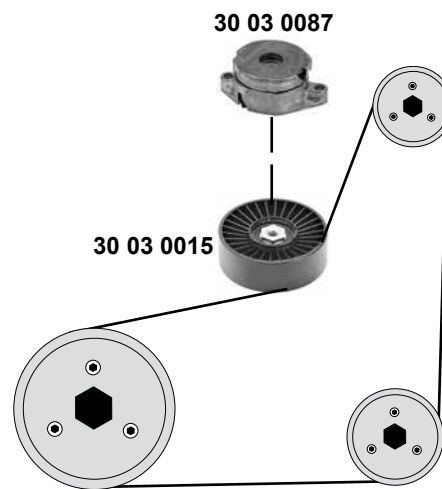
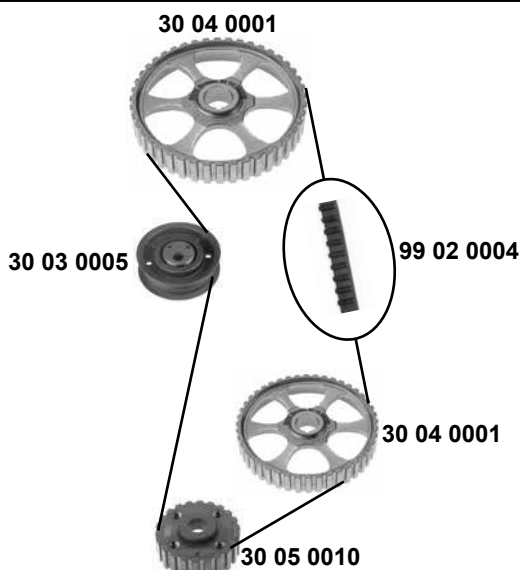
### 1,4 / 1,6

(AEX / AKV / APQ / AEE / AUA)



### 1,6

(1F)



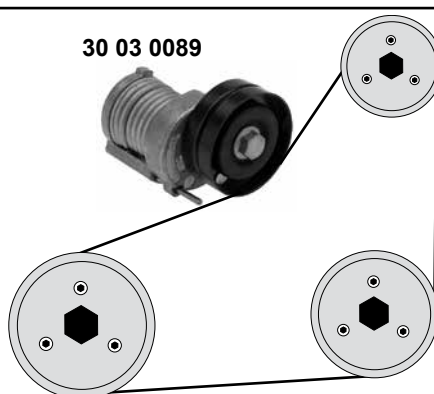
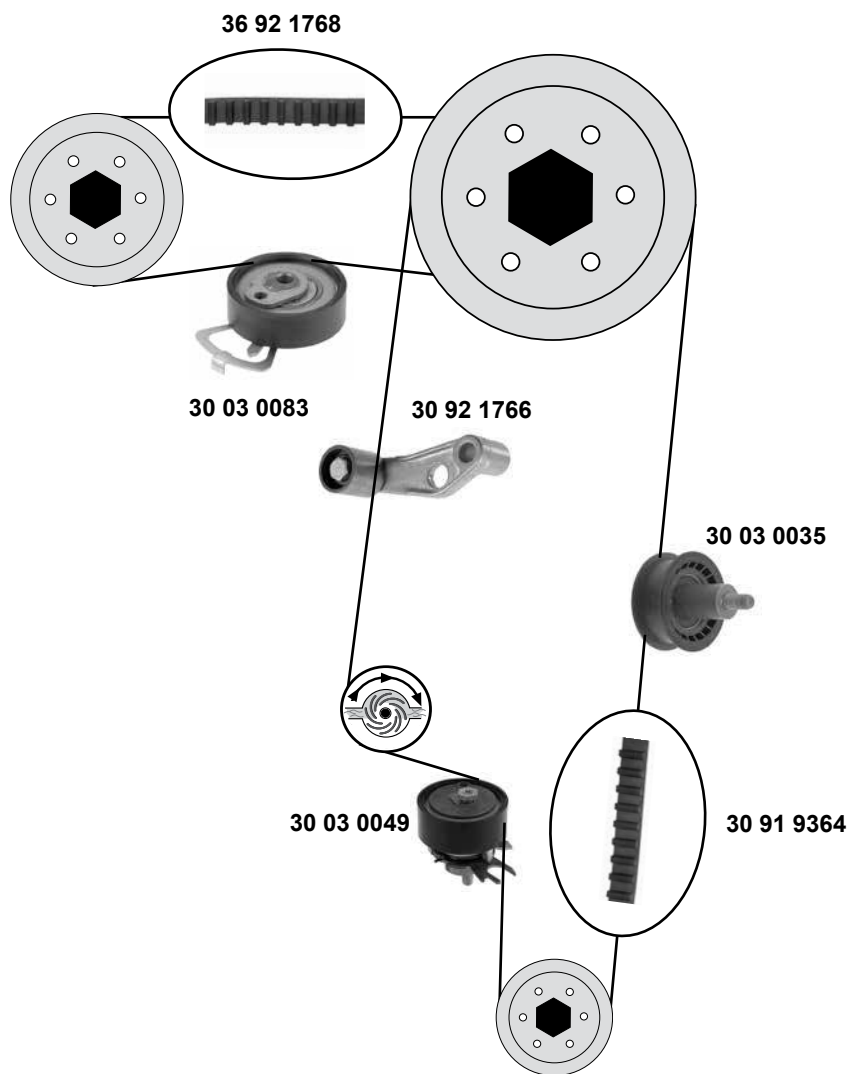
Ref. - No.



30 02 0040	051 198 119	Rep. Satz Zahnriemen / rep. kit timing belt	(mot.) 1F	
30 03 0005	026 109 243 L	Spannrolle / tension roller	AC	ØA 72 Ø I 10 B20
30 03 0015	028 145 278 E	Spannrolle / tension roller	(mot.) AUA	ØA 78 Ø I 8 B26
30 03 0035	036 109 244 J	Umlenkrolle / deflection pulley	(mot.) AUA	ØA 56 B22
30 03 0049	036 109 243 AB	Spannrolle / tension roller	(mot.) AUA	ØA 60 ØI 8 B25
30 03 0053	030 109 243 K	Spannrolle / tension roller	(mot.) AUA / →03	ØA 61 ØI 8 B22
30 03 0083	036 109 243 AE	Spannrolle / tension roller		ØA 60 B19
30 03 0087	037 903 315 C	Riemenspanner / belt tensioner		ØA 70 B26
30 03 0089	030 145 299 F	Riemenspanner / belt tensioner		Z 44
30 04 0001	049 109 111 C	Nockenwellenrad / camshaft gear		Z 22
30 05 0010	049 105 263 C	Kurbelwellenrad / crankshaft gear		Z 26
30 05 0011	030 105 263 C	Kurbelwellenrad / crankshaft gear	(mot.) AUA / →03	Z 130 B20
30 91 9364	036 109 119 Q	Zahnriemen / timing belt	(mot.) AUA	ØA 28 B30
30 92 1766	036 109 181 A	Umlenkrolle / deflection pulley	(mot.) AUA	
30 92 1770	036 109 119 Q S1	Rep. Satz Zahnriemen / rep. kit timing belt	(mot.) AUA / →03	
30 92 1774	036 109 119 P S1	Rep. Satz Zahnriemen / rep. kit timing belt	(mot.) AUA / →03	
36 92 1768	036 109 119 P	Zahnriemen / timing belt	(mot.) AUA / →03	Z 58 B17
99 02 0004	056 109 119 A	Zahnriemen / timing belt	(mot.) 1F	Z 121 B18



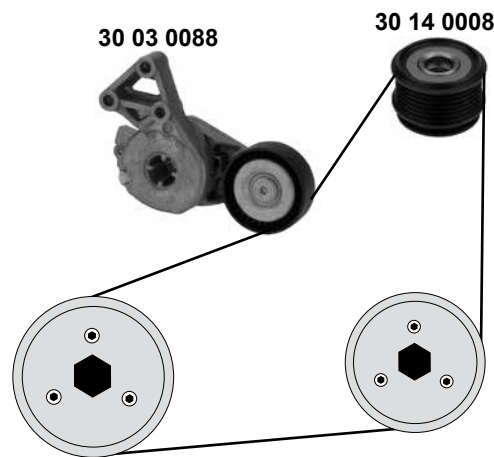
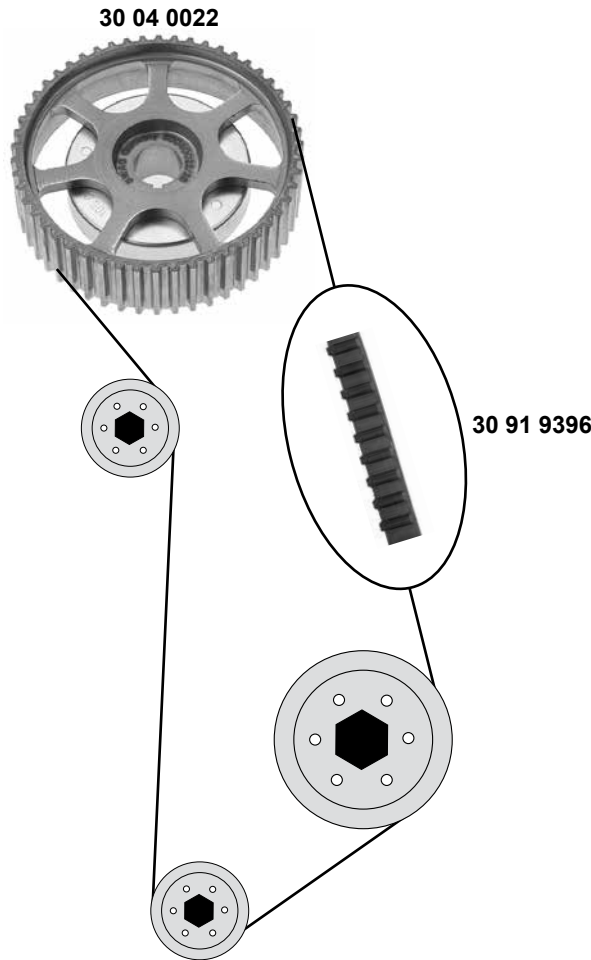
**1,4 16V**  
(BCA / BUD)



SWAG	Ref. - No.			
30 03 0035	036 109 244 J	Umlenkrolle / deflection pulley		ØA 56 B22
30 03 0049	036 109 243 AB	Spannrolle / tension roller		ØA 80 ØI 8 B25
30 03 0083	036 109 243 AE	Spannrolle / tension roller	→ 10	ØA 60 B19
30 03 0089	030 145 299 F	Riemenspanner / belt tensioner		ØA 70 B26
30 91 9364	036 109 119 Q	Zahnriemen / timing belt	→ 10	Z 130 B20
30 92 1766	036 109 181 A	Umlenkrolle / deflection pulley		ØA 28 B30
30 92 1770	036 109 119 Q S1	Rep. Satz Zahnriemen / rep. kit timing belt		
30 92 1772	036 198 119 E	Rep. Satz Zahnriemen / rep. kit timing belt		
30 92 1774	036 109 119 P S1	Rep. Satz Zahnriemen / rep. kit timing belt	→ 10	
36 92 1768	036 109 119 P	Zahnriemen / timing belt	→ 10	Z 58 B17

**1,6**

(BGU / BSE / BSR / BSF / BSX)



Ref. - No.

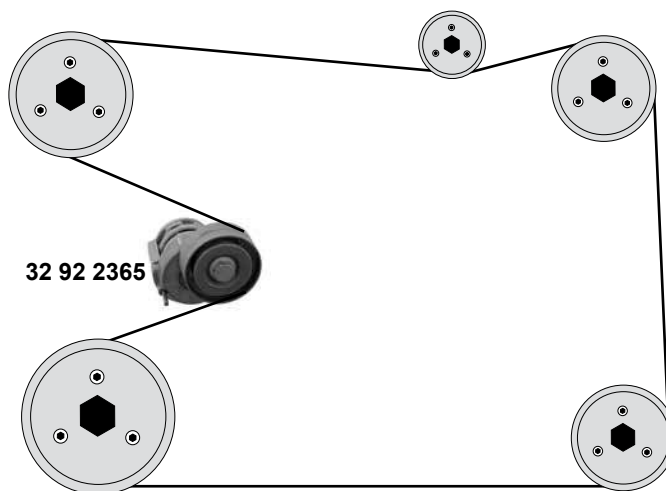


30 03 0088	06A 903 315 E
30 04 0022	06A 109 105 C
30 14 0008	022 903 119 C
30 91 9396	06A 109 119 C

Riemenspanner / belt tensioner
Nockenwellenrad / camshaft gear
Riemenscheibe Generator / belt pulley alternator
Zahnriemen / timing belt

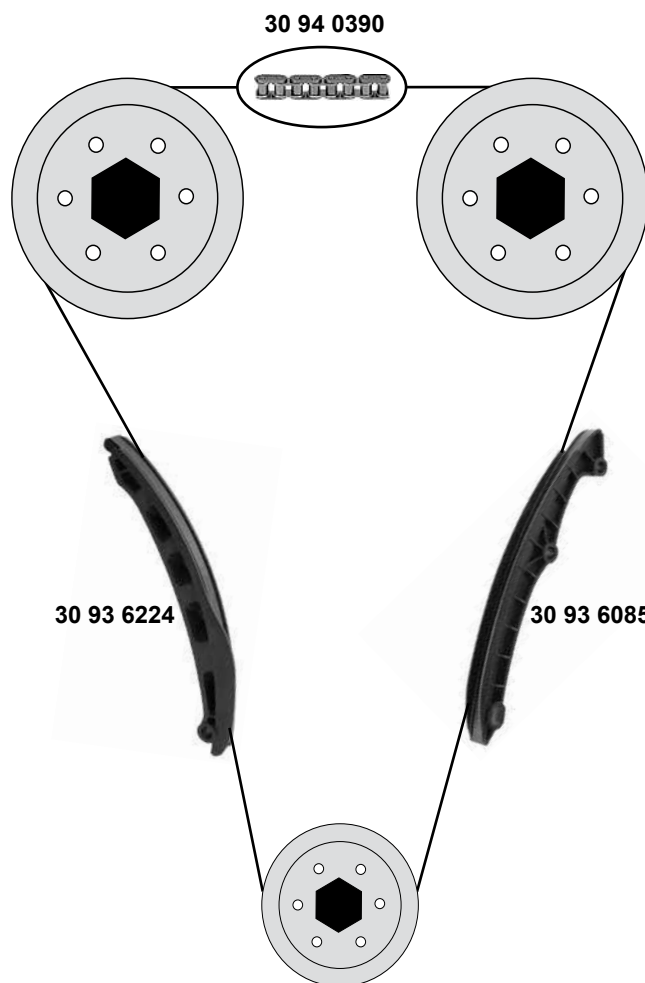
ØA 70 B24 Z52
Z 138 B23

**1,2**  
 (CBZA / CBZB)



**CC (358)**  
 (12→)

**1,4**  
 (CKMA/CTHD)



Ref. - No.



30 03 0088	03C 145 299 Q
30 93 6085	03C 109 469 K
30 93 6224	03C 109 509 P
30 94 0390	03C 109 158 A

Riemenspanner / belt tensioner
Gleitschiene/ sliding rail
Gleitschiene/ sliding rail
Steuerkette / timing chain

AC

130 E

# VOLKSWAGEN

## Corrado (50)

(89→95)



### 1,8 / 2,0

(PG / 2E / ADY)

Rep. Satz / rep. kit



**SWAG 30 02 0040**

Rep. Satz / rep. kit

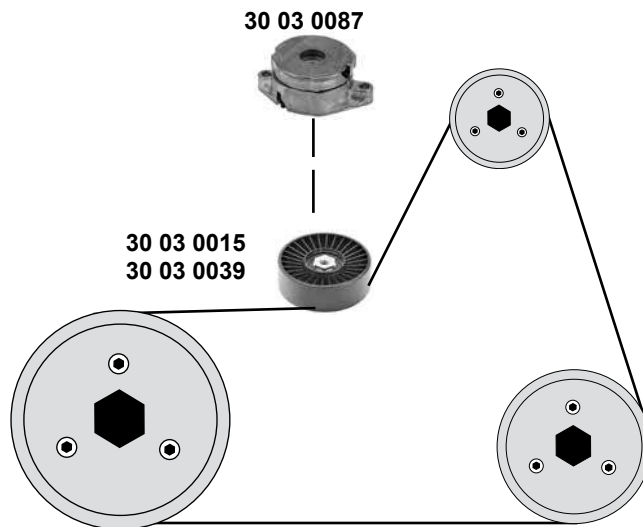
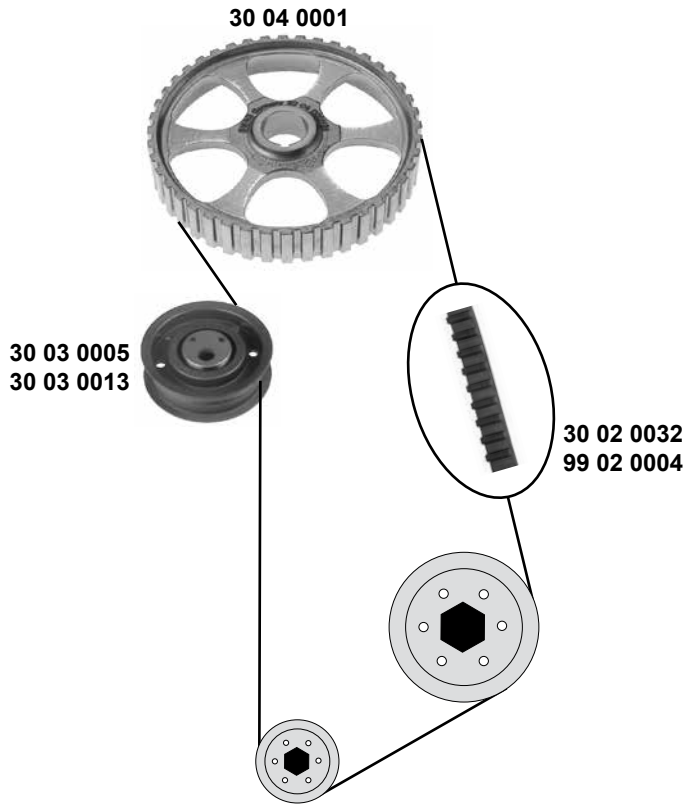


**SWAG 30 02 0041**

Rep. Satz / rep. kit



**SWAG 99 02 0068**



SWAG	Ref. - No.			
30 02 0032	037 109 119 C	Zahnriemen / timing belt	(mot.) 2E/ADY	Z 124 B18
30 02 0040	051 198 119	Rep. Satz Zahnriemen / rep. kit timing belt	(mot.) PG	
30 02 0041	051 198 119	Rep. Satz Zahnriemen / rep. kit timing belt	(ex.) (mot.) PG	
30 03 0005	026 109 243 L	Spannrolle / tension roller	(mot.) ADY	ØA 72 ØI 10 B20
30 03 0013	048 109 243 A	Spannrolle / tension roller	(mot.) 2E/ADY 92 →	
30 03 0015	028 145 278 E	Spannrolle / tension roller	AC	ØA 78 ØI 8 B26
30 03 0039	074 145 278 E	Umlenkrolle / deflection pulley	(mot.) PG	ØA 90 ØI 8 B25
30 03 0087	037 903 315 C	Riemenspanner / belt tensioner		
30 04 0001	049 109 111 C	Nockenwellenrad / camshaft gear		Z 44
99 02 0004	056 109 119 A	Zahnriemen / timing belt	(mot.) PG	Z 121 B18
99 02 0068	037 109 119 C S2	Rep. Satz Zahnriemen / rep. kit timing belt	(mot.) 2E/ADY 92 →	

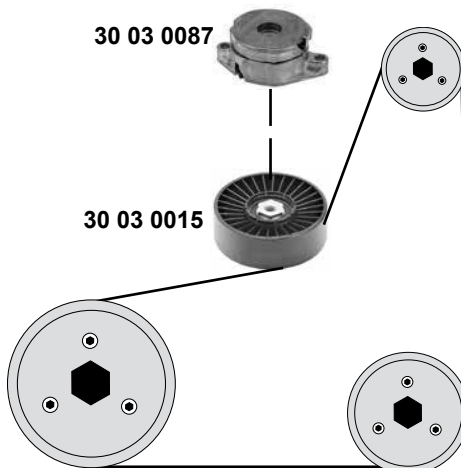
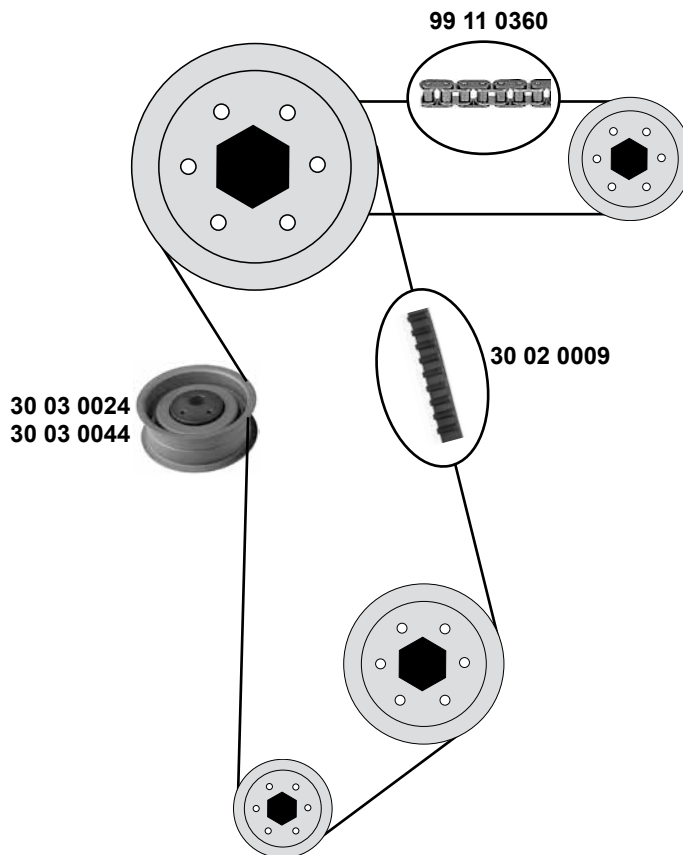


# VOLKSWAGEN

## Corrado (50)

(89→95)

**1,8 16V / 2,0 16V**  
(KR / 9A)



**(1) (mot.)**→9A 131 261  
**(mot.)**→KR 131 261

**(2) (mot.)** 9A 131 262→  
**(mot.)** KR 131 262→

SWAG	Ref. - No.			
30 02 0009	027 109 119 C	Zahnriemen / timing belt		Z 147 B25
30 03 0015	028 145 278 E	Spannrolle / tension roller	AC	ØA 78 ØI 8 B26
30 03 0024	051 109 243 A	Spannrolle / tension roller	(2)	ØA 72 ØI 8 B27
30 03 0044	051 109 243	Spannrolle / tension roller	(1)	ØA 72 B27
30 03 0087	037 903 315 C	Riemenspanner / belt tensioner		
99 02 0065	027 198 119	Rep. Satz Zahnriemen / rep. kit timing belt	(2)	
99 02 0066	027 109 119 C S1	Rep. Satz Zahnriemen / rep. kit timing belt	(1)	
99 11 0360	077 109 120	Steuerkette / timing chain		44 E

# VOLKSWAGEN

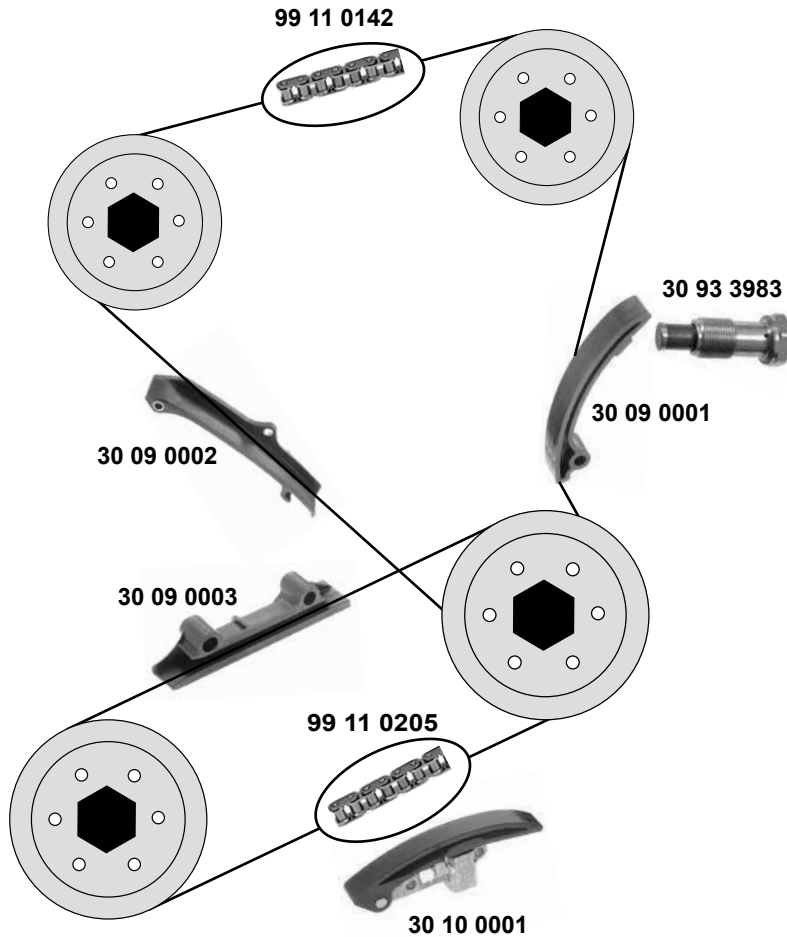
## Corrado (50)

(89→95)

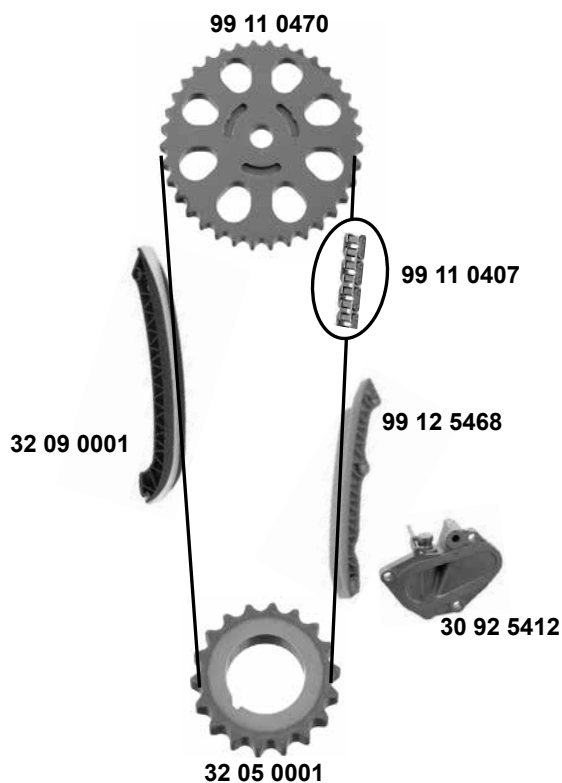


### 2,9 VR6

(ABV)



SWAG	Ref. - No.			
30 09 0001	021 109 509 A	Gleitschiene / sliding rail		
30 09 0002	021 109 513	Gleitschiene / sliding rail		
30 09 0003	021 109 469	Gleitschiene / sliding rail		
30 10 0001	021 109 467	Kettenspanner / chain tensioner		
30 93 3983	021 109 507 A	Kettenspanner / chain tensioner		
99 11 0142	021 109 503 A	Steuerkette / timing chain		
99 11 0205	021 109 467	Steuerkette / timing chain		
99 13 3984	021 109 503 A S1	Rep. Satz Steuerkette / rep. kit chain tensioner		D 90 E 70 E

**1,2 6V**  
 (AWY / BMD)


Rep. Satz / rep. kit

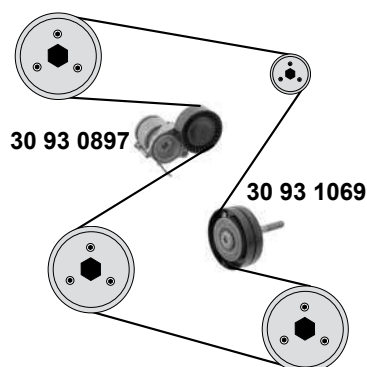


SWAG 99 13 0478

Rep. Satz / rep. kit



SWAG 99 13 0495

**1,2 6V**  
 (CHFA / BMD / CHFB)


(1) (mot.) BMD / →08 / (ch.)→5Z-84162779

(2) (mot.) BMD / 06→ / (ch.)→5Z-64029 001



Ref. - No.



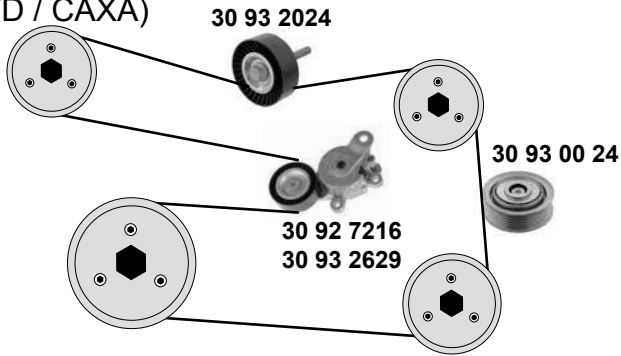
30 92 5412	03E 109 507 S	Kettenspanner / chain tensioner	(2)	
30 93 0897	03D 903 305 F	Riemenspanner / belt tensioner		
30 93 1069	03D 145 276 E	Umlenkrolle / deflection pulley	AC	ØA 76 B24
32 05 0001	03E 105 209 E	Kurbelwellenzahnrad / crankshaft gear	(1)	Z 20
32 09 0001	03D 109 509 L	Gleitschiene / sliding rail	(1)	
99 11 0407	03E 109 229	Steuerkette / timing chain	(1)	118 E
99 11 0470	03D 109 571 L	Nockenwellenzahnrad / camshaft gear	(1)	Z 40
99 12 5468	03D 109 469 C	Gleitschiene / sliding rail	(mot.) BMD	
99 13 0478	03D 109 229 S1	Rep. Satz Steuerkette / rep. kit timing chain	(1)	
99 13 0495	03D 109 229 S2	Rep. Satz Steuerkette / rep. kit timing chain	(1)	



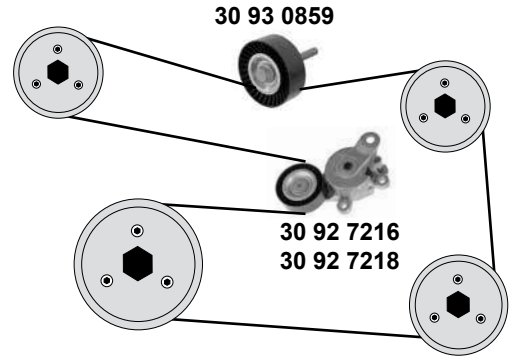
# VOLKSWAGEN EOS (1F) (06→)



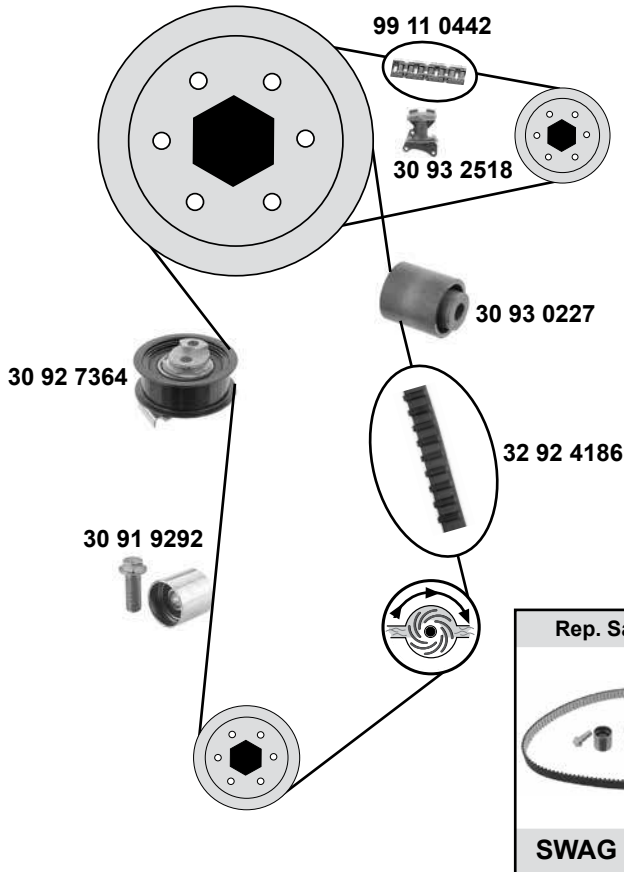
## 1,4 (CAVD / CAXA)



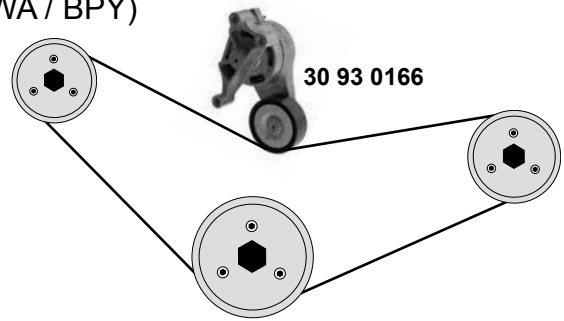
## 1,6 (BLF)



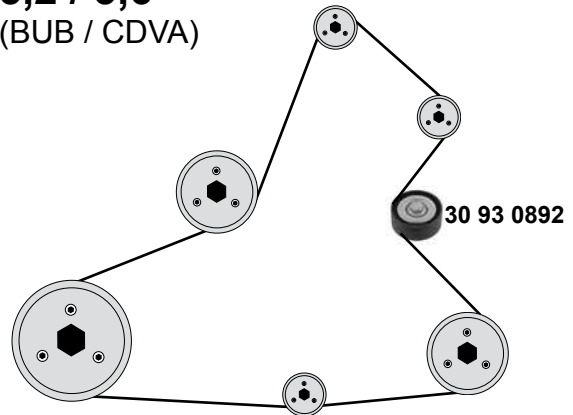
## 2,0 16V (BVA / BWA / BPY / BVZ)



## 2,0 16V (BWA / BPY)



## 3,2 / 3,6 (BUB / CDVA)



Ref. - No.



30 91 9292	06B 109 244
30 92 7216	6Q0 145 299
30 92 7218	03C 145 299 C
30 92 7364	06D 109 243 B
30 93 0166	06F 903 315
30 93 0227	06D 109 244 E
30 93 0586	06F 198 119 A
30 93 0859	1J0 145 276
30 93 0892	022 145 276 A
30 93 2024	03C 145 276 C
30 93 2518	06F 109 217 A
30 93 2629	03c 145 299 Q
32 92 4186	06D 109 119 B
99 11 0442	06D 109 229 B

Umlenkrolle / deflection pulley
Riemenspanner / belt tensioner
Riemenspanner / belt tensioner
Spannrolle / tension roller
Riemenspanner / belt tensioner
Umlenkrolle / deflection pulley
Rep. Satz Zahnriemen / rep. kit timing belt
Umlenkrolle / deflection pulley
Umlenkrolle / deflection pulley
Umlenkrolle / deflection pulley
Umlenkrolle / deflection pulley
Kettenspanner / chain tensioner
Riemenspanner / belt tensioner
Zahnriemen / timing belt
Steuerkette / timing chain

(ex.) AC CAVD  
AC

(mot.) BPY 09→

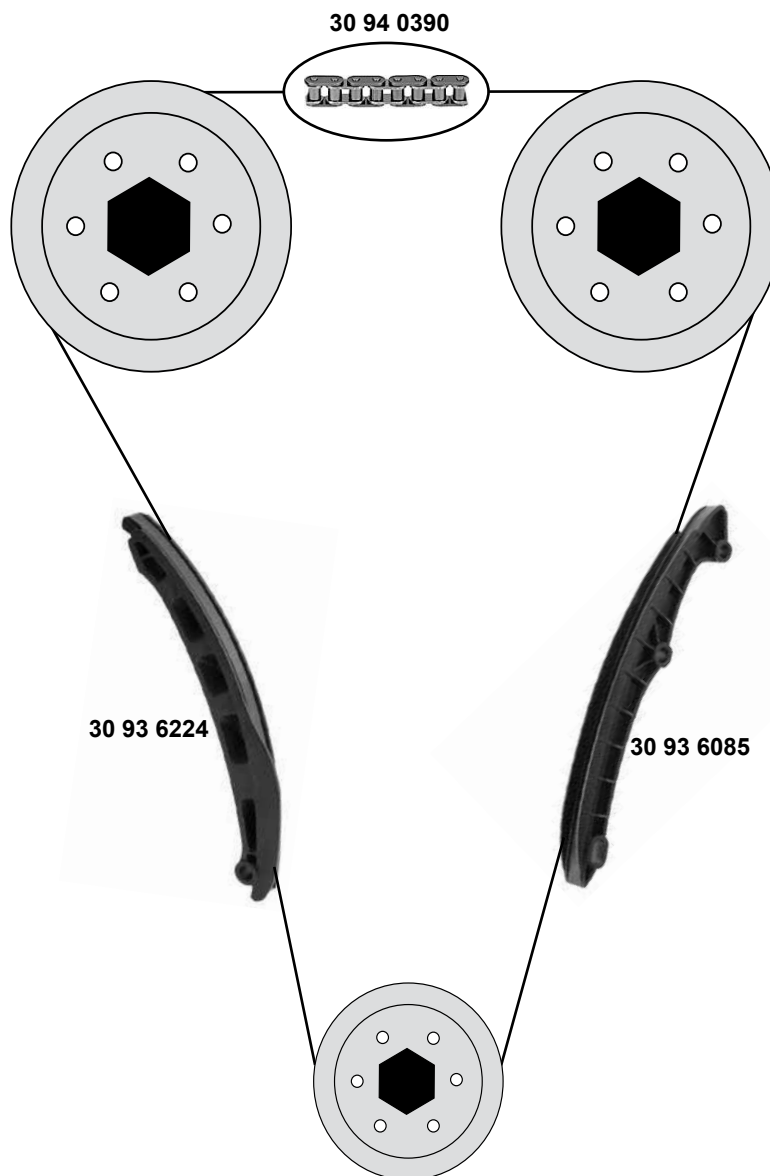
AC

(ex.) CAVD 09→  
→11

AC CAXA 07/09→

ØA 28,5 B27
ØA 77 B25
ØA 28,5 B33,5
ØA 28,5 B27
Z 148 B23 42E





Ref. - No.



<b>30 93 6085</b>	03C 109 469 K
<b>30 93 6224</b>	03C 109 509 P
<b>30 94 0390</b>	03C 109 158 A

Gleitschiene/ sliding rail
Gleitschiene/ sliding rail
Steuerkette / timing chain

130 E

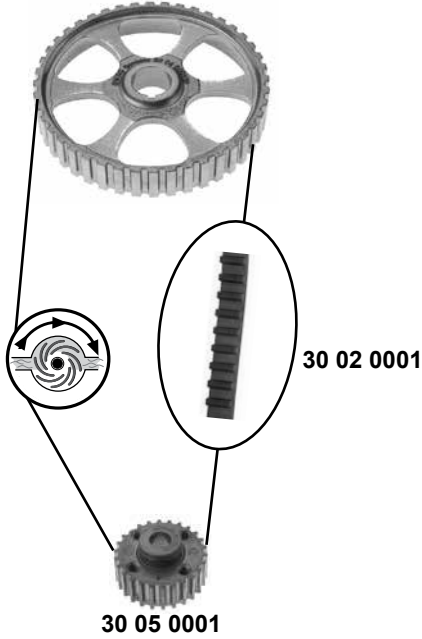
# VOLKSWAGEN

## Golf 1 (17) / Jetta 1 (16)

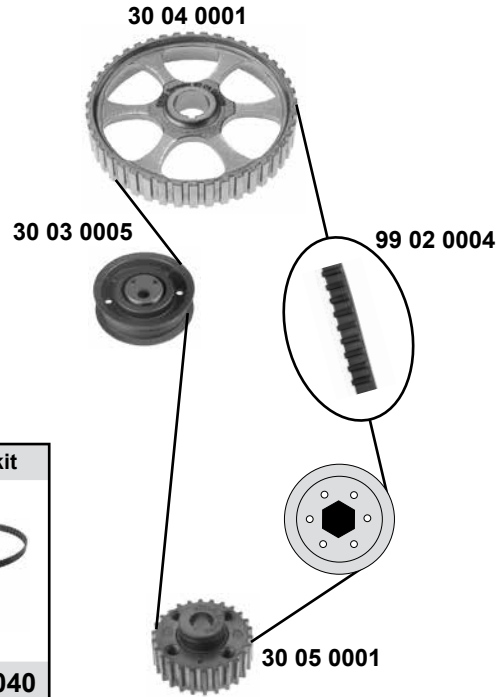
(75→92)



1,1 / 1,3 30 04 0001



1,5→1,8

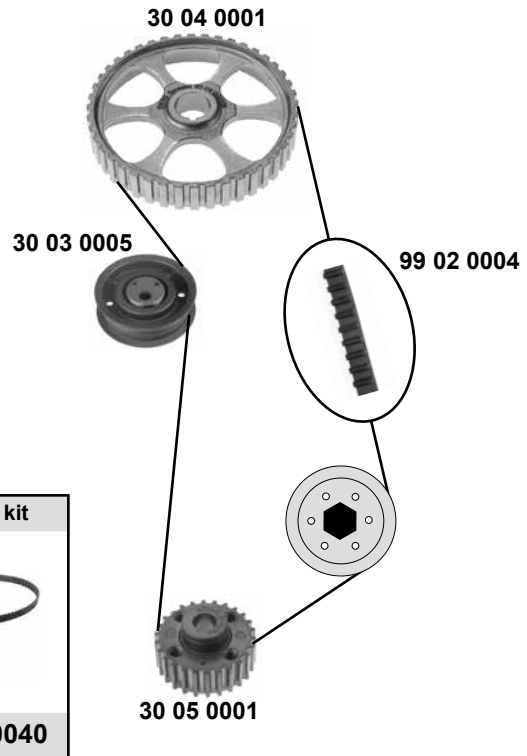
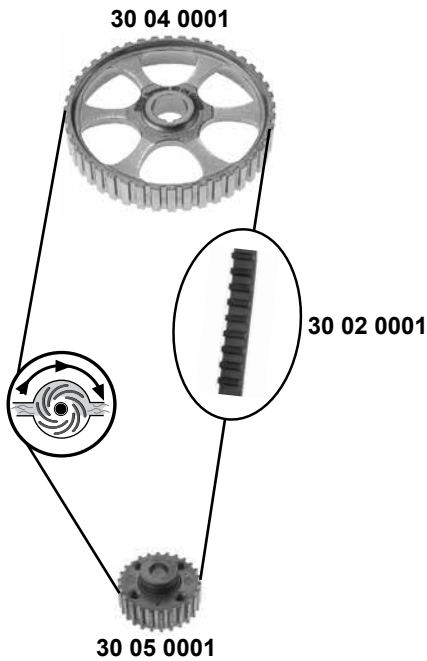


## Golf 1 Cabriolet

(84→94)

1,8

(DX / KT / EW / EX / HN / JH / RE / EWA)



Ref. - No.



30 02 0001	052 109 119
30 02 0040	051 198 119
30 03 0005	026 109 243 L
30 04 0001	049 109 111 C
30 05 0001	049 105 263 B
99 02 0004	056 109 119 A

Zahnriemen / timing belt
Rep. Satz Zahnriemen / rep. kit timing belt
Spannrolle / tension roller
Nockenwellenrad / camshaft gear
Kurbelwellenrad / crankshaft gear
Zahnriemen / timing belt

Z 108 B18
ØA 72 ØI 10 B20
Z 44
Z 22
Z 121 B18

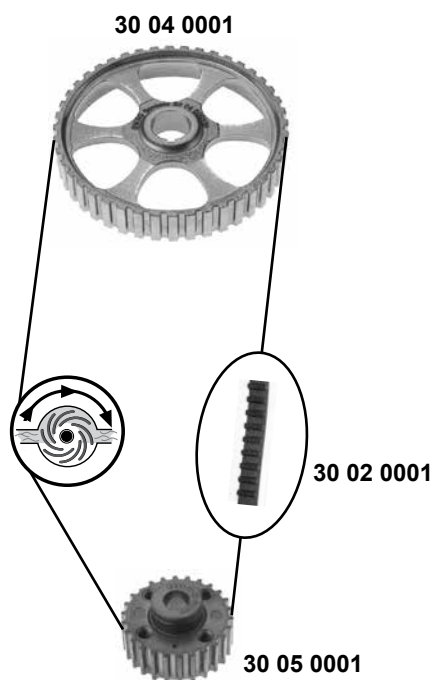


# VOLKSWAGEN

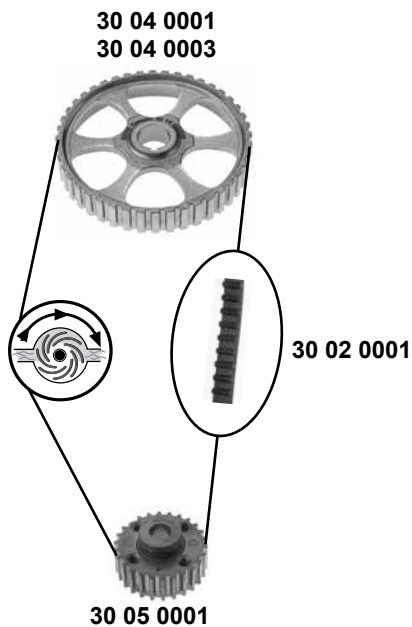
## Golf 2 (19/1G) / Jetta 2 (16)

(83→92)

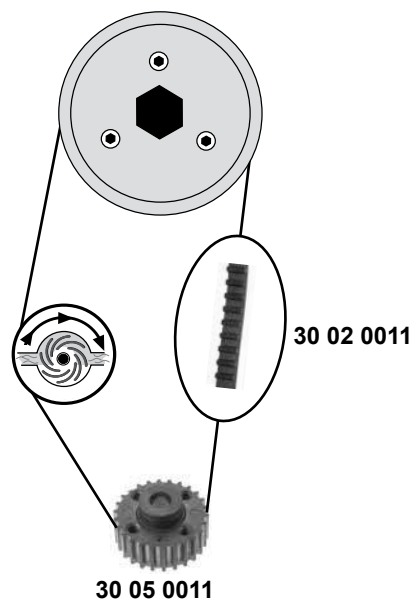
**1,05**  
(GN)



(ex.) Super Torque



Super Torque



**1,05**  
(HZ)



Ref. - No.



<b>30 02 0001</b>	052 109 119	Zahnriemen / timing belt
<b>30 02 0011</b>	030 109 119 A	Zahnriemen / timing belt
<b>30 04 0001</b>	030 109 111 C	Nockenwellenrad / camshaft gear
<b>30 04 0003</b>	026 109 111	Nockenwellenrad / camshaft gear
<b>30 05 0001</b>	049 105 263 B	Kurbelwellenrad / crankshaft gear
<b>30 05 0011</b>	030 105 263 C	Kurbelwellenrad / crankshaft gear

(mot.) GN/HZ → 00500 Z 44  
HZ: 005001 → 88  
(ch.) → ...H-160000

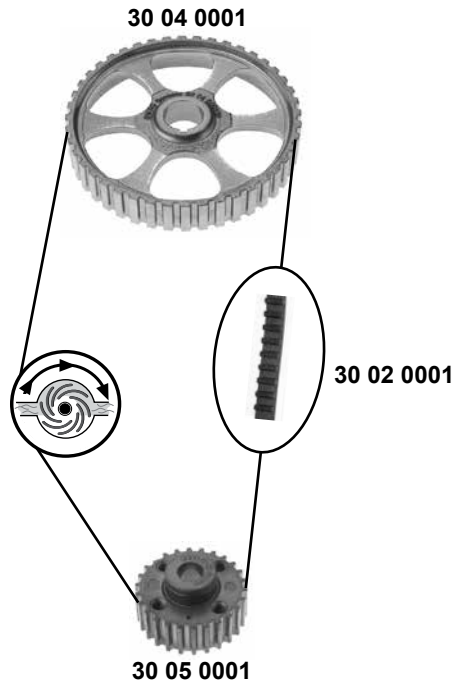
Z 108 B18
Z 128 B19
Z 22
Z 26

# VOLKSWAGEN Golf 2 / Jetta 2 (19/1G/16)

(84→92)

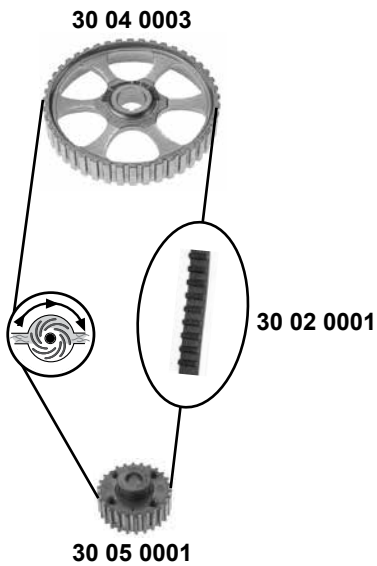


**1,3**  
(GT / HK / HW)

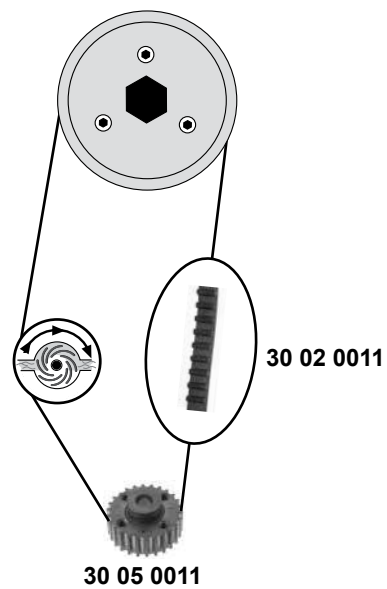


**1,3**  
(MH / NU / NZ / 2C / 2G)

(ex.) Super Torque



Super Torque



Ref. - No.



30 02 0001	052 109 119
30 02 0011	030 109 119 A
30 04 0001	030 109 111 C
30 04 0003	026 109 111
30 05 0001	049 105 263 B
30 05 0011	030 105 263 C

Zahnriemen / timing belt
Zahnriemen / timing belt
Nockenwellenrad / camshaft gear
Nockenwellenrad / camshaft gear
Kurbelwellenrad / crankshaft gear
Kurbelwellenrad / crankshaft gear

Modell: →88  
(ch.) →H-160000

Z 108 B18
Z 128 B19
Z 44
Z 26
Z 26

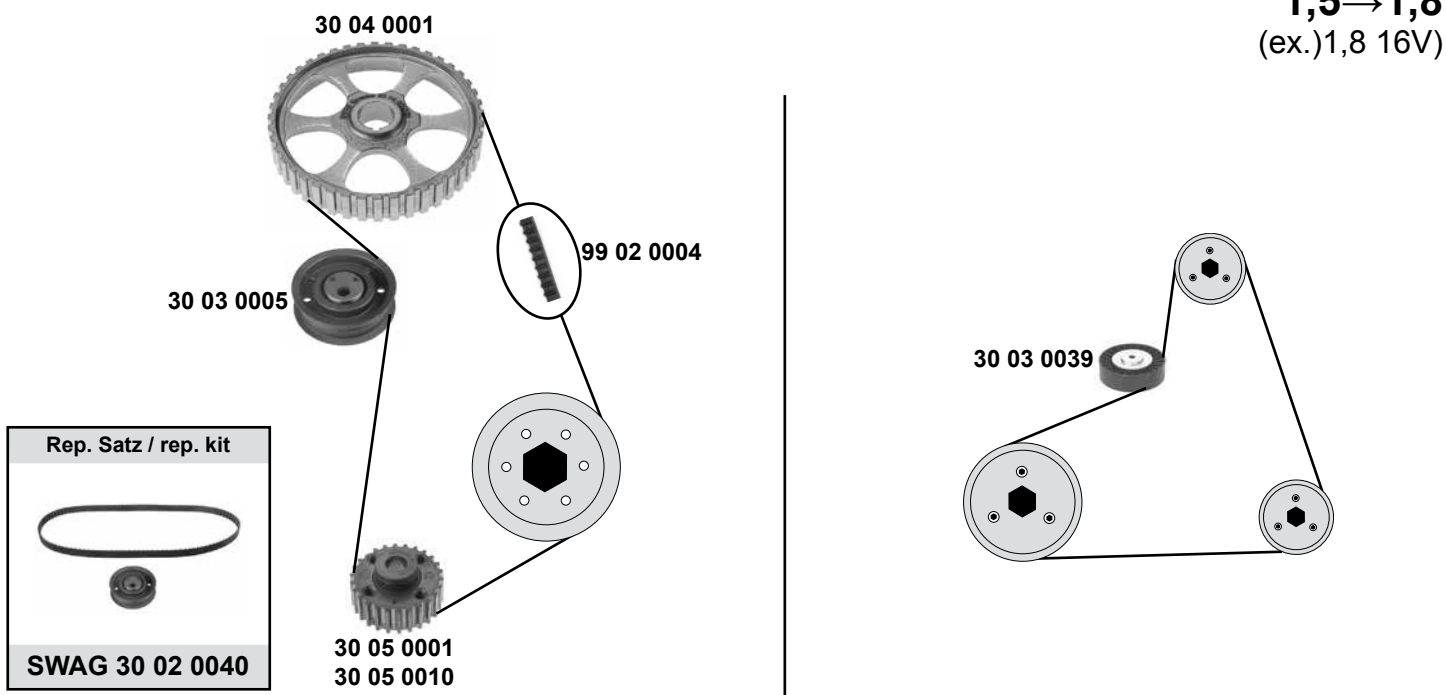


# VOLKSWAGEN

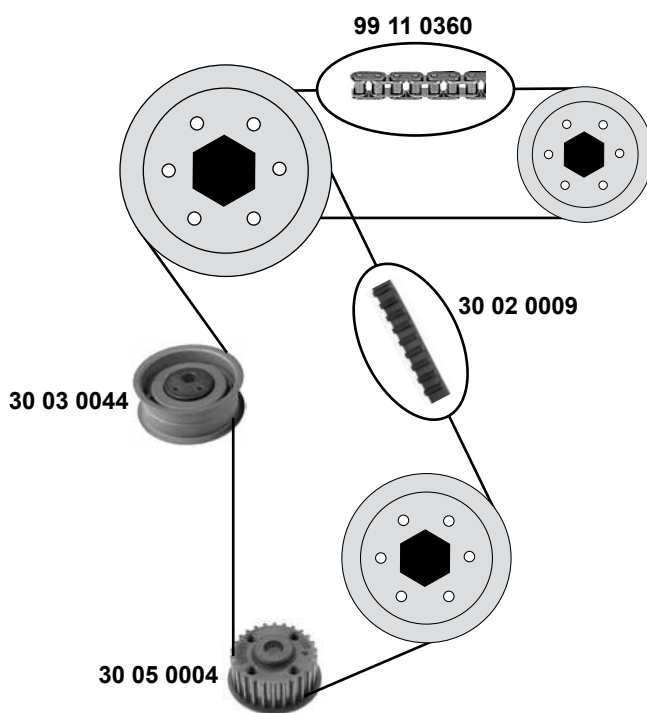
## Golf 2 / Jetta 2 (19/1G/16)

(84→92)

**1,5→1,8**  
(ex.)1,8 16V



**1,8 16V**  
(KR / PL)



SWAG	Ref. - No.			
30 02 0009	027 109 119 C	Zahnriemen / timing belt		Z 147 B25
30 02 0040	051 198 119	Rep. Satz Zahnriemen / rep. kit timing belt		
30 03 0005	026 109 243 L	Spannrolle / tension roller	(mot.) PG / 1H	ØA 72 ØI 10 B20
30 03 0039	074 145 278 E	Umlenkrolle / deflection pulley	G60 (mot.) PG	ØA 90 ØI 8 B25
30 03 0044	051 109 243	Spannrolle / tension roller		ØA 72 B27
30 04 0001	049 109 111 C	Nockenwellenrad / camshaft gear		Z 44
30 05 0001	049 105 263 B	Kurbelwellenrad / crankshaft gear	(ch.) → 19-H-160 000	
30 05 0004	027 109 263 B	Kurbelwellenrad / crankshaft gear	(ch.) 19-H-160 000→	Z 22
30 05 0010	049 105 263 C	Kurbelwellenrad / crankshaft gear		Z 121 B18
99 02 0004	056 109 119 A	Zahnriemen / timing belt		
99 02 0066	027 109 119 C S1	Rep. Satz Zahnriemen / rep. kit timing belt		
99 11 0360	077 109 120	Steuerkette / timing chain		D 44 E

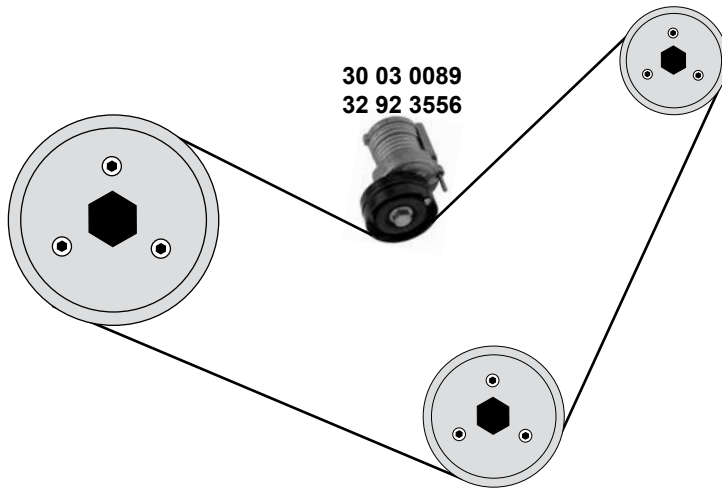
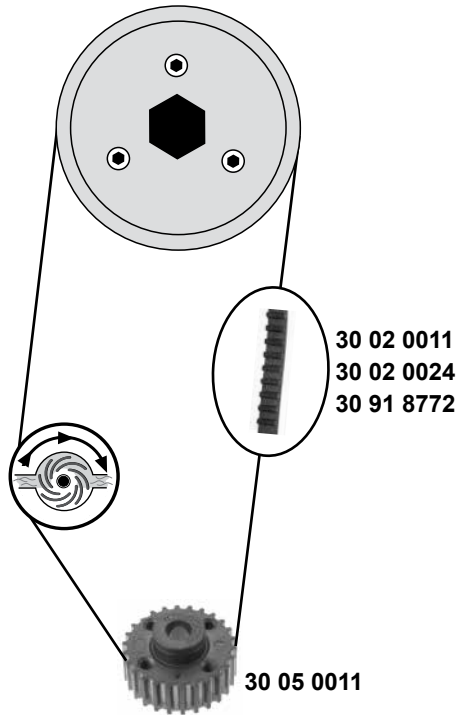
# VOLKSWAGEN Golf 3 / Vento (1H)

(92→98)



**1,4 / 1,6**

(ABU / ABD / AEA / AEE / AEX / APQ)



**(1) (ch.)**→1H - WB050 000  
 (ch.)→1H - WD 119 000  
 (ch.)→1H - WP 090 000  
 (ch.)→1H - WW 157 905

**(2) servo** (ch.)→S-120 000



Ref. - No.



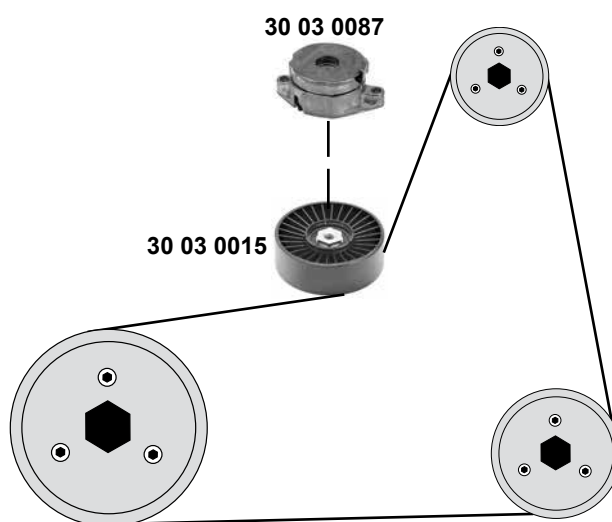
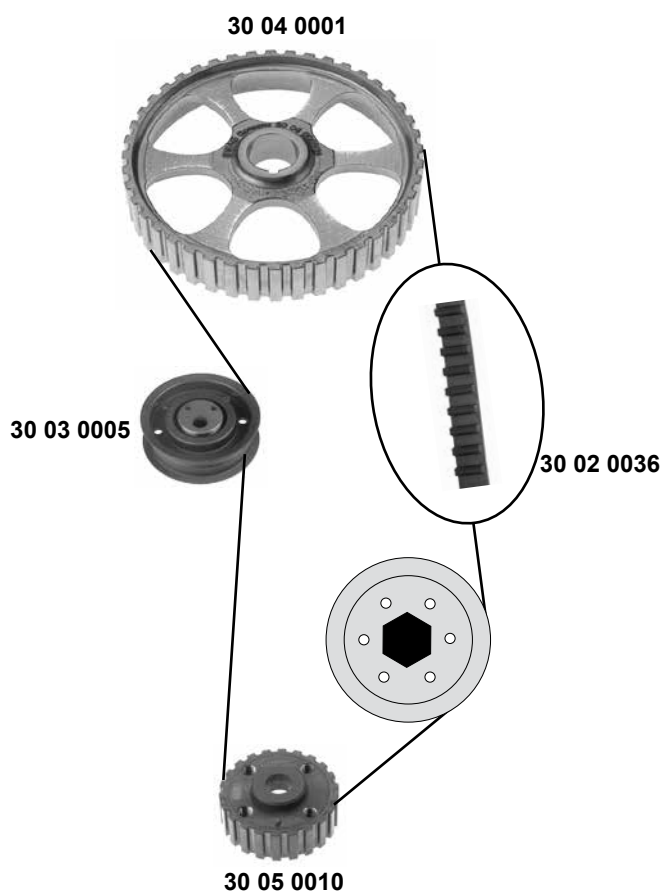
<b>30 02 0011</b>	030 109 119 A
<b>30 02 0024</b>	032 109 119
<b>30 03 0089</b>	030 145 299 F
<b>30 05 0011</b>	030 105 263 C
<b>30 91 8772</b>	032 109 119 J
<b>32 92 3556</b>	032 145 299 C

Zahnriemen / timing belt
Zahnriemen / timing belt
Riemenspanner / belt tensioner
Kurbelwellenrad / crankshaft gear
Zahnriemen / timing belt
Riemenspanner / belt tensioner

ABD (Super Torque)
(mot.) ABU
AC
(1)
(mot.) AEA / AEE
(2)

Z 128 B19
Z 133 B19
ØA 70 B26
Z 26
Z 137 B19
ØA 70 B26

**1,6**  
(AFT / AEK)



SWAG	Ref. - No.			
<b>30 02 0036</b>	026 109 119 B	Zahnriemen / timing belt	AC	Z 121 B18
<b>30 03 0005</b>	026 109 243 L	Spannrolle / tension roller		ØA 72 ØI 10 B20
<b>30 03 0015</b>	028 145 278 E	Spannrolle / tension roller		ØA 78 ØI 8 B26
<b>30 03 0087</b>	037 903 315 C	Riemenspanner / belt tensioner		
<b>30 04 0001</b>	049 109 111 C	Nockenwellenrad / camshaft gear		Z 44
<b>30 05 0010</b>	049 105 263 C	Kurbelwellenrad / crankshaft gear		Z 22
<b>30 91 4616</b>	026 109 119 B S1	Rep. Satz Zahnriemen / rep. kit timing belt		



# VOLKSWAGEN Golf 3 / Vento (1H)

(92→98)



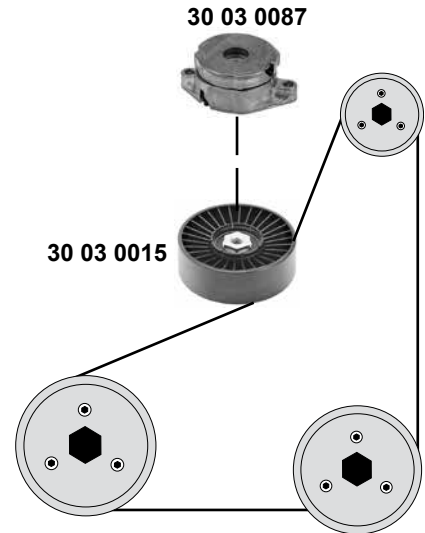
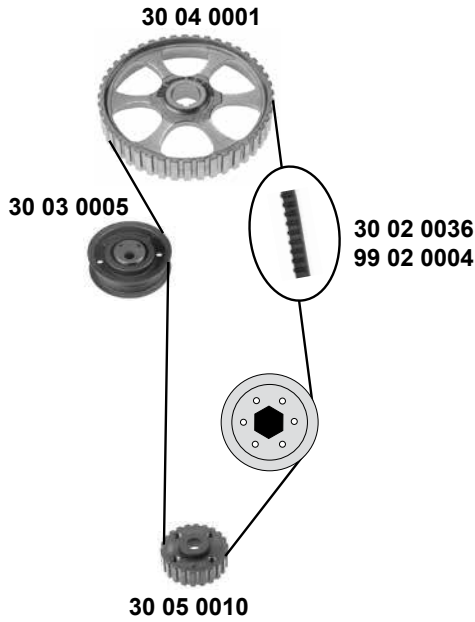
1,8

Rep. Satz / rep. kit

**SWAG 30 02 0040**

Rep. Satz / rep. kit

**SWAG 30 91 4616**



2,0

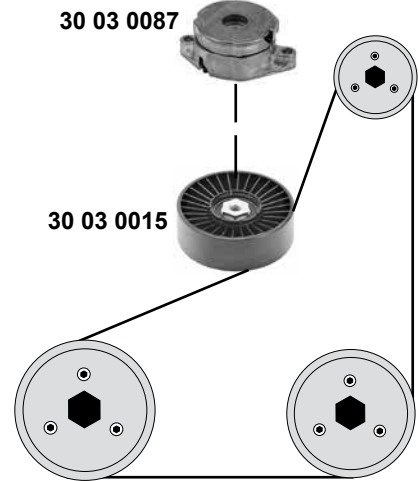
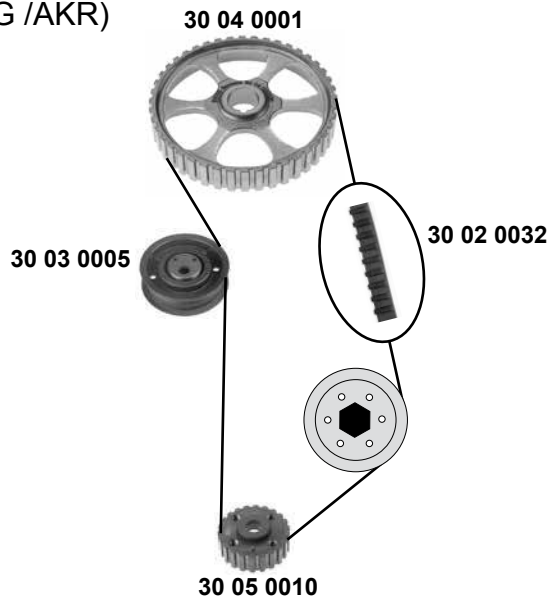
(2E / ADY / AEP / AGG / AKR)

Rep. Satz / rep. kit

**SWAG 30 02 0041**

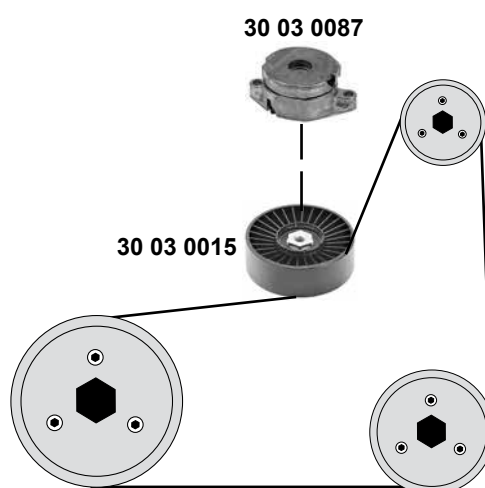
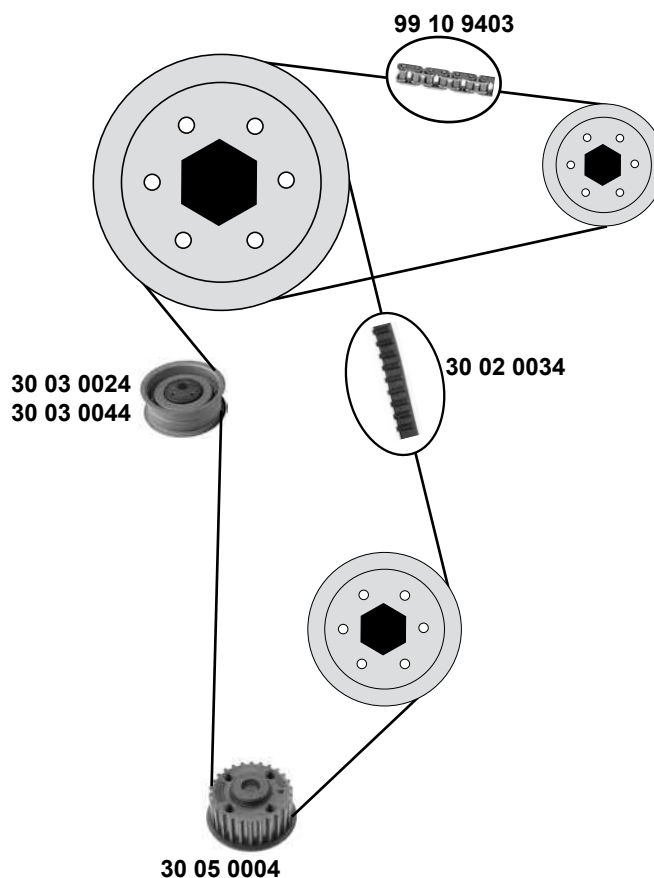
Rep. Satz / rep. kit

**SWAG 99 02 0068**



SWAG GERMANY	Ref. - No.			
30 02 0032	037 109 119 C	Zahnriemen / timing belt		Z 124 B18
30 02 0036	026 109 119 B	Zahnriemen / timing belt		(ch.) 1H-R-990 001→ Z 121 B18
30 02 0040	051 198 119	Rep. Satz Zahnriemen / Rep. kit timing belt		
30 02 0041	051 198 119	Rep. Satz Zahnriemen / Rep. kit timing belt		
30 03 0005	026 109 243 L	Spannrolle / tension roller		
30 03 0015	028 145 278 E	Spannrolle / tension roller		ØA 72 ØI 10 B20
30 03 0087	037 903 315 C	Riemenspanner / belt tensioner		ØA 78 ØI 8 B26
30 04 0001	049 109 111 C	Nockenwellenrad / camshaft gear		Z 44
30 05 0010	049 105 263 C	Kurbelwellenrad / crankshaft gear		Z 22
30 91 4616	026 109 119 B S1	Rep. Satz Zahnriemen / rep. kit timing belt		(ch.)→1H-R-990 001
99 02 0004	056 109 119 A	Zahnriemen / timing belt		(ch.)→1H-R-990 001
99 02 0068	037 109 119 C S2	Rep. Satz Zahnriemen / rep. kit timing belt		Z 121 B18





<b>30 02 0034</b>	048 109 119 G
<b>30 02 0039</b>	048 109 119 G S1
<b>30 03 0015</b>	028 145 278 E
<b>30 03 0024</b>	051 109 243 A
<b>30 03 0044</b>	051 109 243
<b>30 03 0087</b>	037 903 315 C
<b>30 05 0004</b>	027 109 263 B
<b>99 11 0360</b>	077 109 120

Zahnriemen / timing belt
Rep. Satz Zahnriemen / rep. kit timing belt
Spannrolle / tension roller
Spannrolle / tension roller
Spannrolle / tension roller
Riemenspanner / belt tensioner
Kurbelwellenrad / crankshaft gear
Steuerkette / timing chain

(mot.)→ABF 020 922  
**AC**  
 (mot.) ABF 020 923→  
 (mot.)→ABF 020 922

ØA 78 ØI 8 B26  
 ØA 72 ØI 8 B27  
 ØA 72 B27

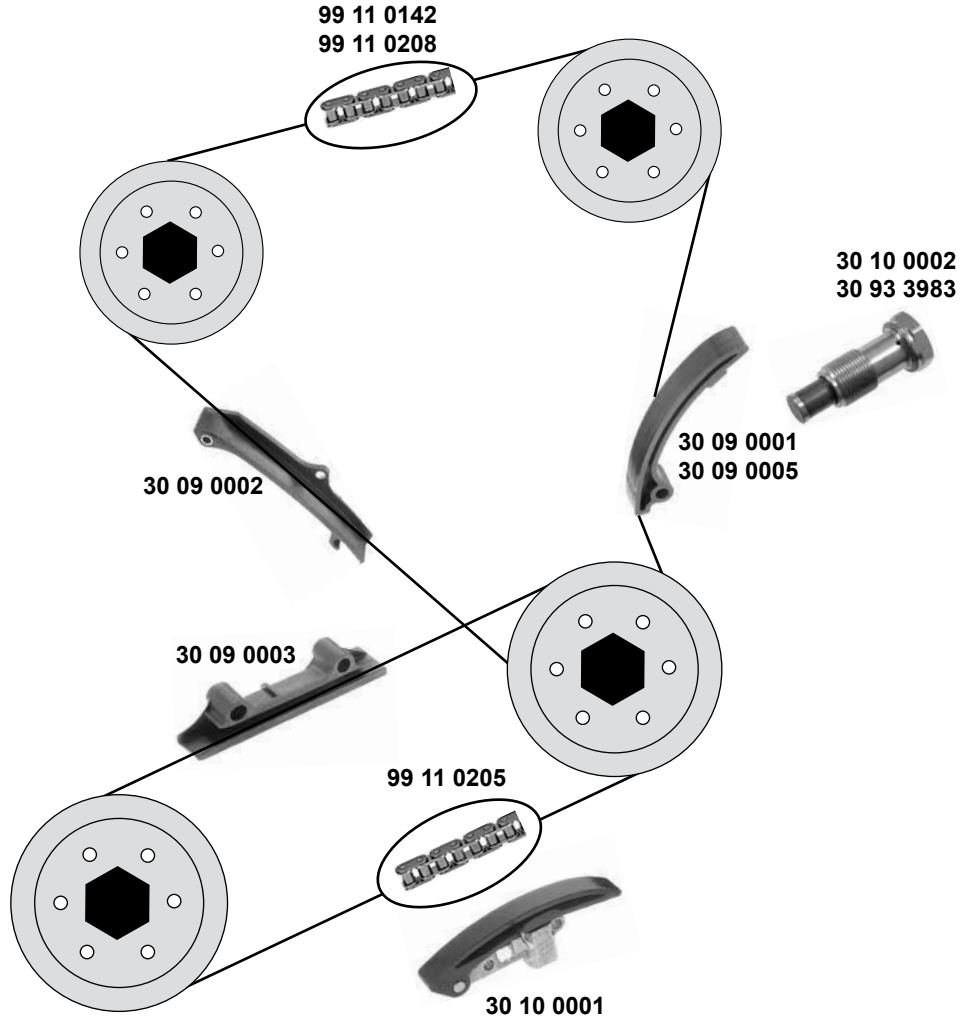
D 44 E

# VOLKSWAGEN Golf 3 / Vento (1H)

(92→98)

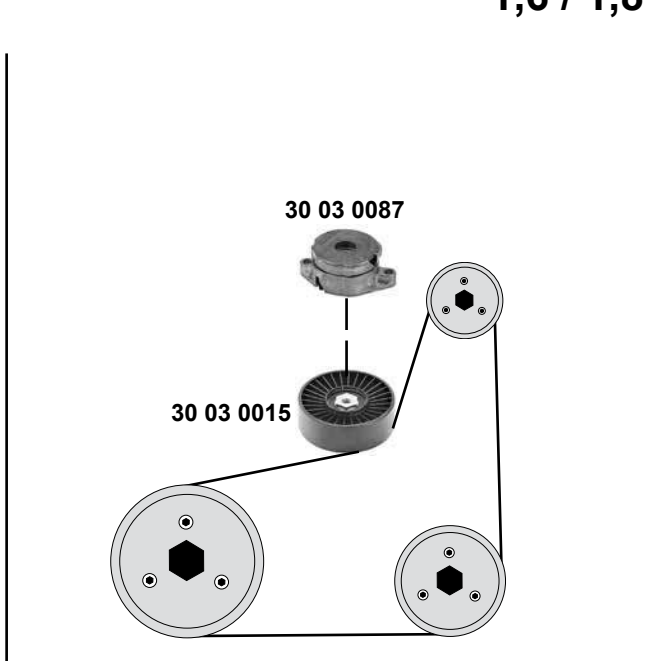
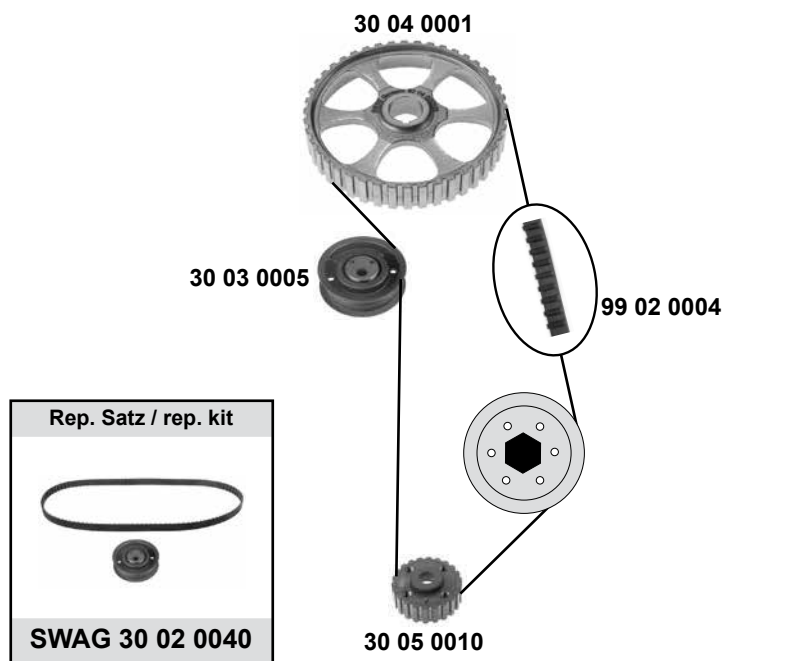


## 2,8 VR6 (AAA)

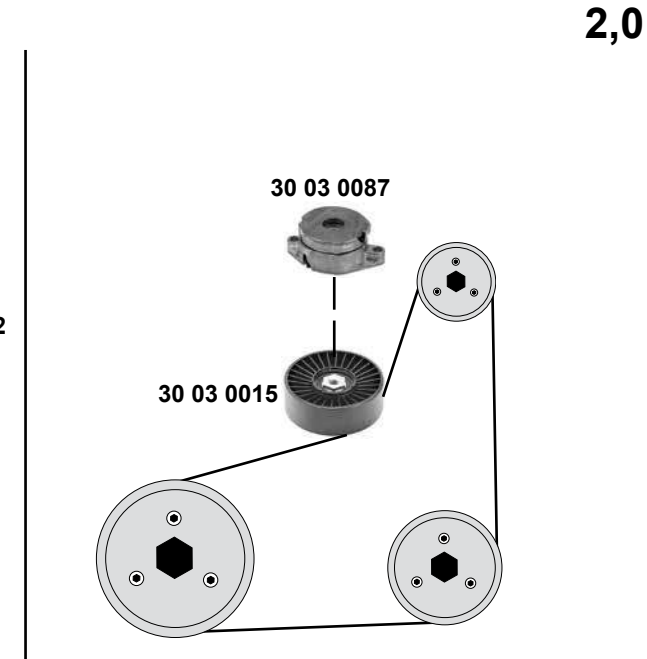
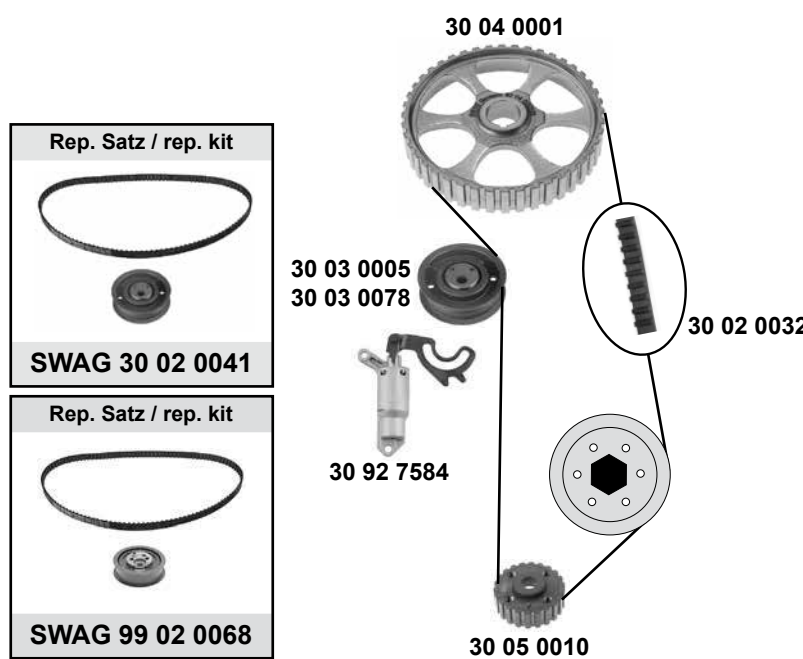


SWAG	Ref. - No.			
30 09 0001	021 109 509 A	Gleitschiene / sliding rail	(mot.) AAA→217 000	
30 09 0002	021 109 513	Gleitschiene / sliding rail		
30 09 0003	021 109 469	Gleitschiene / sliding rail		
30 09 0005	021 109 509 E	Kettenspanner / chain tensioner	(mot.) AAA 217 001→	
30 10 0001	021 109 467	Kettenspanner / chain tensioner		
30 10 0002	021 109 507 B	Kettenspanner / chain tensioner	(mot.) AAA 217 001→	
30 93 3983	021 109 507 A	Kettenspanner / chain tensioner	(mot.) AAA→217 000	
99 11 0142	021 109 503 A	Steuerkette / timing chain	(mot.) AAA→217 000	D 90 E
99 11 0205	021 109 467	Steuerkette / timing chain		70 E
99 11 0208	021 109 503 D	Steuerkette / timing chain	(mot.) AAA 217 001→	90 E
99 13 3984	021 109 507 A S1	Rep. Satz Steuerkette/ rep kit timing chain	(mot.) AAA→217 000	
99 13 3985	021 109 503 D S1	Rep. Satz Steuerkette/ rep kit timing chain	(mot.) AAA 217 001→	

1,6 / 1,8



2,0



(1) (mot.) ADY / AGG / AGR / 2E → 98

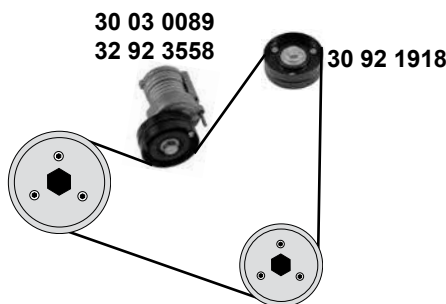
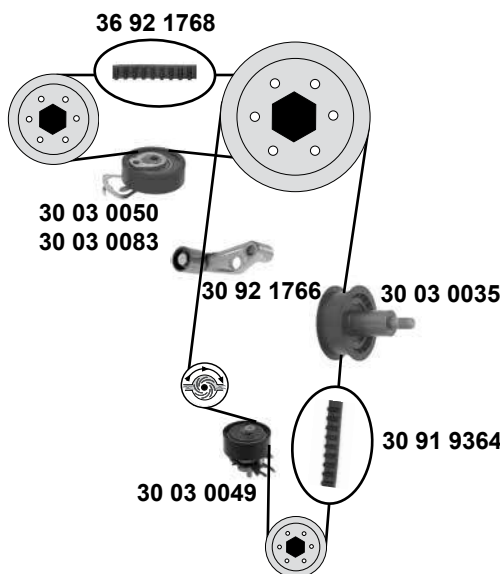
SWAG GERMANY	Ref. - No.			
30 02 0032	037 109 119 C	Zahnriemen / timing belt	(1)	Z 124 B18
30 02 0040	051 198 119	Rep. Satz Zahnriemen / rep. kit timing belt	(mot.) AGG/AKR	ØA 72 ØI 10 B20
30 02 0041	051 198 119	Rep. Satz Zahnriemen / rep. kit timing belt	(mot.) AGG/AKR	ØA 78 ØI 8 B26
30 03 0005	026 109 243 L	Spannrolle / tension roller	AC	ØA 72 ØI 10 B20
30 03 0015	028 145 278 E	Spannrolle / tension roller	(mot.) ATU/AWG/AWF	
30 03 0078	026 109 243 J	Spannrolle / tension roller		Z 44
30 03 0087	037 903 315 C	Riemenspanner / belt tensioner		Z 22
30 04 0001	049 109 111 C	Nockenwellenrad / camshaft gear		Z 121 B18
30 05 0010	049 105 263 C	Kurbelwellenrad / crankshaft gear		
30 92 7584	050 109 479 A	Riemenspanner / belt tensioner		
99 02 0004	056 109 119 A	Zahnriemen / timing belt		
99 02 0068	037 109 119 C S2	Rep. Satz Zahnriemen / rep. kit timing belt		

# VOLKSWAGEN Golf 4 / Bora (1J)

(97→06)



## 1,4 16V / 1,6 16V



- (1) Bora (mot.) AKQ → 242 000  
Bora / variant (mot.) AHW → 160 000  
Golf 4 / variant (mot.) AKQ → 241 244  
Golf 4 / variant (mot.) AHW → 164 200

- (2) (mot.) AHW 164 201→  
(mot.) AKQ 241 245→

- (3) Bora (mot.) AKQ 242 001 → / 98→05  
Bora (mot.) AHW/APE/ATN/AUS/AXP/AZD/BAD/BCA/BCB / 98→05  
Bora variant (mot.) AHW/ATN/AUS/AXP/AZD/BAD/BCB / 98→05

- (4) Golf 4 / variant (mot.) APE/ATN/AUS/AXP/AZD/BAD/BCA/BCB

- (5) Golf 4 / variant (mot.) AHW/AKQ/APE/ATN/AUS/AXP/AZD/BAD/BCA/BCB

- (6) Golf 4 / variant (mot.) APE/APF/ATN/AUS/AXP/AZD/BAD/BCA/BCB



Ref. - No.

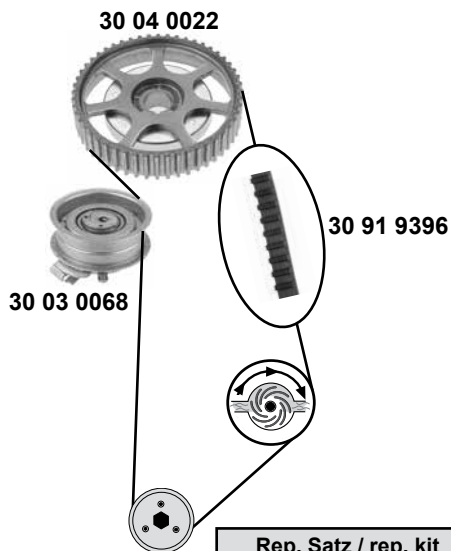


Ref. - No.	Description	Notes	Dimensions
30 03 0035	036 109 244 J Umlenkrolle / deflection pulley		ØA 56 B22
30 03 0049	036 109 243 AB Spannrolle / tension roller		ØA 80 ØI 8 B25
30 03 0050	036 109 243 F Spannrolle / tension roller	(1)	ØA 60 ØI 8 B18
30 03 0083	036 109 243 AE Spannrolle / tension roller	(2) (3) (6)	ØA 60 B19
30 03 0089	030 145 299 F Riemenspanner / belt tensioner	(ex.) AC + servo	ØA 70 B26
30 91 9364	036 109 119 Q Zahnriemen / timing belt		Z 130 B20
30 92 1766	036 109 181 A Umlenkrolle / deflection pulley		ØA 28 B30
30 92 1770	036 109 119 Q S1 Rep. Satz Zahnriemen / rep. kit timing belt	(2)	
30 92 1772	036 109 119 Q S2 Rep. Satz Zahnriemen / rep. kit timing belt	(2) (3) (4)	
30 92 1774	036 109 119 P S1 Rep. Satz Zahnriemen / rep. kit timing belt	AC + servo	ØA 76 B26
30 92 1918	032 145 276 Umlenkrolle / deflection pulley	(1)	
30 93 2427	036 198 119 F Rep. Satz Zahnriemen / rep. kit timing belt	AC + servo	
32 92 3558	032 145 299 A Riemenspanner / belt tensioner	(5)	
36 92 1768	036 109 119 P Zahnriemen / timing belt		Z 58 B17



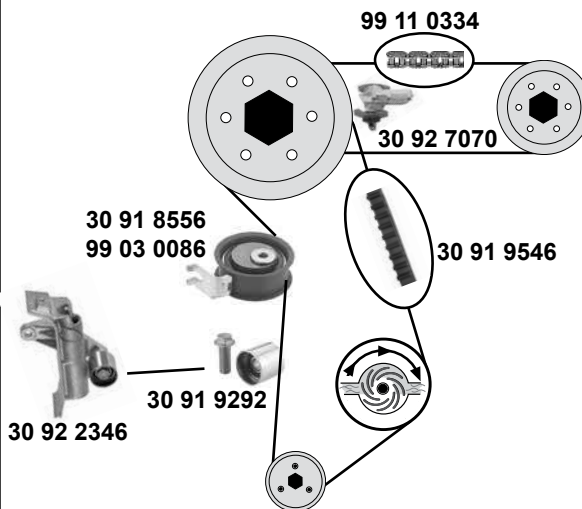
# VOLKSWAGEN Golf 4 / Bora (1J) (97→06)

## 1,6 8V / 2,0 8



Rep. Satz / rep. kit

**SWAG 32 92 3634**



Rep. Satz / rep. kit

**SWAG 30 92 7298**

Rep. Satz / rep. kit

**SWAG 30 93 7642**

## 1,8 20V

Rep. Satz / rep. kit

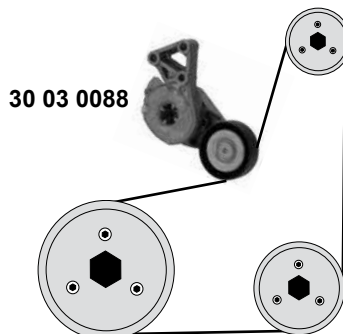
**SWAG 30 91 9548**

Rep. Satz / rep. kit

**SWAG 30 91 9550**

Rep. Satz / rep. kit

**SWAG 32 92 3646**



(1) (mot.) AVU→048 000

(2) (mot.) AGN / AGU / AUM / ARZ

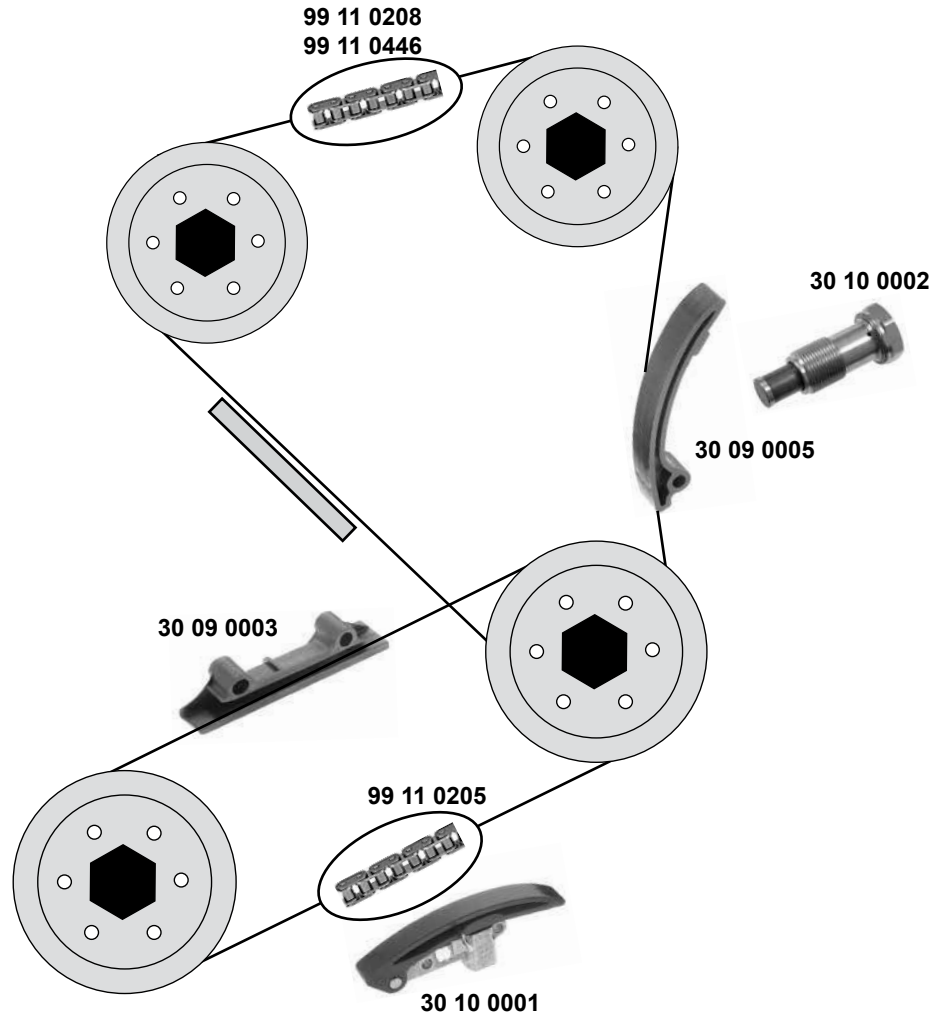
SWAG GERMANY	Ref. - No.			
30 03 0068	06A 109 479 C	Spannrolle / tension roller	(1)	ØA 72 B29
30 03 0088	06A 903 315 E	Riemenspanner / belt tensioner		
30 04 0022	06A 109 105 C	Nockenwellenrad / camshaft gear		
30 91 8556	06B 109 243 D	Spannrolle / tension roller		ØA 73 B31
30 91 9292	06B109 244	Umlenkrolle / deflection pulley		ØA 28,5 B27
30 91 9396	06A 109 119 C	Zahnriemen / timing belt		Z 138 B23
30 91 9546	06B109 119 A	Zahnriemen / timing belt		Z 150 B23
30 91 9548	06A 198 119 A	Rep. Satz Zahnriemen / rep. kit timing belt	(ch.) →1J-Y-850 000	
30 91 9550	06B 109 119 A S2	Rep. Satz Zahnriemen / rep. kit timing belt	(ch.) 1J-Y-850 000→	
30 92 2346	06B 109 243 F	Riemenspanner / belt tensioner		
30 92 7070	058 109 217 B	Kettenspanner / chain tensioner	(mot.) AGU	
30 92 7298	06B 109 119 A S5	Rep. Satz Zahnriemen / rep. kit timing belt	(2) →(ch.) 1J-Y-850000	
30 93 7642	06A 198 119 B	Rep. Satz Zahnriemen / rep. kit timing belt	(mot.) AGU/AUM/AUQ	
32 92 3634	06A 198 119	Rep. Satz Zahnriemen / rep. kit timing belt		
32 92 3646	06B 109 119 A S3	Rep. Satz Zahnriemen / rep. kit timing belt	(ch.) 1J-Y-850 000→	
99 03 0086	06B109 243	Spannrolle / tension roller	(ch.) →1J-Y-850 000	ØA 72 B30
99 11 0334	058 109 229 B	Steuerkette / timing chain		50 E

# VOLKSWAGEN Golf 4 / Bora (1J)

(98→05)



**2,3 V5**  
(AGZ / AQN)

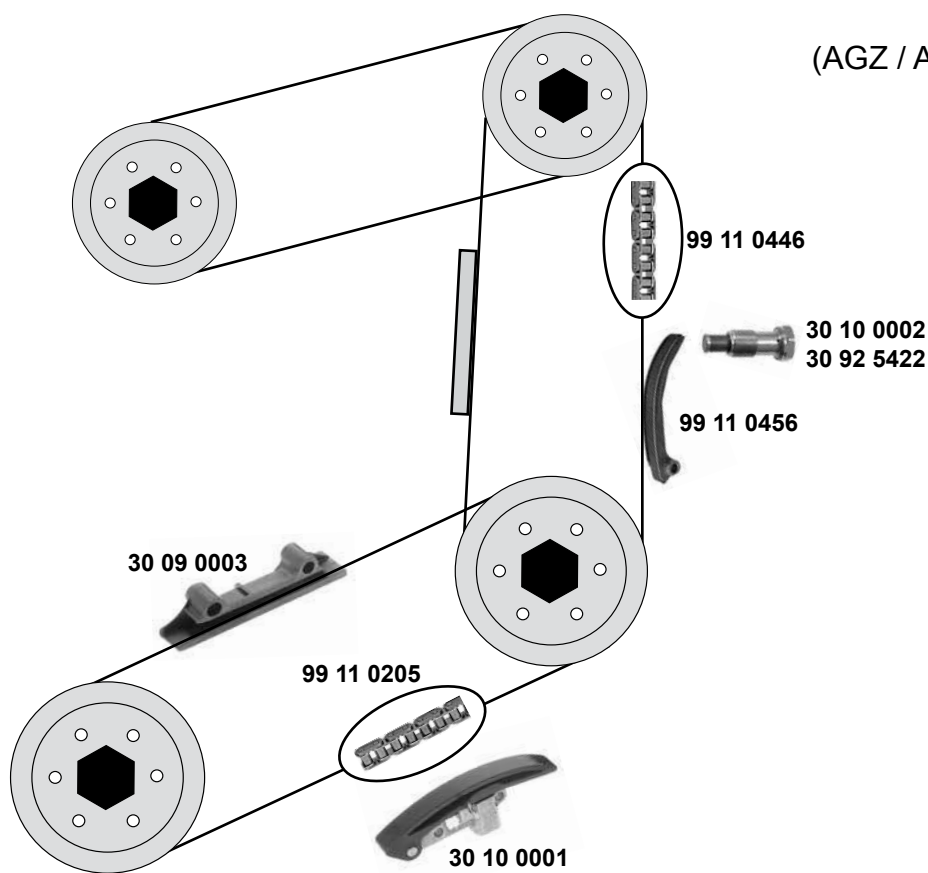


	Ref. - No.			
<b>30 09 0003</b>	021 109 469	Gleitschiene / sliding rail	(mot.) AGZ	
<b>30 09 0005</b>	021 109 509 E	Kettenspanner / chain tensioner	(mot.) AGZ→051 000	
<b>30 10 0001</b>	021 109 467	Kettenspanner / chain tensioner	(mot.) AGZ	
<b>30 10 0002</b>	021 109 507 B	Kettenspanner / chain tensioner	(mot.) AGZ	
<b>99 11 0205</b>	021 109 467	Steuerkette / timing chain	(mot.) AGZ	70 E
<b>99 11 0208</b>	021 109 503 D	Steuerkette / timing chain	(mot.) AGZ	90 E
<b>99 11 0446</b>	066 109 503 C	Steuerkette / timing chain	(mot.) AQN	98 E

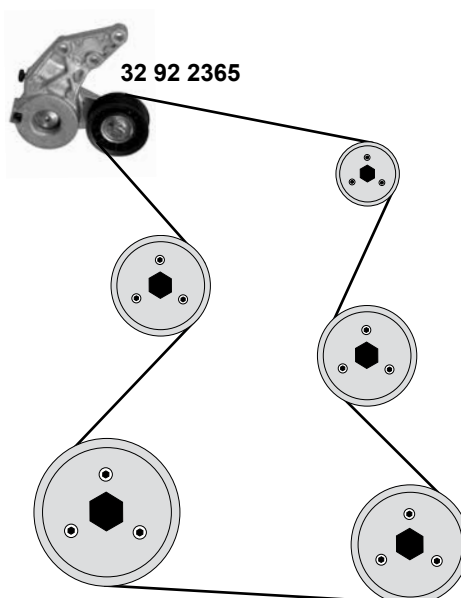






**2,8**

(AGZ / AQP / AUE / BDE)

**2,8 / 3,2**

(AQN / BDE / BFH / BML)



	Ref. - No.			
<b>30 09 0003</b>	021 109 469	Gleitschiene / sliding rail		
<b>30 10 0001</b>	021 109 467	Kettenspanner / chain tensioner		
<b>30 10 0002</b>	021 109 507 B	Kettenspanner / chain tensioner	(mot.) AGZ / → 01	
<b>30 92 5422</b>	022 109 507 A	Kettenspanner / chain tensioner	(mot.) AQP/AUE →01	
<b>32 92 2365</b>	022 145 299 D	Riemenspanner / belt tensioner		ØA 73
<b>99 11 0205</b>	021 109 467	Steuerkette / timing chain		70E
<b>99 11 0446</b>	066 109 503 C	Steuerkette / timing chain	(mot.) BDE	98 E
<b>99 11 0456</b>	022 109 509 C	Gleitschiene / sliding rail	→ 01	

# VOLKSWAGEN

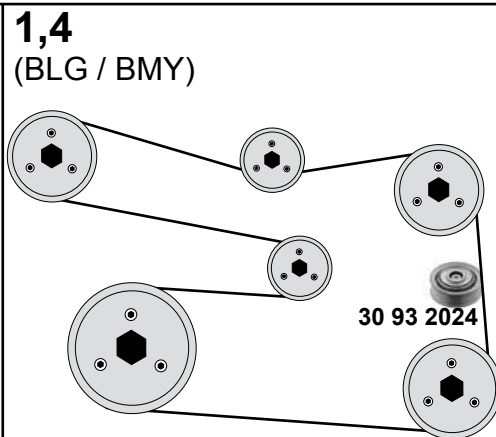
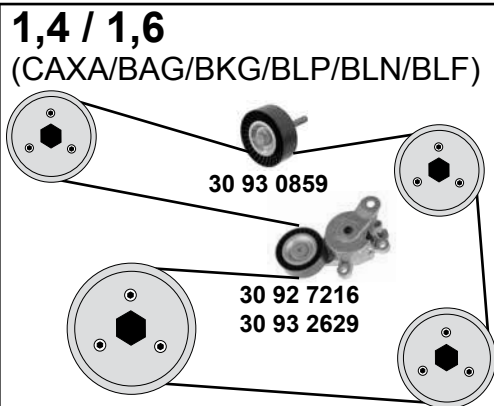
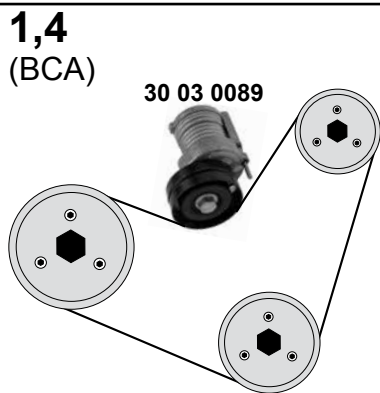
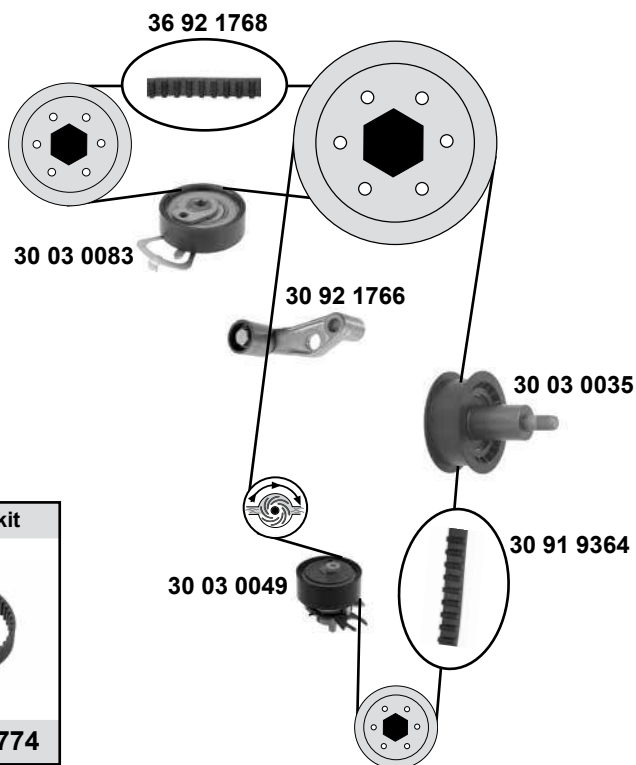
## Golf 5 (1K)

(03→09)



**1,4 16V**  
(BCA/BUD/CAXA)

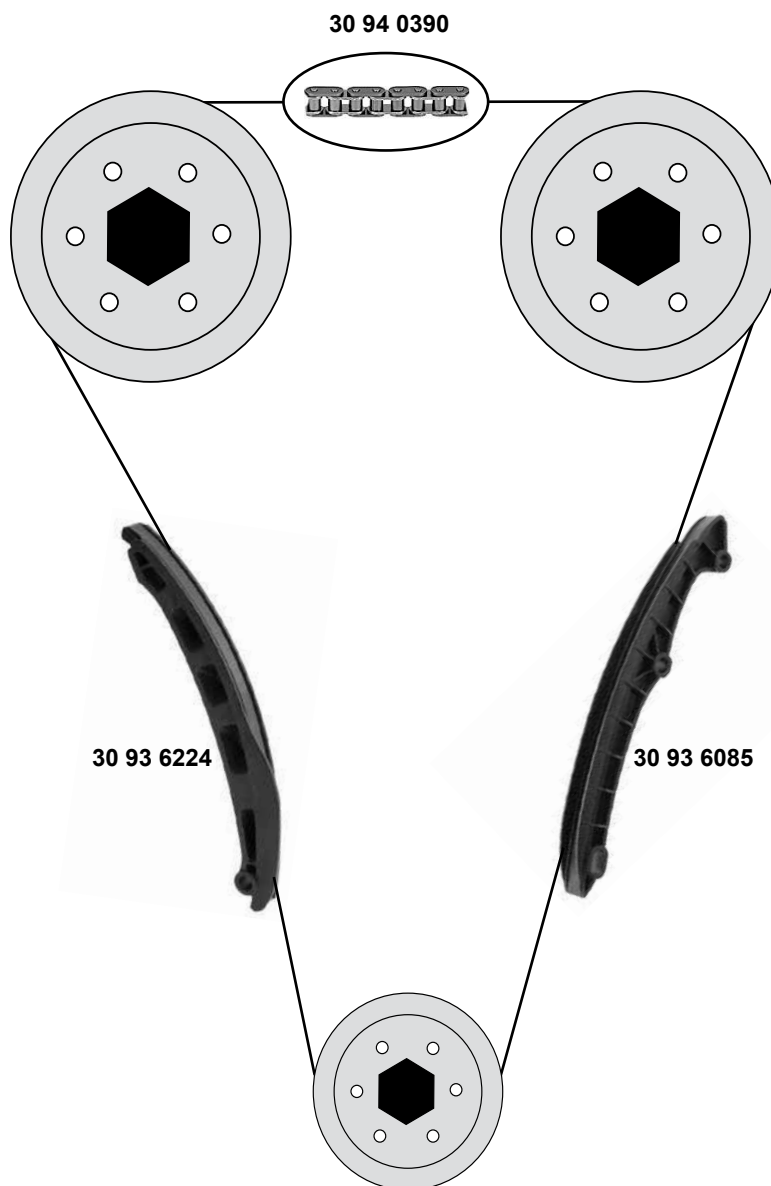
→ (ch.) 1K-9-400 000



**i** (1) Golf 5 Variant (mot.) BUD 07→

SWAG GERMANY	Ref. - No.		<b>i</b>	
30 03 0035	036 109 244 J	Umlenkrolle / deflection pulley	(mot.) BCA/BUD	ØA 56 B22
30 03 0049	036 109 243 AB	Spannrolle / tension roller	(mot.) BCA/BUD	ØA 80 ØI 8 B25
30 03 0083	036 109 243 AE	Spannrolle / tension roller	(mot.) BCA/BUD	ØA 60 B19
30 03 0089	030 145 299 F	Riemenspanner / belt tensioner		ØA 70 B26
30 91 9364	036 109 119 Q	Zahnriemen / timing belt	(mot.) BCA/BUD	Z 130 B20
30 92 1766	036 109 181 A	Umlenkrolle / deflection pulley	(mot.) BCA/BUD	ØA 28 B30
30 92 1770	036 109 119 Q S1	Rep. Satz Zahnriemen / rep. kit timing belt	(mot.) BCA/BUD	
30 92 1772	036 109 119 Q S2	Rep. Satz Zahnriemen / rep. kit timing belt	(mot.) BCA/BUD	
30 92 1774	036 109 119 P S1	Rep. Satz Zahnriemen / rep. kit timing belt	(mot.) BCA/BUD	
30 92 7216	6Q0 145 299	Riemenspanner / belt tensioner	(ex.) AC	
30 93 0859	1J0 145 276	Umlenkrolle / deflection pulley	AC	ØA 76 B 26
30 93 2024	03C 145 276 C	Umlenkrolle / deflection pulley	(ex.) AC	
30 93 2629	03C 145 299 Q	Riemenspanner / belt tensioner	AC CAXA 07→	
36 92 1768	036 109 119 P	Zahnriemen / timing belt	(1)	Z 58 B17





Ref. - No.



<b>30 93 6085</b>	03C 109 469 K	Gleitschiene/ sliding rail
<b>30 93 6224</b>	03C 109 509 P	Gleitschiene/ sliding rail
<b>30 94 0390</b>	03C 109 158 A	Steuerkette / timing chain

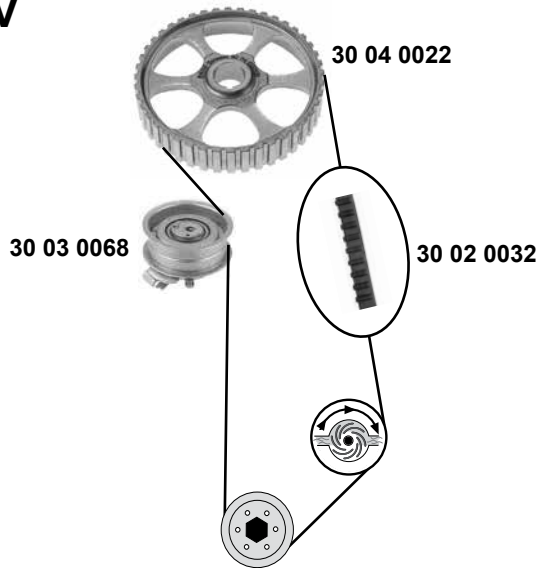
130 E

# VOLKSWAGEN Golf 5 (1K)

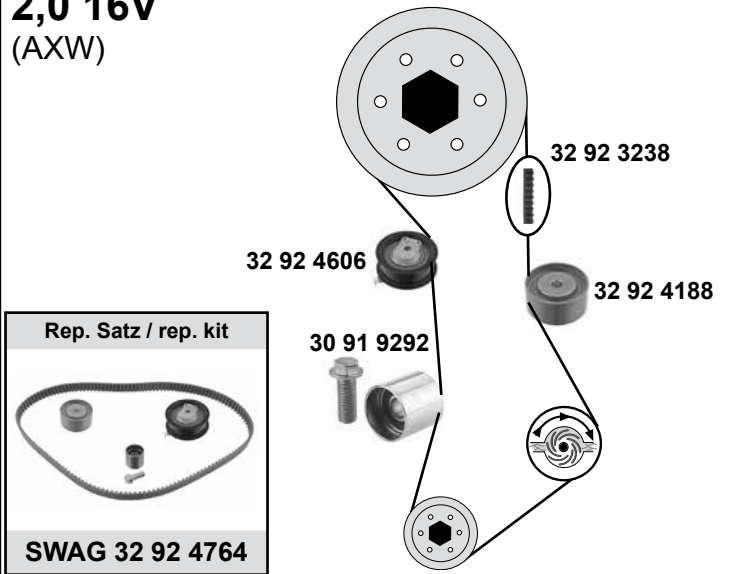
(04→)



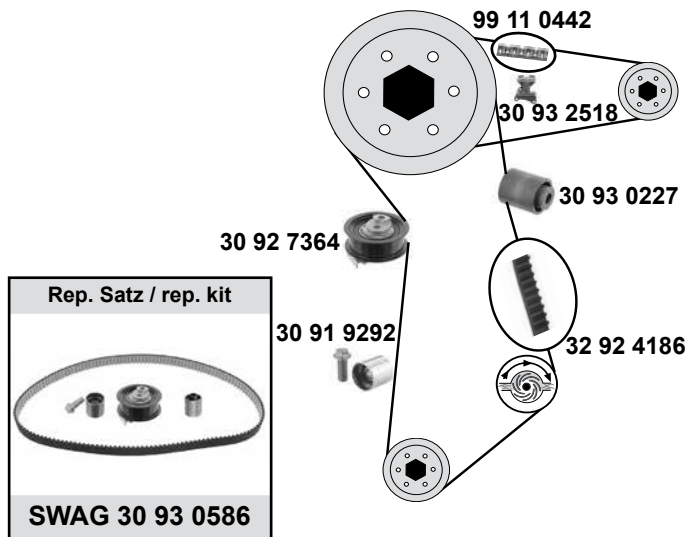
## 1,6 16V (BGU)



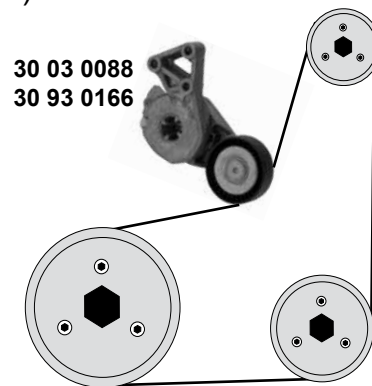
## 2,0 16V (AXW)



## 2,0 16V (AXX/BLX/BLY/BLR/BVX/BVZ/BVY/BWA/BPY)



## 1,6 16V (AKL) 2,0 16V (AZJ/BFQ/AEH/AQY/APK/BEH/AXX/BWA/ BYD/BPY)



(1) (mot.) AKL/AZJ/BFQ/AEH/AQY/APK/BEH

(2) (mot.) AXX/BWA/BYD/BPY

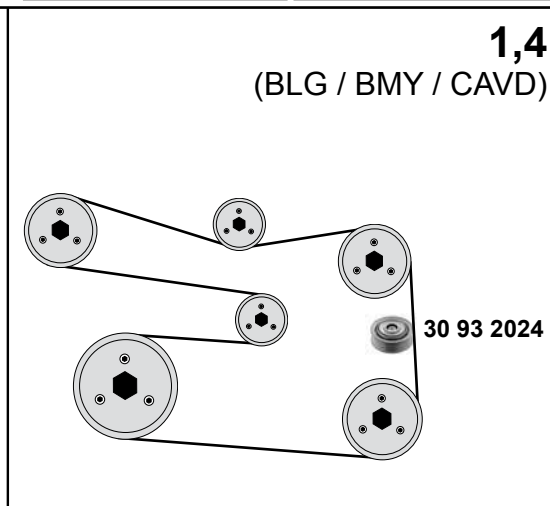
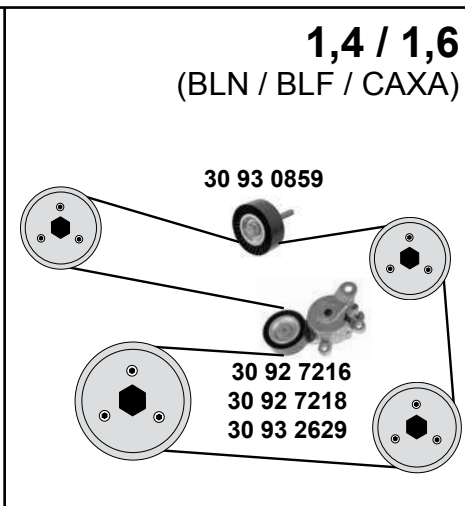
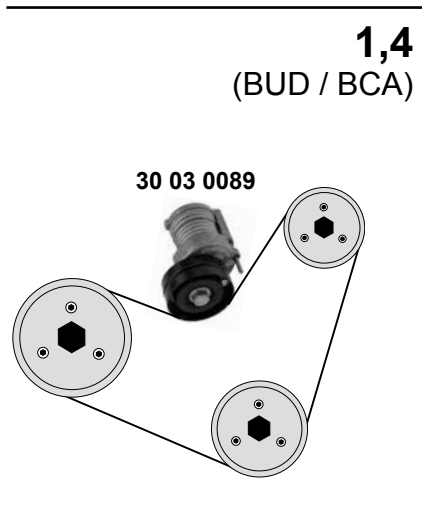
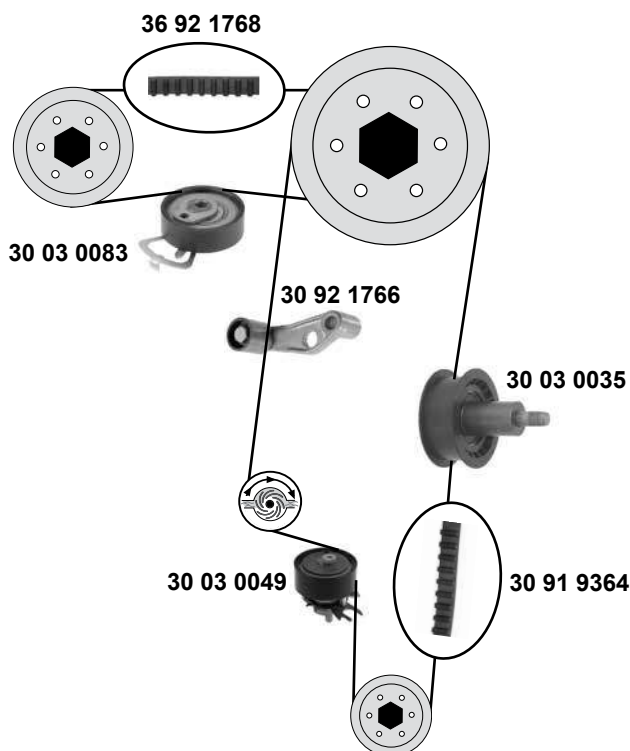
SWAG GERMANY	Ref. - No.			
30 02 0032	037 109 119 C	Zahnriemen / timing belt	(1)	Z 124 B18 ØA 72 B29
30 03 0068	06A 109 479 C	Spannrolle / tension roller		
30 03 0088	06A 903 315 E	Riemenspanner / belt tensioner	(2)	ØA 28,5 B27 ØA 77 B25
30 04 0022	06A 109 105 C	Nockenwellenrad / camshaft gear		
30 91 9292	06B 109 244	Umlenkrolle / deflection pulley	(mot.) BWA (ch.) → 1K-9-304 940	ØA 28,5 B33,5
30 92 7364	06D 109 243 B	Spannrolle / tension roller		
30 93 0166	06F 903 315	Riemenspanner / belt tensioner	Z 145 Z 148 B23	
30 93 0227	06D 109 244 E	Umlenkrolle / deflection pulley		
30 93 0586	06F 198 119 A	Rep. Satz Zahnriemen / rep. kit timing belt	Z145 42E	
30 93 2518	06F 109 217 A	Kettenspanner / chain tensioner		
32 92 3238	06D 109 119	Zahnriemen / timing belt		
32 92 4186	06D 109 119 B	Zahnriemen / timing belt		
32 92 4188	06D 109 244 A	Umlenkrolle / deflection pulley		
32 92 4606	06D 109 243	Spannrolle / tension roller		
32 92 4764	06F 198 119	Rep. Satz Zahnriemen / rep. kit timing belt		
99 11 0442	06D 109 229 B	Steuerkette / timing chain		



# VOLKSWAGEN Golf 5 Plus (1K) (05→09)

→ (ch.) 1K-9-899 999

**1,4 16V**  
(BCA / BUD)



SWAG GERMANY	Ref. - No.			
30 03 0035	036 109 244 J	Umlenkrolle / deflection pulley		ØA 56 B22
30 03 0049	036 109 243 AB	Spannrolle / tension roller		ØA 80 ØI 8
30 03 0083	036 109 243 AE	Spannrolle / tension roller		ØA 60 B19
30 03 0089	030 145 299 F	Riemenspanner / belt tensioner		ØA 70 B26
30 91 9364	036 109 119 Q	Zahnriemen / timing belt		Z 130 B20
30 92 1766	036 109 181 A	Umlenkrolle / deflection pulley		ØA 28 B30
30 92 1770	036 109 119 Q S1	Rep. Satz Zahnriemen / rep. kit timing belt	→ 07	
30 92 1772	036 109 119 Q S2	Rep. Satz Zahnriemen / rep. kit timing belt		
30 92 1774	036 109 119 P S1	Rep. Satz Zahnriemen / rep. kit timing belt		
30 92 7216	6Q0 145 299	Riemenspanner / belt tensioner	(ex.) AC	
30 92 7218	03C 145 299 C	Riemenspanner / belt tensioner	AC (ex.)CAXA	
30 93 0859	1J0 145 276	Umlenkrolle / deflection pulley	AC	ØA 76 B 26
30 93 2024	03C 145 276 C	Umlenkrolle / deflection pulley	(ex.) AC	ØA 81 B 37
30 93 2629	03C 145 299 Q	Riemenspanner / belt tensioner	AC CAXA 08→	
36 92 1768	036 109 119 P	Zahnriemen / timing belt		Z 58 B17

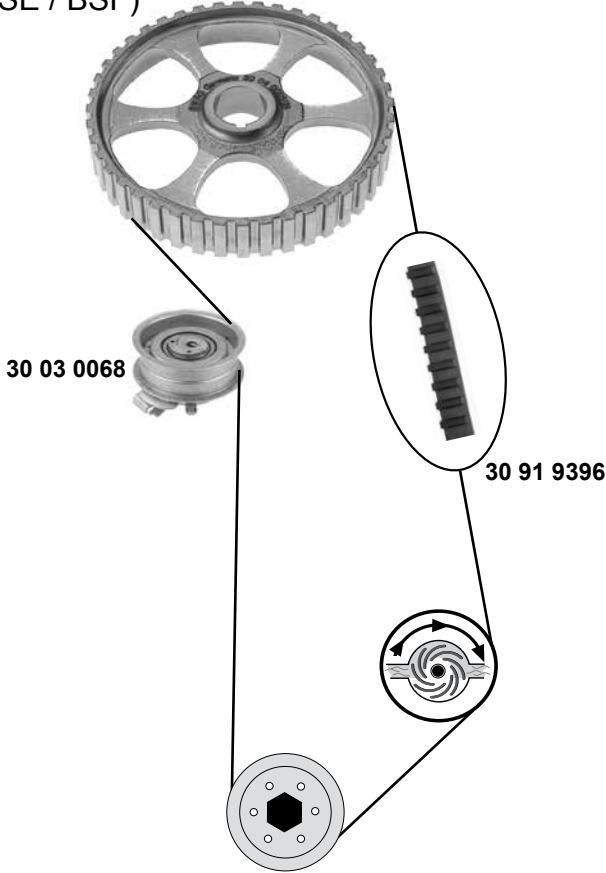
# VOLKSWAGEN Golf 5 Plus (1K)

(05→)

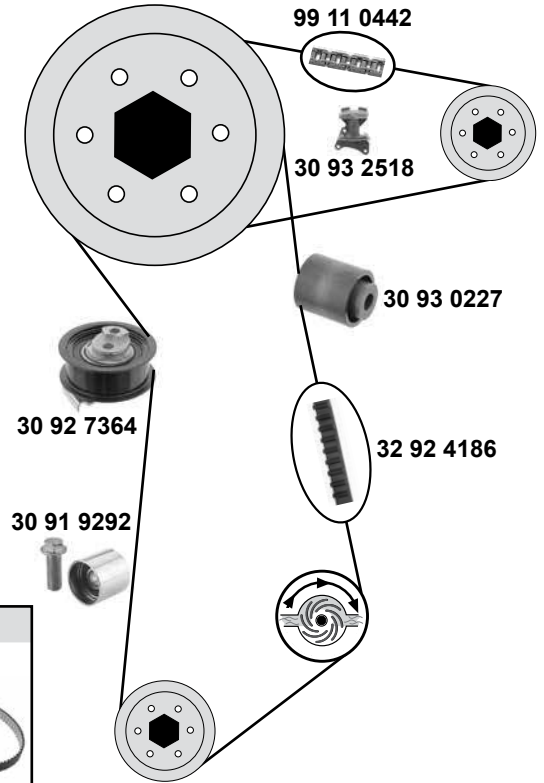


## 1,6 16V (BSE / BSF)

30 04 0022



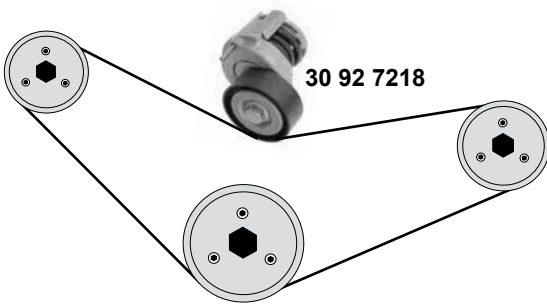
## 2,0 16V (BLY / BVZ / BLR / BVY)



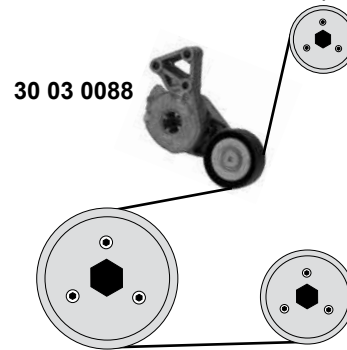
Rep. Satz / rep. kit

**SWAG 30 93 0586**

## 1,4 16V / 1,6 16V (BLN / BLF)



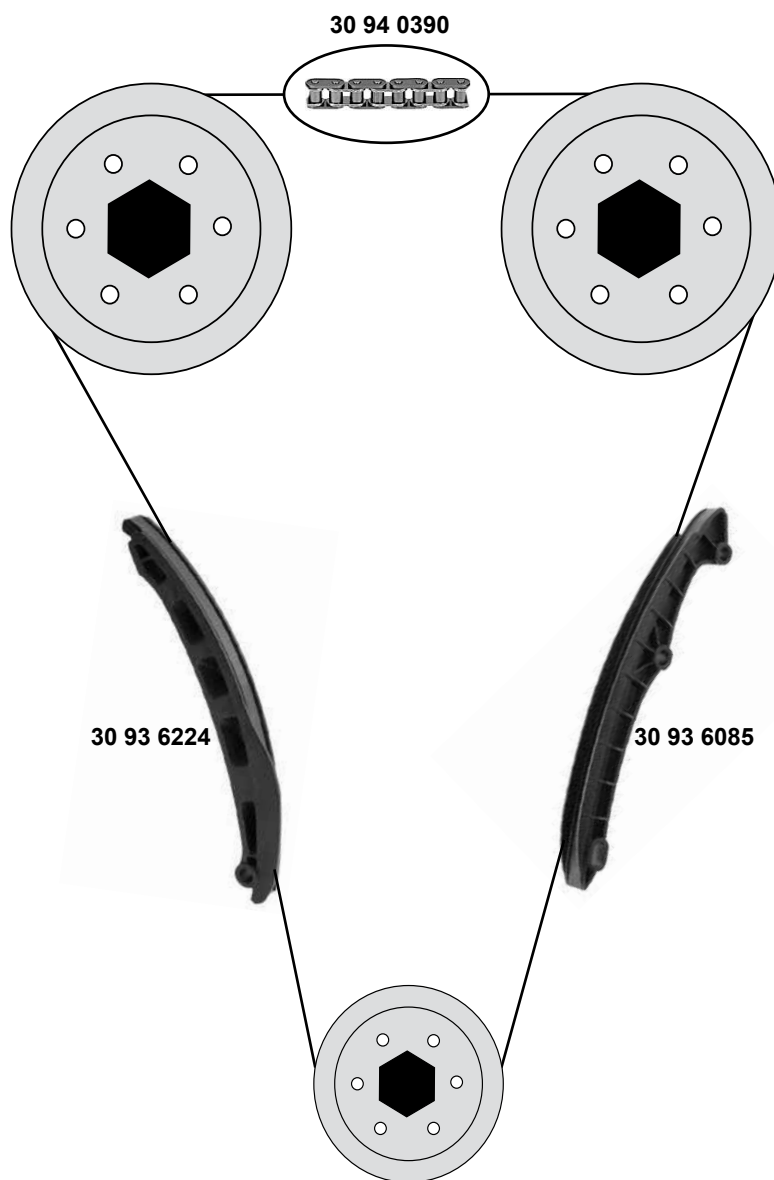
## 1,6 16V / 2,0 16V (AZJ/BFQ/AEH/AQY/APK/BEH/AKL)



Ref. - No.



30 03 0068	06A 109 479 C	Spannrolle / tension roller	AC	ØA 72 B29
30 03 0088	06A 903 315 E	Riemenspanner / belt tensioner		
30 04 0022	06A 109 105 C	Nockenwellenrad / camshaft gear		
30 91 9292	06B 109 244	Umlenkrolle / deflection pulley		ØA 28,5 B27
30 91 9396	06A 109 119 C	Zahnriemen / timing belt		Z 138 B23
30 92 7218	03C 145 299 C	Spannrolle / tension roller		
30 92 7364	06D 109 243 B	Spannrolle / tension roller		ØA 77 B25
30 93 0227	06D 109 244 E	Umlenkrolle / deflection pulley		ØA 28,5 B33,5
30 93 0586	06F 198 119 A	Rep. Satz Zahnriemen / rep. kit timing belt		
30 93 2518	06F 109 217 A	Kettenspanner / chain tensioner		
32 92 4186	06D 109 119 B	Zahnriemen / timing belt		Z 148 B23
99 11 0442	06D 109 229 B	Steuerkette / timing chain		42E



	Ref. - No.			
30 93 6085	03C 109 469 K	Gleitschiene/ sliding rail		
30 93 6224	03C 109 509 P	Gleitschiene/ sliding rail		
30 94 0390	03C 109 158 A	Steuerkette / timing chain		130 E

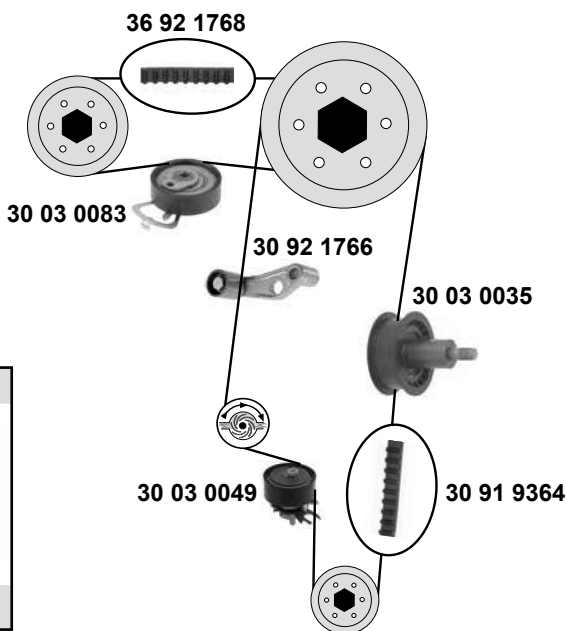
# VOLKSWAGEN Golf 6 / Golf 6 Plus (1K)

(08→)



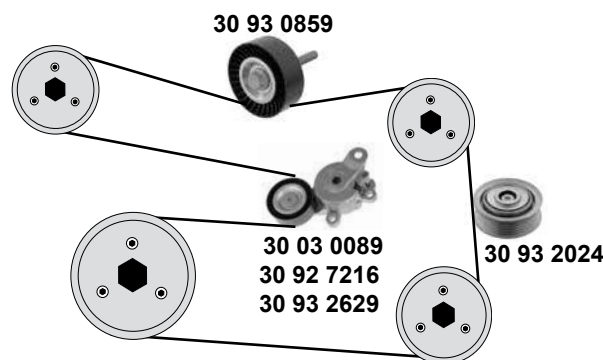
## 1,2 / 1,4 16V

(CGGA/BUD/CBZB/CBZA/CAXA)



## 1,4 16V

(CBZB/CBZA/CAXA/CAVD/CNWA/CGGA/BUD/CAXA)



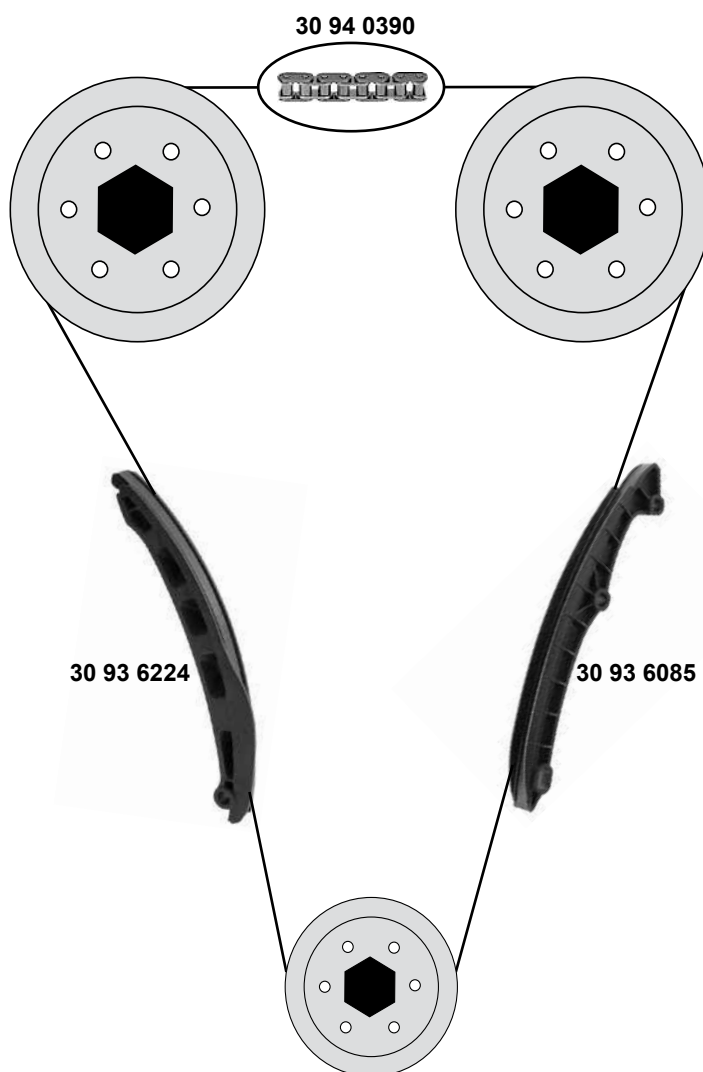
- (1) variant/4motion **09**→(mot.) CGGA / BUD (ch.) 1K-9-400 001 → plus **09**→(mot.) CGGA (ch.) 1K-9-900 001 →
- (2) **09**→(mot.) CAVD/CNWA / **cabrio** 12→(mot.) CAVD
- (3) **09**→(mot.) CBZB/CBZA/CAXA
- (4) **09**→ **AC** (mot.) CGGA/BUD
- (5) variant **09**→(mot.) CGGA / BUD  
Golf 6 **08**→(mot.) CGGA  
Golf 6 Plus **09**→(mot.) CGGA
- (6) Golf 6 **08**→(mot.) CGGA / CBZB / CBZA / CAXA  
variant **09**→(mot.) CGGA / BUD / CAXA / CBZA / CBZB  
Golf 6 Plus **09**→(mot.) CGGA / CBZB / CBZA / CAXA



Ref. - No.



Ref. - No.	Description	Quantity	Notes	Dimensions
30 03 0035	036 109 244 J Umlenkrolle / deflection pulley	(1)		ØA 56 B22
30 03 0049	036 109 243 AB Spannrolle / tension roller	(1)		ØA 80 ØI 8 B25
30 03 0083	036 109 243 AE Spannrolle / tension roller	(5)		ØA 60 B19
30 03 0089	030 145 299 F Riemenspanner / belt tensioner	(4)		ØA 70 B26
30 91 9364	036 109 119 Q Zahnriemen / timing belt	(5)		Z 130 B20
30 92 1766	036 109 181 A Umlenkrolle / deflection pulley	(1)		ØA 28 B30
30 92 1770	036 109 119 Q S1 Rep. Satz Zahnriemen / rep. kit timing belt	(1)		
30 92 1772	036 109 119 Q S2 Rep. Satz Zahnriemen / rep. kit timing belt	(1)		
30 92 1774	036 109 119 P S1 Rep. Satz Zahnriemen / rep. kit timing belt	(5)		
30 92 7216	6Q0 145 299 Spannrolle / tension roller	(ex.)	AC	ØA 60 B19
30 93 0859	1J0 145 276 Umlenkrolle / deflection pulley	AC		ØA 76 B26
30 93 2024	03C 145 276 C Umlenkrolle / deflection pulley	(2)		ØA 81 B37
30 93 2629	03C 145 299 Q Riemenspanner / belt tensioner	(3)	AC	
36 92 1768	036 109 119 P Zahnriemen / timing belt	(6)		Z 58 B17





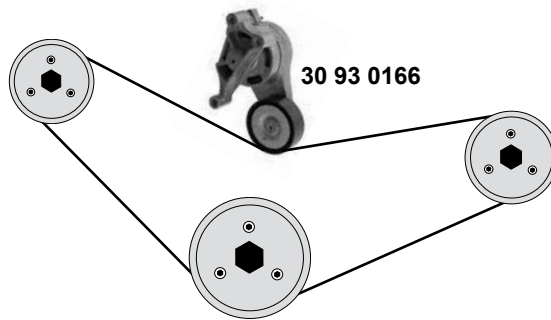
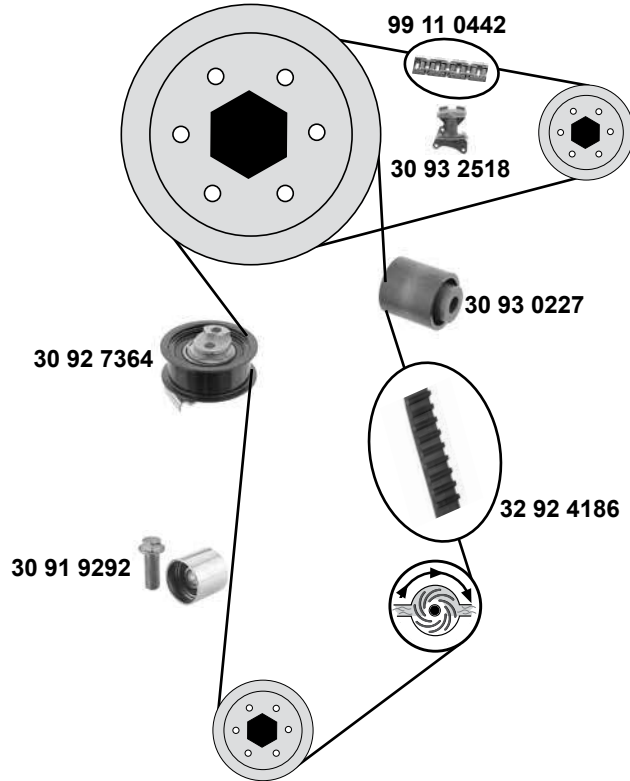
# VOLKSWAGEN Golf 6 (5K)

(09→)



## 2,0 16V

(CDLC / CDLF / CDLG / CRZA)

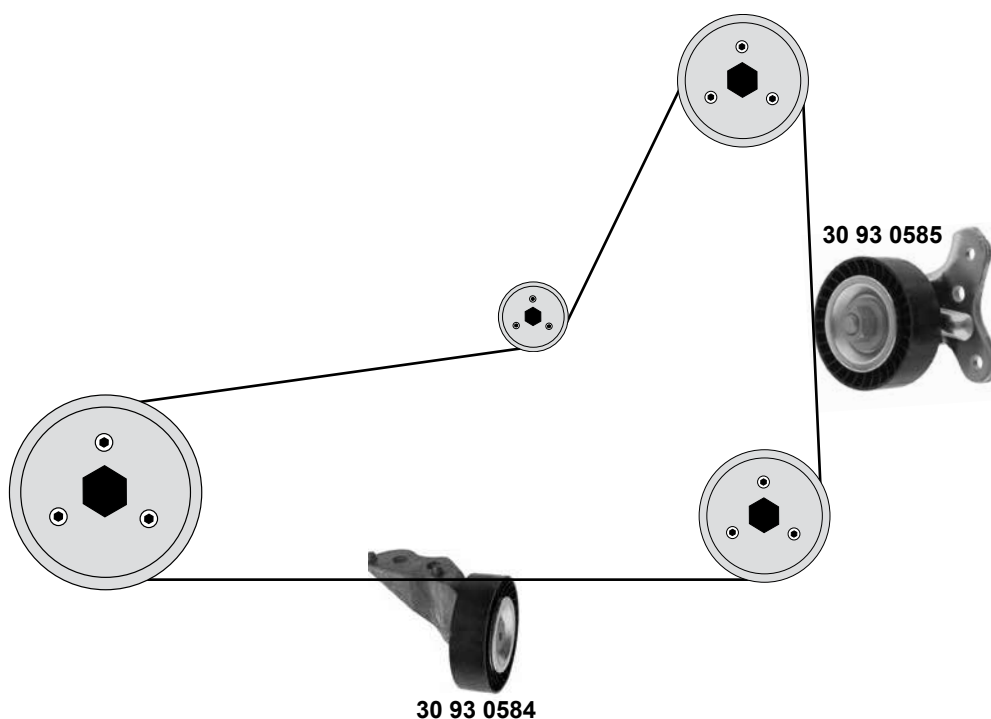


Ref. - No.



<b>30 91 9292</b>	06B 109 244	Umlenkrolle / deflection pulley	ØA 28,5 B27
<b>30 92 7364</b>	06D 109 243 B	Spannrolle / tension roller	ØA 77 B25
<b>30 93 0166</b>	06F 903 315	Riemenspanner / belt tensioner	
<b>30 93 0227</b>	06D 109 244 E	Umlenkrolle / deflection pulley	ØA 28,5 B33,5
<b>30 93 0586</b>	06F 198 119 A	Rep. Satz Zahnriemen / rep. kit timing belt	
<b>30 93 2518</b>	06F 109 217 A	Kettenspanner / chain tensioner	
<b>32 92 4186</b>	06D 109 119 B	Zahnriemen / timing belt	Z 148 B23
<b>99 11 0442</b>	06D 109 229 B	Steuerkette / timing chain	42E



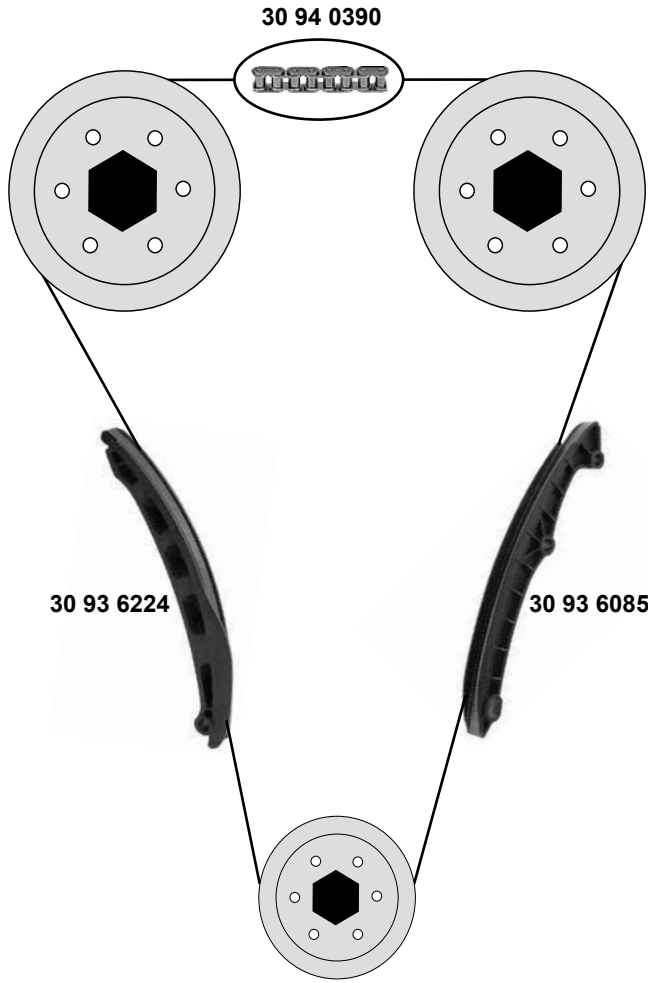


# VOLKSWAGEN Golf 6 Cabrio (51)

(12→)



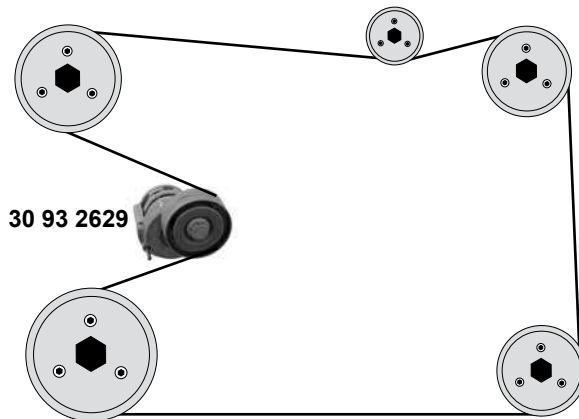
**1,4**  
(CAVD/CAXA/CNWA)



# Golf 6 Cabrio (51)

(12→)

**1,2 / 1,4**  
(CBZB / CAXA)



Ref. - No.

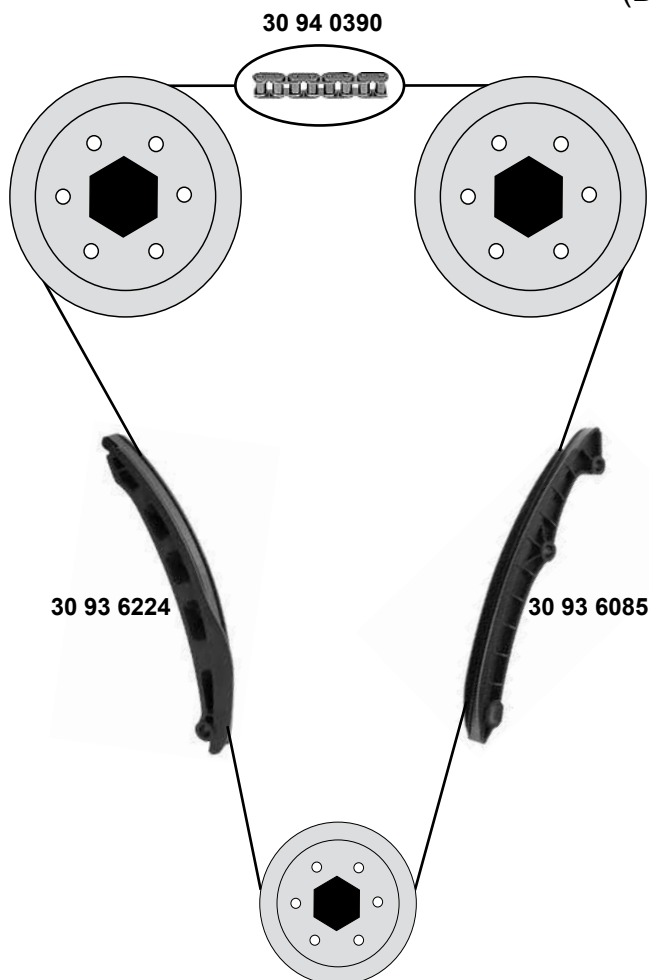


30 93 2629	03C 145 299 Q
30 93 6085	03C 109 469 K
30 93 6224	03C 109 509 P
30 94 0390	03C 109 158 A

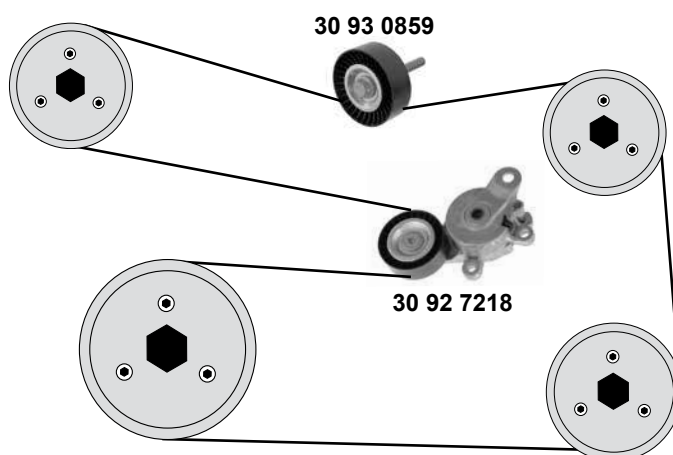
Riemenspanner / belt tensioner
Gleitschiene/ sliding rail
Gleitschiene/ sliding rail
Steuerkette / timing chain

130 E

**1,4 / 1,6**  
 (BLG/BMY/CAVD/CAXA/BLF)



**1,4 / 1,6**  
 (CAXA/BLF)



Ref. - No.



30 92 7216	1J0 145 276
30 92 7218	03C 145 299 C
30 93 6085	03C 109 469 K
30 93 6224	03C 109 509 P
30 94 0390	03C 109 158 A

Umlenkrolle / deflection pulley
Spannrolle / tension roller
Gleitschiene/ sliding rail
Gleitschiene/ sliding rail
Steuerkette / timing chain

AC
AC (mot.) BLF

ØA 76 B 26
130 E

# VOLKSWAGEN

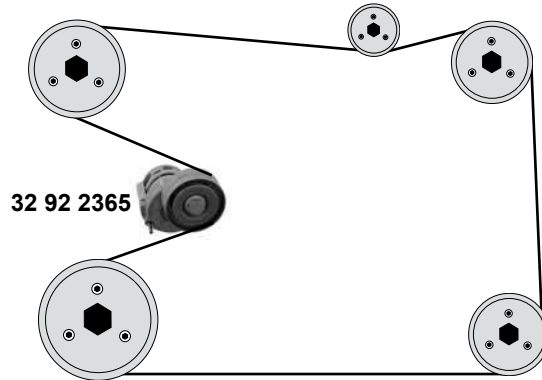
## Jetta 3 (1K)

(06→)



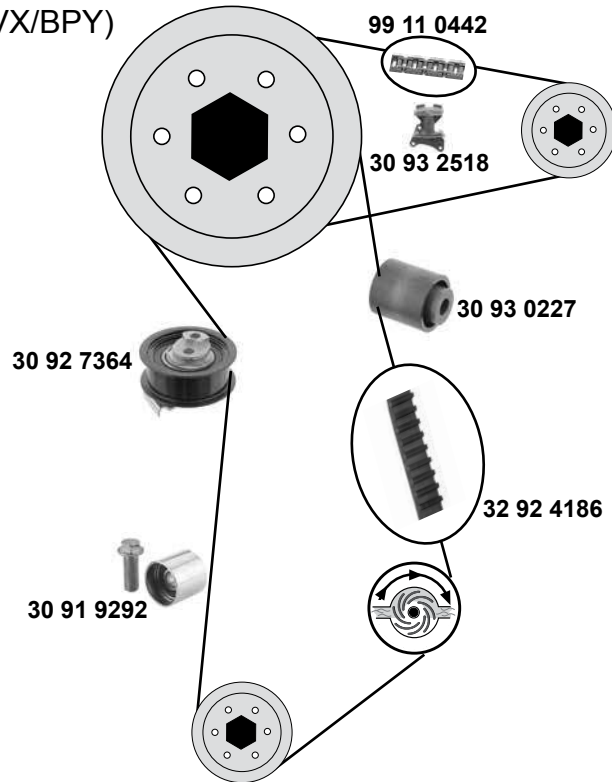
**1,2 / 1,4**

(CBZB/BFG/BMY)



**2,0 16V**

(BLR/BLY/BVY/BVZ/BWA/BVX/BPY)



(1) (ex.) (mot.) BVX / (mot.) BWA (ch.)→1K-9-109 650

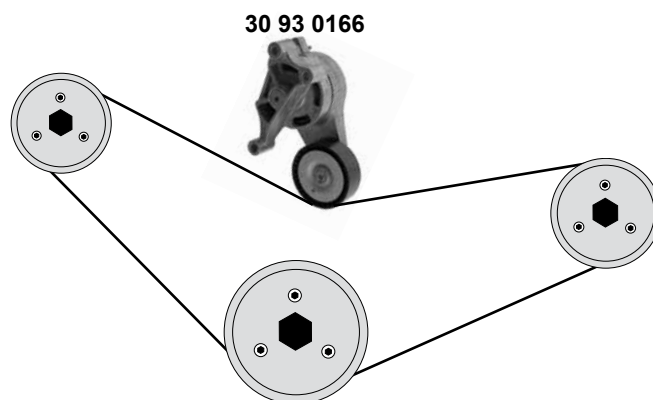


Ref. - No.

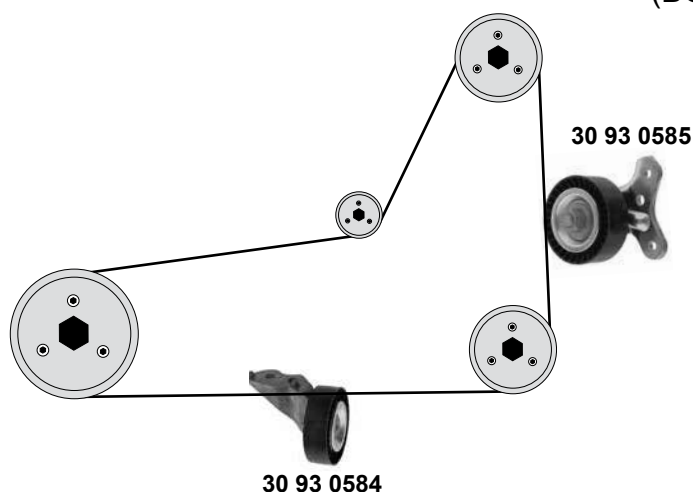


30 91 9292	06B 109 244	Umlenkrolle / deflection pulley	(1)	ØA 28,5 B27
30 92 7364	06D 109 243 B	Spannrolle / tension roller		ØA 77 B25
30 93 0227	06D 109 244 E	Umlenkrolle / deflection pulley		ØA 28,5 B33,5
30 93 0586	06F 198 119 A	Rep. Satz Zahnriemen / rep. kit timing belt		
30 93 2518	06F 109 217 A	Kettenspanner / chain tensioner		
30 93 2629	03C 145 299 Q	Riemenspanner / belt tensioner	AC	
32 92 4186	06D 109 119 B	Zahnriemen / timing belt		Z 148
99 11 0442	06D 109 229 B	Steuerkette / timing chain	(ex.) (mot.) BWA/BVX	42E

**2,0**  
 (BWA / BPY / CBPA / CKJA)

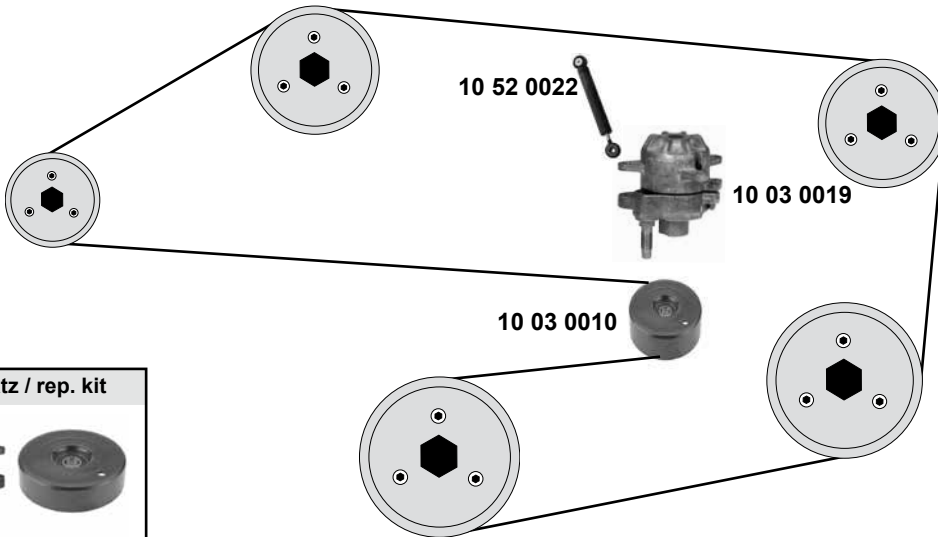
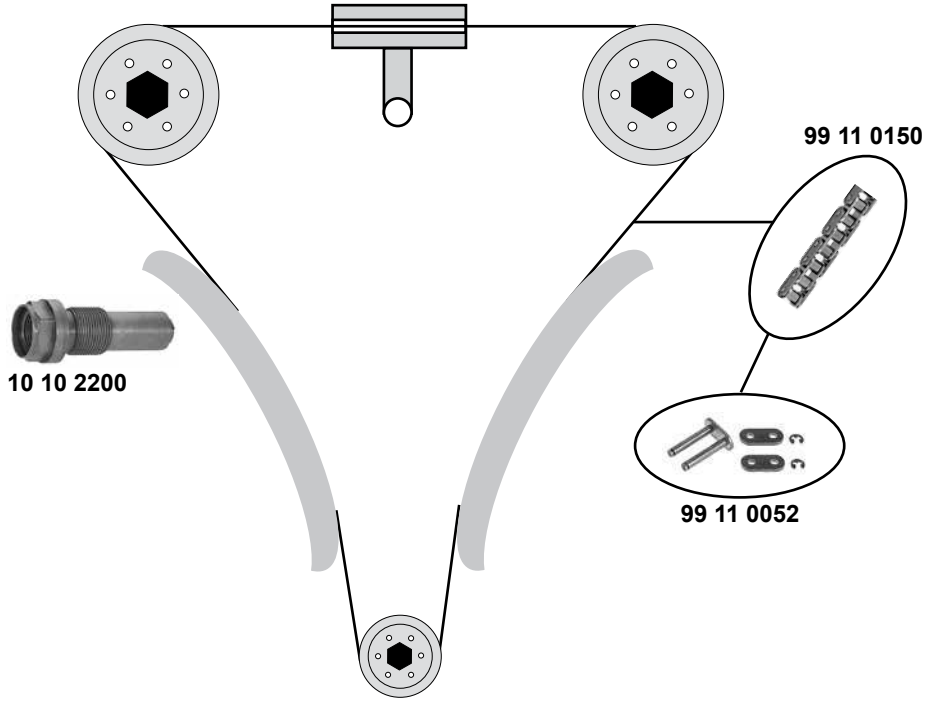


**2,5 20V**  
 (BGP / BTK / CBTA / CCCA)



**2,3**

(AGL)

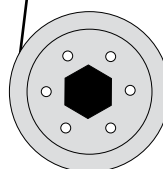


	Ref. - No.			
<b>10 03 0010</b>	00A 903 341	Umlenkrolle / deflection pulley		ØA 110 ØI 15 B28
<b>10 03 0019</b>	00A 903 315	Riemenspanner / belt tensioner		
<b>10 10 2200</b>	00A 109 507	Kettenspanner / chain tensioner		
<b>10 52 0022</b>	00A 145 299	Schwingsdämpfer / vibration damper		
<b>10 91 5923</b>	00A 903 315 S1	Rep.Satz Riemen <span>spanner</span> / rep.kit belt tensioner		
<b>99 11 0052</b>	00A 109 468	Kettenglied / chain link		11 / D 455
<b>99 11 0150</b>	00A 109 465	Steuerkette / timing chain		D 455 / 126 V

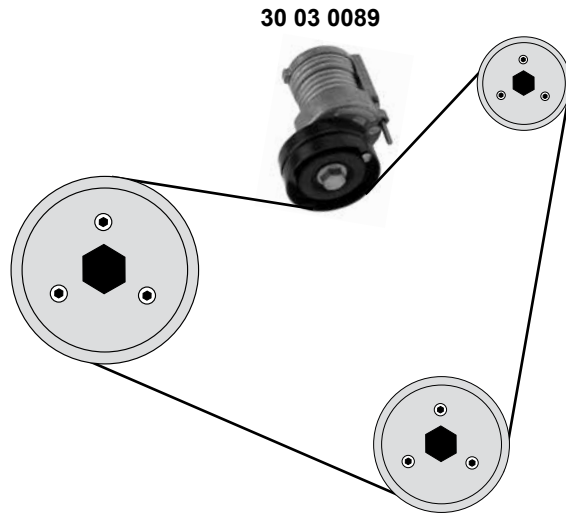
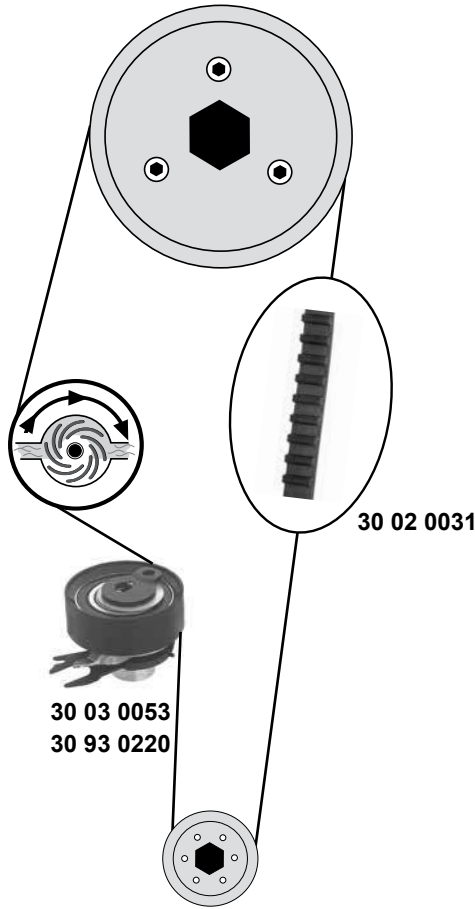
30 04 0001



30 03 0006



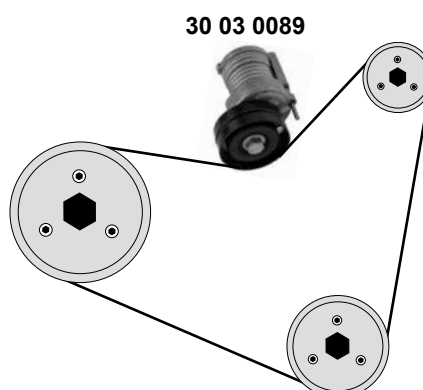
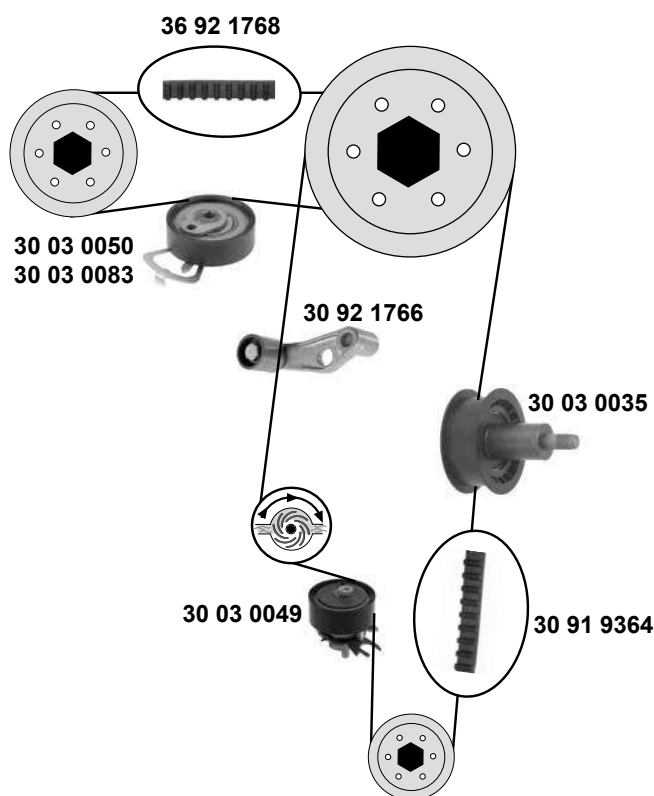
1,0 / 1,4 8V



SWAG GERMANY	Ref. - No.			
30 02 0031	030 109 119 S	Zahnriemen / timing belt		Z 135 B19
30 02 0038	030 109 119 S S1	Rep. Satz Zahnriemen / rep. kit timing belt	(ch.)→6-X-Y-060 000	
30 03 0053	030 109 243 K	Spannrolle / tension roller	(ch.)→6-X-Y-060 000	ØA 61 ØI 8 B22
30 03 0089	030 145 299 F	Riemenspanner / belt tensioner		
30 93 0220	030 109 243 M	Spannrolle / tension roller	(ch.) 6-X-Y-060 001→	ØA 61 ØI 8 B22
32 92 3640	032 109 119 J S1	Rep. Satz Zahnriemen / rep. kit timing belt	(ch.) 6-X-Y-060 001→	



### 1,4 16V / 1,6 16V



(1) (mot.) → AHW 164 200  
(mot.) → AKQ 241 244

(2) (mot.) AHW 164 201 →  
(mot.) AKQ 241 245 →

(3) (mot.) AFK/AHW/ANM/APE/AQQ/AUA/AUB/BBY/AKQ  
(mot.) ARR/AVY / 99 →

(4) (mot.) AHW 160 001 →  
(mot.) AKQ 241 245 →

(5) (mot.) AFK/ANM/APE/AQQ/AUA/AUB/BBY/AHW/AKQ

(6) (mot.) AFK/ANM/APE/AQQ/AUA/AUB/BBY  
(mot.) ARR/AVY / 99 →



Ref. - No.



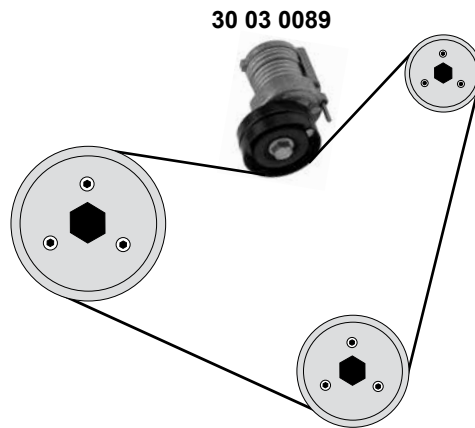
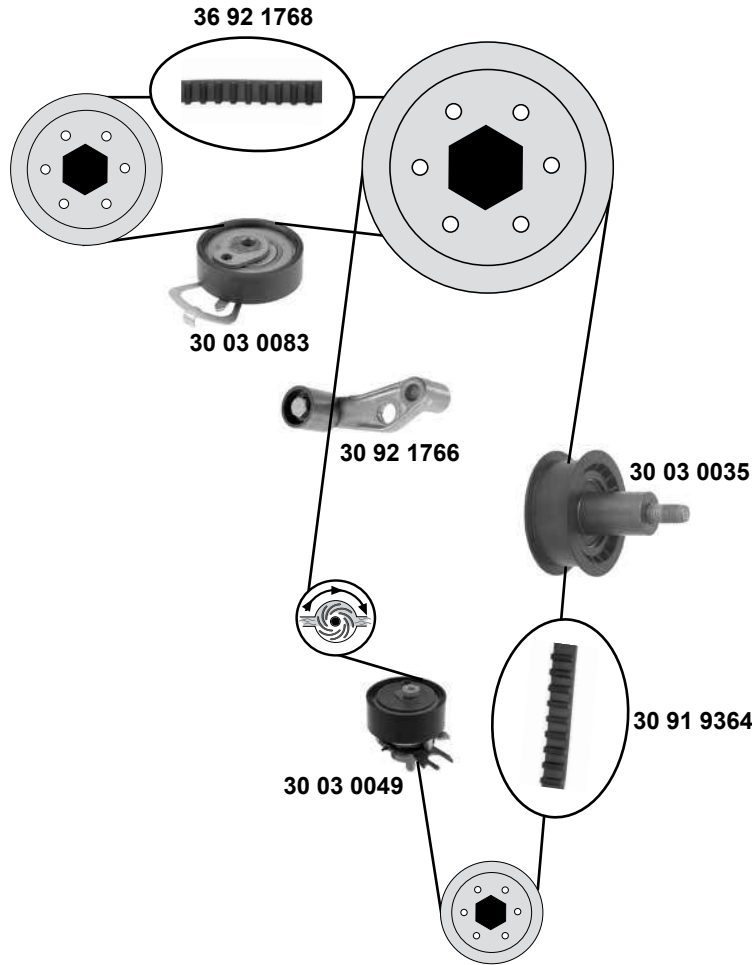
Ref. - No.			
30 03 0035	036 109 244 J	Umlenkrolle / deflection pulley	ØA 56 B22
30 03 0049	036 109 243 AB	Spannrolle / tension roller	ØA 60 ØI 8 B25
30 03 0050	036 109 243 F	Spannrolle / tension roller	ØA 80 B18
30 03 0083	036 109 243 AE	Spannrolle / tension roller	ØA 60 19
30 03 0089	030 145 299 F	Riemenspanner / belt tensioner	ØA 70 B26
30 91 9364	036 109 119 Q	Zahnriemen / timing belt	Z 130 B20
30 92 1766	036 109 181 A	Umlenkrolle / deflection pulley	ØA 28 B30
30 92 1770	036 109 119 Q S1	Rep. Satz Zahnriemen / rep. kit timing belt	
30 92 1772	036 109 119 Q S2	Rep. Satz Zahnriemen / rep. kit timing belt	
30 92 1774	036 109 119 P S1	Rep. Satz Zahnriemen / rep. kit timing belt	
30 93 2427	036 198 119 F	Rep. Satz Zahnriemen / rep. kit timing belt	
36 92 1768	036 109 119 P	Zahnriemen / timing belt	Z 58 B17

# VOLKSWAGEN New Beetle (9C/1C)

(98→10)



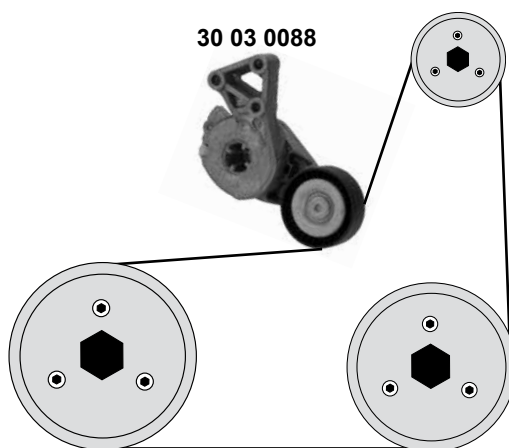
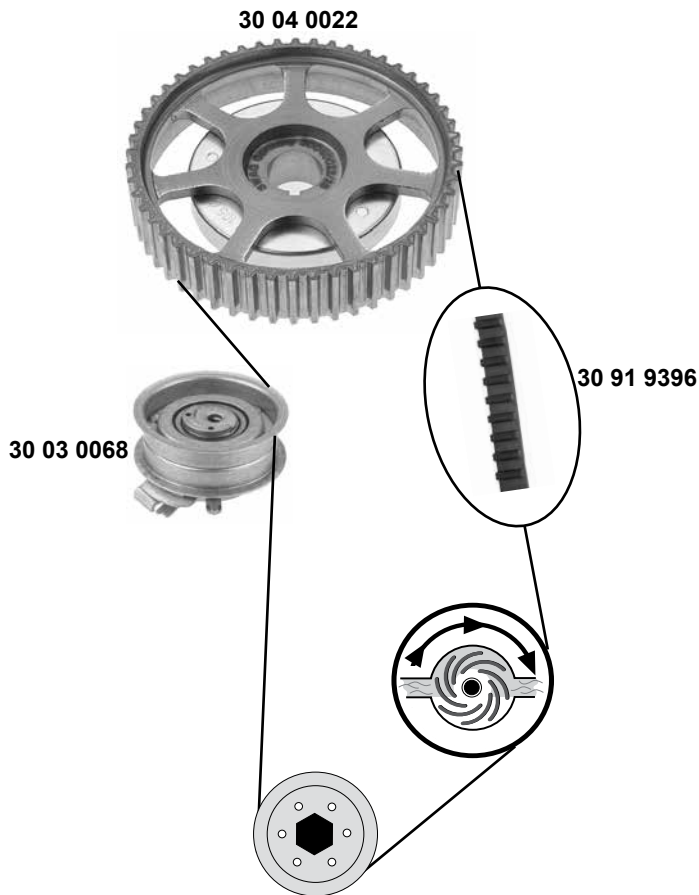
**1,4 16V**  
(BCA)



SWAG	Ref. - No.			
30 03 0035	036 109 244 J	Umlenkrolle / deflection pulley		ØA 56 B22
30 03 0049	036 109 243 AB	Spannrolle / tension roller		ØA 60 ØI 8 B25
30 03 0083	036 109 243 AE	Spannrolle / tension roller		ØA 60 B19
30 03 0089	030 145 299 F	Riemenspanner / belt tensioner		ØA 70 B26
30 91 9364	036 109 119 Q	Zahnriemen / timing belt		Z 130 B20
30 92 1766	036 109 181 A	Umlenkrolle / deflection pulley		ØA 28 B30
30 92 1770	036 109 119 Q S1	Rep. Satz Zahnriemen / rep. kit timing belt	02 →	
30 92 1772	036 109 119 Q S2	Rep. Satz Zahnriemen / rep. kit timing belt	(ch.)→9C-4-599 000	
30 92 1774	036 109 119 P S1	Rep. Satz Zahnriemen / rep. kit timing belt		
36 92 1768	036 109 119 P	Zahnriemen / timing belt		Z 58 B17

**1,6 / 2,0**

(AEG / AQY / AZG / AZJ / BEJ / BER / BHP / AWH / AYD)



SWAG GERMANY	Ref. - No.			
<b>30 03 0068</b>	06A 109 479 C	Spannrolle / tension roller	<b>(mot.)</b> AYD→005 000	ØA 72 B29 ØA 70 B24 Z52 Z 138 B23
<b>30 03 0088</b>	06A 903 315 E	Riemenspanner / belt tensioner		
<b>30 04 0022</b>	06A 109 105 C	Nockenwellenrad / camshaft gear		
<b>30 91 9396</b>	06A 109 119 C	Zahnriemen / timing belt		
<b>32 92 3634</b>	06A 198 119	Rep. Satz Zahnriemen / rep. kit timing belt		

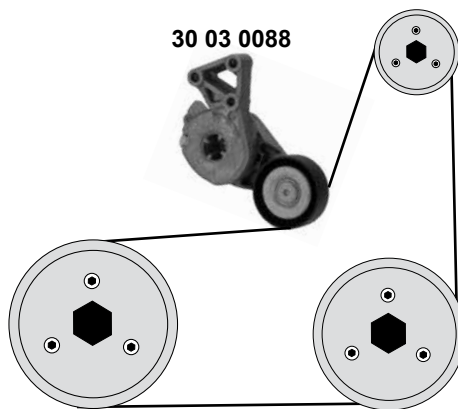
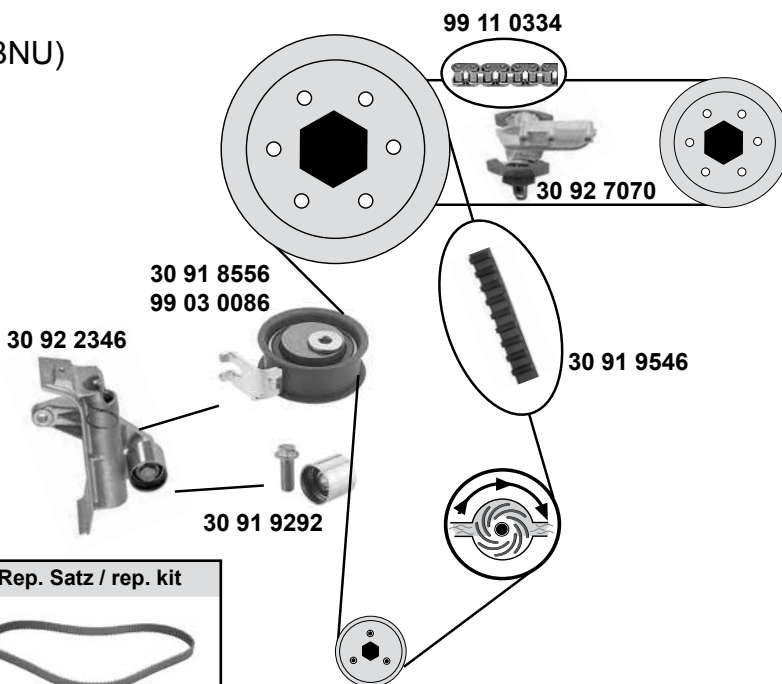
# VOLKSWAGEN New Beetle (9C/1C)

(98→10)



**1,8**

(APH / AWV / AWU / AVC / AWP / BKF / BNU)



(1) (mot.) APH→028 500  
(mot.) AVC→003 000

(2) (mot.) APH 028 501→ / AWV / AWU  
(mot.) AVC 003 001→ / AWV / AWU

(3) (mot.) APH / AVC / AWP / AWU / AWV BKF / BNU →05

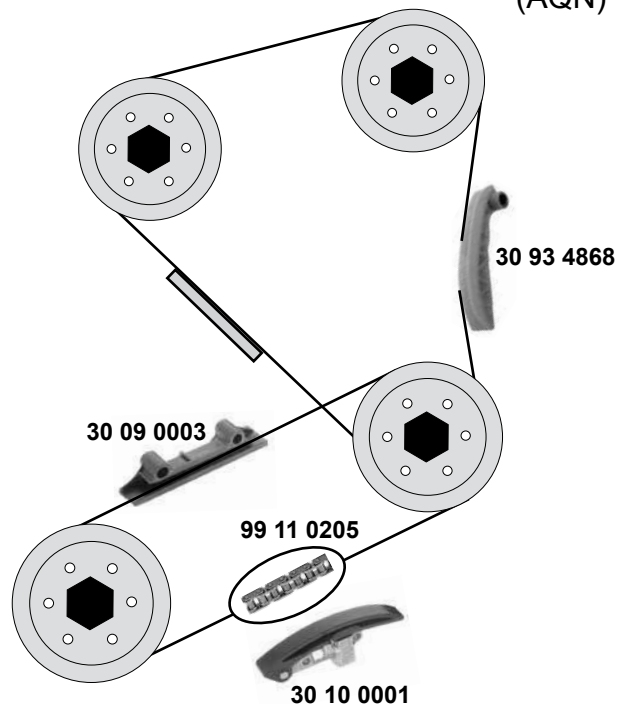
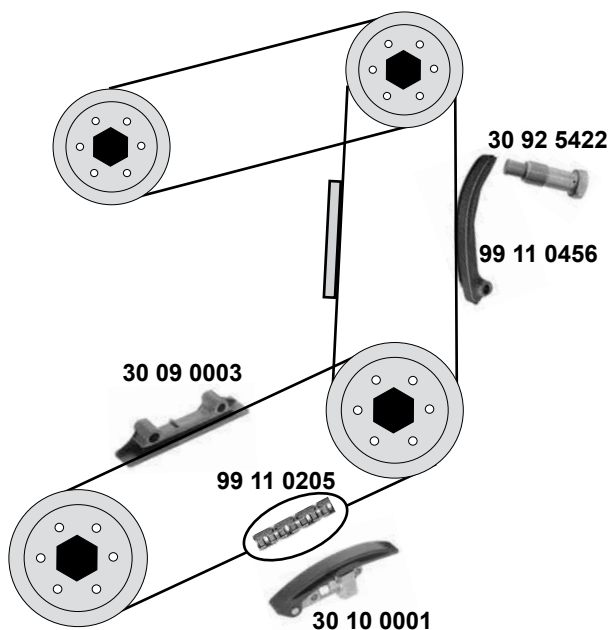
SWAG GERMANY	Ref. - No.			
30 03 0088	06A 903 315 E	Riemenspanner / belt tensioner		ØA 70 B24
30 91 8556	06B 109 243 F	Spannrolle / tension roller	(2)	ØA 28,5 B27 Z 150 B23
30 91 9292	06B109 244	Umlenkrolle / deflection pulley		
30 91 9546	06B109 119 A	Zahnriemen / timing belt		99→01 / (mot.) APH/AVC
30 91 9548	06A 198 119 A	Rep. Satz Zahnriemen / rep. kit timing belt	(1)	
30 91 9550	06B 109 119 A S2	Rep. Satz Zahnriemen / rep. kit timing belt	(2)	(1)
30 92 2346	06B 109 243 F	Riemenspanner / belt tensioner		
30 92 7070	058 109 217 B	Kettenspanner / chain tensioner		(3)
30 92 7298	06B 109 119 A S5	Rep. Satz Zahnriemen / rep. kit timing belt		
30 93 7642	06A 198 119 B	Rep. Satz Zahnriemen / rep. kit timing belt		(2)
32 92 3646	030 121 121 B	Rep. Satz Zahnriemen / rep. kit timing belt		
99 03 0086	06B109 243	Spannrolle / tension roller	(1)	ØA 72 B30
99 11 0334	058 109 229 B	Steuerkette / timing chain		50 E



# VOLKSWAGEN New Beetle (9C/1C) (98→10)

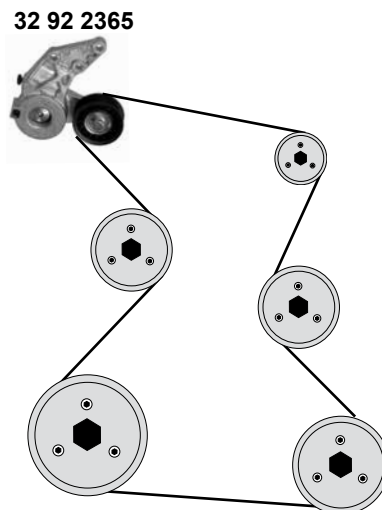
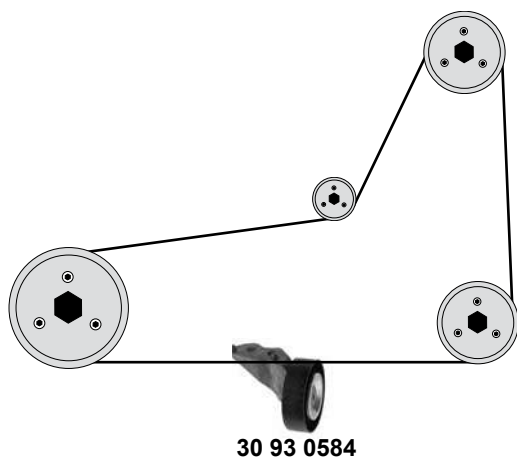
**3,2**  
(AXJ)

**2,3 V5**  
(AQN)



**2,5 20V**  
(BPR / BPS)

**2,3 / 3,2**  
(AQN / AXJ)



Ref. - No.



<b>30 09 0003</b>	021 109 469	Gleitschiene / sliding rail		
<b>30 10 0001</b>	021 109 467	Kettenspanner / chain tensioner		
<b>30 92 5422</b>	022 109 507 A	Kettenspanner / chain tensioner		
<b>30 93 0584</b>	07K 145 172 C	Umlenkrolle / deflection pulley		ØA 73 B21,85
<b>30 93 4868</b>	066 109 509 A	Gleitschiene / sliding rail	99→05	
<b>32 92 2365</b>	022 145 299 D	Riemenspanner / belt tensioner		ØA 73
<b>99 11 0205</b>	021 109 467	Steuerkette / timing chain		70E
<b>99 11 0456</b>	022 109 509 C	Gleitschiene / sliding rail	→01	

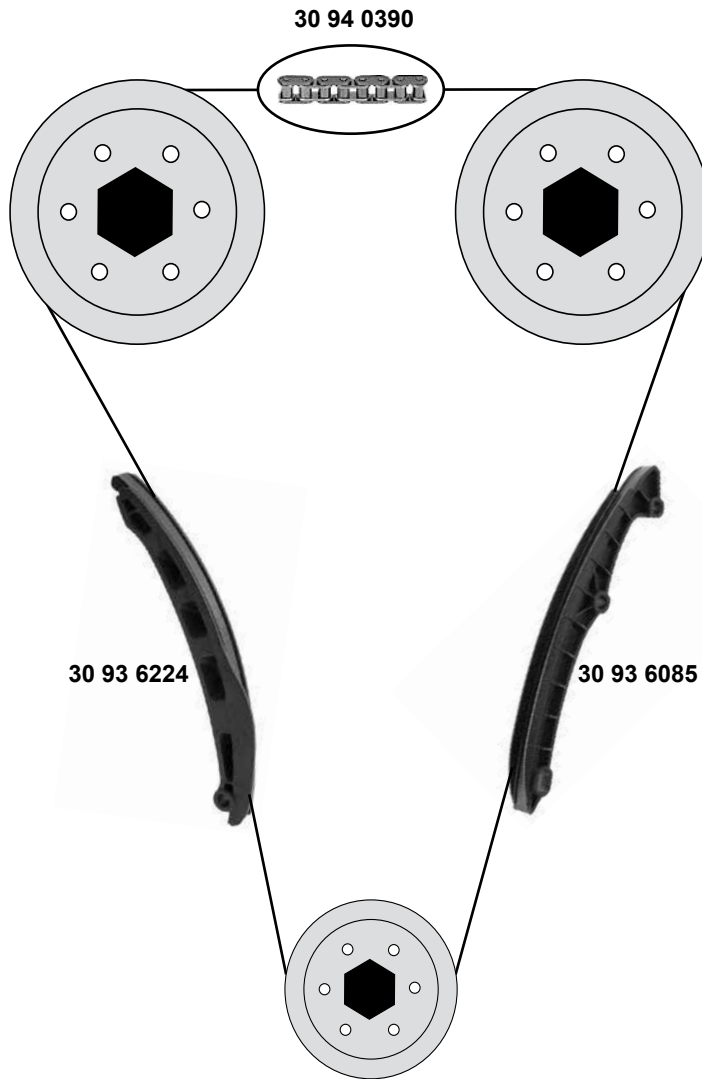
# VOLKSWAGEN New Beetle (5C)

(12→)



1,4

(CAVD/CNWA/CTHD/CTKA)



Ref. - No.

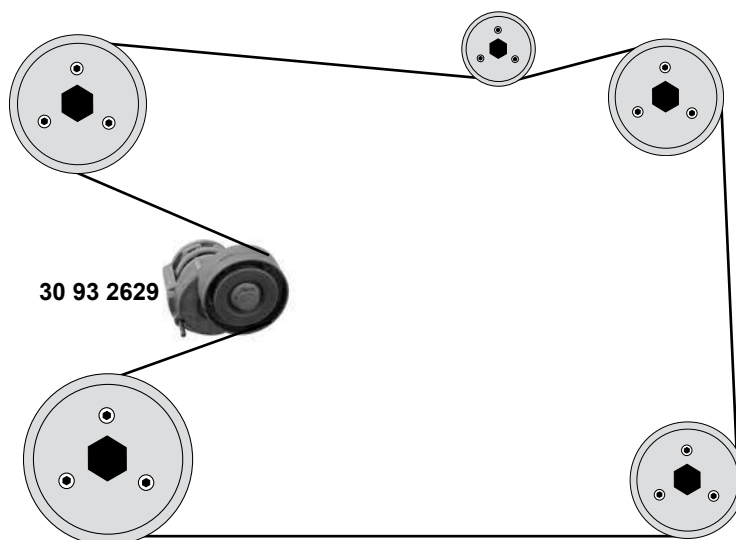


30 93 6085	03C 109 469 K
30 93 6224	03C 109 509 P
30 94 0390	03C 109 158 A

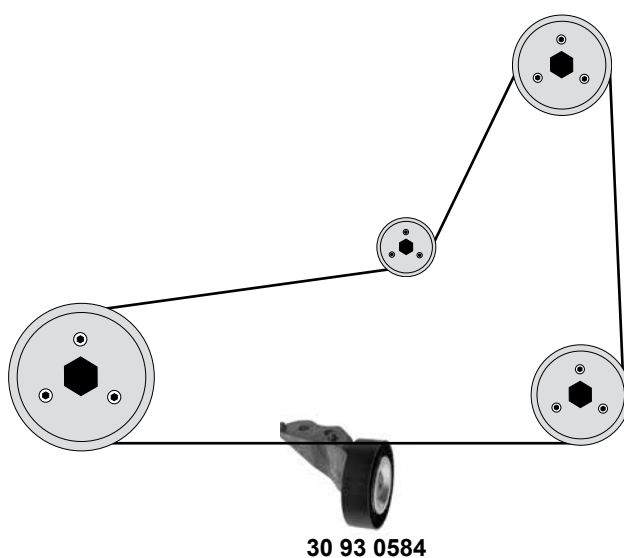
Gleitschiene/ sliding rail
Gleitschiene/ sliding rail
Steuerkette / timing chain

130 E

**1,2**  
(CBZB)



**2,5 20V**  
(BPR / BPS)



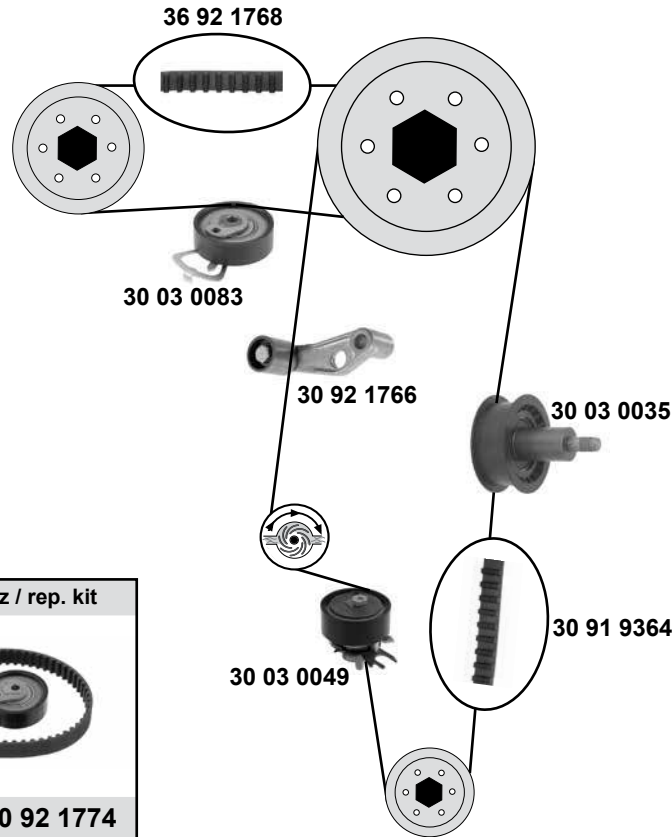


# VOLKSWAGEN New Beetle Cabrio (1Y)

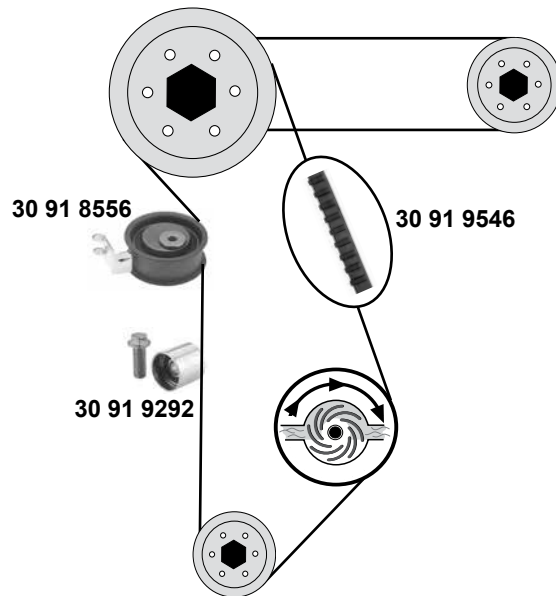
(02 →)



**1,4**  
(BCA)



**1,8**  
(AWU/AWV/BKF)



SWAG	Ref. - No.			
30 03 0035	036 109 244 J	Umlenkrolle / deflection pulley		ØA 56 B22
30 03 0049	036 109 243 AB	Spannrolle / tension roller		ØA 60 ØI 8 B25
30 03 0083	036 109 243 AE	Spannrolle / tension roller		ØA 60 B19
30 91 8556	06B 109 243 F	Spannrolle / tension roller	03→10	
30 91 9292	06B109 244	Umlenkrolle / deflection pulley	03→10	ØA 28,5 B27
30 91 9364	036 109 119 Q	Zahnriemen / timing belt		Z 130 B20
30 91 9546	06B109 119 A	Zahnriemen / timing belt	03→10	Z 150 B23
30 92 1766	036 109 181 A	Umlenkrolle / deflection pulley		ØA 28 B30
30 92 1770	036 109 119 Q S1	Rep. Satz Zahnriemen / rep. kit timing belt		
30 92 1774	036 109 119 P S1	Rep. Satz Zahnriemen / rep. kit timing belt		
30 93 7642	06A 198 119 B	Rep. Satz Zahnriemen / rep. kit timing belt	03→10	
36 92 1768	036 109 119 P	Zahnriemen / timing belt		Z 58 B17





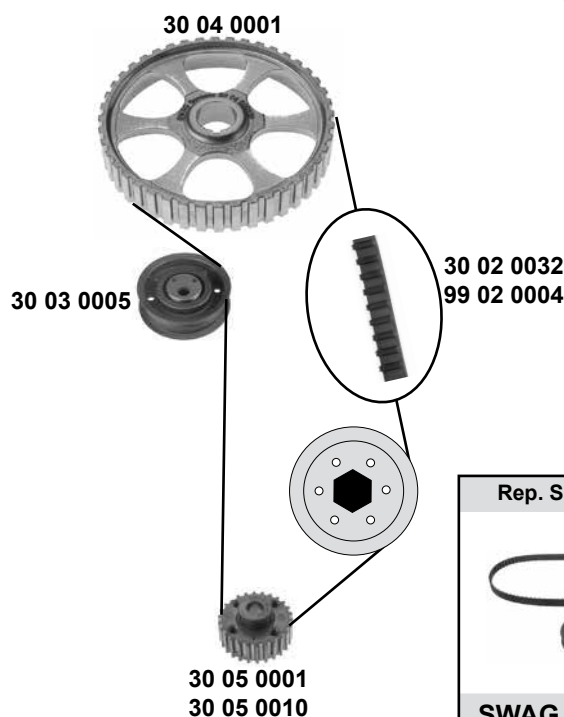
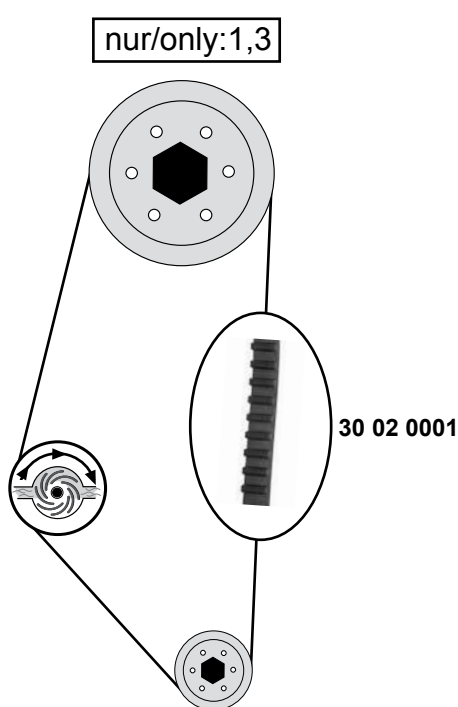
# VOLKSWAGEN

## Passat 1+2 (33) / Santana (32)

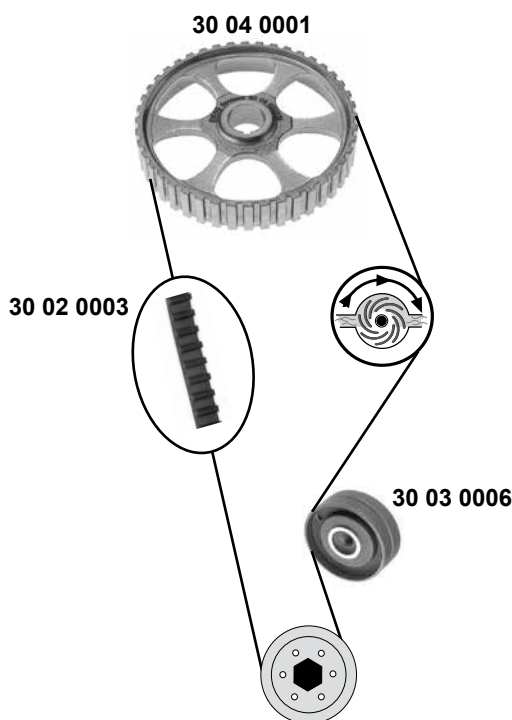
(74→88)

1,3→1,8

nur/only:1,3



2,0→2,3  
5 Zyl.



SWAG	Ref. - No.			
30 02 0001	052 109 119	Zahnriemen / timing belt	nur/only (mot.) FY/FZ	Z 108 B18
30 02 0003	034 109 119	Zahnriemen / timing belt	(mot.) JS/HP/HY/KV/KX	Z 120 B18
30 02 0040	051 198 119	Rep. Satz Zahnriemen / rep. kit timing belt	(ex.) (mot.) FY/FZ	
30 03 0005	026 109 243 L	Spannrolle / tension roller	(mot.) JS/HP/HY/KV/KX	ØA 72 ØI 10 B20
30 03 0006	069 109 243 B	Umlenkrolle / deflection pulley	(ex.) (mot.) FY/FZ	ØA69 ØI8 B27
30 04 0001	049 109 111 C	Nockenwellenrad / camshaft gear	(ch.)→32-C- 300 000	Z 44
30 05 0001	049 105 263 B	Kurbelwellenrad / crankshaft gear	(ch.) 32-C- 300 000→	Z 22
30 05 0010	049 105 263 C	Kurbelwellenrad / crankshaft gear	(mot.) JS/HP/HY/KV/KX	Z 120 B18
30 92 4856	034 109 119 S1	Rep. Satz Zahnriemen / rep. kit timing belt	(ex.) (mot.) FY/FZ	Z 121 B18
99 02 0004	056 109 119 A	Zahnriemen / timing belt		

# VOLKSWAGEN Passat 3 (31/3A)

(88→97)



1,6→2,0

Rep. Satz / rep. kit



**SWAG 30 02 0040**

Rep. Satz / rep. kit

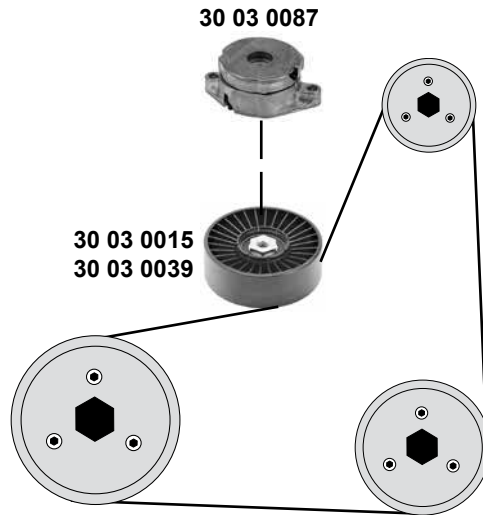
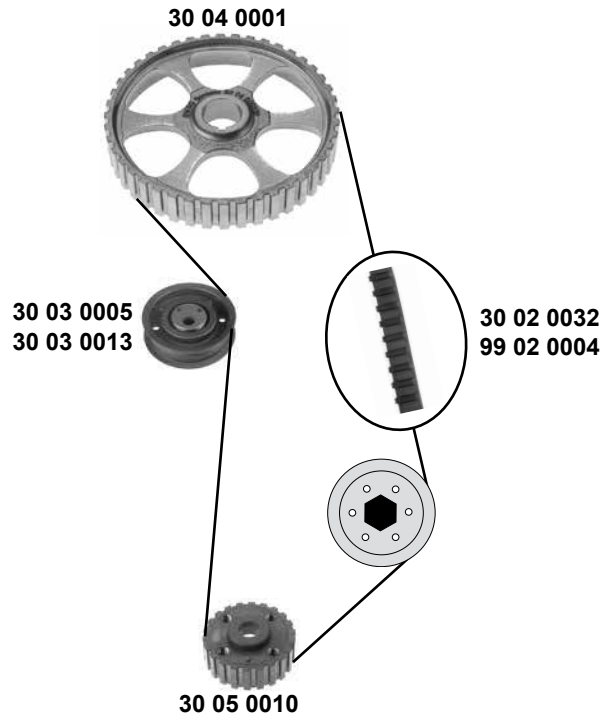


**SWAG 30 02 0041**

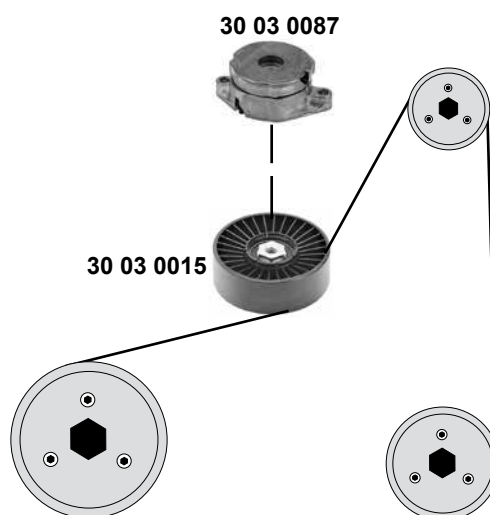
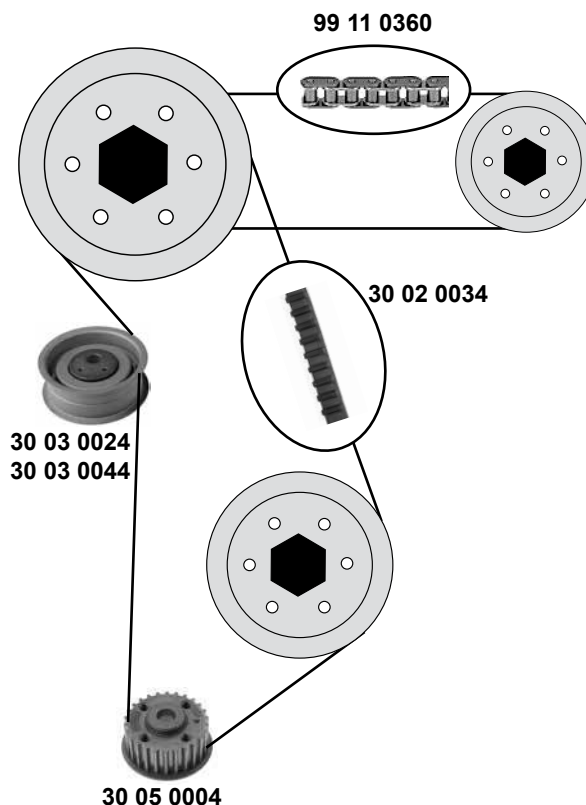
Rep. Satz / rep. kit



**SWAG 99 02 0068**



SWAG	Ref. - No.			
30 02 0032	037 109 119 C	Zahnriemen / timing belt	(mot.) 2,0	Z 124 B18
30 02 0040	051 198 119	Rep. Satz Zahnriemen / rep. kit timing belt	(mot.) 2,0	
30 02 0041	051 198 119	Rep. Satz Zahnriemen / rep. kit timing belt	(mot.) 2,0	
30 03 0005	026 109 243 L	Spannrolle / tension roller	(mot.) 2,0	ØA 72 ØI 11 B20
30 03 0013	048 109 243 A	Spannrolle / tension roller	(mot.) 2,0	
30 03 0015	028 145 278 E	Spannrolle / tension roller	AC	ØA 78 ØI 8 B26
30 03 0039	074 145 278 E	Umlenkrolle / deflection pulley	(mot.) PG	ØA 90 ØI 8 B25
30 03 0087	037 903 315 C	Riemenspanner / belt tensioner		
30 04 0001	049 109 111 C	Nockenwellenrad / camshaft gear		Z 44
30 05 0010	049 105 263 C	Kurbelwellenrad / crankshaft gear		Z 22
99 02 0004	056 109 119 A	Zahnriemen / timing belt		Z 121 B18
99 02 0068	037 109 119 C S2	Rep. Satz Zahnriemen / rep. kit timing belt	(mot.) 2,0	

**1,8 / 2,0 16V**  
 (KR / ABF / 9A)


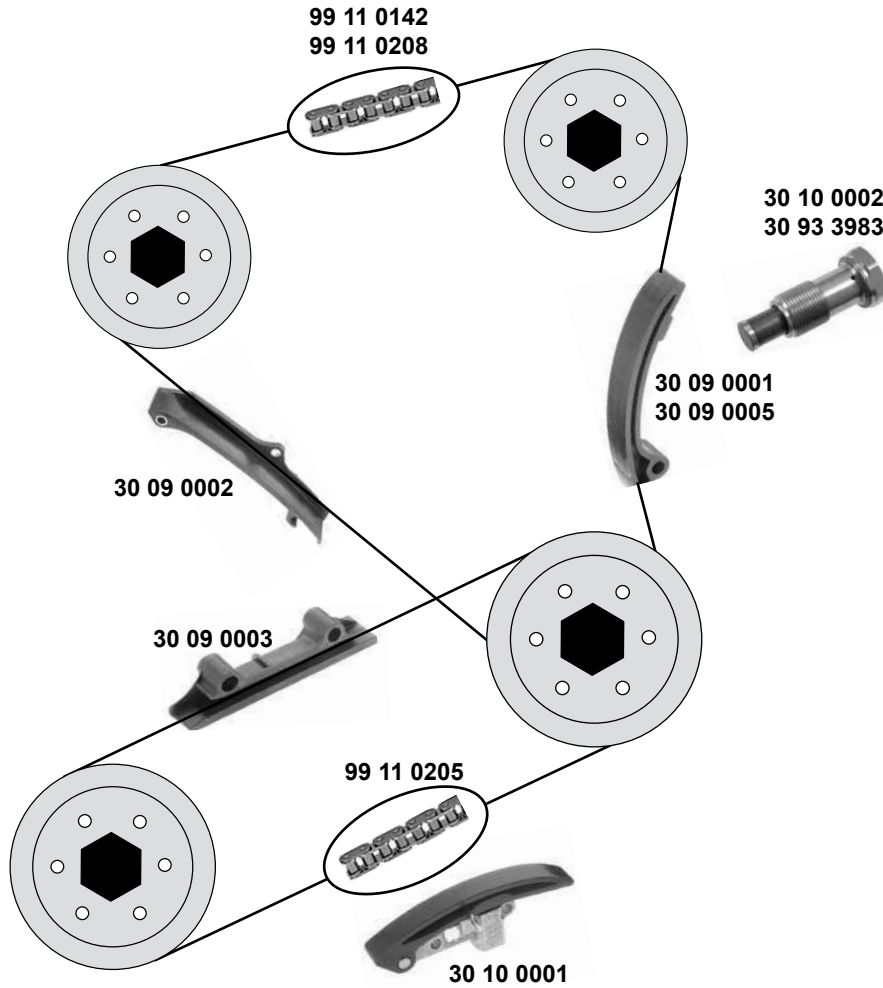
<b>30 02 0034</b>	048 109 119 G	Zahnriemen / timing belt		
<b>30 02 0039</b>	048 109 119 G S1	Rep. Satz Zahnriemen / rep. kit timing belt	(mot.)→ABF 020 922	
<b>30 03 0015</b>	028 145 278 E	Spannrolle / tension roller	AC	ØA 78 ØI 8 B26
<b>30 03 0024</b>	051 109 243 A	Spannrolle / tension roller	(mot.) ABF 020 923→	ØA 72 ØI 8 B27
<b>30 03 0044</b>	051 109 243	Spannrolle / tension roller	(mot.)→ABF 020 922	ØA 78 B27
<b>30 03 0087</b>	037 903 315 C	Riemenspanner / belt tensioner		
<b>30 05 0004</b>	027 109 263 B	Kurbelwellenrad / crankshaft gear		
<b>99 11 0360</b>	077 109 120	Steuerkette / timing chain		D 44 E

# VOLKSWAGEN Passat 3 (31/3A)

(88→97)

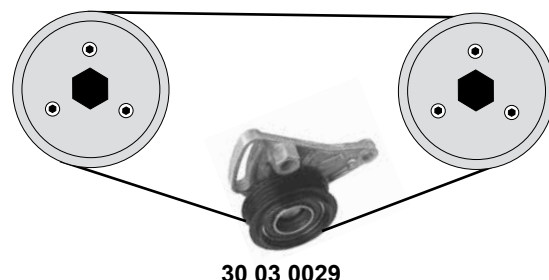
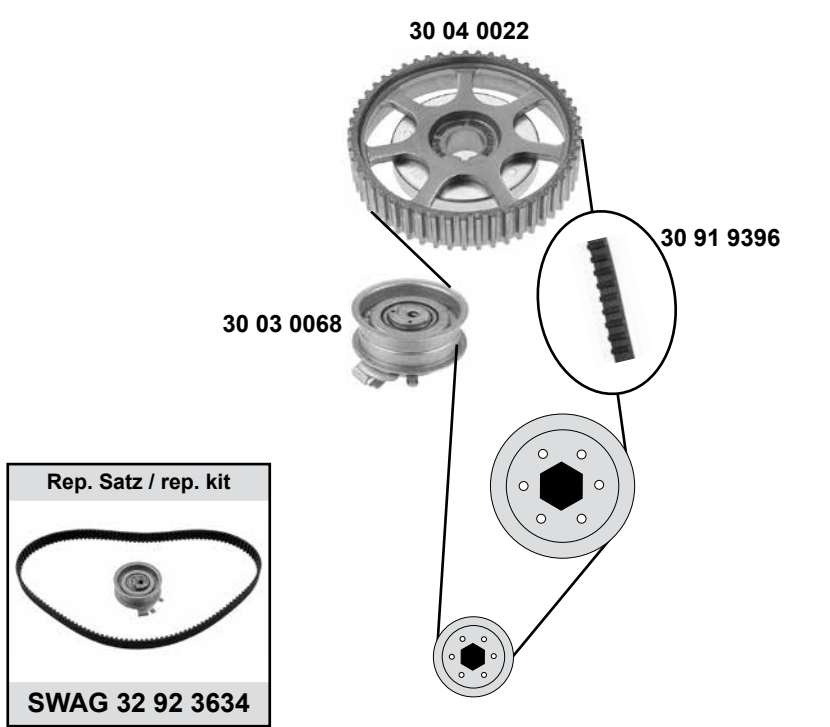
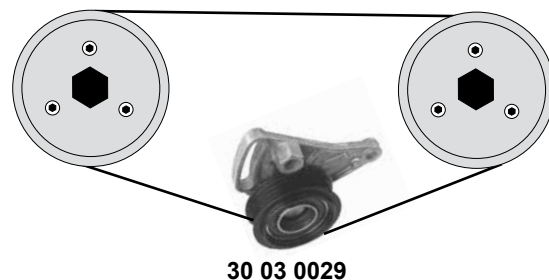
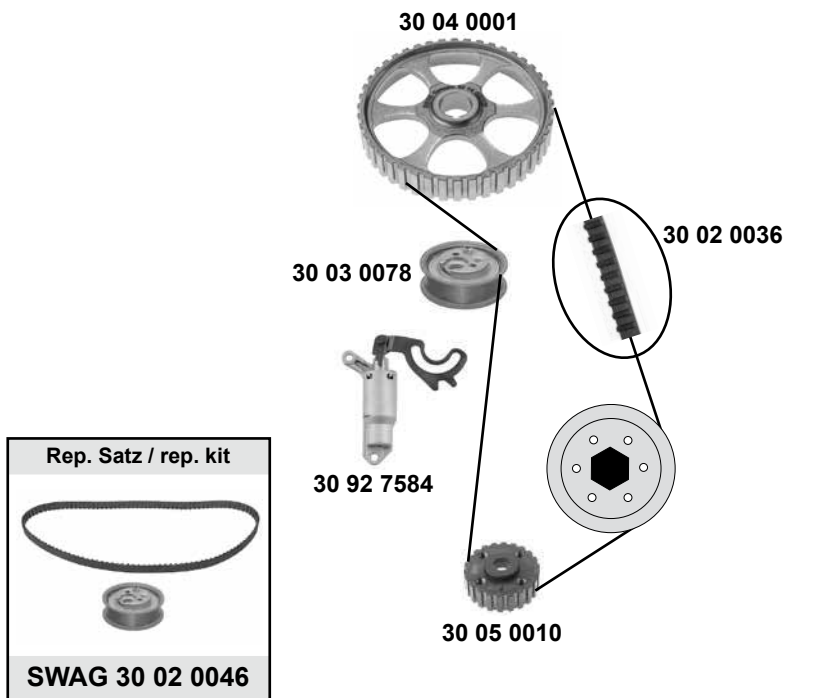


## 2,8 VR6 (AAA)



SWAG	Ref. - No.			
30 09 0001	021 109 509 A	Kettenspanner / chain tensioner	(mot.) AAA→217 000	
30 09 0003	021 109 469	Gleitschiene / sliding rail		
30 09 0005	021 109 509 E	Gleitschiene / sliding rail	(mot.) AAA 217 001→	
30 10 0001	021 109 467	Kettenspanner / chain tensioner		
30 10 0002	021 109 507 B	Kettenspanner / chain tensioner	(mot.) AAA 217 001→	
30 93 3983	021 109 507 A	Kettenspanner / chain tensioner	(mot.) AAA→217 000	
99 11 0142	021 109 503 A	Steuerkette / timing chain	(mot.) AAA→217 000	
99 11 0205	021 109 467	Steuerkette / timing chain		
99 11 0208	021 109 503 D	Steuerkette / timing chain	(mot.) AAA 217 001→	
99 13 3984	021 109 503 A S1	Rep. Satz Steuerkette / rep. kit chain tensioner	(mot.) AAA→217 000	
99 13 3985	021 109 503 A S1	Rep. Satz Steuerkette / rep. kit chain tensioner	(mot.) AAA 217 000→	D 90 E 70 E 90 E

**1,6**  
(ADP)



Ref. - No.



<b>30 02 0036</b>	026 109 119 B	Zahnriemen / timing belt		Z 121 B18
<b>30 02 0046</b>	026 198 119	Rep. Satz Zahnriemen / rep. kit timing belt		
<b>30 03 0029</b>	058 260 511	Spannrolle / tension roller	<b>AC</b>	ØA 60 B15,5
<b>30 03 0068</b>	06A 109 479 C	Spannrolle / tension roller	<b>(ch.)</b> 3B-V-000001→	ØA 72 B29
<b>30 03 0078</b>	026 109 243 J	Spannrolle / tension roller		ØA 66 ØI 11 B18
<b>30 04 0001</b>	049 109 111 C	Nockenwellenrad / camshaft gear		Z 44
<b>30 04 0022</b>	06A 109 105 C	Nockenwellenrad / camshaft gear	<b>(ch.)</b> 3B-1-250 000→	
<b>30 05 0010</b>	049 105 263 C	Kurbelwellenrad / crankshaft gear		Z 22
<b>30 91 9396</b>	06A 109 119 C	Zahnriemen / timing belt		Z 138 B23
<b>30 92 7584</b>	050 109 479 A	Riemenspanner / belt tensioner		
<b>32 92 3634</b>	06A 198 119	Rep. Satz Zahnriemen / rep. kit timing belt		

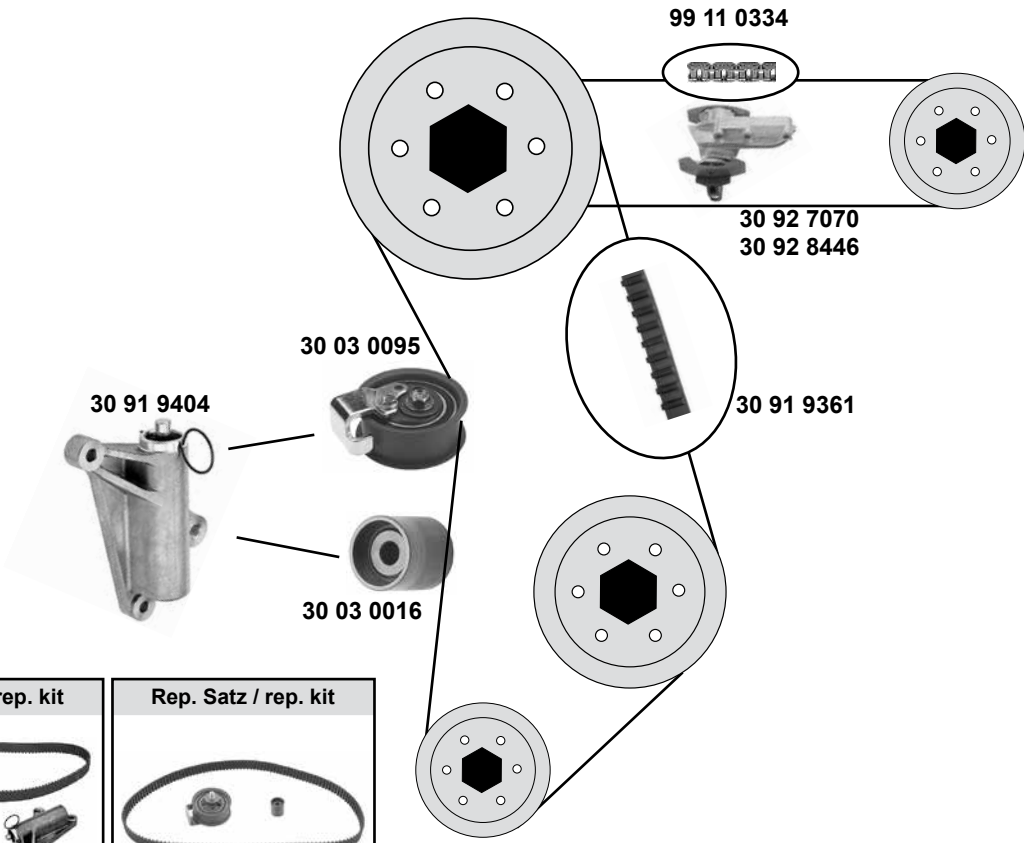
# VOLKSWAGEN

## Passat 4 (3B)

(97→00)



1,8

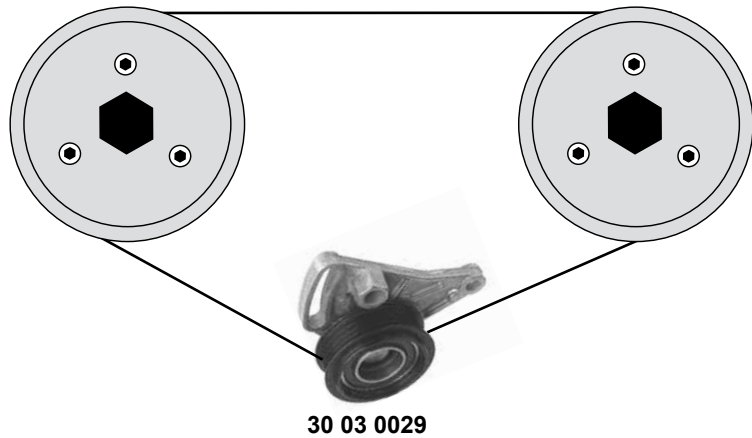


Rep. Satz / rep. kit

**SWAG 30 92 1100**

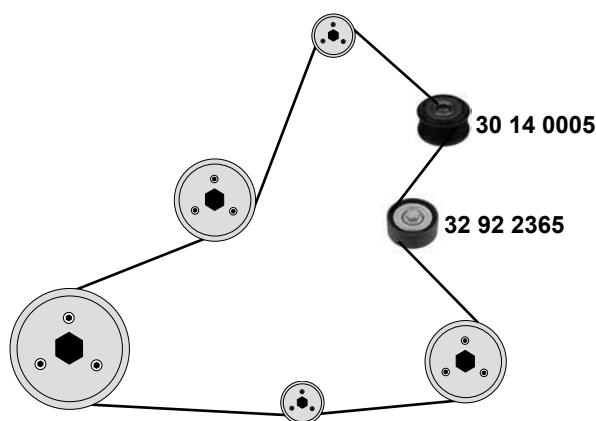
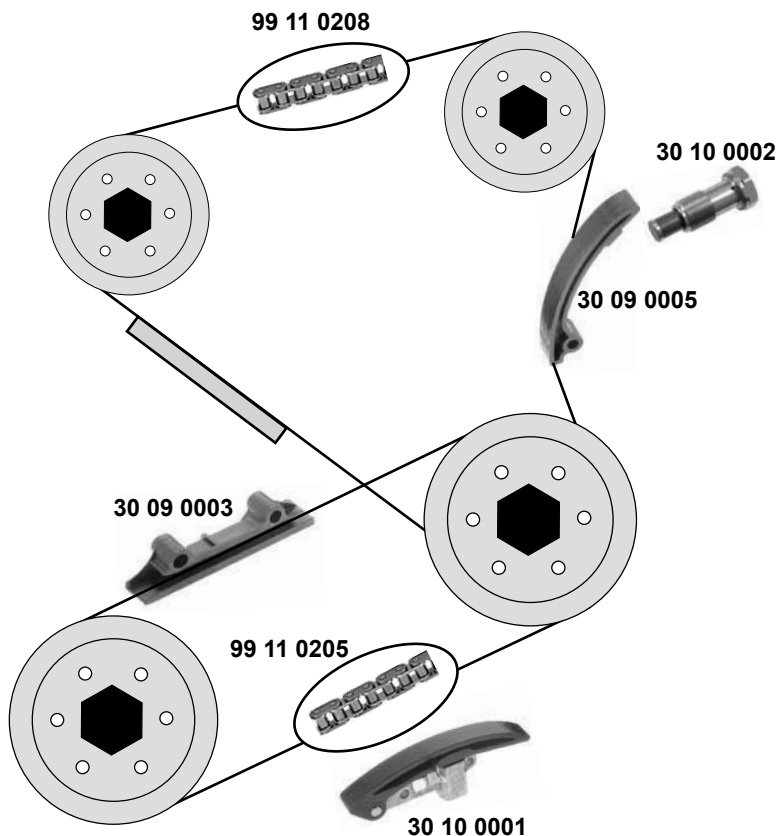
Rep. Satz / rep. kit

**SWAG 32 92 4723**



(1) (mot.) ADR / APT / ARG / AFY / AEB / APU / ANB

SWAG GERMANY	Ref. - No.			
30 03 0016	058 109 244	Umlenkrolle / deflection pulley	(1)	ØA 28 B29
30 03 0029	058 260 511	Spannrolle / tension roller	AC	ØA 60 B15,5
30 03 0095	058 109 243 E	Spannrolle / tension roller		ØA 72 B32,5
30 91 9361	058 109 119 C	Zahnriemen / timing belt		Z 153 B19
30 91 9404	058 109 479 B	Riemenspanner / belt tensioner		
30 92 1100	058 198 479	Rep. Satz Zahnriemen / rep. kit timing belt		
30 92 7070	058 109 217 B	Kettenspanner / chain tensioner	(mot.) AEB/ANB/APU	
30 92 8446	058 109 217 D	Kettenspanner / chain tensioner	(mot.) AFY	
32 92 4723	058 198 119	Rep. Satz Zahnriemen / rep. kit timing belt		
99 11 0334	058 109 229 B	Steuerkette / timing chain		50 E



Ref. - No.



30 09 0003	021 109 469
30 09 0005	021 109 509 E
30 10 0001	021 109 467
30 10 0002	021 109 507 B
30 14 0005	038 903 119 L
30 91 9292	022 145 276 A
99 11 0205	021 109 467
99 11 0208	021 109 503 D

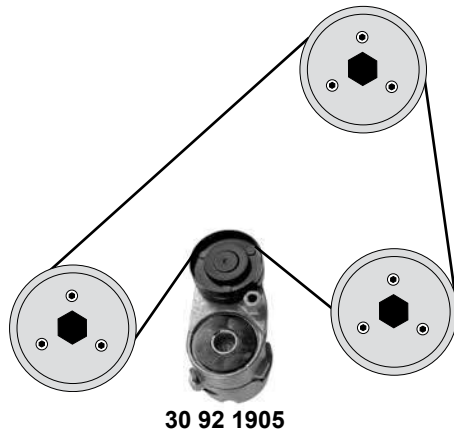
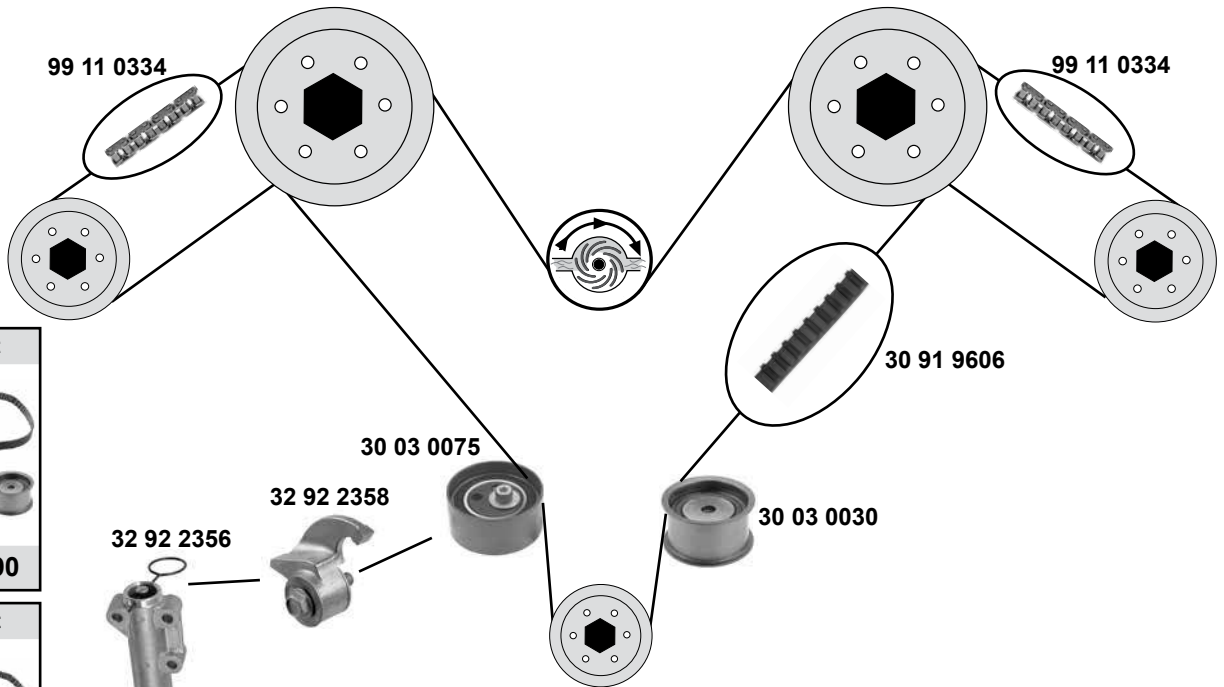
Gleitschiene / sliding rail
Kettenspanner / chain tensioner
Gleitschiene / sliding rail
Kettenspanner / chain tensioner
Riemenscheibe Generator / belt pulley alternator
Umlenkrolle / deflection pulley
Steuerkette / timing chain
Steuerkette / timing chain

(ch.) 3B-X- 150 001→  
AC

ØA 65 B28  
70 E  
90 E

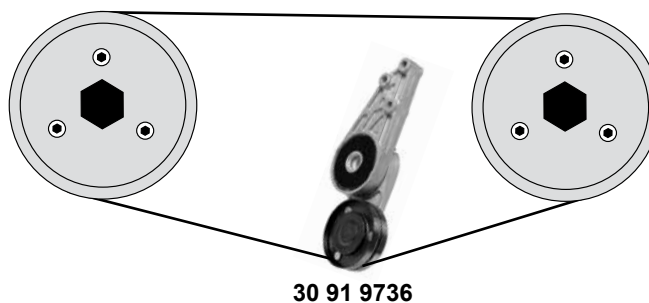
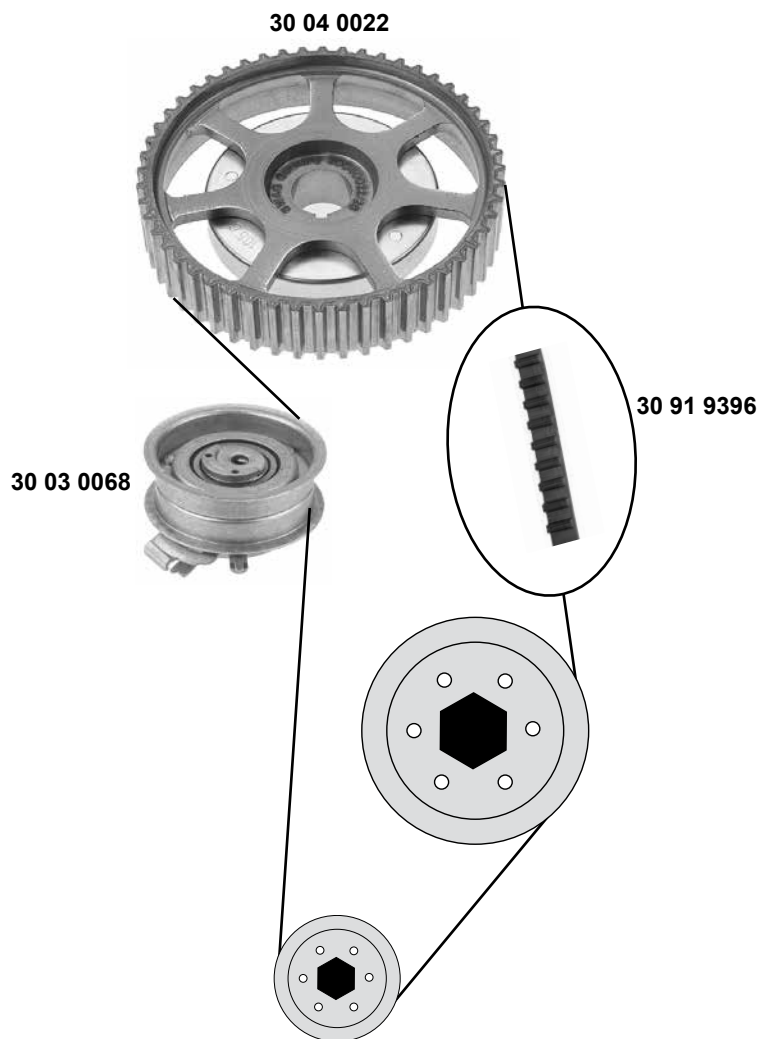


### 2,8 V6



SWAG GERMANY	Ref. - No.			
<b>30 03 0030</b>	078 109 244 H	Umlenkrolle / deflection pulley		ØA 59 ØI 10 B31
<b>30 03 0075</b>	078 109 243 R	Spannrolle / tension roller		ØA 73,2 B32
<b>30 91 9606</b>	078 109 119 H	Zahnriemen / timing belt		Z 253
<b>30 92 1905</b>	078 903 133 AB	Riemenspanner / belt tensioner		
<b>32 92 2356</b>	078 109 479 E	Riemenspanner / belt tensioner		
<b>32 92 2358</b>	078 109 487 A	Riemenspanner / belt tensioner		
<b>32 92 3290</b>	078 198 479 S1	Rep. Satz Zahnriemen / rep. kit timing belt		
<b>32 92 3292</b>	078 198 119	Rep. Satz Zahnriemen / rep. kit timing belt		
<b>99 11 0334</b>	058 109 229 B	Steuerkette / timing chain		50 E



**1,6 / 2,0**  
 (ALZ / AZM)


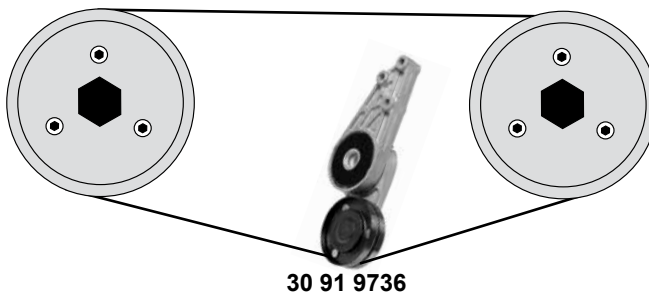
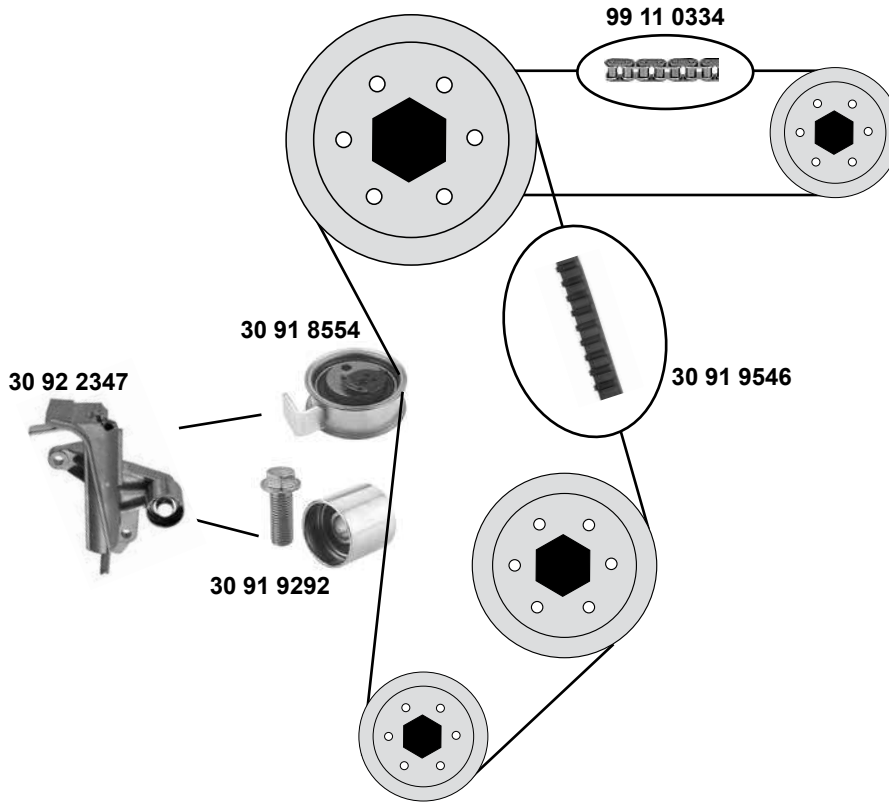
# VOLKSWAGEN Passat 4 (3B)

(00→06)



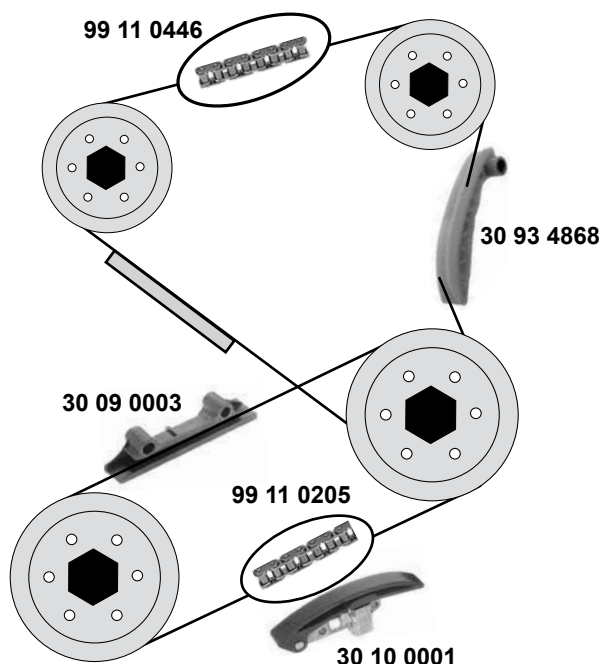
**1,8 / 2,0**

(AWT / AWM / ALT)

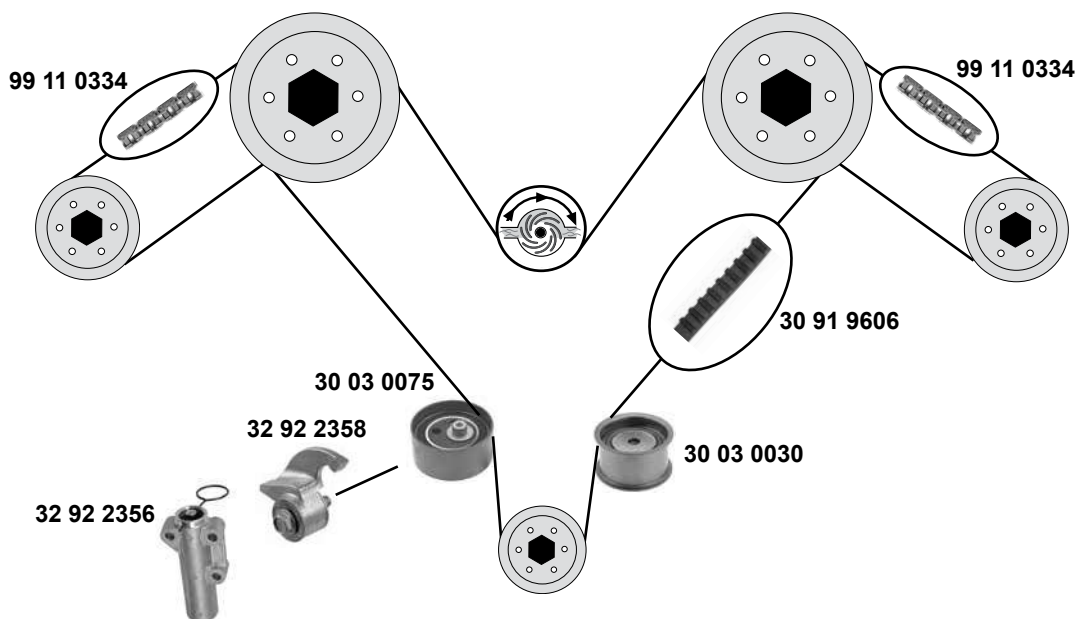


SWAG GERMANY	Ref. - No.			
<b>30 91 8554</b>	06B109 243 E	Spannrolle / tension roller		ØA 72 B31
<b>30 91 9292</b>	06B109 244	Umlenkrolle / deflection pulley		ØA 28,5 B27
<b>30 91 9546</b>	06B109 119 A	Zahnriemen / timing belt		Z 150 B23
<b>30 91 9736</b>	058 903 133 D	Riemenspanner / belt tensioner		ØA 37 B21
<b>30 92 2347</b>	06B 109 243 F A	Riemenspanner / belt tensioner		
<b>32 92 3642</b>	06B 109 119 F S4	Rep. Satz Zahnriemen / rep. kit timing belt		
<b>32 92 4755</b>	06B 198 119 A	Rep. Satz Zahnriemen / rep. kit timing belt		
<b>99 11 0334</b>	058 109 229 B	Steuerkette / timing chain		50 E

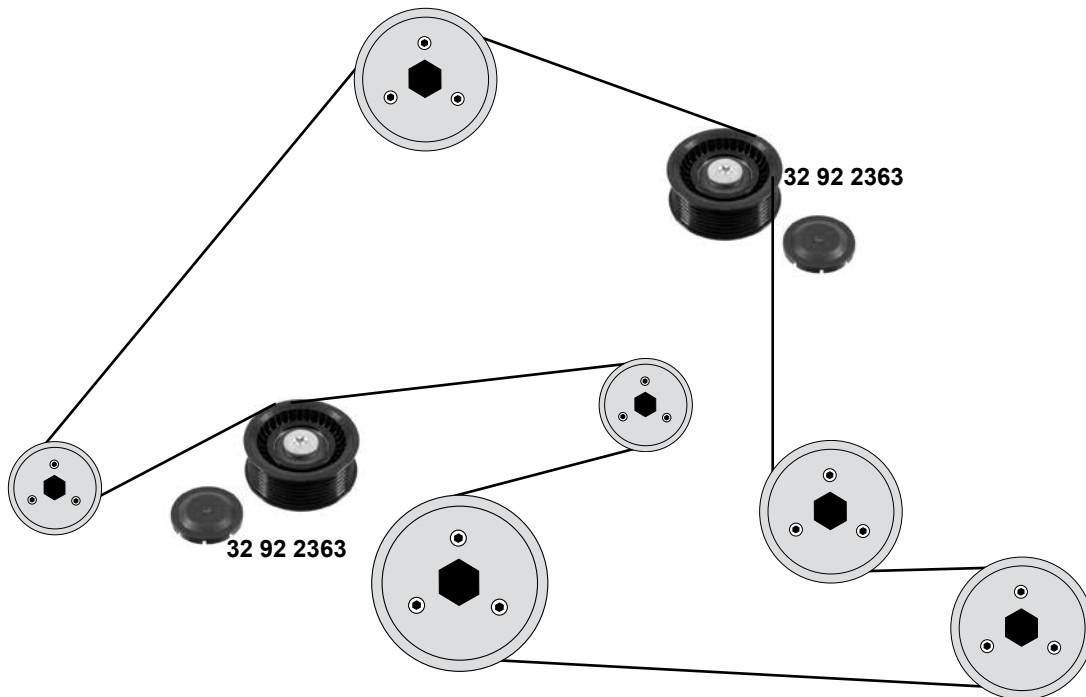
**2,3 V5**  
(AZX)



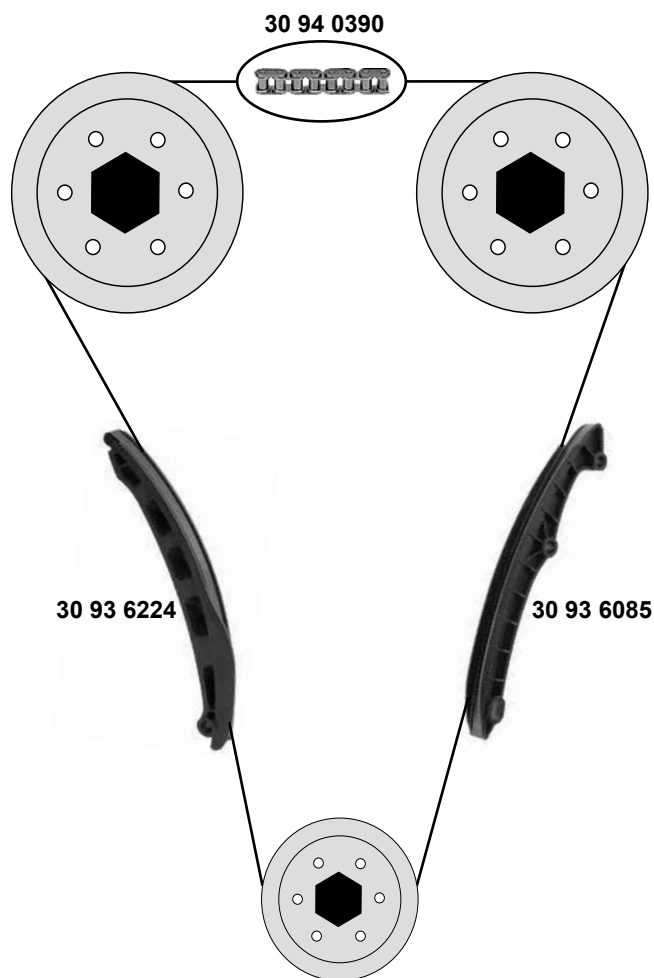
**2,8 V6**  
(ACK / AGE / ALG / APR / AQD / ATX / AMX / BBG / ATQ)



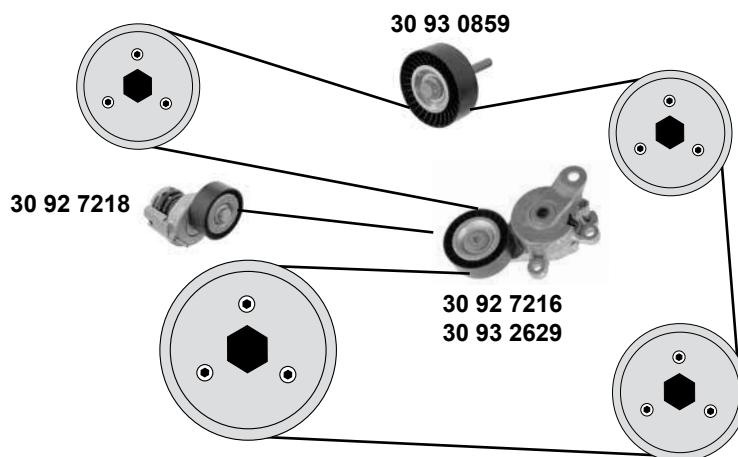
SWAG	Ref. - No.			
30 03 0030	078 109 244 H	Umlenkrolle / deflection pulley		ØA 59 ØI 10 B31
30 03 0075	078 109 243 R	Spannrolle / tension roller		ØA 73,2 B32
30 09 0003	021 109 469	Gleitschiene / sliding rail		
30 10 0001	021 109 467	Gleitschiene / sliding rail		
30 91 9606	078 109 119 H	Zahnriemen / timing belt		Z 253
30 93 4868	066 109 509 A	Gleitschiene / sliding rail		
32 92 2356	078 109 479 E	Riemenspanner / belt tensioner		
32 92 2358	078 109 487 A	Riemenspanner / belt tensioner		
32 92 3290	078 198 479 S1	Rep. Satz Zahnriemen / rep. kit timing belt		
32 92 3292	078 198 119	Rep. Satz Zahnriemen / rep. kit timing belt		
99 11 0205	021 109 467	Steuerkette / timing chain		70 E
99 11 0334	058 109 229 B	Steuerkette / timing chain		50 E
99 11 0446	066 109 503 C	Steuerkette / timing chain		98 E



**1,4 / 1,6**  
(CAXA / BLF / CDGA)



**1,4 / 1,6**  
(CAXA / BLF)



Ref. - No.



30 92 7216	6Q0 145 299
30 92 7218	03C 145 299 C
30 93 0859	1J0 145 276
30 93 2629	03C 145 299 Q
30 93 6085	03C 109 469 K
30 93 6224	03C 109 509 P
30 94 0390	03C 109 158 A

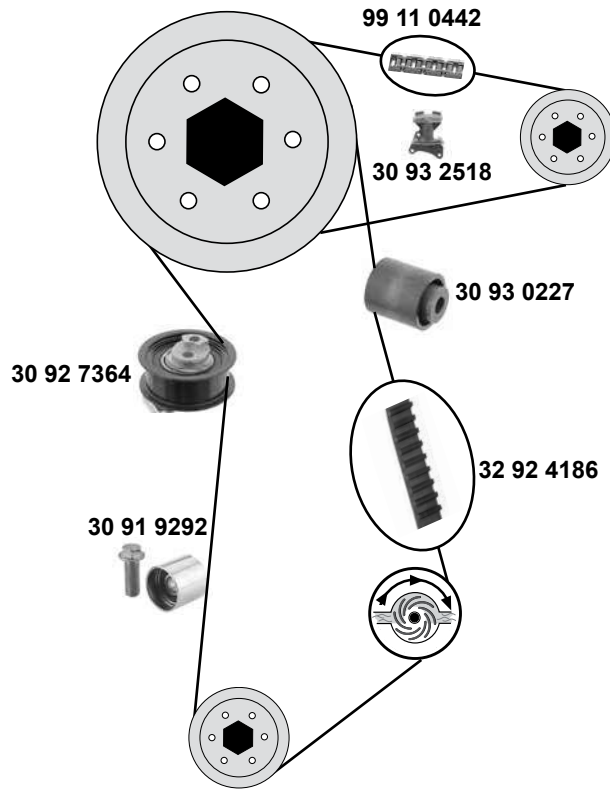
Riemenspanner / belt tensioner
Spannrolle / tension roller
Umlenkrolle / deflection pulley
Riemenspanner / belt tensioner
Gleitschiene/ sliding rail
Gleitschiene/ sliding rail
Steuerkette / timing chain

(ex.) AC CAXA
AC BLF
AC
AC CAXA 08→

130 E

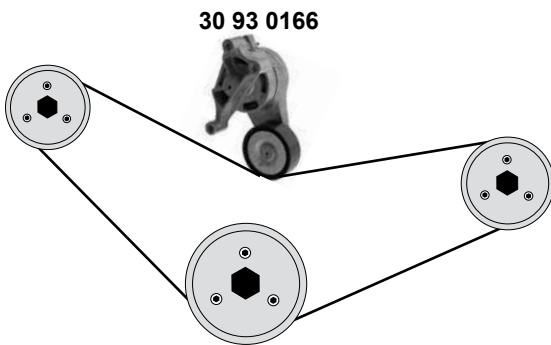
### 2,0 16V

(BLX/BVX/BLY/BVZ/BLR/BVY/AXX/BWA/BPY)



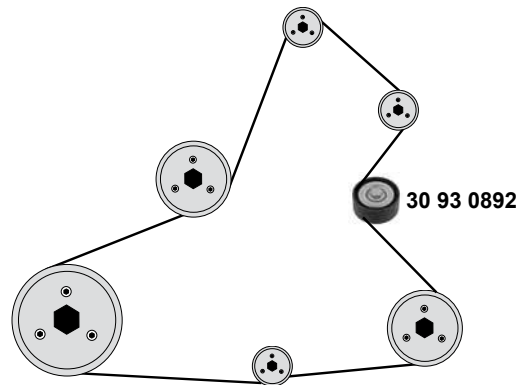
### 2,0 16V

(AXX/BWA/BPY)



### 3,2 / 3,6

(AXZ/BLV/BWS)

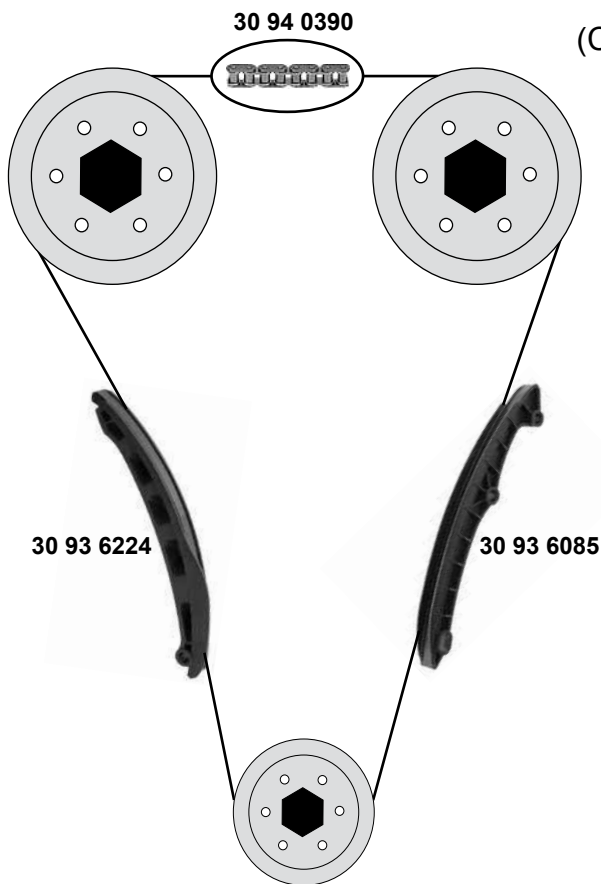


Ref. - No.

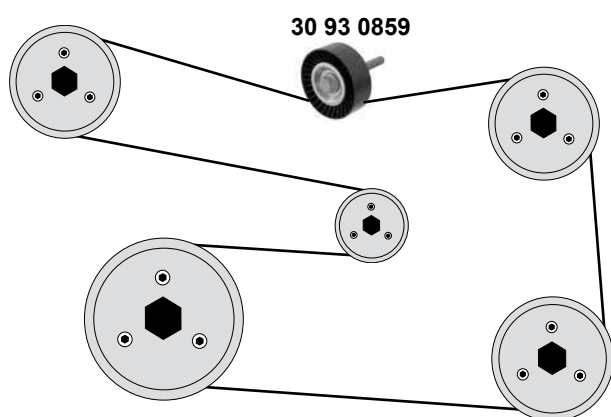


30 91 9292	06B 109 244	Umlenkrolle / deflection pulley		
30 92 7364	06D 109 243 B	Spannrolle / tension roller		ØA 77 B25
30 93 0166	06F 903 315	Riemenspanner / belt tensioner		
30 93 0227	06D 109 244 E	Umlenkrolle / deflection pulley		ØA 28,5 B33
30 93 0586	06F 198 119 A	Rep. Satz Zahnriemen / rep. kit timing belt		
30 93 0892	022 145 276 A	Umlenkrolle / deflection pulley		ØA 65 B28
30 93 2518	06F 109 217 A	Kettenspanner / chain tensioner	→11	
32 92 4186	06D 109 119 B	Zahnriemen / timing belt		Z 148
99 11 0442	06D 109 229 B	Steuerkette / timing chain		42E

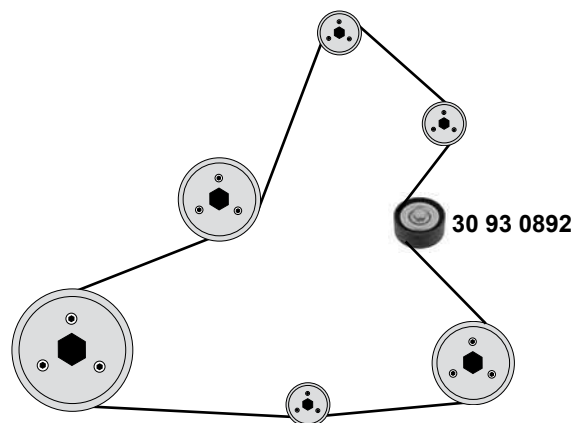
**1,4 B**  
(CAXA/CDGA/CKMA/CTHD)



**1,4**  
(CAXA)



**3,6**  
(BWS)



Ref. - No.



<b>30 93 0859</b>	1J0 145 276
<b>30 93 0892</b>	022 145 276 A
<b>30 93 6085</b>	03C 109 469 K
<b>30 93 6224</b>	03C 109 509 P
<b>30 94 0390</b>	03C 109 158 A

Umlenkrolle / deflection pulley
Umlenkrolle / deflection pulley
Gleitschiene/ sliding rail
Gleitschiene/ sliding rail
Steuerkette / timing chain

AC

ØA 76 B 26  
ØA 65 B 28

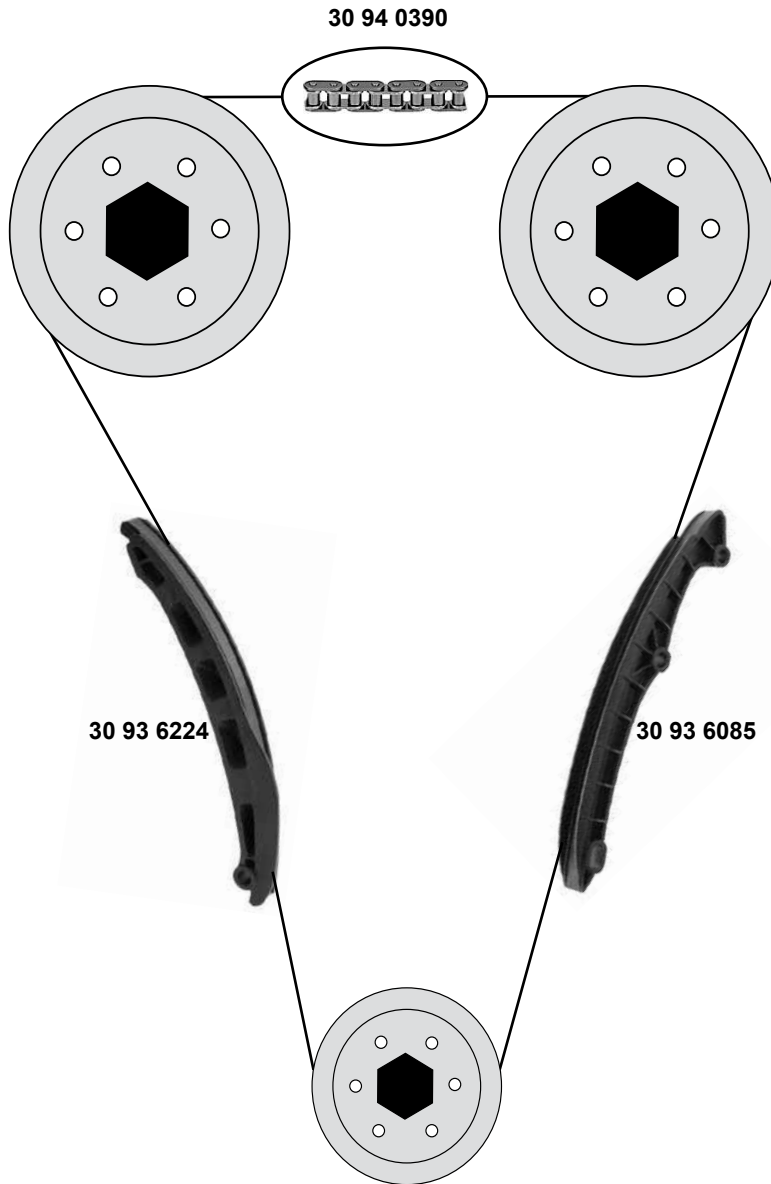
130 E

# VOLKSWAGEN Passat CC

(09→12)



**1,4 B**  
(CKMA)



30 94 0390

30 93 6224

30 93 6085



Ref. - No.



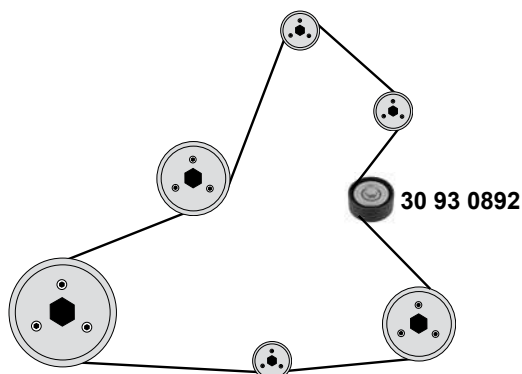
30 93 6085	03C 109 469 K
30 93 6224	03C 109 509 P
30 94 0390	03C 109 158 A

Gleitschiene/ sliding rail  
Gleitschiene/ sliding rail  
Steuerkette / timing chain

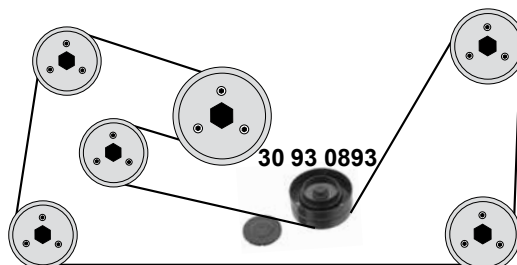
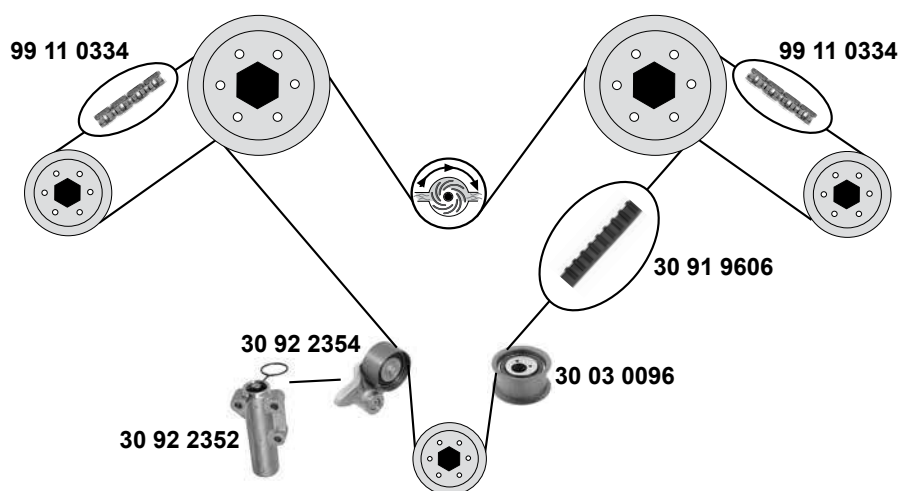
130 E



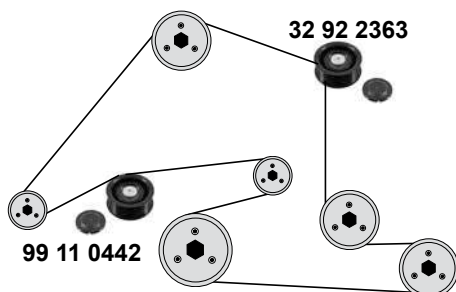
**3,6**  
(CHNA / CMVA)



**4,2 V8**  
(BGH / BGJ)



**6,0 V8**  
(BAN / BRN / BTT)

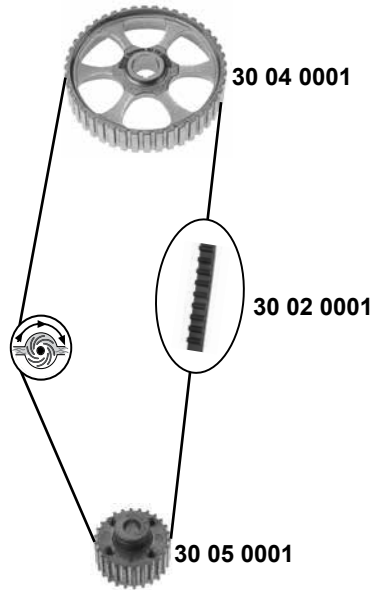


<b>30 03 0096</b>	077 109 244 E	Umlenkrolle / deflection pulley		ØA 58
<b>30 91 9606</b>	078 109 119 H	Zahnriemen / timing belt	→06	Z 253
<b>30 92 2352</b>	078 109 479 D	Riemenspanner / belt tensioner	→06	
<b>30 92 2354</b>	077 109 485 E	Riemenspanner / belt tensioner	→06	
<b>30 93 0892</b>	022 145 276 A	Umlenkrolle / deflection pulley		ØA 65 B28
<b>30 93 0893</b>	077 109 244 F	Umlenkrolle / deflection pulley	(mot.) BGJ→09	ØA 78 B30
<b>32 92 2363</b>	07D 145 276 C	Umlenkrolle / deflection pulley		
<b>99 11 0334</b>	058 109 229 B	Steuerkette / timing chain		50 E

# VOLKSWAGEN

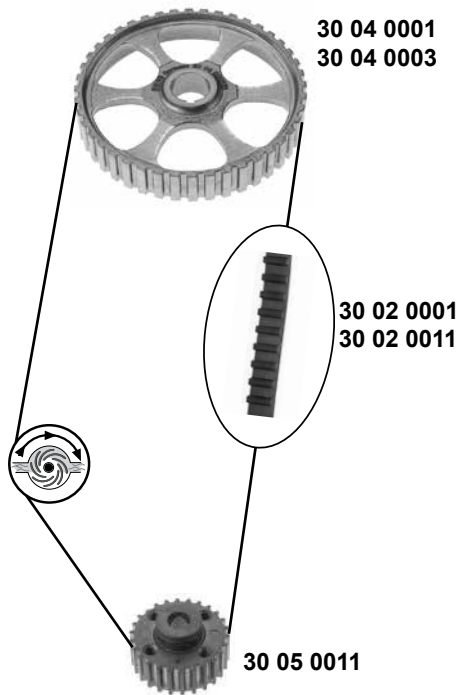
## Polo 1 / Derby (86)

(75→81)



## Polo 2 (86C)

(82→94)



**(1) Polo 2 (mot.)**→HZ 786 023  
 (mot.)→NZ 200 001  
 (mot.)→PY 002 178  
 (mot.)→2G 262 740  
 (mot.)→3F 008 527  
 (mot.) AAU→015 868  
 (mot.) MN

**(2) Polo 2 (mot.)** HZ 786 023  
 (mot.) NZ 200 001→  
 (mot.) PY 002 178→  
 (mot.) 2G 262 740→  
 (mot.) 3F 008 527  
 (mot.) AAU 015 868→  
 (mot.) AAV / ACM



Ref. - No.



<b>30 02 0001</b>	052 109 119	Zahnriemen / timing belt	<b>(1)</b>	Z 108 B18
<b>30 02 0011</b>	030 109 119 A	Zahnriemen / timing belt	<b>(2)</b>	Z 128 B19
<b>30 04 0001</b>	049 109 111 C	Nockenwellenrad / camshaft Gear	<b>(1)</b>	Z 44
<b>30 04 0003</b>	026 109 111	Nockenwellenrad / camshaft Gear	<b>(ch.)</b> →H - 200 000	
<b>30 05 0011</b>	030 105 263 C	Kurbelwellenrad / crankshaft Gear	<b>(2)</b>	Z 26
<b>30 05 0001</b>	049 105 263 B	Kurbelwellenrad / crankshaft Gear		Z 22



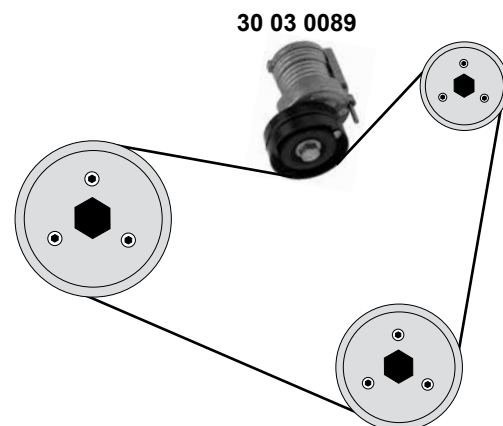
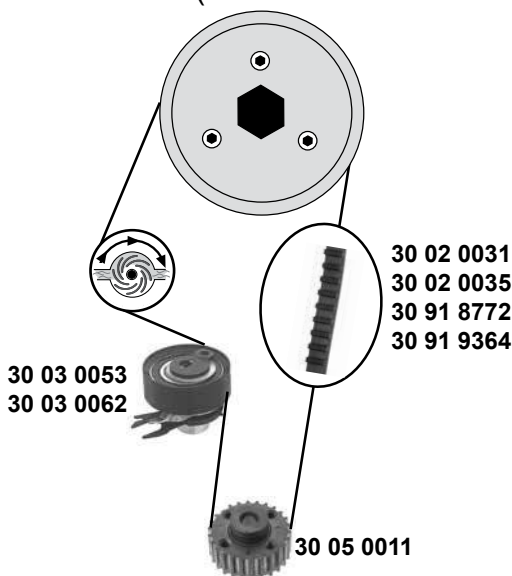
# VOLKSWAGEN

## Polo 3 (6N)

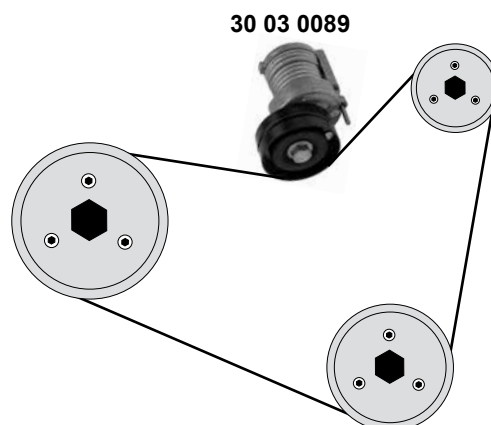
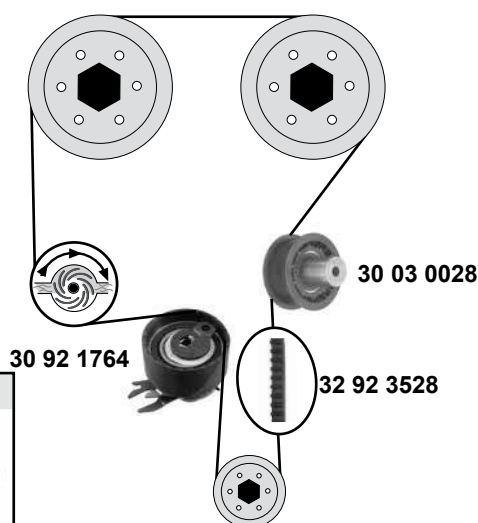
(95→00)

**1,0→1,6**

(AER / ALL / AEV / ADX / AEX / ANX / APQ / AKV / AEA / AEE / AHS / AJV)



**1,4 16 V**  
(AFH)



(1) (ex.) (mot.) AEV (1,05l / 33kW / 45PS)

(2) nur / only (mot.) AEV (1,05l / 33kW / 45PS)



Ref. - No.



Ref. - No.	Description	Notes	Part No.
30 02 0031	Zahnriemen / timing belt	(1) / (ex.) 1,6l	Z 135 B19
30 02 0035	Zahnriemen / timing belt	(2) AEV	Z 132 B19
30 03 0028	Umlenkrolle / deflection pulley		ØA 56 ØI 8 B26
30 03 0053	Spannrolle / tension roller	(1)	ØA 61 ØI 8 B22
30 03 0062	Spannrolle / tension roller	(2) AEV	ØA 59 B22
30 03 0089	Riemenspanner / belt tensioner		ØA 70 B26
30 05 0011	Kurbelwellenrad / crankshaft gear	(ch.)→6N-W-065 000	Z 26
30 91 8772	Zahnriemen / timing belt	nur / only 1,6l	Z 137 B19
30 91 9364	Zahnriemen / timing belt	(mot.) AJV	Z 130 B20
30 92 1764	Spannrolle / tension roller		ØA 60 B37
32 92 3528	Zahnriemen / timing belt		Z 149
32 92 3530	Rep. Satz Zahnriemen / rep. kit timing belt		

# VOLKSWAGEN

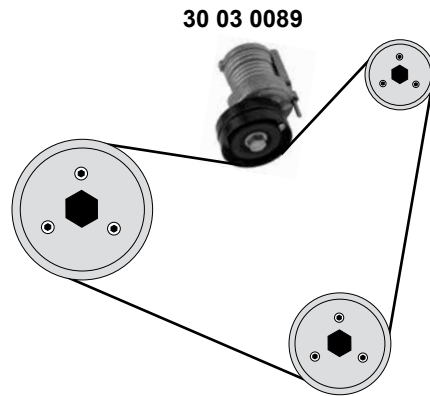
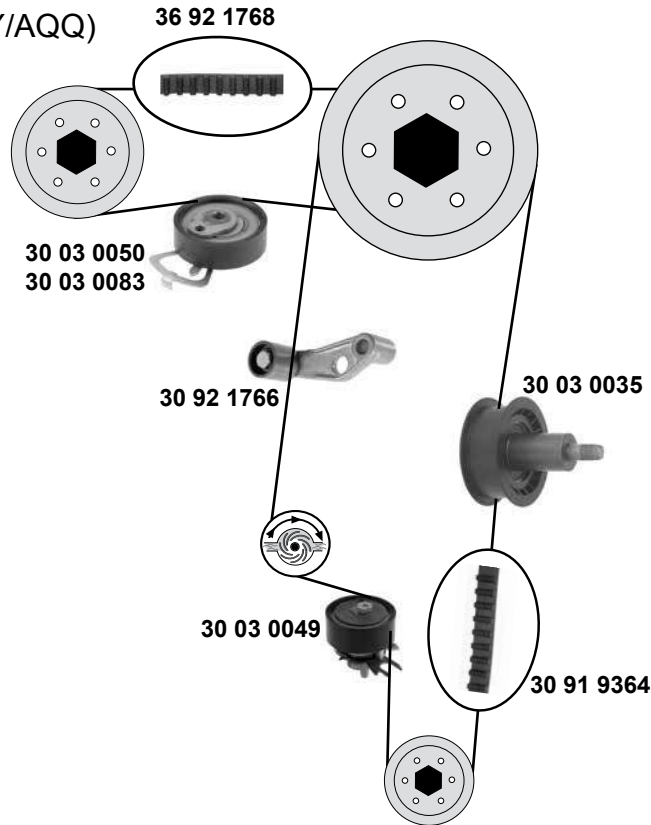
## Polo 3 (6N)

(95→02)



### 1,4 16V / 1,6 16V

(AJV/AHW/AUA/APE/AFK/AUB/ARC/AVY/AQQ)



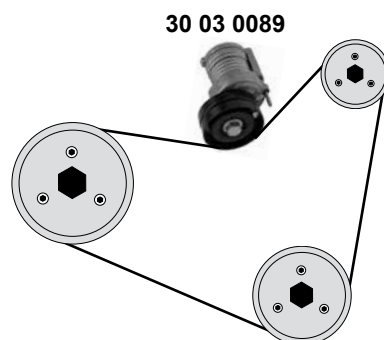
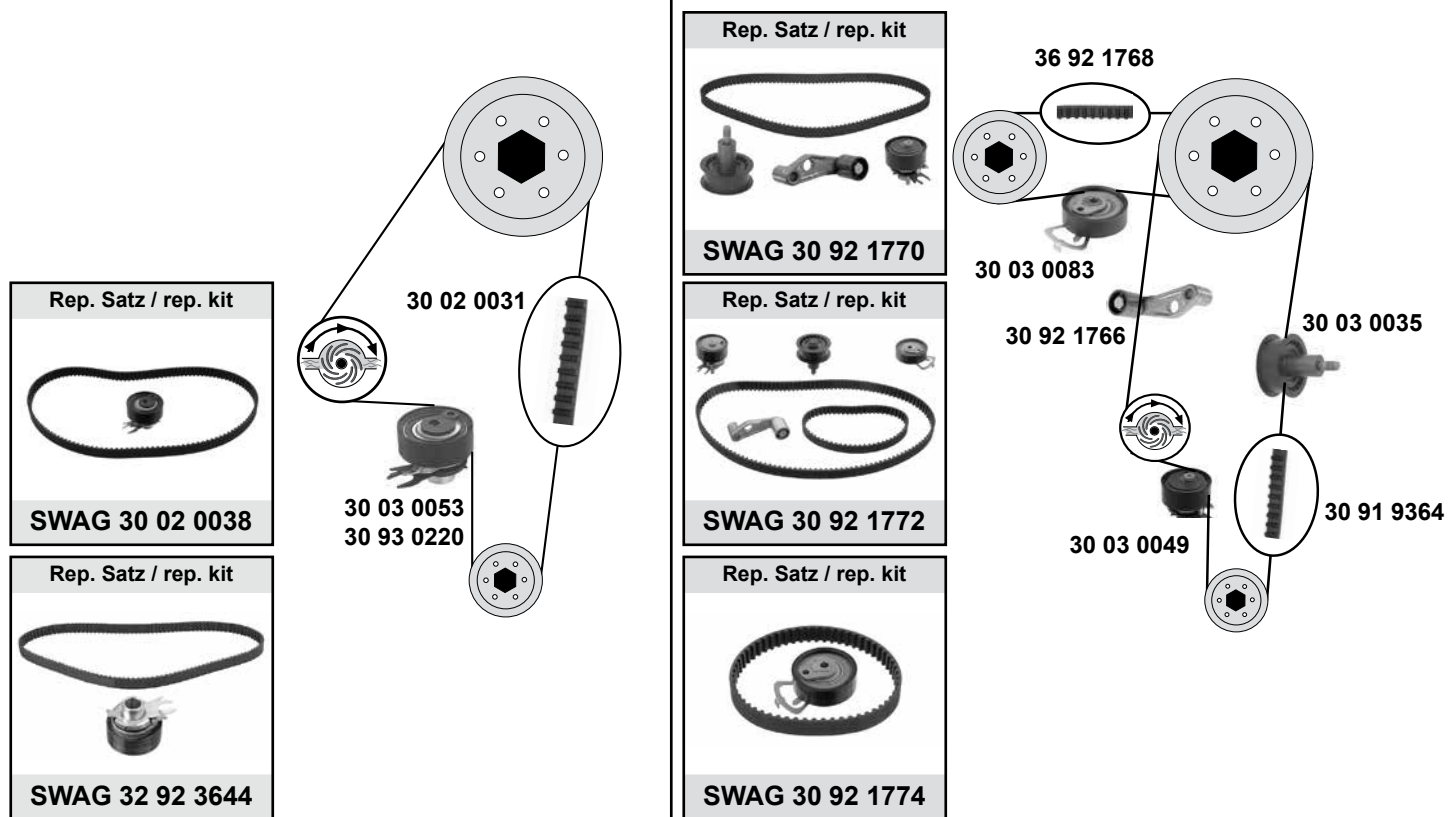
(1) (mot.) AJV / 98→ / 005 001→  
(mot.) AFK / AHW / APE / AQQ / AUA / AUB / ARC / AVY / 99→01

(2) (mot.) AJV / →99  
(mot.) AFK / AHW / APE / AQQ / AUA / AUB / ARC / AVY / 99→01

SWAG GERMANY	Ref. - No.			
30 03 0035	036 109 244 J	Umlenkrolle / deflection pulley		ØA 56 B22
30 03 0049	036 109 243 AB	Spannrolle / tension roller		ØA 60 ØI 8 B25
30 03 0050	036 109 243 F	Spannrolle / tension roller	(mot.) AJV →005 000	ØA 60 ØI 8 B18
30 03 0089	030 145 299 F	Riemenspanner / belt tensioner		ØA 70 B26
30 03 0083	036 109 243 AE	Spannrolle / tension roller	(1)	ØA 60 B19
30 91 9364	036 109 119 Q	Zahnriemen / timing belt	(ex.) AJV / 99→01	Z 130 B20
30 92 1766	036 109 181 A	Umlenkrolle / deflection pulley		ØA 28 B30
30 92 1770	036 109 119 Q S1	Rep. Satz Zahnriemen / rep. kit timing belt		
30 92 1772	036 109 119 Q S2	Rep. Satz Zahnriemen / rep. kit timing belt	(mot.) AJV 005 001→	
30 92 1774	036 109 119 P S1	Rep. Satz Zahnriemen / rep. kit timing belt	(1)	
30 93 2427	036 198 119 F	Rep. Satz Zahnriemen / rep. kit timing belt	(mot.) AJV→005 000	
36 92 1768	036 109 119 P	Zahnriemen / timing belt	(2)	Z 58 B17

**1,0→1,4**  
(ALD / AUC / AKK / AKP / AUD)

**1,4→1,6 16V**  
(AHW / AUA / APE / AFK / AUB / ARC / AVY / AQQ)



SWAG GERMANY	Ref. - No.			
30 02 0031	030 109 119 S	Zahnriemen / timing belt	(mot.) APE / AUA	Z 135 B19
30 02 0038	030 109 119 S S1	Rep. Satz Zahnriemen / rep. kit timing belt	→6N-Y-600 000	
30 03 0035	036 109 244 J	Umlenkrolle / deflection pulley		ØA 56 B22
30 03 0049	036 109 243 AB	Spannrolle / tension roller		ØA 60 Ø1 8 B25
30 03 0053	030 109 243 K	Spannrolle / tension roller	→6N-Y-600 000	ØA 61 Ø1 8 B22
30 03 0083	036 109 243 AE	Spannrolle / tension roller		ØA 60 B19
30 03 0089	030 145 299 F	Riemenspanner / belt tensioner		ØA 70 B26
30 91 9364	036 109 119 Q	Zahnriemen / timing belt		Z 130 B20
30 92 1766	036 109 181 A	Umlenkrolle / deflection pulley		ØA 28 B30
30 92 1770	036 109 119 Q S1	Rep. Satz Zahnriemen / rep. kit timing belt		
30 92 1772	036 109 119 Q S2	Rep. Satz Zahnriemen / rep. kit timing belt		
30 92 1774	036 109 119 P S1	Rep. Satz Zahnriemen / rep. kit timing belt		
30 93 0220	030 109 243 M	Spannrolle / tension roller	(ex.) (mot.) AQQ	
32 92 3644	030 109 119 S S2	Rep. Satz Zahnriemen / rep. kit timing belt	6N-Y-600 001→	ØA 61,5 B22
36 92 1768	036 109 119 P	Zahnriemen / timing belt	6N-Y-600 001→	Z 58 B17

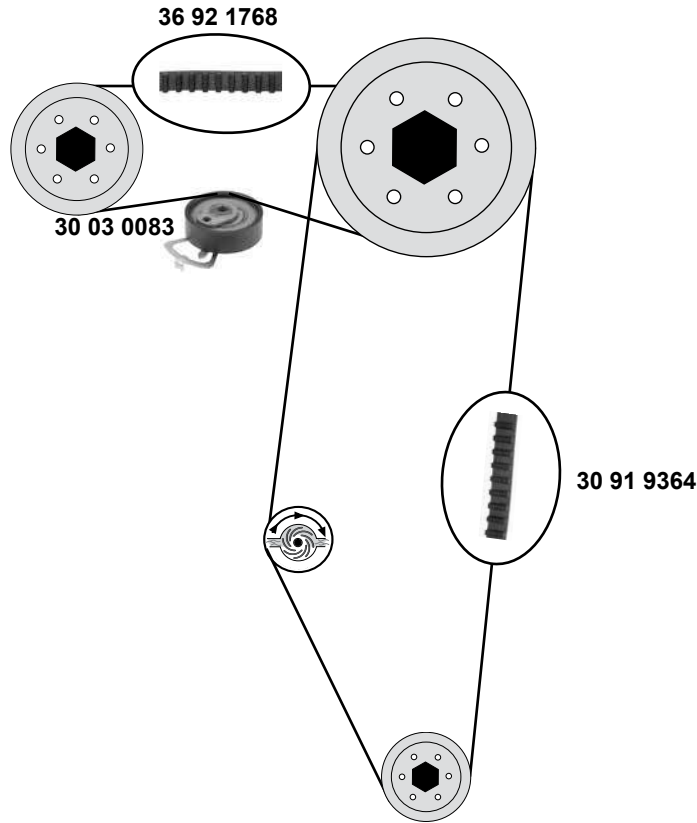
# VOLKSWAGEN

## Polo 3 (6V)

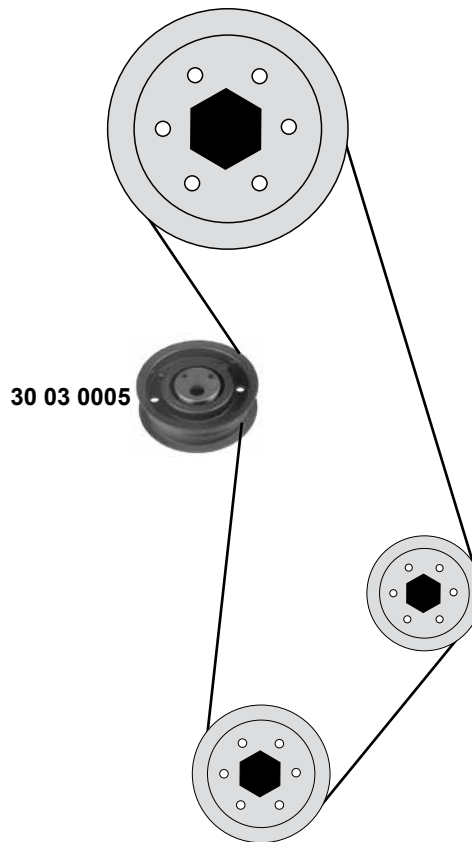
(94→02)



### 1,4 16V (AUA/APE)

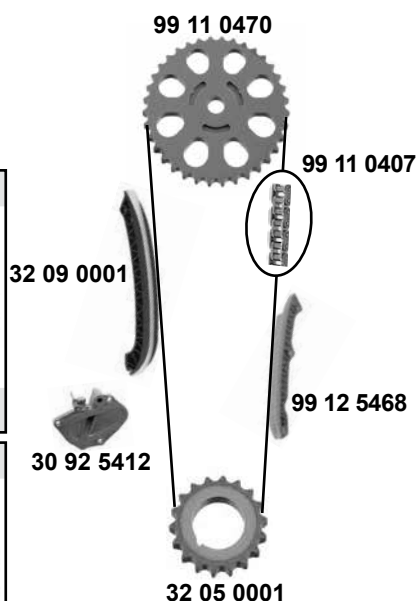
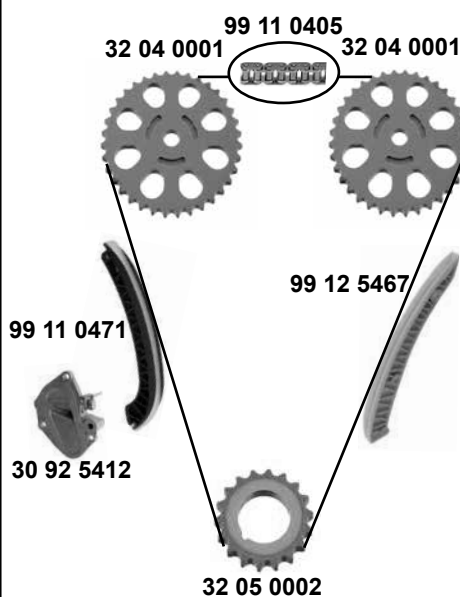
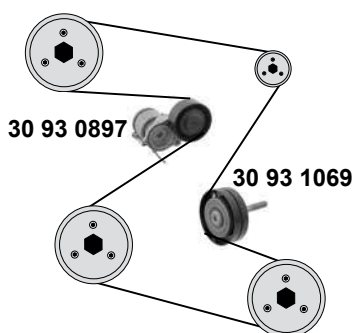


### 1,6 → 2,0 (ADC/ADD/AFT/1F)



SWAG GERMANY	Ref. - No.			
30 03 0005	026 109 243 L	Spannrolle / tension roller		ØA 78 ØI 8 B26
30 03 0083	036 109 243 AE	Spannrolle / tension roller		ØA 60 B19
30 91 9364	036 109 119 Q	Zahnriemen / timing belt		Z 130 B20
30 92 1774	036 109 119 P S1	Rep. Satz Zahnriemen / rep. kit timing belt		
36 92 1768	036 109 119 P	Zahnriemen / timing belt		Z 58 B17



**1,2 6V**  
 (AWY / BMD / BBM)

**1,2 12V**  
 (AZQ / BME / BZG)

**1,2 6V/12V**  
 (AWY / AZQ / BMD / BME / BBM / BZG)


- (1) (mot.) BMD / (mot.) AWY→05 / (mot.) BBM 05→  
 (2) (mot.) BME / (mot.) AZQ→05 / (mot.) BZG 05→



Ref. - No.



Ref. - No.				
30 92 5412	03E 109 507 S	Kettenspanner / chain tensioner		
30 93 0897	03D 903 305 F	Riemenspanner / belt tensioner		
30 93 1069	03D 145 276 E	Umlenkrolle / deflection pulley	AC	ØA 76 B 24
32 04 0001	03E 109 571 B	Nockenwellenrad / camshaft gear	(2)	Z 36
32 05 0001	03E 105 209 E	Kurbelwellenzahnrad / crankshaft gear	(1)	Z 20
32 05 0002	03E 105 209	Kurbelwellenzahnrad / crankshaft gear	(2)	Z 18
32 09 0001	03D 109 509 L	Gleitschiene / sliding rail	(1)	
99 11 0405	03E 109 229 A	Steuerkette / timing chain	(1)	130 E
99 11 0407	03E 109 229	Steuerkette / timing chain	(1)	118 E
99 11 0470	03D 109 571 L	Nockenwellenrad / camshaft gear		Z 40
99 11 0471	03E 109 509	Gleitschiene / sliding rail	(2)	
99 12 5467	03E 109 469	Gleitschiene / sliding rail	(2)	
99 12 5468	03D 109 469 C	Gleitschiene / sliding rail	(1)	
99 13 0478	03D 109 229 S1	Rep. Satz Steuerkette / rep. kit timing chain	(1)	
99 13 0495	03D 109 229 S2	Rep. Satz Steuerkette / rep. kit timing chain	(1)	
99 13 0497	03E 109 229 A S2	Rep. Satz Steuerkette / rep. kit timing chain	(2)	
99 13 0607	03E 198 229 A S1	Rep. Satz Steuerkette / rep. kit timing chain	(2)	

# VOLKSWAGEN

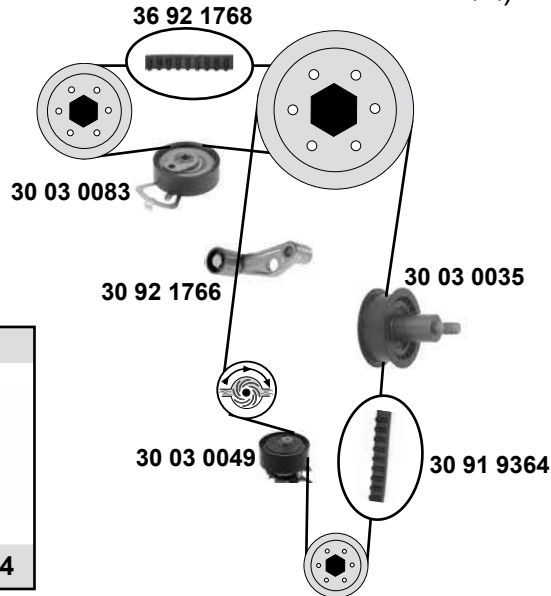
## Polo 4 (9N)

(01→10)



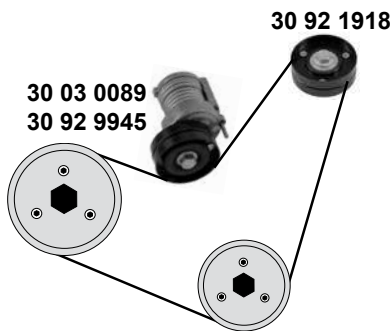
### 1,4 16V

(BBY/BKY/AUA/BBZ/AUB/BUD/CGGB/APE/AHW/AFK/ARC/AVY/AQQ)



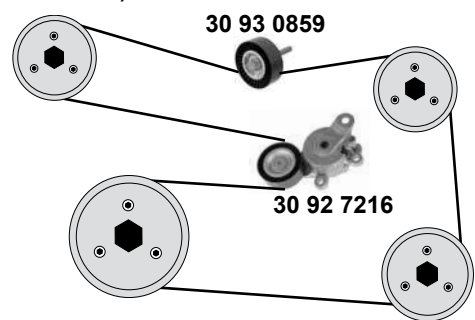
### 1,4 16V

(BBY/BBZ/AUA/AUB/BKY/BUD/BAH/AMF/BAY/BNM/BNV)



### 1,4 / 1,6 16V

(AXU/BTS)



(1) (mot.) BBY/BBZ/AUA/AUB/BKY/BUD/BAH	(2) (mot.) AMF/BAY / (mot.) BNM/BNV AC
(3) (mot.) BBY/BKY/AUA/BBZ/AUB/BUD/CGGB	(4) (mot.) AUA/AUB/BBY/BBZ/BKY / → 09 Crosspolo (mot.) BBZ/BKY/BUD / 05 → 09
(5) (mot.) APE/AUA/AHW/AFK/ARCAVY/AQQ/AUB / → 05 (mot.) BKY/BUD/BBZ/CGGA / 05 → / (ch.) 9N-5-500 001 →	
(6) (mot.) AUA/AUB/BBY/BBZ/BKY / →09 (mot.) BBY/BBZ (mot.) BBZ/BKY/BUD / 05→09	



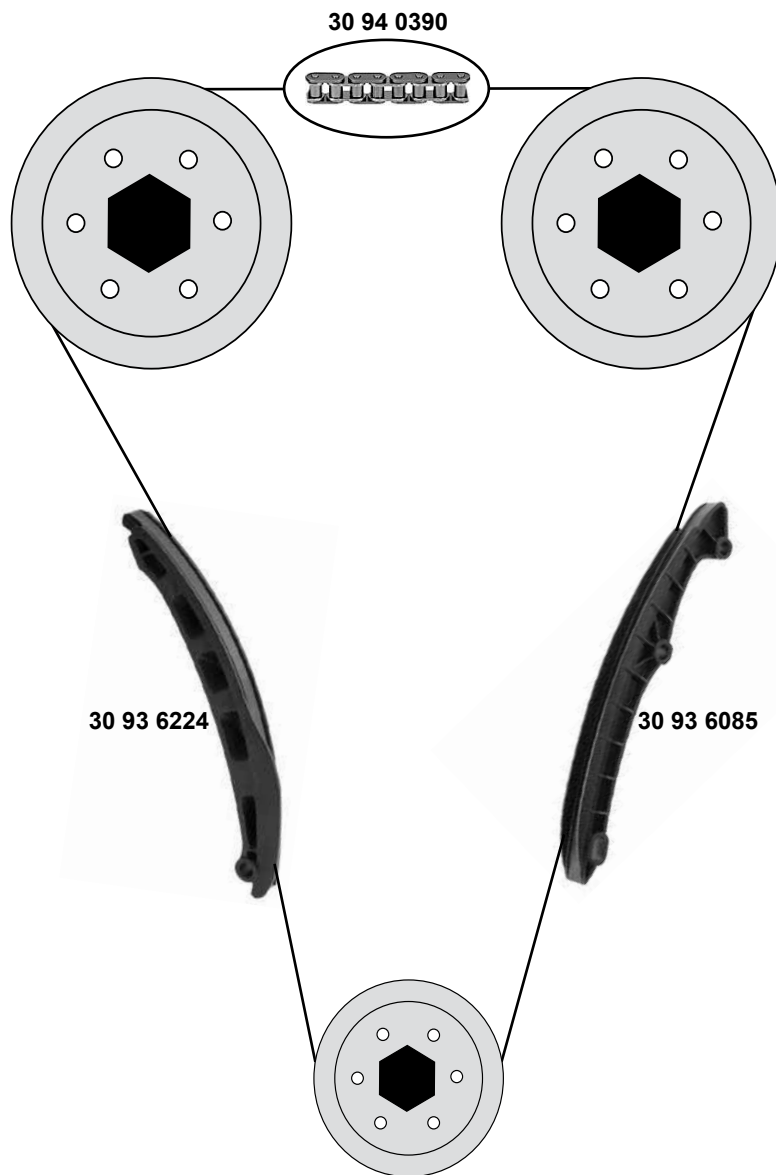
Ref. - No.



Ref. - No.	Description	Quantity	Notes	Dimensions
30 03 0035	036 109 244 J Umlenkrolle / deflection pulley	(3)		ØA 56 B22
30 03 0049	036 109 243 AB Spannrolle / tension roller	(3)		ØA 60 ØI 8 B25
30 03 0083	036 109 243 AE Spannrolle / tension roller	(6)		ØA 60 B19
30 03 0089	030 145 299 F Riemenspanner / belt tensioner	(1)		ØA 70 B26
30 91 9364	036 109 119 Q Zahnriemen / timing belt	(4)		Z 130 B20
30 92 1766	036 109 181 A Umlenkrolle / deflection pulley	(3)		ØA 28 B30
30 92 1770	036 109 119 Q S1 Rep. Satz Zahnriemen / rep. kit timing belt	(ex.)	CGGB	
30 92 1772	036 109 119 Q S2 Rep. Satz Zahnriemen / rep. kit timing belt	(3)		
30 92 1774	036 109 119 P S1 Rep. Satz Zahnriemen / rep. kit timing belt	(5)		
30 92 1918	032 145 276 Umlenkrolle / deflection pulley	(mot.)	BAY / AC	ØA 76 B26
30 92 7216	6Q0 145 299 Riemenspanner / belt tensioner	(3)		
30 92 9945	045 903 315 A Spannrolle / tension roller	(2)		
30 93 0859	1J0 145 276 Umlenkrolle / deflection pulley	(mot.)	AXU / AC	ØA 76 B26
36 92 1768	036 109 119 P Zahnriemen / timing belt	(6)		Z 58 B17



**1,2→1,6**  
 (AXU/BTS/CDDA/BMG/BMH/CDEA/BZG)



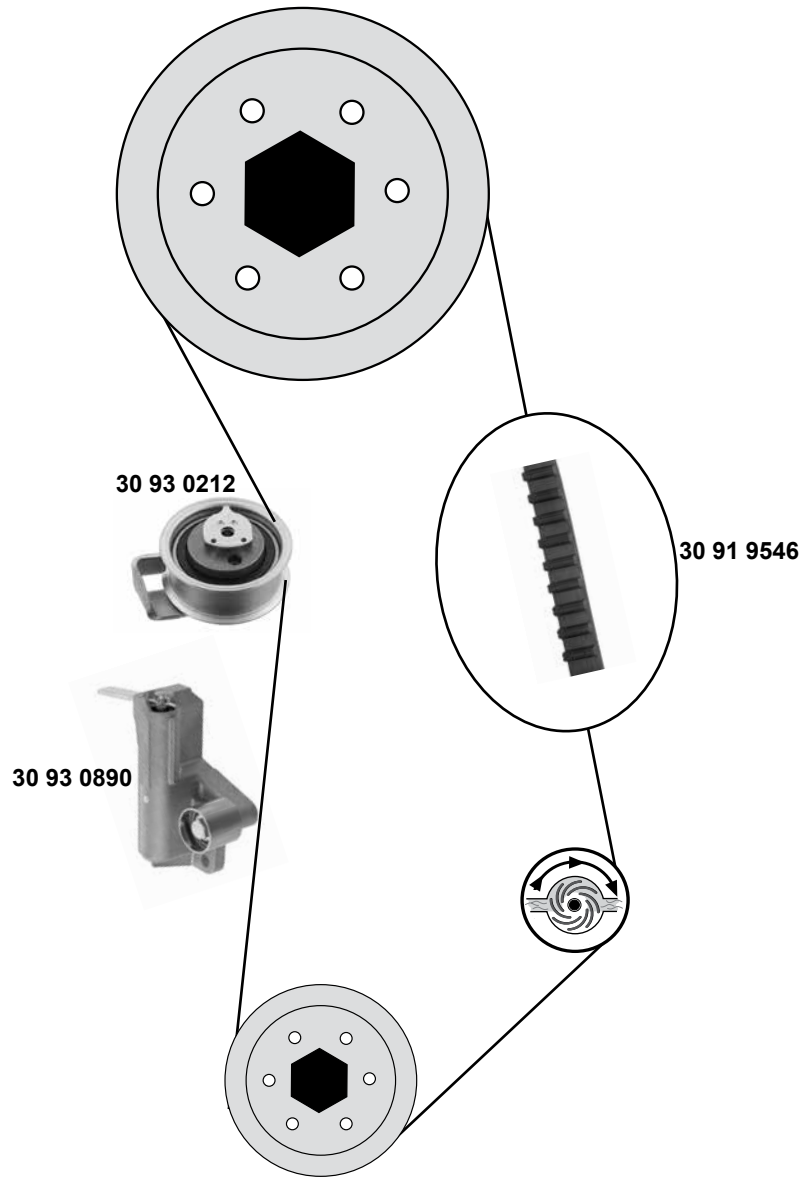
Ref. - No.



<b>30 93 6085</b>	03C 109 469 K
<b>30 93 6224</b>	03C 109 509 P
<b>30 94 0390</b>	03C 109 158 A

Gleitschiene/ sliding rail
Gleitschiene/ sliding rail
Steuerkette / timing chain

130 E



SWAG GERMANY	Ref. - No.			
30 91 9546	06B 109 119 A	Zahnriemen / timing belt	9N-5-500 001→	Z 150 B23
30 93 0212	06B 109 243 C	Spannrolle / tension roller	9N-5-500 001→	ØA 81,7 B46,5
30 93 0890	06B 109 477 B	Riemendämpfer / belt tensioner	9N-5-500 001→	
30 93 0891	06B 109 119 A S6	Rep. Satz Zahnriemen / rep. kit timing belt	9N-5-500 001→	

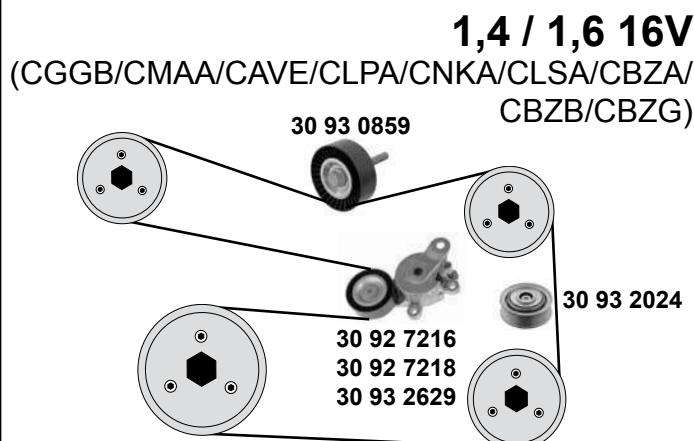
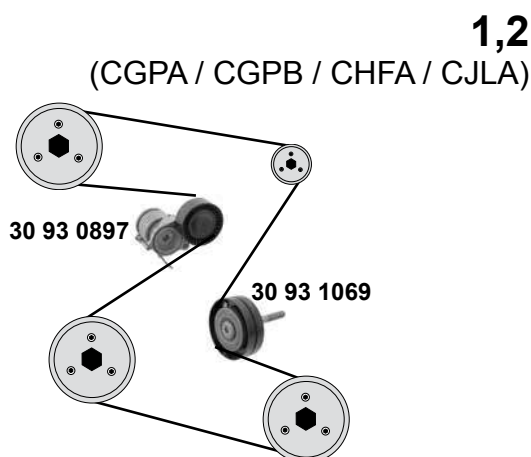
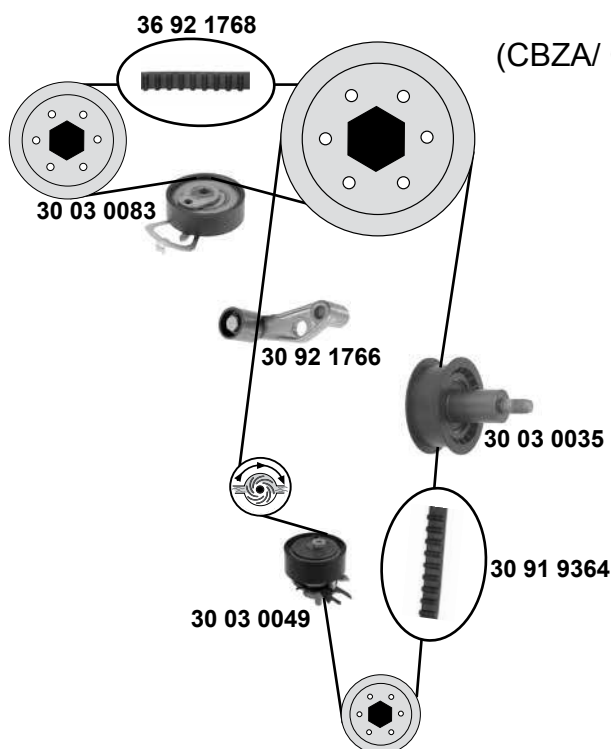


# VOLKSWAGEN

## Polo 5 (6R)

(09→)

**1,2 / 1,4 / 1,6**  
(CBZA/ CBZB/CNKA/CGGB/CMAA)



- (1) AC (mot.) CBZA/CBZB/CBZG
- (2) (ex.) (mot.) CAVE / CBZA / CBZB / CBZG

- (3) AC (mot.) CLPA/CLSA
- (4) (mot.) CLPA/CLSA/CNKA



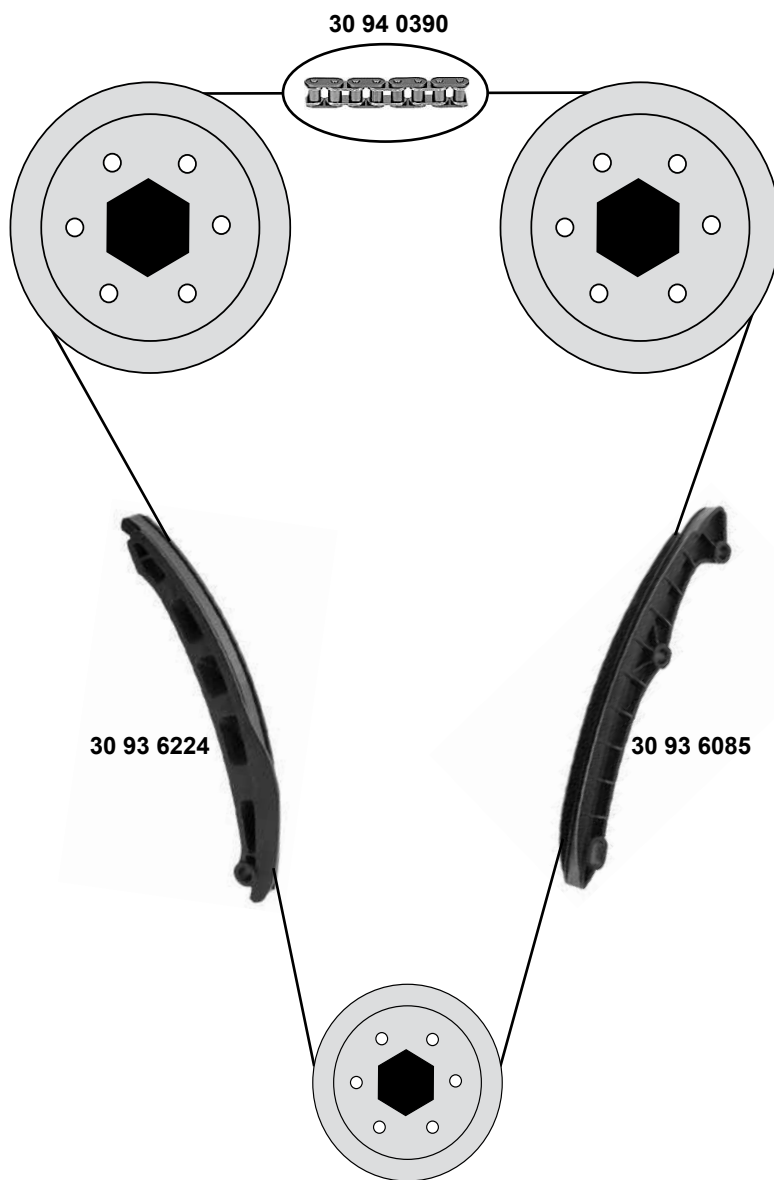
Ref. - No.



30 03 0035	036 109 244 J	Umlenkrolle / deflection pulley	(mot.) CGGB	ØA 56 B22
30 03 0049	036 109 243 AB	Spannrolle / tension roller	(mot.) CGGB	ØA 60 Ø1 8 B25
30 03 0083	036 109 243 AE	Spannrolle / tension roller	(mot.) CGGB/CMAA	ØA 60 B19
30 91 9364	036 109 119 Q	Zahnriemen / timing belt	(mot.) CGGB/CMAA	Z 130 B 20
30 92 1766	036 109 181 A	Umlenkrolle / deflection pulley	(mot.) CGGB	ØA 28 B30
30 92 1770	036 109 119 Q S1	Rep. Satz Zahnriemen / rep. kit timing belt	(mot.) CGGB	
30 92 1774	036 109 119 P S1	Rep. Satz Zahnriemen / rep. kit timing belt	(mot.) CGGB/CMAA	
30 92 7216	6Q0 145 299	Riemenspanner / belt tensioner	(2)	
30 92 7218	6Q0 145 299 C	Riemenspanner / belt tensioner	(3)	
30 93 0859	1J0 145 276	Umlenkrolle / deflection pulley	(4)	ØA 76 B 26
30 93 0897	03D 903 305 F	Riemenspanner / belt tensioner	AC	ØA 76 B 24
30 93 1069	03D 145 276 E	Umlenkrolle / deflection pulley	(mot.) CAVE	ØA 81 B 37
30 93 2024	03C 145 276 C	Umlenkrolle / deflection pulley	(1)	
30 93 2629	03C 145 299 Q	Riemenspanner / belt tensioner		Z 58 B 17
36 92 1768	036 109 119 P	Zahnriemen / timing belt		

**1,2 / 1,4 / 1,6**

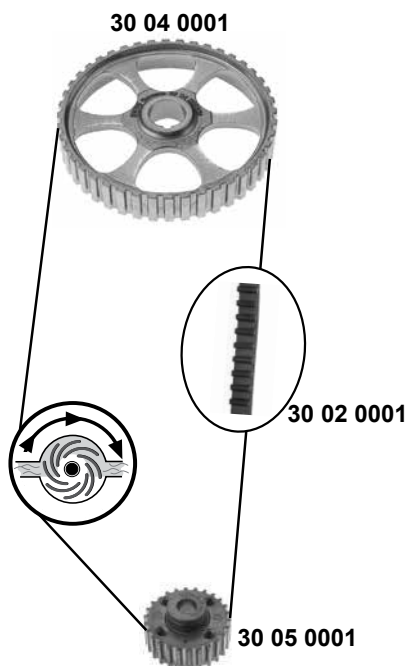
(CAVE/CGPA/CGPB/CJLA/CLPA/CLSA/CNKA/CFNACFNB)



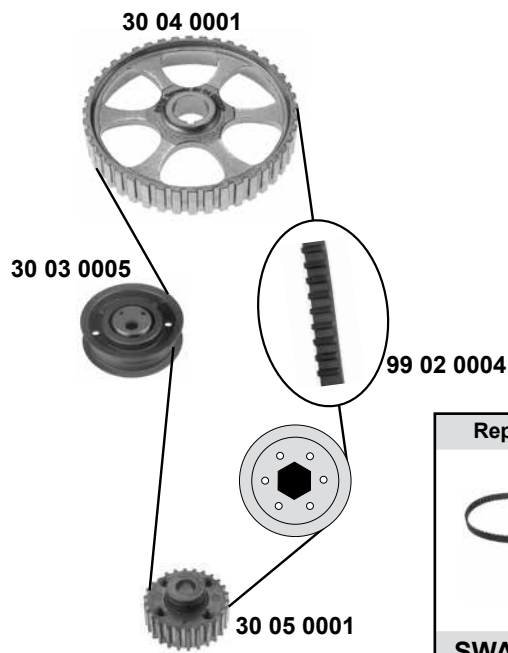


# VOLKSWAGEN Scirocco 2 (53) (84→92)

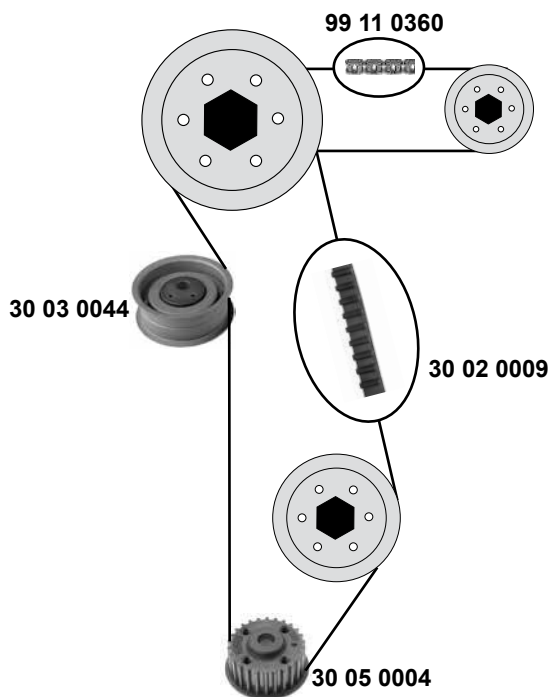
1,3



1,6 / 1,8



1,8 16V  
(KR / PL)



Ref. - No.



30 02 0001	052 109 119	Zahnriemen / timing belt		Z 108 B18
30 02 0009	027 109 119 C	Zahnriemen / timing belt		Z 147 B25
30 02 0040	051 198 119	Rep. Satz Zahnriemen / rep. kit timing belt		
30 03 0005	026 109 243 L	Spannrolle / tension roller		ØA 72 ØI 10 B20
30 03 0044	051 109 243	Spannrolle / tension roller		ØA 72 B27
30 04 0001	049 109 111 C	Nockenwellenrad / camshaft gear		Z 44
30 05 0001	049 105 263 B	Kurbelwellenrad / crankshaft gear	(ch.)→19-H-160 000	Z 22
30 05 0004	027 109 263 B	Kurbelwellenrad / crankshaft gear		
99 02 0004	056 109 119 A	Zahnriemen / timing belt		Z 121 B18
99 02 0066	027 109 119 C S1	Rep. Satz Zahnriemen / rep. kit timing belt		
99 11 0360	077 109 120	Steuerkette / timing chain		455 / 44 E

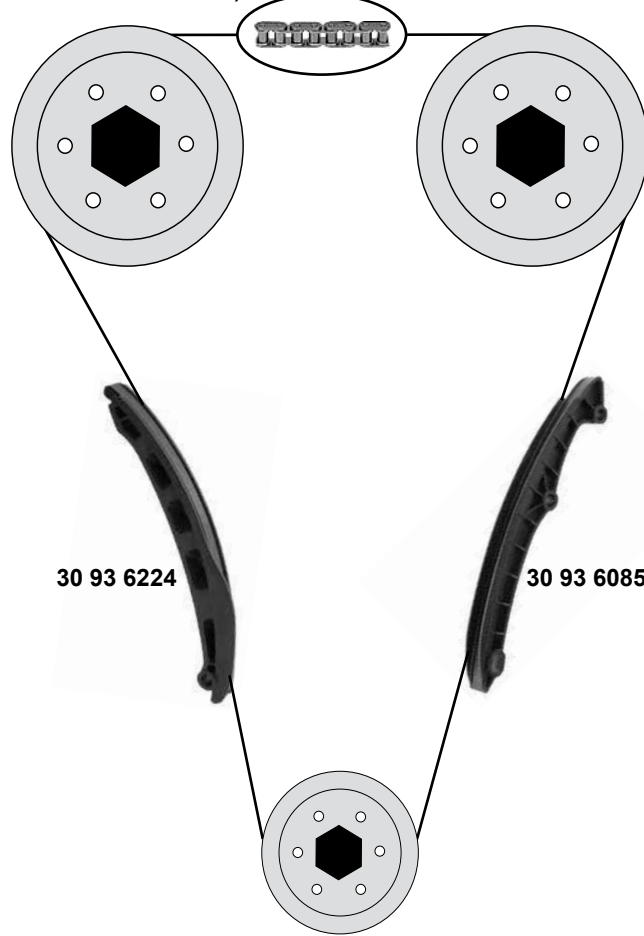
# VOLKSWAGEN Scirocco 3 (137)

(09→)



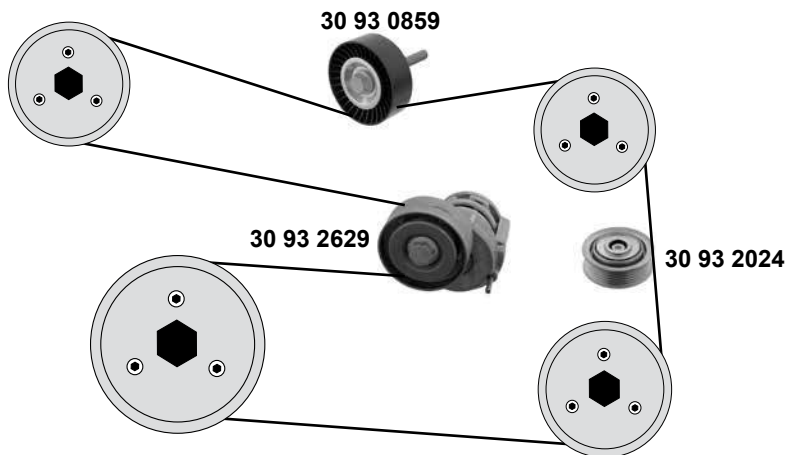
**1,4**

(CAVD/CAXA/CMSB/CNWA/CTHD/CTKA) **30 94 0390**



**1,4 16V**

(CAVD / CAXA / CMSB)



Ref. - No.



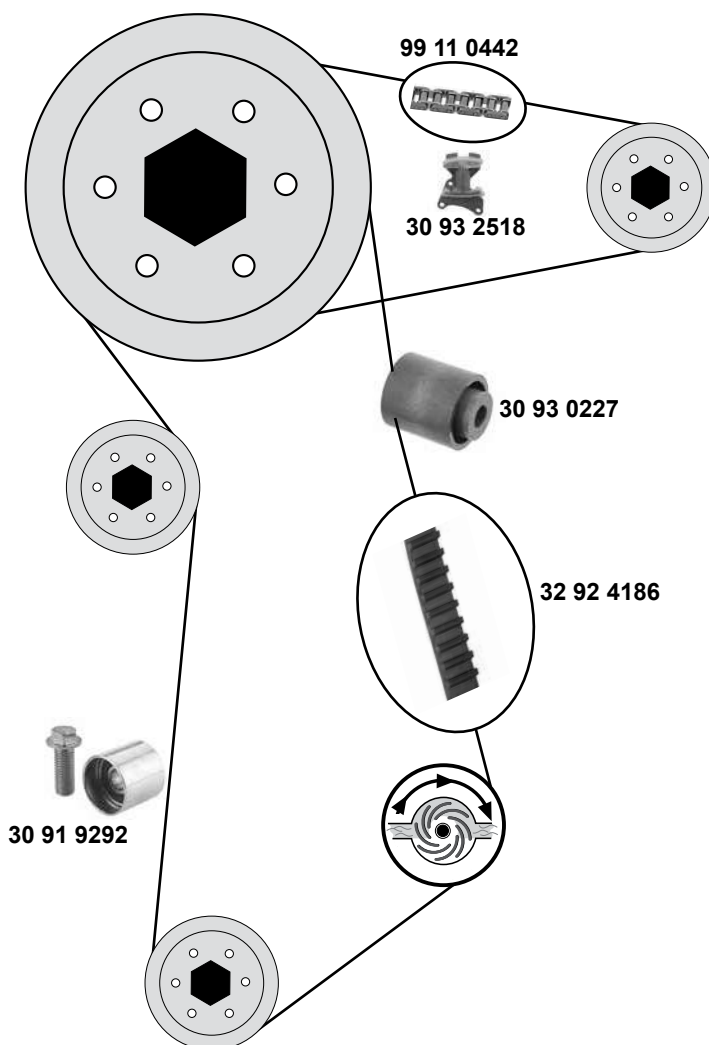
<b>30 93 0859</b>	1J0 145 276
<b>30 93 2024</b>	03C 145 276 C
<b>30 93 2629</b>	03C 145 299 Q
<b>30 93 6085</b>	03C 109 469 K
<b>30 93 6224</b>	03C 109 509 P
<b>30 94 0390</b>	03C 109 158 A

Umlenkrolle / deflection pulley
Umlenkrolle / deflection pulley
Riemenspanner / belt tensioner
Gleitschiene/ sliding rail
Gleitschiene/ sliding rail
Steuerkette / timing chain

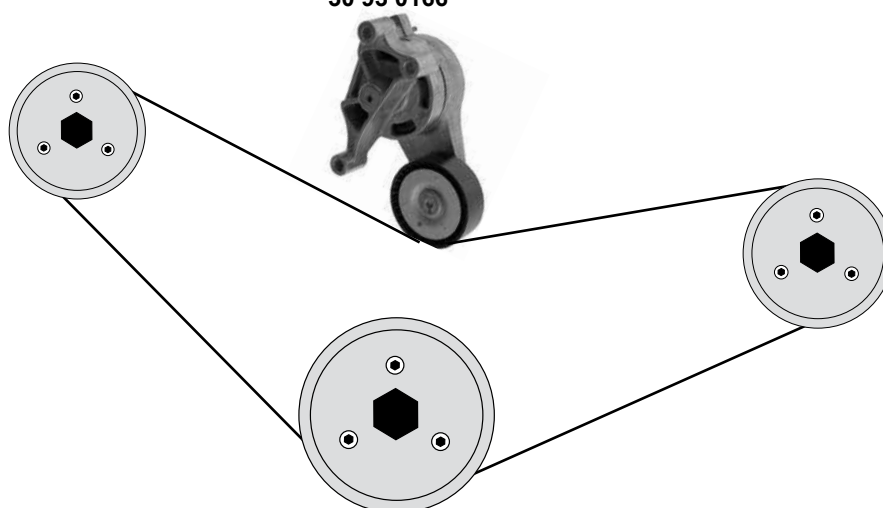
(mot.) CAXA/CMSB
(mot.) CAVD
AC (mot.)CAXA/CMSB

ØA 76 B 26
130 E

**2,0 16V**  
(CDLA / CDLC)



30 93 0166



Ref. - No.



30 91 9292	06B 109 244
32 92 4186	06D 109 119 B
30 93 0166	06F 903 315
30 93 0227	06D 109 244 E
30 93 2518	06F 109 217 A
99 11 0442	06D 109 229 B

Umlenkrolle / deflection pulley
Zahnriemen / timing belt
Riemenspanner / belt tensioner
Umlenkrolle / deflection pulley
Kettenspanner / chain tensioner
Steuerkette / timing chain

Z 148

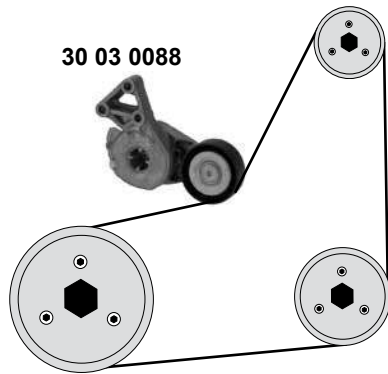
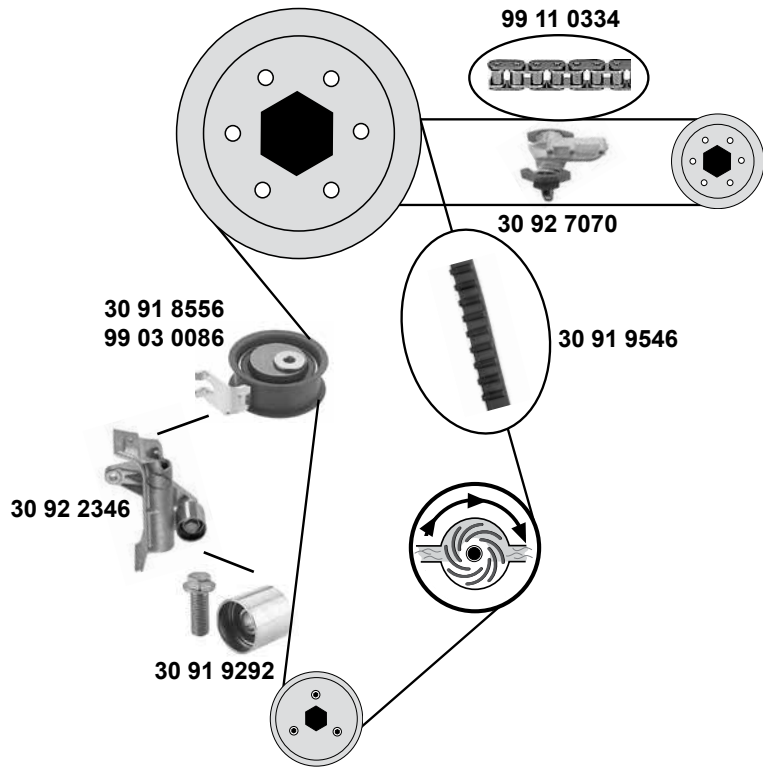
42 E

# VOLKSWAGEN Sharan (7M)

(96→)



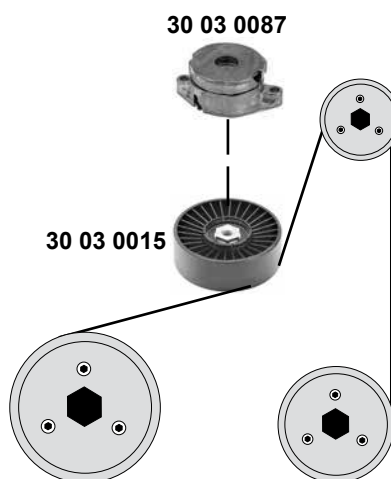
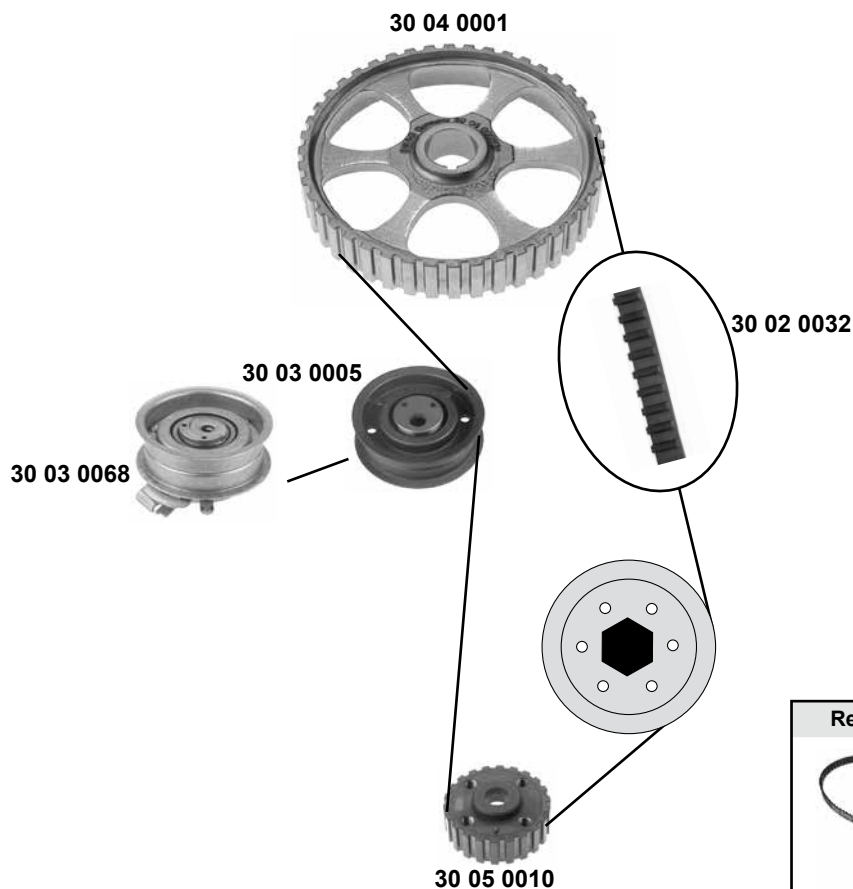
**1,8**  
(AJH / AWC)



SWAG GERMANY	Ref. - No.			
30 03 0088	06A 903 315 E	Riemenspanner / belt tensioner		ØA 70 B24
30 91 8556	06B 109 243 F	Spannrolle / tension roller	(mot.) AWC	ØA 72 B31
30 91 9292	06B109 244	Umlenkrolle / deflection pulley	02→10	ØA 28,5 B27
30 91 9546	06B109 119 A	Zahnriemen / timing belt		Z 150 B23
30 91 9548	06A 198 119 A	Rep. Satz Zahnriemen / rep. kit timing belt		
30 91 9550	06B 109 119 A S2	Rep. Satz Zahnriemen / rep. kit timing belt	AWC	
30 92 2346	06B 109 243 F	Riemenspanner / belt tensioner	(mot.) AWC	
30 92 7070	058 109 217 B	Kettenspanner / chain tensioner	(mot.) AJH/AWC	
30 92 7298	06B 109 119 A S5	Rep. Satz Zahnriemen / rep. kit timing belt	→ 00 / (mot.) AJH	
30 93 7642	06A 198 119 B	Rep. Satz Zahnriemen / rep. kit timing belt	02→10	
32 92 3646	030 121 121 B	Rep. Satz Zahnriemen / rep. kit timing belt	AWC	
99 03 0086	06B109 243	Spannrolle / tension roller	(mot.) AJH	ØA 72 B30
99 11 0334	058 109 229 B	Steuerkette / timing chain		50 E



**2,0**  
(ADY / ATM)



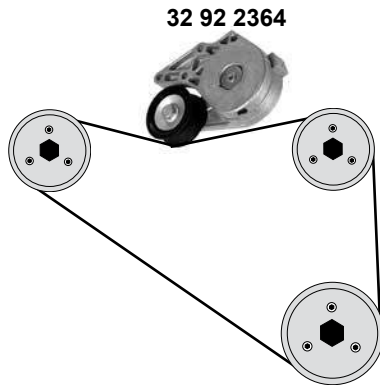
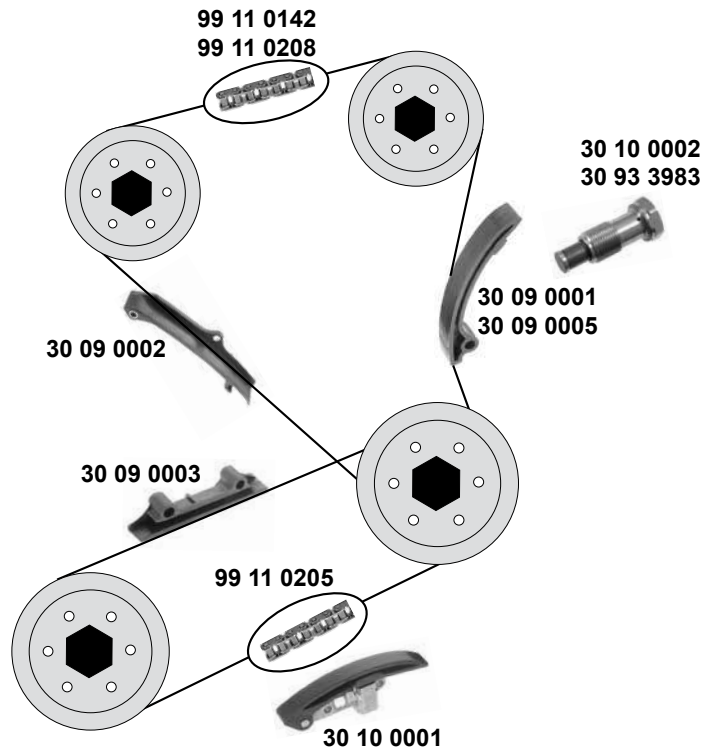
SWAG	Ref. - No.			
<b>30 02 0032</b>	037 109 119 C	Zahnriemen / timing belt	(mot.) ADY →00	Z 124 B18
<b>30 02 0041</b>	051 198 119	Rep. Satz Zahnriemen / rep. kit timing belt	(ex.) ATM	
<b>30 03 0005</b>	026 109 243 L	Spannrolle / tension roller	(mot.) ADY	ØA 72 ØI 10 B20
<b>30 03 0015</b>	028 145 278 E	Spannrolle / tension roller	AC	ØA 78 ØI 8 B26
<b>30 03 0068</b>	06A 109 479 C	Spannrolle / tension roller	(mot.) ATM	ØA 72 B29
<b>30 03 0087</b>	037 903 315 C	Riemenspanner / belt tensioner		
<b>30 04 0001</b>	049 109 111 C	Nockenwellenrad / camshaft gear		Z 44
<b>30 05 0010</b>	049 105 263 C	Kurbelwellenrad / crankshaft gear	(mot.) AWC	Z 22
<b>99 02 0068</b>	037 109 119 C S2	Rep. Satz Zahnriemen / rep. kit timing belt	(mot.) ADY →00	

# VOLKSWAGEN Sharan (7M)

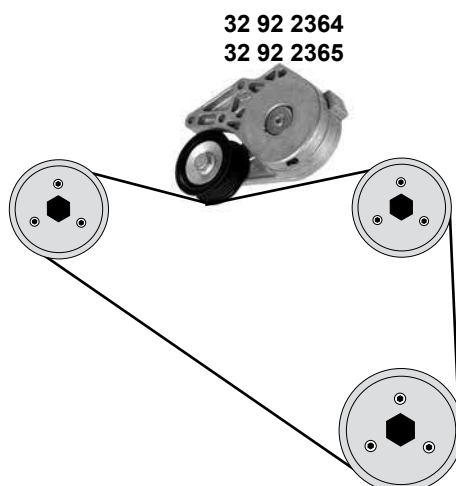
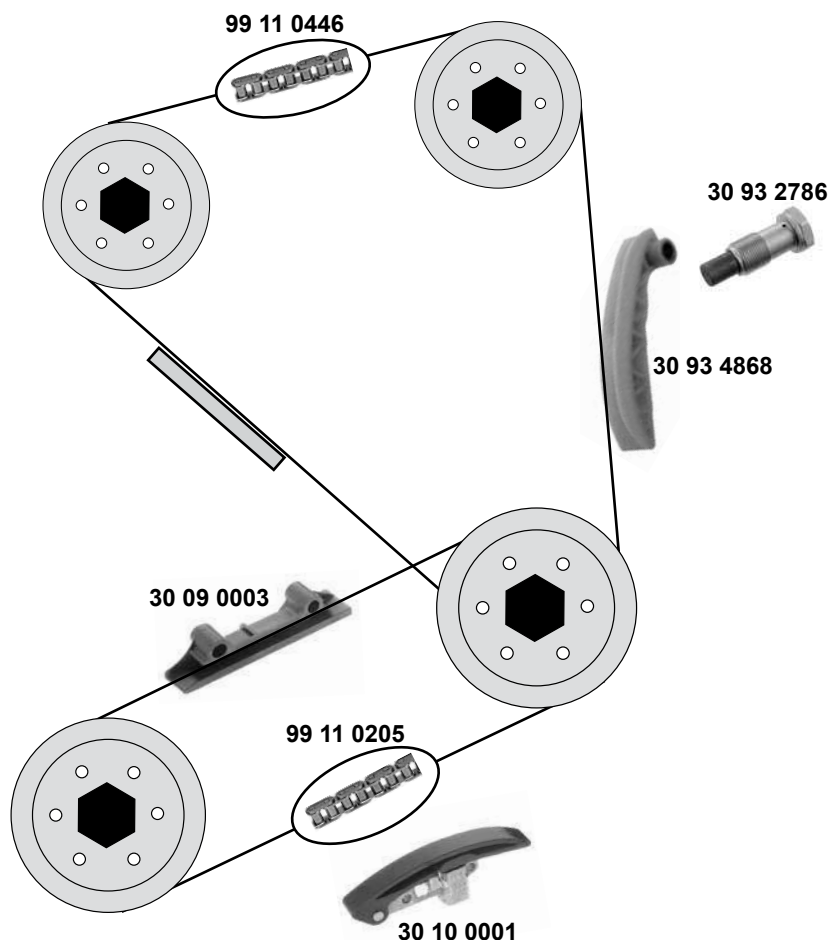
(96→00)



## 2,8 VR6 (AAA / AMY)



SWAG	Ref. - No.			
30 09 0001	021 109 509 A	Kettenspanner / chain tensioner	(mot.) → AAA 217 000	
30 09 0002	021 109 513	Gleitschiene / sliding rail		
30 09 0003	021 109 469	Gleitschiene / sliding rail		
30 09 0005	021 109 509 E	Kettenspanner / chain tensioner	(mot.) AAA 217 001→	
30 10 0001	021 109 467	Kettenspanner / chain tensioner		
30 10 0002	021 109 507 B	Kettenspanner / chain tensioner	(mot.) AMY/AAA 217 001→	
30 93 3983	021 109 507 A	Kettenspanner / chain tensioner	(mot.) AAA → 217 000	
32 92 2364	021 145 299 C	Riemenspanner / belt tensioner		
99 11 0142	021 109 503 A	Steuerkette / timing chain	(mot.) AAA→217 000	D 90 E
99 11 0205	021 109 467	Steuerkette / timing chain		70 E
99 11 0208	021 109 203 D	Steuerkette / timing chain	(mot.) AMY/AAA 217 001→	90 E
99 13 3984	021 109 507 A S1	Rep. Satz Steuerkette/ rep kit timing chain	(mot.) AAA → 217 000	
99 13 3985	021 109 503 D S1	Rep. Satz Steuerkette / rep. kit chain tensioner	(mot.) AAA → 217 000	



	Ref. - No.			
<b>30 09 0003</b>	021 109 469	Gleitschiene / sliding rail		
<b>30 10 0001</b>	021 109 467	Kettenspanner / chain tensioner		
<b>30 93 2786</b>	03H 109 507	Kettenspanner / chain tensioner	00→10	
<b>30 93 4868</b>	066 109 509 A	Gleitschiene / sliding rail	01→07	
<b>32 92 2364</b>	021 145 299 C	Riemenspanner / belt tensioner	→01	
<b>32 92 2365</b>	022 145 299 D	Riemenspanner / belt tensioner	01→	ØA 73
<b>99 11 0205</b>	021 109 467	Steuerkette / timing chain		70 E
<b>99 11 0446</b>	066 109 503 C	Steuerkette / timing chain	01→05	98 E

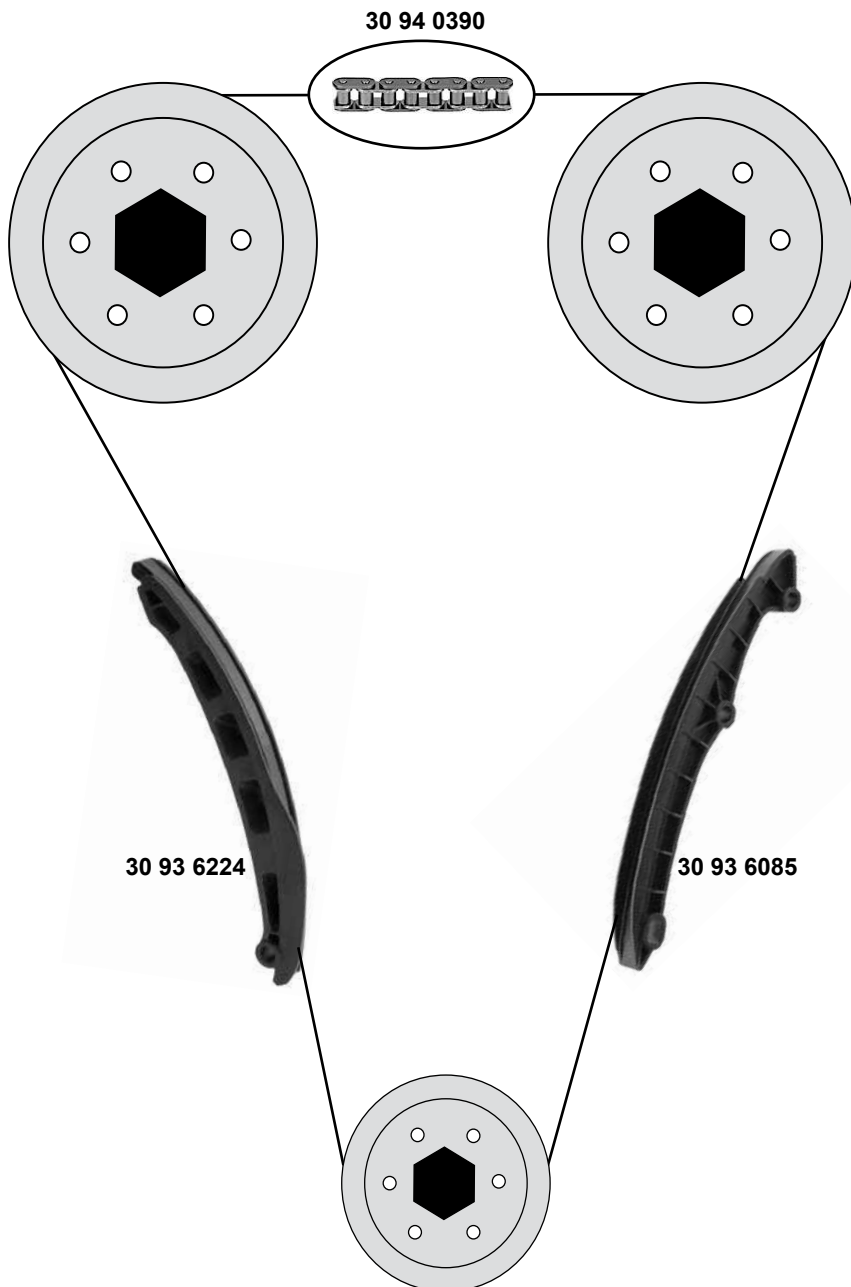
# VOLKSWAGEN Sharan (7N)

(11→)



**1,4**

(CAVA/CTHA)



Ref. - No.



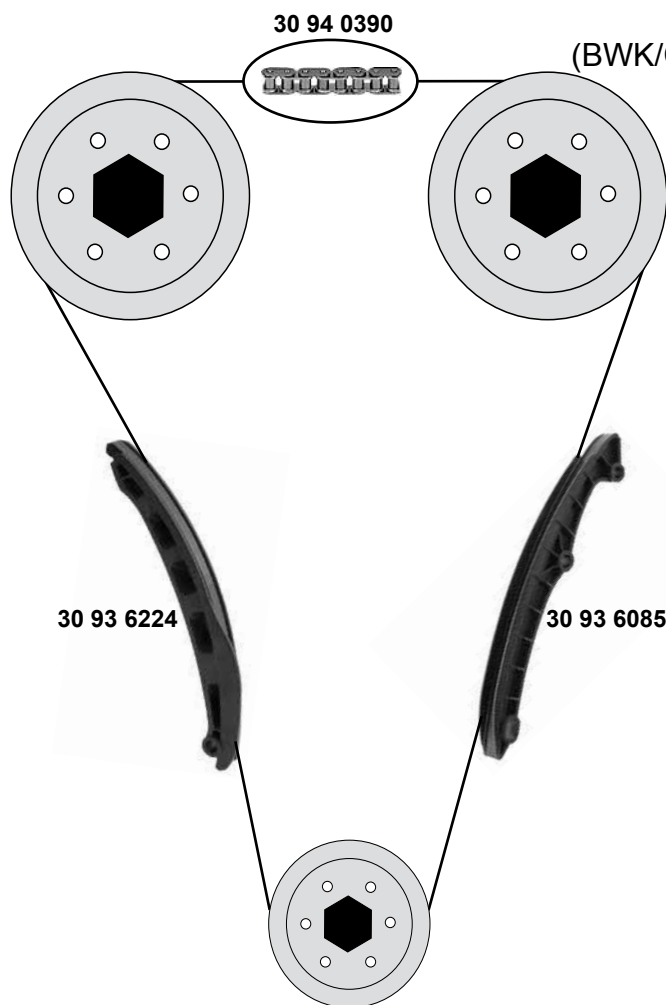
<b>30 93 6085</b>	03C 109 469 K
<b>30 93 6224</b>	03C 109 509 P
<b>30 94 0390</b>	03C 109 158 A

Gleitschiene/ sliding rail  
Gleitschiene/ sliding rail  
Steuerkette / timing chain

130 E

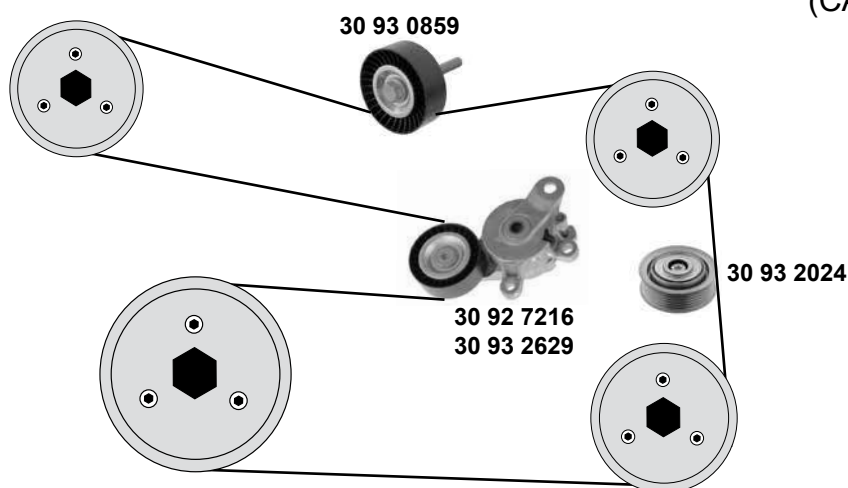
**1,4**

(BWK/CAVA/CAVD/CAXA/CTHA)



**1,4 16V**

(CAXA/BWK/CAVA/CAVD)



Ref. - No.



<b>30 91 9546</b>	6Q0 145 299
<b>30 93 0859</b>	1J0 145 276
<b>30 93 2024</b>	03C 145 276 C
<b>30 93 2629</b>	03C 145 299 Q
<b>30 93 6085</b>	03C 109 469 K
<b>30 93 6224</b>	03C 109 509 P
<b>30 94 0390</b>	03C 109 158 A

Riemenspanner / belt tensioner
Umlenkrolle / deflection pulley
Umlenkrolle / deflection pulley
Riemenspanner / belt tensioner
Gleitschiene/ sliding rail
Gleitschiene/ sliding rail
Steuerkette / timing chain

(ex.) AC CAXA
AC (mot.) CAXA
(ex.) (mot.) CAXA
AC (mot.)CAXA/CBZB

ØA 76 B 26
ØA 81 B 37

130 E

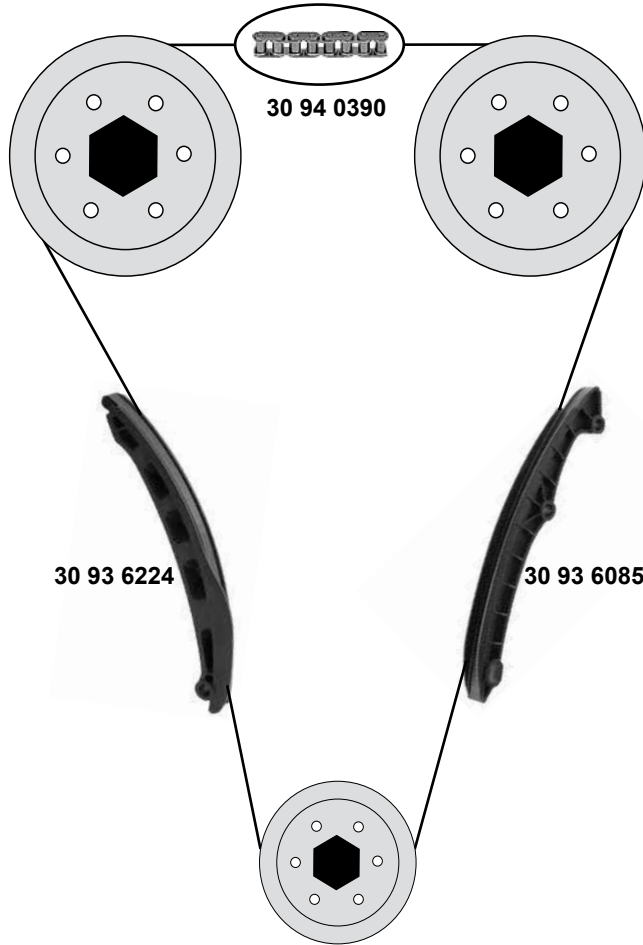
# VOLKSWAGEN Touran (1T)

(03→)



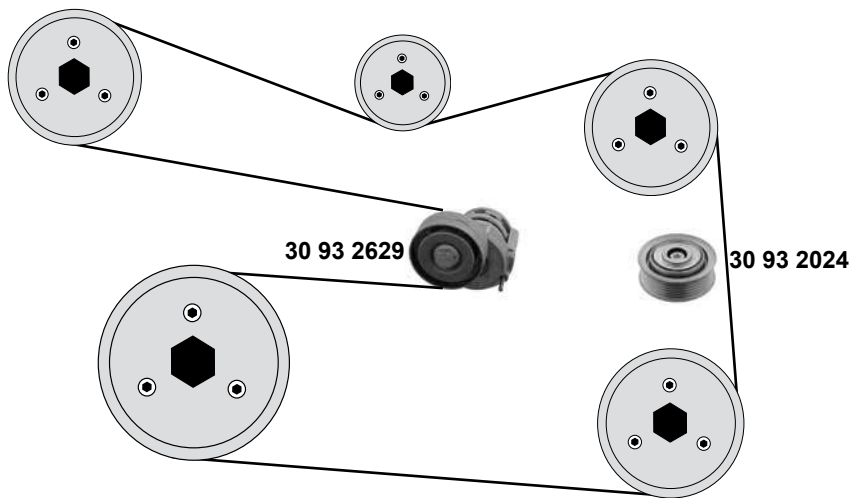
**1,4 / 1,6**

(BAG/BLF/BLG/BLP/BMY/CAVB/CAVC/CDGA)



**1,2 / 1,4 16V**

(CBZB / BMY / BLG / CAVC / CAVB / CDGA)



Ref. - No.



30 93 2024	03C 145 276 C
30 93 2629	03C 145 299 Q
30 93 6085	03C 109 469 K
30 93 6224	03C 109 509 P
30 94 0390	03C 109 158 A

Umlenkrolle / deflection pulley
Riemenspanner / belt tensioner
Gleitschiene/ sliding rail
Gleitschiene/ sliding rail
Steuerkette / timing chain

(ex.) (mot.) CAXA  
(mot.)CAXA/CBZB AC

ØA 81 B 37

130 E



# VOLKSWAGEN Touran (1T) (03→)

**1,6  
(BGU)**

30 04 0022  
30 03 0068  
30 91 9396

Rep. Satz / rep. kit

**SWAG 32 92 3634**

**1,6  
(BGU)**

30 03 0088  
30 93 0859  
30 92 7216  
30 92 7218

**1,6  
(BAG/BLP/BLF)**

**2,0 16V  
(AXW)**

99 11 0442  
32 92 4606  
30 91 9292  
32 92 3238  
32 92 4188

Rep. Satz / rep. kit

**SWAG 32 92 4764**

**2,0 16V  
(BLX/BLY/BLR/BVZ/BVY)**

99 11 0442  
30 92 7364  
30 91 9292  
32 92 4186  
30 93 0227

Rep. Satz / rep. kit

**SWAG 30 93 0586**

SWAG	Ref. - No.			
30 03 0068	06A 109 479 C	Spannrolle / tension roller		ØA 72 B29
30 03 0088	06A 903 315 E	Riemenspanner / belt tensioner		ØA 70 B24
30 04 0022	06A 109 105 C	Nockenwellenrad / camshaft gear		Z52
30 91 9292	06B109 244	Umlenkrolle / deflection pulley		ØA 28,5 B27
30 91 9396	06A 109 119 C	Zahnriemen / timing belt		Z 138 B23
30 92 7216	6Q0 145 299	Riemenspanner / belt tensioner	(ex.) AC → 06	
30 92 7218	03C 145 299 C	Spannrolle / tension roller	AC	
30 92 7364	06D 109 243 B	Spannrolle / tension roller		ØA 77 B25
30 93 0227	06D 109 244 E	Umlenkrolle / deflection pulley		ØA 28,5 B33,5
30 93 0586	06F 198 119 A	Rep. Satz Zahnriemen / rep. kit timing belt		
30 93 0859	1J0 145 276	Umlenkrolle / deflection pulley		ØA 76 B 26
30 93 2518	06F 109 217 A	Kettenspanner / chain tensioner	AC	
32 92 3238	06D 109 119	Zahnriemen / timing belt	→10	Z 145
32 92 3634	06A 198 119	Rep. Satz Zahnriemen / rep. kit timing belt		
32 92 4186	06D 109 119 B	Zahnriemen / timing belt		Z 148
32 92 4188	06D 109 244 A	Umlenkrolle / deflection pulley		
32 92 4606	06D 109 243	Spannrolle / tension roller		
32 92 4764	06F 198 119	Rep. Satz Zahnriemen / rep. kit timing belt		Z 145
99 11 0442	06D 109 229 B	Steuerkette / timing chain		42E

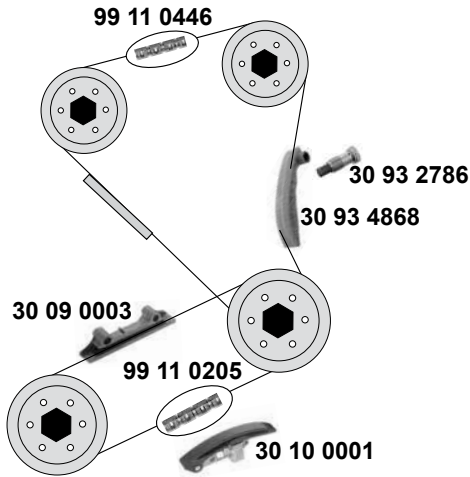


# VOLKSWAGEN Touareg (7L)

(03→06)

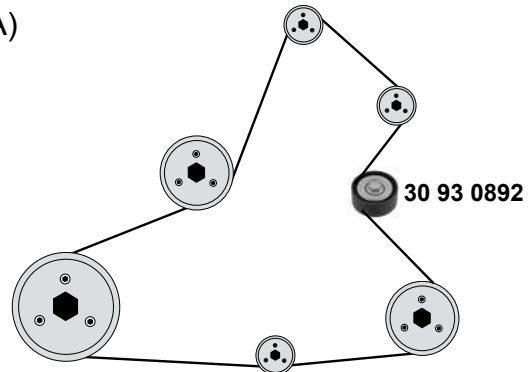


## 3,2 V6



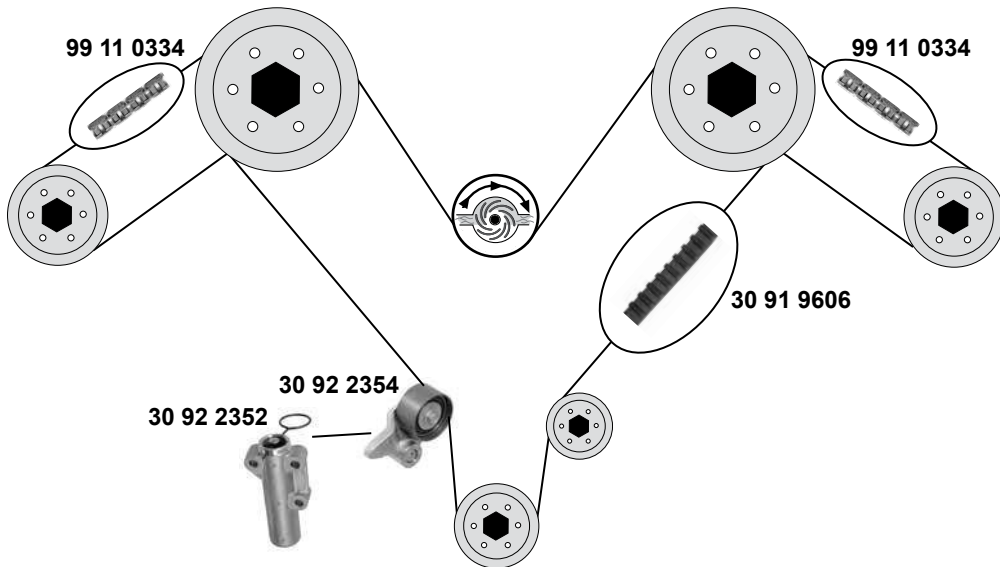
## 3,2 / 3,6

(AZZ/BAA/BKJ/BMV/BMX/BRJ/BHK/CGRA/CMTA)



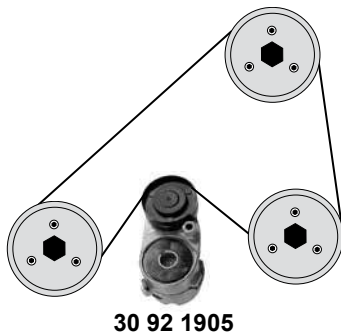
## 4,2 V8

(AXQ)



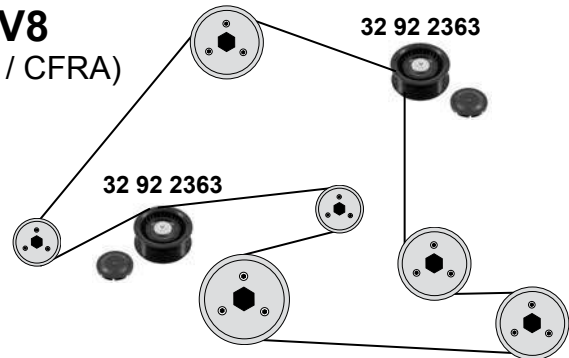
## 4,2 V8

(AXQ)



## 6,0 V8

(BJN / CFRA)



Ref. - No.



30 09 0003	021 109 469
30 10 0001	021 109 467
30 91 9606	078 109 119 H
30 92 1905	078 903 133 AB
30 92 2352	078 109 479 D
30 92 2354	077 109 485 E
30 93 0892	022 145 276 A
30 93 2786	03H 109 507
30 93 4868	066 109 509 A
32 92 2363	07D 145 276 C
99 11 0205	021 109 467
99 11 0334	058 109 229 B
99 11 0446	066 109 503 C

Gleitschiene / sliding rail
Kettenspanner / chain tensioner
Zahnriemen / timing belt
Riemenspanner / belt tensioner
Riemenspanner / belt tensioner
Riemenspanner / belt tensioner
Umlenkrolle / deflection pulley
Kettenspanner / chain tensioner
Gleitschiene / sliding rail
Umlenkrolle / deflection pulley
Steuerkette / timing chain
Steuerkette / timing chain
Steuerkette / timing chain

02 →08  
03 →07

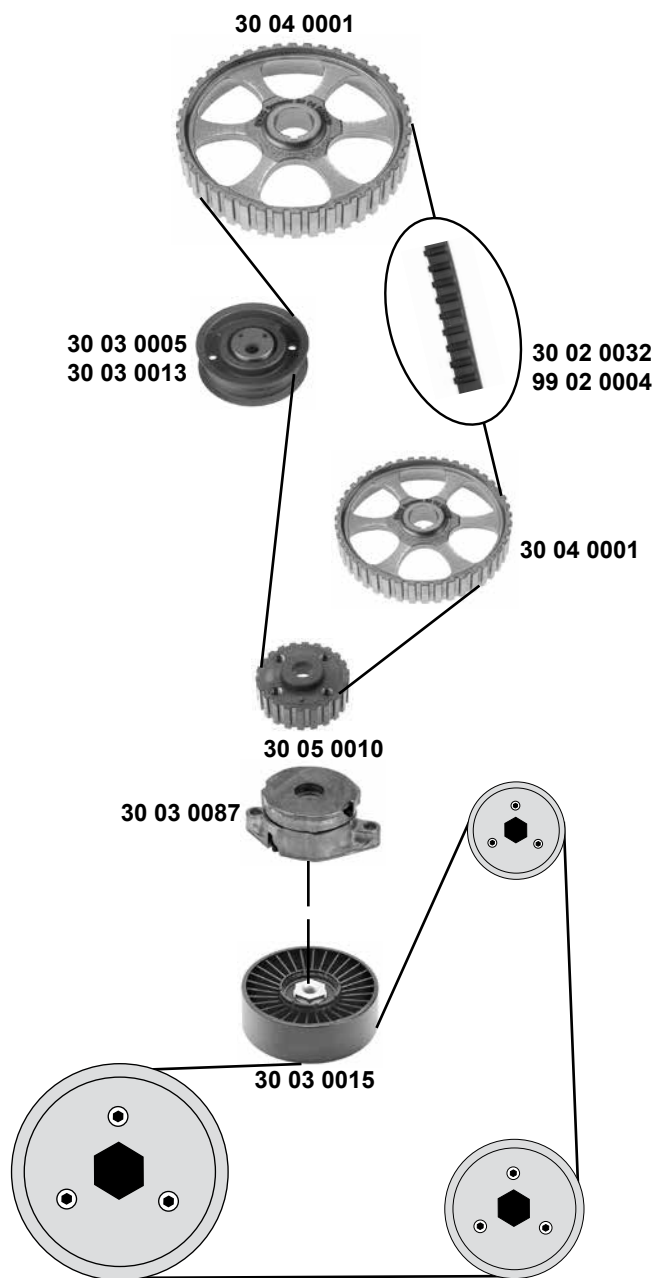
Z 253

ØA 65 B 28

458 / 70 E  
50 E  
98 E



**1,8 / 2,0**  
(PD / AAC)



Rep. Satz / rep. kit



SWAG 30 02 0040

Rep. Satz / rep. kit



SWAG 99 02 0068



(1) (mot.) AAC Typ 70 / → 04/96 / Typ 7D / 96 →



Ref. - No.



30 02 0032	037 109 119 C	Zahnriemen / timing belt	(mot.) AAC / 91→96	Z 124 B18
30 02 0040	051 198 119	Rep. Satz Zahnriemen / rep. kit timing belt	(mot.) PD	
30 03 0005	026 109 243 L	Spannrolle / tension roller		ØA 72 ØI 10 B20
30 03 0013	048 109 243 A	Spannrolle / tension roller	(1)	
30 03 0015	028 145 278 E	Spannrolle / tension roller	AAC (ch.) 70-T-200 001→	ØA 78 ØI 8 B26
30 03 0087	037 903 315 C	Riemenspanner / belt tensioner	AAC (ch.) 70-T-200 001→	
30 04 0001	049 109 111 C	Nockenwellenrad / camshaft gear		Z 44
30 05 0010	049 105 263 C	Kurbelwellenrad / crankshaft gear		Z 22
99 02 0004	056 109 119 A	Zahnriemen / timing belt	(mot.) PD	Z 121 B18
99 02 0068	037 109 119 C S2	Rep. Satz Zahnriemen / rep. kit timing belt	(1)	

# VOLKSWAGEN

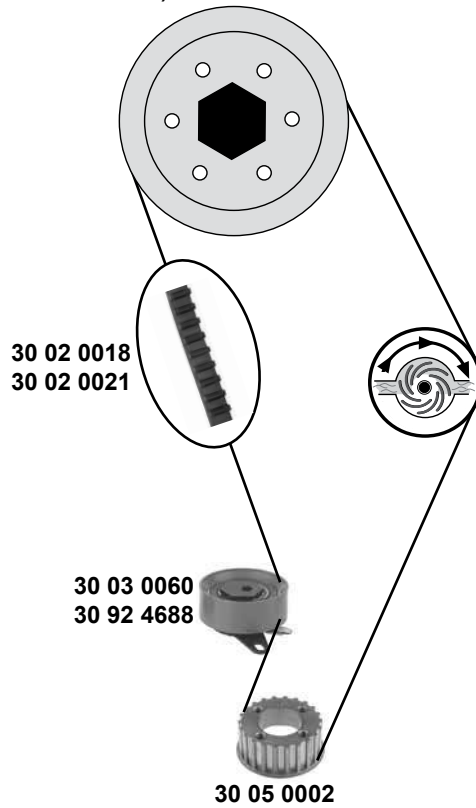
## Transporter Typ 4 (70/7D)

(90→04)



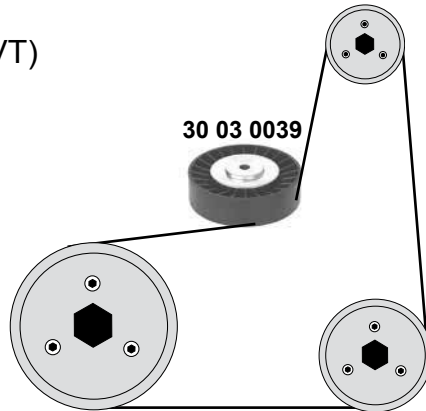
### 2,5 5 Zyl.

(ACU / AET / AEU / APL / AVT / AAF / AEN)



### 2,5 5 Zyl.

(ACU / AET / AEU / APL / AVT)



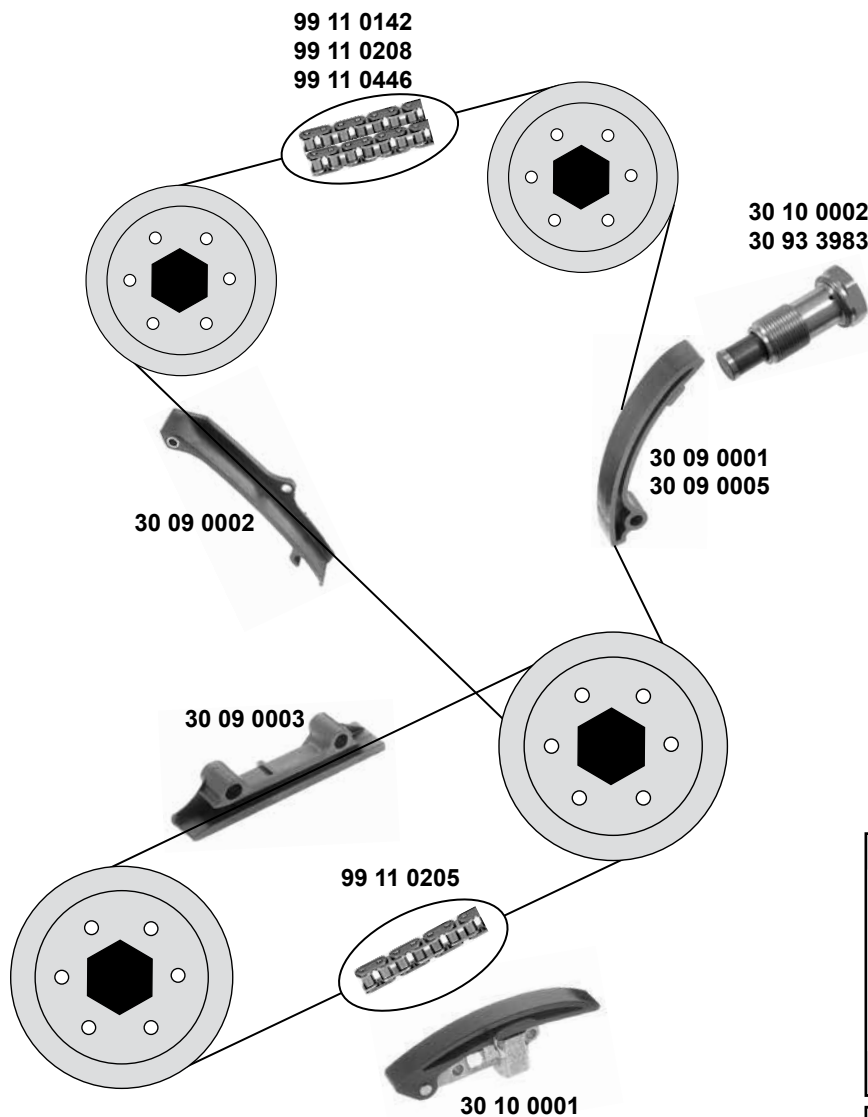
(1) (mot.) ACU 019 150→ (mot.) AET/AEU/APL/AVT/AEN	(2) (mot.) ACU/AAF
(3) (mot.) ACU 019 150 → (mot.) AAF (mot.) AEN (mot.) ACU / AET / AEU / APL / AVT	→ 96 (ch.) 70-SX058 601 / (ch.) 70-SH072 825 → 90 → 95 (ch.) → 70-N-014 000 90 → 96 96 → 03



Ref. - No.



30 02 0018	074 109 119 R	Zahnriemen / timing belt	(3)	Z 122
30 02 0021	074 109 119 F	Zahnriemen / timing belt	(2) 92→94	Z 124 B 26,5
30 03 0039	074 145 278 E	Umlenkrolle / deflection pulley		ØA 90 ØI 8 B25
30 03 0060	074 109 243 C	Spannrolle / tension roller	(1) 95→04	ØA 73 ØI 8 B27
30 05 0002	069 105 263	Kurbelwellenrad / crankshaft gear	92→04	
30 92 4677	074 198 119 L	Rep.Satz Zahnriemen / rep.kit timing belt	(2) 92→94	
30 92 4688	023 109 243	Spannrolle / tension roller	(2) 92→94	
30 93 0780	074 198 119 M	Rep.Satz Zahnriemen / rep.kit timing belt	(1) 97→04	



Rep. Satz / rep. kit



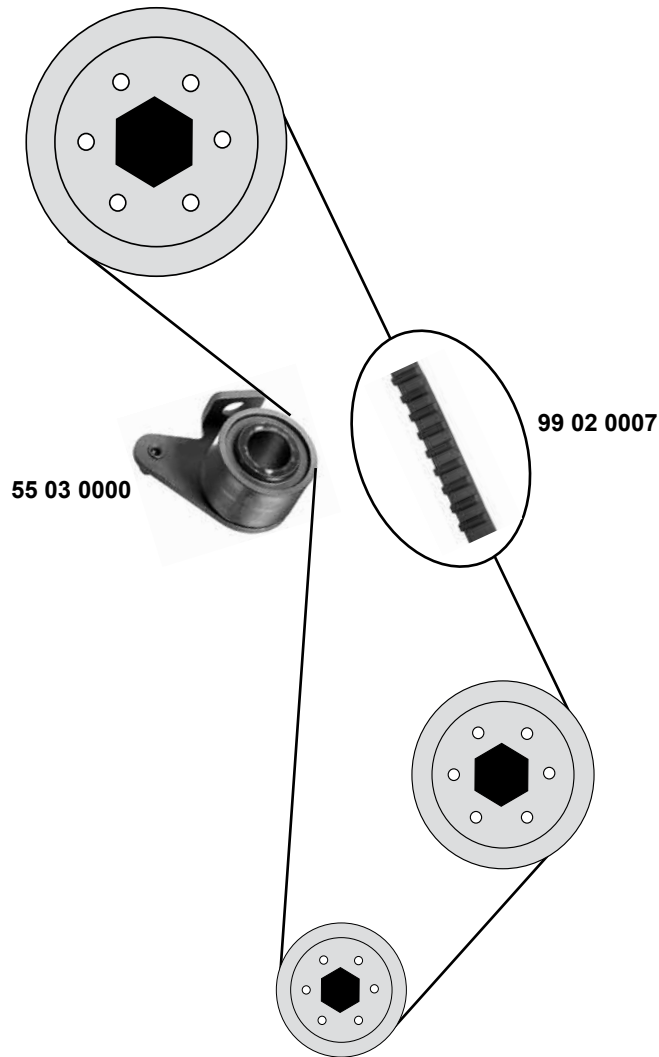
SWAG 99 13 3984

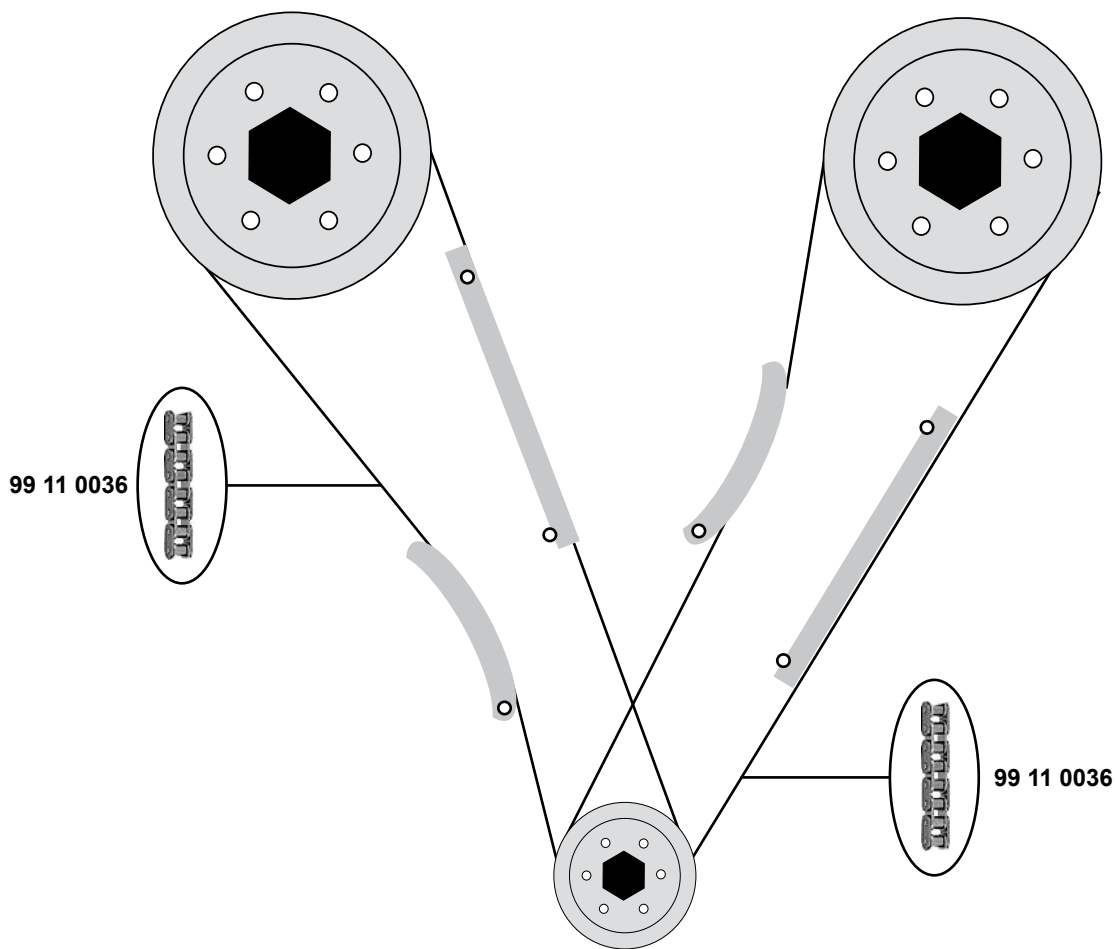
Rep. Satz / rep. kit



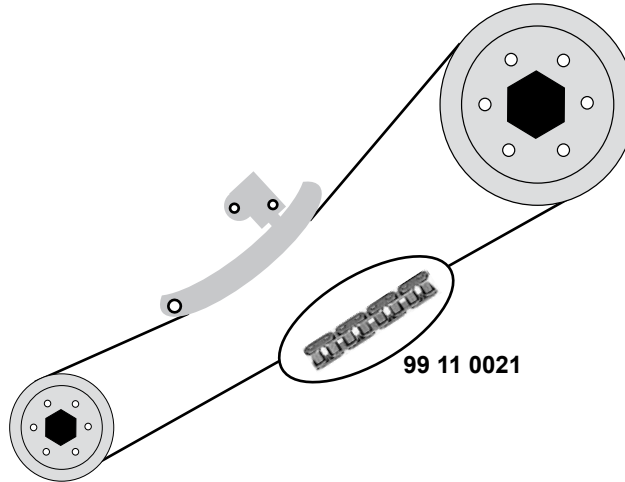
SWAG 99 13 3985

30 09 0001	021 109 509 A	Kettenspanner / chain tensioner	(mot.) AES→003 278	
30 09 0002	021 109 513	Gleitschiene / sliding rail	(mot.) AES	
30 09 0003	021 109 469	Gleitschiene / sliding rail	(mot.) AES	
30 09 0005	021 109 509 E	Gleitschiene / sliding rail	(mot.) AES 003 279→	
30 10 0001	021 109 467	Kettenspanner / chain tensioner	(mot.) AES	
30 10 0002	021 109 507 B	Kettenspanner / chain tensioner	(mot.) AES 003 279→	
30 93 3983	021 109 507 A	Kettenspanner / chain tensioner	(mot.) AES→003 278	
99 11 0142	021 109 503 A	Steuerkette / timing chain	(mot.) AES→003 278	90 E
99 11 0205	021 109 467	Steuerkette / timing chain	(mot.) AES	70 E
99 11 0208	021 109 503 F	Steuerkette / timing chain	(mot.) AES 003 279→	90 E
99 11 0446	066 109 503 C	Steuerkette / timing chain	(mot.) AMV	98 E
99 13 3984	021 109 503 A S1	Rep. Satz Steuerkette / rep. kit chain tensioner	(mot.) AES→003 278	
99 13 3985	021 109 503 D S1	Rep. Satz Steuerkette / rep. kit chain tensioner	(mot.) AES 003 279→	



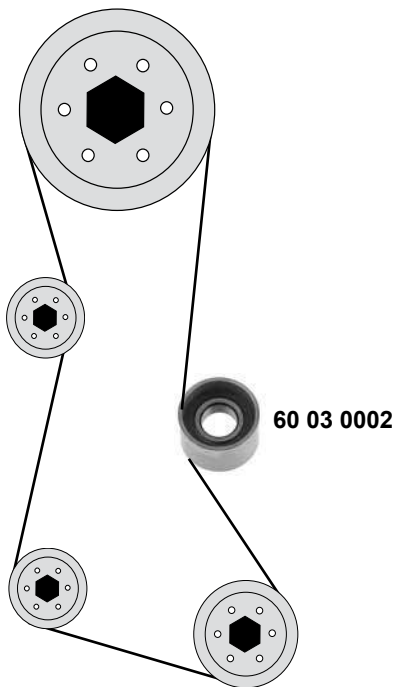


**1,4**  
(B14)

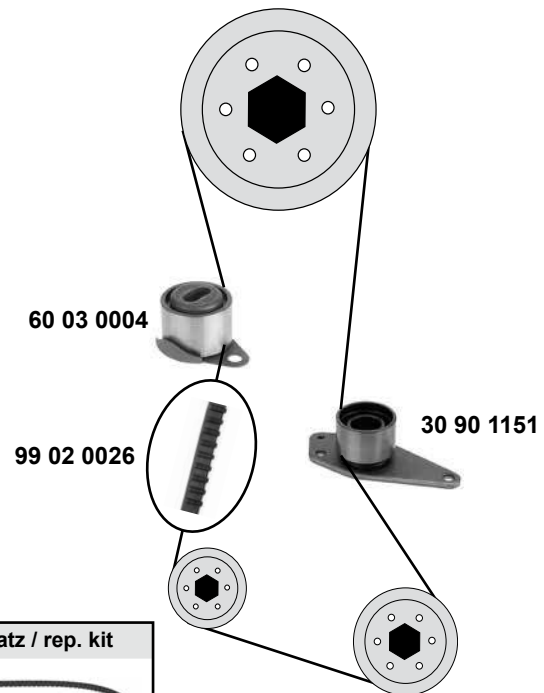


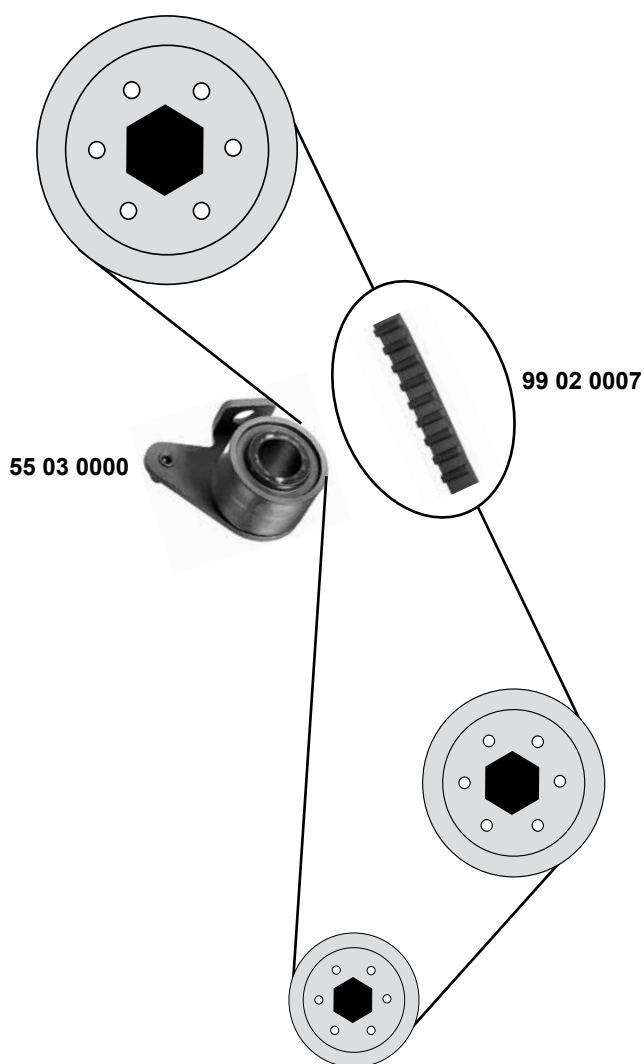
**1,7**  
(B172)

(mot.) → 51891



(mot.) 51892 →





Rep. Satz / rep. kit

**SWAG 55 02 0010**



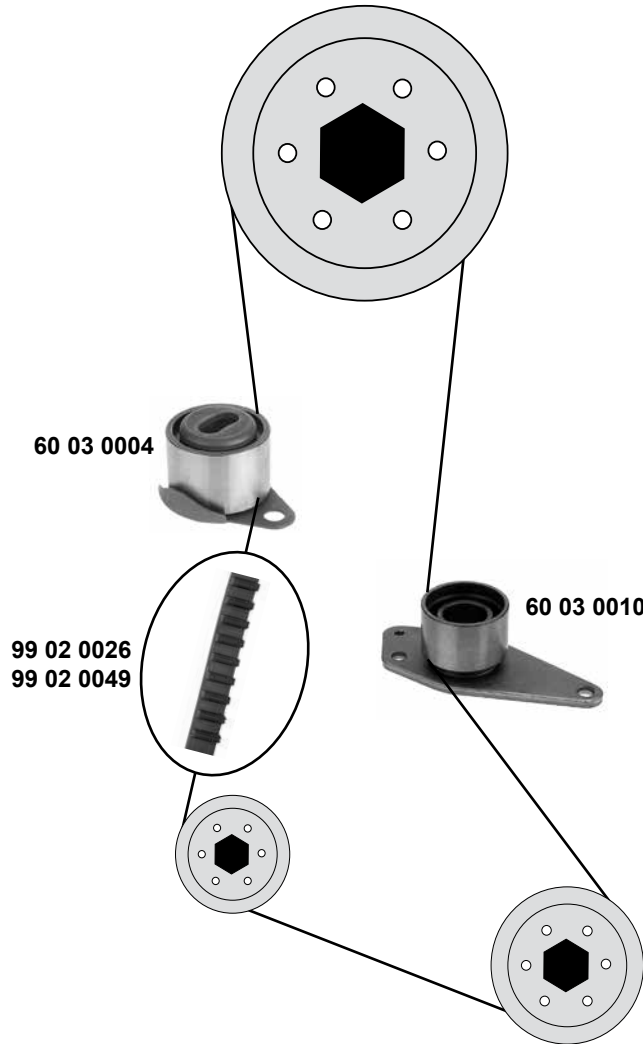
Ref. - No.



**55 02 0010** 271713 S1  
**55 03 0000** 463633  
**99 02 0007** 271713

Rep. Satz Zahnriemen / rep. kit timing belt  
Spannrolle / tension roller  
Zahnriemen / timing belt

ØA 47 ØI 20A B29  
Z123 B19

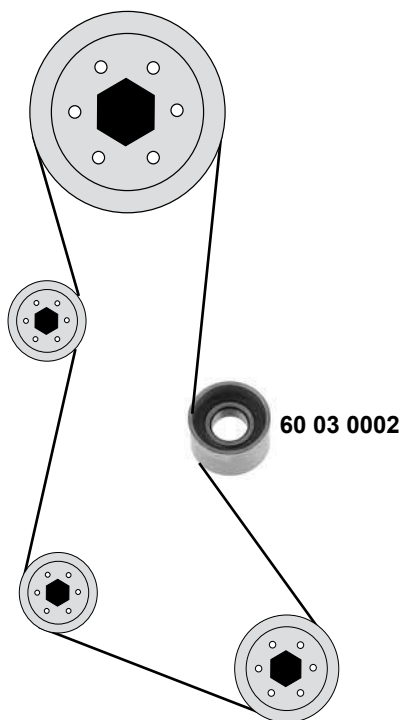


SWAG <sup>®</sup>	Ref. - No.			
60 03 0004	3343741	Spannrolle / tension roller		ØA 50 ØI 10 B31
60 03 0010	30621261	Umlenkrolle / deflection pulley		ØA 60 B31
99 02 0026	3343720	Zahnriemen / timing belt	(mot.) B17, B18	Z 125 B19
99 02 0049	3463763	Zahnriemen / timing belt	(mot.) B20	Z 127 B19
99 02 0050	3463763 S1	Rep. Satz Zahnriemen / rep. kit timing belt	(mot.) B20	
99 02 0053	3343720 S1	Rep. Satz Zahnriemen / rep. kit timing belt	(mot.) B17, B18	

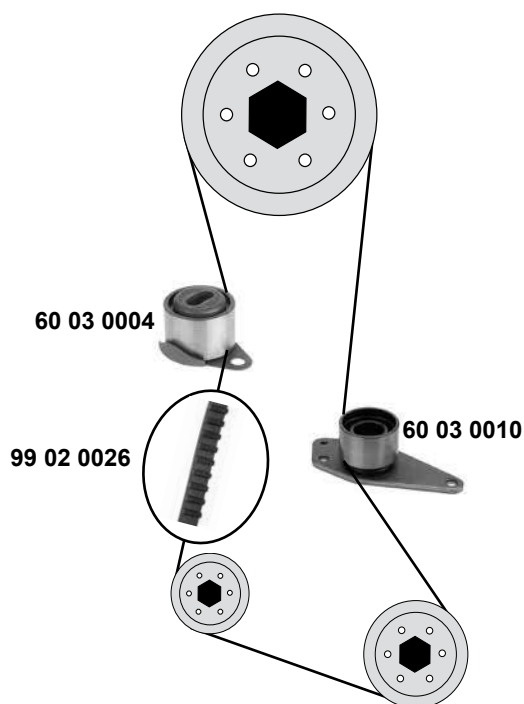


**1,8**  
(B18E / B18F / TURBO)

(mot.) B18E→16529  
B18F→01725  
Turbo→01455



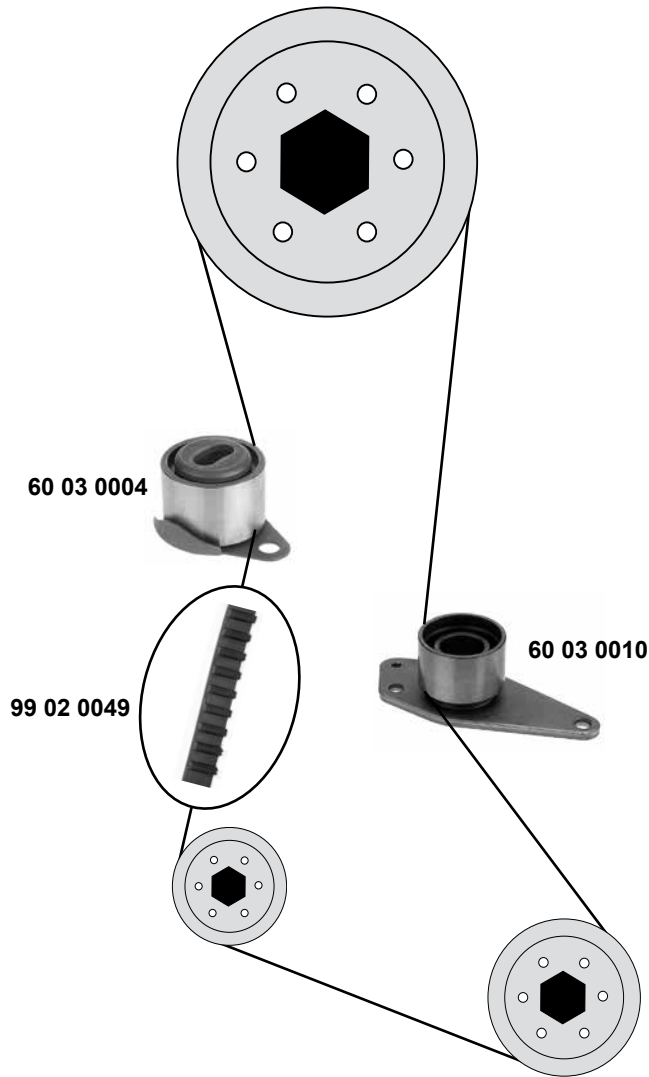
(mot.) B18E 16530→  
B18F 01726→  
Turbo 01456→



60 03 0002	3287776
60 03 0004	3343741
60 03 0010	30621261
99 02 0026	3343720
99 02 0053	3343720 S1

Spannrolle / tension roller
Spannrolle / tension roller
Umlenkrolle / deflection pulley
Zahnriemen / timing belt
Rep. Satz Zahnriemen / rep. kit timing belt

ØA 50 B30,5
ØA 50 ØI 10 B31
ØA 60 B31
Z 125 B19



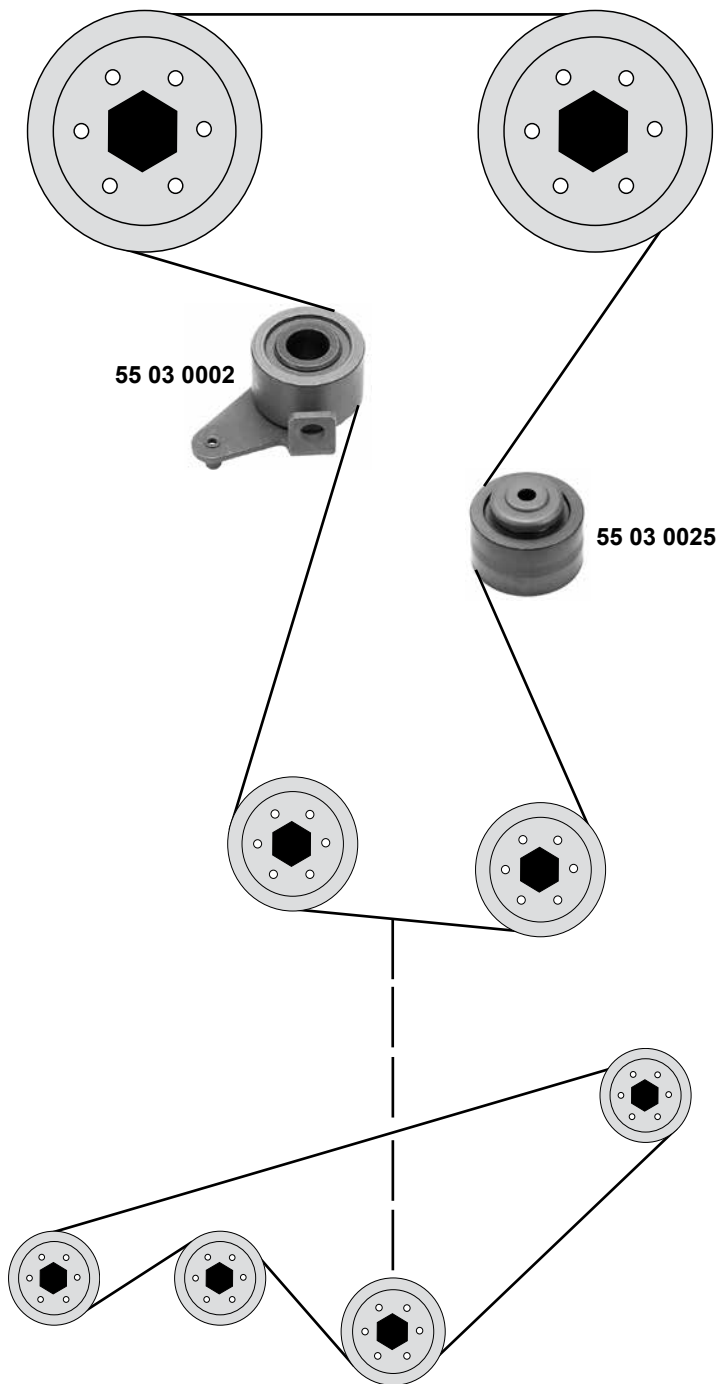
**SWAG** Ref. - No.



<b>60 03 0004</b>	3343741
<b>60 03 0010</b>	30621261
<b>99 02 0049</b>	3463763
<b>99 02 0050</b>	3463763 S1

Spannrolle / tension roller
Umlenkrolle / deflection pulley
Zahnriemen / timing belt
Rep. Satz Zahnriemen / rep. kit timing belt

ØA 50 ØI 10 B31
ØA 60 B31
Z 127 B19



(1) (ex.) automatischer Riemenstpanner / autom. belt tensioner



Ref. - No.



**55 03 0002** 1336953  
**55 03 0025** 1326284

Spannrolle / tension roller  
Umlenkrolle / deflection pulley

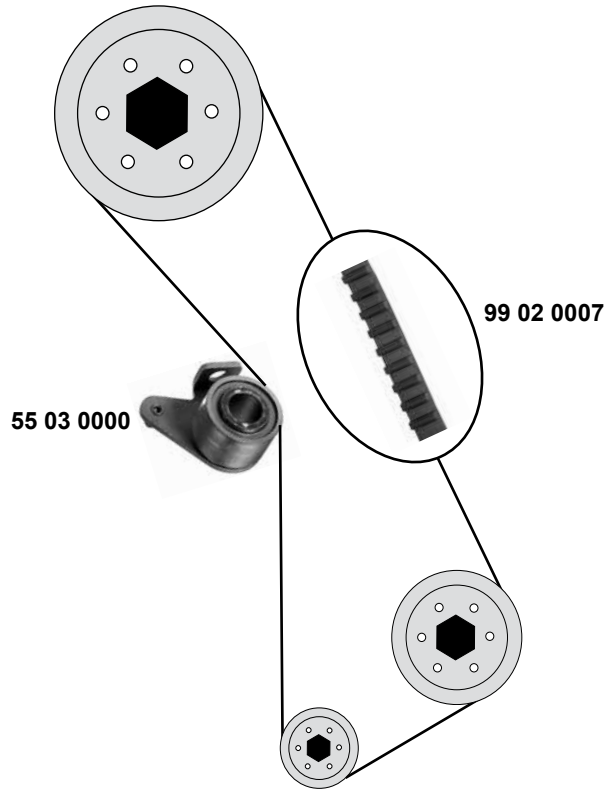
(1)  
(1)

ØA 53 ØI 8,5 B30  
ØA 53 ØI 8,5 B30

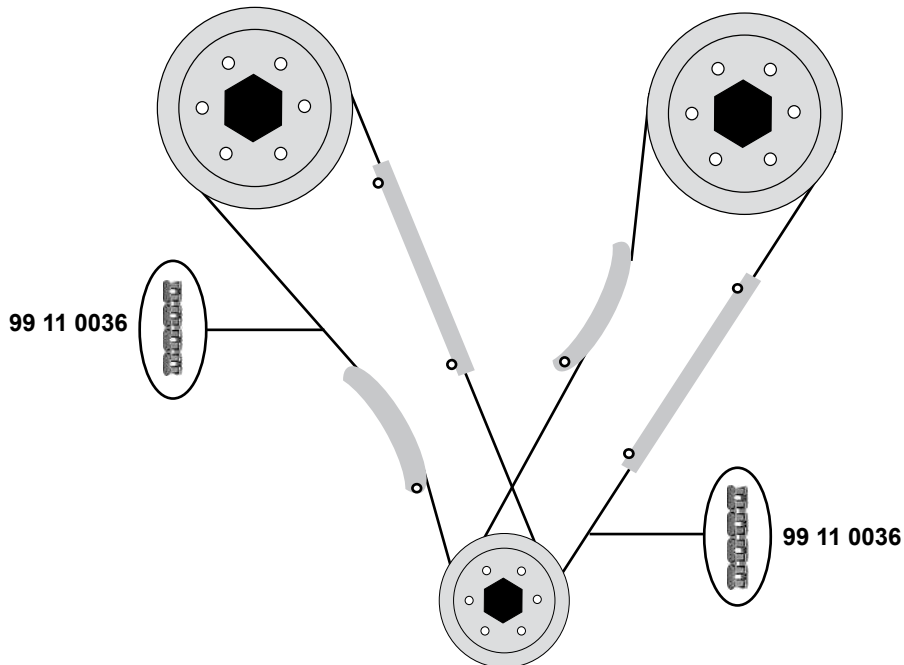
**VOLVO**  
**740 - 760**  
 (85→90)



**2,0 / 2,3**  
 (B200 / B230)



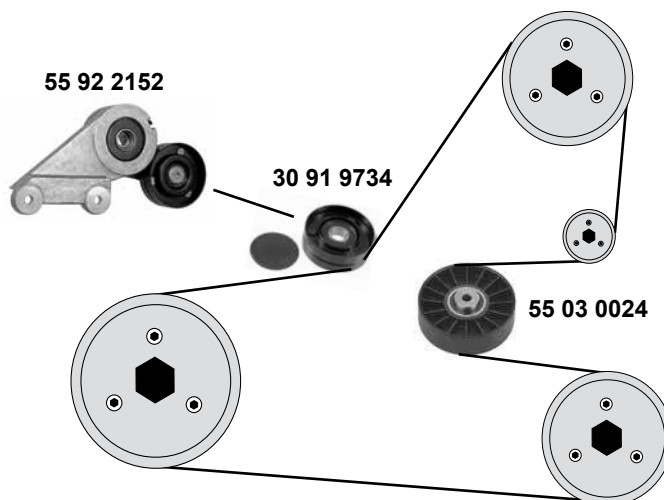
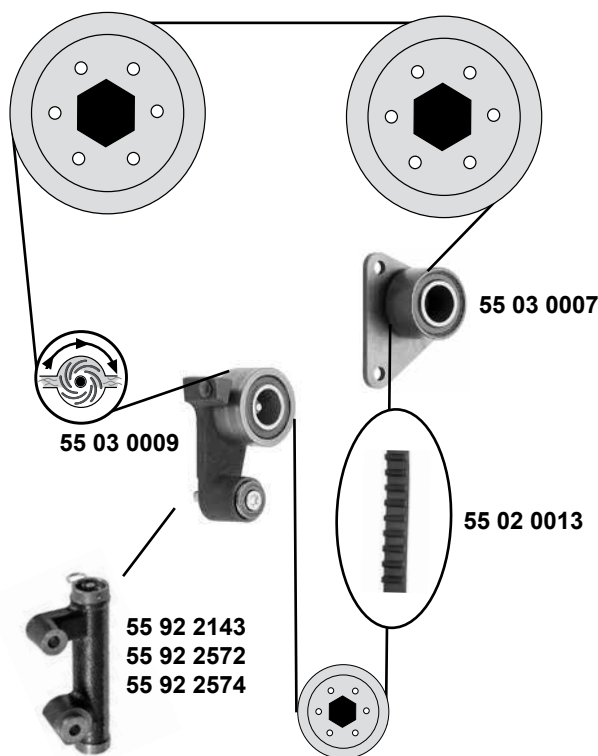
**2,8 V6**  
 (B28 / B280)



SWAG GERMANY	Ref. - No.			
55 02 0010	271713 S1	Rep. Satz Zahnriemen / rep. kit timing belt		
55 03 0000	463633	Spannrolle / tension roller		ØA 47 ØI 20 B29
99 02 0007	271713	Zahnriemen / timing belt		Z 123 B19
99 11 0036	245301	Rollenkette einfach / roller chain simple		94 E

**2,0 (5 Zyl. 2V)**  
(B5202 / B5252)

**(mot.) 131035 →**



Ref. - No.



<b>30 91 9734</b>	272136 S1	Umlenkrolle / deflection pulley	B5252 Modell 94→	ØA 76 B24,5
<b>55 02 0013</b>	271835	Zahnriemen / timing belt		Z 144 B23
<b>55 02 0014</b>	271835 S1	Rep. Satz Zahnriemen / rep. kit timing belt		
<b>55 03 0007</b>	8630590	Umlenkrolle / deflection pulley		ØA 53 ØI 24 B27
<b>55 03 0009</b>	9135036	Spannrolle / tension roller		ØA 53 ØI 8/24 B27
<b>55 03 0024</b>	9146139	Umlenkrolle / deflection pulley		ØA 88 ØI 8 B26
<b>55 92 2143</b>	1275380	Riemenspanner / belt tensioner	(mot.) 148582→	
<b>55 92 2152</b>	1275380	Riemenspanner / belt tensioner	B5252 Modell 94→	ØA 76 B26
<b>55 92 2572</b>	3517998	Riemenspanner / belt tensioner	(mot.)→131154	
<b>55 92 2574</b>	9135033	Riemenspanner / belt tensioner	(mot.) 131155→148581	

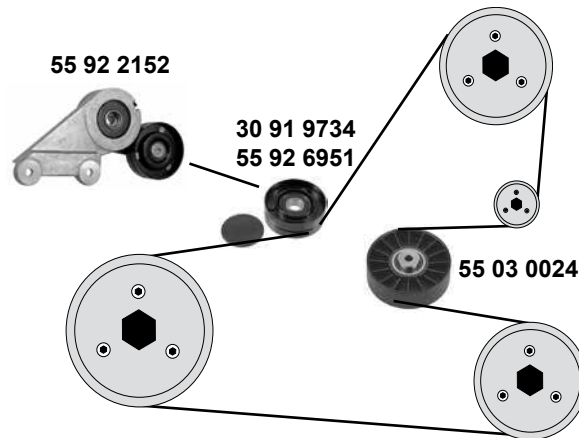
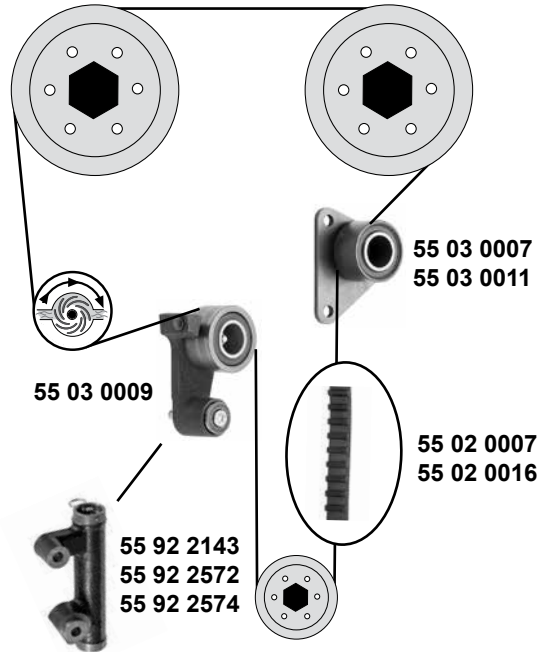
# VOLVO

## 850

(92→97)



**2,0 / 2,3 / 2,5 ( 5Zyl. 4V)**  
(B5204 / B5234 / B5254)



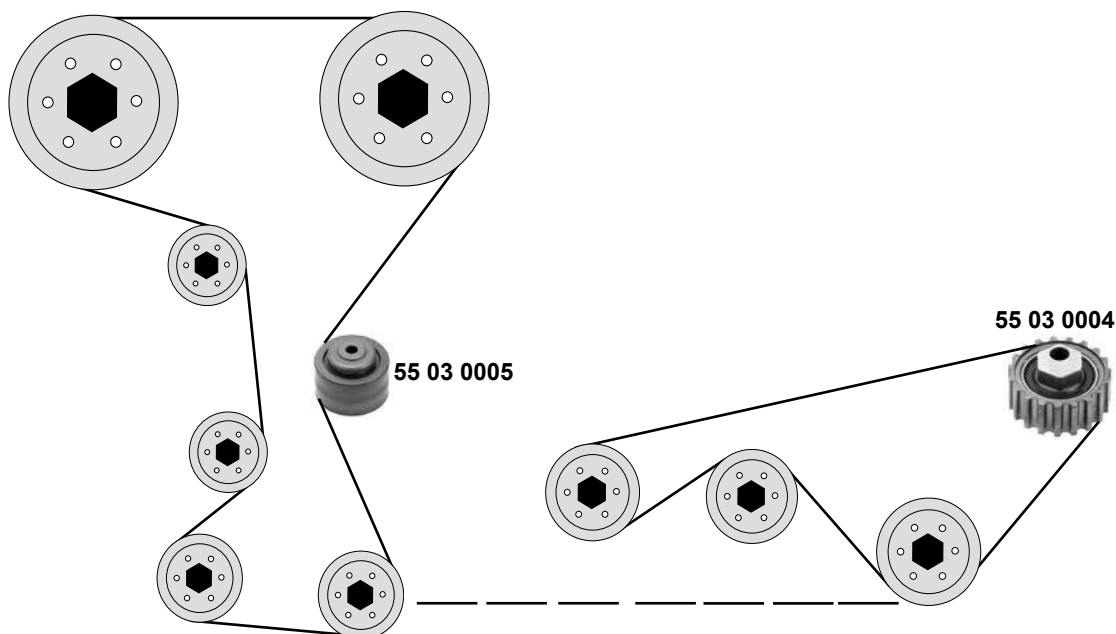
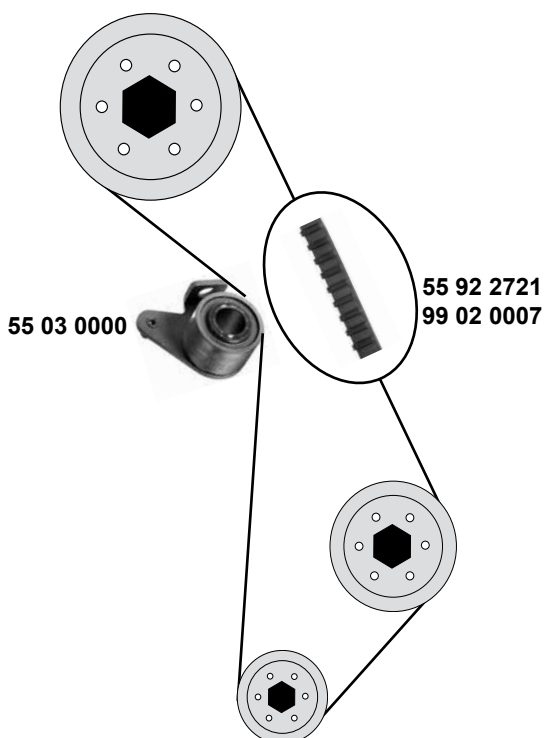
- (1) Modell 94→ / (mot.) 122377→
- (2) Modell→93 / (mot.) B5204 FS / B5254FS / B5252FS / Modell 94→(mot.) B5234FS + ac / mit Abgasregelventil /with exhaust regulating valve (mot.)→122376 / ohne Abgasregelventil without exhaust regulating valve (mot.)→121674 / ohne Abgasregelventil / without exhaust regulating valve (mot.)→121320



Ref. - No.



30 91 9734	272136 S1	Umlenkrolle / deflection pulley	(1)	ØA 76 B24,5
55 02 0007	272327	Zahnriemen / timing belt	(mot.) 131035→	Z 148 B23
55 02 0012	272327 S1	Rep. Satz Zahnriemen / rep. kit timing belt	(mot.) 131035→	
55 02 0016	271952	Zahnriemen / timing belt	(mot.) →131034	Z 143 B21
55 03 0007	8630590	Umlenkrolle / deflection pulley	(mot.) 131035→	ØA 53 ØI 24 B27
55 03 0009	9135036	Spannrolle / tension roller	(mot.) 131035→	ØA 53 ØI 8/24 B27
55 03 0011	9146258	Umlenkrolle / deflection pulley	(mot.)→131034	ØA 47 ØI 24 B27
55 03 0024	9146139	Umlenkrolle / deflection pulley		ØA 88 ØI B26
55 92 2143	1275380	Riemenspanner / belt tensioner	(mot.) 148582→	
55 92 2152	1275380	Riemenspanner / belt tensioner	(1)	ØA 76 B26
55 92 2572	3517998	Riemenspanner / belt tensioner	(mot.)→131154	
55 92 2574	9135033	Riemenspanner / belt tensioner	(mot.) 131155→148581	
55 92 6951	9135699	Umlenkrolle / deflection pulley	(2)	ØA 88 ØI 8,5 B26



Ref. - No.



<b>55 02 0010</b>	271713 S1	Rep. Satz Zahnriemen / rep. kit timing belt	<b>Modell:</b> →92	ØA 47 ØI 20 B29 ØA 56 ØI 10 B22 ØA 53 ØI 9 B30
<b>55 03 0000</b>	463633	Spannrolle / tension roller		
<b>55 03 0004</b>	3547543	Spannrolle Ausgleichsw. / tension roller balance shaft		
<b>55 03 0005</b>	3547715	Umlenkrolle / deflection pulley		
<b>55 92 2721</b>	271747	Zahnriemen / timing belt	<b>Modell:</b> 93→	
<b>55 92 2723</b>	271747 S1	Rep. Satz Zahnriemen / rep. kit timing belt	<b>Modell:</b> 93→	
<b>99 02 0007</b>	271713	Zahnriemen / timing belt	<b>Modell:</b> →92	Z 123 B19

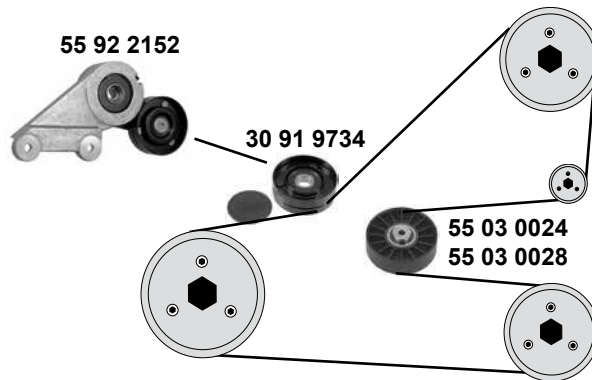
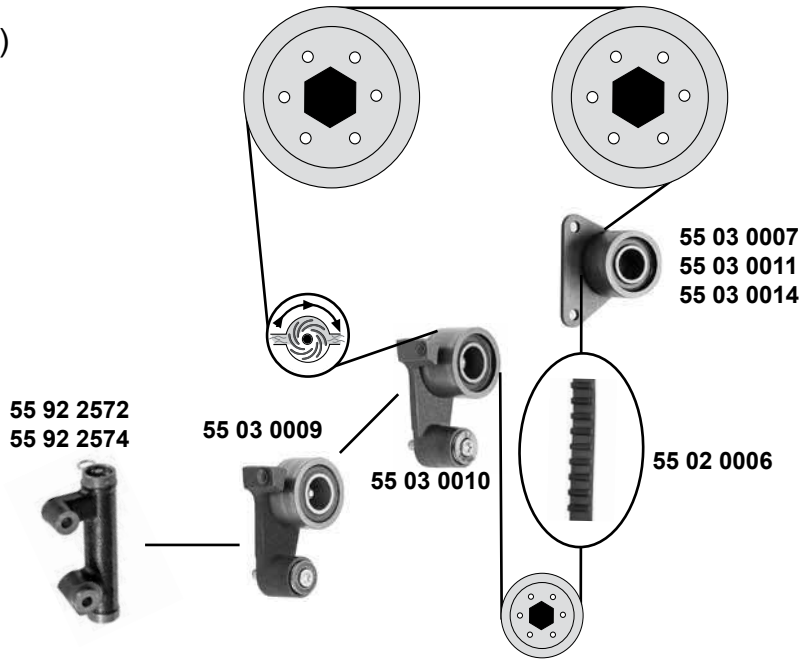
# VOLVO 960

(91→98)



**2,4→3,0**

(B6244 / B6254 / B6304)



(1) Modell: 91→93 (mot.) 131035→

(2) Modell: 91→93 (mot.)→131034

(3) B6304 (mot.) 131035→ / Modell: →94

(4) Modell: 95→

(5) B6304 (mot.) 121675→ / Modell:→94

(6) B6304 (mot.) 121675→ / Modell:→94 /  
B6244, B6254, B6304 Modell: 95→



Ref. - No.

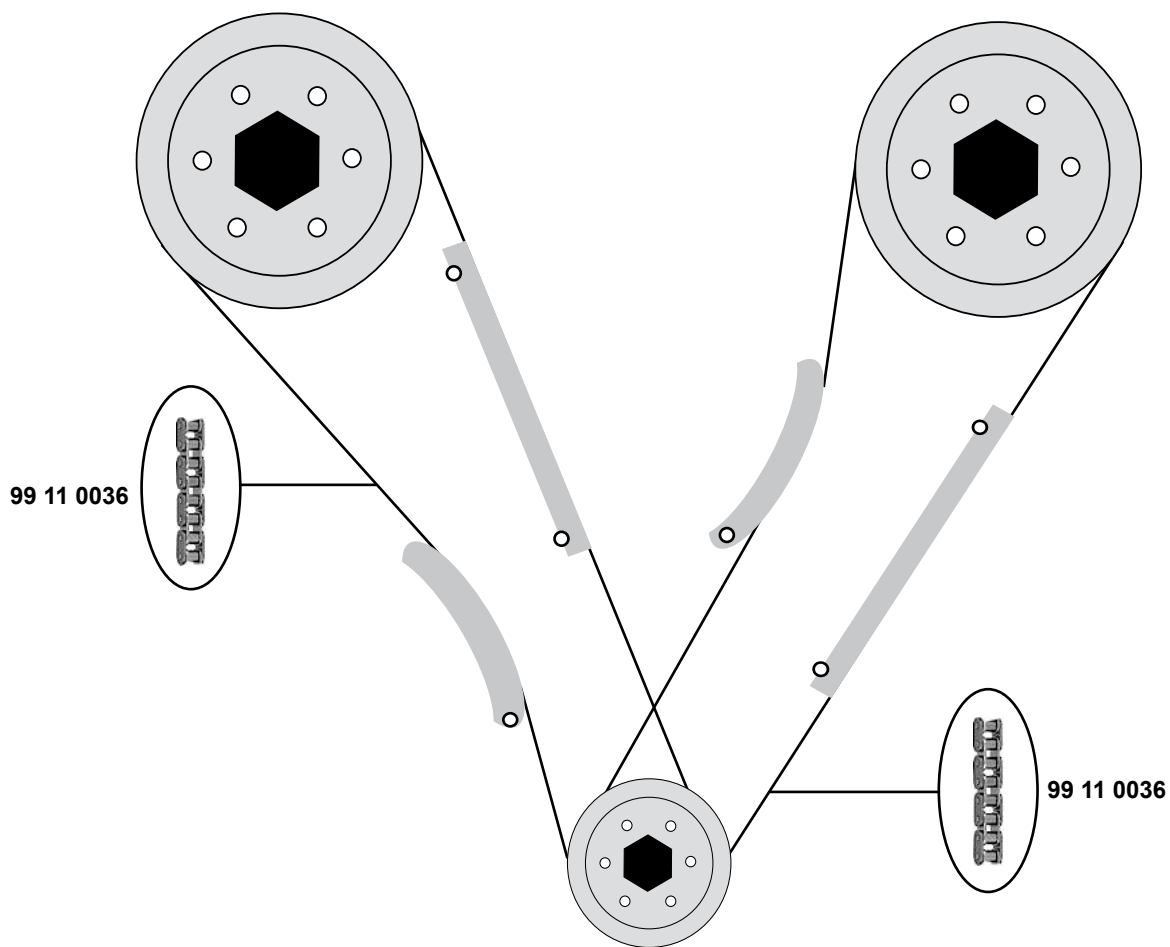


Ref. - No.			
30 91 9734	272136 S1	Umlenkrolle / deflection pulley	(6)
55 02 0006	271876	Zahnriemen / timing belt	Modell: 95→
55 02 0015	271876 S1	Rep. Satz Zahnriemen / rep. kit timing belt	Modell: 95→
55 03 0007	8630590	Umlenkrolle / deflection pulley	(1)
55 03 0009	9135036	Spannrolle / tension roller	(1)
55 03 0010	9135555	Spannrolle / tension roller	Modell: 95→
55 03 0011	9146258	Umlenkrolle / deflection pulley	(2)
55 03 0014	9135556	Umlenkrolle / deflection pulley	Modell: 95→
55 03 0024	9146139	Umlenkrolle / deflection pulley	Modell:→94
55 03 0028	9135565	Umlenkrolle / deflection pulley	Modell: 95→
55 92 2152	1275380	Riemenspanner / belt tensioner	(5)
55 92 2572	3517998	Riemenspanner / belt tensioner	(4)
55 92 2574	9135033	Riemenspanner / belt tensioner	(3)

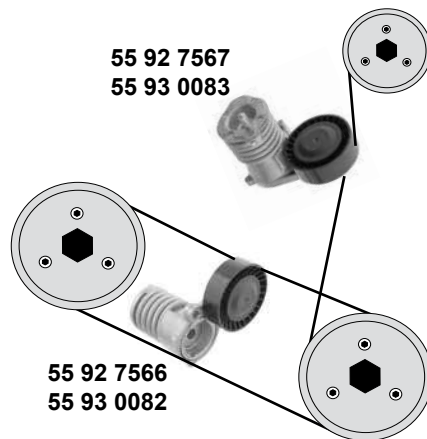
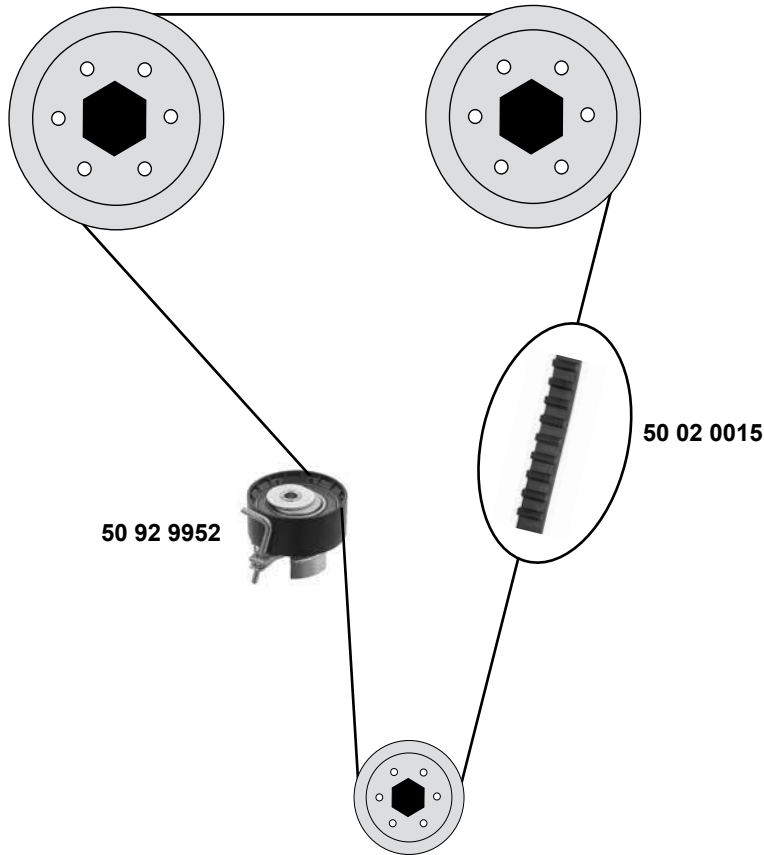
ØA 76 B24,5  
Z 152 B28

ØA 53 ØI 24 B27  
ØA 53 ØI 8/24 B27  
ØA 53 ØI 8/24 B32  
ØA 47 ØI 24 B27  
ØA 53 ØI 24 B32  
ØA 88 ØI 8 B26  
ØA 88 ØI 8 B26  
ØA 76 B26





**4 Zyl. 1,6**  
(B4164 S3)



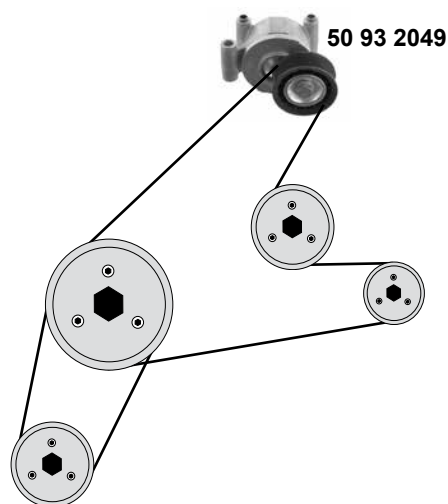
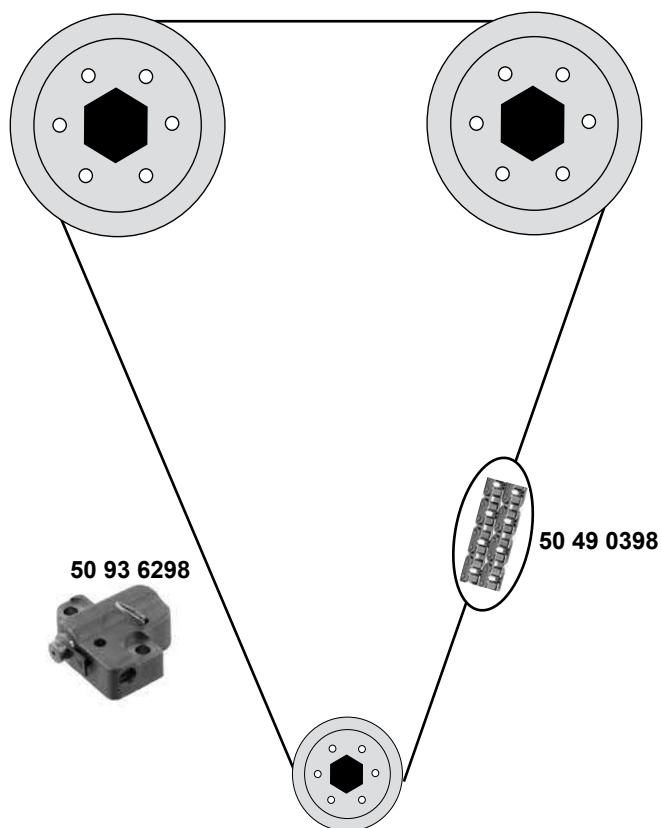
Ref. - No.



<b>50 02 0015</b>	31330351	Zahnriemen / timing belt		Z 117 B22
<b>50 92 9952</b>	30750905	Spannrolle / tension roller		ØA 62 B26
<b>50 92 9958</b>	31330351 S2	Rep. Satz Zahnriemen / rep. kit timing belt		
<b>55 92 7566</b>	30711320	Riemenspanner / belt tensioner	(mot.)→4293284	ØA 65 B21
<b>55 92 7567</b>	30650957	Riemenspanner / belt tensioner	(mot.)→4293284	ØA 70 B20
<b>55 93 0082</b>	31251653	Riemenspanner / belt tensioner	(mot.) 4293285→	ØA 70 B20,4
<b>55 93 0083</b>	31251654	Riemenspanner / belt tensioner	(mot.) 4293285→	ØA 65 B21



**4 Zyl. 1,8 / 2,0**  
(B4184 S8/ S11 / B 4204 S3 /S4)



Ref. - No.

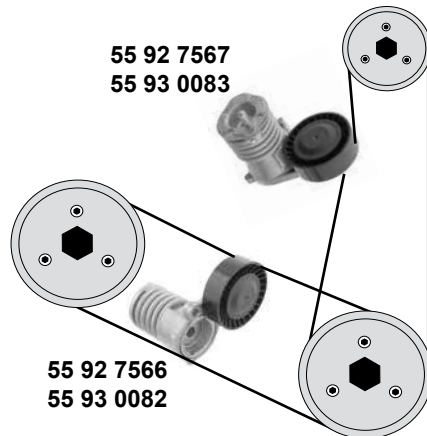
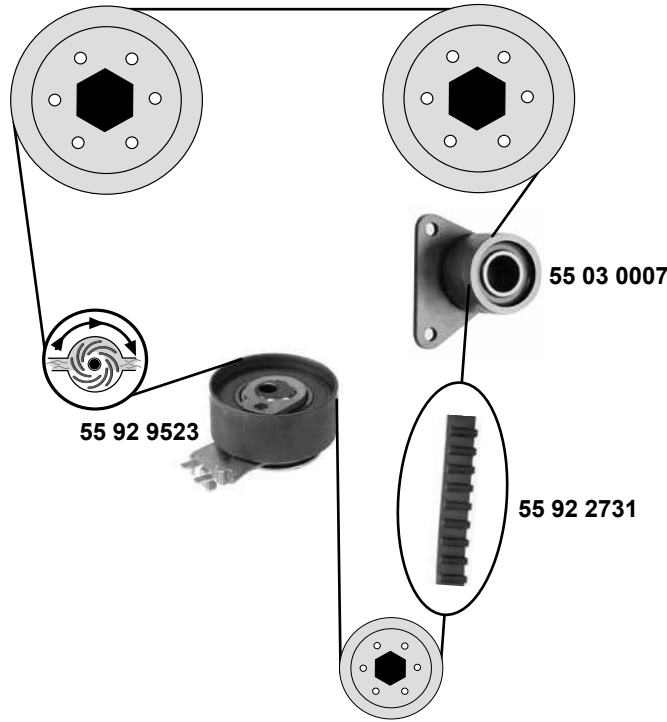


50 49 0398	8694690
50 93 2049	31258082 SK
50 93 6298	30757387

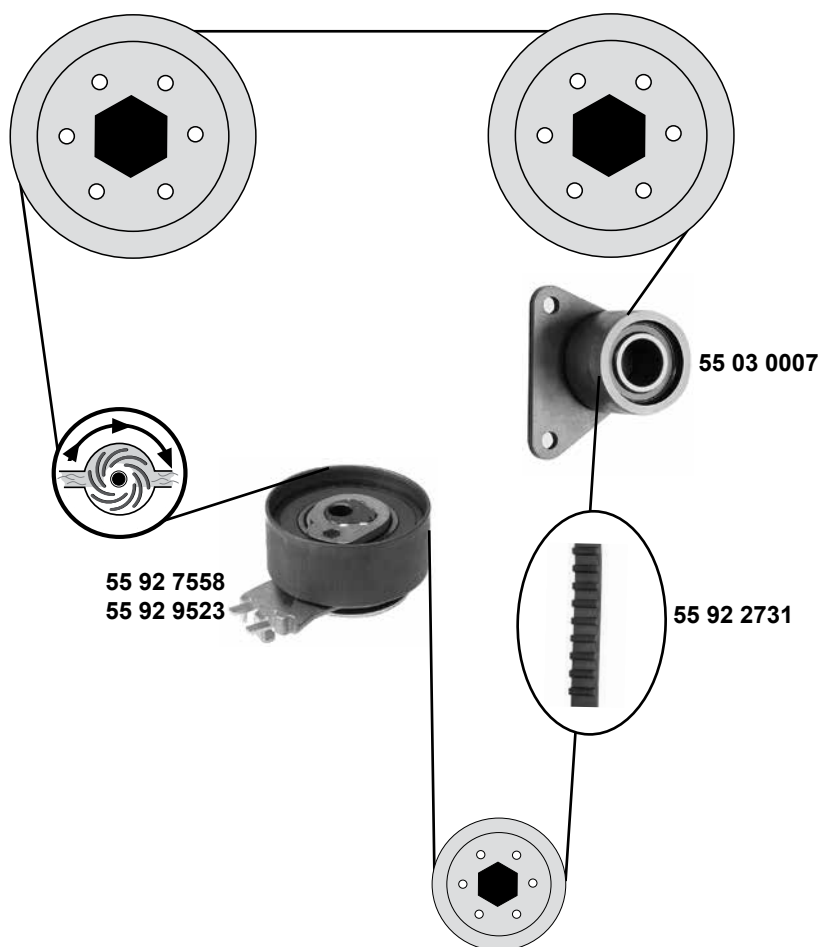
Steuerkette / timing chain  
Riemenspanner / belt tensioner  
Kettenspanner / chain tensioner

134 E  
ØA 72,5 B29

**5 Zyl.**  
(B5...)



	Ref. - No.			
<b>55 03 0007</b>	8630590	Umlenkrolle / deflection pulley		ØA 53 B27
<b>55 92 2731</b>	8627484	Zahnriemen / timing belt		Z 142 B23
<b>55 92 7566</b>	30711320	Riemenspanner / belt tensioner	(mot.)→4293284	ØA 65 B21
<b>55 92 7567</b>	30650957	Riemenspanner / belt tensioner	(mot.)→4293284	ØA 70 B20
<b>55 92 9523</b>	30677832	Spannrolle / tension roller		ØA 60 B26,5
<b>55 92 9524</b>	31251254	Rep. Satz Zahnriemen / rep. kit timing belt		Z 142 B23
<b>55 93 0082</b>	31251653	Riemenspanner / belt tensioner	(mot.) 4293285→	ØA 70 B20,4
<b>55 93 0083</b>	31251654	Riemenspanner / belt tensioner	(mot.) 4293285→	ØA 65 B21



Rep. Satz / rep. kit

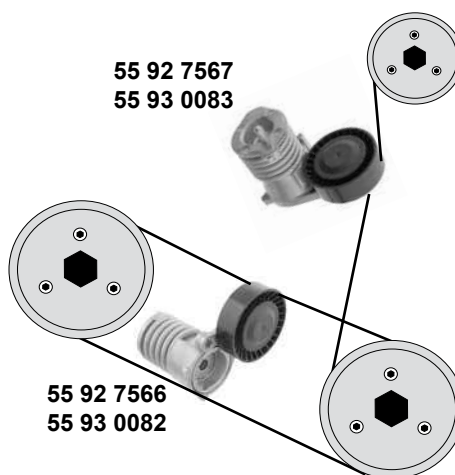


SWAG 55 92 7559

Rep. Satz / rep. kit



SWAG 55 92 9524

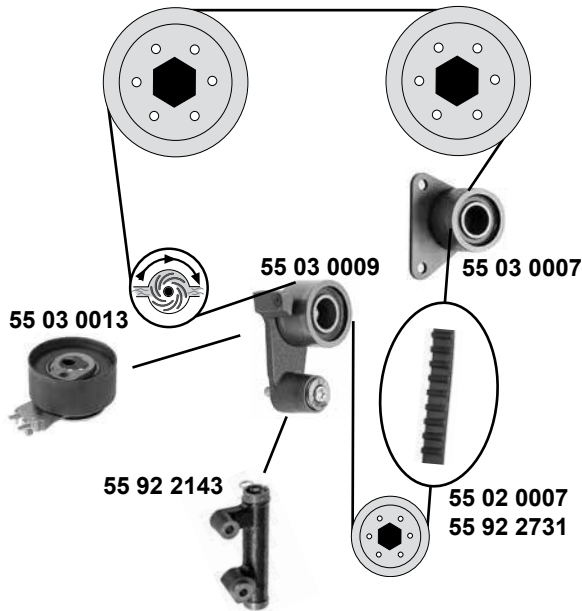


55 03 0007	8630590	Umlenkrolle / deflection pulley			ØA 53 B27
55 92 2731	8627484	Zahnriemen / timing belt			Z 142 B23
55 92 7558	30637955	Spannrolle / tension roller		(mot.) → 3887615	ØA 59 Ø 27
55 92 7559	30731727	Rep. Satz Zahnriemen / rep. kit timing belt		(mot.) → 3887615	Z 142 B23
55 92 7566	30711320	Riemenspanner / belt tensioner		(mot.) → 4293284	ØA 65 B21
55 92 7567	30650957	Riemenspanner / belt tensioner		(mot.) → 4293284	ØA 70 B20
55 92 9523	30677832	Spannrolle / tension roller		(mot.) 3887616 →	ØA 60 Ø 26,5
55 92 9524	31251254	Rep. Satz Zahnriemen / rep. kit timing belt		(mot.) 3887616 →	Z 142 B23
55 93 0082	31251653	Riemenspanner / belt tensioner		(mot.) 4293285 →	ØA 70 B 20
55 93 0083	31251654	Riemenspanner / belt tensioner		(mot.) 4293285 →	ØA 65 B21

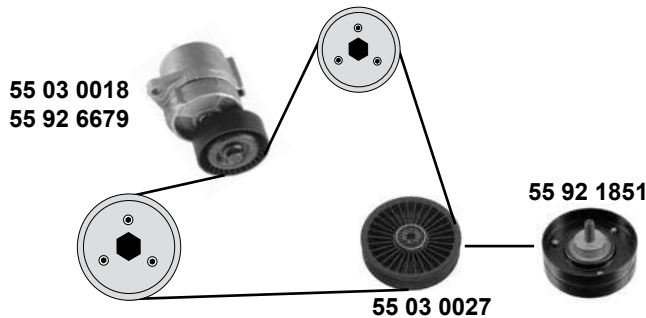
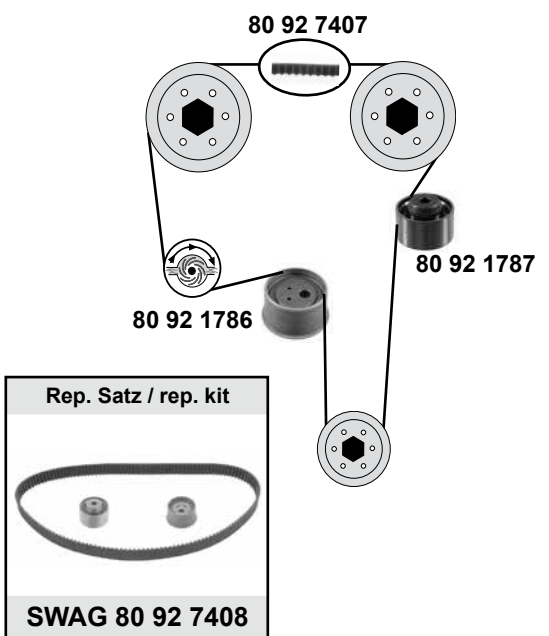
### S / V 40 I 1,6 → 2,0

(B4164 / B4184 / B4194 / B4204)

**(ex.) B4184 SM**



**nur / only B4184 SM**



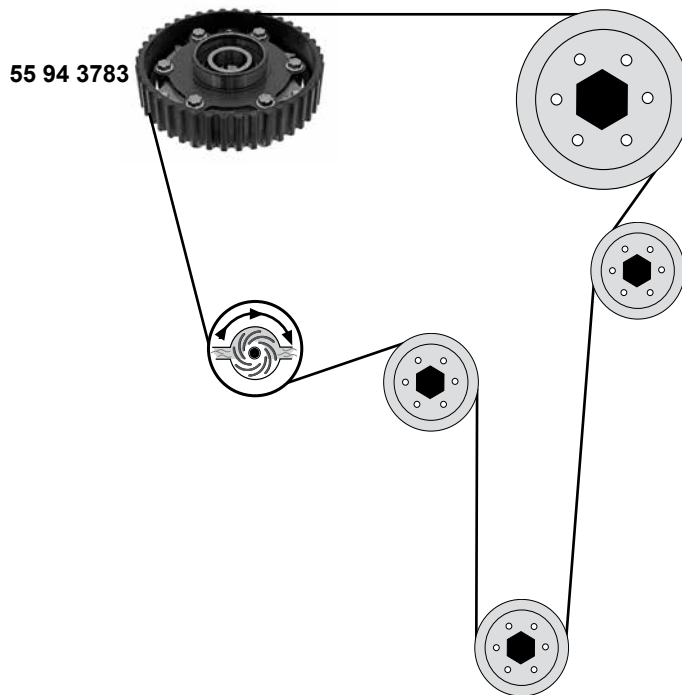
(1) **TURBO (mot.)**→1219753  
(ex.) **TURBO (mot.)**→12665

(2) **TURBO (mot.)** 1219754→  
(ex.) **TURBO (mot.)** 1266196→

SWAG GERMANY	Ref. - No.			
55 02 0007	272327	Zahnriemen / timing belt	(1)	Z 148 / 23
55 02 0012	272327 S1	Rep. Satz Zahnriemen / rep. kit timing belt	(1)	
55 03 0007	8630590	Umlenkrolle / deflection pulley		ØA 53 B27
55 03 0009	9135036	Spannrolle / tension roller	(1)	ØA 53 B27
55 03 0013	30638277	Spannrolle / tension roller	(2)	ØA 59 ØI 8 B27
55 03 0018	30757057	Riemspanner / belt tensioner	00→	ØA 70 B24
55 03 0027	9458470	Umlenkrolle / deflection pulley	00→(ex.) AC	ØA 124 B26
55 92 1851	9143643	Umlenkrolle / deflection pulley	→99 (3)	ØA 76 B26
55 92 2143	1275380	Riemenspanner / belt tensioner	(1)	
55 92 2731	274338	Zahnriemen / timing belt	(2)	Z 142 / 23
55 92 2733	274338 S1	Rep. Satz Zahnriemen / rep. kit timing belt	(2)	
55 92 6679	9146249	Riemenspanner / belt tensioner	→99	ØA 76 B26
80 92 1786	30873954	Spannrolle / tension roller	98→01	ØA 57,5 B33,5
80 92 1787	30874227	Umlenkrolle / deflection pulley	98→01	ØA 60 B32
80 92 7407	30873950	Zahnriemen / timing belt	98→01	Z 154 B29
80 92 7408	30873950 S1	Rep. Satz Zahnriemen / rep. kit timing belt	98→01	

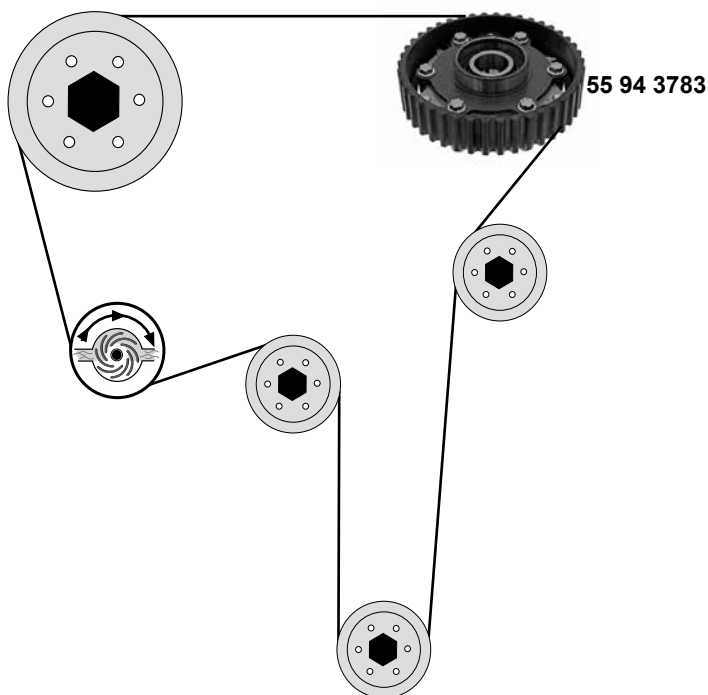
**1,9 / 2,0**  
(B4194T/T2 / B4204T/T2/T3/T5)

**Auslass/Exhaust**



**1,6 / 1,8 / 2,0**  
(B4164S/S2 / B41184S/S2/S3/S10/S9 / B4204S/S2)

**Einlass/Intake**



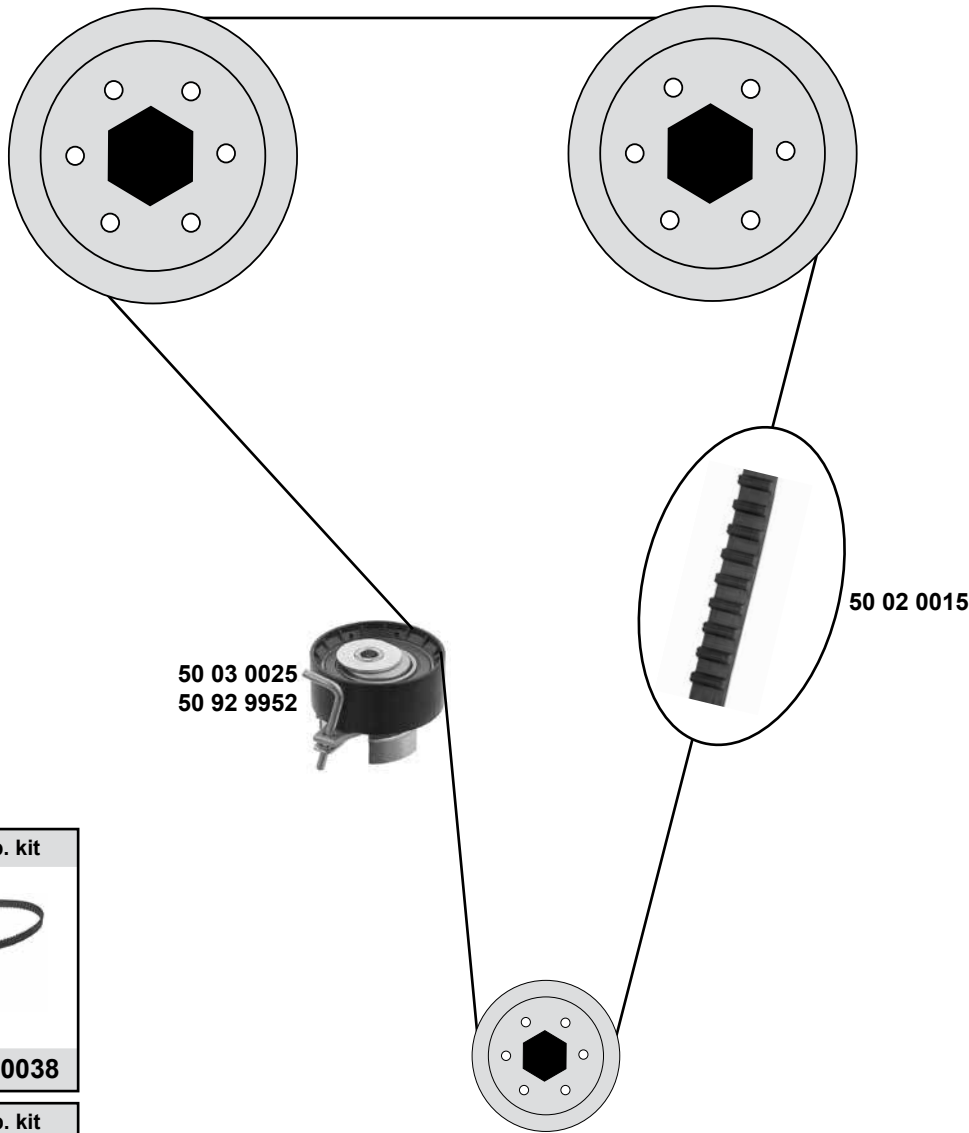
# VOLVO

## S 40 II / V 50

(04→12)



**4 Zyl. 1,6**  
(B4164 S3)



(1) S 40 II (ch.) →115002 / V50 (ch.) →115450

(2) S 40 II (ch.) 115003→ / V50 (ch.) 115451→

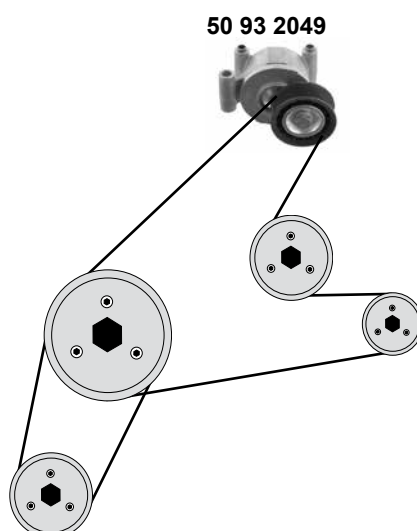
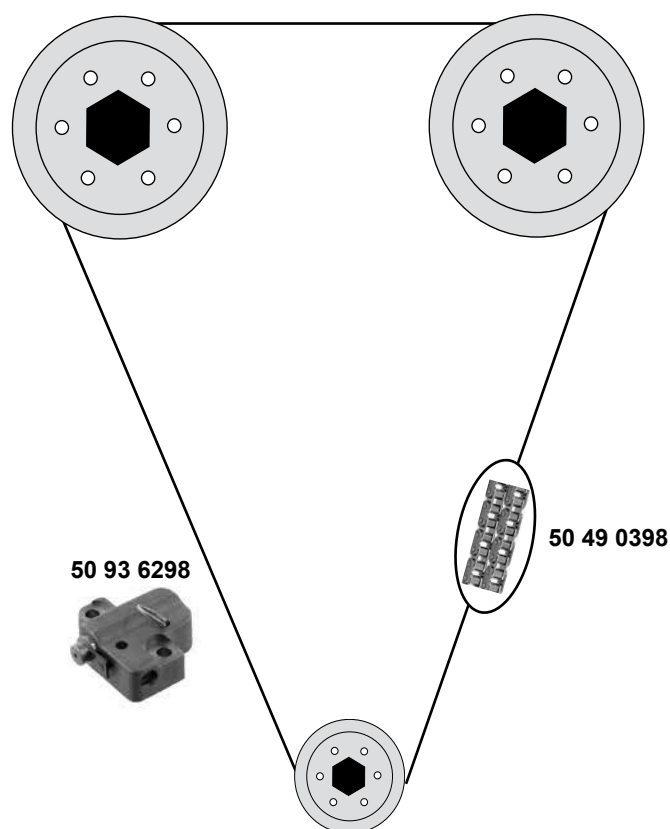


Ref. - No.

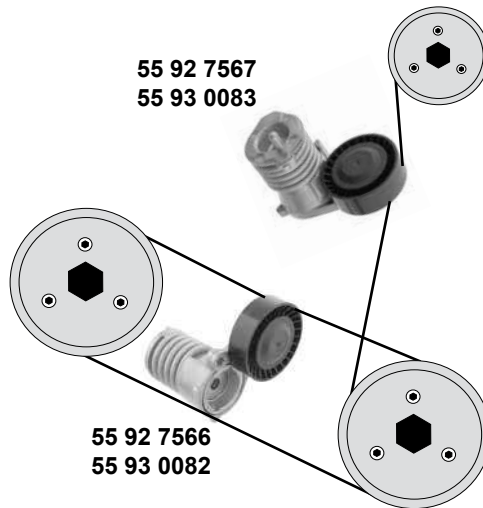
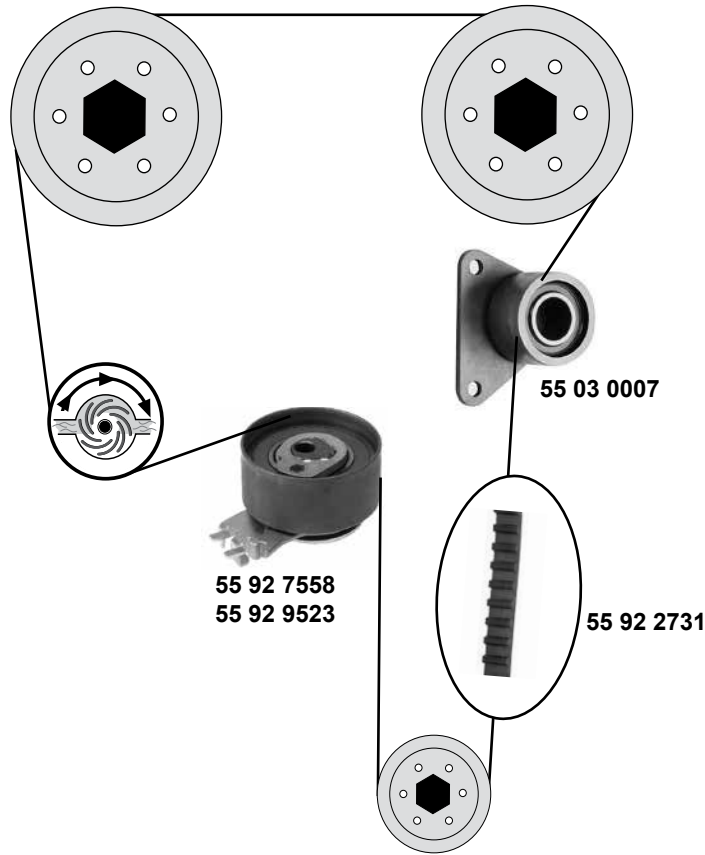


<b>50 02 0015</b>	31330351	Zahnriemen / timing belt		Z 117 B22
<b>50 02 0038</b>	31330351 S1	Rep. Satz Zahnriemen / rep. kit timing belt	(1)	
<b>50 03 0025</b>	30750904	Spannrolle / tension roller	(1)	ØA 60 B37
<b>50 92 9952</b>	30750905	Spannrolle / tension roller	(2)	ØA 62 B26
<b>50 92 9958</b>	31330351 S2	Rep. Satz Zahnriemen / rep. kit timing belt	(2)	

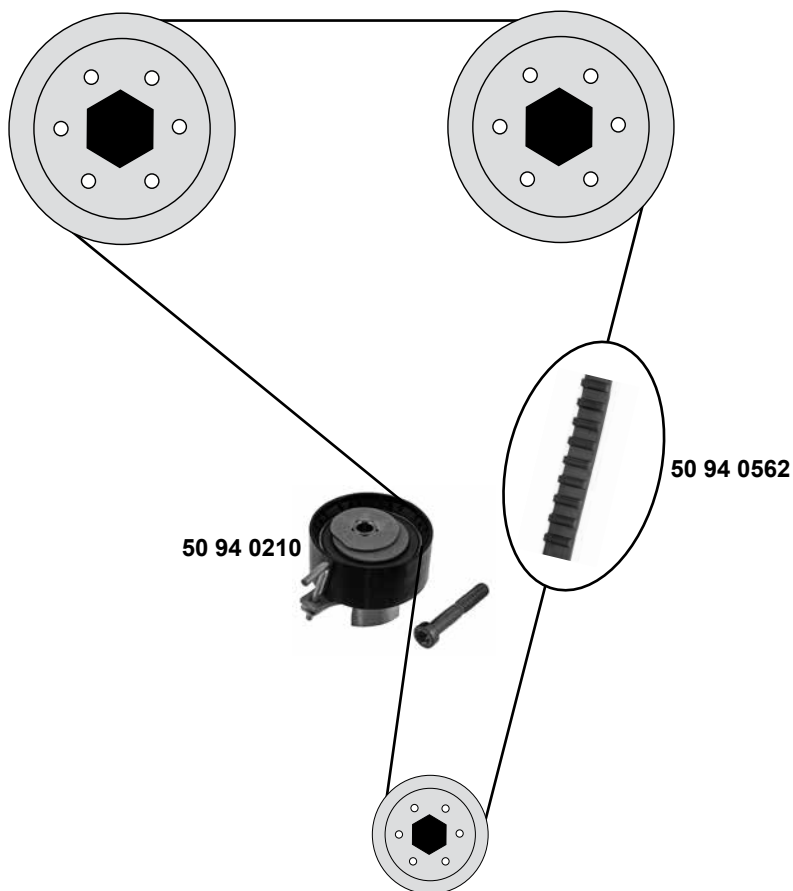


**4 Zyl. 1,8 / 2,0**  
 (B4184 S8/ S11 / B 4204 S3 /S4)


### 5 Zyl. (B5...)



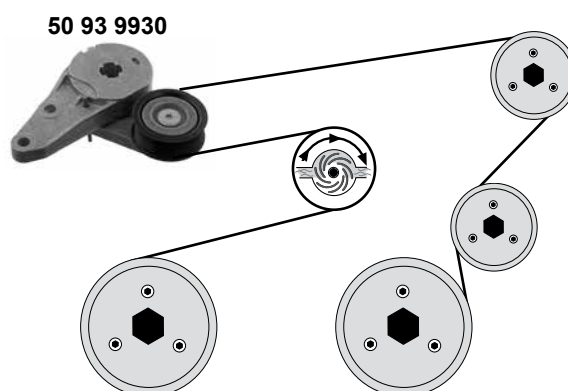
SWAG GERMANY	Ref. - No.			
55 03 0007	8630590	Umlenkrolle / deflection pulley		ØA 53 B27
55 92 2731	8627484	Zahnriemen / timing belt		Z 142 B23
55 92 7558	30637955	Spannrolle / tension roller	(mot.) →3887615	ØA 59 Ø 27
55 92 7559	30731727	Rep. Satz Zahnriemen / rep. kit timing belt	(mot.) →3887615	Z 142 B23
55 92 7566	30711320	Riemenspanner / belt tensioner	(mot.) →4293284	ØA 65 B21
55 92 7567	30650957	Riemenspanner / belt tensioner	(mot.) →4293284	ØA 70 B20
55 92 9523	30677832	Spannrolle / tension roller	(mot.) 3887616→	ØA 60 B26,5
55 92 9524	31251254	Rep. Satz Zahnriemen / rep. kit timing belt	(mot.) 3887616→	Z 142 B23
55 93 0082	31251653	Riemenspanner / belt tensioner	(mot.) 4293285→	ØA 70 B20
55 93 0083	31251654	Riemenspanner / belt tensioner	(mot.) 4293285→	ØA 65 B21



Rep. Satz / rep. kit



SWAG 50 94 0849

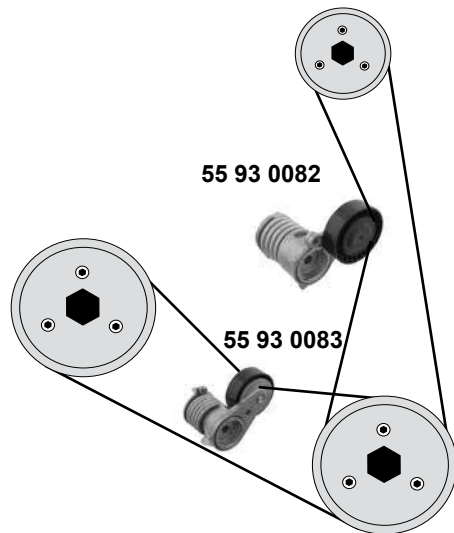
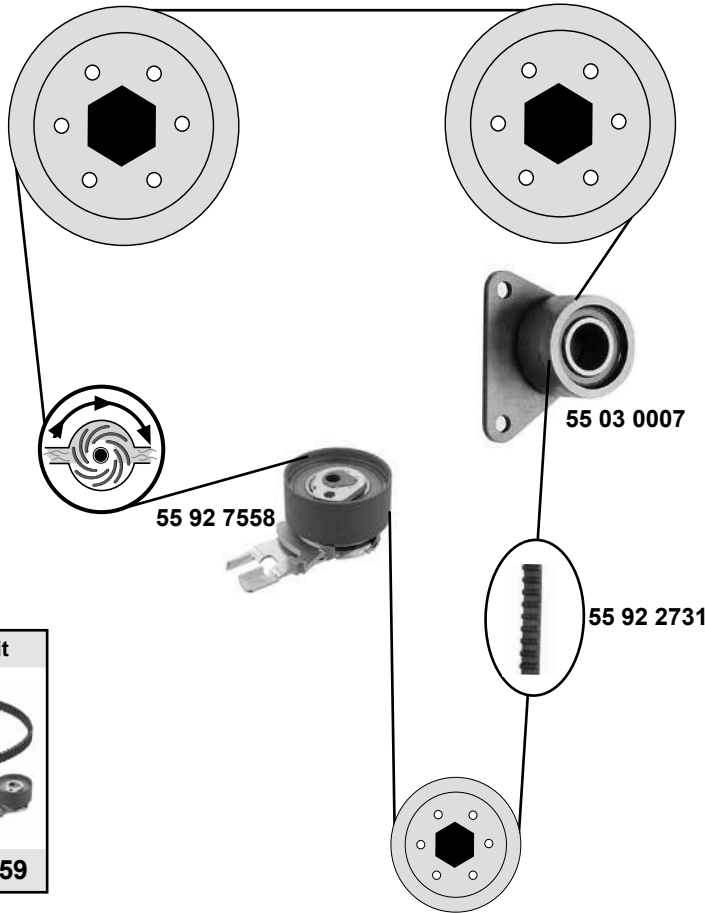


# VOLVO V 40 II / Cross Country

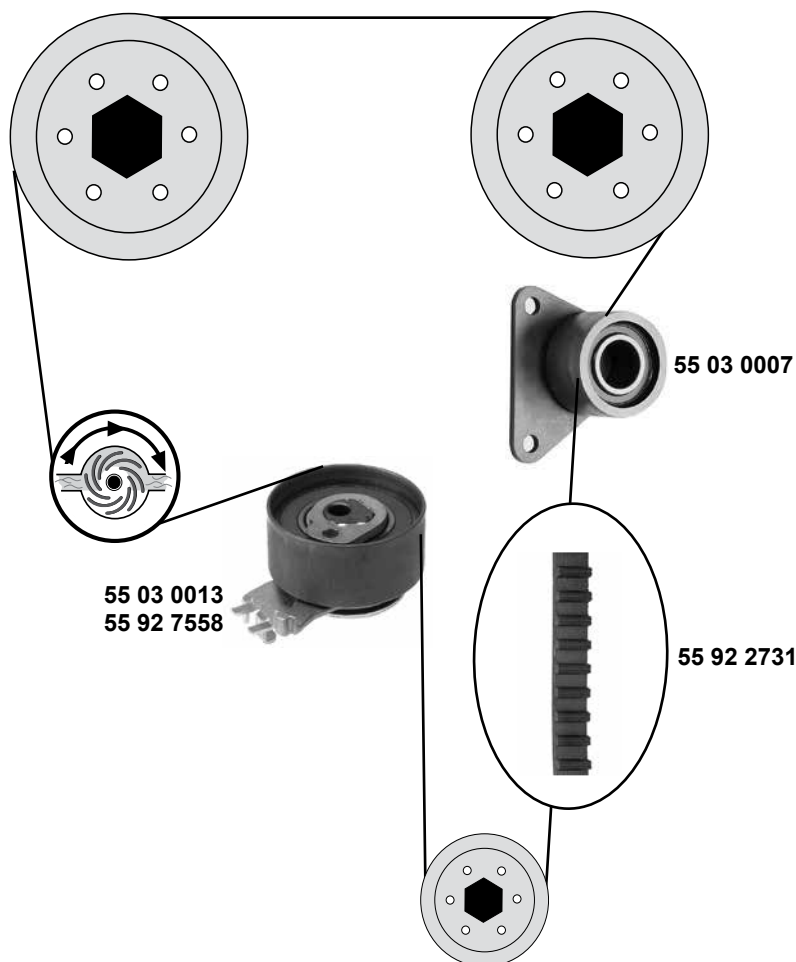
(11→)



**5 Zyl.**  
(B5.....)



SWAG GERMANY	Ref. - No.			
55 03 0007	8630590	Umlenkrolle / deflection pulley		ØA 53 B27
55 92 2731	8627484	Zahnriemen / timing belt		Z 142 B23
55 92 7558	30637955	Spannrolle / tension roller		ØA 59 B27
55 92 7559	30731727	Rep. Satz Zahnriemen / rep. kit timing belt		
55 93 0082	31251653	Riemenspanner / belt tensioner	(mot.) 4293285→	ØA 70 B20
55 93 0083	31251654	Riemenspanner / belt tensioner	(mot.) 4293285→	ØA 65 B21

**5 Zyl. 2,0 / 2,3 / 2,4 / 2,5**  
 (B5...)


Rep. Satz / rep. kit

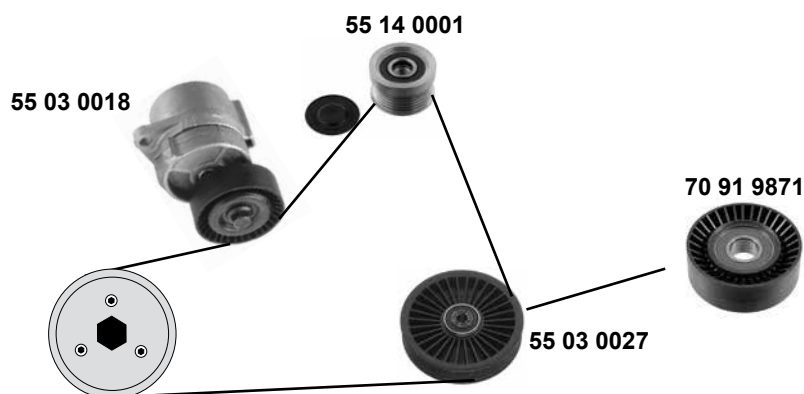


SWAG 55 92 2733

Rep. Satz / rep. kit

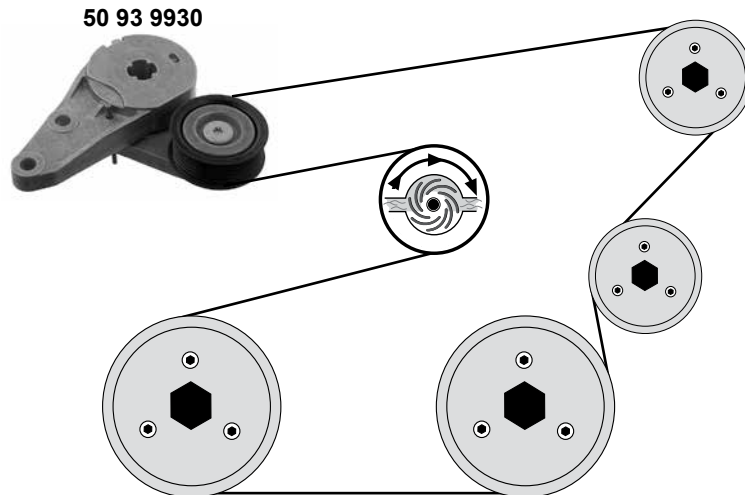
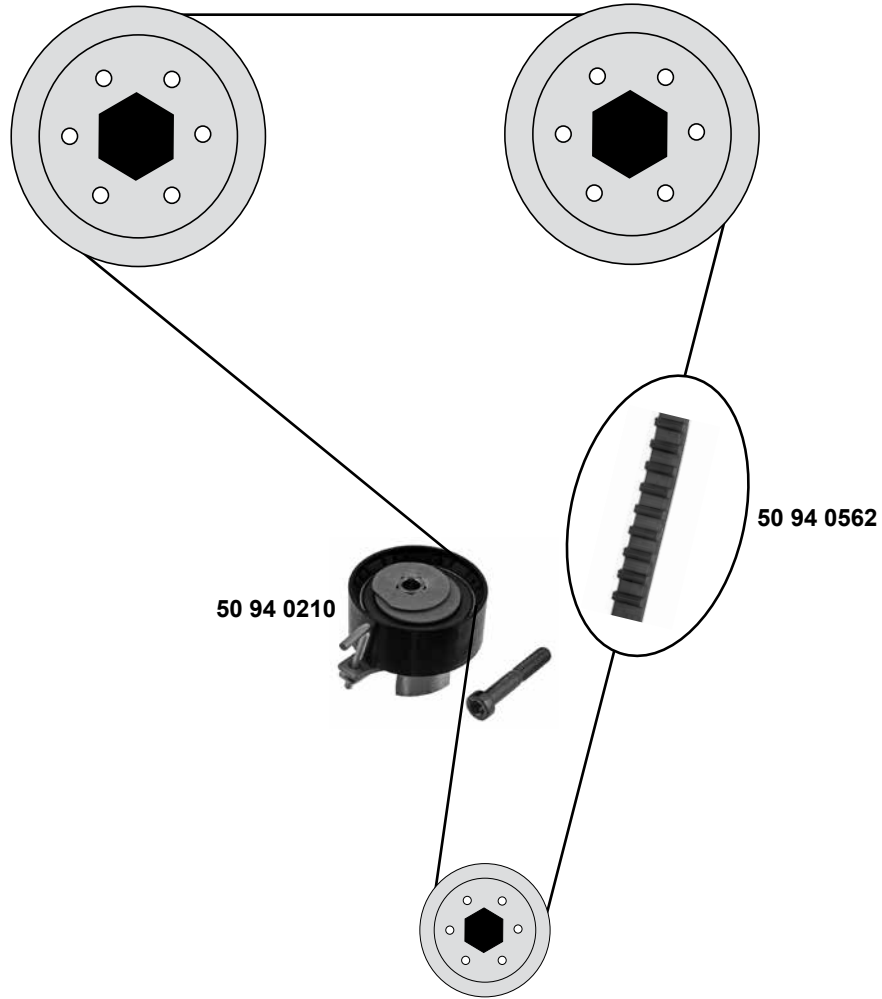


SWAG 55 92 7559



55 03 0007	8630590	Umlenkrolle / deflection pulley		ØA 53 B27
55 03 0013	30638277	Spannrolle / tension roller	(mot.) →31388688	ØA 59 B27
55 03 0018	31251250	Riemenhalter / belt tensioner		ØA 70 B24
55 03 0027	9458470	Umlenkrolle / deflection pulley	(ex.) AC	ØA 124 B26
55 14 0001	30667878	Generatorfreilauf / Freewheel Clutch, generator		ØA 55,5/61 B23
55 92 2731	8627484	Zahnriemen / timing belt		Z 142 / B23
55 92 2733	30758261	Rep. Satz Zahnriemen / rep. kit timing belt	(mot.) →31388688	Z 142 / B23
55 92 7558	30637955	Spannrolle / tension roller	(mot.) 31388689 →	ØA 59 B27
55 92 7559	30731727	Rep. Satz Zahnriemen / rep. kit timing belt	(mot.) 31388689 →	Z 142 B 23
70 91 9871	30637962	Umlenkrolle / deflection pulley	AC	

**4 Zyl. 1,6**  
(B4164T/T2/T3)



Ref. - No.

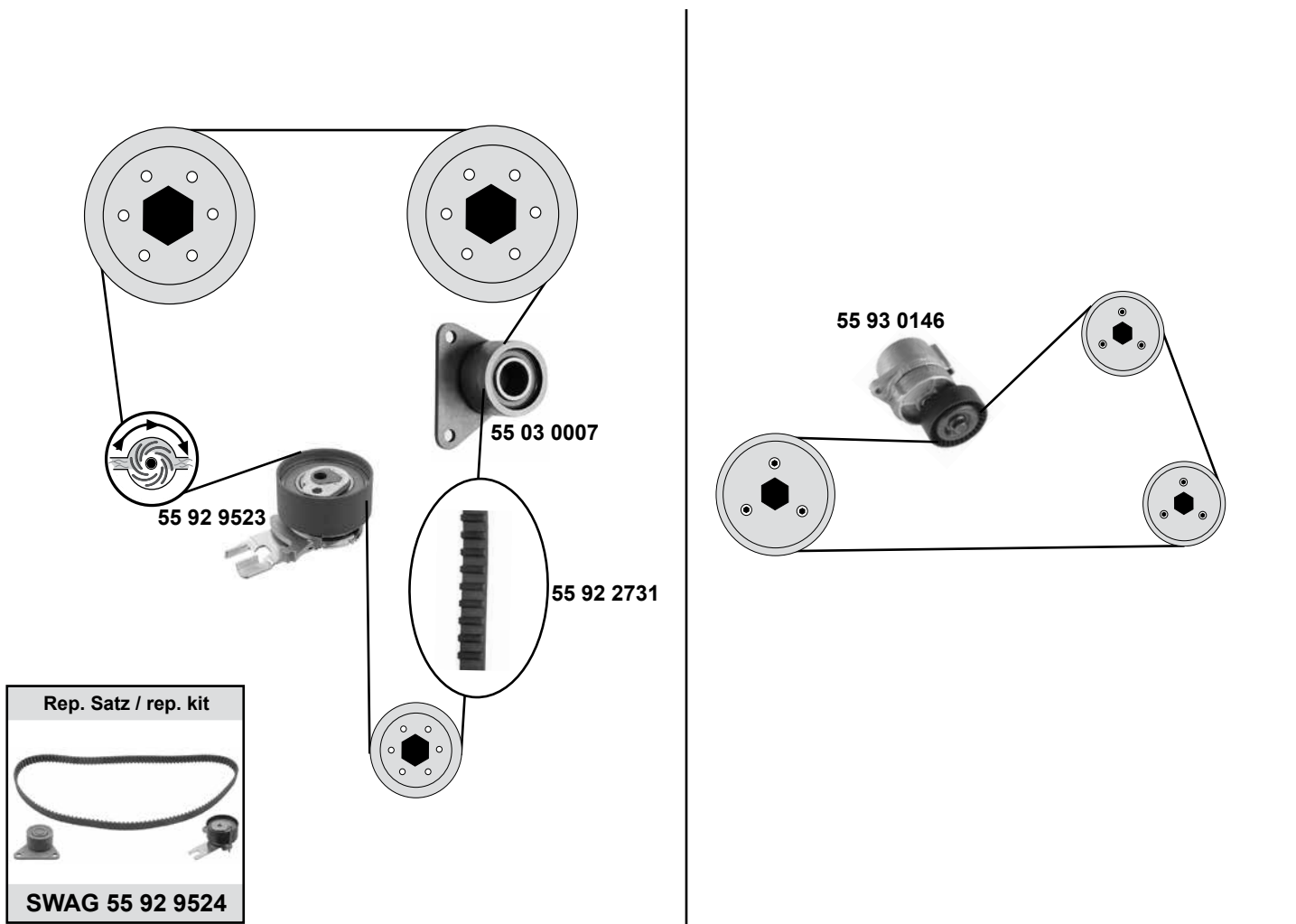


50 93 9930	31258034
50 94 0210	31330416
50 94 0562	31330784 SK1
50 94 0849	31330784

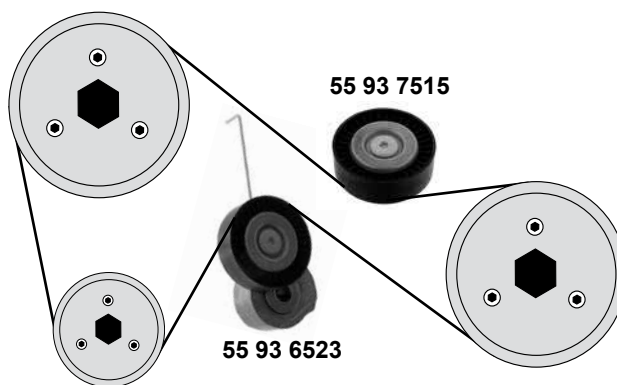
Riemenspanner / belt tensioner
Spannrolle / tension roller
Zahnriemen / timing belt
Rep. Satz Zahnriemen / rep. kit timing belt

ØA 67 B25
ØA 62
Z 117

**5 Zyl.**  
(B5...)



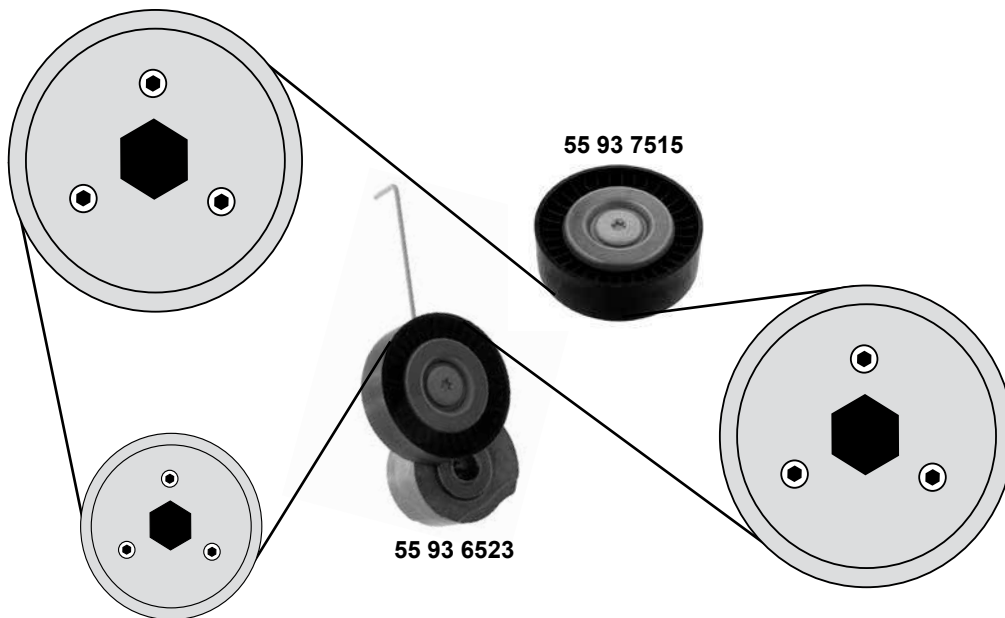
**6 Zyl.**  
(B 6304 T4)



<b>55 03 0007</b>	8630590	Umlenkrolle / deflection pulley	ØA 53 B27
<b>55 92 2731</b>	8627484	Zahnriemen / timing belt	Z 142 B23
<b>55 92 9523</b>	30677832	Riemen Spanner / belt tensioner	ØA 60 B26,5
<b>55 92 9524</b>	31251254	Rep. Satz Zahnriemen / rep. kit timing belt	Z 142 B23
<b>55 93 0146</b>	31330379	Riemen Spanner / belt tensioner	ØA75 B21
<b>55 93 6523</b>	30777695	Riemen Spanner / belt tensioner	ØA76,33 B24,05
<b>55 93 7515</b>	31216066	Umlenkrolle / deflection pulley	ØA76 B 24

**6 Zyl.**

(B 6304 T2/T4 / B 6324 S5/S)



(1) (mot.) B 6304 T2/T4 / B 6324 S5

(2) (mot.) B 6304 T4 / B 6324 S5 / B 6324 S



Ref. - No.



Riemenstapner / belt tensioner  
Umlenkrolle / deflection pulley



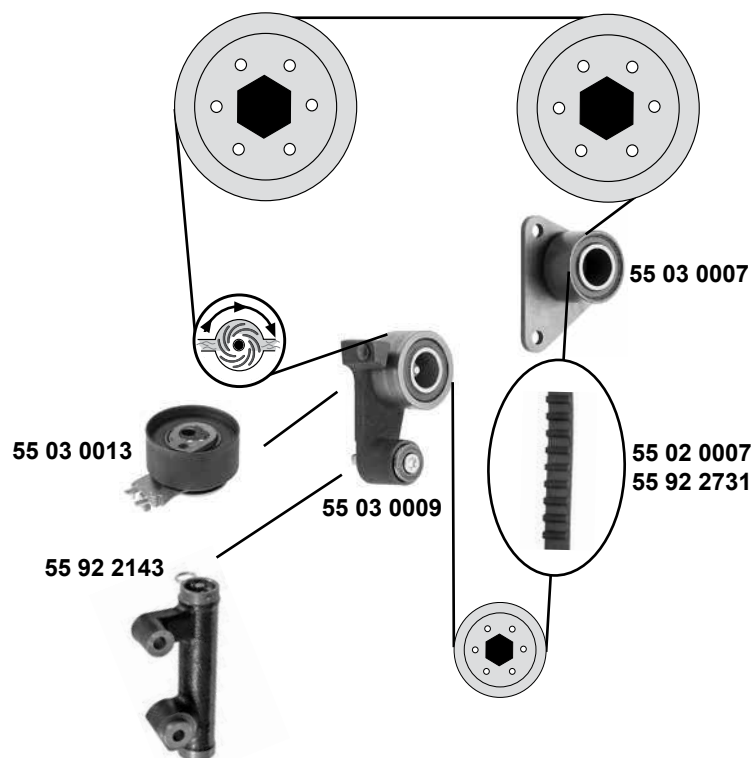
(2)  
(1)



ØA76,33 B 24,05  
ØA76 B 24

55 93 6523 30777695  
55 93 7515 31216066



**2,0 10V / 2,5 10V**  
 (B5202 / B5252)


Rep. Satz / rep. kit

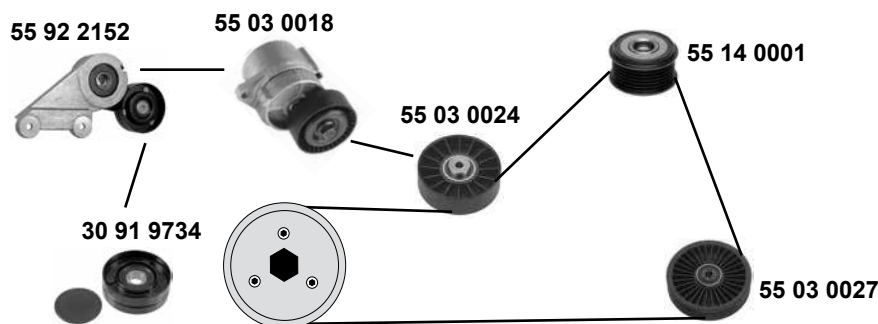


SWAG 55 02 0012

Rep. Satz / rep. kit



SWAG 55 92 2733



(1) (mot.) 1266128→

(2) (mot.)→1266127

(3) Modell: 99→ B5...mit 100 A, 120 A Lichtmaschine / Alternator



Ref. - No.



Ref. - No.				
30 91 9734	272136 S1	Umlenkrolle / deflection pulley	Modell:→98	ØA 76 B24,5
55 02 0007	272327	Zahnriemen / timing belt	(2)	Z148
55 02 0012	272327 S1	Rep. Satz Zahnriemen / rep. kit timing belt	(2)	
55 03 0007	8630590	Umlenkrolle / deflection pulley		ØA 53 B27
55 03 0009	9135036	Spannrolle / tension roller	(2)	ØA 53 ØI 8/24 B32
55 03 0018	30757057	Riemenspanner / belt tensioner	99→	ØA 70 B24
55 03 0024	9146139	Umlenkrolle / deflection pulley	Modell:→98	ØA 88 ØI 8 B26
55 03 0027	9458470	Umlenkrolle / deflection pulley	99→(ex.) AC	ØA 124 B26
55 03 0013	30638277	Spannrolle / tension roller	(1)	ØA 59 ØI 8 B27
55 14 0001	8676497	Generatorfreilauf / Freewheel Clutch, generator	(3)	ØA 55,5/61 B23
55 92 2143	1275380	Riemenspanner / belt tensioner	(1)	
55 92 2152	1275380	Riemenspanner / belt tensioner	Modell:→98	ØA 76 B26
55 92 2731	8627484	Zahnriemen / timing belt	(2)	Z 142 B23
55 92 2733	274338 S1	Rep. Satz Zahnriemen / rep. kit timing belt	(1)	

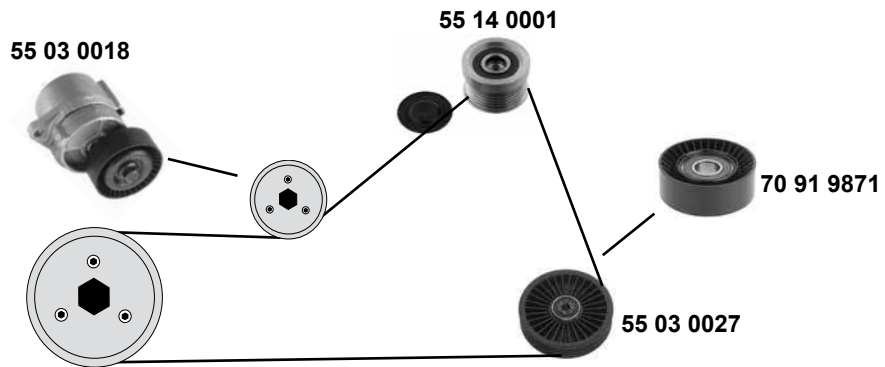
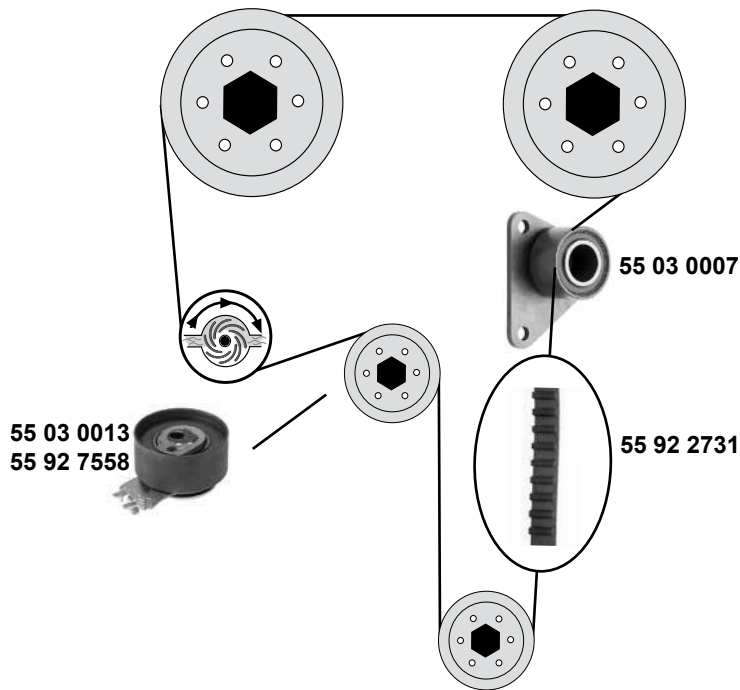
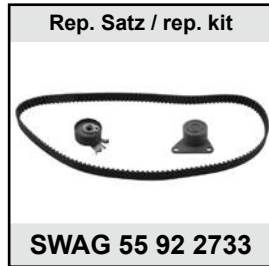
# VOLVO

## V 70 II / XC 70 II

(00→08)

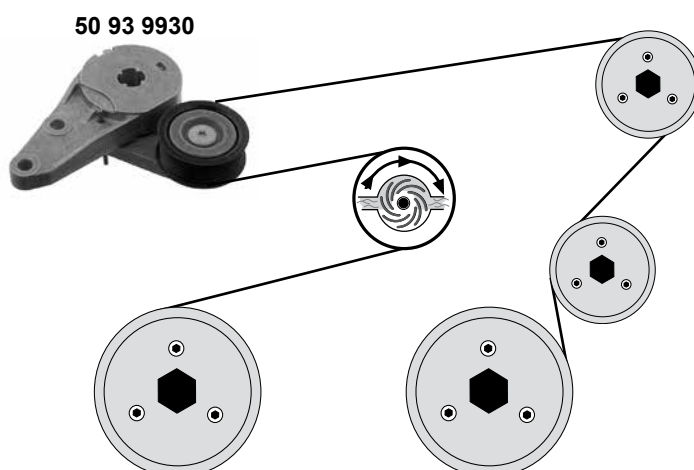
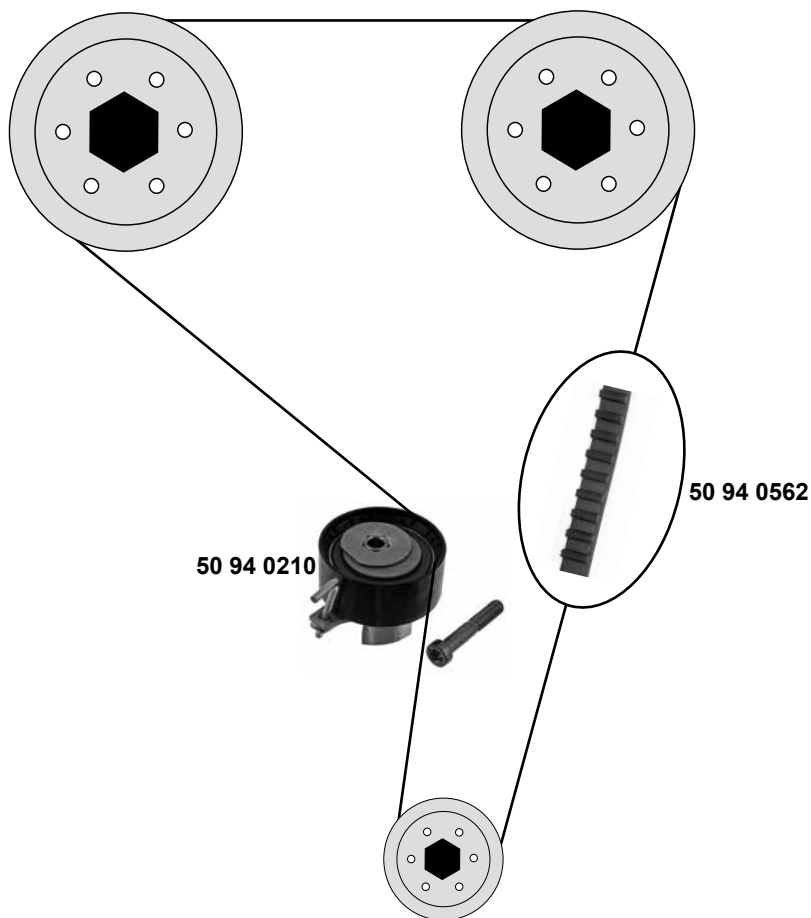


### 5 Zyl. (B5...)

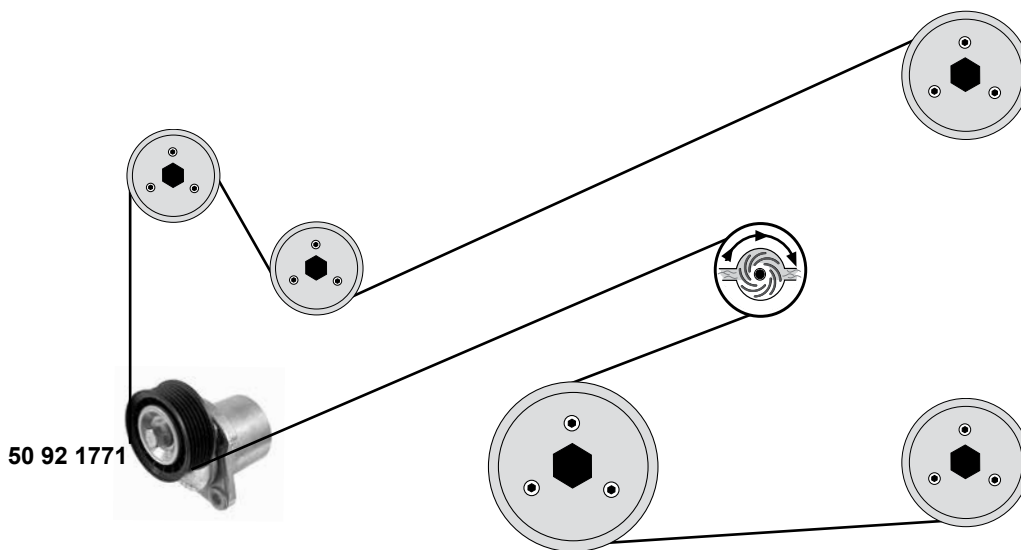
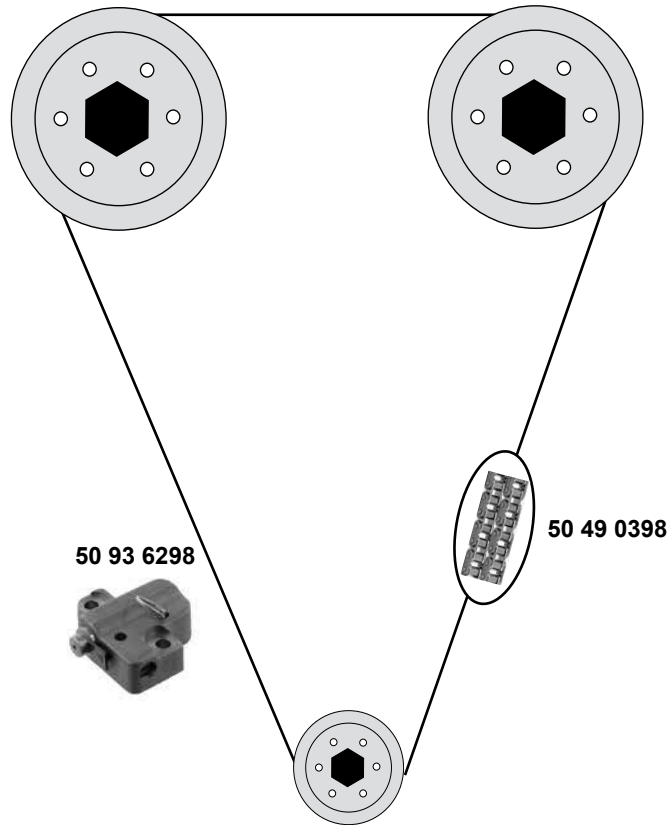


SWAG GERMANY	Ref. - No.			
55 03 0007	8630590	Umlenkrolle / deflection pulley		ØA 53 B27
55 03 0013	30638277	Spannrolle / tension roller	(mot.) →31388688	ØA 59 B27
55 03 0018	31251250	Riemenstapner / belt tensioner		ØA 70 B 24
55 03 0027	9458470	Umlenkrolle / deflection pulley	(ex.) AC	ØA 124 B 26
55 14 0001	30667878	Generatorfreilauf / Freewheel Clutch, generator		ØA 55,5/61 B23
55 92 2731	274338	Zahnriemen / timing belt		Z 142 B23
55 92 2733	30758261	Rep. Satz Zahnriemen / rep. kit timing belt	(mot.) →31388688	Z 142 B23
55 92 7558	30637955	Spannrolle / tension roller	(mot.) 31388689 →	ØA 59 B 27
55 92 7559	30731727	Rep. Satz Zahnriemen / rep. kit timing belt	(mot.) 31388689 →	Z 142 B23
70 91 9871	30637962	Umlenkrolle / deflection pulley	AC	ØA 70 B24

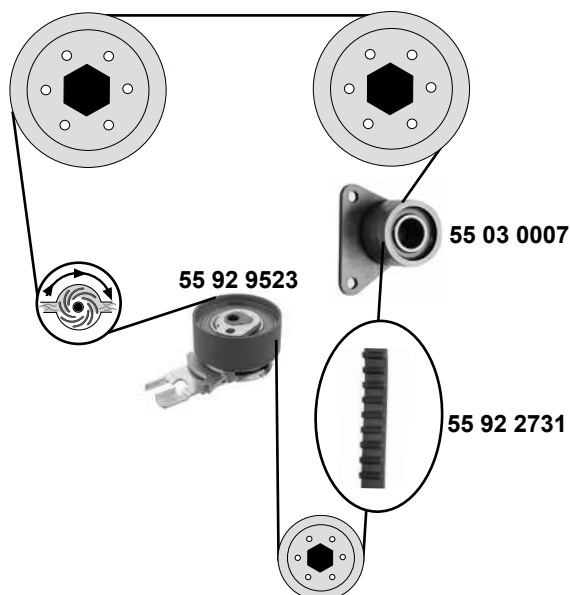
**4 Zyl.**  
(B 4164 T/T2)



**4 Zyl.**  
(B 4204 S 3/S 4)



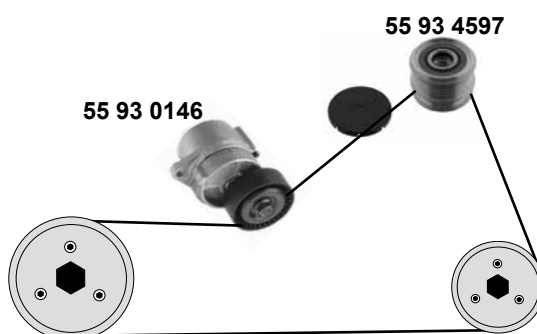
**5 Zyl.**  
(B 5...)



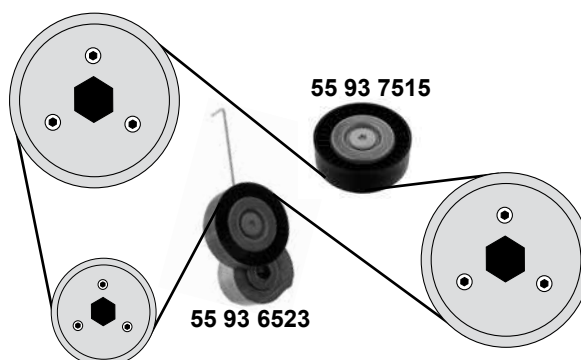
Rep. Satz / rep. kit



**SWAG 55 92 9524**

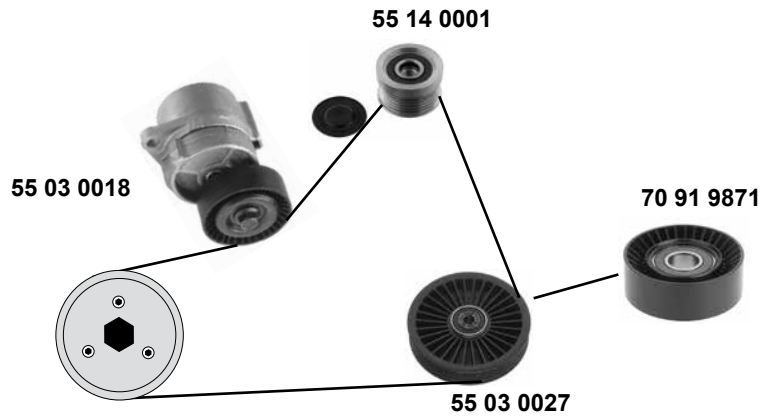
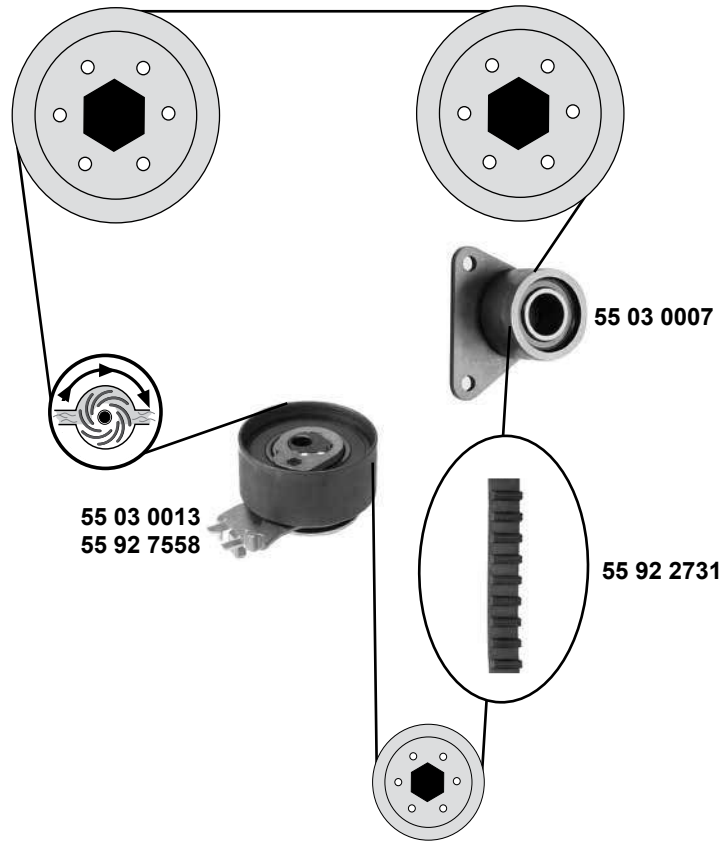


**6 Zyl.**  
(B 6304 T2/T4 / B 6324 S/S5)



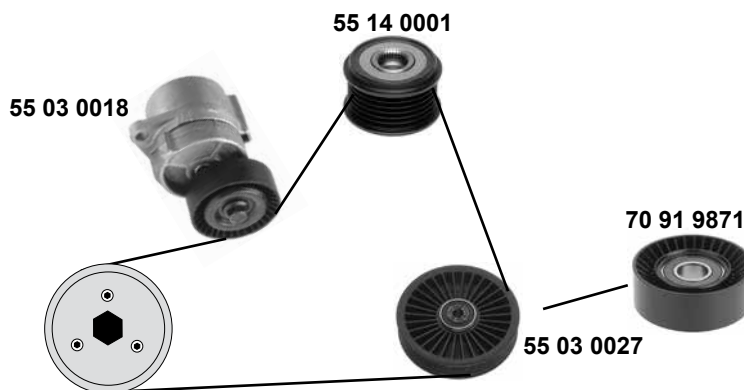
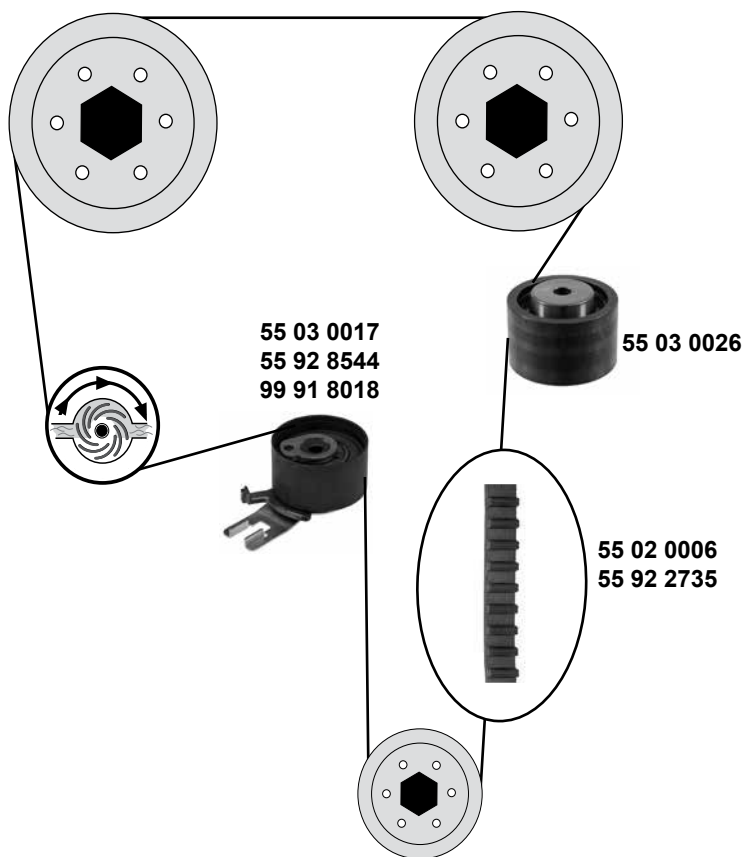
<b>55 03 0007</b>	8630590	Umlenkrolle / deflection pulley	ØA 53 B27
<b>55 92 2731</b>	8627484	Zahnriemen / timing belt	Z 142 B23
<b>55 92 9523</b>	30677832	Spannrolle / tension roller	ØA 60 B26,5
<b>55 92 9524</b>	31251254	Rep. Satz Zahnriemen / rep. kit timing belt	Z 142 B23
<b>55 93 0146</b>	31330379	Riemen Spanner / belt tensioner	Ø75 B21
<b>55 93 4597</b>	30667682	Generatorfreilauf / Freewheel Clutch, generator	ØA 58,5 B17
<b>55 93 6523</b>	30777695	Riemen Spanner / belt tensioner	ØA76,33 B24,05
<b>55 93 7515</b>	31216066	Umlenkrolle / deflection pulley	ØA 75 B24

**5 Zyl.**  
(B5...)



SWAG GERMANY	Ref. - No.			
55 03 0007	8630590	Umlenkrolle / deflection pulley		ØA 53 B27
55 03 0013	30638277	Spannrolle / tension roller	(mot.) →31388688	ØA 59 B27
55 03 0018	31251250	Riemen Spanner / belt tensioner		ØA 70 B24
55 03 0027	9458470	Umlenkrolle / deflection pulley	(ex.) AC	ØA 124 B26
55 14 0001	30667878	Generatorfreilauf / Freewheel Clutch, generator		ØA 55,5/61 B23
55 92 2731	8627484	Zahnriemen / timing belt		Z 142 / B23
55 92 2733	30758261	Rep. Satz Zahnriemen / rep. kit timing belt	(mot.) →31388688	Z 142 / B23
55 92 7558	30637955	Spannrolle / tension roller	(mot.) 31388689 →	ØA 59 B27
55 92 7559	30731727	Rep. Satz Zahnriemen / rep. kit timing belt	(mot.) 31388689 →	Z 142 B 23
70 91 9871	30637962	Umlenkrolle / deflection pulley	AC	ØA 70 B24

**6 Zyl.**  
(B6...)

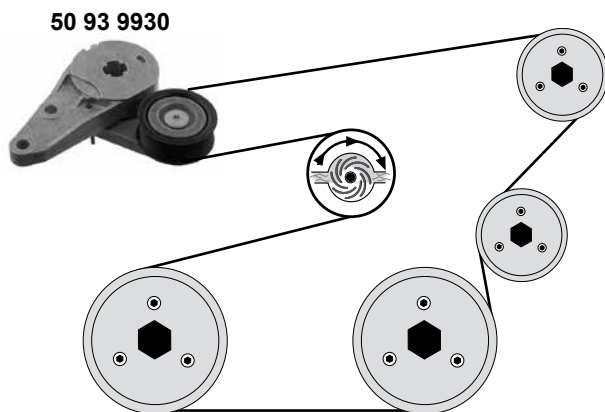
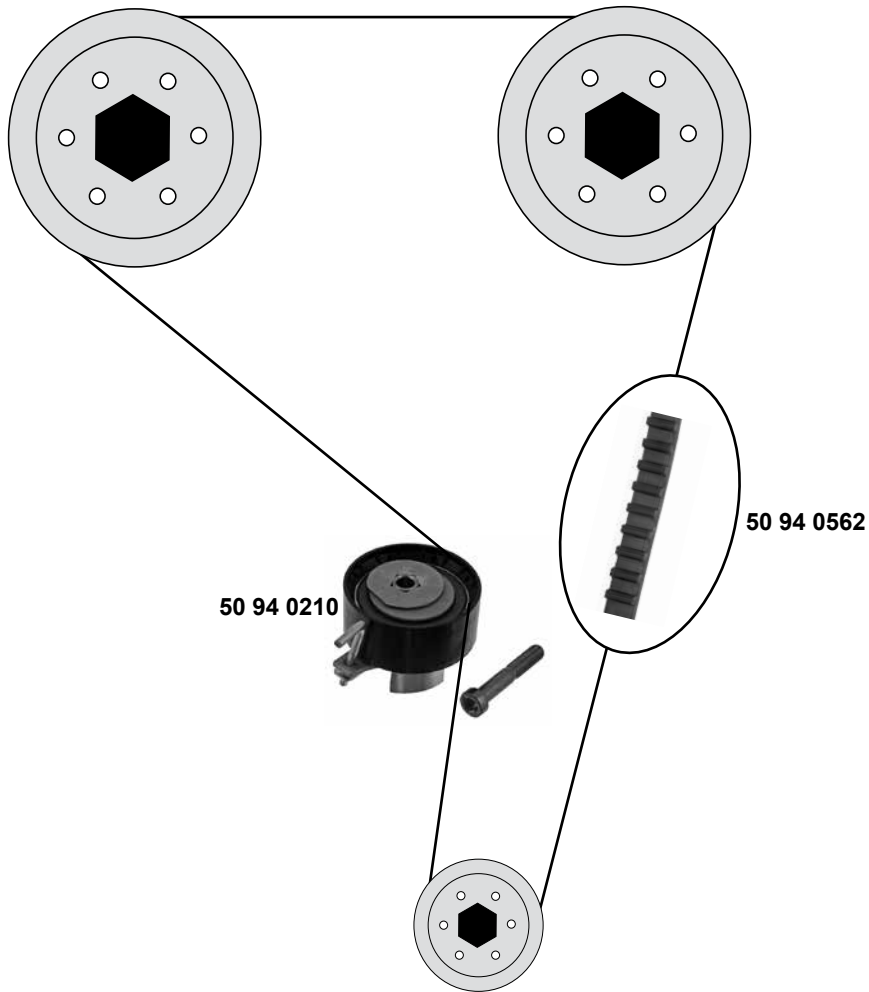






- (1) Modell: 00 →02 / B 6284 T / B 6294 S / S2 / T
- (2) Modell: 00→ / B 6284 T / B 6294 S / S2 / T

SWAG	Ref. - No.			
55 02 0006	9465066	Zahnriemen / timing belt	Modell:99 B6284 T/6304 S3	ØA 53 B32
55 03 0017	8658225	Spannrolle / tension roller	(1)	ØA 59 B32
55 03 0018	31251250	Riemenhalter / belt tensioner		ØA 70 B24
55 03 0026	8692561	Umlenkrolle / deflection pulley		ØA 53 B32
55 03 0027	9458470	Umlenkrolle / deflection pulley	(ex.) AC	ØA 124 B26
55 14 0001	30667878	Generatorfreilauf / Freewheel Clutch, generator	(2)	ØA 55,5/61 B23
55 92 2735	274184	Zahnriemen / timing belt	(1)	Z 146 B28
55 92 2737	30758268	Rep. Satz Zahnriemen / rep. kit timing belt		Z 146 B28
55 92 8544	30638276	Spannrolle / tension roller	Modell: 03→ B6294 S2 / T	ØA 62,5 B32
55 92 8545	30758270	Rep. Satz Zahnriemen / rep. kit timing belt	Modell: 03→ B6294 S2 / T	Z 146 B28
70 91 9871	30637962	Umlenkrolle / deflection pulley	AC	ØA 70 B24
99 91 8018	9180687	Spannrolle / tension roller	Modell:99 B6284 T/6304 S3	ØA 53 B32



**4 Zyl. 1,6**  
(B 4164 T/T2)

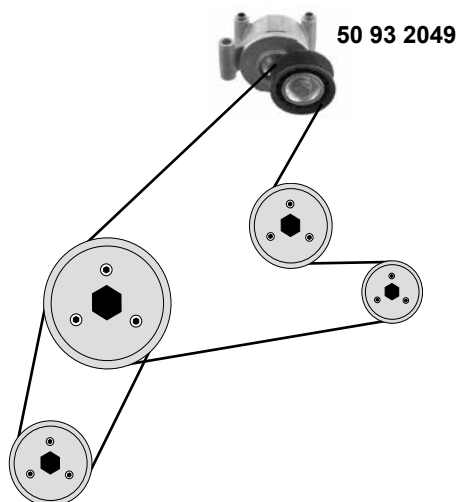
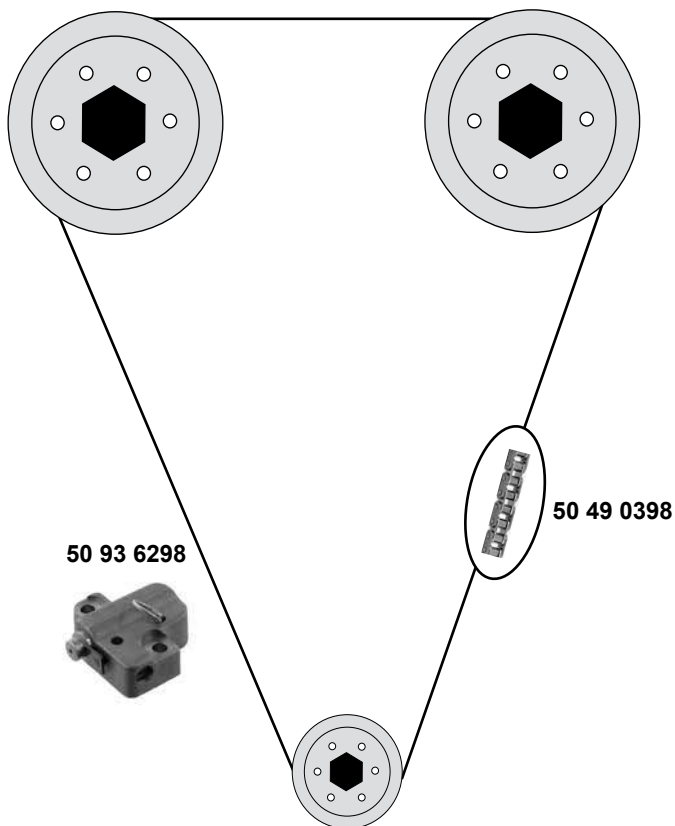


	Ref. - No.			
<b>50 93 9930</b>	31258034	Riemen Spanner / belt tensioner		ØA 67 B25
<b>50 94 0210</b>	31330416	Spannrolle / tension roller		ØA 62
<b>50 94 0562</b>	31330784 SK1	Zahnriemen / timing belt		Z 117
<b>50 94 0849</b>	31330784	Rep. Satz Zahnriemen / rep. kit timing belt		





**4 Zyl. 2,0**  
(B 4204 S3 /S4)



Ref. - No.

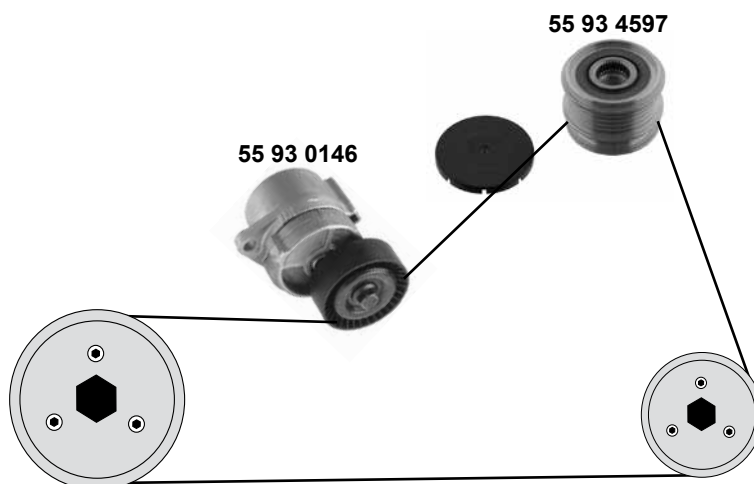
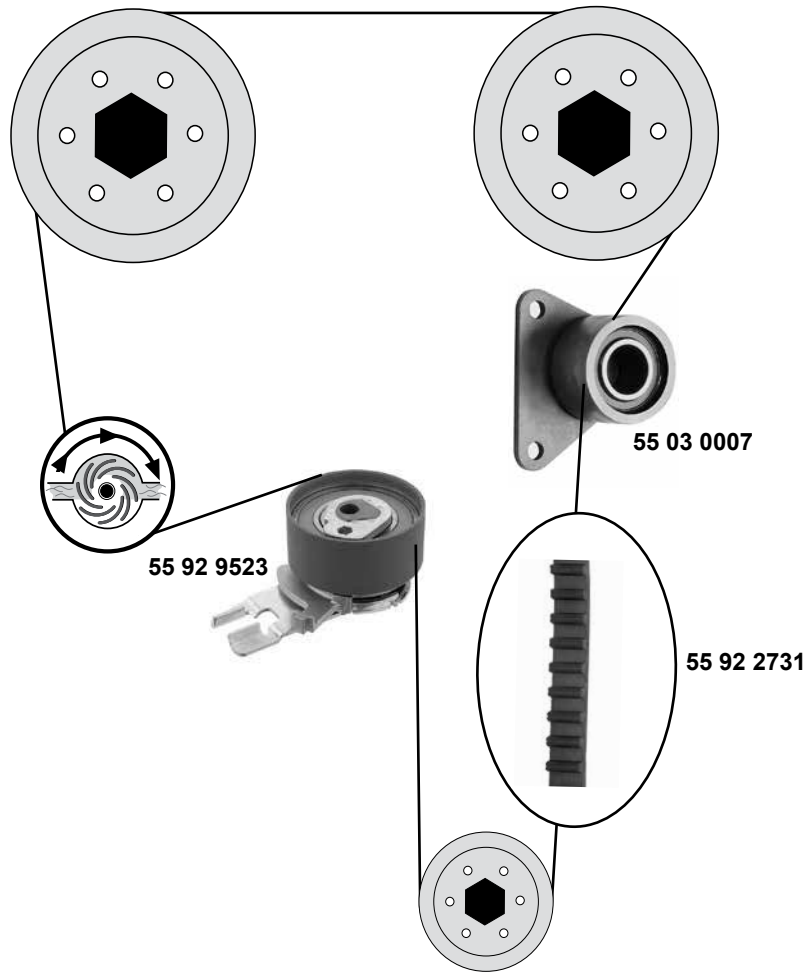


50 93 2049	31258082 SK
50 93 6298	30757387
50 49 0398	8694690

Riemenspanner / belt tensioner
Kettenspanner / chain tensioner
Steuerkette / timing chain

ØA 72,5 B29
134 E

**5 Zyl.**  
(B 5...)



Ref. - No.

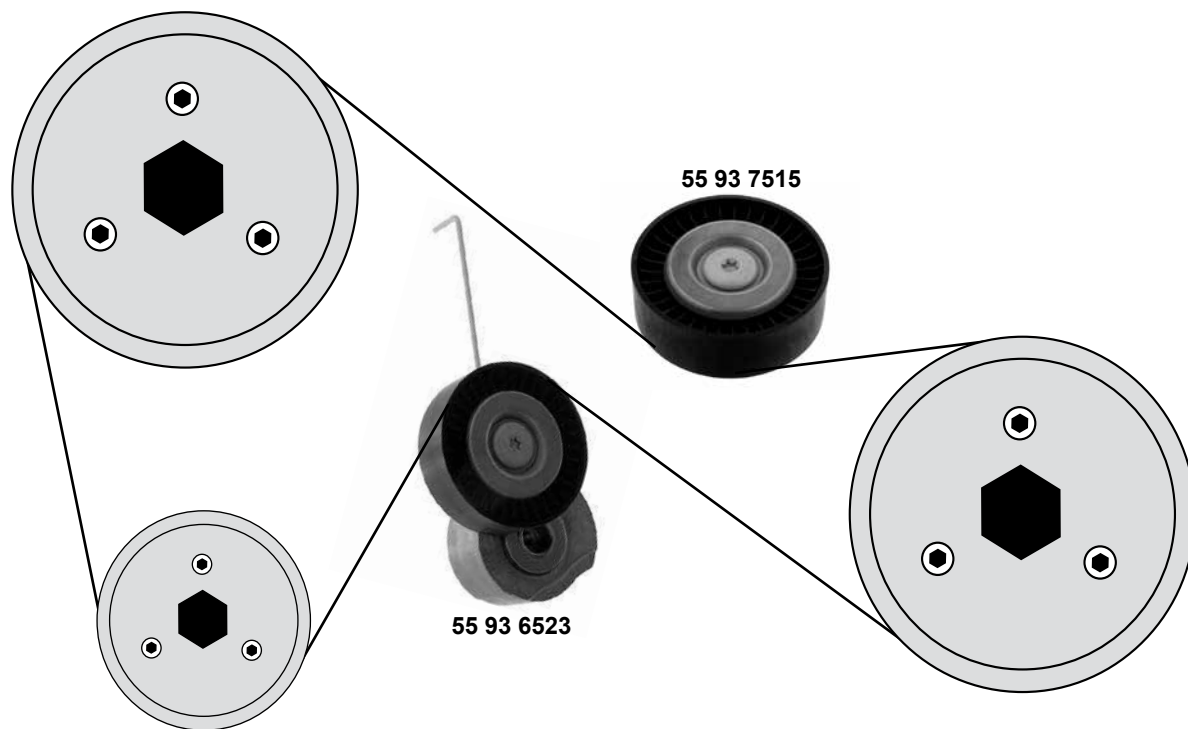


<b>55 03 0007</b>	8630590
<b>55 92 2731</b>	8627484
<b>55 92 9523</b>	30677832
<b>55 92 9524</b>	31251254
<b>55 93 0146</b>	31330379
<b>55 93 4597</b>	30667682

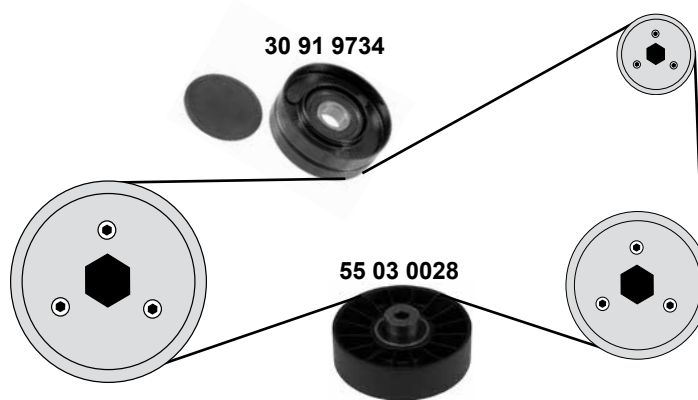
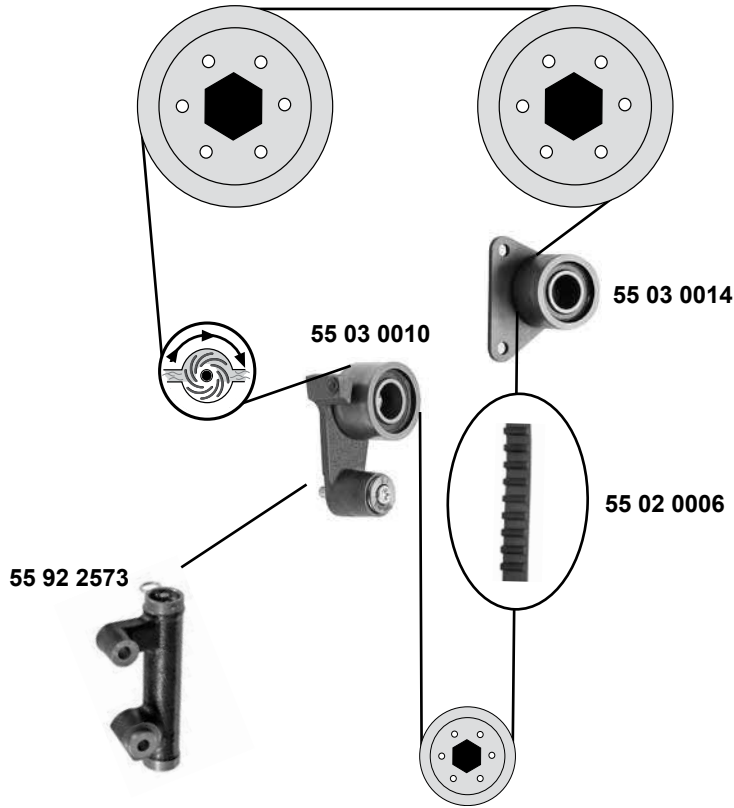
Umlenkrolle / deflection pulley
Zahnriemen / timing belt
Spannrolle / tension roller
Rep. Satz Zahnriemen / rep. kit timing belt
Riemenspanner / belt tensioner
Generatorfreilauf / Freewheel Clutch, generator

ØA 53 B27
Z 142 / B23
ØA 60 B26,5
ØA 75 B21
ØA 58,5 B17

**6 Zyl.**  
(B 6304 T2/T4 / B 6324 S/S5)

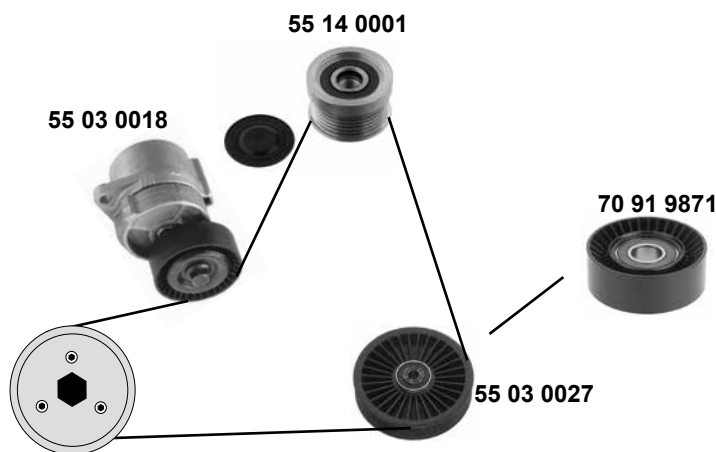
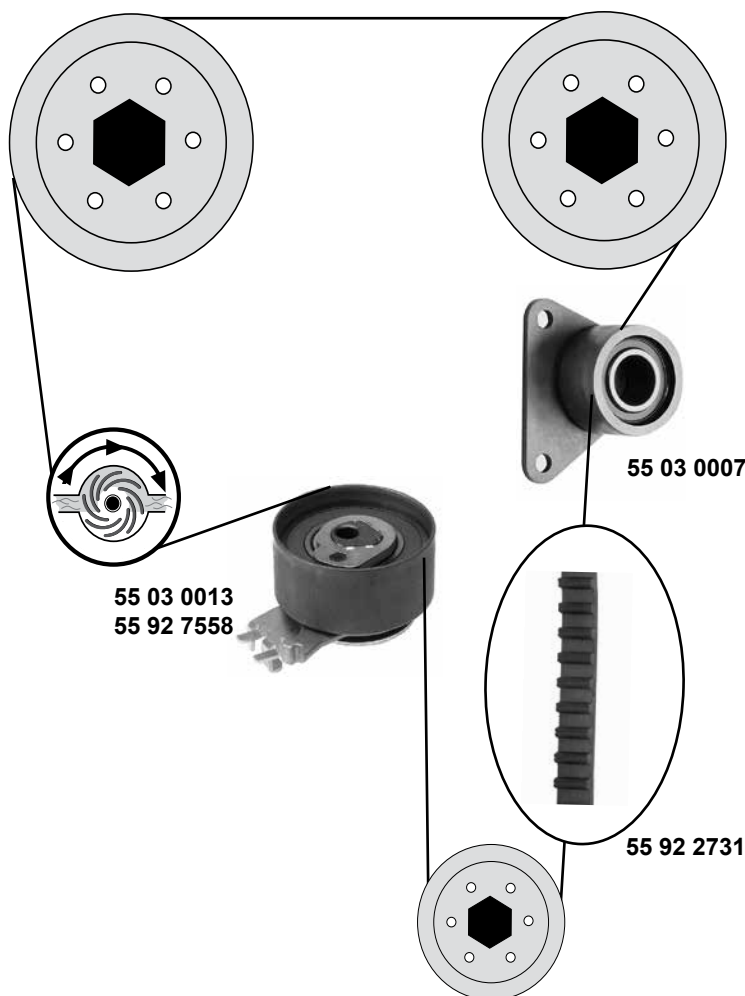


**2,4→3,0**  
(B6244 / B6254 / B6304)



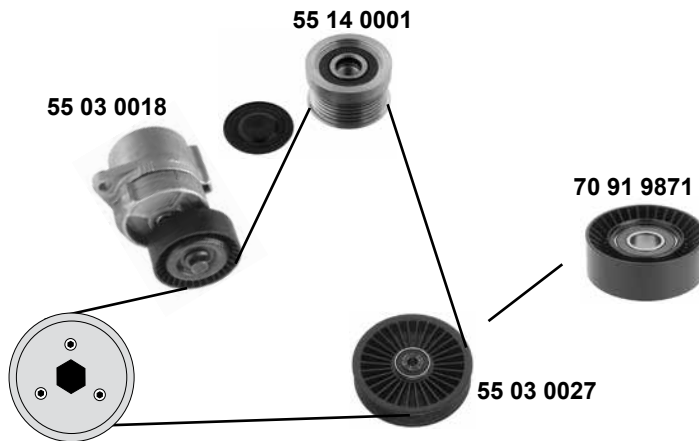
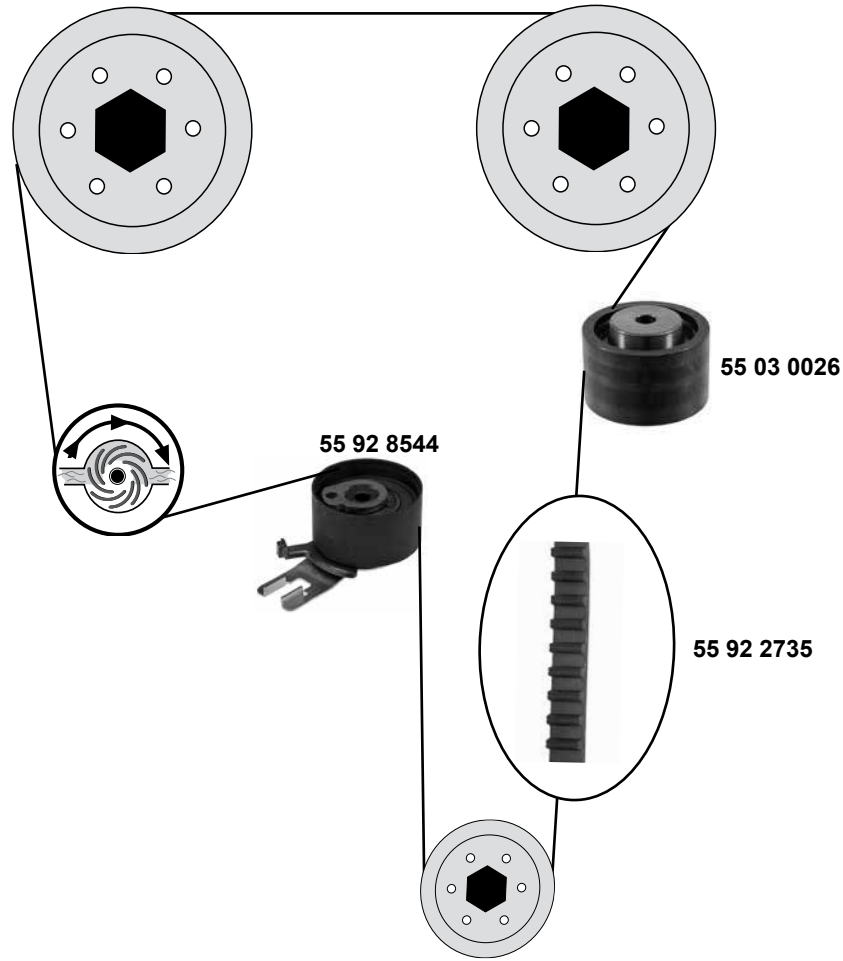
SWAG GERMANY	Ref. - No.			
<b>30 91 9734</b>	272136 S1	Umlenkrolle / deflection roller	B6254, B6304	ØA 76 B24,5
<b>55 02 0006</b>	271876	Zahnriemen / timing belt		Z 152 B28
<b>55 02 0015</b>	271876 S1	Rep. Satz Zahnriemen / rep. kit timing belt		
<b>55 03 0010</b>	9135555	Spannrolle / tension roller		ØA 53 ØI 8/24 B32
<b>55 03 0014</b>	9135556	Umlenkrolle / deflection pulley		ØA 53 ØI 24 B32
<b>55 03 0028</b>	9135565	Umlenkrolle / deflection roller		ØA 88 ØI 8 B26
<b>55 92 2573</b>	1271808	Riemenspanner / belt tensioner		

**5 Zyl.**  
(B5...)



SWAG	Ref. - No.			
55 03 0007	8630590	Umlenkrolle / deflection pulley		ØA 53 B27
55 03 0013	30638277	Spannrolle / tension roller	(mot.) →31388688	ØA 59 B27
55 03 0018	31251250	Riemenhalter / belt tensioner		ØA 70 B24
55 03 0027	9458470	Umlenkrolle / deflection pulley	(ex.) AC	ØA 124 B26
55 14 0001	8676497	Generatorfreilauf / Freewheel Clutch, generator		ØA 55,5/61 B23
55 92 2731	8627484	Zahnriemen / timing belt		Z 142 B 23
55 92 2733	30758261	Rep. Satz Zahnriemen / rep. kit timing belt	(mot.) →31388688	Z 142 B 23
55 92 7558	30637955	Spannrolle / tension roller	(mot.) 31388689→	ØA 59 B27
55 92 7559	30731727	Rep. Satz Zahnriemen / rep. kit timing belt	(mot.) 31388689→	Z 142 B23
70 91 9871	30637962	Umlenkrolle / deflection pulley	AC	ØA 70 B24

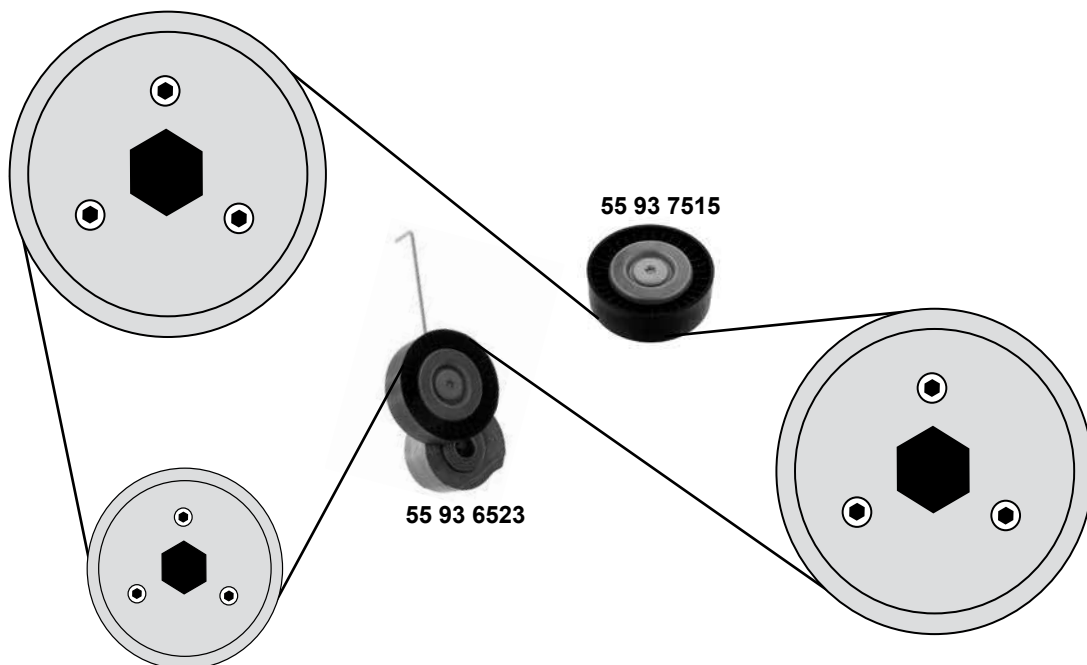
**6 Zyl.**  
(B 6294 T)



Ref. - No.



<b>55 03 0018</b>	31251250	Riemenstapner / belt tensioner		ØA 70 B24
<b>55 03 0026</b>	8692561	Umlenkrolle / deflection pulley		ØA 53 B32
<b>55 03 0027</b>	9458470	Umlenkrolle / deflection pulley	(ex.) AC	ØA 124 B26
<b>55 14 0001</b>	8676497	Generatorfreilauf / Freewheel Clutch, generator		ØA 55,5/61 B23
<b>55 92 2735</b>	274184	Zahnriemen / timing belt		Z 146 B28
<b>55 92 8544</b>	30638276	Spannrolle / tension roller		ØA 62,5 B32
<b>55 92 8545</b>	274184 S2	Rep. Satz Zahnriemen / rep. kit timing belt		Z 146 B28
<b>70 91 9871</b>	30637962	Umlenkrolle / deflection pulley	AC	ØA 70 B24



Ref. - No.

**SWAG**  
GERMANY**SWAG**  
GERMANY

Ref. - No.

**SWAG**  
GERMANY

Ref. - No.

**SWAG**  
GERMANY

passend für / to fit:


**ALFA ROMEO**


46403659	<b>70 02 0010</b>	13, 14, 17, 18
46403659 S1	<b>70 92 2377</b>	13
46403679	<b>99 03 0081</b>	13, 14, 17, 18
46524692	<b>99 03 0080</b>	4
46817666	<b>99 03 0081</b>	13, 14, 17, 18
51758383	<b>70 92 9396</b>	10, 12, 19, 20
51758385	<b>70 93 0733</b>	10
51773551	<b>70 93 0733</b>	10
51776566	<b>70 92 9396</b>	10, 12, 19, 20
51820520	<b>40 94 0898</b>	14
51824328	<b>40 94 0898</b>	14
55183446	<b>70 92 8663</b>	17, 18
55183446 S1	<b>70 92 8664</b>	17, 18
55183497	<b>70 92 8662</b>	17, 18
55183528	<b>70 92 8306</b>	12
55187100	<b>70 92 3654</b>	10, 12, 14, 21
55190052	<b>70 91 9488</b>	6
55190054	<b>74 92 2405</b>	6
55190813	<b>70 93 0733</b>	10
55191536	<b>74 93 6445</b>	6, 9, 11, 15, 16, 19
55192239	<b>70 03 0033</b>	3, 5, 8
55192240	<b>74 03 0006</b>	2, 4, 5, 7
55193358	<b>70 92 9396</b>	10, 12, 19, 20
55203785	<b>70 92 8663</b>	17, 18
55203785 S1	<b>70 92 8664</b>	17, 18
55210626	<b>74 02 0011</b>	2, 7
55210626 S1	<b>74 92 6147</b>	2, 7
55210628	<b>70 02 0041</b>	3, 5, 8
55210628 S1	<b>99 02 0046</b>	3, 5
55217612	<b>70 92 8663</b>	17, 18
55221253	<b>74 92 2900</b>	3, 5, 8
55221254	<b>74 02 0003</b>	2, 3, 5, 7, 8
55221254 S1	<b>74 93 0977</b>	3, 5, 8
55225504	<b>74 02 0010</b>	2, 5
55232827	<b>70 92 2376</b>	13, 17
55233759	<b>70 92 8662</b>	17, 18
55248394	<b>99 03 0081</b>	13, 14, 17, 18
55556090	<b>40 92 7818</b>	10
55560082	<b>40 92 7792</b>	10
55562217	<b>40 92 7792</b>	10
55563512	<b>40 92 7818</b>	10

55574864	<b>40 92 7792</b>	10
60504224	<b>74 03 0001</b>	1
60504225	<b>74 03 0002</b>	1
60504226	<b>70 03 0038</b>	1
60515034	<b>74 02 0002</b>	1
60515034 S1	<b>74 02 0013</b>	1
60524706	<b>74 02 0008</b>	1
60556211	<b>74 02 0008</b>	1
60559304	<b>70 03 0038</b>	1
60596372	<b>70 03 0033</b>	3, 5, 8
60602136	<b>74 03 0003</b>	3, 5, 8
60607967	<b>74 02 0011</b>	2, 7
60608908	<b>74 92 2900</b>	3, 5, 8
60610908	<b>70 03 0039</b>	2, 4, 7, 9, 15, 16, 19
60616799	<b>74 93 6445</b>	6, 9, 11, 15, 16, 19
60620443	<b>74 92 2900</b>	3, 5, 8
60620887	<b>74 02 0003</b>	2, 3, 5, 7, 8
60620887 S1	<b>74 93 0977</b>	3, 5, 8
60621380	<b>74 03 0006</b>	2, 4, 5, 7
60624747	<b>74 92 2405</b>	6
60625128	<b>74 02 0010</b>	2, 5
60625129	<b>74 02 0011</b>	2, 7
60625130	<b>70 02 0041</b>	3, 5, 8
60625130 S1	<b>99 02 0046</b>	3, 5
60652129	<b>70 03 0032</b>	2, 3, 4, 5, 7, 8
60652477	<b>74 03 0006</b>	2, 4, 5, 7
60654130	<b>70 91 9488</b>	6
60656340	<b>74 02 0010</b>	2, 5
60656341	<b>74 02 0011</b>	2, 7
60656342	<b>70 02 0041</b>	3, 5, 8
60664403	<b>70 03 0032</b>	2, 3, 4, 5, 7, 8
60667496	<b>74 92 2900</b>	3, 5, 8
60671573	<b>70 03 0032</b>	2, 3, 4, 5, 7, 8
60672888	<b>74 02 0010</b>	2, 5
60672889	<b>74 02 0011</b>	2, 7
60807260	<b>70 02 0016</b>	8
60811136	<b>70 02 0041</b>	3, 5, 8
60811874	<b>99 03 0080</b>	4
60811960	<b>99 03 0080</b>	4
60812344	<b>70 02 0041</b>	3, 5, 8
60812349	<b>74 03 0003</b>	3, 5, 8
60812382	<b>74 02 0003</b>	2, 3, 5, 7, 8
60812384	<b>74 92 2900</b>	3, 5, 8





Ref. - No.	SWAG GERMANY	
60812515	70 03 0039	2, 4, 7, 9, 15, 16, 19
60812622	70 03 0033	3, 5, 8
60812624	70 03 0032	2, 3, 4, 5, 7, 8
60812718	74 03 0006	2, 4, 5, 7
60813308	74 92 2405	6
60813312	74 93 6445	6, 9, 11, 15, 16, 19
60813415	70 03 0032	2, 3, 4, 5, 7, 8
60813418	99 03 0080	4
60814110	99 03 0080	4
60814319	70 02 0041	3, 5, 8
60814427	70 91 9488	6
60814462	74 03 0006	2, 4, 5, 7
71719406	70 03 0039	2, 4, 7, 9, 15, 16, 19
71719648	70 02 0041	3, 5, 8
71719649	74 02 0010	2, 5
71719650	74 02 0011	2, 7
71719650 S1	74 92 6147	2, 7
71736717	70 92 2377	13
71736724	99 02 0046	3, 5
71736725	74 92 6147	2, 7
71736729	70 93 0792	2, 5
71739362 S1	99 13 3046	11, 12, 20
71739801	40 92 7819	10
71739873	40 92 3445	10
71739873 S1	40 92 7825	10
71743963	70 92 9396	10, 12, 19, 20
71753156	70 92 8663	17, 18
71753156 S1	70 92 8664	17, 18
71754561	70 92 8664	17, 18
71765056	70 93 0792	2, 5
71765652	70 02 0010	13, 14, 17, 18
71773289	74 92 6147	2, 7
71775900	70 92 8664	17, 18
73501924	70 03 0039	2, 4, 7, 9, 15, 16, 19
73503128	99 03 0081	13, 14, 17, 18
7722331	74 02 0009	2, 3, 7, 8
passend für / to fit:		
<b>AUDI</b>		
027 105 263	30 05 0004	30, 44, 47, 69, 74
027 105 263 B	30 05 0004	30, 44, 47, 69, 74
049 105 263 B	30 05 0001	22, 23, 24
049 105 263 C	30 05 0010	26, 29, 73
056 105 263 A	30 05 0001	22, 23, 24

Ref. - No.	SWAG GERMANY	
06A 109 105 C	30 04 0022	40, 43, 46, 50
049 109 111 C	30 04 0001	22, 23, 24, 25, 26, 27, 29, 32, 33, 34, 35, 46, 69, 72, 73, 74
026 109 119 B	30 02 0036	46
026 109 119 B S2	30 02 0046	46
026 109 119 D	30 02 0036	46
027 109 119 A	30 02 0009	27, 30, 36, 70, 74
027 109 119 A S2	99 02 0065	30, 70, 74
027 109 119 A S1	99 02 0066	27, 30, 36, 74
027 109 119 C	30 02 0009	27, 30, 36, 70, 74
027 109 119 C S2	99 02 0065	30, 70, 74
027 109 119 C S1	99 02 0066	27, 30, 36, 74
034 109 119	30 02 0003	25, 27, 33, 34, 72
034 109 119 S1	30 92 4856	27, 33, 34
036 109 119 AG	30 91 9364	39
036 109 119 AG S1	30 92 1770	39
036 109 119 M	30 91 9364	39
036 109 119 P	36 92 1768	39
036 109 119 P S1	30 92 1774	39
036 109 119 Q	30 91 9364	39
036 109 119 Q S1	30 92 1770	39
037 109 119 C	30 02 0032	26, 29, 35, 69, 73
037 109 119 C S2	99 02 0068	26, 29, 35, 69, 73
037 109 119 C S3	32 02 0013	29, 35, 69
048 109 119 D	30 02 0032	26, 29, 35, 69, 73
052 109 119	30 02 0001	22, 24
054 109 119 A	32 02 0002	28, 30, 36, 70, 74, 75
054 109 119 G	32 02 0002	28, 30, 36, 70, 74, 75
054 109 119 H	30 91 9366	30, 36, 74
056 109 119 A	99 02 0004	23, 24, 26, 29, 32, 33, 35, 72, 73
056 109 119 A S1	30 02 0040	23, 26, 29, 32, 33, 35, 73
058 109 119 B	30 91 9361	47, 57, 69
058 109 119 C	30 91 9361	47, 57, 69
06A 109 119 B	30 91 9396	40, 43, 46, 50
06A 109 119 C	30 91 9396	40, 43, 46, 50
06A 109 119 C S1	32 92 3634	40, 43, 46, 50
06A 109 119 K	30 91 9396	40, 43, 46, 50

Ref. - No.

**SWAG**  
GERMANY**SWAG**  
GERMANY

Ref. - No.

**SWAG**  
GERMANY


Ref. - No.


**SWAG**  
GERMANY

06B 109 119 A	<b>30 91 9546</b>	41, 51, 52, 57, 59, 77
06B 109 119 A S1	<b>30 91 9548</b>	41, 57, 77
06B 109 119 A S4	<b>32 92 3642</b>	51, 52, 59
06B 109 119 A S2	<b>30 91 9550</b>	41, 77
06B 109 119 A S3	<b>32 92 3646</b>	41, 77
06B 109 119 A S5	<b>30 92 7298</b>	41
06B 109 119 B	<b>30 91 9546</b>	41, 51, 52, 57, 59, 77
06B 109 119 F	<b>30 91 9546</b>	41, 51, 52, 57, 59, 77
06B 109 119 F S1	<b>32 92 3642</b>	51, 52, 59
06B 109 119 F S2	<b>30 91 9550</b>	41, 77
06B 109 119 F S4	<b>32 92 3642</b>	51, 52, 59
06B 109 119 F S3	<b>32 92 3646</b>	41, 77
06C 109 119 C	<b>30 92 1776</b>	53, 61, 62, 67
06D 109 119	<b>32 92 3238</b>	44, 52
06D 109 119 B	<b>32 92 4186</b>	44, 54, 62, 77, 79
074 109 119	<b>30 02 0012</b>	27, 33, 74
077 109 119 D	<b>30 91 9371</b>	65, 80
078 109 119 A	<b>30 02 0017</b>	31, 37, 48, 64, 71, 75
078 109 119 C	<b>30 91 9606</b>	49, 53, 58, 60, 61, 64, 66, 67
078 109 119 D	<b>30 02 0017</b>	31, 37, 48, 64, 71, 75
078 109 119 D S2	<b>32 02 0009</b>	31, 37, 48, 64, 71, 75
078 109 119 D S1	<b>32 02 0010</b>	31, 37, 64, 71, 75
078 109 119 G	<b>30 91 9606</b>	49, 53, 58, 60, 61, 64, 66, 67
078 109 119 H	<b>30 91 9606</b>	49, 53, 58, 60, 61, 64, 66, 67
078 109 119 J	<b>30 91 9606</b>	49, 53, 58, 60, 61, 64, 66, 67
027 109 120	<b>99 11 0360</b>	27, 28, 30, 36, 65, 70, 74, 75, 80
077 109 120	<b>99 11 0360</b>	27, 28, 30, 36, 65, 70, 74, 75, 80
078 109 120	<b>99 11 0334</b>	41, 47, 49, 51, 52, 53, 57, 58, 59, 60, 64, 66
03C 109 158	<b>30 94 0390</b>	38, 42

03C 109 158 A	<b>30 94 0390</b>	38, 42
036 109 181 A	<b>30 92 1766</b>	39
036 109 181 B	<b>30 92 1766</b>	39
058 109 217 B	<b>30 92 7070</b>	41, 47, 57, 77
058 109 217 D	<b>30 92 8446</b>	47, 57
06F 109 217 A	<b>30 93 2518</b>	44, 52, 54, 62, 79
058 109 229	<b>99 11 0196</b>	41, 57, 58, 60, 77
058 109 229	<b>99 11 0334</b>	41, 47, 49, 51, 52, 53, 57, 58, 59, 60, 64, 66
058 109 229 B	<b>99 11 0334</b>	41, 47, 49, 51, 52, 53, 57, 58, 59, 60, 64, 66
06D 109 229 A	<b>99 11 0442</b>	44, 52, 54, 62, 79
06D 109 229 B	<b>99 11 0442</b>	44, 52, 54, 62, 79
026 109 243	<b>30 03 0005</b>	23, 24, 26, 29, 32, 33, 35, 72, 73
026 109 243 E	<b>30 03 0005</b>	23, 24, 26, 29, 32, 33, 35, 72, 73
026 109 243 F	<b>30 03 0005</b>	23, 24, 26, 29, 32, 33, 35, 72, 73
026 109 243 J	<b>30 03 0078</b>	29, 35, 46, 69
026 109 243 L	<b>30 03 0005</b>	23, 24, 26, 29, 32, 33, 35, 72, 73
027 109 243	<b>30 03 0044</b>	27, 30, 36, 74
036 109 243 AB	<b>30 03 0049</b>	39
036 109 243 AC	<b>30 03 0083</b>	39
036 109 243 AD	<b>30 03 0049</b>	39
036 109 243 AE	<b>30 03 0083</b>	39
036 109 243 AF	<b>30 03 0049</b>	39
036 109 243 AG	<b>30 03 0083</b>	39
036 109 243 E	<b>30 03 0049</b>	39
036 109 243 K	<b>30 03 0083</b>	39
036 109 243 L	<b>30 03 0049</b>	39
036 109 243 R	<b>30 03 0049</b>	39
036 109 243 S	<b>30 03 0083</b>	39
048 109 243 A	<b>30 03 0013</b>	26, 29, 35, 69, 73
049 109 243	<b>30 03 0005</b>	23, 24, 26, 29, 32, 33, 35, 72, 73
051 109 243	<b>30 03 0044</b>	27, 30, 36, 74
051 109 243 A	<b>30 03 0024</b>	30, 70, 74
056 109 243 A	<b>30 03 0005</b>	23, 24, 26, 29, 32, 33, 35, 72, 73



Ref. - No.	SWAG GERMANY	
056 109 243 B	30 03 0005	23, 24, 26, 29, 32, 33, 35, 72, 73
056 109 243 D	30 03 0005	23, 24, 26, 29, 32, 33, 35, 72, 73
058 109 243 C	30 03 0095	47, 57, 69
058 109 243 D	30 92 3134	47
058 109 243 E	30 03 0095	47, 57, 69
06B 109 243	99 03 0086	41, 57, 77
06B 109 243 A	30 91 8556	41, 57, 77
06B 109 243 B	30 91 8554	51, 52, 59
06B 109 243 D	30 91 8556	41, 57, 77
06B 109 243 E	30 91 8554	51, 52, 59
06B 109 243 F	30 91 8556	41, 57, 77
06D 109 243	32 92 4606	44, 52
06D 109 243 B	30 92 7364	44, 54, 62, 79
069 109 243 B	30 03 0006	27, 33, 34
074 109 243	30 03 0011	33
077 109 243 A	30 03 0009	65, 80
078 109 243	30 03 0008	31, 37, 64, 71, 75
078 109 243 A	30 03 0008	31, 37, 64, 71, 75
078 109 243 C	30 03 0008	31, 37, 64, 71, 75
078 109 243 K	30 03 0022	31, 37, 48, 64, 71, 75
078 109 243 Q	30 03 0075	49, 53, 58, 60, 64, 66
078 109 243 R	30 03 0075	49, 53, 58, 60, 64, 66
078 109 243 S	30 03 0075	49, 53, 58, 60, 64, 66
03L 109 244 D	30 03 0016	47, 56, 69
036 109 244 C	30 03 0035	39
036 109 244 D	30 03 0035	39
036 109 244 J	30 03 0035	39
058 109 244	30 03 0016	47, 56, 69
06B 109 244	30 91 9292	41, 44, 51, 52, 54, 57, 59, 62, 77, 79
06C 109 244	32 92 2357	53, 61, 62, 67
06C 109 244 C	32 92 6168	53, 61, 67
06C 109 244 D	32 92 2357	53, 61, 62, 67
06D 109 244 A	32 92 4188	44, 52
06D 109 244 B	32 92 4188	44, 52
06D 109 244 C	30 93 0227	44, 54, 62, 79
06D 109 244 D	30 93 0227	44, 54, 62, 79

Ref. - No.	SWAG GERMANY	
06D 109 244 E	30 93 0227	44, 54, 62, 79
077 109 244 A	30 03 0012	65, 80
077 109 244 C	30 92 2360	61, 67
077 109 244 D	30 03 0096	61, 66, 67
077 109 244 E	30 03 0096	61, 66, 67
077 109 244 F	30 93 0893	67
078 109 244	30 03 0021	31, 37, 64, 71, 75
078 109 244 C	30 03 0021	31, 37, 64, 71, 75
078 109 244 F	30 03 0021	31, 37, 64, 71, 75
078 109 244 G	30 03 0023	31, 37, 48, 64, 71, 75
078 109 244 H	30 03 0030	49, 53, 58, 60, 64, 66
078 109 244 J	30 03 0030	49, 53, 58, 60, 64, 66
078 109 244 Q	30 03 0030	49, 53, 58, 60, 64, 66
021 109 465	99 11 0205	45, 78
021 109 465 B	99 11 0205	45, 78
03H 109 465	99 11 0205	45, 78
021 109 467	30 10 0001	45, 76, 78
021 109 469	30 09 0003	45, 76, 78
03C 109 469 K	30 93 6085	38, 42
06B 109 477	30 92 2346	41, 57, 77
06B 109 477 A	30 92 2347	51, 52, 59
06D 109 477 A	30 93 1976	52
050 109 479	30 92 7584	29, 35, 46, 69, 73
050 109 479 A	30 92 7584	29, 35, 46, 69, 73
054 109 479	30 92 7016	30, 36, 70, 74
058 109 479 B	30 91 9404	47, 69
059 109 479 B	30 92 2340	66
06A 109 479	30 03 0068	40, 43, 46, 50
06A 109 479 A	30 03 0068	40, 43, 46, 50
06A 109 479 B	30 03 0068	40, 43, 46, 50
06A 109 479 C	30 03 0068	40, 43, 46, 50
06A 109 479 F	30 03 0068	40, 43, 46, 50
06B 109 479	30 92 2346	41, 57, 77
06C 109 479 A	30 92 4851	67
06D 109 479 A	30 93 1976	52
077 109 479 D	30 92 2352	61, 66, 67
078 109 479 E	32 92 2356	49, 53, 58, 60, 64, 66
06C 109 485 A	30 92 2348	53, 61, 62, 67

Ref. - No.

**SWAG**  
GERMANY**SWAG**  
GERMANY

Ref. - No.

**SWAG**  
GERMANY


Ref. - No.


**SWAG**  
GERMANY

06D 109 485 A	<b>30 93 0869</b>	52
077 109 485 E	<b>30 92 2354</b>	61, 66, 67
077 109 485 F	<b>30 92 2354</b>	61, 66, 67
078 109 487 A	<b>32 92 2358</b>	49, 53, 58, 60, 64, 66
03H 109 503	<b>99 11 0446</b>	45, 78
03H 109 503 S1	<b>30 93 6222</b>	45, 78
066 109 503 B	<b>99 11 0446</b>	45, 78
066 109 503 C	<b>99 11 0446</b>	45, 78
03H 109 507	<b>30 93 2786</b>	45, 76, 78
066 109 507 A	<b>30 93 2786</b>	45, 76, 78
066 109 507 D	<b>30 93 2786</b>	45, 76, 78
03C 109 509 K	<b>30 93 6224</b>	38, 42
03C 109 509 L	<b>30 93 6224</b>	38, 42
03C 109 509 M	<b>30 93 6224</b>	38, 42
03C 109 509 P	<b>30 93 6224</b>	38, 42
066 109 509 A	<b>30 93 4868</b>	45, 78
066 109 513 A	<b>30 93 6221</b>	45, 78
07K 145 172 B	<b>30 93 0585</b>	45, 78
07K 145 172 C	<b>30 93 0584</b>	45, 78
022 145 276 C	<b>30 93 0892</b>	45, 76, 78
022 145 276 F	<b>30 93 0892</b>	45, 76, 78
03C 145 276 C	<b>30 93 2024</b>	38
07D 145 276 B	<b>32 92 2363</b>	80
07D 145 276 C	<b>32 92 2363</b>	80
071 145 276 A	<b>30 93 0892</b>	45, 76, 78
1J0 145 276	<b>30 93 0859</b>	38, 43
6QD 145 276	<b>30 93 0859</b>	38, 43
03C 145 299 C	<b>30 92 7218</b>	43
03C 145 299 Q	<b>30 93 2629</b>	38, 43
030 145 299 C	<b>30 03 0089</b>	39
030 145 299 F	<b>30 03 0089</b>	39
032 145 299 A	<b>32 92 3558</b>	40
1J0 145 299	<b>30 92 7218</b>	43
6Q0 145 299	<b>30 92 7216</b>	38, 43
6K0 198 002	<b>30 02 0040</b>	23, 26, 29, 32, 33, 35, 73
026 198 119	<b>30 02 0046</b>	46
027 198 119	<b>99 02 0065</b>	30, 70, 74
036 198 119 E	<b>30 92 1772</b>	39
051 198 119	<b>30 02 0040</b>	23, 26, 29, 32, 33, 35, 73

056 198 119	<b>30 02 0040</b>	23, 26, 29, 32, 33, 35, 73
058 198 119	<b>32 92 4723</b>	47, 57
058 198 119 A	<b>32 92 4724</b>	47
06A 198 119	<b>32 92 3634</b>	40, 43, 46, 50
06A 198 119 A	<b>30 91 9548</b>	41, 57, 77
06A 198 119 B	<b>30 93 7642</b>	77
06B 198 119 A	<b>32 92 4755</b>	51, 59
06F 198 119	<b>32 92 4764</b>	44, 52
06F 198 119 A	<b>30 93 0586</b>	44, 54, 62, 79
078 198 119	<b>32 92 3292</b>	49, 53, 58, 60, 64, 66
078 198 119 A	<b>32 02 0009</b>	31, 37, 48, 64, 71, 75
058 198 479	<b>30 92 1100</b>	47
058 198 479 A	<b>32 92 3126</b>	47
078 198 479 S1	<b>32 92 3290</b>	49, 53, 58, 60, 64, 66
058 260 511	<b>30 03 0029</b>	46, 47, 57, 69
021 903 119 G	<b>30 14 0008</b>	40, 41
022 903 119 A	<b>30 14 0008</b>	40, 41
022 903 119 B	<b>30 14 0006</b>	57
022 903 119 C	<b>30 14 0008</b>	40, 41
022 903 119 D	<b>30 14 0006</b>	57
028 903 119 AC	<b>30 14 0006</b>	57
028 903 119 AD	<b>30 14 0006</b>	57
028 903 119 AM	<b>30 14 0008</b>	40, 41
028 903 119 Q	<b>30 14 0006</b>	57
038 903 119 A	<b>30 14 0008</b>	40, 41
038 903 119 M	<b>30 14 0006</b>	57
038 903 119 P	<b>32 14 0003</b>	57
038 903 119 T	<b>30 14 0008</b>	40, 41
058 903 119 C	<b>32 14 0002</b>	57
058 903 133	<b>30 91 9736</b>	59
058 903 133 A	<b>30 91 9736</b>	59
058 903 133 B	<b>30 91 9736</b>	59
058 903 133 D	<b>30 91 9736</b>	59
06B 903 133	<b>30 92 6569</b>	50, 51, 52, 59
06B 903 133 A	<b>30 92 6569</b>	50, 51, 52, 59
06B 903 133 E	<b>30 92 6569</b>	50, 51, 52, 59
06C 903 133 B	<b>30 92 8104</b>	53, 61
06E 903 133 A	<b>30 93 0222</b>	55, 63, 68, 76
06E 903 133 B	<b>30 93 0222</b>	55, 63, 68, 76



Ref. - No.	SWAG GERMANY	
06E 903 133 D	<b>30 93 0222</b>	55, 63, 68, 76
06E 903 133 E	<b>30 93 0222</b>	55, 63, 68, 76
06E 903 133 Q	<b>30 93 0222</b>	55, 63, 68, 76
077 903 133 C	<b>30 92 9232</b>	61, 66
077 903 133 E	<b>30 92 9232</b>	61, 66
078 903 133 AB	<b>30 92 1905</b>	48, 58, 60
078 903 133 T	<b>30 92 1905</b>	48, 58, 60
045 903 315 A	<b>30 92 9945</b>	39
06A 903 315 D	<b>30 03 0088</b>	40, 41, 77
06A 903 315 E	<b>30 03 0088</b>	40, 41, 77
06F 903 315	<b>30 93 0166</b>	45, 79
053 903 341	<b>30 03 0037</b>	30
06B 903 341	<b>30 93 0686</b>	50, 51, 52, 59, 62
06B 903 341 B	<b>30 93 0686</b>	50, 51, 52, 59, 62
077 903 341	<b>30 03 0001</b>	65, 80
078 903 341 B	<b>30 03 0065</b>	37
078 903 341 J	<b>30 03 0002</b>	31, 37, 71, 75
passend für / to fit:		
<b>BMW</b>		
07 11 9 963 355	<b>20 10 1310</b>	94, 98, 191
07 11 9 963 357	<b>20 10 1310</b>	94, 98, 191
11 21 1 265 010	<b>20 05 1000</b>	81, 91, 93, 118, 120
11 21 1 265 011	<b>20 05 1200</b>	119, 122, 128, 146, 154, 155
11 21 7 504 725	<b>99 11 0436</b>	165
11 23 7 503 107 S1	<b>20 93 3845</b>	83, 84, 103, 104, 106, 107, 108, 136, 172, 175, 197
11 28 0 150 310	<b>20 92 1629</b>	139, 151, 165, 183
11 28 0 392 123	<b>20 92 1629</b>	139, 151, 165, 183
11 28 0 415 304	<b>20 92 1629</b>	139, 151, 165, 183
11 28 1 247 051	<b>20 52 0009</b>	97, 98, 124
11 28 1 247 051 S1	<b>20 91 8485</b>	97, 98, 124
11 28 1 247 052	<b>20 91 8485</b>	97, 98, 124
11 28 1 247 647	<b>20 03 0027</b>	97, 98, 102, 190, 191
11 28 1 427 252	<b>20 03 0022</b>	100, 105, 127, 132, 137, 159, 163, 176, 181, 193, 194, 195, 198
11 28 1 432 104	<b>20 03 0027</b>	97, 98, 102, 190, 191
11 28 1 433 502 S1	<b>20 92 1296</b>	134, 161, 170, 182

Ref. - No.	SWAG GERMANY	
11 28 1 433 571	<b>20 03 0036</b>	102, 105, 132, 159, 181, 190, 193, 195, 196, 201
11 28 1 435 594	<b>20 03 0037</b>	102, 190
11 28 1 438 510 KPL	<b>20 92 7562</b>	182
11 28 1 440 237	<b>20 92 3165</b>	139, 151, 165, 183
11 28 1 440 378	<b>20 92 7374</b>	84, 103, 104, 107, 108, 136, 172, 175, 197
11 28 1 702 013	<b>20 03 0015</b>	129, 134, 156, 161, 170
11 28 1 704 500	<b>20 03 0024</b>	134, 161, 170
11 28 1 704 718	<b>95 92 2391</b>	162
11 28 1 709 613	<b>20 52 0016</b>	134, 161, 170, 182
11 28 1 709 613 KPL	<b>20 92 7561</b>	134, 161, 170
11 28 1 715 626	<b>20 52 0006</b>	157
11 28 1 715 630	<b>20 03 0010</b>	157, 162, 171
11 28 1 717 188	<b>20 52 0004</b>	100, 105, 127, 132, 137, 159, 176, 181, 194, 196, 201
11 28 1 717 188 S1	<b>20 91 8483</b>	100, 105, 127, 132, 137, 159, 163, 176, 181, 194, 196, 201
11 28 1 717 210	<b>20 52 0005</b>	100, 127, 132, 159, 193, 194
11 28 1 717 210 S1	<b>20 91 8484</b>	100, 127, 132, 159, 193, 194
11 28 1 720 039	<b>20 03 0010</b>	157, 162, 171
11 28 1 722 789	<b>20 91 8483</b>	100, 105, 127, 132, 137, 159, 163, 176, 181, 194, 196, 201
11 28 1 726 181	<b>20 03 0006</b>	97, 98, 100, 105, 124, 127, 132, 140, 159, 181, 193, 194, 195, 196, 198, 201
11 28 1 726 343	<b>20 03 0009</b>	97, 98, 100, 105, 124, 127, 132, 137, 159, 163, 176, 181, 190, 191, 193, 194, 195, 196, 198, 201
11 28 1 726 773	<b>20 91 8483</b>	100, 105, 127, 132, 137, 159, 163, 176, 181, 194, 196, 201

Ref. - No.

**SWAG**  
GERMANY**SWAG**  
GERMANY

Ref. - No.

**SWAG**  
GERMANY

11 28 1 726 774	<b>20 91 8483</b>	100, 105, 127, 132, 137, 159, 163, 176, 181, 194, 196, 201
11 28 1 730 571	<b>20 03 0006</b>	97, 98, 100, 105, 124, 127, 132, 140, 159, 181, 193, 194, 195, 196, 198, 201
11 28 1 731 220	<b>20 03 0017</b>	129, 134, 156, 161, 168, 170
11 28 1 731 838	<b>20 03 0019</b>	129, 134, 156, 161, 168
11 28 1 735 899	<b>20 03 0022</b>	100, 105, 127, 132, 137, 159, 163, 176, 181, 193, 194, 195, 198
11 28 1 736 724	<b>20 03 0016</b>	129, 156, 168
11 28 1 738 061	<b>20 03 0006</b>	97, 98, 100, 105, 124, 127, 132, 140, 159, 181, 193, 194, 195, 196, 198, 201
11 28 1 738 605	<b>20 03 0006</b>	97, 98, 100, 105, 124, 127, 132, 140, 159, 181, 193, 194, 195, 196, 198, 201
11 28 1 742 013	<b>20 03 0025</b>	134, 161, 170
11 28 1 742 858	<b>20 03 0031</b>	134, 161, 170, 182
11 28 1 742 858 KPL	<b>20 92 7561</b>	134, 161, 170
11 28 1 742 859	<b>20 03 0032</b>	134, 161, 170
11 28 1 742 859 KPL	<b>20 92 7560</b>	134, 161, 170
11 28 1 745 545	<b>20 52 0015</b>	134, 161, 170, 182
11 28 1 745 545 KPL	<b>20 92 7560</b>	134, 161, 170
11 28 1 745 546	<b>20 92 7561</b>	134, 161, 170
11 28 1 745 547	<b>20 92 7560</b>	134, 161, 170
11 28 1 745 550	<b>95 92 2391</b>	162
11 28 1 745 819 KPL	<b>20 92 7562</b>	182
11 28 1 745 904 KPL	<b>20 92 7561</b>	134, 161, 170
11 28 1 747 459 KPL	<b>20 92 7560</b>	134, 161, 170
11 28 1 747 461	<b>20 03 0015</b>	129, 134, 156, 161, 170
11 28 1 748 130	<b>20 03 0006</b>	97, 98, 100, 105, 124, 127, 132, 140, 159, 181, 193, 194, 195, 196, 198, 201


Ref. - No.


**SWAG**  
GERMANY

11 28 1 748 131	<b>20 03 0009</b>	97, 98, 100, 105, 124, 127, 132, 137, 159, 163, 176, 181, 190, 191, 193, 194, 195, 196, 198, 201
11 28 1 748 832	<b>20 03 0022</b>	100, 105, 127, 132, 137, 159, 163, 176, 181, 193, 194, 195, 198
11 28 2 245 087	<b>20 03 0014</b>	96, 97, 98, 123, 124, 190, 191, 196
11 28 7 500 560	<b>20 91 9247</b>	134, 161, 182
11 28 7 503 424 S1	<b>20 92 1296</b>	134, 161, 170, 182
11 28 7 505 224	<b>20 92 1629</b>	139, 151, 165, 183
11 28 7 505 566	<b>20 92 1630</b>	140, 165, 183
11 28 7 512 758	<b>20 92 3650</b>	105, 132, 137, 163, 176, 181, 198
11 28 7 515 280	<b>20 91 9539</b>	165
11 28 7 515 865 S1	<b>20 92 1296</b>	134, 161, 170, 182
11 28 7 515 867 KPL	<b>20 92 7562</b>	182
11 28 7 516 847	<b>20 92 2744</b>	137, 163, 176
11 28 7 524 267	<b>20 93 0121</b>	84, 103, 104, 107, 108, 136, 172, 175, 197
11 28 7 530 314	<b>20 92 8708</b>	85, 110, 111, 138, 148, 150, 164, 177, 184, 199, 203
11 28 7 535 860	<b>20 93 0120</b>	85, 110, 111, 138, 143, 148, 150, 164, 174, 177, 184
11 28 7 542 680	<b>20 92 1629</b>	139, 151, 165, 183
11 28 7 549 557	<b>20 92 3165</b>	139, 151, 165, 183
11 28 7 549 588	<b>20 92 1629</b>	139, 151, 165, 183
11 28 7 549 589	<b>20 92 1630</b>	140, 165, 183
11 28 7 549 590	<b>20 91 9539</b>	165
11 28 7 556 251	<b>20 92 8709</b>	83, 86, 106, 112, 136, 203
11 28 7 557 851	<b>20 93 0119</b>	86, 112
11 28 7 558 752	<b>20 93 4471</b>	83, 106
11 28 7 558 969	<b>20 93 7551</b>	83, 106, 136
11 28 7 563 927	<b>20 93 0129</b>	86, 112
11 28 7 574 834	<b>20 91 9539</b>	165





Ref. - No.	SWAG GERMANY	
11 28 7 716 897	<b>20 93 0121</b>	84, 103, 104, 107, 108, 136, 172, 175, 197
11 28 7 838 797	<b>20 91 8483</b>	100, 105, 127, 132, 137, 159, 163, 176, 181, 194, 196, 201
11 28 7 838 797 S1	<b>20 93 2017</b>	100, 105, 127, 132, 137, 159, 163, 176, 181, 194, 198, 201
11 28 7 841 228	<b>20 03 0006</b>	97, 98, 100, 105, 124, 127, 132, 140, 159, 181, 193, 194, 195, 196, 198, 201
11 31 0 150 552 S3	<b>99 13 8194</b>	84, 87, 103, 107, 113, 166
11 31 0 150 552 S4	<b>20 93 8195</b>	87, 113
11 31 0 150 552 S5	<b>20 93 8196</b>	84, 103, 107
11 31 0 731 105	<b>99 11 0087</b>	81, 82, 91, 118, 119, 146, 154
11 31 1 247 150	<b>99 11 0217</b>	97, 102, 124, 190
11 31 1 247 160	<b>99 11 0146</b>	94, 98, 191
11 31 1 247 952	<b>20 10 0011</b>	97, 102, 124, 190
11 31 1 253 236	<b>20 09 0002</b>	81, 82, 91, 93, 118, 119, 120, 122, 128, 146, 154, 155
11 31 1 265 006	<b>20 04 1100</b>	81, 91, 93, 118, 120
11 31 1 265 008	<b>20 04 1000</b>	119, 122, 128, 146, 154, 155
11 31 1 265 040	<b>99 11 0210</b>	91, 93, 118, 119, 120, 122, 128, 146, 154, 155
11 31 1 265 520	<b>20 03 0005</b>	92, 94, 118, 121, 125, 189
11 31 1 272 384	<b>20 02 0002</b>	92, 94, 118, 121, 125, 189
11 31 1 272 424	<b>20 03 0005</b>	92, 94, 118, 121, 125, 189
11 31 1 278 989	<b>20 04 1000</b>	119, 122, 128, 146, 154, 155
11 31 1 278 990	<b>20 04 1000</b>	119, 122, 128, 146, 154, 155
11 31 1 284 273	<b>20 04 0005</b>	92, 94, 121, 125, 189

Ref. - No.	SWAG GERMANY	
11 31 1 286 168	<b>20 02 0002</b>	92, 94, 118, 121, 125, 189
11 31 1 309 003	<b>99 11 0113</b>	95, 101, 130, 147, 196
11 31 1 309 003	<b>99 11 0149</b>	95, 101, 130, 147, 196
11 31 1 309 003 S2	<b>99 11 0148</b>	95, 101, 130, 147, 196
11 31 1 317 667	<b>99 11 0113</b>	95, 101, 130, 147, 196
11 31 1 317 667	<b>99 11 0149</b>	95, 101, 130, 147, 196
11 31 1 317 667 S3	<b>99 11 0150</b>	95, 101, 130, 147, 196
11 31 1 403 081	<b>99 11 0113</b>	95, 101, 130, 147, 196
11 31 1 403 081	<b>99 11 0149</b>	95, 101, 130, 147, 196
11 31 1 403 081 S1	<b>99 11 0112</b>	95, 101, 130, 147, 196
11 31 1 403 081 S2	<b>99 11 0148</b>	95, 101, 130, 147, 196
11 31 1 403 081 S3	<b>99 11 0150</b>	95, 101, 130, 147, 196
11 31 1 405 081	<b>20 92 6296</b>	101, 196
11 31 1 406 167	<b>99 11 0200</b>	133, 135, 160, 169, 182, 204
11 31 1 407 052	<b>99 11 0372</b>	135, 204
11 31 1 432 176	<b>99 11 0214</b>	99, 105, 126, 131, 137, 158, 163, 176, 180, 192, 198
11 31 1 432 176 S1	<b>99 13 0409</b>	99, 126
11 31 1 432 176 S2	<b>99 13 0410</b>	99, 105, 126, 131, 137, 158, 163, 176, 180, 192, 198
11 31 1 432 177	<b>99 11 0201</b>	99, 105, 126, 131, 137, 158, 163, 176, 180, 192, 198
11 31 1 432 177 S1	<b>99 13 0331</b>	99, 105, 126, 131, 137, 158, 163, 176, 180, 192, 198
11 31 1 435 026	<b>20 10 0012</b>	133, 160, 169, 182

Ref. - No.

**SWAG**  
GERMANY**SWAG**  
GERMANY

Ref. - No.

**SWAG**  
GERMANY


Ref. - No.


**SWAG**  
GERMANY

11 31 1 435 027	<b>20 10 0013</b>	133, 160, 169, 182
11 31 1 439 552	<b>20 92 1276</b>	139, 151, 165, 183, 185
11 31 1 439 851	<b>20 92 1275</b>	83, 84, 88, 103, 104, 106, 107, 108, 114, 116, 136, 142, 172, 173, 175, 178, 197, 202
11 31 1 439 853	<b>99 11 0385</b>	84, 87, 103, 107, 113
11 31 1 439 853 S1	<b>99 13 0333</b>	84, 103, 107
11 31 1 439 853 S2	<b>99 13 3162</b>	87, 113
11 31 1 439 853 S3	<b>99 13 8194</b>	84, 87, 103, 107, 113, 166
11 31 1 439 853 S4	<b>20 93 8195</b>	87, 113
11 31 1 439 853 S5	<b>20 93 8196</b>	84, 103, 107
11 31 1 439 854	<b>99 11 0383</b>	84, 104, 108, 136, 172, 175, 197
11 31 1 439 854 S1	<b>99 13 0334</b>	84, 104, 108, 136, 172, 175, 197
11 31 1 439 854 S2	<b>99 13 3846</b>	84, 104, 108, 136, 172, 175, 197
11 31 1 468 743	<b>20 03 0005</b>	92, 94, 118, 121, 125, 189
11 31 1 708 806	<b>20 03 0004</b>	96, 123
11 31 1 709 646	<b>20 03 0004</b>	96, 123
11 31 1 710 155	<b>99 11 0228</b>	157, 162, 171
11 31 1 711 153	<b>20 03 0005</b>	92, 94, 118, 121, 125, 189
11 31 1 713 361	<b>20 02 0002</b>	92, 94, 118, 121, 125, 189
11 31 1 713 361 S1	<b>20 02 0009</b>	92, 94, 118, 121, 125, 189
11 31 1 714 988	<b>20 04 0005</b>	92, 94, 121, 125, 189
11 31 1 716 986	<b>99 11 0210</b>	91, 93, 118, 119, 120, 122, 128, 146, 154, 155
11 31 1 717 672	<b>99 11 0146</b>	94, 98, 191

11 31 1 721 245	<b>20 03 0002</b>	123
11 31 1 721 263	<b>20 03 0002</b>	123
11 31 1 721 264	<b>20 03 0003</b>	96, 123
11 31 1 721 563	<b>99 11 0146</b>	94, 98, 191
11 31 1 721 576	<b>99 11 0146</b>	94, 98, 191
11 31 1 721 580	<b>20 10 0003</b>	94, 98, 191
11 31 1 722 841	<b>20 04 0008</b>	99, 126, 131, 158, 192
11 31 1 725 424	<b>99 11 0140</b>	129, 156, 168
11 31 1 725 441	<b>20 10 0005</b>	129, 156, 168
11 31 1 725 442	<b>20 10 0006</b>	129, 156, 168
11 31 1 726 502	<b>20 10 0004</b>	105, 131, 176, 180, 192, 198
11 31 1 727 611	<b>20 03 0013</b>	96, 123
11 31 1 727 767	<b>20 10 0003</b>	94, 98, 191
11 31 1 730 188	<b>99 11 0201</b>	99, 105, 126, 131, 137, 158, 163, 176, 180, 192, 198
11 31 1 730 189	<b>99 11 0214</b>	99, 105, 126, 131, 137, 158, 163, 176, 180, 192, 198
11 31 1 734 392	<b>99 11 0217</b>	97, 102, 124, 190
11 31 1 734 392 S1	<b>99 13 0381</b>	97, 102, 124, 190
11 31 1 734 608	<b>20 02 0006</b>	96, 123
11 31 1 734 608 S1	<b>20 02 0007</b>	123
11 31 1 734 608 S2	<b>20 02 0008</b>	96, 123
11 31 1 736 020	<b>99 11 0244</b>	129, 156, 168
11 31 1 736 023	<b>20 10 0007</b>	129, 133, 156, 160, 168, 169, 182
11 31 1 736 274	<b>20 09 0006</b>	129, 156, 168
11 31 1 738 700	<b>20 10 0004</b>	105, 131, 176, 180, 192, 198
11 31 1 739 243	<b>20 10 0011</b>	97, 102, 124, 190
11 31 1 739 480	<b>99 11 0146</b>	94, 98, 191
11 31 1 741 247	<b>20 09 0006</b>	129, 156, 168
11 31 1 741 746	<b>99 11 0230</b>	133, 160, 169, 182
11 31 1 742 173	<b>20 10 0012</b>	133, 160, 169, 182
11 31 1 742 174	<b>20 10 0013</b>	133, 160, 169, 182



Ref. - No.	SWAG GERMANY	
11 31 1 743 187	<b>20 10 0003</b>	94, 98, 191
11 31 1 747 437	<b>99 11 0200</b>	133, 135, 160, 169, 182, 204
11 31 4 609 483	<b>11 92 9899</b>	87, 113
11 31 7 502 180	<b>20 93 0458</b>	83, 84, 85, 86, 89, 90, 103, 104, 106, 107, 108, 109, 111, 112, 115, 117, 136, 138, 141, 143, 144, 148, 150, 152, 164, 166, 174, 175, 177, 178, 179, 184, 187, 188, 197, 199, 200, 203
11 31 7 504 468	<b>20 92 9522</b>	139, 151, 165, 183, 185
11 31 7 504 468 S1	<b>99 13 0339</b>	139, 151, 165, 183, 185
11 31 7 504 468 S2	<b>99 13 0340</b>	139, 151, 165, 183, 185
11 31 7 512 359	<b>99 11 0140</b>	129, 156, 168
11 31 7 516 074	<b>20 92 9864</b>	85, 86, 88, 89, 90, 109, 112, 114, 115, 116, 117, 138, 141, 142, 143, 148, 152, 164, 166, 173, 174, 177, 178, 179, 184, 188, 199, 200, 202, 203
11 31 7 516 074 S1	<b>99 13 0338</b>	85, 86, 89, 90, 109, 112, 115, 117, 138, 141, 143, 144, 148, 152, 164, 166, 174, 177, 179, 184, 188, 199, 200, 203
11 31 7 516 074 S2	<b>30 93 8362</b>	88, 114, 116, 142, 178, 202
11 31 7 516 079	<b>20 92 9539</b>	85, 86, 88, 89, 90, 109, 112, 114, 115, 116, 117, 138, 141, 142, 143, 148, 152, 164, 166, 173, 174, 177, 178, 179, 184, 188, 199, 200, 202, 203
11 31 7 516 088	<b>20 92 8719</b>	83, 86, 106, 111, 112, 136, 138, 144, 150, 166, 187, 203
11 31 7 516 088 S1	<b>99 13 0335</b>	83, 106, 136

Ref. - No.	SWAG GERMANY	
11 31 7 516 088 S2	<b>99 13 0337</b>	86, 111, 112, 138, 150, 166, 187, 203
11 31 7 531 813	<b>20 10 0007</b>	129, 133, 156, 160, 168, 169, 182
11 31 7 532 056	<b>20 92 9856</b>	85, 86, 89, 90, 109, 111, 112, 115, 117, 138, 141, 143, 144, 148, 150, 152, 164, 166, 174, 177, 179, 184, 187, 188, 199, 200, 203
11 31 7 533 876 S1	<b>99 13 3162</b>	87, 113
11 31 7 533 876 S3	<b>99 13 8194</b>	84, 87, 103, 107, 113, 166
11 31 7 533 876 S4	<b>20 93 8195</b>	87, 113
11 31 7 533 876 S5	<b>20 93 8196</b>	84, 103, 107
11 31 7 533 879	<b>11 92 9902</b>	113
11 31 7 533 880	<b>11 92 9901</b>	113
11 31 7 534 772	<b>11 92 9899</b>	87, 113
11 31 7 534 784	<b>20 92 8719</b>	83, 86, 106, 111, 112, 136, 138, 144, 150, 166, 187, 203
11 31 7 542 836	<b>20 92 9538</b>	85, 86, 89, 90, 109, 112, 115, 117, 138, 141, 143, 148, 152, 164, 166, 174, 177, 179, 184, 188, 199, 200, 203
11 31 7 552 106	<b>11 92 9903</b>	113
11 31 7 557 741	<b>20 93 6322</b>	145, 153, 167, 186
11 31 7 565 242	<b>20 93 6324</b>	145, 153, 167, 186
11 31 7 565 868	<b>11 92 9899</b>	87, 113
11 31 7 567 680	<b>20 92 1275</b>	83, 84, 88, 103, 104, 106, 107, 108, 114, 116, 136, 142, 172, 173, 175, 178, 197, 202
11 31 7 574 397	<b>20 93 6323</b>	145, 153, 167, 186
11 31 7 577 301	<b>11 92 9901</b>	113
11 31 7 577 631	<b>11 92 9903</b>	113
11 31 7 582 036	<b>11 92 9899</b>	87, 113

Ref. - No.

**SWAG**  
GERMANY**SWAG**  
GERMANY

Ref. - No.

**SWAG**  
GERMANY

Ref. - No.

**SWAG**  
GERMANY

11 31 7 584 084	<b>20 92 9864</b>	85, 86, 88, 89, 90, 109, 112, 114, 115, 116, 117, 138, 141, 142, 143, 148, 152, 164, 166, 173, 174, 177, 178, 179, 184, 188, 199, 200, 202, 203
11 31 7 584 084 S1	<b>99 13 0338</b>	85, 86, 89, 90, 109, 112, 115, 117, 138, 141, 143, 144, 148, 152, 164, 166, 174, 177, 179, 184, 188, 199, 200, 203
11 31 7 584 084 S2	<b>30 93 8362</b>	88, 114, 116, 142, 178, 202
11 31 7 584 651	<b>20 92 9539</b>	85, 86, 88, 89, 90, 109, 112, 114, 115, 116, 117, 138, 141, 142, 143, 148, 152, 164, 166, 173, 174, 177, 178, 179, 184, 188, 199, 200, 202, 203
11 31 7 584 723	<b>20 92 9856</b>	85, 86, 89, 90, 109, 111, 112, 115, 117, 138, 141, 143, 144, 148, 150, 152, 164, 166, 174, 177, 179, 184, 187, 188, 199, 200, 203
11 31 7 585 020	<b>20 92 9538</b>	85, 86, 89, 90, 109, 112, 115, 117, 138, 141, 143, 148, 152, 164, 166, 174, 177, 179, 184, 188, 199, 200, 203
11 31 7 592 850	<b>20 92 9539</b>	85, 86, 88, 89, 90, 109, 112, 114, 115, 116, 117, 138, 141, 142, 143, 148, 152, 164, 166, 173, 174, 177, 178, 179, 184, 188, 199, 200, 202, 203
11 31 7 592 877	<b>20 93 8361</b>	88, 114, 116, 142, 178, 202
11 31 7 593 309	<b>11 92 9899</b>	87, 113
11 31 7 597 895	<b>11 92 9899</b>	87, 113
11 31 7 598 262	<b>99 11 0140</b>	129, 156, 168
11 31 7 598 263	<b>99 11 0244</b>	129, 156, 168
11 31 7 598 956	<b>11 92 9899</b>	87, 113

11 31 7 601 809	<b>11 92 9899</b>	87, 113
11 31 7 620 565	<b>20 02 0006</b>	96, 123
11 31 7 621 021	<b>20 02 0008</b>	96, 123
11 31 7 830 869	<b>99 11 0373</b>	196, 201
11 31 7 834 163	<b>99 13 6242</b>	140, 149
11 31 7 838 479	<b>99 13 6336</b>	112
11 36 7 500 574 S1	<b>20 93 3845</b>	83, 84, 103, 104, 106, 107, 108, 136, 172, 175, 197
64 55 1 726 699	<b>20 03 0014</b>	96, 97, 98, 123, 124, 190, 191, 196
64 55 1 748 321	<b>20 03 0014</b>	96, 97, 98, 123, 124, 190, 191, 196
64 55 2 244 172	<b>20 03 0014</b>	96, 97, 98, 123, 124, 190, 191, 196
64 55 2 244 173	<b>20 03 0014</b>	96, 97, 98, 123, 124, 190, 191, 196
passend für / to fit: <b>CHEVROLET</b>		
09128722	<b>40 92 3425</b>	208
09128722 S1	<b>40 92 3427</b>	208
09128738	<b>40 03 0014</b>	208, 211, 212, 215, 217
09158004	<b>40 03 0028</b>	211, 212, 215, 217, 218
12575509	<b>57 94 3531</b>	207, 208
12626644	<b>57 94 3531</b>	207, 208
24461834	<b>40 93 3043</b>	209, 213
25189926	<b>40 92 7818</b>	207, 210, 211, 218
5094008601	<b>89 03 0002</b>	217
55562234	<b>99 11 0138</b>	206, 219
55562234 S1	<b>99 12 9629</b>	206, 219
55562234 S2	<b>99 13 4162</b>	206, 219
55562234 S3	<b>99 13 4163</b>	206, 219
55562235	<b>40 93 4161</b>	206, 219
55563512	<b>40 92 7818</b>	207, 210, 211, 218
55565236	<b>40 92 2370</b>	206
90411782	<b>40 03 0014</b>	208, 211, 212, 215, 217
90528603	<b>40 92 3429</b>	208



Ref. - No.	SWAG GERMANY	
90530126	40 03 0028	211, 212, 215, 217, 218
90537300	40 93 3048	209, 213
92063917	40 02 0009	211, 212, 215, 217, 218
92063917 S1	40 02 0028	217
92065902	40 92 3425	208
92065902 S1	40 92 3427	208
92066312	40 02 0009	211, 212, 215, 217, 218
94580139	89 92 9311	205, 214, 216
96103222	89 03 0001	217
96183352	89 92 3455	217
96183352 S1	89 92 3457	217
96184932	89 93 3003	208, 211, 212, 215, 217, 218
96298799	89 93 3003	208, 211, 212, 215, 217, 218
96349976	89 93 1214	205, 210, 214, 215, 217
96350526	89 03 0001	217
96350550	89 03 0002	217
96352964 S1	89 93 1428	216
96352965	80 92 6995	216
96404086	89 93 3005	212
96417177	89 92 3455	217
96435138	89 93 3003	208, 211, 212, 215, 217, 218
96459042	89 93 3003	208, 211, 212, 215, 217, 218
96610029	80 92 6850	205, 214, 216
96610029 S1	89 93 2396	205, 214, 216
96814098	89 92 3455	217
96960692	89 93 3005	212
96966707	89 93 1214	205, 210, 214, 215, 217
passend für / to fit:		
<b>CHRYSLER</b>		
04273241	14 92 8255	221, 222, 227
04315705	14 92 8256	221, 222, 227
04621454	14 92 8259	226
04693261AB	11 93 7587	222, 224
04777017	14 92 8260	223, 224, 225, 227

Ref. - No.	SWAG GERMANY	
04777375AB	14 92 8260	223, 224, 225, 227
04777375AC	14 92 8260	223, 224, 225, 227
04777383AC	14 92 8260	223, 224, 225, 227
04777393	14 92 8260	223, 224, 225, 227
04777393AB	14 92 8260	223, 224, 225, 227
04777394	14 92 8260	223, 224, 225, 227
04777395AB S1	14 92 9563	223, 225, 227
04777699AA	99 11 0397	222, 224
04777699 AA S1	11 93 7590	222, 224
04777707AA	11 93 7586	222, 224
04792495AB	14 92 8262	224
04792495AC	14 92 8262	224
04884320AA	14 92 9563	223, 225, 227
05018400AA	14 92 8260	223, 224, 225, 227
05018400AB	14 92 8260	223, 224, 225, 227
05080246AA	30 03 0032	220
05096525AA	10 03 0034	220
4777395AB S1	14 92 9563	223, 225, 227
4884320AA	14 92 9563	223, 225, 227
68020888AA	30 03 0032	220
passend für / to fit:		
<b>CITROËN</b>		
0816.13	99 11 0036	280
0513.C8	11 93 0477	245, 249
0805.H6	11 93 0475	245, 249
0805.K3	11 93 0475	245, 249
0816.A0	62 02 0022	251, 253, 255, 256, 258, 277, 281
0816.A1	62 02 0023	246, 250, 257, 266, 284, 285, 287
0816.C2	62 02 0023	246, 250, 257, 266, 284, 285, 287
0816.E0	62 02 0010	232, 234, 237, 240, 241, 242, 244, 247, 262, 273, 283, 286
0816.E0 S	62 02 0011	273
0816.E0 S1	62 92 2327	232, 240, 283
0816.E0 S2	62 02 0011	273
0816.E2	64 92 4367	284
0816.F0	62 92 1278	230, 235, 238, 269, 270
0816.F2	62 02 0025	231, 236, 239, 268, 271, 282

Ref. - No.

**SWAG**  
GERMANY**SWAG**  
GERMANY

Ref. - No.

**SWAG**  
GERMANY


Ref. - No.


**SWAG**  
GERMANY

0816.F4	<b>62 02 0023</b>	246, 250, 257, 266, 284, 285, 287
0816.G4	<b>62 92 8105</b>	246, 248, 252, 255, 257, 268
0816.G7	<b>64 92 4367</b>	284
0816.G8	<b>62 93 0979</b>	237, 240, 244
0816.H1	<b>99 13 1004</b>	235
0816.H3	<b>62 02 0022</b>	251, 253, 255, 256, 258, 277, 281
0816.H5	<b>62 93 0979</b>	237, 240, 244
0816.H6	<b>62 02 0010</b>	232, 234, 237, 240, 241, 242, 244, 247, 262, 273, 283, 286
0816.H6 S1	<b>62 92 2327</b>	232, 240, 283
0816.H9	<b>99 13 0445</b>	249
0816.H9	<b>20 92 8719</b>	243, 245, 246, 249, 254, 261, 263
0816.H9 S1	<b>99 13 0452</b>	243, 245, 246, 249, 254, 261, 263
0816.J2	<b>11 92 9900</b>	234, 241, 243, 245, 249, 254, 261, 263
0816.J2 S1	<b>99 13 0345</b>	234, 241, 243, 245, 249, 254, 261, 263
0816.K3	<b>99 13 1004</b>	235
0816.29	<b>99 02 0016</b>	291
0816.29 S	<b>62 02 0019</b>	291
0816.36	<b>64 02 0005</b>	228, 230, 259, 269, 270, 288
0816.42	<b>64 02 0005</b>	228, 230, 259, 269, 270, 288
0816.44	<b>99 02 0028</b>	229, 231, 259, 271, 282, 289
0816.44 S	<b>62 02 0021</b>	229, 231, 259, 271, 282, 289
0816.48	<b>62 02 0003</b>	233, 264, 274, 278, 292
0816.48 S1	<b>99 02 0057</b>	233, 264, 274, 278, 292
0816.52	<b>99 11 0211</b>	280
0816.55	<b>99 02 0056</b>	229, 259, 272, 289, 290
0816.55 S	<b>62 02 0020</b>	229, 259, 272, 289, 290

0816.56	<b>64 02 0005</b>	228, 230, 259, 269, 270, 288
0816.56 S	<b>62 02 0017</b>	228, 230, 259, 269, 270, 288
0816.58	<b>62 02 0004</b>	265, 275, 276, 279, 284, 285, 293
0816.60	<b>62 02 0003</b>	233, 264, 274, 278, 292
0816.60 S1	<b>99 02 0057</b>	233, 264, 274, 278, 292
0816.62	<b>62 02 0003</b>	233, 264, 274, 278, 292
0816.62 S1	<b>99 02 0057</b>	233, 264, 274, 278, 292
0816.67	<b>99 02 0016</b>	291
0816.67 S	<b>62 02 0019</b>	291
0816.67 S1	<b>62 02 0019</b>	291
0816.69	<b>99 02 0060</b>	267
0816.69 S	<b>99 02 0061</b>	267
0816.71	<b>62 02 0003</b>	233, 264, 274, 278, 292
0816.72	<b>62 02 0004</b>	265, 275, 276, 279, 284, 285, 293
0816.73	<b>62 02 0004</b>	265, 275, 276, 279, 284, 285, 293
0816.73 S	<b>62 02 0014</b>	265, 275, 276, 279, 284, 285, 294
0816.79	<b>70 02 0043</b>	267
0816.79 S1	<b>99 02 0040</b>	267
0816.85	<b>62 02 0010</b>	232, 234, 237, 240, 241, 242, 244, 247, 262, 273, 283, 286
0816.85 S	<b>62 02 0011</b>	273
0816.89	<b>62 02 0022</b>	251, 253, 255, 256, 258, 277, 281
0816.98	<b>62 02 0004</b>	265, 275, 276, 279, 284, 285, 293
0818.29	<b>99 13 0453</b>	243, 245, 246, 249, 254, 261, 263
0818.30	<b>99 13 0448</b>	243, 245, 246, 249, 254, 261, 263
0818.31	<b>99 13 0446</b>	243, 245, 246, 249, 254, 261, 263



Ref. - No.	SWAG GERMANY	
0818.33	11 92 9902	234, 241, 243, 245, 249, 254, 261, 263
0818.34	11 92 9901	234, 241, 243, 245, 249, 254, 261, 263
0818.35	11 92 9903	234, 241, 243, 245, 249, 254, 261, 263
0818.40	11 92 9901	234, 241, 243, 245, 249, 254, 261, 263
0818.41	11 92 9903	234, 241, 243, 245, 249, 254, 261, 263
0823.08	62 92 6763	251, 253, 255, 256, 258, 277, 281
0823.10	62 92 6763	251, 253, 255, 256, 258, 277, 281
0829.A0	62 92 6715	232, 234, 237, 240, 241, 242, 244, 247, 262, 283, 286
0829.A1	62 92 6716	232, 234, 237, 240, 241, 242, 244, 247, 262, 283, 286
0829.A5	62 92 6804	237, 240, 244
0829.A7	62 91 9325	246, 250, 257, 266, 284, 285, 287
0829.A9	62 92 8106	246, 248, 252, 255, 257, 268
0829.C5	62 92 6763	251, 253, 255, 256, 258, 277, 281
0829.C6	62 92 6804	237, 240, 244
0829.C7	99 91 8489	232, 240, 244, 283
0829.C8	62 92 6715	232, 234, 237, 240, 241, 242, 244, 247, 262, 283, 286
0829.C9	62 03 0006	273
0829.E1	11 92 9899	234, 241, 243, 245, 246, 249, 254, 261, 263
0829.G3	11 92 9899	234, 241, 243, 245, 246, 249, 254, 261, 263
0829.12	99 03 0010	291
0829.20	99 03 0005	294
0829.29	99 03 0030	233, 264, 274, 278, 292

Ref. - No.	SWAG GERMANY	
0829.32	99 03 0046	265, 267, 275, 276, 279, 284, 285, 294
0829.35	99 03 0046	265, 267, 275, 276, 279, 284, 285, 294
0829.49	62 03 0006	273
0829.54	99 03 0009	228, 229, 230, 231, 259, 269, 270, 271, 272, 282, 288, 289, 290
0829.66	62 91 9325	246, 250, 257, 266, 284, 285, 287
0829.69	62 91 9190	275, 284, 285, 293
0829.77	62 91 9325	246, 250, 257, 266, 284, 285, 287
0829.79	62 91 9190	275, 284, 285, 293
0829.80	64 94 0106	250
0829.82	99 91 8489	232, 240, 244, 283
0829.83	62 93 6021	284
0829.84	62 93 6021	284
0829.90	62 03 0016	230, 231, 235, 236, 238, 239, 268, 269, 270, 271, 282
0829.92	62 91 9325	246, 250, 257, 266, 284, 285, 287
0829.96	62 91 9325	246, 250, 257, 266, 284, 285, 287
0829.98	64 94 0106	250
0830.11	99 03 0006	265, 275, 276, 279, 284, 285, 293, 294
0830.14	99 03 0006	265, 275, 276, 279, 284, 285, 293, 294
0830.20	62 03 0007	232, 240, 273, 283
0830.24	62 91 9239	251, 253, 255, 256, 258, 277, 281
0830.25	62 91 9240	251, 253, 255, 256, 258, 277, 281
0830.26	62 91 9239	251, 253, 255, 256, 258, 277, 281
0830.27	62 91 9240	251, 253, 255, 256, 258, 277, 281
0830.37	99 03 0006	265, 275, 276, 279, 284, 285, 293, 294

Ref. - No.

**SWAG**  
GERMANY**SWAG**  
GERMANY

Ref. - No.

**SWAG**  
GERMANY

0830.38	<b>62 91 9189</b>	246, 248, 250, 252, 255, 257, 266, 268, 284, 285, 287
0830.42	<b>62 91 9189</b>	246, 248, 250, 252, 255, 257, 266, 268, 284, 285, 287
0830.52	<b>62 92 2407</b>	237, 240, 244
0830.53	<b>62 91 9239</b>	251, 253, 255, 256, 258, 277, 281
0830.54	<b>62 91 9240</b>	251, 253, 255, 256, 258, 277, 281
0830.58	<b>62 91 9239</b>	251, 253, 255, 256, 258, 277, 281
0830.59	<b>62 91 9240</b>	251, 253, 255, 256, 258, 277, 281
0830.60	<b>62 92 2407</b>	237, 240, 244
0830.61	<b>62 03 0007</b>	232, 240, 273, 283
0830.62	<b>62 92 6716</b>	232, 234, 237, 240, 241, 242, 244, 247, 262, 283, 286
0831.K1	<b>62 92 8107</b>	246, 248, 252, 255, 257, 268
0831.L3	<b>62 92 6717</b>	232, 234, 237, 240, 241, 242, 244, 247, 262, 283, 286
0831.L5	<b>62 93 1051</b>	237, 240, 244
0831.L7	<b>62 92 2327</b>	232, 240, 283
0831.L9	<b>62 92 8103</b>	251, 253, 255, 256, 258, 277, 281
0831.Q3	<b>62 02 0017</b>	228, 230, 259, 269, 270, 288
0831.Q4	<b>62 02 0021</b>	229, 231, 259, 271, 282, 289
0831.Q5	<b>62 02 0020</b>	229, 259, 272, 289, 290
0831.R1	<b>99 02 0057</b>	233, 264, 274, 278, 292
0831.R5	<b>62 02 0014</b>	265, 275, 276, 279, 284, 285, 294
0831.R9	<b>62 92 6717</b>	232, 234, 237, 240, 241, 242, 244, 247, 262, 283, 286


Ref. - No.


**SWAG**  
GERMANY

0831.S0	<b>62 92 1274</b>	231, 236, 239, 268, 271, 282
0831.S1	<b>62 92 1280</b>	230, 235, 238, 269, 270
0831.S6	<b>99 02 0061</b>	267
0831.S9	<b>62 92 6139</b>	275, 284, 285, 293
0831.T1	<b>62 93 9090</b>	284
0831.T4	<b>62 92 2309</b>	246, 250, 257, 266, 284, 285, 287
0831.V0	<b>62 93 1051</b>	237, 240, 244
0831.V1	<b>62 92 2327</b>	232, 240, 283
0831.V2	<b>62 92 8103</b>	251, 253, 255, 256, 258, 277, 281
0831.V6	<b>62 92 8107</b>	246, 248, 252, 255, 257, 268
0831.03	<b>62 02 0021</b>	229, 231, 259, 271, 282, 289
0831.13	<b>62 02 0017</b>	228, 230, 259, 269, 270, 288
0831.14	<b>62 02 0021</b>	229, 231, 259, 271, 282, 289
0831.17	<b>99 02 0057</b>	233, 264, 274, 278, 292
0831.28	<b>62 02 0020</b>	229, 259, 272, 289, 290
0831.35	<b>99 02 0061</b>	267
0831.48	<b>62 02 0014</b>	265, 275, 276, 279, 284, 285, 294
0831.54	<b>62 92 2309</b>	246, 250, 257, 266, 284, 285, 287
0831.56	<b>62 92 6139</b>	275, 284, 285, 293
0831.65	<b>62 92 2309</b>	246, 250, 257, 266, 284, 285, 287
0831.68	<b>62 92 6139</b>	275, 284, 285, 293
0831.71	<b>62 93 9090</b>	284
0831.84	<b>62 92 1280</b>	230, 235, 238, 269, 270
0831.87	<b>62 92 1274</b>	231, 236, 239, 268, 271, 282
0831.88	<b>62 92 2309</b>	246, 250, 257, 266, 284, 285, 287
1281.19	<b>99 03 0022</b>	280





Ref. - No.	SWAG GERMANY	
16 115 475 80	<b>99 13 1004</b>	235
1628.WA	<b>62 92 8277</b>	246
26 207 509	<b>70 03 0005</b>	267
5751.A2	<b>62 94 0466</b>	230, 231, 232, 282, 283, 286
5751.A9	<b>62 92 8279</b>	251, 253, 256, 258, 277, 281
5751.C0	<b>62 94 0190</b>	246, 248, 252, 255, 257, 268
5751.C8	<b>62 93 1075</b>	230, 231, 232, 236, 238, 268, 282, 283, 286
5751.E4	<b>62 94 3685</b>	246, 257, 267, 287
5751.E7	<b>11 93 3136</b>	234, 241, 243, 245, 247, 249, 254, 261, 263
5751.E9	<b>62 93 6660</b>	232, 234, 244, 286
5751.G8	<b>62 94 0190</b>	246, 248, 252, 255, 257, 268
5751.G9	<b>11 93 3136</b>	234, 241, 243, 245, 247, 249, 254, 261, 263
5751.18	<b>99 03 0038</b>	233, 264, 267, 274, 275, 279
5751.19	<b>99 03 0066</b>	233, 264, 274, 275, 276, 278, 279, 292, 293
5751.20	<b>70 03 0028</b>	264, 274, 292
5751.32	<b>99 03 0063</b>	264, 265, 276, 278, 279, 291, 292, 293
5751.33	<b>99 03 0064</b>	264, 265, 276, 278, 279, 291, 292, 293
5751.34	<b>99 03 0065</b>	264, 276, 278, 279
5751.35	<b>99 03 0066</b>	233, 264, 274, 275, 276, 278, 279, 292, 293
5751.36	<b>62 91 9354</b>	233, 274, 275, 293
5751.37	<b>62 91 9212</b>	233, 274, 275, 293
5751.41	<b>62 92 8278</b>	251, 253, 256, 258, 277, 281
5751.47	<b>62 03 0013</b>	238, 239, 240

Ref. - No.	SWAG GERMANY	
5751.50	<b>62 03 0014</b>	282, 283, 286
5751.52	<b>62 91 9355</b>	282, 283, 286
5751.53	<b>99 03 0061</b>	264, 274, 275
5751.60	<b>62 91 9357</b>	250, 252, 257, 266, 267, 284, 285, 287
5751.61	<b>62 91 9356</b>	250, 257, 266, 284, 285, 287
5751.77	<b>62 92 8279</b>	251, 253, 256, 258, 277, 281
5751.91	<b>62 03 0013</b>	238, 239, 240
5751.97	<b>62 94 0466</b>	230, 231, 232, 282, 283, 286
6453.C5	<b>99 03 0013</b>	228, 229
6453.G4	<b>99 03 0013</b>	228, 229
6453.S4	<b>99 03 0034</b>	230, 231, 232, 269, 270, 271, 272, 273, 289, 290
6453.S5	<b>99 03 0034</b>	230, 231, 232, 269, 270, 271, 272, 273, 289, 290
6453.76	<b>99 03 0014</b>	291, 292
78 030 020 00	<b>99 11 0066</b>	260
91 508 298	<b>99 03 0010</b>	291
91 516 222	<b>99 03 0014</b>	291, 292
91 538 722	<b>99 03 0005</b>	294
95 619 217	<b>70 03 0005</b>	267
96 029 000	<b>64 02 0005</b>	228, 230, 259, 269, 270, 288
96 036 288	<b>99 03 0022</b>	280
96 052 662	<b>99 03 0030</b>	233, 264, 274, 278, 292
96 088 591	<b>99 03 0038</b>	233, 264, 267, 274, 275, 279
96 088 735	<b>99 02 0056</b>	229, 259, 272, 289, 290
96 097 062	<b>99 02 0028</b>	229, 231, 259, 271, 282, 289
96 112 418	<b>99 03 0013</b>	228, 229
96 140 147	<b>64 02 0005</b>	228, 230, 259, 269, 270, 288
96 222 692	<b>99 03 0034</b>	230, 231, 232, 269, 270, 271, 272, 273, 289, 290

Ref. - No.

**SWAG**  
GERMANY**SWAG**  
GERMANY

Ref. - No.

**SWAG**  
GERMANY

Ref. - No.

**SWAG**  
GERMANY

96 222 693	<b>99 03 0034</b>	230, 231, 232, 269, 270, 271, 272, 273, 289, 290
96 379 145 80	<b>64 92 4367</b>	284
96 459 251 80	<b>64 94 0106</b>	250
96 496 758 80	<b>62 94 0466</b>	230, 231, 232, 282, 283, 286
96 520 466 80	<b>62 93 1075</b>	230, 231, 232, 236, 238, 268, 282, 283, 286
97 522 886	<b>99 03 0009</b>	228, 229, 230, 231, 259, 269, 270, 271, 272, 282, 288, 289, 290
97 532 676	<b>64 02 0005</b>	228, 230, 259, 269, 270, 288
97 535 002	<b>99 03 0009</b>	228, 229, 230, 231, 259, 269, 270, 271, 272, 282, 288, 289, 290

passend für / to fit:

**DACIA**

11 75 072 71R	<b>60 92 2329</b>	295
13 0C 174 80R	<b>60 93 7640</b>	296, 298, 299, 300
13 0C 175 29R	<b>60 91 9918</b>	295, 296, 299
13 07 011 92R	<b>60 91 9910</b>	295, 296, 299
60 01 547 291	<b>60 92 6457</b>	296
77 00 101 248	<b>60 91 9836</b>	295, 296, 299
77 00 101 427	<b>60 91 9836</b>	295, 296, 299
77 00 102 872	<b>60 92 8331</b>	296, 299
77 00 102 931	<b>60 92 1033</b>	296, 299
77 00 104 092	<b>60 92 1033</b>	296, 299
77 00 105 325	<b>60 03 0058</b>	296, 299
77 00 107 150	<b>60 91 9847</b>	295, 296, 299
77 00 108 117	<b>60 91 9910</b>	295, 296, 299
77 00 108 412	<b>60 91 9836</b>	295, 296, 299
77 00 113 558	<b>60 91 9836</b>	295, 296, 299
77 00 273 650	<b>60 91 9854</b>	296, 297, 299
77 01 109 450	<b>60 92 2329</b>	295
77 01 471 382	<b>60 91 9918</b>	295, 296, 299
77 01 471 974	<b>60 91 9918</b>	295, 296, 299
77 01 472 725	<b>60 92 1725</b>	296, 297, 299
77 01 473 001	<b>60 91 9852</b>	297, 300

77 01 476 745	<b>60 91 9852</b>	297, 300
77 01 477 014	<b>60 91 9918</b>	295, 296, 299
77 01 477 024	<b>60 92 1725</b>	296, 297, 299
82 00 035 827	<b>60 91 9851</b>	297, 300
82 00 035 834	<b>60 91 9840</b>	297, 300
82 00 071 402	<b>60 92 2329</b>	295
82 00 103 069	<b>60 91 9851</b>	297, 300
82 00 104 754	<b>60 92 1033</b>	296, 299
82 00 106 085	<b>60 91 9840</b>	297, 300
82 00 142 350	<b>60 91 9836</b>	295, 296, 299
82 00 190 572	<b>60 92 2329</b>	295
82 00 192 843	<b>60 03 0058</b>	296, 299
82 00 211 784	<b>60 03 0044</b>	296, 297, 299
82 00 277 606	<b>60 92 8331</b>	296, 299
82 00 285 009	<b>60 92 3397</b>	295
82 00 403 954	<b>60 92 8331</b>	296, 299
82 00 454 895	<b>60 91 9851</b>	297, 300
82 00 537 021	<b>60 91 9854</b>	296, 297, 299
82 00 537 026	<b>60 91 9836</b>	295, 296, 299
82 00 582 997	<b>60 03 0058</b>	296, 299
82 00 603 359	<b>60 92 8331</b>	296, 299
82 00 673 091	<b>60 92 2329</b>	295
82 00 704 394	<b>60 91 9851</b>	297, 300
82 00 840 823	<b>60 92 2329</b>	295
82 00 897 097	<b>60 91 9836</b>	295, 296, 299
82 00 897 100	<b>60 91 9836</b>	295, 296, 299
82 00 908 180	<b>62 93 7605</b>	296, 298, 299, 300
82 00 939 081	<b>60 93 7639</b>	296, 298, 299, 300
82 00 947 837	<b>60 92 3397</b>	295


passend für / to fit:


**DAEWOO**

09128722	<b>40 92 3425</b>	306
09128722 S1	<b>40 92 3427</b>	306
09128738	<b>40 03 0014</b>	302, 304, 306, 310
09158003	<b>40 03 0030</b>	309
09158004	<b>40 03 0028</b>	302, 304, 306, 310, 311
10068553	<b>89 92 3447</b>	301
10068553 S1	<b>89 92 3449</b>	301
5094008601	<b>89 03 0002</b>	301, 305, 308
90410223	<b>40 02 0006</b>	305, 308
90410223 S1	<b>40 02 0030</b>	305, 308
90411782	<b>40 03 0014</b>	302, 304, 306, 310





Ref. - No.	SWAG GERMANY	
90499401	40 03 0006	305, 308
90528603	40 92 3429	306
90530126	40 03 0028	302, 304, 306, 310, 311
92063917	40 02 0009	302, 304, 306, 310, 311
92063917 S1	40 02 0028	302, 304, 306, 310
92063918	40 02 0010	309
92063918 S1	40 02 0027	309
92065902	40 92 3425	306
92065902 S1	40 92 3427	306
92066312	40 02 0009	302, 304, 306, 310, 311
93202400	89 03 0003	301
94580139	89 92 9311	303, 307
96103222	89 03 0001	301, 305, 308
96183352	89 92 3455	301, 305, 308
96183352 S1	89 92 3457	301, 305, 308
96183353	40 02 0006	305, 308
96183353 S1	40 02 0030	305, 308
96184932	89 93 3003	302, 304, 306, 309, 310, 311
96298799	89 93 3003	302, 304, 306, 309, 310, 311
96349976	89 93 1214	303, 304, 309
96350526	89 03 0001	301, 305, 308
96350550	89 03 0002	301, 305, 308
96352407	40 02 0006	305, 308
96352407 S1	40 02 0030	305, 308
96352964 S1	89 93 1428	307
96352965	80 92 6995	307
96417177	89 92 3455	301, 305, 308
96435138	89 93 3003	302, 304, 306, 309, 310, 311
96459042	89 93 3003	302, 304, 306, 309, 310, 311
96610029	80 92 6850	303, 307
96610029 S1	89 93 2396	303, 307
96814098	89 92 3455	301, 305, 308
96966707	89 93 1214	303, 304, 309
passend für / to fit:		
<b>DODGE</b>		
04777017	14 92 8260	312, 313, 314

Ref. - No.	SWAG GERMANY	
04777395AB S1	14 92 9563	312, 314
04884320AA	14 92 9563	312, 314
4777395AB S1	14 92 9563	312, 314
4884320AA	14 92 9563	312, 314
passend für / to fit:		
<b>FIAT</b>		
1473010080	99 03 0046	331, 370
1473011080	99 02 0060	331
1473011080 S1	99 02 0061	331
46400054	70 03 0037	319, 329, 337, 340, 342, 359, 361, 364
46403659	70 02 0010	315, 316, 318, 321, 322, 330, 334, 335, 336, 343, 344, 345, 347, 350, 351, 352, 354, 355, 356, 361
46403659 S1	70 92 2377	315, 318, 321, 334, 335, 336, 345, 350, 352, 354, 361
46403679	99 03 0081	315, 316, 318, 321, 322, 330, 334, 335, 336, 343, 344, 345, 347, 350, 351, 352, 354, 355, 356, 361
46408751	70 02 0043	332, 349, 351, 357, 365, 375
46408751 S1	99 02 0040	349, 351, 357, 365, 375
46416489	70 03 0047	319, 337, 340, 342, 361
46417967	70 02 0043	332, 349, 351, 357, 365, 375
46417967 S1	99 02 0040	349, 351, 357, 365, 375
46424716	70 03 0021	319, 337, 340, 342, 349, 351, 365, 375
46439471	70 93 6365	357
46441096	70 93 6443	321, 326, 339
46457061	99 02 0036	341, 348, 350, 352, 359, 363
46474432	99 02 0001	323, 344, 348, 358, 365, 374
46474432 S1	99 02 0039	323, 344, 348, 358, 365, 374

Ref. - No.

**SWAG**  
GERMANY**SWAG**  
GERMANY

Ref. - No.

**SWAG**  
GERMANY


Ref. - No.


**SWAG**  
GERMANY

46514671	<b>70 02 0042</b>	319, 329, 337, 340, 342, 361
46514671 S1	<b>70 02 0056</b>	319, 337, 340, 342, 361
46515401	<b>99 02 0036</b>	341, 348, 350, 352, 359, 363
46515401 S1	<b>99 02 0042</b>	341, 348, 350, 352, 359, 363
46524692	<b>99 03 0080</b>	317, 318, 320, 324, 336, 338, 353
46526291	<b>70 02 0062</b>	329, 341, 345, 348, 350, 352, 359, 363
46541065	<b>99 02 0037</b>	321, 326, 339
46541065 S1	<b>99 02 0047</b>	321, 326, 339
46547564	<b>70 03 0041</b>	321, 326, 339
46548452	<b>70 92 2376</b>	315, 322, 329, 330, 332, 334, 335, 341, 343, 345, 352, 354, 355, 357, 359, 361, 363, 376
46554826	<b>70 03 0037</b>	319, 329, 337, 340, 342, 359, 361, 364
46742968	<b>70 93 6367</b>	318
46750865	<b>70 02 0063</b>	323, 341, 344, 345, 348, 358, 359, 374
46750865 S1	<b>70 91 9657</b>	323, 344, 345, 348, 358
46756937	<b>70 93 6366</b>	343, 360, 363
46782739	<b>70 92 2376</b>	315, 322, 329, 330, 332, 334, 335, 341, 343, 345, 352, 354, 355, 357, 359, 361, 363, 376
46792898	<b>70 03 0047</b>	319, 337, 340, 342, 361
46817666	<b>99 03 0081</b>	315, 316, 318, 321, 322, 330, 334, 335, 336, 343, 344, 345, 347, 350, 351, 352, 354, 355, 356, 361
55183446	<b>70 92 8663</b>	315, 316, 329, 330, 333, 334, 335, 341, 343, 345, 346, 347, 352, 354, 355, 356, 357, 359, 363, 364

55183446 S1	<b>70 92 8664</b>	315, 316, 329, 330, 333, 334, 335, 341, 343, 345, 346, 347, 352, 354, 355, 356, 357, 359, 363, 364
55183497	<b>70 92 8662</b>	315, 316, 329, 330, 333, 334, 335, 341, 343, 345, 346, 347, 352, 354, 355, 356, 357, 359, 363, 364
55183528	<b>70 92 8306</b>	321, 322
55188191	<b>70 02 0042</b>	319, 329, 337, 340, 342, 361
55188191 S1	<b>70 02 0056</b>	319, 337, 340, 342, 361
55191969	<b>70 92 2376</b>	315, 322, 329, 330, 332, 334, 335, 341, 343, 345, 352, 354, 355, 357, 359, 361, 363, 376
55192239	<b>70 03 0033</b>	317, 320, 324, 338, 353
55192240	<b>74 03 0006</b>	317, 353, 362
55192773	<b>99 03 0082</b>	321, 326, 339, 362
55193330	<b>70 93 6446</b>	318
55195023	<b>70 92 2376</b>	315, 322, 329, 330, 332, 334, 335, 341, 343, 345, 352, 354, 355, 357, 359, 361, 363, 376
55196971	<b>70 03 0030</b>	318, 336
55203785	<b>70 92 8663</b>	315, 316, 329, 330, 333, 334, 335, 341, 343, 345, 346, 347, 352, 354, 355, 356, 357, 359, 363, 364
55203785 S1	<b>70 92 8664</b>	315, 316, 329, 330, 333, 334, 335, 341, 343, 345, 346, 347, 352, 354, 355, 356, 357, 359, 363, 364
55203786	<b>70 02 0063</b>	323, 341, 344, 345, 348, 358, 359, 374
55203786 S1	<b>70 91 9657</b>	323, 344, 345, 348, 358
55204392	<b>70 93 6366</b>	343, 360, 363
55210626	<b>74 02 0011</b>	317, 353, 362
55210626 S1	<b>74 92 6147</b>	317, 353, 362



Ref. - No.	SWAG GERMANY	
55210628	<b>70 02 0041</b>	317, 320, 324, 338, 353, 362
55210628 S1	<b>99 02 0046</b>	317, 320, 324, 338, 353
55211287	<b>70 03 0037</b>	319, 329, 337, 340, 342, 359, 361, 364
55217612	<b>70 92 8663</b>	315, 316, 329, 330, 333, 334, 335, 341, 343, 345, 346, 347, 352, 354, 355, 356, 357, 359, 363, 364
55232827	<b>70 92 2376</b>	315, 322, 329, 330, 332, 334, 335, 341, 343, 345, 352, 354, 355, 357, 359, 361, 363, 376
55233759	<b>70 92 8662</b>	315, 316, 329, 330, 333, 334, 335, 341, 343, 345, 346, 347, 352, 354, 355, 356, 357, 359, 363, 364
55248394	<b>99 03 0081</b>	315, 316, 318, 321, 322, 330, 334, 335, 336, 343, 344, 345, 347, 350, 351, 352, 354, 355, 356, 361
55556090	<b>40 92 7818</b>	328, 361
55560082	<b>40 92 7792</b>	328
55562217	<b>40 92 7792</b>	328
55563512	<b>40 92 7818</b>	328, 361
55574864	<b>40 92 7792</b>	328
5889259	<b>99 02 0001</b>	323, 344, 348, 358, 365, 374
5972277	<b>70 03 0005</b>	323, 329, 332, 341, 344, 345, 348, 349, 350, 351, 352, 357, 358, 359, 363, 365, 374, 375
5997325	<b>99 03 0023</b>	325, 327, 367, 368, 374, 375
5999795	<b>70 03 0051</b>	325, 327, 366, 367, 368
60596372	<b>70 03 0033</b>	317, 320, 324, 338, 353
60607965	<b>70 03 0032</b>	317, 320, 324, 338, 353, 362
60607967	<b>74 02 0011</b>	317, 353, 362

Ref. - No.	SWAG GERMANY	
60610908	<b>70 03 0039</b>	317, 318, 320, 324, 336, 338, 353
60621380	<b>74 03 0006</b>	317, 353, 362
60625129	<b>74 02 0011</b>	317, 353, 362
60625130	<b>70 02 0041</b>	317, 320, 324, 338, 353, 362
60625130 S1	<b>99 02 0046</b>	317, 320, 324, 338, 353
60652129	<b>70 03 0032</b>	317, 320, 324, 338, 353, 362
60652477	<b>74 03 0006</b>	317, 353, 362
60656341	<b>74 02 0011</b>	317, 353, 362
60656341 S1	<b>74 92 6147</b>	317, 353, 362
60656342	<b>70 02 0041</b>	317, 320, 324, 338, 353, 362
60664403	<b>70 03 0032</b>	317, 320, 324, 338, 353, 362
60671573	<b>70 03 0032</b>	317, 320, 324, 338, 353, 362
60671789	<b>70 93 6442</b>	321, 362
60672889	<b>74 02 0011</b>	317, 353, 362
60805593	<b>70 03 0005</b>	323, 329, 332, 341, 344, 345, 348, 349, 350, 351, 352, 357, 358, 359, 363, 365, 374, 375
60812515	<b>70 03 0039</b>	317, 318, 320, 324, 336, 338, 353
60812622	<b>70 03 0033</b>	317, 320, 324, 338, 353
60812718	<b>74 03 0006</b>	317, 353, 362
60813415	<b>70 03 0032</b>	317, 320, 324, 338, 353, 362
60813590	<b>70 03 0031</b>	321, 326, 339, 362
60814462	<b>74 03 0006</b>	317, 353, 362
60816232 S1	<b>74 92 6147</b>	317, 353, 362
71719005	<b>70 02 0043</b>	332, 349, 351, 357, 365, 375
71719005 S1	<b>99 02 0040</b>	349, 351, 357, 365, 375
71719406	<b>70 03 0039</b>	317, 318, 320, 324, 336, 338, 353
71719646	<b>99 02 0001</b>	323, 344, 348, 358, 365, 374

Ref. - No.

**SWAG**  
GERMANY**SWAG**  
GERMANY

Ref. - No.

**SWAG**  
GERMANY


Ref. - No.


**SWAG**  
GERMANY

71719646 S1	<b>99 02 0039</b>	323, 344, 348, 358, 365, 374
71719650	<b>74 02 0011</b>	317, 353, 362
71719650 S1	<b>74 92 6147</b>	317, 353, 362
71719652	<b>70 02 0062</b>	329, 341, 345, 348, 350, 352, 359, 363
71719652 S1	<b>70 91 9658</b>	329, 341, 345, 348, 350, 352, 359, 363
71734799	<b>70 03 0047</b>	319, 337, 340, 342, 361
71736493	<b>70 03 0031</b>	321, 326, 339, 362
71736715	<b>70 02 0056</b>	319, 337, 340, 342, 361
71736717	<b>70 92 2377</b>	315, 318, 321, 334, 335, 336, 345, 350, 352, 354, 361
71736718	<b>70 91 9658</b>	329, 341, 345, 348, 350, 352, 359, 363
71736719	<b>70 91 9657</b>	323, 344, 345, 348, 358
71736724	<b>99 02 0046</b>	317, 320, 324, 338, 353
71736725	<b>74 92 6147</b>	317, 353, 362
71739362 S1	<b>99 13 3046</b>	328
71739801	<b>40 92 7819</b>	328
71739873	<b>40 92 3445</b>	328
71739873 S1	<b>40 92 7825</b>	328
71739919	<b>62 02 0004</b>	370
71739922	<b>62 02 0003</b>	369, 371
71740977	<b>70 03 0005</b>	323, 329, 332, 341, 344, 345, 348, 349, 350, 351, 352, 357, 358, 359, 363, 365, 374, 375
71746353	<b>70 91 9657</b>	323, 344, 345, 348, 358
<b>71748866</b>	<b>70 03 0037</b>	319, 329, 337, 340, 342, 359, 361, 364
71749474	<b>99 02 0036</b>	341, 348, 350, 352, 359, 363
71749474 S1	<b>99 02 0042</b>	<b>341, 348, 350, 352, 359, 363</b>

71753156	<b>70 92 8663</b>	315, 316, 329, 330, 333, 334, 335, 341, 343, 345, 346, 347, 352, 354, 355, 356, 357, 359, 363, 364
71753156 S1	<b>70 92 8664</b>	315, 316, 329, 330, 333, 334, 335, 341, 343, 345, 346, 347, 352, 354, 355, 356, 357, 359, 363, 364
71754561	<b>70 92 8664</b>	315, 316, 329, 330, 333, 334, 335, 341, 343, 345, 346, 347, 352, 354, 355, 356, 357, 359, 363, 364
71754843	<b>99 02 0047</b>	321, 326, 339
71754848	<b>99 02 0042</b>	341, 348, 350, 352, 359, 363
71754849	<b>99 02 0040</b>	349, 351, 357, 365, 375
71754851	<b>70 02 0058</b>	318, 336
71765652	<b>70 02 0010</b>	315, 316, 318, 321, 322, 330, 334, 335, 336, 343, 344, 345, 347, 350, 351, 352, 354, 355, 356, 361
71771252 S1	<b>99 13 3046</b>	328
71771576 SK	<b>70 91 9658</b>	329, 341, 345, 348, 350, 352, 359, 363
71773281	<b>70 02 0056</b>	319, 337, 340, 342, 361
71773284	<b>70 91 9658</b>	329, 341, 345, 348, 350, 352, 359, 363
71773289	<b>74 92 6147</b>	317, 353, 362
71773295	<b>70 91 9657</b>	323, 344, 345, 348, 358
71773305	<b>62 92 2309</b>	370, 372
71773322	<b>99 02 0047</b>	321, 326, 339
71773328	<b>99 02 0040</b>	349, 351, 357, 365, 375
71773330	<b>70 02 0058</b>	318, 336
71775900	<b>70 92 8664</b>	315, 316, 329, 330, 333, 334, 335, 341, 343, 345, 346, 347, 352, 354, 355, 356, 357, 359, 363, 364



Ref. - No.	SWAG GERMANY	
73501924	<b>70 03 0039</b>	317, 318, 320, 324, 336, 338, 353
73502730	<b>70 93 6446</b>	318
73503128	<b>99 03 0081</b>	315, 316, 318, 321, 322, 330, 334, 335, 336, 343, 344, 345, 347, 350, 351, 352, 354, 355, 356, 361
7443081	<b>70 02 0043</b>	332, 349, 351, 357, 365, 375
7541712	<b>99 03 0079</b>	325, 327, 366, 367, 368
7541718	<b>99 03 0025</b>	327, 366, 368
7554701	<b>99 02 0001</b>	323, 344, 348, 358, 365, 374
7554701 S1	<b>99 02 0039</b>	323, 344, 348, 358, 365, 374
7576135	<b>70 02 0043</b>	332, 349, 351, 357, 365, 375
7614999	<b>70 02 0016</b>	325, 327, 366, 367, 368
7635678	<b>70 03 0021</b>	319, 337, 340, 342, 349, 351, 365, 375
7646725	<b>99 02 0036</b>	341, 348, 350, 352, 359, 363
7732676	<b>99 02 0037</b>	321, 326, 339
7732676 S1	<b>99 02 0047</b>	321, 326, 339
7740252	<b>70 03 0040</b>	320, 321, 326, 338, 339, 353
7762910	<b>70 02 0037</b>	318, 336
7762910 S1	<b>70 02 0058</b>	318, 336
7763644	<b>70 03 0031</b>	321, 326, 339, 362
7772961	<b>99 03 0082</b>	321, 326, 339, 362
7778564	<b>70 93 6443</b>	321, 326, 339
7782192	<b>70 03 0030</b>	318, 336
7796283	<b>70 03 0021</b>	319, 337, 340, 342, 349, 351, 365, 375
7797142	<b>70 03 0021</b>	319, 337, 340, 342, 349, 351, 365, 375
9400816190	<b>62 02 0023</b>	370, 372
9400816589	<b>62 02 0004</b>	370
9400816989 S1	<b>62 02 0014</b>	370
9400829669	<b>62 91 9325</b>	370, 372
9400829909	<b>62 03 0016</b>	333, 357

Ref. - No.	SWAG GERMANY	
9400829929	<b>62 91 9325</b>	370, 372
9400829969	<b>62 91 9325</b>	370, 372
9400830149	<b>99 03 0006</b>	370
9400830379	<b>99 03 0006</b>	370
9400830429	<b>62 91 9189</b>	370, 372
9400830589	<b>62 91 9239</b>	373
9400830599	<b>62 91 9240</b>	373
9400831069	<b>99 02 0057</b>	369, 371
9400831349	<b>99 02 0061</b>	331
9400831489	<b>62 02 0014</b>	370
9400831559	<b>62 92 2309</b>	370, 372
9400831869	<b>62 92 1274</b>	333, 357
9400831889	<b>62 92 2309</b>	370, 372
9464464980	<b>62 02 0023</b>	370, 372
9467516789	<b>62 92 8103</b>	373
9467557280	<b>62 92 6763</b>	373
9467581780	<b>62 92 1274</b>	333, 357
9467581780	<b>62 02 0025</b>	333, 357
9467625780	<b>99 02 0057</b>	369, 371
9467626180	<b>62 02 0014</b>	370
9467627280	<b>99 02 0061</b>	331
9467628080	<b>62 92 2309</b>	370, 372
9467628880	<b>62 92 8103</b>	373
9608859180	<b>99 03 0038</b>	331, 369
9608989980	<b>70 03 0028</b>	369, 371
9609016880	<b>99 03 0066</b>	369, 371
9616660580	<b>62 91 9239</b>	373
9616660780	<b>62 91 9240</b>	373
9619779380	<b>62 02 0003</b>	369, 371
9619779380 S	<b>99 02 0057</b>	369, 371
9620038880	<b>62 92 8278</b>	373
9622234180	<b>99 03 0065</b>	370, 371
9622574480	<b>99 03 0046</b>	331, 370
9625621780	<b>99 03 0063</b>	370
9625621880	<b>99 03 0064</b>	370
9626365280	<b>99 03 0066</b>	369, 371
9632543080	<b>62 94 3685</b>	358, 371, 372
9632959380	<b>62 02 0022</b>	373
9633802580	<b>99 03 0061</b>	369
9635198280	<b>62 94 3685</b>	358, 371, 372
9635638380	<b>62 92 7563</b>	373
9636207480	<b>62 91 9356</b>	370, 372
9636640580	<b>62 91 9357</b>	370, 372

Ref. - No.

**SWAG**  
GERMANY**SWAG**  
GERMANY

Ref. - No.

**SWAG**  
GERMANY

Ref. - No.

**SWAG**  
GERMANY

9642184080	<b>62 92 6763</b>	373
9651019680	<b>62 92 8279</b>	373
9651260980	<b>62 91 9240</b>	373
9651261480	<b>62 91 9239</b>	373
9652748480	<b>62 92 6763</b>	373
9653342680	<b>62 94 3685</b>	358, 371, 372

passend für / to fit:


**FORD**


1S7Q6A228AC	<b>50 92 1771</b>	417, 425, 427, 441, 448
1 000 156	<b>50 91 9536</b>	379, 403, 424, 445, 449
1 000 156 S1	<b>50 02 0040</b>	379, 403, 424
1 000 156 S2	<b>50 92 4803</b>	379, 403, 424, 445, 449
1 000 159	<b>50 03 0042</b>	379, 403, 424, 445, 449
1 004 297	<b>50 02 0015</b>	395, 397, 398, 399, 400, 402, 405, 407, 410, 411, 412, 414, 425, 433
1 004 297 S1	<b>50 02 0038</b>	397, 398, 399, 402, 405, 411, 414, 433
1 004 297 S2	<b>50 02 0041</b>	395, 397, 433
1 004 297 S3	<b>50 92 9958</b>	399, 400, 405, 407, 410, 411, 412, 414, 425
1 004 299	<b>50 02 0015</b>	395, 397, 398, 399, 400, 402, 405, 407, 410, 411, 412, 414, 425, 433
1 004 409	<b>50 03 0024</b>	395, 397, 433
1 004 475	<b>50 03 0046</b>	395, 397, 398, 433
1 004 481	<b>50 03 0047</b>	395, 397, 398, 433
1 004 549	<b>50 91 9553</b>	386, 392, 396, 418
1 015 375	<b>50 91 7675</b>	384, 394, 396, 431, 447
1 022 214	<b>50 10 0006</b>	385, 388, 414, 417, 432, 435, 439, 447
1 027 404	<b>50 93 0795</b>	435, 448
1 032 515	<b>99 11 0205</b>	415

1 037 660	<b>50 91 9536</b>	379, 403, 424, 445, 449
1 038 384	<b>50 03 0026</b>	379, 403, 424
1 039 422	<b>50 03 0025</b>	397, 398, 399, 402, 405, 411, 414, 433
1 049 577	<b>50 93 4244</b>	379, 404, 421, 424
1 053 837	<b>50 91 9536</b>	379, 403, 424, 445, 449
1 053 942	<b>50 03 0030</b>	379, 403, 424
1 067 944	<b>50 92 1779</b>	402
1 072 031	<b>50 03 0042</b>	379, 403, 424, 445, 449
1 072 131	<b>50 03 0025</b>	397, 398, 399, 402, 405, 411, 414, 433
1 072 677	<b>30 10 0002</b>	415
1 072 678	<b>99 11 0208</b>	415
1 072 680	<b>30 09 0005</b>	415
1 073 096	<b>50 91 9824</b>	379, 403, 424
1 075 546	<b>50 92 1779</b>	402
1 075 588	<b>50 03 0045</b>	402
1 077 689	<b>50 03 0046</b>	395, 397, 398, 433
1 086 533	<b>30 09 0002</b>	415
1 089 822	<b>99 11 0391</b>	399, 402, 414, 418, 443
1 095 025	<b>50 03 0044</b>	379, 403, 424, 445, 449
1 100 693	<b>50 92 1779</b>	402
1 100 699	<b>50 03 0045</b>	402
1 104 087	<b>50 03 0025</b>	397, 398, 399, 402, 405, 411, 414, 433
1 106 830	<b>32 92 2364</b>	415
1 107 573	<b>50 03 0042</b>	379, 403, 424, 445, 449
1 111 911	<b>50 03 0025</b>	397, 398, 399, 402, 405, 411, 414, 433
1 112 807	<b>50 92 4765</b>	386, 395, 397, 398, 404, 414, 418, 433
1 113 355	<b>50 03 0025</b>	397, 398, 399, 402, 405, 411, 414, 433
1 114 044	<b>50 92 1779</b>	402
1 114 544	<b>50 93 4244</b>	379, 404, 421, 424
1 114 737	<b>50 03 0045</b>	402





Ref. - No.	SWAG GERMANY	
1 118 152	<b>30 93 2786</b>	415
1 119 172	<b>50 94 0398</b>	399, 400, 405, 407, 410, 411, 412, 417, 424, 441
1 119 861	<b>50 93 6298</b>	399, 400, 405, 407, 409, 410, 411, 412, 417, 421, 422, 424, 426, 434, 441, 448
1 119 938	<b>50 93 1288</b>	421, 422, 425, 427, 448
1 124 373	<b>50 94 0457</b>	422, 427, 434, 441, 448
1 127 103	<b>50 92 1771</b>	417, 425, 427, 441, 448
1 134 084	<b>50 93 4170</b>	404, 421, 449
1 135 627	<b>50 93 1288</b>	421, 422, 425, 427, 448
1 139 712	<b>32 92 2365</b>	415
1 139 951	<b>50 92 4765</b>	386, 395, 397, 398, 404, 414, 418, 433
1 145 280	<b>30 09 0005</b>	415
1 152 890	<b>50 92 1779</b>	402
1 213 852	<b>50 03 0044</b>	379, 403, 424, 445, 449
1 251 661	<b>50 93 2049</b>	405, 407, 410, 411, 412
1 301 972	<b>50 03 0025</b>	397, 398, 399, 402, 405, 411, 414, 433
1 301 973	<b>50 03 0025</b>	397, 398, 399, 402, 405, 411, 414, 433
1 306 666	<b>50 92 1771</b>	417, 425, 427, 441, 448
1 315 781	<b>50 93 2049</b>	405, 407, 410, 411, 412
1 318 844	<b>50 93 4170</b>	404, 421, 449
1 328 472	<b>50 03 0042</b>	379, 403, 424, 445, 449
1 347 669	<b>50 93 6298</b>	399, 400, 405, 407, 409, 410, 411, 412, 417, 421, 422, 424, 426, 434, 441, 448

Ref. - No.	SWAG GERMANY	
1 361 840	<b>50 03 0025</b>	397, 398, 399, 402, 405, 411, 414, 433
1 364 542	<b>50 93 2049</b>	405, 407, 410, 411, 412
1 371 224	<b>50 92 1771</b>	417, 425, 427, 441, 448
1 371 753	<b>55 03 0007</b>	406, 408, 420, 427, 442
1 372 015	<b>55 92 9524</b>	406, 408, 420, 427, 442
1 372 015 S1	<b>55 92 2731</b>	406, 408, 420, 427, 442
1 374 385	<b>50 93 1288</b>	421, 422, 425, 427, 448
1 374 425	<b>55 92 7567</b>	406, 408
1 374 427	<b>55 92 7566</b>	406, 408
1 376 164	<b>50 92 9952</b>	377, 379, 399, 400, 401, 405, 407, 409, 410, 411, 412, 413, 414, 425
1 382 015	<b>55 92 9524</b>	406, 408, 420, 427, 442
1 387 066	<b>50 93 3977</b>	399, 417, 425, 427, 441
1 388 493	<b>55 92 9523</b>	406, 408, 420, 427, 442
1 434 861	<b>50 05 0005</b>	380, 382, 383, 386, 389, 390, 392, 396, 418, 429, 430
1 434 861 S1	<b>99 12 5159</b>	380, 382, 383, 386, 389, 390, 392, 396, 418, 429, 430
1 434 861 S2	<b>99 12 5159</b>	380, 382, 383, 386, 389, 390, 392, 396, 418, 429, 430
1 438 094	<b>50 02 0005</b>	378, 434, 436, 438, 444, 446
1 465 914	<b>55 93 0146</b>	427, 442
1 476 893	<b>55 93 0146</b>	427, 442
1 496 915	<b>50 03 0002</b>	378, 434, 436, 437, 438, 444, 446
1 514 877	<b>55 93 0146</b>	427, 442
1 535 439	<b>70 92 8662</b>	419

Ref. - No.

**SWAG**  
GERMANY**SWAG**  
GERMANY

Ref. - No.

**SWAG**  
GERMANY

Ref. - No.


**SWAG**  
GERMANY


1 540 603	<b>55 93 0082</b>	408, 420
1 540 605	<b>55 93 0083</b>	408, 420
1 557 942	<b>99 11 0205</b>	415
1 558 384	<b>50 02 0005</b>	378, 434, 436, 438, 444, 446
1 563 519	<b>55 93 0146</b>	427, 442
1 590 748	<b>70 92 8663</b>	419
1 590 748 S1	<b>70 92 8664</b>	419
1 606 272	<b>99 11 0208</b>	415
1 639 176	<b>50 03 0008</b>	385, 388, 436, 439
1 653 887	<b>50 02 0008</b>	381, 382, 383, 391, 392, 428, 429, 430, 437
1 653 888	<b>50 02 0003</b>	380, 390, 428
1 660 554	<b>50 02 0008</b>	381, 382, 383, 391, 392, 428, 429, 430, 437
1 662 847	<b>50 10 0002</b>	385, 388, 414, 417, 432, 435, 439, 447
1 663 391	<b>50 02 0013</b>	384, 387, 394, 423, 431
1 663 392	<b>50 02 0013</b>	384, 387, 394, 423, 431
1 663 884	<b>50 22 0001</b>	384, 387, 394, 423, 431
1 669 826	<b>99 11 0205</b>	415
1 669 827	<b>30 10 0001</b>	415
1 669 830	<b>30 09 0003</b>	415
1 669 843	<b>99 11 0142</b>	415
1 669 848	<b>30 09 0001</b>	415
1 669 984	<b>32 92 2364</b>	415
1 672 144	<b>50 94 0848</b>	377, 400, 401, 409, 425
1 672 144	<b>50 94 0849</b>	401, 409, 413, 416, 420, 425, 440
1 672 144 S1	<b>50 94 0849</b>	401, 409, 413, 416, 420, 425, 440
1 675 963	<b>50 94 0562</b>	377, 400, 401, 409, 413, 416, 420, 425, 440, 449
1 685 618	<b>50 93 9930</b>	401, 409, 413, 416, 420, 440

1 685 747	<b>50 94 0210</b>	401, 409, 413, 416, 420, 425, 440
1 800 558	<b>50 93 9930</b>	401, 409, 413, 416, 420, 440
3 395 996	<b>83 92 3599</b>	432
3 396 014	<b>83 92 3627</b>	432
3 661 243	<b>83 92 3599</b>	432
4 132 488	<b>83 92 3599</b>	432
6G9N7730CE	<b>55 93 0146</b>	427, 442
6G9N7739CC	<b>55 93 0146</b>	427, 442
6G9N7739CD	<b>55 93 0146</b>	427, 442
6 029 398	<b>50 04 0008</b>	380, 382, 383, 386, 389, 390, 392, 396, 418, 429, 430
6 089 286	<b>50 03 0003</b>	380, 390, 428
6 092 137	<b>50 02 0003</b>	380, 390, 428
6 092 138	<b>50 02 0008</b>	381, 382, 383, 391, 392, 428, 429, 430, 437
6 109 189	<b>50 02 0003</b>	380, 390, 428
6 109 190	<b>50 02 0008</b>	381, 382, 383, 391, 392, 428, 429, 430, 437
6 139 911	<b>50 02 0005</b>	378, 434, 436, 438, 444, 446
6 139 911 S1	<b>50 02 0033</b>	378, 434, 436, 438, 444, 446
6 145 027		380, 390, 428
6 145 028	<b>50 03 0001</b>	381, 382, 383, 384, 386, 391, 392, 393, 428, 429, 430, 431, 437
6 155 903	<b>99 11 0203</b>	417, 435, 440, 447
6 156 318	<b>99 11 0008</b>	380, 382, 383, 386, 389, 390, 392, 396, 418, 429, 430
6 162 731	<b>50 02 0003</b>	380, 390, 428
6 162 732	<b>50 02 0008</b>	381, 382, 383, 391, 392, 428, 429, 430, 437





Ref. - No.	SWAG GERMANY	
6 172 996	<b>50 10 0002</b>	385, 388, 414, 417, 432, 435, 439, 447
6 177 698	<b>50 09 0005</b>	385, 388, 414, 417, 432, 435, 439, 447
6 178 087	<b>50 10 0006</b>	385, 388, 414, 417, 432, 435, 439, 447
6 182 891	<b>50 03 0001</b>	381, 382, 383, 384, 386, 391, 392, 393, 428, 429, 430, 431, 437
6 200 285	<b>50 91 7674</b>	392, 394
6 475 968	<b>50 02 0003</b>	380, 390, 428
6 482 249	<b>50 03 0018</b>	383, 384, 386, 392, 393
6 577 227	<b>50 93 0799</b>	384, 387, 431
6 635 941	<b>50 03 0014</b>	384, 387, 394, 423, 431
6 635 941 S	<b>50 92 2792</b>	384, 387, 394, 423, 431
6 635 941 S1	<b>50 92 2792</b>	384, 387, 394, 423, 431
6 635 942	<b>50 03 0015</b>	384, 387, 394, 423
6 710 259	<b>50 93 0799</b>	384, 387, 431
6 711 044	<b>50 02 0017</b>	384, 386, 393, 431, 437
6 711 044 S1	<b>50 02 0028</b>	384, 386, 393, 431, 437
6 711 046	<b>50 02 0008</b>	381, 382, 383, 391, 392, 428, 429, 430, 437
6 711 046 S1	<b>50 02 0042</b>	381, 382, 383, 391, 392, 428, 429, 430, 437
6 744 307	<b>50 03 0016</b>	384, 387, 394, 423, 431
6 764 161	<b>50 02 0013</b>	384, 387, 394, 423, 431
6 764 162	<b>50 02 0013</b>	384, 387, 394, 423, 431
6 794 162 S1	<b>50 02 0023</b>	384, 387, 394, 423, 431
6 794 162 S2	<b>50 02 0040</b>	379, 403, 424
6 959 172	<b>99 11 0203</b>	417, 435, 440, 447

Ref. - No.	SWAG GERMANY	
7 024 224	<b>50 91 9324</b>	384, 387, 394, 423, 431
7 053 546	<b>50 03 0018</b>	383, 384, 386, 392, 393
7 064 724	<b>50 93 0795</b>	435, 448
7 079 279	<b>99 11 0227</b>	385, 388, 414, 417, 432, 435, 439, 447
7 109 163	<b>50 92 4765</b>	386, 395, 397, 398, 404, 414, 418, 433
passend für / to fit:		
<b>HONDA</b>		
04145-PLC-315 S1	<b>85 93 1850</b>	456, 457, 463, 467
13404-PT0-003	<b>99 91 8237</b>	450, 465, 466, 467
13404-PT0-004	<b>99 91 8237</b>	450, 465, 466, 467
13405-PAA-A01	<b>99 02 0070</b>	450, 465, 466, 467
13405-PAA-A02	<b>99 02 0070</b>	450, 465, 466, 467
13405-PAA-A03	<b>99 02 0070</b>	450, 465, 466, 467
13405-PT0-004	<b>99 02 0070</b>	450, 465, 466, 467
13405-PT0-004 S1	<b>85 93 1439</b>	450, 466, 467
14400-PAA-A01	<b>85 92 4813</b>	450, 451, 467
14400-PAA-A02	<b>85 92 4813</b>	450, 451, 467
14400-PDA-E01	<b>85 92 4813</b>	450, 451, 467
14400-PDA-E01 S1	<b>85 92 4814</b>	450, 451, 467
14400-PLA-004	<b>85 93 1400</b>	456, 466
14400-PLA-004 S1	<b>85 93 1840</b>	456, 463
14400-PLM-004	<b>85 92 4811</b>	457, 463, 467
14400-PLM-004 S1	<b>85 93 1960</b>	457, 467
14400-PLM-014	<b>85 92 4811</b>	457, 463, 467
14400-PLM-014 S1	<b>85 93 1960</b>	457, 467
14400-PM3-004	<b>85 02 0006</b>	453, 460
14400-PR3-004	<b>85 02 0005</b>	454, 461
14400-PR3-004 S1	<b>85 92 4819</b>	454, 461
14400-PT0-004	<b>85 02 0008</b>	450, 466, 467
14400-P0A-004	<b>85 92 4813</b>	450, 451, 467
14400-P1G-E01	<b>85 02 0007</b>	455, 456
14400-P1G-E01 S1	<b>85 92 6136</b>	455, 456
14400-P1H-E01	<b>85 02 0004</b>	451, 454, 459, 461, 464
14400-P1J-E01	<b>85 02 0006</b>	453, 460
14400-P1J-E01 S1	<b>85 92 6075</b>	453, 460
14400-P2A-004	<b>85 02 0007</b>	455, 456

Ref. - No.

**SWAG**  
GERMANY**SWAG**  
GERMANY

Ref. - No.

**SWAG**  
GERMANY


Ref. - No.


**SWAG**  
GERMANY

14400-P2E-004	<b>85 02 0004</b>	451, 454, 459, 461, 464
14400-P2E-004 S1	<b>85 92 4817</b>	451, 459, 464
14400-P2F-A01	<b>85 02 0004</b>	451, 454, 459, 461, 464
14400-P2T-004	<b>85 02 0005</b>	454, 461
14400-P28-004	<b>85 02 0004</b>	451, 454, 459, 461, 464
14400-P45-G01	<b>85 02 0008</b>	450, 466, 467
14400-P45-G01 S1	<b>85 92 6076</b>	450, 466, 467
14400-P7A-004	<b>85 93 1400</b>	456, 466
14400-P7J-004	<b>85 92 4812</b>	460
14400-P7J-004 S1	<b>85 92 4818</b>	460
14510-PM7-003	<b>85 03 0004</b>	453, 460
14510-PM7-004	<b>85 03 0004</b>	453, 460
14510-PT0-003	<b>22 03 0022</b>	450, 451, 465, 466, 467
14510-PT0-004	<b>22 03 0022</b>	450, 451, 465, 466, 467
14510-P08-003	<b>85 91 8937</b>	455, 456
14510-P08-004	<b>85 91 8937</b>	455, 456
14510-P2A-J01	<b>85 92 4751</b>	451, 454, 459, 464, 466
14510-P2A-004	<b>85 92 4751</b>	451, 454, 459, 464, 466
14510-P30-003	<b>85 92 4767</b>	454, 460, 461, 464
14520-PLC-305 S1	<b>85 93 1850</b>	456, 457, 463, 467
14520-PLC-315 S1	<b>85 93 1850</b>	456, 457, 463, 467
14520-PLC-325 S1	<b>85 93 1850</b>	456, 457, 463, 467
14520-PLC-335 S1	<b>85 93 1850</b>	456, 457, 463, 467
14520-P2A-305	<b>85 91 8937</b>	455, 456
14520-P2A-306	<b>85 91 8937</b>	455, 456
31170-PNA-003	<b>85 93 1255</b>	451, 458, 461, 463, 467
31170-PNA-013	<b>85 93 1255</b>	451, 458, 461, 463, 467
31170-PNA-023	<b>85 93 1255</b>	451, 458, 461, 463, 467
31170-PND-003	<b>85 93 0943</b>	457
31170-PND-013	<b>85 93 0943</b>	457
31170-RWK-005	<b>85 93 2504</b>	452, 457, 462, 463
31170-RWK-025	<b>85 93 2504</b>	452, 457, 462, 463

31170-RZP-G01	<b>85 93 2504</b>	452, 457, 462, 463
31170-RZP-G02	<b>85 93 2504</b>	452, 457, 462, 463
31170-RZP-G03	<b>85 93 2504</b>	452, 457, 462, 463
passend für / to fit:		
<b>HYUNDAI</b>		
23356-33110	<b>80 92 7395</b>	473, 483, 490, 493
23356-33110 S1	<b>80 92 7396</b>	473, 483, 490, 493
23356-33120	<b>80 92 7395</b>	473, 483, 490, 493
23356-33120 S1	<b>80 92 7396</b>	473, 483, 490, 493
23356-33130	<b>80 92 7395</b>	473, 483, 490, 493
23356-33130 S1	<b>80 92 7396</b>	473, 483, 490, 493
23356-33140	<b>80 92 7395</b>	473, 483, 490, 493
23356-33140 S1	<b>80 92 7396</b>	473, 483, 490, 493
23356-33160	<b>80 92 7395</b>	473, 483, 490, 493
23356-33160 S1	<b>80 92 7396</b>	473, 483, 490, 493
23357-33120	<b>80 03 0005</b>	473, 483, 490, 493
23357-33130	<b>80 03 0005</b>	473, 483, 490, 493
23357-33350	<b>80 92 7123</b>	480, 488, 493, 495, 497
23357-38001	<b>80 92 7123</b>	480, 488, 493, 495, 497
24312-02701	<b>90 92 4464</b>	469, 478, 481, 490
24312-02701 S1	<b>90 92 4791</b>	469, 478, 481, 490
24312-22010	<b>90 92 7397</b>	468, 476, 483, 487, 491
24312-22010 S1	<b>90 92 7398</b>	468, 476, 483, 487, 491
24312-22020	<b>90 92 7397</b>	468, 476, 483, 487, 491
24312-22611	<b>90 92 6464</b>	468, 478, 483
24312-22612	<b>90 92 6464</b>	468, 478, 483
24312-22613	<b>90 92 6464</b>	468, 478, 483
24312-22613 S1	<b>90 93 1059</b>	468, 478
24312-23001	<b>82 02 0012</b>	471, 475, 482, 484, 486, 491
24312-23001 S1	<b>90 92 6903</b>	471, 475, 484
24312-23002	<b>82 02 0012</b>	471, 475, 482, 484, 486, 491
24312-23002 S1	<b>90 92 6903</b>	471, 475, 484
24312-23201	<b>90 92 6050</b>	471, 475, 485, 499, 500



Ref. - No.	SWAG GERMANY	
24312-23202	90 92 6050	471, 475, 485, 499, 500
24312-23202 S1	90 92 6052	471, 475, 485, 499, 500
24312-26000	90 92 6281	468, 474, 478, 486, 491
24312-26001	90 92 6281	468, 474, 478, 486, 491
24312-26001 S1	90 93 1061	468, 474, 491
24312-26050	90 92 6281	468, 474, 478, 486, 491
24312-33010	80 02 0012	484
24312-33020	80 02 0012	484
24312-33030	80 02 0012	484
24312-33040	80 02 0012	484
24312-33050	80 02 0012	484
24312-33060	80 02 0012	484
24312-33110	91 92 6626	482, 490, 492
24312-33120	91 92 6626	482, 490, 492
24312-33130	91 92 6626	482, 490, 492
24312-33140	91 92 6626	482, 490, 492
24312-33150	91 92 6626	482, 490, 492
24312-33160	91 92 6626	482, 490, 492
24312-37100	90 92 6300	472, 480, 488, 491, 494, 498, 500, 501
24312-37400	90 92 6300	472, 480, 488, 491, 494, 498, 500, 501
24312-37500	90 92 6300	472, 480, 488, 491, 494, 498, 500, 501
24312-37500 S1	90 93 1060	488, 491, 494, 498, 500, 501
24312-38010	90 92 6282	488, 495, 497
24312-38020	90 92 6282	488, 495, 497
24312-38210	90 92 6692	479, 488, 493
24312-38220	90 92 6692	479, 488, 493
24410-02510	90 92 4543	469, 478, 481, 490
24410-02550	90 92 4543	469, 478, 481, 490
24410-02750	90 92 4543	469, 478, 481, 490
24410-21010	80 03 0001	476, 484, 487
24410-21014	80 03 0001	476, 484, 487
24410-22020	90 92 4547	468, 474, 476, 478, 483, 486, 487, 491

Ref. - No.	SWAG GERMANY	
24410-23011	90 92 4544	471, 472, 475, 482, 484, 485, 486, 499, 500
24410-23400	90 92 4544	471, 472, 475, 482, 484, 485, 486, 499, 500
24410-23500	90 92 4544	471, 472, 475, 482, 484, 485, 486, 499, 500
24410-26000	90 92 4547	468, 474, 476, 478, 483, 486, 487, 491
24410-3E100	90 93 3185	489
24410-3E500	90 93 3185	489
24410-32000	80 92 7018	479, 480, 492
24410-32010	80 92 7018	479, 480, 492
24410-32020	80 92 7018	479, 480, 492
24410-35010	80 92 7019	477, 494
24410-35020	80 92 7019	477, 494
24410-35060	80 92 7019	477, 494
24450-33010	90 92 6735	482, 490, 492
24450-33020	90 92 6735	482, 490, 492
24450-35530	90 92 6740	470, 496, 501
24450-37100	90 92 4553	472, 488, 491, 494, 498, 500, 501
24450-37120	90 92 4553	472, 488, 491, 494, 498, 500, 501
24450-38010	90 92 8590	480, 488, 493, 495, 497
24450-38011	90 92 8590	480, 488, 493, 495, 497
24450-39810	90 92 6740	470, 496, 501
24810-23011	90 92 6051	471, 472, 475, 482, 484, 485, 486, 499, 500
24810-23050	90 92 6051	471, 472, 475, 482, 484, 485, 486, 499, 500
24810-23400	90 92 6051	471, 472, 475, 482, 484, 485, 486, 499, 500
24810-23500	90 92 6051	471, 472, 475, 482, 484, 485, 486, 499, 500

Ref. - No.

**SWAG**  
GERMANY**SWAG**  
GERMANY

Ref. - No.


**SWAG**  
GERMANY


Ref. - No.

**SWAG**  
GERMANY

24810-26010	<b>90 92 4551</b>	468, 474, 478, 486, 491
24810-26020	<b>90 92 4551</b>	468, 474, 478, 486, 491
24810-33021	<b>80 92 1787</b>	482
24810-33024	<b>80 92 1787</b>	482
24810-35530	<b>90 92 6738</b>	470, 496, 501
24810-37100	<b>90 92 6733</b>	472, 480, 488, 491, 494, 498, 500, 501
24810-37120	<b>90 92 6733</b>	472, 480, 488, 491, 494, 498, 500, 501
24810-38001	<b>80 92 1787</b>	482
25281-37101	<b>90 93 1256</b>	488, 491, 494, 498, 500, 501
25281-37120	<b>90 93 1256</b>	488, 491, 494, 498, 500, 501
25286-37100	<b>90 93 3181</b>	472
25286-37110	<b>90 93 3181</b>	472
25287-37101	<b>90 93 3181</b>	472
57212-38000	<b>90 93 1770</b>	493, 495
57212-38100 S1	<b>90 93 1770</b>	493, 495
passend für / to fit:		
<b>KIA</b>		
KK150-12-700A	<b>83 03 0001</b>	502, 518, 520, 522
KK150-12-700B	<b>83 03 0001</b>	502, 518, 520, 522
KK151-12-700	<b>83 03 0001</b>	502, 518, 520, 522
KK350-12-205	<b>91 92 6695</b>	502, 518, 520, 522
KK35012205 S1	<b>91 92 6905</b>	502, 518, 520, 522
MBP0112205B	<b>91 92 6695</b>	502, 518, 520, 522
MBP0112205B S1	<b>91 92 6905</b>	502, 518, 520, 522
MB630-12-700E	<b>83 03 0001</b>	502, 518, 520, 522
OK201-12-205	<b>91 92 6695</b>	502, 518, 520, 522
OK201-12-205 S1	<b>91 92 6905</b>	502, 518, 520, 522
OK203-12-205	<b>91 92 6698</b>	513, 522, 523, 525
OK247-12-205	<b>91 92 6625</b>	503, 509, 522, 523
OK247-12-700	<b>91 92 6605</b>	503, 509, 522, 523
OK30E-12-205	<b>91 92 6693</b>	504, 513, 520, 522, 523
OK9BV-10-730A	<b>91 93 3182</b>	505
OK9BV-10-770	<b>91 93 3183</b>	505
OK9BV-12-205	<b>91 92 6602</b>	505
OK9BV-12-206	<b>91 92 6898</b>	505
OK9BV-12-730	<b>91 92 6603</b>	505

OK9BV-12-780	<b>91 92 6624</b>	505
OK9BV-12-790	<b>91 92 6623</b>	505
OK938-12-700	<b>83 03 0007</b>	504
OK938-12-730	<b>83 03 0008</b>	503, 504, 509
OK95K-12-750	<b>91 92 6604</b>	505
OK954-12-205	<b>91 92 6696</b>	509, 510, 519, 526
OK954-12-205 S1	<b>91 92 6904</b>	509, 526
OK954-12-730	<b>91 92 6697</b>	509, 526
OK955-12-205	<b>91 92 6696</b>	509, 510, 519, 526
OK955-12-205 S1	<b>91 92 6904</b>	509, 526
OK955-12-730	<b>91 92 6697</b>	509, 526
OK955-12-730A	<b>91 92 6697</b>	509, 526
OK972-12-700	<b>83 03 0004</b>	509, 526
23357-33350	<b>80 92 7123</b>	511, 512, 524
23357-38001	<b>80 92 7123</b>	511, 512, 524
24312-02701	<b>90 92 4464</b>	517
24312-02701 S1	<b>90 92 4791</b>	517
24312-2X000	<b>91 92 6693</b>	504, 513, 520, 522, 523
24312-2Y000	<b>91 92 6625</b>	503, 509, 522, 523
24312-23202	<b>90 92 6050</b>	504, 507, 508, 514
24312-23202 S1	<b>90 92 6052</b>	504, 507, 514
24312-23202 S2	<b>90 93 3187</b>	504, 507, 508, 514
24312-26001	<b>90 92 6281</b>	507, 521
24312-26001 S1	<b>90 93 1061</b>	507, 521
24312-33160	<b>91 92 6626</b>	511
24312-37100	<b>90 92 6300</b>	512, 514, 515, 516
24312-37500	<b>90 92 6300</b>	512, 514, 515, 516
24312-37500 S1	<b>90 93 1060</b>	512, 514
24312-38010	<b>90 92 6282</b>	512
24312-38020	<b>90 92 6282</b>	512
24312-38020 S1	<b>90 93 1058</b>	512
24312-38210	<b>90 92 6692</b>	516, 524
24312-38220	<b>90 92 6692</b>	516, 524
24410-02550	<b>90 92 4543</b>	517
24410-2X000	<b>83 03 0001</b>	502, 518, 520, 522
24410-2X700	<b>83 03 0007</b>	504
24410-2X701	<b>83 03 0007</b>	504
24410-23050	<b>90 93 3186</b>	504, 507, 508, 514
24410-23500	<b>90 92 4544</b>	504, 507, 514
24410-26000	<b>90 92 4547</b>	507, 521
24410-3E100	<b>90 93 3185</b>	506, 512, 516
24410-3E500	<b>90 93 3185</b>	506, 512, 516

Ref. - No.	SWAG GERMANY	
24450-2Y000	91 92 6605	503, 509, 522, 523
24450-3Y200	91 92 6623	505
24450-33020	90 92 6735	511
24450-35530	90 92 6740	506, 515, 524
24450-37100	90 92 4553	512, 514
24450-38010	90 92 8590	512, 524
24450-38011	90 92 8590	512, 524
24450-39810	90 92 6740	506, 515, 524
24810-2X700	83 03 0008	503, 504, 509
24810-23050	90 92 6051	504, 507, 508, 514
24810-23500	90 92 6051	504, 507, 508, 514
24810-26020	90 92 4551	507, 521
24810-33024	80 92 1787	512
24810-35530	90 92 6738	506, 515, 524
24810-37100	90 92 6733	506, 512, 514, 515, 516
24810-37120	90 92 6733	506, 512, 514, 515, 516
24810-38001	80 92 1787	512
24810-39810	90 92 6738	506, 515, 524
25281-37101	90 93 1256	512, 514
25281-37120	90 93 1256	512, 514
25286-37100	90 93 3181	512, 514
25286-37110	90 93 3181	512, 514
25287-37101	90 93 3181	512, 514
passend für / to fit:		
<b>LANCIA</b>		
1473010080	99 03 0046	558
46400045	70 02 0042	529, 535, 543
46400054	70 03 0037	529, 535, 543
46403659	70 02 0010	539, 540, 546, 553, 555
46403659 S1	70 92 2377	539, 540, 546, 553, 555
46403679	99 03 0081	539, 540, 546, 553, 555
46408751	70 02 0043	527, 529, 535
46408751 S1	99 02 0040	527, 529, 535
46416489	70 03 0047	529, 535, 543
46417967	70 02 0043	527, 529, 535
46424716	70 03 0021	527, 529, 535, 543, 545
46442999	99 03 0080	531, 537, 544, 554

Ref. - No.	SWAG GERMANY	
46474432	99 02 0039	552, 553
46514671	70 02 0042	529, 535, 543
46514671 S1	70 02 0056	529, 535, 543
46524692	99 03 0080	531, 537, 544, 554
46526291	70 02 0062	553
46537101	70 91 9871	543
46541065	99 02 0037	541, 545
46541065 S1	99 02 0047	541, 545
46547566	74 92 2404	541, 550
46554826	70 03 0037	529, 535, 543
46742968	70 93 6367	553
46792898	70 03 0047	529, 535, 543
46817666	99 03 0081	539, 540, 546, 553, 555
51820520	40 94 0898	539, 540
51824328	40 94 0898	539, 540
55183446	70 92 8663	546, 555, 556
55183446 S1	70 92 8664	546, 555, 556
55183497	70 92 8662	546, 555, 556
55187100	70 92 3654	539
55188191	70 02 0042	529, 535, 543
55188191 S1	70 02 0056	529, 535, 543
55191536	74 93 6445	542, 551
55192239	70 03 0033	531, 537, 544
55192773	99 03 0082	541, 545, 550
55193330	70 93 6446	553
55196971	70 03 0030	554
55203785	70 92 8663	546, 555, 556
55203785 S1	70 92 8664	546, 555, 556
55210628	70 02 0041	531, 537, 544
55210628 S1	99 02 0046	531, 537, 544
55211287	70 03 0037	529, 535, 543
55217612	70 92 8663	546, 555, 556
55221253	74 92 2900	531, 537, 543
55232827	70 92 2376	539, 546, 555, 556
55233759	70 92 8662	546, 555, 556
55248394	99 03 0081	539, 540, 546, 553, 555
5972277	70 03 0005	527, 529, 535, 552, 553
5997325	99 03 0023	532, 533, 534, 538, 541, 549

Ref. - No.

**SWAG**  
GERMANY**SWAG**  
GERMANY

Ref. - No.

**SWAG**  
GERMANY

Ref. - No.


**SWAG**  
GERMANY


5999795	<b>70 03 0051</b>	528, 530, 532, 534, 536, 538, 541, 549
60596372	<b>70 03 0033</b>	531, 537, 544
60602136	<b>74 03 0003</b>	531, 537, 544
60607965	<b>70 03 0032</b>	531, 537, 544
60608908	<b>74 92 2900</b>	531, 537, 543
60610908	<b>70 03 0039</b>	554
60616799	<b>74 93 6445</b>	542, 551
60620443	<b>74 92 2900</b>	531, 537, 543
60625130	<b>70 02 0041</b>	531, 537, 544
60625130 S1	<b>99 02 0046</b>	531, 537, 544
60652129	<b>70 03 0032</b>	531, 537, 544
60667496	<b>74 92 2900</b>	531, 537, 543
60805593	<b>70 03 0005</b>	527, 529, 535, 552, 553
60812349	<b>74 03 0003</b>	531, 537, 544
60812384	<b>74 92 2900</b>	531, 537, 543
60812622	<b>70 03 0033</b>	531, 537, 544
60813312	<b>74 93 6445</b>	542, 551
60813590	<b>70 03 0031</b>	541, 545, 550
71719005	<b>70 02 0043</b>	527, 529, 535
71719646 S1	<b>99 02 0039</b>	552, 553
71719652	<b>70 02 0062</b>	553
71719652 S1	<b>70 91 9658</b>	553
71734799	<b>70 03 0047</b>	529, 535, 543
71736493	<b>70 03 0031</b>	541, 545, 550
71736715	<b>70 02 0056</b>	529, 535, 543
71736717	<b>70 92 2377</b>	539, 540, 546, 553, 555
71736718	<b>70 91 9658</b>	553
71736724	<b>99 02 0046</b>	531, 537, 544
71739922	<b>62 02 0003</b>	557
71740977	<b>70 03 0005</b>	527, 529, 535, 552, 553
71748866	<b>70 03 0037</b>	529, 535, 543
71753156	<b>70 92 8663</b>	546, 555, 556
71753156 S1	<b>70 92 8664</b>	546, 555, 556
71754561	<b>70 92 8664</b>	546, 555, 556
71754843	<b>99 02 0047</b>	541, 545
71754851	<b>70 02 0058</b>	554
71765652	<b>70 02 0010</b>	539, 540, 546, 553, 555
71771576 SK	<b>70 91 9658</b>	553

71773281	<b>70 02 0056</b>	529, 535, 543
71773284	<b>70 91 9658</b>	553
71773305	<b>62 92 2309</b>	547, 559
71773322	<b>99 02 0047</b>	541, 545
71773328	<b>99 02 0040</b>	527, 529, 535
71773330	<b>70 02 0058</b>	554
71775900	<b>70 92 8664</b>	546, 555, 556
73502730	<b>70 93 6446</b>	553
73503128	<b>99 03 0081</b>	539, 540, 546, 553, 555
7541712	<b>99 03 0079</b>	528, 530, 532, 534, 536, 538, 541, 549
7541718	<b>99 03 0025</b>	528, 530, 534, 536, 549
7554701	<b>99 02 0001</b>	552, 553
7554701 S1	<b>99 02 0039</b>	552, 553
7614999	<b>70 02 0016</b>	528, 530, 532, 534, 536, 538, 541, 549
7635678	<b>70 03 0021</b>	527, 529, 535, 543, 545
7702173	<b>70 03 0021</b>	527, 529, 535, 543, 545
7732676	<b>99 02 0037</b>	541, 545
7732676 S1	<b>99 02 0047</b>	541, 545
7740252	<b>70 03 0040</b>	531, 537
7762910	<b>70 02 0037</b>	554
7762910 S1	<b>70 02 0058</b>	554
7763644	<b>70 03 0031</b>	541, 545, 550
7763647	<b>74 92 2404</b>	541, 550
7772961	<b>99 03 0082</b>	541, 545, 550
7782192	<b>70 03 0030</b>	554
7798333	<b>99 03 0080</b>	531, 537, 544, 554
9400816989 S1	<b>62 02 0014</b>	558
9400829669	<b>62 91 9325</b>	547, 559
9400829929	<b>62 91 9325</b>	547, 559
9400829969	<b>62 91 9325</b>	547, 559
9400830149	<b>99 03 0006</b>	558
9400830379	<b>99 03 0006</b>	558
9400830429	<b>62 91 9189</b>	547, 559
9400830589	<b>62 91 9239</b>	548
9400830599	<b>62 91 9240</b>	548
9400831489	<b>62 02 0014</b>	558
9400831559	<b>62 92 2309</b>	547, 559





Ref. - No.	SWAG GERMANY	
9400831889	62 92 2309	547, 559
9464464980	62 02 0023	547, 559
9467516789	62 92 8103	548
9467557280	62 92 6763	548
9467625780	99 02 0057	557
9467626180	62 02 0014	558
9467628080	62 92 2309	547, 559
9467628880	62 92 8103	548
9605266280	99 03 0030	557
9608859180	99 03 0038	557
9608989980	70 03 0028	557
9609016880	99 03 0066	557
9616660580	62 91 9239	548
9616660780	62 91 9240	548
9619779380	62 02 0003	557
9619779380 S	99 02 0057	557
9620038880	62 92 8278	548
9622234180	99 03 0065	558
9622574480	99 03 0046	558
9625621780	99 03 0063	558
9625621880	99 03 0064	558
9626365280	99 03 0066	557
9632543080	62 94 3685	547, 559
9632959380	62 02 0022	548
9635198280	62 94 3685	547, 559
9635638380	62 92 7563	548
9636207480	62 91 9356	547, 559
9636640580	62 91 9357	547, 559
9642184080	62 92 6763	548
9651019680	62 92 8279	548
9651260980	62 91 9240	548
9651261480	62 91 9239	548
9652748480	62 92 6763	548
9653342680	62 94 3685	547, 559
passend für / to fit:		
<b>LAND ROVER</b>		
PQG 100180	22 93 1257	560
passend für / to fit:		
<b>LEXUS</b>		
13503-50010	81 92 6895	562, 564, 566
13503-50011	81 92 6895	562, 564, 566
13503-62030	81 92 6806	561, 564
13505-20030	81 92 6805	561, 564

Ref. - No.	SWAG GERMANY	
13505-46041	81 92 8283	561, 563, 565
13505-50030	81 92 6894	562, 564, 566
13568-29025	81 92 6845	561
13568-62030	81 92 6846	561
16604-50010	81 93 1471	562, 564, 566
16604-50030	81 93 1471	562, 564, 566
passend für / to fit:		
<b>MAZDA</b>		
BP01-12-205	91 92 6695	567, 570, 571, 572, 576, 577
BP01-12-205A	91 92 6695	567, 570, 571, 572, 576, 577
BP01-12-205B	91 92 6695	567, 570, 571, 572, 576, 577
BP02-12-205	91 92 6695	567, 570, 571, 572, 576, 577
BP02-12-205A	91 92 6695	567, 570, 571, 572, 576, 577
BP02-12-205A S1	91 92 6905	567, 570, 571, 572, 576, 577
B597-12-205	91 92 6698	570, 578, 582
B6S7-12-205	91 92 6698	570, 578, 582
B6S7-12-205A	91 92 6698	570, 578, 582
B6S7-12-205B	91 92 6698	570, 578, 582
B6S7-12-205C	91 92 6698	570, 578, 582
B6S7-12-205D	91 92 6698	570, 578, 582
B630-12-700B	83 03 0001	567, 570, 571, 572, 576
B630-12-700C	83 03 0001	567, 570, 571, 572, 576
B630-12-700D	83 03 0001	567, 570, 571, 572, 576
B630-12-700E	83 03 0001	567, 570, 571, 572, 576
B631-12-700C	83 03 0001	567, 570, 571, 572, 576
B660-12-700	83 03 0007	571, 572, 573, 577, 578, 582
B660-12-700A	83 03 0007	571, 572, 573, 577, 578, 582
B660-12-700B	83 03 0007	571, 572, 573, 577, 578, 582

Ref. - No.

**SWAG**  
GERMANY**SWAG**  
GERMANY

Ref. - No.

**SWAG**  
GERMANY

Ref. - No.

**SWAG**  
GERMANY

B660-12-700C	<b>83 03 0007</b>	571, 572, 573, 577, 578, 582
B660-12-700D	<b>83 03 0007</b>	571, 572, 573, 577, 578, 582
B660-12-700E	<b>83 03 0007</b>	571, 572, 573, 577, 578, 582
B660-12-700F	<b>83 03 0007</b>	571, 572, 573, 577, 578, 582
B660-12-730A	<b>83 03 0008</b>	570, 571, 572, 578, 582
B660-12-730B	<b>83 03 0008</b>	570, 571, 572, 578, 582
B660-12-730C	<b>83 03 0008</b>	570, 571, 572, 578, 582
C201-12-201A	<b>50 02 0015</b>	568
E92Z-6M-250A	<b>50 03 0032</b>	574, 576
FE1H-12-700A	<b>83 03 0004</b>	574, 576
FE1H-12-730	<b>50 03 0032</b>	574, 576
FE1H-12-730A	<b>50 03 0032</b>	574, 576
FE3N-12-205	<b>91 92 6696</b>	574
FE3N-12-730	<b>91 92 6697</b>	574
FP01-12-205	<b>83 92 7280</b>	572, 575, 580, 581
FP01-12-205A	<b>83 92 7280</b>	572, 575, 580, 581
FP01-12-205A S1	<b>83 92 7281</b>	572, 575, 581
FP01-12-700	<b>83 92 3601</b>	572, 575, 581
FP01-12-700A	<b>83 92 3601</b>	572, 575, 581
FP05-12-700	<b>83 92 3601</b>	572, 575, 581
FP05-12-700A	<b>83 92 3601</b>	572, 575, 581
FP05-12-700B	<b>83 92 3601</b>	572, 575, 581
FS01-12-205	<b>83 92 7282</b>	572, 575, 579, 580, 581
FS01-12-205A	<b>83 92 7282</b>	572, 575, 579, 580, 581
FS01-12-205A S1	<b>83 92 7283</b>	572, 575, 579, 580
FS01-12-700A	<b>83 92 3599</b>	572, 575, 579, 580, 581
FS01-12-700B	<b>83 92 3599</b>	572, 575, 579, 580, 581
FS01-12-730A	<b>83 92 3627</b>	572, 575, 579, 580, 581
FS05-12-700	<b>83 92 3599</b>	572, 575, 579, 580, 581


FS05-12-700A	<b>83 92 3599</b>	572, 575, 579, 580, 581
FS05-12-700B	<b>83 92 3599</b>	572, 575, 579, 580, 581
F72Z-6K-254BA	<b>83 92 3599</b>	572, 575, 579, 580, 581
F805-12-700	<b>83 03 0003</b>	574, 576
F805-12-700A	<b>83 03 0003</b>	574, 576
F805-12-700B	<b>83 03 0003</b>	574, 576
F805-12-700C	<b>83 03 0003</b>	574, 576
F806-12-700A	<b>83 03 0003</b>	574, 576
KL01-12-730	<b>83 92 8296</b>	573, 575, 577, 579, 582, 583
KL01-12-730A	<b>83 92 8296</b>	573, 575, 577, 579, 582, 583
KL01-12-740	<b>83 92 8295</b>	573, 575, 577, 579, 582, 583
LF01-12-500A	<b>50 93 6298</b>	569, 578
LF02-12-500	<b>50 93 6298</b>	569, 578
LF50-15-980	<b>50 93 2049</b>	569
LF50-15-980A	<b>50 93 2049</b>	569
LF50-15-980B	<b>50 93 2049</b>	569
L323-12-500	<b>50 93 6298</b>	569, 578
YF09-12-730	<b>50 03 0044</b>	581
YF71-12-730	<b>50 03 0044</b>	581
Z501-12-730	<b>83 93 2338</b>	573
1E05-12-205	<b>50 02 0015</b>	568
1E06-12-205	<b>50 02 0015</b>	568
9YJ-6K-254A	<b>83 03 0007</b>	571, 572, 573, 577, 578, 582


passend für / to fit:

**MERCEDES-BENZ**

271 030 05 63	<b>10 92 5410</b>	627, 632, 633, 645, 664, 667, 739, 745
271 030 06 63	<b>10 92 5410</b>	627, 632, 633, 645, 664, 667, 739, 745
271 030 07 63	<b>10 92 5410</b>	627, 632, 633, 645, 664, 667, 739, 745
271 030 08 63	<b>10 92 5410</b>	627, 632, 633, 645, 664, 667, 739, 745
271 030 09 63	<b>10 92 5410</b>	627, 632, 633, 645, 664, 667, 739, 745
102 050 00 04	<b>10 04 0010</b>	611, 613



Ref. - No.	SWAG GERMANY	
102 050 01 04	<b>10 04 0010</b>	611, 613
119 050 10 04	<b>10 04 1800</b>	605, 660, 703, 728, 729
102 050 04 05	<b>10 06 1900</b>	593, 597, 606, 609, 611, 613, 617, 670, 747
116 050 02 05	<b>10 06 1800</b>	586, 692, 694, 695, 700, 701, 715, 716, 717, 718, 719, 720
116 050 05 05	<b>10 06 1800</b>	586, 692, 694, 695, 700, 701, 715, 716, 717, 718, 719, 720
102 050 03 06	<b>10 06 1900</b>	593, 597, 606, 609, 611, 613, 617, 670, 747
102 050 06 06	<b>10 06 1900</b>	593, 597, 606, 609, 611, 613, 617, 670, 747
102 050 07 06	<b>10 06 1900</b>	593, 597, 606, 609, 611, 613, 617, 670, 747
102 050 08 06 S1	<b>10 93 6588</b>	606, 609, 617
102 050 08 06	<b>10 06 1900</b>	593, 597, 606, 609, 611, 613, 617, 670, 747
102 050 09 06	<b>10 06 0017</b>	597, 606, 608, 609, 613, 617, 670, 672, 676, 747, 749
102 050 09 06 S1	<b>10 93 6589</b>	597, 606, 608, 609, 617, 670, 672, 676, 749
621 050 01 09	<b>10 06 1300</b>	585, 691, 721
621 050 04 09		585, 691, 721
102 050 01 11	<b>10 10 1400</b>	593, 597, 606, 608, 609, 613, 617, 670, 672, 676, 747, 749
102 050 04 11	<b>10 10 1400</b>	593, 597, 606, 608, 609, 613, 617, 670, 672, 676, 747, 749
102 050 10 11 S4	<b>10 93 6589</b>	597, 606, 608, 609, 617, 670, 672, 676, 749

Ref. - No.	SWAG GERMANY	
102 050 10 11	<b>10 10 1400</b>	593, 597, 606, 608, 609, 613, 617, 670, 672, 676, 747, 749
102 050 10 11 S3	<b>10 93 6588</b>	606, 609, 617
102 050 10 11 S1	<b>99 13 0305</b>	593, 597, 606, 609, 617, 670, 672
102 050 10 11 S2	<b>99 13 0306</b>	597, 606, 608, 609, 617, 670, 672, 676
103 050 06 11	<b>10 10 1800</b>	600, 602, 615, 678, 697, 699, 714, 724
103 050 06 11 S1	<b>99 13 0307</b>	600, 602, 615, 678, 697, 699, 714, 724
104 050 05 11	<b>10 10 2100</b>	601, 603, 604, 626, 655, 657, 679, 702, 705, 723, 725, 726, 732
104 050 07 11	<b>10 10 2100</b>	601, 603, 604, 626, 655, 657, 679, 702, 705, 723, 725, 726, 732
110 050 05 11	<b>10 10 1300</b>	589, 596, 675, 693, 698, 713
110 050 06 11	<b>10 10 1300</b>	589, 596, 675, 693, 698, 713
110 050 06 11 S1	<b>99 13 0308</b>	675, 693, 698, 713
111 050 03 11	<b>10 10 2200</b>	599, 622, 623, 624, 628, 643, 653, 685, 736, 737, 744, 751, 752
111 050 04 11 S1	<b>99 13 0304</b>	599, 622, 623, 624, 628, 643, 653, 685, 736, 737, 744, 751, 752
111 050 04 11	<b>10 10 2200</b>	599, 622, 623, 624, 628, 643, 653, 685, 736, 737, 744, 751, 752
111 050 04 11 S2	<b>10 94 0621</b>	599, 622, 624, 628, 643, 653, 685, 736, 737, 744, 751, 752

Ref. - No.

**SWAG**  
GERMANY**SWAG**  
GERMANY

Ref. - No.

**SWAG**  
GERMANY


112 050 05 11 S1	<b>99 13 0303</b>	625, 629, 635, 637, 644, 647, 651, 654, 659, 661, 662, 680, 681, 686, 688, 690, 706, 707, 727, 730, 731, 735, 738, 741, 754
112 050 05 11	<b>10 10 2700</b>	625, 629, 635, 637, 644, 647, 651, 654, 656, 659, 661, 662, 680, 681, 686, 688, 690, 706, 707, 727, 730, 731, 735, 738, 741, 742, 754
112 050 07 11 S1	<b>99 13 0303</b>	625, 629, 635, 637, 644, 647, 651, 654, 659, 661, 662, 680, 681, 686, 688, 690, 706, 707, 727, 730, 731, 735, 738, 741, 754
112 050 07 11	<b>10 10 2700</b>	625, 629, 635, 637, 644, 647, 651, 654, 656, 659, 661, 662, 680, 681, 686, 688, 690, 706, 707, 727, 730, 731, 735, 738, 741, 742, 754
112 050 08 11	<b>10 10 2700</b>	625, 629, 635, 637, 644, 647, 651, 654, 656, 659, 661, 662, 680, 681, 686, 688, 690, 706, 707, 727, 730, 731, 735, 738, 741, 742, 754
112 050 08 11 S1	<b>99 13 0303</b>	625, 629, 635, 637, 644, 647, 651, 654, 659, 661, 662, 680, 681, 686, 688, 690, 706, 707, 727, 730, 731, 735, 738, 741, 754
115 050 06 11	<b>10 10 1100</b>	590, 591, 592, 594, 616, 619, 671, 673, 677
115 050 07 11	<b>10 10 1100</b>	590, 591, 592, 594, 616, 619, 671, 673, 677


Ref. - No.

**SWAG**  
GERMANY

115 050 08 11	<b>10 10 1100</b>	590, 591, 592, 594, 616, 619, 671, 673, 677
115 050 09 11	<b>10 10 1100</b>	590, 591, 592, 594, 616, 619, 671, 673, 677
115 050 09 11 S1	<b>10 93 9273</b>	671, 673, 677
115 050 11 11	<b>10 10 1100</b>	590, 591, 592, 594, 616, 619, 671, 673, 677
115 050 11 11 S1	<b>10 93 9273</b>	671, 673, 677
116 050 14 11	<b>10 10 0002</b>	586, 692, 694, 695, 715, 717
116 050 16 11	<b>10 10 0002</b>	586, 692, 694, 695, 715, 717
116 050 16 11 S1	<b>99 13 0310</b>	586, 692, 694, 715
116 050 18 11	<b>10 10 1600</b>	700, 701, 715, 716, 718, 719, 720
116 050 18 11 S1	<b>10 93 0309</b>	700, 715
117 050 09 11	<b>10 10 1600</b>	700, 701, 715, 716, 718, 719, 720
119 050 17 11 S1	<b>99 13 0313</b>	605, 660, 703, 729
119 050 17 11	<b>10 10 1900</b>	605, 660, 703, 728, 729
119 050 17 11 S2	<b>99 13 0314</b>	728
120 050 01 11	<b>10 10 2100</b>	601, 603, 604, 626, 655, 657, 679, 702, 705, 723, 725, 726, 732
120 050 02 11	<b>10 10 2100</b>	601, 603, 604, 626, 655, 657, 679, 702, 705, 723, 725, 726, 732
120 050 02 11 S2	<b>99 13 0317</b>	705, 732
120 050 02 11 S1	<b>99 13 0311</b>	604, 626, 655, 657, 679, 702, 723
123 050 03 11	<b>10 10 1200</b>	595
123 050 04 11	<b>10 10 1200</b>	595
166 050 00 11 S1	<b>99 13 0325</b>	620, 750
166 050 00 11	<b>10 10 0012</b>	620, 750
266 050 00 11 S1	<b>99 13 0549</b>	620, 621
266 050 00 11	<b>10 93 0548</b>	620, 621
266 050 02 11	<b>10 93 0548</b>	620, 621



Ref. - No.	SWAG GERMANY	
266 050 02 11 S1	<b>99 13 0549</b>	620, 621
271 050 03 11	<b>10 92 6751</b>	627, 632, 645, 664, 667, 739, 745
271 050 04 11	<b>10 92 6751</b>	627, 632, 645, 664, 667, 739, 745
271 050 06 11 S1	<b>99 13 0315</b>	627, 632, 645, 664, 667, 739, 745
271 050 06 11	<b>10 92 6751</b>	627, 632, 645, 664, 667, 739, 745
271 050 06 11 S3	<b>10 94 0953</b>	627, 632, 645, 664, 667, 739, 745
271 050 06 11 S2	<b>99 13 0316</b>	627, 632, 645, 664, 667, 739, 745
271 050 06 11 S4	<b>10 94 0954</b>	627, 632, 645, 664, 667, 739, 745
272 050 01 11	<b>10 92 6752</b>	630, 634, 648, 650, 658, 665, 669, 687, 689, 710, 734, 740, 746, 755
272 050 01 11 S2	<b>99 13 0330</b>	650, 665
272 050 03 11 S1	<b>99 13 0328</b>	630, 634, 639, 648, 650, 658, 665, 669, 682, 683, 687, 689, 708, 710, 734, 740, 746, 755
272 050 07 11 S1	<b>99 13 0328</b>	630, 634, 639, 648, 650, 658, 665, 669, 682, 683, 687, 689, 708, 710, 734, 740, 746, 755
272 050 08 11 S1	<b>99 13 0328</b>	630, 634, 639, 648, 650, 658, 665, 669, 682, 683, 687, 689, 708, 710, 734, 740, 746, 755
275 050 03 11	<b>10 92 6753</b>	636, 637, 638, 640, 683, 684, 708, 709, 711, 712, 733, 735
275 050 04 11	<b>10 92 6753</b>	636, 637, 638, 640, 683, 684, 708, 709, 711, 712, 733, 735
275 050 05 11	<b>10 92 6753</b>	636, 637, 638, 640, 683, 684, 708, 709, 711, 712, 733, 735

Ref. - No.	SWAG GERMANY	
275 050 05 11 S1	<b>99 13 0318</b>	637, 638, 640, 683, 684, 708, 709, 711, 712, 733, 735
102 050 00 16	<b>10 09 1400</b>	593, 597, 606, 609, 617, 670, 672, 747
102 050 02 16	<b>10 09 0035</b>	611, 613
102 050 04 16	<b>10 09 0035</b>	611, 613
102 050 08 16 S1	<b>10 93 6588</b>	606, 609, 617
102 050 08 16	<b>10 09 1400</b>	593, 597, 606, 609, 617, 670, 672, 747
102 050 12 16	<b>10 09 1900</b>	597, 606, 608, 609, 617, 670, 672, 676, 747, 749
103 050 03 16	<b>10 09 1700</b>	600, 602, 615, 678, 697, 699, 714, 724
103 050 05 16	<b>10 09 1700</b>	600, 602, 615, 678, 697, 699, 714, 724
104 050 08 16	<b>10 09 0055</b>	679, 702, 723, 726
104 050 15 16	<b>10 09 0055</b>	679, 702, 723, 726
110 050 07 16	<b>10 09 0016</b>	589, 596, 675, 693, 698, 713
110 050 08 16	<b>10 09 0002</b>	675, 693, 698, 713
110 050 12 16	<b>10 09 0016</b>	589, 596, 675, 693, 698, 713
110 050 15 16	<b>10 09 0004</b>	693, 698, 713
110 050 17 16	<b>10 09 0002</b>	675, 693, 698, 713
110 050 18 16	<b>10 09 0002</b>	675, 693, 698, 713
111 050 02 16	<b>10 09 0088</b>	599, 622, 623, 624, 628, 643, 653, 685, 736, 737, 744, 751, 752
111 050 09 16	<b>10 09 0085</b>	599, 622, 623, 624, 628, 643, 653, 685, 736, 737, 744, 751, 752
111 050 11 16	<b>10 09 0088</b>	599, 622, 623, 624, 628, 643, 653, 685, 736, 737, 744, 751, 752
111 050 14 16	<b>10 09 0085</b>	599, 622, 623, 624, 628, 643, 653, 685, 736, 737, 744, 751, 752

Ref. - No.

**SWAG**  
GERMANY**SWAG**  
GERMANY

Ref. - No.

**SWAG**  
GERMANY


115 050 08 16 S1	<b>10 93 9273</b>	671, 673, 677
115 050 08 16	<b>10 09 0003</b>	590, 591, 592, 594, 616, 619, 671, 673, 677
116 050 27 16	<b>10 09 1100</b>	586, 692, 694, 695, 715, 717
116 050 31 16	<b>10 09 1500</b>	700, 716
117 050 16 16	<b>10 09 1800</b>	701, 718, 719, 720
117 050 18 16	<b>10 09 1600</b>	700, 701, 715, 716, 718, 719, 720
119 050 01 16	<b>10 09 0070</b>	728
119 050 02 16	<b>10 09 0067</b>	605, 660, 703, 728, 729
119 050 03 16	<b>10 09 0068</b>	605, 660, 703, 728, 729
119 050 04 16	<b>10 09 0072</b>	605, 660, 703, 729
120 050 03 16	<b>10 09 0142</b>	705, 732
120 050 05 16	<b>10 09 0143</b>	705, 732
120 050 06 16	<b>10 09 0144</b>	705, 732
120 050 07 16	<b>10 09 0145</b>	705, 732
271 050 01 16 S1	<b>10 93 9271</b>	632, 641, 667, 741
102 052 01 01	<b>10 04 1300</b>	593, 597, 606, 609, 617, 670, 747
102 052 02 01 S1	<b>10 93 6588</b>	606, 609, 617
102 052 02 01	<b>10 04 1300</b>	593, 597, 606, 609, 617, 670, 747
102 052 09 01 S1	<b>10 93 6589</b>	597, 606, 608, 609, 617, 670, 672, 676, 749
102 052 09 01	<b>10 04 1600</b>	597, 606, 608, 609, 617, 670, 672, 676, 747, 749
116 052 06 01	<b>10 04 0004</b>	586, 692, 694, 695, 700, 701, 715, 716, 717, 718, 719, 720
121 052 02 01	<b>10 04 0001</b>	588, 590, 591, 592, 594, 616, 619, 671, 673, 677, 691
121 052 03 01 S1	<b>10 93 9273</b>	671, 673, 677
121 052 03 01	<b>10 04 0001</b>	588, 590, 591, 592, 594, 616, 619, 671, 673, 677, 691
114 052 00 02 S1	<b>10 93 9273</b>	671, 673, 677


Ref. - No.

**SWAG**  
GERMANY

114 052 00 02	<b>10 06 1200</b>	588, 590, 591, 592, 594, 616, 619, 671, 673, 677, 691
114 052 01 02	<b>10 06 1500</b>	584, 587, 595
102 052 00 03	<b>10 05 0008</b>	593, 597, 606, 609, 617, 670, 747
102 052 00 03 S1	<b>10 93 6588</b>	606, 609, 617
102 052 01 03	<b>10 05 0011</b>	597, 606, 608, 609, 617, 670, 672, 676, 749
102 052 01 03 S1	<b>10 93 6589</b>	597, 606, 608, 609, 617, 670, 672, 676, 749
103 052 00 03	<b>10 05 0010</b>	600, 602, 615, 678, 697, 699, 714, 724
119 052 01 03	<b>10 05 0004</b>	586, 605, 660, 692, 694, 695, 700, 701, 703, 715, 716, 717, 718, 719, 720, 728, 729
615 052 01 03	<b>10 05 0001</b>	585, 588, 590, 591, 592, 594, 616, 619, 671, 673, 677, 691, 721
615 052 02 03	<b>10 05 0001</b>	585, 588, 590, 591, 592, 594, 616, 619, 671, 673, 677, 691, 721
121 052 01 10	<b>99 11 0116</b>	589, 596, 675, 693, 698, 713
000 052 01 16	<b>30 10 0002</b>	753
000 052 05 16	<b>30 10 0002</b>	753
102 052 03 16 S1	<b>10 93 6588</b>	606, 609, 617
102 052 03 16	<b>10 09 0025</b>	593, 597, 606, 609, 611, 617, 670, 672, 747
102 052 04 16	<b>10 09 0026</b>	593, 597, 606, 609, 617, 670, 672, 747
102 052 04 16 S1	<b>10 93 6588</b>	606, 609, 617
102 052 13 16	<b>10 09 0045</b>	597, 606, 608, 609, 613, 617, 670, 672, 676, 747, 749



Ref. - No.	SWAG GERMANY	
102 052 14 16	<b>10 09 0046</b>	597, 606, 608, 609, 617, 670, 672, 676, 747, 749
103 052 03 16	<b>10 09 0047</b>	600, 602, 615, 678, 697, 699, 714, 724
103 052 04 16	<b>10 09 0048</b>	600, 602, 615, 678, 697, 699, 714, 724
103 052 05 16	<b>10 09 0047</b>	600, 602, 615, 678, 697, 699, 714, 724
103 052 06 16	<b>10 09 0048</b>	600, 602, 615, 678, 697, 699, 714, 724
103 052 07 16	<b>10 09 0047</b>	600, 602, 615, 678, 697, 699, 714, 724
103 052 08 16	<b>10 09 0048</b>	600, 602, 615, 678, 697, 699, 714, 724
104 052 04 16	<b>10 09 0061</b>	603, 725
104 052 05 16	<b>10 09 0059</b>	725
104 052 07 16	<b>10 09 0053</b>	603, 725
104 052 08 16	<b>10 09 0049</b>	601, 603, 604, 626, 655, 657, 679, 702, 723, 725, 726
104 052 14 16	<b>10 09 0049</b>	601, 603, 604, 626, 655, 657, 679, 702, 723, 725, 726
110 052 04 16	<b>10 09 0016</b>	589, 596, 675, 693, 698, 713
110 052 07 16	<b>10 09 0004</b>	693, 698, 713
110 052 08 16	<b>10 09 0016</b>	589, 596, 675, 693, 698, 713
111 052 10 16	<b>10 09 0087</b>	599, 622, 623, 624, 628, 643, 653, 685, 736, 737, 744, 751, 752
112 052 00 16	<b>10 09 0148</b>	625, 629, 635, 637, 644, 647, 654, 656, 659, 661, 662, 680, 681, 686, 688, 690, 706, 707, 727, 730, 731, 738, 741
112 052 01 16	<b>10 09 0147</b>	625, 629, 635, 637, 644, 647, 654, 656, 659, 661, 662, 680, 681, 686, 688, 690, 706, 707, 727, 730, 731, 738, 741

Ref. - No.	SWAG GERMANY	
112 052 02 16	<b>10 09 0149</b>	625, 629, 635, 637, 644, 647, 654, 656, 659, 661, 662, 680, 681, 686, 688, 690, 706, 707, 727, 730, 731, 738, 741
115 052 00 16 S1	<b>10 93 9273</b>	671, 673, 677
115 052 04 16	<b>10 09 0013</b>	584, 585, 587, 588, 590, 591, 592, 594, 616, 619, 671, 673, 677, 691, 721
115 052 07 16	<b>10 09 0014</b>	584, 585, 587, 588, 590, 591, 592, 594, 595, 616, 619, 671, 673, 677, 691, 696, 721
115 052 07 16 S1	<b>10 93 9273</b>	671, 673, 677
116 052 17 16	<b>10 09 0021</b>	586, 692, 694, 700, 715, 716
117 052 08 16	<b>10 09 0009</b>	695, 701, 717, 718, 719, 720
117 052 09 16	<b>10 09 0020</b>	695, 701, 717, 718, 719, 720
117 052 10 16	<b>10 09 0027</b>	700, 701, 716, 718, 719, 720
119 052 01 16	<b>10 09 0074</b>	728
119 052 06 16	<b>10 09 0065</b>	728
119 052 09 16	<b>10 09 0069</b>	605, 660, 703, 728, 729
119 052 11 16	<b>10 09 0064</b>	605, 660, 703, 728, 729
119 052 12 16	<b>10 09 0062</b>	660
137 052 04 16	<b>10 92 4282</b>	636, 637, 638, 640, 683, 684, 708, 709, 711, 712, 733, 735
137 052 05 16	<b>10 92 4283</b>	636, 637, 638, 640, 683, 684, 708, 709, 711, 712, 733, 735
137 052 07 16	<b>10 92 4284</b>	636, 637, 638, 640, 683, 684, 708, 709, 711, 712, 733, 735
137 052 08 16	<b>10 92 4285</b>	636, 637, 638, 640, 683, 684, 708, 709, 711, 712, 733, 735
166 052 00 16	<b>10 92 4281</b>	620, 750

Ref. - No.

**SWAG**  
GERMANY**SWAG**  
GERMANY

Ref. - No.

**SWAG**  
GERMANY

271 052 04 16	<b>99 13 0259</b>	627, 632, 645, 664, 667, 739, 745
271 052 10 16	<b>10 92 4286</b>	627, 632, 645, 664, 667, 739, 745
271 052 11 16	<b>10 92 4287</b>	627, 632, 645, 664, 667, 739, 745
271 052 15 16 S1	<b>10 93 9271</b>	632, 641, 667, 741
271 052 16 16 S1	<b>10 93 9271</b>	632, 641, 667, 741
272 052 00 16	<b>10 93 0503</b>	630, 634, 639, 648, 650, 658, 665, 669, 682, 683, 687, 689, 708, 710, 734, 740, 746, 755
272 052 02 16	<b>10 93 0505</b>	630, 634, 639, 648, 650, 658, 665, 669, 682, 683, 687, 689, 708, 710, 734, 740, 746, 755
272 052 11 16	<b>10 93 0504</b>	630, 634, 639, 648, 650, 658, 665, 669, 682, 683, 687, 689, 708, 710, 734, 740, 746, 755
272 052 12 16	<b>10 93 0504</b>	630, 634, 639, 648, 650, 658, 665, 669, 682, 683, 687, 689, 708, 710, 734, 740, 746, 755
272 052 13 16	<b>10 93 0502</b>	630, 634, 639, 650, 658, 665, 669, 682, 683, 687, 689, 708, 710, 734, 740, 746, 755
272 052 15 16	<b>10 93 0504</b>	630, 634, 639, 648, 650, 658, 665, 669, 682, 683, 687, 689, 708, 710, 734, 740, 746, 755
272 052 16 16	<b>10 93 0504</b>	630, 634, 639, 648, 650, 658, 665, 669, 682, 683, 687, 689, 708, 710, 734, 740, 746, 755
272 052 17 16	<b>10 93 0502</b>	630, 634, 639, 650, 658, 665, 669, 682, 683, 687, 689, 708, 710, 734, 740, 746, 755
102 052 00 83	<b>10 09 0024</b>	593, 597, 606, 609, 617, 670, 747



Ref. - No.

**SWAG**  
GERMANY

102 052 04 83	<b>10 09 0024</b>	593, 597, 606, 609, 617, 670, 747
102 052 06 83	<b>10 09 0044</b>	608, 672, 676
103 052 00 83	<b>10 09 0040</b>	600, 602, 615, 678, 697, 699, 714, 724
103 052 01 83	<b>10 09 0040</b>	600, 602, 615, 678, 697, 699, 714, 724
116 052 00 83	<b>10 09 0029</b>	586, 692, 694, 695, 700, 701, 715, 716
117 052 00 83	<b>10 09 0008</b>	717, 718, 719, 720
123 130 00 15	<b>10 14 0004</b>	618, 696
116 130 01 60	<b>10 14 0004</b>	618, 696
116 130 04 60	<b>10 14 0004</b>	618, 696
314 130 00 60	<b>10 14 0004</b>	618, 696
314 130 01 60	<b>10 14 0004</b>	618, 696
314 130 02 60	<b>10 14 0004</b>	618, 696
314 130 03 60	<b>10 14 0004</b>	618, 696
116 132 02 15	<b>10 14 0004</b>	618, 696
266 155 01 15	<b>10 92 7841</b>	620, 621
271 155 01 15	<b>10 92 1684</b>	627, 646, 664, 739
271 155 00 16	<b>10 92 1684</b>	627, 646, 664, 739
102 200 04 14	<b>10 52 0019</b>	598, 612, 614
102 200 07 14	<b>10 52 0019</b>	598, 612, 614
102 200 08 14	<b>10 52 0015</b>	598, 607, 608, 610, 676, 748
102 200 12 14	<b>10 52 0015</b>	598, 607, 608, 610, 676, 748
102 200 14 14	<b>10 52 0015</b>	598, 607, 608, 610, 676, 748
102 200 15 14	<b>10 52 0019</b>	598, 612, 614
103 200 01 14	<b>10 52 0012</b>	600, 601, 602, 603, 604, 615, 626, 678, 702, 714, 723, 725, 726
111 200 04 14	<b>10 91 9995</b>	599, 622, 623, 624, 628, 643, 653, 685, 736, 737, 744, 751, 752
112 200 00 14	<b>10 52 0025</b>	625, 629, 635, 647, 654, 656, 661, 662, 680, 681, 706, 707, 727, 731, 735, 738





Ref. - No.	SWAG GERMANY		Ref. - No.	SWAG GERMANY	
272 200 01 14	<b>10 93 0460</b>	630, 634, 640, 642, 648, 650, 652, 658, 665, 669, 681, 682, 688, 689, 710, 734, 740, 746, 755	102 200 34 70	<b>10 03 1000</b>	598, 607, 608, 610, 674, 676, 748
272 200 01 14	<b>10 92 7454</b>	630, 634, 640, 642, 648, 650, 652, 658, 665, 669, 682, 688, 689, 710, 734, 740, 746, 755	102 200 60 70	<b>10 03 1000</b>	598, 607, 608, 610, 674, 676, 748
601 200 03 14	<b>10 52 0018</b>	697, 699, 724	102 200 60 70 S	<b>10 03 0048</b>	598, 674
601 200 05 14	<b>10 52 0018</b>	697, 699, 724	102 200 66 70 S	<b>10 03 0048</b>	598, 674
603 200 01 14	<b>10 52 0018</b>	697, 699, 724	102 200 66 70	<b>10 03 1000</b>	598, 607, 608, 610, 674, 676, 748
603 200 03 14	<b>10 52 0018</b>	697, 699, 724	102 200 69 70 S	<b>10 03 0048</b>	598, 674
604 200 01 14	<b>10 52 0018</b>	697, 699, 724	102 200 69 70	<b>10 03 1000</b>	598, 607, 608, 610, 674, 676, 748
604 200 03 14	<b>10 52 0018</b>	697, 699, 724	102 200 69 70 S1	<b>10 03 0048</b>	598, 674
102 200 00 36	<b>10 03 1002</b>	598, 607, 608, 610, 612, 614, 674, 676, 748	102 200 77 70	<b>10 03 1200</b>	612, 614
102 200 02 36	<b>10 03 1002</b>	598, 607, 608, 610, 612, 614, 674, 676, 748	103 200 04 70	<b>10 03 1400</b>	600, 601, 602, 603, 604, 615, 626, 678, 697, 699, 702, 714, 723, 724, 725, 726
102 200 02 36 S1	<b>10 91 2515</b>	598, 607, 608, 610, 618, 674, 676, 748	103 200 05 70	<b>10 03 0002</b>	600, 601, 602, 603, 604, 615, 626, 678, 697, 699, 702, 714, 723, 724, 725, 726
103 200 00 36	<b>10 03 1402</b>	600, 601, 602, 603, 604, 615, 626, 678, 697, 699, 702, 714, 723, 724, 725, 726	103 200 06 70	<b>10 03 1400</b>	600, 601, 602, 603, 604, 615, 626, 678, 697, 699, 702, 714, 723, 724, 725, 726
103 200 01 36	<b>10 03 1402</b>	600, 601, 602, 603, 604, 615, 626, 678, 697, 699, 702, 714, 723, 724, 725, 726	103 200 07 70	<b>10 03 1400</b>	600, 601, 602, 603, 604, 615, 626, 678, 697, 699, 702, 714, 723, 724, 725, 726
103 200 02 36	<b>10 03 1402</b>	600, 601, 602, 603, 604, 615, 626, 678, 697, 699, 702, 714, 723, 724, 725, 726	103 200 08 70	<b>10 03 1400</b>	600, 601, 602, 603, 604, 615, 626, 678, 697, 699, 702, 714, 723, 724, 725, 726
102 200 12 70	<b>10 03 1000</b>	598, 607, 608, 610, 674, 676, 748	104 200 04 70	<b>10 03 0028</b>	702
102 200 12 70 S	<b>10 03 0048</b>	598, 674	104 200 05 70	<b>10 03 1500</b>	702
102 200 33 70 S	<b>10 03 0048</b>	598, 674	104 200 08 70	<b>10 03 0026</b>	626, 655, 657, 679, 723, 726
102 200 33 70	<b>10 03 1000</b>	598, 607, 608, 610, 674, 676, 748	104 200 10 70	<b>10 03 0027</b>	604, 624, 626, 628, 643, 655, 657, 679, 702, 723, 726, 737
102 200 34 70 S	<b>10 03 0048</b>	598, 674			

Ref. - No.

**SWAG**  
GERMANY**SWAG**  
GERMANY

Ref. - No.

**SWAG**  
GERMANY


Ref. - No.


**SWAG**  
GERMANY

111 200 00 70	<b>10 03 0010</b>	599, 622, 623, 624, 628, 643, 653, 685, 736, 737, 744, 751, 752
111 200 06 70	<b>10 03 0019</b>	599, 622, 623, 624, 628, 643, 653, 685, 736, 737, 744, 751, 752
111 200 07 70	<b>10 03 0019</b>	599, 622, 623, 624, 628, 643, 653, 685, 736, 737, 744, 751, 752
111 200 12 70	<b>10 03 0019</b>	599, 622, 623, 624, 628, 643, 653, 685, 736, 737, 744, 751, 752
111 200 13 70	<b>10 92 8229</b>	623, 624, 628, 643, 653, 736
112 200 00 70	<b>10 03 0034</b>	625, 629, 635, 637, 644, 647, 651, 654, 656, 659, 661, 662, 680, 681, 686, 688, 690, 706, 707, 727, 730, 731, 735, 738, 741, 754, 755
112 200 01 70	<b>10 03 0034</b>	625, 629, 635, 637, 644, 647, 651, 654, 656, 659, 661, 662, 680, 681, 686, 688, 690, 706, 707, 727, 730, 731, 735, 738, 741, 754, 755
112 200 03 70	<b>10 03 0034</b>	625, 629, 635, 637, 644, 647, 651, 654, 656, 659, 661, 662, 680, 681, 686, 688, 690, 706, 707, 727, 730, 731, 735, 738, 741, 754, 755
112 200 06 70	<b>10 03 0034</b>	625, 629, 635, 637, 644, 647, 651, 654, 656, 659, 661, 662, 680, 681, 686, 688, 690, 706, 707, 727, 730, 731, 735, 738, 741, 754, 755

112 200 08 70	<b>10 03 0034</b>	625, 629, 635, 637, 644, 647, 651, 654, 656, 659, 661, 662, 680, 681, 686, 688, 690, 706, 707, 727, 730, 731, 735, 738, 741, 754, 755
112 200 09 70	<b>10 03 0034</b>	625, 629, 635, 637, 644, 647, 651, 654, 656, 659, 661, 662, 680, 681, 686, 688, 690, 706, 707, 727, 730, 731, 735, 738, 741, 754, 755
113 200 00 70	<b>10 93 6981</b>	635, 651, 662, 681, 707, 735, 742
113 200 01 70	<b>10 93 6981</b>	635, 651, 662, 681, 707, 735, 742
119 200 01 70	<b>10 03 1600</b>	703, 704, 728
119 200 02 70	<b>10 03 1600</b>	703, 704, 728
119 200 03 70	<b>10 03 0007</b>	703, 704
119 200 04 70	<b>10 03 0008</b>	605, 703, 704
119 200 09 70	<b>10 03 0012</b>	623, 624, 626, 628, 643, 653, 655, 657, 660, 679, 703, 704, 729, 736
119 200 10 70	<b>10 03 0044</b>	660, 703, 704, 729
119 200 11 70	<b>10 03 0044</b>	660, 703, 704, 729
119 200 14 70	<b>10 03 0012</b>	623, 624, 626, 628, 643, 653, 655, 657, 660, 679, 703, 704, 729, 736
120 200 02 70	<b>10 03 0018</b>	705, 732
120 200 03 70		705
120 200 04 70	<b>10 03 0006</b>	629, 702, 705, 732, 738
120 200 05 70	<b>10 03 0018</b>	705, 732
137 200 02 70	<b>10 91 9405</b>	636, 708
156 200 04 70	<b>10 94 0446</b>	631, 639, 646, 649, 663, 666, 687, 690, 709, 732, 743
156 200 05 70	<b>10 94 0446</b>	631, 639, 646, 649, 663, 666, 687, 690, 709, 732, 743
166 200 06 70	<b>10 93 2148</b>	620



Ref. - No.	SWAG GERMANY	
166 200 09 70	<b>10 93 2148</b>	620
266 200 06 70	<b>10 93 4916</b>	620
266 200 09 70	<b>10 93 4916</b>	620
271 200 02 70	<b>10 92 2776</b>	627, 633, 646, 664, 739, 745
271 200 04 70	<b>10 93 7697</b>	627, 633, 646, 652, 664, 668, 739, 742, 745
271 200 05 70	<b>10 93 6933</b>	627, 633, 646, 664, 668, 739, 745
272 200 00 70	<b>10 93 0460</b>	630, 634, 640, 642, 648, 650, 652, 658, 665, 669, 681, 682, 688, 689, 710, 734, 740, 746, 755
272 200 00 70	<b>10 92 8149</b>	630, 634, 640, 642, 648, 650, 652, 658, 665, 669, 682, 688, 689, 710, 734, 740, 746, 755
272 200 02 70 S1	<b>10 93 0460</b>	630, 634, 640, 642, 648, 650, 652, 658, 665, 669, 681, 682, 688, 689, 710, 734, 740, 746, 755
272 200 02 70 S2	<b>10 93 6933</b>	627, 633, 646, 664, 668, 739, 745
272 200 02 70	<b>10 92 8149</b>	630, 634, 640, 642, 648, 650, 652, 658, 665, 669, 682, 688, 689, 710, 734, 740, 746, 755
272 200 02 70	<b>10 93 0460</b>	630, 634, 640, 642, 648, 650, 652, 658, 665, 669, 681, 682, 688, 689, 710, 734, 740, 746, 755
601 200 07 70	<b>10 03 0001</b>	598, 600, 602, 603, 605, 607, 610, 612, 614, 615, 678, 704, 714, 728, 729, 748
601 200 09 70	<b>10 03 0005</b>	598, 607, 608, 610, 612, 614, 674, 676, 728, 748
601 200 10 70	<b>10 03 0004</b>	601, 603, 604, 626, 655, 657, 660, 679, 729
601 200 12 70	<b>10 03 0011</b>	674

Ref. - No.	SWAG GERMANY	
642 200 09 70	<b>10 03 0047</b>	636, 708, 709
642 200 10 70	<b>10 03 0047</b>	636, 708, 709
642 200 23 70	<b>10 03 0047</b>	636, 708, 709
642 200 25 70	<b>10 03 0047</b>	636, 708, 709
668 200 05 70	<b>10 93 2148</b>	620
000 202 00 19	<b>30 03 0032</b>	625, 629, 630, 634, 635, 637, 640, 642, 644, 647, 648, 650, 651, 652, 654, 656, 658, 659, 661, 662, 665, 669, 680, 681, 682, 686, 687, 688, 689, 690, 706, 707, 710, 727, 730, 731, 734, 735, 738, 740, 741, 746, 754, 755
000 202 03 19	<b>10 03 0046</b>	636, 638, 641, 708, 709, 711, 733
000 202 07 19	<b>10 03 0046</b>	636, 638, 641, 708, 709, 711, 733
000 202 08 19	<b>10 03 0046</b>	636, 638, 641, 708, 709, 711, 733
000 202 09 19	<b>30 03 0032</b>	625, 629, 630, 634, 635, 637, 640, 642, 644, 647, 648, 650, 651, 652, 654, 656, 658, 659, 661, 662, 665, 669, 680, 681, 682, 686, 687, 688, 689, 690, 706, 707, 710, 727, 730, 731, 734, 735, 738, 740, 741, 746, 754, 755
000 202 16 19	<b>10 93 7703</b>	633, 652, 668, 742
000 202 17 19	<b>10 93 7702</b>	633, 652, 668, 742
111 202 01 19	<b>10 03 0045</b>	623, 624, 628, 643, 653, 736, 737
113 202 00 19	<b>10 93 6931</b>	635, 637, 639, 646, 649, 651, 662, 663, 666, 681, 687, 690, 707, 709, 735
137 202 01 19	<b>10 03 0047</b>	636, 708, 709
166 202 00 19	<b>10 92 3780</b>	620, 621, 750
166 202 01 19	<b>10 92 4178</b>	620, 621
166 202 02 19	<b>10 92 3781</b>	620, 750
166 202 03 19	<b>10 92 3780</b>	620, 621, 750
166 202 04 19	<b>10 92 4178</b>	620, 621
166 202 05 19	<b>10 92 3781</b>	620, 750
166 202 06 19	<b>10 92 3781</b>	620, 750

Ref. - No.

**SWAG**  
GERMANY**SWAG**  
GERMANY

Ref. - No.

**SWAG**  
GERMANY


166 202 07 19	<b>10 92 3780</b>	620, 621, 750
166 202 08 19	<b>10 92 4178</b>	620, 621
266 202 00 19	<b>10 92 4178</b>	620, 621
272 202 01 19	<b>10 92 8234</b>	630, 634, 648, 650, 652, 658, 665, 688, 689, 740
272 202 02 19	<b>10 92 8234</b>	630, 634, 648, 650, 652, 658, 665, 688, 689, 740
272 202 04 19	<b>10 93 0454</b>	630, 634, 640, 642, 648, 650, 652, 658, 665, 669, 681, 682, 688, 689, 710, 734, 740, 746, 755
272 202 06 19	<b>10 93 0454</b>	630, 634, 640, 642, 648, 650, 652, 658, 665, 669, 681, 682, 688, 689, 710, 734, 740, 746, 755
272 202 07 19	<b>10 93 0454</b>	630, 634, 640, 642, 648, 650, 652, 658, 665, 669, 681, 682, 688, 689, 710, 734, 740, 746, 755
272 202 08 19 S1	<b>30 03 0032</b>	625, 629, 630, 634, 635, 637, 640, 642, 644, 647, 648, 650, 651, 652, 654, 656, 658, 659, 661, 662, 665, 669, 680, 681, 682, 686, 687, 688, 689, 690, 706, 707, 710, 727, 730, 731, 734, 735, 738, 740, 741, 746, 754, 755
272 202 10 19 S1	<b>30 03 0032</b>	625, 629, 630, 634, 635, 637, 640, 642, 644, 647, 648, 650, 651, 652, 654, 656, 658, 659, 661, 662, 665, 669, 680, 681, 682, 686, 687, 688, 689, 690, 706, 707, 710, 727, 730, 731, 734, 735, 738, 740, 741, 746, 754, 755


Ref. - No.

**SWAG**  
GERMANY

272 202 12 19 S1	<b>30 03 0032</b>	625, 629, 630, 634, 635, 637, 640, 642, 644, 647, 648, 650, 651, 652, 654, 656, 658, 659, 661, 662, 665, 669, 680, 681, 682, 686, 687, 688, 689, 690, 706, 707, 710, 727, 730, 731, 734, 735, 738, 740, 741, 746, 754, 755
272 202 14 19	<b>10 93 0454</b>	630, 634, 640, 642, 648, 650, 652, 658, 665, 669, 681, 682, 688, 689, 710, 734, 740, 746, 755
640 202 03 19	<b>10 92 3780</b>	620, 621, 750
640 202 04 19	<b>10 92 3779</b>	620, 621
668 202 00 19	<b>10 92 3780</b>	620, 621, 750
668 202 01 19	<b>10 92 3779</b>	620, 621
668 202 02 19	<b>10 92 3781</b>	620, 750
668 202 03 19	<b>10 92 3780</b>	620, 621, 750
668 202 04 19	<b>10 92 3779</b>	620, 621
668 202 05 19	<b>10 92 4178</b>	620, 621
102 202 02 72	<b>10 03 0041</b>	674, 748
271 206 00 19	<b>10 92 4730</b>	627, 633, 646, 664, 668, 739, 745
647 230 00 40 S1	<b>10 14 0004</b>	618, 696
611 234 01 93	<b>40 03 0021</b>	640, 642
611 234 02 93	<b>40 03 0021</b>	640, 642
111 990 03 05	<b>10 03 0019</b>	599, 622, 623, 624, 628, 643, 653, 685, 736, 737, 744, 751, 752
000 993 06 76	<b>99 11 0459</b>	630, 634, 639, 648, 650, 658, 665, 669, 682, 683, 687, 689, 710, 734, 740, 746, 755
000 993 06 76 S2	<b>10 94 0105</b>	630, 634, 639, 648, 650, 658, 665, 669, 682, 687, 689, 710, 734, 740, 746, 755
000 993 06 76 S1	<b>10 93 3895</b>	669, 682, 710
000 993 11 76	<b>99 11 0444</b>	620, 621
000 993 19 76	<b>99 13 0394</b>	627, 632, 645, 664, 667, 739, 745



Ref. - No.	SWAG GERMANY	
000 993 20 76 S1	<b>10 93 3894</b>	627, 632, 645, 664, 667, 739, 745
000 993 20 76	<b>99 13 0393</b>	627, 632, 645, 664, 667, 739, 745
000 993 21 76	<b>99 17 7012</b>	627, 632, 645, 647, 664, 667, 739, 745
000 993 21 76 S2	<b>99 13 0394</b>	627, 632, 645, 664, 667, 739, 745
000 993 09 78 S3	<b>10 93 9568</b>	632, 641, 667
000 993 09 78 S2	<b>10 93 9271</b>	632, 641, 667, 741
000 993 09 78 S1	<b>10 93 9269</b>	632, 641, 667
000 993 09 78	<b>99 13 8019</b>	632, 641, 667, 741
000 993 10 78 S1	<b>99 13 8019</b>	632, 641, 667, 741
000 993 10 78	<b>10 93 9269</b>	632, 641, 667
000 993 10 78 S2	<b>10 93 9271</b>	632, 641, 667, 741
000 993 10 78 S3	<b>10 93 9568</b>	632, 641, 667
000 997 05 94	<b>99 11 0116</b>	589, 596, 675, 693, 698, 713
000 997 06 94	<b>99 11 0110</b>	588, 691
000 997 07 94	<b>99 11 0119</b>	585, 691, 721
000 997 08 94	<b>99 11 0110</b>	588, 691
000 997 09 94	<b>99 11 0116</b>	589, 596, 675, 693, 698, 713
000 997 10 94	<b>99 11 0119</b>	585, 691, 721
000 997 23 94	<b>99 11 0046</b>	584, 587
000 997 24 94	<b>99 11 0046</b>	584, 587
000 997 31 94	<b>99 11 0124</b>	586, 692, 694, 700, 715, 716
000 997 32 94	<b>99 11 0127</b>	695, 701, 718, 719
000 997 32 94	<b>99 11 0126</b>	695, 701, 717, 718, 719, 720
000 997 34 94	<b>99 11 0112</b>	590, 591, 592, 594, 616, 619, 671, 673, 677
000 997 38 94	<b>99 11 0116</b>	589, 596, 675, 693, 698, 713
000 997 39 94	<b>99 11 0119</b>	585, 691, 721
000 997 42 94	<b>99 11 0112</b>	590, 591, 592, 594, 616, 619, 671, 673, 677
000 997 44 94	<b>99 11 0110</b>	588, 691
000 997 45 94	<b>99 11 0116</b>	589, 596, 675, 693, 698, 713

Ref. - No.	SWAG GERMANY	
000 997 46 94	<b>99 11 0119</b>	585, 691, 721
000 997 68 94	<b>99 11 0046</b>	584, 587
000 997 69 94	<b>99 11 0116</b>	589, 596, 675, 693, 698, 713
000 997 70 94	<b>99 11 0110</b>	588, 691
000 997 71 94 S1	<b>10 93 9273</b>	671, 673, 677
000 997 71 94	<b>99 11 0112</b>	590, 591, 592, 594, 616, 619, 671, 673, 677
000 997 75 94	<b>99 11 0124</b>	586, 692, 694, 700, 715, 716
000 997 76 94	<b>99 11 0126</b>	695, 701, 717, 718, 719, 720
000 997 80 94 S1	<b>99 11 0044</b>	595
000 997 90 94	<b>99 11 0280</b>	700, 715
000 997 92 94	<b>99 11 0219</b>	593, 597, 606, 608, 609, 617, 670, 672, 747
000 997 92 94 S	<b>10 91 1118</b>	670, 747
000 997 98 94	<b>99 11 0219</b>	593, 597, 606, 608, 609, 617, 670, 672, 747
001 997 04 94	<b>99 11 0280</b>	700, 715
001 997 07 94	<b>99 11 0219</b>	593, 597, 606, 608, 609, 617, 670, 672, 747
001 997 19 94 S	<b>10 91 1118</b>	670, 747
001 997 19 94	<b>99 11 0219</b>	593, 597, 606, 608, 609, 617, 670, 672, 747
001 997 22 94	<b>99 11 0212</b>	600, 615, 678, 697, 714, 722, 723
001 997 22 94	<b>99 11 0213</b>	600, 602, 615, 678, 697, 699, 714, 722, 723, 724
001 997 37 94	<b>99 11 0280</b>	700, 715
001 997 41 94	<b>99 11 0226</b>	611, 613
001 997 44 94	<b>99 11 0213</b>	600, 602, 615, 678, 697, 699, 714, 722, 723, 724
001 997 48 94	<b>99 11 0213</b>	600, 602, 615, 678, 697, 699, 714, 722, 723, 724

Ref. - No.

**SWAG**  
GERMANY**SWAG**  
GERMANY

Ref. - No.


**SWAG**  
GERMANY


001 997 49 94 S	<b>10 91 1118</b>	670, 747
001 997 49 94	<b>99 11 0219</b>	593, 597, 606, 608, 609, 617, 670, 672, 747
001 997 50 94	<b>99 11 0280</b>	700, 715
001 997 55 94	<b>99 11 0219</b>	593, 597, 606, 608, 609, 617, 670, 672, 747
001 997 55 94 S	<b>10 91 1118</b>	670, 747
001 997 68 94	<b>99 11 0280</b>	700, 715
001 997 69 94	<b>99 11 0213</b>	600, 602, 615, 678, 697, 699, 714, 722, 723, 724
001 997 70 94	<b>99 11 0219</b>	593, 597, 606, 608, 609, 617, 670, 672, 747
001 997 70 94 S1	<b>99 11 0219</b>	670, 747
001 997 71 94	<b>99 11 0226</b>	611, 613
002 997 03 94 S1		676
002 997 03 94 S2	<b>10 93 6589</b>	597, 606, 608, 609, 617, 670, 672, 676, 749
002 997 03 94	<b>99 11 0144</b>	597, 606, 608, 609, 617, 670, 672, 676, 747
002 997 04 94	<b>99 11 0153</b>	603, 725
002 997 06 94	<b>99 11 0154</b>	613
002 997 17 94	<b>99 11 0144</b>	597, 606, 608, 609, 617, 670, 672, 676, 747
002 997 17 94	<b>99 11 0143</b>	670, 672, 676, 749
002 997 17 94 S	<b>10 91 0546</b>	676
002 997 21 94	<b>99 11 0119</b>	585, 691, 721
002 997 44 94	<b>99 11 0161</b>	728
002 997 63 94	<b>99 11 0144</b>	597, 606, 608, 609, 617, 670, 672, 676, 747
002 997 63 94 S	<b>10 91 0546</b>	676
002 997 73 94	<b>99 11 0150</b>	599, 601, 604, 622, 623, 624, 626, 628, 643, 653, 655, 657, 679, 685, 702, 723, 726, 736, 737, 744, 751, 752

Ref. - No.

**SWAG**  
GERMANY

002 997 74 94	<b>99 11 0153</b>	603, 725
002 997 75 94	<b>99 11 0156</b>	705, 732
002 997 76 94	<b>99 11 0159</b>	605, 660, 703, 729
002 997 79 94	<b>99 11 0150</b>	599, 601, 604, 622, 623, 624, 626, 628, 643, 653, 655, 657, 679, 685, 702, 723, 726, 736, 737, 744, 751, 752
002 997 80 94	<b>99 11 0153</b>	603, 725
002 997 83 94	<b>99 11 0161</b>	728
002 997 84 94	<b>99 11 0159</b>	605, 660, 703, 729
002 997 93 94	<b>99 11 0112</b>	590, 591, 592, 594, 616, 619, 671, 673, 677
002 997 93 94	<b>99 11 0113</b>	599, 622, 624, 628, 643, 653, 671, 673, 677, 685, 737, 744, 751
002 997 93 94	<b>99 11 0149</b>	599, 622, 624, 628, 643, 653, 671, 673, 677, 685, 737, 744, 751
002 997 99 94	<b>99 11 0150</b>	599, 601, 604, 622, 623, 624, 626, 628, 643, 653, 655, 657, 679, 685, 702, 723, 726, 736, 737, 744, 751, 752
003 997 17 94	<b>99 11 0150</b>	599, 601, 604, 622, 623, 624, 626, 628, 643, 653, 655, 657, 679, 685, 702, 723, 726, 736, 737, 744, 751, 752
003 997 18 94	<b>99 11 0364</b>	603, 725
003 997 19 94	<b>99 11 0153</b>	603, 725
003 997 44 94	<b>99 11 0159</b>	605, 660, 703, 729
003 997 63 94	<b>99 11 0261</b>	625, 629, 635, 644, 647, 651, 654, 659, 661, 662, 680, 681, 686, 688, 690, 706, 707, 727, 731, 735, 738, 741, 742, 754

Ref. - No.	SWAG GERMANY	
003 997 63 94	<b>99 11 0254</b>	625, 629, 635, 637, 644, 647, 651, 654, 656, 659, 661, 662, 680, 681, 686, 688, 690, 706, 707, 727, 730, 731, 735, 738, 741, 742, 754
003 997 66 94	<b>99 11 0205</b>	753
003 997 67 94	<b>99 11 0142</b>	753
003 997 68 94	<b>99 11 0254</b>	625, 629, 635, 637, 644, 647, 651, 654, 656, 659, 661, 662, 680, 681, 686, 688, 690, 706, 707, 727, 730, 731, 735, 738, 741, 742, 754
003 997 68 94 S1	<b>99 11 0261</b>	625, 629, 635, 644, 647, 651, 654, 659, 661, 662, 680, 681, 686, 688, 690, 706, 707, 727, 731, 735, 738, 741, 742, 754
003 997 68 94	<b>99 11 0261</b>	625, 629, 635, 644, 647, 651, 654, 659, 661, 662, 680, 681, 686, 688, 690, 706, 707, 727, 731, 735, 738, 741, 742, 754
003 997 80 94	<b>99 11 0212</b>	600, 615, 678, 697, 714, 722, 723
003 997 80 94	<b>99 11 0213</b>	600, 602, 615, 678, 697, 699, 714, 722, 723, 724
003 997 82 94 S1	<b>10 93 6588</b>	606, 609, 617
003 997 82 94	<b>99 11 0219</b>	593, 597, 606, 608, 609, 617, 670, 672, 747
003 997 84 94	<b>99 11 0226</b>	611, 613
003 997 91 94	<b>99 11 0113</b>	599, 622, 624, 628, 643, 653, 671, 673, 677, 685, 737, 744, 751
003 997 91 94	<b>99 11 0149</b>	599, 622, 624, 628, 643, 653, 671, 673, 677, 685, 737, 744, 751

Ref. - No.	SWAG GERMANY	
003 997 95 94	<b>99 11 0359</b>	636, 708
003 997 97 94 S1	<b>99 17 7012</b>	627, 632, 645, 647, 664, 667, 739, 745
003 997 97 94	<b>99 13 0394</b>	627, 632, 645, 664, 667, 739, 745
004 997 18 94	<b>10 93 3975</b>	638, 640, 683, 684, 709, 711, 712, 733, 735
004 997 18 94 S1	<b>99 11 0447</b>	638, 640, 684, 708, 709, 711, 712, 733
004 997 20 94 S1	<b>10 93 3975</b>	638, 640, 683, 684, 709, 711, 712, 733, 735
004 997 20 94	<b>99 11 0447</b>	638, 640, 684, 708, 709, 711, 712, 733
004 997 24 94	<b>99 17 7012</b>	627, 632, 645, 647, 664, 667, 739, 745
137 997 00 94	<b>99 11 0359</b>	636, 708
166 997 01 94	<b>99 11 0381</b>	620, 750
166 997 03 94	<b>99 11 0252</b>	620, 750
166 997 09 94	<b>99 11 0252</b>	620, 750
000 997 04 98	<b>99 11 0001</b>	584, 587, 595
000 997 10 98	<b>99 11 0189</b>	611, 714
000 997 14 98	<b>99 11 0189</b>	611, 714
000 997 14 98 S1	<b>99 11 0189</b>	611, 714
000 997 15 98	<b>99 11 0189</b>	611, 714
000 997 15 98 S1	<b>99 11 0189</b>	611, 714
000 997 17 98	<b>99 11 0412</b>	597, 599, 601, 603, 604, 606, 608, 609, 613, 617, 622, 624, 625, 626, 628, 629, 643, 644, 647, 653, 654, 655, 656, 657, 670, 672, 676, 679, 685, 686, 702, 706, 707, 723, 725, 727, 737, 738, 744, 751
000 997 18 98	<b>99 11 0412</b>	597, 599, 601, 603, 604, 606, 608, 609, 613, 617, 622, 624, 625, 626, 628, 629, 643, 644, 647, 653, 654, 655, 656, 657, 670, 672, 676, 679, 685, 686, 702, 706, 707, 723, 725, 727, 737, 738, 744, 751

Ref. - No.

**SWAG**  
GERMANY**SWAG**  
GERMANY

Ref. - No.

**SWAG**  
GERMANY

Ref. - No.

**SWAG**  
GERMANY

000 997 19 98	<b>99 11 0412</b>	597, 599, 601, 603, 604, 606, 608, 609, 613, 617, 622, 624, 625, 626, 628, 629, 643, 644, 647, 653, 654, 655, 656, 657, 670, 672, 676, 679, 685, 686, 702, 706, 707, 723, 725, 727, 737, 738, 744, 751
---------------	-------------------	--

000 997 21 98	<b>99 11 0412</b>	597, 599, 601, 603, 604, 606, 608, 609, 613, 617, 622, 624, 625, 626, 628, 629, 643, 644, 647, 653, 654, 655, 656, 657, 670, 672, 676, 679, 685, 686, 702, 706, 707, 723, 725, 727, 737, 738, 744, 751
---------------	-------------------	--

000 997 22 98	<b>99 11 0412</b>	597, 599, 601, 603, 604, 606, 608, 609, 613, 617, 622, 624, 625, 626, 628, 629, 643, 644, 647, 653, 654, 655, 656, 657, 670, 672, 676, 679, 685, 686, 702, 706, 707, 723, 725, 727, 737, 738, 744, 751
---------------	-------------------	--

000 997 32 98 S1	<b>99 11 0189</b>	611, 714
------------------	-------------------	----------

passend für / to fit:

**MINI**

11 21 7 534 654	<b>11 93 0477</b>	758, 759, 760, 761
11 21 7 588 996	<b>11 93 0477</b>	758, 759, 760, 761
11 28 0 946 004	<b>20 93 0130</b>	757
11 28 1 482 199	<b>11 92 8687</b>	756
11 28 7 509 476	<b>11 93 0131</b>	757
11 28 7 534 398	<b>11 93 3136</b>	758, 759, 760, 761
11 28 7 571 015	<b>11 93 3136</b>	758, 759, 760, 761
11 31 0 150 552	<b>99 11 0385</b>	758, 759, 760
11 31 1 439 853	<b>99 11 0385</b>	758, 759, 760
11 31 1 439 853 S2	<b>99 13 3162</b>	758, 759, 760
11 31 1 485 400	<b>99 11 0397</b>	756, 757
11 31 1 485 400 S1	<b>11 93 7590</b>	756
11 31 4 609 483	<b>11 92 9899</b>	758, 759, 760, 761
11 31 7 516 088	<b>20 92 8719</b>	759, 760, 761
11 31 7 516 088 S3	<b>99 13 0452</b>	759, 760, 761
11 31 7 533 876	<b>99 11 0385</b>	758, 759, 760

11 31 7 533 876 S1	<b>99 13 3162</b>	758, 759, 760
11 31 7 534 772	<b>11 92 9899</b>	758, 759, 760, 761
11 31 7 534 784	<b>20 92 8719</b>	759, 760, 761
11 31 7 534 784 S1	<b>99 13 0452</b>	759, 760, 761
11 31 7 565 868	<b>11 92 9899</b>	758, 759, 760, 761
11 31 7 582 036	<b>11 92 9899</b>	758, 759, 760, 761
11 31 7 593 309	<b>11 92 9899</b>	758, 759, 760, 761
11 31 7 597 895	<b>11 92 9899</b>	758, 759, 760, 761
11 31 7 598 956	<b>11 92 9899</b>	758, 759, 760, 761
11 31 7 601 809	<b>11 92 9899</b>	758, 759, 760, 761
11 36 7 547 955	<b>11 93 0475</b>	759, 761
12 31 7 561 555	<b>11 93 2311</b>	758, 759, 760, 761
12 31 7 575 518	<b>11 93 2314</b>	758, 759, 760, 761
12 31 7 576 515	<b>11 93 2311</b>	758, 759, 760, 761


passend für / to fit:


**MITSUBISHI**

MD011536	<b>80 92 7018</b>	768, 781, 784, 786, 795
MD040754	<b>80 03 0002</b>	768, 769
MD098492	<b>80 02 0009</b>	786
MD104578	<b>80 92 7019</b>	787
MD109958	<b>80 03 0006</b>	768
MD111427	<b>99 02 0032</b>	787
MD115976	<b>80 03 0005</b>	763, 767, 768, 769, 771, 775, 781, 784
MD115977 S1	<b>80 92 7396</b>	763, 767, 768, 769, 771, 775, 781, 784
MD129033	<b>80 92 7022</b>	768, 793
MD129355	<b>90 92 6735</b>	763, 767, 775
MD133115	<b>91 92 6626</b>	763, 767, 775, 783
MD140071	<b>90 92 6740</b>	770, 772, 784
MD140229	<b>80 02 0009</b>	786
MD145716 S1	<b>80 92 7396</b>	763, 767, 768, 769, 771, 775, 781, 784
MD145813	<b>90 92 7397</b>	763, 764, 774, 775
MD145813 S1	<b>80 92 7409</b>	763, 764, 774, 775
MD146186	<b>80 92 7017</b>	763, 764, 774, 775
MD151447	<b>90 92 6738</b>	770, 772, 784
MD156604	<b>80 92 1787</b>	762, 785, 789
MD169592	<b>80 92 1786</b>	762, 785, 789
MD171749 S1	<b>80 92 7396</b>	763, 767, 768, 769, 771, 775, 781, 784
MD175375	<b>80 92 7020</b>	764, 769, 790, 792





Ref. - No.	SWAG GERMANY	
MD176387	80 92 7516	769, 790, 792
MD176387 S1	80 92 7535	769, 790, 792
MD179597	80 92 7118	770
MD182295	80 92 7395	763, 767, 768, 769, 771, 775, 781, 784
MD182295 S1	80 92 7396	763, 767, 768, 769, 771, 775, 781, 784
MD182537	80 92 7021	769, 771, 778, 780, 782, 788, 790, 791, 793
MD192295 S1	80 92 7396	763, 767, 768, 769, 771, 775, 781, 784
MD192731	80 92 1787	762, 785, 789
MD303375	80 92 7407	762, 785, 789
MD303375 S1	80 92 7408	762, 785, 789
MD314456	80 92 6992	762, 765, 776
MD314456 S1	80 92 6993	762, 765, 776
MD315265	80 92 7020	764, 769, 790, 792
MD316826	80 92 7119	770
MD318872	80 93 2446	771, 791, 794
MD319022	90 92 6738	770, 772, 784
MD319023	80 92 7407	762, 785, 789
MD319023 S1	80 92 7408	762, 785, 789
MD320174	80 92 6991	762, 765, 776
MD325854	80 92 6995	765, 777
MD326059	91 92 6626	763, 767, 775, 783
MD329976	80 92 6928	765, 777, 789
MD340625	80 92 6995	765, 777
MD340625 S1	80 93 2477	765, 777
MD342154	80 92 6850	762, 765, 777, 778, 789
MD342154 S1	80 93 1398	762, 765, 777, 778, 789
MD356509	80 92 6994	762, 765, 777, 778, 789
MD362028	80 93 2446	771, 791, 794
MD374877	80 93 2447	772, 773, 779, 783
MN 128497	99 13 1454	766, 779
MN149179	80 93 1215	772, 773, 779, 783
MR984778	80 92 7395	763, 767, 768, 769, 771, 775, 781, 784
XD111427	99 02 0032	787

Ref. - No.	SWAG GERMANY	
XD140229	80 02 0009	786
XD145813	90 92 7397	763, 764, 774, 775
XD176387	80 92 7516	769, 790, 792
XD319023	80 92 7407	762, 785, 789
1145A049	80 92 6995	765, 777
1145A049 S1	80 93 2477	765, 777
1145A051	80 92 6850	762, 765, 777, 778, 789
1145A051 S1	80 93 1398	762, 765, 777, 778, 789
passend für / to fit:		
<b>NISSAN</b>		
11750-00QAA	60 93 2581	802
11750-00QAE	60 93 2581	802
11750-00QAF	60 03 0056	798
11750-00QAH	60 03 0052	798
11750-00QAS	60 03 0052	798
11750-00Q0A	60 93 2581	802
11750-00Q0K	60 93 2581	802
11750-00Q1B	60 93 2581	802
11927-00QAA	60 92 1033	799, 800
13028-N8400	99 11 0094	797
13070-00QAA	60 91 9847	800
13070-00QAB	60 91 9910	800
13070-01B00	82 03 0001	801
13070-01B01	82 03 0001	801
13070-01M00	82 03 0002	796
13070-24B00	82 03 0011	801
13077-00QAD	60 03 0003	798
13077-00QAF	60 03 0044	799
13077-00QAG	60 91 9851	798
16806-00QAA	60 91 9836	800
16806-00QAB	60 91 9918	800
16806-00QAL	60 91 9943	802
16806-00QAM	60 92 1247	798
16806-00QAR	60 91 9854	799
16806-00QAT	60 02 0021	798
16806-00QAV	60 92 1725	799
16806-00QAW	60 91 9852	798
16806-00QA0	60 91 9840	798
16806-00QA1	60 91 9836	800
16806-00Q0F	60 91 9943	802

Ref. - No.

**SWAG**  
GERMANY**SWAG**  
GERMANY

Ref. - No.

**SWAG**  
GERMANY

Ref. - No.

**SWAG**  
GERMANY

passend für / to fit:


**OPEL**


--	<b>40 05 1000</b>	808
0614 526	<b>40 05 0013</b>	810, 819, 839, 840, 848, 863, 887, 892
0614 533	<b>40 92 1061</b>	822, 823, 828, 853, 877, 882, 896, 899, 905, 908
0614 546	<b>40 93 3695</b>	811, 818, 820, 827, 844, 847, 848, 864, 875, 883, 886, 893, 898, 906
0614 549	<b>40 05 0012</b>	839, 843, 858
0614 553	<b>40 05 0013</b>	810, 819, 839, 840, 848, 863, 887, 892
0614 559	<b>40 93 3695</b>	811, 818, 820, 827, 844, 847, 848, 864, 875, 883, 886, 893, 898, 906
0614 564	<b>40 05 0012</b>	839, 843, 858
0615 028	<b>99 13 3046</b>	823, 828, 853, 877, 882, 896, 899, 905, 908
0615 031	<b>99 13 3046</b>	823, 828, 853, 877, 882, 896, 899, 905, 908
0615 038	<b>99 13 3046</b>	823, 828, 853, 877, 882, 896, 899, 905, 908
0615 054	<b>99 13 3046</b>	823, 828, 853, 877, 882, 896, 899, 905, 908
0615 418	<b>99 13 3046</b>	823, 828, 853, 877, 882, 896, 899, 905, 908
0636 059	<b>40 93 4161</b>	803, 825, 829, 837, 846, 850, 854, 862, 866, 867, 885, 909
0636 160	<b>40 92 7792</b>	821, 826, 830, 851, 854, 865, 867, 876, 898, 902, 906, 910

0636 176	<b>99 13 3042</b>	828, 877, 899, 908
0636 177	<b>99 13 3045</b>	823, 882, 896, 899, 905
0636 258	<b>40 93 3047</b>	806, 823, 828, 830, 853, 855, 877, 882, 896, 899, 905, 908
0636 351	<b>99 11 0019</b>	807, 838, 856, 857
0636 353	<b>99 11 0083</b>	808, 856, 869, 874
0636 357	<b>99 02 0001</b>	807, 809, 840, 856, 857
0636 358	<b>99 11 0019</b>	807, 838, 856, 857
0636 363	<b>40 02 0011</b>	809, 812, 831, 852, 856, 858, 868, 888, 889
0636 367	<b>40 02 0007</b>	814, 832, 859, 890
0636 368	<b>40 02 0004</b>	840, 858, 887
0636 370	<b>40 02 0011</b>	809, 812, 831, 852, 856, 858, 868, 888, 889
0636 373	<b>99 11 0214</b>	870, 875
0636 374	<b>99 11 0192</b>	870, 875
0636 376	<b>40 10 0006</b>	805, 817, 825, 842, 846, 850, 862, 885
0636 377	<b>40 10 1000</b>	808, 856, 869, 874
0636 378	<b>40 10 0006</b>	805, 817, 825, 842, 846, 850, 862, 885
0636 385	<b>40 03 0025</b>	835, 836, 873, 880, 891, 897
0636 415	<b>40 03 0014</b>	806, 813, 815, 833, 834, 852, 860, 872, 879, 890, 891, 894, 895
0636 416	<b>40 03 0013</b>	815, 833, 860, 890
0636 420	<b>99 91 8181</b>	818, 820, 827, 847, 848, 864, 875, 876, 886, 898, 903, 906
0636 423	<b>40 03 0007</b>	814, 832, 859, 890
0636 424	<b>40 03 0017</b>	835, 836, 873, 880, 891, 897
0636 544	<b>99 13 3045</b>	823, 882, 896, 899, 905
0636 547	<b>99 13 3045</b>	823, 882, 896, 899, 905





Ref. - No.	SWAG GERMANY	
0636 548	<b>99 13 3045</b>	823, 882, 896, 899, 905
0636 549	<b>40 93 3044</b>	806, 823, 828, 830, 853, 855, 877, 882, 896, 899, 905, 908
0636 560	<b>40 02 0011</b>	809, 812, 831, 852, 856, 858, 868, 888, 889
0636 561	<b>40 02 0006</b>	810, 819, 839, 840, 843, 848, 858, 863, 887, 892
0636 562	<b>40 02 0004</b>	840, 858, 887
0636 564	<b>40 02 0021</b>	814, 832, 859, 890
0636 565	<b>40 02 0011</b>	809, 812, 831, 852, 856, 858, 868, 888, 889
0636 566	<b>40 02 0006</b>	810, 819, 839, 840, 843, 848, 858, 863, 887, 892
0636 567	<b>40 02 0007</b>	814, 832, 859, 890
0636 567 S1	<b>40 02 0021</b>	814, 832, 859, 890
0636 568	<b>40 02 0010</b>	810, 812, 831, 852, 858, 868, 871, 887, 888, 889, 892, 894
0636 569	<b>40 02 0017</b>	815, 833, 860, 890
0636 571	<b>40 92 3419</b>	835, 836, 873, 878, 880, 891, 897, 900
0636 572	<b>99 11 0214</b>	870, 875
0636 573	<b>40 02 0009</b>	813, 834, 872, 891, 894
0636 575	<b>40 02 0014</b>	811, 844, 883, 893
0636 576	<b>40 02 0017</b>	815, 833, 860, 890
0636 579	<b>40 92 3419</b>	835, 836, 873, 878, 880, 891, 897, 900
0636 654	<b>40 03 0018</b>	811, 818, 820, 827, 844, 847, 848, 864, 876, 883, 886, 893, 898, 903, 906
0636 700	<b>40 09 1000</b>	808, 856, 869, 874

Ref. - No.	SWAG GERMANY	
0636 723	<b>40 92 3429</b>	806, 852, 872, 879, 895
0636 725	<b>40 03 0018</b>	811, 818, 820, 827, 844, 847, 848, 864, 876, 883, 886, 893, 898, 903, 906
0636 726	<b>40 03 0028</b>	813, 815, 822, 833, 834, 860, 872, 890, 891, 894, 904
0636 727	<b>40 03 0030</b>	810, 812, 831, 852, 858, 868, 871, 887, 888, 889, 892, 894
0636 728 SK	<b>40 92 7295</b>	835, 836, 873, 880, 891, 897
0636 729	<b>40 92 3429</b>	806, 852, 872, 879, 895
0636 732	<b>40 03 0005</b>	814, 832, 859, 890
0636 734	<b>40 03 0006</b>	810, 819, 839, 840, 843, 848, 858, 863, 887, 892
0636 737	<b>40 03 0028</b>	813, 815, 822, 833, 834, 860, 872, 890, 891, 894, 904
0636 738	<b>40 03 0030</b>	810, 812, 831, 852, 858, 868, 871, 887, 888, 889, 892, 894
0636 739	<b>40 03 0018</b>	811, 818, 820, 827, 844, 847, 848, 864, 876, 883, 886, 893, 898, 903, 906
0636 740	<b>40 03 0006</b>	810, 819, 839, 840, 843, 848, 858, 863, 887, 892
0636 746	<b>40 03 0028</b>	813, 815, 822, 833, 834, 860, 872, 890, 891, 894, 904
0636 748	<b>40 03 0006</b>	810, 819, 839, 840, 843, 848, 858, 863, 887, 892

Ref. - No.

**SWAG**  
GERMANY**SWAG**  
GERMANY

Ref. - No.

**SWAG**  
GERMANY


0636 749	<b>40 03 0006</b>	810, 819, 839, 840, 843, 848, 858, 863, 887, 892
0636 812	<b>40 09 0001</b>	808, 869, 874
0636 929	<b>40 92 7792</b>	821, 826, 830, 851, 854, 865, 867, 876, 898, 902, 906, 910
0637 241	<b>99 11 0138</b>	803, 805, 817, 825, 829, 837, 842, 846, 850, 854, 862, 866, 867, 885, 909
0637 241 S1	<b>99 12 9629</b>	803, 805, 817, 825, 829, 837, 842, 846, 850, 854, 862, 866, 867, 885, 909
0637 241 S2	<b>99 13 4162</b>	803, 825, 829, 837, 846, 850, 854, 862, 866, 867, 885, 909
1204 299	<b>70 92 2376</b>	838
1206 990	<b>40 91 8944</b>	811, 844, 883
1340 267	<b>40 92 2370</b>	803, 805, 817, 825, 829, 837, 839, 842, 846, 850, 854, 862, 866, 867, 885, 909
1340 268	<b>40 92 7818</b>	<b>821, 826, 830, 851, 854, 865, 876, 898, 902, 906, 910</b>
1340 533	<b>40 03 0036</b>	810, 843, 887, 892
1340 534	<b>40 91 9285</b>	810, 811, 812, 813, 814, 815, 822, 827, 831, 832, 833, 834, 843, 844, 852, 871, 872, 879, 881, 883, 888, 889, 890, 891, 892, 893, 894, 895, 904, 907
1340 535	<b>40 03 0016</b>	810, 868, 870, 875
1340 536	<b>57 91 9487</b>	835, 873, 878, 880, 891, 897, 900
1340 541	<b>40 91 9285</b>	810, 811, 812, 813, 814, 815, 822, 827, 831, 832, 833, 834, 843, 844, 852, 871, 872, 879, 881, 883, 888, 889, 890, 891, 892, 893, 894, 895, 904, 907


Ref. - No.

**SWAG**  
GERMANY

1340 542	<b>40 91 9285</b>	810, 811, 812, 813, 814, 815, 822, 827, 831, 832, 833, 834, 843, 844, 852, 871, 872, 879, 881, 883, 888, 889, 890, 891, 892, 893, 894, 895, 904, 907
1340 544	<b>40 91 9285</b>	810, 811, 812, 813, 814, 815, 822, 827, 831, 832, 833, 834, 843, 844, 852, 871, 872, 879, 881, 883, 888, 889, 890, 891, 892, 893, 894, 895, 904, 907
1340 547	<b>57 91 9487</b>	835, 873, 878, 880, 891, 897, 900
1340 550	<b>40 92 2370</b>	803, 805, 817, 825, 829, 837, 839, 842, 846, 850, 854, 862, 866, 867, 885, 909
1340 551	<b>40 92 2370</b>	803, 805, 817, 825, 829, 837, 839, 842, 846, 850, 854, 862, 866, 867, 885, 909
1340 555	<b>40 92 1060</b>	818, 819, 820, 827, 847, 848, 863, 864, 876, 886, 898, 903
1606 189	<b>40 91 9445</b>	818, 820, 827, 847, 848, 864, 875, 876, 886, 898, 903, 906
1606 189	<b>40 92 1097</b>	818, 820, 827, 847, 848, 864, 876, 886, 898, 903
1606 190	<b>40 92 1098</b>	811, 844, 883, 893
1606 190	<b>40 02 0025</b>	811, 844, 883, 893
1606 191	<b>40 02 0028</b>	813, 834, 872, 891, 894
1606 192	<b>40 02 0028</b>	813, 834, 872, 891, 894
1606 193	<b>40 02 0024</b>	815, 833, 860, 890
1606 194	<b>40 92 3423</b>	822
1606 196	<b>40 92 6224</b>	822, 881, 904
1606 197	<b>40 02 0021</b>	814, 832, 859, 890
1606 198	<b>40 92 3427</b>	806, 852, 872, 879, 895



Ref. - No.	SWAG GERMANY	
1606 262	<b>40 91 9445</b>	818, 820, 827, 847, 848, 864, 875, 876, 886, 898, 903, 906
1606 274	<b>40 02 0025</b>	811, 844, 883, 893
1606 281	<b>40 02 0029</b>	818, 820, 903
1606 305	<b>40 92 8375</b>	822, 827, 881, 904, 907
1606 306	<b>40 91 9445</b>	818, 820, 827, 847, 848, 864, 875, 876, 886, 898, 903, 906
1606 314	<b>40 92 7825</b>	821, 826, 830, 851, 854, 865, 867, 876, 898, 902, 906, 910
1606 355	<b>40 92 7825</b>	821, 826, 830, 851, 854, 865, 867, 876, 898, 902, 906, 910
1606 356	<b>40 92 7825</b>	821, 826, 830, 851, 854, 865, 867, 876, 898, 902, 906, 910
1606 368	<b>40 02 0030</b>	810, 819, 839, 840, 843, 848, 858, 863, 887, 892
1606 369	<b>40 02 0030</b>	810, 819, 839, 840, 843, 848, 858, 863, 887, 892
1606 426	<b>40 92 7825</b>	821, 826, 830, 851, 854, 865, 867, 876, 898, 902, 906, 910
1854 429	<b>40 03 0015</b>	870, 873, 875, 891, 897
4401 566	<b>60 92 2329</b>	901
4401 567	<b>60 93 2581</b>	901
4408 351	<b>60 92 2329</b>	901
4409 587	<b>60 93 2581</b>	901
4409 959	<b>60 91 9846</b>	901
4410 546	<b>60 92 6567</b>	901
4410 548	<b>60 92 1759</b>	901
4411 707	<b>60 92 2329</b>	901
4412 355	<b>60 92 6570</b>	901
4416 576	<b>60 92 6570</b>	901
4430 238	<b>60 92 7259</b>	901
4430 895	<b>60 92 6567</b>	901
4430 896	<b>60 91 9846</b>	901

Ref. - No.	SWAG GERMANY	
4433 452	<b>60 93 2581</b>	901
4433 629	<b>60 91 9846</b>	901
4434 433	<b>60 92 7259</b>	901
4449 586	<b>60 92 6567</b>	901
4449 671	<b>60 93 2581</b>	901
4805 292	<b>40 92 3425</b>	806, 852, 872, 879, 895
4805 292 S1	<b>40 92 3427</b>	806, 852, 872, 879, 895
4807 839	<b>40 93 3044</b>	806, 823, 828, 830, 853, 855, 877, 882, 896, 899, 905, 908
5636 130	<b>40 92 7792</b>	821, 826, 830, 851, 854, 865, 867, 876, 898, 902, 906, 910
5636 282	<b>40 93 3044</b>	806, 823, 828, 830, 853, 855, 877, 882, 896, 899, 905, 908
5636 350	<b>40 92 3425</b>	806, 852, 872, 879, 895
5636 351	<b>40 02 0010</b>	810, 812, 831, 852, 858, 868, 871, 887, 888, 889, 892, 894
5636 351 S1	<b>40 02 0027</b>	810, 812, 831, 852, 858, 868, 871, 887, 888, 889, 892, 894
5636 354	<b>40 92 3419</b>	835, 836, 873, 878, 880, 891, 897, 900
5636 355	<b>40 02 0017</b>	815, 833, 860, 890
5636 355 S1	<b>40 02 0024</b>	815, 833, 860, 890
5636 356	<b>40 02 0006</b>	810, 819, 839, 840, 843, 848, 858, 863, 887, 892
5636 356 S1	<b>40 02 0030</b>	810, 819, 839, 840, 843, 848, 858, 863, 887, 892
5636 357	<b>40 02 0014</b>	811, 844, 883, 893
5636 357 S1	<b>40 02 0025</b>	811, 844, 883, 893
5636 358	<b>40 02 0009</b>	813, 834, 872, 891, 894

Ref. - No.

**SWAG**  
GERMANY**SWAG**  
GERMANY

Ref. - No.

**SWAG**  
GERMANY


Ref. - No.


**SWAG**  
GERMANY

5636 360	<b>99 11 0138</b>	803, 805, 817, 825, 829, 837, 842, 846, 850, 854, 862, 866, 867, 885, 909
5636 360 S1	<b>99 12 9629</b>	803, 805, 817, 825, 829, 837, 842, 846, 850, 854, 862, 866, 867, 885, 909
5636 360 S2	<b>99 13 4162</b>	803, 825, 829, 837, 846, 850, 854, 862, 866, 867, 885, 909
5636 361	<b>40 02 0010</b>	810, 812, 831, 852, 858, 868, 871, 887, 888, 889, 892, 894
5636 361 S1	<b>40 02 0027</b>	810, 812, 831, 852, 858, 868, 871, 887, 888, 889, 892, 894
5636 362	<b>40 02 0014</b>	811, 844, 883, 893
5636 363	<b>40 02 0009</b>	813, 834, 872, 891, 894
5636 363 S1	<b>40 02 0028</b>	813, 834, 872, 891, 894
5636 364	<b>40 02 0006</b>	810, 819, 839, 840, 843, 848, 858, 863, 887, 892
5636 364 S1	<b>40 02 0030</b>	810, 819, 839, 840, 843, 848, 858, 863, 887, 892
5636 369	<b>40 92 3421</b>	822, 827, 881, 904, 907
5636 371	<b>40 92 3419</b>	835, 836, 873, 878, 880, 891, 897, 900
5636 372	<b>40 92 3425</b>	806, 852, 872, 879, 895
5636 373	<b>40 02 0016</b>	818, 820, 827, 847, 848, 864, 875, 876, 886, 898, 903, 906
5636 373 S1	<b>40 02 0029</b>	818, 820, 903
5636 373 S2	<b>40 91 9445</b>	818, 820, 827, 847, 848, 864, 875, 876, 886, 898, 903, 906

5636 374	<b>40 02 0010</b>	810, 812, 831, 852, 858, 868, 871, 887, 888, 889, 892, 894
5636 378	<b>40 93 3043</b>	806, 823, 828, 830, 853, 855, 877, 882, 896, 899, 905, 908
5636 380	<b>40 93 3048</b>	823, 828, 853, 855, 877, 882, 896, 899, 905, 908
5636 381	<b>40 93 3047</b>	806, 823, 828, 830, 853, 855, 877, 882, 896, 899, 905, 908
5636 384	<b>40 92 6223</b>	822, 827, 881, 904, 907
5636 394	<b>99 13 3045</b>	823, 882, 896, 899, 905
5636 396	<b>40 93 3043</b>	806, 823, 828, 830, 853, 855, 877, 882, 896, 899, 905, 908
5636 399	<b>99 13 3045</b>	823, 882, 896, 899, 905
5636 400	<b>99 13 3045</b>	823, 882, 896, 899, 905
5636 401	<b>99 13 3042</b>	828, 877, 899, 908
5636 414	<b>40 93 3044</b>	806, 823, 828, 830, 853, 855, 877, 882, 896, 899, 905, 908
5636 415	<b>40 03 0011</b>	811, 818, 820, 844, 883, 893, 903
5636 416	<b>40 03 0010</b>	811, 818, 820, 827, 844, 847, 848, 864, 875, 876, 883, 886, 893, 898, 903, 906
5636 417	<b>40 03 0025</b>	835, 836, 873, 880, 891, 897
5636 418	<b>40 03 0017</b>	835, 836, 873, 880, 891, 897
5636 419	<b>40 03 0011</b>	811, 818, 820, 844, 883, 893, 903
5636 420	<b>40 03 0025</b>	835, 836, 873, 880, 891, 897



Ref. - No.	SWAG GERMANY	
5636 421	40 03 0017	835, 836, 873, 880, 891, 897
5636 422	40 03 0017	835, 836, 873, 880, 891, 897
5636 423	40 03 0033	822, 827, 881, 904, 907
5636 425	40 03 0014	806, 813, 815, 833, 834, 852, 860, 872, 879, 890, 891, 894, 895
5636 426	40 03 0010	811, 818, 820, 827, 844, 847, 848, 864, 875, 876, 883, 886, 893, 898, 903, 906
5636 427	40 03 0011	811, 818, 820, 844, 883, 893, 903
5636 429	40 03 0030	810, 812, 831, 852, 858, 868, 871, 887, 888, 889, 892, 894
5636 436	40 92 3445	821, 826, 830, 851, 854, 865, 867, 876, 898, 902, 906, 910
5636 449	40 92 8374	822, 827, 881, 904, 907
5636 451	40 92 7792	821, 826, 830, 851, 854, 865, 867, 876, 898, 902, 906, 910
5636 452	40 92 3445	821, 826, 830, 851, 854, 865, 867, 876, 898, 902, 906, 910
5636 454	99 91 8181	818, 820, 827, 847, 848, 864, 875, 876, 886, 898, 903, 906
5636 455	40 03 0010	811, 818, 820, 827, 844, 847, 848, 864, 875, 876, 883, 886, 893, 898, 903, 906
5636 457	40 10 0006	805, 817, 825, 842, 846, 850, 862, 885
5636 469	40 92 7792	821, 826, 830, 851, 854, 865, 867, 876, 898, 902, 906, 910

Ref. - No.	SWAG GERMANY	
5636 479	99 13 3042	828, 877, 899, 908
5636 486	40 92 7792	821, 826, 830, 851, 854, 865, 867, 876, 898, 902, 906, 910
5636 560	40 02 0006	810, 819, 839, 840, 843, 848, 858, 863, 887, 892
5636 560 S1	40 02 0030	810, 819, 839, 840, 843, 848, 858, 863, 887, 892
5636 561	40 02 0014	811, 844, 883, 893
5636 561 S1	40 02 0025	811, 844, 883, 893
5636 562	40 02 0010	810, 812, 831, 852, 858, 868, 871, 887, 888, 889, 892, 894
5636 562 S1	40 02 0027	810, 812, 831, 852, 858, 868, 871, 887, 888, 889, 892, 894
5636 563	40 02 0009	813, 834, 872, 891, 894
5636 564	40 02 0016	818, 820, 827, 847, 848, 864, 875, 876, 886, 898, 903, 906
5636 564 S1	40 02 0029	818, 820, 903
5636 564 S2	40 91 9445	818, 820, 827, 847, 848, 864, 875, 876, 886, 898, 903, 906
5636 565	40 02 0014	811, 844, 883, 893
5636 566	40 92 3421	822, 827, 881, 904, 907
5636 721	40 03 0006	810, 819, 839, 840, 843, 848, 858, 863, 887, 892
5636 722	40 03 0006	810, 819, 839, 840, 843, 848, 858, 863, 887, 892
5636 725	40 92 7792	821, 826, 830, 851, 854, 865, 867, 876, 898, 902, 906, 910
5636 730	40 03 0025	835, 836, 873, 880, 891, 897

Ref. - No.

**SWAG**  
GERMANY**SWAG**  
GERMANY

Ref. - No.

**SWAG**  
GERMANY

Ref. - No.

**SWAG**  
GERMANY

5636 732	<b>40 03 0018</b>	811, 818, 820, 827, 844, 847, 848, 864, 876, 883, 886, 893, 898, 903, 906
5636 733	<b>40 03 0018</b>	811, 818, 820, 827, 844, 847, 848, 864, 876, 883, 886, 893, 898, 903, 906
5636 738	<b>40 03 0028</b>	813, 815, 822, 833, 834, 860, 872, 890, 891, 894, 904
5636 740	<b>40 03 0018</b>	811, 818, 820, 827, 844, 847, 848, 864, 876, 883, 886, 893, 898, 903, 906
5636 746	<b>40 92 6223</b>	822, 827, 881, 904, 907
5636 978	<b>40 92 7819</b>	821, 826, 830, 851, 854, 865, 867, 876, 898, 902, 906, 910
6340 532	<b>40 91 9285</b>	810, 811, 812, 813, 814, 815, 822, 827, 831, 832, 833, 834, 843, 844, 852, 871, 872, 879, 881, 883, 888, 889, 890, 891, 892, 893, 894, 895, 904, 907
6340 538	<b>57 91 9487</b>	835, 873, 878, 880, 891, 897, 900
6340 552	<b>40 92 7818</b>	821, 826, 830, 851, 854, 865, 876, 898, 902, 906, 910
6340 553	<b>40 92 2370</b>	803, 805, 817, 825, 829, 837, 839, 842, 846, 850, 854, 862, 866, 867, 885, 909
6340 558	<b>40 92 7818</b>	821, 826, 830, 851, 854, 865, 876, 898, 902, 906, 910
6606 022	<b>99 13 3040</b>	805, 817, 825, 842, 846, 850, 862, 885
6606 022 SK1	<b>99 13 0372</b>	805, 817, 825, 842, 846, 850, 862, 885

6606 022 SK3	<b>99 13 3080</b>	805, 817, 825, 842, 846, 850, 862, 885
6606 022 S2	<b>99 13 3082</b>	805, 817, 825, 842, 846, 850, 862, 885
6606 023	<b>99 13 3040</b>	805, 817, 825, 842, 846, 850, 862, 885
6606 023 SK1	<b>99 13 0372</b>	805, 817, 825, 842, 846, 850, 862, 885
6606 023 SK3	<b>99 13 3080</b>	805, 817, 825, 842, 846, 850, 862, 885
6606 023 S2	<b>99 13 3082</b>	805, 817, 825, 842, 846, 850, 862, 885
6606 027	<b>99 13 3040</b>	805, 817, 825, 842, 846, 850, 862, 885
6606 027 SK1	<b>99 13 0372</b>	805, 817, 825, 842, 846, 850, 862, 885
6606 027 SK3	<b>99 13 3080</b>	805, 817, 825, 842, 846, 850, 862, 885
6606 027 S2	<b>99 13 3082</b>	805, 817, 825, 842, 846, 850, 862, 885


passend für / to fit:


**PEUGEOT**

0513.C8	<b>11 93 0477</b>	925, 937, 964
0805.H6	<b>11 93 0475</b>	925, 937, 964
0805.K3	<b>11 93 0475</b>	925, 937, 964
0816.A0	<b>62 02 0022</b>	952, 957, 958, 961
0816.A1	<b>62 02 0023</b>	921, 936, 951, 953, 954, 958, 960, 961, 967
0816.C2	<b>62 02 0023</b>	921, 936, 951, 953, 954, 958, 960, 961, 967
0816.E0	<b>62 02 0010</b>	913, 920, 923, 924, 935, 938, 947, 963, 970, 971, 972
0816.E0 S	<b>62 02 0011</b>	913
0816.E0 S1	<b>62 92 2327</b>	920, 935, 970
0816.E0 S2	<b>62 02 0011</b>	913
0816.E2	<b>64 92 4367</b>	933
0816.F0	<b>62 92 1278</b>	911, 917, 969
0816.F2	<b>62 02 0025</b>	912, 918, 928, 934





Ref. - No.	SWAG GERMANY	
0816.F4	<b>62 02 0023</b>	921, 936, 951, 953, 954, 958, 960, 961, 967
0816.G4	<b>62 92 8105</b>	936, 938, 953, 954, 961, 968
0816.G7	<b>64 92 4367</b>	933
0816.G8	<b>62 93 0979</b>	919, 924, 934, 962
0816.H1	<b>99 13 1004</b>	914
0816.H3	<b>62 02 0022</b>	952, 957, 958, 961
0816.H5	<b>62 93 0979</b>	919, 924, 934, 962
0816.H6	<b>62 02 0010</b>	913, 920, 923, 924, 935, 938, 947, 963, 970, 971, 972
0816.H6 S1	<b>62 92 2327</b>	920, 935, 970
0816.H9	<b>20 92 8719</b>	955, 973
0816.H9	<b>99 13 0445</b>	925, 937, 964
0816.H9 S1	<b>99 13 0452</b>	925, 937, 955, 964, 973
0816.J2	<b>11 92 9900</b>	925, 926, 937, 955, 964, 972, 973
0816.J2 S1	<b>99 13 0345</b>	925, 926, 937, 955, 964, 972, 973
0816.K3	<b>99 13 1004</b>	914
0816.07	<b>99 11 0066</b>	965
0816.13	<b>99 11 0036</b>	956
0816.29	<b>99 02 0016</b>	916, 941, 944
0816.29 S	<b>62 02 0019</b>	916, 941, 944
0816.36	<b>64 02 0005</b>	911, 915, 917, 927, 939, 969
0816.42	<b>64 02 0005</b>	911, 915, 917, 927, 939, 969
0816.44	<b>99 02 0028</b>	912, 915, 918, 927, 940, 943
0816.44 S	<b>62 02 0021</b>	912, 915, 918, 927, 940, 943
0816.48	<b>62 02 0003</b>	916, 929, 931, 941, 944, 948, 959, 966, 971
0816.48 S1	<b>99 02 0057</b>	916, 929, 931, 941, 944, 948, 959, 966, 971
0816.52	<b>99 11 0211</b>	956

Ref. - No.	SWAG GERMANY	
0816.55	<b>99 02 0056</b>	912, 913, 919, 929, 940, 943
0816.55 S	<b>62 02 0020</b>	912, 913, 919, 929, 934, 940, 943
0816.56	<b>64 02 0005</b>	911, 915, 917, 927, 939, 969
0816.56 S	<b>62 02 0017</b>	911, 915, 917, 939, 969
0816.58	<b>62 02 0004</b>	930, 933, 945, 949, 950, 955, 960
0816.60	<b>62 02 0003</b>	916, 929, 931, 941, 944, 948, 959, 966, 971
0816.60 S1	<b>99 02 0057</b>	916, 929, 931, 941, 944, 948, 959, 966, 971
0816.62	<b>62 02 0003</b>	916, 929, 931, 941, 944, 948, 959, 966, 971
0816.62 S1	<b>99 02 0057</b>	916, 929, 931, 941, 944, 948, 959, 966, 971
0816.67	<b>99 02 0016</b>	916, 941, 944
0816.67 S	<b>62 02 0019</b>	916, 941, 944
0816.67 S1	<b>62 02 0019</b>	916, 941, 944
0816.69	<b>99 02 0060</b>	965
0816.69 S	<b>99 02 0061</b>	965
0816.71	<b>62 02 0003</b>	916, 929, 931, 941, 944, 948, 959, 966, 971
0816.71 S1	<b>99 02 0057</b>	916, 929, 931, 941, 944, 948, 959, 966, 971
0816.72	<b>62 02 0004</b>	930, 933, 945, 949, 950, 955, 960
0816.73	<b>62 02 0004</b>	930, 933, 945, 949, 950, 955, 960
0816.73 S	<b>62 02 0014</b>	933, 950, 955, 960
0816.79	<b>70 02 0043</b>	966
0816.79 S1	<b>99 02 0040</b>	966
0816.85	<b>62 02 0010</b>	913, 920, 923, 924, 935, 938, 947, 963, 970, 971, 972

Ref. - No.

**SWAG**  
GERMANY**SWAG**  
GERMANY

Ref. - No.

**SWAG**  
GERMANY

0816.85 S	<b>62 02 0011</b>	913
0816.89	<b>62 02 0022</b>	952, 957, 958, 961
0816.98	<b>62 02 0004</b>	930, 933, 945, 949, 950, 955, 960
0818.29	<b>99 13 0453</b>	925, 937, 955, 964, 973
0818.30	<b>99 13 0448</b>	925, 937, 955, 964, 973
0818.31	<b>99 13 0446</b>	925, 937, 955, 964, 973
0818.33	<b>11 92 9902</b>	925, 926, 937, 955, 964, 972, 973
0818.34	<b>11 92 9901</b>	925, 926, 937, 955, 964, 972, 973
0818.35	<b>11 92 9903</b>	925, 926, 937, 955, 964, 972, 973
0818.40	<b>11 92 9901</b>	925, 926, 937, 955, 964, 972, 973
0818.41	<b>11 92 9903</b>	925, 926, 937, 955, 964, 972, 973
0823.08	<b>62 92 6763</b>	952, 958, 961
0823.10	<b>62 92 6763</b>	952, 958, 961
0829.A0	<b>62 92 6715</b>	920, 923, 924, 935, 938, 947, 963, 970, 971, 972
0829.A1	<b>62 92 6716</b>	920, 923, 924, 935, 938, 947, 963, 970, 971, 972
0829.A5	<b>62 92 6804</b>	919, 924, 934, 962
0829.A7	<b>62 91 9325</b>	921, 936, 951, 953, 954, 958, 960, 961, 967
0829.A9	<b>62 92 8106</b>	936, 938, 953, 954, 961, 968
0829.C5	<b>62 92 6763</b>	952, 958, 961
0829.C6	<b>62 92 6804</b>	919, 924, 934, 962
0829.C7	<b>99 91 8489</b>	920, 935, 970
0829.C8	<b>62 92 6715</b>	920, 923, 924, 935, 938, 947, 963, 970, 971, 972
0829.C9	<b>62 03 0006</b>	913
0829.E1	<b>11 92 9899</b>	925, 926, 937, 955, 972, 973


Ref. - No.


**SWAG**  
GERMANY

0829.F6	<b>62 92 6715</b>	920, 923, 924, 935, 938, 947, 963, 970, 971, 972
0829.G3	<b>11 92 9899</b>	925, 926, 937, 955, 972, 973
0829.12	<b>99 03 0010</b>	916, 941, 944
0829.17	<b>70 03 0005</b>	966
0829.19	<b>99 03 0009</b>	911, 912, 913, 915, 917, 918, 919, 927, 929, 934, 939, 940, 943, 959, 966, 969
0829.20	<b>99 03 0005</b>	942, 946
0829.29	<b>99 03 0030</b>	916, 944, 948
0829.32	<b>99 03 0046</b>	933, 950, 955, 960, 965
0829.35	<b>99 03 0046</b>	933, 950, 955, 960, 965
0829.49	<b>62 03 0006</b>	913
0829.54	<b>99 03 0009</b>	911, 912, 913, 915, 917, 918, 919, 927, 929, 934, 939, 940, 943, 959, 966, 969
0829.66	<b>62 91 9325</b>	921, 936, 951, 953, 954, 958, 960, 961, 967
0829.69	<b>62 91 9190</b>	930, 945, 949
0829.77	<b>62 91 9325</b>	921, 936, 951, 953, 954, 958, 960, 961, 967
0829.79	<b>62 91 9190</b>	930, 945, 949
0829.80	<b>64 94 0106</b>	951
0829.82	<b>99 91 8489</b>	920, 935, 970
0829.83	<b>62 93 6021</b>	933
0829.84	<b>62 93 6021</b>	933
0829.90	<b>62 03 0016</b>	911, 912, 917, 918, 928, 934, 969
0829.92	<b>62 91 9325</b>	921, 936, 951, 953, 954, 958, 960, 961, 967
0829.96	<b>62 91 9325</b>	921, 936, 951, 953, 954, 958, 960, 961, 967
0829.98	<b>64 94 0106</b>	951





Ref. - No.	SWAG GERMANY	
0830.11	99 03 0006	930, 933, 945, 949, 950, 955, 960
0830.14	99 03 0006	930, 933, 945, 949, 950, 955, 960
0830.20	62 03 0007	913, 920, 935, 970
0830.24	62 91 9239	952, 957, 958, 961
0830.25	62 91 9240	952, 957, 958, 961
0830.26	62 91 9239	952, 957, 958, 961
0830.27	62 91 9240	952, 957, 958, 961
0830.37	99 03 0006	930, 933, 945, 949, 950, 955, 960
0830.38	62 91 9189	921, 936, 938, 951, 953, 954, 958, 960, 961, 967, 968
0830.42	62 91 9189	921, 936, 938, 951, 953, 954, 958, 960, 961, 967, 968
0830.52	62 92 2407	919, 924, 934, 962
0830.53	62 91 9239	952, 957, 958, 961
0830.54	62 91 9240	952, 957, 958, 961
0830.58	62 91 9239	952, 957, 958, 961
0830.59	62 91 9240	952, 957, 958, 961
0830.60	62 92 2407	919, 924, 934, 962
0830.61	62 03 0007	913, 920, 935, 970
0830.62	62 92 6716	920, 923, 924, 935, 938, 947, 963, 970, 971, 972
0831.K3	62 92 8107	936, 938, 953, 954, 961, 968
0831.L2	62 92 6717	920, 923, 924, 935, 938, 947, 963, 970, 971, 972
0831.L4	62 93 1051	919, 924, 934, 962
0831.L6	62 92 2327	920, 935, 970
0831.L8	62 92 8103	952, 958, 961
0831.Q3	62 02 0017	911, 915, 917, 939, 969
0831.Q4	62 02 0021	912, 915, 918, 927, 940, 943
0831.Q5	62 02 0020	912, 913, 919, 929, 934, 940, 943

Ref. - No.	SWAG GERMANY	
0831.R1	99 02 0057	916, 929, 931, 941, 944, 948, 959, 966, 971
0831.R5	62 02 0014	933, 950, 955, 960
0831.R9	62 92 6717	920, 923, 924, 935, 938, 947, 963, 970, 971, 972
0831.S0	62 92 1274	912, 918, 928, 934
0831.S1	62 92 1280	911, 917, 969
0831.S6	99 02 0061	965
0831.S9	62 92 6139	930, 945, 949
0831.T1	62 93 9090	933
0831.T4	62 92 2309	921, 936, 951, 953, 954, 958, 960, 961, 967
0831.V0	62 93 1051	919, 924, 934, 962
0831.V1	62 92 2327	920, 935, 970
0831.V2	62 92 8103	952, 958, 961
0831.V6	62 92 8107	936, 938, 953, 954, 961, 968
0831.02	62 02 0017	911, 915, 917, 939, 969
0831.03	62 02 0021	912, 915, 918, 927, 940, 943
0831.06	99 02 0057	916, 929, 931, 941, 944, 948, 959, 966, 971
0831.14	62 02 0021	912, 915, 918, 927, 940, 943
0831.24	62 02 0020	912, 913, 919, 929, 934, 940, 943
0831.34	99 02 0061	965
0831.48	62 02 0014	933, 950, 955, 960
0831.54	62 92 2309	921, 936, 951, 953, 954, 958, 960, 961, 967
0831.65	62 92 2309	921, 936, 951, 953, 954, 958, 960, 961, 967
0831.67	62 92 6139	930, 945, 949
0831.71	62 93 9090	933
0831.84	62 92 1280	911, 917, 969
0831.86	62 92 1274	912, 918, 928, 934

Ref. - No.

**SWAG**  
GERMANY**SWAG**  
GERMANY

Ref. - No.

**SWAG**  
GERMANY


Ref. - No.


**SWAG**  
GERMANY

0831.88	<b>62 92 2309</b>	921, 936, 951, 953, 954, 958, 960, 961, 967
1281.19	<b>99 03 0022</b>	956
16 115 475 80	<b>99 13 1004</b>	914
1628.WA	<b>62 92 8277</b>	936
5751.A2	<b>62 94 0466</b>	917, 918, 920, 922, 970
5751.A9	<b>62 92 8279</b>	952, 958, 961
5751.C0	<b>62 94 0190</b>	936, 938, 953, 958, 961, 968
5751.C3	<b>62 93 1076</b>	925, 934, 935, 938, 962
5751.C8	<b>62 93 1075</b>	917, 918, 919, 920, 922, 923, 965, 969, 970
5751.C9	<b>62 92 2355</b>	917, 918, 920
5751.E4	<b>62 94 3685</b>	921, 936, 958, 961, 967
5751.E7	<b>11 93 3136</b>	926, 937, 955, 964, 972, 973
5751.E9	<b>62 93 6660</b>	917, 918, 920, 935, 970, 971, 972
5751.G7	<b>62 93 1076</b>	925, 934, 935, 938, 962
5751.G8	<b>62 94 0190</b>	936, 938, 953, 958, 961, 968
5751.G9	<b>11 93 3136</b>	926, 937, 955, 964, 972, 973
5751.10	<b>99 03 0020</b>	955
5751.12	<b>99 03 0020</b>	955
5751.18	<b>99 03 0038</b>	929, 931, 932, 933, 942, 946, 971
5751.19	<b>99 03 0066</b>	929, 930, 931, 932, 933, 942, 946, 948, 949, 950, 959, 966, 971
5751.20	<b>70 03 0028</b>	929, 930, 931, 932, 933, 942, 946, 948, 959, 966
5751.21	<b>99 03 0045</b>	955
5751.32	<b>99 03 0063</b>	931, 948, 950
5751.33	<b>99 03 0064</b>	931, 948, 950

5751.34	<b>99 03 0065</b>	933, 950, 959
5751.35	<b>99 03 0066</b>	929, 930, 931, 932, 933, 942, 946, 948, 949, 950, 959, 966, 971
5751.36	<b>62 91 9354</b>	930, 948, 949
5751.37	<b>62 91 9212</b>	948, 949
5751.39	<b>62 92 7563</b>	952, 957, 958, 961
5751.41	<b>62 92 8278</b>	952, 957, 958, 961
5751.47	<b>62 03 0013</b>	934, 935, 962, 963
5751.50	<b>62 03 0014</b>	917, 918, 919, 920
5751.51	<b>62 91 9856</b>	917, 918, 919, 920
5751.52	<b>62 91 9355</b>	917, 918, 919, 920
5751.53	<b>99 03 0061</b>	930
5751.60	<b>62 91 9357</b>	921, 936, 951, 953, 954, 958, 960, 961, 967
5751.61	<b>62 91 9356</b>	921, 936, 951, 953, 954, 958, 960, 961, 967
5751.75	<b>62 92 7563</b>	952, 957, 958, 961
5751.77	<b>62 92 8279</b>	952, 958, 961
5751.91	<b>62 03 0013</b>	934, 935, 962, 963
5751.97	<b>62 94 0466</b>	917, 918, 920, 922, 970
5751.98	<b>62 92 2355</b>	917, 918, 920
6453.C5	<b>99 03 0013</b>	911, 912, 913, 914, 915, 927, 929, 939, 940, 943
6453.G4	<b>99 03 0013</b>	911, 912, 913, 914, 915, 927, 929, 939, 940, 943
6453.S4	<b>99 03 0034</b>	911, 912, 913, 927, 928, 969
6453.S5	<b>99 03 0034</b>	911, 912, 913, 927, 928, 969
6453.76	<b>99 03 0014</b>	916, 941, 944
96 200 388 80	<b>62 92 8278</b>	952, 957, 958, 961
96 379 145 80	<b>64 92 4367</b>	933
96 459 251 80	<b>64 94 0106</b>	951
96 496 758 80	<b>62 94 0466</b>	917, 918, 920, 922, 970



Ref. - No.	SWAG GERMANY	
96 520 466 80	<b>62 93 1075</b>	917, 918, 919, 920, 922, 923, 965, 969, 970
passend für / to fit:		
<b>PORSCHE</b>		
944 102 025 03	<b>38 03 0010</b>	980
944 102 025 04	<b>38 03 0010</b>	980
944 102 025 05	<b>38 03 0010</b>	980
944 102 025 06	<b>38 03 0010</b>	980
944 102 025 07	<b>38 03 0010</b>	980
996 102 117 57	<b>30 93 4533</b>	976, 982, 984
996 102 118 56	<b>30 93 4534</b>	976, 982, 984
996 102 119 58	<b>30 93 4536</b>	976, 982, 984
997 102 119 00	<b>30 93 4542</b>	976, 982, 984
997 102 260 00	<b>30 93 4540</b>	976, 982, 984
944 102 277 04	<b>38 03 0014</b>	980
944 102 277 06	<b>38 03 0014</b>	980
996 102 360 51	<b>30 93 4532</b>	976, 982, 984
944 105 027 02	<b>99 03 0001</b>	980
944 105 027 03	<b>99 03 0001</b>	980
944 105 027 04	<b>99 03 0001</b>	980
959 105 052 01	<b>38 92 1830</b>	975
964 105 079 00	<b>38 92 1831</b>	975
964 105 080 00	<b>38 92 1830</b>	975
9A1 105 142 02 S1	<b>38 93 4973</b>	978, 983, 985
9A1 105 142 02	<b>38 93 4971</b>	978, 983, 985
9A1 105 157 02	<b>38 93 4784</b>	978, 983, 985
911 105 222 06	<b>38 09 0001</b>	974
9A1 105 233 02	<b>38 93 4972</b>	978, 983, 985
944 105 241 02	<b>38 03 0006</b>	980
944 105 241 03	<b>38 03 0007</b>	980
944 105 241 04	<b>38 03 0007</b>	980
944 105 273 01	<b>38 03 0012</b>	980
944 105 273 02	<b>38 03 0012</b>	980
944 105 273 03	<b>38 03 0012</b>	980
944 105 501 01	<b>99 11 0192</b>	980
944 105 501 05	<b>99 11 0192</b>	980
928 105 512 05	<b>38 03 0004</b>	981
928 105 512 07	<b>38 03 0004</b>	981
928 105 512 09	<b>38 03 0004</b>	981
928 105 512 11	<b>38 03 0004</b>	981
928 105 512 12	<b>38 03 0004</b>	981
901 105 529 00	<b>99 11 0091</b>	974

Ref. - No.	SWAG GERMANY	
901 105 529 50	<b>99 11 0090</b>	974
911 105 529 00	<b>99 11 0091</b>	974
911 105 529 50	<b>99 11 0090</b>	974
993 105 529 00	<b>99 11 0091</b>	974
passend für / to fit:		
<b>RENAULT</b>		
08 55 789 200	<b>99 11 0312</b>	1026, 1027
11 75 036 62R	<b>60 93 0159</b>	993, 996, 1004, 1022, 1023, 1025, 1043
11 75 072 71R	<b>60 92 2329</b>	997, 1001, 1010, 1040, 1044
11 75 096 54R	<b>60 93 0159</b>	993, 996, 1004, 1022, 1023, 1025, 1043
13 0C 113 21R	<b>60 92 8602</b>	1001, 1010, 1040
13 0C 121 31R	<b>60 92 1989</b>	994, 999, 1006, 1021
13 0C 174 80R	<b>60 93 7640</b>	1014, 1015, 1016, 1035, 1036

Ref. - No.

**SWAG**  
GERMANY**SWAG**  
GERMANY

Ref. - No.

**SWAG**  
GERMANY


Ref. - No.


**SWAG**  
GERMANY

13 0C 175 29R	<b>60 91 9918</b>	993, 996, 997, 1003, 1004, 1005, 1010, 1013, 1018, 1023, 1025, 1035, 1037
13 02 811 94R	<b>99 11 0021</b>	987, 1028, 1041
13 07 002 38R	<b>62 93 6288</b>	996, 1012, 1022, 1023, 1024, 1025, 1037, 1038
13 07 011 92R	<b>60 91 9910</b>	993, 996, 997, 1003, 1004, 1005, 1010, 1013, 1018, 1023, 1025, 1035, 1037
13 07 756 30R	<b>60 92 1759</b>	986, 994, 996, 999, 1001, 1006, 1010, 1011, 1012, 1021, 1022, 1037, 1040, 1044
60 01 538 826	<b>99 11 0021</b>	987, 1028, 1041
60 01 543 400	<b>60 91 9854</b>	992, 1002, 1013, 1015, 1017, 1035
60 01 543 859	<b>60 92 1725</b>	992, 1002, 1013, 1015, 1017, 1035
74 31 271 914	<b>55 92 2152</b>	1007, 1033
74 31 275 380	<b>55 92 2152</b>	1007, 1033
74 38 630 590	<b>55 03 0007</b>	1007, 1033
74 38 642 251	<b>55 03 0013</b>	1007
74 39 135 036	<b>55 03 0009</b>	1007, 1033
74 39 135 733	<b>55 02 0007</b>	1007, 1033
74 39 135 733 S	<b>55 02 0012</b>	1007, 1033
74 39 135 733 S1	<b>55 02 0012</b>	1007, 1033
74 39 146 139	<b>55 03 0024</b>	1007, 1033
74 39 146 376	<b>55 03 0007</b>	1007, 1033
74 39 440 329	<b>55 03 0013</b>	1007
77 00 101 248	<b>60 91 9836</b>	993, 996, 997, 1003, 1004, 1005, 1010, 1012, 1013, 1018, 1022, 1023, 1024, 1025, 1035, 1037, 1038
77 00 101 427	<b>60 91 9836</b>	993, 996, 997, 1003, 1004, 1005, 1010, 1012, 1013, 1018, 1022, 1023, 1024, 1025, 1035, 1037, 1038
77 00 102 047	<b>60 92 1247</b>	987, 991, 1002

77 00 102 872	<b>60 92 8331</b>	993, 1003, 1005, 1013, 1018, 1021, 1035
77 00 102 931	<b>60 92 1033</b>	992, 993, 996, 1003, 1005, 1010, 1012, 1013, 1017, 1018, 1021, 1023, 1035
77 00 104 092	<b>60 92 1033</b>	992, 993, 996, 1003, 1005, 1010, 1012, 1013, 1017, 1018, 1021, 1023, 1035
77 00 105 325	<b>60 03 0058</b>	992, 993, 1003, 1005, 1010, 1013, 1018, 1035
77 00 106 241	<b>60 92 1247</b>	987, 991, 1002
77 00 106 243	<b>60 91 9839</b>	986, 994, 999, 1006, 1021
77 00 107 150	<b>60 91 9847</b>	986, 993, 994, 996, 997, 999, 1003, 1004, 1005, 1006, 1010, 1012, 1013, 1018, 1021, 1022, 1023, 1024, 1025, 1035, 1037, 1038
77 00 108 117	<b>60 91 9910</b>	993, 996, 997, 1003, 1004, 1005, 1010, 1013, 1018, 1023, 1025, 1035, 1037
77 00 108 412	<b>60 91 9836</b>	993, 996, 997, 1003, 1004, 1005, 1010, 1012, 1013, 1018, 1022, 1023, 1024, 1025, 1035, 1037, 1038
77 00 108 626	<b>60 91 9845</b>	986, 994, 999, 1006, 1021
77 00 108 920	<b>60 91 9846</b>	986, 994, 996, 999, 1001, 1006, 1010, 1011, 1012, 1021, 1022, 1037, 1040, 1044
77 00 109 450	<b>60 92 2329</b>	997, 1001, 1010, 1040, 1044
77 00 110 616	<b>60 92 6457</b>	993, 996, 1003, 1010, 1013, 1018, 1022, 1023



Ref. - No.	SWAG GERMANY	
77 00 110 947	<b>60 93 2581</b>	1040
77 00 113 061	<b>60 92 1247</b>	987, 991, 1002
77 00 113 558	<b>60 91 9836</b>	993, 996, 997, 1003, 1004, 1005, 1010, 1012, 1013, 1018, 1022, 1023, 1024, 1025, 1035, 1037, 1038
77 00 113 559	<b>60 91 9839</b>	986, 994, 999, 1006, 1021
77 00 114 860	<b>60 91 9846</b>	986, 994, 996, 999, 1001, 1006, 1010, 1011, 1012, 1021, 1022, 1037, 1040, 1044
77 00 115 070	<b>60 03 0004</b>	988, 989, 999, 1006, 1007, 1019, 1027, 1029, 1031
77 00 116 049	<b>60 03 0010</b>	988, 989, 999, 1006, 1007, 1019, 1027, 1029, 1031
77 00 116 050	<b>60 03 0007</b>	990, 1020, 1030
77 00 272 652	<b>60 03 0045</b>	1041
77 00 273 277	<b>60 03 0044</b>	992, 1002, 1013, 1015, 1017, 1035
77 00 273 279	<b>60 91 9854</b>	992, 1002, 1013, 1015, 1017, 1035
77 00 273 650	<b>60 91 9854</b>	992, 1002, 1013, 1015, 1017, 1035
77 00 274 217	<b>60 03 0057</b>	992, 1002
77 00 274 218	<b>60 92 1719</b>	992, 1002
77 00 696 987	<b>60 03 0002</b>	1031
77 00 708 337	<b>60 03 0002</b>	1031
77 00 716 768	<b>60 03 0002</b>	1031
77 00 718 836	<b>60 02 0007</b>	998, 1033, 1039
77 00 722 758	<b>99 11 0021</b>	987, 1028, 1041
77 00 725 577	<b>99 02 0026</b>	988, 989, 1006, 1027, 1029, 1031
77 00 725 577 S	<b>99 02 0053</b>	988, 989, 1006, 1027, 1029, 1031
77 00 726 440	<b>60 03 0004</b>	988, 989, 999, 1006, 1007, 1019, 1027, 1029, 1031
77 00 733 489	<b>60 03 0007</b>	990, 1020, 1030

Ref. - No.	SWAG GERMANY	
77 00 735 486	<b>60 03 0010</b>	988, 989, 999, 1006, 1007, 1019, 1027, 1029, 1031
77 00 736 085	<b>60 03 0003</b>	987, 991, 1002, 1017, 1026, 1028
77 00 736 419	<b>60 03 0006</b>	990, 1020, 1030
77 00 736 969	<b>60 02 0004</b>	987, 1017, 1026, 1028
77 00 736 969 S	<b>60 02 0019</b>	987, 1017, 1026, 1028
77 00 743 777	<b>60 02 0016</b>	990, 1020, 1030
77 00 743 777 S	<b>60 02 0017</b>	990, 1020, 1030
77 00 745 215	<b>60 03 0023</b>	998, 1032, 1033, 1039
77 00 850 603	<b>60 03 0011</b>	988, 1029
77 00 851 321	<b>60 03 0015</b>	986, 990, 999, 1007, 1019, 1030
77 00 853 660	<b>60 02 0007</b>	998, 1033, 1039
77 00 856 351	<b>60 02 0007</b>	998, 1033, 1039
77 00 857 325	<b>99 02 0049</b>	999, 1007, 1019
77 00 857 325 S	<b>99 02 0050</b>	999, 1007, 1019
77 00 858 358	<b>60 03 0043</b>	1041
77 00 860 884	<b>60 03 0046</b>	1041
77 00 862 108	<b>60 03 0049</b>	1017
77 00 863 095	<b>60 92 1247</b>	987, 991, 1002
77 00 863 111	<b>60 03 0007</b>	990, 1020, 1030
77 00 863 112	<b>60 03 0010</b>	988, 989, 999, 1006, 1007, 1019, 1027, 1029, 1031
77 00 863 113	<b>60 03 0004</b>	988, 989, 999, 1006, 1007, 1019, 1027, 1029, 1031
77 00 867 985	<b>60 92 2146</b>	994, 1020
77 00 868 201	<b>60 03 0052</b>	1041
77 00 869 666	<b>60 92 2277</b>	991
77 00 869 684	<b>60 92 1719</b>	992, 1002
77 00 870 432	<b>60 03 0057</b>	992, 1002
77 00 870 795	<b>60 03 0052</b>	1041
77 00 870 937	<b>60 92 2146</b>	994, 1020
77 00 871 168	<b>60 03 0023</b>	998, 1032, 1033, 1039
77 00 875 305	<b>60 03 0059</b>	999, 1019

Ref. - No.

**SWAG**  
GERMANY**SWAG**  
GERMANY

Ref. - No.

**SWAG**  
GERMANY

Ref. - No.


**SWAG**  
GERMANY


77 01 063 999	<b>60 91 9839</b>	986, 994, 999, 1006, 1021
77 01 064 316	<b>60 91 9943</b>	1001, 1010, 1040
77 01 349 098	<b>99 11 0021</b>	987, 1028, 1041
77 01 349 658	<b>60 03 0002</b>	1031
77 01 468 167	<b>99 02 0053</b>	988, 989, 1006, 1027, 1029, 1031
77 01 469 775	<b>60 02 0017</b>	990, 1020, 1030
77 01 469 776	<b>99 02 0050</b>	999, 1007, 1019
77 01 469 833	<b>60 02 0019</b>	987, 1017, 1026, 1028
77 01 471 367	<b>60 91 9951</b>	986, 994, 999, 1006, 1021
77 01 471 382	<b>60 91 9918</b>	993, 996, 997, 1003, 1004, 1005, 1010, 1013, 1018, 1023, 1025, 1035, 1037
77 01 471 974	<b>60 91 9918</b>	993, 996, 997, 1003, 1004, 1005, 1010, 1013, 1018, 1023, 1025, 1035, 1037
77 01 472 292	<b>60 91 9951</b>	986, 994, 999, 1006, 1021
77 01 472 644	<b>60 02 0021</b>	987, 991, 1002
77 01 472 675	<b>60 02 0021</b>	987, 991, 1002
77 01 472 696	<b>60 92 8602</b>	1001, 1010, 1040
77 01 472 725	<b>60 92 1725</b>	992, 1002, 1013, 1015, 1017, 1035
77 01 472 726	<b>60 02 0019</b>	987, 1017, 1026, 1028
77 01 473 001	<b>60 91 9852</b>	991, 995, 997, 1002, 1016, 1025, 1036, 1042, 1045
77 01 473 053	<b>60 91 9951</b>	986, 994, 999, 1006, 1021
77 01 473 569	<b>62 92 8103</b>	986, 994, 1000, 1009, 1011
77 01 474 019	<b>60 92 1989</b>	994, 999, 1006, 1021
77 01 474 021	<b>60 92 6567</b>	986, 996, 1001, 1010, 1011, 1012, 1022, 1037, 1040, 1044

77 01 474 023	<b>60 92 6567</b>	986, 996, 1001, 1010, 1011, 1012, 1022, 1037, 1040, 1044
77 01 474 359	<b>60 93 6300</b>	996, 1012, 1022, 1023, 1024, 1025, 1037, 1038
77 01 474 362	<b>60 93 6415</b>	996, 1001, 1010, 1023, 1024, 1025, 1037, 1038, 1043, 1045
77 01 476 674	<b>60 91 9951</b>	986, 994, 999, 1006, 1021
77 01 476 675	<b>60 92 1989</b>	994, 999, 1006, 1021
77 01 476 745	<b>60 91 9852</b>	991, 995, 997, 1002, 1016, 1025, 1036, 1042, 1045
77 01 477 013	<b>60 02 0021</b>	987, 991, 1002
77 01 477 014	<b>60 91 9918</b>	993, 996, 997, 1003, 1004, 1005, 1010, 1013, 1018, 1023, 1025, 1035, 1037
77 01 477 022	<b>60 92 8602</b>	1001, 1010, 1040
77 01 477 023	<b>60 93 6300</b>	996, 1012, 1022, 1023, 1024, 1025, 1037, 1038
77 01 477 024	<b>60 92 1725</b>	992, 1002, 1013, 1015, 1017, 1035
77 01 477 093	<b>60 92 6567</b>	986, 996, 1001, 1010, 1011, 1012, 1022, 1037, 1040, 1044
77 01 478 079	<b>60 93 6415</b>	996, 1001, 1010, 1023, 1024, 1025, 1037, 1038, 1043, 1045
77 01 478 505	<b>60 93 6415</b>	996, 1001, 1010, 1023, 1024, 1025, 1037, 1038, 1043, 1045





Ref. - No.	SWAG GERMANY	
77 01 478 750	<b>60 93 6300</b>	996, 1012, 1022, 1023, 1024, 1025, 1037, 1038
79 10 245 160	<b>55 09 0002</b>	998, 1000, 1008, 1034
79 10 245 301	<b>99 11 0036</b>	998, 1000, 1008, 1034
79 10 245 604	<b>55 09 0001</b>	998, 1000, 1008, 1034
79 10 246 065	<b>55 09 0001</b>	998, 1000, 1008, 1034
79 10 247 528	<b>55 09 0002</b>	998, 1000, 1008, 1034
82 00 035 827	<b>60 91 9851</b>	991, 995, 997, 1002, 1016, 1025, 1036, 1042, 1045
82 00 035 834	<b>60 91 9840</b>	991, 995, 997, 1002, 1016, 1025, 1036, 1042, 1045
82 00 040 155	<b>60 03 0052</b>	1041
82 00 040 161	<b>60 03 0056</b>	991
82 00 046 148	<b>60 91 9943</b>	1001, 1010, 1040
82 00 051 091	<b>60 03 0010</b>	988, 989, 999, 1006, 1007, 1019, 1027, 1029, 1031
82 00 051 092	<b>60 03 0007</b>	990, 1020, 1030
82 00 061 345	<b>60 91 9846</b>	986, 994, 996, 999, 1001, 1006, 1010, 1011, 1012, 1021, 1022, 1037, 1040, 1044
82 00 064 664	<b>60 92 1759</b>	986, 994, 996, 999, 1001, 1006, 1010, 1011, 1012, 1021, 1022, 1037, 1040, 1044
82 00 065 479	<b>60 92 2146</b>	994, 1020
82 00 071 402	<b>60 92 2329</b>	997, 1001, 1010, 1040, 1044
82 00 071 404	<b>60 92 2119</b>	1001, 1010
82 00 072 120	<b>60 92 7445</b>	996, 1022
82 00 086 697	<b>60 91 9846</b>	986, 994, 996, 999, 1001, 1006, 1010, 1011, 1012, 1021, 1022, 1037, 1040, 1044

Ref. - No.	SWAG GERMANY	
82 00 088 894	<b>60 91 9839</b>	986, 994, 999, 1006, 1021
82 00 098 343	<b>60 91 9839</b>	986, 994, 999, 1006, 1021
82 00 102 612	<b>60 03 0044</b>	992, 1002, 1013, 1015, 1017, 1035
82 00 103 069	<b>60 91 9851</b>	991, 995, 997, 1002, 1016, 1025, 1036, 1042, 1045
82 00 104 754	<b>60 92 1033</b>	992, 993, 996, 1003, 1005, 1010, 1012, 1013, 1017, 1018, 1021, 1023, 1035
82 00 106 085	<b>60 91 9840</b>	991, 995, 997, 1002, 1016, 1025, 1036, 1042, 1045
82 00 136 224	<b>60 03 0052</b>	1041
82 00 142 350	<b>60 91 9836</b>	993, 996, 997, 1003, 1004, 1005, 1010, 1012, 1013, 1018, 1022, 1023, 1024, 1025, 1035, 1037, 1038
82 00 170 009	<b>60 92 8287</b>	993, 996, 1003, 1023, 1025
82 00 171 807	<b>60 92 8287</b>	993, 996, 1003, 1023, 1025
82 00 190 571	<b>60 93 2581</b>	1040
82 00 190 572	<b>60 92 2329</b>	997, 1001, 1010, 1040, 1044
82 00 191 324	<b>62 93 6288</b>	996, 1012, 1022, 1023, 1024, 1025, 1037, 1038
82 00 192 843	<b>60 03 0058</b>	992, 993, 1003, 1005, 1010, 1013, 1018, 1035
82 00 211 784	<b>60 03 0044</b>	992, 1002, 1013, 1015, 1017, 1035
82 00 221 695	<b>60 92 6570</b>	986, 1001, 1010, 1011, 1012, 1022, 1037, 1040, 1044

Ref. - No.

**SWAG**  
GERMANY**SWAG**  
GERMANY

Ref. - No.

**SWAG**  
GERMANY

Ref. - No.

**SWAG**  
GERMANY

82 00 222 092	<b>60 91 9846</b>	986, 994, 996, 999, 1001, 1006, 1010, 1011, 1012, 1021, 1022, 1037, 1040, 1044
82 00 244 615	<b>60 91 9910</b>	993, 996, 997, 1003, 1004, 1005, 1010, 1013, 1018, 1023, 1025, 1035, 1037
82 00 277 606	<b>60 92 8331</b>	993, 1003, 1005, 1013, 1018, 1021, 1035
82 00 285 009	<b>60 92 3397</b>	997, 1001, 1010, 1040, 1044
82 00 324 532	<b>60 93 0248</b>	995, 1025, 1042
82 00 347 761	<b>62 93 6288</b>	996, 1012, 1022, 1023, 1024, 1025, 1037, 1038
82 00 360 524	<b>60 93 0159</b>	993, 996, 1004, 1022, 1023, 1025, 1043
82 00 403 954	<b>60 92 8331</b>	993, 1003, 1005, 1013, 1018, 1021, 1035
82 00 454 895	<b>60 91 9851</b>	991, 995, 997, 1002, 1016, 1025, 1036, 1042, 1045
82 00 460 446	<b>60 93 0159</b>	993, 996, 1004, 1022, 1023, 1025, 1043
82 00 469 376	<b>60 03 0007</b>	990, 1020, 1030
82 00 472 180	<b>60 92 7445</b>	996, 1022
82 00 483 288	<b>60 91 9845</b>	986, 994, 999, 1006, 1021
82 00 499 908	<b>60 91 9846</b>	986, 994, 996, 999, 1001, 1006, 1010, 1011, 1012, 1021, 1022, 1037, 1040, 1044
82 00 499 909	<b>60 91 9846</b>	986, 994, 996, 999, 1001, 1006, 1010, 1011, 1012, 1021, 1022, 1037, 1040, 1044
82 00 537 021	<b>60 91 9854</b>	992, 1002, 1013, 1015, 1017, 1035

82 00 537 026	<b>60 91 9836</b>	993, 996, 997, 1003, 1004, 1005, 1010, 1012, 1013, 1018, 1022, 1023, 1024, 1025, 1035, 1037, 1038
82 00 542 739	<b>60 92 6570</b>	986, 1001, 1010, 1011, 1012, 1022, 1037, 1040, 1044
82 00 545 581	<b>60 92 1247</b>	987, 991, 1002
82 00 582 997	<b>60 03 0058</b>	992, 993, 1003, 1005, 1010, 1013, 1018, 1035
82 00 585 576	<b>60 91 9910</b>	993, 996, 997, 1003, 1004, 1005, 1010, 1013, 1018, 1023, 1025, 1035, 1037
82 00 603 359	<b>60 92 8331</b>	993, 1003, 1005, 1013, 1018, 1021, 1035
82 00 608 550	<b>60 93 0159</b>	993, 996, 1004, 1022, 1023, 1025, 1043
82 00 612 619	<b>60 93 0159</b>	993, 996, 1004, 1022, 1023, 1025, 1043
82 00 623 883	<b>62 93 6288</b>	996, 1012, 1022, 1023, 1024, 1025, 1037, 1038
82 00 641 468	<b>60 92 8287</b>	993, 996, 1003, 1023, 1025
82 00 673 090	<b>60 92 7445</b>	996, 1022
82 00 673 091	<b>60 92 2329</b>	997, 1001, 1010, 1040, 1044
82 00 673 092	<b>60 93 2581</b>	1040
82 00 676 403	<b>60 91 9846</b>	986, 994, 996, 999, 1001, 1006, 1010, 1011, 1012, 1021, 1022, 1037, 1040, 1044
82 00 676 404	<b>60 91 9846</b>	986, 994, 996, 999, 1001, 1006, 1010, 1011, 1012, 1021, 1022, 1037, 1040, 1044





Ref. - No.	SWAG GERMANY	
82 00 704 394	<b>60 91 9851</b>	991, 995, 997, 1002, 1016, 1025, 1036, 1042, 1045
82 00 769 155	<b>60 93 0248</b>	995, 1025, 1042
82 00 840 823	<b>60 92 2329</b>	997, 1001, 1010, 1040, 1044
82 00 840 824	<b>60 93 2581</b>	1040
82 00 897 097	<b>60 91 9836</b>	993, 996, 997, 1003, 1004, 1005, 1010, 1012, 1013, 1018, 1022, 1023, 1024, 1025, 1035, 1037, 1038
82 00 897 100	<b>60 91 9836</b>	993, 996, 997, 1003, 1004, 1005, 1010, 1012, 1013, 1018, 1022, 1023, 1024, 1025, 1035, 1037, 1038
82 00 901 288	<b>60 03 0056</b>	991
82 00 905 328	<b>60 92 7445</b>	996, 1022
82 00 908 180	<b>62 93 7605</b>	1014, 1015, 1016, 1035, 1036
82 00 939 081	<b>60 93 7639</b>	1014, 1015, 1016, 1035, 1036
82 00 947 837	<b>60 92 3397</b>	997, 1001, 1010, 1040, 1044
82 00 981 266	<b>60 92 2119</b>	1001, 1010
82 00 989 172	<b>60 91 9846</b>	986, 994, 996, 999, 1001, 1006, 1010, 1011, 1012, 1021, 1022, 1037, 1040, 1044
96 16 660 580	<b>62 91 9239</b>	986, 994, 1000, 1009, 1011, 1034
96 16 660 780	<b>62 91 9240</b>	986, 994, 1000, 1009, 1011, 1034
96 18 337 580	<b>62 02 0022</b>	986, 994, 1000, 1009, 1011, 1034
96 30 535 380	<b>62 92 6763</b>	986, 994, 1000, 1009, 1011
96 42 184 080	<b>62 92 6763</b>	986, 994, 1000, 1009, 1011
passend für / to fit:		
<b>ROVER</b>		
CDU 2049	<b>22 03 0006</b>	1047, 1049

Ref. - No.	SWAG GERMANY	
CDU 2749	<b>22 02 0005</b>	1049, 1050, 1052
CDU 3380	<b>22 03 0006</b>	1047, 1049
CDU 3558	<b>22 03 0001</b>	1049, 1050, 1052
CDU 3559	<b>22 03 0002</b>	1047
FDU 1055	<b>85 03 0004</b>	1050
FDU 2691	<b>85 03 0004</b>	1050
GTB 1127 A	<b>40 02 0004</b>	1052
GTB 1238	<b>22 02 0005</b>	1049, 1050, 1052
GTB 1238 S1	<b>22 02 0013</b>	1049, 1050, 1052
GTB 1293 XS	<b>85 02 0007</b>	1050
LHP 10011	<b>22 03 0013</b>	1051
LHP 10014	<b>22 03 0002</b>	1047
LHP 10015	<b>22 03 0001</b>	1049, 1050, 1052
LHP 10016	<b>22 03 0013</b>	1051
LHP 100440	<b>22 03 0022</b>	1051
LHP 100450	<b>22 03 0022</b>	1051
LHP 100520	<b>22 03 0023</b>	1047
LHP 100790	<b>85 91 8937</b>	1050
LHV 100110	<b>22 03 0023</b>	1047
PQG 100180	<b>22 93 1257</b>	1046, 1048, 1049, 1050, 1053, 1054
PQG 100180A	<b>22 93 1257</b>	1046, 1048, 1049, 1050, 1053, 1054
PQR 10028	<b>22 03 0006</b>	1047, 1049
UAM 1599	<b>40 02 0004</b>	1052
passend für / to fit:		
<b>SAAB</b>		
12 608 580	<b>40 93 3044</b>	1062
24 426 500	<b>40 03 0018</b>	1063
24 430 296	<b>40 92 1061</b>	1062
24 451 895	<b>40 02 0016</b>	1063
24 451 895 S1	<b>40 91 9445</b>	1063
24 461 834	<b>40 93 3043</b>	1062
30 518 277	<b>57 09 0003</b>	1055, 1056, 1058, 1059, 1061, 1064
40 28 064	<b>57 52 0001</b>	1059
40 29 930	<b>57 03 0001</b>	1059
42 37 020	<b>57 91 9487</b>	1057, 1060, 1065
42 37 038	<b>40 03 0015</b>	1057, 1060
43 56 119	<b>57 93 2175</b>	1056
43 56 127	<b>57 03 0005</b>	1056, 1061, 1064
45 04 080	<b>40 03 0017</b>	1057, 1060, 1065
45 04 114	<b>40 03 0025</b>	1057, 1060, 1065

Ref. - No.

**SWAG**  
GERMANY**SWAG**  
GERMANY

Ref. - No.

**SWAG**  
GERMANY


Ref. - No.


**SWAG**  
GERMANY

45 04 163	<b>40 92 3419</b>	1057, 1060, 1065
46 21 348	<b>40 92 3419</b>	1057, 1060, 1065
46 23 906	<b>40 03 0025</b>	1057, 1060, 1065
47 50 220	<b>57 91 9487</b>	1057, 1060, 1065
47 52 879	<b>57 91 9485</b>	1056
47 52 960	<b>57 91 9486</b>	1056, 1064
47 70 459	<b>40 03 0017</b>	1057, 1060, 1065
47 70 491	<b>40 92 3419</b>	1057, 1060, 1065
47 70 491 S1	<b>40 92 7295</b>	1057, 1060
47 70 558	<b>40 03 0017</b>	1057, 1060, 1065
47 71 085	<b>40 03 0017</b>	1057, 1060, 1065
48 98 755	<b>57 91 9484</b>	1061, 1064
49 01 419	<b>57 52 0001</b>	1059
49 01 625	<b>57 03 0004</b>	1058, 1059
49 60 290	<b>57 91 9485</b>	1056
49 67 907	<b>57 92 2383</b>	1061, 1064
49 68 590	<b>57 92 2383</b>	1061, 1064
51 72 226	<b>57 91 9487</b>	1057, 1060, 1065
51 72 309	<b>57 92 1568</b>	1061, 1064
55 350 580	<b>40 03 0010</b>	1063
55 352 713	<b>99 91 8181</b>	1063
55 562 635	<b>57 92 2383</b>	1061, 1064
55 567 191	<b>40 03 0018</b>	1063
74 83 761	<b>99 11 0223</b>	1056, 1059, 1061, 1064
74 85 105	<b>99 11 0043</b>	1056, 1059, 1061, 1064
75 00 697	<b>99 11 0220</b>	1055, 1058
75 92 017	<b>57 03 0004</b>	1058, 1059
88 59 324	<b>57 09 0003</b>	1055, 1056, 1058, 1059, 1061, 1064
90 500 360	<b>40 92 3419</b>	1057, 1060, 1065
90 537 300	<b>40 93 3048</b>	1062
90 537 338	<b>40 93 3043</b>	1062
90 537 370	<b>40 93 3047</b>	1062
90 543 739	<b>40 03 0017</b>	1057, 1060, 1065
90 571 758	<b>40 92 1060</b>	1063
90 571 758 SK1	<b>40 93 6851</b>	1063
91 28 739	<b>40 03 0010</b>	1063
91 31 145	<b>99 11 0223</b>	1056, 1059, 1061, 1064
92 40 033	<b>99 91 8181</b>	1063
93 21 837	<b>99 11 0222</b>	1055, 1058

93 21 845	<b>99 11 0224</b>	1056, 1059, 1061, 1064
passend für / to fit: <b>SCION</b>		
13506-37010	<b>99 13 1005</b>	1066
16620-28070	<b>81 92 7556</b>	1066
passend für / to fit: <b>SEAT</b>		
03E 105 209	<b>32 05 0002</b>	1089
049 105 263 C	<b>30 05 0010</b>	1068, 1079, 1083, 1103
06A 105 263 C	<b>30 05 0015</b>	1067, 1072
06A 105 263 D	<b>30 05 0015</b>	1067, 1072
06A 105 263 E	<b>30 05 0015</b>	1067, 1072
06A 109 105 C	<b>10 91 0546</b>	1088, 1098, 1106, 1110
030 109 119 A	<b>30 02 0011</b>	1077, 1078
030 109 119 H	<b>30 02 0031</b>	1075, 1077, 1081, 1086, 1091
030 109 119 M	<b>30 02 0031</b>	1075, 1077, 1081, 1086, 1091
030 109 119 M S1	<b>30 02 0038</b>	1075, 1077, 1081
030 109 119 S	<b>30 02 0031</b>	1075, 1077, 1081, 1086, 1091
030 109 119 S S1	<b>30 02 0038</b>	1075, 1077, 1081
032 109 119 G	<b>30 91 8772</b>	1086
032 109 119 J	<b>30 91 8772</b>	1086
032 109 119 J S1	<b>32 92 3640</b>	1086
036 109 119 AG S1	<b>30 92 1770</b>	1074, 1076, 1087, 1090, 1094, 1096, 1097, 1100, 1105, 1109
036 109 119 AG	<b>30 91 9364</b>	1071, 1074, 1076, 1078, 1087, 1090, 1094, 1096, 1097, 1100, 1105, 1109
036 109 119 D	<b>32 92 3528</b>	1082, 1085
036 109 119 H	<b>32 92 3528</b>	1082, 1085
036 109 119 M	<b>30 91 9364</b>	1071, 1074, 1076, 1078, 1087, 1090, 1094, 1096, 1097, 1100, 1105, 1109



Ref. - No.	SWAG GERMANY	
036 109 119 P	<b>36 92 1768</b>	1074, 1076, 1078, 1087, 1090, 1094, 1096, 1097, 1100, 1105, 1109
036 109 119 P S1	<b>30 92 1774</b>	1074, 1076, 1078, 1087, 1090, 1094, 1096, 1097, 1100, 1105, 1109
036 109 119 Q	<b>30 91 9364</b>	1071, 1074, 1076, 1078, 1087, 1090, 1094, 1096, 1097, 1100, 1105, 1109
036 109 119 Q S1	<b>30 92 1770</b>	1074, 1076, 1087, 1090, 1094, 1096, 1097, 1100, 1105, 1109
037 109 119 C	<b>30 02 0032</b>	1068, 1079, 1083, 1103
037 109 119 C S1	<b>30 02 0041</b>	1068
048 109 119 D	<b>30 02 0032</b>	1068, 1079, 1083, 1103
056 109 119 A	<b>99 02 0004</b>	1079, 1083, 1103
06A 109 119 B	<b>30 91 9396</b>	1068, 1072, 1088, 1098, 1106, 1110
06A 109 119 C	<b>30 91 9396</b>	1068, 1072, 1088, 1098, 1106, 1110
06A 109 119 C S1	<b>32 92 3634</b>	1068, 1072, 1088, 1098, 1106, 1110
06A 109 119 K	<b>30 91 9396</b>	1068, 1072, 1088, 1098, 1106, 1110
06B 109 119 A	<b>30 91 9546</b>	1067, 1088, 1091, 1098, 1106
06B 109 119 A S1	<b>30 91 9548</b>	1067, 1098, 1106
06B 109 119 A S6	<b>30 93 0891</b>	1091
06B 109 119 A S2	<b>30 91 9550</b>	1067, 1088, 1098, 1106
06B 109 119 A S5	<b>30 92 7298</b>	1067, 1098
06B 109 119 B	<b>30 91 9546</b>	1067, 1088, 1091, 1098, 1106
06B 109 119 F	<b>30 91 9546</b>	1067, 1088, 1091, 1098, 1106
06B 109 119 F S2	<b>30 91 9550</b>	1067, 1088, 1098, 1106

Ref. - No.	SWAG GERMANY	
06D 109 119 B	<b>32 92 4186</b>	1073, 1102, 1110
027 109 120	<b>99 11 0360</b>	1080, 1084, 1104
077 109 120	<b>99 11 0360</b>	1080, 1084, 1104
078 109 120	<b>99 11 0334</b>	1067, 1088, 1098, 1106
03C 109 158	<b>30 94 0390</b>	1069, 1070, 1092, 1095, 1101, 1109, 1111
03C 109 158 A	<b>30 94 0390</b>	1069, 1070, 1092, 1095, 1101, 1109, 1111
036 109 181 A	<b>30 92 1766</b>	1074, 1076, 1078, 1087, 1090, 1094, 1096, 1097, 1100, 1105, 1109
036 109 181 B	<b>30 92 1766</b>	1074, 1076, 1078, 1087, 1090, 1094, 1096, 1097, 1100, 1105, 1109
058 109 217 B	<b>30 92 7070</b>	1067, 1088, 1098, 1106
06F 109 217 A	<b>30 93 2518</b>	1073, 1102, 1110
03D 109 229	<b>99 11 0407</b>	1089
03D 109 229 S1	<b>99 13 0478</b>	1089
03D 109 229 S2	<b>99 13 0495</b>	1089
03E 109 229 A	<b>99 11 0405</b>	1089
03E 109 229 A S2	<b>99 13 0497</b>	1089
058 109 229	<b>99 11 0334</b>	1067, 1088, 1098, 1106
058 109 229 B	<b>99 11 0334</b>	1067, 1088, 1098, 1106
06D 109 229 A	<b>99 11 0442</b>	1073, 1102, 1110
06D 109 229 B	<b>99 11 0442</b>	1073, 1102, 1110
026 109 243	<b>30 03 0005</b>	1068, 1079, 1083, 1103
026 109 243 E	<b>30 03 0005</b>	1068, 1079, 1083, 1103
026 109 243 F	<b>30 03 0005</b>	1068, 1079, 1083, 1103
026 109 243 L	<b>30 03 0005</b>	1068, 1079, 1083, 1103
027 109 243	<b>30 03 0044</b>	1104

Ref. - No.

**SWAG**  
GERMANY**SWAG**  
GERMANY

Ref. - No.

**SWAG**  
GERMANY


030 109 243 D	<b>30 03 0053</b>	1075, 1077, 1081, 1086
030 109 243 F	<b>30 03 0053</b>	1075, 1077, 1081, 1086
030 109 243 J	<b>30 03 0053</b>	1075, 1077, 1081, 1086
030 109 243 K	<b>30 03 0053</b>	1075, 1077, 1081, 1086
030 109 243 L	<b>30 93 0220</b>	1075, 1086, 1091
030 109 243 M	<b>30 93 0220</b>	1075, 1086, 1091
030 109 243 N	<b>30 93 0220</b>	1075, 1086, 1091
030 109 243 P	<b>30 93 0220</b>	1075, 1086, 1091
036 109 243 AB	<b>30 03 0049</b>	1074, 1076, 1078, 1087, 1090, 1094, 1096, 1097, 1100, 1105, 1109
036 109 243 AC	<b>30 03 0083</b>	1074, 1076, 1078, 1087, 1090, 1094, 1096, 1097, 1100, 1105, 1109
036 109 243 AD	<b>30 03 0049</b>	1074, 1076, 1078, 1087, 1090, 1094, 1096, 1097, 1100, 1105, 1109
036 109 243 AE	<b>30 03 0083</b>	1074, 1076, 1078, 1087, 1090, 1094, 1096, 1097, 1100, 1105, 1109
036 109 243 AF	<b>30 03 0049</b>	1074, 1076, 1078, 1087, 1090, 1094, 1096, 1097, 1100, 1105, 1109
036 109 243 AG	<b>30 03 0083</b>	1074, 1076, 1078, 1087, 1090, 1094, 1096, 1097, 1100, 1105, 1109
036 109 243 D	<b>30 92 1764</b>	1082, 1085
036 109 243 E	<b>30 03 0049</b>	1074, 1076, 1078, 1087, 1090, 1094, 1096, 1097, 1100, 1105, 1109
036 109 243 F	<b>30 03 0050</b>	1076, 1078, 1097, 1105


Ref. - No.

**SWAG**  
GERMANY

036 109 243 G	<b>30 92 1764</b>	1082, 1085
036 109 243 J	<b>30 92 1764</b>	1082, 1085
036 109 243 K	<b>30 03 0083</b>	1074, 1076, 1078, 1087, 1090, 1094, 1096, 1097, 1100, 1105, 1109
036 109 243 L	<b>30 03 0049</b>	1074, 1076, 1078, 1087, 1090, 1094, 1096, 1097, 1100, 1105, 1109
036 109 243 R	<b>30 03 0049</b>	1074, 1076, 1078, 1087, 1090, 1094, 1096, 1097, 1100, 1105, 1109
036 109 243 S	<b>30 03 0083</b>	1074, 1076, 1078, 1087, 1090, 1094, 1096, 1097, 1100, 1105, 1109
049 109 243	<b>30 03 0005</b>	1068, 1079, 1083, 1103
051 109 243	<b>30 03 0044</b>	1104
056 109 243 A	<b>30 03 0005</b>	1068, 1079, 1083, 1103
056 109 243 B	<b>30 03 0005</b>	1068, 1079, 1083, 1103
056 109 243 D	<b>30 03 0005</b>	1068, 1079, 1083, 1103
06B 109 243	<b>99 03 0086</b>	1067, 1098, 1106
06B 109 243 A	<b>30 91 8556</b>	1067, 1088, 1098, 1106
06B 109 243 C	<b>30 93 0212</b>	1091
06B 109 243 D	<b>30 91 8556</b>	1067, 1088, 1098, 1106
06B 109 243 F	<b>30 91 8556</b>	1067, 1088, 1098, 1106
06D 109 243 B	<b>30 92 7364</b>	1073, 1102, 1110
036 109 244	<b>30 03 0028</b>	1082, 1085
036 109 244 C	<b>30 03 0035</b>	1071, 1074, 1076, 1078, 1087, 1090, 1094, 1096, 1097, 1100, 1105, 1109



Ref. - No.	SWAG GERMANY	
036 109 244 D	<b>30 03 0035</b>	1071, 1074, 1076, 1078, 1087, 1090, 1094, 1096, 1097, 1100, 1105, 1109
036 109 244 J	<b>30 03 0035</b>	1071, 1074, 1076, 1078, 1087, 1090, 1094, 1096, 1097, 1100, 1105, 1109
06B 109 244	<b>30 91 9292</b>	1067, 1073, 1088, 1098, 1102, 1106, 1110
06D 109 244 C	<b>30 93 0227</b>	1073, 1102, 1110
06D 109 244 D	<b>30 93 0227</b>	1073, 1102, 1110
06D 109 244 E	<b>30 93 0227</b>	1073, 1102, 1110
021 109 465	<b>99 11 0205</b>	1068, 1099, 1107, 1108
021 109 465 B	<b>99 11 0205</b>	1068, 1099, 1107, 1108
03H 109 465	<b>99 11 0205</b>	1068, 1099, 1107, 1108
021 109 467	<b>30 10 0001</b>	1068, 1099, 1107, 1108
021 109 469	<b>30 09 0003</b>	1068, 1099, 1107, 1108
03C 109 469 K	<b>30 93 6085</b>	1069, 1070, 1092, 1095, 1101, 1109, 1111
03D 109 469 C	<b>99 12 5468</b>	1089
03E 109 469	<b>99 12 5467</b>	1089
03E 109 469 C	<b>99 12 5467</b>	1089
06B 109 477	<b>30 92 2346</b>	1067, 1088, 1106
06B 109 477 B	<b>30 93 0890</b>	1091
06A 109 479 C	<b>30 03 0068</b>	1068, 1072, 1088, 1098, 1106, 1110
06A 109 479 F	<b>30 03 0068</b>	1068, 1072, 1088, 1098, 1106, 1110
06B 109 479	<b>30 92 2346</b>	1067, 1088, 1106
021 109 503 D	<b>99 11 0208</b>	1107
021 109 503 F	<b>99 11 0208</b>	1107
03H 109 503	<b>99 11 0446</b>	1068, 1099, 1108
03H 109 503 S1	<b>30 93 6222</b>	1068, 1099, 1108
066 109 503 B	<b>99 11 0446</b>	1068, 1099, 1108
066 109 503 C	<b>99 11 0446</b>	1068, 1099, 1108

Ref. - No.	SWAG GERMANY	
021 109 507 B	<b>30 10 0002</b>	1107
022 109 507 A	<b>30 92 5422</b>	1099, 1108
03E 109 507 G	<b>30 92 5412</b>	1089
03E 109 507 K	<b>30 92 5412</b>	1089
03E 109 507 L	<b>30 92 5412</b>	1089
03E 109 507 N	<b>30 92 5412</b>	1089
03E 109 507 S	<b>30 92 5412</b>	1089
03H 109 507	<b>30 93 2786</b>	1068, 1099, 1108
066 109 507 A	<b>30 93 2786</b>	1068, 1099, 1108
066 109 507 D	<b>30 93 2786</b>	1068, 1099, 1108
022 109 509 C	<b>99 11 0456</b>	1099, 1108
03C 109 509 M	<b>30 93 6224</b>	1069, 1070, 1092, 1095, 1101, 1109, 1111
03C 109 509 P	<b>30 93 6224</b>	1069, 1070, 1092, 1095, 1101, 1109, 1111
03D 109 509 L	<b>32 09 0001</b>	1089
03E 109 509	<b>99 11 0471</b>	1089
066 109 509 A	<b>30 93 4868</b>	1068, 1099, 1108
066 109 513	<b>30 93 6221</b>	1068, 1099, 1108
066 109 513 A	<b>30 93 6221</b>	1068, 1099, 1108
03D 109 571 L	<b>99 11 0470</b>	1089
03E 109 571 B	<b>32 04 0001</b>	1089
036 109 571	<b>32 04 0001</b>	1089
03C 145 276 C	<b>30 93 2024</b>	1069, 1094
03D 145 276 A	<b>30 93 1069</b>	1089, 1094
03D 145 276 D	<b>30 93 1069</b>	1089, 1094
03D 145 276 E	<b>30 93 1069</b>	1089, 1094
032 145 276	<b>30 92 1918</b>	1097, 1105
1J0 145 276	<b>30 93 0859</b>	1074, 1091, 1094, 1100
6QD 145 276	<b>30 93 0859</b>	1074, 1091, 1094, 1100
028 145 278	<b>30 03 0015</b>	1068, 1079, 1080, 1083, 1084, 1103, 1104
028 145 278 A	<b>30 03 0015</b>	1068, 1079, 1080, 1083, 1084, 1103, 1104
028 145 278 E	<b>30 03 0015</b>	1068, 1079, 1080, 1083, 1084, 1103, 1104

Ref. - No.

**SWAG**  
GERMANY**SWAG**  
GERMANY

Ref. - No.

**SWAG**  
GERMANY

Ref. - No.


**SWAG**  
GERMANY


022 145 299	<b>32 92 2365</b>	1068, 1108
022 145 299 A	<b>32 92 2365</b>	1068, 1108
022 145 299 D	<b>32 92 2365</b>	1068, 1108
03C 145 299 C	<b>30 92 7218</b>	1091
03C 145 299 Q	<b>30 93 2629</b>	1074, 1094, 1100
030 145 299 C	<b>30 03 0089</b>	1071, 1074, 1075, 1076, 1078, 1081, 1082, 1085, 1086, 1087, 1090, 1091, 1094, 1096, 1097, 1105
030 145 299 F	<b>30 03 0089</b>	1071, 1074, 1075, 1076, 1078, 1081, 1082, 1085, 1086, 1087, 1090, 1091, 1094, 1096, 1097, 1105
032 145 299 A	<b>32 92 3558</b>	1097, 1105
032 145 299 C	<b>32 92 3556</b>	1078
1J0 145 299	<b>30 92 7218</b>	1091
6Q0 145 299	<b>30 92 7216</b>	1091, 1100
6K0 198 001 A	<b>30 02 0038</b>	1075, 1077, 1081
6K0 198 001 C	<b>32 92 3530</b>	1082, 1085
030 198 119 A	<b>30 02 0038</b>	1075, 1077, 1081
030 198 119 B	<b>32 92 3644</b>	1075, 1086, 1091
030 198 119 S2	<b>32 92 3644</b>	1075, 1086, 1091
036 198 119	<b>30 93 2427</b>	1076, 1078, 1097, 1105
036 198 119 B	<b>30 93 2427</b>	1076, 1078, 1097, 1105
036 198 119 E	<b>30 92 1772</b>	1074, 1076, 1087, 1090, 1094, 1096, 1097, 1100, 1105
036 198 119 F	<b>30 93 2427</b>	1076, 1078, 1097, 1105
037 198 119	<b>30 02 0041</b>	1068
06A 198 119	<b>32 92 3634</b>	1068, 1072, 1088, 1098, 1106, 1110
06A 198 119 A	<b>30 91 9548</b>	1067, 1098, 1106
06A 198 119 B	<b>30 93 7642</b>	1067, 1088, 1098, 1106
06F 198 119 A	<b>30 93 0586</b>	1073, 1102, 1110
03E 198 229 A S1	<b>99 13 0607</b>	1089
03E 903 133	<b>30 93 0897</b>	1089, 1094
03E 903 133 A	<b>30 93 0897</b>	1089, 1094

03E 903 133 B	<b>30 93 0897</b>	1089, 1094
03D 903 305 F	<b>30 93 0897</b>	1089, 1094
045 903 315 A	<b>30 92 9945</b>	1090
06A 903 315 D	<b>30 03 0088</b>	1067, 1072, 1088, 1098, 1106, 1110
06A 903 315 E	<b>30 03 0088</b>	1067, 1072, 1088, 1098, 1106, 1110
06F 903 315	<b>30 93 0166</b>	1073, 1102, 1110
06B 903 341	<b>30 93 0686</b>	1093
06B 903 341 B	<b>30 93 0686</b>	1093
passend für / to fit:		
<b>ŠKODA</b>		
03D 105 209 E	<b>32 05 0001</b>	1112, 1114
03E 105 209	<b>32 05 0002</b>	1112, 1125
06A 105 263 C	<b>30 05 0015</b>	1113
06A 105 263 D	<b>30 05 0015</b>	1113
06A 105 263 E	<b>30 05 0015</b>	1113
032 109 119 G	<b>30 91 8772</b>	1117, 1119
032 109 119 J	<b>30 91 8772</b>	1117, 1119
032 109 119 J S1	<b>32 92 3640</b>	1117, 1119
036 109 119 AG S1	<b>30 92 1770</b>	1113, 1116, 1118, 1121, 1126
036 109 119 AG	<b>30 91 9364</b>	1113, 1116, 1118, 1121, 1126
036 109 119 M	<b>30 91 9364</b>	1113, 1116, 1118, 1121, 1126
036 109 119 P	<b>36 92 1768</b>	1113, 1118, 1121, 1126
036 109 119 P S1	<b>30 92 1774</b>	1113, 1118, 1121, 1126
036 109 119 Q	<b>30 91 9364</b>	1113, 1116, 1118, 1121, 1126
036 109 119 Q S1	<b>30 92 1770</b>	1113, 1116, 1118, 1121, 1126
06A 109 119 B	<b>30 91 9396</b>	1113, 1119, 1128
06A 109 119 C	<b>30 91 9396</b>	1113, 1119, 1128
06A 109 119 C S1	<b>32 92 3634</b>	1113, 1119, 1128
06A 109 119 K	<b>30 91 9396</b>	1113, 1119, 1128
06B 109 119 A	<b>30 91 9546</b>	1120, 1128
06B 109 119 A S1	<b>30 91 9548</b>	1120
06B 109 119 A S2	<b>30 91 9550</b>	1120
06B 109 119 A S5	<b>30 92 7298</b>	1120
06B 109 119 A S4	<b>32 92 3642</b>	1128





Ref. - No.	SWAG GERMANY	
06B 109 119 B	<b>30 91 9546</b>	1120, 1128
06B 109 119 F	<b>30 91 9546</b>	1120, 1128
06B 109 119 F S4	<b>32 92 3642</b>	1128
06B 109 119 F S1	<b>32 92 3642</b>	1128
06B 109 119 F S2	<b>30 91 9550</b>	1120
06D 109 119 B	<b>32 92 4186</b>	1123
078 109 119 C	<b>30 91 9606</b>	1129
078 109 119 G	<b>30 91 9606</b>	1129
078 109 119 H	<b>30 91 9606</b>	1129
078 109 119 J	<b>30 91 9606</b>	1129
078 109 120	<b>99 11 0334</b>	1120, 1128, 1129
03C 109 158	<b>30 94 0390</b>	1115, 1122, 1124, 1127, 1131
03C 109 158 A	<b>30 94 0390</b>	1115, 1122, 1124, 1127, 1131
06A 109 179 F	<b>30 03 0068</b>	1113, 1119, 1128
036 109 181 A	<b>30 92 1766</b>	1113, 1116, 1118, 1121, 1126
036 109 181 B	<b>30 92 1766</b>	1113, 1116, 1118, 1121, 1126
058 109 217 B	<b>30 92 7070</b>	1120
06F 109 217 A	<b>30 93 2518</b>	1123
03D 109 229	<b>99 11 0407</b>	1112, 1114
03D 109 229 S1	<b>99 13 0478</b>	1112, 1114
03D 109 229 S2	<b>99 13 0495</b>	1112, 1114
03E 109 229 A	<b>99 11 0405</b>	1112, 1125
03E 109 229 A S2	<b>99 13 0497</b>	1112, 1125
058 109 229	<b>99 11 0334</b>	1120, 1128, 1129
058 109 229 B	<b>99 11 0334</b>	1120, 1128, 1129
06D 109 229 A	<b>99 11 0442</b>	1123
06D 109 229 B	<b>99 11 0442</b>	1123
030 109 243 D	<b>30 03 0053</b>	1117, 1119
030 109 243 F	<b>30 03 0053</b>	1117, 1119
030 109 243 J	<b>30 03 0053</b>	1117, 1119
030 109 243 K	<b>30 03 0053</b>	1117, 1119
036 109 243 AB	<b>30 03 0049</b>	1113, 1116, 1118, 1121, 1126
036 109 243 AC	<b>30 03 0083</b>	1113, 1118, 1121, 1126
036 109 243 AD	<b>30 03 0049</b>	1113, 1116, 1118, 1121, 1126
036 109 243 AE	<b>30 03 0083</b>	1113, 1118, 1121, 1126

Ref. - No.	SWAG GERMANY	
036 109 243 AF	<b>30 03 0049</b>	1113, 1116, 1118, 1121, 1126
036 109 243 AG	<b>30 03 0083</b>	1113, 1118, 1121, 1126
036 109 243 E	<b>30 03 0049</b>	1113, 1116, 1118, 1121, 1126
036 109 243 K	<b>30 03 0083</b>	1113, 1118, 1121, 1126
036 109 243 L	<b>30 03 0049</b>	1113, 1116, 1118, 1121, 1126
036 109 243 R	<b>30 03 0049</b>	1113, 1116, 1118, 1121, 1126
036 109 243 S	<b>30 03 0083</b>	1113, 1118, 1121, 1126
06B 109 243	<b>99 03 0086</b>	1120
06B 109 243 A	<b>30 91 8556</b>	1120
06B 109 243 B	<b>30 91 8554</b>	1128
06B 109 243 D	<b>30 91 8556</b>	1120
06B 109 243 E	<b>30 91 8554</b>	1128
06B 109 243 F	<b>30 91 8556</b>	1120
06D 109 243 B	<b>30 92 7364</b>	1123
078 109 243 Q	<b>30 03 0075</b>	1129
078 109 243 R	<b>30 03 0075</b>	1129
078 109 243 S	<b>30 03 0075</b>	1129
036 109 244 C	<b>30 03 0035</b>	1113, 1116, 1118, 1121, 1126
036 109 244 D	<b>30 03 0035</b>	1113, 1116, 1118, 1121, 1126
036 109 244 J	<b>30 03 0035</b>	1113, 1116, 1118, 1121, 1126
06B 109 244	<b>30 91 9292</b>	1120, 1123, 1128
06D 109 244 C	<b>30 93 0227</b>	1123
06D 109 244 D	<b>30 93 0227</b>	1123
06D 109 244 E	<b>30 93 0227</b>	1123
078 109 244 H	<b>30 03 0030</b>	1129
078 109 244 J	<b>30 03 0030</b>	1129
078 109 244 Q	<b>30 03 0030</b>	1129
03C 109 469 K	<b>30 93 6085</b>	1115, 1122, 1124, 1127, 1131
03D 109 469 C	<b>99 12 5468</b>	1112, 1114
03E 109 469	<b>99 12 5467</b>	1112, 1114, 1125
03E 109 469 C	<b>99 12 5467</b>	1112, 1114, 1125
06B 109 477	<b>30 92 2346</b>	1120

Ref. - No.

**SWAG**  
GERMANY**SWAG**  
GERMANY

Ref. - No.

**SWAG**  
GERMANY

Ref. - No.

**SWAG**  
GERMANY

06B 109 477 A	<b>30 92 2347</b>	1128
06A 109 479 C	<b>30 03 0068</b>	1113, 1119, 1128
06B 109 479	<b>30 92 2346</b>	1120
078 109 479 E	<b>32 92 2356</b>	1129
078 109 487 A	<b>32 92 2358</b>	1129
03E 109 507 G	<b>30 92 5412</b>	1112, 1114, 1125
03E 109 507 K	<b>30 92 5412</b>	1112, 1114, 1125
03E 109 507 L	<b>30 92 5412</b>	1112, 1114, 1125
03E 109 507 N	<b>30 92 5412</b>	1112, 1114, 1125
03E 109 507 S	<b>30 92 5412</b>	1112, 1114, 1125
03H 109 507	<b>30 93 2786</b>	1130
03C 109 509 M	<b>30 93 6224</b>	1115, 1122, 1124, 1127, 1131
03C 109 509 P	<b>30 93 6224</b>	1115, 1122, 1124, 1127, 1131
03D 109 509 L	<b>32 09 0001</b>	1112, 1114
03E 109 509	<b>99 11 0471</b>	1112, 1114, 1125
03D 109 571 L	<b>99 11 0470</b>	1112, 1114
03E 109 571 B	<b>32 04 0001</b>	1112, 1125
036 109 571	<b>32 04 0001</b>	1112, 1125
022 145 276 F	<b>30 93 0892</b>	1130
03C 145 276 C	<b>30 93 2024</b>	1114
03D 145 276 A	<b>30 93 1069</b>	1112, 1114, 1125
03D 145 276 D	<b>30 93 1069</b>	1112, 1114, 1125
03D 145 276 E	<b>30 93 1069</b>	1112, 1114, 1125
032 145 276	<b>30 92 1918</b>	1119
047 145 276 B	<b>20 03 0009</b>	1117
071 145 276 A	<b>30 93 0892</b>	1130
1J0 145 276	<b>30 93 0859</b>	1114, 1121, 1125, 1130, 1131
6QD 145 276	<b>30 93 0859</b>	1114, 1121, 1125, 1130, 1131
03C 145 299 C	<b>30 92 7218</b>	1114, 1121, 1125, 1126
03C 145 299 Q	<b>30 93 2629</b>	1114, 1121, 1125, 1130, 1131
030 145 299 C	<b>30 03 0089</b>	1113, 1117, 1118, 1119, 1125
030 145 299 F	<b>30 03 0089</b>	1113, 1117, 1118, 1119, 1125
032 145 299 A	<b>32 92 3558</b>	1118, 1119
1J0 145 299	<b>30 92 7218</b>	1114, 1121, 1125, 1126

6Q0 145 299	<b>30 92 7216</b>	1114, 1121, 1125, 1126, 1131
036 198 119 E	<b>30 92 1772</b>	1113, 1118
06A 198 119	<b>32 92 3634</b>	1113, 1119, 1128
06A 198 119 A	<b>30 91 9548</b>	1120
06A 198 119 B	<b>30 93 7642</b>	1120
06F 198 119 A	<b>30 93 0586</b>	1123
078 198 119	<b>32 92 3292</b>	1129
03E 198 229 A S1	<b>99 13 0607</b>	1112, 1125
078 198 479 S1	<b>32 92 3290</b>	1129
03E 903 133	<b>30 93 0897</b>	1112, 1114, 1125
03E 903 133 A	<b>30 93 0897</b>	1112, 1114, 1125
03E 903 133 B	<b>30 93 0897</b>	1112, 1114, 1125
078 903 133 AB	<b>30 92 1905</b>	1129
078 903 133 T	<b>30 92 1905</b>	1129
03D 903 305 F	<b>30 93 0897</b>	1112, 1114, 1125
045 903 315 A	<b>30 92 9945</b>	1113, 1114, 1125, 1126
06A 903 315 D	<b>30 03 0088</b>	1113, 1120
06A 903 315 E	<b>30 03 0088</b>	1113, 1120
06F 903 315	<b>30 93 0166</b>	1123
002 961 132	<b>20 03 0009</b>	1117

passend für / to fit:

**SMART**

0003051V003000000	<b>12 93 0536</b>	1132
0004822V002000000	<b>99 13 0644</b>	1132
0007680V001000000	<b>12 92 8429</b>	1132
0007681V001000000		1132
160 050 02 11	<b>12 93 0536</b>	1132
160 050 02 11 S2	<b>99 13 0644</b>	1132
160 050 02 69	<b>99 13 0644</b>	1132
160 997 04 94	<b>12 92 8429</b>	1132
160 997 05 94	<b>12 92 8429</b>	1132


passend für / to fit:


**SUBARU**

13028AA101	<b>86 92 6220</b>	1133, 1135, 1136, 1138, 1139
13028AA101 S1	<b>87 92 7542</b>	1135, 1138, 1139
13028AA101 S2	<b>87 92 7543</b>	1133, 1135, 1139
13028AA102	<b>86 92 6220</b>	1133, 1135, 1136, 1138, 1139
13028AA102 S1	<b>87 92 7542</b>	1135, 1138, 1139
13028AA102 S2	<b>87 92 7543</b>	1133, 1135, 1139





Ref. - No.	SWAG GERMANY	
13028AA150	<b>86 92 6220</b>	1133, 1135, 1136, 1138, 1139
13028AA181	<b>86 92 6242</b>	1133, 1134, 1135, 1140
13028AA181 S1	<b>87 92 7546</b>	1133, 1134, 1135, 1140
13028AA230	<b>86 92 6242</b>	1133, 1134, 1135, 1140
13028AA230 S1	<b>87 92 7546</b>	1133, 1134, 1135, 1140
13033AA000	<b>86 92 6218</b>	1133, 1134, 1135, 1139, 1140
13033AA000 S1	<b>87 93 2780</b>	1133, 1134, 1135, 1139, 1140, 1141
13033AA001	<b>86 92 6218</b>	1133, 1134, 1135, 1139, 1140
13033AA001 S1	<b>87 93 2780</b>	1133, 1134, 1135, 1139, 1140, 1141
13033AA002	<b>86 92 6218</b>	1133, 1134, 1135, 1139, 1140
13033AA002 S1	<b>87 93 2780</b>	1133, 1134, 1135, 1139, 1140, 1141
13033AA040	<b>86 92 6218</b>	1133, 1134, 1135, 1139, 1140
13033AA040 S1	<b>87 93 2780</b>	1133, 1134, 1135, 1139, 1140, 1141
13033AA041	<b>86 92 6218</b>	1133, 1134, 1135, 1139, 1140
13033AA041 S1	<b>87 93 2780</b>	1133, 1134, 1135, 1139, 1140, 1141
13033AA042	<b>86 92 6218</b>	1133, 1134, 1135, 1139, 1140
13033AA042 S1	<b>87 93 2780</b>	1133, 1134, 1135, 1139, 1140, 1141
13069AA031	<b>87 92 7536</b>	1135, 1136, 1138, 1139, 1140
13069AA032	<b>87 92 7536</b>	1135, 1136, 1138, 1139, 1140
13069AA033	<b>87 92 7536</b>	1135, 1136, 1138, 1139, 1140
13069AA034	<b>87 92 7536</b>	1135, 1136, 1138, 1139, 1140

Ref. - No.	SWAG GERMANY	
13069AA035	<b>87 92 7536</b>	1135, 1136, 1138, 1139, 1140
13069AA036	<b>87 92 7536</b>	1135, 1136, 1138, 1139, 1140
13069AA037	<b>87 92 7536</b>	1135, 1136, 1138, 1139, 1140
13069AA35	<b>87 92 7536</b>	1135, 1136, 1138, 1139, 1140
13073AA080	<b>86 92 6217</b>	1133, 1134, 1135, 1136, 1138, 1139, 1140
13073AA081	<b>86 92 6217</b>	1133, 1134, 1135, 1136, 1138, 1139, 1140
13073AA082	<b>86 92 6217</b>	1133, 1134, 1135, 1136, 1138, 1139, 1140
13073AA140	<b>86 92 6217</b>	1133, 1134, 1135, 1136, 1138, 1139, 1140
13073AA142	<b>86 92 6217</b>	1133, 1134, 1135, 1136, 1138, 1139, 1140
13073AA180	<b>86 92 6217</b>	1133, 1134, 1135, 1136, 1138, 1139, 1140
13073AA190	<b>87 92 7537</b>	1133, 1134, 1135
13085AA010	<b>86 92 6219</b>	1133, 1134, 1135, 1136, 1138, 1139, 1140
13085AA070	<b>86 92 6219</b>	1133, 1134, 1135, 1136, 1138, 1139, 1140
13085AA080	<b>86 92 6219</b>	1133, 1134, 1135, 1136, 1138, 1139, 1140
13160AA050	<b>86 92 6220</b>	1133, 1135, 1136, 1138, 1139
1350621020	<b>99 13 1004</b>	1137

Ref. - No.

**SWAG**  
GERMANY**SWAG**  
GERMANY

Ref. - No.

**SWAG**  
GERMANY

Ref. - No.

**SWAG**  
GERMANY

passend für / to fit:

**SUZUKI**


11407-71C00	<b>84 91 7490</b>	1142, 1144, 1145, 1146
11407-71C00-000	<b>84 91 7490</b>	1142, 1144, 1145, 1146
12761-71C00	<b>84 91 7490</b>	1142, 1144, 1145, 1146
12761-71C00-000	<b>84 91 7490</b>	1142, 1144, 1145, 1146
12810-82000	<b>84 03 0001</b>	1143, 1144, 1145
12810-82000-000	<b>84 03 0001</b>	1143, 1144, 1145
12810-82001	<b>84 03 0001</b>	1143, 1144, 1145
12810-82001-000	<b>84 03 0001</b>	1143, 1144, 1145
12810-82002	<b>84 03 0001</b>	1143, 1144, 1145
12810-82002-000	<b>84 03 0001</b>	1143, 1144, 1145
12810-82003	<b>84 03 0001</b>	1143, 1144, 1145
12810-82003-000	<b>84 03 0001</b>	1143, 1144, 1145


passend für / to fit:

**TOYOTA**

13503-10011	<b>81 03 0002</b>	1160, 1173, 1175
13503-10021	<b>81 03 0002</b>	1160, 1173, 1175
13503-11030	<b>81 03 0013</b>	1161, 1170, 1173
13503-11040	<b>81 03 0013</b>	1161, 1170, 1173
13503-50010	<b>81 92 6895</b>	1148, 1167, 1174, 1176
13503-50011	<b>81 92 6895</b>	1148, 1167, 1174, 1176
13503-62030	<b>81 92 6806</b>	1149, 1154, 1164, 1166, 1174
13503-63010	<b>81 03 0004</b>	1151, 1153, 1155, 1157, 1169, 1170, 1172
13503-63011	<b>81 03 0004</b>	1151, 1153, 1155, 1157, 1169, 1170, 1172
13503-65010	<b>81 92 6897</b>	1147, 1165, 1175
13503-70040	<b>81 03 0004</b>	1151, 1153, 1155, 1157, 1169, 1170, 1172
13503-88360	<b>81 03 0004</b>	1151, 1153, 1155, 1157, 1169, 1170, 1172

13503-88361	<b>81 03 0004</b>	1151, 1153, 1155, 1157, 1169, 1170, 1172
13503-88380	<b>81 03 0004</b>	1151, 1153, 1155, 1157, 1169, 1170, 1172
13505-02030	<b>99 91 8233</b>	1150, 1155, 1157, 1160, 1162
13505-10010	<b>81 03 0006</b>	1161, 1173
13505-11010	<b>81 03 0007</b>	1160, 1173, 1175
13505-11011	<b>81 03 0007</b>	1160, 1173, 1175
13505-11040	<b>81 03 0012</b>	1161, 1170, 1173
13505-11050	<b>81 03 0012</b>	1161, 1170, 1173
13505-15020	<b>99 03 0054</b>	1155, 1157, 1160, 1162
13505-15040	<b>99 03 0054</b>	1155, 1157, 1160, 1162
13505-15041	<b>99 03 0054</b>	1155, 1157, 1160, 1162
13505-15050	<b>99 91 8233</b>	1150, 1155, 1157, 1160, 1162
13505-15060	<b>99 91 8233</b>	1150, 1155, 1157, 1160, 1162
13505-20010	<b>81 92 6805</b>	1149, 1154, 1164, 1166, 1174
13505-20030	<b>81 92 6805</b>	1149, 1154, 1164, 1166, 1174
13505-50030	<b>81 92 6894</b>	1148, 1167, 1174, 1176
13505-62031	<b>81 92 6805</b>	1149, 1154, 1164, 1166, 1174
13505-62050	<b>81 92 6805</b>	1149, 1154, 1164, 1166, 1174
13505-62060	<b>81 92 6805</b>	1149, 1154, 1164, 1166, 1174
13505-62070	<b>81 92 6849</b>	1147, 1165, 1167, 1175, 1176
13505-65040	<b>81 92 6896</b>	1147, 1165, 1175
13505-74011	<b>99 91 8235</b>	1151, 1153, 1155, 1169, 1170, 1172
13505-88382	<b>81 92 6809</b>	1156, 1158, 1169
13505-88383	<b>81 92 6809</b>	1156, 1158, 1169
13505-88480	<b>81 92 8284</b>	1156, 1158, 1169

Ref. - No.	SWAG GERMANY	
13506-0Q010	99 13 1004	1152, 1178
13506-0Q030	99 13 1004	1152, 1178
13506-21020	99 13 1004	1152, 1178
13506-22030	99 13 1006	1149, 1151, 1159, 1163, 1169, 1172, 1178
13506-22030 S1	99 13 2692	1149, 1151, 1159, 1163, 1169, 1172
13506-37010	99 13 1005	1149, 1163, 1171, 1177, 1178
13540-22022	81 93 2689	1149, 1151, 1159, 1163, 1169, 1172
13559-22011	81 93 2691	1149, 1151, 1159, 1163, 1169, 1172
13561-22020	81 93 2690	1149, 1151, 1159, 1163, 1169, 1172
13568-03010	81 02 0009	1151, 1153, 1155, 1169, 1170, 1172
13568-03020	81 02 0009	1151, 1153, 1155, 1169, 1170, 1172
13568-09020	81 92 4363	1150, 1155, 1160, 1162
13568-09020 S1	81 92 4788	1150, 1155, 1160, 1162
13568-09030	81 92 4364	1150, 1155, 1157, 1160, 1162
13568-09030 S1	81 92 4789	1150, 1155, 1157, 1160, 1162
13568-09041	81 02 0009	1151, 1153, 1155, 1169, 1170, 1172
13568-09041 S1	81 92 4790	1151, 1153, 1155, 1169, 1170, 1172
13568-11051	81 02 0006	1160, 1173, 1175
13568-11052	81 02 0006	1160, 1173, 1175
13568-11053	81 02 0006	1160, 1173, 1175
13568-11080	81 02 0011	1161, 1173
13568-11081	81 02 0011	1161, 1173
13568-15040	81 92 6807	1155, 1157, 1160, 1162
13568-15040 S1	81 92 6902	1155, 1157, 1160, 1162
13568-15041	81 92 6807	1155, 1157, 1160, 1162

Ref. - No.	SWAG GERMANY	
13568-15041 S1	81 92 6902	1155, 1157, 1160, 1162
13568-16040	81 92 4363	1150, 1155, 1160, 1162
13568-16050	81 92 4363	1150, 1155, 1160, 1162
13568-16051	81 92 4363	1150, 1155, 1160, 1162
13568-19025	81 02 0006	1160, 1173, 1175
13568-19025 S1	81 92 4772	1160, 1161, 1173, 1175
13568-19045	81 92 4363	1150, 1155, 1160, 1162
13568-19046	81 92 4363	1150, 1155, 1160, 1162
13568-19055	81 92 4364	1150, 1155, 1157, 1160, 1162
13568-19056	81 92 4364	1150, 1155, 1157, 1160, 1162
13568-19105	81 02 0011	1161, 1173
13568-19106	81 02 0011	1161, 1173
13568-19106 S1	81 92 4787	1160, 1161, 1173
13568-19135	81 92 6807	1155, 1157, 1160, 1162
13568-19135 S1	81 92 6902	1155, 1157, 1160, 1162
13568-29015	81 92 6845	1149, 1154, 1164, 1166, 1174
13568-29025	81 92 6845	1149, 1154, 1164, 1166, 1174
13568-62030	81 92 6846	1154
13568-69025	81 92 6846	1154
13568-69095	81 92 6848	1147, 1165, 1167, 1175, 1176
13568-70070	81 02 0009	1151, 1153, 1155, 1169, 1170, 1172
13568-74010	81 02 0009	1151, 1153, 1155, 1169, 1170, 1172
13568-74011	81 02 0009	1151, 1153, 1155, 1169, 1170, 1172
13568-74012	81 02 0009	1151, 1153, 1155, 1169, 1170, 1172

Ref. - No.

**SWAG**  
GERMANY**SWAG**  
GERMANY

Ref. - No.

**SWAG**  
GERMANY

Ref. - No.


**SWAG**  
GERMANY


13568-79025	<b>81 02 0009</b>	1151, 1153, 1155, 1169, 1170, 1172
13568-79045	<b>81 92 6808</b>	1156, 1158, 1169
13568-79095	<b>81 02 0009</b>	1151, 1153, 1155, 1169, 1170, 1172
13568-79225	<b>81 02 0009</b>	1151, 1153, 1155, 1169, 1170, 1172
13568-88361	<b>81 92 6808</b>	1156, 1158, 1169
13568-88381	<b>81 92 6808</b>	1156, 1158, 1169
13568-88382	<b>81 92 6808</b>	1156, 1158, 1169
16604-50010	<b>81 93 1471</b>	1148, 1167, 1168, 1174, 1176
16604-50030	<b>81 93 1471</b>	1148, 1167, 1168, 1174, 1176
16620-0W090	<b>81 92 7557</b>	1149, 1150, 1152, 1159, 1163, 1169, 1172
16620-0W091	<b>81 92 7557</b>	1149, 1150, 1152, 1159, 1163, 1169, 1172
16620-0W092	<b>81 92 7557</b>	1149, 1150, 1152, 1159, 1163, 1169, 1172
16620-0W110	<b>81 92 7556</b>	1149, 1151, 1152, 1154, 1172
16620-22010	<b>81 92 7557</b>	1149, 1150, 1152, 1159, 1163, 1169, 1172
16620-22011	<b>81 92 7557</b>	1149, 1150, 1152, 1159, 1163, 1169, 1172
16620-22012	<b>81 92 7557</b>	1149, 1150, 1152, 1159, 1163, 1169, 1172
16620-22013	<b>81 92 7557</b>	1149, 1150, 1152, 1159, 1163, 1169, 1172
16620-28010	<b>81 92 7556</b>	1149, 1151, 1152, 1154, 1172
16620-28011	<b>81 92 7556</b>	1149, 1151, 1152, 1154, 1172
16620-28070	<b>81 92 7556</b>	1149, 1151, 1152, 1154, 1172

passend für / to fit:

**VAUXHALL**

02866445	<b>99 11 0019</b>	1183, 1184, 1218, 1251
02898847	<b>40 10 1000</b>	1213, 1215, 1219
08930030	<b>40 09 1000</b>	1213, 1215, 1219
08930102	<b>99 11 0083</b>	1213, 1215, 1219
09050360	<b>40 92 3419</b>	1211, 1212, 1225, 1255, 1259, 1261, 1273, 1276
09109566	<b>60 92 2329</b>	1277
09109567	<b>60 93 2581</b>	1277
09120501 SK	<b>40 92 7295</b>	1211, 1212, 1225, 1255, 1261, 1273
09128444	<b>40 03 0025</b>	1211, 1212, 1225, 1255, 1261, 1273
09128500	<b>40 92 3419</b>	1211, 1212, 1225, 1255, 1259, 1261, 1273, 1276
09128516	<b>40 03 0018</b>	1188, 1194, 1196, 1203, 1230, 1234, 1236, 1247, 1256, 1257, 1264, 1267, 1269, 1274, 1279, 1282
09128722	<b>40 92 3425</b>	1182, 1240, 1254, 1260, 1271
09128723	<b>40 02 0006</b>	1185, 1187, 1195, 1221, 1229, 1235, 1246, 1251, 1252, 1268
09128723 S1	<b>40 02 0030</b>	1185, 1187, 1195, 1221, 1229, 1235, 1246, 1251, 1252, 1268
09128724	<b>40 02 0014</b>	1188, 1230, 1264, 1269
09128724 S1	<b>40 02 0025</b>	1188, 1230, 1264, 1269
09128725	<b>40 02 0010</b>	1185, 1187, 1189, 1208, 1214, 1221, 1222, 1223, 1240, 1253, 1268, 1270

Ref. - No.	SWAG GERMANY	
09128725 S1	<b>40 02 0027</b>	1185, 1187, 1189, 1208, 1214, 1221, 1222, 1223, 1240, 1253, 1268, 1270
09128726	<b>40 02 0009</b>	1190, 1211, 1225, 1254, 1270
09128738	<b>40 03 0014</b>	1182, 1186, 1190, 1191, 1210, 1211, 1224, 1225, 1240, 1254, 1260, 1270, 1271
09128739	<b>40 03 0010</b>	1188, 1194, 1196, 1203, 1230, 1234, 1236, 1247, 1256, 1257, 1264, 1267, 1269, 1274, 1279, 1282
09128740	<b>40 03 0011</b>	1188, 1194, 1196, 1230, 1264, 1269, 1279
09129060	<b>40 02 0016</b>	1194, 1196, 1203, 1234, 1236, 1247, 1256, 1257, 1267, 1274, 1279, 1282
09129060 S1	<b>40 02 0029</b>	1194, 1196, 1279
09129207	<b>40 93 3695</b>	1188, 1194, 1196, 1197, 1203, 1230, 1234, 1236, 1247, 1256, 1267, 1269, 1274
09157739	<b>40 10 0006</b>	1181, 1193, 1201, 1228, 1232, 1238, 1245, 1266
09158003	<b>40 03 0030</b>	1185, 1187, 1189, 1208, 1214, 1221, 1222, 1223, 1240, 1253, 1268, 1270
09158004	<b>40 03 0028</b>	1186, 1190, 1191, 1198, 1210, 1211, 1224, 1225, 1254, 1270, 1280
09192178	<b>40 03 0006</b>	1185, 1187, 1195, 1221, 1229, 1235, 1246, 1251, 1252, 1268

Ref. - No.	SWAG GERMANY	
09202478	<b>40 03 0006</b>	1185, 1187, 1195, 1221, 1229, 1235, 1246, 1251, 1252, 1268
09202550	<b>57 91 9487</b>	1211, 1225, 1255, 1259, 1261, 1273, 1276
09240033	<b>99 91 8181</b>	1194, 1196, 1203, 1234, 1236, 1247, 1256, 1257, 1267, 1274, 1279, 1282
12576644	<b>99 13 3045</b>	1199, 1263, 1272, 1275
12576647	<b>99 13 3046</b>	1199, 1204, 1241, 1243, 1258, 1263, 1272, 1275, 1281, 1284
12577385	<b>99 13 3045</b>	1199, 1263, 1272, 1275
12577386	<b>99 13 3042</b>	1204, 1258, 1275, 1284
12578201	<b>99 13 3042</b>	1204, 1258, 1275, 1284
12578209	<b>40 93 3044</b>	1199, 1204, 1207, 1241, 1243, 1258, 1263, 1272, 1275, 1281, 1284
12608580	<b>40 93 3044</b>	1199, 1204, 1207, 1241, 1243, 1258, 1263, 1272, 1275, 1281, 1284
12645237	<b>40 93 3047</b>	1199, 1204, 1207, 1241, 1243, 1258, 1263, 1272, 1275, 1281, 1284
13104980	<b>99 13 3045</b>	1199, 1263, 1272, 1275

Ref. - No.

**SWAG**  
GERMANY**SWAG**<sup>®</sup>  
GERMANY

Ref. - No.

**SWAG**  
GERMANY



Ref. - No.

**SWAG**  
GERMANY

24412292	<b>40 91 9285</b>	1187, 1188, 1189, 1190, 1191, 1198, 1203, 1208, 1209, 1210, 1211, 1222, 1223, 1224, 1225, 1229, 1233, 1234, 1235, 1240, 1253, 1254, 1260, 1262, 1264, 1268, 1269, 1270, 1271, 1280, 1283
24422964	<b>40 92 3445</b>	1197, 1202, 1206, 1239, 1242, 1248, 1250, 1257, 1274, 1278, 1283, 1286
24426500	<b>40 03 0018</b>	1188, 1194, 1196, 1203, 1230, 1234, 1236, 1247, 1256, 1257, 1264, 1267, 1269, 1274, 1279, 1282
24430277	<b>99 13 3046</b>	1199, 1204, 1241, 1243, 1258, 1263, 1272, 1275, 1281, 1284
24430279	<b>99 13 3045</b>	1199, 1263, 1272, 1275
24430296	<b>40 92 1061</b>	1198, 1204, 1258, 1263, 1272, 1275, 1281, 1284
24436052	<b>40 92 7819</b>	1197, 1202, 1206, 1239, 1242, 1248, 1250, 1257, 1274, 1278, 1283, 1286
24447393	<b>99 13 3046</b>	1199, 1204, 1241, 1243, 1258, 1263, 1272, 1275, 1281, 1284
24447497	<b>99 13 3045</b>	1199, 1263, 1272, 1275
24447794	<b>40 92 7792</b>	1197, 1202, 1206, 1239, 1242, 1248, 1250, 1257, 1274, 1278, 1283, 1286

24448509	<b>40 93 3044</b>	1199, 1204, 1207, 1241, 1243, 1258, 1263, 1272, 1275, 1281, 1284
24451895	<b>40 02 0016</b>	1194, 1196, 1203, 1234, 1236, 1247, 1256, 1257, 1267, 1274, 1279, 1282
24451895 S1	<b>40 02 0029</b>	1194, 1196, 1279
24451896	<b>40 02 0014</b>	1188, 1230, 1264, 1269
24461834	<b>40 93 3043</b>	1199, 1204, 1207, 1241, 1243, 1258, 1263, 1272, 1275, 1281, 1284
55232827	<b>70 92 2376</b>	1226
55350422	<b>40 92 7818</b>	1197, 1202, 1206, 1239, 1242, 1248, 1257, 1274, 1278, 1283, 1286
55350580	<b>40 03 0010</b>	1188, 1194, 1196, 1203, 1230, 1234, 1236, 1247, 1256, 1257, 1264, 1267, 1269, 1274, 1279, 1282
55351782	<b>40 92 3421</b>	1198, 1203, 1262, 1280, 1283
55352021	<b>40 92 2370</b>	1179, 1181, 1182, 1193, 1201, 1205, 1217, 1228, 1232, 1238, 1242, 1245, 1249, 1250, 1266, 1285
55352127	<b>40 93 3044</b>	1199, 1204, 1207, 1241, 1243, 1258, 1263, 1272, 1275, 1281, 1284
55352713	<b>99 91 8181</b>	1194, 1196, 1203, 1234, 1236, 1247, 1256, 1257, 1267, 1274, 1279, 1282
55352909	<b>40 10 0006</b>	1181, 1193, 1201, 1228, 1232, 1238, 1245, 1266



Ref. - No.	SWAG GERMANY		Ref. - No.	SWAG GERMANY	
55353701	<b>40 92 8374</b>	1198, 1203, 1262, 1280, 1283	55563405	<b>99 13 3046</b>	1199, 1204, 1241, 1243, 1258, 1263, 1272, 1275, 1281, 1284
55353810	<b>40 92 6223</b>	1198, 1203, 1262, 1280, 1283	55563512	<b>40 92 7818</b>	1197, 1202, 1206, 1239, 1242, 1248, 1257, 1274, 1278, 1283, 1286
55555653	<b>40 92 7792</b>	1197, 1202, 1206, 1239, 1242, 1248, 1250, 1257, 1274, 1278, 1283, 1286	55565236	<b>40 92 2370</b>	1179, 1181, 1182, 1193, 1201, 1205, 1217, 1228, 1232, 1238, 1242, 1245, 1249, 1250, 1266, 1285
55556090	<b>40 92 7818</b>	1197, 1202, 1206, 1239, 1242, 1248, 1257, 1274, 1278, 1283, 1286	55567191	<b>40 03 0018</b>	1188, 1194, 1196, 1203, 1230, 1234, 1236, 1247, 1256, 1257, 1264, 1267, 1269, 1274, 1279, 1282
55560082	<b>40 92 7792</b>	1197, 1202, 1206, 1239, 1242, 1248, 1250, 1257, 1274, 1278, 1283, 1286	55569838	<b>99 13 3042</b>	1204, 1258, 1275, 1284
55562217	<b>40 92 7792</b>	1197, 1202, 1206, 1239, 1242, 1248, 1250, 1257, 1274, 1278, 1283, 1286	55570289	<b>40 92 7792</b>	1197, 1202, 1206, 1239, 1242, 1248, 1250, 1257, 1274, 1278, 1283, 1286
55562218	<b>40 92 7792</b>	1197, 1202, 1206, 1239, 1242, 1248, 1250, 1257, 1274, 1278, 1283, 1286	55570337	<b>99 13 3045</b>	1199, 1263, 1272, 1275
55562234	<b>99 11 0138</b>	1179, 1181, 1193, 1201, 1205, 1217, 1228, 1232, 1238, 1242, 1245, 1249, 1250, 1266, 1285	55574864	<b>40 92 7792</b>	1197, 1202, 1206, 1239, 1242, 1248, 1250, 1257, 1274, 1278, 1283, 1286
55562234 S1	<b>99 12 9629</b>	1179, 1181, 1193, 1201, 1205, 1217, 1228, 1232, 1238, 1242, 1245, 1249, 1250, 1266, 1285	90007619	<b>40 05 0012</b>	1185, 1229, 1251
55562234 S2	<b>99 13 4162</b>	1179, 1201, 1205, 1217, 1232, 1238, 1242, 1245, 1249, 1250, 1266, 1285	90080214	<b>99 02 0001</b>	1183, 1184, 1218, 1220, 1252
55562234 S3	<b>99 13 4163</b>	1201, 1205, 1232, 1238, 1245, 1249, 1266	90080903	<b>40 09 0001</b>	1213, 1215, 1219
55562235	<b>40 93 4161</b>	1179, 1201, 1205, 1217, 1232, 1238, 1242, 1245, 1249, 1250, 1266, 1285	90122678	<b>40 05 0012</b>	1185, 1229, 1251
			90128563	<b>40 03 0018</b>	1188, 1194, 1196, 1203, 1230, 1234, 1236, 1247, 1256, 1257, 1264, 1267, 1269, 1274, 1279, 1282
			90280404	<b>40 02 0007</b>	1186, 1191, 1209, 1224

Ref. - No.

**SWAG**  
GERMANY**SWAG**  
GERMANY

Ref. - No.

**SWAG**  
GERMANY

90323501	<b>40 03 0005</b>	1186, 1191, 1209, 1224
90323503	<b>40 03 0007</b>	1186, 1191, 1209, 1224
90324097	<b>40 03 0015</b>	1216, 1225, 1255, 1256, 1273
90324532	<b>99 11 0214</b>	1216, 1256
90324533	<b>99 11 0192</b>	1216, 1256
90324699	<b>40 02 0004</b>	1185, 1221, 1252
90325578	<b>40 02 0011</b>	1183, 1185, 1189, 1208, 1214, 1220, 1222, 1223, 1240
90354782	<b>40 02 0006</b>	1185, 1187, 1195, 1221, 1229, 1235, 1246, 1251, 1252, 1268
90354783	<b>40 02 0004</b>	1185, 1221, 1252
90354858	<b>40 05 0013</b>	1187, 1195, 1221, 1235, 1246, 1251, 1252, 1268
90409238	<b>40 03 0016</b>	1187, 1214, 1216, 1256
90409783	<b>57 91 9487</b>	1211, 1225, 1255, 1259, 1261, 1273, 1276
90409900	<b>40 02 0011</b>	1183, 1185, 1189, 1208, 1214, 1220, 1222, 1223, 1240
90410014	<b>40 02 0011</b>	1183, 1185, 1189, 1208, 1214, 1220, 1222, 1223, 1240
90410224	<b>40 02 0021</b>	1186, 1191, 1209, 1224
90410225	<b>40 02 0007</b>	1186, 1191, 1209, 1224
90410225	<b>40 02 0021</b>	1186, 1191, 1209, 1224
90411025	<b>40 03 0036</b>	1187, 1221, 1229, 1233, 1268
90411744	<b>40 03 0028</b>	1186, 1190, 1191, 1198, 1210, 1211, 1224, 1225, 1254, 1270, 1280



Ref. - No.

**SWAG**  
GERMANY

90411769	<b>40 03 0030</b>	1185, 1187, 1189, 1208, 1214, 1221, 1222, 1223, 1240, 1253, 1268, 1270
90411770	<b>40 02 0010</b>	1185, 1187, 1189, 1208, 1214, 1221, 1222, 1223, 1240, 1253, 1268, 1270
90411773	<b>40 03 0013</b>	1186, 1191, 1210, 1224
90411775	<b>40 02 0017</b>	1186, 1191, 1210, 1224
90411777	<b>40 02 0009</b>	1190, 1211, 1225, 1254, 1270
90411782	<b>40 03 0014</b>	1182, 1186, 1190, 1191, 1210, 1211, 1224, 1225, 1240, 1254, 1260, 1270, 1271
90412709	<b>40 93 3695</b>	1188, 1194, 1196, 1197, 1203, 1230, 1234, 1236, 1247, 1256, 1267, 1269, 1274
90412711	<b>40 02 0014</b>	1188, 1230, 1264, 1269
90412730	<b>40 03 0010</b>	1188, 1194, 1196, 1203, 1230, 1234, 1236, 1247, 1256, 1257, 1264, 1267, 1269, 1274, 1279, 1282
90412731	<b>40 03 0011</b>	1188, 1194, 1196, 1230, 1264, 1269, 1279
90412783	<b>40 03 0018</b>	1188, 1194, 1196, 1203, 1230, 1234, 1236, 1247, 1256, 1257, 1264, 1267, 1269, 1274, 1279, 1282
90412884	<b>40 91 8944</b>	1188, 1230, 1264
90466047	<b>99 11 0214</b>	1216, 1256
90466474	<b>40 03 0017</b>	1211, 1212, 1225, 1255, 1261, 1273
90469987	<b>40 02 0017</b>	1186, 1191, 1210, 1224





Ref. - No.	SWAG GERMANY		Ref. - No.	SWAG GERMANY	
90499401	<b>40 03 0006</b>	1185, 1187, 1195, 1221, 1229, 1235, 1246, 1251, 1252, 1268	90529570 S2	<b>99 13 4162</b>	1179, 1201, 1205, 1217, 1232, 1238, 1242, 1245, 1249, 1250, 1266, 1285
90499525	<b>40 92 3425</b>	1182, 1240, 1254, 1260, 1271	90529570 S3	<b>99 13 4163</b>	1201, 1205, 1232, 1238, 1245, 1249, 1266
90500229	<b>40 91 9285</b>	1187, 1188, 1189, 1190, 1191, 1198, 1203, 1208, 1209, 1210, 1211, 1222, 1223, 1224, 1225, 1229, 1233, 1234, 1235, 1240, 1253, 1254, 1260, 1262, 1264, 1268, 1269, 1270, 1271, 1280, 1283	90529809	<b>40 92 3421</b>	1198, 1203, 1262, 1280, 1283
90502129	<b>40 91 9285</b>	1187, 1188, 1189, 1190, 1191, 1198, 1203, 1208, 1209, 1210, 1211, 1222, 1223, 1224, 1225, 1229, 1233, 1234, 1235, 1240, 1253, 1254, 1260, 1262, 1264, 1268, 1269, 1270, 1271, 1280, 1283	90529810	<b>40 03 0033</b>	1198, 1203, 1262, 1280, 1283
90502545	<b>40 05 0013</b>	1187, 1195, 1221, 1235, 1246, 1251, 1252, 1268	90530123	<b>40 03 0018</b>	1188, 1194, 1196, 1203, 1230, 1234, 1236, 1247, 1256, 1257, 1264, 1267, 1269, 1274, 1279, 1282
90528603	<b>40 92 3429</b>	1182, 1240, 1254, 1260, 1271	90530124	<b>40 03 0030</b>	1185, 1187, 1189, 1208, 1214, 1221, 1222, 1223, 1240, 1253, 1268, 1270
90528760	<b>57 91 9487</b>	1211, 1225, 1255, 1259, 1261, 1273, 1276	90530125	<b>40 03 0028</b>	1186, 1190, 1191, 1198, 1210, 1211, 1224, 1225, 1254, 1270, 1280
90529187	<b>40 03 0017</b>	1211, 1212, 1225, 1255, 1261, 1273	90530126	<b>40 92 3429</b>	1182, 1240, 1254, 1260, 1271
90529570	<b>99 11 0138</b>	1179, 1181, 1193, 1201, 1205, 1217, 1228, 1232, 1238, 1242, 1245, 1249, 1250, 1266, 1285	90530286	<b>40 02 0010</b>	1185, 1187, 1189, 1208, 1214, 1221, 1222, 1223, 1240, 1253, 1268, 1270
90529570 S1	<b>99 12 9629</b>	1179, 1181, 1193, 1201, 1205, 1217, 1228, 1232, 1238, 1242, 1245, 1249, 1250, 1266, 1285	90530286 S1	<b>40 02 0027</b>	1185, 1187, 1189, 1208, 1214, 1221, 1222, 1223, 1240, 1253, 1268, 1270
			90530598	<b>40 02 0017</b>	1186, 1191, 1210, 1224
			90530598 S1	<b>40 02 0024</b>	1186, 1191, 1210, 1224
			90530599	<b>40 92 3419</b>	1211, 1212, 1225, 1255, 1259, 1261, 1273, 1276

Ref. - No.

**SWAG**  
GERMANY**SWAG**<sup>®</sup>  
GERMANY

Ref. - No.


**SWAG**  
GERMANY


90531677	<b>40 02 0006</b>	1185, 1187, 1195, 1221, 1229, 1235, 1246, 1251, 1252, 1268
90531678	<b>40 02 0006</b>	1185, 1187, 1195, 1221, 1229, 1235, 1246, 1251, 1252, 1268
90531678 S1	<b>40 02 0030</b>	1185, 1187, 1195, 1221, 1229, 1235, 1246, 1251, 1252, 1268
90531679	<b>40 02 0014</b>	1188, 1230, 1264, 1269
90531680	<b>40 02 0014</b>	1188, 1230, 1264, 1269
90531680 S1	<b>40 02 0025</b>	1188, 1230, 1264, 1269
90531681	<b>40 02 0009</b>	1190, 1211, 1225, 1254, 1270
90531682	<b>40 02 0009</b>	1190, 1211, 1225, 1254, 1270
90531863	<b>40 10 0006</b>	1181, 1193, 1201, 1228, 1232, 1238, 1245, 1266
90531965	<b>40 92 2370</b>	1179, 1181, 1182, 1193, 1201, 1205, 1217, 1228, 1232, 1238, 1242, 1245, 1249, 1250, 1266, 1285
90531986	<b>40 92 2370</b>	1179, 1181, 1182, 1193, 1201, 1205, 1217, 1228, 1232, 1238, 1242, 1245, 1249, 1250, 1266, 1285
90537300	<b>40 93 3048</b>	1199, 1204, 1207, 1241, 1243, 1258, 1263, 1272, 1275, 1281, 1284

Ref. - No.

**SWAG**  
GERMANY

90537338	<b>40 93 3043</b>	1199, 1204, 1207, 1241, 1243, 1258, 1263, 1272, 1275, 1281, 1284
90537370	<b>40 93 3047</b>	1199, 1204, 1207, 1241, 1243, 1258, 1263, 1272, 1275, 1281, 1284
90537593	<b>99 13 3046</b>	1199, 1204, 1241, 1243, 1258, 1263, 1272, 1275, 1281, 1284
90537802	<b>40 93 3044</b>	1199, 1204, 1207, 1241, 1243, 1258, 1263, 1272, 1275, 1281, 1284
90537843	<b>99 13 3045</b>	1199, 1263, 1272, 1275
90542860	<b>40 03 0017</b>	1211, 1212, 1225, 1255, 1261, 1273
90543739	<b>40 03 0017</b>	1211, 1212, 1225, 1255, 1261, 1273
90570371	<b>40 02 0010</b>	1185, 1187, 1189, 1208, 1214, 1221, 1222, 1223, 1240, 1253, 1268, 1270
90570371 S1	<b>40 02 0027</b>	1185, 1187, 1189, 1208, 1214, 1221, 1222, 1223, 1240, 1253, 1268, 1270
90570844	<b>40 03 0025</b>	1211, 1212, 1225, 1255, 1261, 1273
90570913	<b>40 03 0011</b>	1188, 1194, 1196, 1230, 1264, 1269, 1279
90571758	<b>40 92 1060</b>	1194, 1195, 1196, 1203, 1234, 1235, 1236, 1246, 1247, 1257, 1267, 1274, 1279
91159961	<b>60 92 2329</b>	1277

Ref. - No.	SWAG GERMANY	
92063918	<b>40 02 0010</b>	1185, 1187, 1189, 1208, 1214, 1221, 1222, 1223, 1240, 1253, 1268, 1270
92065368	<b>40 92 6223</b>	1198, 1203, 1262, 1280, 1283
92065902	<b>40 92 3425</b>	1182, 1240, 1254, 1260, 1271
92065902 S1	<b>40 92 3427</b>	1182, 1240, 1254, 1260, 1271
93160004	<b>60 93 2581</b>	1277
93160130	<b>60 91 9846</b>	1277
93160243	<b>60 92 6567</b>	1277
93160244	<b>60 92 1759</b>	1277
93160746	<b>60 92 2329</b>	1277
93161016	<b>60 92 6570</b>	1277
93161363	<b>60 92 7259</b>	1277
93161481	<b>60 92 6567</b>	1277
93161482	<b>60 91 9846</b>	1277
93174119	<b>40 92 1097</b>	1194, 1196, 1203, 1234, 1236, 1247, 1257, 1267, 1274, 1279
93174119	<b>40 91 9445</b>	1194, 1196, 1203, 1234, 1236, 1247, 1256, 1257, 1267, 1274, 1279, 1282
93174120	<b>40 92 1098</b>	1188, 1230, 1264, 1269
93174120	<b>40 02 0025</b>	1188, 1230, 1264, 1269
93174260	<b>40 02 0028</b>	1190, 1211, 1225, 1254, 1270
93174261	<b>40 02 0028</b>	1190, 1211, 1225, 1254, 1270
93174262	<b>40 02 0024</b>	1186, 1191, 1210, 1224
93174263	<b>40 92 3423</b>	1198, 1280
93174265	<b>40 92 6224</b>	1198, 1262, 1280
93174266	<b>40 02 0021</b>	1186, 1191, 1209, 1224
93174267	<b>40 92 3427</b>	1182, 1240, 1254, 1260, 1271

Ref. - No.	SWAG GERMANY	
93180218	<b>40 91 9445</b>	1194, 1196, 1203, 1234, 1236, 1247, 1256, 1257, 1267, 1274, 1279, 1282
93180219	<b>40 02 0025</b>	1188, 1230, 1264, 1269
93180815	<b>40 92 3445</b>	1197, 1202, 1206, 1239, 1242, 1248, 1250, 1257, 1274, 1278, 1283, 1286
93183572	<b>40 02 0029</b>	1194, 1196, 1279
93185844	<b>40 92 8375</b>	1198, 1203, 1262, 1280, 1283
93185845	<b>40 91 9445</b>	1194, 1196, 1203, 1234, 1236, 1247, 1256, 1257, 1267, 1274, 1279, 1282
93185849	<b>40 92 7825</b>	1197, 1202, 1206, 1239, 1242, 1248, 1250, 1257, 1274, 1278, 1283, 1286
93188125	<b>40 02 0030</b>	1185, 1187, 1195, 1221, 1229, 1235, 1246, 1251, 1252, 1268
93188126	<b>40 02 0030</b>	1185, 1187, 1195, 1221, 1229, 1235, 1246, 1251, 1252, 1268
93188702	<b>60 92 6570</b>	1277
93191271	<b>99 13 3040</b>	1181, 1193, 1201, 1228, 1232, 1238, 1245, 1266
93191271 SK1	<b>99 13 0372</b>	1181, 1193, 1201, 1228, 1232, 1238, 1245, 1266
93191271 SK2	<b>99 13 0373</b>	1181, 1193, 1201, 1228, 1232, 1238, 1245, 1266
93191271 SK3	<b>99 13 3080</b>	1181, 1193, 1201, 1228, 1232, 1238, 1245, 1266

Ref. - No.

**SWAG**  
GERMANY**SWAG**  
GERMANY

Ref. - No.

**SWAG**  
GERMANY


Ref. - No.


**SWAG**  
GERMANY

93191271 SK4	<b>99 13 3081</b>	1181, 1193, 1201, 1228, 1232, 1238, 1245, 1266
93191271 S1	<b>99 13 3041</b>	1181, 1193, 1201, 1228, 1232, 1238, 1245, 1266
93191271 S2	<b>99 13 3082</b>	1181, 1193, 1201, 1228, 1232, 1238, 1245, 1266
93191271 S3	<b>99 13 3083</b>	1181, 1193, 1201, 1228, 1232, 1238, 1245, 1266
93191272	<b>99 13 3040</b>	1181, 1193, 1201, 1228, 1232, 1238, 1245, 1266
93191272 SK1	<b>99 13 0372</b>	1181, 1193, 1201, 1228, 1232, 1238, 1245, 1266
93191272 SK2	<b>99 13 0373</b>	1181, 1193, 1201, 1228, 1232, 1238, 1245, 1266
93191272 SK3	<b>99 13 3080</b>	1181, 1193, 1201, 1228, 1232, 1238, 1245, 1266
93191272 SK4	<b>99 13 3081</b>	1181, 1193, 1201, 1228, 1232, 1238, 1245, 1266
93191272 S1	<b>99 13 3041</b>	1181, 1193, 1201, 1228, 1232, 1238, 1245, 1266
93191272 S2	<b>99 13 3082</b>	1181, 1193, 1201, 1228, 1232, 1238, 1245, 1266
93191272 S3	<b>99 13 3083</b>	1181, 1193, 1201, 1228, 1232, 1238, 1245, 1266
93191276	<b>99 13 3040</b>	1181, 1193, 1201, 1228, 1232, 1238, 1245, 1266
93191276 SK1	<b>99 13 0372</b>	1181, 1193, 1201, 1228, 1232, 1238, 1245, 1266

93191276 SK2	<b>99 13 0373</b>	1181, 1193, 1201, 1228, 1232, 1238, 1245, 1266
93191276 SK3	<b>99 13 3080</b>	1181, 1193, 1201, 1228, 1232, 1238, 1245, 1266
93191276 SK4	<b>99 13 3081</b>	1181, 1193, 1201, 1228, 1232, 1238, 1245, 1266
93191276 S1	<b>99 13 3041</b>	1181, 1193, 1201, 1228, 1232, 1238, 1245, 1266
93191276 S2	<b>99 13 3082</b>	1181, 1193, 1201, 1228, 1232, 1238, 1245, 1266
93191276 S3	<b>99 13 3083</b>	1181, 1193, 1201, 1228, 1232, 1238, 1245, 1266
93196786	<b>40 92 7825</b>	1197, 1202, 1206, 1239, 1242, 1248, 1250, 1257, 1274, 1278, 1283, 1286
93196787	<b>40 92 7825</b>	1197, 1202, 1206, 1239, 1242, 1248, 1250, 1257, 1274, 1278, 1283, 1286
93198089	<b>60 93 2581</b>	1277
93198125	<b>60 91 9846</b>	1277
93198335	<b>60 92 7259</b>	1277
93198652	<b>60 92 6567</b>	1277
93198659	<b>60 93 2581</b>	1277
95507809	<b>40 92 7825</b>	1197, 1202, 1206, 1239, 1242, 1248, 1250, 1257, 1274, 1278, 1283, 1286
passend für / to fit:		
<b>VOLKSWAGEN</b>		
06F 198 119	<b>32 92 4764</b>	1314, 1375
03D 105 209 E	<b>32 05 0001</b>	1295, 1359
03E 105 209	<b>32 05 0002</b>	1359
027 105 263	<b>30 05 0004</b>	1301, 1305, 1339, 1365



Ref. - No.	SWAG GERMANY	
027 105 263 B	<b>30 05 0004</b>	1301, 1305, 1339, 1365
030 105 263 A	<b>30 05 0011</b>	1288, 1299, 1300, 1302, 1354, 1355
030 105 263 B	<b>30 05 0011</b>	1288, 1299, 1300, 1302, 1354, 1355
030 105 263 C	<b>30 05 0011</b>	1288, 1299, 1300, 1302, 1354, 1355
049 105 263 B	<b>30 05 0001</b>	1298, 1299, 1300, 1301, 1337, 1354, 1365
049 105 263 C	<b>30 05 0010</b>	1287, 1288, 1301, 1303, 1304, 1307, 1337, 1338, 1341, 1369, 1377
056 105 263 A	<b>30 05 0001</b>	1298, 1299, 1300, 1301, 1337, 1354, 1365
069 105 263	<b>30 05 0002</b>	1378
06A 109 105 C		1290, 1309, 1314, 1316, 1331, 1341, 1345, 1375
026 109 111	<b>30 04 0003</b>	1299, 1300, 1354
049 109 111 C	<b>30 04 0001</b>	1287, 1288, 1292, 1298, 1299, 1300, 1301, 1303, 1304, 1307, 1327, 1337, 1338, 1341, 1354, 1365, 1369, 1377
026 109 119 B	<b>30 02 0036</b>	1303, 1304, 1341
026 109 119 B S1	<b>30 91 4616</b>	1303, 1304
026 109 119 B S2	<b>30 02 0046</b>	1341
026 109 119 D	<b>30 02 0036</b>	1303, 1304, 1341
027 109 119 A	<b>30 02 0009</b>	1293, 1301, 1365
027 109 119 A S2	<b>99 02 0065</b>	1293
027 109 119 A S1	<b>99 02 0066</b>	1293, 1301, 1365
027 109 119 C	<b>30 02 0009</b>	1293, 1301, 1365
027 109 119 C S1	<b>99 02 0066</b>	1293, 1301, 1365
027 109 119 C S2	<b>99 02 0065</b>	1293
030 109 119 A	<b>30 02 0011</b>	1299, 1300, 1302, 1354
030 109 119 AB	<b>30 02 0031</b>	1328, 1355, 1357
030 109 119 F	<b>30 02 0035</b>	1355
030 109 119 H	<b>30 02 0031</b>	1328, 1355, 1357

Ref. - No.	SWAG GERMANY	
030 109 119 M	<b>30 02 0031</b>	1328, 1355, 1357
030 109 119 M S1	<b>30 02 0038</b>	1328, 1357
030 109 119 S	<b>30 02 0031</b>	1328, 1355, 1357
030 109 119 S S1	<b>30 02 0038</b>	1328, 1357
032 109 119	<b>30 02 0024</b>	1302
032 109 119 G	<b>30 91 8772</b>	1302, 1355
032 109 119 J	<b>30 91 8772</b>	1302, 1355
032 109 119 J S1	<b>32 92 3640</b>	1328
034 109 119	<b>30 02 0003</b>	1337
034 109 119 S1	<b>30 92 4856</b>	1337
036 109 119 AG	<b>30 91 9364</b>	1288, 1289, 1308, 1312, 1315, 1318, 1329, 1330, 1336, 1355, 1356, 1357, 1358, 1360, 1363
036 109 119 AG S1	<b>30 92 1770</b>	1288, 1289, 1308, 1312, 1315, 1318, 1329, 1330, 1336, 1356, 1357, 1360, 1363
036 109 119 D	<b>32 92 3528</b>	1355
036 109 119 H	<b>32 92 3528</b>	1355
036 109 119 M	<b>30 91 9364</b>	1288, 1289, 1308, 1312, 1315, 1318, 1329, 1330, 1336, 1355, 1356, 1357, 1358, 1360, 1363
036 109 119 P	<b>36 92 1768</b>	1288, 1289, 1308, 1312, 1315, 1318, 1329, 1330, 1336, 1356, 1357, 1358, 1360, 1363
036 109 119 P S1	<b>30 92 1774</b>	1288, 1289, 1308, 1312, 1315, 1318, 1329, 1330, 1336, 1356, 1357, 1358, 1360, 1363
036 109 119 Q	<b>30 91 9364</b>	1288, 1289, 1308, 1312, 1315, 1318, 1329, 1330, 1336, 1355, 1356, 1357, 1358, 1360, 1363
036 109 119 Q S1	<b>30 92 1770</b>	1288, 1289, 1308, 1312, 1315, 1318, 1329, 1330, 1336, 1356, 1357, 1360, 1363
037 109 119 C	<b>30 02 0032</b>	1292, 1304, 1307, 1314, 1338, 1369, 1377

Ref. - No.

**SWAG**  
GERMANY**SWAG**  
GERMANY

Ref. - No.

**SWAG**  
GERMANY


Ref. - No.


**SWAG**  
GERMANY

037 109 119 C S1	<b>30 02 0041</b>	1292, 1304, 1307, 1338, 1369
046 109 119 E	<b>30 02 0018</b>	1378
048 109 119 D	<b>30 02 0032</b>	1292, 1304, 1307, 1314, 1338, 1369, 1377
048 109 119 G	<b>30 02 0034</b>	1305, 1339
048 109 119 G S1	<b>30 02 0039</b>	1305, 1339
052 109 119	<b>30 02 0001</b>	1298, 1299, 1300, 1337, 1354, 1365
056 109 119 A	<b>99 02 0004</b>	1287, 1288, 1292, 1298, 1301, 1304, 1307, 1337, 1338, 1365, 1377
056 109 119 A S1	<b>30 02 0040</b>	1287, 1288, 1292, 1298, 1301, 1304, 1307, 1337, 1338, 1365, 1377
058 109 119 B	<b>30 91 9361</b>	1342
058 109 119 C	<b>30 91 9361</b>	1342
06A 109 119 B	<b>30 91 9396</b>	1290, 1309, 1316, 1331, 1341, 1345, 1375
06A 109 119 C	<b>30 91 9396</b>	1290, 1309, 1316, 1331, 1341, 1345, 1375
06A 109 119 C S1	<b>32 92 3634</b>	1309, 1331, 1341, 1345, 1375
06A 109 119 J	<b>30 91 9396</b>	1290, 1309, 1316, 1331, 1341, 1345, 1375
06A 109 119 K	<b>30 91 9396</b>	1290, 1309, 1316, 1331, 1341, 1345, 1375
06B 109 119 A	<b>30 91 9546</b>	1309, 1332, 1336, 1346, 1362, 1368
06B 109 119 A S5	<b>30 92 7298</b>	1309, 1332, 1368
06B 109 119 A S4	<b>32 92 3642</b>	1346
06B 109 119 A S1	<b>30 91 9548</b>	1309, 1332, 1368
06B 109 119 A S6	<b>30 93 0891</b>	1362
06B 109 119 A S3	<b>32 92 3646</b>	1309, 1332, 1368
06B 109 119 A S2	<b>30 91 9550</b>	1309, 1332, 1368

06B 109 119 B	<b>30 91 9546</b>	1309, 1332, 1336, 1346, 1362, 1368
06B 109 119 F	<b>30 91 9546</b>	1309, 1332, 1336, 1346, 1362, 1368
06B 109 119 F S3	<b>32 92 3646</b>	1309, 1332, 1368
06B 109 119 F S4	<b>32 92 3642</b>	1346
06B 109 119 F S2	<b>30 91 9550</b>	1309, 1332, 1368
06B 109 119 F S1	<b>32 92 3642</b>	1346
06D 109 119	<b>32 92 3238</b>	1314, 1375
06D 109 119 B	<b>32 92 4186</b>	1296, 1314, 1316, 1320, 1324, 1350, 1367, 1375
074 109 119 E	<b>30 02 0018</b>	1378
074 109 119 H	<b>30 02 0021</b>	1378
074 109 119 R	<b>30 02 0018</b>	1378
078 109 119 C	<b>30 91 9606</b>	1344, 1347, 1353, 1376
078 109 119 G	<b>30 91 9606</b>	1344, 1347, 1353, 1376
078 109 119 H	<b>30 91 9606</b>	1344, 1347, 1353, 1376
078 109 119 J	<b>30 91 9606</b>	1344, 1347, 1353, 1376
027 109 120	<b>99 11 0360</b>	1293, 1301, 1305, 1339, 1365
077 109 120	<b>99 11 0360</b>	1293, 1301, 1305, 1339, 1365
078 109 120	<b>99 11 0334</b>	1309, 1332, 1342, 1344, 1346, 1347, 1353, 1368, 1376
03C 109 158	<b>30 94 0390</b>	1291, 1297, 1313, 1317, 1319, 1322, 1323, 1334, 1349, 1351, 1352, 1361, 1364, 1366, 1372, 1373, 1374
03C 109 158 A	<b>30 94 0390</b>	1291, 1297, 1313, 1317, 1319, 1322, 1323, 1334, 1349, 1351, 1352, 1361, 1364, 1366, 1372, 1373, 1374



Ref. - No.	SWAG GERMANY	
036 109 181 A	<b>30 92 1766</b>	1288, 1289, 1308, 1312, 1315, 1318, 1329, 1330, 1336, 1356, 1357, 1360, 1363
036 109 181 B	<b>30 92 1766</b>	1288, 1289, 1308, 1312, 1315, 1318, 1329, 1330, 1336, 1356, 1357, 1360, 1363
058 109 217 B	<b>30 92 7070</b>	1309, 1332, 1342, 1368
058 109 217 D	<b>30 92 8446</b>	1342
06F 109 217 A	<b>30 93 2518</b>	1296, 1314, 1316, 1320, 1324, 1350, 1367, 1375
03D 109 229	<b>99 11 0407</b>	1295, 1359
03D 109 229 S1	<b>99 13 0478</b>	1295, 1359
03D 109 229 S2	<b>99 13 0495</b>	1295, 1359
03E 109 229 A	<b>99 11 0405</b>	1359
03E 109 229 A S2	<b>99 13 0497</b>	1359
058 109 229	<b>99 11 0334</b>	1309, 1332, 1342, 1344, 1346, 1347, 1353, 1368, 1376
058 109 229 B	<b>99 11 0334</b>	1309, 1332, 1342, 1344, 1346, 1347, 1353, 1368, 1376
06D 109 229 A	<b>99 11 0442</b>	1296, 1314, 1316, 1320, 1324, 1350, 1367, 1375
06D 109 229 B	<b>99 11 0442</b>	1296, 1314, 1316, 1320, 1324, 1350, 1367, 1375
023 109 243	<b>30 92 4688</b>	1378
026 109 243	<b>30 03 0005</b>	1287, 1288, 1292, 1298, 1301, 1303, 1304, 1307, 1337, 1338, 1358, 1365, 1369, 1377
026 109 243 C	<b>30 03 0005</b>	1287, 1288, 1292, 1298, 1301, 1303, 1304, 1307, 1337, 1338, 1358, 1365, 1369, 1377

Ref. - No.	SWAG GERMANY	
026 109 243 E	<b>30 03 0005</b>	1287, 1288, 1292, 1298, 1301, 1303, 1304, 1307, 1337, 1338, 1358, 1365, 1369, 1377
026 109 243 F	<b>30 03 0005</b>	1287, 1288, 1292, 1298, 1301, 1303, 1304, 1307, 1337, 1338, 1358, 1365, 1369, 1377
026 109 243 J	<b>30 03 0078</b>	1307, 1341
026 109 243 L	<b>30 03 0005</b>	1287, 1288, 1292, 1298, 1301, 1303, 1304, 1307, 1337, 1338, 1358, 1365, 1369, 1377
027 109 243	<b>30 03 0044</b>	1293, 1301, 1305, 1339, 1365
030 109 243 C	<b>30 03 0062</b>	1355
030 109 243 D	<b>30 03 0053</b>	1288, 1328, 1355, 1357
030 109 243 F	<b>30 03 0053</b>	1288, 1328, 1355, 1357
030 109 243 J	<b>30 03 0053</b>	1288, 1328, 1355, 1357
030 109 243 K	<b>30 03 0053</b>	1288, 1328, 1355, 1357
030 109 243 L	<b>30 93 0220</b>	1328, 1357
030 109 243 M	<b>30 93 0220</b>	1328, 1357
030 109 243 N	<b>30 93 0220</b>	1328, 1357
030 109 243 P	<b>30 93 0220</b>	1328, 1357
036 109 243 AB	<b>30 03 0049</b>	1288, 1289, 1308, 1312, 1315, 1318, 1329, 1330, 1336, 1356, 1357, 1360, 1363
036 109 243 AC	<b>30 03 0083</b>	1288, 1289, 1308, 1312, 1315, 1318, 1329, 1330, 1336, 1356, 1357, 1358, 1360, 1363
036 109 243 AD	<b>30 03 0049</b>	1288, 1289, 1308, 1312, 1315, 1318, 1329, 1330, 1336, 1356, 1357, 1360, 1363



Ref. - No.

**SWAG**  
GERMANY**SWAG**  
GERMANY

Ref. - No.

**SWAG**  
GERMANY

Ref. - No.


**SWAG**  
GERMANY


036 109 243 AE	<b>30 03 0083</b>	1288, 1289, 1308, 1312, 1315, 1318, 1329, 1330, 1336, 1356, 1357, 1358, 1360, 1363
036 109 243 AF	<b>30 03 0049</b>	1288, 1289, 1308, 1312, 1315, 1318, 1329, 1330, 1336, 1356, 1357, 1360, 1363
036 109 243 AG	<b>30 03 0083</b>	1288, 1289, 1308, 1312, 1315, 1318, 1329, 1330, 1336, 1356, 1357, 1358, 1360, 1363
036 109 243 D	<b>30 92 1764</b>	1355
036 109 243 E	<b>30 03 0049</b>	1288, 1289, 1308, 1312, 1315, 1318, 1329, 1330, 1336, 1356, 1357, 1360, 1363
036 109 243 F	<b>30 03 0050</b>	1308, 1329, 1356
036 109 243 G	<b>30 92 1764</b>	1355
036 109 243 J	<b>30 92 1764</b>	1355
036 109 243 K	<b>30 03 0083</b>	1288, 1289, 1308, 1312, 1315, 1318, 1329, 1330, 1336, 1356, 1357, 1358, 1360, 1363
036 109 243 L	<b>30 03 0049</b>	1288, 1289, 1308, 1312, 1315, 1318, 1329, 1330, 1336, 1356, 1357, 1360, 1363
036 109 243 R	<b>30 03 0049</b>	1288, 1289, 1308, 1312, 1315, 1318, 1329, 1330, 1336, 1356, 1357, 1360, 1363
036 109 243 S	<b>30 03 0083</b>	1288, 1289, 1308, 1312, 1315, 1318, 1329, 1330, 1336, 1356, 1357, 1358, 1360, 1363
049 109 243	<b>30 03 0005</b>	1287, 1288, 1292, 1298, 1301, 1303, 1304, 1307, 1337, 1338, 1358, 1365, 1369, 1377
051 109 243	<b>30 03 0044</b>	1293, 1301, 1305, 1339, 1365
051 109 243 A	<b>30 03 0024</b>	1293, 1305, 1339

056 109 243 A	<b>30 03 0005</b>	1287, 1288, 1292, 1298, 1301, 1303, 1304, 1307, 1337, 1338, 1358, 1365, 1369, 1377
056 109 243 B	<b>30 03 0005</b>	1287, 1288, 1292, 1298, 1301, 1303, 1304, 1307, 1337, 1338, 1358, 1365, 1369, 1377
056 109 243 D	<b>30 03 0005</b>	1287, 1288, 1292, 1298, 1301, 1303, 1304, 1307, 1337, 1338, 1358, 1365, 1369, 1377
058 109 243 C	<b>30 03 0095</b>	1342
058 109 243 E	<b>30 03 0095</b>	1342
06B 109 243	<b>99 03 0086</b>	1309, 1332, 1368
06B 109 243 A	<b>30 91 8556</b>	1309, 1332, 1336, 1368
06B 109 243 B	<b>30 91 8554</b>	1346
06B 109 243 C	<b>30 93 0212</b>	1362
06B 109 243 D	<b>30 91 8556</b>	1309, 1332, 1336, 1368
06B 109 243 E	<b>30 91 8554</b>	1346
06B 109 243 F	<b>30 91 8556</b>	1309, 1332, 1336, 1368
06D 109 243	<b>32 92 4606</b>	1314, 1375
06D 109 243 B	<b>30 92 7364</b>	1296, 1314, 1316, 1320, 1324, 1350, 1375
069 109 243 B	<b>30 03 0006</b>	1327, 1337
074 109 243 C	<b>30 03 0060</b>	1378
074 109 243 H	<b>30 03 0060</b>	1378
078 109 243 Q	<b>30 03 0075</b>	1344, 1347
078 109 243 R	<b>30 03 0075</b>	1344, 1347
078 109 243 S	<b>30 03 0075</b>	1344, 1347
03L 109 244 D	<b>30 03 0016</b>	1342
036 109 244	<b>30 03 0028</b>	1355
036 109 244 C	<b>30 03 0035</b>	1288, 1289, 1308, 1312, 1315, 1318, 1329, 1330, 1336, 1356, 1357, 1360, 1363





Ref. - No.	SWAG GERMANY	
036 109 244 D	<b>30 03 0035</b>	1288, 1289, 1308, 1312, 1315, 1318, 1329, 1330, 1336, 1356, 1357, 1360, 1363
036 109 244 J	<b>30 03 0035</b>	1288, 1289, 1308, 1312, 1315, 1318, 1329, 1330, 1336, 1356, 1357, 1360, 1363
058 109 244	<b>30 03 0016</b>	1342
06B 109 244	<b>30 91 9292</b>	1296, 1309, 1314, 1316, 1320, 1324, 1332, 1336, 1346, 1350, 1367, 1368, 1375
06D 109 244 A	<b>32 92 4188</b>	1314, 1375
06D 109 244 B	<b>32 92 4188</b>	1314, 1375
06D 109 244 C	<b>30 93 0227</b>	1296, 1314, 1316, 1320, 1324, 1350, 1367, 1375
06D 109 244 D	<b>30 93 0227</b>	1296, 1314, 1316, 1320, 1324, 1350, 1367, 1375
06D 109 244 E	<b>30 93 0227</b>	1296, 1314, 1316, 1320, 1324, 1350, 1367, 1375
077 109 244 D	<b>30 03 0096</b>	1353
077 109 244 E	<b>30 03 0096</b>	1353
077 109 244 F	<b>30 93 0893</b>	1353
078 109 244 H	<b>30 03 0030</b>	1344, 1347
078 109 244 J	<b>30 03 0030</b>	1344, 1347
078 109 244 Q	<b>30 03 0030</b>	1344, 1347
00A 109 465	<b>99 11 0150</b>	1326
021 109 465	<b>99 11 0205</b>	1294, 1306, 1310, 1311, 1333, 1340, 1343, 1347, 1370, 1371, 1376, 1379
021 109 465 B	<b>99 11 0205</b>	1294, 1306, 1310, 1311, 1333, 1340, 1343, 1347, 1370, 1371, 1376, 1379
03H 109 465	<b>99 11 0205</b>	1294, 1306, 1310, 1311, 1333, 1340, 1343, 1347, 1370, 1371, 1376, 1379

Ref. - No.	SWAG GERMANY	
021 109 467	<b>30 10 0001</b>	1294, 1306, 1310, 1311, 1333, 1340, 1343, 1347, 1370, 1371, 1376, 1379
00A 109 468	<b>99 11 0052</b>	1326
021 109 469	<b>30 09 0003</b>	1294, 1306, 1310, 1311, 1333, 1340, 1343, 1347, 1370, 1371, 1376, 1379
03C 109 469 K	<b>30 93 6085</b>	1291, 1297, 1313, 1317, 1319, 1322, 1323, 1334, 1349, 1351, 1352, 1361, 1364, 1366, 1372, 1373, 1374
03D 109 469 C	<b>99 12 5468</b>	1295, 1359
03E 109 469	<b>99 12 5467</b>	1359
03E 109 469 C	<b>99 12 5467</b>	1359
06B 109 477	<b>30 92 2346</b>	1309, 1332, 1368
06B 109 477 A	<b>30 92 2347</b>	1346
06B 109 477 B	<b>30 93 0890</b>	1362
050 109 479	<b>30 92 7584</b>	1307, 1341
050 109 479 A	<b>30 92 7584</b>	1307, 1341
058 109 479 B	<b>30 91 9404</b>	1342
06A 109 479	<b>30 03 0068</b>	1309, 1314, 1316, 1331, 1341, 1345, 1369, 1375
06A 109 479 A	<b>30 03 0068</b>	1309, 1314, 1316, 1331, 1341, 1345, 1369, 1375
06A 109 479 B	<b>30 03 0068</b>	1309, 1314, 1316, 1331, 1341, 1345, 1369, 1375
06A 109 479 C	<b>30 03 0068</b>	1309, 1314, 1316, 1331, 1341, 1345, 1369, 1375
06A 109 479 F	<b>30 03 0068</b>	1309, 1314, 1316, 1331, 1341, 1345, 1369, 1375
06B 109 479	<b>30 92 2346</b>	1309, 1332, 1368
077 109 479 D	<b>30 92 2352</b>	1353, 1376
078 109 479 E	<b>32 92 2356</b>	1344, 1347
077 109 485 E	<b>30 92 2354</b>	1353, 1376
077 109 485 F	<b>30 92 2354</b>	1353, 1376

Ref. - No.

**SWAG**  
GERMANY**SWAG**  
GERMANY

Ref. - No.

**SWAG**  
GERMANY


078 109 487 A	<b>32 92 2358</b>	1344, 1347
021 109 503 A	<b>99 11 0142</b>	1294, 1306, 1340, 1370, 1379
021 109 503 A S1	<b>99 13 3984</b>	1294, 1306, 1340, 1370, 1379
021 109 503 D	<b>99 11 0208</b>	1306, 1310, 1340, 1343, 1370, 1379
021 109 503 D S1	<b>99 13 3985</b>	1306, 1340, 1370, 1379
021 109 503 F	<b>99 11 0208</b>	1306, 1310, 1340, 1343, 1370, 1379
03H 109 503	<b>99 11 0446</b>	1310, 1311, 1347, 1371, 1376, 1379
066 109 503 B	<b>99 11 0446</b>	1310, 1311, 1347, 1371, 1376, 1379
066 109 503 C	<b>99 11 0446</b>	1310, 1311, 1347, 1371, 1376, 1379
00A 109 507	<b>10 10 2200</b>	1326
021 109 507 A	<b>30 93 3983</b>	1294, 1306, 1340, 1370, 1379
021 109 507 B	<b>30 10 0002</b>	1306, 1310, 1311, 1340, 1343, 1370, 1379
022 109 507 A	<b>30 92 5422</b>	1311, 1333
03E 109 507 G	<b>30 92 5412</b>	1295, 1359
03E 109 507 K	<b>30 92 5412</b>	1295, 1359
03E 109 507 L	<b>30 92 5412</b>	1295, 1359
03E 109 507 N	<b>30 92 5412</b>	1295, 1359
03E 109 507 S	<b>30 92 5412</b>	1295, 1359
03H 109 507	<b>30 93 2786</b>	1371, 1376
066 109 507 A	<b>30 93 2786</b>	1371, 1376
066 109 507 D	<b>30 93 2786</b>	1371, 1376
021 109 509 A	<b>30 09 0001</b>	1294, 1306, 1340, 1370, 1379
021 109 509 C	<b>30 09 0005</b>	1306, 1310, 1340, 1343, 1370, 1379
021 109 509 E	<b>30 09 0005</b>	1306, 1310, 1340, 1343, 1370, 1379
022 109 509 C	<b>99 11 0456</b>	1311, 1333


Ref. - No.

**SWAG**  
GERMANY

03C 109 509 K	<b>30 93 6224</b>	1291, 1297, 1313, 1317, 1319, 1322, 1323, 1334, 1349, 1351, 1352, 1361, 1364, 1366, 1372, 1373, 1374
03C 109 509 L	<b>30 93 6224</b>	1291, 1297, 1313, 1317, 1319, 1322, 1323, 1334, 1349, 1351, 1352, 1361, 1364, 1366, 1372, 1373, 1374
03C 109 509 M	<b>30 93 6224</b>	1291, 1297, 1313, 1317, 1319, 1322, 1323, 1334, 1349, 1351, 1352, 1361, 1364, 1366, 1372, 1373, 1374
03C 109 509 P	<b>30 93 6224</b>	1291, 1297, 1313, 1317, 1319, 1322, 1323, 1334, 1349, 1351, 1352, 1361, 1364, 1366, 1372, 1373, 1374
03D 109 509 L	<b>32 09 0001</b>	1295, 1359
03E 109 509	<b>99 11 0471</b>	1359
066 109 509 A	<b>30 93 4868</b>	1333, 1347, 1371, 1376
021 109 513	<b>30 09 0002</b>	1294, 1306, 1340, 1370, 1379
03D 109 571 L	<b>99 11 0470</b>	1295, 1359
03E 109 571 B	<b>32 04 0001</b>	1359
036 109 571	<b>32 04 0001</b>	1359
07K 145 172 B	<b>30 93 0585</b>	1321, 1325
07K 145 172 C	<b>30 93 0584</b>	1321, 1325, 1333, 1335
022 145 276 C	<b>30 93 0892</b>	1296, 1343, 1350, 1351, 1353, 1376
022 145 276 F	<b>30 93 0892</b>	1296, 1343, 1350, 1351, 1353, 1376
03C 145 276 C	<b>30 93 2024</b>	1296, 1312, 1315, 1318, 1363, 1366, 1373, 1374
03D 145 276 A	<b>30 93 1069</b>	1295, 1359, 1363
03D 145 276 D	<b>30 93 1069</b>	1295, 1359, 1363
03D 145 276 E	<b>30 93 1069</b>	1295, 1359, 1363
032 145 276	<b>30 92 1918</b>	1308, 1360



Ref. - No.	SWAG GERMANY	
037 145 276	<b>30 03 0039</b>	1292, 1301, 1338, 1378
037 145 276 A	<b>30 03 0039</b>	1292, 1301, 1338, 1378
07D 145 276 B	<b>32 92 2363</b>	1348, 1353, 1376
07D 145 276 C	<b>32 92 2363</b>	1348, 1353, 1376
071 145 276 A	<b>30 93 0892</b>	1296, 1343, 1350, 1351, 1353, 1376
1J0 145 276	<b>30 93 0859</b>	1296, 1312, 1315, 1318, 1323, 1349, 1351, 1360, 1363, 1366, 1373, 1375
6QD 145 276	<b>30 93 0859</b>	1296, 1312, 1315, 1318, 1323, 1349, 1351, 1360, 1363, 1366, 1373, 1375
028 145 278	<b>30 03 0015</b>	1288, 1292, 1293, 1303, 1304, 1305, 1307, 1338, 1339, 1369, 1377
028 145 278 A	<b>30 03 0015</b>	1288, 1292, 1293, 1303, 1304, 1305, 1307, 1338, 1339, 1369, 1377
028 145 278 E	<b>30 03 0015</b>	1288, 1292, 1293, 1303, 1304, 1305, 1307, 1338, 1339, 1369, 1377
037 145 278 A	<b>30 03 0039</b>	1292, 1301, 1338, 1378
074 145 278 A	<b>30 03 0039</b>	1292, 1301, 1338, 1378
074 145 278 E	<b>30 03 0039</b>	1292, 1301, 1338, 1378
00A 145 299	<b>10 52 0022</b>	1326
021 145 299 B	<b>32 92 2364</b>	1370, 1371
021 145 299 C	<b>32 92 2364</b>	1370, 1371
022 145 299	<b>32 92 2365</b>	1311, 1333, 1371
022 145 299 A	<b>32 92 2365</b>	1311, 1333, 1371
022 145 299 D	<b>32 92 2365</b>	1311, 1333, 1371
03C 145 299 C	<b>30 92 7218</b>	1296, 1315, 1316, 1323, 1349, 1363, 1375

Ref. - No.	SWAG GERMANY	
03C 145 299 Q	<b>30 93 2629</b>	1291, 1296, 1312, 1315, 1318, 1322, 1324, 1335, 1349, 1363, 1366, 1373, 1374
030 145 299 C	<b>30 03 0089</b>	1288, 1289, 1302, 1308, 1312, 1315, 1318, 1328, 1329, 1330, 1355, 1356, 1357, 1360
030 145 299 F	<b>30 03 0089</b>	1288, 1289, 1302, 1308, 1312, 1315, 1318, 1328, 1329, 1330, 1355, 1356, 1357, 1360
032 145 299 A	<b>32 92 3558</b>	1308
032 145 299 C	<b>32 92 3556</b>	1302
1J0 145 299	<b>30 92 7218</b>	1296, 1315, 1316, 1323, 1349, 1363, 1375
6Q0 145 299	<b>30 92 7216</b>	1296, 1312, 1315, 1318, 1349, 1360, 1363, 1373, 1375
6K0 198 001 A	<b>30 02 0038</b>	1328, 1357
6K0 198 001 C	<b>32 92 3530</b>	1355
6K0 198 002	<b>30 02 0040</b>	1287, 1288, 1292, 1298, 1301, 1304, 1307, 1337, 1338, 1365, 1377
026 198 119	<b>30 02 0046</b>	1341
027 198 119	<b>99 02 0065</b>	1293
030 198 119 A	<b>30 02 0038</b>	1328, 1357
030 198 119 B	<b>32 92 3644</b>	1357
030 198 119 S2	<b>32 92 3644</b>	1357
036 198 119	<b>30 93 2427</b>	1308, 1329, 1356
036 198 119 B	<b>30 93 2427</b>	1308, 1329, 1356
036 198 119 E	<b>30 92 1772</b>	1289, 1308, 1312, 1315, 1318, 1329, 1330, 1356, 1357, 1360
036 198 119 F	<b>30 93 2427</b>	1308, 1329, 1356
037 198 119	<b>30 02 0041</b>	1292, 1304, 1307, 1338, 1369

Ref. - No.

**SWAG**  
GERMANY**SWAG**  
GERMANY

Ref. - No.

**SWAG**  
GERMANY


051 198 119	<b>30 02 0040</b>	1287, 1288, 1292, 1298, 1301, 1304, 1307, 1337, 1338, 1365, 1377
056 198 119	<b>30 02 0040</b>	1287, 1288, 1292, 1298, 1301, 1304, 1307, 1337, 1338, 1365, 1377
058 198 119	<b>32 92 4723</b>	1342
06A 198 119	<b>32 92 3634</b>	1309, 1331, 1341, 1345, 1375
06A 198 119 A	<b>30 91 9548</b>	1309, 1332, 1368
06A 198 119 B	<b>30 93 7642</b>	1309, 1332, 1336, 1368
06B 198 119 A	<b>32 92 4755</b>	1346
06F 198 119 A	<b>30 93 0586</b>	1296, 1314, 1316, 1320, 1324, 1350, 1375
074 198 119 D	<b>30 92 4677</b>	1378
074 198 119 E	<b>30 93 0780</b>	1378
074 198 119 K	<b>30 93 0780</b>	1378
074 198 119 L	<b>30 92 4677</b>	1378
074 198 119 M	<b>30 93 0780</b>	1378
078 198 119	<b>32 92 3292</b>	1344, 1347
03E 198 229 A S1	<b>99 13 0607</b>	1359
058 198 479	<b>30 92 1100</b>	1342
078 198 479 S1	<b>32 92 3290</b>	1344, 1347
058 260 511	<b>30 03 0029</b>	1341, 1342
021 903 119 G	<b>30 14 0008</b>	1290
022 903 119 A	<b>30 14 0008</b>	1290
022 903 119 C	<b>30 14 0008</b>	1290
038 903 119 A	<b>30 14 0008</b>	1290
038 903 119 L	<b>30 14 0005</b>	1343
038 903 119 S	<b>30 14 0008</b>	1290
038 903 119 T	<b>30 14 0008</b>	1290
03E 903 133	<b>30 93 0897</b>	1295, 1359, 1363
03E 903 133 A	<b>30 93 0897</b>	1295, 1359, 1363
03E 903 133 B	<b>30 93 0897</b>	1295, 1359, 1363
058 903 133	<b>30 91 9736</b>	1345, 1346
058 903 133 A	<b>30 91 9736</b>	1345, 1346
058 903 133 B	<b>30 91 9736</b>	1345, 1346
058 903 133 D	<b>30 91 9736</b>	1345, 1346
078 903 133 AB	<b>30 92 1905</b>	1344, 1376


Ref. - No.

**SWAG**  
GERMANY

078 903 133 T	<b>30 92 1905</b>	1344, 1376
03D 903 305 F	<b>30 93 0897</b>	1295, 1359, 1363
00A 903 315	<b>10 03 0019</b>	1326
00A 903 315 S1	<b>10 91 5923</b>	1326
037 903 315	<b>30 03 0087</b>	1288, 1292, 1293, 1303, 1304, 1305, 1307, 1338, 1339, 1369, 1377
037 903 315 A	<b>30 03 0087</b>	1288, 1292, 1293, 1303, 1304, 1305, 1307, 1338, 1339, 1369, 1377
037 903 315 B	<b>30 03 0087</b>	1288, 1292, 1293, 1303, 1304, 1305, 1307, 1338, 1339, 1369, 1377
037 903 315 C	<b>30 03 0087</b>	1288, 1292, 1293, 1303, 1304, 1305, 1307, 1338, 1339, 1369, 1377
045 903 315 A	<b>30 92 9945</b>	1360
06A 903 315 D	<b>30 03 0088</b>	1290, 1309, 1314, 1316, 1331, 1332, 1368, 1375
06A 903 315 E	<b>30 03 0088</b>	1290, 1309, 1314, 1316, 1331, 1332, 1368, 1375
06F 903 315	<b>30 93 0166</b>	1296, 1314, 1320, 1325, 1350, 1367
00A 903 341	<b>10 03 0010</b>	1326
passend für / to fit:		
<b>VOLVO</b>		
1271808	<b>55 92 2573</b>	1420
1271914	<b>55 92 2152</b>	1389, 1390, 1392, 1409
1275380	<b>55 92 2152</b>	1389, 1390, 1392, 1409
1275409	<b>55 03 0026</b>	1415, 1422
1326284	<b>55 03 0025</b>	1387
1336953	<b>55 03 0002</b>	1387
1378122	<b>55 03 0004</b>	1391
245301	<b>99 11 0036</b>	1381, 1388, 1393



Ref. - No.	SWAG GERMANY	
271713	<b>99 02 0007</b>	1380, 1383, 1388, 1391
271713 S1	<b>55 02 0010</b>	1380, 1383, 1388, 1391
271747	<b>55 92 2721</b>	1391
271747 S1	<b>55 92 2723</b>	1391
271834	<b>55 02 0007</b>	1390, 1398, 1409
271835	<b>55 02 0013</b>	1389
271835 S1	<b>55 02 0014</b>	1389
271876	<b>55 02 0006</b>	1392, 1415, 1420
271876 S1	<b>55 02 0015</b>	1392, 1420
271952	<b>55 02 0016</b>	1390
272136 S1	<b>30 91 9734</b>	1389, 1390, 1392, 1409, 1420
272327	<b>55 02 0007</b>	1390, 1398, 1409
272327 S1	<b>55 02 0012</b>	1390, 1398, 1409
272329	<b>55 92 2731</b>	1396, 1397, 1398, 1402, 1404, 1405, 1407, 1409, 1410, 1413, 1414, 1418, 1421
272386	<b>55 02 0006</b>	1392, 1415, 1420
274184	<b>55 92 2735</b>	1415, 1422
274184 S1	<b>55 92 2737</b>	1415
274184 S2	<b>55 92 8545</b>	1415, 1422
274338	<b>55 92 2731</b>	1396, 1397, 1398, 1402, 1404, 1405, 1407, 1409, 1410, 1413, 1414, 1418, 1421
274338 S1	<b>55 92 2733</b>	1398, 1405, 1409, 1410, 1414, 1421
274518	<b>55 92 7559</b>	1397, 1402, 1404, 1405, 1410, 1414, 1421
274562	<b>50 94 0562</b>	1403, 1406, 1411, 1416
274562	<b>50 02 0015</b>	1394, 1400
274562 S1	<b>50 02 0038</b>	1400
274562 S2	<b>50 92 9958</b>	1394, 1400
30621261	<b>60 03 0010</b>	1382, 1384, 1385, 1386
30622153	<b>55 92 8544</b>	1415, 1422
30637071	<b>70 91 9871</b>	1410, 1414, 1415, 1421, 1422

Ref. - No.	SWAG GERMANY	
30637071	<b>55 92 1628</b>	1405
30637141	<b>55 03 0018</b>	1398, 1405, 1409, 1410, 1414, 1415, 1421, 1422
30637955	<b>55 92 7558</b>	1397, 1402, 1404, 1405, 1410, 1414, 1421
30637962	<b>55 92 1628</b>	1405
30637962	<b>70 91 9871</b>	1410, 1414, 1415, 1421, 1422
30638276	<b>55 92 8544</b>	1415, 1422
30638277	<b>55 03 0013</b>	1398, 1405, 1409, 1410, 1414, 1421
30650957	<b>55 92 7567</b>	1394, 1396, 1397, 1402
30667682	<b>55 93 4597</b>	1413, 1418
30667878	<b>55 14 0001</b>	1405, 1409, 1410, 1414, 1415, 1421, 1422
30677214	<b>55 93 6523</b>	1407, 1408, 1413, 1419, 1423
30677832	<b>55 92 9523</b>	1396, 1397, 1402, 1407, 1413, 1418
30684344	<b>50 93 2049</b>	1395, 1401, 1417
30711320	<b>55 92 7566</b>	1394, 1396, 1397, 1402
30729939	<b>70 91 9871</b>	1410, 1414, 1415, 1421, 1422
30729939	<b>55 92 1628</b>	1405
30731727	<b>55 92 7559</b>	1397, 1402, 1404, 1405, 1410, 1414, 1421
30731938	<b>50 92 1771</b>	1412
30737517	<b>55 14 0001</b>	1405, 1409, 1410, 1414, 1415, 1421, 1422
30737750	<b>50 03 0025</b>	1400
30750904	<b>50 03 0025</b>	1400
30750905	<b>50 92 9952</b>	1394, 1400
30757057	<b>55 03 0018</b>	1398, 1405, 1409, 1410, 1414, 1415, 1421, 1422
30757330	<b>55 93 0146</b>	1407, 1413, 1418

Ref. - No.

**SWAG**  
GERMANY**SWAG**  
GERMANY

Ref. - No.

**SWAG**  
GERMANY

Ref. - No.

**SWAG**  
GERMANY

30757387	<b>50 93 6298</b>	1395, 1401, 1412, 1417
30758260 SK	<b>55 02 0012</b>	1390, 1398, 1409
30758261	<b>55 92 2733</b>	1398, 1405, 1409, 1410, 1414, 1421
30758262	<b>55 02 0014</b>	1389
30758268	<b>55 92 2737</b>	1415
30758269	<b>55 92 2737</b>	1415
30758270	<b>55 92 8545</b>	1415, 1422
30777695	<b>55 93 6523</b>	1407, 1408, 1413, 1419, 1423
30777726	<b>55 93 0146</b>	1407, 1413, 1418
30855992	<b>60 03 0010</b>	1382, 1384, 1385, 1386
30855993	<b>60 03 0004</b>	1382, 1384, 1385, 1386
30873950	<b>80 92 7407</b>	1398
30873950 S1	<b>80 92 7408</b>	1398
30873954	<b>80 92 1786</b>	1398
30874227	<b>80 92 1787</b>	1398
3100124	<b>99 11 0021</b>	1382
31104600	<b>55 92 2735</b>	1415, 1422
31216066	<b>55 93 7515</b>	1407, 1408, 1413, 1419, 1423
31251250	<b>55 03 0018</b>	1398, 1405, 1409, 1410, 1414, 1415, 1421, 1422
31251254	<b>55 92 9524</b>	1396, 1397, 1402, 1407, 1413, 1418
31251337	<b>55 93 0146</b>	1407, 1413, 1418
31251429	<b>55 93 0146</b>	1407, 1413, 1418
31251653	<b>55 93 0082</b>	1394, 1396, 1397, 1402, 1404
31251654	<b>55 93 0083</b>	1394, 1396, 1397, 1402, 1404
31251845	<b>50 93 2049</b>	1395, 1401, 1417
31258034	<b>50 93 9930</b>	1403, 1406, 1411, 1416
31258082 SK	<b>50 93 2049</b>	1395, 1401, 1417
31258153	<b>55 93 0146</b>	1407, 1413, 1418
31272239	<b>50 93 2049</b>	1395, 1401, 1417
31316938	<b>55 92 2735</b>	1415, 1422
31316940	<b>55 02 0006</b>	1392, 1415, 1420

31330351	<b>50 02 0015</b>	1394, 1400
31330351	<b>50 94 0562</b>	1403, 1406, 1411, 1416
31330351 S1	<b>50 02 0038</b>	1400
31330351 S2	<b>50 92 9958</b>	1394, 1400
31330379	<b>55 93 0146</b>	1407, 1413, 1418
31330416	<b>50 94 0210</b>	1403, 1406, 1411, 1416
31330784	<b>50 94 0849</b>	1403, 1406, 1411, 1416
31330784 SK1	<b>50 94 0562</b>	1403, 1406, 1411, 1416
31401193	<b>55 93 7515</b>	1407, 1408, 1413, 1419, 1423
31401286	<b>55 93 6523</b>	1407, 1408, 1413, 1419, 1423
3287568	<b>99 11 0021</b>	1382
32875684	<b>99 11 0021</b>	1382
3287776	<b>60 03 0002</b>	1382, 1385
3343720	<b>99 02 0026</b>	1382, 1384, 1385
3343720 S1	<b>99 02 0053</b>	1382, 1384, 1385
3343740	<b>60 03 0010</b>	1382, 1384, 1385, 1386
3343741	<b>60 03 0004</b>	1382, 1384, 1385, 1386
3463763	<b>99 02 0049</b>	1384, 1386
3463763 S1	<b>99 02 0050</b>	1384, 1386
3517996	<b>55 03 0011</b>	1390, 1392
3517998	<b>55 92 2572</b>	1389, 1390, 1392
3547543	<b>55 03 0004</b>	1391
3547715	<b>55 03 0005</b>	1391
463377	<b>99 02 0007</b>	1380, 1383, 1388, 1391
463633	<b>55 03 0000</b>	1380, 1383, 1388, 1391
6842125	<b>55 03 0011</b>	1390, 1392
6900015	<b>55 94 3783</b>	1399
8610040	<b>55 92 2733</b>	1398, 1405, 1409, 1410, 1414, 1421
8610041	<b>55 02 0012</b>	1390, 1398, 1409

Ref. - No.



8627484	<b>55 92 2731</b>	1396, 1397, 1398, 1402, 1404, 1405, 1407, 1409, 1410, 1413, 1414, 1418, 1421
8627994	<b>55 92 1628</b>	1405
8627994	<b>70 91 9871</b>	1410, 1414, 1415, 1421, 1422
8630590	<b>55 03 0007</b>	1389, 1390, 1392, 1396, 1397, 1398, 1402, 1404, 1405, 1407, 1409, 1410, 1413, 1414, 1418, 1421
8642251	<b>55 03 0013</b>	1398, 1405, 1409, 1410, 1414, 1421
8658225	<b>55 03 0017</b>	1415
8670484	<b>55 03 0013</b>	1398, 1405, 1409, 1410, 1414, 1421
8676497	<b>55 14 0001</b>	1405, 1409, 1410, 1414, 1415, 1421, 1422
8692561	<b>55 03 0026</b>	1415, 1422
8694690	<b>50 94 0398</b>	1395, 1401, 1412, 1417
8694693	<b>50 93 6298</b>	1395, 1401, 1412, 1417
9125571	<b>55 03 0018</b>	1398, 1405, 1409, 1410, 1414, 1415, 1421, 1422
9135033	<b>55 92 2574</b>	1389, 1390, 1392
9135036	<b>55 03 0009</b>	1389, 1390, 1392, 1398, 1409
9135555	<b>55 03 0010</b>	1392, 1420
9135556	<b>55 03 0014</b>	1392, 1420
9135565	<b>55 03 0028</b>	1392, 1420
9135699	<b>55 92 6951</b>	1390
9143643	<b>55 92 1851</b>	1398
9146139	<b>55 03 0024</b>	1389, 1390, 1392, 1409
9146249	<b>55 92 6679</b>	1398
9146258	<b>55 03 0011</b>	1390, 1392

Ref. - No.



9146376	<b>55 03 0007</b>	1389, 1390, 1392, 1396, 1397, 1398, 1402, 1404, 1405, 1407, 1409, 1410, 1413, 1414, 1418, 1421
9146377	<b>55 03 0007</b>	1389, 1390, 1392, 1396, 1397, 1398, 1402, 1404, 1405, 1407, 1409, 1410, 1413, 1414, 1418, 1421
9146693	<b>55 92 2143</b>	1389, 1390, 1398, 1409
9180687	<b>99 91 8018</b>	1415
9440329	<b>55 03 0013</b>	1398, 1405, 1409, 1410, 1414, 1421
9440904	<b>55 03 0017</b>	1415
9454787	<b>55 94 3783</b>	1399
9458470	<b>55 03 0027</b>	1398, 1405, 1409, 1410, 1414, 1415, 1421, 1422
9459747	<b>55 14 0001</b>	1405, 1409, 1410, 1414, 1415, 1421, 1422
9465066	<b>55 02 0006</b>	1392, 1415, 1420
9497331	<b>55 03 0018</b>	1398, 1405, 1409, 1410, 1414, 1415, 1421, 1422





<b>10 03 0001</b>	601 200 07 70	598, 600, 602, 603, 605, 607, 610, 612, 614, 615, 678, 704, 714, 728, 729, 748
<b>10 03 0002</b>	103 200 05 70	600, 601, 602, 603, 604, 615, 626, 678, 697, 699, 702, 714, 723, 724, 725, 726
<b>10 03 0004</b>	601 200 10 70	601, 603, 604, 626, 655, 657, 660, 679, 729
<b>10 03 0005</b>	601 200 09 70	598, 607, 608, 610, 612, 614, 674, 676, 728, 748
<b>10 03 0006</b>	120 200 04 70	629, 702, 705, 732, 738
<b>10 03 0007</b>	119 200 03 70	703, 704
<b>10 03 0008</b>	119 200 04 70	605, 703, 704
<b>10 03 0010</b>	111 200 00 70	599, 622, 623, 624, 628, 643, 653, 685, 736, 737, 744, 751, 752
<b>10 03 0010</b>	00A 903 341	1326
<b>10 03 0011</b>	601 200 12 70	674
<b>10 03 0012</b>	119 200 14 70	623, 624, 626, 628, 643, 653, 655, 657, 660, 679, 703, 704, 729, 736
<b>10 03 0013</b>	120 200 03 70	705
<b>10 03 0018</b>	120 200 05 70	705, 732
<b>10 03 0019</b>	111 200 07 70	599, 622, 623, 624, 628, 643, 653, 685, 736, 737, 744, 751, 752
<b>10 03 0019</b>	00A 903 315	1326
<b>10 03 0026</b>	104 200 08 70	626, 655, 657, 679, 723, 726
<b>10 03 0027</b>	104 200 10 70	604, 624, 626, 628, 643, 655, 657, 679, 702, 723, 726, 737
<b>10 03 0028</b>	104 200 04 70	702
<b>10 03 0034</b>	05096525AA	220

<b>10 03 0034</b>	112 200 09 70	625, 629, 635, 637, 644, 647, 651, 654, 656, 659, 661, 662, 680, 681, 686, 688, 690, 706, 707, 727, 730, 731, 735, 738, 741, 754, 755
<b>10 03 0041</b>	102 202 02 72	674, 748
<b>10 03 0044</b>	119 200 11 70	660, 703, 704, 729
<b>10 03 0045</b>	111 202 01 19	623, 624, 628, 643, 653, 736, 737
<b>10 03 0046</b>	000 202 07 19	636, 638, 641, 708, 709, 711, 733
<b>10 03 0047</b>	642 200 10 70	636, 708, 709
<b>10 03 0048</b>	102 200 69 70 S1	598, 674
<b>10 03 1000</b>	102 200 69 70	598, 607, 608, 610, 674, 676, 748
<b>10 03 1002</b>	102 200 02 36	598, 607, 608, 610, 612, 614, 674, 676, 748
<b>10 03 1200</b>	102 200 77 70	612, 614
<b>10 03 1400</b>	103 200 08 70	600, 601, 602, 603, 604, 615, 626, 678, 697, 699, 702, 714, 723, 724, 725, 726
<b>10 03 1402</b>	103 200 02 36	600, 601, 602, 603, 604, 615, 626, 678, 697, 699, 702, 714, 723, 724, 725, 726
<b>10 03 1500</b>	104 200 05 70	702
<b>10 03 1600</b>	119 200 02 70	703, 704, 728
<b>10 04 0001</b>	121 052 03 01	588, 590, 591, 592, 594, 616, 619, 671, 673, 677, 691
<b>10 04 0004</b>	116 052 06 01	586, 692, 694, 695, 700, 701, 715, 716, 717, 718, 719, 720
<b>10 04 0010</b>	102 050 01 04	611, 613
<b>10 04 1300</b>	102 052 02 01	593, 597, 606, 609, 617, 670, 747
<b>10 04 1600</b>	102 052 09 01	597, 606, 608, 609, 617, 670, 672, 676, 747, 749




**Ref. - No.**


<b>10 04 1800</b>	119 050 10 04	605, 660, 703, 728, 729
<b>10 05 0001</b>	615 052 02 03	585, 588, 590, 591, 592, 594, 616, 619, 671, 673, 677, 691, 721
<b>10 05 0004</b>	119 052 01 03	586, 605, 660, 692, 694, 695, 700, 701, 703, 715, 716, 717, 718, 719, 720, 728, 729
<b>10 05 0008</b>	102 052 00 03	593, 597, 606, 609, 617, 670, 747
<b>10 05 0010</b>	103 052 00 03	600, 602, 615, 678, 697, 699, 714, 724
<b>10 05 0011</b>	102 052 01 03	597, 606, 608, 609, 617, 670, 672, 676, 749
<b>10 06 0017</b>	102 050 09 06	597, 606, 608, 609, 613, 617, 670, 672, 676, 747, 749
<b>10 06 1200</b>	114 052 00 02	588, 590, 591, 592, 594, 616, 619, 671, 673, 677, 691
<b>10 06 1300</b>	621 050 04 09	585, 691, 721
<b>10 06 1500</b>	114 052 01 02	584, 587, 595
<b>10 06 1800</b>	116 050 05 05	586, 692, 694, 695, 700, 701, 715, 716, 717, 718, 719, 720
<b>10 06 1900</b>	102 050 08 06	593, 597, 606, 609, 611, 613, 617, 670, 747
<b>10 09 0002</b>	110 050 18 16	675, 693, 698, 713
<b>10 09 0003</b>	115 050 08 16	590, 591, 592, 594, 616, 619, 671, 673, 677
<b>10 09 0004</b>	110 050 15 16	693, 698, 713
<b>10 09 0008</b>	117 052 00 83	717, 718, 719, 720
<b>10 09 0009</b>	117 052 08 16	695, 701, 717, 718, 719, 720
<b>10 09 0013</b>	115 052 04 16	584, 585, 587, 588, 590, 591, 592, 594, 616, 619, 671, 673, 677, 691, 721


**Ref. - No.**


<b>10 09 0014</b>	115 052 07 16	584, 585, 587, 588, 590, 591, 592, 594, 595, 616, 619, 671, 673, 677, 691, 696, 721
<b>10 09 0016</b>	110 052 08 16	589, 596, 675, 693, 698, 713
<b>10 09 0020</b>	117 052 09 16	695, 701, 717, 718, 719, 720
<b>10 09 0021</b>	116 052 17 16	586, 692, 694, 700, 715, 716
<b>10 09 0024</b>	102 052 04 83	593, 597, 606, 609, 617, 670, 747
<b>10 09 0025</b>	102 052 03 16	593, 597, 606, 609, 611, 617, 670, 672, 747
<b>10 09 0026</b>	102 052 04 16	593, 597, 606, 609, 617, 670, 672, 747
<b>10 09 0027</b>	117 052 10 16	700, 701, 716, 718, 719, 720
<b>10 09 0029</b>	116 052 00 83	586, 692, 694, 695, 700, 701, 715, 716
<b>10 09 0035</b>	102 050 04 16	611, 613
<b>10 09 0040</b>	103 052 00 83	600, 602, 615, 678, 697, 699, 714, 724
<b>10 09 0044</b>	102 052 06 83	608, 672, 676
<b>10 09 0045</b>	102 052 13 16	597, 606, 608, 609, 613, 617, 670, 672, 676, 747, 749
<b>10 09 0046</b>	102 052 14 16	597, 606, 608, 609, 617, 670, 672, 676, 747, 749
<b>10 09 0047</b>	103 052 07 16	600, 602, 615, 678, 697, 699, 714, 724
<b>10 09 0048</b>	103 052 08 16	600, 602, 615, 678, 697, 699, 714, 724
<b>10 09 0049</b>	104 052 14 16	601, 603, 604, 626, 655, 657, 679, 702, 723, 725, 726
<b>10 09 0053</b>	104 052 07 16	603, 725
<b>10 09 0055</b>	104 050 15 16	679, 702, 723, 726
<b>10 09 0059</b>	104 052 05 16	725
<b>10 09 0061</b>	104 052 04 16	603, 725
<b>10 09 0062</b>	119 052 12 16	660







<b>10 09 0064</b>	119 052 11 16	605, 660, 703, 728, 729
<b>10 09 0065</b>	119 052 06 16	728
<b>10 09 0067</b>	119 050 02 16	605, 660, 703, 728, 729
<b>10 09 0068</b>	119 050 03 16	605, 660, 703, 728, 729
<b>10 09 0069</b>	119 052 09 16	605, 660, 703, 728, 729
<b>10 09 0070</b>	119 050 01 16	728
<b>10 09 0072</b>	119 050 04 16	605, 660, 703, 729
<b>10 09 0074</b>	119 052 01 16	728
<b>10 09 0085</b>	111 050 14 16	599, 622, 623, 624, 628, 643, 653, 685, 736, 737, 744, 751, 752
<b>10 09 0087</b>	111 052 10 16	599, 622, 623, 624, 628, 643, 653, 685, 736, 737, 744, 751, 752
<b>10 09 0088</b>	111 050 11 16	599, 622, 623, 624, 628, 643, 653, 685, 736, 737, 744, 751, 752
<b>10 09 0142</b>	120 050 03 16	705, 732
<b>10 09 0143</b>	120 050 05 16	705, 732
<b>10 09 0144</b>	120 050 06 16	705, 732
<b>10 09 0145</b>	120 050 07 16	705, 732
<b>10 09 0147</b>	112 052 01 16	625, 629, 635, 637, 644, 647, 654, 656, 659, 661, 662, 680, 681, 686, 688, 690, 706, 707, 727, 730, 731, 738, 741
<b>10 09 0148</b>	112 052 00 16	625, 629, 635, 637, 644, 647, 654, 656, 659, 661, 662, 680, 681, 686, 688, 690, 706, 707, 727, 730, 731, 738, 741
<b>10 09 0149</b>	112 052 02 16	625, 629, 635, 637, 644, 647, 654, 656, 659, 661, 662, 680, 681, 686, 688, 690, 706, 707, 727, 730, 731, 738, 741



<b>10 09 1100</b>	116 050 27 16	586, 692, 694, 695, 715, 717
<b>10 09 1400</b>	102 050 08 16	593, 597, 606, 609, 617, 670, 672, 747
<b>10 09 1500</b>	116 050 31 16	700, 716
<b>10 09 1600</b>	117 050 18 16	700, 701, 715, 716, 718, 719, 720
<b>10 09 1700</b>	103 050 03 16	600, 602, 615, 678, 697, 699, 714, 724
<b>10 09 1800</b>	117 050 16 16	701, 718, 719, 720
<b>10 09 1900</b>	102 050 12 16	597, 606, 608, 609, 617, 670, 672, 676, 747, 749
<b>10 10 0002</b>	116 050 16 11	586, 692, 694, 695, 715, 717
<b>10 10 0012</b>	166 050 00 11	620, 750
<b>10 10 1100</b>	115 050 11 11	590, 591, 592, 594, 616, 619, 671, 673, 677
<b>10 10 1200</b>	123 050 04 11	595
<b>10 10 1300</b>	110 050 06 11	589, 596, 675, 693, 698, 713
<b>10 10 1400</b>	102 050 10 11	593, 597, 606, 608, 609, 613, 617, 670, 672, 676, 747, 749
<b>10 10 1600</b>	116 050 18 11	700, 701, 715, 716, 718, 719, 720
<b>10 10 1800</b>	103 050 06 11	600, 602, 615, 678, 697, 699, 714, 724
<b>10 10 1900</b>	119 050 17 11	605, 660, 703, 728, 729
<b>10 10 2100</b>	120 050 02 11	601, 603, 604, 626, 655, 657, 679, 702, 705, 723, 725, 726, 732
<b>10 10 2200</b>	111 050 04 11	599, 622, 623, 624, 628, 643, 653, 685, 736, 737, 744, 751, 752
<b>10 10 2200</b>	00A 109 507	1326



	<b>Ref. - No.</b>			<b>Ref. - No.</b>	
<b>10 10 2700</b>	112 050 08 11	625, 629, 635, 637, 644, 647, 651, 654, 656, 659, 661, 662, 680, 681, 686, 688, 690, 706, 707, 727, 730, 731, 735, 738, 741, 742, 754	<b>10 92 4284</b>	137 052 07 16	636, 637, 638, 640, 683, 684, 708, 709, 711, 712, 733, 735
<b>10 14 0004</b>	116 130 04 60	618, 696	<b>10 92 4285</b>	137 052 08 16	636, 637, 638, 640, 683, 684, 708, 709, 711, 712, 733, 735
<b>10 52 0012</b>	103 200 01 14	600, 601, 602, 603, 604, 615, 626, 678, 702, 714, 723, 725, 726	<b>10 92 4286</b>	271 052 10 16	627, 632, 645, 664, 667, 739, 745
<b>10 52 0015</b>	102 200 14 14	598, 607, 608, 610, 676, 748	<b>10 92 4287</b>	271 052 11 16	627, 632, 645, 664, 667, 739, 745
<b>10 52 0018</b>	604 200 03 14	697, 699, 724	<b>10 92 4730</b>	271 206 00 19	627, 633, 646, 664, 668, 739, 745
<b>10 52 0019</b>	102 200 15 14	598, 612, 614	<b>10 92 5410</b>	271 030 09 63	627, 632, 633, 645, 664, 667, 739, 745
<b>10 52 0022</b>	00A 145 299	1326	<b>10 92 6751</b>	271 050 06 11	627, 632, 645, 664, 667, 739, 745
<b>10 52 0025</b>	112 200 00 14	625, 629, 635, 647, 654, 656, 661, 662, 680, 681, 706, 707, 727, 731, 735, 738	<b>10 92 6752</b>	272 050 01 11	630, 634, 648, 650, 658, 665, 669, 687, 689, 710, 734, 740, 746, 755
<b>10 91 2515</b>	102 200 02 36 S1	598, 607, 608, 610, 618, 674, 676, 748	<b>10 92 6753</b>	275 050 05 11	636, 637, 638, 640, 683, 684, 708, 709, 711, 712, 733, 735
<b>10 91 5923</b>	00A 903 315 S1	1326	<b>10 92 7454</b>	272 200 01 14	630, 634, 640, 642, 648, 650, 652, 658, 665, 669, 682, 688, 689, 710, 734, 740, 746, 755
<b>10 91 9405</b>	137 200 02 70	636, 708	<b>10 92 7841</b>	266 155 01 15	620, 621
<b>10 91 9995</b>	111 200 04 14	599, 622, 623, 624, 628, 643, 653, 685, 736, 737, 744, 751, 752	<b>10 92 8149</b>	272 200 02 70	630, 634, 640, 642, 648, 650, 652, 658, 665, 669, 682, 688, 689, 710, 734, 740, 746, 755
<b>10 92 1684</b>	271 155 01 15	627, 646, 664, 739	<b>10 92 8229</b>	111 200 13 70	623, 624, 628, 643, 653, 736
<b>10 92 2776</b>	271 200 02 70	627, 633, 646, 664, 739, 745	<b>10 92 8234</b>	272 202 01 19	630, 634, 648, 650, 652, 658, 665, 688, 689, 740
<b>10 92 3779</b>	640 202 04 19	620, 621	<b>10 93 0309</b>	116 050 18 11 S1	700, 715
<b>10 92 3780</b>	640 202 03 19	620, 621, 750	<b>10 93 0454</b>	272 202 14 19	630, 634, 640, 642, 648, 650, 652, 658, 665, 669, 681, 682, 688, 689, 710, 734, 740, 746, 755
<b>10 92 3781</b>	166 202 06 19	620, 750			
<b>10 92 4178</b>	266 202 00 19	620, 621			
<b>10 92 4281</b>	166 052 00 16	620, 750			
<b>10 92 4282</b>	137 052 04 16	636, 637, 638, 640, 683, 684, 708, 709, 711, 712, 733, 735			
<b>10 92 4283</b>	137 052 05 16	636, 637, 638, 640, 683, 684, 708, 709, 711, 712, 733, 735			



<b>10 93 0460</b>	272 200 02 70 S1	630, 634, 640, 642, 648, 650, 652, 658, 665, 669, 681, 682, 688, 689, 710, 734, 740, 746, 755
<b>10 93 0502</b>	272 052 13 16	630, 634, 639, 650, 658, 665, 669, 682, 683, 687, 689, 708, 710, 734, 740, 746, 755
<b>10 93 0503</b>	272 052 00 16	630, 634, 639, 648, 650, 658, 665, 669, 682, 683, 687, 689, 708, 710, 734, 740, 746, 755
<b>10 93 0504</b>	272 052 15 16	630, 634, 639, 648, 650, 658, 665, 669, 682, 683, 687, 689, 708, 710, 734, 740, 746, 755
<b>10 93 0505</b>	272 052 02 16	630, 634, 639, 648, 650, 658, 665, 669, 682, 683, 687, 689, 708, 710, 734, 740, 746, 755
<b>10 93 0548</b>	266 050 02 11	620, 621
<b>10 93 2148</b>	166 200 09 70	620
<b>10 93 3894</b>	000 993 20 76 S1	627, 632, 645, 664, 667, 739, 745
<b>10 93 3895</b>	000 993 06 76 S1	669, 682, 710
<b>10 93 3975</b>	004 997 18 94	638, 640, 683, 684, 709, 711, 712, 733, 735
<b>10 93 4916</b>	266 200 09 70	620
<b>10 93 6588</b>	102 052 02 01 S1	606, 609, 617
<b>10 93 6589</b>	102 050 10 11 S4	597, 606, 608, 609, 617, 670, 672, 676, 749
<b>10 93 6931</b>	113 202 00 19	635, 637, 639, 646, 649, 651, 662, 663, 666, 681, 687, 690, 707, 709, 735
<b>10 93 6933</b>	271 200 05 70	627, 633, 646, 664, 668, 739, 745
<b>10 93 6981</b>	113 200 01 70	635, 651, 662, 681, 707, 735, 742

<b>10 93 7697</b>	271 200 04 70	627, 633, 646, 652, 664, 668, 739, 742, 745
<b>10 93 7702</b>	000 202 17 19	633, 652, 668, 742
<b>10 93 7703</b>	000 202 16 19	633, 652, 668, 742
<b>10 93 9269</b>	000 993 10 78	632, 641, 667
<b>10 93 9271</b>	000 993 09 78 S2	632, 641, 667, 741
<b>10 93 9273</b>	115 050 11 11 S1	671, 673, 677
<b>10 93 9568</b>	000 993 10 78 S3	632, 641, 667
<b>10 94 0105</b>	000 993 06 76 S2	630, 634, 639, 648, 650, 658, 665, 669, 682, 687, 689, 710, 734, 740, 746, 755
<b>10 94 0446</b>	156 200 05 70	631, 639, 646, 649, 663, 666, 687, 690, 709, 732, 743
<b>10 94 0621</b>	111 050 04 11 S2	599, 622, 624, 628, 643, 653, 685, 736, 737, 744, 751, 752
<b>10 94 0953</b>	271 050 06 11 S3	627, 632, 645, 664, 667, 739, 745
<b>10 94 0954</b>	271 050 06 11 S4	627, 632, 645, 664, 667, 739, 745
<b>11 92 8687</b>	11 28 1 482 199	756
<b>11 92 9899</b>	11 31 4 609 483	87, 113
<b>11 92 9899</b>	0829.G3	234, 241, 243, 245, 246, 249, 254, 261, 263
<b>11 92 9899</b>	11 31 4 609 483	758, 759, 760, 761
<b>11 92 9899</b>	0829.G3	925, 926, 937, 955, 972, 973
<b>11 92 9900</b>	0816.J2	234, 241, 243, 245, 249, 254, 261, 263
<b>11 92 9900</b>	0816.J2	925, 926, 937, 955, 964, 972, 973
<b>11 92 9901</b>	11 31 7 577 301	113
<b>11 92 9901</b>	0818.40	234, 241, 243, 245, 249, 254, 261, 263
<b>11 92 9901</b>	0818.40	925, 926, 937, 955, 964, 972, 973
<b>11 92 9902</b>	11 31 7 533 879	113
<b>11 92 9902</b>	0818.33	234, 241, 243, 245, 249, 254, 261, 263


**Ref. - No.**


<b>11 92 9902</b>	0818.33	925, 926, 937, 955, 964, 972, 973
<b>11 92 9903</b>	11 31 7 577 631	113
<b>11 92 9903</b>	0818.41	234, 241, 243, 245, 249, 254, 261, 263
<b>11 92 9903</b>	0818.41	925, 926, 937, 955, 964, 972, 973
<b>11 93 0131</b>	11 28 7 509 476	757
<b>11 93 0475</b>	0805.K3	245, 249
<b>11 93 0475</b>	11 36 7 547 955	759, 761
<b>11 93 0475</b>	0805.K3	925, 937, 964
<b>11 93 0477</b>	0513.C8	245, 249
<b>11 93 0477</b>	11 21 7 588 996	758, 759, 760, 761
<b>11 93 0477</b>	0513.C8	925, 937, 964
<b>11 93 2311</b>	12 31 7 576 515	758, 759, 760, 761
<b>11 93 2314</b>	12 31 7 575 518	758, 759, 760, 761
<b>11 93 3136</b>	5751.G9	234, 241, 243, 245, 247, 249, 254, 261, 263
<b>11 93 3136</b>	11 28 7 571 015	758, 759, 760, 761
<b>11 93 3136</b>	5751.G9	926, 937, 955, 964, 972, 973
<b>11 93 7586</b>	04777707AA	222, 224
<b>11 93 7587</b>	04693261AB	222, 224
<b>11 93 7590</b>	04777699 AA S1	222, 224
<b>11 93 7590</b>	11 31 1 485 400 S1	756
<b>12 92 8429</b>	0007680V001000000	1132
<b>12 93 0536</b>	160 050 02 11	1132
<b>12 93 4729</b>	0007681V001000000	1132
<b>14 92 8255</b>	04273241	221, 222, 227
<b>14 92 8256</b>	04315705	221, 222, 227
<b>14 92 8259</b>	04621454	226
<b>14 92 8260</b>	04777017	223, 224, 225, 227
<b>14 92 8260</b>	04777017	312, 313, 314
<b>14 92 8262</b>	04792495AB	224
<b>14 92 9563</b>	04884320AA	223, 225, 227
<b>14 92 9563</b>	04884320AA	312, 314
<b>20 02 0002</b>	11 31 1 713 361	92, 94, 118, 121, 125, 189
<b>20 02 0006</b>	11 31 7 620 565	96, 123
<b>20 02 0007</b>	11 31 1 734 608 S1	123
<b>20 02 0008</b>	11 31 7 621 021	96, 123


**Ref. - No.**


<b>20 02 0009</b>	11 31 1 713 361 S1	92, 94, 118, 121, 125, 189
<b>20 03 0002</b>	11 31 1 721 245	123
<b>20 03 0003</b>	11 31 1 721 264	96, 123
<b>20 03 0004</b>	11 31 1 708 806	96, 123
<b>20 03 0005</b>	11 31 1 711 153	92, 94, 118, 121, 125, 189
<b>20 03 0006</b>	11 28 7 841 228	97, 98, 100, 105, 124, 127, 132, 140, 159, 181, 193, 194, 195, 196, 198, 201
<b>20 03 0009</b>	11 28 1 748 131	97, 98, 100, 105, 124, 127, 132, 137, 159, 163, 176, 181, 190, 191, 193, 194, 195, 196, 198, 201
<b>20 03 0009</b>	047 145 276 B	1117
<b>20 03 0010</b>	11 28 1 720 039	157, 162, 171
<b>20 03 0013</b>	11 31 1 727 611	96, 123
<b>20 03 0014</b>	11 28 2 245 087	96, 97, 98, 123, 124, 190, 191, 196
<b>20 03 0015</b>	11 28 1 702 013	129, 134, 156, 161, 170
<b>20 03 0016</b>	11 28 1 736 724	129, 156, 168
<b>20 03 0017</b>	11 28 1 731 220	129, 134, 156, 161, 168, 170
<b>20 03 0019</b>	11 28 1 731 838	129, 134, 156, 161, 168
<b>20 03 0022</b>	11 28 1 427 252	100, 105, 127, 132, 137, 159, 163, 176, 181, 193, 194, 195, 198
<b>20 03 0024</b>	11 28 1 704 500	134, 161, 170
<b>20 03 0025</b>	11 28 1 742 013	134, 161, 170
<b>20 03 0027</b>	11 28 1 432 104	97, 98, 102, 190, 191
<b>20 03 0031</b>	11 28 1 742 858	134, 161, 170, 182
<b>20 03 0032</b>	11 28 1 742 859	134, 161, 170
<b>20 03 0036</b>	11 28 1 433 571	102, 105, 132, 159, 181, 190, 193, 195, 196, 201
<b>20 03 0037</b>	11 28 1 435 594	102, 190
<b>20 04 0005</b>	11 31 1 714 988	92, 94, 121, 125, 189



<b>20 04 0008</b>	11 31 1 722 841	99, 126, 131, 158, 192
<b>20 04 1000</b>	11 31 1 278 990	119, 122, 128, 146, 154, 155
<b>20 04 1100</b>	11 31 1 265 006	81, 91, 93, 118, 120
<b>20 05 1000</b>	11 21 1 265 010	81, 91, 93, 118, 120
<b>20 05 1200</b>	11 21 1 265 011	119, 122, 128, 146, 154, 155
<b>20 09 0002</b>	11 31 1 253 236	81, 82, 91, 93, 118, 119, 120, 122, 128, 146, 154, 155
<b>20 09 0006</b>	11 31 1 741 247	129, 156, 168
<b>20 10 0003</b>	11 31 1 743 187	94, 98, 191
<b>20 10 0004</b>	11 31 1 738 700	105, 131, 176, 180, 192, 198
<b>20 10 0005</b>	11 31 1 725 441	129, 156, 168
<b>20 10 0006</b>	11 31 1 725 442	129, 156, 168
<b>20 10 0007</b>	11 31 7 531 813	129, 133, 156, 160, 168, 169, 182
<b>20 10 0011</b>	11 31 1 247 952	97, 102, 124, 190
<b>20 10 0012</b>	11 31 1 435 026	133, 160, 169, 182
<b>20 10 0013</b>	11 31 1 435 027	133, 160, 169, 182
<b>20 10 1310</b>	07 11 9 963 355	94, 98, 191
<b>20 52 0004</b>	11 28 1 717 188	100, 105, 127, 132, 137, 159, 176, 181, 194, 196, 201
<b>20 52 0005</b>	11 28 1 717 210	100, 127, 132, 159, 193, 194
<b>20 52 0006</b>	11 28 1 715 626	157
<b>20 52 0009</b>	11 28 1 247 051	97, 98, 124
<b>20 52 0015</b>	11 28 1 745 545	134, 161, 170, 182
<b>20 52 0016</b>	11 28 1 709 613	134, 161, 170, 182
<b>20 91 8483</b>	11 28 7 838 797	100, 105, 127, 132, 137, 159, 163, 176, 181, 194, 196, 201
<b>20 91 8484</b>	11 28 1 717 210 S1	100, 127, 132, 159, 193, 194
<b>20 91 8485</b>	11 28 1 247 051 S1	97, 98, 124
<b>20 91 9247</b>	11 28 7 500 560	134, 161, 182
<b>20 91 9539</b>	11 28 7 574 834	165

<b>20 92 1275</b>	11 31 7 567 680	83, 84, 88, 103, 104, 106, 107, 108, 114, 116, 136, 142, 172, 173, 175, 178, 197, 202
<b>20 92 1276</b>	11 31 1 439 552	139, 151, 165, 183, 185
<b>20 92 1296</b>	11 28 7 515 865 S1	134, 161, 170, 182
<b>20 92 1629</b>	11 28 7 549 588	139, 151, 165, 183
<b>20 92 1630</b>	11 28 7 549 589	140, 165, 183
<b>20 92 2744</b>	11 28 7 516 847	137, 163, 176
<b>20 92 3165</b>	11 28 7 549 557	139, 151, 165, 183
<b>20 92 3650</b>	11 28 7 512 758	105, 132, 137, 163, 176, 181, 198
<b>20 92 6296</b>	11 31 1 405 081	101, 196
<b>20 92 7374</b>	11 28 1 440 378	84, 103, 104, 107, 108, 136, 172, 175, 197
<b>20 92 7560</b>	11 28 1 745 547	134, 161, 170
<b>20 92 7561</b>	11 28 1 745 546	134, 161, 170
<b>20 92 7562</b>	11 28 1 745 819 KPL	182
<b>20 92 8708</b>	11 28 7 530 314	85, 110, 111, 138, 148, 150, 164, 177, 184, 199, 203
<b>20 92 8709</b>	11 28 7 556 251	83, 86, 106, 112, 136, 203
<b>20 92 8719</b>	11 31 7 516 088	83, 86, 106, 111, 112, 136, 138, 144, 150, 166, 187, 203
<b>20 92 8719</b>	0816.H9	243, 245, 246, 249, 254, 261, 263
<b>20 92 8719</b>	11 31 7 516 088	759, 760, 761
<b>20 92 8719</b>	0816.H9	955, 973
<b>20 92 9522</b>	11 31 7 504 468	139, 151, 165, 183, 185
<b>20 92 9538</b>	11 31 7 585 020	85, 86, 89, 90, 109, 112, 115, 117, 138, 141, 143, 148, 152, 164, 166, 174, 177, 179, 184, 188, 199, 200, 203




**Ref. - No.**


<b>20 92 9539</b>	11 31 7 592 850	85, 86, 88, 89, 90, 109, 112, 114, 115, 116, 117, 138, 141, 142, 143, 148, 152, 164, 166, 173, 174, 177, 178, 179, 184, 188, 199, 200, 202, 203
<b>20 92 9856</b>	11 31 7 584 723	85, 86, 89, 90, 109, 111, 112, 115, 117, 138, 141, 143, 144, 148, 150, 152, 164, 166, 174, 177, 179, 184, 187, 188, 199, 200, 203
<b>20 92 9864</b>	11 31 7 584 084	85, 86, 88, 89, 90, 109, 112, 114, 115, 116, 117, 138, 141, 142, 143, 148, 152, 164, 166, 173, 174, 177, 178, 179, 184, 188, 199, 200, 202, 203
<b>20 93 0119</b>	11 28 7 557 851	86, 112
<b>20 93 0120</b>	11 28 7 535 860	85, 110, 111, 138, 143, 148, 150, 164, 174, 177, 184
<b>20 93 0121</b>	11 28 7 524 267	84, 103, 104, 107, 108, 136, 172, 175, 197
<b>20 93 0129</b>	11 28 7 563 927	86, 112
<b>20 93 0130</b>	11 28 0 946 004	757
<b>20 93 0458</b>	11 31 7 502 180	83, 84, 85, 86, 89, 90, 103, 104, 106, 107, 108, 109, 111, 112, 115, 117, 136, 138, 141, 143, 144, 148, 150, 152, 164, 166, 174, 175, 177, 178, 179, 184, 187, 188, 197, 199, 200, 203
<b>20 93 2017</b>	11 28 7 838 797 S1	100, 105, 127, 132, 137, 159, 163, 176, 181, 194, 198, 201
<b>20 93 3845</b>	11 23 7 503 107 S1	83, 84, 103, 104, 106, 107, 108, 136, 172, 175, 197
<b>20 93 4471</b>	11 28 7 558 752	83, 106
<b>20 93 6322</b>	11 31 7 557 741	145, 153, 167, 186


**Ref. - No.**


<b>20 93 6323</b>	11 31 7 574 397	145, 153, 167, 186
<b>20 93 6324</b>	11 31 7 565 242	145, 153, 167, 186
<b>20 93 7551</b>	11 28 7 558 969	83, 106, 136
<b>20 93 8195</b>	11 31 1 439 853 S4	87, 113
<b>20 93 8196</b>	11 31 1 439 853 S5	84, 103, 107
<b>20 93 8361</b>	11 31 7 592 877	88, 114, 116, 142, 178, 202
<b>22 02 0005</b>	GTB 1238	1049, 1050, 1052
<b>22 02 0013</b>	GTB 1238 S1	1049, 1050, 1052
<b>22 03 0001</b>	LHP 10015	1049, 1050, 1052
<b>22 03 0002</b>	LHP 10014	1047
<b>22 03 0006</b>	PQR 10028	1047, 1049
<b>22 03 0013</b>	LHP 10016	1051
<b>22 03 0022</b>	14510-PT0-004	450, 451, 465, 466, 467
<b>22 03 0022</b>	LHP 100440	1051
<b>22 03 0023</b>	LHV 100110	1047
<b>22 93 1257</b>	PQG 100180	560
<b>22 93 1257</b>	PQG 100180A	1046, 1048, 1049, 1050, 1053, 1054
<b>30 02 0001</b>	052 109 119	22, 24
<b>30 02 0001</b>	052 109 119	1298, 1299, 1300, 1337, 1354, 1365
<b>30 02 0003</b>	034 109 119	25, 27, 33, 34, 72
<b>30 02 0003</b>	034 109 119	1337
<b>30 02 0009</b>	027 109 119 C	27, 30, 36, 70, 74
<b>30 02 0009</b>	027 109 119 C	1293, 1301, 1365
<b>30 02 0011</b>	030 109 119 A	1077, 1078
<b>30 02 0011</b>	030 109 119 A	1299, 1300, 1302, 1354
<b>30 02 0012</b>	074 109 119	27, 33, 74
<b>30 02 0017</b>	078 109 119 D	31, 37, 48, 64, 71, 75
<b>30 02 0018</b>	074 109 119 R	1378
<b>30 02 0021</b>	074 109 119 H	1378
<b>30 02 0024</b>	032 109 119	1302
<b>30 02 0031</b>	030 109 119 S	1075, 1077, 1081, 1086, 1091
<b>30 02 0031</b>	030 109 119 S	1328, 1355, 1357
<b>30 02 0032</b>	037 109 119 C	26, 29, 35, 69, 73
<b>30 02 0032</b>	037 109 119 C	1068, 1079, 1083, 1103



<b>30 02 0032</b>	037 109 119 C	1292, 1304, 1307, 1314, 1338, 1369, 1377
<b>30 02 0034</b>	048 109 119 G	1305, 1339
<b>30 02 0035</b>	030 109 119 F	1355
<b>30 02 0036</b>	026 109 119 D	46
<b>30 02 0036</b>	026 109 119 D	1303, 1304, 1341
<b>30 02 0038</b>	030 198 119 A	1075, 1077, 1081
<b>30 02 0038</b>	030 198 119 A	1328, 1357
<b>30 02 0039</b>	048 109 119 G S1	1305, 1339
<b>30 02 0040</b>	051 198 119	23, 26, 29, 32, 33, 35, 73
<b>30 02 0040</b>	051 198 119	1287, 1288, 1292, 1298, 1301, 1304, 1307, 1337, 1338, 1365, 1377
<b>30 02 0041</b>	037 198 119	1068
<b>30 02 0041</b>	037 198 119	1292, 1304, 1307, 1338, 1369
<b>30 02 0046</b>	026 198 119	46
<b>30 02 0046</b>	026 198 119	1341
<b>30 03 0001</b>	077 903 341	65, 80
<b>30 03 0002</b>	078 903 341 J	31, 37, 71, 75
<b>30 03 0005</b>	026 109 243 L	23, 24, 26, 29, 32, 33, 35, 72, 73
<b>30 03 0005</b>	026 109 243 L	975
<b>30 03 0005</b>	026 109 243 L	1068, 1079, 1083, 1103
<b>30 03 0005</b>	026 109 243 L	1287, 1288, 1292, 1298, 1301, 1303, 1304, 1307, 1337, 1338, 1358, 1365, 1369, 1377
<b>30 03 0006</b>	069 109 243 B	27, 33, 34
<b>30 03 0006</b>	069 109 243 B	1327, 1337
<b>30 03 0008</b>	078 109 243 C	31, 37, 64, 71, 75
<b>30 03 0009</b>	077 109 243 A	65, 80
<b>30 03 0011</b>	074 109 243	33
<b>30 03 0012</b>	077 109 244 A	65, 80
<b>30 03 0013</b>	048 109 243 A	26, 29, 35, 69, 73
<b>30 03 0015</b>	028 145 278 E	1068, 1079, 1080, 1083, 1084, 1103, 1104

<b>30 03 0015</b>	028 145 278 E	1288, 1292, 1293, 1303, 1304, 1305, 1307, 1338, 1339, 1369, 1377
<b>30 03 0016</b>	03L 109 244 D	47, 56, 69
<b>30 03 0016</b>	03L 109 244 D	1342
<b>30 03 0021</b>	078 109 244 F	31, 37, 64, 71, 75
<b>30 03 0022</b>	078 109 243 K	31, 37, 48, 64, 71, 75
<b>30 03 0023</b>	078 109 244 G	31, 37, 48, 64, 71, 75
<b>30 03 0024</b>	051 109 243 A	30, 70, 74
<b>30 03 0024</b>	051 109 243 A	1293, 1305, 1339
<b>30 03 0028</b>	036 109 244	1082, 1085
<b>30 03 0028</b>	036 109 244	1355
<b>30 03 0029</b>	058 260 511	46, 47, 57, 69
<b>30 03 0029</b>	058 260 511	1341, 1342
<b>30 03 0030</b>	078 109 244 H	49, 53, 58, 60, 64, 66
<b>30 03 0030</b>	078 109 244 H	1129
<b>30 03 0030</b>	078 109 244 H	1344, 1347
<b>30 03 0032</b>	05080246AA	220
<b>30 03 0032</b>	000 202 09 19	625, 629, 630, 634, 635, 637, 640, 642, 644, 647, 648, 650, 651, 652, 654, 656, 658, 659, 661, 662, 665, 669, 680, 681, 682, 686, 687, 688, 689, 690, 706, 707, 710, 727, 730, 731, 734, 735, 738, 740, 741, 746, 754, 755
<b>30 03 0035</b>	036 109 244 J	39
<b>30 03 0035</b>	036 109 244 J	1071, 1074, 1076, 1078, 1087, 1090, 1094, 1096, 1097, 1100, 1105, 1109
<b>30 03 0035</b>	036 109 244 J	1113, 1116, 1118, 1121, 1126
<b>30 03 0035</b>	036 109 244 J	1288, 1289, 1308, 1312, 1315, 1318, 1329, 1330, 1336, 1356, 1357, 1360, 1363
<b>30 03 0037</b>	053 903 341	30




**Ref. - No.**


<b>30 03 0039</b>	074 145 278 E	1292, 1301, 1338, 1378
<b>30 03 0044</b>	051 109 243	27, 30, 36, 74
<b>30 03 0044</b>	051 109 243	1104
<b>30 03 0044</b>	051 109 243	1293, 1301, 1305, 1339, 1365
<b>30 03 0049</b>	036 109 243 AF	39
<b>30 03 0049</b>	036 109 243 AF	1074, 1076, 1078, 1087, 1090, 1094, 1096, 1097, 1100, 1105, 1109
<b>30 03 0049</b>	036 109 243 AF	1113, 1116, 1118, 1121, 1126
<b>30 03 0049</b>	036 109 243 AF	1288, 1289, 1308, 1312, 1315, 1318, 1329, 1330, 1336, 1356, 1357, 1360, 1363
<b>30 03 0050</b>	036 109 243 F	1076, 1078, 1097, 1105
<b>30 03 0050</b>	036 109 243 F	1308, 1329, 1356
<b>30 03 0053</b>	030 109 243 K	1075, 1077, 1081, 1086
<b>30 03 0053</b>	030 109 243 K	1117, 1119
<b>30 03 0053</b>	030 109 243 K	1288, 1328, 1355, 1357
<b>30 03 0060</b>	074 109 243 C	1378
<b>30 03 0062</b>	030 109 243 C	1355
<b>30 03 0065</b>	078 903 341 B	37
<b>30 03 0068</b>	06A 109 479 F	40, 43, 46, 50
<b>30 03 0068</b>	06A 109 479 F	1068, 1072, 1088, 1098, 1106, 1110
<b>30 03 0068</b>	06A 109 179 F	1113, 1119, 1128
<b>30 03 0068</b>	06A 109 479 F	1309, 1314, 1316, 1331, 1341, 1345, 1369, 1375
<b>30 03 0075</b>	078 109 243 S	49, 53, 58, 60, 64, 66
<b>30 03 0075</b>	078 109 243 S	1129
<b>30 03 0075</b>	078 109 243 S	1344, 1347
<b>30 03 0078</b>	026 109 243 J	29, 35, 46, 69
<b>30 03 0078</b>	026 109 243 J	1307, 1341
<b>30 03 0083</b>	036 109 243 AG	39


**Ref. - No.**


<b>30 03 0083</b>	036 109 243 AG	1074, 1076, 1078, 1087, 1090, 1094, 1096, 1097, 1100, 1105, 1109
<b>30 03 0083</b>	036 109 243 AG	1113, 1118, 1121, 1126
<b>30 03 0083</b>	036 109 243 AG	1288, 1289, 1308, 1312, 1315, 1318, 1329, 1330, 1336, 1356, 1357, 1358, 1360, 1363
<b>30 03 0087</b>	037 903 315 C	1288, 1292, 1293, 1303, 1304, 1305, 1307, 1338, 1339, 1369, 1377
<b>30 03 0088</b>	06A 903 315 E	40, 41, 77
<b>30 03 0088</b>	06A 903 315 E	1067, 1072, 1088, 1098, 1106, 1110
<b>30 03 0088</b>	06A 903 315 E	1113, 1120
<b>30 03 0088</b>	06A 903 315 E	1290, 1309, 1314, 1316, 1331, 1332, 1368, 1375
<b>30 03 0089</b>	030 145 299 F	39
<b>30 03 0089</b>	030 145 299 F	1071, 1074, 1075, 1076, 1078, 1081, 1082, 1085, 1086, 1087, 1090, 1091, 1094, 1096, 1097, 1105
<b>30 03 0089</b>	030 145 299 F	1113, 1117, 1118, 1119, 1125
<b>30 03 0089</b>	030 145 299 F	1288, 1289, 1302, 1308, 1312, 1315, 1318, 1328, 1329, 1330, 1355, 1356, 1357, 1360
<b>30 03 0095</b>	058 109 243 E	47, 57, 69
<b>30 03 0095</b>	058 109 243 E	1342
<b>30 03 0096</b>	077 109 244 E	61, 66, 67
<b>30 03 0096</b>	077 109 244 E	1353
<b>30 04 0001</b>	049 109 111 C	22, 23, 24, 25, 26, 27, 29, 32, 33, 34, 35, 46, 69, 72, 73, 74



<b>30 04 0001</b>	049 109 111 C	1287, 1288, 1292, 1298, 1299, 1300, 1301, 1303, 1304, 1307, 1327, 1337, 1338, 1341, 1354, 1365, 1369, 1377
<b>30 04 0003</b>	026 109 111	1299, 1300, 1354
<b>30 04 0022</b>	06A 109 105 C	40, 43, 46, 50
<b>30 04 0022</b>	06A 109 105 C	1088, 1098, 1106, 1110
<b>30 04 0022</b>	06A 109 105 C	1290, 1309, 1314, 1316, 1331, 1341, 1345, 1375
<b>30 05 0001</b>	049 105 263 B	22, 23, 24
<b>30 05 0001</b>	049 105 263 B	1298, 1299, 1300, 1301, 1337, 1354, 1365
<b>30 05 0002</b>	069 105 263	1378
<b>30 05 0004</b>	027 105 263 B	30, 44, 47, 69, 74
<b>30 05 0004</b>	027 105 263 B	1301, 1305, 1339, 1365
<b>30 05 0010</b>	049 105 263 C	26, 29, 73
<b>30 05 0010</b>	049 105 263 C	1068, 1079, 1083, 1103
<b>30 05 0010</b>	049 105 263 C	1287, 1288, 1301, 1303, 1304, 1307, 1337, 1338, 1341, 1369, 1377
<b>30 05 0011</b>	030 105 263 C	1288, 1299, 1300, 1302, 1354, 1355
<b>30 05 0015</b>	06A 105 263 E	1067, 1072
<b>30 05 0015</b>	06A 105 263 E	1113
<b>30 09 0001</b>	1 669 848	415
<b>30 09 0001</b>	021 109 509 A	1294, 1306, 1340, 1370, 1379
<b>30 09 0002</b>	1 086 533	415
<b>30 09 0002</b>	021 109 513	1294, 1306, 1340, 1370, 1379
<b>30 09 0003</b>	021 109 469	45, 76, 78
<b>30 09 0003</b>	1 669 830	415
<b>30 09 0003</b>	021 109 469	1068, 1099, 1107, 1108

<b>30 09 0003</b>	021 109 469	1294, 1306, 1310, 1311, 1333, 1340, 1343, 1347, 1370, 1371, 1376, 1379
<b>30 09 0005</b>	1 145 280	415
<b>30 09 0005</b>	021 109 509 E	1306, 1310, 1340, 1343, 1370, 1379
<b>30 10 0001</b>	021 109 467	45, 76, 78
<b>30 10 0001</b>	1 669 827	415
<b>30 10 0001</b>	021 109 467	1068, 1099, 1107, 1108
<b>30 10 0001</b>	021 109 467	1294, 1306, 1310, 1311, 1333, 1340, 1343, 1347, 1370, 1371, 1376, 1379
<b>30 10 0002</b>	1 072 677	415
<b>30 10 0002</b>	000 052 05 16	753
<b>30 10 0002</b>	021 109 507 B	1107
<b>30 10 0002</b>	021 109 507 B	1306, 1310, 1311, 1340, 1343, 1370, 1379
<b>30 14 0005</b>	038 903 119 L	1343
<b>30 14 0006</b>	022 903 119 D	57
<b>30 14 0008</b>	022 903 119 C	40, 41
<b>30 14 0008</b>	022 903 119 C	1290
<b>30 91 4616</b>	026 109 119 B S1	1303, 1304
<b>30 91 8554</b>	06B 109 243 E	51, 52, 59
<b>30 91 8554</b>	06B 109 243 E	1128
<b>30 91 8554</b>	06B 109 243 E	1346
<b>30 91 8556</b>	06B 109 243 F	41, 57, 77
<b>30 91 8556</b>	06B 109 243 F	1067, 1088, 1098, 1106
<b>30 91 8556</b>	06B 109 243 F	1120
<b>30 91 8556</b>	06B 109 243 F	1309, 1332, 1336, 1368
<b>30 91 8772</b>	032 109 119 J	1086
<b>30 91 8772</b>	032 109 119 J	1117, 1119
<b>30 91 8772</b>	032 109 119 J	1302, 1355
<b>30 91 9292</b>	06B 109 244	41, 44, 51, 52, 54, 57, 59, 62, 77, 79
<b>30 91 9292</b>	06B 109 244	1067, 1073, 1088, 1098, 1102, 1106, 1110


**Ref. - No.**


<b>30 91 9292</b>	06B 109 244	1120, 1123, 1128
<b>30 91 9292</b>	06B 109 244	1296, 1309, 1314, 1316, 1320, 1324, 1332, 1336, 1346, 1350, 1367, 1368, 1375
<b>30 91 9361</b>	058 109 119 C	47, 57, 69
<b>30 91 9361</b>	058 109 119 C	1342
<b>30 91 9364</b>	036 109 119 AG	39
<b>30 91 9364</b>	036 109 119 AG	1071, 1074, 1076, 1078, 1087, 1090, 1094, 1096, 1097, 1100, 1105, 1109
<b>30 91 9364</b>	036 109 119 AG	1113, 1116, 1118, 1121, 1126
<b>30 91 9364</b>	036 109 119 AG	1288, 1289, 1308, 1312, 1315, 1318, 1329, 1330, 1336, 1355, 1356, 1357, 1358, 1360, 1363
<b>30 91 9366</b>	054 109 119 H	30, 36, 74
<b>30 91 9371</b>	077 109 119 D	65, 80
<b>30 91 9396</b>	06A 109 119 K	40, 43, 46, 50
<b>30 91 9396</b>	06A 109 119 K	1068, 1072, 1088, 1098, 1106, 1110
<b>30 91 9396</b>	06A 109 119 K	1113, 1119, 1128
<b>30 91 9396</b>	06A 109 119 K	1290, 1309, 1316, 1331, 1341, 1345, 1375
<b>30 91 9404</b>	058 109 479 B	47, 69
<b>30 91 9404</b>	058 109 479 B	1342
<b>30 91 9546</b>	06B 109 119 A	41, 51, 52, 57, 59, 77
<b>30 91 9546</b>	06B 109 119 A	1067, 1088, 1091, 1098, 1106
<b>30 91 9546</b>	06B 109 119 A	1120, 1128
<b>30 91 9546</b>	06B 109 119 A	1309, 1332, 1336, 1346, 1362, 1368
<b>30 91 9548</b>	06A 198 119 A	41, 57, 77
<b>30 91 9548</b>	06A 198 119 A	1067, 1098, 1106
<b>30 91 9548</b>	06A 198 119 A	1120
<b>30 91 9548</b>	06A 198 119 A	1309, 1332, 1368
<b>30 91 9550</b>	06B 109 119 A S2	41, 77
<b>30 91 9550</b>	06B 109 119 A S2	1067, 1088, 1098, 1106


**Ref. - No.**


<b>30 91 9550</b>	06B 109 119 A S2	1120
<b>30 91 9550</b>	06B 109 119 A S2	1309, 1332, 1368
<b>30 91 9606</b>	078 109 119 H	49, 53, 58, 60, 61, 64, 66, 67
<b>30 91 9606</b>	078 109 119 H	1129
<b>30 91 9606</b>	078 109 119 H	1344, 1347, 1353, 1376
<b>30 91 9734</b>	272136 S1	1389, 1390, 1392, 1409, 1420
<b>30 91 9736</b>	058 903 133 D	59
<b>30 91 9736</b>	058 903 133 D	1345, 1346
<b>30 92 1100</b>	058 198 479	47
<b>30 92 1100</b>	058 198 479	1342
<b>30 92 1764</b>	036 109 243 J	1082, 1085
<b>30 92 1764</b>	036 109 243 J	1355
<b>30 92 1766</b>	036 109 181 B	39
<b>30 92 1766</b>	036 109 181 B	1074, 1076, 1078, 1087, 1090, 1094, 1096, 1097, 1100, 1105, 1109
<b>30 92 1766</b>	036 109 181 B	1113, 1116, 1118, 1121, 1126
<b>30 92 1766</b>	036 109 181 B	1288, 1289, 1308, 1312, 1315, 1318, 1329, 1330, 1336, 1356, 1357, 1360, 1363
<b>30 92 1770</b>	036 109 119 AG S1	39
<b>30 92 1770</b>	036 109 119 AG S1	1074, 1076, 1087, 1090, 1094, 1096, 1097, 1100, 1105, 1109
<b>30 92 1770</b>	036 109 119 AG S1	1113, 1116, 1118, 1121, 1126
<b>30 92 1770</b>	036 109 119 AG S1	1288, 1289, 1308, 1312, 1315, 1318, 1329, 1330, 1336, 1356, 1357, 1360, 1363
<b>30 92 1772</b>	036 198 119 E	39
<b>30 92 1772</b>	036 198 119 E	1074, 1076, 1087, 1090, 1094, 1096, 1097, 1100, 1105
<b>30 92 1772</b>	036 198 119 E	1113, 1118



<b>30 92 1772</b>	036 198 119 E	1289, 1308, 1312, 1315, 1318, 1329, 1330, 1356, 1357, 1360
<b>30 92 1774</b>	036 109 119 P S1	39
<b>30 92 1774</b>	036 109 119 P S1	1074, 1076, 1078, 1087, 1090, 1094, 1096, 1097, 1100, 1105, 1109
<b>30 92 1774</b>	036 109 119 P S1	1113, 1118, 1121, 1126
<b>30 92 1774</b>	036 109 119 P S1	1288, 1289, 1308, 1312, 1315, 1318, 1329, 1330, 1336, 1356, 1357, 1358, 1360, 1363
<b>30 92 1776</b>	06C 109 119 C	53, 61, 62, 67
<b>30 92 1905</b>	078 903 133 AB	48, 58, 60
<b>30 92 1905</b>	078 903 133 AB	1129
<b>30 92 1905</b>	078 903 133 AB	1344, 1376
<b>30 92 1918</b>	032 145 276	1097, 1105
<b>30 92 1918</b>	032 145 276	1119
<b>30 92 1918</b>	032 145 276	1308, 1360
<b>30 92 2340</b>	059 109 479 B	66
<b>30 92 2346</b>	06B 109 477	41, 57, 77
<b>30 92 2346</b>	06B 109 477	1067, 1088, 1106
<b>30 92 2346</b>	06B 109 477	1120
<b>30 92 2346</b>	06B 109 477	1309, 1332, 1368
<b>30 92 2347</b>	06B 109 477 A	51, 52, 59
<b>30 92 2347</b>	06B 109 477 A	1128
<b>30 92 2347</b>	06B 109 477 A	1346
<b>30 92 2348</b>	06C 109 485 A	53, 61, 62, 67
<b>30 92 2352</b>	077 109 479 D	61, 66, 67
<b>30 92 2352</b>	077 109 479 D	1353, 1376
<b>30 92 2354</b>	077 109 485 F	61, 66, 67
<b>30 92 2354</b>	077 109 485 F	1353, 1376
<b>30 92 2360</b>	077 109 244 C	61, 67
<b>30 92 3134</b>	058 109 243 D	47
<b>30 92 4677</b>	074 198 119 L	1378
<b>30 92 4688</b>	023 109 243	1378
<b>30 92 4851</b>	06C 109 479 A	67
<b>30 92 4856</b>	034 109 119 S1	27, 33, 34
<b>30 92 4856</b>	034 109 119 S1	1337
<b>30 92 5412</b>	03E 109 507 S	1089

<b>30 92 5412</b>	03E 109 507 S	1112, 1114, 1125
<b>30 92 5412</b>	03E 109 507 S	1295, 1359
<b>30 92 5422</b>	022 109 507 A	1099, 1108
<b>30 92 5422</b>	022 109 507 A	1311, 1333
<b>30 92 6569</b>	06B 903 133 E	50, 51, 52, 59
<b>30 92 7016</b>	054 109 479	30, 36, 70, 74
<b>30 92 7070</b>	058 109 217 B	41, 47, 57, 77
<b>30 92 7070</b>	058 109 217 B	1067, 1088, 1098, 1106
<b>30 92 7070</b>	058 109 217 B	1120
<b>30 92 7070</b>	058 109 217 B	1309, 1332, 1342, 1368
<b>30 92 7216</b>	6Q0 145 299	38, 43
<b>30 92 7216</b>	6Q0 145 299	1091, 1100
<b>30 92 7216</b>	6Q0 145 299	1114, 1121, 1125, 1126, 1131
<b>30 92 7216</b>	6Q0 145 299	1296, 1312, 1315, 1318, 1349, 1360, 1363, 1373, 1375
<b>30 92 7218</b>	03C 145 299 C	43
<b>30 92 7218</b>	03C 145 299 C	1091
<b>30 92 7218</b>	03C 145 299 C	1114, 1121, 1125, 1126
<b>30 92 7218</b>	03C 145 299 C	1296, 1315, 1316, 1323, 1349, 1363, 1375
<b>30 92 7298</b>	06B 109 119 A S5	41
<b>30 92 7298</b>	06B 109 119 A S5	1067, 1098
<b>30 92 7298</b>	06B 109 119 A S5	1120
<b>30 92 7298</b>	06B 109 119 A S5	1309, 1332, 1368
<b>30 92 7364</b>	06D 109 243 B	44, 54, 62, 79
<b>30 92 7364</b>	06D 109 243 B	1073, 1102, 1110
<b>30 92 7364</b>	06D 109 243 B	1123
<b>30 92 7364</b>	06D 109 243 B	1296, 1314, 1316, 1320, 1324, 1350, 1375
<b>30 92 7584</b>	050 109 479 A	29, 35, 46, 69, 73
<b>30 92 7584</b>	050 109 479 A	1307, 1341
<b>30 92 8104</b>	06C 903 133 B	53, 61
<b>30 92 8446</b>	058 109 217 D	47, 57
<b>30 92 8446</b>	058 109 217 D	1342
<b>30 92 9232</b>	077 903 133 E	61, 66
<b>30 92 9945</b>	045 903 315 A	39


**Ref. - No.**


<b>30 92 9945</b>	045 903 315 A	1090
<b>30 92 9945</b>	045 903 315 A	1113, 1114, 1125, 1126
<b>30 92 9945</b>	045 903 315 A	1360
<b>30 93 0166</b>	06F 903 315	45, 79
<b>30 93 0166</b>	06F 903 315	1073, 1102, 1110
<b>30 93 0166</b>	06F 903 315	1123
<b>30 93 0166</b>	06F 903 315	1296, 1314, 1320, 1325, 1350, 1367
<b>30 93 0212</b>	06B 109 243 C	1091
<b>30 93 0212</b>	06B 109 243 C	1362
<b>30 93 0220</b>	030 109 243 M	1075, 1086, 1091
<b>30 93 0220</b>	030 109 243 M	1328, 1357
<b>30 93 0222</b>	06E 903 133 Q	55, 63, 68, 76
<b>30 93 0227</b>	06D 109 244 E	44, 54, 62, 79
<b>30 93 0227</b>	06D 109 244 E	1073, 1102, 1110
<b>30 93 0227</b>	06D 109 244 E	1123
<b>30 93 0227</b>	06D 109 244 E	1296, 1314, 1316, 1320, 1324, 1350, 1367, 1375
<b>30 93 0584</b>	07K 145 172 C	45, 78
<b>30 93 0584</b>	07K 145 172 C	1321, 1325, 1333, 1335
<b>30 93 0585</b>	07K 145 172 B	45, 78
<b>30 93 0585</b>	07K 145 172 B	1321, 1325
<b>30 93 0586</b>	06F 198 119 A	44, 54, 62, 79
<b>30 93 0586</b>	06F 198 119 A	1073, 1102, 1110
<b>30 93 0586</b>	06F 198 119 A	1123
<b>30 93 0586</b>	06F 198 119 A	1296, 1314, 1316, 1320, 1324, 1350, 1375
<b>30 93 0686</b>	06B 903 341 B	50, 51, 52, 59, 62
<b>30 93 0686</b>	06B 903 341 B	1093
<b>30 93 0780</b>	074 198 119 M	1378
<b>30 93 0859</b>	1J0 145 276	38, 43
<b>30 93 0859</b>	1J0 145 276	1074, 1091, 1094, 1100
<b>30 93 0859</b>	1J0 145 276	1114, 1121, 1125, 1130, 1131
<b>30 93 0859</b>	1J0 145 276	1296, 1312, 1315, 1318, 1323, 1349, 1351, 1360, 1363, 1366, 1373, 1375


**Ref. - No.**


<b>30 93 0869</b>	06D 109 485 A	52
<b>30 93 0890</b>	06B 109 477 B	1091
<b>30 93 0890</b>	06B 109 477 B	1362
<b>30 93 0891</b>	06B 109 119 A S6	1091
<b>30 93 0891</b>	06B 109 119 A S6	1362
<b>30 93 0892</b>	022 145 276 F	45, 76, 78
<b>30 93 0892</b>	022 145 276 F	1130
<b>30 93 0892</b>	022 145 276 F	1296, 1343, 1350, 1351, 1353, 1376
<b>30 93 0893</b>	077 109 244 F	67
<b>30 93 0893</b>	077 109 244 F	1353
<b>30 93 0897</b>	03D 903 305 F	1089, 1094
<b>30 93 0897</b>	03D 903 305 F	1112, 1114, 1125
<b>30 93 0897</b>	03D 903 305 F	1295, 1359, 1363
<b>30 93 1069</b>	03D 145 276 E	1089, 1094
<b>30 93 1069</b>	03D 145 276 E	1112, 1114, 1125
<b>30 93 1069</b>	03D 145 276 E	1295, 1359, 1363
<b>30 93 1976</b>	06D 109 477 A	52
<b>30 93 2024</b>	03C 145 276 C	38
<b>30 93 2024</b>	03C 145 276 C	1069, 1094
<b>30 93 2024</b>	03C 145 276 C	1114
<b>30 93 2024</b>	03C 145 276 C	1296, 1312, 1315, 1318, 1363, 1366, 1373, 1374
<b>30 93 2427</b>	036 198 119 F	1076, 1078, 1097, 1105
<b>30 93 2427</b>	036 198 119 F	1308, 1329, 1356
<b>30 93 2518</b>	06F 109 217 A	44, 52, 54, 62, 79
<b>30 93 2518</b>	06F 109 217 A	1073, 1102, 1110
<b>30 93 2518</b>	06F 109 217 A	1123
<b>30 93 2518</b>	06F 109 217 A	1296, 1314, 1316, 1320, 1324, 1350, 1367, 1375
<b>30 93 2629</b>	03C 145 299 Q	38, 43
<b>30 93 2629</b>	03C 145 299 Q	1074, 1094, 1100
<b>30 93 2629</b>	03C 145 299 Q	1114, 1121, 1125, 1130, 1131
<b>30 93 2629</b>	03C 145 299 Q	1291, 1296, 1312, 1315, 1318, 1322, 1324, 1335, 1349, 1363, 1366, 1373, 1374
<b>30 93 2786</b>	03H 109 507	45, 76, 78
<b>30 93 2786</b>	1 118 152	415



<b>30 93 2786</b>	03H 109 507	1068, 1099, 1108
<b>30 93 2786</b>	03H 109 507	1130
<b>30 93 2786</b>	03H 109 507	1371, 1376
<b>30 93 3983</b>	021 109 507 A	1294, 1306, 1340, 1370, 1379
<b>30 93 4532</b>	996 102 360 51	976, 982, 984
<b>30 93 4533</b>	996 102 117 57	976, 982, 984
<b>30 93 4534</b>	996 102 118 56	976, 982, 984
<b>30 93 4536</b>	996 102 119 58	976, 982, 984
<b>30 93 4537</b>	996 115 015 75	977
<b>30 93 4538</b>	996 115 016 72	977, 979
<b>30 93 4540</b>	997 102 260 00	976, 982, 984
<b>30 93 4542</b>	997 102 119 00	976, 982, 984
<b>30 93 4543</b>	996 115 221 72	977, 979
<b>30 93 4868</b>	066 109 509 A	45, 78
<b>30 93 4868</b>	066 109 509 A	1068, 1099, 1108
<b>30 93 4868</b>	066 109 509 A	1333, 1347, 1371, 1376
<b>30 93 6085</b>	03C 109 469 K	38, 42
<b>30 93 6085</b>	03C 109 469 K	1069, 1070, 1092, 1095, 1101, 1109, 1111
<b>30 93 6085</b>	03C 109 469 K	1115, 1122, 1124, 1127, 1131
<b>30 93 6085</b>	03C 109 469 K	1291, 1297, 1313, 1317, 1319, 1322, 1323, 1334, 1349, 1351, 1352, 1361, 1364, 1366, 1372, 1373, 1374
<b>30 93 6221</b>	066 109 513 A	45, 78
<b>30 93 6221</b>	066 109 513 A	1068, 1099, 1108
<b>30 93 6222</b>	03H 109 503 S1	45, 78
<b>30 93 6222</b>	03H 109 503 S1	1068, 1099, 1108
<b>30 93 6224</b>	03C 109 509 P	38, 42
<b>30 93 6224</b>	03C 109 509 P	1069, 1070, 1092, 1095, 1101, 1109, 1111
<b>30 93 6224</b>	03C 109 509 P	1115, 1122, 1124, 1127, 1131



<b>30 93 6224</b>	03C 109 509 P	1291, 1297, 1313, 1317, 1319, 1322, 1323, 1334, 1349, 1351, 1352, 1361, 1364, 1366, 1372, 1373, 1374
<b>30 93 7642</b>	06A 198 119 B	77
<b>30 93 7642</b>	06A 198 119 B	1067, 1088, 1098, 1106
<b>30 93 7642</b>	06A 198 119 B	1120
<b>30 93 7642</b>	06A 198 119 B	1309, 1332, 1336, 1368
<b>30 93 8362</b>	11 31 7 584 084 S2	88, 114, 116, 142, 178, 202
<b>30 94 0390</b>	03C 109 158 A	38, 42
<b>30 94 0390</b>	03C 109 158 A	1069, 1070, 1092, 1095, 1101, 1109, 1111
<b>30 94 0390</b>	03C 109 158 A	1115, 1122, 1124, 1127, 1131
<b>30 94 0390</b>	03C 109 158 A	1291, 1297, 1313, 1317, 1319, 1322, 1323, 1334, 1349, 1351, 1352, 1361, 1364, 1366, 1372, 1373, 1374
<b>32 02 0002</b>	054 109 119 G	28, 30, 36, 70, 74, 75
<b>32 02 0009</b>	078 198 119 A	31, 37, 48, 64, 71, 75
<b>32 02 0010</b>	078 109 119 D S1	31, 37, 64, 71, 75
<b>32 02 0013</b>	037 109 119 C S3	29, 35, 69
<b>32 04 0001</b>	03E 109 571 B	1089
<b>32 04 0001</b>	03E 109 571 B	1112, 1125
<b>32 04 0001</b>	03E 109 571 B	1359
<b>32 05 0001</b>	03D 105 209 E	1112, 1114
<b>32 05 0001</b>	03D 105 209 E	1295, 1359
<b>32 05 0002</b>	03E 105 209	1089
<b>32 05 0002</b>	03E 105 209	1112, 1125
<b>32 05 0002</b>	03E 105 209	1359
<b>32 09 0001</b>	03D 109 509 L	1089
<b>32 09 0001</b>	03D 109 509 L	1112, 1114
<b>32 09 0001</b>	03D 109 509 L	1295, 1359
<b>32 14 0002</b>	058 903 119 C	57
<b>32 14 0003</b>	038 903 119 P	57





<b>32 92 2356</b>	078 109 479 E	49, 53, 58, 60, 64, 66
<b>32 92 2356</b>	078 109 479 E	1129
<b>32 92 2356</b>	078 109 479 E	1344, 1347
<b>32 92 2357</b>	06C 109 244	53, 61, 62, 67
<b>32 92 2358</b>	078 109 487 A	49, 53, 58, 60, 64, 66
<b>32 92 2358</b>	078 109 487 A	1129
<b>32 92 2358</b>	078 109 487 A	1344, 1347
<b>32 92 2363</b>	07D 145 276 C	80
<b>32 92 2363</b>	07D 145 276 C	1348, 1353, 1376
<b>32 92 2364</b>	1 106 830	415
<b>32 92 2364</b>	021 145 299 C	1370, 1371
<b>32 92 2365</b>	1 139 712	415
<b>32 92 2365</b>	022 145 299 D	1068, 1108
<b>32 92 2365</b>	022 145 299 D	1311, 1333, 1371
<b>32 92 3126</b>	058 198 479 A	47
<b>32 92 3238</b>	06D 109 119	44, 52
<b>32 92 3238</b>	06D 109 119	1314, 1375
<b>32 92 3290</b>	078 198 479 S1	49, 53, 58, 60, 64, 66
<b>32 92 3290</b>	078 198 479 S1	1129
<b>32 92 3290</b>	078 198 479 S1	1344, 1347
<b>32 92 3292</b>	078 198 119	49, 53, 58, 60, 64, 66
<b>32 92 3292</b>	078 198 119	1129
<b>32 92 3292</b>	078 198 119	1344, 1347
<b>32 92 3528</b>	036 109 119 H	1082, 1085
<b>32 92 3528</b>	036 109 119 H	1355
<b>32 92 3530</b>	6K0 198 001 C	1082, 1085
<b>32 92 3530</b>	6K0 198 001 C	1355
<b>32 92 3556</b>	032 145 299 C	1078
<b>32 92 3556</b>	032 145 299 C	1302
<b>32 92 3558</b>	032 145 299 A	40
<b>32 92 3558</b>	032 145 299 A	1097, 1105
<b>32 92 3558</b>	032 145 299 A	1118, 1119
<b>32 92 3558</b>	032 145 299 A	1308
<b>32 92 3634</b>	06A 198 119	40, 43, 46, 50
<b>32 92 3634</b>	06A 198 119	1068, 1072, 1088, 1098, 1106, 1110
<b>32 92 3634</b>	06A 198 119	1113, 1119, 1128
<b>32 92 3634</b>	06A 198 119	1309, 1331, 1341, 1345, 1375



<b>32 92 3640</b>	032 109 119 J S1	1086
<b>32 92 3640</b>	032 109 119 J S1	1117, 1119
<b>32 92 3640</b>	032 109 119 J S1	1328
<b>32 92 3642</b>	06B 109 119 F S4	51, 52, 59
<b>32 92 3642</b>	06B 109 119 F S4	1128
<b>32 92 3642</b>	06B 109 119 F S4	1346
<b>32 92 3644</b>	030 198 119 B	1075, 1086, 1091
<b>32 92 3644</b>	030 198 119 B	1357
<b>32 92 3646</b>	06B 109 119 A S3	41, 77
<b>32 92 3646</b>	06B 109 119 A S3	1309, 1332, 1368
<b>32 92 4186</b>	06D 109 119 B	44, 54, 62, 77, 79
<b>32 92 4186</b>	06D 109 119 B	1073, 1102, 1110
<b>32 92 4186</b>	06D 109 119 B	1123
<b>32 92 4186</b>	06D 109 119 B	1296, 1314, 1316, 1320, 1324, 1350, 1367, 1375
<b>32 92 4188</b>	06D 109 244 A	44, 52
<b>32 92 4188</b>	06D 109 244 A	1314, 1375
<b>32 92 4606</b>	06D 109 243	44, 52
<b>32 92 4606</b>	06D 109 243	1314, 1375
<b>32 92 4723</b>	058 198 119	47, 57
<b>32 92 4723</b>	058 198 119	1342
<b>32 92 4724</b>	058 198 119 A	47
<b>32 92 4755</b>	06B 198 119 A	51, 59
<b>32 92 4755</b>	06B 198 119 A	1346
<b>32 92 4764</b>	06F 198 119	44, 52
<b>32 92 4764</b>	06F 198 119	1314, 1375
<b>32 92 6168</b>	06C 109 244 C	53, 61, 67
<b>36 92 1768</b>	036 109 119 P	39
<b>36 92 1768</b>	036 109 119 P	1074, 1076, 1078, 1087, 1090, 1094, 1096, 1097, 1100, 1105, 1109
<b>36 92 1768</b>	036 109 119 P	1113, 1118, 1121, 1126
<b>36 92 1768</b>	036 109 119 P	1288, 1289, 1308, 1312, 1315, 1318, 1329, 1330, 1336, 1356, 1357, 1358, 1360, 1363
<b>38 03 0001</b>	928 105 571 04	981
<b>38 03 0004</b>	928 105 512 12	981
<b>38 03 0005</b>	928 105 571 02	981
<b>38 03 0006</b>	944 105 241 02	980



38 03 0007	944 105 241 04	980
38 03 0008	944 105 631 06	980
38 03 0010	944 102 025 07	980
38 03 0012	944 105 273 02	980
38 03 0014	944 102 277 06	980
38 03 0015	944 105 631 10	980
38 09 0001	911 105 222 06	974
38 92 1830	959 105 052 01	975
38 92 1831	964 105 079 00	975
38 93 4544	996 115 015 76	979
38 93 4784	9A1 105 157 02	978, 983, 985
38 93 4971	9A1 105 142 02	978, 983, 985
38 93 4972	9A1 105 233 02	978, 983, 985
38 93 4973	9A1 105 142 02 S1	978, 983, 985
40 02 0004	0636 562	840, 858, 887
40 02 0004	GTB 1127 A	1052
40 02 0004	90354783	1185, 1221, 1252
40 02 0006	96352407	305, 308
40 02 0006	5636 560	810, 819, 839, 840, 843, 848, 858, 863, 887, 892
40 02 0006	09128723	1185, 1187, 1195, 1221, 1229, 1235, 1246, 1251, 1252, 1268
40 02 0007	0636 567	814, 832, 859, 890
40 02 0007	90410225	1186, 1191, 1209, 1224
40 02 0009	92066312	211, 212, 215, 217, 218
40 02 0009	92066312	302, 304, 306, 310, 311
40 02 0009	5636 563	813, 834, 872, 891, 894
40 02 0009	09128726	1190, 1211, 1225, 1254, 1270
40 02 0010	92063918	309
40 02 0010	5636 562	810, 812, 831, 852, 858, 868, 871, 887, 888, 889, 892, 894

40 02 0010	09128725	1185, 1187, 1189, 1208, 1214, 1221, 1222, 1223, 1240, 1253, 1268, 1270
40 02 0011	0636 565	809, 812, 831, 852, 856, 858, 868, 888, 889
40 02 0011	90410014	1183, 1185, 1189, 1208, 1214, 1220, 1222, 1223, 1240
40 02 0014	5636 565	811, 844, 883, 893
40 02 0014	24451896	1188, 1230, 1264, 1269
40 02 0016	5636 564	818, 820, 827, 847, 848, 864, 875, 876, 886, 898, 903, 906
40 02 0016	24 451 895	1063
40 02 0016	24451895	1194, 1196, 1203, 1234, 1236, 1247, 1256, 1257, 1267, 1274, 1279, 1282
40 02 0017	5636 355	815, 833, 860, 890
40 02 0017	90530598	1186, 1191, 1210, 1224
40 02 0021	1606 197	814, 832, 859, 890
40 02 0021	93174266	1186, 1191, 1209, 1224
40 02 0024	1606 193	815, 833, 860, 890
40 02 0024	93174262	1186, 1191, 1210, 1224
40 02 0025	1606 274	811, 844, 883, 893
40 02 0025	93180219	1188, 1230, 1264, 1269
40 02 0027	92063918 S1	309
40 02 0027	5636 562 S1	810, 812, 831, 852, 858, 868, 871, 887, 888, 889, 892, 894
40 02 0027	09128725 S1	1185, 1187, 1189, 1208, 1214, 1221, 1222, 1223, 1240, 1253, 1268, 1270
40 02 0028	92063917 S1	217
40 02 0028	92063917 S1	302, 304, 306, 310




**Ref. - No.**


<b>40 02 0028</b>	1606 192	813, 834, 872, 891, 894
<b>40 02 0028</b>	93174260	1190, 1211, 1225, 1254, 1270
<b>40 02 0029</b>	1606 281	818, 820, 903
<b>40 02 0029</b>	93183572	1194, 1196, 1279
<b>40 02 0030</b>	96183353 S1	305, 308
<b>40 02 0030</b>	1606 368	810, 819, 839, 840, 843, 848, 858, 863, 887, 892
<b>40 02 0030</b>	93188125	1185, 1187, 1195, 1221, 1229, 1235, 1246, 1251, 1252, 1268
<b>40 03 0005</b>	0636 732	814, 832, 859, 890
<b>40 03 0005</b>	90323501	1186, 1191, 1209, 1224
<b>40 03 0006</b>	90499401	305, 308
<b>40 03 0006</b>	5636 722	810, 819, 839, 840, 843, 848, 858, 863, 887, 892
<b>40 03 0006</b>	09202478	1185, 1187, 1195, 1221, 1229, 1235, 1246, 1251, 1252, 1268
<b>40 03 0007</b>	0636 423	814, 832, 859, 890
<b>40 03 0007</b>	90323503	1186, 1191, 1209, 1224
<b>40 03 0010</b>	5636 455	811, 818, 820, 827, 844, 847, 848, 864, 875, 876, 883, 886, 893, 898, 903, 906
<b>40 03 0010</b>	55 350 580	1063
<b>40 03 0010</b>	55350580	1188, 1194, 1196, 1203, 1230, 1234, 1236, 1247, 1256, 1257, 1264, 1267, 1269, 1274, 1279, 1282
<b>40 03 0011</b>	5636 427	811, 818, 820, 844, 883, 893, 903
<b>40 03 0011</b>	09128740	1188, 1194, 1196, 1230, 1264, 1269, 1279


**Ref. - No.**


<b>40 03 0013</b>	0636 416	815, 833, 860, 890
<b>40 03 0013</b>	90411773	1186, 1191, 1210, 1224
<b>40 03 0014</b>	09128738	208, 211, 212, 215, 217
<b>40 03 0014</b>	09128738	302, 304, 306, 310
<b>40 03 0014</b>	5636 425	806, 813, 815, 833, 834, 852, 860, 872, 879, 890, 891, 894, 895
<b>40 03 0014</b>	09128738	1182, 1186, 1190, 1191, 1210, 1211, 1224, 1225, 1240, 1254, 1260, 1270, 1271
<b>40 03 0015</b>	1854 429	870, 873, 875, 891, 897
<b>40 03 0015</b>	42 37 038	1057, 1060
<b>40 03 0015</b>	90324097	1216, 1225, 1255, 1256, 1273
<b>40 03 0016</b>	1340 535	810, 868, 870, 875
<b>40 03 0016</b>	90409238	1187, 1214, 1216, 1256
<b>40 03 0017</b>	5636 422	835, 836, 873, 880, 891, 897
<b>40 03 0017</b>	90 543 739	1057, 1060, 1065
<b>40 03 0017</b>	90543739	1211, 1212, 1225, 1255, 1261, 1273
<b>40 03 0018</b>	0636 654	811, 818, 820, 827, 844, 847, 848, 864, 876, 883, 886, 893, 898, 903, 906
<b>40 03 0018</b>	55 567 191	1063
<b>40 03 0018</b>	55567191	1188, 1194, 1196, 1203, 1230, 1234, 1236, 1247, 1256, 1257, 1264, 1267, 1269, 1274, 1279, 1282
<b>40 03 0021</b>	611 234 01 93	640, 642
<b>40 03 0025</b>	5636 730	835, 836, 873, 880, 891, 897
<b>40 03 0025</b>	46 23 906	1057, 1060, 1065
<b>40 03 0025</b>	09128444	1211, 1212, 1225, 1255, 1261, 1273



<b>40 03 0028</b>	09158004	211, 212, 215, 217, 218
<b>40 03 0028</b>	09158004	302, 304, 306, 310, 311
<b>40 03 0028</b>	5636 738	813, 815, 822, 833, 834, 860, 872, 890, 891, 894, 904
<b>40 03 0028</b>	09158004	1186, 1190, 1191, 1198, 1210, 1211, 1224, 1225, 1254, 1270, 1280
<b>40 03 0030</b>	09158003	309
<b>40 03 0030</b>	5636 429	810, 812, 831, 852, 858, 868, 871, 887, 888, 889, 892, 894
<b>40 03 0030</b>	09158003	1185, 1187, 1189, 1208, 1214, 1221, 1222, 1223, 1240, 1253, 1268, 1270
<b>40 03 0033</b>	5636 423	822, 827, 881, 904, 907
<b>40 03 0033</b>	90529810	1198, 1203, 1262, 1280, 1283
<b>40 03 0036</b>	1340 533	810, 843, 887, 892
<b>40 03 0036</b>	90411025	1187, 1221, 1229, 1233, 1268
<b>40 05 0012</b>	0614 564	839, 843, 858
<b>40 05 0012</b>	90122678	1185, 1229, 1251
<b>40 05 0013</b>	0614 526	810, 819, 839, 840, 848, 863, 887, 892
<b>40 05 0013</b>	90502545	1187, 1195, 1221, 1235, 1246, 1251, 1252, 1268
<b>40 05 1000</b>	--	808
<b>40 09 0001</b>	0636 812	808, 869, 874
<b>40 09 0001</b>	90080903	1213, 1215, 1219
<b>40 09 1000</b>	0636 700	808, 856, 869, 874
<b>40 09 1000</b>	08930030	1213, 1215, 1219
<b>40 10 0006</b>	5636 457	805, 817, 825, 842, 846, 850, 862, 885
<b>40 10 0006</b>	55352909	1181, 1193, 1201, 1228, 1232, 1238, 1245, 1266

<b>40 10 1000</b>	0636 377	808, 856, 869, 874
<b>40 10 1000</b>	02898847	1213, 1215, 1219
<b>40 91 8944</b>	1206 990	811, 844, 883
<b>40 91 8944</b>	90412884	1188, 1230, 1264
<b>40 91 9285</b>	6340 532	810, 811, 812, 813, 814, 815, 822, 827, 831, 832, 833, 834, 843, 844, 852, 871, 872, 879, 881, 883, 888, 889, 890, 891, 892, 893, 894, 895, 904, 907
<b>40 91 9285</b>	24412292	1187, 1188, 1189, 1190, 1191, 1198, 1203, 1208, 1209, 1210, 1211, 1222, 1223, 1224, 1225, 1229, 1233, 1234, 1235, 1240, 1253, 1254, 1260, 1262, 1264, 1268, 1269, 1270, 1271, 1280, 1283
<b>40 91 9445</b>	1606 306	818, 820, 827, 847, 848, 864, 875, 876, 886, 898, 903, 906
<b>40 91 9445</b>	24 451 895 S1	1063
<b>40 91 9445</b>	93185845	1194, 1196, 1203, 1234, 1236, 1247, 1256, 1257, 1267, 1274, 1279, 1282
<b>40 92 1060</b>	1340 555	818, 819, 820, 827, 847, 848, 863, 864, 876, 886, 898, 903
<b>40 92 1060</b>	90 571 758	1063
<b>40 92 1060</b>	90571758	1194, 1195, 1196, 1203, 1234, 1235, 1236, 1246, 1247, 1257, 1267, 1274, 1279
<b>40 92 1061</b>	0614 533	822, 823, 828, 853, 877, 882, 896, 899, 905, 908
<b>40 92 1061</b>	24 430 296	1062
<b>40 92 1061</b>	24430296	1198, 1204, 1258, 1263, 1272, 1275, 1281, 1284


**Ref. - No.**


<b>40 92 1097</b>	1606 189	818, 820, 827, 847, 848, 864, 876, 886, 898, 903
<b>40 92 1097</b>	93174119	1194, 1196, 1203, 1234, 1236, 1247, 1257, 1267, 1274, 1279
<b>40 92 1098</b>	1606 190	811, 844, 883, 893
<b>40 92 1098</b>	93174120	1188, 1230, 1264, 1269
<b>40 92 2370</b>	55565236	206
<b>40 92 2370</b>	1340 267	803, 805, 817, 825, 829, 837, 839, 842, 846, 850, 854, 862, 866, 867, 885, 909
<b>40 92 2370</b>	55565236	1179, 1181, 1182, 1193, 1201, 1205, 1217, 1228, 1232, 1238, 1242, 1245, 1249, 1250, 1266, 1285
<b>40 92 3419</b>	5636 371	835, 836, 873, 878, 880, 891, 897, 900
<b>40 92 3419</b>	47 70 491	1057, 1060, 1065
<b>40 92 3419</b>	09128500	1211, 1212, 1225, 1255, 1259, 1261, 1273, 1276
<b>40 92 3421</b>	5636 566	822, 827, 881, 904, 907
<b>40 92 3421</b>	55351782	1198, 1203, 1262, 1280, 1283
<b>40 92 3423</b>	1606 194	822
<b>40 92 3423</b>	93174263	1198, 1280
<b>40 92 3425</b>	92065902	208
<b>40 92 3425</b>	92065902	306
<b>40 92 3425</b>	5636 372	806, 852, 872, 879, 895
<b>40 92 3425</b>	09128722	1182, 1240, 1254, 1260, 1271
<b>40 92 3427</b>	92065902 S1	208
<b>40 92 3427</b>	92065902 S1	306
<b>40 92 3427</b>	1606 198	806, 852, 872, 879, 895


**Ref. - No.**


<b>40 92 3427</b>	93174267	1182, 1240, 1254, 1260, 1271
<b>40 92 3429</b>	90528603	208
<b>40 92 3429</b>	90528603	306
<b>40 92 3429</b>	0636 729	806, 852, 872, 879, 895
<b>40 92 3429</b>	90528603	1182, 1240, 1254, 1260, 1271
<b>40 92 3445</b>	71739873	10
<b>40 92 3445</b>	71739873	328
<b>40 92 3445</b>	5636 452	821, 826, 830, 851, 854, 865, 867, 876, 898, 902, 906, 910
<b>40 92 3445</b>	24422964	1197, 1202, 1206, 1239, 1242, 1248, 1250, 1257, 1274, 1278, 1283, 1286
<b>40 92 6223</b>	5636 746	822, 827, 881, 904, 907
<b>40 92 6223</b>	55353810	1198, 1203, 1262, 1280, 1283
<b>40 92 6224</b>	1606 196	822, 881, 904
<b>40 92 6224</b>	93174265	1198, 1262, 1280
<b>40 92 7295</b>	0636 728 SK	835, 836, 873, 880, 891, 897
<b>40 92 7295</b>	47 70 491 S1	1057, 1060
<b>40 92 7295</b>	09120501 SK	1211, 1212, 1225, 1255, 1261, 1273
<b>40 92 7792</b>	55574864	10
<b>40 92 7792</b>	55574864	328
<b>40 92 7792</b>	5636 486	821, 826, 830, 851, 854, 865, 867, 876, 898, 902, 906, 910
<b>40 92 7792</b>	55562218	1197, 1202, 1206, 1239, 1242, 1248, 1250, 1257, 1274, 1278, 1283, 1286
<b>40 92 7818</b>	55563512	10
<b>40 92 7818</b>	25189926	207, 210, 211, 218
<b>40 92 7818</b>	55563512	328, 361
<b>40 92 7818</b>	1340 268	821, 826, 830, 851, 854, 865, 876, 898, 902, 906, 910



<b>40 92 7818</b>	55563512	1197, 1202, 1206, 1239, 1242, 1248, 1257, 1274, 1278, 1283, 1286
<b>40 92 7819</b>	71739801	10
<b>40 92 7819</b>	71739801	328
<b>40 92 7819</b>	5636 978	821, 826, 830, 851, 854, 865, 867, 876, 898, 902, 906, 910
<b>40 92 7819</b>	24436052	1197, 1202, 1206, 1239, 1242, 1248, 1250, 1257, 1274, 1278, 1283, 1286
<b>40 92 7825</b>	71739873 S1	10
<b>40 92 7825</b>	71739873 S1	328
<b>40 92 7825</b>	1606 314	821, 826, 830, 851, 854, 865, 867, 876, 898, 902, 906, 910
<b>40 92 7825</b>	93185849	1197, 1202, 1206, 1239, 1242, 1248, 1250, 1257, 1274, 1278, 1283, 1286
<b>40 92 8374</b>	5636 449	822, 827, 881, 904, 907
<b>40 92 8374</b>	55353701	1198, 1203, 1262, 1280, 1283
<b>40 92 8375</b>	1606 305	822, 827, 881, 904, 907
<b>40 92 8375</b>	93185844	1198, 1203, 1262, 1280, 1283
<b>40 93 3043</b>	24461834	209, 213
<b>40 93 3043</b>	5636 396	806, 823, 828, 830, 853, 855, 877, 882, 896, 899, 905, 908
<b>40 93 3043</b>	24 461 834	1062
<b>40 93 3043</b>	24461834	1199, 1204, 1207, 1241, 1243, 1258, 1263, 1272, 1275, 1281, 1284
<b>40 93 3044</b>	4807 839	806, 823, 828, 830, 853, 855, 877, 882, 896, 899, 905, 908
<b>40 93 3044</b>	12 608 580	1062

<b>40 93 3044</b>	12608580	1199, 1204, 1207, 1241, 1243, 1258, 1263, 1272, 1275, 1281, 1284
<b>40 93 3047</b>	0636 258	806, 823, 828, 830, 853, 855, 877, 882, 896, 899, 905, 908
<b>40 93 3047</b>	90 537 370	1062
<b>40 93 3047</b>	12645237	1199, 1204, 1207, 1241, 1243, 1258, 1263, 1272, 1275, 1281, 1284
<b>40 93 3048</b>	90537300	209, 213
<b>40 93 3048</b>	5636 380	823, 828, 853, 855, 877, 882, 896, 899, 905, 908
<b>40 93 3048</b>	90 537 300	1062
<b>40 93 3048</b>	90537300	1199, 1204, 1207, 1241, 1243, 1258, 1263, 1272, 1275, 1281, 1284
<b>40 93 3695</b>	0614 546	811, 818, 820, 827, 844, 847, 848, 864, 875, 883, 886, 893, 898, 906
<b>40 93 3695</b>	09129207	1188, 1194, 1196, 1197, 1203, 1230, 1234, 1236, 1247, 1256, 1267, 1269, 1274
<b>40 93 4161</b>	55562235	206, 219
<b>40 93 4161</b>	0636 059	803, 825, 829, 837, 846, 850, 854, 862, 866, 867, 885, 909
<b>40 93 4161</b>	55562235	1179, 1201, 1205, 1217, 1232, 1238, 1242, 1245, 1249, 1250, 1266, 1285
<b>40 93 6851</b>	90 571 758 SK1	1063
<b>40 94 0898</b>	51820520	14
<b>40 94 0898</b>	51820520	539, 540
<b>50 02 0003</b>	1 653 888	380, 390, 428
<b>50 02 0005</b>	6 139 911	378, 434, 436, 438, 444, 446


**Ref. - No.**


<b>50 02 0008</b>	6 711 046	381, 382, 383, 391, 392, 428, 429, 430, 437
<b>50 02 0013</b>	6 764 162	384, 387, 394, 423, 431
<b>50 02 0015</b>	1 004 299	395, 397, 398, 399, 400, 402, 405, 407, 410, 411, 412, 414, 425, 433
<b>50 02 0015</b>	C201-12-201A	568
<b>50 02 0015</b>	1E06-12-205	568
<b>50 02 0015</b>	31330351	1394, 1400
<b>50 02 0017</b>	6 711 044	384, 386, 393, 431, 437
<b>50 02 0023</b>	6 794 162 S1	384, 387, 394, 423, 431
<b>50 02 0028</b>	6 711 044 S1	384, 386, 393, 431, 437
<b>50 02 0033</b>	6 139 911 S1	378, 434, 436, 438, 444, 446
<b>50 02 0038</b>	1 004 297 S1	397, 398, 399, 402, 405, 411, 414, 433
<b>50 02 0038</b>	31330351 S1	1400
<b>50 02 0040</b>	1 000 156 S1	379, 403, 424
<b>50 02 0041</b>	1 004 297 S2	395, 397, 433
<b>50 02 0042</b>	6 711 046 S1	381, 382, 383, 391, 392, 428, 429, 430, 437
<b>50 03 0001</b>	6 182 891	381, 382, 383, 384, 386, 391, 392, 393, 428, 429, 430, 431, 437
<b>50 03 0002</b>	1 496 915	378, 434, 436, 437, 438, 444, 446
<b>50 03 0003</b>	6 145 027	380, 390, 428
<b>50 03 0008</b>	1 639 176	385, 388, 436, 439
<b>50 03 0014</b>	6 635 941	384, 387, 394, 423, 431
<b>50 03 0015</b>	6 635 942	384, 387, 394, 423
<b>50 03 0016</b>	6 744 307	384, 387, 394, 423, 431
<b>50 03 0018</b>	7 053 546	383, 384, 386, 392, 393


**Ref. - No.**


<b>50 03 0024</b>	1 004 409	395, 397, 433
<b>50 03 0025</b>	1 361 840	397, 398, 399, 402, 405, 411, 414, 433
<b>50 03 0025</b>	30750904	1400
<b>50 03 0026</b>	1 038 384	379, 403, 424
<b>50 03 0030</b>	1 053 942	379, 403, 424
<b>50 03 0032</b>	FE1H-12-730A	574, 576
<b>50 03 0042</b>	1 328 472	379, 403, 424, 445, 449
<b>50 03 0044</b>	1 213 852	379, 403, 424, 445, 449
<b>50 03 0044</b>	YF09-12-730	581
<b>50 03 0045</b>	1 114 737	402
<b>50 03 0046</b>	1 077 689	395, 397, 398, 433
<b>50 03 0047</b>	1 004 481	395, 397, 398, 433
<b>50 04 0008</b>	6 029 398	380, 382, 383, 386, 389, 390, 392, 396, 418, 429, 430
<b>50 05 0005</b>	1 434 861	380, 382, 383, 386, 389, 390, 392, 396, 418, 429, 430
<b>50 09 0005</b>	6 177 698	385, 388, 414, 417, 432, 435, 439, 447
<b>50 10 0002</b>	1 662 847	385, 388, 414, 417, 432, 435, 439, 447
<b>50 10 0006</b>	1 022 214	385, 388, 414, 417, 432, 435, 439, 447
<b>50 22 0001</b>	1 663 884	384, 387, 394, 423, 431
<b>50 91 7674</b>	6 200 285	392, 394
<b>50 91 7675</b>	1 015 375	384, 394, 396, 431, 447
<b>50 91 9324</b>	7 024 224	384, 387, 394, 423, 431
<b>50 91 9536</b>	1 000 156	379, 403, 424, 445, 449
<b>50 91 9553</b>	1 004 549	386, 392, 396, 418
<b>50 91 9824</b>	1 073 096	379, 403, 424
<b>50 92 1771</b>	1 371 224	417, 425, 427, 441, 448
<b>50 92 1771</b>	30731938	1412
<b>50 92 1779</b>	1 152 890	402



<b>50 92 2792</b>	6 635 941 S1	384, 387, 394, 423, 431
<b>50 92 4765</b>	1 139 951	386, 395, 397, 398, 404, 414, 418, 433
<b>50 92 4803</b>	1 000 156 S2	379, 403, 424, 445, 449
<b>50 92 9952</b>	1 376 164	377, 379, 399, 400, 401, 405, 407, 409, 410, 411, 412, 413, 414, 425
<b>50 92 9952</b>	30750905	1394, 1400
<b>50 92 9958</b>	1 004 297 S3	399, 400, 405, 407, 410, 411, 412, 414, 425
<b>50 92 9958</b>	31330351 S2	1394, 1400
<b>50 93 0795</b>	1 027 404	435, 448
<b>50 93 0799</b>	6 710 259	384, 387, 431
<b>50 93 1288</b>	1 374 385	421, 422, 425, 427, 448
<b>50 93 2049</b>	1 315 781	405, 407, 410, 411, 412
<b>50 93 2049</b>	LF50-15-980B	569
<b>50 93 2049</b>	31258082 SK	1395, 1401, 1417
<b>50 93 3977</b>	1 387 066	399, 417, 425, 427, 441
<b>50 93 4170</b>	1 318 844	404, 421, 449
<b>50 93 4244</b>	1 114 544	379, 404, 421, 424
<b>50 93 6298</b>	1 347 669	399, 400, 405, 407, 409, 410, 411, 412, 417, 421, 422, 424, 426, 434, 441, 448
<b>50 93 6298</b>	LF02-12-500	569, 578
<b>50 93 6298</b>	30757387	1395, 1401, 1412, 1417
<b>50 93 9930</b>	1 685 618	401, 409, 413, 416, 420, 440
<b>50 93 9930</b>	31258034	1403, 1406, 1411, 1416
<b>50 94 0210</b>	1 685 747	401, 409, 413, 416, 420, 425, 440
<b>50 94 0210</b>	31330416	1403, 1406, 1411, 1416

<b>50 94 0398</b>	1 119 172	399, 400, 405, 407, 410, 411, 412, 417, 424, 441
<b>50 94 0398</b>	8694690	1395, 1401, 1412, 1417
<b>50 94 0457</b>	1 124 373	422, 427, 434, 441, 448
<b>50 94 0562</b>	1 675 963	377, 400, 401, 409, 413, 416, 420, 425, 440, 449
<b>50 94 0562</b>	31330784 SK1	1403, 1406, 1411, 1416
<b>50 94 0848</b>	1 672 144	377, 400, 401, 409, 425
<b>50 94 0849</b>	1 672 144 S1	401, 409, 413, 416, 420, 425, 440
<b>50 94 0849</b>	31330784	1403, 1406, 1411, 1416
<b>55 02 0006</b>	9465066	1392, 1415, 1420
<b>55 02 0007</b>	74 39 135 733	1007, 1033
<b>55 02 0007</b>	272327	1390, 1398, 1409
<b>55 02 0010</b>	271713 S1	1380, 1383, 1388, 1391
<b>55 02 0012</b>	74 39 135 733 S1	1007, 1033
<b>55 02 0012</b>	30758260 SK	1390, 1398, 1409
<b>55 02 0013</b>	271835	1389
<b>55 02 0014</b>	30758262	1389
<b>55 02 0015</b>	271876 S1	1392, 1420
<b>55 02 0016</b>	271952	1390
<b>55 03 0000</b>	463633	1380, 1383, 1388, 1391
<b>55 03 0002</b>	1336953	1387
<b>55 03 0004</b>	3547543	1391
<b>55 03 0005</b>	3547715	1391
<b>55 03 0007</b>	1 371 753	406, 408, 420, 427, 442
<b>55 03 0007</b>	74 38 630 590	1007, 1033
<b>55 03 0007</b>	8630590	1389, 1390, 1392, 1396, 1397, 1398, 1402, 1404, 1405, 1407, 1409, 1410, 1413, 1414, 1418, 1421
<b>55 03 0009</b>	74 39 135 036	1007, 1033




**Ref. - No.**


<b>55 03 0009</b>	9135036	1389, 1390, 1392, 1398, 1409
<b>55 03 0010</b>	9135555	1392, 1420
<b>55 03 0011</b>	9146258	1390, 1392
<b>55 03 0013</b>	74 38 642 251	1007
<b>55 03 0013</b>	30638277	1398, 1405, 1409, 1410, 1414, 1421
<b>55 03 0014</b>	9135556	1392, 1420
<b>55 03 0017</b>	8658225	1415
<b>55 03 0018</b>	31251250	1398, 1405, 1409, 1410, 1414, 1415, 1421, 1422
<b>55 03 0024</b>	74 39 146 139	1007, 1033
<b>55 03 0024</b>	9146139	1389, 1390, 1392, 1409
<b>55 03 0025</b>	1326284	1387
<b>55 03 0026</b>	8692561	1415, 1422
<b>55 03 0027</b>	9458470	1398, 1405, 1409, 1410, 1414, 1415, 1421, 1422
<b>55 03 0028</b>	9135565	1392, 1420
<b>55 09 0001</b>	79 10 246 065	998, 1000, 1008, 1034
<b>55 09 0002</b>	79 10 247 528	998, 1000, 1008, 1034
<b>55 14 0001</b>	30667878	1405, 1409, 1410, 1414, 1415, 1421, 1422
<b>55 92 1628</b>	30637962	1405
<b>55 92 1851</b>	9143643	1398
<b>55 92 2143</b>	9146693	1389, 1390, 1398, 1409
<b>55 92 2152</b>	74 31 275 380	1007, 1033
<b>55 92 2152</b>	1275380	1389, 1390, 1392, 1409
<b>55 92 2572</b>	3517998	1389, 1390, 1392
<b>55 92 2573</b>	1271808	1420
<b>55 92 2574</b>	9135033	1389, 1390, 1392
<b>55 92 2721</b>	271747	1391
<b>55 92 2723</b>	271747 S1	1391
<b>55 92 2731</b>	1 372 015 S1	406, 408, 420, 427, 442


**Ref. - No.**


<b>55 92 2731</b>	8627484	1396, 1397, 1398, 1402, 1404, 1405, 1407, 1409, 1410, 1413, 1414, 1418, 1421
<b>55 92 2733</b>	30758261	1398, 1405, 1409, 1410, 1414, 1421
<b>55 92 2735</b>	31316938	1415, 1422
<b>55 92 2737</b>	30758268	1415
<b>55 92 6679</b>	9146249	1398
<b>55 92 6951</b>	9135699	1390
<b>55 92 7558</b>	30637955	1397, 1402, 1404, 1405, 1410, 1414, 1421
<b>55 92 7559</b>	30731727	1397, 1402, 1404, 1405, 1410, 1414, 1421
<b>55 92 7566</b>	1 374 427	406, 408
<b>55 92 7566</b>	30711320	1394, 1396, 1397, 1402
<b>55 92 7567</b>	1 374 425	406, 408
<b>55 92 7567</b>	30650957	1394, 1396, 1397, 1402
<b>55 92 8544</b>	30638276	1415, 1422
<b>55 92 8545</b>	30758270	1415, 1422
<b>55 92 9523</b>	1 388 493	406, 408, 420, 427, 442
<b>55 92 9523</b>	30677832	1396, 1397, 1402, 1407, 1413, 1418
<b>55 92 9524</b>	1 372 015	406, 408, 420, 427, 442
<b>55 92 9524</b>	31251254	1396, 1397, 1402, 1407, 1413, 1418
<b>55 93 0082</b>	1 540 603	408, 420
<b>55 93 0082</b>	31251653	1394, 1396, 1397, 1402, 1404
<b>55 93 0083</b>	1 540 605	408, 420
<b>55 93 0083</b>	31251654	1394, 1396, 1397, 1402, 1404
<b>55 93 0146</b>	1 563 519	427, 442
<b>55 93 0146</b>	31330379	1407, 1413, 1418
<b>55 93 4597</b>	30667682	1413, 1418
<b>55 93 6523</b>	31401286	1407, 1408, 1413, 1419, 1423



<b>55 93 7515</b>	31401193	1407, 1408, 1413, 1419, 1423
<b>55 94 3783</b>	6900015	1399
<b>57 03 0001</b>	40 29 930	1059
<b>57 03 0004</b>	49 01 625	1058, 1059
<b>57 03 0005</b>	43 56 127	1056, 1061, 1064
<b>57 09 0003</b>	30 518 277	1055, 1056, 1058, 1059, 1061, 1064
<b>57 52 0001</b>	49 01 419	1059
<b>57 91 9484</b>	48 98 755	1061, 1064
<b>57 91 9485</b>	49 60 290	1056
<b>57 91 9486</b>	47 52 960	1056, 1064
<b>57 91 9487</b>	6340 538	835, 873, 878, 880, 891, 897, 900
<b>57 91 9487</b>	47 50 220	1057, 1060, 1065
<b>57 91 9487</b>	09202550	1211, 1225, 1255, 1259, 1261, 1273, 1276
<b>57 92 1568</b>	51 72 309	1061, 1064
<b>57 92 2383</b>	55 562 635	1061, 1064
<b>57 93 2175</b>	43 56 119	1056
<b>57 94 3531</b>	12626644	207, 208
<b>60 02 0004</b>	77 00 736 969	987, 1017, 1026, 1028
<b>60 02 0007</b>	77 00 856 351	998, 1033, 1039
<b>60 02 0016</b>	77 00 743 777	990, 1020, 1030
<b>60 02 0017</b>	77 01 469 775	990, 1020, 1030
<b>60 02 0019</b>	77 01 472 726	987, 1017, 1026, 1028
<b>60 02 0021</b>	16806-00QAT	798
<b>60 02 0021</b>	77 01 477 013	987, 991, 1002
<b>60 03 0002</b>	77 00 696 987	1031
<b>60 03 0002</b>	3287776	1382, 1385
<b>60 03 0003</b>	13077-00QAD	798
<b>60 03 0003</b>	77 00 736 085	987, 991, 1002, 1017, 1026, 1028
<b>60 03 0004</b>	77 00 726 440	988, 989, 999, 1006, 1007, 1019, 1027, 1029, 1031
<b>60 03 0004</b>	3343741	1382, 1384, 1385, 1386
<b>60 03 0006</b>	77 00 736 419	990, 1020, 1030
<b>60 03 0007</b>	82 00 469 376	990, 1020, 1030



<b>60 03 0010</b>	82 00 051 091	988, 989, 999, 1006, 1007, 1019, 1027, 1029, 1031
<b>60 03 0010</b>	30621261	1382, 1384, 1385, 1386
<b>60 03 0011</b>	77 00 850 603	988, 1029
<b>60 03 0015</b>	77 00 851 321	986, 990, 999, 1007, 1019, 1030
<b>60 03 0023</b>	77 00 871 168	998, 1032, 1033, 1039
<b>60 03 0043</b>	77 00 858 358	1041
<b>60 03 0044</b>	82 00 211 784	296, 297, 299
<b>60 03 0044</b>	13077-00QAF	799
<b>60 03 0044</b>	82 00 211 784	992, 1002, 1013, 1015, 1017, 1035
<b>60 03 0045</b>	77 00 272 652	1041
<b>60 03 0046</b>	77 00 860 884	1041
<b>60 03 0049</b>	77 00 862 108	1017
<b>60 03 0052</b>	11750-00QAS	798
<b>60 03 0052</b>	77 00 870 795	1041
<b>60 03 0056</b>	11750-00QAF	798
<b>60 03 0056</b>	82 00 901 288	991
<b>60 03 0057</b>	77 00 870 432	992, 1002
<b>60 03 0058</b>	82 00 582 997	296, 299
<b>60 03 0058</b>	82 00 582 997	992, 993, 1003, 1005, 1010, 1013, 1018, 1035
<b>60 03 0059</b>	77 00 875 305	999, 1019
<b>60 91 9836</b>	82 00 897 100	295, 296, 299
<b>60 91 9836</b>	16806-00QA1	800
<b>60 91 9836</b>	82 00 897 100	993, 996, 997, 1003, 1004, 1005, 1010, 1012, 1013, 1018, 1022, 1023, 1024, 1025, 1035, 1037, 1038
<b>60 91 9839</b>	77 01 063 999	986, 994, 999, 1006, 1021
<b>60 91 9840</b>	82 00 106 085	297, 300
<b>60 91 9840</b>	16806-00QA0	798
<b>60 91 9840</b>	82 00 106 085	991, 995, 997, 1002, 1016, 1025, 1036, 1042, 1045




**Ref. - No.**


<b>60 91 9845</b>	82 00 483 288	986, 994, 999, 1006, 1021
<b>60 91 9846</b>	4433 629	901
<b>60 91 9846</b>	82 00 989 172	986, 994, 996, 999, 1001, 1006, 1010, 1011, 1012, 1021, 1022, 1037, 1040, 1044
<b>60 91 9846</b>	93198125	1277
<b>60 91 9847</b>	77 00 107 150	295, 296, 299
<b>60 91 9847</b>	13070-00QAA	800
<b>60 91 9847</b>	77 00 107 150	986, 993, 994, 996, 997, 999, 1003, 1004, 1005, 1006, 1010, 1012, 1013, 1018, 1021, 1022, 1023, 1024, 1025, 1035, 1037, 1038
<b>60 91 9851</b>	82 00 704 394	297, 300
<b>60 91 9851</b>	13077-00QAG	798
<b>60 91 9851</b>	82 00 704 394	991, 995, 997, 1002, 1016, 1025, 1036, 1042, 1045
<b>60 91 9852</b>	77 01 476 745	297, 300
<b>60 91 9852</b>	16806-00QAW	798
<b>60 91 9852</b>	77 01 476 745	991, 995, 997, 1002, 1016, 1025, 1036, 1042, 1045
<b>60 91 9854</b>	82 00 537 021	296, 297, 299
<b>60 91 9854</b>	16806-00QAR	799
<b>60 91 9854</b>	82 00 537 021	992, 1002, 1013, 1015, 1017, 1035
<b>60 91 9910</b>	77 00 108 117	295, 296, 299
<b>60 91 9910</b>	13070-00QAB	800
<b>60 91 9910</b>	77 00 108 117	993, 996, 997, 1003, 1004, 1005, 1010, 1013, 1018, 1023, 1025, 1035, 1037
<b>60 91 9918</b>	77 01 477 014	295, 296, 299
<b>60 91 9918</b>	16806-00QAB	800
<b>60 91 9918</b>	77 01 477 014	993, 996, 997, 1003, 1004, 1005, 1010, 1013, 1018, 1023, 1025, 1035, 1037
<b>60 91 9943</b>	16806-00Q0F	802


**Ref. - No.**


<b>60 91 9943</b>	77 01 064 316	1001, 1010, 1040
<b>60 91 9951</b>	77 01 476 674	986, 994, 999, 1006, 1021
<b>60 92 1033</b>	82 00 104 754	296, 299
<b>60 92 1033</b>	11927-00QAA	799, 800
<b>60 92 1033</b>	82 00 104 754	992, 993, 996, 1003, 1005, 1010, 1012, 1013, 1017, 1018, 1021, 1023, 1035
<b>60 92 1247</b>	16806-00QAM	798
<b>60 92 1247</b>	82 00 545 581	987, 991, 1002
<b>60 92 1719</b>	77 00 869 684	992, 1002
<b>60 92 1725</b>	77 01 477 024	296, 297, 299
<b>60 92 1725</b>	16806-00QAV	799
<b>60 92 1725</b>	77 01 477 024	992, 1002, 1013, 1015, 1017, 1035
<b>60 92 1759</b>	4410 548	901
<b>60 92 1759</b>	13 07 756 30R	986, 994, 996, 999, 1001, 1006, 1010, 1011, 1012, 1021, 1022, 1037, 1040, 1044
<b>60 92 1759</b>	93160244	1277
<b>60 92 1989</b>	77 01 476 675	994, 999, 1006, 1021
<b>60 92 2119</b>	82 00 981 266	1001, 1010
<b>60 92 2146</b>	82 00 065 479	994, 1020
<b>60 92 2277</b>	77 00 869 666	991
<b>60 92 2329</b>	11 75 072 71R	295
<b>60 92 2329</b>	4411 707	901
<b>60 92 2329</b>	11 75 072 71R	997, 1001, 1010, 1040, 1044
<b>60 92 2329</b>	93160746	1277
<b>60 92 3397</b>	82 00 947 837	295
<b>60 92 3397</b>	82 00 947 837	997, 1001, 1010, 1040, 1044
<b>60 92 6457</b>	60 01 547 291	296
<b>60 92 6457</b>	77 00 110 616	993, 996, 1003, 1010, 1013, 1018, 1022, 1023
<b>60 92 6567</b>	4449 586	901



<b>60 92 6567</b>	77 01 477 093	986, 996, 1001, 1010, 1011, 1012, 1022, 1037, 1040, 1044
<b>60 92 6567</b>	93198652	1277
<b>60 92 6570</b>	4416 576	901
<b>60 92 6570</b>	82 00 542 739	986, 1001, 1010, 1011, 1012, 1022, 1037, 1040, 1044
<b>60 92 6570</b>	93188702	1277
<b>60 92 7259</b>	4434 433	901
<b>60 92 7259</b>	93198335	1277
<b>60 92 7445</b>	82 00 905 328	996, 1022
<b>60 92 8287</b>	82 00 641 468	993, 996, 1003, 1023, 1025
<b>60 92 8331</b>	82 00 603 359	296, 299
<b>60 92 8331</b>	82 00 603 359	993, 1003, 1005, 1013, 1018, 1021, 1035
<b>60 92 8602</b>	13 0C 113 21R	1001, 1010, 1040
<b>60 93 0159</b>	11 75 096 54R	993, 996, 1004, 1022, 1023, 1025, 1043
<b>60 93 0248</b>	82 00 769 155	995, 1025, 1042
<b>60 93 2581</b>	11750-00Q0A	802
<b>60 93 2581</b>	4449 671	901
<b>60 93 2581</b>	82 00 840 824	1040
<b>60 93 2581</b>	93198659	1277
<b>60 93 6300</b>	77 01 477 023	996, 1012, 1022, 1023, 1024, 1025, 1037, 1038
<b>60 93 6415</b>	77 01 478 505	996, 1001, 1010, 1023, 1024, 1025, 1037, 1038, 1043, 1045
<b>60 93 7639</b>	82 00 939 081	296, 298, 299, 300
<b>60 93 7639</b>	82 00 939 081	1014, 1015, 1016, 1035, 1036
<b>60 93 7640</b>	13 0C 174 80R	296, 298, 299, 300
<b>60 93 7640</b>	13 0C 174 80R	1014, 1015, 1016, 1035, 1036
<b>62 02 0003</b>	0816.71	233, 264, 274, 278, 292

<b>62 02 0003</b>	71739922	369, 371
<b>62 02 0003</b>	71739922	557
<b>62 02 0003</b>	0816.71	916, 929, 931, 941, 944, 948, 959, 966, 971
<b>62 02 0004</b>	0816.98	265, 275, 276, 279, 284, 285, 293
<b>62 02 0004</b>	71739919	370
<b>62 02 0004</b>	0816.98	930, 933, 945, 949, 950, 955, 960
<b>62 02 0010</b>	0816.H6	232, 234, 237, 240, 241, 242, 244, 247, 262, 273, 283, 286
<b>62 02 0010</b>	0816.H6	913, 920, 923, 924, 935, 938, 947, 963, 970, 971, 972
<b>62 02 0011</b>	0816.E0 S2	273
<b>62 02 0011</b>	0816.E0 S2	913
<b>62 02 0014</b>	0831.R5	265, 275, 276, 279, 284, 285, 294
<b>62 02 0014</b>	9467626180	370
<b>62 02 0014</b>	9467626180	558
<b>62 02 0014</b>	0831.R5	933, 950, 955, 960
<b>62 02 0017</b>	0831.Q3	228, 230, 259, 269, 270, 288
<b>62 02 0017</b>	0831.Q3	911, 915, 917, 939, 969
<b>62 02 0019</b>	0816.67 S1	291
<b>62 02 0019</b>	0816.67 S1	916, 941, 944
<b>62 02 0020</b>	0831.Q5	229, 259, 272, 289, 290
<b>62 02 0020</b>	0831.Q5	912, 913, 919, 929, 934, 940, 943
<b>62 02 0021</b>	0831.Q4	229, 231, 259, 271, 282, 289
<b>62 02 0021</b>	0831.Q4	912, 915, 918, 927, 940, 943
<b>62 02 0022</b>	0816.H3	251, 253, 255, 256, 258, 277, 281
<b>62 02 0022</b>	9632959380	373
<b>62 02 0022</b>	9632959380	548
<b>62 02 0022</b>	0816.H3	952, 957, 958, 961


**Ref. - No.**


<b>62 02 0022</b>	96 18 337 580	986, 994, 1000, 1009, 1011, 1034
<b>62 02 0023</b>	0816.F4	246, 250, 257, 266, 284, 285, 287
<b>62 02 0023</b>	9400816190	370, 372
<b>62 02 0023</b>	9464464980	547, 559
<b>62 02 0023</b>	0816.F4	921, 936, 951, 953, 954, 958, 960, 961, 967
<b>62 02 0025</b>	0816.F2	231, 236, 239, 268, 271, 282
<b>62 02 0025</b>	9467581780	333, 357
<b>62 02 0025</b>	0816.F2	912, 918, 928, 934
<b>62 03 0006</b>	0829.C9	273
<b>62 03 0006</b>	0829.C9	913
<b>62 03 0007</b>	0830.61	232, 240, 273, 283
<b>62 03 0007</b>	0830.61	913, 920, 935, 970
<b>62 03 0013</b>	5751.91	238, 239, 240
<b>62 03 0013</b>	5751.91	934, 935, 962, 963
<b>62 03 0014</b>	5751.50	282, 283, 286
<b>62 03 0014</b>	5751.50	917, 918, 919, 920
<b>62 03 0016</b>	0829.90	230, 231, 235, 236, 238, 239, 268, 269, 270, 271, 282
<b>62 03 0016</b>	9400829909	333, 357
<b>62 03 0016</b>	0829.90	911, 912, 917, 918, 928, 934, 969
<b>62 91 9189</b>	0830.42	246, 248, 250, 252, 255, 257, 266, 268, 284, 285, 287
<b>62 91 9189</b>	9400830429	370, 372
<b>62 91 9189</b>	9400830429	547, 559
<b>62 91 9189</b>	0830.42	921, 936, 938, 951, 953, 954, 958, 960, 961, 967, 968
<b>62 91 9190</b>	0829.69	275, 284, 285, 293
<b>62 91 9190</b>	0829.69	930, 945, 949
<b>62 91 9212</b>	5751.37	233, 274, 275, 293
<b>62 91 9212</b>	5751.37	948, 949
<b>62 91 9239</b>	0830.58	251, 253, 255, 256, 258, 277, 281
<b>62 91 9239</b>	9400830589	373
<b>62 91 9239</b>	9400830589	548


**Ref. - No.**


<b>62 91 9239</b>	0830.58	952, 957, 958, 961
<b>62 91 9239</b>	96 16 660 580	986, 994, 1000, 1009, 1011, 1034
<b>62 91 9240</b>	0830.59	251, 253, 255, 256, 258, 277, 281
<b>62 91 9240</b>	9400830599	373
<b>62 91 9240</b>	9400830599	548
<b>62 91 9240</b>	0830.59	952, 957, 958, 961
<b>62 91 9240</b>	96 16 660 780	986, 994, 1000, 1009, 1011, 1034
<b>62 91 9325</b>	0829.96	246, 250, 257, 266, 284, 285, 287
<b>62 91 9325</b>	9400829969	370, 372
<b>62 91 9325</b>	9400829969	547, 559
<b>62 91 9325</b>	0829.96	921, 936, 951, 953, 954, 958, 960, 961, 967
<b>62 91 9354</b>	5751.36	233, 274, 275, 293
<b>62 91 9354</b>	5751.36	930, 948, 949
<b>62 91 9355</b>	5751.52	282, 283, 286
<b>62 91 9355</b>	5751.52	917, 918, 919, 920
<b>62 91 9356</b>	5751.61	250, 257, 266, 284, 285, 287
<b>62 91 9356</b>	9636207480	370, 372
<b>62 91 9356</b>	9636207480	547, 559
<b>62 91 9356</b>	5751.61	921, 936, 951, 953, 954, 958, 960, 961, 967
<b>62 91 9357</b>	5751.60	250, 252, 257, 266, 267, 284, 285, 287
<b>62 91 9357</b>	9636640580	370, 372
<b>62 91 9357</b>	9636640580	547, 559
<b>62 91 9357</b>	5751.60	921, 936, 951, 953, 954, 958, 960, 961, 967
<b>62 91 9856</b>	5751.51	917, 918, 919, 920
<b>62 92 1274</b>	0831.S0	231, 236, 239, 268, 271, 282
<b>62 92 1274</b>	9400831869	333, 357
<b>62 92 1274</b>	0831.S0	912, 918, 928, 934
<b>62 92 1278</b>	0816.F0	230, 235, 238, 269, 270
<b>62 92 1278</b>	0816.F0	911, 917, 969



<b>62 92 1280</b>	0831.S1	230, 235, 238, 269, 270
<b>62 92 1280</b>	0831.S1	911, 917, 969
<b>62 92 2309</b>	0831.T4	246, 250, 257, 266, 284, 285, 287
<b>62 92 2309</b>	9467628080	370, 372
<b>62 92 2309</b>	9467628080	547, 559
<b>62 92 2309</b>	0831.T4	921, 936, 951, 953, 954, 958, 960, 961, 967
<b>62 92 2327</b>	0831.V1	232, 240, 283
<b>62 92 2327</b>	0831.V1	920, 935, 970
<b>62 92 2355</b>	5751.C9	917, 918, 920
<b>62 92 2407</b>	0830.60	237, 240, 244
<b>62 92 2407</b>	0830.60	919, 924, 934, 962
<b>62 92 6139</b>	0831.S9	275, 284, 285, 293
<b>62 92 6139</b>	0831.S9	930, 945, 949
<b>62 92 6715</b>	0829.C8	232, 234, 237, 240, 241, 242, 244, 247, 262, 283, 286
<b>62 92 6715</b>	0829.C8	920, 923, 924, 935, 938, 947, 963, 970, 971, 972
<b>62 92 6716</b>	0830.62	232, 234, 237, 240, 241, 242, 244, 247, 262, 283, 286
<b>62 92 6716</b>	0830.62	920, 923, 924, 935, 938, 947, 963, 970, 971, 972
<b>62 92 6717</b>	0831.R9	232, 234, 237, 240, 241, 242, 244, 247, 262, 283, 286
<b>62 92 6717</b>	0831.R9	920, 923, 924, 935, 938, 947, 963, 970, 971, 972
<b>62 92 6763</b>	0829.C5	251, 253, 255, 256, 258, 277, 281
<b>62 92 6763</b>	9467557280	373
<b>62 92 6763</b>	9467557280	548
<b>62 92 6763</b>	0829.C5	952, 958, 961
<b>62 92 6763</b>	96 42 184 080	986, 994, 1000, 1009, 1011
<b>62 92 6804</b>	0829.C6	237, 240, 244



<b>62 92 6804</b>	0829.C6	919, 924, 934, 962
<b>62 92 7563</b>	9635638380	373
<b>62 92 7563</b>	9635638380	548
<b>62 92 7563</b>	5751.75	952, 957, 958, 961
<b>62 92 8103</b>	0831.V2	251, 253, 255, 256, 258, 277, 281
<b>62 92 8103</b>	9467628880	373
<b>62 92 8103</b>	9467628880	548
<b>62 92 8103</b>	0831.V2	952, 958, 961
<b>62 92 8103</b>	77 01 473 569	986, 994, 1000, 1009, 1011
<b>62 92 8105</b>	0816.G4	246, 248, 252, 255, 257, 268
<b>62 92 8105</b>	0816.G4	936, 938, 953, 954, 961, 968
<b>62 92 8106</b>	0829.A9	246, 248, 252, 255, 257, 268
<b>62 92 8106</b>	0829.A9	936, 938, 953, 954, 961, 968
<b>62 92 8107</b>	0831.V6	246, 248, 252, 255, 257, 268
<b>62 92 8107</b>	0831.V6	936, 938, 953, 954, 961, 968
<b>62 92 8277</b>	1628.WA	246
<b>62 92 8277</b>	1628.WA	936
<b>62 92 8278</b>	5751.41	251, 253, 256, 258, 277, 281
<b>62 92 8278</b>	9620038880	373
<b>62 92 8278</b>	9620038880	548
<b>62 92 8278</b>	5751.41	952, 957, 958, 961
<b>62 92 8279</b>	5751.A9	251, 253, 256, 258, 277, 281
<b>62 92 8279</b>	9651019680	373
<b>62 92 8279</b>	9651019680	548
<b>62 92 8279</b>	5751.A9	952, 958, 961
<b>62 93 0979</b>	0816.H5	237, 240, 244
<b>62 93 0979</b>	0816.H5	919, 924, 934, 962
<b>62 93 1051</b>	0831.V0	237, 240, 244
<b>62 93 1051</b>	0831.V0	919, 924, 934, 962
<b>62 93 1075</b>	5751.C8	230, 231, 232, 236, 238, 268, 282, 283, 286


**Ref. - No.**


<b>62 93 1075</b>	5751.C8	917, 918, 919, 920, 922, 923, 965, 969, 970
<b>62 93 1076</b>	5751.G7	925, 934, 935, 938, 962
<b>62 93 6021</b>	0829.84	284
<b>62 93 6021</b>	0829.84	933
<b>62 93 6288</b>	82 00 623 883	996, 1012, 1022, 1023, 1024, 1025, 1037, 1038
<b>62 93 6660</b>	5751.E9	232, 234, 244, 286
<b>62 93 6660</b>	5751.E9	917, 918, 920, 935, 970, 971, 972
<b>62 93 7605</b>	82 00 908 180	296, 298, 299, 300
<b>62 93 7605</b>	82 00 908 180	1014, 1015, 1016, 1035, 1036
<b>62 93 9090</b>	0831.T1	284
<b>62 93 9090</b>	0831.T1	933
<b>62 94 0190</b>	5751.G8	246, 248, 252, 255, 257, 268
<b>62 94 0190</b>	5751.G8	936, 938, 953, 958, 961, 968
<b>62 94 0466</b>	5751.A2	230, 231, 232, 282, 283, 286
<b>62 94 0466</b>	5751.A2	917, 918, 920, 922, 970
<b>62 94 3685</b>	5751.E4	246, 257, 267, 287
<b>62 94 3685</b>	9653342680	358, 371, 372
<b>62 94 3685</b>	9653342680	547, 559
<b>62 94 3685</b>	5751.E4	921, 936, 958, 961, 967
<b>64 02 0005</b>	0816.56	228, 230, 259, 269, 270, 288
<b>64 02 0005</b>	0816.56	911, 915, 917, 927, 939, 969
<b>64 92 4367</b>	0816.G7	284
<b>64 92 4367</b>	0816.G7	933
<b>64 94 0106</b>	0829.98	250
<b>64 94 0106</b>	0829.98	951
<b>70 02 0010</b>	46403659	13, 14, 17, 18


**Ref. - No.**


<b>70 02 0010</b>	46403659	315, 316, 318, 321, 322, 330, 334, 335, 336, 343, 344, 345, 347, 350, 351, 352, 354, 355, 356, 361
<b>70 02 0010</b>	46403659	539, 540, 546, 553, 555
<b>70 02 0016</b>	60807260	8
<b>70 02 0016</b>	7614999	325, 327, 366, 367, 368
<b>70 02 0016</b>	7614999	528, 530, 532, 534, 536, 538, 541, 549
<b>70 02 0037</b>	7762910	318, 336
<b>70 02 0037</b>	7762910	554
<b>70 02 0041</b>	55210628	3, 5, 8
<b>70 02 0041</b>	55210628	317, 320, 324, 338, 353, 362
<b>70 02 0041</b>	55210628	531, 537, 544
<b>70 02 0042</b>	55188191	319, 329, 337, 340, 342, 361
<b>70 02 0042</b>	55188191	529, 535, 543
<b>70 02 0043</b>	0816.79	267
<b>70 02 0043</b>	71719005	332, 349, 351, 357, 365, 375
<b>70 02 0043</b>	71719005	527, 529, 535
<b>70 02 0043</b>	0816.79	966
<b>70 02 0056</b>	71736715	319, 337, 340, 342, 361
<b>70 02 0056</b>	71736715	529, 535, 543
<b>70 02 0058</b>	71754851	318, 336
<b>70 02 0058</b>	71754851	554
<b>70 02 0062</b>	71719652	329, 341, 345, 348, 350, 352, 359, 363
<b>70 02 0062</b>	71719652	553
<b>70 02 0063</b>	55203786	323, 341, 344, 345, 348, 358, 359, 374
<b>70 03 0005</b>	26 207 509	267
<b>70 03 0005</b>	71740977	323, 329, 332, 341, 344, 345, 348, 349, 350, 351, 352, 357, 358, 359, 363, 365, 374, 375
<b>70 03 0005</b>	71740977	527, 529, 535, 552, 553
<b>70 03 0005</b>	0829.17	966



<b>70 03 0021</b>	46424716	319, 337, 340, 342, 349, 351, 365, 375
<b>70 03 0021</b>	46424716	527, 529, 535, 543, 545
<b>70 03 0028</b>	5751.20	264, 274, 292
<b>70 03 0028</b>	9608989980	369, 371
<b>70 03 0028</b>	9608989980	557
<b>70 03 0028</b>	5751.20	929, 930, 931, 932, 933, 942, 946, 948, 959, 966
<b>70 03 0030</b>	55196971	318, 336
<b>70 03 0030</b>	55196971	554
<b>70 03 0031</b>	71736493	321, 326, 339, 362
<b>70 03 0031</b>	71736493	541, 545, 550
<b>70 03 0032</b>	60671573	2, 3, 4, 5, 7, 8
<b>70 03 0032</b>	60671573	317, 320, 324, 338, 353, 362
<b>70 03 0032</b>	60652129	531, 537, 544
<b>70 03 0033</b>	55192239	3, 5, 8
<b>70 03 0033</b>	55192239	317, 320, 324, 338, 353
<b>70 03 0033</b>	55192239	531, 537, 544
<b>70 03 0037</b>	55211287	319, 329, 337, 340, 342, 359, 361, 364
<b>70 03 0037</b>	55211287	529, 535, 543
<b>70 03 0038</b>	60504226	1
<b>70 03 0039</b>	73501924	2, 4, 7, 9, 15, 16, 19
<b>70 03 0039</b>	73501924	317, 318, 320, 324, 336, 338, 353
<b>70 03 0039</b>	60610908	554
<b>70 03 0040</b>	7740252	320, 321, 326, 338, 339, 353
<b>70 03 0040</b>	7740252	531, 537
<b>70 03 0041</b>	46547564	321, 326, 339
<b>70 03 0047</b>	71734799	319, 337, 340, 342, 361
<b>70 03 0047</b>	71734799	529, 535, 543
<b>70 03 0051</b>	5999795	325, 327, 366, 367, 368
<b>70 03 0051</b>	5999795	528, 530, 532, 534, 536, 538, 541, 549
<b>70 91 9488</b>	55190052	6



<b>70 91 9657</b>	55203786 S1	323, 344, 345, 348, 358
<b>70 91 9658</b>	71736718	329, 341, 345, 348, 350, 352, 359, 363
<b>70 91 9658</b>	71736718	553
<b>70 91 9871</b>	46537101	543
<b>70 91 9871</b>	30637962	1410, 1414, 1415, 1421, 1422
<b>70 92 2376</b>	55232827	13, 17
<b>70 92 2376</b>	55195023	315, 322, 329, 330, 332, 334, 335, 341, 343, 345, 352, 354, 355, 357, 359, 361, 363, 376
<b>70 92 2376</b>	55232827	539, 546, 555, 556
<b>70 92 2376</b>	1204 299	838
<b>70 92 2376</b>	55232827	1226
<b>70 92 2377</b>	71736717	13
<b>70 92 2377</b>	71736717	315, 318, 321, 334, 335, 336, 345, 350, 352, 354, 361
<b>70 92 2377</b>	71736717	539, 540, 546, 553, 555
<b>70 92 3654</b>	55187100	10, 12, 14, 21
<b>70 92 3654</b>	55187100	539
<b>70 92 8306</b>	55183528	12
<b>70 92 8306</b>	55183528	321, 322
<b>70 92 8662</b>	55233759	17, 18
<b>70 92 8662</b>	55233759	315, 316, 329, 330, 333, 334, 335, 341, 343, 345, 346, 347, 352, 354, 355, 356, 357, 359, 363, 364
<b>70 92 8662</b>	1 535 439	419
<b>70 92 8662</b>	55233759	546, 555, 556
<b>70 92 8663</b>	71753156	17, 18
<b>70 92 8663</b>	71753156	315, 316, 329, 330, 333, 334, 335, 341, 343, 345, 346, 347, 352, 354, 355, 356, 357, 359, 363, 364
<b>70 92 8663</b>	1 590 748	419
<b>70 92 8663</b>	71753156	546, 555, 556
<b>70 92 8664</b>	71775900	17, 18





<b>70 92 8664</b>	71775900	315, 316, 329, 330, 333, 334, 335, 341, 343, 345, 346, 347, 352, 354, 355, 356, 357, 359, 363, 364
<b>70 92 8664</b>	1 590 748 S1	419
<b>70 92 8664</b>	71775900	546, 555, 556
<b>70 92 9396</b>	51758383	10, 12, 19, 20
<b>70 93 0733</b>	51773551	10
<b>70 93 0792</b>	71736729	2, 5
<b>70 93 6365</b>	46439471	357
<b>70 93 6366</b>	55204392	343, 360, 363
<b>70 93 6367</b>	46742968	318
<b>70 93 6367</b>	46742968	553
<b>70 93 6442</b>	60671789	321, 362
<b>70 93 6443</b>	46441096	321, 326, 339
<b>70 93 6446</b>	55193330	318
<b>70 93 6446</b>	55193330	553
<b>74 02 0002</b>	60515034	1
<b>74 02 0003</b>	55221254	2, 3, 5, 7, 8
<b>74 02 0008</b>	60556211	1
<b>74 02 0009</b>	7722331	2, 3, 7, 8
<b>74 02 0010</b>	55225504	2, 5
<b>74 02 0011</b>	55210626	2, 7
<b>74 02 0011</b>	55210626	317, 353, 362
<b>74 02 0013</b>	60515034 S1	1
<b>74 03 0001</b>	60504224	1
<b>74 03 0002</b>	60504225	1
<b>74 03 0003</b>	60602136	3, 5, 8
<b>74 03 0003</b>	60602136	531, 537, 544
<b>74 03 0006</b>	55192240	2, 4, 5, 7
<b>74 03 0006</b>	55192240	317, 353, 362
<b>74 92 2404</b>	46547566	541, 550
<b>74 92 2405</b>	55190054	6
<b>74 92 2900</b>	55221253	3, 5, 8
<b>74 92 2900</b>	55221253	531, 537, 543
<b>74 92 6147</b>	71736725	2, 7
<b>74 92 6147</b>	71736725	317, 353, 362
<b>74 93 0977</b>	55221254 S1	3, 5, 8
<b>74 93 6445</b>	55191536	6, 9, 11, 15, 16, 19
<b>74 93 6445</b>	55191536	542, 551
<b>80 02 0009</b>	XD140229	786
<b>80 02 0012</b>	24312-33060	484
<b>80 03 0001</b>	24410-21014	476, 484, 487



<b>80 03 0002</b>	MD040754	768, 769
<b>80 03 0005</b>	23357-33130	473, 483, 490, 493
<b>80 03 0005</b>	MD115976	763, 767, 768, 769, 771, 775, 781, 784
<b>80 03 0006</b>	MD109958	768
<b>80 92 1786</b>	MD169592	762, 785, 789
<b>80 92 1786</b>	30873954	1398
<b>80 92 1787</b>	24810-33024	482
<b>80 92 1787</b>	24810-33024	512
<b>80 92 1787</b>	MD156604	762, 785, 789
<b>80 92 1787</b>	30874227	1398
<b>80 92 6850</b>	96610029	205, 214, 216
<b>80 92 6850</b>	96610029	303, 307
<b>80 92 6850</b>	1145A051	762, 765, 777, 778, 789
<b>80 92 6928</b>	MD329976	765, 777, 789
<b>80 92 6991</b>	MD320174	762, 765, 776
<b>80 92 6992</b>	MD314456	762, 765, 776
<b>80 92 6993</b>	MD314456 S1	762, 765, 776
<b>80 92 6994</b>	MD356509	762, 765, 777, 778, 789
<b>80 92 6995</b>	96352965	216
<b>80 92 6995</b>	96352965	307
<b>80 92 6995</b>	1145A049	765, 777
<b>80 92 7017</b>	MD146186	763, 764, 774, 775
<b>80 92 7018</b>	24410-32020	479, 480, 492
<b>80 92 7018</b>	MD011536	768, 781, 784, 786, 795
<b>80 92 7019</b>	24410-35060	477, 494
<b>80 92 7019</b>	MD104578	787
<b>80 92 7020</b>	MD315265	764, 769, 790, 792
<b>80 92 7021</b>	MD182537	769, 771, 778, 780, 782, 788, 790, 791, 793
<b>80 92 7022</b>	MD129033	768, 793
<b>80 92 7118</b>	MD179597	770
<b>80 92 7119</b>	MD316826	770
<b>80 92 7123</b>	23357-38001	480, 488, 493, 495, 497
<b>80 92 7123</b>	23357-38001	511, 512, 524
<b>80 92 7395</b>	23356-33160	473, 483, 490, 493
<b>80 92 7395</b>	MR984778	763, 767, 768, 769, 771, 775, 781, 784



<b>80 92 7396</b>	23356-33160 S1	473, 483, 490, 493
<b>80 92 7396</b>	MD182295 S1	763, 767, 768, 769, 771, 775, 781, 784
<b>80 92 7407</b>	XD319023	762, 785, 789
<b>80 92 7407</b>	30873950	1398
<b>80 92 7408</b>	MD319023 S1	762, 785, 789
<b>80 92 7408</b>	30873950 S1	1398
<b>80 92 7409</b>	MD145813 S1	763, 764, 774, 775
<b>80 92 7516</b>	XD176387	769, 790, 792
<b>80 92 7535</b>	MD176387 S1	769, 790, 792
<b>80 93 1215</b>	MN149179	772, 773, 779, 783
<b>80 93 1398</b>	1145A051 S1	762, 765, 777, 778, 789
<b>80 93 2446</b>	MD362028	771, 791, 794
<b>80 93 2447</b>	MD374877	772, 773, 779, 783
<b>80 93 2477</b>	1145A049 S1	765, 777
<b>81 02 0006</b>	13568-19025	1160, 1173, 1175
<b>81 02 0009</b>	13568-09041	1151, 1153, 1155, 1169, 1170, 1172
<b>81 02 0011</b>	13568-19106	1161, 1173
<b>81 03 0002</b>	13503-10011	1160, 1173, 1175
<b>81 03 0004</b>	13503-63011	1151, 1153, 1155, 1157, 1169, 1170, 1172
<b>81 03 0006</b>	13505-10010	1161, 1173
<b>81 03 0007</b>	13505-11011	1160, 1173, 1175
<b>81 03 0012</b>	13505-11040	1161, 1170, 1173
<b>81 03 0013</b>	13503-11030	1161, 1170, 1173
<b>81 92 4363</b>	13568-09020	1150, 1155, 1160, 1162
<b>81 92 4364</b>	13568-09030	1150, 1155, 1157, 1160, 1162
<b>81 92 4772</b>	13568-19025 S1	1160, 1161, 1173, 1175
<b>81 92 4787</b>	13568-19106 S1	1160, 1161, 1173
<b>81 92 4788</b>	13568-09020 S1	1150, 1155, 1160, 1162
<b>81 92 4789</b>	13568-09030 S1	1150, 1155, 1157, 1160, 1162
<b>81 92 4790</b>	13568-09041 S1	1151, 1153, 1155, 1169, 1170, 1172
<b>81 92 6805</b>	13505-20030	561, 564

<b>81 92 6805</b>	13505-20030	1149, 1154, 1164, 1166, 1174
<b>81 92 6806</b>	13503-62030	561, 564
<b>81 92 6806</b>	13503-62030	1149, 1154, 1164, 1166, 1174
<b>81 92 6807</b>	13568-19135	1155, 1157, 1160, 1162
<b>81 92 6808</b>	13568-79045	1156, 1158, 1169
<b>81 92 6809</b>	13505-88383	1156, 1158, 1169
<b>81 92 6845</b>	13568-29025	561
<b>81 92 6845</b>	13568-29025	1149, 1154, 1164, 1166, 1174
<b>81 92 6846</b>	13568-62030	561
<b>81 92 6846</b>	13568-62030	1154
<b>81 92 6848</b>	13568-69095	1147, 1165, 1167, 1175, 1176
<b>81 92 6849</b>	13505-62070	1147, 1165, 1167, 1175, 1176
<b>81 92 6894</b>	13505-50030	562, 564, 566
<b>81 92 6894</b>	13505-50030	1148, 1167, 1174, 1176
<b>81 92 6895</b>	13503-50011	562, 564, 566
<b>81 92 6895</b>	13503-50011	1148, 1167, 1174, 1176
<b>81 92 6896</b>	13505-65040	1147, 1165, 1175
<b>81 92 6897</b>	13503-65010	1147, 1165, 1175
<b>81 92 6902</b>	13568-19135 S1	1155, 1157, 1160, 1162
<b>81 92 7556</b>	16620-28070	1066
<b>81 92 7556</b>	16620-28070	1149, 1151, 1152, 1154, 1172
<b>81 92 7557</b>	16620-22013	1149, 1150, 1152, 1159, 1163, 1169, 1172
<b>81 92 8283</b>	13505-46041	561, 563, 565
<b>81 92 8284</b>	13505-88480	1156, 1158, 1169
<b>81 93 1471</b>	16604-50030	562, 564, 566
<b>81 93 1471</b>	16604-50030	1148, 1167, 1168, 1174, 1176
<b>81 93 2689</b>	13540-22022	1149, 1151, 1159, 1163, 1169, 1172
<b>81 93 2690</b>	13561-22020	1149, 1151, 1159, 1163, 1169, 1172





<b>81 93 2691</b>	13559-22011	1149, 1151, 1159, 1163, 1169, 1172
<b>82 02 0012</b>	24312-23001	471, 475, 482, 484, 486, 491
<b>82 03 0001</b>	13070-01B00	801
<b>82 03 0002</b>	13070-01M00	796
<b>82 03 0011</b>	13070-24B00	801
<b>83 03 0001</b>	MB630-12-700E	502, 518, 520, 522
<b>83 03 0001</b>	B630-12-700E	567, 570, 571, 572, 576
<b>83 03 0003</b>	F805-12-700C	574, 576
<b>83 03 0004</b>	0K972-12-700	509, 526
<b>83 03 0004</b>	FE1H-12-700A	574, 576
<b>83 03 0007</b>	24410-2X701	504
<b>83 03 0007</b>	B660-12-700F	571, 572, 573, 577, 578, 582
<b>83 03 0008</b>	0K938-12-730	503, 504, 509
<b>83 03 0008</b>	B660-12-730C	570, 571, 572, 578, 582
<b>83 92 3599</b>	4 132 488	432
<b>83 92 3599</b>	FS01-12-700B	572, 575, 579, 580, 581
<b>83 92 3601</b>	FP01-12-700A	572, 575, 581
<b>83 92 3627</b>	3 396 014	432
<b>83 92 3627</b>	FS01-12-730A	572, 575, 579, 580, 581
<b>83 92 7280</b>	FP01-12-205A	572, 575, 580, 581
<b>83 92 7281</b>	FP01-12-205A S1	572, 575, 581
<b>83 92 7282</b>	FS01-12-205A	572, 575, 579, 580, 581
<b>83 92 7283</b>	FS01-12-205A S1	572, 575, 579, 580
<b>83 92 8295</b>	KL01-12-740	573, 575, 577, 579, 582, 583
<b>83 92 8296</b>	KL01-12-730A	573, 575, 577, 579, 582, 583
<b>83 93 2338</b>	Z501-12-730	573
<b>84 03 0001</b>	12810-82003-000	1143, 1144, 1145
<b>84 91 7490</b>	11407-71C00-000	1142, 1144, 1145, 1146
<b>85 02 0004</b>	14400-P1H-E01	451, 454, 459, 461, 464
<b>85 02 0005</b>	14400-P2T-004	454, 461
<b>85 02 0006</b>	14400-P1J-E01	453, 460



<b>85 02 0007</b>	14400-P1G-E01	455, 456
<b>85 02 0007</b>	GTB 1293 XS	1050
<b>85 02 0008</b>	14400-P45-G01	450, 466, 467
<b>85 03 0004</b>	14510-PM7-004	453, 460
<b>85 03 0004</b>	FDU 2691	1050
<b>85 91 8937</b>	14520-P2A-306	455, 456
<b>85 91 8937</b>	LHP 100790	1050
<b>85 92 4751</b>	14510-P2A-004	451, 454, 459, 464, 466
<b>85 92 4767</b>	14510-P30-003	454, 460, 461, 464
<b>85 92 4811</b>	14400-PLM-014	457, 463, 467
<b>85 92 4812</b>	14400-P7J-004	460
<b>85 92 4813</b>	14400-PDA-E01	450, 451, 467
<b>85 92 4814</b>	14400-PDA-E01 S1	450, 451, 467
<b>85 92 4817</b>	14400-P2E-004 S1	451, 459, 464
<b>85 92 4818</b>	14400-P7J-004 S1	460
<b>85 92 4819</b>	14400-PR3-004 S1	454, 461
<b>85 92 6075</b>	14400-P1J-E01 S1	453, 460
<b>85 92 6076</b>	14400-P45-G01 S1	450, 466, 467
<b>85 92 6136</b>	14400-P1G-E01 S1	455, 456
<b>85 93 0943</b>	31170-PND-013	457
<b>85 93 1255</b>	31170-PNA-023	451, 458, 461, 463, 467
<b>85 93 1400</b>	14400-PLA-004	456, 466
<b>85 93 1439</b>	13405-PT0-004 S1	450, 466, 467
<b>85 93 1840</b>	14400-PLA-004 S1	456, 463
<b>85 93 1850</b>	04145-PLC-315 S1	456, 457, 463, 467
<b>85 93 1960</b>	14400-PLM-014 S1	457, 467
<b>85 93 2504</b>	31170-RZP-G03	452, 457, 462, 463
<b>86 92 6217</b>	13073AA142	1133, 1134, 1135, 1136, 1138, 1139, 1140
<b>86 92 6218</b>	13033AA042	1133, 1134, 1135, 1139, 1140
<b>86 92 6219</b>	13085AA080	1133, 1134, 1135, 1136, 1138, 1139, 1140
<b>86 92 6220</b>	13028AA102	1133, 1135, 1136, 1138, 1139
<b>86 92 6242</b>	13028AA230	1133, 1134, 1135, 1140
<b>87 92 7536</b>	13069AA037	1135, 1136, 1138, 1139, 1140



<b>87 92 7537</b>	13073AA190	1133, 1134, 1135
<b>87 92 7542</b>	13028AA102 S1	1135, 1138, 1139
<b>87 92 7543</b>	13028AA102 S2	1133, 1135, 1139
<b>87 92 7546</b>	13028AA230 S1	1133, 1134, 1135, 1140
<b>87 93 2780</b>	13033AA042 S1	1133, 1134, 1135, 1139, 1140, 1141
<b>89 03 0001</b>	96350526	217
<b>89 03 0001</b>	96350526	301, 305, 308
<b>89 03 0002</b>	96350550	217
<b>89 03 0002</b>	96350550	301, 305, 308
<b>89 03 0003</b>	93202400	301
<b>89 92 3447</b>	10068553	301
<b>89 92 3449</b>	10068553 S1	301
<b>89 92 3455</b>	96814098	217
<b>89 92 3455</b>	96814098	301, 305, 308
<b>89 92 3457</b>	96183352 S1	217
<b>89 92 3457</b>	96183352 S1	301, 305, 308
<b>89 92 9311</b>	94580139	205, 214, 216
<b>89 92 9311</b>	94580139	303, 307
<b>89 93 1214</b>	96966707	205, 210, 214, 215, 217
<b>89 93 1214</b>	96966707	303, 304, 309
<b>89 93 1428</b>	96352964 S1	216
<b>89 93 1428</b>	96352964 S1	307
<b>89 93 2396</b>	96610029 S1	205, 214, 216
<b>89 93 2396</b>	96610029 S1	303, 307
<b>89 93 3003</b>	96435138	208, 211, 212, 215, 217, 218
<b>89 93 3003</b>	96435138	302, 304, 306, 309, 310, 311
<b>89 93 3005</b>	96960692	212
<b>90 92 4464</b>	24312-02701	469, 478, 481, 490
<b>90 92 4464</b>	24312-02701	517
<b>90 92 4543</b>	24410-02550	469, 478, 481, 490
<b>90 92 4543</b>	24410-02550	517
<b>90 92 4544</b>	24410-23400	471, 472, 475, 482, 484, 485, 486, 499, 500
<b>90 92 4544</b>	24410-23500	504, 507, 514
<b>90 92 4547</b>	24410-26000	468, 474, 476, 478, 483, 486, 487, 491
<b>90 92 4547</b>	24410-26000	507, 521



<b>90 92 4551</b>	24810-26020	468, 474, 478, 486, 491
<b>90 92 4551</b>	24810-26020	507, 521
<b>90 92 4553</b>	24450-37120	472, 488, 491, 494, 498, 500, 501
<b>90 92 4553</b>	24450-37100	512, 514
<b>90 92 4791</b>	24312-02701 S1	469, 478, 481, 490
<b>90 92 4791</b>	24312-02701 S1	517
<b>90 92 6050</b>	24312-23202	471, 475, 485, 499, 500
<b>90 92 6050</b>	24312-23202	504, 507, 508, 514
<b>90 92 6051</b>	24810-23400	471, 472, 475, 482, 484, 485, 486, 499, 500
<b>90 92 6051</b>	24810-23500	504, 507, 508, 514
<b>90 92 6052</b>	24312-23202 S1	471, 475, 485, 499, 500
<b>90 92 6052</b>	24312-23202 S1	504, 507, 514
<b>90 92 6281</b>	24312-26001	468, 474, 478, 486, 491
<b>90 92 6281</b>	24312-26001	507, 521
<b>90 92 6282</b>	24312-38020	488, 495, 497
<b>90 92 6282</b>	24312-38020	512
<b>90 92 6300</b>	24312-37500	472, 480, 488, 491, 494, 498, 500, 501
<b>90 92 6300</b>	24312-37500	512, 514, 515, 516
<b>90 92 6464</b>	24312-22613	468, 478, 483
<b>90 92 6692</b>	24312-38210	479, 488, 493
<b>90 92 6692</b>	24312-38210	516, 524
<b>90 92 6733</b>	24810-37120	472, 480, 488, 491, 494, 498, 500, 501
<b>90 92 6733</b>	24810-37120	506, 512, 514, 515, 516
<b>90 92 6735</b>	24450-33020	482, 490, 492
<b>90 92 6735</b>	24450-33020	511
<b>90 92 6735</b>	MD129355	763, 767, 775
<b>90 92 6738</b>	24810-35530	470, 496, 501
<b>90 92 6738</b>	24810-39810	506, 515, 524
<b>90 92 6738</b>	MD151447	770, 772, 784
<b>90 92 6740</b>	24450-35530	470, 496, 501
<b>90 92 6740</b>	24450-35530	506, 515, 524
<b>90 92 6740</b>	MD140071	770, 772, 784
<b>90 92 6903</b>	24312-23001 S1	471, 475, 484


**Ref. - No.**


<b>90 92 7397</b>	24312-22010	468, 476, 483, 487, 491
<b>90 92 7397</b>	MD145813	763, 764, 774, 775
<b>90 92 7398</b>	24312-22010 S1	468, 476, 483, 487, 491
<b>90 92 8590</b>	24450-38011	480, 488, 493, 495, 497
<b>90 92 8590</b>	24450-38011	512, 524
<b>90 93 1058</b>	24312-38020 S1	512
<b>90 93 1059</b>	24312-22613 S1	468, 478
<b>90 93 1060</b>	24312-37500 S1	488, 491, 494, 498, 500, 501
<b>90 93 1060</b>	24312-37500 S1	512, 514
<b>90 93 1061</b>	24312-26001 S1	468, 474, 491
<b>90 93 1061</b>	24312-26001 S1	507, 521
<b>90 93 1256</b>	25281-37120	488, 491, 494, 498, 500, 501
<b>90 93 1256</b>	25281-37120	512, 514
<b>90 93 1770</b>	57212-38100 S1	493, 495
<b>90 93 3181</b>	25286-37100	472
<b>90 93 3181</b>	25286-37100	512, 514
<b>90 93 3185</b>	24410-3E500	489
<b>90 93 3185</b>	24410-3E500	506, 512, 516
<b>90 93 3186</b>	24410-23050	504, 507, 508, 514
<b>90 93 3187</b>	24312-23202 S2	504, 507, 508, 514
<b>91 92 6602</b>	0K9BV-12-205	505
<b>91 92 6603</b>	0K9BV-12-730	505
<b>91 92 6604</b>	0K95K-12-750	505
<b>91 92 6605</b>	0K247-12-700	503, 509, 522, 523
<b>91 92 6623</b>	0K9BV-12-790	505
<b>91 92 6624</b>	0K9BV-12-780	505
<b>91 92 6625</b>	0K247-12-205	503, 509, 522, 523
<b>91 92 6626</b>	24312-33160	482, 490, 492
<b>91 92 6626</b>	24312-33160	511
<b>91 92 6626</b>	MD326059	763, 767, 775, 783
<b>91 92 6693</b>	0K30E-12-205	504, 513, 520, 522, 523
<b>91 92 6695</b>	KK350-12-205	502, 518, 520, 522
<b>91 92 6695</b>	BP02-12-205A	567, 570, 571, 572, 576, 577
<b>91 92 6696</b>	0K954-12-205	509, 510, 519, 526
<b>91 92 6696</b>	FE3N-12-205	574
<b>91 92 6697</b>	0K955-12-730	509, 526


**Ref. - No.**


<b>91 92 6697</b>	FE3N-12-730	574
<b>91 92 6698</b>	0K203-12-205	513, 522, 523, 525
<b>91 92 6698</b>	B6S7-12-205D	570, 578, 582
<b>91 92 6898</b>	0K9BV-12-206	505
<b>91 92 6904</b>	0K954-12-205 S1	509, 526
<b>91 92 6905</b>	KK35012205 S1	502, 518, 520, 522
<b>91 92 6905</b>	BP02-12-205A S1	567, 570, 571, 572, 576, 577
<b>91 93 3182</b>	0K9BV-10-730A	505
<b>91 93 3183</b>	0K9BV-10-770	505
<b>95 92 2391</b>	11 28 1 745 550	162
<b>99 02 0001</b>	46474432	323, 344, 348, 358, 365, 374
<b>99 02 0001</b>	7554701	552, 553
<b>99 02 0001</b>	0636 357	807, 809, 840, 856, 857
<b>99 02 0001</b>	90080214	1183, 1184, 1218, 1220, 1252
<b>99 02 0004</b>	056 109 119 A	23, 24, 26, 29, 32, 33, 35, 72, 73
<b>99 02 0004</b>	056 109 119 A	1079, 1083, 1103
<b>99 02 0004</b>	056 109 119 A	1287, 1288, 1292, 1298, 1301, 1304, 1307, 1337, 1338, 1365, 1377
<b>99 02 0007</b>	271713	1380, 1383, 1388, 1391
<b>99 02 0016</b>	0816.67	291
<b>99 02 0016</b>	0816.67	916, 941, 944
<b>99 02 0026</b>	77 00 725 577	988, 989, 1006, 1027, 1029, 1031
<b>99 02 0026</b>	3343720	1382, 1384, 1385
<b>99 02 0028</b>	0816.44	229, 231, 259, 271, 282, 289
<b>99 02 0028</b>	0816.44	912, 915, 918, 927, 940, 943
<b>99 02 0032</b>	XD111427	787
<b>99 02 0036</b>	71749474	341, 348, 350, 352, 359, 363
<b>99 02 0037</b>	46541065	321, 326, 339
<b>99 02 0037</b>	46541065	541, 545
<b>99 02 0039</b>	7554701 S1	323, 344, 348, 358, 365, 374



99 02 0039	7554701 S1	552, 553
99 02 0040	0816.79 S1	267
99 02 0040	46408751 S1	349, 351, 357, 365, 375
99 02 0040	71719005 S1	349, 351, 357, 365, 375
99 02 0040	46408751 S1	527, 529, 535
99 02 0040	0816.79 S1	966
99 02 0042	71749474 S1	341, 348, 350, 352, 359, 363
99 02 0046	71736724	3, 5
99 02 0046	71736724	317, 320, 324, 338, 353
99 02 0046	71736724	531, 537, 544
99 02 0047	46541065 S1	321, 326, 339
99 02 0047	46541065 S1	541, 545
99 02 0049	77 00 857 325	999, 1007, 1019
99 02 0049	3463763	1384, 1386
99 02 0050	77 01 469 776	999, 1007, 1019
99 02 0050	3463763 S1	1384, 1386
99 02 0053	77 01 468 167	988, 989, 1006, 1027, 1029, 1031
99 02 0053	3343720 S1	1382, 1384, 1385
99 02 0056	0816.55	229, 259, 272, 289, 290
99 02 0056	0816.55	912, 913, 919, 929, 940, 943
99 02 0057	0831.R1	233, 264, 274, 278, 292
99 02 0057	9467625780	369, 371
99 02 0057	9467625780	557
99 02 0057	0831.R1	916, 929, 931, 941, 944, 948, 959, 966, 971
99 02 0060	0816.69	267
99 02 0060	1473011080	331
99 02 0060	0816.69	965
99 02 0061	0831.S6	267
99 02 0061	9467627280	331
99 02 0061	0831.S6	965
99 02 0061	0831.34	965
99 02 0065	027 198 119	30, 70, 74
99 02 0065	027 198 119	1293

99 02 0066	027 109 119 C S1	27, 30, 36, 74
99 02 0066	027 109 119 C S1	1293, 1301, 1365
99 02 0068	037 109 119 C S2	26, 29, 35, 69, 73
99 02 0070	13405-PT0-004	450, 465, 466, 467
99 03 0001	944 105 027 04	980
99 03 0005	0829.20	294
99 03 0005	0829.20	942, 946
99 03 0006	0830.37	265, 275, 276, 279, 284, 285, 293, 294
99 03 0006	9400830379	370
99 03 0006	9400830379	558
99 03 0006	0830.37	930, 933, 945, 949, 950, 955, 960
99 03 0009	0829.54	228, 229, 230, 231, 259, 269, 270, 271, 272, 282, 288, 289, 290
99 03 0009	0829.54	911, 912, 913, 915, 917, 918, 919, 927, 929, 934, 939, 940, 943, 959, 966, 969
99 03 0010	0829.12	291
99 03 0010	0829.12	916, 941, 944
99 03 0013	6453.G4	228, 229
99 03 0013	6453.G4	911, 912, 913, 914, 915, 927, 929, 939, 940, 943
99 03 0014	6453.76	291, 292
99 03 0014	6453.76	916, 941, 944
99 03 0020	5751.12	955
99 03 0022	1281.19	280
99 03 0022	1281.19	956
99 03 0023	5997325	325, 327, 367, 368, 374, 375
99 03 0023	5997325	532, 533, 534, 538, 541, 549
99 03 0025	7541718	327, 366, 368
99 03 0025	7541718	528, 530, 534, 536, 549
99 03 0030	0829.29	233, 264, 274, 278, 292
99 03 0030	9605266280	557
99 03 0030	0829.29	916, 944, 948


**Ref. - No.**


<b>99 03 0034</b>	6453.S5	230, 231, 232, 269, 270, 271, 272, 273, 289, 290
<b>99 03 0034</b>	6453.S5	911, 912, 913, 927, 928, 969
<b>99 03 0038</b>	5751.18	233, 264, 267, 274, 275, 279
<b>99 03 0038</b>	9608859180	331, 369
<b>99 03 0038</b>	9608859180	557
<b>99 03 0038</b>	5751.18	929, 931, 932, 933, 942, 946, 971
<b>99 03 0045</b>	5751.21	955
<b>99 03 0046</b>	0829.35	265, 267, 275, 276, 279, 284, 285, 294
<b>99 03 0046</b>	9622574480	331, 370
<b>99 03 0046</b>	9622574480	558
<b>99 03 0046</b>	0829.35	933, 950, 955, 960, 965
<b>99 03 0054</b>	13505-15041	1155, 1157, 1160, 1162
<b>99 03 0061</b>	5751.53	264, 274, 275
<b>99 03 0061</b>	9633802580	369
<b>99 03 0061</b>	5751.53	930
<b>99 03 0063</b>	5751.32	264, 265, 276, 278, 279, 291, 292, 293
<b>99 03 0063</b>	9625621780	370
<b>99 03 0063</b>	9625621780	558
<b>99 03 0063</b>	5751.32	931, 948, 950
<b>99 03 0064</b>	5751.33	264, 265, 276, 278, 279, 291, 292, 293
<b>99 03 0064</b>	9625621880	370
<b>99 03 0064</b>	9625621880	558
<b>99 03 0064</b>	5751.33	931, 948, 950
<b>99 03 0065</b>	5751.34	264, 276, 278, 279
<b>99 03 0065</b>	9622234180	370, 371
<b>99 03 0065</b>	9622234180	558
<b>99 03 0065</b>	5751.34	933, 950, 959
<b>99 03 0066</b>	5751.35	233, 264, 274, 275, 276, 278, 279, 292, 293
<b>99 03 0066</b>	9626365280	369, 371
<b>99 03 0066</b>	9626365280	557


**Ref. - No.**


<b>99 03 0066</b>	5751.35	929, 930, 931, 932, 933, 942, 946, 948, 949, 950, 959, 966, 971
<b>99 03 0079</b>	7541712	325, 327, 366, 367, 368
<b>99 03 0079</b>	7541712	528, 530, 532, 534, 536, 538, 541, 549
<b>99 03 0080</b>	46524692	4
<b>99 03 0080</b>	46524692	317, 318, 320, 324, 336, 338, 353
<b>99 03 0080</b>	46524692	531, 537, 544, 554
<b>99 03 0081</b>	55248394	13, 14, 17, 18
<b>99 03 0081</b>	55248394	315, 316, 318, 321, 322, 330, 334, 335, 336, 343, 344, 345, 347, 350, 351, 352, 354, 355, 356, 361
<b>99 03 0081</b>	55248394	539, 540, 546, 553, 555
<b>99 03 0082</b>	55192773	321, 326, 339, 362
<b>99 03 0082</b>	55192773	541, 545, 550
<b>99 03 0086</b>	06B 109 243	41, 57, 77
<b>99 03 0086</b>	06B 109 243	1067, 1098, 1106
<b>99 03 0086</b>	06B 109 243	1120
<b>99 03 0086</b>	06B 109 243	1309, 1332, 1368
<b>99 11 0001</b>	000 997 04 98	584, 587, 595
<b>99 11 0008</b>	6 156 318	380, 382, 383, 386, 389, 390, 392, 396, 418, 429, 430
<b>99 11 0019</b>	0636 351	807, 838, 856, 857
<b>99 11 0019</b>	02866445	1183, 1184, 1218, 1251
<b>99 11 0021</b>	13 02 811 94R	987, 1028, 1041
<b>99 11 0021</b>	3287568	1382
<b>99 11 0036</b>	0816.13	280
<b>99 11 0036</b>	0816.13	956
<b>99 11 0036</b>	79 10 245 301	998, 1000, 1008, 1034
<b>99 11 0036</b>	245301	1381, 1388, 1393
<b>99 11 0043</b>	74 85 105	1056, 1059, 1061, 1064
<b>99 11 0044</b>	000 997 80 94 S1	595
<b>99 11 0046</b>	000 997 68 94	584, 587





99 11 0052	00A 109 468	1326
99 11 0066	78 030 020 00	260
99 11 0066	0816.07	965
99 11 0083	0636 353	808, 856, 869, 874
99 11 0083	08930102	1213, 1215, 1219
99 11 0087	11 31 0 731 105	81, 82, 91, 118, 119, 146, 154
99 11 0090	911 105 529 50	974
99 11 0091	993 105 529 00	974
99 11 0094	13028-N8400	797
99 11 0110	000 997 70 94	588, 691
99 11 0112	11 31 1 403 081 S1	95, 101, 130, 147, 196
99 11 0112	000 997 71 94	590, 591, 592, 594, 616, 619, 671, 673, 677
99 11 0113	11 31 1 403 081	95, 101, 130, 147, 196
99 11 0113	002 997 93 94	599, 622, 624, 628, 643, 653, 671, 673, 677, 685, 737, 744, 751
99 11 0116	000 997 69 94	589, 596, 675, 693, 698, 713
99 11 0119	000 997 46 94	585, 691, 721
99 11 0124	000 997 75 94	586, 692, 694, 700, 715, 716
99 11 0126	000 997 76 94	695, 701, 717, 718, 719, 720
99 11 0127	000 997 32 94	695, 701, 718, 719
99 11 0138	55562234	206, 219
99 11 0138	0637 241	803, 805, 817, 825, 829, 837, 842, 846, 850, 854, 862, 866, 867, 885, 909
99 11 0138	55562234	1179, 1181, 1193, 1201, 1205, 1217, 1228, 1232, 1238, 1242, 1245, 1249, 1250, 1266, 1285
99 11 0140	11 31 7 598 262	129, 156, 168
99 11 0142	1 669 843	415
99 11 0142	003 997 67 94	753



99 11 0142	021 109 503 A	1294, 1306, 1340, 1370, 1379
99 11 0143	002 997 17 94	670, 672, 676, 749
99 11 0144	002 997 03 94	597, 606, 608, 609, 617, 670, 672, 676, 747
99 11 0144	002 997 03 94 S1	676
99 11 0146	11 31 1 247 160	94, 98, 191
99 11 0148	11 31 1 403 081 S2	95, 101, 130, 147, 196
99 11 0149	11 31 1 403 081	95, 101, 130, 147, 196
99 11 0149	002 997 93 94	599, 622, 624, 628, 643, 653, 671, 673, 677, 685, 737, 744, 751
99 11 0150	11 31 1 403 081 S3	95, 101, 130, 147, 196
99 11 0150	003 997 17 94	599, 601, 604, 622, 623, 624, 626, 628, 643, 653, 655, 657, 679, 685, 702, 723, 726, 736, 737, 744, 751, 752
99 11 0150	00A 109 465	1326
99 11 0153	003 997 19 94	603, 725
99 11 0154	002 997 06 94	613
99 11 0156	002 997 75 94	705, 732
99 11 0159	002 997 84 94	605, 660, 703, 729
99 11 0161	002 997 83 94	728
99 11 0189	000 997 32 98 S1	611, 714
99 11 0192	0636 374	870, 875
99 11 0192	944 105 501 01	980
99 11 0192	90324533	1216, 1256
99 11 0196	058 109 229	41, 57, 58, 60, 77
99 11 0200	11 31 1 406 167	133, 135, 160, 169, 182, 204
99 11 0201	11 31 1 432 177	99, 105, 126, 131, 137, 158, 163, 176, 180, 192, 198
99 11 0203	6 959 172	417, 435, 440, 447
99 11 0205	03H 109 465	45, 78
99 11 0205	1 557 942	415
99 11 0205	003 997 66 94	753


**Ref. - No.**


<b>99 11 0205</b>	03H 109 465	1068, 1099, 1107, 1108
<b>99 11 0205</b>	03H 109 465	1294, 1306, 1310, 1311, 1333, 1340, 1343, 1347, 1370, 1371, 1376, 1379
<b>99 11 0208</b>	1 606 272	415
<b>99 11 0208</b>	021 109 503 F	1107
<b>99 11 0208</b>	021 109 503 F	1306, 1310, 1340, 1343, 1370, 1379
<b>99 11 0210</b>	11 31 1 716 986	91, 93, 118, 119, 120, 122, 128, 146, 154, 155
<b>99 11 0211</b>	0816.52	280
<b>99 11 0211</b>	0816.52	956
<b>99 11 0212</b>	001 997 22 94	600, 615, 678, 697, 714, 722, 723
<b>99 11 0213</b>	003 997 80 94	600, 602, 615, 678, 697, 699, 714, 722, 723, 724
<b>99 11 0214</b>	11 31 1 432 176	99, 105, 126, 131, 137, 158, 163, 176, 180, 192, 198
<b>99 11 0214</b>	0636 572	870, 875
<b>99 11 0214</b>	90466047	1216, 1256
<b>99 11 0217</b>	11 31 1 734 392	97, 102, 124, 190
<b>99 11 0219</b>	003 997 82 94	593, 597, 606, 608, 609, 617, 670, 672, 747
<b>99 11 0219</b>	001 997 70 94 S1	670, 747
<b>99 11 0220</b>	75 00 697	1055, 1058
<b>99 11 0222</b>	93 21 837	1055, 1058
<b>99 11 0223</b>	91 31 145	1056, 1059, 1061, 1064
<b>99 11 0224</b>	93 21 845	1056, 1059, 1061, 1064
<b>99 11 0226</b>	003 997 84 94	611, 613
<b>99 11 0227</b>	7 079 279	385, 388, 414, 417, 432, 435, 439, 447
<b>99 11 0228</b>	11 31 1 710 155	157, 162, 171
<b>99 11 0230</b>	11 31 1 741 746	133, 160, 169, 182
<b>99 11 0244</b>	11 31 7 598 263	129, 156, 168
<b>99 11 0252</b>	166 997 09 94	620, 750


**Ref. - No.**


<b>99 11 0254</b>	003 997 68 94	625, 629, 635, 637, 644, 647, 651, 654, 656, 659, 661, 662, 680, 681, 686, 688, 690, 706, 707, 727, 730, 731, 735, 738, 741, 742, 754
<b>99 11 0261</b>	003 997 68 94 S1	625, 629, 635, 644, 647, 651, 654, 659, 661, 662, 680, 681, 686, 688, 690, 706, 707, 727, 731, 735, 738, 741, 742, 754
<b>99 11 0280</b>	001 997 68 94	700, 715
<b>99 11 0312</b>	08 55 789 200	1026, 1027
<b>99 11 0334</b>	058 109 229 B	41, 47, 49, 51, 52, 53, 57, 58, 59, 60, 64, 66
<b>99 11 0334</b>	058 109 229 B	1067, 1088, 1098, 1106
<b>99 11 0334</b>	058 109 229 B	1120, 1128, 1129
<b>99 11 0334</b>	058 109 229 B	1309, 1332, 1342, 1344, 1346, 1347, 1353, 1368, 1376
<b>99 11 0359</b>	003 997 95 94	636, 708
<b>99 11 0360</b>	077 109 120	27, 28, 30, 36, 65, 70, 74, 75, 80
<b>99 11 0360</b>	077 109 120	1080, 1084, 1104
<b>99 11 0360</b>	077 109 120	1293, 1301, 1305, 1339, 1365
<b>99 11 0364</b>	003 997 18 94	603, 725
<b>99 11 0372</b>	11 31 1 407 052	135, 204
<b>99 11 0373</b>	11 31 7 830 869	196, 201
<b>99 11 0381</b>	166 997 01 94	620, 750
<b>99 11 0383</b>	11 31 1 439 854	84, 104, 108, 136, 172, 175, 197
<b>99 11 0385</b>	11 31 1 439 853	84, 87, 103, 107, 113
<b>99 11 0385</b>	11 31 1 439 853	758, 759, 760
<b>99 11 0391</b>	1 089 822	399, 402, 414, 418, 443
<b>99 11 0397</b>	04777699AA	222, 224
<b>99 11 0397</b>	11 31 1 485 400	756, 757
<b>99 11 0405</b>	03E 109 229 A	1089
<b>99 11 0405</b>	03E 109 229 A	1112, 1125



99 11 0405	03E 109 229 A	1359
99 11 0407	03D 109 229	1089
99 11 0407	03D 109 229	1112, 1114
99 11 0407	03D 109 229	1295, 1359
99 11 0412	000 997 22 98	597, 599, 601, 603, 604, 606, 608, 609, 613, 617, 622, 624, 625, 626, 628, 629, 643, 644, 647, 653, 654, 655, 656, 657, 670, 672, 676, 679, 685, 686, 702, 706, 707, 723, 725, 727, 737, 738, 744, 751
99 11 0436	11 21 7 504 725	165
99 11 0442	06D 109 229 B	44, 52, 54, 62, 79
99 11 0442	06D 109 229 B	1073, 1102, 1110
99 11 0442	06D 109 229 B	1123
99 11 0442	06D 109 229 B	1296, 1314, 1316, 1320, 1324, 1350, 1367, 1375
99 11 0444	000 993 11 76	620, 621
99 11 0446	03H 109 503	45, 78
99 11 0446	03H 109 503	1068, 1099, 1108
99 11 0446	03H 109 503	1310, 1311, 1347, 1371, 1376, 1379
99 11 0447	004 997 20 94	638, 640, 684, 708, 709, 711, 712, 733
99 11 0456	022 109 509 C	1099, 1108
99 11 0456	022 109 509 C	1311, 1333
99 11 0459	000 993 06 76	630, 634, 639, 648, 650, 658, 665, 669, 682, 683, 687, 689, 710, 734, 740, 746, 755
99 11 0470	03D 109 571 L	1089
99 11 0470	03D 109 571 L	1112, 1114
99 11 0470	03D 109 571 L	1295, 1359
99 11 0471	03E 109 509	1089
99 11 0471	03E 109 509	1112, 1114, 1125
99 11 0471	03E 109 509	1359
99 12 5159	1 434 861 S2	380, 382, 383, 386, 389, 390, 392, 396, 418, 429, 430
99 12 5467	03E 109 469	1089
99 12 5467	03E 109 469	1112, 1114, 1125

99 12 5467	03E 109 469	1359
99 12 5468	03D 109 469 C	1089
99 12 5468	03D 109 469 C	1112, 1114
99 12 5468	03D 109 469 C	1295, 1359
99 12 9629	55562234 S1	206, 219
99 12 9629	0637 241 S1	803, 805, 817, 825, 829, 837, 842, 846, 850, 854, 862, 866, 867, 885, 909
99 12 9629	55562234 S1	1179, 1181, 1193, 1201, 1205, 1217, 1228, 1232, 1238, 1242, 1245, 1249, 1250, 1266, 1285
99 13 0259	271 052 04 16	627, 632, 645, 664, 667, 739, 745
99 13 0303	112 050 08 11 S1	625, 629, 635, 637, 644, 647, 651, 654, 659, 661, 662, 680, 681, 686, 688, 690, 706, 707, 727, 730, 731, 735, 738, 741, 754
99 13 0304	111 050 04 11 S1	599, 622, 623, 624, 628, 643, 653, 685, 736, 737, 744, 751, 752
99 13 0305	102 050 10 11 S1	593, 597, 606, 609, 617, 670, 672
99 13 0306	102 050 10 11 S2	597, 606, 608, 609, 617, 670, 672, 676
99 13 0307	103 050 06 11 S1	600, 602, 615, 678, 697, 699, 714, 724
99 13 0308	110 050 06 11 S1	675, 693, 698, 713
99 13 0310	116 050 16 11 S1	586, 692, 694, 715
99 13 0311	120 050 02 11 S1	604, 626, 655, 657, 679, 702, 723
99 13 0313	119 050 17 11 S1	605, 660, 703, 729
99 13 0314	119 050 17 11 S2	728
99 13 0315	271 050 06 11 S1	627, 632, 645, 664, 667, 739, 745
99 13 0316	271 050 06 11 S2	627, 632, 645, 664, 667, 739, 745
99 13 0317	120 050 02 11 S2	705, 732




**Ref. - No.**


<b>99 13 0318</b>	275 050 05 11 S1	637, 638, 640, 683, 684, 708, 709, 711, 712, 733, 735
<b>99 13 0325</b>	166 050 00 11 S1	620, 750
<b>99 13 0328</b>	272 050 08 11 S1	630, 634, 639, 648, 650, 658, 665, 669, 682, 683, 687, 689, 708, 710, 734, 740, 746, 755
<b>99 13 0330</b>	272 050 01 11 S2	650, 665
<b>99 13 0331</b>	11 31 1 432 177 S1	99, 105, 126, 131, 137, 158, 163, 176, 180, 192, 198
<b>99 13 0333</b>	11 31 1 439 853 S1	84, 103, 107
<b>99 13 0334</b>	11 31 1 439 854 S1	84, 104, 108, 136, 172, 175, 197
<b>99 13 0335</b>	11 31 7 516 088 S1	83, 106, 136
<b>99 13 0337</b>	11 31 7 516 088 S2	86, 111, 112, 138, 150, 166, 187, 203
<b>99 13 0338</b>	11 31 7 584 084 S1	85, 86, 89, 90, 109, 112, 115, 117, 138, 141, 143, 144, 148, 152, 164, 166, 174, 177, 179, 184, 188, 199, 200, 203
<b>99 13 0339</b>	11 31 7 504 468 S1	139, 151, 165, 183, 185
<b>99 13 0340</b>	11 31 7 504 468 S2	139, 151, 165, 183, 185
<b>99 13 0345</b>	0816.J2 S1	234, 241, 243, 245, 249, 254, 261, 263
<b>99 13 0345</b>	0816.J2 S1	925, 926, 937, 955, 964, 972, 973
<b>99 13 0372</b>	6606 022 SK1	805, 817, 825, 842, 846, 850, 862, 885
<b>99 13 0372</b>	93191271 SK1	1181, 1193, 1201, 1228, 1232, 1238, 1245, 1266
<b>99 13 0373</b>	93191271 SK2	1181, 1193, 1201, 1228, 1232, 1238, 1245, 1266
<b>99 13 0381</b>	11 31 1 734 392 S1	97, 102, 124, 190
<b>99 13 0393</b>	000 993 20 76	627, 632, 645, 664, 667, 739, 745


**Ref. - No.**


<b>99 13 0394</b>	000 993 19 76	627, 632, 645, 664, 667, 739, 745
<b>99 13 0409</b>	11 31 1 432 176 S1	99, 126
<b>99 13 0410</b>	11 31 1 432 176 S2	99, 105, 126, 131, 137, 158, 163, 176, 180, 192, 198
<b>99 13 0445</b>	0816.H9	249
<b>99 13 0445</b>	0816.H9	925, 937, 964
<b>99 13 0446</b>	0818.31	243, 245, 246, 249, 254, 261, 263
<b>99 13 0446</b>	0818.31	925, 937, 955, 964, 973
<b>99 13 0448</b>	0818.30	243, 245, 246, 249, 254, 261, 263
<b>99 13 0448</b>	0818.30	925, 937, 955, 964, 973
<b>99 13 0452</b>	0816.H9 S1	243, 245, 246, 249, 254, 261, 263
<b>99 13 0452</b>	11 31 7 516 088 S3	759, 760, 761
<b>99 13 0452</b>	0816.H9 S1	925, 937, 955, 964, 973
<b>99 13 0453</b>	0818.29	243, 245, 246, 249, 254, 261, 263
<b>99 13 0453</b>	0818.29	925, 937, 955, 964, 973
<b>99 13 0478</b>	03D 109 229 S1	1089
<b>99 13 0478</b>	03D 109 229 S1	1112, 1114
<b>99 13 0478</b>	03D 109 229 S1	1295, 1359
<b>99 13 0495</b>	03D 109 229 S2	1089
<b>99 13 0495</b>	03D 109 229 S2	1112, 1114
<b>99 13 0495</b>	03D 109 229 S2	1295, 1359
<b>99 13 0497</b>	03E 109 229 A S2	1089
<b>99 13 0497</b>	03E 109 229 A S2	1112, 1125
<b>99 13 0497</b>	03E 109 229 A S2	1359
<b>99 13 0549</b>	266 050 02 11 S1	620, 621
<b>99 13 0607</b>	03E 198 229 A S1	1089
<b>99 13 0607</b>	03E 198 229 A S1	1112, 1125
<b>99 13 0607</b>	03E 198 229 A S1	1359
<b>99 13 0644</b>	160 050 02 69	1132
<b>99 13 1004</b>	0816.K3	235
<b>99 13 1004</b>	0816.K3	914
<b>99 13 1004</b>	1350621020	1137
<b>99 13 1004</b>	13506-0Q010	1152, 1178



<b>99 13 1005</b>	13506-37010	1066
<b>99 13 1005</b>	13506-37010	1149, 1163, 1171, 1177, 1178
<b>99 13 1006</b>	13506-22030	1149, 1151, 1159, 1163, 1169, 1172, 1178
<b>99 13 1454</b>	MN 128497	766, 779
<b>99 13 2692</b>	13506-22030 S1	1149, 1151, 1159, 1163, 1169, 1172
<b>99 13 3040</b>	6606 022	805, 817, 825, 842, 846, 850, 862, 885
<b>99 13 3040</b>	93191271	1181, 1193, 1201, 1228, 1232, 1238, 1245, 1266
<b>99 13 3041</b>	93191271 S1	1181, 1193, 1201, 1228, 1232, 1238, 1245, 1266
<b>99 13 3042</b>	0636 176	828, 877, 899, 908
<b>99 13 3042</b>	55569838	1204, 1258, 1275, 1284
<b>99 13 3045</b>	0636 177	823, 882, 896, 899, 905
<b>99 13 3045</b>	55570337	1199, 1263, 1272, 1275
<b>99 13 3046</b>	71739362 S1	11, 12, 20
<b>99 13 3046</b>	71771252 S1	328
<b>99 13 3046</b>	0615 418	823, 828, 853, 877, 882, 896, 899, 905, 908
<b>99 13 3046</b>	55563405	1199, 1204, 1241, 1243, 1258, 1263, 1272, 1275, 1281, 1284
<b>99 13 3080</b>	6606 022 SK3	805, 817, 825, 842, 846, 850, 862, 885
<b>99 13 3080</b>	93191271 SK3	1181, 1193, 1201, 1228, 1232, 1238, 1245, 1266
<b>99 13 3081</b>	93191271 SK4	1181, 1193, 1201, 1228, 1232, 1238, 1245, 1266
<b>99 13 3082</b>	6606 022 S2	805, 817, 825, 842, 846, 850, 862, 885

<b>99 13 3082</b>	93191271 S2	1181, 1193, 1201, 1228, 1232, 1238, 1245, 1266
<b>99 13 3083</b>	93191271 S3	1181, 1193, 1201, 1228, 1232, 1238, 1245, 1266
<b>99 13 3162</b>	11 31 1 439 853 S2	87, 113
<b>99 13 3162</b>	11 31 1 439 853 S2	758, 759, 760
<b>99 13 3846</b>	11 31 1 439 854 S2	84, 104, 108, 136, 172, 175, 197
<b>99 13 3984</b>	021 109 503 A S1	1294, 1306, 1340, 1370, 1379
<b>99 13 3985</b>	021 109 503 D S1	1306, 1340, 1370, 1379
<b>99 13 4162</b>	55562234 S2	206, 219
<b>99 13 4162</b>	0637 241 S2	803, 825, 829, 837, 846, 850, 854, 862, 866, 867, 885, 909
<b>99 13 4162</b>	55562234 S2	1179, 1201, 1205, 1217, 1232, 1238, 1242, 1245, 1249, 1250, 1266, 1285
<b>99 13 4163</b>	55562234 S3	206, 219
<b>99 13 4163</b>	55562234 S3	1201, 1205, 1232, 1238, 1245, 1249, 1266
<b>99 13 6242</b>	11 31 7 834 163	140, 149
<b>99 13 6336</b>	11 31 7 838 479	112
<b>99 13 8019</b>	000 993 09 78	632, 641, 667, 741
<b>99 13 8194</b>	11 31 1 439 853 S3	84, 87, 103, 107, 113, 166
<b>99 17 7012</b>	000 993 21 76	627, 632, 645, 647, 664, 667, 739, 745
<b>99 91 8018</b>	9180687	1415
<b>99 91 8181</b>	5636 454	818, 820, 827, 847, 848, 864, 875, 876, 886, 898, 903, 906
<b>99 91 8181</b>	55 352 713	1063
<b>99 91 8181</b>	55352713	1194, 1196, 1203, 1234, 1236, 1247, 1256, 1257, 1267, 1274, 1279, 1282

