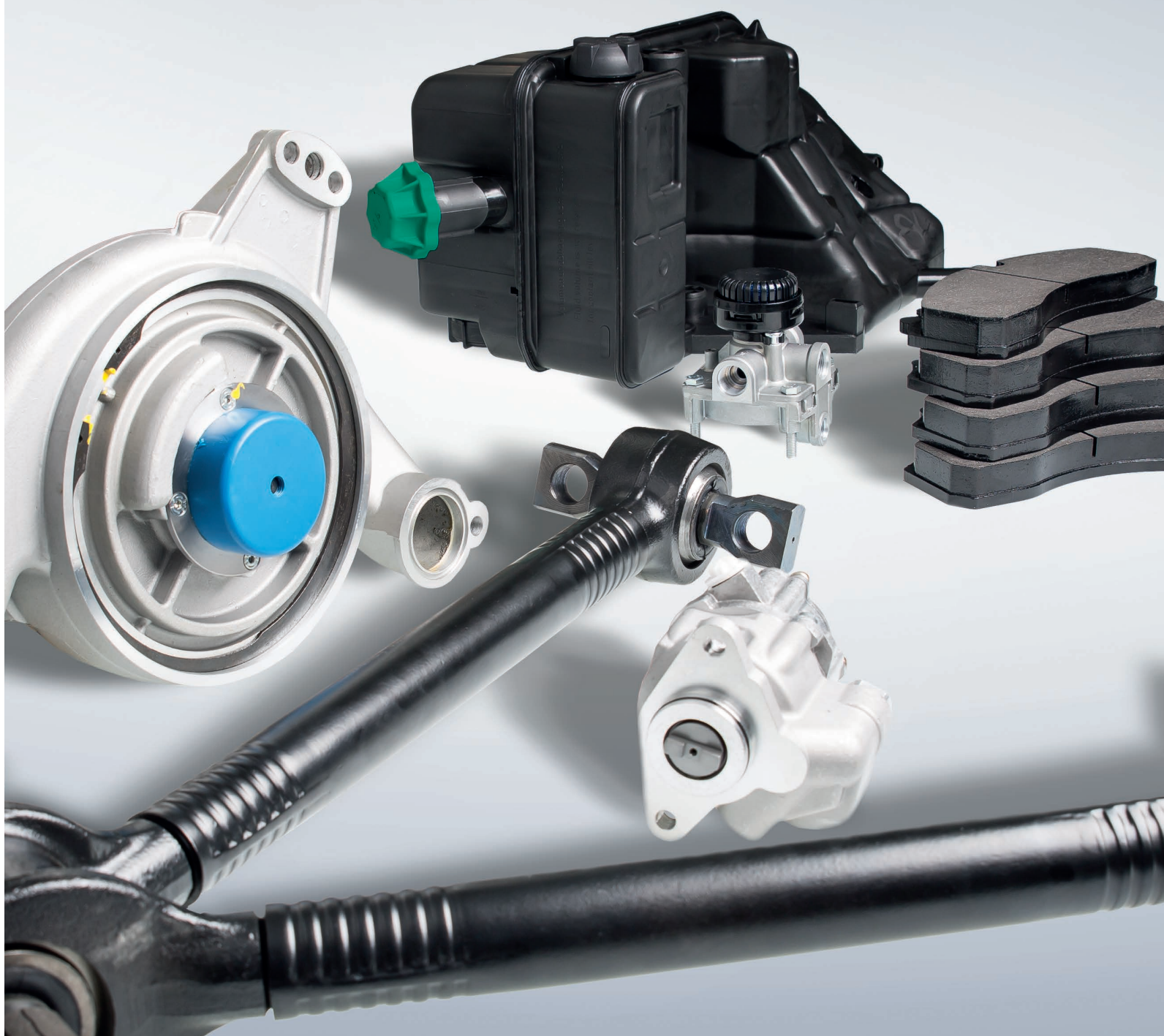


Scania

Spare parts for commercial vehicles



DRIVER'S BEST FRIEND

MEYLE

Robust and reliable components – simply longer on the road.



Trucks are subject to extreme use and require reliable, durable spare parts. MEYLE parts provide outstanding services on roads all over the world, especially for trucks of MAN, Mercedes-Benz, DAF, Volvo, Scania, Renault and Iveco as well as for bus and trailer applications.



Steering & suspension

King pins, Tie rods/tie rod ends, Drag links, and many more



Brakes

Brake discs, Brake pads, Wear indicators, and many more



Drive, clutch and gearbox parts

Clutch discs, Release bearings, Release forks, and many more



Filters

Air filters, Oil filters, Hydraulic oil filters, Cabin air filters, and many more



Engine and cooling parts

Engine mounts, Oil cooler, Fuel pumps, Belt tensioners, and many more



Electrics and sensors

Steering-column switch, ABS sensors, and many more



Cabin and body parts

Cabin tilt pumps, Cabin tilt cylinders, Door handles, and many more

ORIGINAL, PD and HD – The MEYLE product lines



MEYLE-ORIGINAL: Fit as snugly as the original.

More than 21,000 spare parts for passenger cars, vans and trucks, quality-tested, robust, durable and tried and tested a thousand times over on the roads across the world – that's MEYLE-ORIGINAL. Relying on our comprehensive product portfolio – offering everything from A for axial joint to Z for zinc-coated screw – customers can be sure that they will always have safety on their side.

MEYLE-PD: Safety to the power of two.

Thinking outside the box to make our products better: MEYLE-PD stands for brake discs and pads delivering maximum braking performance and setting new standards in terms of durability, comfort, aesthetics, and ease of installation. Look for the „/PD“ part number extension.

MEYLE-HD: Better than originals.

MEYLE-HD parts simply last longer. Their technically optimised and reinforced designs make them more durable and reliable than OE components. So it is only natural for us to offer extended warranty protection for our MEYLE-HD parts: All parts of the HD range come with a full four-year guarantee. Look for the „/HD“ part number extension.



4-year guarantee on all MEYLE-HD parts!

Robust, high mileage, reliable and better than the original. MEYLE-HD parts simply last longer!

Our three success factors.

The success of the MEYLE brand is based on competence, quality and service.

The development of quality-approved automotive spare parts for the independent aftermarket is our trademark. And MEYLE-HD parts are our specialty: improved parts, developed by our team of engineers at our headquarters in Hamburg. We give a 4-year guarantee on our MEYLE-HD parts which have a far longer service life. Based on information from TÜV (Technical control board), from recall statistics as well as media and market information from workshops and other technical partners, MEYLE engineers identify parts in vehicles which become conspicuous on account of frequent, early wear. On the basis of their findings, they develop technical improvements for the respective weakness. In the end, this work is a

large benefit for all MEYLE parts. Something all reputable automotive manufacturers highly appreciate: MEYLE also develops customized products, for example for Morgan, the legendary sports car manufacturer.

Passing on our know-how to staff and customers is just as much a part of our service as high parts availability and swift delivery. Modern warehouse logistics with space covering 29,000 m² and 56,000 pallet places ensure the reliable supply of our partners.

We have now won the "Top Job Employer" award for the fifth time which confirms our outstanding internal business approach and excellent Human Resources policy. We have been one of Germany's leading SME employers for many years.

MEYLE

Guarantee certificate



A distinguishing feature of MEYLE is our high level of precision, achieved by the application of the most modern manufacturing methods. Our MEYLE articles meet highest quality standards and our supply plants are certified in accordance with ISO 9001:2008 and ISO/TS 16949.

We guarantee perfect material and faultless processing of all our MEYLE articles for a period of 24 months as of the date of installation. For MEYLE-HD articles, this guarantee applies for 48 months as of the date of installation.

Complementing this guarantee, we give an additional 100,000 miles (160,934 kilometres) performance guarantee against defects of material and workmanship for MEYLE passenger car water pumps purchased from 01 May 2016. The guarantee given for MEYLE passenger car water pumps terminates upon expiration of the guarantee period or the guaranteed mileage, whichever occurs later: if the guaranteed mileage has not been reached at the end of the guarantee period of 24 or 48 months respectively, the performance guarantee continues to be valid. Respectively, the guarantee period of 24 or 48 months continues to be valid also in any case where the guaranteed mileage was already exceeded.

During the guarantee period, we perform repair work on claimed MEYLE articles or provide a replacement. The MEYLE guarantee does not apply for normal wear and damage caused by inappropriate handling or inappropriate installation. The guarantee expires if the respective part is modified by third parties or via installation of parts from third parties, or if the part, or vehicle, is used in excess of the appropriate use and purpose. The MEYLE guarantee also expires if MEYLE instructions or vehicle manufacturer instructions, e.g. concerning maintenance and replacement intervals, are not observed. The guarantee only applies for MEYLE water pumps, if the cooling circuit has been flushed prior to installation of the MEYLE water pump. Rights granted by law continue to apply unrestrictedly, irrespective of this guarantee.

The customer must submit a written guarantee claim immediately, or at the latest 30 days after identifying an error in material or processing. This claim is to be submitted to the dealer from which he acquired the MEYLE article part. The customer should return the article, carefully packed. He must enclose the original sales receipt and a description of the error. The customer must also verify the date of installation and the mileage of the vehicle by means of respective documents.

Last amended January 2017

Handwritten signature of Manfred Wunder

Director Quality Assurance
Manfred Wunder

Engine/Cooling

1

Belt drive / Engine control, Cooling system, Cylinder head, Engine, Exhaust system, Fuel system, Lubrication system, Mounts

| | | |
|----------------------|---------------------------|-----------------------------|
| Air filter | Gasket set, cylinder head | Sensor, coolant level |
| Belt tensioner | Gasket, exhaust manifold | Tension roller, ribbed belt |
| Cylinder head gasket | Gasket, intake manifold | Thermostat |
| Engine mount | Hand primer pump | Valve cover gasket |
| Expansion tank | Oil filter | V-belt |
| Fan blade | Radiator fan motor | Voltage regulator |
| Fan clutch | Radiator hose | V-ribbed belt |
| Fuel filter | Sender, oil pressure | Water pump |

Brakes

38

Air system, Brakes, Disc brake

| | | |
|----------------------|--------------------------------|------------------------------------|
| ABS wheel sensor | Brake pad set | Relay valve |
| Air dryer cartridge | Brake valve, park brake | Repair kit, brake caliper |
| Air suspension valve | Control valve, trailer | Sensor, pneumatic suspension level |
| Brake disc | Diaphragm, brake cylinder | Silencer, compressor system |
| Brake line coupling | Line filter, compressor system | |

Drive train/Transmission/Clutch

53

Axle shafts, Clutch, Transmission

| | | |
|----------------------------|--------------------------|---------------------------|
| Clutch booster | Shaft seal, differential | Switch, differential lock |
| Joint, propeller shaft | Shift rod connector | Switch, splitter gearbox |
| Mount, manual transmission | | |

Suspension

57

Control arms, Stabilizer, Stub axle, Suspension / damping, Wheel hubs / Wheel bearings

| | | |
|----------------------|--------------------------------|-------------------------|
| Bushing, leaf spring | Repair kit, control arm | Rod/strut, suspension |
| Control arm | Repair kit, kingpin | Rubber stop, suspension |
| Front wheel seal | Repair kit, spring bolt | Shaft seal, wheel hub |
| Mount, stabilizer | Repair kit, stabilizer bushing | Wheel bearing |

Steering

68

Hydraulics, Tie rod assemblies

| | | |
|-----------------------------------|---------------------|-------------|
| Drag link | Hydraulic pump, P/S | Tie rod end |
| Hydraulic filter, steering system | Tie rod assembly | |

Body/Cabin

77

Body, Cabin, Interior fittings, Lighting

| | | |
|--------------------------------|--------------------------------------|---------------------------|
| Back up light switch | Joint bearing, driver cab suspension | Tilt cylinder, driver cab |
| Bushing, driver cab suspension | Repair kit, driver cab mounting | Tilt pump, driver cab |
| Cabin air filter | Rubber stop, cabin | Windshield washer pump |
| Hinge, driver cab | Spacer, driver cab stabiliser | Wiper Blade |

Auxiliary parts / Miscellaneous

87

Universal parts

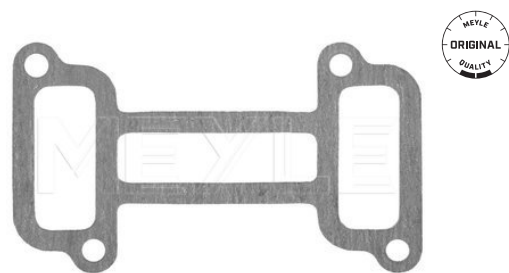
| |
|---------------------|
| Multifunction relay |
|---------------------|

Gasket, intake manifold

834 900 0004 | MMX1534

References

1 374 338 1 516 474



Application info

4 - series [05/95--]

P,G,R,T - series [03/04-10/05]

Gasket, intake manifold

834 001 0016 | MMX1531

References

1 301 629 1 384 555



Application info

3 - series [01/88-12/96]
3 - series bus [01/90-12/97]

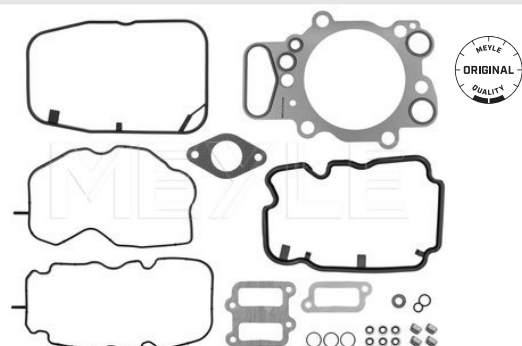
4 - series [05/95--]

Gasket set, cylinder head

834 001 0002 | MMX1496

References

0 551 363 551363

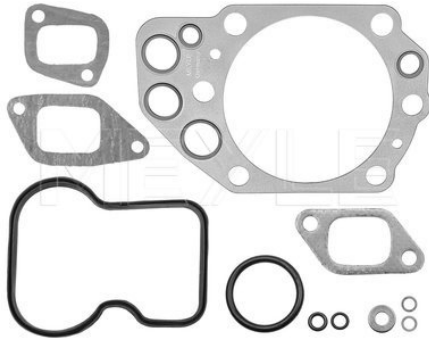


Application info

4 - series [05/95--]

834 001 0001 | MMX1494

Gasket set, cylinder head



References

| | |
|-----------|-----------|
| Ø 550 229 | 551484 |
| 550229 | Ø 551 484 |

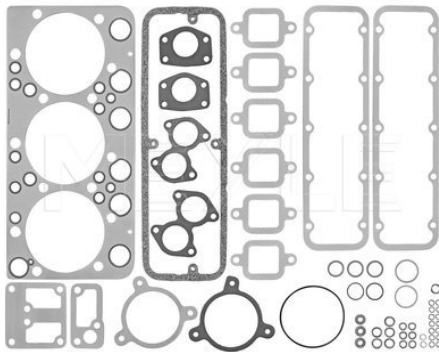
Application info

2 - series [05/80-12/88]
3 - series [01/88-12/96]

3 - series bus [01/90-12/97]
4 - series [05/95--]

834 001 0018 | MMX1577

Gasket set, cylinder head



References

| | |
|-----------|--------|
| Ø 551 512 | 551512 |
|-----------|--------|

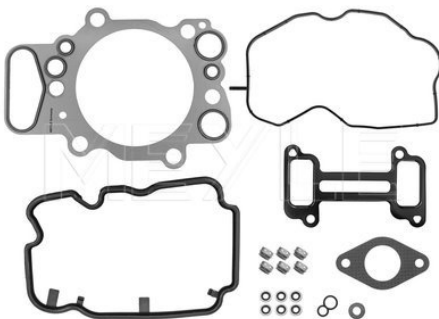
Application info

2 - series [05/80-12/88]

3 - series [01/88-12/96]

834 001 0003 | MMX1495

Gasket set, cylinder head



References

| | |
|-----------|-----------|
| Ø 550 469 | 1 754 607 |
| 550469 | |

Application info

4 - series [05/95--]

P,G,R,T - series [03/04-10/05]

Gasket set, cylinder head

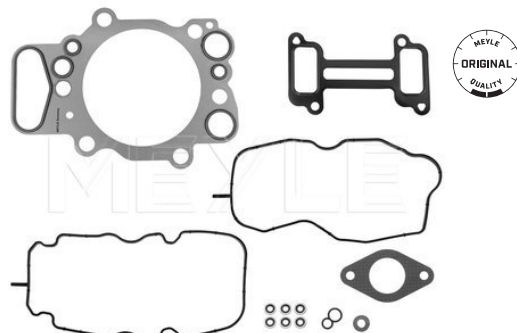
834 001 0015 | MMX1513

Notes

without valve stem seals
Steel

References

1 765 974



Application info

4 - series [05/95--]

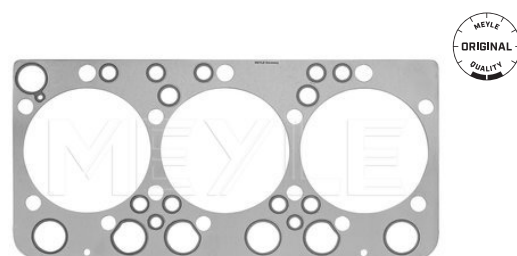
Cylinder head gasket

834 001 0005 | MMX1576

References

0 373 472

373472



Application info

2 - series [05/80-12/88]

3 - series [01/88-12/96]

4 - series [05/95--]

Cylinder head gasket

834 001 0006 | MMX1529

Notes

MVQ (Silicone Elastomer)
Sheet Steel
1

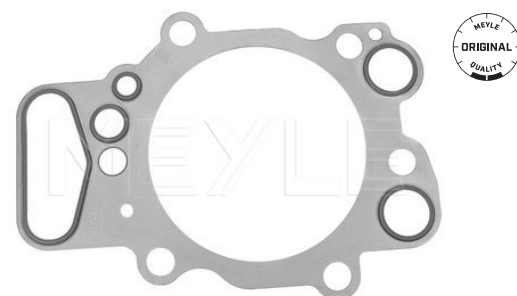
Thickness [mm]

References

1 377 039

1 403 260

1 444 941

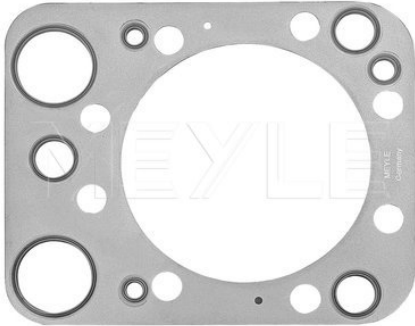


Application info

4 - series [05/95--]

834 001 0004 | MMX1528

Cylinder head gasket



References

1 313 459

1 403 587

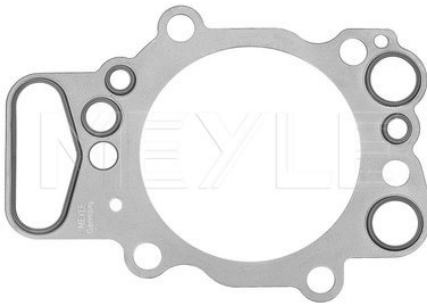
Application info

3 - series [01/88-12/96]

4 - series [05/95--]

834 001 0007 | MMX1530

Cylinder head gasket



Notes

Thickness [mm]

Sheet Steel
MVQ [Silicone Elastomer]
1

References

1 403 608

1 468 555

1 892 765

1 893 054

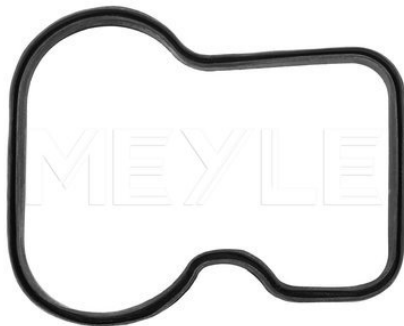
Application info

4 - series [05/95--]

P,G,R,T - series [03/04-10/05]

834 900 0006 | MMX1536

Valve cover gasket



Notes

NBR [nitrile butadiene rubber]

References

0 344 426

344426

378299

0 378 299

1 369 501

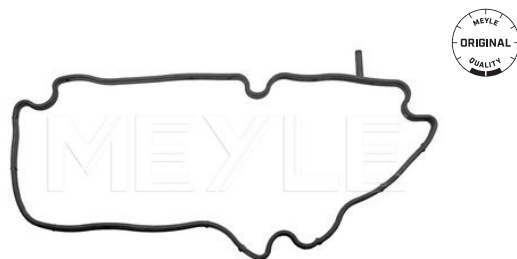
Application info

2 - series [05/80-12/88]

3 - series [01/88-12/96]

4 - series [05/95--]

Valve cover gasket
834 900 0002 | MMX1533
References

 1 401 982 1 542 104
 1 476 506

Application info

4 - series [05/95--]

P,G,R,T - series [03/04-10/05]

Valve cover gasket
834 900 0007 | MMX1537
Notes

Thickness [mm]

 ACM [Polyacrylate]
 9.7

References

1 411 851


Application info

4 - series [05/95--]

P,G,R,T - series [03/04-10/05]

Voltage regulator
034 015 0005 | MEX0143
Notes

 Number of Poles
 Voltage [V]

 2
 28

References

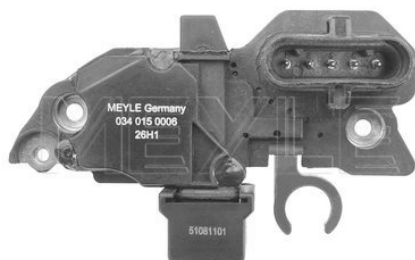
1 387 616


Application info

3 - series [01/88-12/96]

034 015 0006 | MEX0144

Voltage regulator



Notes

| | |
|-----------------|------|
| Number of Poles | 5 |
| Voltage [V] | 28.3 |

References

1 900 934

Application info

P,G,R,T - series [03/04-10/05]

834 899 0014 | MEX0610

Sender, oil pressure



References

| | |
|-----------|-----------|
| 1 402 943 | 1 862 798 |
| 1 545 634 | 2 131 818 |
| 1 784 636 | |

Application info

4 - series [05/95--]

P,G,R,T - series [03/04-10/05]

814 013 0000 | MOF0209

Oil filter



Notes

| | |
|---------------------|--------------------------------|
| Inner diameter [mm] | with seal 93 |
| Outer diameter [mm] | 108 |
| Height [mm] | 260 |
| Thread Size | 1 1/8-16 UN Screw-on Filter |

References

| | |
|-----------|-----------|
| 1 117 285 | 2 059 778 |
| 1 347 726 | |

Application info

4 - series [05/95--]

P,G,R,T - series [03/04-10/05]

Air filter
812 321 0001 | MAF0649
Notes

| | |
|---------------------|---------------|
| Inner diameter [mm] | 190.5 |
| Outer diameter [mm] | 302 |
| Height [mm] | 365 |
| | Filter Insert |

References

| | |
|-----------|-----------|
| Ø 371 307 | 395773 |
| 371307 | Ø 395 773 |


Application info

3 - series [01/88-12/96]

3 - series bus [01/90-12/97]

Air filter
12-34 321 0010 | MAF0199
Notes

| | |
|---------------------|---------------|
| Inner diameter [mm] | 191 |
| Inner diameter [mm] | 11 |
| Outer diameter [mm] | 302 |
| Height [mm] | 473 |
| | Filter Insert |

References

| | |
|-----------|-----------|
| Ø 275 588 | Ø 365 729 |
| 275588 | Ø 531 050 |
| 365729 | 531050 |


Application info

3 - series [01/88-12/96]

Air filter
812 321 0005 | MAF0652
Notes

| | |
|---------------------|---------------|
| Inner diameter [mm] | 169 |
| Outer diameter [mm] | 304 |
| Height [mm] | 448 |
| | Filter Insert |

References

| | |
|-----------|-----------|
| 1 335 679 | 1 869 993 |
| 1 421 022 | 1 869 995 |
| 1 728 667 | |


Application info

4 - series [05/95--]

P,G,R,T - series [03/04-10/05]

034 321 0011 | MAF0069

Air filter



Notes

| | |
|---------------------|---------------|
| Inner diameter [mm] | 170 |
| Outer diameter [mm] | 265 |
| Height [mm] | 531 |
| | Filter Insert |

References

1 485 592

Application info

P,G,R,T - series [03/04-10/05]

034 009 0015 | MMX0197

Hand primer pump



Notes

| | |
|-------------------|---------|
| Outer thread [mm] | M16x1,5 |
| | Manual |

References

| | |
|-----------|-----------|
| Ø 192 882 | 1 384 501 |
| 192882 | |

Application info

4 - series [05/95--]

034 009 0003 | MFF0023

Fuel filter



Notes

| | |
|-------------------|------------|
| Diameter [mm] | Plastic |
| Height [mm] | 36 |
| Connecting thread | 52 |
| | M20x1,5 |
| | Pre-filter |

References

1 391 897

Application info

2 - series [05/80-12/88]
3 - series [01/88-12/96]

3 - series bus [01/90-12/97]
4 - series [05/95--]

Fuel filter
12-34 323 0008 | MFF0232
Notes

 Outer diameter [mm]
 Height [mm]
 Thread Size

 with seal
 109
 146
 1 1/4"-UNS-2B
 Screw-on Filter

References

1 393 640


Application info

P,G,R,T - series [03/04-10/05]

Fuel filter
114 323 0001 | MFF0073
Notes

 Diameter [mm]
 Height [mm]
 Connecting thread

 Steel
 77
 122
 M16x1,5
 Screw-on Filter

References

 Ø 181 646
 181646
 210970
 Ø 210 970
 Ø 326 065

 326065
 364624
 Ø 364 624
 1 401 462

Application info

 2 - series [05/80-12/88]
 3 - series [01/88-12/96]

3 - series bus [01/90-12/97]

Fuel filter
834 323 0002 | MFF0228
Notes

 Outer diameter [mm]
 Height [mm]
 Thread Size

 93,5
 142
 M24x1,5
 Screw-on Filter

References

1 411 894

1 763 776


Application info

4 - series [05/95--]

P,G,R,T - series [03/04-10/05]

834 009 0002 | MFF0257

Fuel filter



Notes

| | |
|---------------------|---------------|
| Diameter [mm] | 45 |
| Outer diameter [mm] | 95 |
| Height [mm] | 203 |
| Full Set | Filter Insert |

References

| | |
|-----------|-----------|
| 1 736 248 | 1 736 251 |
| 1 736 250 | 1 794 863 |

Application info

P,G,R,T - series [03/04-10/05]

834 323 0001 | MFF0227

Fuel filter



Notes

| | |
|---------------------|---------------|
| Outer diameter [mm] | 84 |
| Height 2 [mm] | 184 |
| Height [mm] | 164 |
| | Filter Insert |

References

| | |
|-----------|-----------|
| 1 459 762 | 1 873 016 |
|-----------|-----------|

Application info

4 - series [05/95--]

P,G,R,T - series [03/04-10/05]

834 009 0001 | MFF0225

Fuel filter



Notes

| | |
|---------------------|---------------|
| Diameter [mm] | Paper |
| Outer diameter [mm] | 38 |
| Height [mm] | 85 |
| | 180.5 |
| | Filter Insert |

References

| | |
|-----------|-----------|
| 1 429 059 | 1 873 018 |
| 1 446 432 | |

Application info

4 - series [05/95--]

P,G,R,T - series [03/04-10/05]

Engine mount
834 030 0003 | MEM0680
Notes

Outer diameter [mm] 110
 Height [mm] 68
 Thread Size M10x1,5
 Required quantity 2
 Left and right

Yellow
 Rubber-metal Bearing
 Steel Elastomer

References

1371 729 1423 012
 1475 868


Application info

4 - series (05/95--)

Engine mount
834 030 0002 | MEM0767
Notes

Outer diameter [mm] 110
 Height [mm] 68
 Thread Size M10x1,5
 Required quantity 2
 Left and right

Green
 Rubber-metal Bearing
 Steel Elastomer

References

1336 885 1423 011
 1496 288


Application info

4 - series (05/95--)

Engine mount
834 030 0004 | MEM0766
Notes

Outer diameter [mm] 110
 Height [mm] 68
 Thread Size M10x1,5
 Required quantity 2
 Left and right

Red
 Rubber Bush
 Steel Elastomer

References

1496 749


Application info

4 - series (05/95--)

834 030 0006 | MEM0644

Engine mount



Notes

Bore Ø [mm]
Height [mm]
Width [mm]
Thread Size
Thread Size
Length [mm]
Required quantity

Rubber-metal Bearing
Steel Elastomer
15
172
180
M16x1,5
M14x1,5
270
1
Rear

References

1 921 972

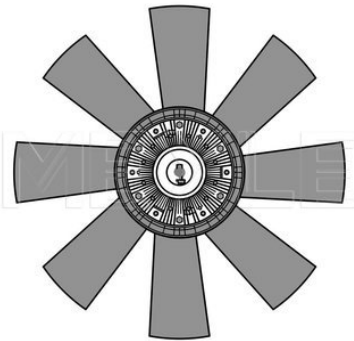
Application info

4 - series [05/95--]

P,G,R,T - series [03/04-10/05]

834 234 0007 | MRM0125

Radiator fan motor



Notes

Number of Wings
Outer diameter [mm]

8
Thermic
680

References

Ø 571 083
571083

1 402 869
1 412 398

Parts list

834 234 0006 | MFC0149

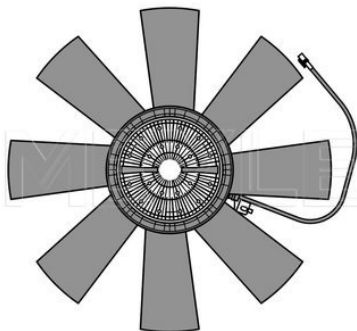
Fan clutch

Application info

P,G,R,T - series [03/04-10/05]

834 234 0018 | MRM0130

Radiator fan motor



Notes

Number of Wings
Outer diameter [mm]
Number of Poles

8
Electric
750
6

References

1 453 967

2 052 003

Application info

P,G,R,T - series [03/04-10/05]

Radiator fan motor
834 234 0016 | MRM0129
Notes

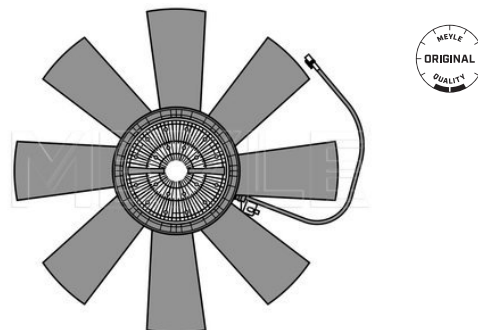
 Number of Wings 8
 Electric
 Outer diameter [mm] 680

References

1 453 968 2 052 007

Parts list

834 234 0015 | MFC0154 Fan clutch

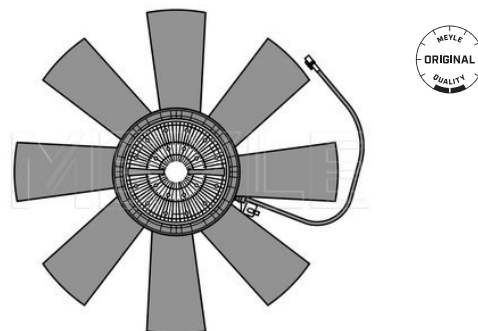

Application info

P,G,R,T - series [03/04-10/05]

Radiator fan motor
814 234 0002 | MRM0089
Notes

 Number of Wings 11
 Electric
 Outer diameter [mm] 745

References

 1 520 308 2 052 005
 1 763 618 2 132 264

Application info

P,G,R,T - series [03/04-10/05]

Radiator fan motor
834 234 0020 | MRM0131
Notes

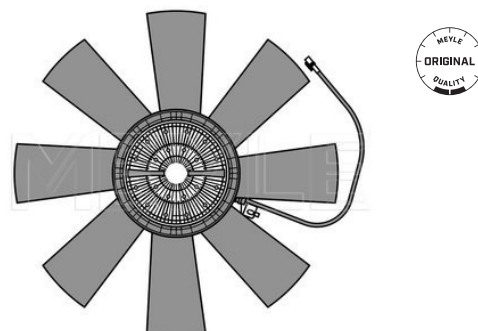
 Number of Wings 11
 Electric
 Outer diameter [mm] 752

References

1 853 555 2 078 557

Parts list

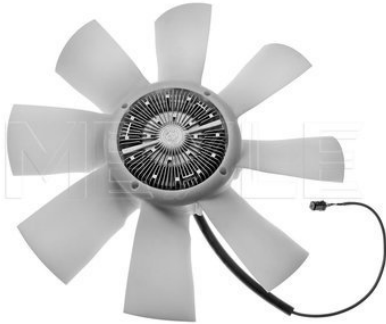
834 234 0019 | MFC0156 Fan clutch


Application info

P,G,R,T - series [03/04-10/05]

814 234 0001 | MRM0088

Radiator fan motor



Notes

| | |
|---------------------|-----------------|
| Number of Wings | 8 |
| Outer diameter [mm] | Electric 750 |
| Number of Poles | 6 |

References

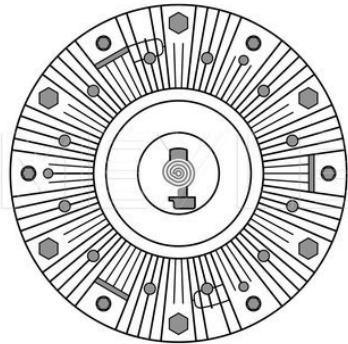
| | |
|-----------|-----------|
| 1 856 995 | 2 410 086 |
| 2 132 266 | |

Application info

P,G,R,T - series [03/04-10/05]

834 234 0006 | MFC0149

Fan clutch



Notes

| | |
|--------------------------|----------------|
| Number of mounting bores | 6 |
| Outer diameter [mm] | Thermic 245 |

References

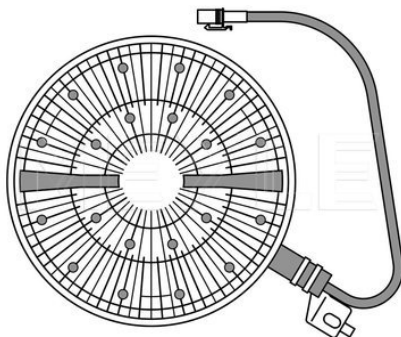
| | |
|-----------|-----------|
| Ø 571 083 | 1 402 869 |
| 571083 | 1 412 398 |

Application info

P,G,R,T - series [03/04-10/05]

834 234 0015 | MFC0154

Fan clutch



References

| | |
|-----------|-----------|
| 1 453 962 | 1 453 968 |
|-----------|-----------|

Application info

P,G,R,T - series [03/04-10/05]

Fan clutch

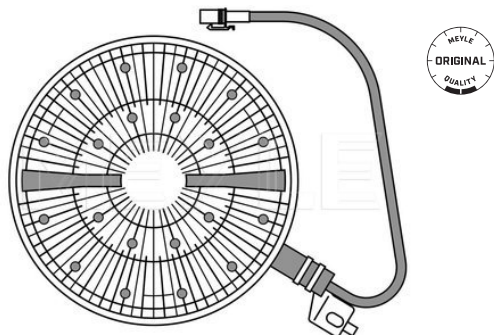
834 234 0014 | MFC0153

Notes

Electric

References

1 471 155



Application info

P,G,R,T - series [03/04-10/05]

Fan clutch

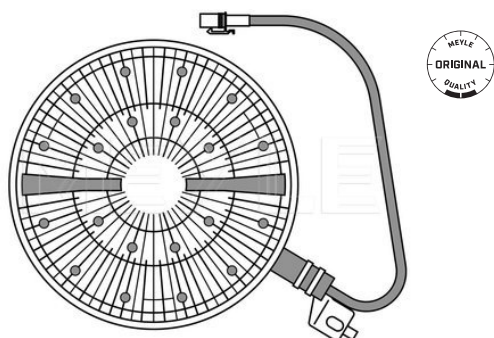
834 234 0003 | MFC0147

Notes

Electric

References

1 520 308



Application info

P,G,R,T - series [03/04-10/05]

Fan clutch

834 234 0019 | MFC0156

Notes

Electric

References

1 853 555

2 078 557

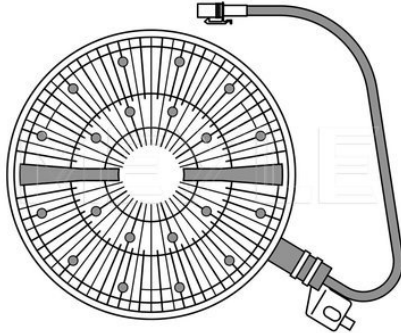


Application info

P,G,R,T - series [03/04-10/05]

834 234 0021 | MFC0157

Fan clutch



Notes

Number of mounting bores 6
Electric

References

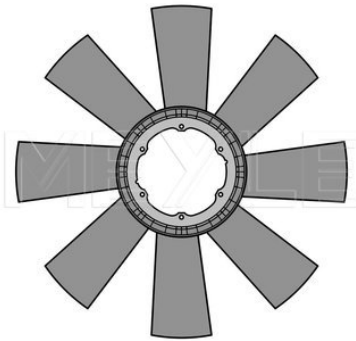
1 856 995

Application info

P,G,R,T - series [03/04-10/05]

834 232 0002 | MMX1434

Fan blade



Notes

Number of Wings 8
Outer diameter [mm] Plastic 680

References

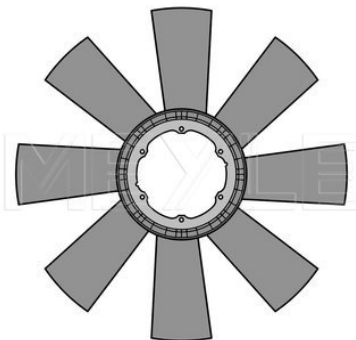
1 411 429

Application info

P,G,R,T - series [03/04-10/05]

834 232 0005 | MMX1437

Fan blade



Notes

Number of Wings 11
Plastic

References

1 757 672

Application info

P,G,R,T - series [03/04-10/05]



Water pump

833 131 4406 | MWP0513

Notes

| | |
|-------------|------------------|
| Weight [kg] | 7.9 with seal |
|-------------|------------------|

References

| | |
|-----------|-----------|
| Ø 571 150 | 1 354 103 |
| 571150 | 1 571 150 |
| 1 314 406 | |



Application info

2 - series [05/80-12/88]

3 - series [01/88-12/96]

Water pump

833 020 0003 | MWP0511

Notes

| | |
|-------------|---|
| Weight [kg] | for v-ribbed belt use 3.4 with seal 1-part housing Metal impeller with belt pulley |
|-------------|---|

References

| | |
|-----------|-----------|
| Ø 570 954 | 1 433 792 |
| 570 954 | 1 510 404 |
| 570 958 | 1 549 481 |
| Ø 570 958 | 1 549 482 |



Application info

P,G,R,T - series [03/04-10/05]

Water pump

833 135 3072 | MWP0515

Notes

| | |
|-------------|------------------|
| Weight [kg] | 2.7 with seal |
|-------------|------------------|

References

| | |
|-----------|-----------|
| Ø 570 951 | 1 508 533 |
| 570951 | 1 896 752 |
| 1 353 072 | |



Application info

4 - series [05/95--]

833 020 0001 | MWP0510

Water pump



Notes

Weight [kg] 3.4
with seal
Belt Pulley Ø [mm] 147

References

Ø 570 952 1 365 841
570 952 1 372 365
570 956 1 508 534
Ø 570 956

Application info

4 - series [05/95--]

833 138 0897 | MWP0516

Water pump



Notes

Weight [kg] 1.7
with seal

References

Ø 570 953 1 380 897
570953 1 486 098
571157 1 510 490
Ø 571 157

Application info

4 - series [05/95--]

833 154 6188 | MWP0517

Water pump



Notes

Weight [kg] 3.1
with seal
Belt Pulley Ø [mm] 150

References

Ø 546 188 570965
546188 Ø 570 965
570959 1 546 188
Ø 570 959 1 570 959
Ø 570 964 1 787 120
570964 1 789 522

Application info

4 - series [05/95--]

P,G,R,T - series [03/04-10/05]

Thermostat
828 288 0001 | MTH0116
Notes

 Opening Temperature [°C] with seal
 1-part housing
 88

References

 1 358 995 1 423 450
 1 404 924

Application info

4 - series [05/95--]

P,G,R,T - series [03/04-10/05]

Thermostat
828 286 0001 | MTH0115
Notes

 Opening Temperature [°C] with seal
 1-part housing
 86

References

1 359 961 1 665 694


Application info

4 - series [05/95--]

Thermostat
828 280 0001 | MTH0117
Notes

 Opening Temperature [°C] with seal
 80

References

 1 347 594 1 745 449
 1 404 925

Application info

 2 - series [05/80-12/88]
 3 - series [01/88-12/96]
 3 - series bus [01/90-12/97]

 4 - series [05/95--]
 P,G,R,T - series [03/04-10/05]

834 223 0001 | MET0072

Expansion tank



Notes

Opening Pressure [bar]

Transparent
0.7
Polyamide

Width [mm]

233

Depth [mm]

279

Length [mm]

444

Capacity [Litre]

10.5

with sensor
with filler cap
Front

References

1 370 707

1 511 775

1 385 966

1 765 735

1 421 090

1 855 164

1 482 688

1 894 478

1 492 421

Parts list

836 899 0001 | MEX0470

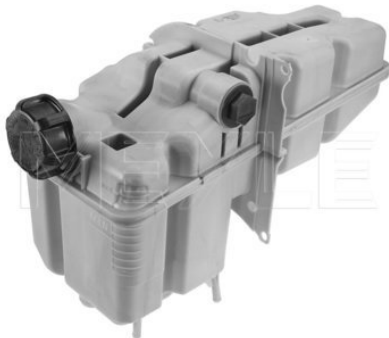
Sensor, coolant level

Application info

4 - series [05/95--]

834 223 0002 | MET0073

Expansion tank



Notes

Opening Pressure [bar]

Beige
0.9

Width [mm]

Thermoplast
233

Depth [mm]

279

Length [mm]

445

Capacity [Litre]

10.5

with sensor
with filler cap
Front

References

1 800 825

1 949 013

Parts list

836 899 0001 | MEX0470

Sensor, coolant level

Application info

4 - series [05/95--]

Sensor, coolant level

836 899 0001 | MEX0470

Notes

Operating voltage [V] 24
Number of Poles 2

References

1 374 052



Application info

4 - series [05/95--]

P,G,R,T - series [03/04-10/05]

Radiator hose

839 050 0024 | MRH0311

Notes

Inner diameter [mm] 52
Outer diameter [mm] 62

References

1 496 815



Application info

P,G,R,T - series [03/04-10/05]

Radiator hose

839 050 0036 | MRH0315

Notes

Inner diameter [mm] 55
Outer diameter [mm] 65

References

1 422 498 1 511 620
1 494 718



Application info

4 - series [05/95--]

P,G,R,T - series [03/04-10/05]

839 050 0007 | MRH0300

Radiator hose



Notes

Inner diameter [mm]
Outer diameter [mm]

Rubber with textile reinforcement
56
65

References

Ø 517 770
517770

1 517 770

Application info

4 - series [05/95--]

839 050 0019 | MRH0309

Radiator hose



Notes

Inner diameter [mm]
Outer diameter [mm]

Rubber with textile reinforcement
30
40

References

1 380 621
1 448 384

1 531 776
1 545 116

Application info

4 - series [05/95--]

839 050 0011 | MRH0304

Radiator hose



Notes

Inner diameter [mm]
Outer diameter [mm]

Rubber with textile reinforcement
19.5
24.5

References

1 733 735

Application info

P,G,R,T - series [03/04-10/05]

Belt tensioner
834 000 0003 | MBT0052
Notes

 Belt Pulley Ø [mm] 74
 Height [mm] 32

References

| | |
|-----------|-----------|
| 1 438 742 | 1 545 983 |
| 1 459 981 | 1 774 652 |
| 1 476 395 | 1 859 655 |
| 1 503 114 | 2 197 003 |


Application info

4 - series [05/95--]

Belt tensioner
834 000 0001 | MBT0050
Notes

 Belt Pulley Ø [mm] 74
 Height [mm] 32

References

| | |
|-----------|-----------|
| 1 354 395 | 1 503 113 |
| 1 371 788 | 1 545 982 |
| 1 459 988 | 1 774 651 |
| 1 493 670 | 1 859 654 |


Application info

4 - series [05/95--]

Belt tensioner
834 000 0004 | MBT0053
Notes

 Belt Pulley Ø [mm] 74
 Height [mm] 32

References

| | |
|-----------|-----------|
| 1 512 181 | 1 859 657 |
| 1 774 650 | 2 197 005 |
| 1 774 654 | |


Application info

4 - series [05/95--]

834 000 0007 | MBT0055

Belt tensioner



Notes

| | |
|---------------------|----|
| Outer diameter [mm] | 80 |
| Height [mm] | 34 |

References

| | |
|-----------|-----------|
| 1 791 073 | 2 197 001 |
| 1 859 653 | |

Application info

P,G,R,T - series [03/04-10/05]

834 000 0010 | MBT0064

Belt tensioner



Notes

| | |
|---------------------|-------|
| Outer diameter [mm] | 74.1 |
| Width [mm] | 38.85 |

References

1 870 552

Application info

P,G,R,T - series [03/04-10/05]

834 000 0002 | MBT0051

Belt tensioner



Notes

| | |
|--------------------|------|
| Belt Pulley Ø [mm] | 74 |
| Height [mm] | 67.5 |

References

| | |
|-----------|-----------|
| 1 438 743 | 1 774 653 |
| 1 503 115 | 1 859 656 |
| 1 545 984 | 2 197 004 |

Application info

4 - series [05/95--]

P,G,R,T - series [03/04-10/05]

Belt tensioner
834 000 0012 | MBT0074
Notes

 Outer diameter [mm] 74.03
 Width [mm] 38.94

References

1 870 553 2 197 391


Application info

P,G,R,T - series [03/04-10/05]

Tension roller, ribbed belt
834 000 1001 | MTR0038
Notes

 Inner diameter [mm] 17
 Outer diameter [mm] 74
 Width [mm] 39.3

References

1 383 564


Application info

4 - series [05/95--]

Tension roller, ribbed belt
834 000 0008 | MTR0036
Notes

 Inner diameter [mm] 11
 Outer diameter [mm] 74
 Width [mm] 38.5

References

1 510 697


Application info

4 - series [05/95--]

834 000 0009 | MTR0037

Tension roller, ribbed belt



Notes

| | |
|---------------------|----|
| Inner diameter [mm] | 20 |
| Outer diameter [mm] | 74 |
| Width [mm] | 32 |

References

1 761 057

Application info

3 - series [01/88-12/96]
4 - series [05/95--]

P,G,R,T - series [03/04-10/05]

834 000 0013 | MTR0047

Tension roller, ribbed belt



References

| | |
|-----------|-----------|
| Ø 535 068 | 1 433 450 |
| 535068 | 1 535 068 |
| 1 413 611 | 1 779 801 |

Application info

4 - series [05/95--]

834 000 0005 | MTR0035

Tension roller, ribbed belt



Notes

| | |
|---------------------|----|
| Outer diameter [mm] | 80 |
|---------------------|----|

References

| | |
|-----------|-----------|
| 1 475 155 | 1 795 774 |
| 1 510 698 | 1 858 884 |

Application info

4 - series [05/95--]

Tension roller, ribbed belt

834 000 0006 | MBT0054

Notes

Outer diameter [mm] 74

References

1 512 749 1 858 885
1 795 775



Application info

4 - series [05/95--]

V-belt

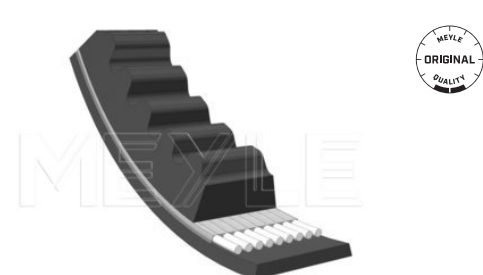
052 013 1600 | MVB0228

Notes

Width [mm] 13
Length [mm] 1600

References

Ø 131 350 Ø 173 194
131350 Ø 173 494
173194 173494



Application info

2 - series [05/80-12/88]

3 - series [01/88-12/96]

V-belt

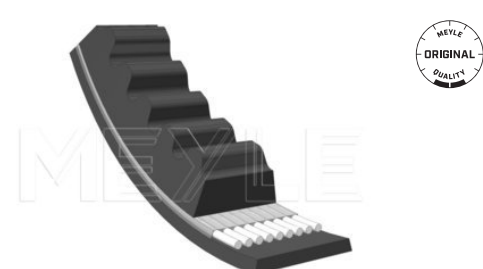
052 013 1625 | MVB0229

Notes

Width [mm] 13
Length [mm] 1625

References

Ø 149 046 173495
149046 Ø 173 495



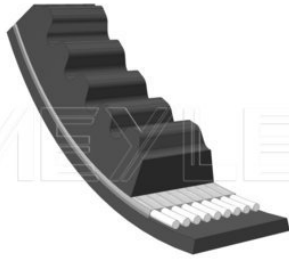
Application info

3 - series [01/88-12/96]

3 - series bus [01/90-12/97]

052 013 1900 | MVB0240

V-belt



Notes

Width [mm] 13
Length [mm] 1900

References

Ø 411 299 411299

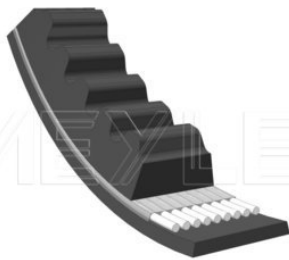
Application info

3 - series [01/88-12/96]

3 - series bus [01/90-12/97]

052 013 1155 | MVB0201

V-belt



Notes

Width [mm] 13
Length [mm] 1155

References

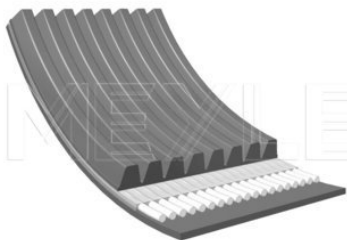
Ø 814 192 814192

Application info

3 - series [01/88-12/96]

050 008 2155 | MRB0688

V-ribbed belt



Notes

EPDM (ethylene propylene diene Monomer [M-class] rubber)
Width [mm] 28
Number of Ribs 8
Length [mm] 2155
One-sided

References

1 371 533

Application info

4 - series [05/95--]

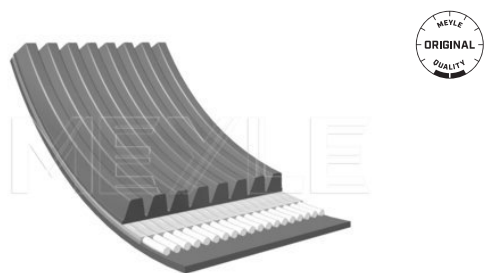
V-ribbed belt
050 008 2130 | MRB0687
Notes

EPDM (ethylene propylene diene Monomer (M-class) rubber)

Width [mm] 28
 Number of Ribs 8
 Length [mm] 2130
 One-sided

References

| | |
|-----------|-----------|
| 1 354 391 | 1 800 525 |
| 1 376 317 | 1 800 531 |
| 1 389 024 | 1 888 467 |
| 1 389 048 | 1 888 468 |
| 1 490 819 | |


Application info

4 - series (05/95--)

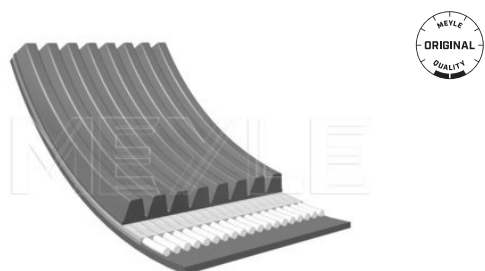
V-ribbed belt
050 008 1580 | MRB0666
Notes

EPDM (ethylene propylene diene Monomer (M-class) rubber)

Width [mm] 28
 Number of Ribs 8
 Length [mm] 1580
 One-sided

References

| | |
|-----------|-----------|
| 1 389 001 | 1 530 981 |
| 1 389 043 | 1 800 539 |


Application info

4 - series (05/95--)

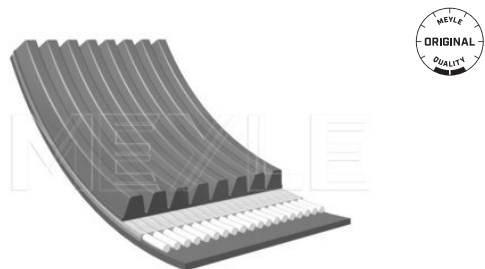
V-ribbed belt
050 008 1980 | MRB0681
Notes

EPDM (ethylene propylene diene Monomer (M-class) rubber)

Width [mm] 28
 Number of Ribs 8
 Length [mm] 1980
 One-sided

References

| | |
|-----------|-----------|
| 1 389 011 | 1 800 521 |
| 1 389 028 | 1 888 463 |
| 1 454 280 | |



050 008 1980 | MRB0681

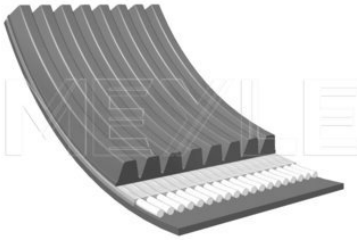
V-ribbed belt

Application info

4 - series [05/95--]

050 008 1538 | MRB0665

V-ribbed belt



Notes

Width [mm]
Number of Ribs
Length [mm]

EPDM (ethylene propylene diene Monomer [M-class] rubber)
28
8
1538
One-sided

References

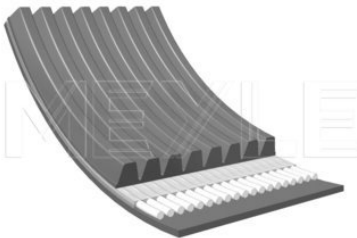
| | |
|-----------|-----------|
| 1 389 012 | 1 800 522 |
| 1 389 029 | 1 888 464 |
| 1 454 281 | |

Application info

4 - series [05/95--]

050 008 1255 | MRB0654

V-ribbed belt



Notes

Width [mm]
Number of Ribs
Length [mm]

EPDM (ethylene propylene diene Monomer [M-class] rubber)
28
8
1255
One-sided

References

| | |
|-----------|-----------|
| 1 389 060 | 1 800 523 |
| 1 454 282 | |

Application info

2 - series [05/80-12/88]
3 - series [01/88-12/96]

4 - series [05/95--]
P,G,R,T - series [03/04-10/05]

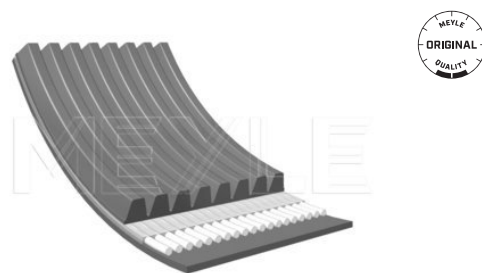
V-ribbed belt
050 008 2380 | MRB0693
Notes

EPDM (ethylene propylene diene Monomer [M-class] rubber)

Width [mm] 28
 Number of Ribs 8
 Length [mm] 2380
 One-sided

References

1 490 821 1 800 527


Application info

4 - series [05/95--]

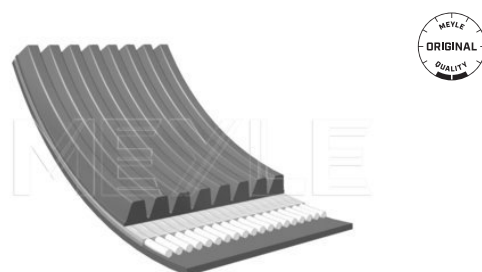
V-ribbed belt
050 008 1795 | MRB0674
Notes

EPDM (ethylene propylene diene Monomer [M-class] rubber)

Width [mm] 28
 Number of Ribs 8
 Length [mm] 1795
 One-sided

References

1 389 059 1 800 533
 1 514 865 1 888 465


Application info

 3 - series [01/88-12/96]
 3 - series bus [01/90-12/97]

4 - series [05/95--]

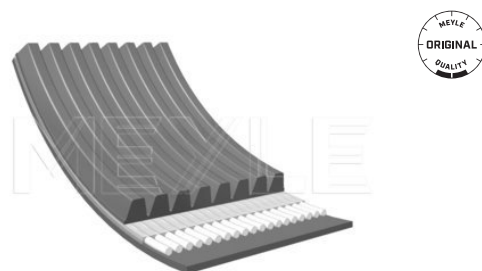
V-ribbed belt
050 008 2050 | MRB0685
Notes

EPDM (ethylene propylene diene Monomer [M-class] rubber)

Width [mm] 28
 Number of Ribs 8
 Length [mm] 2050
 One-sided

References

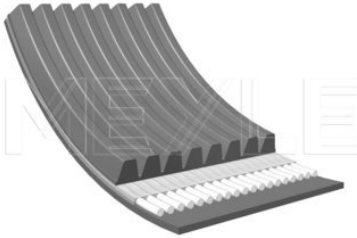
1 371 531 1 530 974
 1 371 532 1 800 537
 1 389 041


Application info

4 - series [05/95--]

050 008 2215 | MRB0690

V-ribbed belt



Notes

Width [mm]
Number of Ribs
Length [mm]

EPDM (ethylene propylene diene Monomer (M-class) rubber)
28
8
2215
One-sided

References

1 389 020
1 389 031
1 389 034

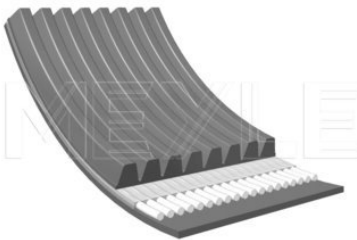
1 530 979
1 803 333

Application info

4 - series [05/95--]

050 008 1480 | MRB0662

V-ribbed belt



Notes

Width [mm]
Number of Ribs
Length [mm]

EPDM (ethylene propylene diene Monomer (M-class) rubber)
28
8
1480
One-sided

References

1 389 016
1 530 987

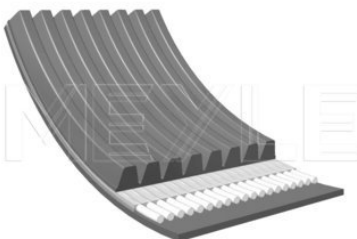
1 800 543

Application info

4 - series [05/95--]

050 008 1895 | MRB0760

V-ribbed belt



Notes

Width [mm]
Number of Ribs
Length [mm]

EPDM (ethylene propylene diene Monomer (M-class) rubber)
28
8
1895
One-sided

References

1 763 403

Application info

4 - series [05/95--]

P,G,R,T - series [03/04-10/05]



V-ribbed belt

050 010 2215 | MRB0765

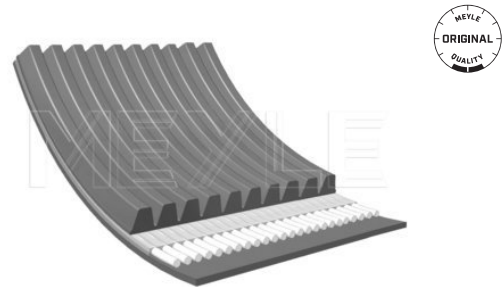
Notes

Width [mm]
Number of Ribs
Length [mm]

EPDM (ethylene propylene diene Monomer [M-class] rubber)
35
10
2215
One-sided

References

1779 744



Application info

4 - series [05/95--]

P,G,R,T - series [03/04-10/05]

V-ribbed belt

050 010 2070 | MRB0764

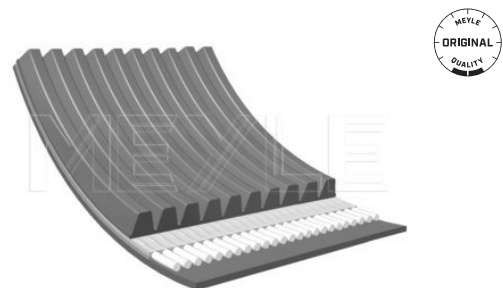
Notes

Width [mm]
Number of Ribs
Length [mm]

EPDM (ethylene propylene diene Monomer [M-class] rubber)
35
10
2070
One-sided

References

1779 745



Application info

4 - series [05/95--]

P,G,R,T - series [03/04-10/05]

V-ribbed belt

050 010 2040 | MRB0763

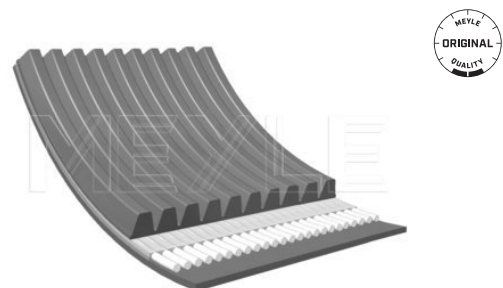
Notes

Width [mm]
Number of Ribs
Length [mm]

EPDM (ethylene propylene diene Monomer [M-class] rubber)
35
10
2040
One-sided

References

1779 747



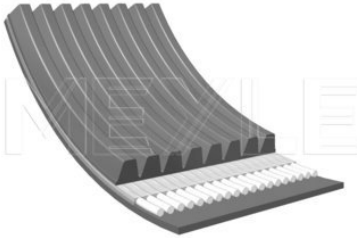
Application info

4 - series [05/95--]

P,G,R,T - series [03/04-10/05]

050 008 2120 | MRB0762

V-ribbed belt



Notes

Width [mm]
Number of Ribs
Length [mm]

EPDM (ethylene propylene diene Monomer [M-class] rubber)
28
8
2120
One-sided

References

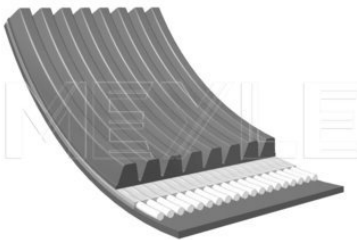
| | |
|-----------|-----------|
| 1 389 005 | 1 800 525 |
| 1 389 046 | 1 800 531 |
| 1 512 178 | 1 803 336 |
| 1 534 506 | 1 888 467 |

Application info

P,G,R,T - series (03/04-10/05)

050 008 1509 | MRB0663

V-ribbed belt



Notes

Width [mm]
Number of Ribs
Length [mm]

EPDM (ethylene propylene diene Monomer [M-class] rubber)
28
8
1509
One-sided

References

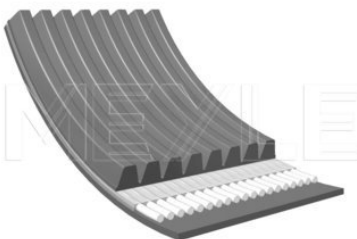
| | |
|-----------|-----------|
| 1 354 390 | 1 519 788 |
| 1 376 316 | 1 530 973 |
| 1 389 049 | 1 800 535 |

Application info

4 - series (05/95--)

050 008 1525 | MRB0664

V-ribbed belt



Notes

Width [mm]
Number of Ribs
Length [mm]

EPDM (ethylene propylene diene Monomer [M-class] rubber)
28
8
1525
One-sided

References

| | |
|-----------|-----------|
| 1 389 036 | 1 800 535 |
| 1 530 989 | |

V-ribbed belt

050 008 1525 | MRB0664

Application info

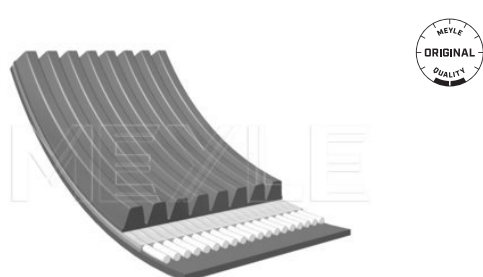
4 - series [05/95--]

V-ribbed belt

050 008 2000 | MRB0682

Notes

EPDM [ethylene propylene diene Monomer (M-class) rubber]
 Width [mm] 28
 Number of Ribs 8
 Length [mm] 2000
 One-sided



References

1 512 179 1 800 550

Application info

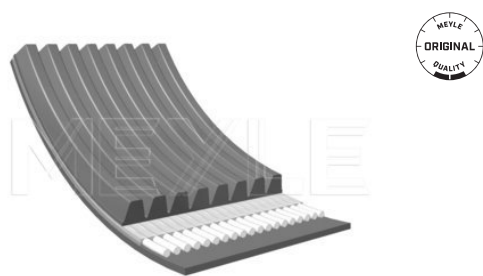
P,G,R,T - series [03/04-10/05]

V-ribbed belt

050 008 2085 | MRB0686

Notes

EPDM [ethylene propylene diene Monomer (M-class) rubber]
 Width [mm] 28
 Number of Ribs 8
 Length [mm] 2085
 One-sided



References

1 888 471

Application info

4 - series [05/95--]

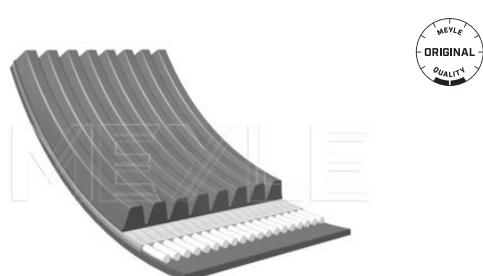
P,G,R,T - series [03/04-10/05]

V-ribbed belt

050 008 2020 | MRB0683

Notes

EPDM [ethylene propylene diene Monomer (M-class) rubber]
 Width [mm] 28
 Number of Ribs 8
 Length [mm] 2020
 One-sided



References

1 920 232

050 008 2020 | MRB0683

V-ribbed belt

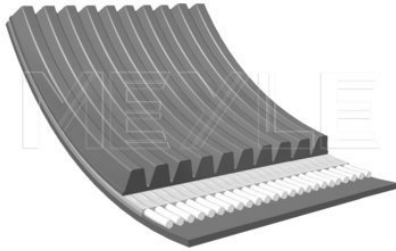
Application info

4 - series [05/95--]

P,G,R,T - series [03/04-10/05]

050 010 1980 | MRB0723

V-ribbed belt



Notes

Width [mm]
Number of Ribs
Length [mm]

EPDM (ethylene propylene diene Monomer (M-class) rubber)
35
10
1980
One-sided

References

1 935 424

Application info

P,G,R,T - series [03/04-10/05]

834 900 0008 | MMX1538

Gasket, exhaust manifold



References

0 364 791

364791

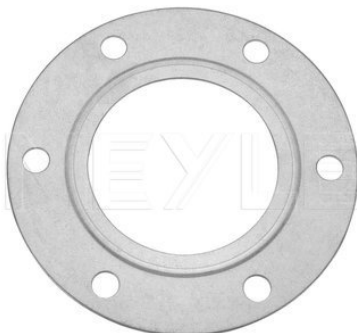
Application info

2 - series [05/80-12/88]
3 - series [01/88-12/96]

4 - series [05/95--]

834 900 0005 | MMX1535

Gasket, exhaust manifold



References

0 365 863

365863

Gasket, exhaust manifold

834 900 0005 | MMX1535

Application info

4 - series (05/95--)

Gasket, exhaust manifold

834 001 0017 | MMX1532

References

1 109 288



Application info

3 - series (01/88-12/96)
3 - series bus (01/90-12/97)

4 - series (05/95--)

834 042 0003 | MBX0222

Repair kit, brake caliper



Notes

| | |
|--------------|---------------|
| Brake System | Knorr SB6,SB7 |
| | Rear Axle |
| | Front Axle |

References

| | |
|-----------|-----------|
| 1 477 675 | 1 527 631 |
|-----------|-----------|

Application info

4 - series [05/95--]

P,G,R,T - series [03/04-10/05]

034 042 0053 | MBX0083

Repair kit, brake caliper



Notes

| | |
|---------------|------------|
| Diameter [mm] | 74 |
| Brake System | SB 7000 |
| Brake System | SB 6000 |
| | Front Axle |
| | Rear Axle |

References

| | |
|-----------|-----------|
| 1 390 429 | 1 756 389 |
| 1 743 421 | 1 759 811 |
| 1 746 824 | |

Application info

4 - series [05/95--]

P,G,R,T - series [03/04-10/05]

034 042 0054 | MBX0084

Repair kit, brake caliper



Notes

| | |
|--------------|---------------|
| Brake System | SB6000,SB7000 |
| Brake System | SN5000,SB5000 |
| | Rear Axle |
| | Front Axle |

References

| | |
|-----------|-----------|
| 1 390 426 | 1 798 063 |
|-----------|-----------|

Application info

4 - series [05/95--]



Brake disc

835 521 0001 | MBD1409

Notes

| | |
|---------------------------|--------------|
| Centering Diameter [mm] | 208 |
| Minimum thickness [mm] | 37 |
| Outer diameter [mm] | 430 |
| Height [mm] | 130 |
| Bolt Hole Circle Ø [mm] | 237 |
| Brake System | KNORR SB/SN7 |
| Brake Disc Thickness [mm] | 45 |
| Required quantity | 2 |
| Number of Holes | 10 |
| | Rear Axle |
| | Front Axle |



References

| | |
|-----------|-----------|
| 1 386 686 | 1 852 817 |
| 1 402 272 | |

Application info

4 - series [05/95--]

P,G,R,T - series [03/04-10/05]

Brake pad set

025 290 8730 | MBP0710

Notes

| | |
|----------------|-----------------------------|
| | without accessories |
| | prepared for wear indicator |
| Thickness [mm] | 30 |
| Height [mm] | 109.5 |
| Width [mm] | 247.3 |
| Brake System | KNORR SB 6/7 |
| | Rear Axle |
| | Front Axle |



References

| | |
|-----------|-----------|
| 1 390 428 | 1 734 529 |
| 1 522 633 | 1 856 108 |

Application info

4 - series [05/95--]

Brake pad set

025 290 8730/S | MBP0711

Notes

| | |
|----------------|-----------------------------|
| | with accessories |
| | prepared for wear indicator |
| Thickness [mm] | 30 |
| Height [mm] | 109.5 |
| Width [mm] | 247.3 |
| Brake System | Knorr |
| | Rear Axle |
| | Front Axle |



References

| |
|-----------|
| 1 390 428 |
|-----------|

025 290 8730/S | MBP0711

Brake pad set

Application info

4 - series [05/95--]

834 533 0017 | MAS0228

ABS wheel sensor



Notes

Cable Length [mm]
Operating voltage [V]
Length [mm]
Number of Poles
Required quantity
Resistance [Ohm]

with accessories
Inductive Sensor
for vehicles with ABS
1450
24
1550
2
2
1150
Rear Axle
Front Axle

References

1 342 971

Application info

4 - series [05/95--]

P,G,R,T - series [03/04-10/05]

834 533 0019 | MAS0229

ABS wheel sensor



Notes

Cable Length [mm]
Operating voltage [V]
Length [mm]
Number of Poles
Required quantity
Resistance [Ohm]

with accessories
Inductive Sensor
for vehicles with ABS
2150
24
2250
2
2
1150
Rear Axle
Front Axle

References

1 355 747

Application info

4 - series [05/95--]

P,G,R,T - series [03/04-10/05]

ABS wheel sensor

834 533 0007 | MAS0219

Notes

with accessories
Inductive Sensor
for vehicles with ABS

Cable Length [mm] 1385
Operating voltage [V] 24
Length [mm] 1425
Number of Poles 2
Required quantity 1
Resistance [Ohm] 1150
Rear Axle
Front Axle



References

1 431 118

Counterpart

834 533 0008 | MAS0220

Application info

4 - series [05/95--]

P,G,R,T - series [03/04-10/05]

ABS wheel sensor

834 533 0008 | MAS0220

Notes

with accessories
Inductive Sensor
for vehicles with ABS

Cable Length [mm] 1380
Operating voltage [V] 24
Length [mm] 1425
Number of Poles 2
Required quantity 1
Resistance [Ohm] 1150
Rear Axle
Front Axle



References

1 431 119

1 530 693

Counterpart

834 533 0007 | MAS0219

Application info

4 - series [05/95--]

P,G,R,T - series [03/04-10/05]

2

834 533 0013 | MAS0225

ABS wheel sensor



Notes

Cable Length [mm]
Operating voltage [V]
Length [mm]
Number of Poles
Required quantity
Resistance [Ohm]

with accessories
Inductive Sensor
for vehicles with ABS
970
24
1065
2
2
1150
Rear Axle
Front Axle

References

1 428 446
1 530 690

1 892 047

Application info

4 - series [05/95--]

834 533 0011 | MAS0223

ABS wheel sensor



Notes

Cable Length [mm]
Operating voltage [V]
Length [mm]
Number of Poles
Required quantity
Resistance [Ohm]

with accessories
Inductive Sensor
for vehicles with ABS
2180
24
2240
2
2
1150
Rear Axle
Front Axle

References

1 353 493

1 530 698

Application info

4 - series [05/95--]

P,G,R,T - series [03/04-10/05]



ABS wheel sensor

834 533 0014 | MAS0226

Notes

| | |
|-----------------------|-----------------------|
| | with accessories |
| | Inductive Sensor |
| | for vehicles with ABS |
| Cable Length [mm] | 2640 |
| Operating voltage [V] | 24 |
| Length [mm] | 2735 |
| Number of Poles | 2 |
| Required quantity | 2 |
| Resistance [Ohm] | 1150 |
| | Rear Axle |
| | Front Axle |



References

| | |
|-----------|-----------|
| 1 365 529 | 1 530 699 |
| 1 428 443 | 1 892 053 |
| 1 438 889 | |

Application info

3 - series [01/88-12/96]

4 - series [05/95--]

ABS wheel sensor

834 533 0015 | MAS0227

Notes

| | |
|-----------------------|-----------------------|
| | with accessories |
| | Inductive Sensor |
| | for vehicles with ABS |
| Cable Length [mm] | 1950 |
| Operating voltage [V] | 24 |
| Length [mm] | 2010 |
| Number of Poles | 2 |
| Required quantity | 2 |
| Resistance [Ohm] | 1150 |
| | Rear Axle |
| | Front Axle |



References

| | |
|-----------|-----------|
| 1 530 702 | 1 545 506 |
|-----------|-----------|

Application info

4 - series [05/95--]

P,G,R,T - series [03/04-10/05]

2

834 533 0009 | MAS0221

ABS wheel sensor



Notes

Cable Length [mm]
Operating voltage [V]
Length [mm]
Number of Poles
Required quantity
Resistance [Ohm]

with accessories
Inductive Sensor
for vehicles with ABS
1440
24
1500
2
2
1150
Rear Axle
Front Axle

References

1 428 450
1 530 696

1 534 527

Application info

4 - series [05/95--]

P,G,R,T - series [03/04-10/05]

834 533 0002 | MAS0218

ABS wheel sensor



Notes

Cable Length [mm]
Operating voltage [V]
Length [mm]
Number of Poles
Required quantity
Resistance [Ohm]

with accessories
Inductive Sensor
for vehicles with ABS
95
24
1015
2
2
1150
Rear Axle
Front Axle

References

1 738 458

Application info

P,G,R,T - series [03/04-10/05]



ABS wheel sensor

834 003 0001 | MAS0217

Notes

| | |
|-----------------------|-----------------------|
| | with accessories |
| | Inductive Sensor |
| | for vehicles with ABS |
| Cable Length [mm] | 305 |
| Operating voltage [V] | 24 |
| Length [mm] | 445 |
| Number of Poles | 2 |
| Required quantity | 2 |
| Resistance [Ohm] | 1150 |
| | Rear Axle |
| | Front Axle |



References

1 784 590

Application info

4 - series [05/95--]

P,G,R,T - series [03/04-10/05]

ABS wheel sensor

834 533 0018 | MAS0375

Notes

| | |
|-----------------------|-----------------------|
| | with accessories |
| | Inductive Sensor |
| | for vehicles with ABS |
| Cable Length [mm] | 2650 |
| Operating voltage [V] | 24 |
| Length [mm] | 2750 |
| Number of Poles | 2 |
| Required quantity | 2 |
| Resistance [Ohm] | 1150 |
| | Rear Axle |
| | Front Axle |



References

1 482 006
1 482 007

1 530 704
1 892 057

Counterpart

834 533 0021 | MAS0376

Application info

4 - series [05/95--]

P,G,R,T - series [03/04-10/05]

834 533 0021 | MAS0376

ABS wheel sensor



Notes

| | |
|-----------------------|------------------|
| Operating voltage [V] | Inductive Sensor |
| Number of Poles | 24 |
| Required quantity | 2 |
| Resistance [Ohm] | 1 |
| | 1150 |
| | Rear Axle |
| | Front Axle |

References

| | |
|-----------|-----------|
| 1 386 289 | 1 438 785 |
| 1 386 290 | 1 438 786 |
| 1 428 451 | 1 530 705 |
| 1 428 452 | 1 892 058 |

Counterpart

834 533 0018 | MAS0375

Application info

4 - series [05/95--]

P,G,R,T - series [03/04-10/05]

834 533 0020 | MAS0313

ABS wheel sensor



Notes

| | |
|-----------------------|------------------|
| Operating voltage [V] | Inductive Sensor |
| Number of Poles | 24 |
| Required quantity | 2 |
| Resistance [Ohm] | 2 |
| | 1150 |
| | Left and right |

References

| | |
|-----------|-----------|
| 0 530 703 | 1 534 520 |
| 530703 | 1 746 079 |
| 1 428 453 | 1 892 038 |
| 1 428 455 | 1 892 068 |
| 1 530 703 | 1 892 070 |

Application info

4 - series [05/95--]

034 043 0058 | MBX0112

Silencer, compressor system



Notes

| | |
|---------------------|----|
| Outer diameter [mm] | 70 |
|---------------------|----|

References

| | |
|-----------|-----------|
| 0 339 877 | 1 378 560 |
| 339877 | 1 543 187 |
| 485467 | 1 932 667 |
| 0 485 467 | |

Silencer, compressor system
034 043 0058 | MBX0112
Application info

 3 - series [01/88-12/96]
 4 - series [05/95--]

P,G,R,T - series [03/04-10/05]

Air dryer cartridge
834 042 0001 | MBX0213
Notes

| | |
|---------------------|---------|
| Inner thread [mm] | G 1 1/4 |
| Outer diameter [mm] | 139 |
| Height [mm] | 178 |

References

| | |
|-----------|-----------|
| 1 384 549 | 1 774 598 |
| 1 455 253 | |


Application info

4 - series [05/95--]

P,G,R,T - series [03/04-10/05]

Air suspension valve
034 032 0005 | MBX0047
Notes

Rear Axle Right

References

| | |
|-----------|-----------|
| 0 279 771 | 677279 |
| 279771 | 0 677 279 |

Counterpart

034 032 0006 | MBX0048


Application info

 2 - series [05/80-12/88]
 3 - series [01/88-12/96]

4 - series [05/95--]

Air suspension valve
034 032 0006 | MBX0048
Notes

Rear Axle Left

References

| | |
|-----------|--------|
| 0 677 280 | 677280 |
|-----------|--------|

Counterpart

034 032 0005 | MBX0047



034 032 0006 | MBX0048

Air suspension valve

Application info

2 - series [05/80-12/88]
3 - series [01/88-12/96]

4 - series [05/95--]

834 032 0001 | MBX0224

Air suspension valve



Notes

Left and right

References

1 372 512
1 395 261

1 399 776
1 430 545

Application info

P,G,R,T - series [03/04-10/05]

12-34 032 0007 | MEX0476

Sensor, pneumatic suspension level



References

1 338 343

1 934 580

Application info

4 - series [05/95--]

034 042 0038 | MBX0072

Brake line coupling



Notes

Number of connectors
Connecting thread
Operating Pressure [bar]

Red
1
M16x1,5
8.1

References

0 318 158
318158

1 584 598

Counterpart

034 042 0039 | MBX0073

Brake line coupling

034 042 0038 | MBX0072

Application info

4 - series [05/95--]

Line filter, compressor system

034 042 0024 | MBX0063

Notes

Pressure [bar] 8

References

Ø 631 697 631697



Application info

2 - series [05/80-12/88]
3 - series [01/88-12/96]

4 - series [05/95--]
P,G,R,T - series [03/04-10/05]

Control valve, trailer

034 043 0039 | MBX0103

Notes

Thread Size M16x1,5
Operating Pressure [bar] 10

References

Ø 293 139 295489
293139 Ø 295 489



Application info

2 - series [05/80-12/88]
3 - series [01/88-12/96]

4 - series [05/95--]

Brake valve, park brake

034 043 0049 | MBX0105

Notes

Thread Size M14x1,5
Operating Pressure [bar] 10

References

Ø 436 190 436190



2

034 043 0049 | MBX0105

Brake valve, park brake

Application info

3 - series bus (01/90-12/97)

034 042 0003 | MBX0054

Diaphragm, brake cylinder



Notes

Equipment Variant

T30
Rubber with textile reinforcement
30"

Diameter [in]

References

1 104 202

Application info

4 - series (05/95--)

034 042 0043 | MBX0075

Diaphragm, brake cylinder



Notes

Equipment Variant

T24L
Rubber with textile reinforcement
24"

Diameter [in]

References

1 104 236

Application info

4 - series (05/95--)

034 043 0002 | MBX0089

Diaphragm, brake cylinder



Notes

Equipment Variant

T20
Rubber with textile reinforcement
20"

Diameter [in]

References

1 104 252

Diaphragm, brake cylinder

034 043 0002 | MBX0089

Application info

3 - series (01/88-12/96)

Diaphragm, brake cylinder

034 042 0062 | MBX0088

Notes

Equipment Variant

T20L
Rubber with textile reinforcement
20"

Diameter [in]

References

1 303 474



Application info

4 - series (05/95--)

Diaphragm, brake cylinder

034 042 0002 | MBX0053

Notes

Equipment Variant

T30L
Rubber with textile reinforcement
30"

Diameter [in]

References

1 303 475



Application info

4 - series (05/95--)

Diaphragm, brake cylinder

034 042 0061 | MBX0087

Notes

Equipment Variant

T16L
Rubber with textile reinforcement
16"

Diameter [in]

References

1 935 370



034 042 0061 | MBX0087

Diaphragm, brake cylinder

Application info

4 - series (05/95--)

034 043 0066 | MBX0114

Relay valve



Notes

| | |
|----------------------------|---------|
| Pressure [bar] | 8.5 |
| Thread Size | M22x1,5 |
| Number of Inlets / Outlets | 5 |

References

1 935 646

Application info

P,G,R,T - series (03/04-10/05)

2

Mount, manual transmission

834 130 0006 | MTM0082

Notes

| | |
|-------------|----------------------|
| | Rubber-metal Bearing |
| Height [mm] | 171 |
| Width [mm] | 112 |
| Length [mm] | 284 |
| | Rear |

References

1 371 725



Application info

P,G,R,T - series [03/04-10/05]

Shaft seal, differential

12-14 753 0001 | MTX0058

Notes

| | |
|---------------------|-----------------------|
| | FPM (fluoride rubber) |
| Inner diameter [mm] | 72 |
| Outer diameter [mm] | 105 |
| Height [mm] | 13 |
| | inner |

References

Ø 386 968

386968



Application info

3 - series [01/88-12/96]

Shift rod connector

034 026 0017 | MTX0022

Notes

| | |
|----------------------|-----------------------|
| | with left-hand thread |
| Thread Measurement 2 | M12x1,75 |
| Thread Measurement 1 | M10x1,5 |
| Length [mm] | 55 |
| Cone Size [mm] | 12.8 |

References

Ø 305 319
305319

1 384 897

Counterpart

034 026 0018 | MTX0023



Application info

2 - series [05/80-12/88]

3 - series [01/88-12/96]

034 026 0018 | MTX0023

Shift rod connector



Notes

Thread Measurement 2
Thread Measurement 1
Length [mm]
Cone Size [mm]

with right-hand thread
M12x1,75
M10x1,5
55
10.8

References

0 305 320
305320
371452

0 371 452
1 384 898

Counterpart

034 026 0017 | MTX0022

Application info

2 - series [05/80-12/88]

3 - series [01/88-12/96]

834 899 0013 | MEX0595

Switch, splitter gearbox



Notes

Number of connectors
Voltage [V]

2
24

References

1 378 644
1 387 100
1 420 005
1 423 971

1 423 974
1 423 976
1 423 977
1 472 739

Application info

P,G,R,T - series [03/04-10/05]

12-34 899 0023 | MEX0488

Switch, differential lock



Notes

Push control
Mechanical

References

1 348 509
1 394 465
1 423 968

1 472 738
1 662 926

Application info

4 - series [05/95--]

P,G,R,T - series [03/04-10/05]

Joint, propeller shaft

834 036 0001 | MPJ0093

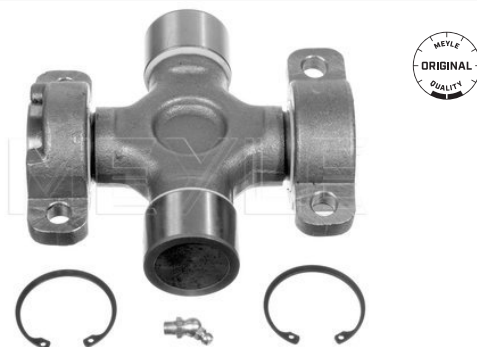
Notes

Piece with add-on material
Universal Joint

Outer diameter [mm] 48
Length [mm] 161
Centre

References

| | |
|-----------|-----------|
| Ø 294 383 | 365901 |
| 294383 | 365913 |
| 337059 | Ø 365 913 |
| Ø 337 059 | 1 541 070 |
| Ø 365 901 | |



Application info

4 - series [05/95--]

Joint, propeller shaft

834 126 0001 | MPJ0095

Notes

Piece with add-on material
Universal Joint

Outer diameter [mm] 38
Length [mm] 148
Centre

References

| | |
|-----------|-----------|
| Ø 294 267 | 337079 |
| 294267 | 345806 |
| 294380 | Ø 345 806 |
| Ø 294 380 | 1 111 745 |
| Ø 304 729 | 1 111 748 |
| 304729 | 1 422 433 |
| 337058 | 1 765 828 |
| Ø 337 058 | 1 879 537 |
| Ø 337 079 | |



Application info

4 - series [05/95--]

834 039 0001 | MPJ0094

Joint, propeller shaft



Notes

Outer diameter [mm]
Length [mm]

Piece
with add-on material
Universal Joint
57
164
Centre

References

| | |
|-----------|-----------|
| Ø 337 060 | 390225 |
| 337060 | 1 541 071 |
| 366437 | 1 672 352 |
| Ø 366 437 | 1 766 467 |
| Ø 390 225 | 1 797 425 |

Application info

4 - series [05/95--]

834 029 0003 | MBX0210

Clutch booster



Notes

Force output F [N]
Stroke [mm]

Brake Fluid
4000
80

References

| | |
|-----------|-----------|
| Ø 371 612 | 1 331 770 |
| 371612 | 1 747 895 |

Application info

3 - series [01/88-12/96]

034 029 0034 | MBX0242

Clutch booster



Notes

Force output F [N]
Operating Pressure [bar]
Stroke [mm]

Mineral Oil
3900
8.4
80

References

1 935 609

Application info

4 - series [05/95--]

Repair kit, kingpin
834 550 0005 | MCX0341
Notes

| | |
|---------------------|--------------------------|
| Outer diameter [mm] | 50 |
| Outer diameter [mm] | 40 |
| Length [mm] | 223 with ball bearing |

References

| | |
|-----------|--------|
| Ø 550 284 | 550284 |
|-----------|--------|


Application info

4 - series [05/95--]

Rubber stop, suspension
834 162 0003 | MRS0206
Notes

| | |
|-------------|----------------|
| Height [mm] | 175 |
| Width [mm] | 90 |
| Length [mm] | 140 |
| | Left and right |

References

1 370 141


Application info

4 - series [05/95--]

P,G,R,T - series [03/04-10/05]

Rubber stop, suspension
834 162 0002 | MRS0205
Notes

| | |
|-------------|-----------------|
| | Steel Elastomer |
| Height [mm] | 142 |
| Width [mm] | 85 |
| Length [mm] | 130 |
| | Rear Axle |

References

1 370 144


Application info

4 - series [05/95--]

P,G,R,T - series [03/04-10/05]

4

834 032 0008 | MCX0362

Bushing, leaf spring



Notes

| | |
|---------------------|-----------|
| Inner diameter [mm] | 30 |
| Outer diameter [mm] | 65 |
| Height [mm] | 122 |
| | Rear Axle |

References

| | |
|-----------|-----------|
| Ø 255 669 | 1 362 710 |
| 255 669 | |

Application info

3 - series [01/88-12/96]

4 - series [05/95--]

834 741 0001 | MCX0465

Repair kit, spring bolt



Notes

| | |
|---------------------|----------------|
| Outer thread [mm] | M 28 x 4 |
| Spanner Size | 28 |
| Outer diameter [mm] | 24 |
| Length [mm] | 166 |
| | Rear |
| | Front |
| | Left and right |

References

| | |
|-----------|-----------|
| Ø 128 680 | Ø 128 681 |
| 128680 | Ø 355 145 |
| 128681 | 355145 |

Application info

4 - series [05/95--]

P,G,R,T - series [03/04-10/05]

834 741 0002 | MCX0453

Repair kit, spring bolt



Notes

| | |
|---------------------|-----------|
| Outer thread [mm] | M 36 x 4 |
| Spanner Size | 34 |
| Outer diameter [mm] | 56 |
| Outer diameter [mm] | 32 |
| Length [mm] | 168.5 |
| | Rear Axle |

References

| | |
|-----------|-----------|
| Ø 135 036 | 1 364 140 |
| 135036 | |

Application info

4 - series [05/95--]

P,G,R,T - series [03/04-10/05]



Repair kit, spring bolt

834 741 0003 | MCX0454

Notes

| | |
|---------------------|-----------|
| Outer thread [mm] | M 36 x 4 |
| Outer diameter [mm] | 32 |
| Length [mm] | 168 |
| | Rear |
| | Rear Axle |

References

| | |
|-----------|-----------|
| Ø 135 035 | Ø 135 036 |
| 135035 | Ø 355 147 |
| 135036 | 355147 |



Application info

4 - series [05/95--]

P,G,R,T - series [03/04-10/05]

Repair kit, spring bolt

834 741 0005 | MCX0466

Notes

| | |
|---------------------|----------------|
| Outer thread [mm] | M 28 x 4 |
| Spanner Size | 28 |
| Outer diameter [mm] | 24 |
| Length [mm] | 166 |
| | Left and right |
| | Rear |
| | Front |

References

| | |
|-----------|--------|
| Ø 355 145 | 355145 |
|-----------|--------|



Application info

4 - series [05/95--]

P,G,R,T - series [03/04-10/05]

Repair kit, spring bolt

834 741 0004 | MCX0486

Notes

| | |
|---------------------|----------------|
| Outer thread [mm] | M 36 x 4 |
| Outer diameter [mm] | 32 |
| Length [mm] | 181 |
| | Left and right |
| | Front |
| | Rear Axle |

References

| | |
|-----------|--------|
| Ø 355 148 | 355148 |
|-----------|--------|



Application info

4 - series [05/95--]

P,G,R,T - series [03/04-10/05]

4

836 050 0006 | MCA0770

Control arm



Notes

Hole Pitch 1/ Hole Pitch 2
Bore Ø [mm]
Pipe Ø [mm]
Length [mm]

Steel
115mm/115mm
19
48
568.5
Trailing Arm
Rear Axle left and right

References

1 782 023

Application info

4 - series [05/95--]

P,G,R,T - series [03/04-10/05]

836 050 0007 | MCA1056

Control arm



Notes

Hole Pitch 1/ Hole Pitch 2
Pipe Ø [mm]
Length [mm]

Steel
115/115
50
568
Trailing Arm
Rear Axle

References

1 499 474
1 722 746

1 906 940

Application info

P,G,R,T - series [03/04-10/05]

836 050 0005 | MSR0104

Rod/strut, suspension



Notes

Bore Ø 1 [mm]
Bore Ø 2 [mm]
Hole Pitch 1/ Hole Pitch 2
Pipe Ø [mm]
Length [mm]

19
19
Guide Rod
115mm/115mm
46
522
Trailing Arm
Left and right

References

1 486 758

Application info

4 - series [05/95--]

Rod/strut, suspension
836 050 0008 | MSR0137
Notes

| | |
|----------------------------|----------------------|
| Bore Ø 1 [mm] | 19 |
| Bore Ø 2 [mm] | 19 |
| Hole Pitch 1/ Hole Pitch 2 | Guide Rod 115 |
| Pipe Ø [mm] | 50 |
| Length [mm] | 568.5 |
| | Tandem-axle Assembly |

References

| | |
|-----------|-----------|
| 1 499 475 | 1 906 941 |
| 1 722 747 | |


Application info

P,G,R,T - series [03/04-10/05]

Rod/strut, suspension
836 050 0009 | MSR0138
Notes

| | |
|---------------|-----------|
| Bore Ø 1 [mm] | 19 |
| Bore Ø 2 [mm] | 19 |
| | Guide Rod |
| Pipe Ø [mm] | 50 |
| Length [mm] | 616.5 |
| | Rear Axle |

References

| | |
|-----------|-----------|
| 1 485 760 | 1 722 750 |
| 1 499 478 | |


Application info

4 - series [05/95--]

P,G,R,T - series [03/04-10/05]

Repair kit, control arm
836 230 0001 | MCX0425
Notes

| | |
|----------------------------|----------------|
| Hole Pitch 1/ Hole Pitch 2 | 115 |
| | for drag link |
| | Front and Rear |

References

| | |
|-----------|--------|
| Ø 550 800 | 550800 |
|-----------|--------|


Application info

4 - series [05/95--]

P,G,R,T - series [03/04-10/05]

4

12-34 230 6051 | MCX0221

Repair kit, control arm



Notes

| | |
|----------------------------|----------------------------|
| Hole Pitch 1/ Hole Pitch 2 | 115 |
| Bore Ø [mm] | 17 |
| Thickness [mm] | 24 |
| Outer diameter [mm] | 75 |
| Length [mm] | 150 |
| | for drag link Rear Axle |

References

| | |
|-----------|-----------|
| Ø 550 806 | 639370 |
| 550806 | Ø 639 370 |

Application info

4 - series [05/95--]

12-34 220 6055 | MCX0218

Repair kit, control arm



Notes

| | |
|----------------------------|--------------------------------|
| Hole Pitch 1/ Hole Pitch 2 | 130,0 |
| Bore Ø [mm] | 19 |
| Thickness [mm] | 30 |
| Outer diameter [mm] | 85 |
| | for wishbone [CV] Rear Axle |

References

| | |
|-----------|-----------|
| Ø 638 862 | Ø 639 287 |
| 638862 | 1 104 335 |
| 639287 | |

Application info

4 - series [05/95--]

P,G,R,T - series [03/04-10/05]

834 032 0006 | MSB0360

Mount, stabilizer



Notes

| | |
|-----------------------|-------------------------|
| Inner diameter [mm] | 65 |
| Outer diameter 2 [mm] | 85 |
| Outer diameter 1 [mm] | 84 |
| Height [mm] | 104 |
| | Rear Axle Front Axle |

References

| | |
|-----------|--------|
| Ø 228 483 | 228483 |
|-----------|--------|

Application info

4 - series [05/95--]

Mount, stabilizer
834 710 0002 | MSB0343
Notes

| | |
|---------------------|--------------------------|
| Inner diameter [mm] | 49.5 |
| Outer diameter [mm] | 80 |
| Height [mm] | 95.5 |
| | Rear Axle left and right |

References

| | |
|-----------|--------|
| Ø 295 751 | 295751 |
|-----------|--------|


Application info

3 - series [01/88-12/96]
 4 - series [05/95--]

P,G,R,T - series [03/04-10/05]

Mount, stabilizer
834 032 0003 | MSB0302
Notes

| | |
|-----------------------|------------|
| Inner diameter [mm] | 65 |
| Outer diameter 2 [mm] | 85 |
| Outer diameter 1 [mm] | 84 |
| Height [mm] | 104 |
| | Rear Axle |
| | Front Axle |

References

1 344 190


Application info

4 - series [05/95--]

Mount, stabilizer
834 089 0002 | MSB0253
Notes

| | |
|---------------------|------------|
| Inner diameter [mm] | 16 |
| Outer diameter [mm] | 46.5 |
| Height [mm] | 24 |
| | Rear Axle |
| | Front Axle |

References

1 516 496


Application info

P,G,R,T - series [03/04-10/05]

4

834 610 0001 | MCX0484

Repair kit, stabilizer bushing



Notes

| | |
|---------------------|---------------------------|
| Inner diameter [mm] | 40 |
| Outer diameter [mm] | 58 |
| Height [mm] | 119 |
| | Front Axle left and right |

References

| | |
|-----------|--------|
| Ø 213 604 | 213604 |
|-----------|--------|

Application info

3 - series [01/88-12/96]

4 - series [05/95--]

834 710 0005 | MCX0510

Repair kit, stabilizer bushing



Notes

| | |
|---------------------|------------|
| Inner diameter [mm] | 65 |
| Outer diameter [mm] | 85 |
| Height [mm] | 104 |
| | Rear Axle |
| | Front Axle |

References

| | |
|-----------|--------|
| Ø 228 483 | 228483 |
|-----------|--------|

Parts list

| | |
|------------------------|-------------------|
| 834 032 0006 MSB0360 | Mount, stabilizer |
|------------------------|-------------------|

Application info

4 - series [05/95--]

834 710 0007 | MCX0511

Repair kit, stabilizer bushing



References

| | |
|-----------|--------|
| Ø 228 483 | 228483 |
|-----------|--------|

Parts list

| | |
|------------------------|-------------------|
| 834 032 0006 MSB0360 | Mount, stabilizer |
|------------------------|-------------------|

Application info

4 - series [05/95--]

Repair kit, stabilizer bushing
834 710 0001 | MCX0485
Notes

| | |
|---------------------|--------------------------|
| Inner diameter [mm] | 49.5 |
| Outer diameter [mm] | 105 |
| Height [mm] | 95.5 |
| | Rear Axle left and right |

References

| | |
|-----------|---------|
| Ø 295 751 | 295 751 |
|-----------|---------|

Parts list

| | |
|------------------------|-------------------|
| 834 710 0002 MSB0343 | Mount, stabilizer |
|------------------------|-------------------|


Application info

3 - series [01/88-12/96]
 4 - series [05/95--]

P,G,R,T - series [03/04-10/05]

Repair kit, stabilizer bushing
834 710 0004 | MCX0474
Notes

| | |
|---------------------|---------------------------|
| Inner diameter [mm] | 49.5 |
| Outer diameter [mm] | 80 |
| Height [mm] | 105 |
| | Rear Axle left and right |
| | Front Axle left and right |

References

| | |
|-----------|--------|
| Ø 295 751 | 295751 |
|-----------|--------|

Parts list

| | |
|------------------------|-------------------|
| 834 710 0002 MSB0343 | Mount, stabilizer |
|------------------------|-------------------|


Application info

4 - series [05/95--]

P,G,R,T - series [03/04-10/05]

Repair kit, stabilizer bushing
834 610 0003 | MCX0494
Notes

| | |
|---------------------|---------------------------|
| Inner diameter [mm] | 65 |
| Outer diameter [mm] | 95 |
| Height [mm] | 103 |
| | Rear Axle left and right |
| | Front Axle left and right |

References

| |
|-----------|
| 1 344 190 |
|-----------|

Parts list

| | |
|------------------------|-------------------|
| 834 032 0003 MSB0302 | Mount, stabilizer |
|------------------------|-------------------|


Application info

4 - series [05/95--]

P,G,R,T - series [03/04-10/05]

4

834 650 0001 | MWB0062

Wheel bearing



Notes

| | |
|---------------------|------------|
| Inner diameter [mm] | 68 |
| Outer diameter [mm] | 127 |
| Height [mm] | 115 |
| | Front Axle |

References

| | |
|-----------|-----------|
| 1 382 900 | 1 443 078 |
| 1 413 785 | 1 476 945 |
| 1 439 070 | 1 724 482 |

Application info

4 - series [05/95--]

P,G,R,T - series [03/04-10/05]

834 753 0005 | MCX0469

Front wheel seal



Notes

| | |
|---------------------|--------------------------------|
| | NBR (nitrile butadiene rubber) |
| Thickness [mm] | 16 |
| Thickness [mm] | 15 |
| Inner diameter [mm] | 142 |
| Outer diameter [mm] | 170 |

References

| | |
|-----------|-----------|
| Ø 370 076 | 1 534 012 |
| 370076 | 1 740 992 |
| 1 409 889 | |

Application info

4 - series [05/95--]

P,G,R,T - series [03/04-10/05]

834 753 0002 | MCX0344

Shaft seal, wheel hub



Notes

| | |
|---------------------|-----------|
| Inner diameter [mm] | 145 |
| Outer diameter [mm] | 170 |
| Height [mm] | 12 |
| | inner |
| | Rear Axle |

References

| | |
|-----------|-----------|
| Ø 291 076 | 370076 |
| 291076 | Ø 370 076 |

Application info

3 - series [01/88-12/96]

4 - series [05/95--]



Shaft seal, wheel hub

834 753 0006 | MCX0447

Notes

| | |
|---------------------|-----------|
| Inner diameter [mm] | 75 |
| Outer diameter [mm] | 100 |
| Height [mm] | 14 |
| | Rear Axle |

References

| | |
|-----------|-----------|
| 1 313 719 | 1 409 890 |
|-----------|-----------|



Application info

4 - series [05/95--]

836 040 0010 | MTA0191

Tie rod assembly



Notes

Pipe Ø [mm]

Thread Measurement 2

Thread Measurement 1

Length [mm]

Cone Size [mm]

Push Rod
Nut with lateral notches
62
with metric thread
M30x1,5
M24x1,5
1743
30
Front Axle

References

1 361 413

1 395 614

1 734 019

1 897 333

2 040 254

2 146 105

Application info

4 - series [05/95--]

836 040 0013 | MTA0190

Tie rod assembly



Notes

Pipe Ø [mm]

Thread Measurement 2

Thread Measurement 1

Length [mm]

Cone Size [mm]

Guide Rod
Nut with lateral notches
40
with metric thread
M30x1,5
M24x1,5
1736
30
Front Axle

References

0 395 350

395350

1 358 675

1 378 435

1 397 866

1 734 020

Parts list

036 020 0004 | MTE0047

036 020 0005 | MTE0048

Tie rod end

Tie rod end

Application info

4 - series [05/95--]

P,G,R,T - series [03/04-10/05]



Tie rod assembly

836 040 0009 | MTA0189

Notes

Pipe Ø [mm]

Thread Measurement 2

Thread Measurement 1

Length [mm]

Cone Size [mm]

for guide bar
Nut with lateral notches
50
with metric thread
M30x1,5
M24x1,5
1743
30
Front Axle



References

1 369 411

1 385 251

1 409 918

1 501 030

1 723 895

1 737 683

1 897 335

2 161 883

Parts list

036 020 0004 | MTE0047

Tie rod end

Application info

4 - series (05/95--)

P,G,R,T - series (03/04-10/05)

Drag link

836 040 0026 | MDL0082

Notes

Pipe Ø [mm]

Thread Measurement 2

Thread Measurement 1

Length [mm]

Cone Size [mm]

Push Rod
Nut with lateral notches
40
with metric thread
M30x1,5
M24x1,5
438
for right-hand drive vehicles
30
Front Axle



References

1 394 884

Parts list

036 020 0004 | MTE0047

Tie rod end

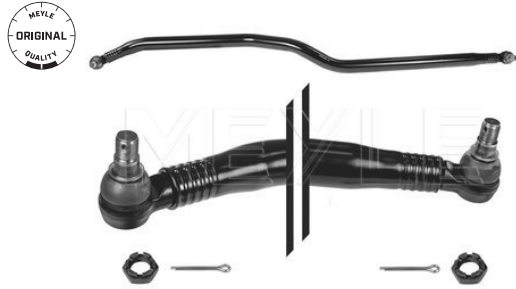
Application info

4 - series (05/95--)

P,G,R,T - series (03/04-10/05)

836 040 0020 | MDL0081

Drag link



Notes

Pipe Ø [mm]

Thread Measurement 2

Thread Measurement 1

Length [mm]

Cone Size [mm]

Push Rod
Nut with lateral notches
60
with metric thread
M24x1,5
M24x1,5
1920
for left-/right-hand traffic
30
Longitudinal
Front Axle
from 1st to 2nd control arm

References

1 343 264

1 732 635

2 007 278

Application info

4 - series [05/95--]

P,G,R,T - series [03/04-10/05]

836 035 0004 | MDL0086

Drag link



Notes

Pipe Ø [mm]

Thread Measurement 2

Thread Measurement 1

Length [mm]

Cone Size [mm]

Push Rod
Nut with lateral notches
38
with metric thread
M30x1,5
M24x1,5
435
30
Rear Axle

References

1 343 283

1 759 691

Parts list

036 020 0004 | MTE0047

036 020 0005 | MTE0048

Tie rod end

Tie rod end

Application info

4 - series [05/95--]

P,G,R,T - series [03/04-10/05]

Drag link
836 040 0007 | MDL0080
Notes

| | |
|----------------------|--|
| | Push Rod |
| Pipe Ø [mm] | Nut with lateral notches 52 with metric thread |
| Thread Measurement 2 | M30x1,5 |
| Thread Measurement 1 | M24x1,5 |
| Length [mm] | 1059 |
| Cone Size [mm] | for left-hand drive vehicles 30 Front Axle |


References

| | |
|-----------|-----------|
| 1 356 055 | 1 768 898 |
| 1 379 071 | 1 847 311 |
| 1 384 025 | 1 912 757 |

Parts list

| | |
|------------------------|-------------|
| 036 020 0004 MTE0047 | Tie rod end |
|------------------------|-------------|

Application info

4 - series [05/95--]

Drag link
836 040 0008 | MDL0096
Notes

| | |
|----------------------|--|
| | Push Rod |
| Pipe Ø [mm] | Nut with lateral notches 52 with metric thread |
| Thread Measurement 2 | M30x1,5 |
| Thread Measurement 1 | M24x1,5 |
| Length [mm] | 1059 |
| Cone Size [mm] | for right-hand drive vehicles 30 Longitudinal |


References

| | |
|-----------|-----------|
| 1 384 027 | 1 847 312 |
| 1 769 597 | |

Parts list

| | |
|------------------------|-------------|
| 036 020 0004 MTE0047 | Tie rod end |
|------------------------|-------------|

Application info

4 - series [05/95--]

036 020 0005 | MTE0048

Tie rod end



Notes

Thread Measurement 2
Thread Measurement 1
Length [mm]

Cone Size [mm]

References

Ø 283 783
283783

Nut with lateral notches
with left-hand thread
M30x1,5
M24x1,5
125
for left-/right-hand traffic
30
Front Axle

395009
Ø 395 009

Counterpart

036 020 0004 | MTE0047

Application info

2 - series (05/80-12/88)

036 020 0005/HD | MTE0048HD

Tie rod end



Notes

Thread Measurement 2
Thread Measurement 1
Length [mm]

Cone Size [mm]

Reinforced Version

References

Ø 283 783
283783

Nut with lateral notches
with left-hand thread
M30x1,5
M24x1,5
125
for left-/right-hand traffic
30
Front Axle

395009
Ø 395 009

Counterpart

036 020 0004/HD | MTE0047HD

Application info

2 - series (05/80-12/88)

Tie rod end

836 020 0006 | MTE0728

Notes

Thread Measurement 2
Thread Measurement 1
Length [mm]

Cone Size [mm]

Nut with lateral notches
with right-hand thread
M30x1,5
M24x1,5
141
for left-/right-hand traffic
30
Front Axle

References

1 488 890

1 534 756



Application info

4 - series (05/95--)

Tie rod end

036 020 0004 | MTE0047

Notes

Thread Measurement 2
Thread Measurement 1
Length [mm]

Cone Size [mm]

Nut with lateral notches
with right-hand thread
M30x1,5
M24x1,5
125
for left-/right-hand traffic
30
Front Axle

References

Ø 283 784
283784
395010
Ø 395 010

1 358 793
1 738 381
1 767 328
1 914 427

Counterpart

036 020 0005 | MTE0048



Application info

2 - series (05/80-12/88)

036 020 0004/HD | MTE0047HD

Tie rod end



Notes

Thread Measurement 2
Thread Measurement 1
Length [mm]

Cone Size [mm]

Reinforced Version

Nut with lateral notches
with right-hand thread
M30x1,5
M24x1,5
125
for left-/right-hand traffic
30
Front Axle

References

| | |
|-----------|-----------|
| Ø 283 784 | 1 358 793 |
| 283784 | 1 738 381 |
| 395010 | 1 767 328 |
| Ø 395 010 | |

Counterpart

036 020 0005/HD | MTE0048HD

Application info

2 - series [05/80-12/88]

834 631 0002 | MHP0107

Hydraulic pump, P/S



Notes

Thread Measurement 2
Number of connectors
Thread Measurement 1
Operating Pressure [bar]

Hydraulic
Steel
M26x1,5
2
M16x1,5
130
Clockwise rotation

References

| | |
|-----------|-----------|
| Ø 255 028 | 571364 |
| 255028 | Ø 571 364 |

Application info

2 - series [05/80-12/88]

3 - series [01/88-12/96]

834 631 0003 | MHP0108

Hydraulic pump, P/S



Notes

Flow rate [l/h]
Thread Measurement 2
Number of connectors
Thread Measurement 1

Hydraulic
Cast Aluminium
96
M26x1,5
2
M16x1,5
Clockwise rotation

References

| | |
|-----------|-----------|
| Ø 571 434 | 1 421 272 |
| 571 434 | 1 457 708 |
| 1 308 495 | |

Hydraulic pump, P/S
834 631 0003 | MHP0108
Application info

P,G,R,T - series [03/04-10/05]

Hydraulic pump, P/S
834 631 0001 | MHP0106
Notes

| | |
|----------------------|--------------------|
| | Hydraulic |
| | Cast Aluminium |
| Thread Measurement 2 | M26x1,5 |
| Number of connectors | 2 |
| Thread Measurement 1 | M16x1,5 |
| | Clockwise rotation |

References

| | |
|-----------|-----------|
| Ø 571 436 | 1 422 417 |
| 571436 | 1 457 710 |
| 1 333 790 | 1 571 397 |


Application info

4 - series [05/95--]

Hydraulic pump, P/S
834 631 0004 | MHP0109
Notes

| | |
|----------------------|--------------------|
| | Hydraulic |
| | Cast Aluminium |
| Thread Measurement 2 | M26x1,5 |
| Number of connectors | 2 |
| Thread Measurement 1 | M16x1,5 |
| | Clockwise rotation |

References

| | |
|-----------|-----------|
| Ø 571 297 | 1 421 628 |
| 571297 | 1 449 167 |
| 571437 | 1 457 711 |
| Ø 571 437 | 1 571 297 |
| 1 332 653 | 1 571 437 |


Application info

P,G,R,T - series [03/04-10/05]

034 046 0000 | MSX0026

Hydraulic filter, steering system



Notes

| | |
|---------------------|------|
| Thickness [mm] | 100 |
| Inner diameter [mm] | 17.1 |
| Outer diameter [mm] | 59 |

References

| | |
|-----------|-----------|
| Ø 153 468 | 1 953 094 |
| 153468 | |

Application info

- 2 - series [05/80-12/88]
- 3 - series [01/88-12/96]
- 3 - series bus [01/90-12/97]

- 4 - series [05/95--]
- P,G,R,T - series [03/04-10/05]

Cabin air filter

812 319 0005 | MCF0432

Notes

Height [mm] 67.5
Width [mm] 160
Length [mm] 224
Filter Insert
Particulate Filter

References

1 379 952 1 913 503
1 420 197



Application info

4 - series [05/95--]

P,G,R,T - series [03/04-10/05]

Cabin air filter

812 319 0006 | MCF0433

Notes

Height [mm] 20
Width [mm] 136
Length [mm] 377
Filter Insert
Particulate Filter

References

1 770 813 1 913 500



Application info

P,G,R,T - series [03/04-10/05]

Hinge, driver cab

834 032 0775 | MIX0211

Notes

Inner diameter [mm] 24
Outer diameter [mm] 65
Height [mm] 90
Left and right

References

0 320 775 1 356 668
320775 1 393 555



Application info

2 - series [05/80-12/88]

3 - series [01/88-12/96]

834 089 0007 | MIX0285

Spacer, driver cab stabiliser



Notes

Thickness [mm] 8

References

1 385 170

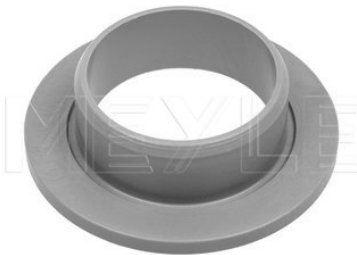
Application info

4 - series [05/95--]

P,G,R,T - series [03/04-10/05]

834 089 0008 | MIX0301

Bushing, driver cab suspension



Notes

Inner diameter 1 [mm] 20
Outer diameter 1 [mm] 23
Height 1 [mm] 10

References

Ø 346 085 346085

Application info

4 - series [05/95--]

834 089 0005 | MIX0300

Bushing, driver cab suspension



Notes

Inner diameter 1 [mm] 16
Outer diameter 1 [mm] 50
Height 1 [mm] 80
Left and right

References

1 105 972 1 514 505

Application info

4 - series [05/95--]



Bushing, driver cab suspension

12-34 210 0406 | MIX0171

Notes

| | |
|-----------------------|----------------|
| Inner diameter 1 [mm] | 16.5 |
| Outer diameter 1 [mm] | 60 |
| Height 2 [mm] | 80 |
| Height 1 [mm] | 64 |
| | Left and right |
| | Front |

References

| | |
|-----------|-----------|
| 1 377 562 | 2 129 313 |
| 1 394 544 | |



Application info

4 - series [05/95--]

P,G,R,T - series [03/04-10/05]

Rubber stop, cabin

834 210 0002 | MIX0264

Notes

| | |
|---------------------|----|
| Outer diameter [mm] | 44 |
| Height [mm] | 28 |
| Required quantity | 2 |

References

1 302 008



Application info

3 - series [01/88-12/96]

4 - series [05/95--]

Rubber stop, cabin

834 210 0003 | MIX0280

Notes

| | |
|---------------------|---------|
| Outer diameter [mm] | 40 |
| Height [mm] | 32 |
| Thread Size | M8x1,25 |
| Thread Length [mm] | 17.5 |

References

1 349 810



Application info

4 - series [05/95--]

6

834 089 0009 | MIX0302

Repair kit, driver cab mounting



References

Ø 346 085 346085

Parts list

834 089 0008 | MIX0301 Bushing, driver cab suspension

Application info

4 - series [05/95--]

834 058 0002 | MIX0292

Repair kit, driver cab mounting



References

1 343 134 1 894 408
1 481 245

Application info

3 - series [01/88-12/96]

4 - series [05/95--]

834 058 0001 | MIX0224

Repair kit, driver cab mounting



References

1 539 498 1 742 449

Application info

4 - series [05/95--]

P,G,R,T - series [03/04-10/05]



Repair kit, driver cab mounting

834 089 0012 | MIX0325

References

1 743 466



Application info

4 - series [05/95--]

Repair kit, driver cab mounting

834 089 0010 | MIX0323

References

1 364 293

1 443 114

1 504 160

1 744 210



Application info

4 - series [05/95--]

Repair kit, driver cab mounting

834 089 0011 | MIX0324

References

1 426 202

1 744 211



Application info

4 - series [05/95--]

6

834 058 0003 | MIX0299

Repair kit, driver cab mounting



References

1 755 638

Application info

4 - series [05/95--]

P,G,R,T - series [03/04-10/05]

834 089 0100 | MIX0249

Tilt pump, driver cab



References

1 378 531
1 575 151

1 575 152

Application info

4 - series [05/95--]

834 910 0006 | MIX0215

Tilt pump, driver cab



Notes

for right-hand drive vehicles

References

1 397 310
1 422 640
1 534 976

1 549 740
1 725 376

Application info

P,G,R,T - series [03/04-10/05]



Tilt pump, driver cab

834 089 0102 | MIX0251

References

| | |
|-----------|-----------|
| 1 349 010 | 1 575 160 |
| 1 375 497 | |



Application info

4 - series (05/95--)

Tilt cylinder, driver cab

834 089 0103 | MIX0252

Notes

| | |
|---------------------|-----|
| Pressure [bar] | 250 |
| Outer diameter [mm] | 60 |
| Length 2 [mm] | 960 |
| Length 1 [mm] | 648 |
| Stroke [mm] | 330 |

References

| | |
|-----------|-----------|
| 1 423 396 | 1 517 324 |
| 1 466 506 | 1 549 738 |



Application info

P,G,R,T - series (03/04-10/05)

Tilt cylinder, driver cab

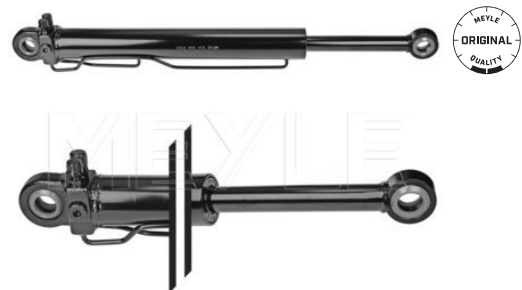
834 089 0104 | MIX0253

Notes

| | |
|---------------------|------|
| Pressure [bar] | 250 |
| Outer diameter [mm] | 55 |
| Length 2 [mm] | 1041 |
| Length 1 [mm] | 696 |
| Stroke [mm] | 345 |

References

| | |
|-----------|-----------|
| 1 477 878 | 1 720 924 |
|-----------|-----------|



Application info

P,G,R,T - series (03/04-10/05)

6

834 150 0002 | MIX0214

Joint bearing, driver cab suspension



Notes

Length [mm] 85

References

1 743 466

Application info

4 - series [05/95--]

834 150 0000 | MIX0306

Joint bearing, driver cab suspension



Notes

Length [mm] 82

References

1 364 293 1 504 160
1 443 114 1 744 210

Application info

4 - series [05/95--]

834 150 0001 | MIX0213

Joint bearing, driver cab suspension



Notes

Length [mm] 120

References

1 426 202 1 744 211

Application info

4 - series [05/95--]

Back up light switch
12-34 533 0200 | MEX0596
Notes

| | |
|-----------------|--------------|
| | Push control |
| | Mechanical |
| Spanner Size | 27 |
| Thread Size | M27x1,5 |
| Thread Size | M18x1,5 |
| Number of Poles | 2 |

References

| | |
|-----------|-----------|
| Ø 343 795 | Ø 370 710 |
| 343795 | 1 303 471 |
| 370710 | 1 541 086 |


Application info

 2 - series [05/80-12/88]
 3 - series [01/88-12/96]

 4 - series [05/95--]
 P,G,R,T - series [03/04-10/05]

Windshield washer pump
12-34 870 0001 | MWI0014
Notes

| | |
|-------------|-----------|
| | Dual Pump |
| | Black |
| | Electric |
| Voltage [V] | 24 |

References

1 722 690


Application info

P,G,R,T - series [03/04-10/05]

Wiper Blade
029 600 2470 | MBL0035
Notes

| | |
|-------------|---------------------|
| | Bracket wiper blade |
| | Beam wiper blade |
| Length [in] | 24 |
| Length [mm] | 600 |
| | Front |

References

| | |
|-----------|-----------|
| Ø 288 204 | 1 323 416 |
| 288204 | 1 742 920 |


Application info

2 - series [05/80-12/88]

3 - series [01/88-12/96]

029 700 2870 | MBL0040

Wiper Blade



Notes

Length [in]
Length [mm]

Bracket wiper blade
Beam wiper blade
28
700
Front

References

1 358 287
1 380 036
1 431 178

1 450 076
1 541 106
1 849 340

Application info

4 - series [05/95--]

P,G,R,T - series [03/04-10/05]



Multifunction relay

12-34 830 0006 | MEX0362

Notes

| | |
|-----------------------|----------------------|
| Rated current [A] | 70 |
| | Clamp 87 |
| | Directional Contact |
| Height [mm] | 42 |
| Width [mm] | 27 |
| Operating voltage [V] | 24 |
| Length [mm] | 27 |
| Number of Poles | 4 |
| | with retaining strap |

References

| | |
|-----------|-----------|
| Ø 303 535 | 1 439 172 |
| 303535 | 1 543 731 |
| 1 047 909 | |



Application info

3 - series [01/88-12/96]
 3 - series bus [01/90-12/97]

4 - series [05/95--]
 P,G,R,T - series [03/04-10/05]

| MEYLE no. | Ref. no. | Page |
|----------------|-----------|------|
| Scania | | |
| 025 290 8730 | 1 390 428 | 39 |
| | 1 522 633 | |
| | 1 734 529 | |
| | 1 856 108 | |
| 025 290 8730/S | 1 390 428 | 39 |
| 029 600 2470 | 0 288 204 | 85 |
| | 288204 | |
| | 1 323 416 | |
| | 1 742 920 | |
| 029 700 2870 | 1 358 287 | 86 |
| | 1 380 036 | |
| | 1 431 178 | |
| | 1 450 076 | |
| | 1 541 106 | |
| | 1 849 340 | |
| 034 009 0003 | 1 391 897 | 8 |
| 034 009 0015 | 0 192 882 | 8 |
| | 192882 | |
| | 1 384 501 | |
| 034 015 0005 | 1 387 616 | 5 |
| 034 015 0006 | 1 900 934 | 6 |
| 034 026 0017 | 0 305 319 | 53 |
| | 305319 | |
| | 1 384 897 | |
| 034 026 0018 | 0 305 320 | 54 |
| | 305320 | |
| | 371452 | |
| | 0 371 452 | |
| 034 029 0034 | 1 935 609 | 56 |
| | 0 279 771 | |
| | 279771 | |
| 034 032 0005 | 677279 | 47 |
| | 0 677 279 | |
| | 0 677 280 | |
| | 677280 | |
| 034 042 0002 | 1 303 475 | 51 |
| 034 042 0003 | 1 104 202 | 50 |
| 034 042 0024 | 0 631 697 | 49 |
| | 631697 | |
| 034 042 0038 | 0 318 158 | 48 |
| | 318158 | |
| | 1 584 598 | |
| 034 042 0043 | 1 104 236 | 50 |
| 034 042 0053 | 1 390 429 | 38 |
| | 1 743 421 | |

| MEYLE no. | Ref. no. | Page |
|-----------------|-----------|------|
| Scania | | |
| | 1 746 824 | |
| | 1 756 389 | |
| | 1 759 811 | |
| 034 042 0054 | 1 390 426 | 38 |
| | 1 798 063 | |
| 034 042 0061 | 1 935 370 | 51 |
| 034 042 0062 | 1 303 474 | 51 |
| 034 043 0002 | 1 104 252 | 50 |
| 034 043 0039 | 0 293 139 | 49 |
| | 293139 | |
| | 295489 | |
| | 0 295 489 | |
| 034 043 0049 | 0 436 190 | 49 |
| | 436190 | |
| 034 043 0058 | 0 339 877 | 46 |
| | 339877 | |
| | 485467 | |
| | 0 485 467 | |
| | 1 378 560 | |
| | 1 543 187 | |
| 034 043 0066 | 1 935 646 | 52 |
| | 0 153 468 | |
| 034 046 0000 | 153468 | 76 |
| | 1 953 094 | |
| | 0 321 011 | |
| 034 321 0011 | 1 485 592 | 8 |
| 036 020 0004 | 0 283 784 | 73 |
| | 283784 | |
| | 395010 | |
| | 0 395 010 | |
| | 1 358 793 | |
| | 1 738 381 | |
| | 1 767 328 | |
| | 1 914 427 | |
| 036 020 0004/HD | 0 283 784 | 74 |
| | 283784 | |
| | 395010 | |
| | 0 395 010 | |
| | 1 358 793 | |
| | 1 738 381 | |
| 036 020 0005 | 1 767 328 | 72 |
| | 0 283 783 | |
| | 283783 | |
| | 395009 | |
| 036 020 0005/HD | 0 395 009 | 72 |
| | 0 283 783 | |

| MEYLE no. | Ref. no. | Page |
|---------------|--|------|
| Scania | | |
| | 283783 395009 Ø 395 009 | |
| 050 008 1255 | 1389 060 1454 282 1800 523 | 30 |
| 050 008 1480 | 1389 016 1530 987 1800 543 | 32 |
| 050 008 1509 | 1354 390 1376 316 1389 049 1519 788 1530 973 1800 535 | 34 |
| 050 008 1525 | 1389 036 1530 989 1800 535 | 34 |
| 050 008 1538 | 1389 012 1389 029 1454 281 1800 522 1888 464 | 30 |
| 050 008 1580 | 1389 001 1389 043 1530 981 1800 539 | 29 |
| 050 008 1795 | 1389 059 1514 865 1800 533 1888 465 | 31 |
| 050 008 1895 | 1763 403 | 32 |
| 050 008 1980 | 1389 011 1389 028 1454 280 1800 521 1888 463 | 29 |
| 050 008 2000 | 1512 179 1800 550 | 35 |
| 050 008 2020 | 1920 232 | 35 |
| 050 008 2050 | 1371 531 1371 532 1389 041 1530 974 1800 537 | 31 |
| 050 008 2085 | 1888 471 | 35 |

| MEYLE no. | Ref. no. | Page |
|---------------|--|------|
| Scania | | |
| 050 008 2120 | 1389 005 1389 046 1512 178 1534 506 1800 525 1800 531 1803 336 1888 467 | 34 |
| 050 008 2130 | 1354 391 1376 317 1389 024 1389 048 1490 819 1800 525 1800 531 1888 467 1888 468 | 29 |
| 050 008 2155 | 1371 533 | 28 |
| 050 008 2215 | 1389 020 1389 031 1389 034 1530 979 1803 333 | 32 |
| 050 008 2380 | 1490 821 1800 527 | 31 |
| 050 010 1980 | 1935 424 | 36 |
| 050 010 2040 | 1779 747 | 33 |
| 050 010 2070 | 1779 745 | 33 |
| 050 010 2215 | 1779 744 | 33 |
| 052 013 1155 | Ø 814 192 814192 | 28 |
| 052 013 1600 | Ø 131 350 131350 173194 Ø 173 194 Ø 173 494 173494 | 27 |
| 052 013 1625 | Ø 149 046 149046 173495 Ø 173 495 | 27 |
| 052 013 1900 | Ø 411 299 411299 | 28 |
| 114 323 0001 | Ø 181 646 181646 210970 | 9 |

| MEYLE no. | Ref. no. | Page |
|----------------|--|------|
| Scania | | |
| | 0 210 970 0 326 065 326065 364624 0 364 624 1 401 462 | |
| 12-14 753 0001 | 0 386 968 386968 | 53 |
| 12-34 032 0007 | 1 338 343 1 934 580 | 48 |
| 12-34 210 0406 | 1 377 562 1 394 544 2 129 313 | 79 |
| 12-34 220 6055 | 0 638 862 638862 639287 0 639 287 1 104 335 | 62 |
| 12-34 230 6051 | 0 550 806 550806 639370 0 639 370 | 62 |
| 12-34 321 0010 | 0 275 588 275588 365729 0 365 729 0 531 050 531050 | 7 |
| 12-34 323 0008 | 1 393 640 | 9 |
| 12-34 533 0200 | 0 343 795 343795 370710 0 370 710 1 303 471 1 541 086 | 85 |
| 12-34 830 0006 | 0 303 535 303535 1 047 909 1 439 172 1 543 731 | 87 |
| 12-34 870 0001 | 1 722 690 | 85 |
| 12-34 899 0023 | 1 348 509 1 394 465 1 423 968 1 472 738 1 662 926 | 54 |

| MEYLE no. | Ref. no. | Page |
|---------------|---|------|
| Scania | | |
| 812 319 0005 | 1 379 952 1 420 197 1 913 503 | 77 |
| 812 319 0006 | 1 770 813 1 913 500 | 77 |
| 812 321 0001 | 0 371 307 371307 395773 0 395 773 | 7 |
| 812 321 0005 | 1 335 679 1 421 022 1 728 667 1 869 993 1 869 995 | 7 |
| 814 013 0000 | 1 117 285 1 347 726 2 059 778 | 6 |
| 814 234 0001 | 1 856 995 2 132 266 2 410 086 | 14 |
| 814 234 0002 | 1 520 308 1 763 618 2 052 005 2 132 264 | 13 |
| 828 280 0001 | 1 347 594 1 404 925 1 745 449 | 19 |
| 828 286 0001 | 1 359 961 1 665 694 | 19 |
| 828 288 0001 | 1 358 995 1 404 924 1 423 450 | 19 |
| 833 020 0001 | 0 570 952 570 952 570 956 0 570 956 1 365 841 1 372 365 1 508 534 | 18 |
| 833 020 0003 | 0 570 954 570 954 570 958 0 570 958 1 433 792 1 510 404 1 549 481 | 17 |

| MEYLE no. | Ref. no. | Page |
|---------------|--|------|
| Scania | | |
| | 1 549 482 | |
| 833 131 4406 | 0 571 150 571150 1 314 406 1 354 103 1 571 150 | 17 |
| 833 135 3072 | 0 570 951 570951 1 353 072 1 508 533 1 896 752 | 17 |
| 833 138 0897 | 0 570 953 570953 571157 0 571 157 1 380 897 1 486 098 1 510 490 | 18 |
| 833 154 6188 | 0 546 188 546188 570959 0 570 959 0 570 964 570964 570965 0 570 965 1 546 188 1 570 959 1 787 120 1 789 522 | 18 |
| 834 000 0001 | 1 354 395 1 371 788 1 459 988 1 493 670 1 503 113 1 545 982 1 774 651 1 859 654 | 23 |
| 834 000 0002 | 1 438 743 1 503 115 1 545 984 1 774 653 1 859 656 2 197 004 | 24 |
| 834 000 0003 | 1 438 742 1 459 981 | 23 |

| MEYLE no. | Ref. no. | Page |
|---------------|--|------|
| Scania | | |
| | 1 476 395 1 503 114 1 545 983 1 774 652 1 859 655 2 197 003 | |
| 834 000 0004 | 1 512 181 1 774 650 1 774 654 1 859 657 2 197 005 | 23 |
| 834 000 0005 | 1 475 155 1 510 698 1 795 774 1 858 884 | 26 |
| 834 000 0006 | 1 512 749 1 795 775 1 858 885 | 27 |
| 834 000 0007 | 1 791 073 1 859 653 2 197 001 | 24 |
| 834 000 0008 | 1 510 697 | 25 |
| 834 000 0009 | 1 761 057 | 26 |
| 834 000 0010 | 1 870 552 | 24 |
| 834 000 0012 | 1 870 553 2 197 391 | 25 |
| 834 000 0013 | 0 535 068 535068 1 413 611 1 433 450 1 535 068 1 779 801 | 26 |
| 834 000 1001 | 1 383 564 | 25 |
| 834 001 0001 | 0 550 229 550229 551484 0 551 484 | 2 |
| 834 001 0002 | 0 551 363 551363 | 1 |
| 834 001 0003 | 0 550 469 550469 1 754 607 | 2 |
| 834 001 0004 | 1 313 459 1 403 587 | 4 |
| 834 001 0005 | 0 373 472 373472 | 3 |

| MEYLE no. | Ref. no. | Page |
|---------------|-----------|------|
| Scania | | |
| 834 001 0006 | 1 377 039 | 3 |
| | 1 403 260 | |
| | 1 444 941 | |
| 834 001 0007 | 1 403 608 | 4 |
| | 1 468 555 | |
| | 1 892 765 | |
| | 1 893 054 | |
| 834 001 0015 | 1 765 974 | 3 |
| 834 001 0016 | 1 301 629 | 1 |
| | 1 384 555 | |
| 834 001 0017 | 1 109 288 | 37 |
| 834 001 0018 | 0 551 512 | 2 |
| | 551512 | |
| 834 003 0001 | 1 784 590 | 45 |
| 834 009 0001 | 1 429 059 | 10 |
| | 1 446 432 | |
| | 1 873 018 | |
| 834 009 0002 | 1 736 248 | 10 |
| | 1 736 250 | |
| | 1 736 251 | |
| | 1 794 863 | |
| 834 029 0003 | 0 371 612 | 56 |
| | 371612 | |
| | 1 331 770 | |
| | 1 747 895 | |
| 834 030 0002 | 1 336 885 | 11 |
| | 1 423 011 | |
| | 1 496 288 | |
| 834 030 0003 | 1 371 729 | 11 |
| | 1 423 012 | |
| | 1 475 868 | |
| 834 030 0004 | 1 496 749 | 11 |
| 834 030 0006 | 1 921 972 | 12 |
| 834 032 0001 | 1 372 512 | 48 |
| | 1 395 261 | |
| | 1 399 776 | |
| | 1 430 545 | |
| 834 032 0003 | 1 344 190 | 63 |
| 834 032 0006 | 0 228 483 | 62 |
| | 228483 | |
| 834 032 0008 | 0 255 669 | 58 |
| | 255 669 | |
| | 1 362 710 | |
| 834 032 0775 | 0 320 775 | 77 |
| | 320775 | |
| | 1 356 668 | |

| MEYLE no. | Ref. no. | Page |
|---------------|-----------|------|
| Scania | | |
| | 1 393 555 | |
| 834 036 0001 | 0 294 383 | 55 |
| | 294383 | |
| | 337059 | |
| | 0 337 059 | |
| | 0 365 901 | |
| | 365901 | |
| | 365913 | |
| | 0 365 913 | |
| | 1 541 070 | |
| 834 039 0001 | 0 337 060 | 56 |
| | 337060 | |
| | 366437 | |
| | 0 366 437 | |
| | 0 390 225 | |
| | 390225 | |
| | 1 541 071 | |
| | 1 672 352 | |
| | 1 766 467 | |
| 1 797 425 | | |
| 834 042 0001 | 1 384 549 | 47 |
| | 1 455 253 | |
| | 1 774 598 | |
| 834 042 0003 | 1 477 675 | 38 |
| | 1 527 631 | |
| 834 058 0001 | 1 539 498 | 80 |
| | 1 742 449 | |
| 834 058 0002 | 1 343 134 | 80 |
| | 1 481 245 | |
| | 1 894 408 | |
| 834 058 0003 | 1 755 638 | 82 |
| 834 089 0002 | 1 516 496 | 63 |
| 834 089 0005 | 1 105 972 | 78 |
| | 1 514 505 | |
| 834 089 0007 | 1 385 170 | 78 |
| 834 089 0008 | 0 346 085 | 78 |
| | 346085 | |
| 834 089 0009 | 0 346 085 | 80 |
| | 346085 | |
| 834 089 0010 | 1 364 293 | 81 |
| | 1 443 114 | |
| | 1 504 160 | |
| | 1 744 210 | |
| 834 089 0011 | 1 426 202 | 81 |
| | 1 744 211 | |
| 834 089 0012 | 1 743 466 | 81 |

| MEYLE no. | Ref. no. | Page |
|---------------|-----------|------|
| Scania | | |
| 834 089 0100 | 1 378 531 | 82 |
| | 1 575 151 | |
| | 1 575 152 | |
| 834 089 0102 | 1 349 010 | 83 |
| | 1 375 497 | |
| | 1 575 160 | |
| 834 089 0103 | 1 423 396 | 83 |
| | 1 466 506 | |
| | 1 517 324 | |
| | 1 549 738 | |
| 834 089 0104 | 1 477 878 | 83 |
| | 1 720 924 | |
| 834 126 0001 | 0 294 267 | 55 |
| | 294267 | |
| | 294380 | |
| | 0 294 380 | |
| | 0 304 729 | |
| | 304729 | |
| | 337058 | |
| | 0 337 058 | |
| | 0 337 079 | |
| | 337079 | |
| | 345806 | |
| | 0 345 806 | |
| | 1 111 745 | |
| | 1 111 748 | |
| | 1 422 433 | |
| | 1 765 828 | |
| | 1 879 537 | |
| 834 130 0006 | 1 371 725 | 53 |
| 834 150 0000 | 1 364 293 | 84 |
| | 1 443 114 | |
| | 1 504 160 | |
| | 1 744 210 | |
| 834 150 0001 | 1 426 202 | 84 |
| | 1 744 211 | |
| 834 150 0002 | 1 743 466 | 84 |
| 834 162 0002 | 1 370 144 | 57 |
| 834 162 0003 | 1 370 141 | 57 |
| 834 210 0002 | 1 302 008 | 79 |
| 834 210 0003 | 1 349 810 | 79 |
| 834 223 0001 | 1 370 707 | 20 |
| | 1 385 966 | |
| | 1 421 090 | |
| | 1 482 688 | |
| | 1 492 421 | |

| MEYLE no. | Ref. no. | Page |
|---------------|-----------|------|
| Scania | | |
| | 1 511 775 | |
| | 1 765 735 | |
| | 1 855 164 | |
| | 1 894 478 | |
| 834 223 0002 | 1 800 825 | 20 |
| | 1 949 013 | |
| 834 232 0002 | 1 411 429 | 16 |
| 834 232 0005 | 1 757 672 | 16 |
| 834 234 0003 | 1 520 308 | 15 |
| 834 234 0006 | 0 571 083 | 14 |
| | 571083 | |
| | 1 402 869 | |
| | 1 412 398 | |
| 834 234 0007 | 0 571 083 | 12 |
| | 571083 | |
| | 1 402 869 | |
| | 1 412 398 | |
| 834 234 0014 | 1 471 155 | 15 |
| 834 234 0015 | 1 453 962 | 14 |
| | 1 453 968 | |
| 834 234 0016 | 1 453 968 | 13 |
| | 2 052 007 | |
| 834 234 0018 | 1 453 967 | 12 |
| | 2 052 003 | |
| 834 234 0019 | 1 853 555 | 15 |
| | 2 078 557 | |
| 834 234 0020 | 1 853 555 | 13 |
| | 2 078 557 | |
| 834 234 0021 | 1 856 995 | 16 |
| 834 323 0001 | 1 459 762 | 10 |
| | 1 873 016 | |
| 834 323 0002 | 1 411 894 | 9 |
| | 1 763 776 | |
| 834 533 0002 | 1 738 458 | 44 |
| 834 533 0007 | 1 431 118 | 41 |
| 834 533 0008 | 1 431 119 | 41 |
| | 1 530 693 | |
| 834 533 0009 | 1 428 450 | 44 |
| | 1 530 696 | |
| | 1 534 527 | |
| 834 533 0011 | 1 353 493 | 42 |
| | 1 530 698 | |
| 834 533 0013 | 1 428 446 | 42 |
| | 1 530 690 | |
| | 1 892 047 | |
| 834 533 0014 | 1 365 529 | 43 |

| MEYLE no. | Ref. no. | Page |
|---------------|---|------|
| Scania | | |
| | 1 428 443 1 438 889 1 530 699 1 892 053 | |
| 834 533 0015 | 1 530 702 1 545 506 | 43 |
| 834 533 0017 | 1 342 971 | 40 |
| 834 533 0018 | 1 482 006 1 482 007 1 530 704 1 892 057 | 45 |
| 834 533 0019 | 1 355 747 | 40 |
| 834 533 0020 | 0 530 703 530703 1 428 453 1 428 455 1 530 703 1 534 520 1 746 079 1 892 038 1 892 068 1 892 070 | 46 |
| 834 533 0021 | 1 386 289 1 386 290 1 428 451 1 428 452 1 438 785 1 438 786 1 530 705 1 892 058 | 46 |
| 834 550 0005 | 0 550 284 550284 | 57 |
| 834 610 0001 | 0 213 604 213604 | 64 |
| 834 610 0003 | 1 344 190 | 65 |
| 834 631 0001 | 0 571 436 571436 1 333 790 1 422 417 1 457 710 1 571 397 | 75 |
| 834 631 0002 | 0 255 028 255028 571364 0 571 364 | 74 |
| 834 631 0003 | 0 571 434 | 74 |

| MEYLE no. | Ref. no. | Page |
|---------------|--|------|
| Scania | | |
| | 571 434 1 308 495 1 421 272 1 457 708 | |
| 834 631 0004 | 0 571 297 571297 571437 0 571 437 1 332 653 1 421 628 1 449 167 1 457 711 1 571 297 1 571 437 | 75 |
| 834 650 0001 | 1 382 900 1 413 785 1 439 070 1 443 078 1 476 945 1 724 482 | 66 |
| 834 710 0001 | 0 295 751 295 751 | 65 |
| 834 710 0002 | 0 295 751 295751 | 63 |
| 834 710 0004 | 0 295 751 295751 | 65 |
| 834 710 0005 | 0 228 483 228483 | 64 |
| 834 710 0007 | 0 228 483 228483 | 64 |
| 834 741 0001 | 0 128 680 128680 128681 0 128 681 0 355 145 355145 | 58 |
| 834 741 0002 | 0 135 036 135036 1 364 140 | 58 |
| 834 741 0003 | 0 135 035 135035 135036 0 135 036 0 355 147 355147 | 59 |
| 834 741 0004 | 0 355 148 | 59 |

| MEYLE no. | Ref. no. | Page |
|---------------|--|------|
| Scania | | |
| | 355148 | |
| 834 741 0005 | 0 355 145 355145 | 59 |
| 834 741 0006 | 0 128 680 128680 128681 0 128 681 0 355 145 355145 | - |
| 834 753 0002 | 0 291 076 291076 370076 0 370 076 | 66 |
| 834 753 0005 | 0 370 076 370076 1 409 889 1 534 012 1 740 992 | 66 |
| 834 753 0006 | 1 313 719 1 409 890 | 67 |
| 834 810 0001 | 1 757 904 1 871 772 | - |
| 834 899 0013 | 1 378 644 1 387 100 1 420 005 1 423 971 1 423 974 1 423 976 1 423 977 1 472 739 | 54 |
| 834 899 0014 | 1 402 943 1 545 634 1 784 636 1 862 798 2 131 818 | 6 |
| 834 900 0002 | 1 401 982 1 476 506 1 542 104 | 5 |
| 834 900 0004 | 1 374 338 1 516 474 | 1 |
| 834 900 0005 | 0 365 863 365863 | 36 |
| 834 900 0006 | 0 344 426 344426 378299 0 378 299 | 4 |

| MEYLE no. | Ref. no. | Page |
|---------------|--|------|
| Scania | | |
| | 1 369 501 | |
| 834 900 0007 | 1 411 851 | 5 |
| 834 900 0008 | 0 364 791 364791 | 36 |
| 834 910 0006 | 1 397 310 1 422 640 1 534 976 1 549 740 1 725 376 | 82 |
| 835 521 0001 | 1 386 686 1 402 272 1 852 817 | 39 |
| 836 020 0006 | 1 488 890 1 534 756 | 73 |
| 836 035 0004 | 1 343 283 1 759 691 | 70 |
| 836 040 0007 | 1 356 055 1 379 071 1 384 025 1 768 898 1 847 311 1 912 757 | 71 |
| 836 040 0008 | 1 384 027 1 769 597 1 847 312 | 71 |
| 836 040 0009 | 1 369 411 1 385 251 1 409 918 1 501 030 1 723 895 1 737 683 1 897 335 2 161 883 | 69 |
| 836 040 0010 | 1 361 413 1 395 614 1 734 019 1 897 333 2 040 254 2 146 105 | 68 |
| 836 040 0013 | 0 395 350 395350 1 358 675 1 378 435 1 397 866 1 734 020 | 68 |
| 836 040 0020 | 1 343 264 | 70 |

| MEYLE no. | Ref. no. | Page |
|---------------|--|------|
| Scania | | |
| | 1 732 635 2 007 278 | |
| 836 040 0026 | 1 394 884 | 69 |
| 836 050 0005 | 1 486 758 | 60 |
| 836 050 0006 | 1 782 023 | 60 |
| 836 050 0007 | 1 499 474 1 722 746 1 906 940 | 60 |
| 836 050 0008 | 1 499 475 1 722 747 1 906 941 | 61 |
| 836 050 0009 | 1 485 760 1 499 478 1 722 750 | 61 |
| 836 230 0001 | 0 550 800 550800 | 61 |
| 836 899 0001 | 1 374 052 | 21 |
| 839 050 0007 | 0 517 770 517770 1 517 770 | 22 |
| 839 050 0011 | 1 733 735 | 22 |
| 839 050 0019 | 1 380 621 1 448 384 1 531 776 1 545 116 | 22 |
| 839 050 0024 | 1 496 815 | 21 |
| 839 050 0036 | 1 422 498 1 494 718 1 511 620 | 21 |

| Ref. no. | MEYLE no. | Page |
|---------------|--|--------|
| Scania | | |
| 0 128 680 | 834 741 0001 834 741 0006 | 58 |
| 128680 | 834 741 0001 834 741 0006 | 58 |
| 0 128 681 | 834 741 0001 834 741 0006 | 58 |
| 128681 | 834 741 0001 834 741 0006 | 58 |
| 0 131 350 | 052 013 1600 | 27 |
| 131350 | 052 013 1600 | 27 |
| 0 135 035 | 834 741 0003 | 59 |
| 135035 | 834 741 0003 | 59 |
| 0 135 036 | 834 741 0002 834 741 0003 | 58-59 |
| 135036 | 834 741 0002 834 741 0003 | 58-59 |
| 0 149 046 | 052 013 1625 | 27 |
| 149046 | 052 013 1625 | 27 |
| 0 153 468 | 034 046 0000 | 76 |
| 153468 | 034 046 0000 | 76 |
| 0 173 194 | 052 013 1600 | 27 |
| 173194 | 052 013 1600 | 27 |
| 0 173 494 | 052 013 1600 | 27 |
| 173494 | 052 013 1600 | 27 |
| 0 173 495 | 052 013 1625 | 27 |
| 173495 | 052 013 1625 | 27 |
| 0 181 646 | 114 323 0001 | 9 |
| 181646 | 114 323 0001 | 9 |
| 0 192 882 | 034 009 0015 | 8 |
| 192882 | 034 009 0015 | 8 |
| 0 210 970 | 114 323 0001 | 9 |
| 210970 | 114 323 0001 | 9 |
| 0 213 604 | 834 610 0001 | 64 |
| 213604 | 834 610 0001 | 64 |
| 0 228 483 | 834 032 0006 834 710 0005 834 710 0007 | 62, 64 |
| 228483 | 834 032 0006 834 710 0005 834 710 0007 | 62, 64 |
| 0 255 028 | 834 631 0002 | 74 |
| 255028 | 834 631 0002 | 74 |
| 0 255 669 | 834 032 0008 | 58 |
| 255 669 | 834 032 0008 | 58 |
| 0 275 588 | 12-34 321 0010 | 7 |
| 275588 | 12-34 321 0010 | 7 |

| Ref. no. | MEYLE no. | Page |
|---------------|--|--------|
| Scania | | |
| 0 279 771 | 034 032 0005 | 47 |
| 279771 | 034 032 0005 | 47 |
| 0 283 783 | 036 020 0005 036 020 0005/HD | 72 |
| 283783 | 036 020 0005 036 020 0005/HD | 72 |
| 0 283 784 | 036 020 0004 036 020 0004/HD | 73-74 |
| 283784 | 036 020 0004 036 020 0004/HD | 73-74 |
| 0 288 204 | 029 600 2470 | 85 |
| 288204 | 029 600 2470 | 85 |
| 0 291 076 | 834 753 0002 | 66 |
| 291076 | 834 753 0002 | 66 |
| 0 293 139 | 034 043 0039 | 49 |
| 293139 | 034 043 0039 | 49 |
| 0 294 267 | 834 126 0001 | 55 |
| 294267 | 834 126 0001 | 55 |
| 0 294 380 | 834 126 0001 | 55 |
| 294380 | 834 126 0001 | 55 |
| 0 294 383 | 834 036 0001 | 55 |
| 294383 | 834 036 0001 | 55 |
| 0 295 489 | 034 043 0039 | 49 |
| 295489 | 034 043 0039 | 49 |
| 0 295 751 | 834 710 0001 834 710 0002 834 710 0004 | 63, 65 |
| 295 751 | 834 710 0001 | 65 |
| 295751 | 834 710 0002 834 710 0004 | 63, 65 |
| 0 303 535 | 12-34 830 0006 | 87 |
| 303535 | 12-34 830 0006 | 87 |
| 0 304 729 | 834 126 0001 | 55 |
| 304729 | 834 126 0001 | 55 |
| 0 305 319 | 034 026 0017 | 53 |
| 305319 | 034 026 0017 | 53 |
| 0 305 320 | 034 026 0018 | 54 |
| 305320 | 034 026 0018 | 54 |
| 0 318 158 | 034 042 0038 | 48 |
| 318158 | 034 042 0038 | 48 |
| 0 320 775 | 834 032 0775 | 77 |
| 320775 | 834 032 0775 | 77 |
| 0 326 065 | 114 323 0001 | 9 |
| 326065 | 114 323 0001 | 9 |
| 0 337 058 | 834 126 0001 | 55 |
| 337058 | 834 126 0001 | 55 |

| Ref. no. | MEYLE no. | Page |
|---------------|--|--------|
| Scania | | |
| 0 337 059 | 834 036 0001 | 55 |
| 337059 | 834 036 0001 | 55 |
| 0 337 060 | 834 039 0001 | 56 |
| 337060 | 834 039 0001 | 56 |
| 0 337 079 | 834 126 0001 | 55 |
| 337079 | 834 126 0001 | 55 |
| 0 339 877 | 034 043 0058 | 46 |
| 339877 | 034 043 0058 | 46 |
| 0 343 795 | 12-34 533 0200 | 85 |
| 343795 | 12-34 533 0200 | 85 |
| 0 344 426 | 834 900 0006 | 4 |
| 344426 | 834 900 0006 | 4 |
| 0 345 806 | 834 126 0001 | 55 |
| 345806 | 834 126 0001 | 55 |
| 0 346 085 | 834 089 0008 834 089 0009 | 78, 80 |
| 346085 | 834 089 0008 834 089 0009 | 78, 80 |
| 0 355 145 | 834 741 0001 834 741 0005 834 741 0006 | 58-59 |
| 355145 | 834 741 0001 834 741 0005 834 741 0006 | 58-59 |
| 0 355 147 | 834 741 0003 | 59 |
| 355147 | 834 741 0003 | 59 |
| 0 355 148 | 834 741 0004 | 59 |
| 355148 | 834 741 0004 | 59 |
| 0 364 624 | 114 323 0001 | 9 |
| 364624 | 114 323 0001 | 9 |
| 0 364 791 | 834 900 0008 | 36 |
| 364791 | 834 900 0008 | 36 |
| 0 365 729 | 12-34 321 0010 | 7 |
| 365729 | 12-34 321 0010 | 7 |
| 0 365 863 | 834 900 0005 | 36 |
| 365863 | 834 900 0005 | 36 |
| 0 365 901 | 834 036 0001 | 55 |
| 365901 | 834 036 0001 | 55 |
| 0 365 913 | 834 036 0001 | 55 |
| 365913 | 834 036 0001 | 55 |
| 0 366 437 | 834 039 0001 | 56 |
| 366437 | 834 039 0001 | 56 |
| 0 370 076 | 834 753 0002 834 753 0005 | 66 |
| 370076 | 834 753 0002 834 753 0005 | 66 |

| Ref. no. | MEYLE no. | Page |
|---------------|---------------------------------|-------|
| Scania | | |
| 0 370 710 | 12-34 533 0200 | 85 |
| 370710 | 12-34 533 0200 | 85 |
| 0 371 307 | 812 321 0001 | 7 |
| 371307 | 812 321 0001 | 7 |
| 0 371 452 | 034 026 0018 | 54 |
| 371452 | 034 026 0018 | 54 |
| 0 371 612 | 834 029 0003 | 56 |
| 371612 | 834 029 0003 | 56 |
| 0 373 472 | 834 001 0005 | 3 |
| 373472 | 834 001 0005 | 3 |
| 0 378 299 | 834 900 0006 | 4 |
| 378299 | 834 900 0006 | 4 |
| 0 386 968 | 12-14 753 0001 | 53 |
| 386968 | 12-14 753 0001 | 53 |
| 0 390 225 | 834 039 0001 | 56 |
| 390225 | 834 039 0001 | 56 |
| 0 395 009 | 036 020 0005 036 020 0005/HD | 72 |
| 395009 | 036 020 0005 036 020 0005/HD | 72 |
| 0 395 010 | 036 020 0004 036 020 0004/HD | 73-74 |
| 395010 | 036 020 0004 036 020 0004/HD | 73-74 |
| 0 395 350 | 836 040 0013 | 68 |
| 395350 | 836 040 0013 | 68 |
| 0 395 773 | 812 321 0001 | 7 |
| 395773 | 812 321 0001 | 7 |
| 0 411 299 | 052 013 1900 | 28 |
| 411299 | 052 013 1900 | 28 |
| 0 436 190 | 034 043 0049 | 49 |
| 436190 | 034 043 0049 | 49 |
| 0 485 467 | 034 043 0058 | 46 |
| 485467 | 034 043 0058 | 46 |
| 0 517 770 | 839 050 0007 | 22 |
| 517770 | 839 050 0007 | 22 |
| 0 530 703 | 834 533 0020 | 46 |
| 530703 | 834 533 0020 | 46 |
| 0 531 050 | 12-34 321 0010 | 7 |
| 531050 | 12-34 321 0010 | 7 |
| 0 535 068 | 834 000 0013 | 26 |
| 535068 | 834 000 0013 | 26 |
| 0 546 188 | 833 154 6188 | 18 |
| 546188 | 833 154 6188 | 18 |
| 0 550 229 | 834 001 0001 | 2 |
| 550229 | 834 001 0001 | 2 |

| Ref. no. | MEYLE no. | Page |
|---------------|------------------------------|--------|
| Scania | | |
| 0 550 284 | 834 550 0005 | 57 |
| 550284 | 834 550 0005 | 57 |
| 0 550 469 | 834 001 0003 | 2 |
| 550469 | 834 001 0003 | 2 |
| 0 550 800 | 836 230 0001 | 61 |
| 550800 | 836 230 0001 | 61 |
| 0 550 806 | 12-34 230 6051 | 62 |
| 550806 | 12-34 230 6051 | 62 |
| 0 551 363 | 834 001 0002 | 1 |
| 551363 | 834 001 0002 | 1 |
| 0 551 484 | 834 001 0001 | 2 |
| 551484 | 834 001 0001 | 2 |
| 0 551 512 | 834 001 0018 | 2 |
| 551512 | 834 001 0018 | 2 |
| 0 570 951 | 833 135 3072 | 17 |
| 570951 | 833 135 3072 | 17 |
| 0 570 952 | 833 020 0001 | 18 |
| 570 952 | 833 020 0001 | 18 |
| 0 570 953 | 833 138 0897 | 18 |
| 570953 | 833 138 0897 | 18 |
| 0 570 954 | 833 020 0003 | 17 |
| 570 954 | 833 020 0003 | 17 |
| 0 570 956 | 833 020 0001 | 18 |
| 570 956 | 833 020 0001 | 18 |
| 0 570 958 | 833 020 0003 | 17 |
| 570 958 | 833 020 0003 | 17 |
| 0 570 959 | 833 154 6188 | 18 |
| 570959 | 833 154 6188 | 18 |
| 0 570 964 | 833 154 6188 | 18 |
| 570964 | 833 154 6188 | 18 |
| 0 570 965 | 833 154 6188 | 18 |
| 570965 | 833 154 6188 | 18 |
| 0 571 083 | 834 234 0006 834 234 0007 | 12, 14 |
| 571083 | 834 234 0006 834 234 0007 | 12, 14 |
| 0 571 150 | 833 131 4406 | 17 |
| 571150 | 833 131 4406 | 17 |
| 0 571 157 | 833 138 0897 | 18 |
| 571157 | 833 138 0897 | 18 |
| 0 571 297 | 834 631 0004 | 75 |
| 571297 | 834 631 0004 | 75 |
| 0 571 364 | 834 631 0002 | 74 |
| 571364 | 834 631 0002 | 74 |
| 0 571 434 | 834 631 0003 | 74 |
| 571 434 | 834 631 0003 | 74 |

| Ref. no. | MEYLE no. | Page |
|---------------|----------------|------|
| Scania | | |
| 0 571 436 | 834 631 0001 | 75 |
| 571436 | 834 631 0001 | 75 |
| 0 571 437 | 834 631 0004 | 75 |
| 571437 | 834 631 0004 | 75 |
| 0 631 697 | 034 042 0024 | 49 |
| 631697 | 034 042 0024 | 49 |
| 0 638 862 | 12-34 220 6055 | 62 |
| 638862 | 12-34 220 6055 | 62 |
| 0 639 287 | 12-34 220 6055 | 62 |
| 639287 | 12-34 220 6055 | 62 |
| 0 639 370 | 12-34 230 6051 | 62 |
| 639370 | 12-34 230 6051 | 62 |
| 0 677 279 | 034 032 0005 | 47 |
| 677279 | 034 032 0005 | 47 |
| 0 677 280 | 034 032 0006 | 47 |
| 677280 | 034 032 0006 | 47 |
| 0 814 192 | 052 013 1155 | 28 |
| 814192 | 052 013 1155 | 28 |
| 1 047 909 | 12-34 830 0006 | 87 |
| 1 104 202 | 034 042 0003 | 50 |
| 1 104 236 | 034 042 0043 | 50 |
| 1 104 252 | 034 043 0002 | 50 |
| 1 104 335 | 12-34 220 6055 | 62 |
| 1 105 972 | 834 089 0005 | 78 |
| 1 109 288 | 834 001 0017 | 37 |
| 1 111 745 | 834 126 0001 | 55 |
| 1 111 748 | 834 126 0001 | 55 |
| 1 117 285 | 814 013 0000 | 6 |
| 1 301 629 | 834 001 0016 | 1 |
| 1 302 008 | 834 210 0002 | 79 |
| 1 303 471 | 12-34 533 0200 | 85 |
| 1 303 474 | 034 042 0062 | 51 |
| 1 303 475 | 034 042 0002 | 51 |
| 1 308 495 | 834 631 0003 | 74 |
| 1 313 459 | 834 001 0004 | 4 |
| 1 313 719 | 834 753 0006 | 67 |
| 1 314 406 | 833 131 4406 | 17 |
| 1 323 416 | 029 600 2470 | 85 |
| 1 331 770 | 834 029 0003 | 56 |
| 1 332 653 | 834 631 0004 | 75 |
| 1 333 790 | 834 631 0001 | 75 |
| 1 335 679 | 812 321 0005 | 7 |
| 1 336 885 | 834 030 0002 | 11 |
| 1 338 343 | 12-34 032 0007 | 48 |
| 1 342 971 | 834 533 0017 | 40 |
| 1 343 134 | 834 058 0002 | 80 |

| Ref. no. | MEYLE no. | Page |
|---------------|---------------------------------|--------|
| Scania | | |
| 1 343 264 | 836 040 0020 | 70 |
| 1 343 283 | 836 035 0004 | 70 |
| 1 344 190 | 834 032 0003 834 610 0003 | 63, 65 |
| 1 347 594 | 828 280 0001 | 19 |
| 1 347 726 | 814 013 0000 | 6 |
| 1 348 509 | 12-34 899 0023 | 54 |
| 1 349 010 | 834 089 0102 | 83 |
| 1 349 810 | 834 210 0003 | 79 |
| 1 353 072 | 833 135 3072 | 17 |
| 1 353 493 | 834 533 0011 | 42 |
| 1 354 103 | 833 131 4406 | 17 |
| 1 354 390 | 050 008 1509 | 34 |
| 1 354 391 | 050 008 2130 | 29 |
| 1 354 395 | 834 000 0001 | 23 |
| 1 355 747 | 834 533 0019 | 40 |
| 1 356 055 | 836 040 0007 | 71 |
| 1 356 668 | 834 032 0775 | 77 |
| 1 358 287 | 029 700 2870 | 86 |
| 1 358 675 | 836 040 0013 | 68 |
| 1 358 793 | 036 020 0004 036 020 0004/HD | 73-74 |
| 1 358 995 | 828 288 0001 | 19 |
| 1 359 961 | 828 286 0001 | 19 |
| 1 361 413 | 836 040 0010 | 68 |
| 1 362 710 | 834 032 0008 | 58 |
| 1 364 140 | 834 741 0002 | 58 |
| 1 364 293 | 834 089 0010 834 150 0000 | 81, 84 |
| 1 365 529 | 834 533 0014 | 43 |
| 1 365 841 | 833 020 0001 | 18 |
| 1 369 411 | 836 040 0009 | 69 |
| 1 369 501 | 834 900 0006 | 4 |
| 1 370 141 | 834 162 0003 | 57 |
| 1 370 144 | 834 162 0002 | 57 |
| 1 370 707 | 834 223 0001 | 20 |
| 1 371 531 | 050 008 2050 | 31 |
| 1 371 532 | 050 008 2050 | 31 |
| 1 371 533 | 050 008 2155 | 28 |
| 1 371 725 | 834 130 0006 | 53 |
| 1 371 729 | 834 030 0003 | 11 |
| 1 371 788 | 834 000 0001 | 23 |
| 1 372 365 | 833 020 0001 | 18 |
| 1 372 512 | 834 032 0001 | 48 |
| 1 374 052 | 836 899 0001 | 21 |
| 1 374 338 | 834 900 0004 | 1 |

| Ref. no. | MEYLE no. | Page |
|---------------|----------------|------|
| Scania | | |
| 1 375 497 | 834 089 0102 | 83 |
| 1 376 316 | 050 008 1509 | 34 |
| 1 376 317 | 050 008 2130 | 29 |
| 1 377 039 | 834 001 0006 | 3 |
| 1 377 562 | 12-34 210 0406 | 79 |
| 1 378 435 | 836 040 0013 | 68 |
| 1 378 531 | 834 089 0100 | 82 |
| 1 378 560 | 034 043 0058 | 46 |
| 1 378 644 | 834 899 0013 | 54 |
| 1 379 071 | 836 040 0007 | 71 |
| 1 379 952 | 812 319 0005 | 77 |
| 1 380 036 | 029 700 2870 | 86 |
| 1 380 621 | 839 050 0019 | 22 |
| 1 380 897 | 833 138 0897 | 18 |
| 1 382 900 | 834 650 0001 | 66 |
| 1 383 564 | 834 000 1001 | 25 |
| 1 384 025 | 836 040 0007 | 71 |
| 1 384 027 | 836 040 0008 | 71 |
| 1 384 501 | 034 009 0015 | 8 |
| 1 384 549 | 834 042 0001 | 47 |
| 1 384 555 | 834 001 0016 | 1 |
| 1 384 897 | 034 026 0017 | 53 |
| 1 384 898 | 034 026 0018 | 54 |
| 1 385 170 | 834 089 0007 | 78 |
| 1 385 251 | 836 040 0009 | 69 |
| 1 385 966 | 834 223 0001 | 20 |
| 1 386 289 | 834 533 0021 | 46 |
| 1 386 290 | 834 533 0021 | 46 |
| 1 386 686 | 835 521 0001 | 39 |
| 1 387 100 | 834 899 0013 | 54 |
| 1 387 616 | 034 015 0005 | 5 |
| 1 389 001 | 050 008 1580 | 29 |
| 1 389 005 | 050 008 2120 | 34 |
| 1 389 011 | 050 008 1980 | 29 |
| 1 389 012 | 050 008 1538 | 30 |
| 1 389 016 | 050 008 1480 | 32 |
| 1 389 020 | 050 008 2215 | 32 |
| 1 389 024 | 050 008 2130 | 29 |
| 1 389 028 | 050 008 1980 | 29 |
| 1 389 029 | 050 008 1538 | 30 |
| 1 389 031 | 050 008 2215 | 32 |
| 1 389 034 | 050 008 2215 | 32 |
| 1 389 036 | 050 008 1525 | 34 |
| 1 389 041 | 050 008 2050 | 31 |
| 1 389 043 | 050 008 1580 | 29 |
| 1 389 046 | 050 008 2120 | 34 |

| Ref. no. | MEYLE no. | Page |
|---------------|--------------------------------|--------|
| Scania | | |
| 1 389 048 | 050 008 2130 | 29 |
| 1 389 049 | 050 008 1509 | 34 |
| 1 389 059 | 050 008 1795 | 31 |
| 1 389 060 | 050 008 1255 | 30 |
| 1 390 426 | 034 042 0054 | 38 |
| 1 390 428 | 025 290 8730 025 290 8730/S | 39 |
| 1 390 429 | 034 042 0053 | 38 |
| 1 391 897 | 034 009 0003 | 8 |
| 1 393 555 | 834 032 0775 | 77 |
| 1 393 640 | 12-34 323 0008 | 9 |
| 1 394 465 | 12-34 899 0023 | 54 |
| 1 394 544 | 12-34 210 0406 | 79 |
| 1 394 884 | 836 040 0026 | 69 |
| 1 395 261 | 834 032 0001 | 48 |
| 1 395 614 | 836 040 0010 | 68 |
| 1 397 310 | 834 910 0006 | 82 |
| 1 397 866 | 836 040 0013 | 68 |
| 1 399 776 | 834 032 0001 | 48 |
| 1 401 462 | 114 323 0001 | 9 |
| 1 401 982 | 834 900 0002 | 5 |
| 1 402 272 | 835 521 0001 | 39 |
| 1 402 869 | 834 234 0006 834 234 0007 | 12, 14 |
| 1 402 943 | 834 899 0014 | 6 |
| 1 403 260 | 834 001 0006 | 3 |
| 1 403 587 | 834 001 0004 | 4 |
| 1 403 608 | 834 001 0007 | 4 |
| 1 404 924 | 828 288 0001 | 19 |
| 1 404 925 | 828 280 0001 | 19 |
| 1 409 889 | 834 753 0005 | 66 |
| 1 409 890 | 834 753 0006 | 67 |
| 1 409 918 | 836 040 0009 | 69 |
| 1 411 429 | 834 232 0002 | 16 |
| 1 411 851 | 834 900 0007 | 5 |
| 1 411 894 | 834 323 0002 | 9 |
| 1 412 398 | 834 234 0006 834 234 0007 | 12, 14 |
| 1 413 611 | 834 000 0013 | 26 |
| 1 413 785 | 834 650 0001 | 66 |
| 1 420 005 | 834 899 0013 | 54 |
| 1 420 197 | 812 319 0005 | 77 |
| 1 421 022 | 812 321 0005 | 7 |
| 1 421 090 | 834 223 0001 | 20 |
| 1 421 272 | 834 631 0003 | 74 |
| 1 421 628 | 834 631 0004 | 75 |

| Ref. no. | MEYLE no. | Page |
|---------------|------------------------------|--------|
| Scania | | |
| 1 422 417 | 834 631 0001 | 75 |
| 1 422 433 | 834 126 0001 | 55 |
| 1 422 498 | 839 050 0036 | 21 |
| 1 422 640 | 834 910 0006 | 82 |
| 1 423 011 | 834 030 0002 | 11 |
| 1 423 012 | 834 030 0003 | 11 |
| 1 423 396 | 834 089 0103 | 83 |
| 1 423 450 | 828 288 0001 | 19 |
| 1 423 968 | 12-34 899 0023 | 54 |
| 1 423 971 | 834 899 0013 | 54 |
| 1 423 974 | 834 899 0013 | 54 |
| 1 423 976 | 834 899 0013 | 54 |
| 1 423 977 | 834 899 0013 | 54 |
| 1 426 202 | 834 089 0011 834 150 0001 | 81, 84 |
| 1 428 443 | 834 533 0014 | 43 |
| 1 428 446 | 834 533 0013 | 42 |
| 1 428 450 | 834 533 0009 | 44 |
| 1 428 451 | 834 533 0021 | 46 |
| 1 428 452 | 834 533 0021 | 46 |
| 1 428 453 | 834 533 0020 | 46 |
| 1 428 455 | 834 533 0020 | 46 |
| 1 429 059 | 834 009 0001 | 10 |
| 1 430 545 | 834 032 0001 | 48 |
| 1 431 118 | 834 533 0007 | 41 |
| 1 431 119 | 834 533 0008 | 41 |
| 1 431 178 | 029 700 2870 | 86 |
| 1 433 450 | 834 000 0013 | 26 |
| 1 433 792 | 833 020 0003 | 17 |
| 1 438 742 | 834 000 0003 | 23 |
| 1 438 743 | 834 000 0002 | 24 |
| 1 438 785 | 834 533 0021 | 46 |
| 1 438 786 | 834 533 0021 | 46 |
| 1 438 889 | 834 533 0014 | 43 |
| 1 439 070 | 834 650 0001 | 66 |
| 1 439 172 | 12-34 830 0006 | 87 |
| 1 443 078 | 834 650 0001 | 66 |
| 1 443 114 | 834 089 0010 834 150 0000 | 81, 84 |
| 1 444 941 | 834 001 0006 | 3 |
| 1 446 432 | 834 009 0001 | 10 |
| 1 448 384 | 839 050 0019 | 22 |
| 1 449 167 | 834 631 0004 | 75 |
| 1 450 076 | 029 700 2870 | 86 |
| 1 453 962 | 834 234 0015 | 14 |
| 1 453 967 | 834 234 0018 | 12 |

| Ref. no. | MEYLE no. | Page |
|---------------|------------------------------|-------|
| Scania | | |
| 1 453 968 | 834 234 0015 834 234 0016 | 13-14 |
| 1 454 280 | 050 008 1980 | 29 |
| 1 454 281 | 050 008 1538 | 30 |
| 1 454 282 | 050 008 1255 | 30 |
| 1 455 253 | 834 042 0001 | 47 |
| 1 457 708 | 834 631 0003 | 74 |
| 1 457 710 | 834 631 0001 | 75 |
| 1 457 711 | 834 631 0004 | 75 |
| 1 459 762 | 834 323 0001 | 10 |
| 1 459 981 | 834 000 0003 | 23 |
| 1 459 988 | 834 000 0001 | 23 |
| 1 466 506 | 834 089 0103 | 83 |
| 1 468 555 | 834 001 0007 | 4 |
| 1 471 155 | 834 234 0014 | 15 |
| 1 472 738 | 12-34 899 0023 | 54 |
| 1 472 739 | 834 899 0013 | 54 |
| 1 475 155 | 834 000 0005 | 26 |
| 1 475 868 | 834 030 0003 | 11 |
| 1 476 395 | 834 000 0003 | 23 |
| 1 476 506 | 834 900 0002 | 5 |
| 1 476 945 | 834 650 0001 | 66 |
| 1 477 675 | 834 042 0003 | 38 |
| 1 477 878 | 834 089 0104 | 83 |
| 1 481 245 | 834 058 0002 | 80 |
| 1 482 006 | 834 533 0018 | 45 |
| 1 482 007 | 834 533 0018 | 45 |
| 1 482 688 | 834 223 0001 | 20 |
| 1 485 592 | 034 321 0011 | 8 |
| 1 485 760 | 836 050 0009 | 61 |
| 1 486 098 | 833 138 0897 | 18 |
| 1 486 758 | 836 050 0005 | 60 |
| 1 488 890 | 836 020 0006 | 73 |
| 1 490 819 | 050 008 2130 | 29 |
| 1 490 821 | 050 008 2380 | 31 |
| 1 492 421 | 834 223 0001 | 20 |
| 1 493 670 | 834 000 0001 | 23 |
| 1 494 718 | 839 050 0036 | 21 |
| 1 496 288 | 834 030 0002 | 11 |
| 1 496 749 | 834 030 0004 | 11 |
| 1 496 815 | 839 050 0024 | 21 |
| 1 499 474 | 836 050 0007 | 60 |
| 1 499 475 | 836 050 0008 | 61 |
| 1 499 478 | 836 050 0009 | 61 |
| 1 501 030 | 836 040 0009 | 69 |
| 1 503 113 | 834 000 0001 | 23 |

| Ref. no. | MEYLE no. | Page |
|---------------|------------------------------|--------|
| Scania | | |
| 1 503 114 | 834 000 0003 | 23 |
| 1 503 115 | 834 000 0002 | 24 |
| 1 504 160 | 834 089 0010 834 150 0000 | 81, 84 |
| 1 508 533 | 833 135 3072 | 17 |
| 1 508 534 | 833 020 0001 | 18 |
| 1 510 404 | 833 020 0003 | 17 |
| 1 510 490 | 833 138 0897 | 18 |
| 1 510 697 | 834 000 0008 | 25 |
| 1 510 698 | 834 000 0005 | 26 |
| 1 511 620 | 839 050 0036 | 21 |
| 1 511 775 | 834 223 0001 | 20 |
| 1 512 178 | 050 008 2120 | 34 |
| 1 512 179 | 050 008 2000 | 35 |
| 1 512 181 | 834 000 0004 | 23 |
| 1 512 749 | 834 000 0006 | 27 |
| 1 514 505 | 834 089 0005 | 78 |
| 1 514 865 | 050 008 1795 | 31 |
| 1 516 474 | 834 900 0004 | 1 |
| 1 516 496 | 834 089 0002 | 63 |
| 1 517 324 | 834 089 0103 | 83 |
| 1 517 770 | 839 050 0007 | 22 |
| 1 519 788 | 050 008 1509 | 34 |
| 1 520 308 | 814 234 0002 834 234 0003 | 13, 15 |
| 1 522 633 | 025 290 8730 | 39 |
| 1 527 631 | 834 042 0003 | 38 |
| 1 530 690 | 834 533 0013 | 42 |
| 1 530 693 | 834 533 0008 | 41 |
| 1 530 696 | 834 533 0009 | 44 |
| 1 530 698 | 834 533 0011 | 42 |
| 1 530 699 | 834 533 0014 | 43 |
| 1 530 702 | 834 533 0015 | 43 |
| 1 530 703 | 834 533 0020 | 46 |
| 1 530 704 | 834 533 0018 | 45 |
| 1 530 705 | 834 533 0021 | 46 |
| 1 530 973 | 050 008 1509 | 34 |
| 1 530 974 | 050 008 2050 | 31 |
| 1 530 979 | 050 008 2215 | 32 |
| 1 530 981 | 050 008 1580 | 29 |
| 1 530 987 | 050 008 1480 | 32 |
| 1 530 989 | 050 008 1525 | 34 |
| 1 531 776 | 839 050 0019 | 22 |
| 1 534 012 | 834 753 0005 | 66 |
| 1 534 506 | 050 008 2120 | 34 |
| 1 534 520 | 834 533 0020 | 46 |

| Ref. no. | MEYLE no. | Page |
|---------------|----------------|------|
| Scania | | |
| 1 534 527 | 834 533 0009 | 44 |
| 1 534 756 | 836 020 0006 | 73 |
| 1 534 976 | 834 910 0006 | 82 |
| 1 535 068 | 834 000 0013 | 26 |
| 1 539 498 | 834 058 0001 | 80 |
| 1 541 070 | 834 036 0001 | 55 |
| 1 541 071 | 834 039 0001 | 56 |
| 1 541 086 | 12-34 533 0200 | 85 |
| 1 541 106 | 029 700 2870 | 86 |
| 1 542 104 | 834 900 0002 | 5 |
| 1 543 187 | 034 043 0058 | 46 |
| 1 543 731 | 12-34 830 0006 | 87 |
| 1 545 116 | 839 050 0019 | 22 |
| 1 545 506 | 834 533 0015 | 43 |
| 1 545 634 | 834 899 0014 | 6 |
| 1 545 982 | 834 000 0001 | 23 |
| 1 545 983 | 834 000 0003 | 23 |
| 1 545 984 | 834 000 0002 | 24 |
| 1 546 188 | 833 154 6188 | 18 |
| 1 549 481 | 833 020 0003 | 17 |
| 1 549 482 | 833 020 0003 | 17 |
| 1 549 738 | 834 089 0103 | 83 |
| 1 549 740 | 834 910 0006 | 82 |
| 1 570 959 | 833 154 6188 | 18 |
| 1 571 150 | 833 131 4406 | 17 |
| 1 571 297 | 834 631 0004 | 75 |
| 1 571 397 | 834 631 0001 | 75 |
| 1 571 437 | 834 631 0004 | 75 |
| 1 575 151 | 834 089 0100 | 82 |
| 1 575 152 | 834 089 0100 | 82 |
| 1 575 160 | 834 089 0102 | 83 |
| 1 584 598 | 034 042 0038 | 48 |
| 1 662 926 | 12-34 899 0023 | 54 |
| 1 665 694 | 828 286 0001 | 19 |
| 1 672 352 | 834 039 0001 | 56 |
| 1 720 924 | 834 089 0104 | 83 |
| 1 722 690 | 12-34 870 0001 | 85 |
| 1 722 746 | 836 050 0007 | 60 |
| 1 722 747 | 836 050 0008 | 61 |
| 1 722 750 | 836 050 0009 | 61 |
| 1 723 895 | 836 040 0009 | 69 |
| 1 724 482 | 834 650 0001 | 66 |
| 1 725 376 | 834 910 0006 | 82 |
| 1 728 667 | 812 321 0005 | 7 |
| 1 732 635 | 836 040 0020 | 70 |
| 1 733 735 | 839 050 0011 | 22 |

| Ref. no. | MEYLE no. | Page |
|---------------|---------------------------------|--------|
| Scania | | |
| 1 734 019 | 836 040 0010 | 68 |
| 1 734 020 | 836 040 0013 | 68 |
| 1 734 529 | 025 290 8730 | 39 |
| 1 736 248 | 834 009 0002 | 10 |
| 1 736 250 | 834 009 0002 | 10 |
| 1 736 251 | 834 009 0002 | 10 |
| 1 737 683 | 836 040 0009 | 69 |
| 1 738 381 | 036 020 0004 036 020 0004/HD | 73-74 |
| 1 738 458 | 834 533 0002 | 44 |
| 1 740 992 | 834 753 0005 | 66 |
| 1 742 449 | 834 058 0001 | 80 |
| 1 742 920 | 029 600 2470 | 85 |
| 1 743 421 | 034 042 0053 | 38 |
| 1 743 466 | 834 089 0012 834 150 0002 | 81, 84 |
| 1 744 210 | 834 089 0010 834 150 0000 | 81, 84 |
| 1 744 211 | 834 089 0011 834 150 0001 | 81, 84 |
| 1 745 449 | 828 280 0001 | 19 |
| 1 746 079 | 834 533 0020 | 46 |
| 1 746 824 | 034 042 0053 | 38 |
| 1 747 895 | 834 029 0003 | 56 |
| 1 754 607 | 834 001 0003 | 2 |
| 1 755 638 | 834 058 0003 | 82 |
| 1 756 389 | 034 042 0053 | 38 |
| 1 757 672 | 834 232 0005 | 16 |
| 1 757 904 | 834 810 0001 | - |
| 1 759 691 | 836 035 0004 | 70 |
| 1 759 811 | 034 042 0053 | 38 |
| 1 761 057 | 834 000 0009 | 26 |
| 1 763 403 | 050 008 1895 | 32 |
| 1 763 618 | 814 234 0002 | 13 |
| 1 763 776 | 834 323 0002 | 9 |
| 1 765 735 | 834 223 0001 | 20 |
| 1 765 828 | 834 126 0001 | 55 |
| 1 765 974 | 834 001 0015 | 3 |
| 1 766 467 | 834 039 0001 | 56 |
| 1 767 328 | 036 020 0004 036 020 0004/HD | 73-74 |
| 1 768 898 | 836 040 0007 | 71 |
| 1 769 597 | 836 040 0008 | 71 |
| 1 770 813 | 812 319 0006 | 77 |
| 1 774 598 | 834 042 0001 | 47 |
| 1 774 650 | 834 000 0004 | 23 |

| Ref. no. | MEYLE no. | Page |
|---------------|------------------------------|--------|
| Scania | | |
| 1 774 651 | 834 000 0001 | 23 |
| 1 774 652 | 834 000 0003 | 23 |
| 1 774 653 | 834 000 0002 | 24 |
| 1 774 654 | 834 000 0004 | 23 |
| 1 779 744 | 050 010 2215 | 33 |
| 1 779 745 | 050 010 2070 | 33 |
| 1 779 747 | 050 010 2040 | 33 |
| 1 779 801 | 834 000 0013 | 26 |
| 1 782 023 | 836 050 0006 | 60 |
| 1 784 590 | 834 003 0001 | 45 |
| 1 784 636 | 834 899 0014 | 6 |
| 1 787 120 | 833 154 6188 | 18 |
| 1 789 522 | 833 154 6188 | 18 |
| 1 791 073 | 834 000 0007 | 24 |
| 1 794 863 | 834 009 0002 | 10 |
| 1 795 774 | 834 000 0005 | 26 |
| 1 795 775 | 834 000 0006 | 27 |
| 1 797 425 | 834 039 0001 | 56 |
| 1 798 063 | 034 042 0054 | 38 |
| 1 800 521 | 050 008 1980 | 29 |
| 1 800 522 | 050 008 1538 | 30 |
| 1 800 523 | 050 008 1255 | 30 |
| 1 800 525 | 050 008 2120 050 008 2130 | 29, 34 |
| 1 800 527 | 050 008 2380 | 31 |
| 1 800 531 | 050 008 2120 050 008 2130 | 29, 34 |
| 1 800 533 | 050 008 1795 | 31 |
| 1 800 535 | 050 008 1509 050 008 1525 | 34 |
| 1 800 537 | 050 008 2050 | 31 |
| 1 800 539 | 050 008 1580 | 29 |
| 1 800 543 | 050 008 1480 | 32 |
| 1 800 550 | 050 008 2000 | 35 |
| 1 800 825 | 834 223 0002 | 20 |
| 1 803 333 | 050 008 2215 | 32 |
| 1 803 336 | 050 008 2120 | 34 |
| 1 847 311 | 836 040 0007 | 71 |
| 1 847 312 | 836 040 0008 | 71 |
| 1 849 340 | 029 700 2870 | 86 |
| 1 852 817 | 835 521 0001 | 39 |
| 1 853 555 | 834 234 0019 834 234 0020 | 13, 15 |
| 1 855 164 | 834 223 0001 | 20 |
| 1 856 108 | 025 290 8730 | 39 |
| 1 856 995 | 814 234 0001 | 14, 16 |

| Ref. no. | MEYLE no. | Page |
|---------------|------------------------------|--------|
| Scania | | |
| | 834 234 0021 | |
| 1 858 884 | 834 000 0005 | 26 |
| 1 858 885 | 834 000 0006 | 27 |
| 1 859 653 | 834 000 0007 | 24 |
| 1 859 654 | 834 000 0001 | 23 |
| 1 859 655 | 834 000 0003 | 23 |
| 1 859 656 | 834 000 0002 | 24 |
| 1 859 657 | 834 000 0004 | 23 |
| 1 862 798 | 834 899 0014 | 6 |
| 1 869 993 | 812 321 0005 | 7 |
| 1 869 995 | 812 321 0005 | 7 |
| 1 870 552 | 834 000 0010 | 24 |
| 1 870 553 | 834 000 0012 | 25 |
| 1 871 772 | 834 810 0001 | - |
| 1 873 016 | 834 323 0001 | 10 |
| 1 873 018 | 834 009 0001 | 10 |
| 1 879 537 | 834 126 0001 | 55 |
| 1 888 463 | 050 008 1980 | 29 |
| 1 888 464 | 050 008 1538 | 30 |
| 1 888 465 | 050 008 1795 | 31 |
| 1 888 467 | 050 008 2120 050 008 2130 | 29, 34 |
| 1 888 468 | 050 008 2130 | 29 |
| 1 888 471 | 050 008 2085 | 35 |
| 1 892 038 | 834 533 0020 | 46 |
| 1 892 047 | 834 533 0013 | 42 |
| 1 892 053 | 834 533 0014 | 43 |
| 1 892 057 | 834 533 0018 | 45 |
| 1 892 058 | 834 533 0021 | 46 |
| 1 892 068 | 834 533 0020 | 46 |
| 1 892 070 | 834 533 0020 | 46 |
| 1 892 765 | 834 001 0007 | 4 |
| 1 893 054 | 834 001 0007 | 4 |
| 1 894 408 | 834 058 0002 | 80 |
| 1 894 478 | 834 223 0001 | 20 |
| 1 896 752 | 833 135 3072 | 17 |
| 1 897 333 | 836 040 0010 | 68 |
| 1 897 335 | 836 040 0009 | 69 |
| 1 900 934 | 034 015 0006 | 6 |
| 1 906 940 | 836 050 0007 | 60 |
| 1 906 941 | 836 050 0008 | 61 |
| 1 912 757 | 836 040 0007 | 71 |
| 1 913 500 | 812 319 0006 | 77 |
| 1 913 503 | 812 319 0005 | 77 |
| 1 914 427 | 036 020 0004 | 73 |
| 1 920 232 | 050 008 2020 | 35 |

| Ref. no. | MEYLE no. | Page |
|---------------|------------------------------|--------|
| Scania | | |
| 1 921 972 | 834 030 0006 | 12 |
| 1 932 667 | 034 043 0058 | 46 |
| 1 934 580 | 12-34 032 0007 | 48 |
| 1 935 370 | 034 042 0061 | 51 |
| 1 935 424 | 050 010 1980 | 36 |
| 1 935 609 | 034 029 0034 | 56 |
| 1 935 646 | 034 043 0066 | 52 |
| 1 949 013 | 834 223 0002 | 20 |
| 1 953 094 | 034 046 0000 | 76 |
| 2 007 278 | 836 040 0020 | 70 |
| 2 040 254 | 836 040 0010 | 68 |
| 2 052 003 | 834 234 0018 | 12 |
| 2 052 005 | 814 234 0002 | 13 |
| 2 052 007 | 834 234 0016 | 13 |
| 2 059 778 | 814 013 0000 | 6 |
| 2 078 557 | 834 234 0019 834 234 0020 | 13, 15 |
| 2 129 313 | 12-34 210 0406 | 79 |
| 2 131 818 | 834 899 0014 | 6 |
| 2 132 264 | 814 234 0002 | 13 |
| 2 132 266 | 814 234 0001 | 14 |
| 2 146 105 | 836 040 0010 | 68 |
| 2 161 883 | 836 040 0009 | 69 |
| 2 197 001 | 834 000 0007 | 24 |
| 2 197 003 | 834 000 0003 | 23 |
| 2 197 004 | 834 000 0002 | 24 |
| 2 197 005 | 834 000 0004 | 23 |
| 2 197 391 | 834 000 0012 | 25 |
| 2 410 086 | 814 234 0001 | 14 |



| Short no. | MEYLE no. | Page |
|---------------|----------------|------|
| Scania | | |
| MAF0069 | 034 321 0011 | 8 |
| MAF0199 | 12-34 321 0010 | 7 |
| MAF0649 | 812 321 0001 | 7 |
| MAF0652 | 812 321 0005 | 7 |
| MAS0217 | 834 003 0001 | 45 |
| MAS0218 | 834 533 0002 | 44 |
| MAS0219 | 834 533 0007 | 41 |
| MAS0220 | 834 533 0008 | 41 |
| MAS0221 | 834 533 0009 | 44 |
| MAS0223 | 834 533 0011 | 42 |
| MAS0225 | 834 533 0013 | 42 |
| MAS0226 | 834 533 0014 | 43 |
| MAS0227 | 834 533 0015 | 43 |
| MAS0228 | 834 533 0017 | 40 |
| MAS0229 | 834 533 0019 | 40 |
| MAS0313 | 834 533 0020 | 46 |
| MAS0375 | 834 533 0018 | 45 |
| MAS0376 | 834 533 0021 | 46 |
| MBD1409 | 835 521 0001 | 39 |
| MBL0035 | 029 600 2470 | 85 |
| MBL0040 | 029 700 2870 | 86 |
| MBP0710 | 025 290 8730 | 39 |
| MBP0711 | 025 290 8730/S | 39 |
| MBT0050 | 834 000 0001 | 23 |
| MBT0051 | 834 000 0002 | 24 |
| MBT0052 | 834 000 0003 | 23 |
| MBT0053 | 834 000 0004 | 23 |
| MBT0054 | 834 000 0006 | 27 |
| MBT0055 | 834 000 0007 | 24 |
| MBT0064 | 834 000 0010 | 24 |
| MBT0074 | 834 000 0012 | 25 |
| MBX0047 | 034 032 0005 | 47 |
| MBX0048 | 034 032 0006 | 47 |
| MBX0053 | 034 042 0002 | 51 |
| MBX0054 | 034 042 0003 | 50 |
| MBX0063 | 034 042 0024 | 49 |
| MBX0072 | 034 042 0038 | 48 |
| MBX0075 | 034 042 0043 | 50 |
| MBX0083 | 034 042 0053 | 38 |
| MBX0084 | 034 042 0054 | 38 |
| MBX0087 | 034 042 0061 | 51 |
| MBX0088 | 034 042 0062 | 51 |
| MBX0089 | 034 043 0002 | 50 |
| MBX0103 | 034 043 0039 | 49 |
| MBX0105 | 034 043 0049 | 49 |
| MBX0112 | 034 043 0058 | 46 |

| Short no. | MEYLE no. | Page |
|---------------|----------------|------|
| Scania | | |
| MBX0114 | 034 043 0066 | 52 |
| MBX0210 | 834 029 0003 | 56 |
| MBX0213 | 834 042 0001 | 47 |
| MBX0222 | 834 042 0003 | 38 |
| MBX0224 | 834 032 0001 | 48 |
| MBX0242 | 034 029 0034 | 56 |
| MCA0770 | 836 050 0006 | 60 |
| MCA1056 | 836 050 0007 | 60 |
| MCF0432 | 812 319 0005 | 77 |
| MCF0433 | 812 319 0006 | 77 |
| MCX0218 | 12-34 220 6055 | 62 |
| MCX0221 | 12-34 230 6051 | 62 |
| MCX0341 | 834 550 0005 | 57 |
| MCX0344 | 834 753 0002 | 66 |
| MCX0362 | 834 032 0008 | 58 |
| MCX0425 | 836 230 0001 | 61 |
| MCX0447 | 834 753 0006 | 67 |
| MCX0453 | 834 741 0002 | 58 |
| MCX0454 | 834 741 0003 | 59 |
| MCX0465 | 834 741 0001 | 58 |
| MCX0466 | 834 741 0005 | 59 |
| MCX0469 | 834 753 0005 | 66 |
| MCX0474 | 834 710 0004 | 65 |
| MCX0484 | 834 610 0001 | 64 |
| MCX0485 | 834 710 0001 | 65 |
| MCX0486 | 834 741 0004 | 59 |
| MCX0487 | 834 741 0006 | - |
| MCX0494 | 834 610 0003 | 65 |
| MCX0510 | 834 710 0005 | 64 |
| MCX0511 | 834 710 0007 | 64 |
| MDL0080 | 836 040 0007 | 71 |
| MDL0081 | 836 040 0020 | 70 |
| MDL0082 | 836 040 0026 | 69 |
| MDL0086 | 836 035 0004 | 70 |
| MDL0096 | 836 040 0008 | 71 |
| MEM0644 | 834 030 0006 | 12 |
| MEM0680 | 834 030 0003 | 11 |
| MEM0766 | 834 030 0004 | 11 |
| MEM0767 | 834 030 0002 | 11 |
| MET0072 | 834 223 0001 | 20 |
| MET0073 | 834 223 0002 | 20 |
| MEX0143 | 034 015 0005 | 5 |
| MEX0144 | 034 015 0006 | 6 |
| MEX0362 | 12-34 830 0006 | 87 |
| MEX0470 | 836 899 0001 | 21 |
| MEX0476 | 12-34 032 0007 | 48 |

| Short no. | MEYLE no. | Page |
|---------------|----------------|------|
| Scania | | |
| MEX0488 | 12-34 899 0023 | 54 |
| MEX0589 | 834 810 0001 | - |
| MEX0595 | 834 899 0013 | 54 |
| MEX0596 | 12-34 533 0200 | 85 |
| MEX0610 | 834 899 0014 | 6 |
| MFC0147 | 834 234 0003 | 15 |
| MFC0149 | 834 234 0006 | 14 |
| MFC0153 | 834 234 0014 | 15 |
| MFC0154 | 834 234 0015 | 14 |
| MFC0156 | 834 234 0019 | 15 |
| MFC0157 | 834 234 0021 | 16 |
| MFF0023 | 034 009 0003 | 8 |
| MFF0073 | 114 323 0001 | 9 |
| MFF0225 | 834 009 0001 | 10 |
| MFF0227 | 834 323 0001 | 10 |
| MFF0228 | 834 323 0002 | 9 |
| MFF0232 | 12-34 323 0008 | 9 |
| MFF0257 | 834 009 0002 | 10 |
| MHP0106 | 834 631 0001 | 75 |
| MHP0107 | 834 631 0002 | 74 |
| MHP0108 | 834 631 0003 | 74 |
| MHP0109 | 834 631 0004 | 75 |
| MIX0171 | 12-34 210 0406 | 79 |
| MIX0211 | 834 032 0775 | 77 |
| MIX0213 | 834 150 0001 | 84 |
| MIX0214 | 834 150 0002 | 84 |
| MIX0215 | 834 910 0006 | 82 |
| MIX0224 | 834 058 0001 | 80 |
| MIX0249 | 834 089 0100 | 82 |
| MIX0251 | 834 089 0102 | 83 |
| MIX0252 | 834 089 0103 | 83 |
| MIX0253 | 834 089 0104 | 83 |
| MIX0264 | 834 210 0002 | 79 |
| MIX0280 | 834 210 0003 | 79 |
| MIX0285 | 834 089 0007 | 78 |
| MIX0292 | 834 058 0002 | 80 |
| MIX0299 | 834 058 0003 | 82 |
| MIX0300 | 834 089 0005 | 78 |
| MIX0301 | 834 089 0008 | 78 |
| MIX0302 | 834 089 0009 | 80 |
| MIX0306 | 834 150 0000 | 84 |
| MIX0323 | 834 089 0010 | 81 |
| MIX0324 | 834 089 0011 | 81 |
| MIX0325 | 834 089 0012 | 81 |
| MMX0197 | 034 009 0015 | 8 |
| MMX1434 | 834 232 0002 | 16 |

| Short no. | MEYLE no. | Page |
|---------------|--------------|------|
| Scania | | |
| MMX1437 | 834 232 0005 | 16 |
| MMX1494 | 834 001 0001 | 2 |
| MMX1495 | 834 001 0003 | 2 |
| MMX1496 | 834 001 0002 | 1 |
| MMX1513 | 834 001 0015 | 3 |
| MMX1528 | 834 001 0004 | 4 |
| MMX1529 | 834 001 0006 | 3 |
| MMX1530 | 834 001 0007 | 4 |
| MMX1531 | 834 001 0016 | 1 |
| MMX1532 | 834 001 0017 | 37 |
| MMX1533 | 834 900 0002 | 5 |
| MMX1534 | 834 900 0004 | 1 |
| MMX1535 | 834 900 0005 | 36 |
| MMX1536 | 834 900 0006 | 4 |
| MMX1537 | 834 900 0007 | 5 |
| MMX1538 | 834 900 0008 | 36 |
| MMX1576 | 834 001 0005 | 3 |
| MMX1577 | 834 001 0018 | 2 |
| MOF0209 | 814 013 0000 | 6 |
| MPJ0093 | 834 036 0001 | 55 |
| MPJ0094 | 834 039 0001 | 56 |
| MPJ0095 | 834 126 0001 | 55 |
| MRB0654 | 050 008 1255 | 30 |
| MRB0662 | 050 008 1480 | 32 |
| MRB0663 | 050 008 1509 | 34 |
| MRB0664 | 050 008 1525 | 34 |
| MRB0665 | 050 008 1538 | 30 |
| MRB0666 | 050 008 1580 | 29 |
| MRB0674 | 050 008 1795 | 31 |
| MRB0681 | 050 008 1980 | 29 |
| MRB0682 | 050 008 2000 | 35 |
| MRB0683 | 050 008 2020 | 35 |
| MRB0685 | 050 008 2050 | 31 |
| MRB0686 | 050 008 2085 | 35 |
| MRB0687 | 050 008 2130 | 29 |
| MRB0688 | 050 008 2155 | 28 |
| MRB0690 | 050 008 2215 | 32 |
| MRB0693 | 050 008 2380 | 31 |
| MRB0723 | 050 010 1980 | 36 |
| MRB0760 | 050 008 1895 | 32 |
| MRB0762 | 050 008 2120 | 34 |
| MRB0763 | 050 010 2040 | 33 |
| MRB0764 | 050 010 2070 | 33 |
| MRB0765 | 050 010 2215 | 33 |
| MRH0300 | 839 050 0007 | 22 |
| MRH0304 | 839 050 0011 | 22 |



| Short no. | MEYLE no. | Page |
|---------------|-----------------|------|
| Scania | | |
| MRH0309 | 839 050 0019 | 22 |
| MRH0311 | 839 050 0024 | 21 |
| MRH0315 | 839 050 0036 | 21 |
| MRM0088 | 814 234 0001 | 14 |
| MRM0089 | 814 234 0002 | 13 |
| MRM0125 | 834 234 0007 | 12 |
| MRM0129 | 834 234 0016 | 13 |
| MRM0130 | 834 234 0018 | 12 |
| MRM0131 | 834 234 0020 | 13 |
| MRS0205 | 834 162 0002 | 57 |
| MRS0206 | 834 162 0003 | 57 |
| MSB0253 | 834 089 0002 | 63 |
| MSB0302 | 834 032 0003 | 63 |
| MSB0343 | 834 710 0002 | 63 |
| MSB0360 | 834 032 0006 | 62 |
| MSR0104 | 836 050 0005 | 60 |
| MSR0137 | 836 050 0008 | 61 |
| MSR0138 | 836 050 0009 | 61 |
| MSX0026 | 034 046 0000 | 76 |
| MTA0189 | 836 040 0009 | 69 |
| MTA0190 | 836 040 0013 | 68 |
| MTA0191 | 836 040 0010 | 68 |
| MTE0047 | 036 020 0004 | 73 |
| MTE0047HD | 036 020 0004/HD | 74 |
| MTE0048 | 036 020 0005 | 72 |
| MTE0048HD | 036 020 0005/HD | 72 |
| MTE0728 | 836 020 0006 | 73 |
| MTH0115 | 828 286 0001 | 19 |
| MTH0116 | 828 288 0001 | 19 |
| MTH0117 | 828 280 0001 | 19 |
| MTM0082 | 834 130 0006 | 53 |
| MTR0035 | 834 000 0005 | 26 |
| MTR0036 | 834 000 0008 | 25 |
| MTR0037 | 834 000 0009 | 26 |
| MTR0038 | 834 000 1001 | 25 |
| MTR0047 | 834 000 0013 | 26 |
| MTX0022 | 034 026 0017 | 53 |
| MTX0023 | 034 026 0018 | 54 |
| MTX0058 | 12-14 753 0001 | 53 |
| MVB0201 | 052 013 1155 | 28 |
| MVB0228 | 052 013 1600 | 27 |
| MVB0229 | 052 013 1625 | 27 |
| MVB0240 | 052 013 1900 | 28 |
| MWB0062 | 834 650 0001 | 66 |
| MWI0014 | 12-34 870 0001 | 85 |
| MWP0510 | 833 020 0001 | 18 |

| Short no. | MEYLE no. | Page |
|---------------|--------------|------|
| Scania | | |
| MWP0511 | 833 020 0003 | 17 |
| MWP0513 | 833 131 4406 | 17 |
| MWP0515 | 833 135 3072 | 17 |
| MWP0516 | 833 138 0897 | 18 |
| MWP0517 | 833 154 6188 | 18 |



MEYLE

**My longest relationship?
The one with my truck.**



The MEYLE brand supplies its customers with more than 21,000 extremely reliable and durable spare parts manufactured at our own production facilities or by trusted production partners. MEYLE boasts a highly diversified product range.

Whether steering and suspension components, rubber-to-metal parts, brakes, damping components, cooling systems, filters, drive components, electric and sensors MEYLE is synonymous with top-grade quality-tested spare parts.

Notes

This catalogue is protected by copyright. Reproduction of text, graphic elements, photographs and/or data, even in part, is prohibited. MEYLE, **MEYLE**, or parts thereof, are registered trademarks of MEYLE AG.

All supplies and services are subject to our General Terms and Conditions. The original spare part numbers shown in this catalogue are for cross-reference purposes only and shall not be disclosed to third parties on invoices and delivery notes. While the information in this catalogue was compiled and edited with utmost care we do not assume responsibility or accept claims arising from errors or inconsistencies. Subject to technical and/or design changes.

This issue of the catalogue supersedes all previous issues.
All rights reserved. © 2017 MEYLE AG



MEYLE parts are available through:

MEYLE AG

Merkurring 111, 22143 Hamburg, Germany
Tel. +49 40 67506 510, Fax +49 40 67506 506
contact@meyle.com

www.meyle.com

MEYLE