

K303801		
D=30	d=24	H=38,5
Rear Piston Ø30 Bosch Type		
CITROEN, PEUGEOT, RENAULT		



K304001		
D=30	d=26	H=40
Rear Piston Ø30 Akebono Type		
DAIHATSU CHARADE, MAZDA MX-3		



K304002		
D=30,2	d=27	H=40,5
Rear Piston Ø30 Nih Type		
HONDA ACCORD, INTEGRA, PRELUDE		



K304101		
D=30	d=26,3	H=41,6
Rear Piston Ø30 Akebono Type		
MAZDA 323, 626; FORD PROBE		




K304102		
D=30	d=24,5	H=41
Rear Piston Ø30 Akebono Type		
NISSAN		




K304301		
D=30	d=27	H=43,8
Rear Piston Ø30 Lucas/Nissin Type		
HONDA CIVIC, CONCERTO, CRX; ROVER 25,45, STREET, 200-400 SERIES		



K304501		
D=30	d=25,8	H=45,5
Rear Piston Ø30 Nabco Type		
DAIHATSU, FORD, MAZDA, SUZUKI		



K304502		
D=30	d=26	H=45
Rear Piston Ø30 Akebono Type		
NISSAN PULSAR, SUNNY, 100NX		



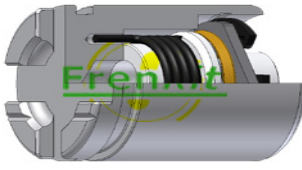
K304503		
D=30	d=26	H=45
Rear Piston Ø30 Akebono Type		
MITSUBISHI COLT, ECLIPSE, GALANT, LANCER; TOYOTA COROLLA		



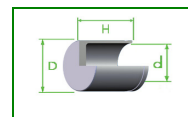
K304504		
D=30	d=25,5	H=45
Rear Piston Ø30 Tokico Type		
SUZUKI SWIFT		



K304601		
D=30	d=26	H=46,7
Rear Piston Ø30 Nissin/Lucas Type		
NISSAN ALMERA, MICRA		



K323801		
D=32	d=24	H=38,5
Rear Piston Ø32 Citroen Bosch Type		
CITROEN XSARA, ZX; PEUGEOT 306		




K324501		
D=32	d=25,7	H=45,5
Rear Piston Ø32 Nishinbo type		
MAZDA MX5		



K334401		
D=33	d=25,8	H=44,1
Rear Piston Ø33 Ate Type		
SAAB 900, 9000; VOLVO 440-460-480		



K334601		
D=34	d=29	H=46,8
Rear Piston Ø33 Lucas Type		
ALFA,VAG GROUP,FIAT,GM GROUP, HYUNDAI,KIA,LANCIA,MAZDA,MITSUBISHI		



K344101		
D=34	d=29,4	H=41
Rear Piston Ø34 Kpw Type		
KIA CARENS, SHEPIA, SHUMA		



K344201		
D=34	d=30	H=42,8
Rear Piston Ø34 Kasco Type		
KIA PICANTO		



K344401		
D=34	d=28	H=44
Rear Piston Ø34 Nissin Type		
HONDA PRELUDE		



K344603		
D=34	d=30	H=46
Rear Piston Ø34 Akeb. Type		
HONDA ACCORD VII SERIES		



K344701		
D=34	d=31	H=47
Rear Piston Ø34 Bosch Type		
OPEL ASTRA, ZAFIRA		



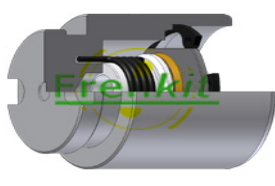
K344702		
D=34	d=28	H=47,2
Rear Piston Ø34 Lucas/Nih Type		
HONDA ACCORD, CIVIC, PRELUDE; ROVER 600 SERIES; SUZUKI SX4		



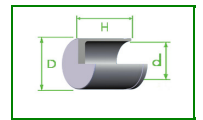
K344801		
D=34	d=29	H=48
Rear Piston Ø34 TRW Type		
HYUNDAI, KIA, MITSUBISHI, NISSAN, SMART		



K345001		
D=34	d=29	H=49,7
Rear Piston Ø34 Ate Type		
MINI MINI, TOYOTA YARIS		




K353901		
D=35	d=28	H=39,5
Rear Piston Ø30 Akebono Type		
MAZDA 323, 626, 929, RX7		




K354001		
D=35	d=29,5	H=40
Rear Piston Ø35 Akebono Type		
MAZDA 323, 626, PREMACY, RX7		



K354501		
D=35	d=30	H=45
Rear Piston Ø35 Akebono Type		
MAZDA 6, TOYOTA COROLLA		



K354503		
D=35	d=29	H=45
Rear Piston Ø35 Akebono Type		
MITSUBISHI CARISMA, COLT, ECLIPSE, GALANT, LANCER		



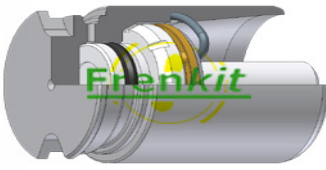
K354505		
D=35	d=25,8	H=45,5
Rear Piston Ø35 Nabco Type		
MAZDA MX5		



K364701		
D=36	d=32	H=47
Rear Piston Ø36 BoschType		
OPEL ASTRA, ZAFIRA		

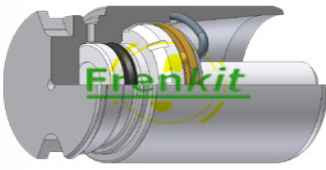


K364805		
D=36	d=31	H=48
Rear Piston Ø36 TRW Type		
MINI MINI; OPEL ASTRA, MERIVA, ZAFIRA		



RIGHT THREAD

K364901R		
D=36	d=31,5	H=49
Rear Piston Ø36 BoschType		
FIAT PUNTO; OPEL CORSA; TOYOTA AURIS, COROLLA		



LEFT THREAD

K364901L		
D=36	d=31,5	H=49
Rear Piston Ø36 BoschType		
FIAT PUNTO; OPEL CORSA; TOYOTA AURIS, COROLLA		



K365001		
D=36	d=29	H=50
Rear Piston Ø36 Ate Type		
FORD TOURNEO, TRANSIT		



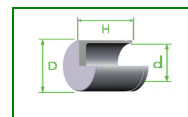
K365101L		
D=36	d=26	H=50,9
Rear Piston Ø36 Brembo Type		
RENAULT ESPACE, LAGUNA, NEVADA, R21, SAFRANE		



K365101R		
D=36	d=26	H=50,9
Rear Piston Ø36 Brembo Type		
RENAULT ESPACE, LAGUNA, NEVADA, R21, SAFRANE		



K383001		
D=38	d=26	H=30,5
Rear Piston Ø38 Ate Type		
ALFA ROMEO ALFETTA, GIULETTA, GTV, SPIDER, 75, 90; PORSCHE 914		




K384102		
D=38	d=29,5	H=41
Rear Piston Ø38 Kasko Type		
KIA CARENS		



K384601		
D=38	d=33	H=46,8
Rear Piston Ø38 Lucas Type		
HONDA, HYUNDAI, LEXUS, NISSAN, ROVER, SUBARU, TOYOTA		



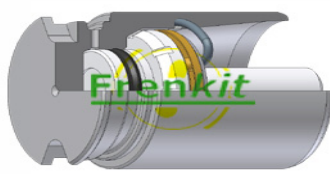
K384701		
D=38	d=33	H=47,2
Rear Piston Ø38 NIH Type		
HONDA ACCORD, LEGEND; MAZDA MX5		



K384702		
D=38	d=34	H=47
Rear Piston Ø38 Bosch Type		
FIAT BRAVO, BRAVA, MULTIPLA, STILO; OPEL ASTRA, ZAFIRA		

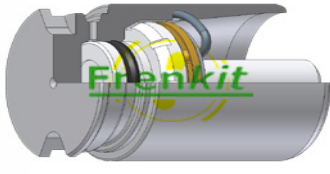


K384805		
D=38	d=29	H=48
Rear Piston Ø38 Ate Type		
CHEVROLET CRUZE; OPEL ASTRA, MOKKA		



LEFT THREAD

K384901L		
D=38	d=32,2	H=49
Rear Piston Ø38 Bosch Type		
ALFA, AUDI, CITROËN, FIAT, FORD, JAGUAR, PEUGEOT, SEAT, SKODA, VW		

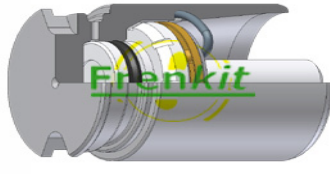


RIGHT THREAD

K384901R		
D=38	d=32,2	H=49
Rear Piston Ø38 Bosch Type		
ALFA, AUDI, CITROËN, FIAT, FORD, JAGUAR, PEUGEOT, SEAT, SKODA, VW		

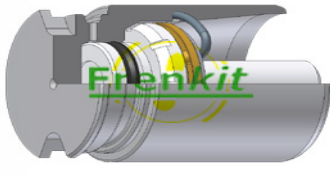


K384902		
D=38	d=29	H=49,7
Rear Piston Ø38 Teves Type		
CITROËN, FORD, HONDA, MAZDA, NISSAN, OPEL, RENAULT, SAAB, VOLVO		



LEFT THREAD

K385002L		
D=38	d=33,4	H=50,35
Rear Piston Ø38 Bosch Type		
CITROËN C4 PICASSO, C4 GRAND PICASSO; TOYOTA AVENSIS		



RIGHT THREAD

K385002R		
D=38	d=33,4	H=50,35
Rear Piston Ø38 Bosch Type		
CITROËN C4 PICASSO, C4 GRAND PICASSO; TOYOTA AVENSIS		

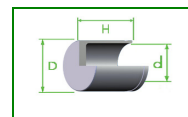


K385101		
D=38	d=33	H=51
Rear Piston Ø38 Lucas Type		
ALFA, VAG, PSA, GM, FIAT, HONDA, MITSUBISHI, LANCIA, NISSAN, VOLVO		



RIGHT THREAD

K385102R		
D=38	d=33	H=51
Rear Piston Ø38 Bosch Type		
FORD MONDEO, RENAULT KANGOO		

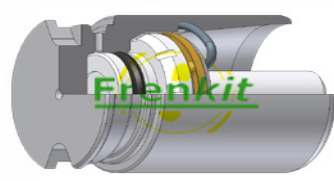



LEFT THREAD

K385102L

D=38	d=33	H=51
------	------	------

Rear Piston Ø38 Bosch Type
FORD MONDEO, RENAULT KANGOO

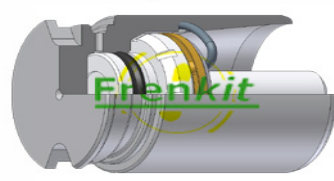


LEFT THREAD

K385103L

D=38	d=33	H=51
------	------	------

Rear Piston Ø38 Bosch Type
RENAULT KANGOO



RIGHT THREAD

K385103R

D=38	d=33	H=51
------	------	------

Rear Piston Ø38 Bosch Type
RENAULT KANGOO



K404701

D=40,4	d=24,5	H=47
--------	--------	------

Rear Piston Ø40 Nissin Type
HONDA S2000



K404803

D=40	d=29	H=48
------	------	------

Rear Piston Ø40 Ate Type
CHEVROLET CRUZE, ORLANDO; OPEL ASTRA



K404905

D=40	d=29	H=49,7
------	------	--------


Rear Piston Ø40 Ate Type
OPEL GT, SIGNUM, VECTRA



K414301

D=41	d=26	H=44
------	------	------

Rear Piston Ø41 NBK Type
ISUZU TROOPER



K414601

D=41,2	d=35	H=46,5
--------	------	--------

Rear Piston Ø41 Akeb. Type
TOYOTA MR2



K415101

D=41	d=35	H=51
------	------	------

Rear Piston Ø41 Lucas Type
ALFA, AUDI, CITROËN, FIAT, NISSAN, OPEL, RENAULT, SEAT, SKODA, VW



K424601

D=43	d=34,4	H=46,8
------	--------	--------

Rear Piston Ø 42.8 Lucas Type
FORD, MAZDA, NISSAN



K425102

D=43	d=34,4	H=51,3
------	--------	--------

Rear Piston Ø42.8 Lucas type
AUDI, CHRYSLER, JAGUAR, VW

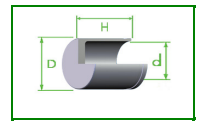


RIGHT THREAD

K425103R

D=42	d=36,5	H=51
------	--------	------

Rear Piston Ø42 Bosch Type
NISSAN INTERSTAR; OPEL MOVANO; RENAULT MASTER



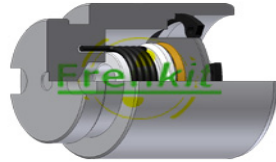

LEFT THREAD

K425103L

D=42	d=36,5	H=51
------	--------	------

Rear Piston Ø42 Bosch Type

NISSAN INTERSTAR; OPEL MOVANO;
RENAULT MASTER

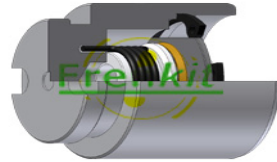


K434602

D=43	d=35	H=46
------	------	------

Rear Piston Ø43 Akeb Type

TOYOTA MR2



K444602

D=44,3	d=35	H=46
--------	------	------

Rear Piston Ø44 Akeb. Type

TOYOTA MR2



K454901

D=45	d=29	H=49,7
------	------	--------

Rear Piston Ø45 Ate Type

JAGUAR XJ, XJS, XF, XK SERIES



K466601L

D=46	d=26	H=66
------	------	------

Rear Piston Ø46 Brembo Type

NISSAN CABSTAR/ATLAS

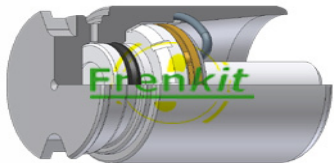


K466601R

D=46	d=26	H=66
------	------	------

Rear Piston Ø46 Brembo Type

NISSAN CABSTAR/ATLAS



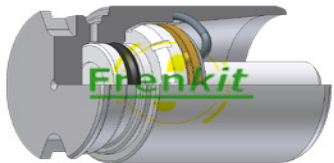
LEFT THREAD

K485205L

D=48	d=38	H=52
------	------	------

Rear Piston Ø48 Bosch Type

FORD TRANSIT



RIGHT THREAD

K485205R

D=48	d=38	H=52
------	------	------

Rear Piston Ø48 Bosch Type

FORD TRANSIT



K526501L

D=52	d=26	H=65
------	------	------

Rear Piston Ø52 Brembo Type

IVECO DAILY

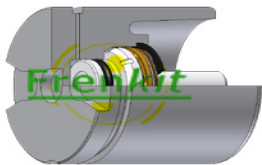


K526501R

D=52	d=26	H=65
------	------	------

Rear Piston Ø52 Brembo Type

IVECO DAILY



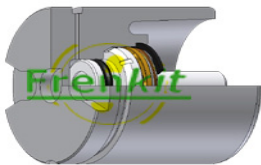
RIGHT THREAD

K545203R

D=54	d=46	H=52,7
------	------	--------

Front Piston Ø54 Bosch Type

CITROËN C5



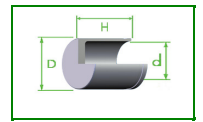
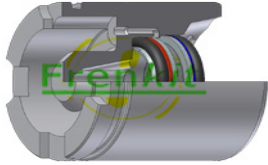
LEFT THREAD

K545203L

D=54	d=46	H=52,7
------	------	--------

Front Piston Ø54 Bosch Type

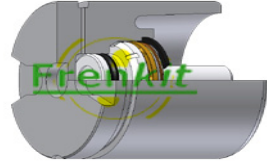
CITROËN C5

K545402		
D=54	d=32	H=54
Front Piston Ø54 Bendix type		
CITROËN XANTIA		

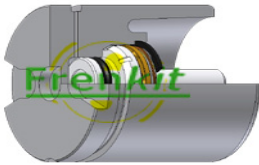


K575104		
D=57	d=32	H=51,6
Front Piston Ø57 Bendix Type		
CITROËN XANTIA, XM		



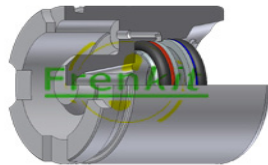
LEFT THREAD

K575201L		
D=57	d=49	H=52,7
Front Piston Ø57 Bosch Type		
CITROËN C5		



RIGHT THREAD

K575201R		
D=57	d=49	H=52,7
Front Piston Ø57 Bosch Type		
CITROËN C5		



K605104		
D=60	d=34	H=51,2
Front Piston Ø60 Bendix Type		
CITROËN XANTIA		



K606501R		
D=60	d=26	H=65
Rear Piston Ø60 Brembo Type		
IVECO DAILY IV SERIES		



K606501L		
D=60	d=26	H=65
Rear Piston Ø60 Brembo Type		
IVECO DAILY IV SERIES		