

Daihatsu

Spare parts for passenger cars



DRIVER'S BEST FRIEND

MEYLE

Sophisticated technology - considerably longer service life.



The MEYLE range of products features a wide variety of components. Spare parts from A to Z, from Alfa Romeo to Volvo, from minicars to top-of-the-range luxury models.



Steering & suspension

Control arms, Stabilizer links, Tie rod assemblies, and many more



Brakes

Brake discs, MEYLE PD, Brake pad sets, Brake drums, and many more



Drive components

C.V. joint kits, Wheel bearings, Belt drives, and many more



Damping parts

Shock absorbers, Strut mounts, Coil springs, and many more



Filters

Oil filters, Air filters, Cabin air filters, Fuel filters, and many more



Cooling components

Water pumps, Expansion tanks, Radiator hoses, and many more



Rubber-to-metal parts

Flex discs, Cardan shaft bearings, Engine mounts, and many more



Electrics and sensors

Crank position sensor, Control units, Glow plugs, and many more



Engine and transmission parts

Oil change kits, V-ribbed belts, Idlers/guide pulleys, and many more



Fluids

Coolant additives, Hydraulic oil, Engine oil, and many more



Complementary product range

Wiper blades, Gas springs, Window lifters, and many more

ORIGINAL, PD and HD – The MEYLE product lines



MEYLE-ORIGINAL: Fit as snugly as the original.

More than 21,000 spare parts for passenger cars, vans and trucks, quality-tested, robust, durable and tried and tested a thousand times over on the roads across the world – that's MEYLE-ORIGINAL. Relying on our comprehensive product portfolio – offering everything from A for axial joint to Z for zinc-coated screw – customers can be sure that they will always have safety on their side.

MEYLE-PD: Safety to the power of two.

Thinking outside the box to make our products better: MEYLE-PD stands for brake discs and pads delivering maximum braking performance and setting new standards in terms of durability, comfort, aesthetics, and ease of installation. Look for the „/PD“ part number extension.

MEYLE-HD: Better than originals.

MEYLE-HD parts simply last longer. Their technically optimised and reinforced designs make them more durable and reliable than OE components. So it is only natural for us to offer extended warranty protection for our MEYLE-HD parts: All parts of the HD range come with a full four-year guarantee. Look for the „/HD“ part number extension.



4-year guarantee on all MEYLE-HD parts!

Robust, high mileage, reliable and better than the original. MEYLE-HD parts simply last longer!

Our three success factors.

The success of the MEYLE brand is based on competence, quality and service.

The development of quality-approved automotive spare parts for the independent aftermarket is our trademark. And MEYLE-HD parts are our specialty: improved parts, developed by our team of engineers at our headquarters in Hamburg. We give a 4-year guarantee on our MEYLE-HD parts which have a far longer service life. Based on information from TÜV (Technical control board), from recall statistics as well as media and market information from workshops and other technical partners, MEYLE engineers identify parts in vehicles which become conspicuous on account of frequent, early wear. On the basis of their findings, they develop technical improvements for the respective weakness. In the end, this work is a

large benefit for all MEYLE parts. Something all reputable automotive manufacturers highly appreciate: MEYLE also develops customized products, for example for Morgan, the legendary sports car manufacturer.

Passing on our know-how to staff and customers is just as much a part of our service as high parts availability and swift delivery. Modern warehouse logistics with space covering 29,000 m² and 56,000 pallet places ensure the reliable supply of our partners.

We have now won the "Top Job Employer" award for the fifth time which confirms our outstanding internal business approach and excellent Human Resources policy. We have been one of Germany's leading SME employers for many years.

MEYLE

Guarantee certificate



A distinguishing feature of MEYLE is our high level of precision, achieved by the application of the most modern manufacturing methods. Our MEYLE articles meet highest quality standards and our supply plants are certified in accordance with ISO 9001:2008 and ISO/TS 16949.

We guarantee perfect material and faultless processing of all our MEYLE articles for a period of 24 months as of the date of installation. For MEYLE-HD articles, this guarantee applies for 48 months as of the date of installation.

Complementing this guarantee, we give an additional 100,000 miles (160,934 kilometres) performance guarantee against defects of material and workmanship for MEYLE passenger car water pumps purchased from 01 May 2016. The guarantee given for MEYLE passenger car water pumps terminates upon expiration of the guarantee period or the guaranteed mileage, whichever occurs later: if the guaranteed mileage has not been reached at the end of the guarantee period of 24 or 48 months respectively, the performance guarantee continues to be valid. Respectively, the guarantee period of 24 or 48 months continues to be valid also in any case where the guaranteed mileage was already exceeded.

During the guarantee period, we perform repair work on claimed MEYLE articles or provide a replacement. The MEYLE guarantee does not apply for normal wear and damage caused by inappropriate handling or inappropriate installation. The guarantee expires if the respective part is modified by third parties or via installation of parts from third parties, or if the part, or vehicle, is used in excess of the appropriate use and purpose. The MEYLE guarantee also expires if MEYLE instructions or vehicle manufacturer instructions, e.g. concerning maintenance and replacement intervals, are not observed. The guarantee only applies for MEYLE water pumps, if the cooling circuit has been flushed prior to installation of the MEYLE water pump. Rights granted by law continue to apply unrestrictedly, irrespective of this guarantee.

The customer must submit a written guarantee claim immediately, or at the latest 30 days after identifying an error in material or processing. This claim is to be submitted to the dealer from which he acquired the MEYLE article part. The customer should return the article, carefully packed. He must enclose the original sales receipt and a description of the error. The customer must also verify the date of installation and the mileage of the vehicle by means of respective documents.

Last amended January 2017

A handwritten signature in white ink, appearing to read 'M. Wunder'.

Director Quality Assurance
Manfred Wunder

Body/Cabin	1	
Body, Interior fittings		
Cabin air filter Wiper Blade		
Brakes	7	
Disc brake, Drum brake		
Brake disc Brake drum	Brake pad set Brake shoe kit	
Drive train/Transmission	16	
Drive shafts, Joints		
Boot kit, C.V. joint C.V. joint kit		
Electrics	17	
Engine		
Lambda probe		
Engine/Cooling/Clutch	18	
Belt drive / Engine control, Cooling system, Fuel system, Lubrication system		
Air filter Fuel filter	Oil filter Thermostat	V-ribbed belt Water pump
Steering	32	
Tie rod assemblies		
Tie rod end		
Suspension	34	
Stabilizer, Suspension / damping		
Shock absorber Stabilizer link		

Wiper Blade

029 300 1200 | MBL0002

Notes

Observe service information
Length [in]
Length [mm]

Flat wiper blade
Flat bar wiper blade
12
300
Front



Application info

Cuore VII [03/03--]

Cuore VIII [04/07--]

Wiper Blade

029 300 1213 | MBL0006

Notes

Length [in]
Length [mm]

Beam wiper blade
Bracket wiper blade
12
300
Rear



Application info

Cuore III [08/90-12/94]
Cuore VIII [04/07--]
Materia [10/06--]

Terios I [05/97-10/05]
Trevis [06/06--]
YRV [02/01--]

Wiper Blade

029 350 1400 | MBL0013

Notes

Observe service information
Length [in]
Length [mm]

Flat wiper blade
Flat bar wiper blade
14
350
Front



Application info

Charade V [05/11--]

YRV [02/01--]

029 350 1413 | MBL0017

Wiper Blade



Notes

Length [in]
Length [mm]

Beam wiper blade
Bracket wiper blade
14
350
Rear

Application info

Sirion II [01/05-10/08]

029 380 1500 | MBL0018

Wiper Blade



Notes

Observe service information
Length [in]
Length [mm]

Flat wiper blade
Flat bar wiper blade
15
380
Front

Application info

Terios I [05/97-10/05]

029 380 1514 | MBL0081

Wiper Blade



Notes

Length [in]
Length [mm]

Beam wiper blade
Bracket wiper blade
15
380
Rear

Application info

Applause [06/89-05/00]
Cuore VI [10/98-05/03]
Fourtrak [02/85-12/98]
Gran Move [10/96-07/02]

Move [06/94-09/02]
Terios I [05/97-10/05]
Wildcat/Rocky [02/85-04/87]

Wiper Blade

029 400 1600 | MBL0021

Notes

Observe service information
Length [in]
Length [mm]

Flat bar wiper blade
Flat wiper blade
16
400
Front



Application info

Cuore III [08/90-12/94]
Cuore IV [12/94-10/98]
Cuore VI [10/98-05/03]
Feroza [10/88-12/99]

Fourtrak [02/85-12/98]
Sirion II [01/05-10/08]
Trevis [06/06--]

Wiper Blade

029 450 1800 | MBL0027

Notes

Observe service information
Length [in]
Length [mm]

Flat wiper blade
Flat bar wiper blade
18
450
Front



Application info

Applause [06/89-05/00]
Charade III [03/87-02/93]
Charade IV [01/93-09/00]
Cuore II [09/85-12/90]
Cuore III [08/90-12/94]

Cuore IV [12/94-10/98]
Cuore VI [10/98-05/03]
Sirion I [04/98-03/05]
Terios II [11/05--]

Wiper Blade

029 475 1900 | MBL0028

Notes

Observe service information
Length [in]
Length [mm]

Flat bar wiper blade
Flat wiper blade
19
475
Front



029 475 1900 | MBL0028

Wiper Blade

Application info

Materia (10/06--)

Sirion I (04/98-03/05)

029 500 2000 | MBL0029

Wiper Blade



Notes

Observe service information
Length [in]
Length [mm]

Flat bar wiper blade
Flat wiper blade
20
500
Front

Application info

Materia (10/06--)
Sirion II (01/05-10/08)

Terios I (05/97-10/05)
Trevis (06/06--)

029 530 2100 | MBL0030

Wiper Blade



Notes

Observe service information
Length [in]
Length [mm]

Flat bar wiper blade
Flat wiper blade
21
530
Front

Application info

Cuore VII (03/03--)
Cuore VIII (04/07--)

Terios II (11/05--)
YRV (02/01--)

029 600 2400 | MBL0034

Wiper Blade



Notes

Observe service information
Length [in]
Length [mm]

Flat bar wiper blade
Flat wiper blade
24
600
Front

Wiper Blade

029 600 2400 | MBL0034

Application info

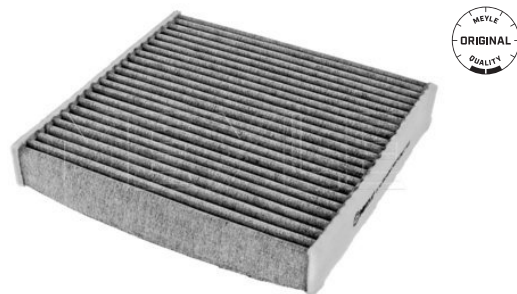
Charade V (05/11--)

Cabin air filter

31-12 320 0006 | MCF0228

Notes

Height [mm] 30
 Width [mm] 178
 Length [mm] 185
 Filter Insert
 Activated Carbon Filter



References

08975-K2000-100

Application info

Cuore VIII (04/07--)

Terios II (11/05--)

Cabin air filter

31-12 319 0006 | MCF0223

Notes

Height [mm] 30
 Width [mm] 179
 Length [mm] 184
 Filter Insert
 Particulate Filter



References

08975-K2003

Application info

Cuore VIII (04/07--)

Cabin air filter

712 319 0008 | MCF0418

Notes

Height [mm] 20
 Width [mm] 193
 Length [mm] 249.4
 Filter Insert
 Particulate Filter



References

84840-30450

712 319 0008 | MCF0418

Cabin air filter

1



Application info
YRV [02/01--]

Brake disc

30-15 521 0060 | MBD0524

Notes

Wheel Bolt Bore Ø [mm]	14.3
	Vented
Centering Diameter [mm]	55
Minimum thickness [mm]	20
Outer diameter [mm]	258
Height [mm]	46.2
Bolt Hole Circle Ø [mm]	100
Brake Disc Thickness [mm]	22
Required quantity	2
Number of Holes	4
	Front Axle



References

43512-00060	43512-00060000
-------------	----------------

Application info

Charade V (05/11--)

Brake disc

30-15 521 0059 | MBD0523

Notes

Wheel Bolt Bore Ø [mm]	14.5
	Vented
Centering Diameter [mm]	55
Minimum thickness [mm]	19
Outer diameter [mm]	275
Height [mm]	46.3
Bolt Hole Circle Ø [mm]	100
Brake Disc Thickness [mm]	22
Required quantity	2
Number of Holes	4
	Front Axle



References

43512-52130

Application info

Charade V (05/11--)

39-15 521 0001 | MBD1084

Brake disc



Notes

Wheel Bolt Bore Ø [mm]	14
	Solid
Centering Diameter [mm]	66.5
Minimum thickness [mm]	15
Outer diameter [mm]	273
Height [mm]	37.5
Bolt Hole Circle Ø [mm]	114.3
Brake Disc Thickness [mm]	16
Required quantity	2
Number of Holes	5
	Front Axle

References

43512-87402	43512-87402000
-------------	----------------

Application info

Terios I [05/97-10/05]

Terios II [11/05--]

39-15 521 0004 | MBD1086

Brake disc



Notes

Wheel Bolt Bore Ø [mm]	13.2
	Vented
Centering Diameter [mm]	55
Minimum thickness [mm]	15
Outer diameter [mm]	234
Height [mm]	41
Bolt Hole Circle Ø [mm]	100
Brake Disc Thickness [mm]	16
Required quantity	2
Number of Holes	4
	Front Axle

References

43512-97202	43512-B1050
43512-97202000	43512-B1050000

Application info

Cuore VII [03/03--]
Cuore VIII [04/07--]
Move [06/94-09/02]
Sirion I [04/98-03/05]

Sirion II [01/05-10/08]
Trevis [06/06--]
YRV [02/01--]



Brake disc

39-15 521 0003 | MBD1085

Notes

Wheel Bolt Bore Ø [mm]	13.2
	Solid
Centering Diameter [mm]	55.1
Minimum thickness [mm]	10
Outer diameter [mm]	211
Height [mm]	40.9
Bolt Hole Circle Ø [mm]	100
Brake Disc Thickness [mm]	11
Required quantity	2
Number of Holes	4
	Front Axle

References

43512-97204	43512-97207000
43512-97204000	43512-B2100
43512-97207	43512-B2130



Application info

Cuore VI [10/98-05/03]
Cuore VII [03/03--]

Cuore VIII [04/07--]
Trevis [06/06--]

Brake disc

39-15 521 0000 | MBD1083

Notes

Wheel Bolt Bore Ø [mm]	13.2
	Vented
Centering Diameter [mm]	55
Minimum thickness [mm]	16
Outer diameter [mm]	246
Height [mm]	41.9
Bolt Hole Circle Ø [mm]	100
Brake Disc Thickness [mm]	17
Required quantity	2
Number of Holes	4
	Front Axle

References

43512-97402	43512-B1110
43512-97402000	



Application info

Copen [09/03--]
Cuore VIII [04/07--]

Sirion II [01/05-10/08]
YRV [02/01--]

2

39-15 521 0005 | MBD1087

Brake disc



Notes

Wheel Bolt Bore Ø [mm]	14.1
	Vented
Centering Diameter [mm]	66.5
Minimum thickness [mm]	21
Outer diameter [mm]	287.1
Height [mm]	37.7
Bolt Hole Circle Ø [mm]	114.3
Brake Disc Thickness [mm]	22
Required quantity	2
Number of Holes	5
	Front Axle

References

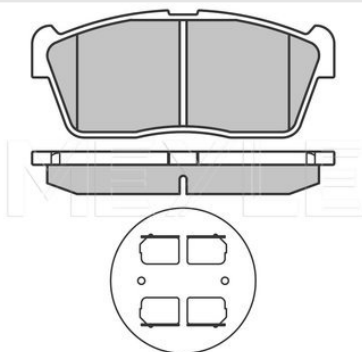
43512-B4010	43512-B4010000
-------------	----------------

Application info

Terios II [11/05--]

025 235 0715 | MBP0364

Brake pad set



Notes

	with acoustic wear warning
Thickness [mm]	15.2
Height [mm]	45.6
Width [mm]	108.4
Number of wear indicators [per axle]	2
Brake System	Sumitomo with anti-squeak plate Front Axle

References

04465-B1020

Application info

Copen [09/03--]
Cuore VII [03/03--]

Cuore VIII [04/07--]



Brake pad set

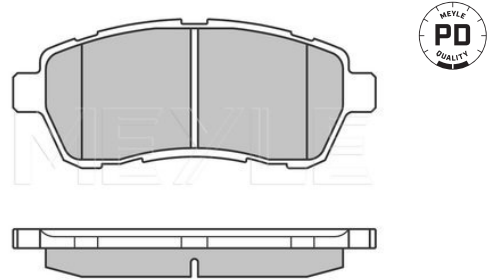
025 242 8316/PD | MBP0555PD

Notes

Quality	with acoustic wear warning PREMIUM
Thickness [mm]	16.5
Height [mm]	51.7
Width [mm]	125.6
Number of wear indicators [per axle]	2
Brake System	TRW with anti-squeak plate Front Axle

References

04465-B1120	04465-B1320
04465-B1190	04465-B1320000
04465-B1191	



Application info

Materia [10/06--]

Sirion II [01/05-10/08]

Brake pad set

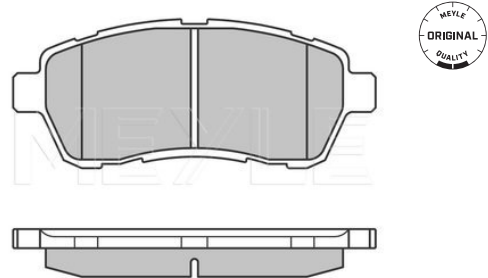
025 242 8316/W | MBP0556

Notes

Thickness [mm]	with acoustic wear warning 16.5
Height [mm]	51.7
Width [mm]	125.6
Number of wear indicators [per axle]	2
Brake System	TRW with anti-squeak plate Front Axle

References

04465-B1120	04465-B1320
04465-B1190	04465-B1320000
04465-B1191	



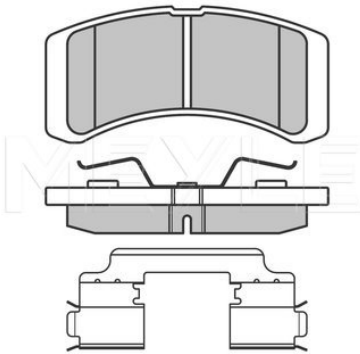
Application info

Materia [10/06--]

Sirion II [01/05-10/08]

025 242 2914/W | MBP0544

Brake pad set



Notes

Thickness/Strength 2 [mm]
Thickness/Strength 1 [mm]
Height [mm]
Width 2 [mm]
Width 1 [mm]
Number of wear indicators [per axle]
Brake System

with acoustic wear warning
15.3
14.8
44.3
121.9
91.9
2
Akebono
with anti-squeak plate
Front Axle

References

04465-B2030
04465-B2040
04491-97214
04491-97214000

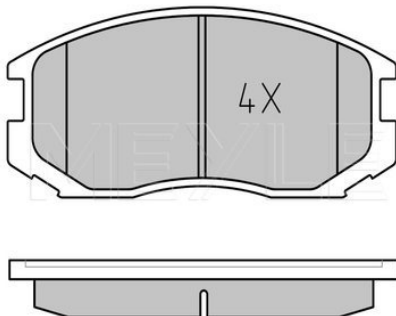
Application info

Cuore VII (03/03--)
Cuore VIII (04/07--)

Trevis (06/06--)

025 216 5015 | MBP0173

Brake pad set



Notes

Thickness [mm]
Height [mm]
Width [mm]
Brake System

excl. wear warning contact
15
50
114.1
Sumitomo
with anti-squeak plate
Front Axle

References

04491-87401

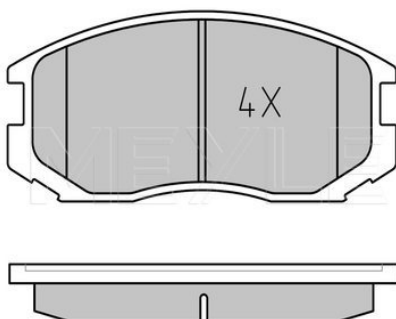
Application info

Terios I (05/97-10/05)

Terios II (11/05--)

025 216 5015/PD | MBP0173PD

Brake pad set



Notes

Quality
Thickness [mm]
Height [mm]
Width [mm]
Brake System

excl. wear warning contact
PREMIUM
15
50
114.1
Sumitomo
with anti-squeak plate
Front Axle

References

04491-87401

Brake pad set
025 216 5015/PD | MBP0173PD
Application info

Terios I [05/97-10/05]

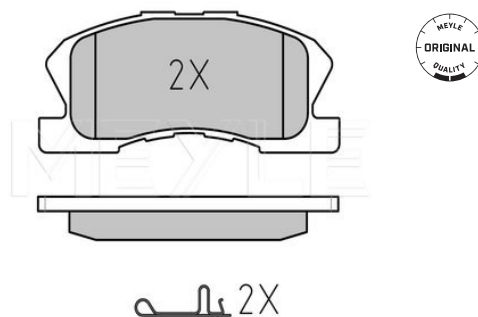
Terios II [11/05--]

Brake pad set
025 234 9714/W | MBP0361
Notes

	with acoustic wear warning
Thickness/Strength 2 [mm]	15
Thickness/Strength 1 [mm]	14.8
Height [mm]	49.6
Width 2 [mm]	115.4
Width 1 [mm]	95
Number of wear indicators [per axle]	2
	with anti-squeak plate
	Front Axle

References

04491-97201	04491-97212
04491-97201000	04491-97401
04491-97205	04491-97401000
04491-97205000	04491-97403


Application info

 Move [06/94-09/02]
 Sirion I [04/98-03/05]

YRV [02/01--]

Brake drum
30-15 523 0092 | MDR0035
Notes

Centering Diameter [mm]	55
Inner Brake Drum Height [mm]	43.7
Total Br. Drum Height [mm]	53.1
Bolt Hole Circle Ø [mm]	100
Max.skimmed drum measure [mm]	201
Br. Drum outer diameter [mm]	252
Inner Br. Drum Diam. [mm]	200
Required quantity	2
Number of Holes	4
	Rear Axle

References

42431-52070


Application info

Charade V [05/11--]

2

30-14 533 0025 | MBS0092

Brake shoe kit



Notes

Diameter [mm]
Width [mm]
Brake System

without spring
with lever
203
39
Lockhead
Rear Axle

References

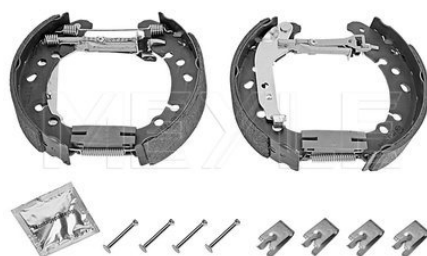
04495-00040

Application info

Charade V [05/11--]

30-14 533 0025/K | MBS0281

Brake shoe kit



Notes

Diameter [mm]
Width [mm]
Brake System

without wheel brake cylinder
with lever
with spring
Pre-assembled
203
39
Lockhead
Rear Axle

References

04495-00040

Application info

Charade V [05/11--]

30-14 533 0013 | MBS0083

Brake shoe kit



Notes

Diameter [mm]
Width [mm]

without spring
229
41
Rear Axle

References

04495-87401

Application info

Terios I [05/97-10/05]

Brake shoe kit

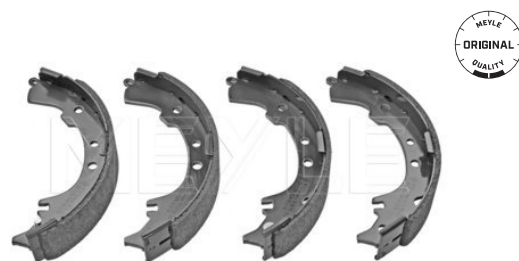
30-14 533 0018 | MBS0086

Notes

Diameter [mm] without spring
228.6
Width [mm] 40
Rear Axle

References

04495-87402-000 04495-87403-000



Application info

Terios I [05/97-10/05]

Brake shoe kit

33-14 533 0005 | MBS0116

Notes

Diameter [mm] without spring
200
Width [mm] 32
Rear Axle

References

04495-87707 04495-87708



Application info

Applause [06/89-05/00]

Charade III [03/87-02/93]

2

32-14 495 0000 | MBK0192

Boot kit, C.V. joint



Notes

Inner diameter 2 [mm]
Inner diameter 1 [mm]
Length [mm]

Elastomer
74
21
93
Front Axle
Wheel Side

References

04438-87709

Application info

Applause [06/89-05/00]

39-14 498 0007 | MCV0303

C.V. joint kit



Notes

Number of Teeth, ABS ring
Seal Diameter [mm]
Length [mm]
Internal Teeth, wheel side
Outer gearing wheel side

CV Joint
48
with ABS ring
52
175.5
19
24
Wheel Side

References

43410-87402

43420-87402

Application info

Terios I [05/97-10/05]

33-14 498 0016 | MCV0244

C.V. joint kit



Notes

Number of Teeth, ABS ring
Seal Diameter [mm]
Length [mm]
Internal Teeth, wheel side
Outer gearing wheel side

CV Joint
41
with ABS ring
49
135
19
23
Wheel Side

References

4410175F02

Application info

Sirion II [01/05-10/08]



Lambda probe

100 900 0000 | MEX0265

Notes

Cable Length [mm]
Number of Poles

Regulating Probe
Unheated
890
1

References

89465-87101-000
89465-87105-000
89465-87202-000

89465-87211-000
89465-87601-000
89465-87704-000



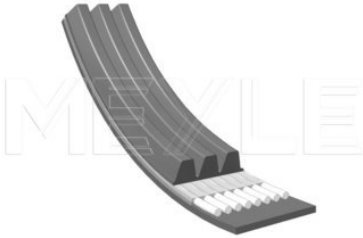
Application info

Applause [06/89-05/00]

Charade III [03/87-02/93]

050 003 0538 | MRB0007

V-ribbed belt



Notes

Number of Ribs 3
Length [mm] 538

References

44318-87706 44318-87707

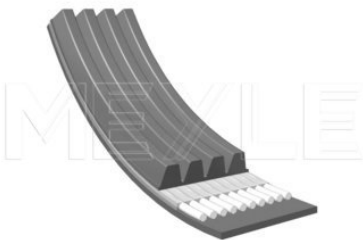
Application info

Charade IV [01/93-09/00]

Gran Move [10/96-07/02]

050 004 1440 | MRB0162

V-ribbed belt



Notes

Number of Ribs 4
Length [mm] 1440
for vehicles with air conditioning

References

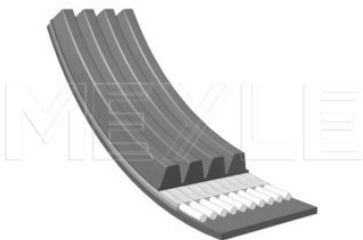
88458-87401 88458-87403

Application info

Terios I [05/97-10/05]

050 004 0825 | MRB0084

V-ribbed belt



Notes

Number of Ribs 4
Length [mm] 825

References

8845887710

Application info

Charade IV [01/93-09/00]

Gran Move [10/96-07/02]



V-ribbed belt

050 003 0788 | MRB0026

Notes

Number of Ribs 3
Length [mm] 788

References

90048-31002



Application info

Charade III [03/87-02/93]

Charade IV [01/93-09/00]

V-ribbed belt

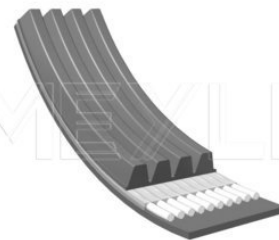
050 004 1710 | MRB0168

Notes

Number of Ribs 4
Length [mm] 1710

References

90048-31030



Application info

Sirion I [04/98-03/05]

YRV [02/01--]

V-ribbed belt

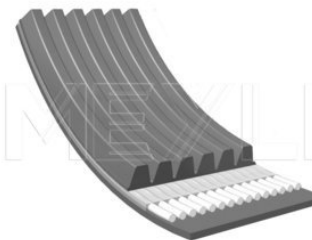
050 006 0858 | MRB0318

Notes

Number of Ribs 6
Length [mm] 858

References

90048-31046



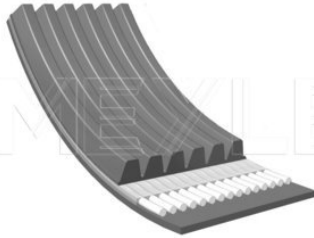
Application info

Sirion II [01/05-10/08]

5

050 006 1580 | MRB0431

V-ribbed belt



Notes

Number of Ribs 6
Length [mm] 1580

References

90048-31059

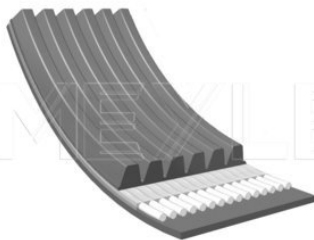
Application info

Materia [10/06--]

Sirion II [01/05-10/08]

050 006 1880 | MRB0485

V-ribbed belt



Notes

Number of Ribs 6
Length [mm] 1880

References

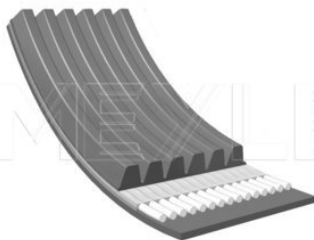
90048-31064

Application info

Terios II [11/05--]

050 006 1820 | MRB0471

V-ribbed belt



Notes

Number of Ribs 6
Length [mm] 1820

References

9004831065

Application info

Terios II [11/05--]

V-ribbed belt

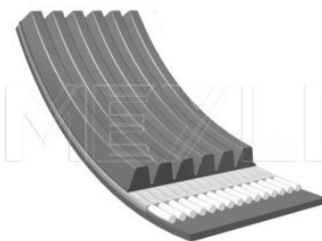
050 006 1185 | MRB0373

Notes

Number of Ribs 6
Length [mm] 1185

References

90048-31071



Application info

Cuore VIII [04/07--]

V-ribbed belt

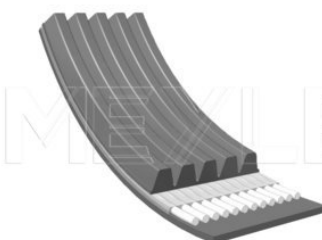
050 005 0975 | MRB0211

Notes

Number of Ribs 5
Length [mm] 975

References

90048-31005 90048-31500



Application info

Feroza [10/88-12/99]

V-ribbed belt

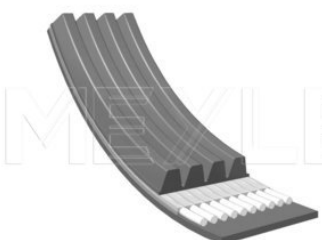
050 004 0800 | MRB0079

Notes

Number of Ribs 4
Length [mm] 800

References

9936400800



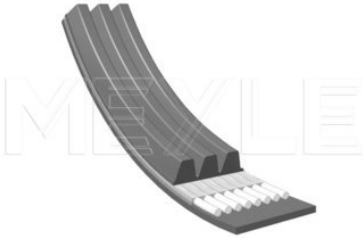
Application info

Charade IV [01/93-09/00]

5

050 003 0513 | MRB0005

V-ribbed belt



Notes

Number of Ribs 3
Length [mm] 513

References

44318-97201

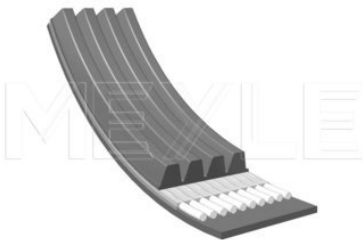
Application info

Cuore VI [10/98-05/03]
Move [06/94-09/02]

Sirion I [04/98-03/05]

050 004 0715 | MRB0064

V-ribbed belt



Notes

Number of Ribs 4
Length [mm] 715

References

8859497201 90048-31020
8859497201000 90048-B9011
88594-97205

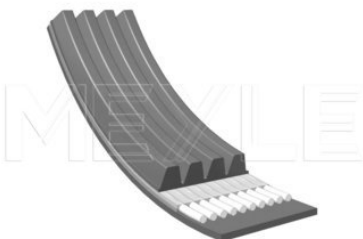
Application info

Cuore VI [10/98-05/03]
Cuore VII [03/03--]
Feroza [10/88-12/99]

Move [06/94-09/02]
Sirion I [04/98-03/05]
Trevis [06/06--]

050 004 0780 | MRB0075

V-ribbed belt



Notes

Number of Ribs 4
Length [mm] 780

References

9004831017 9004831017A
9004831017000 9004831019

Application info

Applause [06/89-05/00]
Charade III [03/87-02/93]
Charade IV [01/93-09/00]

Feroza [10/88-12/99]
Gran Move [10/96-07/02]
Terios I [05/97-10/05]



V-ribbed belt

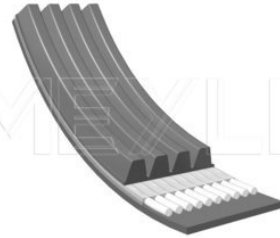
050 004 0830 | MRB0085

Notes

Number of Ribs 4
Length [mm] 830

References

9936400830



Application info

Applause [06/89-05/00]

Fourtrak [02/85-12/98]

V-ribbed belt

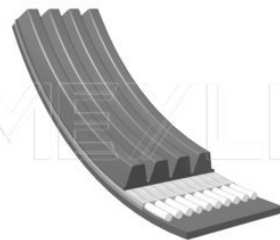
050 004 0845 | MRB0088

Notes

Number of Ribs 4
Length [mm] 845

References

8845887704 8845887705



Application info

Charade IV [01/93-09/00]

Thermostat

30-28 228 0002 | MTH0057

Notes

Opening Temperature [°C] with seal 88

References

16340-54010



Application info

Charade II [10/83-03/87]

Charade III [03/87-02/93]

39-28 228 0000 | MTH0075

Thermostat



Notes

Opening Temperature [°C]

without gasket / seal
82

References

90048-33022
90048-33025

90048-33028

Application info

Charade I (10/77-02/83)
Charade II (10/83-03/87)

Charade III (03/87-02/93)

30-28 228 0005 | MTH0059

Thermostat



Notes

Opening Temperature [°C]

with seal
80

References

90048-33088

Application info

Copen (09/03--)
Cuore VIII (04/07--)
Materia (10/06--)
Sirion I (04/98-03/05)

Sirion II (01/05-10/08)
Terios I (05/97-10/05)
Terios II (11/05--)
YRV (02/01--)

30-13 220 0023 | MWP0566

Water pump



Notes

Quality

for v-ribbed belt use
with seal
Sealed with SiC/SiC

References

16100-80004

Application info

Charade V (05/11--)



Water pump

39-13 220 0005 | MWP0416

Notes

with seal

References

16100-97205



Application info

Cuore VI [10/98-05/03]
Cuore VII [03/03--]
Move [06/94-09/02]

Sirion I [04/98-03/05]
YRV [02/01--]

Water pump

11-13 220 0019 | MWP0092

Notes

for v-ribbed belt use
with add-on material
with seal

References

16100-80001

16100-97234



Application info

Cuore VIII [04/07--]

Sirion II [01/05-10/08]

Water pump

39-13 220 0003 | MWP0414

Notes

Number of Thread Bores

3
with seal

References

16100-97404
16100-97411

16100-89010



Application info

Materia [10/06--]
Sirion I [04/98-03/05]
Sirion II [01/05-10/08]

Terios II [11/05--]
YRV [02/01--]

39-13 220 0002 | MWP0413

Water pump



Notes

with seal

References

16100-87108
16100-87182

16100-87184
16100-89170

Application info

Applause [06/89-05/00]
Charade III [03/87-02/93]
Charade IV [01/93-09/00]

Fourtrak [02/85-12/98]
Gran Move [10/96-07/02]

30-12 321 0015 | MAF0347

Air filter



Notes

Height [mm]
Width [mm]
Length [mm]

51
119.5
250.5
Filter Insert

References

17801-21030

Application info

Charade V [05/11--]

30-12 321 0002 | MAF0334

Air filter



Notes

Height [mm]
Width [mm]
Length [mm]

44
114
260
Filter Insert

References

17801-23030

17801-23030-000

Application info

Sirion II [01/05-10/08]

Air filter
30-12 321 0017 | MAF0349
Notes

 Height [mm] 41
 Width [mm] 156
 Length [mm] 250
 Filter Insert

References

 17801-87401 17801-87401-LOC
 17801-87401-000

Application info

Terios I [05/97-10/05]

Air filter
39-12 321 0004 | MAF0541
Notes

 Height [mm] 53
 Width [mm] 170
 Length [mm] 183
 Filter Insert

References

 17801-87Z12 17801-97201-000
 17801-97201

Application info

 Cuore VI [10/98-05/03]
 Move [06/94-09/02]

 Sirion I [04/98-03/05]
 YRV [02/01--]

Air filter
39-12 321 0005 | MAF0542
Notes

 Height [mm] 44
 Width [mm] 130
 Length [mm] 319.5
 Filter Insert

References

17801-97402 17801-97402-000


Application info

 Sirion I [04/98-03/05]
 Sirion II [01/05-10/08]

YRV [02/01--]

39-12 321 0006 | MAF0543

Air filter



Notes

Height [mm]	34
Width [mm]	254.5
Length [mm]	308
	Filter Insert

References

17801-81010

Application info

Materia [10/06--]
Sirion II [01/05-10/08]

Terios II [11/05--]

35-14 323 0001 | MFF0170

Fuel filter



Notes

	Metal
Diameter [mm]	94
Height [mm]	139
Thread Size	M20x1,5
Connecting thread	M36x1,5
	Screw-on Filter

References

23303-87309

23303-87309-000

Application info

Fourtrak [02/85-12/98]

Wildcat/Rocky [02/85-04/87]

30-14 322 0005 | MOF0102

Oil filter



Notes

	with seal
Inner diameter [mm]	28
Outer diameter [mm]	60
Height [mm]	56.5
	Filter Insert

References

04152-37010

Application info

Sirion II [01/05-10/08]

Oil filter
30-14 322 0010 | MOF0107
Notes

Inner diameter [mm]	with seal
Outer diameter [mm]	28
Height 1 [mm]	60
Height [mm]	55
	56.5
	Filter Insert

References

04152-40060	04152-B1010-000
04152-B1010	


Application info

 Charade V [05/11--]
 Materia [10/06--]

Sirion II [01/05-10/08]

Oil filter
714 322 0005 | MOF0200
Notes

Bypass Valve Opening Pressure [bar]	1
Outer diameter [mm]	80
Height [mm]	74.5
Thread Size	3/4"-16 UNF
	Screw-on Filter
	with one anti-return valve

References

11501-00550	15601-87203
15600-87201	15601-87702
15601-87103	15601-87706
15601-87201	


Application info

 Applause [06/89-05/00]
 Charade I [10/77-02/83]
 Charade II [10/83-03/87]
 Charade III [03/87-02/93]
 Cuore I [10/80-09/85]

 Cuore II [09/85-12/90]
 Gran Move [10/96-07/02]
 Sirion I [04/98-03/05]
 Terios I [05/97-10/05]

Oil filter
30-14 322 0000 | MOF0097
Notes

Bypass Valve Opening Pressure [bar]	1
Outer diameter [mm]	67
Height [mm]	76
Thread Size	3/4"-16 UNF
	Screw-on Filter
	with one anti-return valve

References

15601-13010-000	15601-13011-000
15601-13011	15601-87104-000



30-14 322 0000 | MOF0097

Oil filter

Application info

Charade III (03/87-02/93)

Charmant II (11/81-07/87)

33-14 016 0000 | MOF0141

Oil filter



Notes

Bypass Valve Opening Pressure [bar]	1
Diameter [mm]	66
Height [mm]	65
Thread Size	3/4"-16 UNF
	Screw-on Filter with one anti-return valve

References

15601-81402	15601-87705
15601-82703	15601-87706
15601-82706	15601-87720
15601-87103	15610-82703
15601-87106	16510-81401
15601-87107	16510-81402
15601-87107-000	16510-81403
15601-87202	16510-81420
15601-87203	16510-82700
15601-87204	16510-82704
15601-87703-000	16510-82708
15601-87704	

Application info

Applause (06/89-05/00)
Charade I (10/77-02/83)
Charade II (10/83-03/87)
Charade III (03/87-02/93)
Charade IV (01/93-09/00)
Copen (09/03--)
Cuore I (10/80-09/85)
Cuore II (09/85-12/90)
Cuore III (08/90-12/94)
Cuore IV (12/94-10/98)
Cuore VI (10/98-05/03)

Cuore VII (03/03--)
Cuore VIII (04/07--)
Feroza (10/88-12/99)
Gran Move (10/96-07/02)
Move (06/94-09/02)
Sirion I (04/98-03/05)
Sirion II (01/05-10/08)
Terios I (05/97-10/05)
Terios II (11/05--)
Trevis (06/06--)
YRV (02/01--)

33-14 322 0002 | MOF0143

Oil filter



Notes

Bypass Valve Opening Pressure [bar]	1
Diameter [mm]	76
Height [mm]	85.5
Thread Size	3/4"-16 UNF
	Screw-on Filter with one anti-return valve

References

16510-60811



Oil filter

33-14 322 0002 | MOF0143



Application info

Charade IV [01/93-09/00]

30-16 020 0018 | MTE0283

Tie rod end



Notes

Thread Measurement 2
Thread Measurement 1
Length [mm]

M14x1,5
M12x1,25
170
Front Axle Right

References

45046-09480

Counterpart

30-16 020 0006 | MTE0276

Application info

Charade V [05/11--]

39-16 020 0018 | MTE0436

Tie rod end



Notes

Thread Measurement 2
Thread Measurement 1
Length [mm]

M12x1,25
M10x1,25
114
Front Axle Right

References

45046-87707
45046-87783000

45046-97204
45046-97204000

Counterpart

39-16 020 0016 | MTE0435

Application info

Gran Move [10/96-07/02]
Sirion I [04/98-03/05]

Sirion II [01/05-10/08]

30-16 020 0006 | MTE0276

Tie rod end



Notes

Thread Measurement 2
Thread Measurement 1
Length [mm]

M14x1,5
M12x1,25
170
Front Axle Left

References

45047-09220

Counterpart

30-16 020 0018 | MTE0283

Application info

Charade V [05/11--]



Tie rod end

39-16 020 0016 | MTE0435

Notes

Thread Measurement 2	M12x1,25
Thread Measurement 1	M10x1,25
Length [mm]	114
	Front Axle Left

References

45047-87706	45047-97204
45047-87783000	45047-97204000

Counterpart

39-16 020 0018 | MTE0436



Application info

Gran Move [10/96-07/02]
 Sirion I [04/98-03/05]

Sirion II [01/05-10/08]

39-16 060 0000 | MSL0469

Stabilizer link



Notes

Thread Measurement 2
Thread Measurement 1
Length [mm]

Coupling Rod
M10x1,25
M10x1,25
50
Front Axle Right

References

48821-B1010
48821-B1010000

48821-B1030
48821-B1031

Counterpart

39-16 060 0000 | MSL0470

Application info

Sirion II [01/05-10/08]

39-16 060 0002 | MSL0470

Stabilizer link



Notes

Thread Measurement 2
Thread Measurement 1
Length [mm]

Coupling Rod
M10x1,25
M10x1,25
50
Front Axle Left

References

48831-B1010
48831-B1010000
48831-B1020

48831-B1021
48831-V1010

Counterpart

39-16 060 0000 | MSL0469

Application info

Sirion II [01/05-10/08]

30-26 725 0005 | MSA0624

Shock absorber



Notes

Bottom eye
Top pin
Gas Pressure
Twin-Tube
Rear Axle

References

48530-00180

Application info

Charade V [05/11--]



Shock absorber

30-26 623 0020 | MSA0231

Notes

Suspension Strut
Gas Pressure
Twin-Tube
Front Axle Left

Counterpart

30-26 623 0021 | MSA0232



Application info

Charade V [05/11--]

Shock absorber

30-26 623 0021 | MSA0232

Notes

Suspension Strut
Gas Pressure
Twin-Tube
Front Axle Right

Counterpart

30-26 623 0020 | MSA0231



Application info

Charade V [05/11--]

MEYLE no.	Ref. no.	Page
Daihatsu		
025 216 5015	04491-87401	12
025 216 5015/PD	04491-87401	12
025 234 9714/W	04491-97201 04491-97201000 04491-97205 04491-97205000 04491-97212 04491-97401 04491-97401000 04491-97403	13
025 235 0715	04465-81020	10
025 242 2914/W	04465-82030 04465-82040 04491-97214 04491-97214000	12
025 242 8316/PD	04465-81120 04465-81190 04465-81191 04465-81320 04465-81320000	11
025 242 8316/W	04465-81120 04465-81190 04465-81191 04465-81320 04465-81320000	11
029 300 1200	-	1
029 300 1213	-	1
029 350 1400	-	1
029 350 1413	-	2
029 380 1500	-	2
029 380 1514	-	2
029 400 1600	-	3
029 450 1800	-	3
029 475 1900	-	3
029 500 2000	-	4
029 530 2100	-	4
029 600 2400	-	4
050 003 0513	44318-97201	22
050 003 0538	44318-87706 44318-87707	18
050 003 0788	90048-31002	19
050 004 0715	8859497201 8859497201000 88594-97205 90048-31020 90048-89011	22

MEYLE no.	Ref. no.	Page
Daihatsu		
050 004 0780	9004831017 9004831017000 9004831017A 9004831019	22
050 004 0800	9936400800	21
050 004 0825	8845887710	18
050 004 0830	9936400830	23
050 004 0845	8845887704 8845887705	23
050 004 1440	88458-87401 88458-87403	18
050 004 1710	90048-31030	19
050 005 0975	90048-31005 90048-31500	21
050 006 0858	90048-31046	19
050 006 1185	90048-31071	21
050 006 1580	90048-31059	20
050 006 1820	9004831065	20
050 006 1880	90048-31064	20
100 900 0000	89465-87101-000 89465-87105-000 89465-87202-000 89465-87211-000 89465-87601-000 89465-87704-000	17
11-13 220 0019	16100-80001 16100-97234	25
30-12 321 0002	17801-23030 17801-23030-000	26
30-12 321 0015	17801-21030	26
30-12 321 0017	17801-87401 17801-87401-000 17801-87401-LOC	27
30-13 220 0023	16100-80004	24
30-14 322 0000	15601-13010-000 15601-13011 15601-13011-000 15601-87104-000	29
30-14 322 0005	04152-37010	28
30-14 322 0010	04152-40060 04152-81010 04152-81010-000	29
30-14 533 0013	04495-87401	14
30-14 533 0018	04495-87402-000 04495-87403-000	15
30-14 533 0025	04495-00040	14

MEYLE no.	Ref. no.	Page
Daihatsu		
30-14 533 0025/K	04495-00040	14
30-15 521 0059	43512-52130	7
30-15 521 0060	43512-00060 43512-00060000	7
30-15 523 0092	42431-52070	13
30-16 020 0006	45047-09220	32
30-16 020 0018	45046-09480	32
30-26 623 0020	-	35
30-26 623 0021	-	35
30-26 725 0005	48530-00180	34
30-28 228 0002	16340-54010	23
30-28 228 0005	90048-33088	24
31-12 319 0006	08975-K2003	5
31-12 320 0006	08975-K2000-100	5
32-14 495 0000	04438-87709	16
33-14 016 0000	15601-81402 15601-82703 15601-82706 15601-87103 15601-87106 15601-87107 15601-87107-000 15601-87202 15601-87203 15601-87204 15601-87703-000 15601-87704 15601-87705 15601-87706 15601-87720 15610-82703 16510-81401 16510-81402 16510-81403 16510-81420 16510-82700 16510-82704 16510-82708	30
33-14 322 0002	16510-60B11	30
33-14 498 0016	4410175F02	16
33-14 533 0005	04495-87707 04495-87708	15
35-14 323 0001	23303-87309 23303-87309-000	28
39-12 321 0004	17801-87Z12 17801-97201	27

MEYLE no.	Ref. no.	Page
Daihatsu		
	17801-97201-000	
39-12 321 0005	17801-97402 17801-97402-000	27
39-12 321 0006	17801-81010	28
39-13 220 0002	16100-87108 16100-87182 16100-87184 16100-89170	26
39-13 220 0003	16100-97404 16100-97411 16100-89010	25
39-13 220 0005	16100-97205	25
39-14 498 0007	43410-87402 43420-87402	16
39-15 521 0000	43512-97402 43512-97402000 43512-81110	9
39-15 521 0001	43512-87402 43512-87402000	8
39-15 521 0003	43512-97204 43512-97204000 43512-97207 43512-97207000 43512-82100 43512-82130	9
39-15 521 0004	43512-97202 43512-97202000 43512-81050 43512-81050000	8
39-15 521 0005	43512-84010 43512-84010000	10
39-16 020 0016	45047-87706 45047-87783000 45047-97204 45047-97204000	33
39-16 020 0018	45046-87707 45046-87783000 45046-97204 45046-97204000	32
39-16 060 0000	48821-81010 48821-81010000 48821-81030 48821-81031	34
39-16 060 0002	48831-81010 48831-81010000 48831-81020	34



MEYLE no.	Ref. no.	Page
Daihatsu		
	48831-81021 48831-V1010	
39-28 228 0000	90048-33022 90048-33025 90048-33028	24
712 319 0008	84840-30450	5
714 322 0005	11501-00550 15600-87201 15601-87103 15601-87201 15601-87203 15601-87702 15601-87706	29



Ref. no.	MEYLE no.	Page
Daihatsu		
04152-37010	30-14 322 0005	28
04152-40060	30-14 322 0010	29
04152-81010	30-14 322 0010	29
04152-81010-000	30-14 322 0010	29
04438-87709	32-14 495 0000	16
04465-81020	025 235 0715	10
04465-81120	025 242 8316/PD 025 242 8316/W	11
04465-81190	025 242 8316/PD 025 242 8316/W	11
04465-81191	025 242 8316/PD 025 242 8316/W	11
04465-81320	025 242 8316/PD 025 242 8316/W	11
04465-81320000	025 242 8316/PD 025 242 8316/W	11
04465-82030	025 242 2914/W	12
04465-82040	025 242 2914/W	12
04491-87401	025 216 5015 025 216 5015/PD	12
04491-97201	025 234 9714/W	13
04491-97201000	025 234 9714/W	13
04491-97205	025 234 9714/W	13
04491-97205000	025 234 9714/W	13
04491-97212	025 234 9714/W	13
04491-97214	025 242 2914/W	12
04491-97214000	025 242 2914/W	12
04491-97401	025 234 9714/W	13
04491-97401000	025 234 9714/W	13
04491-97403	025 234 9714/W	13
04495-00040	30-14 533 0025 30-14 533 0025/K	14
04495-87401	30-14 533 0013	14
04495-87402-000	30-14 533 0018	15
04495-87403-000	30-14 533 0018	15
04495-87707	33-14 533 0005	15
04495-87708	33-14 533 0005	15
08975-K2000-100	31-12 320 0006	5
08975-K2003	31-12 319 0006	5
11501-00550	714 322 0005	29
15600-87201	714 322 0005	29
15601-13010-000	30-14 322 0000	29
15601-13011	30-14 322 0000	29
15601-13011-000	30-14 322 0000	29
15601-81402	33-14 016 0000	30
15601-82703	33-14 016 0000	30

Ref. no.	MEYLE no.	Page
Daihatsu		
15601-82706	33-14 016 0000	30
15601-87103	33-14 016 0000 714 322 0005	29-30
15601-87104-000	30-14 322 0000	29
15601-87106	33-14 016 0000	30
15601-87107	33-14 016 0000	30
15601-87107-000	33-14 016 0000	30
15601-87201	714 322 0005	29
15601-87202	33-14 016 0000	30
15601-87203	33-14 016 0000 714 322 0005	29-30
15601-87204	33-14 016 0000	30
15601-87702	714 322 0005	29
15601-87703-000	33-14 016 0000	30
15601-87704	33-14 016 0000	30
15601-87705	33-14 016 0000	30
15601-87706	33-14 016 0000 714 322 0005	29-30
15601-87720	33-14 016 0000	30
15610-82703	33-14 016 0000	30
16100-80001	11-13 220 0019	25
16100-80004	30-13 220 0023	24
16100-87108	39-13 220 0002	26
16100-87182	39-13 220 0002	26
16100-87184	39-13 220 0002	26
16100-97205	39-13 220 0005	25
16100-97234	11-13 220 0019	25
16100-97404	39-13 220 0003	25
16100-97411	39-13 220 0003	25
16100-89010	39-13 220 0003	25
16100-89170	39-13 220 0002	26
16340-54010	30-28 228 0002	23
16510-60811	33-14 322 0002	30
16510-81401	33-14 016 0000	30
16510-81402	33-14 016 0000	30
16510-81403	33-14 016 0000	30
16510-81420	33-14 016 0000	30
16510-82700	33-14 016 0000	30
16510-82704	33-14 016 0000	30
16510-82708	33-14 016 0000	30
17801-21030	30-12 321 0015	26
17801-23030	30-12 321 0002	26
17801-23030-000	30-12 321 0002	26
17801-87401	30-12 321 0017	27
17801-87401-000	30-12 321 0017	27
17801-87401-LOC	30-12 321 0017	27

Ref. no.	MEYLE no.	Page
Daihatsu		
17801-87Z12	39-12 321 0004	27
17801-97201	39-12 321 0004	27
17801-97201-000	39-12 321 0004	27
17801-97402	39-12 321 0005	27
17801-97402-000	39-12 321 0005	27
17801-B1010	39-12 321 0006	28
23303-87309	35-14 323 0001	28
23303-87309-000	35-14 323 0001	28
42431-52070	30-15 523 0092	13
43410-87402	39-14 498 0007	16
43420-87402	39-14 498 0007	16
43512-00060	30-15 521 0060	7
43512-00060000	30-15 521 0060	7
43512-52130	30-15 521 0059	7
43512-87402	39-15 521 0001	8
43512-87402000	39-15 521 0001	8
43512-97202	39-15 521 0004	8
43512-97202000	39-15 521 0004	8
43512-97204	39-15 521 0003	9
43512-97204000	39-15 521 0003	9
43512-97207	39-15 521 0003	9
43512-97207000	39-15 521 0003	9
43512-97402	39-15 521 0000	9
43512-97402000	39-15 521 0000	9
43512-B1050	39-15 521 0004	8
43512-B1050000	39-15 521 0004	8
43512-B1110	39-15 521 0000	9
43512-B2100	39-15 521 0003	9
43512-B2130	39-15 521 0003	9
43512-B4010	39-15 521 0005	10
43512-B4010000	39-15 521 0005	10
4410175F02	33-14 498 0016	16
44318-87706	050 003 0538	18
44318-87707	050 003 0538	18
44318-97201	050 003 0513	22
45046-09480	30-16 020 0018	32
45046-87707	39-16 020 0018	32
45046-87783000	39-16 020 0018	32
45046-97204	39-16 020 0018	32
45046-97204000	39-16 020 0018	32
45047-09220	30-16 020 0006	32
45047-87706	39-16 020 0016	33
45047-87783000	39-16 020 0016	33
45047-97204	39-16 020 0016	33
45047-97204000	39-16 020 0016	33
48530-00180	30-26 725 0005	34

Ref. no.	MEYLE no.	Page
Daihatsu		
48821-B1010	39-16 060 0000	34
48821-B1010000	39-16 060 0000	34
48821-B1030	39-16 060 0000	34
48821-B1031	39-16 060 0000	34
48831-B1010	39-16 060 0002	34
48831-B1010000	39-16 060 0002	34
48831-B1020	39-16 060 0002	34
48831-B1021	39-16 060 0002	34
48831-V1010	39-16 060 0002	34
84840-30450	712 319 0008	5
88458-87401	050 004 1440	18
88458-87403	050 004 1440	18
8845887704	050 004 0845	23
8845887705	050 004 0845	23
8845887710	050 004 0825	18
8859497201	050 004 0715	22
8859497201000	050 004 0715	22
88594-97205	050 004 0715	22
89465-87101-000	100 900 0000	17
89465-87105-000	100 900 0000	17
89465-87202-000	100 900 0000	17
89465-87211-000	100 900 0000	17
89465-87601-000	100 900 0000	17
89465-87704-000	100 900 0000	17
90048-31002	050 003 0788	19
90048-31005	050 005 0975	21
9004831017	050 004 0780	22
9004831017000	050 004 0780	22
9004831017A	050 004 0780	22
9004831019	050 004 0780	22
90048-31020	050 004 0715	22
90048-31030	050 004 1710	19
90048-31046	050 006 0858	19
90048-31059	050 006 1580	20
90048-31064	050 006 1880	20
9004831065	050 006 1820	20
90048-31071	050 006 1185	21
90048-31500	050 005 0975	21
90048-33022	39-28 228 0000	24
90048-33025	39-28 228 0000	24
90048-33028	39-28 228 0000	24
90048-33088	30-28 228 0005	24
90048-B9011	050 004 0715	22
9936400800	050 004 0800	21
9936400830	050 004 0830	23

Short no.	MEYLE no.	Page
Daihatsu		
MAF0334	30-12 321 0002	26
MAF0347	30-12 321 0015	26
MAF0349	30-12 321 0017	27
MAF0541	39-12 321 0004	27
MAF0542	39-12 321 0005	27
MAF0543	39-12 321 0006	28
MBD0523	30-15 521 0059	7
MBD0524	30-15 521 0060	7
MBD1083	39-15 521 0000	9
MBD1084	39-15 521 0001	8
MBD1085	39-15 521 0003	9
MBD1086	39-15 521 0004	8
MBD1087	39-15 521 0005	10
MBK0192	32-14 495 0000	16
MBL0002	029 300 1200	1
MBL0006	029 300 1213	1
MBL0013	029 350 1400	1
MBL0017	029 350 1413	2
MBL0018	029 380 1500	2
MBL0021	029 400 1600	3
MBL0027	029 450 1800	3
MBL0028	029 475 1900	3
MBL0029	029 500 2000	4
MBL0030	029 530 2100	4
MBL0034	029 600 2400	4
MBL0081	029 380 1514	2
MBP0173	025 216 5015	12
MBP0173PD	025 216 5015/PD	12
MBP0361	025 234 9714/W	13
MBP0364	025 235 0715	10
MBP0544	025 242 2914/W	12
MBP0555PD	025 242 8316/PD	11
MBP0556	025 242 8316/W	11
MBS0083	30-14 533 0013	14
MBS0086	30-14 533 0018	15
MBS0092	30-14 533 0025	14
MBS0116	33-14 533 0005	15
MBS0281	30-14 533 0025/K	14
MCF0223	31-12 319 0006	5
MCF0228	31-12 320 0006	5
MCF0418	712 319 0008	5
MCV0244	33-14 498 0016	16
MCV0303	39-14 498 0007	16
MDR0035	30-15 523 0092	13
MEX0265	100 900 0000	17
MFF0170	35-14 323 0001	28

Short no.	MEYLE no.	Page
Daihatsu		
MOF0097	30-14 322 0000	29
MOF0102	30-14 322 0005	28
MOF0107	30-14 322 0010	29
MOF0141	33-14 016 0000	30
MOF0143	33-14 322 0002	30
MOF0200	714 322 0005	29
MRB0005	050 003 0513	22
MRB0007	050 003 0538	18
MRB0026	050 003 0788	19
MRB0064	050 004 0715	22
MRB0075	050 004 0780	22
MRB0079	050 004 0800	21
MRB0084	050 004 0825	18
MRB0085	050 004 0830	23
MRB0088	050 004 0845	23
MRB0162	050 004 1440	18
MRB0168	050 004 1710	19
MRB0211	050 005 0975	21
MRB0318	050 006 0858	19
MRB0373	050 006 1185	21
MRB0431	050 006 1580	20
MRB0471	050 006 1820	20
MRB0485	050 006 1880	20
MSA0231	30-26 623 0020	35
MSA0232	30-26 623 0021	35
MSA0624	30-26 725 0005	34
MSL0469	39-16 060 0000	34
MSL0470	39-16 060 0002	34
MTE0276	30-16 020 0006	32
MTE0283	30-16 020 0018	32
MTE0435	39-16 020 0016	33
MTE0436	39-16 020 0018	32
MTH0057	30-28 228 0002	23
MTH0059	30-28 228 0005	24
MTH0075	39-28 228 0000	24
MWP0092	11-13 220 0019	25
MWP0413	39-13 220 0002	26
MWP0414	39-13 220 0003	25
MWP0416	39-13 220 0005	25
MWP0566	30-13 220 0023	24



MEYLE

You see the pretty
curves, underneath
is what counts.



The MEYLE brand supplies its customers with more than 21,000 extremely reliable and durable spare parts manufactured at our own production facilities or by trusted production partners. MEYLE boasts a highly diversified product range.

Whether steering and suspension components, rubber-to-metal parts, brakes, damping components, cooling systems, filters, drive components, electric and sensors MEYLE is synonymous with top-grade quality-tested spare parts.

Notes

This catalogue is protected by copyright. Reproduction of text, graphic elements, photographs and/or data, even in part, is prohibited. MEYLE, **MEYLE**, or parts thereof, are registered trademarks of MEYLE AG.

All supplies and services are subject to our General Terms and Conditions. The original spare part numbers shown in this catalogue are for cross-reference purposes only and shall not be disclosed to third parties on invoices and delivery notes. While the information in this catalogue was compiled and edited with utmost care we do not assume responsibility or accept claims arising from errors or inconsistencies. Subject to technical and/or design changes.

This issue of the catalogue supersedes all previous issues.
All rights reserved. © 2017 MEYLE AG



MEYLE parts are available through:

MEYLE AG

Merkurring 111, 22143 Hamburg, Germany
Tel. +49 40 67506 510, Fax +49 40 67506 506
contact@meyle.com

www.meyle.com

MEYLE