

Starter Motors & Generators



Classic Cars

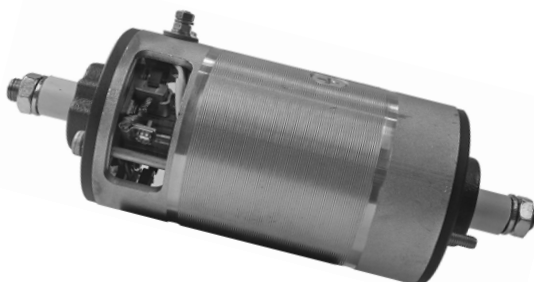


Table of Contents

Please use Application Table, Crossreference and Pictures to insure that you are getting the correct Starter Motor for your Machine. If you can not find your Model within this catalogue or if you are not sure selecting the right unit our Sales People will be glad to help you.



	Page
Table of Contents	2
Models by Manufacturer:	
Bentley	3
BMW	4 - 5
Ferrari	6 - 7
Horch	8
Jaguar	9
Mercedes Benz	10 - 18
Porsche	19 - 25
Rolls Royce	3
VW Karmann Ghia	26
Various BJH Starter	27
Crossreference	28
CONTACTS	29



Great care was taken to insure the accuracy of information - but **ANDRE NIERMANN** assumes no responsibility for possible errors

All pictures and manufacturer's names are used for reference only

New Starter Motor for Bentley & Rolls Royce

More Power / Reliable / Original Appearance / Made in Germany



Part No.: 0126269



Application Examples

Bentley - all except "S" Series with 6745cc Engine / 1973 - 1989
 Rolls Royce Camargue / 6745cc Engine / 1975 - 1989
 Rolls Royce Corniche / 6745cc Engine / 1973 - 1989
 Rolls Royce Silver Shadow / 6745cc Engine / 1973 - 1989
 Rolls Royce Silver Spirit / 6745cc Engine / 1980 - 1987
 Rolls Royce Silver Spur / 6745cc Engine / 1980 - 1987

Replaces

Lucas	26269
Lucas	26383
Lucas	26458
Lucas	27405
Lucas	27458
Rolls Royce	UE38856



Notizen:

Starter Motor for BMW 501 (1952 - 1955)

More Power / Reliable / Made in Germany

12V / 2 KW / CW / 9 Teeth



01305003



Application Examples

BMW	501	2.0 L / R6 / 65 PS
BMW	501 A	2.0 L / R6 / 65 PS
BMW	501 B	2.0 L / R6 / 65 PS

Replaces

Bosch	0 001 305 003
Bosch	EGD1/12 AR6



Starter Motor for BMW 502 / 503 (1954 - 1963)

More Power / Reliable / Made in Germany

12V / 2 KW / CW / 9 Teeth



01305008



Application Examples

BMW	502	2.6 L / V8 / 100 PS
BMW	2,6 L Luxus	2.6 L / V8 / 100 PS
BMW	2600 L	2.6 L / V8 / 100 PS
BMW	503 Cabrio	3.2 L / V8 / 140 PS
BMW	503 Coupé	3.2 L / V8 / 140 PS
BMW	3,2 Super	3.2 L / V8 / 140 PS

Replaces

Bosch	0 001 305 008
Bosch	EGD1/12 AR25



New Starter Motor for Ferrari (1980 -1994)

Made in Germany

12V / 1,1KW / 11 Tooth / CW Rotation



Part No.: 01314006



Application Examples

FERRARI 208 GTB Turbo 162KW/ 220PS 2.0l 06.1982 - 10.1989
 FERRARI 308 GTB Quattrovalvole (USA) 150KW/ 205PS 2.9l 04.1980 - 03.1981
 FERRARI 308 GTB Quattrovalvole (USA) 179KW / 243PS 2.9l 09.1982 - 06.1985
 FERRARI 308 GTB Quattrovalvole 157KW/ 214PS 2.9l 07.1981 - 06.1985
 FERRARI 308 GTB Quattrovalvole 169KW/ 230PS 2.9l 04.1980 - 06.1980
 FERRARI 308 GTB Quattrovalvole 177KW/ 240PS 2.9l 09.1982 - 06.1985
 FERRARI 308 GTS Quattrovalvole (USA) 150KW/ 205PS 2.9l 04.1980 - 03.1981
 FERRARI 308 GTS Quattrovalvole (USA) 179KW/ 243PS 2.9l 09.1982 - 06.1985
 FERRARI 308 GTS Quattrovalvole 157KW/ 214PS 2.9l 07.1981 - 06.1985
 FERRARI 308 GTS Quattrovalvole 169KW/ 230PS 2.9l 04.1980 - 06.1980
 FERRARI 308 GTS Quattrovalvole 177KW/ 240PS 2.9l 09.1982 - 06.1985
 FERRARI Mondial 8 (USA) 151KW/ 205PS 2.9l 05.1980 - 02.1994
 FERRARI Mondial 8 158KW/ 215PS 2.9l 05.1980 - 06.1982
 FERRARI Mondial 8 Quattrovalvole (USA) 179KW/ 243PS 2.9l 10.1983 - 07.1987
 FERRARI Mondial 8 Quattrovalvole 177KW/ 241PS 2.9l 06.1982 - 06.1985

Replaces

Bosch 0 001 314 006
 Ferrari 106 966



New Starter Motor for Ferrari (1984 -1992)

Made in Germany

12V / 1,7KW / 11 Tooth / CW Rotation



Part No.: 01110004



Application Examples

FERRARI 328 GTB (CH) 195KW/ 265PS 3.2l 04.1986 - 12.1988
 FERRARI 328 GTB (USA) 188KW/ 255PS 3.2l 09.1984 - 09.1989
 FERRARI 328 GTB 199KW/ 270PS 3.2l 01.1988 - 09.1989
 FERRARI 328 GTB 199KW/ 270PS 3.2l 09.1985 - 12.1987
 FERRARI 328 GTS (CH) 195KW/ 265PS 3.2l 04.1986 - 12.1988
 FERRARI 328 GTS (USA) 188KW/ 255PS 3.2l 09.1984 - 09.1989
 FERRARI 328 GTS 199KW/ 270PS 3.2l 01.1988 - 09.1989
 FERRARI 328 GTS 199KW/ 270PS 3.2l 09.1985 - 12.1987
 FERRARI F 40 351KW/ 478PS 2.9l 04.1988 - 06.1992
 FERRARI Mondial 8 (CH) 199KW/ 270PS 3.2l 01.1988 - 12.1988
 FERRARI Mondial 8 (USA) 191KW/ 260PS 3.2l 01.1988 - 12.1988
 FERRARI Mondial 8 199KW/ 270PS 3.2l 01.1988 - 12.1988
 FERRARI Mondial 8 Quattrovalvole (CH) 195KW/ 265PS 3.2l 04.1986 - 12.1987
 FERRARI Mondial 8 Quattrovalvole 191KW/ 260PS 3.2l 01.1986 - 12.1987
 FERRARI Mondial 8 Quattrovalvole 199KW/ 270PS 3.2l 09.1985 - 12.1987
 FERRARI Testarossa 272KW/ 370PS 4.9l 08.1986 - 10.1991
 FERRARI Testarossa 287KW/ 390PS 4.9l 01.1986 - 10.1991
 FERRARI Testarossa 287KW/ 390PS 4.9l 10.1984 - 07.1986

Replaces

Bosch 0 001 110 004
 Ferrari 120 697



NEW Generator for Horch (1937 - 1939)

with built in Regulator!

More Power / Saves Battery / Reliable / Original Appearance / Made in Germany



021214RJH



Replaces Generator with external Regulator

Application Examples

Bosch RJC130/12/1400 RS213
Bosch RJC90/12/1100 RS116

Horch	830 BK	6 Cyl. / 3.6 L
Horch	830 BL	6 Cyl. / 3.6 L
Horch	930 V	6 Cyl. / 3.6 L



Notizen:

New Starter Motor for Jaguar (1971 -1992)

More Power / Reliable / Made in Germany

12V / 2,5KW / 9 Tooth / CW Rotation



Part No.: 0126381



On all XJ / XJS / XKE Models

with V12 / 5.3L Engine

Replaces

Jaguar	DAC3296N
Lucas	26346
Lucas	26381
Lucas	27457
Lucas	LRS404



Starter Motor for Mercedes Benz (1961 - 1967)

Made in Germany

12V / 1,9 KW / CW / 9 Teeth



01366004



Application Examples

MERCEDES-BENZ 190 Dc [110] 40KW/ 55PS 2.0l 06.1961 - 08.1965

MERCEDES-BENZ 200 D [110] 40KW/ 55PS 2.0l 07.1965 - 12.1967

Replaces

Bosch	0 001 354 064
Bosch	0 001 354 078
Bosch	0 001 354 079
Bosch	0 001 366 004
Bosch	0 001 366 022
Bosch	EJD1,8/12R104



New Starter Motor for Mercedes 190SL (05.1955 - 02.1957)

190SL Cabrio / W121 BII / 105 PS / 1.9L

More Power / Latest Technology / Reliable / Made in Germany



Replaces

Bosch	0 001 203 008
Bosch	EED0,8/12R28
Bosch	EED0,8/12R30
Mercedes Benz	000 151 77 01

Part No.: 01203008



New Starter Motor for Mercedes 190SL (03.1957 - 02.1963)

190SL Cabrio / W121 BII / 105 PS / 1.9L

More Power / Latest Technology / Reliable / Made in Germany



Replaces

Bosch	0 001 203 009
Bosch	EED0,8/12R31
Bosch	F 026 T02 000
Mercedes Benz	000 151 81 01

Part No.: 01203009



Notizen:

Starter Motor for Mercedes (1933 - 1942)

More Power / Reliable / Made in Germany

12V / 2 KW / CW / 7 Teeth



011207BJH



Application Examples

Mercedes	290 (W18)	M18	1933 - 1937
Mercedes	320 n (W142 I)	M142	1937 - 1938
Mercedes	320 (W142 II)	M142	1937 - 1938
Mercedes	320 WK (W142 III)	M142	1937 - 1939
Mercedes	320 (W142 IV)	M142	1938 - 1942
Mercedes	340 WK (W142 IV)	M142	1933 - 1937

Replaces

Bosch	BJH1,4/12 RS19
Bosch	BJH1,4/12 RS104
Bosch	BJH1,4/12 R3



NEW Generator for Mercedes (1933 - 1938)

with built in Regulator!

More Power / Saves Battery / Reliable / Original Appearance / Made in Germany



021214RJH



Replaces Generator with ext. Regulator

Application Examples

Bosch RJC130/12/1400 RS213
Bosch RJC90/12/1100 RS116

Mercedes 290 / W18 / 44 - 50 KW / M18 (1933 - 1937)
Mercedes 320 n / W142 I / 57 KW / M142 (1937 - 1938)



Notizen:

Starter Motor for Mercedes Benz W186 (1951 - 1957)

More Power / Reliable / Made in Germany

12V / 2 KW / CW / 9 Teeth



01305003



Application Examples

Mercedes Benz	300 (W186 II)	115 PS / 3.0 L / M186
Mercedes Benz	300 b (W186 III)	125 PS / 3.0 L / M186
Mercedes Benz	300 c (W186 IV)	125 PS / 3.0 L / M186

Replaces

Bosch	0 001 305 003
Bosch	EGD1/12 AR6



NEW Generator for Mercedes Benz 300SEL

with built in Regulator!

More Power / Saves Battery / Reliable / Original Appearance / Made in Germany



Part No.: 02402076



Replaces Generator with external Regulator

Bosch	0 101 402 076
Bosch	0 101 402 086
Bosch	LJ/GK300/12/1450AR53
Mercedes Benz	001 154 427 02
Mercedes Benz	002 154 416 02
Mercedes Benz	189 150 002 50
Mercedes Benz	A001 154 427 02
Mercedes Benz	A002 154 416 02
Mercedes Benz	A189 150 002 50

Mercedes Benz 300SEL

W109 Series / M189 VII / 125KW / 3.0L

1965 - 1967

Notizen:

Starter Motor for Mercedes Benz 300 SL / W198 (1954 - 1963)

More Power / Reliable / Made in Germany

12V / 2 KW / CW / 9 Teeth



01305002



Application Examples

Mercedes Benz	300 SL Coupè (W198)	215 PS / 3.0 L / M198
Mercedes Benz	300 SL Roadster (W198)	215 PS / 3.0 L / M198

Replaces

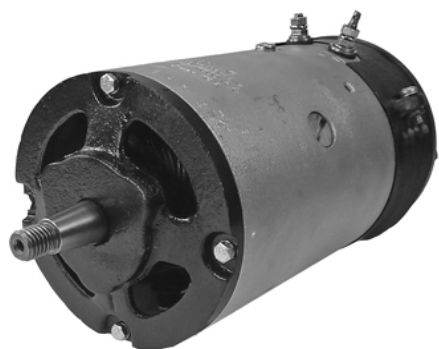
Bosch	0 001 305 002
Bosch	EGD1/12 R1
Bosch	EGD1/12 AR5
Bosch	EGD1/12 AR5
Mercedes	000 151 02 01



Generator for Mercedes Benz 300 SL / W198 (1954 - 1963)

Made in Germany

12V / 20 Amp. / CW



02352008

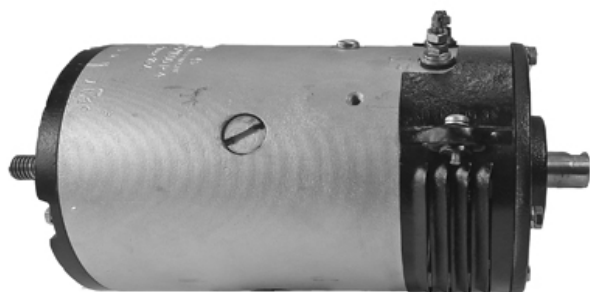


Application Examples

Mercedes Benz	300 SL Coupè (W198)	215 PS / 3.0 L / M198
Mercedes Benz	300 SL Roadster (W198)	215 PS / 3.0 L / M198

Replaces

Bosch	0 101 352 008
Bosch	F 026 T02 100
Bosch	LJ/GJJ150/12/1600 R4
Mercedes	000 154 7501



Starter Motor for Mercedes (1931 - 1941)

More Power / Reliable / Made in Germany

12V / 2 KW / CW / 8 Teeth



011208BJH



Application Examples

Mercedes	500 N (W08)	4.9 L	1934 - 1939
Mercedes	Nürburg 500 (W08)	4.9 L	1931 - 1934
Mercedes	500 K (W29)	5.0 L	1934 - 1939
Mercedes	540 K (W29)	5.4 L	1936 - 1941

Replaces

Bosch BJH1,8/12 R11 Z8



New Starter Motor for Porsche 356

12V Version / Made in Germany



Part No.: 01208013



Application Examples

PORSCHE 356B 1600 44KW/ 60PS 1.6l 01.1960 - 08.1963
 PORSCHE 356B 1600 S 55KW/ 75PS 1.6l 01.1960 - 08.1963
 PORSCHE 356B 1600 S-90 66KW/ 90PS 1.6l 01.1960 - 08.1963
 PORSCHE 356C 1600 C 55KW/ 75PS 1.6l 09.1963 - 12.1965
 PORSCHE 356C 1600 SC 70KW/ 95PS 1.6l 09.1963 - 12.1965

Replaces

Bosch 0 001 208 013
 Bosch 616.604.102.02



Notizen:

See 01207002 for 6V Version!

New Starter Motor for Porsche 356

6V Version / Made in Germany



Part No.: 01207002



Application Examples

PORSCHE 356A 1500 GS Carrera GT 80KW/ 109PS 1.5l 09.1955 - 08.1959

PORSCHE 356A 1600 GS Carrera 73KW/ 99PS 1.6l 09.1955 - 08.1959

PORSCHE 356B 1600 44KW/ 60PS 1.6l 01.1960 - 08.1963

PORSCHE 356B 1600 S 55KW/ 75PS 1.6l 01.1960 - 08.1963

PORSCHE 356B 1600 S-90 66KW/ 90PS 1.6l 01.1960 - 08.1963

Replaces

Bosch	0 001 205 003
Bosch	0 001 205 004
Bosch	0 001 207 002
Bosch	EED 04,4/6L18
Porsche	616.604.101.00
Porsche	616.604.101.01



Notizen:

See 01208013 for 12V Version!

New Generator for Porsche

Made in Germany

12V / 38 Amp / CCW



Part No 02206113

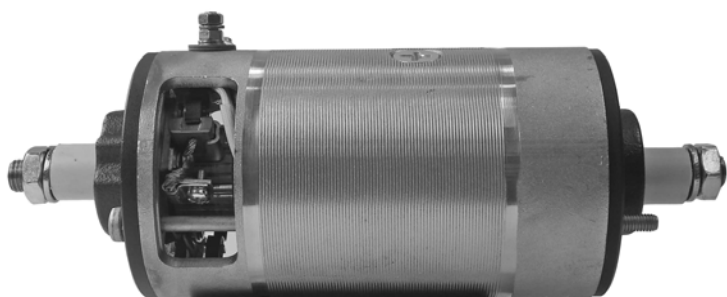


Application Examples

PORSCHE 356B 1600 / 44KW / 60PS / 1.6L / 01.1960 - 08.1963
PORSCHE 356B 1600S / 55KW / 75PS / 1.6L / 01.1960 - 08.1963
PORSCHE 356B 1600S-90 / 66KW / 90PS / 1.6L / 01.1960 - 08.1963
PORSCHE 912 1.6 Coupe (USA) / 76KW / 103PS / 1.6L / 09.1967 - 08.1968
PORSCHE 912 1.6 Coupe Targa / 66KW / 90PS / 1.6L / 09.1965 - 08.1968

Replaces

Bosch	0 101 206 113
Bosch	0 101 206 064
Bosch	0 101 206 116
Bosch	0 101 206 117
Bosch	EGL14V38A32
Bosch	LJ/GEG450M12/3700FL
Porsche	6166 0310 201
Porsche	6166 0310 700



New Starter Motor for Porsche (1966 -1988)

Made in Germany

More Power / Reliable / Original Appearance / Made in Germany



Part No.: 01312110



Application Examples

PORSCHE 911 2.3 TE Coupe Targa (CDN,USA) / 140PS / 2.3L / 09.1971 - 08.1973
 PORSCHE 911 2.3 TK Coupe Targa (CDN,USA) / 140PS / 2.3L / 09.1972 - 08.1973
 PORSCHE 911 2.3 TV Coupe Targa / 130PS / 2.3L / 09.1971 - 08.1972
 PORSCHE 911 2.4 T / 131PS / 2.4L / 01.1973 - 08.1973
 PORSCHE 911 2.7 S (CDN,USA) / 165PS / 2.7L / 09.1976 - 08.1977
 PORSCHE 911 2.7 S (CDN,USA) / 175PS / 2.7L / 09.1973 - 08.1974
 PORSCHE 911 3.0 SC (CDN,J,USA) / 180PS / 3.0L / 09.1977 - 07.1980
 PORSCHE 911 3.2 Carrera (AUS,CDN,J,USA) / 207PS / 3.2L / 09.1983 - 07.1986
 PORSCHE 911 3.3 Turbo (CDN,USA) / 265PS / 3.3L / 10.1977 - 08.1979
 PORSCHE 959 2.8 / 450PS / 2.8L / 05.1986 - 07.1988

Replaces

Bosch	0 001 312 100
Bosch	0 001 312 110
Porsche	911 604 101 01
Porsche	911 604 101 AX
Porsche	916 604 101 00
Porsche	916 604 101 X

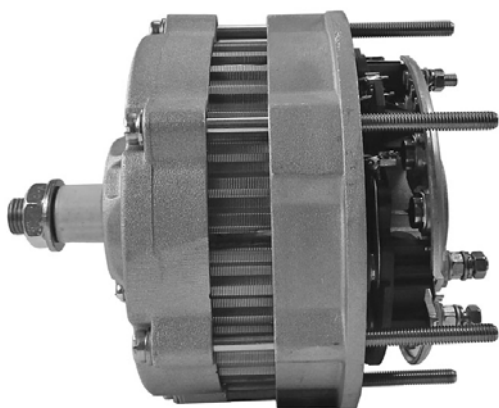


Notizen:

Complete Application List on separate file available

Generator 12V / 55 Amp w/internal Regulator

Porsche 911 and 914/6 (1970 - 1975)



Part No.: 022961

Rotation: CW

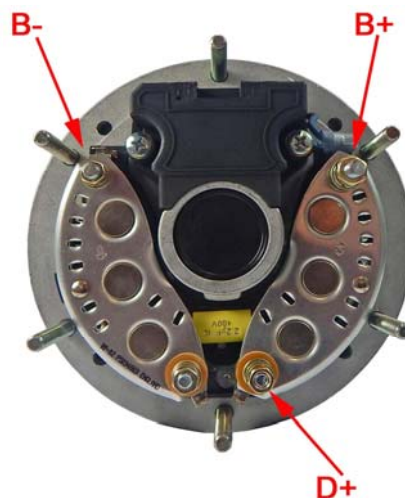


Replaces 35Amp and 55Amp units with external Regulator:

Bosch	0 120 400 522	35 Amp (external Regulator)
Porsche	901 603 106 52	

Wiring 022961 (with internal Regulator)

Bosch	0 120 400 665	55 Amp (external Regulator)
Bosch	0 120 400 725	
Porsche	911 603 118 00	
Porsche	911 603 118 X	



Motorola	071 223 702	55 Amp (external Regulator)
Porsche	911 603 120 00	
Porsche	911 603 120 X	

Notizen:

New Generator for Porsche (1983 - 1989)

12V / 90 Amp

Made in Germany



Replaces

Porsche	911.603.120.05
Porsche	911.603.120.EX
Valeo	A14N67
Valeo	432794
Valeo	436599

Part No.: 021467



New Generator for Porsche (1981 - 1983)

12V / 75 Amp with internal Regulator

can also replace Generators with external Regulator (1970 - 1981)



Replaces

Porsche	911.603.120.04
Porsche	911.603.120.DX
Valeo	A14N11
Valeo	A14N111
Valeo	432776

Part No.: 0214111



Notizen:

For various 911 and 965 Models

Original Bosch Alternator 12V / 115 Amp

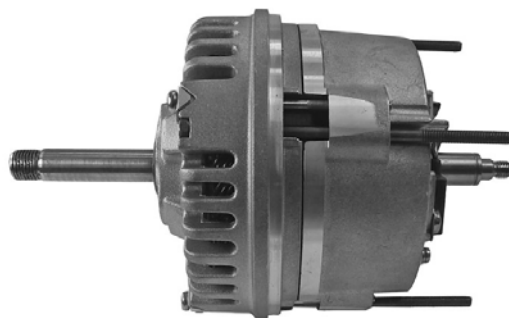
Porsche 911 (1989 - 1998)

Part No.: 02468029

Rotation: CW

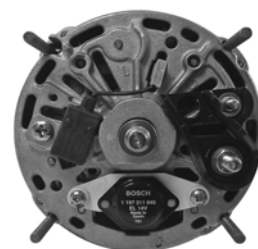
Reference Numbers:

Bosch 0 120 468 029
 Bosch 0 120 468 101
 Bosch 0 120 468 125
 Porsche 911 603 155 01
 Porsche 964 603 156 00
 Porsche 964 603 156 01
 Porsche 964 603 156 AX



Application Examples:

PORSCHE 911 3.3 Turbo [964] (CDN,USA) 235KW/ 320PS 3.3l 12.1990 - 08.1992
 PORSCHE 911 3.3 Turbo [964] 235KW/ 320PS 3.3l 12.1990 - 08.1992
 PORSCHE 911 3.3 Turbo S [964] 261KW/ 355PS 3.3l 12.1990 - 08.1992
 PORSCHE 911 3.6 Carrera [993] 200KW/ 272PS 3.6l 09.1993 - 08.1995
 PORSCHE 911 3.6 Carrera [993] 210KW/ 285PS 3.6l 09.1995 - 08.1998
 PORSCHE 911 3.6 Carrera 2 [964] 184KW/ 250PS 3.6l 09.1989 - 08.1993
 PORSCHE 911 3.6 Carrera 2RS [964] 191KW/ 260PS 3.6l 09.1991 - 08.1992
 PORSCHE 911 3.6 Carrera 4 [964] 184KW/ 250PS 3.6l 09.1989 - 08.1993
 PORSCHE 911 3.6 Carrera 4 [993] 200KW/ 272PS 3.6l 09.1994 - 08.1995
 PORSCHE 911 3.6 Carrera 4 [993] 210KW/ 285PS 3.6l 09.1995 - 08.1997
 PORSCHE 911 3.6 Carrera 4S [993] 210KW/ 285PS 3.6l 09.1995 - 08.1997
 PORSCHE 911 3.6 Targa [993] 210KW/ 285PS 3.6l 09.1995 - 08.1998
 PORSCHE 911 3.6 Targa 4 [993] 210KW/ 285PS 3.6l 09.1995 - 08.1997
 PORSCHE 911 3.6 Turbo [964] 265KW/ 360PS 3.6l 02.1993 - 08.1993
 PORSCHE 911 3.6 Turbo [993] 300KW/ 408PS 3.6l 03.1995 - 08.1997
 PORSCHE 911 3.6 Turbo 4x4 [993] (CDN,USA) 300KW/ 408PS 3.6l 09.1994 - 08.1997
 PORSCHE 911 3.6 Turbo GT2 Carrera [993] 316KW/ 430PS 3.6l 01.1995 - 05.1997
 PORSCHE 911 3.8 Carrera RS [993] 200-221KW/ 272-301PS 3.8l 09.1994 - 08.1997



Bitte beachten Sie: dieser Artikel ist nur mit Altteilerückgabe erhältlich!

Please note: this unit is only available with returning your old core!

New Generator for VW Karmann Ghia

Made in Germany

12V / 38 Amp / CCW



Part No 02206113



Application Examples

VW Karmann Ghia 1.2 / 22KW / 30PS / 1.2L / 08.1955 - 12.1964
VW Karmann Ghia 1.2 / 25KW / 34PS / 1.2L / 08.1960 - 12.1964
VW Karmann Ghia 1.5 / 33KW / 45PS / 1.5L / 08.1969 - 07.1970
VW Karmann Ghia 1.6 / 36KW / 50PS / 1.6L / 08.1970 - 07.1974

Replaces

Bosch	0 101 206 113
Bosch	0 101 206 064
Bosch	0 101 206 116
Bosch	0 101 206 117
Bosch	EGL14V38A32
Bosch	LJ/GEG450M12/3700FL
VW	1139 03 031



BJH Starter Motor for your Veterans (1932 - 1948)

Aston Martin, Horch, Mercedes Benz ...

More Power / Latest Technology / Reliable / Original Appearance / Made in Germany



Bestell Nr.

BJH Beispielnummern

011207BJH	BJH1,4/12R3	Mercedes Benz	Rechtsdrehend	7 Zähne
011207BJH	BJH1,4/12RS104	Mercedes Benz	Rechtsdrehend	7 Zähne
011207BJH	BJH1,4/12RS19	Mercedes Benz	Rechtsdrehend	7 Zähne
011208BJH	BJH1,8/12R11	Mercedes Benz	Rechtsdrehend	8 Zähne
011209BJH	BJH1,4/12RS33	Horch	Rechtsdrehend	9 Zähne
011211BJH	BJH1,8/12R11P	Mercedes Benz	Rechtsdrehend	9 Zähne
011213BJH	BJH1,4/12RS110	Horch	Rechtsdrehend	13 Zähne
011214BJH	BJH1,4/12L3Z8	Mercedes Benz	Linksdrehend	8 Zähne
011242BJH	BJH1,8/12RS42	Aston Martin	Rechtsdrehend	9 Zähne

Single production according to your technical specification



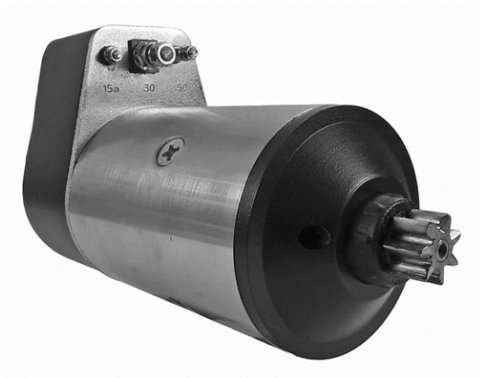
Notizen:

Crossreference

BOSCH	Andre Niermann	BOSCH	Andre Niermann	Mercedes Benz	Andre Niermann
0001201003	01207002	BJH1,4/12RS19	011207BJH	A0021541602	02402076
0001203008	01203008	BJH1,4/12RS33	011209BJH	A1891500250	02402076
0001203009	01203009	BJH1,8/12R11	011208BJH		
0001203012	01203009	BJH1,8/12R11P	011211BJH	Porsche	Andre Niermann
0001205003	01207002	BJH1,8/12RS42	011242BJH	90160310652	022961
0001205004	01207002	EED0,4/6L18	01207002	91160311800	022961
0001207002	01207002	EED0,5/6L35	01207002	91160312000	022961
0001208013	01208013	EED0,8/12R26	01203009	91160312004	0214111
0001303001	01305002	EED0,8/12R28	01203008	91160312005	021467
0001305002	01305002	EED0,8/12R30	01203008	61660310201	02206113
0001305003	01305003	EED0,8/12R31	01203009	61660410100	01207002
0001305008	01305008	EGC1/12R1	01305002	61660410101	01207002
0001312100	01312110	EGD1/12AR25	01305008	61660410202	01208013
0001312110	01312110	EGD1/12AR5	01305002	90160310652	022961
0001314006	01314006	EGD1/12AR6	01305003	911603118X	022961
0001354064	01366004	EJD1,8/12R104	01366004	911603120DX	0214111
0001354078	01366004	F026T02000	01203009	911603120EX	021467
0001354079	01366004	F026T02002	01305002	911603120X	022961
0001366004	01366004	F026T02100	02352008	91160410101	01312110
0001366022	01366004	LJ/GJJ150/12/1600R4	02352008	911604101AX	01312110
0101206113	02206113	LJ/GK300/12/1450AR53	02402076	91660410100	01312110
0101352008	02352008	RJC130/12/1400RS213	021214RJH	916604101X	01312110
0101402076	02402076	RJC90/12/1100RS116	021214RJH		
0101402086	02402076			SEV	Andre Niermann
0120400552	022961	Ferrari	Andre Niermann	71223302	022961
0120400665	022961	106966	01314006	71223502	022961
BJG1,2/12L3Z8	011214BJH			71223702	022961
BJG1,2/12L3Z8	011214BJH	Mercedes Benz	Andre Niermann		
BJG1,5/12L11Z8	011214BJH	0001510201	01305002	Valeo	Andre Niermann
BJG1,5/12L11Z8	011214BJH	0001517701	01203008	432794	021467
BJH1,4/12L3Z8	011214BJH	0001518101	01203009	436599	021467
BJH1,4/12R3	011207BJH	0001547501	02352008	A14N67	021467
BJH1,4/12RS104	011207BJH	1891500250	02402076		
BJH1,4/12RS110	011213BJH	A0011542702	02402076		

Henry-Ford-Str. 2 - 4
33334 Guetersloh / Germany
Tel.: +49 5241 600 58 0
Fax.: +49 5241 600 58 58

www.niermann-electric.com
info@niermann-electric.com



Contact Germany

+49 5241 600 58 0
andre@niermann-electric.com

Andre Niermann
Managing Director

+49 5241 600 58 13
c.betz@niermann-electric.com

Christian Betz
Sales Manager

+49 5241 600 58 12
j.unal@niermann-electric.com

Jack Unal
International Sales

+ 49 5241 600 58 11
t.lucietto@niermann-electric.com

Thomas Lucietto
International Sales

+49 5241 600 58 18
i.stepanenko@niermann-electric.com

Igor Stepanenko
International Sales

Contact USA

+1 610 291 9860
d.haugen@niermann-electric.com

David Haugen
Global Sales

