

Nissan

Spare parts for passenger cars



DRIVER'S BEST FRIEND

MEYLE

Sophisticated technology - considerably longer service life.



The MEYLE range of products features a wide variety of components. Spare parts from A to Z, from Alfa Romeo to Volvo, from minicars to top-of-the-range luxury models.



Steering & suspension

Control arms, Stabilizer links, Tie rod assemblies, and many more



Brakes

Brake discs, MEYLE PD, Brake pad sets, Brake drums, and many more



Drive components

C.V. joint kits, Wheel bearings, Belt drives, and many more



Damping parts

Shock absorbers, Strut mounts, Coil springs, and many more



Filters

Oil filters, Air filters, Cabin air filters, Fuel filters, and many more



Cooling components

Water pumps, Expansion tanks, Radiator hoses, and many more



Rubber-to-metal parts

Flex discs, Cardan shaft bearings, Engine mounts, and many more



Electrics and sensors

Crank position sensor, Control units, Glow plugs, and many more



Engine and transmission parts

Oil change kits, V-ribbed belts, Idlers/guide pulleys, and many more



Fluids

Coolant additives, Hydraulic oil, Engine oil, and many more



Complementary product range

Wiper blades, Gas springs, Window lifters, and many more

ORIGINAL, PD and HD – The MEYLE product lines



MEYLE-ORIGINAL: Fit as snugly as the original.

More than 21,000 spare parts for passenger cars, vans and trucks, quality-tested, robust, durable and tried and tested a thousand times over on the roads across the world – that's MEYLE-ORIGINAL. Relying on our comprehensive product portfolio – offering everything from A for axial joint to Z for zinc-coated screw – customers can be sure that they will always have safety on their side.

MEYLE-PD: Safety to the power of two.

Thinking outside the box to make our products better: MEYLE-PD stands for brake discs and pads delivering maximum braking performance and setting new standards in terms of durability, comfort, aesthetics, and ease of installation. Look for the „/PD“ part number extension.

MEYLE-HD: Better than originals.

MEYLE-HD parts simply last longer. Their technically optimised and reinforced designs make them more durable and reliable than OE components. So it is only natural for us to offer extended warranty protection for our MEYLE-HD parts: All parts of the HD range come with a full four-year guarantee. Look for the „/HD“ part number extension.



4-year guarantee on all MEYLE-HD parts!

Robust, high mileage, reliable and better than the original. MEYLE-HD parts simply last longer!

Our three success factors.

The success of the MEYLE brand is based on competence, quality and service.

The development of quality-approved automotive spare parts for the independent aftermarket is our trademark. And MEYLE-HD parts are our specialty: improved parts, developed by our team of engineers at our headquarters in Hamburg. We give a 4-year guarantee on our MEYLE-HD parts which have a far longer service life. Based on information from TÜV (Technical control board), from recall statistics as well as media and market information from workshops and other technical partners, MEYLE engineers identify parts in vehicles which become conspicuous on account of frequent, early wear. On the basis of their findings, they develop technical improvements for the respective weakness. In the end, this work is a

large benefit for all MEYLE parts. Something all reputable automotive manufacturers highly appreciate: MEYLE also develops customized products, for example for Morgan, the legendary sports car manufacturer.

Passing on our know-how to staff and customers is just as much a part of our service as high parts availability and swift delivery. Modern warehouse logistics with space covering 29,000 m² and 56,000 pallet places ensure the reliable supply of our partners.

We have now won the "Top Job Employer" award for the fifth time which confirms our outstanding internal business approach and excellent Human Resources policy. We have been one of Germany's leading SME employers for many years.

MEYLE

Guarantee certificate



A distinguishing feature of MEYLE is our high level of precision, achieved by the application of the most modern manufacturing methods. Our MEYLE articles meet highest quality standards and our supply plants are certified in accordance with ISO 9001:2008 and ISO/TS 16949.

We guarantee perfect material and faultless processing of all our MEYLE articles for a period of 24 months as of the date of installation. For MEYLE-HD articles, this guarantee applies for 48 months as of the date of installation.

Complementing this guarantee, we give an additional 100,000 miles (160,934 kilometres) performance guarantee against defects of material and workmanship for MEYLE passenger car water pumps purchased from 01 May 2016. The guarantee given for MEYLE passenger car water pumps terminates upon expiration of the guarantee period or the guaranteed mileage, whichever occurs later: if the guaranteed mileage has not been reached at the end of the guarantee period of 24 or 48 months respectively, the performance guarantee continues to be valid. Respectively, the guarantee period of 24 or 48 months continues to be valid also in any case where the guaranteed mileage was already exceeded.

During the guarantee period, we perform repair work on claimed MEYLE articles or provide a replacement. The MEYLE guarantee does not apply for normal wear and damage caused by inappropriate handling or inappropriate installation. The guarantee expires if the respective part is modified by third parties or via installation of parts from third parties, or if the part, or vehicle, is used in excess of the appropriate use and purpose. The MEYLE guarantee also expires if MEYLE instructions or vehicle manufacturer instructions, e.g. concerning maintenance and replacement intervals, are not observed. The guarantee only applies for MEYLE water pumps, if the cooling circuit has been flushed prior to installation of the MEYLE water pump. Rights granted by law continue to apply unrestrictedly, irrespective of this guarantee.

The customer must submit a written guarantee claim immediately, or at the latest 30 days after identifying an error in material or processing. This claim is to be submitted to the dealer from which he acquired the MEYLE article part. The customer should return the article, carefully packed. He must enclose the original sales receipt and a description of the error. The customer must also verify the date of installation and the mileage of the vehicle by means of respective documents.

Last amended January 2017

A handwritten signature in white ink, appearing to read 'M. Wunder', is centered on the dark blue background.

Director Quality Assurance
Manfred Wunder

Body/Cabin

1

Body, Interior fittings

Cabin air filter
Trunk-/tailgate shock

Wiper Blade

Brakes

20

Disc brake, Drum brake, Hydraulics

Brake disc
Brake drum
Brake hose

Brake pad set
Brake shoe kit

Guide sleeve kit, brake caliper
Wheel cylinder

Drive train/Transmission

83

Drive shafts, Joints

Boot kit, C.V. joint
C.V. joint kit

Drive shaft

Electrics

96

Engine, Lighting

Crank position sensor
Glow plug
Ignition coil

Lambda probe
Relay, hazard lights

Sender unit, coolant temperature
Sensor, camshaft position

Engine/Cooling/Clutch

109

Belt drive / Engine control, Cooling system, Fuel system, Lubrication system, Mounts

Air filter
Engine mount
Fuel filter
Intake hose, turbo charger

Oil filter
Tensioner pulley, timing belt
Thermostat
Timing belt kit

Timing belt roller
V-ribbed belt
Water pump

Steering

180

Hydraulics, Mounting parts, Tie rod assemblies

Axial rod
Hydraulic pump, P/S

Steering boot
Steering boot kit

Tie rod assembly
Tie rod end

Suspension

199

Control arms, Stabilizer, Subframe, Suspension / damping, Wheel hubs / Wheel bearings

Axle support bushing
Ball joint
Coil spring
Control arm
Control arm bushing
Dust cover kit, shock absorber
Mount, control arm

Mount, stabilizer
Repair kit, control arm
Repair kit, stabilizer bushing
Repair kit, strut mount
Repair kit, subframe
Shock absorber
Stabilizer link

Strut mount
Strut mount bearing
Wheel bearing
Wheel bearing kit
Wheel hub

Trunk-/tailgate shock

36-40 910 0016 | MTS0288

Notes

Length [mm] 315
Force output F [N] 465

References

84430-2F000



Application info

Primera [P11, WP11] [06/96-07/02]

Trunk-/tailgate shock

36-40 910 0015 | MTS0287

Notes

Length [mm] 315
Force output F [N] 420

References

84430-2F010 84430-9F500



Application info

Primera [P11, WP11] [06/96-07/02]

Trunk-/tailgate shock

36-40 910 0021 | MTS0293

Notes

Length [mm] 268
Force output F [N] 510

References

84430-AV600



Application info

Primera [P12, WP12] [01/02--]

16-40 910 0001 | MTS0146

Trunk-/tailgate shock



Notes

Length [mm] 690
Force output F [N] 630

References

90450-00QAA

Application info

Kubistar [08/03--]

Kubistar [08/03--]

36-40 910 0032 | MTS0298

Trunk-/tailgate shock



Notes

Length [mm] 590
Force output F [N] 435

References

90450-9U00A

Application info

Note [03/06--]

36-40 910 0009 | MTS0281

Trunk-/tailgate shock



Notes

Length [mm] 500
Force output F [N] 360

References

90450-AX000 90450-AX61B
90450-AX610 90451-AX000

Application info

Micra [K12] [01/03-06/10]

Trunk-/tailgate shock

36-40 910 0006 | MTS0279

Notes

Length [mm] 539
Force output F [N] 385

References

90450-BM400 90450-BM425



Application info

Almera II [01/00-02/03]

Trunk-/tailgate shock

36-40 910 0007 | MTS0280

Notes

Length [mm] 523
Force output F [N] 530

References

90450-BU000 90451-BU000
90450-BU00B 90451-BU00B



Application info

Almera Tino [08/00--]

Trunk-/tailgate shock

36-40 910 0031 | MTS0297

Notes

Length [mm] 536
Force output F [N] 410

References

90450-EQ300 90451-EQ30A
90450-EQ301 90451-EQ31A
90450-EQ30A 90451-EQ325
90450-EQ30B K0450-EQ30A
90450-EQ31A K0450-EQ30B
90450-EQ325 K0451-EQ30A
90450-H3310 K0451-EQ30B



Application info

X-Trail [T30] [06/01-09/03]

16-40 910 0029 | MTS0170

Trunk-/tailgate shock



Notes

| | |
|--------------------|-----|
| Length [mm] | 905 |
| Force output F [N] | 730 |

References

90451-000AA

Application info

Primastar [03/01--]

Primastar [03/01--]

36-40 910 0017 | MTS0289

Trunk-/tailgate shock



Notes

| | |
|--------------------|-----------------|
| | without spoiler |
| Length [mm] | 520 |
| Force output F [N] | 665 |

References

| | |
|-------------|-------------|
| 90452-2F705 | 90452-6F100 |
| 90452-2F725 | |

Application info

Primera [P11, WP11] [06/96-07/02]

36-40 910 0019 | MTS0291

Trunk-/tailgate shock



Notes

| | |
|--------------------|--------------|
| | with spoiler |
| Length [mm] | 520 |
| Force output F [N] | 730 |

References

| | |
|-------------|-------------|
| 90452-2F715 | 90452-6F126 |
| 90452-2F726 | |

Application info

Primera [P11, WP11] [06/96-07/02]

Trunk-/tailgate shock

36-40 910 0018 | MTS0290

Notes

Length [mm] 520
Force output F [N] 670

References

90452-9F725



Application info

Primera [P11, WP11] [06/96-07/02]

Trunk-/tailgate shock

36-40 910 0020 | MTS0292

Notes

Length [mm] 525
Force output F [N] 575

References

90452-AU200



Application info

Primera [P12, WP12] [01/02--]

Trunk-/tailgate shock

36-40 910 0024 | MTS0296

Notes

Length [mm] 472
Force output F [N] 590

References

90452-AV700



Application info

Primera [P12, WP12] [01/02--]

029 300 1211 | MBL0004

Wiper Blade



Notes

Length [in]
Length [mm]

Bracket wiper blade
Beam wiper blade
12
300
Rear

Application info

Juke [06/10--]
Micra [K12] [01/03-06/10]

Qashqai II [02/14--]
X-Trail [T32] [12/13--]

029 300 1217 | MBL0080

Wiper Blade



Notes

Length [in]
Length [mm]

Beam wiper blade
Bracket wiper blade
12
300
Rear

References

28790-EA000

Application info

Cube [Z12] [03/10--]
Micra [K13] [05/10--]
Murano [Z51] [11/07--]

Note [03/06--]
Note II [06/13--]
Pathfinder [R51] [01/05--]

029 330 1300 | MBL0008

Wiper Blade



Notes

Observe service information
Length [in]
Length [mm]

Flat wiper blade
Flat bar wiper blade
13
330
Front

Application info

Pixo [06/09--]
Tiida [01/07--]

Tiida [C11] [05/04-02/07]

Wiper Blade

029 350 1400 | MBL0013

Notes

Observe service information
Length [in]
Length [mm]

Flat wiper blade
Flat bar wiper blade
14
350
Front



Application info

Juke [06/10--]
Micra [K13] [05/10--]
Note [03/06--]

Note II [06/13--]
Pulsar [08/12--]

Wiper Blade

029 350 1410 | MBL0014

Notes

Length [in]
Length [mm]

Bracket wiper blade
Beam wiper blade
14
350
Rear



Application info

Almera II [01/00-02/03]

Wiper Blade

029 350 1417 | MBL0052

Notes

Length [in]
Length [mm]

Bracket wiper blade
Beam wiper blade
14
350
Rear



Application info

Kubistar [08/03--]
Primastar [03/01--]
Sunny [B13, N14, Y10] [05/90-09/03]
Terrano II [10/92-06/03]

Kubistar [08/03--]
Primastar [03/01--]
Sunny [B13, N14, Y10] [05/90-09/03]

029 380 1500 | MBL0018

Wiper Blade



Notes

Observe service information
Length [in]
Length [mm]

Flat wiper blade
Flat bar wiper blade
15
380
Front

Application info

Qashqai I [02/07--]

X-Trail [T30] [06/01-09/03]

029 380 1514 | MBL0081

Wiper Blade



Notes

Length [in]
Length [mm]

Beam wiper blade
Bracket wiper blade
15
380
Rear

Application info

Bluebird [U11, WU11] [11/83-12/90]

Primera [P10, W10] [06/90-03/98]

029 400 1600 | MBL0021

Wiper Blade



Notes

Observe service information
Length [in]
Length [mm]

Flat bar wiper blade
Flat wiper blade
16
400
Front

Application info

Almera II [01/00-02/03]
Murano [Z51] [11/07--]
NV200 [02/10--]
Pick Up [021] [09/85-02/98]
Qashqai II [02/14--]

Vanette [KC120] [07/81-12/87]
X-Trail [T31] [03/07--]
X-Trail [T32] [12/13--]
NV200 [02/10--]
Vanette [KC120] [06/81-12/87]

Wiper Blade

029 400 1610 | MBL0022

Notes

Length [in]
Length [mm]

Bracket wiper blade
Beam wiper blade
16
400
Rear



Application info

Kubistar [08/03--]
Micra [K11] [01/92-02/03]
Micra [K12] [01/03-06/10]
Primastar [03/01--]

Primera [P12, WP12] [01/02--]
Kubistar [08/03--]
Primastar [03/01--]

Wiper Blade

029 425 1710 | MBL0061

Notes

Length [in]
Length [mm]

Bracket wiper blade
Beam wiper blade
17
425
Rear



Application info

X-Trail [T30] [06/01-09/03]

Wiper Blade

029 450 1800 | MBL0027

Notes

Observe service information
Length [in]
Length [mm]

Flat wiper blade
Flat bar wiper blade
18
450
Front



029 450 1800 | MBL0027

Wiper Blade

Application info

350 Z [09/02-01/07]
Almera Tino [08/00--]
Bluebird [U11, WU11] [11/83-12/90]
Micra [K10] [12/82-07/92]
Micra [K11] [01/92-02/03]
Micra [K12] [01/03-06/10]

Primera [P12, WP12] [01/02--]
Sunny [B12, N13] [01/86-10/91]
Urvan [E23] [07/81-11/98]
Vanette [C22] [10/86-12/95]
Urvan [E23] [07/80-11/98]
Vanette [C22] [10/86-12/95]

029 475 1900 | MBL0028

Wiper Blade



Notes

Observe service information
Length [in]
Length [mm]

Flat bar wiper blade
Flat wiper blade

19
475
Front

Application info

100 NX [03/90-10/94]
300 SX [01/84-10/90]
Almera I/Pulsar I [07/95-07/00]
Bluebird [U11, WU11] [11/83-12/90]
Bluebird D [T72, T12] [12/85-11/92]
Navara [D40] [07/05--]
Pathfinder [R51] [01/05--]

Patrol GR I [02/88-02/98]
Pick Up [720] [12/80-03/86]
Pick Up [D22] [01/97-04/05]
Primera [P10, W10] [06/90-03/98]
Sunny [B13, N14, Y10] [05/90-09/03]
Terrano I [10/87-02/96]
Sunny [B13, N14, Y10] [05/90-09/03]

029 500 2000 | MBL0029

Wiper Blade



Notes

Observe service information
Length [in]
Length [mm]

Flat bar wiper blade
Flat wiper blade

20
500
Front

Application info

200 SX [S13] [07/88-09/94]
200 SX [S14] [10/93-12/99]
350 Z [09/02-01/07]
Kubistar [08/03--]
Micra [K11] [01/92-02/03]
Pathfinder [R50] [09/97-12/04]

Patrol GR II [06/97-12/07]
Primera [P11, WP11] [06/96-07/02]
Sunny [B12, N13] [01/86-10/91]
Terrano II [10/92-06/03]
Kubistar [08/03--]

Wiper Blade

029 530 2100 | MBL0030

Notes

Observe service information
Length [in]
Length [mm]

Flat bar wiper blade
Flat wiper blade
21
530
Front



Application info

100 NX [03/90-10/94]
300 ZX [05/90-09/95]
Almera I/Pulsar I [07/95-07/00]
Maxima [A32] [01/95-08/00]
Maxima [J30] [10/88-06/94]
Micra [K12] [01/03-06/10]
Micra [K13] [05/10--]

Primastar [03/01--]
Primera [P10, W10] [06/90-03/98]
Primera [P11, WP11] [06/96-07/02]
Sunny [B13, N14, Y10] [05/90-09/03]
Terrano II [10/92-06/03]
Primastar [03/01--]
Sunny [B13, N14, Y10] [05/90-09/03]

Wiper Blade

029 550 2200 | MBL0032

Notes

Observe service information
Length [in]
Length [mm]

Flat bar wiper blade
Flat wiper blade
22
550
Front



Application info

Almera II [01/00-02/03]
NV200 [02/10--]
Pathfinder [R50] [09/97-12/04]

Pixo [06/09--]
Prairie Pro [M11] [10/88-07/94]
NV200 [02/10--]

Wiper Blade

029 580 2300 | MBL0033

Notes

Observe service information
Length [in]
Length [mm]

Flat bar wiper blade
Flat wiper blade
23
580
Front



029 580 2300 | MBL0033

Wiper Blade

Application info

Juke [06/10--]
Note II [06/13--]

X-Trail [T31] [03/07--]

029 600 2400 | MBL0034

Wiper Blade



Notes

Observe service information
Length [in]
Length [mm]

Flat bar wiper blade
Flat wiper blade

24
600
Front

Application info

Navara [D40] [07/05--]
Note [03/06--]
Note II [06/13--]
Pathfinder [R51] [01/05--]
Primastar [03/01--]
Qashqai I [02/07--]
Serena [C23M] [11/92-09/01]

Tida [01/07--]
Tiida [C11] [05/04-02/07]
Vanette [C23] [01/95--]
X-Trail [T30] [06/01-09/03]
X-Trail [T31] [03/07--]
Primastar [03/01--]
Vanette [C23] [09/94--]

029 600 2471 | MBL0071

Wiper Blade



Notes

Observe service information
Length [in]
Length [mm]

Beam wiper blade
Bracket wiper blade

Set
24
600
with pipe connector
with integrated washer-fluid
jet
Front

Application info

Interstar [07/02--]

Interstar [07/02--]

Wiper Blade

029 650 2600 | MBL0036

Notes

Observe service information

Length [in]
Length [mm]

Flat wiper blade
Flat bar wiper blade
26
650
Front



Application info

Almera Tino [08/00--]
Murano [Z51] [11/07--]
NV400 [11/11--]
Primera [P12, WP12] [01/02--]

Pulsar [08/12--]
Qashqai II [02/14--]
X-Trail [T32] [12/13--]

Cabin air filter

16-12 320 0022 | MCF0161

Notes

Height [mm]
Width [mm]
Length [mm]

32
153
238
Filter Insert
Activated Carbon Filter

References

271T2-00A00



Application info

Juke [06/10--]

Cabin air filter

36-12 319 0004/S | MCF0311

Notes

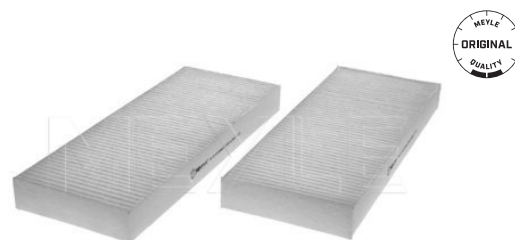
Height [mm]
Width [mm]
Length [mm]

Set
25
100
260
Filter Insert
Particulate Filter

References

27274-EA000
27274-EA000-D

27274-EA000-S



Application info

Navara [D40] [07/05--]
NP300 [04/08--]

Pathfinder [R51] [01/05--]
Pick Up [D22] [01/97-04/05]

36-12 319 0010 | MCF0317

Cabin air filter



Notes

Height [mm] 20
Width [mm] 210
Length [mm] 226
Particulate Filter
Filter Insert

References

27277-1H00B 27277-1HE0E

Application info

Micra [K13] [05/10--]

Note II [06/13--]

16-12 319 0022 | MCF0151

Cabin air filter



Notes

Height [mm] 34
Width [mm] 153
Length [mm] 238
Filter Insert
Particulate Filter

References

27277-00A26 27277-1KA0A 27277-1KA4A

Application info

Juke [06/10--]

36-12 319 0005 | MCF0312

Cabin air filter



Notes

Height [mm] 20
Width [mm] 189
Length [mm] 265
Filter Insert
Particulate Filter

References

27277-EN000 27277-EN025

Application info

Qashqai I [02/07--]

X-Trail [T31] [03/07--]

Cabin air filter

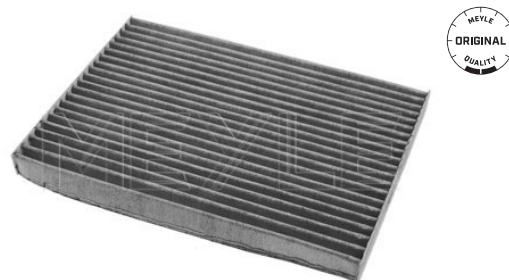
36-12 320 0005 | MCF0319

Notes

Height [mm] 20
 Width [mm] 192
 Length [mm] 265
 Filter Insert
 Activated Carbon Filter

References

27277-EN000 27277-JD10A
 27277-EN025



Application info

Qashqai I [02/07--] X-Trail [T31] [03/07--]

Cabin air filter

612 319 0015 | MCF0396

Notes

Height [mm] 45
 Width [mm] 191
 Length [mm] 338
 Filter Insert
 Particulate Filter

References

27298-00QAA



Application info

Interstar [07/02--] Interstar [07/02--]
 Primastar [03/01--] Primastar [03/01--]

Cabin air filter

16-12 319 0019/S | MCF0148

Notes

Set
 Height [mm] 20
 Width [mm] 108
 Length [mm] 240
 Filter Insert
 Particulate Filter

References

27891-00Q00



Application info

NV400 [11/11--]

16-12 320 0019/S | MCF0158

Cabin air filter



Notes

Height [mm]
Width [mm]
Length [mm]

Set
20
108
239
Filter Insert
Activated Carbon Filter

References

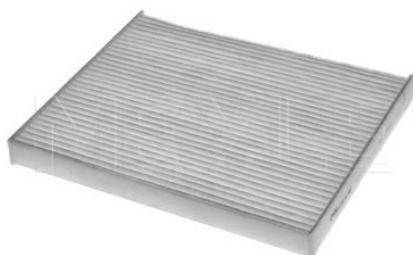
27891-00000

Application info

NV400 [11/11--]

33-12 319 0005 | MCF0278

Cabin air filter



Notes

Height [mm]
Width [mm]
Length [mm]

19
162
193
Filter Insert
Particulate Filter

References

27891-4A00C

Application info

Pixo [06/09--]

36-12 319 0002 | MCF0309

Cabin air filter



Notes

Height 1 [mm]
Height [mm]
Width [mm]
Length 1 [mm]
Width 1 [mm]
Length [mm]

29.3
43
202
180
182
224.5
Filter Insert
Particulate Filter

References

27891-AX010

AY685-NS003

Application info

Micra [K12] [01/03-06/10]

Note [03/06--]

Cabin air filter

16-12 319 0003 | MCF0132

Notes

Height [mm] 25
Width [mm] 182
Length [mm] 184
Filter Insert
Particulate Filter

References

27891-AX01A



Application info

Micra [K12] [01/03-06/10]

Cabin air filter

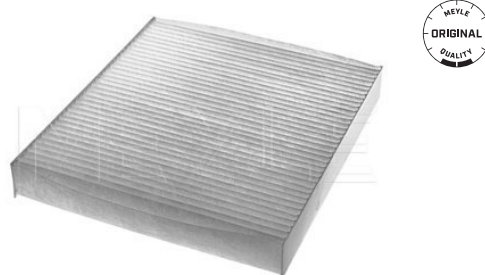
36-12 319 0000 | MCF0307

Notes

Height [mm] 30
Width [mm] 200
Length [mm] 222
Filter Insert
Particulate Filter

References

27891-BM400 27891-BM410
27891-BM401 87200-5M000
27891-BM402



Application info

Almera II [01/00-02/03]
Almera Tino [08/00--]

Primera [P12, WP12] [01/02--]

Cabin air filter

36-12 319 0008 | MCF0315

Notes

Height [mm] 35
Width [mm] 188
Length [mm] 233
Filter Insert
Particulate Filter

References

27274-ED000 27891-EL00A
27891-EC00A



Application info

NV200 [02/10--]
Tida [01/07--]

Tiida [C11] [05/04-02/07]
NV200 [02/10--]

712 319 0008 | MCF0418

Cabin air filter



Notes

Height [mm] 20
Width [mm] 193
Length [mm] 249.4
Filter Insert
Particulate Filter

References

27893-9F500 27893-9F900
27893-9F500KE

Application info

Primera [P11, WP11] [06/96-07/02]

Terrano II [10/92-06/03]

36-12 319 0006 | MCF0313

Cabin air filter



Notes

Height [mm] 30
Width [mm] 200
Length [mm] 222
Filter Insert
Particulate Filter

References

27277-4M400 2K003-30361
27277-4M425 999M1-VP001
27277-5U100 999M1-VP051
27277-9W125 B7200-5M000
27277-WD000 B727A-79925

Application info

Murano [Z50] [08/03--]
Murano [Z51] [11/07--]

X-Trail [T30] [06/01-09/03]

16-12 319 0001 | MCF0131

Cabin air filter



Notes

Height [mm] 30
Width [mm] 160
Length [mm] 230
Filter Insert
Particulate Filter

References

27891-00QAA B7298-00QAA

Application info

Kubistar [08/03--]

Kubistar [08/03--]

Cabin air filter

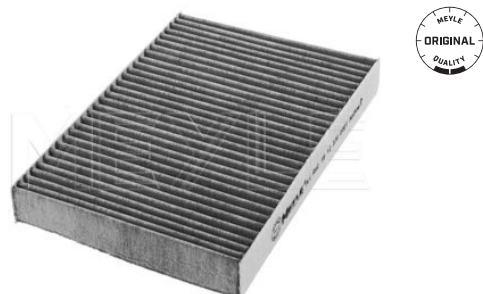
16-12 320 0001 | MCF0153

Notes

Height [mm] 30
 Width [mm] 160
 Length [mm] 230
 Filter Insert
 Activated Carbon Filter

References

B7298-00QAA



Application info

Kubistar [08/03--]

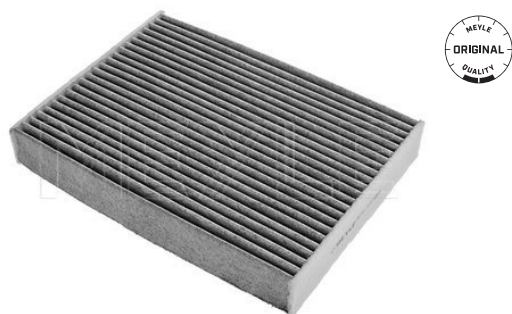
Kubistar [08/03--]

Cabin air filter

16-12 320 0023 | MCF0459

Notes

Height [mm] 36
 Width [mm] 181
 Length [mm] 250
 Activated Carbon Filter



Application info

Qashqai II [02/14--]

615 521 0049 | MBD1272

Brake disc



Notes

| | |
|---------------------------|------------|
| Wheel Bolt Bore Ø [mm] | 17.4 |
| | Vented |
| Centering Diameter [mm] | 90 |
| Minimum thickness [mm] | 24.5 |
| Outer diameter [mm] | 302 |
| Height [mm] | 70 |
| Bolt Hole Circle Ø [mm] | 130 |
| Brake Disc Thickness [mm] | 28 |
| Required quantity | 2 |
| Number of Holes | 5 |
| | Front Axle |

References

40206-00Q0G

Application info

NV400 [11/11--]

16-15 521 0036 | MBD1823

Brake disc



Notes

| | |
|---------------------------|------------|
| Wheel Bolt Bore Ø [mm] | 12.7 |
| | Vented |
| Centering Diameter [mm] | 61 |
| Minimum thickness [mm] | 17.7 |
| Outer diameter [mm] | 259 |
| Height [mm] | 41 |
| Bolt Hole Circle Ø [mm] | 100 |
| Brake Disc Thickness [mm] | 20.7 |
| Required quantity | 2 |
| Number of Holes | 4 |
| | Front Axle |

References

40206-00Q0E
40206-00Q0K

40206-00QAA

Application info

Kubistar [08/03--]

Kubistar [08/03--]

Brake disc

16-15 521 0036/PD | MBD1823PD

Notes

| | |
|---------------------------|-------------------|
| Wheel Bolt Bore Ø [mm] | 12.7 |
| | Zink flake coated |
| | Vented |
| Centering Diameter [mm] | 61 |
| Minimum thickness [mm] | 17.7 |
| Outer diameter [mm] | 259 |
| Height [mm] | 41 |
| Bolt Hole Circle Ø [mm] | 100 |
| | with screws |
| Brake Disc Thickness [mm] | 20.7 |
| Required quantity | 2 |
| Number of Holes | 4 |
| | Front Axle |



References

| | |
|-------------|-------------|
| 40206-0000E | 40206-000AA |
| 40206-0000K | |

Application info

Kubistar [08/03--]

Kubistar [08/03--]

Brake disc

615 521 0011 | MBD2042

Notes

| | |
|---------------------------|------------|
| Wheel Bolt Bore Ø [mm] | 15.8 |
| | Vented |
| Centering Diameter [mm] | 90 |
| Minimum thickness [mm] | 25 |
| Outer diameter [mm] | 305.5 |
| Height [mm] | 77.8 |
| Bolt Hole Circle Ø [mm] | 130 |
| Brake Disc Thickness [mm] | 28 |
| Required quantity | 2 |
| Number of Holes | 5 |
| | Front Axle |



References

| |
|-------------|
| 40206-000AD |
|-------------|

Application info

Interstar [07/02--]

Interstar [07/02--]

615 521 0011/PD | MBD2042PD

Brake disc



Notes

| | |
|---------------------------|-------------------|
| Wheel Bolt Bore Ø [mm] | 15.8 |
| | Zink flake coated |
| | Vented |
| Centering Diameter [mm] | 90 |
| Minimum thickness [mm] | 25 |
| Outer diameter [mm] | 305.5 |
| Height [mm] | 77.8 |
| Bolt Hole Circle Ø [mm] | 130 |
| | with screws |
| Brake Disc Thickness [mm] | 28 |
| Required quantity | 2 |
| Number of Holes | 5 |
| | Front Axle |

References

40206-00QAD

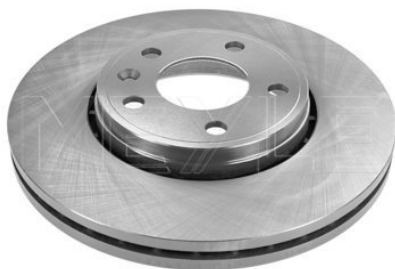
Application info

Interstar (07/02--)

Interstar (07/02--)

615 521 0014 | MBD2045

Brake disc



Notes

| | |
|---------------------------|------------|
| Wheel Bolt Bore Ø [mm] | 15.5 |
| | Vented |
| Centering Diameter [mm] | 72 |
| Minimum thickness [mm] | 24 |
| Outer diameter [mm] | 305 |
| Height [mm] | 49.7 |
| Bolt Hole Circle Ø [mm] | 118 |
| Brake Disc Thickness [mm] | 28 |
| Required quantity | 2 |
| Number of Holes | 5 |
| | Front Axle |

References

40206-00QAE 82000-10519
40206-00QAF

Application info

Primastar (03/01--)

Primastar (03/01--)

Brake disc

615 521 0014/PD | MBD2045PD

Notes

| | |
|---------------------------|-------------------|
| Wheel Bolt Bore Ø [mm] | 15.5 |
| | Zink flake coated |
| | Vented |
| Centering Diameter [mm] | 72 |
| Minimum thickness [mm] | 24 |
| Outer diameter [mm] | 305 |
| Height [mm] | 49.7 |
| Bolt Hole Circle Ø [mm] | 118 |
| | with screws |
| Brake Disc Thickness [mm] | 28 |
| Required quantity | 2 |
| Number of Holes | 5 |
| | Front Axle |



References

| | |
|-------------|-------------|
| 40206-00QAE | 82000-10519 |
| 40206-00QAF | |

Application info

Primastar [03/01--]

Primastar [03/01--]

Brake disc

16-15 521 0037 | MBD1824

Notes

| | |
|---------------------------|------------|
| Wheel Bolt Bore Ø [mm] | 12.5 |
| | Vented |
| Centering Diameter [mm] | 61 |
| Minimum thickness [mm] | 17.7 |
| Outer diameter [mm] | 238 |
| Height [mm] | 41 |
| Bolt Hole Circle Ø [mm] | 100 |
| Brake Disc Thickness [mm] | 20.1 |
| Required quantity | 2 |
| Number of Holes | 4 |
| | Front Axle |



References

| | |
|-------------|-------------|
| 40206-00Q00 | 40206-00QAJ |
|-------------|-------------|

Application info

Kubistar [08/03--]

Kubistar [08/03--]

16-15 521 0037/PD | MBD1824PD

Brake disc



Notes

| | |
|---------------------------|-------------------|
| Wheel Bolt Bore Ø [mm] | 12.5 |
| | Zink flake coated |
| | Vented |
| Centering Diameter [mm] | 61 |
| Minimum thickness [mm] | 17.7 |
| Outer diameter [mm] | 238 |
| Height [mm] | 41 |
| Bolt Hole Circle Ø [mm] | 100 |
| | with screws |
| Brake Disc Thickness [mm] | 20.1 |
| Required quantity | 2 |
| Number of Holes | 4 |
| | Front Axle |

References

| | |
|-------------|-------------|
| 40206-00Q00 | 40206-00QAJ |
|-------------|-------------|

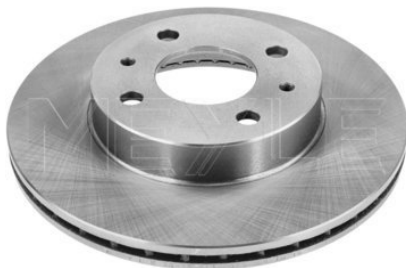
Application info

Kubistar [08/03--]

Kubistar [08/03--]

36-15 521 0023 | MBD0972

Brake disc



Notes

| | |
|---------------------------|------------|
| Wheel Bolt Bore Ø [mm] | 12.7 |
| | Vented |
| Centering Diameter [mm] | 61 |
| Minimum thickness [mm] | 16 |
| Outer diameter [mm] | 247 |
| Height [mm] | 45.2 |
| Bolt Hole Circle Ø [mm] | 100 |
| Brake Disc Thickness [mm] | 18 |
| Required quantity | 2 |
| Number of Holes | 4 |
| | Front Axle |

References

| | |
|-------------|-------------|
| 40206-0M801 | 40206-0M802 |
|-------------|-------------|

Application info

Almera I/Pulsar I [07/95-07/00]

Brake disc

36-15 521 0054 | MBD1003

Notes

| | |
|---------------------------|------------|
| Wheel Bolt Bore Ø [mm] | 12.8 |
| | Vented |
| Centering Diameter [mm] | 61 |
| Minimum thickness [mm] | 20 |
| Outer diameter [mm] | 260 |
| Height [mm] | 44 |
| Bolt Hole Circle Ø [mm] | 100 |
| Brake Disc Thickness [mm] | 22 |
| Required quantity | 2 |
| Number of Holes | 4 |
| | Front Axle |



References

40206-1HA0A

Application info

Micra [K13] [05/10--]

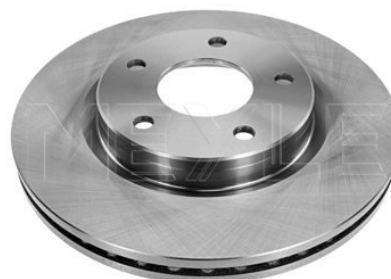
Note II [06/13--]

Brake disc

36-15 521 0053 | MBD1002

Notes

| | |
|---------------------------|------------|
| Wheel Bolt Bore Ø [mm] | 12.8 |
| | Vented |
| Centering Diameter [mm] | 68 |
| Minimum thickness [mm] | 22 |
| Outer diameter [mm] | 280 |
| Height [mm] | 43.9 |
| Bolt Hole Circle Ø [mm] | 114.3 |
| Brake Disc Thickness [mm] | 24 |
| Required quantity | 2 |
| Number of Holes | 5 |
| | Front Axle |



References

40206-1KA2A

40206-1KA3A

Application info

Juke [06/10--]

36-15 521 0046 | MBD0995

Brake disc



Notes

| | |
|---------------------------|------------|
| Wheel Bolt Bore Ø [mm] | 12.6 |
| | Vented |
| Centering Diameter [mm] | 61 |
| Minimum thickness [mm] | 18 |
| Outer diameter [mm] | 252 |
| Height [mm] | 45.2 |
| Bolt Hole Circle Ø [mm] | 100 |
| Brake Disc Thickness [mm] | 20 |
| Required quantity | 2 |
| Number of Holes | 4 |
| | Front Axle |

References

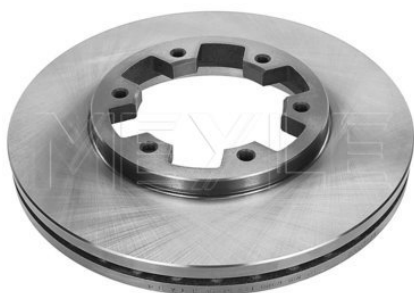
40206-2N301

Application info

Almera I/Pulsar I (07/95-07/00)

36-15 521 0009 | MBD0959

Brake disc



Notes

| | |
|---------------------------|------------|
| | Vented |
| Centering Diameter [mm] | 100 |
| Minimum thickness [mm] | 24 |
| Outer diameter [mm] | 277 |
| Height [mm] | 39 |
| Bolt Hole Circle Ø [mm] | 124 |
| Brake Disc Thickness [mm] | 26 |
| Required quantity | 2 |
| Number of Holes | 6 |
| | Front Axle |

References

| | |
|-------------|-------------|
| 40206-0F000 | 40206-31G01 |
| 40206-0F001 | 40206-31G03 |
| 40206-31G00 | 40206-VJ200 |

Application info

Pick Up (021) (09/85-02/98)
Pick Up (022) (01/97-04/05)

Terrano I (10/87-02/96)
Terrano II (10/92-06/03)

Brake disc

36-15 521 0059 | MBD1004

Notes

| | |
|---------------------------|------------|
| Wheel Bolt Bore Ø [mm] | 12.8 |
| | Vented |
| Centering Diameter [mm] | 68 |
| Minimum thickness [mm] | 24 |
| Outer diameter [mm] | 257 |
| Height [mm] | 54 |
| Bolt Hole Circle Ø [mm] | 114.3 |
| Brake Disc Thickness [mm] | 26 |
| Required quantity | 2 |
| Number of Holes | 4 |
| | Front Axle |



References

| | |
|-------------|-------------|
| 40206-3LG0A | 40206-JX00A |
|-------------|-------------|

Application info

NV200 [02/10--]

NV200 [02/10--]

Brake disc

36-15 521 0073 | MBD1979

Notes

| | |
|---------------------------|------------|
| Wheel Bolt Bore Ø [mm] | 12.8 |
| | Vented |
| Centering Diameter [mm] | 68 |
| Minimum thickness [mm] | 26 |
| Outer diameter [mm] | 320 |
| Height [mm] | 37.9 |
| Bolt Hole Circle Ø [mm] | 114.3 |
| Brake Disc Thickness [mm] | 28 |
| Required quantity | 2 |
| Number of Holes | 6 |
| | Front Axle |



References

| | |
|-------------|-------------|
| 40206-3X00B | 40206-EB320 |
| 40206-5X00A | |

Application info

Navara [D40] [07/05--]

Pathfinder [R51] [01/05--]

36-15 521 0073/PD | MBD1979PD

Brake disc



Notes

| | |
|---------------------------|-------------------|
| Wheel Bolt Bore Ø [mm] | 12.8 |
| | Zink flake coated |
| | Vented |
| Centering Diameter [mm] | 68 |
| Minimum thickness [mm] | 26 |
| Outer diameter [mm] | 320 |
| Height [mm] | 37.9 |
| Bolt Hole Circle Ø [mm] | 114.3 |
| Brake Disc Thickness [mm] | 28 |
| Required quantity | 2 |
| Number of Holes | 6 |
| | Front Axle |

References

| | |
|-------------|-------------|
| 40206-3X00B | 40206-EB320 |
| 40206-5X00A | |

Application info

Navara [040] [07/05--]

Pathfinder [R51] [01/05--]

36-15 521 0027 | MBD0976

Brake disc



Notes

| | |
|---------------------------|------------|
| Wheel Bolt Bore Ø [mm] | 12.8 |
| | Vented |
| Centering Diameter [mm] | 68 |
| Minimum thickness [mm] | 26 |
| Outer diameter [mm] | 280 |
| Height [mm] | 49.1 |
| Bolt Hole Circle Ø [mm] | 114.3 |
| Brake Disc Thickness [mm] | 28 |
| Required quantity | 2 |
| Number of Holes | 5 |
| | Front Axle |

References

| | |
|-------------|-------------|
| 40206-3Y502 | 40206-4U103 |
| 40206-3Y503 | 40206-4U105 |
| 40206-4U101 | 40206-4U107 |

Application info

Almera Tino [08/00--]
Maxima [A33] [04/99-11/03]

Primera [P12, WP12] [01/02--]
X-Trail [T30] [06/01-09/03]

Brake disc

33-15 521 0008 | MBD0868

Notes

| | |
|---------------------------|------------|
| Wheel Bolt Bore Ø [mm] | 12.75 |
| | Vented |
| Centering Diameter [mm] | 60 |
| Minimum thickness [mm] | 18 |
| Outer diameter [mm] | 231 |
| Height [mm] | 51.5 |
| Bolt Hole Circle Ø [mm] | 100 |
| Brake Disc Thickness [mm] | 20 |
| Required quantity | 2 |
| Number of Holes | 4 |
| | Front Axle |



References

40206-4A00G

Application info

Pixo [06/09--]

Brake disc

36-15 521 0074/PD | MBD2159PD

Notes

| | |
|---------------------------|-------------------|
| Wheel Bolt Bore Ø [mm] | 12.8 |
| | Zink flake coated |
| | Vented |
| Centering Diameter [mm] | 68 |
| Minimum thickness [mm] | 24 |
| Outer diameter [mm] | 296 |
| Height [mm] | 44 |
| Bolt Hole Circle Ø [mm] | 114.3 |
| Brake Disc Thickness [mm] | 26 |
| Required quantity | 2 |
| Number of Holes | 5 |
| | Front Axle |



References

40206-4BA0A

40206-4EA0A

Application info

Qashqai II [02/14--]

X-Trail [T32] [12/13--]

36-15 521 0011 | MBD0961

Brake disc



Notes

| | |
|---------------------------|------------|
| Wheel Bolt Bore Ø [mm] | 12.6 |
| | Vented |
| Centering Diameter [mm] | 61 |
| Minimum thickness [mm] | 16 |
| Outer diameter [mm] | 240 |
| Height [mm] | 45 |
| Bolt Hole Circle Ø [mm] | 100 |
| Brake Disc Thickness [mm] | 18 |
| Required quantity | 2 |
| Number of Holes | 4 |
| | Front Axle |

References

| | |
|-------------|-------------|
| 40206-58A00 | 40206-60Y00 |
| 40206-58A01 | 40206-60Y01 |

Application info

100 NX [03/90-10/94]
Sunny [B12, N13] [01/86-10/91]

Sunny [B13, N14, Y10] [05/90-09/03]
Sunny [B13, N14, Y10] [05/90-09/03]

36-15 521 0001 | MBD0951

Brake disc



Notes

| | |
|---------------------------|------------|
| Wheel Bolt Bore Ø [mm] | 12.5 |
| | Solid |
| Centering Diameter [mm] | 59 |
| Minimum thickness [mm] | 10 |
| Outer diameter [mm] | 234 |
| Height [mm] | 45.2 |
| Bolt Hole Circle Ø [mm] | 100 |
| Brake Disc Thickness [mm] | 12 |
| Required quantity | 2 |
| Number of Holes | 4 |
| | Front Axle |

References

| | |
|-------------|-------------|
| 40206-5F001 | 40206-5F003 |
|-------------|-------------|

Application info

Micra [K11] [01/92-02/03]

Brake disc

36-15 521 0014 | MBD0964

Notes

| | |
|---------------------------|------------|
| Wheel Bolt Bore Ø [mm] | 12.6 |
| | Vented |
| Centering Diameter [mm] | 68 |
| Minimum thickness [mm] | 20 |
| Outer diameter [mm] | 257 |
| Height [mm] | 49.2 |
| Bolt Hole Circle Ø [mm] | 114.3 |
| Brake Disc Thickness [mm] | 22 |
| Required quantity | 2 |
| Number of Holes | 4 |
| | Front Axle |



References

| | |
|-------------|-------------|
| 40206-4M405 | 40206-71E05 |
| 40206-71E00 | 40206-71E06 |
| 40206-71E01 | 40206-71E07 |
| 40206-71E02 | 40206-93J00 |
| 40206-71E03 | 40206-93J01 |

Application info

200 SX [S13] [07/88-09/94]
Almera II [01/00-02/03]
Prairie Pro [M11] [10/88-07/94]

Primera [P10, W10] [06/90-03/98]
Primera [P11, WP11] [06/96-07/02]

Brake disc

36-15 521 0018 | MBD0967

Notes

| | |
|---------------------------|------------|
| Wheel Bolt Bore Ø [mm] | 12.75 |
| | Vented |
| Centering Diameter [mm] | 68 |
| Minimum thickness [mm] | 20 |
| Outer diameter [mm] | 280 |
| Height [mm] | 49.2 |
| Bolt Hole Circle Ø [mm] | 114.3 |
| Brake Disc Thickness [mm] | 22 |
| Required quantity | 2 |
| Number of Holes | 4 |
| | Front Axle |



References

| | |
|-------------|-------------|
| 40206-2F500 | 40206-55F03 |
| 40206-2F501 | 40206-73L01 |
| 40206-55F01 | 40206-7J101 |

Application info

200 SX [S13] [07/88-09/94]
Almera II [01/00-02/03]

Primera [P11, WP11] [06/96-07/02]

16-15 521 0039 | MBD1826

Brake disc



Notes

| | |
|---------------------------|------------|
| Wheel Bolt Bore Ø [mm] | 13.6 |
| | Vented |
| Centering Diameter [mm] | 61 |
| Minimum thickness [mm] | 19.8 |
| Outer diameter [mm] | 260 |
| Height [mm] | 44 |
| Bolt Hole Circle Ø [mm] | 100 |
| Brake Disc Thickness [mm] | 22 |
| Required quantity | 2 |
| Number of Holes | 4 |
| | Front Axle |

References

| | |
|-------------|-------------|
| 40206-AX600 | 40206-AX603 |
| 40206-AX602 | |

Application info

Micra [K12] [01/03-06/10]

Note [03/06--]

16-15 521 0039/PD | MBD1826PD

Brake disc



Notes

| | |
|---------------------------|-------------------|
| Wheel Bolt Bore Ø [mm] | 13.6 |
| | Zink flake coated |
| | Vented |
| Centering Diameter [mm] | 61 |
| Minimum thickness [mm] | 19.8 |
| Outer diameter [mm] | 260 |
| Height [mm] | 44 |
| Bolt Hole Circle Ø [mm] | 100 |
| | with screws |
| Brake Disc Thickness [mm] | 22 |
| Required quantity | 2 |
| Number of Holes | 4 |
| | Front Axle |

References

| | |
|-------------|-------------|
| 40206-AX600 | 40206-AX603 |
| 40206-AX602 | |

Application info

Micra [K12] [01/03-06/10]

Note [03/06--]

Brake disc

36-15 521 0033 | MBD0982

Notes

| | |
|---------------------------|------------|
| Wheel Bolt Bore Ø [mm] | 12.7 |
| | Vented |
| Centering Diameter [mm] | 68 |
| Minimum thickness [mm] | 26 |
| Outer diameter [mm] | 295.6 |
| Height [mm] | 38 |
| Bolt Hole Circle Ø [mm] | 115 |
| Brake Disc Thickness [mm] | 28 |
| Required quantity | 2 |
| Number of Holes | 6 |
| | Front Axle |



References

| | |
|-------------|-------------|
| 40206-EA00A | 40206-EB300 |
|-------------|-------------|

Application info

Navara [D40] [07/05--]

Pathfinder [R51] [01/05--]

Brake disc

36-15 521 0072/PD | MBD1978PD

Notes

| | |
|---------------------------|-------------------|
| Wheel Bolt Bore Ø [mm] | 13 |
| | Zink flake coated |
| | Vented |
| Centering Diameter [mm] | 68 |
| Minimum thickness [mm] | 26 |
| Outer diameter [mm] | 320 |
| Height [mm] | 49 |
| Bolt Hole Circle Ø [mm] | 114.3 |
| Brake Disc Thickness [mm] | 28 |
| Required quantity | 2 |
| Number of Holes | 5 |
| | Front Axle |



References

| | |
|-------------|-------------|
| 40206-CA010 | 40206-EG000 |
|-------------|-------------|

Application info

Murano [Z50] [08/03--]

Murano [Z51] [11/07--]

36-15 521 0052 | MBD1001

Brake disc



Notes

| | |
|---------------------------|------------|
| Wheel Bolt Bore Ø [mm] | 13 |
| | Vented |
| Centering Diameter [mm] | 68 |
| Minimum thickness [mm] | 22 |
| Outer diameter [mm] | 279 |
| Height [mm] | 43 |
| Bolt Hole Circle Ø [mm] | 114.3 |
| Brake Disc Thickness [mm] | 24 |
| Required quantity | 2 |
| Number of Holes | 4 |
| | Front Axle |

References

| | |
|-------------|-------------|
| 40206-EM10A | 40206-ET01C |
|-------------|-------------|

Application info

Cube [Z12] [03/10--]
Tida [01/07--]

Tiida [C11] [05/04-02/07]

36-15 521 0070/PD | MBD1976PD

Brake disc



Notes

| | |
|---------------------------|-------------------|
| Wheel Bolt Bore Ø [mm] | 12.7 |
| | Zink flake coated |
| | Vented |
| Centering Diameter [mm] | 68 |
| Minimum thickness [mm] | 26 |
| Outer diameter [mm] | 320 |
| Height [mm] | 44 |
| Bolt Hole Circle Ø [mm] | 114.3 |
| Brake Disc Thickness [mm] | 28 |
| Required quantity | 2 |
| Number of Holes | 5 |
| | Front Axle |

References

| |
|-------------|
| 40206-ET01A |
|-------------|

Application info

Qashqai I [02/07--]

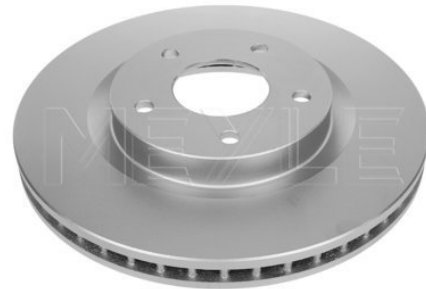


Brake disc

36-15 521 0071/PD | MBD1977PD

Notes

| | |
|---------------------------|-------------------|
| Wheel Bolt Bore Ø [mm] | 12.7 |
| | Zink flake coated |
| | Vented |
| Centering Diameter [mm] | 68 |
| Minimum thickness [mm] | 24 |
| Outer diameter [mm] | 296 |
| Height [mm] | 43.9 |
| Bolt Hole Circle Ø [mm] | 114.3 |
| Brake Disc Thickness [mm] | 26 |
| Required quantity | 2 |
| Number of Holes | 5 |
| | Front Axle |



References

| | |
|-------------|-------------|
| 40206-JD00A | 40206-JG00A |
| 40206-JD00B | |

Application info

Qashqai I [02/07--]

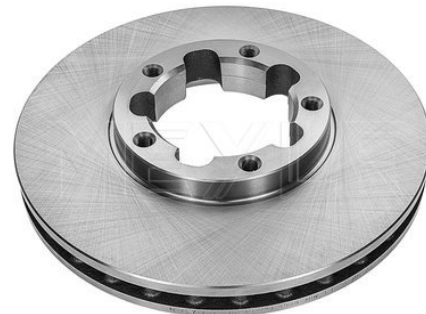
X-Trail [T31] [03/07--]

Brake disc

36-15 521 0066 | MBD2097

Notes

| | |
|---------------------------|------------|
| | Vented |
| Centering Diameter [mm] | 94 |
| Minimum thickness [mm] | 26 |
| Outer diameter [mm] | 276 |
| Height [mm] | 45.2 |
| Bolt Hole Circle Ø [mm] | 118 |
| Thread Size | M12x1,5 |
| Brake Disc Thickness [mm] | 28 |
| Required quantity | 2 |
| Number of Holes | 5 |
| | Front Axle |



References

40206MB600

Application info

Cabstar F24 [09/06-12/13]

2

36-15 521 0049 | MBD0998

Brake disc



Notes

| | |
|---------------------------|------------|
| | Vented |
| Centering Diameter [mm] | 109 |
| Minimum thickness [mm] | 30 |
| Outer diameter [mm] | 306 |
| Height [mm] | 47 |
| Bolt Hole Circle Ø [mm] | 137 |
| Brake Disc Thickness [mm] | 32 |
| Required quantity | 2 |
| Number of Holes | 6 |
| | Front Axle |

References

| | |
|-------------|-------------|
| 40206-VB000 | 40206-VB001 |
|-------------|-------------|

Application info

Patrol GR II (06/97-12/07)

36-15 521 0024 | MBD0973

Brake disc



Notes

| | |
|---------------------------|------------|
| | Vented |
| Centering Diameter [mm] | 100.2 |
| Minimum thickness [mm] | 26 |
| Outer diameter [mm] | 300 |
| Height [mm] | 38 |
| Bolt Hole Circle Ø [mm] | 141 |
| Brake Disc Thickness [mm] | 28 |
| Required quantity | 2 |
| Number of Holes | 6 |
| | Front Axle |

References

| | |
|-------------|-------------|
| 40206-1W600 | 40206-VE800 |
| 40206-6W500 | |

Application info

Pathfinder (R50) (09/97-12/04)

Pick Up (D22) (01/97-04/05)

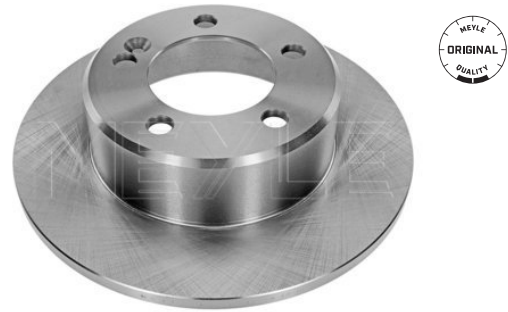


Brake disc

615 523 0017 | MBD1312

Notes

| | |
|---------------------------|-----------|
| Wheel Bolt Bore Ø [mm] | 17 |
| | Solid |
| Centering Diameter [mm] | 91 |
| Minimum thickness [mm] | 10 |
| Outer diameter [mm] | 305 |
| Height [mm] | 71.5 |
| Bolt Hole Circle Ø [mm] | 130 |
| Brake Disc Thickness [mm] | 12 |
| Required quantity | 2 |
| Number of Holes | 5 |
| | Rear Axle |



References

43206-00Q0B

Application info

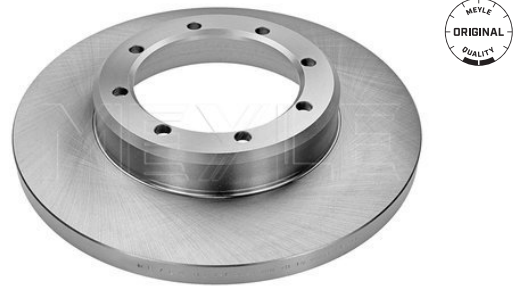
NV400 [11/11--]

Brake disc

615 521 0030 | MBD2128

Notes

| | |
|---------------------------|-----------|
| Wheel Bolt Bore Ø [mm] | 10.9 |
| | Solid |
| Centering Diameter [mm] | 120 |
| Minimum thickness [mm] | 15 |
| Outer diameter [mm] | 302 |
| Height [mm] | 51 |
| Bolt Hole Circle Ø [mm] | 140 |
| Brake Disc Thickness [mm] | 18 |
| Required quantity | 2 |
| Number of Holes | 8 |
| | Rear Axle |



References

43206-00Q0C

Application info

NV400 [11/11--]

2

615 523 6037 | MBD1327

Brake disc



Notes

| | |
|---------------------------|-----------|
| Wheel Bolt Bore Ø [mm] | 15.5 |
| | Solid |
| Centering Diameter [mm] | 90 |
| Minimum thickness [mm] | 10.5 |
| Outer diameter [mm] | 305 |
| Height [mm] | 66.8 |
| Bolt Hole Circle Ø [mm] | 130 |
| Brake Disc Thickness [mm] | 12 |
| Required quantity | 2 |
| Number of Holes | 5 |
| | Rear Axle |

References

43206-00QAA

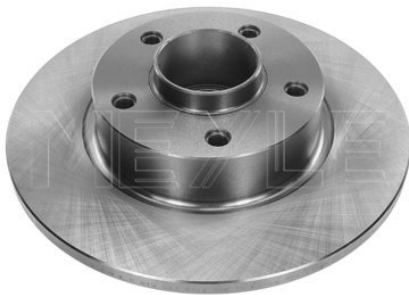
Application info

Interstar [07/02--]

Interstar [07/02--]

615 523 0022 | MBD1313

Brake disc



Notes

| | |
|---------------------------|----------------------|
| | Solid |
| Centering Diameter [mm] | 68 |
| Minimum thickness [mm] | 10 |
| Outer diameter [mm] | 280 |
| Height [mm] | 102.2 |
| Bolt Hole Circle Ø [mm] | 118 |
| Thread Size | M14x1,5 |
| | with bearing(s) |
| | with ABS sensor ring |
| Brake Disc Thickness [mm] | 12 |
| Required quantity | 2 |
| Number of Holes | 5 |
| | Rear Axle |

References

| | |
|-------------|-------------|
| 43206-00Q0D | 43206-00QAD |
| 43206-00QAB | 77012-06864 |
| 43206-00QAC | 82002-18779 |

Application info

Primastar [03/01--]

Primastar [03/01--]

Brake disc

36-15 523 0050 | MBD1980

Notes

| | |
|---------------------------|-----------|
| Wheel Bolt Bore Ø [mm] | 12.7 |
| | Vented |
| Centering Diameter [mm] | 68 |
| Minimum thickness [mm] | 14 |
| Outer diameter [mm] | 292 |
| Height [mm] | 62 |
| Bolt Hole Circle Ø [mm] | 114.3 |
| Brake Disc Thickness [mm] | 16 |
| Required quantity | 2 |
| Number of Holes | 5 |
| | Rear Axle |

References

| | |
|-------------|-------------|
| 43206-3NL0A | 43206-8H700 |
| 43206-8H304 | 43206-8H701 |
| 43206-8H305 | |



Application info

Leaf [11/10--]
Qashqai I [02/07--]

X-Trail [T30] [06/01-09/03]
X-Trail [T31] [03/07--]

Brake disc

36-15 523 0050/PD | MBD1980PD

Notes

| | |
|---------------------------|-------------------|
| Wheel Bolt Bore Ø [mm] | 12.7 |
| | Zink flake coated |
| | Vented |
| Centering Diameter [mm] | 68 |
| Minimum thickness [mm] | 14 |
| Outer diameter [mm] | 292 |
| Height [mm] | 62 |
| Bolt Hole Circle Ø [mm] | 114.3 |
| Brake Disc Thickness [mm] | 16 |
| Required quantity | 2 |
| Number of Holes | 5 |
| | Rear Axle |

References

| | |
|-------------|-------------|
| 43206-3NL0A | 43206-8H700 |
| 43206-8H304 | 43206-8H701 |
| 43206-8H305 | |



Application info

Leaf [11/10--]
Qashqai I [02/07--]

X-Trail [T30] [06/01-09/03]
X-Trail [T31] [03/07--]

36-15 523 0056/PD | MBD2161PD

Brake disc



Notes

| | |
|---------------------------|-------------------|
| Wheel Bolt Bore Ø [mm] | 12.7 |
| | Zink flake coated |
| | Vented |
| Centering Diameter [mm] | 68 |
| Minimum thickness [mm] | 14 |
| Outer diameter [mm] | 292 |
| Height [mm] | 47 |
| Bolt Hole Circle Ø [mm] | 114.3 |
| Brake Disc Thickness [mm] | 16 |
| Required quantity | 2 |
| Number of Holes | 5 |
| | Rear Axle |

References

43206-4CE0A

Application info

X-Trail [T32] [12/13--]

36-15 523 0055/PD | MBD2160PD

Brake disc



Notes

| | |
|---------------------------|-------------------|
| Wheel Bolt Bore Ø [mm] | 12.7 |
| | Zink flake coated |
| | Solid |
| Centering Diameter [mm] | 68 |
| Minimum thickness [mm] | 11 |
| Outer diameter [mm] | 290 |
| Height [mm] | 47 |
| Bolt Hole Circle Ø [mm] | 114.3 |
| Brake Disc Thickness [mm] | 13 |
| Required quantity | 2 |
| Number of Holes | 5 |
| | Rear Axle |

References

43206-4EA0A

Application info

Qashqai II [02/14--]

Brake disc

36-15 523 0015 | MBD1014

Notes

| | |
|---------------------------|-----------|
| Centering Diameter [mm] | 68 |
| Minimum thickness [mm] | 8 |
| Outer diameter [mm] | 278 |
| Height [mm] | 44.6 |
| Bolt Hole Circle Ø [mm] | 114.3 |
| Brake Disc Thickness [mm] | 9 |
| Required quantity | 2 |
| Number of Holes | 5 |
| | Rear Axle |

References

| | |
|-------------|-------------|
| 43206-2Y503 | 43206-4U001 |
| 43206-31U10 | 43206-WA201 |
| 43206-31U12 | |



Application info

Maxima [A32] [01/95-08/00]

Maxima [A33] [04/99-11/03]

Brake disc

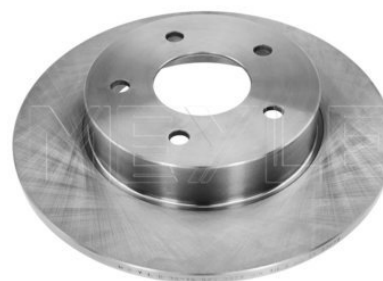
36-15 523 0022 | MBD1020

Notes

| | |
|---------------------------|-----------|
| Wheel Bolt Bore Ø [mm] | 12.5 |
| | Solid |
| Centering Diameter [mm] | 68 |
| Minimum thickness [mm] | 9 |
| Outer diameter [mm] | 278 |
| Height [mm] | 45 |
| Bolt Hole Circle Ø [mm] | 114 |
| Brake Disc Thickness [mm] | 10 |
| Required quantity | 2 |
| Number of Holes | 5 |
| | Rear Axle |

References

| | |
|-------------|-------------|
| 43206-4U101 | 43206-4U103 |
|-------------|-------------|



Application info

Almera Tino [08/00--]

Primera [P12, WP12] [01/02--]

36-15 523 0032 | MBD1028

Brake disc



Notes

| | |
|---------------------------|-----------|
| Wheel Bolt Bore Ø [mm] | 12.7 |
| | Solid |
| Centering Diameter [mm] | 68 |
| Minimum thickness [mm] | 8 |
| Outer diameter [mm] | 258 |
| Height [mm] | 44.4 |
| Bolt Hole Circle Ø [mm] | 100 |
| Brake Disc Thickness [mm] | 9 |
| Required quantity | 2 |
| Number of Holes | 4 |
| | Rear Axle |

References

| | |
|-------------|-------------|
| 43206-54C00 | 43206-54C01 |
|-------------|-------------|

Application info

100 NX (03/90-10/94)
Almera I/Pulsar I (07/95-07/00)

Sunny (B13, N14, Y10) (05/90-09/03)

36-15 523 0017 | MBD1016

Brake disc



Notes

| | |
|---------------------------|-----------|
| Wheel Bolt Bore Ø [mm] | 12.8 |
| | Solid |
| Centering Diameter [mm] | 68 |
| Minimum thickness [mm] | 6 |
| Outer diameter [mm] | 234 |
| Height [mm] | 39.5 |
| Bolt Hole Circle Ø [mm] | 100 |
| Brake Disc Thickness [mm] | 7 |
| Required quantity | 2 |
| Number of Holes | 4 |
| | Rear Axle |

References

| | |
|-------------|-------------|
| 43206-58Y00 | 43206-58Y02 |
| 43206-58Y01 | |

Application info

100 NX (03/90-10/94)
Almera I/Pulsar I (07/95-07/00)

Sunny (B13, N14, Y10) (05/90-09/03)

Brake disc

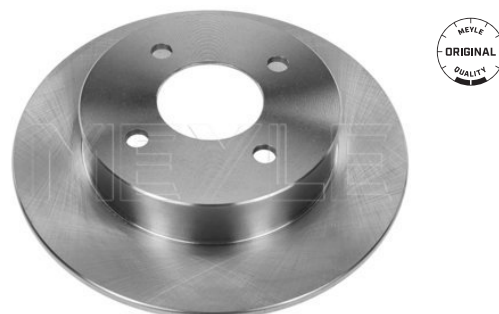
36-15 523 0024 | MBD1021

Notes

| | |
|---------------------------|-----------|
| Wheel Bolt Bore Ø [mm] | 12.6 |
| | Solid |
| Centering Diameter [mm] | 61 |
| Minimum thickness [mm] | 6 |
| Outer diameter [mm] | 240 |
| Height [mm] | 41 |
| Bolt Hole Circle Ø [mm] | 100 |
| Brake Disc Thickness [mm] | 7 |
| Required quantity | 2 |
| Number of Holes | 4 |
| | Rear Axle |

References

43206-5F001



Application info

Micra [K11] [01/92-02/03]

Brake disc

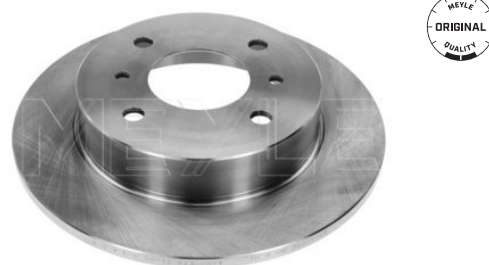
36-15 523 0001 | MBD1005

Notes

| | |
|---------------------------|-----------|
| Wheel Bolt Bore Ø [mm] | 12.6 |
| | Solid |
| Centering Diameter [mm] | 68 |
| Minimum thickness [mm] | 9 |
| Outer diameter [mm] | 258 |
| Height [mm] | 45 |
| Bolt Hole Circle Ø [mm] | 114.3 |
| Brake Disc Thickness [mm] | 10 |
| Required quantity | 2 |
| Number of Holes | 4 |
| | Rear Axle |

References

43206-5M311 43206-99J01
43206-99J00 53206-5M311



Application info

Almera II [01/00-02/03]
Primera [P10, W10] [06/90-03/98]

Primera [P11, WP11] [06/96-07/02]

36-15 523 0052/PD | MBD1982PD

Brake disc



Notes

| | |
|---------------------------|-------------------|
| Wheel Bolt Bore Ø [mm] | 12.7 |
| | Zink flake coated |
| | Solid |
| Centering Diameter [mm] | 68 |
| Minimum thickness [mm] | 8 |
| Outer diameter [mm] | 291 |
| Height [mm] | 62.3 |
| Bolt Hole Circle Ø [mm] | 114.3 |
| Brake Disc Thickness [mm] | 9 |
| Required quantity | 2 |
| Number of Holes | 5 |
| | Rear Axle |

References

| | |
|-------------|-------------|
| 43206-9W000 | 43206-JD00A |
| 43206-9Y000 | |

Application info

Juke [06/10--]
NV200 [02/10--]
Pulsar [08/12--]

Qashqai I [02/07--]
NV200 [02/10--]

36-15 523 0051/PD | MBD1981PD

Brake disc



Notes

| | |
|---------------------------|-------------------|
| Wheel Bolt Bore Ø [mm] | 12.8 |
| | Zink flake coated |
| | Vented |
| Centering Diameter [mm] | 68 |
| Minimum thickness [mm] | 14 |
| Outer diameter [mm] | 308 |
| Height [mm] | 62 |
| Bolt Hole Circle Ø [mm] | 114.3 |
| Brake Disc Thickness [mm] | 16 |
| Required quantity | 2 |
| Number of Holes | 5 |
| | Rear Axle |

References

| | |
|-------------|-------------|
| 43206-CA000 | 43206-WL000 |
| 43206-CK000 | |

Application info

Murano [Z50] [08/03--]

Murano [Z51] [11/07--]

Brake disc

36-15 523 0053 | MBD1983

Notes

| | |
|---------------------------|-----------|
| Wheel Bolt Bore Ø [mm] | 12.7 |
| | Vented |
| Centering Diameter [mm] | 68 |
| Minimum thickness [mm] | 16 |
| Outer diameter [mm] | 307 |
| Height [mm] | 60.4 |
| Bolt Hole Circle Ø [mm] | 114.3 |
| Brake Disc Thickness [mm] | 18 |
| Required quantity | 2 |
| Number of Holes | 6 |
| | Rear Axle |

References

43206-EB300



Application info

Navara [D40] [07/05--]

Pathfinder [R51] [01/05--]

Brake disc

36-15 523 0049 | MBD2099

Notes

| | |
|---------------------------|-----------|
| Wheel Bolt Bore Ø [mm] | 10.8 |
| | Vented |
| Centering Diameter [mm] | 108 |
| Minimum thickness [mm] | 13 |
| Outer diameter [mm] | 280 |
| Height [mm] | 62.2 |
| Bolt Hole Circle Ø [mm] | 127 |
| Brake Disc Thickness [mm] | 16 |
| Required quantity | 2 |
| Number of Holes | 6 |
| | Rear Axle |

References

43206MB600



Application info

Cabstar F24 [09/06-12/13]

36-15 523 0039 | MBD1032

Brake disc



Notes

| | |
|---------------------------|------------|
| Wheel Bolt Bore Ø [mm] | 12.8 |
| | Vented |
| Centering Diameter [mm] | 111 |
| Minimum thickness [mm] | 16 |
| Outer diameter [mm] | 315.7 |
| Height [mm] | 80 |
| Bolt Hole Circle Ø [mm] | 139.7 |
| Brake Disc Thickness [mm] | 18 |
| Required quantity | 2 |
| Number of Holes | 6 |
| | Front Axle |

References

| | |
|-------------|-------------|
| 43206-05J03 | 43206-VB000 |
| 43206-05J04 | |

Application info

Patrol GR I (02/88-02/98)

Patrol GR II (06/97-12/07)

615 521 6030 | MBD1292

Brake disc



Notes

| | |
|---------------------------|------------|
| | Vented |
| Centering Diameter [mm] | 79.5 |
| Minimum thickness [mm] | 21 |
| Outer diameter [mm] | 280 |
| Height [mm] | 61.5 |
| Bolt Hole Circle Ø [mm] | 110 |
| Thread Size | M10x1,5 |
| Brake Disc Thickness [mm] | 24 |
| Required quantity | 2 |
| Number of Holes | 6 |
| | Front Axle |

Application info

Interstar (07/02--)

Interstar (07/02--)

615 523 0016 | MBD1311

Brake disc



Notes

| | |
|---------------------------|-----------|
| Wheel Bolt Bore Ø [mm] | 15.5 |
| | Solid |
| Centering Diameter [mm] | 90 |
| Minimum thickness [mm] | 10 |
| Outer diameter [mm] | 305 |
| Height [mm] | 71.5 |
| Bolt Hole Circle Ø [mm] | 130 |
| Brake Disc Thickness [mm] | 12 |
| Required quantity | 2 |
| Number of Holes | 5 |
| | Rear Axle |

References

| |
|-------------|
| 43206-00Q0A |
|-------------|



Brake disc

615 523 0016 | MBD1311

Application info

NV400 [11/11--]

Brake pad set

025 297 0617 | MBP1662

Notes

| | |
|--------------------------------------|--|
| | incl. wear warning contact |
| Thickness [mm] | 17 |
| Height [mm] | 62 |
| Width [mm] | 166.6 |
| Number of wear indicators [per axle] | 2 |
| Warning Contact Length [mm] | 155 |
| Brake System | BENDIX with anti-squeak plate Front Axle |



References

069030810

Application info

Trade [11/86-09/04]

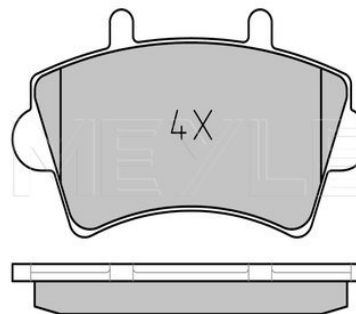
Trade [11/86-09/04]

Brake pad set

025 236 1318 | MBP0405

Notes

| | |
|----------------|---|
| | excl. wear warning contact |
| Thickness [mm] | 17.8 |
| Height [mm] | 79.5 |
| Width [mm] | 138.7 |
| Brake System | Bosch with anti-squeak plate Front Axle |



References

41060-00QAD

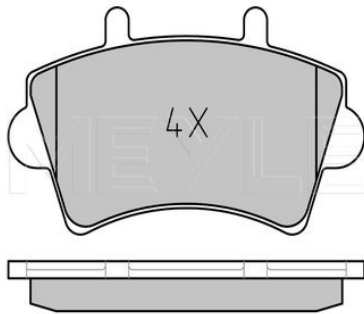
Application info

Interstar [07/02--]

Interstar [07/02--]

025 236 1318/PD | MBP0405PD

Brake pad set



Notes

Quality
Thickness [mm]
Height [mm]
Width [mm]
Brake System

excl. wear warning contact
PREMIUM
17.8
79.5
138.7
Bosch
with anti-squeak plate
Front Axle

References

41060-00QAD

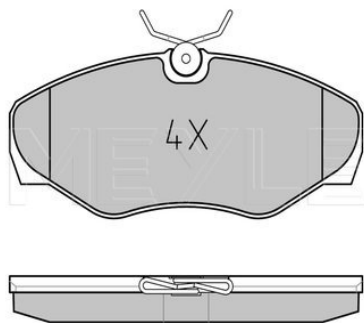
Application info

Interstar [07/02--]

Interstar [07/02--]

025 230 9918 | MBP0261

Brake pad set



Notes

Thickness [mm]
Height [mm]
Width [mm]
Brake System

prepared for wear indicator
17.7
62.4
144.9
TRW
with anti-squeak plate
Front Axle

References

41060-00QAE

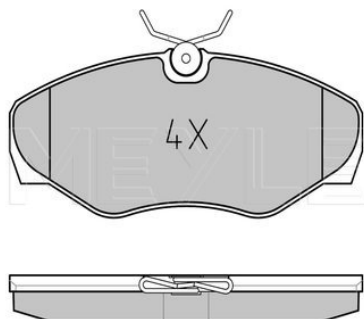
Application info

Primastar [03/01--]

Primastar [03/01--]

025 230 9918/PD | MBP0261PD

Brake pad set



Notes

Quality
Thickness [mm]
Height [mm]
Width [mm]
Brake System

prepared for wear indicator
PREMIUM
17.7
62.4
144.9
TRW
with anti-squeak plate
Front Axle

References

41060-00QAE

Application info

Primastar [03/01--]

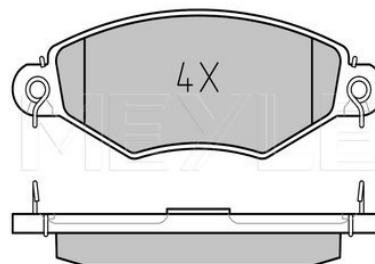
Primastar [03/01--]

Brake pad set

025 219 8018 | MBP0240

Notes

not prepared for wear indicator
 Thickness [mm] 18
 Height [mm] 47.2
 Width [mm] 130.6
 Brake System Bosch
 with anti-squeak plate
 Front Axle



References

41060-00QAF 41060-00QAG

Application info

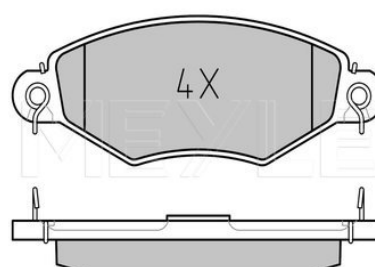
Kubistar [08/03--] Kubistar [08/03--]

Brake pad set

025 219 8018/PD | MBP0240PD

Notes

not prepared for wear indicator
 Quality PREMIUM
 Thickness [mm] 18
 Height [mm] 47.2
 Width [mm] 130.6
 Brake System Bosch
 with anti-squeak plate
 Front Axle



References

41060-00QAF 41060-00QAG

Application info

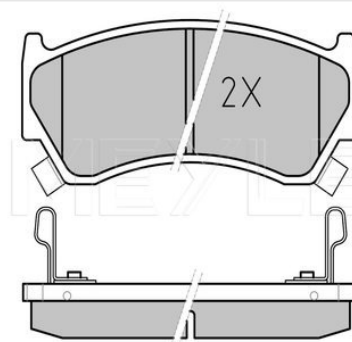
Kubistar [08/03--] Kubistar [08/03--]

Brake pad set

025 230 0415/W | MBP0243

Notes

with acoustic wear warning
 Thickness [mm] 15.5
 Height [mm] 47
 Width [mm] 108.5
 Number of wear indicators [per axle] 2
 Brake System Akebono
 with anti-squeak plate
 Front Axle



References

41060-1N060 41060-1N890
 41060-1N090 01060-1N090



025 230 0415/W | MBP0243

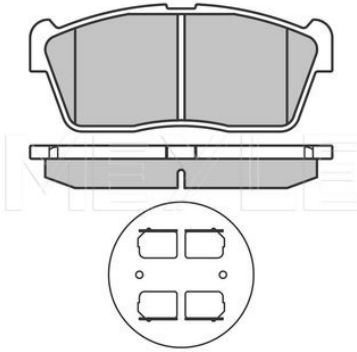
Brake pad set

Application info

Almera I/Pulsar I [07/95-07/00]

025 235 0715 | MBP0364

Brake pad set



Notes

| | |
|--------------------------------------|----------------------------|
| Thickness [mm] | with acoustic wear warning |
| Height [mm] | 15.2 |
| Width [mm] | 45.6 |
| Number of wear indicators [per axle] | 108.4 |
| Brake System | 2 |
| | Sumitomo |
| | with anti-squeak plate |
| | Front Axle |

References

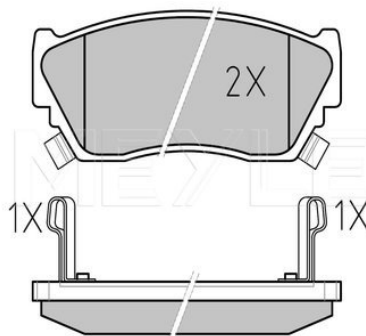
41060-4A00B

Application info

Pixo [06/09--]

025 216 5716/W | MBP0176

Brake pad set



Notes

| | |
|--------------------------------------|----------------------------|
| Thickness [mm] | with acoustic wear warning |
| Height [mm] | 16.4 |
| Width [mm] | 47.9 |
| Number of wear indicators [per axle] | 108.3 |
| Brake System | 2 |
| | Sumitomo |
| | with anti-squeak plate |
| | Front Axle |

References

| | |
|-------------|-------------|
| 41060-50Y94 | 41060-63Y90 |
| 41060-62C90 | D106M-50Y93 |
| 41060-63C90 | D106M-50Y94 |

Application info

100 NX [03/90-10/94]

Sunny [B13, N14, Y10] [05/90-09/03]

Brake pad set

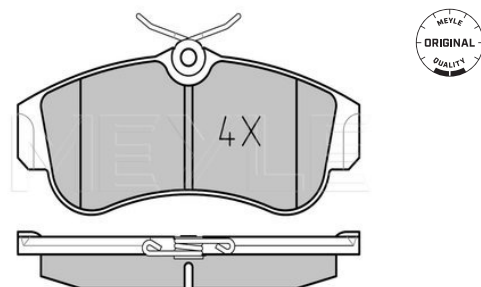
025 215 4617 | MBP0154

Notes

| | |
|----------------|---------------------------------|
| Thickness [mm] | not prepared for wear indicator |
| Height [mm] | 17.5 |
| Width [mm] | 57 |
| Brake System | 129.3 |
| | TRW |
| | with anti-squeak plate |
| | Front Axle |

References

| | |
|-------------|-------------|
| 41060-2F025 | 41060-71J25 |
| 41060-2F026 | 41060-71J26 |
| 41060-4M525 | 41060-BM425 |
| 41060-4M526 | 01060-BM40A |



Application info

Almera II [01/00-02/03]
Primera [P10, W10] [06/90-03/98]

Primera [P11, WP11] [06/96-07/02]

Brake pad set

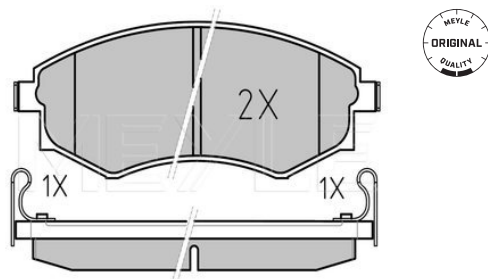
025 217 2517/W | MBP0190

Notes

| | |
|--------------------------------------|----------------------------|
| Thickness [mm] | with acoustic wear warning |
| Height [mm] | 17 |
| Width [mm] | 54.2 |
| Number of wear indicators [per axle] | 137.2 |
| Brake System | 2 |
| | Akebono |
| | with anti-squeak plate |
| | Front Axle |

References

| | |
|-------------|-------------|
| 41060-32R94 | 01060-3C490 |
| 41060-44F92 | 01060-79E92 |
| 41060-48R91 | 0106M-80N90 |
| 41060-80N90 | |



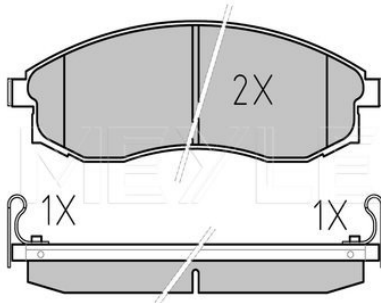
Application info

200 SX [S13] [07/88-09/94]
Prairie Pro [M11] [10/88-07/94]

Primera [P10, W10] [06/90-03/98]

025 230 8617/W | MBP0257

Brake pad set



Notes

| | |
|--------------------------------------|--|
| Thickness [mm] | 17 |
| Height [mm] | 52 |
| Width [mm] | 150.8 |
| Number of wear indicators [per axle] | 2 |
| Brake System | Sumitomo with anti-squeak plate Front Axle |

References

| | |
|-------------|-------------|
| 41060-17U90 | 41060-38U90 |
| 41060-1E090 | 41060-89E92 |

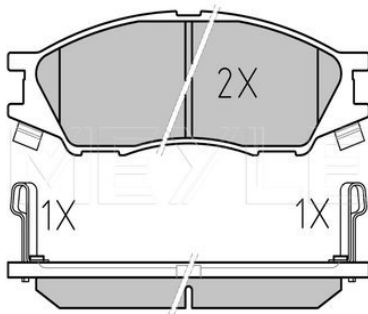
Application info

Maxima [A32] [01/95-08/00]

Maxima [J30] [10/88-06/94]

025 246 4815/W | MBP0646

Brake pad set



Notes

| | |
|--------------------------------------|---|
| Thickness [mm] | 15.4 |
| Height [mm] | 48.4 |
| Width [mm] | 134.9 |
| Number of wear indicators [per axle] | 2 |
| Brake System | Akebono with anti-squeak plate Front Axle |

References

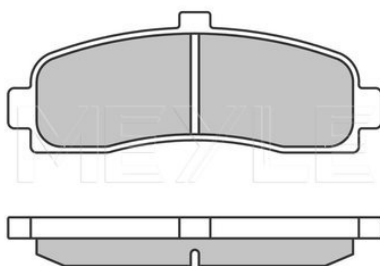
| | |
|-------------|-------------|
| 41060-6N091 | 41060-95F0B |
| 41060-6N0X1 | 01060-6N091 |
| 41060-95F0A | |

Application info

Almera II [01/00-02/03]

025 216 2615 | MBP0165

Brake pad set



Notes

| | |
|----------------|---|
| Thickness [mm] | 15.7 |
| Height [mm] | 45.3 |
| Width [mm] | 120.7 |
| Brake System | Akebono with anti-squeak plate Front Axle |

References

| | |
|-------------|-------------|
| 41060-1F025 | 41060-99B25 |
| 41060-6F625 | 41060-99B26 |
| 41060-6F626 | |

Brake pad set

025 216 2615 | MBP0165

Application info

Micra [K11] [01/92-02/03]

Brake pad set

025 214 8115 | MBP0141

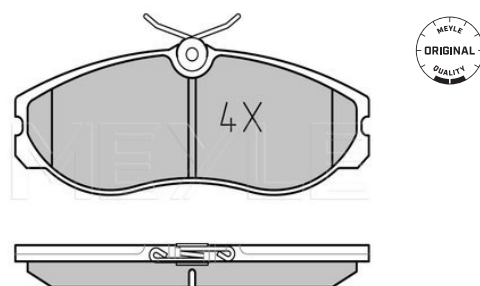
Notes

Thickness [mm]
Height [mm]
Width [mm]
Brake System

not prepared for wear indicator
15.5
55.6
144.9
TRW
with anti-squeak plate
Front Axle

References

41060-2X825 41060-9C526
41060-9C125 D1060-2X80A
41060-9C525



Application info

Serena [C23M] [11/92-09/01]
Terrano II [10/92-06/03]

Vanette [C23] [01/95--]
Vanette [C23] [09/94--]

Brake pad set

025 231 6017 | MBP0276

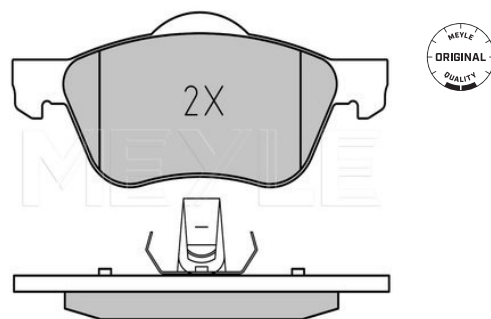
Notes

Thickness [mm]
Height 2 [mm]
Height 1 [mm]
Width 2 [mm]
Width 1 [mm]
Brake System

not prepared for wear indicator
17.3
64.9
62.8
155
156.3
ATE
with anti-squeak plate
Front Axle

References

41060-9F525

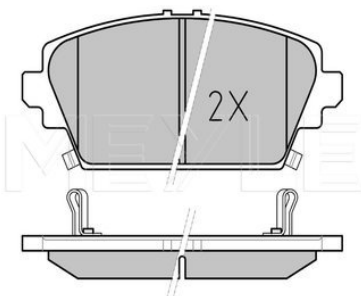


Application info

Primera [P11, WP11] [06/96-07/02]

025 230 9416/W | MBP0260

Brake pad set



Notes

| | |
|--------------------------------------|----------------------------|
| Thickness [mm] | with acoustic wear warning |
| Height [mm] | 16.5 |
| Width [mm] | 58.7 |
| Number of wear indicators [per axle] | 131.5 |
| Brake System | 2 |
| | TRW |
| | with anti-squeak plate |
| | Front Axle |

References

| | |
|-------------|-------------|
| 41060-4U125 | 41060-AV125 |
| 41060-4U126 | 41060-AV126 |
| 41060-4U127 | |

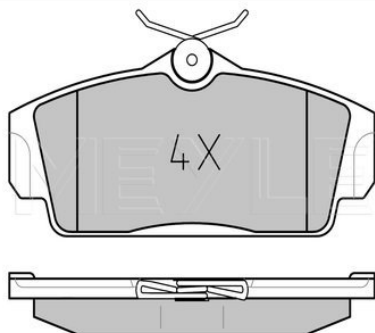
Application info

Almera Tino [08/00--]
Primera [P11, WP11] [06/96-07/02]

Primera [P12, WP12] [01/02--]

025 234 6316 | MBP0356

Brake pad set



Notes

| | |
|----------------|---------------------------------|
| Thickness [mm] | not prepared for wear indicator |
| Height [mm] | 16.6 |
| Width [mm] | 57.2 |
| Brake System | 124.1 |
| | TRW |
| | with anti-squeak plate |
| | Front Axle |

References

| | |
|-------------|-------------|
| 41060-2F026 | 41060-5M325 |
| 41060-2F525 | 41060-5M326 |
| 41060-2F526 | 41060-BM525 |
| 41060-2F527 | 01060-BM50A |

Application info

Almera II [01/00-02/03]

Primera [P11, WP11] [06/96-07/02]

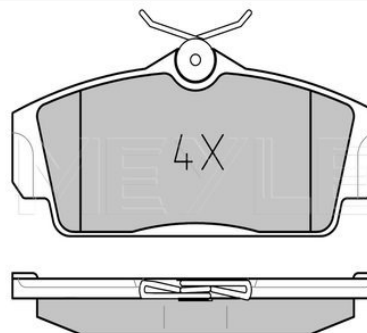
Brake pad set

025 234 6316/PD | MBP0356PD

Notes

Quality
Thickness [mm]
Height [mm]
Width [mm]
Brake System

not prepared for wear indicator
PREMIUM
16.6
57.2
124.1
TRW
with anti-squeak plate
Front Axle



References

| | |
|-------------|-------------|
| 41060-2F026 | 41060-5M325 |
| 41060-2F525 | 41060-5M326 |
| 41060-2F526 | 41060-BM525 |
| 41060-2F527 | 01060-BM50A |

Application info

Almera II [01/00-02/03]

Primera [P11, WP11] [06/96-07/02]

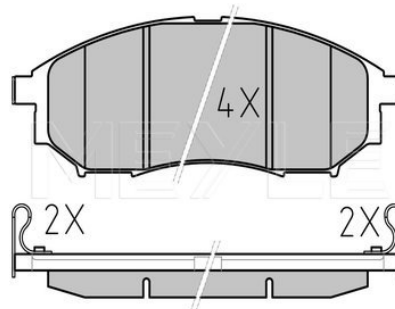
Brake pad set

025 236 9816/W | MBP0419

Notes

Thickness [mm]
Height [mm]
Width [mm]
Number of wear indicators [per axle]
Brake System

with acoustic wear warning
16.8
58.5
157
4
Sumitomo
with anti-squeak plate
Front Axle



References

| | |
|-------------|-------------|
| 41060-CC090 | 41060-EB325 |
|-------------|-------------|

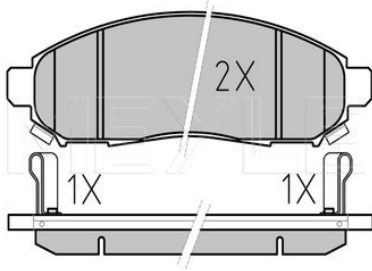
Application info

Murano [Z50] [08/03--]
Navara [D40] [07/05--]

Pathfinder [R51] [01/05--]
Navara [D40] [10/04--]

025 242 2716/W | MBP0543

Brake pad set



Notes

Thickness [mm]
Height [mm]
Width [mm]
Number of wear indicators [per axle]
Brake System

with acoustic wear warning
16.7
54.2
163.7
2
Tokico
with anti-squeak plate
Front Axle

References

41060-EB326

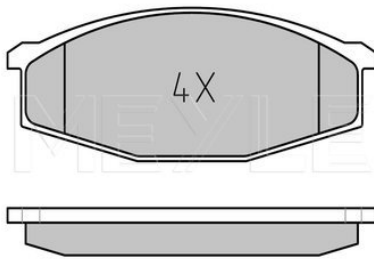
Application info

Navara [D40] [07/05--]
NP300 [04/08--]

Pathfinder [R51] [01/05--]
Navara [D40] [10/04--]

025 208 6316 | MBP0041

Brake pad set



Notes

Thickness [mm]
Height [mm]
Width [mm]
Brake System

not prepared for wear indicator
17.1
53.5
142.1
Sumitomo
with anti-squeak plate
Front Axle

References

41060-C7126
41060-C7128
41060-C7190
41060-C7191
41060-C7192
41060-C7193
41060-C7194
41060-C8186
41060-G9500

41060-G9501
41060-G9701
41060-G9725
41060-G9800
41060-G9825
41060-P9690
41060-T7893
D1060-C7192

Application info

Patrol [260] [10/84-03/96]

Patrol GR I [02/88-02/98]

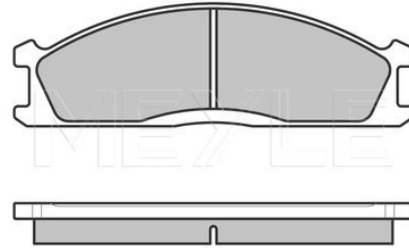


Brake pad set

025 213 4717 | MBP0113

Notes

| | |
|----------------|---------------------------------|
| Thickness [mm] | not prepared for wear indicator |
| Height [mm] | 16.3 |
| Width [mm] | 49.3 |
| Brake System | 160 |
| | Akebono |
| | with anti-squeak plate |
| | Front Axle |



References

| | |
|-------------|-------------|
| 41000-10G08 | 41060-32G92 |
| 41060-08N90 | 41060-32G94 |
| 41060-08N91 | 41060-3S590 |
| 41060-08N92 | 41060-3S591 |
| 41060-09G90 | 41060-V7085 |
| 41060-23C90 | 41060-V7090 |
| 41060-23C91 | 41060-VJ490 |
| 41060-23C92 | 41080-09G27 |
| 41060-23C93 | 41080-09G28 |
| 41060-23C94 | 41080-41L27 |
| 41060-25N25 | D1060-2S790 |
| 41060-2S790 | D1060-V7090 |
| 41060-2S791 | D1060-V7092 |
| 41060-32G91 | |

Application info

Pick Up [021] [09/85-02/98]
 Pick Up [022] [01/97-04/05]
 Terrano I [10/87-02/96]
 Urvan [E23] [07/81-11/98]
 Urvan [E24] [06/86-05/97]
 Vanette [C22] [10/86-12/95]

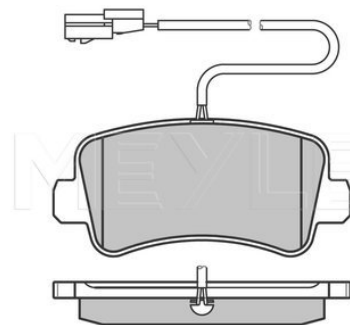
Vanette [KC120] [07/81-12/87]
 Urvan [E23] [07/80-11/98]
 Urvan [E24] [06/86-05/97]
 Vanette [C22] [10/86-12/95]
 Vanette [KC120] [06/81-12/87]

Brake pad set

025 251 1218/PD | MBP0838PD

Notes

| | |
|--------------------------------------|----------------------------|
| Quality | incl. wear warning contact |
| Thickness [mm] | PREMIUM |
| Height [mm] | 18.4 |
| Width [mm] | 59.5 |
| Number of wear indicators [per axle] | 128.5 |
| Warning Contact Length [mm] | 2 |
| Brake System | 328 |
| | Brembo |
| | with anti-squeak plate |
| | Rear Axle |



References

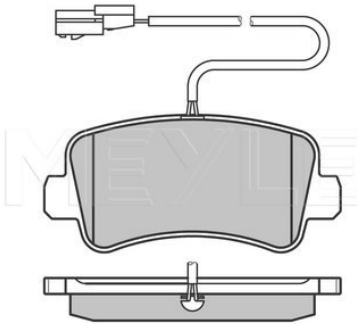
| | |
|-------------|-------------|
| 44060-00Q0H | 44060-00Q0L |
|-------------|-------------|

Application info

NV400 [11/11--]

025 251 1218/W | MBP0692

Brake pad set



Notes

| | |
|--------------------------------------|----------------------------|
| Thickness [mm] | incl. wear warning contact |
| Height [mm] | 18.4 |
| Width [mm] | 59.5 |
| Warning Contact Length [mm] | 128.5 |
| Number of wear indicators [per axle] | 328 |
| Brake System | 2 |
| | Brembo |
| | with anti-squeak plate |
| | Rear Axle |

References

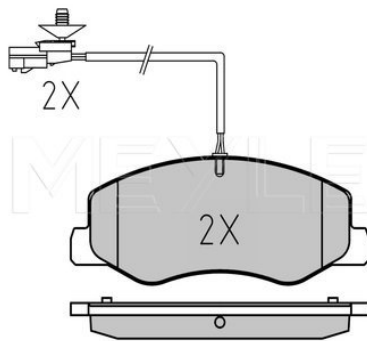
| | |
|-------------|-------------|
| 44060-00Q0H | 44060-00Q0L |
|-------------|-------------|

Application info

NV400 [11/11--]

025 251 7218/PD | MBP0840PD

Brake pad set



Notes

| | |
|--------------------------------------|----------------------------|
| Quality | incl. wear warning contact |
| Thickness [mm] | PREMIUM |
| Height [mm] | 18.2 |
| Width [mm] | 63 |
| Number of wear indicators [per axle] | 163.4 |
| Warning Contact Length [mm] | 2 |
| Brake System | 303 |
| | Brembo |
| | with anti-squeak plate |
| | Front Axle |

References

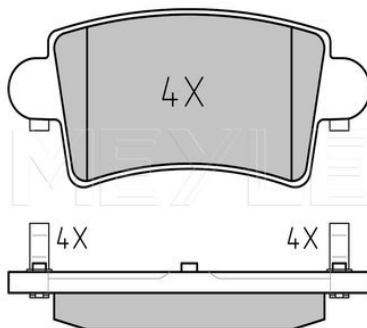
| | |
|-------------|-------------|
| 44060-00Q0G | 44060-00Q0M |
|-------------|-------------|

Application info

NV400 [11/11--]

025 236 6916 | MBP0413

Brake pad set



Notes

| | |
|----------------|----------------------------|
| Thickness [mm] | excl. wear warning contact |
| Height [mm] | 16.8 |
| Width [mm] | 51.3 |
| Brake System | 115.7 |
| | Bosch |
| | with anti-squeak plate |
| | Rear Axle |

References

| |
|-------------|
| 44060-00QAE |
|-------------|

Brake pad set

025 236 6916 | MBP0413

Application info

Interstar [07/02--]

Interstar [07/02--]

Brake pad set

025 236 6916/PD | MBP0413PD

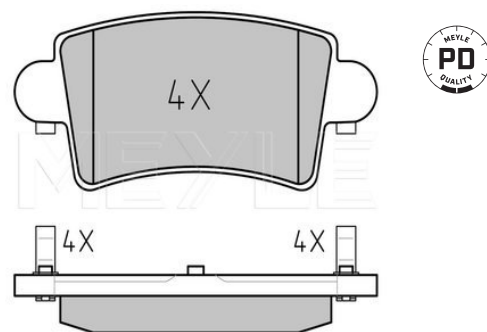
Notes

Quality
Thickness [mm]
Height [mm]
Width [mm]
Brake System

excl. wear warning contact
PREMIUM
16.8
51.3
115.7
Bosch
with anti-squeak plate
Rear Axle

References

44060-00QAE



Application info

Interstar [07/02--]

Interstar [07/02--]

Brake pad set

025 239 8017 | MBP0491

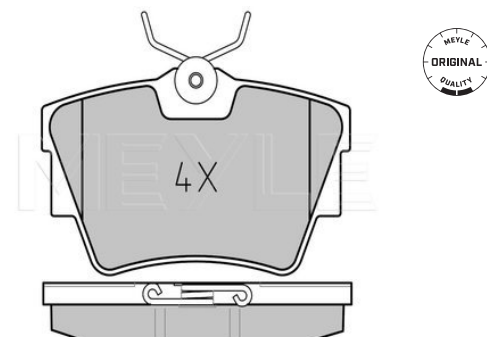
Notes

Thickness [mm]
Height [mm]
Width [mm]
Brake System

prepared for wear indicator
16.7
57.3
94.8
TRW
with anti-squeak plate
Rear Axle

References

44060-00QAF



Application info

Primastar [03/01--]

Primastar [03/01--]

Brake pad set

025 239 8017/PD | MBP0491PD

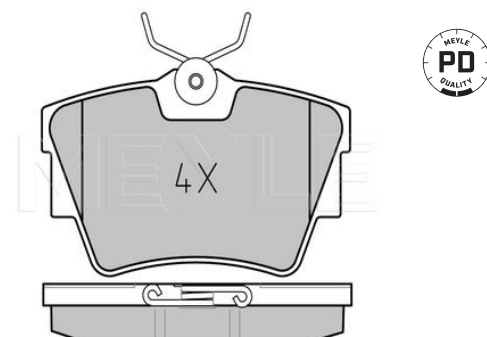
Notes

Quality
Thickness [mm]
Height [mm]
Width [mm]
Brake System

prepared for wear indicator
PREMIUM
16.7
57.3
94.8
TRW
with anti-squeak plate
Rear Axle

References

44060-00QAF



2

025 239 8017/PD | MBP0491PD

Brake pad set

Application info

Primastar [03/01--]

Primastar [03/01--]

025 200 9819 | MBP1629

Brake pad set



Notes

Thickness [mm]
Height [mm]
Width [mm]
Brake System

not prepared for wear indicator
17
50.5
128
SUMITOMO
with anti-squeak plate
Rear Axle

References

4406020J85

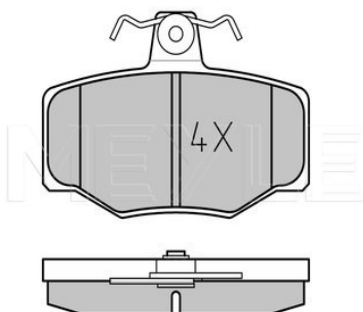
4406032J85

Application info

Patrol GR I [02/88-02/98]

025 215 4515 | MBP0153

Brake pad set



Notes

Thickness [mm]
Height [mm]
Width [mm]
Brake System

not prepared for wear indicator
15.6
57
82.2
TRW
with anti-squeak plate
Rear Axle

References

44060-3F025
44060-3F085
44060-70J26

44060-BM425
44060-BM426
D4060-BM40A

Application info

Almera II [01/00-02/03]
Almera Tino [08/00--]

Primera [P10, W10] [06/90-03/98]
Primera [P11, WP11] [06/96-07/02]

Brake pad set

025 215 4515/PD | MBP0153PD

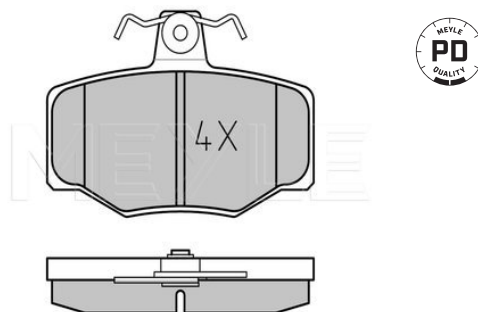
Notes

Quality
Thickness [mm]
Height [mm]
Width [mm]
Brake System

not prepared for wear indicator
PREMIUM
15.6
57
82.2
TRW
with anti-squeak plate
Rear Axle

References

44060-3F025 44060-BM425
44060-3F085 44060-BM426
44060-70J26 04060-BM40A



Application info

Almera II [01/00-02/03]
Almera Tino [08/00--]

Primera [P10, W10] [06/90-03/98]
Primera [P11, WP11] [06/96-07/02]

Brake pad set

025 234 5415 | MBP0353

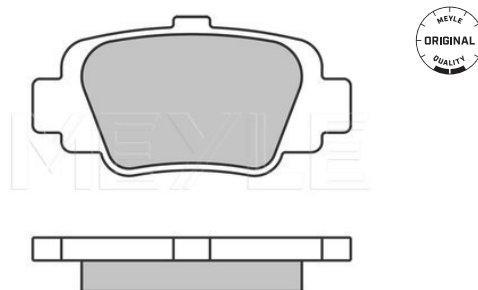
Notes

Thickness [mm]
Height [mm]
Width [mm]
Brake System

not prepared for wear indicator
15
45.3
88.8
Sumitomo
with anti-squeak plate
Rear Axle

References

44060-99B25 44060-99B85



Application info

Micra [K11] [01/92-02/03]

Brake pad set

025 234 8216 | MBP0357

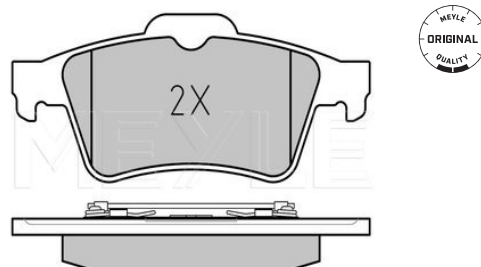
Notes

Thickness [mm]
Height [mm]
Width [mm]
Brake System

not prepared for wear indicator
16.5
51.9
123
ATE
with anti-squeak plate
Rear Axle

References

44060-AV625 44060-AV725



025 234 8216 | MBP0357

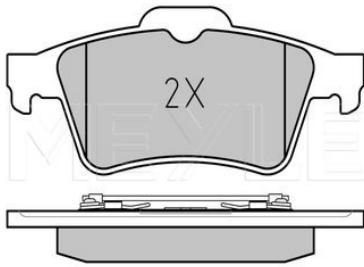
Brake pad set

Application info

Primera [P12, WP12] [01/02--]

025 234 8216/PD | MBP0357PD

Brake pad set



Notes

Quality
Thickness [mm]
Height [mm]
Width [mm]
Brake System

not prepared for wear indicator
PREMIUM
16.5
51.9
123
ATE
with anti-squeak plate
Rear Axle

References

44060-AV625

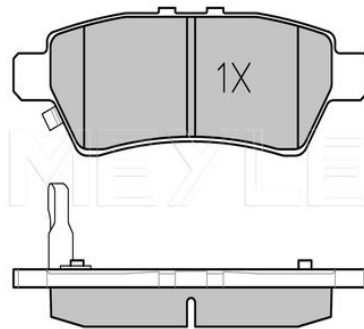
44060-AV725

Application info

Primera [P12, WP12] [01/02--]

025 242 4016/W | MBP0546

Brake pad set



Notes

Thickness [mm]
Height [mm]
Width [mm]
Number of wear indicators [per axle]
Brake System

with acoustic wear warning
16.6
40.8
110.6
1
Tokico
with anti-squeak plate
Rear Axle

References

44060-EB325

Application info

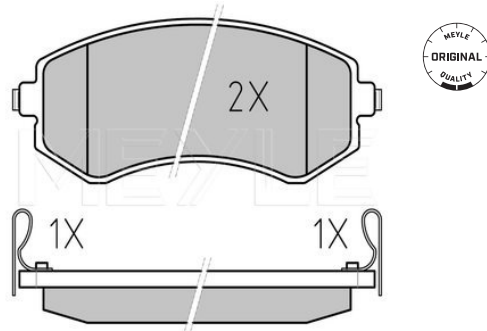
Pathfinder [R51] [01/05--]

Brake pad set
025 235 0216/W | MBP0362
Notes

| | | |
|--------------------------------------|------|----------------------------|
| Thickness [mm] | 16 | with acoustic wear warning |
| Height [mm] | 50.5 | |
| Width [mm] | 121 | |
| Number of wear indicators [per axle] | 2 | |
| | | with anti-squeak plate |
| | | Rear Axle |

References

| | |
|-------------|-------------|
| 44060-VB190 | 44060-VC090 |
| 44060-VB191 | 04060-VC090 |


Application info

Almera I/Pulsar I (07/95-07/00)

Patrol GR II (06/97-12/07)

Brake pad set
025 220 6518 | MBP1728
Notes

| | | |
|--------------------------------------|-------|----------------------------|
| Thickness [mm] | 17.9 | with acoustic wear warning |
| Height [mm] | 59.7 | |
| Width [mm] | 141.1 | |
| Number of wear indicators [per axle] | 2 | |
| Brake System | TRW | |
| | | with anti-squeak plate |
| | | Front Axle |

References

| | |
|-------------|-------------|
| D1060-4CA0A | D1060-4EA0A |
|-------------|-------------|


Application info

Qashqai II (02/14--)

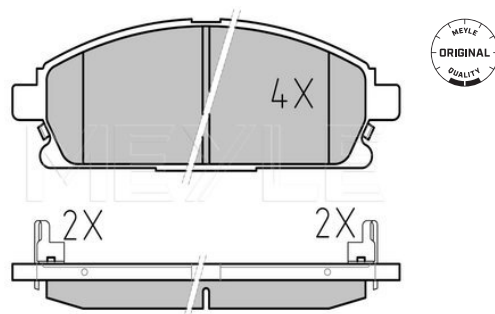
X-Trail (T32) (12/13--)

Brake pad set
025 234 2016/W | MBP0343
Notes

| | | |
|--------------------------------------|----------|----------------------------|
| Thickness [mm] | 16.5 | with acoustic wear warning |
| Height [mm] | 55.3 | |
| Width [mm] | 158.8 | |
| Number of wear indicators [per axle] | 2 | |
| Brake System | Sumitomo | |
| | | with anti-squeak plate |
| | | Front Axle |

References

| | |
|-------------|-------------|
| 41060-1W385 | 41060-8H785 |
| 41060-1W386 | 41060-VH385 |
| 41060-1W387 | 01060-8H71A |
| 41060-1W388 | 01060-8H785 |
| 41060-5W585 | |



025 234 2016/W | MBP0343

Brake pad set

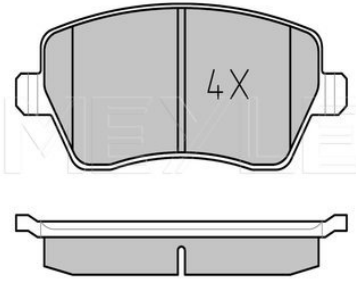
Application info

Pathfinder [R50] [09/97-12/04]

X-Trail [T30] [06/01-09/03]

025 239 7317 | MBP0489

Brake pad set



Notes

Thickness [mm]
Height [mm]
Width [mm]
Brake System

excl. wear warning contact
17.3
52.6
116.5
TRW
with anti-squeak plate
Front Axle

References

41060-AX625
D1060-AX60A
D1060-AX61A

D1060-AX61F
D1060-BH40A

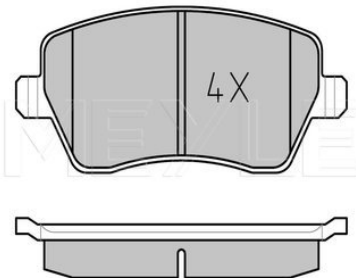
Application info

Micra [K12] [01/03-06/10]

Note [03/06--]

025 239 7317/PD | MBP0489PD

Brake pad set



Notes

Quality
Thickness [mm]
Height [mm]
Width [mm]
Brake System

excl. wear warning contact
PREMIUM
17.3
52.6
116.5
TRW
with screws
with anti-squeak plate
Front Axle

References

41060-AX625
D1060-AX60A
D1060-AX61A

D1060-AX61F
D1060-BH40A

Application info

Micra [K12] [01/03-06/10]

Note [03/06--]

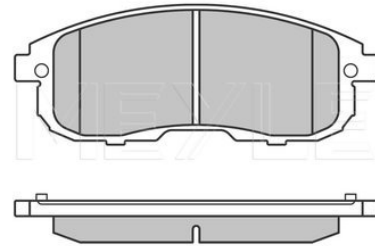


Brake pad set

025 242 8016/W | MBP0554

Notes

| | |
|--------------------------------------|----------------------------|
| Thickness [mm] | with acoustic wear warning |
| Height [mm] | 16 |
| Width [mm] | 53 |
| Number of wear indicators [per axle] | 137.2 |
| Brake System | 1 |
| | Hitachi |
| | with anti-squeak plate |
| | Front Axle |



References

D1060-EM10A

Application info

Cube [Z12] [03/10--]
Juke [06/10--]

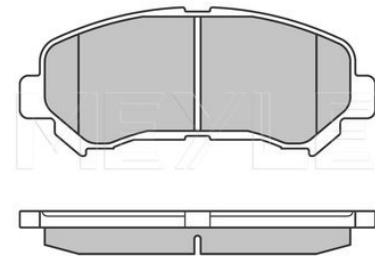
Tida [01/07--]
Tiida [C11] [05/04-02/07]

Brake pad set

025 246 3217 | MBP0643

Notes

| | |
|--------------------------------------|----------------------------|
| Thickness [mm] | with acoustic wear warning |
| Height [mm] | 17 |
| Width [mm] | 59.3 |
| Number of wear indicators [per axle] | 142 |
| Brake System | 1 |
| | Akebono |
| | with anti-squeak plate |
| | Front Axle |



References

D1060-JD00A

D1060-JE00A

Application info

Qashqai I [02/07--]

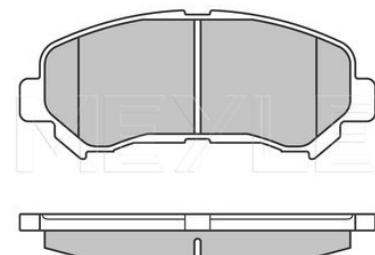
X-Trail [T31] [03/07--]

Brake pad set

025 246 3217/PD | MBP0643PD

Notes

| | |
|--------------------------------------|----------------------------|
| Thickness [mm] | with acoustic wear warning |
| Height [mm] | 17 |
| Width [mm] | 59.3 |
| Number of wear indicators [per axle] | 142 |
| Brake System | 1 |
| | Akebono |
| | with anti-squeak plate |
| | Front Axle |



References

D1060-JD00A

D1060-JE00A



025 246 3217/PD | MBP0643PD

Brake pad set

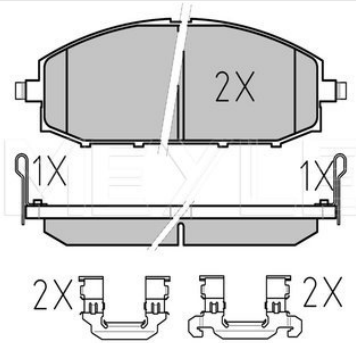
Application info

Qashqai I [02/07--]

X-Trail [T31] [03/07--]

025 236 1118/W | MBP0404

Brake pad set



Notes

Thickness [mm]
Height [mm]
Width [mm]
Number of wear indicators [per axle]
Brake System

with acoustic wear warning
18.8
61.4
165.8
2
Akebono
with anti-squeak plate
Front Axle

References

41060-VB290
41060-VC091
41060-VC290

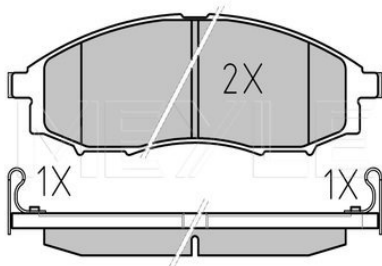
D1060-VC091
D1060-VC290

Application info

Patrol GR II [06/97-12/07]

025 239 7017/W | MBP0488

Brake pad set



Notes

Thickness [mm]
Height [mm]
Width [mm]
Number of wear indicators [per axle]
Brake System

with acoustic wear warning
17
57
164.2
2
Akebono
with anti-squeak plate
Front Axle

References

41060-7Z025
41060-VK190

D1060-VK190

Application info

NP300 [04/08--]

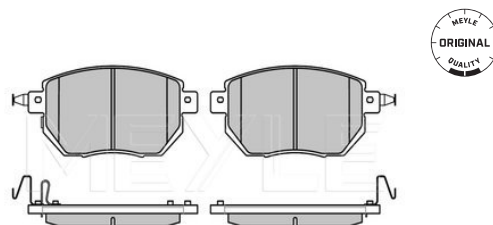
Pick Up [D22] [01/97-04/05]

Brake pad set

025 240 5615/W | MBP0512

Notes

| | |
|--------------------------------------|--|
| | incl. wear warning contact |
| Thickness [mm] | 15.5 |
| Height [mm] | 66 |
| Width [mm] | 135.5 |
| Number of wear indicators [per axle] | 2 |
| Brake System | Tokico with anti-squeak plate Front Axle |



References

| | |
|-------------|-------------|
| 41060-CA090 | 41060-ZA525 |
| 41060-CA092 | AY040-NS121 |
| 41060-CA093 | D1M60-1AA0K |
| 41060-CG00J | |

Application info

Maxima [A32] [01/95-08/00]

Murano [Z50] [08/03--]

Brake pad set

025 259 6515 | MBP1735

Notes

| | |
|--------------------------------------|--|
| | with acoustic wear warning |
| Thickness [mm] | 15 |
| Height 2 [mm] | 46.4 |
| Height 1 [mm] | 44.6 |
| Width [mm] | 103.8 |
| Number of wear indicators [per axle] | 2 |
| Brake System | TRW with anti-squeak plate Rear Axle |



References

| | |
|-------------|-------------|
| D4060-4CA0A | D4060-4EA0A |
|-------------|-------------|

Application info

Qashqai II [02/14--]

X-Trail [T32] [12/13--]

025 259 6515/PD | MBP1735PD

Brake pad set



Notes

| | |
|--------------------------------------|----------------------------|
| Quality | with acoustic wear warning |
| Thickness [mm] | PREMIUM |
| Height 2 [mm] | 15 |
| Height 1 [mm] | 46.4 |
| Width [mm] | 44.6 |
| Number of wear indicators [per axle] | 103.8 |
| Brake System | 2 |
| | TRW |
| | with anti-squeak plate |
| | Rear Axle |

References

| | |
|-------------|-------------|
| D4060-4CA0A | D4060-4EA0A |
|-------------|-------------|

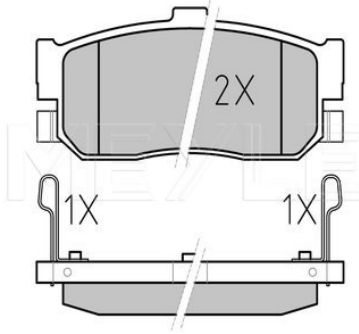
Application info

Qashqai II [02/14--]

X-Trail [T32] [12/13--]

025 217 1316/W | MBP0187

Brake pad set



Notes

| | |
|--------------------------------------|----------------------------|
| Thickness [mm] | with acoustic wear warning |
| Height [mm] | 16 |
| Width [mm] | 46.8 |
| Number of wear indicators [per axle] | 105.3 |
| Brake System | 2 |
| | Sumitomo |
| | with anti-squeak plate |
| | Rear Axle |

References

| | |
|-------------|-------------|
| 440600-N690 | 44060-73C91 |
| 44060-31U90 | 44060-75C90 |
| 44060-31U92 | 44060-78N91 |
| 44060-4U090 | 44060-7E690 |
| 44060-54C91 | 44060-87N90 |
| 44060-5M490 | 44065-53F92 |
| 44060-63C90 | D4060-4U090 |
| 44060-6E390 | |

Application info

100 NX [03/90-10/94]
Almera I/Pulsar I [07/95-07/00]
Almera II [01/00-02/03]
Maxima [A32] [01/95-08/00]
Maxima [A33] [04/99-11/03]

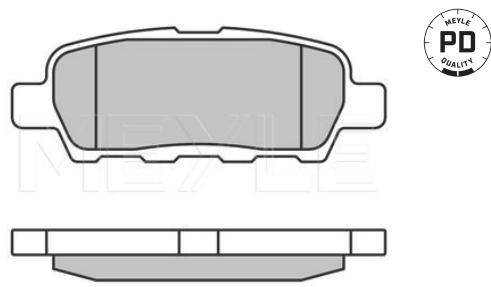
Maxima [J30] [10/88-06/94]
Primera [P10, W10] [06/90-03/98]
Primera [P11, WP11] [06/96-07/02]
Sunny [B13, N14, Y10] [05/90-09/03]

Brake pad set

025 238 7114/PD | MBP1195PD

Notes

| | |
|--------------------------------------|--|
| Thickness [mm] | 14.2 |
| Height [mm] | 38 |
| Width [mm] | 105.4 |
| Number of wear indicators [per axle] | 2 |
| Brake System | Akebono with anti-squeak plate Rear Axle |



References

| | |
|-------------|-------------|
| 44060-8H385 | D4060-EM11A |
| 44060-AL585 | D4060-JA00A |
| 44060-AL586 | D4060-JA00J |
| D4060-8H385 | |

Application info

Cube [Z12] [03/10--]
Murano [Z50] [08/03--]
Qashqai I [02/07--]
Tida [01/07--]

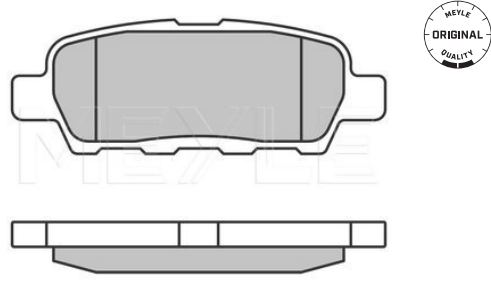
Tiida [C11] [05/04-02/07]
X-Trail [T30] [06/01-09/03]
X-Trail [T31] [03/07--]

Brake pad set

025 238 7114/W | MBP0462

Notes

| | |
|--------------------------------------|--|
| Thickness [mm] | 14.2 |
| Height [mm] | 38 |
| Width [mm] | 105.4 |
| Number of wear indicators [per axle] | 2 |
| Brake System | Akebono with anti-squeak plate Rear Axle |



References

| | |
|-------------|-------------|
| 44060-8H385 | D4060-EM11A |
| 44060-AL585 | D4060-JA00A |
| 44060-AL586 | D4060-JA00J |
| D4060-8H385 | |

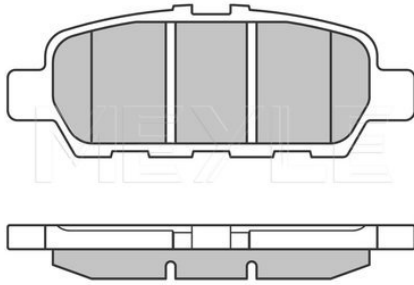
Application info

Cube [Z12] [03/10--]
Murano [Z50] [08/03--]
Qashqai I [02/07--]
Tida [01/07--]

Tiida [C11] [05/04-02/07]
X-Trail [T30] [06/01-09/03]
X-Trail [T31] [03/07--]

025 248 7113/W | MBP0674

Brake pad set



Notes

| | |
|--------------------------------------|--|
| Thickness [mm] | with acoustic wear warning 13.8 |
| Height [mm] | 39.4 |
| Width [mm] | 105.4 |
| Number of wear indicators [per axle] | 2 |
| Brake System | Akebono with anti-squeak plate Rear Axle |

References

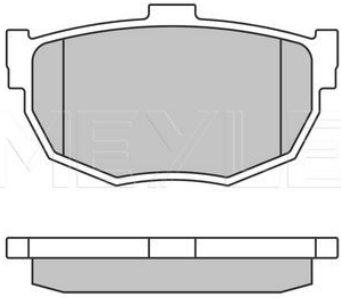
| | |
|-------------|-------------|
| D4060-9N00A | D4M60-9N00A |
| D4060-9N00B | D4M60-9N00B |

Application info

| | |
|----------------------------------|------------------------|
| Juke [06/10--] Leaf [11/10--] | Murano [Z51] [11/07--] |
|----------------------------------|------------------------|

025 215 5314/W | MBP0156

Brake pad set



Notes

| | |
|--------------------------------------|---|
| Thickness [mm] | with acoustic wear warning 14 |
| Height [mm] | 46.5 |
| Width [mm] | 85.3 |
| Number of wear indicators [per axle] | 2 |
| Brake System | Sumitomo with anti-squeak plate Rear Axle |

References

| | |
|-------------|-------------|
| 44060-61E92 | 44060-86E90 |
| 44060-61E94 | 44060-90E90 |
| 44060-65E90 | 00060-61E25 |

Application info

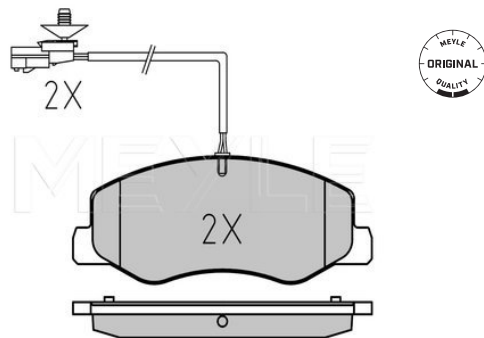
| |
|----------------------------|
| Maxima [J30] [10/88-06/94] |
|----------------------------|

Brake pad set

025 251 7218/W | MBP0694

Notes

| | |
|--------------------------------------|---|
| Thickness [mm] | 18.2 |
| Height [mm] | 63 |
| Width [mm] | 163.4 |
| Warning Contact Length [mm] | 303 |
| Number of wear indicators [per axle] | 2 |
| Brake System | Brembo with anti-squeak plate Rear Axle |



References

| | |
|-------------|-------------|
| 44060-00006 | 44060-0000M |
|-------------|-------------|

Application info

NV400 [11/11--]

Guide sleeve kit, brake caliper

014 698 0006 | MBX0010

Notes

| | |
|--------------|--|
| Brake System | without guide bolts ATE Front Axle |
|--------------|--|

References

| | |
|-------------|-------------|
| 41139-9F525 | 41142-9F525 |
|-------------|-------------|



Application info

Primera [P12, WP12] [01/02--]

Guide sleeve kit, brake caliper

014 698 0006/S | MBX0011

Notes

| | |
|--------------|-------------------------------------|
| Brake System | with guide pin ATE Front Axle |
|--------------|-------------------------------------|

References

| | |
|-------------|-------------|
| 41139-9F525 | 41142-9F525 |
|-------------|-------------|

Parts list

| | |
|------------------------|---------------------------------|
| 014 698 0006 MBX0010 | Guide sleeve kit, brake caliper |
| 100 698 0008 MBX0156 | Guide bolt, brake caliper |



Application info

Primera [P12, WP12] [01/02--]

2

16-15 523 0002 | MDR0020

Brake drum



Notes

| | |
|-------------------------------|-----------|
| Centering Diameter [mm] | 60 |
| Inner Brake Drum Height [mm] | 50.5 |
| Total Br. Drum Height [mm] | 76 |
| Bolt Hole Circle Ø [mm] | 100 |
| Max.skimmed drum measure [mm] | 203.5 |
| Br. Drum outer diameter [mm] | 234 |
| Inner Br. Drum Diam. [mm] | 203.1 |
| Required quantity | 2 |
| Number of Holes | 4 |
| | Rear Axle |

References

| | |
|-------------|-------------|
| 43200-00QAF | 43200-00QAG |
|-------------|-------------|

Application info

Kubistar [08/03--]

Kubistar [08/03--]

014 042 0902 | MBS0002

Brake shoe kit



Notes

| | |
|---------------|----------------|
| Diameter [mm] | without spring |
| Width [mm] | 254 |
| Brake System | 57 |
| | Lucas Girling |
| | Rear Axle |

References

06905-3200

Application info

Trade [11/86-09/04]

Trade [11/86-09/04]

16-14 533 0002 | MBS0032

Brake shoe kit



Notes

| | |
|---------------|----------------|
| Diameter [mm] | without spring |
| Width [mm] | with lever |
| Brake System | 203 |
| | 39 |
| | Bendix |
| | Rear Axle |

References

44060-00QAG

Application info

Kubistar [08/03--]

Kubistar [08/03--]

Brake shoe kit

16-14 533 0024/K | MBS0044

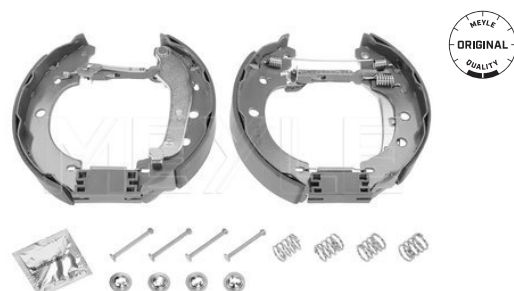
Notes

Diameter [mm]
Width [mm]
Brake System

without wheel brake cylinder
with accessories
with lever
Pre-assembled
203
39
Bendix
Rear Axle

References

44060-00QAG



Application info

Kubistar [08/03--]

Kubistar [08/03--]

Brake shoe kit

36-14 533 0014 | MBS0131

Notes

Diameter [mm]
Width [mm]

without spring
with lever
280
65
Rear Axle

References

44060-0X825

44060-9X129



Application info

Pathfinder [R50] [09/97-12/04]

Terrano II [10/92-06/03]

Brake shoe kit

16-14 533 0001 | MBS0031

Notes

Diameter [mm]
Width [mm]
Brake System

without spring
with lever
229
42
Bendix
Rear Axle

References

44060-00QAK

44060-3J325



Application info

Kubistar [08/03--]

Primera [P11, WP11] [06/96-07/02]

Kubistar [08/03--]

16-14 533 0001/K | MBS0268

Brake shoe kit



Notes

Diameter [mm]
Width [mm]
Brake System

without wheel brake cylinder
with lever
with spring
Pre-assembled
229
42
Bendix
Rear Axle

References

44060-00QAK

44060-3J325

Application info

Kubistar [08/03--]
Primera [P11, WP11] [06/96-07/02]

Kubistar [08/03--]

36-14 533 0016 | MBS0133

Brake shoe kit



Notes

Diameter [mm]
Width [mm]

without spring
180
31
Rear Axle

References

44060-50Y25

Application info

100 NX [03/90-10/94]
Almera I/Pulsar I [07/95-07/00]

Sunny [B13, N14, Y10] [05/90-09/03]

36-14 533 0004 | MBS0125

Brake shoe kit



Notes

Diameter [mm]
Width [mm]

without spring
with lever
180
27
Rear Axle

References

44060-6F625

44060-99826

Application info

Micra [K11] [01/92-02/03]

Brake shoe kit

36-14 533 0003 | MBS0124

Notes

Diameter [mm]
Width [mm]

without spring
with lever
180
27
Rear Axle

References

44060-99B26



Application info

Micra [K11] [01/92-02/03]

Brake shoe kit

36-14 533 0017 | MBS0134

Notes

Diameter [mm]
Width [mm]

without spring
with lever
254
57
Rear Axle

References

44060-0F026
44060-7C326

44060-9C025



Application info

Serena [C23M] [11/92-09/01]
Terrano II [10/92-06/03]
Vanette [C22] [10/86-12/95]

Vanette [C23] [01/95--]
Vanette [C22] [10/86-12/95]
Vanette [C23] [09/94--]

Brake shoe kit

36-14 533 0005 | MBS0126

Notes

Diameter [mm]
Width [mm]
Brake System

without spring
with lever
203.2
36.5
Lockheed
Rear Axle

References

44060-AX625



Application info

Micra [K12] [01/03-06/10]

Note [03/06--]

36-14 533 0005/K | MBS0283

Brake shoe kit



Notes

Diameter [mm]
Width [mm]
Brake System

without wheel brake cylinder
with lever
with spring
Pre-assembled
203.2
36.5
Lockheed
Rear Axle

References

44060-AX625

Application info

Micra [K12] [01/03-06/10]

Note [03/06--]

36-14 533 0009 | MBS0128

Brake shoe kit



Notes

Diameter [mm]
Width [mm]

without spring
172
32
Rear Axle

References

44060-CY025

Application info

Cube [Z12] [03/10--]
Juke [06/10--]

Qashqai I [02/07--]
X-Trail [T31] [03/07--]

36-14 533 0008 | MBS0127

Brake shoe kit



Notes

Diameter [mm]
Width [mm]

without spring
300
55
Rear Axle

References

44060-EB327

44071-EB70A

Application info

Navara [D40] [07/05--]

Brake shoe kit

36-14 533 0012 | MBS0129

Notes

Diameter [mm] without spring
203
Width [mm] 36
Rear Axle

References

44060-8M126 04060-8M126



Application info

Almera II [01/00-02/03]

Brake shoe kit

36-14 533 0013 | MBS0130

Notes

Diameter [mm] without spring
295
Width [mm] 50
Rear Axle

References

44060-0W725 44060-37G27
44060-0W726 44060-56G26
44060-0W727 04060-0W71A
44060-37G25 04060-0W727
44060-37G26 00060-56G26



Application info

Pathfinder [R50] [09/97-12/04]
Pick Up [021] [09/85-02/98]

Pick Up [022] [01/97-04/05]

Brake hose

614 525 0016 | MBH0455

Notes

Inner thread [mm] M10x1
Outer thread [mm] M10x1
Length [mm] 457
Required quantity 2

References

46201-00QAC

Counterpart

614 525 0018 | MBH0457



Application info

Interstar [07/02--]

Interstar [07/02--]

614 525 0018 | MBH0457

Brake hose



Notes

| | |
|-------------------|-------|
| Inner thread [mm] | M10x1 |
| Outer thread [mm] | M10x1 |
| Length [mm] | 540 |
| Required quantity | 2 |

References

46201-00QAD

Counterpart

614 525 0016 | MBH0455

Application info

Interstar [07/02--]

Interstar [07/02--]

614 525 0030 | MBH0465

Brake hose



Notes

| | |
|-------------------|------------|
| Inner thread [mm] | M10x1 |
| Outer thread [mm] | M10x1 |
| Length [mm] | 353 |
| Required quantity | 2 |
| | Front Axle |

References

46201.00QAE

Application info

Interstar [07/02--]

Interstar [07/02--]

614 525 0008 | MBH0448

Brake hose



Notes

| | |
|-------------------|-------|
| Inner thread [mm] | M10x1 |
| Outer thread [mm] | M10x1 |
| Length [mm] | 385 |

References

46201-00QAF

46242-00QAA

Application info

Primastar [03/01--]

Primastar [03/01--]



Brake hose

16-14 525 0009 | MBH0237

Notes

| | |
|-------------------|-------|
| Inner thread [mm] | M10x1 |
| Outer thread [mm] | M10x1 |
| Length [mm] | 335 |

References

| | |
|-------------|-------------|
| 46201-00Q0E | 46201-00QAG |
|-------------|-------------|



Application info

Kubistar [08/03--]

Brake hose

614 525 0019 | MBH0458

Notes

| | |
|-------------------|-------|
| Inner thread [mm] | M10x1 |
| Outer thread [mm] | M10x1 |
| Length [mm] | 510 |
| Required quantity | 2 |

References

46201-00QAH



Application info

Interstar [07/02--]

Interstar [07/02--]

Brake hose

36-14 525 0000 | MBH0392

Notes

| | |
|-------------------|---------------|
| Inner thread [mm] | M10x1 |
| Connector type | Banjo fitting |
| Length [mm] | 477 |
| Required quantity | 2 |
| | Front Axle |

References

| | |
|-------------|-------------|
| 46210-5F001 | 46210-5F002 |
|-------------|-------------|



Application info

Micra [K11] [01/92-02/03]

36-14 525 0001 | MBH0393

Brake hose



Notes

| | |
|-------------------|---------------|
| Inner thread [mm] | M10x1 |
| Connector type | Banjo fitting |
| Length [mm] | 468 |
| Required quantity | 2 |
| | Front Axle |

References

| | |
|-------------|-------------|
| 46210-5F006 | 46210-5F007 |
|-------------|-------------|

Application info

Micra [K11] [01/92-02/03]

35-14 525 0013 | MBH0544

Brake hose



Notes

| | |
|-------------------|---------------|
| Inner thread [mm] | M10x1 |
| Connector type | Banjo fitting |
| Length [mm] | 547 |
| Required quantity | 2 |
| | Front Axle |

References

| | |
|-------------|-------------|
| 46210-9C008 | 46210-9C502 |
|-------------|-------------|

Application info

Serena [C23M] [11/92-09/01]
Vanette [C23] [01/95--]

Vanette [C23] [09/94--]

36-14 525 0005 | MBH0396

Brake hose



Notes

| | |
|-------------------|---------------|
| Inner thread [mm] | M10x1 |
| Connector type | Banjo fitting |
| Length [mm] | 615 |
| Required quantity | 1 |
| | Left |
| | Front Axle |

References

| | |
|-------------|-------------|
| 46210-9U01A | 46210-AX606 |
|-------------|-------------|

Application info

Micra [K12] [01/03-06/10]

Note [03/06--]



Brake hose

614 525 0020 | MBH0459

Notes

| | |
|---------------------|-------|
| Inner thread 2 [mm] | M10x1 |
| Inner thread 1 [mm] | M10x1 |
| Length [mm] | 200 |

References

46213-00QAA



Application info

Primastar [03/01--]

Primastar [03/01--]

Brake hose

614 525 0007 | MBH0447

Notes

| | |
|-------------------|-----------|
| Inner thread [mm] | M10x1 |
| Outer thread [mm] | M10x1 |
| Length [mm] | 220 |
| Required quantity | 2 |
| | Rear Axle |

References

46213-00QAC



Application info

Primastar [03/01--]

Primastar [03/01--]

Brake hose

36-14 525 0003 | MBH0394

Notes

| | |
|---------------------|-----------|
| Inner thread 2 [mm] | M10x1 |
| Inner thread 1 [mm] | M10x1 |
| Length [mm] | 230 |
| Required quantity | 2 |
| | Rear Axle |

References

46214-5F000

46214-5F001



Application info

Micra [K11] [01/92-02/03]

36-14 525 0006 | MBH0397

Brake hose



Notes

Inner thread 2 [mm]
Inner thread 1 [mm]
Length [mm]
Required quantity

M10x1
M10x1
300
2
Rear Axle

References

46214-9U00A

46214-AX600

Application info

Micra [K12] [01/03-06/10]

Note [03/06--]

714 531 0003 | MWC0031

Wheel cylinder



Notes

Diameter [mm]
Brake System

Grey Cast Iron
20.64
BENDIX
Rear Axle

References

44100-0X810

Application info

Terrano II [10/92-06/03]

36-14 531 0001 | MWC0022

Wheel cylinder



Notes

Diameter [mm]

Aluminium
19.05
Rear Axle

References

44100-AX600

44100-BH00A

Application info

Micra [K12] [01/03-06/10]

Note [03/06--]



Boot kit, C.V. joint

36-14 495 0012 | MBK0207

Notes

| | |
|-----------------------|------------|
| Inner diameter 2 [mm] | Elastomer |
| Inner diameter 1 [mm] | 80 |
| Length [mm] | 20 |
| | 107 |
| | Wheel Side |

References

| | |
|-------------|-------------|
| 39241-01A01 | 39241-01A29 |
| 39241-01A26 | 39241-01A88 |
| 39241-01A27 | 39241-01A91 |
| 39241-01A28 | |



Application info

Almera I/Pulsar I [07/95-07/00]
Sunny [B13, N14, Y10] [05/90-09/03]

Sunny [B13, N14, Y10] [05/90-09/03]

Boot kit, C.V. joint

714 495 0018 | MBK0272

Notes

| | |
|-----------------------|------------|
| Inner diameter 2 [mm] | Elastomer |
| Inner diameter 1 [mm] | 68 |
| Length [mm] | 21 |
| | 82 |
| | Wheel Side |
| | Front Axle |

References

| | |
|-------------|-------------|
| 39241-4F125 | 39241-4F126 |
|-------------|-------------|



Application info

Micra [K11] [01/92-02/03]

Boot kit, C.V. joint

36-14 495 0002 | MBK0198

Notes

| | |
|-----------------------|------------|
| Inner diameter 2 [mm] | Elastomer |
| Inner diameter 1 [mm] | 78 |
| Length [mm] | 21 |
| | 86 |
| | Wheel Side |

References

| | |
|-------------|-------------|
| 39241-4F425 | 39241-4F427 |
|-------------|-------------|



Application info

Micra [K11] [01/92-02/03]

36-14 495 0003 | MBK0199

Boot kit, C.V. joint



Notes

Inner diameter 2 [mm]
Inner diameter 1 [mm]
Length [mm]

Elastomer
80
20
90
Wheel Side

References

39241-73J25

Application info

Primera [P10, W10] [06/90-03/98]

Primera [P11, WP11] [06/96-07/02]

30-14 495 0001 | MBK0160

Boot kit, C.V. joint



Notes

Inner diameter 2 [mm]
Inner diameter 1 [mm]
Length [mm]

Thermoplast
77
22
116
Front Axle
Wheel Side

References

39241-BM525
39241-BM526

39241-BM527

Application info

Almera II [01/00-02/03]

Micra [K12] [01/03-06/10]

614 160 0018 | MBK0246

Boot kit, C.V. joint



Notes

Inner diameter 2 [mm]
Inner diameter 1 [mm]
Length [mm]

Thermoplast
89
27
125
Wheel Side
Front Axle

References

39241-BU186

Application info

Almera Tino [08/00--]



Boot kit, C.V. joint

36-14 495 0009 | MBK0204

Notes

Inner diameter 2 [mm]
Inner diameter 1 [mm]
Length [mm]

Elastomer
73
21
86
Transmission End

References

39741-2F026
39741-4F126

39741-4F425



Application info

Micra [K11] [01/92-02/03]

Primera [P11, WP11] [06/96-07/02]

Boot kit, C.V. joint

36-14 495 0011 | MBK0206

Notes

Inner diameter 2 [mm]
Inner diameter 1 [mm]
Length [mm]

Elastomer
72
21.5
93
Transmission End

References

39741-4F125



Application info

Micra [K11] [01/92-02/03]

Boot kit, C.V. joint

40-14 495 0004 | MBK0211

Notes

Inner diameter 2 [mm]
Inner diameter 1 [mm]
Length [mm]

Elastomer
70
20
172
Front Axle
Transmission End

References

39741-4F127



Application info

Micra [K11] [01/92-02/03]

614 498 0035 | MDS0149

Drive shaft



Notes

| | |
|----------------------------------|------------------|
| Seal Diameter [mm] | 70 |
| Length [mm] | 1075 |
| Outer teething differential side | 39 |
| Outer gearing wheel side | 31 |
| | Front Axle Right |

References

| | |
|------------|------------|
| 3910000Q3M | 3910000Q4H |
| 3910000Q4G | |

Counterpart

16-14 498 0038 | MDS0093

Application info

NV400 [11/11--]

16-14 498 0038 | MDS0093

Drive shaft



Notes

| | |
|----------------------------------|-----------------|
| Seal Diameter [mm] | 70 |
| Length [mm] | 743 |
| Outer teething differential side | 39 |
| Outer gearing wheel side | 31 |
| | Front Axle Left |

References

| | |
|------------|------------|
| 3910100Q3G | 3910100Q4F |
| 3910100Q4E | |

Counterpart

614 498 0035 | MDS0149

Application info

NV400 [11/11--]

36-14 498 0037 | MDS0129

Drive shaft



Notes

| | |
|----------------------------------|-----------------|
| Number of Teeth, ABS ring | 44 |
| Seal Diameter [mm] | 56 |
| Length [mm] | 645 |
| Outer teething differential side | 25 |
| Outer gearing wheel side | 27 |
| | Front Axle Left |

References

39101-2F011

Parts list

| | |
|--------------------------|----------------|
| 36-14 498 0029 MCV0283 | C.V. joint kit |
|--------------------------|----------------|

Drive shaft

36-14 498 0037 | MDS0129

Application info

Primera (P11, WP11) (06/96-07/02)

C.V. joint kit

36-14 498 0021 | MCV0278

Notes

| | |
|----------------------------|---------------------------------|
| Number of Teeth, ABS ring | CV Joint 42 with ABS ring |
| Seal Diameter [mm] | 55 |
| Length [mm] | 162 |
| Internal Teeth, wheel side | 22 |
| Outer gearing wheel side | 25 Wheel Side |

References

| | |
|-------------|-------------|
| 39100-50Y10 | 39101-50Y11 |
| 39100-51Y10 | 39101-51Y10 |
| 39100-52Y10 | 39101-52Y10 |
| 39100-53Y10 | 39101-53Y10 |
| 39101-50Y10 | |



Application info

Almera I/Pulsar I (07/95-07/00)

Sunny (B13, N14, Y10) (05/90-09/03)

C.V. joint kit

614 498 0018 | MCV0347

Notes

| | |
|----------------------------|---------------------------------|
| Number of Teeth, ABS ring | CV Joint 51 with ABS ring |
| Seal Diameter [mm] | 64.5 |
| Length [mm] | 167 |
| Internal Teeth, wheel side | 36 |
| Outer gearing wheel side | 28 Wheel Side |

References

| | |
|-------------|-------------|
| 39100-00Q0A | 39101-00Q0K |
| 39100-00Q0L | 39101-00Q0J |
| 39100-00Q0H | 39101-00Q0K |



Application info

Interstar (07/02--)

Interstar (07/02--)

36-14 498 0018 | MCV0275

C.V. joint kit



Notes

Seal Diameter [mm]
Length [mm]
Internal Teeth, wheel side
Outer gearing wheel side

CV Joint
without ABS ring
48
146.9
19
23
Wheel Side

References

| | |
|--------------|--------------|
| 39100-41B00 | 39101-41B05 |
| 39100-41B05 | 39101-41F100 |
| 39100-41F100 | 39101-41F400 |
| 39100-41F400 | 39101-45B00 |
| 39100-45B00 | 39101-4F100 |
| 39100-4F100 | 39211-4F125 |
| 39101-41B00 | |

Application info

Micra [K11] [01/92-02/03]

36-14 498 0024 | MCV0279

C.V. joint kit



Notes

Seal Diameter [mm]
Length [mm]
Internal Teeth, wheel side
Outer gearing wheel side

CV Joint
without ABS ring
55
164
22
25
Wheel Side

References

39101-50Y01

Application info

Almera I/Pulsar I [07/95-07/00]

Sunny [B13, N14, Y10] [05/90-09/03]

36-14 498 0029 | MCV0283

C.V. joint kit



Notes

Number of Teeth, ABS ring
Seal Diameter [mm]
Length [mm]
Internal Teeth, wheel side
Outer gearing wheel side

CV Joint
with ABS ring
56
165
22
27
Wheel Side

References

| | |
|-------------|-------------|
| 39100-2F010 | 39211-2F025 |
| 39101-2F011 | |



C.V. joint kit

36-14 498 0029 | MCV0283

Application info

Primera [P11, WP11] [06/96-07/02]

C.V. joint kit

36-14 498 0020 | MCV0277

Notes

| | |
|----------------------------|---------------------------------|
| Number of Teeth, ABS ring | CV Joint 44 with ABS ring |
| Seal Diameter [mm] | 56 |
| Length [mm] | 171.5 |
| Internal Teeth, wheel side | 32 |
| Outer gearing wheel side | 27 Wheel Side |

References

39211-2F225



Application info

Primera [P11, WP11] [06/96-07/02]

C.V. joint kit

36-14 498 0031 | MCV0284

Notes

| | |
|----------------------------|---------------------------------|
| Number of Teeth, ABS ring | CV Joint 42 with ABS ring |
| Seal Diameter [mm] | 48 |
| Length [mm] | 146.5 |
| Internal Teeth, wheel side | 19 |
| Outer gearing wheel side | 23 Wheel Side |

References

39211-4F126



Application info

Micra [K11] [01/92-02/03]

3

36-14 498 0028 | MCV0282

C.V. joint kit



Notes

Seal Diameter [mm]
Length [mm]
Internal Teeth, wheel side
Outer gearing wheel side

CV Joint
without ABS ring
48
149.5
22
23
Wheel Side

References

39100-4F400
39101-4F400

39211-4F425

Application info

Micra [K11] [01/92-02/03]

36-14 498 0017 | MCV0274

C.V. joint kit



Notes

Number of Teeth, ABS ring
Seal Diameter [mm]
Length [mm]
Internal Teeth, wheel side
Outer gearing wheel side

CV Joint
with ABS ring
48
149.5
22
23
Wheel Side

References

39100-44B00
39100-44B02
39100-44B10
39100-44B12
39101-44B00

39101-44B02
39101-44B10
39101-44B12
39211-4F426

Application info

Micra [K11] [01/92-02/03]

3

C.V. joint kit

36-14 498 0011 | MCV0271

Notes

| | |
|----------------------------|------------------------------|
| | CV Joint without ABS ring |
| Seal Diameter [mm] | 55 |
| Outer diameter [mm] | 90 |
| Length [mm] | 169 |
| Internal Teeth, wheel side | 23 |
| Outer gearing wheel side | 25 |
| | Wheel Side |

References

| | |
|-------------|-------------|
| 39100-0M301 | 39101-0M900 |
| 39100-0M900 | 39101-0M905 |
| 39100-0M905 | 39101-60Y00 |
| 39100-60Y00 | 39101-60Y05 |
| 39100-60Y05 | 39101-61Y07 |
| 39100-61Y06 | 39101-62Y05 |
| 39100-62Y05 | 39101-63Y00 |
| 39100-63Y00 | 39101-63Y01 |
| 39100-63Y01 | 39211-60Y00 |
| 39101-0M301 | |



Application info

Almera I/Pulsar I [07/95-07/00]

Sunny [B13, N14, Y10] [05/90-09/03]

C.V. joint kit

36-14 498 0012 | MCV0272

Notes

| | |
|----------------------------|---------------------------|
| | CV Joint with ABS ring |
| Number of Teeth, ABS ring | 42 |
| Seal Diameter [mm] | 55 |
| Length [mm] | 169 |
| Internal Teeth, wheel side | 23 |
| Outer gearing wheel side | 25 |
| | Wheel Side |

References

| | |
|-------------|-------------|
| 39100-60Y10 | 39101-60Y15 |
| 39100-60Y15 | 39101-61Y17 |
| 39100-61Y16 | 39101-62Y00 |
| 39100-62Y00 | 39101-62Y10 |
| 39100-62Y10 | 39101-62Y15 |
| 39100-62Y15 | 39101-62Y16 |
| 39100-63Y10 | 39101-63Y11 |
| 39100-63Y11 | 39101-63Y15 |
| 39101-60Y10 | 39211-60Y10 |



Application info

Almera I/Pulsar I [07/95-07/00]

Sunny [B13, N14, Y10] [05/90-09/03]

36-14 498 0035 | MCV0288

C.V. joint kit



Notes

Seal Diameter [mm]
Length [mm]
Internal Teeth, wheel side
Outer gearing wheel side

CV Joint
without ABS ring
50
218.5
32
27
Wheel Side

References

39211-7F000

Application info

Terrano II [10/92-06/03]

36-14 498 0026 | MCV0280

C.V. joint kit



Notes

Number of Teeth, ABS ring
Seal Diameter [mm]
Length [mm]
Internal Teeth, wheel side
Outer gearing wheel side

CV Joint
with ABS ring
56
165
23
27
Wheel Side

References

39211-9F626

39211-AU325

Application info

Primera [P12, WP12] [01/02--]

36-14 498 0027 | MCV0281

C.V. joint kit



Notes

Number of Teeth, ABS ring
Seal Diameter [mm]
Length [mm]
Internal Teeth, wheel side
Outer gearing wheel side

CV Joint
with ABS ring
56
172
26
27
Wheel Side

References

39211-AV625

Application info

Almera Tino [08/00--]

Primera [P12, WP12] [01/02--]



C.V. joint kit

36-14 498 0036 | MCV0289

Notes

Seal Diameter [mm]
Length [mm]
Internal Teeth, wheel side
Outer gearing wheel side

CV Joint
without ABS ring
49
139.5
21
23
Wheel Side

References

39211-AY125



Application info

Micra [K12] [01/03-06/10]

C.V. joint kit

36-14 498 0034 | MCV0287

Notes

Seal Diameter [mm]
Length [mm]
Internal Teeth, wheel side
Outer gearing wheel side

CV Joint
without ABS ring
49
139.5
22
23
Wheel Side

References

39211-AY625



Application info

Micra [K12] [01/03-06/10]

C.V. joint kit

36-14 498 0033 | MCV0286

Notes

Number of Teeth, ABS ring
Seal Diameter [mm]
Length [mm]
Internal Teeth, wheel side
Outer gearing wheel side

CV Joint
42
with ABS ring
55
159
22
25
Wheel Side

References

39211-BM526



Application info

Almera II [01/00-02/03]

36-14 498 0032 | MCV0285

C.V. joint kit



Notes

Number of Teeth, ABS ring
Seal Diameter [mm]
Length [mm]
Internal Teeth, wheel side
Outer gearing wheel side

CV Joint
42
with ABS ring
55
160
23
25
Wheel Side

References

39211-BM726

Application info

Almera II [01/00-02/03]

614 498 0029 | MCV0358

C.V. joint kit



Notes

Seal Diameter [mm]
Length [mm]
Internal Teeth, wheel side
Outer gearing wheel side

CV Joint
without ABS ring
56.5
157.5
26
27
Wheel Side

References

82000-69147
82001-69291
82001-79212

82003-34338
82004-85589

Application info

Primastar [03/01--]

Primastar [03/01--]

16-14 498 0029 | MCV0115

C.V. joint kit



Notes

Number of Teeth, ABS ring
Seal Diameter [mm]
Length [mm]
Internal Teeth, wheel side
Outer gearing wheel side

CV Joint
44
with ABS ring
57.5
145
30
23
Wheel Side

Application info

Kubistar [08/03--]



C.V. joint kit

16-14 498 0032 | MCV0118

Notes

Number of Teeth, ABS ring

CV Joint
26
with ABS ring

Seal Diameter [mm]

52.2

Length [mm]

144.5

Internal Teeth, wheel side

30

Outer gearing wheel side

21

Wheel Side



Application info

Kubistar [08/03--]

Kubistar [08/03--]

16-14 800 0025 | MPS0053

Crank position sensor



Notes

Observe service information

Operating voltage [V]
Fitting Depth [mm]
Number of Poles
Resistance [Ohm]

Black
with cable set
Passive sensor
12
24
2
250

References

23731-BN700
23731-BN70A
23750-00Q0A

23750-00Q0G
23750-00Q0M
23750-00Q0D

Application info

Almera II [01/00-02/03]
Kubistar [08/03--]

Micra [K12] [01/03-06/10]
Kubistar [08/03--]

16-14 899 0010 | MPS0057

Crank position sensor



Notes

Observe service information

Fitting Depth [mm]
Operating voltage [V]
Number of Poles
Resistance [Ohm]

Blue
with cable set
Passive sensor
24
12
2
250

References

01436-00QAC

23750-00Q0E

Application info

Kubistar [08/03--]

Kubistar [08/03--]

16-14 800 0023 | MPS0054

Crank position sensor



Notes

Observe service information

Operating voltage [V]
Fitting Depth [mm]
Number of Poles
Resistance [Ohm]

Blue
with cable set
Passive sensor
12
24
2
250

References

01436-00QAB

23750-00QAH



Crank position sensor

16-14 800 0023 | MPS0054

Application info

Kubistar [08/03--]

Kubistar [08/03--]

Crank position sensor

16-14 899 0006 | MPS0056

Notes

Observe service information

Fitting Depth [mm]
Operating voltage [V]
Number of Poles
Resistance [Ohm]

Blue
with cable set
Passive sensor
24
12
2
250

References

23798-00Q0A
23798-00Q0B

23798-00QAC
23798-00QAD



Application info

Kubistar [08/03--]

Kubistar [08/03--]

Glow plug

16-14 860 0006 | MGP0032

Notes

Rated current [A]

15
after-glow capable
Pencil-type Glow Plug

Spanner Size
Diameter [mm]
Thread Size
Overall Length [mm]
Cone Pitch
Fitting Depth [mm]
Connector type
Voltage [V]

10
5.1
M10 x 1
151
63°
25
Ø 4 mm
11

References

11065-00Q0A

11065-00QAE



Application info

Interstar [07/02--]
Primastar [03/01--]

Interstar [07/02--]
Primastar [03/01--]

4

16-14 860 0009 | MGP0034

Glow plug



Notes

| | |
|---------------------|-----------------------|
| Rated current [A] | 25 |
| | Euro 5 |
| | after-glow capable |
| | Pencil-type Glow Plug |
| Spanner Size | 10 |
| Diameter [mm] | 4 |
| Thread Size | M10 x 1 |
| Overall Length [mm] | 96.5 |
| Cone Pitch | 63° |
| Fitting Depth [mm] | 24.5 |
| Connector type | Ø 4 mm |
| Voltage [V] | 4.4 |

References

11065-00Q0E

Application info

Cube [Z12] [03/10--]
Juke [06/10--]
Note [03/06--]

Note II [06/13--]
Qashqai I [02/07--]
Qashqai II [02/14--]

16-14 860 0012 | MGP0112

Glow plug



Notes

| | |
|---------------------|-----------------------|
| | after-glow capable |
| | Pencil-type Glow Plug |
| Spanner Size | 10 |
| Diameter [mm] | 4 |
| Thread Size | M10 x 1 |
| Overall Length [mm] | 162.7 |
| Connector type | Ø 4 mm |
| Cone Pitch | 93° |
| Fitting Depth [mm] | 26 |
| Voltage [V] | 4.5 |

References

11065-00Q0H

11065-00Q0L

Application info

Navara [D40] [07/05--]
Pathfinder [R51] [01/05--]

Qashqai I [02/07--]
Navara [D40] [10/04--]

Glow plug
36-14 860 0004 | MGP0063
Notes

| | |
|---------------------|---|
| Rated current [A] | 18 after-glow capable Pencil-type Glow Plug |
| Spanner Size | 12 |
| Diameter [mm] | 3.6 |
| Thread Size | M10 x 1,25 |
| Overall Length [mm] | 81 |
| Cone Pitch | 119° |
| Fitting Depth [mm] | 15.9 |
| Connector type | M4 |
| Voltage [V] | 11 |

References

| | |
|-------------|-------------|
| 11065-0W801 | 11065-65N0A |
| 11065-65N01 | 11065-7F400 |


Application info

Pick Up [022] [01/97-04/05]

Terrano II [10/92-06/03]

Glow plug
36-14 860 0005 | MGP0134
Notes

| | |
|---------------------|------------|
| Spanner Size | 12 |
| Thread Size | M10 x 1,25 |
| Overall Length [mm] | 210 |
| Connector type | M4 |
| Cone Pitch | 120° |
| Fitting Depth [mm] | 23 |
| Voltage [V] | 11 |

References

| | |
|-------------|-------------|
| 11065-2W202 | 11065-2W211 |
| 11065-2W204 | 11065-2W212 |
| 11065-2W20A | 11065-2W21A |


Application info

 Interstar [07/02--]
 Patrol GR II [06/97-12/07]

 Terrano II [10/92-06/03]
 Interstar [07/02--]

4

36-14 860 0002 | MGP0061

Glow plug



Notes

| | |
|---------------------|---|
| Rated current [A] | 10 after-glow capable Pencil-type Glow Plug |
| Spanner Size | 12 |
| Diameter [mm] | 5.1 |
| Thread Size | M10 x 1,25 |
| Overall Length [mm] | 94.5 |
| Cone Pitch | 119° |
| Fitting Depth [mm] | 18.5 |
| Connector type | M4 |
| Voltage [V] | 11 |

References

| | |
|-------------|-------------|
| 11065-57J00 | 11065-5C900 |
| 11065-57J9A | |

Application info

Almera I/Pulsar I (07/95-07/00)
Primera (P10, W10) (06/90-03/98)

Primera (P11, WP11) (06/96-07/02)
Sunny (B13, N14, Y10) (05/90-09/03)

16-14 860 0011 | MGP0104

Glow plug



Notes

| | |
|---------------------|---|
| | after-glow capable Pencil-type Glow Plug |
| Spanner Size | 10 |
| Diameter [mm] | 4 |
| Thread Size | M10 X 1.0 |
| Overall Length [mm] | 163 |
| Connector type | M4 |
| Cone Pitch | 93° |
| Fitting Depth [mm] | 26 |
| Voltage [V] | 7 |

References

| | |
|-------------|-------------|
| 11065-00Q0C | 11065-5X00A |
| 11065-00Q0G | |

Application info

Murano (Z51) (11/07--)
Navara (D40) (07/05--)
NV400 (11/11--)
Pathfinder (R51) (01/05--)
Primastar (03/01--)

Qashqai I (02/07--)
X-Trail (T31) (03/07--)
Navara (D40) (10/04--)
Primastar (03/01--)



Glow plug

32-14 860 0002 | MGP0055

Notes

| | |
|---------------------|-----------------------|
| Rated current [A] | 11.5 |
| | Pencil-type Glow Plug |
| Spanner Size | 12 |
| Diameter [mm] | 5.1 |
| Thread Size | M10 x 1,25 |
| Overall Length [mm] | 90 |
| Cone Pitch | 12° |
| Fitting Depth [mm] | 22 |
| Connector type | M4 |
| Voltage [V] | 11 |

References

| | |
|-------------|-------------|
| 11065-43G01 | 11065-63G00 |
|-------------|-------------|



Application info

Pick Up [D21] [09/85-02/98]
 Urvan [E24] [06/86-05/97]

Urvan [E24] [06/86-05/97]

Glow plug

11-14 860 0000 | MGP0024

Notes

| | |
|---------------------|-----------------------|
| Rated current [A] | 15 |
| | after-glow capable |
| | Pencil-type Glow Plug |
| Spanner Size | 10 |
| Diameter [mm] | 5 |
| Thread Size | M10 x 1 |
| Overall Length [mm] | 89 |
| Cone Pitch | 63° |
| Fitting Depth [mm] | 30 |
| Connector type | M4 |
| Voltage [V] | 11 |

References

| |
|-------------|
| 11065-6F900 |
|-------------|



Application info

Micra [K11] [01/92-02/03]

4

714 860 0004 | MGP0095

Glow plug



Notes

| | |
|---------------------|---|
| Rated current [A] | 10 after-glow capable Pencil-type Glow Plug |
| Spanner Size | 12 |
| Diameter [mm] | 5 |
| Thread Size | M10 x 1,25 |
| Overall Length [mm] | 83 |
| Cone Pitch | 119° |
| Fitting Depth [mm] | 20 |
| Connector type | M4 |
| Voltage [V] | 11 |

References

| | |
|-------------|-------------|
| 11065-31N00 | 11065-G2400 |
| 11065-9C600 | |

Application info

Terrano I [10/87-02/96]

36-14 860 0003 | MGP0062

Glow plug



Notes

| | |
|---------------------|---|
| Rated current [A] | 10 after-glow capable Pencil-type Glow Plug |
| Spanner Size | 12 |
| Diameter [mm] | 4.1 |
| Thread Size | M10 x 1 |
| Overall Length [mm] | 179 |
| Cone Pitch | 123° |
| Fitting Depth [mm] | 21 |
| Connector type | M4 |
| Voltage [V] | 11 |

References

| | |
|-------------|-------------|
| 11065-AD200 | 11065-AD20A |
| 11065-AD201 | |

Application info

Almera II [01/00-02/03]
Almera Tino [08/00--]
Navara [040] [07/05--]
NP300 [04/08--]

Pathfinder [R51] [01/05--]
Pick Up [D22] [01/97-04/05]
Primera [P12, WP12] [01/02--]
X-Trail [T30] [06/01-09/03]

Glow plug

16-14 860 0010 | MGP0099

Notes

| | |
|---------------------|-----------------------|
| Rated current [A] | 15 |
| | after-glow capable |
| | Pencil-type Glow Plug |
| Spanner Size | 10 |
| Diameter [mm] | 5 |
| Thread Size | M10 x 1 |
| Overall Length [mm] | 88 |
| Cone Pitch | 63° |
| Fitting Depth [mm] | 25 |
| Connector type | Ø 4 mm |
| Voltage [V] | 11 |



References

| | |
|-------------|-------------|
| 11065-00Q00 | 11065-00QAG |
| 11065-00QAA | 11065-BN701 |
| 11065-00QAF | |

Application info

Almera II [01/00-02/03]
 Interstar [07/02--]
 Kubistar [08/03--]
 Micra [K12] [01/03-06/10]
 Note [03/06--]
 NV200 [02/10--]
 Primastar [03/01--]
 Primera [P12, WP12] [01/02--]

Qashqai I [02/07--]
 Tida [01/07--]
 Tiida [C11] [05/04-02/07]
 Interstar [07/02--]
 Kubistar [08/03--]
 NV200 [02/10--]
 Primastar [03/01--]

4

Ignition coil

16-14 885 0001 | MIC0036

Notes

| | |
|-----------------------|-------------------------------|
| | Oval |
| | for fully electronic ignition |
| | [FI] |
| | Coupling Type Saw Tooth |
| Operating voltage [V] | 12 |
| Number of Poles | 4 |
| Required quantity | 1 |



References

22448-00QAC

Application info

Kubistar [08/03--]

16-14 885 0004 | MIC0039

Ignition coil



Notes

for fully electronic ignition (FI)
incl. spark plug connector with ignition cable
Double Ignition Coil

Operating voltage [V]
Cable Length [mm]
Number of Poles
Required quantity

12
470
4
1

References

22448-00QAF

Application info

Kubistar [08/03--]

Kubistar [08/03--]

16-14 885 0002 | MIC0037

Ignition coil



Notes

for fully electronic ignition (FI)
incl. spark plug connector
Coupling Type SAE
for vehicles without distributor

Operating voltage [V]
Number of Poles
Required quantity

12
2
4

References

22448-00Q0A
22448-00Q0B
22448-00Q0A
22448-00Q0B

22448-00QAE
22448-00QAH
22448-6N011

Application info

Kubistar [08/03--]
Primastar [03/01--]

Primastar [03/01--]

Ignition coil

36-14 885 0003 | MIC0066

Notes

| | |
|-------------------------|----------------------------|
| for cylinder | DX-Right |
| only in connection with | incl. spark plug connector |
| Operating voltage [V] | 36-14 885 0004 |
| Number of Poles | 12 |
| Required quantity | 3 |
| | 3 |
| | Right |

References

| | |
|-------------|-------------|
| 22448-31U01 | 22448-31U11 |
|-------------|-------------|

Counterpart

36-14 885 0004 | MIC0067



Application info

Maxima [A32] [01/95-08/00]

Maxima [A33] [04/99-11/03]

Ignition coil

36-14 885 0004 | MIC0067

Notes

| | |
|-------------------------|----------------------------|
| for cylinder | SX-Left |
| only in connection with | incl. spark plug connector |
| Operating voltage [V] | 36-14 885 0003 |
| Number of Poles | 12 |
| Required quantity | 3 |
| | 3 |
| | Left |

References

| | |
|-------------|-------------|
| 22448-31U06 | 22448-31U16 |
|-------------|-------------|

Counterpart

36-14 885 0003 | MIC0066



Application info

Maxima [A32] [01/95-08/00]

Maxima [A33] [04/99-11/03]

Ignition coil

36-14 885 0000 | MIC0064

Notes

| | |
|-----------------------|----------------------------|
| | incl. spark plug connector |
| | Coupling Type SAE |
| Operating voltage [V] | 12 |
| Number of Poles | 3 |
| Required quantity | 4 |

References

| | |
|-------------|-------------|
| 22448-4M500 | 22448-4M50A |
|-------------|-------------|



4

+

36-14 885 0000 | MIC0064

Ignition coil

Application info

Almera II [01/00-02/03]
Almera Tino [08/00--]

Primera [P11, WP11] [06/96-07/02]

36-14 885 0005 | MIC0068

Ignition coil



Notes

Operating voltage [V]
Number of Poles
Required quantity

incl. spark plug connector
12
3
4

References

22448-6N000
22448-6N002
22448-6N010

22448-6N012
22448-6N015

Application info

Almera II [01/00-02/03]
Almera Tino [08/00--]

Primera [P11, WP11] [06/96-07/02]
Primera [P12, WP12] [01/02--]

100 900 0000 | MEX0265

Lambda probe



Notes

Cable Length [mm]
Number of Poles

Regulating Probe
Unheated
890
1

References

22690-17B00

22690-73C00

Application info

100 NX [03/90-10/94]
Bluebird [U11, WU11] [11/83-12/90]
Bluebird □ [T72, T12] [12/85-11/92]
Micra [K10] [12/82-07/92]
Pick Up [D21] [09/85-02/98]

Prairie Pro [M11] [10/88-07/94]
Primera [P10, W10] [06/90-03/98]
Sunny [B12, N13] [01/86-10/91]
Sunny [B13, N14, Y10] [05/90-09/03]
Sunny [B13, N14, Y10] [05/90-09/03]



Sender unit, coolant temperature

16-14 899 0011 | MEX0372

Notes

| | |
|-----------------------|------------|
| | Black |
| | NTC Sensor |
| Spanner Size | -- |
| Thread Size | -- |
| Operating voltage [V] | 12 |
| Number of Poles | 4 |

References

| | |
|-------------|-------------|
| 22630-00Q2H | 22630-00QAF |
| 22630-00QAD | 22630-BN702 |



Application info

Interstar [07/02--]
 Kubistar [08/03--]
 Micra [K12] [01/03-06/10]
 Note [03/06--]
 Primastar [03/01--]
 Primera [P12, WP12] [01/02--]

Qashqai I [02/07--]
 Tida [01/07--]
 Tiida [C11] [05/04-02/07]
 Interstar [07/02--]
 Primastar [03/01--]

Sensor, camshaft position

214 800 0002 | MEX0376

Notes

| | |
|-----------------------|---------------|
| | Black |
| | Active sensor |
| Fitting Depth [mm] | 24 |
| Operating voltage [V] | 12 |
| Number of Poles | 3 |
| | with seal |
| | without cable |

References

| | |
|-------------|-------------|
| 22731-1F710 | 23731-1F710 |
|-------------|-------------|



Application info

Micra [K11] [01/92-02/03]

Sensor, camshaft position

16-14 800 0000 | MEX0371

Notes

| | |
|-----------------------|---------------|
| | Black |
| | Active sensor |
| Fitting Depth [mm] | 28 |
| Operating voltage [V] | 12 |
| Number of Poles | 3 |
| | without cable |
| | with seal |

References

| | |
|-------------|-------------|
| 23731-BN701 | 23760-00QAD |
| 23760-00QAB | |



4



16-14 800 0000 | MEX0371

Sensor, camshaft position

Application info

Almera II [01/00-02/03]
Kubistar [08/03--]
Micra [K12] [01/03-06/10]
Note [03/06--]
NV200 [02/10--]

Qashqai I [02/07--]
Tida [01/07--]
Tiida [C11] [05/04-02/07]
Kubistar [08/03--]
NV200 [02/10--]

100 953 0012 | MEX0319

Relay, hazard lights



Notes

| | |
|-----------------------|-----------------------------|
| Rated current [A] | 2 |
| | Lock |
| Rated Power [W] | 2x21; 5 |
| Height [mm] | 30 |
| Width [mm] | 30 |
| Operating voltage [V] | 12 |
| Connector type | 3x 6,3 mm |
| Length [mm] | 30 |
| Number of Poles | 3 |
| | for vehicles without towbar |

References

25730-16B00

Application info

Micra [K10] [12/82-07/92]

Tensioner pulley, timing belt

16-51 902 1007 | MMX1674

Notes

| | Piece |
|---------------------|-------|
| Inner diameter [mm] | 8 |
| Outer diameter [mm] | 65.5 |
| Width [mm] | 32 |

References

130701192R



Application info

Kubistar [08/03--]

Kubistar [08/03--]

Tensioner pulley, timing belt

16-51 902 1006 | MMX1673

Notes

| | Piece |
|---------------------|-------|
| Outer diameter [mm] | 50 |
| Width [mm] | 30.5 |

References

13070-AW300



Application info

Primera [P12, WP12] [01/02--]

Tensioner pulley, timing belt

16-51 902 1000 | MMX1663

Notes

| | Piece |
|---------------------|-------|
| Outer diameter [mm] | 50 |
| Width [mm] | 30.5 |

References

1307000QAC



Application info

Interstar [07/02--]
Primastar [03/01--]

Interstar [07/02--]
Primastar [03/01--]

16-51 902 1001 | MMX1669

Tensioner pulley, timing belt



Notes

| | Piece |
|---------------------|-------|
| Inner diameter [mm] | 8 |
| Outer diameter [mm] | 60 |
| Width [mm] | 32 |

Application info

Almera II [01/00-02/03]
Cube [Z12] [03/10--]
Juke [06/10--]
Kubistar [08/03--]
Micra [K12] [01/03-06/10]
Note [03/06--]
NV200 [02/10--]

Pulsar [08/12--]
Qashqai I [02/07--]
Tida [01/07--]
Tiida [C11] [05/04-02/07]
Kubistar [08/03--]
NV200 [02/10--]

16-51 902 1002 | MMX1670

Tensioner pulley, timing belt



Notes

| | Piece |
|---------------------|-------|
| Inner diameter [mm] | 8 |
| Outer diameter [mm] | 70 |
| Width [mm] | 32 |

References

13070-00QAE

Application info

Interstar [07/02--]
Primastar [03/01--]

Interstar [07/02--]
Primastar [03/01--]

16-51 902 1003 | MMX1671

Tensioner pulley, timing belt



Notes

| | Piece |
|---------------------|-------|
| Inner diameter [mm] | 8 |
| Outer diameter [mm] | 59 |
| Width [mm] | 28.5 |

References

13077-00QAG

13077-00QAL



Tensioner pulley, timing belt

16-51 902 1003 | MMX1671

Application info

Kubistar [08/03--]

Kubistar [08/03--]

Tensioner pulley, timing belt

16-51 902 1009 | MMX1676

Notes

| | |
|---------------------|-------|
| | Piece |
| Outer diameter [mm] | 59 |
| Width [mm] | 32 |



References

| | |
|------------|------------|
| 130705625R | 130708047R |
|------------|------------|

Application info

Juke [06/10--]

Note II [06/13--]

NV200 [02/10--]

Pulsar [08/12--]

Qashqai II [02/14--]

NV200 [02/10--]

Tensioner pulley, timing belt

40-51 902 1000 | MMX1646

Notes

| | |
|---------------------|-------|
| | Piece |
| Inner diameter [mm] | 13 |
| Outer diameter [mm] | 59 |
| Width [mm] | 28.5 |



References

13070-6F900

Application info

Micra [K11] [01/92-02/03]

36-51 049 0013 | MMX1091

Timing belt kit



Notes

| | |
|-----------------------|------|
| Number of belts | 1 |
| Driven unit: camshaft | |
| Width [mm] | 27 |
| Pulleys contained | 1 |
| Length [mm] | 1171 |
| Number of Teeth | 123 |

References

| | |
|-------------|-------------|
| 13070-BN700 | 16806-00QAX |
| 16806-00QAB | 16806-00QBB |

Parts list

| | |
|--------------------------|-------------------------------|
| 16-51 902 1001 MMX1669 | Tensioner pulley, timing belt |
|--------------------------|-------------------------------|

Application info

Almera II [01/00-02/03]
Cube [Z12] [03/10--]
Juke [06/10--]
Kubistar [08/03--]
Micra [K12] [01/03-06/10]
Note [03/06--]
NV200 [02/10--]

Pulsar [08/12--]
Qashqai I [02/07--]
Tida [01/07--]
Tiida [C11] [05/04-02/07]
Kubistar [08/03--]
NV200 [02/10--]

16-51 049 0018 | MMX0740

Timing belt kit



Notes

| | |
|-----------------------|-----|
| Number of belts | 1 |
| Driven unit: camshaft | |
| Width [mm] | 23 |
| Pulleys contained | 1 |
| Length [mm] | 905 |
| Number of Teeth | 95 |

References

| | |
|-------------|-------------|
| 16806-00QA4 | 16806-00QAW |
|-------------|-------------|

Parts list

| | |
|--------------------------|-------------------------------|
| 16-51 902 1003 MMX1671 | Tensioner pulley, timing belt |
|--------------------------|-------------------------------|

Application info

Kubistar [08/03--]

Kubistar [08/03--]

36-51 902 2000 | MMX1690

Timing belt roller



Notes

| | |
|---------------------|----|
| Inner diameter [mm] | 10 |
| Outer diameter [mm] | 60 |
| Width [mm] | 30 |

References

| |
|-------------|
| 13077-54A02 |
|-------------|

Timing belt roller

36-51 902 2000 | MMX1690

Application info

Almera I/Pulsar I [07/95-07/00]

Primera [P11, WP11] [06/96-07/02]

Timing belt roller

11-51 902 2005 | MMX1612

Notes

Inner diameter [mm] 10
Outer diameter [mm] 60
Width [mm] 30



References

13077-6F900 13077-6F901

Application info

Micra [K11] [01/92-02/03]

Timing belt roller

16-51 902 2001 | MMX1635

Notes

Inner diameter [mm] 10
Outer diameter [mm] 54.5
Width [mm] 32



References

13070-00Q0L 13070-00QAA

Application info

Kubistar [08/03--]

Kubistar [08/03--]

V-ribbed belt

050 007 1741 | MRB0612

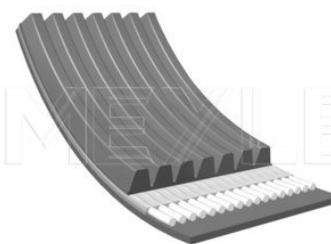
Notes

Number of Ribs 7
Length [mm] 1741



References

11720-00Q0F



050 007 1741 | MRB0612

V-ribbed belt

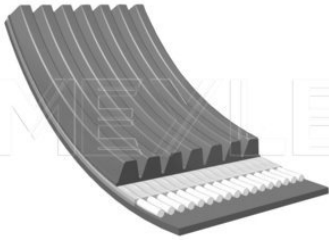
Application info

Primastar (03/01--)

Primastar (03/01--)

050 007 1970 | MRB0623

V-ribbed belt



Notes

| | |
|----------------|------|
| Number of Ribs | 7 |
| Length [mm] | 1970 |

References

11720-00Q1E

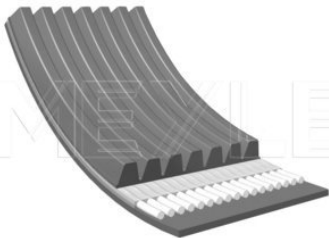
Application info

NV400 (11/11--)
Primastar (03/01--)

Primastar (03/01--)

050 007 2000 | MRB0626

V-ribbed belt



Notes

| | |
|----------------|------|
| Number of Ribs | 7 |
| Length [mm] | 2000 |

References

11720-00Q1J

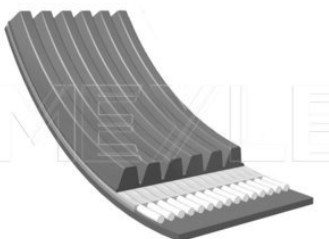
Application info

Primastar (03/01--)

Primastar (03/01--)

050 006 1130 | MRB0365

V-ribbed belt



Notes

| | |
|----------------|------|
| Number of Ribs | 6 |
| Length [mm] | 1130 |

References

11720-00Q1K

V-ribbed belt

050 006 1130 | MRB0365

Application info

NV200 [02/10--]

NV200 [02/10--]

V-ribbed belt

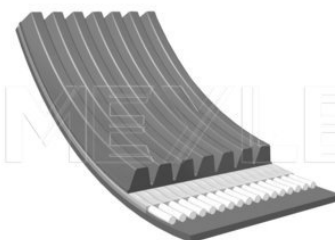
050 007 1110 | MRB0583

Notes

Number of Ribs 7
Length [mm] 1110

References

11720-00Q2E



Application info

Interstar [07/02--]
Primastar [03/01--]

Interstar [07/02--]
Primastar [03/01--]

V-ribbed belt

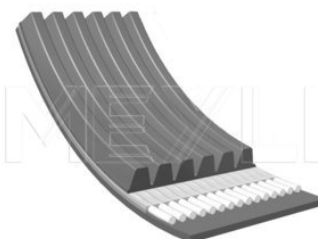
050 006 1200 | MRB0377

Notes

Number of Ribs 6
Length [mm] 1200

References

11720-00QA2



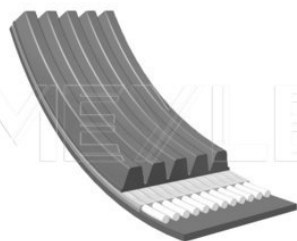
Application info

Cube [Z12] [03/10--]
Juke [06/10--]
Kubistar [08/03--]
Micra [K12] [01/03-06/10]
Note [03/06--]
NV200 [02/10--]

Qashqai I [02/07--]
Tida [01/07--]
Tiida [C11] [05/04-02/07]
Kubistar [08/03--]
NV200 [02/10--]

050 005 1125 | MRB0236

V-ribbed belt



Notes

Number of Ribs 5
Length [mm] 1125

References

1172000QAJ

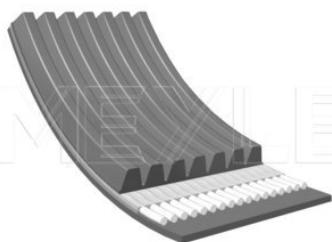
Application info

Interstar [07/02--]
Primastar [03/01--]

Interstar [07/02--]
Primastar [03/01--]

050 007 1920 | MRB0620

V-ribbed belt



Notes

Number of Ribs 7
Length [mm] 1920

References

11720-00QAW 11720-06000

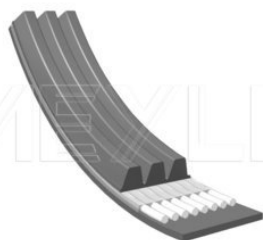
Application info

Interstar [07/02--]

Interstar [07/02--]

050 003 0788 | MRB0026

V-ribbed belt



Notes

Number of Ribs 3
Length [mm] 788

References

11720-01B02 11720-01B04

Application info

Micra [K10] [12/82-07/92]

V-ribbed belt

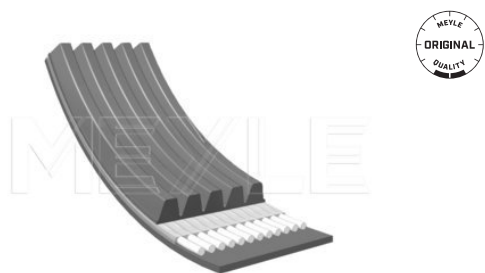
050 005 0950 | MRB0207

Notes

Number of Ribs 5
Length [mm] 950

References

11720-0C800 11720-0C805



Application info

Serena [C23M] [11/92-09/01]

V-ribbed belt

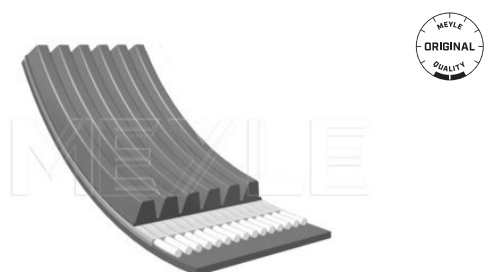
050 006 1060 | MRB0350

Notes

Number of Ribs 6
Length [mm] 1060

References

117200-W000 117200-W002



Application info

Murano [Z50] [08/03--]
Murano [Z51] [11/07--]

Pathfinder [R50] [09/97-12/04]

V-ribbed belt

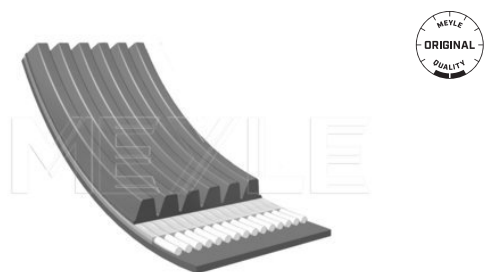
050 006 1205 | MRB0379

Notes

Number of Ribs 6
Length [mm] 1205

References

11720-00Q1W 11720-1KC0A



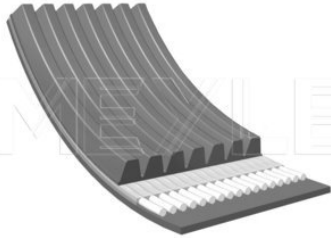
Application info

Juke [06/10--]
Pulsar [08/12--]

Tiida [C11] [05/04-02/07]

050 007 1125 | MRB0584

V-ribbed belt



Notes

| | |
|----------------|------|
| Number of Ribs | 7 |
| Length [mm] | 1125 |

References

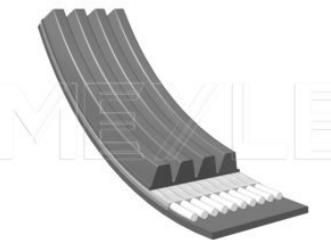
11720-1KT0A

Application info

Juke [06/10--]

050 004 0715 | MRB0064

V-ribbed belt



Notes

| | |
|----------------|-----|
| Number of Ribs | 4 |
| Length [mm] | 715 |

References

11720-2M310

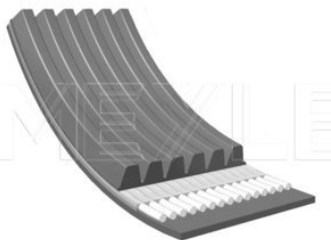
Application info

Bluebird D [T72, T12] [12/85-11/92]

Sunny [B12, N13] [01/86-10/91]

050 006 1306 | MRB0394

V-ribbed belt



Notes

| | |
|----------------|------|
| Number of Ribs | 6 |
| Length [mm] | 1306 |

References

| | |
|-------------|-------------|
| 11720-30R00 | 11720-30R10 |
|-------------|-------------|

Application info

Prairie Pro [M11] [10/88-07/94]



V-ribbed belt

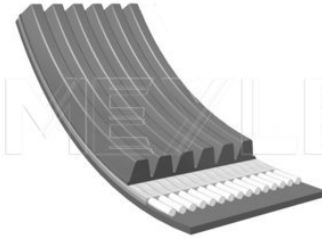
050 006 2080 | MRB0514

Notes

Number of Ribs 6
Length [mm] 2080

References

11720-3H00A



Application info

Micra [K13] [05/10--]

V-ribbed belt

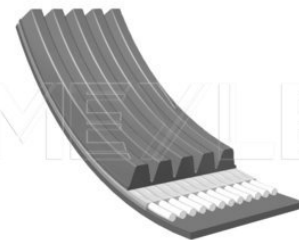
050 005 0900 | MRB0199

Notes

Number of Ribs 5
Length [mm] 900

References

11720-4A00B



Application info

Pixo [06/09--]

V-ribbed belt

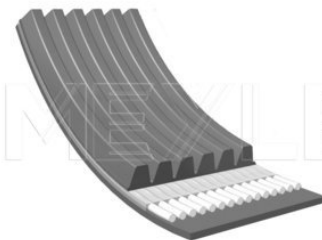
050 006 0675 | MRB0301

Notes

Number of Ribs 6
Length [mm] 675

References

11720-1F700 11720-54B00
11720-4F100



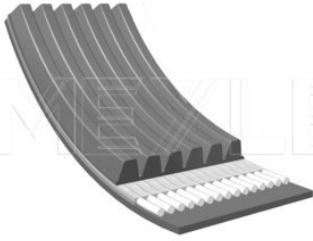
Application info

Micra [K11] [01/92-02/03]

5

050 006 0890 | MRB0325

V-ribbed belt



Notes

Number of Ribs 6
Length [mm] 890

References

11720-4F105

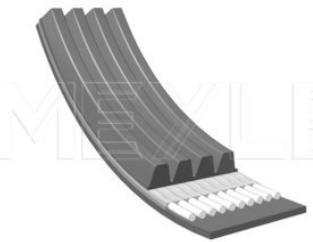
Application info

Bluebird D [T72, T12] [12/85-11/92]
Maxima [A32] [01/95-08/00]

Maxima [A33] [04/99-11/03]

050 004 0650 | MRB0055

V-ribbed belt



Notes

Number of Ribs 4
Length [mm] 650

References

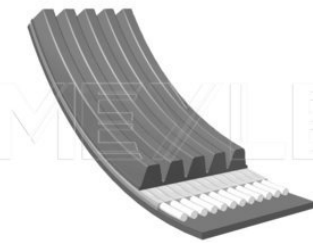
11720-4F110

Application info

Micra [K11] [01/92-02/03]

050 005 0930 | MRB0205

V-ribbed belt



Notes

Number of Ribs 5
Length [mm] 930

References

11720-52F00 11720-52F10

Application info

200 SX [S14] [10/93-12/99]

Serena [C23M] [11/92-09/01]



V-ribbed belt

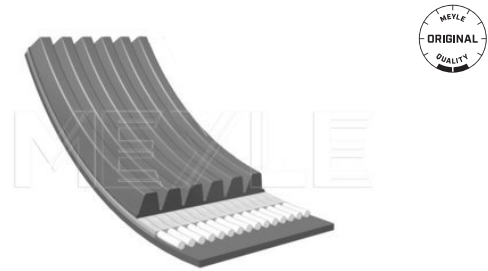
050 006 0884 | MRB0324

Notes

Number of Ribs 6
Length [mm] 884

References

11720-31U00 11720-4F105
11720-31U02 11720-54B00



Application info

Bluebird [U11, WU11] [11/83-12/90]
Bluebird D [T72, T12] [12/85-11/92]
Maxima [A32] [01/95-08/00]

Micra [K11] [01/92-02/03]
Prairie Pro [M11] [10/88-07/94]
Sunny [B12, N13] [01/86-10/91]

V-ribbed belt

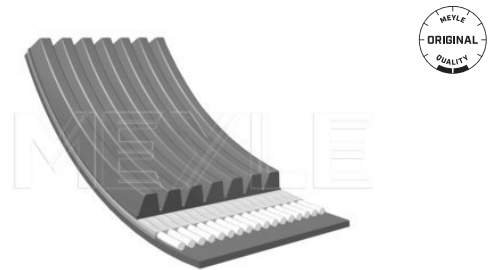
050 007 1730 | MRB0611

Notes

Number of Ribs 7
Length [mm] 1730

References

11720-5X00B



Application info

Navara [D40] [07/05--]

V-ribbed belt

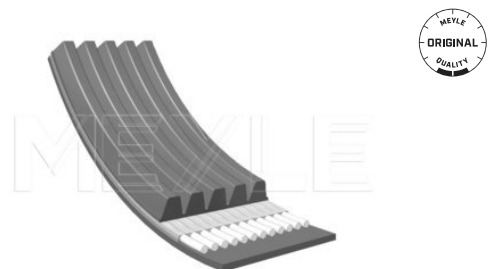
050 005 0962 | MRB0209

Notes

Number of Ribs 5
Length [mm] 962

References

11720-6F900

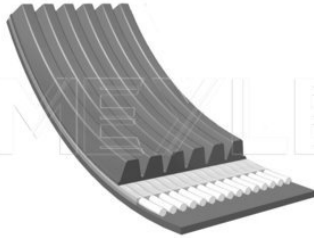


Application info

Micra [K11] [01/92-02/03]

050 006 2245 | MRB0534

V-ribbed belt



Notes

| | |
|----------------|------|
| Width [mm] | 21 |
| Number of Ribs | 6 |
| Length [mm] | 2245 |

References

11720-6N200

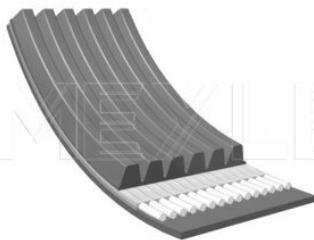
Application info

Primera [P12, WP12] [01/02--]

X-Trail [T30] [06/01-09/03]

050 006 0820 | MRB0312

V-ribbed belt



Notes

| | |
|----------------|-----|
| Number of Ribs | 6 |
| Length [mm] | 820 |

References

| | |
|-------------|-------------|
| 11720-4M510 | 11720-9F605 |
| 11720-4M511 | 11720-9F610 |
| 11720-4M512 | 11720-9M511 |
| 11720-9F600 | 11720-9M512 |

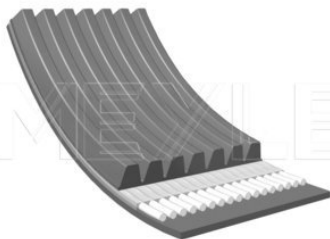
Application info

350 Z [09/02-01/07]
Almera II [01/00-02/03]
Almera Tino [08/00--]

Primera [P11, WP11] [06/96-07/02]
Primera [P12, WP12] [01/02--]

050 007 1795 | MRB0617

V-ribbed belt



Notes

| | |
|----------------|------|
| Number of Ribs | 7 |
| Length [mm] | 1795 |

References

11720-AW300

Application info

Interstar [07/02--]
Primastar [03/01--]
Primera [P12, WP12] [01/02--]

Interstar [07/02--]
Primastar [03/01--]



V-ribbed belt

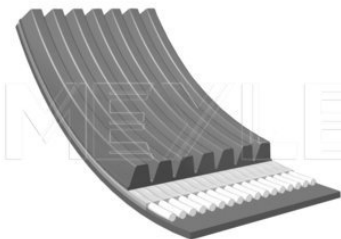
050 007 1815 | MRB0618

Notes

Number of Ribs 7
Length [mm] 1815

References

11720-BB00A



Application info

Qashqai I [02/07--]

V-ribbed belt

050 003 0675 | MRB0015

Notes

Number of Ribs 3
Length [mm] 675

References

11720BX010 11720BX015



Application info

Micra [K12] [01/03-06/10]

Note [03/06--]

V-ribbed belt

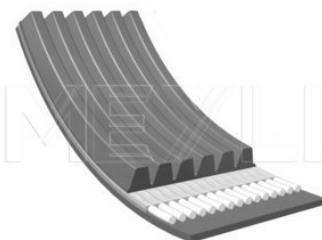
050 006 0725 | MRB0303

Notes

Number of Ribs 6
Length [mm] 725

References

11720-D1101-JP 11720-D4291-JP
11720-D4201 11720-D4291-KE



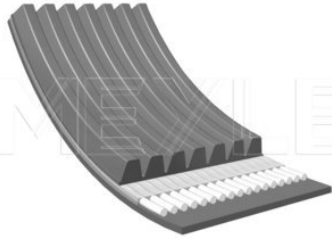
Application info

Bluebird [U11, WU11] [11/83-12/90]
Bluebird D [T72, T12] [12/85-11/92]

Prairie Pro [M11] [10/88-07/94]
Sunny [B12, N13] [01/86-10/91]

050 007 1145 | MRB0586

V-ribbed belt



Notes

Number of Ribs 7
Length [mm] 1145

References

11720-ED00B 11720-ED00C

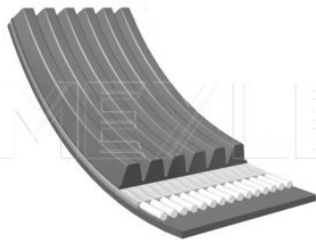
Application info

Cube [Z12] [03/10--]
Interstar [07/02--]
Micra [K12] [01/03-06/10]
Note [03/06--]

Tida [01/07--]
Tiida [C11] [05/04-02/07]
Interstar [07/02--]

050 006 1210 | MRB0380

V-ribbed belt



Notes

Number of Ribs 6
Length [mm] 1210

References

11720-EN20A 11720-ET00A

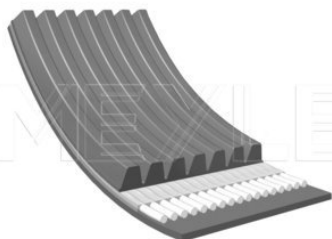
Application info

Qashqai I [02/07--]

X-Trail [T31] [03/07--]

050 007 1153 | MRB0587

V-ribbed belt



Notes

Number of Ribs 7
Length [mm] 1153

References

11720-JD00B 11720-JD00C

Application info

Qashqai I [02/07--]

V-ribbed belt

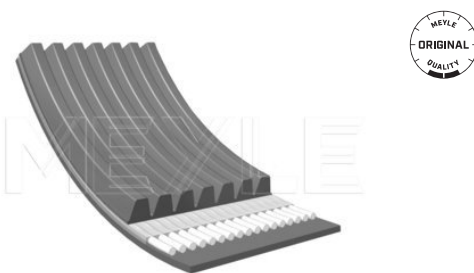
050 007 1642 | MRB0608

Notes

Number of Ribs 7
Length [mm] 1642

References

11720-VC101 11720-VC10A
11720-VC102 11720-VS40A
11720-VC103



Application info

Patrol GR II [06/97-12/07]

Terrano II [10/92-06/03]

V-ribbed belt

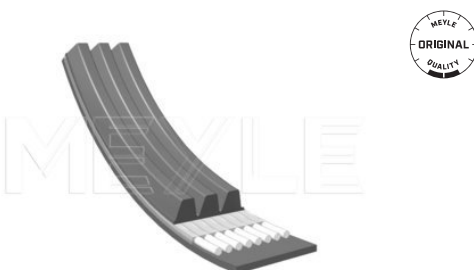
050 003 0630 | MRB0010

Notes

Number of Ribs 3
Length [mm] 630

References

11750-01B00



Application info

Micra [K10] [12/82-07/92]

V-ribbed belt

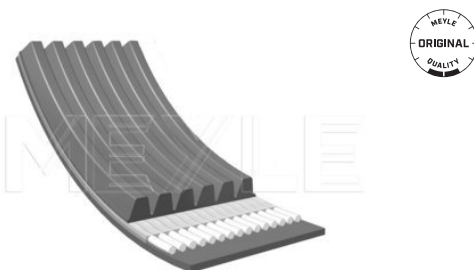
050 006 1100 | MRB0359

Notes

Number of Ribs 6
Length [mm] 1100

References

11920-2Y501



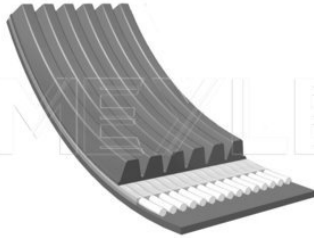
Application info

Maxima [A32] [01/95-08/00]

Maxima [A33] [04/99-11/03]

050 006 1095 | MRB0358

V-ribbed belt



Notes

| | |
|----------------|------|
| Number of Ribs | 6 |
| Length [mm] | 1095 |

References

| | |
|-------------|-------------|
| 11920-31U00 | 11920-31U02 |
|-------------|-------------|

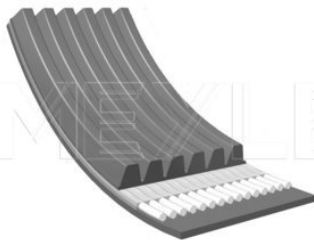
Application info

Almera Tino [08/00--]
Primera [P11, WP11] [06/96-07/02]

Primera [P12, WP12] [01/02--]

050 006 0955 | MRB0333

V-ribbed belt



Notes

| | |
|----------------|-----|
| Number of Ribs | 6 |
| Length [mm] | 955 |

References

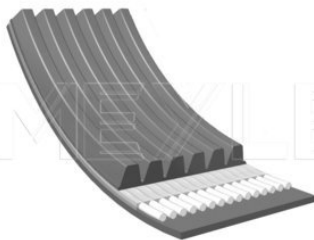
| | |
|-------------|-------------|
| 11920-41B01 | 11920-4F105 |
| 11920-41B02 | 11920-5F600 |

Application info

Micra [K11] [01/92-02/03]

050 006 1110 | MRB0361

V-ribbed belt



Notes

| | |
|----------------|------|
| Number of Ribs | 6 |
| Length [mm] | 1110 |

References

| | |
|-------------|-------------|
| 11920-4M500 | 11920-9F605 |
| 11920-6J900 | 11920-9F610 |
| 11920-6J910 | |

Application info

350 Z [09/02-01/07]
Almera II [01/00-02/03]
Almera Tino [08/00--]

Primera [P11, WP11] [06/96-07/02]
Primera [P12, WP12] [01/02--]

V-ribbed belt

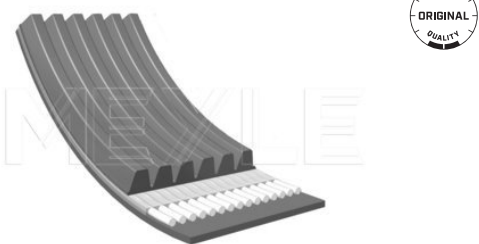
050 006 1090 | MRB0356

Notes

Number of Ribs 6
Length [mm] 1090

References

11920-9F615



Application info

Almera Tino [08/00--]

Primera [P12, WP12] [01/02--]

V-ribbed belt

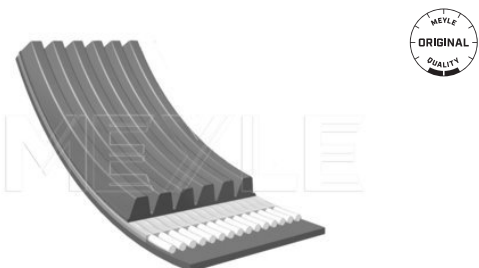
050 006 1075 | MRB0353

Notes

Number of Ribs 6
Length [mm] 1075

References

11920-CA000



Application info

Micra [K12] [01/03-06/10]

V-ribbed belt

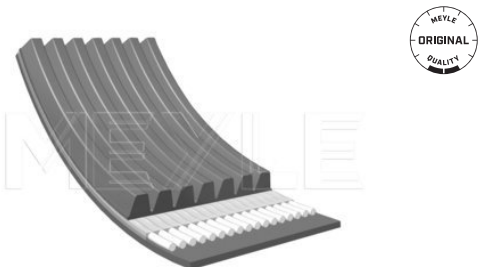
050 007 1275 | MRB0591

Notes

Number of Ribs 7
Length [mm] 1275

References

11720-EB300 11720-EB70C
11720-EB30A 11950-60U05
11720-EB310



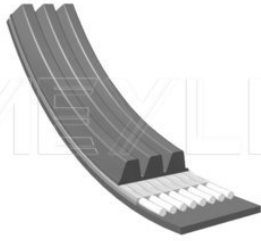
Application info

Navara [D40] [07/05--]
Pathfinder [R51] [01/05--]

Navara [D40] [10/04--]

050 003 1000 | MRB0043

V-ribbed belt



Notes

| | |
|----------------|------|
| Number of Ribs | 3 |
| Length [mm] | 1000 |

References

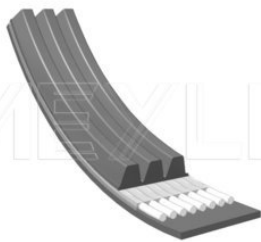
| | |
|------------|------------|
| 11950F6101 | 11950F6111 |
| 11950F6102 | |

Application info

300 SX [01/84-10/90]

050 003 0835 | MRB0032

V-ribbed belt



Notes

| | |
|----------------|-----|
| Number of Ribs | 3 |
| Length [mm] | 835 |

References

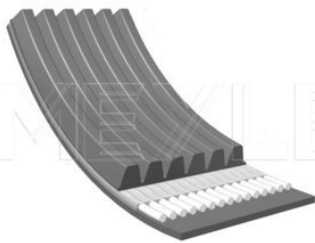
| | |
|-------------|------------|
| 11950-V7301 | A1950V7301 |
| 11950-V7311 | |

Application info

200 SX [S13] [07/88-09/94]

050 006 1150 | MRB0368

V-ribbed belt



Notes

| | |
|----------------|------|
| Number of Ribs | 6 |
| Length [mm] | 1150 |

References

| | |
|-------------|-------------|
| 11720-J000B | 82000-23912 |
| 11720-J000C | |

Application info

Interstar [07/02--]
Primastar [03/01--]

Interstar [07/02--]
Primastar [03/01--]



V-ribbed belt

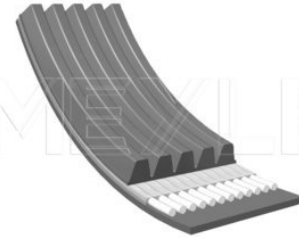
050 005 1200 | MRB0248

Notes

Number of Ribs 5
Length [mm] 1200

References

1172000Q1U 8200034396
11720BN701



Application info

Almera II [01/00-02/03]
Kubistar [08/03--]

Micra [K12] [01/03-06/10]
Kubistar [08/03--]

V-ribbed belt

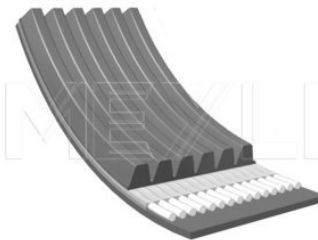
050 006 1795 | MRB0466

Notes

Number of Ribs 6
Length [mm] 1795

References

77001-09477 82001-13203



Application info

Interstar [07/02--]
Primastar [03/01--]

Interstar [07/02--]
Primastar [03/01--]

V-ribbed belt

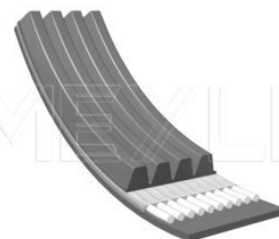
050 004 1538 | MRB0167

Notes

Number of Ribs 4
Length [mm] 1538

References

AY140-4154M



Application info

Kubistar [08/03--]

Kubistar [08/03--]

050 003 0875 | MRB0036

V-ribbed belt



Notes

Number of Ribs 3
Length [mm] 875

References

11950-65F10 A1195065F12
11950-65F12 A1950-65F12
A1195065F10

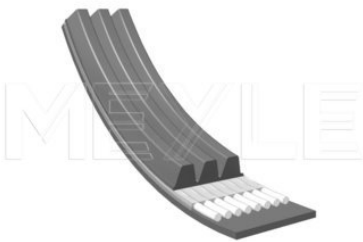
Application info

200 SX [S14] [10/93-12/99]

Micra [K10] [12/82-07/92]

050 003 0913 | MRB0039

V-ribbed belt



Notes

Number of Ribs 3
Length [mm] 913

References

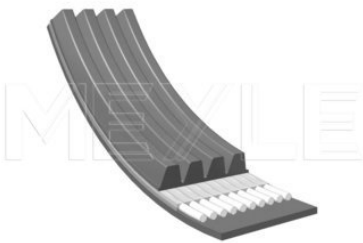
11720-01B00 11720-01B01

Application info

Micra [K10] [12/82-07/92]

050 004 0705 | MRB0062

V-ribbed belt



Notes

Number of Ribs 4
Length [mm] 705

References

11720-28E10 11720-04202

Application info

Bluebird [U11, WU11] [11/83-12/90]
Bluebird D [T72, T12] [12/85-11/92]

Sunny [B12, N13] [01/86-10/91]



V-ribbed belt

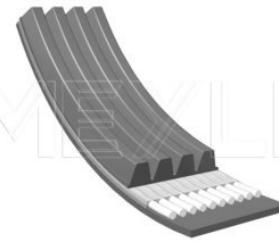
050 004 0725 | MRB0065

Notes

Number of Ribs 4
Length [mm] 725

References

11720-16E02 11950-72B00
11720-16E03 11950-72B01
11950-0M210



Application info

Bluebird [U11, WU11] [11/83-12/90]
Bluebird D [T72, T12] [12/85-11/92]

Micra [K11] [01/92-02/03]
Prairie Pro [M11] [10/88-07/94]

V-ribbed belt

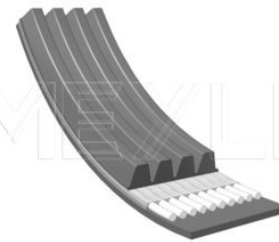
050 004 0730 | MRB0066

Notes

Number of Ribs 4
Length [mm] 730

References

1172016E02 1195072B00
1172016E03 1195072B01
119500M210



Application info

Bluebird [U11, WU11] [11/83-12/90]
Bluebird D [T72, T12] [12/85-11/92]

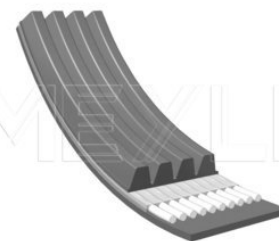
Micra [K11] [01/92-02/03]
Prairie Pro [M11] [10/88-07/94]

V-ribbed belt

050 004 0760 | MRB0071

Notes

Number of Ribs 4
Length [mm] 760

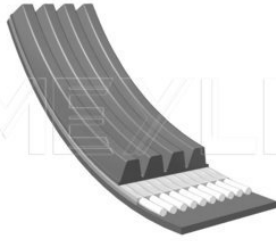


Application info

Micra [K11] [01/92-02/03]

050 004 0763 | MRB0072

V-ribbed belt



Notes

Number of Ribs 4
Length [mm] 763

References

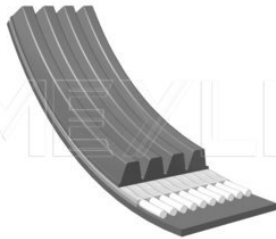
11950-41B00 11950-4F105
11950-41B01 11950-5F600

Application info

Micra [K11] [01/92-02/03]

050 004 0775 | MRB0074

V-ribbed belt



Notes

Number of Ribs 4
Length [mm] 775

References

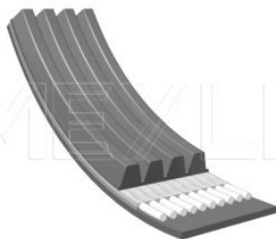
11720-26E02 11950-31U01
11720-26E12 1195031U02
11950-31U00 A172026E02

Application info

Maxima [A32] [01/95-08/00] Murano [Z50] [08/03--]
Maxima [A33] [04/99-11/03] Murano [Z51] [11/07--]
Maxima [J30] [10/88-06/94]

050 004 0785 | MRB0076

V-ribbed belt



Notes

Number of Ribs 4
Length [mm] 785

References

119204A00B 119204A00C

Application info

Pixo [06/09--]

V-ribbed belt

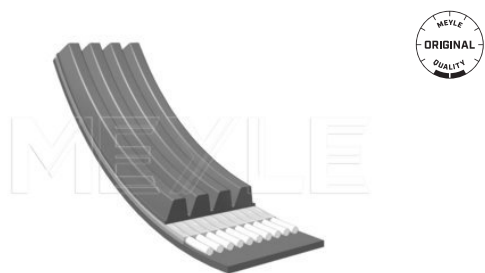
050 004 0805 | MRB0080

Notes

Number of Ribs 4
Length [mm] 805

References

| | |
|-------------|------------|
| 11720-2F000 | 1172053Y01 |
| 117202F005 | 1172053Y10 |
| 1172053Y00 | 1172053Y20 |



Application info

100 NX [03/90-10/94]
Almera I/Pulsar I [07/95-07/00]
Primera [P10, W10] [06/90-03/98]
Primera [P11, WP11] [06/96-07/02]

Sunny [B12, N13] [01/86-10/91]
Sunny [B13, N14, Y10] [05/90-09/03]
Sunny [B13, N14, Y10] [05/90-09/03]

V-ribbed belt

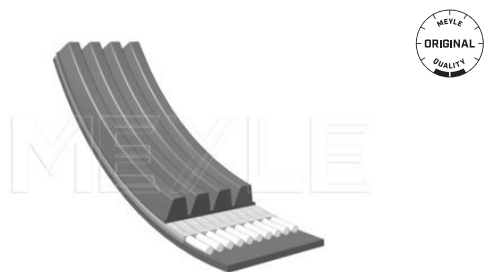
050 004 0810 | MRB0081

Notes

Number of Ribs 4
Length [mm] 810

References

| | |
|--------------|-------------|
| 11720-53Y00 | 11720-D4017 |
| 11720-53Y10 | 11720D4018 |
| 11720-53Y20 | 11720-Q5201 |
| 11720-71J00 | 1192001B10 |
| 11720-D4007 | 119500M200 |
| 11720D4007TM | A192001B10 |
| 11720D4008 | |



Application info

100 NX [03/90-10/94]
Almera I/Pulsar I [07/95-07/00]
Bluebird [U11, WU11] [11/83-12/90]
Bluebird D [T72, T12] [12/85-11/92]
Micra [K10] [12/82-07/92]
Primera [P10, W10] [06/90-03/98]
Primera [P11, WP11] [06/96-07/02]

Serena [C23M] [11/92-09/01]
Sunny [B12, N13] [01/86-10/91]
Sunny [B13, N14, Y10] [05/90-09/03]
Vanette [C23] [01/95--]
Sunny [B13, N14, Y10] [05/90-09/03]
Vanette [C23] [09/94--]

V-ribbed belt

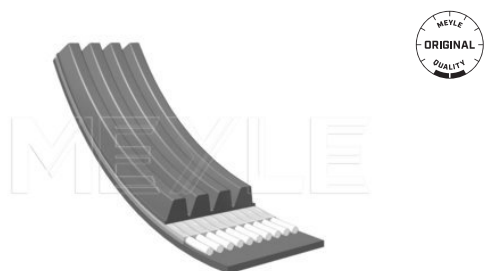
050 004 0815 | MRB0082

Notes

Number of Ribs 4
Length [mm] 815

References

| | |
|-------------|-------------|
| 11720-53Y00 | 11720-D4007 |
| 11720-53Y10 | 11720-D4017 |
| 11720-53Y20 | 11720-Q5201 |
| 11720-71J00 | 11920-01B10 |
| 1172071J01 | |



050 004 0815 | MRB0082

V-ribbed belt

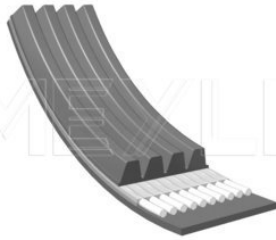
Application info

Primera [P10, W10] [06/90-03/98]

Sunny [B12, N13] [01/86-10/91]

050 004 0825 | MRB0084

V-ribbed belt



Notes

| | |
|----------------|-----|
| Number of Ribs | 4 |
| Length [mm] | 825 |

References

| | |
|-------------|-------------|
| 11720-0M000 | 11920-77A00 |
| 11720-2F200 | 11920-77A10 |
| 11720-70J00 | 11950EB300 |
| 11920-21B00 | 11950EB30A |
| 1192021B01 | 11950EB70A |

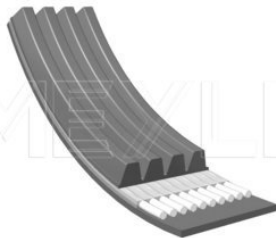
Application info

Almera I/Pulsar I [07/95-07/00]
Navara [D40] [07/05--]
Pathfinder [R51] [01/05--]

Primera [P11, WP11] [06/96-07/02]
Navara [D40] [10/04--]

050 004 0830 | MRB0085

V-ribbed belt



Notes

| | |
|----------------|-----|
| Number of Ribs | 4 |
| Length [mm] | 830 |

References

| | |
|------------|------------|
| 117202F200 | 1192077A01 |
| 117202F205 | 1192077A10 |
| 1172053J10 | 11920Q5200 |
| 1192077A00 | |

Application info

100 NX [03/90-10/94]
Almera I/Pulsar I [07/95-07/00]
Almera Tino [08/00--]
Primera [P10, W10] [06/90-03/98]
Primera [P11, WP11] [06/96-07/02]

Sunny [B12, N13] [01/86-10/91]
Sunny [B13, N14, Y10] [05/90-09/03]
Vanette [C23] [01/95--]
Sunny [B13, N14, Y10] [05/90-09/03]
Vanette [C23] [09/94--]



V-ribbed belt

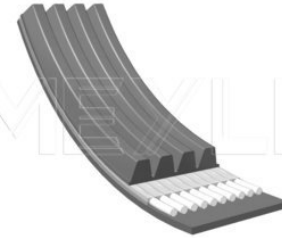
050 004 0845 | MRB0088

Notes

| | |
|----------------|-----|
| Number of Ribs | 4 |
| Length [mm] | 845 |

References

| | |
|-------------|-------------|
| 11720-42L01 | 11950-53J10 |
| 11920-53J20 | 11950-53J20 |
| 11920-V7301 | 11950-70J00 |
| 11920-V7311 | 1195070J05 |
| 11950-35F00 | 11950-9F600 |



Application info

100 NX [03/90-10/94]
 200 SX [S13] [07/88-09/94]
 Almera I/Pulsar I [07/95-07/00]

Primera [P10, W10] [06/90-03/98]
 Primera [P11, WP11] [06/96-07/02]
 Sunny [B13, N14, Y10] [05/90-09/03]

V-ribbed belt

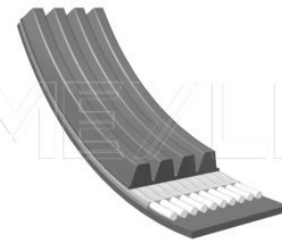
050 004 0850 | MRB0089

Notes

| | |
|----------------|-----|
| Number of Ribs | 4 |
| Length [mm] | 850 |

References

| | |
|------------|-------------|
| 1172042L01 | 11920-V7301 |
| 1192053J20 | 11920V7302 |



Application info

Almera II [01/00-02/03]
 Almera Tino [08/00--]

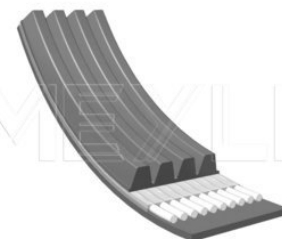
Primera [P11, WP11] [06/96-07/02]
 Primera [P12, WP12] [01/02--]

V-ribbed belt

050 004 0875 | MRB0094

Notes

| | |
|----------------|-----|
| Number of Ribs | 4 |
| Length [mm] | 875 |



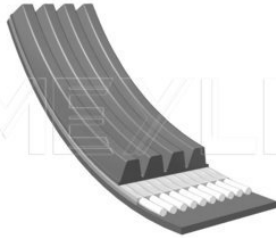
Application info

200 SX [S14] [10/93-12/99]
 Prairie Pro [M11] [10/88-07/94]

Serena [C23M] [11/92-09/01]

050 004 0900 | MRB0099

V-ribbed belt



Notes

Number of Ribs 4
Length [mm] 900

References

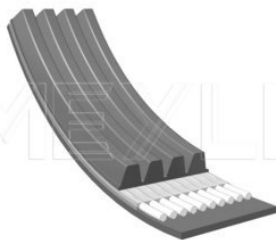
1195071E00 1195086L00
1195071E10

Application info

Prairie Pro [M11] [10/88-07/94]

050 004 0905 | MRB0100

V-ribbed belt



Notes

Number of Ribs 4
Length [mm] 905

References

11720-00QAT 11950-0P600
11720-0C810 11950-0P611

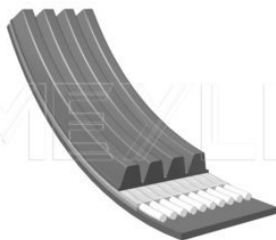
Application info

Kubistar [08/03--]

Kubistar [08/03--]

050 004 0913 | MRB0102

V-ribbed belt



Notes

Number of Ribs 4
Length [mm] 913

References

11720-71J05 11720-85G10
11720-77A00 11920-16V00
11720-77A00-TM 11920-16V10
11720-77A10 11950-0P600
11720-85G00 11950-0P610





V-ribbed belt

050 004 0913 | MRB0102

Application info

100 NX (03/90-10/94)
 Almera I/Pulsar I (07/95-07/00)
 Kubistar (08/03--)
 Primera (P10, W10) (06/90-03/98)
 Serena (C23M) (11/92-09/01)
 Sunny (B12, N13) (01/86-10/91)

Sunny (B13, N14, Y10) (05/90-09/03)
 Vanette (C23) (01/95--)
 Kubistar (08/03--)
 Sunny (B13, N14, Y10) (05/90-09/03)
 Vanette (C23) (09/94--)

V-ribbed belt

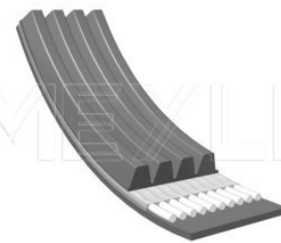
050 004 0925 | MRB0107

Notes

| | |
|----------------|-----|
| Number of Ribs | 4 |
| Length [mm] | 925 |

References

| | |
|------------|-------------|
| 1172000QAS | 1195054C00 |
| 1192042L01 | 1195054C10 |
| 1192058S00 | 1195004201 |
| 1192058S01 | 11950-04211 |



Application info

300 ZX (05/90-09/95)
 Bluebird (U11, WU11) (11/83-12/90)
 Bluebird D (T72, T12) (12/85-11/92)

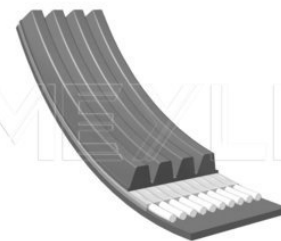
Kubistar (08/03--)
 Sunny (B13, N14, Y10) (05/90-09/03)
 Kubistar (08/03--)

V-ribbed belt

050 004 0950 | MRB0112

Notes

| | |
|----------------|-----|
| Number of Ribs | 4 |
| Length [mm] | 950 |

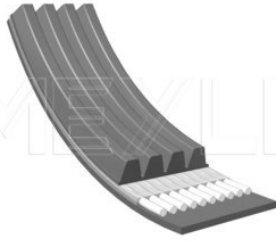


Application info

350 Z (09/02-01/07)

050 004 0962 | MRB0114

V-ribbed belt



Notes

Number of Ribs 4
Length [mm] 962

References

11720-D4001 A1920F6501
11920F6501

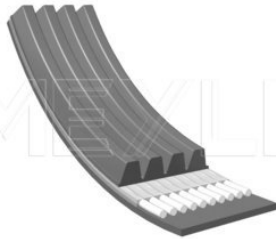
Application info

300 ZX [05/90-09/95]
Bluebird [U11, WU11] [11/83-12/90]

Bluebird D [T72, T12] [12/85-11/92]

050 004 0995 | MRB0121

V-ribbed belt



Notes

Number of Ribs 4
Length [mm] 995

References

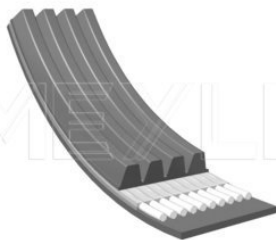
11720-50A00 1172050A10JP
1172050A00TM 1172050A10KE
11720-50A10

Application info

Sunny [B12, N13] [01/86-10/91]

050 004 1025 | MRB0127

V-ribbed belt



Notes

Number of Ribs 4
Length [mm] 1025

References

11720-V5302 11720-V5313
11720-V5312

Application info

300 SX [01/84-10/90]



V-ribbed belt

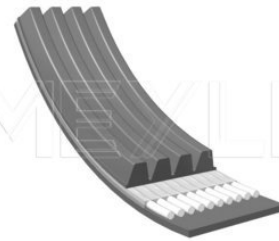
050 004 1030 | MRB0128

Notes

Number of Ribs 4
Length [mm] 1030

References

11720-V5302 11720-V5313
11720-V5312



Application info

300 SX [01/84-10/90]

V-ribbed belt

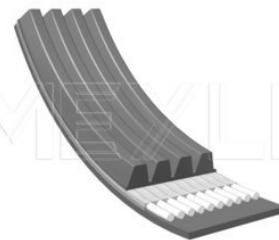
050 004 1040 | MRB0129

Notes

Number of Ribs 4
Length [mm] 1040

References

11720-F6600 11950-18E10
11950-16E10 11950-85E00



Application info

300 ZX [05/90-09/95]

Maxima [J30] [10/88-06/94]

V-ribbed belt

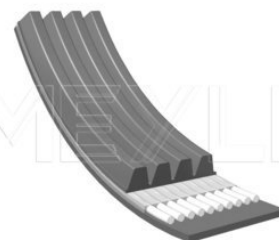
050 004 1075 | MRB0135

Notes

Number of Ribs 4
Length [mm] 1075

References

11920-BX000 11920-BX005



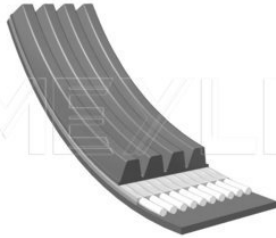
Application info

Micra [K12] [01/03-06/10]

Note [03/06--]

050 004 1100 | MRB0138

V-ribbed belt



Notes

Number of Ribs 4
Length [mm] 1100

References

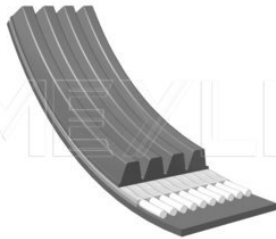
11720-0M312 11720-0M313

Application info

Almera I/Pulsar I [07/95-07/00]

050 004 1190 | MRB0146

V-ribbed belt



Notes

Number of Ribs 4
Length [mm] 1190

References

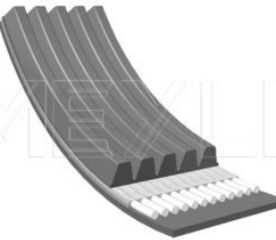
11920-0B000 11920-85E11
11920-85E01 11920-97E20
11920-85E01TM A1920-85E01

Application info

Maxima [J30] [10/88-06/94]

050 005 1285 | MRB0258

V-ribbed belt



Notes

Number of Ribs 5
Length [mm] 1285

References

11920-0W000 11920-0W002
11920-0W001

Application info

Pathfinder [R50] [09/97-12/04]

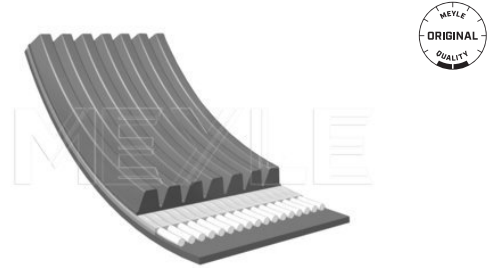


V-ribbed belt

050 007 1093 | MRB0581

Notes

Number of Ribs 7
Length [mm] 1093



Application info

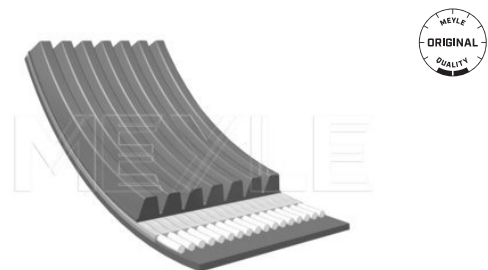
Micra [K13] [05/10--]

V-ribbed belt

050 007 1104 | MRB0582

Notes

Number of Ribs 7
Length [mm] 1104



Application info

Interstar [07/02--]

Interstar [07/02--]

Thermostat

16-28 228 0003 | MTH0102

Notes

Opening Temperature [°C] with seal
Synthetic Material Housing
83

References

11060-00Q0B 11060-00QAJ



Application info

Micra [K12] [01/03-06/10]
Note [03/06--]

Tida [01/07--]
Tiida [C11] [05/04-02/07]

16-28 228 0001 | MTH0105

Thermostat



Notes

Opening Temperature [°C]

with seal
Synthetic Material Housing
89

References

11061-00Q0M

11061-00QAE

Application info

Kubistar [08/03--]

Kubistar [08/03--]

39-28 228 0000 | MTH0075

Thermostat



Notes

Opening Temperature [°C]

without gasket / seal
82

References

21200-05B00

Application info

Micra [K10] [12/82-07/92]

36-28 228 0006 | MTH0088

Thermostat



Notes

Opening Temperature [°C]

82

References

21200-16A00
21200-G2401

21200-Y9701

Thermostat

36-28 228 0006 | MTH0088

Application info

Bluebird [U11, WU11] [11/83-12/90]
Bluebird D [T72, T12] [12/85-11/92]
Pathfinder [R50] [09/97-12/04]
Patrol [260] [10/84-03/96]
Pick Up [720] [12/80-03/86]
Pick Up [021] [09/85-02/98]
Pick Up [022] [01/97-04/05]
Serena [C23M] [11/92-09/01]
Sunny [B12, N13] [01/86-10/91]
Sunny [B13, N14, Y10] [05/90-09/03]
Terrano I [10/87-02/96]

Terrano II [10/92-06/03]
Urvan [E23] [07/81-11/98]
Urvan [E24] [06/86-05/97]
Vanette [C22] [10/86-12/95]
Vanette [C23] [01/95--]
Sunny [B13, N14, Y10] [05/90-09/03]
Urvan [E23] [07/80-11/98]
Urvan [E24] [06/86-05/97]
Vanette [C22] [10/86-12/95]
Vanette [C23] [09/94--]

Thermostat

36-28 228 0003 | MTH0069

Notes

Opening Temperature [°C]

Metal Housing
76.5

References

21200-4W010

21200-4W01B



Application info

350 Z [09/02-01/07]
370 Z [06/09-12/13]
Murano [Z50] [08/03--]

Murano [Z51] [11/07--]
Pathfinder [R50] [09/97-12/04]
Pathfinder [R51] [01/05--]

Thermostat

028 282 0004 | MTH0024

Notes

Opening Temperature [°C]

with seal
82

References

21200-57J00



Application info

Almera I/Pulsar I [07/95-07/00]

36-28 228 0004 | MTH0070

Thermostat



Notes

Opening Temperature [°C] with seal
82

References

| | |
|-------------|-------------|
| 21200-47R00 | 21200-6N210 |
| 21200-60J11 | 21200-9F500 |

Application info

Almera I/Pulsar I (07/95-07/00)
Almera Tino (08/00--)
Primera (P11, WP11) (06/96-07/02)
Primera (P12, WP12) (01/02--)

Qashqai I (02/07--)
X-Trail (T30) (06/01-09/03)
X-Trail (T31) (03/07--)

36-28 228 0000 | MTH0067

Thermostat



Notes

Opening Temperature [°C] with seal
76.5

References

| | |
|-------------|-------------|
| 21200-77A00 | 21200-86J00 |
| 21200-77A05 | 21200-86J01 |
| 21200-77A60 | 21200-90J00 |
| 21200-77A63 | 21200-90J10 |
| 21200-77A66 | |

Application info

100 NX (03/90-10/94)
Primera (P10, W10) (06/90-03/98)
Serena (C23M) (11/92-09/01)
Sunny (B12, N13) (01/86-10/91)

Sunny (B13, N14, Y10) (05/90-09/03)
Vanette (C23) (01/95--)
Sunny (B13, N14, Y10) (05/90-09/03)
Vanette (C23) (09/94--)

30-28 228 0001 | MTH0056

Thermostat



Notes

Opening Temperature [°C] with seal
85

References

| | |
|-------------|-------------|
| 21200-4M500 | 21200-9F600 |
| 21200-77A65 | 21208-96002 |
| 21200-93J10 | 25500-02500 |

Thermostat

30-28 228 0001 | MTH0056

Application info

100 NX [03/90-10/94]
Almera I/Pulsar I [07/95-07/00]
Almera II [01/00-02/03]
Almera Tino [08/00--]
Primera [P10, W10] [06/90-03/98]
Primera [P11, WP11] [06/96-07/02]
Primera [P12, WP12] [01/02--]

Serena [C23M] [11/92-09/01]
Sunny [B12, N13] [01/86-10/91]
Sunny [B13, N14, Y10] [05/90-09/03]
Vanette [C23] [01/95--]
Sunny [B13, N14, Y10] [05/90-09/03]
Vanette [C23] [09/94--]

Thermostat

36-28 228 0002 | MTH0068

Notes

Opening Temperature [°C] with seal 76.5

References

| | |
|-------------|-------------|
| 21200-0C811 | 21200-60J00 |
| 21200-40F00 | 21200-89J00 |
| 21200-50K00 | 21200-93J00 |
| 21200-53J00 | 21200-93J01 |
| 21200-53J10 | 21200-93J11 |



Application info

100 NX [03/90-10/94]
Primera [P10, W10] [06/90-03/98]
Primera [P11, WP11] [06/96-07/02]

Serena [C23M] [11/92-09/01]
Sunny [B13, N14, Y10] [05/90-09/03]
Terrano II [10/92-06/03]

Thermostat

36-28 228 0005 | MTH0108

Notes

Opening Temperature [°C] 88

References

21200-BX000



Application info

Cube [Z12] [03/10--]
Micra [K11] [01/92-02/03]
Micra [K12] [01/03-06/10]
Note [03/06--]
NV200 [02/10--]

Qashqai I [02/07--]
Tida [01/07--]
Tiida [C11] [05/04-02/07]
NV200 [02/10--]

16-13 220 0020 | MWP0211

Water pump



Notes

with seal

References

21010-00Q0C

Application info

Primastar [03/01--]
Qashqai I [02/07--]

X-Trail [T31] [03/07--]
Primastar [03/01--]

16-13 220 0015 | MWP0208

Water pump



Notes

Impeller Diameter [mm]
Quality

for toothed belt drive
74
with seal
Sealed with SiC/SiC

References

21010-00Q0E

Application info

Kubistar [08/03--]
Note [03/06--]

Qashqai I [02/07--]

16-13 220 0026 | MWP0217

Water pump



Notes

Reinforced Version

for toothed belt drive
with seal

References

21010-00Q0K

Application info

Interstar [07/02--]
Primastar [03/01--]

Interstar [07/02--]
Primastar [03/01--]

Water pump

16-13 220 0023 | MWP0214

Notes

Quality

References

21010-00Q0M

for toothed belt drive
with seal
Sealed with SiC/SiC



Application info

Cube [Z12] [03/10--]
Juke [06/10--]
Note [03/06--]
Note II [06/13--]
NV200 [02/10--]

Pulsar [08/12--]
Qashqai I [02/07--]
Qashqai II [02/14--]
NV200 [02/10--]

Water pump

16-13 220 0028 | MWP0532

Notes

References

15010-00Q1L

with seal

21010-00Q2C



Application info

Qashqai I [02/07--]
Qashqai II [02/14--]

X-Trail [T32] [12/13--]

Water pump

16-13 027 0001 | MWP0189

Notes

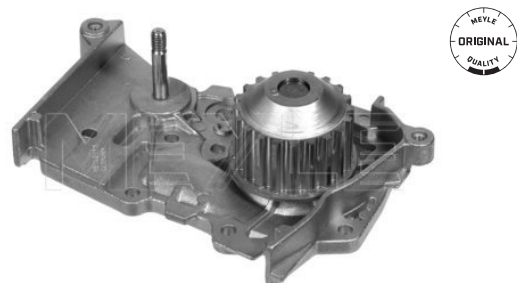
Quality

Number of Teeth

References

21010-00QAA

for toothed belt drive
with seal
Sealed with SiC/SiC
20



16-13 027 0001 | MWP0189

Water pump

Application info

Kubistar (08/03--)

Kubistar (08/03--)

16-13 220 0004 | MWP0201

Water pump



Notes

Quality

for toothed belt drive
with seal
Sealed with SiC/SiC

References

21010-00QAC

Application info

Interstar (07/02--)

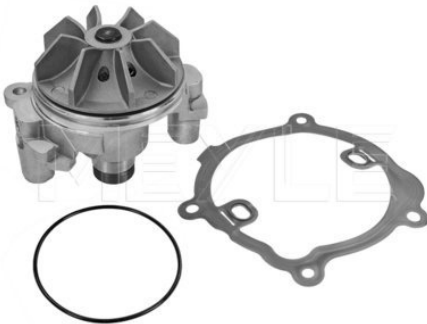
Primastar (03/01--)

Interstar (07/02--)

Primastar (03/01--)

613 600 0003 | MWP0456

Water pump



Notes

Quality

with seal
Sealed with SiC/SiC

References

21010-00QAD

Application info

Interstar (07/02--)

Primastar (03/01--)

Interstar (07/02--)

Primastar (03/01--)

16-13 220 0003 | MWP0200

Water pump



Notes

Impeller Diameter [mm]

Quality

for toothed belt drive
70
with seal
Sealed with SiC/SiC

References

21010-00QAS

21010-BN700

Water pump

16-13 220 0003 | MWP0200

Application info

Almera II [01/00-02/03]
Kubistar [08/03--]

Micra [K12] [01/03-06/10]
Qashqai I [02/07--]

Water pump

16-13 220 0012 | MWP0205

Notes

Quality

for toothed belt drive
with seal
Sealed with SiC/SiC

References

21010-00Q0H
21010-00Q0L
21010-00QAH
21010-00QAK

21010-00QAL
21010-00QAR
21010-00QDA



Application info

Kubistar [08/03--]

Kubistar [08/03--]

Water pump

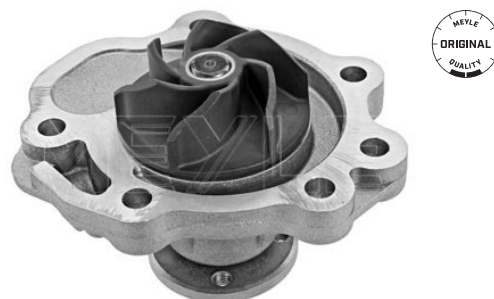
613 220 0008 | MWP0448

Notes

References

21010-4A00F

without gasket / seal



Application info

Pixo [06/09--]

Water pump

36-13 220 0000 | MWP0385

Notes

References

21010-53J00
21010-53J01
21010-53J03
21010-53J04

with seal

21010-53J05
21010-70J00
21010-9F501



5

36-13 220 0000 | MWP0385

Water pump

Application info

100 NX [03/90-10/94]
Almera I/Pulsar I [07/95-07/00]
Almera Tino [08/00--]
Primera [P10, W10] [06/90-03/98]
Primera [P11, WP11] [06/96-07/02]

Serena [C23M] [11/92-09/01]
Sunny [B13, N14, Y10] [05/90-09/03]
Urvan [E24] [06/86-05/97]
Urvan [E24] [06/86-05/97]

36-13 220 0002 | MWP0387

Water pump



Notes

with seal

References

| | |
|-------------|-------------|
| 21010-57J00 | 21010-57J25 |
| 21010-57J01 | 21010-57J26 |
| 21010-57J02 | 21010-57J27 |
| 21010-57J03 | 21010-57J28 |

Application info

Almera I/Pulsar I [07/95-07/00]
Primera [P10, W10] [06/90-03/98]

Primera [P11, WP11] [06/96-07/02]
Sunny [B13, N14, Y10] [05/90-09/03]

11-13 012 0158 | MWP0074

Water pump



Notes

for toothed belt drive
with seal
Sealed with SiC/SiC
20

Quality
Number of Teeth

References

| | |
|-------------|-------------|
| 21010-6F900 | 21010-6F907 |
|-------------|-------------|

Application info

Micra [K11] [01/92-02/03]

Water pump

36-13 210 0011 | MWP0384

Notes

Quality

with seal
Sealed with SiC/SiC

References

| | |
|-------------|-------------|
| 21010-0M300 | 21010-53Y01 |
| 21010-0M301 | 21010-71J00 |
| 21010-0M302 | 21010-74Y00 |
| 21010-53Y00 | 21010-88R10 |



Application info

100 NX [03/90-10/94]
Almera I/Pulsar I [07/95-07/00]
Primera [P10, W10] [06/90-03/98]
Primera [P11, WP11] [06/96-07/02]
Serena [C23M] [11/92-09/01]

Sunny [B12, N13] [01/86-10/91]
Sunny [B13, N14, Y10] [05/90-09/03]
Vanette [C23] [01/95--]
Sunny [B13, N14, Y10] [05/90-09/03]
Vanette [C23] [09/94--]

Water pump

36-13 220 0010 | MWP0394

Notes

for v-belt use
with seal

References

| | |
|-------------|-------------|
| 21010-0F002 | 21010-80G28 |
| 21010-0F003 | 21010-80G85 |
| 21010-7F400 | 21010-80G87 |
| 21010-80G25 | 21010-80G89 |
| 21010-80G26 | 21010-G2404 |
| 21010-80G27 | B1010-80G0E |



Application info

Terrano I [10/87-02/96]

Terrano II [10/92-06/03]

Water pump

36-13 220 0001 | MWP0386

Notes

with seal

References

| | |
|-------------|-------------|
| 21010-22J00 | 21010-V7225 |
| 21010-22J25 | 21010-V7226 |
| 21010-22J26 | 21010-V7228 |
| 21010-28J25 | 21010-V7229 |
| 21010-28J26 | 21010-V7285 |
| 21010-81T00 | 21010-V7286 |
| 21010-81T25 | B1010-81T25 |
| 21010-81T26 | BA010-22J25 |



36-13 220 0001 | MWP0386

Water pump

Application info

Patrol [260] [10/84-03/96]
Patrol GR I [02/88-02/98]

Patrol GR II [06/97-12/07]

36-13 220 0004 | MWP0389

Water pump



Notes

with seal

References

21010-41B00
21010-41B01
21010-41B02

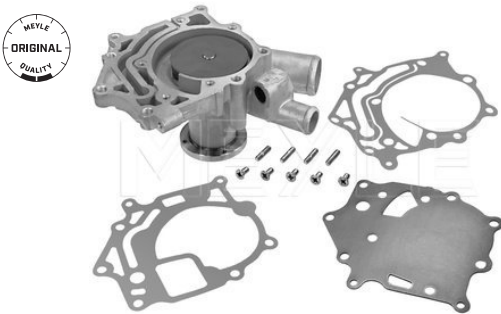
21010-41B03
21010-99B00

Application info

Micra [K11] [01/92-02/03]

36-13 220 0003 | MWP0388

Water pump



Notes

with seal

References

21010-9C600

Application info

Serena [C23M] [11/92-09/01]
Vanette [C23] [01/95--]

Vanette [C23] [09/94--]

36-13 220 0005 | MWP0390

Water pump



Notes

with seal

References

21010-9F600

21010-9F605

Water pump

36-13 220 0005 | MWP0390

Application info

Almera II [01/00-02/03]
Almera Tino [08/00--]

Primera [P11, WP11] [06/96-07/02]
Primera [P12, WP12] [01/02--]

Water pump

16-13 220 0011 | MWP0204

Notes

Quality

References

21010-AW300

for toothed belt drive
with seal
Sealed with SiC/SiC



Application info

Primera [P12, WP12] [01/02--]

Water pump

36-13 220 0012 | MWP0396

Notes

References

21010-AX00A

without gasket / seal

21010-BX000



Application info

Micra [K12] [01/03-06/10]

Note [03/06--]

Water pump

36-13 220 0016 | MWP0519

Notes

References

21010-EB300
21010-EB30A

with seal

21010-VK525



36-13 220 0016 | MWP0519

Water pump

Application info

Navara [D40] [07/05--]

Pathfinder [R51] [01/05--]

36-13 220 0013 | MWP0397

Water pump



Notes

Quality

with seal
Sealed with SiC/SiC

References

21010-EE025

Application info

Cube [Z12] [03/10--]
Juke [06/10--]
Micra [K12] [01/03-06/10]
Micra [K13] [05/10--]

Note [03/06--]
Qashqai I [02/07--]
Tida [01/07--]
Tiida [C11] [05/04-02/07]

36-13 220 0015 | MWP0537

Water pump



Notes

Quality
Number of Ribs

with seal
Sealed with SiC/SiC
7

References

21010-2W225
21010-2W226
21010-2W227
21010-2W228
21010-VG101

21010-VG126
21010-VG127
21010-VG128
B1010-2W20A

Application info

Patrol GR II [06/97-12/07]

Terrano II [10/92-06/03]

Water pump

36-13 220 0007 | MWP0392

Notes

with seal

References

21010-AD200 21010-AD226
21010-AD225 81010-AD226



Application info

Almera II [01/00-02/03]
Almera Tino [08/00--]

Primera [P12, WP12] [01/02--]
X-Trail [T30] [06/01-09/03]

Water pump

16-13 220 0025 | MWP0216

Notes

for v-ribbed belt use
with seal
Sealed with SiC/SiC

Quality

References

B1010-1GZ0A B1010-EN20B



Application info

NV200 [02/10--]
Qashqai I [02/07--]

X-Trail [T31] [03/07--]
NV200 [02/10--]

Air filter

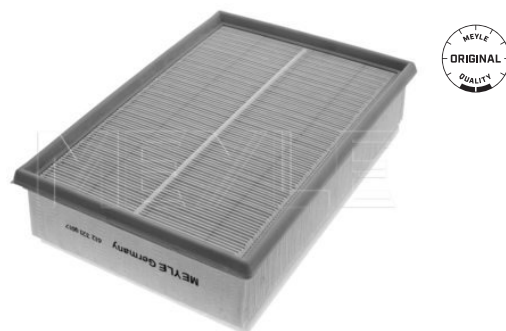
612 321 0017 | MAF0615

Notes

Height [mm] 78
Width [mm] 202
Length [mm] 292
Filter Insert

References

16546-00Q1L



Application info

NV400 [11/11--]

5

612 083 4004 | MAF0579

Air filter



Notes

| | |
|-------------|---------------|
| Height [mm] | 41 |
| Width [mm] | 262 |
| Length [mm] | 316 |
| | Filter Insert |

References

16546-00QAC

Application info

Interstar (07/02--)

Interstar (07/02--)

612 083 4006 | MAF0581

Air filter



Notes

| | |
|-------------|---------------|
| Height [mm] | 42.3 |
| Width [mm] | 102.5 |
| Length [mm] | 310 |
| | Filter Insert |

References

16546-00QAE

16546-00QAP

Application info

Primastar (03/01--)

Primastar (03/01--)

16-12 321 0012 | MAF0234

Air filter



Notes

| | |
|-------------|---------------|
| Height [mm] | 57 |
| Width [mm] | 77 |
| Length [mm] | 188 |
| | Filter Insert |

References

16546-00QAL

Application info

Kubistar (08/03--)

Kubistar (08/03--)

Air filter

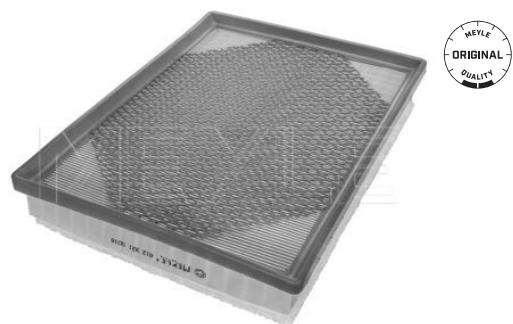
612 321 0016 | MAF0614

Notes

Height [mm] 57
Width [mm] 264
Length [mm] 360
Filter Insert

References

16546-00Q0G 16546-00QAM



Application info

Interstar [07/02--]

Interstar [07/02--]

Air filter

612 321 0015 | MAF0613

Notes

Height [mm] 65
Width [mm] 249
Length [mm] 284
Filter Insert

References

16546-00QAD 16546-00QAT



Application info

Interstar [07/02--]

Interstar [07/02--]

Air filter

16-12 321 0004 | MAF0226

Notes

Height [mm] 80
Width [mm] 140
Width 2 [mm] 98
Length [mm] 176
Filter Insert

References

16546-00QAA 16546-00QAU



Application info

Kubistar [08/03--]
Primastar [03/01--]

Kubistar [08/03--]
Primastar [03/01--]

612 321 0002 | MAF0600

Air filter



Notes

| | |
|-------------|---------------|
| Height [mm] | 57 |
| Width [mm] | 280 |
| Length [mm] | 296 |
| | Filter Insert |

References

| | |
|-------------|-------------|
| 16546-00Q0H | 16546-00Q0H |
|-------------|-------------|

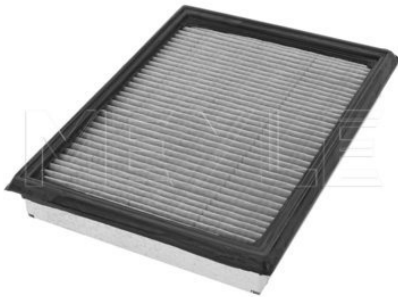
Application info

Primastar [03/01--]

Primastar [03/01--]

36-12 321 0014 | MAF0499

Air filter



Notes

| | |
|-------------|---------------|
| Height [mm] | 33 |
| Width [mm] | 166 |
| Length [mm] | 225 |
| | Filter Insert |

References

16546-30P00

Application info

300 ZX [05/90-09/95]
Almera I/Pulsar I [07/95-07/00]

Juke [06/10--]
Pulsar [08/12--]

36-12 321 0003 | MAF0489

Air filter



Notes

| | |
|-------------|---------------|
| Height [mm] | 31 |
| Width [mm] | 170 |
| Length [mm] | 158 |
| | Filter Insert |

References

| | |
|-------------|-------------|
| 16546-0U800 | 16546-41B01 |
| 16546-0U80A | 16546-AX600 |
| 16546-41B00 | |

Application info

Micra [K11] [01/92-02/03]
Micra [K12] [01/03-06/10]

Note [03/06--]

Air filter

33-12 321 0014 | MAF0470

Notes

| | |
|-------------|---------------|
| Height [mm] | 39 |
| Width [mm] | 142 |
| Length [mm] | 242 |
| | Filter Insert |

References

| | |
|-------------|-------------|
| 16546-4A00C | 16546-4A00F |
|-------------|-------------|



Application info

Pixo [06/09--]

Air filter

36-12 321 0005 | MAF0491

Notes

| | |
|-----------------------|---------------|
| Inner diameter 2 [mm] | 48 |
| Inner diameter 1 [mm] | 90 |
| Inner diameter [mm] | 95 |
| Outer diameter [mm] | 137 |
| Height [mm] | 208 |
| | Filter Insert |

References

16546-6F900



Application info

Micra [K11] [01/92-02/03]

Air filter

36-12 321 0006 | MAF0492

Notes

| | |
|-------------|---------------|
| Height [mm] | 29 |
| Width [mm] | 168 |
| Length [mm] | 228 |
| | Filter Insert |

References

| | |
|-------------|-------------|
| 16546-17B00 | 16546-73C10 |
| 16546-3J410 | 16546-73C11 |
| 16546-3J41A | 16546-AA030 |
| 16546-73C00 | AY120-NS007 |
| 16546-73C01 | |



Application info

100 NX [03/90-10/94]
 200 SX [S14] [10/93-12/99]
 Almera I/Pulsar I [07/95-07/00]
 Primera [P10, W10] [06/90-03/98]

Primera [P11, WP11] [06/96-07/02]
 Sunny [B13, N14, Y10] [05/90-09/03]
 X-Trail [T31] [03/07--]
 Sunny [B13, N14, Y10] [05/90-09/03]

36-12 321 0002 | MAF0488

Air filter



Notes

| | |
|---------------------|---------------|
| Inner diameter [mm] | 71.5 |
| Outer diameter [mm] | 135 |
| Height 1 [mm] | 219 |
| Height [mm] | 236 |
| | Filter Insert |

References

| | |
|-------------|-------------|
| 16546-3S903 | 16546-7F002 |
| 16546-7F000 | |

Application info

Pick Up [022] [01/97-04/05]

Terrano II [10/92-06/03]

36-12 321 0012 | MAF0497

Air filter



Notes

| | |
|-----------------------|---------------|
| Inner diameter 1 [mm] | 62 |
| Inner diameter [mm] | 75 |
| Outer diameter [mm] | 148 |
| Outer diameter 1 [mm] | 135 |
| Height 1 [mm] | 224 |
| Height [mm] | 228 |
| | Filter Insert |

References

| | |
|-------------|-------------|
| 16546-9S000 | 16546-E6810 |
| 16546-9S001 | 16546-VK500 |
| 16546-9S00B | |

Application info

Pick Up [022] [01/97-04/05]

16-12 321 0007 | MAF0229

Air filter



Notes

| | |
|-------------|---------------|
| Height [mm] | 57 |
| Width [mm] | 82 |
| Length [mm] | 378 |
| | Filter Insert |

References

| | |
|-------------|-------------|
| 16546-00QAK | 16546-BN700 |
|-------------|-------------|

Application info

Almera II [01/00-02/03]
Kubistar [08/03--]

Kubistar [08/03--]



Air filter

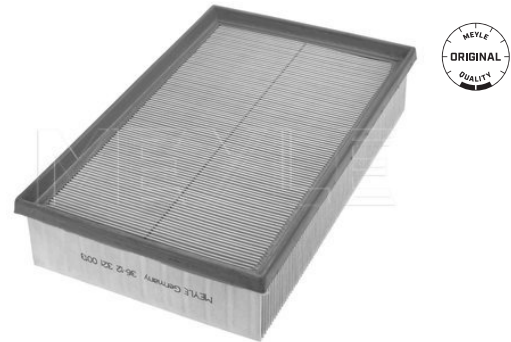
36-12 321 0013 | MAF0498

Notes

| | |
|-------------|---------------|
| Height [mm] | 57 |
| Width [mm] | 180 |
| Length [mm] | 281 |
| | Filter Insert |

References

16546-EB300



Application info

Navara [D40] [07/05--]
NP300 [04/08--]

Pathfinder [R51] [01/05--]
Navara [D40] [10/04--]

Air filter

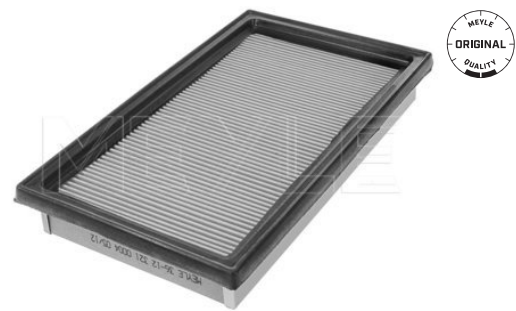
36-12 321 0004 | MAF0490

Notes

| | |
|-------------|---------------|
| Height [mm] | 32.5 |
| Width [mm] | 135 |
| Length [mm] | 232 |
| | Filter Insert |

References

16546-ED000



Application info

Cube [Z12] [03/10--]
Micra [K12] [01/03-06/10]
Note [03/06--]
NV200 [02/10--]

Qashqai I [02/07--]
Tida [01/07--]
Tiida [C11] [05/04-02/07]
NV200 [02/10--]

Air filter

36-12 321 0010 | MAF0495

Notes

| | |
|-------------|---------------|
| Height [mm] | 58 |
| Width [mm] | 163 |
| Length [mm] | 236 |
| | Filter Insert |

References

| | |
|-------------|-------------|
| 16546-JD20A | 16546-JG70A |
| 16546-JD20B | |



Application info

Qashqai I [02/07--]

X-Trail [T31] [03/07--]

34-12 046 0001 | MAF0472

Air filter



Notes

| | |
|-------------|---------------|
| Height [mm] | 33 |
| Width [mm] | 168.5 |
| Length [mm] | 283 |
| | Filter Insert |

References

| | |
|-------------|-------------|
| 16546-0Z000 | 16546-V0100 |
| 16546-3J400 | 16546-V0110 |
| 16546-6J400 | 16546-W2900 |
| 16546-70J10 | |

Application info

100 NX [03/90-10/94]
 200 SX [S13] [07/88-09/94]
 300 SX [01/84-10/90]
 350 Z [09/02-01/07]
 Almera I/Pulsar I [07/95-07/00]
 Almera II [01/00-02/03]
 Almera Tino [08/00--]
 Bluebird D [T72, T12] [12/85-11/92]
 Maxima [A32] [01/95-08/00]
 Maxima [A33] [04/99-11/03]
 Maxima [J30] [10/88-06/94]
 Murano [Z50] [08/03--]
 Murano [Z51] [11/07--]
 Pathfinder [R50] [09/97-12/04]
 Patrol GR I [02/88-02/98]

Pick Up [D21] [09/85-02/98]
 Pick Up [D22] [01/97-04/05]
 Prairie Pro [M11] [10/88-07/94]
 Primera [P10, W10] [06/90-03/98]
 Primera [P11, WP11] [06/96-07/02]
 Primera [P12, WP12] [01/02--]
 Serena [C23M] [11/92-09/01]
 Sunny [B12, N13] [01/86-10/91]
 Sunny [B13, N14, Y10] [05/90-09/03]
 Terrano I [10/87-02/96]
 Terrano II [10/92-06/03]
 Vanette [C23] [01/95--]
 X-Trail [T30] [06/01-09/03]
 Sunny [B13, N14, Y10] [05/90-09/03]
 Vanette [C23] [09/94--]

30-12 321 0015 | MAF0347

Air filter



Notes

| | |
|-------------|---------------|
| Height [mm] | 51 |
| Width [mm] | 119.5 |
| Length [mm] | 250.5 |
| | Filter Insert |

References

17801-21030

Application info

Navara [D40] [07/05--]

Air filter

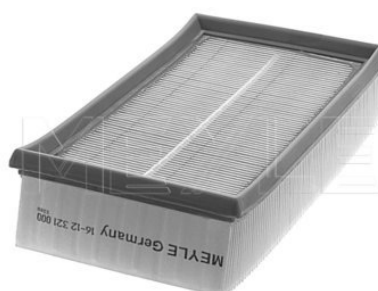
16-12 321 0009 | MAF0231

Notes

Height [mm] 57
Width [mm] 140.5
Length [mm] 239
Filter Insert

References

16546-00QAR 16546-BN70A
16546-BC40A 22324-00QAB
16546-BN701 82004-37229



Application info

Cube [Z12] [03/10--]
Juke [06/10--]
Micra [K12] [01/03-06/10]
Note [03/06--]
Note II [06/13--]

NV200 [02/10--]
Tiida [01/07--]
Tiida [C11] [05/04-02/07]
NV200 [02/10--]

Air filter

36-12 321 0016 | MAF0501

Notes

Inner diameter [mm] 73
Outer diameter [mm] 107
Height [mm] 178
Filter Insert

References

16546-00QAG 77010-65985



Application info

Kubistar [08/03--]

Kubistar [08/03--]

Fuel filter

33-14 323 0001 | MFF0165

Notes

Diameter 1 [mm] Metal
Diameter [mm] 70
Height 1 [mm] 56
Height [mm] 106
60
In-Line Filter

References

15410-84380



Application info

Pixo [06/09--]

314 133 2108 | MFF0146

Fuel filter



Notes

Diameter [mm]
Height [mm]

Steel
80
162
In-Line Filter

References

16400-70J00

Application info

Primera [P10, W10] [06/90-03/98]
Primera [P11, WP11] [06/96-07/02]
Primera [P12, WP12] [01/02--]

Serena [C23M] [11/92-09/01]
Vanette [C23] [01/95--]
Vanette [C23] [09/94--]

36-14 323 0010 | MFF0177

Fuel filter



Notes

Diameter [mm]
Height [mm]

Metal
59
123
In-Line Filter

References

16400-10Y00
16400-72L00

16400-72L05
16400-72L10

Application info

Murano [Z50] [08/03--]
Murano [Z51] [11/07--]

Patrol GR I [02/88-02/98]
Sunny [B13, N14, Y10] [05/90-09/03]

614 323 0000 | MFF0207

Fuel filter



Notes

Diameter [mm]
Height [mm]

with seal
71
92.4
Filter Insert

References

16400-AW300

16400-AW310

Application info

Primera [P12, WP12] [01/02--]

Fuel filter

36-14 323 0004 | MFF0175

Notes

| | |
|-------------------|-----------------|
| Diameter [mm] | Steel |
| Height [mm] | 95 |
| Connecting thread | 154 |
| | 3/4"-16 UNF |
| | Screw-on Filter |

References

| | |
|-------------|-------------|
| 16400-BN303 | 16403-7F401 |
| 16400-BN30B | 16403-7F40A |
| 16403-7F400 | 16403-BN303 |



Application info

Almera II [01/00-02/03]
Almera Tino [08/00--]
Navara [D40] [07/05--]
Pathfinder [R51] [01/05--]
Primera [P12, WP12] [01/02--]

Serena [C23M] [11/92-09/01]
Terrano II [10/92-06/03]
Vanette [C23] [01/95--]
Vanette [C23] [09/94--]

Fuel filter

36-14 323 0012 | MFF0179

Notes

| | |
|---------------|----------------|
| Diameter [mm] | Metal |
| Height [mm] | 97 |
| Inlet Ø [mm] | 120 |
| | 10 |
| | In-Line Filter |

References

| | |
|-------------|-------------|
| 16400-JD50A | 16400-JD52A |
|-------------|-------------|



Application info

Qashqai I [02/07--]

X-Trail [T31] [03/07--]

Fuel filter

614 323 0002 | MFF0208

Notes

| | |
|---------------|----------------|
| Diameter [mm] | Zinc-coated |
| Height [mm] | Steel |
| | 58.8 |
| | 136.5 |
| | In-Line Filter |

References

| | |
|-------------|--------------|
| 16400-JD51A | 16400-JD551A |
|-------------|--------------|



614 323 0002 | MFF0208

Fuel filter

Application info

Kubistar (08/03--)
Primastar (03/01--)

Kubistar (08/03--)
Primastar (03/01--)

36-14 323 0005 | MFF0176

Fuel filter



Notes

Diameter [mm]
Height [mm]

Aluminium
60
120
In-Line Filter

References

| | |
|-------------|----------------|
| 16400-0W000 | 16400-9F927 |
| 16400-0W005 | 16400-9F928 |
| 16400-0W010 | 16400-9F928-KE |
| 16400-0W01A | 16400-00300 |
| 16400-41B00 | 16400-F5100 |
| 16400-41B05 | 16400-G9601 |
| 16400-41B1A | 16400-V2700 |
| 16400-41B25 | 16400-V2705 |
| 16400-41B26 | A640M-41BM0 |
| 16400-9F910 | A640M-41BM0-SA |

Application info

100 NX (03/90-10/94)
200 SX (S13) (07/88-09/94)
200 SX (S14) (10/93-12/99)
300 SX (01/84-10/90)
Almera I/Pulsar I (07/95-07/00)
Almera II (01/00-02/03)
Almera Tino (08/00--)
Bluebird (U11, WU11) (11/83-12/90)
Bluebird D (T72, T12) (12/85-11/92)
Maxima (A32) (01/95-08/00)
Maxima (A33) (04/99-11/03)
Maxima (J30) (10/88-06/94)
Micra (K11) (01/92-02/03)
Micra (K12) (01/03-06/10)
Note (03/06--)
NV200 (02/10--)
Pathfinder (R50) (09/97-12/04)
Pick Up (D21) (09/85-02/98)
Pick Up (D22) (01/97-04/05)

Prairie Pro (M11) (10/88-07/94)
Primera (P10, W10) (06/90-03/98)
Primera (P11, WP11) (06/96-07/02)
Primera (P12, WP12) (01/02--)
Qashqai I (02/07--)
Sunny (B12, N13) (01/86-10/91)
Sunny (B13, N14, Y10) (05/90-09/03)
Terrano II (10/92-06/03)
Tida (01/07--)
Tiida (C11) (05/04-02/07)
Urvan (E23) (07/81-11/98)
Urvan (E24) (06/86-05/97)
X-Trail (T30) (06/01-09/03)
X-Trail (T31) (03/07--)
NV200 (02/10--)
Sunny (B13, N14, Y10) (05/90-09/03)
Urvan (E23) (07/80-11/98)
Urvan (E24) (06/86-05/97)

16-14 323 0007 | MFF0094

Fuel filter



Notes

Diameter [mm]
Height [mm]

Plastic
70
187
In-Line Filter

References

| | |
|-------------|-------------|
| 16400-00QAV | 16400-BN700 |
| 16400-4U105 | 16401-00Q00 |
| 16400-BC40A | 16401-00QAA |

Fuel filter

16-14 323 0007 | MFF0094

Application info

Almera II [01/00-02/03]
Cube [Z12] [03/10--]
Juke [06/10--]
Kubistar [08/03--]
Micra [K12] [01/03-06/10]
Note [03/06--]

NV200 [02/10--]
Tida [01/07--]
Tiida [C11] [05/04-02/07]
Kubistar [08/03--]
NV200 [02/10--]

Fuel filter

30-14 323 0001 | MFF0123

Notes

Diameter [mm]
Height [mm]
Thread Size
Connecting thread

Aluminium
86
140
M36x1,5
3/4"-16 UNF
Screw-on Filter

References

16403-2SA00



Application info

370 Z [06/09-12/13]

Fuel filter

36-14 323 0011 | MFF0178

Notes

Diameter 1 [mm]
Outer diameter [mm]
Height [mm]

with seal
19
77
93
Filter Insert

References

16405-00QAA



Application info

Interstar [07/02--]
Primastar [03/01--]

Interstar [07/02--]
Primastar [03/01--]

614 323 0003 | MFF0209

Fuel filter



Notes

Diameter [mm]
Height [mm]

with seal
69
123.5
Filter Insert

References

16405-00QAB

Application info

Interstar [07/02--]
Primastar [03/01--]

Interstar [07/02--]
Primastar [03/01--]

36-14 323 0001 | MFF0174

Fuel filter



Notes

Diameter [mm]
Height [mm]
Thread Size
Connecting thread

Metal
94
139
3/4"-16 UNF
M36x1,5
Screw-on Filter

References

| | |
|-------------|----------------|
| 16400-18A20 | 16403-59E0A |
| 16400-2W202 | 16403-G2400 |
| 16400-57J05 | 16403-G9900 |
| 16400-VB201 | 16403-G990A |
| 16400-VB20C | 16405-05E01 |
| 16400-VC100 | 16405-59E00 |
| 16400-VC10C | A640C-59EM0 |
| 16403-59E00 | A640C-59EM0-SA |

Application info

Almera I/Pulsar I [07/95-07/00]
Almera II [01/00-02/03]
Almera Tino [08/00--]
Bluebird [U11, WU11] [11/83-12/90]
Bluebird D [T72, T12] [12/85-11/92]
NP300 [04/08--]
Pathfinder [R50] [09/97-12/04]
Patrol [260] [10/84-03/96]
Patrol GR I [02/88-02/98]
Patrol GR II [06/97-12/07]
Pick Up [D21] [09/85-02/98]
Pick Up [D22] [01/97-04/05]
Primera [P10, W10] [06/90-03/98]
Primera [P11, WP11] [06/96-07/02]
Serena [C23M] [11/92-09/01]

Sunny [B12, N13] [01/86-10/91]
Sunny [B13, N14, Y10] [05/90-09/03]
Terrano II [10/92-06/03]
Trade [11/86-09/04]
Urvan [E23] [07/81-11/98]
Urvan [E24] [06/86-05/97]
Vanette [C22] [10/86-12/95]
Vanette [C23] [01/95--]
X-Trail [T30] [06/01-09/03]
Sunny [B13, N14, Y10] [05/90-09/03]
Trade [11/86-09/04]
Urvan [E23] [07/80-11/98]
Urvan [E24] [06/86-05/97]
Vanette [C22] [10/86-12/95]
Vanette [C23] [09/94--]

Fuel filter

16-14 323 0002 | MFF0091

Notes

Diameter [mm]
Height [mm]

Plastic
105
168
In-Line Filter

References

82004-16946



Application info

Interstar [07/02--]

Interstar [07/02--]

Intake hose, turbo charger

16-14 036 0000 | MMX1580

Notes

References

14460-BB30A

Plastic
Turbo
Left
Intercooler

14460-BB31A



Application info

Qashqai I [02/07--]

Intake hose, turbo charger

16-14 036 0002 | MMX1567

Notes

References

14463-J0500

Upper Left
Intercooler



Application info

Qashqai I [02/07--]

16-14 036 0001 | MMX1584

Intake hose, turbo charger



Notes

Right
Intercooler

References

14463-JD52A

14463-JD56A

Application info

Qashqai I [02/07--]

16-14 322 0008 | MOF0080

Oil filter



Notes

Bypass Valve Opening Pressure
[bar]
Outer diameter [mm]
Height [mm]
Thread Size

1
68
58.5
M20x1,5
Screw-on Filter

References

15208-00QAG

Application info

Kubistar [08/03--]

Kubistar [08/03--]

36-14 322 0007 | MOF0160

Oil filter



Notes

Diameter [mm]
Height [mm]
Thread Size

93
129
1"-12 UNF
Screw-on Filter

References

15208-18G00
15208-20N00
15208-20N01
15208-20N02
15208-20N10

15208-20N1A
15208-40L00
15208-40L01
15208-40L02

Oil filter

36-14 322 0007 | MOF0160

Application info

Almera I/Pulsar I [07/95-07/00]
 Pathfinder [R50] [09/97-12/04]
 Patrol [260] [10/84-03/96]
 Patrol GR I [02/88-02/98]
 Patrol GR II [06/97-12/07]
 Pick Up [D21] [09/85-02/98]
 Primera [P10, W10] [06/90-03/98]

Primera [P11, WP11] [06/96-07/02]
 Serena [C23M] [11/92-09/01]
 Sunny [B13, N14, Y10] [05/90-09/03]
 Terrano I [10/87-02/96]
 Vanette [C23] [01/95--]
 Vanette [C23] [09/94--]

Oil filter

35-14 322 0000 | MOF0149

Notes

Bypass Valve Opening Pressure [bar] 1
 Outer diameter [mm] 65.6
 Height [mm] 65.5
 Thread Size M20x1,5
 Screw-on Filter with one anti-return valve

References

15208-3J400XX



Application info

350 Z [09/02-01/07]
 370 Z [06/09-12/13]
 Micra [K13] [05/10--]
 NV200 [02/10--]

Pathfinder [R50] [09/97-12/04]
 Qashqai I [02/07--]
 X-Trail [T31] [03/07--]
 NV200 [02/10--]

Oil filter

36-14 322 0001 | MOF0154

Notes

Diameter [mm] 93
 Height [mm] 129
 Thread Size 3/4"-16 UNF
 Screw-on Filter with one anti-return valve

References

| | |
|-------------|--------------|
| 15208-43G00 | 15208-W1123 |
| 15208-43G0A | 15208-W3401 |
| 15208-65010 | 15208-W3403 |
| 15208-65011 | 15208-Y9701 |
| 15208-65014 | 58610-24090 |
| 15208-7F400 | A520841G0A01 |
| 15208-7F40A | A5208-43G00 |
| 15208-69900 | A5208-43G0A |
| 15208-W1100 | A5208-W3403 |
| 15208-W1120 | AY100-NS010 |



Application info

Pick Up [720] [12/80-03/86]
 Pick Up [D21] [09/85-02/98]
 Pick Up [D22] [01/97-04/05]

Terrano II [10/92-06/03]
 Urvan [E24] [06/86-05/97]
 Urvan [E24] [06/86-05/97]

214 322 0002 | MOF0085

Oil filter



Notes

Bypass Valve Opening Pressure [bar] 1
Outer diameter [mm] 78
Height [mm] 90.5
Thread Size M20x1,5
Screw-on Filter with one anti-return valve

References

15208-6F901 15310-01700
15208-6F905 SU001-00453
15208-6F906

Application info

Micra [K11] [01/92-02/03]

Pathfinder [R50] [09/97-12/04]

36-14 322 0002 | MOF0155

Oil filter



Notes

Diameter [mm] 65.5
Height [mm] 85
Thread Size 3/4"-16 UNF-2B
Screw-on Filter with one anti-return valve

References

15208-53J00 15208-70J0A
15208-53J01 15208-AX625
15208-70J00 15208-BX000A
15208-70J00XX A5208-70J00
15208-70J01 AY100-NS005

Application info

100 NX [03/90-10/94]
Micra [K11] [01/92-02/03]
Micra [K12] [01/03-06/10]
Note [03/06--]

Primera [P10, W10] [06/90-03/98]
Serena [C23M] [11/92-09/01]
Sunny [B13, N14, Y10] [05/90-09/03]

614 322 0000 | MOF0178

Oil filter



Notes

Bypass Valve Opening Pressure [bar] 1
Outer diameter [mm] 65.5
Height [mm] 85.6
Thread Size M20x1,5
Screw-on Filter with one anti-return valve

References

15208-31000 15208-7B000
15208-31U00 15208-9E000
15208-31U01 AY100-NS006

Oil filter

614 322 0000 | MOF0178

Application info

Maxima [A32] [01/95-08/00]
Maxima [A33] [04/99-11/03]

Pathfinder [R50] [09/97-12/04]
Pathfinder [R51] [01/05--]

Oil filter

36-14 322 0008 | MOF0161

Notes

Bypass Valve Opening Pressure [bar] 1
Diameter [mm] 65
Height [mm] 70
Thread Size M20x1,5
Screw-on Filter with one anti-return valve

References

| | |
|-------------|-------------|
| 15208-3J400 | 15208-65F0B |
| 15208-65F00 | 15208-65F10 |
| 15208-65F01 | 15208-7M600 |
| 15208-65F0A | 15208-9F600 |



Application info

200 SX [S14] [10/93-12/99]
350 Z [09/02-01/07]
370 Z [06/09-12/13]
Almera I/Pulsar I [07/95-07/00]
Almera II [01/00-02/03]
Almera Tino [08/00--]
Cube [Z12] [03/10--]
Juke [06/10--]
Micra [K12] [01/03-06/10]
Micra [K13] [05/10--]
Murano [Z50] [08/03--]
Murano [Z51] [11/07--]
Note [03/06--]

NV200 [02/10--]
Pathfinder [R50] [09/97-12/04]
Pick Up [D21] [09/85-02/98]
Pick Up [D22] [01/97-04/05]
Primera [P11, WP11] [06/96-07/02]
Primera [P12, WP12] [01/02--]
Qashqai I [02/07--]
Tiida [01/07--]
Tiida [C11] [05/04-02/07]
X-Trail [T30] [06/01-09/03]
X-Trail [T31] [03/07--]
NV200 [02/10--]

Oil filter

36-14 322 0005 | MOF0158

Notes

Inner diameter [mm] 32
Outer diameter [mm] 73
Height [mm] 73.5
with seal
Filter Insert

References

| | |
|-------------|-------------|
| 15208-5M300 | 15208-AD300 |
| 15208-AD200 | 15208-BN31A |
| 15208-AD20A | 15209-AD200 |



Application info

Almera II [01/00-02/03]
Almera Tino [08/00--]
Pick Up [D22] [01/97-04/05]

Primera [P12, WP12] [01/02--]
X-Trail [T30] [06/01-09/03]

36-14 322 0003 | MOF0156

Oil filter



Notes

Bypass Valve Opening Pressure [bar] 1
 Diameter [mm] 94
 Height [mm] 94
 Thread Size 3/4"-16 UNF
 Screw-on Filter with one anti-return valve

References

15208-BN300 15208-BN30A

Application info

Almera II [01/00-02/03]
 Almera Tino [08/00--]
 Murano [Z51] [11/07--]
 Navara [D40] [07/05--]
 Pathfinder [R51] [01/05--]

Pick Up [D22] [01/97-04/05]
 Primera [P12, WP12] [01/02--]
 X-Trail [T30] [06/01-09/03]
 Navara [D40] [10/04--]

37-14 322 0009 | MOF0169

Oil filter



Notes

Bypass Valve Opening Pressure [bar] 1
 Diameter [mm] 68
 Height [mm] 75
 Thread Size M20x1,5
 Screw-on Filter with one anti-return valve

References

15208-HC430

Application info

X-Trail [T31] [03/07--]

614 322 0013 | MOF0190

Oil filter



Notes

with seal
 Inner diameter [mm] 24.5
 Outer diameter [mm] 57.5
 Height [mm] 112
 Filter Insert

References

15209-00Q0A

Oil filter

614 322 0013 | MOF0190

Application info

Interstar (07/02--)
Primastar (03/01--)
Qashqai I (02/07--)

X-Trail (T31) (03/07--)
Interstar (07/02--)
Primastar (03/01--)

Oil filter

614 322 0018 | MOF0194

Notes

| | | |
|---------------------|---------------|------|
| Diameter [mm] | with seal | 57.5 |
| Inner diameter [mm] | | 23.5 |
| Height [mm] | | 113 |
| | Filter Insert | |

References

| | |
|-------------|-------------|
| 15209-00Q00 | 15209-00Q06 |
|-------------|-------------|



Application info

NV400 (11/11--)
Qashqai I (02/07--)

Qashqai II (02/14--)
X-Trail (T32) (12/13--)

Oil filter

16-14 322 0012 | MOF0231

Notes

| | | |
|---------------------|---------------|------|
| Inner diameter [mm] | with seal | 20.5 |
| Outer diameter [mm] | | 90 |
| Height [mm] | | 63.5 |
| | Filter Insert | |

References

| | |
|------------|-------------|
| 1520800Q1E | 15209-00Q0F |
|------------|-------------|



Application info

Juke (06/10--)
Pulsar (08/12--)

Qashqai II (02/14--)

614 322 0014 | MOF0191

Oil filter



Notes

| | |
|-----------------------|---------------|
| Inner diameter 2 [mm] | with seal |
| Inner diameter 1 [mm] | 33.5 |
| Outer diameter [mm] | 33.5 |
| Height [mm] | 91 |
| | 91.5 |
| | Filter Insert |

References

| | |
|-------------|-------------|
| 15209-00Q0B | 77014-72321 |
| 15209-00QAA | |

Application info

Interstar [07/02--]
Primastar [03/01--]

Interstar [07/02--]
Primastar [03/01--]

16-14 322 0006 | MOF0079

Oil filter



Notes

| | |
|---------------------|---------------|
| Inner diameter [mm] | with seal |
| Outer diameter [mm] | 29 |
| Height [mm] | 82 |
| | 105 |
| | Filter Insert |

References

| | |
|-------------|-------------|
| 15209-00QAC | 15209-MA70A |
| 15209-2W200 | |

Application info

Interstar [07/02--]
Patrol GR II [06/97-12/07]

Terrano II [10/92-06/03]
Interstar [07/02--]

16-14 322 0000 | MOF0075

Oil filter



Notes

| | |
|-------------------------------------|-----------------|
| Bypass Valve Opening Pressure [bar] | 1 |
| Outer diameter [mm] | 76 |
| Height [mm] | 50.6 |
| Thread Size | M20x1,5 |
| | Screw-on Filter |

References

| | |
|-------------|-------------|
| 15208-00Q00 | 15208-00QAF |
| 15208-00Q0F | 15208-AW300 |
| 15208-00Q0G | 15208-BN700 |
| 15208-00QAB | 82000-33408 |
| 15208-00QAC | 82000-33468 |

Oil filter

16-14 322 0000 | MOF0075

Application info

Almera II [01/00-02/03]
 Cube [Z12] [03/10--]
 Interstar [07/02--]
 Juke [06/10--]
 Kubistar [08/03--]
 Micra [K12] [01/03-06/10]
 Note [03/06--]
 NV200 [02/10--]
 Primastar [03/01--]

Primera [P12, WP12] [01/02--]
 Qashqai I [02/07--]
 Tida [01/07--]
 Tiida [C11] [05/04-02/07]
 Interstar [07/02--]
 Kubistar [08/03--]
 NV200 [02/10--]
 Primastar [03/01--]

Oil filter

36-14 322 0004 | MOF0157

Notes

Diameter [mm] 83
 Height 1 [mm] 100
 Height [mm] 102
 Thread Size 3/4"-16 UNF
 Screw-on Filter
 with one anti-return valve

References

| | |
|-------------|---------------|
| 15208-55Y00 | 15208-H8903 |
| 15208-60U00 | 15208H-8903JP |
| 15208-60U01 | 15208-H8910 |
| 15208-71J00 | 15208-H8912 |
| 15208-71J06 | A5208-H8903 |
| 15208-AA000 | A5208-H8904 |
| 15208-G3100 | A5208-H890C |
| 15208-H8901 | |



Application info

100 NX [03/90-10/94]
 300 SX [01/84-10/90]
 300 ZX [05/90-09/95]
 Almera I/Pulsar I [07/95-07/00]
 Maxima [J30] [10/88-06/94]
 Pick Up [D21] [09/85-02/98]
 Pick Up [D22] [01/97-04/05]
 Prairie Pro [M11] [10/88-07/94]
 Primera [P10, W10] [06/90-03/98]
 Primera [P11, WP11] [06/96-07/02]
 Serena [C23M] [11/92-09/01]
 Sunny [B12, N13] [01/86-10/91]
 Sunny [B13, N14, Y10] [05/90-09/03]

Terrano I [10/87-02/96]
 Terrano II [10/92-06/03]
 Urvan [E23] [07/81-11/98]
 Urvan [E24] [06/86-05/97]
 Vanette [C22] [10/86-12/95]
 Vanette [C23] [01/95--]
 Vanette [KC120] [07/81-12/87]
 Sunny [B13, N14, Y10] [05/90-09/03]
 Urvan [E23] [07/80-11/98]
 Urvan [E24] [06/86-05/97]
 Vanette [C22] [10/86-12/95]
 Vanette [C23] [09/94--]
 Vanette [KC120] [06/81-12/87]

35-14 322 0002 | MOF0151

Oil filter



Notes

| | |
|-------------------------------------|---|
| Bypass Valve Opening Pressure [bar] | 1 |
| Diameter 1 [mm] | 80 |
| Diameter [mm] | 83 |
| Height 1 [mm] | 74 |
| Height [mm] | 76.1 |
| Thread Size | M20x1,5 |
| | Screw-on Filter |
| | Main Stream Filtration with one anti-return valve |

References

Y7011-4302

Application info

370 Z (06/09-12/13)

32-14 322 0006 | MOF0139

Oil filter



Notes

| | |
|-------------------------------------|----------------------------|
| Bypass Valve Opening Pressure [bar] | 1 |
| Diameter 1 [mm] | 68 |
| Diameter [mm] | 70.7 |
| Height 1 [mm] | 85 |
| Height [mm] | 86.3 |
| Thread Size | M20x1,5 |
| | Screw-on Filter |
| | with one anti-return valve |

Application info

Trade (11/86-09/04)

Trade (11/86-09/04)

16-14 030 0026 | MEM0311

Engine mount



Notes

Rubber-metal Bearing Left

References

11220-BN700

11220-BN700

Engine mount

16-14 030 0026 | MEM0311

Application info

Almera II [01/00-02/03]
Cube [Z12] [03/10--]
Micra [K12] [01/03-06/10]
Note [03/06--]

NV200 [02/10--]
Tiida [01/07--]
Tiida [C11] [05/04-02/07]
NV200 [02/10--]

Engine mount

16-14 030 2082 | MEM0799

Notes

Rubber-metal Bearing
Hydro Bearing
Right

References

11270-00QAA



Application info

Kubistar [08/03--]

Kubistar [08/03--]

Engine mount

16-14 030 0031 | MEM0315

Notes

Rubber-metal Bearing
Rear

References

11360-EM00A



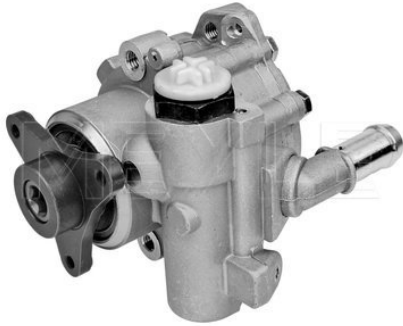
Application info

Cube [Z12] [03/10--]
Note [03/06--]

Tida [01/07--]
Tiida [C11] [05/04-02/07]

16-14 631 0001 | MHP0115

Hydraulic pump, P/S



Notes

Operating Pressure [bar]

Hydraulic
120

References

4911000Q1L

4911000QAK

Application info

Interstar [07/02--]
Primastar [03/01--]

Interstar [07/02--]
Primastar [03/01--]

16-14 620 0001 | MSX0077

Steering boot



Notes

Inner diameter 2 [mm]
Inner diameter 1 [mm]
Height [mm]

with accessories
10
10
165
Front Axle Right
Front Axle Left

References

48203-00QAD

77014-70361

Application info

Interstar [07/02--]

Interstar [07/02--]

36-14 620 0000 | MSK0049

Steering boot kit



Notes

Inner diameter 2 [mm]
Inner diameter 1 [mm]
Height [mm]

with accessories
47
12
190
Front Axle Left
Front Axle Right

References

48203Q9025

Application info

Primera [P10, W10] [06/90-03/98]

Primera [P11, WP11] [06/96-07/02]

Steering boot kit

31-14 620 0000 | MSK0047

Notes

| | |
|-----------------------|------------------|
| Inner diameter 2 [mm] | with accessories |
| Inner diameter 1 [mm] | 44 |
| Height [mm] | 9 |
| | 160 |

References

4820453A00



Application info

Sunny [B12, N13] [01/86-10/91]

Axial rod

36-16 031 0017 | MAR0379

Notes

| | |
|----------------------|------------------|
| Thread Measurement 2 | M12x1,25 |
| Thread Measurement 1 | M16x1 |
| Length [mm] | 217.5 |
| | Front Axle Left |
| | Front Axle Right |

References

| | |
|--------------|--------------|
| 48001-1KA0A* | 48001-1KA0D |
| 48001-1KA0B* | 48001-1KE0B* |



Application info

Juke [06/10--]

Axial rod

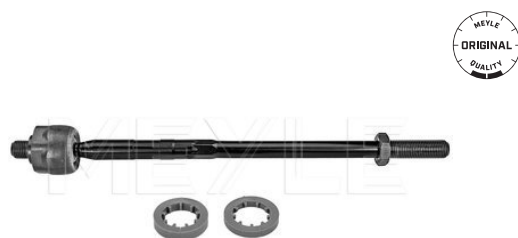
16-16 031 0007 | MAR0111

Notes

| | |
|----------------------|------------------|
| Thread Measurement 2 | M14x1,5 |
| Thread Measurement 1 | M14x1,5 |
| Length [mm] | 309 |
| | Front Axle Right |
| | Front Axle Left |

References

| | |
|------------|------------|
| 48001AX702 | 48001BC43A |
| 48001AY612 | 48001BC46A |



Application info

Micra [K12] [01/03-06/10]

16-16 031 0033/HD | MAR0497HD

Axial rod



Notes

Thread Measurement 2
Thread Measurement 1
Length [mm]

M14x1,5
M14x1,5
309
Front Axle Left
Front Axle Right

Reinforced Version

References

48001AX702
48001AY612

48001BC43A
48001BC46A

Application info

Micra [K12] [01/03-06/10]

36-16 031 0010 | MAR0257

Axial rod



Notes

Thread Measurement 2
Thread Measurement 1
Length [mm]

M14x1,5
M22x1,5
233
Front Axle Right
Front Axle Left

References

48001-JD900
08521-JD00B

08521-JG00A

Application info

Qashqai I [02/07--]

X-Trail [T31] [03/07--]

36-16 031 0020/HD | MAR0521HD

Axial rod



Notes

Thread Measurement 2
Thread Measurement 1
Length [mm]

M14x1,5
M22x1,5
233
Front Axle Left
Front Axle Right

Reinforced Version

References

48001-JD900
08521-JD00B

08521-JG00A

Application info

Qashqai I [02/07--]

X-Trail [T31] [03/07--]

Axial rod

16-16 031 0004 | MAR0108

Notes

Thread Measurement 2
Thread Measurement 1
Length [mm]

M14x1,5
M12x1
263
Front Axle Right
Front Axle Left

References

48520-00QAM



Application info

Primastar [03/01--]

Primastar [03/01--]

Axial rod

16-16 031 0037/HD | MAR0501HD

Notes

Thread Measurement 2
Thread Measurement 1
Length [mm]

M14x1,5
M12x1
263
Front Axle Left
Front Axle Right

Reinforced Version

References

48520-00QAM



Application info

Primastar [03/01--]

Primastar [03/01--]

Axial rod

16-16 031 0011 | MAR0115

Notes

Thread Measurement 2
Thread Measurement 1
Manufacturer Restriction
Length [mm]

M14x1,5
M12x1
TRW
303
Front Axle Right
Front Axle Left

References

48521-00QAA



Application info

Kubistar [08/03--]

Kubistar [08/03--]

616 031 0006 | MAR0316

Axial rod



Notes

Thread Measurement 2
Thread Measurement 1
Length [mm]

M16x1,5
M14x1,5
175
Front Axle Right
Front Axle Left

References

48521-00QAF

Application info

Interstar [07/02--]

Interstar [07/02--]

16-16 031 0008 | MAR0112

Axial rod



Notes

Thread Measurement 2
Thread Measurement 1
Manufacturer Restriction
Length [mm]

M14x1,5
M12x1
SMI
303
Front Axle Right
Front Axle Left

References

48521-00QAG

Application info

Kubistar [08/03--]

Kubistar [08/03--]

36-16 031 0064 | MAR0259

Axial rod



Notes

Thread Measurement 2
Thread Measurement 1
Length [mm]

M12x1,25
M14x1,5
200
Front Axle Right
Front Axle Left

References

48521-3U025

Application info

Cube [Z12] [03/10--]
Micra [K13] [05/10--]
Note [03/06--]
NV200 [02/10--]

Tida [01/07--]
Tiida [C11] [05/04-02/07]
NV200 [02/10--]

Axial rod
36-16 031 0005 | MAR0254
Notes

Thread Measurement 2 M14x1,5
Thread Measurement 1 M16x1
Length [mm] 287
Front Axle Right
Front Axle Left

References

| | |
|-------------|-------------|
| 48521-4M500 | 48521-8H300 |
| 48521-4M527 | 48521-8H325 |
| 48521-4M528 | 48521-8H328 |
| 48521-4M587 | 48521-8H385 |
| 48521-4M588 | 48521-8H386 |


Application info

Almera II [01/00-02/03]

X-Trail [T30] [06/01-09/03]

Axial rod
36-16 031 0008 | MAR0255
Notes

Thread Measurement 2 M14x1,5
Thread Measurement 1 M16x1
Length [mm] 305
Front Axle Right
Front Axle Left

References

| | |
|-------------|-------------|
| 48521-4U110 | 48521-4U186 |
| 48521-4U185 | |


Application info

Almera Tino [08/00--]

Axial rod
36-16 030 0009 | MAR0249
Notes

Thread Measurement 2 M12x1,25
Thread Measurement 1 M16x1
Length [mm] 275
Front Axle Right
Front Axle Left

References

| | |
|-------------|-------------|
| 48521-50000 | 48521-50Y25 |
| 48521-50400 | 48521-50Y26 |
| 48521-50Y00 | 48521-Y0260 |


Application info

100 NX [03/90-10/94]

Almera I/Pulsar I [07/95-07/00]

Primera [P10, W10] [06/90-03/98]

Sunny [B13, N14, Y10] [05/90-09/03]

Sunny [B13, N14, Y10] [05/90-09/03]

36-16 031 0069 | MAR0362

Axial rod



Notes

Thread Measurement 2
Thread Measurement 1
Length [mm]

M14x1,5
M16x1
282
Front Axle Right
Front Axle Left

References

48521-CB025
48521-CB026

48521-CB027

Application info

Murano [Z50] [08/03--]

36-16 030 0022 | MAR0250

Axial rod



Notes

Thread Measurement 2
Thread Measurement 1
Length [mm]

M16x1,5
M20x1
203
Front Axle Right
Front Axle Left

References

48521-EA000

Application info

Navara [D40] [07/05--]
Pathfinder [R51] [01/05--]

Navara [D40] [10/04--]

36-16 031 0009 | MAR0256

Axial rod



Notes

Thread Measurement 2
Thread Measurement 1
Length [mm]

M12x1,25
M18x1,5
280
Front Axle Right
Front Axle Left

References

49001-AV610*

49001-BA210*

Application info

Primera [P12, WP12] [01/02--]

Axial rod

36-16 031 0068 | MAR0356

Notes

| | |
|----------------------|------------------|
| Thread Measurement 2 | M12x1,25 |
| Thread Measurement 1 | M14x1,5 |
| Length [mm] | 226 |
| | Front Axle Right |
| | Front Axle Left |

References

| | |
|-------------|-------------|
| D8521-1HA0A | D8521-1HJ0A |
|-------------|-------------|



Application info

Micra [K13] [05/10--]

Axial rod

35-16 031 0022 | MAR0247

Notes

| | |
|----------------------|-------------------------------------|
| Thread Measurement 2 | M12x1,25 |
| Thread Measurement 1 | M16x1 |
| Length [mm] | 323 |
| | for vehicles without power steering |
| | Front Axle Right |
| | Front Axle Left |



Application info

Navara [D40] [07/05--]
Pathfinder [R51] [01/05--]

Navara [D40] [10/04--]

Tie rod assembly

36-16 030 0014 | MTA0180

Notes

| | |
|----------------------|------------------|
| Thread Measurement 2 | M12x1,25 |
| Thread Measurement 1 | M12x1,25 |
| | Front Axle Right |
| | Front Axle Left |

References

| | |
|-------------|-------------|
| 48510-31G25 | 48630-31G25 |
| 48510-61G25 | |



Application info

Pick Up [D21] [09/85-02/98]

Terrano I [10/87-02/96]

616 020 0006 | MTE0477

Tie rod end



Notes

Thread Measurement 2
Thread Measurement 1
Length [mm]

M16x1,5
M14x1,5
220
Front Axle Left

References

48520-00QAH

Counterpart

616 020 0008 | MTE0479

Application info

Interstar (07/02--)

Interstar (07/02--)

616 020 0008 | MTE0479

Tie rod end



Notes

Thread Measurement 2
Thread Measurement 1
Length [mm]

M16x1,5
M14x1,5
223
Front Axle Right

References

48520-00QAJ

Counterpart

616 020 0006 | MTE0477

Application info

Interstar (07/02--)

Interstar (07/02--)

16-16 020 0009/HD | MTE0190HD

Tie rod end



Notes

Thread Measurement 2
Thread Measurement 1
Length [mm]

M14x1,5
M10x1,25
210
Front Axle Left

Reinforced Version

References

48520-00QAK

Counterpart

16-16 020 0008/HD | MTE0189HD

Application info

Primastar (03/01--)

Primastar (03/01--)



Tie rod end

16-16 020 0008/HD | MTE0189HD

Notes

Thread Measurement 2
Thread Measurement 1
Length [mm]

M14x1,5
M10x1,25
210
Front Axle Right

Reinforced Version

References

48520-00QAL

Counterpart

16-16 020 0009/HD | MTE0190HD



Application info

Primastar [03/01--]

Primastar [03/01--]

Tie rod end

16-16 020 0006 | MTE0187

Notes

Thread Measurement 2
Thread Measurement 1
Length [mm]

M14x1,5
M10x1,25
90
for vehicles with power steering
Front Axle Left

References

48520-00QAN

Counterpart

16-16 020 0000 | MTE0183



Application info

Kubistar [08/03--]

Kubistar [08/03--]

Tie rod end

16-16 020 0000 | MTE0183

Notes

Thread Measurement 2
Thread Measurement 1
Length [mm]

M14x1,5
M10x1,25
90
for vehicles with power steering
Front Axle Right

References

48520-00QAP

Counterpart

16-16 020 0006 | MTE0187



Application info

Kubistar [08/03--]

Kubistar [08/03--]

36-16 020 0053 | MTE0403

Tie rod end



Notes

Thread Measurement 2
Thread Measurement 1
Length [mm]

M12x1,25
M12x1,25
96
Front Axle Right
Front Axle Left

References

| | |
|-------------|-------------|
| 48520-01E00 | 48520-35F25 |
| 48520-01E25 | 48520-50Y25 |
| 48520-01E26 | 48520-00100 |
| 48520-02E00 | 48520-00125 |
| 48520-02E25 | 48520-00126 |
| 48520-02E26 | 48520-09000 |
| 48520-0M025 | |

Application info

100 NX [03/90-10/94]
Almera I/Pulsar I [07/95-07/00]
Bluebird [U11, WU11] [11/83-12/90]
Bluebird D [T72, T12] [12/85-11/92]

Sunny [B12, N13] [01/86-10/91]
Sunny [B13, N14, Y10] [05/90-09/03]
Sunny [B13, N14, Y10] [05/90-09/03]

36-16 020 0086 | MTE0409

Tie rod end



Notes

Thread Measurement 2
Thread Measurement 1
Length [mm]

M14x1,5
M12x1,25
95
Front Axle Right
Front Axle Left

References

| | |
|-------------|-------------|
| 48520-0C000 | 48520-15U25 |
| 48520-0C025 | 48520-15U26 |
| 48520-0M085 | 08520-15U26 |

Application info

Almera I/Pulsar I [07/95-07/00]
Almera II [01/00-02/03]
Almera Tino [08/00--]

Maxima [A32] [01/95-08/00]
Maxima [A33] [04/99-11/03]

36-16 020 0008 | MTE0393

Tie rod end



Notes

Thread Measurement 2
Thread Measurement 1
Length [mm]

with right-hand thread
M16x1,5
M12x1,25
134
Front Axle Right
Front Axle Left

References

| | |
|-------------|-------------|
| 48520-31G25 | 48520-7F000 |
| 48520-61G25 | |

Tie rod end

36-16 020 0008 | MTE0393

Application info

Pick Up (021) (09/85-02/98)
Terrano I (10/87-02/96)

Terrano II (10/92-06/03)

Tie rod end

616 020 0009 | MTE0480

Notes

Thread Measurement 2
Thread Measurement 1
Length [mm]

M12x1,25
M12x1,25
72
Front Axle Right
Front Axle Left

References

485204A00B



Application info

Pixo (06/09--)

Tie rod end

36-16 020 0070 | MTE0404

Notes

Thread Measurement 2
Thread Measurement 1
Length [mm]

M12x1,25
M10x1,25
91
Front Axle Right
Front Axle Left

References

48520-4F125

48520-6F625



Application info

Micra (K11) (01/92-02/03)

Tie rod end

36-16 020 0077 | MTE0405

Notes

Thread Measurement 2
Thread Measurement 1
Length [mm]

M12x1,25
M12x1,25
95
Front Axle Right
Front Axle Left

References

48520-73J25

48520-76J25



6

36-16 020 0077 | MTE0405

Tie rod end

Application info

Primera [P10, W10] [06/90-03/98]
Primera [P11, WP11] [06/96-07/02]
Primera [P12, WP12] [01/02--]

Serena [C23M] [11/92-09/01]
Vanette [C23] [01/95--]
Vanette [C23] [09/94--]

36-16 020 0090/HD | MTE0411HD

Tie rod end



Notes

Thread Measurement 2
Thread Measurement 1
Length [mm]

M14x1,5
M10x1,25
200
Front Axle Right

Reinforced Version

References

48520-AX600

Counterpart

36-16 020 0081/HD | MTE0407HD

Application info

Micra [K12] [01/03-06/10]

16-16 020 0016 | MTE0197

Tie rod end



Notes

Thread Measurement 2
Thread Measurement 1
Length [mm]

M14x1,5
M10x1,25
90
Front Axle Right

References

48520-AX602

Counterpart

16-16 020 0014 | MTE0195

Application info

Micra [K12] [01/03-06/10]



Tie rod end

36-16 020 0084 | MTE0408

Notes

Thread Measurement 2
Thread Measurement 1
Length [mm]

M12x1,25
M12x1,25
100
Front Axle Right
Front Axle Left

References

48520-4Z025

48520-BM425



Application info

Almera II [01/00-02/03]

Tie rod end

36-16 020 0017 | MTE0397

Notes

Thread Measurement 2
Thread Measurement 1
Length [mm]

M16x1,5
M14x1,5
183
Front Axle Left

References

48520-EA01J

Counterpart

36-16 020 0018 | MTE0398



Application info

Navara [D40] [07/05--]
Pathfinder [R51] [01/05--]

Navara [D40] [10/04--]

Tie rod end

36-16 020 0028 | MTE0400

Notes

Thread Measurement 2
Thread Measurement 1
Length [mm]

M12x1,25
M10x1,25
197
Front Axle Right

References

48520-3U025
48527-1U61A

08520-EW00A

Counterpart

36-16 020 0027 | MTE0399



Application info

Cube [Z12] [03/10--]
Micra [K12] [01/03-06/10]
Note [03/06--]
NV200 [02/10--]

Tida [01/07--]
Tiida [C11] [05/04-02/07]
NV200 [02/10--]

36-16 020 0036 | MTE0654

Tie rod end



Notes

Thread Measurement 2 M12x1,25
Thread Measurement 1 M10x1,25
Length [mm] 178,5
Front Axle Right

References

48527-3VU0A 08520-1HA0A

Counterpart

36-16 020 0035 | MTE0653

Application info

Micra [K13] [05/10--]

Note II [06/13--]

36-16 020 0091 | MTE0412

Tie rod end



Notes

Thread Measurement 2 M14x1,5
Thread Measurement 1 M10x1,25
Length [mm] 181
Front Axle Right

References

48527-JD01A

Counterpart

36-16 020 0092 | MTE0413

Application info

Qashqai I [02/07--]

X-Trail [T31] [03/07--]

36-16 020 0009 | MTE0394

Tie rod end



Notes

Thread Measurement 2 with left-hand thread
Thread Measurement 1 M16x1,5
Length [mm] M12x1,25
131
Front Axle Right
Front Axle Left

References

48520-7F001 48570-31G25
48521-31G25 48570-61G25

Application info

Pick Up [021] [09/85-02/98]
Terrano I [10/87-02/96]

Terrano II [10/92-06/03]

Tie rod end

36-16 020 0081/HD | MTE0407HD

Notes

Thread Measurement 2 M14x1,5
Thread Measurement 1 M10x1,25
Length [mm] 200
Reinforced Version Front Axle Left

References

48640-AX600

Counterpart

36-16 020 0090/HD | MTE0411HD



Application info

Micra [K12] [01/03-06/10]

Tie rod end

16-16 020 0014 | MTE0195

Notes

Thread Measurement 2 M14x1,5
Thread Measurement 1 M10x1,25
Length [mm] 90
Front Axle Left

References

48640-AX602

Counterpart

16-16 020 0016 | MTE0197



Application info

Micra [K12] [01/03-06/10]

Tie rod end

36-16 020 0018 | MTE0398

Notes

Thread Measurement 2 M16x1,5
Thread Measurement 1 M14x1,5
Length [mm] 183
Front Axle Right

References

48640-EA01J

Counterpart

36-16 020 0017 | MTE0397



Application info

Navara [D40] [07/05--]
Pathfinder [R51] [01/05--]

Navara [D40] [10/04--]

36-16 020 0027 | MTE0399

Tie rod end



Notes

| | |
|----------------------|-----------------|
| Thread Measurement 2 | M12x1,25 |
| Thread Measurement 1 | M10x1,25 |
| Length [mm] | 197 |
| | Front Axle Left |

References

| | |
|-------------|-------------|
| 48640-3U025 | D8640-EW00A |
| 48647-1U61A | |

Counterpart

36-16 020 0028 | MTE0400

Application info

| | |
|---------------------------|---------------------------|
| Cube [Z12] [03/10--] | Tida [01/07--] |
| Micra [K12] [01/03-06/10] | Tiida [C11] [05/04-02/07] |
| Note [03/06--] | NV200 [02/10--] |
| NV200 [02/10--] | |

36-16 020 0035 | MTE0653

Tie rod end



Notes

| | |
|----------------------|-----------------|
| Thread Measurement 2 | M12x1,25 |
| Thread Measurement 1 | M10x1,25 |
| Length [mm] | 178.5 |
| | Front Axle Left |

References

| | |
|-------------|-------------|
| 48647-3VU0A | D8640-1HA0A |
|-------------|-------------|

Counterpart

36-16 020 0036 | MTE0654

Application info

| | |
|-----------------------|-------------------|
| Micra [K13] [05/10--] | Note II [06/13--] |
|-----------------------|-------------------|

36-16 020 0092 | MTE0413

Tie rod end



Notes

| | |
|----------------------|-----------------|
| Thread Measurement 2 | M14x1,5 |
| Thread Measurement 1 | M10x1,25 |
| Length [mm] | 181 |
| | Front Axle Left |

References

48647-JD01A

Counterpart

36-16 020 0091 | MTE0412

Application info

| | |
|---------------------|-------------------------|
| Qashqai I [02/07--] | X-Trail [T31] [03/07--] |
|---------------------|-------------------------|

Tie rod end

36-16 020 0088 | MTE0410

Notes

Thread Measurement 2 M14x1,5
Thread Measurement 1 M14x1,5
Length [mm] 95
Outer
Front Axle Right
Front Axle Left

References

| | |
|-------------|-------------|
| 48520-0P725 | 48520-0P725 |
| 48520-0W025 | 08520-0P725 |
| 48520-3S500 | 08520-0W025 |
| 48520-3S525 | 08520-VK90A |



Application info

Pathfinder [R50] [09/97-12/04]
Pick Up [D22] [01/97-04/05]

X-Trail [T30] [06/01-09/03]

Tie rod end

36-16 020 0015 | MTE0396

Notes

Thread Measurement 2 M12x1,25
Thread Measurement 1 M10x1,25
Length [mm] 192

References

08520-1KA0A

Counterpart

36-16 020 0014 | MTE0395



Application info

Juke [06/10--]

Leaf [11/10--]

Tie rod end

36-16 020 0031 | MTE0402

Notes

Thread Measurement 2 M14x1,5
Thread Measurement 1 M14x1,5
Length [mm] 194
Front Axle Right
Front Axle Left

References

| | |
|-------------|-------------|
| 48520-CB025 | 08520-CB025 |
|-------------|-------------|



Application info

Murano [Z50] [08/03--]

36-16 020 0014 | MTE0395

Tie rod end



Notes

Thread Measurement 2
Thread Measurement 1
Length [mm]

M12x1,25
M10x1,25
192

References

08640-1KA0A

Counterpart

36-16 020 0015 | MTE0396

Application info

Juke [06/10--]

Leaf [11/10--]

16-16 020 0029 | MTE0210

Tie rod end



Notes

Thread Measurement 2
Thread Measurement 1
Length [mm]

M18x1,5
M14x1,5
224
Front Axle Right

References

48520-00Q0E

Counterpart

16-16 020 0030 | MTE0211

Application info

NV400 [11/11--]

16-16 020 0030 | MTE0211

Tie rod end



Notes

Thread Measurement 2
Thread Measurement 1
Length [mm]

M18x1,5
M14x1,5
224
Front Axle Left

References

48520-00Q0F

Counterpart

16-16 020 0029 | MTE0210

Application info

NV400 [11/11--]



Ball joint

36-16 010 0001 | MBJ0214

Notes

Thread Size

with accessories
M14x1,5
Upper
Front Axle Right
Front Axle Left

References

| | |
|-------------|-------------|
| 40110-01G00 | 40110-B9500 |
| 40110-01G25 | 40110-T6000 |
| 40110-01G26 | 40110-T6025 |
| 40110-0F000 | 40110-V0100 |



Application info

Pick Up [021] [09/85-02/98]
Terrano I [10/87-02/96]
Terrano II [10/92-06/03]
Urvan [E23] [07/81-11/98]

Urvan [E24] [06/86-05/97]
Urvan [E23] [07/80-11/98]
Urvan [E24] [06/86-05/97]

Ball joint

36-16 010 0012 | MBJ0218

Notes

Outer diameter [mm]
Thread Size

51
M14x1,5
Upper
Front Axle Right
Front Axle Left

References

| | |
|-------------|-------------|
| 40110-2S485 | 40110-2S486 |
|-------------|-------------|



Application info

Pick Up [022] [01/97-04/05]

Ball joint

36-16 010 0023 | MBJ0221

Notes

Outer diameter [mm]
Thread Size

42
M14x1,5
Upper
Front Axle Right
Front Axle Left

References

| | |
|-------------|-------------|
| 40110EA000 | 54525-EB30A |
| 54524-EB30A | |



Application info

Navara [D40] [07/05--]
Pathfinder [R51] [01/05--]

Navara [D40] [10/04--]

16-16 010 0009 | MBJ0109

Ball joint



Notes

Outer diameter [mm] 43
Cone Size [mm] 22
Lower
Front Axle Right
Front Axle Left

References

40160-000AC 40160-000AD

Application info

Interstar [07/02--]

Interstar [07/02--]

16-16 010 0020 | MBJ0118

Ball joint



Notes

Outer diameter [mm] 43
Cone Size [mm] 24
Lower
Front Axle Right
Front Axle Left

References

40160-00Q0B

Application info

Interstar [07/02--]

Interstar [07/02--]

16-16 010 0010 | MBJ0110

Ball joint



Notes

Flange Hole Diameter [mm] 12
Thread Measurement 1 M16x1,5
Lower
Front Axle Right
Front Axle Left

References

40160-00Q0C

Application info

Primastar [03/01--]

Primastar [03/01--]

7



Ball joint

616 010 0005/HD | MBJ0271HD

Notes

Outer diameter [mm]
Thread Size

45
M14x1,5
Upper
Front Axle Right
Front Axle Left

Reinforced Version

References

40160-00QAB



Application info

Interstar [07/02--]

Interstar [07/02--]

Ball joint

16-16 010 0031 | MBJ0394

Notes

Thread Size

with left-hand thread
M16x1,5
Lower

References

401602379R

401608374R



Application info

NV400 [11/11--]

Ball joint

36-16 010 0019 | MBJ0220

Notes

Outer diameter [mm]
Thread Size

43
M18x1,5
Lower
Front Axle Right
Front Axle Left

References

40160-2S601



Application info

Pick Up [022] [01/97-04/05]

36-16 010 0045 | MBJ0227

Ball joint



Notes

Thread Size

with accessories
M14x1,5
Lower
Front Axle Right
Front Axle Left

References

40160-2Y000
54401-AV60A*
54500-AV600*
54500-AV605*
54500-AV60A*

54501-AV600*
54501-AV605*
54501-AV60A*
54501-AV60C*

Application info

Almera Tino [08/00--]
Maxima [A33] [04/99-11/03]

Primera [P12, WP12] [01/02--]

36-16 010 0050 | MBJ0229

Ball joint



Notes

Thread Size
Length [mm]

with accessories
M18x1,5
83
Lower
Front Axle Right
Front Axle Left

References

40160-7F000

Application info

Terrano II [10/92-06/03]

36-16 010 0003 | MBJ0215

Ball joint



Notes

Thread Size
Length [mm]

with accessories
M18x1,5
33
Lower
Front Axle Right
Front Axle Left

References

40160-0F000
40160-50W00
40160-50W01
40160-50W10
40160-50W25
40160-93G00

40160-93G25
40160-93G26
40160-S0W25
40161-50W01
40161-93G26



Ball joint

36-16 010 0003 | MBJ0215

Application info

Pick Up [021] [09/85-02/98]
Terrano I [10/87-02/96]

Terrano II [10/92-06/03]

Ball joint

36-16 010 0025 | MBJ0222

Notes

Outer diameter [mm] 45.2
Lower
Front Axle Right
Front Axle Left

References

40160-EA00A 54501-EB300
54500-EB300 54501-EB31A
54500-EB31A



Application info

Navara [D40] [07/05--]
Pathfinder [R51] [01/05--]

Navara [D40] [10/04--]

Ball joint

16-16 010 0019 | MBJ0117

Notes

Thread Size with right-hand thread
M16x1,5
Lower

References

401611363R 8200688877
401613416R



Application info

NV400 [11/11--]

36-16 010 0039 | MBJ0223

Ball joint



Notes

Outer diameter [mm]
Height [mm]
Thread Size

with accessories
39
54
M14x1,5
Lower
Front Axle Right
Front Axle Left

References

| | |
|-------------|--------------|
| 40160-0M010 | 40161-52Y10 |
| 40160-0M020 | 54500-0M010* |
| 40160-50Y00 | 54500-0M020* |
| 40160-50Y02 | 54500-0M060* |
| 40160-50Y0R | 54500-52Y10* |
| 40160-50Y10 | 54500-52Y15* |
| 40160-52Y00 | 54500-52Y60* |
| 40160-52Y10 | 54500-52Y70* |
| 40160-52Y20 | 54500-69Y10* |
| 40160-60Y00 | 54501-0M010* |
| 40160-60Y10 | 54501-52Y10* |
| 40160-60Y20 | 54501-52Y15* |
| 40160-69Y00 | 54501-52Y60* |
| 40160-69Y10 | 54501-52Y70* |
| 40160-F4200 | 54501-69Y10* |
| 40160-Y0260 | |

Application info

100 NX [03/90-10/94]
Almera I/Pulsar I [07/95-07/00]

Sunny [B13, N14, Y10] [05/90-09/03]
Sunny [B13, N14, Y10] [05/90-09/03]

36-16 010 0055 | MBJ0321

Ball joint



Notes

Outer diameter [mm]

35
Front Axle Right
Front Axle Left

References

| | |
|--------------|--------------|
| 54500-1HA0C* | 54501-1HA0C* |
| 54500-1HA5A* | 54501-1HA5A* |
| 54500-1HA6A* | 54501-1HA6A* |

Application info

Micra [K13] [05/10--]



Ball joint

36-16 010 0034 | MBJ0302

Notes

| | |
|---------------------|------------------|
| Outer diameter [mm] | 38 |
| | Front Axle Right |
| | Front Axle Left |

References

| | |
|-------------|-------------|
| 54500-1KA0A | 54501-1KA0A |
| 54500-1KA0B | 54501-1KA0B |



Application info

| | |
|----------------|----------------|
| Juke [06/10--] | Leaf [11/10--] |
|----------------|----------------|

Ball joint

36-16 010 0040 | MBJ0224

Notes

| | |
|---------------------|------------------|
| Outer diameter [mm] | with accessories |
| Height [mm] | 35 |
| Thread Size | 46 |
| | M12x1,25 |
| | Lower |
| | Front Axle Right |
| | Front Axle Left |

References

| | |
|--------------|--------------|
| 40160-4F100 | 54501-44B00* |
| 54500-44B00* | 54501-4F102* |
| 54500-4F102* | 54501-4F105* |
| 54500-4F105* | 54501-4F150* |
| 54500-4F150* | |



Application info

| |
|---------------------------|
| Micra [K11] [01/92-02/03] |
|---------------------------|

Ball joint

36-16 010 0043 | MBJ0225

Notes

| | |
|---------------------|------------------|
| Outer diameter [mm] | with accessories |
| Thread Size | 38 |
| | M14x1,5 |
| | Lower |
| | Front Axle Right |
| | Front Axle Left |

References

| | |
|--------------|--------------|
| 54500-4M410* | 54501-4M410* |
| 54500-4M411* | 54501-4M411* |
| 54500-BM410* | 54501-BM410* |
| 54500-F4600* | 54501-F4600* |



7



36-16 010 0043 | MBJ0225

Ball joint

Application info

Almera II [01/00-02/03]

36-16 010 0006 | MBJ0216

Ball joint



Notes

Outer diameter [mm]
Height [mm]
Thread Size

with accessories
38
50
M14x1,5
Lower
Front Axle Right
Front Axle Left

References

| | |
|--------------|--------------|
| 40160-50A00 | 54500-69C00 |
| 40160-50J25 | 54500-86J00* |
| 40160-60Y60 | 54500-90J00* |
| 40160-69C00 | 54500-90J10* |
| 40160-70J00 | 54501-50J00* |
| 40160-86M00 | 54501-50J10* |
| 40160-J7500 | 54501-50J25* |
| 54500-50J00* | 54501-86J00* |
| 54500-50J10* | 54501-90J00* |
| 54500-50J25* | 54501-90J10* |

Application info

Primera [P10, W10] [06/90-03/98]
Primera [P11, WP11] [06/96-07/02]

Sunny [B12, N13] [01/86-10/91]

36-16 010 0014 | MBJ0219

Ball joint



Notes

Outer diameter [mm]

38
Front Axle Right
Front Axle Left

References

| | |
|-------------|-------------|
| 54500-1JY0A | 54501-1JY0A |
| 54500-EW000 | 54501-EW000 |

Application info

Cube [Z12] [03/10--]
NV200 [02/10--]

NV200 [02/10--]

Ball joint

36-16 010 0000 | MBJ0213

Notes

Outer diameter [mm]

with accessories
41
Lower
Front Axle Right
Front Axle Left

References

40160-9W200
54500-BB00A
54500-BR30A
54500-JD000

54501-BB00A
54501-BR30A
54501-JD000
54501-JG000



Application info

Murano [Z50] [08/03--]
Qashqai I [02/07--]

X-Trail [T31] [03/07--]

Ball joint

16-16 010 4264 | MBJ0119

Notes

Flange Hole Diameter [mm]

with accessories
10
Lower
Front Axle Right
Front Axle Left

References

54501-00Q0G*
54501-00Q0L*

54501-00QAH



Application info

Kubistar [08/03--]

Kubistar [08/03--]

Ball joint

36-16 010 0049 | MBJ0228

Notes

Outer diameter [mm]
Thread Size

with accessories
35
M12x1,25
Lower
Front Axle Right
Front Axle Left

References

54500-2U711*
54500-6F600*

54501-2U711*
54501-6F600*



Application info

Micra [K11] [01/92-02/03]

16-16 010 0005/HD | MBJ0105HD

Ball joint



Notes

Thread Size
Flange Hole Diameter [mm]

with accessories
M16x1,5
10
Lower
Front Axle Right
Front Axle Left

Reinforced Version

References

54502-00Q0A*
54502-00Q0B*
54502-00QAA

54503-00Q0A*
54503-00Q0B*
54503-00QAA

Application info

Primastar [03/01--]

Primastar [03/01--]

36-16 010 0044 | MBJ0226

Ball joint



Notes

Outer diameter [mm]

with accessories
38
Lower
Front Axle Right
Front Axle Left

References

40160-AX000
54501-AX600*
54501-AX60B*

54501-BC42A*
54570-AX600*
60401-35517

Application info

Micra [K12] [01/03-06/10]

Note [03/06--]

16-16 050 0028 | MCA0277

Control arm



Notes

Steel
with rubber mounting
with ball joint
Control Arm
Lower
Front Axle Right

References

54500-00Q0C
54500-00QAC

54500-00QAD
54500-00QAE

Parts list

16-16 010 0009 | MBJ0109
614 610 0005 | MCB0307
614 610 0006 | MCB0308

Ball joint
Control arm bushing
Control arm bushing

Counterpart

16-16 050 0027 | MCA0276

Control arm

16-16 050 0028 | MCA0277

Application info

Interstar (07/02--)

Interstar (07/02--)

Control arm

16-16 050 0007/HD | MCA0260HD

Notes

Sheet Steel
with rubber mounting
with ball joint
Control Arm
Lower
Front Axle Right

Reinforced Version

References

54500-00Q0M
54500-00Q1A

54500-00QAH

Parts list

16-16 010 4264 | MBJ0119

Ball joint

16-14 610 0013/HD | MCB0160HD

Control arm bushing

Counterpart

16-16 050 0008/HD | MCA0261HD



Application info

Kubistar (08/03--)

Kubistar (08/03--)

Control arm

36-16 050 0047 | MCA0597

Notes

Thread Size

Sheet Steel
M14x1,5
with rubber mounting
with ball joint
Control Arm
Lower
Front Axle Right

References

54500-0M010
54500-0M020

54500-0M060

Parts list

36-16 010 0039 | MBJ0223

Ball joint

36-14 545 0004 | MCB0244

Control arm bushing

Counterpart

36-16 050 0048 | MCA0598



Application info

Almera I/Pulsar I (07/95-07/00)

36-16 050 0060/HD | MCA0807HD

Control arm



Notes

Sheet Steel
with rubber mounting
with ball joint
Control Arm
Front Axle Right

Reinforced Version

References

54500-1KA0A
54500-1KA0B

54500-1KA1B
54500-1KK0A

Parts list

36-16 010 0034 | MBJ0302
36-14 610 0010/HD |
MCB0249HD
36-14 610 0026 | MCB0359

Ball joint
Control arm bushing
Control arm bushing

Counterpart

36-16 050 0059/HD | MCA0806HD

Application info

Juke [06/10--]

Leaf [11/10--]

36-16 050 0055 | MCA0601

Control arm



Notes

Thread Size

Sheet Steel
M14x1,5
with ball joint
with rubber mounting
Control Arm
Lower
Front Axle Right

References

54500-2F500

Parts list

36-16 010 0006 | MBJ0216
36-14 545 0004 | MCB0244

Ball joint
Control arm bushing

Counterpart

36-16 050 0056 | MCA0602

Application info

Primera [P11, WP11] [06/96-07/02]



Control arm

36-16 050 0084 | MCA0618

Notes

Thread Size

Sheet Steel
M12x1,25
with rubber mounting
with ball joint
Control Arm
Lower
Front Axle Right

References

54500-2U711

54500-6F600

Parts list

36-16 010 0049 | MBJ0228

Ball joint

36-14 050 0001 | MCM0080

Mount, control arm

36-14 050 0002 | MCB0243

Control arm bushing

Counterpart

36-16 050 0083 | MCA0617



Application info

Micra [K11] [01/92-02/03]

Control arm

36-16 050 0046 | MCA0596

Notes

Thread Size

Sheet Steel
M12x1,25
with rubber mounting
with ball joint
Control Arm
Lower
Front Axle Right

References

54500-44B00

54500-4F105

54500-4F102

54500-4F150

Parts list

36-16 010 0040 | MBJ0224

Ball joint

36-14 050 0001 | MCM0080

Mount, control arm

36-14 050 0002 | MCB0243

Control arm bushing

Counterpart

36-16 050 0045 | MCA0595



Application info

Micra [K11] [01/92-02/03]

36-16 050 0029 | MCA0590

Control arm



Notes

Thread Size

Sheet Steel
M14x1,5
with rubber mounting
with ball joint
Control Arm
Lower
Front Axle Right

References

54500-52Y10
54500-52Y15
54500-52Y60

54500-52Y70
54500-69Y10

Parts list

36-16 010 0039 | MBJ0223

Ball joint

Counterpart

36-16 050 0030 | MCA0591

Application info

100 NX (03/90-10/94)
Sunny (B13, N14, Y10) (05/90-09/03)

Sunny (B13, N14, Y10) (05/90-09/03)

36-16 050 0074 | MCA0608

Control arm



Notes

Sheet Steel
with rubber mounting
with ball joint
Control Arm
Lower
Front Axle Right

References

54500-4U002
54500-4U012
54500-4U201

54500-5U300
54500-BU000

Parts list

36-16 010 0045 | MBJ0227

Ball joint

Counterpart

36-16 050 0073 | MCA0607

Application info

Almera Tino (08/00--)

Control arm

36-16 050 0080 | MCA0614

Notes

Thread Size

Sheet Steel
M14x1,5
with rubber mounting
with ball joint
Control Arm
Lower
Front Axle Right

References

54500-7C350

54500-9C550

Counterpart

36-16 050 0079 | MCA0613



Application info

Serena [C23M] [11/92-09/01]
Vanette [C23] [01/95--]

Vanette [C23] [09/94--]

Control arm

36-16 050 0082 | MCA0616

Notes

Thread Size

Aluminium
M14x1,5
with ball joint
with rubber mounting
Control Arm
Lower
Front Axle Right

References

54500-8H310

54500-8H31A

Parts list

36-14 610 0000 | MCB0245
36-14 610 0001 | MCB0246

Control arm bushing
Control arm bushing

Counterpart

36-16 050 0081 | MCA0615



Application info

X-Trail [T30] [06/01-09/03]

36-16 050 0075 | MCA0609

Control arm



Notes

Thread Size

Sheet Steel
M14x1,5
with rubber mounting
with ball joint
Control Arm
Lower
Front Axle Right

References

54500-AV600
54500-AV605
54500-AV606

54500-AV60A
54500-AV60C

Parts list

36-16 010 0045 | MBJ0227

Ball joint

Counterpart

36-16 050 0078 | MCA0612

Application info

Primera [P12, WP12] [01/02--]

36-16 050 0008/HD | MCA0587HD

Control arm



Notes

Reinforced Version

Sheet Steel
with rubber mounting
with ball joint
Control Arm
Front Axle Right

References

54500-BB00A
54500-BR30A
54500-JD000

54500-JG000
54500-JG00A
54500-JG00B

Parts list

36-16 010 0000 | MBJ0213
36-14 610 0009 | MCB0248
36-14 610 0010/HD |
MCB0249HD

Ball joint
Control arm bushing
Control arm bushing

Counterpart

36-16 050 0007/HD | MCA0586HD

Application info

Qashqai I [02/07--]

X-Trail [T31] [03/07--]



Control arm

36-16 050 0086 | MCA0620

Notes

Sheet Steel
with rubber mounting
with ball joint
Control Arm
Lower
Front Axle Right

References

54500-AX600
54500-AX60B
54500-BC41A

54500-BC42A
54560-AX600

Parts list

36-16 010 0044 | MBJ0226
16-14 610 0004 | MCB0151
36-14 610 0002 | MCB0247

Ball joint
Control arm bushing
Control arm bushing

Counterpart

36-16 050 0085 | MCA0619



Application info

Micra [K12] [01/03-06/10]

Note [03/06--]

Control arm

16-16 050 0027 | MCA0276

Notes

Steel
with rubber mounting
with ball joint
Control Arm
Lower
Front Axle Left

References

54501-00Q0C
54501-00QAC

54501-00QAD
54501-00QAE

Parts list

16-16 010 0009 | MBJ0109
614 610 0005 | MCB0307
614 610 0006 | MCB0308

Ball joint
Control arm bushing
Control arm bushing

Counterpart

16-16 050 0028 | MCA0277



Application info

Interstar [07/02--]

Interstar [07/02--]

16-16 050 0008/HD | MCA0261HD

Control arm



Notes

Sheet Steel
with rubber mounting
with ball joint
Control Arm
Lower
Front Axle Left

Reinforced Version

References

54501-00Q0G
54501-00Q0L

54501-00QAH

Parts list

16-16 010 4264 | MBJ0119
16-14 610 0013/HD | MCB0160HD

Ball joint
Control arm bushing

Counterpart

16-16 050 0007/HD | MCA0260HD

Application info

Kubistar [08/03--]

Kubistar [08/03--]

36-16 050 0048 | MCA0598

Control arm



Notes

Thread Size

Sheet Steel
M14x1,5
with rubber mounting
with ball joint
Control Arm
Lower
Front Axle Left

References

54501-0M010

Parts list

36-16 010 0039 | MBJ0223
36-14 545 0004 | MCB0244

Ball joint
Control arm bushing

Counterpart

36-16 050 0047 | MCA0597

Application info

Almera I/Pulsar I [07/95-07/00]



Control arm

36-16 050 0059/HD | MCA0806HD

Notes

Sheet Steel
with rubber mounting
with ball joint
Control Arm
Front Axle Left

Reinforced Version



References

54501-1KA0A 54501-1KA1B
54501-1KA0B 54501-1KK0A

Parts list

36-16 010 0034 | MBJ0302 Ball joint
36-14 610 0010/HD | Control arm bushing
MCB0249HD
36-14 610 0026 | MCB0359 Control arm bushing

Counterpart

36-16 050 0060/HD | MCA0807HD

Application info

Juke [06/10--]

Leaf [11/10--]

Control arm

36-16 050 0056 | MCA0602

Notes

Thread Size

Sheet Steel
M14x1,5
with ball joint
with rubber mounting
Control Arm
Lower
Front Axle Left



References

54501-2F500

Parts list

36-16 010 0006 | MBJ0216 Ball joint
36-14 545 0004 | MCB0244 Control arm bushing

Counterpart

36-16 050 0055 | MCA0601

Application info

Primera [P11, WP11] [06/96-07/02]

36-16 050 0083 | MCA0617

Control arm



Notes

Thread Size

Sheet Steel
M12x1,25
with rubber mounting
with ball joint
Control Arm
Lower
Front Axle Left

References

54501-2U711

54501-6F600

Parts list

36-16 010 0049 | MBJ0228
36-14 050 0001 | MCM0080
36-14 050 0002 | MCB0243

Ball joint
Mount, control arm
Control arm bushing

Counterpart

36-16 050 0084 | MCA0618

Application info

Micra [K11] [01/92-02/03]

36-16 050 0045 | MCA0595

Control arm



Notes

Thread Size

Sheet Steel
M12x1,25
with rubber mounting
with ball joint
Control Arm
Lower
Front Axle Left

References

54501-44B00
54501-4F102

54501-4F105
54501-4F150

Parts list

36-16 010 0040 | MBJ0224
36-14 050 0001 | MCM0080
36-14 050 0002 | MCB0243

Ball joint
Mount, control arm
Control arm bushing

Counterpart

36-16 050 0046 | MCA0596

Application info

Micra [K11] [01/92-02/03]



Control arm

36-16 050 0030 | MCA0591

Notes

Thread Size

Sheet Steel
M14x1,5
with rubber mounting
with ball joint
Control Arm
Lower
Front Axle Left

References

54501-52Y10 54501-52Y70
54501-52Y15 54501-69Y10
54501-52Y60

Parts list

36-16 010 0039 | MBJ0223 Ball joint

Counterpart

36-16 050 0029 | MCA0590



Application info

100 NX [03/90-10/94]
Sunny [B13, N14, Y10] [05/90-09/03]

Sunny [B13, N14, Y10] [05/90-09/03]

Control arm

36-16 050 0073 | MCA0607

Notes

Sheet Steel
with rubber mounting
with ball joint
Control Arm
Lower
Front Axle Left

References

54501-4U002 54501-5U300
54501-4U012 54501-BU000
54501-4U201

Parts list

36-16 010 0045 | MBJ0227 Ball joint

Counterpart

36-16 050 0074 | MCA0608



Application info

Almera Tino [08/00--]

36-16 050 0079 | MCA0613

Control arm



Notes

Thread Size

Sheet Steel
M14x1,5
with rubber mounting
with ball joint
Control Arm
Lower
Front Axle Left

References

54501-7C350

54501-9C550

Counterpart

36-16 050 0080 | MCA0614

Application info

Serena [C23M] [11/92-09/01]
Vanette [C23] [01/95--]

Vanette [C23] [09/94--]

36-16 050 0081 | MCA0615

Control arm



Notes

Thread Size

Aluminium
M14x1,5
with ball joint
with rubber mounting
Control Arm
Lower
Front Axle Left

References

54501-8H310

54501-8H31A

Parts list

36-14 610 0000 | MCB0245
36-14 610 0001 | MCB0246

Control arm bushing
Control arm bushing

Counterpart

36-16 050 0082 | MCA0616

Application info

X-Trail [T30] [06/01-09/03]



Control arm

36-16 050 0078 | MCA0612

Notes

Thread Size

Sheet Steel
M14x1,5
with rubber mounting
with ball joint
Control Arm
Lower
Front Axle Left

References

| | |
|-------------|-------------|
| 54401-AV60A | 54501-AV60B |
| 54501-AV600 | 54501-AV60A |
| 54501-AV605 | 54501-AV60C |

Parts list

36-16 010 0045 | MBJ0227 Ball joint

Counterpart

36-16 050 0075 | MCA0609



Application info

Primera [P12, WP12] [01/02--]

Control arm

36-16 050 0007/HD | MCA0586HD

Notes

Reinforced Version

Sheet Steel
with rubber mounting
with ball joint
Control Arm
Front Axle Left

References

| | |
|-------------|-------------|
| 54501-BB00A | 54501-JG000 |
| 54501-BR30A | 54501-JG00A |
| 54501-J0000 | 54501-JG00B |

Parts list

| | |
|-------------------------------|---------------------|
| 36-16 010 0000 MBJ0213 | Ball joint |
| 36-14 610 0009 MCB0248 | Control arm bushing |
| 36-14 610 0010/HD MCB0249HD | Control arm bushing |

Counterpart

36-16 050 0008/HD | MCA0587HD



Application info

Qashqai I [02/07--]

X-Trail [T31] [03/07--]

36-16 050 0085 | MCA0619

Control arm



Notes

Sheet Steel
with rubber mounting
with ball joint
Control Arm
Lower
Front Axle Left

References

54501-AX600
54501-AX60B
54501-BC41A

54501-BC42A
54570-AX600

Parts list

36-16 010 0044 | MBJ0226
16-14 610 0004 | MCB0151
36-14 610 0002 | MCB0247

Ball joint
Control arm bushing
Control arm bushing

Counterpart

36-16 050 0086 | MCA0620

Application info

Micra (K12) (01/03-06/10)

Note (03/06--)

16-16 050 0026 | MCA0275

Control arm



Notes

Cast Steel
with rubber mounting
with ball joint
Control Arm
Lower
Front Axle Right

References

54502-00Q0C

54502-00Q0D

Parts list

16-16 010 0010 | MBJ0110
16-14 610 0001 | MCB0148
16-14 610 0002 | MCB0149

Ball joint
Control arm bushing
Control arm bushing

Counterpart

16-16 050 0025 | MCA0274

Application info

Primastar (03/01--)

Primastar (03/01--)



Control arm

16-16 050 0018/HD | MCA0267HD

Notes

Sheet Steel
with ball joint
with rubber mounting
Control Arm
Lower
Front Axle Right

Reinforced Version

References

54502-00Q0A
54502-00Q0B

54502-00QAA
54502-00QAB

Parts list

16-16 010 0005/HD | MBJ0105HD Ball joint
16-14 610 0001 | MCB0148 Control arm bushing
16-14 610 0002 | MCB0149 Control arm bushing

Counterpart

16-16 050 0017/HD | MCA0266HD



Application info

Primastar (03/01--)

Primastar (03/01--)

Control arm

16-16 050 0025 | MCA0274

Notes

Cast Steel
with rubber mounting
with ball joint
Control Arm
Lower
Front Axle Left

References

54503-00Q0C

54503-00Q0D

Parts list

16-16 010 0010 | MBJ0110 Ball joint
16-14 610 0001 | MCB0148 Control arm bushing
16-14 610 0002 | MCB0149 Control arm bushing

Counterpart

16-16 050 0026 | MCA0275



Application info

Primastar (03/01--)

Primastar (03/01--)

16-16 050 0017/HD | MCA0266HD

Control arm



Notes

Sheet Steel
with rubber mounting
with ball joint
Control Arm
Lower
Front Axle Left

Reinforced Version

References

54503-00Q0A 54503-00QAA
54503-00Q0B 54503-00QAB

Parts list

16-16 010 0005/HD | MBJ0105HD Ball joint
16-14 610 0001 | MCB0148 Control arm bushing
16-14 610 0002 | MCB0149 Control arm bushing

Counterpart

16-16 050 0018/HD | MCA0267HD

Application info

Primastar [03/01--]

Primastar [03/01--]

36-16 050 0076 | MCA0610

Control arm



Notes

Thread Size

Steel
M12x1,25
with ball joint
Control Arm
Upper
Front Axle Right

References

54524-AV600 54524-AV60A
54524-AV601

Counterpart

36-16 050 0077 | MCA0611

Application info

Primera [P12, WP12] [01/02--]



Control arm

36-16 050 0022 | MCA0589

Notes

Thread Measurement 1

Sheet Steel
M14x1,5
with rubber mounting
with ball joint
Control Arm
Upper
Front Axle Right



References

54524-EB300

54524-EB30A

Parts list

36-16 010 0023 | MBJ0221

Ball joint

36-14 610 0012 | MCB0250

Control arm bushing

Counterpart

36-16 050 0021 | MCA0588

Application info

Navara [D40] [07/05--]
Pathfinder [R51] [01/05--]

Navara [D40] [10/04--]

Control arm

36-16 050 0077 | MCA0611

Notes

Thread Size

Steel
M12x1,25
with ball joint
Control Arm
Upper
Front Axle Left



References

54525-AV600

54525-AV60A

54525-AV601

Counterpart

36-16 050 0076 | MCA0610

Application info

Primera [P12, WP12] [01/02--]

36-16 050 0021 | MCA0588

Control arm



Notes

Thread Size

Sheet Steel
M14x1,5
with rubber mounting
with ball joint
Control Arm
Upper
Front Axle Left

References

54525-EB300

54525-EB30A

Parts list

36-16 010 0023 | MBJ0221
36-14 610 0012 | MCB0250

Ball joint
Control arm bushing

Counterpart

36-16 050 0022 | MCA0589

Application info

Navara [D40] [07/05--]
Pathfinder [R51] [01/05--]

Navara [D40] [10/04--]

36-16 050 0037 | MCA0592

Control arm



Notes

Length [mm]

Sheet Steel
366
with rubber mounting
Control Arm
Lower
Rear Axle Right
Rear Axle Left

References

55110-8H505

Application info

X-Trail [T30] [06/01-09/03]

36-16 050 0040 | MCA0593

Control arm



Notes

Length [mm]

Sheet Steel
393
with rubber mounting
Control Arm
Front
Rear Axle Right

References

55120-8H500

Counterpart

36-16 050 0041 | MCA0594

Control arm

36-16 050 0040 | MCA0593

Application info

X-Trail [T30] [06/01-09/03]

Control arm

36-16 050 0041 | MCA0594

Notes

Length [mm]

Sheet Steel
393
with rubber mounting
Control Arm
Front
Rear Axle Left



References

55120-8H505

Counterpart

36-16 050 0040 | MCA0593

Application info

X-Trail [T30] [06/01-09/03]

Control arm

36-16 050 0096 | MCA1058

Notes

Aluminium
Semi-trailing Arm
Outer
Rear Axle Right
Upper



References

55120JD000

55120JD00B

Counterpart

36-16 050 0095 | MCA1057

Application info

Qashqai I [02/07--]

Qashqai II [02/14--]

X-Trail [T31] [03/07--]

X-Trail [T32] [12/13--]

36-16 050 0095 | MCA1057

Control arm



Notes

Aluminium
Semi-trailing Arm
Upper
Outer
Rear Axle Left

References

55121-JD000

55121-JD00B

Counterpart

36-16 050 0096 | MCA1058

Application info

Qashqai I [02/07--]
Qashqai II [02/14--]

X-Trail [T31] [03/07--]
X-Trail [T32] [12/13--]

614 610 0006 | MCB0308

Control arm bushing



Notes

Inner diameter [mm] 28
Outer diameter [mm] 55
Height [mm] 79
Lower
Rear
Front Axle Right
Front Axle Left

References

54423-00QAA

Application info

Interstar [07/02--]

Interstar [07/02--]

36-14 610 0026 | MCB0359

Control arm bushing



Notes

Inner diameter [mm] 14
Outer diameter [mm] 50
Height [mm] 49
Front
Front Axle Right
Front Axle Left

References

54500-1KA0A
54500-1KA0B

54501-1KA0A
54501-1KA0B

Application info

Juke [06/10--]

Leaf [11/10--]

7

Control arm bushing

36-14 050 0002 | MCB0243

Notes

| | |
|---------------------|------------------|
| Inner diameter [mm] | 12 |
| Height [mm] | 47 |
| | Lower |
| | Front Axle Right |
| | Front Axle Left |

References

| | |
|--------------|--------------|
| 54500-2U711* | 54501-44B00* |
| 54500-44B00* | 54501-4F102* |
| 54500-4F102* | 54501-4F105* |
| 54500-4F105* | 54501-4F150* |
| 54500-4F150* | 54501-6F600* |
| 54500-6F600* | 54560-17B01 |
| 54501-2U711* | |



Application info

Micra [K11] [01/92-02/03]

Control arm bushing

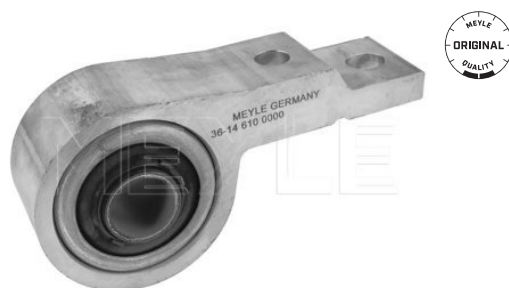
36-14 610 0000 | MCB0245

Notes

| | |
|---------------------|------------------|
| Inner diameter [mm] | 28 |
| | Rear |
| | Lower |
| | Front Axle Right |
| | Front Axle Left |

References

| | |
|-------------|-------------|
| 54500-8H310 | 54501-8H310 |
| 54500-8H31A | 54501-8H31A |



Application info

X-Trail [T30] [06/01-09/03]

Control arm bushing

36-14 610 0001 | MCB0246

Notes

| | |
|---------------------|------------------|
| Inner diameter [mm] | 14 |
| Outer diameter [mm] | 39 |
| Length [mm] | 55 |
| | Front |
| | Lower |
| | Front Axle Right |
| | Front Axle Left |

References

| | |
|--------------|--------------|
| 54500-8H310 | 54501-8H310 |
| 54500-8H31A* | 54501-8H31A* |



Application info

X-Trail [T30] [06/01-09/03]

36-14 610 0009 | MCB0248

Control arm bushing



Notes

| | |
|---------------------|------------------|
| Outer diameter [mm] | 33 |
| Length [mm] | 115 |
| | Front |
| | Lower |
| | Front Axle Right |
| | Front Axle Left |

References

| | |
|-------------|-------------|
| 54500-BB00A | 54501-BR30A |
| 54500-BR30A | 54501-JD000 |
| 54500-JD000 | 54501-JD00A |
| 54500-JG00A | 54501-JG000 |
| 54500-JG00B | 54501-JG00B |
| 54501-BB00A | |

Application info

Qashqai I [02/07--]

X-Trail [T31] [03/07--]

36-14 610 0010/HD | MCB0249HD

Control arm bushing



Notes

| | |
|---------------------|------------------|
| Inner diameter [mm] | 12 |
| Outer diameter [mm] | 58 |
| Height [mm] | 53 |
| | Rear |
| | Lower |
| | Front Axle Right |
| | Front Axle Left |

Reinforced Version

References

| | |
|-------------|-------------|
| 54500-1KA0A | 54501-1KA0B |
| 54500-1KA0B | 54501-BB00A |
| 54500-BB00A | 54501-BR30A |
| 54500-BR30A | 54501-JD000 |
| 54500-JD000 | 54501-JG000 |
| 54501-1KA0A | |

Application info

Juke [06/10--]

Leaf [11/10--]

Qashqai I [02/07--]

X-Trail [T31] [03/07--]



Control arm bushing

16-14 610 0001 | MCB0148

Notes

| | |
|---------------------|------------------|
| Inner diameter [mm] | 18 |
| Outer diameter [mm] | 55 |
| Height [mm] | 50 |
| | Lower |
| | Front |
| | Front Axle Right |
| | Front Axle Left |

References

| | |
|-------------|-------------|
| 54502-00Q0A | 54503-00Q0A |
| 54502-00Q0B | 54503-00Q0B |
| 54502-00QAA | 54503-00QAA |



Application info

Primastar [03/01--]

Primastar [03/01--]

Control arm bushing

16-14 610 0002 | MCB0149

Notes

| | |
|---------------------|------------------|
| Inner diameter [mm] | 15 |
| Outer diameter [mm] | 58 |
| Height [mm] | 54 |
| | Lower |
| | Rear |
| | Front Axle Right |
| | Front Axle Left |

References

| | |
|-------------|-------------|
| 54502-00Q0A | 54503-00Q0A |
| 54502-00Q0B | 54503-00Q0B |
| 54502-00QAA | 54503-00QAA |



Application info

Primastar [03/01--]

Primastar [03/01--]

Control arm bushing

36-14 610 0012 | MCB0250

Notes

| | |
|---------------------|------------------|
| Inner diameter [mm] | 14 |
| Outer diameter [mm] | 43 |
| Height [mm] | 55 |
| | inner |
| | Upper |
| | Front Axle Right |
| | Front Axle Left |

References

| | |
|-------------|-------------|
| 54524-EB30A | 54525-EB30A |
|-------------|-------------|



Application info

Navara [D40] [07/05--]
Pathfinder [R51] [01/05--]

Navara [D40] [10/04--]

7

16-14 610 0013/HD | MCB0160HD

Control arm bushing



Notes

| | |
|---------------------|------------------|
| Inner diameter [mm] | 12 |
| Outer diameter [mm] | 45 |
| Height [mm] | 46 |
| | inner |
| | Lower |
| | Front Axle Right |
| | Front Axle Left |

Reinforced Version

References

| | |
|-------------|-------------|
| 54560-00Q0A | 54560-00Q0B |
|-------------|-------------|

Application info

Kubistar [08/03--]

Kubistar [08/03--]

16-14 610 0004 | MCB0151

Control arm bushing



Notes

| | |
|---------------------|------------------|
| Inner diameter [mm] | 12 |
| Outer diameter [mm] | 40 |
| Height [mm] | 55 |
| | Lower |
| | Front |
| | Front Axle Right |
| | Front Axle Left |

References

54560-AX600

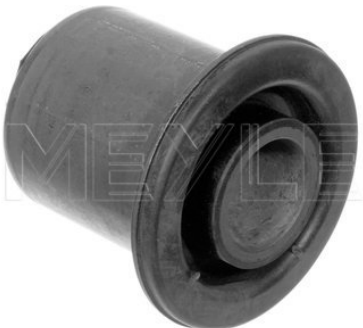
Application info

Micra [K12] [01/03-06/10]

Note [03/06--]

614 610 0005 | MCB0307

Control arm bushing



Notes

| | |
|---------------------|------------------|
| Inner diameter [mm] | 28 |
| Outer diameter [mm] | 55 |
| Height [mm] | 79 |
| | Lower |
| | Front |
| | Front Axle Right |
| | Front Axle Left |

References

54570-00QAA

Application info

Interstar [07/02--]

Interstar [07/02--]

Control arm bushing

36-14 610 0002 | MCB0247

Notes

| | |
|---------------------|------------------|
| Inner diameter [mm] | 12 |
| Outer diameter [mm] | 58 |
| Height [mm] | 53 |
| | Rear |
| | Lower |
| | Front Axle Left |
| | Front Axle Right |

References

54570-AX600



Application info

Cube [Z12] [03/10--]
Micra [K12] [01/03-06/10]
Note [03/06--]
NV200 [02/10--]

Tida [01/07--]
Tiida [C11] [05/04-02/07]
NV200 [02/10--]

Control arm bushing

36-14 545 0004 | MCB0244

Notes

| | |
|---------------------|------------------|
| Inner diameter [mm] | 18 |
| Outer diameter [mm] | 38 |
| Height [mm] | 50 |
| | Lower |
| | Front |
| | Front Axle Right |
| | Front Axle Left |

References

54590-01E00



Application info

Almera I/Pulsar I [07/95-07/00]
Primera [P10, W10] [06/90-03/98]

Primera [P11, WP11] [06/96-07/02]

Mount, control arm

36-14 050 0001 | MCM0080

Notes

| | |
|---------------------|------------------|
| Inner diameter [mm] | 13 |
| Height [mm] | 54 |
| | Lower |
| | Front Axle Right |
| | Front Axle Left |

References

| | |
|--------------|--------------|
| 54476-41B02 | 54500-6F600* |
| 54479-41B02 | 54501-2U711* |
| 54500-2U711* | 54501-44B00* |
| 54500-44B00* | 54501-4F102* |
| 54500-4F102* | 54501-4F105* |
| 54500-4F105* | 54501-4F150* |
| 54500-4F150* | 54501-6F600* |



36-14 050 0001 | MCM0080

Mount, control arm

Application info

Micra [K11] [01/92-02/03]

36-14 610 0011 | MCM0083

Mount, control arm



Notes

Inner diameter [mm] 21
Rear
Lower
Front Axle Right
Front Axle Left

References

54500-4M500 54501-4M500

Application info

Almera II [01/00-02/03]

36-14 653 0000/HD | MCR0025HD

Repair kit, control arm



Notes

Front Axle Right
Front Axle Left

References

54500-BB00A 54501-BR30A
54500-BR30A 54501-JD000
54500-JD000 54501-JG000
54501-BB00A

Parts list

36-16 010 0000 | MBJ0213 Ball joint
36-14 610 0009 | MCB0248 Control arm bushing
36-14 610 0010/HD | Control arm bushing
MCB0249HD

Application info

Qashqai I [02/07--]

X-Trail [T31] [03/07--]

Mount, stabilizer

614 615 0009 | MSB0474

Notes

Inner diameter [mm] 25
 Required quantity 2
 Front Axle Left
 Front Axle Right

References

54613-00Q00



Application info

NV400 [11/11--]

Mount, stabilizer

16-14 615 0010 | MSB0149

Notes

Inner diameter [mm] 26
 Front Axle Right
 Front Axle Left

References

54613-00QAB



Application info

Interstar [07/02--]

Interstar [07/02--]

Mount, stabilizer

16-14 615 0004 | MSB0144

Notes

Inner diameter [mm] 21
 Front Axle Right
 Front Axle Left

References

54613-00QAD



Application info

Kubistar [08/03--]

Kubistar [08/03--]

36-14 615 0005 |

Mount, stabilizer



Notes

Front Axle Right
Front Axle Left

References

54613 1HA0A
54613 1HA0C

54613 1HA0D

Application info

Micra [K13] [05/10--]

36-14 615 0006 |

Mount, stabilizer



Notes

Set
Front Axle Right
Front Axle Left

References

54613-3UB0A
54613-JD02A

54613-JG02A

Application info

Qashqai I [02/07--]
Qashqai II [02/14--]

X-Trail [T31] [03/07--]

36-14 615 0001 | MSB0451

Mount, stabilizer



Notes

Inner diameter [mm]
Required quantity

25
2
Front Axle Left
Front Axle Right

References

54613-8H318

Application info

X-Trail [T30] [06/01-09/03]

7



Mount, stabilizer

36-14 715 0000 | MSB0452

Notes

Inner diameter [mm]
Required quantity

18
2
Rear Axle Left
Rear Axle Right

References

54613-8H518



Application info

X-Trail [T30] [06/01-09/03]

Mount, stabilizer

36-14 615 0002 | MSB0500

Notes

Front Axle Left
Front Axle Right

References

54613-9U000



Application info

Note [03/06--]

Mount, stabilizer

36-14 615 0000 | MSB0345

Notes

Inner diameter [mm]

17
Rear Axle Right
Rear Axle Left

References

54613-JD17A



Application info

Qashqai I [02/07--]

Qashqai II [02/14--]

7

614 715 0000 | MSB0477

Mount, stabilizer



Notes

Inner diameter [mm]
Required quantity

22
2
Rear Axle Left
Rear Axle Right

References

56315 00Q0B

Application info

NV400 [11/11--]

614 615 0005 | MSB0211

Mount, stabilizer



Notes

Inner diameter [mm]

23
Front Axle Right
Front Axle Left

References

8200048177*

Application info

Primastar [03/01--]

Primastar [03/01--]

16-14 079 9404/S | MCX0254

Repair kit, stabilizer bushing



Notes

Front Axle Right
Front Axle Left

References

54616-00QAA

Application info

Kubistar [08/03--]

Kubistar [08/03--]

7

Repair kit, stabilizer bushing

614 615 0006 | MCX0319

Notes

Inner diameter [mm] 23
with rubber mounting
with clamps
Front Axle Right
Front Axle Left

References

8200048177*

Parts list

614 615 0005 | MSB0211 Mount, stabilizer



Application info

Primastar [03/01--] Primastar [03/01--]

Stabilizer link

616 060 0007/HD | MSL0522HD

Notes

with spanner attachment
Coupling Rod
Thread Measurement 2 M10x1,5
Thread Measurement 1 M10x1,5
Length [mm] 130
Front Axle Left
Reinforced Version

References

54616-00Q0C 54616-00QAB

Counterpart

616 060 0008/HD | MSL0523HD



Application info

Interstar [07/02--] Interstar [07/02--]

Stabilizer link

16-16 060 0003/HD | MSL0163HD

Notes

with spanner attachment
Coupling Rod
Thread Measurement 2 M10x1,5
Thread Measurement 1 M10x1,5
Length [mm] 280
Front Axle Right
Front Axle Left
Reinforced Version

References

54616-00Q0A 54616-00QAC



Application info

Primastar [03/01--] Primastar [03/01--]

7

16-16 060 0015 | MSL0765

Stabilizer link



Notes

Thread Measurement 2
Thread Measurement 1
Length [mm]

with spanner attachment
Coupling Rod
M10x1,5
M10x1,5
280
Front Axle Right
Front Axle Left

References

54616-00Q0A

54616-00Q0AC

Application info

Primastar [03/01--]

Primastar [03/01--]

30-16 060 0047/HD | MSL0264HD

Stabilizer link



Notes

Thread Measurement 2
Thread Measurement 1
Length [mm]

with spanner attachment
Coupling Rod
M10x1,5
M10x1,5
285
Front Axle Right
Front Axle Left

Reinforced Version

References

54616-4A00B

Application info

Pixo [06/09--]

33-16 060 0013 | MSL0841

Stabilizer link



Notes

Thread Measurement 2
Thread Measurement 1
Length [mm]

with spanner attachment
Coupling Rod
M10x1,5
M10x1,5
285
Front Axle Right
Front Axle Left

References

54616-4A00B

Application info

Pixo [06/09--]

Stabilizer link

616 060 0008/HD | MSL0523HD

Notes

Thread Measurement 2
Thread Measurement 1
Length [mm]

Reinforced Version

with spanner attachment
Coupling Rod
M10x1,5
M10x1,5
130
Front Axle Right

References

54618-00Q0A

54618-00QAA

Counterpart

616 060 0007/HD | MSL0522HD



Application info

Interstar [07/02--]

Interstar [07/02--]

Stabilizer link

36-16 060 0022 | MSL0414

Notes

Thread Measurement 2
Thread Measurement 1
Length [mm]

References

54618-0F000

54618-MB40A

with accessories
Coupling Rod
M12x1,25
M12x1,25
90
Front Axle Right
Front Axle Left



Application info

Terrano II [10/92-06/03]

Stabilizer link

36-16 060 0047/HD | MSL0429HD

Notes

Thread Measurement 2
Thread Measurement 1
Length [mm]

Reinforced Version

with spanner attachment
Coupling Rod
M12X1,5
M12X1,5
299
Front Axle Right

References

54618-1AA0A

54618-1AA0E

54618-JD00A

Counterpart

36-16 060 0046/HD | MSL0428HD



36-16 060 0047/HD | MSL0429HD

Stabilizer link

Application info

Murano [Z51] [11/07--]
Qashqai I [02/07--]

X-Trail [T31] [03/07--]

36-16 060 0011 | MSL0410

Stabilizer link



Notes

Thread Measurement 2
Thread Measurement 1
Length [mm]

with accessories
Coupling Rod
M10x1,5
M10x1,25
165
Right
Left

References

| | |
|-------------|-------------|
| 54618-2F010 | 54618-58Y21 |
| 54618-50J10 | 54618-58Y60 |
| 54618-50J11 | 54618-86J00 |
| 54618-50J20 | 54618-86J25 |
| 54618-54Y10 | 54618-90J11 |
| 54618-58Y10 | 56260-01J10 |
| 54618-58Y20 | |

Application info

100 NX [03/90-10/94]
Patrol GR I [02/88-02/98]
Primera [P10, W10] [06/90-03/98]

Primera [P11, WP11] [06/96-07/02]
Sunny [B13, N14, Y10] [05/90-09/03]
Sunny [B13, N14, Y10] [05/90-09/03]

36-16 060 0014 | MSL0411

Stabilizer link



Notes

Thread Measurement 1
Length [mm]

with accessories
Coupling Rod
M8x1,25
105
Front Axle Right
Front Axle Left

References

| | |
|-------------|-------------|
| 54618-47B00 | 54618-47B0A |
| 54618-47B01 | |

Application info

Micra [K11] [01/92-02/03]

Stabilizer link

36-16 060 0029 | MSL0420

Notes

Thread Measurement 2
Thread Measurement 1
Length [mm]

with accessories
Coupling Rod
M10x1,25
M10x1,25
91
Front Axle Right
Front Axle Left

References

54618-4M400



Application info

Almera II [01/00-02/03]

Stabilizer link

36-16 060 0007/S | MSL0408

Notes

Thread Measurement 2
Thread Measurement 1
Length [mm]

with accessories
Coupling Rod
M10x1,25
M10x1,25
85
Front Axle Right
Front Axle Left

References

54618-4M400
54618-50Y00
54618-58820

54618-D5000
54618-D5010



Application info

100 NX [03/90-10/94]
300 SX [01/84-10/90]
Almera I/Pulsar I [07/95-07/00]
Bluebird [U11, WU11] [11/83-12/90]
Bluebird D [T72, T12] [12/85-11/92]
Maxima [J30] [10/88-06/94]

Prairie Pro [M11] [10/88-07/94]
Primera [P10, W10] [06/90-03/98]
Sunny [B12, N13] [01/86-10/91]
Sunny [B13, N14, Y10] [05/90-09/03]
Sunny [B13, N14, Y10] [05/90-09/03]

Stabilizer link

36-16 060 0030/HD | MSL0421HD

Notes

Thread Measurement 2
Thread Measurement 1
Length [mm]

Reinforced Version

with spanner attachment
Coupling Rod
M12X1,5
M12X1,5
65
Front Axle Right

References

54618-8H300

Counterpart

36-16 060 0031/HD | MSL0422HD



36-16 060 0030/HD | MSL0421HD

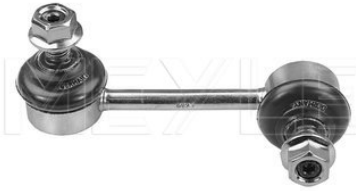
Stabilizer link

Application info

X-Trail [T30] [06/01-09/03]

36-16 060 0028/HD | MSL0419HD

Stabilizer link



Notes

Thread Measurement 2
Thread Measurement 1
Length [mm]

Reinforced Version

References

54618-9C002

Counterpart

36-16 060 0027/HD | MSL0418HD

with spanner attachment
Coupling Rod
M12X1,5
M12X1,5
112
Front Axle Right

Application info

Serena [C23M] [11/92-09/01]
Vanette [C23] [01/95--]

Vanette [C23] [09/94--]

36-16 060 0025 | MSL0416

Stabilizer link



Notes

Thread Measurement 2
Thread Measurement 1
Length [mm]

References

54618-AU000

Counterpart

36-16 060 0023 | MSL0415

Coupling Rod
M10x1,25
M10x1,25
65
Front Axle Right

54618-BA30A

Application info

Primera [P12, WP12] [01/02--]



Stabilizer link

35-16 060 0021/HD | MSL0397HD

Notes

Thread Measurement 2
Thread Measurement 1
Length [mm]
Reinforced Version

with spanner attachment
Coupling Rod
M10x1,5
M10x1,5
250

References

54618-9U00A
54618-AX600

54618-BC40A



Application info

Micra [K12] [01/03-06/10]
Note [03/06--]
NV200 [02/10--]

Tida [01/07--]
Tiida [C11] [05/04-02/07]
NV200 [02/10--]

Stabilizer link

36-16 060 0060 | MSL0859

Notes

Thread Measurement 2
Thread Measurement 1
Length [mm]

with spanner attachment
Coupling Rod
M10x1,5
M10x1,5
250
Front Axle Right
Front Axle Left

References

54618-9U00A
54618-AX600

54618-BC40A



Application info

Micra [K12] [01/03-06/10]
Note [03/06--]
NV200 [02/10--]

Tida [01/07--]
Tiida [C11] [05/04-02/07]
NV200 [02/10--]

Stabilizer link

36-16 060 0037/HD | MSL0426HD

Notes

Thread Measurement 2
Thread Measurement 1
Length [mm]

with spanner attachment
Coupling Rod
M10X1,50
M10X1,50
65
Front Axle Right

Reinforced Version

References

54618-4U000

54618-BU70A

Counterpart

36-16 060 0040/HD | MSL0427HD



36-16 060 0037/HD | MSL0426HD

Stabilizer link

Application info

Almera Tino [08/00--]

36-16 060 0058 | MSL0857

Stabilizer link



Notes

Thread Measurement 2
Thread Measurement 1
Length [mm]

with spanner attachment
Coupling Rod
M10x1,50
M10x1,50
65
Front Axle Right

References

54618-4U000

54618-BU70A

Counterpart

36-16 060 0059 | MSL0858

Application info

Almera Tino [08/00--]

36-16 060 0016 | MSL0412

Stabilizer link



Notes

Thread Measurement 2
Thread Measurement 1
Length [mm]

Coupling Rod
M12x1,25
M12x1,25
310
Front Axle Right

References

54618-CA000

54618-CA00E

Counterpart

36-16 060 0017 | MSL0413

Application info

Murano [Z50] [08/03--]

Stabilizer link

30-16 060 0017/HD | MSL0243HD

Notes

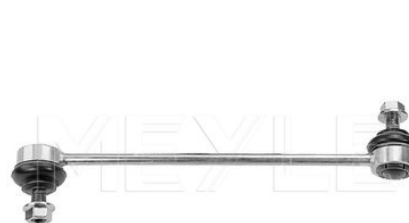
Thread Measurement 2
Thread Measurement 1
Length [mm]

Reinforced Version

References

54618-CY00A

with spanner attachment
Coupling Rod
M12X1,5
M12X1,5
285
Front Axle Right
Front Axle Left



Application info

Juke [06/10--]
Leaf [11/10--]
NV200 [02/10--]

Qashqai II [02/14--]
NV200 [02/10--]

Stabilizer link

30-16 060 0080 | MSL0790

Notes

Thread Measurement 2
Thread Measurement 1
Length [mm]

References

54618-CY00A

with spanner attachment
Coupling Rod
M12X1,5
M12X1,5
285
Front Axle Right
Front Axle Left



Application info

Juke [06/10--]
Leaf [11/10--]
NV200 [02/10--]

Qashqai II [02/14--]
NV200 [02/10--]

Stabilizer link

36-16 060 0008 | MSL0409

Notes

Thread Measurement 2
Thread Measurement 1
Length [mm]

References

54618-EA010

Counterpart

36-16 060 0007 | MSL0407

Coupling Rod
M12x1,25
M12x1,25
65
Front Axle Right



36-16 060 0008 | MSL0409

Stabilizer link

Application info

Navara [D40] [07/05--]
Pathfinder [R51] [01/05--]

Navara [D40] [10/04--]

36-16 060 0052/HD | MSL0573HD

Stabilizer link



Notes

Thread Measurement 2
Thread Measurement 1
Length [mm]

with spanner attachment
Coupling Rod
M10x1,5
M10x1,5
255
Front Axle Right
Front Axle Left

References

54618-JX00A

Application info

Cube [Z12] [03/10--]
Micra [K13] [05/10--]
Note [03/06--]

NV200 [02/10--]
NV200 [02/10--]

36-16 060 0006 | MSL0406

Stabilizer link



Notes

Thread Measurement 2
Thread Measurement 1
Length [mm]

with accessories
Coupling Rod
M10x1,25
M12x1,25
162
Front Axle Right
Front Axle Left

References

54618-VB000

Application info

Patrol GR II [06/97-12/07]



Stabilizer link

36-16 060 0046/HD | MSL0428HD

Notes

Thread Measurement 2
Thread Measurement 1
Length [mm]

with spanner attachment
Coupling Rod
M12X1,5
M12X1,5
299
Front Axle Left

Reinforced Version

References

54668-1AA0A 54668-JD00A
54668-1AA0E

Counterpart

36-16 060 0047/HD | MSL0429HD



Application info

Murano [Z51] [11/07--]
Qashqai I [02/07--]

X-Trail [T31] [03/07--]

Stabilizer link

36-16 060 0031/HD | MSL0422HD

Notes

Thread Measurement 2
Thread Measurement 1
Length [mm]

with spanner attachment
Coupling Rod
M12X1,5
M12X1,5
65
Front Axle Left

Reinforced Version

References

54668-8H300

Counterpart

36-16 060 0030/HD | MSL0421HD



Application info

X-Trail [T30] [06/01-09/03]

Stabilizer link

36-16 060 0027/HD | MSL0418HD

Notes

Thread Measurement 2
Thread Measurement 1
Length [mm]

with spanner attachment
Coupling Rod
M12X1,5
M12X1,5
112
Front Axle Left

Reinforced Version

References

54618-9C000 54668-9C000

Counterpart

36-16 060 0028/HD | MSL0419HD



7



36-16 060 0027/HD | MSL0418HD

Stabilizer link

Application info

Serena [C23M] [11/92-09/01]
Vanette [C23] [01/95--]

Vanette [C23] [09/94--]

36-16 060 0023 | MSL0415

Stabilizer link



Notes

Thread Measurement 2
Thread Measurement 1
Length [mm]

Coupling Rod
M10x1,25
M10x1,25
65
Front Axle Left

References

54668-AU000

54668-BA30A

Counterpart

36-16 060 0025 | MSL0416

Application info

Primera [P12, WP12] [01/02--]

36-16 060 0040/HD | MSL0427HD

Stabilizer link



Notes

Thread Measurement 2
Thread Measurement 1
Length [mm]

with spanner attachment
Coupling Rod
M10x1,50
M10x1,50
65
Front Axle Left

Reinforced Version

References

54668-4U000

54668-BU70A

Counterpart

36-16 060 0037/HD | MSL0426HD

Application info

Almera Tino [08/00--]



Stabilizer link

36-16 060 0059 | MSL0858

Notes

Thread Measurement 2
Thread Measurement 1
Length [mm]

with spanner attachment
Coupling Rod
M10X1,50
M10X1,50
65
Front Axle Left

References

54668-4U000

54668-BU70A

Counterpart

36-16 060 0058 | MSL0857



Application info

Almera Tino [08/00--]

Stabilizer link

36-16 060 0017 | MSL0413

Notes

Thread Measurement 2
Thread Measurement 1
Length [mm]

Coupling Rod
M12x1,25
M12x1,25
310
Front Axle Left

References

54668-CA000

54668-CA00E

Counterpart

36-16 060 0016 | MSL0412



Application info

Murano [Z50] [08/03--]

Stabilizer link

36-16 060 0007 | MSL0407

Notes

Thread Measurement 2
Thread Measurement 1
Length [mm]

Coupling Rod
M12x1,25
M12x1,25
65
Front Axle Left

References

54668-EA010

Counterpart

36-16 060 0008 | MSL0409



Application info

Navara [D40] [07/05--]
Pathfinder [R51] [01/05--]

Navara [D40] [10/04--]

36-16 060 0048 | MSL0430

Stabilizer link



Notes

Length [mm]

Coupling Rod
143
Rear Axle Right

References

55618-JD00A

55618-JY00B

Counterpart

36-16 060 0049 | MSL0431

Application info

Qashqai I [02/07--]

X-Trail [T31] [03/07--]

36-16 060 0049 | MSL0431

Stabilizer link



Notes

Length [mm]

Coupling Rod
143
Rear Axle Left

References

55619-JD00A

55619-JY00B

Counterpart

36-16 060 0048 | MSL0430

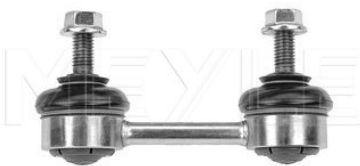
Application info

Qashqai I [02/07--]

X-Trail [T31] [03/07--]

36-16 060 0001/HD | MSL0402HD

Stabilizer link



Notes

Thread Measurement 2
Thread Measurement 1
Length [mm]

with spanner attachment
Coupling Rod
M10x1,5
M10x1,5
90
Rear Axle Right
Rear Axle Left

Reinforced Version

References

56261-47B01
56261-4F702
56261-4F725

56261-6F600
56261-0E000

Application info

Micra [K11] [01/92-02/03]



Stabilizer link

36-16 060 0004 | MSL0405

Notes

Thread Measurement 2
Thread Measurement 1
Length [mm]

Coupling Rod
M10x1,5
M10x1,5
115
Rear Axle Right
Rear Axle Left

References

56261-86J00
56261-86J25

56261-90J01



Application info

Primera [P10, W10] [06/90-03/98]

Stabilizer link

36-16 060 0026/HD | MSL0417HD

Notes

Thread Measurement 2
Thread Measurement 1
Length [mm]

with spanner attachment
Coupling Rod
M12X1,5
M10x1,5
90
Rear Axle Right
Rear Axle Left

Reinforced Version

References

56261-0E000
56261-AV610

56261-AV611



Application info

Primera [P12, WP12] [01/02--]

Stabilizer link

36-16 060 0056 | MSL0855

Notes

Thread Measurement 2
Thread Measurement 1
Length [mm]

with spanner attachment
Coupling Rod
M12X1,5
M10x1,5
90
Rear Axle Right
Rear Axle Left

References

56261-0E000
56261-AV610

56261-AV611



Application info

Primera [P12, WP12] [01/02--]

7

36-16 060 0002 | MSL0403

Stabilizer link



Notes

Thread Measurement 2
Thread Measurement 1
Length [mm]

Coupling Rod
M12x1,25
M12x1,25
65
Rear Axle Right

References

56261-EA500

Counterpart

36-16 060 0003 | MSL0404

Application info

Pathfinder (R51) [01/05--]

36-16 060 0003 | MSL0404

Stabilizer link



Notes

Thread Measurement 2
Thread Measurement 1
Length [mm]

Coupling Rod
M12x1,25
M12x1,25
65
Rear Axle Left

References

56261-EA510

Counterpart

36-16 060 0002 | MSL0403

Application info

Pathfinder (R51) [01/05--]

36-16 060 0032/HD | MSL0423HD

Stabilizer link



Notes

Thread Measurement 2
Thread Measurement 1
Length [mm]

with spanner attachment
Coupling Rod
M10x1,5
M10x1,5
115
Rear Axle Right
Rear Axle Left

Reinforced Version

References

56261-50J00

56261-EQ000

Application info

Primera (P10, W10) [06/90-03/98]

X-Trail (T30) [06/01-09/03]



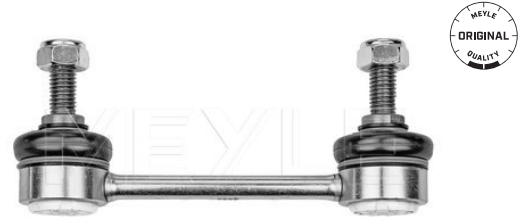
Stabilizer link

36-16 060 0057 | MSL0856

Notes

Thread Measurement 2
Thread Measurement 1
Length [mm]

with spanner attachment
Coupling Rod
M10x1,5
M10x1,5
115
Rear Axle Right
Rear Axle Left



References

56261-50J00 56261-EQ000

Application info

Primera [P10, W10] [06/90-03/98]

X-Trail [T30] [06/01-09/03]

Axle support bushing

36-14 710 0000/HD | MAB0121HD

Notes

Inner diameter [mm]
Outer diameter [mm]
Height [mm]
Required quantity

22
58
75
4
Rear Axle

Reinforced Version

References

55400-EQ700 55400-ES50A



Application info

X-Trail [T30] [06/01-09/03]

Axle support bushing

614 710 0001 | MAB0155

Notes

Inner diameter [mm]
Outer diameter [mm]
Height [mm]

12.5
70.3
70
Rear Axle Right
Rear Axle Left

References

55466-00Q0A 55466-00QAA



Application info

Primastar [03/01--]

Primastar [03/01--]

7

36-14 710 0003 | MAB0167

Axle support bushing



Notes

| | |
|---------------------|-----------------|
| Inner diameter [mm] | 12.3 |
| Outer diameter [mm] | 80.3 |
| Height [mm] | 70 |
| | Rear Axle Right |
| | Rear Axle Left |

References

| | |
|--------------|--------------|
| 55501-AU01A* | 55501-AV605* |
| 55501-AV600* | 55501-AV606* |

Application info

Primera [P12, WP12] [01/02--]

36-14 710 0001/HD | MFK0027HD

Repair kit, subframe



Notes

| | |
|---------------------|-----------|
| Inner diameter [mm] | 22 |
| Outer diameter [mm] | 58 |
| Height [mm] | 75 |
| | Rear Axle |

References

| | |
|-------------|-------------|
| 55400-EQ700 | 55400-ES50A |
|-------------|-------------|

Parts list

| | |
|-------------------------------|----------------------|
| 36-14 710 0000/HD MAB0121HD | Axle support bushing |
|-------------------------------|----------------------|

Application info

X-Trail [T30] [06/01-09/03]

36-14 639 0001 | MCS0316

Coil spring



Notes

| | |
|-----------------------|------------|
| Required quantity | 2 |
| | Front Axle |
| Replace in pairs only | |

References

| | |
|-------------|-------------|
| 54010-00QAK | 54010-00QAL |
|-------------|-------------|

Application info

Kubistar [08/03--]



Coil spring

36-14 639 0004 | MCS0319

Notes

Required quantity Coil Spring
2
Front Axle

Replace in pairs only



References

54010-AX610 54010-AX611

Application info

Micra [K12] [01/03-06/10]

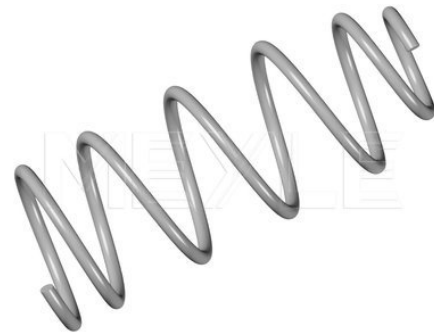
Coil spring

36-14 639 0002 | MCS0317

Notes

Required quantity 2
Front Axle

Replace in pairs only



References

54010-BM402

Application info

Almera II [01/00-02/03]

Coil spring

36-14 639 0000 | MCS0315

Notes

Required quantity 2
Front Axle

Replace in pairs only



References

54010-BM421

Application info

Almera II [01/00-02/03]

7

36-14 639 0003 | MCS0318

Coil spring



Notes

Required quantity 2
Front Axle
Replace in pairs only

References

54010-BU201

Application info

Almera Tino [08/00--]

16-14 640 0000 | MSC0038

Dust cover kit, shock absorber



Notes

Kit
Front Axle

Application info

Micra [K12] [01/03-06/10]

Note [03/06--]

16-14 640 0003 | MSC0111

Dust cover kit, shock absorber



Notes

Height [mm] Kit
235
Front Axle

Application info

Primastar [03/01--]

Primastar [03/01--]

Dust cover kit, shock absorber

36-14 640 0000 | MSC0078

Notes

Kit
Front Axle



Application info

Primera [P10, W10] [06/90-03/98]

Primera [P11, WP11] [06/96-07/02]

Dust cover kit, shock absorber

36-14 640 0001 | MSC0131

Notes

Kit
Front Axle



Application info

Almera Tino [08/00--]

X-Trail [T30] [06/01-09/03]

Dust cover kit, shock absorber

36-14 740 0000 | MSC0079

Notes

Kit
Rear Axle



Application info

X-Trail [T30] [06/01-09/03]

36-14 740 0001 | MSC0132

Dust cover kit, shock absorber



Notes

Kit
Rear Axle

Application info

Almera II [01/00-02/03]
Almera Tino [08/00--]

Primera [P11, WP11] [06/96-07/02]
Primera [P12, WP12] [01/02--]

36-14 740 0002 | MSC0128

Dust cover kit, shock absorber



Notes

Kit
Rear Axle

Application info

Micra [K12] [01/03-06/10]

36-14 641 0005 | MCX0460

Repair kit, strut mount



Notes

with ball bearing
Front Axle Right

References

54320-9U00A
54325-ED00A

54325-ED02A

Counterpart

36-14 641 0004 | MCX0459

Application info

Note [03/06--]
Tiida [01/07--]

Tiida [C11] [05/04-02/07]



Repair kit, strut mount

16-14 641 0016 | MCX0259

Notes

with ball bearing
Front Axle Right

References

54320-AX600

54320-BC40A

Counterpart

16-14 641 0015 | MCX0258



Application info

Cube [Z12] [03/10--]
Micra [K12] [01/03-06/10]
Note [03/06--]

Tida [01/07--]
Tiida [C11] [05/04-02/07]

Repair kit, strut mount

36-14 641 0002 | MCX0444

Notes

with anti-friction bearing
Front Axle Right

References

54320-JD00B
54320-JG01B
54320-JG02B

54325-ED00A
54325-ED02A

Counterpart

36-14 641 0001 | MCX0443



Application info

Qashqai I [02/07--]

X-Trail [T31] [03/07--]

Repair kit, strut mount

36-14 641 0004 | MCX0459

Notes

with ball bearing
Front Axle Left

References

54321-9U00A
54325-ED00A

54325-ED02A

Counterpart

36-14 641 0005 | MCX0460



Application info

Note [03/06--]
Tida [01/07--]

Tiida [C11] [05/04-02/07]

16-14 641 0015 | MCX0258

Repair kit, strut mount



Notes

with ball bearing
Front Axle Left

References

54321-AX600

54321-BC40A

Counterpart

16-14 641 0016 | MCX0259

Application info

Cube [Z12] [03/10--]
Micra [K12] [01/03-06/10]
Note [03/06--]

Tida [01/07--]
Tiida [C11] [05/04-02/07]

36-14 641 0001 | MCX0443

Repair kit, strut mount



Notes

with anti-friction bearing
Front Axle Left

References

54321-JD00B
54321-JG01B
54321-JG02B

54325-ED00A
54325-ED02A

Counterpart

36-14 641 0002 | MCX0444

Application info

Qashqai I [02/07--]

X-Trail [T31] [03/07--]

16-14 641 0005/S | MCX0257

Repair kit, strut mount



Notes

with ball bearing
Front Axle

References

54310-00QAA
54325-00QAA

54330-00QAA
54348-00QAA

Parts list

16-14 641 0004/S | MSM0092

Strut mount

Application info

Kubistar [08/03--]

Kubistar [08/03--]

7



Shock absorber

16-26 623 0007 | MSA0578

Notes

Suspension Strut
Gas Pressure
Twin-Tube
Front Axle

References

54302-00Q0B



Application info

Primastar [03/01--]

Primastar [03/01--]

Shock absorber

16-26 613 0006 | MSA0138

Notes

Suspension Strut
Oil Pressure
Twin-Tube
Front Axle

References

54302-00Q0D
54302-00Q0E
54302-00QAC

54302-00QAD
54302-00QAE
54302-00QAF



Application info

Kubistar [08/03--]

Kubistar [08/03--]

Shock absorber

36-26 623 0017 | MSA0368

Notes

Suspension Strut
Gas Pressure
Twin-Tube
Front Axle Right

References

44211-51200
54302-31U12
54302-31U25
54302-31U85
54302-31U88
54302-37U12
54302-37U25

54302-38U12
54302-38U25
54302-40U12
54302-40U85
54302-44U22
54302-44U72
54302-44U74

Counterpart

36-26 623 0016 | MSA0367



36-26 623 0017 | MSA0368

Shock absorber

Application info

Maxima [A32] [01/95-08/00]

36-26 623 0002 | MSA0359

Shock absorber



Notes

Suspension Strut
Gas Pressure
Twin-Tube
Front Axle Right

References

54302-AX60K
54302-AX626
54302-AY625

E4302-BC60A
E43A2-BC60A

Counterpart

36-26 623 0003 | MSA0360

Application info

Micra [K12] [01/03-06/10]

36-26 623 0005 | MSA0362

Shock absorber



Notes

Suspension Strut
Gas Pressure
Twin-Tube
Front Axle Right

References

54302-4Z001
54302-4Z029
54302-4Z601
54302-4Z625
54302-4Z910
54302-4Z926
54302-6N100
54302-6N125
54302-6N1X5
54302-6N200

54302-6N225
54302-6N2X5
54302-95F0B
54302-BM418
54302-BM485
54302-BN421
54302-BN424
54302-BN425
54302-BN428

Counterpart

36-26 623 0004 | MSA0361

Application info

Almera II [01/00-02/03]



Shock absorber

36-26 623 0009 | MSA0364

Notes

Suspension Strut
Gas Pressure
Twin-Tube
Front Axle Right

References

54302-8H600
54302-8H625
54302-8H700
54302-8H725

54302-8H726
54302-EQ025
54302-EQ026

Counterpart

36-26 623 0008 | MSA0363



Application info

X-Trail [T30] [06/01-09/03]

Shock absorber

36-26 623 0007 | MSA0686

Notes

Suspension Strut
Gas Pressure
Twin-Tube
Front Axle Right

References

54302-JD73A
54302-JE21A
E4302-JD01A

E4302-JD03A
E4302-JD73A
E4302-JD74A

Counterpart

36-26 623 0006 | MSA0685



Application info

Qashqai I [02/07--]

36-26 623 0016 | MSA0367

Shock absorber



Notes

Suspension Strut
Gas Pressure
Twin-Tube
Front Axle Left

References

| | |
|-------------|-------------|
| 44212-51200 | 54303-37U26 |
| 54302-43U22 | 54303-38U13 |
| 54302-44U22 | 54303-38U26 |
| 54302-44U72 | 54303-40U13 |
| 54302-44U74 | 54303-40U85 |
| 54303-31U13 | 54303-43U23 |
| 54303-31U27 | 54303-44U23 |
| 54303-31U85 | 54303-44U28 |
| 54303-31U88 | 54303-44U73 |
| 54303-37U13 | 54303-44U75 |

Counterpart

36-26 623 0017 | MSA0368

Application info

Maxima [A32] [01/95-08/00]

36-26 623 0003 | MSA0360

Shock absorber



Notes

Suspension Strut
Gas Pressure
Twin-Tube
Front Axle Left

References

| | |
|-------------|-------------|
| 54303-AX60K | 54303-AY625 |
| 54303-AX625 | E4303-BC60A |
| 54303-AX626 | E43A3-BC60A |

Counterpart

36-26 623 0002 | MSA0359

Application info

Micra [K12] [01/03-06/10]



Shock absorber

36-26 623 0004 | MSA0361

Notes

Suspension Strut
Gas Pressure
Twin-Tube
Front Axle Left

References

| | |
|-------------|-------------|
| 54303-4Z001 | 54303-6N200 |
| 54303-4Z029 | 54303-6N225 |
| 54303-4Z601 | 54303-6N2X5 |
| 54303-4Z625 | 54303-95F0B |
| 54303-4Z910 | 54303-BM418 |
| 54303-4Z926 | 54303-BM485 |
| 54303-6N100 | 54303-BN424 |
| 54303-6N125 | 54303-BN425 |
| 54303-6N1X5 | |

Counterpart

36-26 623 0005 | MSA0362



Application info

Almera II [01/00-02/03]

Shock absorber

36-26 623 0008 | MSA0363

Notes

Suspension Strut
Gas Pressure
Twin-Tube
Front Axle Left

References

| | |
|-------------|-------------|
| 54303-8H600 | 54303-8H726 |
| 54303-8H625 | 54303-EQ025 |
| 54303-8H725 | 54303-EQ026 |

Counterpart

36-26 623 0009 | MSA0364



Application info

X-Trail [T30] [06/01-09/03]

Shock absorber

36-26 623 0006 | MSA0685

Notes

Suspension Strut
Gas Pressure
Twin-Tube
Front Axle Left

References

| | |
|-------------|-------------|
| 54303-JD73A | E4303-JD03A |
| 54303-JE21A | E4303-JD73A |
| E4303-JD01A | E4303-JD74A |

Counterpart

36-26 623 0007 | MSA0686



36-26 623 0006 | MSA0685

Shock absorber

Application info

Qashqai I [02/07--]

36-26 723 0001 | MSA0371

Shock absorber



Notes

Suspension Strut
Gas Pressure
Twin-Tube
Rear Axle Right

References

55302-8H304
55302-8H326
55302-8H600

55302-8H625
55302-EQ025

Counterpart

36-26 723 0000 | MSA0370

Application info

X-Trail [T30] [06/01-09/03]

36-26 723 0000 | MSA0370

Shock absorber



Notes

Suspension Strut
Gas Pressure
Twin-Tube
Rear Axle Left

References

55303-8H600
55303-8H625

55303-EQ025

Counterpart

36-26 723 0001 | MSA0371

Application info

X-Trail [T30] [06/01-09/03]



Shock absorber

36-26 625 0001 | MSA0369

Notes

Bottom Pin
Top pin
Gas Pressure
Twin-Tube
Front Axle

References

| | |
|-------------|-------------|
| 41069-65011 | 56110-22J25 |
| 41069-65020 | 56110-39J00 |
| 56100-VB725 | 56110-39J25 |
| 56110-01J00 | 56110-VB000 |
| 56110-01J25 | 56110-VB010 |
| 56110-06J00 | 56110-VB025 |
| 56110-06J25 | 56110-VB026 |
| 56110-21J00 | 56110-VB700 |
| 56110-21J25 | 56110-VB725 |
| 56110-22J00 | |



Application info

Patrol GR I [02/88-02/98]

Patrol GR II [06/97-12/07]

Shock absorber

626 625 0001 | MSA0480

Notes

Bottom eye
Top eye
Gas Pressure
Twin-Tube
Front Axle

References

| | |
|-------------|-------------|
| 56111-00Q0A | 56111-00QAA |
|-------------|-------------|



Application info

Interstar [07/02--]

Interstar [07/02--]

Shock absorber

626 725 0017 | MSA0497

Notes

Bottom eye
Top eye
Gas Pressure
Twin-Tube
Rear Axle

References

| | |
|-------------|-------------|
| 56210-00QAD | 56210-00QAG |
| 56210-00QAE | |



626 725 0017 | MSA0497

Shock absorber

Application info

Interstar [07/02--]

Interstar [07/02--]

16-26 725 0002 | MSA0149

Shock absorber



Notes

Housing Diameter [mm]

Bottom eye
Top eye
Gas Pressure
Twin-Tube
50
Rear Axle

References

56210-00Q1F

56210-00QAK

Application info

Kubistar [08/03--]

Kubistar [08/03--]

36-26 725 0009 | MSA0374

Shock absorber



Notes

Bottom eye
Top pin
Gas Pressure
Twin-Tube
Rear Axle

References

45310-51200
56210-31U00
56210-31U25
56210-36U00
56210-40U00
56210-40U25

56210-40U26
56210-43U00
56210-43U01
56210-43U26
56210-43U27

Application info

Maxima [A32] [01/95-08/00]

Shock absorber

36-26 725 0005 | MSA0372

Notes

Bottom eye
Top pin
Gas Pressure
Twin-Tube
Rear Axle

References

| | |
|-------------|-------------|
| 56210-4M400 | 56210-4Z600 |
| 56210-4M405 | 56210-4Z625 |
| 56210-4M425 | 56210-5M400 |
| 56210-4M426 | 56210-5M425 |
| 56210-4M427 | 56210-8M400 |
| 56210-4Z000 | 56210-8M600 |
| 56210-4Z005 | 56210-95F0B |
| 56210-4Z025 | 56210-M425 |
| 56210-4Z027 | |



Application info

Almera II [01/00-02/03]

Shock absorber

36-26 725 0001 | MSA0646

Notes

Bottom eye
Top pin
Gas Pressure
Twin-Tube
Rear Axle

References

| | |
|-------------|-------------|
| 56200-AX602 | 56210-AX627 |
| 56210-9U025 | E6210-BC60A |
| 56210-AX625 | |



Application info

Micra [K12] [01/03-06/10]

Shock absorber

36-26 725 0003 | MSA0592

Notes

Bottom eye
Top pin
Gas Pressure
Twin-Tube
Rear Axle

References

| | |
|-------------|-------------|
| 56210-BM400 | 56210-BM426 |
| 56210-BM410 | 56210-BM427 |
| 56210-BM425 | 56210-BN825 |



36-26 725 0003 | MSA0592

Shock absorber

Application info

Almera II [01/00-02/03]

36-26 623 0019 | MSA0691

Shock absorber



Notes

Suspension Strut
Gas Pressure
Twin-Tube
Front Axle Right

References

54302-9U000
54302-9U025
E4302-9U00C

E4302-9U000
E4302-BH01A

Counterpart

36-26 623 0018 | MSA0690

Application info

Note [03/06--]

36-26 623 0013 | MSA0366

Shock absorber



Notes

Suspension Strut
Gas Pressure
Twin-Tube
Front Axle Right

References

54302-CJ40C
54302-CJ41C
54302-ED001
54302-ED002
54302-ED025
54302-ED501
54302-ED50A
54302-ED50B
54302-ED525
54302-EE50A
54302-EE50B

54302-EE90A
54302-EF80A
54302-EL00A
54302-EM01A
54302-EM30C
E4302-EC80A
E4302-EE90A
E4302-EL00A
E4302-EM01A
E4302-EM20A
E4302-EM30C

Counterpart

36-26 623 0012 | MSA0365

Application info

Tida [01/07--]

Tiida [C11] [05/04-02/07]



Shock absorber

36-26 623 0018 | MSA0690

Notes

Suspension Strut
Gas Pressure
Twin-Tube
Front Axle Left



References

54303-9U000
54303-9U025
E4303-9U00C

E4303-9U00D
E4303-BH01A

Counterpart

36-26 623 0019 | MSA0691

Application info

Note [03/06--]

Shock absorber

36-26 623 0012 | MSA0365

Notes

Suspension Strut
Gas Pressure
Twin-Tube
Front Axle Left



References

54303-CJ40C
54303-CJ41C
54303-ED001
54303-ED002
54303-ED025
54303-ED501
54303-ED50A
54303-ED50B
54303-ED525
54303-EE50A
54303-EE50B

54303-EE90A
54303-EF80A
54303-EL00A
54303-EM01A
54303-EM30C
E4303-EC80A
E4303-EE90A
E4303-EL00A
E4303-EM01A
E4303-EM20A
E4303-EM30C



Counterpart

36-26 623 0013 | MSA0366

Application info

Tiida [01/07--]

Tiida [C11] [05/04-02/07]

36-26 725 0007 | MSA0373

Shock absorber



Notes

Bottom eye
Top pin
Gas Pressure
Twin-Tube
Rear Axle

References

| | |
|-------------|-------------|
| 56200-ED002 | 56210-EF80D |
| 56200-ED00A | 56210-EF80E |
| 56200-EE90A | 56210-EM01A |
| 56200-EF80D | 56210-EM20A |
| 56200-EF80E | 56210-EM30C |
| 56200-EM01A | 56210-EW80C |
| 56200-EM20A | 56210-EW90D |
| 56200-EM30C | 56210-EX50A |
| 56200-EW80C | E6210-EC80A |
| 56200-EX50A | E6210-ED00A |
| 56210-ED001 | E6210-EE90A |
| 56210-ED002 | E6210-EM01A |
| 56210-ED00A | E6210-EM20A |
| 56210-ED025 | E6210-EM30C |
| 56210-EE90A | |

Application info

Tida [01/07--]

Tiida [C11] [05/04-02/07]

36-26 725 0004 | MSA0621

Shock absorber



Notes

Bottom eye
Top eye
Gas Pressure
Twin-Tube
Rear Axle

References

| | |
|-------------|-------------|
| 56210-JD02A | E6210-JD73A |
| 56210-JD73A | E6210-JD75A |
| E6210-JD02A | |

Application info

Qashqai I [02/07--]



Strut mount

16-14 641 0022 | MSM0218

Notes

without ball bearing
Front Axle

References

54310-00QAB

54320-00QAA



Application info

Primastar [03/01--]

Primastar [03/01--]

Strut mount

36-14 641 0000 | MSM0141

Notes

with ball bearing
Front Axle

References

54320-BM400

54320-BM40A



Application info

Almera II [01/00-02/03]

Strut mount

16-14 641 0004 | MSM0091

Notes

without ball bearing
Front Axle

References

54310-00QAA

54325-00QAA

54330-00QAA

54348-00QAA



Application info

Kubistar [08/03--]

Kubistar [08/03--]

16-14 641 0004/S | MSM0092

Strut mount



Notes

Kit
with ball bearing
Front Axle

References

54310-00QAA
54325-00QAA
54325-00QAA

54330-00QAA
54348-00QAA
543A0-0300R

Parts list

16-14 641 0004 | MSM0091
16-14 641 0003 | MMB0012

Strut mount
Strut mount bearing

Application info

Kubistar (08/03--)

Kubistar (08/03--)

16-14 641 0003 | MMB0012

Strut mount bearing



Notes

Inner diameter [mm]
Outer diameter [mm]
Height [mm]

16
56
9
Front Axle

References

54325-00QAA

Application info

Kubistar (08/03--)

Kubistar (08/03--)

014 098 0025 | MWB0002

Wheel bearing



Notes

Alternative Repair Kit
Alternative Repair Kit
Alternative Repair Kit
Alternative Repair Kit
Alternative Repair Kit
Inner diameter [mm]
Outer diameter [mm]
Height [mm]

614 750 0009
100 498 0023
014 033 0048
014 033 0047
014 033 0041
32
59
17
inner
Front Axle

References

40210-A0100

Wheel bearing

014 098 0025 | MWB0002

Application info

Vanette [C22] [10/86-12/95]

Vanette [C22] [10/86-12/95]

Wheel bearing

014 098 0029 | MWB0004

Notes

| | |
|------------------------|-----------------|
| Alternative Repair Kit | 014 058 0030/SK |
| Alternative Repair Kit | 014 058 0030 |
| Inner diameter [mm] | 41 |
| Outer diameter [mm] | 68 |
| Height [mm] | 18.15 |

References

40215-00100



Application info

Pathfinder [R50] [09/97-12/04]
Pick Up [720] [12/80-03/86]

Pick Up [D21] [09/85-02/98]

Wheel bearing

014 098 0024 | MWB0001

Notes

| | |
|------------------------|--------------|
| Alternative Repair Kit | 614 750 0009 |
| Alternative Repair Kit | 714 502 0006 |
| Alternative Repair Kit | 014 033 0048 |
| Alternative Repair Kit | 100 498 0023 |
| Alternative Repair Kit | 100 598 0002 |
| Inner diameter [mm] | 19 |
| Outer diameter [mm] | 45 |
| Height [mm] | 17 |



Application info

Vanette [C22] [10/86-12/95]

Vanette [C22] [10/86-12/95]

Wheel bearing kit

16-14 650 0013 | MWK0116

Notes

| | |
|---------------------|--|
| | with add-on material for vehicles with ABS |
| Inner diameter [mm] | 45 |
| Outer diameter [mm] | 88 |
| Height [mm] | 39 |
| | with integrated sensor ring Front Axle left and right |

References

| | |
|-------------|-------------|
| 40210-00Q0E | 40210-00QAK |
| 40210-00QAG | |



16-14 650 0013 | MWK0116

Wheel bearing kit

Application info

Primastar [03/01--]

Primastar [03/01--]

16-14 650 0004 | MWK0110

Wheel bearing kit



Notes

Inner diameter [mm]
Outer diameter [mm]
Height [mm]

with add-on material
49
84
48
Front Axle left and right

References

40210-000AC

Application info

Interstar [07/02--]

Interstar [07/02--]

36-14 650 0003 | MWK0168

Wheel bearing kit



Notes

Inner diameter [mm]
Outer diameter [mm]
Height [mm]

with accessories
40
74
36
Front Axle left and right

References

40210-4M400

Application info

Almera II [01/00-02/03]

36-14 650 0002 | MWK0167

Wheel bearing kit



Notes

Inner diameter [mm]
Outer diameter [mm]
Height [mm]

with add-on material
35
68
39
Front Axle left and right

References

40210-99B00

7

Wheel bearing kit

36-14 650 0002 | MWK0167

Application info

Micra [K11] [01/92-02/03]

Wheel bearing kit

16-14 650 0011 | MWK0115

Notes

Inner diameter [mm]
Outer diameter [mm]
Height [mm]

with add-on material
for vehicles with ABS
37
72
37
Front Axle left and right

References

40210-AX000



Application info

Micra [K12] [01/03-06/10]

Wheel bearing kit

16-14 750 0014 | MWK0122

Notes

Inner diameter [mm]
Outer diameter [mm]
Height [mm]

with add-on material
Disc Brake
45.3
80
48
Rear Axle left and right

References

43210-00QAB



Application info

Interstar [07/02--]

Interstar [07/02--]

Wheel bearing kit

16-14 750 0018 | MWK0124

Notes

Inner diameter [mm]
Outer diameter [mm]
Height [mm]

with add-on material
25
55
43
Rear Axle left and right

References

43210-00QAD



16-14 750 0018 | MWK0124

Wheel bearing kit

Application info

Kubistar (08/03--)

16-14 650 0001 | MWK0109

Wheel bearing kit



Notes

Inner diameter [mm]
Outer diameter [mm]
Height [mm]

with add-on material
Drum Brake
25
52
37
Rear Axle left and right

References

43210-AZ000

Application info

Micra [K12] (01/03-06/10)

Note (03/06--)

16-14 650 0014 | MWK0227

Wheel bearing kit



Notes

Inner diameter [mm]
Outer diameter [mm]
Height [mm]

with add-on material
for vehicles with ABS
45
86
39
Front Axle left and right

Application info

Primastar (03/01--)

Primastar (03/01--)

36-14 650 0004 | MWK0225

Wheel bearing kit



Notes

Inner diameter [mm]
Outer diameter [mm]
Height [mm]

with accessories
43
76
43
Front Axle left and right

References

40210-2Y000

Wheel bearing kit

36-14 650 0004 | MWK0225

Application info

Almera Tino [08/00--]
Maxima [A33] [04/99-11/03]

Primera [P12, WP12] [01/02--]
X-Trail [T30] [06/01-09/03]

Wheel hub

36-14 652 0000 | MWH0142

Notes

Outer diameter [mm]
Bolt Hole Circle Ø [mm]
Rim Hole Number

without accessories
136
114.3
4
with wheel studs
without wheel bearing
Front Axle left and right

References

40202-4M400



Application info

Almera II [01/00-02/03]

Wheel hub

36-14 652 0005 | MWH0248

Notes

References

40202-EA300

40202-ZP90A

without add-on material
for vehicles with ABS
Four-point mounting
with integrated ABS sensor
with integrated wheel bearing
Front Axle left and right



Application info

Navara [D40] [07/05--]

Pathfinder [R51] [01/05--]

Wheel hub

36-14 652 0003 | MWH0144

Notes

Outer diameter [mm]
Bolt Hole Circle Ø [mm]
Rim Hole Number

without add-on material
136
114.3
5
Four-point mounting
with wheel studs
with integrated wheel bearing
Front Axle left and right

References

40202-JG000



36-14 652 0003 | MWH0144

Wheel hub

Application info

Qashqai I [02/07--]

X-Trail [T31] [03/07--]

36-14 652 0001 | MWH0143

Wheel hub



Notes

Outer diameter [mm]
Bolt Hole Circle Ø [mm]
Rim Hole Number

without add-on material
121
100
4
without wheel bearing
Front Axle left and right

References

40204-AX600

Application info

Micra [K12] [01/03-06/10]

36-14 750 0001 | MWH0146

Wheel hub



Notes

Inner diameter [mm]
Outer diameter [mm]
Bolt Hole Circle Ø [mm]
Rim Hole Number

without add-on material
27
52
100
4
with wheel studs
with integrated wheel bearing
Rear Axle left and right

References

43200-0M001
43200-2Y000

43200-50Y00
43200-50Y05

Application info

100 NX [03/90-10/94]
Almera I/Pulsar I [07/95-07/00]

Sunny [B13, N14, Y10] [05/90-09/03]
Sunny [B13, N14, Y10] [05/90-09/03]

Wheel hub

36-14 752 0000 | MWH0149

Notes

| | |
|---------------------------|---|
| Number of Teeth, ABS ring | with add-on material 44 for vehicles with ABS |
| Inner diameter [mm] | 30 |
| Outer diameter [mm] | 148 |
| Bolt Hole Circle Ø [mm] | 114.3 |
| Rim Hole Number | 4 |
| | with integrated wheel bearing with wheel studs with ABS sensor ring Rear Axle left and right |

References

| | |
|-------------|-------------|
| 43200-2F500 | 43200-9F510 |
|-------------|-------------|



Application info

Primera [P11, WP11] [06/96-07/02]

Wheel hub

36-14 750 0002 | MWH0147

Notes

| | |
|---------------------------|---|
| Number of Teeth, ABS ring | without add-on material 42 |
| Inner diameter [mm] | 27 |
| Outer diameter [mm] | 134 |
| Bolt Hole Circle Ø [mm] | 100 |
| Rim Hole Number | 4 |
| | with ABS sensor ring with wheel hub with integrated wheel bearing Rear Axle left and right |

References

43200-5F617



Application info

Micra [K11] [01/92-02/03]

36-14 652 0004 | MWH0145

Wheel hub



Notes

Number of Teeth, ABS ring
Inner diameter [mm]
Outer diameter [mm]
Width [mm]
Bolt Hole Circle Ø [mm]
Rim Hole Number

with add-on material

44
30
147
67
114.3
5

with wheel studs
with ABS sensor ring
with integrated wheel bearing
Rear Axle left and right

References

43200-AV700

Application info

Primera [P12, WP12] [01/02--]

16-14 752 0006 | MWH0075

Wheel hub



Notes

Number of Teeth, ABS ring
Outer diameter [mm]
Bolt Hole Circle Ø [mm]
Rim Hole Number

with add-on material

44
Drum Brake
133
100
4

with ABS sensor ring
with integrated wheel bearing
Rear Axle left and right

References

43202-00QAC

Application info

Kubistar [08/03--]

Kubistar [08/03--]

36-14 752 0006 | MWH0241

Wheel hub



Notes

Rim Hole Number

without add-on material

6
Four-point mounting
with integrated wheel bearing
Rear Axle left and right

References

43202-4X00A

43202-ZP80A

Wheel hub

36-14 752 0006 | MWH0241

Application info

Navara [D40] [07/05--]
Pathfinder [R51] [01/05--]

Navara [D40] [10/04--]

Wheel hub

36-14 750 0004 | MWH0253

Notes

Outer diameter [mm]
Bolt Hole Circle Ø [mm]
Rim Hole Number

with add-on material
148
114.3
5
with wheel studs
with integrated wheel bearing
Rear Axle left and right

References

43202-JG000

43202JG01A



Application info

Qashqai I [02/07--]

X-Trail [T31] [03/07--]

Wheel hub

36-14 750 0005 | MWH0148

Notes

Outer diameter [mm]
Bolt Hole Circle Ø [mm]
Rim Hole Number

without add-on material
147
114.3
5
Four-point mounting
with wheel studs
with integrated wheel bearing
Rear Axle left and right

References

43202-JG200
43202-JG21A

43202-JG29A



Application info

Qashqai I [02/07--]

X-Trail [T31] [03/07--]

| MEYLE no. | Ref. no. | Page |
|----------------|---|------|
| Nissan | | |
| 014 042 0902 | 06905-3200 | 72 |
| 014 098 0024 | - | 277 |
| 014 098 0025 | 40210-A0100 | 276 |
| 014 098 0029 | 40215-00100 | 277 |
| 014 698 0006 | 41139-9F525 41142-9F525 | 71 |
| 014 698 0006/S | 41139-9F525 41142-9F525 | 71 |
| 025 200 9819 | 4406020J85 4406032J85 | 60 |
| 025 208 6316 | 41060-C7126 41060-C7128 41060-C7190 41060-C7191 41060-C7192 41060-C7193 41060-C7194 41060-C8186 41060-G9500 41060-G9501 41060-G9701 41060-G9725 41060-G9800 41060-G9825 41060-P9690 41060-T7893 D1060-C7192 | 56 |
| 025 213 4717 | 41000-10G08 41060-08N90 41060-08N91 41060-08N92 41060-09G90 41060-23C90 41060-23C91 41060-23C92 41060-23C93 41060-23C94 41060-25N25 41060-2S790 41060-2S791 41060-32G91 41060-32G92 41060-32G94 41060-3S590 41060-3S591 41060-V7085 | 57 |

| MEYLE no. | Ref. no. | Page |
|-----------------|--|------|
| Nissan | | |
| | 41060-V7090 41060-VJ490 41080-09G27 41080-09G28 41080-41L27 D1060-2S790 D1060-V7090 D1060-V7092 | |
| 025 214 8115 | 41060-2X825 41060-9C125 41060-9C525 41060-9C526 D1060-2X80A | 53 |
| 025 215 4515 | 44060-3F025 44060-3F085 44060-70J26 44060-BM425 44060-BM426 D4060-BM40A | 60 |
| 025 215 4515/PD | 44060-3F025 44060-3F085 44060-70J26 44060-BM425 44060-BM426 D4060-BM40A | 61 |
| 025 215 4617 | 41060-2F025 41060-2F026 41060-4M525 41060-4M526 41060-71J25 41060-71J26 41060-BM425 D1060-BM40A | 51 |
| 025 215 5314/W | 44060-61E92 44060-61E94 44060-65E90 44060-86E90 44060-90E90 D0060-61E25 | 70 |
| 025 216 2615 | 41060-1F025 41060-6F625 41060-6F626 41060-99B25 41060-99B26 | 52 |
| 025 216 5716/W | 41060-50Y94 41060-62C90 | 50 |

| MEYLE no. | Ref. no. | Page |
|-----------------|---|------|
| Nissan | | |
| | 41060-63C90 41060-63Y90 D106M-50Y93 D106M-50Y94 | |
| 025 217 1316/W | 440600-N690 44060-31U90 44060-31U92 44060-4U090 44060-54C91 44060-5M490 44060-63C90 44060-6E390 44060-73C91 44060-75C90 44060-78N91 44060-7E690 44060-87N90 44065-53F92 D4060-4U090 | 68 |
| 025 217 2517/W | 41060-32R94 41060-44F92 41060-48R91 41060-80N90 D1060-3C490 D1060-79E92 D106M-80N90 | 51 |
| 025 219 8018 | 41060-00QAF 41060-00QAG | 49 |
| 025 219 8018/PD | 41060-00QAF 41060-00QAG | 49 |
| 025 220 6518 | D1060-4CA0A D1060-4EA0A | 63 |
| 025 230 0415/W | 41060-1N060 41060-1N090 41060-1N890 D1060-1N090 | 49 |
| 025 230 8617/W | 41060-17U90 41060-1E090 41060-38U90 41060-89E92 | 52 |
| 025 230 9416/W | 41060-4U125 41060-4U126 41060-4U127 41060-AV125 41060-AV126 | 54 |
| 025 230 9918 | 41060-00QAE | 48 |

| MEYLE no. | Ref. no. | Page |
|-----------------|---|------|
| Nissan | | |
| 025 230 9918/PD | 41060-00QAE | 48 |
| 025 231 6017 | 41060-9F525 | 53 |
| 025 234 2016/W | 41060-1W385 41060-1W386 41060-1W387 41060-1W388 41060-5W585 41060-8H785 41060-VH385 D1060-8H71A D1060-8H785 | 63 |
| 025 234 5415 | 44060-99B25 44060-99B85 | 61 |
| 025 234 6316 | 41060-2F026 41060-2F525 41060-2F526 41060-2F527 41060-5M325 41060-5M326 41060-BM525 D1060-BM50A | 54 |
| 025 234 6316/PD | 41060-2F026 41060-2F525 41060-2F526 41060-2F527 41060-5M325 41060-5M326 41060-BM525 D1060-BM50A | 55 |
| 025 234 8216 | 44060-AV625 44060-AV725 | 61 |
| 025 234 8216/PD | 44060-AV625 44060-AV725 | 62 |
| 025 235 0216/W | 44060-VB190 44060-VB191 44060-VC090 D4060-VC090 | 63 |
| 025 235 0715 | 41060-4A00B | 50 |
| 025 236 1118/W | 41060-VB290 41060-VC091 41060-VC290 D1060-VC091 D1060-VC290 | 66 |
| 025 236 1318 | 41060-00QAD | 47 |
| 025 236 1318/PD | 41060-00QAD | 48 |
| 025 236 6916 | 44060-00QAE | 58 |

| MEYLE no. | Ref. no. | Page |
|-----------------|---|------|
| Nissan | | |
| 025 236 6916/PD | 44060-00QAE | 59 |
| 025 236 9816/W | 41060-CC090 41060-EB325 | 55 |
| 025 238 7114/PD | 44060-8H385 44060-AL585 44060-AL586 D4060-8H385 D4060-EM11A D4060-JA00A D4060-JA00J | 69 |
| 025 238 7114/W | 44060-8H385 44060-AL585 44060-AL586 D4060-8H385 D4060-EM11A D4060-JA00A D4060-JA00J | 69 |
| 025 239 7017/W | 41060-7Z025 41060-VK190 D1060-VK190 | 66 |
| 025 239 7317 | 41060-AX625 D1060-AX60A D1060-AX61A D1060-AX61F D1060-BH40A | 64 |
| 025 239 7317/PD | 41060-AX625 D1060-AX60A D1060-AX61A D1060-AX61F D1060-BH40A | 64 |
| 025 239 8017 | 44060-00QAF | 59 |
| 025 239 8017/PD | 44060-00QAF | 59 |
| 025 240 5615/W | 41060-CA090 41060-CA092 41060-CA093 41060-CG00J 41060-ZA525 AY040-NS121 D1M60-1AA0K | 67 |
| 025 242 2716/W | 41060-EB326 | 56 |
| 025 242 4016/W | 44060-EB325 | 62 |
| 025 242 8016/W | D1060-EM10A | 65 |
| 025 246 3217 | D1060-JD00A D1060-JE00A | 65 |
| 025 246 3217/PD | D1060-JD00A D1060-JE00A | 65 |

| MEYLE no. | Ref. no. | Page |
|-----------------|---|------|
| Nissan | | |
| 025 246 4815/W | 41060-6N091 41060-6N0X1 41060-95F0A 41060-95F0B D1060-6N091 | 52 |
| 025 248 7113/W | D4060-9N00A D4060-9N00B D4M60-9N00A D4M60-9N00B | 70 |
| 025 251 1218/PD | 44060-00Q0H 44060-00Q0L | 57 |
| 025 251 1218/W | 44060-00Q0H 44060-00Q0L | 58 |
| 025 251 7218/PD | 44060-00Q0G 44060-00Q0M | 58 |
| 025 251 7218/W | 44060-00Q0G 44060-00Q0M | 71 |
| 025 259 6515 | D4060-4CA0A D4060-4EA0A | 67 |
| 025 259 6515/PD | D4060-4CA0A D4060-4EA0A | 68 |
| 025 297 0617 | 069030810 | 47 |
| 028 282 0004 | 21200-57J00 | 143 |
| 029 300 1211 | - | 6 |
| 029 300 1217 | 28790-EA000 | 6 |
| 029 330 1300 | - | 6 |
| 029 350 1400 | - | 7 |
| 029 350 1410 | - | 7 |
| 029 350 1417 | - | 7 |
| 029 380 1500 | - | 8 |
| 029 380 1514 | - | 8 |
| 029 400 1600 | - | 8 |
| 029 400 1610 | - | 9 |
| 029 425 1710 | - | 9 |
| 029 450 1800 | - | 9 |
| 029 475 1900 | - | 10 |
| 029 500 2000 | - | 10 |
| 029 530 2100 | - | 11 |
| 029 550 2200 | - | 11 |
| 029 580 2300 | - | 11 |
| 029 600 2400 | - | 12 |
| 029 600 2471 | - | 12 |
| 029 650 2600 | - | 13 |
| 050 003 0630 | 11750-01800 | 125 |
| 050 003 0675 | 11720BX010 11720BX015 | 123 |

| MEYLE no. | Ref. no. | Page |
|---------------|--|------|
| Nissan | | |
| 050 003 0788 | 11720-01B02 11720-01B04 | 116 |
| 050 003 0835 | 11950-V7301 11950-V7311 A1950V7301 | 128 |
| 050 003 0875 | 11950-65F10 11950-65F12 A1195065F10 A1195065F12 A1950-65F12 | 130 |
| 050 003 0913 | 11720-01B00 11720-01B01 | 130 |
| 050 003 1000 | 11950F6101 11950F6102 11950F6111 | 128 |
| 050 004 0650 | 11720-4F110 | 120 |
| 050 004 0705 | 11720-28E10 11720-04202 | 130 |
| 050 004 0715 | 11720-2M310 | 118 |
| 050 004 0725 | 11720-16E02 11720-16E03 11950-0M210 11950-72B00 11950-72B01 | 131 |
| 050 004 0730 | 1172016E02 1172016E03 119500M210 1195072B00 1195072B01 | 131 |
| 050 004 0760 | - | 131 |
| 050 004 0763 | 11950-41B00 11950-41B01 11950-4F105 11950-5F600 | 132 |
| 050 004 0775 | 11720-26E02 11720-26E12 11950-31U00 11950-31U01 1195031U02 A172026E02 | 132 |
| 050 004 0785 | 119204A00B 119204A00C | 132 |
| 050 004 0805 | 11720-2F000 117202F005 1172053Y00 1172053Y01 | 133 |

| MEYLE no. | Ref. no. | Page |
|---------------|---|------|
| Nissan | | |
| | 1172053Y10 1172053Y20 | |
| 050 004 0810 | 11720-53Y00 11720-53Y10 11720-53Y20 11720-71J00 11720-04007 11720D4007TM 11720D4008 11720-04017 11720D4018 11720-Q5201 1192001B10 119500M200 A192001B10 | 133 |
| 050 004 0815 | 11720-53Y00 11720-53Y10 11720-53Y20 11720-71J00 1172071J01 11720-04007 11720-04017 11720-Q5201 11920-01B10 | 133 |
| 050 004 0825 | 11720-0M000 11720-2F200 11720-70J00 11920-21B00 1192021B01 11920-77A00 11920-77A10 11950EB300 11950EB30A 11950EB70A | 134 |
| 050 004 0830 | 117202F200 117202F205 1172053J10 1192077A00 1192077A01 1192077A10 11920Q5200 | 134 |
| 050 004 0845 | 11720-42L01 11920-53J20 11920-V7301 11920-V7311 11950-35F00 | 135 |

| MEYLE no. | Ref. no. | Page |
|---------------|---|------|
| Nissan | | |
| | 11950-53J10 11950-53J20 11950-70J00 1195070J05 11950-9F600 | |
| 050 004 0850 | 1172042L01 1192053J20 11920-V7301 11920V7302 | 135 |
| 050 004 0875 | - | 135 |
| 050 004 0900 | 1195071E00 1195071E10 1195086L00 | 136 |
| 050 004 0905 | 11720-00QAT 11720-0C810 11950-0P600 11950-0P611 | 136 |
| 050 004 0913 | 11720-71J05 11720-77A00 11720-77A00-TM 11720-77A10 11720-85G00 11720-85G10 11920-16V00 11920-16V10 11950-0P600 11950-0P610 | 136 |
| 050 004 0925 | 1172000QAS 1192042L01 1192058S00 1192058S01 1195054C00 1195054C10 11950D4201 11950-D4211 | 137 |
| 050 004 0950 | - | 137 |
| 050 004 0962 | 11720-D4001 11920F6501 A1920F6501 | 138 |
| 050 004 0995 | 11720-50A00 1172050A00TM 11720-50A10 1172050A10JP 1172050A10KE | 138 |
| 050 004 1025 | 11720-V5302 11720-V5312 | 138 |

| MEYLE no. | Ref. no. | Page |
|---------------|---|------|
| Nissan | | |
| | 11720-V5313 | |
| 050 004 1030 | 11720-V5302 11720-V5312 11720-V5313 | 139 |
| 050 004 1040 | 11720-F6600 11950-16E10 11950-18E10 11950-85E00 | 139 |
| 050 004 1075 | 11920-BX000 11920-BX005 | 139 |
| 050 004 1100 | 11720-0M312 11720-0M313 | 140 |
| 050 004 1190 | 11920-0B000 11920-85E01 11920-85E01TM 11920-85E11 11920-97E20 A1920-85E01 | 140 |
| 050 004 1538 | AY140-4154M | 129 |
| 050 005 0900 | 11720-4A00B | 119 |
| 050 005 0930 | 11720-52F00 11720-52F10 | 120 |
| 050 005 0950 | 11720-0C800 11720-0C805 | 117 |
| 050 005 0962 | 11720-6F900 | 121 |
| 050 005 1125 | 1172000QAJ | 116 |
| 050 005 1200 | 1172000Q1U 11720BN701 8200034396 | 129 |
| 050 005 1285 | 11920-0W000 11920-0W001 11920-0W002 | 140 |
| 050 006 0675 | 11720-1F700 11720-4F100 11720-54B00 | 119 |
| 050 006 0725 | 11720-D1101-JP 11720-D4201 11720-D4291-JP 11720-D4291-KE | 123 |
| 050 006 0820 | 11720-4M510 11720-4M511 11720-4M512 11720-9F600 11720-9F605 11720-9F610 11720-9M511 | 122 |

| MEYLE no. | Ref. no. | Page |
|---------------|---|------|
| Nissan | | |
| | 11720-9M512 | |
| 050 006 0884 | 11720-31U00 11720-31U02 11720-4F105 11720-54B00 | 121 |
| 050 006 0890 | 11720-4F105 | 120 |
| 050 006 0955 | 11920-41B01 11920-41B02 11920-4F105 11920-5F600 | 126 |
| 050 006 1060 | 117200-W000 117200-W002 | 117 |
| 050 006 1075 | 11920-CA000 | 127 |
| 050 006 1090 | 11920-9F615 | 127 |
| 050 006 1095 | 11920-31U00 11920-31U02 | 126 |
| 050 006 1100 | 11920-2Y501 | 125 |
| 050 006 1110 | 11920-4M500 11920-6J900 11920-6J910 11920-9F605 11920-9F610 | 126 |
| 050 006 1130 | 11720-00Q1K | 114 |
| 050 006 1150 | 11720-JD00B 11720-JD00C 82000-23912 | 128 |
| 050 006 1200 | 11720-00QA2 | 115 |
| 050 006 1205 | 11720-00Q1W 11720-1KC0A | 117 |
| 050 006 1210 | 11720-EN20A 11720-ET00A | 124 |
| 050 006 1306 | 11720-30R00 11720-30R10 | 118 |
| 050 006 1795 | 77001-09477 82001-13203 | 129 |
| 050 006 2080 | 11720-3HD0A | 119 |
| 050 006 2245 | 11720-6N200 | 122 |
| 050 007 1093 | - | 141 |
| 050 007 1104 | - | 141 |
| 050 007 1110 | 11720-00Q2E | 115 |
| 050 007 1125 | 11720-1KT0A | 118 |
| 050 007 1145 | 11720-ED00B 11720-ED00C | 124 |
| 050 007 1153 | 11720-JD00B 11720-JD00C | 124 |
| 050 007 1275 | 11720-EB300 | 127 |

| MEYLE no. | Ref. no. | Page |
|------------------|--|------|
| Nissan | | |
| | 11720-EB30A 11720-EB310 11720-EB70C 11950-60U05 | |
| 050 007 1642 | 11720-VC101 11720-VC102 11720-VC103 11720-VC10A 11720-VS40A | 125 |
| 050 007 1730 | 11720-5X00B | 121 |
| 050 007 1741 | 11720-00Q0F | 113 |
| 050 007 1795 | 11720-AW300 | 122 |
| 050 007 1815 | 11720-BB00A | 123 |
| 050 007 1920 | 11720-00QAW 11720-0B000 | 116 |
| 050 007 1970 | 11720-00Q1E | 114 |
| 050 007 2000 | 11720-00Q1J | 114 |
| 100 900 0000 | 22690-17B00 22690-73C00 | 106 |
| 100 953 0012 | 25730-16B00 | 108 |
| 11-13 012 0158 | 21010-6F900 21010-6F907 | 150 |
| 11-14 860 0000 | 11065-6F900 | 101 |
| 11-51 902 2005 | 13077-6F900 13077-6F901 | 113 |
| 16-12 319 0001 | 27891-00QAA B7298-00QAA | 18 |
| 16-12 319 0003 | 27891-AX01A | 17 |
| 16-12 319 0019/S | 27891-00Q0D | 15 |
| 16-12 319 0022 | 27277-00A26 27277-1KA0A 27277-1KA4A | 14 |
| 16-12 320 0001 | B7298-00QAA | 19 |
| 16-12 320 0019/S | 27891-00Q0D | 16 |
| 16-12 320 0022 | 271T2-00A00 | 13 |
| 16-12 320 0023 | - | 19 |
| 16-12 321 0004 | 16546-00QAA 16546-00QAU | 157 |
| 16-12 321 0007 | 16546-00QAK 16546-BN700 | 160 |
| 16-12 321 0009 | 16546-00QAR 16546-BC40A 16546-BN701 16546-BN70A 22324-00QAB 82004-37229 | 163 |

| MEYLE no. | Ref. no. | Page |
|------------------|--|------|
| Nissan | | |
| 16-12 321 0012 | 16546-00QAL | 156 |
| 16-13 027 0001 | 21010-00QAA | 147 |
| 16-13 220 0003 | 21010-00QAS 21010-BN700 | 148 |
| 16-13 220 0004 | 21010-00QAC | 148 |
| 16-13 220 0011 | 21010-AW300 | 153 |
| 16-13 220 0012 | 21010-00Q0H 21010-00Q0L 21010-00QAH 21010-00QAK 21010-00QAL 21010-00QAR 21010-00QOA | 149 |
| 16-13 220 0015 | 21010-00Q0E | 146 |
| 16-13 220 0020 | 21010-00Q0C | 146 |
| 16-13 220 0023 | 21010-00Q0M | 147 |
| 16-13 220 0025 | B1010-1GZ0A B1010-EN20B | 155 |
| 16-13 220 0026 | 21010-00Q0K | 146 |
| 16-13 220 0028 | 15010-00Q1L 21010-00Q2C | 147 |
| 16-14 030 0026 | 11220-BN700 11220-BN720 | 178 |
| 16-14 030 0031 | 11360-EM00A | 179 |
| 16-14 030 2082 | 11270-00QAA | 179 |
| 16-14 036 0000 | 14460-BB30A 14460-BB31A | 169 |
| 16-14 036 0001 | 14463-JD52A 14463-JD56A | 170 |
| 16-14 036 0002 | 14463-JD50D | 169 |
| 16-14 079 9404/S | 54616-00QAA | 238 |
| 16-14 322 0000 | 15208-00Q0D 15208-00Q0F 15208-00Q0G 15208-00QAB 15208-00QAC 15208-00QAF 15208-AW300 15208-BN700 82000-33408 82000-33468 | 176 |
| 16-14 322 0006 | 15209-00QAC 15209-2W200 15209-MA70A | 176 |
| 16-14 322 0008 | 15208-00QAG | 170 |
| 16-14 322 0012 | 1520800Q1E | 175 |

| MEYLE no. | Ref. no. | Page |
|-------------------|--|------|
| Nissan | | |
| | 15209-00Q0F | |
| 16-14 323 0002 | 82004-16946 | 169 |
| 16-14 323 0007 | 16400-00QAV 16400-4U105 16400-BC40A 16400-BN700 16401-00Q0D 16401-00QAA | 166 |
| 16-14 498 0029 | - | 94 |
| 16-14 498 0032 | - | 95 |
| 16-14 498 0038 | 3910100Q3G 3910100Q4E 3910100Q4F | 86 |
| 16-14 525 0009 | 46201-00Q0E 46201-00QAG | 79 |
| 16-14 533 0001 | 44060-00QAK 44060-3J325 | 73 |
| 16-14 533 0001/K | 44060-00QAK 44060-3J325 | 74 |
| 16-14 533 0002 | 44060-00QAG | 72 |
| 16-14 533 0024/K | 44060-00QAG | 73 |
| 16-14 610 0001 | 54502-00Q0A 54502-00Q0B 54502-00QAA 54503-00Q0A 54503-00Q0B 54503-00QAA | 231 |
| 16-14 610 0002 | 54502-00Q0A 54502-00Q0B 54502-00QAA 54503-00Q0A 54503-00Q0B 54503-00QAA | 231 |
| 16-14 610 0004 | 54560-AX600 | 232 |
| 16-14 610 0013/HD | 54560-00Q0A 54560-00QAB | 232 |
| 16-14 615 0004 | 54613-00QAD | 235 |
| 16-14 615 0010 | 54613-00QAB | 235 |
| 16-14 620 0001 | 48203-00QAD 77014-70361 | 180 |
| 16-14 631 0001 | 4911000Q1L 4911000QAK | 180 |
| 16-14 640 0000 | - | 258 |
| 16-14 640 0003 | - | 258 |
| 16-14 641 0003 | 54325-00QAA | 276 |
| 16-14 641 0004 | 54310-00QAA | 275 |

| MEYLE no. | Ref. no. | Page |
|------------------|--|------|
| Nissan | | |
| | 54325-00QAA 54330-00QAA 54348-00QAA | |
| 16-14 641 0004/S | 54310-00QAA 54325-00Q0A 54325-00QAA 54330-00QAA 54348-00QAA 543A0-0300R | 276 |
| 16-14 641 0005/S | 54310-00QAA 54325-00QAA 54330-00QAA 54348-00QAA | 262 |
| 16-14 641 0015 | 54321-AX600 54321-BC40A | 262 |
| 16-14 641 0016 | 54320-AX600 54320-BC40A | 261 |
| 16-14 641 0022 | 54310-00QAB 54320-00QAA | 275 |
| 16-14 650 0001 | 43210-AZ000 | 280 |
| 16-14 650 0004 | 40210-00QAC | 278 |
| 16-14 650 0011 | 40210-AX000 | 279 |
| 16-14 650 0013 | 40210-00Q0E 40210-00QAG 40210-00QAK | 277 |
| 16-14 650 0014 | - | 280 |
| 16-14 750 0014 | 43210-00QAB | 279 |
| 16-14 750 0018 | 43210-00QAD | 279 |
| 16-14 752 0006 | 43202-00QAC | 284 |
| 16-14 800 0000 | 23731-BN701 23760-00QAB 23760-00QAD | 107 |
| 16-14 800 0023 | 01436-00QAB 23750-00QAH | 96 |
| 16-14 800 0025 | 23731-BN700 23731-BN70A 23750-00Q0A 23750-00Q0G 23750-00Q0M 23750-00QAD | 96 |
| 16-14 860 0006 | 11065-00Q0A 11065-00QAE | 97 |
| 16-14 860 0009 | 11065-00Q0E | 98 |
| 16-14 860 0010 | 11065-00Q00 11065-00QAA 11065-00QAF | 103 |

| MEYLE no. | Ref. no. | Page |
|-------------------|---|------|
| Nissan | | |
| | 11065-00QAG 11065-BN701 | |
| 16-14 860 0011 | 11065-00Q0C 11065-00Q0G 11065-5X00A | 100 |
| 16-14 860 0012 | 11065-00Q0H 11065-00Q0L | 98 |
| 16-14 885 0001 | 22448-00QAC | 103 |
| 16-14 885 0002 | 22448-00Q0A 22448-00Q0B 22448-00QAA 22448-00QAB 22448-00QAE 22448-00QAH 22448-6N011 | 104 |
| 16-14 885 0004 | 22448-00QAF | 104 |
| 16-14 899 0006 | 23798-00Q0A 23798-00Q0B 23798-00QAC 23798-00QAD | 97 |
| 16-14 899 0010 | 01436-00QAC 23750-00Q0E | 96 |
| 16-14 899 0011 | 22630-00Q2H 22630-00QAD 22630-00QAF 22630-BN702 | 107 |
| 16-15 521 0036 | 40206-00Q0E 40206-00Q0K 40206-00QAA | 20 |
| 16-15 521 0036/PD | 40206-00Q0E 40206-00Q0K 40206-00QAA | 21 |
| 16-15 521 0037 | 40206-00Q0D 40206-00QAJ | 23 |
| 16-15 521 0037/PD | 40206-00Q0D 40206-00QAJ | 24 |
| 16-15 521 0039 | 40206-AX600 40206-AX602 40206-AX603 | 32 |
| 16-15 521 0039/PD | 40206-AX600 40206-AX602 40206-AX603 | 32 |
| 16-15 523 0002 | 43200-00QAF 43200-00QAG | 72 |
| 16-16 010 0005/HD | 54502-00Q0A* 54502-00Q0B* | 208 |

| MEYLE no. | Ref. no. | Page |
|-------------------|--|------|
| Nissan | | |
| | 54502-00QAA 54503-00Q0A* 54503-00Q0B* 54503-00QAA | |
| 16-16 010 0009 | 40160-000AC 40160-000AD | 200 |
| 16-16 010 0010 | 40160-00Q0C | 200 |
| 16-16 010 0019 | 401611363R 401613416R 8200688877 | 203 |
| 16-16 010 0020 | 40160-00Q0B | 200 |
| 16-16 010 0031 | 401602379R 401608374R | 201 |
| 16-16 010 4264 | 54501-00Q0G* 54501-00Q0L* 54501-00QAH | 207 |
| 16-16 020 0000 | 48520-00QAP | 189 |
| 16-16 020 0006 | 48520-00QAN | 189 |
| 16-16 020 0008/HD | 48520-00QAL | 189 |
| 16-16 020 0009/HD | 48520-00QAK | 188 |
| 16-16 020 0014 | 48640-AX602 | 195 |
| 16-16 020 0016 | 48520-AX602 | 192 |
| 16-16 020 0029 | 48520-00Q0E | 198 |
| 16-16 020 0030 | 48520-00Q0F | 198 |
| 16-16 031 0004 | 48520-00QAM | 183 |
| 16-16 031 0007 | 48001AX702 48001AY612 48001BC43A 48001BC46A | 181 |
| 16-16 031 0008 | 48521-00QAG | 184 |
| 16-16 031 0011 | 48521-00QAA | 183 |
| 16-16 031 0033/HD | 48001AX702 48001AY612 48001BC43A 48001BC46A | 182 |
| 16-16 031 0037/HD | 48520-00QAM | 183 |
| 16-16 050 0007/HD | 54500-00Q0M 54500-00Q1A 54500-00QAH | 209 |
| 16-16 050 0008/HD | 54501-00Q0G 54501-00Q0L 54501-00QAH | 216 |
| 16-16 050 0017/HD | 54503-00Q0A 54503-00Q0B 54503-00QAA 54503-00QAB | 224 |

| MEYLE no. | Ref. no. | Page |
|-------------------|--|------|
| Nissan | | |
| 16-16 050 0018/HD | 54502-00Q0A 54502-00Q0B 54502-00QAA 54502-00QAB | 223 |
| 16-16 050 0025 | 54503-00Q0C 54503-00Q0D | 223 |
| 16-16 050 0026 | 54502-00Q0C 54502-00Q0D | 222 |
| 16-16 050 0027 | 54501-00Q0C 54501-00QAC 54501-00QAD 54501-00QAE | 215 |
| 16-16 050 0028 | 54500-00Q0C 54500-00QAC 54500-00QAD 54500-00QAE | 208 |
| 16-16 060 0003/HD | 54616-00Q0A 54616-00QAC | 239 |
| 16-16 060 0015 | 54616-00Q0A 54616-00QAC | 240 |
| 16-26 613 0006 | 54302-00Q0D 54302-00Q0E 54302-00QAC 54302-00QAD 54302-00QAE 54302-00QAF | 263 |
| 16-26 623 0007 | 54302-00Q0B | 263 |
| 16-26 725 0002 | 56210-00Q1F 56210-00QAK | 270 |
| 16-28 228 0001 | 11061-00Q0M 11061-00QAE | 142 |
| 16-28 228 0003 | 11060-00Q0B 11060-00QAJ | 141 |
| 16-40 910 0001 | 90450-00QAA | 2 |
| 16-40 910 0029 | 90451-00QAA | 4 |
| 16-51 049 0018 | 16806-00QAA 16806-00QAW | 112 |
| 16-51 902 1000 | 1307000QAC | 109 |
| 16-51 902 1001 | - | 110 |
| 16-51 902 1002 | 13070-00QAE | 110 |
| 16-51 902 1003 | 13077-00QAG 13077-00QAL | 110 |
| 16-51 902 1006 | 13070-AW300 | 109 |
| 16-51 902 1007 | 130701192R | 109 |
| 16-51 902 1009 | 130705625R 130708047R | 111 |

| MEYLE no. | Ref. no. | Page |
|-------------------|---|------|
| Nissan | | |
| 16-51 902 2001 | 13070-00Q0L 13070-00QAA | 113 |
| 214 322 0002 | 15208-6F901 15208-6F905 15208-6F906 15310-01700 SU001-00453 | 172 |
| 214 800 0002 | 22731-1F710 23731-1F710 | 107 |
| 30-12 321 0015 | 17801-21030 | 162 |
| 30-14 323 0001 | 16403-2SA00 | 167 |
| 30-14 495 0001 | 39241-BM525 39241-BM526 39241-BM527 | 84 |
| 30-16 060 0017/HD | 54618-CY00A | 247 |
| 30-16 060 0047/HD | 54616-4A00B | 240 |
| 30-16 060 0080 | 54618-CY00A | 247 |
| 30-28 228 0001 | 21200-4M500 21200-77A65 21200-93J10 21200-9F600 21208-96002 25500-02500 | 144 |
| 31-14 620 0000 | 4820453A00 | 181 |
| 314 133 2108 | 16400-70J00 | 164 |
| 32-14 322 0006 | - | 178 |
| 32-14 860 0002 | 11065-43G01 11065-63G00 | 101 |
| 33-12 319 0005 | 27891-4A00C | 16 |
| 33-12 321 0014 | 16546-4A00C 16546-4A00F | 159 |
| 33-14 323 0001 | 15410-84380 | 163 |
| 33-15 521 0008 | 40206-4A00G | 29 |
| 33-16 060 0013 | 54616-4A00B | 240 |
| 34-12 046 0001 | 16546-0Z000 16546-3J400 16546-6J400 16546-70J10 16546-V0100 16546-V0110 16546-W2900 | 162 |
| 35-14 322 0000 | 15208-3J400XX | 171 |
| 35-14 322 0002 | Y7011-4302 | 178 |
| 35-14 525 0013 | 46210-9C008 46210-9C502 | 80 |
| 35-16 031 0022 | - | 187 |

| MEYLE no. | Ref. no. | Page |
|-------------------|--|------|
| Nissan | | |
| 35-16 060 0021/HD | 54618-9U00A 54618-AX600 54618-BC40A | 245 |
| 36-12 319 0000 | 27891-BM400 27891-BM401 27891-BM402 27891-BM410 B7200-5M000 | 17 |
| 36-12 319 0002 | 27891-AX010 AY685-NS003 | 16 |
| 36-12 319 0004/S | 27274-EA000 27274-EA000-D 27274-EA000-S | 13 |
| 36-12 319 0005 | 27277-EN000 27277-EN025 | 14 |
| 36-12 319 0006 | 27277-4M400 27277-4M425 27277-5U100 27277-9W125 27277-WD000 2K003-30361 999M1-VP001 999M1-VP051 B7200-5M000 B727A-79925 | 18 |
| 36-12 319 0008 | 27274-ED000 27891-EC00A 27891-EL00A | 17 |
| 36-12 319 0010 | 27277-1HD0B 27277-1HE0E | 14 |
| 36-12 320 0005 | 27277-EN000 27277-EN025 27277-JD10A | 15 |
| 36-12 321 0002 | 16546-3S903 16546-7F000 16546-7F002 | 160 |
| 36-12 321 0003 | 16546-0U800 16546-0U80A 16546-41B00 16546-41B01 16546-AX600 | 158 |
| 36-12 321 0004 | 16546-ED000 | 161 |
| 36-12 321 0005 | 16546-6F900 | 159 |
| 36-12 321 0006 | 16546-17B00 16546-3J410 16546-3J41A | 159 |

| MEYLE no. | Ref. no. | Page |
|----------------|---|------|
| Nissan | | |
| | 16546-73C00 16546-73C01 16546-73C10 16546-73C11 16546-AA030 AY120-NS007 | |
| 36-12 321 0010 | 16546-JD20A 16546-JD20B 16546-JG70A | 161 |
| 36-12 321 0012 | 16546-9S000 16546-9S001 16546-9S00B 16546-E6810 16546-VK500 | 160 |
| 36-12 321 0013 | 16546-EB300 | 161 |
| 36-12 321 0014 | 16546-30P00 | 158 |
| 36-12 321 0016 | 16546-00QAG 77010-65985 | 163 |
| 36-13 210 0011 | 21010-0M300 21010-0M301 21010-0M302 21010-53Y00 21010-53Y01 21010-71J00 21010-74Y00 21010-88R10 | 151 |
| 36-13 220 0000 | 21010-53J00 21010-53J01 21010-53J03 21010-53J04 21010-53J05 21010-70J00 21010-9F501 | 149 |
| 36-13 220 0001 | 21010-22J00 21010-22J25 21010-22J26 21010-28J25 21010-28J26 21010-81T00 21010-81T25 21010-81T26 21010-V7225 21010-V7226 21010-V7228 21010-V7229 21010-V7285 | 151 |

| MEYLE no. | Ref. no. | Page |
|----------------|--|------|
| Nissan | | |
| | 21010-V7286 81010-81T26 8A010-22J25 | |
| 36-13 220 0002 | 21010-57J00 21010-57J01 21010-57J02 21010-57J03 21010-57J25 21010-57J26 21010-57J27 21010-57J28 | 150 |
| 36-13 220 0003 | 21010-9C600 | 152 |
| 36-13 220 0004 | 21010-41B00 21010-41B01 21010-41B02 21010-41B03 21010-99B00 | 152 |
| 36-13 220 0005 | 21010-9F600 21010-9F605 | 152 |
| 36-13 220 0007 | 21010-AD200 21010-AD225 21010-AD226 81010-AD226 | 155 |
| 36-13 220 0010 | 21010-0F002 21010-0F003 21010-7F400 21010-80G25 21010-80G26 21010-80G27 21010-80G28 21010-80G85 21010-80G87 21010-80G89 21010-G2404 81010-80G0E | 151 |
| 36-13 220 0012 | 21010-AX00A 21010-BX000 | 153 |
| 36-13 220 0013 | 21010-EE025 | 154 |
| 36-13 220 0015 | 21010-2W225 21010-2W226 21010-2W227 21010-2W228 21010-VG101 21010-VG126 21010-VG127 21010-VG128 | 154 |



| MEYLE no. | Ref. no. | Page |
|----------------|---|------|
| Nissan | | |
| | B1010-2W20A | |
| 36-13 220 0016 | 21010-EB300 21010-EB30A 21010-VK525 | 153 |
| 36-14 050 0001 | 54476-41B02 54479-41B02 54500-2U711* 54500-44B00* 54500-4F102* 54500-4F105* 54500-4F150* 54500-6F600* 54501-2U711* 54501-44B00* 54501-4F102* 54501-4F105* 54501-4F150* 54501-6F600* | 233 |
| 36-14 050 0002 | 54500-2U711* 54500-44B00* 54500-4F102* 54500-4F105* 54500-4F150* 54500-6F600* 54501-2U711* 54501-44B00* 54501-4F102* 54501-4F105* 54501-4F150* 54501-6F600* 54560-17B01 | 229 |
| 36-14 322 0001 | 15208-43G00 15208-43G0A 15208-65010 15208-65011 15208-65014 15208-7F400 15208-7F40A 15208-69900 15208-W1100 15208-W1120 15208-W1123 15208-W3401 15208-W3403 15208-Y9701 58610-24090 | 171 |

| MEYLE no. | Ref. no. | Page |
|----------------|---|------|
| Nissan | | |
| | A520841G0A01 A5208-43G00 A5208-43G0A A5208-W3403 AY100-NS010 | |
| 36-14 322 0002 | 15208-53J00 15208-53J01 15208-70J00 15208-70J00XX 15208-70J01 15208-70J0A 15208-AX625 15208-BX000A A5208-70J00 AY100-NS005 | 172 |
| 36-14 322 0003 | 15208-BN300 15208-BN30A | 174 |
| 36-14 322 0004 | 15208-55Y00 15208-60U00 15208-60U01 15208-71J00 15208-71J06 15208-AA000 15208-G3100 15208-H8901 15208-H8903 15208H-8903JP 15208-H8910 15208-H8912 A5208-H8903 A5208-H8904 A5208-H890C | 177 |
| 36-14 322 0005 | 15208-5M300 15208-AD200 15208-AD20A 15208-AD300 15208-BN31A 15209-AD200 | 173 |
| 36-14 322 0007 | 15208-18G00 15208-20N00 15208-20N01 15208-20N02 15208-20N10 15208-20N1A 15208-40L00 15208-40L01 | 170 |

| MEYLE no. | Ref. no. | Page |
|----------------|---|------|
| Nissan | | |
| | 15208-40L02 | |
| 36-14 322 0008 | 15208-3J400 15208-65F00 15208-65F01 15208-65F0A 15208-65F0B 15208-65F10 15208-7M600 15208-9F600 | 173 |
| 36-14 323 0001 | 16400-18A20 16400-2W202 16400-57J05 16400-VB201 16400-VB20C 16400-VC100 16400-VC10C 16403-59E00 16403-59E0A 16403-62400 16403-69900 16403-6990A 16405-05E01 16405-59E00 A640C-59EM0 A640C-59EM0-SA | 168 |
| 36-14 323 0004 | 16400-BN303 16400-BN30B 16403-7F400 16403-7F401 16403-7F40A 16403-BN303 | 165 |
| 36-14 323 0005 | 16400-0W000 16400-0W005 16400-0W010 16400-0W01A 16400-41B00 16400-41B05 16400-41B1A 16400-41B25 16400-41B26 16400-9F910 16400-9F927 16400-9F92B 16400-9F92B-KE 16400-D0300 16400-F5100 | 166 |

| MEYLE no. | Ref. no. | Page |
|----------------|---|------|
| Nissan | | |
| | 16400-G9601 16400-V2700 16400-V2705 A640M-41BM0 A640M-41BM0-SA | |
| 36-14 323 0010 | 16400-10Y00 16400-72L00 16400-72L05 16400-72L10 | 164 |
| 36-14 323 0011 | 16405-00QAA | 167 |
| 36-14 323 0012 | 16400-JD50A 16400-JD52A | 165 |
| 36-14 495 0002 | 39241-4F425 39241-4F427 | 83 |
| 36-14 495 0003 | 39241-73J25 | 84 |
| 36-14 495 0009 | 39741-2F026 39741-4F126 39741-4F425 | 85 |
| 36-14 495 0011 | 39741-4F125 | 85 |
| 36-14 495 0012 | 39241-01A01 39241-01A26 39241-01A27 39241-01A28 39241-01A29 39241-01A88 39241-01A91 | 83 |
| 36-14 498 0011 | 39100-0M301 39100-0M900 39100-0M905 39100-60Y00 39100-60Y05 39100-61Y06 39100-62Y05 39100-63Y00 39100-63Y01 39101-0M301 39101-0M900 39101-0M905 39101-60Y00 39101-60Y05 39101-61Y07 39101-62Y05 39101-63Y00 39101-63Y01 39211-60Y00 | 91 |
| 36-14 498 0012 | 39100-60Y10 | 91 |



| MEYLE no. | Ref. no. | Page |
|----------------|---|------|
| Nissan | | |
| + | 39100-60Y15 | |
| | 39100-61Y16 | |
| | 39100-62Y00 | |
| | 39100-62Y10 | |
| | 39100-62Y15 | |
| | 39100-63Y10 | |
| | 39100-63Y11 | |
| | 39101-60Y10 | |
| | 39101-60Y15 | |
| | 39101-61Y17 | |
| | 39101-62Y00 | |
| | 39101-62Y10 | |
| | 39101-62Y15 | |
| | 39101-62Y16 | |
| | 39101-63Y11 | |
| 39101-63Y15 | | |
| 39211-60Y10 | | |
| 36-14 498 0017 | 39100-44B00 39100-44B02 39100-44B10 39100-44B12 39101-44B00 39101-44B02 39101-44B10 39101-44B12 39211-4F426 | 90 |
| 36-14 498 0018 | 39100-41B00 39100-41B05 39100-41F100 39100-41F400 39100-45B00 39100-4F100 39101-41B00 39101-41B05 39101-41F100 39101-41F400 39101-45B00 39101-4F100 39211-4F125 | 88 |
| 36-14 498 0020 | 39211-2F225 | 89 |
| 36-14 498 0021 | 39100-50Y10 39100-51Y10 39100-52Y10 39100-53Y10 39101-50Y10 39101-50Y11 | 87 |

| MEYLE no. | Ref. no. | Page |
|------------------|--|------|
| Nissan | | |
| | 39101-51Y10 39101-52Y10 39101-53Y10 | |
| 36-14 498 0024 | 39101-50Y01 | 88 |
| 36-14 498 0026 | 39211-9F626 39211-AU325 | 92 |
| 36-14 498 0027 | 39211-AV625 | 92 |
| 36-14 498 0028 | 39100-4F400 39101-4F400 39211-4F425 | 90 |
| 36-14 498 0029 | 39100-2F010 39101-2F011 39211-2F025 | 88 |
| 36-14 498 0031 | 39211-4F126 | 89 |
| 36-14 498 0032 | 39211-BM726 | 94 |
| 36-14 498 0033 | 39211-BM526 | 93 |
| 36-14 498 0034 | 39211-AY625 | 93 |
| 36-14 498 0035 | 39211-7F000 | 92 |
| 36-14 498 0036 | 39211-AY125 | 93 |
| 36-14 498 0037 | 39101-2F011 | 86 |
| 36-14 525 0000 | 46210-5F001 46210-5F002 | 79 |
| 36-14 525 0001 | 46210-5F006 46210-5F007 | 80 |
| 36-14 525 0003 | 46214-5F000 46214-5F001 | 81 |
| 36-14 525 0005 | 46210-9U01A 46210-AX606 | 80 |
| 36-14 525 0006 | 46214-9U00A 46214-AX600 | 82 |
| 36-14 531 0001 | 44100-AX600 44100-BH00A | 82 |
| 36-14 533 0003 | 44060-99B26 | 75 |
| 36-14 533 0004 | 44060-6F625 44060-99B26 | 74 |
| 36-14 533 0005 | 44060-AX625 | 75 |
| 36-14 533 0005/K | 44060-AX625 | 76 |
| 36-14 533 0008 | 44060-EB327 44071-EB70A | 76 |
| 36-14 533 0009 | 44060-CY025 | 76 |
| 36-14 533 0012 | 44060-8M126 D4060-8M126 | 77 |
| 36-14 533 0013 | 44060-0W725 44060-0W726 44060-0W727 44060-37G25 | 77 |

| MEYLE no. | Ref. no. | Page |
|-------------------|---|------|
| Nissan | | |
| | 44060-37G26 44060-37G27 44060-56G26 D4060-0W71A D4060-0W727 DD060-56G26 | |
| 36-14 533 0014 | 44060-0X825 44060-9X129 | 73 |
| 36-14 533 0016 | 44060-50Y25 | 74 |
| 36-14 533 0017 | 44060-0F026 44060-7C326 44060-9C025 | 75 |
| 36-14 545 0004 | 54590-01E00 | 233 |
| 36-14 610 0000 | 54500-8H310 54500-8H31A 54501-8H310 54501-8H31A | 229 |
| 36-14 610 0001 | 54500-8H310 54500-8H31A* 54501-8H310 54501-8H31A* | 229 |
| 36-14 610 0002 | 54570-AX600 | 233 |
| 36-14 610 0009 | 54500-BB00A 54500-BR30A 54500-JD000 54500-JG00A 54500-JG00B 54501-BB00A 54501-BR30A 54501-JD000 54501-JD00A 54501-JG000 54501-JG00B | 230 |
| 36-14 610 0010/HD | 54500-1KA0A 54500-1KA0B 54500-BB00A 54500-BR30A 54500-JD000 54501-1KA0A 54501-1KA0B 54501-BB00A 54501-BR30A 54501-JD000 54501-JG000 | 230 |
| 36-14 610 0011 | 54500-4M500 54501-4M500 | 234 |

| MEYLE no. | Ref. no. | Page |
|----------------|---|------|
| Nissan | | |
| 36-14 610 0012 | 54524-EB30A 54525-EB30A | 231 |
| 36-14 610 0026 | 54500-1KA0A 54500-1KA0B 54501-1KA0A 54501-1KA0B | 228 |
| 36-14 615 0000 | 54613-JD17A | 237 |
| 36-14 615 0001 | 54613-8H31B | 236 |
| 36-14 615 0002 | 54613-9U000 | 237 |
| 36-14 615 0005 | 54613 1HA0A 54613 1HA0C 54613 1HA0D | 236 |
| 36-14 615 0006 | 54613-3UB0A 54613-JD02A 54613-JG02A | 236 |
| 36-14 620 0000 | 48203Q9025 | 180 |
| 36-14 639 0000 | 54010-BM421 | 257 |
| 36-14 639 0001 | 54010-00QAK 54010-00QAL | 256 |
| 36-14 639 0002 | 54010-BM402 | 257 |
| 36-14 639 0003 | 54010-BU201 | 258 |
| 36-14 639 0004 | 54010-AX610 54010-AX611 | 257 |
| 36-14 640 0000 | - | 259 |
| 36-14 640 0001 | - | 259 |
| 36-14 641 0000 | 54320-BM400 54320-BM40A | 275 |
| 36-14 641 0001 | 54321-JD00B 54321-JG01B 54321-JG02B 54325-ED00A 54325-ED02A | 262 |
| 36-14 641 0002 | 54320-JD00B 54320-JG01B 54320-JG02B 54325-ED00A 54325-ED02A | 261 |
| 36-14 641 0004 | 54321-9U00A 54325-ED00A 54325-ED02A | 261 |
| 36-14 641 0005 | 54320-9U00A 54325-ED00A 54325-ED02A | 260 |
| 36-14 650 0002 | 40210-99B00 | 278 |
| 36-14 650 0003 | 40210-4M400 | 278 |
| 36-14 650 0004 | 40210-2Y000 | 280 |

| MEYLE no. | Ref. no. | Page |
|-------------------|---|------|
| Nissan | | |
| 36-14 652 0000 | 40202-4M400 | 281 |
| 36-14 652 0001 | 40204-AX600 | 282 |
| 36-14 652 0003 | 40202-JG000 | 281 |
| 36-14 652 0004 | 43200-AV700 | 284 |
| 36-14 652 0005 | 40202-EA300 40202-ZP90A | 281 |
| 36-14 653 0000/HD | 54500-BB00A 54500-BR30A 54500-JD000 54501-BB00A 54501-BR30A 54501-JD000 54501-JG000 | 234 |
| 36-14 710 0000/HD | 55400-EQ700 55400-ES50A | 255 |
| 36-14 710 0001/HD | 55400-EQ700 55400-ES50A | 256 |
| 36-14 710 0003 | 55501-AU01A* 55501-AV600* 55501-AV605* 55501-AV606* | 256 |
| 36-14 715 0000 | 54613-8H518 | 237 |
| 36-14 740 0000 | - | 259 |
| 36-14 740 0001 | - | 260 |
| 36-14 740 0002 | - | 260 |
| 36-14 750 0001 | 43200-0M001 43200-2Y000 43200-50Y00 43200-50Y05 | 282 |
| 36-14 750 0002 | 43200-5F617 | 283 |
| 36-14 750 0004 | 43202-JG000 43202JG01A | 285 |
| 36-14 750 0005 | 43202-JG200 43202-JG21A 43202-JG29A | 285 |
| 36-14 752 0000 | 43200-2F500 43200-9F510 | 283 |
| 36-14 752 0006 | 43202-4X00A 43202-ZP80A | 284 |
| 36-14 860 0002 | 11065-57J00 11065-57J9A 11065-5C900 | 100 |
| 36-14 860 0003 | 11065-AD200 11065-AD201 11065-AD20A | 102 |
| 36-14 860 0004 | 11065-0W801 | 99 |

| MEYLE no. | Ref. no. | Page |
|----------------|--|------|
| Nissan | | |
| | 11065-65N01 11065-65N0A 11065-7F400 | |
| 36-14 860 0005 | 11065-2W202 11065-2W204 11065-2W20A 11065-2W211 11065-2W212 11065-2W21A | 99 |
| 36-14 885 0000 | 22448-4M500 22448-4M50A | 105 |
| 36-14 885 0003 | 22448-31U01 22448-31U11 | 105 |
| 36-14 885 0004 | 22448-31U06 22448-31U16 | 105 |
| 36-14 885 0005 | 22448-6N000 22448-6N002 22448-6N010 22448-6N012 22448-6N015 | 106 |
| 36-15 521 0001 | 40206-5F001 40206-5F003 | 30 |
| 36-15 521 0009 | 40206-0F000 40206-0F001 40206-31G00 40206-31G01 40206-31G03 40206-VJ200 | 26 |
| 36-15 521 0011 | 40206-58A00 40206-58A01 40206-60Y00 40206-60Y01 | 30 |
| 36-15 521 0014 | 40206-4M405 40206-71E00 40206-71E01 40206-71E02 40206-71E03 40206-71E05 40206-71E06 40206-71E07 40206-93J00 40206-93J01 | 31 |
| 36-15 521 0018 | 40206-2F500 40206-2F501 40206-55F01 40206-55F03 | 31 |

| MEYLE no. | Ref. no. | Page |
|-------------------|--|------|
| Nissan | | |
| | 40206-73L01 40206-7J101 | |
| 36-15 521 0023 | 40206-0M801 40206-0M802 | 24 |
| 36-15 521 0024 | 40206-1W600 40206-6W500 40206-VE800 | 36 |
| 36-15 521 0027 | 40206-3Y502 40206-3Y503 40206-4U101 40206-4U103 40206-4U105 40206-4U107 | 28 |
| 36-15 521 0033 | 40206-EA00A 40206-EB300 | 33 |
| 36-15 521 0046 | 40206-2N301 | 26 |
| 36-15 521 0049 | 40206-VB000 40206-VB001 | 36 |
| 36-15 521 0052 | 40206-EM10A 40206-ET01C | 34 |
| 36-15 521 0053 | 40206-1KA2A 40206-1KA3A | 25 |
| 36-15 521 0054 | 40206-1HA0A | 25 |
| 36-15 521 0059 | 40206-3LG0A 40206-JX00A | 27 |
| 36-15 521 0066 | 40206MB600 | 35 |
| 36-15 521 0070/PD | 40206-ET01A | 34 |
| 36-15 521 0071/PD | 40206-JD00A 40206-JD00B 40206-JG00A | 35 |
| 36-15 521 0072/PD | 40206-CA010 40206-EG000 | 33 |
| 36-15 521 0073 | 40206-3X00B 40206-5X00A 40206-EB320 | 27 |
| 36-15 521 0073/PD | 40206-3X00B 40206-5X00A 40206-EB320 | 28 |
| 36-15 521 0074/PD | 40206-4BA0A 40206-4EA0A | 29 |
| 36-15 523 0001 | 43206-5M311 43206-99J00 43206-99J01 53206-5M311 | 43 |
| 36-15 523 0015 | 43206-2Y503 43206-31U10 | 41 |

| MEYLE no. | Ref. no. | Page |
|-------------------|--|------|
| Nissan | | |
| | 43206-31U12 43206-4U001 43206-WA201 | |
| 36-15 523 0017 | 43206-58Y00 43206-58Y01 43206-58Y02 | 42 |
| 36-15 523 0022 | 43206-4U101 43206-4U103 | 41 |
| 36-15 523 0024 | 43206-5F001 | 43 |
| 36-15 523 0032 | 43206-54C00 43206-54C01 | 42 |
| 36-15 523 0039 | 43206-05J03 43206-05J04 43206-VB000 | 46 |
| 36-15 523 0049 | 43206MB600 | 45 |
| 36-15 523 0050 | 43206-3NL0A 43206-8H304 43206-8H305 43206-8H700 43206-8H701 | 39 |
| 36-15 523 0050/PD | 43206-3NL0A 43206-8H304 43206-8H305 43206-8H700 43206-8H701 | 39 |
| 36-15 523 0051/PD | 43206-CA000 43206-CK000 43206-WL000 | 44 |
| 36-15 523 0052/PD | 43206-9W000 43206-9Y000 43206-JD00A | 44 |
| 36-15 523 0053 | 43206-EB300 | 45 |
| 36-15 523 0055/PD | 43206-4EA0A | 40 |
| 36-15 523 0056/PD | 43206-4CE0A | 40 |
| 36-16 010 0000 | 40160-9W200 54500-BB00A 54500-BR30A 54500-JD000 54501-BB00A 54501-BR30A 54501-JD000 54501-JG000 | 207 |
| 36-16 010 0001 | 40110-01G00 40110-01G25 40110-01G26 40110-0F000 | 199 |



| MEYLE no. | Ref. no. | Page |
|----------------|--|------|
| Nissan | | |
| | 40110-B9500 40110-T6000 40110-T6025 40110-V0100 | |
| 36-16 010 0003 | 40160-0F000 40160-50W00 40160-50W01 40160-50W10 40160-50W25 40160-93G00 40160-93G25 40160-93G26 40160-S0W25 40161-50W01 40161-93G26 | 202 |
| 36-16 010 0006 | 40160-50A00 40160-50J25 40160-60Y60 40160-69C00 40160-70J00 40160-86M00 40160-J7500 54500-50J00* 54500-50J10* 54500-50J25* 54500-69C00 54500-86J00* 54500-90J00* 54500-90J10* 54501-50J00* 54501-50J10* 54501-50J25* 54501-86J00* 54501-90J00* 54501-90J10* | 206 |
| 36-16 010 0012 | 40110-2S485 40110-2S486 | 199 |
| 36-16 010 0014 | 54500-1JY0A 54500-EW000 54501-1JY0A 54501-EW000 | 206 |
| 36-16 010 0019 | 40160-2S601 | 201 |
| 36-16 010 0023 | 40110EA000 54524-EB30A 54525-EB30A | 199 |
| 36-16 010 0025 | 40160-EA00A | 203 |

| MEYLE no. | Ref. no. | Page |
|----------------|---|------|
| Nissan | | |
| | 54500-EB300 54500-EB31A 54501-EB300 54501-EB31A | |
| 36-16 010 0034 | 54500-1KA0A 54500-1KA0B 54501-1KA0A 54501-1KA0B | 205 |
| 36-16 010 0039 | 40160-0M010 40160-0M020 40160-50Y00 40160-50Y02 40160-50Y0R 40160-50Y10 40160-52Y00 40160-52Y10 40160-52Y20 40160-60Y00 40160-60Y10 40160-60Y20 40160-69Y00 40160-69Y10 40160-F4200 40160-Y02G0 40161-52Y10 54500-0M010* 54500-0M020* 54500-0M060* 54500-52Y10* 54500-52Y15* 54500-52Y60* 54500-52Y70* 54500-69Y10* 54501-0M010* 54501-52Y10* 54501-52Y15* 54501-52Y60* 54501-52Y70* 54501-69Y10* | 204 |
| 36-16 010 0040 | 40160-4F100 54500-44B00* 54500-4F102* 54500-4F105* 54500-4F150* 54501-44B00* 54501-4F102* | 205 |

| MEYLE no. | Ref. no. | Page |
|----------------|---|------|
| Nissan | | |
| | 54501-4F105* | |
| | 54501-4F150* | |
| 36-16 010 0043 | 54500-4M410* 54500-4M411* 54500-BM410* 54500-F4600* 54501-4M410* 54501-4M411* 54501-BM410* 54501-F4600* | 205 |
| 36-16 010 0044 | 40160-AX000 54501-AX600* 54501-AX60B* 54501-BC42A* 54570-AX600* 60401-35517 | 208 |
| 36-16 010 0045 | 40160-2Y000 54401-AV60A* 54500-AV600* 54500-AV605* 54500-AV60A* 54501-AV600* 54501-AV605* 54501-AV60A* 54501-AV60C* | 202 |
| 36-16 010 0049 | 54500-2U711* 54500-6F600* 54501-2U711* 54501-6F600* | 207 |
| 36-16 010 0050 | 40160-7F000 | 202 |
| 36-16 010 0055 | 54500-1HA0C* 54500-1HA5A* 54500-1HA6A* 54501-1HA0C* 54501-1HA5A* 54501-1HA6A* | 204 |
| 36-16 020 0008 | 48520-31G25 48520-61G25 48520-7F000 | 190 |
| 36-16 020 0009 | 48520-7F001 48521-31G25 48570-31G25 48570-61G25 | 194 |
| 36-16 020 0014 | D8640-1KA0A | 198 |
| 36-16 020 0015 | D8520-1KA0A | 197 |
| 36-16 020 0017 | 48520-EA01J | 193 |

| MEYLE no. | Ref. no. | Page |
|-------------------|---|------|
| Nissan | | |
| 36-16 020 0018 | 48640-EA01J | 195 |
| 36-16 020 0027 | 48640-3U025 48647-1U61A D8640-EW00A | 196 |
| 36-16 020 0028 | 48520-3U025 48527-1U61A D8520-EW00A | 193 |
| 36-16 020 0031 | 48520-CB025 D8520-CB025 | 197 |
| 36-16 020 0035 | 48647-3VU0A D8640-1HA0A | 196 |
| 36-16 020 0036 | 48527-3VU0A D8520-1HA0A | 194 |
| 36-16 020 0053 | 48520-01E00 48520-01E25 48520-01E26 48520-02E00 48520-02E25 48520-02E26 48520-0M025 48520-35F25 48520-50Y25 48520-D0100 48520-D0125 48520-D0126 48520-Q9000 | 190 |
| 36-16 020 0070 | 48520-4F125 48520-6F625 | 191 |
| 36-16 020 0077 | 48520-73J25 48520-76J25 | 191 |
| 36-16 020 0081/HD | 48640-AX600 | 195 |
| 36-16 020 0084 | 48520-4Z025 48520-BM425 | 193 |
| 36-16 020 0086 | 48520-0C000 48520-0C025 48520-0M085 48520-15U25 48520-15U26 D8520-15U26 | 190 |
| 36-16 020 0088 | 48520-0P725 48520-0W025 48520-3S500 48520-3S525 48520-0P725 D8520-0P725 D8520-0W025 | 197 |

| MEYLE no. | Ref. no. | Page |
|-------------------|--|------|
| Nissan | | |
| | D8520-VK90A | |
| 36-16 020 0090/HD | 48520-AX600 | 192 |
| 36-16 020 0091 | 48527-JD01A | 194 |
| 36-16 020 0092 | 48647-JD01A | 196 |
| 36-16 030 0009 | 48521-50000 48521-50400 48521-50Y00 48521-50Y25 48521-50Y26 48521-Y02G0 | 185 |
| 36-16 030 0014 | 48510-31G25 48510-61G25 48630-31G25 | 187 |
| 36-16 030 0022 | 48521-EA000 | 186 |
| 36-16 031 0005 | 48521-4M500 48521-4M527 48521-4M528 48521-4M587 48521-4M588 48521-8H300 48521-8H325 48521-8H328 48521-8H385 48521-8H386 | 185 |
| 36-16 031 0008 | 48521-4U110 48521-4U185 48521-4U186 | 185 |
| 36-16 031 0009 | 49001-AV610* 49001-BA210* | 186 |
| 36-16 031 0010 | 48001-JD900 D8521-JD00B D8521-JG00A | 182 |
| 36-16 031 0017 | 48001-1KA0A* 48001-1KA0B* 48001-1KA0D 48001-1KE0B* | 181 |
| 36-16 031 0020/HD | 48001-JD900 D8521-JD00B D8521-JG00A | 182 |
| 36-16 031 0064 | 48521-3U025 | 184 |
| 36-16 031 0068 | D8521-1HA0A D8521-1HJ0A | 187 |
| 36-16 031 0069 | 48521-CB025 48521-CB026 48521-CB027 | 186 |
| 36-16 050 0007/HD | 54501-BB00A | 221 |

| MEYLE no. | Ref. no. | Page |
|-------------------|--|------|
| Nissan | | |
| | 54501-BR30A 54501-JD000 54501-JG000 54501-JG00A 54501-JG00B | |
| 36-16 050 0008/HD | 54500-BB00A 54500-BR30A 54500-JD000 54500-JG000 54500-JG00A 54500-JG00B | 214 |
| 36-16 050 0021 | 54525-EB300 54525-EB30A | 226 |
| 36-16 050 0022 | 54524-EB300 54524-EB30A | 225 |
| 36-16 050 0029 | 54500-52Y10 54500-52Y15 54500-52Y60 54500-52Y70 54500-69Y10 | 212 |
| 36-16 050 0030 | 54501-52Y10 54501-52Y15 54501-52Y60 54501-52Y70 54501-69Y10 | 219 |
| 36-16 050 0037 | 55110-8H505 | 226 |
| 36-16 050 0040 | 55120-8H500 | 226 |
| 36-16 050 0041 | 55120-8H505 | 227 |
| 36-16 050 0045 | 54501-44B00 54501-4F102 54501-4F105 54501-4F150 | 218 |
| 36-16 050 0046 | 54500-44B00 54500-4F102 54500-4F105 54500-4F150 | 211 |
| 36-16 050 0047 | 54500-0M010 54500-0M020 54500-0M060 | 209 |
| 36-16 050 0048 | 54501-0M010 | 216 |
| 36-16 050 0055 | 54500-2F500 | 210 |
| 36-16 050 0056 | 54501-2F500 | 217 |
| 36-16 050 0059/HD | 54501-1KA0A 54501-1KA0B 54501-1KA1B 54501-1KK0A | 217 |

| MEYLE no. | Ref. no. | Page |
|-------------------|-------------|------|
| Nissan | | |
| 36-16 050 0060/HD | 54500-1KA0A | 210 |
| | 54500-1KA0B | |
| | 54500-1KA1B | |
| | 54500-1KK0A | |
| 36-16 050 0073 | 54501-4U002 | 219 |
| | 54501-4U012 | |
| | 54501-4U201 | |
| | 54501-5U300 | |
| | 54501-8U000 | |
| 36-16 050 0074 | 54500-4U002 | 212 |
| | 54500-4U012 | |
| | 54500-4U201 | |
| | 54500-5U300 | |
| | 54500-8U000 | |
| 36-16 050 0075 | 54500-AV600 | 214 |
| | 54500-AV605 | |
| | 54500-AV606 | |
| | 54500-AV60A | |
| | 54500-AV60C | |
| 36-16 050 0076 | 54524-AV600 | 224 |
| | 54524-AV601 | |
| | 54524-AV60A | |
| 36-16 050 0077 | 54525-AV600 | 225 |
| | 54525-AV601 | |
| | 54525-AV60A | |
| 36-16 050 0078 | 54401-AV60A | 221 |
| | 54501-AV600 | |
| | 54501-AV605 | |
| | 54501-AV606 | |
| | 54501-AV60A | |
| | 54501-AV60C | |
| 36-16 050 0079 | 54501-7C350 | 220 |
| | 54501-9C550 | |
| 36-16 050 0080 | 54500-7C350 | 213 |
| | 54500-9C550 | |
| 36-16 050 0081 | 54501-8H310 | 220 |
| | 54501-8H31A | |
| 36-16 050 0082 | 54500-8H310 | 213 |
| | 54500-8H31A | |
| 36-16 050 0083 | 54501-2U711 | 218 |
| | 54501-6F600 | |
| 36-16 050 0084 | 54500-2U711 | 211 |
| | 54500-6F600 | |
| 36-16 050 0085 | 54501-AX600 | 222 |
| | 54501-AX60B | |
| | 54501-BC41A | |
| | | |

| MEYLE no. | Ref. no. | Page |
|-------------------|----------------------------|------|
| Nissan | | |
| | 54501-BC42A 54570-AX600 | |
| 36-16 050 0086 | 54500-AX600 | 215 |
| | 54500-AX60B | |
| | 54500-BC41A | |
| | 54500-BC42A 54560-AX600 | |
| 36-16 050 0095 | 55121-JD000 | 228 |
| | 55121-JD00B | |
| 36-16 050 0096 | 55120JD000 | 227 |
| | 55120JD00B | |
| 36-16 060 0001/HD | 56261-47B01 | 252 |
| | 56261-4F702 | |
| | 56261-4F725 | |
| | 56261-6F600 | |
| | 56261-0E000 | |
| 36-16 060 0002 | 56261-EA500 | 254 |
| 36-16 060 0003 | 56261-EA510 | 254 |
| 36-16 060 0004 | 56261-86J00 | 253 |
| | 56261-86J25 | |
| | 56261-90J01 | |
| 36-16 060 0006 | 54618-VB000 | 248 |
| 36-16 060 0007 | 54668-EA010 | 251 |
| 36-16 060 0007/S | 54618-4M400 | 243 |
| | 54618-50Y00 | |
| | 54618-58820 | |
| | 54618-D5000 | |
| | 54618-D5010 | |
| 36-16 060 0008 | 54618-EA010 | 247 |
| 36-16 060 0011 | 54618-2F010 | 242 |
| | 54618-50J10 | |
| | 54618-50J11 | |
| | 54618-50J20 | |
| | 54618-54Y10 | |
| | 54618-58Y10 | |
| | 54618-58Y20 | |
| | 54618-58Y21 | |
| | 54618-58Y60 | |
| | 54618-86J00 | |
| 54618-86J25 | | |
| 54618-90J11 | | |
| 56260-01J10 | | |
| 36-16 060 0014 | 54618-47B00 | 242 |
| | 54618-47B01 | |
| | 54618-47B0A | |
| 36-16 060 0016 | 54618-CA000 | 246 |

| MEYLE no. | Ref. no. | Page |
|-------------------|---|------|
| Nissan | | |
| | 54618-CA00E | |
| 36-16 060 0017 | 54668-CA000 54668-CA00E | 251 |
| 36-16 060 0022 | 54618-0F000 54618-MB40A | 241 |
| 36-16 060 0023 | 54668-AU000 54668-BA30A | 250 |
| 36-16 060 0025 | 54618-AU000 54618-BA30A | 244 |
| 36-16 060 0026/HD | 56261-0E000 56261-AV610 56261-AV611 | 253 |
| 36-16 060 0027/HD | 54618-9C000 54668-9C000 | 249 |
| 36-16 060 0028/HD | 54618-9C002 | 244 |
| 36-16 060 0029 | 54618-4M400 | 243 |
| 36-16 060 0030/HD | 54618-8H300 | 243 |
| 36-16 060 0031/HD | 54668-8H300 | 249 |
| 36-16 060 0032/HD | 56261-50J00 56261-EQ000 | 254 |
| 36-16 060 0037/HD | 54618-4U000 54618-BU70A | 245 |
| 36-16 060 0040/HD | 54668-4U000 54668-BU70A | 250 |
| 36-16 060 0046/HD | 54668-1AA0A 54668-1AA0E 54668-JD00A | 249 |
| 36-16 060 0047/HD | 54618-1AA0A 54618-1AA0E 54618-JD00A | 241 |
| 36-16 060 0048 | 55618-JD00A 55618-JY00B | 252 |
| 36-16 060 0049 | 55619-JD00A 55619-JY00B | 252 |
| 36-16 060 0052/HD | 54618-JX00A | 248 |
| 36-16 060 0056 | 56261-0E000 56261-AV610 56261-AV611 | 253 |
| 36-16 060 0057 | 56261-50J00 56261-EQ000 | 255 |
| 36-16 060 0058 | 54618-4U000 54618-BU70A | 246 |
| 36-16 060 0059 | 54668-4U000 54668-BU70A | 251 |
| 36-16 060 0060 | 54618-9U00A 54618-AX600 | 245 |

| MEYLE no. | Ref. no. | Page |
|----------------|---|------|
| Nissan | | |
| | 54618-BC40A | |
| 36-26 623 0002 | 54302-AX60K 54302-AX626 54302-AY625 E4302-BC60A E43A2-BC60A | 264 |
| 36-26 623 0003 | 54303-AX60K 54303-AX625 54303-AX626 54303-AY625 E4303-BC60A E43A3-BC60A | 266 |
| 36-26 623 0004 | 54303-4Z001 54303-4Z029 54303-4Z601 54303-4Z625 54303-4Z910 54303-4Z926 54303-6N100 54303-6N125 54303-6N1X5 54303-6N200 54303-6N225 54303-6N2X5 54303-95F0B 54303-BM418 54303-BM485 54303-BN424 54303-BN425 | 267 |
| 36-26 623 0005 | 54302-4Z001 54302-4Z029 54302-4Z601 54302-4Z625 54302-4Z910 54302-4Z926 54302-6N100 54302-6N125 54302-6N1X5 54302-6N200 54302-6N225 54302-6N2X5 54302-95F0B 54302-BM418 54302-BM485 54302-BN421 54302-BN424 | 264 |

| MEYLE no. | Ref. no. | Page |
|----------------|---|------|
| Nissan | | |
| | 54302-BN425 54302-BN428 | |
| 36-26 623 0006 | 54303-JD73A 54303-JE21A E4303-JD01A E4303-JD03A E4303-JD73A E4303-JD74A | 267 |
| 36-26 623 0007 | 54302-JD73A 54302-JE21A E4302-JD01A E4302-JD03A E4302-JD73A E4302-JD74A | 265 |
| 36-26 623 0008 | 54303-8H600 54303-8H625 54303-8H725 54303-8H726 54303-EQ025 54303-EQ026 | 267 |
| 36-26 623 0009 | 54302-8H600 54302-8H625 54302-8H700 54302-8H725 54302-8H726 54302-EQ025 54302-EQ026 | 265 |
| 36-26 623 0012 | 54303-CJ40C 54303-CJ41C 54303-ED001 54303-ED002 54303-ED025 54303-ED501 54303-ED50A 54303-ED50B 54303-ED525 54303-EE50A 54303-EE50B 54303-EE90A 54303-EF80A 54303-EL00A 54303-EM01A 54303-EM30C E4303-EC80A E4303-EE90A E4303-EL00A | 273 |

| MEYLE no. | Ref. no. | Page |
|----------------|--|------|
| Nissan | | |
| | E4303-EM01A E4303-EM20A E4303-EM30C | |
| 36-26 623 0013 | 54302-CJ40C 54302-CJ41C 54302-ED001 54302-ED002 54302-ED025 54302-ED501 54302-ED50A 54302-ED50B 54302-ED525 54302-EE50A 54302-EE50B 54302-EE90A 54302-EF80A 54302-EL00A 54302-EM01A 54302-EM30C E4302-EC80A E4302-EE90A E4302-EL00A E4302-EM01A E4302-EM20A E4302-EM30C | 272 |
| 36-26 623 0016 | 44212-51200 54302-43U22 54302-44U22 54302-44U72 54302-44U74 54303-31U13 54303-31U27 54303-31U85 54303-31U88 54303-37U13 54303-37U26 54303-38U13 54303-38U26 54303-40U13 54303-40U85 54303-43U23 54303-44U23 54303-44U28 54303-44U73 54303-44U75 | 266 |
| 36-26 623 0017 | 44211-51200 | 263 |



| MEYLE no. | Ref. no. | Page |
|----------------|---|------|
| Nissan | | |
| + | 54302-31U12 | |
| | 54302-31U25 | |
| | 54302-31U85 | |
| | 54302-31U88 | |
| | 54302-37U12 | |
| | 54302-37U25 | |
| | 54302-38U12 | |
| | 54302-38U25 | |
| | 54302-40U12 | |
| | 54302-40U85 | |
| | 54302-44U22 | |
| 54302-44U72 | | |
| 54302-44U74 | | |
| 36-26 623 0018 | 54303-9U000 54303-9U025 E4303-9U00C E4303-9U00D E4303-BH01A | 273 |
| 36-26 623 0019 | 54302-9U000 54302-9U025 E4302-9U00C E4302-9U00D E4302-BH01A | 272 |
| 36-26 625 0001 | 41069-65D11 41069-65D20 56100-VB725 56110-01J00 56110-01J25 56110-06J00 56110-06J25 56110-21J00 56110-21J25 56110-22J00 56110-22J25 56110-39J00 56110-39J25 56110-VB000 56110-VB010 56110-VB025 56110-VB026 56110-VB700 56110-VB725 | 269 |
| 36-26 723 0000 | 55303-8H600 55303-8H625 55303-EQ025 | 268 |
| 36-26 723 0001 | 55302-8H304 | 268 |

| MEYLE no. | Ref. no. | Page |
|----------------|--|------|
| Nissan | | |
| | 55302-8H326 55302-8H600 55302-8H625 55302-EQ025 | |
| 36-26 725 0001 | 56200-AX602 56210-9U025 56210-AX625 56210-AX627 E6210-BC60A | 271 |
| 36-26 725 0003 | 56210-BM400 56210-BM410 56210-BM425 56210-BM426 56210-BM427 56210-BN825 | 271 |
| 36-26 725 0004 | 56210-JD02A 56210-JD73A E6210-JD02A E6210-JD73A E6210-JD75A | 274 |
| 36-26 725 0005 | 56210-4M400 56210-4M405 56210-4M425 56210-4M426 56210-4M427 56210-4Z000 56210-4Z005 56210-4Z025 56210-4Z027 56210-4Z600 56210-4Z625 56210-5M400 56210-5M425 56210-8M400 56210-8M600 56210-95F0B 56210-M425 | 271 |
| 36-26 725 0007 | 56200-ED002 56200-ED00A 56200-EE90A 56200-EF80D 56200-EF80E 56200-EM01A 56200-EM20A 56200-EM30C 56200-EW80C | 274 |

| MEYLE no. | Ref. no. | Page |
|----------------|--|------|
| Nissan | | |
| | 56200-EX50A 56210-ED001 56210-ED002 56210-ED00A 56210-ED025 56210-EE90A 56210-EF80D 56210-EF80E 56210-EM01A 56210-EM20A 56210-EM30C 56210-EW80C 56210-EW90D 56210-EX50A E6210-EC80A E6210-ED00A E6210-EE90A E6210-EM01A E6210-EM20A E6210-EM30C | |
| 36-26 725 0009 | 45310-51200 56210-31U00 56210-31U25 56210-36U00 56210-40U00 56210-40U25 56210-40U26 56210-43U00 56210-43U01 56210-43U26 56210-43U27 | 270 |
| 36-28 228 0000 | 21200-77A00 21200-77A05 21200-77A60 21200-77A63 21200-77A66 21200-86J00 21200-86J01 21200-90J00 21200-90J10 | 144 |
| 36-28 228 0002 | 21200-0C811 21200-40F00 21200-50K00 21200-53J00 21200-53J10 21200-60J00 | 145 |

| MEYLE no. | Ref. no. | Page |
|----------------|---|------|
| Nissan | | |
| | 21200-89J00 21200-93J00 21200-93J01 21200-93J11 | |
| 36-28 228 0003 | 21200-4W010 21200-4W01B | 143 |
| 36-28 228 0004 | 21200-47R00 21200-60J11 21200-6N210 21200-9F500 | 144 |
| 36-28 228 0005 | 21200-BX000 | 145 |
| 36-28 228 0006 | 21200-16A00 21200-G2401 21200-Y9701 | 142 |
| 36-40 910 0006 | 90450-BM400 90450-BM425 | 3 |
| 36-40 910 0007 | 90450-BU000 90450-BU00B 90451-BU000 90451-BU00B | 3 |
| 36-40 910 0009 | 90450-AX000 90450-AX610 90450-AX61B 90451-AX000 | 2 |
| 36-40 910 0015 | 84430-2F010 84430-9F500 | 1 |
| 36-40 910 0016 | 84430-2F000 | 1 |
| 36-40 910 0017 | 90452-2F705 90452-2F725 90452-6F100 | 4 |
| 36-40 910 0018 | 90452-9F725 | 5 |
| 36-40 910 0019 | 90452-2F715 90452-2F726 90452-6F126 | 4 |
| 36-40 910 0020 | 90452-AU200 | 5 |
| 36-40 910 0021 | 84430-AV600 | 1 |
| 36-40 910 0024 | 90452-AV700 | 5 |
| 36-40 910 0031 | 90450-EQ300 90450-EQ301 90450-EQ30A 90450-EQ30B 90450-EQ31A 90450-EQ325 90450-H3310 90451-EQ30A 90451-EQ31A | 3 |

| MEYLE no. | Ref. no. | Page |
|----------------|--|------|
| Nissan | | |
| | 90451-EQ325 K0450-EQ30A K0450-EQ30B K0451-EQ30A K0451-EQ30B | |
| 36-40 910 0032 | 90450-9U00A | 2 |
| 36-51 049 0013 | 13070-BN700 16806-00QAB 16806-00QAX 16806-00QBB | 112 |
| 36-51 902 2000 | 13077-54A02 | 112 |
| 37-14 322 0009 | 15208-HC430 | 174 |
| 39-28 228 0000 | 21200-05B00 | 142 |
| 40-14 495 0004 | 39741-4F127 | 85 |
| 40-51 902 1000 | 13070-6F900 | 111 |
| 612 083 4004 | 16546-00QAC | 156 |
| 612 083 4006 | 16546-00QAE 16546-00QAP | 156 |
| 612 319 0015 | 27298-00QAA | 15 |
| 612 321 0002 | 16546-00QOH 16546-00QOH | 158 |
| 612 321 0015 | 16546-00QAD 16546-00QAT | 157 |
| 612 321 0016 | 16546-00QOG 16546-00QAM | 157 |
| 612 321 0017 | 16546-00QIL | 155 |
| 613 220 0008 | 21010-4A00F | 149 |
| 613 600 0003 | 21010-00QAD | 148 |
| 614 160 0018 | 39241-BU186 | 84 |
| 614 322 0000 | 15208-31000 15208-31U00 15208-31U01 15208-7B000 15208-9E000 AY100-NS006 | 172 |
| 614 322 0013 | 15209-00Q0A | 174 |
| 614 322 0014 | 15209-00Q0B 15209-00QAA 77014-72321 | 176 |
| 614 322 0018 | 15209-00Q0D 15209-00Q0G | 175 |
| 614 323 0000 | 16400-AW300 16400-AW310 | 164 |
| 614 323 0002 | 16400-JD51A 16400-JD551A | 165 |
| 614 323 0003 | 16405-00QAB | 168 |

| MEYLE no. | Ref. no. | Page |
|-----------------|--|------|
| Nissan | | |
| 614 498 0018 | 39100-00Q0A 39100-00Q0L 39100-00QAH 39101-00Q0K 39101-00QAJ 39101-00QAK | 87 |
| 614 498 0029 | 82000-69147 82001-69291 82001-79212 82003-34338 82004-85589 | 94 |
| 614 498 0035 | 3910000Q3M 3910000Q4G 3910000Q4H | 86 |
| 614 525 0007 | 46213-00QAC | 81 |
| 614 525 0008 | 46201-00QAF 46242-00QAA | 78 |
| 614 525 0016 | 46201-00QAC | 77 |
| 614 525 0018 | 46201-00QAD | 78 |
| 614 525 0019 | 46201-00QAH | 79 |
| 614 525 0020 | 46213-00QAA | 81 |
| 614 525 0030 | 46201-00QAE | 78 |
| 614 610 0005 | 54570-00QAA | 232 |
| 614 610 0006 | 54423-00QAA | 228 |
| 614 615 0005 | 8200048177* | 238 |
| 614 615 0006 | 8200048177* | 239 |
| 614 615 0009 | 54613-00Q0D | 235 |
| 614 710 0001 | 55466-00Q0A 55466-00QAA | 255 |
| 614 715 0000 | 56315 00Q0B | 238 |
| 615 521 0011 | 40206-00QAD | 21 |
| 615 521 0011/PD | 40206-00QAD | 22 |
| 615 521 0014 | 40206-00QAE 40206-00QAF 82000-10519 | 22 |
| 615 521 0014/PD | 40206-00QAE 40206-00QAF 82000-10519 | 23 |
| 615 521 0030 | 43206-00Q0C | 37 |
| 615 521 0049 | 40206-00Q0G | 20 |
| 615 521 6030 | - | 46 |
| 615 523 0016 | 43206-00Q0A | 46 |
| 615 523 0017 | 43206-00Q0B | 37 |
| 615 523 0022 | 43206-00Q0D 43206-00QAB 43206-00QAC | 38 |

| MEYLE no. | Ref. no. | Page |
|-----------------|---|------|
| Nissan | | |
| | 43206-00QAD 77012-06864 82002-18779 | |
| 615 523 6037 | 43206-00QAA | 38 |
| 616 010 0005/HD | 40160-00QAB | 201 |
| 616 020 0006 | 48520-00QAH | 188 |
| 616 020 0008 | 48520-00QAJ | 188 |
| 616 020 0009 | 485204A00B | 191 |
| 616 031 0006 | 48521-00QAF | 184 |
| 616 060 0007/HD | 54616-00Q0C 54616-00QAB | 239 |
| 616 060 0008/HD | 54618-00Q0A 54618-00QAA | 241 |
| 626 625 0001 | 56111-00Q0A 56111-00QAA | 269 |
| 626 725 0017 | 56210-00QAD 56210-00QAE 56210-00QAG | 269 |
| 712 319 0008 | 27893-9F500 27893-9F500KE 27893-9F900 | 18 |
| 714 495 0018 | 39241-4F125 39241-4F126 | 83 |
| 714 531 0003 | 44100-0X810 | 82 |
| 714 860 0004 | 11065-31N00 11065-9C600 11065-G2400 | 102 |

| Ref. no. | MEYLE no. | Page |
|---------------|----------------|------|
| Nissan | | |
| 01436-00QAB | 16-14 800 0023 | 96 |
| 01436-00QAC | 16-14 899 0010 | 96 |
| 069030810 | 025 297 0617 | 47 |
| 06905-3200 | 014 042 0902 | 72 |
| 11060-00Q0B | 16-28 228 0003 | 141 |
| 11060-00QAJ | 16-28 228 0003 | 141 |
| 11061-00Q0M | 16-28 228 0001 | 142 |
| 11061-00QAE | 16-28 228 0001 | 142 |
| 11065-00Q00 | 16-14 860 0010 | 103 |
| 11065-00Q0A | 16-14 860 0006 | 97 |
| 11065-00Q0C | 16-14 860 0011 | 100 |
| 11065-00Q0E | 16-14 860 0009 | 98 |
| 11065-00Q0G | 16-14 860 0011 | 100 |
| 11065-00Q0H | 16-14 860 0012 | 98 |
| 11065-00Q0L | 16-14 860 0012 | 98 |
| 11065-00QAA | 16-14 860 0010 | 103 |
| 11065-00QAE | 16-14 860 0006 | 97 |
| 11065-00QAF | 16-14 860 0010 | 103 |
| 11065-00QAG | 16-14 860 0010 | 103 |
| 11065-0W801 | 36-14 860 0004 | 99 |
| 11065-2W202 | 36-14 860 0005 | 99 |
| 11065-2W204 | 36-14 860 0005 | 99 |
| 11065-2W20A | 36-14 860 0005 | 99 |
| 11065-2W211 | 36-14 860 0005 | 99 |
| 11065-2W212 | 36-14 860 0005 | 99 |
| 11065-2W21A | 36-14 860 0005 | 99 |
| 11065-31N00 | 714 860 0004 | 102 |
| 11065-43G01 | 32-14 860 0002 | 101 |
| 11065-57J00 | 36-14 860 0002 | 100 |
| 11065-57J9A | 36-14 860 0002 | 100 |
| 11065-5C900 | 36-14 860 0002 | 100 |
| 11065-5X00A | 16-14 860 0011 | 100 |
| 11065-63G00 | 32-14 860 0002 | 101 |
| 11065-65N01 | 36-14 860 0004 | 99 |
| 11065-65N0A | 36-14 860 0004 | 99 |
| 11065-6F900 | 11-14 860 0000 | 101 |
| 11065-7F400 | 36-14 860 0004 | 99 |
| 11065-9C600 | 714 860 0004 | 102 |
| 11065-AD200 | 36-14 860 0003 | 102 |
| 11065-AD201 | 36-14 860 0003 | 102 |
| 11065-AD20A | 36-14 860 0003 | 102 |
| 11065-BN701 | 16-14 860 0010 | 103 |
| 11065-G2400 | 714 860 0004 | 102 |
| 11220-BN700 | 16-14 030 0026 | 178 |
| 11220-BN720 | 16-14 030 0026 | 178 |
| 11270-00QAA | 16-14 030 2082 | 179 |

| Ref. no. | MEYLE no. | Page |
|---------------|----------------|------|
| Nissan | | |
| 11360-EM00A | 16-14 030 0031 | 179 |
| 11720-00Q0F | 050 007 1741 | 113 |
| 11720-00Q1E | 050 007 1970 | 114 |
| 11720-00Q1J | 050 007 2000 | 114 |
| 11720-00Q1K | 050 006 1130 | 114 |
| 1172000Q1U | 050 005 1200 | 129 |
| 11720-00Q1W | 050 006 1205 | 117 |
| 11720-00Q2E | 050 007 1110 | 115 |
| 11720-00QA2 | 050 006 1200 | 115 |
| 1172000QAJ | 050 005 1125 | 116 |
| 1172000QAS | 050 004 0925 | 137 |
| 11720-00QAT | 050 004 0905 | 136 |
| 11720-00QAW | 050 007 1920 | 116 |
| 11720-01B00 | 050 003 0913 | 130 |
| 11720-01B01 | 050 003 0913 | 130 |
| 11720-01B02 | 050 003 0788 | 116 |
| 11720-01B04 | 050 003 0788 | 116 |
| 11720-0C800 | 050 005 0950 | 117 |
| 11720-0C805 | 050 005 0950 | 117 |
| 11720-0C810 | 050 004 0905 | 136 |
| 11720-0M000 | 050 004 0825 | 134 |
| 11720-0M312 | 050 004 1100 | 140 |
| 11720-0M313 | 050 004 1100 | 140 |
| 117200-W000 | 050 006 1060 | 117 |
| 117200-W002 | 050 006 1060 | 117 |
| 11720-16E02 | 050 004 0725 | 131 |
| 1172016E02 | 050 004 0730 | 131 |
| 11720-16E03 | 050 004 0725 | 131 |
| 1172016E03 | 050 004 0730 | 131 |
| 11720-1F700 | 050 006 0675 | 119 |
| 11720-1KC0A | 050 006 1205 | 117 |
| 11720-1KT0A | 050 007 1125 | 118 |
| 11720-26E02 | 050 004 0775 | 132 |
| 11720-26E12 | 050 004 0775 | 132 |
| 11720-28E10 | 050 004 0705 | 130 |
| 11720-2F000 | 050 004 0805 | 133 |
| 117202F005 | 050 004 0805 | 133 |
| 11720-2F200 | 050 004 0825 | 134 |
| 117202F200 | 050 004 0830 | 134 |
| 117202F205 | 050 004 0830 | 134 |
| 11720-2M310 | 050 004 0715 | 118 |
| 11720-30R00 | 050 006 1306 | 118 |
| 11720-30R10 | 050 006 1306 | 118 |
| 11720-31U00 | 050 006 0884 | 121 |
| 11720-31U02 | 050 006 0884 | 121 |
| 11720-3HD0A | 050 006 2080 | 119 |

| Ref. no. | MEYLE no. | Page |
|----------------|------------------------------|----------|
| Nissan | | |
| 11720-42L01 | 050 004 0845 | 135 |
| 1172042L01 | 050 004 0850 | 135 |
| 11720-4A00B | 050 005 0900 | 119 |
| 11720-4F100 | 050 006 0675 | 119 |
| 11720-4F105 | 050 006 0884 050 006 0890 | 120-121 |
| 11720-4F110 | 050 004 0650 | 120 |
| 11720-4M510 | 050 006 0820 | 122 |
| 11720-4M511 | 050 006 0820 | 122 |
| 11720-4M512 | 050 006 0820 | 122 |
| 11720-50A00 | 050 004 0995 | 138 |
| 1172050A00TM | 050 004 0995 | 138 |
| 11720-50A10 | 050 004 0995 | 138 |
| 1172050A10JP | 050 004 0995 | 138 |
| 1172050A10KE | 050 004 0995 | 138 |
| 11720-52F00 | 050 005 0930 | 120 |
| 11720-52F10 | 050 005 0930 | 120 |
| 1172053J10 | 050 004 0830 | 134 |
| 11720-53Y00 | 050 004 0810 050 004 0815 | 133 |
| 1172053Y00 | 050 004 0805 | 133 |
| 1172053Y01 | 050 004 0805 | 133 |
| 11720-53Y10 | 050 004 0810 050 004 0815 | 133 |
| 1172053Y10 | 050 004 0805 | 133 |
| 11720-53Y20 | 050 004 0810 050 004 0815 | 133 |
| 1172053Y20 | 050 004 0805 | 133 |
| 11720-54B00 | 050 006 0675 050 006 0884 | 119, 121 |
| 11720-5X00B | 050 007 1730 | 121 |
| 11720-6F900 | 050 005 0962 | 121 |
| 11720-6N200 | 050 006 2245 | 122 |
| 11720-70J00 | 050 004 0825 | 134 |
| 11720-71J00 | 050 004 0810 050 004 0815 | 133 |
| 1172071J01 | 050 004 0815 | 133 |
| 11720-71J05 | 050 004 0913 | 136 |
| 11720-77A00 | 050 004 0913 | 136 |
| 11720-77A00-TM | 050 004 0913 | 136 |
| 11720-77A10 | 050 004 0913 | 136 |
| 11720-85G00 | 050 004 0913 | 136 |
| 11720-85G10 | 050 004 0913 | 136 |
| 11720-9F600 | 050 006 0820 | 122 |
| 11720-9F605 | 050 006 0820 | 122 |
| 11720-9F610 | 050 006 0820 | 122 |

| Ref. no. | MEYLE no. | Page |
|----------------|------------------------------|----------|
| Nissan | | |
| 11720-9M511 | 050 006 0820 | 122 |
| 11720-9M512 | 050 006 0820 | 122 |
| 11720-AW300 | 050 007 1795 | 122 |
| 11720-BB00A | 050 007 1815 | 123 |
| 11720BN701 | 050 005 1200 | 129 |
| 11720BX010 | 050 003 0675 | 123 |
| 11720BX015 | 050 003 0675 | 123 |
| 11720-D1101-JP | 050 006 0725 | 123 |
| 11720-D4001 | 050 004 0962 | 138 |
| 11720-D4007 | 050 004 0810 050 004 0815 | 133 |
| 11720D4007TM | 050 004 0810 | 133 |
| 11720D4008 | 050 004 0810 | 133 |
| 11720-D4017 | 050 004 0810 050 004 0815 | 133 |
| 11720D4018 | 050 004 0810 | 133 |
| 11720-D4201 | 050 006 0725 | 123 |
| 11720-D4202 | 050 004 0705 | 130 |
| 11720-D4291-JP | 050 006 0725 | 123 |
| 11720-D4291-KE | 050 006 0725 | 123 |
| 11720-DB000 | 050 007 1920 | 116 |
| 11720-EB300 | 050 007 1275 | 127 |
| 11720-EB30A | 050 007 1275 | 127 |
| 11720-EB310 | 050 007 1275 | 127 |
| 11720-EB70C | 050 007 1275 | 127 |
| 11720-ED00B | 050 007 1145 | 124 |
| 11720-ED00C | 050 007 1145 | 124 |
| 11720-EN20A | 050 006 1210 | 124 |
| 11720-ET00A | 050 006 1210 | 124 |
| 11720-F6600 | 050 004 1040 | 139 |
| 11720-JD00B | 050 006 1150 050 007 1153 | 124, 128 |
| 11720-JD00C | 050 006 1150 050 007 1153 | 124, 128 |
| 11720-Q5201 | 050 004 0810 050 004 0815 | 133 |
| 11720-V5302 | 050 004 1025 050 004 1030 | 138-139 |
| 11720-V5312 | 050 004 1025 050 004 1030 | 138-139 |
| 11720-V5313 | 050 004 1025 050 004 1030 | 138-139 |
| 11720-VC101 | 050 007 1642 | 125 |
| 11720-VC102 | 050 007 1642 | 125 |
| 11720-VC103 | 050 007 1642 | 125 |
| 11720-VC10A | 050 007 1642 | 125 |

| Ref. no. | MEYLE no. | Page |
|---------------|--------------|------|
| Nissan | | |
| 11720-VS40A | 050 007 1642 | 125 |
| 11750-01B00 | 050 003 0630 | 125 |
| 11920-01B10 | 050 004 0815 | 133 |
| 1192001B10 | 050 004 0810 | 133 |
| 11920-0B000 | 050 004 1190 | 140 |
| 11920-0W000 | 050 005 1285 | 140 |
| 11920-0W001 | 050 005 1285 | 140 |
| 11920-0W002 | 050 005 1285 | 140 |
| 11920-16V00 | 050 004 0913 | 136 |
| 11920-16V10 | 050 004 0913 | 136 |
| 11920-21B00 | 050 004 0825 | 134 |
| 1192021B01 | 050 004 0825 | 134 |
| 11920-2Y501 | 050 006 1100 | 125 |
| 11920-31U00 | 050 006 1095 | 126 |
| 11920-31U02 | 050 006 1095 | 126 |
| 11920-41B01 | 050 006 0955 | 126 |
| 11920-41B02 | 050 006 0955 | 126 |
| 1192042L01 | 050 004 0925 | 137 |
| 119204A00B | 050 004 0785 | 132 |
| 119204A00C | 050 004 0785 | 132 |
| 11920-4F105 | 050 006 0955 | 126 |
| 11920-4M500 | 050 006 1110 | 126 |
| 11920-53J20 | 050 004 0845 | 135 |
| 1192053J20 | 050 004 0850 | 135 |
| 1192058S00 | 050 004 0925 | 137 |
| 1192058S01 | 050 004 0925 | 137 |
| 11920-5F600 | 050 006 0955 | 126 |
| 11920-6J900 | 050 006 1110 | 126 |
| 11920-6J910 | 050 006 1110 | 126 |
| 11920-77A00 | 050 004 0825 | 134 |
| 1192077A00 | 050 004 0830 | 134 |
| 1192077A01 | 050 004 0830 | 134 |
| 11920-77A10 | 050 004 0825 | 134 |
| 1192077A10 | 050 004 0830 | 134 |
| 11920-85E01 | 050 004 1190 | 140 |
| 11920-85E01TM | 050 004 1190 | 140 |
| 11920-85E11 | 050 004 1190 | 140 |
| 11920-97E20 | 050 004 1190 | 140 |
| 11920-9F605 | 050 006 1110 | 126 |
| 11920-9F610 | 050 006 1110 | 126 |
| 11920-9F615 | 050 006 1090 | 127 |
| 11920-BX000 | 050 004 1075 | 139 |
| 11920-BX005 | 050 004 1075 | 139 |
| 11920-CA000 | 050 006 1075 | 127 |
| 11920F6501 | 050 004 0962 | 138 |
| 11920Q5200 | 050 004 0830 | 134 |

| Ref. no. | MEYLE no. | Page |
|---------------|------------------------------|------|
| Nissan | | |
| 11920-V7301 | 050 004 0845 050 004 0850 | 135 |
| 11920V7302 | 050 004 0850 | 135 |
| 11920-V7311 | 050 004 0845 | 135 |
| 119500M200 | 050 004 0810 | 133 |
| 11950-0M210 | 050 004 0725 | 131 |
| 119500M210 | 050 004 0730 | 131 |
| 11950-0P600 | 050 004 0905 050 004 0913 | 136 |
| 11950-0P610 | 050 004 0913 | 136 |
| 11950-0P611 | 050 004 0905 | 136 |
| 11950-16E10 | 050 004 1040 | 139 |
| 11950-18E10 | 050 004 1040 | 139 |
| 11950-31U00 | 050 004 0775 | 132 |
| 11950-31U01 | 050 004 0775 | 132 |
| 1195031U02 | 050 004 0775 | 132 |
| 11950-35F00 | 050 004 0845 | 135 |
| 11950-41B00 | 050 004 0763 | 132 |
| 11950-41B01 | 050 004 0763 | 132 |
| 11950-4F105 | 050 004 0763 | 132 |
| 11950-53J10 | 050 004 0845 | 135 |
| 11950-53J20 | 050 004 0845 | 135 |
| 1195054C00 | 050 004 0925 | 137 |
| 1195054C10 | 050 004 0925 | 137 |
| 11950-5F600 | 050 004 0763 | 132 |
| 11950-60U05 | 050 007 1275 | 127 |
| 11950-65F10 | 050 003 0875 | 130 |
| 11950-65F12 | 050 003 0875 | 130 |
| 11950-70J00 | 050 004 0845 | 135 |
| 1195070J05 | 050 004 0845 | 135 |
| 1195071E00 | 050 004 0900 | 136 |
| 1195071E10 | 050 004 0900 | 136 |
| 11950-72B00 | 050 004 0725 | 131 |
| 1195072B00 | 050 004 0730 | 131 |
| 11950-72B01 | 050 004 0725 | 131 |
| 1195072B01 | 050 004 0730 | 131 |
| 11950-85E00 | 050 004 1040 | 139 |
| 1195086L00 | 050 004 0900 | 136 |
| 11950-9F600 | 050 004 0845 | 135 |
| 11950D4201 | 050 004 0925 | 137 |
| 11950-D4211 | 050 004 0925 | 137 |
| 11950EB300 | 050 004 0825 | 134 |
| 11950EB30A | 050 004 0825 | 134 |
| 11950EB70A | 050 004 0825 | 134 |
| 11950F6101 | 050 003 1000 | 128 |
| 11950F6102 | 050 003 1000 | 128 |

| Ref. no. | MEYLE no. | Page |
|---------------|----------------|------|
| Nissan | | |
| 11950F6111 | 050 003 1000 | 128 |
| 11950-V7301 | 050 003 0835 | 128 |
| 11950-V7311 | 050 003 0835 | 128 |
| 13070-00Q0L | 16-51 902 2001 | 113 |
| 13070-00QAA | 16-51 902 2001 | 113 |
| 1307000QAC | 16-51 902 1000 | 109 |
| 13070-00QAE | 16-51 902 1002 | 110 |
| 130701192R | 16-51 902 1007 | 109 |
| 130705625R | 16-51 902 1009 | 111 |
| 13070-6F900 | 40-51 902 1000 | 111 |
| 130708047R | 16-51 902 1009 | 111 |
| 13070-AW300 | 16-51 902 1006 | 109 |
| 13070-BN700 | 36-51 049 0013 | 112 |
| 13077-00QAG | 16-51 902 1003 | 110 |
| 13077-00QAL | 16-51 902 1003 | 110 |
| 13077-54A02 | 36-51 902 2000 | 112 |
| 13077-6F900 | 11-51 902 2005 | 113 |
| 13077-6F901 | 11-51 902 2005 | 113 |
| 14460-BB30A | 16-14 036 0000 | 169 |
| 14460-BB31A | 16-14 036 0000 | 169 |
| 14463-J0500 | 16-14 036 0002 | 169 |
| 14463-J052A | 16-14 036 0001 | 170 |
| 14463-J056A | 16-14 036 0001 | 170 |
| 15010-00Q1L | 16-13 220 0028 | 147 |
| 15208-00Q00 | 16-14 322 0000 | 176 |
| 15208-00Q0F | 16-14 322 0000 | 176 |
| 15208-00Q0G | 16-14 322 0000 | 176 |
| 1520800Q1E | 16-14 322 0012 | 175 |
| 15208-00QAB | 16-14 322 0000 | 176 |
| 15208-00QAC | 16-14 322 0000 | 176 |
| 15208-00QAF | 16-14 322 0000 | 176 |
| 15208-00QAG | 16-14 322 0008 | 170 |
| 15208-18G00 | 36-14 322 0007 | 170 |
| 15208-20N00 | 36-14 322 0007 | 170 |
| 15208-20N01 | 36-14 322 0007 | 170 |
| 15208-20N02 | 36-14 322 0007 | 170 |
| 15208-20N10 | 36-14 322 0007 | 170 |
| 15208-20N1A | 36-14 322 0007 | 170 |
| 15208-31000 | 614 322 0000 | 172 |
| 15208-31U00 | 614 322 0000 | 172 |
| 15208-31U01 | 614 322 0000 | 172 |
| 15208-3J400 | 36-14 322 0008 | 173 |
| 15208-3J400XX | 35-14 322 0000 | 171 |
| 15208-40L00 | 36-14 322 0007 | 170 |
| 15208-40L01 | 36-14 322 0007 | 170 |
| 15208-40L02 | 36-14 322 0007 | 170 |

| Ref. no. | MEYLE no. | Page |
|---------------|----------------|------|
| Nissan | | |
| 15208-43G00 | 36-14 322 0001 | 171 |
| 15208-43G0A | 36-14 322 0001 | 171 |
| 15208-53J00 | 36-14 322 0002 | 172 |
| 15208-53J01 | 36-14 322 0002 | 172 |
| 15208-55Y00 | 36-14 322 0004 | 177 |
| 15208-5M300 | 36-14 322 0005 | 173 |
| 15208-60U00 | 36-14 322 0004 | 177 |
| 15208-60U01 | 36-14 322 0004 | 177 |
| 15208-65010 | 36-14 322 0001 | 171 |
| 15208-65011 | 36-14 322 0001 | 171 |
| 15208-65014 | 36-14 322 0001 | 171 |
| 15208-65F00 | 36-14 322 0008 | 173 |
| 15208-65F01 | 36-14 322 0008 | 173 |
| 15208-65F0A | 36-14 322 0008 | 173 |
| 15208-65F0B | 36-14 322 0008 | 173 |
| 15208-65F10 | 36-14 322 0008 | 173 |
| 15208-6F901 | 214 322 0002 | 172 |
| 15208-6F905 | 214 322 0002 | 172 |
| 15208-6F906 | 214 322 0002 | 172 |
| 15208-70J00 | 36-14 322 0002 | 172 |
| 15208-70J00XX | 36-14 322 0002 | 172 |
| 15208-70J01 | 36-14 322 0002 | 172 |
| 15208-70J0A | 36-14 322 0002 | 172 |
| 15208-71J00 | 36-14 322 0004 | 177 |
| 15208-71J06 | 36-14 322 0004 | 177 |
| 15208-7B000 | 614 322 0000 | 172 |
| 15208-7F400 | 36-14 322 0001 | 171 |
| 15208-7F40A | 36-14 322 0001 | 171 |
| 15208-7M600 | 36-14 322 0008 | 173 |
| 15208-9E000 | 614 322 0000 | 172 |
| 15208-9F600 | 36-14 322 0008 | 173 |
| 15208-AA000 | 36-14 322 0004 | 177 |
| 15208-AD200 | 36-14 322 0005 | 173 |
| 15208-AD20A | 36-14 322 0005 | 173 |
| 15208-AD300 | 36-14 322 0005 | 173 |
| 15208-AW300 | 16-14 322 0000 | 176 |
| 15208-AX625 | 36-14 322 0002 | 172 |
| 15208-BN300 | 36-14 322 0003 | 174 |
| 15208-BN30A | 36-14 322 0003 | 174 |
| 15208-BN31A | 36-14 322 0005 | 173 |
| 15208-BN700 | 16-14 322 0000 | 176 |
| 15208-BX000A | 36-14 322 0002 | 172 |
| 15208-G3100 | 36-14 322 0004 | 177 |
| 15208-G9900 | 36-14 322 0001 | 171 |
| 15208-H8901 | 36-14 322 0004 | 177 |
| 15208-H8903 | 36-14 322 0004 | 177 |

| Ref. no. | MEYLE no. | Page |
|----------------|----------------|------|
| Nissan | | |
| 15208H-8903JP | 36-14 322 0004 | 177 |
| 15208-H8910 | 36-14 322 0004 | 177 |
| 15208-H8912 | 36-14 322 0004 | 177 |
| 15208-HC430 | 37-14 322 0009 | 174 |
| 15208-W1100 | 36-14 322 0001 | 171 |
| 15208-W1120 | 36-14 322 0001 | 171 |
| 15208-W1123 | 36-14 322 0001 | 171 |
| 15208-W3401 | 36-14 322 0001 | 171 |
| 15208-W3403 | 36-14 322 0001 | 171 |
| 15208-Y9701 | 36-14 322 0001 | 171 |
| 15209-00Q0A | 614 322 0013 | 174 |
| 15209-00Q0B | 614 322 0014 | 176 |
| 15209-00Q0D | 614 322 0018 | 175 |
| 15209-00Q0F | 16-14 322 0012 | 175 |
| 15209-00Q0G | 614 322 0018 | 175 |
| 15209-00QAA | 614 322 0014 | 176 |
| 15209-00QAC | 16-14 322 0006 | 176 |
| 15209-2W200 | 16-14 322 0006 | 176 |
| 15209-AD200 | 36-14 322 0005 | 173 |
| 15209-MA70A | 16-14 322 0006 | 176 |
| 15310-01700 | 214 322 0002 | 172 |
| 15410-84380 | 33-14 323 0001 | 163 |
| 16400-00QAV | 16-14 323 0007 | 166 |
| 16400-0W000 | 36-14 323 0005 | 166 |
| 16400-0W005 | 36-14 323 0005 | 166 |
| 16400-0W010 | 36-14 323 0005 | 166 |
| 16400-0W01A | 36-14 323 0005 | 166 |
| 16400-10Y00 | 36-14 323 0010 | 164 |
| 16400-18A20 | 36-14 323 0001 | 168 |
| 16400-2W202 | 36-14 323 0001 | 168 |
| 16400-41B00 | 36-14 323 0005 | 166 |
| 16400-41B05 | 36-14 323 0005 | 166 |
| 16400-41B1A | 36-14 323 0005 | 166 |
| 16400-41B25 | 36-14 323 0005 | 166 |
| 16400-41B26 | 36-14 323 0005 | 166 |
| 16400-4U105 | 16-14 323 0007 | 166 |
| 16400-57J05 | 36-14 323 0001 | 168 |
| 16400-70J00 | 314 133 2108 | 164 |
| 16400-72L00 | 36-14 323 0010 | 164 |
| 16400-72L05 | 36-14 323 0010 | 164 |
| 16400-72L10 | 36-14 323 0010 | 164 |
| 16400-9F910 | 36-14 323 0005 | 166 |
| 16400-9F927 | 36-14 323 0005 | 166 |
| 16400-9F928 | 36-14 323 0005 | 166 |
| 16400-9F928-KE | 36-14 323 0005 | 166 |
| 16400-AW300 | 614 323 0000 | 164 |

| Ref. no. | MEYLE no. | Page |
|---------------|----------------|------|
| Nissan | | |
| 16400-AW310 | 614 323 0000 | 164 |
| 16400-BC40A | 16-14 323 0007 | 166 |
| 16400-BN303 | 36-14 323 0004 | 165 |
| 16400-BN30B | 36-14 323 0004 | 165 |
| 16400-BN700 | 16-14 323 0007 | 166 |
| 16400-D0300 | 36-14 323 0005 | 166 |
| 16400-F5100 | 36-14 323 0005 | 166 |
| 16400-G9601 | 36-14 323 0005 | 166 |
| 16400-J050A | 36-14 323 0012 | 165 |
| 16400-J051A | 614 323 0002 | 165 |
| 16400-J052A | 36-14 323 0012 | 165 |
| 16400-J0551A | 614 323 0002 | 165 |
| 16400-V2700 | 36-14 323 0005 | 166 |
| 16400-V2705 | 36-14 323 0005 | 166 |
| 16400-VB201 | 36-14 323 0001 | 168 |
| 16400-VB20C | 36-14 323 0001 | 168 |
| 16400-VC100 | 36-14 323 0001 | 168 |
| 16400-VC10C | 36-14 323 0001 | 168 |
| 16401-00Q0D | 16-14 323 0007 | 166 |
| 16401-00QAA | 16-14 323 0007 | 166 |
| 16403-2SA00 | 30-14 323 0001 | 167 |
| 16403-59E00 | 36-14 323 0001 | 168 |
| 16403-59E0A | 36-14 323 0001 | 168 |
| 16403-7F400 | 36-14 323 0004 | 165 |
| 16403-7F401 | 36-14 323 0004 | 165 |
| 16403-7F40A | 36-14 323 0004 | 165 |
| 16403-BN303 | 36-14 323 0004 | 165 |
| 16403-G2400 | 36-14 323 0001 | 168 |
| 16403-G9900 | 36-14 323 0001 | 168 |
| 16403-G990A | 36-14 323 0001 | 168 |
| 16405-00QAA | 36-14 323 0011 | 167 |
| 16405-00QAB | 614 323 0003 | 168 |
| 16405-05E01 | 36-14 323 0001 | 168 |
| 16405-59E00 | 36-14 323 0001 | 168 |
| 16546-00Q0G | 612 321 0016 | 157 |
| 16546-00Q0H | 612 321 0002 | 158 |
| 16546-00Q1L | 612 321 0017 | 155 |
| 16546-00QAA | 16-12 321 0004 | 157 |
| 16546-00QAC | 612 083 4004 | 156 |
| 16546-00QAD | 612 321 0015 | 157 |
| 16546-00QAE | 612 083 4006 | 156 |
| 16546-00QAG | 36-12 321 0016 | 163 |
| 16546-00QAK | 16-12 321 0007 | 160 |
| 16546-00QAL | 16-12 321 0012 | 156 |
| 16546-00QAM | 612 321 0016 | 157 |
| 16546-00QAP | 612 083 4006 | 156 |

| Ref. no. | MEYLE no. | Page |
|---------------|----------------|------|
| Nissan | | |
| 16546-00QAR | 16-12 321 0009 | 163 |
| 16546-00QAT | 612 321 0015 | 157 |
| 16546-00QAU | 16-12 321 0004 | 157 |
| 16546-00QOH | 612 321 0002 | 158 |
| 16546-0U800 | 36-12 321 0003 | 158 |
| 16546-0U80A | 36-12 321 0003 | 158 |
| 16546-0Z000 | 34-12 046 0001 | 162 |
| 16546-17B00 | 36-12 321 0006 | 159 |
| 16546-30P00 | 36-12 321 0014 | 158 |
| 16546-3J400 | 34-12 046 0001 | 162 |
| 16546-3J410 | 36-12 321 0006 | 159 |
| 16546-3J41A | 36-12 321 0006 | 159 |
| 16546-3S903 | 36-12 321 0002 | 160 |
| 16546-41B00 | 36-12 321 0003 | 158 |
| 16546-41B01 | 36-12 321 0003 | 158 |
| 16546-4A00C | 33-12 321 0014 | 159 |
| 16546-4A00F | 33-12 321 0014 | 159 |
| 16546-6F900 | 36-12 321 0005 | 159 |
| 16546-6J400 | 34-12 046 0001 | 162 |
| 16546-70J10 | 34-12 046 0001 | 162 |
| 16546-73C00 | 36-12 321 0006 | 159 |
| 16546-73C01 | 36-12 321 0006 | 159 |
| 16546-73C10 | 36-12 321 0006 | 159 |
| 16546-73C11 | 36-12 321 0006 | 159 |
| 16546-7F000 | 36-12 321 0002 | 160 |
| 16546-7F002 | 36-12 321 0002 | 160 |
| 16546-9S000 | 36-12 321 0012 | 160 |
| 16546-9S001 | 36-12 321 0012 | 160 |
| 16546-9S00B | 36-12 321 0012 | 160 |
| 16546-AA030 | 36-12 321 0006 | 159 |
| 16546-AX600 | 36-12 321 0003 | 158 |
| 16546-BC40A | 16-12 321 0009 | 163 |
| 16546-BN700 | 16-12 321 0007 | 160 |
| 16546-BN701 | 16-12 321 0009 | 163 |
| 16546-BN70A | 16-12 321 0009 | 163 |
| 16546-E6810 | 36-12 321 0012 | 160 |
| 16546-EB300 | 36-12 321 0013 | 161 |
| 16546-ED000 | 36-12 321 0004 | 161 |
| 16546-J020A | 36-12 321 0010 | 161 |
| 16546-J020B | 36-12 321 0010 | 161 |
| 16546-JG70A | 36-12 321 0010 | 161 |
| 16546-V0100 | 34-12 046 0001 | 162 |
| 16546-V0110 | 34-12 046 0001 | 162 |
| 16546-VK500 | 36-12 321 0012 | 160 |
| 16546-W2900 | 34-12 046 0001 | 162 |
| 16806-00QA4 | 16-51 049 0018 | 112 |

| Ref. no. | MEYLE no. | Page |
|---------------|----------------|------|
| Nissan | | |
| 16806-00QAB | 36-51 049 0013 | 112 |
| 16806-00QAW | 16-51 049 0018 | 112 |
| 16806-00QAX | 36-51 049 0013 | 112 |
| 16806-00QBB | 36-51 049 0013 | 112 |
| 17801-21030 | 30-12 321 0015 | 162 |
| 21010-00Q0C | 16-13 220 0020 | 146 |
| 21010-00Q0E | 16-13 220 0015 | 146 |
| 21010-00Q0H | 16-13 220 0012 | 149 |
| 21010-00Q0K | 16-13 220 0026 | 146 |
| 21010-00Q0L | 16-13 220 0012 | 149 |
| 21010-00Q0M | 16-13 220 0023 | 147 |
| 21010-00Q2C | 16-13 220 0028 | 147 |
| 21010-00QAA | 16-13 027 0001 | 147 |
| 21010-00QAC | 16-13 220 0004 | 148 |
| 21010-00QAD | 613 600 0003 | 148 |
| 21010-00QAH | 16-13 220 0012 | 149 |
| 21010-00QAK | 16-13 220 0012 | 149 |
| 21010-00QAL | 16-13 220 0012 | 149 |
| 21010-00QAR | 16-13 220 0012 | 149 |
| 21010-00QAS | 16-13 220 0003 | 148 |
| 21010-00Q0A | 16-13 220 0012 | 149 |
| 21010-0F002 | 36-13 220 0010 | 151 |
| 21010-0F003 | 36-13 220 0010 | 151 |
| 21010-0M300 | 36-13 210 0011 | 151 |
| 21010-0M301 | 36-13 210 0011 | 151 |
| 21010-0M302 | 36-13 210 0011 | 151 |
| 21010-22J00 | 36-13 220 0001 | 151 |
| 21010-22J25 | 36-13 220 0001 | 151 |
| 21010-22J26 | 36-13 220 0001 | 151 |
| 21010-28J25 | 36-13 220 0001 | 151 |
| 21010-28J26 | 36-13 220 0001 | 151 |
| 21010-2W225 | 36-13 220 0015 | 154 |
| 21010-2W226 | 36-13 220 0015 | 154 |
| 21010-2W227 | 36-13 220 0015 | 154 |
| 21010-2W228 | 36-13 220 0015 | 154 |
| 21010-41B00 | 36-13 220 0004 | 152 |
| 21010-41B01 | 36-13 220 0004 | 152 |
| 21010-41B02 | 36-13 220 0004 | 152 |
| 21010-41B03 | 36-13 220 0004 | 152 |
| 21010-4A00F | 613 220 0008 | 149 |
| 21010-53J00 | 36-13 220 0000 | 149 |
| 21010-53J01 | 36-13 220 0000 | 149 |
| 21010-53J03 | 36-13 220 0000 | 149 |
| 21010-53J04 | 36-13 220 0000 | 149 |
| 21010-53J05 | 36-13 220 0000 | 149 |
| 21010-53Y00 | 36-13 210 0011 | 151 |

| Ref. no. | MEYLE no. | Page |
|---------------|----------------|------|
| Nissan | | |
| 21010-53Y01 | 36-13 210 0011 | 151 |
| 21010-57J00 | 36-13 220 0002 | 150 |
| 21010-57J01 | 36-13 220 0002 | 150 |
| 21010-57J02 | 36-13 220 0002 | 150 |
| 21010-57J03 | 36-13 220 0002 | 150 |
| 21010-57J25 | 36-13 220 0002 | 150 |
| 21010-57J26 | 36-13 220 0002 | 150 |
| 21010-57J27 | 36-13 220 0002 | 150 |
| 21010-57J28 | 36-13 220 0002 | 150 |
| 21010-6F900 | 11-13 012 0158 | 150 |
| 21010-6F907 | 11-13 012 0158 | 150 |
| 21010-70J00 | 36-13 220 0000 | 149 |
| 21010-71J00 | 36-13 210 0011 | 151 |
| 21010-74Y00 | 36-13 210 0011 | 151 |
| 21010-7F400 | 36-13 220 0010 | 151 |
| 21010-80G25 | 36-13 220 0010 | 151 |
| 21010-80G26 | 36-13 220 0010 | 151 |
| 21010-80G27 | 36-13 220 0010 | 151 |
| 21010-80G28 | 36-13 220 0010 | 151 |
| 21010-80G85 | 36-13 220 0010 | 151 |
| 21010-80G87 | 36-13 220 0010 | 151 |
| 21010-80G89 | 36-13 220 0010 | 151 |
| 21010-81T00 | 36-13 220 0001 | 151 |
| 21010-81T25 | 36-13 220 0001 | 151 |
| 21010-81T26 | 36-13 220 0001 | 151 |
| 21010-88R10 | 36-13 210 0011 | 151 |
| 21010-99B00 | 36-13 220 0004 | 152 |
| 21010-9C600 | 36-13 220 0003 | 152 |
| 21010-9F501 | 36-13 220 0000 | 149 |
| 21010-9F600 | 36-13 220 0005 | 152 |
| 21010-9F605 | 36-13 220 0005 | 152 |
| 21010-AD200 | 36-13 220 0007 | 155 |
| 21010-AD225 | 36-13 220 0007 | 155 |
| 21010-AD226 | 36-13 220 0007 | 155 |
| 21010-AW300 | 16-13 220 0011 | 153 |
| 21010-AX00A | 36-13 220 0012 | 153 |
| 21010-BN700 | 16-13 220 0003 | 148 |
| 21010-BX000 | 36-13 220 0012 | 153 |
| 21010-EB300 | 36-13 220 0016 | 153 |
| 21010-EB30A | 36-13 220 0016 | 153 |
| 21010-EE025 | 36-13 220 0013 | 154 |
| 21010-G2404 | 36-13 220 0010 | 151 |
| 21010-V7225 | 36-13 220 0001 | 151 |
| 21010-V7226 | 36-13 220 0001 | 151 |
| 21010-V7228 | 36-13 220 0001 | 151 |
| 21010-V7229 | 36-13 220 0001 | 151 |

| Ref. no. | MEYLE no. | Page |
|---------------|----------------|------|
| Nissan | | |
| 21010-V7285 | 36-13 220 0001 | 151 |
| 21010-V7286 | 36-13 220 0001 | 151 |
| 21010-VG101 | 36-13 220 0015 | 154 |
| 21010-VG126 | 36-13 220 0015 | 154 |
| 21010-VG127 | 36-13 220 0015 | 154 |
| 21010-VG128 | 36-13 220 0015 | 154 |
| 21010-VK525 | 36-13 220 0016 | 153 |
| 21200-05B00 | 39-28 228 0000 | 142 |
| 21200-0C811 | 36-28 228 0002 | 145 |
| 21200-16A00 | 36-28 228 0006 | 142 |
| 21200-40F00 | 36-28 228 0002 | 145 |
| 21200-47R00 | 36-28 228 0004 | 144 |
| 21200-4M500 | 30-28 228 0001 | 144 |
| 21200-4W010 | 36-28 228 0003 | 143 |
| 21200-4W01B | 36-28 228 0003 | 143 |
| 21200-50K00 | 36-28 228 0002 | 145 |
| 21200-53J00 | 36-28 228 0002 | 145 |
| 21200-53J10 | 36-28 228 0002 | 145 |
| 21200-57J00 | 028 282 0004 | 143 |
| 21200-60J00 | 36-28 228 0002 | 145 |
| 21200-60J11 | 36-28 228 0004 | 144 |
| 21200-6N210 | 36-28 228 0004 | 144 |
| 21200-77A00 | 36-28 228 0000 | 144 |
| 21200-77A05 | 36-28 228 0000 | 144 |
| 21200-77A60 | 36-28 228 0000 | 144 |
| 21200-77A63 | 36-28 228 0000 | 144 |
| 21200-77A65 | 30-28 228 0001 | 144 |
| 21200-77A66 | 36-28 228 0000 | 144 |
| 21200-86J00 | 36-28 228 0000 | 144 |
| 21200-86J01 | 36-28 228 0000 | 144 |
| 21200-89J00 | 36-28 228 0002 | 145 |
| 21200-90J00 | 36-28 228 0000 | 144 |
| 21200-90J10 | 36-28 228 0000 | 144 |
| 21200-93J00 | 36-28 228 0002 | 145 |
| 21200-93J01 | 36-28 228 0002 | 145 |
| 21200-93J10 | 30-28 228 0001 | 144 |
| 21200-93J11 | 36-28 228 0002 | 145 |
| 21200-9F500 | 36-28 228 0004 | 144 |
| 21200-9F600 | 30-28 228 0001 | 144 |
| 21200-BX000 | 36-28 228 0005 | 145 |
| 21200-G2401 | 36-28 228 0006 | 142 |
| 21200-Y9701 | 36-28 228 0006 | 142 |
| 21208-96002 | 30-28 228 0001 | 144 |
| 22324-00QAB | 16-12 321 0009 | 163 |
| 22448-00Q0A | 16-14 885 0002 | 104 |
| 22448-00Q0B | 16-14 885 0002 | 104 |

| Ref. no. | MEYLE no. | Page |
|---------------|------------------|------|
| Nissan | | |
| 22448-00QAA | 16-14 885 0002 | 104 |
| 22448-00QAB | 16-14 885 0002 | 104 |
| 22448-00QAC | 16-14 885 0001 | 103 |
| 22448-00QAE | 16-14 885 0002 | 104 |
| 22448-00QAF | 16-14 885 0004 | 104 |
| 22448-00QAH | 16-14 885 0002 | 104 |
| 22448-31U01 | 36-14 885 0003 | 105 |
| 22448-31U06 | 36-14 885 0004 | 105 |
| 22448-31U11 | 36-14 885 0003 | 105 |
| 22448-31U16 | 36-14 885 0004 | 105 |
| 22448-4M500 | 36-14 885 0000 | 105 |
| 22448-4M50A | 36-14 885 0000 | 105 |
| 22448-6N000 | 36-14 885 0005 | 106 |
| 22448-6N002 | 36-14 885 0005 | 106 |
| 22448-6N010 | 36-14 885 0005 | 106 |
| 22448-6N011 | 16-14 885 0002 | 104 |
| 22448-6N012 | 36-14 885 0005 | 106 |
| 22448-6N015 | 36-14 885 0005 | 106 |
| 22630-00Q2H | 16-14 899 0011 | 107 |
| 22630-00QAD | 16-14 899 0011 | 107 |
| 22630-00QAF | 16-14 899 0011 | 107 |
| 22630-BN702 | 16-14 899 0011 | 107 |
| 22690-17B00 | 100 900 0000 | 106 |
| 22690-73C00 | 100 900 0000 | 106 |
| 22731-1F710 | 214 800 0002 | 107 |
| 23731-1F710 | 214 800 0002 | 107 |
| 23731-BN700 | 16-14 800 0025 | 96 |
| 23731-BN701 | 16-14 800 0000 | 107 |
| 23731-BN70A | 16-14 800 0025 | 96 |
| 23750-00Q0A | 16-14 800 0025 | 96 |
| 23750-00Q0E | 16-14 899 0010 | 96 |
| 23750-00Q0G | 16-14 800 0025 | 96 |
| 23750-00Q0M | 16-14 800 0025 | 96 |
| 23750-00QAD | 16-14 800 0025 | 96 |
| 23750-00QAH | 16-14 800 0023 | 96 |
| 23760-00QAB | 16-14 800 0000 | 107 |
| 23760-00QAD | 16-14 800 0000 | 107 |
| 23798-00Q0A | 16-14 899 0006 | 97 |
| 23798-00Q0B | 16-14 899 0006 | 97 |
| 23798-00QAC | 16-14 899 0006 | 97 |
| 23798-00QAD | 16-14 899 0006 | 97 |
| 25500-02500 | 30-28 228 0001 | 144 |
| 25730-16B00 | 100 953 0012 | 108 |
| 271T2-00A00 | 16-12 320 0022 | 13 |
| 27274-EA000 | 36-12 319 0004/S | 13 |
| 27274-EA000-D | 36-12 319 0004/S | 13 |

| Ref. no. | MEYLE no. | Page |
|---------------|--------------------------------------|-------|
| Nissan | | |
| 27274-EA000-S | 36-12 319 0004/S | 13 |
| 27274-ED000 | 36-12 319 0008 | 17 |
| 27277-00A26 | 16-12 319 0022 | 14 |
| 27277-1HD0B | 36-12 319 0010 | 14 |
| 27277-1HE0E | 36-12 319 0010 | 14 |
| 27277-1KA0A | 16-12 319 0022 | 14 |
| 27277-1KA4A | 16-12 319 0022 | 14 |
| 27277-4M400 | 36-12 319 0006 | 18 |
| 27277-4M425 | 36-12 319 0006 | 18 |
| 27277-5U100 | 36-12 319 0006 | 18 |
| 27277-9W125 | 36-12 319 0006 | 18 |
| 27277-EN000 | 36-12 319 0005 36-12 320 0005 | 14-15 |
| 27277-EN025 | 36-12 319 0005 36-12 320 0005 | 14-15 |
| 27277-JD10A | 36-12 320 0005 | 15 |
| 27277-WD000 | 36-12 319 0006 | 18 |
| 27298-00QAA | 612 319 0015 | 15 |
| 27891-00Q0D | 16-12 319 0019/S 16-12 320 0019/S | 15-16 |
| 27891-00QAA | 16-12 319 0001 | 18 |
| 27891-4A00C | 33-12 319 0005 | 16 |
| 27891-AX010 | 36-12 319 0002 | 16 |
| 27891-AX01A | 16-12 319 0003 | 17 |
| 27891-BM400 | 36-12 319 0000 | 17 |
| 27891-BM401 | 36-12 319 0000 | 17 |
| 27891-BM402 | 36-12 319 0000 | 17 |
| 27891-BM410 | 36-12 319 0000 | 17 |
| 27891-EC00A | 36-12 319 0008 | 17 |
| 27891-EL00A | 36-12 319 0008 | 17 |
| 27893-9F500 | 712 319 0008 | 18 |
| 27893-9F500KE | 712 319 0008 | 18 |
| 27893-9F900 | 712 319 0008 | 18 |
| 28790-EA000 | 029 300 1217 | 6 |
| 2K003-30361 | 36-12 319 0006 | 18 |
| 39100-00Q0A | 614 498 0018 | 87 |
| 39100-00Q0L | 614 498 0018 | 87 |
| 3910000Q3M | 614 498 0035 | 86 |
| 3910000Q4G | 614 498 0035 | 86 |
| 3910000Q4H | 614 498 0035 | 86 |
| 39100-00QAH | 614 498 0018 | 87 |
| 39100-0M301 | 36-14 498 0011 | 91 |
| 39100-0M900 | 36-14 498 0011 | 91 |
| 39100-0M905 | 36-14 498 0011 | 91 |
| 39100-2F010 | 36-14 498 0029 | 88 |
| 39100-41B00 | 36-14 498 0018 | 88 |

| Ref. no. | MEYLE no. | Page |
|---------------|----------------------------------|--------|
| Nissan | | |
| 39100-41B05 | 36-14 498 0018 | 88 |
| 39100-41F100 | 36-14 498 0018 | 88 |
| 39100-41F400 | 36-14 498 0018 | 88 |
| 39100-44B00 | 36-14 498 0017 | 90 |
| 39100-44B02 | 36-14 498 0017 | 90 |
| 39100-44B10 | 36-14 498 0017 | 90 |
| 39100-44B12 | 36-14 498 0017 | 90 |
| 39100-45B00 | 36-14 498 0018 | 88 |
| 39100-4F100 | 36-14 498 0018 | 88 |
| 39100-4F400 | 36-14 498 0028 | 90 |
| 39100-50Y10 | 36-14 498 0021 | 87 |
| 39100-51Y10 | 36-14 498 0021 | 87 |
| 39100-52Y10 | 36-14 498 0021 | 87 |
| 39100-53Y10 | 36-14 498 0021 | 87 |
| 39100-60Y00 | 36-14 498 0011 | 91 |
| 39100-60Y05 | 36-14 498 0011 | 91 |
| 39100-60Y10 | 36-14 498 0012 | 91 |
| 39100-60Y15 | 36-14 498 0012 | 91 |
| 39100-61Y06 | 36-14 498 0011 | 91 |
| 39100-61Y16 | 36-14 498 0012 | 91 |
| 39100-62Y00 | 36-14 498 0012 | 91 |
| 39100-62Y05 | 36-14 498 0011 | 91 |
| 39100-62Y10 | 36-14 498 0012 | 91 |
| 39100-62Y15 | 36-14 498 0012 | 91 |
| 39100-63Y00 | 36-14 498 0011 | 91 |
| 39100-63Y01 | 36-14 498 0011 | 91 |
| 39100-63Y10 | 36-14 498 0012 | 91 |
| 39100-63Y11 | 36-14 498 0012 | 91 |
| 39101-00Q0K | 614 498 0018 | 87 |
| 3910100Q3G | 16-14 498 0038 | 86 |
| 3910100Q4E | 16-14 498 0038 | 86 |
| 3910100Q4F | 16-14 498 0038 | 86 |
| 39101-00QAJ | 614 498 0018 | 87 |
| 39101-00QAK | 614 498 0018 | 87 |
| 39101-0M301 | 36-14 498 0011 | 91 |
| 39101-0M900 | 36-14 498 0011 | 91 |
| 39101-0M905 | 36-14 498 0011 | 91 |
| 39101-2F011 | 36-14 498 0029 36-14 498 0037 | 86, 88 |
| 39101-41B00 | 36-14 498 0018 | 88 |
| 39101-41B05 | 36-14 498 0018 | 88 |
| 39101-41F100 | 36-14 498 0018 | 88 |
| 39101-41F400 | 36-14 498 0018 | 88 |
| 39101-44B00 | 36-14 498 0017 | 90 |
| 39101-44B02 | 36-14 498 0017 | 90 |
| 39101-44B10 | 36-14 498 0017 | 90 |

| Ref. no. | MEYLE no. | Page |
|---------------|----------------|------|
| Nissan | | |
| 39101-44B12 | 36-14 498 0017 | 90 |
| 39101-45B00 | 36-14 498 0018 | 88 |
| 39101-4F100 | 36-14 498 0018 | 88 |
| 39101-4F400 | 36-14 498 0028 | 90 |
| 39101-50Y01 | 36-14 498 0024 | 88 |
| 39101-50Y10 | 36-14 498 0021 | 87 |
| 39101-50Y11 | 36-14 498 0021 | 87 |
| 39101-51Y10 | 36-14 498 0021 | 87 |
| 39101-52Y10 | 36-14 498 0021 | 87 |
| 39101-53Y10 | 36-14 498 0021 | 87 |
| 39101-60Y00 | 36-14 498 0011 | 91 |
| 39101-60Y05 | 36-14 498 0011 | 91 |
| 39101-60Y10 | 36-14 498 0012 | 91 |
| 39101-60Y15 | 36-14 498 0012 | 91 |
| 39101-61Y07 | 36-14 498 0011 | 91 |
| 39101-61Y17 | 36-14 498 0012 | 91 |
| 39101-62Y00 | 36-14 498 0012 | 91 |
| 39101-62Y05 | 36-14 498 0011 | 91 |
| 39101-62Y10 | 36-14 498 0012 | 91 |
| 39101-62Y15 | 36-14 498 0012 | 91 |
| 39101-62Y16 | 36-14 498 0012 | 91 |
| 39101-63Y00 | 36-14 498 0011 | 91 |
| 39101-63Y01 | 36-14 498 0011 | 91 |
| 39101-63Y11 | 36-14 498 0012 | 91 |
| 39101-63Y15 | 36-14 498 0012 | 91 |
| 39211-2F025 | 36-14 498 0029 | 88 |
| 39211-2F225 | 36-14 498 0020 | 89 |
| 39211-4F125 | 36-14 498 0018 | 88 |
| 39211-4F126 | 36-14 498 0031 | 89 |
| 39211-4F425 | 36-14 498 0028 | 90 |
| 39211-4F426 | 36-14 498 0017 | 90 |
| 39211-60Y00 | 36-14 498 0011 | 91 |
| 39211-60Y10 | 36-14 498 0012 | 91 |
| 39211-7F000 | 36-14 498 0035 | 92 |
| 39211-9F626 | 36-14 498 0026 | 92 |
| 39211-AU325 | 36-14 498 0026 | 92 |
| 39211-AV625 | 36-14 498 0027 | 92 |
| 39211-AY125 | 36-14 498 0036 | 93 |
| 39211-AY625 | 36-14 498 0034 | 93 |
| 39211-BM526 | 36-14 498 0033 | 93 |
| 39211-BM726 | 36-14 498 0032 | 94 |
| 39241-01A01 | 36-14 495 0012 | 83 |
| 39241-01A26 | 36-14 495 0012 | 83 |
| 39241-01A27 | 36-14 495 0012 | 83 |
| 39241-01A28 | 36-14 495 0012 | 83 |
| 39241-01A29 | 36-14 495 0012 | 83 |

| Ref. no. | MEYLE no. | Page |
|---------------|-----------------|------|
| Nissan | | |
| 39241-01A88 | 36-14 495 0012 | 83 |
| 39241-01A91 | 36-14 495 0012 | 83 |
| 39241-4F125 | 714 495 0018 | 83 |
| 39241-4F126 | 714 495 0018 | 83 |
| 39241-4F425 | 36-14 495 0002 | 83 |
| 39241-4F427 | 36-14 495 0002 | 83 |
| 39241-73J25 | 36-14 495 0003 | 84 |
| 39241-BM525 | 30-14 495 0001 | 84 |
| 39241-BM526 | 30-14 495 0001 | 84 |
| 39241-BM527 | 30-14 495 0001 | 84 |
| 39241-BU186 | 614 160 0018 | 84 |
| 39741-2F026 | 36-14 495 0009 | 85 |
| 39741-4F125 | 36-14 495 0011 | 85 |
| 39741-4F126 | 36-14 495 0009 | 85 |
| 39741-4F127 | 40-14 495 0004 | 85 |
| 39741-4F425 | 36-14 495 0009 | 85 |
| 40110-01G00 | 36-16 010 0001 | 199 |
| 40110-01G25 | 36-16 010 0001 | 199 |
| 40110-01G26 | 36-16 010 0001 | 199 |
| 40110-0F000 | 36-16 010 0001 | 199 |
| 40110-2S485 | 36-16 010 0012 | 199 |
| 40110-2S486 | 36-16 010 0012 | 199 |
| 40110-B9500 | 36-16 010 0001 | 199 |
| 40110EA000 | 36-16 010 0023 | 199 |
| 40110-T6000 | 36-16 010 0001 | 199 |
| 40110-T6025 | 36-16 010 0001 | 199 |
| 40110-V0100 | 36-16 010 0001 | 199 |
| 40160-000AC | 16-16 010 0009 | 200 |
| 40160-000AD | 16-16 010 0009 | 200 |
| 40160-000QB | 16-16 010 0020 | 200 |
| 40160-000QC | 16-16 010 0010 | 200 |
| 40160-000AB | 616 010 0005/HD | 201 |
| 40160-0F000 | 36-16 010 0003 | 202 |
| 40160-0M010 | 36-16 010 0039 | 204 |
| 40160-0M020 | 36-16 010 0039 | 204 |
| 401602379R | 16-16 010 0031 | 201 |
| 40160-2S601 | 36-16 010 0019 | 201 |
| 40160-2Y000 | 36-16 010 0045 | 202 |
| 40160-4F100 | 36-16 010 0040 | 205 |
| 40160-50A00 | 36-16 010 0006 | 206 |
| 40160-50J25 | 36-16 010 0006 | 206 |
| 40160-50W00 | 36-16 010 0003 | 202 |
| 40160-50W01 | 36-16 010 0003 | 202 |
| 40160-50W10 | 36-16 010 0003 | 202 |
| 40160-50W25 | 36-16 010 0003 | 202 |
| 40160-50Y00 | 36-16 010 0039 | 204 |

| Ref. no. | MEYLE no. | Page |
|---------------|-------------------------------------|-------|
| Nissan | | |
| 40160-50Y02 | 36-16 010 0039 | 204 |
| 40160-50Y0R | 36-16 010 0039 | 204 |
| 40160-50Y10 | 36-16 010 0039 | 204 |
| 40160-52Y00 | 36-16 010 0039 | 204 |
| 40160-52Y10 | 36-16 010 0039 | 204 |
| 40160-52Y20 | 36-16 010 0039 | 204 |
| 40160-60Y00 | 36-16 010 0039 | 204 |
| 40160-60Y10 | 36-16 010 0039 | 204 |
| 40160-60Y20 | 36-16 010 0039 | 204 |
| 40160-60Y60 | 36-16 010 0006 | 206 |
| 40160-69C00 | 36-16 010 0006 | 206 |
| 40160-69Y00 | 36-16 010 0039 | 204 |
| 40160-69Y10 | 36-16 010 0039 | 204 |
| 40160-70J00 | 36-16 010 0006 | 206 |
| 40160-7F000 | 36-16 010 0050 | 202 |
| 401608374R | 16-16 010 0031 | 201 |
| 40160-86M00 | 36-16 010 0006 | 206 |
| 40160-93G00 | 36-16 010 0003 | 202 |
| 40160-93G25 | 36-16 010 0003 | 202 |
| 40160-93G26 | 36-16 010 0003 | 202 |
| 40160-9W200 | 36-16 010 0000 | 207 |
| 40160-AX000 | 36-16 010 0044 | 208 |
| 40160-EA00A | 36-16 010 0025 | 203 |
| 40160-F4200 | 36-16 010 0039 | 204 |
| 40160-J7500 | 36-16 010 0006 | 206 |
| 40160-S0W25 | 36-16 010 0003 | 202 |
| 40160-Y02G0 | 36-16 010 0039 | 204 |
| 401611363R | 16-16 010 0019 | 203 |
| 401613416R | 16-16 010 0019 | 203 |
| 40161-50W01 | 36-16 010 0003 | 202 |
| 40161-52Y10 | 36-16 010 0039 | 204 |
| 40161-93G26 | 36-16 010 0003 | 202 |
| 40202-4M400 | 36-14 652 0000 | 281 |
| 40202-EA300 | 36-14 652 0005 | 281 |
| 40202-JG000 | 36-14 652 0003 | 281 |
| 40202-ZP90A | 36-14 652 0005 | 281 |
| 40204-AX600 | 36-14 652 0001 | 282 |
| 40206-00Q00 | 16-15 521 0037 16-15 521 0037/PD | 23-24 |
| 40206-00Q0E | 16-15 521 0036 16-15 521 0036/PD | 20-21 |
| 40206-00Q0G | 615 521 0049 | 20 |
| 40206-00Q0K | 16-15 521 0036 16-15 521 0036/PD | 20-21 |
| 40206-00QAA | 16-15 521 0036 16-15 521 0036/PD | 20-21 |

| Ref. no. | MEYLE no. | Page |
|---------------|-------------------------------------|-------|
| Nissan | | |
| 40206-00QAD | 615 521 0011 615 521 0011/PD | 21-22 |
| 40206-00QAE | 615 521 0014 615 521 0014/PD | 22-23 |
| 40206-00QAF | 615 521 0014 615 521 0014/PD | 22-23 |
| 40206-00QAJ | 16-15 521 0037 16-15 521 0037/PD | 23-24 |
| 40206-0F000 | 36-15 521 0009 | 26 |
| 40206-0F001 | 36-15 521 0009 | 26 |
| 40206-0M801 | 36-15 521 0023 | 24 |
| 40206-0M802 | 36-15 521 0023 | 24 |
| 40206-1HA0A | 36-15 521 0054 | 25 |
| 40206-1KA2A | 36-15 521 0053 | 25 |
| 40206-1KA3A | 36-15 521 0053 | 25 |
| 40206-1W600 | 36-15 521 0024 | 36 |
| 40206-2F500 | 36-15 521 0018 | 31 |
| 40206-2F501 | 36-15 521 0018 | 31 |
| 40206-2N301 | 36-15 521 0046 | 26 |
| 40206-31G00 | 36-15 521 0009 | 26 |
| 40206-31G01 | 36-15 521 0009 | 26 |
| 40206-31G03 | 36-15 521 0009 | 26 |
| 40206-3LG0A | 36-15 521 0059 | 27 |
| 40206-3X00B | 36-15 521 0073 36-15 521 0073/PD | 27-28 |
| 40206-3Y502 | 36-15 521 0027 | 28 |
| 40206-3Y503 | 36-15 521 0027 | 28 |
| 40206-4A00G | 33-15 521 0008 | 29 |
| 40206-4BA0A | 36-15 521 0074/PD | 29 |
| 40206-4EA0A | 36-15 521 0074/PD | 29 |
| 40206-4M405 | 36-15 521 0014 | 31 |
| 40206-4U101 | 36-15 521 0027 | 28 |
| 40206-4U103 | 36-15 521 0027 | 28 |
| 40206-4U105 | 36-15 521 0027 | 28 |
| 40206-4U107 | 36-15 521 0027 | 28 |
| 40206-55F01 | 36-15 521 0018 | 31 |
| 40206-55F03 | 36-15 521 0018 | 31 |
| 40206-58A00 | 36-15 521 0011 | 30 |
| 40206-58A01 | 36-15 521 0011 | 30 |
| 40206-5F001 | 36-15 521 0001 | 30 |
| 40206-5F003 | 36-15 521 0001 | 30 |
| 40206-5X00A | 36-15 521 0073 36-15 521 0073/PD | 27-28 |
| 40206-60Y00 | 36-15 521 0011 | 30 |
| 40206-60Y01 | 36-15 521 0011 | 30 |
| 40206-6W500 | 36-15 521 0024 | 36 |

| Ref. no. | MEYLE no. | Page |
|---------------|-------------------------------------|-------|
| Nissan | | |
| 40206-71E00 | 36-15 521 0014 | 31 |
| 40206-71E01 | 36-15 521 0014 | 31 |
| 40206-71E02 | 36-15 521 0014 | 31 |
| 40206-71E03 | 36-15 521 0014 | 31 |
| 40206-71E05 | 36-15 521 0014 | 31 |
| 40206-71E06 | 36-15 521 0014 | 31 |
| 40206-71E07 | 36-15 521 0014 | 31 |
| 40206-73L01 | 36-15 521 0018 | 31 |
| 40206-7J101 | 36-15 521 0018 | 31 |
| 40206-93J00 | 36-15 521 0014 | 31 |
| 40206-93J01 | 36-15 521 0014 | 31 |
| 40206-AX600 | 16-15 521 0039 16-15 521 0039/PD | 32 |
| 40206-AX602 | 16-15 521 0039 16-15 521 0039/PD | 32 |
| 40206-AX603 | 16-15 521 0039 16-15 521 0039/PD | 32 |
| 40206-CA010 | 36-15 521 0072/PD | 33 |
| 40206-EA00A | 36-15 521 0033 | 33 |
| 40206-EB300 | 36-15 521 0033 | 33 |
| 40206-EB320 | 36-15 521 0073 36-15 521 0073/PD | 27-28 |
| 40206-EG000 | 36-15 521 0072/PD | 33 |
| 40206-EM10A | 36-15 521 0052 | 34 |
| 40206-ET01A | 36-15 521 0070/PD | 34 |
| 40206-ET01C | 36-15 521 0052 | 34 |
| 40206-JD00A | 36-15 521 0071/PD | 35 |
| 40206-JD00B | 36-15 521 0071/PD | 35 |
| 40206-JG00A | 36-15 521 0071/PD | 35 |
| 40206-JX00A | 36-15 521 0059 | 27 |
| 40206MB600 | 36-15 521 0066 | 35 |
| 40206-VB000 | 36-15 521 0049 | 36 |
| 40206-VB001 | 36-15 521 0049 | 36 |
| 40206-VE800 | 36-15 521 0024 | 36 |
| 40206-VJ200 | 36-15 521 0009 | 26 |
| 40210-00Q0E | 16-14 650 0013 | 277 |
| 40210-00QAC | 16-14 650 0004 | 278 |
| 40210-00QAG | 16-14 650 0013 | 277 |
| 40210-00QAK | 16-14 650 0013 | 277 |
| 40210-2Y000 | 36-14 650 0004 | 280 |
| 40210-4M400 | 36-14 650 0003 | 278 |
| 40210-99B00 | 36-14 650 0002 | 278 |
| 40210-A0100 | 014 098 0025 | 276 |
| 40210-AX000 | 16-14 650 0011 | 279 |
| 40215-D0100 | 014 098 0029 | 277 |
| 41000-10G08 | 025 213 4717 | 57 |

| Ref. no. | MEYLE no. | Page |
|---------------|---|-----------|
| Nissan | | |
| 41060-00QAD | 025 236 1318 025 236 1318/PD | 47-48 |
| 41060-00QAE | 025 230 9918 025 230 9918/PD | 48 |
| 41060-00QAF | 025 219 8018 025 219 8018/PD | 49 |
| 41060-00QAG | 025 219 8018 025 219 8018/PD | 49 |
| 41060-08N90 | 025 213 4717 | 57 |
| 41060-08N91 | 025 213 4717 | 57 |
| 41060-08N92 | 025 213 4717 | 57 |
| 41060-09G90 | 025 213 4717 | 57 |
| 41060-17U90 | 025 230 8617/W | 52 |
| 41060-1E090 | 025 230 8617/W | 52 |
| 41060-1F025 | 025 216 2615 | 52 |
| 41060-1N060 | 025 230 0415/W | 49 |
| 41060-1N090 | 025 230 0415/W | 49 |
| 41060-1N890 | 025 230 0415/W | 49 |
| 41060-1W385 | 025 234 2016/W | 63 |
| 41060-1W386 | 025 234 2016/W | 63 |
| 41060-1W387 | 025 234 2016/W | 63 |
| 41060-1W388 | 025 234 2016/W | 63 |
| 41060-23C90 | 025 213 4717 | 57 |
| 41060-23C91 | 025 213 4717 | 57 |
| 41060-23C92 | 025 213 4717 | 57 |
| 41060-23C93 | 025 213 4717 | 57 |
| 41060-23C94 | 025 213 4717 | 57 |
| 41060-25N25 | 025 213 4717 | 57 |
| 41060-2F025 | 025 215 4617 | 51 |
| 41060-2F026 | 025 215 4617 025 234 6316 025 234 6316/PD | 51, 54-55 |
| 41060-2F525 | 025 234 6316 025 234 6316/PD | 54-55 |
| 41060-2F526 | 025 234 6316 025 234 6316/PD | 54-55 |
| 41060-2F527 | 025 234 6316 025 234 6316/PD | 54-55 |
| 41060-2S790 | 025 213 4717 | 57 |
| 41060-2S791 | 025 213 4717 | 57 |
| 41060-2X825 | 025 214 8115 | 53 |
| 41060-32G91 | 025 213 4717 | 57 |
| 41060-32G92 | 025 213 4717 | 57 |
| 41060-32G94 | 025 213 4717 | 57 |
| 41060-32R94 | 025 217 2517/W | 51 |
| 41060-38U90 | 025 230 8617/W | 52 |

| Ref. no. | MEYLE no. | Page |
|---------------|---------------------------------|-------|
| Nissan | | |
| 41060-3S590 | 025 213 4717 | 57 |
| 41060-3S591 | 025 213 4717 | 57 |
| 41060-44F92 | 025 217 2517/W | 51 |
| 41060-48R91 | 025 217 2517/W | 51 |
| 41060-4A00B | 025 235 0715 | 50 |
| 41060-4M525 | 025 215 4617 | 51 |
| 41060-4M526 | 025 215 4617 | 51 |
| 41060-4U125 | 025 230 9416/W | 54 |
| 41060-4U126 | 025 230 9416/W | 54 |
| 41060-4U127 | 025 230 9416/W | 54 |
| 41060-50Y94 | 025 216 5716/W | 50 |
| 41060-5M325 | 025 234 6316 025 234 6316/PD | 54-55 |
| 41060-5M326 | 025 234 6316 025 234 6316/PD | 54-55 |
| 41060-5W585 | 025 234 2016/W | 63 |
| 41060-62C90 | 025 216 5716/W | 50 |
| 41060-63C90 | 025 216 5716/W | 50 |
| 41060-63Y90 | 025 216 5716/W | 50 |
| 41060-6F625 | 025 216 2615 | 52 |
| 41060-6F626 | 025 216 2615 | 52 |
| 41060-6N091 | 025 246 4815/W | 52 |
| 41060-6N0X1 | 025 246 4815/W | 52 |
| 41060-71J25 | 025 215 4617 | 51 |
| 41060-71J26 | 025 215 4617 | 51 |
| 41060-7Z025 | 025 239 7017/W | 66 |
| 41060-80N90 | 025 217 2517/W | 51 |
| 41060-89E92 | 025 230 8617/W | 52 |
| 41060-8H785 | 025 234 2016/W | 63 |
| 41060-95F0A | 025 246 4815/W | 52 |
| 41060-95F0B | 025 246 4815/W | 52 |
| 41060-99B25 | 025 216 2615 | 52 |
| 41060-99B26 | 025 216 2615 | 52 |
| 41060-9C125 | 025 214 8115 | 53 |
| 41060-9C525 | 025 214 8115 | 53 |
| 41060-9C526 | 025 214 8115 | 53 |
| 41060-9F525 | 025 231 6017 | 53 |
| 41060-AV125 | 025 230 9416/W | 54 |
| 41060-AV126 | 025 230 9416/W | 54 |
| 41060-AX625 | 025 239 7317 025 239 7317/PD | 64 |
| 41060-BM425 | 025 215 4617 | 51 |
| 41060-BM525 | 025 234 6316 025 234 6316/PD | 54-55 |
| 41060-C7126 | 025 208 6316 | 56 |
| 41060-C7128 | 025 208 6316 | 56 |

| Ref. no. | MEYLE no. | Page |
|---------------|--------------------------------|------|
| Nissan | | |
| 41060-C7190 | 025 208 6316 | 56 |
| 41060-C7191 | 025 208 6316 | 56 |
| 41060-C7192 | 025 208 6316 | 56 |
| 41060-C7193 | 025 208 6316 | 56 |
| 41060-C7194 | 025 208 6316 | 56 |
| 41060-C8186 | 025 208 6316 | 56 |
| 41060-CA090 | 025 240 5615/W | 67 |
| 41060-CA092 | 025 240 5615/W | 67 |
| 41060-CA093 | 025 240 5615/W | 67 |
| 41060-CC090 | 025 236 9816/W | 55 |
| 41060-CG00J | 025 240 5615/W | 67 |
| 41060-EB325 | 025 236 9816/W | 55 |
| 41060-EB326 | 025 242 2716/W | 56 |
| 41060-G9500 | 025 208 6316 | 56 |
| 41060-G9501 | 025 208 6316 | 56 |
| 41060-G9701 | 025 208 6316 | 56 |
| 41060-G9725 | 025 208 6316 | 56 |
| 41060-G9800 | 025 208 6316 | 56 |
| 41060-G9825 | 025 208 6316 | 56 |
| 41060-P9690 | 025 208 6316 | 56 |
| 41060-T7893 | 025 208 6316 | 56 |
| 41060-V7085 | 025 213 4717 | 57 |
| 41060-V7090 | 025 213 4717 | 57 |
| 41060-VB290 | 025 236 1118/W | 66 |
| 41060-VC091 | 025 236 1118/W | 66 |
| 41060-VC290 | 025 236 1118/W | 66 |
| 41060-VH385 | 025 234 2016/W | 63 |
| 41060-VJ490 | 025 213 4717 | 57 |
| 41060-VK190 | 025 239 7017/W | 66 |
| 41060-ZA525 | 025 240 5615/W | 67 |
| 41069-65011 | 36-26 625 0001 | 269 |
| 41069-65020 | 36-26 625 0001 | 269 |
| 41080-09G27 | 025 213 4717 | 57 |
| 41080-09G28 | 025 213 4717 | 57 |
| 41080-41L27 | 025 213 4717 | 57 |
| 41139-9F525 | 014 698 0006 014 698 0006/S | 71 |
| 41142-9F525 | 014 698 0006 014 698 0006/S | 71 |
| 43200-00QAF | 16-15 523 0002 | 72 |
| 43200-00QAG | 16-15 523 0002 | 72 |
| 43200-0M001 | 36-14 750 0001 | 282 |
| 43200-2F500 | 36-14 752 0000 | 283 |
| 43200-2Y000 | 36-14 750 0001 | 282 |
| 43200-50Y00 | 36-14 750 0001 | 282 |
| 43200-50Y05 | 36-14 750 0001 | 282 |

| Ref. no. | MEYLE no. | Page |
|---------------|-------------------------------------|------|
| Nissan | | |
| 43200-5F617 | 36-14 750 0002 | 283 |
| 43200-9F510 | 36-14 752 0000 | 283 |
| 43200-AV700 | 36-14 652 0004 | 284 |
| 43202-00QAC | 16-14 752 0006 | 284 |
| 43202-4X00A | 36-14 752 0006 | 284 |
| 43202-JG000 | 36-14 750 0004 | 285 |
| 43202JG01A | 36-14 750 0004 | 285 |
| 43202-JG200 | 36-14 750 0005 | 285 |
| 43202-JG21A | 36-14 750 0005 | 285 |
| 43202-JG29A | 36-14 750 0005 | 285 |
| 43202-ZP80A | 36-14 752 0006 | 284 |
| 43206-00Q0A | 615 523 0016 | 46 |
| 43206-00Q0B | 615 523 0017 | 37 |
| 43206-00Q0C | 615 521 0030 | 37 |
| 43206-00Q0D | 615 523 0022 | 38 |
| 43206-00QAA | 615 523 6037 | 38 |
| 43206-00QAB | 615 523 0022 | 38 |
| 43206-00QAC | 615 523 0022 | 38 |
| 43206-00QAD | 615 523 0022 | 38 |
| 43206-05J03 | 36-15 523 0039 | 46 |
| 43206-05J04 | 36-15 523 0039 | 46 |
| 43206-2Y503 | 36-15 523 0015 | 41 |
| 43206-31U10 | 36-15 523 0015 | 41 |
| 43206-31U12 | 36-15 523 0015 | 41 |
| 43206-3NL0A | 36-15 523 0050 36-15 523 0050/PD | 39 |
| 43206-4CE0A | 36-15 523 0056/PD | 40 |
| 43206-4EA0A | 36-15 523 0055/PD | 40 |
| 43206-4U001 | 36-15 523 0015 | 41 |
| 43206-4U101 | 36-15 523 0022 | 41 |
| 43206-4U103 | 36-15 523 0022 | 41 |
| 43206-54C00 | 36-15 523 0032 | 42 |
| 43206-54C01 | 36-15 523 0032 | 42 |
| 43206-58Y00 | 36-15 523 0017 | 42 |
| 43206-58Y01 | 36-15 523 0017 | 42 |
| 43206-58Y02 | 36-15 523 0017 | 42 |
| 43206-5F001 | 36-15 523 0024 | 43 |
| 43206-5M311 | 36-15 523 0001 | 43 |
| 43206-8H304 | 36-15 523 0050 36-15 523 0050/PD | 39 |
| 43206-8H305 | 36-15 523 0050 36-15 523 0050/PD | 39 |
| 43206-8H700 | 36-15 523 0050 36-15 523 0050/PD | 39 |
| 43206-8H701 | 36-15 523 0050 36-15 523 0050/PD | 39 |

| Ref. no. | MEYLE no. | Page |
|---------------|------------------------------------|--------|
| Nissan | | |
| 43206-99J00 | 36-15 523 0001 | 43 |
| 43206-99J01 | 36-15 523 0001 | 43 |
| 43206-9W000 | 36-15 523 0052/PD | 44 |
| 43206-9Y000 | 36-15 523 0052/PD | 44 |
| 43206-CA000 | 36-15 523 0051/PD | 44 |
| 43206-CK000 | 36-15 523 0051/PD | 44 |
| 43206-EB300 | 36-15 523 0053 | 45 |
| 43206-JD00A | 36-15 523 0052/PD | 44 |
| 43206MB600 | 36-15 523 0049 | 45 |
| 43206-VB000 | 36-15 523 0039 | 46 |
| 43206-WA201 | 36-15 523 0015 | 41 |
| 43206-WL000 | 36-15 523 0051/PD | 44 |
| 43210-00QAB | 16-14 750 0014 | 279 |
| 43210-00QAD | 16-14 750 0018 | 279 |
| 43210-AZ000 | 16-14 650 0001 | 280 |
| 44060-00Q0G | 025 251 7218/PD 025 251 7218/W | 58, 71 |
| 44060-00Q0H | 025 251 1218/PD 025 251 1218/W | 57-58 |
| 44060-00Q0L | 025 251 1218/PD 025 251 1218/W | 57-58 |
| 44060-00Q0M | 025 251 7218/PD 025 251 7218/W | 58, 71 |
| 44060-00QAE | 025 236 6916 025 236 6916/PD | 58-59 |
| 44060-00QAF | 025 239 8017 025 239 8017/PD | 59 |
| 44060-00QAG | 16-14 533 0002 16-14 533 0024/K | 72-73 |
| 44060-00QAK | 16-14 533 0001 16-14 533 0001/K | 73-74 |
| 44060-0F026 | 36-14 533 0017 | 75 |
| 440600-N690 | 025 217 1316/W | 68 |
| 44060-0W725 | 36-14 533 0013 | 77 |
| 44060-0W726 | 36-14 533 0013 | 77 |
| 44060-0W727 | 36-14 533 0013 | 77 |
| 44060-0X825 | 36-14 533 0014 | 73 |
| 4406020J85 | 025 200 9819 | 60 |
| 44060-31U90 | 025 217 1316/W | 68 |
| 44060-31U92 | 025 217 1316/W | 68 |
| 4406032J85 | 025 200 9819 | 60 |
| 44060-37G25 | 36-14 533 0013 | 77 |
| 44060-37G26 | 36-14 533 0013 | 77 |
| 44060-37G27 | 36-14 533 0013 | 77 |
| 44060-3F025 | 025 215 4515 025 215 4515/PD | 60-61 |

| Ref. no. | MEYLE no. | Page |
|---------------|------------------------------------|-------|
| Nissan | | |
| 44060-3F085 | 025 215 4515 025 215 4515/PD | 60-61 |
| 44060-3J325 | 16-14 533 0001 16-14 533 0001/K | 73-74 |
| 44060-4U090 | 025 217 1316/W | 68 |
| 44060-50Y25 | 36-14 533 0016 | 74 |
| 44060-54C91 | 025 217 1316/W | 68 |
| 44060-56G26 | 36-14 533 0013 | 77 |
| 44060-5M490 | 025 217 1316/W | 68 |
| 44060-61E92 | 025 215 5314/W | 70 |
| 44060-61E94 | 025 215 5314/W | 70 |
| 44060-63C90 | 025 217 1316/W | 68 |
| 44060-65E90 | 025 215 5314/W | 70 |
| 44060-6E390 | 025 217 1316/W | 68 |
| 44060-6F625 | 36-14 533 0004 | 74 |
| 44060-70J26 | 025 215 4515 025 215 4515/PD | 60-61 |
| 44060-73C91 | 025 217 1316/W | 68 |
| 44060-75C90 | 025 217 1316/W | 68 |
| 44060-78N91 | 025 217 1316/W | 68 |
| 44060-7C326 | 36-14 533 0017 | 75 |
| 44060-7E690 | 025 217 1316/W | 68 |
| 44060-86E90 | 025 215 5314/W | 70 |
| 44060-87N90 | 025 217 1316/W | 68 |
| 44060-8H385 | 025 238 7114/PD 025 238 7114/W | 69 |
| 44060-8M126 | 36-14 533 0012 | 77 |
| 44060-90E90 | 025 215 5314/W | 70 |
| 44060-99B25 | 025 234 5415 | 61 |
| 44060-99B26 | 36-14 533 0003 36-14 533 0004 | 74-75 |
| 44060-99B85 | 025 234 5415 | 61 |
| 44060-9C025 | 36-14 533 0017 | 75 |
| 44060-9X129 | 36-14 533 0014 | 73 |
| 44060-AL585 | 025 238 7114/PD 025 238 7114/W | 69 |
| 44060-AL586 | 025 238 7114/PD 025 238 7114/W | 69 |
| 44060-AV625 | 025 234 8216 025 234 8216/PD | 61-62 |
| 44060-AV725 | 025 234 8216 025 234 8216/PD | 61-62 |
| 44060-AX625 | 36-14 533 0005 36-14 533 0005/K | 75-76 |
| 44060-BM425 | 025 215 4515 025 215 4515/PD | 60-61 |

| Ref. no. | MEYLE no. | Page |
|---------------|-------------------------------------|---------|
| Nissan | | |
| 44060-BM426 | 025 215 4515 025 215 4515/PD | 60-61 |
| 44060-CY025 | 36-14 533 0009 | 76 |
| 44060-EB325 | 025 242 4016/W | 62 |
| 44060-EB327 | 36-14 533 0008 | 76 |
| 44060-VB190 | 025 235 0216/W | 63 |
| 44060-VB191 | 025 235 0216/W | 63 |
| 44060-VC090 | 025 235 0216/W | 63 |
| 44065-53F92 | 025 217 1316/W | 68 |
| 44071-EB70A | 36-14 533 0008 | 76 |
| 44100-0X810 | 714 531 0003 | 82 |
| 44100-AX600 | 36-14 531 0001 | 82 |
| 44100-BH00A | 36-14 531 0001 | 82 |
| 44211-51200 | 36-26 623 0017 | 263 |
| 44212-51200 | 36-26 623 0016 | 266 |
| 45310-51200 | 36-26 725 0009 | 270 |
| 46201-00Q0E | 16-14 525 0009 | 79 |
| 46201-00QAC | 614 525 0016 | 77 |
| 46201-00QAD | 614 525 0018 | 78 |
| 46201.00QAE | 614 525 0030 | 78 |
| 46201-00QAF | 614 525 0008 | 78 |
| 46201-00QAG | 16-14 525 0009 | 79 |
| 46201-00QAH | 614 525 0019 | 79 |
| 46210-5F001 | 36-14 525 0000 | 79 |
| 46210-5F002 | 36-14 525 0000 | 79 |
| 46210-5F006 | 36-14 525 0001 | 80 |
| 46210-5F007 | 36-14 525 0001 | 80 |
| 46210-9C008 | 35-14 525 0013 | 80 |
| 46210-9C502 | 35-14 525 0013 | 80 |
| 46210-9U01A | 36-14 525 0005 | 80 |
| 46210-AX606 | 36-14 525 0005 | 80 |
| 46213-00QAA | 614 525 0020 | 81 |
| 46213-00QAC | 614 525 0007 | 81 |
| 46214-5F000 | 36-14 525 0003 | 81 |
| 46214-5F001 | 36-14 525 0003 | 81 |
| 46214-9U00A | 36-14 525 0006 | 82 |
| 46214-AX600 | 36-14 525 0006 | 82 |
| 46242-00QAA | 614 525 0008 | 78 |
| 48001-1KA0A* | 36-16 031 0017 | 181 |
| 48001-1KA0B* | 36-16 031 0017 | 181 |
| 48001-1KA0D | 36-16 031 0017 | 181 |
| 48001-1KE0B* | 36-16 031 0017 | 181 |
| 48001AX702 | 16-16 031 0007 16-16 031 0033/HD | 181-182 |
| 48001AY612 | 16-16 031 0007 16-16 031 0033/HD | 181-182 |

| Ref. no. | MEYLE no. | Page |
|---------------|-------------------------------------|---------|
| Nissan | | |
| 48001BC43A | 16-16 031 0007 16-16 031 0033/HD | 181-182 |
| 48001BC46A | 16-16 031 0007 16-16 031 0033/HD | 181-182 |
| 48001-JD900 | 36-16 031 0010 36-16 031 0020/HD | 182 |
| 48203-00QAD | 16-14 620 0001 | 180 |
| 48203Q9025 | 36-14 620 0000 | 180 |
| 4820453A00 | 31-14 620 0000 | 181 |
| 48510-31G25 | 36-16 030 0014 | 187 |
| 48510-61G25 | 36-16 030 0014 | 187 |
| 48520-00Q0E | 16-16 020 0029 | 198 |
| 48520-00Q0F | 16-16 020 0030 | 198 |
| 48520-00QAH | 616 020 0006 | 188 |
| 48520-00QAJ | 616 020 0008 | 188 |
| 48520-00QAK | 16-16 020 0009/HD | 188 |
| 48520-00QAL | 16-16 020 0008/HD | 189 |
| 48520-00QAM | 16-16 031 0004 16-16 031 0037/HD | 183 |
| 48520-00QAN | 16-16 020 0006 | 189 |
| 48520-00QAP | 16-16 020 0000 | 189 |
| 48520-01E00 | 36-16 020 0053 | 190 |
| 48520-01E25 | 36-16 020 0053 | 190 |
| 48520-01E26 | 36-16 020 0053 | 190 |
| 48520-02E00 | 36-16 020 0053 | 190 |
| 48520-02E25 | 36-16 020 0053 | 190 |
| 48520-02E26 | 36-16 020 0053 | 190 |
| 48520-0C000 | 36-16 020 0086 | 190 |
| 48520-0C025 | 36-16 020 0086 | 190 |
| 48520-0M025 | 36-16 020 0053 | 190 |
| 48520-0M085 | 36-16 020 0086 | 190 |
| 48520-0P725 | 36-16 020 0088 | 197 |
| 48520-0W025 | 36-16 020 0088 | 197 |
| 48520-15U25 | 36-16 020 0086 | 190 |
| 48520-15U26 | 36-16 020 0086 | 190 |
| 48520-31G25 | 36-16 020 0008 | 190 |
| 48520-35F25 | 36-16 020 0053 | 190 |
| 48520-3S500 | 36-16 020 0088 | 197 |
| 48520-3S525 | 36-16 020 0088 | 197 |
| 48520-3U025 | 36-16 020 0028 | 193 |
| 485204A00B | 616 020 0009 | 191 |
| 48520-4F125 | 36-16 020 0070 | 191 |
| 48520-4Z025 | 36-16 020 0084 | 193 |
| 48520-50Y25 | 36-16 020 0053 | 190 |
| 48520-61G25 | 36-16 020 0008 | 190 |
| 48520-6F625 | 36-16 020 0070 | 191 |

| Ref. no. | MEYLE no. | Page |
|---------------|-------------------|------|
| Nissan | | |
| 48520-73J25 | 36-16 020 0077 | 191 |
| 48520-76J25 | 36-16 020 0077 | 191 |
| 48520-7F000 | 36-16 020 0008 | 190 |
| 48520-7F001 | 36-16 020 0009 | 194 |
| 48520-AX600 | 36-16 020 0090/HD | 192 |
| 48520-AX602 | 16-16 020 0016 | 192 |
| 48520-BM425 | 36-16 020 0084 | 193 |
| 48520-CB025 | 36-16 020 0031 | 197 |
| 48520-D0100 | 36-16 020 0053 | 190 |
| 48520-D0125 | 36-16 020 0053 | 190 |
| 48520-D0126 | 36-16 020 0053 | 190 |
| 48520-EA01J | 36-16 020 0017 | 193 |
| 48520-OP725 | 36-16 020 0088 | 197 |
| 48520-Q9000 | 36-16 020 0053 | 190 |
| 48521-00QAA | 16-16 031 0011 | 183 |
| 48521-00QAF | 616 031 0006 | 184 |
| 48521-00QAG | 16-16 031 0008 | 184 |
| 48521-31G25 | 36-16 020 0009 | 194 |
| 48521-3U025 | 36-16 031 0064 | 184 |
| 48521-4M500 | 36-16 031 0005 | 185 |
| 48521-4M527 | 36-16 031 0005 | 185 |
| 48521-4M528 | 36-16 031 0005 | 185 |
| 48521-4M587 | 36-16 031 0005 | 185 |
| 48521-4M588 | 36-16 031 0005 | 185 |
| 48521-4U110 | 36-16 031 0008 | 185 |
| 48521-4U185 | 36-16 031 0008 | 185 |
| 48521-4U186 | 36-16 031 0008 | 185 |
| 48521-50000 | 36-16 030 0009 | 185 |
| 48521-50400 | 36-16 030 0009 | 185 |
| 48521-50Y00 | 36-16 030 0009 | 185 |
| 48521-50Y25 | 36-16 030 0009 | 185 |
| 48521-50Y26 | 36-16 030 0009 | 185 |
| 48521-8H300 | 36-16 031 0005 | 185 |
| 48521-8H325 | 36-16 031 0005 | 185 |
| 48521-8H328 | 36-16 031 0005 | 185 |
| 48521-8H385 | 36-16 031 0005 | 185 |
| 48521-8H386 | 36-16 031 0005 | 185 |
| 48521-CB025 | 36-16 031 0069 | 186 |
| 48521-CB026 | 36-16 031 0069 | 186 |
| 48521-CB027 | 36-16 031 0069 | 186 |
| 48521-EA000 | 36-16 030 0022 | 186 |
| 48521-Y02G0 | 36-16 030 0009 | 185 |
| 48527-1U61A | 36-16 020 0028 | 193 |
| 48527-3VU0A | 36-16 020 0036 | 194 |
| 48527-JD01A | 36-16 020 0091 | 194 |
| 48570-31G25 | 36-16 020 0009 | 194 |

| Ref. no. | MEYLE no. | Page |
|---------------|----------------------------------|----------|
| Nissan | | |
| 48570-61G25 | 36-16 020 0009 | 194 |
| 48630-31G25 | 36-16 030 0014 | 187 |
| 48640-3U025 | 36-16 020 0027 | 196 |
| 48640-AX600 | 36-16 020 0081/HD | 195 |
| 48640-AX602 | 16-16 020 0014 | 195 |
| 48640-EA01J | 36-16 020 0018 | 195 |
| 48647-1U61A | 36-16 020 0027 | 196 |
| 48647-3VU0A | 36-16 020 0035 | 196 |
| 48647-JD01A | 36-16 020 0092 | 196 |
| 49001-AV610* | 36-16 031 0009 | 186 |
| 49001-BA210* | 36-16 031 0009 | 186 |
| 4911000Q1L | 16-14 631 0001 | 180 |
| 4911000QAK | 16-14 631 0001 | 180 |
| 53206-5M311 | 36-15 523 0001 | 43 |
| 54010-00QAK | 36-14 639 0001 | 256 |
| 54010-00QAL | 36-14 639 0001 | 256 |
| 54010-AX610 | 36-14 639 0004 | 257 |
| 54010-AX611 | 36-14 639 0004 | 257 |
| 54010-BM402 | 36-14 639 0002 | 257 |
| 54010-BM421 | 36-14 639 0000 | 257 |
| 54010-BU201 | 36-14 639 0003 | 258 |
| 54302-00Q0B | 16-26 623 0007 | 263 |
| 54302-00Q0D | 16-26 613 0006 | 263 |
| 54302-00Q0E | 16-26 613 0006 | 263 |
| 54302-00QAC | 16-26 613 0006 | 263 |
| 54302-00QAD | 16-26 613 0006 | 263 |
| 54302-00QAE | 16-26 613 0006 | 263 |
| 54302-00QAF | 16-26 613 0006 | 263 |
| 54302-31U12 | 36-26 623 0017 | 263 |
| 54302-31U25 | 36-26 623 0017 | 263 |
| 54302-31U85 | 36-26 623 0017 | 263 |
| 54302-31U88 | 36-26 623 0017 | 263 |
| 54302-37U12 | 36-26 623 0017 | 263 |
| 54302-37U25 | 36-26 623 0017 | 263 |
| 54302-38U12 | 36-26 623 0017 | 263 |
| 54302-38U25 | 36-26 623 0017 | 263 |
| 54302-40U12 | 36-26 623 0017 | 263 |
| 54302-40U85 | 36-26 623 0017 | 263 |
| 54302-43U22 | 36-26 623 0016 | 266 |
| 54302-44U22 | 36-26 623 0016 36-26 623 0017 | 263, 266 |
| 54302-44U72 | 36-26 623 0016 36-26 623 0017 | 263, 266 |
| 54302-44U74 | 36-26 623 0016 36-26 623 0017 | 263, 266 |
| 54302-4Z001 | 36-26 623 0005 | 264 |

| Ref. no. | MEYLE no. | Page |
|---------------|----------------|------|
| Nissan | | |
| 54302-4Z029 | 36-26 623 0005 | 264 |
| 54302-4Z601 | 36-26 623 0005 | 264 |
| 54302-4Z625 | 36-26 623 0005 | 264 |
| 54302-4Z910 | 36-26 623 0005 | 264 |
| 54302-4Z926 | 36-26 623 0005 | 264 |
| 54302-6N100 | 36-26 623 0005 | 264 |
| 54302-6N125 | 36-26 623 0005 | 264 |
| 54302-6N1X5 | 36-26 623 0005 | 264 |
| 54302-6N200 | 36-26 623 0005 | 264 |
| 54302-6N225 | 36-26 623 0005 | 264 |
| 54302-6N2X5 | 36-26 623 0005 | 264 |
| 54302-8H600 | 36-26 623 0009 | 265 |
| 54302-8H625 | 36-26 623 0009 | 265 |
| 54302-8H700 | 36-26 623 0009 | 265 |
| 54302-8H725 | 36-26 623 0009 | 265 |
| 54302-8H726 | 36-26 623 0009 | 265 |
| 54302-95F0B | 36-26 623 0005 | 264 |
| 54302-9U000 | 36-26 623 0019 | 272 |
| 54302-9U025 | 36-26 623 0019 | 272 |
| 54302-AX60K | 36-26 623 0002 | 264 |
| 54302-AX626 | 36-26 623 0002 | 264 |
| 54302-AY625 | 36-26 623 0002 | 264 |
| 54302-BM418 | 36-26 623 0005 | 264 |
| 54302-BM485 | 36-26 623 0005 | 264 |
| 54302-BN421 | 36-26 623 0005 | 264 |
| 54302-BN424 | 36-26 623 0005 | 264 |
| 54302-BN425 | 36-26 623 0005 | 264 |
| 54302-BN428 | 36-26 623 0005 | 264 |
| 54302-CJ40C | 36-26 623 0013 | 272 |
| 54302-CJ41C | 36-26 623 0013 | 272 |
| 54302-ED001 | 36-26 623 0013 | 272 |
| 54302-ED002 | 36-26 623 0013 | 272 |
| 54302-ED025 | 36-26 623 0013 | 272 |
| 54302-ED501 | 36-26 623 0013 | 272 |
| 54302-ED50A | 36-26 623 0013 | 272 |
| 54302-ED50B | 36-26 623 0013 | 272 |
| 54302-ED525 | 36-26 623 0013 | 272 |
| 54302-EE50A | 36-26 623 0013 | 272 |
| 54302-EE50B | 36-26 623 0013 | 272 |
| 54302-EE90A | 36-26 623 0013 | 272 |
| 54302-EF80A | 36-26 623 0013 | 272 |
| 54302-EL00A | 36-26 623 0013 | 272 |
| 54302-EM01A | 36-26 623 0013 | 272 |
| 54302-EM30C | 36-26 623 0013 | 272 |
| 54302-EQ025 | 36-26 623 0009 | 265 |
| 54302-EQ026 | 36-26 623 0009 | 265 |

| Ref. no. | MEYLE no. | Page |
|---------------|----------------|------|
| Nissan | | |
| 54302-JD73A | 36-26 623 0007 | 265 |
| 54302-JE21A | 36-26 623 0007 | 265 |
| 54303-31U13 | 36-26 623 0016 | 266 |
| 54303-31U27 | 36-26 623 0016 | 266 |
| 54303-31U85 | 36-26 623 0016 | 266 |
| 54303-31U88 | 36-26 623 0016 | 266 |
| 54303-37U13 | 36-26 623 0016 | 266 |
| 54303-37U26 | 36-26 623 0016 | 266 |
| 54303-38U13 | 36-26 623 0016 | 266 |
| 54303-38U26 | 36-26 623 0016 | 266 |
| 54303-40U13 | 36-26 623 0016 | 266 |
| 54303-40U85 | 36-26 623 0016 | 266 |
| 54303-43U23 | 36-26 623 0016 | 266 |
| 54303-44U23 | 36-26 623 0016 | 266 |
| 54303-44U28 | 36-26 623 0016 | 266 |
| 54303-44U73 | 36-26 623 0016 | 266 |
| 54303-44U75 | 36-26 623 0016 | 266 |
| 54303-4Z001 | 36-26 623 0004 | 267 |
| 54303-4Z029 | 36-26 623 0004 | 267 |
| 54303-4Z601 | 36-26 623 0004 | 267 |
| 54303-4Z625 | 36-26 623 0004 | 267 |
| 54303-4Z910 | 36-26 623 0004 | 267 |
| 54303-4Z926 | 36-26 623 0004 | 267 |
| 54303-6N100 | 36-26 623 0004 | 267 |
| 54303-6N125 | 36-26 623 0004 | 267 |
| 54303-6N1X5 | 36-26 623 0004 | 267 |
| 54303-6N200 | 36-26 623 0004 | 267 |
| 54303-6N225 | 36-26 623 0004 | 267 |
| 54303-6N2X5 | 36-26 623 0004 | 267 |
| 54303-8H600 | 36-26 623 0008 | 267 |
| 54303-8H625 | 36-26 623 0008 | 267 |
| 54303-8H725 | 36-26 623 0008 | 267 |
| 54303-8H726 | 36-26 623 0008 | 267 |
| 54303-95F0B | 36-26 623 0004 | 267 |
| 54303-9U000 | 36-26 623 0018 | 273 |
| 54303-9U025 | 36-26 623 0018 | 273 |
| 54303-AX60K | 36-26 623 0003 | 266 |
| 54303-AX625 | 36-26 623 0003 | 266 |
| 54303-AX626 | 36-26 623 0003 | 266 |
| 54303-AY625 | 36-26 623 0003 | 266 |
| 54303-BM418 | 36-26 623 0004 | 267 |
| 54303-BM485 | 36-26 623 0004 | 267 |
| 54303-BN424 | 36-26 623 0004 | 267 |
| 54303-BN425 | 36-26 623 0004 | 267 |
| 54303-CJ40C | 36-26 623 0012 | 273 |
| 54303-CJ41C | 36-26 623 0012 | 273 |

| Ref. no. | MEYLE no. | Page |
|---------------|--|--------------|
| Nissan | | |
| 54303-ED001 | 36-26 623 0012 | 273 |
| 54303-ED002 | 36-26 623 0012 | 273 |
| 54303-ED025 | 36-26 623 0012 | 273 |
| 54303-ED501 | 36-26 623 0012 | 273 |
| 54303-ED50A | 36-26 623 0012 | 273 |
| 54303-ED50B | 36-26 623 0012 | 273 |
| 54303-ED525 | 36-26 623 0012 | 273 |
| 54303-EE50A | 36-26 623 0012 | 273 |
| 54303-EE50B | 36-26 623 0012 | 273 |
| 54303-EE90A | 36-26 623 0012 | 273 |
| 54303-EF80A | 36-26 623 0012 | 273 |
| 54303-EL00A | 36-26 623 0012 | 273 |
| 54303-EM01A | 36-26 623 0012 | 273 |
| 54303-EM30C | 36-26 623 0012 | 273 |
| 54303-EQ025 | 36-26 623 0008 | 267 |
| 54303-EQ026 | 36-26 623 0008 | 267 |
| 54303-JD73A | 36-26 623 0006 | 267 |
| 54303-JE21A | 36-26 623 0006 | 267 |
| 54310-00QAA | 16-14 641 0004 16-14 641 0004/S 16-14 641 0005/S | 262, 275-276 |
| 54310-00QAB | 16-14 641 0022 | 275 |
| 54320-00QAA | 16-14 641 0022 | 275 |
| 54320-9U00A | 36-14 641 0005 | 260 |
| 54320-AX600 | 16-14 641 0016 | 261 |
| 54320-BC40A | 16-14 641 0016 | 261 |
| 54320-BM400 | 36-14 641 0000 | 275 |
| 54320-BM40A | 36-14 641 0000 | 275 |
| 54320-JD00B | 36-14 641 0002 | 261 |
| 54320-JG01B | 36-14 641 0002 | 261 |
| 54320-JG02B | 36-14 641 0002 | 261 |
| 54321-9U00A | 36-14 641 0004 | 261 |
| 54321-AX600 | 16-14 641 0015 | 262 |
| 54321-BC40A | 16-14 641 0015 | 262 |
| 54321-JD00B | 36-14 641 0001 | 262 |
| 54321-JG01B | 36-14 641 0001 | 262 |
| 54321-JG02B | 36-14 641 0001 | 262 |
| 54325-00Q0A | 16-14 641 0004/S | 276 |
| 54325-00QAA | 16-14 641 0003 16-14 641 0004 16-14 641 0004/S 16-14 641 0005/S | 262, 275-276 |
| 54325-ED00A | 36-14 641 0001 36-14 641 0002 36-14 641 0004 36-14 641 0005 | 260-262 |

| Ref. no. | MEYLE no. | Page |
|---------------|--|--------------------|
| Nissan | | |
| 54325-ED02A | 36-14 641 0001 36-14 641 0002 36-14 641 0004 36-14 641 0005 | 260-262 |
| 54330-00QAA | 16-14 641 0004 16-14 641 0004/S 16-14 641 0005/S | 262, 275-276 |
| 54348-00QAA | 16-14 641 0004 16-14 641 0004/S 16-14 641 0005/S | 262, 275-276 |
| 543A0-0300R | 16-14 641 0004/S | 276 |
| 54401-AV60A | 36-16 050 0078 | 202, 221 |
| 54401-AV60A* | 36-16 010 0045 | 202, 221 |
| 54423-00QAA | 614 610 0006 | 228 |
| 54476-41B02 | 36-14 050 0001 | 233 |
| 54479-41B02 | 36-14 050 0001 | 233 |
| 54500-00Q0C | 16-16 050 0028 | 208 |
| 54500-00Q0M | 16-16 050 0007/HD | 209 |
| 54500-00Q1A | 16-16 050 0007/HD | 209 |
| 54500-00QAC | 16-16 050 0028 | 208 |
| 54500-00QAD | 16-16 050 0028 | 208 |
| 54500-00QAE | 16-16 050 0028 | 208 |
| 54500-00QAH | 16-16 050 0007/HD | 209 |
| 54500-0M010 | 36-16 050 0047 | 204, 209 |
| 54500-0M010* | 36-16 010 0039 | 204, 209 |
| 54500-0M020 | 36-16 050 0047 | 204, 209 |
| 54500-0M020* | 36-16 010 0039 | 204, 209 |
| 54500-0M060 | 36-16 050 0047 | 204, 209 |
| 54500-0M060* | 36-16 010 0039 | 204, 209 |
| 54500-1HA0C* | 36-16 010 0055 | 204 |
| 54500-1HA5A* | 36-16 010 0055 | 204 |
| 54500-1HA6A* | 36-16 010 0055 | 204 |
| 54500-1JY0A | 36-16 010 0014 | 206 |
| 54500-1KA0A | 36-14 610 0010/HD 36-14 610 0026 36-16 010 0034 36-16 050 0060/HD | 205, 210, 228, 230 |
| 54500-1KA0B | 36-14 610 0010/HD 36-14 610 0026 36-16 010 0034 36-16 050 0060/HD | 205, 210, 228, 230 |
| 54500-1KA1B | 36-16 050 0060/HD | 210 |
| 54500-1KK0A | 36-16 050 0060/HD | 210 |
| 54500-2F500 | 36-16 050 0055 | 210 |
| 54500-2U711 | 36-16 050 0084 | 207, 211, 229, 233 |
| 54500-2U711* | 36-14 050 0001 | 207, 211, 229, 233 |

| Ref. no. | MEYLE no. | Page |
|---------------|--|--------------------|
| Nissan | | |
| | 36-14 050 0002 36-16 010 0049 | |
| 54500-44B00 | 36-16 050 0046 | 205, 211, 229, 233 |
| 54500-44B00* | 36-14 050 0001 36-14 050 0002 36-16 010 0040 | 205, 211, 229, 233 |
| 54500-4F102 | 36-16 050 0046 | 205, 211, 229, 233 |
| 54500-4F102* | 36-14 050 0001 36-14 050 0002 36-16 010 0040 | 205, 211, 229, 233 |
| 54500-4F105 | 36-16 050 0046 | 205, 211, 229, 233 |
| 54500-4F105* | 36-14 050 0001 36-14 050 0002 36-16 010 0040 | 205, 211, 229, 233 |
| 54500-4F150 | 36-16 050 0046 | 205, 211, 229, 233 |
| 54500-4F150* | 36-14 050 0001 36-14 050 0002 36-16 010 0040 | 205, 211, 229, 233 |
| 54500-4M410* | 36-16 010 0043 | 205 |
| 54500-4M411* | 36-16 010 0043 | 205 |
| 54500-4M500 | 36-14 610 0011 | 234 |
| 54500-4U002 | 36-16 050 0074 | 212 |
| 54500-4U012 | 36-16 050 0074 | 212 |
| 54500-4U201 | 36-16 050 0074 | 212 |
| 54500-50J00* | 36-16 010 0006 | 206 |
| 54500-50J10* | 36-16 010 0006 | 206 |
| 54500-50J25* | 36-16 010 0006 | 206 |
| 54500-52Y10 | 36-16 050 0029 | 204, 212 |
| 54500-52Y10* | 36-16 010 0039 | 204, 212 |
| 54500-52Y15 | 36-16 050 0029 | 204, 212 |
| 54500-52Y15* | 36-16 010 0039 | 204, 212 |
| 54500-52Y60 | 36-16 050 0029 | 204, 212 |
| 54500-52Y60* | 36-16 010 0039 | 204, 212 |
| 54500-52Y70 | 36-16 050 0029 | 204, 212 |
| 54500-52Y70* | 36-16 010 0039 | 204, 212 |
| 54500-5U300 | 36-16 050 0074 | 212 |
| 54500-69C00 | 36-16 010 0006 | 206 |
| 54500-69Y10 | 36-16 050 0029 | 204, 212 |
| 54500-69Y10* | 36-16 010 0039 | 204, 212 |
| 54500-6F600 | 36-16 050 0084 | 207, 211, 229, 233 |
| 54500-6F600* | 36-14 050 0001 36-14 050 0002 36-16 010 0049 | 207, 211, 229, 233 |
| 54500-7C350 | 36-16 050 0080 | 213 |
| 54500-86J00* | 36-16 010 0006 | 206 |
| 54500-8H310 | 36-14 610 0000 | 213, 229 |

| Ref. no. | MEYLE no. | Page |
|---------------|---|--------------------|
| Nissan | | |
| | 36-14 610 0001 36-16 050 0082 | |
| 54500-8H31A | 36-14 610 0000 36-16 050 0082 | 213, 229 |
| 54500-8H31A* | 36-14 610 0001 | 213, 229 |
| 54500-90J00* | 36-16 010 0006 | 206 |
| 54500-90J10* | 36-16 010 0006 | 206 |
| 54500-9C550 | 36-16 050 0080 | 213 |
| 54500-AV600 | 36-16 050 0075 | 202, 214 |
| 54500-AV600* | 36-16 010 0045 | 202, 214 |
| 54500-AV605 | 36-16 050 0075 | 202, 214 |
| 54500-AV605* | 36-16 010 0045 | 202, 214 |
| 54500-AV606 | 36-16 050 0075 | 214 |
| 54500-AV60A | 36-16 050 0075 | 202, 214 |
| 54500-AV60A* | 36-16 010 0045 | 202, 214 |
| 54500-AV60C | 36-16 050 0075 | 214 |
| 54500-AX600 | 36-16 050 0086 | 215 |
| 54500-AX60B | 36-16 050 0086 | 215 |
| 54500-BB00A | 36-14 610 0009 36-14 610 0010/HD 36-14 653 0000/HD 36-16 010 0000 36-16 050 0008/HD | 207, 214, 230, 234 |
| 54500-BC41A | 36-16 050 0086 | 215 |
| 54500-BC42A | 36-16 050 0086 | 215 |
| 54500-BM410* | 36-16 010 0043 | 205 |
| 54500-BR30A | 36-14 610 0009 36-14 610 0010/HD 36-14 653 0000/HD 36-16 010 0000 36-16 050 0008/HD | 207, 214, 230, 234 |
| 54500-BU000 | 36-16 050 0074 | 212 |
| 54500-EB300 | 36-16 010 0025 | 203 |
| 54500-EB31A | 36-16 010 0025 | 203 |
| 54500-EW000 | 36-16 010 0014 | 206 |
| 54500-F4600* | 36-16 010 0043 | 205 |
| 54500-JD000 | 36-14 610 0009 36-14 610 0010/HD 36-14 653 0000/HD 36-16 010 0000 36-16 050 0008/HD | 207, 214, 230, 234 |
| 54500-JG000 | 36-16 050 0008/HD | 214 |
| 54500-JG00A | 36-14 610 0009 36-16 050 0008/HD | 214, 230 |
| 54500-JG00B | 36-14 610 0009 36-16 050 0008/HD | 214, 230 |

| Ref. no. | MEYLE no. | Page |
|---------------|--|--------------------|
| Nissan | | |
| 54501-00Q0C | 16-16 050 0027 | 215 |
| 54501-00Q0G | 16-16 050 0008/HD | 207, 216 |
| 54501-00Q0G* | 16-16 010 4264 | 207, 216 |
| 54501-00Q0L | 16-16 050 0008/HD | 207, 216 |
| 54501-00Q0L* | 16-16 010 4264 | 207, 216 |
| 54501-00QAC | 16-16 050 0027 | 215 |
| 54501-00QAD | 16-16 050 0027 | 215 |
| 54501-00QAE | 16-16 050 0027 | 215 |
| 54501-00QAH | 16-16 010 4264 16-16 050 0008/HD | 207, 216 |
| 54501-0M010 | 36-16 050 0048 | 204, 216 |
| 54501-0M010* | 36-16 010 0039 | 204, 216 |
| 54501-1HA0C* | 36-16 010 0055 | 204 |
| 54501-1HA5A* | 36-16 010 0055 | 204 |
| 54501-1HA6A* | 36-16 010 0055 | 204 |
| 54501-1JY0A | 36-16 010 0014 | 206 |
| 54501-1KA0A | 36-14 610 0010/HD 36-14 610 0026 36-16 010 0034 36-16 050 0059/HD | 205, 217, 228, 230 |
| 54501-1KA0B | 36-14 610 0010/HD 36-14 610 0026 36-16 010 0034 36-16 050 0059/HD | 205, 217, 228, 230 |
| 54501-1KA1B | 36-16 050 0059/HD | 217 |
| 54501-1KK0A | 36-16 050 0059/HD | 217 |
| 54501-2F500 | 36-16 050 0056 | 217 |
| 54501-2U711 | 36-16 050 0083 | 207, 218, 229, 233 |
| 54501-2U711* | 36-14 050 0001 36-14 050 0002 36-16 010 0049 | 207, 218, 229, 233 |
| 54501-44B00 | 36-16 050 0045 | 205, 218, 229, 233 |
| 54501-44B00* | 36-14 050 0001 36-14 050 0002 36-16 010 0040 | 205, 218, 229, 233 |
| 54501-4F102 | 36-16 050 0045 | 205, 218, 229, 233 |
| 54501-4F102* | 36-14 050 0001 36-14 050 0002 36-16 010 0040 | 205, 218, 229, 233 |
| 54501-4F105 | 36-16 050 0045 | 205, 218, 229, 233 |
| 54501-4F105* | 36-14 050 0001 36-14 050 0002 36-16 010 0040 | 205, 218, 229, 233 |
| 54501-4F150 | 36-16 050 0045 | 205, 218, 229, 233 |
| 54501-4F150* | 36-14 050 0001 36-14 050 0002 | 205, 218, 229, 233 |

| Ref. no. | MEYLE no. | Page |
|---------------|--|--------------------|
| Nissan | | |
| | 36-16 010 0040 | |
| 54501-4M410* | 36-16 010 0043 | 205 |
| 54501-4M411* | 36-16 010 0043 | 205 |
| 54501-4M500 | 36-14 610 0011 | 234 |
| 54501-4U002 | 36-16 050 0073 | 219 |
| 54501-4U012 | 36-16 050 0073 | 219 |
| 54501-4U201 | 36-16 050 0073 | 219 |
| 54501-50J00* | 36-16 010 0006 | 206 |
| 54501-50J10* | 36-16 010 0006 | 206 |
| 54501-50J25* | 36-16 010 0006 | 206 |
| 54501-52Y10 | 36-16 050 0030 | 204, 219 |
| 54501-52Y10* | 36-16 010 0039 | 204, 219 |
| 54501-52Y15 | 36-16 050 0030 | 204, 219 |
| 54501-52Y15* | 36-16 010 0039 | 204, 219 |
| 54501-52Y60 | 36-16 050 0030 | 204, 219 |
| 54501-52Y60* | 36-16 010 0039 | 204, 219 |
| 54501-52Y70 | 36-16 050 0030 | 204, 219 |
| 54501-52Y70* | 36-16 010 0039 | 204, 219 |
| 54501-5U300 | 36-16 050 0073 | 219 |
| 54501-69Y10 | 36-16 050 0030 | 204, 219 |
| 54501-69Y10* | 36-16 010 0039 | 204, 219 |
| 54501-6F600 | 36-16 050 0083 | 207, 218, 229, 233 |
| 54501-6F600* | 36-14 050 0001 36-14 050 0002 36-16 010 0049 | 207, 218, 229, 233 |
| 54501-7C350 | 36-16 050 0079 | 220 |
| 54501-86J00* | 36-16 010 0006 | 206 |
| 54501-8H310 | 36-14 610 0000 36-14 610 0001 36-16 050 0081 | 220, 229 |
| 54501-8H31A | 36-14 610 0000 36-16 050 0081 | 220, 229 |
| 54501-8H31A* | 36-14 610 0001 | 220, 229 |
| 54501-90J00* | 36-16 010 0006 | 206 |
| 54501-90J10* | 36-16 010 0006 | 206 |
| 54501-9C550 | 36-16 050 0079 | 220 |
| 54501-AV600 | 36-16 050 0078 | 202, 221 |
| 54501-AV600* | 36-16 010 0045 | 202, 221 |
| 54501-AV605 | 36-16 050 0078 | 202, 221 |
| 54501-AV605* | 36-16 010 0045 | 202, 221 |
| 54501-AV606 | 36-16 050 0078 | 221 |
| 54501-AV60A | 36-16 050 0078 | 202, 221 |
| 54501-AV60A* | 36-16 010 0045 | 202, 221 |
| 54501-AV60C | 36-16 050 0078 | 202, 221 |
| 54501-AV60C* | 36-16 010 0045 | 202, 221 |
| 54501-AX600 | 36-16 050 0085 | 208, 222 |

| Ref. no. | MEYLE no. | Page |
|---------------|---|--------------------|
| Nissan | | |
| 54501-AX600* | 36-16 010 0044 | 208, 222 |
| 54501-AX60B | 36-16 050 0085 | 208, 222 |
| 54501-AX60B* | 36-16 010 0044 | 208, 222 |
| 54501-BB00A | 36-14 610 0009 36-14 610 0010/HD 36-14 653 0000/HD 36-16 010 0000 36-16 050 0007/HD | 207, 221, 230, 234 |
| 54501-BC41A | 36-16 050 0085 | 222 |
| 54501-BC42A | 36-16 050 0085 | 208, 222 |
| 54501-BC42A* | 36-16 010 0044 | 208, 222 |
| 54501-BM410* | 36-16 010 0043 | 205 |
| 54501-BR30A | 36-14 610 0009 36-14 610 0010/HD 36-14 653 0000/HD 36-16 010 0000 36-16 050 0007/HD | 207, 221, 230, 234 |
| 54501-BU000 | 36-16 050 0073 | 219 |
| 54501-EB300 | 36-16 010 0025 | 203 |
| 54501-EB31A | 36-16 010 0025 | 203 |
| 54501-EW000 | 36-16 010 0014 | 206 |
| 54501-F4600* | 36-16 010 0043 | 205 |
| 54501-JD000 | 36-14 610 0009 36-14 610 0010/HD 36-14 653 0000/HD 36-16 010 0000 36-16 050 0007/HD | 207, 221, 230, 234 |
| 54501-JD00A | 36-14 610 0009 | 230 |
| 54501-JG000 | 36-14 610 0009 36-14 610 0010/HD 36-14 653 0000/HD 36-16 010 0000 36-16 050 0007/HD | 207, 221, 230, 234 |
| 54501-JG00A | 36-16 050 0007/HD | 221 |
| 54501-JG00B | 36-14 610 0009 36-16 050 0007/HD | 221, 230 |
| 54502-00Q0A | 16-14 610 0001 16-14 610 0002 16-16 050 0018/HD | 208, 223, 231 |
| 54502-00Q0A* | 16-16 010 0005/HD | 208, 223, 231 |
| 54502-00Q0B | 16-14 610 0001 16-14 610 0002 16-16 050 0018/HD | 208, 223, 231 |
| 54502-00Q0B* | 16-16 010 0005/HD | 208, 223, 231 |
| 54502-00Q0C | 16-16 050 0026 | 222 |
| 54502-00Q0D | 16-16 050 0026 | 222 |

| Ref. no. | MEYLE no. | Page |
|---------------|--|---------------|
| Nissan | | |
| 54502-00QAA | 16-14 610 0001 16-14 610 0002 16-16 010 0005/HD 16-16 050 0018/HD | 208, 223, 231 |
| 54502-00QAB | 16-16 050 0018/HD | 223 |
| 54503-00Q0A | 16-14 610 0001 16-14 610 0002 16-16 050 0017/HD | 208, 224, 231 |
| 54503-00Q0A* | 16-16 010 0005/HD | 208, 224, 231 |
| 54503-00Q0B | 16-14 610 0001 16-14 610 0002 16-16 050 0017/HD | 208, 224, 231 |
| 54503-00Q0B* | 16-16 010 0005/HD | 208, 224, 231 |
| 54503-00Q0C | 16-16 050 0025 | 223 |
| 54503-00Q0D | 16-16 050 0025 | 223 |
| 54503-00QAA | 16-14 610 0001 16-14 610 0002 16-16 010 0005/HD 16-16 050 0017/HD | 208, 224, 231 |
| 54503-00QAB | 16-16 050 0017/HD | 224 |
| 54524-AV600 | 36-16 050 0076 | 224 |
| 54524-AV601 | 36-16 050 0076 | 224 |
| 54524-AV60A | 36-16 050 0076 | 224 |
| 54524-EB300 | 36-16 050 0022 | 225 |
| 54524-EB30A | 36-14 610 0012 36-16 010 0023 36-16 050 0022 | 199, 225, 231 |
| 54525-AV600 | 36-16 050 0077 | 225 |
| 54525-AV601 | 36-16 050 0077 | 225 |
| 54525-AV60A | 36-16 050 0077 | 225 |
| 54525-EB300 | 36-16 050 0021 | 226 |
| 54525-EB30A | 36-14 610 0012 36-16 010 0023 36-16 050 0021 | 199, 226, 231 |
| 54560-00Q0A | 16-14 610 0013/HD | 232 |
| 54560-00QAB | 16-14 610 0013/HD | 232 |
| 54560-17B01 | 36-14 050 0002 | 229 |
| 54560-AX600 | 16-14 610 0004 36-16 050 0086 | 215, 232 |
| 54570-00QAA | 614 610 0005 | 232 |
| 54570-AX600 | 36-14 610 0002 36-16 050 0085 | 208, 222, 233 |
| 54570-AX600* | 36-16 010 0044 | 208, 222, 233 |
| 54590-01E00 | 36-14 545 0004 | 233 |
| 54613-00Q0D | 614 615 0009 | 235 |
| 54613-00QAB | 16-14 615 0010 | 235 |

| Ref. no. | MEYLE no. | Page |
|---------------|-------------------------------------|---------|
| Nissan | | |
| 54613-00QAD | 16-14 615 0004 | 235 |
| 54613 1HA0A | 36-14 615 0005 | 236 |
| 54613 1HA0C | 36-14 615 0005 | 236 |
| 54613 1HA0D | 36-14 615 0005 | 236 |
| 54613-3UB0A | 36-14 615 0006 | 236 |
| 54613-8H31B | 36-14 615 0001 | 236 |
| 54613-8H51B | 36-14 715 0000 | 237 |
| 54613-9U000 | 36-14 615 0002 | 237 |
| 54613-JD02A | 36-14 615 0006 | 236 |
| 54613-JD17A | 36-14 615 0000 | 237 |
| 54613-JG02A | 36-14 615 0006 | 236 |
| 54616-00Q0A | 16-16 060 0003/HD 16-16 060 0015 | 239-240 |
| 54616-00Q0C | 616 060 0007/HD | 239 |
| 54616-00QAA | 16-14 079 9404/S | 238 |
| 54616-00QAB | 616 060 0007/HD | 239 |
| 54616-00QAC | 16-16 060 0003/HD 16-16 060 0015 | 239-240 |
| 54616-4A00B | 30-16 060 0047/HD 33-16 060 0013 | 240 |
| 54618-00Q0A | 616 060 0008/HD | 241 |
| 54618-00QAA | 616 060 0008/HD | 241 |
| 54618-0F000 | 36-16 060 0022 | 241 |
| 54618-1AA0A | 36-16 060 0047/HD | 241 |
| 54618-1AA0E | 36-16 060 0047/HD | 241 |
| 54618-2F010 | 36-16 060 0011 | 242 |
| 54618-47B00 | 36-16 060 0014 | 242 |
| 54618-47B01 | 36-16 060 0014 | 242 |
| 54618-47B0A | 36-16 060 0014 | 242 |
| 54618-4M400 | 36-16 060 0007/S 36-16 060 0029 | 243 |
| 54618-4U000 | 36-16 060 0037/HD 36-16 060 0058 | 245-246 |
| 54618-50J10 | 36-16 060 0011 | 242 |
| 54618-50J11 | 36-16 060 0011 | 242 |
| 54618-50J20 | 36-16 060 0011 | 242 |
| 54618-50Y00 | 36-16 060 0007/S | 243 |
| 54618-54Y10 | 36-16 060 0011 | 242 |
| 54618-58820 | 36-16 060 0007/S | 243 |
| 54618-58Y10 | 36-16 060 0011 | 242 |
| 54618-58Y20 | 36-16 060 0011 | 242 |
| 54618-58Y21 | 36-16 060 0011 | 242 |
| 54618-58Y60 | 36-16 060 0011 | 242 |
| 54618-86J00 | 36-16 060 0011 | 242 |
| 54618-86J25 | 36-16 060 0011 | 242 |
| 54618-8H300 | 36-16 060 0030/HD | 243 |

| Ref. no. | MEYLE no. | Page |
|---------------|-------------------------------------|---------|
| Nissan | | |
| 54618-90J11 | 36-16 060 0011 | 242 |
| 54618-9C000 | 36-16 060 0027/HD | 249 |
| 54618-9C002 | 36-16 060 0028/HD | 244 |
| 54618-9U00A | 35-16 060 0021/HD 36-16 060 0060 | 245 |
| 54618-AU000 | 36-16 060 0025 | 244 |
| 54618-AX600 | 35-16 060 0021/HD 36-16 060 0060 | 245 |
| 54618-BA30A | 36-16 060 0025 | 244 |
| 54618-BC40A | 35-16 060 0021/HD 36-16 060 0060 | 245 |
| 54618-BU70A | 36-16 060 0037/HD 36-16 060 0058 | 245-246 |
| 54618-CA000 | 36-16 060 0016 | 246 |
| 54618-CA00E | 36-16 060 0016 | 246 |
| 54618-CY00A | 30-16 060 0017/HD 30-16 060 0080 | 247 |
| 54618-D5000 | 36-16 060 0007/S | 243 |
| 54618-D5010 | 36-16 060 0007/S | 243 |
| 54618-EA010 | 36-16 060 0008 | 247 |
| 54618-JD00A | 36-16 060 0047/HD | 241 |
| 54618-JX00A | 36-16 060 0052/HD | 248 |
| 54618-MB40A | 36-16 060 0022 | 241 |
| 54618-VB000 | 36-16 060 0006 | 248 |
| 54668-1AA0A | 36-16 060 0046/HD | 249 |
| 54668-1AA0E | 36-16 060 0046/HD | 249 |
| 54668-4U000 | 36-16 060 0040/HD 36-16 060 0059 | 250-251 |
| 54668-8H300 | 36-16 060 0031/HD | 249 |
| 54668-9C000 | 36-16 060 0027/HD | 249 |
| 54668-AU000 | 36-16 060 0023 | 250 |
| 54668-BA30A | 36-16 060 0023 | 250 |
| 54668-BU70A | 36-16 060 0040/HD 36-16 060 0059 | 250-251 |
| 54668-CA000 | 36-16 060 0017 | 251 |
| 54668-CA00E | 36-16 060 0017 | 251 |
| 54668-EA010 | 36-16 060 0007 | 251 |
| 54668-JD00A | 36-16 060 0046/HD | 249 |
| 55110-8H505 | 36-16 050 0037 | 226 |
| 55120-8H500 | 36-16 050 0040 | 226 |
| 55120-8H505 | 36-16 050 0041 | 227 |
| 55120JD000 | 36-16 050 0096 | 227 |
| 55120JD00B | 36-16 050 0096 | 227 |
| 55121-JD000 | 36-16 050 0095 | 228 |
| 55121-JD00B | 36-16 050 0095 | 228 |
| 55302-8H304 | 36-26 723 0001 | 268 |

| Ref. no. | MEYLE no. | Page |
|---------------|--|---------|
| Nissan | | |
| 55302-8H326 | 36-26 723 0001 | 268 |
| 55302-8H600 | 36-26 723 0001 | 268 |
| 55302-8H625 | 36-26 723 0001 | 268 |
| 55302-EQ025 | 36-26 723 0001 | 268 |
| 55303-8H600 | 36-26 723 0000 | 268 |
| 55303-8H625 | 36-26 723 0000 | 268 |
| 55303-EQ025 | 36-26 723 0000 | 268 |
| 55400-EQ700 | 36-14 710 0000/HD 36-14 710 0001/HD | 255-256 |
| 55400-ES50A | 36-14 710 0000/HD 36-14 710 0001/HD | 255-256 |
| 55466-00Q0A | 614 710 0001 | 255 |
| 55466-00QAA | 614 710 0001 | 255 |
| 55501-AU01A* | 36-14 710 0003 | 256 |
| 55501-AV600* | 36-14 710 0003 | 256 |
| 55501-AV605* | 36-14 710 0003 | 256 |
| 55501-AV606* | 36-14 710 0003 | 256 |
| 55618-JD00A | 36-16 060 0048 | 252 |
| 55618-JY00B | 36-16 060 0048 | 252 |
| 55619-JD00A | 36-16 060 0049 | 252 |
| 55619-JY00B | 36-16 060 0049 | 252 |
| 56100-VB725 | 36-26 625 0001 | 269 |
| 56110-01J00 | 36-26 625 0001 | 269 |
| 56110-01J25 | 36-26 625 0001 | 269 |
| 56110-06J00 | 36-26 625 0001 | 269 |
| 56110-06J25 | 36-26 625 0001 | 269 |
| 56110-21J00 | 36-26 625 0001 | 269 |
| 56110-21J25 | 36-26 625 0001 | 269 |
| 56110-22J00 | 36-26 625 0001 | 269 |
| 56110-22J25 | 36-26 625 0001 | 269 |
| 56110-39J00 | 36-26 625 0001 | 269 |
| 56110-39J25 | 36-26 625 0001 | 269 |
| 56110-VB000 | 36-26 625 0001 | 269 |
| 56110-VB010 | 36-26 625 0001 | 269 |
| 56110-VB025 | 36-26 625 0001 | 269 |
| 56110-VB026 | 36-26 625 0001 | 269 |
| 56110-VB700 | 36-26 625 0001 | 269 |
| 56110-VB725 | 36-26 625 0001 | 269 |
| 56111-00Q0A | 626 625 0001 | 269 |
| 56111-00QAA | 626 625 0001 | 269 |
| 56200-AX602 | 36-26 725 0001 | 271 |
| 56200-ED002 | 36-26 725 0007 | 274 |
| 56200-ED00A | 36-26 725 0007 | 274 |
| 56200-EE90A | 36-26 725 0007 | 274 |
| 56200-EF80D | 36-26 725 0007 | 274 |
| 56200-EF80E | 36-26 725 0007 | 274 |

| Ref. no. | MEYLE no. | Page |
|---------------|----------------|------|
| Nissan | | |
| 56200-EM01A | 36-26 725 0007 | 274 |
| 56200-EM20A | 36-26 725 0007 | 274 |
| 56200-EM30C | 36-26 725 0007 | 274 |
| 56200-EW80C | 36-26 725 0007 | 274 |
| 56200-EX50A | 36-26 725 0007 | 274 |
| 56210-00Q1F | 16-26 725 0002 | 270 |
| 56210-00QAD | 626 725 0017 | 269 |
| 56210-00QAE | 626 725 0017 | 269 |
| 56210-00QAG | 626 725 0017 | 269 |
| 56210-00QAK | 16-26 725 0002 | 270 |
| 56210-31U00 | 36-26 725 0009 | 270 |
| 56210-31U25 | 36-26 725 0009 | 270 |
| 56210-36U00 | 36-26 725 0009 | 270 |
| 56210-40U00 | 36-26 725 0009 | 270 |
| 56210-40U25 | 36-26 725 0009 | 270 |
| 56210-40U26 | 36-26 725 0009 | 270 |
| 56210-43U00 | 36-26 725 0009 | 270 |
| 56210-43U01 | 36-26 725 0009 | 270 |
| 56210-43U26 | 36-26 725 0009 | 270 |
| 56210-43U27 | 36-26 725 0009 | 270 |
| 56210-4M400 | 36-26 725 0005 | 271 |
| 56210-4M405 | 36-26 725 0005 | 271 |
| 56210-4M425 | 36-26 725 0005 | 271 |
| 56210-4M426 | 36-26 725 0005 | 271 |
| 56210-4M427 | 36-26 725 0005 | 271 |
| 56210-4Z000 | 36-26 725 0005 | 271 |
| 56210-4Z005 | 36-26 725 0005 | 271 |
| 56210-4Z025 | 36-26 725 0005 | 271 |
| 56210-4Z027 | 36-26 725 0005 | 271 |
| 56210-4Z600 | 36-26 725 0005 | 271 |
| 56210-4Z625 | 36-26 725 0005 | 271 |
| 56210-5M400 | 36-26 725 0005 | 271 |
| 56210-5M425 | 36-26 725 0005 | 271 |
| 56210-8M400 | 36-26 725 0005 | 271 |
| 56210-8M600 | 36-26 725 0005 | 271 |
| 56210-95F0B | 36-26 725 0005 | 271 |
| 56210-9U025 | 36-26 725 0001 | 271 |
| 56210-AX625 | 36-26 725 0001 | 271 |
| 56210-AX627 | 36-26 725 0001 | 271 |
| 56210-BM400 | 36-26 725 0003 | 271 |
| 56210-BM410 | 36-26 725 0003 | 271 |
| 56210-BM425 | 36-26 725 0003 | 271 |
| 56210-BM426 | 36-26 725 0003 | 271 |
| 56210-BM427 | 36-26 725 0003 | 271 |
| 56210-BN825 | 36-26 725 0003 | 271 |
| 56210-ED001 | 36-26 725 0007 | 274 |

| Ref. no. | MEYLE no. | Page |
|---------------|-------------------------------------|---------|
| Nissan | | |
| 56210-ED002 | 36-26 725 0007 | 274 |
| 56210-ED00A | 36-26 725 0007 | 274 |
| 56210-ED025 | 36-26 725 0007 | 274 |
| 56210-EE90A | 36-26 725 0007 | 274 |
| 56210-EF80D | 36-26 725 0007 | 274 |
| 56210-EF80E | 36-26 725 0007 | 274 |
| 56210-EM01A | 36-26 725 0007 | 274 |
| 56210-EM20A | 36-26 725 0007 | 274 |
| 56210-EM30C | 36-26 725 0007 | 274 |
| 56210-EW80C | 36-26 725 0007 | 274 |
| 56210-EW90D | 36-26 725 0007 | 274 |
| 56210-EX50A | 36-26 725 0007 | 274 |
| 56210-JD02A | 36-26 725 0004 | 274 |
| 56210-JD73A | 36-26 725 0004 | 274 |
| 56210-M425 | 36-26 725 0005 | 271 |
| 56260-01J10 | 36-16 060 0011 | 242 |
| 56261-0E000 | 36-16 060 0026/HD 36-16 060 0056 | 253 |
| 56261-47B01 | 36-16 060 0001/HD | 252 |
| 56261-4F702 | 36-16 060 0001/HD | 252 |
| 56261-4F725 | 36-16 060 0001/HD | 252 |
| 56261-50J00 | 36-16 060 0032/HD 36-16 060 0057 | 254-255 |
| 56261-6F600 | 36-16 060 0001/HD | 252 |
| 56261-86J00 | 36-16 060 0004 | 253 |
| 56261-86J25 | 36-16 060 0004 | 253 |
| 56261-90J01 | 36-16 060 0004 | 253 |
| 56261-AV610 | 36-16 060 0026/HD 36-16 060 0056 | 253 |
| 56261-AV611 | 36-16 060 0026/HD 36-16 060 0056 | 253 |
| 56261-EA500 | 36-16 060 0002 | 254 |
| 56261-EA510 | 36-16 060 0003 | 254 |
| 56261-EQ000 | 36-16 060 0032/HD 36-16 060 0057 | 254-255 |
| 56261-DE000 | 36-16 060 0001/HD | 252 |
| 56315 00Q0B | 614 715 0000 | 238 |
| 58610-24090 | 36-14 322 0001 | 171 |
| 60401-35517 | 36-16 010 0044 | 208 |
| 77001-09477 | 050 006 1795 | 129 |
| 77010-65985 | 36-12 321 0016 | 163 |
| 77012-06864 | 615 523 0022 | 38 |
| 77014-70361 | 16-14 620 0001 | 180 |
| 77014-72321 | 614 322 0014 | 176 |
| 82000-10519 | 615 521 0014 615 521 0014/PD | 22-23 |

| Ref. no. | MEYLE no. | Page |
|---------------|------------------------------|---------|
| Nissan | | |
| 82000-23912 | 050 006 1150 | 128 |
| 82000-33408 | 16-14 322 0000 | 176 |
| 82000-33468 | 16-14 322 0000 | 176 |
| 8200034396 | 050 005 1200 | 129 |
| 8200048177* | 614 615 0005 614 615 0006 | 238-239 |
| 82000-69147 | 614 498 0029 | 94 |
| 82001-13203 | 050 006 1795 | 129 |
| 82001-69291 | 614 498 0029 | 94 |
| 82001-79212 | 614 498 0029 | 94 |
| 82002-18779 | 615 523 0022 | 38 |
| 82003-34338 | 614 498 0029 | 94 |
| 82004-16946 | 16-14 323 0002 | 169 |
| 82004-37229 | 16-12 321 0009 | 163 |
| 82004-85589 | 614 498 0029 | 94 |
| 8200688877 | 16-16 010 0019 | 203 |
| 84430-2F000 | 36-40 910 0016 | 1 |
| 84430-2F010 | 36-40 910 0015 | 1 |
| 84430-9F500 | 36-40 910 0015 | 1 |
| 84430-AV600 | 36-40 910 0021 | 1 |
| 90450-00QAA | 16-40 910 0001 | 2 |
| 90450-9U00A | 36-40 910 0032 | 2 |
| 90450-AX000 | 36-40 910 0009 | 2 |
| 90450-AX610 | 36-40 910 0009 | 2 |
| 90450-AX61B | 36-40 910 0009 | 2 |
| 90450-BM400 | 36-40 910 0006 | 3 |
| 90450-BM425 | 36-40 910 0006 | 3 |
| 90450-BU000 | 36-40 910 0007 | 3 |
| 90450-BU00B | 36-40 910 0007 | 3 |
| 90450-EQ300 | 36-40 910 0031 | 3 |
| 90450-EQ301 | 36-40 910 0031 | 3 |
| 90450-EQ30A | 36-40 910 0031 | 3 |
| 90450-EQ30B | 36-40 910 0031 | 3 |
| 90450-EQ31A | 36-40 910 0031 | 3 |
| 90450-EQ325 | 36-40 910 0031 | 3 |
| 90450-H3310 | 36-40 910 0031 | 3 |
| 90451-AX000 | 36-40 910 0009 | 2 |
| 90451-BU000 | 36-40 910 0007 | 3 |
| 90451-BU00B | 36-40 910 0007 | 3 |
| 90451-EQ30A | 36-40 910 0031 | 3 |
| 90451-EQ31A | 36-40 910 0031 | 3 |
| 90451-EQ325 | 36-40 910 0031 | 3 |
| 90451-00QAA | 16-40 910 0029 | 4 |
| 90452-2F705 | 36-40 910 0017 | 4 |
| 90452-2F715 | 36-40 910 0019 | 4 |
| 90452-2F725 | 36-40 910 0017 | 4 |

| Ref. no. | MEYLE no. | Page |
|----------------|----------------|-------|
| Nissan | | |
| 90452-2F726 | 36-40 910 0019 | 4 |
| 90452-6F100 | 36-40 910 0017 | 4 |
| 90452-6F126 | 36-40 910 0019 | 4 |
| 90452-9F725 | 36-40 910 0018 | 5 |
| 90452-AU200 | 36-40 910 0020 | 5 |
| 90452-AV700 | 36-40 910 0024 | 5 |
| 999M1-VP001 | 36-12 319 0006 | 18 |
| 999M1-VP051 | 36-12 319 0006 | 18 |
| A1195065F10 | 050 003 0875 | 130 |
| A1195065F12 | 050 003 0875 | 130 |
| A172026E02 | 050 004 0775 | 132 |
| A192001B10 | 050 004 0810 | 133 |
| A1920-85E01 | 050 004 1190 | 140 |
| A1920F6501 | 050 004 0962 | 138 |
| A1950-65F12 | 050 003 0875 | 130 |
| A1950V7301 | 050 003 0835 | 128 |
| A520841G0A01 | 36-14 322 0001 | 171 |
| A5208-43G00 | 36-14 322 0001 | 171 |
| A5208-43G0A | 36-14 322 0001 | 171 |
| A5208-70J00 | 36-14 322 0002 | 172 |
| A5208-H8903 | 36-14 322 0004 | 177 |
| A5208-H8904 | 36-14 322 0004 | 177 |
| A5208-H890C | 36-14 322 0004 | 177 |
| A5208-W3403 | 36-14 322 0001 | 171 |
| A640C-59EM0 | 36-14 323 0001 | 168 |
| A640C-59EM0-SA | 36-14 323 0001 | 168 |
| A640M-41BM0 | 36-14 323 0005 | 166 |
| A640M-41BM0-SA | 36-14 323 0005 | 166 |
| AY040-NS121 | 025 240 5615/W | 67 |
| AY100-NS005 | 36-14 322 0002 | 172 |
| AY100-NS006 | 614 322 0000 | 172 |
| AY100-NS010 | 36-14 322 0001 | 171 |
| AY120-NS007 | 36-12 321 0006 | 159 |
| AY140-4154M | 050 004 1538 | 129 |
| AY685-NS003 | 36-12 319 0002 | 16 |
| B1010-1GZ0A | 16-13 220 0025 | 155 |
| B1010-2W20A | 36-13 220 0015 | 154 |
| B1010-80G0E | 36-13 220 0010 | 151 |
| B1010-81T26 | 36-13 220 0001 | 151 |
| B1010-AD226 | 36-13 220 0007 | 155 |
| B1010-EN20B | 16-13 220 0025 | 155 |
| B7200-5M000 | 36-12 319 0000 | 17-18 |
| | 36-12 319 0006 | |
| B727A-79925 | 36-12 319 0006 | 18 |
| B7298-00QAA | 16-12 319 0001 | 18-19 |
| | 16-12 320 0001 | |

| Ref. no. | MEYLE no. | Page |
|---------------|-----------------------------------|-------|
| Nissan | | |
| BA010-22J25 | 36-13 220 0001 | 151 |
| D1060-1N090 | 025 230 0415/W | 49 |
| D1060-2S790 | 025 213 4717 | 57 |
| D1060-2X80A | 025 214 8115 | 53 |
| D1060-3C490 | 025 217 2517/W | 51 |
| D1060-4CA0A | 025 220 6518 | 63 |
| D1060-4EA0A | 025 220 6518 | 63 |
| D1060-6N091 | 025 246 4815/W | 52 |
| D1060-79E92 | 025 217 2517/W | 51 |
| D1060-8H71A | 025 234 2016/W | 63 |
| D1060-8H785 | 025 234 2016/W | 63 |
| D1060-AX60A | 025 239 7317 025 239 7317/PD | 64 |
| D1060-AX61A | 025 239 7317 025 239 7317/PD | 64 |
| D1060-AX61F | 025 239 7317 025 239 7317/PD | 64 |
| D1060-BH40A | 025 239 7317 025 239 7317/PD | 64 |
| D1060-BM40A | 025 215 4617 | 51 |
| D1060-BM50A | 025 234 6316 025 234 6316/PD | 54-55 |
| D1060-C7192 | 025 208 6316 | 56 |
| D1060-EM10A | 025 242 8016/W | 65 |
| D1060-J000A | 025 246 3217 025 246 3217/PD | 65 |
| D1060-JE00A | 025 246 3217 025 246 3217/PD | 65 |
| D1060-V7090 | 025 213 4717 | 57 |
| D1060-V7092 | 025 213 4717 | 57 |
| D1060-VC091 | 025 236 1118/W | 66 |
| D1060-VC290 | 025 236 1118/W | 66 |
| D1060-VK190 | 025 239 7017/W | 66 |
| D106M-50Y93 | 025 216 5716/W | 50 |
| D106M-50Y94 | 025 216 5716/W | 50 |
| D106M-80N90 | 025 217 2517/W | 51 |
| D1M60-1AA0K | 025 240 5615/W | 67 |
| D4060-0W71A | 36-14 533 0013 | 77 |
| D4060-0W727 | 36-14 533 0013 | 77 |
| D4060-4CA0A | 025 259 6515 025 259 6515/PD | 67-68 |
| D4060-4EA0A | 025 259 6515 025 259 6515/PD | 67-68 |
| D4060-4U090 | 025 217 1316/W | 68 |
| D4060-8H385 | 025 238 7114/PD 025 238 7114/W | 69 |

| Ref. no. | MEYLE no. | Page |
|---------------|-------------------------------------|-------|
| Nissan | | |
| D4060-8M126 | 36-14 533 0012 | 77 |
| D4060-9N00A | 025 248 7113/W | 70 |
| D4060-9N00B | 025 248 7113/W | 70 |
| D4060-8M40A | 025 215 4515 025 215 4515/PD | 60-61 |
| D4060-EM11A | 025 238 7114/PD 025 238 7114/W | 69 |
| D4060-JA00A | 025 238 7114/PD 025 238 7114/W | 69 |
| D4060-JA00J | 025 238 7114/PD 025 238 7114/W | 69 |
| D4060-VC090 | 025 235 0216/W | 63 |
| D4M60-9N00A | 025 248 7113/W | 70 |
| D4M60-9N00B | 025 248 7113/W | 70 |
| D8520-0P725 | 36-16 020 0088 | 197 |
| D8520-0W025 | 36-16 020 0088 | 197 |
| D8520-15U26 | 36-16 020 0086 | 190 |
| D8520-1HA0A | 36-16 020 0036 | 194 |
| D8520-1KA0A | 36-16 020 0015 | 197 |
| D8520-CB025 | 36-16 020 0031 | 197 |
| D8520-EW00A | 36-16 020 0028 | 193 |
| D8520-VK90A | 36-16 020 0088 | 197 |
| D8521-1HA0A | 36-16 031 0068 | 187 |
| D8521-1HJ0A | 36-16 031 0068 | 187 |
| D8521-JD00B | 36-16 031 0010 36-16 031 0020/HD | 182 |
| D8521-JG00A | 36-16 031 0010 36-16 031 0020/HD | 182 |
| D8640-1HA0A | 36-16 020 0035 | 196 |
| D8640-1KA0A | 36-16 020 0014 | 198 |
| D8640-EW00A | 36-16 020 0027 | 196 |
| DD060-56G26 | 36-14 533 0013 | 77 |
| DD060-61E25 | 025 215 5314/W | 70 |
| E4302-9U00C | 36-26 623 0019 | 272 |
| E4302-9U00D | 36-26 623 0019 | 272 |
| E4302-BC60A | 36-26 623 0002 | 264 |
| E4302-BH01A | 36-26 623 0019 | 272 |
| E4302-EC80A | 36-26 623 0013 | 272 |
| E4302-EE90A | 36-26 623 0013 | 272 |
| E4302-EL00A | 36-26 623 0013 | 272 |
| E4302-EM01A | 36-26 623 0013 | 272 |
| E4302-EM20A | 36-26 623 0013 | 272 |
| E4302-EM30C | 36-26 623 0013 | 272 |
| E4302-JD01A | 36-26 623 0007 | 265 |
| E4302-JD03A | 36-26 623 0007 | 265 |
| E4302-JD73A | 36-26 623 0007 | 265 |

| Ref. no. | MEYLE no. | Page |
|---------------|----------------|------|
| Nissan | | |
| E4302-JD74A | 36-26 623 0007 | 265 |
| E4303-9U00C | 36-26 623 0018 | 273 |
| E4303-9U00D | 36-26 623 0018 | 273 |
| E4303-BC60A | 36-26 623 0003 | 266 |
| E4303-BH01A | 36-26 623 0018 | 273 |
| E4303-EC80A | 36-26 623 0012 | 273 |
| E4303-EE90A | 36-26 623 0012 | 273 |
| E4303-EL00A | 36-26 623 0012 | 273 |
| E4303-EM01A | 36-26 623 0012 | 273 |
| E4303-EM20A | 36-26 623 0012 | 273 |
| E4303-EM30C | 36-26 623 0012 | 273 |
| E4303-JD01A | 36-26 623 0006 | 267 |
| E4303-JD03A | 36-26 623 0006 | 267 |
| E4303-JD73A | 36-26 623 0006 | 267 |
| E4303-JD74A | 36-26 623 0006 | 267 |
| E43A2-BC60A | 36-26 623 0002 | 264 |
| E43A3-BC60A | 36-26 623 0003 | 266 |
| E6210-BC60A | 36-26 725 0001 | 271 |
| E6210-EC80A | 36-26 725 0007 | 274 |
| E6210-ED00A | 36-26 725 0007 | 274 |
| E6210-EE90A | 36-26 725 0007 | 274 |
| E6210-EM01A | 36-26 725 0007 | 274 |
| E6210-EM20A | 36-26 725 0007 | 274 |
| E6210-EM30C | 36-26 725 0007 | 274 |
| E6210-JD02A | 36-26 725 0004 | 274 |
| E6210-JD73A | 36-26 725 0004 | 274 |
| E6210-JD75A | 36-26 725 0004 | 274 |
| K0450-EQ30A | 36-40 910 0031 | 3 |
| K0450-EQ30B | 36-40 910 0031 | 3 |
| K0451-EQ30A | 36-40 910 0031 | 3 |
| K0451-EQ30B | 36-40 910 0031 | 3 |
| SU001-00453 | 214 322 0002 | 172 |
| Y7011-4302 | 35-14 322 0002 | 178 |

| Short no. | MEYLE no. | Page |
|---------------|-------------------|------|
| Nissan | | |
| | 36-14 615 0005 | 236 |
| | 36-14 615 0006 | 236 |
| MAB0121HD | 36-14 710 0000/HD | 255 |
| MAB0155 | 614 710 0001 | 255 |
| MAB0167 | 36-14 710 0003 | 256 |
| MAF0226 | 16-12 321 0004 | 157 |
| MAF0229 | 16-12 321 0007 | 160 |
| MAF0231 | 16-12 321 0009 | 163 |
| MAF0234 | 16-12 321 0012 | 156 |
| MAF0347 | 30-12 321 0015 | 162 |
| MAF0470 | 33-12 321 0014 | 159 |
| MAF0472 | 34-12 046 0001 | 162 |
| MAF0488 | 36-12 321 0002 | 160 |
| MAF0489 | 36-12 321 0003 | 158 |
| MAF0490 | 36-12 321 0004 | 161 |
| MAF0491 | 36-12 321 0005 | 159 |
| MAF0492 | 36-12 321 0006 | 159 |
| MAF0495 | 36-12 321 0010 | 161 |
| MAF0497 | 36-12 321 0012 | 160 |
| MAF0498 | 36-12 321 0013 | 161 |
| MAF0499 | 36-12 321 0014 | 158 |
| MAF0501 | 36-12 321 0016 | 163 |
| MAF0579 | 612 083 4004 | 156 |
| MAF0581 | 612 083 4006 | 156 |
| MAF0600 | 612 321 0002 | 158 |
| MAF0613 | 612 321 0015 | 157 |
| MAF0614 | 612 321 0016 | 157 |
| MAF0615 | 612 321 0017 | 155 |
| MAR0108 | 16-16 031 0004 | 183 |
| MAR0111 | 16-16 031 0007 | 181 |
| MAR0112 | 16-16 031 0008 | 184 |
| MAR0115 | 16-16 031 0011 | 183 |
| MAR0247 | 35-16 031 0022 | 187 |
| MAR0249 | 36-16 030 0009 | 185 |
| MAR0250 | 36-16 030 0022 | 186 |
| MAR0254 | 36-16 031 0005 | 185 |
| MAR0255 | 36-16 031 0008 | 185 |
| MAR0256 | 36-16 031 0009 | 186 |
| MAR0257 | 36-16 031 0010 | 182 |
| MAR0259 | 36-16 031 0064 | 184 |
| MAR0316 | 616 031 0006 | 184 |
| MAR0356 | 36-16 031 0068 | 187 |
| MAR0362 | 36-16 031 0069 | 186 |
| MAR0379 | 36-16 031 0017 | 181 |
| MAR0497HD | 16-16 031 0033/HD | 182 |
| MAR0501HD | 16-16 031 0037/HD | 183 |

| Short no. | MEYLE no. | Page |
|---------------|-------------------|------|
| Nissan | | |
| MAR0521HD | 36-16 031 0020/HD | 182 |
| MBD0868 | 33-15 521 0008 | 29 |
| MBD0951 | 36-15 521 0001 | 30 |
| MBD0959 | 36-15 521 0009 | 26 |
| MBD0961 | 36-15 521 0011 | 30 |
| MBD0964 | 36-15 521 0014 | 31 |
| MBD0967 | 36-15 521 0018 | 31 |
| MBD0972 | 36-15 521 0023 | 24 |
| MBD0973 | 36-15 521 0024 | 36 |
| MBD0976 | 36-15 521 0027 | 28 |
| MBD0982 | 36-15 521 0033 | 33 |
| MBD0995 | 36-15 521 0046 | 26 |
| MBD0998 | 36-15 521 0049 | 36 |
| MBD1001 | 36-15 521 0052 | 34 |
| MBD1002 | 36-15 521 0053 | 25 |
| MBD1003 | 36-15 521 0054 | 25 |
| MBD1004 | 36-15 521 0059 | 27 |
| MBD1005 | 36-15 523 0001 | 43 |
| MBD1014 | 36-15 523 0015 | 41 |
| MBD1016 | 36-15 523 0017 | 42 |
| MBD1020 | 36-15 523 0022 | 41 |
| MBD1021 | 36-15 523 0024 | 43 |
| MBD1028 | 36-15 523 0032 | 42 |
| MBD1032 | 36-15 523 0039 | 46 |
| MBD1272 | 615 521 0049 | 20 |
| MBD1292 | 615 521 6030 | 46 |
| MBD1311 | 615 523 0016 | 46 |
| MBD1312 | 615 523 0017 | 37 |
| MBD1313 | 615 523 0022 | 38 |
| MBD1327 | 615 523 6037 | 38 |
| MBD1823 | 16-15 521 0036 | 20 |
| MBD1823PD | 16-15 521 0036/PD | 21 |
| MBD1824 | 16-15 521 0037 | 23 |
| MBD1824PD | 16-15 521 0037/PD | 24 |
| MBD1826 | 16-15 521 0039 | 32 |
| MBD1826PD | 16-15 521 0039/PD | 32 |
| MBD1976PD | 36-15 521 0070/PD | 34 |
| MBD1977PD | 36-15 521 0071/PD | 35 |
| MBD1978PD | 36-15 521 0072/PD | 33 |
| MBD1979 | 36-15 521 0073 | 27 |
| MBD1979PD | 36-15 521 0073/PD | 28 |
| MBD1980 | 36-15 523 0050 | 39 |
| MBD1980PD | 36-15 523 0050/PD | 39 |
| MBD1981PD | 36-15 523 0051/PD | 44 |
| MBD1982PD | 36-15 523 0052/PD | 44 |
| MBD1983 | 36-15 523 0053 | 45 |

| Short no. | MEYLE no. | Page |
|---------------|-------------------|------|
| Nissan | | |
| MBD2042 | 615 521 0011 | 21 |
| MBD2042PD | 615 521 0011/PD | 22 |
| MBD2045 | 615 521 0014 | 22 |
| MBD2045PD | 615 521 0014/PD | 23 |
| MBD2097 | 36-15 521 0066 | 35 |
| MBD2099 | 36-15 523 0049 | 45 |
| MBD2128 | 615 521 0030 | 37 |
| MBD2159PD | 36-15 521 0074/PD | 29 |
| MBD2160PD | 36-15 523 0055/PD | 40 |
| MBD2161PD | 36-15 523 0056/PD | 40 |
| MBH0237 | 16-14 525 0009 | 79 |
| MBH0392 | 36-14 525 0000 | 79 |
| MBH0393 | 36-14 525 0001 | 80 |
| MBH0394 | 36-14 525 0003 | 81 |
| MBH0396 | 36-14 525 0005 | 80 |
| MBH0397 | 36-14 525 0006 | 82 |
| MBH0447 | 614 525 0007 | 81 |
| MBH0448 | 614 525 0008 | 78 |
| MBH0455 | 614 525 0016 | 77 |
| MBH0457 | 614 525 0018 | 78 |
| MBH0458 | 614 525 0019 | 79 |
| MBH0459 | 614 525 0020 | 81 |
| MBH0465 | 614 525 0030 | 78 |
| MBH0544 | 35-14 525 0013 | 80 |
| MBJ0105HD | 16-16 010 0005/HD | 208 |
| MBJ0109 | 16-16 010 0009 | 200 |
| MBJ0110 | 16-16 010 0010 | 200 |
| MBJ0117 | 16-16 010 0019 | 203 |
| MBJ0118 | 16-16 010 0020 | 200 |
| MBJ0119 | 16-16 010 4264 | 207 |
| MBJ0213 | 36-16 010 0000 | 207 |
| MBJ0214 | 36-16 010 0001 | 199 |
| MBJ0215 | 36-16 010 0003 | 202 |
| MBJ0216 | 36-16 010 0006 | 206 |
| MBJ0218 | 36-16 010 0012 | 199 |
| MBJ0219 | 36-16 010 0014 | 206 |
| MBJ0220 | 36-16 010 0019 | 201 |
| MBJ0221 | 36-16 010 0023 | 199 |
| MBJ0222 | 36-16 010 0025 | 203 |
| MBJ0223 | 36-16 010 0039 | 204 |
| MBJ0224 | 36-16 010 0040 | 205 |
| MBJ0225 | 36-16 010 0043 | 205 |
| MBJ0226 | 36-16 010 0044 | 208 |
| MBJ0227 | 36-16 010 0045 | 202 |
| MBJ0228 | 36-16 010 0049 | 207 |
| MBJ0229 | 36-16 010 0050 | 202 |

| Short no. | MEYLE no. | Page |
|---------------|-----------------|------|
| Nissan | | |
| MBJ0271HD | 616 010 0005/HD | 201 |
| MBJ0302 | 36-16 010 0034 | 205 |
| MBJ0321 | 36-16 010 0055 | 204 |
| MBJ0394 | 16-16 010 0031 | 201 |
| MBK0160 | 30-14 495 0001 | 84 |
| MBK0198 | 36-14 495 0002 | 83 |
| MBK0199 | 36-14 495 0003 | 84 |
| MBK0204 | 36-14 495 0009 | 85 |
| MBK0206 | 36-14 495 0011 | 85 |
| MBK0207 | 36-14 495 0012 | 83 |
| MBK0211 | 40-14 495 0004 | 85 |
| MBK0246 | 614 160 0018 | 84 |
| MBK0272 | 714 495 0018 | 83 |
| MBL0004 | 029 300 1211 | 6 |
| MBL0008 | 029 330 1300 | 6 |
| MBL0013 | 029 350 1400 | 7 |
| MBL0014 | 029 350 1410 | 7 |
| MBL0018 | 029 380 1500 | 8 |
| MBL0021 | 029 400 1600 | 8 |
| MBL0022 | 029 400 1610 | 9 |
| MBL0027 | 029 450 1800 | 9 |
| MBL0028 | 029 475 1900 | 10 |
| MBL0029 | 029 500 2000 | 10 |
| MBL0030 | 029 530 2100 | 11 |
| MBL0032 | 029 550 2200 | 11 |
| MBL0033 | 029 580 2300 | 11 |
| MBL0034 | 029 600 2400 | 12 |
| MBL0036 | 029 650 2600 | 13 |
| MBL0052 | 029 350 1417 | 7 |
| MBL0061 | 029 425 1710 | 9 |
| MBL0071 | 029 600 2471 | 12 |
| MBL0080 | 029 300 1217 | 6 |
| MBL0081 | 029 380 1514 | 8 |
| MBP0041 | 025 208 6316 | 56 |
| MBP0113 | 025 213 4717 | 57 |
| MBP0141 | 025 214 8115 | 53 |
| MBP0153 | 025 215 4515 | 60 |
| MBP0153PD | 025 215 4515/PD | 61 |
| MBP0154 | 025 215 4617 | 51 |
| MBP0156 | 025 215 5314/W | 70 |
| MBP0165 | 025 216 2615 | 52 |
| MBP0176 | 025 216 5716/W | 50 |
| MBP0187 | 025 217 1316/W | 68 |
| MBP0190 | 025 217 2517/W | 51 |
| MBP0240 | 025 219 8018 | 49 |
| MBP0240PD | 025 219 8018/PD | 49 |

| Short no. | MEYLE no. | Page |
|---------------|-----------------|------|
| Nissan | | |
| MBP0243 | 025 230 0415/W | 49 |
| MBP0257 | 025 230 8617/W | 52 |
| MBP0260 | 025 230 9416/W | 54 |
| MBP0261 | 025 230 9918 | 48 |
| MBP0261PD | 025 230 9918/PD | 48 |
| MBP0276 | 025 231 6017 | 53 |
| MBP0343 | 025 234 2016/W | 63 |
| MBP0353 | 025 234 5415 | 61 |
| MBP0356 | 025 234 6316 | 54 |
| MBP0356PD | 025 234 6316/PD | 55 |
| MBP0357 | 025 234 8216 | 61 |
| MBP0357PD | 025 234 8216/PD | 62 |
| MBP0362 | 025 235 0216/W | 63 |
| MBP0364 | 025 235 0715 | 50 |
| MBP0404 | 025 236 1118/W | 66 |
| MBP0405 | 025 236 1318 | 47 |
| MBP0405PD | 025 236 1318/PD | 48 |
| MBP0413 | 025 236 6916 | 58 |
| MBP0413PD | 025 236 6916/PD | 59 |
| MBP0419 | 025 236 9816/W | 55 |
| MBP0462 | 025 238 7114/W | 69 |
| MBP0488 | 025 239 7017/W | 66 |
| MBP0489 | 025 239 7317 | 64 |
| MBP0489PD | 025 239 7317/PD | 64 |
| MBP0491 | 025 239 8017 | 59 |
| MBP0491PD | 025 239 8017/PD | 59 |
| MBP0512 | 025 240 5615/W | 67 |
| MBP0543 | 025 242 2716/W | 56 |
| MBP0546 | 025 242 4016/W | 62 |
| MBP0554 | 025 242 8016/W | 65 |
| MBP0643 | 025 246 3217 | 65 |
| MBP0643PD | 025 246 3217/PD | 65 |
| MBP0646 | 025 246 4815/W | 52 |
| MBP0674 | 025 248 7113/W | 70 |
| MBP0692 | 025 251 1218/W | 58 |
| MBP0694 | 025 251 7218/W | 71 |
| MBP0838PD | 025 251 1218/PD | 57 |
| MBP0840PD | 025 251 7218/PD | 58 |
| MBP1195PD | 025 238 7114/PD | 69 |
| MBP1629 | 025 200 9819 | 60 |
| MBP1662 | 025 297 0617 | 47 |
| MBP1728 | 025 220 6518 | 63 |
| MBP1735 | 025 259 6515 | 67 |
| MBP1735PD | 025 259 6515/PD | 68 |
| MBS0002 | 014 042 0902 | 72 |
| MBS0031 | 16-14 533 0001 | 73 |

| Short no. | MEYLE no. | Page |
|---------------|-------------------|------|
| Nissan | | |
| MBS0032 | 16-14 533 0002 | 72 |
| MBS0044 | 16-14 533 0024/K | 73 |
| MBS0124 | 36-14 533 0003 | 75 |
| MBS0125 | 36-14 533 0004 | 74 |
| MBS0126 | 36-14 533 0005 | 75 |
| MBS0127 | 36-14 533 0008 | 76 |
| MBS0128 | 36-14 533 0009 | 76 |
| MBS0129 | 36-14 533 0012 | 77 |
| MBS0130 | 36-14 533 0013 | 77 |
| MBS0131 | 36-14 533 0014 | 73 |
| MBS0133 | 36-14 533 0016 | 74 |
| MBS0134 | 36-14 533 0017 | 75 |
| MBS0268 | 16-14 533 0001/K | 74 |
| MBS0283 | 36-14 533 0005/K | 76 |
| MBX0010 | 014 698 0006 | 71 |
| MBX0011 | 014 698 0006/S | 71 |
| MCA0260HD | 16-16 050 0007/HD | 209 |
| MCA0261HD | 16-16 050 0008/HD | 216 |
| MCA0266HD | 16-16 050 0017/HD | 224 |
| MCA0267HD | 16-16 050 0018/HD | 223 |
| MCA0274 | 16-16 050 0025 | 223 |
| MCA0275 | 16-16 050 0026 | 222 |
| MCA0276 | 16-16 050 0027 | 215 |
| MCA0277 | 16-16 050 0028 | 208 |
| MCA0586HD | 36-16 050 0007/HD | 221 |
| MCA0587HD | 36-16 050 0008/HD | 214 |
| MCA0588 | 36-16 050 0021 | 226 |
| MCA0589 | 36-16 050 0022 | 225 |
| MCA0590 | 36-16 050 0029 | 212 |
| MCA0591 | 36-16 050 0030 | 219 |
| MCA0592 | 36-16 050 0037 | 226 |
| MCA0593 | 36-16 050 0040 | 226 |
| MCA0594 | 36-16 050 0041 | 227 |
| MCA0595 | 36-16 050 0045 | 218 |
| MCA0596 | 36-16 050 0046 | 211 |
| MCA0597 | 36-16 050 0047 | 209 |
| MCA0598 | 36-16 050 0048 | 216 |
| MCA0601 | 36-16 050 0055 | 210 |
| MCA0602 | 36-16 050 0056 | 217 |
| MCA0607 | 36-16 050 0073 | 219 |
| MCA0608 | 36-16 050 0074 | 212 |
| MCA0609 | 36-16 050 0075 | 214 |
| MCA0610 | 36-16 050 0076 | 224 |
| MCA0611 | 36-16 050 0077 | 225 |
| MCA0612 | 36-16 050 0078 | 221 |
| MCA0613 | 36-16 050 0079 | 220 |

| Short no. | MEYLE no. | Page |
|---------------|-------------------|------|
| Nissan | | |
| MCA0614 | 36-16 050 0080 | 213 |
| MCA0615 | 36-16 050 0081 | 220 |
| MCA0616 | 36-16 050 0082 | 213 |
| MCA0617 | 36-16 050 0083 | 218 |
| MCA0618 | 36-16 050 0084 | 211 |
| MCA0619 | 36-16 050 0085 | 222 |
| MCA0620 | 36-16 050 0086 | 215 |
| MCA0806HD | 36-16 050 0059/HD | 217 |
| MCA0807HD | 36-16 050 0060/HD | 210 |
| MCA1057 | 36-16 050 0095 | 228 |
| MCA1058 | 36-16 050 0096 | 227 |
| MCB0148 | 16-14 610 0001 | 231 |
| MCB0149 | 16-14 610 0002 | 231 |
| MCB0151 | 16-14 610 0004 | 232 |
| MCB0160HD | 16-14 610 0013/HD | 232 |
| MCB0243 | 36-14 050 0002 | 229 |
| MCB0244 | 36-14 545 0004 | 233 |
| MCB0245 | 36-14 610 0000 | 229 |
| MCB0246 | 36-14 610 0001 | 229 |
| MCB0247 | 36-14 610 0002 | 233 |
| MCB0248 | 36-14 610 0009 | 230 |
| MCB0249HD | 36-14 610 0010/HD | 230 |
| MCB0250 | 36-14 610 0012 | 231 |
| MCB0307 | 614 610 0005 | 232 |
| MCB0308 | 614 610 0006 | 228 |
| MCB0359 | 36-14 610 0026 | 228 |
| MCF0131 | 16-12 319 0001 | 18 |
| MCF0132 | 16-12 319 0003 | 17 |
| MCF0148 | 16-12 319 0019/S | 15 |
| MCF0151 | 16-12 319 0022 | 14 |
| MCF0153 | 16-12 320 0001 | 19 |
| MCF0158 | 16-12 320 0019/S | 16 |
| MCF0161 | 16-12 320 0022 | 13 |
| MCF0278 | 33-12 319 0005 | 16 |
| MCF0307 | 36-12 319 0000 | 17 |
| MCF0309 | 36-12 319 0002 | 16 |
| MCF0311 | 36-12 319 0004/S | 13 |
| MCF0312 | 36-12 319 0005 | 14 |
| MCF0313 | 36-12 319 0006 | 18 |
| MCF0315 | 36-12 319 0008 | 17 |
| MCF0317 | 36-12 319 0010 | 14 |
| MCF0319 | 36-12 320 0005 | 15 |
| MCF0396 | 612 319 0015 | 15 |
| MCF0418 | 712 319 0008 | 18 |
| MCF0459 | 16-12 320 0023 | 19 |
| MCM0080 | 36-14 050 0001 | 233 |

| Short no. | MEYLE no. | Page |
|---------------|-------------------|------|
| Nissan | | |
| MCM0083 | 36-14 610 0011 | 234 |
| MCR0025HD | 36-14 653 0000/HD | 234 |
| MCS0315 | 36-14 639 0000 | 257 |
| MCS0316 | 36-14 639 0001 | 256 |
| MCS0317 | 36-14 639 0002 | 257 |
| MCS0318 | 36-14 639 0003 | 258 |
| MCS0319 | 36-14 639 0004 | 257 |
| MCV0115 | 16-14 498 0029 | 94 |
| MCV0118 | 16-14 498 0032 | 95 |
| MCV0271 | 36-14 498 0011 | 91 |
| MCV0272 | 36-14 498 0012 | 91 |
| MCV0274 | 36-14 498 0017 | 90 |
| MCV0275 | 36-14 498 0018 | 88 |
| MCV0277 | 36-14 498 0020 | 89 |
| MCV0278 | 36-14 498 0021 | 87 |
| MCV0279 | 36-14 498 0024 | 88 |
| MCV0280 | 36-14 498 0026 | 92 |
| MCV0281 | 36-14 498 0027 | 92 |
| MCV0282 | 36-14 498 0028 | 90 |
| MCV0283 | 36-14 498 0029 | 88 |
| MCV0284 | 36-14 498 0031 | 89 |
| MCV0285 | 36-14 498 0032 | 94 |
| MCV0286 | 36-14 498 0033 | 93 |
| MCV0287 | 36-14 498 0034 | 93 |
| MCV0288 | 36-14 498 0035 | 92 |
| MCV0289 | 36-14 498 0036 | 93 |
| MCV0347 | 614 498 0018 | 87 |
| MCV0358 | 614 498 0029 | 94 |
| MCX0254 | 16-14 079 9404/S | 238 |
| MCX0257 | 16-14 641 0005/S | 262 |
| MCX0258 | 16-14 641 0015 | 262 |
| MCX0259 | 16-14 641 0016 | 261 |
| MCX0319 | 614 615 0006 | 239 |
| MCX0443 | 36-14 641 0001 | 262 |
| MCX0444 | 36-14 641 0002 | 261 |
| MCX0459 | 36-14 641 0004 | 261 |
| MCX0460 | 36-14 641 0005 | 260 |
| MDR0020 | 16-15 523 0002 | 72 |
| MDS0093 | 16-14 498 0038 | 86 |
| MDS0129 | 36-14 498 0037 | 86 |
| MDS0149 | 614 498 0035 | 86 |
| MEM0311 | 16-14 030 0026 | 178 |
| MEM0315 | 16-14 030 0031 | 179 |
| MEM0799 | 16-14 030 2082 | 179 |
| MEX0265 | 100 900 0000 | 106 |
| MEX0319 | 100 953 0012 | 108 |

| Short no. | MEYLE no. | Page |
|---------------|-------------------|------|
| Nissan | | |
| MEX0371 | 16-14 800 0000 | 107 |
| MEX0372 | 16-14 899 0011 | 107 |
| MEX0376 | 214 800 0002 | 107 |
| MFF0091 | 16-14 323 0002 | 169 |
| MFF0094 | 16-14 323 0007 | 166 |
| MFF0123 | 30-14 323 0001 | 167 |
| MFF0146 | 314 133 2108 | 164 |
| MFF0165 | 33-14 323 0001 | 163 |
| MFF0174 | 36-14 323 0001 | 168 |
| MFF0175 | 36-14 323 0004 | 165 |
| MFF0176 | 36-14 323 0005 | 166 |
| MFF0177 | 36-14 323 0010 | 164 |
| MFF0178 | 36-14 323 0011 | 167 |
| MFF0179 | 36-14 323 0012 | 165 |
| MFF0207 | 614 323 0000 | 164 |
| MFF0208 | 614 323 0002 | 165 |
| MFF0209 | 614 323 0003 | 168 |
| MFK0027HD | 36-14 710 0001/HD | 256 |
| MGP0024 | 11-14 860 0000 | 101 |
| MGP0032 | 16-14 860 0006 | 97 |
| MGP0034 | 16-14 860 0009 | 98 |
| MGP0055 | 32-14 860 0002 | 101 |
| MGP0061 | 36-14 860 0002 | 100 |
| MGP0062 | 36-14 860 0003 | 102 |
| MGP0063 | 36-14 860 0004 | 99 |
| MGP0095 | 714 860 0004 | 102 |
| MGP0099 | 16-14 860 0010 | 103 |
| MGP0104 | 16-14 860 0011 | 100 |
| MGP0112 | 16-14 860 0012 | 98 |
| MGP0134 | 36-14 860 0005 | 99 |
| MHP0115 | 16-14 631 0001 | 180 |
| MIC0036 | 16-14 885 0001 | 103 |
| MIC0037 | 16-14 885 0002 | 104 |
| MIC0039 | 16-14 885 0004 | 104 |
| MIC0064 | 36-14 885 0000 | 105 |
| MIC0066 | 36-14 885 0003 | 105 |
| MIC0067 | 36-14 885 0004 | 105 |
| MIC0068 | 36-14 885 0005 | 106 |
| MMB0012 | 16-14 641 0003 | 276 |
| MMX0740 | 16-51 049 0018 | 112 |
| MMX1091 | 36-51 049 0013 | 112 |
| MMX1567 | 16-14 036 0002 | 169 |
| MMX1580 | 16-14 036 0000 | 169 |
| MMX1584 | 16-14 036 0001 | 170 |
| MMX1612 | 11-51 902 2005 | 113 |
| MMX1635 | 16-51 902 2001 | 113 |

| Short no. | MEYLE no. | Page |
|---------------|----------------|------|
| Nissan | | |
| MMX1646 | 40-51 902 1000 | 111 |
| MMX1663 | 16-51 902 1000 | 109 |
| MMX1669 | 16-51 902 1001 | 110 |
| MMX1670 | 16-51 902 1002 | 110 |
| MMX1671 | 16-51 902 1003 | 110 |
| MMX1673 | 16-51 902 1006 | 109 |
| MMX1674 | 16-51 902 1007 | 109 |
| MMX1676 | 16-51 902 1009 | 111 |
| MMX1690 | 36-51 902 2000 | 112 |
| MOF0075 | 16-14 322 0000 | 176 |
| MOF0079 | 16-14 322 0006 | 176 |
| MOF0080 | 16-14 322 0008 | 170 |
| MOF0085 | 214 322 0002 | 172 |
| MOF0139 | 32-14 322 0006 | 178 |
| MOF0149 | 35-14 322 0000 | 171 |
| MOF0151 | 35-14 322 0002 | 178 |
| MOF0154 | 36-14 322 0001 | 171 |
| MOF0155 | 36-14 322 0002 | 172 |
| MOF0156 | 36-14 322 0003 | 174 |
| MOF0157 | 36-14 322 0004 | 177 |
| MOF0158 | 36-14 322 0005 | 173 |
| MOF0160 | 36-14 322 0007 | 170 |
| MOF0161 | 36-14 322 0008 | 173 |
| MOF0169 | 37-14 322 0009 | 174 |
| MOF0178 | 614 322 0000 | 172 |
| MOF0190 | 614 322 0013 | 174 |
| MOF0191 | 614 322 0014 | 176 |
| MOF0194 | 614 322 0018 | 175 |
| MOF0231 | 16-14 322 0012 | 175 |
| MPS0053 | 16-14 800 0025 | 96 |
| MPS0054 | 16-14 800 0023 | 96 |
| MPS0056 | 16-14 899 0006 | 97 |
| MPS0057 | 16-14 899 0010 | 96 |
| MRB0010 | 050 003 0630 | 125 |
| MRB0015 | 050 003 0675 | 123 |
| MRB0026 | 050 003 0788 | 116 |
| MRB0032 | 050 003 0835 | 128 |
| MRB0036 | 050 003 0875 | 130 |
| MRB0039 | 050 003 0913 | 130 |
| MRB0043 | 050 003 1000 | 128 |
| MRB0055 | 050 004 0650 | 120 |
| MRB0062 | 050 004 0705 | 130 |
| MRB0064 | 050 004 0715 | 118 |
| MRB0065 | 050 004 0725 | 131 |
| MRB0066 | 050 004 0730 | 131 |
| MRB0071 | 050 004 0760 | 131 |



| Short no. | MEYLE no. | Page |
|---------------|--------------|------|
| Nissan | | |
| MRB0072 | 050 004 0763 | 132 |
| MRB0074 | 050 004 0775 | 132 |
| MRB0076 | 050 004 0785 | 132 |
| MRB0080 | 050 004 0805 | 133 |
| MRB0081 | 050 004 0810 | 133 |
| MRB0082 | 050 004 0815 | 133 |
| MRB0084 | 050 004 0825 | 134 |
| MRB0085 | 050 004 0830 | 134 |
| MRB0088 | 050 004 0845 | 135 |
| MRB0089 | 050 004 0850 | 135 |
| MRB0094 | 050 004 0875 | 135 |
| MRB0099 | 050 004 0900 | 136 |
| MRB0100 | 050 004 0905 | 136 |
| MRB0102 | 050 004 0913 | 136 |
| MRB0107 | 050 004 0925 | 137 |
| MRB0112 | 050 004 0950 | 137 |
| MRB0114 | 050 004 0962 | 138 |
| MRB0121 | 050 004 0995 | 138 |
| MRB0127 | 050 004 1025 | 138 |
| MRB0128 | 050 004 1030 | 139 |
| MRB0129 | 050 004 1040 | 139 |
| MRB0135 | 050 004 1075 | 139 |
| MRB0138 | 050 004 1100 | 140 |
| MRB0146 | 050 004 1190 | 140 |
| MRB0167 | 050 004 1538 | 129 |
| MRB0199 | 050 005 0900 | 119 |
| MRB0205 | 050 005 0930 | 120 |
| MRB0207 | 050 005 0950 | 117 |
| MRB0209 | 050 005 0962 | 121 |
| MRB0236 | 050 005 1125 | 116 |
| MRB0248 | 050 005 1200 | 129 |
| MRB0258 | 050 005 1285 | 140 |
| MRB0301 | 050 006 0675 | 119 |
| MRB0303 | 050 006 0725 | 123 |
| MRB0312 | 050 006 0820 | 122 |
| MRB0324 | 050 006 0884 | 121 |
| MRB0325 | 050 006 0890 | 120 |
| MRB0333 | 050 006 0955 | 126 |
| MRB0350 | 050 006 1060 | 117 |
| MRB0353 | 050 006 1075 | 127 |
| MRB0356 | 050 006 1090 | 127 |
| MRB0358 | 050 006 1095 | 126 |
| MRB0359 | 050 006 1100 | 125 |
| MRB0361 | 050 006 1110 | 126 |
| MRB0365 | 050 006 1130 | 114 |
| MRB0368 | 050 006 1150 | 128 |

| Short no. | MEYLE no. | Page |
|---------------|----------------|------|
| Nissan | | |
| MRB0377 | 050 006 1200 | 115 |
| MRB0379 | 050 006 1205 | 117 |
| MRB0380 | 050 006 1210 | 124 |
| MRB0394 | 050 006 1306 | 118 |
| MRB0466 | 050 006 1795 | 129 |
| MRB0514 | 050 006 2080 | 119 |
| MRB0534 | 050 006 2245 | 122 |
| MRB0581 | 050 007 1093 | 141 |
| MRB0582 | 050 007 1104 | 141 |
| MRB0583 | 050 007 1110 | 115 |
| MRB0584 | 050 007 1125 | 118 |
| MRB0586 | 050 007 1145 | 124 |
| MRB0587 | 050 007 1153 | 124 |
| MRB0591 | 050 007 1275 | 127 |
| MRB0608 | 050 007 1642 | 125 |
| MRB0611 | 050 007 1730 | 121 |
| MRB0612 | 050 007 1741 | 113 |
| MRB0617 | 050 007 1795 | 122 |
| MRB0618 | 050 007 1815 | 123 |
| MRB0620 | 050 007 1920 | 116 |
| MRB0623 | 050 007 1970 | 114 |
| MRB0626 | 050 007 2000 | 114 |
| MSA0138 | 16-26 613 0006 | 263 |
| MSA0149 | 16-26 725 0002 | 270 |
| MSA0359 | 36-26 623 0002 | 264 |
| MSA0360 | 36-26 623 0003 | 266 |
| MSA0361 | 36-26 623 0004 | 267 |
| MSA0362 | 36-26 623 0005 | 264 |
| MSA0363 | 36-26 623 0008 | 267 |
| MSA0364 | 36-26 623 0009 | 265 |
| MSA0365 | 36-26 623 0012 | 273 |
| MSA0366 | 36-26 623 0013 | 272 |
| MSA0367 | 36-26 623 0016 | 266 |
| MSA0368 | 36-26 623 0017 | 263 |
| MSA0369 | 36-26 625 0001 | 269 |
| MSA0370 | 36-26 723 0000 | 268 |
| MSA0371 | 36-26 723 0001 | 268 |
| MSA0372 | 36-26 725 0005 | 271 |
| MSA0373 | 36-26 725 0007 | 274 |
| MSA0374 | 36-26 725 0009 | 270 |
| MSA0480 | 626 625 0001 | 269 |
| MSA0497 | 626 725 0017 | 269 |
| MSA0578 | 16-26 623 0007 | 263 |
| MSA0592 | 36-26 725 0003 | 271 |
| MSA0621 | 36-26 725 0004 | 274 |
| MSA0646 | 36-26 725 0001 | 271 |

| Short no. | MEYLE no. | Page |
|---------------|-------------------|------|
| Nissan | | |
| MSA0685 | 36-26 623 0006 | 267 |
| MSA0686 | 36-26 623 0007 | 265 |
| MSA0690 | 36-26 623 0018 | 273 |
| MSA0691 | 36-26 623 0019 | 272 |
| MSB0144 | 16-14 615 0004 | 235 |
| MSB0149 | 16-14 615 0010 | 235 |
| MSB0211 | 614 615 0005 | 238 |
| MSB0345 | 36-14 615 0000 | 237 |
| MSB0451 | 36-14 615 0001 | 236 |
| MSB0452 | 36-14 715 0000 | 237 |
| MSB0474 | 614 615 0009 | 235 |
| MSB0477 | 614 715 0000 | 238 |
| MSB0500 | 36-14 615 0002 | 237 |
| MSC0038 | 16-14 640 0000 | 258 |
| MSC0078 | 36-14 640 0000 | 259 |
| MSC0079 | 36-14 740 0000 | 259 |
| MSC0111 | 16-14 640 0003 | 258 |
| MSC0128 | 36-14 740 0002 | 260 |
| MSC0131 | 36-14 640 0001 | 259 |
| MSC0132 | 36-14 740 0001 | 260 |
| MSK0047 | 31-14 620 0000 | 181 |
| MSK0049 | 36-14 620 0000 | 180 |
| MSL0163HD | 16-16 060 0003/HD | 239 |
| MSL0243HD | 30-16 060 0017/HD | 247 |
| MSL0264HD | 30-16 060 0047/HD | 240 |
| MSL0397HD | 35-16 060 0021/HD | 245 |
| MSL0402HD | 36-16 060 0001/HD | 252 |
| MSL0403 | 36-16 060 0002 | 254 |
| MSL0404 | 36-16 060 0003 | 254 |
| MSL0405 | 36-16 060 0004 | 253 |
| MSL0406 | 36-16 060 0006 | 248 |
| MSL0407 | 36-16 060 0007 | 251 |
| MSL0408 | 36-16 060 0007/S | 243 |
| MSL0409 | 36-16 060 0008 | 247 |
| MSL0410 | 36-16 060 0011 | 242 |
| MSL0411 | 36-16 060 0014 | 242 |
| MSL0412 | 36-16 060 0016 | 246 |
| MSL0413 | 36-16 060 0017 | 251 |
| MSL0414 | 36-16 060 0022 | 241 |
| MSL0415 | 36-16 060 0023 | 250 |
| MSL0416 | 36-16 060 0025 | 244 |
| MSL0417HD | 36-16 060 0026/HD | 253 |
| MSL0418HD | 36-16 060 0027/HD | 249 |
| MSL0419HD | 36-16 060 0028/HD | 244 |
| MSL0420 | 36-16 060 0029 | 243 |
| MSL0421HD | 36-16 060 0030/HD | 243 |

| Short no. | MEYLE no. | Page |
|---------------|-------------------|------|
| Nissan | | |
| MSL0422HD | 36-16 060 0031/HD | 249 |
| MSL0423HD | 36-16 060 0032/HD | 254 |
| MSL0426HD | 36-16 060 0037/HD | 245 |
| MSL0427HD | 36-16 060 0040/HD | 250 |
| MSL0428HD | 36-16 060 0046/HD | 249 |
| MSL0429HD | 36-16 060 0047/HD | 241 |
| MSL0430 | 36-16 060 0048 | 252 |
| MSL0431 | 36-16 060 0049 | 252 |
| MSL0522HD | 616 060 0007/HD | 239 |
| MSL0523HD | 616 060 0008/HD | 241 |
| MSL0573HD | 36-16 060 0052/HD | 248 |
| MSL0765 | 16-16 060 0015 | 240 |
| MSL0790 | 30-16 060 0080 | 247 |
| MSL0841 | 33-16 060 0013 | 240 |
| MSL0855 | 36-16 060 0056 | 253 |
| MSL0856 | 36-16 060 0057 | 255 |
| MSL0857 | 36-16 060 0058 | 246 |
| MSL0858 | 36-16 060 0059 | 251 |
| MSL0859 | 36-16 060 0060 | 245 |
| MSM0091 | 16-14 641 0004 | 275 |
| MSM0092 | 16-14 641 0004/S | 276 |
| MSM0141 | 36-14 641 0000 | 275 |
| MSM0218 | 16-14 641 0022 | 275 |
| MSX0077 | 16-14 620 0001 | 180 |
| MTA0180 | 36-16 030 0014 | 187 |
| MTE0183 | 16-16 020 0000 | 189 |
| MTE0187 | 16-16 020 0006 | 189 |
| MTE0189HD | 16-16 020 0008/HD | 189 |
| MTE0190HD | 16-16 020 0009/HD | 188 |
| MTE0195 | 16-16 020 0014 | 195 |
| MTE0197 | 16-16 020 0016 | 192 |
| MTE0210 | 16-16 020 0029 | 198 |
| MTE0211 | 16-16 020 0030 | 198 |
| MTE0393 | 36-16 020 0008 | 190 |
| MTE0394 | 36-16 020 0009 | 194 |
| MTE0395 | 36-16 020 0014 | 198 |
| MTE0396 | 36-16 020 0015 | 197 |
| MTE0397 | 36-16 020 0017 | 193 |
| MTE0398 | 36-16 020 0018 | 195 |
| MTE0399 | 36-16 020 0027 | 196 |
| MTE0400 | 36-16 020 0028 | 193 |
| MTE0402 | 36-16 020 0031 | 197 |
| MTE0403 | 36-16 020 0053 | 190 |
| MTE0404 | 36-16 020 0070 | 191 |
| MTE0405 | 36-16 020 0077 | 191 |
| MTE0407HD | 36-16 020 0081/HD | 195 |

| Short no. | MEYLE no. | Page |
|---------------|-------------------|------|
| Nissan | | |
| MTE0408 | 36-16 020 0084 | 193 |
| MTE0409 | 36-16 020 0086 | 190 |
| MTE0410 | 36-16 020 0088 | 197 |
| MTE0411HD | 36-16 020 0090/HD | 192 |
| MTE0412 | 36-16 020 0091 | 194 |
| MTE0413 | 36-16 020 0092 | 196 |
| MTE0477 | 616 020 0006 | 188 |
| MTE0479 | 616 020 0008 | 188 |
| MTE0480 | 616 020 0009 | 191 |
| MTE0653 | 36-16 020 0035 | 196 |
| MTE0654 | 36-16 020 0036 | 194 |
| MTH0024 | 028 282 0004 | 143 |
| MTH0056 | 30-28 228 0001 | 144 |
| MTH0067 | 36-28 228 0000 | 144 |
| MTH0068 | 36-28 228 0002 | 145 |
| MTH0069 | 36-28 228 0003 | 143 |
| MTH0070 | 36-28 228 0004 | 144 |
| MTH0075 | 39-28 228 0000 | 142 |
| MTH0088 | 36-28 228 0006 | 142 |
| MTH0102 | 16-28 228 0003 | 141 |
| MTH0105 | 16-28 228 0001 | 142 |
| MTH0108 | 36-28 228 0005 | 145 |
| MTS0146 | 16-40 910 0001 | 2 |
| MTS0170 | 16-40 910 0029 | 4 |
| MTS0279 | 36-40 910 0006 | 3 |
| MTS0280 | 36-40 910 0007 | 3 |
| MTS0281 | 36-40 910 0009 | 2 |
| MTS0287 | 36-40 910 0015 | 1 |
| MTS0288 | 36-40 910 0016 | 1 |
| MTS0289 | 36-40 910 0017 | 4 |
| MTS0290 | 36-40 910 0018 | 5 |
| MTS0291 | 36-40 910 0019 | 4 |
| MTS0292 | 36-40 910 0020 | 5 |
| MTS0293 | 36-40 910 0021 | 1 |
| MTS0296 | 36-40 910 0024 | 5 |
| MTS0297 | 36-40 910 0031 | 3 |
| MTS0298 | 36-40 910 0032 | 2 |
| MWB0001 | 014 098 0024 | 277 |
| MWB0002 | 014 098 0025 | 276 |
| MWB0004 | 014 098 0029 | 277 |
| MWC0022 | 36-14 531 0001 | 82 |
| MWC0031 | 714 531 0003 | 82 |
| MWH0075 | 16-14 752 0006 | 284 |
| MWH0142 | 36-14 652 0000 | 281 |
| MWH0143 | 36-14 652 0001 | 282 |
| MWH0144 | 36-14 652 0003 | 281 |

| Short no. | MEYLE no. | Page |
|---------------|----------------|------|
| Nissan | | |
| MWH0145 | 36-14 652 0004 | 284 |
| MWH0146 | 36-14 750 0001 | 282 |
| MWH0147 | 36-14 750 0002 | 283 |
| MWH0148 | 36-14 750 0005 | 285 |
| MWH0149 | 36-14 752 0000 | 283 |
| MWH0241 | 36-14 752 0006 | 284 |
| MWH0248 | 36-14 652 0005 | 281 |
| MWH0253 | 36-14 750 0004 | 285 |
| MWK0109 | 16-14 650 0001 | 280 |
| MWK0110 | 16-14 650 0004 | 278 |
| MWK0115 | 16-14 650 0011 | 279 |
| MWK0116 | 16-14 650 0013 | 277 |
| MWK0122 | 16-14 750 0014 | 279 |
| MWK0124 | 16-14 750 0018 | 279 |
| MWK0167 | 36-14 650 0002 | 278 |
| MWK0168 | 36-14 650 0003 | 278 |
| MWK0225 | 36-14 650 0004 | 280 |
| MWK0227 | 16-14 650 0014 | 280 |
| MWP0074 | 11-13 012 0158 | 150 |
| MWP0189 | 16-13 027 0001 | 147 |
| MWP0200 | 16-13 220 0003 | 148 |
| MWP0201 | 16-13 220 0004 | 148 |
| MWP0204 | 16-13 220 0011 | 153 |
| MWP0205 | 16-13 220 0012 | 149 |
| MWP0208 | 16-13 220 0015 | 146 |
| MWP0211 | 16-13 220 0020 | 146 |
| MWP0214 | 16-13 220 0023 | 147 |
| MWP0216 | 16-13 220 0025 | 155 |
| MWP0217 | 16-13 220 0026 | 146 |
| MWP0384 | 36-13 210 0011 | 151 |
| MWP0385 | 36-13 220 0000 | 149 |
| MWP0386 | 36-13 220 0001 | 151 |
| MWP0387 | 36-13 220 0002 | 150 |
| MWP0388 | 36-13 220 0003 | 152 |
| MWP0389 | 36-13 220 0004 | 152 |
| MWP0390 | 36-13 220 0005 | 152 |
| MWP0392 | 36-13 220 0007 | 155 |
| MWP0394 | 36-13 220 0010 | 151 |
| MWP0396 | 36-13 220 0012 | 153 |
| MWP0397 | 36-13 220 0013 | 154 |
| MWP0448 | 613 220 0008 | 149 |
| MWP0456 | 613 600 0003 | 148 |
| MWP0519 | 36-13 220 0016 | 153 |
| MWP0532 | 16-13 220 0028 | 147 |
| MWP0537 | 36-13 220 0015 | 154 |



MEYLE

**You see the pretty
curves, underneath
is what counts.**



The MEYLE brand supplies its customers with more than 21,000 extremely reliable and durable spare parts manufactured at our own production facilities or by trusted production partners. MEYLE boasts a highly diversified product range.

Whether steering and suspension components, rubber-to-metal parts, brakes, damping components, cooling systems, filters, drive components, electric and sensors MEYLE is synonymous with top-grade quality-tested spare parts.

Notes

This catalogue is protected by copyright. Reproduction of text, graphic elements, photographs and/or data, even in part, is prohibited. MEYLE, **MEYLE**, or parts thereof, are registered trademarks of MEYLE AG.

All supplies and services are subject to our General Terms and Conditions. The original spare part numbers shown in this catalogue are for cross-reference purposes only and shall not be disclosed to third parties on invoices and delivery notes. While the information in this catalogue was compiled and edited with utmost care we do not assume responsibility or accept claims arising from errors or inconsistencies. Subject to technical and/or design changes.

This issue of the catalogue supersedes all previous issues.
All rights reserved. © 2017 MEYLE AG



MEYLE parts are available through:

MEYLE AG

Merkurring 111, 22143 Hamburg, Germany
Tel. +49 40 67506 510, Fax +49 40 67506 506
contact@meyle.com

www.meyle.com

MEYLE