

Jaguar

Spare parts for passenger cars



DRIVER'S BEST FRIEND

MEYLE

Sophisticated technology - considerably longer service life.



The MEYLE range of products features a wide variety of components. Spare parts from A to Z, from Alfa Romeo to Volvo, from minicars to top-of-the-range luxury models.



Steering & suspension

Control arms, Stabilizer links, Tie rod assemblies, and many more



Brakes

Brake discs, MEYLE PD, Brake pad sets, Brake drums, and many more



Drive components

C.V. joint kits, Wheel bearings, Belt drives, and many more



Damping parts

Shock absorbers, Strut mounts, Coil springs, and many more



Filters

Oil filters, Air filters, Cabin air filters, Fuel filters, and many more



Cooling components

Water pumps, Expansion tanks, Radiator hoses, and many more



Rubber-to-metal parts

Flex discs, Cardan shaft bearings, Engine mounts, and many more



Electrics and sensors

Crank position sensor, Control units, Glow plugs, and many more



Engine and transmission parts

Oil change kits, V-ribbed belts, Idlers/guide pulleys, and many more



Fluids

Coolant additives, Hydraulic oil, Engine oil, and many more



Complementary product range

Wiper blades, Gas springs, Window lifters, and many more

ORIGINAL, PD and HD – The MEYLE product lines



MEYLE-ORIGINAL: Fit as snugly as the original.

More than 21,000 spare parts for passenger cars, vans and trucks, quality-tested, robust, durable and tried and tested a thousand times over on the roads across the world – that's MEYLE-ORIGINAL. Relying on our comprehensive product portfolio – offering everything from A for axial joint to Z for zinc-coated screw – customers can be sure that they will always have safety on their side.

MEYLE-PD: Safety to the power of two.

Thinking outside the box to make our products better: MEYLE-PD stands for brake discs and pads delivering maximum braking performance and setting new standards in terms of durability, comfort, aesthetics, and ease of installation. Look for the „/PD“ part number extension.

MEYLE-HD: Better than originals.

MEYLE-HD parts simply last longer. Their technically optimised and reinforced designs make them more durable and reliable than OE components. So it is only natural for us to offer extended warranty protection for our MEYLE-HD parts: All parts of the HD range come with a full four-year guarantee. Look for the „/HD“ part number extension.



4-year guarantee on all MEYLE-HD parts!

Robust, high mileage, reliable and better than the original. MEYLE-HD parts simply last longer!

Our three success factors.

The success of the MEYLE brand is based on competence, quality and service.

The development of quality-approved automotive spare parts for the independent aftermarket is our trademark. And MEYLE-HD parts are our specialty: improved parts, developed by our team of engineers at our headquarters in Hamburg. We give a 4-year guarantee on our MEYLE-HD parts which have a far longer service life. Based on information from TÜV (Technical control board), from recall statistics as well as media and market information from workshops and other technical partners, MEYLE engineers identify parts in vehicles which become conspicuous on account of frequent, early wear. On the basis of their findings, they develop technical improvements for the respective weakness. In the end, this work is a

large benefit for all MEYLE parts. Something all reputable automotive manufacturers highly appreciate: MEYLE also develops customized products, for example for Morgan, the legendary sports car manufacturer.

Passing on our know-how to staff and customers is just as much a part of our service as high parts availability and swift delivery. Modern warehouse logistics with space covering 29,000 m² and 56,000 pallet places ensure the reliable supply of our partners.

We have now won the "Top Job Employer" award for the fifth time which confirms our outstanding internal business approach and excellent Human Resources policy. We have been one of Germany's leading SME employers for many years.

MEYLE

Guarantee certificate



A distinguishing feature of MEYLE is our high level of precision, achieved by the application of the most modern manufacturing methods. Our MEYLE articles meet highest quality standards and our supply plants are certified in accordance with ISO 9001:2008 and ISO/TS 16949.

We guarantee perfect material and faultless processing of all our MEYLE articles for a period of 24 months as of the date of installation. For MEYLE-HD articles, this guarantee applies for 48 months as of the date of installation.

Complementing this guarantee, we give an additional 100,000 miles (160,934 kilometres) performance guarantee against defects of material and workmanship for MEYLE passenger car water pumps purchased from 01 May 2016. The guarantee given for MEYLE passenger car water pumps terminates upon expiration of the guarantee period or the guaranteed mileage, whichever occurs later: if the guaranteed mileage has not been reached at the end of the guarantee period of 24 or 48 months respectively, the performance guarantee continues to be valid. Respectively, the guarantee period of 24 or 48 months continues to be valid also in any case where the guaranteed mileage was already exceeded.

During the guarantee period, we perform repair work on claimed MEYLE articles or provide a replacement. The MEYLE guarantee does not apply for normal wear and damage caused by inappropriate handling or inappropriate installation. The guarantee expires if the respective part is modified by third parties or via installation of parts from third parties, or if the part, or vehicle, is used in excess of the appropriate use and purpose. The MEYLE guarantee also expires if MEYLE instructions or vehicle manufacturer instructions, e.g. concerning maintenance and replacement intervals, are not observed. The guarantee only applies for MEYLE water pumps, if the cooling circuit has been flushed prior to installation of the MEYLE water pump. Rights granted by law continue to apply unrestrictedly, irrespective of this guarantee.

The customer must submit a written guarantee claim immediately, or at the latest 30 days after identifying an error in material or processing. This claim is to be submitted to the dealer from which he acquired the MEYLE article part. The customer should return the article, carefully packed. He must enclose the original sales receipt and a description of the error. The customer must also verify the date of installation and the mileage of the vehicle by means of respective documents.

Last amended January 2017

A handwritten signature in white ink, appearing to read 'M. Wunder', is centered on the dark blue background.

Director Quality Assurance
Manfred Wunder

Body/Cabin

1

Body, Interior fittings

Cabin air filter
Wiper Blade

Brakes

6

Disc brake, Hydraulics

Brake disc	Brake pad set
Brake hose	Guide sleeve kit, brake caliper

Drive train/Transmission

21

Joints, Transmission

Joint, propeller shaft
Parts kit, automatic transm. oil change

Electrics

24

Brakes, Engine

ABS wheel sensor	Wear sensor
Glow plug	

Engine/Cooling/Clutch

28

Belt drive / Engine control, Cooling system, Fuel system, Lubrication system

Air filter	Oil filter	V-ribbed belt
Expansion tank	Tensioner pulley, timing belt	Water pump
Fuel filter	Timing belt roller	

Steering

37

Hydraulics, Tie rod assemblies

Axial rod	Tie rod end
P/S hose	

Suspension

40

Control arms, Stabilizer, Suspension / damping, Wheel hubs / Wheel bearings

Ball joint	Mount, control arm	Stabilizer link
Control arm	Mount, stabilizer	Strut mount
Control arm bushing	Mount, wheel bearing housing	Wheel bearing kit



Wiper Blade

029 300 1211 | MBL0004

Notes

Length [in]
Length [mm]

Bracket wiper blade
Beam wiper blade
12
300
Rear



Application info

XF II (09/12--)

Wiper Blade

029 350 1416 | MBL0055

Notes

Length [in]
Length [mm]

Beam wiper blade
Bracket wiper blade
14
350
Rear



Application info

X-Type (06/01-12/09)

Wiper Blade

029 380 1514 | MBL0081

Notes

Length [in]
Length [mm]

Beam wiper blade
Bracket wiper blade
15
380
Rear



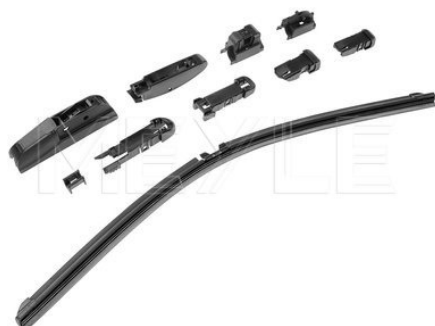
Application info

XJ I, II, III (09/68-12/92)

XJS (09/73-03/96)

029 450 1800 | MBL0027

Wiper Blade



Notes

Observe service information
Length [in]
Length [mm]

Flat wiper blade
Flat bar wiper blade
18
450
Front

Application info

S-Type [CCX] [01/99-12/08]
XF [03/08--]

XF II [09/12--]

029 475 1900 | MBL0028

Wiper Blade



Notes

Observe service information
Length [in]
Length [mm]

Flat bar wiper blade
Flat wiper blade
19
475
Front

Application info

X-Type [06/01-12/09]

029 500 2000 | MBL0029

Wiper Blade



Notes

Observe service information
Length [in]
Length [mm]

Flat bar wiper blade
Flat wiper blade
20
500
Front

Application info

XJ [XJ40] [10/86-11/94]

Wiper Blade

029 530 2100 | MBL0030

Notes

Observe service information
Length [in]
Length [mm]

Flat bar wiper blade
Flat wiper blade
21
530
Front



Application info

XJ [X308] [07/97-05/03]

Wiper Blade

029 550 2200 | MBL0032

Notes

Observe service information
Length [in]
Length [mm]

Flat bar wiper blade
Flat wiper blade
22
550
Front



Application info

X-Type [06/01-12/09]

Wiper Blade

029 580 2300 | MBL0033

Notes

Observe service information
Length [in]
Length [mm]

Flat bar wiper blade
Flat wiper blade
23
580
Front



Application info

XF [03/08--]

XF II [09/12--]

029 600 2400 | MBL0034

Wiper Blade



Notes

Observe service information
Length [in]
Length [mm]

Flat bar wiper blade
Flat wiper blade
24
600
Front

Application info

S-Type [CCX] [01/99-12/08]

712 319 0002 | MCF0412

Cabin air filter



Bilddatei System/FS_0400x0313_JPG_sta/
FS_7123190002.jpg nicht gefunden.

Notes

Height [mm]
Width [mm]
Length [mm]

35
98
510
Filter Insert
Particulate Filter

References

C2S8619

Application info

X-Type [06/01-12/09]

712 320 0002 | MCF0422

Cabin air filter



Notes

Height [mm]
Width [mm]
Length [mm]

38
110
520
Filter Insert
Activated Carbon Filter

References

C2S8619

Application info

X-Type [06/01-12/09]



Cabin air filter

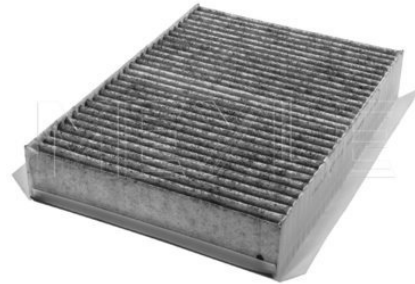
18-12 320 0000 | MCF0163

Notes

Height [mm]	43
Width [mm]	223.5
Length [mm]	260
	Filter Insert
	Activated Carbon Filter

References

XR830254	XR849205
----------	----------



Application info

S-Type [CCX] [01/99-12/08]

1

18-15 521 0011/PD | MBD1834PD

Brake disc



Notes

Wheel Bolt Bore Ø [mm]	14
	Zink flake coated
	Vented
Centering Diameter [mm]	71
Minimum thickness [mm]	28
Outer diameter [mm]	326
Height [mm]	46
Bolt Hole Circle Ø [mm]	108
Brake Disc Thickness [mm]	30
Required quantity	2
Number of Holes	5
	Front Axle

References

C2C025336	C2C25336
-----------	----------

Application info

XF [03/08--]
XF II [09/12--]

XJ [X350] [05/03-03/09]
XK [03/06--]

18-83 521 0008/PD | MBD1523PD

Brake disc



Notes

Wheel Bolt Bore Ø [mm]	14
	Zink flake coated
	High-carbon
	Vented
Centering Diameter [mm]	71
Minimum thickness [mm]	30
Outer diameter [mm]	355
Height [mm]	45
Bolt Hole Circle Ø [mm]	108
Brake Disc Thickness [mm]	32
Required quantity	2
Number of Holes	5
	Front Axle

References

C2C025337	C2C25337
-----------	----------

Application info

S-Type [CCX] [01/99-12/08]
XF [03/08--]
XF II [09/12--]

XJ [351] [10/09--]
XK [03/06--]



Brake disc

18-15 523 0008/PD | MBD1835PD

Notes

Wheel Bolt Bore Ø [mm]	14
	Zink flake coated
	Vented
Centering Diameter [mm]	64.5
Minimum thickness [mm]	18
Outer diameter [mm]	326
Height [mm]	38
Bolt Hole Circle Ø [mm]	108
Brake Disc Thickness [mm]	20
Required quantity	2
Number of Holes	5
	Rear Axle

References

C2C025339	C2D26352
C2C25339	



Application info

S-Type [CCX] [01/99-12/08]
 XF [03/08--]
 XF II [09/12--]

XJ [351] [10/09--]
 XJ [X350] [05/03-03/09]
 XK [03/06--]

Brake disc

18-15 521 0005/PD | MBD0361PD

Notes

	Chrome-[VI]- free passivation
	Vented
Centering Diameter [mm]	73.8
Minimum thickness [mm]	26
Outer diameter [mm]	305
Height [mm]	49.5
Bolt Hole Circle Ø [mm]	120.7
Brake Disc Thickness [mm]	28.5
Required quantity	2
Number of Holes	5
	Front Axle

References

C2C41249	JLM20150
----------	----------



Application info

XJ [X308] [07/97-05/03]

XK 8 [QDV, QEV] [03/96-05/07]

2

18-15 521 0006/PD | MBD0362PD

Brake disc



Notes

	Chrome-(VI)- free passivation
	Vented
Centering Diameter [mm]	71
Minimum thickness [mm]	28.4
Outer diameter [mm]	320
Height [mm]	43
Bolt Hole Circle Ø [mm]	108
Brake Disc Thickness [mm]	30
Required quantity	2
Number of Holes	5
	Front Axle

References

C2C8354

Application info

S-Type [CCX] [01/99-12/08]

XJ [X350] [05/03-03/09]

18-15 521 0009/PD | MBD1411PD

Brake disc



Notes

Wheel Bolt Bore Ø [mm]	14
	Chrome-(VI)- free passivation
	Vented
Centering Diameter [mm]	71
Minimum thickness [mm]	34
Outer diameter [mm]	380
Height [mm]	48
Bolt Hole Circle Ø [mm]	108
Brake Disc Thickness [mm]	36
Required quantity	2
Number of Holes	5
	Front Axle

References

C2P12622

Application info

XF [03/08--]
XF II [09/12--]

XJ [351] [10/09--]
XK [03/06--]

Brake disc
18-15 523 0007/PD | MBD1412PD
Notes

Wheel Bolt Bore Ø [mm]	14
	Zink flake coated
	Vented
Centering Diameter [mm]	72
Minimum thickness [mm]	24
Outer diameter [mm]	376
Height [mm]	64.5
Bolt Hole Circle Ø [mm]	108
Brake Disc Thickness [mm]	26
Required quantity	2
Number of Holes	5
	Rear Axle


References

C2P13648

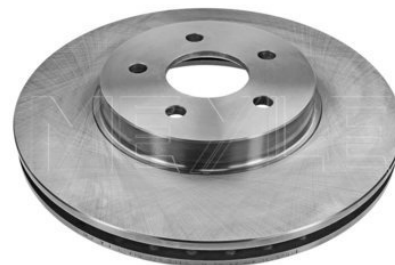
Application info

 XF [03/08--]
 XF II [09/12--]

 XJ [351] [10/09--]
 XK [03/06--]

Brake disc
715 521 7019 | MBD1371
Notes

Wheel Bolt Bore Ø [mm]	13.7
	Vented
Centering Diameter [mm]	63.5
Minimum thickness [mm]	22
Outer diameter [mm]	300
Height [mm]	47
Bolt Hole Circle Ø [mm]	108
Brake Disc Thickness [mm]	23.9
Required quantity	2
Number of Holes	5
	Front Axle


References

C2S35270	C2S49729
C2S42667	C2S52091
C2S4566	

Application info

X-Type [06/01-12/09]

783 521 7019/PD | MBD1625PD

Brake disc



Notes

Wheel Bolt Bore Ø [mm]	13.7
	Zink flake coated
	High-carbon
	Vented
Centering Diameter [mm]	63.5
Minimum thickness [mm]	22
Outer diameter [mm]	300
Height [mm]	47
Bolt Hole Circle Ø [mm]	108
Brake Disc Thickness [mm]	23.9
Required quantity	2
Number of Holes	5
	Front Axle

References

C2S35270	C2S49729
C2S42667	C2S52091
C2S4566	

Application info

X-Type [06/01-12/09]

715 523 0019 | MBD2066

Brake disc



Notes

Wheel Bolt Bore Ø [mm]	13.7
	Solid
Centering Diameter [mm]	63.5
Minimum thickness [mm]	10
Outer diameter [mm]	280
Height [mm]	34
Bolt Hole Circle Ø [mm]	108
Brake Disc Thickness [mm]	12
Required quantity	2
Number of Holes	5
	Rear Axle

References

C2S35271	C2S52088
C2S42668	C2S9231
C2S49730	

Application info

X-Type [06/01-12/09]



Brake disc

715 523 0019/PD | MBD2066PD

Notes

Wheel Bolt Bore Ø [mm]	13.7
	Zink flake coated
	Solid
Centering Diameter [mm]	63.5
Minimum thickness [mm]	10
Outer diameter [mm]	280
Height [mm]	34
Bolt Hole Circle Ø [mm]	108
Brake Disc Thickness [mm]	12
Required quantity	2
Number of Holes	5
	Rear Axle

References

C2S35271	C2S52088
C2S42668	C2S9231
C2S49730	



Application info

X-Type [06/01-12/09]

Brake disc

18-15 523 0009/PD | MBD1836PD

Notes

	Zink flake coated
	Solid
Centering Diameter [mm]	74
Minimum thickness [mm]	8.8
Outer diameter [mm]	278
Height [mm]	68
Bolt Hole Circle Ø [mm]	120.65
Brake Disc Thickness [mm]	10
Required quantity	2
Number of Holes	5
	Rear Axle

References

CAC5567	JLM1450
JLM012429	



Application info

XJ [XJ40] [10/86-11/94]

XJ I, II, III [09/68-12/92]

2

18-15 523 0001/PD | MBD0365PD

Brake disc



Notes

	Chrome-[VI]- free passivation
	Vented
Centering Diameter [mm]	73.8
Minimum thickness [mm]	18.5
Outer diameter [mm]	305
Height [mm]	68
Bolt Hole Circle Ø [mm]	120.7
Brake Disc Thickness [mm]	20
Required quantity	2
Number of Holes	5
	Rear Axle

References

C2C41251	JLM12428
JLM11904	JLM20342

Application info

XJ [X300] [11/94-07/97]
XJ [X308] [07/97-05/03]

XJ [XJ40] [10/86-11/94]
XK 8 [QDV, QEV] [03/96-05/07]

18-15 521 0004/PD | MBD0360PD

Brake disc



Notes

Wheel Bolt Bore Ø [mm]	13.5
	Chrome-[VI]- free passivation
	Vented
Centering Diameter [mm]	73.75
Minimum thickness [mm]	22
Outer diameter [mm]	325
Height [mm]	49.5
Bolt Hole Circle Ø [mm]	109
Brake Disc Thickness [mm]	28.3
Required quantity	2
Number of Holes	6
	Front Axle

References

C2C41250	JLM21279
JLM20617	JLM21749

Application info

XJ [X308] [07/97-05/03]

XK 8 [QDV, QEV] [03/96-05/07]

Brake disc
18-15 521 0010/PD | MBD1833PD
Notes

Wheel Bolt Bore Ø [mm]	14
	Zink flake coated
	Vented
Centering Diameter [mm]	71
Minimum thickness [mm]	28
Outer diameter [mm]	300
Height [mm]	43
Bolt Hole Circle Ø [mm]	108
Brake Disc Thickness [mm]	30
Required quantity	2
Number of Holes	5
	Front Axle


References

JLM20801	XR858130
----------	----------

Application info

S-Type [CCX] [01/99-12/08]

Brake disc
18-15 523 0002/PD | MBD0366PD
Notes

Wheel Bolt Bore Ø [mm]	14
	Chrome-[VI]- free passivation
	Vented
Centering Diameter [mm]	64.5
Minimum thickness [mm]	18.5
Outer diameter [mm]	288
Height [mm]	32.5
Bolt Hole Circle Ø [mm]	108
Brake Disc Thickness [mm]	20
Required quantity	2
Number of Holes	5
	Rear Axle


References

JLM20802	XR858129
XR827087	

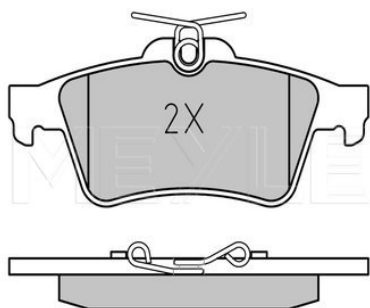
Application info

S-Type [CCX] [01/99-12/08]

XJ [X350] [05/03-03/09]

025 241 3716 | MBP0531

Brake pad set



Notes

Thickness [mm]
Height [mm]
Width [mm]
Brake System

with spring
not prepared for wear indicator
16.1
51.9
123
ATE
with anti-squeak plate
Rear Axle

References

C2C27271

C2P17595

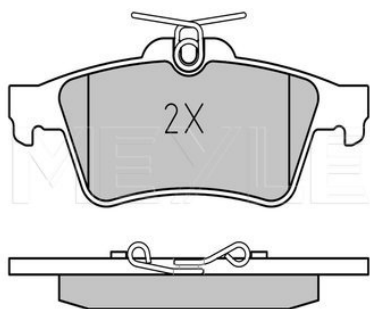
Application info

S-Type [CCX] [01/99-12/08]
XF [03/08--]
XF II [09/12--]

XJ [351] [10/09--]
XJ [X350] [05/03-03/09]
XK [03/06--]

025 241 3716/PD | MBP0531PD

Brake pad set



Notes

Quality
Thickness [mm]
Height [mm]
Width [mm]
Brake System

with spring
not prepared for wear indicator
PREMIUM
16.1
51.9
123
ATE
with anti-squeak plate
Rear Axle

References

C2C27271

C2P17595

Application info

S-Type [CCX] [01/99-12/08]
XF [03/08--]
XF II [09/12--]

XJ [351] [10/09--]
XJ [X350] [05/03-03/09]
XK [03/06--]

Brake pad set

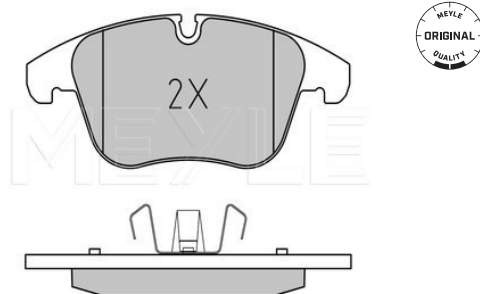
025 240 8418 | MBP0519

Notes

Thickness [mm]	17.8
Height 2 [mm]	71.9
Height 1 [mm]	66.7
Width 2 [mm]	156.5
Width 1 [mm]	155.2
Brake System	Teves with anti-squeak plate Front Axle

References

C2C27290	C2C39929
C2C35612	



Application info

S-Type [CCX] [01/99-12/08]	XJ [X350] [05/03-03/09]
XF [03/08--]	XK [03/06--]
XF II [09/12--]	

Brake pad set

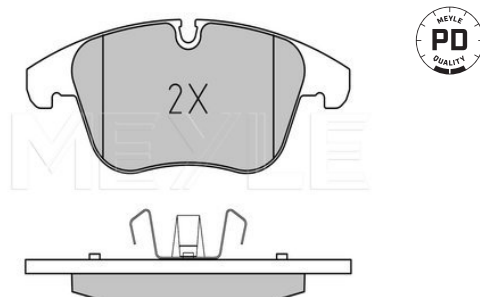
025 240 8418/PD | MBP0519PD

Notes

Quality	prepared for wear indicator PREMIUM
Thickness [mm]	17.8
Height 2 [mm]	71.9
Height 1 [mm]	66.7
Width 2 [mm]	156.5
Width 1 [mm]	155.2
Brake System	Teves with anti-squeak plate Front Axle

References

C2C27290	C2C39929
C2C35612	



Application info

S-Type [CCX] [01/99-12/08]	XJ [X350] [05/03-03/09]
XF [03/08--]	XK [03/06--]
XF II [09/12--]	

025 251 1416 | MBP1734

Brake pad set



Notes

Thickness [mm]
Height [mm]
Width [mm]
Brake System

not prepared for wear indicator
16.3
64
122
ATE
with anti-squeak plate
Rear Axle

References

C2D3792

Application info

XF [03/08--]
XF II [09/12--]

XJ [351] [10/09--]
XK [03/06--]

025 248 5017 | MBP1731

Brake pad set



Notes

Thickness [mm]
Height [mm]
Width [mm]
Brake System

not prepared for wear indicator
16.5
62.5
152
ALCON
with anti-squeak plate
Front Axle

References

C2P15991

Application info

XK [03/06--]

025 248 5115 | MBP1732

Brake pad set



Notes

Thickness [mm]
Height [mm]
Width [mm]
Brake System

not prepared for wear indicator
15.5
64
131.9
ALCON
with anti-squeak plate
Rear Axle

References

C2P15994

Application info

XK [03/06--]

Brake pad set

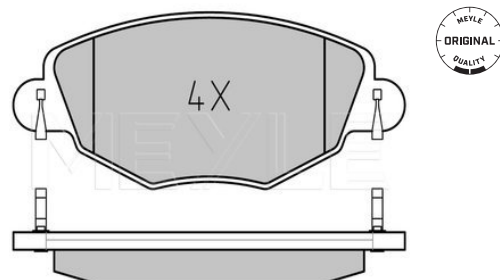
025 232 7918 | MBP0309

Notes

Thickness [mm]	excl. wear warning contact
Height [mm]	18.1
Width [mm]	60.6
Brake System	148.7
	Bosch
	with anti-squeak plate
	Front Axle

References

C2S17129	C2S52079
C2S48022	



Application info

X-Type [06/01-12/09]

Brake pad set

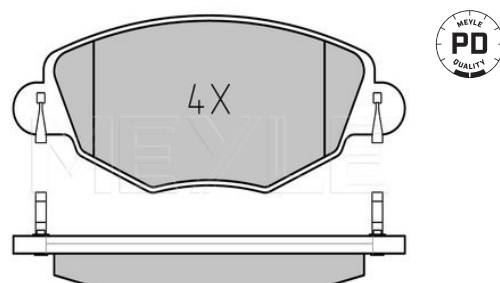
025 232 7918/PD | MBP0309PD

Notes

Quality	excl. wear warning contact
Thickness [mm]	PREMIUM
Height [mm]	18.1
Width [mm]	60.6
Brake System	148.7
	Bosch
	with anti-squeak plate
	Front Axle

References

C2S17129	C2S52079
C2S48022	



Application info

X-Type [06/01-12/09]

Brake pad set

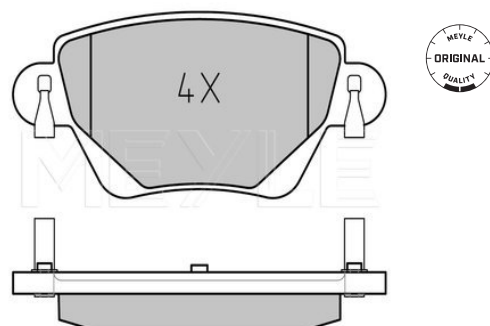
025 235 5717 | MBP0382

Notes

Thickness [mm]	excl. wear warning contact
Height [mm]	16.6
Width [mm]	52
Brake System	115.8
	Bosch
	with anti-squeak plate
	Rear Axle

References

C2S17362	C2S33408
C2S20893	C2S52080

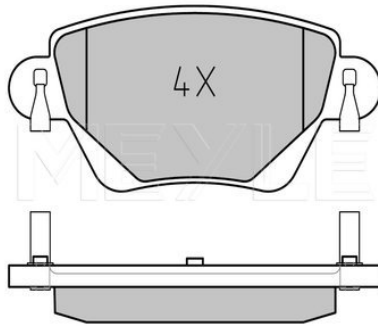


Application info

X-Type [06/01-12/09]

025 235 5717/PD | MBP0382PD

Brake pad set



Notes

Quality
Thickness [mm]
Height [mm]
Width [mm]
Brake System

excl. wear warning contact
PREMIUM
16.6
52
115.8
Bosch
with anti-squeak plate
Rear Axle

References

C2S17362
C2S20893

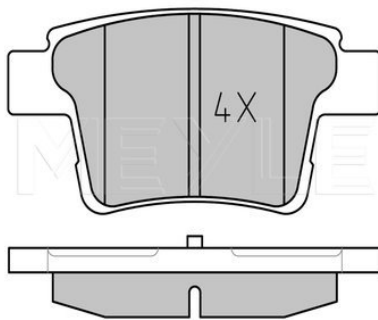
C2S33408
C2S52080

Application info

X-Type [06/01-12/09]

025 242 6017 | MBP0549

Brake pad set



Notes

Thickness [mm]
Height [mm]
Width [mm]
Brake System

excl. wear warning contact
17.1
50.4
101.8
Bosch
with anti-squeak plate
Rear Axle

References

C2S38068
C2S48024

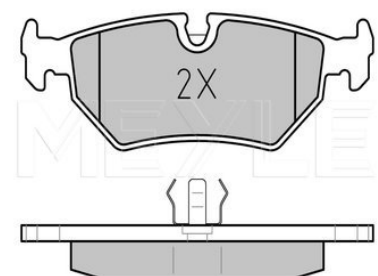
C2S52081

Application info

X-Type [06/01-12/09]

025 212 7517 | MBP0102

Brake pad set



Notes

Thickness [mm]
Height [mm]
Width [mm]
Brake System

prepared for wear indicator
16.9
43.1
123.2
ATE
with anti-squeak plate
Rear Axle

References

JLM11114
JLM11903
JLM1833

JLM20257
JLM21344



Brake pad set

025 212 7517 | MBP0102

Application info

XJ [X300] [11/94-07/97]
XJ [X308] [07/97-05/03]
XJ [XJ40] [10/86-11/94]

XJS [09/73-03/96]
XK 8 [QDV, QEV] [03/96-05/07]

Brake pad set

025 244 8717 | MBP1730

Notes

Thickness [mm]
Height 2 [mm]
Height 1 [mm]
Width 2 [mm]
Width 1 [mm]
Brake System

prepared for wear indicator
16.7
48.2
58.1
141.4
140.2
ATE
with anti-squeak plate
Rear Axle



References

JLM21220 JLM21918

Application info

XK 8 [QDV, QEV] [03/96-05/07]

Guide sleeve kit, brake caliper

014 698 0006 | MBX0010

Notes

Brake System

without guide bolts
ATE
Front Axle



References

JLM 12124 JLM 2194



Application info

XJ [X300] [11/94-07/97]

2

014 698 0006/S | MBX0011

Guide sleeve kit, brake caliper



Notes

Brake System

with guide pin
ATE
Front Axle

References

JLM 12124

JLM 2194

Parts list

014 698 0006 | MBX0010
100 698 0008 | MBX0156

Guide sleeve kit, brake caliper
Guide bolt, brake caliper

Application info

XJ [X300] [11/94-07/97]

714 525 0003 | MBH0489

Brake hose



Notes

Inner thread [mm]
Outer thread [mm]
Length [mm]
Required quantity

M10x1
M10x1
475
2
Front Axle

References

C2S23447
C2S46536

C2S9232

Application info

X-Type [06/01-12/09]

Joint, propeller shaft

514 814 0003 | MPJ0091

Notes

with accessories
Universal Joint
Outer diameter [mm] 27
Length [mm] 81.8
Front and Rear

References

CAC55611 NAB5800HA



Application info

XJ I, II, III (09/68-12/92)

Parts kit, automatic transm. oil change

300 135 1005 | MOK0035

Notes

Alternative Repair Kit
Transmission Type 6HP32
Transmission Type 6HP28 X
Transmission Type 6HP28
Transmission Type 6HP26 X
Transmission Type 6HP26
Automatic Transmission, 6-speed
Manufacturer Restriction ZF

References

02C6715 C2C38963

Parts list

014 019 2900 | MAX0033 Transmission fluid
300 325 0000 | MTX0067 A/T oil pan
300 930 0001/S | MEX0484 Keine Bezeichnung: GA 4743



Application info

S-Type [CCX] (01/99-12/08)
XF (03/08--)
XJ (351) (10/09--)

XJ [X350] (05/03-03/09)
XK (03/06--)
XK 8 (QDV, QEV) (03/96-05/07)

300 135 1005/SK | MOK0045



Parts kit, automatic transm. oil change

Notes

Consult accessories list for recommended additional repairs

Alternative Repair Kit

Transmission Type
Transmission Type
Transmission Type
Transmission Type

Manufacturer Restriction
Slim Set

References

02C6715

Kit
300 135 1005
with accessories
Plastic
6HP26
6HP26 X
6HP28
6HP28 X
6HP32
Automatic Transmission,
6-speed
ZF

C2C38963

Parts list

300 325 0000 | MTX0067
300 930 0001/S | MEX0484

A/T oil pan
Keine Bezeichnung: GA 4743

Application info

S-Type [CCX] [01/99-12/08]
XF [03/08--]
XJ [351] [10/09--]

XJ [X350] [05/03-03/09]
XK [03/06--]
XK 8 [QDV, QEV] [03/96-05/07]

300 135 0002 | MOK0020



Parts kit, automatic transm. oil change

Notes

Alternative Repair Kit

Transmission Type

Manufacturer Restriction

Parts list

014 019 2300 | MAX0015
314 137 0001 | MHK0036

Kit
300 135 0002/SK
with accessories
5HP24
Automatic Transmission,
5-speed
ZF

Transmission fluid
Hydraulic filter kit, A/T

Application info

XJ [X308] [07/97-05/03]

XK 8 [QDV, QEV] [03/96-05/07]



Parts kit, automatic transm. oil change

300 135 0002/SK | MOK0043

Notes

Consult accessories list for recommended additional repairs

Alternative Repair Kit

Transmission Type

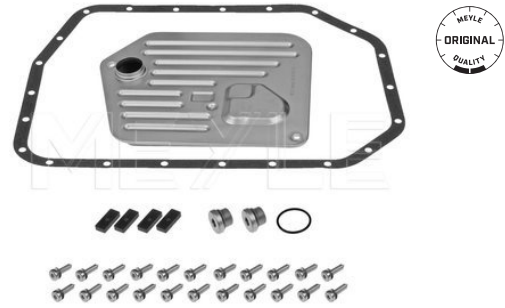
Manufacturer Restriction
Slim Set

Kit
300 135 0002
with accessories
5HP24
Automatic Transmission,
5-speed
ZF

Parts list

314 137 0001 | MHK0036

Hydraulic filter kit, A/T



Application info

XJ (X308) (07/97-05/03)

XK 8 (00V, 0EV) (03/96-05/07)

3



714 899 0007 | MAS0215

ABS wheel sensor



Notes

Operating voltage [V]
Number of Poles

Hall Sensor
12
2
without cable

References

C2S 17482
C2S 2340

C2S 43216

Application info

X-Type [06/01-12/09]

18-14 659 0000 | MWS0029

Wear sensor



Notes

Warning Contact Length [mm]
Required quantity

Disc Brake
300
2
Front Axle

References

DBC5042

DBC6595

Application info

XJ [X300] [11/94-07/97]
XJ [XJ40] [10/86-11/94]

XJS [09/73-03/96]
XK 8 [QDV, QEV] [03/96-05/07]

18-14 059 0000 | MWS0028

Wear sensor



Notes

Warning Contact Length [mm]
Required quantity

Disc Brake
455
2
Rear Axle

References

DBC5043

DBC6596

Application info

XJ [X300] [11/94-07/97]
XJ [XJ40] [10/86-11/94]

XJS [09/73-03/96]
XK 8 [QDV, QEV] [03/96-05/07]

4



Glow plug

514 860 0001 | MGP0098

Notes

Rated current [A]	10 after-glow capable Pencil-type Glow Plug
Spanner Size	8
Diameter [mm]	4
Thread Size	M8 x 1
Overall Length [mm]	126
Cone Pitch	93°
Fitting Depth [mm]	25
Connector type	Ø 4 mm
Voltage [V]	11

References

Ø2JD61604	Ø2JDE3926
-----------	-----------



Application info

S-Type [CCX] [Ø1/99-12/Ø8]
XF [Ø3/Ø8--]

XJ [X350] [Ø5/Ø3-Ø3/Ø9]

Glow plug

714 020 0001 | MGP0087

Notes

Rated current [A]	15 after-glow capable Pencil-type Glow Plug
Spanner Size	10
Diameter [mm]	5.1
Thread Size	M10 x 1
Overall Length [mm]	147
Cone Pitch	93°
Fitting Depth [mm]	35
Connector type	M4
Voltage [V]	11.5

References

C2S40053	JD61164
----------	---------



Application info

X-Type [Ø6/Ø1-12/Ø9]

4

40-14 860 0003 | MGP0102

Glow plug



Notes

	Pencil-type Glow Plug
Spanner Size	10
Diameter [mm]	4
Thread Size	M8 x 1
Overall Length [mm]	99.5
Cone Pitch	123°
Fitting Depth [mm]	30.8
Connector type	Ø 4 mm
Voltage [V]	5

References

JDE13601

Application info

XF [03/08--]

XF II [09/12--]

40-14 860 0002 | MGP0069

Glow plug



Notes

Rated current [A]	10 after-glow capable Pencil-type Glow Plug
Spanner Size	8
Diameter [mm]	4.4
Thread Size	M8 x 1
Overall Length [mm]	97
Cone Pitch	123°
Fitting Depth [mm]	28
Connector type	Ø 4 mm
Voltage [V]	11

References

LR001302

Application info

X-Type [06/01-12/09]

53-14 860 0002 | MGP0116

Glow plug



Notes

	after-glow capable Pencil-type Glow Plug
Spanner Size	10
Diameter [mm]	4
Thread Size	M10 x 1
Overall Length [mm]	124
Connector type	Ø 4 mm
Cone Pitch	93°
Fitting Depth [mm]	26
Voltage [V]	7

References

LR013275



Glow plug

53-14 860 0002 | MGP0116



Application info

XF [03/08--]
XF II [09/12--]

XJ [351] [10/09--]

11-51 902 1013 | MMX1602

Tensioner pulley, timing belt



Notes

Inner diameter [mm]	Piece
Outer diameter [mm]	8
Width [mm]	60
	29.5

References

C2S48461

Application info

XF [03/08--]

XF II [09/12--]

11-51 902 2004 | MMX1611

Timing belt roller



Notes

Inner diameter [mm]	10
Outer diameter [mm]	60
Width [mm]	30

References

C2S38295

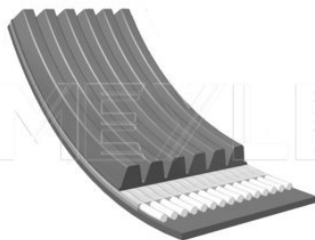
Application info

XF [03/08--]

XF II [09/12--]

050 006 2465 | MRB0559

V-ribbed belt



Notes

Number of Ribs	6
Length [mm]	2465

References

C2S24900

Application info

X-Type [06/01-12/09]



V-ribbed belt

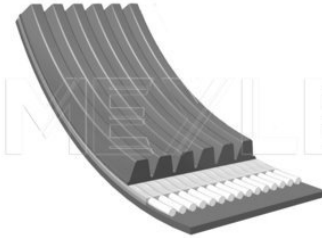
050 006 1642 | MRB0439

Notes

Number of Ribs 6
Length [mm] 1642

References

C2S27001



Application info

X-Type [06/01-12/09]

V-ribbed belt

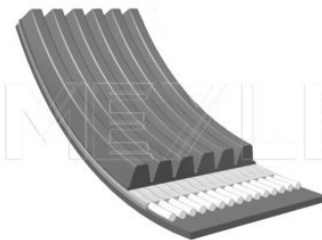
050 006 2310 | MRB0545

Notes

Number of Ribs 6
Length [mm] 2310

References

9X23-6C301-BB C2Z4780



Application info

XF [03/08--]

V-ribbed belt

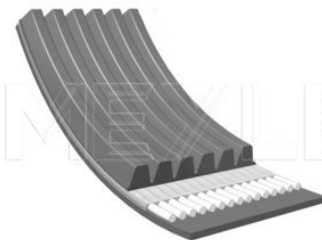
050 006 1990 | MRB0501

Notes

Number of Ribs 6
Length [mm] 1990

References

XR844334



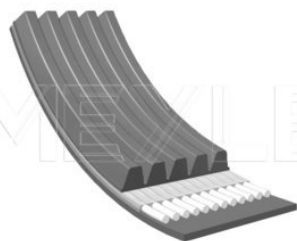
Application info

S-Type [CCX] [01/99-12/08]

XJ [X350] [05/03-03/09]

050 005 0835 | MRB0189

V-ribbed belt



Notes

Number of Ribs	5
Length [mm]	835

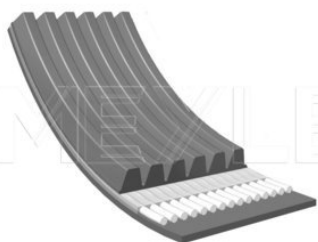
Application info

XJ [X300] [11/94-07/97]
XJ [XJ40] [10/86-11/94]

XJS [09/73-03/96]

050 006 2390 | MRB0553

V-ribbed belt



Notes

Number of Ribs	6
Length [mm]	2390

Application info

S-Type [CCX] [01/99-12/08]

18-14 223 0001 | MET0078

Expansion tank



Notes

with filler cap

References

C2S46861

Application info

X-Type [06/01-12/09]



Expansion tank

18-14 223 0000 | MET0077

Notes

with sensor
with filler cap

References

C2C41899

C2Z13764



Application info

S-Type [CCX] [01/99-12/08]
XF [03/08--]

XJ [X350] [05/03-03/09]

Water pump

713 220 0011 | MWP0501

Notes

for v-ribbed belt use
with seal
Sealed with SiC/SiC

Quality

References

C2S18139

C2S43292



Application info

X-Type [06/01-12/09]

Water pump

53-13 220 0007 | MWP0574

Notes

with seal
Sealed with SiC/SiC

Quality

References

C2C37824
C2S29888

C2S51205



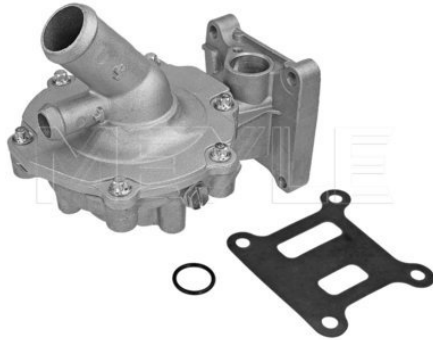
Application info

S-Type [CCX] [01/99-12/08]
XF [03/08--]

XJ [X350] [05/03-03/09]

713 220 0007 | MWP0497

Water pump



Notes

Quality

References

C2S548033

with seal
with housing
Sealed with SiC/SiC

Application info

X-Type [06/01-12/09]

713 220 0019 | MWP0557

Water pump



Notes

Quality

References

C2S548033

with seal
without housing
Sealed with SiC/SiC

Application info

X-Type [06/01-12/09]

18-12 321 0000 | MAF0682

Air filter



Notes

Height [mm]
Width [mm]
Length [mm]

57
89
450
Filter Insert

References

4X439601BA
C2S26965

C2S36774

Application info

X-Type [06/01-12/09]

Air filter

18-12 321 0001 | MAF0683

Notes

Height [mm] 41.5
Width [mm] 156
Length [mm] 380
Filter Insert

References

1X439601AA C2S51377
C2S11215



Application info

X-Type [06/01-12/09]

Air filter

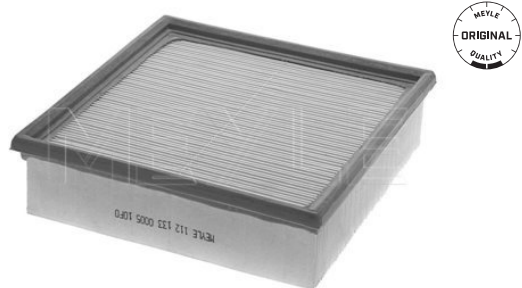
112 133 0005 | MAF0164

Notes

Height [mm] 57
Width [mm] 212
Length [mm] 212
Filter Insert

References

EAC 5672



Application info

XJ [X300] [11/94-07/97]

XJ [XJ40] [10/86-11/94]

Fuel filter

714 323 0002 | MFF0217

Notes

Diameter [mm] 80
Height [mm] 148
Zinc-coated Steel
with water drain screw

References

C2S 27643



Application info

X-Type [06/01-12/09]

100 201 0000 | MFF0043

Fuel filter



Notes

Diameter [mm] 60
Height [mm] 160
In-Line Filter

References

C2S 020906 C2S 2768

Application info

X-Type [06/01-12/09]

100 201 0013 | MFF0050

Fuel filter



Notes

Diameter [mm] 55
Height [mm] 163
In-Line Filter

References

C2S 020906 C2S 2768

Application info

X-Type [06/01-12/09]

714 323 0003 | MFF0218

Fuel filter



Notes

Diameter [mm] 56.3
Height [mm] 180
In-Line Filter

References

XR8 1775

Application info

S-Type [CCX] [01/99-12/08]

XF [03/08--]

Oil filter

714 322 0011 | MOF0205

Notes

Inner diameter [mm]	with seal
Outer diameter [mm]	24
Height [mm]	65
	69
	Filter Insert

References

C2S 43999



Application info

XF [03/08--]

XF II [09/12--]

Oil filter

714 108 0000 | MOF0195

Notes

Inner diameter [mm]	with seal
Outer diameter [mm]	33.5
Height [mm]	91
	59
	Filter Insert

References

JDE2464



Application info

X-Type [06/01-12/09]

Oil filter

100 115 0009 | MOF0040

Notes

Bypass Valve Opening Pressure [bar]	2.5
Diameter [mm]	76
Height [mm]	120.6
Thread Size	3/4"-16 UNF
	Screw-on Filter
	with one anti-return valve

Application info

X-Type [06/01-12/09]



5

714 322 0014 | MOF0207

Oil filter



Notes

Bypass Valve Opening Pressure [bar]	1
Outer diameter [mm]	75
Height [mm]	86
Thread Size	3/4"-16 UNF
	Screw-on Filter with one anti-return valve

References

C2Z21964

Application info

XE [X760] [03/15--]
XF [03/08--]

XF [X260] [05/15--]
XJ [351] [10/09--]

P/S hose

18-59 202 0000 | MHH0082

Notes

for foreflow

References

MNC3980AE



Application info

XJ [X308] [07/97-05/03]

Axial rod

18-16 031 0000 | MAR0357

Notes

Thread Measurement 2
Thread Measurement 1
Length [mm]

M14x1,5
13/16"-20 UNEF
295
Front Axle Right
Front Axle Left

References

JLM409



Application info

XJ I, II, III [09/68-12/92]

XJS [09/73-03/96]

Axial rod

18-16 031 0001 | MAR0443

Notes

Thread Measurement 2
Thread Measurement 1
Length [mm]

M14x1,5
M16x1,5
210
Front Axle Right
Front Axle Left

References

C2D28554
C2D47149

C2Z2214*
C2Z2215*



Application info

F-Type [10/12--]
XF [03/08--]
XF II [09/12--]

XJ [351] [10/09--]
XK [03/06--]

716 020 0014 | MTE0509

Tie rod end



Notes

Thread Measurement 2
Thread Measurement 1
Length [mm]

M16x1,5
M10x1,5
92
Front Axle Right
Front Axle Left

References

1X433289AB
C2S12013

C2S47357

Application info

X-Type [06/01-12/09]

18-16 020 0001 | MTE0227

Tie rod end



Notes

Thread Measurement 2
Thread Measurement 1
Length [mm]

M14x1,75
M12x1,75
188
Front Axle Right

References

C2C20176

C2C8370

Counterpart

18-16 020 0000 | MTE0226

Application info

S-Type [CCX] [01/99-12/08]
XJ [X350] [05/03-03/09]

XK [03/06--]

18-16 020 0000 | MTE0226

Tie rod end



Notes

Thread Measurement 2
Thread Measurement 1
Length [mm]

M14x1,75
M12x1,75
188
Front Axle Left

References

C2C20177
C2C35783

C2C8371

Counterpart

18-16 020 0001 | MTE0227

Application info

S-Type [CCX] [01/99-12/08]
XJ [X350] [05/03-03/09]

XK [03/06--]

Tie rod end

18-16 020 0003 | MTE0554

Notes

Thread Measurement 2
Thread Measurement 1
Length [mm]

M 14x1,5 mm
M14x2,0
188
Front Axle Right

References

C2Z5517

Counterpart

18-16 020 0002 | MTE0553



Application info

XF [03/08--]

XK [03/06--]

Tie rod end

18-16 020 0002 | MTE0553

Notes

Thread Measurement 2
Thread Measurement 1
Length [mm]

M 14x1,5 mm
M14x2,0
188
Front Axle Left

References

C2Z5518

Counterpart

18-16 020 0003 | MTE0554



Application info

XF [03/08--]

XK [03/06--]

Tie rod end

18-16 010 0002 | MTE0225

Notes

Thread Measurement 2
Thread Measurement 1
Length [mm]

M14x1,5
M12x1,5
74
Outer
Front Axle Right
Front Axle Left

References

JLM1098

JLM9660



Application info

XJ [X300] [11/94-07/97]
XJ [X308] [07/97-05/03]
XJ [XJ40] [10/86-11/94]

XJ I, II, III [09/68-12/92]
XJS [09/73-03/96]
XK 8 [QDV, QEV] [03/96-05/07]

716 010 0016 | MBJ0292

Ball joint



Notes

with accessories
Front Axle Right
Front Axle Left

References

C2S19368*
C2S20964*
C2S37074
C2S 39662*

C2S46338*
C2S46699*
C2S8390*

Application info

X-Type [06/01-12/09]

18-16 010 0005 | MBJ0310

Ball joint



Notes

Thread Size

M14x1,5
Lower
Front Axle Right
Front Axle Left

References

CAC9937

JLM11860

Application info

XJ [X300] [11/94-07/97]
XJ [XJ40] [10/86-11/94]

XJS [09/73-03/96]

18-16 010 0001 | MBJ0123

Ball joint



Notes

Outer diameter [mm]
Height [mm]
Thread Size

48
108
M14x2
Lower
Front Axle Right
Front Axle Left

References

XR852807

XR852808

Application info

S-Type [CCX] [01/99-12/08]

7



Control arm

18-16 050 0004 | MCA0793

Notes

Aluminium
Control Arm
Front
Front Axle Right
Front Axle Left



References

C2C13829	C2C36013
C2C15324	C2C36868
C2C20618	C2C39683
C2C21984	C2C6500
C2C26261	XR845712
C2C26835	

Parts list

18-14 610 0003 | MCB0174 Control arm bushing

Application info

S-Type [CCX] [01/99-12/08]

XJ [X350] [05/03-03/09]

Control arm

18-16 050 0008 | MCA0867

Notes

Aluminium
Control Arm
Upper
Front Axle Right



References

C202474

Counterpart

18-16 050 0007 | MCA0866

Application info

XJ [351] [10/09--]

Control arm

18-16 050 0007 | MCA0866

Notes

Aluminium
Control Arm
Upper
Front Axle Left



References

C202475

Counterpart

18-16 050 0008 | MCA0867

7





18-16 050 0007 | MCA0866

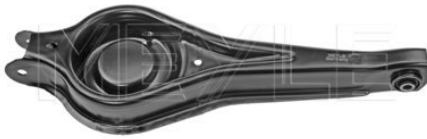
Control arm

Application info

XJ (351) (10/09--)

716 050 0051 | MCA0738

Control arm



Notes

Sheet Steel
with rubber mounting
Semi-trailing Arm
Rear Axle Right
Rear Axle Left

References

C2S 24713

Application info

X-Type (06/01-12/09)

716 050 0014 | MCA0718

Control arm



Notes

Sheet Steel
with rubber mounting
with ball joint
Control Arm
Front Axle Right

References

C2S19367
C2S20963
C2S 39661

C2S46336
C2S46697
C2S8389

Parts list

716 010 0016 | MBJ0292
714 610 0014 | MCB0332
714 610 0015 | MCB0333

Ball joint
Control arm bushing
Control arm bushing

Counterpart

716 050 0013 | MCA0717

Application info

X-Type (06/01-12/09)



Control arm

716 050 0013 | MCA0717

Notes

Sheet Steel
with rubber mounting
with ball joint
Control Arm
Front Axle Left



References

C2S19368
C2S20964
C2S 39662

C2S46338
C2S46699
C2S8390

Parts list

716 010 0016 | MBJ0292
714 610 0014 | MCB0332
714 610 0015 | MCB0333

Ball joint
Control arm bushing
Control arm bushing

Counterpart

716 050 0014 | MCA0718

Application info

X-Type [06/01-12/09]

Control arm

18-16 050 0001 | MCA0303

Notes

Aluminium
with rubber mounting
Control Arm
Lower
Front Axle Right



References

XR817609
XR822851
XR846022

XR851824
XR88757

Parts list

18-14 610 0004/HD |
MCB0355HD
18-14 610 0006 | MCB0356

Control arm bushing
Control arm bushing

Counterpart

18-16 050 0000 | MCA0302

Application info

S-Type [CCX] [01/99-12/08]



18-16 050 0000 | MCA0302

Control arm



Notes

Aluminium
with rubber mounting
Control Arm
Lower
Front Axle Left

References

XR817610
XR822852
XR846023

XR851825
XR88758

Parts list

18-14 610 0004/HD |
MCB0355HD
18-14 610 0006 | MCB0356

Control arm bushing
Control arm bushing

Counterpart

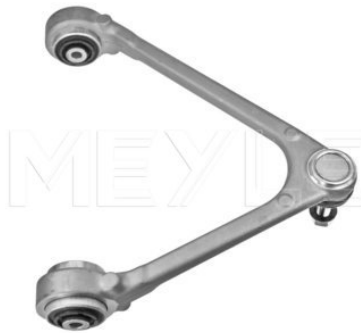
18-16 050 0001 | MCA0303

Application info

S-Type [CCX] [01/99-12/08]

18-16 050 0006 | MCA0781

Control arm



Notes

Aluminium
with ball joint
with rubber mounting
Control Arm
Upper
Front Axle Right

References

XR81763
XR852090

XR856012

Parts list

18-14 610 0005 | MCB0358

Control arm bushing

Counterpart

18-16 050 0005 | MCA0780

Application info

S-Type [CCX] [01/99-12/08]



Control arm

18-16 050 0005 | MCA0780

Notes

Aluminium
with ball joint
with rubber mounting
Control Arm
Upper
Front Axle Left

References

XR81764
XR852091

XR856013

Parts list

18-14 610 0005 | MCB0358

Control arm bushing

Counterpart

18-16 050 0006 | MCA0781



Application info

S-Type [CCX] [01/99-12/08]

Control arm

18-16 050 0003 | MCA0774

Notes

Bore Ø [mm]
Thread Size

Aluminium
10
M12x1,75
with rubber mounting
with ball joint
Control Arm
Upper
Front Axle Right

References

C2Z2278
XR842382
XR857078

XR857652
XR857883

Parts list

18-14 610 0005 | MCB0358

Control arm bushing

Counterpart

18-16 050 0002 | MCA0773



Application info

S-Type [CCX] [01/99-12/08]

XF [03/08--]



18-16 050 0002 | MCA0773

Control arm



Notes

Bore Ø [mm]
Thread Size

Aluminium
10
M12x1,75
with rubber mounting
with ball joint
Control Arm
Upper
Front Axle Left

References

C2Z2279
XR842383
XR857079

XR857653
XR857884

Parts list

18-14 610 0005 | MCB0358

Control arm bushing

Counterpart

18-16 050 0003 | MCA0774

Application info

S-Type [CCX] [01/99-12/08]

XF [03/08--]

18-14 610 0003 | MCB0174

Control arm bushing



Notes

Inner diameter [mm]
Outer diameter [mm]
Height [mm]

Hydro Bearing
14
80
70
Rear
Lower
Front Axle Right
Front Axle Left

References

2W933069AF
C2C13829
C2C13834
C2C15324
C2C20618
C2C21984
C2C26261
C2C26581

C2C26835
C2C36013
C2C36868
C2C39683
C2C4471
C2C6500
XR845712
XR845722

Application info

S-Type [CCX] [01/99-12/08]

XJ [X350] [05/03-03/09]

Control arm bushing

714 610 0014 | MCB0332

Notes

Inner diameter [mm] 13
Outer diameter [mm] 35
Height [mm] 69
Front inner
Lower
Front Axle Right
Front Axle Left

References

C2S19367* C2S46336*
C2S19368* C2S46338*
C2S20963* C2S46697*
C2S20964* C2S46699*
C2S 39661* C2S8389*
C2S 39662* C2S8390*



Application info

X-Type [06/01-12/09]

Control arm bushing

714 610 0015 | MCB0333

Notes

Inner diameter [mm] 13
Outer diameter [mm] 78
Height [mm] 78
Rear inner
Lower
Front Axle Right
Front Axle Left

References

C2S19367* C2S46336*
C2S19368* C2S46338*
C2S20963* C2S46697*
C2S20964* C2S46699*
C2S 39661* C2S8389*
C2S 39662* C2S8390*



Application info

X-Type [06/01-12/09]

Control arm bushing

18-14 610 0004/HD | MCB0355HD

Notes

Outer diameter [mm] 70
Rear Lower
Front Axle Right
Front Axle Left

Reinforced Version

References

JLM21535



18-14 610 0004/HD | MCB0355HD

Control arm bushing

Application info

S-Type [CCX] [01/99-12/08]

18-14 610 0002 | MCB0173

Control arm bushing



Notes

Inner diameter [mm]	14
Outer diameter [mm]	46
Height [mm]	66
	Front Axle Right
	Front Axle Left

References

MNC1360BB	MNE1360BB
MNE1360BA	

Application info

XJ [X308] [07/97-05/03]

XK 8 [QDV, QEV] [03/96-05/07]

18-14 610 0006 | MCB0356

Control arm bushing



Notes

Inner diameter [mm]	16
Outer diameter [mm]	45
Height [mm]	30
	Front
	Front Axle Right
	Front Axle Left

References

XR817609	XR846023
XR817610	XR851824
XR822851	XR851825
XR822852	XR88757
XR846022	XR88758

Application info

S-Type [CCX] [01/99-12/08]

Control arm bushing
18-14 610 0005 | MCB0358
Notes

Inner diameter [mm]	10
Outer diameter [mm]	46
Height [mm]	49
	Upper
	Front Axle Right
	Front Axle Left

References

XR81763	XR852091
XR81764	XR856012
XR852090	XR856013


Application info

S-Type [CCX] [01/99-12/08]

XF [03/08--]

Mount, control arm
18-14 610 0000 | MCM0041
Notes

Inner diameter [mm]	16
Outer diameter [mm]	31.7
Height [mm]	44
	Upper
	Front Axle Right
	Front Axle Left

References

CBC5523


Application info

 XJ [X300] [11/94-07/97]
 XJ [X308] [07/97-05/03]

XJ [XJ40] [10/86-11/94]

Mount, stabilizer
18-14 615 0004 | MSB0415
Notes

Inner diameter [mm]	15.5
Required quantity	2
	Rear Axle Left
	Rear Axle Right

References

C2C20469


Application info

 S-Type [CCX] [01/99-12/08]
 XJ [X350] [05/03-03/09]

XK [03/06--]

18-14 715 0004 | MSB0420

Mount, stabilizer



Notes

Inner diameter [mm]
Required quantity

16.5
2
Rear Axle Left
Rear Axle Right

References

C2C20470

Application info

S-Type [CCX] [01/99-12/08]
XJ [351] [10/09--]

XJ [X350] [05/03-03/09]

18-14 615 0003 | MSB0414

Mount, stabilizer



Notes

Inner diameter [mm]
Required quantity

30
2
Front Axle Left
Front Axle Right

References

C2C35589

Application info

XF [03/08--]
XF [X260] [05/15--]

XK [03/06--]

18-14 615 0001 | MSB0151

Mount, stabilizer



Notes

Inner diameter [mm]

19
Front Axle Right
Front Axle Left

References

C2S10879

C2S51258

Application info

X-Type [06/01-12/09]



Mount, stabilizer

18-14 615 0002 | MSB0152

Notes

Inner diameter [mm]	18
	Rear Axle Right
	Rear Axle Left

References

C2S10234	C2S51264
----------	----------



Application info

X-Type [06/01-12/09]

Mount, stabilizer

18-14 715 0000 | MSB0416

Notes

Inner diameter [mm]	12
Required quantity	2
	Rear Axle Left
	Rear Axle Right

References

C2Z4717



Application info

XF [03/08--]

XF [X260] [05/15--]

Mount, stabilizer

18-14 715 0002 | MSB0418

Notes

Inner diameter [mm]	13
Required quantity	2
	Rear Axle Left
	Rear Axle Right

References

C2Z4718



Application info

XE [X760] [03/15--]
XF [03/08--]

XF [X260] [05/15--]

7

18-14 715 0003 | MSB0419

Mount, stabilizer



Notes

Inner diameter [mm] 14
Required quantity 2
Rear Axle Right
Rear Axle Left

References

C2Z4719

Application info

XE [X760] [03/15--]
XF [03/08--]

XF [X260] [05/15--]

18-14 615 0000 | MSB0150

Mount, stabilizer



Notes

Inner diameter [mm] 31
Outer diameter [mm] 51
Front Axle Right
Front Axle Left

References

XR814128

XR819697

Application info

S-Type [CCX] [01/99-12/08]
XJ [X350] [05/03-03/09]

XK [03/06--]
XK 8 [QDV, QEV] [03/96-05/07]

18-14 715 0001 | MSB0417

Mount, stabilizer



Notes

Inner diameter [mm] 17.5
Required quantity 2
Rear Axle Left
Rear Axle Right

References

XR845062

Application info

S-Type [CCX] [01/99-12/08]

XK [03/06--]



Stabilizer link

18-16 060 0001 | MSL0172

Notes

Thread Measurement 2
Thread Measurement 1
Length [mm]

Coupling Rod
M10x1,5
M10x1,5
220
Rear Axle Right

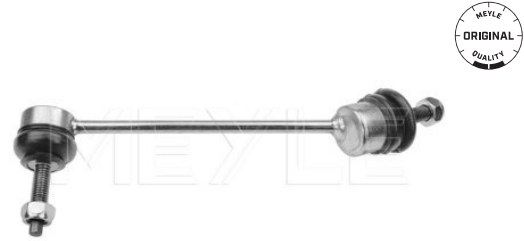
References

C2C18571
C2D49528

XR8 1692

Counterpart

18-16 060 0000 | MSL0171



Application info

F-Type [10/12--]
S-Type [CCX] [01/99-12/08]
XF [03/08--]
XF II [09/12--]

XJ [351] [10/09--]
XJ [X350] [05/03-03/09]
XK [03/06--]

Stabilizer link

18-16 060 0000 | MSL0171

Notes

Thread Measurement 2
Thread Measurement 1
Length [mm]

Coupling Rod
M10x1,5
M10x1,5
220
Rear Axle Left

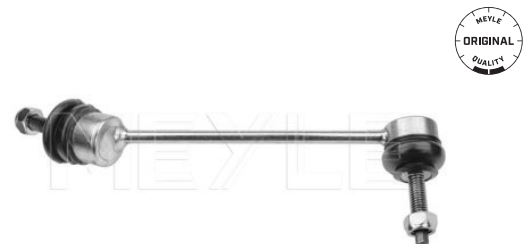
References

C2C18572

XR8 1693

Counterpart

18-16 060 0001 | MSL0172



Application info

F-Type [10/12--]
S-Type [CCX] [01/99-12/08]
XF [03/08--]
XF II [09/12--]

XJ [351] [10/09--]
XJ [X350] [05/03-03/09]
XK [03/06--]

Stabilizer link

18-16 060 0003 | MSL0174

Notes

Thread Measurement 1
Length [mm]

Coupling Rod
M10x1,5
146
Front Axle Right
Front Axle Left

References

C2C18573
C2C39468

C2D24220



7





18-16 060 0003 | MSL0174

Stabilizer link

Application info

F-Type (10/12--)
XF (03/08--)
XF II (09/12--)

XJ (351) (10/09--)
XJ (X350) (05/03-03/09)
XK (03/06--)

716 060 0007/HD | MSL0545HD

Stabilizer link



Notes

Thread Measurement 2
Thread Measurement 1
Length [mm]

with spanner attachment
Coupling Rod
M10x1,5
M10x1,5
250
Front Axle Right
Front Axle Left

Reinforced Version

References

C2S26883
C2S3248

C2S38552
C2S39552

Application info

X-Type (06/01-12/09)

716 060 0031 | MSL0885

Stabilizer link



Notes

Thread Measurement 2
Thread Measurement 1
Length [mm]

with spanner attachment
Coupling Rod
M10x1,5
M10x1,5
250
Front Axle Right
Front Axle Left

References

C2S26883
C2S3248

C2S38552
C2S39552

Application info

X-Type (06/01-12/09)



Stabilizer link

18-16 060 0004 | MSL0175

Notes

Thread Measurement 1
Length [mm]

Coupling Rod
M12x1,75
114
Front Axle Right
Front Axle Left

References

MJA2105AE
MJA2105AF

MJA2105AG



Application info

XJ [X300] (11/94-07/97)
XJ [X308] (07/97-05/03)

XK 8 (QDV, QEV) (03/96-05/07)

Stabilizer link

716 060 0000 | MSL0541

Notes

Inner diameter 1 [mm]
Thread Measurement 1
Length [mm]

with accessories
Coupling Rod
10
M10x1,5
102
Rear Axle Right
Rear Axle Left

References

MNA3505AB
MNA3505AC

MNA3505AD
MNA3505AE



Application info

XJ [X308] (07/97-05/03)

XK 8 (QDV, QEV) (03/96-05/07)

Stabilizer link

18-16 060 0005/HD | MSL0595HD

Notes

Inner diameter [mm]
Thread Size
Length [mm]

with spanner attachment
Coupling Rod
10.2
M12x1,5
138
Front Axle Right
Front Axle Left

Reinforced Version

References

MNC2105AA



Application info

XJ [X300] (11/94-07/97)

XJ [X308] (07/97-05/03)

18-16 060 0002/HD | MSL0173HD

Stabilizer link



Notes

Thread Measurement 2
Thread Measurement 1
Length [mm]

Coupling Rod
M10x1,5
M10x1,5
137
Front Axle Right
Front Axle Left

Reinforced Version

References

XR81694
XR827071

XR855185

Application info

S-Type [CCX] [01/99-12/08]

18-14 641 0001 | MSM0098

Strut mount



Notes

without ball bearing
Front Axle Right

References

MNC2168AF

Counterpart

18-14 641 0000 | MSM0097

Application info

XJ [X308] [07/97-05/03]

18-14 641 0000 | MSM0097

Strut mount



Notes

without ball bearing
Front Axle Left

References

MNC2169AF

Counterpart

18-14 641 0001 | MSM0098

Application info

XJ [X308] [07/97-05/03]

Mount, wheel bearing housing

016 010 6313 | MCX0046

Notes

Inner diameter [mm] 14
 Outer diameter [mm] 40
 Height [mm] 48
 Outer
 Lower
 Rear Axle Right
 Rear Axle Left

References

C2C 12119 C2C 36866
 C2C 18350



Application info

S-Type [CCX] [01/99-12/08] XF II [09/12--]
 XF [03/08--] XK [03/06--]

Wheel bearing kit

714 650 0020 | MWK0204

Notes

with add-on material
 Manual Transmission
 Inner diameter [mm] 40
 Outer diameter [mm] 75
 Height [mm] 37
 with integrated sensor ring
 Front Axle left and right

References

C2S8276



Application info

X-Type [06/01-12/09]

MEYLE no.	Ref. no.	Page
Jaguar		
014 698 0006	JLM 12124 JLM 2194	19
014 698 0006/S	JLM 12124 JLM 2194	20
016 010 6313	C2C 12119 C2C 18350 C2C 36866	57
025 212 7517	JLM11114 JLM11903 JLM1833 JLM20257 JLM21344	18
025 232 7918	C2S17129 C2S48022 C2S52079	17
025 232 7918/PD	C2S17129 C2S48022 C2S52079	17
025 235 5717	C2S17362 C2S20893 C2S33408 C2S52080	17
025 235 5717/PD	C2S17362 C2S20893 C2S33408 C2S52080	18
025 240 8418	C2C27290 C2C35612 C2C39929	15
025 240 8418/PD	C2C27290 C2C35612 C2C39929	15
025 241 3716	C2C27271 C2P17595	14
025 241 3716/PD	C2C27271 C2P17595	14
025 242 6017	C2S38068 C2S48024 C2S52081	18
025 244 8717	JLM21220 JLM21918	19
025 248 5017	C2P15991	16
025 248 5115	C2P15994	16
025 251 1416	C2D3792	16
029 300 1211	-	1
029 350 1416	-	1

MEYLE no.	Ref. no.	Page
Jaguar		
029 380 1514	-	1
029 450 1800	-	2
029 475 1900	-	2
029 500 2000	-	2
029 530 2100	-	3
029 550 2200	-	3
029 580 2300	-	3
029 600 2400	-	4
050 005 0835	-	30
050 006 1642	C2S27001	29
050 006 1990	XR844334	29
050 006 2310	9X23-6C301-BB C2Z4780	29
050 006 2390	-	30
050 006 2465	C2S24900	28
100 115 0009	-	35
100 201 0000	C2S 020906 C2S 2768	34
100 201 0013	C2S 020906 C2S 2768	34
11-51 902 1013	C2S48461	28
11-51 902 2004	C2S38295	28
112 133 0005	EAC 5672	33
18-12 320 0000	XR830254 XR849205	5
18-12 321 0000	4X439601BA C2S26965 C2S36774	32
18-12 321 0001	1X439601AA C2S11215 C2S51377	33
18-14 059 0000	DBC5043 DBC6596	24
18-14 223 0000	C2C41899 C2Z13764	31
18-14 223 0001	C2S46861	30
18-14 610 0000	CBC5523	49
18-14 610 0002	MNC1360BB MNE1360BA MNE1360BB	48
18-14 610 0003	2W933069AF C2C13829 C2C13834 C2C15324 C2C20618 C2C21984	46

MEYLE no.	Ref. no.	Page
Jaguar		
	C2C26261 C2C26581 C2C26835 C2C36013 C2C36868 C2C39683 C2C4471 C2C6500 XR845712 XR845722	
18-14 610 0004/HD	JLM21535	47
18-14 610 0005	XR81763 XR81764 XR852090 XR852091 XR856012 XR856013	49
18-14 610 0006	XR817609 XR817610 XR822851 XR822852 XR846022 XR846023 XR851824 XR851825 XR88757 XR88758	48
18-14 615 0000	XR814128 XR819697	52
18-14 615 0001	C2S10879 C2S51258	50
18-14 615 0002	C2S10234 C2S51264	51
18-14 615 0003	C2C35589	50
18-14 615 0004	C2C20469	49
18-14 641 0000	MNC2169AF	56
18-14 641 0001	MNC2168AF	56
18-14 659 0000	DBC5042 DBC6595	24
18-14 715 0000	C2Z4717	51
18-14 715 0001	XR845062	52
18-14 715 0002	C2Z4718	51
18-14 715 0003	C2Z4719	52
18-14 715 0004	C2C20470	50
18-15 521 0004/PD	C2C41250 JLM20617	12

MEYLE no.	Ref. no.	Page
Jaguar		
	JLM21279 JLM21749	
18-15 521 0005/PD	C2C41249 JLM20150	7
18-15 521 0006/PD	C2C8354	8
18-15 521 0009/PD	C2P12622	8
18-15 521 0010/PD	JLM20801 XR858130	13
18-15 521 0011/PD	C2C025336 C2C25336	6
18-15 523 0001/PD	C2C41251 JLM11904 JLM12428 JLM20342	12
18-15 523 0002/PD	JLM20802 XR827087 XR858129	13
18-15 523 0007/PD	C2P13648	9
18-15 523 0008/PD	C2C025339 C2C25339 C2D26352	7
18-15 523 0009/PD	CAC5567 JLM012429 JLM1450	11
18-16 010 0001	XR852807 XR852808	40
18-16 010 0002	JLM1098 JLM9660	39
18-16 010 0005	CAC9937 JLM11860	40
18-16 020 0000	C2C20177 C2C35783 C2C8371	38
18-16 020 0001	C2C20176 C2C8370	38
18-16 020 0002	C2Z5518	39
18-16 020 0003	C2Z5517	39
18-16 031 0000	JLM409	37
18-16 031 0001	C2D28554 C2D47149 C2Z2214* C2Z2215*	37
18-16 050 0000	XR817610 XR822852 XR846023 XR851825	44

MEYLE no.	Ref. no.	Page
Jaguar		
	XR88758	
18-16 050 0001	XR817609 XR822851 XR846022 XR851824 XR88757	43
18-16 050 0002	C2Z2279 XR842383 XR857079 XR857653 XR857884	46
18-16 050 0003	C2Z2278 XR842382 XR857078 XR857652 XR857883	45
18-16 050 0004	C2C13829 C2C15324 C2C20618 C2C21984 C2C26261 C2C26835 C2C36013 C2C36868 C2C39683 C2C6500 XR845712	41
18-16 050 0005	XR81764 XR852091 XR856013	45
18-16 050 0006	XR81763 XR852090 XR856012	44
18-16 050 0007	C2D2475	41
18-16 050 0008	C2D2474	41
18-16 060 0000	C2C18572 XR8 1693	53
18-16 060 0001	C2C18571 C2D49528 XR8 1692	53
18-16 060 0002/HD	XR81694 XR827071 XR855185	56
18-16 060 0003	C2C18573 C2C39468 C2D24220	53

MEYLE no.	Ref. no.	Page
Jaguar		
18-16 060 0004	MJA2105AE MJA2105AF MJA2105AG	55
18-16 060 0005/HD	MNC2105AA	55
18-59 202 0000	MNC3980AE	37
18-83 521 0008/PD	C2C025337 C2C25337	6
300 135 0002	-	22
300 135 0002/SK	-	23
300 135 1005	02C6715 C2C38963	21
300 135 1005/SK	02C6715 C2C38963	22
40-14 860 0002	LR001302	26
40-14 860 0003	JDE13601	26
514 814 0003	CAC55611 NAB5800HA	21
514 860 0001	02JD61604 02JDE3926	25
53-13 220 0007	C2C37824 C2S29888 C2S51205	31
53-14 860 0002	LR013275	26
712 319 0002	C2S8619	4
712 320 0002	C2S8619	4
713 220 0007	C2S548033	32
713 220 0011	C2S18139 C2S43292	31
713 220 0019	C2S548033	32
714 020 0001	C2S40053 JD61164	25
714 108 0000	JDE2464	35
714 322 0011	C2S 43999	35
714 322 0014	C2Z21964	36
714 323 0002	C2S 27643	33
714 323 0003	XR8 1775	34
714 525 0003	C2S23447 C2S46536 C2S9232	20
714 610 0014	C2S19367* C2S19368* C2S20963* C2S20964* C2S 39661* C2S 39662* C2S46336*	47

MEYLE no.	Ref. no.	Page
Jaguar		
	C2S46338* C2S46697* C2S46699* C2S8389* C2S8390*	
714 610 0015	C2S19367* C2S19368* C2S20963* C2S20964* C2S 39661* C2S 39662* C2S46338* C2S46338* C2S46697* C2S46699* C2S8389* C2S8390*	47
714 650 0020	C2S8276	57
714 899 0007	C2S 17482 C2S 2340 C2S 43216	24
715 521 7019	C2S35270 C2S42667 C2S4566 C2S49729 C2S52091	9
715 523 0019	C2S35271 C2S42668 C2S49730 C2S52088 C2S9231	10
715 523 0019/PD	C2S35271 C2S42668 C2S49730 C2S52088 C2S9231	11
716 010 0016	C2S19368* C2S20964* C2S37074 C2S 39662* C2S46338* C2S46699* C2S8390*	40
716 020 0014	1X433289AB C2S12013 C2S47357	38

MEYLE no.	Ref. no.	Page
Jaguar		
716 050 0013	C2S19368 C2S20964 C2S 39662 C2S46338 C2S46699 C2S8390	43
716 050 0014	C2S19367 C2S20963 C2S 39661 C2S46336 C2S46697 C2S8389	42
716 050 0051	C2S 24713	42
716 060 0000	MNA3505AB MNA3505AC MNA3505AD MNA3505AE	55
716 060 0007/HD	C2S26883 C2S3248 C2S38552 C2S39552	54
716 060 0031	C2S26883 C2S3248 C2S38552 C2S39552	54
783 521 7019/PD	C2S35270 C2S42667 C2S4566 C2S49729 C2S52091	10

Ref. no.	MEYLE no.	Page
Jaguar		
02C6715	300 135 1005 300 135 1005/SK	21-22
02JD61604	514 860 0001	25
02JDE3926	514 860 0001	25
1X433289AB	716 020 0014	38
1X439601AA	18-12 321 0001	33
2W933069AF	18-14 610 0003	46
4X439601BA	18-12 321 0000	32
9X23-6C301-BB	050 006 2310	29
C2C025336	18-15 521 0011/PD	6
C2C025337	18-83 521 0008/PD	6
C2C025339	18-15 523 0008/PD	7
C2C 12119	016 010 6313	57
C2C13829	18-14 610 0003 18-16 050 0004	41, 46
C2C13834	18-14 610 0003	46
C2C15324	18-14 610 0003 18-16 050 0004	41, 46
C2C 18350	016 010 6313	57
C2C18571	18-16 060 0001	53
C2C18572	18-16 060 0000	53
C2C18573	18-16 060 0003	53
C2C20176	18-16 020 0001	38
C2C20177	18-16 020 0000	38
C2C20469	18-14 615 0004	49
C2C20470	18-14 715 0004	50
C2C20618	18-14 610 0003 18-16 050 0004	41, 46
C2C21984	18-14 610 0003 18-16 050 0004	41, 46
C2C25336	18-15 521 0011/PD	6
C2C25337	18-83 521 0008/PD	6
C2C25339	18-15 523 0008/PD	7
C2C26261	18-14 610 0003 18-16 050 0004	41, 46
C2C26581	18-14 610 0003	46
C2C26835	18-14 610 0003 18-16 050 0004	41, 46
C2C27271	025 241 3716 025 241 3716/PD	14
C2C27290	025 240 8418 025 240 8418/PD	15
C2C35589	18-14 615 0003	50
C2C35612	025 240 8418 025 240 8418/PD	15
C2C35783	18-16 020 0000	38

Ref. no.	MEYLE no.	Page
Jaguar		
C2C36013	18-14 610 0003 18-16 050 0004	41, 46
C2C 36866	016 010 6313	57
C2C36868	18-14 610 0003 18-16 050 0004	41, 46
C2C37824	53-13 220 0007	31
C2C38963	300 135 1005 300 135 1005/SK	21-22
C2C39468	18-16 060 0003	53
C2C39683	18-14 610 0003 18-16 050 0004	41, 46
C2C39929	025 240 8418 025 240 8418/PD	15
C2C41249	18-15 521 0005/PD	7
C2C41250	18-15 521 0004/PD	12
C2C41251	18-15 523 0001/PD	12
C2C41899	18-14 223 0000	31
C2C4471	18-14 610 0003	46
C2C6500	18-14 610 0003 18-16 050 0004	41, 46
C2C8354	18-15 521 0006/PD	8
C2C8370	18-16 020 0001	38
C2C8371	18-16 020 0000	38
C2D24220	18-16 060 0003	53
C2D2474	18-16 050 0008	41
C2D2475	18-16 050 0007	41
C2D26352	18-15 523 0008/PD	7
C2D28554	18-16 031 0001	37
C2D3792	025 251 1416	16
C2D47149	18-16 031 0001	37
C2D49528	18-16 060 0001	53
C2P12622	18-15 521 0009/PD	8
C2P13648	18-15 523 0007/PD	9
C2P15991	025 248 5017	16
C2P15994	025 248 5115	16
C2P17595	025 241 3716 025 241 3716/PD	14
C2S 020906	100 201 0000 100 201 0013	34
C2S10234	18-14 615 0002	51
C2S10879	18-14 615 0001	50
C2S11215	18-12 321 0001	33
C2S12013	716 020 0014	38
C2S17129	025 232 7918 025 232 7918/PD	17
C2S17362	025 235 5717	17-18

Ref. no.	MEYLE no.	Page
Jaguar		
	025 235 5717/PD	
C2S 17482	714 899 0007	24
C2S18139	713 220 0011	31
C2S19367	716 050 0014	42, 47
C2S19367*	714 610 0014 714 610 0015	42, 47
C2S19368	716 050 0013	40, 43, 47
C2S19368*	714 610 0014 714 610 0015 716 010 0016	40, 43, 47
C2S20893	025 235 5717 025 235 5717/PD	17-18
C2S20963	716 050 0014	42, 47
C2S20963*	714 610 0014 714 610 0015	42, 47
C2S20964	716 050 0013	40, 43, 47
C2S20964*	714 610 0014 714 610 0015 716 010 0016	40, 43, 47
C2S 2340	714 899 0007	24
C2S23447	714 525 0003	20
C2S 24713	716 050 0051	42
C2S24900	050 006 2465	28
C2S26883	716 060 0007/HD 716 060 0031	54
C2S26965	18-12 321 0000	32
C2S27001	050 006 1642	29
C2S 27643	714 323 0002	33
C2S 2768	100 201 0000 100 201 0013	34
C2S29888	53-13 220 0007	31
C2S3248	716 060 0007/HD 716 060 0031	54
C2S33408	025 235 5717 025 235 5717/PD	17-18
C2S35270	715 521 7019 783 521 7019/PD	9-10
C2S35271	715 523 0019 715 523 0019/PD	10-11
C2S36774	18-12 321 0000	32
C2S37074	716 010 0016	40
C2S38068	025 242 6017	18
C2S38295	11-51 902 2004	28
C2S38552	716 060 0007/HD 716 060 0031	54
C2S39552	716 060 0007/HD	54

Ref. no.	MEYLE no.	Page
Jaguar		
	716 060 0031	
C2S 39661	716 050 0014	42, 47
C2S 39661*	714 610 0014 714 610 0015	42, 47
C2S 39662	716 050 0013	40, 43, 47
C2S 39662*	714 610 0014 714 610 0015 716 010 0016	40, 43, 47
C2S40053	714 020 0001	25
C2S42667	715 521 7019 783 521 7019/PD	9-10
C2S42668	715 523 0019 715 523 0019/PD	10-11
C2S 43216	714 899 0007	24
C2S43292	713 220 0011	31
C2S 43999	714 322 0011	35
C2S4566	715 521 7019 783 521 7019/PD	9-10
C2S46336	716 050 0014	42, 47
C2S46336*	714 610 0014 714 610 0015	42, 47
C2S46338	716 050 0013	40, 43, 47
C2S46338*	714 610 0014 714 610 0015 716 010 0016	40, 43, 47
C2S46536	714 525 0003	20
C2S46697	716 050 0014	42, 47
C2S46697*	714 610 0014 714 610 0015	42, 47
C2S46699	716 050 0013	40, 43, 47
C2S46699*	714 610 0014 714 610 0015 716 010 0016	40, 43, 47
C2S46861	18-14 223 0001	30
C2S47357	716 020 0014	38
C2S48022	025 232 7918 025 232 7918/PD	17
C2S48024	025 242 6017	18
C2S48461	11-51 902 1013	28
C2S49729	715 521 7019 783 521 7019/PD	9-10
C2S49730	715 523 0019 715 523 0019/PD	10-11
C2S51205	53-13 220 0007	31
C2S51258	18-14 615 0001	50
C2S51264	18-14 615 0002	51

Ref. no.	MEYLE no.	Page
Jaguar		
C2S51377	18-12 321 0001	33
C2S52079	025 232 7918 025 232 7918/PD	17
C2S52080	025 235 5717 025 235 5717/PD	17-18
C2S52081	025 242 6017	18
C2S52088	715 523 0019 715 523 0019/PD	10-11
C2S52091	715 521 7019 783 521 7019/PD	9-10
C2S548033	713 220 0007 713 220 0019	32
C2S8276	714 650 0020	57
C2S8389	716 050 0014	42, 47
C2S8389*	714 610 0014 714 610 0015	42, 47
C2S8390	716 050 0013	40, 43, 47
C2S8390*	714 610 0014 714 610 0015 716 010 0016	40, 43, 47
C2S8619	712 319 0002 712 320 0002	4
C2S9231	715 523 0019 715 523 0019/PD	10-11
C2S9232	714 525 0003	20
C2Z13764	18-14 223 0000	31
C2Z21964	714 322 0014	36
C2Z2214*	18-16 031 0001	37
C2Z2215*	18-16 031 0001	37
C2Z2278	18-16 050 0003	45
C2Z2279	18-16 050 0002	46
C2Z4717	18-14 715 0000	51
C2Z4718	18-14 715 0002	51
C2Z4719	18-14 715 0003	52
C2Z4780	050 006 2310	29
C2Z5517	18-16 020 0003	39
C2Z5518	18-16 020 0002	39
CAC55611	514 814 0003	21
CAC5567	18-15 523 0009/PD	11
CAC9937	18-16 010 0005	40
CBC5523	18-14 610 0000	49
DBC5042	18-14 659 0000	24
DBC5043	18-14 059 0000	24
DBC6595	18-14 659 0000	24
DBC6596	18-14 059 0000	24
EAC 5672	112 133 0005	33

Ref. no.	MEYLE no.	Page
Jaguar		
JD61164	714 020 0001	25
JDE13601	40-14 860 0003	26
JDE2464	714 108 0000	35
JLM012429	18-15 523 0009/PD	11
JLM1098	18-16 010 0002	39
JLM11114	025 212 7517	18
JLM11860	18-16 010 0005	40
JLM11903	025 212 7517	18
JLM11904	18-15 523 0001/PD	12
JLM 12124	014 698 0006 014 698 0006/S	19-20
JLM12428	18-15 523 0001/PD	12
JLM1450	18-15 523 0009/PD	11
JLM1833	025 212 7517	18
JLM20150	18-15 521 0005/PD	7
JLM20257	025 212 7517	18
JLM20342	18-15 523 0001/PD	12
JLM20617	18-15 521 0004/PD	12
JLM20801	18-15 521 0010/PD	13
JLM20802	18-15 523 0002/PD	13
JLM21220	025 244 8717	19
JLM21279	18-15 521 0004/PD	12
JLM21344	025 212 7517	18
JLM21535	18-14 610 0004/HD	47
JLM21749	18-15 521 0004/PD	12
JLM21918	025 244 8717	19
JLM 2194	014 698 0006 014 698 0006/S	19-20
JLM409	18-16 031 0000	37
JLM9660	18-16 010 0002	39
LR001302	40-14 860 0002	26
LR013275	53-14 860 0002	26
MJA2105AE	18-16 060 0004	55
MJA2105AF	18-16 060 0004	55
MJA2105AG	18-16 060 0004	55
MNA3505AB	716 060 0000	55
MNA3505AC	716 060 0000	55
MNA3505AD	716 060 0000	55
MNA3505AE	716 060 0000	55
MNC1360BB	18-14 610 0002	48
MNC2105AA	18-16 060 0005/HD	55
MNC2168AF	18-14 641 0001	56
MNC2169AF	18-14 641 0000	56
MNC3980AE	18-59 202 0000	37
MNE1360BA	18-14 610 0002	48
MNE1360BB	18-14 610 0002	48

Ref. no.	MEYLE no.	Page
Jaguar		
NAB5800HA	514 814 0003	21
XR814128	18-14 615 0000	52
XR8 1692	18-16 060 0001	53
XR8 1693	18-16 060 0000	53
XR81694	18-16 060 0002/HD	56
XR817609	18-14 610 0006 18-16 050 0001	43, 48
XR817610	18-14 610 0006 18-16 050 0000	44, 48
XR81763	18-14 610 0005 18-16 050 0006	44, 49
XR81764	18-14 610 0005 18-16 050 0005	45, 49
XR8 1775	714 323 0003	34
XR819697	18-14 615 0000	52
XR822851	18-14 610 0006 18-16 050 0001	43, 48
XR822852	18-14 610 0006 18-16 050 0000	44, 48
XR827071	18-16 060 0002/HD	56
XR827087	18-15 523 0002/PD	13
XR830254	18-12 320 0000	5
XR842382	18-16 050 0003	45
XR842383	18-16 050 0002	46
XR844334	050 006 1990	29
XR845062	18-14 715 0001	52
XR845712	18-14 610 0003 18-16 050 0004	41, 46
XR845722	18-14 610 0003	46
XR846022	18-14 610 0006 18-16 050 0001	43, 48
XR846023	18-14 610 0006 18-16 050 0000	44, 48
XR849205	18-12 320 0000	5
XR851824	18-14 610 0006 18-16 050 0001	43, 48
XR851825	18-14 610 0006 18-16 050 0000	44, 48
XR852090	18-14 610 0005 18-16 050 0006	44, 49
XR852091	18-14 610 0005 18-16 050 0005	45, 49
XR852807	18-16 010 0001	40
XR852808	18-16 010 0001	40
XR855185	18-16 060 0002/HD	56
XR856012	18-14 610 0005	44, 49

Ref. no.	MEYLE no.	Page
Jaguar		
	18-16 050 0006	
XR856013	18-14 610 0005 18-16 050 0005	45, 49
XR857078	18-16 050 0003	45
XR857079	18-16 050 0002	46
XR857652	18-16 050 0003	45
XR857653	18-16 050 0002	46
XR857883	18-16 050 0003	45
XR857884	18-16 050 0002	46
XR858129	18-15 523 0002/PD	13
XR858130	18-15 521 0010/PD	13
XR88757	18-14 610 0006 18-16 050 0001	43, 48
XR88758	18-14 610 0006 18-16 050 0000	44, 48

Short no.	MEYLE no.	Page
Jaguar		
MAF0164	112 133 0005	33
MAF0682	18-12 321 0000	32
MAF0683	18-12 321 0001	33
MAR0357	18-16 031 0000	37
MAR0443	18-16 031 0001	37
MAS0215	714 899 0007	24
MBD0360PD	18-15 521 0004/PD	12
MBD0361PD	18-15 521 0005/PD	7
MBD0362PD	18-15 521 0006/PD	8
MBD0365PD	18-15 523 0001/PD	12
MBD0366PD	18-15 523 0002/PD	13
MBD1371	715 521 7019	9
MBD1411PD	18-15 521 0009/PD	8
MBD1412PD	18-15 523 0007/PD	9
MBD1523PD	18-83 521 0008/PD	6
MBD1625PD	783 521 7019/PD	10
MBD1833PD	18-15 521 0010/PD	13
MBD1834PD	18-15 521 0011/PD	6
MBD1835PD	18-15 523 0008/PD	7
MBD1836PD	18-15 523 0009/PD	11
MBD2066	715 523 0019	10
MBD2066PD	715 523 0019/PD	11
MBH0489	714 525 0003	20
MBJ0123	18-16 010 0001	40
MBJ0292	716 010 0016	40
MBJ0310	18-16 010 0005	40
MBL0004	029 300 1211	1
MBL0027	029 450 1800	2
MBL0028	029 475 1900	2
MBL0029	029 500 2000	2
MBL0030	029 530 2100	3
MBL0032	029 550 2200	3
MBL0033	029 580 2300	3
MBL0034	029 600 2400	4
MBL0055	029 350 1416	1
MBL0081	029 380 1514	1
MBP0102	025 212 7517	18
MBP0309	025 232 7918	17
MBP0309PD	025 232 7918/PD	17
MBP0382	025 235 5717	17
MBP0382PD	025 235 5717/PD	18
MBP0519	025 240 8418	15
MBP0519PD	025 240 8418/PD	15
MBP0531	025 241 3716	14
MBP0531PD	025 241 3716/PD	14
MBP0549	025 242 6017	18

Short no.	MEYLE no.	Page
Jaguar		
MBP1730	025 244 8717	19
MBP1731	025 248 5017	16
MBP1732	025 248 5115	16
MBP1734	025 251 1416	16
MBX0010	014 698 0006	19
MBX0011	014 698 0006/S	20
MCA0302	18-16 050 0000	44
MCA0303	18-16 050 0001	43
MCA0717	716 050 0013	43
MCA0718	716 050 0014	42
MCA0738	716 050 0051	42
MCA0773	18-16 050 0002	46
MCA0774	18-16 050 0003	45
MCA0780	18-16 050 0005	45
MCA0781	18-16 050 0006	44
MCA0793	18-16 050 0004	41
MCA0866	18-16 050 0007	41
MCA0867	18-16 050 0008	41
MCB0173	18-14 610 0002	48
MCB0174	18-14 610 0003	46
MCB0332	714 610 0014	47
MCB0333	714 610 0015	47
MCB0355HD	18-14 610 0004/HD	47
MCB0356	18-14 610 0006	48
MCB0358	18-14 610 0005	49
MCF0163	18-12 320 0000	5
MCF0412	712 319 0002	4
MCF0422	712 320 0002	4
MCM0041	18-14 610 0000	49
MCX0046	016 010 6313	57
MET0077	18-14 223 0000	31
MET0078	18-14 223 0001	30
MFF0043	100 201 0000	34
MFF0050	100 201 0013	34
MFF0217	714 323 0002	33
MFF0218	714 323 0003	34
MGP0069	40-14 860 0002	26
MGP0087	714 020 0001	25
MGP0098	514 860 0001	25
MGP0102	40-14 860 0003	26
MGP0116	53-14 860 0002	26
MHH0082	18-59 202 0000	37
MMX1602	11-51 902 1013	28
MMX1611	11-51 902 2004	28
MOF0040	100 115 0009	35
MOF0195	714 108 0000	35

Short no.	MEYLE no.	Page
Jaguar		
MOF0205	714 322 0011	35
MOF0207	714 322 0014	36
MOK0020	300 135 0002	22
MOK0035	300 135 1005	21
MOK0043	300 135 0002/SK	23
MOK0045	300 135 1005/SK	22
MPJ0091	514 814 0003	21
MRB0189	050 005 0835	30
MRB0439	050 006 1642	29
MRB0501	050 006 1990	29
MRB0545	050 006 2310	29
MRB0553	050 006 2390	30
MRB0559	050 006 2465	28
MSB0150	18-14 615 0000	52
MSB0151	18-14 615 0001	50
MSB0152	18-14 615 0002	51
MSB0414	18-14 615 0003	50
MSB0415	18-14 615 0004	49
MSB0416	18-14 715 0000	51
MSB0417	18-14 715 0001	52
MSB0418	18-14 715 0002	51
MSB0419	18-14 715 0003	52
MSB0420	18-14 715 0004	50
MSL0171	18-16 060 0000	53
MSL0172	18-16 060 0001	53
MSL0173HD	18-16 060 0002/HD	56
MSL0174	18-16 060 0003	53
MSL0175	18-16 060 0004	55
MSL0541	716 060 0000	55
MSL0545HD	716 060 0007/HD	54
MSL0595HD	18-16 060 0005/HD	55
MSL0885	716 060 0031	54
MSM0097	18-14 641 0000	56
MSM0098	18-14 641 0001	56
MTE0225	18-16 010 0002	39
MTE0226	18-16 020 0000	38
MTE0227	18-16 020 0001	38
MTE0509	716 020 0014	38
MTE0553	18-16 020 0002	39
MTE0554	18-16 020 0003	39
MWK0204	714 650 0020	57
MWP0497	713 220 0007	32
MWP0501	713 220 0011	31
MWP0557	713 220 0019	32
MWP0574	53-13 220 0007	31
MWS0028	18-14 059 0000	24

Short no.	MEYLE no.	Page
Jaguar		
MWS0029	18-14 659 0000	24





MEYLE

**You see the pretty
curves, underneath
is what counts.**



The MEYLE brand supplies its customers with more than 21,000 extremely reliable and durable spare parts manufactured at our own production facilities or by trusted production partners. MEYLE boasts a highly diversified product range.

Whether steering and suspension components, rubber-to-metal parts, brakes, damping components, cooling systems, filters, drive components, electric and sensors MEYLE is synonymous with top-grade quality-tested spare parts.

Notes

This catalogue is protected by copyright. Reproduction of text, graphic elements, photographs and/or data, even in part, is prohibited. MEYLE, **MEYLE**, or parts thereof, are registered trademarks of MEYLE AG.

All supplies and services are subject to our General Terms and Conditions. The original spare part numbers shown in this catalogue are for cross-reference purposes only and shall not be disclosed to third parties on invoices and delivery notes. While the information in this catalogue was compiled and edited with utmost care we do not assume responsibility or accept claims arising from errors or inconsistencies. Subject to technical and/or design changes.

This issue of the catalogue supersedes all previous issues.
All rights reserved. © 2017 MEYLE AG



MEYLE parts are available through:

MEYLE AG

Merkurring 111, 22143 Hamburg, Germany
Tel. +49 40 67506 510, Fax +49 40 67506 506
contact@meyle.com

www.meyle.com

MEYLE