

# Porsche

Spare parts for passenger cars



DRIVER'S BEST FRIEND

MEYLE

## Sophisticated technology - considerably longer service life.



The MEYLE range of products features a wide variety of components. Spare parts from A to Z, from Alfa Romeo to Volvo, from minicars to top-of-the-range luxury models.



### Steering & suspension

Control arms, Stabilizer links, Tie rod assemblies, and many more



### Brakes

Brake discs, MEYLE PD, Brake pad sets, Brake drums, and many more



### Drive components

C.V. joint kits, Wheel bearings, Belt drives, and many more



### Damping parts

Shock absorbers, Strut mounts, Coil springs, and many more



### Filters

Oil filters, Air filters, Cabin air filters, Fuel filters, and many more



### Cooling components

Water pumps, Expansion tanks, Radiator hoses, and many more



### Rubber-to-metal parts

Flex discs, Cardan shaft bearings, Engine mounts, and many more



### Electrics and sensors

Crank position sensor, Control units, Glow plugs, and many more



### Engine and transmission parts

Oil change kits, V-ribbed belts, Idlers/guide pulleys, and many more



### Fluids

Coolant additives, Hydraulic oil, Engine oil, and many more



### Complementary product range

Wiper blades, Gas springs, Window lifters, and many more

# ORIGINAL, PD and HD – The MEYLE product lines



## **MEYLE-ORIGINAL: Fit as snugly as the original.**

More than 21,000 spare parts for passenger cars, vans and trucks, quality-tested, robust, durable and tried and tested a thousand times over on the roads across the world – that's MEYLE-ORIGINAL. Relying on our comprehensive product portfolio – offering everything from A for axial joint to Z for zinc-coated screw – customers can be sure that they will always have safety on their side.

## **MEYLE-PD: Safety to the power of two.**

Thinking outside the box to make our products better: MEYLE-PD stands for brake discs and pads delivering maximum braking performance and setting new standards in terms of durability, comfort, aesthetics, and ease of installation. Look for the „/PD“ part number extension.

## **MEYLE-HD: Better than originals.**

MEYLE-HD parts simply last longer. Their technically optimised and reinforced designs make them more durable and reliable than OE components. So it is only natural for us to offer extended warranty protection for our MEYLE-HD parts: All parts of the HD range come with a full four-year guarantee. Look for the „/HD“ part number extension.





**4-year guarantee on all MEYLE-HD parts!**

Robust, high mileage, reliable and better than the original. MEYLE-HD parts simply last longer!

## Our three success factors.

### **The success of the MEYLE brand is based on competence, quality and service.**

The development of quality-approved automotive spare parts for the independent aftermarket is our trademark. And MEYLE-HD parts are our specialty: improved parts, developed by our team of engineers at our headquarters in Hamburg. We give a 4-year guarantee on our MEYLE-HD parts which have a far longer service life. Based on information from TÜV (Technical control board), from recall statistics as well as media and market information from workshops and other technical partners, MEYLE engineers identify parts in vehicles which become conspicuous on account of frequent, early wear. On the basis of their findings, they develop technical improvements for the respective weakness. In the end, this work is a

large benefit for all MEYLE parts. Something all reputable automotive manufacturers highly appreciate: MEYLE also develops customized products, for example for Morgan, the legendary sports car manufacturer.

Passing on our know-how to staff and customers is just as much a part of our service as high parts availability and swift delivery. Modern warehouse logistics with space covering 29,000 m<sup>2</sup> and 56,000 pallet places ensure the reliable supply of our partners.

We have now won the "Top Job Employer" award for the fifth time which confirms our outstanding internal business approach and excellent Human Resources policy. We have been one of Germany's leading SME employers for many years.



# MEYLE

## Guarantee certificate



A distinguishing feature of MEYLE is our high level of precision, achieved by the application of the most modern manufacturing methods. Our MEYLE articles meet highest quality standards and our supply plants are certified in accordance with ISO 9001:2008 and ISO/TS 16949.

We guarantee perfect material and faultless processing of all our MEYLE articles for a period of 24 months as of the date of installation. For MEYLE-HD articles, this guarantee applies for 48 months as of the date of installation.

Complementing this guarantee, we give an additional 100,000 miles (160,934 kilometres) performance guarantee against defects of material and workmanship for MEYLE passenger car water pumps purchased from 01 May 2016. The guarantee given for MEYLE passenger car water pumps terminates upon expiration of the guarantee period or the guaranteed mileage, whichever occurs later: if the guaranteed mileage has not been reached at the end of the guarantee period of 24 or 48 months respectively, the performance guarantee continues to be valid. Respectively, the guarantee period of 24 or 48 months continues to be valid also in any case where the guaranteed mileage was already exceeded.

During the guarantee period, we perform repair work on claimed MEYLE articles or provide a replacement. The MEYLE guarantee does not apply for normal wear and damage caused by inappropriate handling or inappropriate installation. The guarantee expires if the respective part is modified by third parties or via installation of parts from third parties, or if the part, or vehicle, is used in excess of the appropriate use and purpose. The MEYLE guarantee also expires if MEYLE instructions or vehicle manufacturer instructions, e.g. concerning maintenance and replacement intervals, are not observed. The guarantee only applies for MEYLE water pumps, if the cooling circuit has been flushed prior to installation of the MEYLE water pump. Rights granted by law continue to apply unrestrictedly, irrespective of this guarantee.

The customer must submit a written guarantee claim immediately, or at the latest 30 days after identifying an error in material or processing. This claim is to be submitted to the dealer from which he acquired the MEYLE article part. The customer should return the article, carefully packed. He must enclose the original sales receipt and a description of the error. The customer must also verify the date of installation and the mileage of the vehicle by means of respective documents.

Last amended January 2017

A handwritten signature in white ink, appearing to read 'M. Wunder', is centered on the dark blue background.

Director Quality Assurance  
Manfred Wunder



## Body/Cabin

1

### Body, Interior fittings

Cabin air filter  
Gas spring, rear window

Hood shock  
Trunk-/tailgate shock

Wiper Blade

## Brakes

8

### Disc brake, Drum brake, Hydraulics

Brake disc  
Brake hose  
Brake master cylinder

Brake pad set  
Brake shoe kit  
Brake shoe set, parking brake

Guide bolt, brake caliper  
Guide sleeve kit, brake caliper

## Drive train/Transmission

33

### Axle shafts, Drive shafts, Joints, Transmission

Boot kit, C.V. joint  
C.V. joint kit  
Drive shaft support

Hydraulic filter kit, A/T  
Hydraulic filter, A/T

Joint, propeller shaft  
Parts kit, automatic transm. oil change

## Electrics

40

### Brakes, Engine, Interiors, Lighting

ABS wheel sensor  
Back up light switch  
Brake light switch  
Glow plug

Ignition control unit  
Relay, hazard lights  
Sender unit, coolant temperature  
Sensor, camshaft position

Sensor, engine oil level  
Voltage regulator  
Wear sensor  
Wiper intermittent relay

## Engine/Cooling/Clutch

49

### Belt drive / Engine control, Cooling system, Crankshaft drive, Fuel system, Lubrication system, Mounts

A/T oil pan gasket  
Air filter  
Crankshaft seal

Engine mount  
Expansion tank  
Fuel filter

Oil filter  
V-ribbed belt  
Water pump

## Steering

62

### Hydraulics, Mounting parts, Tie rod assemblies

Axial rod  
P/S hose

Steering boot kit  
Tie rod assembly

Tie rod end

## Suspension

67

### Control arms, Stabilizer, Subframe, Suspension / damping, Wheel hubs / Wheel bearings

Axle support bushing  
Ball joint  
Control arm  
Control arm bushing  
Control arm set

Mount, axle rod  
Mount, control arm  
Mount, stabilizer  
Repair kit, strut mount  
Rod/strut, suspension

Stabilizer link  
Strut mount  
Strut mount bearing  
Wheel bearing  
Wheel bearing kit





**Gas spring, rear window**

**440 910 0008 | MHS0083**

**Notes**

Length [mm] 230  
Force output F [N] 790

**References**

955 512 528 00



**Application info**

Cayenne I [955] [09/02--]

**Hood shock**

**440 160 3840 | MHS0096**

**Notes**

Length [mm] 320  
Force output F [N] 370

**References**

911 511 331 01



**Application info**

911/912 [01/63-11/90]

**Hood shock**

**440 160 3065 | MHS0078**

**Notes**

Length [mm] 255  
Force output F [N] 600  
Rear

**References**

911 512 331 02 911 512 331 21



**Application info**

911 [964] [12/88-06/94]  
911 [993] [10/93-09/97]

911 [996] [09/97-08/05]  
911/912 [01/63-11/90]

440 161 0176 | MHS0080

Hood shock



Notes

Length [mm]	436
Force output F [N]	150

References

928 511 139 03	928 511 139 05
----------------	----------------

Application info

928 [09/77-11/95]

440 160 3125 | MHS0079

Hood shock



Notes

Length [mm]	405
Force output F [N]	270

References

944 511 351 01

Application info

924 [11/75-08/89]

944 [06/81-07/91]

440 910 0005 | MTS0336

Trunk-/tailgate shock



Notes

Length [mm]	240
Force output F [N]	380
	Vehicle Front

References

997 511 551 01

Application info

911 [997] [07/04-12/10]

Boxster [987] [11/04-12/11]



**Wiper Blade**

**029 380 1500 | MBL0018**

**Notes**

Observe service information  
Length [in]  
Length [mm]

Flat wiper blade  
Flat bar wiper blade  
15  
380  
Front



**Application info**

911 (993) (10/93-09/97)

**Wiper Blade**

**029 380 1513 | MBL0049**

**Notes**

Length [in]  
Length [mm]

Flat bar wiper blade  
Flat wiper blade  
15  
380  
Rear

**References**

958 628 050 00



**Application info**

Cayenne II (06/10--)

**Wiper Blade**

**029 400 1600 | MBL0021**

**Notes**

Observe service information  
Length [in]  
Length [mm]

Flat bar wiper blade  
Flat wiper blade  
16  
400  
Front



**Application info**

911 (964) (12/88-06/94)

029 450 1800 | MBL0027

Wiper Blade



Notes

Observe service information  
Length [in]  
Length [mm]

Flat wiper blade  
Flat bar wiper blade  
18  
450  
Front

Application info

911 [993] [10/93-09/97]

924 [11/75-08/89]

029 475 1900 | MBL0028

Wiper Blade



Notes

Observe service information  
Length [in]  
Length [mm]

Flat bar wiper blade  
Flat wiper blade  
19  
475  
Front

Application info

944 [06/81-07/91]

029 530 2100 | MBL0030

Wiper Blade



Notes

Observe service information  
Length [in]  
Length [mm]

Flat bar wiper blade  
Flat wiper blade  
21  
530  
Front

Application info

911 [996] [09/97-08/05]  
911 [997] [07/04-12/10]

Boxster [986] [09/96-12/04]  
Cayman [11/05--]

**Wiper Blade**

**029 550 2200 | MBL0032**

**Notes**

Observe service information  
Length [in]  
Length [mm]

Flat bar wiper blade  
Flat wiper blade  
22  
550  
Front



**Application info**

911 [996] [09/97-08/05]  
911 [997] [07/04-12/10]

Boxster [986] [09/96-12/04]  
Cayman [11/05--]

**Wiper Blade**

**029 650 2600 | MBL0036**

**Notes**

Observe service information  
Length [in]  
Length [mm]

Flat wiper blade  
Flat bar wiper blade  
26  
650  
Front



**Application info**

Cayenne II [06/10--]

**Cabin air filter**

**112 320 0020 | MCF0107**

**Notes**

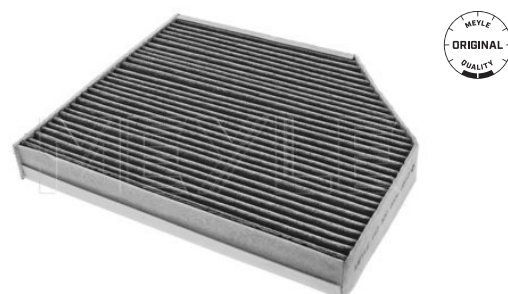
Height [mm]  
Width [mm]  
Width 2 [mm]  
Length [mm]

35  
279  
145  
241  
Filter Insert  
Activated Carbon Filter

**References**

8K0 819 439 A

8K0 819 439 B



**Application info**

Macan [02/14--]



**112 320 0012 | MCF0100**

**Cabin air filter**



**Notes**

Height [mm] 34  
Width [mm] 216  
Length [mm] 276  
Filter Insert  
Activated Carbon Filter

**References**

955 572 219 10

**Application info**

Cayenne I [955] [09/02--]

**112 320 0021 | MCF0108**

**Cabin air filter**



**Notes**

Height [mm] 41  
Width [mm] 219  
Length [mm] 278  
Filter Insert  
Activated Carbon Filter

**References**

958 572 219 00

**Application info**

Cayenne II [06/10--]

**11-12 319 0004 | MCF0057**

**Cabin air filter**



**Notes**

Height [mm] 31  
Width [mm] 163  
Length [mm] 324  
Filter Insert  
Particulate Filter

**References**

996 572 219 01

996 572 219 02

**Application info**

911 [996] [09/97-08/05]  
911 [997] [07/04-12/10]  
Boxster [986] [09/96-12/04]

Boxster [987] [11/04-12/11]  
Cayman [11/05--]

**Cabin air filter**

**11-12 320 0004 | MCF0068**

**Notes**

Height [mm] 33  
 Width [mm] 173  
 Length [mm] 326  
 Filter Insert  
 Activated Carbon Filter

**References**

996 571 219 00                      996 571 219 03  
 996 571 219 01                      997 571 219 00  
 996 571 219 02



**Application info**

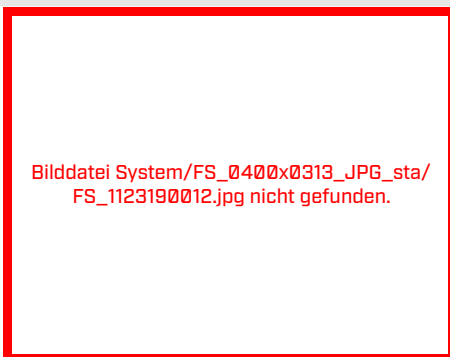
911 [996] [09/97-08/05]                      Boxster [987] [11/04-12/11]  
 911 [997] [07/04-12/10]                      Cayman [11/05--]  
 Boxster [986] [09/96-12/04]

**Cabin air filter**

**112 319 0012 | MCF0086**

**Notes**

Height [mm] 34  
 Width [mm] 216  
 Length [mm] 277  
 Filter Insert  
 Particulate Filter



**Application info**

Cayenne I [955] [09/02--]

483 521 0006/PD | MBD2142PD

Brake disc



Notes

Wheel Bolt Bore Ø [mm]	15.1
	Zink flake coated
	High-carbon
	Vented
Centering Diameter [mm]	103
Minimum thickness [mm]	26
Outer diameter [mm]	298
Height [mm]	74
Bolt Hole Circle Ø [mm]	130
Brake Disc Thickness [mm]	28
Required quantity	2
Number of Holes	5
	Front Axle

References

951 351 041 01	951 351 041 02
----------------	----------------

Application info

944 [06/81-07/91]

968 [06/91-11/95]

115 521 1101 | MBD0230

Brake disc



Notes

Wheel Bolt Bore Ø [mm]	15.4
	Vented
Centering Diameter [mm]	85
Minimum thickness [mm]	30
Outer diameter [mm]	330
Height [mm]	68.5
Bolt Hole Circle Ø [mm]	130
Brake Disc Thickness [mm]	32
Number of Holes	5
	Front Axle Left

References

955 351 401 40	955 351 401 41
----------------	----------------

Counterpart

115 521 1102 | MBD0231

Application info

Cayenne I [955] [09/02--]





### Brake disc

### 183 521 1101/PD | MBD1546PD

#### Notes

Wheel Bolt Bore Ø [mm]	15.4
	Zink flake coated
	High-carbon
	Vented
Centering Diameter [mm]	85
Minimum thickness [mm]	30
Outer diameter [mm]	330
Height [mm]	68.5
Bolt Hole Circle Ø [mm]	130
	with screws
Brake Disc Thickness [mm]	32
Number of Holes	5
	Front Axle Left



#### References

955 351 401 40	955 351 401 41
----------------	----------------

#### Counterpart

183 521 1102/PD | MBD1547PD

#### Application info

Cayenne I [955] [09/02--]

### Brake disc

### 183 521 1102/PD | MBD1547PD

#### Notes

Wheel Bolt Bore Ø [mm]	15.4
	Zink flake coated
	High-carbon
	Vented
Centering Diameter [mm]	85
Minimum thickness [mm]	30
Outer diameter [mm]	330
Height [mm]	68.5
Bolt Hole Circle Ø [mm]	130
	with screws
Brake Disc Thickness [mm]	32
Number of Holes	5
	Front Axle Right



#### References

955 351 401 40	955 351 401 41
----------------	----------------

#### Counterpart

183 521 1101/PD | MBD1546PD

#### Application info

Cayenne I [955] [09/02--]

# 2

115 521 1103 | MBD0232

Brake disc



Notes

Wheel Bolt Bore Ø [mm]	15.4
	Vented
Centering Diameter [mm]	85
Minimum thickness [mm]	32
Outer diameter [mm]	350
Height [mm]	68.8
Bolt Hole Circle Ø [mm]	130
Brake Disc Thickness [mm]	34
Number of Holes	5
	Front Axle Left

References

955 351 401 50	955 351 401 51
----------------	----------------

Counterpart

115 521 1104 | MBD0233

Application info

Cayenne I [955] [09/02--]

Cayenne II [06/10--]

183 521 1103/PD | MBD1548PD

Brake disc



Notes

Wheel Bolt Bore Ø [mm]	15.4
	Zink flake coated
	High-carbon
	Vented
Centering Diameter [mm]	85
Minimum thickness [mm]	32
Outer diameter [mm]	350
Height [mm]	68.8
Bolt Hole Circle Ø [mm]	130
	with screws
Brake Disc Thickness [mm]	34
Number of Holes	5
	Front Axle Left

References

955 351 401 50	955 351 401 51
----------------	----------------

Counterpart

183 521 1104/PD | MBD1549PD

Application info

Cayenne I [955] [09/02--]

Cayenne II [06/10--]

### Brake disc

115 521 1102 | MBD0231

#### Notes

Wheel Bolt Bore Ø [mm]	15.4
	Vented
Centering Diameter [mm]	85
Minimum thickness [mm]	30
Outer diameter [mm]	330
Height [mm]	68.5
Bolt Hole Circle Ø [mm]	130
Brake Disc Thickness [mm]	32
Number of Holes	5
	Front Axle Right



#### References

955 351 402 40	955 351 402 41
----------------	----------------

#### Counterpart

115 521 1101 | MBD0230

#### Application info

Cayenne I [955] [09/02--]

### Brake disc

115 521 1104 | MBD0233

#### Notes

Wheel Bolt Bore Ø [mm]	15.4
	Vented
Centering Diameter [mm]	85
Minimum thickness [mm]	32
Outer diameter [mm]	350
Height [mm]	68.8
Bolt Hole Circle Ø [mm]	130
Brake Disc Thickness [mm]	34
Number of Holes	5
	Front Axle Right



#### References

955 351 402 50	955 351 402 51
----------------	----------------

#### Counterpart

115 521 1103 | MBD0232

#### Application info

Cayenne I [955] [09/02--]

Cayenne II [06/10--]

183 521 1104/PD | MBD1549PD

Brake disc



Notes

Wheel Bolt Bore Ø [mm]	15.4
	Zink flake coated
	High-carbon
	Vented
Centering Diameter [mm]	85
Minimum thickness [mm]	32
Outer diameter [mm]	350
Height [mm]	68.8
Bolt Hole Circle Ø [mm]	130
	with screws
Brake Disc Thickness [mm]	34
Number of Holes	5
	Front Axle Right

References

955 351 402 50	955 351 402 51
----------------	----------------

Counterpart

183 521 1103/PD | MBD1548PD

Application info

Cayenne I [955] [09/02--]

Cayenne II [06/10--]

115 523 0041 | MBD1816

Brake disc



Notes

Wheel Bolt Bore Ø [mm]	15.4
	Vented
Centering Diameter [mm]	85
Minimum thickness [mm]	26
Outer diameter [mm]	330
Height [mm]	73.5
Bolt Hole Circle Ø [mm]	130
Brake Disc Thickness [mm]	28
Required quantity	2
Number of Holes	5
	Rear Axle

References

955 352 401 30	955 352 401 31
----------------	----------------

Application info

Cayenne I [955] [09/02--]

Cayenne II [06/10--]



### Brake disc

115 523 0041/PD | MBD1816PD

#### Notes

Wheel Bolt Bore Ø [mm]	15.4
	Zink flake coated
	Vented
Centering Diameter [mm]	85
Minimum thickness [mm]	26
Outer diameter [mm]	330
Height [mm]	73.5
Bolt Hole Circle Ø [mm]	130
	with screws
Brake Disc Thickness [mm]	28
Required quantity	2
Number of Holes	5
	Rear Axle



#### References

955 352 401 30	955 352 401 31
----------------	----------------

#### Application info

Cayenne I [955] [09/02--]

Cayenne II [06/10--]

### Brake disc

115 523 0034/PD | MBD1809PD

#### Notes

Wheel Bolt Bore Ø [mm]	15.4
	Zink flake coated
	Vented
Centering Diameter [mm]	85
Minimum thickness [mm]	26
Outer diameter [mm]	358
Height [mm]	73.5
Bolt Hole Circle Ø [mm]	130
	with screws
Brake Disc Thickness [mm]	28
Required quantity	2
Number of Holes	5
	Rear Axle



#### References

955 352 401 50	955 352 403 00
955 352 401 51	958 352 401 50

#### Application info

Cayenne I [955] [09/02--]

Cayenne II [06/10--]



183 521 0043/PD | MBD1837PD

Brake disc



Notes

Centering Diameter [mm]  
Minimum thickness [mm]  
Outer diameter [mm]  
Height [mm]  
Bolt Hole Circle Ø [mm]

Zink flake coated  
High-carbon  
Vented  
85  
34  
360  
68.5  
130

Brake Disc Thickness [mm]  
Required quantity  
Number of Holes

with screws  
36  
2  
5  
Front Axle Left

References

958 351 403 01

Counterpart

183 521 0044/PD | MBD1838PD

Application info

Cayenne II [06/10--]

183 521 0044/PD | MBD1838PD

Brake disc



Notes

Centering Diameter [mm]  
Minimum thickness [mm]  
Outer diameter [mm]  
Height [mm]  
Bolt Hole Circle Ø [mm]

Zink flake coated  
High-carbon  
Vented  
85  
34  
360  
68.5  
130

Brake Disc Thickness [mm]  
Required quantity  
Number of Holes

with screws  
36  
2  
5  
Front Axle Right

References

958 351 404 01

Counterpart

183 521 0043/PD | MBD1837PD

Application info

Cayenne II [06/10--]

### Brake disc

115 523 0035/PD | MBD1810PD

#### Notes

Wheel Bolt Bore Ø [mm]	15.3
	Zink flake coated
	Vented
Centering Diameter [mm]	68
Minimum thickness [mm]	20
Outer diameter [mm]	330
Height [mm]	36.4
Bolt Hole Circle Ø [mm]	112
Brake Disc Thickness [mm]	22
Required quantity	2
Number of Holes	5
	Rear Axle



#### References

95B 615 601 A

#### Application info

Macan (02/14--)

### Brake disc

483 521 0011/PD | MBD2011PD

#### Notes

	Zink flake coated
	High-carbon
	Vented
	Slotted
Centering Diameter [mm]	98
Minimum thickness [mm]	34
Outer diameter [mm]	360
Height [mm]	68.6
Bolt Hole Circle Ø [mm]	130
Brake Disc Thickness [mm]	36
Required quantity	2
Number of Holes	5
	Front Axle Left



#### References

970 351 403 00

#### Counterpart

483 521 0012/PD | MBD2012PD

#### Application info

Panamera (09/09--)

**483 521 0012/PD | MBD2012PD**

**Brake disc**



**Notes**

Centering Diameter [mm]  
Minimum thickness [mm]  
Outer diameter [mm]  
Height [mm]  
Bolt Hole Circle Ø [mm]  
Brake Disc Thickness [mm]  
Required quantity  
Number of Holes

Zink flake coated  
High-carbon  
Vented  
Slotted  
98  
34  
360  
68.6  
130  
36  
2  
5  
Front Axle Right

**References**

970 351 404 00

**Counterpart**

483 521 0011/PD | MBD2011PD

**Application info**

Panamera (09/09--)

**483 523 0012/PD | MBD2014PD**

**Brake disc**



**Notes**

Centering Diameter [mm]  
Minimum thickness [mm]  
Outer diameter [mm]  
Height [mm]  
Bolt Hole Circle Ø [mm]  
Brake Disc Thickness [mm]  
Required quantity  
Number of Holes

Zink flake coated  
High-carbon  
Vented  
Slotted  
98  
26  
330  
75  
130  
28  
2  
5  
Rear Axle Right

**References**

970 352 404 00

**Counterpart**

483 523 0011/PD | MBD2013PD

**Application info**

Panamera (09/09--)



## Brake disc

### 483 521 0001/PD | MBD1598PD

#### Notes

Wheel Bolt Bore Ø [mm]	15.4
	Zink flake coated
	High-carbon
	Vented
Centering Diameter [mm]	98
Minimum thickness [mm]	18
Outer diameter [mm]	298
Height [mm]	67
Bolt Hole Circle Ø [mm]	130
Brake Disc Thickness [mm]	24
Required quantity	2
Number of Holes	5
	Front Axle



#### References

986 351 401 05

#### Application info

Boxster [986] [09/96-12/04]

## Brake disc

### 483 523 0001/PD | MBD1604PD

#### Notes

Wheel Bolt Bore Ø [mm]	15.4
	Zink flake coated
	High-carbon
	Vented
Centering Diameter [mm]	98
Minimum thickness [mm]	18
Outer diameter [mm]	292
Height [mm]	67
Bolt Hole Circle Ø [mm]	130
Brake Disc Thickness [mm]	20
Required quantity	2
Number of Holes	5
	Rear Axle



#### References

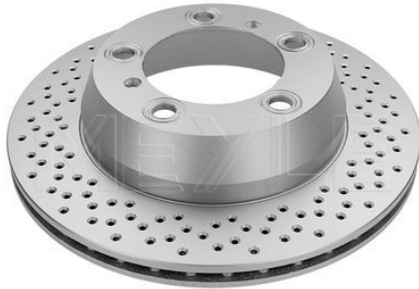
986 352 401 04

#### Application info

Boxster [986] [09/96-12/04]

483 523 0009/PD | MBD2145PD

Brake disc



Notes

Wheel Bolt Bore Ø [mm]	15.4
	Zink flake coated
	High-carbon
	Perforated / Vented
Centering Diameter [mm]	98
Minimum thickness [mm]	18
Outer diameter [mm]	299
Height [mm]	67
Bolt Hole Circle Ø [mm]	130
Brake Disc Thickness [mm]	20
Required quantity	2
Number of Holes	5
	Rear Axle

References

987 352 401 01

Application info

BOXSTER [981] [04/12--]  
Boxster [987] [11/04-12/11]

Cayman [11/05--]  
Cayman [981] [03/13--]

483 521 0009/PD | MBD2143PD

Brake disc



Notes

Wheel Bolt Bore Ø [mm]	15.4
	Zink flake coated
	High-carbon
	Perforated / Vented
Centering Diameter [mm]	103
Minimum thickness [mm]	30
Outer diameter [mm]	304
Height [mm]	72
Bolt Hole Circle Ø [mm]	130
Brake Disc Thickness [mm]	32
Required quantity	2
Number of Holes	5
	Front Axle Left

References

993 351 043 01

Counterpart

483 521 0010/PD | MBD2144PD

Application info

911 [993] [10/93-09/97]



### Brake disc

### 483 521 0010/PD | MBD2144PD

#### Notes

Wheel Bolt Bore Ø [mm]	15.4
	Zink flake coated
	High-carbon
	Perforated / Vented
Centering Diameter [mm]	103
Minimum thickness [mm]	30
Outer diameter [mm]	304
Height [mm]	72
Bolt Hole Circle Ø [mm]	130
Brake Disc Thickness [mm]	32
Required quantity	2
Number of Holes	5
	Front Axle Right



#### References

993 351 044 01

#### Counterpart

483 521 0009/PD | MBD2143PD

#### Application info

911 [993] [10/93-09/97]

### Brake disc

### 483 521 0002/PD | MBD1599PD

#### Notes

Wheel Bolt Bore Ø [mm]	15.4
	Zink flake coated
	High-carbon
	Vented
	Perforated
Centering Diameter [mm]	98
Minimum thickness [mm]	26
Outer diameter [mm]	318
Height [mm]	67
Bolt Hole Circle Ø [mm]	130
Brake Disc Thickness [mm]	28
Number of Holes	5
	Front Axle Left



#### References

996 351 405 00  
996 351 405 01

996 351 405 02

#### Counterpart

483 521 0003/PD | MBD1600PD

#### Application info

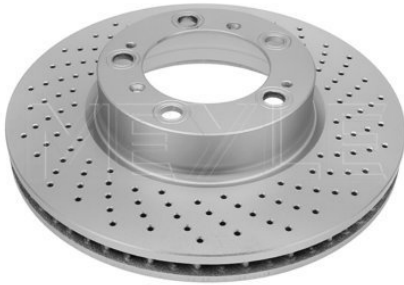
911 [996] [09/97-08/05]  
911 [997] [07/04-12/10]  
Boxster [986] [09/96-12/04]

Boxster [987] [11/04-12/11]  
Cayman [11/05--]

2

483 521 0003/PD | MBD1600PD

Brake disc



Notes

Wheel Bolt Bore Ø [mm]	15.4
	Zink flake coated
	High-carbon
	Vented
	Perforated
Centering Diameter [mm]	98
Minimum thickness [mm]	26
Outer diameter [mm]	318
Height [mm]	67
Bolt Hole Circle Ø [mm]	130
Brake Disc Thickness [mm]	28
Number of Holes	5
	Front Axle Right

References

996 351 406 00	996 351 406 02
996 351 406 01	

Counterpart

483 521 0002/PD | MBD1599PD

Application info

911 (996) [09/97-08/05]  
911 (997) [07/04-12/10]  
Boxster (986) [09/96-12/04]

Boxster (987) [11/04-12/11]  
Cayman [11/05--]

483 523 0002/PD | MBD1605PD

Brake disc



Notes

Wheel Bolt Bore Ø [mm]	15.4
	Zink flake coated
	High-carbon
	Perforated
	Vented
Centering Diameter [mm]	98
Minimum thickness [mm]	22
Outer diameter [mm]	299
Height [mm]	75
Bolt Hole Circle Ø [mm]	130
Brake Disc Thickness [mm]	24
Required quantity	2
Number of Holes	5
	Rear Axle

References

996 352 401 03	996 352 401 05
996 352 401 04	

Application info

911 (996) [09/97-08/05]

911 (997) [07/04-12/10]



**Brake disc**

**483 523 0011/PD | MBD2013PD**

**Notes**

	Zink flake coated
	High-carbon
	Externally Vented
	Slotted
Centering Diameter [mm]	98
Minimum thickness [mm]	26
Outer diameter [mm]	330
Height [mm]	75
Bolt Hole Circle Ø [mm]	130
Brake Disc Thickness [mm]	28
Required quantity	2
Number of Holes	5
	Rear Axle Left



**References**

970 352 403 00

**Counterpart**

483 523 0012/PD | MBD2014PD

**Application info**

Panamera (09/09--)

**Brake pad set**

**025 204 8219/PD | MBP1709PD**

**Notes**

Quality	prepared for wear indicator
Thickness [mm]	premium
Height [mm]	18.5
Width [mm]	58.9
	76.8
	with anti-squeak plate

**References**

20482	928 352 952 01
477 698 151 A	944 352 951 00
477 698 151 B	944 352 951 01
928 352 951 00	944 352 951 02
928 352 951 02	



**Application info**

924 (11/75-08/89)  
928 (09/77-11/95)

944 (06/81-07/91)

025 204 8119/PD | MBP1708PD

Brake pad set



Notes

Quality  
Thickness [mm]  
Height [mm]  
Width [mm]

prepared for wear indicator  
PREMIUM  
19  
70  
90  
with anti-squeak plate  
Front Axle

References

20481	944 351 941 01
477 698 155	944 351 951 00
928 351 951 00	944 351 951 01
928 351 951 02	944 351 951 02
928 351 952 00	

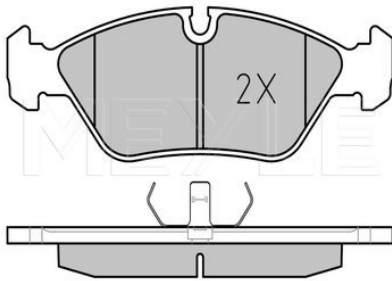
Application info

924 [11/75-08/89]  
928 [09/77-11/95]

944 [06/81-07/91]

025 206 2919 | MBP0025

Brake pad set



Notes

Thickness [mm]  
Height [mm]  
Width [mm]  
Brake System

prepared for wear indicator  
19.1  
57  
158.4  
ATE  
with anti-squeak plate  
Front Axle

References

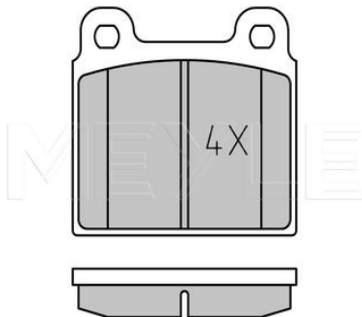
928 351 931 00	928 351 931 01
----------------	----------------

Application info

928 [09/77-11/95]

025 200 1115 | MBP0002

Brake pad set



Notes

Thickness [mm]  
Height [mm]  
Width [mm]  
Brake System

prepared for wear indicator  
15  
70.1  
76.6  
ATE  
with anti-squeak plate  
Front Axle

References

901 351 997 00	911 351 950 01
911 351 938 00	911 351 950 02
911 351 944 01	911 351 950 06
911 351 944 05	923 351 901 00
911 351 949 01	944 351 950 06
911 351 950 00	

**Brake pad set**

**025 200 1115 | MBP0002**

**Application info**

911/912 [01/63-11/90]

**Brake pad set**

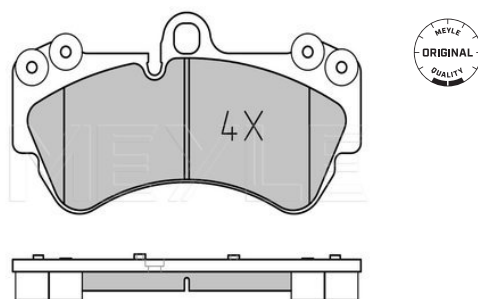
**025 236 9217 | MBP0415**

**Notes**

Thickness [mm]	16.1
Height [mm]	99.1
Width [mm]	190.2
Brake System	Brembo with anti-squeak plate Front Axle

**References**

955 351 939 00	955 351 939 03
955 351 939 01	955 351 939 04
955 351 939 02	955 351 939 05



**Application info**

Cayenne I [955] [09/02--]

**Brake pad set**

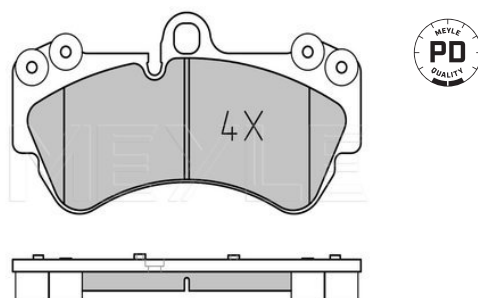
**025 236 9217/PD | MBP0415PD**

**Notes**

Quality	prepared for wear indicator <b>PREMIUM</b>
Thickness [mm]	16.1
Height [mm]	99.1
Width [mm]	190.2
Brake System	Brembo with anti-squeak plate Front Axle

**References**

955 351 939 00	955 351 939 03
955 351 939 01	955 351 939 04
955 351 939 02	955 351 939 05

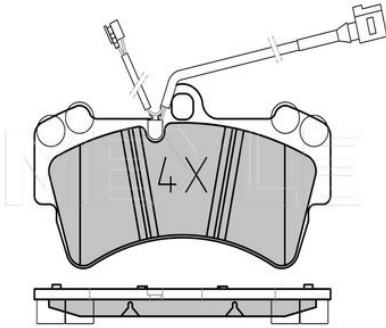


**Application info**

Cayenne I [955] [09/02--]

025 236 9317 | MBP0416

Brake pad set



Notes

Thickness [mm]  
Height [mm]  
Width [mm]  
Brake System

prepared for wear indicator  
16.5  
106.5  
190.2  
Brembo  
with anti-squeak plate  
Front Axle

References

955 351 939 10  
955 351 939 11  
955 351 939 12

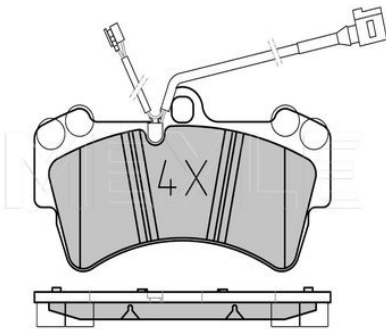
955 351 939 13  
955 351 939 14

Application info

Cayenne I [955] [09/02--]

025 236 9317/PD | MBP0416PD

Brake pad set



Notes

Quality  
Thickness [mm]  
Height [mm]  
Width [mm]  
Number of wear indicators [per axle]  
Brake System

prepared for wear indicator  
PREMIUM  
16.5  
106.5  
190.2  
2  
Brembo  
with anti-squeak plate  
Front Axle

References

955 351 939 10  
955 351 939 11  
955 351 939 12

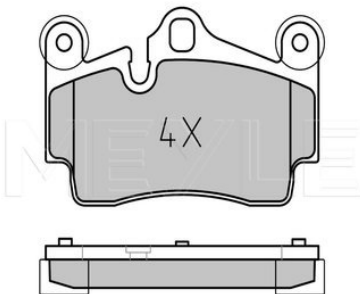
955 351 939 13  
955 351 939 14

Application info

Cayenne I [955] [09/02--]

025 236 9417 | MBP0417

Brake pad set



Notes

Thickness [mm]  
Height [mm]  
Width [mm]  
Brake System

prepared for wear indicator  
16.2  
73.1  
112.1  
Brembo  
with anti-squeak plate  
Rear Axle

References

955 352 939 00  
955 352 939 01

955 352 939 02  
955 352 939 50

**Brake pad set**

**025 236 9417 | MBP0417**

**Application info**

Cayenne I [955] [09/02--]

**Brake pad set**

**025 236 9417/PD | MBP0417PD**

**Notes**

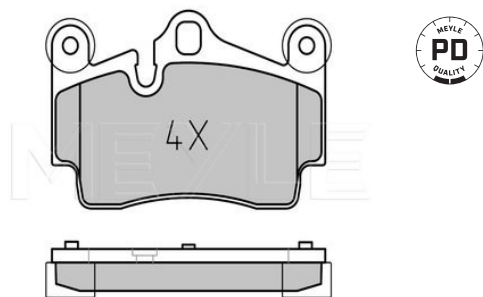
Quality  
Thickness [mm]  
Height [mm]  
Width [mm]  
Brake System

prepared for wear indicator  
PREMIUM  
16.2  
73.1  
112.1  
Brembo  
with anti-squeak plate  
Rear Axle

**References**

955 352 939 00  
955 352 939 01

955 352 939 02  
955 352 939 50



**Application info**

Cayenne I [955] [09/02--]

**Brake pad set**

**025 242 9616 | MBP0560**

**Notes**

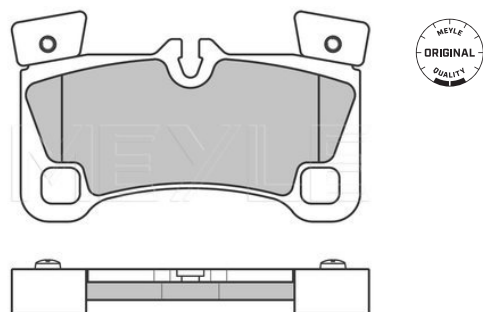
Thickness [mm]  
Height [mm]  
Width [mm]  
Brake System

prepared for wear indicator  
16.3  
77  
132.1  
Brembo  
with anti-squeak plate  
Rear Axle

**References**

955 352 939 01  
955 352 939 02

955 352 939 63



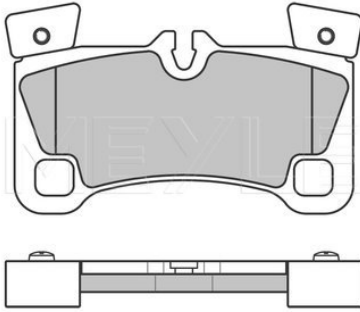
**Application info**

Cayenne I [955] [09/02--]

2

025 242 9616/PD | MBP0560PD

Brake pad set



Notes

Quality  
Thickness [mm]  
Height [mm]  
Width [mm]  
Brake System

excl. wear warning contact  
PREMIUM  
16.3  
77  
132.1  
Brembo  
with anti-squeak plate  
Rear Axle

References

955 352 939 61  
955 352 939 62

955 352 939 63  
955 352 939 64

Application info

Cayenne I [955] [09/02--]

025 245 5416/PD | MBP1739PD

Brake pad set



Notes

Quality  
Thickness [mm]  
Height [mm]  
Width [mm]  
Brake System

prepared for wear indicator  
PREMIUM  
15.7  
70  
187  
BREMBO  
with anti-squeak plate  
Rear Axle

References

955 352 939 70  
970 351 949 05  
970 352 949 02  
970 352 949 03

970 352 949 04  
970 352 949 05  
991 352 948 03  
991 352 949 01

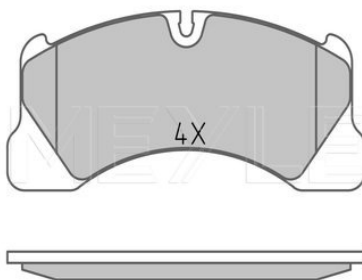
Application info

911 [991] [12/11--]

Panamera [09/09--]

025 250 0717/PD | MBP1597PD

Brake pad set



Notes

Quality  
Thickness [mm]  
Height [mm]  
Width [mm]  
Brake System

prepared for wear indicator  
PREMIUM  
15.5  
94.2  
209.6  
BREMBO  
with anti-squeak plate  
Front Axle

References

955 351 939 61  
955 351 939 62  
955 351 939 63

958 351 939 00  
958 351 939 10  
970 351 949 01

### Brake pad set

025 250 0717/PD | MBP1597PD

#### Application info

Cayenne I [955] [09/02--]  
Cayenne II [06/10--]

Panamera [09/09--]

### Brake pad set

025 217 9216/PD | MBP0996PD

#### Notes

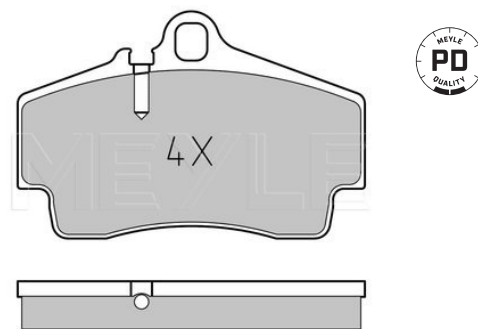
Quality  
Thickness [mm]  
Height [mm]  
Width [mm]  
Brake System

prepared for wear indicator  
PREMIUM  
16  
73.2  
114.6  
BREMBO  
with anti-squeak plate  
Rear Axle

#### References

986 352 939 10  
996 352 930 00  
996 352 930 03

996 352 939 00  
996 352 939 03  
996 352 980 00



#### Application info

911 [996] [09/97-08/05]  
911 [997] [07/04-12/10]  
Boxster [986] [09/96-12/04]

Boxster [987] [11/04-12/11]  
Cayman [11/05--]

### Brake pad set

025 219 3716/PD | MBP1025PD

#### Notes

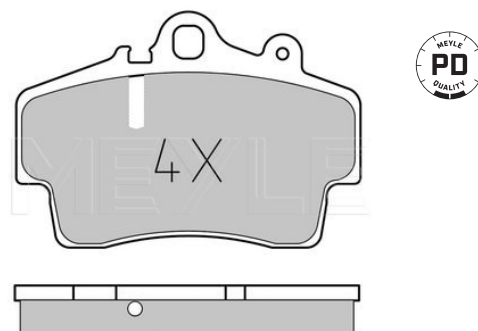
Quality  
Thickness [mm]  
Height [mm]  
Width [mm]  
Brake System

prepared for wear indicator  
PREMIUM  
15.5  
78  
114  
BREMBO  
with anti-squeak plate  
Front Axle

#### References

987 351 939 02

987 351 939 03



#### Application info

Boxster [987] [11/04-12/11]

Cayman [11/05--]



025 240 4917/PD | MBP1737PD

Brake pad set



Notes

Quality  
Thickness [mm]  
Height [mm]  
Width [mm]

prepared for wear indicator  
PREMIUM  
17  
86  
121  
with anti-squeak plate

References

24049  
997 351 939 03

997 351 939 05

Application info

911 [997] [07/04-12/10]  
Boxster [987] [11/04-12/11]

Cayman [11/05--]

100 698 0008 | MBX0156

Guide bolt, brake caliper



Notes

Brake System

ATE  
Front Axle

References

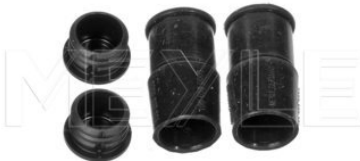
928 351 947 00

Application info

928 [09/77-11/95]

014 698 0006 | MBX0010

Guide sleeve kit, brake caliper



Notes

Brake System

without guide bolts  
ATE  
Front Axle

References

928 351 949 00

Application info

928 [09/77-11/95]

**Guide sleeve kit, brake caliper**

**014 698 0006/S | MBX0011**

**Notes**

Brake System

with guide pin  
ATE  
Front Axle

**References**

928 351 949 00

**Parts list**

014 698 0006 | MBX0010  
100 698 0008 | MBX0156

Guide sleeve kit, brake caliper  
Guide bolt, brake caliper



**Application info**

928 [09/77-11/95]

**Brake shoe kit**

**414 533 0001 | MBS0293**

**Notes**

Diameter [mm]  
Width [mm]

without spring  
230  
40

**References**

477 609 537 B  
477 609 537 C

477 609 537 D  
481 609 537 C



**Application info**

924 [11/75-08/89]

**Brake shoe set, parking brake**

**414 533 0000 | MPB0057**

**Notes**

Diameter [mm]  
Width [mm]

without spring  
176.2  
25  
Rear Axle

**References**

911 352 097 10



**Application info**

911/912 [01/63-11/90]

114 042 1201 | MPB0021

Brake shoe set, parking brake



Notes

Diameter [mm]  
Width [mm]

without spring  
210  
30  
Rear Axle

References

955 352 925 00

Application info

Cayenne I [955] [09/02--]

414 355 0001 | MBH0417

Brake hose



Notes

Inner thread 2 [mm]  
Inner thread 1 [mm]  
Length [mm]  
Required quantity

M10x1  
M10x1  
270  
2  
Rear Axle

References

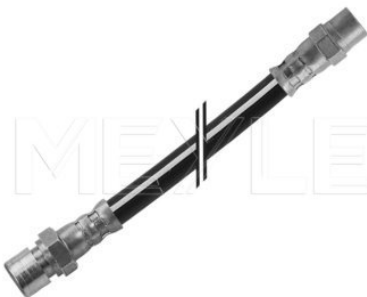
901 355 631 01

Application info

911/912 [01/63-11/90]

414 355 0002 | MBH0418

Brake hose



Notes

Inner thread 2 [mm]  
Inner thread 1 [mm]  
Length [mm]  
Required quantity

M10x1  
M10x1  
330  
2  
Front Axle

References

901 355 632 01

Application info

911/912 [01/63-11/90]

914 [01/69-02/76]



### Brake hose

100 611 0045 | MBH0141

#### Notes

Inner thread [mm]	M10x1
Outer thread [mm]	M10x1
Length [mm]	290
Required quantity	2
	Rear Axle

#### References

928 355 626 00



#### Application info

928 [09/77-11/95]

### Brake hose

100 525 0011 | MBH0065

#### Notes

Outer thread 2 [mm]	M10x1
Outer thread 1 [mm]	M10x1
Length [mm]	430
Required quantity	2
	Rear Axle

#### References

955 355 060 00	958 355 060 00
955 355 060 01	



#### Application info

Cayenne I [955] [09/02--]

### Brake hose

100 525 0021 | MBH0074

#### Notes

Inner thread 2 [mm]	M10x1
Inner thread 1 [mm]	M10x1
Length [mm]	515
Required quantity	2
	Front Axle

#### References

955 355 139 10	955 355 139 13
----------------	----------------



#### Application info

Cayenne I [955] [09/02--]

2

**114 532 0008 | MBX0160**

**Brake master cylinder**



**Notes**

Diameter [mm]	Aluminium
Thread Size	23.81
Length 2 [mm]	M12x1
Length 1 [mm]	121
Number of connectors	39
	2

**References**

996 355 910 00

**Application info**

911 [996] [09/97-08/05]

Boxster [986] [09/96-12/04]

2

**Drive shaft support**

**100 151 0000/S | MDM0093**

**Notes**

Thickness [mm]  
Inner diameter [mm]  
Outer diameter [mm]

Kit  
with accessories  
Steel Elastomer  
30  
30  
100  
with bearing(s)  
Centre

**References**

955 421 020 10	955 421 020 20
955 421 020 11	955 421 020 21
955 421 020 12	955 421 020 22
955 421 020 13	955 421 020 23
955 421 020 14	955 421 020 24
955 421 020 15	955 421 020 25



**Application info**

Cayenne I [955] [09/02--]

**Boot kit, C.V. joint**

**414 495 0000 | MBK0276**

**Notes**

Inner diameter 2 [mm]  
Inner diameter 1 [mm]  
Length [mm]

with accessories  
Elastomer  
59  
20  
70  
Wheel Side

**References**

996 349 291 00



**Application info**

911 [964] [12/88-06/94]  
911 [993] [10/93-09/97]

911 [996] [09/97-08/05]  
911 [997] [07/04-12/10]

**Boot kit, C.V. joint**

**414 495 0001 | MBK0277**

**Notes**

Inner diameter 2 [mm]  
Inner diameter 1 [mm]  
Length [mm]

with accessories  
44  
17  
72  
Transmission End

**References**

996 349 29 300



**414 495 0001 | MBK0277**

**Boot kit, C.V. joint**

**Application info**

911 [996] [09/97-08/05]

911 [997] [07/04-12/10]

**414 498 0000 | MCV0318**

**C.V. joint kit**



**Notes**

Outer diameter [mm]  
Length [mm]  
Int. teeth, diff.side, conn.to  
transm.

CV Joint  
without ABS ring  
108  
40  
  
28  
Transmission End

**References**

930 332 034 00

**Application info**

911/912 [01/63-11/90]

**100 152 1001 | MPJ0096**

**Joint, propeller shaft**



**Notes**

Diameter [mm]  
Bolt Hole Circle Ø [mm]  
Number of Holes

Kit  
with add-on material  
Disc Joint  
145  
110  
6  
Rear propshaft at transfer  
case

**References**

955 421 010 00

**Application info**

Cayenne I [955] [09/02--]





### Joint, propeller shaft

100 152 2001 | MPJ0097

#### Notes

Diameter [mm]  
Bolt Hole Circle Ø [mm]  
Number of Holes

Kit  
with add-on material  
Disc Joint  
145  
110  
6  
Rear propshaft at transfer  
case  
Rear propshaft at differential



#### References

955 421 020 10	955 421 020 20
955 421 020 11	955 421 020 21
955 421 020 12	955 421 020 22
955 421 020 13	955 421 020 23
955 421 020 14	955 421 020 24
955 421 020 15	955 421 020 25

#### Parts list

100 151 0000/S   MDM0093	Drive shaft support
100 152 1001   MPJ0096	Joint, propeller shaft

#### Application info

Cayenne I [955] [09/02--]

### Hydraulic filter kit, A/T

414 137 0001 | MHK0054

#### Notes

Transmission Type  
Transmission Type  
Transmission Type  
Transmission Type  
Transmission Type  
Transmission Type

Kit  
with seal  
A97.50  
A97.31  
A97.01  
A96.50  
A96.35  
A96.10  
Automatic Transmission,  
5-speed  
MERCEDES-BENZ

Manufacturer Restriction



#### References

722.277.009.5	996.307.131.50
---------------	----------------

#### Application info

911 [996] [09/97-08/05]

911 [997] [07/04-12/10]

**100 137 0002 | MHK0012**

**Hydraulic filter kit, A/T**



**Notes**

Number of mounting bores	16
Transmission Type	Kit with seal
Transmission Type	TR-60SN 09D
Manufacturer Restriction	Automatic Transmission, 6-speed AISIN with fastening material

**References**

955 307 403 00	955 307 403 01
----------------	----------------

**Parts list**

100 321 0010   MMX0470	A/T oil pan gasket
100 136 0002   MHF0011	Hydraulic filter, A/T

**Application info**

Cayenne I [955] [09/02--]

**100 137 0010 | MHK0017**

**Hydraulic filter kit, A/T**



**Notes**

Number of mounting bores	11
Transmission Type	Kit with seal
Transmission Type	0CB TR-80SD
Manufacturer Restriction	Automatic Transmission, 8-speed AISIN WARNER

**References**

958 325 435 00
----------------

**Application info**

Cayenne II [06/10--]

**100 136 0002 | MHF0011**

**Hydraulic filter, A/T**



**Notes**

Transmission Type	Piece without gasket / seal
Transmission Type	09D TR-60SN
	Automatic Transmission, 6-speed

**References**

955 307 403 00	955 307 403 01
----------------	----------------



### Hydraulic filter, A/T

100 136 0002 | MHF0011

#### Application info

Cayenne I [955] [09/02--]

### Parts kit, automatic transm. oil change

414 135 0001 | MOK0061

#### Notes

Transmission Type  
Transmission Type  
Transmission Type  
Transmission Type  
Transmission Type

Kit  
with add-on material  
A97.50  
A97.31  
A97.01  
A96.50  
A96.35  
A96.10  
Automatic Transmission,  
5-speed  
MERCEDES-BENZ

Manufacturer Restriction

#### References

722.277.009.5

996.307.131.50

#### Parts list

014 019 2800 | MAX0030

Transmission fluid



#### Application info

911 [996] [09/97-08/05]

911 [997] [07/04-12/10]

### Parts kit, automatic transm. oil change

100 135 0108 | MOK0058

#### Notes

Transmission Type  
Transmission Type

Kit  
with accessories  
0CB  
TR-80SD  
Automatic Transmission,  
8-speed  
AISIN WARNER

Manufacturer Restriction

#### References

958 325 435 00

#### Parts list

014 019 3200 | MAX0038  
100 137 0010 | MHK0017

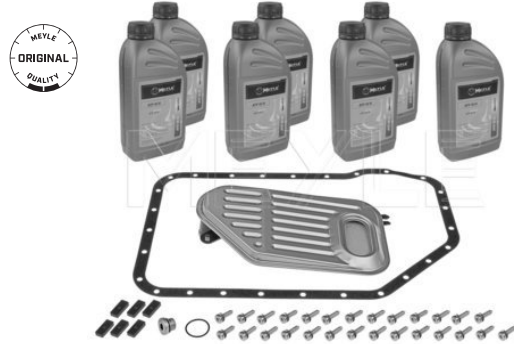
Transmission fluid  
Hydraulic filter kit, A/T



#### Application info

Cayenne II [06/10--]

**100 135 0001 | MOK0007**



**Parts kit, automatic transm. oil change**

**Notes**

Alternative Repair Kit

Transmission Type  
Transmission Type  
Transmission Type

Manufacturer Restriction

Kit  
100 135 0001/SK  
with accessories  
01V  
5HP19 FLA  
5HP19 FL  
Automatic Transmission,  
5-speed  
ZF

**References**

986 307 403 00

**Parts list**

014 019 2300 | MAX0015  
100 321 0004 | MMX0466  
100 398 0003 | MHK0021  
100 325 0005 | MHF0020

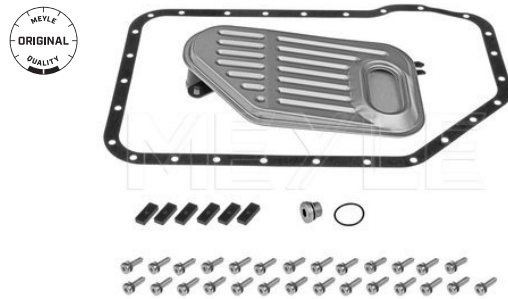
Transmission fluid  
A/T oil pan gasket  
Hydraulic filter kit, A/T  
Hydraulic filter, A/T

**Application info**

Boxster [986] [09/96-12/04]  
Boxster [987] [11/04-12/11]

Cayman [11/05--]

**100 135 0001/SK | MOK0038**



**Parts kit, automatic transm. oil change**

**Notes**

Consult accessories list for recommended additional repairs

Alternative Repair Kit

Transmission Type  
Transmission Type  
Transmission Type

Manufacturer Restriction  
Slim Set

Kit  
100 135 0001  
with accessories  
01V  
5HP19 FL  
5HP19 FLA  
Automatic Transmission,  
5-speed  
ZF

**References**

986 307 403 00

**Parts list**

100 321 0004 | MMX0466  
100 398 0003 | MHK0021  
100 325 0005 | MHF0020

A/T oil pan gasket  
Hydraulic filter kit, A/T  
Hydraulic filter, A/T

**Application info**

Boxster [986] [09/96-12/04]  
Boxster [987] [11/04-12/11]

Cayman [11/05--]



### Parts kit, automatic transm. oil change

100 135 0105 | MOK0017

#### Notes

Transmission Type  
Transmission Type

Manufacturer Restriction

#### Parts list

014 019 2300 | MAX0015  
100 137 0002 | MHK0012

Kit  
with accessories  
TR-60SN  
09D  
Automatic Transmission,  
6-speed  
AISIN WARNER

Transmission fluid  
Hydraulic filter kit, A/T



#### Application info

Cayenne I [955] [09/02--]

114 800 0021 | MAS0366

ABS wheel sensor



Notes

Operating voltage [V]  
Number of Poles

Hall Sensor  
12  
2  
without cable

References

955 606 405 11

Counterpart

114 800 0022 | MAS0367

Application info

Cayenne I [955] [09/02--]

114 800 0022 | MAS0367

ABS wheel sensor



Notes

Operating voltage [V]  
Number of Poles

Hall Sensor  
12  
2  
without cable

References

955 606 406 11

Counterpart

114 800 0021 | MAS0366

Application info

Cayenne I [955] [09/02--]

114 800 0045 | MAS0379

ABS wheel sensor



Notes

Operating voltage [V]  
Number of Poles  
Required quantity

Hall Sensor  
12  
2  
2  
Front Axle

References

958 606 405 00  
958 606 405 01

958 606 405 02

Application info

Cayenne II [06/10--]



## Wear sensor

114 527 0001 | MWS0022

### Notes

Warning Contact Length [mm]  
Required quantity

Disc Brake  
420  
2  
Front Axle

### References

955 612 365 00



### Application info

Cayenne I [955] [09/02--]

## Wear sensor

114 527 0000 | MWS0021

### Notes

Warning Contact Length [mm]  
Required quantity

Disc Brake  
255  
2  
Rear Axle

### References

955 612 365 20

955 612 365 30



### Application info

Cayenne I [955] [09/02--]

## Wear sensor

114 527 0005 | MWS0026

### Notes

Warning Contact Length [mm]  
Required quantity

Disc Brake  
370  
2  
Front Axle

### References

955 612 365 60



### Application info

Cayenne I [955] [09/02--]

4

114 527 0004 | MWS0025

Wear sensor



Notes

Warning Contact Length [mm]  
Required quantity

Disc Brake  
240  
2  
Rear Axle

References

955 612 365 70

Application info

Cayenne I [955] [09/02--]

114 527 0003 | MWS0024

Wear sensor



Notes

Warning Contact Length [mm]  
Required quantity

Disc Brake  
140  
2  
Rear

References

95861236550

Application info

Cayenne II [06/10--]

100 860 0002 | MGP0020

Glow plug



Notes

Rated current [A]

8.5  
after-glow capable  
Pencil-type Glow Plug

Spanner Size  
Diameter [mm]  
Thread Size  
Overall Length [mm]  
Cone Pitch  
Fitting Depth [mm]  
Connector type  
Voltage [V]

10  
4.1  
M10 x 1  
130  
63°  
28  
Ø 4 mm  
4.4

References

955 170 320 90



**Glow plug**

**100 860 0002 | MGP0020**

**Application info**

Cayenne I (955) (09/02--)  
Cayenne II (06/10--)

Macan (02/14--)  
Panamera (09/09--)

**Ignition control unit**

**100 905 0005 | MEX0268**

**Notes**

Operating voltage [V]  
Number of Poles

Transistor Ignition (TI)  
12  
7  
without fastening material  
with back plate



**References**

191 905 351 A

**Application info**

924 (11/75-08/89)

**Sender unit, coolant temperature**

**314 136 2102 | MEX0382**

**Notes**

Spanner Size  
Thread Size  
Operating voltage [V]  
Number of Poles

Black  
NTC Sensor  
19  
M12 x 1,5  
12  
2



**Application info**

911 (964) (12/88-06/94)  
911/912 (01/83-11/90)  
924 (11/75-08/89)

944 (06/81-07/91)  
959 (01/86-04/91)  
968 (06/91-11/95)

4

014 899 0006 | MEX0122

Sensor, camshaft position



Notes

Fitting Depth [mm]  
Operating voltage [V]  
Length [mm]  
Number of Poles

Active sensor  
24  
12  
24  
3  
with seal  
without cable

References

996 606 106 01

Application info

Boxster [986] [09/96-12/04]

214 800 0002 | MEX0376

Sensor, camshaft position



Notes

Fitting Depth [mm]  
Operating voltage [V]  
Number of Poles

Black  
Active sensor  
24  
12  
3  
with seal  
without cable

References

996 606 106 03

Application info

Boxster [986] [09/96-12/04]

014 899 0058 | MEX0140

Sensor, camshaft position



Notes

Fitting Depth [mm]  
Operating voltage [V]  
Number of Poles

Active sensor  
24  
12  
3  
with seal  
without cable

References

997 606 106 01

Application info

911 [997] [07/04-12/10]

Cayenne I [955] [09/02--]



## Sensor, engine oil level

114 800 0035 | MEX0496

### Notes

Operating voltage [V]  
Number of Poles

with seal  
Active sensor  
12  
3

### References

948 606 140 00



### Application info

Cayenne I [955] [09/02--]

## Sensor, engine oil level

114 800 0036 | MEX0497

### Notes

Operating voltage [V]  
Number of Poles

with seal  
Active sensor  
12  
3

### References

948 606 150 00



### Application info

Cayenne I [955] [09/02--]

## Voltage regulator

014 731 1021 | MEX0039

### Notes

Support plate diameter [mm]  
Voltage [V]

28  
without resistance  
14.1

### References

944 603 141 00



### Application info

944 [06/81-07/91]

4

014 731 1023 | MEX0040

Voltage regulator



Notes

Support plate diameter [mm] 28  
with resistance  
Voltage [V] 14.1

References

944 603 141 00

Application info

944 [06/81-07/91]

014 731 1090 | MEX0041

Voltage regulator



Notes

Support plate diameter [mm] 32  
Voltage [V] 14.1

Application info

924 [11/75-08/89]

100 890 0009 | MEX0229

Brake light switch



Notes

Observe the vehicle manufacturer specifications

Thread Size  
Number of Poles

Lock  
Electric-hydraulic  
M10 x 1  
2

References

644 613 401 00 901 613 401 00

Application info

911/912 [01/63-11/90]

914 [01/69-02/76]

**Brake light switch**

**100 890 0021 | MEX0237**

**Notes**

Observe the vehicle manufacturer specifications

Thread Size  
Number of Poles

Directional Contact  
Electric-hydraulic  
M10 x 1  
3



**Application info**

911/912 [01/63-11/90]

**Wiper intermittent relay**

**100 830 0014 | MEX0196**

**Notes**

Rated current [A]	10
	Lock
Rated Power [W]	120
Height [mm]	42
Width [mm]	30
Operating voltage [V]	12
Connector type	5x 6,3 mm
Connector type	1x 2,8 mm
Length [mm]	30
Number of Poles	6

**References**

928 615 101 01                      993 615 101 00



**Application info**

928 [09/77-11/95]  
944 [06/81-07/91]

959 [01/86-04/91]  
968 [06/91-11/95]

**Back up light switch**

**614 123 0001 | MEX0438**

**Notes**

	Lock
Thread Size	M12 x 1,5
Number of Poles	2

**References**

996 606 103 01



**Application info**

911 [996] [09/97-08/05]

4

100 953 0012 | MEX0319

Relay, hazard lights



Notes

Rated current [A]	2
Rated Power [W]	Lock
Height [mm]	2x21; 5
Width [mm]	30
Operating voltage [V]	30
Connector type	12
Length [mm]	3x 6,3 mm
Number of Poles	30
	3
	for vehicles without towbar

References

914 618 303 11

Application info

911 [964] [12/88-06/94]  
914 [01/69-02/76]  
924 [11/75-08/89]

928 [09/77-11/95]  
944 [06/81-07/91]



### V-ribbed belt

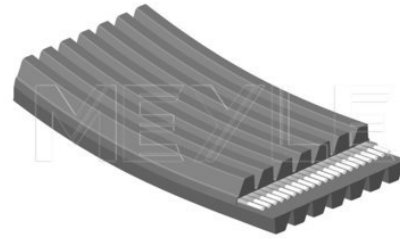
050 007 2074/D | MRB0629

#### Notes

Number of Ribs	7
Length [mm]	2074
	Double-sided

#### References

955 102 933 00



#### Application info

Cayenne I [955] [09/02--]

Cayenne II [06/10--]

### V-ribbed belt

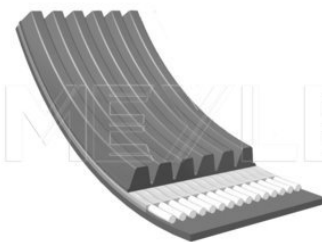
050 006 2475 | MRB0560

#### Notes

Number of Ribs	6
Length [mm]	2475

#### References

059 903 137 AK	958 102 216 00
955 102 934 00	



#### Application info

Cayenne I [955] [09/02--]

Cayenne II [06/10--]

### V-ribbed belt

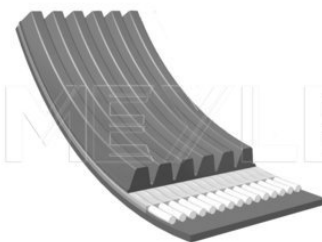
050 006 2523 | MRB0566

#### Notes

Number of Ribs	6
Length [mm]	2523

#### References

958 102 216 10



#### Application info

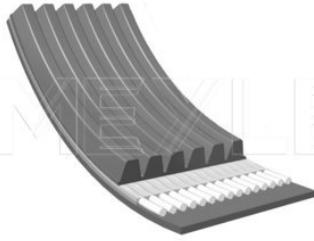
Cayenne II [06/10--]

Panamera [09/09--]

5

**050 006 1930 | MRB0494**

**V-ribbed belt**



**Notes**

Number of Ribs 6  
Length [mm] 1930

**References**

996 102 151 65

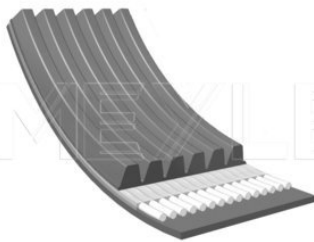
**Application info**

911 [996] [09/97-08/05]

Boxster [986] [09/96-12/04]

**050 006 2115 | MRB0517**

**V-ribbed belt**



**Notes**

Number of Ribs 6  
Length [mm] 2115

**References**

996 102 151 64 996 102 151 66

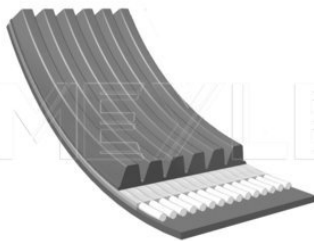
**Application info**

911 [996] [09/97-08/05]  
911 [997] [07/04-12/10]  
Boxster [986] [09/96-12/04]

Boxster [987] [11/04-12/11]  
Cayman [11/05--]

**050 006 2260 | MRB0537**

**V-ribbed belt**



**Notes**

Number of Ribs 6  
Length [mm] 2260

**References**

996 102 151 93

**Application info**

911 [997] [07/04-12/10]





### V-ribbed belt

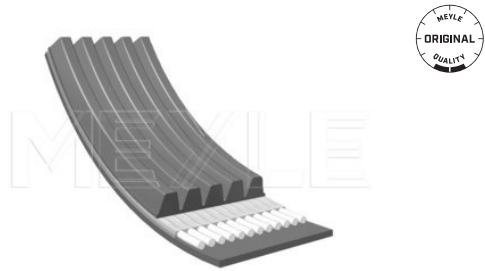
050 005 0735 | MRB0180

#### Notes

Number of Ribs 5  
Length [mm] 735

#### References

999 192 204 50



#### Application info

924 [11/75-08/89]

944 [06/81-07/91]

### V-ribbed belt

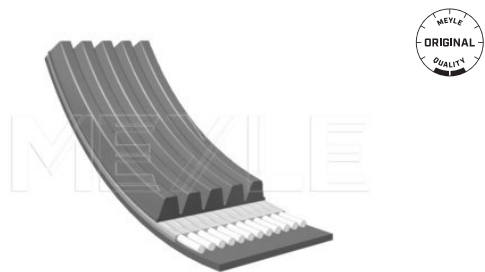
050 005 1000 | MRB0216

#### Notes

Number of Ribs 5  
Length [mm] 1000

#### References

999 192 206 50      999 192 207 50



#### Application info

924 [11/75-08/89]

944 [06/81-07/91]

### V-ribbed belt

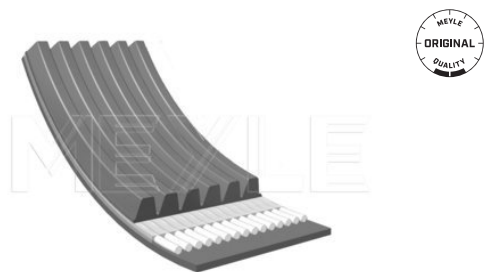
050 006 0858 | MRB0318

#### Notes

Number of Ribs 6  
Length [mm] 858

#### References

999 192 266 50      999 192 269 50



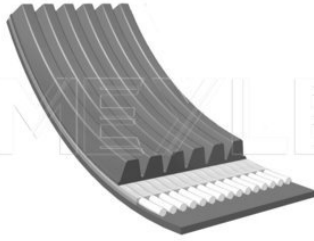
#### Application info

928 [09/77-11/95]

5

**050 006 1000 | MRB0339**

**V-ribbed belt**



**Notes**

Number of Ribs 6  
Length [mm] 1000

**References**

999 182 220 50	999 192 291 50
999 192 283 50	999 192 295 50
999 192 285 50	999 192 299 50

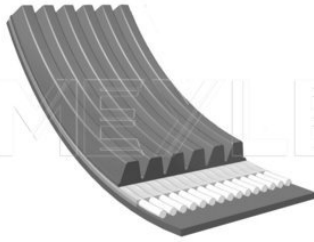
**Application info**

924 (11/75-08/89)  
944 (06/81-07/91)

968 (06/91-11/95)

**050 006 0875 | MRB0322**

**V-ribbed belt**



**Notes**

Number of Ribs 6  
Length [mm] 875

**References**

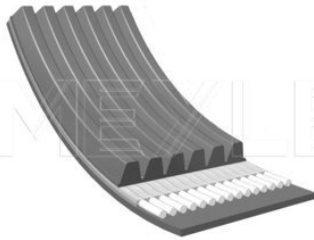
999 192 347 50

**Application info**

928 (09/77-11/95)

**050 006 2285 | MRB0543**

**V-ribbed belt**



**Notes**

Number of Ribs 6  
Length [mm] 2285

**References**

999 192 379 50

**Application info**

911 (996) (09/97-08/05)

911 (997) (07/04-12/10)



### V-ribbed belt

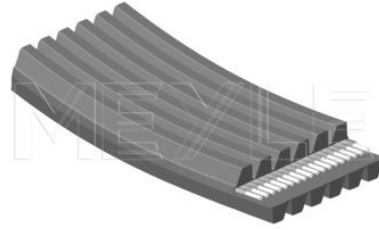
050 006 1853/D | MRB0479

#### Notes

Number of Ribs	6
Length [mm]	1853
	Double-sided

#### References

9A1 102 216 01



#### Application info

911 [997] [07/04-12/10]  
Boxster [987] [11/04-12/11]

Cayman [11/05--]

### V-ribbed belt

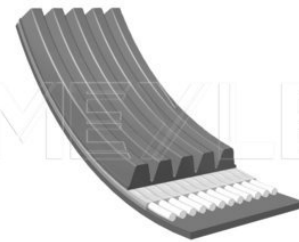
050 005 0890 | MRB0198

#### Notes

Number of Ribs	5
Length [mm]	890

#### References

999 192 259 50



#### Application info

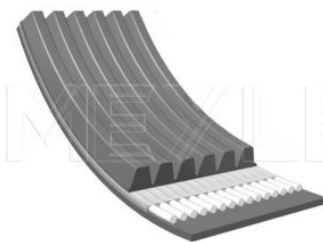
928 [09/77-11/95]

### V-ribbed belt

050 006 1548 | MRB0425

#### Notes

Number of Ribs	6
Length [mm]	1548



#### Application info

911/912 [01/63-11/90]

5

**100 223 0008 | MET0081**

**Expansion tank**



**References**

955 106 147 20  
955 106 147 21

955 106 147 22  
955 106 147 23

**Application info**

Cayenne I [955] [09/02--]

**413 220 0002/HD | MWP0564HD**

**Water pump**



**Notes**

Quality

with seal  
Sealed with SiC/SiC

**References**

948 106 011 03

948 106 011 04

**Application info**

Cayenne I [955] [09/02--]

**413 220 0001/HD | MWP0560HD**

**Water pump**



**Notes**

Quality

with seal  
Sealed with SiC/SiC

**References**

948 106 033 01

**Application info**

Cayenne I [955] [09/02--]  
Cayenne II [06/10--]

Macan [02/14--]  
Panamera [09/09--]



### Water pump

113 220 0006/HD | MWP0153HD

#### Notes

Quality

with seal  
Sealed with SiC/SiC

#### References

955 106 033 10  
955 106 033 11

955 106 033 20



#### Application info

Cayenne I [955] [09/02--]

Cayenne II [06/10--]

### Water pump

413 220 0000/HD | MWP0556HD

#### Notes

Quality

Number of Ribs

for v-ribbed belt use  
with seal  
Sealed with SiC/SiC  
6  
with screws

#### References

996 106 011 51  
996 106 011 53  
996 106 011 54

996 106 011 55  
996 106 011 57



#### Application info

911 [996] [09/97-08/05]

Boxster [986] [09/96-12/04]

### Water pump

413 220 0003/HD | MWP0561HD

#### Notes

Quality

Number of Teeth

for v-ribbed belt use  
with seal  
Sealed with SiC/SiC  
6

#### References

997 106 011 02  
997 106 011 05

997 106 011 06



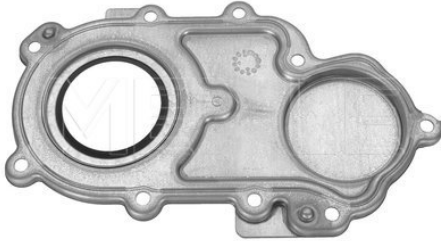
#### Application info

911 [997] [07/04-12/10]  
Boxster [987] [11/04-12/11]

Cayman [11/05--]

**100 103 1001 | MMX1498**

**Crankshaft seal**



**Notes**

Inner diameter [mm]

Right-hand Twist  
Metal Housing  
Sheet Steel  
55  
without mounting sleeve  
Timing End

**References**

958 101 150 10

**Application info**

Cayenne II [06/10--]

Panamera [09/09--]

**112 133 0005 | MAF0164**

**Air filter**



**Notes**

Height [mm]  
Width [mm]  
Length [mm]

57  
212  
212  
Filter Insert

**References**

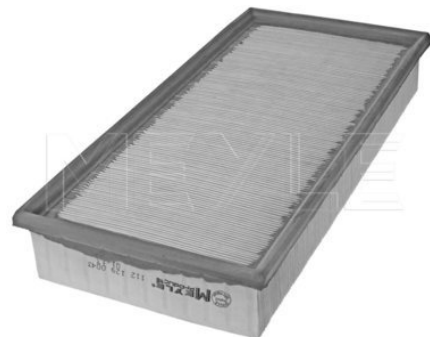
021 129 620

**Application info**

924 [11/75-08/89]

**112 129 0043 | MAF0157**

**Air filter**



**Notes**

Height [mm]  
Width [mm]  
Length [mm]

57.3  
185  
389  
Filter Insert

**References**

955 110 131 00

**Application info**

Cayenne I [955] [09/02--]

Cayenne II [06/10--]



### Air filter

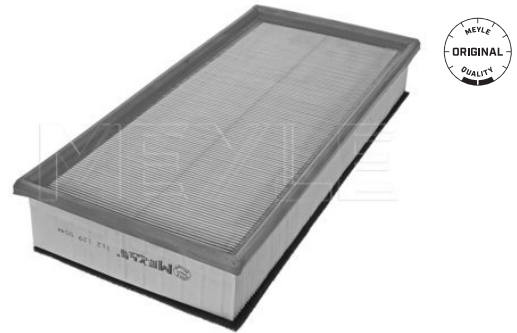
112 129 0044 | MAF0158

#### Notes

Height [mm]	62.3
Width [mm]	185.2
Length [mm]	389
	Filter Insert

#### References

955 110 131 10	958 110 130 10
----------------	----------------



#### Application info

Cayenne I [955] [09/02--]

Cayenne II [06/10--]

### Fuel filter

100 323 0014 | MFF0062

#### Notes

	with gaskets/seals
Diameter [mm]	102
Diameter 1 [mm]	43
Height [mm]	84.5
	Filter Insert

#### References

955 110 134 00



#### Application info

Cayenne I [955] [09/02--]

### Fuel filter

100 323 0020 | MFF0066

#### Notes

Diameter 1 [mm]	76
Diameter 2 [mm]	9.5
Diameter [mm]	93
Height [mm]	123
	Filter Insert

#### References

958 110 134 00	958 110 134 10
----------------	----------------



#### Application info

Cayenne II [06/10--]

**014 027 2101 | MMX0111**

**A/T oil pan gasket**



**Notes**

Transmission Type

Piece  
Elastomer  
722.6  
Automatic Transmission,  
5-speed

**References**

140 271 008 0

**Application info**

911 (996) (09/97-08/05)

**114 322 0000 | MOF0062**

**Oil filter**



**Notes**

Diameter [mm]  
Outer diameter [mm]  
Height [mm]  
Thread Size

93  
95  
95  
3/4"-16 UNF  
Screw-on Filter

**References**

021 115 351 A

**Application info**

914 (01/69-02/76)

**100 115 0001 | MOF0034**

**Oil filter**



**Notes**

Bypass Valve Opening Pressure [bar]  
Diameter [mm]  
Height [mm]  
Thread Size

2.5  
76  
118.5  
3/4"-16 UNF  
Screw-on Filter  
with one anti-return valve

**References**

93110770100

**Application info**

924 (11/75-08/89)



**Oil filter**

**114 322 0001 | MOF0063**

**Notes**

Inner diameter 1 [mm]	with seal
Inner diameter [mm]	23.5
Outer diameter [mm]	39.5
Height [mm]	83
	Filter Insert
	110.5

**References**

955 107 561 00



**Application info**

Cayenne I [955] [09/02--]

Cayenne II [06/10--]

**Oil filter**

**100 322 0018 | MOF0058**

**Notes**

Inner diameter [mm]	with gaskets/seals
Outer diameter [mm]	31.5
Height [mm]	65
	Filter Insert
	154

**References**

95810722200



**Application info**

Cayenne II [06/10--]

Panamera [09/09--]

**Oil filter**

**100 322 0022 | MOF0059**

**Notes**

Inner diameter [mm]	with seal
Outer diameter [mm]	24
Height [mm]	52
	Filter Insert
	112

**References**

958.115.466.00

958.115.562.00



**Application info**

Macan [02/14--]

**414 375 0002/HD | MEM0457HD**

**Engine mount**



**Notes**

Reinforced Version

Rubber-metal Bearing  
Left and right

**References**

911 375 043 00

911 375 043 07

**Application info**

911/912 [01/63-11/90]

**414 375 1002 | MEM0631**

**Engine mount**



**Notes**

Hydro Bearing  
Left

**References**

948 375 049 01

**Counterpart**

414 375 1001 | MEM0630

**Application info**

Cayenne I [955] [09/02--]

**414 375 1001 | MEM0630**

**Engine mount**



**Notes**

Hydro Bearing  
Right

**References**

948 375 050 01

**Counterpart**

414 375 1002 | MEM0631

**Application info**

Cayenne I [955] [09/02--]

**Engine mount**

**414 375 0001 | MEM0456**

**Notes**

Hydro Bearing  
Left and right

**References**

944 375 042 04

951 375 042 04



**Application info**

924 [11/75-08/89]  
944 [06/81-07/91]

968 [06/91-11/95]

**Engine mount**

**100 199 0215 | MEM0605**

**Notes**

Hydro Bearing  
Left and right

**References**

955 375 049 10



**Application info**

Cayenne I [955] [09/02--]

Cayenne II [06/10--]

**Engine mount**

**414 375 0003 | MEM0458**

**Notes**

Hydro Bearing  
Left and right

**References**

997 375 049 08



**Application info**

911 [997] [07/04-12/10]

**5**

459 202 0000 | MHH0065

P/S hose



Notes

for foreflow

References

993 347 447 26

Application info

911 [993] [10/93-09/97]

100 620 0013 | MSK0098

Steering boot kit



Notes

Inner diameter 2 [mm]  
Inner diameter 1 [mm]  
Height [mm]

with accessories  
54  
15.5  
187

References

4G0 423 831

Application info

Macan [02/14--]

100 620 0012 | MSK0097

Steering boot kit



Notes

Inner diameter 2 [mm]  
Inner diameter 1 [mm]  
Height [mm]

with accessories  
79  
15.5  
201

References

4G0 423 832 A

Application info

Macan [02/14--]

**Steering boot kit**

**100 620 0007 | MSK0013**

**Notes**

Inner diameter 2 [mm]  
Inner diameter 1 [mm]  
Height [mm]

with accessories  
66  
15.5  
195  
Front Axle Right  
Front Axle Left

**References**

955 347 191 10



**Application info**

Cayenne I [955] [09/02--]

Cayenne II [06/10--]

**Axial rod**

**116 031 0028 | MAR0085**

**Notes**

Thread Measurement 2  
Thread Measurement 1  
Length [mm]

M16x1,5  
M16x1,5  
236  
Front Axle Right  
Front Axle Left

**References**

4G0 423 810 A



**Application info**

Macan [02/14--]

**Axial rod**

**116 031 0016 | MAR0078**

**Notes**

Thread Measurement 2  
Thread Measurement 1  
Length [mm]

M16x1,5  
M16x1,5  
288  
Front Axle Right  
Front Axle Left

**References**

955 347 031 020

955 347 031 021



**Application info**

Cayenne I [955] [09/02--]

**6**

416 031 0002/HD | MAR0550HD

Axial rod



Notes

Thread Measurement 2  
Thread Measurement 1  
Length [mm]

14x1,5  
16x1,5  
192  
Front Axle Right  
Front Axle Left

Reinforced Version

References

996 347 322 03

Application info

911 [996] [09/97-08/05]

Boxster [986] [09/96-12/04]

416 031 0000 | MAR0361

Axial rod



Notes

Thread Measurement 2  
Thread Measurement 1  
Length [mm]

M14x1,5  
M18x1,5  
231  
Front Axle Right  
Front Axle Left

References

997 347 322 00

997 347 322 01

Application info

911 [997] [07/04-12/10]  
Boxster [987] [11/04-12/11]

Cayman [11/05--]

116 030 0013 | MTA0034

Tie rod assembly



Notes

Thread Measurement 2  
Thread Measurement 1

M16x1,5  
M14x1,5  
Front Axle Left

References

955 347 031 20

955 347 031 21

Parts list

116 031 0016 | MAR0078  
116 020 0005 | MTE0113

Axial rod  
Tie rod end

Counterpart

116 030 0014 | MTA0035

Application info

Cayenne I [955] [09/02--]



### Tie rod assembly

116 030 0014 | MTA0035

#### Notes

Thread Measurement 2	M16x1,5
Thread Measurement 1	M14x1,5
	Front Axle Right

#### References

955 347 032 20	955 347 032 21
----------------	----------------

#### Parts list

116 031 0016   MAR0078	Axial rod
116 020 0006   MTE0114	Tie rod end

#### Counterpart

116 030 0013 | MTA0034



#### Application info

Cayenne I [955] [09/02--]

### Tie rod end

116 020 0030/HD | MTE0126HD

#### Notes

Thread Measurement 2	M16x1,5
Thread Measurement 1	M12x1,5
Length [mm]	206
	Front Axle Left
Reinforced Version	

#### References

BK0 422 817 B

#### Counterpart

116 020 0029/HD | MTE0125HD



#### Application info

Macan [02/14--]

### Tie rod end

116 020 0005 | MTE0113

#### Notes

Thread Measurement 2	M16x1,5
Thread Measurement 1	M14x1,5
Length [mm]	90
	Front Axle Left

#### References

955 347 131 20	955 347 131 22
955 347 131 21	

#### Counterpart

116 020 0006 | MTE0114



#### Application info

Cayenne I [955] [09/02--]

Cayenne II [06/10--]

6

**116 020 0006 | MTE0114**

**Tie rod end**



**Notes**

Thread Measurement 2  
Thread Measurement 1  
Length [mm]

M16x1,5  
M14x1,5  
90  
Front Axle Right

**References**

955 347 132 20  
955 347 132 21

955 347 132 22

**Counterpart**

116 020 0005 | MTE0113

**Application info**

Cayenne I [955] [09/02--]

Cayenne II [06/10--]

**416 020 0000 | MTE0552**

**Tie rod end**



**Notes**

Thread Measurement 2  
Thread Measurement 1  
Length [mm]

M14x1,5  
M12x1,5  
216  
Front Axle Right  
Front Axle Left

**References**

996 347 131 03

996 347 131 04

**Application info**

911 [996] [09/97-08/05]  
911 [997] [07/04-12/10]  
Boxster [986] [09/96-12/04]

Boxster [987] [11/04-12/11]  
Cayman [11/05--]





### Ball joint

116 010 3254 | MBJ0075

#### Notes

with accessories  
Lower  
Front Axle Right  
Front Axle Left

#### References

171 407 365 G



#### Application info

924 [11/75-08/89]

944 [06/81-07/91]

### Ball joint

116 010 0000 | MBJ0047

#### Notes

Outer diameter [mm]  
Height [mm]  
Thread Size  
Cone Size [mm]

42  
109  
M12x1,5  
17.2  
Front Axle Right  
Front Axle Left

#### References

4G0 407 689 A



#### Application info

Macan [02/14--]

### Control arm

100 407 0016 | MCA0074

#### Notes

Sheet Steel  
without rubber mounting  
Control Arm  
Lower  
Front Axle Right  
Front Axle Left

#### References

171 407 153 D



#### Application info

924 [11/75-08/89]

944 [06/81-07/91]

7

116 050 0224/HD | MCA1128HD

Control arm



Notes

Bore Ø [mm]

Reinforced Version

References

8K0 407 151 F

Parts list

100 610 0003/HD | MCB0095HD  
100 610 0021 | MCB0105

with add-on material  
Aluminium  
17  
with rubber mounting  
Control Arm  
Front Axle Left  
Front  
Lower

Control arm bushing  
Control arm bushing

Counterpart

116 050 0225/HD | MCA1129HD

Application info

Macan [02/14--]

116 050 0225/HD | MCA1129HD

Control arm



Notes

Bore Ø [mm]  
Length [mm]

Reinforced Version

References

8K0 407 152 F

Parts list

100 610 0003/HD | MCB0095HD  
100 610 0021 | MCB0105

with add-on material  
Aluminium  
17  
351  
with rubber mounting  
Control Arm  
Front Axle Right  
Front  
Lower

Control arm bushing  
Control arm bushing

Counterpart

116 050 0224/HD | MCA1128HD

Application info

Macan [02/14--]



### Control arm

116 050 0168/HD | MCA0211HD

#### Notes

Length [mm]

Aluminium  
269  
with rubber mounting  
with ball joint  
Control Arm  
Front  
Upper  
Front Axle Left

Reinforced Version

#### References

8K0 407 505 A

#### Parts list

100 407 0070/HD | MCB0071HD      Control arm bushing

#### Counterpart

116 050 0167/HD | MCA0210HD



#### Application info

Macan (02/14--)

### Control arm

116 050 0167/HD | MCA0210HD

#### Notes

Length [mm]

Aluminium  
269  
with rubber mounting  
with ball joint  
Control Arm  
Front  
Upper  
Front Axle Right

Reinforced Version

#### References

8K0 407 506 A

#### Parts list

100 407 0070/HD | MCB0071HD      Control arm bushing

#### Counterpart

116 050 0168/HD | MCA0211HD



#### Application info

Macan (02/14--)

7

116 050 0105 | MCA0946

Control arm



Notes

Sheet Steel  
with rubber mounting  
Control Arm  
Lower  
Rear Axle Left

References

955 331 017 11

Parts list

100 610 0011 | MCB0100  
100 710 0035 | MCB0395

Control arm bushing  
Control arm bushing

Counterpart

116 050 0106 | MCA0947

Application info

Cayenne I [955] [09/02--]

116 050 0106 | MCA0947

Control arm



Notes

Sheet Steel  
with rubber mounting  
Control Arm  
Lower  
Rear Axle Right

References

955 331 018 11

Parts list

100 610 0011 | MCB0100  
100 710 0035 | MCB0395

Control arm bushing  
Control arm bushing

Counterpart

116 050 0105 | MCA0946

Application info

Cayenne I [955] [09/02--]

**Control arm**

**116 050 0049 | MCA0157**

**Notes**

Cast Steel  
with rubber mounting  
with ball joint  
Control Arm  
Lower  
Front Axle Left



**References**

955 341 017 30                      955 341 017 33  
955 341 017 32

**Parts list**

100 610 0010/HD | MCB0099HD      Control arm bushing  
100 610 0011 | MCB0100              Control arm bushing  
100 610 0012 | MCB0101              Control arm bushing

**Counterpart**

116 050 0071 | MCA0166

**Application info**

Cayenne I [955] [09/02--]

**Control arm**

**116 050 0049/S | MCA1103**

**Notes**

with add-on material  
Cast Steel  
with rubber mounting  
with ball joint  
Control Arm  
Front Axle Left  
Lower



**References**

955 341 017 30                      955 341 017 33  
955 341 017 32

**Parts list**

100 610 0010/HD | MCB0099HD      Control arm bushing  
100 610 0011 | MCB0100              Control arm bushing  
100 610 0012 | MCB0101              Control arm bushing

**Counterpart**

116 050 0071/S | MCA1104

**Application info**

Cayenne I [955] [09/02--]

116 050 0187/HD | MCA0951HD

Control arm



Notes

with accessories  
Cast Steel  
with rubber mounting  
with ball joint  
Control Arm  
Lower  
Front Axle Left

Reinforced Version

References

955 341 017 60

955 341 017 61

Parts list

100 610 0011 | MCB0100

Control arm bushing

100 610 0012 | MCB0101

Control arm bushing

100 610 0024/HD | MCB0107HD

Control arm bushing

Counterpart

116 050 0186/HD | MCA0950HD

Application info

Cayenne I [955] [09/02--]

116 050 0071 | MCA0166

Control arm



Notes

Cast Steel  
with rubber mounting  
with ball joint  
Control Arm  
Lower  
Front Axle Right

References

955 341 018 30

955 341 018 33

955 341 018 32

Parts list

100 610 0010/HD | MCB0099HD

Control arm bushing

100 610 0011 | MCB0100

Control arm bushing

100 610 0012 | MCB0101

Control arm bushing

Counterpart

116 050 0049 | MCA0157

Application info

Cayenne I [955] [09/02--]



### Control arm

116 050 0071/S | MCA1104

#### Notes

with add-on material  
Cast Steel  
with rubber mounting  
with ball joint  
Control Arm  
Front Axle Right  
Lower



#### References

955 341 018 30  
955 341 018 32

955 341 018 33

#### Parts list

100 610 0010/HD | MCB0099HD  
100 610 0011 | MCB0100  
100 610 0012 | MCB0101

Control arm bushing  
Control arm bushing  
Control arm bushing

#### Counterpart

116 050 0049/S | MCA1103

#### Application info

Cayenne I (955) [09/02--]

### Control arm

116 050 0186/HD | MCA0950HD

#### Notes

with accessories  
Cast Steel  
with rubber mounting  
with ball joint  
Control Arm  
Lower  
Front Axle Right



Reinforced Version

#### References

955 341 018 60

955 341 018 61

#### Parts list

100 610 0011 | MCB0100  
100 610 0012 | MCB0101  
100 610 0024/HD | MCB0107HD

Control arm bushing  
Control arm bushing  
Control arm bushing

#### Counterpart

116 050 0187/HD | MCA0951HD

#### Application info

Cayenne I (955) [09/02--]

**116 050 0017 | MCA0144**

**Control arm**



**Notes**

Aluminium  
with rubber mounting  
with ball joint  
Control Arm  
Upper  
Front Axle Right  
Front Axle Left

**References**

955 341 027 00

955 341 027 01

**Parts list**

100 610 0015 | MCB0102

Control arm bushing

**Application info**

Cayenne I [955] [09/02--]

**116 050 0017/S | MCA0983**

**Control arm**



**Notes**

with accessories  
Aluminium  
with ball joint  
with rubber mounting  
Control Arm  
Front Axle Left  
Front Axle Right  
Upper

**References**

955 341 027 00

955 341 027 01

**Parts list**

100 610 0015 | MCB0102

Control arm bushing

**Application info**

Cayenne I [955] [09/02--]





### Control arm

116 050 0096 | MCA0182

#### Notes

Aluminium  
with rubber mounting  
with ball joint  
Control Arm  
Lower  
Front Axle Left



#### References

958 341 053 00  
958 341 053 01

958 341 053 02  
958 341 053 03

#### Parts list

100 610 0011 | MCB0100  
100 610 0012 | MCB0101  
100 610 0024/HD | MCB0107HD

Control arm bushing  
Control arm bushing  
Control arm bushing

#### Counterpart

116 050 0097 | MCA0183

#### Application info

Cayenne II [06/10--]

### Control arm

116 050 0096/S | MCA1000

#### Notes

with accessories  
Aluminium  
with ball joint  
with rubber mounting  
Control Arm  
Front Axle Left  
Lower



#### References

958 341 053 00  
958 341 053 01

958 341 053 02  
958 341 053 03

#### Parts list

100 610 0011 | MCB0100  
100 610 0012 | MCB0101  
100 610 0024/HD | MCB0107HD

Control arm bushing  
Control arm bushing  
Control arm bushing

#### Counterpart

116 050 0097/S | MCA1001

#### Application info

Cayenne II [06/10--]

116 050 0097 | MCA0183

Control arm



Notes

Aluminium  
with rubber mounting  
with ball joint  
Control Arm  
Lower  
Front Axle Right

References

958 341 054 00	958 341 054 02
958 341 054 01	958 341 054 03

Parts list

100 610 0011   MCB0100	Control arm bushing
100 610 0012   MCB0101	Control arm bushing
100 610 0024/HD   MCB0107HD	Control arm bushing

Counterpart

116 050 0096 | MCA0182

Application info

Cayenne II [06/10--]

116 050 0097/S | MCA1001

Control arm



Notes

with accessories  
Aluminium  
with ball joint  
with rubber mounting  
Control Arm  
Front Axle Right  
Lower

References

958 341 054 00	958 341 054 02
958 341 054 01	958 341 054 03

Parts list

100 610 0011   MCB0100	Control arm bushing
100 610 0012   MCB0101	Control arm bushing
100 610 0024/HD   MCB0107HD	Control arm bushing

Counterpart

116 050 0096/S | MCA1000

Application info

Cayenne II [06/10--]

7

**Control arm**

**416 050 0003 | MCA1117**

**Notes**

Aluminium  
Control Arm  
Lower  
Front Axle Left

**References**

970 341 053 04

**Parts list**

414 610 0000 | MCB0447

Control arm bushing

**Counterpart**

416 050 0002 | MCA1116



**Application info**

Panamera (09/09--)

**Control arm**

**416 050 0002 | MCA1116**

**Notes**

Aluminium  
Control Arm  
Lower  
Front Axle Right

**References**

970 341 054 04

**Parts list**

414 610 0000 | MCB0447

Control arm bushing

**Counterpart**

416 050 0003 | MCA1117



**Application info**

Panamera (09/09--)

**Control arm**

**416 050 0000 | MCA0644**

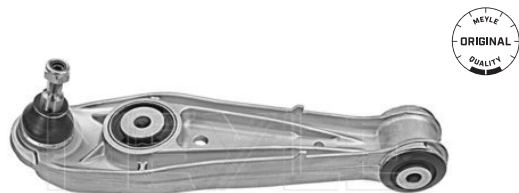
**Notes**

Aluminium  
with rubber mounting  
with ball joint  
Control Arm  
not adjustable  
Right  
Left

**References**

996 341 053 05  
996 341 053 06  
996 341 053 07  
996 341 053 14

996 341 053 16  
996 341 053 17  
996 341 941 00  
996 341 941 01



416 050 0000 | MCA0644

Control arm

Application info

911 (996) [09/97-08/05]  
911 (997) [07/04-12/10]  
Boxster (986) [09/96-12/04]

Boxster (987) [11/04-12/11]  
Cayman [11/05--]

416 050 0000/S | MCA1097

Control arm



Notes

with add-on material  
Aluminium  
with ball joint  
with rubber mounting  
Control Arm  
not adjustable  
Front Axle Left  
Front Axle Right

References

996 341 053 05	996 341 053 14
996 341 053 06	996 341 053 16
996 341 053 07	996 341 053 17

Application info

911 (996) [09/97-08/05]

Boxster (986) [09/96-12/04]

416 050 0004 | MCA0828

Control arm



Notes

Length [mm]

Aluminium  
370  
with rubber mounting  
Control Arm  
Right  
Left

References

996 341 043 03	997 331 043 01
996 341 043 06	

Application info

911 (996) [09/97-08/05]  
911 (997) [07/04-12/10]

Boxster (986) [09/96-12/04]

**Control arm**

**416 050 0004/S | MCA1098**

**Notes**

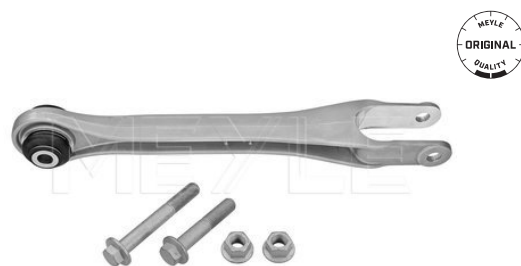
Length [mm]

with add-on material  
Aluminium  
370  
with rubber mounting  
Control Arm  
Right  
Left

**References**

996 341 043 03  
996 341 043 06

997 331 043 01



**Application info**

911 [996] [09/97-08/05]  
911 [997] [07/04-12/10]

Boxster [986] [09/96-12/04]

**Control arm**

**416 050 0007 | MCA0830**

**Notes**

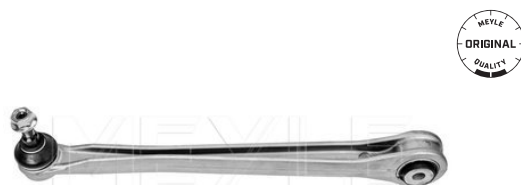
Thread Size

Steel  
M12x1,5  
with ball joint  
with rubber mounting  
Semi-trailing Arm  
Lower  
Rear Axle Right  
Rear Axle Left

**References**

996 331 045 05  
996 331 045 06  
996 331 045 07  
996 331 045 08

996 331 045 10  
996 331 045 12  
997 331 045 04



**Application info**

911 [996] [09/97-08/05]  
911 [997] [07/04-12/10]  
Boxster [986] [09/96-12/04]

Boxster [987] [11/04-12/11]  
Cayman [11/05--]

**Control arm**

**416 050 0008 | MCA0831**

**Notes**

Length [mm]

Aluminium  
251  
with rubber mounting  
Semi-trailing Arm  
Upper  
Rear Axle Right  
Rear Axle Left

**References**

996 331 047 02  
996 331 047 03  
996 331 047 05

996 331 047 06  
997 331 047 00  
997 331 047 01



416 050 0008 | MCA0831

Control arm

Application info

911 (996) (09/97-08/05)

911 (997) (07/04-12/10)

416 050 0008/S | MCA1100

Control arm



Notes

Length [mm]

with add-on material  
Aluminium  
251  
with rubber mounting  
Semi-trailing Arm  
Upper  
Rear Axle Right  
Rear Axle Left

References

996 331 047 02  
996 331 047 03  
996 331 047 05

996 331 047 06  
997 331 047 00  
997 331 047 01

Application info

911 (996) (09/97-08/05)

911 (997) (07/04-12/10)

416 050 0009 | MCA1006

Control arm



Notes

Aluminium  
with rubber mounting  
with ball joint  
Control Arm  
Lower  
Rear Axle Right  
Rear Axle Left

References

997 331 053 01  
997 331 053 02

997 331 053 03

Application info

911 (997) (07/04-12/10)  
Boxster (987) (11/04-12/11)

Cayman (11/05--)

**Control arm**

**416 050 0006 | MCA0829**

**Notes**

Length [mm]                      Aluminium  
370  
Control Arm  
Front  
Lower  
Front Axle Right  
Front Axle Left



**References**

997 341 043 00                      997 341 143 00

**Application info**

911 [997] [07/04-12/10]  
Boxster [987] [11/04-12/11]

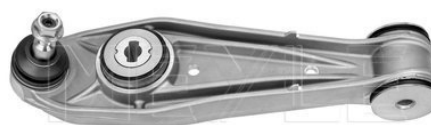
Cayman [11/05--]

**Control arm**

**416 050 0005 | MCA0940**

**Notes**

Aluminium  
with ball joint  
with rubber mounting  
Control Arm  
Lower  
Front Axle Right  
Front Axle Left



**References**

997 341 053 00                      997 341 053 04  
997 341 053 03

**Application info**

911 [997] [07/04-12/10]  
Boxster [987] [11/04-12/11]

Cayman [11/05--]

**Control arm**

**416 050 0005/S | MCA1099**

**Notes**

with add-on material  
Aluminium  
with ball joint  
with rubber mounting  
Control Arm  
Front Axle Right  
Front Axle Left  
Lower



**References**

997 341 053 00                      997 341 053 04  
997 341 053 03



416 050 0005/S | MCA1099

Control arm

Application info

911 [997] [07/04-12/10]  
Boxster [987] [11/04-12/11]

Cayman [11/05--]

116 050 0165/HD | MCA0208HD

Control arm



Notes

Length [mm]

Aluminium  
233  
with rubber mounting  
Control Arm  
Rear  
Upper  
Front Axle Right

Reinforced Version

References

8K0 407 510 A

Parts list

100 407 0070/HD | MCB0071HD Control arm bushing

Counterpart

116 050 0166/HD | MCA0209HD

Application info

Macan [02/14--]

116 050 0166/HD | MCA0209HD

Control arm



Notes

Length [mm]

Aluminium  
233  
with rubber mounting  
Control Arm  
Rear  
Upper  
Front Axle Left

Reinforced Version

References

8K0 407 509 A

Parts list

100 407 0070/HD | MCB0071HD Control arm bushing

Counterpart

116 050 0165/HD | MCA0208HD

Application info

Macan [02/14--]



**Control arm bushing**

**100 407 0027 | MCB0054**

**Notes**

Inner diameter [mm] 12  
 Outer diameter [mm] 32  
 Height [mm] 61  
 inner  
 Lower  
 Front Axle Right  
 Front Axle Left

**References**

171 407 182 D



**Application info**

924 [11/75-08/89]

944 [06/81-07/91]

**Control arm bushing**

**100 610 0003/HD | MCB0095HD**

**Notes**

Inner diameter [mm] 12  
 Outer diameter [mm] 44  
 Height [mm] 45  
 Outer  
 Lower  
 Front  
 Front Axle Right  
 Front Axle Left

Reinforced Version

**References**

4E0 407 181 B



**Application info**

Macan [02/14--]

**Control arm bushing**

**100 407 0070/HD | MCB0071HD**

**Notes**

Inner diameter [mm] 10  
 Outer diameter [mm] 47  
 Height [mm] 40  
 Upper  
 Front Axle Right  
 Front Axle Left

Reinforced Version

**References**

800 407 515 C



**Application info**

Macan [02/14--]

100 610 0021 | MCB0105

Control arm bushing



Notes

Inner diameter [mm]	12
Outer diameter [mm]	50
Height [mm]	55
	inner
	Front
	Lower
	Front Axle Right
	Front Axle Left

References

8K0 407 182 B

Application info

Macan [02/14--]

100 610 0038 | MCB0390

Control arm bushing



Notes

Inner diameter [mm]	12
Outer diameter [mm]	75
Height [mm]	80
	Front Axle Left
	Front Axle Right

References

8K0 407 183 D

Application info

Macan [02/14--]

100 710 0035 | MCB0395

Control arm bushing



Notes

Inner diameter [mm]	14
Outer diameter [mm]	60.5
Height [mm]	70
	Rear Axle Right
	Rear Axle Left

References

955 331 017 11

Application info

Cayenne I [955] [09/02--]

7

Control arm bushing

100 610 0015 | MCB0102

Notes

Inner diameter [mm]	10
Outer diameter [mm]	40
Height [mm]	43
	Upper
	Front Axle Right
	Front Axle Left

References

955 341 027 00	955 341 027 02
955 341 027 01	



Application info

Cayenne I [955] [09/02--]

Control arm bushing

100 610 0010/HD | MCB0099HD

Notes

Inner diameter [mm]	14
Outer diameter [mm]	60
Height [mm]	60
	Lower
	Rear
	Front Axle Right
	Front Axle Left

Reinforced Version

References

955 341 242 03	955 341 242 04
----------------	----------------



Application info

Cayenne I [955] [09/02--]

Control arm bushing

100 610 0011 | MCB0100

Notes

Inner diameter [mm]	14
Outer diameter [mm]	40
Height [mm]	60
	Lower
	Front
	Front Axle Right
	Front Axle Left

References

955 341 588 10



Application info

Cayenne I [955] [09/02--]

7

100 610 0012 | MCB0101

Control arm bushing



Notes

Inner diameter [mm]	14
Outer diameter [mm]	47
Height [mm]	74
	Outer
	Lower
	Front Axle Right
	Front Axle Left

References

955 343 243 01

Application info

Cayenne I [955] [09/02--]

414 610 0000 | MCB0447

Control arm bushing



Notes

Inner diameter [mm]	12
Outer diameter [mm]	72
Height [mm]	60
	Lower
	Front
	inner
	Front Axle Right
	Front Axle Left

References

970 341 245 10

Application info

Panamera [09/09--]

100 610 0038/HD | MCB0390HD

Control arm bushing



Notes

Inner diameter [mm]	12
Outer diameter [mm]	75
Height [mm]	80
	Front Axle Right
	Front Axle Left

Reinforced Version

References

8R0 407 693 B	9A7 407 693 03
8R0 407 694 B	9A7 407 693 04

Application info

Macan [02/14--]

7



### Control arm set

### 116 050 0233/S | MCK0049

#### Notes

Full Set

#### References

955 341 017 30  
955 341 017 32  
955 341 017 33  
955 341 018 30  
955 341 018 32

with add-on material  
Front Axle Right  
Front Axle Left

955 341 018 33  
955 341 027 00  
955 341 027 01  
955 343 069 00

#### Parts list

116 050 0017/S | MCA0983  
116 050 0049/S | MCA1103  
116 050 0071/S | MCA1104  
116 060 0029/S | MSL0704

Control arm  
Control arm  
Control arm  
Stabilizer link



#### Application info

Cayenne I [955] [09/02--]

### Control arm set

### 116 050 0194/HD | MCK0046HD

#### Notes

Full Set  
Reinforced Version

#### References

955 341 017 60  
955 341 017 61  
955 341 018 60  
955 341 018 61

with accessories  
Front Axle Left  
Front Axle Right

955 341 027 00  
955 341 027 01  
955 343 069 00

#### Parts list

116 050 0017/S | MCA0983  
116 050 0186/HD | MCA0950HD  
116 050 0187/HD | MCA0951HD  
116 060 0029/S | MSL0704

Control arm  
Control arm  
Control arm  
Stabilizer link



#### Application info

Cayenne I [955] [09/02--]

7

114 710 0000 | MAM0021

Mount, axle rod



Notes

Inner diameter [mm]	12
Outer diameter [mm]	44
Height [mm]	46
	Rear Axle Right
	Rear Axle Left

References

8K0 505 323 H	8K0 505 324 H
---------------	---------------

Application info

Macan [02/14--]

100 710 0016 | MAM0019

Mount, axle rod



Notes

Inner diameter [mm]	14
Outer diameter [mm]	44
Height [mm]	40
	Outer
	Front
	Rear Axle Right
	Rear Axle Left

Application info

Cayenne I [955] [09/02--]

Cayenne II [06/10--]

100 710 0017 | MAM0020

Mount, axle rod



Notes

Inner diameter [mm]	12
Outer diameter [mm]	44
Height [mm]	40
	inner
	Front
	Rear Axle Right
	Rear Axle Left

Application info

Cayenne I [955] [09/02--]

Cayenne II [06/10--]

7



### Mount, control arm

100 407 0020 | MCM0005

#### Notes

Lower  
Rear  
Front Axle Right  
Front Axle Left

#### References

171 407 181 A



#### Application info

924 [11/75-08/89]

### Rod/strut, suspension

116 035 0017 | MSR0134

#### Notes

Length [mm]

Guide Rod  
282  
with rubber mounting  
Rear Axle Right  
Rear Axle Left

#### References

8K0 501 529 L



#### Application info

Macan [02/14--]

### Rod/strut, suspension

116 035 0012 | MSR0060

#### Notes

Length [mm]

Guide Rod  
362  
with rubber mounting  
Rear  
Rear Axle Left

#### References

8K0 505 323 F

#### Parts list

114 710 0000 | MAM0021

Mount, axle rod

#### Counterpart

116 035 0013 | MSR0061



#### Application info

Macan [02/14--]

7

116 035 0013 | MSR0061

Rod/strut, suspension



Notes

Length [mm]

Guide Rod  
362  
with rubber mounting  
Rear  
Rear Axle Right

References

8K0 505 324 F

Parts list

114 710 0000 | MAM0021

Mount, axle rod

Counterpart

116 035 0012 | MSR0060

Application info

Macan [02/14--]

116 035 0008 | MSR0058

Rod/strut, suspension



Notes

Length [mm]

Guide Rod  
300  
with rubber mounting  
Upper  
Front  
Rear Axle Right  
Rear Axle Left

References

955 331 047 10

Parts list

100 710 0016 | MAM0019

Mount, axle rod

100 710 0017 | MAM0020

Mount, axle rod

Application info

Cayenne I [955] [09/02--]

Cayenne II [06/10--]

116 050 0059 | MSR0067

Rod/strut, suspension



Notes

Length [mm]

Guide Rod  
360  
with rubber mounting  
Upper  
Rear  
Rear Axle Left

References

955 331 049 00

Counterpart

116 050 0060 | MSR0068

7





### Rod/strut, suspension

116 050 0059 | MSR0067

#### Application info

Cayenne I [955] [09/02--]

Cayenne II [06/10--]

### Rod/strut, suspension

116 050 0060 | MSR0068

#### Notes

Length [mm]

Guide Rod  
360  
with rubber mounting  
Upper  
Rear  
Rear Axle Right

#### References

955 331 050 00

#### Counterpart

116 050 0059 | MSR0067



#### Application info

Cayenne I [955] [09/02--]

Cayenne II [06/10--]

### Mount, stabilizer

100 411 0046 | MSB0083

#### Notes

Inner diameter [mm]

29  
Front Axle Right  
Front Axle Left

#### References

400 411 327 J



#### Application info

Macan [02/14--]

116 060 0021/HD | MSL0126HD

Stabilizer link



Notes

Inner diameter 1 [mm]  
Thread Measurement 1  
Length [mm]

with spanner attachment  
with accessories  
Coupling Rod  
12  
M12x1,5  
200  
Rear Axle Left

Reinforced Version

References

955 333 069 10

955 333 069 21

Counterpart

116 060 0022/HD | MSL0127HD

Application info

Cayenne I [955] [09/02--]

Cayenne II [06/10--]

116 060 0022/HD | MSL0127HD

Stabilizer link



Notes

Thread Measurement 1  
Length [mm]

with spanner attachment  
with accessories  
Suspension Rod  
M12x1,5  
250  
Rear Axle Right

Reinforced Version

References

955 333 070 10

955 333 070 21

Counterpart

116 060 0021/HD | MSL0126HD

Application info

Cayenne I [955] [09/02--]

Cayenne II [06/10--]

116 060 0029 | MSL0135

Stabilizer link



Notes

Length [mm]

Coupling Rod  
Aluminium  
197  
Front Axle Right  
Front Axle Left

References

955 343 069 00



### Stabilizer link

116 060 0029 | MSL0135

#### Application info

Cayenne I (955) (09/02--)

Cayenne II (06/10--)

### Stabilizer link

116 060 0029/S | MSL0704

#### Notes

Length [mm]

with accessories  
Coupling Rod  
Aluminium  
197  
Front Axle Left  
Front Axle Right

#### References

955 343 069 00



#### Application info

Cayenne I (955) (09/02--)

Cayenne II (06/10--)

### Stabilizer link

416 060 0017/HD | MSL0614HD

#### Notes

Thread Measurement 2  
Thread Measurement 1  
Length [mm]

Reinforced Version

with spanner attachment  
Coupling Rod  
M10X1,5  
M10X1,5  
99.5  
Rear Axle Right  
Rear Axle Left

#### References

996 333 069 02  
996 333 069 03

996 333 069 04

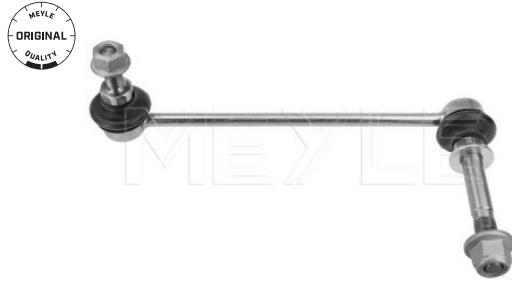


#### Application info

911 (996) (09/97-08/05)

416 060 0008 | MSL0476

Stabilizer link



Notes

Thread Measurement 2  
Thread Measurement 1  
Length [mm]

Coupling Rod  
M10x1,5  
M12x1,5  
200  
Left

References

996 343 069 02  
996 343 069 03

996 343 069 04  
996 343 069 Z3

Counterpart

416 060 0009 | MSL0477

Application info

911 (996) [09/97-08/05]

Boxster (986) [09/96-12/04]

416 060 0009 | MSL0477

Stabilizer link



Notes

Thread Measurement 2  
Thread Measurement 1  
Length [mm]

Coupling Rod  
M10x1,5  
M12x1,5  
200  
Right

References

996 343 070 02  
996 343 070 03

996 343 070 04

Counterpart

416 060 0008 | MSL0476

Application info

911 (996) [09/97-08/05]

Boxster (986) [09/96-12/04]

416 060 0020 | MSL0654

Stabilizer link



Notes

Thread Measurement 2  
Thread Measurement 1  
Length [mm]

Coupling Rod  
M10x1,5  
M10x1,5  
284.7  
Front Axle Right  
Front Axle Left

References

996 343 073 03  
996 343 073 04

996 343 073 05

Application info

911 (996) [09/97-08/05]

7



### Stabilizer link

416 060 0015 | MSL0612

#### Notes

Thread Measurement 2  
Thread Measurement 1  
Length [mm]

Coupling Rod  
M10x1.5  
M10x1.5  
85  
Rear Axle Left

#### References

997 333 069 04  
997 333 069 05

997 333 069 06

#### Counterpart

416 060 0016 | MSL0613



#### Application info

911 [997] [07/04-12/10]

### Stabilizer link

416 060 0016 | MSL0613

#### Notes

Thread Measurement 2  
Thread Measurement 1  
Length [mm]

Coupling Rod  
M10x1.5  
M10x1.5  
85  
Rear Axle Right

#### References

997 333 070 04  
997 333 070 05

997 333 070 06

#### Counterpart

416 060 0015 | MSL0612



#### Application info

911 [997] [07/04-12/10]

### Stabilizer link

416 060 0012/HD | MSL0598HD

#### Notes

Thread Measurement 2  
Thread Measurement 1  
Length [mm]

with spanner attachment  
Coupling Rod  
M10x1,5  
M12x1,5  
200  
Left

Reinforced Version

#### References

997 343 069 00  
997 343 069 01

997 343 069 02  
997 343 069 03

#### Counterpart

416 060 0013/HD | MSL0600HD



7



416 060 0012/HD | MSL0598HD

Stabilizer link

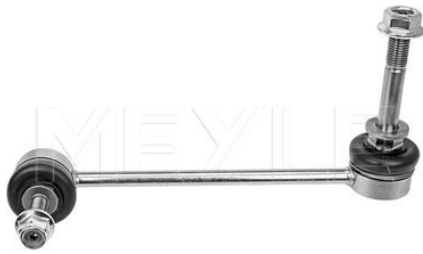
Application info

911 [997] [07/04-12/10]  
Boxster [987] [11/04-12/11]

Cayman [11/05--]

416 060 0013/HD | MSL0600HD

Stabilizer link



Notes

Thread Measurement 2  
Thread Measurement 1  
Length [mm]

with spanner attachment  
Coupling Rod  
M10x1,5  
M12x1,5  
200  
Right

Reinforced Version

References

997 343 070 00                      997 343 070 02  
997 343 070 01                      997 343 070 03

Counterpart

416 060 0012/HD | MSL0598HD

Application info

911 [997] [07/04-12/10]  
Boxster [987] [11/04-12/11]

Cayman [11/05--]

116 060 0041/S | MSL0910

Stabilizer link



Notes

with accessories  
Coupling Rod  
Aluminium  
Front Axle Right  
Front Axle Left

Application info

Macan [02/14--]



### Axle support bushing

114 710 0004 | MAB0179

#### Notes

Inner diameter [mm]  
Outer diameter [mm]  
Height [mm]

Hydro Bearing  
20.5  
80  
85  
Rear  
Rear Axle Right  
Rear Axle Left

#### References

BR0 505 145 A



#### Application info

Macan [02/14--]

### Repair kit, strut mount

414 412 1001/S | MCX0543

#### Notes

with ball bearing  
Front Axle left and right

#### References

996 343 515 05  
997 343 018 00

997 343 018 01

#### Parts list

414 412 1001 | MSM0252  
414 641 0002 | MMB0029

Strut mount  
Strut mount bearing



#### Application info

911 [997] [07/04-12/10]  
Boxster [987] [11/04-12/11]

Cayman [11/05--]

### Strut mount

100 641 0010 | MSM0062

#### Notes

without ball bearing  
Front Axle

#### References

BK0 412 377 C



#### Application info

Macan [02/14--]

100 741 0002 | MSM0067

Strut mount



Notes

without ball bearing  
Rear Axle Upper

References

8K0513353E

Application info

Macan [02/14--]

100 641 0012 | MSM0213

Strut mount



Notes

without ball bearing

References

955 343 018 00

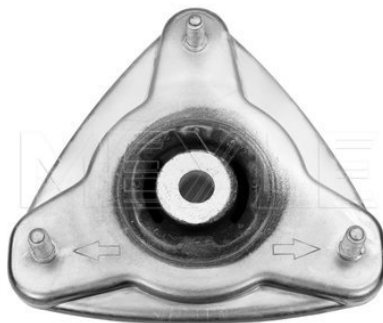
Application info

Cayenne I [955] [09/02--]

Cayenne II [06/10--]

414 412 1001 | MSM0252

Strut mount



Notes

Piece  
Rubber-metal Bearing  
without ball bearing  
Front Axle left and right

References

997 343 018 00

997 343 018 01

Application info

911 [997] [07/04-12/10]  
Boxster [987] [11/04-12/11]

Cayman [11/05--]

7





### Strut mount bearing

414 641 0002 | MMB0029

#### Notes

Front Axle

#### References

996 343 515 04

996 343 515 05



#### Application info

911 [997] [07/04-12/10]  
Boxster [987] [11/04-12/11]

Cayman [11/05--]

### Wheel bearing

300 334 1100 | MWB0043

#### Notes

Alternative Repair Kit 300 334 1100/S  
Inner diameter [mm] 42  
Outer diameter [mm] 80  
Height [mm] 42  
Rear Axle

#### References

999 053 020 01



#### Application info

944 [06/81-07/91]

### Wheel bearing

014 098 0025 | MWB0002

#### Notes

Alternative Repair Kit 614 750 0009  
Alternative Repair Kit 100 498 0023  
Alternative Repair Kit 014 033 0048  
Alternative Repair Kit 014 033 0047  
Alternative Repair Kit 014 033 0041  
Inner diameter [mm] 32  
Outer diameter [mm] 59  
Height [mm] 17  
inner  
Front Axle

#### References

999 059 012 00



7



014 098 0025 | MWB0002

Wheel bearing

Application info

911/912 [01/63-11/90]  
914 [01/69-02/76]

924 [11/75-08/89]  
944 [06/81-07/91]

100 650 0008 | MWK0084

Wheel bearing kit



Notes

Inner diameter [mm]  
Outer diameter [mm]  
Height [mm]

with add-on material  
for vehicles with ASB

51  
96  
50

References

955 341 901 00

Application info

Cayenne I [955] [09/02--]

300 334 1100/S | MWK0145

Wheel bearing kit



Notes

Inner diameter [mm]  
Outer diameter [mm]  
Height [mm]

with accessories

42  
80  
42  
Rear Axle left and right

References

999 053 020 01

Parts list

300 334 1100 | MWB0043

Wheel bearing

Application info

944 [06/81-07/91]

7

MEYLE no.	Ref. no.	Page
<b>Porsche</b>		
014 027 2101	140 271 008 0	58
014 098 0025	999 059 012 00	99
014 698 0006	928 351 949 00	28
014 698 0006/S	928 351 949 00	29
014 731 1021	944 603 141 00	45
014 731 1023	944 603 141 00	46
014 731 1090	-	46
014 899 0006	996 606 106 01	44
014 899 0058	997 606 106 01	44
025 200 1115	901 351 997 00 911 351 938 00 911 351 944 01 911 351 944 05 911 351 949 01 911 351 950 00 911 351 950 01 911 351 950 02 911 351 950 06 923 351 901 00 944 351 950 06	22
025 204 8119/PD	20481 477 698 155 928 351 951 00 928 351 951 02 928 351 952 00 944 351 941 01 944 351 951 00 944 351 951 01 944 351 951 02	22
025 204 8219/PD	20482 477 698 151 A 477 698 151 B 928 352 951 00 928 352 951 02 928 352 952 01 944 352 951 00 944 352 951 01 944 352 951 02	21
025 206 2919	928 351 931 00 928 351 931 01	22
025 217 9216/PD	986 352 939 10 996 352 930 00 996 352 930 03 996 352 939 00 996 352 939 03 996 352 980 00	27

MEYLE no.	Ref. no.	Page
<b>Porsche</b>		
025 219 3716/PD	987 351 939 02 987 351 939 03	27
025 236 9217	955 351 939 00 955 351 939 01 955 351 939 02 955 351 939 03 955 351 939 04 955 351 939 05	23
025 236 9217/PD	955 351 939 00 955 351 939 01 955 351 939 02 955 351 939 03 955 351 939 04 955 351 939 05	23
025 236 9317	955 351 939 10 955 351 939 11 955 351 939 12 955 351 939 13 955 351 939 14	24
025 236 9317/PD	955 351 939 10 955 351 939 11 955 351 939 12 955 351 939 13 955 351 939 14	24
025 236 9417	955 352 939 00 955 352 939 01 955 352 939 02 955 352 939 50	24
025 236 9417/PD	955 352 939 00 955 352 939 01 955 352 939 02 955 352 939 50	25
025 240 4917/PD	24049 997 351 939 03 997 351 939 05	28
025 242 9616	955 352 939 61 955 352 939 62 955 352 939 63	25
025 242 9616/PD	955 352 939 61 955 352 939 62 955 352 939 63 955 352 939 64	26
025 245 5416/PD	955 352 939 70 970 351 949 05 970 352 949 02 970 352 949 03	26

MEYLE no.	Ref. no.	Page
<b>Porsche</b>		
	970 352 949 04	
	970 352 949 05	
	991 352 948 03	
	991 352 949 01	
025 250 0717/PD	955 351 939 61	26
	955 351 939 62	
	955 351 939 63	
	958 351 939 00	
	958 351 939 10	
	970 351 949 01	
029 380 1500	-	3
029 380 1513	958 628 050 00	3
029 400 1600	-	3
029 450 1800	-	4
029 475 1900	-	4
029 530 2100	-	4
029 550 2200	-	5
029 650 2600	-	5
050 005 0735	999 192 204 50	51
050 005 0890	999 192 259 50	53
050 005 1000	999 192 206 50	51
	999 192 207 50	
050 006 0858	999 192 266 50	51
	999 192 269 50	
050 006 0875	999 192 347 50	52
050 006 1000	999 182 220 550	52
	999 192 283 50	
	999 192 285 50	
	999 192 291 50	
	999 192 295 50	
	999 192 299 50	
050 006 1548	-	53
050 006 1853/D	9A1 102 216 01	53
050 006 1930	996 102 151 65	50
050 006 2115	996 102 151 64	50
	996 102 151 66	
050 006 2260	996 102 151 93	50
050 006 2285	999 192 379 50	52
050 006 2475	059 903 137 AK	49
	955 102 934 00	
	958 102 216 00	
050 006 2523	958 102 216 10	49
050 007 2074/D	955 102 933 00	49
100 103 1001	958 101 150 10	56
100 115 0001	93110770100	58
100 135 0001	986 307 403 00	38

MEYLE no.	Ref. no.	Page
<b>Porsche</b>		
100 135 0001/SK	986 307 403 00	38
100 135 0105	-	39
100 135 0108	958 325 435 00	37
100 136 0002	955 307 403 00	36
	955 307 403 01	
100 137 0002	955 307 403 00	36
	955 307 403 01	
100 137 0010	958 325 435 00	36
100 151 0000/S	955 421 020 10	33
	955 421 020 11	
	955 421 020 12	
	955 421 020 13	
	955 421 020 14	
	955 421 020 15	
	955 421 020 20	
	955 421 020 21	
	955 421 020 22	
	955 421 020 23	
	955 421 020 24	
	955 421 020 25	
100 152 1001	955 421 010 00	34
100 152 2001	955 421 020 10	35
	955 421 020 11	
	955 421 020 12	
	955 421 020 13	
	955 421 020 14	
	955 421 020 15	
	955 421 020 20	
	955 421 020 21	
	955 421 020 22	
	955 421 020 23	
	955 421 020 24	
	955 421 020 25	
100 199 0215	955 375 049 10	61
100 223 0008	955 106 147 20	54
	955 106 147 21	
	955 106 147 22	
	955 106 147 23	
100 322 0018	95810722200	59
100 322 0022	958.115.466.00	59
	958.115.562.00	
100 323 0014	955 110 134 00	57
100 323 0020	958 110 134 00	57
	958 110 134 10	
100 407 0016	171 407 153 D	67
100 407 0020	171 407 181 A	89

MEYLE no.	Ref. no.	Page
<b>Porsche</b>		
100 407 0027	171 407 182 D	83
100 407 0070/HD	800 407 515 C	83
100 411 0046	400 411 327 J	91
100 525 0011	955 355 060 00 955 355 060 01 958 355 060 00	31
100 525 0021	955 355 139 10 955 355 139 13	31
100 610 0003/HD	4E0 407 181 B	83
100 610 0010/HD	955 341 242 03 955 341 242 04	85
100 610 0011	955 341 588 10	85
100 610 0012	955 343 243 01	86
100 610 0015	955 341 027 00 955 341 027 01 955 341 027 02	85
100 610 0021	8K0 407 182 B	84
100 610 0038	8K0 407 183 D	84
100 610 0038/HD	8R0 407 693 B 8R0 407 694 B 9A7 407 693 03 9A7 407 693 04	86
100 611 0045	928 355 626 00	31
100 620 0007	955 347 191 10	63
100 620 0012	4G0 423 832 A	62
100 620 0013	4G0 423 831	62
100 641 0010	8K0 412 377 C	97
100 641 0012	955 343 018 00	98
100 650 0008	955 341 901 00	100
100 698 0008	928 351 947 00	28
100 710 0016	-	88
100 710 0017	-	88
100 710 0035	955 331 017 11	84
100 741 0002	8K0513353E	98
100 830 0014	928 615 101 01 993 615 101 00	47
100 860 0002	955 170 320 90	42
100 890 0009	644 613 401 00 901 613 401 00	46
100 890 0021	-	47
100 905 0005	191 905 351 A	43
100 953 0012	914 618 303 11	48
11-12 319 0004	996 572 219 01 996 572 219 02	6
11-12 320 0004	996 571 219 00 996 571 219 01	7

MEYLE no.	Ref. no.	Page
<b>Porsche</b>		
	996 571 219 02 996 571 219 03 997 571 219 00	
112 129 0043	955 110 131 00	56
112 129 0044	955 110 131 10 958 110 130 10	57
112 133 0005	021 129 620	56
112 319 0012	-	7
112 320 0012	955 572 219 10	6
112 320 0020	8K0 819 439 A 8K0 819 439 B	5
112 320 0021	958 572 219 00	6
113 220 0006/HD	955 106 033 10 955 106 033 11 955 106 033 20	55
114 042 1201	955 352 925 00	30
114 322 0000	021 115 351 A	58
114 322 0001	955 107 561 00	59
114 527 0000	955 612 365 20 955 612 365 30	41
114 527 0001	955 612 365 00	41
114 527 0003	95861236550	42
114 527 0004	955 612 365 70	42
114 527 0005	955 612 365 60	41
114 532 0008	996 355 910 00	32
114 710 0000	8K0 505 323 H 8K0 505 324 H	88
114 710 0004	8R0 505 145 A	97
114 800 0021	955 606 405 11	40
114 800 0022	955 606 406 11	40
114 800 0035	948 606 140 00	45
114 800 0036	948 606 150 00	45
114 800 0045	958 606 405 00 958 606 405 01 958 606 405 02	40
115 521 1101	955 351 401 40 955 351 401 41	8
115 521 1102	955 351 402 40 955 351 402 41	11
115 521 1103	955 351 401 50 955 351 401 51	10
115 521 1104	955 351 402 50 955 351 402 51	11
115 523 0034/PD	955 352 401 50 955 352 401 51 955 352 403 00	13

MEYLE no.	Ref. no.	Page
<b>Porsche</b>		
	958 352 401 50	
115 523 0035/PD	958 615 601 A	15
115 523 0041	955 352 401 30 955 352 401 31	12
115 523 0041/PD	955 352 401 30 955 352 401 31	13
116 010 0000	4G0 407 689 A	67
116 010 3254	171 407 365 G	67
116 020 0005	955 347 131 20 955 347 131 21 955 347 131 22	65
116 020 0006	955 347 132 20 955 347 132 21 955 347 132 22	66
116 020 0030/HD	8K0 422 817 B	65
116 030 0013	955 347 031 20 955 347 031 21	64
116 030 0014	955 347 032 20 955 347 032 21	65
116 031 0016	955 347 031 020 955 347 031 021	63
116 031 0028	4G0 423 810 A	63
116 035 0008	955 331 047 10	90
116 035 0012	8K0 505 323 F	89
116 035 0013	8K0 505 324 F	90
116 035 0017	8K0 501 529 L	89
116 050 0017	955 341 027 00 955 341 027 01	74
116 050 0017/S	955 341 027 00 955 341 027 01	74
116 050 0049	955 341 017 30 955 341 017 32 955 341 017 33	71
116 050 0049/S	955 341 017 30 955 341 017 32 955 341 017 33	71
116 050 0059	955 331 049 00	90
116 050 0060	955 331 050 00	91
116 050 0071	955 341 018 30 955 341 018 32 955 341 018 33	72
116 050 0071/S	955 341 018 30 955 341 018 32 955 341 018 33	73
116 050 0096	958 341 053 00 958 341 053 01	75

MEYLE no.	Ref. no.	Page
<b>Porsche</b>		
	958 341 053 02 958 341 053 03	
116 050 0096/S	958 341 053 00 958 341 053 01 958 341 053 02 958 341 053 03	75
116 050 0097	958 341 054 00 958 341 054 01 958 341 054 02 958 341 054 03	76
116 050 0097/S	958 341 054 00 958 341 054 01 958 341 054 02 958 341 054 03	76
116 050 0105	955 331 017 11	70
116 050 0106	955 331 018 11	70
116 050 0165/HD	8K0 407 510 A	82
116 050 0166/HD	8K0 407 509 A	82
116 050 0167/HD	8K0 407 506 A	69
116 050 0168/HD	8K0 407 505 A	69
116 050 0186/HD	955 341 018 60 955 341 018 61	73
116 050 0187/HD	955 341 017 60 955 341 017 61	72
116 050 0194/HD	955 341 017 60 955 341 017 61 955 341 018 60 955 341 018 61 955 341 027 00 955 341 027 01 955 343 069 00	87
116 050 0224/HD	8K0 407 151 F	68
116 050 0225/HD	8K0 407 152 F	68
116 050 0233/S	955 341 017 30 955 341 017 32 955 341 017 33 955 341 018 30 955 341 018 32 955 341 018 33 955 341 027 00 955 341 027 01 955 343 069 00	87
116 060 0021/HD	955 333 069 10 955 333 069 21	92
116 060 0022/HD	955 333 070 10 955 333 070 21	92

MEYLE no.	Ref. no.	Page
<b>Porsche</b>		
116 060 0029	955 343 069 00	92
116 060 0029/S	955 343 069 00	93
116 060 0041/S	-	96
183 521 0043/PD	958 351 403 01	14
183 521 0044/PD	958 351 404 01	14
183 521 1101/PD	955 351 401 40 955 351 401 41	9
183 521 1102/PD	955 351 401 40 955 351 401 41	9
183 521 1103/PD	955 351 401 50 955 351 401 51	10
183 521 1104/PD	955 351 402 50 955 351 402 51	12
214 800 0002	996 606 106 03	44
300 334 1100	999 053 020 01	99
300 334 1100/S	999 053 020 01	100
314 136 2102	944 606 125 00	43
413 220 0000/HD	996 106 011 51 996 106 011 53 996 106 011 54 996 106 011 55 996 106 011 57	55
413 220 0001/HD	948 106 033 01	54
413 220 0002/HD	948 106 011 03 948 106 011 04	54
413 220 0003/HD	997 106 011 02 997 106 011 05 997 106 011 06	55
414 135 0001	722.277.009.5 996.307.131.50	37
414 137 0001	722.277.009.5 996.307.131.50	35
414 355 0001	901 355 631 01	30
414 355 0002	901 355 632 01	30
414 375 0001	944 375 042 04 951 375 042 04	61
414 375 0002/HD	911 375 043 00 911 375 043 07	60
414 375 0003	997 375 049 08	61
414 375 1001	948 375 050 01	60
414 375 1002	948 375 049 01	60
414 412 1001	997 343 018 00 997 343 018 01	98
414 412 1001/S	996 343 515 05 997 343 018 00 997 343 018 01	97

MEYLE no.	Ref. no.	Page
<b>Porsche</b>		
414 495 0000	996 349 291 00	33
414 495 0001	996 349 29 300	33
414 498 0000	930 332 034 00	34
414 533 0000	911 352 097 10	29
414 533 0001	477 609 537 B 477 609 537 C 477 609 537 D 481 609 537 C	29
414 610 0000	970 341 245 10	86
414 641 0002	996 343 515 04 996 343 515 05	99
416 020 0000	996 347 131 03 996 347 131 04	66
416 031 0000	997 347 322 00 997 347 322 01	64
416 031 0002/HD	996 347 322 03	64
416 050 0000	996 341 053 05 996 341 053 06 996 341 053 07 996 341 053 14 996 341 053 16 996 341 053 17 996 341 941 00 996 341 941 01	77
416 050 0000/S	996 341 053 05 996 341 053 06 996 341 053 07 996 341 053 14 996 341 053 16 996 341 053 17	78
416 050 0002	970 341 054 04	77
416 050 0003	970 341 053 04	77
416 050 0004	996 341 043 03 996 341 043 06 997 331 043 01	78
416 050 0004/S	996 341 043 03 996 341 043 06 997 331 043 01	79
416 050 0005	997 341 053 00 997 341 053 03 997 341 053 04	81
416 050 0005/S	997 341 053 00 997 341 053 03 997 341 053 04	81
416 050 0006	997 341 043 00 997 341 143 00	81

MEYLE no.	Ref. no.	Page
<b>Porsche</b>		
416 050 0007	996 331 045 05	79
	996 331 045 06	
	996 331 045 07	
	996 331 045 08	
	996 331 045 10	
	996 331 045 12	
	997 331 045 04	
416 050 0008	996 331 047 02	79
	996 331 047 03	
	996 331 047 05	
	996 331 047 06	
	997 331 047 00	
	997 331 047 01	
416 050 0008/S	996 331 047 02	80
	996 331 047 03	
	996 331 047 05	
	996 331 047 06	
	997 331 047 00	
	997 331 047 01	
416 050 0009	997 331 053 01	80
	997 331 053 02	
	997 331 053 03	
416 060 0008	996 343 069 02	94
	996 343 069 03	
	996 343 069 04	
	996 343 069 Z3	
416 060 0009	996 343 070 02	94
	996 343 070 03	
	996 343 070 04	
416 060 0012/HD	997 343 069 00	95
	997 343 069 01	
	997 343 069 02	
	997 343 069 03	
416 060 0013/HD	997 343 070 00	96
	997 343 070 01	
	997 343 070 02	
	997 343 070 03	
416 060 0015	997 333 069 04	95
	997 333 069 05	
	997 333 069 06	
416 060 0016	997 333 070 04	95
	997 333 070 05	
	997 333 070 06	
416 060 0017/HD	996 333 069 02	93
	996 333 069 03	
	996 333 069 04	

MEYLE no.	Ref. no.	Page
<b>Porsche</b>		
416 060 0020	996 343 073 03	94
	996 343 073 04	
	996 343 073 05	
440 160 3065	911 512 331 02	1
	911 512 331 21	
440 160 3125	944 511 351 01	2
440 160 3840	911 511 331 01	1
440 161 0176	928 511 139 03	2
	928 511 139 05	
440 910 0005	997 511 551 01	2
440 910 0008	955 512 528 00	1
459 202 0000	993 347 447 26	62
483 521 0001/PD	986 351 401 05	17
483 521 0002/PD	996 351 405 00	19
	996 351 405 01	
	996 351 405 02	
483 521 0003/PD	996 351 406 00	20
	996 351 406 01	
	996 351 406 02	
483 521 0006/PD	951 351 041 01	8
	951 351 041 02	
483 521 0009/PD	993 351 043 01	18
483 521 0010/PD	993 351 044 01	19
483 521 0011/PD	970 351 403 00	15
483 521 0012/PD	970 351 404 00	16
483 523 0001/PD	986 352 401 04	17
483 523 0002/PD	996 352 401 03	20
	996 352 401 04	
	996 352 401 05	
483 523 0009/PD	987 352 401 01	18
483 523 0011/PD	970 352 403 00	21
483 523 0012/PD	970 352 404 00	16
614 123 0001	996 606 103 01	47



Ref. no.	MEYLE no.	Page
<b>Porsche</b>		
021 115 351 A	114 322 0000	58
021 129 620	112 133 0005	56
059 903 137 AK	050 006 2475	49
140 271 008 0	014 027 2101	58
171 407 153 D	100 407 0016	67
171 407 181 A	100 407 0020	89
171 407 182 D	100 407 0027	83
171 407 365 G	116 010 3254	67
191 905 351 A	100 905 0005	43
20481	025 204 8119/PD	22
20482	025 204 8219/PD	21
24049	025 240 4917/PD	28
477 609 537 B	414 533 0001	29
477 609 537 C	414 533 0001	29
477 609 537 D	414 533 0001	29
477 698 151 A	025 204 8219/PD	21
477 698 151 B	025 204 8219/PD	21
477 698 155	025 204 8119/PD	22
481 609 537 C	414 533 0001	29
400 411 327 J	100 411 0046	91
4E0 407 181 B	100 610 0003/HD	83
4G0 407 689 A	116 010 0000	67
4G0 423 810 A	116 031 0028	63
4G0 423 831	100 620 0013	62
4G0 423 832 A	100 620 0012	62
644 613 401 00	100 890 0009	46
722.277.009.5	414 135 0001 414 137 0001	35, 37
800 407 515 C	100 407 0070/HD	83
8K0 407 151 F	116 050 0224/HD	68
8K0 407 152 F	116 050 0225/HD	68
8K0 407 182 B	100 610 0021	84
8K0 407 183 D	100 610 0038	84
8K0 407 505 A	116 050 0168/HD	69
8K0 407 506 A	116 050 0167/HD	69
8K0 407 509 A	116 050 0166/HD	82
8K0 407 510 A	116 050 0165/HD	82
8K0 412 377 C	100 641 0010	97
8K0 422 817 B	116 020 0030/HD	65
8K0 501 529 L	116 035 0017	89
8K0 505 323 F	116 035 0012	89
8K0 505 323 H	114 710 0000	88
8K0 505 324 F	116 035 0013	90
8K0 505 324 H	114 710 0000	88
8K0513353E	100 741 0002	98
8K0 819 439 A	112 320 0020	5

Ref. no.	MEYLE no.	Page
<b>Porsche</b>		
8K0 819 439 B	112 320 0020	5
8R0 407 693 B	100 610 0038/HD	86
8R0 407 694 B	100 610 0038/HD	86
8R0 505 145 A	114 710 0004	97
901 351 997 00	025 200 1115	22
901 355 631 01	414 355 0001	30
901 355 632 01	414 355 0002	30
901 613 401 00	100 890 0009	46
911 351 938 00	025 200 1115	22
911 351 944 01	025 200 1115	22
911 351 944 05	025 200 1115	22
911 351 949 01	025 200 1115	22
911 351 950 00	025 200 1115	22
911 351 950 01	025 200 1115	22
911 351 950 02	025 200 1115	22
911 351 950 06	025 200 1115	22
911 352 097 10	414 533 0000	29
911 375 043 00	414 375 0002/HD	60
911 375 043 07	414 375 0002/HD	60
911 511 331 01	440 160 3840	1
911 512 331 02	440 160 3065	1
911 512 331 21	440 160 3065	1
914 618 303 11	100 953 0012	48
923 351 901 00	025 200 1115	22
928 351 931 00	025 206 2919	22
928 351 931 01	025 206 2919	22
928 351 947 00	100 698 0008	28
928 351 949 00	014 698 0006 014 698 0006/S	28-29
928 351 951 00	025 204 8119/PD	22
928 351 951 02	025 204 8119/PD	22
928 351 952 00	025 204 8119/PD	22
928 352 951 00	025 204 8219/PD	21
928 352 951 02	025 204 8219/PD	21
928 352 952 01	025 204 8219/PD	21
928 355 626 00	100 611 0045	31
928 511 139 03	440 161 0176	2
928 511 139 05	440 161 0176	2
928 615 101 01	100 830 0014	47
930 332 034 00	414 498 0000	34
93110770100	100 115 0001	58
944 351 941 01	025 204 8119/PD	22
944 351 950 06	025 200 1115	22
944 351 951 00	025 204 8119/PD	22
944 351 951 01	025 204 8119/PD	22
944 351 951 02	025 204 8119/PD	22

Ref. no.	MEYLE no.	Page
<b>Porsche</b>		
944 352 951 00	025 204 8219/PD	21
944 352 951 01	025 204 8219/PD	21
944 352 951 02	025 204 8219/PD	21
944 375 042 04	414 375 0001	61
944 511 351 01	440 160 3125	2
944 603 141 00	014 731 1021 014 731 1023	45-46
944 606 125 00	314 136 2102	43
948 106 011 03	413 220 0002/HD	54
948 106 011 04	413 220 0002/HD	54
948 106 033 01	413 220 0001/HD	54
948 375 049 01	414 375 1002	60
948 375 050 01	414 375 1001	60
948 606 140 00	114 800 0035	45
948 606 150 00	114 800 0036	45
951 351 041 01	483 521 0006/PD	8
951 351 041 02	483 521 0006/PD	8
951 375 042 04	414 375 0001	61
955 102 933 00	050 007 2074/D	49
955 102 934 00	050 006 2475	49
955 106 033 10	113 220 0006/HD	55
955 106 033 11	113 220 0006/HD	55
955 106 033 20	113 220 0006/HD	55
955 106 147 20	100 223 0008	54
955 106 147 21	100 223 0008	54
955 106 147 22	100 223 0008	54
955 106 147 23	100 223 0008	54
955 107 561 00	114 322 0001	59
955 110 131 00	112 129 0043	56
955 110 131 10	112 129 0044	57
955 110 134 00	100 323 0014	57
955 170 320 90	100 860 0002	42
955 307 403 00	100 136 0002 100 137 0002	36
955 307 403 01	100 136 0002 100 137 0002	36
955 331 017 11	100 710 0035 116 050 0105	70, 84
955 331 018 11	116 050 0106	70
955 331 047 10	116 035 0008	90
955 331 049 00	116 050 0059	90
955 331 050 00	116 050 0060	91
955 333 069 10	116 060 0021/HD	92
955 333 069 21	116 060 0021/HD	92
955 333 070 10	116 060 0022/HD	92
955 333 070 21	116 060 0022/HD	92

Ref. no.	MEYLE no.	Page
<b>Porsche</b>		
955 341 017 30	116 050 0049 116 050 0049/S 116 050 0233/S	71, 87
955 341 017 32	116 050 0049 116 050 0049/S 116 050 0233/S	71, 87
955 341 017 33	116 050 0049 116 050 0049/S 116 050 0233/S	71, 87
955 341 017 60	116 050 0187/HD 116 050 0194/HD	72, 87
955 341 017 61	116 050 0187/HD 116 050 0194/HD	72, 87
955 341 018 30	116 050 0071 116 050 0071/S 116 050 0233/S	72-73, 87
955 341 018 32	116 050 0071 116 050 0071/S 116 050 0233/S	72-73, 87
955 341 018 33	116 050 0071 116 050 0071/S 116 050 0233/S	72-73, 87
955 341 018 60	116 050 0186/HD 116 050 0194/HD	73, 87
955 341 018 61	116 050 0186/HD 116 050 0194/HD	73, 87
955 341 027 00	100 610 0015 116 050 0017 116 050 0017/S 116 050 0194/HD 116 050 0233/S	74, 85, 87
955 341 027 01	100 610 0015 116 050 0017 116 050 0017/S 116 050 0194/HD 116 050 0233/S	74, 85, 87
955 341 027 02	100 610 0015	85
955 341 242 03	100 610 0010/HD	85
955 341 242 04	100 610 0010/HD	85
955 341 588 10	100 610 0011	85
955 341 901 00	100 650 0008	100
955 343 018 00	100 641 0012	98
955 343 069 00	116 050 0194/HD 116 050 0233/S 116 060 0029 116 060 0029/S	87, 92-93

Ref. no.	MEYLE no.	Page
<b>Porsche</b>		
955 343 243 01	100 610 0012	86
955 347 031 020	116 031 0016	63
955 347 031 021	116 031 0016	63
955 347 031 20	116 030 0013	64
955 347 031 21	116 030 0013	64
955 347 032 20	116 030 0014	65
955 347 032 21	116 030 0014	65
955 347 131 20	116 020 0005	65
955 347 131 21	116 020 0005	65
955 347 131 22	116 020 0005	65
955 347 132 20	116 020 0006	66
955 347 132 21	116 020 0006	66
955 347 132 22	116 020 0006	66
955 347 191 10	100 620 0007	63
955 351 401 40	115 521 1101 183 521 1101/PD 183 521 1102/PD	8-9
955 351 401 41	115 521 1101 183 521 1101/PD 183 521 1102/PD	8-9
955 351 401 50	115 521 1103 183 521 1103/PD	10
955 351 401 51	115 521 1103 183 521 1103/PD	10
955 351 402 40	115 521 1102	11
955 351 402 41	115 521 1102	11
955 351 402 50	115 521 1104 183 521 1104/PD	11-12
955 351 402 51	115 521 1104 183 521 1104/PD	11-12
955 351 939 00	025 236 9217 025 236 9217/PD	23
955 351 939 01	025 236 9217 025 236 9217/PD	23
955 351 939 02	025 236 9217 025 236 9217/PD	23
955 351 939 03	025 236 9217 025 236 9217/PD	23
955 351 939 04	025 236 9217 025 236 9217/PD	23
955 351 939 05	025 236 9217 025 236 9217/PD	23
955 351 939 10	025 236 9317 025 236 9317/PD	24
955 351 939 11	025 236 9317 025 236 9317/PD	24

Ref. no.	MEYLE no.	Page
<b>Porsche</b>		
955 351 939 12	025 236 9317 025 236 9317/PD	24
955 351 939 13	025 236 9317 025 236 9317/PD	24
955 351 939 14	025 236 9317 025 236 9317/PD	24
955 351 939 61	025 250 0717/PD	26
955 351 939 62	025 250 0717/PD	26
955 351 939 63	025 250 0717/PD	26
955 352 401 30	115 523 0041 115 523 0041/PD	12-13
955 352 401 31	115 523 0041 115 523 0041/PD	12-13
955 352 401 50	115 523 0034/PD	13
955 352 401 51	115 523 0034/PD	13
955 352 403 00	115 523 0034/PD	13
955 352 925 00	114 042 1201	30
955 352 939 00	025 236 9417 025 236 9417/PD	24-25
955 352 939 01	025 236 9417 025 236 9417/PD	24-25
955 352 939 02	025 236 9417 025 236 9417/PD	24-25
955 352 939 50	025 236 9417 025 236 9417/PD	24-25
955 352 939 61	025 242 9616 025 242 9616/PD	25-26
955 352 939 62	025 242 9616 025 242 9616/PD	25-26
955 352 939 63	025 242 9616 025 242 9616/PD	25-26
955 352 939 64	025 242 9616/PD	26
955 352 939 70	025 245 5416/PD	26
955 355 060 00	100 525 0011	31
955 355 060 01	100 525 0011	31
955 355 139 10	100 525 0021	31
955 355 139 13	100 525 0021	31
955 375 049 10	100 199 0215	61
955 421 010 00	100 152 1001	34
955 421 020 10	100 151 0000/S 100 152 2001	33, 35
955 421 020 11	100 151 0000/S 100 152 2001	33, 35
955 421 020 12	100 151 0000/S 100 152 2001	33, 35
955 421 020 13	100 151 0000/S	33, 35

Ref. no.	MEYLE no.	Page
<b>Porsche</b>		
	100 152 2001	
955 421 020 14	100 151 0000/S 100 152 2001	33, 35
955 421 020 15	100 151 0000/S 100 152 2001	33, 35
955 421 020 20	100 151 0000/S 100 152 2001	33, 35
955 421 020 21	100 151 0000/S 100 152 2001	33, 35
955 421 020 22	100 151 0000/S 100 152 2001	33, 35
955 421 020 23	100 151 0000/S 100 152 2001	33, 35
955 421 020 24	100 151 0000/S 100 152 2001	33, 35
955 421 020 25	100 151 0000/S 100 152 2001	33, 35
955 512 528 00	440 910 0008	1
955 572 219 10	112 320 0012	6
955 606 405 11	114 800 0021	40
955 606 406 11	114 800 0022	40
955 612 365 00	114 527 0001	41
955 612 365 20	114 527 0000	41
955 612 365 30	114 527 0000	41
955 612 365 60	114 527 0005	41
955 612 365 70	114 527 0004	42
958 101 150 10	100 103 1001	56
958 102 216 00	050 006 2475	49
958 102 216 10	050 006 2523	49
95810722200	100 322 0018	59
958 110 130 10	112 129 0044	57
958 110 134 00	100 323 0020	57
958 110 134 10	100 323 0020	57
958.115.466.00	100 322 0022	59
958.115.562.00	100 322 0022	59
958 325 435 00	100 135 0108 100 137 0010	36-37
958 341 053 00	116 050 0096 116 050 0096/S	75
958 341 053 01	116 050 0096 116 050 0096/S	75
958 341 053 02	116 050 0096 116 050 0096/S	75
958 341 053 03	116 050 0096 116 050 0096/S	75
958 341 054 00	116 050 0097	76

Ref. no.	MEYLE no.	Page
<b>Porsche</b>		
	116 050 0097/S	
958 341 054 01	116 050 0097 116 050 0097/S	76
958 341 054 02	116 050 0097 116 050 0097/S	76
958 341 054 03	116 050 0097 116 050 0097/S	76
958 351 403 01	183 521 0043/PD	14
958 351 404 01	183 521 0044/PD	14
958 351 939 00	025 250 0717/PD	26
958 351 939 10	025 250 0717/PD	26
958 352 401 50	115 523 0034/PD	13
958 355 060 00	100 525 0011	31
958 572 219 00	112 320 0021	6
958 606 405 00	114 800 0045	40
958 606 405 01	114 800 0045	40
958 606 405 02	114 800 0045	40
95861236550	114 527 0003	42
958 628 050 00	029 380 1513	3
958 615 601 A	115 523 0035/PD	15
970 341 053 04	416 050 0003	77
970 341 054 04	416 050 0002	77
970 341 245 10	414 610 0000	86
970 351 403 00	483 521 0011/PD	15
970 351 404 00	483 521 0012/PD	16
970 351 949 01	025 250 0717/PD	26
970 351 949 05	025 245 5416/PD	26
970 352 403 00	483 523 0011/PD	21
970 352 404 00	483 523 0012/PD	16
970 352 949 02	025 245 5416/PD	26
970 352 949 03	025 245 5416/PD	26
970 352 949 04	025 245 5416/PD	26
970 352 949 05	025 245 5416/PD	26
986 307 403 00	100 135 0001 100 135 0001/SK	38
986 351 401 05	483 521 0001/PD	17
986 352 401 04	483 523 0001/PD	17
986 352 939 10	025 217 9216/PD	27
987 351 939 02	025 219 3716/PD	27
987 351 939 03	025 219 3716/PD	27
987 352 401 01	483 523 0009/PD	18
991 352 948 03	025 245 5416/PD	26
991 352 949 01	025 245 5416/PD	26
993 347 447 26	459 202 0000	62
993 351 043 01	483 521 0009/PD	18
993 351 044 01	483 521 0010/PD	19

Ref. no.	MEYLE no.	Page
<b>Porsche</b>		
993 615 101 00	100 830 0014	47
996 102 151 64	050 006 2115	50
996 102 151 65	050 006 1930	50
996 102 151 66	050 006 2115	50
996 102 151 93	050 006 2260	50
996 106 011 51	413 220 0000/HD	55
996 106 011 53	413 220 0000/HD	55
996 106 011 54	413 220 0000/HD	55
996 106 011 55	413 220 0000/HD	55
996 106 011 57	413 220 0000/HD	55
996.307.131.50	414 135 0001 414 137 0001	35, 37
996 331 045 05	416 050 0007	79
996 331 045 06	416 050 0007	79
996 331 045 07	416 050 0007	79
996 331 045 08	416 050 0007	79
996 331 045 10	416 050 0007	79
996 331 045 12	416 050 0007	79
996 331 047 02	416 050 0008 416 050 0008/S	79-80
996 331 047 03	416 050 0008 416 050 0008/S	79-80
996 331 047 05	416 050 0008 416 050 0008/S	79-80
996 331 047 06	416 050 0008 416 050 0008/S	79-80
996 333 069 02	416 060 0017/HD	93
996 333 069 03	416 060 0017/HD	93
996 333 069 04	416 060 0017/HD	93
996 341 043 03	416 050 0004 416 050 0004/S	78-79
996 341 043 06	416 050 0004 416 050 0004/S	78-79
996 341 053 05	416 050 0000 416 050 0000/S	77-78
996 341 053 06	416 050 0000 416 050 0000/S	77-78
996 341 053 07	416 050 0000 416 050 0000/S	77-78
996 341 053 14	416 050 0000 416 050 0000/S	77-78
996 341 053 16	416 050 0000 416 050 0000/S	77-78
996 341 053 17	416 050 0000 416 050 0000/S	77-78
996 341 941 00	416 050 0000	77

Ref. no.	MEYLE no.	Page
<b>Porsche</b>		
996 341 941 01	416 050 0000	77
996 343 069 02	416 060 0008	94
996 343 069 03	416 060 0008	94
996 343 069 04	416 060 0008	94
996 343 069 Z3	416 060 0008	94
996 343 070 02	416 060 0009	94
996 343 070 03	416 060 0009	94
996 343 070 04	416 060 0009	94
996 343 073 03	416 060 0020	94
996 343 073 04	416 060 0020	94
996 343 073 05	416 060 0020	94
996 343 515 04	414 641 0002	99
996 343 515 05	414 412 1001/S 414 641 0002	97, 99
996 347 131 03	416 020 0000	66
996 347 131 04	416 020 0000	66
996 347 322 03	416 031 0002/HD	64
996 349 291 00	414 495 0000	33
996 349 29 300	414 495 0001	33
996 351 405 00	483 521 0002/PD	19
996 351 405 01	483 521 0002/PD	19
996 351 405 02	483 521 0002/PD	19
996 351 406 00	483 521 0003/PD	20
996 351 406 01	483 521 0003/PD	20
996 351 406 02	483 521 0003/PD	20
996 352 401 03	483 523 0002/PD	20
996 352 401 04	483 523 0002/PD	20
996 352 401 05	483 523 0002/PD	20
996 352 930 00	025 217 9216/PD	27
996 352 930 03	025 217 9216/PD	27
996 352 939 00	025 217 9216/PD	27
996 352 939 03	025 217 9216/PD	27
996 352 980 00	025 217 9216/PD	27
996 355 910 00	114 532 0008	32
996 571 219 00	11-12 320 0004	7
996 571 219 01	11-12 320 0004	7
996 571 219 02	11-12 320 0004	7
996 571 219 03	11-12 320 0004	7
996 572 219 01	11-12 319 0004	6
996 572 219 02	11-12 319 0004	6
996 606 103 01	614 123 0001	47
996 606 106 01	014 899 0006	44
996 606 106 03	214 800 0002	44
997 106 011 02	413 220 0003/HD	55
997 106 011 05	413 220 0003/HD	55
997 106 011 06	413 220 0003/HD	55

Ref. no.	MEYLE no.	Page
<b>Porsche</b>		
997 331 043 01	416 050 0004 416 050 0004/S	78-79
997 331 045 04	416 050 0007	79
997 331 047 00	416 050 0008 416 050 0008/S	79-80
997 331 047 01	416 050 0008 416 050 0008/S	79-80
997 331 053 01	416 050 0009	80
997 331 053 02	416 050 0009	80
997 331 053 03	416 050 0009	80
997 333 069 04	416 060 0015	95
997 333 069 05	416 060 0015	95
997 333 069 06	416 060 0015	95
997 333 070 04	416 060 0016	95
997 333 070 05	416 060 0016	95
997 333 070 06	416 060 0016	95
997 341 043 00	416 050 0006	81
997 341 053 00	416 050 0005 416 050 0005/S	81
997 341 053 03	416 050 0005 416 050 0005/S	81
997 341 053 04	416 050 0005 416 050 0005/S	81
997 341 143 00	416 050 0006	81
997 343 018 00	414 412 1001 414 412 1001/S	97-98
997 343 018 01	414 412 1001 414 412 1001/S	97-98
997 343 069 00	416 060 0012/HD	95
997 343 069 01	416 060 0012/HD	95
997 343 069 02	416 060 0012/HD	95
997 343 069 03	416 060 0012/HD	95
997 343 070 00	416 060 0013/HD	96
997 343 070 01	416 060 0013/HD	96
997 343 070 02	416 060 0013/HD	96
997 343 070 03	416 060 0013/HD	96
997 347 322 00	416 031 0000	64
997 347 322 01	416 031 0000	64
997 351 939 03	025 240 4917/PD	28
997 351 939 05	025 240 4917/PD	28
997 375 049 08	414 375 0003	61
997 511 551 01	440 910 0005	2
997 571 219 00	11-12 320 0004	7
997 606 106 01	014 899 0058	44
999 053 020 01	300 334 1100 300 334 1100/S	99-100

Ref. no.	MEYLE no.	Page
<b>Porsche</b>		
999 059 012 00	014 098 0025	99
999 182 220 550	050 006 1000	52
999 192 204 50	050 005 0735	51
999 192 206 50	050 005 1000	51
999 192 207 50	050 005 1000	51
999 192 259 50	050 005 0890	53
999 192 266 50	050 006 0858	51
999 192 269 50	050 006 0858	51
999 192 283 50	050 006 1000	52
999 192 285 50	050 006 1000	52
999 192 291 50	050 006 1000	52
999 192 295 50	050 006 1000	52
999 192 299 50	050 006 1000	52
999 192 347 50	050 006 0875	52
999 192 379 50	050 006 2285	52
9A1 102 216 01	050 006 1853/D	53
9A7 407 693 03	100 610 0038/HD	86
9A7 407 693 04	100 610 0038/HD	86

Short no.	MEYLE no.	Page
<b>Porsche</b>		
MAB0179	114 710 0004	97
MAF0157	112 129 0043	56
MAF0158	112 129 0044	57
MAF0164	112 133 0005	56
MAM0019	100 710 0016	88
MAM0020	100 710 0017	88
MAM0021	114 710 0000	88
MAR0078	116 031 0016	63
MAR0085	116 031 0028	63
MAR0361	416 031 0000	64
MAR0550HD	416 031 0002/HD	64
MAS0366	114 800 0021	40
MAS0367	114 800 0022	40
MAS0379	114 800 0045	40
MBD0230	115 521 1101	8
MBD0231	115 521 1102	11
MBD0232	115 521 1103	10
MBD0233	115 521 1104	11
MBD1546PD	183 521 1101/PD	9
MBD1547PD	183 521 1102/PD	9
MBD1548PD	183 521 1103/PD	10
MBD1549PD	183 521 1104/PD	12
MBD1598PD	483 521 0001/PD	17
MBD1599PD	483 521 0002/PD	19
MBD1600PD	483 521 0003/PD	20
MBD1604PD	483 523 0001/PD	17
MBD1605PD	483 523 0002/PD	20
MBD1809PD	115 523 0034/PD	13
MBD1810PD	115 523 0035/PD	15
MBD1816	115 523 0041	12
MBD1816PD	115 523 0041/PD	13
MBD1837PD	183 521 0043/PD	14
MBD1838PD	183 521 0044/PD	14
MBD2011PD	483 521 0011/PD	15
MBD2012PD	483 521 0012/PD	16
MBD2013PD	483 523 0011/PD	21
MBD2014PD	483 523 0012/PD	16
MBD2142PD	483 521 0006/PD	8
MBD2143PD	483 521 0009/PD	18
MBD2144PD	483 521 0010/PD	19
MBD2145PD	483 523 0009/PD	18
MBH0065	100 525 0011	31
MBH0074	100 525 0021	31
MBH0141	100 611 0045	31
MBH0417	414 355 0001	30
MBH0418	414 355 0002	30

Short no.	MEYLE no.	Page
<b>Porsche</b>		
MBJ0047	116 010 0000	67
MBJ0075	116 010 3254	67
MBK0276	414 495 0000	33
MBK0277	414 495 0001	33
MBL0018	029 380 1500	3
MBL0021	029 400 1600	3
MBL0027	029 450 1800	4
MBL0028	029 475 1900	4
MBL0030	029 530 2100	4
MBL0032	029 550 2200	5
MBL0036	029 650 2600	5
MBL0049	029 380 1513	3
MBP0002	025 200 1115	22
MBP0025	025 206 2919	22
MBP0415	025 236 9217	23
MBP0415PD	025 236 9217/PD	23
MBP0416	025 236 9317	24
MBP0416PD	025 236 9317/PD	24
MBP0417	025 236 9417	24
MBP0417PD	025 236 9417/PD	25
MBP0560	025 242 9616	25
MBP0560PD	025 242 9616/PD	26
MBP0996PD	025 217 9216/PD	27
MBP1025PD	025 219 3716/PD	27
MBP1597PD	025 250 0717/PD	26
MBP1708PD	025 204 8119/PD	22
MBP1709PD	025 204 8219/PD	21
MBP1737PD	025 240 4917/PD	28
MBP1739PD	025 245 5416/PD	26
MBS0293	414 533 0001	29
MBX0010	014 698 0006	28
MBX0011	014 698 0006/S	29
MBX0156	100 698 0008	28
MBX0160	114 532 0008	32
MCA0074	100 407 0016	67
MCA0144	116 050 0017	74
MCA0157	116 050 0049	71
MCA0166	116 050 0071	72
MCA0182	116 050 0096	75
MCA0183	116 050 0097	76
MCA0208HD	116 050 0165/HD	82
MCA0209HD	116 050 0166/HD	82
MCA0210HD	116 050 0167/HD	69
MCA0211HD	116 050 0168/HD	69
MCA0644	416 050 0000	77
MCA0828	416 050 0004	78



Short no.	MEYLE no.	Page
<b>Porsche</b>		
MCA0829	416 050 0006	81
MCA0830	416 050 0007	79
MCA0831	416 050 0008	79
MCA0940	416 050 0005	81
MCA0946	116 050 0105	70
MCA0947	116 050 0106	70
MCA0950HD	116 050 0186/HD	73
MCA0951HD	116 050 0187/HD	72
MCA0983	116 050 0017/S	74
MCA1000	116 050 0096/S	75
MCA1001	116 050 0097/S	76
MCA1006	416 050 0009	80
MCA1097	416 050 0000/S	78
MCA1098	416 050 0004/S	79
MCA1099	416 050 0005/S	81
MCA1100	416 050 0008/S	80
MCA1103	116 050 0049/S	71
MCA1104	116 050 0071/S	73
MCA1116	416 050 0002	77
MCA1117	416 050 0003	77
MCA1128HD	116 050 0224/HD	68
MCA1129HD	116 050 0225/HD	68
MCB0054	100 407 0027	83
MCB0071HD	100 407 0070/HD	83
MCB0095HD	100 610 0003/HD	83
MCB0099HD	100 610 0010/HD	85
MCB0100	100 610 0011	85
MCB0101	100 610 0012	86
MCB0102	100 610 0015	85
MCB0105	100 610 0021	84
MCB0390	100 610 0038	84
MCB0390HD	100 610 0038/HD	86
MCB0395	100 710 0035	84
MCB0447	414 610 0000	86
MCF0057	11-12 319 0004	6
MCF0068	11-12 320 0004	7
MCF0086	112 319 0012	7
MCF0100	112 320 0012	6
MCF0107	112 320 0020	5
MCF0108	112 320 0021	6
MCK0046HD	116 050 0194/HD	87
MCK0049	116 050 0233/S	87
MCM0005	100 407 0020	89
MCV0318	414 498 0000	34
MCX0543	414 412 1001/S	97
MDM0093	100 151 0000/S	33

Short no.	MEYLE no.	Page
<b>Porsche</b>		
MEM0456	414 375 0001	61
MEM0457HD	414 375 0002/HD	60
MEM0458	414 375 0003	61
MEM0605	100 199 0215	61
MEM0630	414 375 1001	60
MEM0631	414 375 1002	60
MET0081	100 223 0008	54
MEX0039	014 731 1021	45
MEX0040	014 731 1023	46
MEX0041	014 731 1090	46
MEX0122	014 899 0006	44
MEX0140	014 899 0058	44
MEX0196	100 830 0014	47
MEX0229	100 890 0009	46
MEX0237	100 890 0021	47
MEX0268	100 905 0005	43
MEX0319	100 953 0012	48
MEX0376	214 800 0002	44
MEX0382	314 136 2102	43
MEX0438	614 123 0001	47
MEX0496	114 800 0035	45
MEX0497	114 800 0036	45
MFF0062	100 323 0014	57
MFF0066	100 323 0020	57
MGP0020	100 860 0002	42
MHF0011	100 136 0002	36
MHH0065	459 202 0000	62
MHK0012	100 137 0002	36
MHK0017	100 137 0010	36
MHK0054	414 137 0001	35
MHS0078	440 160 3065	1
MHS0079	440 160 3125	2
MHS0080	440 161 0176	2
MHS0083	440 910 0008	1
MHS0096	440 160 3840	1
MMB0029	414 641 0002	99
MMX0111	014 027 2101	58
MMX1498	100 103 1001	56
MOF0034	100 115 0001	58
MOF0058	100 322 0018	59
MOF0059	100 322 0022	59
MOF0062	114 322 0000	58
MOF0063	114 322 0001	59
MOK0007	100 135 0001	38
MOK0017	100 135 0105	39
MOK0038	100 135 0001/SK	38



Short no.	MEYLE no.	Page
<b>Porsche</b>		
MOK0058	100 135 0108	37
MOK0061	414 135 0001	37
MPB0021	114 042 1201	30
MPB0057	414 533 0000	29
MPJ0096	100 152 1001	34
MPJ0097	100 152 2001	35
MRB0180	050 005 0735	51
MRB0198	050 005 0890	53
MRB0216	050 005 1000	51
MRB0318	050 006 0858	51
MRB0322	050 006 0875	52
MRB0339	050 006 1000	52
MRB0425	050 006 1548	53
MRB0479	050 006 1853/D	53
MRB0494	050 006 1930	50
MRB0517	050 006 2115	50
MRB0537	050 006 2260	50
MRB0543	050 006 2285	52
MRB0560	050 006 2475	49
MRB0566	050 006 2523	49
MRB0629	050 007 2074/D	49
MSB0083	100 411 0046	91
MSK0013	100 620 0007	63
MSK0097	100 620 0012	62
MSK0098	100 620 0013	62
MSL0126HD	116 060 0021/HD	92
MSL0127HD	116 060 0022/HD	92
MSL0135	116 060 0029	92
MSL0476	416 060 0008	94
MSL0477	416 060 0009	94
MSL0598HD	416 060 0012/HD	95
MSL0600HD	416 060 0013/HD	96
MSL0612	416 060 0015	95
MSL0613	416 060 0016	95
MSL0614HD	416 060 0017/HD	93
MSL0654	416 060 0020	94
MSL0704	116 060 0029/S	93
MSL0910	116 060 0041/S	96
MSM0062	100 641 0010	97
MSM0067	100 741 0002	98
MSM0213	100 641 0012	98
MSM0252	414 412 1001	98
MSR0058	116 035 0008	90
MSR0060	116 035 0012	89
MSR0061	116 035 0013	90
MSR0067	116 050 0059	90

Short no.	MEYLE no.	Page
<b>Porsche</b>		
MSR0068	116 050 0060	91
MSR0134	116 035 0017	89
MTA0034	116 030 0013	64
MTA0035	116 030 0014	65
MTE0113	116 020 0005	65
MTE0114	116 020 0006	66
MTE0126HD	116 020 0030/HD	65
MTE0552	416 020 0000	66
MTS0336	440 910 0005	2
MWB0002	014 098 0025	99
MWB0043	300 334 1100	99
MWK0084	100 650 0008	100
MWK0145	300 334 1100/S	100
MWP0153HD	113 220 0006/HD	55
MWP0556HD	413 220 0000/HD	55
MWP0560HD	413 220 0001/HD	54
MWP0561HD	413 220 0003/HD	55
MWP0564HD	413 220 0002/HD	54
MWS0021	114 527 0000	41
MWS0022	114 527 0001	41
MWS0024	114 527 0003	42
MWS0025	114 527 0004	42
MWS0026	114 527 0005	41





# MEYLE

**You see the pretty  
curves, underneath  
is what counts.**



**The MEYLE brand supplies its customers with more than 21,000 extremely reliable and durable spare parts manufactured at our own production facilities or by trusted production partners. MEYLE boasts a highly diversified product range.**

Whether steering and suspension components, rubber-to-metal parts, brakes, damping components, cooling systems, filters, drive components, electric and sensors MEYLE is synonymous with top-grade quality-tested spare parts.

#### **Notes**

This catalogue is protected by copyright. Reproduction of text, graphic elements, photographs and/or data, even in part, is prohibited. MEYLE, **MEYLE**, or parts thereof, are registered trademarks of MEYLE AG.

All supplies and services are subject to our General Terms and Conditions. The original spare part numbers shown in this catalogue are for cross-reference purposes only and shall not be disclosed to third parties on invoices and delivery notes. While the information in this catalogue was compiled and edited with utmost care we do not assume responsibility or accept claims arising from errors or inconsistencies. Subject to technical and/or design changes.

This issue of the catalogue supersedes all previous issues.  
All rights reserved. © 2017 MEYLE AG



MEYLE parts are available through:

**MEYLE AG**

Merkurring 111, 22143 Hamburg, Germany  
Tel. +49 40 67506 510, Fax +49 40 67506 506  
[contact@meyle.com](mailto:contact@meyle.com)

[www.meyle.com](http://www.meyle.com)

**MEYLE**