

Alternatori / *alternators*

Motorini di avviamento / *starters*

Japanparts
WORLDWIDE QUALITY REPLACEMENT PARTS FOR JAPANESE AND KOREAN CARS

Alternatori / alternators

Motorini di avviamento / starters

I motorini di avviamento e gli alternatori JAPANPARTS possono essere nuovi o revisionati. Il miglior modo per avere un'informazione sempre aggiornata e corretta è controllare la scheda articolo sul nostro sito web.

Nel caso di prodotti revisionati questi ultimi ci vengono forniti da aziende che impiegano tecnologie d'avanguardia; i processi di ricondizionamento partono dalla verifica dell'integrità dei componenti statici e della continuità elettrica su avvolgimenti indotto ed elettromagnete.

Vengono controllate e sostituite le parti soggette ad usura quali spazzole, boccole forcellino e pignone per i motorini di avviamento (vedi fig. 1) e circuiti elettrici ed elettronici di rotore, statore piastra diodi, regolatore di tensione e cuscinetti nel caso di un alternatore (vedi fig. 2).

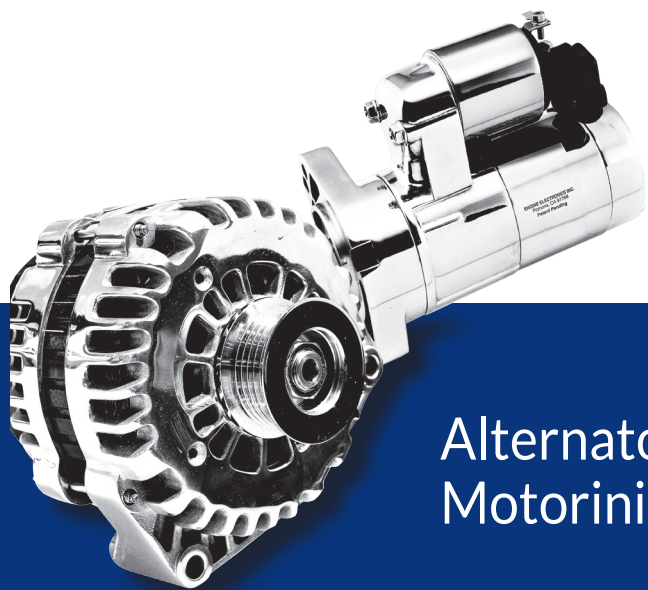
Ogni articolo viene poi sottoposto a test su banco prova, simulando le reali condizioni di utilizzo sulla vettura, per verificare che i valori di tensione, corrente di spunto, amperaggio generato, tensione in volts e alla dissipazione della corrente, corrispondano ai valori del nuovo. Questi dati vengono certificati da un documento inserito all'interno di ogni confezione (vedi fig. 3). Ciò testimonia che il prodotto sia in tutto paragonabile al nuovo.

JAPANPARTS starters and alternators may be new or reconditioned. The best way to have a constantly updated and correct information is to check the item datasheet on our website.

Reconditioned products are supplied by companies that employ cutting-edge technologies; the reconditioning process starts by verifying the integrity of the static components and of their electrical continuity on armature windings and electromagnet.

Parts subject to wear, such as brushes, fork dropout bushes and pinion for starters (see pict. 1) and electrical and electronic circuits of the rotor, diodes plate stator, voltage regulator and bearings in the case of an alternator (see pict. 2) are checked and replaced.

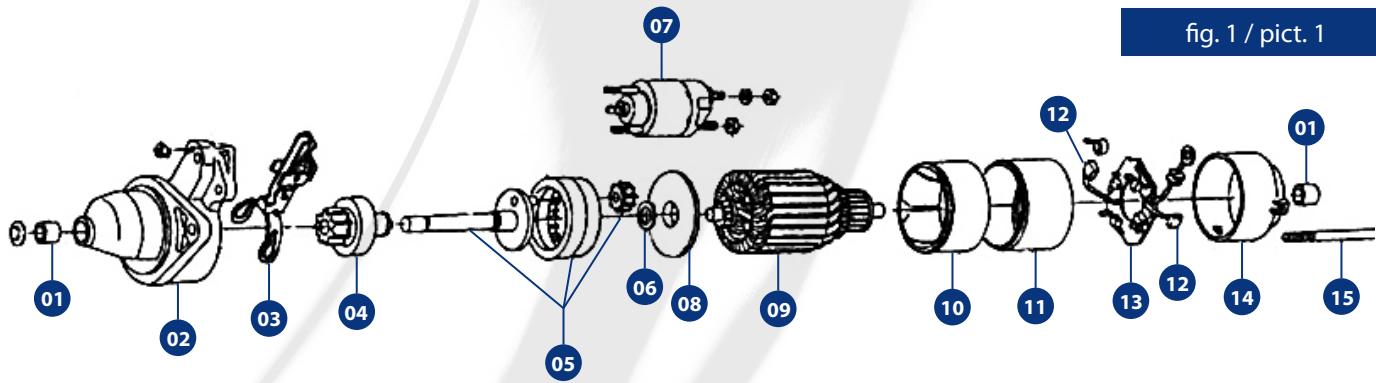
Each item is then tested on the test bench, simulating the real conditions of use on the vehicle, to verify that the values of voltage, inrush current, generated amperage, voltage in volts and at power dissipation correspond to the values of new parts. This data is certified by a document placed inside each package (see pict. 3). This testifies that the product is fully comparable to the new product.



Alternatori / alternators

Motorini di avviamento / starters

fig. 1 / pict. 1

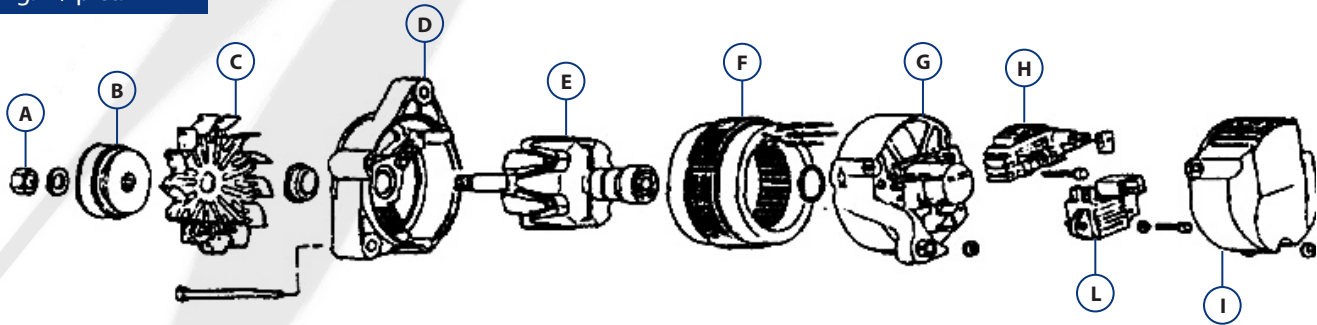


- 01: Boccole cuscinetto / Bushing
- 02: Calotta Anteriore / Anterior body
- 03: Forcellino innesto / Coupling fork
- 04: Pignone / Pinion
- 05: Riduttore / Reduction Gear

- 06: Distanziale / Spacer
- 07: Elettromagnete / Elettromagnete
- 08: Piastra di protezione / Piastra di protezione
- 09: Indotto / Rotor
- 10: Avvolgimento Statico / Winding

- 11: Scatola / Protection Cover
- 12: Spazzole / Brush
- 13: Porta Spazzole / Brush Holder
- 14: Calotta Posteriore / Rear Body
- 15: Viti di chiusura / Fastening Screw

fig. 2 / pict. 2



- A: Dado di Ritegno Puleggia / Pulley Stop Nut
- B: Puleggia / Pulley
- C: Ventola di raffreddamento / Cooling Fan
- D: Piastra di supporto anteriore / Front mounting plate
- E: Rotore / Rotors

- F: Statore / Stator
- G: Piastra di supporto posteriore / Rear mounting plate
- H: Ponte raddrizzatore / Jumper Rectifier
- I: Riparo di protezione / Protection Cover
- L: Regolatore elettronico di tensione / Electronic tension regulator

Computer Tested Alternator

CODE NUMBER

12V, 90A, N

Date 123456 0.1

Alternator test sequence:		Results:
Maximum output power		1338 Watts
Maximum output under full load		99 Amps
Voltage regulator set point		14.40 Volts
Turn on speed less than		2000 RPM
Leakage current tested @ 12 volts		2.63 mAmps
Ripple current @ 2500 RPM		26 Amps
Voltage regulator functions test:		Within specs
L = indicator lamp circuit		yes
S = voltage sense		yes

Output current tested at 13.50 volts

Alternator RPM	1600	2000	2400	3500	5000	6000
Amperage	48	68	79	91	97	99

Performance curve

* We certify these results are within specifications

Computer Tested Quality Assured

MT codenumber

Starter Typ PWGR

Rated Power: 1.40 kW

Rated Voltage: 12.00 V

Max Power: 1.52 kW

Max. Torque: 14 Nm

Battery Resistance: 632 mOhms

Motor Performance Curve

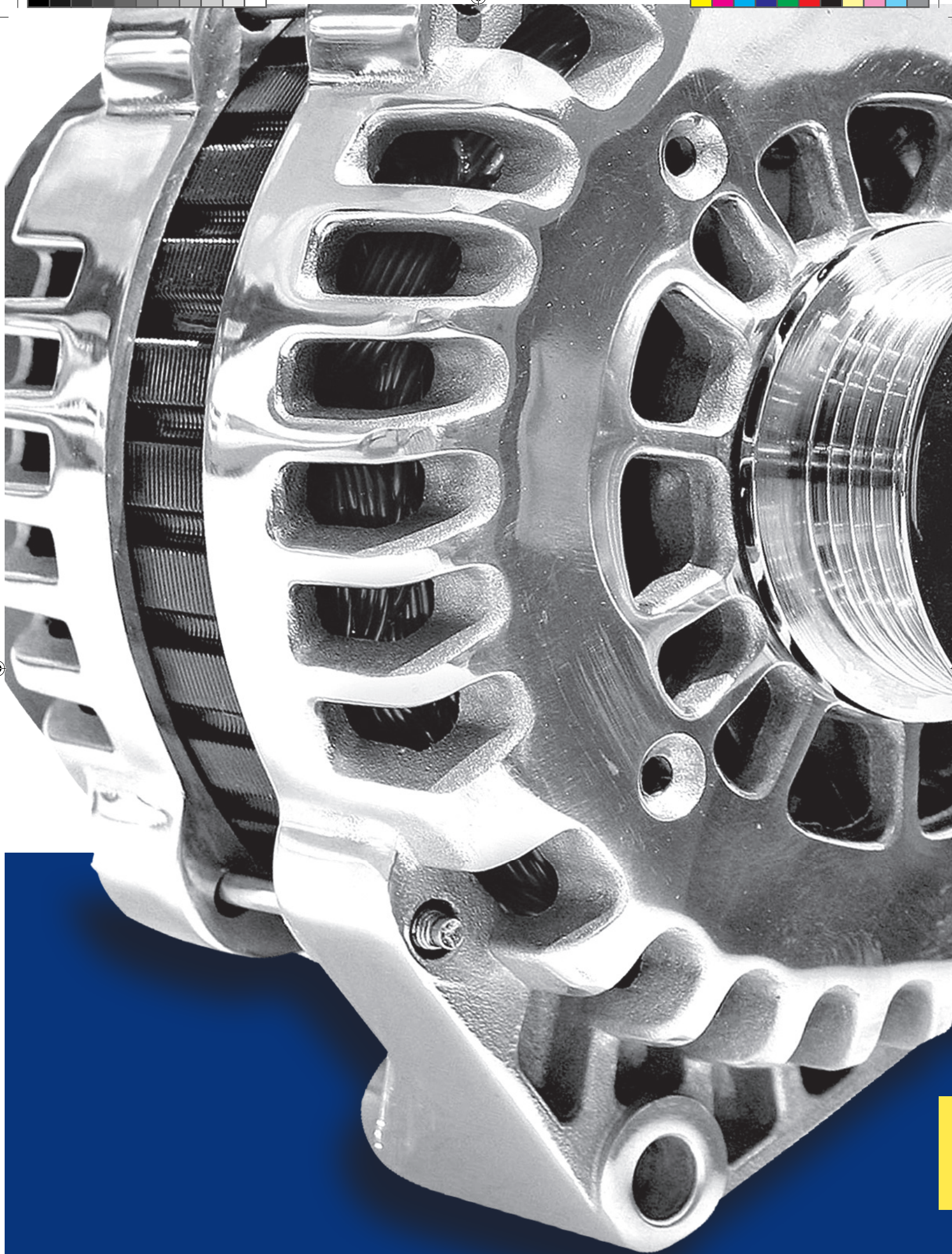
Test	Parameters	Value	Min	Max	Status
Free Run Test	Current	75	45	110	
Free Run Test	Speed	3495	2300	5600	
Solenoid Test	Voltage	11.47			
Solenoid Test	Close Test	PASS			
Solenoid Test	Hold Current	16.261	9.000	18.500	
Solenoid Test	Open Test	PASS			
Solenoid Test	Pull Current	33.982	30.000	44.500	
Starter Test	Voltage Drop	0.539			
Starter Test	Current Max	583	350	610	
Starter Test	Direction	1353.60			
Starter Test	Power Max	12.979	10.000		
Starter Test	Power Max	0.0223			
Starter Test	Ripple Current	7.870			
Starter Test	Torque Max	26			
Test Step # 0 At 1000 RPM	Starter Voltage	13.872			
Test Step # 0 At 1000 RPM	Solenoid Voltage Drop	0.5339			
Test Step # 0 At 1000 RPM	Starter Current	583	350	610	
Test Step # 0 At 1000 RPM	Starter Power	1353.60			
Test Step # 0 At 1000 RPM	Starter Torque	12.979	10.000		
Test Step # 1 At Maximum Power	Starter Voltage	0.0223			
Test Step # 1 At Maximum Power	Solenoid Voltage Drop	7.870			
Test Step # 1 At Maximum Power	Starter Current	0.4834			
Test Step # 1 At Maximum Power	Starter Power	461			
Test Step # 1 At Maximum Power	Starter Speed	1522.38	11.00		
Test Step # 1 At Maximum Power	Starter Torque	1392			
Test Step # 1 At Maximum Power	Starter Voltage	10.446	9.000		
Test Step # 1 At Maximum Power	Starter Torque Constant	0.0223			
Test Step # 1 At Maximum Power	Starter Voltage	8.712			

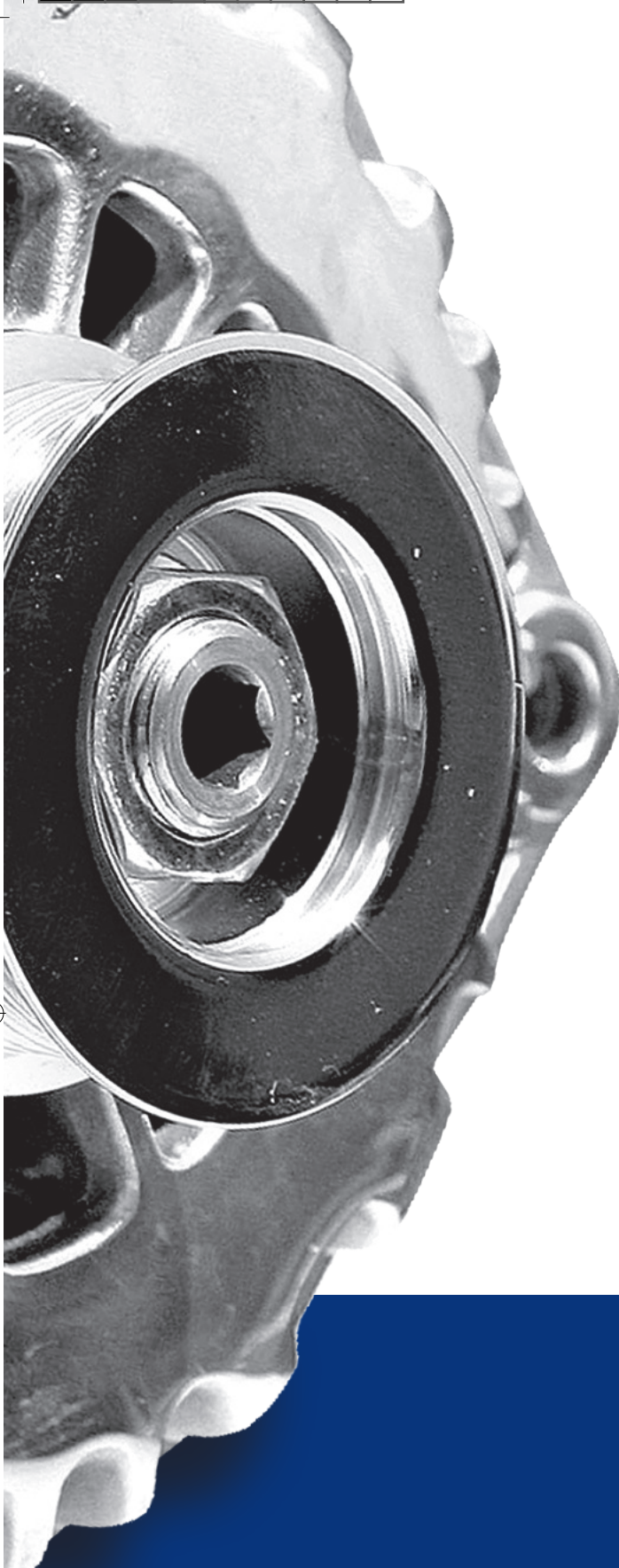
NO WARRANTY WILL BE CONSIDERED IF THE STARTER HAS BEEN OPENED OR TAMPERED WITH IN ANY WAY

Test Cycle ID: 537462 Date: / / Time: 18:19:27

fig. 3 / pict. 3







Alternatori / *alternators*

CASCO / JAPANPARTS p. 06

DELCO / JAPANPARTS p. 12

SANDO / JAPANPARTS p. 20

HELLA / JAPANPARTS p. 25

Motorini di avviamento p. 31
starters

Alternatori / *alternators*

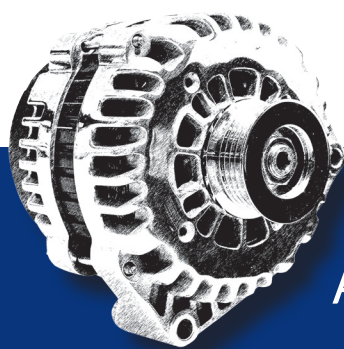
JAPANPARTS





CASCO	JAPANPARTS	Volt	Amp
CAL10100GS	AL201081	12	120
CAL10125AS	ALH409	12	85
CAL10125AS	ALH429	12	75
CAL10181AS	ALIA 0584	12	70
CAL10181AS	ALU904	12	70
CAL10232AS	ALD400	12	90
CAL10232AS	ALD985	12	90
CAL10235AS	AL201252	12	150
CAL10245AS	AL201020	12	85
CAL10248GS	ALC387	12	90
CAL10300AS	ALD301	12	150
CAL12100GS	AL-988	12	100
CAL12100GS	AL-988F	12	100
CAL14105GS	AL201025	12	80
CAL14113AS	ALM956	12	75
CAL15102GS	AL201076	12	110
CAL15105GS	AL201038	12	125
CAL15168GS	ALH301	12	100
CAL15182GS	AL201087	12	70
CAL15232GS	ALZ421	12	150
CAL15241GS	AL201150	12	90
CAL15343GS	AL201167	12	120
CAL20100AS	ALU906	12	70
CAL20101AS	ALU909	12	70
CAL20102AS	ALU915	12	100
CAL20103AS	ALD392	12	50
CAL20104AS	ALS396	12	45
CAL20105GS	ALD982	12	80
CAL20106AS	ALD451	12	60
CAL20107AS	ALU910	12	100
CAL20108AS	ALD981	12	100
CAL20109AS	ALU303	12	50

CASCO	JAPANPARTS	Volt	Amp
CAL20110AS	ALZ412	12	40
CAL20110AS	ALZ415	12	40
CAL20110AS	ALZ419	12	45
CAL20111AS	ALM399	12	50
CAL20112AS	ALD967	12	50
CAL20113AS	ALU901	12	50
CAL20115AS	ALU916	12	60
CAL20116GS	ALD988	12	65
CAL20117AS	ALU902	12	70
CAL20119AS	ALU900	12	70
CAL20120AS	ALD395	12	70
CAL20121AS	ALU914	12	70
CAL20122AS	ALD339	12	70
CAL20122AS	ALD373	12	80
CAL20122AS	ALD402	12	70
CAL20123AS	ALS397	12	70
CAL20124AS	ALD378	12	65
CAL20125AS	ALU912	12	80
CAL20127AS	ALD404	12	90
CAL20127AS	ALD405	12	90
CAL20128AS	ALD980	12	70
CAL20129AS	ALU310	12	50
CAL20129AS	ALU905	12	50
CAL20130AS	ALD349	12	70
CAL20131AS	ALD439	12	80
CAL20132AS	ALD438	12	90
CAL20133AS	ALD413	12	70
CAL20133AS	ALD414	12	70
CAL20136AS	ALU918	12	100
CAL20136AS	ALU919I	12	100
CAL20136GS	ALU918I	12	100
CAL20137GS	ALD398	12	90



Alternatori / alternators casco / JAPANPARTS





CASCO	JAPANPARTS	Volt	Amp
CAL20139AS	ALD376	12	60
CAL20139AS	ALD412	12	60
CAL20139AS	ALD963	12	60
CAL20141AS	ALD430	12	100
CAL20143AS	ALD440	12	110
CAL20146AS	ALU899	12	50
CAL20147AS	ALS393	12	55
CAL20147AS	ALS394	12	50
CAL20148AS	ALD369	12	50
CAL20149AS	ALD387	12	65
CAL20149AS	ALD961	12	60
CAL20150AS	ALD428	12	70
CAL20150AS	ALD973	12	70
CAL20152AS	ALD375	12	80
CAL20152AS	ALD427	12	80
CAL20153AS	ALD436	12	90
CAL20155AS	ALM924	12	60
CAL20160GS	ALU314	12	90
CAL20164AS	ALD983	12	95
CAL20167AS	ALU917	12	70
CAL20169AS	ALD351	12	40
CAL20169AS	ALD964	12	40
CAL20170AS	ALD335	12	35
CAL20174AS	ALD979	12	80
CAL20190AS	ALD372	12	70
CAL20190AS	ALD379	12	70
CAL20190AS	ALD415	12	70
CAL20193AS	ALU304	0	0
CAL20197AS	ALD382	12	70
CAL20197AS	ALD407	12	70
CAL20198AS	ALD383	12	70
CAL20201AS	ALD341	12	50

CASCO	JAPANPARTS	Volt	Amp
CAL20201AS	ALS398	12	50
CAL20204AS	ALD393	12	60
CAL20205AS	ALD444	12	80
CAL20210AS	ALM947	12	70
CAL20210AS	ALM953	12	70
CAL20600AS	ALD409	24	35
CAL25114AS	AL201004	12	67
CAL30106GS	AL210011	12	70
CAL30177GS	ALZ410	12	105
CAL30204GS	ALZ414	12	120
CAL32100AS	ALC977	12	60
CAL32101GS	ALC967	12	65
CAL32102GS	ALC964	12	75
CAL32103GS	ALC966	12	90
CAL32105GS	ALC949	12	90
CAL32106GS	ALC984	12	95
CAL32109AS	ALC974	12	75
CAL32111GS	ALC979	12	120
CAL32112GS	ALC968	12	75
CAL32112GS	ALC968-2	12	65
CAL32113GS	ALC983	12	90
CAL32114GS	ALM952	12	110
CAL32115GS	ALM954	12	110
CAL32116GS	ALB981	12	55
CAL32117AS	ALC372	12	110
CAL32117AS	ALC963	12	110
CAL32118GS	ALC981	12	75
CAL32121GS	ALC976	12	75
CAL32122GS	ALC390	12	70
CAL32123GS	ALM415	12	120
CAL32127GS	ALC942	12	50
CAL32128RS	ALC986	12	120

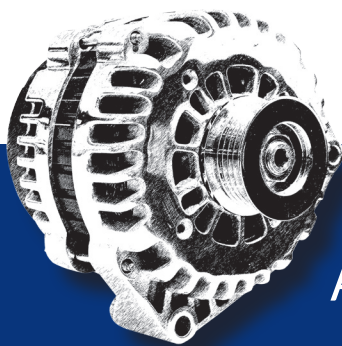


CASCO	JAPANPARTS	Volt	Amp
-------	------------	------	-----

CAL32129GS	ALC397	12	90
CAL32131GS	ALM959	12	90
CAL32133GS	ALC393	12	110
CAL32146GS	ALC389	12	120
CAL32147GS	ALM955	12	75
CAL32151GS	ALC394	12	70
CAL332107AS	ALC982	12	95
CAL35100AS	ALM946	12	95
CAL35101AS	ALC962	12	75
CAL35103GS	ALC948	12	60
CAL35106AS	ALZ416	12	55
CAL35106AS	ALZ432	12	55
CAL35107AS	ALM414	12	80
CAL35110GS	ALC980	12	90
CAL35114AS	ALM377	12	60
CAL35115AS	ALM923	12	70
CAL35116AS	ALC325	12	60
CAL35117AS	ALC969	12	65
CAL35117GS	ALC973	12	65
CAL35119AS	ALM401	12	70
CAL35119AS	ALM410	12	70
CAL35119AS	ALM933	12	65
CAL35119AS	ALM944	12	70
CAL35123AS	ALC337	12	90
CAL35124AS	ALC371	12	90
CAL35125AS	ALC329	12	75
CAL35126AS	ALC950	12	75
CAL35128AS	ALC960	12	75
CAL35129AS	ALC972	12	75
CAL35131GS	ALD987	12	100
CAL35135AS	ALC307	12	45
CAL35135GS	ALC943	12	50

CASCO	JAPANPARTS	Volt	Amp
-------	------------	------	-----

CAL35136AS	ALM385	12	90
CAL35136AS	ALM391	12	90
CAL35137AS	ALC975	12	75
CAL35139AS	ALC323	12	75
CAL35139AS	ALC381	12	75
CAL35140AS	ALD321-2	12	35
CAL35141AS	ALC313	12	45
CAL35142AS	ALM362	12	50
CAL35142AS	ALM367	12	50
CAL35143AS	ALM412	12	70
CAL35144AS	ALM394	12	80
CAL35144AS	ALM407	12	80
CAL35146AS	ALM369	12	45
CAL35146AS	ALM375	12	55
CAL35148AS	ALM386	12	60
CAL35148AS	ALM921	12	70
CAL35148AS	ALM929	12	65
CAL35149AS	ALH425	12	70
CAL35150AS	ALC320	12	60
CAL35153AS	ALC347	12	90
CAL35154AS	ALH398	12	70
CAL35157GS	ALM411	12	70
CAL35158AS	ALC338	12	75
CAL35158AS	ALC353	12	75
CAL35158AS	ALC354	12	75
CAL35158AS	ALC965	12	75
CAL35159AS	ALM402	12	70
CAL35161AS	ALS404	12	55
CAL35162AS	ALM423	12	90
CAL35163AS	ALD990	12	90
CAL35163GS	ALD446	12	90
CAL35164GS	ALC377	12	120



Alternatori / alternators casco / JAPANPARTS





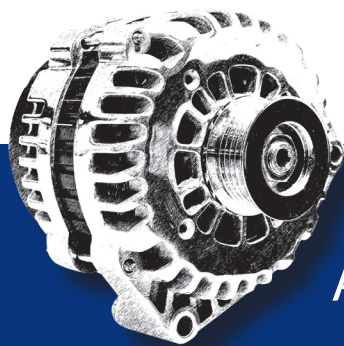
CASCO	JAPANPARTS	Volt	Amp
CAL35170GS	ALM422	12	90
CAL35173AS	ALC348	12	80
CAL35174AS	ALD445	12	110
CAL35175GS	ALH426	12	80
CAL35176AS	ALC311	12	50
CAL35178AS	ALM958	12	90
CAL35179AS	ALM957	12	90
CAL35180AS	ALM424	12	110
CAL35182AS	ALS408	12	85
CAL35187AS	ALS412	12	95
CAL35189AS	ALC364	12	90
CAL35191AS	ALM387	12	80
CAL35193AS	ALM360	12	35
CAL35195AS	ALD385	12	80
CAL35202GS	ALD450	12	150
CAL35204GS	ALH433	12	70
CAL35206GS	ALC399	12	85
CAL35208AS	ALS414	12	90
CAL35208AS	ALS417	12	90
CAL35209GS	ALM426	12	90
CAL35211AS	ALZ411	12	40
CAL35211AS	ALZ418	12	45
CAL35214AS	ALC951	12	90
CAL35214AS	ALC970	12	90
CAL35215AS	ALM417	12	100
CAL35216GS	ALM427	12	90
CAL35217GS	ALM420	12	80
CAL35224AS	ALC959	12	65
CAL35246AS	ALM425	12	100
CAL35248AS	ALC395	12	105
CAL35265GS	ALC419	12	115
CAL35266GS	ALC370	12	90

CASCO	JAPANPARTS	Volt	Amp
CAL35267GS	ALC383	12	75
CAL35278GS	ALZ431	12	70
CAL35283AS	ALM361	12	50
CAL35603AS	ALC945	24	25
CAL40100AS	ALI104	12	45
CAL40100AS	ALI114	12	55
CAL40101AS	ALT916	12	55
CAL40102AS	ALT408	12	70
CAL40102AS	ALT424	12	70
CAL40102AS	ALT439	12	70
CAL40102AS	ALT468	12	70
CAL40102AS	ALT471	12	70
CAL40102AS	ALT474	12	70
CAL40102AS	ALT488	12	70
CAL40102AS	ALT494	12	70
CAL40103AS	ALH358	12	55
CAL40103AS	ALH403	12	55
CAL40104AS	ALI103	12	40
CAL40104AS	ALI105	12	40
CAL40104AS	ALI109	12	40
CAL40104AS	ALI115	12	40
CAL40105AS	ALH365	12	60
CAL40106AS	ALZ413	12	50
CAL40106AS	ALZ417	12	50
CAL40106AS	ALZ424	12	60
CAL40106AS	ALZ433	12	50
CAL40107AS	ALI125	12	50
CAL40107AS	ALI129	12	50
CAL40108AS	ALT516	12	70
CAL40108AS	ALT534	12	80
CAL40110AS	ALT495	12	70
CAL40110AS	ALT515	12	70



CASCO	JAPANPARTS	Volt	Amp
CAL40110AS	ALT537	12	70
CAL40113AS	ALH369	12	70
CAL40113AS	ALH372	12	70
CAL40115AS	ALT437	12	60
CAL40115AS	ALT438	12	70
CAL40115AS	ALT460	12	70
CAL40115AS	ALT485	12	60
CAL40117AS	ALT415	12	50
CAL40119AS	ALI134	12	50
CAL40126AS	ALI112	12	45
CAL40127GS	ALT624	12	120
CAL40129AS	ALT457	12	60
CAL40130AS	ALT458	12	70
CAL40131AS	ALT477	12	55
CAL40132AS	ALT529	12	70
CAL40134AS	ALI108	12	45
CAL40137AS	ALT409	12	60
CAL40139AS	ALH396	12	80
CAL40140AS	ALT481	12	70
CAL40140AS	ALT517	12	70
CAL40140AS	ALT542	12	70
CAL40143GS	ALT615	12	90
CAL40144GS	ALT618	12	70
CAL40146AS	ALH750	12	90
CAL40147GS	ALT623	12	130
CAL40149AS	ALU300	12	55
CAL40149AS	ALU302	12	55
CAL40150AS	ALI119	12	60
CAL40155AS	ALH364	12	60
CAL40155AS	ALH390	12	60
CAL40156GS	ALT604	12	100
CAL40163AS	ALT372	12	90

CASCO	JAPANPARTS	Volt	Amp
CAL40169AS	ALT435	12	55
CAL40169AS	ALT456	12	70
CAL40169AS	ALT531	12	55
CAL40171GS	ALT919	12	90
CAL40173AS	ALT501	12	80
CAL40175GS	ALT620	12	90
CAL40179GS	ALT920	12	70
CAL40186AS	ALT523	12	80
CAL40186AS	ALT554	12	80
CAL40189AS	ALH410	12	80
CAL40191AS	ALH376	12	70
CAL40195GS	ALM363	12	150
CAL40199AS	ALH368	12	70
CAL40200AS	ALH362	12	65
CAL40200AS	ALH363	12	65
CAL40201AS	ALC391	12	100
CAL40203AS	ALI107	12	50
CAL40204AS	ALH414	12	95
CAL40204GS	ALH434	12	100
CAL40209AS	ALT917	12	100
CAL40217AS	ALT538	12	80
CAL40218AS	ALT628	12	120
CAL40220GS	AL201155	12	150
CAL40239GS	ALH431	12	130
CAL40276GS	AL201032	12	150
CAL40277AS	ALT407	12	80
CAL40282AS	ALT374	12	50
CAL40282AS	ALT392	12	50
CAL40285AS	ALT442	12	60
CAL40285AS	ALT459	12	60
CAL40285AS	ALT473	12	60
CAL40286AS	ALT490	12	100



Alternatori / alternators casco / JAPANPARTS





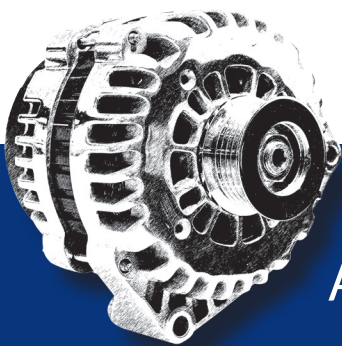
CASCO	JAPANPARTS	Volt	Amp
CAL40286AS	ALT519	12	100
CAL40286AS	ALT567	12	100
CAL40288AS	ALT414	12	45
CAL40295AS	ALI132	12	70
CAL40297GS	AL201039	12	90
CAL40333GS	ALT545	12	80
CAL40334AS	ALT543	12	90
CAL40342AS	ALH411	12	90
CAL40342AS	ALH413	12	90
CAL40357AS	ALT370	12	30
CAL40607AS	ALT508	24	30
CAL40612AS	ALT593	24	40
CAL41100GS	ALM951	12	60
CAL41101GS	ALM949	12	85
CAL41103GS	ALM942	12	50
CAL41104GS	ALM943	12	70
CAL41107GS	ALM950	12	75
CAL41111GS	ALM945	12	55
CAL41112GS	ALM951-2	12	60
CAL42101AS	ALW403	12	140
CAL42103GS	ALW402	12	90
CAL42105GS	AL201211	12	120
CAL44102AS	ALT552	12	70
CAL44102AS	ALT553	12	70
CAL44103AS	ALT915	12	50
CAL44105AS	ALT587	12	80
CAL44107AS	ALI130	12	60
CAL44109AS	ALT613	12	80
CAL44109AS	ALT614	12	80
CAL44110AS	ALT547	12	80
CAL44111AS	ALT586	12	90
CAL45100AS	ALD331	12	50

CASCO	JAPANPARTS	Volt	Amp
CAL45101AS	ALD397	12	60
CAL45102AS	AL201009	12	85
CAL45106AS	ALD977	12	70
CAL45107AS	ALD344	12	55
CAL45109AS	ALD986	12	55
CAL45111AS	ALD449	12	70
CAL45113AS	ALD426	12	80
CAL45115AS	ALD978	12	70
CAL46100AS	AL201100	12	85
CAL46101AS	ALZ460	12	65
CAL46101GS	AL201114	12	75
CAL46102GS	AL201107	12	95
CAL46103AS	AL201103	12	85
CAL46103GS	AL201102	12	85
CAL46104AS	AL201101	12	85
CAL46105GS	AL201112	12	85
CAL46106GS	AL201113	12	85
CAL46110GS	AL201106	12	90
CAL46111GS	AL201105	12	85
CAL46111GS	AL201110	12	85
CAL46111GS	AL201111	12	85
CAL46112GS	AL201109	12	65
CAL46113GS	AL201208	12	65
CAL47105AS	ALZ440	12	70
CAL47106AS	ALZ434	12	75
CAL47106AS	ALZ435	12	75



DELCO	JAPANPARTS	Volt	Amp
DRA0011	ALT618	12	70
DRA0014	ALC390	12	70
DRA0016	ALT543	12	90
DRA0035	ALD983	12	95
DRA0051	ALC986	12	120
DRA0074	ALM945	12	55
DRA0074	ALM954	12	110
DRA0091	ALZ410	12	105
DRA0092	ALZ414	12	120
DRA0099	ALD398	12	90
DRA0104	AL201252	12	150
DRA0109	ALM427	12	90
DRA0114	ALC396	12	90
DRA0115	ALM422	12	90
DRA0116	ALM957	12	90
DRA0116	ALM958	12	90
DRA0117	ALC391	12	100
DRA0118	ALT628	12	120
DRA0121	ALT620	12	90
DRA0122	ALT372	12	90
DRA0143	ALH426	12	80
DRA0145	ALD446	12	90
DRA0145	ALD990	12	90
DRA0148	ALC399	12	85
DRA0153	ALH431	12	130
DRA0155	ALH414	12	95
DRA0155	ALH434	12	100
DRA0169	ALM420	12	80
DRA0172	ALH428	12	80
DRA0178	AL201025	12	80
DRA0183	ALD450	12	150
DRA0184	ALC984	12	95

DELCO	JAPANPARTS	Volt	Amp
DRA0185	ALC379	12	90
DRA0195	ALM426	12	90
DRA0209	ALC393	12	110
DRA0216	ALT407	12	80
DRA0224	ALM415	12	120
DRA0225	ALC397	12	90
DRA0226	AL201167	12	120
DRA0278	ALT602	12	70
DRA0281	ALM377	12	60
DRA0284	ALT920	12	70
DRA0319	AL201208	12	65
DRA0324	ALS415	12	75
DRA0338	AL201109	12	65
DRA0348	ALI132	12	70
DRA0349	ALU314	12	90
DRA0355	ALC398	12	120
DRA0365	ALM425	12	100
DRA0382	ALM402	12	70
DRA0384	ALC395	12	105
DRA0392	ALC419	12	115
DRA0417	ALC389	12	120
DRA0459	ALT604	12	100
DRA0461	ALH422	12	90
DRA0468	ALT917	12	100
DRA0519	AL201032	12	150
DRA0558	ALM424	12	110
DRA0565	ALH424	12	80
DRA0566	ALH411	12	90
DRA0566	ALH413	12	90
DRA0573	AL201211	12	120
DRA0576	ALD440	12	110
DRA0586	ALC370	12	90



Alternatori / alternators delco / JAPANPARTS





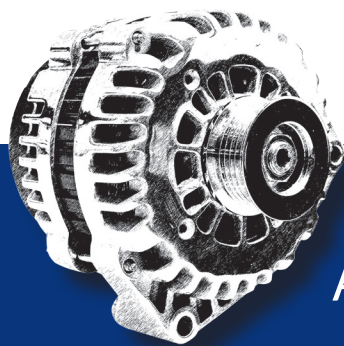
DELCO	JAPANPARTS	Volt	Amp
DRA0587	ALC383	12	75
DRA0588	ALH410	12	80
DRA0595	ALD445	12	110
DRA0596	ALU304	0	0
DRA0629	AL201155	12	150
DRA0631	ALC394	12	70
DRA0642	ALH386	12	80
DRA0645	ALM417	12	100
DRA0651	ALI122	12	50
DRA0658	ALM959	12	90
DRA0706	ALS410	12	85
DRA0733	AL201113	12	85
DRA0733	AL201206	12	85
DRA0736	ALC374	12	90
DRA0759	ALC325	12	60
DRA0764	ALH421	12	95
DRA0768	ALW403	12	140
DRA0779	ALT584	12	80
DRA0826	ALI133	12	50
DRA0849	ALT490	12	100
DRA0851	ALT519	12	100
DRA0851	ALT567	12	100
DRA0906	ALH374	12	95
DRA1025	AL201213	12	120
DRA1049	ALT545	12	80
DRA1057	ALT593	24	40
DRA1060	ALI110	12	50
DRA1092	ALM960	12	120
DRA1122	ALW402	12	90
DRA2381	ALT370	12	30
DRA2401	ALT371	12	30
DRA2431	ALD321-2	12	35

DELCO	JAPANPARTS	Volt	Amp
DRA2451	ALM360	12	35
DRA2471	ALM361	12	50
DRA2481	ALH350	12	35
DRA2491	ALH352	12	50
DRA2491	ALH367	12	45
DRA2491	ALH405	12	45
DRA2511	ALC300-1	12	35
DRA2541	ALS398	12	50
DRA2601	ALC307	12	45
DRA2611	ALC311	12	50
DRA2621	ALM362	12	50
DRA2641	ALM367	12	50
DRA2681	ALD327	12	50
DRA2681	ALD331	12	50
DRA2691	ALT406	12	50
DRA2691	ALT417	12	50
DRA3017	ALH353	12	60
DRA3018	ALH357	12	60
DRA3018	ALH404	12	65
DRA3019	ALH355	12	60
DRA3023	ALH358	12	55
DRA3023	ALH403	12	55
DRA3025	ALM369	12	45
DRA3026	ALM376	12	65
DRA3028	ALM380	12	60
DRA3029	ALM383	12	65
DRA3033	ALC305	12	50
DRA3033	ALC324	12	60
DRA3034	ALC941	12	65
DRA3035	ALD341	12	50
DRA3036	ALC943	12	50
DRA3038	ALC948	12	60



DELCO	JAPANPARTS	Volt	Amp
DRA3044	ALD963	12	60
DRA3047	ALD961	12	60
DRA3049	ALT470	12	60
DRA3049	ALT526	12	60
DRA3053	ALT437	12	60
DRA3055	ALT409	12	60
DRA3056	ALT414	12	45
DRA3057	ALT416	12	55
DRA3057	ALT429	12	50
DRA3058	ALT419	12	40
DRA3059	ALT401	12	60
DRA3059	ALT402	12	60
DRA3064	ALT479	12	55
DRA3064	ALT915	12	50
DRA3098	ALM923	12	70
DRA3099	ALD351	12	40
DRA3099	ALD964	12	40
DRA3103	ALM399	12	50
DRA3115	ALH359	12	60
DRA3116	ALD339	12	70
DRA3116	ALD373	12	80
DRA3116	ALD402	12	70
DRA3117	ALH365	12	60
DRA3118	ALH368	12	70
DRA3123	ALH364	12	60
DRA3123	ALH390	12	60
DRA3138	ALI108	12	45
DRA3139	ALI106	12	40
DRA3143	ALC323	12	75
DRA3143	ALC381	12	75
DRA3153	ALU310	12	50
DRA3153	ALU905	12	50

DELCO	JAPANPARTS	Volt	Amp
DRA3156	ALT450	12	55
DRA3156	ALT451	12	55
DRA3165	ALU901	12	50
DRA3167	ALM921	12	70
DRA3167	ALM929	12	65
DRA3168	ALM934	12	65
DRA3169	ALM387	12	80
DRA3173	ALM385	12	90
DRA3173	ALM391	12	90
DRA3175	ALM397	12	75
DRA3176	ALM401	12	70
DRA3176	ALM410	12	70
DRA3176	ALM933	12	65
DRA3176	ALM944	12	70
DRA3178	ALM392	12	80
DRA3179	ALM396	12	100
DRA3183	ALC959	12	65
DRA3184	ALC320	12	60
DRA3185	ALC949	12	90
DRA3187	ALC950	12	75
DRA3188	ALC347	12	90
DRA3194	ALC969	12	65
DRA3194	ALC973	12	65
DRA3195	ALD378	12	65
DRA3197	ALD340	12	50
DRA3198	ALD377	12	90
DRA3199	AL201004	12	67
DRA3203	ALD375	12	80
DRA3203	ALD426	12	80
DRA3203	ALD427	12	80
DRA3204	ALD372	12	70
DRA3204	ALD379	12	70



Alternatori / alternators delco / JAPANPARTS





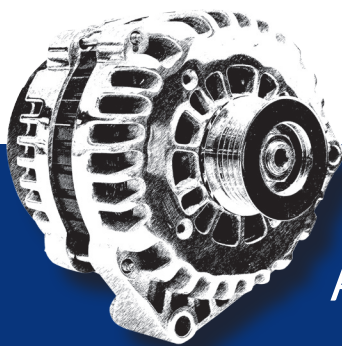
DELCO	JAPANPARTS	Volt	Amp
DRA3204	ALD415	12	70
DRA3208	ALD392	12	50
DRA3208	ALD967	12	50
DRA3213	ALD343	12	50
DRA3214	ALD369	12	50
DRA3216	ALD428	12	70
DRA3216	ALD973	12	70
DRA3217	ALZ412	12	40
DRA3217	ALZ415	12	40
DRA3217	ALZ419	12	45
DRA3218	ALS396	12	45
DRA3219	ALS397	12	70
DRA3223	ALS401	12	65
DRA3225	ALT438	12	70
DRA3225	ALT460	12	70
DRA3225	ALT485	12	60
DRA3226	ALT442	12	60
DRA3226	ALT459	12	60
DRA3226	ALT526	12	60
DRA3227	ALT435	12	55
DRA3227	ALT456	12	70
DRA3227	ALT531	12	55
DRA3275	ALU900	12	70
DRA3275	ALU902	12	70
DRA3276	ALC960	12	75
DRA3278	ALC372	12	110
DRA3278	ALC963	12	110
DRA3279	ALD395	12	70
DRA3279	ALD980	12	70
DRA3296	ALU906	12	70
DRA3303	ALH369	12	70
DRA3303	ALH372	12	70

DELCO	JAPANPARTS	Volt	Amp
DRA3305	ALU300	12	55
DRA3305	ALU302	12	55
DRA3314	ALC944	12	55
DRA3323	ALD376	12	60
DRA3323	ALD412	12	60
DRA3324	ALD349	12	70
DRA3328	ALD385	12	80
DRA3329	ALD383	12	70
DRA3333	ALD382	12	70
DRA3333	ALD407	12	70
DRA3334	ALD409	24	35
DRA3335	ALD397	12	60
DRA3336	ALZ413	12	50
DRA3336	ALZ416	12	55
DRA3336	ALZ432	12	55
DRA3337	ALZ417	12	50
DRA3337	ALZ424	12	60
DRA3337	ALZ433	12	50
DRA3339	ALT468	12	70
DRA3345	ALT508	24	30
DRA3346	ALT457	12	60
DRA3348	ALI125	12	50
DRA3348	ALI129	12	50
DRA3375	ALC329	12	75
DRA3376	ALU303	12	50
DRA3378	ALC358	12	90
DRA3379	ALC387	12	90
DRA3387	ALI112	12	45
DRA3389	ALI104	12	45
DRA3393	ALI134	12	50
DRA3421	ALT374	12	50
DRA3426	ALM924	12	60



DELCO	JAPANPARTS	Volt	Amp
DRA3436	ALH398	12	70
DRA3438	ALC964	12	75
DRA3439	ALC966	12	90
DRA3441	ALD332	12	60
DRA3444	ALU899	12	50
DRA3447	ALM942	12	50
DRA3448	ALM943	12	70
DRA3465	ALC338	12	75
DRA3465	ALC353	12	75
DRA3465	ALC354	12	75
DRA3465	ALC965	12	75
DRA3467	ALC313	12	45
DRA3471	ALS393	12	55
DRA3471	ALS394	12	50
DRA3473	ALC376	12	75
DRA3473	ALC972	12	75
DRA3474	ALC962	12	75
DRA3475	ALD404	12	90
DRA3475	ALD405	12	90
DRA3478	ALD977	12	70
DRA3479	AL-988F	12	100
DRA3483	ALU916	12	60
DRA3484	ALD986	12	55
DRA3495	ALS404	12	55
DRA3496	ALZ420	12	40
DRA3498	ALT516	12	70
DRA3503	ALT495	12	70
DRA3503	ALT515	12	70
DRA3503	ALT537	12	70
DRA3504	ALT458	12	70
DRA3506	ALT452	12	55
DRA3506	ALT484	12	55

DELCO	JAPANPARTS	Volt	Amp
DRA3506	ALT505	12	60
DRA3508	ALT481	12	70
DRA3508	ALT517	12	70
DRA3508	ALT542	12	70
DRA3514	ALT502	12	70
DRA3514	ALT514	12	70
DRA3516	ALT592	12	70
DRA3517	ALT538	12	80
DRA3518	ALT916	12	55
DRA3536	AL210011	12	70
DRA3545	ALU909	12	70
DRA3557	ALH300	12	65
DRA3573	ALH376	12	70
DRA3584	AL201009	12	85
DRA3593	AL201100	12	85
DRA3593	AL201101	12	85
DRA3629	ALI107	12	50
DRA3636	AL201107	12	95
DRA3637	AL201110	12	85
DRA3638	AL201103	12	85
DRA3655	ALM946	12	95
DRA3658	ALH417	12	80
DRA3663	ALU912	12	80
DRA3667	ALH371	12	70
DRA3683	ALM412	12	70
DRA3688	ALC355	12	90
DRA3693	ALC364	12	90
DRA3696	ALC951	12	90
DRA3696	ALC970	12	90
DRA3697	ALD413	12	70
DRA3697	ALD414	12	70
DRA3698	ALD400	12	90



Alternatori / alternators delco / JAPANPARTS





DELCO	JAPANPARTS	Volt	Amp
DRA3698	ALD985	12	90
DRA3737	ALT473	12	60
DRA3738	ALT501	12	80
DRA3745	ALT529	12	70
DRA3749	ALT523	12	80
DRA3749	ALT554	12	80
DRA3759	ALH750	12	90
DRA3763	ALS411	12	75
DRA3789	ALU910	12	100
DRA3794	ALU915	12	100
DRA3823	ALZ421	12	150
DRA3824	AL201114	12	75
DRA3824	ALZ460	12	65
DRA3825	ALI123	12	70
DRA3826	ALI119	12	60
DRA3835	ALM416	12	70
DRA3843	ALH396	12	80
DRA3844	ALH400	12	70
DRA3846	ALC977	12	60
DRA3847	ALC974	12	75
DRA3848	ALC967	12	65
DRA3848	ALC968	12	75
DRA3848	ALC968-2	12	65
DRA3859	ALM947	12	70
DRA3863	ALM414	12	80
DRA3864	ALM407	12	80
DRA3867	ALC348	12	80
DRA3869	ALC980	12	90
DRA3873	ALC337	12	90
DRA3874	ALC945	24	25
DRA3878	ALC380	12	65
DRA3889	ALD979	12	80

DELCO	JAPANPARTS	Volt	Amp
DRA3895	ALD444	12	80
DRA3897	ALD394	12	60
DRA3898	ALC321	12	50
DRA3898	ALC942	12	50
DRA3904	AL-988	12	100
DRA3905	ALU914	12	70
DRA3907	AL201150	12	90
DRA3914	AL201087	12	70
DRA3926	ALZ431	12	70
DRA3926	ALZ440	12	70
DRA3927	ALZ437	12	85
DRA3929	ALM411	12	70
DRA3938	ALC975	12	75
DRA3944	ALD981	12	100
DRA3945	ALD448	12	110
DRA3947	ALD988	12	65
DRA3948	ALD982	12	80
DRA4033	ALH301	12	100
DRA4079	ALH425	12	70
DRA4094	ALC371	12	90
DRA4095	ALD451	12	60
DRA4097	ALD438	12	90
DRA4098	ALD987	12	100
DRA4099	AL201076	12	110
DRA4106	ALT553	12	70
DRA4107	ALT552	12	70
DRA4137	AL201102	12	85
DRA4137	AL201105	12	85
DRA4137	AL201112	12	85
DRA4139	ALM386	12	60
DRA4174	ALC979	12	120
DRA4175	ALC981	12	75

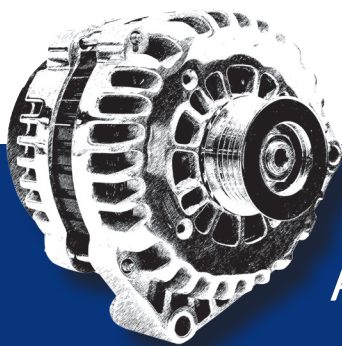


DELCO	JAPANPARTS	Volt	Amp
-------	------------	------	-----

DRA4176	ALC983	12	90
DRA4177	ALC982	12	95
DRA4183	ALI130	12	60
DRA4193	ALT613	12	80
DRA4193	ALT614	12	80
DRA4194	AL201038	12	125
DRA4196	ALT547	12	80
DRA4198	ALM951	12	60
DRA4199	ALM951-2	12	60
DRA4203	ALM952	12	110
DRA4204	ALM949	12	85
DRA4216	ALM394	12	80
DRA4224	ALM953	12	70
DRA4228	ALU918	12	100
DRA4228	ALU918I	12	100
DRA4233	ALM956	12	75
DRA4239	ALM363	12	150
DRA4246	ALM423	12	90
DRA4256	ALM950	12	75
DRA4268	ALC976	12	75

DELCO	JAPANPARTS	Volt	Amp
-------	------------	------	-----

DRA4275	ALT623	12	130
DRA4276	ALH433	12	70
DRA4278	ALS408	12	85
DRA4283	ALZ434	12	75
DRA4283	ALZ435	12	75
DRA4284	ALT919	12	90
DRA4285	ALU919I	12	100
DRA4291	ALM368	12	65
DRA4321	ALT415	12	50
DRA5061	ALI109	12	40
DRA5141	ALM377	12	65
DRA5331	ALD387	12	65
DRA5411	ALD335	12	35
DRA5491	ALZ418	12	45
DRA5501	ALT408	12	70
DRA5501	ALT424	12	70
DRA5501	ALT439	12	70
DRA5501	ALT471	12	70
DRA5501	ALT474	12	70
DRA5501	ALT488	12	70



Alternatori / alternators delco / JAPANPARTS





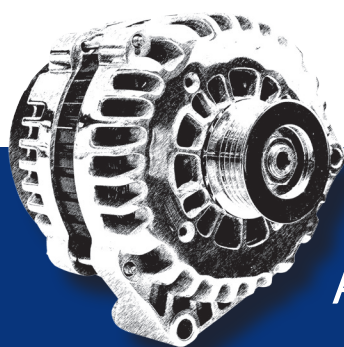
DELCO	JAPANPARTS	Volt	Amp
DRA5501	ALT494	12	70
DRA5521	ALT403	12	40
DRA5591	ALT392	12	50
DRA5611	ALC377	12	120
DRA5681	ALD344	12	55
DRA6250	ALU906	12	70
DRA6250	ALU904	12	70
DRA6251	ALIA 0584	12	70
DRA6301	ALT390	12	55
DRA6301	ALT432	12	60
DRA6301	ALT409	12	60
DRA6641	ALI114	12	55
DRA6991	ALH362	12	65
DRA6991	ALH363	12	65
DRA7271	ALI103	12	40
DRA7271	ALI105	12	40
DRA7271	ALI115	12	40
DRA8920	ALD978	12	70
DRA8930	ALD393	12	60
DRA9920	ALM955	12	75

DELCO	JAPANPARTS	Volt	Amp
DRB0850	ALD449	12	70
DRB0910	ALH409	12	85
DRB0910	ALH429	12	75
DRB0960	ALT524	12	80
DRB0960	ALT534	12	80
DRB0960	ALT551	12	80
DRB1160	ALT587	12	80
DRB1170	ALT469	12	80
DRB1170	ALT588	12	80
DRB1180	ALT586	12	90
DRB1930	AL201081	12	120
DRB2470	AL201020	12	85
DRB4051	ALU917	12	70
DRB5821	ALT615	12	90
DRB5851	ALT633	12	80
DRB5891	ALT570	12	70
DRB6110	AL201039	12	90
DRB7390	ALD301	12	150



SANDO	JAPANPARTS	Volt	Amp
2010125	ALH429	12	75
2010198	AL-988	12	100
2010232	ALD985	12	90
2010245	AL201020	12	85
2010302	ALD301	12	150
2010308	AL201201	12?	150?
2010330	ALD449	12	70
2010402	ALT641	12	80
2010403	ALT645	12	90
2012100	AL-988F	12	100
2014113	ALM956	12	75
2015105	AL201038	12	125
2015227	AL201081	12	120
2015232	ALZ421	12	150
2015343	AL201167	12	120
2020100	ALU906	12	70
2020101	ALU909	12	70
2020102	ALU915	12	100
2020103	ALD392	12	50
2020104	ALS396	12	45
2020104	ALZ415	12	40
2020105	ALD982	12	80
2020106	ALD451	12	60
2020107	ALU910	12	100
2020108	ALD981	12	100
2020109	ALU303	12	50
2020110	ALZ412	12	40
2020111	ALM399	12	50
2020112	ALD967	12	50
2020113	ALU901	12	50
2020113	ALU908	12	55
2020114	ALD393	12	60

SANDO	JAPANPARTS	Volt	Amp
2020114	ALD394	12	60
2020115	ALU916	12	60
2020116	ALD988	12	65
2020117	ALU900	12	70
2020118	ALU904	12	70
2020120	ALD395	12	70
2020121	ALU914	12	70
2020122	ALD339	12	70
2020123	ALS397	12	70
2020124	ALD378	12	65
2020125	ALU912	12	80
2020126	ALD375	12	80
2020126	ALD426	12	80
2020127	ALD404	12	90
2020127	ALD405	12	90
2020127	ALD425	12	90
2020128	ALD980	12	70
2020130	ALD349	12	70
2020132	ALD438	12	90
2020133	ALD413	12	70
2020133	ALD414	12	70
2020134	ALD387	12	65
2020135	ALM933	12	65
2020136	ALU918	12	100
2020137	ALD398	12	90
2020139	ALD376	12	60
2020139	ALD412	12	60
2020139	ALD963	12	60
2020141	ALD430	12	100
2020143	ALD440	12	110
2020145	ALD448	12	110
2020146	ALU899	12	50



Alternatori / alternators sando / JAPANPARTS





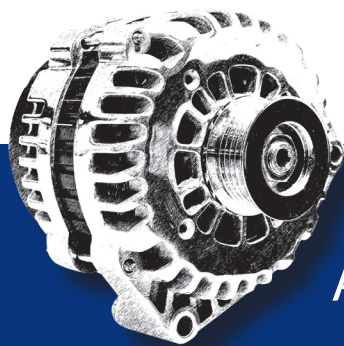
SANDO	JAPANPARTS	Volt	Amp
2020147	ALS394	12	50
2020149	ALD961	12	60
2020150	ALD973	12	70
2020154	ALD436	12	90
2020155	ALM924	12	60
2020160	ALU314	12	90
2020164	ALD983	12	95
2020167	ALU917	12	70
2020169	ALD964	12	40
2020170	ALD335	12	35
2020174	ALD979	12	80
2020176	ALS900	12	45
2020178	ALD321-2	12	35
2020180	ALU918I	12	100
2020180	ALU919I	12	100
2020190	ALD372	12	70
2020190	ALD379	12	70
2020193	ALU304	0	0
2020197	ALD382	12	70
2020197	ALD407	12	70
2020198	ALD383	12	70
2020205	ALD444	12	80
2020210	ALM947	12	70
2025114	AL201004	12	67
2030106	AL210011	12	70
2030177	ALZ410	12	105
2030204	ALZ414	12	120
2032100	ALC977	12	60
2032101	ALC967	12	65
2032102	ALC964	12	75
2032105	ALC949	12	90
2032106	ALC984	12	95

SANDO	JAPANPARTS	Volt	Amp
2032107	ALC982	12	95
2032109	ALC974	12	75
2032110	ALC966	12	90
2032111	ALC979	12	120
2032112	ALC968-2	12	65
2032113	ALC983	12	90
2032114	ALM952	12	110
2032115	ALM954	12	110
2032117	ALC372	12	110
2032118	ALC981	12	75
2032119	ALC323	12	75
2032121	ALC976	12	75
2032122	ALC390	12	70
2032123	ALM415	12	120
2032124	ALM434	12	90
2032128	ALC986	12	120
2032129	ALC397	12	90
2032130	ALC398	12	120
2032131	ALM959	12	90
2032133	ALC393	12	110
2032137	ALM949	12	85
2032146	ALC389	12	120
2032147	ALM955	12	75
2032151	ALC394	12	70
2035100	ALM946	12	95
2035103	ALC948	12	60
2035106	ALZ417	12	50
2035107	ALM414	12	80
2035112	ALM378	12	35
2035114	ALM377	12	65
2035114	ALM386	12	60
2035115	ALM923	12	70



SANDO	JAPANPARTS	Volt	Amp
2035118	ALC600	12	85
2035119	ALM401	12	70
2035119	ALM944	12	70
2035120	ALM921	12	70
2035120	ALM929	12	65
2035126	ALC950	12	75
2035127	ALD977	12	70
2035131	ALD987	12	100
2035136	ALM385	12	90
2035142	ALH367	12	45
2035142	ALM362	12	50
2035142	ALM367	12	50
2035143	ALM412	12	70
2035144	ALM407	12	80
2035146	ALM375	12	55
2035149	ALH425	12	70
2035153	ALC347	12	90
2035157	ALM411	12	70
2035159	ALM402	12	70
2035161	ALS404	12	55
2035163	ALD446	12	90
2035163	ALD990	12	90
2035170	ALM422	12	90
2035174	ALD445	12	110
2035175	ALH426	12	80
2035177	ALS411	12	75
2035178	ALM957	12	90
2035178	ALM958	12	90
2035182	ALS415	12	75
2035187	ALS412	12	95
2035191	ALM387	12	80
2035191	ALM394	12	80

SANDO	JAPANPARTS	Volt	Amp
2035193	ALM360	12	35
2035195	ALD385	12	80
2035204	ALH433	12	70
2035208	ALS417	12	90
2035209	ALM426	12	90
2035211	ALZ411	12	40
2035215	ALM417	12	100
2035216	ALM427	12	90
2035217	ALM420	12	80
2035246	ALM425	12	100
2035265	ALC419	12	115
2035269	ALD428	12	70
2035278	ALZ440	12	70
2035603	ALC945	24	25
2040101	ALT479	12	55
2040101	ALT916	12	55
2040102	ALT408	12	70
2040102	ALT424	12	70
2040102	ALT471	12	70
2040102	ALT592	12	70
2040103	ALH358	12	55
2040104	ALI103	12	40
2040104	ALI109	12	40
2040105	ALH364	12	60
2040105	ALH365	12	60
2040106	ALZ416	12	55
2040106	ALZ433	12	50
2040107	ALI125	12	50
2040108	ALT495	12	70
2040108	ALT516	12	70
2040110	ALT515	12	70
2040110	ALT537	12	70



Alternatori / alternators sando / JAPANPARTS





SANDO	JAPANPARTS	Volt	Amp
-------	------------	------	-----

2040113	ALH369	12	70
2040115	ALT438	12	70
2040115	ALT460	12	70
2040116	ALH377	12	80
2040117	ALT374	12	50
2040117	ALT415	12	50
2040119	ALI134	12	50
2040126	ALI112	12	45
2040127	ALT624	12	120
2040129	ALT477	12	55
2040130	ALT458	12	70
2040132	ALT529	12	70
2040134	ALI108	12	45
2040137	ALT409	12	60
2040137	ALT450	12	55
2040137	ALT451	12	55
2040140	ALT517	12	70
2040143	ALT615	12	90
2040144	ALT618	12	70
2040145	ALT494	12	70
2040146	ALH750	12	90
2040149	ALU302	12	55
2040156	ALT604	12	100
2040158	ALT620	12	90
2040163	ALT372	12	90
2040173	ALT501	12	80
2040182	ALI132	12	70
2040183	ALH405	12	45
2040186	ALT523	12	80
2040191	ALH376	12	70
2040195	ALM363	12	150
2040199	ALH368	12	70

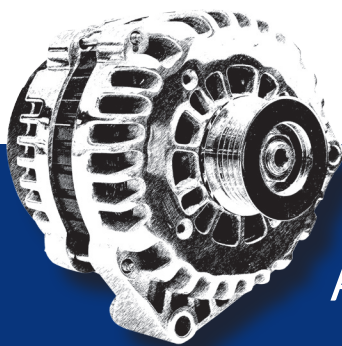
SANDO	JAPANPARTS	Volt	Amp
-------	------------	------	-----

2040199	ALH371	12	70
2040200	ALH362	12	65
2040200	ALH372	12	70
2040201	ALC391	12	100
2040209	ALT917	12	100
2040217	ALT538	12	80
2040218	ALT628	12	120
2040220	AL201155	12	150
2040239	ALH431	12	130
2040267	ALT532	12	55
2040276	AL201032	12	150
2040277	ALT407	12	80
2040282	ALT392	12	50
2040285	ALT473	12	60
2040286	ALT519	12	100
2040288	ALT414	12	45
2040328	ALT647	12	130
2040330	ALT623	12	130
2040333	ALT545	12	80
2040334	ALT543	12	90
2040335	ALT370	12	30
2040342	ALH411	12	90
2040357	ALT371	12	30
2040608	ALT508	24	30
2040612	ALT593	24	40
2041100	ALM951	12	60
2041103	ALM942	12	50
2041107	ALM950	12	75
2041112	ALM951-2	12	60
2042101	ALW403	12	140
2042103	ALW402	12	90
2042105	AL201211	12	120



SANDO	JAPANPARTS	Volt	Amp
2044100	ALT553	12	70
2044102	ALT552	12	70
2044103	ALT915	12	50
2044109	ALT613	12	80
2044109	ALT614	12	80
2044110	ALT547	12	80
2044111	ALT586	12	90
2045100	ALD327	12	50
2045101	ALD397	12	60
2045102	AL201009	12	85
2045107	ALD344	12	55
2045109	ALD986	12	55
2045114	ALD427	12	80
2045115	ALD978	12	70
2046100	AL201100	12	85
2046101	AL201208	12	65
2046101	ALZ460	12	65

SANDO	JAPANPARTS	Volt	Amp
2046102	AL201107	12	95
2046103	AL201103	12	85
2046104	AL201101	12	85
2046105	AL201102	12	85
2046106	AL201110	12	85
2046106	AL201113	12	85
2046107	AL201206	12	85
2046110	AL201106	12	90
2046111	AL201105	12	85
2046111	AL201111	12	85
2046112	AL201109	12	65
2046113	AL201109	12	65
2047100	ALZ413	12	50
2047102	ALZ438	12	60
2047105	ALZ431	12	70
2047105	ALZ434	12	75
2047106	ALZ435	12	75



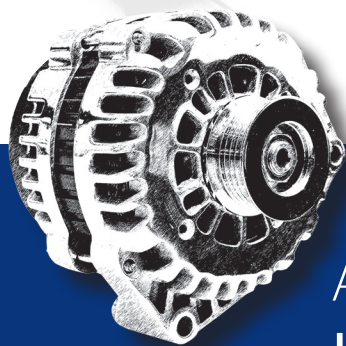
Alternatori / alternators sando / JAPANPARTS





HELLA	JAPANPARTS	Volt	Amp
8EL 011 710-071	AL-988	12	100
8EL 011 710-211	AL210011	12	70
8EL 011 710-291	ALM946	12	95
8EL 011 711-121	ALC980	12	90
8EL 011 711-171	ALD398	12	90
8EL 011 711-201	AL201109	12	65
8EL 011 711-201	AL201208	12	65
8EL 011 711-201	ALZ460	12	65
8EL 011 711-221	ALC979	12	120
8EL 011 711-231	ALM952	12	110
8EL 011 711-231	ALM956	12	75
8EL 011 711-241	ALM955	12	75
8EL 011 711-271	ALC983	12	90
8EL 011 711-281	ALT623	12	130
8EL 011 711-291	ALT624	12	120
8EL 011 711-311	ALC966	12	90
8EL 011 711-321	ALD988	12	65
8EL 011 711-351	ALM954	12	110
8EL 011 711-381	ALM422	12	90
8EL 011 711-391	ALI103	12	40
8EL 011 711-391	ALI115	12	40
8EL 011 711-411	ALZ432	12	55
8EL 011 711-461	ALC964	12	75
8EL 011 711-471	ALT495	12	70
8EL 011 711-581	ALH301	12	100
8EL 011 711-711	ALD451	12	60
8EL 011 711-781	ALD986	12	55
8EL 011 711-801	ALM363	12	150
8EL 726 256-001	ALD321-2	12	35
8EL 726 260-001	ALD327	12	50
8EL 726 260-001	ALD331	12	50
8EL 726 262-001	ALD332	12	60

HELLA	JAPANPARTS	Volt	Amp
8EL 726 264-001	ALS393	12	55
8EL 726 271-001	ALD335	12	35
8EL 726 271-001	ALM378	12	35
8EL 726 278-001	ALM362	12	50
8EL 726 278-001	ALM367	12	50
8EL 726 279-001	ALM368	12	65
8EL 726 281-001	ALT370	12	30
8EL 726 281-001	ALT371	12	30
8EL 726 282-001	ALI105	12	40
8EL 726 284-001	ALT374	12	50
8EL 726 285-001	ALT406	12	50
8EL 726 287-001	ALT415	12	50
8EL 726 288-001	ALT414	12	45
8EL 726 289-001	ALT409	12	60
8EL 726 289-001	ALT451	12	55
8EL 726 291-001	ALT403	12	40
8EL 726 294-001	ALC944	12	55
8EL 726 297-001	ALC305	12	50
8EL 726 298-001	ALC311	12	50
8EL 726 303-001	ALH352	12	50
8EL 726 305-001	ALC941	12	65
8EL 726 306-001	ALI104	12	45
8EL 726 307-001	ALT408	12	70
8EL 726 307-001	ALT424	12	70
8EL 726 307-001	ALT592	12	70
8EL 726 309-001	ALD961	12	60
8EL 726 312-001	ALD339	12	70
8EL 726 316-001	ALZ412	12	40
8EL 726 325-001	ALM924	12	60
8EL 726 327-001	ALD349	12	70
8EL 726 330-001	ALD967	12	50
8EL 726 336-001	ALM376	12	65



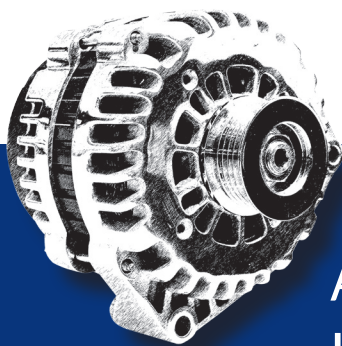
Alternatori / alternators
hella / JAPANPARTS





HELLA	JAPANPARTS	Volt	Amp
8EL 726 338-001	ALT915	12	50
8EL 726 339-001	ALT442	12	60
8EL 726 339-001	ALT470	12	60
8EL 726 340-001	ALI108	12	45
8EL 726 342-001	ALS394	12	50
8EL 726 349-001	ALT488	12	70
8EL 726 350-001	ALI109	12	40
8EL 726 351-001	ALT438	12	70
8EL 726 351-001	ALT460	12	70
8EL 726 354-001	ALH368	12	70
8EL 726 354-001	ALH371	12	70
8EL 726 357-001	ALT459	12	60
8EL 726 357-001	ALT526	12	60
8EL 726 359-001	ALM923	12	70
8EL 726 361-001	ALM399	12	50
8EL 726 362-001	ALT435	12	55
8EL 726 363-001	ALC948	12	60
8EL 726 364-001	ALC325	12	60
8EL 726 365-001	ALM929	12	65
8EL 726 367-001	ALS396	12	45
8EL 726 367-001	ALZ415	12	40
8EL 726 368-001	ALD378	12	65
8EL 726 368-001	ALD387	12	65
8EL 726 369-001	ALC959	12	65
8EL 726 372-001	ALT432	12	60
8EL 726 374-001	ALD340	12	50
8EL 726 375-001	ALD392	12	50
8EL 726 381-001	ALC320	12	60
8EL 726 383-001	ALM934	12	65
8EL 726 387-001	ALD409	24	35
8EL 726 388-001	ALU900	12	70
8EL 726 388-001	ALU902	12	70

HELLA	JAPANPARTS	Volt	Amp
8EL 726 389-001	ALC973	12	65
8EL 726 392-001	ALD977	12	70
8EL 726 393-001	ALD973	12	70
8EL 726 395-001	ALU303	12	50
8EL 726 549-001	ALZ417	12	50
8EL 726 549-001	ALZ419	12	45
8EL 726 549-001	ALZ433	12	50
8EL 730 066-001	ALC951	12	90
8EL 730 067-001	ALC949	12	90
8EL 730 068-001	ALC950	12	75
8EL 730 070-001	ALT417	12	50
8EL 730 072-001	ALC323	12	75
8EL 730 072-001	ALC381	12	75
8EL 730 077-001	ALM933	12	65
8EL 730 079-001	ALH363	12	65
8EL 730 080-001	ALU300	12	55
8EL 730 080-001	ALU302	12	55
8EL 730 081-001	ALS397	12	70
8EL 730 082-001	ALM921	12	70
8EL 730 083-001	ALT477	12	55
8EL 730 084-001	ALH364	12	60
8EL 730 084-001	ALH390	12	60
8EL 730 086-001	ALH365	12	60
8EL 730 087-001	ALD397	12	60
8EL 730 088-001	ALM387	12	80
8EL 730 088-001	ALM394	12	80
8EL 730 089-001	AL201004	12	67
8EL 730 092-001	ALH372	12	70
8EL 730 097-001	ALI112	12	45
8EL 730 098-001	ALI134	12	50
8EL 730 101-001	ALD377	12	90
8EL 730 103-001	ALD395	12	70



Alternatori / alternators hella / JAPANPARTS





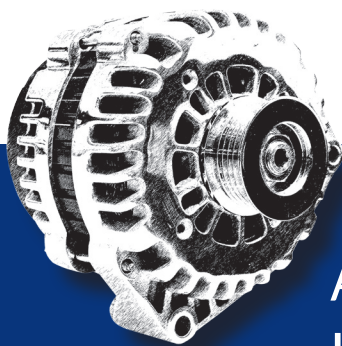
HELLA	JAPANPARTS	Volt	Amp
8EL 730 106-001	ALH369	12	70
8EL 730 108-001	ALS404	12	55
8EL 730 110-001	ALD383	12	70
8EL 730 111-001	ALT479	12	55
8EL 730 111-001	ALT916	12	55
8EL 730 114-001	ALD393	12	60
8EL 730 116-001	ALD385	12	80
8EL 730 117-001	ALT468	12	70
8EL 731 739-001	ALZ413	12	50
8EL 731 746-001	ALM386	12	60
8EL 731 747-001	ALM385	12	90
8EL 731 750-001	ALU906	12	70
8EL 731 757-001	ALC347	12	90
8EL 732 719-001	ALU916	12	60
8EL 732 720-001	ALU904	12	70
8EL 732 722-001	ALM397	12	75
8EL 732 723-001	ALM944	12	70
8EL 732 724-001	ALC960	12	75
8EL 732 726-001	ALI125	12	50
8EL 732 727-001	ALT458	12	70
8EL 732 728-001	ALT523	12	80
8EL 732 737-001	ALC945	24	25
8EL 732 738-001	ALC975	12	75
8EL 732 740-001	ALD405	12	90
8EL 732 740-001	ALD425	12	90
8EL 732 741-001	ALT515	12	70
8EL 732 741-001	ALT537	12	70
8EL 737 003-001	AL-988F	12	100
8EL 737 024-001	ALC387	12	90
8EL 737 056-001	ALT516	12	70
8EL 737 058-001	ALC962	12	75
8EL 737 058-001	ALC981	12	75

HELLA	JAPANPARTS	Volt	Amp
8EL 737 063-001	ALT517	12	70
8EL 737 064-001	ALT529	12	70
8EL 737 065-001	ALD440	12	110
8EL 737 069-001	ALC372	12	110
8EL 737 069-001	ALC963	12	110
8EL 737 074-001	ALT501	12	80
8EL 737 077-001	ALD372	12	70
8EL 737 077-001	ALD379	12	70
8EL 737 157-001	ALM416	12	70
8EL 737 166-001	ALC338	12	75
8EL 737 166-001	ALC353	12	75
8EL 737 166-001	ALC965	12	75
8EL 737 172-001	ALC329	12	75
8EL 737 173-001	ALT534	12	80
8EL 737 173-001	ALT551	12	80
8EL 737 174-001	ALD985	12	90
8EL 737 177-001	ALT502	12	70
8EL 737 221-001	ALT535	12	80
8EL 737 301-001	ALU909	12	70
8EL 737 304-001	ALC337	12	90
8EL 737 308-001	AL201009	12	85
8EL 737 311-001	ALD427	12	80
8EL 737 321-001	ALT484	12	55
8EL 737 323-001	ALC969	12	65
8EL 737 324-001	ALC970	12	90
8EL 737 327-001	ALD413	12	70
8EL 737 327-001	ALD414	12	70
8EL 737 355-001	ALM401	12	70
8EL 737 355-001	ALM410	12	70
8EL 737 383-001	ALH376	12	70
8EL 737 390-001	ALM942	12	50
8EL 737 393-001	ALC345	12	90



HELLA	JAPANPARTS	Volt	Amp
8EL 737 393-001	ALC355	12	90
8EL 737 414-001	ALM412	12	70
8EL 737 456-001	ALD375	12	80
8EL 737 456-001	ALD426	12	80
8EL 737 466-001	ALU912	12	80
8EL 737 473-001	ALZ431	12	70
8EL 737 493-001	AL201081	12	120
8EL 737 525-001	ALD430	12	100
8EL 737 533-001	ALC358	12	90
8EL 737 548-001	ALD449	12	70
8EL 737 556-001	ALC967	12	65
8EL 737 569-001	ALT514	12	70
8EL 737 570-001	ALU910	12	100
8EL 737 592-001	ALD979	12	80
8EL 737 596-001	ALC376	12	75
8EL 737 596-001	ALC972	12	75
8EL 737 602-001	ALT586	12	90
8EL 737 604-001	ALH429	12	75
8EL 737 610-001	ALD978	12	70
8EL 737 612-001	ALS411	12	75
8EL 737 620-001	ALM407	12	80
8EL 737 652-001	ALT554	12	80
8EL 737 717-001	ALH750	12	90
8EL 737 718-001	ALH417	12	80
8EL 737 726-001	ALM411	12	70
8EL 737 736-001	ALM406	12	80
8EL 737 743-001	ALM414	12	80
8EL 737 776-001	ALH425	12	70
8EL 737 791-001	ALZ421	12	150
8EL 737 795-001	ALU915	12	100
8EL 737 798-001	ALC348	12	80
8EL 737 803-001	ALU914	12	70

HELLA	JAPANPARTS	Volt	Amp
8EL 737 819-001	ALM402	12	70
8EL 737 838-001	ALT602	12	70
8EL 737 848-001	AL201020	12	85
8EL 737 851-001	ALM943	12	70
8EL 737 874-001	AL201150	12	90
8EL 737 877-001	ALM949	12	85
8EL 737 879-001	ALD987	12	100
8EL 737 883-001	ALT615	12	90
8EL 737 898-001	ALM417	12	100
8EL 737 902-001	AL201038	12	125
8EL 737 908-001	ALT588	12	80
8EL 737 922-001	ALD438	12	90
8EL 737 924-001	ALT547	12	80
8EL 737 941-001	ALD983	12	95
8EL 737 944-001	ALD982	12	80
8EL 737 950-001	ALI130	12	60
8EL 737 955-001	ALD981	12	100
8EL 737 961-001	ALZ438	12	60
8EL 737 990-001	ALD446	12	90
8EL 737 990-001	ALD990	12	90
8EL 737 997-001	AL201103	12	85
8EL 737 998-001	AL201102	12	85
8EL 737 998-001	AL201105	12	85
8EL 738 017-001	ALC377	12	120
8EL 738 018-001	ALC968-2	12	65
8EL 738 033-001	ALT613	12	80
8EL 738 033-001	ALT614	12	80
8EL 738 044-001	ALM957	12	90
8EL 738 044-001	ALM958	12	90
8EL 738 051-001	ALT917	12	100
8EL 738 086-001	ALC976	12	75
8EL 738 087-001	ALD448	12	110



Alternatori / alternators hella / JAPANPARTS





HELLA	JAPANPARTS	Volt	Amp
8EL 738 088-001	ALS408	12	85
8EL 738 088-001	ALS410	12	85
8EL 738 097-001	ALT633	12	80
8EL 738 102-001	ALC977	12	60
8EL 738 106-001	ALC982	12	95
8EL 738 118-001	ALH428	12	80
8EL 738 133-001	ALT552	12	70
8EL 738 143-001	ALT628	12	120
8EL 738 146-001	ALH434	12	100
8EL 738 153-001	ALH433	12	70
8EL 738 211-061	ALC396	12	90
8EL 738 211-161	ALT604	12	100
8EL 738 211-181	ALH426	12	80
8EL 738 211-271	AL201252	12	150
8EL 738 211-281	ALZ435	12	75
8EL 738 211-301	AL201039	12	90
8EL 738 211-311	ALC399	12	85
8EL 738 211-371	ALD445	12	110
8EL 738 211-451	ALC391	12	100
8EL 738 211-471	ALM420	12	80
8EL 738 211-531	ALT620	12	90
8EL 738 211-541	ALT618	12	70
8EL 738 211-551	ALD301	12	150
8EL 738 211-591	ALU918	12	100
8EL 738 211-591	ALU918I	12	100
8EL 738 211-591	ALU919I	12	100
8EL 738 211-711	ALM427	12	90
8EL 738 211-861	ALC397	12	90
8EL 738 212-031	ALC398	12	120
8EL 738 212-081	ALZ410	12	105
8EL 738 212-141	AL201201	12?	150?
8EL 738 212-241	ALM426	12	90

HELLA	JAPANPARTS	Volt	Amp
8EL 738 212-511	ALC389	12	120
8EL 738 212-841	ALD450	12	150
8EL 738 212-851	ALT407	12	80
8EL 738 212-991	ALZ414	12	120
8EL 738 213-051	ALM425	12	100
8EL 738 213-091	ALM959	12	90
8EL 738 225-001	ALT553	12	70
8EL 738 229-001	ALM951	12	60
8EL 738 229-001	ALM951-2	12	60
8EL 738 238-001	ALC390	12	70
8EL 738 247-001	ALT372	12	90





Motorini di avviamento / *starters*

CASCO / JAPANPARTS p. 32

DELCO / JAPANPARTS p. 36

SANDO / JAPANPARTS p. 42

HELLA / JAPANPARTS p. 46

LECTRONICS INC.
a, CA 91768
nt Pending

Motorini di avviamento / *starters*

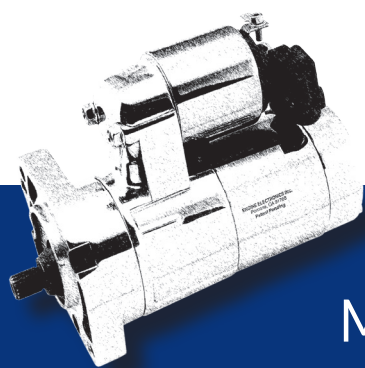
JAPANPARTS





CASCO	JAPANPARTS	Volt	Amp
CST10113AS	MTT375	12	1,8
CST10144AS	MTIS 0647	12	1,7
CST10145AS	MT130204	12	1,4
CST10248GS	MT130140	12	1,1
CST10251GS	MT130158	12	1,1
CST10293AS	MT130116	12	2
CST15112GS	MT130013	12	1,4
CST15144RS	MTH703	12	0,85
CST15198GS	MT130043	12	1
CST15215GS	MT130028	12	1,5
CST15234	MT130012	12	1,4
CST15257GS	MT130086	12	2
CST20102AS	MTU961	12	1,4
CST20103AS	MTD121	12	0,8
CST20103AS	MTD136	12	0,8
CST20103AS	MTD210	12	0,75
CST20103AS	MTD213	12	0,8
CST20104AS	MTD147	12	2
CST20104GS	MTD142	12	2
CST20105AS	MTD158	12	2
CST20106AS	MTU951	12	1,4
CST20106AS	MTU954	12	1,4
CST20107AS	MTD173	12	0,9
CST20112AS	MTU956	12	2,3
CST20119AS	MTD151-09	12	2
CST20120AS	MTS195	12	0,8
CST20121AS	MTU950	12	1,4
CST20121AS	MTU955	12	1,4
CST20122AS	MTM935	12	0,85
CST20124AS	MTD170	12	1,2
CST20124AS	MTD189	12	1
CST20125AS	MTD176	12	0,8

CASCO	JAPANPARTS	Volt	Amp
CST20125AS	MTD206	12	1,2
CST20126AS	MTD192	12	1,2
CST20127AS	MTD170	12	1,2
CST20130GS	MTD233	12	2,2
CST20133AS	MTU113	12	2,3
CST20145AS	MTD138	12	1,2
CST20145AS	MTD148	12	1,2
CST20149AS	MTD194	12	1,4
CST20162AS	MTD154	12	2
CST20163AS	MTD153	12	1,2
CST20178RS	MTD202	12	2,2
CST20186AS	MTU104	0	0
CST20192AS	MTD214	12	1,2
CST20194GS	MTD222	12	1,4
CST20196AS	MTU106	12	1,4
CST20600AS	MTD942	24	3,5
CST20602AS	MTD941	24	3,2
CST20603AS	MTD944	24	3,5
CST20605AS	MTD172	24	3,2
CST25107AS	MT130009	12	2
CST30126GS	MTD198	12	1,4
CST32100GS	MTC963	12	0,8
CST32101GS	MTC104	12	0,9
CST32102GS	MTC125	12	1,2
CST32104GS	MTC141	12	1,2
CST32106GS	MTM949	12	2,2
CST32107GS	MTC967	12	2
CST32108GS	MTC145	12	1,7
CST32110GS	MTM195	12	0,9
CST32111GS	MTC975	12	2,2
CST32113GS	MTC149	12	0,9
CST32119GS	MTC124	12	1,2



Motorini di avviamento / starters casco / JAPANPARTS





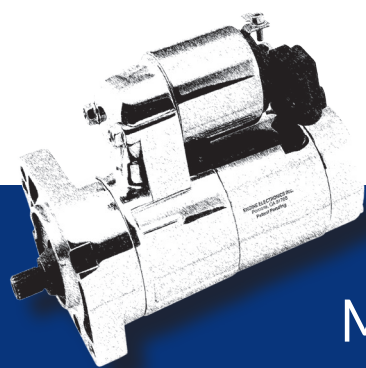
CASCO	JAPANPARTS	Volt	Amp
CST32121GS	MTC100-1	12	0,9
CST32122GS	MTC150	12	0,9
CST32124GS	MTC162	12	0,9
CST32131GS	MTC101	0	0
CST32134GS	MTM946	12	1,8
CST32135GS	MTC123	12	1,2
CST33102AS	MTH182	12	1,2
CST33102AS	MTH203	12	1,2
CST35100GS	MTC105	12	1,7
CST35100GS	MTC959	12	2
CST35102GS	MTC952	12	2
CST35104GS	MTC117	12	2,2
CST35105AS	MTC100-1	12	0,9
CST35105AS	MTC134	12	0,9
CST35106AS	MTC126	12	1,2
CST35106AS	MTC966	12	1,2
CST35108AS	MTM214	12	1
CST35109AS	MTM201	12	1
CST35109AS	MTM205	12	1
CST35113GS	MTC129	12	2,2
CST35115GS	MTC100	12	0,7
CST35116AS	MTC961	12	1,2
CST35117AS	MTS201	12	1
CST35117AS	MTS209	12	1
CST35117AS	MTS211	12	1
CST35119AS	MTD163	12	1,4
CST35119AS	MTD164	12	1,4
CST35122AS	MTD215	12	1,4
CST35122AS	MTM934	12	0,85
CST35125AS	MTM162	12	0,8
CST35125AS	MTU962	12	2,2
CST35130AS	MTM179	12	0,9

CASCO	JAPANPARTS	Volt	Amp
CST35131AS	MTD152	12	0,8
CST35132AS	MTC130	12	0,9
CST35133AS	MTM173	12	0,85
CST35134GS	MTD217	12	2,2
CST35137GS	MTC965	12	2,2
CST35138AS	MTZ260	12	1,4
CST35140GS	MTD224	12	1,7
CST35143AS	MTM160-1	12	0,8
CST35143AS	MTM160-2	12	0,8
CST35146GS	MTM212	12	2,3
CST35164AS	MTC969	24	5
CST35167AS	MT130056	12	1,2
CST35169GS	MT130049	12	2,2
CST35175GS	MTC151	12	0,9
CST35176AS	MTD162	12	1,4
CST35180AS	MTZ261	12	1
CST35181AS	MTM188	12	1,7
CST35182GS	MTD231	12	1,4
CST35183AS	MTC135	12	0,9
CST35183AS	MTC137	12	0,9
CST35191GS	MTZ265	12	2
CST35195GS	MTD237	12	2
CST35199AS	MTM164	12	0,8
CST35201AS	MTM203	12	2,2
CST35211AS	MTM215	12	1
CST35213GS	MTC158	12	2
CST35221AS	MTS204	12	1,4
CST35227AS	MTM171	12	1,4
CST35244AS	MTZ252	12	1,2
CST35244AS	MTZ256	12	1,2
CST35626AS	MTC962	24	3,2
CST40101AS	MTZ211	12	0,6



CASCO	JAPANPARTS	Volt	Amp
CST40101AS	MTZ214	12	0,6
CST40102AS	MTZ217	12	0,8
CST40103AS	MTT909	12	2,2
CST40105AS	MTM931	12	2
CST40106AS	MTT172	12	0,8
CST40109AS	MTU103	12	2
CST40110AS	MTH159	12	1,4
CST40110AS	MTH164	12	1,4
CST40110AS	MTH177	12	1,4
CST40110AS	MTH209	12	1,4
CST40112AS	MTI204	12	0,8
CST40114AS	MTZ254	12	1
CST40116AS	MTT212	12	0,8
CST40116AS	MTT213	12	0,8
CST40116AS	MTT214	12	0,8
CST40117AS	MTH181	12	1,6
CST40121AS	MTT320	12	1,6
CST40122AS	MTT237	12	1
CST40123AS	MTT355	12	1
CST40126AS	MTH183	12	1,4
CST40130AS	MTZ212	12	0,8
CST40135AS	MTH705	12	2
CST40141AS	MTT218	12	1
CST40142AS	MTT369	12	1,2
CST40145AS	MTI291	12	2,5
CST40146RS	MTT344	12	1,4

CASCO	JAPANPARTS	Volt	Amp
CST40147AS	MTT335	12	1
CST40147AS	MTT341	12	1
CST40149AS	MTI290	12	2,2
CST40157AS	MTI203	12	1,4
CST40158AS	MTU110	12	2
CST40158AS	MTU111	12	2
CST40159AS	MTT219	12	2,7
CST40159AS	MTT357	12	2,7
CST40161AS	MTT364	12	1
CST40162AS	MTH207	12	2
CST40163GS	MTH707	12	2
CST40169AS	MTT181A	12	1
CST40170AS	MTT194	12	1
CST40176AS	MTT325	12	1
CST40177AS	MTI206	12	0,8
CST40177AS	MTI221	12	0,8
CST40183AS	MTH701	12	2
CST40187AS	MTH160	12	1
CST40188AS	MTT236	12	2,2
CST40189AS	MTU101	12	1
CST40193GS	MTT373	12	1,4
CST40195AS	MTT181-1	12	0,8
CST40198AS	MTH706	12	1
CST40200AS	MTH210	12	0,8
CST40205AS	MTH204	12	1
CST40207AS	MTZ262	12	1



Motorini di avviamento / starters casco / JAPANPARTS



CASCO	JAPANPARTS	Volt	Amp
-------	------------	------	-----

CST40207AS	MTZ266	12	1
CST40213AS	MTT181	12	0,9
CST40215AS	MTH157	12	1
CST40232AS	MTT346	12	1,4
CST40233AS	MTT223	12	1,4
CST40238AS	MTT348	12	1,2
CST40238AS	MTT370	12	1,2
CST40244AS	MTT186	12	1
CST40244AS	MTT187	12	1
CST40262AS	MTZ263	12	0,8
CST40268GS	MTT385	12	1,3
CST40284AS	MTT215	12	1,4
CST40287GS	MT130004	12	1
CST40293AS	MTS199	12	1,2
CST40294AS	MTT216	12	2,7
CST40294AS	MTT337	12	2
CST40300AS	MTT347	12	1,4
CST40300AS	MTT352	12	1,4
CST40313RS	MTH208	12	1
CST40315GS	MTT363	12	0,8
CST40319GS	MT130005	12	2
CST40605AS	MTT907	24	4,5
CST41101GS	MTM943	12	2,2
CST41103GS	MTM936	12	1,4
CST41104GS	MTM942	12	1,4
CST41105GS	MTM200	12	2

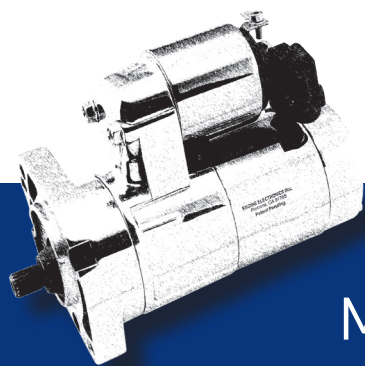
CASCO	JAPANPARTS	Volt	Amp
-------	------------	------	-----

CST44100AS	MTT195	12	2
CST44101AS	MTT356	12	1
CST44102AS	MTT170	12	0,8
CST44102AS	MTZ210-1	12	0,8
CST44104AS	MTT182	12	1
CST44104AS	MTT343	12	1
CST44105AS	MTT359	12	2
CST44109AS	MTT376	12	0,8
CST44110AS	MTT327	12	0,8
CST44111AS	MTT230	12	1,2
CST44117GS	MTT358	12	0,7
CST44118AS	MTT222	12	1,4
CST44118AS	MTT224	12	1,4
CST44120AS	MTI219	12	1
CST45102GS	MTD978	12	0,7
CST45104AS	MTD127	12	0,8
CST45104AS	MTD139	12	0,8
CST45105AS	MTD122	12	1
CST45109AS	MTD211	12	0,75
CST45111AS	MTD230	12	1,1
CST46100GS	MT130201	12	0,6
CST46103GS	MT130207	12	0,8
CST46107GS	MT130206	12	1,8



DELCO	JAPANPARTS	Volt	Amp
DRS0007	MTC150	12	0,9
DRS0011	MTC129	12	2,2
DRS0033	MTM214	12	1
DRS0034	MTM215	12	1
DRS0037	MTM949	12	2,2
DRS0038	MTC149	12	0,9
DRS0046	MTZ263	12	0,8
DRS0047	MTM195	12	0,9
DRS0069	MTD231	12	1,4
DRS0071	MTC145	12	1,7
DRS0072	MTT373	12	1,4
DRS0073	MTT344	12	1,4
DRS0079	MTC151	12	0,9
DRS0083	MT130056	12	1,2
DRS0101	MTZ261	12	1
DRS0101	MTZ266	12	1
DRS0102	MTD224	12	1,7
DRS0116	MTT347	12	1,4
DRS0116	MTT352	12	1,4
DRS0126	MTC158	12	2
DRS0130	MTC101	0	0
DRS0134	MTM946	12	1,8
DRS0139	MTD214	12	1,2
DRS0141	MT130206	12	1,8
DRS0147	MTC975	12	2,2
DRS0210	MT130207	12	0,8
DRS0213	MT130049	12	2,2
DRS0227	MTW103	12	2,2
DRS0247	MTD232	12	1
DRS0424	MTC144	12	0,9
DRS0439	MTH206	12	1,2
DRS0451	MTI218	12	1

DELCO	JAPANPARTS	Volt	Amp
DRS0453	MTH208	12	1
DRS0458	MTU104	0	0
DRS0473	MT130002	12	1
DRS0487	MT130209	12	1,5
DRS0512	MTT363	12	0,8
DRS0516	MTM175	12	1,2
DRS0516	MTM938	12	1,2
DRS0521	MT130004	12	1
DRS0596	MTM942	12	1,4
DRS0657	MT130005	12	2
DRS0674	MT130003	12	1,3
DRS0682	MTD230	12	1,1
DRS0724	MTT209	12	1,4
DRS0765	MT130086	12	2
DRS0808	MTC162	12	0,9
DRS0828	MTD207	12	1,2
DRS0950	MT130009	12	2
DRS1981	MTT170	12	0,8
DRS1981	MTZ210-1	12	0,8
DRS2001	MTT175-3	12	0,8
DRS2061	MTT172	12	0,8
DRS2071	MTD129	12	0,8
DRS2091	MTD122	12	1
DRS2111	MTD121	12	0,8
DRS2121	MTM160-1	12	0,8
DRS2131	MTM161-1	12	1
DRS2172	MTC100-1	12	0,9
DRS2172	MTC134	12	0,9
DRS2211	MTT174	12	0,6
DRS2221	MTT191	12	0,8
DRS2231	MTD120	12	0,8
DRS2261	MTM160-2	12	0,8



Motorini di avviamento / starters delco / JAPANPARTS





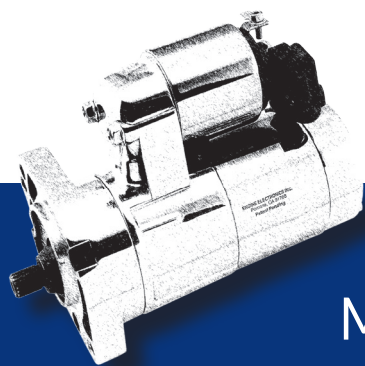
DELCO	JAPANPARTS	Volt	Amp
DRS2271	MTM168	12	0,85
DRS2271	MTM179	12	0,9
DRS2291	MTD136	12	0,8
DRS2291	MTD210	12	0,75
DRS2291	MTD213	12	0,8
DRS2301	MTC104	12	0,9
DRS2311	MTT181	12	0,9
DRS2841	MTI201	12	0,6
DRS2851	MTH157	12	1
DRS2861	MTM164	12	0,8
DRS2881	MTZ216	12	0,8
DRS2881	MTZ251	12	0,8
DRS2901	MTS201	12	1
DRS2911	MTD135	12	0,8
DRS2921	MTD137	12	0,8
DRS2932	MTD127	12	0,8
DRS2932	MTD139	12	0,8
DRS3010	MT130114	12	1,4
DRS3015	MTT196	12	1,4
DRS3015	MTT336	12	1,4
DRS3017	MTT186	12	1
DRS3017	MTT187	12	1
DRS3018	MTT195	12	2
DRS3018	MTT216	12	2,7
DRS3018	MTT337	12	2
DRS3019	MTT195A	12	2,5
DRS3019	MTT357	12	2,7
DRS3019	MTT367	12	2,7
DRS3023	MTT343	12	1
DRS3024	MTT190	12	0,8
DRS3025	MTT197	12	1
DRS3026	MTI203	12	1,4

DELCO	JAPANPARTS	Volt	Amp
DRS3028	MTM163	12	1,2
DRS3029	MTM171	12	1,4
DRS3035	MTC105	12	1,7
DRS3036	MTC959	12	2
DRS3043	MTZ221	12	0,8
DRS3043	MTZ254	12	1
DRS3044	MTZ211	12	0,6
DRS3047	MTD152	12	0,8
DRS3048	MTD149	12	1,4
DRS3052	MTT215	12	1,4
DRS3052	MTT221	12	1,4
DRS3052	MTT226	12	1,4
DRS3053	MTD941	24	3,2
DRS3058	MTT193	12	1
DRS3058	MTT218	12	1
DRS3086	MTH180	12	0,8
DRS3087	MTH150	12	0,8
DRS3088	MTC953	24	3,2
DRS3094	MTD144	12	1,6
DRS3095	MTD154	12	2
DRS3098	MTZ217	12	0,8
DRS3133	MTI206	12	0,8
DRS3133	MTI207	12	0,8
DRS3135	MTI208	12	0,6
DRS3136	MTT182	12	1
DRS3136	MTT330	12	1,4
DRS3139	MTC126	12	1,2
DRS3143	MTC955	12	1,2
DRS3144	MTU103	12	2
DRS3148	MTU101	12	1
DRS3153	MTM202	12	2,2
DRS3154	MTM936	12	1,4



DELCO	JAPANPARTS	Volt	Amp
DRS3155	MTM188	12	1,7
DRS3156	MTM170	12	1,4
DRS3157	MTM933	12	1,7
DRS3159	MTC966	12	1,2
DRS3163	MTC123	12	1,2
DRS3164	MTD170	12	1,2
DRS3164	MTD189	12	1
DRS3165	MTD187	12	2,5
DRS3166	MTD151-09	12	2
DRS3168	MTD158	12	2
DRS3178	MTT212	12	0,8
DRS3179	MTT213	12	0,8
DRS3179	MTT214	12	0,8
DRS3189	MTU951	12	1,4
DRS3189	MTU954	12	1,4
DRS3194	MTM192	12	1,7
DRS3207	MTD163	12	1,4
DRS3207	MTD164	12	1,4
DRS3213	MTI221	12	0,8
DRS3215	MTH184	12	1,6
DRS3216	MTU950	12	1,4
DRS3237	MTD942	24	3,5
DRS3239	MTD162	12	1,4
DRS3245	MTU110	12	2
DRS3245	MTU111	12	2
DRS3253	MTT236	12	2,2
DRS3254	MTT176-2	12	1
DRS3267	MTIS 0647	12	1,7
DRS3304	MTT907	24	4,5
DRS3338	MTM198	12	1,6
DRS3338	MTM208	12	1,6
DRS3339	MTC117	12	2,2

DELCO	JAPANPARTS	Volt	Amp
DRS3339	MTC969	24	5
DRS3343	MTC952	12	2
DRS3349	MTD208	12	1,4
DRS3354	MTD192	12	1,2
DRS3357	MTD176	12	0,8
DRS3357	MTD206	12	1,2
DRS3373	MTS204	12	1,4
DRS3374	MTS198	12	0,8
DRS3378	MTT211	12	1
DRS3379	MTT327	12	0,8
DRS3383	MTT229	12	0,8
DRS3384	MTT230	12	1,2
DRS3386	MTT334	12	1
DRS3386	MTT335	12	1
DRS3387	MTT320	12	1,6
DRS3475	MTD202	12	2,2
DRS3483	MTT222	12	1,4
DRS3483	MTT224	12	1,4
DRS3483	MTT346	12	1,4
DRS3484	MTU955	12	1,4
DRS3501	MTM162	12	0,8
DRS3521	MTT189	12	1
DRS3531	MTT181-1	12	0,8
DRS3541	MTT183	12	0,9
DRS3547	MTI290	12	2,2
DRS3551	MTD138	12	1,2
DRS3551	MTD148	12	1,2
DRS3554	MT130203	12	0,8
DRS3561	MTT203	12	1,4
DRS3571	MTT181A	12	1
DRS3577	MTC124	12	1,2
DRS3577	MTC125	12	1,2



Motorini di avviamento / starters delco / JAPANPARTS





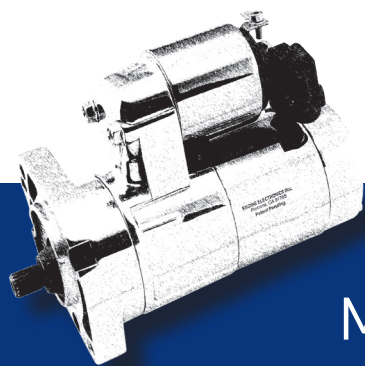
DELCO	JAPANPARTS	Volt	Amp
DRS3581	MTH160	12	1
DRS3595	MTC135	12	0,9
DRS3595	MTC137	12	0,9
DRS3596	MTC130	12	0,9
DRS3603	MTD194	12	1,4
DRS3606	MTD134	12	1,4
DRS3606	MTS196	12	1,4
DRS3610	MT130204	12	1,4
DRS3616	MTU116	12	2,8
DRS3637	MTT237	12	1
DRS3638	MTT227	12	1,4
DRS3638	MTT235	12	1,4
DRS3638	MTT326	12	1,4
DRS3643	MTT231	12	0,8
DRS3643	MTT342	12	0,8
DRS3645	MTT219	12	2,7
DRS3646	MTT341	12	1
DRS3648	MTT332	12	1,4
DRS3649	MTT223	12	1,4
DRS3677	MTH706	12	1
DRS3679	MTU961	12	1,4
DRS3693	MT130201	12	0,6
DRS3704	MTH181	12	1,6
DRS3705	MTH183	12	1,4
DRS3707	MTH703	12	0,85
DRS3708	MTC963	12	0,8
DRS3718	MTH705	12	2
DRS3723	MTM201	12	1
DRS3723	MTM205	12	1
DRS3724	MTM193	12	0,95
DRS3728	MTC961	12	1,2
DRS3734	MTD215	12	1,4

DELCO	JAPANPARTS	Volt	Amp
DRS3735	MTU962	12	2,2
DRS3745	MTZ212	12	0,8
DRS3746	MTZ252	12	1,2
DRS3746	MTZ256	12	1,2
DRS3748	MTT355	12	1
DRS3753	MTH182	12	1,2
DRS3753	MTH203	12	1,2
DRS3759	MTD198	12	1,4
DRS3774	MTU106	12	1,4
DRS3798	MTH701	12	2
DRS3805	MTH707	12	2
DRS3836	MT130140	12	1,1
DRS3838	MT130030	12	2,2
DRS3843	MTH207	12	2
DRS3853	MTC965	12	2,2
DRS3855	MTT909	12	2,2
DRS3857	MTH200	12	0,8
DRS3857	MTH210	12	0,8
DRS3866	MTT376	12	0,8
DRS3867	MTT356	12	1
DRS3869	MTC968	12	2,2
DRS3883	MTD944	24	3,5
DRS3885	MTZ260	12	1,4
DRS3888	MTC141	12	1,2
DRS3889	MTC146	12	1,2
DRS3904	MTD227	12	1,4
DRS3906	MTH204	12	1
DRS3907	MTI219	12	1
DRS3909	MTI216	12	0,8
DRS3909	MTI220	12	0,8
DRS3915	MTM212	12	2,3
DRS3917	MTD217	12	2,2



DELCO	JAPANPARTS	Volt	Amp
DRS3918	MTD222	12	1,4
DRS3923	MTC967	12	2
DRS3924	MTM943	12	2,2
DRS3935	MTT364	12	1
DRS3944	MTD142	12	2
DRS3944	MTD147	12	2
DRS3946	MTD211	12	0,75
DRS3955	MT130025	12	2,1
DRS3957	MT130012	12	1,4
DRS3965	MTT374	12	2,7
DRS3965	MTT910	12	2,7
DRS3971	MTI204	12	0,8
DRS3976	MT130028	12	1,5
DRS3984	MTZ265	12	2
DRS3985	MTD228	12	1,4
DRS4051	MTH156	12	1

DELCO	JAPANPARTS	Volt	Amp
DRS4051	MTH174	12	1
DRS4061	MTH159	12	1,4
DRS4061	MTH164	12	1,4
DRS4061	MTH177	12	1,4
DRS4071	MTU956	12	2,3
DRS4211	MTD173	12	0,9
DRS4221	MTD153	12	1,2
DRS4261	MTD150	12	1,2
DRS4331	MTS195	12	0,8
DRS4332	MTS203	12	0,8
DRS4361	MTZ214	12	0,6
DRS4461	MTT194	12	1
DRS4861	MT0580	12	0,9
DRS4971	MTM200	12	2
DRS4971	MTM931	12	2
DRS4991	MTM173	12	0,85



Motorini di avviamento / *starters* delco / **JAPANPARTS**





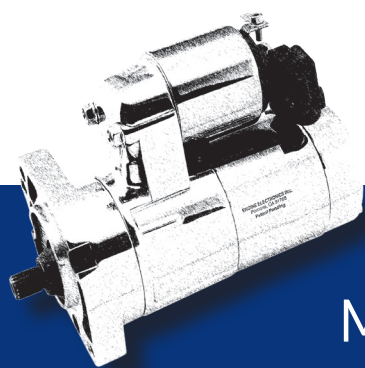
DELCO	JAPANPARTS	Volt	Amp
DRS5021	MTD180	12	2
DRS5031	MTT188	12	0,8
DRS5351	MTT205	12	1
DRS5751	MTD170	12	1,2
DRS5781	MTI214	12	0,8
DRS5981	MTM934	12	0,85
DRS5981	MTM935	12	0,85
DRS6431	MTS209	12	1
DRS6431	MTS211	12	1
DRS7260	MT130116	12	2

DELCO	JAPANPARTS	Volt	Amp
DRS7500	MTT359	12	2
DRS7840	MT130013	12	1,4
DRS8630	MTD978	12	0,7
DRS8680	MTT375	12	1,8
DRT0631	MTT348	12	1,2
DRT0631	MTT370	12	1,2
DRT1240	MT130158	12	1,1



SANDO	JAPANPARTS	Volt	Amp
6010113	MTT375	12	1,8
6010251	MT130158	12	1,1
6010383	MTT390	12	1,1
6015105	MT130203	12	0,8
6015108	MT130028	12	1,5
6015137	MT130025	12	2,1
6015257	MT130086	12	2
6020100	MTU955	12	1,4
6020101	MTU954	12	1,4
6020102	MTU961	12	1,4
6020103	MTD136	12	0,8
6020103	MTD210	12	0,75
6020104	MTD154	12	2
6020105	MTD158	12	2
6020107	MTD152	12	0,8
6020111	MTD226	12	1,7
6020119	MTD147	12	2
6020119	MTD151-09	12	2
6020120	MTS203	12	0,8
6020121	MTU950	12	1,4
6020122	MTM935	12	0,85
6020125	MTD176	12	0,8
6020125	MTD216	12	0,8
6020126	MTD192	12	1,2
6020127	MTD170	12	1,2
6020127	MTD207	12	1,2
6020129	MTD142	12	2
6020130	MTD233	12	2,2
6020133	MTU113	12	2,3
6020140	MTD127	12	0,8
6020145	MTD138	12	1,2
6020145	MTD148	12	1,2

SANDO	JAPANPARTS	Volt	Amp
6020149	MTD194	12	1,4
6020163	MTD153	12	1,2
6020172	MTU100	12	1,4
6020173	MTD132	12	1,2
6020180	MTU103	12	2
6020186	MTU104	0	0
6020192	MTD214	12	1,2
6020194	MTD222	12	1,4
6020196	MTU106	12	1,4
6020200	MTD122	12	1
6020201	MTD120	12	0,8
6020600	MTD942	24	3,5
6020602	MTD941	24	3,2
6020603	MTD944	24	3,5
6020605	MTD172	24	3,2
6030126	MTD164	12	1,4
6032100	MTC963	12	0,8
6032101	MTC100-1	12	0,9
6032101	MTC130	12	0,9
6032101	MTC134	12	0,9
6032102	MTC125	12	1,2
6032103	MTC146	12	1,2
6032104	MTC141	12	1,2
6032105	MTC967	12	2
6032106	MTM949	12	2,2
6032108	MTC145	12	1,7
6032110	MTM168	12	0,85
6032111	MTC975	12	2,2
6032113	MTC104	12	0,9
6032117	MTM946	12	1,8
6032118	MTC966	12	1,2
6032119	MTC124	12	1,2



Motorini di avviamento / starters sando / JAPANPARTS





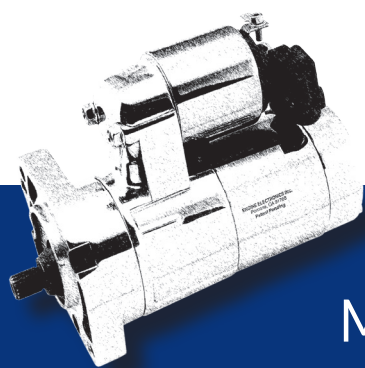
SANDO	JAPANPARTS	Volt	Amp
6032122	MTC150	12	0,9
6032125	MTC162	12	0,9
6032131	MTC101	0	0
6032135	MTC123	12	1,2
6035102	MTC959	12	2
6035106	MTC126	12	1,2
6035107	MTZ210-1	12	0,8
6035108	MTM214	12	1
6035109	MTM205	12	1
6035117	MTS209	12	1
6035118	MTC955	12	1,2
6035122	MTD215	12	1,4
6035125	MTU962	12	2,2
6035128	MTM162	12	0,8
6035129	MTM934	12	0,85
6035133	MTM195	12	0,9
6035134	MTD217	12	2,2
6035138	MTZ260	12	1,4
6035140	MTD224	12	1,7
6035143	MTM160-1	12	0,8
6035143	MTM160-2	12	0,8
6035146	MTM212	12	2,3
6035160	MTD228	12	1,4
6035167	MT130056	12	1,2
6035176	MTD162	12	1,4
6035177	MTT170	12	0,8
6035180	MTZ262	12	1
6035181	MTM188	12	1,7
6035182	MTD231	12	1,4
6035191	MTZ265	12	2
6035195	MTD237	12	2
6035199	MTM164	12	0,8

SANDO	JAPANPARTS	Volt	Amp
6035201	MTM203	12	2,2
6035211	MTM215	12	1
6035213	MTC158	12	2
6035221	MTS194	12	1,4
6035221	MTS196	12	1,4
6035222	MTS204	12	1,4
6035227	MTM171	12	1,4
6035244	MTZ252	12	1,2
6035244	MTZ256	12	1,2
6035265	MTD135	12	0,8
6040101	MTZ214	12	0,6
6040102	MTZ217	12	0,8
6040103	MTT909	12	2,2
6040105	MTM200	12	2
6040105	MTM931	12	2
6040106	MTT172	12	0,8
6040107	MTT195A	12	2,5
6040109	MTU111	12	2
6040110	MTH164	12	1,4
6040110	MTH177	12	1,4
6040110	MTH179	12	1,4
6040112	MTI214	12	0,8
6040114	MTZ212	12	0,8
6040115	MTI204	12	0,8
6040116	MTT212	12	0,8
6040117	MTH181	12	1,6
6040119	MTH182	12	1,2
6040121	MTT320	12	1,6
6040123	MTT355	12	1
6040124	MTH156	12	1
6040125	MTH162	12	1,4
6040128	MTT187	12	1



SANDO	JAPANPARTS	Volt	Amp
6040131	MTU960	12	2,2
6040141	MTT218	12	1
6040142	MTT230	12	1,2
6040142	MTT369	12	1,2
6040147	MTT335	12	1
6040147	MTT341	12	1
6040149	MTI290	12	2,2
6040157	MTI203	12	1,4
6040159	MTT219	12	2,7
6040159	MTT357	12	2,7
6040159	MTT367	12	2,7
6040161	MTT364	12	1
6040162	MTH207	12	2
6040163	MTH707	12	2
6040164	MTI220	12	0,8
6040170	MTT194	12	1
6040176	MTT325	12	1
6040177	MTI206	12	0,8
6040183	MTH701	12	2
6040187	MTH160	12	1
6040188	MTT236	12	2,2
6040193	MTT373	12	1,4
6040195	MTT181-1	12	0,8
6040198	MTH706	12	1
6040200	MTH210	12	0,8
6040207	MTZ266	12	1

SANDO	JAPANPARTS	Volt	Amp
6040213	MTT181	12	0,9
6040233	MTT223	12	1,4
6040235	MTH200	12	0,8
6040238	MTT370	12	1,2
6040239	MTT374	12	2,7
6040240	MTT910	12	2,7
6040241	MTT214	12	0,8
6040244	MTT186	12	1
6040244	MTT204	12	1
6040262	MTZ263	12	0,8
6040268	MTT385	12	1,3
6040270	MTT197	12	1
6040271	MTT190	12	0,8
6040272	MTS195	12	0,8
6040272	MTS198	12	0,8
6040273	MTT332	12	1,4
6040275	MTS202	12	0,7
6040277	MTH204	12	1
6040281	MTT352	12	1,4
6040284	MTT215	12	1,4
6040284	MTT221	12	1,4
6040284	MTT226	12	1,4
6040285	MTT175-3	12	0,8
6040287	MT130004	12	1
6040293	MTS199	12	1,2
6040313	MTH208	12	1



Motorini di avviamento / starters sando / JAPANPARTS





SANDO	JAPANPARTS	Volt	Amp
-------	------------	------	-----

6040315	MTT363	12	0,8
6040319	MT130005	12	2
6040320	MT130002	12	1
6040327	MTT388	12	1,6
6040605	MTT907	24	4,5
6040621	MTT228	24	4,5
6040621	MTT233	24	4,5
6041101	MTM943	12	2,2
6041104	MTM942	12	1,4
6042101	MTW103	12	2,2
6044100	MTT195	12	2
6044100	MTT337	12	2
6044101	MTT356	12	1
6044103	MTT360	12	1
6044104	MTT182	12	1

SANDO	JAPANPARTS	Volt	Amp
-------	------------	------	-----

6044109	MTT376	12	0,8
6044110	MTT327	12	0,8
6044117	MTT358	12	0,7
6044118	MTT222	12	1,4
6044118	MTT224	12	1,4
6044120	MTI219	12	1
6045102	MTD978	12	0,7
6045104	MTD129	12	0,8
6045104	MTD139	12	0,8
6045110	MTD211	12	0,75
6045111	MTD230	12	1,1
6046103	MT130207	12	0,8
6046105	MT130204	12	1,4
6046107	MT130206	12	1,8
6047100	MTZ211	12	0,6

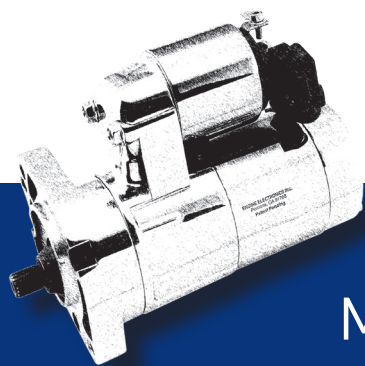


HELLA	JAPANPARTS	Volt	Amp
-------	------------	------	-----

8EA 011 350-041	MT130028	12	1,5
8EA 011 350-411	MTD233	12	2,2
8EA 011 610-201	MTD227	12	1,4
8EA 011 610-211	MT130012	12	1,4
8EA 011 610-611	MTU955	12	1,4
8EA 011 610-671	MTC129	12	2,2
8EA 011 610-701	MTC138	12	2,2
8EA 011 610-761	MTC963	12	0,8
8EA 011 610-791	MTH707	12	2
8EA 011 610-801	MTC145	12	1,7
8EA 011 610-821	MTM200	12	2
8EA 011 610-871	MTD142	12	2
8EA 011 610-921	MTU954	12	1,4
8EA 011 610-951	MTU962	12	2,2
8EA 011 611-131	MTC959	12	2
8EA 726 232-001	MTZ216	12	0,8
8EA 726 397-001	MTD121	12	0,8
8EA 726 402-001	MTD136	12	0,8
8EA 726 404-001	MTD122	12	1
8EA 726 405-001	MTD132	12	1,2
8EA 726 408-001	MTH180	12	0,8
8EA 726 413-001	MTT194	12	1
8EA 726 414-001	MTT193	12	1
8EA 726 416-001	MTH156	12	1
8EA 726 421-001	MTM195	12	0,9
8EA 726 423-001	MTD127	12	0,8
8EA 726 424-001	MTT174	12	0,6
8EA 726 424-001	MTZ250	12	0,6
8EA 726 429-001	MTT171	12	0,8
8EA 726 429-001	MTT172	12	0,8
8EA 726 432-001	MTT181A	12	1
8EA 726 436-001	MTC952	12	2

HELLA	JAPANPARTS	Volt	Amp
-------	------------	------	-----

8EA 726 441-001	MTC104	12	0,9
8EA 726 441-001	MTC130	12	0,9
8EA 726 442-001	MTC100	12	0,7
8EA 726 449-001	MTT190	12	0,8
8EA 726 449-001	MTT229	12	0,8
8EA 726 456-001	MTM931	12	2
8EA 726 461-001	MTS210	12	1
8EA 726 468-001	MTZ213	12	0,8
8EA 726 472-001	MTD120	12	0,8
8EA 726 473-001	MTT182	12	1
8EA 726 480-001	MTT195A	12	2,5
8EA 726 482-001	MTZ251	12	0,8
8EA 726 487-001	MTD941	24	3,2
8EA 726 488-001	MTZ212	12	0,8
8EA 726 488-001	MTZ258	12	0,8
8EA 726 490-001	MTD187	12	2,5
8EA 726 492-001	MTI291	12	2,5
8EA 726 493-001	MTD147	12	2
8EA 726 493-001	MTD151-09	12	2
8EA 726 494-001	MTT197	12	1
8EA 726 500-001	MTM171	12	1,4
8EA 726 502-001	MTD942	24	3,5
8EA 726 504-001	MTU103	12	2
8EA 726 504-001	MTU111	12	2
8EA 726 505-001	MTC953	24	3,2
8EA 726 508-001	MTS195	12	0,8
8EA 726 508-001	MTS198	12	0,8
8EA 726 510-001	MTT218	12	1
8EA 726 513-001	MTD164	12	1,4
8EA 726 514-001	MTC126	12	1,2
8EA 726 516-001	MTZ214	12	0,6
8EA 726 518-001	MTT215	12	1,4



Motorini di avviamento / starters hella / JAPANPARTS





HELLA	JAPANPARTS	Volt	Amp
-------	------------	------	-----

8EA 726 518-001	MTT221	12	1,4
8EA 726 518-001	MTT226	12	1,4
8EA 726 518-001	MTT227	12	1,4
8EA 726 518-001	MTT235	12	1,4
8EA 726 519-001	MTM935	12	0,85
8EA 726 523-001	MTM936	12	1,4
8EA 726 550-001	MTM168	12	0,85
8EA 726 550-001	MTM934	12	0,85
8EA 726 552-001	MTT195	12	2
8EA 726 552-001	MTT337	12	2
8EA 730 231-001	MTC134	12	0,9
8EA 730 232-001	MTT205	12	1
8EA 730 233-001	MTH164	12	1,4
8EA 730 233-001	MTH177	12	1,4
8EA 730 238-001	MTD158	12	2
8EA 730 239-001	MTU951	12	1,4
8EA 730 240-001	MTT211	12	1
8EA 730 245-001	MTT325	12	1
8EA 730 249-001	MTI214	12	0,8
8EA 730 255-001	MTD162	12	1,4
8EA 730 258-001	MTS194	12	1,4
8EA 730 258-001	MTS196	12	1,4
8EA 730 259-001	MTS201	12	1
8EA 730 260-001	MTD189	12	1
8EA 730 261-001	MTT170	12	0,8
8EA 730 291-001	MTD139	12	0,8
8EA 731 786-001	MTM188	12	1,7
8EA 731 788-001	MTU950	12	1,4
8EA 731 792-001	MTS204	12	1,4
8EA 731 794-001	MTD176	12	0,8
8EA 731 794-001	MTD216	12	0,8
8EA 731 795-001	MTT212	12	0,8

HELLA	JAPANPARTS	Volt	Amp
-------	------------	------	-----

8EA 731 795-001	MTT214	12	0,8
8EA 731 801-001	MTD170	12	1,2
8EA 731 801-001	MTD207	12	1,2
8EA 731 809-001	MTT236	12	2,2
8EA 732 666-001	MTC123	12	1,2
8EA 732 670-001	MTT320	12	1,6
8EA 732 678-001	MTT222	12	1,4
8EA 732 678-001	MTT224	12	1,4
8EA 732 854-001	MTD166	12	1,4
8EA 737 085-001	MTC964	12	1,3
8EA 737 113-001	MTT237	12	1
8EA 737 114-001	MTT326	12	1,4
8EA 737 119-001	MTT231	12	0,8
8EA 737 119-001	MTT342	12	0,8
8EA 737 123-001	MTC124	12	1,2
8EA 737 124-001	MTC125	12	1,2
8EA 737 125-001	MTD194	12	1,4
8EA 737 126-001	MTC135	12	0,9
8EA 737 126-001	MTC137	12	0,9
8EA 737 189-001	MTI206	12	0,8
8EA 737 190-001	MTU116	12	2,8
8EA 737 255-001	MTD202	12	2,2
8EA 737 259-001	MTI290	12	2,2
8EA 737 289-001	MTT335	12	1
8EA 737 289-001	MTT341	12	1
8EA 737 345-001	MTT907	24	4,5
8EA 737 346-001	MTH182	12	1,2
8EA 737 357-001	MTT355	12	1
8EA 737 362-001	MTT230	12	1,2
8EA 737 422-001	MTT357	12	2,7
8EA 737 422-001	MTT367	12	2,7
8EA 737 454-001	MTZ252	12	1,2



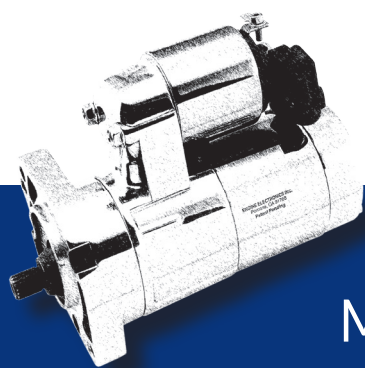


HELLA	JAPANPARTS	Volt	Amp
-------	------------	------	-----

8EA 737 454-001	MTZ256	12	1,2
8EA 737 464-001	MTD215	12	1,4
8EA 737 476-001	MTM201	12	1
8EA 737 545-001	MTM205	12	1
8EA 737 588-001	MTC961	12	1,2
8EA 737 594-001	MTC965	12	2,2
8EA 737 693-001	MTM193	12	0,95
8EA 737 701-001	MTH181	12	1,6
8EA 737 702-001	MTH199	12	1,4
8EA 737 741-001	MTZ260	12	1,4
8EA 737 760-001	MTT374	12	2,7
8EA 737 794-001	MTU961	12	1,4
8EA 737 865-001	MTT352	12	1,4
8EA 737 870-001	MTI216	12	0,8
8EA 737 914-001	MTT360	12	1

HELLA	JAPANPARTS	Volt	Amp
-------	------------	------	-----

8EA 737 934-001	MTT356	12	1
8EA 737 942-001	MTD226	12	1,7
8EA 737 943-001	MTD978	12	0,7
8EA 737 948-001	MTC968	12	2,2
8EA 737 962-001	MTT363	12	0,8
8EA 737 971-001	MTT376	12	0,8
8EA 737 973-001	MTC967	12	2
8EA 737 991-001	MTD217	12	2,2
8EA 738 039-001	MTM212	12	2,3
8EA 738 042-001	MTM943	12	2,2
8EA 738 043-001	MTT358	12	0,7
8EA 738 052-001	MTC144	12	0,9
8EA 738 062-001	MTD206	12	1,2
8EA 738 095-001	MTT370	12	1,2
8EA 738 105-001	MTC141	12	1,2



Motorini di avviamento / starters hella / JAPANPARTS





HELLA	JAPANPARTS	Volt	Amp
-------	------------	------	-----

8EA 738 138-001	MTD222	12	1,4
8EA 738 154-001	MTZ262	12	1
8EA 738 154-001	MTZ266	12	1
8EA 738 168-001	MTC150	12	0,9
8EA 738 169-001	MTC966	12	1,2
8EA 738 180-001	MTD230	12	1,1
8EA 738 209-001	MT130056	12	1,2
8EA 738 232-001	MT130158	12	1,1
8EA 738 258-131	MTM949	12	2,2
8EA 738 258-141	MTT373	12	1,4
8EA 738 258-181	MTM203	12	2,2
8EA 738 258-231	MTD228	12	1,4
8EA 738 258-241	MTD231	12	1,4
8EA 738 258-321	MTM214	12	1
8EA 738 258-331	MTH207	12	2

HELLA	JAPANPARTS	Volt	Amp
-------	------------	------	-----

8EA 738 258-341	MTC151	12	0,9
8EA 738 258-351	MTM215	12	1
8EA 738 258-411	MTH200	12	0,8
8EA 738 258-421	MTT385	12	1,3
8EA 738 258-441	MTS209	12	1
8EA 738 258-621	MTC962	24	3,2
8EA 738 258-661	MT130207	12	0,8
8EA 738 258-681	MTD237	12	2
8EA 738 258-701	MTD232	12	1
8EA 738 258-801	MTC975	12	2,2
8EA 738 258-881	MTC101	0	0
8EA 738 258-901	MTT390	12	1,1
8EA 738 258-911	MTZ265	12	2
8EA 738 259-101	MT130206	12	1,8
8EA 738 259-241	MTC162	12	0,9





L'azienda

The company

Japanparts S.r.L è stata fondata nel 1988 dal proprietario Sig. Luca Finetto ed è da oltre 25 anni fra le aziende leader nel settore dell'import/export di autoricambi per vetture giapponesi, Koreane ed Americane.

Japanparts S.r.L ha sede a Verona, nel Nord Italia e ha un magazzino logistico di 22.000 m2.

Una logistica altamente automatizzata attraverso il massiccio uso di codici a barre, lettori ottici, computer e kardex permette a Japanparts S.r.L. di gestire gli arrivi della merce contenuta in oltre 1000 container su base annua, e di evadere ordini di oltre 6000 righe in 24/48 ore.

Japanparts è presente sul mercato con tre brand diversi: Japanparts, Ashika, Japko

Da più di 25 anni la mission Japanparts è:
Consegna Veloce, Buona Qualità, Prezzo Competitivo.

Japanparts S.r.L was established in 1988 by its owner Mr Luca Finetto and for more then 25 years has been one of the main companies importing and exporting spare parts for Japanese, Korean and American cars. Japanparts S.r.L. is located in Verona, Northern Italy and has a logistical warehouse of 22.000 m2.

A completely automatic organisation obtained thanks to the use of EANCODES, optical sensors, computers and kardex allow Japanparts S.r.L to manage the incoming goods of 1000 annual containers. This permits also to prepare orders of more then 6.000 lines in 24/48 hours.

*Japanparts has two e different brands:
Japanparts, Ashika, Japko*

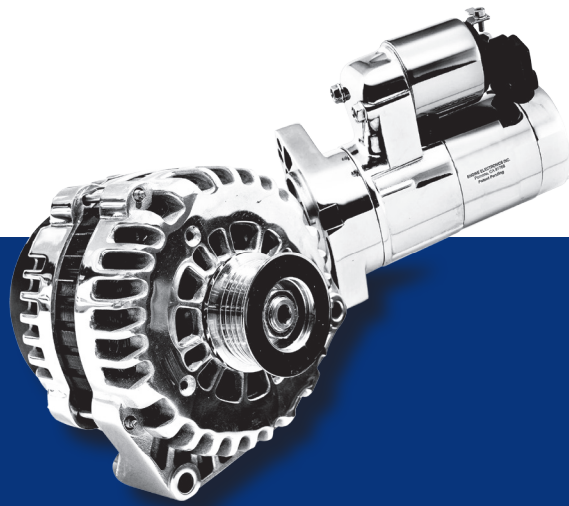
*For more then 25 years, Japanparts mission is:
Fast Delivery, Good Quality, Competitive Price.*





INDUSTRIE

Japanparts
WORLDWIDE QUALITY REPLACEMENT PARTS FOR JAPANESE AND KOREAN CARS



Via della Meccanica, 1/A
37139 VERONA (IT)

tel. +39 045 8517711
fax +39 045 8510714

info@japanparts.eu
www.japanparts.eu