

Subaru

Spare parts for passenger cars



DRIVER'S BEST FRIEND

MEYLE

Sophisticated technology - considerably longer service life.



The MEYLE range of products features a wide variety of components. Spare parts from A to Z, from Alfa Romeo to Volvo, from minicars to top-of-the-range luxury models.



Steering & suspension

Control arms, Stabilizer links, Tie rod assemblies, and many more



Brakes

Brake discs, MEYLE PD, Brake pad sets, Brake drums, and many more



Drive components

C.V. joint kits, Wheel bearings, Belt drives, and many more



Damping parts

Shock absorbers, Strut mounts, Coil springs, and many more



Filters

Oil filters, Air filters, Cabin air filters, Fuel filters, and many more



Cooling components

Water pumps, Expansion tanks, Radiator hoses, and many more



Rubber-to-metal parts

Flex discs, Cardan shaft bearings, Engine mounts, and many more



Electrics and sensors

Crank position sensor, Control units, Glow plugs, and many more



Engine and transmission parts

Oil change kits, V-ribbed belts, Idlers/guide pulleys, and many more



Fluids

Coolant additives, Hydraulic oil, Engine oil, and many more



Complementary product range

Wiper blades, Gas springs, Window lifters, and many more

ORIGINAL, PD and HD – The MEYLE product lines



MEYLE-ORIGINAL: Fit as snugly as the original.

More than 21,000 spare parts for passenger cars, vans and trucks, quality-tested, robust, durable and tried and tested a thousand times over on the roads across the world – that's MEYLE-ORIGINAL. Relying on our comprehensive product portfolio – offering everything from A for axial joint to Z for zinc-coated screw – customers can be sure that they will always have safety on their side.

MEYLE-PD: Safety to the power of two.

Thinking outside the box to make our products better: MEYLE-PD stands for brake discs and pads delivering maximum braking performance and setting new standards in terms of durability, comfort, aesthetics, and ease of installation. Look for the „/PD“ part number extension.

MEYLE-HD: Better than originals.

MEYLE-HD parts simply last longer. Their technically optimised and reinforced designs make them more durable and reliable than OE components. So it is only natural for us to offer extended warranty protection for our MEYLE-HD parts: All parts of the HD range come with a full four-year guarantee. Look for the „/HD“ part number extension.



4-year guarantee on all MEYLE-HD parts!

Robust, high mileage, reliable and better than the original. MEYLE-HD parts simply last longer!

Our three success factors.

The success of the MEYLE brand is based on competence, quality and service.

The development of quality-approved automotive spare parts for the independent aftermarket is our trademark. And MEYLE-HD parts are our specialty: improved parts, developed by our team of engineers at our headquarters in Hamburg. We give a 4-year guarantee on our MEYLE-HD parts which have a far longer service life. Based on information from TÜV (Technical control board), from recall statistics as well as media and market information from workshops and other technical partners, MEYLE engineers identify parts in vehicles which become conspicuous on account of frequent, early wear. On the basis of their findings, they develop technical improvements for the respective weakness. In the end, this work is a

large benefit for all MEYLE parts. Something all reputable automotive manufacturers highly appreciate: MEYLE also develops customized products, for example for Morgan, the legendary sports car manufacturer.

Passing on our know-how to staff and customers is just as much a part of our service as high parts availability and swift delivery. Modern warehouse logistics with space covering 29,000 m² and 56,000 pallet places ensure the reliable supply of our partners.

We have now won the "Top Job Employer" award for the fifth time which confirms our outstanding internal business approach and excellent Human Resources policy. We have been one of Germany's leading SME employers for many years.

MEYLE

Guarantee certificate



A distinguishing feature of MEYLE is our high level of precision, achieved by the application of the most modern manufacturing methods. Our MEYLE articles meet highest quality standards and our supply plants are certified in accordance with ISO 9001:2008 and ISO/TS 16949.

We guarantee perfect material and faultless processing of all our MEYLE articles for a period of 24 months as of the date of installation. For MEYLE-HD articles, this guarantee applies for 48 months as of the date of installation.

Complementing this guarantee, we give an additional 100,000 miles (160,934 kilometres) performance guarantee against defects of material and workmanship for MEYLE passenger car water pumps purchased from 01 May 2016. The guarantee given for MEYLE passenger car water pumps terminates upon expiration of the guarantee period or the guaranteed mileage, whichever occurs later: if the guaranteed mileage has not been reached at the end of the guarantee period of 24 or 48 months respectively, the performance guarantee continues to be valid. Respectively, the guarantee period of 24 or 48 months continues to be valid also in any case where the guaranteed mileage was already exceeded.

During the guarantee period, we perform repair work on claimed MEYLE articles or provide a replacement. The MEYLE guarantee does not apply for normal wear and damage caused by inappropriate handling or inappropriate installation. The guarantee expires if the respective part is modified by third parties or via installation of parts from third parties, or if the part, or vehicle, is used in excess of the appropriate use and purpose. The MEYLE guarantee also expires if MEYLE instructions or vehicle manufacturer instructions, e.g. concerning maintenance and replacement intervals, are not observed. The guarantee only applies for MEYLE water pumps, if the cooling circuit has been flushed prior to installation of the MEYLE water pump. Rights granted by law continue to apply unrestrictedly, irrespective of this guarantee.

The customer must submit a written guarantee claim immediately, or at the latest 30 days after identifying an error in material or processing. This claim is to be submitted to the dealer from which he acquired the MEYLE article part. The customer should return the article, carefully packed. He must enclose the original sales receipt and a description of the error. The customer must also verify the date of installation and the mileage of the vehicle by means of respective documents.

Last amended January 2017

A handwritten signature in white ink, appearing to read 'M. Wunder', is centered on the dark blue background.

Director Quality Assurance
Manfred Wunder

Body/Cabin 1

Body, Interior fittings

Cabin air filter
Wiper Blade

Brakes 9

Disc brake, Drum brake

Brake disc	Brake shoe kit
Brake pad set	

Drive train/Transmission 26

Joints

C.V. joint kit

Electrics 28

Engine

Glow plug
Lambda probe

Engine/Cooling/Clutch 29

Belt drive / Engine control, Cooling system, Fuel system, Lubrication system

Air filter	Oil filter	V-ribbed belt
Fuel filter	Thermostat	Water pump

Steering 46

Tie rod assemblies

Axial rod
Tie rod end

Suspension 49

Control arms, Stabilizer, Suspension / damping

Ball joint	Control arm bushing	Shock absorber
Control arm	Dust cover kit, shock absorber	Stabilizer link

Wiper Blade

029 300 1217 | MBL0080

Notes

Length [in]
Length [mm]

Beam wiper blade
Bracket wiper blade
12
300
Rear



Application info

Impreza IV [07/11--]

XV [03/12--]

Wiper Blade

029 380 1514 | MBL0081

Notes

Length [in]
Length [mm]

Beam wiper blade
Bracket wiper blade
15
380
Rear



Application info

Forester I [SF] [07/97-09/02]
Forester II [SG] [09/02-08/05]
Impreza I [GC, GF, GFC] [08/92-12/00]
Impreza II [GD, GG] [12/00-12/07]

Legacy I [01/89-07/94]
Legacy III [10/98-08/03]
Outback II [BE, BH] [10/00-08/03]

Wiper Blade

029 400 1600 | MBL0021

Notes

Observe service information
Length [in]
Length [mm]

Flat bar wiper blade
Flat wiper blade
16
400
Front



Application info

Impreza II [GD, GG] [12/00-12/07]
Impreza III [GR] [07/07-12/10]

Justy IV [01/07--]
XV [03/12--]

029 425 1700 | MBL0026

Wiper Blade



Notes

Observe service information
Length [in]
Length [mm]

Flat bar wiper blade
Flat wiper blade
17
425
Front

Application info

Justy III [G3X] [09/03--]

029 450 1800 | MBL0027

Wiper Blade



Notes

Observe service information
Length [in]
Length [mm]

Flat wiper blade
Flat bar wiper blade
18
450
Front

Application info

Forester III [SH] [01/08--]
Impreza I [GC, GF, GFC] [08/92-12/00]
Justy II [JMA, MS] [10/95-11/03]
Legacy I [01/89-07/94]
Legacy IV [09/03--]

Legacy V [09/09--]
Leone II [11/84-12/94]
Outback III [BL, BP] [09/03-09/09]
Outback IV [BM, BR] [09/09--]

029 475 1900 | MBL0028

Wiper Blade



Notes

Observe service information
Length [in]
Length [mm]

Flat bar wiper blade
Flat wiper blade
19
475
Front

Wiper Blade

029 475 1900 | MBL0028

Application info

Forester I (SF) [07/97-09/02]
Forester II (SG) [09/02-08/05]

Justy III (G3X) [09/03--]
Legacy II [02/94-12/99]

Wiper Blade

029 500 2000 | MBL0029

Notes

Observe service information
Length [in]
Length [mm]

Flat bar wiper blade
Flat wiper blade

20
500
Front



Application info

Justy IV [01/07--]
Legacy I [01/89-07/94]

Legacy III [10/98-08/03]
Outback II (BE, BH) [10/00-08/03]

Wiper Blade

029 530 2100 | MBL0030

Notes

Observe service information
Length [in]
Length [mm]

Flat bar wiper blade
Flat wiper blade

21
530
Front



Application info

Forester I (SF) [07/97-09/02]
Forester II (SG) [09/02-08/05]
Impreza I (GC, GF, GFC) [08/92-12/00]

Justy II (JMA, MS) [10/95-11/03]
Legacy II [02/94-12/99]

029 550 2200 | MBL0032

Wiper Blade



Notes

Observe service information
Length [in]
Length [mm]

Flat bar wiper blade
Flat wiper blade
22
550
Front

Application info

Impreza II [GD, GG] [12/00-12/07]
Legacy III [10/98-08/03]

Outback II [BE, BH] [10/00-08/03]

029 600 2400 | MBL0034

Wiper Blade



Notes

Observe service information
Length [in]
Length [mm]

Flat bar wiper blade
Flat wiper blade
24
600
Front

Application info

Forester III [SH] [01/08--]
Impreza III [GR] [07/07-12/10]

Legacy IV [09/03--]
Outback III [BL, BP] [09/03-09/09]

029 650 2600 | MBL0036

Wiper Blade



Notes

Observe service information
Length [in]
Length [mm]

Flat wiper blade
Flat bar wiper blade
26
650
Front

Application info

Legacy V [09/09--]
Outback IV [BM, BR] [09/09--]

XV [03/12--]



Wiper Blade

029 700 2800 | MBL0039

Notes

Observe service information
Length [in]
Length [mm]

Flat bar wiper blade
Flat wiper blade
28
700
Front



Application info

Trezia [03/11--]

Cabin air filter

30-12 319 0006 | MCF0205

Notes

Height [mm]
Width [mm]
Length [mm]

30
195
213
Filter Insert
Particulate Filter

References

72880AJ000



Application info

Legacy V [09/09--]

Outback IV [BM, BR] [09/09--]

Cabin air filter

30-12 320 0006 | MCF0216

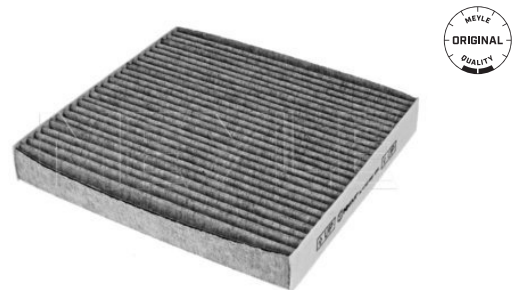
Notes

Height [mm]
Width [mm]
Length [mm]

30
194
215
Filter Insert
Activated Carbon Filter

References

72880AJ000



Application info

Legacy V [09/09--]

Outback IV [BM, BR] [09/09--]

34-12 319 0001 | MCF0286

Cabin air filter



Notes

Height [mm] 30
Width [mm] 184
Length [mm] 210
Filter Insert
Particulate Filter

References

72880FE000

Application info

Impreza I [GC, GF, GFC] [08/92-12/00]
Impreza II [GD, GG] [12/00-12/07]

Impreza III [GR] [07/07-12/10]

34-12 319 0006 | MCF0290

Cabin air filter



Notes

Height 1 [mm] 30
Height [mm] 57
Width [mm] 218
Length [mm] 226
Filter Insert
Particulate Filter

References

72880FG000

72880FG0009P

Application info

Forester III [SH] [01/08--]

Impreza III [GR] [07/07-12/10]

34-12 319 0002 | MCF0287

Cabin air filter



Notes

Height 1 [mm] 30
Height [mm] 40
Width [mm] 199
Length [mm] 216
Filter Insert
Particulate Filter

References

72880SA0009P
72880SA010
G3010SA000

G3010SA001
G3010SA100

Application info

Forester II [SG] [09/02-08/05]
Forester III [SH] [01/08--]

Impreza III [GR] [07/07-12/10]

Cabin air filter

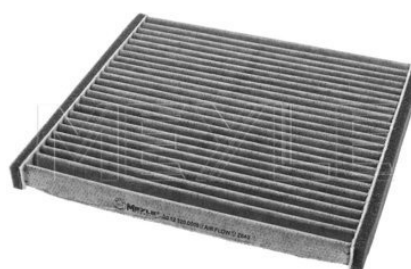
30-12 320 0005 | MCF0215

Notes

Height [mm] 19
 Width [mm] 214
 Length [mm] 215
 Filter Insert
 Activated Carbon Filter

References

87139YZZ03 G3010AG100



Application info

Legacy IV [09/03--] Tribeca [B9] [01/05--]
 Outback III [BL, BP] [09/03-09/09]

Cabin air filter

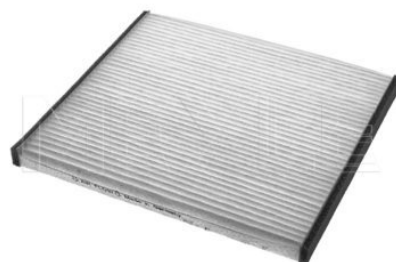
30-12 319 0001 | MCF0200

Notes

Height [mm] 17
 Width [mm] 196
 Length [mm] 216
 Filter Insert
 Particulate Filter

References

8856852010 885685201083



Application info

Legacy II [02/94-12/99] Legacy IV [09/03--]

Cabin air filter

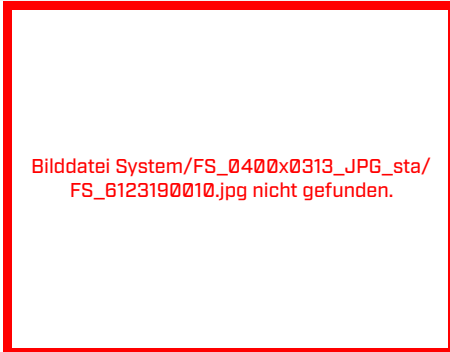
612 319 0010 | MCF0393

Notes

Height [mm] 19
 Width [mm] 202
 Width 2 [mm] 240
 Length [mm] 242
 Filter Insert
 Particulate Filter

References

9586078F10



Application info

Justy III [G3X] [09/03--]

30-12 320 0002 | MCF0213

Cabin air filter



Notes

Height [mm] 14
Width [mm] 196
Length [mm] 216
Filter Insert
Activated Carbon Filter

References

G3010AG100

Application info

Legacy II [02/94-12/99]

Legacy IV [09/03--]

34-12 320 0001 | MCF0291

Cabin air filter



Notes

Height [mm] 30
Width [mm] 186
Length [mm] 209
Filter Insert
Activated Carbon Filter

References

72880FE000
G3010FE200
G3210FE000

Application info

Impreza I [GC, GF, GFC] [08/92-12/00]
Impreza II [GD, GG] [12/00-12/07]

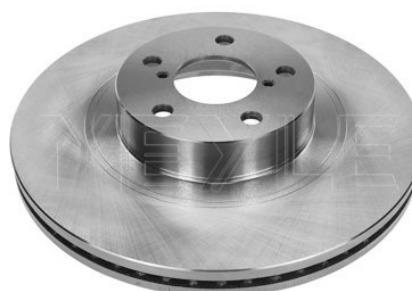
Impreza III [GR] [07/07-12/10]

Brake disc
34-15 521 0014 | MBD1962
Notes

Wheel Bolt Bore Ø [mm]	13
	Vented
Centering Diameter [mm]	58
Minimum thickness [mm]	22
Outer diameter [mm]	293
Height [mm]	56.7
Bolt Hole Circle Ø [mm]	100
Brake Disc Thickness [mm]	24
Required quantity	2
Number of Holes	5
	Front Axle

References

26300AE060	26300SA001
26300AE061	26310AC040
26300FE040	26310AC041
26300SA000	


2
Application info

BRZ [06/12--]
Forester [SJ] [03/13--]
Forester II [SG] [09/02-08/05]
Forester III [SH] [01/08--]
Impreza I [GC, GF, GFC] [08/92-12/00]
Impreza II [GD, GG] [12/00-12/07]
Impreza III [GR] [07/07-12/10]

Impreza IV [07/11--]
Legacy IV [09/03--]
Legacy V [09/09--]
Outback II [BE, BH] [10/00-08/03]
Outback III [BL, BP] [09/03-09/09]
Outback IV [BM, BR] [09/09--]
XV [03/12--]

Brake disc
34-15 521 0014/PD | MBD1962PD
Notes

Wheel Bolt Bore Ø [mm]	13
	Zink flake coated
	Vented
Centering Diameter [mm]	58
Minimum thickness [mm]	22
Outer diameter [mm]	293
Height [mm]	57
Bolt Hole Circle Ø [mm]	100
Brake Disc Thickness [mm]	24
Required quantity	2
Number of Holes	5
	Front Axle

References

26300AE060	26300SA001
26300AE061	26310AC040
26300FE040	26310AC041
26300SA000	


Application info

BRZ [06/12--]
Forester [SJ] [03/13--]
Forester II [SG] [09/02-08/05]
Forester III [SH] [01/08--]
Impreza I [GC, GF, GFC] [08/92-12/00]
Impreza II [GD, GG] [12/00-12/07]
Impreza III [GR] [07/07-12/10]

Impreza IV [07/11--]
Legacy IV [09/03--]
Legacy V [09/09--]
Outback II [BE, BH] [10/00-08/03]
Outback III [BL, BP] [09/03-09/09]
Outback IV [BM, BR] [09/09--]
XV [03/12--]

34-15 521 0002 | MBD0880

Brake disc



Notes

Wheel Bolt Bore Ø [mm]	12.8
	Vented
Centering Diameter [mm]	58
Minimum thickness [mm]	22
Outer diameter [mm]	260
Height [mm]	57
Bolt Hole Circle Ø [mm]	100
Brake Disc Thickness [mm]	24
Required quantity	2
Number of Holes	5
	Front Axle

References

26300AE040	26310AA031
26300AE090	26310AA032
26310AA021	26310AC060
26310AA030	

Application info

Impreza I [GC, GF, GFC] [08/92-12/00]
 Impreza II [GD, GG] [12/00-12/07]
 Impreza III [GR] [07/07-12/10]

Legacy I [01/89-07/94]
 Legacy II [02/94-12/99]
 Legacy III [10/98-08/03]

34-15 523 0000 | MBD0888

Brake disc



Notes

Wheel Bolt Bore Ø [mm]	12.8
	Solid
Centering Diameter [mm]	58
Minimum thickness [mm]	8.5
Outer diameter [mm]	266
Height [mm]	65.8
Bolt Hole Circle Ø [mm]	100
Brake Disc Thickness [mm]	10
Required quantity	2
Number of Holes	5
	Rear Axle

References

26310AA040	26700FE030
26310AA050	26700FE080
26310AA051	26710AC020
26700FE010	

Application info

Forester I [SF] [07/97-09/02]
 Forester II [SG] [09/02-08/05]
 Impreza I [GC, GF, GFC] [08/92-12/00]

Impreza II [GD, GG] [12/00-12/07]
 Legacy II [02/94-12/99]

Brake disc
34-15 521 0013 | MBD1961
Notes

Wheel Bolt Bore Ø [mm]	13
	Vented
Centering Diameter [mm]	58
Minimum thickness [mm]	22
Outer diameter [mm]	277
Height [mm]	57
Bolt Hole Circle Ø [mm]	100
Brake Disc Thickness [mm]	24
Required quantity	2
Number of Holes	5
	Front Axle

References

26300AE050	26310AA092
26300AE070	26310AA120
26300AE071	26310AA121
26310AA081	26310AA151
26310AA091	


2
Application info

BRZ [06/12--]
 Forester I [SF] [07/97-09/02]
 Forester II [SG] [09/02-08/05]
 Forester III [SH] [01/08--]
 Impreza I [GC, GF, GFC] [08/92-12/00]
 Impreza II [GD, GG] [12/00-12/07]
 Impreza III [GR] [07/07-12/10]

Legacy I [01/89-07/94]
 Legacy II [02/94-12/99]
 Legacy III [10/98-08/03]
 Legacy IV [09/03--]
 Legacy V [09/09--]
 Outback IV [BM, BR] [09/09--]

Brake disc
34-15 521 0013/PD | MBD1961PD
Notes

Wheel Bolt Bore Ø [mm]	13
	Zink flake coated
	Vented
Centering Diameter [mm]	58
Minimum thickness [mm]	22
Outer diameter [mm]	277
Height [mm]	57
Bolt Hole Circle Ø [mm]	100
Brake Disc Thickness [mm]	24
Required quantity	2
Number of Holes	5
	Front Axle

References

26300AE050	26310AA092
26300AE070	26310AA120
26300AE071	26310AA121
26310AA081	26310AA151
26310AA091	


+

34-15 521 0013/PD | MBD1961PD

Brake disc

Application info

BRZ (06/12--)
Forester I (SF) (07/97-09/02)
Forester II (SG) (09/02-08/05)
Forester III (SH) (01/08--)
Impreza I (GC, GF, GFC) (08/92-12/00)
Impreza II (GD, GG) (12/00-12/07)
Impreza III (GR) (07/07-12/10)

Legacy I (01/89-07/94)
Legacy II (02/94-12/99)
Legacy III (10/98-08/03)
Legacy IV (09/03--)
Legacy V (09/09--)
Outback IV (BM, BR) (09/09--)

34-15 523 0013 | MBD0895

Brake disc



Notes

Wheel Bolt Bore Ø [mm]	13
	Vented
Centering Diameter [mm]	58
Minimum thickness [mm]	16
Outer diameter [mm]	290
Height [mm]	67.4
Bolt Hole Circle Ø [mm]	100
Brake Disc Thickness [mm]	18
Required quantity	2
Number of Holes	5
	Rear Axle

References

26700AE030	26700AE080
26700AE070	26700AE081

Application info

Impreza II (GD, GG) (12/00-12/07)

Legacy IV (09/03--)

34-15 523 0003 | MBD0891

Brake disc



Notes

Wheel Bolt Bore Ø [mm]	13
	Solid
Centering Diameter [mm]	58
Minimum thickness [mm]	8.5
Outer diameter [mm]	290
Height [mm]	67
Bolt Hole Circle Ø [mm]	100
Brake Disc Thickness [mm]	10
Required quantity	2
Number of Holes	5
	Rear Axle

References

26700AE010	26700AE061
26700AE060	26700AE062

Application info

Forester I (SF) (07/97-09/02)
Forester II (SG) (09/02-08/05)
Legacy III (10/98-08/03)

Outback II (BE, BH) (10/00-08/03)
Outback III (BL, BP) (09/03-09/09)

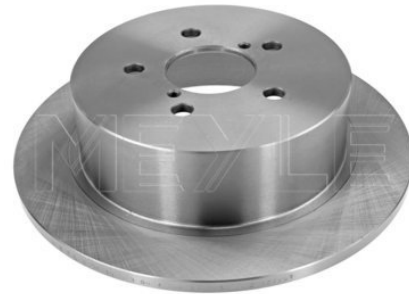


Brake disc

34-15 523 0007 | MBD1963

Notes

Wheel Bolt Bore Ø [mm]	13
	Solid
Centering Diameter [mm]	58
Minimum thickness [mm]	8.5
Outer diameter [mm]	274
Height [mm]	67.8
Bolt Hole Circle Ø [mm]	100
Brake Disc Thickness [mm]	10
Required quantity	2
Number of Holes	5
	Rear Axle



References

26700AG000	26700AG001
------------	------------

Application info

Legacy IV (09/03--)

Outback III (BL, BP) (09/03-09/09)

Brake disc

30-15 523 0107/PD | MBD1874PD

Notes

Wheel Bolt Bore Ø [mm]	14.5
	Zink flake coated
	Solid
Centering Diameter [mm]	55.3
Minimum thickness [mm]	7.5
Outer diameter [mm]	259
Height [mm]	30.4
Bolt Hole Circle Ø [mm]	100
	without wheel hub
Brake Disc Thickness [mm]	9
Required quantity	2
Number of Holes	5
	Rear Axle



References

4243112310

Application info

Trezia (03/11--)

2

30-15 521 0112 | MBD0569

Brake disc



Notes

Wheel Bolt Bore Ø [mm]	14.5
	Vented
Centering Diameter [mm]	55
Minimum thickness [mm]	19
Outer diameter [mm]	275
Height [mm]	46.5
Bolt Hole Circle Ø [mm]	100
Brake Disc Thickness [mm]	22
Required quantity	2
Number of Holes	5
	Front Axle

References

4351212710

Application info

Trezia [03/11--]

39-15 521 0004 | MBD1086

Brake disc



Notes

Wheel Bolt Bore Ø [mm]	13.2
	Vented
Centering Diameter [mm]	55
Minimum thickness [mm]	15
Outer diameter [mm]	234
Height [mm]	41
Bolt Hole Circle Ø [mm]	100
Brake Disc Thickness [mm]	16
Required quantity	2
Number of Holes	4
	Front Axle

References

4351297202

Application info

Justy IV [01/07--]



Brake disc

39-15 521 0000 | MBD1083

Notes

Wheel Bolt Bore Ø [mm]	13.2
	Vented
Centering Diameter [mm]	55
Minimum thickness [mm]	16
Outer diameter [mm]	246
Height [mm]	41.9
Bolt Hole Circle Ø [mm]	100
Brake Disc Thickness [mm]	17
Required quantity	2
Number of Holes	4
	Front Axle



References

4351297402	43512B1110
------------	------------

Application info

Justy IV (01/07--)

Brake disc

33-15 521 0002 | MBD0862

Notes

Wheel Bolt Bore Ø [mm]	12.8
	Vented
Centering Diameter [mm]	64
Minimum thickness [mm]	15
Outer diameter [mm]	231.2
Height [mm]	50
Bolt Hole Circle Ø [mm]	114.3
Brake Disc Thickness [mm]	17
Required quantity	2
Number of Holes	4
	Front Axle



References

5531180F01	5531180F03
5531180F02	

Application info

Justy II (JMA, MS) (10/95-11/03)

2

615 521 6039 | MBD1299

Brake disc



Notes

Wheel Bolt Bore Ø [mm]	12.5
	Vented
Centering Diameter [mm]	60
Minimum thickness [mm]	15
Outer diameter [mm]	253
Height [mm]	49
Bolt Hole Circle Ø [mm]	100
Brake Disc Thickness [mm]	17
Required quantity	2
Number of Holes	4
	Front Axle

References

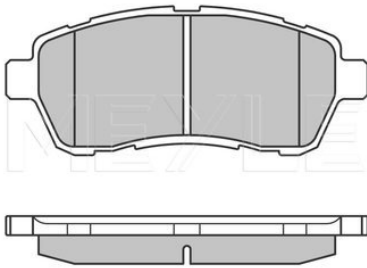
5531186G02

Application info

Justy III [G3X] [09/03--]

025 242 8316/PD | MBP0555PD

Brake pad set



Notes

Quality	with acoustic wear warning
Thickness [mm]	PREMIUM
Height [mm]	16.5
Width [mm]	51.7
Number of wear indicators [per axle]	125.6
Brake System	2
	TRW
	with anti-squeak plate
	Front Axle

References

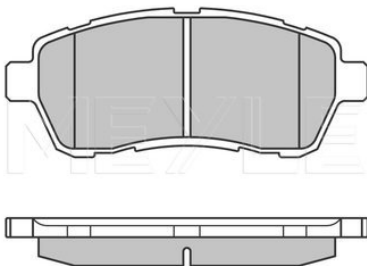
04465B1320

Application info

Justy IV [01/07--]

025 242 8316/W | MBP0556

Brake pad set



Notes

Thickness [mm]	with acoustic wear warning
Height [mm]	16.5
Width [mm]	51.7
Number of wear indicators [per axle]	125.6
Brake System	2
	TRW
	with anti-squeak plate
	Front Axle

References

04465B1320



Brake pad set

025 242 8316/W | MBP0556

Application info

Justy IV (01/07--)

Brake pad set

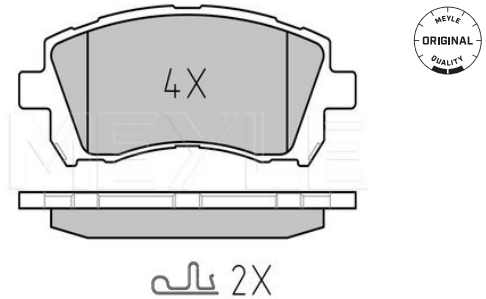
025 235 5817/W | MBP0383

Notes

Thickness [mm]	with acoustic wear warning
Height [mm]	17
Width [mm]	59.7
Number of wear indicators [per axle]	137.6
Brake System	2
	Akebono
	with anti-squeak plate
	Front Axle

References

26296AC040	26296AE020
26296AC041	26296AE081
26296AC050	26296AE140
26296AC060	26296AE141
26296AC070	26296AE210
26296AC200	26296AE220



Application info

Forester I (SF) (07/97-09/02)
 Impreza I (GC, GF, GFC) (08/92-12/00)
 Legacy II (02/94-12/99)

Legacy III (10/98-08/03)
 Outback II (BE, BH) (10/00-08/03)
 Outback III (BL, BP) (09/03-09/09)

Brake pad set

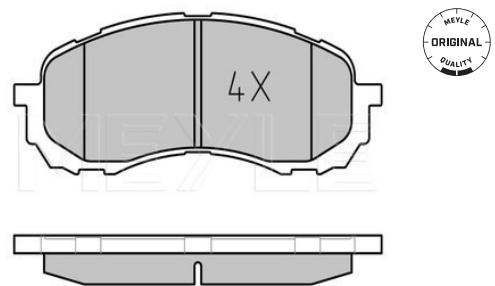
025 243 7217/W | MBP0586

Notes

Thickness [mm]	excl. wear warning contact
Height [mm]	17.9
Width [mm]	53.5
Brake System	137.1
	Akebono
	with anti-squeak plate
	Front Axle

References

26296AE190	26296AE200
------------	------------



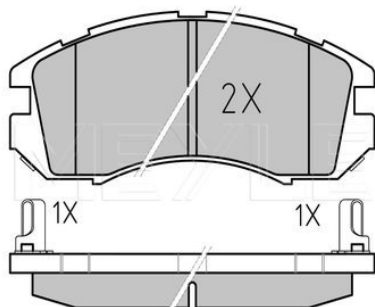
Application info

Impreza II (GD, GG) (12/00-12/07)

2

025 214 9517/W | MBP0144

Brake pad set



Notes

Thickness [mm]	17
Height [mm]	54.4
Width [mm]	127.7
Number of wear indicators [per axle]	2
Brake System	Akebono with anti-squeak plate Front Axle

References

26296AA000	26296AA131
26296AA020	26296AA141
26296AA030	26296AA161
26296AA041	26296AA163
26296AA100	26296FA000
26296AA120	26296FA001
26296AA121	26310AA010
26296AA130	

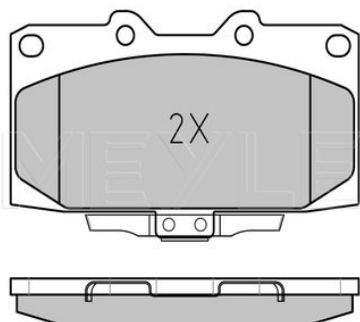
Application info

Impreza I [GC, GF, GFC] [08/92-12/00]
Legacy I [01/89-07/94]

Legacy II [02/94-12/99]

025 218 5415/W | MBP0207

Brake pad set



Notes

Thickness [mm]	15
Height [mm]	71.2
Width [mm]	119.3
Number of wear indicators [per axle]	2
Brake System	Sumitomo with anti-squeak plate Front Axle

References

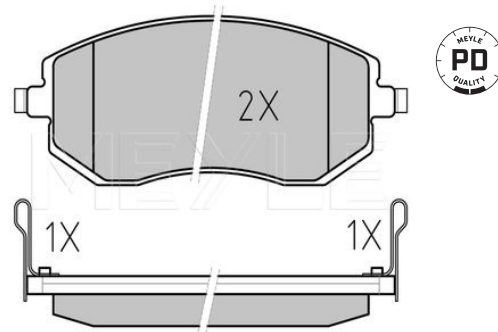
26296AE120	26296FA101
26296AE121	26296FA102
26296FA100	26296FA170

Application info

Impreza II [GD, GG] [12/00-12/07]

Brake pad set
025 238 6517/PD | MBP0805PD
Notes

Quality	with acoustic wear warning PREMIUM
Thickness [mm]	17.8
Height [mm]	56.8
Width [mm]	137
Number of wear indicators [per axle]	2
Brake System	Akebono with anti-squeak plate Front Axle


References

26296FE020	26296SA011
26296FE080	26296SA030
26296FE081	26296SA031
26296FG000	29296FE081
26296SA010	

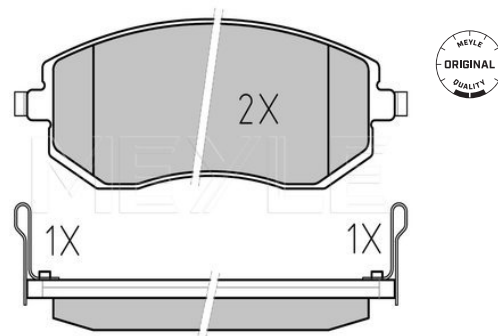
Application info

Forester I [SF] [07/97-09/02]
 Forester II [SG] [09/02-08/05]
 Forester III [SH] [01/08--]
 Impreza II [GD, GG] [12/00-12/07]
 Impreza III [GR] [07/07-12/10]

Legacy III [10/98-08/03]
 Legacy IV [09/03--]
 Outback III [BL, BP] [09/03-09/09]
 Outback IV [BM, BR] [09/09--]

Brake pad set
025 238 6517/W | MBP0460
Notes

Thickness [mm]	with acoustic wear warning 17.8
Height [mm]	56.8
Width [mm]	137
Number of wear indicators [per axle]	2
Brake System	Akebono with anti-squeak plate Front Axle


References

26296FE020	26296SA011
26296FE080	26296SA030
26296FE081	26296SA031
26296FG000	29296FE081
26296SA010	

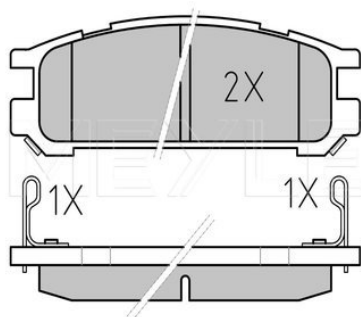
Application info

Forester I [SF] [07/97-09/02]
 Forester II [SG] [09/02-08/05]
 Forester III [SH] [01/08--]
 Impreza II [GD, GG] [12/00-12/07]
 Impreza III [GR] [07/07-12/10]

Legacy III [10/98-08/03]
 Legacy IV [09/03--]
 Outback III [BL, BP] [09/03-09/09]
 Outback IV [BM, BR] [09/09--]

025 217 0315/W | MBP0185

Brake pad set



Notes

Thickness [mm]	15
Height [mm]	38.8
Width [mm]	108
Number of wear indicators [per axle]	2
Brake System	Akebono with anti-squeak plate Rear Axle

References

26296AA030	26296AA082
26296AA060	26296AA130
26296AA061	26296AA131
26296AA062	26296PA060
26296AA080	29296AA061
26296AA081	

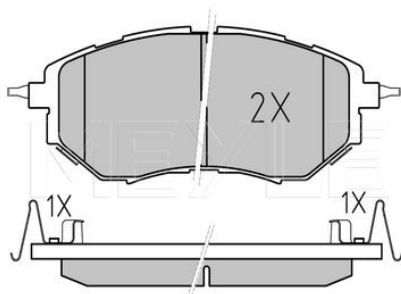
Application info

Impreza I [GC, GF, GFC] [08/92-12/00]
Legacy I [01/89-07/94]

Legacy II [02/94-12/99]
Legacy III [10/98-08/03]

025 242 2218/W | MBP0542

Brake pad set



Notes

Thickness [mm]	18
Height [mm]	63.5
Width [mm]	157
Number of wear indicators [per axle]	2
Brake System	Sumitomo with anti-squeak plate Front Axle

References

26296AG000	26296AG050
26296AG010	26296XA010
26296AG030	

Application info

Legacy IV [09/03--]
Outback III [BL, BP] [09/03-09/09]

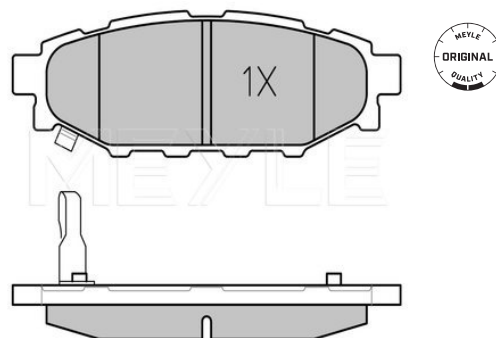
Outback IV [BM, BR] [09/09--]
Tribeca [B9] [01/05--]

Brake pad set
025 242 7114/W | MBP0550
Notes

	with acoustic wear warning
Thickness [mm]	14.6
Height [mm]	37.5
Width [mm]	110.5
Number of wear indicators [per axle]	1
Brake System	Akebono with anti-squeak plate Rear Axle

References

26696AG010	26696AG031
26696AG030	


Application info

 Forester III [SH] [01/08--]
 Impreza III [GR] [07/07-12/10]
 Legacy IV [09/03--]

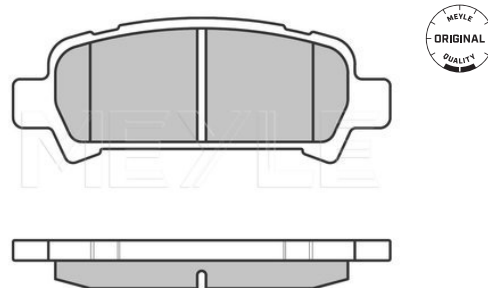
 Legacy V [09/09--]
 Outback III [BL, BP] [09/03-09/09]
 Outback IV [BM, BR] [09/09--]

Brake pad set
025 235 7214/W | MBP0385
Notes

	with acoustic wear warning
Thickness [mm]	13.8
Height [mm]	41.6
Width [mm]	108.3
Number of wear indicators [per axle]	1
Brake System	Akebono with anti-squeak plate Rear Axle

References

26696AG020	26696FC001
26696FA010	26696FC002
26696FC000	26696FC020

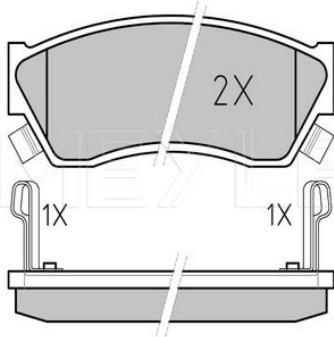

Application info

 Forester I [SF] [07/97-09/02]
 Forester II [SG] [09/02-08/05]
 Impreza I [GC, GF, GFC] [08/92-12/00]
 Impreza II [GD, GG] [12/00-12/07]

 Legacy III [10/98-08/03]
 Legacy IV [09/03--]
 Outback II [BE, BH] [10/00-08/03]
 Outback III [BL, BP] [09/03-09/09]

025 213 3314/W | MBP0112

Brake pad set



Notes

Thickness [mm]
Height [mm]
Width [mm]
Number of wear indicators [per axle]
Brake System

with acoustic wear warning
14.3
44.8
107.3
2
Sumitomo
with anti-squeak plate
Front Axle

References

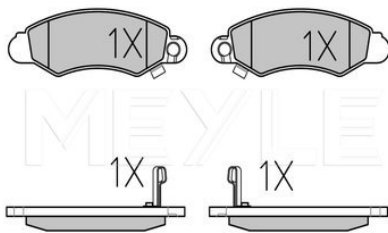
5520061880

Application info

Justy II [JMA, MS] [10/95-11/03]

025 232 9614/W | MBP0315

Brake pad set



Notes

Thickness [mm]
Height [mm]
Width [mm]
Number of wear indicators [per axle]
Brake System

with acoustic wear warning
14.5
44.5
131
2
Bosch
with anti-squeak plate
Front Axle

References

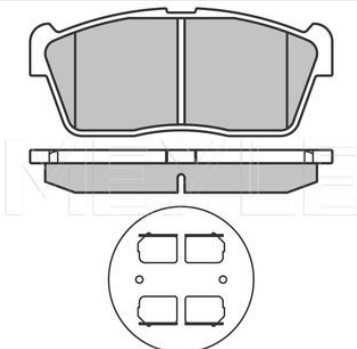
5520080E10

Application info

Justy II [JMA, MS] [10/95-11/03]

025 235 0715 | MBP0364

Brake pad set



Notes

Thickness [mm]
Height [mm]
Width [mm]
Number of wear indicators [per axle]
Brake System

with acoustic wear warning
15.2
45.6
108.4
2
Sumitomo
with anti-squeak plate
Front Axle

References

5581060J00

Brake pad set

025 235 0715 | MBP0364

Application info

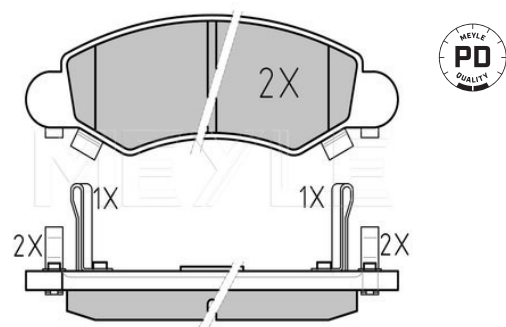
Justy IV [01/07--]

Brake pad set

025 232 5316/PD | MBP0786PD

Notes

Quality	with acoustic wear warning PREMIUM
Thickness [mm]	15.5
Height [mm]	44.4
Width [mm]	130.8
Number of wear indicators [per axle]	2
Brake System	Bosch with anti-squeak plate Front Axle



References

5581084 5581084E01

Application info

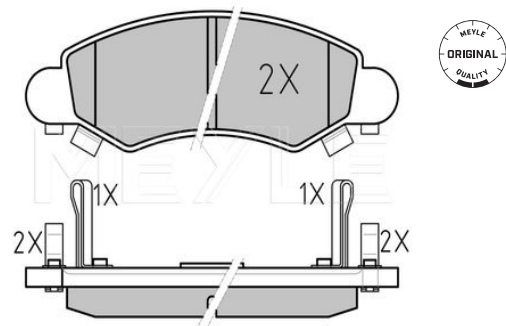
Justy III [G3X] [09/03--]

Brake pad set

025 232 5316/W | MBP0302

Notes

Thickness [mm]	with acoustic wear warning 15.5
Height [mm]	44.4
Width [mm]	130.8
Number of wear indicators [per axle]	2
Brake System	Bosch with anti-squeak plate Front Axle



References

5581084 5581084E01

Application info

Justy III [G3X] [09/03--]

34-14 533 0000 | MBS0119

Brake shoe kit



Notes

Diameter [mm]
Width [mm]

without spring
228.6
30
Rear Axle

References

26257AA030
26257AA040

26257AA050
26298AA010

Application info

Forester II [SG] [09/02-08/05]
Impreza I [GC, GF, GFC] [08/92-12/00]

Impreza II [GD, GG] [12/00-12/07]
Legacy II [02/94-12/99]

33-14 533 0005 | MBS0116

Brake shoe kit



Notes

Diameter [mm]
Width [mm]

without spring
200
32
Rear Axle

References

5320060841

Application info

Justy II [JMA, MS] [10/95-11/03]

614 533 0000 | MBS0163

Brake shoe kit



Notes

Diameter [mm]
Width [mm]
Brake System

without spring
with lever
200
29
TRW
Rear Axle

References

5320086600

Application info

Justy III [G3X] [09/03--]

Brake shoe kit

614 533 0000/K | MBS0286

Notes

without wheel brake cylinder
with lever
with spring
Pre-assembled
Diameter [mm] 200
Width [mm] 29
Brake System TRW
Rear Axle



References

5320086600

Application info

Justy III [G3X] [09/03--]

Brake shoe kit

32-14 533 0002 | MBS0102

Notes

without spring
Diameter [mm] 190
Width [mm] 32
Rear Axle



Application info

Forester III [SH] [01/08--]

Impreza III [GR] [07/07-12/10]

34-14 498 0001 | MCV0250

C.V. joint kit



Notes

Number of Teeth, ABS ring

CV Joint

44
with ABS ring

Seal Diameter [mm]

56

Length [mm]

149.5

Internal Teeth, wheel side

30

Outer gearing wheel side

27

Wheel Side

References

28021AC200

Application info

Impreza I [GC, GF, GFC] [08/92-12/00]

Impreza II [GD, GG] [12/00-12/07]

34-14 498 0006 | MCV0252

C.V. joint kit



Notes

Seal Diameter [mm]

CV Joint

without ABS ring

Length [mm]

56

Internal Teeth, wheel side

153

Outer gearing wheel side

22

27

Wheel Side

References

28021AA003

28021AA162

28021AA011

28021AA481

28021AA012

28021AA491

28021AA013

28021AA541

28021AA160

28021AC090

28021AA161

28091AA094

Application info

Impreza I [GC, GF, GFC] [08/92-12/00]

Legacy I [01/89-07/94]

Legacy II [02/94-12/99]

33-14 498 0021 | MCV0249

C.V. joint kit



Notes

Number of Teeth, ABS ring

CV Joint

43

with ABS ring

Seal Diameter [mm]

49

Length [mm]

137

Internal Teeth, wheel side

28

Outer gearing wheel side

25

Wheel Side

References

4410286G60



C.V. joint kit

33-14 498 0021 | MCV0249



Application info

Justy III (G3X) (09/03--)

34-14 860 0000 | MGP0132

Glow plug



Notes

Spanner Size	10
Thread Size	M10 x 1
Overall Length [mm]	154
Connector type	pin
Cone Pitch	123°
Fitting Depth [mm]	28
Voltage [V]	11

References

22439AA000

Application info

Forester (SJ) [03/13--]
Forester III (SH) [01/08--]
Impreza III (GR) [07/07-12/10]
Legacy IV [09/03--]

Legacy V [09/09--]
Outback IV (BM, BR) [09/09--]
XV [03/12--]

100 900 0000 | MEX0265

Lambda probe



Notes

	Regulating Probe Unheated
Cable Length [mm]	890
Number of Poles	1

References

22690KA060

22690KA081

Application info

Justy I (KAD) [11/84-10/95]

Leone II [11/84-12/94]



V-ribbed belt

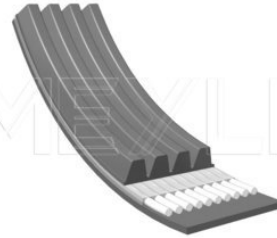
050 004 0815 | MRB0082

Notes

Number of Ribs 4
Length [mm] 815

References

1752186500



Application info

Justy II [JMA, MS] [10/95-11/03]

Justy III [G3X] [09/03--]

V-ribbed belt

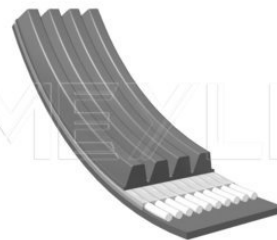
050 004 0890 | MRB0097

Notes

Number of Ribs 4
Length [mm] 890

References

73013-AA000



Application info

Impreza I [GC, GF, GFC] [08/92-12/00]

V-ribbed belt

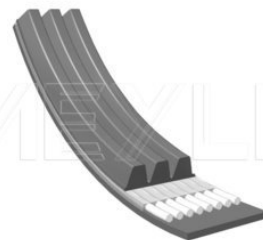
050 003 0670 | MRB0014

Notes

Number of Ribs 3
Length [mm] 670

References

73105 6030

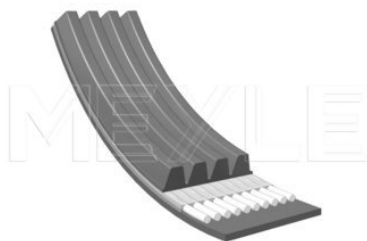


Application info

Justy I [KAD] [11/84-10/95]

050 004 0725 | MRB0065

V-ribbed belt



Notes

Number of Ribs	4
Length [mm]	725

References

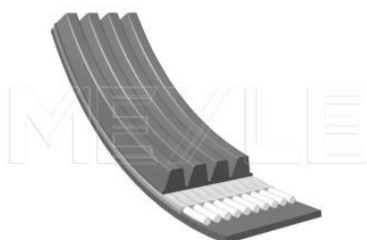
80921 4070

Application info

Justy I [KAD] [11/84-10/95]

050 004 0730 | MRB0066

V-ribbed belt



Notes

Number of Ribs	4
Length [mm]	730

References

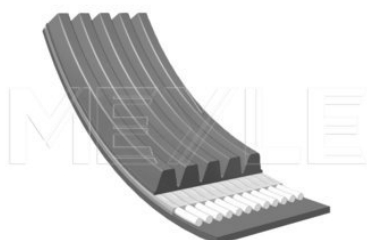
809214070

Application info

Justy I [KAD] [11/84-10/95]

050 005 0870 | MRB0194

V-ribbed belt



Notes

Number of Ribs	5
Length [mm]	870

References

80921-8340	80921-8410
80921-8350	80921-8420
80921-8400	

Application info

Forester II [SG] [09/02-08/05]
Impreza II [GD, GG] [12/00-12/07]
Impreza III [GR] [07/07-12/10]

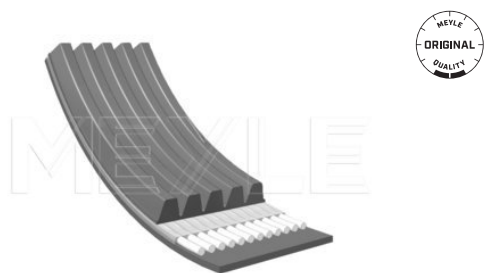
Legacy IV [09/03--]
Legacy V [09/09--]
Outback III [BL, BP] [09/03-09/09]

V-ribbed belt
050 005 0880 | MRB0196
Notes

 Number of Ribs 5
 Length [mm] 880

References

809218130	809218270
809218140	809218300
809218150	809218310
809218160	809218380
809218170	809218390
809218210	809218430
809218250	809218750


Application info

 Forester I (SF) [07/97-09/02]
 Forester II (SG) [09/02-08/05]
 Impreza I (GC, GF, GFC) [08/92-12/00]
 Impreza II (GD, GG) [12/00-12/07]
 Impreza III (GR) [07/07-12/10]

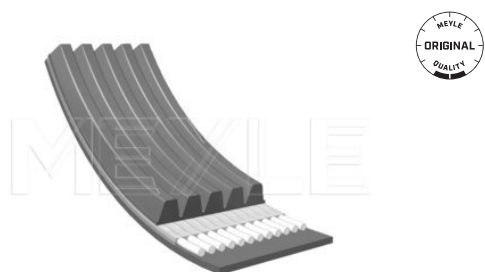
 Legacy I [01/89-07/94]
 Legacy II [02/94-12/99]
 Legacy III [10/98-08/03]
 Legacy IV [09/03--]
 Outback II (BE, BH) [10/00-08/03]

V-ribbed belt
050 005 0875 | MRB0195
Notes

 Number of Ribs 5
 Length [mm] 875

References

809218130	809218250
809218140	809218300
809218150	809218310
809218160	809218380
809218170	809218390
809218210	809218750


Application info

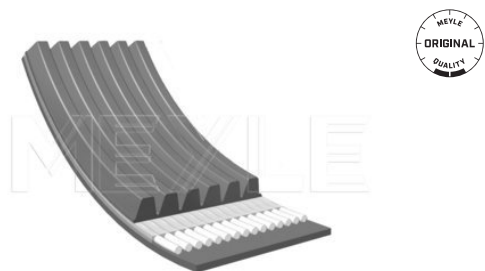
Impreza II (GD, GG) [12/00-12/07]

V-ribbed belt
050 006 1642 | MRB0439
Notes

 Number of Ribs 6
 Length [mm] 1642

References

809221050


5
+

050 006 1642 | MRB0439

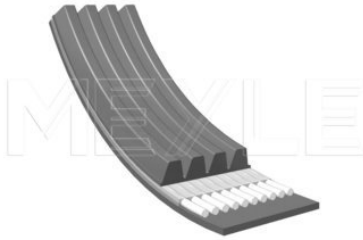
V-ribbed belt

Application info

Outback II (BE, BH) (10/00-08/03)

050 004 0845 | MRB0088

V-ribbed belt



Notes

Number of Ribs	4
Length [mm]	845

References

49180-60B20	809214550
73013-PA000	G3012-AA608
809214470	

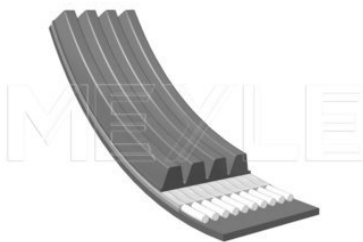
Application info

Legacy IV (09/03--)

Outback III (BL, BP) (09/03-09/09)

050 004 0850 | MRB0089

V-ribbed belt



Notes

Number of Ribs	4
Length [mm]	850

References

809214470	9194008500
-----------	------------

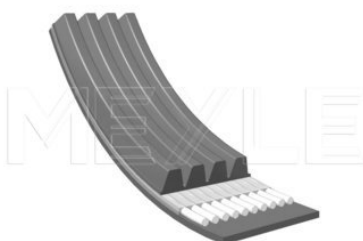
Application info

Justy II (JMA, MS) (10/95-11/03)

Justy III (G3X) (09/03--)

050 004 0855 | MRB0090

V-ribbed belt



Notes

Number of Ribs	4
Length [mm]	855

References

49180-60B20	G3012-AA608
73013-PA000	

V-ribbed belt

050 004 0855 | MRB0090

Application info

Impreza I (GC, GF, GFC) (08/92-12/00)

V-ribbed belt

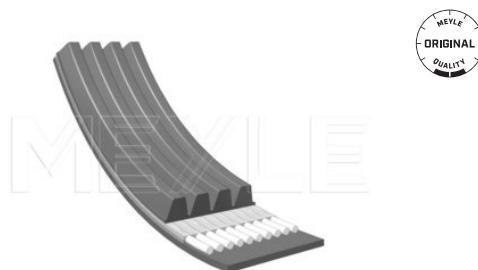
050 004 0884 | MRB0096

Notes

Number of Ribs 4
Length [mm] 884

References

73013AA000	73323FA031
73323FA000	63012AA608
73323FA030	



Application info

Impreza I (GC, GF, GFC) (08/92-12/00)
Impreza II (GD, GG) (12/00-12/07)
Legacy I (01/89-07/94)

Legacy II (02/94-12/99)
Legacy III (10/98-08/03)

V-ribbed belt

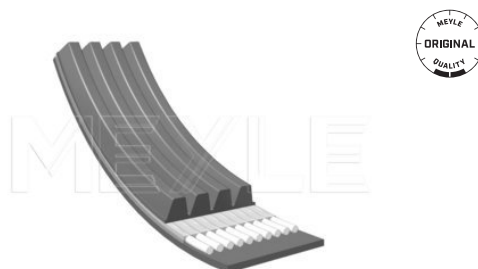
050 004 0895 | MRB0098

Notes

Number of Ribs 4
Length [mm] 895

References

73323AA010	73323AC011
73323AC010	73323AP010



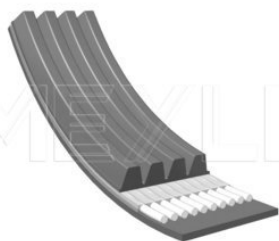
Application info

Forester I (SF) (07/97-09/02)
Forester II (SG) (09/02-08/05)
Forester III (SH) (01/08--)
Impreza I (GC, GF, GFC) (08/92-12/00)
Impreza II (GD, GG) (12/00-12/07)

Impreza III (GR) (07/07-12/10)
Legacy II (02/94-12/99)
Legacy III (10/98-08/03)
Outback II (BE, BH) (10/00-08/03)

050 004 0950 | MRB0112

V-ribbed belt



Notes

Number of Ribs	4
Length [mm]	950

References

80921 3040

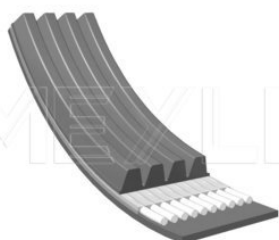
Application info

Justy III [G3X] [09/03--]

Leone II [11/84-12/94]

050 004 1100 | MRB0138

V-ribbed belt



Notes

Number of Ribs	4
Length [mm]	1100

References

73036-GA110

Application info

Leone II [11/84-12/94]

34-28 228 0000 | MTH0065

Thermostat



Notes

Opening Temperature [°C]	with seal 78
--------------------------	-----------------

References

21200AA071	21200AA072
------------	------------

Application info

Forester I [SF] [07/97-09/02]
Forester II [SG] [09/02-08/05]
Forester III [SH] [01/08--]
Impreza I [GC, GF, GFC] [08/92-12/00]

Impreza II [GD, GG] [12/00-12/07]
Legacy I [01/89-07/94]
Legacy II [02/94-12/99]
Legacy IV [09/03--]

Thermostat

39-28 228 0000 | MTH0075

Notes

Opening Temperature [°C] without gasket / seal
82

References

21200KA010 21200KA070
21200KA050 21200KA154



Application info

Justy I (KAD) [11/84-10/95]

Water pump

11-13 220 0019 | MWP0092

Notes

for v-ribbed belt use
with add-on material
with seal

References

1610080003



Application info

Justy IV (01/07--)

Water pump

30-13 220 0023 | MWP0566

Notes

Quality for v-ribbed belt use
with seal
Sealed with SiC/SiC

References

16100-80004



Application info

Trezia (03/11--)

5

33-13 220 0002 | MWP0362

Water pump



Notes

Number of Thread Bores 4
with seal

References

1740082820	1740082824
1740082822	1740082850
1740082823	1740082851

Application info

Justy II [JMA, MS] [10/95-11/03]

Justy III [G3X] [09/03--]

34-13 111 0000 | MWP0366

Water pump



Notes

Quality
Number of connectors

for toothed belt drive
with seal
Sealed with SiC/SiC
1

References

21111AA000	21111AA005
21111AA001	21111AA006
21111AA002	21111AA007
21111AA003	21111AA011
21111AA004	

Application info

Forester I [SF] [07/97-09/02]
Forester II [SG] [09/02-08/05]
Impreza I [GC, GF, GFC] [08/92-12/00]
Impreza II [GD, GG] [12/00-12/07]
Legacy I [01/89-07/94]

Legacy II [02/94-12/99]
Legacy III [10/98-08/03]
Legacy IV [09/03--]
Outback II [BE, BH] [10/00-08/03]
Outback III [BL, BP] [09/03-09/09]

34-13 220 0003 | MWP0518

Water pump



Notes

Number of connectors

for toothed belt drive
with seal
2

References

21111AA060	X2111AA040
21111AA061	X2111AA041
21111AA270	

Water pump

34-13 220 0003 | MWP0518

Application info

Forester I (SF) [07/97-09/02]
Forester II (SG) [09/02-08/05]
Impreza I (GC, GF, GFC) [08/92-12/00]
Impreza II (GD, GG) [12/00-12/07]
Impreza III (GR) [07/07-12/10]

Legacy II [02/94-12/99]
Legacy III [10/98-08/03]
Legacy IV [09/03--]
Outback III (BL, BP) [09/03-09/09]

Air filter

33-12 321 0006 | MAF0462

Notes

Height [mm] 37
Width [mm] 150
Length [mm] 251
Filter Insert

References

1378086G00



Application info

Justy III (G3X) [09/03--]

Air filter

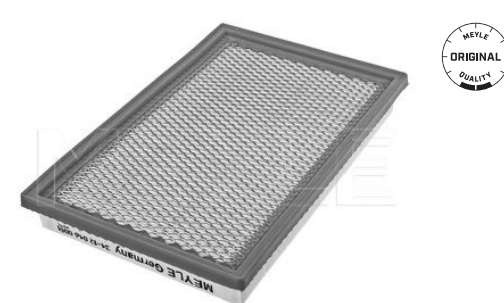
34-12 046 0001 | MAF0472

Notes

Height [mm] 33
Width [mm] 188.5
Length [mm] 283
Filter Insert

References

16546AA020 16546AA050



Application info

Forester I (SF) [07/97-09/02]
Forester II (SG) [09/02-08/05]
Impreza I (GC, GF, GFC) [08/92-12/00]
Impreza II (GD, GG) [12/00-12/07]

Legacy I [01/89-07/94]
Legacy II [02/94-12/99]
Outback II (BE, BH) [10/00-08/03]

36-12 321 0006 | MAF0492

Air filter



Notes

Height [mm]	29
Width [mm]	168
Length [mm]	228
	Filter Insert

References

16546AA030

Application info

Legacy I [01/89-07/94]

34-12 321 0001 | MAF0473

Air filter



Notes

Height [mm]	33.5
Width [mm]	169
Length [mm]	372
	Filter Insert

References

16546AA070

16546AA07A

Application info

Forester I [SF] [07/97-09/02]

Forester II [SG] [09/02-08/05]

Impreza I [GC, GF, GFC] [08/92-12/00]

Impreza II [GD, GG] [12/00-12/07]

Legacy II [02/94-12/99]

Legacy III [10/98-08/03]

Outback II [BE, BH] [10/00-08/03]

Outback III [BL, BP] [09/03-09/09]

34-12 321 0002 | MAF0474

Air filter



Notes

Height [mm]	35
Width [mm]	216
Length [mm]	217.5
	Filter Insert

References

16546AA090

16546AA120

Air filter

34-12 321 0002 | MAF0474

Application info

Forester III (SH) (01/08--)
Impreza III (GR) (07/07-12/10)
Legacy IV (09/03--)
Legacy V (09/09--)

Outback III (BL, BP) (09/03-09/09)
Outback IV (BM, BR) (09/09--)
Tribeca (B9) (01/05--)

Air filter

30-12 321 0006 | MAF0338

Notes

Height [mm]	52
Width [mm]	150
Length [mm]	290
	Filter Insert

References

16546JB000



Application info

BRZ (06/12--)

Air filter

30-12 321 0042 | MAF0373

Notes

Height 1 [mm]	42
Height [mm]	60
Width [mm]	140.5
Length [mm]	305
	Filter Insert

References

178010N040



Application info

Trezia (03/11--)

30-12 321 0015 | MAF0347

Air filter



Notes

Height [mm]	51
Width [mm]	119.5
Length [mm]	250.5
	Filter Insert

References

1780121030

Application info

Trezia [03/11--]

30-12 321 0002 | MAF0334

Air filter



Notes

Height [mm]	44
Width [mm]	114
Length [mm]	260
	Filter Insert

References

1780123030

Application info

Justy IV [01/07--]

33-12 321 0005 | MAF0461

Air filter



Notes

Inner diameter [mm]	21
Outer diameter [mm]	240
Height [mm]	40
	Filter Insert

References

96055471

Application info

Justy II [JMA, MS] [10/95-11/03]

Fuel filter

30-14 323 0001 | MFF0123

Notes

Diameter [mm] Aluminium
86
Height [mm] 140
Thread Size M36x1,5
Connecting thread 3/4"-16 UNF
Screw-on Filter

References

42072AG060



Application info

Forester III (SH) [01/08--]
Impreza III (GR) [07/07-12/10]
Legacy IV [09/03--]

Legacy V [09/09--]
Outback III (BL, BP) [09/03-09/09]
Outback IV (BM, BR) [09/09--]

Fuel filter

35-14 323 0006 | MFF0173

Notes

Diameter [mm] Metal
90
Height [mm] 129.5
Thread Size 3/4"-16 UNF
Connecting thread M36x1,5
Screw-on Filter

References

42072AG060



Application info

XV [03/12--]

Fuel filter

30-14 323 0002 | MFF0124

Notes

Diameter [mm] Aluminium
68
Height [mm] 126
Thread Size M36x1,5
Connecting thread 3/4"-16 UNF
Screw-on Filter

References

6003112110



Application info

Trezia [03/11--]

30-14 322 0012 | MOF0109

Oil filter



Notes

Inner diameter [mm]	with seal
Outer diameter [mm]	28
Height [mm]	70
	67
	Filter Insert

References

0415231110

Application info

Trezia [03/11--]

30-14 322 0010 | MOF0107

Oil filter



Notes

Inner diameter [mm]	with seal
Outer diameter [mm]	28
Height 1 [mm]	60
Height [mm]	55
	56.5
	Filter Insert

References

04152B1010

Application info

Justy IV [01/07--]

Trezia [03/11--]

34-14 322 0001 | MOF0147

Oil filter



Notes

Bypass Valve Opening Pressure [bar]	1
Diameter [mm]	80
Height [mm]	71
Thread Size	M20x1,5
	Screw-on Filter

References

15208AA020	15208AA025
15208AA021	15208AA030
15208AA022	15208AA031
15208AA023	15208AA060
15208AA024	

Oil filter
34-14 322 0001 | MOF0147
Application info

 Forester I (SF) [07/97-09/02]
 Forester II (SG) [09/02-08/05]
 Forester III (SH) [01/08--]
 Impreza I (GC, GF, GFC) [08/92-12/00]
 Impreza II (GD, GG) [12/00-12/07]
 Legacy I [01/89-07/94]

 Legacy II [02/94-12/99]
 Legacy III [10/98-08/03]
 Legacy IV [09/03--]
 Outback II (BE, BH) [10/00-08/03]
 Outback III (BL, BP) [09/03-09/09]
 Tribeca (B9) [01/05--]

Oil filter
35-14 322 0002 | MOF0151
Notes

Bypass Valve Opening Pressure [bar]	1
Diameter 1 [mm]	80
Diameter [mm]	83
Height 1 [mm]	74
Height [mm]	76.1
Thread Size	M20x1,5

Screw-on Filter
 Main Stream Filtration
 with one anti-return valve

References

15208AA09A


Application info

 Legacy IV [09/03--]
 Outback II (BE, BH) [10/00-08/03]
 Outback III (BL, BP) [09/03-09/09]

 Outback IV (BM, BR) [09/09--]
 Tribeca (B9) [01/05--]

Oil filter
34-14 322 0002 | MOF0148
Notes

Bypass Valve Opening Pressure [bar]	1
Diameter [mm]	68
Height [mm]	65
Thread Size	M20x1,5

Screw-on Filter
 with one anti-return valve

References

15208AA100


Application info

 Forester I (SF) [07/97-09/02]
 Forester II (SG) [09/02-08/05]
 Impreza I (GC, GF, GFC) [08/92-12/00]

 Impreza II (GD, GG) [12/00-12/07]
 Impreza III (GR) [07/07-12/10]
 Legacy I [01/89-07/94]

36-14 322 0004 | MOF0157

Oil filter



Notes

Diameter [mm]	83
Height 1 [mm]	100
Height [mm]	102
Thread Size	3/4"-16 UNF
	Screw-on Filter
	with one anti-return valve

References

15208HA000	4203371103
------------	------------

Application info

Leone II [11/84-12/94]

35-14 322 0000 | MOF0149

Oil filter



Notes

Bypass Valve Opening Pressure [bar]	1
Outer diameter [mm]	65.6
Height [mm]	65.5
Thread Size	M20x1,5
	Screw-on Filter
	with one anti-return valve

References

15208AA12A	420335410
15208KA012	420335500
420335400	

Application info

Forester III (SH) [01/08--]
Impreza II (GD, GG) [12/00-12/07]
Justy I (KAD) [11/84-10/95]
Legacy II [02/94-12/99]

Legacy IV [09/03--]
Legacy V [09/09--]
Outback III (BL, BP) [09/03-09/09]
Outback IV (BM, BR) [09/09--]

33-14 322 0002 | MOF0143

Oil filter



Notes

Bypass Valve Opening Pressure [bar]	1
Diameter [mm]	76
Height [mm]	85.5
Thread Size	3/4"-16 UNF
	Screw-on Filter
	with one anti-return valve

References

1651060B11



Oil filter

33-14 322 0002 | MOF0143

Application info

Justy II [JMA, MS] [10/95-11/03]

Oil filter

33-14 322 0004 | MOF0145

Notes

Bypass Valve Opening Pressure [bar]	1
Diameter [mm]	65
Height [mm]	85
Thread Size	3/4"-16 UNF
	Screw-on Filter with one anti-return valve

References

1651061A20



Application info

Justy III [G3X] [09/03--]

Oil filter

33-14 016 0000 | MOF0141

Notes

Bypass Valve Opening Pressure [bar]	1
Diameter [mm]	66
Height [mm]	65
Thread Size	3/4"-16 UNF
	Screw-on Filter with one anti-return valve

References

1651082703



Application info

Justy II [JMA, MS] [10/95-11/03]

34-16 030 0000 | MAR0232

Axial rod



Notes

Thread Measurement 2	M14x1,5
Thread Measurement 1	M14x1,5
Length [mm]	292
	Front Axle Right
	Front Axle Left

References

31310GA152	34140AA013
34140AA010	34140AA030
34140AA011	34140AA040
34140AA012	

Application info

Forester I [SF] [07/97-09/02]
 Impreza I [GC, GF, GFC] [08/92-12/00]
 Impreza II [GD, GG] [12/00-12/07]
 Legacy I [01/89-07/94]

Legacy II [02/94-12/99]
 Legacy III [10/98-08/03]
 Leone II [11/84-12/94]
 Outback II [BE, BH] [10/00-08/03]

34-16 031 0004 | MAR0234

Axial rod



Notes

Thread Measurement 2	M14x1,5
Thread Measurement 1	M16x1,5
Length [mm]	302
	Front Axle Right
	Front Axle Left

References

34160AE000	34160AE001
------------	------------

Application info

Forester II [SG] [09/02-08/05]
 Impreza II [GD, GG] [12/00-12/07]
 Impreza III [GR] [07/07-12/10]
 Impreza IV [07/11--]
 Legacy III [10/98-08/03]
 Legacy IV [09/03--]

Legacy V [09/09--]
 Outback II [BE, BH] [10/00-08/03]
 Outback III [BL, BP] [09/03-09/09]
 Outback IV [BM, BR] [09/09--]
 Outback V [10/14--]

616 031 0009 | MAR0319

Axial rod



Notes

Thread Measurement 2	M12x1,25
Thread Measurement 1	M14x1,5
Length [mm]	245
	Front Axle Right
	Front Axle Left

References

48830-86G00



Axial rod

616 031 0009 | MAR0319

Application info

Justy III [G3X] [09/03--]

Axial rod

616 031 0030/HD | MAR0529HD

Notes

Thread Measurement 2	M12x1,25
Thread Measurement 1	M14x1,5
Length [mm]	245
	Front Axle Left
	Front Axle Right



References

48830-86G00

Application info

Justy III [G3X] [09/03--]

Tie rod end

34-16 020 0011 | MTE0382

Notes

Thread Measurement 2	M14x1,5
Thread Measurement 1	M12x1,25
Length [mm]	140
	Front Axle Right
	Front Axle Left



References

34141AA041	34161SA000
34141AA042	34161SA001

Application info

Forester I [SF] [07/97-09/02]
 Forester II [SG] [09/02-08/05]
 Forester III [SH] [01/08--]
 Impreza I [GC, GF, GFC] [08/92-12/00]
 Impreza II [GD, GG] [12/00-12/07]
 Impreza III [GR] [07/07-12/10]
 Legacy II [02/94-12/99]

Legacy III [10/98-08/03]
 Legacy IV [09/03--]
 Legacy V [09/09--]
 Outback II [BE, BH] [10/00-08/03]
 Outback III [BL, BP] [09/03-09/09]
 Outback IV [BM, BR] [09/09--]



616 020 0009 | MTE0480

Tie rod end



Notes

Thread Measurement 2
Thread Measurement 1
Length [mm]

M12x1,25
M12x1,25
72
Front Axle Right
Front Axle Left

References

48810-83E02

Application info

Justy III [G3X] [09/03--]



Ball joint

34-16 010 0002 | MBJ0202

Notes

Outer diameter [mm]	38
Thread Size	M12x1,25
	Lower
	Front Axle Right
	Front Axle Left

References

20206AJ000	21067GA050
------------	------------



Application info

Forester I [SF] [07/97-09/02]	Legacy II [02/94-12/99]
Forester II [SG] [09/02-08/05]	Legacy III [10/98-08/03]
Forester III [SH] [01/08--]	Legacy IV [09/03--]
Impreza I [GC, GF, GFC] [08/92-12/00]	Legacy V [09/09--]
Impreza II [GD, GG] [12/00-12/07]	Outback II [BE, BH] [10/00-08/03]
Impreza III [GR] [07/07-12/10]	Outback III [BL, BP] [09/03-09/09]
Legacy I [01/89-07/94]	Outback IV [BM, BR] [09/09--]

Control arm

34-16 050 0005 | MCA0551

Notes

Sheet Steel
without ball joint
with rubber mounting
Control Arm
Lower
Front Axle Right

References

20200AA040	20200AC200F
20200AA200	

Counterpart

34-16 050 0004 | MCA0550



Application info

Forester I [SF] [07/97-09/02]	Legacy II [02/94-12/99]
Impreza I [GC, GF, GFC] [08/92-12/00]	Legacy III [10/98-08/03]
Legacy I [01/89-07/94]	

34-16 050 0004 | MCA0550

Control arm



Notes

Sheet Steel
without ball joint
with rubber mounting
Control Arm
Lower
Front Axle Left

References

20200AA050
20200AA210

20200AC210F

Counterpart

34-16 050 0005 | MCA0551

Application info

Forester I [SF] [07/97-09/02]
Impreza I [GC, GF, GFC] [08/92-12/00]
Legacy I [01/89-07/94]

Legacy II [02/94-12/99]
Legacy III [10/98-08/03]

616 050 0026 | MCA0699

Control arm



Notes

Length [mm]

Steel
290
with rubber mounting
Control Arm
Lower
Front Axle Right
Front Axle Left

References

4520085E00

Parts list

614 610 0009 | MCB0311

Control arm bushing

Application info

Justy III [G3X] [09/03--]



Control arm

33-16 050 0013 | MCA0548

Notes

Sheet Steel
with ball joint
with rubber mounting
Control Arm
Lower
Front Axle Right

References

4520060810
4520060812
4520150G10

4520160E01
4520170C00

Parts list

33-14 455 0002 | MCB0237

Control arm bushing

Counterpart

33-16 050 0014 | MCA0549



Application info

Justy II (JMA, MS) [10/95-11/03]

Control arm

33-16 050 0014 | MCA0549

Notes

Sheet Steel
with ball joint
with rubber mounting
Control Arm
Lower
Front Axle Left

References

4520060820
4520060822
4520250G10

4520260B01
4520260E01
4520270C00

Parts list

33-14 455 0002 | MCB0237

Control arm bushing

Counterpart

33-16 050 0013 | MCA0548



Application info

Justy II (JMA, MS) [10/95-11/03]

33-14 455 0002 | MCB0237

Control arm bushing



Notes

Inner diameter [mm]	16
Outer diameter [mm]	34
Height [mm]	50
	Lower inner
	Front Axle Right
	Front Axle Left

References

4553050G00	4553070C00
------------	------------

Application info

Justy I [KAD] [11/84-10/95]

Justy II [JMA, MS] [10/95-11/03]

34-16 060 0001 | MSL0378

Stabilizer link



Notes

	Coupling Rod
	Plastic
Length [mm]	66
	Front Axle Right
	Front Axle Left

References

20420AA000	20420AA003
20420AA001	20420AA004
20420AA002	

Application info

Forester I [SF] [07/97-09/02]

Impreza I [GC, GF, GFC] [08/92-12/00]

Legacy II [02/94-12/99]

Legacy III [10/98-08/03]

34-16 060 0002 | MSL0379

Stabilizer link



Notes

	Coupling Rod
Thread Measurement 2	M10x1,25
Thread Measurement 1	M10x1,25
Length [mm]	89
	Rear Axle Right
	Rear Axle Left

References

20470AE000	20470AE010
20470AE001	

Application info

Legacy III [10/98-08/03]

Legacy IV [09/03--]

Outback II [BE, BH] [10/00-08/03]

Outback III [BL, BP] [09/03-09/09]

Stabilizer link
34-16 060 0003/HD | MSL0380HD
Notes

 Thread Measurement 2
 Thread Measurement 1
 Length [mm]

 Coupling Rod
 M10x1,5
 M10x1,5
 60
 Front Axle Right
 Front Axle Left

Reinforced Version

References

 20470FE000
 20470SA000

20470SA001


Application info

 Forester II (SG) [09/02-08/05]
 Forester III (SH) [01/08--]
 Impreza II (GD, GG) [12/00-12/07]
 Impreza III (GR) [07/07-12/10]

 Impreza IV [07/11--]
 Legacy IV [09/03--]
 Outback III (BL, BP) [09/03-09/09]
 XV [03/12--]

Stabilizer link
34-16 060 0005 | MSL0842
Notes

 Thread Measurement 2
 Thread Measurement 1
 Length [mm]

 Coupling Rod
 M10x1,5
 M10x1,5
 60
 Front Axle Right
 Front Axle Left

References

 20470FE000
 20470SA000

20470SA001


Application info

 Forester II (SG) [09/02-08/05]
 Forester III (SH) [01/08--]
 Impreza II (GD, GG) [12/00-12/07]
 Impreza III (GR) [07/07-12/10]

 Impreza IV [07/11--]
 Legacy IV [09/03--]
 Outback III (BL, BP) [09/03-09/09]
 XV [03/12--]

Stabilizer link
34-16 060 0004/HD | MSL0381HD
Notes

 Thread Measurement 2
 Thread Measurement 1
 Length [mm]

 with spanner attachment
 Coupling Rod
 M10x1,5
 M10x1,5
 70
 Rear Axle Right
 Rear Axle Left

Reinforced Version

References

20470SA010

20470SA011



34-16 060 0004/HD | MSL0381HD

Stabilizer link

Application info

Forester II (SG) [09/02-08/05]

Impreza II (GD, GG) [12/00-12/07]

34-16 060 0006 | MSL0843

Stabilizer link



Notes

Thread Measurement 2
Thread Measurement 1
Length [mm]

with spanner attachment
Coupling Rod
M10x1,5
M10x1,5
70
Rear Axle Right
Rear Axle Left

References

20470SA010

20470SA011

Application info

Forester II (SG) [09/02-08/05]

Impreza II (GD, GG) [12/00-12/07]

34-16 060 0000 | MSL0377

Stabilizer link



Notes

Length [mm]

Coupling Rod
Plastic
98
Rear Axle Right
Rear Axle Left

References

20481AA000

20481AA001

Application info

Impreza I (GC, GF, GFC) [08/92-12/00]

Impreza II (GD, GG) [12/00-12/07]

Legacy I [01/89-07/94]

Legacy II [02/94-12/99]

Legacy III [10/98-08/03]

33-16 060 0001 | MSL0372

Stabilizer link



Notes

Thread Measurement 2
Thread Measurement 1
Length [mm]

with accessories
Coupling Rod
M8x1,25
M10x1,25
80

References

4663060801

4663060800



Stabilizer link

33-16 060 0001 | MSL0372

Application info

Justy II [JMA, MS] [10/95-11/03]

Justy III [G3X] [09/03--]

Stabilizer link

39-16 060 0000 | MSL0469

Notes

Thread Measurement 2
Thread Measurement 1
Length [mm]

Coupling Rod
M10x1,25
M10x1,25
50
Front Axle Right

References

48821-B1010
48821-B1010000

48821-B1030
48821-B1031

Counterpart

39-16 060 0002 | MSL0470



Application info

Justy IV [01/07--]

Stabilizer link

39-16 060 0002 | MSL0470

Notes

Thread Measurement 2
Thread Measurement 1
Length [mm]

Coupling Rod
M10x1,25
M10x1,25
50
Front Axle Left

References

48831-B1010
48831-B1010000
48831-B1020

48831-B1021
48831-V1010

Counterpart

39-16 060 0000 | MSL0469



Application info

Justy IV [01/07--]

7



614 640 0000 | MSC0089

Dust cover kit, shock absorber



Notes

Kit
Front Axle

Application info

Justy II [JMA, MS] [10/95-11/03]

626 725 0018 | MSA0600

Shock absorber



Notes

Bottom eye
Top eye
Gas Pressure
Twin-Tube
Rear Axle

References

4180086610

Application info

Justy III [G3X] [09/03--]

MEYLE no.	Ref. no.	Page
Subaru		
025 213 3314/W	5520061880	22
025 214 9517/W	26296AA000 26296AA020 26296AA030 26296AA041 26296AA100 26296AA120 26296AA121 26296AA130 26296AA131 26296AA141 26296AA161 26296AA163 26296FA000 26296FA001 26310AA010	18
025 217 0315/W	26296AA030 26296AA060 26296AA061 26296AA062 26296AA080 26296AA081 26296AA082 26296AA130 26296AA131 26296PA060 29296AA061	20
025 218 5415/W	26296AE120 26296AE121 26296FA100 26296FA101 26296FA102 26296FA170	18
025 232 5316/PD	5581084 5581084E01	23
025 232 5316/W	5581084 5581084E01	23
025 232 9614/W	5520080E10	22
025 235 0715	5581060J00	22
025 235 5817/W	26296AC040 26296AC041 26296AC050 26296AC060 26296AC070 26296AC200 26296AE020	17

MEYLE no.	Ref. no.	Page
Subaru		
	26296AE081 26296AE140 26296AE141 26296AE210 26296AE220	
025 235 7214/W	26696AG020 26696FA010 26696FC000 26696FC001 26696FC002 26696FC020	21
025 238 6517/PD	26296FE020 26296FE080 26296FE081 26296FG000 26296SA010 26296SA011 26296SA030 26296SA031 29296FE081	19
025 238 6517/W	26296FE020 26296FE080 26296FE081 26296FG000 26296SA010 26296SA011 26296SA030 26296SA031 29296FE081	19
025 242 2218/W	26296AG000 26296AG010 26296AG030 26296AG050 26296XA010	20
025 242 7114/W	26696AG010 26696AG030 26696AG031	21
025 242 8316/PD	0446581320	16
025 242 8316/W	0446581320	16
025 243 7217/W	26296AE190 26296AE200	17
029 300 1217	-	1
029 380 1514	-	1
029 400 1600	-	1
029 425 1700	-	2
029 450 1800	-	2

MEYLE no.	Ref. no.	Page
Subaru		
029 475 1900	-	2
029 500 2000	-	3
029 530 2100	-	3
029 550 2200	-	4
029 600 2400	-	4
029 650 2600	-	4
029 700 2800	-	5
050 003 0670	73105 6030	29
050 004 0725	80921 4070	30
050 004 0730	809214070	30
050 004 0815	1752186500	29
050 004 0845	49180-60B20 73013-PA000 809214470 809214550 G3012-AA608	32
050 004 0850	890214470 9194008500	32
050 004 0855	49180-60B20 73013-PA000 G3012-AA608	32
050 004 0884	73013AA000 73323FA000 73323FA030 73323FA031 G3012AA608	33
050 004 0890	73013-AA000	29
050 004 0895	73323AA010 73323AC010 73323AC011 73323AP010	33
050 004 0950	80921 3040	34
050 004 1100	73036-GA110	34
050 005 0870	80921-8340 80921-8350 80921-8400 80921-8410 80921-8420	30
050 005 0875	809218130 809218140 809218150 809218160 809218170 809218210 809218250 809218300	31

MEYLE no.	Ref. no.	Page
Subaru		
	809218310 809218380 809218390 809218750	
050 005 0880	809218130 809218140 809218150 809218160 809218170 809218210 809218250 809218270 809218300 809218310 809218380 809218390 809218430 809218750	31
050 006 1642	809221050	31
100 900 0000	22690KA060 22690KA081	28
11-13 220 0019	1610080003	35
30-12 319 0001	8856852010 885685201083	7
30-12 319 0006	72880AJ000	5
30-12 320 0002	G3010AG100	8
30-12 320 0005	87139YZZ03 G3010AG100	7
30-12 320 0006	72880AJ000	5
30-12 321 0002	1780123030	40
30-12 321 0006	16546JB000	39
30-12 321 0015	1780121030	40
30-12 321 0042	178010N040	39
30-13 220 0023	16100-80004	35
30-14 322 0010	04152B1010	42
30-14 322 0012	0415231110	42
30-14 323 0001	42072AG060	41
30-14 323 0002	6003112110	41
30-15 521 0112	4351212710	14
30-15 523 0107/PD	4243112310	13
32-14 533 0002	-	25
33-12 321 0005	96055471	40
33-12 321 0006	1378086G00	37
33-13 220 0002	1740082820 1740082822 1740082823	36

MEYLE no.	Ref. no.	Page
Subaru		
	1740082824 1740082850 1740082851	
33-14 016 0000	1651082703	45
33-14 322 0002	1651060B11	44
33-14 322 0004	1651061A20	45
33-14 455 0002	4553050G00 4553070C00	52
33-14 498 0021	4410286G60	26
33-14 533 0005	5320060B41	24
33-15 521 0002	5531180F01 5531180F02 5531180F03	15
33-16 050 0013	4520060B10 4520060B12 4520150G10 4520160E01 4520170C00	51
33-16 050 0014	4520060B20 4520060B22 4520250G10 4520260B01 4520260E01 4520270C00	51
33-16 060 0001	4663060B01 4663060G00	54
34-12 046 0001	16546AA020 16546AA050	37
34-12 319 0001	72880FE000	6
34-12 319 0002	72880SA0009P 72880SA010 G3010SA000 G3010SA001 G3010SA100	6
34-12 319 0006	72880FG000 72880FG0009P	6
34-12 320 0001	72880FE000 G3010FE200 G3210FE000	8
34-12 321 0001	16546AA070 16546AA07A	38
34-12 321 0002	16546AA090 16546AA120	38
34-13 111 0000	21111AA000 21111AA001 21111AA002	36

MEYLE no.	Ref. no.	Page
Subaru		
	21111AA003 21111AA004 21111AA005 21111AA006 21111AA007 21111AA011	
34-13 220 0003	21111AA060 21111AA061 21111AA270 X2111AA040 X2111AA041	36
34-14 322 0001	15208AA020 15208AA021 15208AA022 15208AA023 15208AA024 15208AA025 15208AA030 15208AA031 15208AA060	42
34-14 322 0002	15208AA100	43
34-14 498 0001	28021AC200	26
34-14 498 0006	28021AA003 28021AA011 28021AA012 28021AA013 28021AA160 28021AA161 28021AA162 28021AA481 28021AA491 28021AA541 28021AC090 28091AA094	26
34-14 533 0000	26257AA030 26257AA040 26257AA050 26298AA010	24
34-14 860 0000	22439AA000	28
34-15 521 0002	26300AE040 26300AE090 26310AA021 26310AA030 26310AA031 26310AA032 26310AC060	10

MEYLE no.	Ref. no.	Page
Subaru		
34-15 521 0013	26300AE050 26300AE070 26300AE071 26310AA081 26310AA091 26310AA092 26310AA120 26310AA121 26310AA151	11
34-15 521 0013/PD	26300AE050 26300AE070 26300AE071 26310AA081 26310AA091 26310AA092 26310AA120 26310AA121 26310AA151	11
34-15 521 0014	26300AE060 26300AE061 26300FE040 26300SA000 26300SA001 26310AC040 26310AC041	9
34-15 521 0014/PD	26300AE060 26300AE061 26300FE040 26300SA000 26300SA001 26310AC040 26310AC041	9
34-15 523 0000	26310AA040 26310AA050 26310AA051 26700FE010 26700FE030 26700FE080 26710AC020	10
34-15 523 0003	26700AE010 26700AE060 26700AE061 26700AE062	12
34-15 523 0007	26700AG000 26700AG001	13
34-15 523 0013	26700AE030	12

MEYLE no.	Ref. no.	Page
Subaru		
	26700AE070 26700AE080 26700AE081	
34-16 010 0002	20206AJ000 21067GA050	49
34-16 020 0011	34141AA041 34141AA042 34161SA000 34161SA001	47
34-16 030 0000	31310GA152 34140AA010 34140AA011 34140AA012 34140AA013 34140AA030 34140AA040	46
34-16 031 0004	34160AE000 34160AE001	46
34-16 050 0004	20200AA050 20200AA210 20200AC210F	50
34-16 050 0005	20200AA040 20200AA200 20200AC200F	49
34-16 060 0000	20481AA000 20481AA001	54
34-16 060 0001	20420AA000 20420AA001 20420AA002 20420AA003 20420AA004	52
34-16 060 0002	20470AE000 20470AE001 20470AE010	52
34-16 060 0003/HD	20470FE000 20470SA000 20470SA001	53
34-16 060 0004/HD	20470SA010 20470SA011	53
34-16 060 0005	20470FE000 20470SA000 20470SA001	53
34-16 060 0006	20470SA010 20470SA011	54
34-28 228 0000	21200AA071 21200AA072	34

MEYLE no.	Ref. no.	Page
Subaru		
35-14 322 0000	15208AA12A 15208KA012 420335400 420335410 420335500	44
35-14 322 0002	15208AA09A	43
35-14 323 0006	42072AG060	41
36-12 321 0006	16546AA030	38
36-14 322 0004	15208HA000 4203371103	44
39-15 521 0000	4351297402 43512B1110	15
39-15 521 0004	4351297202	14
39-16 060 0000	48821-B1010 48821-B1010000 48821-B1030 48821-B1031	55
39-16 060 0002	48831-B1010 48831-B1010000 48831-B1020 48831-B1021 48831-V1010	55
39-28 228 0000	21200KA010 21200KA050 21200KA070 21200KA154	35
612 319 0010	9586078F10	7
614 533 0000	5320086G00	24
614 533 0000/K	5320086G00	25
614 640 0000	-	56
615 521 6039	5531186G02	16
616 020 0009	48810-83E02	48
616 031 0009	48830-86G00	46
616 031 0030/HD	48830-86G00	47
616 050 0026	4520085E00	50
626 725 0018	4180086G10	56



Ref. no.	MEYLE no.	Page
Subaru		
0415231110	30-14 322 0012	42
04152B1010	30-14 322 0010	42
04465B1320	025 242 8316/PD 025 242 8316/W	16
1378086G00	33-12 321 0006	37
15208AA020	34-14 322 0001	42
15208AA021	34-14 322 0001	42
15208AA022	34-14 322 0001	42
15208AA023	34-14 322 0001	42
15208AA024	34-14 322 0001	42
15208AA025	34-14 322 0001	42
15208AA030	34-14 322 0001	42
15208AA031	34-14 322 0001	42
15208AA060	34-14 322 0001	42
15208AA09A	35-14 322 0002	43
15208AA100	34-14 322 0002	43
15208AA12A	35-14 322 0000	44
15208HA000	36-14 322 0004	44
15208KA012	35-14 322 0000	44
1610080003	11-13 220 0019	35
16100-80004	30-13 220 0023	35
1651060B11	33-14 322 0002	44
1651061A20	33-14 322 0004	45
1651082703	33-14 016 0000	45
16546AA020	34-12 046 0001	37
16546AA030	36-12 321 0006	38
16546AA050	34-12 046 0001	37
16546AA070	34-12 321 0001	38
16546AA07A	34-12 321 0001	38
16546AA090	34-12 321 0002	38
16546AA120	34-12 321 0002	38
16546JB000	30-12 321 0006	39
1740082820	33-13 220 0002	36
1740082822	33-13 220 0002	36
1740082823	33-13 220 0002	36
1740082824	33-13 220 0002	36
1740082850	33-13 220 0002	36
1740082851	33-13 220 0002	36
1752186500	050 004 0815	29
178010N040	30-12 321 0042	39
1780121030	30-12 321 0015	40
1780123030	30-12 321 0002	40
20200AA040	34-16 050 0005	49
20200AA050	34-16 050 0004	50
20200AA200	34-16 050 0005	49
20200AA210	34-16 050 0004	50

Ref. no.	MEYLE no.	Page
Subaru		
20200AC200F	34-16 050 0005	49
20200AC210F	34-16 050 0004	50
20206AJ000	34-16 010 0002	49
20420AA000	34-16 060 0001	52
20420AA001	34-16 060 0001	52
20420AA002	34-16 060 0001	52
20420AA003	34-16 060 0001	52
20420AA004	34-16 060 0001	52
20470AE000	34-16 060 0002	52
20470AE001	34-16 060 0002	52
20470AE010	34-16 060 0002	52
20470FE000	34-16 060 0003/HD 34-16 060 0005	53
20470SA000	34-16 060 0003/HD 34-16 060 0005	53
20470SA001	34-16 060 0003/HD 34-16 060 0005	53
20470SA010	34-16 060 0004/HD 34-16 060 0006	53-54
20470SA011	34-16 060 0004/HD 34-16 060 0006	53-54
20481AA000	34-16 060 0000	54
20481AA001	34-16 060 0000	54
21067GA050	34-16 010 0002	49
21111AA000	34-13 111 0000	36
21111AA001	34-13 111 0000	36
21111AA002	34-13 111 0000	36
21111AA003	34-13 111 0000	36
21111AA004	34-13 111 0000	36
21111AA005	34-13 111 0000	36
21111AA006	34-13 111 0000	36
21111AA007	34-13 111 0000	36
21111AA011	34-13 111 0000	36
21111AA060	34-13 220 0003	36
21111AA061	34-13 220 0003	36
21111AA270	34-13 220 0003	36
21200AA071	34-28 228 0000	34
21200AA072	34-28 228 0000	34
21200KA010	39-28 228 0000	35
21200KA050	39-28 228 0000	35
21200KA070	39-28 228 0000	35
21200KA154	39-28 228 0000	35
22439AA000	34-14 860 0000	28
22690KA060	100 900 0000	28
22690KA081	100 900 0000	28
26257AA030	34-14 533 0000	24

Ref. no.	MEYLE no.	Page
Subaru		
26257AA040	34-14 533 0000	24
26257AA050	34-14 533 0000	24
26296AA000	025 214 9517/W	18
26296AA020	025 214 9517/W	18
26296AA030	025 214 9517/W 025 217 0315/W	18, 20
26296AA041	025 214 9517/W	18
26296AA060	025 217 0315/W	20
26296AA061	025 217 0315/W	20
26296AA062	025 217 0315/W	20
26296AA080	025 217 0315/W	20
26296AA081	025 217 0315/W	20
26296AA082	025 217 0315/W	20
26296AA100	025 214 9517/W	18
26296AA120	025 214 9517/W	18
26296AA121	025 214 9517/W	18
26296AA130	025 214 9517/W 025 217 0315/W	18, 20
26296AA131	025 214 9517/W 025 217 0315/W	18, 20
26296AA141	025 214 9517/W	18
26296AA161	025 214 9517/W	18
26296AA163	025 214 9517/W	18
26296AC040	025 235 5817/W	17
26296AC041	025 235 5817/W	17
26296AC050	025 235 5817/W	17
26296AC060	025 235 5817/W	17
26296AC070	025 235 5817/W	17
26296AC200	025 235 5817/W	17
26296AE020	025 235 5817/W	17
26296AE081	025 235 5817/W	17
26296AE120	025 218 5415/W	18
26296AE121	025 218 5415/W	18
26296AE140	025 235 5817/W	17
26296AE141	025 235 5817/W	17
26296AE190	025 243 7217/W	17
26296AE200	025 243 7217/W	17
26296AE210	025 235 5817/W	17
26296AE220	025 235 5817/W	17
26296AG000	025 242 2218/W	20
26296AG010	025 242 2218/W	20
26296AG030	025 242 2218/W	20
26296AG050	025 242 2218/W	20
26296FA000	025 214 9517/W	18
26296FA001	025 214 9517/W	18
26296FA100	025 218 5415/W	18

Ref. no.	MEYLE no.	Page
Subaru		
26296FA101	025 218 5415/W	18
26296FA102	025 218 5415/W	18
26296FA170	025 218 5415/W	18
26296FE020	025 238 6517/PD 025 238 6517/W	19
26296FE080	025 238 6517/PD 025 238 6517/W	19
26296FE081	025 238 6517/PD 025 238 6517/W	19
26296FG000	025 238 6517/PD 025 238 6517/W	19
26296PA060	025 217 0315/W	20
26296SA010	025 238 6517/PD 025 238 6517/W	19
26296SA011	025 238 6517/PD 025 238 6517/W	19
26296SA030	025 238 6517/PD 025 238 6517/W	19
26296SA031	025 238 6517/PD 025 238 6517/W	19
26296XA010	025 242 2218/W	20
26298AA010	34-14 533 0000	24
26300AE040	34-15 521 0002	10
26300AE050	34-15 521 0013 34-15 521 0013/PD	11
26300AE060	34-15 521 0014 34-15 521 0014/PD	9
26300AE061	34-15 521 0014 34-15 521 0014/PD	9
26300AE070	34-15 521 0013 34-15 521 0013/PD	11
26300AE071	34-15 521 0013 34-15 521 0013/PD	11
26300AE090	34-15 521 0002	10
26300FE040	34-15 521 0014 34-15 521 0014/PD	9
26300SA000	34-15 521 0014 34-15 521 0014/PD	9
26300SA001	34-15 521 0014 34-15 521 0014/PD	9
26310AA010	025 214 9517/W	18
26310AA021	34-15 521 0002	10
26310AA030	34-15 521 0002	10
26310AA031	34-15 521 0002	10
26310AA032	34-15 521 0002	10
26310AA040	34-15 523 0000	10

Ref. no.	MEYLE no.	Page
Subaru		
26310AA050	34-15 523 0000	10
26310AA051	34-15 523 0000	10
26310AA081	34-15 521 0013 34-15 521 0013/PD	11
26310AA091	34-15 521 0013 34-15 521 0013/PD	11
26310AA092	34-15 521 0013 34-15 521 0013/PD	11
26310AA120	34-15 521 0013 34-15 521 0013/PD	11
26310AA121	34-15 521 0013 34-15 521 0013/PD	11
26310AA151	34-15 521 0013 34-15 521 0013/PD	11
26310AC040	34-15 521 0014 34-15 521 0014/PD	9
26310AC041	34-15 521 0014 34-15 521 0014/PD	9
26310AC060	34-15 521 0002	10
26696AG010	025 242 7114/W	21
26696AG020	025 235 7214/W	21
26696AG030	025 242 7114/W	21
26696AG031	025 242 7114/W	21
26696FA010	025 235 7214/W	21
26696FC000	025 235 7214/W	21
26696FC001	025 235 7214/W	21
26696FC002	025 235 7214/W	21
26696FC020	025 235 7214/W	21
26700AE010	34-15 523 0003	12
26700AE030	34-15 523 0013	12
26700AE060	34-15 523 0003	12
26700AE061	34-15 523 0003	12
26700AE062	34-15 523 0003	12
26700AE070	34-15 523 0013	12
26700AE080	34-15 523 0013	12
26700AE081	34-15 523 0013	12
26700AG000	34-15 523 0007	13
26700AG001	34-15 523 0007	13
26700FE010	34-15 523 0000	10
26700FE030	34-15 523 0000	10
26700FE080	34-15 523 0000	10
26710AC020	34-15 523 0000	10
28021AA003	34-14 498 0006	26
28021AA011	34-14 498 0006	26
28021AA012	34-14 498 0006	26
28021AA013	34-14 498 0006	26

Ref. no.	MEYLE no.	Page
Subaru		
28021AA160	34-14 498 0006	26
28021AA161	34-14 498 0006	26
28021AA162	34-14 498 0006	26
28021AA481	34-14 498 0006	26
28021AA491	34-14 498 0006	26
28021AA541	34-14 498 0006	26
28021AC090	34-14 498 0006	26
28021AC200	34-14 498 0001	26
28091AA094	34-14 498 0006	26
29296AA061	025 217 0315/W	20
29296FE081	025 238 6517/PD 025 238 6517/W	19
31310GA152	34-16 030 0000	46
34140AA010	34-16 030 0000	46
34140AA011	34-16 030 0000	46
34140AA012	34-16 030 0000	46
34140AA013	34-16 030 0000	46
34140AA030	34-16 030 0000	46
34140AA040	34-16 030 0000	46
34141AA041	34-16 020 0011	47
34141AA042	34-16 020 0011	47
34160AE000	34-16 031 0004	46
34160AE001	34-16 031 0004	46
34161SA000	34-16 020 0011	47
34161SA001	34-16 020 0011	47
4180086G10	626 725 0018	56
420335400	35-14 322 0000	44
420335410	35-14 322 0000	44
420335500	35-14 322 0000	44
4203371103	36-14 322 0004	44
42072AG060	30-14 323 0001 35-14 323 0006	41
4243112310	30-15 523 0107/PD	13
4351212710	30-15 521 0112	14
4351297202	39-15 521 0004	14
4351297402	39-15 521 0000	15
43512B1110	39-15 521 0000	15
4410286G60	33-14 498 0021	26
4520060810	33-16 050 0013	51
4520060812	33-16 050 0013	51
4520060820	33-16 050 0014	51
4520060822	33-16 050 0014	51
4520085E00	616 050 0026	50
4520150G10	33-16 050 0013	51
4520160E01	33-16 050 0013	51
4520170C00	33-16 050 0013	51

Ref. no.	MEYLE no.	Page
Subaru		
4520250G10	33-16 050 0014	51
4520260B01	33-16 050 0014	51
4520260E01	33-16 050 0014	51
4520270C00	33-16 050 0014	51
4553050G00	33-14 455 0002	52
4553070C00	33-14 455 0002	52
4663060B01	33-16 060 0001	54
4663060G00	33-16 060 0001	54
48810-83E02	616 020 0009	48
48821-B1010	39-16 060 0000	55
48821-B1010000	39-16 060 0000	55
48821-B1030	39-16 060 0000	55
48821-B1031	39-16 060 0000	55
48830-86G00	616 031 0009 616 031 0030/HD	46-47
48831-B1010	39-16 060 0002	55
48831-B1010000	39-16 060 0002	55
48831-B1020	39-16 060 0002	55
48831-B1021	39-16 060 0002	55
48831-V1010	39-16 060 0002	55
49180-60B20	050 004 0845 050 004 0855	32
5320060B41	33-14 533 0005	24
5320086G00	614 533 0000 614 533 0000/K	24-25
5520061880	025 213 3314/W	22
5520080E10	025 232 9614/W	22
5531180F01	33-15 521 0002	15
5531180F02	33-15 521 0002	15
5531180F03	33-15 521 0002	15
5531186G02	615 521 6039	16
5581060J00	025 235 0715	22
5581084	025 232 5316/PD 025 232 5316/W	23
5581084E01	025 232 5316/PD 025 232 5316/W	23
6003112110	30-14 323 0002	41
72880AJ000	30-12 319 0006 30-12 320 0006	5
72880FE000	34-12 319 0001 34-12 320 0001	6, 8
72880FG000	34-12 319 0006	6
72880FG0009P	34-12 319 0006	6
72880SA0009P	34-12 319 0002	6
72880SA010	34-12 319 0002	6
73013-AA000	050 004 0890	29

Ref. no.	MEYLE no.	Page
Subaru		
73013AA000	050 004 0884	33
73013-PA000	050 004 0845 050 004 0855	32
73036-GA110	050 004 1100	34
73105 6030	050 003 0670	29
73323AA010	050 004 0895	33
73323AC010	050 004 0895	33
73323AC011	050 004 0895	33
73323AP010	050 004 0895	33
73323FA000	050 004 0884	33
73323FA030	050 004 0884	33
73323FA031	050 004 0884	33
80921 3040	050 004 0950	34
80921 4070	050 004 0725	30
809214070	050 004 0730	30
809214470	050 004 0845	32
809214550	050 004 0845	32
809218130	050 005 0875 050 005 0880	31
809218140	050 005 0875 050 005 0880	31
809218150	050 005 0875 050 005 0880	31
809218160	050 005 0875 050 005 0880	31
809218170	050 005 0875 050 005 0880	31
809218210	050 005 0875 050 005 0880	31
809218250	050 005 0875 050 005 0880	31
809218270	050 005 0880	31
809218300	050 005 0875 050 005 0880	31
809218310	050 005 0875 050 005 0880	31
80921-8340	050 005 0870	30
80921-8350	050 005 0870	30
809218380	050 005 0875 050 005 0880	31
809218390	050 005 0875 050 005 0880	31
80921-8400	050 005 0870	30
80921-8410	050 005 0870	30
80921-8420	050 005 0870	30
809218430	050 005 0880	31

Ref. no.	MEYLE no.	Page
Subaru		
809218750	050 005 0875	31
	050 005 0880	
809221050	050 006 1642	31
87139YZZ03	30-12 320 0005	7
8856852010	30-12 319 0001	7
885685201083	30-12 319 0001	7
890214470	050 004 0850	32
9194008500	050 004 0850	32
9586078F10	612 319 0010	7
96055471	33-12 321 0005	40
G3010AG100	30-12 320 0002	7-8
	30-12 320 0005	
G3010FE200	34-12 320 0001	8
G3010SA000	34-12 319 0002	6
G3010SA001	34-12 319 0002	6
G3010SA100	34-12 319 0002	6
G3012-AA608	050 004 0845	32
	050 004 0855	
G3012AA608	050 004 0884	33
G3210FE000	34-12 320 0001	8
X2111AA040	34-13 220 0003	36
X2111AA041	34-13 220 0003	36

Short no.	MEYLE no.	Page
Subaru		
MAF0334	30-12 321 0002	40
MAF0338	30-12 321 0006	39
MAF0347	30-12 321 0015	40
MAF0373	30-12 321 0042	39
MAF0461	33-12 321 0005	40
MAF0462	33-12 321 0006	37
MAF0472	34-12 046 0001	37
MAF0473	34-12 321 0001	38
MAF0474	34-12 321 0002	38
MAF0492	36-12 321 0006	38
MAR0232	34-16 030 0000	46
MAR0234	34-16 031 0004	46
MAR0319	616 031 0009	46
MAR0529HD	616 031 0030/HD	47
MBD0569	30-15 521 0112	14
MBD0662	33-15 521 0002	15
MBD0880	34-15 521 0002	10
MBD0888	34-15 523 0000	10
MBD0891	34-15 523 0003	12
MBD0895	34-15 523 0013	12
MBD1083	39-15 521 0000	15
MBD1086	39-15 521 0004	14
MBD1299	615 521 6039	16
MBD1874PD	30-15 523 0107/PD	13
MBD1961	34-15 521 0013	11
MBD1961PD	34-15 521 0013/PD	11
MBD1962	34-15 521 0014	9
MBD1962PD	34-15 521 0014/PD	9
MBD1963	34-15 523 0007	13
MBJ0202	34-16 010 0002	49
MBL0021	029 400 1600	1
MBL0026	029 425 1700	2
MBL0027	029 450 1800	2
MBL0028	029 475 1900	2
MBL0029	029 500 2000	3
MBL0030	029 530 2100	3
MBL0032	029 550 2200	4
MBL0034	029 600 2400	4
MBL0036	029 650 2600	4
MBL0039	029 700 2800	5
MBL0080	029 300 1217	1
MBL0081	029 380 1514	1
MBP0112	025 213 3314/W	22
MBP0144	025 214 9517/W	18
MBP0185	025 217 0315/W	20
MBP0207	025 218 5415/W	18

Short no.	MEYLE no.	Page
Subaru		
MBP0302	025 232 5316/W	23
MBP0315	025 232 9614/W	22
MBP0364	025 235 0715	22
MBP0383	025 235 5817/W	17
MBP0385	025 235 7214/W	21
MBP0460	025 238 6517/W	19
MBP0542	025 242 2218/W	20
MBP0550	025 242 7114/W	21
MBP0555PD	025 242 8316/PD	16
MBP0556	025 242 8316/W	16
MBP0586	025 243 7217/W	17
MBP0786PD	025 232 5316/PD	23
MBP0805PD	025 238 6517/PD	19
MBS0102	32-14 533 0002	25
MBS0116	33-14 533 0005	24
MBS0119	34-14 533 0000	24
MBS0163	614 533 0000	24
MBS0286	614 533 0000/K	25
MCA0548	33-16 050 0013	51
MCA0549	33-16 050 0014	51
MCA0550	34-16 050 0004	50
MCA0551	34-16 050 0005	49
MCA0699	616 050 0026	50
MCB0237	33-14 455 0002	52
MCF0200	30-12 319 0001	7
MCF0205	30-12 319 0006	5
MCF0213	30-12 320 0002	8
MCF0215	30-12 320 0005	7
MCF0216	30-12 320 0006	5
MCF0286	34-12 319 0001	6
MCF0287	34-12 319 0002	6
MCF0290	34-12 319 0006	6
MCF0291	34-12 320 0001	8
MCF0393	612 319 0010	7
MCV0249	33-14 498 0021	26
MCV0250	34-14 498 0001	26
MCV0252	34-14 498 0006	26
MEX0265	100 900 0000	28
MFF0123	30-14 323 0001	41
MFF0124	30-14 323 0002	41
MFF0173	35-14 323 0006	41
MGP0132	34-14 860 0000	28
MOF0107	30-14 322 0010	42
MOF0109	30-14 322 0012	42
MOF0141	33-14 016 0000	45
MOF0143	33-14 322 0002	44

Short no.	MEYLE no.	Page
Subaru		
MDF0145	33-14 322 0004	45
MDF0147	34-14 322 0001	42
MDF0148	34-14 322 0002	43
MDF0149	35-14 322 0000	44
MDF0151	35-14 322 0002	43
MDF0157	36-14 322 0004	44
MRB0014	050 003 0670	29
MRB0065	050 004 0725	30
MRB0066	050 004 0730	30
MRB0082	050 004 0815	29
MRB0088	050 004 0845	32
MRB0089	050 004 0850	32
MRB0090	050 004 0855	32
MRB0096	050 004 0884	33
MRB0097	050 004 0890	29
MRB0098	050 004 0895	33
MRB0112	050 004 0950	34
MRB0138	050 004 1100	34
MRB0194	050 005 0870	30
MRB0195	050 005 0875	31
MRB0196	050 005 0880	31
MRB0439	050 006 1642	31
MSA0600	626 725 0018	56
MSC0089	614 640 0000	56
MSL0372	33-16 060 0001	54
MSL0377	34-16 060 0000	54
MSL0378	34-16 060 0001	52
MSL0379	34-16 060 0002	52
MSL0380HD	34-16 060 0003/HD	53
MSL0381HD	34-16 060 0004/HD	53
MSL0469	39-16 060 0000	55
MSL0470	39-16 060 0002	55
MSL0842	34-16 060 0005	53
MSL0843	34-16 060 0006	54
MTE0382	34-16 020 0011	47
MTE0480	616 020 0009	48
MTH0065	34-28 228 0000	34
MTH0075	39-28 228 0000	35
MWP0092	11-13 220 0019	35
MWP0362	33-13 220 0002	36
MWP0366	34-13 111 0000	36
MWP0518	34-13 220 0003	36
MWP0566	30-13 220 0023	35



MEYLE

**You see the pretty
curves, underneath
is what counts.**



The MEYLE brand supplies its customers with more than 21,000 extremely reliable and durable spare parts manufactured at our own production facilities or by trusted production partners. MEYLE boasts a highly diversified product range.

Whether steering and suspension components, rubber-to-metal parts, brakes, damping components, cooling systems, filters, drive components, electric and sensors MEYLE is synonymous with top-grade quality-tested spare parts.

Notes

This catalogue is protected by copyright. Reproduction of text, graphic elements, photographs and/or data, even in part, is prohibited. MEYLE, **MEYLE**, or parts thereof, are registered trademarks of MEYLE AG.

All supplies and services are subject to our General Terms and Conditions. The original spare part numbers shown in this catalogue are for cross-reference purposes only and shall not be disclosed to third parties on invoices and delivery notes. While the information in this catalogue was compiled and edited with utmost care we do not assume responsibility or accept claims arising from errors or inconsistencies. Subject to technical and/or design changes.

This issue of the catalogue supersedes all previous issues.
All rights reserved. © 2017 MEYLE AG



MEYLE parts are available through:

MEYLE AG

Merkurring 111, 22143 Hamburg, Germany
Tel. +49 40 67506 510, Fax +49 40 67506 506
contact@meyle.com

www.meyle.com

MEYLE