

Audi

Spare parts for passenger cars



DRIVER'S BEST FRIEND

MEYLE

Sophisticated technology - considerably longer service life.



The MEYLE range of products features a wide variety of components. Spare parts from A to Z, from Alfa Romeo to Volvo, from minicars to top-of-the-range luxury models.



Steering & suspension

Control arms, Stabilizer links, Tie rod assemblies, and many more



Brakes

Brake discs, MEYLE PD, Brake pad sets, Brake drums, and many more



Drive components

C.V. joint kits, Wheel bearings, Belt drives, and many more



Damping parts

Shock absorbers, Strut mounts, Coil springs, and many more



Filters

Oil filters, Air filters, Cabin air filters, Fuel filters, and many more



Cooling components

Water pumps, Expansion tanks, Radiator hoses, and many more



Rubber-to-metal parts

Flex discs, Cardan shaft bearings, Engine mounts, and many more



Electrics and sensors

Crank position sensor, Control units, Glow plugs, and many more



Engine and transmission parts

Oil change kits, V-ribbed belts, Idlers/guide pulleys, and many more



Fluids

Coolant additives, Hydraulic oil, Engine oil, and many more



Complementary product range

Wiper blades, Gas springs, Window lifters, and many more

ORIGINAL, PD and HD – The MEYLE product lines



MEYLE-ORIGINAL: Fit as snugly as the original.

More than 21,000 spare parts for passenger cars, vans and trucks, quality-tested, robust, durable and tried and tested a thousand times over on the roads across the world – that's MEYLE-ORIGINAL. Relying on our comprehensive product portfolio – offering everything from A for axial joint to Z for zinc-coated screw – customers can be sure that they will always have safety on their side.

MEYLE-PD: Safety to the power of two.

Thinking outside the box to make our products better: MEYLE-PD stands for brake discs and pads delivering maximum braking performance and setting new standards in terms of durability, comfort, aesthetics, and ease of installation. Look for the „/PD“ part number extension.

MEYLE-HD: Better than originals.

MEYLE-HD parts simply last longer. Their technically optimised and reinforced designs make them more durable and reliable than OE components. So it is only natural for us to offer extended warranty protection for our MEYLE-HD parts: All parts of the HD range come with a full four-year guarantee. Look for the „/HD“ part number extension.



4-year guarantee on all MEYLE-HD parts!

Robust, high mileage, reliable and better than the original. MEYLE-HD parts simply last longer!

Our three success factors.

The success of the MEYLE brand is based on competence, quality and service.

The development of quality-approved automotive spare parts for the independent aftermarket is our trademark. And MEYLE-HD parts are our specialty: improved parts, developed by our team of engineers at our headquarters in Hamburg. We give a 4-year guarantee on our MEYLE-HD parts which have a far longer service life. Based on information from TÜV (Technical control board), from recall statistics as well as media and market information from workshops and other technical partners, MEYLE engineers identify parts in vehicles which become conspicuous on account of frequent, early wear. On the basis of their findings, they develop technical improvements for the respective weakness. In the end, this work is a

large benefit for all MEYLE parts. Something all reputable automotive manufacturers highly appreciate: MEYLE also develops customized products, for example for Morgan, the legendary sports car manufacturer.

Passing on our know-how to staff and customers is just as much a part of our service as high parts availability and swift delivery. Modern warehouse logistics with space covering 29,000 m² and 56,000 pallet places ensure the reliable supply of our partners.

We have now won the "Top Job Employer" award for the fifth time which confirms our outstanding internal business approach and excellent Human Resources policy. We have been one of Germany's leading SME employers for many years.

MEYLE

Guarantee certificate



A distinguishing feature of MEYLE is our high level of precision, achieved by the application of the most modern manufacturing methods. Our MEYLE articles meet highest quality standards and our supply plants are certified in accordance with ISO 9001:2008 and ISO/TS 16949.

We guarantee perfect material and faultless processing of all our MEYLE articles for a period of 24 months as of the date of installation. For MEYLE-HD articles, this guarantee applies for 48 months as of the date of installation.

Complementing this guarantee, we give an additional 100,000 miles (160,934 kilometres) performance guarantee against defects of material and workmanship for MEYLE passenger car water pumps purchased from 01 May 2016. The guarantee given for MEYLE passenger car water pumps terminates upon expiration of the guarantee period or the guaranteed mileage, whichever occurs later: if the guaranteed mileage has not been reached at the end of the guarantee period of 24 or 48 months respectively, the performance guarantee continues to be valid. Respectively, the guarantee period of 24 or 48 months continues to be valid also in any case where the guaranteed mileage was already exceeded.

During the guarantee period, we perform repair work on claimed MEYLE articles or provide a replacement. The MEYLE guarantee does not apply for normal wear and damage caused by inappropriate handling or inappropriate installation. The guarantee expires if the respective part is modified by third parties or via installation of parts from third parties, or if the part, or vehicle, is used in excess of the appropriate use and purpose. The MEYLE guarantee also expires if MEYLE instructions or vehicle manufacturer instructions, e.g. concerning maintenance and replacement intervals, are not observed. The guarantee only applies for MEYLE water pumps, if the cooling circuit has been flushed prior to installation of the MEYLE water pump. Rights granted by law continue to apply unrestrictedly, irrespective of this guarantee.

The customer must submit a written guarantee claim immediately, or at the latest 30 days after identifying an error in material or processing. This claim is to be submitted to the dealer from which he acquired the MEYLE article part. The customer should return the article, carefully packed. He must enclose the original sales receipt and a description of the error. The customer must also verify the date of installation and the mileage of the vehicle by means of respective documents.

Last amended January 2017

Director Quality Assurance
Manfred Wunder

Auxiliary parts / Miscellaneous

1

Miscellaneous

Filter set

Body/Cabin

3

Body, Interior fittings

Brake pedal pad
Cabin air filter
Clutch pedal pad
Heater core
Heater valve

Hood shock
Ignition lock cylinder
Spring shim
Trunk-/tailgate shock
Washer pump, headlight cleaning

Window lifter
Windshield washer pump
Wiper Blade

Brakes

42

Disc brake, Drum brake, Hydraulics, Mounting parts

Brake disc
Brake drum
Brake hose
Brake master cylinder

Brake pad set
Brake shoe kit
Brake shoe set, parking brake
Guide bolt, brake caliper

Guide sleeve kit, brake caliper
Vacuum hose, brake booster
Wheel cylinder

Drive train/Transmission

175

Axle shafts, Drive shafts, Joints, Transmission

A/T gasket
Boot kit, C.V. joint
Boot, C.V. joint
C.V. joint kit
Drive shaft
Drive shaft support

Hydraulic filter kit, A/T
Hydraulic filter, A/T
Joint, propeller shaft
Mount, automatic transmission
Mount, manual transmission
Mounting, automatic transmission support

Mounting, manual transmission support
Parts kit, automatic transm. oil change
Repair kit, transmission flange
Vibration damper, drive shaft

Electrics

267

Body, Brakes, Drive train, Engine, Interiors, Lighting, Suspension / Steering, Universal parts

ABS wheel sensor
Back up light switch
Brake light switch
Column switch
Control unit, glow plug system
Control unit, heating/ventilation
Crank position sensor
Fuse box
Glow plug
Heater fan motor
Horn
Ignition coil
Ignition control unit
Ignition switch

Intake air, temperature sensor
Knock sensor
Lambda probe
Multifunction relay
Radiator fan control unit
Relay, fuel pump
Relay, hazard lights
Relay, low beam
Resistor, interior blower
RPM Sensor, automatic transmission
Sender unit, coolant temperature
Sender unit, interior temperature
Sensor, camshaft position
Sensor, engine oil level

Sensor, intake manifold pressure
Sensor, odometer
Sensor, outdoor temperature
Switch, A/C fan
Switch, door contact
Switch, window lifter
Temperature switch, coolant warning lamp
Temperature switch, radiator fan
Voltage regulator
Wear sensor
Wiper intermittent relay
Wiper motor

Engine/Cooling/Clutch

358

Belt drive / Engine control, Clutch, Cooling system, Crankshaft drive, Cylinder head, Exhaust system, Fuel system, Lubrication system, Mounts

A/T oil pan gasket
Air filter
Anti torque mount
Belt tensioner
Breather hose
Breather valve

Clutch disc
Clutch master cylinder
Clutch slave cylinder
Coolant flange
Cooling water pipe
Crankshaft seal

Engine mount
Expansion tank
Expansion tank cap
Fan blade
Fan clutch
Fuel filter

Fuel pump	Pilot bearing, clutch	Thermostat
Fuel pump mount	Plug, coolant flange	Timing belt kit
Injector nozzle	Radiator fan motor	Timing belt roller
Intake hose, turbo charger	Radiator hose	Timing belt tensioner
Muffler bracket	Radiator mount	Timing belt tensioner shock
Oil dipstick funnel	Suction hose, air filter	Valve, fuel supply system
Oil filter	Tension roller, ribbed belt	V-ribbed belt
Oil pressure switch	Tensioner pulley, ribbed belt	Water pump
Oil seal, camshaft	Tensioner pulley, timing belt	

Steering

559

Hydraulics, Mounting parts, Tie rod assemblies

Axial rod	Mounting, track rod	Steering boot kit
Gasket set, hydraulic pump	P/S fluid reservoir	Tie rod assembly
Hydraulic pump, P/S	P/S hose	Tie rod end
Lever, steering rod	Steering boot	

Suspension

600

Control arms, Stabilizer, Stub axle, Subframe, Suspension / damping, Wheel hubs / Wheel bearings

Axle support bushing	Mount, rod/strut stabilizer	Sleeve, control arm mount
Ball joint	Mount, stabilizer	Spring seat
Bracket, stabilizer bushing	Mount, wheel bearing housing	Stabilizer link
Coil spring	Mounting kit, control arm	Strut mount
Control arm	Protection lid, wheel hub	Strut mount bearing
Control arm bushing	Repair kit, control arm	Stub axle
Control arm set	Repair kit, strut mount	Subframe mount
Dust cover kit, shock absorber	Repair kit, subframe	Sway bar
Dust cover/boot, strut	Rod/strut, suspension	Wheel bearing
Mount, axle carrier	Rubber stop, suspension	Wheel bearing kit
Mount, axle rod	Sensor ring, ABS	Wheel hub
Mount, control arm	Shock absorber	



Filter set

112 330 0003/S | MAX0102

References

03L 115 466

03L 115 562

Parts list

112 320 0011 | MCF0099
100 322 0011 | MOF0053
112 129 0040 | MAF0154
100 323 0004 | MFF0054

Cabin air filter
Oil filter
Air filter
Fuel filter



Application info

A3 (8P1, 8PA) (05/03-08/12)

Filter set

112 330 0006/S | MAX0106

References

03N 115 562

Parts list

112 320 0022 | MCF0109
100 322 0019 | MOF0210
112 321 0030 | MAF0191
114 323 0006 | MFF0236

Cabin air filter
Oil filter
Air filter
Fuel filter



Application info

A3 (8V1, 8VS, 8V7, 8PA) (04/12--)

Filter set

112 330 0004/S | MAX0103

References

071 115 562 A

071 115 562 C

Parts list

112 320 0011 | MCF0099
100 115 0000 | MOF0033
112 129 0040 | MAF0154
100 201 0012 | MFF0049

Cabin air filter
Oil filter
Air filter
Fuel filter



Application info

A3 (8P1, 8PA) (05/03-08/12)

112 330 0005/S | MAX0104

Filter set



References

071 115 562 A

071 115 562 C

Parts list

112 319 0011 | MCF0085
 100 115 0000 | MOF0033
 112 129 0040 | MAF0154
 100 323 0004 | MFF0054

Cabin air filter
 Oil filter
 Air filter
 Fuel filter

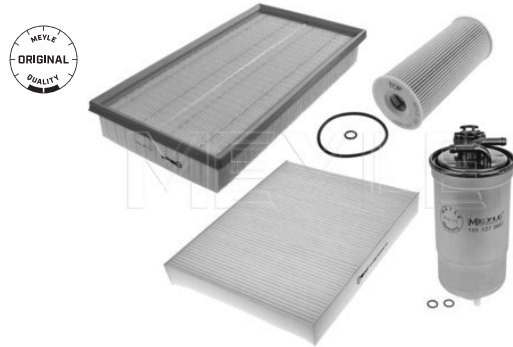
Application info

A5 (8F, 8T) (06/07--)

TT (8J3, 8J9) (08/06-06/10)

112 330 0001/S | MAX0100

Filter set



References

074 115 562

Parts list

112 319 0001 | MCF0076
 100 115 0007 | MOF0039
 112 129 0010 | MAF0137
 100 127 0007 | MFF0031

Cabin air filter
 Oil filter
 Air filter
 Fuel filter

Application info

A3 (8L1) (09/96-05/03)



Hood shock

140 161 0536 | MHS0018

Notes

Length [mm]	470
Force output F [N]	320

References

443 823 359 B



Application info

100/200 [44, 44Q, C3] [08/82-12/91]

V8 [01] [10/88-02/94]

Hood shock

140 161 0062 | MHS0014

Notes

Length [mm]	722
Force output F [N]	280

References

3B0 823 359	4B0 823 359 A
3B0 823 359 A	4B0 823 359 B
3B0 823 359 B	4B0 823 359 C



Application info

A6 [4B, C5] [01/97-01/05]

A6 [4F2, 4FH, 4F5] [05/04-08/11]

Allroad [4BH] [05/00-08/05]

Hood shock

140 910 0018 | MHS0027

Notes

Length [mm]	529
Force output F [N]	245

References

400 823 359 F



Application info

A8 [402, 408] [03/94-09/02]

2

140 910 0008 | MHS0025

Hood shock



Notes

Length [mm]	720
Force output F [N]	180

References

4F0 823 359 A

Application info

A6 [4F2, 4FH, 4F5] [05/04-08/11]

140 910 0068 | MHS0037

Hood shock



Notes

Length [mm]	485
Force output F [N]	170

References

4L0 823 359

Application info

Q7 [4L] [03/06-05/12]

140 161 0070 | MHS0015

Hood shock



Notes

Length [mm]	722
Force output F [N]	310

References

800 823 354	800 823 359 A
800 823 359	800 823 359 B

Application info

A4 [802, 805, B5] [11/94-09/01]



Hood shock

140 910 0003 | MHS0023

Notes

Length [mm] 713
Force output F [N] 330

References

8E0 823 359 A



Application info

A4 [8E2, 8E5, 8E6] [10/00-12/04]

A4 [8EC, 8ED] [11/04-06/08]

Hood shock

140 910 0069 | MHS0038

Notes

Length [mm] 315
Force output F [N] 440

References

8J0 823 359 C



Application info

TT [8J3, 8J9] [08/06-06/10]

Hood shock

140 161 0815 | MHS0020

Notes

Length [mm] 500
Force output F [N] 350

References

8L0 823 359



Application info

A3 [8L1] [09/96-05/03]

2

140 910 0010 | MHS0026

Hood shock



Notes

Length [mm] 712
Force output F [N] 250

References

8P0 823 359

Application info

A3 [8P1, 8PA] [05/03-08/12]

140 910 0070 | MHS0039

Hood shock



Notes

Length [mm] 765
Force output F [N] 340

References

8T0 823 359

Application info

A4 [8K2, 8K5, 8KH] [11/07--]

A5 [8F, 8T] [06/07--]

100 905 0017 | MIX0140

Ignition lock cylinder



References

893 905 855 A

Application info

100/200 [44, 44Q, C3] [08/82-12/91]
80/90 [81, 85, B2] [08/78-10/88]

80/90 [89, 89Q, 8A, B3] [06/86-12/96]



Spring shim

100 412 0043 | MIX0118

Notes

Coil Spring
Front Axle

References

400 412 107 B



Application info

A4 [802, 805, B5] [11/94-09/01]
A6 [4B, C5] [01/97-01/05]

A8 [402, 408] [03/94-09/02]

Spring shim

100 512 0028 | MIX0120

Notes

Outer diameter [mm]
Height [mm]

Coil Spring
75
38.9
Rear Axle Upper

References

1J0 512 149 B



Application info

A2 [8Z0] [02/00-08/05]
A3 [8L1] [09/96-05/03]

A3 [8P1, 8PA] [05/03-08/12]
TT [8N3, 8N9] [10/98-06/06]

Trunk-/tailgate shock

140 910 0012 | MTS0074

Notes

Length [mm]
Force output F [N]

403
310

References

400 827 551 A

400 827 551 B



Application info

A8 [402, 408] [03/94-09/02]

2

140 161 0240 | MTS0055

Trunk-/tailgate shock



Notes

Length [mm] 402
Force output F [N] 390

References

4A5 827 552

Application info

100 [4A, C4] [12/90-07/94]

A6 [4A, C4] [06/94-12/97]

140 161 0340 | MTS0056

Trunk-/tailgate shock



Notes

Length [mm] 645
Force output F [N] 460

References

4A9 827 552

Application info

100 [4A, C4] [12/90-07/94]

A6 [4A, C4] [06/94-12/97]

140 161 0063 | MTS0049

Trunk-/tailgate shock



Notes

Length [mm] 278
Force output F [N] 630

References

4B5 827 552 C

4B5 827 552 D

Application info

A6 [4B, C5] [01/97-01/05]



Trunk-/tailgate shock

140 910 0016 | MTS0078

Notes

Length [mm]	298
Force output F [N]	650

References

485 827 552 F	485 827 552 G
---------------	---------------



Application info

A4 [8E2, 8E5, B6] [10/00-12/04]

A6 [4B, C5] [01/97-01/05]

Trunk-/tailgate shock

140 910 0056 | MTS0111

Notes

Length [mm]	500
Force output F [N]	690
for vehicles with heat insulating glass	

References

489 827 552 E



Application info

A6 [4B, C5] [01/97-01/05]

Trunk-/tailgate shock

140 910 0014 | MTS0076

Notes

Length [mm]	500
Force output F [N]	635

References

489 827 552 A	489 827 552 L
489 827 552 G	489 827 552 M



Application info

A6 [4B, C5] [01/97-01/05]

Allroad [4BH] [05/00-08/05]

2

140 910 0061 | MTS0113

Trunk-/tailgate shock



Notes

Length [mm]	480
Force output F [N]	690

References

489 827 552 N

Application info

Allroad [4BH] [05/00-08/05]

140 910 0023 | MTS0084

Trunk-/tailgate shock



Notes

Length [mm]	298
Force output F [N]	730

References

4F5 827 552

Application info

A6 [4F2, 4FH, 4F5] [05/04-08/11]

140 910 0025 | MTS0086

Trunk-/tailgate shock



Notes

Length [mm]	475
Force output F [N]	650

References

4F9 827 552 B	4F9 827 552 D
4F9 827 552 C	

Application info

A6 [4F2, 4FH, 4F5] [05/04-08/11]

Trunk-/tailgate shock

140 910 0084 | MTS0127

Notes

Length [mm] 500
Force output F [N] 525
for vehicles with automatic-
ally opening tailgate

References

4L0 827 552 C 4L0 827 552 F



Application info

Q7 [4L] [03/06-05/12]

Trunk-/tailgate shock

140 161 0654 | MTS0060

Notes

without spoiler
Length [mm] 275
Force output F [N] 590

References

893 827 552



Application info

80/90 [89, 89Q, 8A, B3] [06/86-12/96]

Trunk-/tailgate shock

140 161 0716 | MTS0062

Notes

Length [mm] 280
Force output F [N] 580

References

8A5 827 552 8A5 827 552 A



Application info

80 [8C, 8G7, B4] [05/91-08/00]

140 161 0066 | MTS0050

Trunk-/tailgate shock



Notes

Length [mm]	575
Force output F [N]	500

References

8A9 827 552 D

Application info

80 (8C, 8G7, B4) (05/91-08/00)

140 161 0068 | MTS0052

Trunk-/tailgate shock



Notes

Length [mm]	280
Force output F [N]	490

References

8N0 823 359	805 827 552 B
3B5 827 550	805 827 552 C
3B5 827 550 A	805 827 552 D
805 827 552 A	805 827 552 F

Application info

A4 (802, 805, B5) (11/94-09/01)

140 161 0067 | MTS0051

Trunk-/tailgate shock



Notes

Length [mm]	Automatic
Force output F [N]	500
	470

References

809 827 552	809 827 552 F
-------------	---------------

Application info

A3 (8L1) (09/96-05/03)

A4 (802, 805, B5) (11/94-09/01)



Trunk-/tailgate shock

140 161 0071 | MTS0053

Notes

Length [mm]	Pressure Controlled
Force output F [N]	500
	500

References

809 827 552 E	809 827 552 G
---------------	---------------



Application info

A3 [8L1] [09/96-05/03]

A4 [802, 805, B5] [11/94-09/01]

Trunk-/tailgate shock

140 910 0024 | MTS0085

Notes

Length [mm]	298
Force output F [N]	700

References

8E5 827 552 C	8E5 827 552 K
8E5 827 552 J	



Application info

A4 [8EC, 8ED] [11/04-06/08]

Trunk-/tailgate shock

140 910 0017 | MTS0079

Notes

Length [mm]	Pressure Controlled
Force output F [N]	500
	530

References

8E9 827 552 E



Application info

A4 [8E2, 8E5, B6] [10/00-12/04]

2

140 910 0026 | MTS0087

Trunk-/tailgate shock



Notes

Length [mm]	490
Force output F [N]	530

References

8E9 827 552 H	8E9 827 552 K
---------------	---------------

Application info

A4 (8EC, 8ED) [11/04-06/08]

140 910 0076 | MTS0122

Trunk-/tailgate shock



Notes

Length [mm]	470
Force output F [N]	630

References

8J8 827 552	8J8 827 552 A
-------------	---------------

Application info

TT (8J3, 8J9) [08/06-06/10]

140 910 0093 | MTS0134

Trunk-/tailgate shock



Notes

Length [mm]	500
Force output F [N]	450

for vehicles with automatic-
ally opening tailgate

References

8K9 827 552 A

Application info

A4 (8K2, 8K5, 8KH) [11/07--]



Trunk-/tailgate shock

140 910 0092 | MTS0133

Notes

Length [mm]	403.5
Force output F [N]	200 for vehicles with spoiler

References

BN7 827 552 B	BN7 827 552 C
---------------	---------------



Application info

TT [8N3, 8N9] [10/98-06/06]

Trunk-/tailgate shock

140 910 0020 | MTS0081

Notes

	with spoiler
Length [mm]	404
Force output F [N]	625

References

BN8 827 552 B



Application info

TT [8N3, 8N9] [10/98-06/06]

Trunk-/tailgate shock

140 910 0060 | MTS0112

Notes

	without spoiler
Number of Doors	2
Length [mm]	485
Force output F [N]	460

References

BP3 827 552 A	BP3 827 552 C
---------------	---------------



Application info

A3 [8P1, 8PA] [05/03-08/12]

2

140 910 0022 | MTS0083

Trunk-/tailgate shock



Notes

Length [mm]	with spoiler 495
Force output F [N]	490

References

8P3 827 552 D

Application info

A3 [8P1, 8PA] [05/03-08/12]

140 910 0027 | MTS0088

Trunk-/tailgate shock



Notes

Length [mm]	530
Force output F [N]	410

References

8P4 827 552 B

Application info

A3 [8P1, 8PA] [05/03-08/12]

313 067 0001 | MIX0194

Washer pump, headlight cleaning



Notes

Voltage [V]	Mono Pump Electric 12
-------------	-----------------------------

References

3B0 955 681 A

Washer pump, headlight cleaning

313 067 0001 | MIX0194

Application info

100 [4A, C4] [12/90-07/94]
100/200 [44, 44Q, C3] [08/82-12/91]
80 [8C, 8G7, B4] [05/91-08/00]
80/90 [81, 85, B2] [08/78-10/88]
80/90 [85] [07/80-07/91]
80/90 [89, 89Q, 8A, B3] [06/86-12/96]
A2 [8Z0] [02/00-08/05]
A3 [8L1] [09/96-05/03]
A3 [8P1, 8PA] [05/03-08/12]

A4 [8D2, 8D5, B5] [11/94-09/01]
A4 [8E2, 8E5, B6] [10/00-12/04]
A4 [8EC, 8ED] [11/04-06/08]
A4 [8H7] [04/02-03/09]
A6 [4B, C5] [01/97-01/05]
A8 [4D2, 4D8] [03/94-09/02]
Allroad [4BH] [05/00-08/05]
TT [8N3, 8N9] [10/98-06/06]

Window lifter

100 909 0004 | MWL0064

Notes

without electric motor
Electric
Left Front

References

480 837 461



Application info

A6 [4B, C5] [01/97-01/05]

A6 [4F2, 4FH, 4F5] [05/04-08/11]

Window lifter

100 909 0039 | MWL0075

Notes

Number of Doors

without electric motor
Electric
4
Left Front

References

480 837 461 C

Counterpart

100 909 0040 | MWL0076



Application info

A6 [4B, C5] [01/97-01/05]

Allroad [4BH] [05/00-08/05]

100 909 0009 | MWL0065

Window lifter



Notes

without electric motor
Electric
Left Front

References

8E0 837 461 B

8E0 837 461 C

Counterpart

100 909 0010 | MWL0066

Application info

A4 [8E2, 8E5, 8E6] [10/00-12/04]

A4 [8EC, 8ED] [11/04-06/08]

100 909 0023 | MWL0069

Window lifter



Notes

without electric motor
Electric
2
Left Front

References

8L3 837 461

Counterpart

100 909 0024 | MWL0070

Application info

A3 [8L1] [09/96-05/03]

100 909 0041 | MWL0077

Window lifter



Notes

Number of Doors

without electric motor
Electric
5
Left Front

References

8P4 837 461 A
8P4 837 461 B

8P4 837 461 C

Counterpart

100 909 0042 | MWL0078

Application info

A3 [8P1, 8PA] [05/03-08/12]



Window lifter

100 909 0040 | MWL0076

Notes

without electric motor
Electric
Number of Doors 4
Right Front

References

4B0 837 462 A 4B0 837 462 C

Counterpart

100 909 0039 | MWL0075



Application info

A6 [4B, C5] [01/97-01/05]

Allroad [4BH] [05/00-08/05]

Window lifter

100 909 0010 | MWL0066

Notes

without electric motor
Electric
Right Front

References

8E0 837 462 B 8E0 837 462 C

Counterpart

100 909 0009 | MWL0065



Application info

A4 [8E2, 8E5, B6] [10/00-12/04]

A4 [8EC, 8ED] [11/04-06/08]

Window lifter

100 909 0024 | MWL0070

Notes

without electric motor
Electric
Number of Doors 2
Right Front

References

8L3 837 462

Counterpart

100 909 0023 | MWL0069



Application info

A3 [8L1] [09/96-05/03]

2

100 909 0042 | MWL0078

Window lifter



Notes

Number of Doors

without electric motor
Electric
5
Right Front

References

8P4 837 462 A
8P4 837 462 B

8P4 837 462 C

Counterpart

100 909 0041 | MWL0077

Application info

A3 [8P1, 8PA] [05/03-08/12]

100 955 0006 | MWI0006

Windshield washer pump



Notes

Voltage [V]

Oval
Mono Pump
12
Front

References

1K5 955 651

Application info

A2 [8Z0] [02/00-08/05]
A3 [8P1, 8PA] [05/03-08/12]
A4 [8D2, 8D5, B5] [11/94-09/01]
A4 [8E2, 8E5, B6] [10/00-12/04]
A4 [8EC, 8ED] [11/04-06/08]
A4 [8K2, 8K5, 8KH] [11/07--]
A5 [8F, 8T] [06/07--]
A6 [4B, C5] [01/97-01/05]

A6 [4F2, 4FH, 4F5] [05/04-08/11]
A7 Sportback [4GA] [10/10--]
A8 [4E] [10/02-07/10]
A8 [4H_] [11/09--]
R8 I [04/07-07/15]
TT [8J3, 8J9] [08/06-06/10]
TT [8N3, 8N9] [10/98-06/06]

100 955 0010 | MWI0009

Windshield washer pump



Notes

Voltage [V]

Dual Pump
12
Front and Rear

References

1K6 955 651



Windshield washer pump

100 955 0010 | MWI0009

Application info

A1 [8X1, 8XA] [05/10--]
 A3 [8L1] [09/96-05/03]
 A3 [8P1, 8PA] [05/03-08/12]
 A4 [8D2, 8D5, B5] [11/94-09/01]
 A4 [8E2, 8E5, B6] [10/00-12/04]
 A4 [8EC, 8ED] [11/04-06/08]
 A4 [8K2, 8K5, 8KH] [11/07--]

A6 [4B, C5] [01/97-01/05]
 A6 [4F2, 4FH, 4F5] [05/04-08/11]
 Allroad [4BH] [05/00-08/05]
 Q3 [8U] [06/11--]
 Q5 [8R] [11/08--]
 Q7 [4L] [03/06-05/12]

Windshield washer pump

100 955 0002 | MWI0004

Notes

Voltage [V] Mono Pump
 Electric
 12
 Front

References

171 955 651 431 955 651



Application info

100 [4A, C4] [12/90-07/94]
 100/200 [44, 44Q, C3] [08/82-12/91]
 80 [8C, 8G7, B4] [05/91-08/00]
 80/90 [89, 89Q, 8A, B3] [06/86-12/96]

A6 [4A, C4] [06/94-12/97]
 A6 [4B, C5] [01/97-01/05]
 V8 [01] [10/88-02/94]

Windshield washer pump

100 955 0008 | MWI0008

Notes

Voltage [V] Mono Pump
 12
 for vehicles without on-board
 computer
 Front

References

4A0 955 651



Application info

100 [4A, C4] [12/90-07/94]
 80 [8C, 8G7, B4] [05/91-08/00]
 80/90 [89, 89Q, 8A, B3] [06/86-12/96]
 A4 [8D2, 8D5, B5] [11/94-09/01]

A6 [4A, C4] [06/94-12/97]
 A8 [4D2, 4D8] [03/94-09/02]
 A8 [4E] [10/02-07/10]

100 955 0012 | MW10010

Windshield washer pump



Notes

Voltage [V]

Dual Pump
12
for vehicles with on-board
computer
Front and Rear

References

4A0 955 651 A

4A0 955 651 B

Application info

100 [4A, C4] [12/90-07/94]
80 [8C, 8G7, B4] [05/91-08/00]
80/90 [89, 89Q, 8A, B3] [06/86-12/96]
A4 [802, 805, B5] [11/94-09/01]

A6 [4A, C4] [06/94-12/97]
A8 [402, 408] [03/94-09/02]
A8 [4E] [10/02-07/10]

029 280 1210 | MBL0045

Wiper Blade



Notes

Length [in]
Length [mm]

Flat wiper blade
Flat bar wiper blade
12
280
Rear

Application info

A1 [8X1, 8XA] [05/10--]

029 330 1314 | MBL0048

Wiper Blade



Notes

Length [in]
Length [mm]

Flat bar wiper blade
Flat wiper blade
13
330
Rear

Application info

A3 [8V1, 8VS, 8V7, 8PA] [04/12--]

Q5 [8R] [11/08--]



Wiper Blade

029 350 1415 | MBL0051

Notes

Length [in]
Length [mm]

Beam wiper blade
Bracket wiper blade
14
350
Rear



Application info

A3 [8P1, 8PA] [05/03-08/12]
A4 [8E2, 8E5, 86] [10/00-12/04]

A4 [8EC, 8ED] [11/04-06/08]

Wiper Blade

029 375 1514 | MBL0053

Notes

Length [in]
Length [mm]

Beam wiper blade
Bracket wiper blade
15
375
Rear



Application info

A6 [4B, C5] [01/97-01/05]

Wiper Blade

029 380 1513 | MBL0049

Notes

Length [in]
Length [mm]

Flat bar wiper blade
Flat wiper blade
15
380
Rear

References

8X3 955 425



Application info

A1 [8X1, 8XA] [05/10--]

2

029 380 1514 | MBL0081

Wiper Blade



Notes

Length [in]
Length [mm]

Beam wiper blade
Bracket wiper blade
15
380
Rear

Application info

A3 (8L1) (09/96-05/03)
A4 (802, 805, B5) (11/94-09/01)

A6 (4B, C5) (01/97-01/05)
Allroad (4BH) (05/00-08/05)

029 400 1600 | MBL0021

Wiper Blade



Notes

Observe service information
Length [in]
Length [mm]

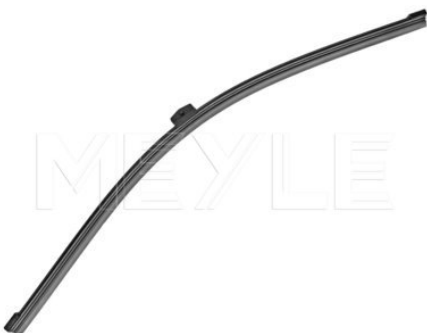
Flat bar wiper blade
Flat wiper blade
16
400
Front

Application info

A1 (8X1, 8XA) (05/10--)

029 400 1616 | MBL0050

Wiper Blade



Notes

Length [in]
Length [mm]

Flat wiper blade
Flat bar wiper blade
16
400
Rear

References

8K9 955 425

Application info

A4 (8K2, 8K5, 8KH) (11/07--)
A6 (4G2, 4G5, C7) (11/10-05/13)

Q3 (8U) (06/11--)

Wiper Blade

029 450 1800 | MBL0027

Notes

Observe service information
Length [in]
Length [mm]

Flat wiper blade
Flat bar wiper blade
18
450
Front



Application info

80/90 (81, 85, B2) (08/78-10/88)
A3 (8L1) (09/96-05/03)

A3 (8P1, 8PA) (05/03-08/12)
A3 (8V1, 8VS, 8V7, 8PA) (04/12--)

Wiper Blade

029 475 1900 | MBL0028

Notes

Observe service information
Length [in]
Length [mm]

Flat bar wiper blade
Flat wiper blade
19
475
Front



Application info

A3 (8P1, 8PA) (05/03-08/12)

Wiper Blade

029 500 2000 | MBL0029

Notes

Observe service information
Length [in]
Length [mm]

Flat bar wiper blade
Flat wiper blade
20
500
Front



Application info

80 (8C, 8G7, B4) (05/91-08/00)
A4 (8K2, 8K5, 8KH) (11/07--)
A5 (8F, 8T) (06/07--)
A7 Sportback (4GA) (10/10--)

A8 (4D2, 4D8) (03/94-09/02)
A8 (4H_) (11/09--)
Q5 (8R) (11/08--)

2

029 530 2100 | MBL0030

Wiper Blade



Notes

Observe service information
Length [in]
Length [mm]

Flat bar wiper blade
Flat wiper blade
21
530
Front

Application info

100 [4A, C4] [12/90-07/94]
100/200 [44, 44Q, C3] [08/82-12/91]
80 [8C, 8G7, B4] [05/91-08/00]
80/90 [89, 89Q, 8A, B3] [06/86-12/96]
A3 [8L1] [09/96-05/03]
A4 [8D2, 8D5, B5] [11/94-09/01]
A6 [4A, C4] [06/94-12/97]
A6 [4B, C5] [01/97-01/05]
A6 [4G2, 4G5, C7] [11/10-05/13]

A7 Sportback [4GA] [10/10--]
A8 [4H_] [11/09--]
Allroad [4BH] [05/00-08/05]
Q3 [8U] [06/11--]
TT [8J3, 8J9] [08/06-06/10]
TT [8N3, 8N9] [10/98-06/06]
TT [8S] [09/14--]
V8 [D1] [10/88-02/94]

029 550 2200 | MBL0032

Wiper Blade



Notes

Observe service information
Length [in]
Length [mm]

Flat bar wiper blade
Flat wiper blade
22
550
Front

Application info

100 [4A, C4] [12/90-07/94]
80 [8C, 8G7, B4] [05/91-08/00]
80/90 [89, 89Q, 8A, B3] [06/86-12/96]
A4 [8E2, 8E5, B6] [10/00-12/04]
A4 [8EC, 8ED] [11/04-06/08]
A4 [8H7] [04/02-03/09]
A6 [4A, C4] [06/94-12/97]

A6 [4B, C5] [01/97-01/05]
A6 [4F2, 4FH, 4F5] [05/04-08/11]
A8 [4D2, 4D8] [03/94-09/02]
Allroad [4BH] [05/00-08/05]
TT [8J3, 8J9] [08/06-06/10]
V8 [D1] [10/88-02/94]



Wiper Blade

029 580 2300 | MBL0033

Notes

Observe service information
Length [in]
Length [mm]

Flat bar wiper blade
Flat wiper blade
23
580
Front



Application info

A4 [8H7] [04/02-03/09]

A8 [4E] [10/02-07/10]

Wiper Blade

029 600 2400 | MBL0034

Notes

Observe service information
Length [in]
Length [mm]

Flat bar wiper blade
Flat wiper blade
24
600
Front



Application info

A1 [8X1, 8XA] [05/10--]
A3 [8P1, 8PA] [05/03-08/12]
A4 [8K2, 8K5, 8KH] [11/07--]
A5 [8F, 8T] [06/07--]
A7 Sportback [4GA] [10/10--]

Q3 [8U] [06/11--]
Q5 [8R] [11/08--]
Q7 [4L] [03/06-05/12]
TT [8S] [09/14--]

Wiper Blade

029 650 2600 | MBL0036

Notes

Observe service information
Length [in]
Length [mm]

Flat wiper blade
Flat bar wiper blade
26
650
Front



2



029 650 2600 | MBL0036

Wiper Blade

Application info

A3 [8V1, 8VS, 8V7, 8PA] [04/12--]
A6 [4G2, 4G5, C7] [11/10-05/13]

Q7 [4L] [03/06-05/12]

029 680 2700 | MBL0038

Wiper Blade



Notes

Observe service information
Length [in]
Length [mm]

Flat bar wiper blade
Flat wiper blade

27
680
Front

Application info

A8 [4H_] [11/09--]

029 750 3000 | MBL0041

Wiper Blade



Notes

Observe service information
Length [in]
Length [mm]

Flat bar wiper blade
Flat wiper blade

30
750
Front

Application info

A2 [8Z0] [02/00-08/05]

100 721 0002 | MIX0126

Brake pedal pad



Notes

Black
for manual transmission

References

6X0 721 173 A

Brake pedal pad

100 721 0002 | MIX0126

Application info

80/90 (81, 85, B2) (08/78-10/88)

80/90 (85) (07/80-07/91)

Cabin air filter

112 320 0001 | MCF0091

Notes

Height [mm] 25
Width [mm] 205
Length [mm] 280
Filter Insert
Activated Carbon Filter



References

1H0 091 800

Application info

A3 (8L1) (09/96-05/03)

TT (8N3, 8N9) (10/98-06/06)

Cabin air filter

112 320 0002 | MCF0092

Notes

Height [mm] 26
Width [mm] 150
Length [mm] 388
Filter Insert
Activated Carbon Filter



References

3B0 091 800

Application info

80 (8C, 8G7, B4) (05/91-08/00)
80/90 (89, 89Q, 8A, B3) (06/86-12/96)

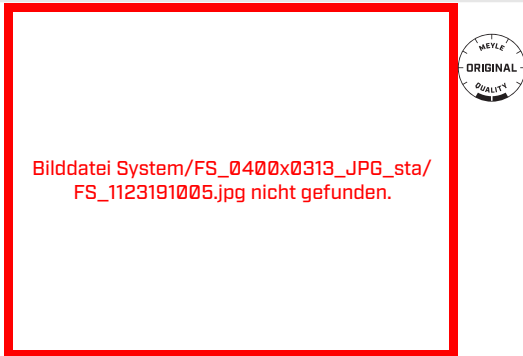
A4 (8D2, 8D5, B5) (11/94-09/01)

Cabin air filter

112 319 1005 | MCF0090

Notes

Height [mm] 30
Width [mm] 192
Length [mm] 309
Filter Insert
Particulate Filter



References

4A0 819 439 A

2

+

112 319 1005 | MCF0090

Cabin air filter

Application info

100 [4A, C4] [12/90-07/94]

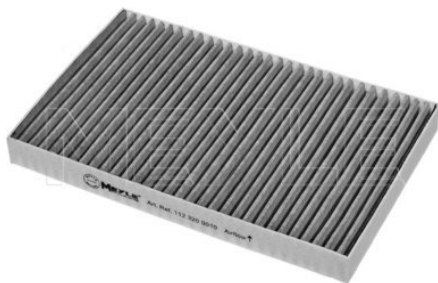
100/200 [44, 44Q, C3] [08/82-12/91]

A6 [4A, C4] [06/94-12/97]

A6 [4B, C5] [01/97-01/05]

112 320 0010 | MCF0098

Cabin air filter



Notes

Height [mm]

30.5

Width [mm]

198

Length [mm]

308.5

Filter Insert

Activated Carbon Filter

References

4B0 091 800

4B0 819 439

4A0 819 430 A

4B0 819 439 A

Application info

A6 [4A, C4] [06/94-12/97]

A6 [4B, C5] [01/97-01/05]

112 320 0004 | MCF0094

Cabin air filter



Notes

Height [mm]

30

Width [mm]

203

Length [mm]

300

Filter Insert

Activated Carbon Filter

References

4B0 819 439 C

Application info

A4 [802, 805, B5] [11/94-09/01]

A4 [8E2, 8E5, B6] [10/00-12/04]

A4 [8EC, 8ED] [11/04-06/08]

A4 [8H7] [04/02-03/09]

A6 [4B, C5] [01/97-01/05]

Allroad [4BH] [05/00-08/05]



Cabin air filter

112 320 0016 | MCF0103

Notes

Height [mm]	40
Width [mm]	192
Length [mm]	403
	Filter Insert
	Activated Carbon Filter

References

4E0 819 439 A



Application info

A8 [4E] [10/02-07/10]

Cabin air filter

112 320 0017 | MCF0104

Notes

Height [mm]	35
Width [mm]	253
Length [mm]	256
	Filter Insert
	Activated Carbon Filter

References

4H0 819 439



Application info

A6 [4G2, 4G5, C7] [11/10-05/13]
A7 Sportback [4GA] [10/10--]

A8 [4H_] [11/09--]

Cabin air filter

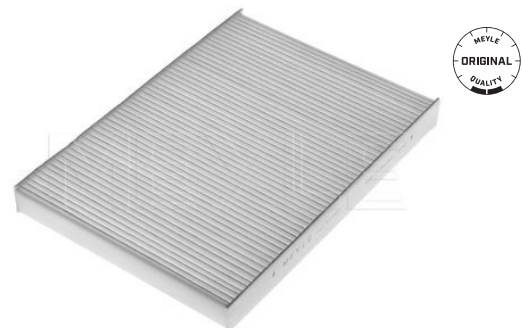
112 319 0024 | MCF0463

Notes

Height [mm]	31
Width [mm]	220
Length [mm]	311
	Particulate Filter

References

4M0 819 439



Application info

A4 [8W2,8W5 B9] [05/15--]

2

112 320 0024 | MCF0464

Cabin air filter



Notes

Height [mm] 31
Width [mm] 220
Length [mm] 311
Activated Carbon Filter

References

4M0 819 439 A

Application info

A4 (8W2,8W5 B9) (05/15--)

112 319 0002 | MCF0077

Cabin air filter



Notes

Height [mm] 25
Width [mm] 150
Length [mm] 390
Filter Insert
Particulate Filter

References

8A0 819 439 A

Application info

80 (8C, 8G7, B4) (05/91-08/00)
80/90 (89, 89Q, 8A, B3) (06/86-12/96)

A4 (8D2, 8D5, B5) (11/94-09/01)

112 319 0004 | MCF0079

Cabin air filter



Notes

Height [mm] 29
Width [mm] 205
Length [mm] 300
Filter Insert
Particulate Filter

References

8E0 819 439

Application info

A4 (8E2, 8E5, B6) (10/00-12/04)
A4 (8EC, 8ED) (11/04-06/08)
A4 (8H7) (04/02-03/09)

A6 (4B, C5) (01/97-01/05)
Allroad (4BH) (05/00-08/05)

Cabin air filter

112 319 0020 | MCF0088

Notes

Height [mm] 35
 Width [mm] 279
 Width 2 [mm] 145
 Length [mm] 241
 Filter Insert
 Particulate Filter



References

8K0 819 439

Application info

A4 [8H7] [04/02-03/09]
 A4 [8K2, 8K5, 8KH] [11/07--]

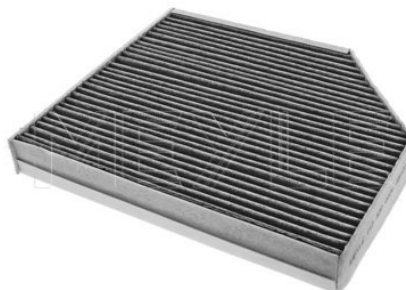
A5 [8F, 8T] [06/07--]
 Q5 [8R] [11/08--]

Cabin air filter

112 320 0020 | MCF0107

Notes

Height [mm] 35
 Width [mm] 279
 Width 2 [mm] 145
 Length [mm] 241
 Filter Insert
 Activated Carbon Filter



References

8K0 819 439 A 8K0 819 439 B

Application info

A4 [8K2, 8K5, 8KH] [11/07--]
 A5 [8F, 8T] [06/07--]

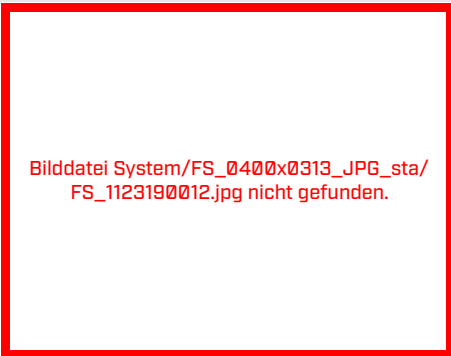
Q5 [8R] [11/08--]

Cabin air filter

112 319 0012 | MCF0086

Notes

Height [mm] 34
 Width [mm] 216
 Length [mm] 277
 Filter Insert
 Particulate Filter



References

7H0 819 631

Application info

Q7 [4L] [03/06-05/12]

112 320 0012 | MCF0100

Cabin air filter



Notes

Height [mm] 34
Width [mm] 216
Length [mm] 276
Filter Insert
Activated Carbon Filter

References

7H0 819 631 A

Application info

Q7 [4L] [03/06-05/12]

112 319 0001 | MCF0076

Cabin air filter



Notes

Height [mm] 25
Width [mm] 205
Length [mm] 280
Filter Insert
Particulate Filter

References

1H1 819 640 A

1H0 819 644 B

Application info

A3 [8L1] [09/96-05/03]

TT [8N3, 8N9] [10/98-06/06]

112 320 1001 | MCF0110

Cabin air filter



Notes

Height [mm] 30
Width [mm] 206
Length [mm] 281
Filter Insert
Activated Carbon Filter

References

1J0 819 644 A

Application info

A3 [8L1] [09/96-05/03]

TT [8N3, 8N9] [10/98-06/06]



Cabin air filter

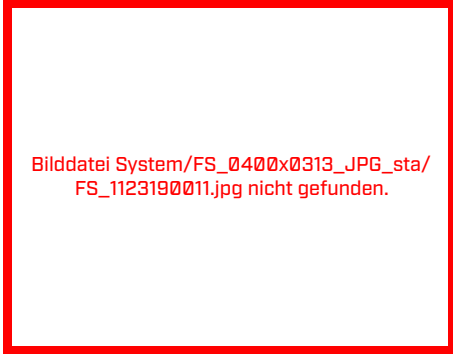
112 319 0011 | MCF0085

Notes

Height 1 [mm]	58
Height [mm]	34
Width [mm]	278
Width 2 [mm]	141
Length [mm]	214
	Filter Insert Particulate Filter

References

1K0 819 644 A	1K0 819 644 B
---------------	---------------



Application info

A3 (8P1, 8PA) (05/03-08/12)
Q3 (8U) (06/11--)

TT (8J3, 8J9) (08/06-06/10)

Cabin air filter

112 320 0011 | MCF0099

Notes

Height [mm]	34
Width [mm]	207
Length [mm]	269
	Filter Insert Activated Carbon Filter for left-hand drive vehicles

References

1K1 819 653 B



Application info

A3 (8P1, 8PA) (05/03-08/12)
Q3 (8U) (06/11--)

TT (8J3, 8J9) (08/06-06/10)

Cabin air filter

112 320 0019 | MCF0106

Notes

Height [mm]	57
Width 2 [mm]	150
Width 1 [mm]	288
Length [mm]	211
	Filter Insert Activated Carbon Filter for right-hand drive vehicles

References

1K2 819 653	1K2 819 653 B
1K2 819 653 A	



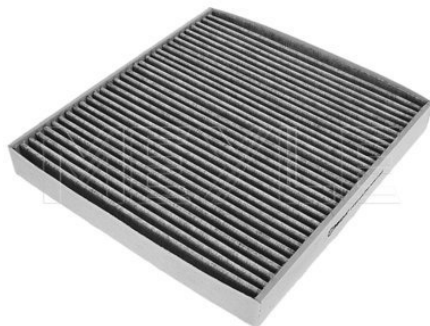
Application info

A3 (8P1, 8PA) (05/03-08/12)
Q3 (8U) (06/11--)

TT (8J3, 8J9) (08/06-06/10)

112 320 0022 | MCF0109

Cabin air filter



Notes

Height [mm] 30
Width [mm] 234
Length [mm] 254
Filter Insert
Activated Carbon Filter

References

5Q0 819 653

Application info

A3 (8V1, 8VS, 8V7, 8PA) (04/12--)
Q2 (09/16--)

Q5 (8R) (11/08--)
TT (8S) (09/14--)

112 320 0003 | MCF0093

Cabin air filter



Notes

Height [mm] 30
Width [mm] 216
Length [mm] 248
Filter Insert
Activated Carbon Filter

References

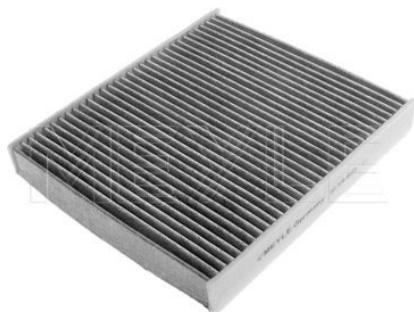
6Q0 819 653 B

Application info

A2 (8Z0) (02/00-08/05)

112 320 0023 | MCF0441

Cabin air filter



Notes

Height [mm] 36
Width [mm] 224
Length [mm] 256
Filter Insert
Activated Carbon Filter

References

6R0 819 653

Application info

A1 (8X1, 8XA) (05/10--)



Cabin air filter

112 319 0005 | MCF0080

Notes

Height [mm]	19
Width [mm]	214
Length [mm]	342
	Filter Insert
	Particulate Filter

References

4A1 820 367



Application info

A6 [4A, C4] [06/94-12/97]

Cabin air filter

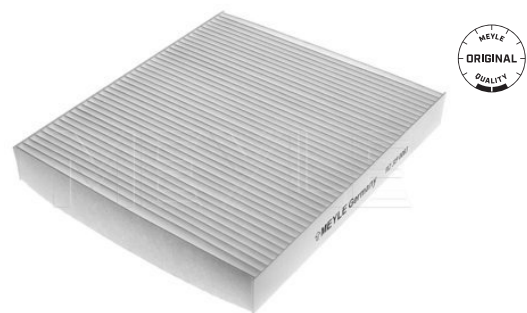
112 319 0003 | MCF0078

Notes

Height [mm]	30
Width [mm]	216
Length [mm]	246
	Filter Insert
	Particulate Filter

References

6Q0 820 367 B



Application info

A2 [8Z0] [02/00-08/05]

Cabin air filter

112 319 0023 | MCF0440

Notes

Height [mm]	36
Width [mm]	224
Length [mm]	256
	Filter Insert
	Particulate Filter

References

6R0 820 367



Application info

A1 [8X1, 8XA] [05/10--]

2

112 319 0006/S | MCF0081

Cabin air filter



Notes

Height [mm]	20
Width [mm]	193
Length [mm]	270
	Filter Insert
	Particulate Filter

References

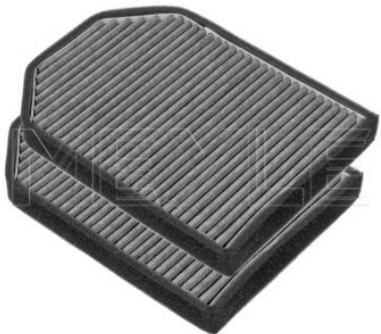
400 819 439	400 898 438
-------------	-------------

Application info

A8 [402, 408] [03/94-09/02]

112 320 0006/S | MCF0096

Cabin air filter



Notes

Height [mm]	20
Width [mm]	193
Length [mm]	270
	Filter Insert
	Activated Carbon Filter

References

400 819 439 A	400 898 438 A
---------------	---------------

Application info

A8 [402, 408] [03/94-09/02]

112 319 0015/S | MCF0087

Cabin air filter



Bilddatei System/FS_0400x0313_JPG_sta/
FS_1123190015S.jpg nicht gefunden.

Notes

Height [mm]	30
Width [mm]	99
Length [mm]	297
	Filter Insert
	Particulate Filter

References

4F0 819 439	4F0 898 438
-------------	-------------

Application info

A6 [4F2, 4FH, 4F5] [05/04-08/11]

Cabin air filter

112 320 0015/S | MCF0102

Notes

Height [mm] 30
Width [mm] 99
Length [mm] 297
Filter Insert
Activated Carbon Filter

References

4F0 819 439 A 4F0 898 438 B
4F0 819 439 C 4F0 898 438 C
4F0 898 438 A



Application info

A6 [4F2, 4FH, 4F5] [05/04-08/11] R8 I [04/07-07/15]

Clutch pedal pad

100 721 0002 | MIX0126

Notes

Black

References

6X0 721 173 A



Application info

80/90 [81, 85, 82] [08/78-10/88] 80/90 [85] [07/80-07/91]

Heater core

100 819 0003 | MIX0130

Notes

for left-/right-hand traffic

References

443 819 030 443 819 031 C
443 819 031 B



Application info

100 [4A, C4] [12/90-07/94] A6 [4A, C4] [06/94-12/97]
100/200 [44, 44Q, C3] [08/82-12/91] V8 [D1] [10/88-02/94]

100 819 0002 | MIX0129

Heater core



Notes

for left-hand drive vehicles

References

893 819 030 B
801 819 030 B

801 819 031 B

Application info

80 [8C, 8G7, B4] [05/91-08/00]

A4 [802, 805, B5] [11/94-09/01]

100 819 0001 | MIX0128

Heater core



Notes

for left-hand drive vehicles
for vehicles with air conditioning

References

1H1 819 030 A

1H1 819 031 B

Application info

A3 [8L1] [09/96-05/03]

100 819 0004 | MIX0131

Heater core



Notes

for left-hand drive vehicles

References

1J1 819 031 A

1J1 819 031 B

Application info

A3 [8L1] [09/96-05/03]
A3 [8P1, 8PA] [05/03-08/12]

TT [8N3, 8N9] [10/98-06/06]



Heater valve

100 819 0005 | MIX0132

Notes

from connecting pipe to
heater radiator
Stop Valve

References

171 819 809 A
171 819 809 E

211 819 819



Application info

80/90 [81, 85, B2] [08/78-10/88]

80/90 [85] [07/80-07/91]

Heater valve

014 800 0052 | MIX0069

References

431 819 809 A



Application info

100/200 [44, 44Q, C3] [08/82-12/91]
80/90 [89, 89Q, 8A, B3] [06/86-12/96]

V8 [01] [10/88-02/94]

2

115 521 1027 | MBD0197

Brake disc



Notes

Wheel Bolt Bore Ø [mm]	15.6
	Zink flake coated
	Vented
Centering Diameter [mm]	65
Minimum thickness [mm]	19
Outer diameter [mm]	280
Height [mm]	36.5
Bolt Hole Circle Ø [mm]	100
Brake Disc Thickness [mm]	22
Required quantity	2
Number of Holes	5
	Front Axle

References

1J0 615 301 E	1J0 615 301 P
---------------	---------------

Application info

A3 (8L1) (09/96-05/03)

183 521 1027/PD | MBD1533PD

Brake disc



Notes

Wheel Bolt Bore Ø [mm]	15.6
	Zink flake coated
	High-carbon
	Vented
Centering Diameter [mm]	65
Minimum thickness [mm]	19
Outer diameter [mm]	280
Height [mm]	36.5
Bolt Hole Circle Ø [mm]	100
	with screws
Brake Disc Thickness [mm]	22
Required quantity	2
Number of Holes	5
	Front Axle

References

1J0 615 301 E	1J0 615 301 P
---------------	---------------

Application info

A3 (8L1) (09/96-05/03)

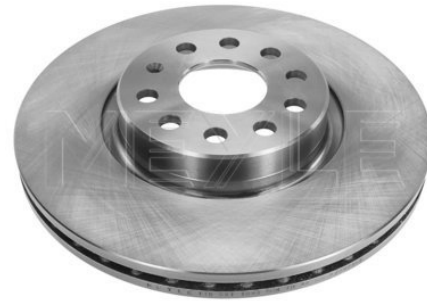


Brake disc

115 521 1094 | MBD0226

Notes

Wheel Bolt Bore Ø [mm]	15.3
	Vented
Centering Diameter [mm]	65
Minimum thickness [mm]	22
Outer diameter [mm]	312
Height [mm]	49.9
Bolt Hole Circle Ø [mm]	112
Brake Disc Thickness [mm]	25
Required quantity	2
Number of Holes	5
	Front Axle



References

1K0 615 301 AA	5C0 615 301 B
----------------	---------------

Application info

A1 [8X1, 8XA] [05/10--]
 A3 [8P1, 8PA] [05/03-08/12]
 A3 [8V1, 8VS, 8V7, 8PA] [04/12--]

Q3 [8U] [06/11--]
 TT [8J3, 8J9] [08/06-06/10]
 TT [8S] [09/14--]

Brake disc

183 521 1094/PD | MBD1542PD

Notes

Wheel Bolt Bore Ø [mm]	15.3
	Zink flake coated
	High-carbon
	Vented
Centering Diameter [mm]	65
Minimum thickness [mm]	22
Outer diameter [mm]	312
Height [mm]	49.9
Bolt Hole Circle Ø [mm]	112
	with screws
Brake Disc Thickness [mm]	25
Required quantity	2
Number of Holes	5
	Front Axle



References

1K0 615 301 AA	5C0 615 301 B
----------------	---------------

Application info

A1 [8X1, 8XA] [05/10--]
 A3 [8P1, 8PA] [05/03-08/12]
 A3 [8V1, 8VS, 8V7, 8PA] [04/12--]

Q3 [8U] [06/11--]
 TT [8J3, 8J9] [08/06-06/10]
 TT [8S] [09/14--]

183 521 0008/PD | MBD1528PD

Brake disc



Notes

Wheel Bolt Bore Ø [mm]	15.3
	Zink flake coated
	High-carbon
	Vented
Centering Diameter [mm]	65
Minimum thickness [mm]	27
Outer diameter [mm]	340
Height [mm]	49.7
Bolt Hole Circle Ø [mm]	112
	with screws
Brake Disc Thickness [mm]	30
Required quantity	2
Number of Holes	5
	Front Axle

References

1K0 615 301 AD

Application info

A3 [8V1, 8VS, 8V7, 8PA] [04/12--]

115 521 1044 | MBD0207

Brake disc



Notes

Wheel Bolt Bore Ø [mm]	15.3
	Vented
Centering Diameter [mm]	65
Minimum thickness [mm]	19
Outer diameter [mm]	280
Height [mm]	50
Bolt Hole Circle Ø [mm]	112
Brake Disc Thickness [mm]	22
Required quantity	2
Number of Holes	5
	Front Axle

References

1K0 615 301 AC 1K0 615 301 S
1K0 615 301 AK

Application info

A3 [8P1, 8PA] [05/03-08/12]



Brake disc

183 521 1044/PD | MBD1535PD

Notes

Wheel Bolt Bore Ø [mm]	15.3
	Zink flake coated
	High-carbon
	Vented
Centering Diameter [mm]	65
Minimum thickness [mm]	19
Outer diameter [mm]	280
Height [mm]	50
Bolt Hole Circle Ø [mm]	112
	with screws
Brake Disc Thickness [mm]	22
Required quantity	2
Number of Holes	5
	Front Axle



References

1K0 615 301 AC	1K0 615 301 S
1K0 615 301 AK	

Application info

A3 (8P1, 8PA) (05/03-08/12)

Brake disc

115 521 1010 | MBD0184

Notes

Wheel Bolt Bore Ø [mm]	15.3
	Vented
Centering Diameter [mm]	65
Minimum thickness [mm]	27
Outer diameter [mm]	345
Height [mm]	49.9
Bolt Hole Circle Ø [mm]	112
Brake Disc Thickness [mm]	30
Required quantity	2
Number of Holes	5
	Front Axle



References

1K0 615 301 M

Application info

A3 (8P1, 8PA) (05/03-08/12)

3



Brake disc

183 521 1045/PD | MBD1536PD

Notes

Wheel Bolt Bore Ø [mm]	15.3
	Zink flake coated
	High-carbon
	Vented
Centering Diameter [mm]	65
Minimum thickness [mm]	22
Outer diameter [mm]	288
Height [mm]	49.8
Bolt Hole Circle Ø [mm]	112
	with screws
Brake Disc Thickness [mm]	25
Required quantity	2
Number of Holes	5
	Front Axle



References

1K0 615 301 K	1K0 615 301 T
---------------	---------------

Application info

A3 [8P1, 8PA] [05/03-08/12]

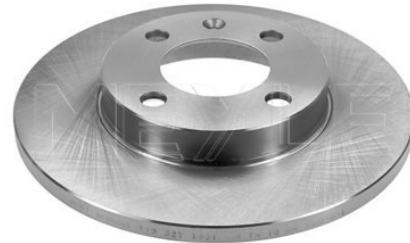
A3 [8V1, 8VS, 8V7, 8PA] [04/12--]

Brake disc

115 521 0029 | MBD1770

Notes

Wheel Bolt Bore Ø [mm]	13.6
	Solid
Centering Diameter [mm]	65
Minimum thickness [mm]	10
Outer diameter [mm]	239
Height [mm]	35.4
Bolt Hole Circle Ø [mm]	100
Brake Disc Thickness [mm]	12
Required quantity	2
Number of Holes	4
	Front Axle



References

171 615 301	321 615 301
175 615 301	839 615 301

Application info

80/90 [81, 85, B2] [06/78-10/88]

80/90 [89, 89Q, 8A, B3] [06/86-12/96]

115 521 1002 | MBD0176

Brake disc



Notes

Wheel Bolt Bore Ø [mm]	13.6
	Vented
Centering Diameter [mm]	65
Minimum thickness [mm]	18
Outer diameter [mm]	239
Height [mm]	39
Bolt Hole Circle Ø [mm]	100
Brake Disc Thickness [mm]	20
Required quantity	2
Number of Holes	4
	Front Axle

References

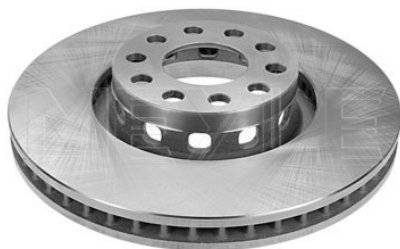
321 615 301 A	321 615 301 C
321 615 301 B	841 615 301

Application info

80/90 (81, 85, B2) (08/78-10/88)

115 521 1073 | MBD0216

Brake disc



Notes

Wheel Bolt Bore Ø [mm]	15.3
	Vented
Centering Diameter [mm]	68
Minimum thickness [mm]	28
Outer diameter [mm]	314
Height [mm]	59.7
Bolt Hole Circle Ø [mm]	112
Brake Disc Thickness [mm]	30
Required quantity	2
Number of Holes	5
	Front Axle

References

441 615 301 AA

Application info

100 (4A, C4) (12/90-07/94)
A6 (4A, C4) (06/94-12/97)

A8 (402, 408) (03/94-09/02)

Brake disc
115 521 1014 | MBD0185
Notes

Wheel Bolt Bore Ø [mm]	15.4
	Solid
Centering Diameter [mm]	68
Minimum thickness [mm]	11
Outer diameter [mm]	256
Height [mm]	46.2
Bolt Hole Circle Ø [mm]	108
Brake Disc Thickness [mm]	13
Required quantity	2
Number of Holes	4
	Front Axle


References

431 615 301	443 615 301
-------------	-------------

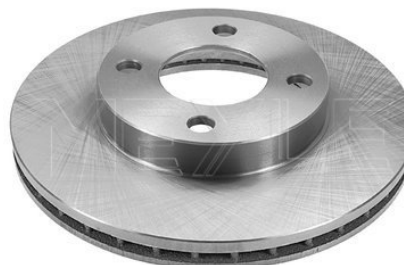
Application info

100/200 [44, 44Q, C3] [08/82-12/91]

80/90 [89, 89Q, 8A, B3] [06/86-12/96]

Brake disc
115 521 1003 | MBD0177
Notes

Wheel Bolt Bore Ø [mm]	15.4
	Vented
Centering Diameter [mm]	68
Minimum thickness [mm]	20
Outer diameter [mm]	256
Height [mm]	46.23
Bolt Hole Circle Ø [mm]	108
Brake Disc Thickness [mm]	22
Required quantity	2
Number of Holes	4
	Front Axle


References

431 615 301 A	443 615 301 B
443 615 301 A	443 615 301 D

Application info

100/200 [44, 44Q, C3] [08/82-12/91]

80/90 [89, 89Q, 8A, B3] [06/86-12/96]

115 521 1008 | MBD0182

Brake disc



Notes

Wheel Bolt Bore Ø [mm]	15.4
	Vented
Centering Diameter [mm]	68
Minimum thickness [mm]	23
Outer diameter [mm]	276
Height [mm]	46.5
Bolt Hole Circle Ø [mm]	112
Brake Disc Thickness [mm]	25
Required quantity	2
Number of Holes	5
	Front Axle

References

447 615 301 A	447 615 301 B
---------------	---------------

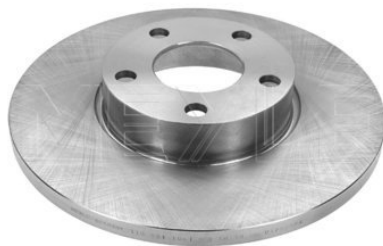
Application info

100/200 [44, 44Q, C3] [08/82-12/91]

80/90 [85] [07/80-07/91]

115 521 0036 | MBD1777

Brake disc



Notes

Wheel Bolt Bore Ø [mm]	15.4
	Solid
Centering Diameter [mm]	68
Minimum thickness [mm]	13
Outer diameter [mm]	288
Height [mm]	46.2
Bolt Hole Circle Ø [mm]	112
Brake Disc Thickness [mm]	15
Required quantity	2
Number of Holes	5
	Front Axle

References

4A0 615 301 B

Application info

100 [4A, C4] [12/90-07/94]
A4 [802, 805, B5] [11/94-09/01]

A6 [4A, C4] [06/94-12/97]

Brake disc
115 521 0036/PD | MBD1777PD
Notes

Wheel Bolt Bore Ø [mm]	15.4
	Zink flake coated
	Solid
Centering Diameter [mm]	68
Minimum thickness [mm]	13
Outer diameter [mm]	288
Height [mm]	46.2
Bolt Hole Circle Ø [mm]	112
Brake Disc Thickness [mm]	15
Required quantity	2
Number of Holes	5
	Front Axle


References

4A0 615 301 B

Application info

 100 [4A, C4] [12/90-07/94]
 A4 [802, 805, B5] [11/94-09/01]

A6 [4A, C4] [06/94-12/97]

Brake disc
115 521 1075 | MBD0218
Notes

Wheel Bolt Bore Ø [mm]	15.3
	Vented
Centering Diameter [mm]	68
Minimum thickness [mm]	28
Outer diameter [mm]	320.9
Height [mm]	52.2
Bolt Hole Circle Ø [mm]	112
Brake Disc Thickness [mm]	29.8
Required quantity	2
Number of Holes	5
	Front Axle


References

4B3 615 301

Application info

A6 [4B, C5] [01/97-01/05]

115 521 1109 | MBD0235

Brake disc



Notes

Wheel Bolt Bore Ø [mm]	15.3
	Vented
Centering Diameter [mm]	68
Minimum thickness [mm]	28
Outer diameter [mm]	323
Height [mm]	59.5
Bolt Hole Circle Ø [mm]	112
Brake System	ATE
Brake Disc Thickness [mm]	30
Required quantity	2
Number of Holes	5
	Front Axle

References

400 615 301 A	400 615 301 J
400 615 301 F	

Application info

A6 [4A, C4] [06/94-12/97]
A8 [402, 408] [03/94-09/02]

A8 [4E] [10/02-07/10]

183 521 1109/PD | MBD1551PD

Brake disc



Notes

Wheel Bolt Bore Ø [mm]	15.3
	Zink flake coated
	High-carbon
	Vented
Centering Diameter [mm]	68
Minimum thickness [mm]	28
Outer diameter [mm]	323
Height [mm]	59.5
Bolt Hole Circle Ø [mm]	112
	with screws
Brake Disc Thickness [mm]	30
Required quantity	2
Number of Holes	5
	Front Axle

References

400 615 301 A	400 615 301 J
400 615 301 F	

Application info

A6 [4A, C4] [06/94-12/97]
A8 [402, 408] [03/94-09/02]

A8 [4E] [10/02-07/10]



Brake disc

183 521 1123/PD | MBD1554PD

Notes

Wheel Bolt Bore Ø [mm]	15
	Zink flake coated
	High-carbon
	Vented
Centering Diameter [mm]	68
Minimum thickness [mm]	31
Outer diameter [mm]	360
Height [mm]	59.7
Bolt Hole Circle Ø [mm]	112
	with screws
Brake Disc Thickness [mm]	34
Required quantity	2
Number of Holes	5
	Front Axle



References

3D0 615 301 F	4E0 615 301 G
3D0 615 301 M	4E0 615 301 J
4E0 615 301 A	4E0 615 301 P

Application info

A6 [4F2, 4FH, 4F5] [05/04-08/11]

A8 [4E] [10/02-07/10]

Brake disc

115 521 1097 | MBD0227

Notes

Wheel Bolt Bore Ø [mm]	15.3
	Vented
Centering Diameter [mm]	68
Minimum thickness [mm]	23
Outer diameter [mm]	314
Height [mm]	59.5
Bolt Hole Circle Ø [mm]	112
Brake Disc Thickness [mm]	25
Required quantity	2
Number of Holes	5
	Front Axle



References

4F0 615 301 D

Application info

A6 [4F2, 4FH, 4F5] [05/04-08/11]

183 521 1097/PD | MBD1543PD

Brake disc



Notes

Wheel Bolt Bore Ø [mm]	15.3
	Zink flake coated
	High-carbon
	Vented
Centering Diameter [mm]	68
Minimum thickness [mm]	23
Outer diameter [mm]	314
Height [mm]	59.5
Bolt Hole Circle Ø [mm]	112
	with screws
Brake Disc Thickness [mm]	25
Required quantity	2
Number of Holes	5
	Front Axle

References

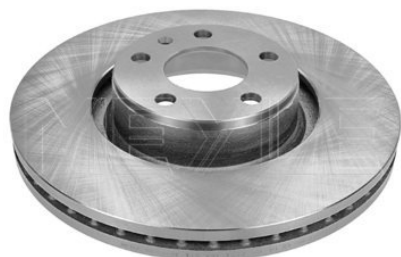
4F0 615 301 D

Application info

A6 [4F2, 4FH, 4F5] [05/04-08/11]

115 521 1098 | MBD0228

Brake disc



Notes

Wheel Bolt Bore Ø [mm]	15.3
	Vented
Centering Diameter [mm]	68
Minimum thickness [mm]	28
Outer diameter [mm]	321
Height [mm]	59.5
Bolt Hole Circle Ø [mm]	112
Brake Disc Thickness [mm]	30
Required quantity	2
Number of Holes	5
	Front Axle

References

4F0 615 301 E

Application info

A6 [4F2, 4FH, 4F5] [05/04-08/11]

A8 [4E] [10/02-07/10]



Brake disc

183 521 1098/PD | MBD1544PD

Notes

Wheel Bolt Bore Ø [mm]	15.3
	Zink flake coated
	High-carbon
	Vented
Centering Diameter [mm]	68
Minimum thickness [mm]	28
Outer diameter [mm]	321
Height [mm]	59.5
Bolt Hole Circle Ø [mm]	112
	with screws
Brake Disc Thickness [mm]	30
Required quantity	2
Number of Holes	5
	Front Axle



References

4F0 615 301 E

Application info

A6 [4F2, 4FH, 4F5] [05/04-08/11]

A8 [4E] [10/02-07/10]

Brake disc

115 521 1099 | MBD0229

Notes

Wheel Bolt Bore Ø [mm]	15.3
	Vented
Centering Diameter [mm]	68
Minimum thickness [mm]	28
Outer diameter [mm]	347
Height [mm]	59
Bolt Hole Circle Ø [mm]	112
Brake Disc Thickness [mm]	30
Required quantity	2
Number of Holes	5
	Front Axle



References

4F0 615 301 G

Application info

A6 [4F2, 4FH, 4F5] [05/04-08/11]

3

183 521 1099/PD | MBD1545PD

Brake disc



Notes

Wheel Bolt Bore Ø [mm]	15.3
	Zink flake coated
	High-carbon
	Vented
Centering Diameter [mm]	68
Minimum thickness [mm]	28
Outer diameter [mm]	347
Height [mm]	59
Bolt Hole Circle Ø [mm]	112
	with screws
Brake Disc Thickness [mm]	30
Required quantity	2
Number of Holes	5
	Front Axle

References

4F0 615 301 G

Application info

A6 [4F2, 4FH, 4F5] [05/04-08/11]

183 521 0002/PD | MBD1525PD

Brake disc



Notes

Wheel Bolt Bore Ø [mm]	15.2
	Zink flake coated
	High-carbon
	Vented
Centering Diameter [mm]	68
Minimum thickness [mm]	33.5
Outer diameter [mm]	385
Height [mm]	61.4
Bolt Hole Circle Ø [mm]	112
	with screws
Brake Disc Thickness [mm]	36
Required quantity	2
Number of Holes	5
	Front Axle

References

4F0 615 301 J

Application info

A6 [4F2, 4FH, 4F5] [05/04-08/11]



Brake disc

183 521 0007/PD | MBD1527PD

Notes

Wheel Bolt Bore Ø [mm]	15.3
	Zink flake coated
	High-carbon
	Vented
Centering Diameter [mm]	68
Minimum thickness [mm]	28
Outer diameter [mm]	345
Height [mm]	52
Bolt Hole Circle Ø [mm]	112
	with screws
Brake Disc Thickness [mm]	30
Required quantity	2
Number of Holes	5
	Front Axle



References

4G0 615 301

Application info

A4 [8K2, 8K5, 8KH] [11/07--]
 A5 [8F, 8T] [06/07--]
 A6 [4G2, 4G5, C7] [11/10-05/13]

A7 Sportback [4GA] [10/10--]
 Q5 [8R] [11/08--]

Brake disc

183 521 1049/PD | MBD1537PD

Notes

Wheel Bolt Bore Ø [mm]	15.3
	Zink flake coated
	High-carbon
	Vented
Centering Diameter [mm]	68
Minimum thickness [mm]	31.5
Outer diameter [mm]	356
Height [mm]	52.1
Bolt Hole Circle Ø [mm]	112
	with screws
Brake Disc Thickness [mm]	34
Required quantity	2
Number of Holes	5
	Front Axle



References

4G0 615 301 A	4H0 615 301 K
4G0 615 301 K	4H0 615 301 R

Application info

A6 [4G2, 4G5, C7] [11/10-05/13]
 A7 Sportback [4GA] [10/10--]

A8 [4H_] [11/09--]

115 521 0028/PD | MBD1769PD

Brake disc



Notes

Centering Diameter [mm]	65
Minimum thickness [mm]	21
Outer diameter [mm]	276
Height [mm]	49.8
Bolt Hole Circle Ø [mm]	112
Brake Disc Thickness [mm]	24
Required quantity	2
Number of Holes	5
	Front Axle

References

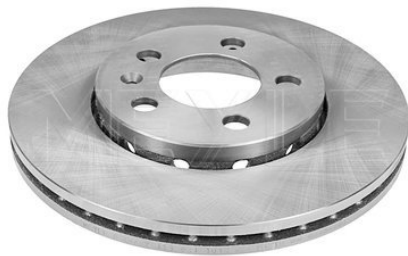
5Q0 615 301 A

Application info

A3 [8V1, 8VS, 8V7, 8PA] [04/12--]

115 521 1018 | MBD0189

Brake disc



Notes

Wheel Bolt Bore Ø [mm]	15.6
Centering Diameter [mm]	65
Minimum thickness [mm]	19
Outer diameter [mm]	256
Height [mm]	36.7
Bolt Hole Circle Ø [mm]	100
Brake Disc Thickness [mm]	22
Required quantity	2
Number of Holes	5
	Front Axle

References

1J0 615 301 D	1JE 615 301
1J0 615 301 L	6R0 615 301

Application info

A1 [8X1, 8XA] [05/10--]

A3 [8L1] [09/96-05/03]



Brake disc

183 521 1018/PD | MBD1532PD

Notes

Wheel Bolt Bore Ø [mm]	15.6
	Zink flake coated
	High-carbon
	Vented
Centering Diameter [mm]	65
Minimum thickness [mm]	19
Outer diameter [mm]	256
Height [mm]	36.7
Bolt Hole Circle Ø [mm]	100
	with screws
Brake Disc Thickness [mm]	22
Required quantity	2
Number of Holes	5
	Front Axle



References

1J0 615 301 D	1JE 615 301
1J0 615 301 L	6R0 615 301

Application info

A1 [8X1, 8XA] [05/10--]

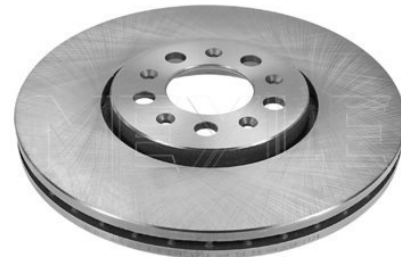
A3 [8L1] [09/96-05/03]

Brake disc

115 521 1051 | MBD0211

Notes

Wheel Bolt Bore Ø [mm]	15.6
	Vented
Centering Diameter [mm]	65
Minimum thickness [mm]	22
Outer diameter [mm]	288
Height [mm]	34.5
Bolt Hole Circle Ø [mm]	100
Brake Disc Thickness [mm]	25
Required quantity	2
Number of Holes	5
	Front Axle



References

1J0 615 301 C	6R0 615 301 A
1J0 615 301 R	

Application info

A1 [8X1, 8XA] [05/10--]

A3 [8L1] [09/96-05/03]

183 521 1051/PD | MBD1538PD

Brake disc



Notes

Wheel Bolt Bore Ø [mm]	15.8
	Zink flake coated
	High-carbon
	Vented
Centering Diameter [mm]	65
Minimum thickness [mm]	22
Outer diameter [mm]	288
Height [mm]	34.5
Bolt Hole Circle Ø [mm]	100
	with screws
Brake Disc Thickness [mm]	25
Required quantity	2
Number of Holes	5
	Front Axle

References

1J0 615 301 C	6R0 615 301 A
1J0 615 301 R	

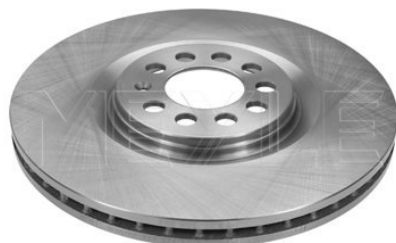
Application info

A1 [8X1, 8XA] [05/10--]

A3 [8L1] [09/96-05/03]

115 521 1085 | MBD0222

Brake disc



Notes

Wheel Bolt Bore Ø [mm]	15.8
	Vented
Centering Diameter [mm]	65
Minimum thickness [mm]	23
Outer diameter [mm]	312
Height [mm]	34.5
Bolt Hole Circle Ø [mm]	100
Brake Disc Thickness [mm]	25
Required quantity	2
Number of Holes	5
	Front Axle

References

6R0 615 301 B	8N0 615 301 A
8L0 615 301	

Application info

A1 [8X1, 8XA] [05/10--]

A3 [8L1] [09/96-05/03]

TT [8N3, 8N9] [10/98-06/06]



Brake disc

183 521 1085/PD | MBD1541PD

Notes

Wheel Bolt Bore Ø [mm]	15.8
	Zink flake coated
	High-carbon
	Vented
Centering Diameter [mm]	65
Minimum thickness [mm]	23
Outer diameter [mm]	312
Height [mm]	34.5
Bolt Hole Circle Ø [mm]	100
	with screws
Brake Disc Thickness [mm]	25
Required quantity	2
Number of Holes	5
	Front Axle



References

6R0 615 301 B	8N0 615 301 A
8L0 615 301	

Application info

A1 (8X1, 8XA) (05/10--)
A3 (8L1) (09/96-05/03)

TT (8N3, 8N9) (10/98-06/06)

Brake disc

115 521 1103 | MBD0232

Notes

Wheel Bolt Bore Ø [mm]	15.4
	Vented
Centering Diameter [mm]	85
Minimum thickness [mm]	32
Outer diameter [mm]	350
Height [mm]	68.8
Bolt Hole Circle Ø [mm]	130
Brake Disc Thickness [mm]	34
Number of Holes	5
	Front Axle Left



References

7L8 615 301

Counterpart

115 521 1104 | MBD0233

Application info

Q7 (4L) (03/06-05/12)

3

183 521 1103/PD | MBD1548PD

Brake disc



Notes

Wheel Bolt Bore Ø [mm]	15.4
	Zink flake coated
	High-carbon
	Vented
Centering Diameter [mm]	85
Minimum thickness [mm]	32
Outer diameter [mm]	350
Height [mm]	68.8
Bolt Hole Circle Ø [mm]	130
	with screws
Brake Disc Thickness [mm]	34
Number of Holes	5
	Front Axle Left

References

7L8 615 301

Counterpart

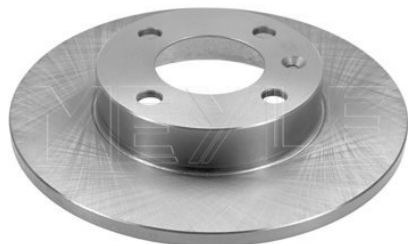
183 521 1104/PD | MBD1549PD

Application info

Q7 [4L] [03/06-05/12]

115 521 1005 | MBD0179

Brake disc



Notes

Wheel Bolt Bore Ø [mm]	13.6
	Solid
Centering Diameter [mm]	65
Minimum thickness [mm]	8
Outer diameter [mm]	239
Height [mm]	38.6
Bolt Hole Circle Ø [mm]	100
Brake Disc Thickness [mm]	10
Required quantity	2
Number of Holes	4

References

811 615 301 823 615 301
811 615 301 B

Application info

80/90 [81, 85, B2] [08/78-10/88]

Brake disc

115 521 1087 | MBD0224

Notes

Wheel Bolt Bore Ø [mm]	15.4
	Solid
Centering Diameter [mm]	68
Minimum thickness [mm]	11
Outer diameter [mm]	256
Height [mm]	56.5
Bolt Hole Circle Ø [mm]	108
Brake Disc Thickness [mm]	13
Required quantity	2
Number of Holes	4
	Front Axle



References

895 615 301

Application info

80 [8C, 8G7, B4] [05/91-08/00]

Brake disc

115 521 1088 | MBD0225

Notes

Wheel Bolt Bore Ø [mm]	15.4
	Vented
Centering Diameter [mm]	68
Minimum thickness [mm]	20
Outer diameter [mm]	256
Height [mm]	56.5
Bolt Hole Circle Ø [mm]	108
Brake Disc Thickness [mm]	22
Required quantity	2
Number of Holes	4
	Front Axle



References

895 615 301 A

Application info

80 [8C, 8G7, B4] [05/91-08/00]

80/90 [89, 89Q, 8A, B3] [06/86-12/96]

115 521 1024 | MBD0194

Brake disc



Notes

Wheel Bolt Bore Ø [mm]	15.4
	Solid
Centering Diameter [mm]	68
Minimum thickness [mm]	11
Outer diameter [mm]	280
Height [mm]	56
Bolt Hole Circle Ø [mm]	108
Brake Disc Thickness [mm]	13
Required quantity	2
Number of Holes	4
	Front Axle

References

8A0 615 301	8A0 615 301 D
-------------	---------------

Application info

80 [8C, 8G7, B4] [05/91-08/00]

115 521 1110 | MBD0236

Brake disc



Notes

Wheel Bolt Bore Ø [mm]	15.4
	Vented
Centering Diameter [mm]	68
Minimum thickness [mm]	20
Outer diameter [mm]	280
Height [mm]	56.5
Bolt Hole Circle Ø [mm]	108
Brake Disc Thickness [mm]	22
Required quantity	2
Number of Holes	4
	Front Axle

References

8A0 615 301 A	8A0 615 301 E
---------------	---------------

Application info

80 [8C, 8G7, B4] [05/91-08/00]

80/90 [89, 89Q, 8A, B3] [06/86-12/96]



Brake disc

115 521 1028 | MBD0198

Notes

Wheel Bolt Bore Ø [mm]	15.4
	Solid
Centering Diameter [mm]	68
Minimum thickness [mm]	11
Outer diameter [mm]	280
Height [mm]	46.1
Bolt Hole Circle Ø [mm]	112
Brake Disc Thickness [mm]	13
Required quantity	2
Number of Holes	5
	Front Axle



References

800 615 301 A

Application info

A4 [802, 805, B5] [11/94-09/01]

Brake disc

115 521 0039 | MBD1780

Notes

Wheel Bolt Bore Ø [mm]	15.3
	Solid
Centering Diameter [mm]	68
Minimum thickness [mm]	10
Outer diameter [mm]	255
Height [mm]	40
Bolt Hole Circle Ø [mm]	112
Brake Disc Thickness [mm]	12
Required quantity	2
Number of Holes	5
	Rear Axle



References

8E0 615 301 AA
8E0 615 601 D

8E0 615 601 Q

Application info

A4 [8E2, 8E5, B6] [10/00-12/04]
A4 [8EC, 8ED] [11/04-06/08]

A4 [8H7] [04/02-03/09]

115 521 0039/PD | MBD1780PD

Brake disc



Notes

Wheel Bolt Bore Ø [mm]	15.3
	Zink flake coated
	Solid
Centering Diameter [mm]	68
Minimum thickness [mm]	10
Outer diameter [mm]	255
Height [mm]	40
Bolt Hole Circle Ø [mm]	112
	with screws
Brake Disc Thickness [mm]	12
Required quantity	2
Number of Holes	5
	Rear Axle

References

8E0 615 301 AA	8E0 615 601 Q
8E0 615 601 D	

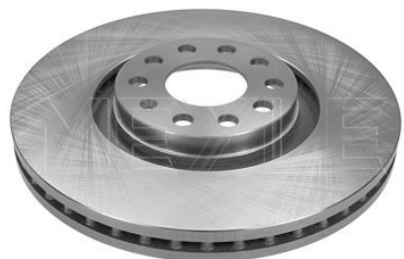
Application info

A4 (8E2, 8E5, 8E6) (10/00-12/04)
A4 (8EC, 8ED) (11/04-06/08)

A4 (8H7) (04/02-03/09)

115 521 1083 | MBD0221

Brake disc



Notes

Wheel Bolt Bore Ø [mm]	15.3
	Vented
Centering Diameter [mm]	68
Minimum thickness [mm]	28
Outer diameter [mm]	321
Height [mm]	46.4
Bolt Hole Circle Ø [mm]	112
Brake Disc Thickness [mm]	30
Required quantity	2
Number of Holes	5
	Front Axle

References

800 615 301 K	8E0 615 301 AD
800 615 301 M	

Application info

A4 (802, 805, 805) (11/94-09/01)
A4 (8EC, 8ED) (11/04-06/08)
A4 (8H7) (04/02-03/09)

A6 (4B, C5) (01/97-01/05)
Allroad (4BH) (05/00-08/05)



Brake disc

183 521 1083/PD | MBD1540PD

Notes

Wheel Bolt Bore Ø [mm]	15.3
	Zink flake coated
	High-carbon
	Vented
Centering Diameter [mm]	68
Minimum thickness [mm]	28
Outer diameter [mm]	321
Height [mm]	46.4
Bolt Hole Circle Ø [mm]	112
	with screws
Brake Disc Thickness [mm]	30
Required quantity	2
Number of Holes	5
	Front Axle



References

8D0 615 301 K	8E0 615 301 AD
8D0 615 301 M	

Application info

A4 [8D2, 8D5, B5] [11/94-09/01]
 A4 [8EC, 8ED] [11/04-06/08]
 A4 [8H7] [04/02-03/09]

A6 [4B, C5] [01/97-01/05]
 Allroad [4BH] [05/00-08/05]

Brake disc

183 521 1106/PD | MBD1550PD

Notes

Wheel Bolt Bore Ø [mm]	15.3
	Zink flake coated
	High-carbon
	Vented
	Perforated
Centering Diameter [mm]	68
Minimum thickness [mm]	28
Outer diameter [mm]	320
Height [mm]	46.5
Bolt Hole Circle Ø [mm]	112
	with screws
Brake Disc Thickness [mm]	30
Required quantity	2
Number of Holes	5
	Front Axle



References

8E0 615 301 AE

Application info

A4 [8E2, 8E5, B6] [10/00-12/04]

A4 [8EC, 8ED] [11/04-06/08]

115 521 0041/PD | MBD1782PD

Brake disc



Notes

Wheel Bolt Bore Ø [mm]	15.3
	Zink flake coated
	Vented
Centering Diameter [mm]	68
Minimum thickness [mm]	28
Outer diameter [mm]	345
Height [mm]	46.3
Bolt Hole Circle Ø [mm]	112
Brake Disc Thickness [mm]	30
Required quantity	2
Number of Holes	5
	Front Axle

References

8E0 615 301 K	8E0 615 301 T
---------------	---------------

Application info

A4 (8E2, 8E5, B6) [10/00-12/04]
A4 (8EC, 8ED) [11/04-06/08]

A4 (8H7) [04/02-03/09]

115 521 1017 | MBD0188

Brake disc



Notes

Wheel Bolt Bore Ø [mm]	15.3
	Vented
Centering Diameter [mm]	68
Minimum thickness [mm]	20
Outer diameter [mm]	280
Height [mm]	46.5
Bolt Hole Circle Ø [mm]	112
Brake Disc Thickness [mm]	22
Required quantity	2
Number of Holes	5

References

8E0 615 301 B	8E0 615 301 P
8E0 615 301 D	

Application info

A4 (8D2, 8D5, B5) [11/94-09/01]
A4 (8E2, 8E5, B6) [10/00-12/04]

A4 (8EC, 8ED) [11/04-06/08]
A8 (4D2, 4D8) [03/94-09/02]



Brake disc

183 521 1017/PD | MBD1531PD

Notes

Wheel Bolt Bore Ø [mm]	15.3
	Zink flake coated
	High-carbon
	Vented
Centering Diameter [mm]	68
Minimum thickness [mm]	20
Outer diameter [mm]	280
Height [mm]	46.5
Bolt Hole Circle Ø [mm]	112
	with screws
Brake Disc Thickness [mm]	22
Required quantity	2
Number of Holes	5



References

8E0 615 301 B	8E0 615 301 P
8E0 615 301 D	

Application info

A4 [8D2, 8D5, B5] [11/94-09/01]
 A4 [8E2, 8E5, B6] [10/00-12/04]
 A4 [8EC, 8ED] [11/04-06/08]

A4 [8H7] [04/02-03/09]
 A8 [4D2, 4D8] [03/94-09/02]

Brake disc

115 521 1040 | MBD0205

Notes

Wheel Bolt Bore Ø [mm]	15.4
	Vented
Centering Diameter [mm]	68
Minimum thickness [mm]	23
Outer diameter [mm]	288
Height [mm]	46.2
Bolt Hole Circle Ø [mm]	112
Brake Disc Thickness [mm]	25
Required quantity	2
Number of Holes	5
	Front Axle



References

4A0 615 301 C	8E0 615 301 Q
---------------	---------------

Application info

100 [4A, C4] [12/90-07/94]
 A4 [8D2, 8D5, B5] [11/94-09/01]
 A4 [8E2, 8E5, B6] [10/00-12/04]
 A4 [8EC, 8ED] [11/04-06/08]

A4 [8H7] [04/02-03/09]
 A6 [4A, C4] [06/94-12/97]
 A6 [4B, C5] [01/97-01/05]

183 521 1040/PD | MBD1534PD

Brake disc



Notes

Wheel Bolt Bore Ø [mm]	15.4
	Zink flake coated
	High-carbon
	Vented
Centering Diameter [mm]	68
Minimum thickness [mm]	23
Outer diameter [mm]	288
Height [mm]	46.2
Bolt Hole Circle Ø [mm]	112
	with screws
Brake Disc Thickness [mm]	25
Required quantity	2
Number of Holes	5
	Front Axle

References

4A0 615 301 C	8E0 615 301 Q
---------------	---------------

Application info

100 [4A, C4] [12/90-07/94]	A4 [8H7] [04/02-03/09]
A4 [8D2, 8D5, B5] [11/94-09/01]	A6 [4A, C4] [06/94-12/97]
A4 [8E2, 8E5, B6] [10/00-12/04]	A6 [4B, C5] [01/97-01/05]
A4 [8EC, 8ED] [11/04-06/08]	

115 523 0039 | MBD1814

Brake disc



Notes

Wheel Bolt Bore Ø [mm]	15.3
	Vented
Centering Diameter [mm]	68
Minimum thickness [mm]	23
Outer diameter [mm]	312
Height [mm]	47
Bolt Hole Circle Ø [mm]	112
Brake Disc Thickness [mm]	25
Required quantity	2
Number of Holes	5
	Front Axle

References

3B0 615 301 B	8D0 615 301 J
4B0 615 301 A	8E0 615 301 R
4B0 615 301 C	

Application info

A4 [8E2, 8E5, B6] [10/00-12/04]	A4 [8H7] [04/02-03/09]
A4 [8EC, 8ED] [11/04-06/08]	A6 [4B, C5] [01/97-01/05]



Brake disc

115 523 0039/PD | MBD1814PD

Notes

Wheel Bolt Bore Ø [mm]	15.3
	Zink flake coated
	Vented
Centering Diameter [mm]	68
Minimum thickness [mm]	23
Outer diameter [mm]	312
Height [mm]	47
Bolt Hole Circle Ø [mm]	112
Brake Disc Thickness [mm]	25
Required quantity	2
Number of Holes	5
	Front Axle



References

3B0 615 301 B	8D0 615 301 J
4B0 615 301 A	8E0 615 301 R
4B0 615 301 C	

Application info

A4 [8E2, 8E5, 8E6] [10/00-12/04]
 A4 [8EC, 8ED] [11/04-06/08]

A4 [8H7] [04/02-03/09]
 A6 [4B, C5] [01/97-01/05]

Brake disc

183 521 0003/PD | MBD1526PD

Notes

Wheel Bolt Bore Ø [mm]	15.3
	Zink flake coated
	High-carbon
	Vented
Centering Diameter [mm]	65
Minimum thickness [mm]	28
Outer diameter [mm]	340
Height [mm]	49.9
Bolt Hole Circle Ø [mm]	112
	with screws
Brake Disc Thickness [mm]	30
Required quantity	2
Number of Holes	5
	Front Axle



References

8J0 615 301	8J0 615 301 G
-------------	---------------

Application info

TT [8J3, 8J9] [08/06-06/10]

3

183 521 0001/PD | MBD1524PD

Brake disc



Notes

Wheel Bolt Bore Ø [mm]	15.3
	Zink flake coated
	High-carbon
	Vented
Centering Diameter [mm]	68
Minimum thickness [mm]	23
Outer diameter [mm]	314
Height [mm]	52.4
Bolt Hole Circle Ø [mm]	112
	with screws
Brake Disc Thickness [mm]	25
Required quantity	2
Number of Holes	5
	Front Axle

References

8KØ 615 3Ø1

Application info

A4 (8K2, 8K5, 8KH) (11/Ø7--)

A5 (8F, 8T) (Ø6/Ø7--)

3

115 521 1117 | MBDØ239

Brake disc



Notes

Wheel Bolt Bore Ø [mm]	15.3
	Vented
Centering Diameter [mm]	68
Minimum thickness [mm]	28
Outer diameter [mm]	32Ø
Height [mm]	52.4
Bolt Hole Circle Ø [mm]	112
Brake Disc Thickness [mm]	3Ø
Required quantity	2
Number of Holes	5
	Front Axle

References

8KØ 615 3Ø1 A

Application info

A4 (8K2, 8K5, 8KH) (11/Ø7--)

A5 (8F, 8T) (Ø6/Ø7--)

Q5 (8R) (11/Ø8--)

Brake disc
183 521 1117/PD | MBD1552PD
Notes

Wheel Bolt Bore Ø [mm]	15.3
	Zink flake coated
	High-carbon
	Vented
Centering Diameter [mm]	68
Minimum thickness [mm]	28
Outer diameter [mm]	320
Height [mm]	52.4
Bolt Hole Circle Ø [mm]	112
	with screws
Brake Disc Thickness [mm]	30
Required quantity	2
Number of Holes	5
	Front Axle


References

8K0 615 301 A

Application info

 A4 [8K2, 8K5, 8KH] [11/07--]
 A5 [8F, 8T] [06/07--]

Q5 [8R] [11/08--]

Brake disc
183 521 1118/PD | MBD1553PD
Notes

Wheel Bolt Bore Ø [mm]	15.3
	Zink flake coated
	High-carbon
	Vented
Centering Diameter [mm]	68
Minimum thickness [mm]	28
Outer diameter [mm]	345
Height [mm]	52.1
Bolt Hole Circle Ø [mm]	112
	with screws
Brake Disc Thickness [mm]	30
Required quantity	2
Number of Holes	5
	Front Axle


References

8K0 615 301 B	8K0 615 301 K
8K0 615 301 E	8K0 615 301 M

Application info

 A4 [8K2, 8K5, 8KH] [11/07--]
 A5 [8F, 8T] [06/07--]

Q5 [8R] [11/08--]

183 521 0022/PD | MBD1529PD

Brake disc



Notes

Wheel Bolt Bore Ø [mm]	15.3
	Zink flake coated
	High-carbon
	Vented
Centering Diameter [mm]	68
Minimum thickness [mm]	28
Outer diameter [mm]	320
Height [mm]	52.4
Bolt Hole Circle Ø [mm]	112
	with screws
Brake Disc Thickness [mm]	30
Required quantity	2
Number of Holes	5
	Front Axle

References

8R0 615 301

Application info

A4 [8K2, 8K5, 8KH] [11/07--]

A5 [8F, 8T] [06/07--]

A6 [4G2, 4G5, C7] [11/10-05/13]

A7 Sportback [4GA] [10/10--]

Q5 [8R] [11/08--]

115 521 1104 | MBD0233

Brake disc



Notes

Wheel Bolt Bore Ø [mm]	15.4
	Vented
Centering Diameter [mm]	85
Minimum thickness [mm]	32
Outer diameter [mm]	350
Height [mm]	68.8
Bolt Hole Circle Ø [mm]	130
Brake Disc Thickness [mm]	34
Number of Holes	5
	Front Axle Right

References

7L8 615 302

Counterpart

115 521 1103 | MBD0232

Application info

Q7 [4L] [03/06-05/12]



Brake disc

183 521 1104/PD | MBD1549PD

Notes

Wheel Bolt Bore Ø [mm]	15.4
	Zink flake coated
	High-carbon
	Vented
Centering Diameter [mm]	85
Minimum thickness [mm]	32
Outer diameter [mm]	350
Height [mm]	68.8
Bolt Hole Circle Ø [mm]	130
	with screws
Brake Disc Thickness [mm]	34
Number of Holes	5
	Front Axle Right



References

7L8 615 302

Counterpart

183 521 1103/PD | MBD1548PD

Application info

Q7 [4L] [03/06-05/12]

Brake disc

115 523 0021/PD | MBD1796PD

Notes

Wheel Bolt Bore Ø [mm]	15.8
	Zink flake coated
	Solid
Centering Diameter [mm]	65
Minimum thickness [mm]	7
Outer diameter [mm]	239
Height [mm]	33.4
Bolt Hole Circle Ø [mm]	100
	with screws
Brake Disc Thickness [mm]	8.9
Required quantity	2
Number of Holes	5
	Rear Axle



References

1J0 615 601 D

Application info

A3 [8L1] [09/96-05/03]

TT [8N3, 8N9] [10/98-06/06]

3

115 523 0037 | MBD1812

Brake disc



Notes

Wheel Bolt Bore Ø [mm]	15.6
	Solid
Centering Diameter [mm]	65
Minimum thickness [mm]	7
Outer diameter [mm]	232
Height [mm]	39.5
Bolt Hole Circle Ø [mm]	100
Brake Disc Thickness [mm]	9
Required quantity	2
Number of Holes	5
	Rear Axle

References

1J0 615 601	1J0 615 601 N
1J0 615 601 C	1J0 615 601 P

Application info

A1 [8X1, 8XA] [05/10--]
A2 [8Z0] [02/00-08/05]

A3 [8L1] [09/96-05/03]
TT [8N3, 8N9] [10/98-06/06]

115 523 0037/PD | MBD1812PD

Brake disc



Notes

Wheel Bolt Bore Ø [mm]	15.6
	Zink flake coated
	Solid
Centering Diameter [mm]	65
Minimum thickness [mm]	7
Outer diameter [mm]	232
Height [mm]	39.5
Bolt Hole Circle Ø [mm]	100
	with screws
Brake Disc Thickness [mm]	9
Required quantity	2
Number of Holes	5
	Rear Axle

References

1J0 615 601	1J0 615 601 N
1J0 615 601 C	1J0 615 601 P

Application info

A1 [8X1, 8XA] [05/10--]
A2 [8Z0] [02/00-08/05]

A3 [8L1] [09/96-05/03]
TT [8N3, 8N9] [10/98-06/06]



Brake disc

115 523 0012/PD | MBD1787PD

Notes

Wheel Bolt Bore Ø [mm]	15.3
	Zink flake coated
	Solid
Centering Diameter [mm]	65
Minimum thickness [mm]	8
Outer diameter [mm]	272
Height [mm]	48.3
Bolt Hole Circle Ø [mm]	112
	with screws
Brake Disc Thickness [mm]	10
Required quantity	2
Number of Holes	5
	Rear Axle



References

1K0 615 601 AA	6R0 615 601
----------------	-------------

Application info

A1 [8X1, 8XA] [05/10--]
A3 [8P1, 8PA] [05/03-08/12]

A3 [8V1, 8VS, 8V7, 8PA] [04/12--]
TT [8S] [09/14--]

Brake disc

115 523 0018 | MBD1793

Notes

Wheel Bolt Bore Ø [mm]	15.3
	Solid
Centering Diameter [mm]	65
Minimum thickness [mm]	8
Outer diameter [mm]	255
Height [mm]	51.6
Bolt Hole Circle Ø [mm]	112
Brake Disc Thickness [mm]	10
Required quantity	2
Number of Holes	5
	Rear Axle



References

1K0 615 601 AB	1K0 615 601 K
----------------	---------------

Application info

A3 [8P1, 8PA] [05/03-08/12]

3

115 523 0018/PD | MBD1793PD

Brake disc



Notes

Wheel Bolt Bore Ø [mm]	15.3
	Zink flake coated
	Solid
Centering Diameter [mm]	65
Minimum thickness [mm]	8
Outer diameter [mm]	255
Height [mm]	51.6
Bolt Hole Circle Ø [mm]	112
	with screws
Brake Disc Thickness [mm]	10
Required quantity	2
Number of Holes	5
	Rear Axle

References

1K0 615 601 AB	1K0 615 601 K
----------------	---------------

Application info

A3 [8P1, 8PA] [05/03-08/12]

115 523 0038 | MBD1813

Brake disc



Notes

Wheel Bolt Bore Ø [mm]	15.3
	Solid
Centering Diameter [mm]	65
Minimum thickness [mm]	10
Outer diameter [mm]	257
Height [mm]	48.6
Bolt Hole Circle Ø [mm]	112
Brake Disc Thickness [mm]	12
Required quantity	2
Number of Holes	5
	Rear Axle

References

1K0 615 601 AC	1K0 615 601 L
----------------	---------------

Application info

A3 [8P1, 8PA] [05/03-08/12]



Brake disc

115 523 0038/PD | MBD1813PD

Notes

Wheel Bolt Bore Ø [mm]	15.3
	Zink flake coated
	Solid
Centering Diameter [mm]	65
Minimum thickness [mm]	10
Outer diameter [mm]	257
Height [mm]	48.6
Bolt Hole Circle Ø [mm]	112
	with screws
Brake Disc Thickness [mm]	12
Required quantity	2
Number of Holes	5
	Rear Axle



References

1K0 615 601 AC	1K0 615 601 L
----------------	---------------

Application info

A3 [8P1, 8PA] [05/03-08/12]

Brake disc

115 523 0043 | MBD2162

Notes

Wheel Bolt Bore Ø [mm]	15.3
	Solid
Centering Diameter [mm]	65
Minimum thickness [mm]	10
Outer diameter [mm]	282
Height [mm]	48.3
Bolt Hole Circle Ø [mm]	112
Brake Disc Thickness [mm]	12
Required quantity	2
Number of Holes	5
	Rear Axle



References

1K0 615 601 AD

Application info

A3 [8P1, 8PA] [05/03-08/12]

Q3 [8U] [06/11--]

3

115 523 0043/PD | MBD2162PD

Brake disc



Notes

Wheel Bolt Bore Ø [mm]	15.3
	Zink flake coated
	Solid
Centering Diameter [mm]	65
Minimum thickness [mm]	10
Outer diameter [mm]	282
Height [mm]	48.3
Bolt Hole Circle Ø [mm]	112
	with screws
Brake Disc Thickness [mm]	12
Required quantity	2
Number of Holes	5
	Rear Axle

References

1K0 615 601 AD

Application info

A3 (8P1, 8PA) (05/03-08/12)

Q3 (8U) (06/11--)

115 523 0025 | MBD1800

Brake disc



Notes

Wheel Bolt Bore Ø [mm]	15.3
	Solid
Centering Diameter [mm]	65
Minimum thickness [mm]	10
Outer diameter [mm]	286
Height [mm]	48.5
Bolt Hole Circle Ø [mm]	112
Brake Disc Thickness [mm]	12
Required quantity	2
Number of Holes	5
	Rear Axle

References

1K0 615 601 M

Application info

A3 (8P1, 8PA) (05/03-08/12)

Q3 (8U) (06/11--)



Brake disc

115 523 0025/PD | MBD1800PD

Notes

Wheel Bolt Bore Ø [mm]	15.3
	Zink flake coated
	Solid
Centering Diameter [mm]	65
Minimum thickness [mm]	10
Outer diameter [mm]	286
Height [mm]	48.5
Bolt Hole Circle Ø [mm]	112
	with screws
Brake Disc Thickness [mm]	12
Required quantity	2
Number of Holes	5
	Rear Axle

References

1K0 615 601 M



Application info

A3 [8P1, 8PA] [05/03-08/12]

Q3 [8U] [06/11--]

Brake disc

115 523 0026 | MBD1801

Notes

Wheel Bolt Bore Ø [mm]	15.3
	Vented
Centering Diameter [mm]	65
Minimum thickness [mm]	20
Outer diameter [mm]	310
Height [mm]	48.4
Bolt Hole Circle Ø [mm]	112
Brake Disc Thickness [mm]	22
Required quantity	2
Number of Holes	5
	Rear Axle

References

1K0 615 601 N



Application info

A3 [8P1, 8PA] [05/03-08/12]

A3 [8V1, 8VS, 8V7, 8PA] [04/12--]

TT [8S] [09/14--]

3

115 523 0026/PD | MBD1801PD

Brake disc



Notes

Wheel Bolt Bore Ø [mm]	15.3
	Zink flake coated
	Vented
Centering Diameter [mm]	65
Minimum thickness [mm]	20
Outer diameter [mm]	310
Height [mm]	48.4
Bolt Hole Circle Ø [mm]	112
Brake Disc Thickness [mm]	22
Required quantity	2
Number of Holes	5
	Rear Axle

References

1K0 615 601 N

Application info

A3 (8P1, 8PA) (05/03-08/12)
A3 (8V1, 8VS, 8V7, 8PA) (04/12--)

TT (8S) (09/14--)

115 523 1004 | MBD0256

Brake disc



Notes

Wheel Bolt Bore Ø [mm]	15.3
	Vented
Centering Diameter [mm]	68
Minimum thickness [mm]	20
Outer diameter [mm]	256
Height [mm]	48
Bolt Hole Circle Ø [mm]	112
Brake Disc Thickness [mm]	22
Required quantity	2
Number of Holes	5
	Rear Axle

References

3B0 615 601 B 8D0 615 601 D

Application info

A4 (8D2, 8D5, 8S) (11/94-09/01)

Brake disc
115 523 0013 | MBD1788
Notes

Wheel Bolt Bore Ø [mm]	15
	Solid
Centering Diameter [mm]	65
Minimum thickness [mm]	10
Outer diameter [mm]	300
Height [mm]	48
Bolt Hole Circle Ø [mm]	112
Brake Disc Thickness [mm]	12
Required quantity	2
Number of Holes	5
	Rear Axle


References

3Q0 615 601

Application info

 A3 (8V1, 8VS, 8V7, 8PA) (04/12--)
Q3 (8U) (06/11--)

TT (8S) (09/14--)

Brake disc
115 523 0013/PD | MBD1788PD
Notes

Wheel Bolt Bore Ø [mm]	15
	Zink flake coated
	Solid
Centering Diameter [mm]	65
Minimum thickness [mm]	10
Outer diameter [mm]	300
Height [mm]	48
Bolt Hole Circle Ø [mm]	112
	with screws
Brake Disc Thickness [mm]	12
Required quantity	2
Number of Holes	5
	Rear Axle


References

3Q0 615 601

Application info

 A3 (8V1, 8VS, 8V7, 8PA) (04/12--)
Q3 (8U) (06/11--)

TT (8S) (09/14--)

115 523 1006 | MBD0258

Brake disc



Notes

Wheel Bolt Bore Ø [mm]	15.4
	Solid
Centering Diameter [mm]	68
Minimum thickness [mm]	8
Outer diameter [mm]	245
Height [mm]	59.5
Bolt Hole Circle Ø [mm]	108
Brake Disc Thickness [mm]	10
Required quantity	2
Number of Holes	4
	Rear Axle

References

443 615 601

Application info

100/200 [44, 44Q, C3] [08/82-12/91]
80 [8C, 8G7, B4] [05/91-08/00]

80/90 [81, 85, B2] [08/78-10/88]
80/90 [89, 89Q, 8A, B3] [06/86-12/96]

115 523 1007 | MBD0259

Brake disc



Notes

Wheel Bolt Bore Ø [mm]	15.4
	Solid
Centering Diameter [mm]	68
Minimum thickness [mm]	8
Outer diameter [mm]	245
Height [mm]	65.2
Bolt Hole Circle Ø [mm]	108
Brake Disc Thickness [mm]	10
Required quantity	2
Number of Holes	4
	Rear Axle

References

443 615 601 E

Application info

100/200 [44, 44Q, C3] [08/82-12/91]

Brake disc
115 523 1013 | MBD0263
Notes

Wheel Bolt Bore Ø [mm]	15.5
	Vented
Centering Diameter [mm]	68
Minimum thickness [mm]	18
Outer diameter [mm]	269
Height [mm]	46.5
Bolt Hole Circle Ø [mm]	112
Brake Disc Thickness [mm]	20
Required quantity	2
Number of Holes	5
	Rear Axle


References

447 615 601 A	447 615 601 B
---------------	---------------

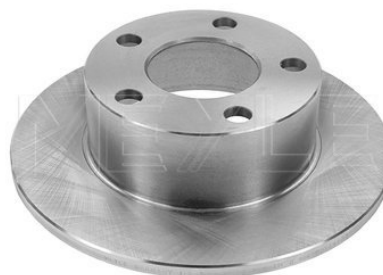
Application info

100/200 [44, 44Q, C3] [08/82-12/91]

A8 [4D2, 4D8] [03/94-09/02]

Brake disc
115 523 0015 | MBD1790
Notes

Wheel Bolt Bore Ø [mm]	15.4
	Solid
Centering Diameter [mm]	68
Minimum thickness [mm]	8
Outer diameter [mm]	245
Height [mm]	64.2
Bolt Hole Circle Ø [mm]	112
Brake Disc Thickness [mm]	10
Required quantity	2
Number of Holes	5
	Rear Axle


References

4A0 615 301 A	4A0 615 601 A
---------------	---------------

Application info

100 [4A, C4] [12/90-07/94]

A6 [4B, C5] [01/97-01/05]

A6 [4A, C4] [06/94-12/97]

115 523 0015/PD | MBD1790PD

Brake disc



Notes

Wheel Bolt Bore Ø [mm]	15.4
	Zink flake coated
	Solid
Centering Diameter [mm]	68
Minimum thickness [mm]	8
Outer diameter [mm]	245
Height [mm]	64.2
Bolt Hole Circle Ø [mm]	112
Brake Disc Thickness [mm]	10
Required quantity	2
Number of Holes	5
	Rear Axle

References

4A0 615 301 A	4A0 615 601 A
---------------	---------------

Application info

100 [4A, C4] [12/90-07/94]
A6 [4A, C4] [06/94-12/97]

A6 [4B, C5] [01/97-01/05]

115 523 0023 | MBD1798

Brake disc



Notes

Wheel Bolt Bore Ø [mm]	15.3
	Solid
Centering Diameter [mm]	68
Minimum thickness [mm]	8
Outer diameter [mm]	245
Height [mm]	54.1
Bolt Hole Circle Ø [mm]	112
Brake Disc Thickness [mm]	10
Required quantity	2
Number of Holes	5
	Rear Axle

References

4B0 615 601

Application info

A6 [4B, C5] [01/97-01/05]



Brake disc

115 523 0023/PD | MBD1798PD

Notes

Wheel Bolt Bore Ø [mm]	15.3
	Zink flake coated
	Solid
Centering Diameter [mm]	68
Minimum thickness [mm]	8
Outer diameter [mm]	245
Height [mm]	54.1
Bolt Hole Circle Ø [mm]	112
Brake Disc Thickness [mm]	10
Required quantity	2
Number of Holes	5
	Rear Axle

References

4B0 615 601



Application info

A6 [4B, C5] [01/97-01/05]

Brake disc

115 523 0040 | MBD1815

Notes

Wheel Bolt Bore Ø [mm]	15.3
	Solid
Centering Diameter [mm]	68
Minimum thickness [mm]	8
Outer diameter [mm]	255
Height [mm]	54.1
Bolt Hole Circle Ø [mm]	112
Brake Disc Thickness [mm]	10
Required quantity	2
Number of Holes	5
	Rear Axle

References

4B0 615 601 A



Application info

A6 [4B, C5] [01/97-01/05]

3

115 523 0040/PD | MBD1815PD

Brake disc



Notes

Wheel Bolt Bore Ø [mm]	15.3
	Zink flake coated
	Solid
Centering Diameter [mm]	68
Minimum thickness [mm]	8
Outer diameter [mm]	255
Height [mm]	54.1
Bolt Hole Circle Ø [mm]	112
Brake Disc Thickness [mm]	10
Required quantity	2
Number of Holes	5
	Rear Axle

References

4B0 615 601 A

Application info

A6 [4B, C5] [01/97-01/05]

115 523 0024 | MBD1799

Brake disc



Notes

Wheel Bolt Bore Ø [mm]	15.3
	Solid
Centering Diameter [mm]	68
Minimum thickness [mm]	8
Outer diameter [mm]	255
Height [mm]	48.1
Bolt Hole Circle Ø [mm]	112
Brake Disc Thickness [mm]	10
Required quantity	2
Number of Holes	5
	Rear Axle

References

4B0 615 601 B

Application info

A6 [4B, C5] [01/97-01/05]

Allroad [4BH] [05/00-08/05]



Brake disc

115 523 0024/PD | MBD1799PD

Notes

Wheel Bolt Bore Ø [mm]	15.3
	Zink flake coated
	Solid
Centering Diameter [mm]	68
Minimum thickness [mm]	8
Outer diameter [mm]	255
Height [mm]	48.1
Bolt Hole Circle Ø [mm]	112
Brake Disc Thickness [mm]	10
Required quantity	2
Number of Holes	5
	Rear Axle

References

4B0 615 601 B



Application info

A6 [4B, C5] [01/97-01/05]

Allroad [4BH] [05/00-08/05]

Brake disc

115 523 0008/PD | MBD1783PD

Notes

Wheel Bolt Bore Ø [mm]	15.4
	Zink flake coated
	Vented
Centering Diameter [mm]	68
Minimum thickness [mm]	20
Outer diameter [mm]	269
Height [mm]	54.1
Bolt Hole Circle Ø [mm]	112
Brake Disc Thickness [mm]	22
Required quantity	2
Number of Holes	5
	Rear Axle

References

4B3 615 601



Application info

A6 [4B, C5] [01/97-01/05]

3

115 523 0029/PD | MBD1804PD

Brake disc



Notes

Wheel Bolt Bore Ø [mm]	15.3
	Zink flake coated
	Vented
Centering Diameter [mm]	68
Minimum thickness [mm]	20
Outer diameter [mm]	269
Height [mm]	46.4
Bolt Hole Circle Ø [mm]	112
Brake Disc Thickness [mm]	21.9
Required quantity	2
Number of Holes	5
	Rear Axle

References

400 615 601 B

Application info

A8 [402, 408] [03/94-09/02]

A8 [4E] [10/02-07/10]

115 523 0036/PD | MBD1811PD

Brake disc



Notes

Wheel Bolt Bore Ø [mm]	15.3
	Zink flake coated
	Vented
Centering Diameter [mm]	68
Minimum thickness [mm]	20
Outer diameter [mm]	280
Height [mm]	42.4
Bolt Hole Circle Ø [mm]	112
	with screws
Brake Disc Thickness [mm]	22
Required quantity	2
Number of Holes	5
	Rear Axle

References

300 615 601 E
4E0 615 601

4E0 615 601 E
4E0 615 601 J

Application info

A8 [4E] [10/02-07/10]

Brake disc
115 523 0033/PD | MBD1808PD
Notes

Wheel Bolt Bore Ø [mm]	15.3
	Zink flake coated
	Vented
Centering Diameter [mm]	68
Minimum thickness [mm]	20
Outer diameter [mm]	310
Height [mm]	42.4
Bolt Hole Circle Ø [mm]	112
	with screws
Brake Disc Thickness [mm]	22
Required quantity	2
Number of Holes	5
	Rear Axle


References

300 615 601 D	4E0 615 601 K
4E0 615 601 A	

Application info

A8 [4E] [10/02-07/10]

Brake disc
115 523 0027 | MBD1802
Notes

Wheel Bolt Bore Ø [mm]	15.3
	Solid
Centering Diameter [mm]	68
Minimum thickness [mm]	10
Outer diameter [mm]	302
Height [mm]	49
Bolt Hole Circle Ø [mm]	112
Brake Disc Thickness [mm]	12
Required quantity	2
Number of Holes	5
	Rear Axle


References

4F0 615 601 E

Application info

A6 [4F2, 4FH, 4F5] [05/04-08/11]

115 523 0027/PD | MBD1802PD

Brake disc



Notes

Wheel Bolt Bore Ø [mm]	15.3
	Zink flake coated
	Solid
Centering Diameter [mm]	68
Minimum thickness [mm]	10
Outer diameter [mm]	302
Height [mm]	49
Bolt Hole Circle Ø [mm]	112
	with screws
Brake Disc Thickness [mm]	12
Required quantity	2
Number of Holes	5
	Rear Axle

References

4F0 615 601 E

Application info

A6 [4F2, 4FH, 4F5] [05/04-08/11]

115 523 0028 | MBD1803

Brake disc



Notes

Wheel Bolt Bore Ø [mm]	15.3
	Vented
Centering Diameter [mm]	68
Minimum thickness [mm]	20
Outer diameter [mm]	330
Height [mm]	49
Bolt Hole Circle Ø [mm]	112
Brake Disc Thickness [mm]	22
Required quantity	2
Number of Holes	5
	Rear Axle

References

4F0 615 601 F

Application info

A6 [4F2, 4FH, 4F5] [05/04-08/11]



Brake disc

115 523 0028/PD | MBD1803PD

Notes

Wheel Bolt Bore Ø [mm]	15.3
	Chrome-(VI)- free passivation
	Vented
Centering Diameter [mm]	68
Minimum thickness [mm]	20
Outer diameter [mm]	330
Height [mm]	49
Bolt Hole Circle Ø [mm]	112
Brake Disc Thickness [mm]	22
Required quantity	2
Number of Holes	5
	Rear Axle

References

4F0 615 601 F



Application info

A6 [4F2, 4FH, 4F5] [05/04-08/11]

Brake disc

115 523 0035/PD | MBD1810PD

Notes

Wheel Bolt Bore Ø [mm]	15.3
	Zink flake coated
	Vented
Centering Diameter [mm]	68
Minimum thickness [mm]	20
Outer diameter [mm]	330
Height [mm]	36.4
Bolt Hole Circle Ø [mm]	112
Brake Disc Thickness [mm]	22
Required quantity	2
Number of Holes	5
	Rear Axle

References

4H0 615 601 D	4H0 615 601 K
4H0 615 601 H	



Application info

A4 [8K2, 8K5, 8KH] [11/07--]
 A5 [8F, 8T] [06/07--]
 A6 [4G2, 4G5, C7] [11/10-05/13]

A7 Sportback [4GA] [10/10--]
 A8 [4H_] [11/09--]
 Q5 [8R] [11/08--]

3

115 523 0041 | MBD1816

Brake disc



Notes

Wheel Bolt Bore Ø [mm]	15.4
	Vented
Centering Diameter [mm]	85
Minimum thickness [mm]	26
Outer diameter [mm]	330
Height [mm]	73.5
Bolt Hole Circle Ø [mm]	130
Brake Disc Thickness [mm]	28
Required quantity	2
Number of Holes	5
	Rear Axle

References

7L6 615 601 D	7L6 615 601 C
7L6 615 601 J	

Application info

Q7 [4L] [03/06-05/12]

115 523 0041/PD | MBD1816PD

Brake disc



Notes

Wheel Bolt Bore Ø [mm]	15.4
	Zink flake coated
	Vented
Centering Diameter [mm]	85
Minimum thickness [mm]	26
Outer diameter [mm]	330
Height [mm]	73.5
Bolt Hole Circle Ø [mm]	130
	with screws
Brake Disc Thickness [mm]	28
Required quantity	2
Number of Holes	5
	Rear Axle

References

7L6 615 601 D	7L6 615 601 C
7L6 615 601 J	

Application info

Q7 [4L] [03/06-05/12]



Brake disc

115 523 0034/PD | MBD1809PD

Notes

Wheel Bolt Bore Ø [mm]	15.4
	Zink flake coated
	Vented
Centering Diameter [mm]	85
Minimum thickness [mm]	26
Outer diameter [mm]	358
Height [mm]	73.5
Bolt Hole Circle Ø [mm]	130
	with screws
Brake Disc Thickness [mm]	28
Required quantity	2
Number of Holes	5
	Rear Axle



References

7L8 615 601 A	7L8 615 601 E
7L8 615 601 D	

Application info

Q7 [4L] [03/06-05/12]

Brake disc

115 523 1081 | MBD0277

Notes

Wheel Bolt Bore Ø [mm]	15.4
	Solid
Centering Diameter [mm]	68
Minimum thickness [mm]	8
Outer diameter [mm]	245
Height [mm]	40.1
Bolt Hole Circle Ø [mm]	108
Brake Disc Thickness [mm]	10
Required quantity	2
Number of Holes	4
	Rear Axle



References

853 615 601	8A0 615 601
-------------	-------------

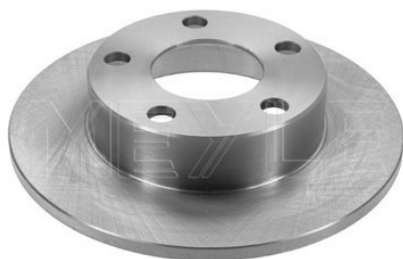
Application info

80 [8C, 8G7, 8A] [05/91-08/00]
80/90 [81, 85, 82] [08/78-10/88]

80/90 [89, 89Q, 8A, 83] [06/86-12/96]

115 521 0037 | MBD1778

Brake disc



Notes

Wheel Bolt Bore Ø [mm]	15.4
	Solid
Centering Diameter [mm]	68
Minimum thickness [mm]	8
Outer diameter [mm]	245
Height [mm]	48
Bolt Hole Circle Ø [mm]	112
Brake Disc Thickness [mm]	10
Required quantity	2
Number of Holes	5
	Rear Axle

References

800 615 601 A

Application info

A4 (802, 805, B5) [11/94-09/01]

115 521 0037/PD | MBD1778PD

Brake disc



Notes

Wheel Bolt Bore Ø [mm]	15.4
	Zink flake coated
	Solid
Centering Diameter [mm]	68
Minimum thickness [mm]	8
Outer diameter [mm]	245
Height [mm]	48
Bolt Hole Circle Ø [mm]	112
Brake Disc Thickness [mm]	10
Required quantity	2
Number of Holes	5
	Rear Axle

References

800 615 601 A

Application info

A4 (802, 805, B5) [11/94-09/01]



Brake disc

115 523 0016 | MBD1791

Notes

	Solid
Centering Diameter [mm]	45.2
Minimum thickness [mm]	8
Outer diameter [mm]	245
Height [mm]	83.7
Bolt Hole Circle Ø [mm]	112
Thread Size	M14x1,5
Brake Disc Thickness [mm]	10
Number of Holes	5
	Rear Axle



References

800 615 601 B

Application info

A4 (802, 805, B5) (11/94-09/01)

Brake disc

115 523 0016/PD | MBD1791PD

Notes

	Zink flake coated
	Solid
Centering Diameter [mm]	45.2
Minimum thickness [mm]	8
Outer diameter [mm]	245
Height [mm]	83.7
Bolt Hole Circle Ø [mm]	112
Thread Size	M14x1,5
	without bearing(s)
Brake Disc Thickness [mm]	10
Required quantity	2
Number of Holes	5
	Rear Axle



References

800 615 601 B

Application info

A4 (802, 805, B5) (11/94-09/01)

3

115 523 0031 | MBD1806

Brake disc



Notes

Wheel Bolt Bore Ø [mm]	15.3
	Solid
Centering Diameter [mm]	68
Minimum thickness [mm]	10
Outer diameter [mm]	288
Height [mm]	35.8
Bolt Hole Circle Ø [mm]	112
Brake Disc Thickness [mm]	12
Required quantity	2
Number of Holes	5
	Rear Axle

References

8E0 615 601 M

Application info

A4 (8EC, 8ED) (11/04-06/08)

A4 (8H7) (04/02-03/09)

115 523 0031/PD | MBD1806PD

Brake disc



Notes

Wheel Bolt Bore Ø [mm]	15.3
	Zink flake coated
	Solid
Centering Diameter [mm]	68
Minimum thickness [mm]	10
Outer diameter [mm]	288
Height [mm]	35.8
Bolt Hole Circle Ø [mm]	112
	with screws
Brake Disc Thickness [mm]	12
Required quantity	2
Number of Holes	5
	Rear Axle

References

8E0 615 601 M

Application info

A4 (8EC, 8ED) (11/04-06/08)

A4 (8H7) (04/02-03/09)



Brake disc

115 523 0030 | MBD1805

Notes

Wheel Bolt Bore Ø [mm]	15.3
	Solid
Centering Diameter [mm]	68
Minimum thickness [mm]	8
Outer diameter [mm]	245
Height [mm]	40
Bolt Hole Circle Ø [mm]	112
Brake Disc Thickness [mm]	10
Required quantity	2
Number of Holes	5
	Rear Axle



References

8E0 615 601 B	8E0 615 601 P
---------------	---------------

Application info

80 [8C, 8G7, B4] [05/91-08/00]
 80/90 [89, 89Q, 8A, B3] [06/86-12/96]
 A4 [8E2, 8E5, B6] [10/00-12/04]

A4 [8EC, 8ED] [11/04-06/08]
 A4 [8H7] [04/02-03/09]

Brake disc

115 523 0030/PD | MBD1805PD

Notes

Wheel Bolt Bore Ø [mm]	15.3
	Zink flake coated
	Solid
Centering Diameter [mm]	68
Minimum thickness [mm]	8
Outer diameter [mm]	245
Height [mm]	40
Bolt Hole Circle Ø [mm]	112
	with screws
Brake Disc Thickness [mm]	10
Required quantity	2
Number of Holes	5
	Rear Axle



References

8E0 615 601 A	8E0 615 601 P
8E0 615 601 B	

Application info

80 [8C, 8G7, B4] [05/91-08/00]
 80/90 [89, 89Q, 8A, B3] [06/86-12/96]
 A4 [8E2, 8E5, B6] [10/00-12/04]

A4 [8EC, 8ED] [11/04-06/08]
 A4 [8H7] [04/02-03/09]

115 523 0032/PD | MBD1807PD

Brake disc



Notes

Wheel Bolt Bore Ø [mm]	15.3
	Zink flake coated
	Vented
Centering Diameter [mm]	68
Minimum thickness [mm]	20
Outer diameter [mm]	300
Height [mm]	36.2
Bolt Hole Circle Ø [mm]	112
	with screws
Brake Disc Thickness [mm]	22
Required quantity	2
Number of Holes	5
	Rear Axle

References

8E0 615 601 K	8E0 615 601 R
---------------	---------------

Application info

A4 [8E2, 8E5, B6] [10/00-12/04]
A4 [8EC, 8ED] [11/04-06/08]

A4 [8H7] [04/02-03/09]

115 523 0010/PD | MBD1785PD

Brake disc



Notes

Wheel Bolt Bore Ø [mm]	15.3
	Zink flake coated
	Solid
Centering Diameter [mm]	65
Minimum thickness [mm]	10
Outer diameter [mm]	286
Height [mm]	58.6
Bolt Hole Circle Ø [mm]	112
Brake Disc Thickness [mm]	12
Required quantity	2
Number of Holes	5
	Rear Axle

References

8J0 615 601

Application info

TT [8J3, 8J9] [08/06-06/10]



Brake disc

115 523 0011/PD | MBD1786PD

Notes

Wheel Bolt Bore Ø [mm]	15.3
	Zink flake coated
	Vented
Centering Diameter [mm]	65
Minimum thickness [mm]	20
Outer diameter [mm]	310
Height [mm]	58.6
Bolt Hole Circle Ø [mm]	112
Brake Disc Thickness [mm]	22
Required quantity	2
Number of Holes	5
	Rear Axle

References

8J0 615 601 A



Application info

TT [8J3, 8J9] [08/06-06/10]

Brake disc

115 523 0042/PD | MBD1817PD

Notes

Wheel Bolt Bore Ø [mm]	15.3
	Zink flake coated
	Solid
Centering Diameter [mm]	68
Minimum thickness [mm]	10
Outer diameter [mm]	300
Height [mm]	36.4
Bolt Hole Circle Ø [mm]	112
	with screws
Brake Disc Thickness [mm]	12
Required quantity	2
Number of Holes	5
	Rear Axle

References

8K0 615 601 B



Application info

A4 [8K2, 8K5, 8KH] [11/07--]
 A5 [8F, 8T] [06/07--]
 A6 [4G2, 4G5, C7] [11/10-05/13]

A7 Sportback [4GA] [10/10--]
 A8 [4H_] [11/09--]
 Q5 [8R] [11/08--]

3

115 523 0009/PD | MBD1784PD

Brake disc



Notes

Wheel Bolt Bore Ø [mm]	15.3
	Zink flake coated
	Vented
Centering Diameter [mm]	68
Minimum thickness [mm]	20
Outer diameter [mm]	330
Height [mm]	36.4
Bolt Hole Circle Ø [mm]	112
	with screws
Brake Disc Thickness [mm]	22
Required quantity	2
Number of Holes	5
	Rear Axle

References

8K0 615 601 C

Application info

A4 (8K2, 8K5, 8KH) (11/07--)
A5 (8F, 8T) (06/07--)

Q5 (8R) (11/08--)

115 523 0022 | MBD1797

Brake disc



Notes

Wheel Bolt Bore Ø [mm]	15.6
	Vented
Centering Diameter [mm]	65
Minimum thickness [mm]	20
Outer diameter [mm]	256
Height [mm]	36.6
Bolt Hole Circle Ø [mm]	100
Brake Disc Thickness [mm]	22
Required quantity	2
Number of Holes	5
	Rear Axle

References

8L0 615 601

8N0 615 601 B

Application info

A3 (8L1) (09/96-05/03)

TT (8N3, 8N9) (10/98-06/06)



Brake disc

115 523 0022/PD | MBD1797PD

Notes

Wheel Bolt Bore Ø [mm]	15.6
	Zink flake coated
	Vented
Centering Diameter [mm]	65
Minimum thickness [mm]	20
Outer diameter [mm]	256
Height [mm]	36.6
Bolt Hole Circle Ø [mm]	100
Brake Disc Thickness [mm]	22
Required quantity	2
Number of Holes	5
	Rear Axle



References

BL0 615 601	8N0 615 601 B
-------------	---------------

Application info

A3 [8L1] [09/96-05/03]

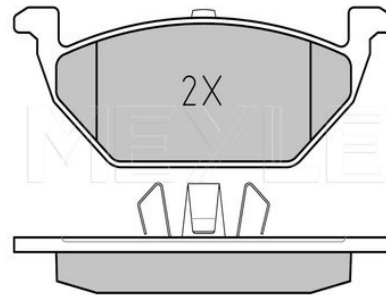
TT [8N3, 8N9] [10/98-06/06]

Brake pad set

025 231 3019/PD | MBP0780PD

Notes

Quality	not prepared for wear indicator
Thickness [mm]	PREMIUM
Height [mm]	19.2
Width [mm]	54.7
Brake System	146
	Kelsey-Hayes
	with anti-squeak plate
	Front Axle



References

1J0 698 151	1J0 698 151 B
1J0 698 151 A	6R0 698 151 A

Application info

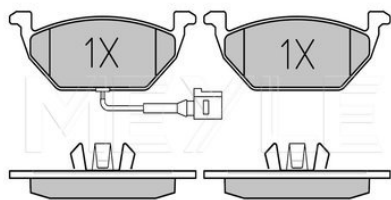
A1 [8X1, 8XA] [05/10--]

A3 [8L1] [09/96-05/03]

3

025 231 3119/PD | MBP0781PD

Brake pad set



Notes

Quality
Thickness [mm]
Height [mm]
Width [mm]
Warning Contact Length [mm]
Number of wear indicators [per axle]
Brake System

incl. wear warning contact
PREMIUM
19.2
54.7
146
145
1
Kelsey-Hayes
with anti-squeak plate
Front Axle

References

1J0 698 151 D	1J0 698 151 G
1J0 698 151 E	1K0 698 151 A
1J0 698 151 F	1K0 698 151 F

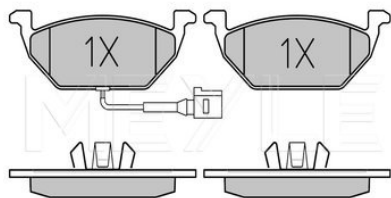
Application info

A2 (8Z0) [02/00-08/05]
A3 (8L1) [09/96-05/03]

A3 (8P1, 8PA) [05/03-08/12]

025 231 3119/W | MBP0268

Brake pad set



Notes

Thickness [mm]
Height [mm]
Width [mm]
Warning Contact Length [mm]
Number of wear indicators [per axle]
Brake System

incl. wear warning contact
19.2
54.7
146
145
1
Kelsey-Hayes
with anti-squeak plate
Front Axle

References

1J0 698 151 D	1J0 698 151 G
1J0 698 151 E	1K0 698 151 A
1J0 698 151 F	1K0 698 151 F

Application info

A2 (8Z0) [02/00-08/05]
A3 (8L1) [09/96-05/03]

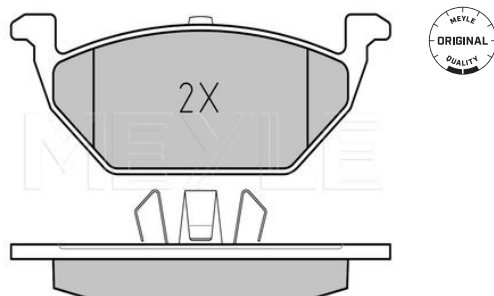
A3 (8P1, 8PA) [05/03-08/12]

Brake pad set
025 231 3019/A | MBP0267
Notes

Thickness [mm]	excl. wear warning contact
Height [mm]	19.2
Width [mm]	54.7
Brake System	146
	Kelsey-Hayes
	with anti-squeak plate
	Front Axle

References

1J0 698 151	1J0 698 151 J
1J0 698 151 B	6R0 698 151 A


Application info

A1 (8X1, 8XA) [05/10--]

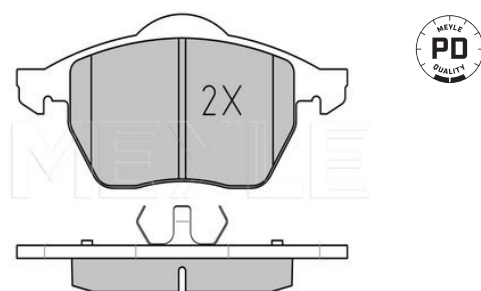
A3 (8L1) [09/96-05/03]

Brake pad set
025 219 1119/PD | MBP0224PD
Notes

Quality	not prepared for wear indicator
Thickness [mm]	PREMIUM
Height [mm]	19.8
Width [mm]	74
Brake System	156.4
	ATE
	with anti-squeak plate
	Front Axle

References

1J0 698 151 L	8N0 698 151
3A0 698 151 A	


Application info

A3 (8L1) [09/96-05/03]

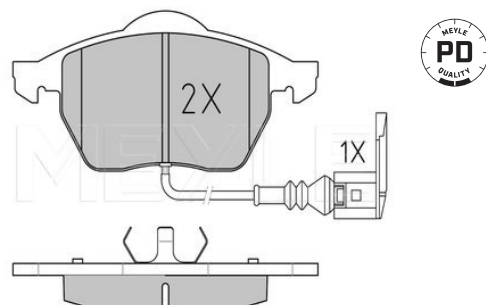
TT (8N3, 8N9) [10/98-06/06]

Brake pad set
025 233 9219/PD | MBP1620PD
Notes

Quality	incl. wear warning contact
Thickness [mm]	PREMIUM
Height [mm]	20.1
Width [mm]	74
Warning Contact Length [mm]	156.4
Number of wear indicators [per axle]	145
Brake System	1
	ATE
	with anti-squeak plate
	Front Axle

References

1J0 698 151 M	8N0 698 151 C
8N0 698 151 A	8N0 698 151 E



025 233 9219/PD | MBP1620PD

Brake pad set

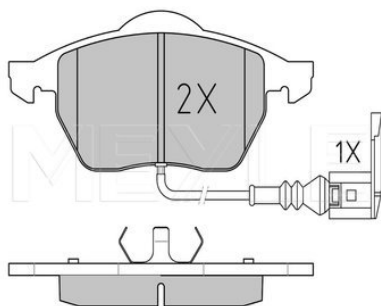
Application info

A3 (8L1) (09/96-05/03)

TT (8N3, 8N9) (10/98-06/06)

025 233 9219/W | MBP0333

Brake pad set



Notes

Thickness [mm]
Height [mm]
Width [mm]
Warning Contact Length [mm]
Number of wear indicators [per axle]
Brake System

incl. wear warning contact
20.1
74
156.4
145
1
ATE
with anti-squeak plate
Front Axle

References

1J0 698 151 M
8N0 698 151 A

8N0 698 151 C
8N0 698 151 E

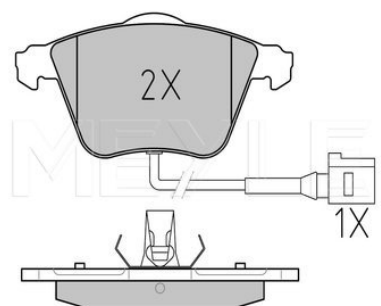
Application info

A3 (8L1) (09/96-05/03)

TT (8N3, 8N9) (10/98-06/06)

025 238 0120/W | MBP0452

Brake pad set



Notes

Thickness [mm]
Height [mm]
Width 2 [mm]
Warning Contact Length [mm]
Width 1 [mm]
Number of wear indicators [per axle]
Brake System

incl. wear warning contact
20
72.8
156.4
175
155.1
1
ATE
with anti-squeak plate
Front Axle

References

1K0 698 151 B

Application info

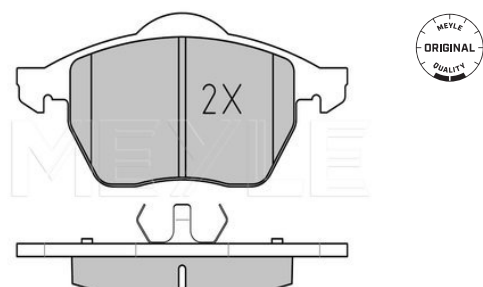
A3 (8P1, 8PA) (05/03-08/12)

Brake pad set
025 219 1119 | MBP0224
Notes

Thickness [mm]	19.8
Height [mm]	74
Width [mm]	156.4
Brake System	ATE with anti-squeak plate Front Axle

References

1J0 698 151 L	8N0 698 151
3A0 698 151 A	


Application info

A3 [8L1] [09/96-05/03]

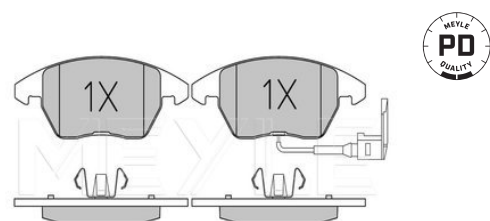
TT [8N3, 8N9] [10/98-06/06]

Brake pad set
025 235 8720/PD | MBP0797PD
Notes

Quality	incl. wear warning contact PREMIUM
Thickness [mm]	20
Height 2 [mm]	71.5
Height 1 [mm]	66
Width 2 [mm]	156.5
Warning Contact Length [mm]	135
Width 1 [mm]	155.2
Number of wear indicators [per axle]	1
Brake System	ATE with anti-squeak plate Front Axle

References

1K0 698 151	5K0 698 151
1K0 698 151 E	5K0 698 151 A
3C0 698 151 A	8J0 698 151
3C0 698 151 C	8J0 698 151 C


Application info

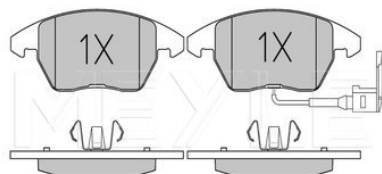
A1 [8X1, 8XA] [05/10--]

A3 [8P1, 8PA] [05/03-08/12]

TT [8J3, 8J9] [08/06-06/10]

025 235 8720/W | MBP0392

Brake pad set



Notes

Thickness [mm]	20
Height 2 [mm]	71.5
Height 1 [mm]	66
Width 2 [mm]	156.5
Warning Contact Length [mm]	155
Width 1 [mm]	155.2
Number of wear indicators [per axle]	1
Brake System	ATE with anti-squeak plate Front Axle

References

1K0 698 151	3C0 698 151 D
1K0 698 151 C	5K0 698 151
1K0 698 151 E	8J0 698 151
3C0 698 151 A	8J0 698 151 C
3C0 698 151 C	

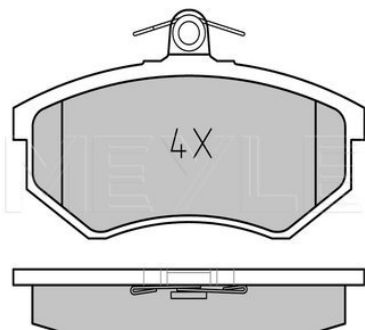
Application info

A1 [8X1, 8XA] [05/10--]
A3 [8P1, 8PA] [05/03-08/12]

TT [8J3, 8J9] [08/06-06/10]

025 206 6919 | MBP0029

Brake pad set



Notes

Thickness [mm]	19.6
Height [mm]	69.5
Width [mm]	118.8
Brake System	TRW with anti-squeak plate Front Axle

References

443 398 151 F	431 698 151 G
853 615 115 C	437 698 151
8A0 615 115 B	443 698 151 A
357 698 151	443 698 151 H
431 698 151 D	8A0 698 151 B
431 698 151 F	

Application info

100/200 [44, 44Q, C3] [08/82-12/91]
80 [8C, 8G7, 84] [05/91-08/00]
80/90 [81, 85, 82] [08/78-10/88]

80/90 [85] [07/80-07/91]
80/90 [89, 89Q, 8A, 83] [06/86-12/96]
A4 [8D2, 8D5, 85] [11/94-09/01]



Brake pad set

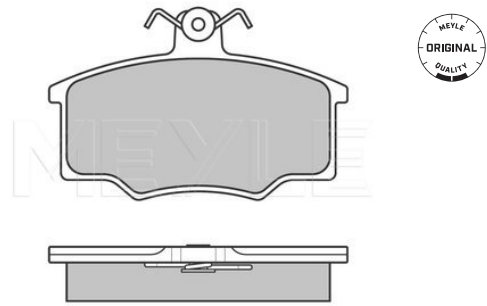
025 205 7419 | MBP0022

Notes

Thickness [mm]	excl. wear warning contact
Height [mm]	19.6
Width [mm]	67.1
Brake System	104.2
	TRW
	with anti-squeak plate
	Front Axle

References

811 615 115 C	321 698 151 A
811 615 115 D	431 698 151 C
811 615 115 E	431 698 151 E
855 615 115 C	431 698 151 H
855 615 115 D	431 698 151 L
855 615 115 E	811 698 151 A
321 698 151	811 698 151 B



Application info

80/90 (81, 85, B2) [08/78-10/88]

80/90 (89, 89Q, 8A, B3) [06/86-12/96]

Brake pad set

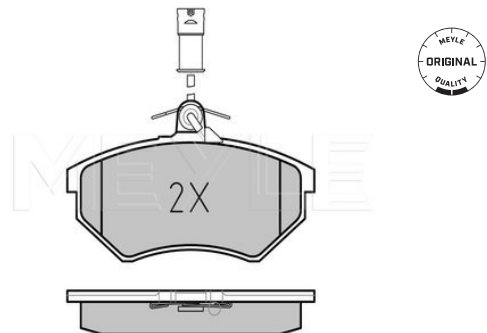
025 209 0119/W | MBP0048

Notes

Thickness [mm]	incl. wear warning contact
Height [mm]	19.4
Width [mm]	69.5
Number of wear indicators [per axle]	119
Brake System	2
	TRW
	with anti-squeak plate
	Front Axle

References

443 398 151 F	443 698 151 D
431 698 151 D	443 698 151 F
431 698 151 F	443 698 151 G
437 698 151	443 698 151 H
443 698 151 A	443 698 151 J
443 698 151 C	443 698 151 K



Application info

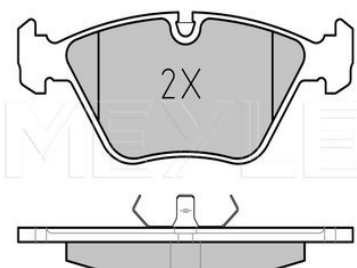
100/200 (44, 44Q, C3) [08/82-12/91]
80/90 (85) [07/80-07/91]

80/90 (89, 89Q, 8A, B3) [06/86-12/96]

3

025 212 1118 | MBP0095

Brake pad set



Notes

Thickness [mm]	prepared for wear indicator
Height [mm]	18.5
Width [mm]	63.5
Brake System	156.4
	ATE
	with anti-squeak plate
	Front Axle

References

447 698 151 C

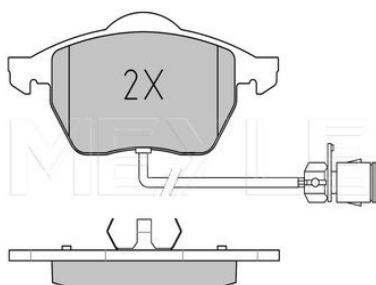
Application info

100/200 [44, 44Q, C3] [08/82-12/91]
80/90 [85] [07/80-07/91]

80/90 [89, 89Q, 8A, B3] [06/86-12/96]

025 206 7619/PD | MBP0757PD

Brake pad set



Notes

Quality	incl. wear warning contact
Thickness [mm]	PREMIUM
Height [mm]	19.6
Width [mm]	74
Brake System	156.4
	2
	ATE
	with anti-squeak plate
	Front Axle

References

4A0 615 116 A	4A0 698 151 C
4A0 698 151	400 698 151 H
4A0 698 151 A	

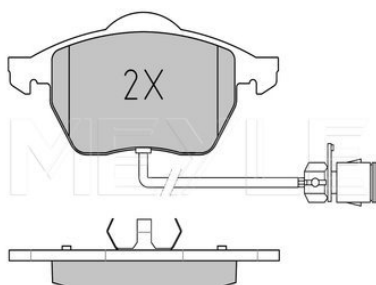
Application info

100 [4A, C4] [12/90-07/94]

A6 [4A, C4] [06/94-12/97]

025 206 7619/W | MBP0031

Brake pad set



Notes

Thickness [mm]	incl. wear warning contact
Height [mm]	19.6
Width [mm]	74
Brake System	156.4
	2
	ATE
	with anti-squeak plate
	Front Axle

References

4A0 615 116 A	4A0 698 151 C
4A0 698 151	400 698 151 H
4A0 698 151 A	

Brake pad set
025 206 7619/W | MBP0031
Application info

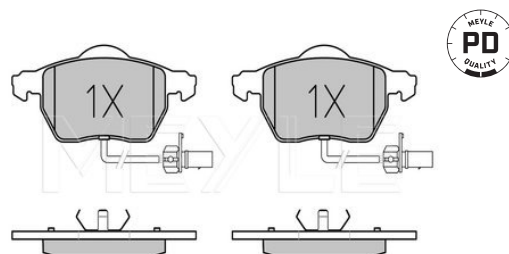
100 [4A, C4] [12/90-07/94]

A6 [4A, C4] [06/94-12/97]

Brake pad set
025 230 1820/PD | MBP0776PD
Notes

Quality
Thickness [mm]
Height [mm]
Width 2 [mm]
Number of wear indicators [per axle]
Warning Contact Length [mm]
Width 1 [mm]
Brake System

incl. wear warning contact
PREMIUM
19.5
74
156.4
2
200
156.3
ATE
with anti-squeak plate
Front Axle


References

4B0 698 151	4B0 698 151 K
4B0 698 151 A	4B0 698 151 M
4B0 698 151 AB	4B0 698 151 N
4B0 698 151 B	4F0 698 151
4B0 698 151 E	8E0 698 151 F
4B0 698 151 H	8E0 698 151 K
4B0 698 151 J	

Application info

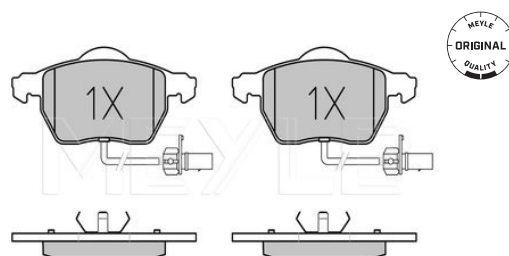
A4 [802, 805, B5] [11/94-09/01]
A4 [8E2, 8E5, B6] [10/00-12/04]
A4 [8EC, 8ED] [11/04-06/08]
A4 [8H7] [04/02-03/09]

A6 [4A, C4] [06/94-12/97]
A6 [4B, C5] [01/97-01/05]
A6 [4F2, 4FH, 4F5] [05/04-08/11]

Brake pad set
025 230 1820/W | MBP0244
Notes

Thickness [mm]
Height [mm]
Width 2 [mm]
Warning Contact Length [mm]
Width 1 [mm]
Number of wear indicators [per axle]
Brake System

incl. wear warning contact
19.5
74
156.4
200
156.3
2
ATE
with anti-squeak plate
Front Axle


References

4B0 698 151	4B0 698 151 K
4B0 698 151 A	4B0 698 151 M
4B0 698 151 AB	4B0 698 151 N
4B0 698 151 B	4F0 698 151
4B0 698 151 E	8E0 698 151 F
4B0 698 151 H	8E0 698 151 K
4B0 698 151 J	

025 230 1820/W | MBP0244

Brake pad set

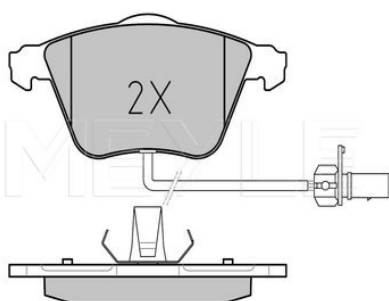
Application info

A4 [8D2, 8D5, B5] [11/94-09/01]
A4 [8E2, 8E5, B6] [10/00-12/04]
A4 [8EC, 8ED] [11/04-08/08]
A4 [8H7] [04/02-03/09]

A6 [4A, C4] [06/94-12/97]
A6 [4B, C5] [01/97-01/05]
A6 [4F2, 4FH, 4F5] [05/04-08/11]

025 237 6220/W | MBP0444

Brake pad set



Notes

Thickness [mm]	incl. wear warning contact
Height [mm]	20
Width 2 [mm]	72.8
Width 1 [mm]	156.4
Number of wear indicators [per axle]	155.1
Brake System	2
	ATE
	with anti-squeak plate
	Front Axle

References

4B0 698 151 AC	4B0 698 151 Q
4B0 698 151 AD	4B0 698 151 R

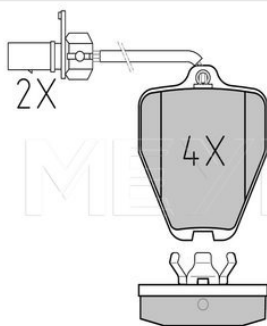
Application info

A6 [4B, C5] [01/97-01/05]

Allroad [4BH] [05/00-08/05]

025 214 5418/PD | MBP0766PD

Brake pad set



Notes

Quality	incl. wear warning contact
Thickness/Strength 2 [mm]	PREMIUM
Thickness/Strength 1 [mm]	18.5
Height 2 [mm]	17
Height 1 [mm]	85.6
Width 2 [mm]	77.6
Width 1 [mm]	77.7
Number of wear indicators [per axle]	76.2
Brake System	2
	TRW
	with anti-squeak plate
	Front Axle

References

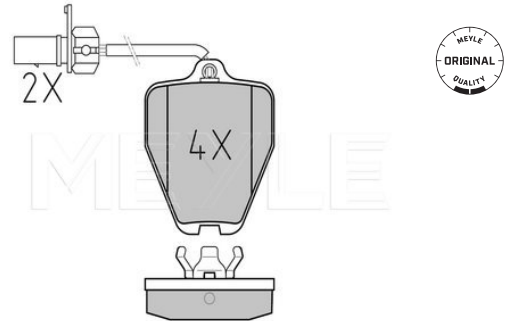
4B0 698 151 C	800 698 151 K
800 698 151 B	

Application info

A6 [4B, C5] [01/97-01/05]

Brake pad set
025 214 5418/W | MBP0132
Notes

	incl. wear warning contact
Thickness/Strength 2 [mm]	18.5
Thickness/Strength 1 [mm]	17
Height 2 [mm]	85.6
Height 1 [mm]	77.6
Width 2 [mm]	77.7
Width 1 [mm]	76.2
Number of wear indicators [per axle]	2
Brake System	TRW with anti-squeak plate Front Axle


References

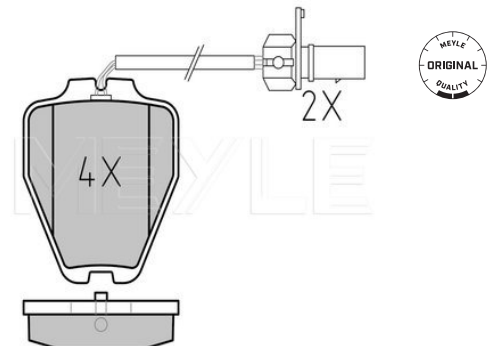
4B0 698 151 C	8D0 698 151 K
8D0 698 151 B	

Application info

A6 [4B, C5] [01/97-01/05]

Brake pad set
025 232 8017/W | MBP0310
Notes

	incl. wear warning contact
Thickness [mm]	17.5
Height 2 [mm]	74.6
Height 1 [mm]	75.4
Width 2 [mm]	77.7
Width 1 [mm]	63.5
Number of wear indicators [per axle]	2
Brake System	TRW with anti-squeak plate Front Axle


References

4B0 698 151 D	4B0 698 151 S
4B0 698 151 L	4B3 698 151

Application info

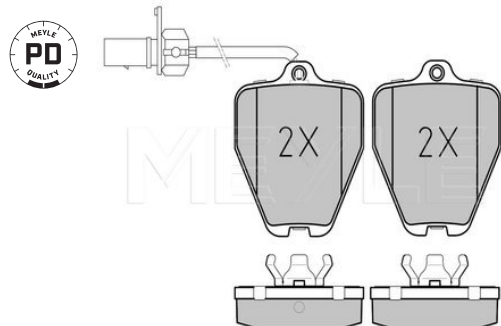
A6 [4B, C5] [01/97-01/05]

Allroad [4BH] [05/00-08/05]

3

025 214 5218/PD | MBP0765PD

Brake pad set



Notes

Quality	incl. wear warning contact
Thickness [mm]	PREMIUM
Height 2 [mm]	18.5
Height 1 [mm]	85.5
Width 2 [mm]	77.6
Width 1 [mm]	76.2
Number of wear indicators [per axle]	63.4
Brake System	2
	TRW
	with anti-squeak plate
	Front Axle

References

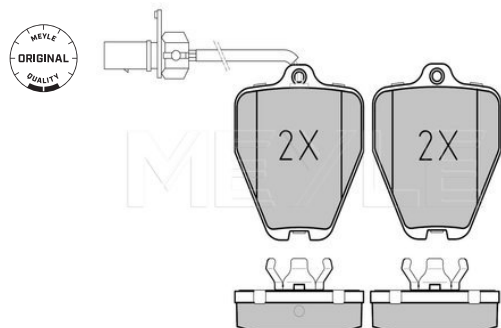
400 698 151 A	400 698 151 C
400 698 151 AD	400 698 151 E

Application info

A8 [402, 408] [03/94-09/02]

025 214 5218/W | MBP0131

Brake pad set



Notes

Thickness [mm]	incl. wear warning contact
Height 2 [mm]	18.5
Height 1 [mm]	85.5
Width 2 [mm]	77.6
Width 1 [mm]	76.2
Number of wear indicators [per axle]	63.4
Brake System	2
	TRW
	with anti-squeak plate
	Front Axle

References

400 698 151 A	400 698 151 C
400 698 151 AD	400 698 151 E

Application info

A8 [402, 408] [03/94-09/02]

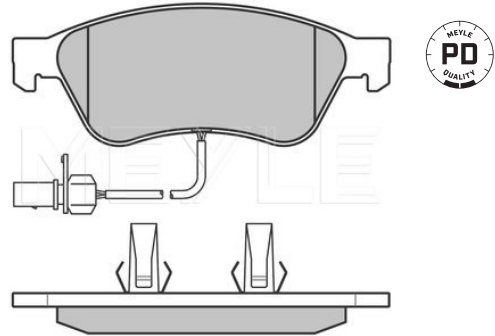


Brake pad set

025 238 9620/PD | MBP0806PD

Notes

Quality	incl. wear warning contact
Thickness [mm]	PREMIUM
Height [mm]	20.5
Width [mm]	72.6
Warning Contact Length [mm]	193
Number of wear indicators [per axle]	260
Brake System	2
	ATE
	with anti-squeak plate
	Front Axle



References

4E0 698 151	4E0 698 151 J
4E0 698 151 A	4E0 698 151 K
4E0 698 151 B	4E4 698 151
4E0 698 151 E	4E4 698 151 A

Application info

A8 [4F2, 4FH, 4F5] (05/04-08/11)

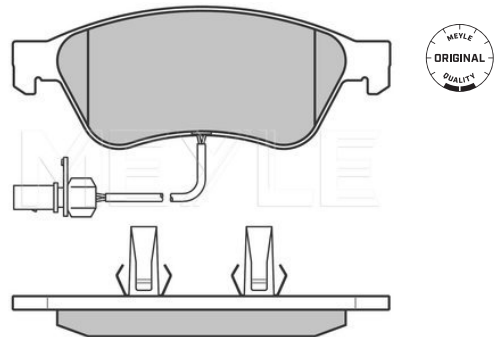
A8 [4E] (10/02-07/10)

Brake pad set

025 238 9620/W | MBP0467

Notes

Thickness [mm]	incl. wear warning contact
Height [mm]	20.5
Width [mm]	72.6
Warning Contact Length [mm]	193
Number of wear indicators [per axle]	260
Brake System	2
	ATE
	with anti-squeak plate
	Front Axle



References

4E0 698 151	4E0 698 151 J
4E0 698 151 A	4E0 698 151 K
4E0 698 151 B	4E4 698 151
4E0 698 151 E	4E4 698 151 A

Application info

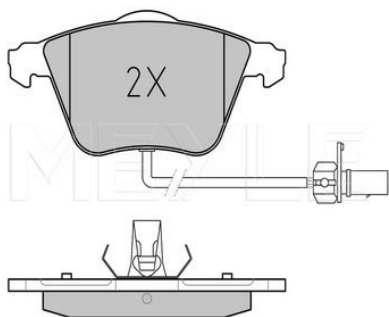
A8 [4F2, 4FH, 4F5] (05/04-08/11)

A8 [4E] (10/02-07/10)

3

025 239 5020/PD | MBP0808PD

Brake pad set



Notes

Quality	incl. wear warning contact
Thickness [mm]	PREMIUM
Height [mm]	20
Width 2 [mm]	72.8
Warning Contact Length [mm]	156.4
Width 1 [mm]	242.5
Number of wear indicators [per axle]	155.1
Brake System	2
	ATE
	with anti-squeak plate
	Front Axle

References

4E0 698 151 F	4F0 698 151 K
4E0 698 151 M	8E0 698 151 C
4F0 698 151 A	8E0 698 151 G
4F0 698 151 D	8E0 698 151 L

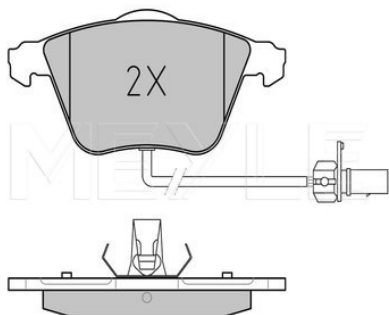
Application info

A4 [8E2, 8E5, B6] [10/00-12/04]
 A4 [8EC, 8ED] [11/04-06/08]
 A4 [8H7] [04/02-03/09]

A6 [4F2, 4FH, 4F5] [05/04-08/11]
 A8 [4E] [10/02-07/10]

025 239 5020/W | MBP0483

Brake pad set



Notes

Thickness [mm]	incl. wear warning contact
Height [mm]	20
Width 2 [mm]	72.8
Warning Contact Length [mm]	156.4
Width 1 [mm]	242.5
Number of wear indicators [per axle]	155.1
Brake System	2
	ATE
	with anti-squeak plate
	Front Axle

References

4E0 698 151 F	4F0 698 151 K
4E0 698 151 M	8E0 698 151 C
4F0 698 151 A	8E0 698 151 G
4F0 698 151 D	8E0 698 151 L

Application info

A4 [8E2, 8E5, B6] [10/00-12/04]
 A4 [8EC, 8ED] [11/04-06/08]
 A4 [8H7] [04/02-03/09]

A6 [4F2, 4FH, 4F5] [05/04-08/11]
 A8 [4E] [10/02-07/10]

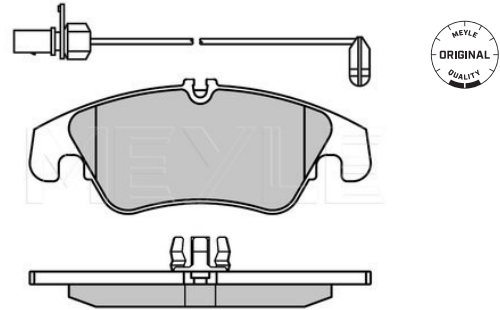


Brake pad set

025 247 4319/W | MBP0662

Notes

	incl. wear warning contact
Thickness [mm]	19.4
Height 2 [mm]	73.7
Height 1 [mm]	74.2
Width [mm]	188
Number of wear indicators [per axle]	1
Brake System	TRW with anti-squeak plate Front Axle



References

4G0 698 151	8K0 698 151 G
4G0 698 151 D	8K0 698 151 H
4G0 698 151 L	8K0 698 151 J
8K0 698 151	8K0 698 151 K
8K0 698 151 B	8K0 698 151 L
8K0 698 151 C	8R0 698 151
8K0 698 151 D	8R0 698 151 A
8K0 698 151 E	

Application info

A4 [8K2, 8K5, 8KH] [11/07--]
 A5 [8F, 8T] [06/07--]
 A6 [4G2, 4G5, C7] [11/10-05/13]

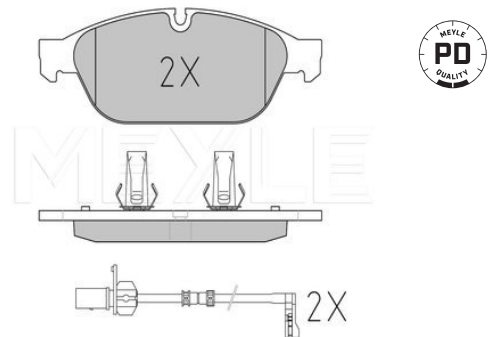
A7 Sportback [4GA] [10/10--]
 Q5 [8R] [11/08--]

Brake pad set

025 261 5820/PD | MBP0819PD

Notes

	incl. wear warning contact
Quality	PREMIUM
Thickness [mm]	20
Height 2 [mm]	70.9
Height 1 [mm]	74
Width [mm]	192.9
Brake System	Teves with anti-squeak plate Front Axle



References

4G0 698 151 B	4H0 698 151 D
4G0 698 151 G	4H0 698 151 G
4G0 698 151 S	

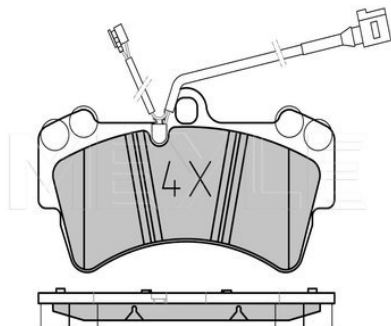
Application info

A6 [4G2, 4G5, C7] [11/10-05/13]
 A7 Sportback [4GA] [10/10--]

A8 [4H_] [11/09--]

025 236 9317 | MBP0416

Brake pad set



Notes

Thickness [mm] 16.5
 Height [mm] 106.5
 Width [mm] 190.2
 Brake System Brembo
 with anti-squeak plate
 Front Axle

References

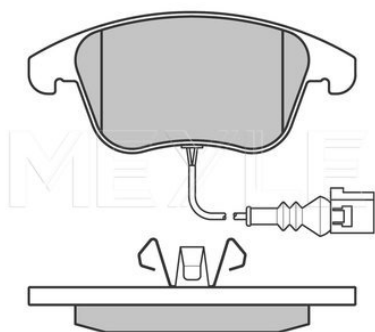
4L0 698 151 A 7L0 698 151 J
 4L0 698 151 B 7L0 698 151 P

Application info

Q7 [4L] [03/06-05/12]

025 243 3219/PD | MBP0830PD

Brake pad set



Notes

Quality incl. wear warning contact
 PREMIUM
 Thickness/Strength 2 [mm] 21.1
 Thickness/Strength 1 [mm] 20.1
 Height 2 [mm] 72
 Height 1 [mm] 66.6
 Height [mm] 66.6
 Width [mm] 155.1
 Number of wear indicators [per axle] 1
 Warning Contact Length [mm] 155
 Brake System ATE
 with anti-squeak plate
 Front Axle

References

5N0 698 151 5N0 698 151 B

Application info

Q3 [8U] [06/11--]

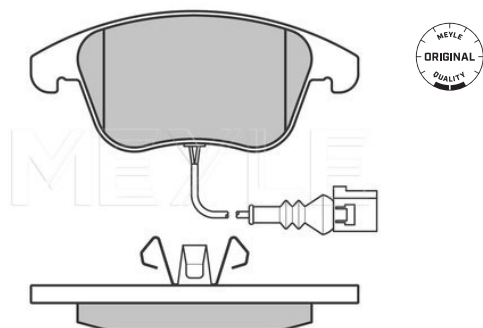
3

Brake pad set
Ø25 243 3219/W | MBP0573
Notes

	incl. wear warning contact
Thickness [mm]	20.1
Thickness/Strength 1 [mm]	21.1
Height 2 [mm]	72
Height 1 [mm]	66.6
Height [mm]	66.6
Width [mm]	155.1
Warning Contact Length [mm]	155
Number of wear indicators [per axle]	1
Brake System	ATE with anti-squeak plate Front Axle

References

5N0 698 151 5N0 698 151 B


Application info

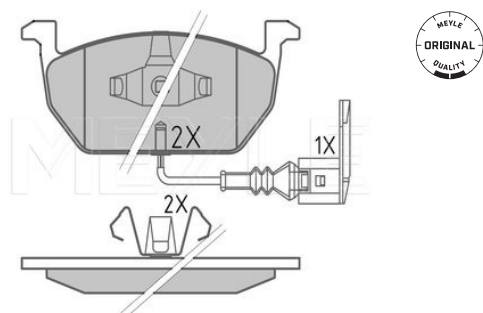
Q3 [8U] [06/11--]

Brake pad set
Ø25 220 3517 | MBP1599
Notes

	incl. wear warning contact
Thickness [mm]	17.4
Height [mm]	62.4
Width [mm]	146.1
Number of wear indicators [per axle]	1
Warning Contact Length [mm]	155
Brake System	ATE with anti-squeak plate Front Axle

References

5Q0 698 151 C

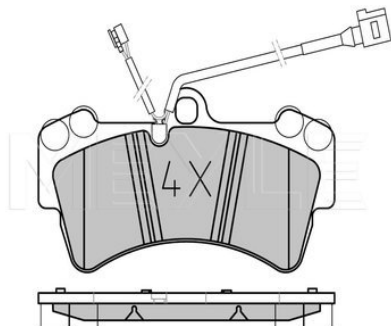

Application info

A3 [8V1, 8VS, 8V7, 8PA] [04/12--]

3

025 236 9317/PD | MBP0416PD

Brake pad set



Notes

Quality	prepared for wear indicator
Thickness [mm]	PREMIUM
Height [mm]	16.5
Width [mm]	106.5
Number of wear indicators [per axle]	190.2
Brake System	2
	Brembo
	with anti-squeak plate
	Front Axle

References

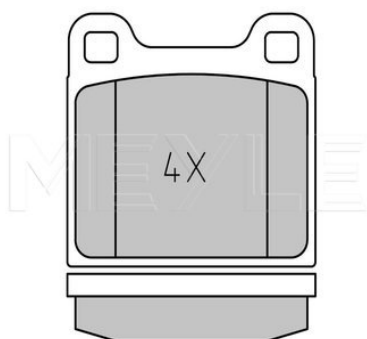
7L0 698 151 J	7L0 698 151 P
---------------	---------------

Application info

Q7 [4L] [03/06-05/12]

025 202 2815 | MBP0012

Brake pad set



Notes

Thickness [mm]	excl. wear warning contact
Height [mm]	15.2
Width [mm]	56.5
Brake System	61.8
	ATE
	with anti-squeak plate
	Front Axle

References

171 698 151 E	827 698 151 A
811 698 151	839 698 151
823 698 151	861 698 151
823 698 151 A	861 698 151 A
827 698 151	891 698 151

Application info

80/90 [81, 85, B2] [08/78-10/88]

Brake pad set

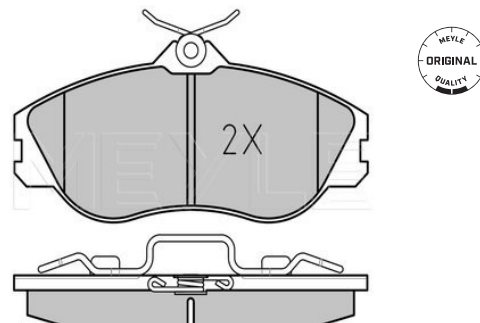
025 211 3819/W | MBP0078

Notes

Thickness [mm]	incl. wear warning contact
Height [mm]	19.4
Width [mm]	67
Number of wear indicators [per axle]	144.9
Brake System	2
	TRW
	with anti-squeak plate
	Front Axle

References

447 615 115 B	447 698 151
447 615 115 M	447 698 151 A
895 615 115 B	447 698 151 B
895 615 115 C	447 698 151 E
447 615 116 B	447 698 151 F
447 615 116 M	895 698 151
441 698 151 E	895 698 151 A



Application info

100/200 [44, 44Q, C3] [08/82-12/91]	80/90 [85] [07/80-07/91]
80 [8C, 8G7, B4] [05/91-08/00]	80/90 [89, 89Q, 8A, B3] [06/86-12/96]

Brake pad set

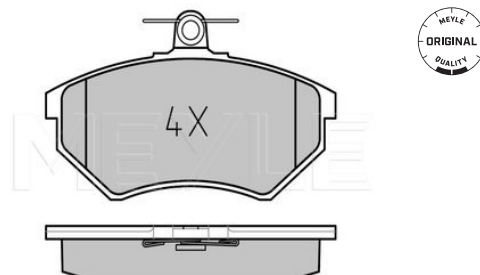
025 201 6819 | MBP0011

Notes

Thickness [mm]	excl. wear warning contact
Height [mm]	19.6
Width [mm]	69.6
Brake System	118.8
	TRW
	with anti-squeak plate
	Front Axle

References

8A0 698 151 C



Application info

80 [8C, 8G7, B4] [05/91-08/00]

Brake pad set

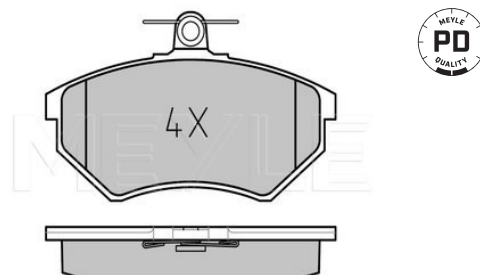
025 201 6819/PD | MBP0011PD

Notes

Quality	excl. wear warning contact
Thickness [mm]	PREMIUM
Height [mm]	19.6
Width [mm]	69.6
Brake System	118.8
	TRW
	with anti-squeak plate
	Front Axle

References

8A0 698 151 C



025 201 6819/PD | MBP0011PD

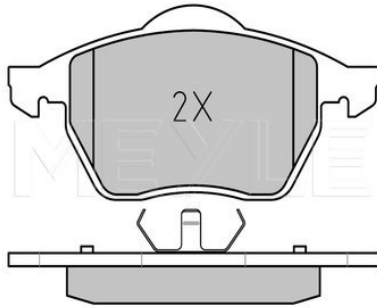
Brake pad set

Application info

80 [8C, 8G7, B4] [05/91-08/00]

025 216 2419 | MBP0164

Brake pad set



Notes

Thickness [mm]
Height [mm]
Width [mm]
Brake System

prepared for wear indicator
19.9
74
156.4
ATE
with anti-squeak plate
Front Axle

References

800 698 151 A
800 698 151 C

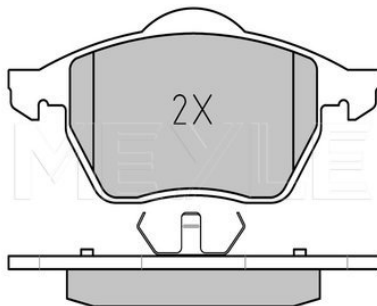
800 698 151 F

Application info

A4 [802, 805, B5] [11/94-09/01]

025 216 2419/PD | MBP0164PD

Brake pad set



Notes

Quality
Thickness [mm]
Height [mm]
Width [mm]
Brake System

prepared for wear indicator
PREMIUM
19.9
74
156.4
ATE
with anti-squeak plate
Front Axle

References

800 698 151 A
800 698 151 C

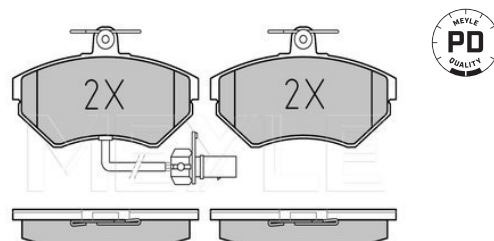
800 698 151 F

Application info

A4 [802, 805, B5] [11/94-09/01]

Brake pad set
025 219 4519-1/PD | MBP0825PD
Notes

Quality	incl. wear warning contact
Thickness [mm]	PREMIUM
Height [mm]	19.6
Width [mm]	69.4
Number of wear indicators [per axle]	118.9
Warning Contact Length [mm]	2
Brake System	TRW
	with anti-squeak plate
	Front Axle


References

8E0 698 151 B 8E0 698 151 M

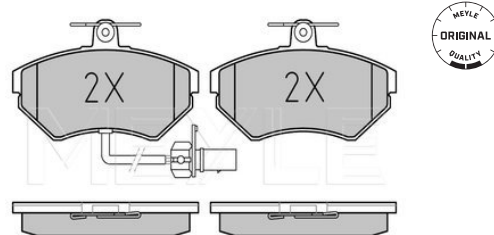
Application info

 A4 [8D2, 8D5, B5] [11/94-09/01]
 A4 [8E2, 8E5, B6] [10/00-12/04]

 A4 [8EC, 8ED] [11/04-06/08]
 A4 [8H7] [04/02-03/09]

Brake pad set
025 219 4519/W | MBP0234
Notes

Thickness [mm]	incl. wear warning contact
Height [mm]	19.6
Width [mm]	69.4
Warning Contact Length [mm]	118.9
Number of wear indicators [per axle]	196
Brake System	2
	TRW
	with anti-squeak plate
	Front Axle


References

8E0 698 151 B 8E0 698 151 M

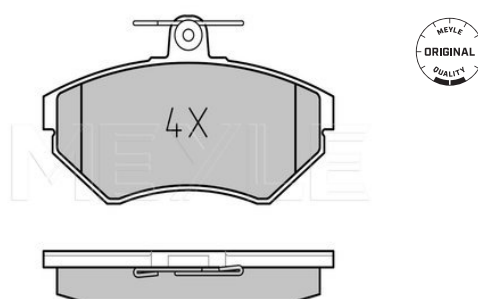
Application info

 A4 [8D2, 8D5, B5] [11/94-09/01]
 A4 [8E2, 8E5, B6] [10/00-12/04]

 A4 [8EC, 8ED] [11/04-06/08]
 A4 [8H7] [04/02-03/09]

Brake pad set
025 219 4519 | MBP0233
Notes

Thickness [mm]	prepared for wear indicator
Height [mm]	19.3
Width [mm]	69.4
Brake System	118.9
	TRW
	with anti-squeak plate
	Front Axle


References

8E0 698 151 N

025 219 4519 | MBP0233

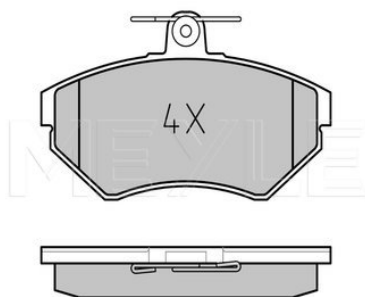
Brake pad set

Application info

A4 (802, 805, 85) [11/94-09/01]

025 219 4519/PD | MBP0233PD

Brake pad set



Notes

Quality
Thickness [mm]
Height [mm]
Width [mm]
Brake System

prepared for wear indicator
PREMIUM
19.3
69.4
118.9
TRW
with screws
with anti-squeak plate
Front Axle

References

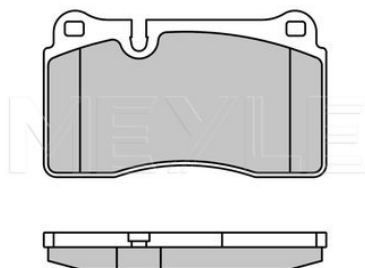
8E0 698 151 N

Application info

A4 (802, 805, 85) [11/94-09/01]

025 240 9817 | MBP0525

Brake pad set



Notes

Thickness [mm]
Height [mm]
Width [mm]
Brake System

prepared for wear indicator
17.1
77.2
131.8
Brembo
with anti-squeak plate
Front Axle

References

8J0 698 151 D
8J0 698 151 E
8J0 698 151 G

8J0 698 151 H
8J0 698 151 K

Application info

A3 (8P1, 8PA) [05/03-08/12]

TT (8J3, 8J9) [08/06-06/10]



Brake pad set

025 240 9817/PD | MBP0525PD

Notes

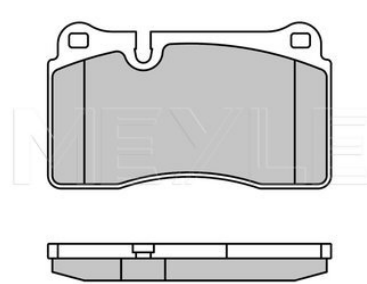
Quality
 Thickness [mm]
 Height [mm]
 Width [mm]
 Brake System

prepared for wear indicator
 PREMIUM
 17.1
 77.2
 131.8
 Brembo
 with anti-squeak plate
 Front Axle

References

8J0 698 151 D
 8J0 698 151 E
 8J0 698 151 G

8J0 698 151 H
 8J0 698 151 K



Application info

A3 [8P1, 8PA] [05/03-08/12]

TT [8J3, 8J9] [08/06-06/10]

Brake pad set

025 247 0520/PD | MBP0836PD

Notes

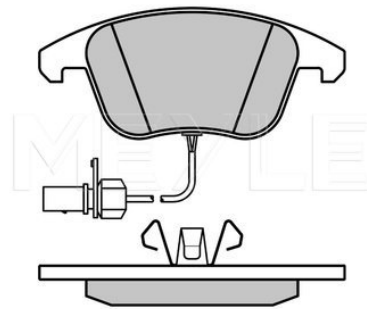
Quality
 Thickness [mm]
 Height 2 [mm]
 Height 1 [mm]
 Width [mm]
 Number of wear indicators [per axle]
 Brake System

incl. wear warning contact
 PREMIUM
 20
 66.4
 71.6
 155.1
 1
 ATE
 with anti-squeak plate
 Front Axle

References

8K0 698 151 A

8K0 698 151 F



Application info

A4 [8K2, 8K5, 8KH] [11/07--]

A5 [8F, 8T] [06/07--]

Brake pad set

025 247 0520/W | MBP0657

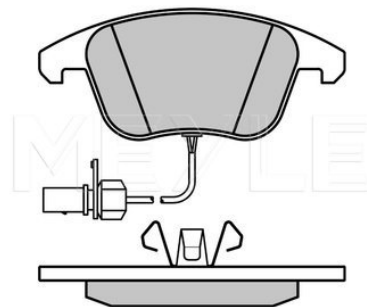
Notes

Thickness [mm]
 Height 2 [mm]
 Height 1 [mm]
 Width [mm]
 Number of wear indicators [per axle]
 Brake System

with integrated wear sensor
 20
 66.4
 71.6
 155.1
 1
 ATE
 with anti-squeak plate
 Front Axle

References

8K0 698 151 F



3



025 247 0520/W | MBP0657

Brake pad set

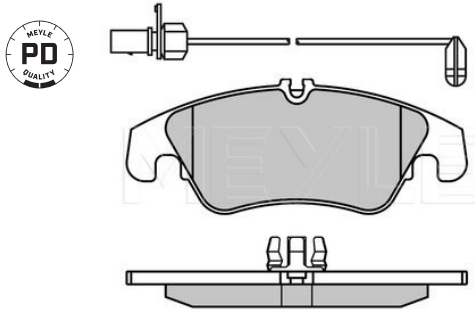
Application info

A4 (8K2, 8K5, 8KH) (11/07--)

A5 (8F, 8T) (06/07--)

025 247 4319/PD | MBP0837PD

Brake pad set



Notes

Quality
Thickness [mm]
Height 2 [mm]
Height 1 [mm]
Width [mm]
Number of wear indicators [per axle]
Brake System

incl. wear warning contact
PREMIUM
19.4
73.7
74.2
188
1
TRW
with screws
with anti-squeak plate
Front Axle

References

8K0 698 151	8K0 698 151 G
8K0 698 151 B	8K0 698 151 H
8K0 698 151 C	8K0 698 151 J
8K0 698 151 D	8K0 698 151 K
8K0 698 151 E	8K0 698 151 L

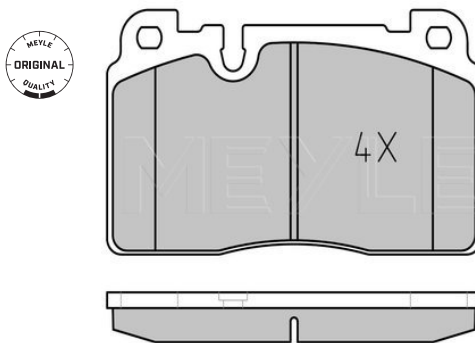
Application info

A4 (8K2, 8K5, 8KH) (11/07--)
A5 (8F, 8T) (06/07--)

A6 (4G2, 4G5, C7) (11/10-05/13)
Q5 (8R) (11/08--)

025 256 4316 | MBP0848

Brake pad set



Notes

Thickness [mm]
Height [mm]
Width 1 [mm]
Brake System

prepared for wear indicator
16.5
77.5
131.8
Brembo
with anti-squeak plate
Front Axle

References

8R0 698 151 AB	8R0 698 151 J
8R0 698 151 D	8R0 698 151 K
8R0 698 151 E	8R0 698 151 L
8R0 698 151 G	

Application info

Q5 (8R) (11/08--)



Brake pad set

025 256 4316/PD | MBP0848PD

Notes

Quality	prepared for wear indicator
Thickness [mm]	PREMIUM
Height [mm]	16.5
Width [mm]	77.5
Width 1 [mm]	131.8
Brake System	Brembo
	Front Axle



References

8R0 698 151 AB	8R0 698 151 J
8R0 698 151 D	8R0 698 151 K
8R0 698 151 E	8R0 698 151 L
8R0 698 151 G	

Application info

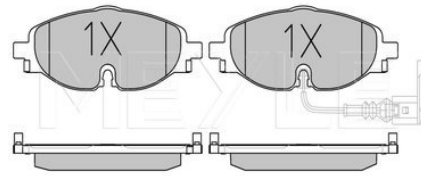
Q5 [8R] (11/08--)

Brake pad set

025 256 8320 | MBP0843

Notes

	incl. wear warning contact
	Disc Brake
Thickness [mm]	20.4
Height [mm]	64.5
Width [mm]	160.1
Number of wear indicators [per axle]	1
Warning Contact Length [mm]	170
Brake System	TRW
	Front Axle



References

8V0 698 151	8V0 698 151 D
8V0 698 151 B	

Application info

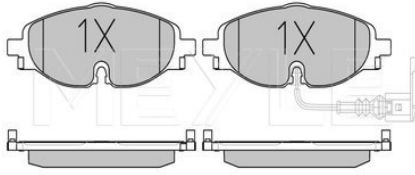
A3 [8V1, 8VS, 8V7, 8PA] (04/12--)

TT [8S] (09/14--)

3

025 256 8320/PD | MBP0843PD

Brake pad set



Notes

Quality
Thickness [mm]
Height [mm]
Width [mm]
Number of wear indicators [per axle]
Warning Contact Length [mm]
Brake System

incl. wear warning contact
Disc Brake
PREMIUM
20.4
64.5
160.1
1
170
TRW
Front Axle

References

8V0 698 151
8V0 698 151 B

8V0 698 151 D

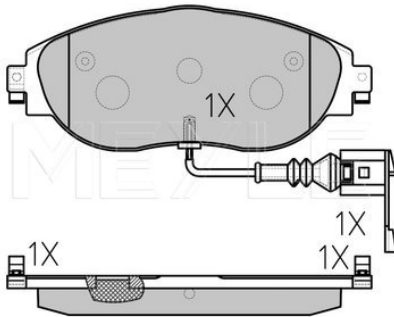
Application info

A3 [8V1, 8VS, 8V7, 8PA] [04/12--]

TT [8S] [09/14--]

025 251 1720/W | MBP1577

Brake pad set



Notes

Thickness [mm]
Height [mm]
Width [mm]
Warning Contact Length [mm]
Number of wear indicators [per axle]
Brake System

incl. wear warning contact
Disc Brake
20
69.7
175.2
260
1
TRW
Front Axle

References

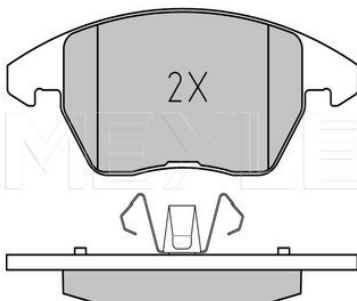
8V0 698 151 C

Application info

A3 [8V1, 8VS, 8V7, 8PA] [04/12--]

025 235 8919 | MBP0393

Brake pad set



Notes

Thickness [mm]
Height [mm]
Width [mm]
Brake System

excl. wear warning contact
19
71.4
156.4
ATE
with anti-squeak plate
Front Axle

References

8X0 698 151

Brake pad set
025 235 8919 | MBP0393
Application info

A1 [8X1, 8XA] [05/10--]

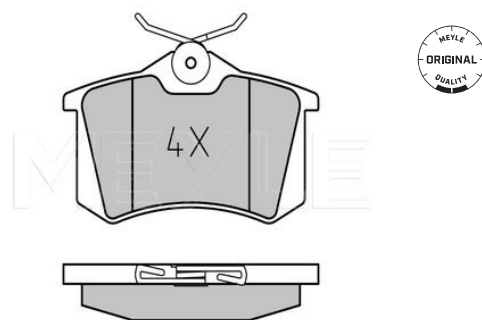
Brake pad set
025 209 6117 | MBP0057
Notes

 Thickness [mm]
Height [mm]
Width [mm]
Brake System

 excl. wear warning contact
17.2
52.8
87.1
TRW
with anti-squeak plate
Rear Axle

References

1J0 698 451	1K0 698 451 J
1J0 698 451 B	4B0 698 451 B
1J0 698 451 D	4B0 698 451 E
1J0 698 451 E	4D0 698 451 C
1J0 698 451 F	6X0 698 451 A
1J0 698 451 H	8E0 698 451
1J0 698 451 J	8E0 698 451 A
1J0 698 451 L	8E0 698 451 B
1J0 698 451 N	8E0 698 451 D
1J0 698 451 P	8E0 698 451 E
1J0 698 451 R	8E0 698 451 K
1K0 698 451 A	8E0 698 451 L
1K0 698 451 C	


Application info

A1 [8X1, 8XA] [05/10--]	A4 [8H7] [04/02-03/09]
A2 [8Z0] [02/00-08/05]	A6 [4B, C5] [01/97-01/05]
A3 [8L1] [09/96-05/03]	A8 [4D2, 4D8] [03/94-09/02]
A3 [8P1, 8PA] [05/03-08/12]	A8 [4E] [10/02-07/10]
A4 [8D2, 8D5, 85] [11/94-09/01]	Allroad [4BH] [05/00-08/05]
A4 [8E2, 8E5, 86] [10/00-12/04]	TT [8N3, 8N9] [10/98-06/06]
A4 [8EC, 8ED] [11/04-06/08]	

025 209 6117/PD | MBP0057PD

Brake pad set



Notes

Quality
Thickness [mm]
Height [mm]
Width [mm]
Brake System

with accessories
not prepared for wear indicator
PREMIUM
17.2
52.8
87.1
TRW
with screws
with anti-squeak plate
Rear Axle

References

- | | |
|---------------|---------------|
| 1J0 698 451 | 1K0 698 451 J |
| 1J0 698 451 B | 4B0 698 451 B |
| 1J0 698 451 D | 4B0 698 451 E |
| 1J0 698 451 E | 4D0 698 451 C |
| 1J0 698 451 F | 6X0 698 451 A |
| 1J0 698 451 H | 8E0 698 451 |
| 1J0 698 451 J | 8E0 698 451 A |
| 1J0 698 451 L | 8E0 698 451 B |
| 1J0 698 451 N | 8E0 698 451 D |
| 1J0 698 451 P | 8E0 698 451 E |
| 1J0 698 451 R | 8E0 698 451 K |
| 1K0 698 451 A | 8E0 698 451 L |
| 1K0 698 451 C | |

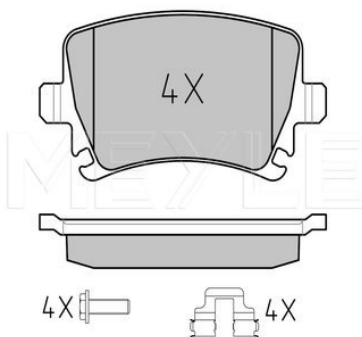
Application info

- A1 [8X1, 8XA] [05/10--]
- A2 [8Z0] [02/00-08/05]
- A3 [8L1] [09/96-05/03]
- A3 [8P1, 8PA] [05/03-08/12]
- A4 [8D2, 8D5, 85] [11/94-09/01]
- A4 [8E2, 8E5, 86] [10/00-12/04]
- A4 [8EC, 8ED] [11/04-06/08]

- A4 [8H7] [04/02-03/09]
- A6 [4B, C5] [01/97-01/05]
- A8 [4D2, 4D8] [03/94-09/02]
- A8 [4E] [10/02-07/10]
- Allroad [4BH] [05/00-08/05]
- TT [8J3, 8J9] [08/06-06/10]
- TT [8N3, 8N9] [10/98-06/06]

025 239 1417 | MBP0470

Brake pad set



Notes

Thickness [mm]
Height [mm]
Width [mm]
Brake System

prepared for wear indicator
16.7
56
105.3
TRW
with anti-squeak plate
Rear Axle

References

- | | |
|---------------|---------------|
| 1K0 698 451 B | 4F0 698 451 D |
| 1K0 698 451 D | 4F0 698 451 E |
| 1K0 698 451 E | 8E0 698 451 B |
| 1K0 698 451 F | 8E0 698 451 D |
| 1K0 698 451 G | 8E0 698 451 E |
| 1K0 698 451 H | 8E0 698 451 F |
| 1K0 698 451 K | 8E0 698 451 J |
| 3C0 698 451 D | 8E0 698 451 L |
| 4F0 698 451 A | 8E0 698 451 M |
| 4F0 698 451 B | |

Brake pad set

025 239 1417 | MBP0470

Application info

A3 [8P1, 8PA] [05/03-08/12]
 A4 [8D2, 8D5, 8D6] [11/94-09/01]
 A4 [8E2, 8E5, 8E6] [10/00-12/04]
 A4 [8EC, 8ED] [11/04-06/08]
 A4 [8H7] [04/02-03/09]

A6 [4B, C5] [01/97-01/05]
 A6 [4F2, 4FH, 4F5] [05/04-08/11]
 Q3 [8U] [06/11--]
 TT [8J3, 8J9] [08/06-06/10]

Brake pad set

025 239 1417/PD | MBP0470PD

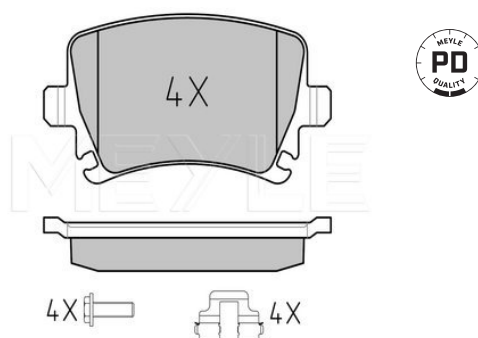
Notes

Quality
 Thickness [mm]
 Height [mm]
 Width [mm]
 Brake System

prepared for wear indicator
PREMIUM
 16.7
 56
 105.3
 TRW
 with anti-squeak plate
 Rear Axle

References

1K0 698 451 B	4F0 698 451 D
1K0 698 451 D	4F0 698 451 E
1K0 698 451 E	8E0 698 451 B
1K0 698 451 F	8E0 698 451 D
1K0 698 451 G	8E0 698 451 E
1K0 698 451 H	8E0 698 451 F
1K0 698 451 K	8E0 698 451 J
3C0 698 451 D	8E0 698 451 L
4F0 698 451 A	8E0 698 451 M
4F0 698 451 B	



Application info

A3 [8P1, 8PA] [05/03-08/12]
 A4 [8D2, 8D5, 8D6] [11/94-09/01]
 A4 [8E2, 8E5, 8E6] [10/00-12/04]
 A4 [8EC, 8ED] [11/04-06/08]
 A4 [8H7] [04/02-03/09]

A6 [4B, C5] [01/97-01/05]
 A6 [4F2, 4FH, 4F5] [05/04-08/11]
 Q3 [8U] [06/11--]
 TT [8J3, 8J9] [08/06-06/10]

Brake pad set

025 244 8317 | MBP0602

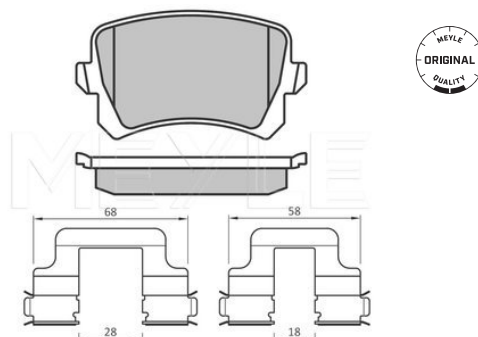
Notes

Thickness [mm]
 Height [mm]
 Width [mm]
 Brake System

not prepared for wear indicator
 17.2
 56.3
 105.5
 TRW
 with anti-squeak plate
 Rear Axle

References

3AA 698 451	3C0 698 451 F
-------------	---------------



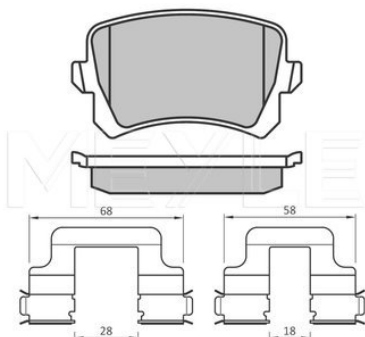
Application info

A6 [4F2, 4FH, 4F5] [05/04-08/11]

Q3 [8U] [06/11--]

025 244 8317/PD | MBP0602PD

Brake pad set



Notes

Quality
Thickness [mm]
Height [mm]
Width [mm]
Brake System

not prepared for wear indicator
PREMIUM
17.2
56.3
105.5
TRW
with anti-squeak plate
Rear Axle

References

3AA 698 451

3C0 698 451 F

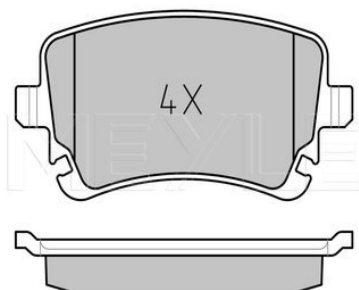
Application info

A6 [4F2, 4FH, 4F5] [05/04-08/11]

Q3 [8U] [06/11--]

025 233 2617 | MBP0321

Brake pad set



Notes

Thickness [mm]
Height [mm]
Width [mm]
Brake System

excl. wear warning contact
17.3
58.7
116.1
TRW
with anti-squeak plate
Rear Axle

References

4B3 698 451
4B3 698 451 A
4E0 698 451
4E0 698 451 A
4E4 698 451 A
4F0 698 451

4F0 698 451 F
4F0 698 451 G
4F0 698 451 K
8E0 698 451 C
8E0 698 451 N
8E0 698 451 P

Application info

A4 [8E2, 8E5, 86] [10/00-12/04]
A4 [8EC, 8ED] [11/04-06/08]
A4 [8H7] [04/02-03/09]

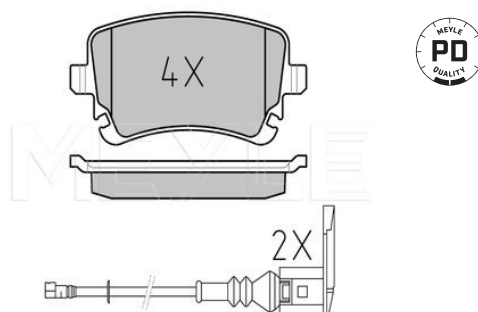
A6 [4B, C5] [01/97-01/05]
A6 [4F2, 4FH, 4F5] [05/04-08/11]
A8 [4E] [10/02-07/10]

Brake pad set
025 233 2617/PD | MBP0321PD
Notes

Quality	excl. wear warning contact
Thickness [mm]	PREMIUM
Height [mm]	17.3
Width [mm]	58.7
Brake System	116.1
	TRW
	with anti-squeak plate
	Rear Axle

References

4B3 698 451	4F0 698 451 F
4B3 698 451 A	4F0 698 451 G
4E0 698 451	4F0 698 451 K
4E0 698 451 A	8E0 698 451 C
4E4 698 451 A	8E0 698 451 N
4F0 698 451	8E0 698 451 P


Application info

A4 [8E2, 8E5, 86] [10/00-12/04]
 A4 [8EC, 8ED] [11/04-06/08]
 A4 [8H7] [04/02-03/09]

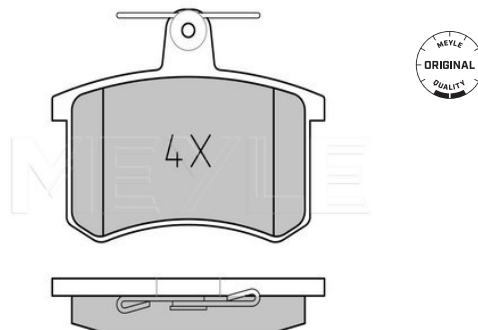
A6 [4B, C5] [01/97-01/05]
 A6 [4F2, 4FH, 4F5] [05/04-08/11]
 A8 [4E] [10/02-07/10]

Brake pad set
025 211 4416 | MBP0082
Notes

Thickness [mm]	excl. wear warning contact
Height [mm]	16.6
Width [mm]	67
Brake System	87
	TRW
	with anti-squeak plate
	Rear Axle

References

443 498 451 B	443 698 451 B
447 615 115 E	447 698 451
447 615 116 E	447 698 451 A
443 615 415 N	447 698 451 C
443 615 415 P	4A0 698 451
4A0 615 415	4A0 698 451 A
4A0 615 415 C	4D0 698 451
4D0 615 415	4D0 698 451 A
437 698 451	4D0 698 451 B
443 698 451	4D0 698 451 F
443 698 451 A	857 698 451

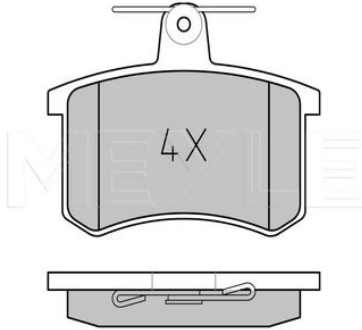

Application info

100 [4A, C4] [12/90-07/94]
 100/200 [44, 44Q, C3] [08/82-12/91]
 80 [8C, 8G7, B4] [05/91-08/00]
 80/90 [81, 85, B2] [08/78-10/88]
 80/90 [85] [07/80-07/91]

80/90 [89, 89Q, 8A, B3] [06/86-12/96]
 A4 [8D2, 8D5, B5] [11/94-09/01]
 A6 [4A, C4] [06/94-12/97]
 A8 [4D2, 4D8] [03/94-09/02]
 V8 [D1] [10/88-02/94]

025 211 4416/PD | MBP0082PD

Brake pad set



Notes

Quality
Thickness [mm]
Height [mm]
Width [mm]
Brake System

excl. wear warning contact
PREMIUM
16.6
67
87
TRW
with anti-squeak plate
Rear Axle

References

443 498 451 B
447 615 115 E
447 615 116 E
443 615 415 N
443 615 415 P
4A0 615 415
4A0 615 415 C
4D0 615 415
437 698 451
443 698 451
443 698 451 A

443 698 451 B
447 698 451
447 698 451 A
447 698 451 C
4A0 698 451
4A0 698 451 A
4D0 698 451
4D0 698 451 A
4D0 698 451 B
4D0 698 451 F
857 698 451

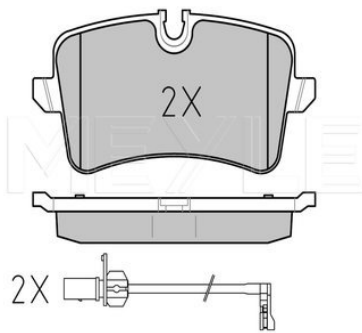
Application info

100 [4A, C4] [12/90-07/94]
100/200 [44, 44Q, C3] [08/82-12/91]
80 [8C, 8G7, B4] [05/91-08/00]
80/90 [81, 85, B2] [08/78-10/88]
80/90 [85] [07/80-07/91]

80/90 [89, 89Q, 8A, B3] [06/86-12/96]
A4 [802, 805, B5] [11/94-09/01]
A6 [4A, C4] [06/94-12/97]
A8 [4D2, 4D8] [03/94-09/02]
V8 [01] [10/88-02/94]

025 246 0617/PD | MBP0834PD

Brake pad set



Notes

Quality
Thickness [mm]
Height 2 [mm]
Height 1 [mm]
Width [mm]
Number of wear indicators [per axle]
Warning Contact Length [mm]
Brake System

incl. wear warning contact
PREMIUM
17.5
59
60
116.6
2
300
TRW
with anti-squeak plate
Rear Axle

References

4H0 698 451 A
4H0 698 451 C
4H0 698 451 D

4H0 698 451 K
4H0 698 451 L

Application info

A8 [4H_] [11/09--]



Brake pad set

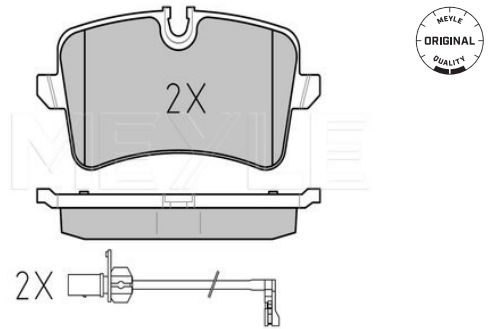
025 246 0617/W | MBP0639

Notes

Thickness [mm]	incl. wear warning contact
Height 2 [mm]	17.5
Height 1 [mm]	59
Width [mm]	60
Number of wear indicators [per axle]	116.6
Warning Contact Length [mm]	2
Brake System	300
	TRW
	with anti-squeak plate
	Rear Axle

References

4H0 698 451 A	4H0 698 451 K
4H0 698 451 C	4H0 698 451 L
4H0 698 451 D	



Application info

A8 [4H_] [11/09--]

Brake pad set

025 246 4317 | MBP1740

Notes

Thickness [mm]	prepared for wear indicator
Height [mm]	17
Width [mm]	62
	114
	with anti-squeak plate
	Rear Axle

References

4H0 698 451 F



Application info

A6 [4G2, 4G5, C7] [11/10-05/13]

A7 Sportback [4GA] [10/10--]

Brake pad set

025 242 6118 | MBP1738

Notes

Thickness [mm]	prepared for wear indicator
Height [mm]	18
Width [mm]	66.9
	131.5
	with anti-squeak plate
	Rear Axle

References

4L0 698 451 B	4L0 698 451 C
---------------	---------------



025 242 6118 | MBP1738

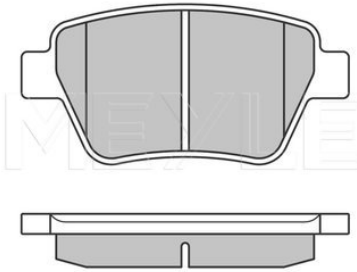
Brake pad set

Application info

Q7 [4L] [03/06-05/12]

025 245 6317 | MBP0629

Brake pad set



Notes

Thickness [mm]
Height [mm]
Width [mm]
Brake System

not prepared for wear indicator
17.7
53.3
109.2
Bosch
with anti-squeak plate
Rear Axle

References

5K0 698 451
5K0 698 451 A

5K0 698 451 C

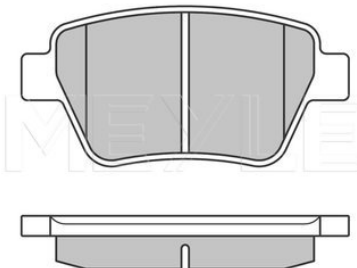
Application info

A1 [8X1, 8XA] [05/10--]

A3 [8P1, 8PA] [05/03-08/12]

025 245 6317/PD | MBP0629PD

Brake pad set



Notes

Quality
Thickness [mm]
Height [mm]
Width [mm]
Brake System

not prepared for wear indicator
PREMIUM
17.7
53.3
109.2
Bosch
with anti-squeak plate
Rear Axle

References

5K0 698 451
5K0 698 451 A

5K0 698 451 C

Application info

A1 [8X1, 8XA] [05/10--]

A3 [8P1, 8PA] [05/03-08/12]

Brake pad set

025 250 0816 | MBP0684

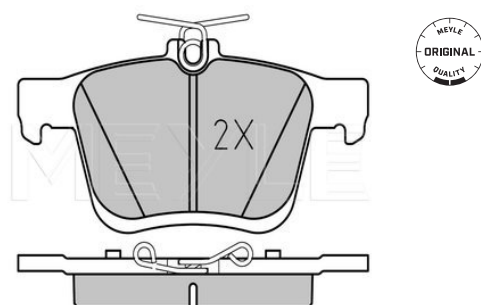
Notes

not prepared for wear indicator

Thickness [mm] 16.2
 Height 2 [mm] 61.2
 Height 1 [mm] 56.2
 Width [mm] 123
 Brake System ATE
 with anti-squeak plate
 Rear Axle

References

3Q0 698 451 8V0 698 451
 5Q0 698 451 8V0 698 451 A
 5Q0 698 451 C 8V0 698 451 B



Application info

A3 [8V1, 8VS, 8V7, 8PA] [04/12--]

TT [8S] [09/14--]

Brake pad set

025 250 0816/PD | MBP0684PD

Notes

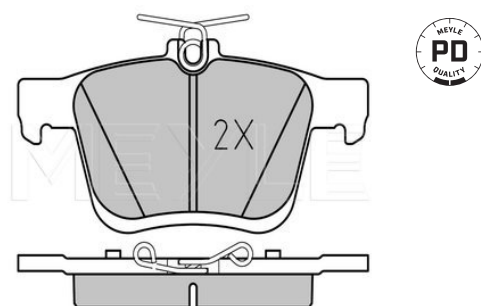
not prepared for wear indicator

Quality PREMIUM

Thickness [mm] 16.2
 Height 2 [mm] 61.2
 Height 1 [mm] 56.2
 Width [mm] 123
 Brake System ATE
 with anti-squeak plate
 Rear Axle

References

3Q0 698 451 8V0 698 451
 5Q0 698 451 8V0 698 451 A
 5Q0 698 451 C 8V0 698 451 B



Application info

A3 [8V1, 8VS, 8V7, 8PA] [04/12--]

TT [8S] [09/14--]

Brake pad set

025 242 9616 | MBP0560

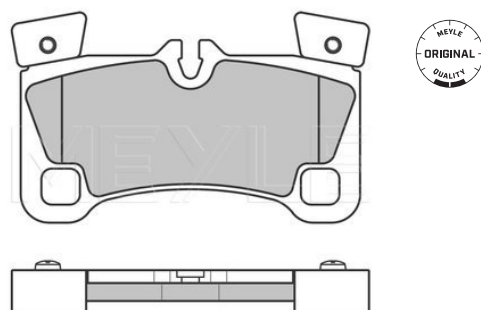
Notes

prepared for wear indicator

Thickness [mm] 16.3
 Height [mm] 77
 Width [mm] 132.1
 Brake System Brembo
 with anti-squeak plate
 Rear Axle

References

7L0 698 451 F



025 242 9616 | MBP0560

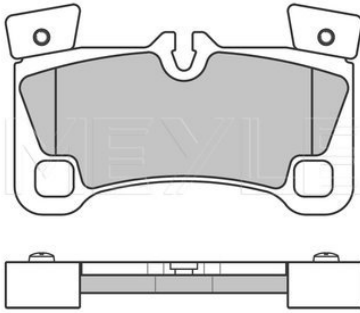
Brake pad set

Application info

Q7 [4L] [03/06-05/12]

025 242 9616/PD | MBP0560PD

Brake pad set



Notes

Quality
Thickness [mm]
Height [mm]
Width [mm]
Brake System

excl. wear warning contact
PREMIUM
16.3
77
132.1
Brembo
with anti-squeak plate
Rear Axle

References

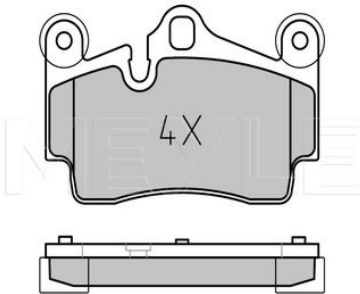
7L0 698 451 F

Application info

Q7 [4L] [03/06-05/12]

025 236 9417 | MBP0417

Brake pad set



Notes

Thickness [mm]
Height [mm]
Width [mm]
Brake System

prepared for wear indicator
16.2
73.1
112.1
Brembo
with anti-squeak plate
Rear Axle

References

7L0 698 451 B
7L0 698 451 G

7L5 698 451

Application info

Q7 [4L] [03/06-05/12]



Brake pad set

025 236 9417/PD | MBP0417PD

Notes

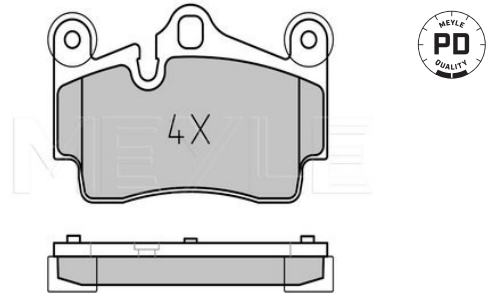
Quality
 Thickness [mm]
 Height [mm]
 Width [mm]
 Brake System

prepared for wear indicator
 PREMIUM
 16.2
 73.1
 112.1
 Brembo
 with anti-squeak plate
 Rear Axle

References

7L0 698 451 B
 7L0 698 451 G

7L5 698 451



Application info

Q7 [4L] [03/06-05/12]

Brake pad set

025 246 0617-1/PD | MBP0832PD

Notes

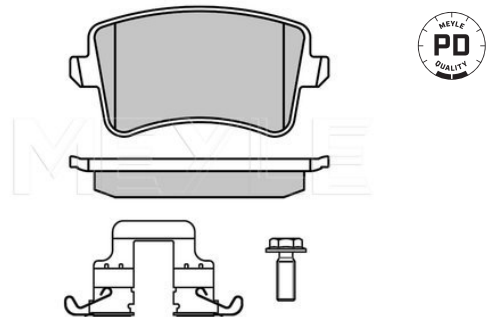
Quality
 Thickness/Strength 2 [mm]
 Thickness/Strength 1 [mm]
 Height [mm]
 Width [mm]
 Brake System

with accessories
 not prepared for wear indicator
 PREMIUM
 17.7
 17.4
 58.5
 116.4
 TRW
 with anti-squeak plate
 Rear Axle

References

8K0 698 451 A
 8K0 698 451 B

8K0 698 451 C
 8K0 698 451 F



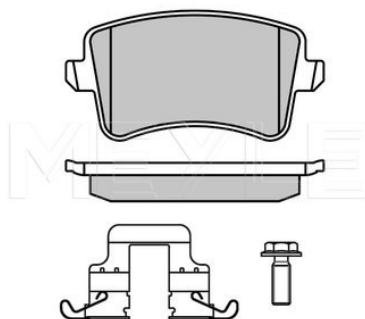
Application info

A4 [8K2, 8K5, 8KH] [11/07--]
 A5 [8F, 8T] [06/07--]

A8 [4H_] [11/09--]
 Q5 [8R] [11/08--]

025 246 0617/K1 | MBP0637

Brake pad set



Notes

Thickness/Strength 2 [mm]
Thickness/Strength 1 [mm]
Height [mm]
Width [mm]
Brake System

with accessories
not prepared for wear indicator
17.7
17.4
58.5
116.4
TRW
with anti-squeak plate
Rear Axle

References

8K0 698 451 A
8K0 698 451 B

8K0 698 451 C
8K0 698 451 F

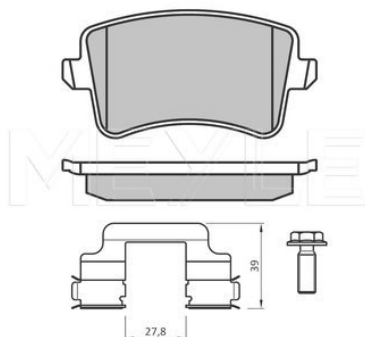
Application info

A4 (8K2, 8K5, 8KH) [11/07--]
A5 (8F, 8T) [06/07--]

A8 (4H_) [11/09--]
Q5 (8R) [11/08--]

025 246 0617-2/PD | MBP0833PD

Brake pad set



Notes

Quality
Thickness/Strength 2 [mm]
Thickness/Strength 1 [mm]
Height [mm]
Width [mm]
Brake System

with accessories
not prepared for wear indicator
PREMIUM
17.7
17.4
58.5
116.4
TRW
with anti-squeak plate
Rear Axle

References

8K0 698 451
8K0 698 451 D

8K0 698 451 E

Application info

A4 (8K2, 8K5, 8KH) [11/07--]
A5 (8F, 8T) [06/07--]

Q5 (8R) [11/08--]

Brake pad set

025 246 0617/K2 | MBP0638

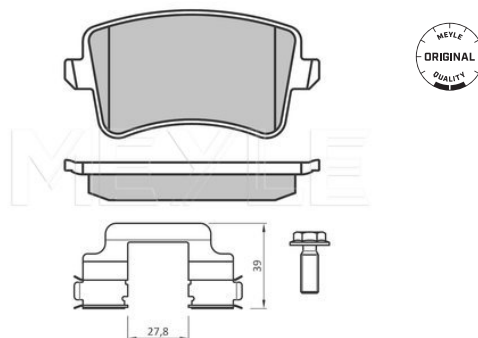
Notes

with accessories
not prepared for wear indicator

Thickness/Strength 2 [mm] 17.7
Thickness/Strength 1 [mm] 17.4
Height [mm] 58.5
Width [mm] 116.4
Brake System TRW
with anti-squeak plate
Rear Axle

References

8K0 698 451 8K0 698 451 E
8K0 698 451 D



Application info

A4 [8K2, 8K5, 8KH] [11/07--] Q5 [8R] [11/08--]
A5 [8F, 8T] [06/07--]

Guide bolt, brake caliper

100 698 0008 | MBX0156

Notes

Brake System ATE
Front Axle

References

251 615 219



Application info

100 [4A, C4] [12/90-07/94] A4 [8H7] [04/02-03/09]
100/200 [44, 44Q, C3] [08/82-12/91] A6 [4A, C4] [06/94-12/97]
A3 [8L1] [09/96-05/03] A6 [4B, C5] [01/97-01/05]
A4 [8D2, 8D5, B5] [11/94-09/01] A6 [4F2, 4FH, 4F5] [05/04-08/11]
A4 [8E2, 8E5, B6] [10/00-12/04] TT [8N3, 8N9] [10/98-06/06]

Guide sleeve kit, brake caliper

014 698 0006 | MBX0010

Notes

Brake System without guide bolts
ATE
Front Axle

References

400 698 647



014 698 0006 | MBX0010

Guide sleeve kit, brake caliper

Application info

100/200 [44, 44Q, C3] [08/82-12/91]
80/90 [89, 89Q, 8A, B3] [06/86-12/96]

A4 [802, 805, B5] [11/94-09/01]
A6 [4A, C4] [06/94-12/97]

014 698 0006/S | MBX0011

Guide sleeve kit, brake caliper



Notes

Brake System

with guide pin
ATE
Front Axle

References

400 698 647

Parts list

014 698 0006 | MBX0010
100 698 0008 | MBX0156

Guide sleeve kit, brake caliper
Guide bolt, brake caliper

Application info

100/200 [44, 44Q, C3] [08/82-12/91]
80/90 [89, 89Q, 8A, B3] [06/86-12/96]

A4 [802, 805, B5] [11/94-09/01]
A6 [4A, C4] [06/94-12/97]

100 698 0006 | MBX0155

Guide sleeve kit, brake caliper



Notes

Front Axle

References

443 698 647

400 698 647

Application info

100 [4A, C4] [12/90-07/94]
100/200 [44, 44Q, C3] [08/82-12/91]
80 [8C, 8G7, B4] [05/91-08/00]
80/90 [81, 85, B2] [08/78-10/88]
80/90 [85] [07/80-07/91]
80/90 [89, 89Q, 8A, B3] [06/86-12/96]
A2 [8Z0] [02/00-08/05]
A3 [8L1] [09/96-05/03]

A3 [8P1, 8PA] [05/03-08/12]
A4 [802, 805, B5] [11/94-09/01]
A6 [4A, C4] [06/94-12/97]
A6 [4B, C5] [01/97-01/05]
A8 [4E] [10/02-07/10]
TT [8N3, 8N9] [10/98-06/06]
V8 [01] [10/88-02/94]

Brake drum
115 523 1010 | MDR0010
Notes

Centering Diameter [mm]	50.3
Inner Brake Drum Height [mm]	38.5
Total Br. Drum Height [mm]	74.5
Bolt Hole Circle Ø [mm]	100
Max.skimmed drum measure [mm]	181
Br. Drum outer diameter [mm]	212
Inner Br. Drum Diam. [mm]	180
Required quantity	2
Number of Holes	4
	Rear Axle


References

171 501 615 B 191 501 615 B

Application info

80/90 (81, 85, B2) (08/78-10/88)

Brake drum
115 523 1015 | MDR0012
Notes

Centering Diameter [mm]	50.3
Inner Brake Drum Height [mm]	50
Total Br. Drum Height [mm]	82.2
Bolt Hole Circle Ø [mm]	100
Max.skimmed drum measure [mm]	201
Br. Drum outer diameter [mm]	240
Inner Br. Drum Diam. [mm]	200
Required quantity	2
Number of Holes	4
	Rear Axle


References

1H0 501 615 A

Application info

80/90 (81, 85, B2) (08/78-10/88)

115 523 1113 | MDR0019

Brake drum



Notes

Centering Diameter [mm]	50.3
Inner Brake Drum Height [mm]	46
Total Br. Drum Height [mm]	90
Bolt Hole Circle Ø [mm]	108
Max.skimmed drum measure [mm]	231
Br. Drum outer diameter [mm]	290.5
Inner Br. Drum Diam. [mm]	230
Required quantity	2
Number of Holes	4
	Rear Axle

References

431 501 615	443 501 615 A
431 501 615 A	

Application info

100/200 [44, 44Q, C3] [08/82-12/91]

80 [8C, 8G7, B4] [05/91-08/00]

115 523 1108 | MDR0018

Brake drum



Notes

Centering Diameter [mm]	50.3
Inner Brake Drum Height [mm]	52
Total Br. Drum Height [mm]	80.5
Bolt Hole Circle Ø [mm]	108
Max.skimmed drum measure [mm]	201
Br. Drum outer diameter [mm]	262
Inner Br. Drum Diam. [mm]	200
Required quantity	2
Number of Holes	4
	Rear Axle

References

893 501 615

Application info

80/90 [81, 85, B2] [08/78-10/88]

80/90 [89, 89Q, 8A, B3] [06/86-12/96]

Brake drum
115 523 1035 | MDR0014
Notes

Centering Diameter [mm]	65
Inner Brake Drum Height [mm]	50.5
Total Br. Drum Height [mm]	59.4
Bolt Hole Circle Ø [mm]	100
Max.skimmed drum measure [mm]	201.5
Br. Drum outer diameter [mm]	240
Inner Br. Drum Diam. [mm]	200
Required quantity	2
Number of Holes	5
	Rear Axle


References

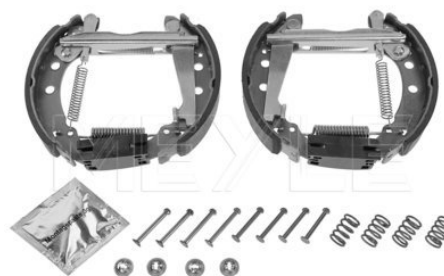
6Q0 609 617

Application info

A2 [8Z0] [02/00-08/05]

Brake shoe kit
114 533 0004/K | MBS0027
Notes

	with accessories with lever without wheel brake cylinder Pre-assembled
Diameter [mm]	180
Width [mm]	31
	Rear Axle


References

867 609 525	867 609 528
867 609 526	867 698 525
867 609 527	867 698 525 X

Application info

80/90 [81, 85, B2] [08/78-10/88]

Brake shoe kit
114 042 0601 | MBS0021
Notes

	without spring with lever
Diameter [mm]	200
Width [mm]	40
	Rear Axle


References

1H0 609 525	1H0 609 527 D
1H0 609 525 D	1H0 609 528
811 609 525 E	1H0 609 528 D
1H0 609 526	1H0 698 071
1H0 609 526 D	431 698 073 E
1H0 609 527	

114 042 0601 | MBS0021

Brake shoe kit

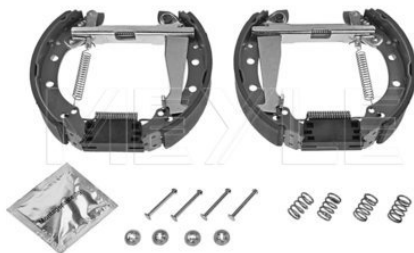
Application info

80/90 (89, 89Q, 8A, B3) (06/86-12/96)

A2 (8Z0) (02/00-08/05)

114 533 0003/K | MBS0026

Brake shoe kit



Notes

Diameter [mm]
Width [mm]

with lever
with accessories
without wheel brake cylinder
Pre-assembled
200
40
Rear Axle

References

1H0 609 525
1H0 609 525 D
811 609 525 E
1H0 609 526
1H0 609 526 D
1H0 609 527

1H0 609 527 D
1H0 609 528
1H0 609 528 D
1H0 698 071
431 698 073 E

Application info

80/90 (89, 89Q, 8A, B3) (06/86-12/96)

A2 (8Z0) (02/00-08/05)

114 042 0502 | MBS0020

Brake shoe kit



Notes

Diameter [mm]
Width [mm]

without spring
with lever
180
30
Rear Axle

References

867 698 520 X

Application info

80/90 (81, 85, B2) (08/78-10/88)

A2 (8Z0) (02/00-08/05)

Brake shoe kit
114 042 1101 | MBS0024
Notes

 Diameter [mm]
 Width [mm]

 without spring
 with lever
 230
 40
 Rear Axle

References

357 698 525 C


Application info

100 [4A, C4] [12/90-07/94]

100/200 [44, 44Q, C3] [08/82-12/91]

80 [8C, 867, B4] [05/91-08/00]

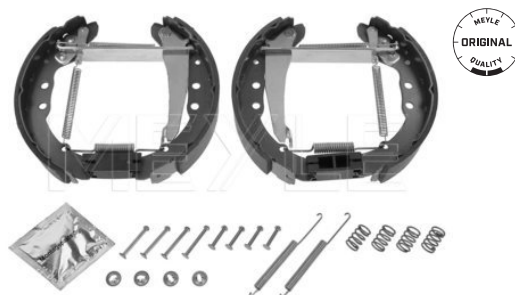
Brake shoe kit
114 533 0006/K | MBS0029
Notes

 Diameter [mm]
 Width [mm]

 with accessories
 with lever
 without wheel brake cylinder
 Pre-assembled
 230
 40
 Rear Axle

References

 357 609 525 C
 431 609 525
 357 609 526 C
 431 609 526
 357 609 527 E
 431 609 527 E
 357 609 528 E

 431 609 528 E
 357 698 525 CV
 357 698 525 CX
 443 698 525 BV
 443 698 525 BX
 443 698 525 CX

Application info

100/200 [44, 44Q, C3] [08/82-12/91]

Brake shoe set, parking brake
114 042 1201 | MPB0021
Notes

 Diameter [mm]
 Width [mm]

 without spring
 210
 30
 Rear Axle

References

7L0 698 525



114 042 1201 | MPB0021

Brake shoe set, parking brake

Application info

Q7 [4L] [03/06-05/12]

100 611 0006 | MBH0118

Brake hose



Notes

Inner thread [mm]	M10x1
Outer thread [mm]	M10x1
Length [mm]	340
Required quantity	2
	Front Axle

References

171 611 701 L

Application info

100/200 [44, 44Q, C3] [08/82-12/91]
80/90 [81, 85, B2] [08/78-10/88]

80/90 [85] [07/80-07/91]
80/90 [89, 89Q, 8A, B3] [06/86-12/96]

100 611 0053/S | MBH0147

Brake hose



Notes

Inner thread [mm]	with seal
Connector type	M10x1
Length [mm]	Banjo fitting
	435
	with hollow screw
Required quantity	2
	Front Axle

References

1J0 611 701	1J0 611 701 N
1J0 611 701 L	

Application info

A3 [8L1] [09/96-05/03]

100 611 0083/S | MBH0165

Brake hose



Notes

Inner thread [mm]	with seal
Connector type	M10x1
Length [mm]	Banjo fitting
	570
	with hollow screw
Required quantity	2
	Front Axle

References

1J0 611 701 G	1J0 611 701 M
---------------	---------------

Brake hose

100 611 0083/S | MBH0165

Application info

A3 (8L1) (09/96-05/03)

Brake hose

100 611 0071/S | MBH0156

Notes

Inner thread [mm]
Connector type
Length [mm]

Required quantity

with seal
M10x1
Banjo fitting
590
with hollow screw
2
at brake caliper
Front Axle

References

1K0 611 701
1K0 611 701 B
1K0 611 701 D

1K0 611 701 H
1K0 611 701 K
1K0 611 701 M



Application info

A3 (8P1, 8PA) (05/03-08/12)

A3 (8V1, 8VS, 8V7, 8PA) (04/12--)

Brake hose

114 525 0002 | MBH0217

Notes

Inner thread 2 [mm]
Inner thread 1 [mm]
Length [mm]
Required quantity

M10x1
M10x1
528
2
Front Axle

References

1K0 611 701 A
1K0 611 701 C
1K0 611 701 J

1K0 611 701 L
1K0 611 701 N



Application info

A3 (8P1, 8PA) (05/03-08/12)

114 525 0005 | MBH0220

Brake hose



Notes

Inner thread 2 [mm]
Inner thread 1 [mm]
Length [mm]
Required quantity

M10x1
M10x1
560
2
Front Axle

References

3C0 611 701 J

Application info

A3 [8P1, 8PA] [05/03-08/12]

100 525 0022 | MBH0075

Brake hose



Notes

Inner thread 2 [mm]
Inner thread 1 [mm]
Length [mm]
Required quantity

M10x1
M10x1
425
2
Front Axle

References

300 611 701 E

Application info

A8 [4E] [10/02-07/10]

100 525 0051/S | MBH0100

Brake hose



Notes

Inner thread [mm]
Connector type
Length [mm]

Required quantity

with gaskets/seals
M10x1
Banjo fitting
605
with hollow screw
2
Front Axle

References

5N0 611 701 A

Application info

Q3 [8U] [06/11--]



Brake hose

100 525 0061/S | MBH0109

Notes

Inner thread [mm]	with seal
Connector type	M10x1
Length [mm]	Banjo fitting
Required quantity	555
	with hollow screw
	2
	Front Axle

References

6R0 611 701 B	6R0 611 701 J
6R0 611 701 F	



Application info

A1 [8X1, 8XA] [05/10--]

Brake hose

100 525 0021 | MBH0074

Notes

Inner thread 2 [mm]	M10x1
Inner thread 1 [mm]	M10x1
Length [mm]	515
Required quantity	2
	Front Axle

References

7L0 611 701 C



Application info

Q7 [4L] [03/06-05/12]

Brake hose

100 525 0044 | MBH0093

Notes

Inner thread 2 [mm]	M10x1
Inner thread 1 [mm]	M10x1
Length [mm]	585
Required quantity	2
	Front Axle

References

8J0 611 701 D



Application info

TT [8J3, 8J9] [08/06-06/10]

100 525 0043/S | MBH0092

Brake hose



Notes

Inner thread [mm]	with seal
Connector type	M10x1
Length [mm]	Banjo fitting
	655
Required quantity	with hollow screw
	2
	Front Axle

References

8J0 611 701 C	8J0 611 701 G
---------------	---------------

Application info

TT [8J3, 8J9] [08/06-06/10]

100 611 0042 | MBH0138

Brake hose



Notes

Inner thread 2 [mm]	M10x1
Inner thread 1 [mm]	M10x1
Length [mm]	320
Required quantity	2
	Front Axle

References

3U0 611 707	8D0 611 707 B
8D0 611 707	8D0 611 707 D

Application info

A4 [8D2, 8D5, B5] [11/94-09/01]
A6 [4B, C5] [01/97-01/05]

A6 [4F2, 4FH, 4F5] [05/04-08/11]

100 611 0049 | MBH0144

Brake hose



Notes

Inner thread 2 [mm]	M10x1
Inner thread 1 [mm]	M10x1
Length [mm]	273
Required quantity	2
	Front Axle

References

441 611 707

Application info

100/200 [44, 44Q, C3] [08/82-12/91]

V8 [01] [10/86-02/94]

Brake hose
100 611 0050 | MBH0145
Notes

Inner thread [mm]	M10x1
Outer thread [mm]	M10x1
Length [mm]	405
Required quantity	2
	Front Axle

References

443 611 707 C


Application info

 100/200 [44, 44Q, C3] [08/82-12/91]
 80/90 [85] [07/80-07/91]

80/90 [89, 89Q, 8A, B3] [06/86-12/96]

Brake hose
100 611 0021 | MBH0128
Notes

Inner thread 2 [mm]	M10x1
Inner thread 1 [mm]	M10x1
Length [mm]	293
Required quantity	2
	Front Axle

References

4A0 611 707


Application info

100 [4A, C4] [12/90-07/94]

A6 [4A, C4] [06/94-12/97]

Brake hose
100 525 0029 | MBH0081
Notes

Inner thread 2 [mm]	M10x1
Inner thread 1 [mm]	M10x1
Length [mm]	360
Required quantity	2
	Front Axle

References

400 611 707 D	400 611 707 H
400 611 707 F	4E0 611 707


Application info

A8 [402, 408] [03/94-09/02]

100 525 0023 | MBH0076

Brake hose



Notes

Inner thread 2 [mm]
Inner thread 1 [mm]
Length [mm]
Required quantity

M10x1
M10x1
355
2
Front Axle

References

4E0 611 707 A

4E0 611 707 C

Application info

A8 [4E] [10/02-07/10]

100 525 0007 | MBH0062

Brake hose



Notes

Inner thread 2 [mm]
Inner thread 1 [mm]
Length [mm]
Required quantity

M10x1
M10x1
340
2
Front Axle

References

4F0 611 707

4F0 611 707 B

Application info

A6 [4F2, 4FH, 4F5] [05/04-08/11]

100 611 0016 | MBH0124

Brake hose



Notes

Inner thread 2 [mm]
Inner thread 1 [mm]
Length [mm]
Required quantity

M10x1
M10x1
308
2
Front Axle

References

893 611 707

Application info

80 [8C, 8G7, B4] [05/91-08/00]

80/90 [89, 89Q, 8A, B3] [06/86-12/96]



Brake hose

100 525 0009 | MBH0063

Notes

Inner thread 2 [mm]	M10x1
Inner thread 1 [mm]	M10x1
Length [mm]	330
Required quantity	2
	Front Axle

References

8E0 611 707	8E0 611 707 D
8E0 611 707 A	8E0 611 707 G



Application info

A4 [8E2, 8E5, 8E6] [10/00-12/04]
A4 [8EC, 8ED] [11/04-06/08]

A4 [8H7] [04/02-03/09]

Brake hose

100 525 0035 | MBH0087

Notes

Inner thread [mm]	M10x1
Outer thread [mm]	M10x1
Length [mm]	453
Required quantity	2
	Front Axle

References

8K0 611 707 A	8K0 611 707 D
8K0 611 707 B	8K0 611 707 E
8K0 611 707 C	



Application info

A4 [8K2, 8K5, 8KH] [11/07--]

A5 [8F, 8T] [06/07--]

Brake hose

100 525 0010/S | MBH0064

Notes

Inner thread [mm]	with seal
Connector type	M10x1
Length [mm]	Banjo fitting
	560
Required quantity	with hollow screw
	2
	Front Axle

References

BN0 611 707 A



Application info

A3 [8L1] [09/96-05/03]

TT [8N3, 8N9] [10/98-06/06]

100 525 0024 | MBH0077

Brake hose



Notes

Inner thread [mm]
Outer thread [mm]
Length [mm]
Required quantity

M10x1
M10x1
604
2
Front Axle

References

8N0 611 707 B

Application info

TT [8N3, 8N9] [10/98-06/06]

100 525 0039 | MBH0090

Brake hose



Notes

Inner thread [mm]
Connector type
Length [mm]
Required quantity

M10x1
Banjo fitting
505
2
Front Axle

References

8Z0 611 707

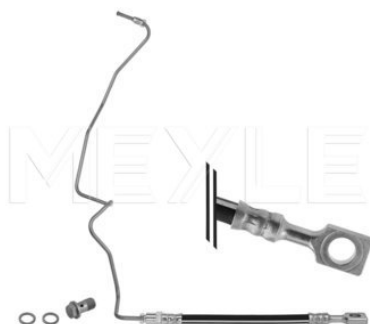
8Z0 611 707 C

Application info

A2 [8Z0] [02/00-06/05]

100 525 0054/S | MBH0103

Brake hose



Notes

Outer thread [mm]
Connector type
Length [mm]

Required quantity

with seal
with pipe
M10x1
Banjo fitting
805
with hollow screw
1
at brake caliper
Rear Axle Left

References

1J0 611 763 AD
1J0 611 763 K

1J0 611 763 R

Counterpart

100 525 0055/S | MBH0104



Brake hose

100 525 0054/S | MBH0103

Application info

A3 [8L1] [09/96-05/03]

TT [8N3, 8N9] [10/98-06/06]

Brake hose

100 525 0062/S | MBH0110

Notes

Outer thread [mm]
Connector type
Length [mm]

Required quantity

with seal
with pipe
M10x1
Banjo Fitting
450
with hollow screw
1
Rear Axle Left

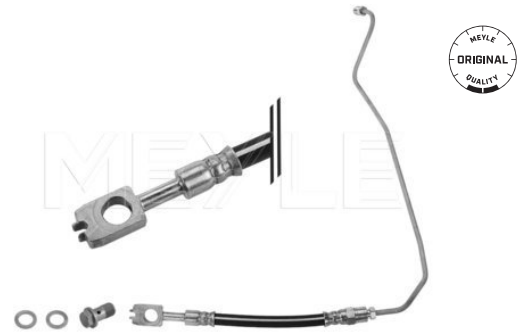
References

8E0 611 763 E
8E0 611 763 F

8E0 611 763 K

Counterpart

100 525 0063/S | MBH0111



Application info

A6 [4B, C5] [01/97-01/05]

Brake hose

100 525 0055/S | MBH0104

Notes

Outer thread [mm]
Connector type
Length [mm]

Required quantity

with seal
with pipe
M10x1
Banjo fitting
805
with hollow screw
1
at brake caliper
Rear Axle Right

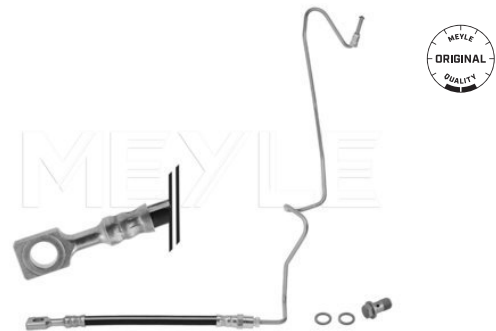
References

1J0 611 764 AD
1J0 611 764 K

1J0 611 764 R

Counterpart

100 525 0054/S | MBH0103



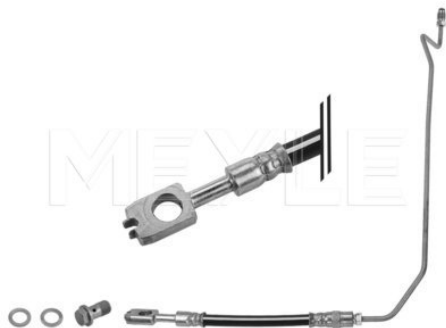
Application info

A3 [8L1] [09/96-05/03]

TT [8N3, 8N9] [10/98-06/06]

100 525 0063/S | MBH0111

Brake hose



Notes

Outer thread [mm]
Connector type
Length [mm]

Required quantity

with seal
with pipe
M10x1
Banjo Fitting
480
with hollow screw
1
Rear Axle Right

References

8E0 611 764 E
8E0 611 764 F

8E0 611 764 K

Counterpart

100 525 0062/S | MBH0110

Application info

A6 [4B, C5] [01/97-01/05]

100 611 0002 | MBH0114

Brake hose



Notes

Inner thread 2 [mm]
Inner thread 1 [mm]
Length [mm]
Required quantity

M10x1
M10x1
160
2
Rear Axle

References

171 611 775

Application info

80/90 [81, 85, B2] [08/78-10/88]

100 611 0073 | MBH0157

Brake hose



Notes

Inner thread 2 [mm]
Inner thread 1 [mm]
Length [mm]
Required quantity

M10x1
M10x1
240
2
Rear Axle

References

1K0 611 775 A

1K0 611 775 C

Application info

A3 [8P1, 8PA] [05/03-08/12]

A3 [8V1, 8VS, 8V7, 8PA] [04/12--]



Brake hose

100 525 0058/S | MBH0107

Notes

Inner thread [mm]	M10x1
Connector type	Banjo fitting
Length [mm]	285
	with hollow screw
	with seal
Required quantity	2
	inner
	Rear Axle

References

1K0 611 775 D	1K0 611 776
5C0 611 775 C	



Application info

A3 [8P1, 8PA] [05/03-08/12]

A3 [8V1, 8VS, 8V7, 8PA] [04/12--]

Brake hose

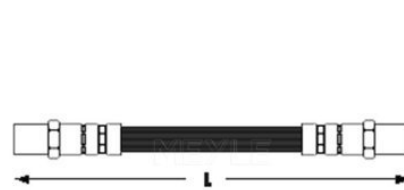
100 611 0012 | MBH0122

Notes

Inner thread 2 [mm]	M10x1
Inner thread 1 [mm]	M10x1
Length [mm]	202
Required quantity	2
	Rear Axle

References

433 611 775 A



Application info

100 [4A, C4] [12/90-07/94]

100/200 [44, 44Q, C3] [08/82-12/91]

80/90 [81, 85, 82] [08/78-10/88]

A6 [4A, C4] [06/94-12/97]

Brake hose

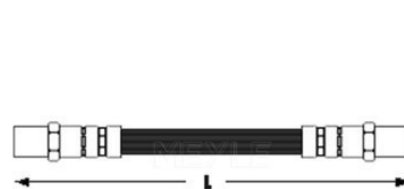
100 611 0013 | MBH0123

Notes

Inner thread 2 [mm]	M10x1
Inner thread 1 [mm]	M10x1
Length [mm]	324

References

443 611 775



Application info

100/200 [44, 44Q, C3] [08/82-12/91]

014 042 0003 | MBH0003

Brake hose



Notes

Inner thread 2 [mm]
Inner thread 1 [mm]
Length [mm]

M10x1
M10x1
261

References

443 611 775 A

Application info

100/200 [44, 44Q, C3] [08/82-12/91]

100 611 0047 | MBH0143

Brake hose



Notes

Inner thread [mm]
Outer thread [mm]
Length [mm]
Required quantity

M10x1
M10x1
230
2
Rear Axle

References

4A0 611 775

Application info

100 [4A, C4] [12/90-07/94]
A6 [4A, C4] [06/94-12/97]

V8 [01] [10/88-02/94]

100 611 0077 | MBH0159

Brake hose



Notes

Inner thread 2 [mm]
Inner thread 1 [mm]
Length [mm]
Required quantity

M10x1
M10x1
195
2
Rear Axle

References

4B0 611 775

Application info

A6 [4B, C5] [01/97-01/05]

Brake hose
100 611 0076/S | MBH0158
Notes

Inner thread [mm]	with seal
Connector type	M10x1
Length [mm]	Banjo fitting
	350
Required quantity	with hollow screw
	2
	Rear Axle

References

480 611 775 C


Application info

A6 [4B, C5] [01/97-01/05]

Brake hose
100 525 0028 | MBH0080
Notes

Inner thread [mm]	M10x1
Outer thread [mm]	M10x1
Length [mm]	280
Required quantity	2
	Rear Axle

References

400 611 775 B


Application info

A8 [402, 408] [03/94-09/02]

Brake hose
100 611 0086 | MBH0168
Notes

Inner thread [mm]	M10x1
Outer thread [mm]	M10x1
Length [mm]	305
Required quantity	2
	Rear Axle

References

400 611 775 C


Application info

A8 [402, 408] [03/94-09/02]

100 525 0033 | MBH0084

Brake hose



Notes

Inner thread [mm]	M10x1
Connector type	Banjo fitting
Length [mm]	280
Required quantity	2
	Rear Axle

References

400 611 775 D	400 611 775 G
---------------	---------------

Application info

AB [402, 408] [03/94-09/02]

100 525 0033/S | MBH0085

Brake hose



Notes

Inner thread [mm]	with seal
Connector type	M10x1
Length [mm]	Banjo fitting
	280
	with hollow screw
Required quantity	2
	Rear Axle

References

400 611 775 D	400 611 775 G
---------------	---------------

Parts list

100 525 0033 MBH0084	Brake hose
------------------------	------------

Application info

AB [402, 408] [03/94-09/02]

100 525 0025 | MBH0078

Brake hose



Notes

Inner thread [mm]	M10x1
Outer thread [mm]	M10x1
Length [mm]	190
Required quantity	2
	Rear Axle

References

4E0 611 775 A	4E0 611 775 K
4E0 611 775 G	

Application info

AB [4E] [10/02-07/10]



Brake hose

100 611 0040 | MBH0136

Notes

Inner thread 2 [mm]	M10x1
Inner thread 1 [mm]	M10x1
Length [mm]	203
Required quantity	2
	Rear Axle

References

4E0 611 775 L	8D0 611 775 E
---------------	---------------



Application info

A4 [8D2, 8D5, B5] [11/94-09/01]

AB [4E] [10/02-07/10]

Brake hose

100 525 0006 | MBH0061

Notes

Inner thread [mm]	M10x1
Outer thread [mm]	M10x1
Length [mm]	350
Required quantity	2
	Rear Axle

References

4F0 611 775	4F0 611 775 D
-------------	---------------



Application info

A6 [4F2, 4FH, 4F5] [05/04-08/11]

Brake hose

100 525 0019/S | MBH0072

Notes

Inner thread [mm]	with seal
Connector type	M10x1
Length [mm]	Banjo fitting
	350
Required quantity	with hollow screw
	2
	Rear Axle

References

4Z7 611 775	4Z7 611 775 A
-------------	---------------



Application info

A6 [4B, C5] [01/97-01/05]

Allroad [4BH] [05/00-08/05]

3

100 525 0052/S | MBH0101

Brake hose



Notes

Inner thread [mm]
Connector type
Length [mm]

Required quantity

with gaskets/seals
M10x1
Banjo fitting
285
with hollow screw
2
Rear Axle

References

5N0 611 775 A

Application info

Q3 (8U) (06/11--)

100 611 0043 | MBH0139

Brake hose



Notes

Inner thread 2 [mm]
Inner thread 1 [mm]
Length [mm]
Required quantity

M10x1
M10x1
166
2
Rear Axle

References

1J0 611 775
6Q0 611 775 A

6Q0 611 775 B
6X0 611 775

Application info

A1 (8X1, 8XA) (05/10--)
A3 (8L1) (09/96-05/03)

TT (8J3, 8J9) (08/06-06/10)
TT (8N3, 8N9) (10/98-06/06)

100 611 0000 | MBH0112

Brake hose



Notes

Inner thread 2 [mm]
Inner thread 1 [mm]
Length [mm]
Required quantity

M10x1
M10x1
225
1
Left
Rear Axle

References

811 611 775

Counterpart

100 611 0046 | MBH0142

Application info

80 (8C, 8G7, 84) (05/91-08/00)
80/90 (81, 85, 82) (08/78-10/88)

80/90 (89, 89Q, 8A, 83) (06/86-12/96)

Brake hose
100 611 0046 | MBH0142
Notes

Inner thread 2 [mm]	M10x1
Inner thread 1 [mm]	M10x1
Length [mm]	173
Required quantity	1
	Right
	Rear Axle

References

811 611 775 A

Counterpart

100 611 0000 | MBH0112


Application info

 80 (8C, 8G7, B4) (05/91-08/00)
 80/90 (81, 85, B2) (08/78-10/88)

80/90 (89, 89Q, 8A, B3) (06/86-12/96)

Brake hose
100 611 0019 | MBH0126
Notes

Inner thread [mm]	M10x1
Outer thread [mm]	M10x1
Length [mm]	195
Required quantity	2

References

893 611 775 A


Application info

 80 (8C, 8G7, B4) (05/91-08/00)
 80/90 (81, 85, B2) (08/78-10/88)

80/90 (89, 89Q, 8A, B3) (06/86-12/96)

Brake hose
100 525 0049 | MBH0098
Notes

Inner thread 2 [mm]	M10x1
Inner thread 1 [mm]	M10x1
Length [mm]	200
Required quantity	2
	Rear Axle

References

8A0 611 775


Application info

80 (8C, 8G7, B4) (05/91-08/00)

100 525 0012 | MBH0066

Brake hose



Notes

Inner thread [mm]
Outer thread [mm]
Length [mm]
Required quantity

M10x1
M10x1
212
2
Rear Axle

References

8A0 611 775 D

Application info

80 [8C, 8G7, B4] [05/91-08/00]

100 611 0041 | MBH0137

Brake hose



Notes

Inner thread [mm]
Outer thread [mm]
Length [mm]
Required quantity

M10x1
M10x1
226
2
at brake caliper
Rear Axle

References

800 611 775 B

Application info

A4 [802, 805, B5] [11/94-09/01]

100 611 0084 | MBH0166

Brake hose



Notes

Inner thread 2 [mm]
Inner thread 1 [mm]
Length [mm]
Required quantity

M10x1
M10x1
160
2
Rear Axle

References

800 611 775 C

Application info

80 [8C, 8G7, B4] [05/91-08/00]

A4 [802, 805, B5] [11/94-09/01]



Brake hose

100 611 0022 | MBH0129

Notes

Inner thread [mm]	M10x1
Outer thread [mm]	M10x1
Length [mm]	240
Required quantity	2
	Rear Axle

References

803 611 707	803 611 775
443 611 775 F	800 611 775 D



Application info

100 [4A, C4] [12/90-07/94]	A4 [802, 805, B5] [11/94-09/01]
100/200 [44, 44Q, C3] [08/82-12/91]	V8 [01] [10/88-02/94]
80 [8C, 8G7, B4] [05/91-08/00]	

Brake hose

100 525 0001 | MBH0056

Notes

Inner thread [mm]	M10x1
Connector type	Banjo fitting
Length [mm]	240
Required quantity	2
	Rear Axle

References

800 611 775 F	800 611 775 J
800 611 775 G	



Application info

A4 [802, 805, B5] [11/94-09/01]

Brake hose

100 611 0085/S | MBH0167

Notes

Inner thread [mm]	with seal
Connector type	M10x1
Length [mm]	Banjo fitting
	295
Required quantity	with hollow screw
	2
	at brake caliper
	Rear Axle

References

8E0 611 775 H	8E0 611 775 N
---------------	---------------



Application info

A4 [8E2, 8E5, B6] [10/00-12/04]	A4 [8H7] [04/02-03/09]
A4 [8EC, 8ED] [11/04-06/08]	

100 525 0045 | MBH0094

Brake hose



Notes

Inner thread 2 [mm]
Inner thread 1 [mm]
Length [mm]
Required quantity

M10x1
M10x1
208
2
Right
Left
Rear Axle

References

8J0 611 775 B

Application info

TT [8J3, 8J9] [08/06-06/10]

100 525 0036 | MBH0088

Brake hose



Notes

Inner thread [mm]
Outer thread [mm]
Length [mm]
Required quantity

M10x1
M10x1
440
2
Rear Axle

References

8K0 611 775 D
8K0 611 775 F

8K0 611 775 J

Application info

A4 [8K2, 8K5, 8KH] [11/07--]
A5 [8F, 8T] [06/07--]

Q5 [8R] [11/08--]

100 525 0011 | MBH0065

Brake hose



Notes

Outer thread 2 [mm]
Outer thread 1 [mm]
Length [mm]
Required quantity

M10x1
M10x1
430
2
Rear Axle

References

7L0 611 776
7L0 611 776 A

7P0 611 776

Application info

Q7 [4L] [03/06-05/12]

Q7 [4M] [06/15--]

Brake master cylinder
100 611 0035 | MBX0148
Notes

	Grey Cast Iron
Diameter [mm]	20.64
Thread Size	M10x1
Length 2 [mm]	157.5
Length 1 [mm]	18.5
Number of connectors	4

References

171 611 019 A	171 611 019 N
171 611 019 E	


Application info

80/90 (81, 85, B2) (08/78-10/88)

Brake master cylinder
100 532 0001 | MBX0141
Notes

	Aluminium
Diameter [mm]	25.4
Thread Size	M12x1
Length 2 [mm]	111.5
Length 1 [mm]	49.5
Number of connectors	2
	for left-hand drive vehicles

References

400 611 021 A


Application info

 A4 (802, 805, B5) (11/94-09/01)
 A6 (4B, C5) (01/97-01/05)

A8 (402, 408) (03/94-09/02)

Brake master cylinder
100 532 0007 | MBX0146
Notes

	for vehicles with ESP
	Aluminium
Diameter [mm]	25.4
Length 2 [mm]	111
Length 1 [mm]	49
Thread Measurement 2	M12x1
Number of connectors	2
Thread Measurement 1	M10x1

References

400 611 021 B


Application info

 A4 (802, 805, B5) (11/94-09/01)
 A6 (4B, C5) (01/97-01/05)

 A8 (402, 408) (03/94-09/02)
 Allroad (4BH) (05/00-08/05)

114 532 0008 | MBX0160

Brake master cylinder



Notes

Diameter [mm]	Aluminium
Thread Size	23.81
Length 2 [mm]	M12x1
Length 1 [mm]	121
Number of connectors	39
	2

References

800 611 021 A	800 611 021 B
---------------	---------------

Application info

A4 (802, 805, B5) [11/94-09/01]

A6 (4B, C5) [01/97-01/05]

100 532 0005 | MBX0144

Brake master cylinder



Notes

Diameter [mm]	Aluminium
Thread Size	25.4
Length 2 [mm]	M12x1
Length 1 [mm]	92
Number of connectors	69.5
Brake System	2
	Lucas Girling

References

8E0 611 021

Application info

A4 (8E2, 8E5, B6) [10/00-12/04]

A4 (8EC, 8ED) [11/04-06/08]

A4 (8H7) [04/02-03/09]

A6 (4B, C5) [01/97-01/05]

100 532 0006 | MBX0145

Brake master cylinder



Notes

Diameter [mm]	Aluminium
Thread Size	25.4
Length 2 [mm]	M12x1
Length 1 [mm]	93.5
Number of connectors	64.2
Brake System	2
	ATE

References

8E0 611 021 A	8E0 611 021 B
---------------	---------------

Application info

A4 (8E2, 8E5, B6) [10/00-12/04]

A4 (8EC, 8ED) [11/04-06/08]

A4 (8H7) [04/02-03/09]

A6 (4B, C5) [01/97-01/05]

Brake master cylinder
100 611 0075 | MBX0152
Notes

Diameter [mm]	Aluminium 23.81
Thread Size	M12x1
Length 2 [mm]	122
Length 1 [mm]	32
Number of connectors	2

References

1J1 614 019


Application info

A3 [8L1] [09/96-05/03]

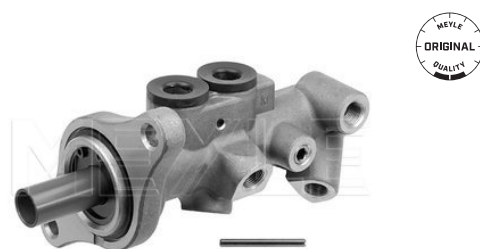
TT [8N3, 8N9] [10/98-06/06]

Brake master cylinder
100 532 0003 | MBX0142
Notes

Diameter [mm]	Aluminium 23.81
Length 2 [mm]	137.8
Length 1 [mm]	4.1
Thread Measurement 2	2x M12x1
Number of connectors	4
Thread Measurement 1	2x M10x1
Brake System	ATE

References

1J1 614 019 A


Application info

A3 [8L1] [09/96-05/03]

TT [8N3, 8N9] [10/98-06/06]

Brake master cylinder
100 532 0004 | MBX0143
Notes

Diameter [mm]	Aluminium 23.81
Thread Size	M12x1
Length 2 [mm]	121.4
Length 1 [mm]	34.9
Number of connectors	3
Brake System	ATE

References

1J1 614 019 C

1J1 614 019 F


Application info

A3 [8L1] [09/96-05/03]

TT [8N3, 8N9] [10/98-06/06]

100 611 0036 | MWC0007

Wheel cylinder



Notes

Diameter [mm]

Grey Cast Iron
14.29
Rear Axle

References

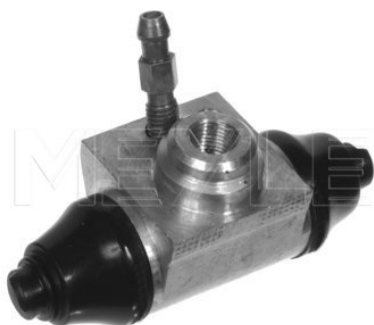
171 611 051 B

Application info

80/90 (81, 85, B2) (08/78-10/88)

100 611 0056 | MWC0010

Wheel cylinder



Notes

Diameter [mm]

Aluminium
15.87
Rear Axle

References

1H0 611 053 A

Application info

80/90 (81, 85, B2) (08/78-10/88)

A2 (8Z0) (02/00-08/05)

100 611 0055 | MWC0009

Wheel cylinder



Notes

Diameter [mm]

Aluminium
14.29
Rear Axle

References

1H0 611 053 B

Application info

80/90 (81, 85, B2) (08/78-10/88)



Wheel cylinder

100 611 0068 | MWC0013

Notes

Diameter [mm]

Aluminium
20.64
Rear Axle

References

3A0 611 053



Application info

100 [4A, C4] [12/90-07/94]

80 [8C, 8G7, B4] [05/91-08/00]

Wheel cylinder

100 611 0058 | MWC0012

Notes

Diameter [mm]

Aluminium
19.05
Rear Axle

References

1H0 611 053

6Q0 611 053 B



Application info

80 [8C, 8G7, B4] [05/91-08/00]

80/90 [89, 89Q, 8A, B3] [06/86-12/96]

Wheel cylinder

100 611 0028 | MWC0001

Notes

Diameter [mm]

Grey Cast Iron
17.46
Rear Axle

References

331 611 051 A
6Q0 611 053

6Q0 611 053 C



Application info

100/200 [44, 44Q, C3] [08/82-12/91]
80 [8C, 8G7, B4] [05/91-08/00]

80/90 [81, 85, B2] [08/78-10/88]
A2 [8Z0] [02/00-08/05]

100 611 0057 | MWC0011

Wheel cylinder



Notes

Diameter [mm]

Aluminium
17.46
Rear Axle

References

6N0 611 053
6Q0 611 053 C

6QE 611 053

Application info

100/200 [44, 44Q, C3] [08/82-12/91]
80 [8C, 8G7, B4] [05/91-08/00]

80/90 [81, 85, B2] [08/78-10/88]
A2 [8Z0] [02/00-08/05]

100 611 0070 | MBX0150

Vacuum hose, brake booster



References

321 611 939 E

Application info

100 [4A, C4] [12/90-07/94]
80 [8C, 8G7, B4] [05/91-08/00]
80/90 [81, 85, B2] [08/78-10/88]
80/90 [89, 89Q, 8A, B3] [06/86-12/96]

A2 [8Z0] [02/00-08/05]
A4 [8D2, 8D5, B5] [11/94-09/01]
A6 [4A, C4] [06/94-12/97]
A8 [4D2, 4D8] [03/94-09/02]

Drive shaft support
100 151 0100/S | MDM0107
Notes

Inner diameter [mm] 30
 Outer diameter [mm] 403
 with add-on material
 Steel Elastomer
 with ball bearing
 Centre


References

5N0 521 101 E 5N0 521 101 M
 5N0 521 101 EX 5N0 521 101 MX

Application info

Q3 [8U] [06/11--]

Drive shaft support
100 151 0200/S | MDM0108
Notes

Inner diameter [mm] 30
 Outer diameter [mm] 154
 with add-on material
 with ball bearing
 Centre


References

7L8 521 102 L 7L8 521 102 M

Application info

Q7 [4L] [03/06-05/12]

Drive shaft support
100 151 0300/S |
Notes

with add-on material
 with ball bearing
 Centre


References

1K0 521 349

Application info

A3 [8P1, 8PA] [05/03-08/12]

4

100 152 0103 | MTX0087

Vibration damper, drive shaft



Notes

Outer diameter [mm]

Kit
with add-on material
176
Rear propshaft at differential
Rear

References

1K0 521 307 A

Application info

A3 [8P1, 8PA] [05/03-08/12]

Q3 [8U] [06/11--]

100 498 0080 | MBK0075

Boot kit, C.V. joint



Notes

Inner diameter 2 [mm]
Inner diameter 1 [mm]
Length [mm]

Elastomer
100
28
110
Transmission End
Front Axle

References

191 498 201 B

Application info

80 [8C, 8G7, B4] [05/91-08/00]
80/90 [81, 85, B2] [08/78-10/88]

80/90 [89, 89Q, 8A, B3] [06/86-12/96]
A4 [802, 805, B5] [11/94-09/01]

100 498 0044 | MBK0063

Boot kit, C.V. joint



Notes

Inner diameter 2 [mm]
Inner diameter 1 [mm]
Length [mm]

Elastomer
94
21
97
Transmission End
Front Axle

References

191 498 201 D

Parts list

100 501 0004 | MTX0052 Boot, C.V. joint

Application info

80 [8C, 8G7, B4] [05/91-08/00]
80/90 [81, 85, B2] [08/78-10/88]

80/90 [89, 89Q, 8A, B3] [06/86-12/96]



Boot kit, C.V. joint

100 498 0095 | MBK0086

Notes

Inner diameter 2 [mm]
Inner diameter 1 [mm]
Length [mm]

Elastomer
100
18
114
Transmission End
Front Axle

References

1J0 498 201



Application info

A3 [8L1] [09/96-05/03]

Boot kit, C.V. joint

100 498 0042 | MBK0061

Notes

Inner diameter 2 [mm]
Inner diameter 1 [mm]
Length [mm]

Elastomer
100
36
120
Transmission End
Front Axle

References

1J0 498 201 A



Application info

A3 [8L1] [09/96-05/03]

Boot kit, C.V. joint

100 498 0132 | MBK0093

Notes

Inner diameter 2 [mm]
Inner diameter 1 [mm]
Length [mm]

Elastomer
57
23
103
Transmission End
Front Axle

References

1J0 498 201 E



Application info

A3 [8L1] [09/96-05/03]

TT [8N3, 8N9] [10/98-06/06]

4

100 498 0129 | MBK0091

Boot kit, C.V. joint



Notes

Inner diameter 2 [mm]
Inner diameter 1 [mm]
Length [mm]

Elastomer
70
24
116
Transmission End
Front Axle

References

1J0 498 201 G

Application info

A3 [8L1] [09/96-05/03]

100 498 0090 | MBK0081

Boot kit, C.V. joint



Notes

Inner diameter 2 [mm]
Inner diameter 1 [mm]
Length [mm]

Elastomer
68
21
113
Transmission End
Front Axle

References

1J0 498 201 J

1J0 498 201 K

Application info

A2 [8Z0] [02/00-06/05]
A3 [8L1] [09/96-05/03]

TT [8N3, 8N9] [10/98-06/06]

100 498 0041 | MBK0060

Boot kit, C.V. joint



Notes

Inner diameter 2 [mm]
Inner diameter 1 [mm]
Length [mm]

Elastomer
100
28
110
Transmission End
Rear Axle
Front Axle

References

1K0 498 201

357 498 201 A

Application info

TT [8N3, 8N9] [10/98-06/06]



Boot kit, C.V. joint

100 495 0018 | MBK0045

Notes

Inner diameter 2 [mm]
Inner diameter 1 [mm]
Length [mm]

Thermoplast
67
28
102
Transmission End
Front Axle

References

1K0 498 201 A



Application info

A3 [8L1] [09/96-05/03]
A3 [8P1, 8PA] [05/03-08/12]

TT [8N3, 8N9] [10/98-06/06]

Boot kit, C.V. joint

100 498 1123 | MBK0107

Notes

Inner diameter 2 [mm]
Inner diameter 1 [mm]
Length [mm]

Thermoplast
94
27
108
Transmission End
Front Axle

References

1K0 498 201 B



Application info

100/200 [44, 44Q, C3] [08/82-12/91]
A2 [8Z0] [02/00-08/05]

A3 [8L1] [09/96-05/03]

Boot kit, C.V. joint

100 495 0002 | MBK0029

Notes

Inner diameter 2 [mm]
Inner diameter 1 [mm]
Length [mm]

Elastomer
64.5
22.8
86
Transmission End
Front Axle

References

1K0 498 201 C



Application info

A3 [8P1, 8PA] [05/03-08/12]
TT [8J3, 8J9] [08/06-06/10]

TT [8N3, 8N9] [10/98-06/06]

4

100 498 0139 | MBK0096

Boot kit, C.V. joint



Notes

Inner diameter 2 [mm]
Inner diameter 1 [mm]
Length [mm]

Elastomer
71
21.2
90.5
Transmission End
Front Axle

References

1K0 498 201 D

Application info

A3 (8P1, 8PA) (05/03-08/12)
A4 (8E2, 8E5, 86) (10/00-12/04)

A4 (8EC, 8ED) (11/04-06/08)
A4 (8H7) (04/02-03/09)

100 498 0094 | MBK0085

Boot kit, C.V. joint



Notes

Inner diameter 2 [mm]
Inner diameter 1 [mm]
Length [mm]

Elastomer
100
24
115
Transmission End
Front Axle

References

380 498 201

800 498 201

Application info

A4 (802, 805, 85) (11/94-09/01)

100 498 1074 | MBK0100

Boot kit, C.V. joint



Notes

Inner diameter 2 [mm]
Inner diameter 1 [mm]
Length [mm]

Elastomer
80
21
84
Transmission End
Front Axle Right

References

380 498 201 A
893 498 201 A

8A0 498 201

Application info

100 (4A, C4) (12/90-07/94)
80 (8C, 8G7, B4) (05/91-08/00)
80/90 (81, 85, B2) (08/78-10/88)

80/90 (89, 89Q, 8A, B3) (06/86-12/96)
A4 (802, 805, 85) (11/94-09/01)
A6 (4A, C4) (06/94-12/97)

Boot kit, C.V. joint
100 498 1076 | MBK0101
Notes

 Inner diameter 2 [mm]
 Inner diameter 1 [mm]
 Length [mm]

 Elastomer
 100
 24
 118
 Transmission End
 Front Axle

References

443 498 201 A


Application info

 100 [4A, C4] [12/90-07/94]
 100/200 [44, 44Q, C3] [08/82-12/91]
 80 [8C, 8G7, B4] [05/91-08/00]
 80/90 [81, 85, B2] [08/78-10/88]

 80/90 [89, 89Q, 8A, B3] [06/86-12/96]
 A4 [8D2, 8D5, B5] [11/94-09/01]
 A6 [4A, C4] [06/94-12/97]

Boot kit, C.V. joint
100 498 0043 | MBK0062
Notes

 Inner diameter 2 [mm]
 Inner diameter 1 [mm]
 Length [mm]

 Elastomer
 108
 24
 124
 Transmission End
 Front Axle

References

443 498 201 B

Parts list

100 407 0069 | MTX0049 Boot, C.V. joint


Application info

 100 [4A, C4] [12/90-07/94]
 100/200 [44, 44Q, C3] [08/82-12/91]
 80 [8C, 8G7, B4] [05/91-08/00]
 80/90 [81, 85, B2] [08/78-10/88]
 80/90 [85] [07/80-07/91]
 80/90 [89, 89Q, 8A, B3] [06/86-12/96]

 A4 [8D2, 8D5, B5] [11/94-09/01]
 A6 [4A, C4] [06/94-12/97]
 A6 [4B, C5] [01/97-01/05]
 A8 [4D2, 4D8] [03/94-09/02]
 V8 [D1] [10/88-02/94]

Boot kit, C.V. joint
100 498 0089 | MBK0080
Notes

 Inner diameter 2 [mm]
 Inner diameter 1 [mm]
 Length [mm]

 Elastomer
 80
 21
 84
 Transmission End
 Front Axle

References

480 498 201



100 498 0089 | MBK0080

Boot kit, C.V. joint

Application info

100 [4A, C4] [12/90-07/94]
80 [8C, 8G7, B4] [05/91-08/00]
80/90 [89, 890, 8A, B3] [06/86-12/96]
A3 [8L1] [09/96-05/03]
A4 [8D2, 8D5, B5] [11/94-09/01]
A4 [8E2, 8E5, B6] [10/00-12/04]

A4 [8H7] [04/02-03/09]
A6 [4A, C4] [06/94-12/97]
A6 [4B, C5] [01/97-01/05]
A8 [4D2, 4D8] [03/94-09/02]
A8 [4E] [10/02-07/10]
V8 [01] [10/88-02/94]

100 495 0015 | MBK0042

Boot kit, C.V. joint



Notes

Inner diameter 2 [mm]
Inner diameter 1 [mm]
Length [mm]

Elastomer
85
24
70
Transmission End
Front Axle

References

4E0 498 201

Application info

A4 [8E2, 8E5, B6] [10/00-12/04]
A4 [8EC, 8ED] [11/04-08/08]
A4 [8H7] [04/02-03/09]

A6 [4F2, 4FH, 4F5] [05/04-08/11]
A8 [4E] [10/02-07/10]

100 498 0208 | MBK0097

Boot kit, C.V. joint



Notes

Inner diameter 2 [mm]
Inner diameter 1 [mm]
Length [mm]

Elastomer
70
21.5
85
Front Axle
Transmission End

References

4F0 498 201

Application info

A6 [4F2, 4FH, 4F5] [05/04-08/11]



Boot kit, C.V. joint

100 495 0024 | MBK0048

Notes

Inner diameter 2 [mm]
Inner diameter 1 [mm]
Length [mm]

Thermoplast
68.7
28.5
100.2
Front Axle
Transmission End

References

7L0 498 201 7L0 498 201 A



Application info

Q7 [4L] [03/06-05/12]

Boot kit, C.V. joint

100 498 0127 | MBK0090

Notes

Inner diameter 2 [mm]
Inner diameter 1 [mm]
Length [mm]

Elastomer
70
24
116
Transmission End
Front Axle

References

7M3 498 201 7M3 498 201 A



Application info

A3 [8L1] [09/96-05/03]
A4 [8E2, 8E5, 8E6] [10/00-12/04]
A4 [8EC, 8ED] [11/04-06/08]

A4 [8H7] [04/02-03/09]
A6 [4B, C5] [01/97-01/05]
Allroad [4BH] [05/00-08/05]

Boot kit, C.V. joint

100 495 0013 | MBK0040

Notes

Inner diameter 2 [mm]
Inner diameter 1 [mm]
Length [mm]

Elastomer
70
21.3
93
Transmission End
Front Axle

References

7M3 498 201 B 7M3 498 201 J



Application info

A3 [8P1, 8PA] [05/03-08/12]
TT [8J3, 8J9] [08/06-06/10]

TT [8N3, 8N9] [10/98-06/06]

100 498 0030 | MBK0059

Boot kit, C.V. joint



Notes

Inner diameter 2 [mm]
Inner diameter 1 [mm]
Length [mm]

Elastomer
100
28
118
Transmission End
Front Axle

References

893 498 201

Application info

80 (8C, 8G7, B4) [05/91-08/00]

80/90 (89, 89Q, 8A, B3) [06/86-12/96]

100 495 0025 | MBK0049

Boot kit, C.V. joint



Notes

Inner diameter 2 [mm]
Inner diameter 1 [mm]
Length [mm]

Elastomer
69
23.5
92.5
Front Axle
Transmission End

References

8E0 498 201 D

Application info

A4 (8E2, 8E5, B6) [10/00-12/04]
A4 (8EC, 8ED) [11/04-06/08]

A4 (8H7) [04/02-03/09]

100 498 0130 | MBK0092

Boot kit, C.V. joint



Notes

Inner diameter 2 [mm]
Inner diameter 1 [mm]
Length [mm]

Elastomer
57
23
103
Transmission End
Front Axle

References

8N0 498 201 A

Application info

A3 (8L1) [09/96-05/03]

TT (8N3, 8N9) [10/98-06/06]



Boot kit, C.V. joint

100 495 0014 | MBK0041

Notes

Inner diameter 2 [mm]
Inner diameter 1 [mm]
Length [mm]

Elastomer
70
24
85
Transmission End
Front Axle

References

BN0 498 201 B



Application info

TT [8N3, 8N9] [10/98-06/06]

Boot kit, C.V. joint

100 498 0021 | MBK0052

Notes

Inner diameter 2 [mm]
Inner diameter 1 [mm]
Length [mm]

Thermoplast
78
26
114
Wheel Side
Front Axle

References

191 498 203 C



Application info

80/90 [81, 85, B2] [08/78-10/88]

80/90 [89, 89Q, 8A, B3] [06/86-12/96]

Boot kit, C.V. joint

100 498 9022/R | MBK0108

Notes

Inner diameter 2 [mm]
Inner diameter 1 [mm]
Length [mm]

Elastomer
76
20
80
Wheel Side
Front Axle

References

171 498 203
191 498 203 D

191 598 203



Application info

80/90 [81, 85, B2] [08/78-10/88]

4

100 498 0078 | MBK0073

Boot kit, C.V. joint



Notes

Inner diameter 2 [mm]
Inner diameter 1 [mm]
Length [mm]

Thermoplast
78
26
114
Wheel Side
Front Axle

References

1J0 498 203

Application info

A3 (8L1) [09/96-05/03]

TT (8N3, 8N9) [10/98-06/06]

100 498 0028 | MBK0057

Boot kit, C.V. joint



Notes

Inner diameter 2 [mm]
Inner diameter 1 [mm]
Length [mm]

Elastomer
86
25
125
Wheel Side
Front Axle

References

1H0 498 203 A

1K0 498 203

Parts list

100 407 0029 | MTX0048

Boot, C.V. joint

Application info

A3 (8L1) [09/96-05/03]

A3 (8P1, 8PA) [05/03-08/12]

100 498 0047 | MBK0065

Boot kit, C.V. joint



Notes

Inner diameter 2 [mm]
Inner diameter 1 [mm]
Length [mm]

Thermoplast
86
25
125
Wheel Side
Front Axle

References

1K0 498 203

Application info

A3 (8L1) [09/96-05/03]

A3 (8P1, 8PA) [05/03-08/12]

TT (8N3, 8N9) [10/98-06/06]



Boot kit, C.V. joint

100 495 0007 | MBK0034

Notes

Inner diameter 2 [mm]
Inner diameter 1 [mm]
Length [mm]

Thermoplast
97.2
29
113
Wheel Side
Front Axle

References

1K0 498 203 A



Application info

A1 (8X1, 8XA) (05/10--)
A3 (8P1, 8PA) (05/03-08/12)

Q3 (8U) (06/11--)
TT (8J3, 8J9) (08/06-06/10)

Boot kit, C.V. joint

100 495 0010 | MBK0037

Notes

Inner diameter 2 [mm]
Inner diameter 1 [mm]
Length [mm]

Thermoplast
78
25.6
108
Wheel Side
Front Axle

References

1K0 498 203 B



Application info

A3 (8L1) (09/96-05/03)

TT (8N3, 8N9) (10/98-06/06)

Boot kit, C.V. joint

100 498 0085 | MBK0079

Notes

Inner diameter 2 [mm]
Inner diameter 1 [mm]
Length [mm]

Elastomer
84
22
98
Wheel Side
Front Axle

References

321 498 203 A



Application info

80/90 (81, 85, 82) (08/78-10/88)

100 498 0025 | MBK0054

Boot kit, C.V. joint



Notes

Inner diameter 2 [mm]
Inner diameter 1 [mm]
Length [mm]

Elastomer
83
22
102
Wheel Side
Front Axle

References

357 498 203

357 498 203 A

Application info

80/90 [89, 89Q, 8A, B3] [06/86-12/96]

100 498 0072 | MBK0067

Boot kit, C.V. joint



Notes

Inner diameter 2 [mm]
Inner diameter 1 [mm]
Length [mm]

Thermoplast
90
24
112
Wheel Side
Front Axle

References

380 498 203 A
380 498 203 G

800 498 203 A

Application info

A4 [802, 805, B5] [11/94-09/01]
A4 [8E2, 8E5, B6] [10/00-12/04]

A4 [8H7] [04/02-03/09]
A6 [4B, C5] [01/97-01/05]

100 498 1072 | MBK0099

Boot kit, C.V. joint



Notes

Inner diameter 2 [mm]
Inner diameter 1 [mm]
Length [mm]

Elastomer
88
25
90
Wheel Side
Front Axle

References

380 498 203 A
380 498 203 G

800 498 203 A

Application info

A4 [802, 805, B5] [11/94-09/01]
A4 [8E2, 8E5, B6] [10/00-12/04]

A4 [8H7] [04/02-03/09]
A6 [4B, C5] [01/97-01/05]



Boot kit, C.V. joint

100 495 0005 | MBK0032

Notes

Inner diameter 2 [mm]
Inner diameter 1 [mm]
Length [mm]

Thermoplast
97
29
115
Wheel Side
Front Axle

References

3B0 498 203 B

3B0 498 203 F



Application info

A4 (802, 805, B5) (11/94-09/01)

Boot kit, C.V. joint

100 495 0019 | MBK0046

Notes

Inner diameter 2 [mm]
Inner diameter 1 [mm]
Length [mm]

Thermoplast
95
30
120
Wheel Side
Front Axle

References

3B0 498 203 E



Application info

A3 (8L1) (09/96-05/03)

Boot kit, C.V. joint

100 498 0026 | MBK0055

Notes

Inner diameter 2 [mm]
Inner diameter 1 [mm]
Length [mm]

Elastomer
83
22
98
Wheel Side
Front Axle

References

431 498 203 C



Application info

100/200 (44, 44Q, C3) (08/82-12/91)
80/90 (81, 85, B2) (08/78-10/88)

80/90 (89, 89Q, 8A, B3) (06/86-12/96)

4

100 498 0075 | MBK0070

Boot kit, C.V. joint



Notes

Inner diameter 2 [mm]
Inner diameter 1 [mm]
Length [mm]

Elastomer
90
24
90
Wheel Side
Front Axle

References

3B0 498 203 F

441 498 203 A

Application info

100 [4A, C4] [12/90-07/94]
80 [8C, 8G7, B4] [05/91-08/00]
80/90 [89, 89Q, 8A, B3] [06/86-12/96]
A4 [802, 805, B5] [11/94-09/01]
A6 [4A, C4] [06/94-12/97]

A6 [4B, C5] [01/97-01/05]
A8 [402, 408] [03/94-09/02]
A8 [4E] [10/02-07/10]
V8 [01] [10/88-02/94]

100 498 0027 | MBK0056

Boot kit, C.V. joint



Notes

Inner diameter 2 [mm]
Inner diameter 1 [mm]
Length [mm]

Elastomer
82
21.5
98
Wheel Side
Front Axle

References

4A0 498 203

4A0 498 203 A

Application info

100 [4A, C4] [12/90-07/94]
A4 [802, 805, B5] [11/94-09/01]

A6 [4A, C4] [06/94-12/97]

100 498 0024 | MBK0053

Boot kit, C.V. joint



Notes

Inner diameter 2 [mm]
Inner diameter 1 [mm]
Length [mm]

Thermoplast
86
26
112
Wheel Side
Front Axle

References

4A0 498 203 C

Boot kit, C.V. joint

100 498 0024 | MBK0053

Application info

A4 (8D2, 8D5, B5) (11/94-09/01)

Boot kit, C.V. joint

100 495 0008 | MBK0035

Notes

Inner diameter 2 [mm]
Inner diameter 1 [mm]
Length [mm]

Thermoplast
98
28
120
Wheel Side
Front Axle

References

4E0 498 203



Application info

A6 (4F2, 4FH, 4F5) (05/04-08/11)

A8 (4E) (10/02-07/10)

Boot kit, C.V. joint

100 495 0004 | MBK0031

Notes

Inner diameter 2 [mm]
Inner diameter 1 [mm]
Length [mm]

Thermoplast
82
26
112
Wheel Side
Front Axle

References

6Q0 498 203



Application info

A2 (8Z0) (02/00-08/05)

Boot kit, C.V. joint

100 495 0009 | MBK0036

Notes

Inner diameter 2 [mm]
Inner diameter 1 [mm]
Length [mm]

Thermoplast
98
28
120
Wheel Side
Front Axle

References

7H0 498 203



100 495 0009 | MBK0036

Boot kit, C.V. joint

Application info

A3 (8P1, 8PA) (05/03-08/12)

A4 (8EC, 8ED) (11/04-06/08)

100 495 0012 | MBK0039

Boot kit, C.V. joint



Notes

Inner diameter 2 [mm]
Inner diameter 1 [mm]
Length [mm]

Thermoplast
98
28
120
Wheel Side
Front Axle

References

300 498 203

7L0 498 203

Application info

Q7 (4L) (03/06-05/12)

100 498 0073 | MBK0068

Boot kit, C.V. joint



Notes

Inner diameter 2 [mm]
Inner diameter 1 [mm]
Length [mm]

Elastomer
82
21.5
98
Wheel Side
Front Axle

References

893 498 203 A
893 498 203 C

8A0 498 203

Application info

80 (8C, 8G7, 84) (05/91-08/00)

80/90 (89, 89Q, 8A, 83) (06/86-12/96)



Boot kit, C.V. joint

100 498 0091 | MBK0082

Notes

Inner diameter 2 [mm]
Inner diameter 1 [mm]
Length [mm]

Elastomer
90
24
90
Wheel Side
Front Axle

Full Set

References

3B0 498 203 F
8D0 498 203 B

8D0 498 203 C

Parts list

100 498 0091/SK | MBK0083

Boot kit, C.V. joint



Application info

A4 [8D2, 8D5, B5] [11/94-09/01]

Boot kit, C.V. joint

100 498 0091/SK | MBK0083

Notes

Inner diameter 2 [mm]
Inner diameter 1 [mm]
Length [mm]

Elastomer
90
24
90
Wheel Side
Front Axle

Slim Set

References

8D0 498 203 B



Application info

80/90 [89, 89Q, 8A, B3] [06/86-12/96]
A4 [8D2, 8D5, B5] [11/94-09/01]
A4 [8E2, 8E5, B6] [10/00-12/04]
A4 [8EC, 8ED] [11/04-06/08]

A6 [4A, C4] [06/94-12/97]
A6 [4B, C5] [01/97-01/05]
A8 [4D2, 4D8] [03/94-09/02]
Allroad [4BH] [05/00-08/05]

Boot kit, C.V. joint

100 498 1085 | MBK0105

Notes

Inner diameter 2 [mm]
Inner diameter 1 [mm]
Length [mm]

Thermoplast
88
25
112
Wheel Side
Front Axle

References

8E0 498 203



100 498 1085 | MBK0105

Boot kit, C.V. joint

Application info

A4 (8E2, 8E5, B6) [10/00-12/04]
A4 (8EC, 8ED) [11/04-06/08]

A4 (8H7) [04/02-03/09]
A6 (4F2, 4FH, 4F5) [05/04-08/11]

100 495 0011 | MBK0038

Boot kit, C.V. joint



Notes

Inner diameter 2 [mm]
Inner diameter 1 [mm]
Length [mm]

Thermoplast
98
28
120
Wheel Side
Front Axle

References

8E0 498 203 A

8E0 498 203 D

Application info

A4 (8D2, 8D5, B5) [11/94-09/01]
A4 (8E2, 8E5, B6) [10/00-12/04]
A4 (8EC, 8ED) [11/04-06/08]

A4 (8H7) [04/02-03/09]
A6 (4B, C5) [01/97-01/05]

100 495 0006 | MBK0033

Boot kit, C.V. joint



Notes

Inner diameter 2 [mm]
Inner diameter 1 [mm]
Length [mm]

Thermoplast
97
29
115
Wheel Side
Front Axle

References

8N0 498 203

Application info

A3 (8L1) [09/96-05/03]

TT (8N3, 8N9) [10/98-06/06]



Boot, C.V. joint

100 407 0069 | MTX0049

Notes

Inner diameter 2 [mm]
Inner diameter 1 [mm]
Length [mm]

Elastomer
100
24
115
Transmission End
Front Axle

References

443 407 283 A



Application info

A4 [802, 805, B5] [11/94-09/01]
A6 [4A, C4] [06/94-12/97]

A6 [4B, C5] [01/97-01/05]
A8 [402, 408] [03/94-09/02]

Boot, C.V. joint

100 407 0029 | MTX0048

Notes

Inner diameter 2 [mm]
Inner diameter 1 [mm]
Length [mm]

Elastomer
86
25
125
Wheel Side
Front Axle

References

1H0 407 285 A

1H0 407 285 B



Application info

A3 [8L1] [09/96-05/03]

Boot, C.V. joint

100 407 0028 | MTX0047

Notes

Inner diameter 2 [mm]
Inner diameter 1 [mm]
Length [mm]

Elastomer
76
20
80
Wheel Side
Front Axle

References

321 407 285 D



Application info

80/90 [81, 85, B2] [08/78-10/88]

4

100 501 0004 | MTX0052

Boot, C.V. joint



Notes

Inner diameter 2 [mm]
Inner diameter 1 [mm]
Length [mm]

Elastomer
94
21
97
Transmission End
Front Axle

References

191 498 201 D

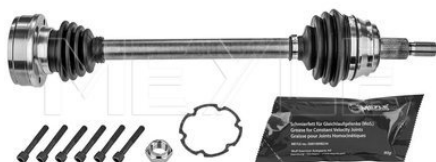
Application info

80 (8C, 8G7, B4) (05/91-08/00)
80/90 (81, 85, B2) (08/78-10/88)

80/90 (89, 89Q, 8A, B3) (06/86-12/96)

100 498 0652 | MDS0077

Drive shaft



Notes

Seal Diameter [mm]
Length [mm]
Outer gearing wheel side

53
555
36
Front Axle Left

References

1J0 407 271 AH
1J0 407 271 AM

1J0 407 271 Q

Parts list

100 498 0052 | MCV0021
100 498 0182 | MCV0063

C.V. joint kit
C.V. joint kit

Application info

A3 (8L1) (09/96-05/03)

100 498 0627 | MDS0071

Drive shaft



Notes

Seal Diameter [mm]
Length [mm]
Outer gearing wheel side

53
520
36
Front Axle Left

References

1J0 407 271 EP
1J0 407 451 GX

1J0 407 451 HX

Parts list

100 498 0121 | MCV0052

C.V. joint kit

Counterpart

100 498 0685 | MDS0086



4

Drive shaft

100 498 0627 | MDS0071

Application info

A3 (8L1) [09/96-05/03]

TT (8N3, 8N9) [10/98-06/06]

Drive shaft

100 498 0637 | MDS0074

Notes

Seal Diameter [mm] 59.5
Length [mm] 479.5
Outer gearing wheel side 36
Front Axle Left

References

1K0 407 271 BF 1K0 407 271 LG
1K0 407 271 KA 1K0 407 271 NT

Parts list

100 498 0193 | MCV0070 C.V. joint kit
100 498 0209 | MCV0082 C.V. joint kit

Counterpart

100 498 0664 | MDS0085



Application info

A3 (8P1, 8PA) [05/03-08/12]

TT (8J3, 8J9) [08/06-06/10]

Drive shaft

100 498 0140 | MDS0003

Notes

Seal Diameter [mm] 59.5
Length [mm] 587.5
Outer teething differential side 26
Outer gearing wheel side 36
Front Axle Left

References

1K0 407 271 CQ 1K0 407 451 PX

Parts list

100 498 0195 | MCV0071 C.V. joint kit
100 498 0203 | MCV0078 C.V. joint kit

Counterpart

100 498 0141 | MDS0004



Application info

A3 (8P1, 8PA) [05/03-08/12]

4

100 498 0610 | MDS0065

Drive shaft



Notes

Seal Diameter [mm]	59.5
Length [mm]	487
Outer gearing wheel side	36
	Front Axle Left

References

1K0 407 271 ES	1K0 407 271 NQ
1K0 407 271 HM	

Counterpart

100 498 0613 | MDS0067

Application info

A3 (8P1, 8PA) (05/03-08/12)

100 498 0668 | MDS0082

Drive shaft



Notes

Number of Teeth, ABS ring	45
Seal Diameter [mm]	53
Length [mm]	602
Outer gearing wheel side	33
	Front Axle Left

References

800 407 271 AN	800 407 271 DJ
800 407 271 BJ	800 407 271 DP
800 407 271 CL	800 407 451 FX

Parts list

100 498 0183 MCV0064	C.V. joint kit
------------------------	----------------

Counterpart

100 498 0671 | MDS0083

Application info

A4 (802, 805, B5) (11/94-09/01)

4



Drive shaft

100 498 0666 | MDS0080

Notes

Number of Teeth, ABS ring	45
Seal Diameter [mm]	53
Length [mm]	614
Outer gearing wheel side	33
Front Axle Left	

References

800 407 271 AP	800 407 451 V
800 407 271 BA	800 407 453 aX

Parts list

100 498 0018 MCV0017	C.V. joint kit
100 498 0069 MCV0036	C.V. joint kit

Counterpart

100 498 0698 | MDS0090



Application info

A4 (802, 805, B5) [11/94-09/01]

4

Drive shaft

100 498 0706 | MDS0092

Notes

Number of Teeth, ABS ring	45
Seal Diameter [mm]	53
Length [mm]	614
Outer gearing wheel side	33
Front Axle Left	

References

800 407 271 AQ	800 407 451 AX
800 407 451 AV	

Parts list

100 498 0062 MCV0030	C.V. joint kit
100 498 0069 MCV0036	C.V. joint kit

Counterpart

100 498 0696 | MDS0089



Application info

A4 (802, 805, B5) [11/94-09/01]

Drive shaft

100 498 0260 | MDS0160

Notes

Seal Diameter [mm]	76.5
Length [mm]	528.5
Outer gearing wheel side	42
Front Axle Right	
Front Axle Left	

References

8R0 407 271	8R0 407 271 BX
8R0 407 271 B	



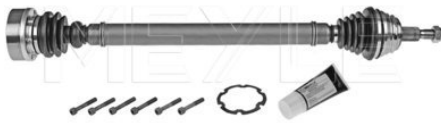
100 498 0260 | MDS0160

Drive shaft

Application info
Q5 (8R) (11/08--)

100 498 0148 | MDS0010

Drive shaft



Notes

Seal Diameter [mm]	53.2
Length [mm]	822
Outer gearing wheel side	36
	Front Axle Right

References

1J0 407 272	1J0 407 272 JK
-------------	----------------

Counterpart

100 498 0147 | MDS0009

Application info

A3 (8L1) (09/96-05/03)

100 498 0686 | MDS0087

Drive shaft



Notes

Length [mm]	810.5
Outer gearing wheel side	36
	Front Axle Right

References

1J0 407 272 CT	1J0 407 452 GX
----------------	----------------

Parts list

100 498 0061 MCV0029	C.V. joint kit
100 498 0179 MCV0060	C.V. joint kit

Application info

A3 (8L1) (09/96-05/03)

TT (8N3, 8N9) (10/98-06/06)



Drive shaft

100 498 0685 | MDS0086

Notes

Seal Diameter [mm]	53
Length [mm]	806
Outer gearing wheel side	36
	Front Axle Right

References

1J0 407 272 BJ	1J0 407 452 KX
1J0 407 272 GD	1J0 407 452 QX

Parts list

100 498 0121 MCV0052	C.V. joint kit
------------------------	----------------

Counterpart

100 498 0627 MDS0071



Application info

A3 (8L1) (09/96-05/03)

TT (8N3, 8N9) (10/98-06/06)

Drive shaft

100 498 0649 | MDS0075

Notes

Seal Diameter [mm]	59.5
Length [mm]	814
Outer gearing wheel side	36
	Front Axle Right

References

1K0 407 272 CC	1K0 407 272 F
1K0 407 272 EC	

Parts list

100 498 0195 MCV0071	C.V. joint kit
100 498 0197 MCV0073	C.V. joint kit



Application info

A3 (8P1, 8PA) (05/03-08/12)

Drive shaft

100 498 0141 | MDS0004

Notes

Seal Diameter [mm]	59.5
Length [mm]	884
Outer teething differential side	26
Outer gearing wheel side	36
	Front Axle Right

References

1K0 407 272 FS	1K0 407 452 QX
----------------	----------------

Parts list

100 498 0195 MCV0071	C.V. joint kit
100 498 0203 MCV0078	C.V. joint kit

Counterpart

100 498 0140 MDS0003



4



100 498 0141 | MDS0004

Drive shaft

Application info

A3 (8P1, 8PA) (05/03-08/12)

100 498 0684 | MDS0085

Drive shaft



Notes

Seal Diameter [mm]	59.5
Length [mm]	755
Outer gearing wheel side	36
	Front Axle Right

References

1K0 407 272 KG	1K0 407 272 QF
1K0 407 272 NK	

Parts list

100 498 0209 MCV0082	C.V. joint kit
------------------------	----------------

Counterpart

100 498 0637 | MDS0074

Application info

A3 (8P1, 8PA) (05/03-08/12)

100 498 0613 | MDS0067

Drive shaft



Notes

Seal Diameter [mm]	59.5
Length [mm]	793
Outer gearing wheel side	36
	Front Axle Right

References

1K0 407 272 KJ	1K0 407 272 TK
1K0 407 272 RL	1K0 407 454 NX

Counterpart

100 498 0610 MDS0065
100 498 0612 MDS0066

Application info

A3 (8P1, 8PA) (05/03-08/12)



Drive shaft

100 498 0671 | MDS0083

Notes

Number of Teeth, ABS ring	45
Seal Diameter [mm]	53
Length [mm]	622
Outer gearing wheel side	33
Front Axle Right	

References

800 407 272 AN	800 407 272 DJ
800 407 272 BJ	800 407 272 DP
800 407 272 CL	800 407 452 FX

Parts list

100 498 0069 MCV0036	C.V. joint kit
------------------------	----------------

Counterpart

100 498 0668 MDS0082



Application info

A4 (802, 805, B5) (11/94-09/01)

Drive shaft

100 498 0698 | MDS0090

Notes

Number of Teeth, ABS ring	45
Seal Diameter [mm]	53
Length [mm]	636
Outer gearing wheel side	33
Front Axle Right	

References

800 407 272 AP	800 407 454 x
800 407 272 DL	

Parts list

100 498 0018 MCV0017	C.V. joint kit
100 498 0069 MCV0036	C.V. joint kit

Counterpart

100 498 0666 MDS0080



Application info

A4 (802, 805, B5) (11/94-09/01)

4

100 498 0696 | MDS0089

Drive shaft



Notes

Number of Teeth, ABS ring	45
Seal Diameter [mm]	53
Length [mm]	634
Outer gearing wheel side	33
	Front Axle Right

References

800 407 272 A0	800 407 452 AX
800 407 452 AV	

Parts list

100 498 0062 MCV0030	C.V. joint kit
100 498 0069 MCV0036	C.V. joint kit

Counterpart

100 498 0706 | MDS0092

Application info

A4 (802, 805, 85) [11/94-09/01]

100 498 0147 | MDS0009

Drive shaft



Notes

Seal Diameter [mm]	53.2
Length [mm]	557
Outer gearing wheel side	36
	Front Axle Left

References

1J0 407 271 AP	1J0 407 271 JD
1J0 407 271 H	1J0 407 451 AX

Counterpart

100 498 0148 | MDS0010

Application info

A3 (8L1) [09/96-05/03]

100 498 0612 | MDS0066

Drive shaft



Notes

Seal Diameter [mm]	59.5
Length [mm]	484
Internal Teeth, wheel side	36
	Front Axle Left

References

1K0 407 451 DX	1K0 407 451 TX
----------------	----------------

Counterpart

100 498 0613 | MDS0067



Drive shaft

100 498 0612 | MDS0066

Application info

A3 (8P1, 8PA) (05/03-08/12)

Drive shaft

100 498 0146 | MDS0008

Notes

Number of Teeth, ABS ring	45
Seal Diameter [mm]	59.5
Length [mm]	603
Outer gearing wheel side	38
Front Axle Left	

References

800 407 271 AJ	800 407 451 CV
800 407 271 BB	800 407 451 CX
800 407 271 DT	800 407 451 LX

Counterpart

100 498 0145 | MDS0007



Application info

A4 (802, 805, 85) (11/94-09/01)

Drive shaft

100 498 0145 | MDS0007

Notes

Number of Teeth, ABS ring	45
Seal Diameter [mm]	59.5
Length [mm]	624
Outer gearing wheel side	38
Front Axle Right	

References

800 407 272 AJ	800 407 452 CV
800 407 272 BB	800 407 452 CX
800 407 272 DT	

Counterpart

100 498 0146 | MDS0008



Application info

A4 (802, 805, 85) (11/94-09/01)

4

100 498 0052 | MCV0021

C.V. joint kit



Notes

Seal Diameter [mm]
Outer diameter [mm]
Length [mm]
Internal Teeth, wheel side
Outer gearing wheel side

CV Joint
without ABS ring
53
81
129.5
30
36
Wheel Side

References

1J0 498 099

1J0 498 099 A

Application info

A3 (8L1) (09/96-05/03)

100 498 0121 | MCV0052

C.V. joint kit



Notes

Seal Diameter [mm]
Outer diameter [mm]
Length [mm]
Internal Teeth, wheel side
Outer gearing wheel side

CV Joint
without ABS ring
53
98
142.5
27
36
Wheel Side

References

1J0 407 311 R
1J0 498 099 E

1J0 498 099 EX

Application info

A3 (8L1) (09/96-05/03)

TT (8N3, 8N9) (10/98-06/06)

100 498 0195 | MCV0071

C.V. joint kit



Notes

Seal Diameter [mm]
Outer diameter [mm]
Length [mm]
Internal Teeth, wheel side
Outer gearing wheel side

CV Joint
without ABS ring
59.5
90
95.5
30
36
Wheel Side

References

1K0 407 311 L
1K0 498 099
1K0 498 099 A

1K0 498 099 AX
1K0 498 099 E
1K0 498 099 X



C.V. joint kit

100 498 0195 | MCV0071

Application info

A3 (8P1, 8PA) [05/03-08/12]

C.V. joint kit

100 498 0193 | MCV0070

Notes

	CV Joint without ABS ring
Seal Diameter [mm]	59.5
Outer diameter [mm]	97.5
Length [mm]	106
Internal Teeth, wheel side	27
Outer gearing wheel side	36
	Wheel Side

References

1K0 407 311 J	1K0 498 099 BX
1K0 498 099 B	1KM 498 099



Application info

A3 (8P1, 8PA) [05/03-08/12]

C.V. joint kit

100 498 0058 | MCV0027

Notes

	CV Joint without ABS ring
Seal Diameter [mm]	51
Outer diameter [mm]	81
Length [mm]	129.8
Internal Teeth, wheel side	30
Outer gearing wheel side	22
	Wheel Side

References

321 498 099 B	811 498 099 E
321 498 099 E	811 498 099 F
321 498 099 EX	191 598 099
321 498 099 F	



Application info

80/90 (81, 85, B2) [08/78-10/88]

80/90 (89, 89Q, 8A, B3) [06/86-12/96]

100 498 0061 | MCV0029

C.V. joint kit



Notes

Seal Diameter [mm]
Outer diameter [mm]
Length [mm]
Internal Teeth, wheel side
Outer gearing wheel side

CV Joint
without ABS ring
53.2
90
138.5
30
36
Wheel Side

References

1H0 498 099 A
357 498 099 E

357 498 099 EV
357 498 099 EX

Application info

A3 (8L1) [09/96-05/03]

TT (8N3, 8N9) [10/98-06/06]

100 498 0088 | MCV0039

C.V. joint kit



Notes

Number of Teeth, ABS ring
Seal Diameter [mm]
Outer diameter [mm]
Length [mm]
Internal Teeth, wheel side
Outer gearing wheel side

CV Joint
with ABS ring
45
53
98
93
27
33
Wheel Side

References

800 407 305 M
380 498 099 B
380 498 099 BX

380 498 099 C
380 498 099 CX
380 498 099 H

Application info

A4 (802, 805, B5) [11/94-09/01]

A6 (4B, C5) [01/97-01/05]

100 498 0100 | MCV0040

C.V. joint kit



Notes

Seal Diameter [mm]
Outer diameter [mm]
Length [mm]
Internal Teeth, wheel side
Outer gearing wheel side

CV Joint
without ABS ring
56.5
90
146
25
26
Wheel Side

References

431 498 099 A
431 498 099 AX

803 498 099 A



C.V. joint kit

100 498 0100 | MCV0040

Application info

100/200 [44, 44Q, C3] [08/82-12/91]
80/90 [81, 85, B2] [08/78-10/88]

80/90 [89, 89Q, 8A, B3] [06/86-12/96]

C.V. joint kit

100 498 0105 | MCV0042

Notes

Number of Teeth, ABS ring	CV Joint 96 with ABS ring
Seal Diameter [mm]	56.5
Outer diameter [mm]	90
Length [mm]	146
Internal Teeth, wheel side	25
Outer gearing wheel side	26 Wheel Side



References

431 498 099 D 431 498 099 F
431 498 099 DX

Application info

100/200 [44, 44Q, C3] [08/82-12/91]

C.V. joint kit

100 498 0108 | MCV0043

Notes

Number of Teeth, ABS ring	CV Joint 45 with ABS ring
Seal Diameter [mm]	59.5
Outer diameter [mm]	90
Length [mm]	95.5
Internal Teeth, wheel side	25
Outer gearing wheel side	38 Wheel Side



References

443 498 099 B 443 498 099 C
443 498 099 BX 443 498 099 CX

Application info

100/200 [44, 44Q, C3] [08/82-12/91]

4

100 498 0116 | MCV0047

C.V. joint kit



Notes

Seal Diameter [mm]
Outer diameter [mm]
Length [mm]
Internal Teeth, wheel side
Outer gearing wheel side

CV Joint
without ABS ring
59.5
90
95.5
25
38
Wheel Side

References

443 498 099 D

443 498 099 DX

Application info

100/200 [44, 44Q, C3] [08/82-12/91]

100 498 0086 | MCV0038

C.V. joint kit



Notes

Number of Teeth, ABS ring
Seal Diameter [mm]
Outer diameter [mm]
Length [mm]
Internal Teeth, wheel side
Outer gearing wheel side

CV Joint
45
with ABS ring
59.5
98
103
27
38
Wheel Side

References

4A0 498 099
4A0 498 099 D

893 498 099 L
893 498 099 LX

Application info

100 [4A, C4] [12/90-07/94]
80 [8C, 8G7, B4] [05/91-08/00]
80/90 [89, 89Q, 8A, B3] [06/86-12/96]

A6 [4A, C4] [06/94-12/97]
V8 [D1] [10/88-02/94]

100 498 0063 | MCV0031

C.V. joint kit



Notes

Number of Teeth, ABS ring
Seal Diameter [mm]
Outer diameter [mm]
Length [mm]
Internal Teeth, wheel side
Outer gearing wheel side

CV Joint
45
with ABS ring
59.5
88
95
30
38
Wheel Side

References

4A0 407 305 A
4A0 498 099 B

4A0 498 099 C
4A0 498 099 J





C.V. joint kit

100 498 0063 | MCV0031

Application info

100 [4A, C4] [12/90-07/94]

A6 [4A, C4] [06/94-12/97]

C.V. joint kit

100 498 0064 | MCV0032

Notes

Number of Teeth, ABS ring

CV Joint
45
with ABS ring

Seal Diameter [mm]

59.5

Outer diameter [mm]

98

Length [mm]

97.5

Internal Teeth, wheel side

27

Outer gearing wheel side

38

References

400 407 305 B

800 498 099 D

400 498 099

800 498 099 E

400 498 099 A

8E0 498 099 A

400 498 099 AX

8E0 498 099 G

400 498 099 X

400 598 099



Application info

A4 [802, 805, B5] [11/94-09/01]

A4 [8E2, 8E5, B6] [10/00-12/04]

A4 [8EC, 8ED] [11/04-06/08]

A6 [4B, C5] [01/97-01/05]

A8 [402, 408] [03/94-09/02]

Allroad [4BH] [05/00-08/05]

C.V. joint kit

100 498 0204 | MCV0079

Notes

Seal Diameter [mm]

CV Joint
without ABS ring
59.5

Outer diameter [mm]

100

Length [mm]

97

Internal Teeth, wheel side

27

Outer gearing wheel side

38

Wheel Side

References

4F0 498 099 A



Application info

A6 [4F2, 4FH, 4F5] [05/04-08/11]

A8 [4E] [10/02-07/10]

100 498 0241 | MCV0086

C.V. joint kit



Notes

Seal Diameter [mm]
Length [mm]
Internal Teeth, wheel side
Outer gearing wheel side

CV Joint
without ABS ring
59.5
104
29
38
Wheel Side

References

4F0 498 099 B

Application info

A6 [4F2, 4FH, 4F5] [05/04-08/11]

100 498 0212 | MCV0397

C.V. joint kit



Notes

Seal Diameter [mm]
Outer diameter [mm]
Thread Size
Length [mm]
Internal Teeth, wheel side
Outer gearing wheel side

CV Joint
without ABS ring
59.5
94
M16x1,5
99.5
33
36
Wheel Side

References

5M0 498 099

Application info

A3 [8P1, 8PA] [05/03-08/12]

A3 [8V1, 8VS, 8V7, 8PA] [04/12--]

100 498 0152 | MCV0054

C.V. joint kit



Notes

Seal Diameter [mm]
Outer diameter [mm]
Length [mm]
Internal Teeth, wheel side
Outer gearing wheel side

CV Joint
without ABS ring
43
69.9
101
26
20
Wheel Side

References

6E0 407 311

6E0 498 099

Application info

A2 [8Z0] [02/00-08/05]

C.V. joint kit

100 498 0112 | MCV0044

Notes

CV Joint
without ABS ring

Seal Diameter [mm] 52
Outer diameter [mm] 85
Length [mm] 123
Internal Teeth, wheel side 30
Outer gearing wheel side 36
Wheel Side

References

6Q0 498 099



Application info

A2 [8Z0] [02/00-08/05]

C.V. joint kit

100 498 0117 | MCV0048

Notes

CV Joint
without ABS ring

Seal Diameter [mm] 50.7
Outer diameter [mm] 86
Length [mm] 106
Internal Teeth, wheel side 30
Outer gearing wheel side 36
Wheel Side

References

6Q0 498 099 D 6R0 498 099

6Q0 498 099 DX



Application info

A2 [8Z0] [02/00-08/05]

C.V. joint kit

100 498 0118 | MCV0049

Notes

CV Joint
without ABS ring

Seal Diameter [mm] 52
Outer diameter [mm] 90
Length [mm] 113.5
Internal Teeth, wheel side 30
Outer gearing wheel side 36
Wheel Side

References

6Q0 498 099 E 6Q0 498 099 EX



Application info

A1 [8X1, 8XA] [05/10--]
A2 [8Z0] [02/00-08/05]

A3 [8L1] [09/96-05/03]

4

100 498 0119 | MCV0050

C.V. joint kit



Notes

Seal Diameter [mm]
Outer diameter [mm]
Length [mm]
Internal Teeth, wheel side
Outer gearing wheel side

CV Joint
without ABS ring
52
98
140
27
36
Wheel Side

References

6Q0 498 099 F

Application info

A3 [8L1] [09/96-05/03]

100 498 0157 | MCV0059

C.V. joint kit



Notes

Seal Diameter [mm]
Outer diameter [mm]
Length [mm]
Internal Teeth, wheel side
Outer gearing wheel side

CV Joint
without ABS ring
64
100
167
27
30
Wheel Side

References

7L0 498 099 A

7L0 498 099 C

Application info

Q7 [4L] [03/06-05/12]

100 498 0153 | MCV0055

C.V. joint kit



Notes

Seal Diameter [mm]
Length [mm]
Internal Teeth, wheel side
Outer gearing wheel side

CV Joint
without ABS ring
64
175.5
29
30
Wheel Side

References

7L6 407 321 E
7L6 498 099 A

7L6 498 099 C

Application info

Q7 [4L] [03/06-05/12]



C.V. joint kit

100 498 0015 | MCV0014

Notes

	CV Joint without ABS ring
Seal Diameter [mm]	53
Outer diameter [mm]	81
Length [mm]	82
Internal Teeth, wheel side	30
Outer gearing wheel side	33
	Wheel Side

References

893 498 099 E



Application info

80/90 [89, 89Q, 8A, B3] [06/86-12/96]

C.V. joint kit

100 498 0102 | MCV0041

Notes

	CV Joint with ABS ring
Number of Teeth, ABS ring	45
Seal Diameter [mm]	53
Outer diameter [mm]	81
Length [mm]	82
Internal Teeth, wheel side	30
Outer gearing wheel side	33
	Wheel Side

References

893 498 099 G
893 498 099 GX

895 498 099 B



Application info

80 [8C, 8G7, B4] [05/91-08/00]

80/90 [89, 89Q, 8A, B3] [06/86-12/96]

C.V. joint kit

100 498 0014 | MCV0013

Notes

	CV Joint without ABS ring
Seal Diameter [mm]	53
Outer diameter [mm]	88
Length [mm]	91
Internal Teeth, wheel side	30
Outer gearing wheel side	33
	Wheel Side

References

893 498 099 B
893 498 099 F

893 498 099 H



100 498 0014 | MCV0013

C.V. joint kit

Application info

80 [8C, 8G7, B4] [05/91-08/00]

80/90 [89, 89Q, 8A, B3] [06/86-12/96]

100 498 0057 | MCV0026

C.V. joint kit



Notes

Number of Teeth, ABS ring	CV Joint 45 with ABS ring
Seal Diameter [mm]	53
Outer diameter [mm]	88
Length [mm]	93
Internal Teeth, wheel side	30
Outer gearing wheel side	33
	Wheel Side

References

893 498 099 M	895 498 099 H
893 498 099 MX	8A0 498 099
895 498 099 A	8A0 498 099 X

Application info

80 [8C, 8G7, B4] [05/91-08/00]

80/90 [89, 89Q, 8A, B3] [06/86-12/96]

100 498 0181 | MCV0062

C.V. joint kit



Notes

Number of Teeth, ABS ring	CV Joint 45 with ABS ring
Seal Diameter [mm]	53
Outer diameter [mm]	88
Length [mm]	93
Internal Teeth, wheel side	30
Outer gearing wheel side	33
	Wheel Side

References

893 498 099 P	893 498 099 PX
---------------	----------------

Application info

80 [8C, 8G7, B4] [05/91-08/00]

A4 [802, 805, B5] [11/94-09/01]

C.V. joint kit
100 498 0069 | MCV0036
Notes

Number of Teeth, ABS ring	CV Joint 45 with ABS ring
Seal Diameter [mm]	53
Outer diameter [mm]	89
Length [mm]	92
Internal Teeth, wheel side	30
Outer gearing wheel side	33 Wheel Side

References

3B0 498 099 A	8D0 498 099 B
8D0 498 099	8D0 498 099 BX


Application info

A4 [8D2, 8D5, B5] [11/94-09/01]

A6 [4B, C5] [01/97-01/05]

C.V. joint kit
100 498 0180 | MCV0061
Notes

Number of Teeth, ABS ring	CV Joint 45 with ABS ring
Seal Diameter [mm]	56.5
Outer diameter [mm]	89
Length [mm]	93.5
Internal Teeth, wheel side	30
Outer gearing wheel side	38 Wheel Side

References

8D0 498 099 C


Application info

A4 [8D2, 8D5, B5] [11/94-09/01]

A6 [4B, C5] [01/97-01/05]

C.V. joint kit
100 498 0206 | MCV0081
Notes

Number of Teeth, ABS ring	CV Joint 45 with ABS ring
Seal Diameter [mm]	59.5
Outer diameter [mm]	100
Length [mm]	102
Internal Teeth, wheel side	27
Outer gearing wheel side	38 Wheel Side

References

8E0 407 305 B	8E0 498 099 CX
8E0 498 099 C	



100 498 0206 | MCV0081

C.V. joint kit

Application info

A4 (8E2, 8E5, B6) [10/00-12/04]
A4 (8EC, 8ED) [11/04-06/08]

A4 (8H7) [04/02-03/09]

100 498 0190 | MCV0068

C.V. joint kit



Notes

Number of Teeth, ABS ring

Seal Diameter [mm]
Outer diameter [mm]
Length [mm]
Internal Teeth, wheel side
Outer gearing wheel side

CV Joint
45
with ABS ring
59.5
87.9
89
33
38
Wheel Side

References

8E0 407 305 A
8E0 498 099

8E0 498 099 D

Application info

A4 (8E2, 8E5, B6) [10/00-12/04]
A4 (8EC, 8ED) [11/04-06/08]

A4 (8H7) [04/02-03/09]

100 498 0238 | MCV0083

C.V. joint kit



Notes

Seal Diameter [mm]
Outer diameter [mm]
Length [mm]
Internal Teeth, wheel side
Outer gearing wheel side

CV Joint
without ABS ring
76.5
106
95.5
29
42
Wheel Side

References

8K0 498 099 A

Application info

A4 (8K2, 8K5, 8KH) [11/07--]
A5 (8F, 8T) [06/07--]
A6 (4G2, 4G5, C7) [11/10-05/13]

A7 Sportback (4GA) [10/10--]
A8 (4H_) [11/09--]
Q5 (8R) [11/08--]



C.V. joint kit

100 498 0239 | MCV0084

Notes

	CV Joint without ABS ring
Seal Diameter [mm]	76.5
Outer diameter [mm]	88
Length [mm]	79.5
Internal Teeth, wheel side	33
Outer gearing wheel side	42
	Wheel Side

References

8K0 498 099 B	8K0 498 099 BX
---------------	----------------



Application info

A4 [8K2, 8K5, 8KH] [11/07--]
A5 [8F, 8T] [06/07--]

Q5 [8R] [11/08--]

C.V. joint kit

100 498 0240 | MCV0085

Notes

	CV Joint without ABS ring
Seal Diameter [mm]	76.5
Length [mm]	88.5
Internal Teeth, wheel side	27
Outer gearing wheel side	42
	Wheel Side

References

8K0 498 099 C



Application info

A4 [8K2, 8K5, 8KH] [11/07--]

C.V. joint kit

100 498 0202 | MCV0077

Notes

	CV Joint without ABS ring
Seal Diameter [mm]	53
Length [mm]	105
Internal Teeth, wheel side	27
Outer gearing wheel side	36
	Wheel Side

References

8N0 498 099	8N0 498 099 AX
8N0 498 099 A	



Application info

TT [8J3, 8J9] [08/06-06/10]

TT [8N3, 8N9] [10/98-06/06]

100 498 0018 | MCV0017

C.V. joint kit



Notes

Outer diameter [mm]
Length [mm]
Int.teeth, diff.side, conn.to
conn.shaft

CV Joint
without ABS ring
100
34
33
Transmission End

References

191 498 103	321 498 103 D
191 498 103 C	357 498 103
191 498 103 CV	357 498 103 A
191 498 103 CX	357 498 103 B
191 498 103 X	357 498 103 BX
1K0 498 103	357 498 103 V
1K0 498 103 X	191 498 104 C

Application info

80 [8C, 8G7, 84] [05/91-08/00]
A3 [8L1] [09/96-05/03]
A3 [8P1, 8PA] [05/03-08/12]

A4 [8D2, 8D5, 85] [11/94-09/01]
TT [8J3, 8J9] [08/06-06/10]
TT [8N3, 8N9] [10/98-06/06]

100 498 0182 | MCV0063

C.V. joint kit



Notes

Outer diameter [mm]
Length [mm]
Int.teeth, diff.side, conn.to
conn.shaft

CV Joint
without ABS ring
94
32
33
Transmission End

References

1J0 498 103	1K0 498 103 B
-------------	---------------

Application info

A3 [8L1] [09/96-05/03]

100 498 0203 | MCV0078

C.V. joint kit



Notes

Length [mm]
Outer teething differential side
Int.teeth, diff.side, conn.to
conn.shaft

Tripot Joint
without ABS ring
153.5
26
32
Transmission End

References

1K0 498 103 C

C.V. joint kit

100 498 0203 | MCV0078

Application info

A3 (8P1, 8PA) (05/03-08/12)

C.V. joint kit

100 498 0209 | MCV0082

Notes

Joint diameter [mm]	80
	Tripot Joint without ABS ring
Length [mm]	88
Int.teeth, diff.side, conn.to conn.shaft	34
	Transmission End

References

1K0 498 103 E	3C0 498 103 F
---------------	---------------



Application info

A3 (8P1, 8PA) (05/03-08/12)

C.V. joint kit

100 498 0016 | MCV0015

Notes

	CV Joint without ABS ring
Outer diameter [mm]	94
Length [mm]	32
Int.teeth, diff.side, conn.to conn.shaft	33
	Transmission End

References

171 498 103 C	321 498 350 X
171 498 103 CX	113 598 101
321 498 103	JZW 498 350 AX
321 498 103 A	ZBC 407 331
321 498 103 X	



Application info

80 (8C, 8G7, 84) (05/91-08/00)
80/90 (81, 85, 82) (08/78-10/88)

80/90 (89, 89Q, 8A, B3) (06/86-12/96)

100 498 0062 | MCV0030

C.V. joint kit



Notes

Outer diameter [mm]
Length [mm]
Int.teeth, diff.side, conn.to
conn.shaft

CV Joint
without ABS ring
108
32

28
Transmission End

References

431 498 103 C
431 498 103 CX
443 498 103 A

431 498 104 CX
251 598 101 A

Application info

100 [4A, C4] [12/90-07/94]
100/200 [44, 44Q, C3] [08/82-12/91]
80 [8C, 8G7, B4] [05/91-08/00]
80/90 [81, 85, B2] [08/78-10/88]
80/90 [85] [07/80-07/91]

80/90 [89, 89Q, 8A, B3] [06/86-12/96]
A4 [8D2, 8D5, B5] [11/94-09/01]
A6 [4A, C4] [06/94-12/97]
A6 [4B, C5] [01/97-01/05]
V8 [01] [10/88-02/94]

100 498 0197 | MCV0073

C.V. joint kit



Notes

Outer diameter [mm]
Length [mm]
Int.teeth, diff.side, conn.to
conn.shaft

CV Joint
without ABS ring
100
34

33
Transmission End

References

6X0 498 103

Application info

A3 [8P1, 8PA] [05/03-08/12]

100 498 0114 | MCV0046

C.V. joint kit



Notes

Outer diameter [mm]
Length [mm]
Int.teeth, diff.side, conn.to
conn.shaft

CV Joint
without ABS ring
100
34

33
Transmission End

References

321 498 103 B
811 498 103 A

893 498 103
893 498 103 X

C.V. joint kit
100 498 0114 | MCV0046
Application info

 80 [8C, 8G7, B4] [05/91-08/00]
 80/90 [81, 85, B2] [08/78-10/88]

80/90 [89, 89Q, 8A, B3] [06/86-12/96]

C.V. joint kit
100 498 0205 | MCV0080
Notes

 Outer diameter [mm]
 Length [mm]
 Int.teeth, diff.side, conn.to
 conn.shaft

 CV Joint
 without ABS ring
100
32
33
 Transmission End

References

 800 498 103
 800 498 103 A

800 498 103 AX


Application info

 100 [4A, C4] [12/90-07/94]
 100/200 [44, 44Q, C3] [08/82-12/91]
 80 [8C, 8G7, B4] [05/91-08/00]

 A4 [802, 805, B5] [11/94-09/01]
 A6 [4A, C4] [06/94-12/97]

C.V. joint kit
100 498 0051 | MCV0020
Notes

 Outer diameter [mm]
 Length [mm]
 Int.teeth, diff.side, conn.to
 conn.shaft

 CV Joint
 without ABS ring
100
34
33
 Transmission End

References

 321 498 103 C
 321 498 103 CX
 191 498 104
 191 498 104 A
 191 498 104 X

 357 498 104
 357 498 104 V
 357 498 104 X
 535 498 104

Application info

A3 [8L1] [09/96-05/03]

4

100 152 1002 | MPJ0101

Joint, propeller shaft



Notes

Outer diameter [mm]
Bolt Hole Circle Ø [mm]
Number of Holes

Kit
with add-on material
Disc Joint
150
105
6
Front

References

1J0 521 127 A

Application info

A3 [8L1] [09/96-05/03]

TT [8N3, 8N9] [10/98-06/06]

100 140 0001 | MTX0044

A/T gasket



Notes

Elastomer
Automatic Transmission,
6-speed
for vehicles with direct shift
gear box

References

02E 321 371 E

Application info

A3 [8P1, 8PA] [05/03-08/12]

TT [8N3, 8N9] [10/98-06/06]

100 325 0004 | MTX0045

A/T gasket



Notes

Automatic Transmission,
4-speed

References

01M 325 443

Application info

80 [8C, 8G7, B4] [05/91-08/00]
80/90 [81, 85, B2] [08/78-10/88]
80/90 [89, 89Q, 8A, B3] [06/86-12/96]
A3 [8L1] [09/96-05/03]

A4 [8D2, 8D5, B5] [11/94-09/01]
A6 [4A, C4] [06/94-12/97]
A6 [4B, C5] [01/97-01/05]

Hydraulic filter kit, A/T
100 137 1004 | MHK0047
Notes

Transmission Type	Kit
Transmission Type	DSG
Transmission Type	DL501
	0B5
	7-Speed dual-clutch transmission
Manufacturer Restriction	Audi S-Tronic

References

0B5 325 060 C	0B5 398 060
0B5 325 330 A	


Application info

A4 [8K2, 8K5, 8KH] [11/07--]
 A5 [8F, 8T] [06/07--]
 A6 [4G2, 4G5, C7] [11/10-05/13]

A7 Sportback [4GA] [10/10--]
 Q5 [8R] [11/08--]

Hydraulic filter kit, A/T
100 137 1003 | MHK0046
Notes

Transmission Type	Kit
Transmission Type	DSG
Transmission Type	0B5
	DL501
	7-Speed dual-clutch transmission
Manufacturer Restriction	Audi S-Tronic

References

0B5 325 330 A	0B5 398 060 A
---------------	---------------


Application info

A4 [8K2, 8K5, 8KH] [11/07--]
 A5 [8F, 8T] [06/07--]
 A6 [4G2, 4G5, C7] [11/10-05/13]

A7 Sportback [4GA] [10/10--]
 Q5 [8R] [11/08--]

Hydraulic filter kit, A/T
100 137 0008 | MHK0015
Notes

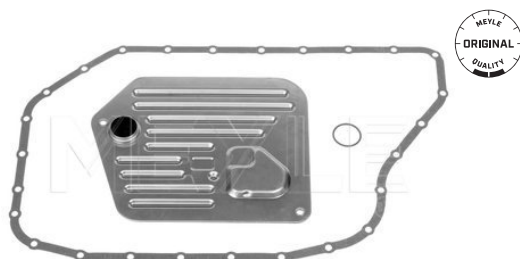
Number of mounting bores	26
	Kit
	with seal
Transmission Type	5HP24 FLA
	Automatic Transmission,
	5-speed
Manufacturer Restriction	ZF

References

01L 325 429 B

Parts list

100 139 0001 MMX0430	A/T oil pan gasket
100 136 0008 MHF0015	Hydraulic filter, A/T



100 137 0008 | MHK0015

Hydraulic filter kit, A/T

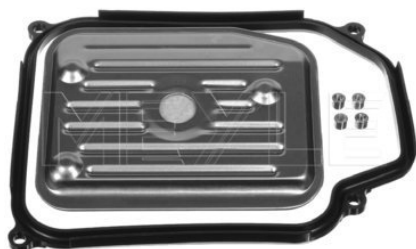
Application info

A6 [4B, C5] [01/97-01/05]
A6 [4F2, 4FH, 4F5] [05/04-08/11]

A8 [4D2, 4D8] [03/94-09/02]

100 398 0006 | MHK0023

Hydraulic filter kit, A/T



Notes

Number of mounting bores	4
Transmission Type	Kit with seal AG4 Automatic Transmission, 4-speed
Manufacturer Restriction	VW with fastening material

References

01M 325 429

Parts list

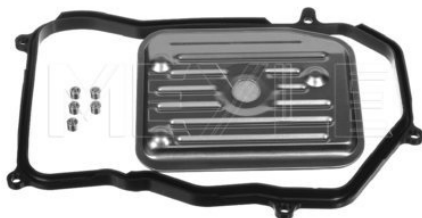
100 321 0001 MMX0463	A/T oil pan gasket
100 325 0001 MHF0018	Hydraulic filter, A/T

Application info

A3 [8L1] [09/96-05/03]

100 398 0009 | MHK0025

Hydraulic filter kit, A/T



Notes

Number of mounting bores	5
Transmission Type	Kit with seal AG4 Automatic Transmission, 4-speed
Manufacturer Restriction	VW with fastening material

References

01M 325 429

Parts list

100 321 0003 MMX0465	A/T oil pan gasket
100 325 0001 MHF0018	Hydraulic filter, A/T

Application info

80 [8C, 8G7, B4] [05/91-08/00]
80/90 [89, 89Q, 8A, B3] [06/86-12/96]

A4 [802, 805, B5] [11/94-09/01]



Hydraulic filter kit, A/T

100 398 0010 | MHK0026

Notes

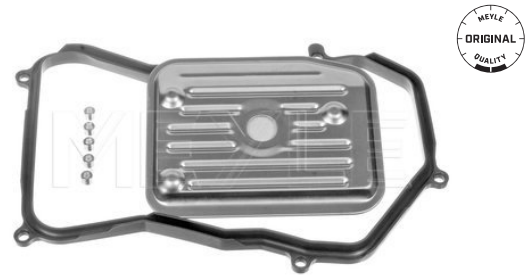
Number of mounting bores	5
Transmission Type	Kit with seal AG4 Automatic Transmission, 4-speed
Manufacturer Restriction	VW with fastening material

References

01M 325 429

Parts list

100 321 0007 MMX0469	A/T oil pan gasket
100 325 0001 MHF0018	Hydraulic filter, A/T



Application info

80 [8C, 8G7, B4] [05/91-08/00]
80/90 [89, 89Q, 8A, B3] [06/86-12/96]

A6 [4A, C4] [06/94-12/97]

Hydraulic filter kit, A/T

100 398 0003 | MHK0021

Notes

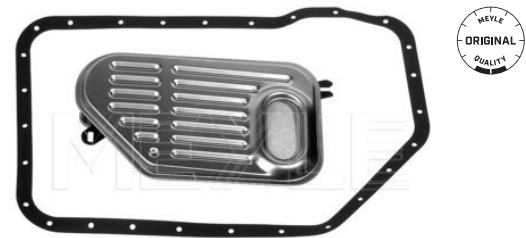
Number of mounting bores	27
Transmission Type	Kit with seal 5HP19 Automatic Transmission, 5-speed
Manufacturer Restriction	ZF

References

01V 325 429

Parts list

100 321 0004 MMX0466	A/T oil pan gasket
100 325 0005 MHF0020	Hydraulic filter, A/T



Application info

A4 [8D2, 8D5, B5] [11/94-09/01]
A4 [8E2, 8E5, B6] [10/00-12/04]
A4 [8EC, 8ED] [11/04-06/08]
A4 [8H7] [04/02-03/09]

A6 [4B, C5] [01/97-01/05]
A6 [4F2, 4FH, 4F5] [05/04-08/11]
A8 [4D2, 4D8] [03/94-09/02]
Allroad [4BH] [05/00-08/05]

100 398 0002 | MHK0020

Hydraulic filter kit, A/T



Notes

Number of mounting bores	5
Transmission Type	Kit with seal AG4 Automatic Transmission, 4-speed
Manufacturer Restriction	VW with fastening material

References

095 325 429 D

Parts list

100 321 0007 MMX0469	A/T oil pan gasket
100 325 0002 MHF0019	Hydraulic filter, A/T

Application info

100 [4A, C4] [12/90-07/94]
80 [8C, 8G7, B4] [05/91-08/00]

80/90 [89, 89Q, 8A, B3] [06/86-12/96]
A6 [4A, C4] [06/94-12/97]

100 137 0001 | MHK0011

Hydraulic filter kit, A/T



Notes

Number of mounting bores	8
Transmission Type	Kit with seal TF-61SN TF-60SN 09M 09G Automatic Transmission, 6-speed
Manufacturer Restriction	AISIN with fastening material

References

09G 325 429

Parts list

100 139 0002 MMX0431	A/T oil pan gasket
100 325 0007 MHF0022	Hydraulic filter, A/T

Application info

A3 [8P1, 8PA] [05/03-08/12]

TT [8N3, 8N9] [10/98-06/06]

Hydraulic filter kit, A/T

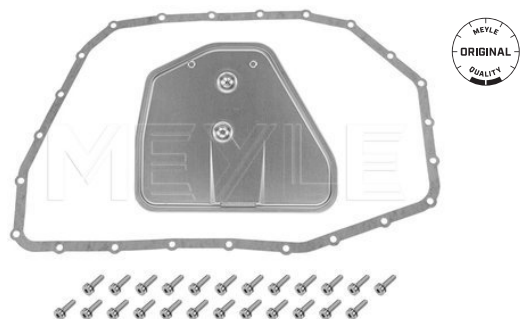
100 137 0111 | MHK0058

Notes

Number of mounting bores 24
 Kit
 Transmission Type 6HP19 A
 Automatic Transmission,
 6-speed
 Manufacturer Restriction ZF

References

09L 325 429



Application info

A4 [8E2, 8E5, B6] [10/00-12/04]
 A4 [8EC, 8ED] [11/04-06/08]
 A4 [8H7] [04/02-03/09]

A6 [4F2, 4FH, 4F5] [05/04-08/11]
 A8 [4E] [10/02-07/10]

Hydraulic filter kit, A/T

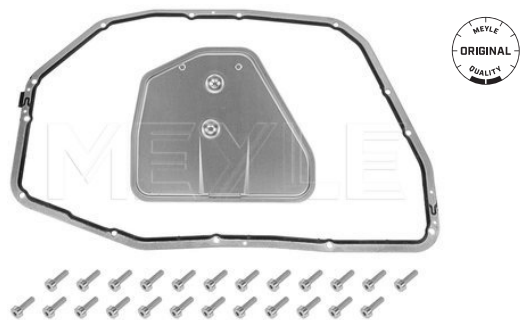
100 137 0112 | MHK0059

Notes

Number of mounting bores 24
 Kit
 Transmission Type 6HP19 A
 Automatic Transmission,
 6-speed
 Manufacturer Restriction ZF

References

09L 325 429



Application info

A4 [8E2, 8E5, B6] [10/00-12/04]
 A4 [8EC, 8ED] [11/04-06/08]
 A4 [8H7] [04/02-03/09]

A6 [4F2, 4FH, 4F5] [05/04-08/11]
 A8 [4E] [10/02-07/10]

Hydraulic filter kit, A/T

100 137 0012 | MHK0053

Notes

Number of mounting bores 13
 Kit
 with seal
 Transmission Type 6HP19
 Automatic Transmission,
 6-speed
 Manufacturer Restriction ZF

References

0AT 325 429

Parts list

100 321 0019 | MMX0474 A/T oil pan gasket
 100 325 0011 | MHF0026 Hydraulic filter, A/T



100 137 0012 | MHK0053

Hydraulic filter kit, A/T

Application info

Q7 [4L] [03/06-05/12]

100 137 0003 | MHK0013

Hydraulic filter kit, A/T



Notes

Number of mounting bores	15
Transmission Type	Kit with seal
Transmission Type	DL501
Manufacturer Restriction	0B5
	Automated Manual Transmission
	7-Speed Manual Transmission
	Dual-clutch transmission
	VW

References

0B5 325 429 E

Parts list

100 140 0003 | MMX0434 A/T oil pan gasket

Application info

A4 [8K2, 8K5, 8KH] [11/07--]
A5 [8F, 8T] [06/07--]
A6 [4G2, 4G5, C7] [11/10-05/13]

A7 Sportback [4GA] [10/10--]
Q5 [8R] [11/08--]

100 137 0009 | MHK0016

Hydraulic filter kit, A/T



Notes

Number of mounting bores	13
Transmission Type	Kit with seal
Transmission Type	0B6
Manufacturer Restriction	6HP28 AF
	Automatic Transmission,
	6-speed
	ZF

References

0B6 325 429

Parts list

100 140 0002 | MMX0433 A/T oil pan gasket
100 136 0009 | MHF0016 Hydraulic filter, A/T

Application info

A4 [8K2, 8K5, 8KH] [11/07--]
A5 [8F, 8T] [06/07--]

A6 [4F2, 4FH, 4F5] [05/04-08/11]
Q5 [8R] [11/08--]

Hydraulic filter kit, A/T

100 398 0004 | MHK0022

Notes

Transmission Type Kit with seal 4HP18 Automatic Transmission, 4-speed
 Manufacturer Restriction ZF

References

01F 325 433

Parts list

100 321 0005 | MMX0467 A/T oil pan gasket
 100 325 0008 | MHF0023 Hydraulic filter, A/T



Application info

100 [4A, C4] [12/90-07/94]
 A6 [4A, C4] [06/94-12/97]

A8 [4D2, 4D8] [03/94-09/02]

Hydraulic filter kit, A/T

100 137 0002 | MHK0012

Notes

Number of mounting bores 16
 Kit with seal
 Transmission Type TR-60SN
 Transmission Type 09D Automatic Transmission, 6-speed
 Manufacturer Restriction AISIN with fastening material

References

09D 325 435

Parts list

100 321 0010 | MMX0470 A/T oil pan gasket
 100 136 0002 | MHF0011 Hydraulic filter, A/T



Application info

Q7 [4L] [03/06-05/12]

Hydraulic filter kit, A/T

100 137 0010 | MHK0017

Notes

Number of mounting bores 11
 Kit with seal
 Transmission Type 0CB
 Transmission Type TR-80SD Automatic Transmission, 8-speed
 Manufacturer Restriction AISIN WARNER

References

0CB 325 435



100 137 0010 | MHK0017

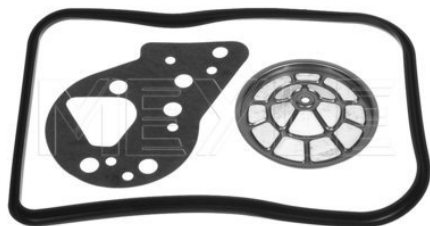
Hydraulic filter kit, A/T

Application info

Q7 [4L] [03/06-05/12]

100 398 0000 | MHK0018

Hydraulic filter kit, A/T



Notes

Transmission Type
Transmission Type
Transmission Type
Transmission Type

Kit
with seal
090
089
087
010
Automatic Transmission,
3-speed
VW

Manufacturer Restriction

References

010 398 009

Parts list

100 321 0002 | MMX0464

A/T oil pan gasket

Application info

100/200 [44, 44Q, C3] [08/82-12/91]

80/90 [81, 85, B2] [08/78-10/88]

100 137 0006 | MHK0014

Hydraulic filter kit, A/T



Notes

Number of mounting bores

12
Kit
with seal
0BK
BHP55 A
BHP55
Automatic Transmission,
8-speed
ZF

Transmission Type
Transmission Type
Transmission Type

Manufacturer Restriction

References

0BK 398 009

Parts list

100 139 0004 | MMX0432

100 136 0006 | MHF0014

A/T oil pan gasket
Hydraulic filter, A/T

Application info

A4 [8K2, 8K5, 8KH] [11/07--]
A5 [8F, 8T] [06/07--]
A6 [4G2, 4G5, C7] [11/10-05/13]

A7 Sportback [4GA] [10/10--]
A8 [4H_] [11/09--]
Q5 [8R] [11/08--]

Hydraulic filter, A/T
100 136 0003 | MHF0012
Notes

Transmission Type

 Piece with seal
 DQ250
 6-Speed dual-clutch transmission
 for vehicles with direct shift gear box

References

 02E 305 051 C
 02E 305 051 D

02E 398 051


Application info

 A3 [8P1, 8PA] [05/03-08/12]
 A3 [8V1, 8VS, 8V7, 8PA] [04/12--]

 TT [8J3, 8J9] [08/06-06/10]
 TT [8N3, 8N9] [10/98-06/06]

Hydraulic filter, A/T
100 136 0004 | MHF0013
Notes

 Transmission Type
 Transmission Type
 Transmission Type

 Piece with seal
 0BT
 DQ400E
 DQ500
 Dual-clutch transmission

References

08H 325 183 B


Application info

 A3 [8P1, 8PA] [05/03-08/12]
 Q3 [8U] [06/11--]

 R8 I [04/07-07/15]
 TT [8J3, 8J9] [08/06-06/10]

Hydraulic filter, A/T
100 136 0008 | MHF0015
Notes

Transmission Type

 Piece without gasket / seal
 5HP24 FLA
 Automatic Transmission,
 5-speed

References

01L 325 429 B

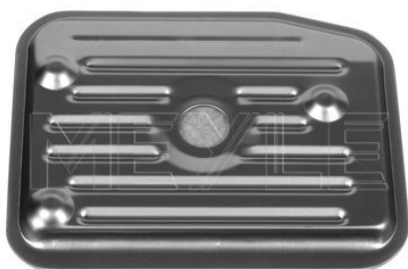

Application info

 A6 [4B, C5] [01/97-01/05]
 A6 [4F2, 4FH, 4F5] [05/04-08/11]

A8 [4D2, 4D8] [03/94-09/02]

100 325 0001 | MHF0018

Hydraulic filter, A/T



Notes

Transmission Type

Piece
without gasket / seal
AG4
Automatic Transmission,
4-speed

References

01M 325 429

Application info

80 [8C, 8G7, B4] [05/91-08/00]

80/90 [89, 89Q, 8A, B3] [06/86-12/96]

A3 [8L1] [09/96-05/03]

A4 [802, 805, B5] [11/94-09/01]

A6 [4A, C4] [06/94-12/97]

A6 [4B, C5] [01/97-01/05]

100 325 0005 | MHF0020

Hydraulic filter, A/T



Notes

Transmission Type

Transmission Type

Transmission Type

Transmission Type

Piece
without gasket / seal
5HP19FLA
5HP19FL
A5S335Z
5HP19
Automatic Transmission,
5-speed

References

01V 325 429

Application info

A4 [802, 805, B5] [11/94-09/01]

A4 [8E2, 8E5, B6] [10/00-12/04]

A4 [8EC, 8ED] [11/04-06/08]

A4 [8H7] [04/02-03/09]

A6 [4B, C5] [01/97-01/05]

A6 [4F2, 4FH, 4F5] [05/04-08/11]

A8 [402, 408] [03/94-09/02]

Allroad [4BH] [05/00-08/05]

100 325 0002 | MHF0019

Hydraulic filter, A/T



Notes

Transmission Type

Transmission Type

Transmission Type

Transmission Type

Piece
without gasket / seal
097
096
095
AG4
Automatic Transmission,
4-speed

References

095 325 429 0

Hydraulic filter, A/T

100 325 0002 | MHF0019

Application info

100 [4A, C4] [12/90-07/94]
80 [8C, 8G7, B4] [05/91-08/00]

80/90 [89, 89Q, 8A, B3] [06/86-12/96]
A6 [4A, C4] [06/94-12/97]

Hydraulic filter, A/T

100 136 0001 | MHF0010

Notes

Transmission Type

Piece
without gasket / seal
JF506E
Automatic Transmission,
5-speed

References

09A 325 429



Application info

A3 [8L1] [09/96-05/03]

Hydraulic filter, A/T

100 136 0010 | MHF0045

Notes

Automatic Transmission,
6-speed

References

09E 325 429



Application info

A6 [4F2, 4FH, 4F5] [05/04-08/11]

A8 [4E] [10/02-07/10]

Hydraulic filter, A/T

100 325 0007 | MHF0022

Notes

Transmission Type
Transmission Type
Transmission Type
Transmission Type

Piece
without gasket / seal
TF-61SN
TF-60SN
09M
09G
Automatic Transmission,
6-speed

References

09G 325 429



4

100 325 0007 | MHF0022

Hydraulic filter, A/T

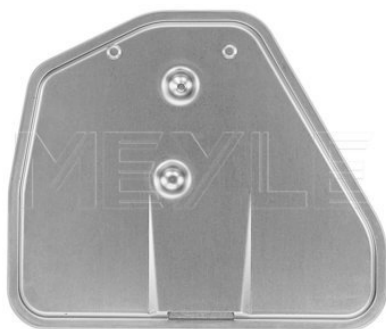
Application info

A3 [8P1, 8PA] [05/03-08/12]

TT [8N3, 8N9] [10/98-06/06]

100 136 0011 | MHF0017

Hydraulic filter, A/T



Notes

Transmission Type
Transmission Type

Piece
without gasket / seal
6HP19
6HP26
Automatic Transmission,
6-speed

References

09L 325 429

Application info

A4 [8E2, 8E5, B6] [10/00-12/04]
A4 [8EC, 8ED] [11/04-06/08]
A4 [8H7] [04/02-03/09]

A6 [4F2, 4FH, 4F5] [05/04-08/11]
A8 [4E] [10/02-07/10]

100 325 0011 | MHF0026

Hydraulic filter, A/T



Notes

Transmission Type

Piece
without gasket / seal
6HP19
Automatic Transmission,
6-speed

References

0AT 325 429

Application info

Q7 [4L] [03/06-05/12]

100 136 0009 | MHF0016

Hydraulic filter, A/T



Notes

Transmission Type
Transmission Type

Piece
without gasket / seal
6HP26 AB1
6HP28 AF
Automatic Transmission,
6-speed

References

0B6 325 429

Hydraulic filter, A/T

100 136 0009 | MHF0016

Application info

A4 [8K2, 8K5, 8KH] [11/07--]
A5 [8F, 8T] [06/07--]

A6 [4F2, 4FH, 4F5] [05/04-08/11]
Q5 [8R] [11/08--]

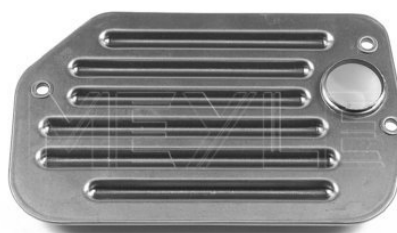
Hydraulic filter, A/T

100 325 0008 | MHF0023

Notes

Transmission Type

Piece
without gasket / seal
4HP18
Automatic Transmission,
4-speed



References

01F 325 433

01F 398 425

Application info

100 [4A, C4] [12/90-07/94]
A6 [4A, C4] [06/94-12/97]

A8 [4D2, 4D8] [03/94-09/02]

Hydraulic filter, A/T

100 136 0002 | MHF0011

Notes

Transmission Type
Transmission Type

Piece
without gasket / seal
09D
TR-60SN
Automatic Transmission,
6-speed



References

09D 325 435

Application info

Q7 [4L] [03/06-05/12]

Hydraulic filter, A/T

100 136 0006 | MHF0014

Notes

Transmission Type

Piece
without gasket / seal
8HP55
Automatic Transmission,
8-speed



References

0BK 398 009

100 136 0006 | MHF0014

Hydraulic filter, A/T

Application info

A4 [8K2, 8K5, 8KH] [11/07--]
A5 [8F, 8T] [06/07--]
A6 [4G2, 4G5, C7] [11/10-05/13]

A7 Sportback [4GA] [10/10--]
A8 [4H_] [11/09--]
Q5 [8R] [11/08--]

100 199 0129 | MEM0213

Mount, automatic transmission



Notes

Hydro Bearing
Right

References

1K0 199 262 AT

Application info

A3 [8P1, 8PA] [05/03-08/12]

100 199 0053 | MEM0165

Mount, automatic transmission



Notes

Rubber-metal Bearing
Left Front

References

1J0 199 555 AJ

Application info

A3 [8L1] [09/96-05/03]

100 199 0194 | MEM0732

Mount, automatic transmission



Notes

Hydro Bearing
Left

References

1K0 199 555 AC

Mount, automatic transmission

100 199 0194 | MEM0732

Application info

A3 (8P1, 8PA) (05/03-08/12)

Mount, automatic transmission

100 199 0096 | MEM0187

Notes

Rubber-metal Bearing
Left

References

1K0 199 555 AQ
1K0 199 555 Q

1K0 199 555 R



Application info

A3 (8P1, 8PA) (05/03-08/12)

Mount, automatic transmission

100 199 0126 | MTM0091

Notes

Rubber-metal Bearing
Left Rear

References

6Q0 199 555 AE

6Q0 199 555 AT



Application info

A1 (8X1, 8XA) (05/10--)

Mount, automatic transmission

100 199 0045 | MEM0157

Notes

Rubber-metal Bearing
Rear

References

1J0 199 851 AA
1J0 199 851 M

1J0 199 851 N



100 199 0045 | MEM0157

Mount, automatic transmission

Application info

A3 (8L1) (09/96-05/03)

TT (8N3, 8N9) (10/98-06/06)

100 130 0006 | MTM0021

Mount, automatic transmission



Notes

Hydro Bearing
Rear

References

8E0 399 105 AF
8E0 399 105 CL

8E0 399 105 EL
8E0 399 105 JD

Application info

A4 (8E2, 8E5, B6) (10/00-12/04)
A4 (8EC, 8ED) (11/04-06/08)

A4 (8H7) (04/02-03/09)

100 399 0001 | MTM0029

Mount, automatic transmission



Notes

Rubber-metal Bearing

References

431 399 151 D

Application info

100 (4A, C4) (12/90-07/94)
100/200 (44, 44Q, C3) (08/82-12/91)
80 (8C, 8G7, B4) (05/91-08/00)

80/90 (81, 85, B2) (08/78-10/88)
80/90 (85) (07/80-07/91)
80/90 (89, 89Q, 8A, B3) (06/86-12/96)

Mount, automatic transmission

100 399 0021 | MTM0037

Notes

Rubber-metal Bearing
Left and right
Rear

References

4A0 399 151 C 4A0 399 151 K



Application info

100 [4A, C4] [12/90-07/94]

A6 [4A, C4] [06/94-12/97]

Mount, automatic transmission

100 130 0011 | MTM0025

Notes

Hydro Bearing

References

4B0 399 151 M



Application info

A4 [802, 805, B5] [11/94-09/01]
A4 [8E2, 8E5, B6] [10/00-12/04]

A4 [8EC, 8ED] [11/04-06/08]
A6 [4B, C5] [01/97-01/05]

Mount, automatic transmission

100 399 0034 | MFM0011

Notes

Hydro Bearing
Rear

References

4F0 399 151 AM



Application info

A6 [4F2, 4FH, 4F5] [05/04-08/11]

4

100 399 0033 | MFM0010

Mount, automatic transmission



Notes

Hydro Bearing
Rear

References

4F0 399 151 AN

Application info

A6 [4F2, 4FH, 4F5] [05/04-08/11]

100 399 0005 | MTM0031

Mount, automatic transmission



Notes

Rubber-metal Bearing
Left and right
Rear

References

8A0 399 151 D

Application info

B0 [8C, 8G7, B4] [05/91-08/00]

B0/90 [89, 89Q, 8A, B3] [06/86-12/96]

100 399 0015 | MTM0036

Mount, automatic transmission



Notes

Rubber-metal Bearing

References

8D0 399 151 J

Application info

A4 [8D2, 8D5, B5] [11/94-09/01]

A6 [4B, C5] [01/97-01/05]

Mount, automatic transmission

100 399 0009 | MTM0034

Notes

Rubber-metal Bearing

References

800 399 151 M



Application info

A4 [802, 805, B5] [11/94-09/01]
A6 [4A, C4] [06/94-12/97]

A6 [4B, C5] [01/97-01/05]
A6 [4F2, 4FH, 4F5] [05/04-08/11]

Mount, automatic transmission

100 399 0025 | MTM0039

Notes

Rubber-metal Bearing

References

800 399 151 R



Application info

A4 [802, 805, B5] [11/94-09/01]
A4 [8E2, 8E5, B6] [10/00-12/04]
A4 [8EC, 8ED] [11/04-06/08]

A4 [8H7] [04/02-03/09]
A6 [4B, C5] [01/97-01/05]

Mount, manual transmission

100 199 0129 | MEM0213

Notes

Hydro Bearing
Right

References

1K0 199 262 AT



Application info

A3 [8P1, 8PA] [05/03-08/12]

4

100 199 0053 | MEM0165

Mount, manual transmission



Notes

Rubber-metal Bearing
Left Front

References

1J0 199 555 AJ

Application info

A3 (8L1) (09/96-05/03)

100 199 0184 | MEM0239

Mount, manual transmission



Notes

Hydro Bearing
Left

References

1J0 199 555 AP

1J0 199 555 AQ

Application info

A3 (8L1) (09/96-05/03)

100 199 0096 | MEM0187

Mount, manual transmission



Notes

Rubber-metal Bearing
Left

References

1K0 199 555 AQ

1K0 199 555 Q

1K0 199 555 R

Application info

A3 (8P1, 8PA) (05/03-08/12)



Mount, manual transmission

100 199 0204 | MEM0610

Notes

Hydro Bearing
Left

References

5Q0 199 555 Q



Application info

A3 [8V1, 8VS, 8V7, 8PA] [04/12--]

Mount, manual transmission

100 199 0205 | MEM0611

Notes

Hydro Bearing
Dual-clutch transmission
7-Speed Manual Transmis-
sion
Left

References

5Q0 199 555 S



Application info

A3 [8V1, 8VS, 8V7, 8PA] [04/12--]

Mount, manual transmission

100 199 0125 | MTM0090

Notes

Rubber-metal Bearing
Left Rear

References

6Q0 199 555 AF
6Q0 199 555 AS

6Q0 199 555 T



Application info

A1 [8X1, 8XA] [05/10--]

4

100 199 0045 | MEM0157

Mount, manual transmission



Notes

Rubber-metal Bearing
Rear

References

1J0 199 851 AA
1J0 199 851 M

1J0 199 851 N

Application info

A3 [8L1] [09/96-05/03]

TT [8N3, 8N9] [10/98-06/06]

100 199 0142 | MEM0650

Mount, manual transmission



Notes

Rubber-metal Bearing
Rear

References

3C0 199 855 A

3C0 199 855 J

Application info

TT [8J3, 8J9] [08/06-06/10]

100 130 0009 | MTM0024

Mount, manual transmission



Notes

Rubber-metal Bearing
Rear

References

8E0 399 105 BG
8E0 399 105 M

8E0 399 105 G
8E0 399 105 HB

Application info

A4 [8E2, 8E5, B6] [10/00-12/04]
A4 [8EC, 8ED] [11/04-06/08]

A4 [8H7] [04/02-03/09]

Mount, manual transmission

100 399 0035 | MEM0245

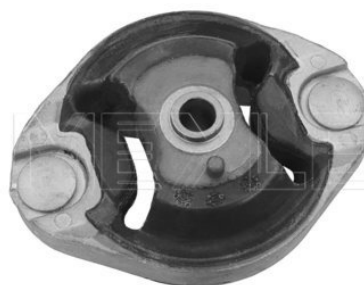
Notes

Rubber-metal Bearing
Manual Transmission, 6-
speed

References

8E0 399 105 CF
8E0 399 105 EF

8E0 399 105 HS



Application info

A4 [8E2, 8E5, B6] [10/00-12/04]
A4 [8EC, 8ED] [11/04-06/08]

A4 [8H7] [04/02-03/09]

Mount, manual transmission

100 130 0006 | MTM0021

Notes

Hydro Bearing
Rear

References

8E0 399 105 AF
8E0 399 105 CL

8E0 399 105 EL
8E0 399 105 JD



Application info

A4 [8E2, 8E5, B6] [10/00-12/04]
A4 [8EC, 8ED] [11/04-06/08]

A4 [8H7] [04/02-03/09]

Mount, manual transmission

100 399 0001 | MTM0029

Notes

Rubber-metal Bearing

References

431 399 151 D



Application info

100 [4A, C4] [12/90-07/94]
100/200 [44, 44Q, C3] [08/82-12/91]
80 [8C, 8G7, B4] [05/91-08/00]

80/90 [81, 85, B2] [08/78-10/88]
80/90 [85] [07/80-07/91]
80/90 [89, 89Q, 8A, B3] [06/86-12/96]

4

100 399 0022 | MTM0038

Mount, manual transmission



Notes

Rubber-metal Bearing
Left and right
Rear

References

4A0 399 151 D

Application info

100 [4A, C4] [12/90-07/94]

A6 [4A, C4] [06/94-12/97]

100 399 0021 | MTM0037

Mount, manual transmission



Notes

Rubber-metal Bearing
Left and right
Rear

References

4A0 399 151 C

4A0 399 151 K

Application info

100 [4A, C4] [12/90-07/94]

A6 [4A, C4] [06/94-12/97]

100 130 0011 | MTM0025

Mount, manual transmission



Notes

Hydro Bearing

References

4B0 399 151 M

Application info

A4 [802, 805, B5] [11/94-09/01]

Mount, manual transmission

100 399 0034 | MFM0011

Notes

Hydro Bearing
Rear

References

4F0 399 151 AM



Application info

A6 [4F2, 4FH, 4F5] [05/04-08/11]

Mount, manual transmission

100 399 0033 | MFM0010

Notes

Hydro Bearing
Rear

References

4F0 399 151 AN



Application info

A6 [4F2, 4FH, 4F5] [05/04-08/11]

Mount, manual transmission

100 399 0008 | MTM0033

Notes

Rubber-metal Bearing
for manual transmission
Left

References

893 399 151 A



Application info

80 [8C, 8G7, B4] [05/91-08/00]
80/90 [81, 85, B2] [08/78-10/88]

80/90 [89, 89Q, 8A, B3] [06/86-12/96]

4

100 399 0005 | MTM0031

Mount, manual transmission



Notes

Rubber-metal Bearing
Left and right
Rear

References

8A0 399 151 D

Application info

80 (8C, 8G7, B4) [05/91-08/00]

80/90 (89, 89Q, 8A, B3) [06/86-12/96]

100 399 0013 | MTM0035

Mount, manual transmission



Notes

Rubber-metal Bearing
Left

References

800 399 151 H

Application info

A4 (802, 805, B5) [11/94-09/01]

A6 (4B, C5) [01/97-01/05]

100 399 0015 | MTM0036

Mount, manual transmission



Notes

Rubber-metal Bearing

References

800 399 151 J

Application info

A4 (802, 805, B5) [11/94-09/01]

A6 (4B, C5) [01/97-01/05]

Mount, manual transmission

100 399 0009 | MTM0034

Notes

Rubber-metal Bearing

References

800 399 151 M



Application info

A4 [802, 805, B5] [11/94-09/01]
A6 [4A, C4] [06/94-12/97]

A6 [4B, C5] [01/97-01/05]
A6 [4F2, 4FH, 4F5] [05/04-08/11]

Mounting, automatic transmission support

100 399 0002 | MUM0001

Notes

Rubber-metal Bearing

References

431 399 415 B 443 399 415 A



Application info

100/200 [44, 440, C3] [08/82-12/91]

V8 [01] [10/88-02/94]

Mounting, automatic transmission support

100 399 0012 | MUM0005

Notes

Rubber-metal Bearing

References

4A0 399 415 4A0 399 415 B



Application info

100 [4A, C4] [12/90-07/94]

A6 [4A, C4] [06/94-12/97]

4

100 399 0036 | MFM0012

Mounting, automatic transmission support



Notes

Rubber-metal Bearing
Front

References

4F0 399 415 C

Application info

A6 [4F2, 4FH, 4F5] [05/04-08/11]

100 399 0028 | MUM0007

Mounting, automatic transmission support



Notes

Rubber-metal Bearing

References

800 399 415 D

Application info

A4 [802, 805, B5] [11/94-09/01]
A4 [8E2, 8E5, B6] [10/00-12/04]

A4 [8EC, 8ED] [11/04-06/08]
A6 [4B, C5] [01/97-01/05]

100 399 0007 | MUM0002

Mounting, automatic transmission support



Notes

Rubber-metal Bearing

References

431 399 419 A

443 399 419 A

4

+

Mounting, automatic transmission support

100 399 0007 | MUM0002

Application info

100/200 [44, 44Q, C3] [08/82-12/91]

Mounting, automatic transmission support

100 399 0011 | MUM0004

Notes

Rubber-metal Bearing

References

4A0 399 419 D

4A0 399 419 E



Application info

100 [4A, C4] [12/90-07/94]

A6 [4A, C4] [06/94-12/97]

Mounting, automatic transmission support

100 399 0010 | MUM0003

Notes

Rubber-metal Bearing

References

4A0 399 420 D

4A0 399 420 E



Application info

100 [4A, C4] [12/90-07/94]

A6 [4A, C4] [06/94-12/97]

4

100 130 0009 | MTM0024

Mounting, manual transmission support



Notes

Rubber-metal Bearing
Rear

References

8E0 399 105 BG
8E0 399 105 DM

8E0 399 105 G
8E0 399 105 HB

Application info

A4 (8E2, 8E5, 8E6) [10/00-12/04]
A4 (8EC, 8ED) [11/04-06/08]

A4 (8H7) [04/02-03/09]

100 399 0002 | MUM0001

Mounting, manual transmission support



Notes

Rubber-metal Bearing

References

431 399 415 B

443 399 415 A

Application info

100/200 (44, 44Q, C3) [08/82-12/91]

V8 (D1) [10/88-02/94]

100 399 0012 | MUM0005

Mounting, manual transmission support



Notes

Rubber-metal Bearing

References

4A0 399 415

4A0 399 415 B

4

+

Mounting, manual transmission support

100 399 0012 | MUM0005

Application info

100 [4A, C4] [12/90-07/94]

A6 [4A, C4] [06/94-12/97]

Mounting, manual transmission support

100 399 0036 | MFM0012

Notes

Rubber-metal Bearing
Front

References

4F0 399 415 C



Application info

A6 [4F2, 4FH, 4F5] [05/04-08/11]

Mounting, manual transmission support

100 399 0028 | MUM0007

Notes

Rubber-metal Bearing

References

800 399 415 D



Application info

A4 [802, 805, B5] [11/94-09/01]

A4 [8E2, 8E5, B6] [10/00-12/04]

A4 [8EC, 8ED] [11/04-06/08]

A6 [4B, C5] [01/97-01/05]

4

100 399 0007 | MUM0002

Mounting, manual transmission support



Notes

Rubber-metal Bearing

References

431 399 419 A

443 399 419 A

Application info

100/200 [44, 44Q, C3] [08/82-12/91]

100 399 0011 | MUM0004

Mounting, manual transmission support



Notes

Rubber-metal Bearing

References

4A0 399 419 D

4A0 399 419 E

Application info

100 [4A, C4] [12/90-07/94]

A6 [4A, C4] [06/94-12/97]

100 399 0010 | MUM0003

Mounting, manual transmission support



Notes

Rubber-metal Bearing

References

4A0 399 420 D

4A0 399 420 E



Mounting, manual transmission support

100 399 0010 | MUM0003

Application info

100 [4A, C4] [12/90-07/94]

A6 [4A, C4] [06/94-12/97]

Parts kit, automatic transm. oil change

100 135 0102 | MOK0014

Notes

Transmission Type	Kit with accessories
Transmission Type	009
Transmission Type	02E
	DQ250
	6-Speed dual-clutch transmission
	Dual-clutch transmission
Manufacturer Restriction	VW

References

02E 305 051 C	2E0 398 051
02E 305 051 D	

Parts list

014 019 3700 MAX0039	Transmission fluid
100 136 0003 MHF0012	Hydraulic filter, A/T



Application info

A3 [8P1, 8PA] [05/03-08/12]
 A3 [8V1, 8VS, 8V7, 8PA] [04/12--]

TT [8J3, 8J9] [08/06-06/10]
 TT [8N3, 8N9] [10/98-06/06]

Parts kit, automatic transm. oil change

100 135 0103 | MOK0015

Notes

Transmission Type	Kit with accessories
Transmission Type	DSG
Transmission Type	DQ400E
Transmission Type	0DL
Transmission Type	0DD
Transmission Type	DQ500
Transmission Type	02G
	6-Speed dual-clutch transmission
	7-Speed dual-clutch transmission
Manufacturer Restriction	VW

References

08H 325 183 B

Parts list

014 019 3700 MAX0039	Transmission fluid
100 136 0004 MHF0013	Hydraulic filter, A/T



4

100 135 0103 | MOK0015

Parts kit, automatic transm. oil change

Application info

A3 (8P1, 8PA) [05/03-08/12]
A3 (8V1, 8VS, 8V7, 8PA) [04/12--]

Q3 (8U) [06/11--]
TT (8J3, 8J9) [08/06-06/10]

100 135 0002 | MOK0008

Parts kit, automatic transm. oil change



Notes

Alternative Repair Kit

Transmission Type

Manufacturer Restriction

Kit
100 135 0002/SK
with accessories
5HP24 A
Automatic Transmission,
5-speed
ZF

References

01L 325 429 B

Parts list

014 019 2300 | MAX0015
100 139 0001 | MMX0430
100 137 0008 | MHK0015
100 136 0008 | MHF0015

Transmission fluid
A/T oil pan gasket
Hydraulic filter kit, A/T
Hydraulic filter, A/T

Application info

A6 (4B, C5) [01/97-01/05]

A6 (4D2, 4D8) [03/94-09/02]

100 135 0002/SK | MOK0039

Parts kit, automatic transm. oil change



Notes

Consult accessories list for recommended additional repairs

Alternative Repair Kit

Transmission Type

Manufacturer Restriction
Slim Set

Kit
100 135 0002
with accessories
5HP24 A
Automatic Transmission,
5-speed
ZF

References

01L 325 429 B

Parts list

100 139 0001 | MMX0430
100 137 0008 | MHK0015
100 136 0008 | MHF0015

A/T oil pan gasket
Hydraulic filter kit, A/T
Hydraulic filter, A/T

Parts kit, automatic transm. oil change

100 135 0002/SK | MOK0039

Application info

A6 [4B, C5] [01/97-01/05]

A8 [402, 408] [03/94-09/02]

Parts kit, automatic transm. oil change

100 135 0014 | MOK0032

Notes

Transmission Type

Kit with accessories
AG4
Automatic Transmission,
4-speed
VW

Manufacturer Restriction

References

01M 325 429

Parts list

014 019 2300 | MAX0015
100 321 0001 | MMX0463
100 321 0006 | MMX0468
100 325 0001 | MHF0018

Transmission fluid
A/T oil pan gasket
A/T oil pan gasket
Hydraulic filter, A/T



Application info

A3 [8L1] [09/96-05/03]

Parts kit, automatic transm. oil change

100 135 0001 | MOK0007

Notes

Alternative Repair Kit

Transmission Type
Transmission Type
Transmission Type

Kit
100 135 0001/SK
with accessories
01V
5HP19 FLA
5HP19 FL
Automatic Transmission,
5-speed
ZF

Manufacturer Restriction

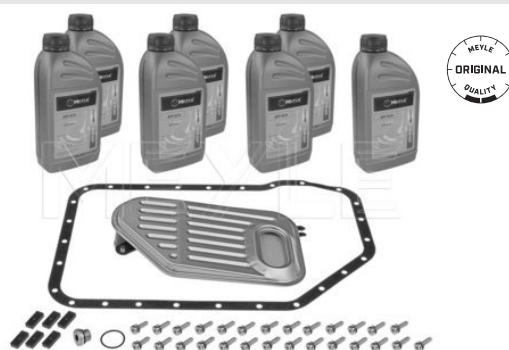
References

01V 325 429

Parts list

014 019 2300 | MAX0015
100 321 0004 | MMX0466
100 398 0003 | MHK0021
100 325 0005 | MHF0020

Transmission fluid
A/T oil pan gasket
Hydraulic filter kit, A/T
Hydraulic filter, A/T



100 135 0001 | MOK0007

Parts kit, automatic transm. oil change

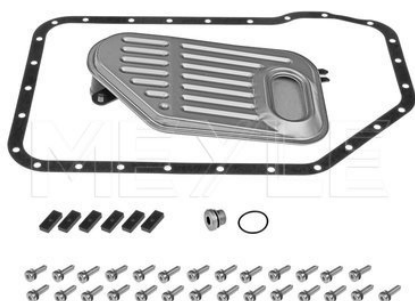
Application info

A4 [8D2, 8D5, B5] [11/94-09/01]
A4 [8E2, 8E5, B6] [10/00-12/04]
A4 [8EC, 8ED] [11/04-06/08]
A4 [8H7] [04/02-03/09]

A6 [4B, C5] [01/97-01/05]
A8 [4D2, 4D8] [03/94-09/02]
Allroad [4BH] [05/00-08/05]

100 135 0001/SK | MOK0038

Parts kit, automatic transm. oil change



Notes

Consult accessories list for recommended additional repairs

Alternative Repair Kit

Transmission Type
Transmission Type
Transmission Type

Manufacturer Restriction
Slim Set

References

01V 325 429

Parts list

100 321 0004 | MMX0466
100 398 0003 | MHK0021
100 325 0005 | MHF0020

Kit
100 135 0001
with accessories
01V
5HP19 FL
5HP19 FLA
Automatic Transmission,
5-speed
ZF

A/T oil pan gasket
Hydraulic filter kit, A/T
Hydraulic filter, A/T

Application info

A4 [8D2, 8D5, B5] [11/94-09/01]
A4 [8E2, 8E5, B6] [10/00-12/04]
A4 [8EC, 8ED] [11/04-06/08]
A4 [8H7] [04/02-03/09]

A6 [4B, C5] [01/97-01/05]
A8 [4D2, 4D8] [03/94-09/02]
Allroad [4BH] [05/00-08/05]



Parts kit, automatic transm. oil change

100 135 0004 | MOK0051

Notes

Alternative Repair Kit

Transmission Type

Manufacturer Restriction

Kit
100 135 0004/SK
with accessories
6HP26 A61
Automatic Transmission,
6-speed
ZF

References

09E 325 429

Parts list

014 019 2900 | MAX0033
100 140 0002 | MMX0433
100 140 0004 | MMX1466
100 136 0010 | MHF0045

Transmission fluid
A/T oil pan gasket
A/T oil pan gasket
Hydraulic filter, A/T



Application info

A6 [4F2, 4FH, 4F5] [05/04-08/11]

A8 [4E] [10/02-07/10]

Parts kit, automatic transm. oil change

100 135 0004/SK | MOK0052

Notes

Consult accessories list for recommended additional repairs

Alternative Repair Kit

Transmission Type

Manufacturer Restriction
Slim Set

Kit
100 135 0004
with accessories
6HP26 A61
Automatic Transmission,
6-speed
ZF

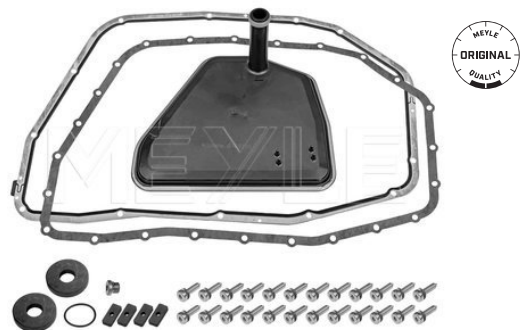
References

09E 325 429

Parts list

100 140 0002 | MMX0433
100 140 0004 | MMX1466
100 136 0010 | MHF0045

A/T oil pan gasket
A/T oil pan gasket
Hydraulic filter, A/T



Application info

A6 [4F2, 4FH, 4F5] [05/04-08/11]

A8 [4E] [10/02-07/10]

100 135 0100 | MOK0012



Parts kit, automatic transm. oil change

Notes

Transmission Type
Transmission Type
Transmission Type
Transmission Type

Manufacturer Restriction

Kit
with accessories
AQ250
TF-60SN
09M
09G
Automatic Transmission,
6-speed
AISIN

References

09G 325 429

Parts list

014 019 2300 | MAX0015
100 139 0002 | MMX0431
100 137 0001 | MHK0011
100 325 0007 | MHF0022

Transmission fluid
A/T oil pan gasket
Hydraulic filter kit, A/T
Hydraulic filter, A/T

Application info

A3 [8P1, 8PA] [05/03-08/12]

TT [8N3, 8N9] [10/98-06/06]

100 135 0003 | MOK0009



Parts kit, automatic transm. oil change

Notes

Alternative Repair Kit

Transmission Type
Transmission Type

Manufacturer Restriction

Kit
100 135 0003/SK
with accessories
09L
6HP19 A
Automatic Transmission,
6-speed
ZF

References

09L 325 429

Parts list

014 019 3200 | MAX0038
100 321 0017 | MMX0472
100 321 0018 | MMX0473
100 136 0011 | MHF0017

Transmission fluid
A/T oil pan gasket
A/T oil pan gasket
Hydraulic filter, A/T

Application info

A4 [8E2, 8E5, 8E6] [10/00-12/04]
A4 [8EC, 8ED] [11/04-06/08]

A6 [4F2, 4FH, 4F5] [05/04-08/11]
A8 [4E] [10/02-07/10]



Parts kit, automatic transm. oil change

100 135 0003/SK | MOK0040

Notes

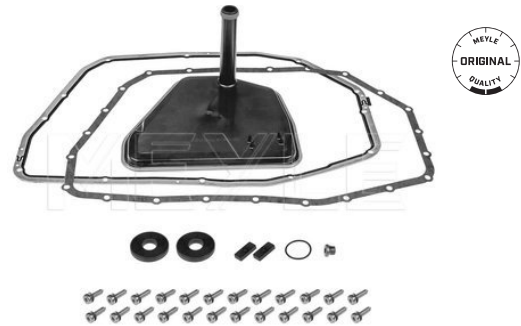
Consult accessories list for recommended additional repairs

Alternative Repair Kit

Transmission Type
Transmission Type

Manufacturer Restriction
Slim Set

Kit
100 135 0003
with accessories
09L
6HP19 A
Automatic Transmission,
6-speed
ZF



References

09L 325 429

Parts list

100 321 0017 | MMX0472 A/T oil pan gasket
100 321 0018 | MMX0473 A/T oil pan gasket
100 136 0011 | MHF0017 Hydraulic filter, A/T

Application info

A4 [8E2, 8E5, 8E6] [10/00-12/04]
A4 [8EC, 8ED] [11/04-06/08]

A6 [4F2, 4FH, 4F5] [05/04-08/11]
A8 [4E] [10/02-07/10]

Parts kit, automatic transm. oil change

100 135 0114 | MOK0056

Notes

Transmission Type
Transmission Type
Transmission Type

Manufacturer Restriction

Kit
with accessories
DSG
DL501
0B5
7-Speed dual-clutch trans-
mission
AUDI S-TRONIC



References

0B5 325 429 E

Parts list

014 019 3700 | MAX0039 Transmission fluid
100 137 0003 | MHK0013 Hydraulic filter kit, A/T
100 137 1003 | MHK0046 Hydraulic filter kit, A/T

Application info

A4 [8K2, 8K5, 8KH] [11/07--]
A5 [8F, 8T] [06/07--]
A6 [4G2, 4G5, C7] [11/10-05/13]

A7 Sportback [4GA] [10/10--]
Q5 [8R] [11/08--]

100 135 0005 | MOK0010



Parts kit, automatic transm. oil change

Notes

Alternative Repair Kit
Transmission Type
Transmission Type
Manufacturer Restriction

Kit
100 135 0005/SK
with accessories
0B6
6HP28 AF
Automatic Transmission,
6-speed
ZF

References

0B6 325 429

Parts list

014 019 3200 | MAX0038
100 140 0002 | MMX0433
100 137 0009 | MHK0016
100 136 0009 | MHF0016

Transmission fluid
A/T oil pan gasket
Hydraulic filter kit, A/T
Hydraulic filter, A/T

Application info

A4 (8K2, 8K5, 8KH) [11/07--]
A5 (8F, 8T) [06/07--]

Q5 (8R) [11/08--]

100 135 0005/SK | MOK0041



Parts kit, automatic transm. oil change

Notes

Consult accessories list for recommended additional repairs

Alternative Repair Kit
Transmission Type
Transmission Type
Manufacturer Restriction
Slim Set

Kit
100 135 0005
with accessories
6HP28 AF
0B6
Automatic Transmission,
6-speed
ZF

References

0B6 325 429

Parts list

100 140 0002 | MMX0433
100 137 0009 | MHK0016
100 136 0009 | MHF0016

A/T oil pan gasket
Hydraulic filter kit, A/T
Hydraulic filter, A/T

Application info

A4 (8K2, 8K5, 8KH) [11/07--]
A5 (8F, 8T) [06/07--]

Q5 (8R) [11/08--]



Parts kit, automatic transm. oil change

100 135 0105 | MOK0017

Notes

Transmission Type	Kit with accessories
Transmission Type	TR-60SN
	09D
	Automatic Transmission,
	6-speed
Manufacturer Restriction	AISIN WARNER

References

09D 325 435

Parts list

014 019 2300 MAX0015	Transmission fluid
100 137 0002 MHK0012	Hydraulic filter kit, A/T



Application info

Q7 [4L] [03/06-05/12]

Parts kit, automatic transm. oil change

100 135 0108 | MOK0058

Notes

Transmission Type	Kit with accessories
Transmission Type	0C8
	TR-80SD
	Automatic Transmission,
	8-speed
Manufacturer Restriction	AISIN WARNER

References

0C8 325 435

Parts list

014 019 3200 MAX0038	Transmission fluid
100 137 0010 MHK0017	Hydraulic filter kit, A/T



Application info

Q7 [4L] [03/06-05/12]

4

100 135 0013 | MOK0011

Parts kit, automatic transm. oil change



Notes

Transmission Type
Transmission Type
Transmission Type

Manufacturer Restriction

Kit
with accessories
Sheet Steel
8HP55 A
8HP55
0BK
Automatic Transmission,
8-speed
ZF

References

0BK 398 009

Parts list

014 019 3200 | MAX0038
100 137 0006 | MHK0014

Transmission fluid
Hydraulic filter kit, A/T

Application info

A4 (8K2, 8K5, 8KH) (11/07--)
A5 (8F, 8T) (06/07--)
A6 (4G2, 4G5, C7) (11/10-05/13)

A7 Sportback (4GA) (10/10--)
A8 (4H_) (11/09--)
Q5 (8R) (11/08--)

100 498 0003 C | MTX0050

Repair kit, transmission flange



Notes

Left and right

References

020 498 085 G

Application info

A3 (8L1) (09/96-05/03)

Sensor, outdoor temperature

100 919 0028 | MEX0294

Notes

Operating voltage [V] Black
Number of Poles NTC Sensor
 12
 2

References

1J0 919 379 A



Application info

A3 [8L1] [09/96-05/03]

Wiper motor

100 955 0011 | MEX0321

Notes

Rated Power [W] 40
Number of Poles 5
Voltage [V] 12
 for left-hand drive vehicles
Required quantity 1
 Front

References

1C0 955 119



Application info

A3 [8L1] [09/96-05/03]

Wiper motor

100 899 0038 | MEX0250

Notes

Rated Power [W] 40
Manufacturer Restriction rest position left
Number of Poles 4
 for rear windscreen cleaning
Voltage [V] 12
 for left-/right-hand traffic
Required quantity 1
 Rear

References

8L0 955 711 8L0 955 711 B
8L0 955 711 A



Application info

A3 [8L1] [09/96-05/03]
A4 [8D2, 8D5, B5] [11/94-09/01]

A6 [4B, C5] [01/97-01/05]
Allroad [4BH] [05/00-08/05]

5

100 927 0003 | MAS0067

ABS wheel sensor



Notes

Operating voltage [V]
Number of Poles
Required quantity
Resistance [Ohm]

Inductive Sensor
12
2
without cable
1
1100
Front Axle Left

References

1J0 927 803

1H0 927 807

Counterpart

100 927 0004 | MAS0068

Application info

A3 [8L1] [09/96-05/03]

TT [8N3, 8N9] [10/98-06/06]

100 899 0007 | MAS0037

ABS wheel sensor



Notes

Cable Length [mm]
Operating voltage [V]
Number of Poles
Required quantity
Resistance [Ohm]

Passive sensor
prepared for wear indicator
1060
12
2
2
1280
Front Axle left and right

References

4B0 927 803

Application info

A6 [4A, C4] [06/94-12/97]

A6 [4B, C5] [01/97-01/05]

100 899 0009 | MAS0039

ABS wheel sensor



Notes

Cable Length [mm]
Operating voltage [V]
Multiple
Number of Poles
Required quantity
Resistance [Ohm]

Inductive Sensor
prepared for wear indicator
975
12
3
2
2
1700
Front Axle left and right

References

4B0 927 803 B



ABS wheel sensor

100 899 0009 | MAS0039

Application info

A4 [802, 805, B5] [11/94-09/01]
A4 [8E2, 8E5, B6] [10/00-12/04]

A6 [4B, C5] [01/97-01/05]

ABS wheel sensor

100 899 0008 | MAS0038

Notes

Cable Length [mm]
Operating voltage [V]
Number of Poles
Required quantity
Resistance [Ohm]

Inductive Sensor
prepared for wear indicator
1050
12
2
2
1280
Front Axle left and right



References

4B0 927 803 C

Application info

A6 [4B, C5] [01/97-01/05]

ABS wheel sensor

100 899 0097 | MAS0064

Notes

Cable Length [mm]
Operating voltage [V]
Number of Poles
Number of Poles
Required quantity
Resistance [Ohm]

Passive sensor
prepared for wear indicator
985
12
3
2
2
1680
Front Axle left and right



References

4B0 927 803 E

Application info

A6 [4B, C5] [01/97-01/05]

114 800 0014 | MAS0330

ABS wheel sensor



Notes

Multiple	Hall Sensor
Operating voltage [V]	2
Number of Poles	12
	2
	without cable

References

4E0 927 803 D	4E0 927 803 F
---------------	---------------

Counterpart

114 800 0013 | MAS0329

Application info

A4 [8K2, 8K5, 8KH] [11/07--]	A8 [4E] [10/02-07/10]
A5 [8F, 8T] [06/07--]	A8 [4H_] [11/09--]
A6 [4F2, 4FH, 4F5] [05/04-08/11]	Q5 [8R] [11/08--]
A6 [4G2, 4G5, C7] [11/10-05/13]	R8 I [04/07-07/15]
A7 Sportback [4GA] [10/10--]	R8 II [07/15--]

100 899 0031 | MAS0044

ABS wheel sensor



Notes

Cable Length [mm]	Passive sensor
Operating voltage [V]	1100
Number of Poles	12
Required quantity	2
Resistance [Ohm]	2
	1280
	Front Axle left and right

References

800 927 803

Application info

A4 [802, 805, 85] [11/94-09/01]

100 927 0001 | MAS0065

ABS wheel sensor



Notes

Multiple	Passive sensor
Cable Length [mm]	prepared for wear indicator
Operating voltage [V]	3
Number of Poles	960
	12
	2
	with rubber bellow
Required quantity	2
Resistance [Ohm]	1220
	Front Axle left and right

References

800 927 803 B	800 927 803 D
800 927 803 C	



ABS wheel sensor

100 927 0001 | MAS0065

Application info

A4 [802, 805, B5] [11/94-09/01]

ABS wheel sensor

100 899 0030 | MAS0043

Notes

	Passive sensor for vehicles with ABS
Cable Length [mm]	990
Operating voltage [V]	12
Number of Poles	2
Required quantity	2
Resistance [Ohm]	1700
	Front Axle left and right

References

8E0 927 803 A



Application info

A4 [8E2, 8E5, B6] [10/00-12/04]

A4 [8H7] [04/02-03/09]

ABS wheel sensor

100 899 0029 | MAS0042

Notes

	Inductive Sensor
Cable Length [mm]	1000
Operating voltage [V]	12
Number of Poles	4
Required quantity	2
Resistance [Ohm]	1700
	Front Axle left and right

References

8E0 927 803 B



Application info

A4 [8E2, 8E5, B6] [10/00-12/04]

A4 [8H7] [04/02-03/09]

A4 [8EC, 8ED] [11/04-06/08]

100 927 0004 | MAS0068

ABS wheel sensor



Notes

Operating voltage [V]
Number of Poles

Required quantity
Resistance [Ohm]

Inductive Sensor
12
2
without cable
1
1100
Front Axle Right

References

1J0 927 804

1H0 927 808

Counterpart

100 927 0003 | MAS0067

Application info

A3 [8L1] [09/96-05/03]

TT [8N3, 8N9] [10/98-06/06]

114 800 0013 | MAS0329

ABS wheel sensor



Notes

Multiple
Operating voltage [V]
Number of Poles

Hall Sensor
2
12
2
without cable

References

4E0 927 804 D

4E0 927 804 F

Counterpart

114 800 0014 | MAS0330

Application info

A4 [8K2, 8K5, 8KH] [11/07--]
A5 [8F, 8T] [06/07--]
A6 [4F2, 4FH, 4F5] [05/04-08/11]
A6 [4G2, 4G5, C7] [11/10-05/13]
A7 Sportback [4GA] [10/10--]

A8 [4E] [10/02-07/10]
A8 [4H_] [11/09--]
Q5 [8R] [11/08--]
R8 I [04/07-07/15]
R8 II [07/15--]

100 927 0002 | MAS0066

ABS wheel sensor



Notes

Operating voltage [V]
Number of Poles

Required quantity
Resistance [Ohm]

Passive sensor
12
2
without cable
2
1100
Rear Axle left and right

References

1J0 927 807 B

ABS wheel sensor

100 927 0002 | MAS0066

Application info

A3 [8L1] [09/96-05/03]

TT [8N3, 8N9] [10/98-06/06]

ABS wheel sensor

100 899 0011 | MAS0041

Notes

Cable Length [mm]
Operating voltage [V]
Number of Poles
Required quantity
Resistance [Ohm]

Inductive Sensor
215
12
2
2
1100
Rear Axle left and right



References

1J0 927 807 D

Application info

A3 [8L1] [09/96-05/03]

TT [8N3, 8N9] [10/98-06/06]

ABS wheel sensor

100 899 0079 | MAS0063

Notes

Cable Length [mm]
Operating voltage [V]
Number of Poles
Required quantity
Resistance [Ohm]

Passive sensor
910
12
2
1
1280
for vehicles with headlamp
levelling (automatic)
Rear Axle Left



References

4B0 927 807 C

4B0 927 807 L

Application info

A6 [4B, C5] [01/97-01/05]

114 800 0004 | MAS0262

ABS wheel sensor



Notes

Cable Length [mm]
Operating voltage [V]
Number of Poles

Inductive Sensor
1215
12
2

References

4B0 927 807 E

Application info

A6 [4B, C5] [01/97-01/05]

114 800 0005 | MAS0282

ABS wheel sensor



Notes

Cable Length [mm]
Operating voltage [V]
Number of Poles
Resistance [Ohm]

Passive sensor
1220
12
2
1650

References

4B0 927 807 J

Application info

A6 [4B, C5] [01/97-01/05]

114 800 0028 | MAS0369

ABS wheel sensor



Notes

Operating voltage [V]
Cable Length [mm]
Number of Poles
Number of Poles
Required quantity
Resistance [Ohm]

Passive sensor
12
1000
3
2
1
1700
Rear Axle Left

References

4B0 927 807 M

Application info

A6 [4B, C5] [01/97-01/05]



ABS wheel sensor

100 899 0010 | MAS0040

Notes

Cable Length [mm]	920
Operating voltage [V]	12
Number of Poles	2
Required quantity	2
Resistance [Ohm]	1280
	Rear Axle left and right

References

800 927 807 C



Application info

A4 [802, 805, B5] [11/94-09/01]

ABS wheel sensor

114 800 0007 | MAS0284

Notes

Cable Length [mm]	920
Operating voltage [V]	12
Number of Poles	2
Resistance [Ohm]	1650
	Inductive Sensor

References

800 927 807 F

Counterpart

114 800 0008 | MAS0365



Application info

A4 [802, 805, B5] [11/94-09/01]

ABS wheel sensor

114 800 0008 | MAS0365

Notes

Operating voltage [V]	12
Number of Poles	2
Required quantity	1
Resistance [Ohm]	1700
	for vehicles with headlamp levelling (automatic)
	Left Rear

References

800 927 807 G

Counterpart

114 800 0007 | MAS0284



Application info

A4 [802, 805, B5] [11/94-09/01]

114 800 0029 | MAS0286

ABS wheel sensor



Notes

Cable Length [mm]
Operating voltage [V]
Number of Poles
Required quantity
Resistance [Ohm]

Passive sensor
1335
12
2
1650
Rear Axle Right
Front Axle Right

References

8E0 927 807 B

Application info

A4 [8E2, 8E5, 8E6] [10/00-12/04]

A4 [8H7] [04/02-03/09]

114 800 0030 | MAS0306

ABS wheel sensor



Notes

Cable Length [mm]
Operating voltage [V]
Number of Poles
Number of Poles
Resistance [Ohm]

Hall Sensor
prepared for wear indicator
1340
12
6
2
1650

References

8E0 927 807 C

Application info

A4 [8E2, 8E5, 8E6] [10/00-12/04]

A4 [8H7] [04/02-03/09]

114 800 0031 | MAS0307

ABS wheel sensor



Notes

Cable Length [mm]
Multiple
Operating voltage [V]
Number of Poles
Resistance [Ohm]

Inductive Sensor
prepared for wear indicator
1335
2
12
6
1650

References

8E0 927 807 E

Application info

A4 [8E2, 8E5, 8E6] [10/00-12/04]

A4 [8H7] [04/02-03/09]

ABS wheel sensor

114 800 0034 | MAS0287

Notes

Cable Length [mm]
Operating voltage [V]
Number of Poles
Number of Poles
Required quantity
Resistance [Ohm]

Hall Sensor
prepared for wear indicator
1335
12
6
2
1
1650
Rear Axle Left

References

8E0 927 807 F



Application info

A4 [8EC, 8ED] [11/04-06/08]

A4 [8H7] [04/02-03/09]

ABS wheel sensor

114 800 0023 | MAS0305

Notes

Cable Length [mm]
Operating voltage [V]
Number of Poles
Resistance [Ohm]

Hall Sensor
1360
12
2
1650

References

8E0 927 807 G



Application info

A4 [8E2, 8E5, 8E6] [10/00-12/04]
A4 [8EC, 8ED] [11/04-06/08]

A4 [8H7] [04/02-03/09]

ABS wheel sensor

100 899 0042 | MAS0046

Notes

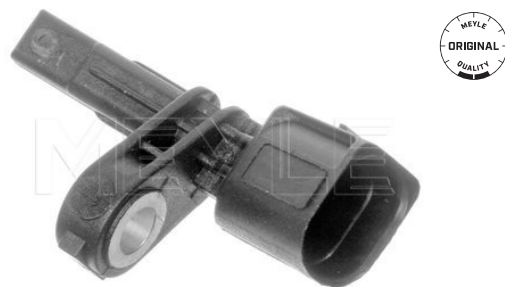
Operating voltage [V]
Number of Poles

Hall Sensor
12
2
without cable

References

7H0 927 804

WHT 003 856



Application info

A3 [8P1, 8PA] [05/03-08/12]
A3 [8V1, 8VS, 8V7, 8PA] [04/12--]

Q3 [8U] [06/11--]
TT [8J3, 8J9] [08/06-06/10]

114 800 0022 | MAS0367

ABS wheel sensor



Notes

Operating voltage [V]
Number of Poles

Hall Sensor
12
2
without cable

References

7L0 927 808 A
7L0 927 808 B

WHT 003 856 A

Counterpart

114 800 0021 | MAS0366

Application info

A3 [8V1, 8VS, 8V7, 8PA] [04/12--]
Q3 [8U] [06/11--]

Q7 [4L] [03/06-05/12]
TT [8S] [09/14--]

100 899 0041 | MAS0045

ABS wheel sensor



Notes

Operating voltage [V]
Number of Poles

Hall Sensor
12
2
without cable

References

7H0 927 803

WHT 003 857

Application info

A1 [8X1, 8XA] [05/10--]
A3 [8P1, 8PA] [05/03-08/12]
A3 [8V1, 8VS, 8V7, 8PA] [04/12--]

Q3 [8U] [06/11--]
TT [8J3, 8J9] [08/06-06/10]

114 800 0021 | MAS0366

ABS wheel sensor



Notes

Operating voltage [V]
Number of Poles

Hall Sensor
12
2
without cable

References

7L0 927 807 A
7L0 927 807 B

WHT 003 857 A

Counterpart

114 800 0022 | MAS0367

ABS wheel sensor

114 800 0021 | MAS0366

Application info

A3 (8V1, 8VS, 8V7, 8PA) (04/12--)
Q3 (8U) (06/11--)

Q7 (4L) (03/06-05/12)
TT (8S) (09/14--)

ABS wheel sensor

100 899 0044 | MAS0048

Notes

Operating voltage [V]
Number of Poles

Hall Sensor
12
2
without cable

References

1K0 927 808

WHT 003 858



Application info

A1 (8X1, 8XA) (05/10--)
A3 (8P1, 8PA) (05/03-08/12)

Q3 (8U) (06/11--)
TT (8J3, 8J9) (08/06-06/10)

ABS wheel sensor

114 800 0042 | MAS0338

Notes

Operating voltage [V]
Number of Poles

Required quantity

Hall Sensor
12
2
without cable
1
Rear Axle Right

References

WHT 003 858 A

Counterpart

114 800 0041 | MAS0337



Application info

Q3 (8U) (06/11--)

100 899 0043 | MAS0047

ABS wheel sensor



Notes

Operating voltage [V]
Number of Poles

Hall Sensor
12
2
without cable

References

1K0 927 807

WHT 003 859

Application info

A3 (8P1, 8PA) (05/03-08/12)
Q3 (8U) (06/11--)

TT (8J3, 8J9) (08/06-06/10)

114 800 0041 | MAS0337

ABS wheel sensor



Notes

Operating voltage [V]
Number of Poles

Hall Sensor
12
2
without cable
1
Rear Axle Left

Required quantity

References

WHT 003 859 A

Counterpart

114 800 0042 | MAS0338

Application info

Q3 (8U) (06/11--)

100 899 0052 | MAS0052

ABS wheel sensor



Notes

Operating voltage [V]
Number of Poles

Hall Sensor
for vehicles with ESP
for vehicles with ABS
12
2
without cable
1
Front Axle Right

Required quantity

References

6Q0 927 804 B

WHT 003 860

Counterpart

100 899 0053 | MAS0053

ABS wheel sensor

100 899 0052 | MAS0052

Application info

A1 [8X1, 8XA] [05/10--]
A2 [8Z0] [02/00-08/05]

A3 [8P1, 8PA] [05/03-08/12]
A3 [8V1, 8VS, 8V7, 8PA] [04/12--]

ABS wheel sensor

100 899 0053 | MAS0053

Notes

Operating voltage [V]	Hall Sensor
Number of Poles	12
Required quantity	2
	without cable
	1
	Front Axle Left

References

6Q0 927 803 A WHT 003 861
6Q0 927 803 B

Counterpart

100 899 0052 | MAS0052



Application info

A1 [8X1, 8XA] [05/10--]
A2 [8Z0] [02/00-08/05]

A3 [8P1, 8PA] [05/03-08/12]
A3 [8V1, 8VS, 8V7, 8PA] [04/12--]

ABS wheel sensor

100 899 0049 | MAS0049

Notes

Operating voltage [V]	Hall Sensor
Number of Poles	12
	2
	without cable

References

6Q0 927 808 B WHT 003 862



Application info

A1 [8X1, 8XA] [05/10--]

A2 [8Z0] [02/00-08/05]

100 899 0050 | MAS0050

ABS wheel sensor



Notes

Operating voltage [V]
Number of Poles

Hall Sensor
12
2
without cable

References

6Q0 927 807 B

WHT 003 863

Application info

A1 [8X1, 8XA] [05/10--]

A2 [8Z0] [02/00-08/05]

114 800 0009 | MAS0236

ABS wheel sensor



Notes

Operating voltage [V]
Number of Poles

Hall Sensor
12
2
without cable
2
Rear Axle left and right

References

2K0 927 807

WHT 003 864

Application info

A3 [8V1, 8VS, 8V7, 8PA] [04/12--]

114 800 0043 | MAS0339

ABS wheel sensor



Notes

Operating voltage [V]
Number of Poles

Required quantity

Hall Sensor
12
2
without cable
2
Rear Axle left and right

References

WHT 003 864 A

Application info

A3 [8V1, 8VS, 8V7, 8PA] [04/12--]

TT [8S] [09/14--]



ABS wheel sensor

114 800 0045 | MAS0379

Notes

Operating voltage [V]
Number of Poles
Required quantity

Hall Sensor
12
2
2
Front Axle

References

WHT 005 651



Application info

Q7 [4L] [03/06-05/12]

Wear sensor

100 527 0002 | MWS0114

Notes

Warning Contact Length [mm]
Required quantity

Disc Brake
345
1
Front Axle Left

References

BR0 615 121 A



Application info

Q5 [8R] [11/08--]

Wear sensor

114 527 0001 | MWS0022

Notes

Warning Contact Length [mm]
Required quantity

Disc Brake
420
2
Front Axle

References

7L0 907 637



Application info

Q7 [4L] [03/06-05/12]

114 527 0000 | MWS0021

Wear sensor



Notes

Warning Contact Length [mm]
Required quantity

Disc Brake
255
2
Rear Axle

References

7L0 907 637 C

Application info

Q7 [4L] [03/06-05/12]

114 527 0004 | MWS0025

Wear sensor



Notes

Warning Contact Length [mm]
Required quantity

Disc Brake
240
2
Rear Axle

References

7L5 907 637 B

Application info

Q7 [4L] [03/06-05/12]

100 527 0001 | MWS0020

Wear sensor



Notes

Warning Contact Length [mm]
Required quantity

Disc Brake
295
1
Front Axle

References

8K0 615 121

8T0 907 637

Application info

A4 [8EC, 8ED] [11/04-06/08]
A4 [8K2, 8K5, 8KH] [11/07--]
A5 [8F, 8T] [06/07--]

A6 [4G2, 4G5, C7] [11/10-05/13]
A7 Sportback [4GA] [10/10--]
Q5 [8R] [11/08--]

RPM Sensor, automatic transmission

100 899 0061 | MEX0254

Notes

Inductive Sensor
Automatic Transmission

Operating voltage [V] 12
Number of Poles 2
without cable

References

086 927 321 095 927 321 A
095 927 321 095 927 321 C



Application info

100 [4A, C4] [12/90-07/94] A3 [8L1] [09/96-05/03]
80 [8C, 8G7, B4] [05/91-08/00] A4 [8D2, 8D5, B5] [11/94-09/01]
80/90 [89, 89Q, 8A, B3] [06/86-12/96] A6 [4A, C4] [06/94-12/97]
A2 [8Z0] [02/00-08/05] A6 [4B, C5] [01/97-01/05]

Control unit, glow plug system

114 880 0003 | MEX0510

Notes

Observe service information
Equipment Variant 4 and 8 cylinder
Number of Cylinders 4
Height [mm] 60
Width [mm] 30
Operating voltage [V] 12
Length [mm] 36
Number of Poles 9

References

038 907 281 B 04L 907 282 B
04L 907 282



Application info

A3 [8P1, 8PA] [05/03-08/12] A6 [4G2, 4G5, C7] [11/10-05/13]
A3 [8V1, 8VS, 8V7, 8PA] [04/12--] A8 [4E] [10/02-07/10]
A4 [8E2, 8E5, 86] [10/00-12/04] A8 [4H_] [11/09--]
A4 [8EC, 8ED] [11/04-06/08] Q5 [8R] [11/08--]
A4 [8H7] [04/02-03/09] Q7 [4L] [03/06-05/12]
A4 [8K2, 8K5, 8KH] [11/07--] TT [8J3, 8J9] [08/06-06/10]
A5 [8F, 8T] [06/07--] TT [8S] [09/14--]
A6 [4F2, 4FH, 4F5] [05/04-08/11]

114 880 0010/S | MEX0517

Control unit, glow plug system



Notes

Observe service information	
Version	SET
Equipment Variant	4 and 8 cylinder
Number of Cylinders	4
Height [mm]	60
Width [mm]	30
Operating voltage [V]	12
Length [mm]	36
Number of Poles	9

References

038 907 281 B	04L 907 282 B
04L 907 282	

Parts list

100 860 0002 MGP0020	Glow plug
114 880 0003 MEX0510	Control unit, glow plug system

Application info

- A3 [8V1, 8VS, 8V7, 8PA] [04/12--]
- A4 [8K2, 8K5, 8KH] [11/07--]
- A5 [8F, 8T] [06/07--]
- A6 [4F2, 4FH, 4F5] [05/04-08/11]
- A6 [4G2, 4G5, C7] [11/10-05/13]
- A8 [4E] [10/02-07/10]

- A8 [4H_] [11/09--]
- Q5 [8R] [11/08--]
- Q7 [4L] [03/06-05/12]
- TT [8J3, 8J9] [08/06-06/10]
- TT [8S] [09/14--]

114 880 0011/S | MEX0518

Control unit, glow plug system



Notes

Observe service information	
Version	SET
Number of Cylinders	4
Height [mm]	60
Width [mm]	30
Operating voltage [V]	12
Length [mm]	36
Number of Poles	9

References

038 907 281 B	04L 907 282
---------------	-------------

Parts list

100 860 0008 MGP0108	Glow plug
114 880 0003 MEX0510	Control unit, glow plug system

Application info

- A3 [8P1, 8PA] [05/03-08/12]
- A4 [8EC, 8ED] [11/04-06/08]

- A4 [8H7] [04/02-03/09]

Control unit, glow plug system
114 880 0012/S | MEX0519
Notes

Observe service information

Version	SET
Number of Cylinders	4
Height [mm]	60
Width [mm]	30
Operating voltage [V]	12
Length [mm]	36
Number of Poles	9

References

038 907 281 B 04L 907 282

Parts list

100 860 0001 MGP0019	Glow plug
114 880 0003 MEX0510	Control unit, glow plug system


Application info

 A3 (8P1, 8PA) (05/03-08/12)
 A4 (8E2, 8E5, 86) (10/00-12/04)

A4 (8EC, 8ED) (11/04-06/08)

Control unit, glow plug system
114 880 0013/S | MEX0520
Notes

Observe service information

Version	SET
Number of Cylinders	4
Height [mm]	60
Width [mm]	30
Operating voltage [V]	12
Length [mm]	36
Number of Poles	9

References

038 907 281 B 04L 907 282

Parts list

100 860 0003 MGP0021	Glow plug
114 880 0003 MEX0510	Control unit, glow plug system


Application info

A6 (4F2, 4FH, 4F5) (05/04-08/11)

5

114 880 0014/S | MEX0521

Control unit, glow plug system



Notes

Observe service information	
Version	SET
Number of Cylinders	4
Height [mm]	60
Width [mm]	30
Operating voltage [V]	12
Length [mm]	36
Number of Poles	9

References

038 907 281 B	04L 907 282
---------------	-------------

Parts list

100 860 0007 MGP0110	Glow plug
114 880 0003 MEX0510	Control unit, glow plug system

Application info

A4 [8EC, 8ED] [11/04-06/08]

A6 [4F2, 4FH, 4F5] [05/04-08/11]

114 880 0015/S | MEX0522

Control unit, glow plug system



Notes

Observe service information	
Version	SET
Equipment Variant	4 and 8 cylinder
Number of Cylinders	4
Height [mm]	60
Width [mm]	30
Operating voltage [V]	12
Length [mm]	36
Number of Poles	9

References

038 907 281 B	04L 907 282
---------------	-------------

Parts list

714 860 0000 MGP0091	Glow plug
114 880 0003 MEX0510	Control unit, glow plug system

Application info

A8 [4E] [10/02-07/10]



Control unit, glow plug system

114 880 0002 | MEX0509

Notes

Observe service information	
Equipment Variant	3 and 4 cylinder
Number of Cylinders	4
Height [mm]	39
Width [mm]	32
Operating voltage [V]	12
Length [mm]	96
Number of Poles	9

References

038 907 281 D	04L 907 281
---------------	-------------



Application info

A1 [8X1, 8XA] [05/10--]	Q3 [8U] [06/11--]
A3 [8P1, 8PA] [05/03-08/12]	

Control unit, glow plug system

114 880 0004/S | MEX0511

Notes

Observe service information	
Version	SET
Number of Cylinders	4
Height [mm]	39
Width [mm]	32
Operating voltage [V]	12
Length [mm]	96
Number of Poles	9

References

038 907 281 D	04L 907 281
---------------	-------------

Parts list

100 860 0002 MGP0020	Glow plug
114 880 0002 MEX0509	Control unit, glow plug system



Application info

A1 [8X1, 8XA] [05/10--]	Q3 [8U] [06/11--]
A3 [8P1, 8PA] [05/03-08/12]	

Crank position sensor

100 899 0100 | MPS0013

Notes

	Grey
	Passive sensor
Cable Length [mm]	750
Fitting Depth [mm]	41
Operating voltage [V]	12
Number of Poles	3
Resistance [Ohm]	900

References

078 905 375	035 905 381 B
034 905 381	078 905 381
034 905 381 A	078 905 381 A
034 905 381 B	



100 899 0100 | MPS0013

Crank position sensor

Application info

100 (4A, C4) [12/90-07/94]
80 (8C, 8G7, B4) [05/91-08/00]
80/90 (89, 890, 8A, B3) [06/86-12/96]
A4 (8D2, 8D5, B5) [11/94-09/01]

A6 (4A, C4) [06/94-12/97]
A8 (4D2, 4D8) [03/94-09/02]
V8 (01) [10/88-02/94]

100 899 0004 | MPS0005

Crank position sensor



Notes

	Passive sensor
Cable Length [mm]	570
Fitting Depth [mm]	24
Operating voltage [V]	12
Number of Poles	3
Resistance [Ohm]	900

References

06A 906 433 C

Application info

A3 (8L1) [09/96-05/03]
A4 (8D2, 8D5, B5) [11/94-09/01]
A4 (8E2, 8E5, B6) [10/00-12/04]
A4 (8EC, 8ED) [11/04-06/08]

A4 (8H7) [04/02-03/09]
A6 (4B, C5) [01/97-01/05]
A8 (4D2, 4D8) [03/94-09/02]

100 899 0016 | MPS0006

Crank position sensor



Notes

	Passive sensor
Cable Length [mm]	265
Operating voltage [V]	12
Number of Poles	3
Resistance [Ohm]	950

References

06A 906 433 E

Application info

A4 (8E2, 8E5, B6) [10/00-12/04]
A4 (8H7) [04/02-03/09]

A6 (4F2, 4FH, 4F5) [05/04-08/11]
A8 (4E) [10/02-07/10]



Crank position sensor

100 899 0045 | MPS0007

Notes

	Passive sensor
Cable Length [mm]	215
Fitting Depth [mm]	24
Operating voltage [V]	12
Number of Poles	3
Resistance [Ohm]	900

References

06A 906 433 G	06A 906 433 L
---------------	---------------



Application info

A1 [8X1, 8XA] [05/10--]
 A3 [8L1] [09/96-05/03]
 A3 [8P1, 8PA] [05/03-08/12]
 A4 [8EC, 8ED] [11/04-06/08]

A4 [8H7] [04/02-03/09]
 A6 [4F2, 4FH, 4F5] [05/04-08/11]
 TT [8J3, 8J9] [08/06-06/10]
 TT [8N3, 8N9] [10/98-06/06]

Crank position sensor

100 899 0086 | MPS0011

Notes

	Passive sensor
Cable Length [mm]	180
Fitting Depth [mm]	24
Operating voltage [V]	12
Number of Poles	3
Resistance [Ohm]	with seal 850

References

06A 906 433 K



Application info

A3 [8P1, 8PA] [05/03-08/12]

Crank position sensor

114 899 0006 | MPS0045

Notes

	Active sensor
Operating voltage [V]	12
Cable Length [mm]	350
Number of Poles	3
	with screws

References

07K 906 433 B



Application info

A3 [8P1, 8PA] [05/03-08/12]

TT [8J3, 8J9] [08/06-06/10]

5

100 899 0040 | MPS0051

Crank position sensor



Notes

Cable Length [mm]	540
Operating voltage [V]	12
Fitting Depth [mm]	46
Number of Poles	3
Resistance [Ohm]	with seal 1300

References

028 907 319 B

Application info

A4 (802, 805, B5) [11/94-09/01]

A6 (4B, C5) [01/97-01/05]

100 899 0058 | MPS0009

Crank position sensor



Notes

Cable Length [mm]	525
Fitting Depth [mm]	46
Operating voltage [V]	12
Number of Poles	3
Resistance [Ohm]	1150

References

038 907 319

Application info

A3 (8L1) [09/96-05/03]

100 899 0092 | MPS0012

Crank position sensor



Notes

Cable Length [mm]	1000
Fitting Depth [mm]	46
Operating voltage [V]	12
Number of Poles	3
Resistance [Ohm]	with seal 500

References

038 907 319 E

Application info

A4 (8E2, 8E5, B6) [10/00-12/04]
A4 (8EC, 8ED) [11/04-06/08]

A4 (8H7) [04/02-03/09]
A6 (4B, C5) [01/97-01/05]

Crank position sensor
100 899 0080 | MPS0010
Notes

	Passive sensor
Cable Length [mm]	470
Fitting Depth [mm]	46
Operating voltage [V]	12
Number of Poles	3
	with seal
Resistance [Ohm]	500

References

038 907 319 D	038 957 147 D
038 907 319 J	038 957 147 F


Application info

A3 [8L1] [09/96-05/03]

Crank position sensor
100 899 0063 | MPS0060
Notes

	Passive sensor
Cable Length [mm]	370
Operating voltage [V]	12
Fitting Depth [mm]	46
Number of Poles	3
Resistance [Ohm]	500

References

045 957 147	045 957 147 C
-------------	---------------


Application info

A2 [8Z0] [02/00-08/05]

Crank position sensor
114 899 0005 | MPS0015
Notes

	Passive sensor
Cable Length [mm]	675
Fitting Depth [mm]	24
Operating voltage [V]	12
Number of Poles	3
	with seal
Resistance [Ohm]	900

References

078 906 433 A	071 957 147
---------------	-------------

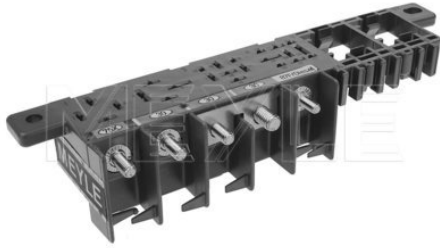

Application info

 A4 [802, 805, 85] [11/94-09/01]
 A4 [8E2, 8E5, 86] [10/00-12/04]
 A4 [8H7] [04/02-03/09]

 A6 [4B, C5] [01/97-01/05]
 A8 [4D2, 4D8] [03/94-09/02]

100 941 0010 | MEX0308

Fuse box



Notes

for vehicles with 12V main current

References

8L0 941 822 A

Application info

A4 [8D2, 8D5, 85] [11/94-09/01]
A6 [4B, C5] [01/97-01/05]

A8 [4D2, 4D8] [03/94-09/02]
Allroad [4BH] [05/00-08/05]

100 860 0002 | MGP0020

Glow plug



Notes

Rated current [A]	8.5
	after-glow capable
	Pencil-type Glow Plug
Spanner Size	10
Diameter [mm]	4.1
Thread Size	M10 x 1
Overall Length [mm]	130
Cone Pitch	63°
Fitting Depth [mm]	28
Connector type	Ø 4 mm
Voltage [V]	4.4

References

03L 963 319	059 963 319 F
03L 963 319 A	059 963 319 J
03L 963 319 C	059 963 319 M
04L 963 319 B	059 963 319 S
059 963 319 C	059 998 319
059 963 319 E	

Application info

A1 [8X1, 8XA] [05/10--]
A3 [8P1, 8PA] [05/03-08/12]
A3 [8V1, 8VS, 8V7, 8PA] [04/12--]
A4 [8EC, 8ED] [11/04-06/08]
A4 [8K2, 8K5, 8KH] [11/07--]
A5 [8F, 8T] [06/07--]
A6 [4F2, 4FH, 4F5] [05/04-08/11]
A6 [4G2, 4G5, C7] [11/10-05/13]

A7 Sportback [4GA] [10/10--]
A8 [4E] [10/02-07/10]
A8 [4H_] [11/09--]
Q3 [8U] [06/11--]
Q5 [8R] [11/08--]
Q7 [4L] [03/06-05/12]
TT [8J3, 8J9] [08/06-06/10]



Glow plug

100 860 0000 | MGP0018

Notes

Rated current [A]	14.5 after-glow capable Pencil-type Glow Plug
Spanner Size	10
Diameter [mm]	5.1
Thread Size	M10 x 1
Overall Length [mm]	126
Cone Pitch	63°
Fitting Depth [mm]	34
Connector type	Ø 4 mm
Voltage [V]	11

References

059 963 319 H



Application info

A4 [8D2, 8D5, B5] [11/94-09/01]
 A4 [8E2, 8E5, B6] [10/00-12/04]
 A4 [8EC, 8ED] [11/04-06/08]
 A4 [8H7] [04/02-03/09]

A6 [4B, C5] [01/97-01/05]
 A8 [4D2, 4D8] [03/94-09/02]
 A8 [4E] [10/02-07/10]
 Allroad [4BH] [05/00-08/05]

Glow plug

100 020 2022 | MGP0017

Notes

Rated current [A]	15 after-glow capable Pencil-type Glow Plug
Spanner Size	10
Diameter [mm]	5.1
Thread Size	M10 x 1
Overall Length [mm]	92
Cone Pitch	63°
Fitting Depth [mm]	24.5
Connector type	Ø 4 mm
Voltage [V]	11

References

N 101 401 05



Application info

100 [4A, C4] [12/90-07/94]
 100/200 [44, 44Q, C3] [08/82-12/91]
 80 [8C, 8G7, B4] [05/91-08/00]
 A3 [8L1] [09/96-05/03]

A4 [8D2, 8D5, B5] [11/94-09/01]
 A4 [8E2, 8E5, B6] [10/00-12/04]
 A6 [4A, C4] [06/94-12/97]
 A6 [4B, C5] [01/97-01/05]

100 020 1032 | MGP0015

Glow plug



Notes

Rated current [A]	16
	after-glow capable
	Pencil-type Glow Plug
Spanner Size	12
Diameter [mm]	6.1
Thread Size	M12 x 1,25
Overall Length [mm]	60
Cone Pitch	63°
Fitting Depth [mm]	20.5
Connector type	M5
Voltage [V]	11

References

068 905 061	N 019 100 1
N 019 081 1	N 102 130 02

Application info

100 [4A, C4] [12/90-07/94]
 100/200 [44, 44Q, C3] [08/82-12/91]
 80 [8C, 8G7, B4] [05/91-08/00]
 80/90 [81, 85, B2] [08/78-10/88]
 80/90 [89, 89Q, 8A, B3] [06/86-12/96]

A3 [8L1] [09/96-05/03]
 A4 [8D2, 8D5, B5] [11/94-09/01]
 A4 [8E2, 8E5, B6] [10/00-12/04]
 A6 [4A, C4] [06/94-12/97]
 A6 [4B, C5] [01/97-01/05]

100 020 1036 | MGP0016

Glow plug



Notes

Rated current [A]	14
	after-glow capable
	Pencil-type Glow Plug
Spanner Size	12
Diameter [mm]	6.1
Thread Size	M12 x 1,25
Overall Length [mm]	72
Cone Pitch	63°
Fitting Depth [mm]	20
Connector type	Ø 4 mm
Voltage [V]	11

References

N 103 021 02

Application info

80 [8C, 8G7, B4] [05/91-08/00]
 A3 [8L1] [09/96-05/03]

A4 [8D2, 8D5, B5] [11/94-09/01]
 A6 [4A, C4] [06/94-12/97]



Glow plug

714 860 0000 | MGP0091

Notes

Rated current [A]	15 after-glow capable Pencil-type Glow Plug
Spanner Size	10
Diameter [mm]	5
Thread Size	M10 x 1
Overall Length [mm]	97
Cone Pitch	63°
Fitting Depth [mm]	30
Connector type	Ø 4 mm
Voltage [V]	11

References

N 105 792 02



Application info

A2 [8Z0] [02/00-08/05]
 A3 [8L1] [09/96-05/03]
 A4 [8E2, 8E5, 8E6] [10/00-12/04]

A6 [4B, C5] [01/97-01/05]
 A6 [4F2, 4FH, 4F5] [05/04-08/11]

Glow plug

100 860 0003 | MGP0021

Notes

Rated current [A]	8.5 after-glow capable Pencil-type Glow Plug
Spanner Size	8
Diameter [mm]	4.1
Thread Size	M8 x 1
Overall Length [mm]	117
Cone Pitch	93°
Fitting Depth [mm]	29.6
Connector type	Ø 4 mm
Voltage [V]	4.4

References

N 105 798 02



Application info

A3 [8P1, 8PA] [05/03-08/12]
 A4 [8EC, 8ED] [11/04-06/08]

A6 [4F2, 4FH, 4F5] [05/04-08/11]

100 860 0007 | MGP0110

Glow plug



Notes

Rated current [A]	7 after-glow capable Pencil-type Glow Plug
Spanner Size	8
Diameter [mm]	4
Thread Size	M8 x 1,0
Overall Length [mm]	117
Connector type	Ø 4 mm
Fitting Depth [mm]	30
Voltage [V]	7

References

N 105 798 05	N 105 798 08
--------------	--------------

Application info

A3 [8P1, 8PA] [05/03-08/12]
A4 [8EC, 8ED] [11/04-06/08]

A6 [4F2, 4FH, 4F5] [05/04-08/11]

100 860 0001 | MGP0019

Glow plug



Notes

Rated current [A]	25 after-glow capable Pencil-type Glow Plug
Spanner Size	10
Diameter [mm]	5
Thread Size	M10 x 1
Overall Length [mm]	97
Cone Pitch	63°
Fitting Depth [mm]	30
Connector type	Ø 4 mm
Voltage [V]	5

References

N 105 916 02	N 105 916 03
--------------	--------------

Application info

A2 [8Z0] [02/00-08/05]
A3 [8P1, 8PA] [05/03-08/12]

A4 [8E2, 8E5, B6] [10/00-12/04]
A4 [8EC, 8ED] [11/04-06/08]



Glow plug

100 860 0008 | MGP0108

Notes

Rated current [A]	7
	after-glow capable
	Pencil-type Glow Plug
Spanner Size	10
Diameter [mm]	4
Thread Size	M10 x 1,0
Overall Length [mm]	97
Connector type	Ø 4 mm
Cone Pitch	63°
Fitting Depth [mm]	30
Voltage [V]	7



References

N 105 916 04	N 105 916 08
--------------	--------------

Application info

A3 [8P1, 8PA] [05/03-08/12]
A4 [8EC, 8ED] [11/04-06/08]

A4 [8H7] [04/02-03/09]

Ignition coil

100 885 0021 | MIC0022

Notes

	for fully electronic ignition (FI)
	with dissipator
	with output stage
	Double Ignition Coil
Operating voltage [V]	12
Number of Poles	3
Required quantity	2



References

058 905 101 A	058 905 105 A
---------------	---------------

Application info

80 [8C, 8G7, 84] [05/91-08/00]
A4 [802, 805, 85] [11/94-09/01]

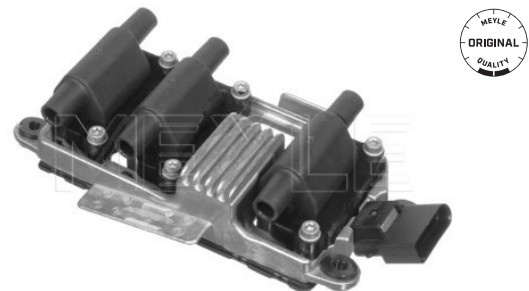
A6 [4A, C4] [06/94-12/97]
A6 [4B, C5] [01/97-01/05]

Ignition coil

100 885 0004 | MIC0013

Notes

	for fully electronic ignition (FI)
	Coupling Type Saw Tooth
Operating voltage [V]	12
Number of Poles	5
Required quantity	1
	for vehicles without distributor



References

078 905 104	078 905 104 A
-------------	---------------



100 885 0004 | MIC0013

Ignition coil

Application info

A4 (8D2, 8D5, B5) [11/94-09/01]
A4 (8E2, 8E5, B6) [10/00-12/04]
A4 (8H7) [04/02-03/09]

A6 (4A, C4) [06/94-12/97]
A6 (4B, C5) [01/97-01/05]
A8 (4D2, 4D8) [03/94-09/02]

100 905 0007 | MIC0025

Ignition coil



Notes

Operating voltage [V]
Number of Poles
Required quantity

Rectangular
for fully electronic ignition (FI)
Coupling Type Saw Tooth
12
3
1
for vehicles with distributor

References

6N0 905 104
867 905 105 A

867 905 352

Application info

100 (4A, C4) [12/90-07/94]
80 (8C, 8G7, B4) [05/91-08/00]

80/90 (89, 89Q, 8A, B3) [06/86-12/96]
A6 (4A, C4) [06/94-12/97]

100 885 0001 | MIC0010

Ignition coil



Notes

Operating voltage [V]
Number of Poles

for fully electronic ignition (FI)
incl. spark plug connector
Coupling Type SAE
12
3
for vehicles without distributor

References

058 905 101

058 905 105

Application info

A3 (8L1) [09/96-05/03]
A4 (8D2, 8D5, B5) [11/94-09/01]
A6 (4A, C4) [06/94-12/97]
A6 (4B, C5) [01/97-01/05]

A8 (4D2, 4D8) [03/94-09/02]
Allroad (4BH) [05/00-08/05]
TT (8N3, 8N9) [10/98-06/06]

Ignition coil

114 885 0007 | MIC0100

Notes

Operating voltage [V]
Number of Poles
Required quantity

Full Electronic Ignition (FI)
2 Spark
Coupling Type Saw Tooth
12
4
1
For vehicles with OBD
for vehicles without distributor

References

032 905 106
032 905 106 B
032 905 106 D

032 905 106 E
032 905 106 F



Application info

A1 (8X1, 8XA) (05/10--)
A2 (8Z0) (02/00-08/05)
A3 (8L1) (09/96-05/03)
A3 (8P1, 8PA) (05/03-08/12)

A4 (8D2, 8D5, B5) (11/94-09/01)
A4 (8E2, 8E5, B6) (10/00-12/04)
A4 (8EC, 8ED) (11/04-06/08)

Ignition coil

100 885 0024 | MIC0023

Notes

Operating voltage [V]
Number of Poles

for electronic ignition (EI)
Coupling Type SAE
12
4
for vehicles without distributor

References

04E 905 110 E

04E 905 110 K



Application info

A1 (8X1, 8XA) (05/10--)
A3 (8V1, 8VS, 8V7, 8PA) (04/12--)

Q3 (8U) (06/11--)

114 885 0006 | MIC0034

Ignition coil



Notes

Operating voltage [V]
Number of Poles

for fully electronic ignition (FI)
incl. spark plug connector
Coupling Type SAE
12
4

References

06A 905 115 A	06B 905 115 L
06A 905 115 B	06B 905 115 M
06A 905 115 C	06B 905 115 N
06A 905 115 D	06B 905 115 Q
06B 905 115 G	06B 905 115 R
06B 905 115 H	06B 905 115 S
06B 905 115 J	

Application info

A3 (8L1) (09/96-05/03)
A4 (8E2, 8E5, B6) (10/00-12/04)
A4 (8EC, 8ED) (11/04-06/08)

A4 (8H7) (04/02-03/09)
A6 (4B, C5) (01/97-01/05)
TT (8N3, 8N9) (10/98-06/06)

100 885 0002 | MIC0011

Ignition coil



Notes

Operating voltage [V]
Number of Poles

for fully electronic ignition (FI)
incl. spark plug connector
Coupling Type SAE
12
4

References

06B 905 115	06B 905 115 E
06B 905 115 B	

Application info

A3 (8L1) (09/96-05/03)
A6 (4B, C5) (01/97-01/05)

A8 (4D2, 4D8) (03/94-09/02)
TT (8N3, 8N9) (10/98-06/06)

Ignition coil

100 885 0007 | MIC0015

Notes

Operating voltage [V]
Number of Poles

for fully electronic ignition (FI)
incl. spark plug connector
Coupling Type SAE
12
4
for vehicles without distributor

References

06C 905 115 B	06C 905 115 H
06C 905 115 D	06C 905 115 K
06C 905 115 E	06C 905 115 L
06C 905 115 F	06C 905 115 M
06C 905 115 G	



Application info

A4 [8E2, 8E5, 8E6] [10/00-12/04]	A6 [4B, C5] [01/97-01/05]
A4 [8EC, 8ED] [11/04-06/08]	A6 [4F2, 4FH, 4F5] [05/04-08/11]
A4 [8H7] [04/02-03/09]	A8 [4E] [10/02-07/10]

Ignition coil

100 905 0025 | MIC0027

Notes

Operating voltage [V]
Number of Poles
Required quantity

for fully electronic ignition (FI)
incl. spark plug connector
Coupling Type SAE
12
4
4

References

06F 905 115	06H 905 115 A
06F 905 115 A	06H 905 115 B
06F 905 115 B	07K 905 715
06F 905 115 C	07K 905 715 A
06F 905 115 D	07K 905 715 B
06F 905 115 E	07K 905 715 C
06F 905 115 F	07K 905 715 D
06F 905 115 G	07K 905 715 E
06H 905 115	07K 905 715 F



Application info

A3 [8P1, 8PA] [05/03-08/12]	A5 [8F, 8T] [06/07--]
A4 [8EC, 8ED] [11/04-06/08]	A6 [4F2, 4FH, 4F5] [05/04-08/11]
A4 [8H7] [04/02-03/09]	A6 [4G2, 4G5, C7] [11/10-05/13]
A4 [8K2, 8K5, 8KH] [11/07--]	TT [8J3, 8J9] [08/06-06/10]

5

100 885 0010 | MIC0017

Ignition coil



Notes

Operating voltage [V]
Number of Poles
Required quantity

for fully electronic ignition (FI)
Coupling Type DIN
12
2
with holding frame
1
for vehicles with distributor

References

330 905 115 A

Application info

100/200 [44, 44Q, C3] [08/82-12/91]

100 885 0022 | MIC0127

Ignition coil



Notes

Operating voltage [V]
Manufacturer Restriction
Number of Poles
Required quantity

for fully electronic ignition (FI)
incl. spark plug connector
Coupling Type SAE
12
not for FSI motor
4
6
for vehicles without distributor

References

022 905 100 B	022 905 100 S
022 905 100 E	022 905 100 T
022 905 100 H	022 905 715
022 905 100 L	022 905 715 A
022 905 100 P	022 905 715 B

Application info

A3 (8P1, 8PA) [05/03-08/12]
Q7 (4L) [03/06-05/12]

TT (8N3, 8N9) [10/98-06/06]

Ignition coil

100 885 0040 | MIC0024

Notes

Operating voltage [V]
Number of Poles

for fully electronic ignition (FI)
incl. spark plug connector
Coupling Type SAE
12
4
for vehicles without distributor



References

036 905 100 A	036 905 715 C
036 905 100 B	036 905 715 E
036 905 100 D	036 905 715 F
036 905 715	036 905 715 G
036 905 715 A	

Application info

A1 [8X1, 8XA] [05/10--]
A2 [8Z0] [02/00-08/05]

A3 [8P1, 8PA] [05/03-08/12]

Ignition coil

100 885 0025 | MIC0106

Notes

Operating voltage [V]
Number of Poles
Required quantity

Full Electronic Ignition (FI)
Coupling Type SAE
12
4
4
for vehicles without distributor



References

06H 905 110 D	06H 905 110 F
06H 905 110 E	06H 905 110 G

Application info

A4 [8K2, 8K5, 8KH] [11/07--]

A5 [8F, 8T] [06/07--]

Ignition control unit

100 905 0005 | MEX0268

Notes

Operating voltage [V]
Number of Poles

Transistor Ignition (TI)
12
7
without fastening material
with back plate



References

191 905 351 A	191 905 351 C
191 905 351 B	

100 905 0005 | MEX0268

Ignition control unit

Application info

100/200 [44, 44Q, C3] [08/82-12/91]
80/90 [81, 85, B2] [08/78-10/88]

80/90 [85] [07/80-07/91]
80/90 [89, 89Q, 8A, B3] [06/86-12/96]

100 905 0009 | MEX0270

Ignition control unit



Notes

Operating voltage [V]
Number of Poles

Transistor Ignition (TI)
12
7
without back plate
without fastening material

References

211 905 351
211 905 351 A
211 905 351 B

211 905 351 D
211 905 351 E

Application info

100/200 [44, 44Q, C3] [08/82-12/91]
80/90 [81, 85, B2] [08/78-10/88]

80/90 [85] [07/80-07/91]
80/90 [89, 89Q, 8A, B3] [06/86-12/96]

100 800 0074 | MEX0182

Ignition control unit



Notes

Operating voltage [V]
Number of Poles
Number of Poles

12
5
4
without fastening material
with back plate

References

400 905 351
800 905 351

400 997 351

Application info

A3 [8L1] [09/96-05/03]
A4 [802, 805, B5] [11/94-09/01]

A6 [4B, C5] [01/97-01/05]



Ignition switch

100 905 0000 | MEX0267

Notes

Number of Poles 8

References

4A0 905 849 B



Application info

100 [4A, C4] [12/90-07/94]
100/200 [44, 44Q, C3] [08/82-12/91]
80 [8C, 8G7, B4] [05/91-08/00]
80/90 [89, 89Q, 8A, B3] [06/86-12/96]
A3 [8L1] [09/96-05/03]

A4 [8D2, 8D5, B5] [11/94-09/01]
A6 [4A, C4] [06/94-12/97]
A6 [4B, C5] [01/97-01/05]
A8 [4D2, 4D8] [03/94-09/02]
V8 [01] [10/88-02/94]

Ignition switch

100 905 0020 | MEX0273

Notes

Number of Poles 8

References

4B0 905 849



Application info

A2 [8Z0] [02/00-08/05]
A3 [8L1] [09/96-05/03]
A4 [8D2, 8D5, B5] [11/94-09/01]
A4 [8E2, 8E5, 86] [10/00-12/04]
A4 [8EC, 8ED] [11/04-06/08]

A4 [8H7] [04/02-03/09]
A6 [4B, C5] [01/97-01/05]
A8 [4D2, 4D8] [03/94-09/02]
Allroad [4BH] [05/00-08/05]
TT [8N3, 8N9] [10/98-06/06]

Ignition switch

100 905 0014 | MEX0272

Notes

Number of Poles 6

References

111 905 865 L



100 905 0014 | MEX0272

Ignition switch

Application info

80/90 (81, 85, B2) (08/78-10/88)

80/90 (85) (07/80-07/91)

114 899 0007 | MEX0608

Ignition switch



Notes

Number of Poles 6

References

1K0 905 865 1K0 905 865 A

Application info

A3 (8P1, 8PA) (05/03-08/12)

TT (8J3, 8J9) (08/06-06/10)

100 899 0015 | MEX0243

Intake air, temperature sensor



Notes

Diameter [mm]
Operating voltage [V]
Number of Poles

with seal
NTC Sensor
12
12
2

References

058 905 379

Application info

80 (8C, 8G7, B4) (05/91-08/00)
A3 (8L1) (09/96-05/03)
A4 (8D2, 8D5, B5) (11/94-09/01)
A4 (8E2, 8E5, B6) (10/00-12/04)
A4 (8H7) (04/02-03/09)

A6 (4A, C4) (06/94-12/97)
A6 (4B, C5) (01/97-01/05)
A8 (4D2, 4D8) (03/94-09/02)
TT (8N3, 8N9) (10/98-06/06)

Intake air, temperature sensor
100 905 0024 | MEX0274
Notes

Black
 NTC Sensor

Diameter [mm] 12
 Operating voltage [V] 12
 Number of Poles 2
 with seal

References

06B 905 379 06B 905 379 D
 06B 905 379 A 06B 998 124
 06B 905 379 C


Application info

A1 [8X1, 8XA] [05/10--] A3 [8P1, 8PA] [05/03-08/12] A3 [8V1, 8VS, 8V7, 8PA] [04/12--] A4 [8E2, 8E5, 8E] [10/00-12/04] A4 [8EC, 8ED] [11/04-06/08] A4 [8H7] [04/02-03/09] A4 [8K2, 8K5, 8KH] [11/07--] A5 [8F, 8T] [06/07--]	A6 [4B, C5] [01/97-01/05] A6 [4F2, 4FH, 4F5] [05/04-08/11] A6 [4G2, 4G5, C7] [11/10-05/13] A8 [4H_] [11/09--] Q3 [8U] [06/11--] Q5 [8R] [11/08--] TT [8J3, 8J9] [08/06-06/10]
--	---

Knock sensor
114 899 0003 | MEX0353
Notes

Black
 Piezoelectric Sensor

Inner diameter [mm] 8.3
 Outer diameter [mm] 26.4
 Operating voltage [V] 12
 Number of Poles 2
 without cable

References

030 905 377 C


Application info

A1 [8X1, 8XA] [05/10--] A2 [8Z0] [02/00-08/05] A3 [8L1] [09/96-05/03] A3 [8P1, 8PA] [05/03-08/12] A4 [8EC, 8ED] [11/04-06/08] A4 [8H7] [04/02-03/09] A6 [4F2, 4FH, 4F5] [05/04-08/11]	A6 [4G2, 4G5, C7] [11/10-05/13] A7 Sportback [4GA] [10/10--] A8 [4H_] [11/09--] Q7 [4L] [03/06-05/12] TT [8J3, 8J9] [08/06-06/10] TT [8N3, 8N9] [10/98-06/06]
---	--

114 950 0000 | MEX0489

Lambda probe



Notes

Recommended replace interval [km]

100000
Heated
Diagnostic Probe

Thread Size
Cable Length [mm]
Number of Poles

M18 x 1,5
450
4

References

03C 906 262 AA
03C 906 262 M
03E 906 262 B

03E 906 262 C
06A 906 262 BS

Application info

A3 (8P1, 8PA) (05/03-08/12)

114 950 0002 | MEX0491

Lambda probe



Notes

Recommended replace interval [km]

100000
Heated
Regulating Probe

Thread Size
Cable Length [mm]
Number of Poles

M18 x 1,5
400
4

References

032 906 265 F
036 906 265 C

06A 906 265 AM
06A 906 265 E

Application info

A3 (8L1) (09/96-05/03)

100 900 0000 | MEX0265

Lambda probe



Notes

Cable Length [mm]
Number of Poles

Regulating Probe
Unheated
890
1

References

035 906 265 B

Application info

100/200 (44, 44Q, C3) (08/82-12/91)
80/90 (81, 85, B2) (08/78-10/88)

80/90 (89, 89Q, 8A, B3) (06/86-12/96)



Lambda probe

114 950 0001 | MEX0490

Notes

Recommended replace interval [km]

100000
Heated
Regulating Probe
M18 x 1,5
625
4

Thread Size
Cable Length [mm]
Number of Poles

References

030 906 265 BS	06A 906 265 B
030 906 265 BT	06A 906 265 F
032 906 265 E	06A 906 265 G
036 906 265	06A 906 265 H
06A 906 265 A	06A 906 265 P
06A 906 265 AC	06A 906 265 Q



Application info

A3 (8L1) (09/96-05/03)

Lambda probe

100 950 0001 | MEX0314

Notes

Cable Length [mm]
Number of Poles

Diagnostic Probe
1140
4

References

06A 906 262 AK	1K0 998 262
----------------	-------------



Application info

A3 (8L1) (09/96-05/03)

Radiator fan control unit

100 880 0019 | MEX0212

Notes

Temperature range from [°C]
Temperature range to [°C]

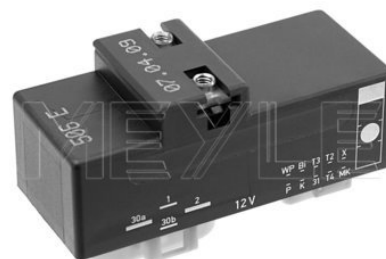
-20
100
for electric fan

Height [mm]
Width [mm]
Protection Type (IP Code)
Operating voltage [V]
Length [mm]
Number of Poles
Number of Poles

50
52
IP54A
12
121
4
10

References

1J0 919 506 E	1J0 919 506 H
---------------	---------------



100 880 0019 | MEX0212

Radiator fan control unit

Application info

A3 (8L1) (09/96-05/03)

TT (8N3, 8N9) (10/98-06/06)

100 880 0021 | MEX0214

Radiator fan control unit



Notes

Quiescent current [mA]	1.8
Temperature range from [°C]	-40
Temperature range to [°C]	100
	for electric fan
Height [mm]	50
Width [mm]	52
Protection Type (IP Code)	IP54K
Operating voltage [V]	12
Length [mm]	121
Number of Poles	4
Number of Poles	14

References

1J0 919 506 K

Application info

A3 (8L1) (09/96-05/03)

A4 (8EC, 8ED) (11/04-06/08)

TT (8N3, 8N9) (10/98-06/06)

100 880 0007 | MEX0210

Radiator fan control unit



Notes

Operating voltage [V]	12
Number of Poles	18

References

1J0 919 506 L

Application info

A3 (8L1) (09/96-05/03)

Radiator fan control unit

100 880 0000 | MEX0206

Notes

Rated current [A]	60
Temperature range from [°C]	-40
Temperature range to [°C]	100
Rated Power [W]	720
Height [mm]	50
Width [mm]	52
Operating voltage [V]	12
Length [mm]	121.1
Number of Poles	4
Number of Poles	6



References

1J0 919 506 M

Application info

A3 (8L1) (09/96-05/03)

Radiator fan control unit

114 880 0000 | MEX0344

Notes

	Double Fan
Rated Power [W]	600
Multiple	2
Operating voltage [V]	12
Number of Poles	4



References

4F0 959 501 E 4F0 959 501 G

Application info

A6 (4F2, 4FH, 4F5) (05/04-08/11)

Radiator fan control unit

100 880 0025 | MEX0218

Notes

Temperature range from [°C]	-40
Temperature range to [°C]	105
	for electric fan
Rated Power [W]	500
Multiple	3
Operating voltage [V]	12
Number of Poles	2
Number of Poles	6



References

800 959 501 D

100 880 0025 | MEX0218

Radiator fan control unit

Application info

A4 [802, 805, B5] [11/94-09/01]
A6 [4B, C5] [01/97-01/05]

Allroad [4BH] [05/00-08/05]

100 800 9009 | MEX0184

Relay, fuel pump



Notes

Rated current [A]	30
	Lock
Rated Power [W]	360
Height [mm]	35
Width [mm]	30
Operating voltage [V]	12
Length [mm]	30
Number of Poles	5
Resistance [Ohm]	680

References

165 906 381

Application info

100 [4A, C4] [12/90-07/94]
80 [8C, 8G7, B4] [05/91-08/00]
80/90 [89, 89Q, 8A, B3] [06/86-12/96]

A4 [802, 805, B5] [11/94-09/01]
A6 [4A, C4] [06/94-12/97]
A6 [4B, C5] [01/97-01/05]

100 830 0018 | MEX0199

Relay, fuel pump



Notes

Rated current [A]	40
Temperature range from [°C]	-40
Temperature range to [°C]	70
	Lock
Rated Power [W]	480
Height [mm]	42
Width [mm]	30
Operating voltage [V]	12
Length [mm]	30
Number of Poles	7

References

1J0 906 383 C

Application info

A3 [8L1] [09/96-05/03]

TT [8N3, 8N9] [10/98-06/06]

Relay, fuel pump
100 830 0019 | MEX0200
Notes

Rated current [A]	30
Rated current [A]	40
Temperature range from [°C]	-40
Temperature range to [°C]	80
	Lock
Rated Power [W]	480
Height [mm]	33
Width [mm]	35
Operating voltage [V]	12
Connector type	1 x 2,8x0,8 mm
Connector type	2x 6,3x0,8 mm
Connector type	2x 9,5x1,2 mm
Length [mm]	35
Number of Poles	5

References

400 951 253


Application info

100 [4A, C4] [12/90-07/94]

80 [8C, 8G7, B4] [05/91-08/00]

80/90 [89, 89Q, 8A, B3] [06/86-12/96]

A4 [8D2, 8D5, B5] [11/94-09/01]

A6 [4A, C4] [06/94-12/97]

A6 [4B, C5] [01/97-01/05]

A8 [4D2, 4D8] [03/94-09/02]

V8 [01] [10/88-02/94]

Sender unit, coolant temperature
100 800 9050 | MEX0185
Notes

	Blue
	NTC Sensor
Spanner Size	--
Diameter [mm]	20
Thread Size	--
Operating voltage [V]	12
Switch Point [°C]	120
Switch Point [°C]	-40
Number of Poles	2

References

025 906 041 A


Application info

100 [4A, C4] [12/90-07/94]

100/200 [44, 44Q, C3] [08/82-12/91]

80 [8C, 8G7, B4] [05/91-08/00]

80/90 [89, 89Q, 8A, B3] [06/86-12/96]

A4 [8D2, 8D5, B5] [11/94-09/01]

A6 [4A, C4] [06/94-12/97]

100 906 0007 | MEX0276

Sender unit, coolant temperature



Notes

	White
	NTC Sensor
Spanner Size	19
Thread Size	M10 x 1
Operating voltage [V]	12
Number of Poles	2

References

026 906 161

Application info

100 [4A, C4] [12/90-07/94]
100/200 [44, 44Q, C3] [08/82-12/91]
80 [8C, 8G7, B4] [05/91-08/00]

80/90 [81, 85, B2] [08/78-10/88]
80/90 [89, 89Q, 8A, B3] [06/86-12/96]
A6 [4A, C4] [06/94-12/97]

100 906 0008 | MEX0277

Sender unit, coolant temperature



Notes

	Black
	NTC Sensor
Spanner Size	19
Thread Size	M10 x 1
Operating voltage [V]	12
Number of Poles	2

References

034 906 161

Application info

100/200 [44, 44Q, C3] [08/82-12/91]
80 [8C, 8G7, B4] [05/91-08/00]

80/90 [89, 89Q, 8A, B3] [06/86-12/96]
A6 [4A, C4] [06/94-12/97]

100 919 0013 | MEX0285

Sender unit, coolant temperature



Notes

	White
	NTC Sensor
Spanner Size	19
Thread Size	M14 x 1,5
Operating voltage [V]	12
Switch Point [°C]	150
Switch Point [°C]	-40
Number of Poles	2

References

035 919 369 M

Sender unit, coolant temperature

100 919 0013 | MEX0285

Application info

100 [4A, C4] [12/90-07/94]
100/200 [44, 44Q, C3] [08/82-12/91]
80 [8C, 8G7, B4] [05/91-08/00]
80/90 [81, 85, B2] [08/78-10/88]
80/90 [85] [07/80-07/91]

80/90 [89, 89Q, 8A, B3] [06/86-12/96]
A6 [4A, C4] [06/94-12/97]
A8 [402, 408] [03/94-09/02]
V8 [01] [10/88-02/94]

Sender unit, coolant temperature

100 800 9053 | MEX0186

Notes

	White
	Blue
	NTC Sensor
Spanner Size	--
Thread Size	--
Operating voltage [V]	12
Switch Point [°C]	93
Switch Point [°C]	88
Number of Poles	4
	with seal

References

701 919 369 C



Application info

80 [8C, 8G7, B4] [05/91-08/00]

Sender unit, coolant temperature

100 919 0015 | MEX0286

Notes

	Black
	NTC Sensor
Spanner Size	13
Thread Size	M10 x 1
Operating voltage [V]	12
Switch Point [°C]	150
Switch Point [°C]	-40
Number of Poles	1

References

049 919 501



Application info

100 [4A, C4] [12/90-07/94]
100/200 [44, 44Q, C3] [08/82-12/91]

80/90 [81, 85, B2] [08/78-10/88]
80/90 [89, 89Q, 8A, B3] [06/86-12/96]

5

100 919 0027 | MEX0293

Sender unit, coolant temperature



Notes

	White
	NTC Sensor
Thread Size	M10 x 1
Operating voltage [V]	12
Switch Point [°C]	150
Switch Point [°C]	-40
Number of Poles	2

References

049 919 501 B	049 919 501 E
---------------	---------------

Application info

100/200 [44, 44Q, C3] [08/82-12/91]
80/90 [81, 85, B2] [08/78-10/88]

80/90 [89, 89Q, 8A, B3] [06/86-12/96]

100 919 0010 | MEX0284

Sender unit, coolant temperature



Notes

	Grey
	NTC Sensor
Spanner Size	--
Diameter [mm]	20
Thread Size	--
Operating voltage [V]	12
Switch Point [°C]	124
Switch Point [°C]	116
Number of Poles	3

References

053 919 501 A

Application info

100 [4A, C4] [12/90-07/94]
80 [8C, 8G7, B4] [05/91-08/00]

80/90 [89, 89Q, 8A, B3] [06/86-12/96]
A6 [4A, C4] [06/94-12/97]

100 919 0043 | MEX0297

Sender unit, coolant temperature



Notes

	NTC Sensor
Spanner Size	--
Diameter [mm]	20
Thread Size	--
Operating voltage [V]	12
Switch Point [°C]	150
Switch Point [°C]	-40
Number of Poles	4
	with seal

References

059 919 501	078 919 501 B
-------------	---------------

Sender unit, coolant temperature

100 919 0043 | MEX0297

Application info

B0 [8C, 8G7, B4] [05/91-08/00]
A3 [8L1] [09/96-05/03]
A4 [8D2, 8D5, B5] [11/94-09/01]

A6 [4B, C5] [01/97-01/05]
A8 [4D2, 4D8] [03/94-09/02]
TT [8N3, 8N9] [10/98-06/06]

Sender unit, coolant temperature

100 919 0017 | MEX0287

Notes

	Green
	NTC Sensor
Spanner Size	--
Thread Size	--
Operating voltage [V]	12
Switch Point [°C]	150
Switch Point [°C]	-40
Number of Poles	4
	without seal ring



References

059 919 501 A 078 919 501 C

Application info

B0 [8C, 8G7, B4] [05/91-08/00]
A2 [8Z0] [02/00-08/05]
A3 [8L1] [09/96-05/03]
A4 [8D2, 8D5, B5] [11/94-09/01]
A4 [8E2, 8E5, B6] [10/00-12/04]
A4 [8EC, 8ED] [11/04-06/08]
A4 [8H7] [04/02-03/09]

A6 [4B, C5] [01/97-01/05]
A6 [4F2, 4FH, 4F5] [05/04-08/11]
A8 [4D2, 4D8] [03/94-09/02]
A8 [4E] [10/02-07/10]
Allroad [4BH] [05/00-08/05]
TT [8N3, 8N9] [10/98-06/06]

Sender unit, coolant temperature

100 919 0032 | MEX0295

Notes

	Black
	NTC Sensor
Spanner Size	--
Diameter [mm]	20
Thread Size	--
Operating voltage [V]	12
Switch Point [°C]	150
Switch Point [°C]	-40
Number of Poles	2



References

06A 919 501 06A 919 501 A

100 919 0032 | MEX0295

Sender unit, coolant temperature

Application info

A2 [8Z0] [02/00-08/05]
A3 [8L1] [09/96-05/03]
A3 [8P1, 8PA] [05/03-08/12]
A4 [8E2, 8E5, 86] [10/00-12/04]
A4 [8EC, 8ED] [11/04-06/08]
A4 [8H7] [04/02-03/09]
A5 [8F, 8T] [06/07--]

A6 [4B, C5] [01/97-01/05]
A6 [4F2, 4FH, 4F5] [05/04-08/11]
A8 [4E] [10/02-07/10]
Allroad [4BH] [05/00-08/05]
Q7 [4L] [03/06-05/12]
R8 I [04/07-07/15]
TT [8J3, 8J9] [08/06-06/10]

100 919 0024 | MEX0291

Sender unit, coolant temperature



Notes

	Black
	NTC Sensor
Spanner Size	--
Diameter [mm]	20
Thread Size	--
Operating voltage [V]	12
Switch Point [°C]	150
Switch Point [°C]	-40
Number of Poles	2

References

251 919 501 A	251 919 501 D
---------------	---------------

Application info

80 [8C, 8G7, 84] [05/91-08/00]

80/90 [89, 89Q, 8A, 83] [06/86-12/96]

100 899 0013 | MEX0241

Sensor, camshaft position



Notes

Operating voltage [V]	12
Number of Poles	3
	without cable

References

058 905 161 B

Application info

80 [8C, 8G7, 84] [05/91-08/00]
A3 [8L1] [09/96-05/03]
A4 [8D2, 8D5, 85] [11/94-09/01]
A4 [8E2, 8E5, 86] [10/00-12/04]
A4 [8EC, 8ED] [11/04-06/08]

A4 [8H7] [04/02-03/09]
A6 [4B, C5] [01/97-01/05]
A8 [4D2, 4D8] [03/94-09/02]
A8 [4E] [10/02-07/10]
TT [8N3, 8N9] [10/98-06/06]

Sensor, camshaft position
100 899 0012 | MEX0240
Notes

with holder
 Active sensor
 Operating voltage [V] 12
 Number of Poles 3
 with bearing(s)

References

06A 905 161 06A 905 161 C
 06A 905 161 B


Application info

A3 [8L1] [09/96-05/03]

A4 [802, 805, B5] [11/94-09/01]

Sensor, camshaft position
100 899 0014 | MEX0242
Notes

Active sensor
 Operating voltage [V] 12
 Number of Poles 3
 without cable

References

078 905 161 A 078 905 161 C


Application info

100 [4A, C4] [12/90-07/94]
 80 [8C, 8G7, B4] [05/91-08/00]
 80/90 [89, 890, 8A, B3] [06/86-12/96]

A4 [802, 805, B5] [11/94-09/01]
 A6 [4A, C4] [06/94-12/97]
 A8 [402, 408] [03/94-09/02]

Sensor, camshaft position
100 899 0046 | MEX0251
Notes

Blue
 Active sensor
 Fitting Depth [mm] 42.3
 Operating voltage [V] 5
 Number of Poles 3
 with seal
 without cable

References

06B 905 163 A


Application info

A3 [8P1, 8PA] [05/03-08/12]
 A4 [8E2, 8E5, 86] [10/00-12/04]

A4 [8EC, 8ED] [11/04-06/08]

100 899 0093 | MEX0261

Sensor, camshaft position



Notes

Fitting Depth [mm]	24
Operating voltage [V]	12
Number of Poles	3
	without cable

References

036 907 601	036 907 601 C
036 907 601 A	036 907 601 D
036 907 601 B	036 907 601 E

Application info

A2 [8Z0] [02/00-08/05]

114 800 0033 | MEX0586

Sensor, camshaft position



Notes

Cable Length [mm]	445
Operating voltage [V]	12
Number of Poles	3

References

036 957 147 B

Application info

A3 [8P1, 8PA] [05/03-08/12]

100 899 0035 | MEX0249

Sensor, camshaft position



Notes

Cable Length [mm]	280
Operating voltage [V]	12
Number of Poles	3

References

045 957 147 A	045 957 147 B
---------------	---------------

Application info

A2 [8Z0] [02/00-08/05]

A3 [8L1] [09/96-05/03]



Sensor, engine oil level

114 800 0036 | MEX0497

Notes

	with seal
	Active sensor
Operating voltage [V]	12
Number of Poles	3

References

06E 907 660



Application info

A1 [8X1, 8XA] [05/10--]
 A3 [8P1, 8PA] [05/03-08/12]
 A4 [8EC, 8ED] [11/04-06/08]
 A4 [8H7] [04/02-03/09]
 A5 [8F, 8T] [06/07--]

A6 [4F2, 4FH, 4F5] [05/04-08/11]
 A8 [4E] [10/02-07/10]
 Q3 [8U] [06/11--]
 Q7 [4L] [03/06-05/12]
 TT [8J3, 8J9] [08/06-06/10]

Sensor, engine oil level

114 800 0037 | MEX0498

Notes

	with seal
	Active sensor
Operating voltage [V]	12
Number of Poles	3

References

1J0 907 660 B



Application info

A2 [8Z0] [02/00-08/05]
 A3 [8L1] [09/96-05/03]
 A4 [8D2, 8D5, 85] [11/94-09/01]
 A4 [8E2, 8E5, 86] [10/00-12/04]
 A4 [8EC, 8ED] [11/04-06/08]

A6 [4B, C5] [01/97-01/05]
 A8 [4D2, 4D8] [03/94-09/02]
 Allroad [4BH] [05/00-08/05]
 TT [8N3, 8N9] [10/98-06/06]

Sensor, engine oil level

114 800 0035 | MEX0496

Notes

	with seal
	Active sensor
Operating voltage [V]	12
Number of Poles	3

References

1J0 907 660 C 1J0 907 660 F



5



114 800 0035 | MEX0496

Sensor, engine oil level

Application info

A1 [8X1, 8XA] [05/10--]
A3 [8P1, 8PA] [05/03-08/12]
A4 [8E2, 8E5, 8E6] [10/00-12/04]
A4 [8EC, 8ED] [11/04-06/08]
A4 [8H7] [04/02-03/09]

A6 [4B, C5] [01/97-01/05]
A8 [4E] [10/02-07/10]
Q7 [4L] [03/06-05/12]
TT [8N3, 8N9] [10/98-06/06]

114 899 0000 | MEX0352

Sensor, intake manifold pressure



Notes

Pressure to [bar]
Pressure from [bar]
Operating voltage [V]
Number of Poles

Black
Piezoelectric Sensor
1.2
0.15
12
4
without cable

References

036 906 051

Application info

A2 [8Z0] [02/00-08/05]

100 919 0019 | MEX0288

Temperature switch, coolant warning lamp



Notes

Spanner Size
Diameter [mm]
Switch Point [°C]
Number of Poles
Voltage [V]

20
20
120
2
12

References

191 919 369 A

Application info

A3 [8L1] [09/96-05/03]

TT [8N3, 8N9] [10/98-06/06]

Temperature switch, radiator fan

100 800 8052 | MEX0183

Notes

Switch point from [°C]	112
Switch point from [°C]	108
Switch point to [°C]	112
Switch point to [°C]	119
Spanner Size	20
Operating voltage [V]	12
Number of Poles	4

References

357 919 369 E



Application info

A3 [8L1] [09/96-05/03]

Temperature switch, radiator fan

100 959 0003 | MEX0324

Notes

Switch point from [°C]	91
Switch point from [°C]	84
Switch point to [°C]	102
Switch point to [°C]	95
	Black
Spanner Size	29
Thread Size	M22 x 1,5
Operating voltage [V]	12
Number of Poles	3
	with seal

References

191 959 481 A 321 959 481 D
191 959 481 C



Application info

100 [4A, C4] [12/90-07/94]
100/200 [44, 44Q, C3] [08/82-12/91]
80 [8C, 8G7, B4] [05/91-08/00]
80/90 [81, 85, B2] [08/78-10/88]
80/90 [85] [07/80-07/91]

80/90 [89, 89Q, 8A, B3] [06/86-12/96]
A4 [802, 805, B5] [11/94-09/01]
A6 [4A, C4] [06/94-12/97]
A8 [4D2, 4D8] [03/94-09/02]

5

100 959 0001 | MEX0322

Temperature switch, radiator fan



Notes

Switch point from [°C]	84
Switch point from [°C]	91
Switch point to [°C]	102
Switch point to [°C]	95
	Black
	angular
Spanner Size	29
Thread Size	M22 x 1,5
Operating voltage [V]	12
Number of Poles	3
	with seal

References

1H0 959 481	1H0 959 481 C
1H0 959 481 B	

Application info

A3 (8L1) (09/96-05/03)

TT (8N3, 8N9) (10/98-06/06)

100 959 9001 | MEX0336

Temperature switch, radiator fan



Notes

Switch point from [°C]	77
Switch point from [°C]	70
Switch point to [°C]	75
Switch point to [°C]	82
	Black
	angular
Spanner Size	29
Thread Size	M22 x 1,5
Operating voltage [V]	12
Number of Poles	3
	with seal

References

1H0 959 481	1H0 959 481 C
1H0 959 481 B	

Application info

A3 (8L1) (09/96-05/03)

TT (8N3, 8N9) (10/98-06/06)



Temperature switch, radiator fan

100 959 0016 | MEX0329

Notes

Switch point from [°C]	84
Switch point from [°C]	91
Switch point to [°C]	95
Switch point to [°C]	102
	Black
	triangular
Spanner Size	29
Thread Size	M22 x 1,5
Operating voltage [V]	12
Number of Poles	3
	with lock tab
	with seal



References

1J0 959 481 A

Application info

A1 [8X1, 8XA] [05/10--]
A3 [8L1] [09/96-05/03]

A3 [8P1, 8PA] [05/03-08/12]
TT [8N3, 8N9] [10/98-06/06]

Temperature switch, radiator fan

100 959 7517 | MEX0334

Notes

Switch point from [°C]	70
Switch point from [°C]	77
Switch point to [°C]	82
Switch point to [°C]	75
	Black
Spanner Size	29
Thread Size	M22 x 1,5
Operating voltage [V]	12
Number of Poles	3
	with seal



References

251 959 481 251 959 481 K
251 959 481 G

Application info

A8 [402, 408] [03/94-09/02]

100 959 8717 | MEX0335

Temperature switch, radiator fan



Notes

Switch point from [°C]	76
Switch point from [°C]	82
Switch point to [°C]	92
Switch point to [°C]	87
Spanner Size	29
Thread Size	M22 x 1,5
Operating voltage [V]	12
Number of Poles	3
	with seal

References

251 959 481	251 959 481 K
251 959 481 G	

Application info

A8 [402, 408] [03/94-09/02]

100 959 0020 | MEX0332

Temperature switch, radiator fan



Notes

Switch point from [°C]	84
Switch point to [°C]	95
Spanner Size	29
Thread Size	M22 x 1,5
Operating voltage [V]	12
Number of Poles	2
	with seal

References

867 959 481

Application info

A3 [8L1] [09/96-05/03]

100 959 0010 | MEX0327

Temperature switch, radiator fan



Notes

Switch point from [°C]	91
Switch point from [°C]	84
Switch point to [°C]	102
Switch point to [°C]	95
	Grey
Spanner Size	20
Diameter [mm]	20
Operating voltage [V]	12
Number of Poles	4
	without seal ring

References

800 959 481 B

Temperature switch, radiator fan

100 959 0010 | MEX0327

Application info

A2 [8Z0] [02/00-08/05]
 A4 [802, 805, B5] [11/94-09/01]
 A4 [8E2, 8E5, B6] [10/00-12/04]

A6 [4B, C5] [01/97-01/05]
 A8 [402, 408] [03/94-09/02]
 Allroad [4BH] [05/00-08/05]

Voltage regulator

014 731 1021 | MEX0039

Notes

Support plate diameter [mm] 28
 without resistance
 Voltage [V] 14.1

References

068 903 803 DX



Application info

100 [4A, C4] [12/90-07/94]
 100/200 [44, 44Q, C3] [08/82-12/91]
 80 [8C, 8G7, B4] [05/91-08/00]

80/90 [81, 85, B2] [08/78-10/88]
 80/90 [85] [07/80-07/91]
 80/90 [89, 89Q, 8A, B3] [06/86-12/96]

Voltage regulator

014 731 1023 | MEX0040

Notes

Support plate diameter [mm] 28
 with resistance
 Voltage [V] 14.1

References

068 903 803 DX



Application info

100 [4A, C4] [12/90-07/94]
 100/200 [44, 44Q, C3] [08/82-12/91]
 80 [8C, 8G7, B4] [05/91-08/00]

80/90 [81, 85, B2] [08/78-10/88]
 80/90 [85] [07/80-07/91]
 80/90 [89, 89Q, 8A, B3] [06/86-12/96]

014 731 1090 | MEX0041

Voltage regulator



Notes

Support plate diameter [mm] 32
Voltage [V] 14.1

References

028 903 803 A 070 903 803 A

Application info

80/90 (81, 85, B2) (08/78-10/88)

114 890 0011 | MEX0485

Brake light switch



Notes

Observe the vehicle manufacturer specifications

Dark green
Directional Contact
Manual (foot operated)
4

Number of Poles

References

1C0 945 511 A 1J0 945 511 D
1J0 945 511 B 1J0 945 511 E
1J0 945 511 C 1J0 945 511 F

Application info

A3 (8L1) (09/96-05/03)

TT (8N3, 8N9) (10/98-06/06)

100 890 0010 | MEX0230

Brake light switch



Notes

Observe the vehicle manufacturer specifications

angular
Directional Contact
Manual (foot operated)
4

Number of Poles

References

1J0 945 511 A

Application info

A2 (8Z0) (02/00-08/05)
A3 (8L1) (09/96-05/03)

TT (8N3, 8N9) (10/98-06/06)

Brake light switch
114 890 0013 | MEX0605
Notes

Observe the vehicle manufacturer specifications

Number of Poles

 Directional Contact
 Manual (foot operated)
 4

References

1K2 945 511


Application info

 A3 [8P1, 8PA] [05/03-08/12]
 A4 [8E2, 8E5, 8E6] [10/00-12/04]
 A4 [8EC, 8ED] [11/04-06/08]
 A4 [8H7] [04/02-03/09]
 A6 [4B, C5] [01/97-01/05]

 A6 [4F2, 4FH, 4F5] [05/04-08/11]
 A8 [4E] [10/02-07/10]
 Allroad [4BH] [05/00-08/05]
 R8 I [04/07-07/15]

Brake light switch
114 890 0012 | MEX0604
Notes

Observe the vehicle manufacturer specifications

Number of Poles

 Directional Contact
 Manual (foot operated)
 4
 for left-hand drive vehicles

References

6Q0 945 511


Application info

A3 [8P1, 8PA] [05/03-08/12]

R8 I [04/07-07/15]

Brake light switch
114 890 0014 | MEX0606
Notes

Observe the vehicle manufacturer specifications

Number of Poles

 Manual (foot operated)
 4

References

7L6 945 511


Application info

A8 [4E] [10/02-07/10]

A8 [4H_] [11/09--]

100 890 0021 | MEX0237

Brake light switch



Notes

Observe the vehicle manufacturer specifications

Thread Size
Number of Poles

Directional Contact
Electric-hydraulic
M10 x 1
3

References

113 945 515 G

Application info

100/200 [44, 44Q, C3] [08/82-12/91]

80/90 [81, 85, B2] [08/78-10/88]

100 890 0009 | MEX0229

Brake light switch



Notes

Observe the vehicle manufacturer specifications

Thread Size
Number of Poles

Lock
Electric-hydraulic
M10 x 1
2

References

113 945 515 H

Application info

100/200 [44, 44Q, C3] [08/82-12/91]

80/90 [81, 85, B2] [08/78-10/88]

100 945 0001 | MEX0310

Brake light switch



Notes

Observe the vehicle manufacturer specifications

Number of Poles

Opener
Manual [foot operated]
2
for left-hand drive vehicles

References

191 945 515 B

Application info

A3 [8L1] [09/96-05/03]



Brake light switch

100 945 0000 | MEX0309

Notes

Observe the vehicle manufacturer specifications

Thread Size
Number of Poles

White
Directional Contact
Manual (foot operated)
M12 x 1,5
4

References

4A0 945 515 A



Application info

A4 [802, 805, B5] [11/94-09/01]
A6 [4A, C4] [06/94-12/97]
A6 [4B, C5] [01/97-01/05]

A8 [402, 408] [03/94-09/02]
Allroad [4BH] [05/00-08/05]

Column switch

100 953 0000 | MSW0039

Notes

Number of Poles
Voltage [V]

Black
with wipe interval function
with wipe-wash function
10
12
for vehicles without rear
windscreen wiper
for vehicles without on-board
computer

References

4B0 953 503 E



Application info

A2 [8Z0] [02/00-08/05]
A6 [4B, C5] [01/97-01/05]

TT [8N3, 8N9] [10/98-06/06]

Column switch

100 953 0016 | MSW0048

Notes

Number of Poles
Voltage [V]

Black
with rear wipe-wash function
with wipe interval function
with wipe-wash function
10
12
for vehicles with rear wind-
screen wiper
for vehicles with controllable
wipe intervals

References

4B0 953 503 F



100 953 0016 | MSW0048

Column switch

Application info

A3 (8L1) (09/96-05/03)

A6 (4B, C5) (01/97-01/05)

100 850 0002 | MSW0022

Column switch



Notes

Number of Poles
Voltage [V]

Black
with wipe interval function
with wipe-wash function
with board computer function
14
12
for vehicles without rear
windscreen wiper

References

4B0 953 503 G

Application info

A2 (8Z0) (02/00-08/05)
A6 (4B, C5) (01/97-01/05)

TT (8N3, 8N9) (10/98-06/06)

100 899 0036 | MSW0037

Column switch



Notes

Number of Poles
Voltage [V]

Black
with board computer function
with rear wipe-wash function
with wipe interval function
with wipe-wash function
14
12
for vehicles with controllable
wipe intervals

References

4B0 953 503 H

Application info

A3 (8L1) (09/96-05/03)
A6 (4B, C5) (01/97-01/05)

Allroad (4BH) (05/00-08/05)

Column switch

100 850 0013 | MSW0080

Notes

Black
with board computer function
with wipe interval function
with wipe-wash function

Number of Poles
Voltage [V]

5
12
for vehicles with on-board
computer

References

4E0 953 503 B 4E0 953 503 F



Application info

A4 [8E2, 8E5, 8E6] [10/00-12/04]
A4 [8EC, 8ED] [11/04-06/08]
A4 [8H7] [04/02-03/09]

A6 [4F2, 4FH, 4F5] [05/04-08/11]
A8 [4E] [10/02-07/10]

Column switch

100 850 0019 | MSW0033

Notes

Black
with wipe interval function
with wipe-wash function

Number of Poles
Voltage [V]

4
12
for vehicles with controllable
wipe intervals
for vehicles without on-board
computer

References

8E0 953 503 A



Application info

A4 [8E2, 8E5, 8E6] [10/00-12/04]

Column switch

100 850 0021 | MSW0079

Notes

Black
with CC
with wipe interval function
with wipe-wash function

Number of Poles
Voltage [V]

5
12
for vehicles with on-board
computer

References

8E0 953 503 B



100 850 0021 | MSW0079

Column switch

Application info

A4 (8E2, 8E5, B6) (10/00-12/04)

A4 (8H7) (04/02-03/09)

100 850 0022 | MSW0034

Column switch



Notes

Number of Poles
Voltage [V]

Black
with board computer function
with rear wipe-wash function
with wipe interval function
with wipe-wash function
5
12
for vehicles with controllable
wipe intervals
for vehicles with on-board
computer

References

8E0 953 503 C

Application info

A4 (8E2, 8E5, B6) (10/00-12/04)

100 850 0004 | MSW0024

Column switch



Notes

Number of Poles
Voltage [V]

Black
with park light function
with headlight flasher
with light dimmer function
with indicator function
4
12
for vehicles without cruise
control

References

1K0 953 513

1K0 953 513 E

Application info

A3 (8P1, 8PA) (05/03-08/12)



Column switch

100 953 0007 | MSW0041

Notes

Number of Poles
Voltage [V]

Black
with park light function
with headlight flasher
with light dimmer function
with indicator function
7
12
for vehicles without cruise
control

References

321 953 513



Application info

80/90 [81, 85, B2] [08/78-10/88]

80/90 [85] [07/80-07/91]

Column switch

100 953 0014 | MSW0046

Notes

Number of Poles
Voltage [V]

Black
with light dimmer function
with indicator function
with headlight flasher
13
12
for left-hand drive vehicles
for vehicles without cruise
control

References

443 953 513 H

443 953 513 L



Application info

100 [4A, C4] [12/90-07/94]

100/200 [44, 44Q, C3] [08/82-12/91]

80 [8C, 8G7, B4] [05/91-08/00]

80/90 [89, 89Q, 8A, B3] [06/86-12/96]

V8 [01] [10/88-02/94]

Column switch

100 850 0015 | MSW0030

Notes

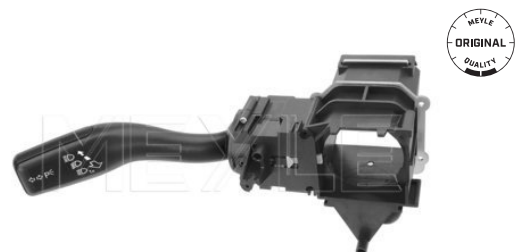
Number of Poles
Voltage [V]

Black
with park light function
with headlight flasher
with light dimmer function
with indicator function
6
12
for vehicles with on-board
computer

References

4E0 953 513 E

4E0 953 513 K



100 850 0015 | MSW0030

Column switch

Application info

A4 (8E2, 8E5, B6) (10/00-12/04)
A4 (8EC, 8ED) (11/04-06/08)
A4 (8H7) (04/02-03/09)

A6 (4F2, 4FH, 4F5) (05/04-08/11)
A8 (4E) (10/02-07/10)
Q7 (4L) (03/06-05/12)

100 850 0014 | MSW0029

Column switch



Notes

Number of Poles
Voltage [V]

Black
with park light function
with headlight flasher
with light dimmer function
with indicator function
6
12
for vehicles with on-board
computer

References

8E0 953 513 A

Application info

A4 (8E2, 8E5, B6) (10/00-12/04)

A4 (8H7) (04/02-03/09)

100 953 0020 | MSW0052

Column switch



Notes

Number of Poles
Voltage [V]

Black
with headlight flasher
with light dimmer function
with indicator function
11
12
for left-hand drive vehicles
for vehicles without cruise
control

References

8L0 953 513 G

Application info

A2 (8Z0) (02/00-08/05)
A3 (8L1) (09/96-05/03)
A6 (4B, C5) (01/97-01/05)

Allroad (4BH) (05/00-08/05)
TT (8N3, 8N9) (10/98-06/06)



Column switch

100 953 0021 | MSW0053

Notes

Number of Poles
Voltage [V]

Black
with park light function
with headlight flasher
with light dimmer function
with indicator function
17
12
for vehicles with cruise control

References

8L0 953 513 J



Application info

A2 [8Z0] [02/00-08/05]
A3 [8L1] [09/96-05/03]

A6 [4B, C5] [01/97-01/05]
TT [8N3, 8N9] [10/98-06/06]

Column switch

100 850 0007 | MSW0026

Notes

Number of Poles
Voltage [V]

Black
with rear wipe-wash function
with wipe interval function
with wipe-wash function
5
12
for vehicles with controllable
wipe intervals

References

1K0 953 519 H



Application info

A3 [8P1, 8PA] [05/03-08/12]

Column switch

100 850 0009 | MSW0028

Notes

Number of Poles
Voltage [V]

Black
with MFD
with wipe interval function
with rear wipe-wash function
with wipe-wash function
6
12
for vehicles with controllable
wipe intervals

References

1K0 953 519 J



100 850 0009 | MSW0028

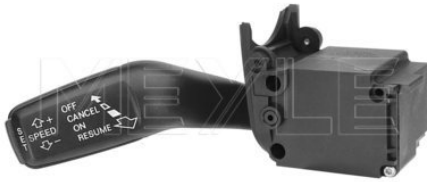
Column switch

Application info

A3 [8P1, 8PA] [05/03-08/12]

100 850 0017 | MSW0032

Column switch



Notes

Number of Poles
Voltage [V]

Black
with comfort function
with cruise control
with CC
7
12
for vehicles without autom.
distance control

References

4E0 953 521

4E0 953 521 B

Application info

A4 [8EC, 8ED] [11/04-06/08]
A4 [8H7] [04/02-03/09]
A6 [4F2, 4FH, 4F5] [05/04-08/11]

A8 [4E] [10/02-07/10]
Q7 [4L] [03/06-05/12]

100 850 0016 | MSW0031

Column switch



Notes

Number of Poles
Voltage [V]

Black
with comfort function
with cruise control
with CC
8
12
for vehicles with cruise control

References

8E0 953 521 D

Application info

A4 [8E2, 8E5, B6] [10/00-12/04]

A4 [8H7] [04/02-03/09]

Control unit, heating/ventilation
100 880 0001 | MEX0207
Notes

Height [mm]	45
Width [mm]	80
Operating voltage [V]	12
Length [mm]	75
Number of Poles	3
	for vehicles with automatic climate control

References

1J0 907 521


Application info

 80 (8C, 8G7, B4) (05/91-08/00)
 80/90 (89, 89Q, 8A, B3) (06/86-12/96)
 A3 (8L1) (09/96-05/03)

 A4 (802, 805, B5) (11/94-09/01)
 TT (8N3, 8N9) (10/98-06/06)

Heater fan motor
100 236 0029 | MEX0165
Notes

Rated Power [W]	200
Diameter [mm]	92
Number of Poles	2
Voltage [V]	12
	for left-hand drive vehicles for vehicles without air conditioning

References

251 819 015


Application info

80/90 (81, 85, B2) (08/78-10/88)

Heater fan motor
100 236 0031 | MEX0166
Notes

Rated Power [W]	140
Diameter [mm]	146
Number of Poles	2
Voltage [V]	12
	for left-hand drive vehicles for vehicles with/without air conditioning

References

1J1 819 021 C


Application info

A3 (8L1) (09/96-05/03)

TT (8N3, 8N9) (10/98-06/06)

114 820 0000 | MEX0340

Heater fan motor



Notes

Rated Power [W]	150
Diameter [mm]	145
Number of Poles	2
Voltage [V]	12

for left-hand drive vehicles
for vehicles with air conditioning

References

357 820 021	893 820 021
-------------	-------------

Application info

80/90 (89, 89Q, 8A, B3) (06/86-12/96)

100 236 0001 | MEX0162

Heater fan motor



Notes

Rated Power [W]	150
Diameter [mm]	162.5
Number of Poles	2
Voltage [V]	12

for left-hand drive vehicles
for vehicles with air conditioning

References

801 820 021 A	801 820 021 C
---------------	---------------

Application info

A4 (802, 805, B5) (11/94-09/01)

100 959 0026 | MEX0333

Heater fan motor



Notes

Rated Power [W]	350
Diameter [mm]	146.5
Number of Poles	2
Voltage [V]	12

for left-hand drive vehicles
for vehicles with/without air conditioning

References

4A0 959 101 A

Application info

100 (4A, C4) (12/90-07/94)
A6 (4A, C4) (06/94-12/97)

V8 (01) (10/88-02/94)



Resistor, interior blower

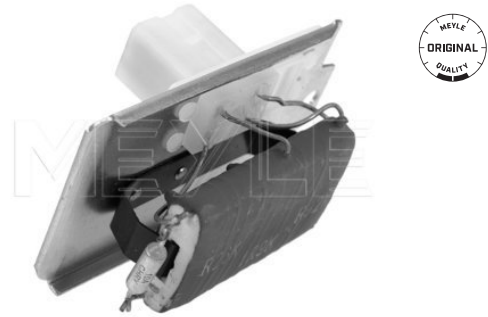
100 840 0000 | MEX0203

Notes

Number of Poles	4
Voltage [V]	12
Resistance [Ohm]	0.26
	for vehicles with air conditioning

References

191 959 263



Application info

80 [8C, 8G7, B4] [05/91-08/00]

80/90 [89, 89Q, 8A, B3] [06/86-12/96]

Resistor, interior blower

100 800 0037 | MEX0178

Notes

Number of Poles	2
Number of Poles	5
Voltage [V]	12
	for left-hand drive vehicles
Resistance [Ohm]	0.26

References

893 959 263



Application info

80 [8C, 8G7, B4] [05/91-08/00]

80/90 [89, 89Q, 8A, B3] [06/86-12/96]

Sender unit, interior temperature

100 810 0009 | MEX0191

Notes

Operating voltage [V]	NTC Sensor
Number of Poles	12
	2
	without cable

References

4A0 820 539 A



Application info

100 [4A, C4] [12/90-07/94]
 80 [8C, 8G7, B4] [05/91-08/00]
 A4 [802, 805, B5] [11/94-09/01]

A6 [4A, C4] [06/94-12/97]
 V8 [01] [10/88-02/94]

5

100 899 0095 | MEX0263

Sender unit, interior temperature



Notes

Temperature range from [°C]	-40
Temperature range to [°C]	85
	NTC Sensor
Operating voltage [V]	12
Number of Poles	2
	without cable

References

1H0 907 543 A

Application info

A3 (8L1) (09/96-05/03)
A4 (802, 805, B5) (11/94-09/01)

TT (8N3, 8N9) (10/98-06/06)

100 899 0096 | MEX0264

Sender unit, interior temperature



Notes

Temperature range from [°C]	-40
Temperature range to [°C]	85
	NTC Sensor
Operating voltage [V]	12
Number of Poles	2
	without cable

References

1J0 907 543 A

Application info

A3 (8L1) (09/96-05/03)
A6 (4F2, 4FH, 4F5) (05/04-08/11)

RB1 (04/07-07/15)

100 899 0083 | MEX0257

Switch, A/C fan



Notes

Thread Size	7/16"-20 UNF
Number of Poles	4

References

1H0 959 139 B 7M3 959 139

Application info

A3 (8L1) (09/96-05/03)

TT (8N3, 8N9) (10/98-06/06)

Switch, window lifter
100 959 0004 | MEX0325
Notes

Number of Poles	5
Voltage [V]	12
	for vehicles with electric window lifts
	Right Front
	Left Front

References

4A0 959 855 A	893 959 855
---------------	-------------


Application info

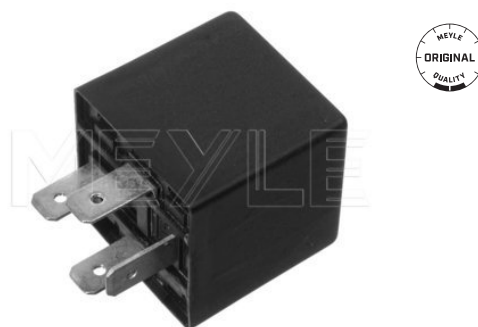
100 [4A, C4] [12/90-07/94]	80/90 [89, 89Q, 8A, B3] [06/86-12/96]
100/200 [44, 44Q, C3] [08/82-12/91]	A6 [4A, C4] [06/94-12/97]
80 [8C, 8G7, B4] [05/91-08/00]	V8 [01] [10/88-02/94]
80/90 [85] [07/80-07/91]	

Wiper intermittent relay
100 800 0028 | MEX0171
Notes

Rated current [A]	30
Temperature range from [°C]	-40
Temperature range to [°C]	85
	Lock
Rated Power [W]	360
Height [mm]	30
Width [mm]	30
Operating voltage [V]	12
Connector type	4x 6,3 mm
Length [mm]	30
Number of Poles	4

References

171 955 529	191 955 529
-------------	-------------


Application info

100 [4A, C4] [12/90-07/94]	80/90 [85] [07/80-07/91]
100/200 [44, 44Q, C3] [08/82-12/91]	80/90 [89, 89Q, 8A, B3] [06/86-12/96]
80 [8C, 8G7, B4] [05/91-08/00]	A6 [4A, C4] [06/94-12/97]
80/90 [81, 85, B2] [08/78-10/88]	

5

100 830 0014 | MEX0196

Wiper intermittent relay



Notes

Rated current [A]	10
	Lock
Rated Power [W]	120
Height [mm]	42
Width [mm]	30
Operating voltage [V]	12
Connector type	5x 6,3 mm
Connector type	1x 2,8 mm
Length [mm]	30
Number of Poles	6

References

191 955 531

Application info

100 [4A, C4] [12/90-07/94]
 100/200 [44, 44Q, C3] [08/82-12/91]
 80 [8C, 8G7, B4] [05/91-08/00]
 80/90 [81, 85, B2] [08/78-10/88]

80/90 [89, 89Q, 8A, B3] [06/86-12/96]
 A4 [8D2, 8D5, B5] [11/94-09/01]
 A6 [4A, C4] [06/94-12/97]

114 890 0007 | MEX0349

Back up light switch



Notes

	Lock
Spanner Size	22
Thread Size	M12 x 1,5
Number of Poles	2

References

02K 945 415 C	02T 945 415 D
02K 945 415 E	02T 945 415 P
02T 945 415	

Application info

A1 [8X1, 8XA] [05/10--]
 A2 [8Z0] [02/00-08/05]
 A3 [8P1, 8PA] [05/03-08/12]

A3 [8V1, 8VS, 8V7, 8PA] [04/12--]
 TT [8J3, 8J9] [08/06-06/10]
 TT [8N3, 8N9] [10/98-06/06]

100 800 0043 | MEX0179

Horn



Notes

Sound Level [dB(A)]	115
	Low Tone
Rated Power [W]	72
Diameter [mm]	92
Rated Voltage [V]	12
Frequency Range [Hz]	335
Number of Poles	2

References

111 951 113 B	191 951 113 A
---------------	---------------

Horn

100 800 0043 | MEX0179

Application info

100/200 [44, 44Q, C3] [08/82-12/91]
80 [8C, 8G7, B4] [05/91-08/00]
80/90 [81, 85, B2] [08/78-10/88]

80/90 [89, 89Q, 8A, B3] [06/86-12/96]
V8 [D1] [10/88-02/94]

Horn

100 951 0004 | MEX0316

Notes

	Low Tone
	Electric-pneumatic
Rated Power [W]	60
Rated Voltage [V]	12
Frequency Range [Hz]	420
Number of Poles	2

References

176 951 113	380 951 221
176 951 113 A	431 951 221 A
191 951 221	893 951 221



Application info

100 [4A, C4] [12/90-07/94]
80 [8C, 8G7, B4] [05/91-08/00]

A6 [4A, C4] [06/94-12/97]
A8 [4D2, 4D8] [03/94-09/02]

Horn

100 951 0005 | MEX0317

Notes

	High Tone
	Electric-pneumatic
Rated Power [W]	60
Rated Voltage [V]	12
Frequency Range [Hz]	510
Number of Poles	2

References

192 951 117	4E0 951 221
380 951 205 B	893 951 221
387 951 205 C	171 951 223
3U0 951 205 A	1K0 951 223 A
010 951 206	380 951 223
3U0 951 206	3U0 951 223
3U0 951 206 A	431 951 223 A
176 951 213	4D0 951 223 A
176 951 213 A	4E0 951 223
6K0 951 219 A	893 951 223
4D0 951 221 B	



Application info

100 [4A, C4] [12/90-07/94]
80 [8C, 8G7, B4] [05/91-08/00]

A6 [4A, C4] [06/94-12/97]
A8 [4D2, 4D8] [03/94-09/02]

100 953 0012 | MEX0319

Relay, hazard lights



Notes

Rated current [A]	2
Rated Power [W]	Lock
Height [mm]	2x21; 5
Width [mm]	30
Operating voltage [V]	30
Connector type	12
Length [mm]	3x 6,3 mm
Number of Poles	30
	3
	for vehicles without towbar

References

111 953 227 D	1H0 953 227
191 953 227	6U0 953 227
191 953 227 A	

Application info

100 [4A, C4] [12/90-07/94]
 100/200 [44, 44Q, C3] [08/82-12/91]
 80 [8C, 8G7, B4] [05/91-08/00]
 80/90 [81, 85, B2] [08/78-10/88]
 80/90 [85] [07/80-07/91]

80/90 [89, 89Q, 8A, B3] [06/86-12/96]
 A6 [4A, C4] [06/94-12/97]
 A8 [402, 408] [03/94-09/02]
 V8 [01] [10/88-02/94]

100 941 0006 | MEX0305

Relay, low beam



Notes

Rated current [A]	12.5
Rated Power [W]	2x 150
Height [mm]	32
Width [mm]	33
Operating voltage [V]	12
Length [mm]	35
Number of Poles	5

References

111 941 583	411 941 583 B
-------------	---------------

Application info

100 [4A, C4] [12/90-07/94]
 100/200 [44, 44Q, C3] [08/82-12/91]
 80 [8C, 8G7, B4] [05/91-08/00]
 80/90 [81, 85, B2] [08/78-10/88]

80/90 [89, 89Q, 8A, B3] [06/86-12/96]
 A6 [4A, C4] [06/94-12/97]
 V8 [01] [10/88-02/94]



Switch, door contact

100 947 0001 | MEX0313

Notes

Number of Poles

Push control
3

References

6N0 947 563



Application info

A2 [8Z0] [02/00-08/05]

Sensor, odometer

100 919 0021 | MEX0289

Notes

Operating voltage [V]
Number of Poles

Hall Sensor
12
3
with seal
without cable
15

Number of Teeth

References

1H0 919 149 A



Application info

A3 [8L1] [09/96-05/03]

Sensor, odometer

100 919 0022 | MEX0620

Notes

Operating voltage [V]
Number of Poles

Active sensor
12
3

References

1H0 919 149 C



Application info

A3 [8L1] [09/96-05/03]

114 800 0001 | MEX0338

Sensor, odometer



Notes

Operating voltage [V]
Number of Poles

Hall Sensor
12
3
without cable
with seal

References

1J0 919 149 A

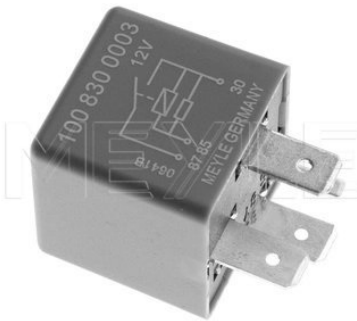
Application info

A3 (8L1) (09/96-05/03)

TT (8N3, 8N9) (10/98-06/06)

100 830 0003 | MEX0193

Multifunction relay



Notes

Rated current [A]

15
Licence plate light
Fuel Pump
Shift Lever
Tailgate
Engine control unit
Sunroof
Normally open contact
Terminal 30

Temperature range to [°C]

-40
Lock

Rated Power [W]
Height [mm]
Width [mm]
Operating voltage [V]
Connector type
Connector type
Length [mm]
Number of Poles
Resistance [Ohm]

180
30
30
12
3x 6,3 mm
1x 2,8 mm
30
4
70

References

1J0 906 381 A

357 906 381 A

Application info

A3 (8L1) (09/96-05/03)



Multifunction relay

114 830 0000 | MEX0341

Notes

Rated current [A]	70
	X contact relief
	Normally open contact
	Additional Water Pump
	Clamp 15
	Terminal 30
	Water pump after-run
	Battery main switch
	Headlight system
	Seat Heating
	Interior Blower
	Electric booster heater
	Heated rear window
	Heated windscreen
Temperature range from [°C]	-40
Temperature range to [°C]	85
	Green
	Lock
Height [mm]	25
Width [mm]	27.8
Operating voltage [V]	12
Connector type	2 x 9,5 mm
Connector type	2 x 6,3 mm
Length [mm]	27.8
Number of Poles	4
Resistance [Ohm]	560



References

4H0 951 253

Application info

100 [4A, C4] [12/90-07/94]	A7 Sportback [4GA] [10/10--]
A1 [8X1, 8XA] [05/10--]	A8 [4E] [10/02-07/10]
A3 [8P1, 8PA] [05/03-08/12]	A8 [4H_] [11/09--]
A3 [8V1, 8VS, 8V7, 8PA] [04/12--]	Q3 [8U] [06/11--]
A4 [8K2, 8K5, 8KH] [11/07--]	Q5 [8R] [11/08--]
A5 [8F, 8T] [06/07--]	Q7 [4L] [03/06-05/12]
A6 [4F2, 4FH, 4F5] [05/04-08/11]	R8 I [04/07-07/15]
A6 [4G2, 4G5, C7] [11/10-05/13]	TT [8J3, 8J9] [08/06-06/10]

5

114 830 0002 | MEX0343

Multifunction relay



Notes

Rated current [A]	40
	Air Conditioning
	Pump, automatic transmis- sion
	Terminal 50
	Safety Belt Tensioner
	Alarm System
	Brake Booster
	Towbar Socket
	Terminal 75
	Engine control unit
	Heated rear window
	Terminal 30
	Fuel Pump
	Wash Water Pump, headlight cleaning
	Normally open contact
	Clamp 87
	Central electrics
	Starter
	Head space heating
	Clamp 15
	Horn
	Fog Light
	Heated windscreen
	Parking Heater
	Secondary Air System
	Flashing beacon
	Gearbox oil auxiliary hydraulic pump (hybrid)
Temperature range from [°C]	-40
Temperature range to [°C]	85
Height [mm]	Lock
Width [mm]	25.4
Operating voltage [V]	27.8
Connector type	12
Connector type	1x 6,3 mm
Length [mm]	3x 4,8 mm
Number of Poles	27.8
Resistance [Ohm]	4
	560

References

4H0 951 253 A

Application info

- | | |
|-----------------------------------|-----------------------------|
| A1 [8X1, 8XA] [05/10--] | A8 [4E] [10/02-07/10] |
| A3 [8P1, 8PA] [05/03-08/12] | A8 [4H_] [11/09--] |
| A3 [8V1, 8VS, 8V7, 8PA] [04/12--] | Q3 [8U] [06/11--] |
| A4 [8K2, 8K5, 8KH] [11/07--] | Q5 [8R] [11/08--] |
| A5 [8F, 8T] [06/07--] | Q7 [4L] [03/06-05/12] |
| A6 [4F2, 4FH, 4F5] [05/04-08/11] | R8 I [04/07-07/15] |
| A6 [4G2, 4G5, C7] [11/10-05/13] | TT [8J3, 8J9] [08/06-06/10] |
| A7 Sportback [4GA] [10/10--] | |



Multifunction relay

114 830 0001 | MEX0342

Notes

Rated current [A]
Rated current [A]

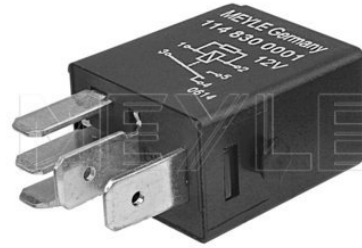
40
20
Starter
Interior Blower
Parking Light
Wash Water Pump, wind-
screen
Terminal 50
Wash Water Pump, headlight
cleaning
Air Horn
Heated rear window
Surge protection
Additional Water Pump
Remote Lock, boot-/ loading
bay hatch
Clamp 15
Daytime Running Lamp
Engine control unit
Heated windscreen
Terminal 75
Low Beam
Horn
Normally open contact
Cigarette Lighter
Electric booster heater
-40
85
Directional Contact
26
15
Operating voltage [V]
3x 4,8 mm
Connector type
2x 6,3 mm
Length [mm]
23
Number of Poles
5
Resistance [Ohm]
680

Temperature range from [°C]
Temperature range to [°C]

Height [mm]
Width [mm]
Operating voltage [V]
Connector type
Connector type
Length [mm]
Number of Poles
Resistance [Ohm]

References

4H0 951 253 C



Application info

A1 [8X1, 8XA] [05/10--]
A2 [8Z0] [02/00-08/05]
A3 [8P1, 8PA] [05/03-08/12]
A3 [8V1, 8VS, 8V7, 8PA] [04/12--]
A4 [8D2, 8D5, 85] [11/94-09/01]
A4 [8E2, 8E5, 86] [10/00-12/04]
A4 [8EC, 8ED] [11/04-06/08]
A4 [8H7] [04/02-03/09]
A4 [8K2, 8K5, 8KH] [11/07--]
A5 [8F, 8T] [06/07--]
A6 [4B, C5] [01/97-01/05]

A6 [4F2, 4FH, 4F5] [05/04-08/11]
A6 [4G2, 4G5, C7] [11/10-05/13]
A7 Sportback [4GA] [10/10--]
A8 [4E] [10/02-07/10]
A8 [4H_] [11/09--]
Q3 [8U] [06/11--]
Q5 [8R] [11/08--]
Q7 [4L] [03/06-05/12]
R8 I [04/07-07/15]
TT [8J3, 8J9] [08/06-06/10]

100 830 0015 | MEX0197

Multifunction relay



Notes

Rated current [A]	40
	Restart lock
	Start-stop system
	Engine control unit
	Clamp 15
	Normally open contact
	Starter
	Terminal 50
Temperature range from [°C]	-40
Temperature range to [°C]	85
	Lock
Height [mm]	25
Width [mm]	26
Operating voltage [V]	12
Connector type	1x 2,8 mm
Connector type	2x 6,3 mm
Connector type	2x 9,5 mm
Length [mm]	26
Number of Poles	5
Resistance [Ohm]	560

References

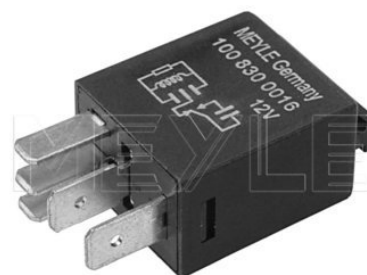
300 951 253 A	7N0 951 253
---------------	-------------

Application info

A3 (8P1, 8PA) (05/03-08/12)

Multifunction relay
100 830 0016 | MEX0198
Notes

Rated current [A]	10
Rated current [A]	30
	Terminal 50
	Water pump after-run
	Indicator
	Window Lift
	Electric booster heater
	Heatable Outside Mirror
	Hinged Window
	Roof ventilation
	Seat Heating
	Terminal 61
	Parking Heater
	Fan, engine cooling
	Air Horn
	Central Locking
	Wash Water Pump, wind-
	screen
	Additional Water Pump
	Daytime Running Lamp
	Exterior mirror adjustment
	Normally open contact
	Air Conditioning
	Wash Water Pump, headlight
	cleaning
	Tank Cap
	Trailer brake light
	-40
Temperature range from [°C]	120
Temperature range to [°C]	Directional Contact
	26
Height [mm]	15
Width [mm]	12
Operating voltage [V]	3x 4,8 mm
Connector type	2x 6,3 mm
Connector type	23
Length [mm]	5
Number of Poles	560
Resistance [Ohm]	


References

7M0 951 253 C

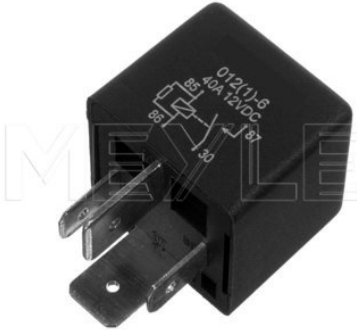
Application info

- | | |
|---------------------------------|----------------------------------|
| A2 [8Z0] [02/00-08/05] | A4 [8K2, 8K5, 8KH] [11/07--] |
| A3 [8P1, 8PA] [05/03-08/12] | A6 [4B, C5] [01/97-01/05] |
| A4 [8D2, 8D5, B5] [11/94-09/01] | A6 [4F2, 4FH, 4F5] [05/04-08/11] |
| A4 [8E2, 8E5, B6] [10/00-12/04] | A8 [4E] [10/02-07/10] |
| A4 [8EC, 8ED] [11/04-06/08] | Q7 [4L] [03/06-05/12] |
| A4 [8H7] [04/02-03/09] | |

5

100 937 0001 | MEX0300

Multifunction relay



Notes

Rated current [A]	40
	Electric booster heater
	Fan, engine cooling
	Heated rear window
	Window Lift
	Terminal 75
	Clamp 15
	Fuel Pump
	Magnetic clutch
	Start-stop system
	Water pump after-run
	Fan, heater/air conditioning
	Heated windscreen
	Surge protection
	Pump, fuel pre-supply
	Sunroof
	Battery main switch
	Engine control unit
	Secondary Air System
	X contact relief
	Interior Blower
	Parking Heater
	Suction pipe pre-heating
	Normally open contact
	Rear window wiper
	Lock
Rated Power [W]	480
Height [mm]	25
Width [mm]	28
Operating voltage [V]	12
Connector type	2x 6,3 mm
Connector type	2x 9,5 mm
Length [mm]	28
Number of Poles	4

References

191 937 503	800 951 253
7M0 951 253 A	

Application info

100/200 [44, 44Q, C3] [08/82-12/91]
 80 [8C, 8G7, B4] [05/91-08/00]
 80/90 [81, 85, B2] [08/78-10/88]
 80/90 [85] [07/80-07/91]
 80/90 [89, 89Q, 8A, B3] [06/86-12/96]
 A2 [8Z0] [02/00-08/05]
 A3 [8L1] [09/96-05/03]
 A3 [8P1, 8PA] [05/03-08/12]
 A4 [8D2, 8D5, B5] [11/94-09/01]
 A4 [8E2, 8E5, B6] [10/00-12/04]

A4 [8EC, 8ED] [11/04-06/08]
 A4 [8H7] [04/02-03/09]
 A6 [4B, C5] [01/97-01/05]
 A6 [4F2, 4FH, 4F5] [05/04-08/11]
 A8 [4E] [10/02-07/10]
 Q7 [4L] [03/06-05/12]
 TT [8J3, 8J9] [08/06-06/10]
 TT [8N3, 8N9] [10/98-06/06]
 V8 [01] [10/88-02/94]



Multifunction relay

100 951 0001 | MEX0315

Notes

Rated current [A]	40
	Horn
	Air Conditioning
	Engine control unit
	Daytime Running Lamp
	Normally open contact
	Pump, automatic transmis- sion
	Fuel cooling
	Heated rear window
	Fan, engine cooling
	Cigarette Lighter
	Wash Water Pump, headlight cleaning
	Window Lift
	Rear Fog Light
	Fog Light
	Starter
	Alternator
	Alarm System
	Secondary Air System
	Seat Heating
	Cooling fan run on
	Rotating Beacon
	Magnetic clutch
	Fuel Pump
	ESP
	Lock
Height [mm]	25
Width [mm]	28
Operating voltage [V]	12
Connector type	4x 6,3 mm
Length [mm]	28
Number of Poles	4

References

141 951 253 B	443 951 253 K
431 951 253 H	800 951 253 A



Application info

100/200 (44, 44Q, C3) (08/82-12/91)
 80 (8C, 8G7, B4) (05/91-08/00)
 80/90 (81, 85, B2) (06/78-10/88)
 80/90 (85) (07/80-07/91)
 80/90 (89, 89Q, 8A, B3) (06/86-12/96)
 A3 (8L1) (09/96-05/03)

A4 (802, 805, B5) (11/94-09/01)
 A6 (4A, C4) (06/94-12/97)
 A6 (4B, C5) (01/97-01/05)
 A8 (402, 408) (03/94-09/02)
 TT (8N3, 8N9) (10/98-06/06)

100 020 0001 | MBT0023

Belt tensioner



Notes

Outer diameter [mm] 70
Height [mm] 26

References

030 145 299 C 030 145 299 F

Parts list

100 145 0003 | MTR0016 Tension roller, ribbed belt

Application info

A2 (8Z0) (02/00-08/05)

100 903 0011 | MBT0031

Belt tensioner



Notes

Outer diameter [mm] with holder 73
Height [mm] 21

References

058 903 133 D

Application info

B0 (8C, 8G7, B4) (05/91-08/00)
A4 (802, 805, B5) (11/94-09/01)

A6 (4A, C4) (06/94-12/97)
A6 (4B, C5) (01/97-01/05)

100 020 0003 | MBT0024

Belt tensioner



Notes

Outer diameter [mm] with holder 76
Height [mm] 28

References

068 903 133 068 903 133 A

Application info

A4 (802, 805, B5) (11/94-09/01)
A4 (8E2, 8E5, B6) (10/00-12/04)
A4 (8EC, 8ED) (11/04-06/08)

A4 (8H7) (04/02-03/09)
A6 (4B, C5) (01/97-01/05)
A6 (4F2, 4FH, 4F5) (05/04-08/11)

Belt tensioner

100 903 0006 | MBT0029

Notes

Outer diameter [mm] with holder 70
Height [mm] 24

References

038 903 315 K



Application info

A3 (8L1) (09/96-05/03)

Belt tensioner

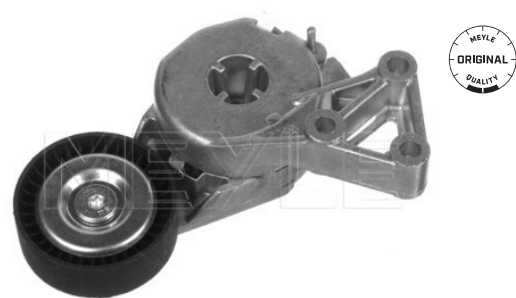
100 903 0000 | MBT0028

Notes

Outer diameter [mm] with holder 70
Height [mm] 24

References

06A 903 315 E



Application info

A3 (8L1) (09/96-05/03)

Tension roller, ribbed belt

100 145 0005 | MTR0017

Notes

Inner diameter [mm] 8
Outer diameter [mm] 65
Width [mm] 25

References

038 145 276



Application info

A3 (8L1) (09/96-05/03)

6

100 009 0001 | MTR0015

Tension roller, ribbed belt



Notes

Inner diameter [mm]	17
Outer diameter [mm]	76
Height [mm]	25

References

059 145 276

Application info

A4 (802, 805, B5) [11/94-09/01]
A4 (8E2, 8E5, B6) [10/00-12/04]
A6 (4B, C5) [01/97-01/05]

A8 (402, 408) [03/94-09/02]
Allroad (4BH) [05/00-08/05]

100 145 0003 | MTR0016

Tension roller, ribbed belt



Notes

Inner diameter [mm]	17
Outer diameter [mm]	70
Height [mm]	26

for vehicles with power steering

References

030 145 299 F

Application info

A2 (8Z0) [02/00-08/05]

100 903 0001 | MTR0019

Tension roller, ribbed belt



Notes

Inner diameter [mm]	17
Outer diameter [mm]	73
Height [mm]	21

References

058 903 133 D

Application info

B0 (8C, 8G7, B4) [05/91-08/00]
A4 (802, 805, B5) [11/94-09/01]

A6 (4A, C4) [06/94-12/97]
A6 (4B, C5) [01/97-01/05]

Tension roller, ribbed belt
100 903 0003 | MTR0020
Notes

Inner diameter [mm]	17
Outer diameter [mm]	76
Height [mm]	25

References

078 903 133 AB


Application info

80 [8C, 8G7, B4] [05/91-08/00]
 80/90 [89, 89Q, 8A, B3] [06/86-12/96]
 A4 [802, 805, B5] [11/94-09/01]
 A6 [4A, C4] [06/94-12/97]

A6 [4B, C5] [01/97-01/05]
 A8 [402, 40B] [03/94-09/02]
 Allroad [4BH] [05/00-08/05]

Tension roller, ribbed belt
014 009 0081 | MTR0001
Notes

Inner diameter [mm]	17
Outer diameter [mm]	64
Height [mm]	23

References

059 903 341 A


Application info

A4 [802, 805, B5] [11/94-09/01]
 A6 [4B, C5] [01/97-01/05]

A8 [402, 40B] [03/94-09/02]

Tensioner pulley, ribbed belt
100 260 0001 | MMX0462
Notes

	with holder
	Driven unit: aircon compressor
Outer diameter [mm]	60
Height [mm]	15.5

References

058 260 511



100 260 0001 | MMX0462

Tensioner pulley, ribbed belt

Application info

80 [8C, 8G7, B4] [05/91-08/00]
A4 [8D2, 8D5, B5] [11/94-09/01]
A4 [8E2, 8E5, B6] [10/00-12/04]

A6 [4A, C4] [06/94-12/97]
A6 [4B, C5] [01/97-01/05]

100 109 0059 | MMX0388

Tensioner pulley, timing belt



Notes

Outer diameter [mm]
Height [mm]

without add-on material
66
24

References

026 109 243 J

Application info

80 [8C, 8G7, B4] [05/91-08/00]
80/90 [89, 89Q, 8A, B3] [06/86-12/96]

A4 [8D2, 8D5, B5] [11/94-09/01]
A6 [4A, C4] [06/94-12/97]

100 109 0016 | MMX0371

Tensioner pulley, timing belt



Notes

Inner diameter [mm]
Outer diameter [mm]
Height [mm]
Reinforced Version

Piece
without add-on material
10
72
20

References

026 109 243 L

Application info

100/200 [44, 44Q, C3] [08/82-12/91]
80 [8C, 8G7, B4] [05/91-08/00]

80/90 [89, 89Q, 8A, B3] [06/86-12/96]



Tensioner pulley, timing belt

100 109 0016/S | MMX0372

Notes

	Kit with add-on material
Inner diameter [mm]	10
Outer diameter [mm]	72
Height [mm]	20
Reinforced Version	

References

026 109 243 L

Parts list

100 109 0016 | MMX0371 Tensioner pulley, timing belt



Application info

100/200 [44, 44Q, C3] [08/82-12/91]
80 [8C, 8G7, B4] [05/91-08/00]

80/90 [89, 89Q, 8A, B3] [06/86-12/96]

Tensioner pulley, timing belt

151 902 1006 | MMX1622

Notes

	Piece
Outer diameter [mm]	60
Width [mm]	25.5

References

036 109 243 AB	036 109 243 E
036 109 243 AD	036 109 243 L
036 109 243 AF	036 109 243 R

Application info

A2 [8Z0] [02/00-08/05]

Tensioner pulley, timing belt

151 902 1005 | MMX1621

Notes

	Piece
Inner diameter [mm]	8
Outer diameter [mm]	60
Width [mm]	19

References

036 109 243 AC	036 109 243 K
036 109 243 AG	036 109 243 S

Application info

A2 [8Z0] [02/00-08/05]

100 109 0063 | MMX0389

Tensioner pulley, timing belt



Notes

Inner diameter [mm]	8
Outer diameter [mm]	68
Height [mm]	25

References

038 109 243 N

Application info

A3 [8L1] [09/96-05/03]

151 902 1007 | MMX1623

Tensioner pulley, timing belt



Notes

Inner diameter [mm]	8	Piece
Outer diameter [mm]	68	
Width [mm]	30	

References

03L 109 243 B 03L 109 243 F
03L 109 243 D

Application info

A1 [8X1, 8XA] [05/10--]
A3 [8P1, 8PA] [05/03-08/12]
A4 [8K2, 8K5, 8KH] [11/07--]
A5 [8F, 8T] [06/07--]

A6 [4G2, 4G5, C7] [11/10-05/13]
Q3 [8U] [06/11--]
Q5 [8R] [11/08--]
TT [8J3, 8J9] [08/06-06/10]

151 902 1008 | MMX1624

Tensioner pulley, timing belt



Notes

Inner diameter [mm]	8
Outer diameter [mm]	68
Width [mm]	30

References

04L 109 243 B 04L 109 243 G
04L 109 243 C

Tensioner pulley, timing belt

151 902 1008 | MMX1624

Application info

A1 [8X1, 8XA] [05/10--]
A3 [8V1, 8VS, 8V7, 8PA] [04/12--]
A4 [8K2, 8K5, 8KH] [11/07--]
A4 [8W2, 8W5 B9] [05/15--]
A5 [8F, 8T] [06/07--]
A5 [F5] [06/16--]

A6 [4G2, 4G5, C7] [11/10-05/13]
Q2 [09/16--]
Q3 [8U] [06/11--]
Q5 [8R] [11/08--]
TT [8S] [09/14--]

Tensioner pulley, timing belt

100 109 0056 | MMX0386

Notes

	without add-on material
Inner diameter [mm]	10
Outer diameter [mm]	72
Height 2 [mm]	30
Height 1 [mm]	33.5

References

051 109 243



Application info

100 [4A, C4] [12/90-07/94]
80 [8C, 8G7, B4] [05/91-08/00]

80/90 [89, 89Q, 8A, B3] [06/86-12/96]
A6 [4A, C4] [06/94-12/97]

Tensioner pulley, timing belt

151 902 1003 | MMX1619

Notes

	Piece
Inner diameter [mm]	10
Outer diameter [mm]	72.5
Width [mm]	32.5

References

058 109 243 C 058 109 243 E

Application info

80 [8C, 8G7, B4] [05/91-08/00]
A4 [8D2, 8D5, B5] [11/94-09/01]

A6 [4A, C4] [06/94-12/97]
A6 [4B, C5] [01/97-01/05]

151 902 1001 | MMX1617

Tensioner pulley, timing belt



Notes

Outer diameter [mm]	Piece
Width [mm]	72
	34

References

059 109 243 D	059 109 243 J
---------------	---------------

Application info

A4 [8D2, 8D5, B5] [11/94-09/01]
A4 [8E2, 8E5, B6] [10/00-12/04]
A4 [8EC, 8ED] [11/04-06/08]
A4 [8H7] [04/02-03/09]

A6 [4B, C5] [01/97-01/05]
A8 [4D2, 4D8] [03/94-09/02]
Allroad [4BH] [05/00-08/05]

100 109 0010 | MMX0369

Tensioner pulley, timing belt



Notes

Inner diameter [mm]	without add-on material
Outer diameter [mm]	10
Height [mm]	72
Reinforced Version	35

References

068 109 243 F

Application info

80 [8C, 8G7, B4] [05/91-08/00]
80/90 [81, 85, B2] [08/78-10/88]

80/90 [89, 89Q, 8A, B3] [06/86-12/96]

100 109 0049 | MMX0382

Tensioner pulley, timing belt



Notes

Outer diameter [mm]	with holder
Height [mm]	72
	30

References

068 109 243 B	068 109 243 E
---------------	---------------

Application info

A4 [8E2, 8E5, B6] [10/00-12/04]
A4 [8EC, 8ED] [11/04-06/08]

A4 [8H7] [04/02-03/09]
A6 [4B, C5] [01/97-01/05]

Tensioner pulley, timing belt
100 109 0054 | MMX0385
Notes

	with holder
Outer diameter [mm]	72
Height [mm]	31

References

06B 109 243 D	06B 109 243 F
---------------	---------------


Application info

A3 [8L1] [09/96-05/03]
 A6 [4B, C5] [01/97-01/05]

TT [8N3, 8N9] [10/98-06/06]

Tensioner pulley, timing belt
100 109 0007 | MMX0368
Notes

	without add-on material
Inner diameter [mm]	10
Outer diameter [mm]	72
Height [mm]	27

References

07B 109 243 A	07B 109 243 C
---------------	---------------


Application info

100 [4A, C4] [12/90-07/94]
 80 [8C, 8G7, B4] [05/91-08/00]
 80/90 [89, 89Q, 8A, B3] [06/86-12/96]

A6 [4A, C4] [06/94-12/97]
 A8 [4D2, 4D8] [03/94-09/02]

Tensioner pulley, timing belt
151 902 1009 | MMX1625
Notes

	Piece
Outer diameter [mm]	72
Width [mm]	27

References

07B 109 243 K


Application info

80 [8C, 8G7, B4] [05/91-08/00]
 80/90 [89, 89Q, 8A, B3] [06/86-12/96]
 A4 [8D2, 8D5, B5] [11/94-09/01]

A6 [4A, C4] [06/94-12/97]
 A8 [4D2, 4D8] [03/94-09/02]

100 109 0036 | MMX0379

Tensioner pulley, timing belt



Notes

Inner diameter [mm]	16
Outer diameter [mm]	67
Height [mm]	30

References

054 109 479*

Application info

100 [4A, C4] [12/90-07/94]
80 [8C, 8G7, B4] [05/91-08/00]

80/90 [89, 89Q, 8A, B3] [06/86-12/96]
A6 [4A, C4] [06/94-12/97]

151 902 1002 | MMX1618

Tensioner pulley, timing belt



Notes

Outer diameter [mm]	Piece
Width [mm]	72.5
	30

References

06A 109 479 A	06A 109 479 C
06A 109 479 B	06A 109 479 F

Application info

A3 [8L1] [09/96-05/03]
A3 [8P1, 8PA] [05/03-08/12]
A4 [8D2, 8D5, B5] [11/94-09/01]

A4 [8E2, 8E5, B6] [10/00-12/04]
A4 [8EC, 8ED] [11/04-06/08]

151 049 0013 | MMX0637

Timing belt kit



Notes

Number of belts	1
Driven unit: camshaft	
Width [mm]	25
Pulleys contained	4
Length [mm]	1343
Number of Teeth	141

References

038109119MS1	038198119E
038198119D	

Application info

A3 [8L1] [09/96-05/03]

Timing belt kit

100 109 9002/S | MMX0390

Notes

Number of belts	1
	Kit
	Driven unit: camshaft
Width [mm]	18
Pulleys contained	1
Length [mm]	1153
Number of Teeth	121

References

6K0 198 002	056 198 119
-------------	-------------



Application info

100/200 [44, 44Q, C3] [08/82-12/91]
80 [8C, 8G7, B4] [05/91-08/00]

80/90 [89, 89Q, 8A, B3] [06/86-12/96]

Timing belt kit

151 049 0012 | MMX0636

Notes

Number of belts	2
	Driven unit: camshaft
Width 2 [mm]	17
Length 2 [mm]	464
Number of Teeth 1	130
Number of Teeth 2	58
Width 1 [mm]	20
Pulleys contained	4
Length 1 [mm]	1040

References

036 198 119 A	036 198 119 E
036 198 119 C	

Parts list

151 902 1005 MMX1621	Tensioner pulley, timing belt
151 902 1006 MMX1622	Tensioner pulley, timing belt
151 902 2002 MMX1626	Timing belt roller
151 902 2005 MMX1629	Timing belt roller



Application info

A2 [8Z0] [02/00-08/05]

Timing belt kit

151 049 0009 | MMX0633

Notes

Number of belts	1
	Driven unit: camshaft
Width [mm]	30
Pulleys contained	2
Length [mm]	1143
Number of Teeth	120

References

038 198 119 A	038 198 119 C
---------------	---------------



151 049 0009 | MMX0633

Timing belt kit

Application info

A2 [8Z0] [02/00-08/05]
A3 [8L1] [09/96-05/03]
A3 [8P1, 8PA] [05/03-08/12]
A4 [8E2, 8E5, 86] [10/00-12/04]

A4 [8EC, 8ED] [11/04-06/08]
A4 [8H7] [04/02-03/09]
A6 [4B, C5] [01/97-01/05]

151 049 0082 | MMX0706

Timing belt kit



Notes

Number of belts	1
Driven unit: camshaft	
Width [mm]	30
Pulleys contained	4
Length [mm]	1524
Number of Teeth	160

References

03L 198 119

Parts list

151 902 2003 | MMX1627 Timing belt roller

Application info

A3 [8P1, 8PA] [05/03-08/12]
A4 [8K2, 8K5, 8KH] [11/07--]
A5 [8F, 8T] [06/07--]

A6 [4F2, 4FH, 4F5] [05/04-08/11]
Q5 [8R] [11/08--]
TT [8J3, 8J9] [08/06-06/10]

151 049 0097 | MMX1345

Timing belt kit



Notes

Number of belts	1
Driven unit: camshaft	
Width [mm]	25
Pulleys contained	4
Length [mm]	1524
Number of Teeth	160

References

03L 198 119 B 03L 198 119 D
03L 198 119 C

Parts list

151 902 1007 | MMX1623 Tensioner pulley, timing belt

Application info

A1 [8X1, 8XA] [05/10--]
A3 [8P1, 8PA] [05/03-08/12]
A4 [8K2, 8K5, 8KH] [11/07--]
A5 [8F, 8T] [06/07--]

A6 [4G2, 4G5, C7] [11/10-05/13]
Q3 [8U] [06/11--]
Q5 [8R] [11/08--]
TT [8J3, 8J9] [08/06-06/10]

Timing belt kit
151 049 0004 | MMX0628
Notes

Number of belts	1
Width [mm]	23
Pulleys contained	1
Length [mm]	1104
Number of Teeth	138

References

06A 198 119

Parts list

151 902 1002 | MMX1618 Tensioner pulley, timing belt


Application info

 A3 [8L1] (09/96-05/03)
 A3 [8P1, 8PA] (05/03-08/12)
 A4 [8D2, 8D5, B5] (11/94-09/01)

 A4 [8E2, 8E5, B6] (10/00-12/04)
 A4 [8EC, 8ED] (11/04-06/08)

Timing belt kit
151 049 0016 | MMX0640
Notes

Number of belts	1
Width [mm]	30
Pulleys contained	3
Length [mm]	1143
Number of Teeth	120

Application info

 A2 [8Z0] (02/00-08/05)
 A3 [8L1] (09/96-05/03)
 A4 [8D2, 8D5, B5] (11/94-09/01)

 A4 [8E2, 8E5, B6] (10/00-12/04)
 A6 [4B, C5] (01/97-01/05)

Timing belt kit
151 049 0098 | MMX1467
Notes

Number of belts	1
Width [mm]	23
Pulleys contained	2
Number of Teeth	150

References

06B 198 119 C



151 049 0098 | MMX1467

Timing belt kit

Application info

A3 (8L1) (09/96-05/03)

A4 (8D2, 8D5, B5) (11/94-09/01)

A4 (8E2, 8E5, B6) (10/00-12/04)

A4 (8EC, 8ED) (11/04-06/08)

A4 (8H7) (04/02-03/09)

A6 (4B, C5) (01/97-01/05)

TT (8N3, 8N9) (10/98-06/06)

151 902 2002 | MMX1626

Timing belt roller



Notes

Outer diameter [mm] 28.5

Width [mm] 29

References

036 109 181 A

036 109 181 B

Application info

A2 (8Z0) (02/00-08/05)

100 109 0038 | MMX0380

Timing belt roller



Notes

Inner diameter [mm] 8

Outer diameter [mm] 74

Height [mm] 27

References

069 109 243 B

Application info

100 (4A, C4) (12/90-07/94)

100/200 (44, 44Q, C3) (08/82-12/91)

80/90 (81, 85, B2) (08/78-10/88)

80/90 (85) (07/80-07/91)

80/90 (89, 89Q, 8A, B3) (06/86-12/96)

Timing belt roller

100 009 0005 | MMX0300

Notes

Inner diameter [mm] 7
Outer diameter [mm] 68.7
Height [mm] 27

References

074 109 243



Application info

100/200 [44, 44Q, C3] [08/82-12/91]
80/90 [85] [07/80-07/91]

80/90 [89, 89Q, 8A, B3] [06/86-12/96]

Timing belt roller

151 902 2005 | MMX1629

Notes

Outer diameter [mm] 56
Width [mm] 25.5

References

036 109 244 C 036 109 244 J
036 109 244 D



Application info

A2 [8Z0] [02/00-08/05]

Timing belt roller

100 109 0051 | MMX0383

Notes

Outer diameter [mm] 40
Height [mm] 36

References

038 109 244 J 038 109 244 N



Application info

A2 [8Z0] [02/00-08/05]
A3 [8L1] [09/96-05/03]
A3 [8P1, 8PA] [05/03-08/12]
A4 [8E2, 8E5, 8E6] [10/00-12/04]

A4 [8EC, 8ED] [11/04-06/08]
A4 [8H7] [04/02-03/09]
A6 [4B, C5] [01/97-01/05]
A6 [4F2, 4FH, 4F5] [05/04-08/11]

100 109 0034 | MMX0377

Timing belt roller



Notes

Inner diameter [mm]	8
Outer diameter [mm]	28
Height [mm]	29

References

03L 109 244 D	058 109 244
---------------	-------------

Application info

80 [8C, 8G7, B4] [05/91-08/00]
A2 [8Z0] [02/00-08/05]
A3 [8L1] [09/96-05/03]

A4 [8D2, 8D5, B5] [11/94-09/01]
A6 [4A, C4] [06/94-12/97]
A6 [4B, C5] [01/97-01/05]

151 902 2001 | MMX1668

Timing belt roller



Notes

Inner diameter [mm]	10
Outer diameter [mm]	70
Width [mm]	34

References

059 109 244 A

Application info

A4 [8D2, 8D5, B5] [11/94-09/01]
A4 [8E2, 8E5, B6] [10/00-12/04]
A4 [8EC, 8ED] [11/04-06/08]
A4 [8H7] [04/02-03/09]

A6 [4B, C5] [01/97-01/05]
A8 [4D2, 4D8] [03/94-09/02]
Allroad [4BH] [05/00-08/05]

151 902 2000 | MMX1662

Timing belt roller



Notes

Outer diameter [mm]	29
Width [mm]	27

References

06B 109 244

Timing belt roller

151 902 2000 | MMX1662

Application info

A1 [8X1, 8XA] [05/10--]
A3 [8L1] [09/96-05/03]
A3 [8P1, 8PA] [05/03-08/12]
A4 [8D2, 8D5, 85] [11/94-09/01]
A4 [8E2, 8E5, 86] [10/00-12/04]
A4 [8EC, 8ED] [11/04-06/08]

A4 [8H7] [04/02-03/09]
A6 [4B, C5] [01/97-01/05]
A6 [4F2, 4FH, 4F5] [05/04-08/11]
TT [8J3, 8J9] [08/06-06/10]
TT [8N3, 8N9] [10/98-06/06]

Timing belt roller

100 109 0035 | MMX0378

Notes

Inner diameter [mm]	8
Outer diameter [mm]	59
Height [mm]	28

References

078 109 244 F



Application info

100 [4A, C4] [12/90-07/94]
80 [8C, 8G7, 84] [05/91-08/00]
80/90 [89, 89Q, 8A, B3] [06/86-12/96]

A6 [4A, C4] [06/94-12/97]
A8 [4D2, 4D8] [03/94-09/02]

Timing belt roller

151 902 2003 | MMX1627

Notes

Inner diameter [mm]	10
Outer diameter [mm]	80
Width [mm]	34

References

036 109 244



Application info

A3 [8P1, 8PA] [05/03-08/12]
A4 [8EC, 8ED] [11/04-06/08]
A4 [8K2, 8K5, 8KH] [11/07--]
A5 [8F, 8T] [06/07--]

A6 [4F2, 4FH, 4F5] [05/04-08/11]
Q5 [8R] [11/08--]
TT [8J3, 8J9] [08/06-06/10]

6

151 902 2004 | MMX1628

Timing belt roller



Notes

Inner diameter [mm]	12
Outer diameter [mm]	80
Width [mm]	34.5

References

03G 109 244 A

Application info

A3 [8P1, 8PA] [05/03-08/12]

151 902 4000 | MMX1631

Timing belt tensioner



References

059 109 487 A	059 109 487 C
059 109 487 B	

Application info

A4 [8D2, 8D5, B5] [11/94-09/01]
 A4 [8E2, 8E5, B6] [10/00-12/04]
 A4 [8EC, 8ED] [11/04-06/08]
 A4 [8H7] [04/02-03/09]

A6 [4B, C5] [01/97-01/05]
 A8 [4D2, 4D8] [03/94-09/02]
 Allroad [4BH] [05/00-08/05]

151 902 4001 | MMX1632

Timing belt tensioner



References

078 109 487	078 109 487 C
078 109 487 A	

Timing belt tensioner

151 902 4001 | MMX1632

Application info

A4 (8D2, 8D5, B5) (11/94-09/01)
A4 (8E2, 8E5, B6) (10/00-12/04)
A4 (8H7) (04/02-03/09)
A6 (4A, C4) (06/94-12/97)

A6 (4B, C5) (01/97-01/05)
A8 (4D2, 4D8) (03/94-09/02)
Allroad (4BH) (05/00-08/05)

Timing belt tensioner shock

151 902 3000 | MMX1630

References

06B 109 477 06B 109 479



Application info

A3 (8L1) (09/96-05/03)
A4 (8D2, 8D5, B5) (11/94-09/01)

A6 (4B, C5) (01/97-01/05)
TT (8N3, 8N9) (10/98-06/06)

V-ribbed belt

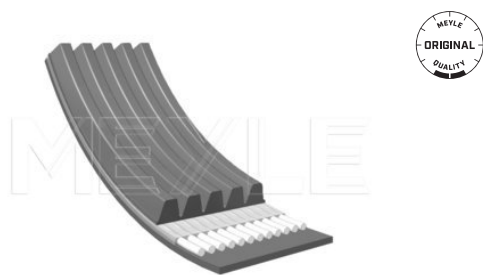
050 005 1125 | MRB0236

Notes

Number of Ribs 5
Length [mm] 1125

References

079903137AB

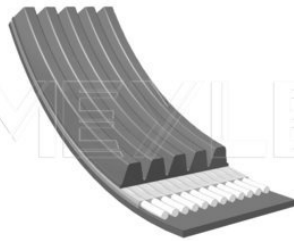


Application info

A5 (8F, 8T) (06/07--)

050 005 1090 | MRB0230

V-ribbed belt



Notes

Number of Ribs 5
Length [mm] 1090

References

079903137AG

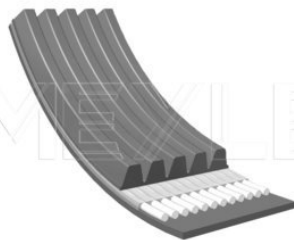
Application info

A4 [8K2, 8K5, 8KH] [11/07--]

A5 [8F, 8T] [06/07--]

050 005 1105 | MRB0232

V-ribbed belt



Notes

Number of Ribs 5
Length [mm] 1105

References

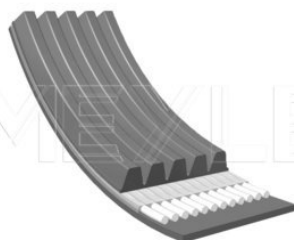
079903137E

Application info

A6 [4F2, 4FH, 4F5] [05/04-08/11]

050 005 1135 | MRB0238

V-ribbed belt



Notes

Number of Ribs 5
Length [mm] 1135

References

079903137T

Application info

A6 [4F2, 4FH, 4F5] [05/04-08/11]

A8 [4E] [10/02-07/10]



V-ribbed belt

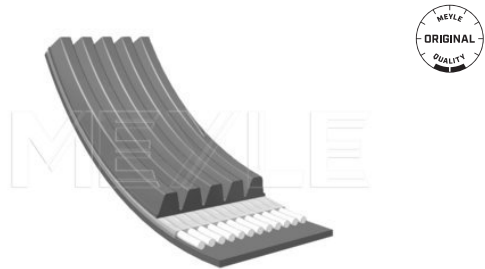
050 005 1060 | MRB0226

Notes

Number of Ribs 5
Length [mm] 1060

References

07K145933E



Application info

A3 [8P1, 8PA] [05/03-08/12]

TT [8J3, 8J9] [08/06-06/10]

V-ribbed belt

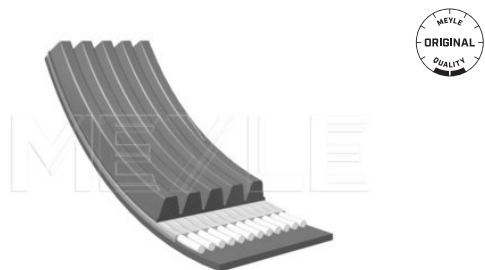
050 005 1130 | MRB0237

Notes

Number of Ribs 5
Length [mm] 1130

References

07L903137E



Application info

A6 [4F2, 4FH, 4F5] [05/04-08/11]

A8 [4E] [10/02-07/10]

V-ribbed belt

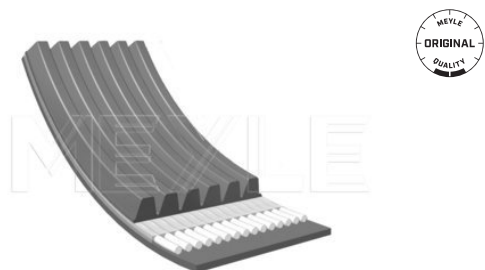
050 006 1613 | MRB0436

Notes

Number of Ribs 6
Length [mm] 1613

References

022 145 933 AG 03G 903 137 E
022 145 933 AP



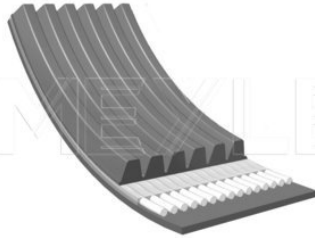
Application info

A3 [8P1, 8PA] [05/03-08/12]
A4 [8E2, 8E5, 8E6] [10/00-12/04]
A4 [8EC, 8ED] [11/04-06/08]
A4 [8H7] [04/02-03/09]

A6 [4F2, 4FH, 4F5] [05/04-08/11]
A8 [4H_] [11/09--]
Q7 [4L] [03/06-05/12]
TT [8J3, 8J9] [08/06-06/10]

050 006 1240 | MRB0385

V-ribbed belt



Notes

Number of Ribs 6
Length [mm] 1240

References

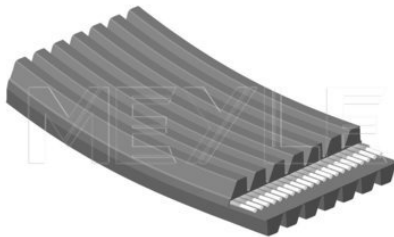
022 145 933 N

Application info

A3 [8P1, 8PA] [05/03-08/12]

050 007 2074/D | MRB0629

V-ribbed belt



Notes

Number of Ribs 7
Length [mm] 2074
Double-sided

References

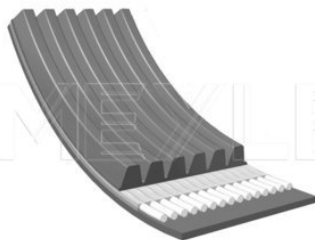
022 145 933 P

Application info

Q7 [4L] [03/06-05/12]

050 006 1084 | MRB0355

V-ribbed belt



Notes

Number of Ribs 6
Length [mm] 1084

References

036 145 933 F

Application info

A2 [8Z0] [02/00-08/05]



V-ribbed belt

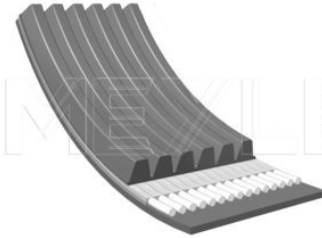
050 006 0745 | MRB0305

Notes

Number of Ribs 6
Length [mm] 745

References

036 145 933 M 04E 145 933 N



Application info

A1 [8X1, 8XA] [05/10--]
A2 [8Z0] [02/00-08/05]

A3 [8V1, 8VS, 8V7, 8PA] [04/12--]

V-ribbed belt

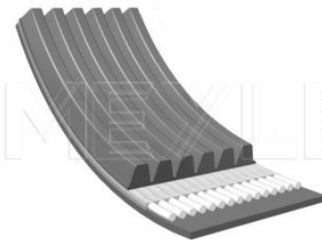
050 006 1125 | MRB0364

Notes

Number of Ribs 6
Length [mm] 1125

References

036 145 933 Q



Application info

A4 [8E2, 8E5, 8E6] [10/00-12/04]

A4 [8EC, 8ED] [11/04-06/08]

V-ribbed belt

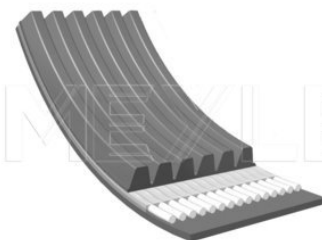
050 006 1000 | MRB0339

Notes

Number of Ribs 6
Length [mm] 1000

References

04E 145 933 A



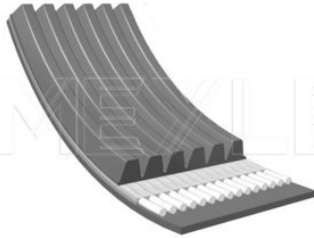
Application info

A1 [8X1, 8XA] [05/10--]
A3 [8V1, 8VS, 8V7, 8PA] [04/12--]

Q3 [8U] [06/11--]

050 006 0735 | MRB0304

V-ribbed belt



Notes

Number of Ribs 6
Length [mm] 735

References

04E 145 933 C 04E 145 933 G

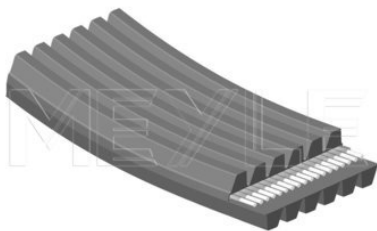
Application info

A1 [8X1, 8XA] [05/10--]
A2 [8Z0] [02/00-08/05]

A3 [8V1, 8VS, 8V7, 8PA] [04/12--]

050 006 1320/D | MRB0397

V-ribbed belt



Notes

Number of Ribs 6
Length [mm] 1320
Double-sided

References

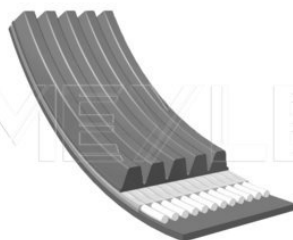
066 145 933 J

Application info

TT [8N3, 8N9] [10/98-06/06]

050 005 0930 | MRB0205

V-ribbed belt



Notes

Number of Ribs 5
Length [mm] 930

References

07K 145 933 R

Application info

A3 [8P1, 8PA] [05/03-08/12]

TT [8J3, 8J9] [08/06-06/10]



V-ribbed belt

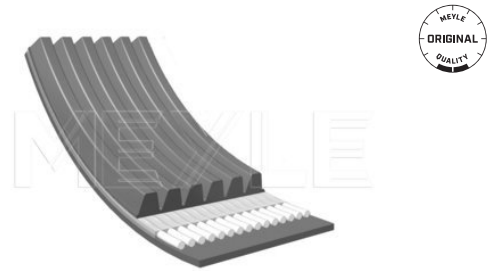
050 006 1175 | MRB0371

Notes

Number of Ribs 6
Length [mm] 1175

References

02B 260 849 H



Application info

80 [8C, 8G7, 84] [05/91-08/00]

A6 [4A, C4] [06/94-12/97]

V-ribbed belt

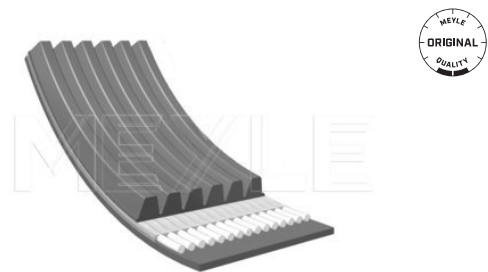
050 006 1698 | MRB0451

Notes

Number of Ribs 6
Length [mm] 1698

References

03C 260 849 A



Application info

A1 [8X1, 8XA] [05/10--]

V-ribbed belt

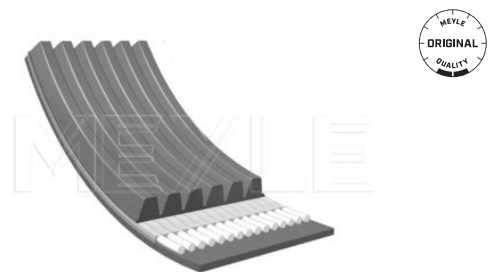
050 006 1025 | MRB0344

Notes

Number of Ribs 6
Length [mm] 1025

References

04L 260 849 C

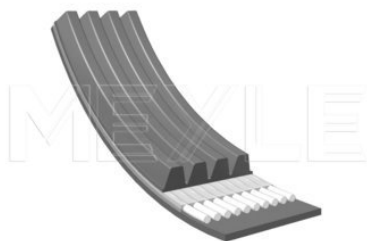


Application info

A3 [8V1, 8VS, 8V7, 8PA] [04/12--]

050 004 1238 | MRB0149

V-ribbed belt



Notes

Number of Ribs	4
Length [mm]	1238

References

059 260 849 B

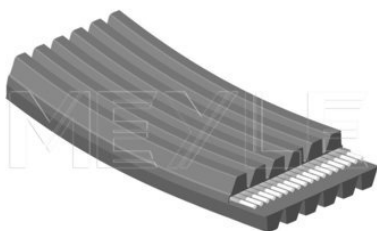
Application info

A4 [802, 805, B5] [11/94-09/01]
A6 [4B, C5] [01/97-01/05]

A8 [402, 408] [03/94-09/02]
Allroad [4BH] [05/00-08/05]

050 006 1195/D | MRB0376

V-ribbed belt



Notes

Number of Ribs	6
Length [mm]	1195
	Double-sided

References

06A 260 849	06A 260 849 C
06A 260 849 B	06A 260 849 E

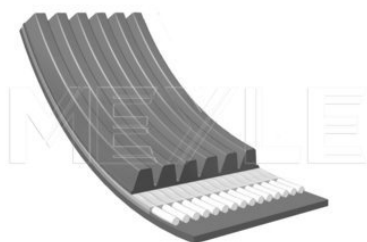
Application info

A3 [8L1] [09/96-05/03]

TT [8N3, 8N9] [10/98-06/06]

050 006 1045 | MRB0347

V-ribbed belt



Notes

Number of Ribs	6
Length [mm]	1045

References

06F 260 849 E	028 903 137 BB
028 903 137 B	028 903 137 T

Application info

A3 [8P1, 8PA] [05/03-08/12]



V-ribbed belt

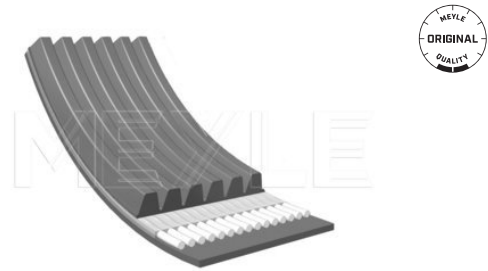
050 006 1055 | MRB0349

Notes

Number of Ribs 6
Length [mm] 1055

References

06F 260 849 L



Application info

A1 [8X1, 8XA] [05/10--]
A3 [8P1, 8PA] [05/03-08/12]

TT [8J3, 8J9] [08/06-06/10]

V-ribbed belt

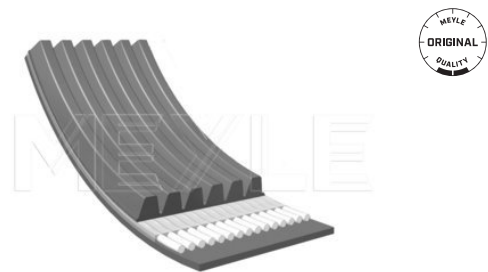
050 006 1120 | MRB0363

Notes

Number of Ribs 6
Length [mm] 1120

References

06A 145 933 D 06J 260 849 D



Application info

A3 [8L1] [09/96-05/03]
A3 [8P1, 8PA] [05/03-08/12]

TT [8J3, 8J9] [08/06-06/10]
TT [8N3, 8N9] [10/98-06/06]

V-ribbed belt

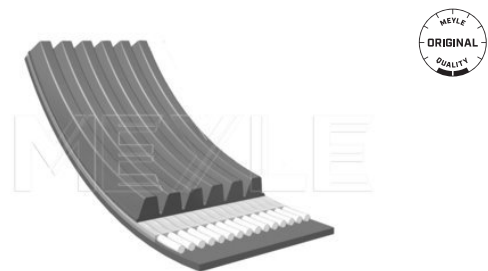
050 006 1100 | MRB0359

Notes

Number of Ribs 6
Length [mm] 1100

References

06J 260 849 F



Application info

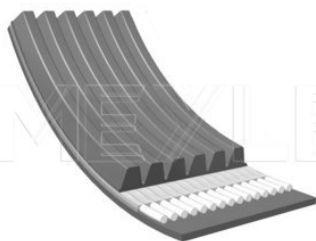
A6 [4G2, 4G5, C7] [11/10-05/13]
Q3 [8U] [06/11--]

Q5 [8R] [11/08--]

6

050 006 0890 | MRB0325

V-ribbed belt



Notes

Number of Ribs 6
Length [mm] 890

References

028 903 137 K

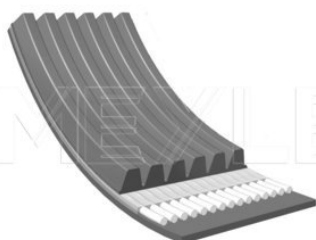
Application info

80 [8C, 8G7, B4] [05/91-08/00]

A6 [4A, C4] [06/94-12/97]

050 006 0906 | MRB0328

V-ribbed belt



Notes

Number of Ribs 6
Length [mm] 906

References

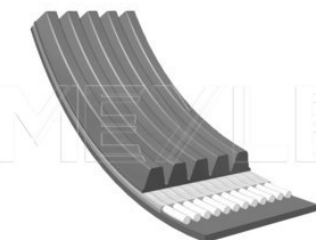
038 903 137 G

Application info

A3 [8L1] [09/96-05/03]

050 005 1435 | MRB0271

V-ribbed belt



Notes

Number of Ribs 5
Length [mm] 1435

References

038 903 137 H

Application info

A4 [802, 805, B5] [11/94-09/01]
A4 [8E2, 8E5, B6] [10/00-12/04]

A6 [4B, C5] [01/97-01/05]



V-ribbed belt

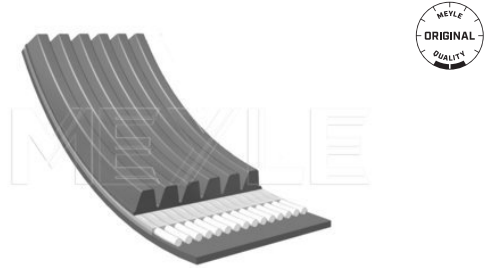
050 006 1660 | MRB0442

Notes

Number of Ribs 6
Length [mm] 1660

References

037 145 933 B 038 903 137 J
038 903 137 E



Application info

A3 [8L1] [09/96-05/03]

V-ribbed belt

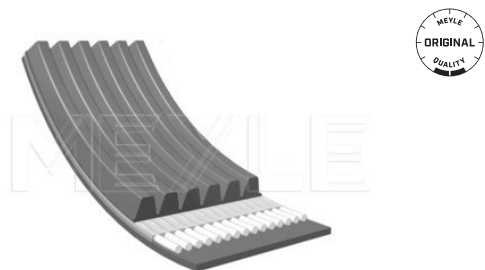
050 006 1430 | MRB0414

Notes

Number of Ribs 6
Length [mm] 1430

References

03F 903 137 A



Application info

A1 [8X1, 8XA] [05/10--]

A3 [8P1, 8PA] [05/03-08/12]

V-ribbed belt

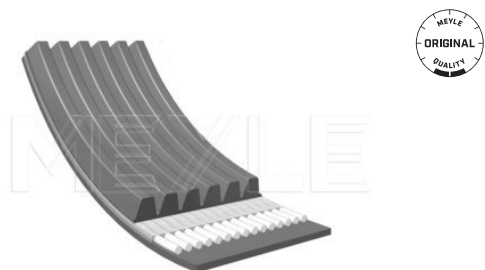
050 006 0950 | MRB0332

Notes

Number of Ribs 6
Length [mm] 950

References

03G 903 137 A

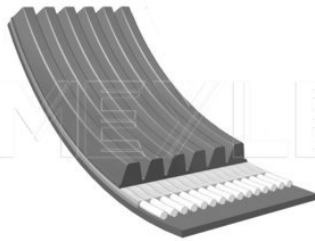


Application info

A3 [8P1, 8PA] [05/03-08/12]

050 006 1050 | MRB0348

V-ribbed belt



Notes

Number of Ribs 6
Length [mm] 1050

References

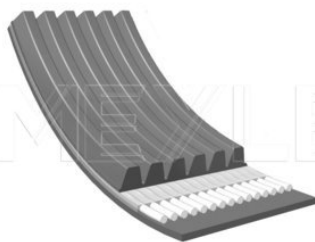
03G 903 137 B

Application info

A3 [8P1, 8PA] [05/03-08/12]

050 006 1610 | MRB0435

V-ribbed belt



Notes

Number of Ribs 6
Length [mm] 1610

References

03G 903 137 E

Application info

A3 [8P1, 8PA] [05/03-08/12]

A4 [8E2, 8E5, 86] [10/00-12/04]

A4 [8EC, 8ED] [11/04-06/08]

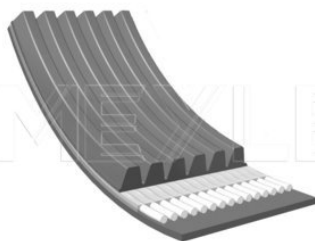
A4 [8H7] [04/02-03/09]

A6 [4F2, 4FH, 4F5] [05/04-08/11]

TT [8J3, 8J9] [08/06-06/10]

050 006 1580 | MRB0431

V-ribbed belt



Notes

Number of Ribs 6
Length [mm] 1580

References

03L 903 137 A

Application info

A4 [8K2, 8K5, 8KH] [11/07--]

A5 [8F, 8T] [06/07--]

A6 [4F2, 4FH, 4F5] [05/04-08/11]

Q5 [8R] [11/08--]



V-ribbed belt

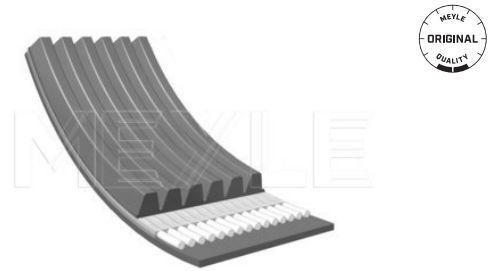
050 006 1080 | MRB0354

Notes

Number of Ribs 6
Length [mm] 1080

References

03L 903 137 D



Application info

A2 [8Z0] [02/00-08/05]
A4 [8E2, 8E5, 86] [10/00-12/04]

A4 [8EC, 8ED] [11/04-06/08]
A4 [8H7] [04/02-03/09]

V-ribbed belt

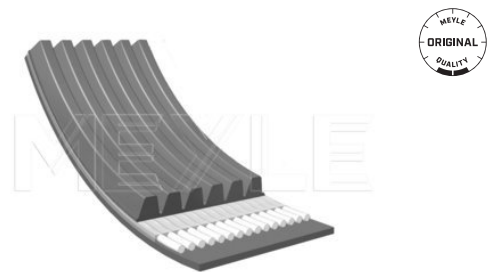
050 006 1070 | MRB0352

Notes

Number of Ribs 6
Length [mm] 1070

References

03L 903 137 03L 903 137 G



Application info

A1 [8X1, 8XA] [05/10--]
A3 [8P1, 8PA] [05/03-08/12]

Q3 [8U] [06/11--]
TT [8J3, 8J9] [08/06-06/10]

V-ribbed belt

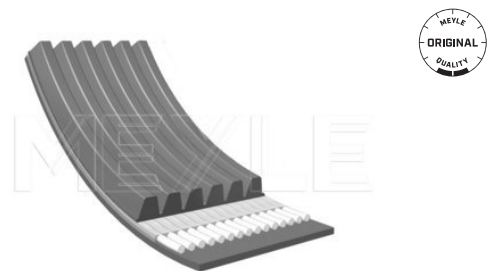
050 006 1264 | MRB0388

Notes

Number of Ribs 6
Length [mm] 1264

References

03L 903 137 J



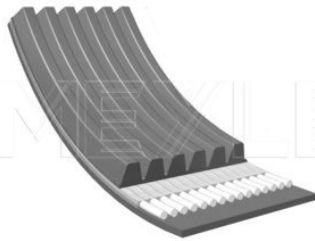
Application info

A4 [8K2, 8K5, 8KH] [11/07--]
A5 [8F, 8T] [06/07--]

A6 [4G2, 4G5, C7] [11/10-05/13]
Q5 [8R] [11/08--]

050 006 0995 | MRB0338

V-ribbed belt



Notes

Number of Ribs 6
Length [mm] 995

References

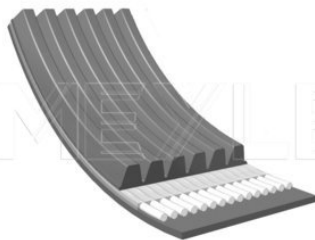
045 903 137 D

Application info

A2 [8Z0] [02/00-08/05]

050 006 0858 | MRB0318

V-ribbed belt



Notes

Number of Ribs 6
Length [mm] 858

References

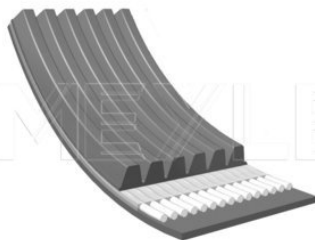
045 903 137 E

Application info

A2 [8Z0] [02/00-08/05]

050 006 1325 | MRB0398

V-ribbed belt



Notes

Number of Ribs 6
Length [mm] 1325

References

046 903 137 A

Application info

100 [4A, C4] [12/90-07/94]



V-ribbed belt

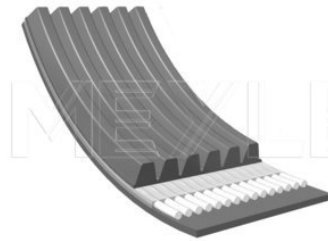
050 006 1705 | MRB0452

Notes

Number of Ribs 6
Length [mm] 1705

References

046 903 137 B



Application info

100 [4A, C4] [12/90-07/94]

V-ribbed belt

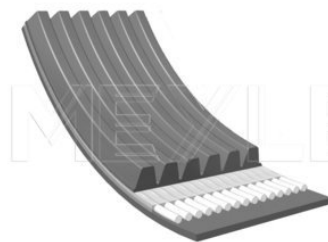
050 006 1725 | MRB0456

Notes

Number of Ribs 6
Length [mm] 1725

References

046 903 137 M



Application info

A6 [4A, C4] [06/94-12/97]

V-ribbed belt

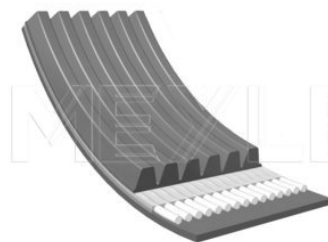
050 006 1345 | MRB0401

Notes

Number of Ribs 6
Length [mm] 1345

References

046 903 137 N

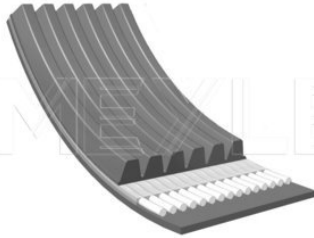


Application info

A6 [4A, C4] [06/94-12/97]

050 006 1600 | MRB0433

V-ribbed belt



Notes

Number of Ribs 6
Length [mm] 1600

References

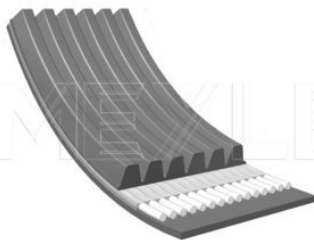
047 903 137 AC

Application info

A1 [8X1, 8XA] [05/10--]

050 006 1690 | MRB0449

V-ribbed belt



Notes

Number of Ribs 6
Length [mm] 1690

References

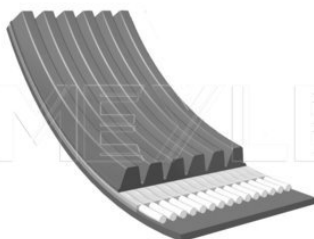
03F 260 849 A 054 903 137 B

Application info

100 [4A, C4] [12/90-07/94] A3 [8P1, 8PA] [05/03-08/12]
100/200 [44, 44Q, C3] [08/82-12/91] A6 [4A, C4] [06/94-12/97]
A1 [8X1, 8XA] [05/10--]

050 006 1295 | MRB0392

V-ribbed belt



Notes

Number of Ribs 6
Length [mm] 1295

References

054 903 137 A 054 903 137 E

Application info

100 [4A, C4] [12/90-07/94] A6 [4A, C4] [06/94-12/97]
100/200 [44, 44Q, C3] [08/82-12/91]



V-ribbed belt

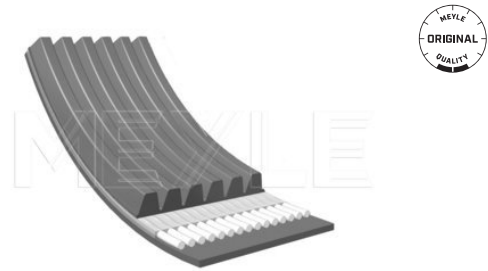
050 006 2612 | MRB0571

Notes

Number of Ribs 6
Length [mm] 2612

References

057 903 137 C 077 903 137 R
077 903 137 M



Application info

100 [4A, C4] [12/90-07/94]
A6 [4A, C4] [06/94-12/97]

A8 [402, 408] [03/94-09/02]

V-ribbed belt

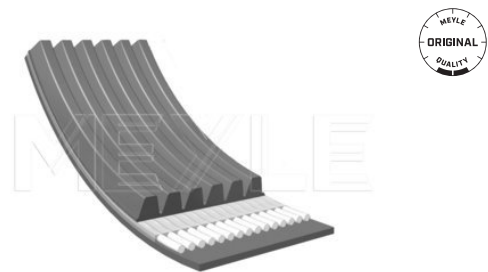
050 006 1623 | MRB0437

Notes

Number of Ribs 6
Length [mm] 1623

References

057 903 137 H 057 903 137 K



Application info

A3 [8P1, 8PA] [05/03-08/12]
A8 [4E] [10/02-07/10]

Q7 [4L] [03/06-05/12]
TT [8J3, 8J9] [08/06-06/10]

V-ribbed belt

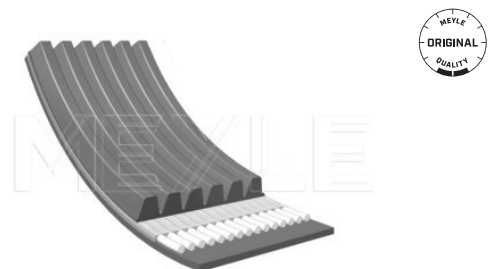
050 006 2498 | MRB0563

Notes

Number of Ribs 6
Length [mm] 2498

References

059 903 137 AE



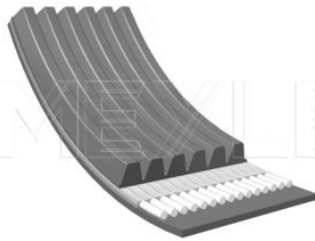
Application info

A4 [8K2, 8K5, 8KH] [11/07--]
A5 [8F, 8T] [06/07--]

A6 [4F2, 4FH, 4F5] [05/04-08/11]
Q5 [8R] [11/08--]

050 006 2523 | MRB0566

V-ribbed belt



Notes

Number of Ribs 6
Length [mm] 2523

References

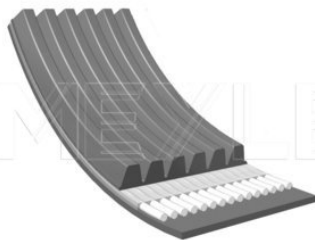
059 903 137 AL 059 903 137 AM

Application info

Q7 [4L] [03/06-05/12]

050 006 2535 | MRB0567

V-ribbed belt



Notes

Number of Ribs 6
Length [mm] 2535

References

059 903 137 AJ 059 903 137 AP
059 903 137 AN

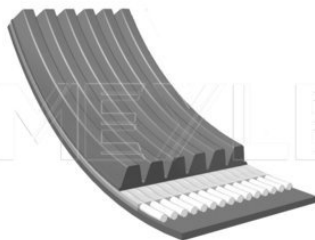
Application info

A8 [4H_] [11/09--]

Q7 [4L] [03/06-05/12]

050 006 2475 | MRB0560

V-ribbed belt



Notes

Number of Ribs 6
Length [mm] 2475

References

059 903 137 AC 077 903 137 H
059 903 137 R 077 903 137 L
06E 903 137 AE

Application info

Q7 [4L] [03/06-05/12]

V8 [01] [10/88-02/94]



V-ribbed belt

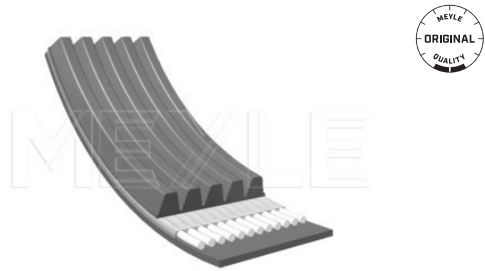
050 005 1300 | MRB0261

Notes

Number of Ribs 5
Length [mm] 1300

References

058 903 137 C 06B 903 137 A
058 903 137 E 06B 903 137 E
06B 903 137



Application info

B0 [8C, 8G7, B4] [05/91-08/00]
A4 [8D2, 8D5, B5] [11/94-09/01]
A4 [8E2, 8E5, B6] [10/00-12/04]

A6 [4A, C4] [06/94-12/97]
A6 [4B, C5] [01/97-01/05]

V-ribbed belt

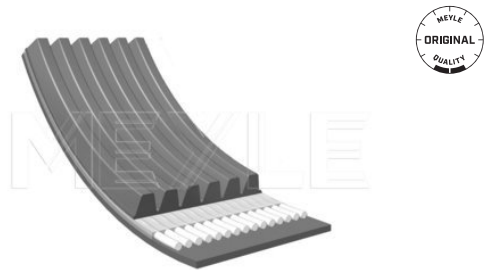
050 006 1930 | MRB0494

Notes

Number of Ribs 6
Length [mm] 1930

References

06C 903 137 C



Application info

A8 [4E] [10/02-07/10]

V-ribbed belt

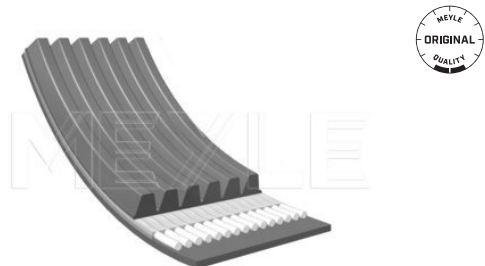
050 006 1920 | MRB0493

Notes

Number of Ribs 6
Length [mm] 1920

References

06C 903 137 D

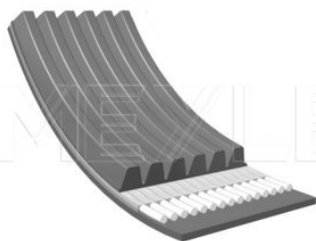


Application info

A6 [4F2, 4FH, 4F5] [05/04-08/11]

050 006 1885 | MRB0486

V-ribbed belt



Notes

Number of Ribs 6
Length [mm] 1885

References

06C 903 137 E

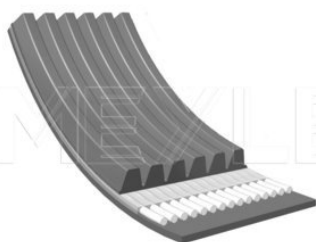
Application info

A4 [8E2, 8E5, B6] [10/00-12/04]

A4 [8EC, 8ED] [11/04-06/08]

050 006 1570 | MRB0429

V-ribbed belt



Notes

Number of Ribs 6
Length [mm] 1570

References

06B 903 137 J 06D 903 137 C
06D 903 137 A 06D 903 137 E

Application info

A4 [8E2, 8E5, B6] [10/00-12/04]

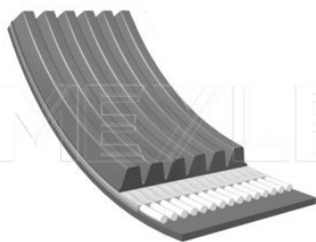
A4 [8EC, 8ED] [11/04-06/08]

A4 [8H7] [04/02-03/09]

A6 [4F2, 4FH, 4F5] [05/04-08/11]

050 006 2285 | MRB0543

V-ribbed belt



Notes

Number of Ribs 6
Length [mm] 2285

References

06E 903 137 AA

Application info

A6 [4G2, 4G5, C7] [11/10-05/13]

A7 Sportback [4GA] [10/10--]



V-ribbed belt

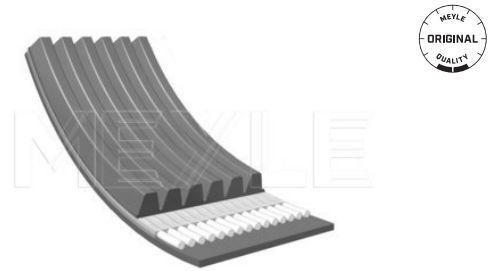
050 006 2465 | MRB0559

Notes

Number of Ribs 6
Length [mm] 2465

References

06E 903 137 C



Application info

A8 [4E] [10/02-07/10]

V-ribbed belt

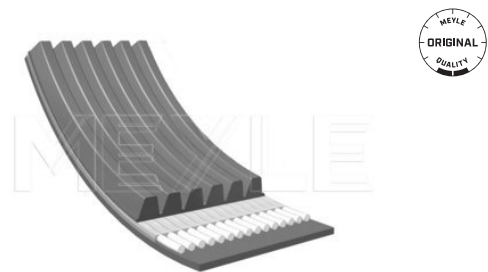
050 006 2415 | MRB0555

Notes

Number of Ribs 6
Length [mm] 2415

References

059 903 137 AG 06E 903 137 J
06E 903 137 A



Application info

A4 [8EC, 8ED] [11/04-06/08]
A4 [8H7] [04/02-03/09]
A4 [8K2, 8K5, 8KH] [11/07--]
A5 [8F, 8T] [06/07--]

A6 [4F2, 4FH, 4F5] [05/04-08/11]
A6 [4G2, 4G5, C7] [11/10-05/13]
A7 Sportback [4GA] [10/10--]
Q5 [8R] [11/08--]

V-ribbed belt

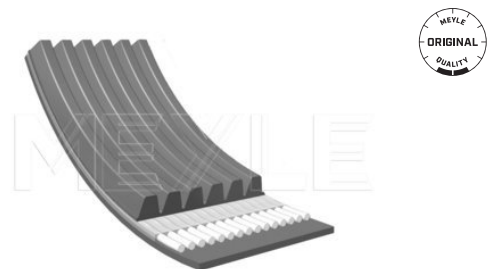
050 006 2403 | MRB0554

Notes

Number of Ribs 6
Length [mm] 2403

References

059 903 137 H 06E 903 137 K
06E 903 137 AC



050 006 2403 | MRB0554

V-ribbed belt

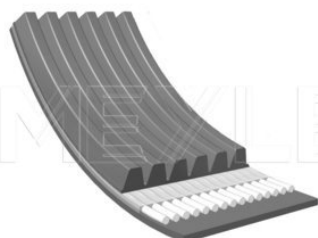
Application info

A4 (8D2, 8D5, 85) [11/94-09/01]
A4 (8E2, 8E5, 86) [10/00-12/04]
A4 (8EC, 8ED) [11/04-06/08]
A4 (8H7) [04/02-03/09]
A4 (8K2, 8K5, 8KH) [11/07--]

A5 (8F, 8T) [06/07--]
A6 (4B, C5) [01/97-01/05]
A8 (4D2, 4D8) [03/94-09/02]
Allroad (4BH) [05/00-08/05]
Q5 (8R) [11/08--]

050 006 2445 | MRB0557

V-ribbed belt



Notes

Number of Ribs 6
Length [mm] 2445

References

06E 903 137 Q

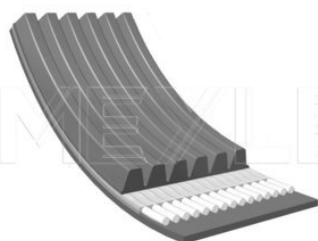
Application info

A4 (8K2, 8K5, 8KH) [11/07--]

A5 (8F, 8T) [06/07--]

050 006 2490 | MRB0562

V-ribbed belt



Notes

Number of Ribs 6
Length [mm] 2490

References

059 903 137 T 06E 903 137 R

Application info

A4 (8EC, 8ED) [11/04-06/08]
A5 (8F, 8T) [06/07--]
A6 (4F2, 4FH, 4F5) [05/04-08/11]

A8 (4E) [10/02-07/10]
A8 (4H_) [11/09--]
Q7 (4L) [03/06-05/12]



V-ribbed belt

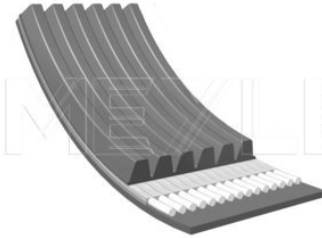
050 006 2330 | MRB0547

Notes

Number of Ribs 6
Length [mm] 2330

References

06E 903 137 T



Application info

A5 [8F, 8T] [06/07--]
A6 [4G2, 4G5, C7] [11/10-05/13]

A7 Sportback [4GA] [10/10--]
Q5 [8R] [11/08--]

V-ribbed belt

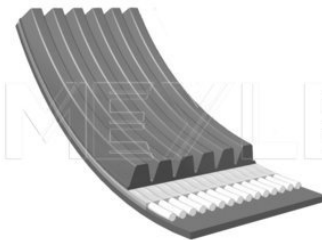
050 006 0900 | MRB0327

Notes

Number of Ribs 6
Length [mm] 900

References

06F 903 137 E



Application info

A3 [8P1, 8PA] [05/03-08/12]

V-ribbed belt

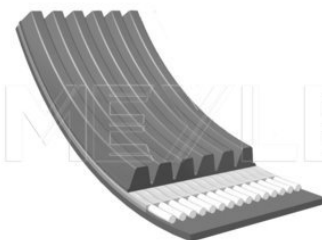
050 006 0955 | MRB0333

Notes

Number of Ribs 6
Length [mm] 955

References

06F 903 137 L



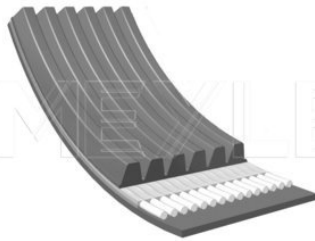
Application info

A3 [8P1, 8PA] [05/03-08/12]

TT [8J3, 8J9] [08/06-06/10]

050 006 1590 | MRB0432

V-ribbed belt



Notes

Number of Ribs 6
Length [mm] 1590

References

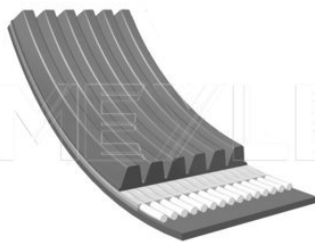
06B 903 137 C 06H 903 137 C

Application info

A4 (8E2, 8E5, 8E6) [10/00-12/04] A5 (8F, 8T) [06/07--]
A4 (8EC, 8ED) [11/04-06/08] A6 (4B, C5) [01/97-01/05]
A4 (8H7) [04/02-03/09] Q5 (8R) [11/08--]
A4 (8K2, 8K5, 8KH) [11/07--]

050 006 1130 | MRB0365

V-ribbed belt



Notes

Number of Ribs 6
Length [mm] 1130

References

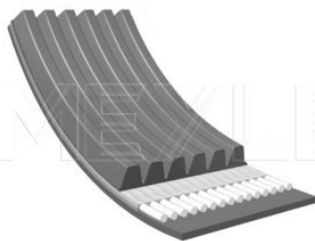
06L 903 137 A

Application info

A3 (8V1, 8VS, 8V7, 8PA) [04/12--] A5 (8F, 8T) [06/07--]
A4 (8K2, 8K5, 8KH) [11/07--] Q5 (8R) [11/08--]

050 006 2460 | MRB0558

V-ribbed belt



Notes

Number of Ribs 6
Length [mm] 2460

References

059 903 137 AB 077 903 137 D
06E 903 137 N 077 903 137 E
077 903 137 B

V-ribbed belt

050 006 2460 | MRB0558

Application info

A4 [8EC, 8ED] [11/04-06/08]
A4 [8H7] [04/02-03/09]
A4 [8K2, 8K5, 8KH] [11/07--]
A5 [8F, 8T] [06/07--]

A6 [4F2, 4FH, 4F5] [05/04-08/11]
A8 [4E] [10/02-07/10]
V8 [01] [10/88-02/94]

V-ribbed belt

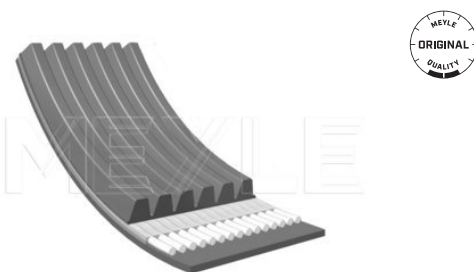
050 006 2425 | MRB0556

Notes

Number of Ribs 6
Length [mm] 2425

References

077 903 137 G



Application info

V8 [01] [10/88-02/94]

V-ribbed belt

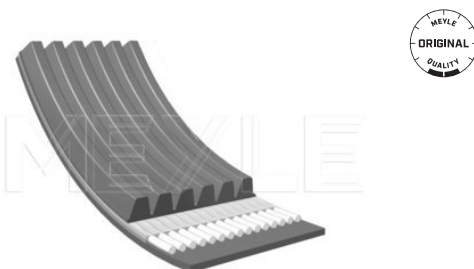
050 006 2680 | MRB0574

Notes

Number of Ribs 6
Length [mm] 2680

References

077 903 137 Q



Application info

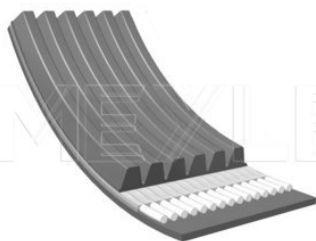
A6 [4B, C5] [01/97-01/05]

A8 [4D2, 4D8] [03/94-09/02]

6

Ø50 Ø06 1675 | MRB0446

V-ribbed belt



Notes

Number of Ribs 6
Length [mm] 1675

References

Ø78 903 137

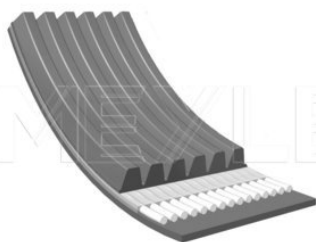
Application info

100 [4A, C4] [12/90-07/94]
80 [8C, 867, B4] [05/91-08/00]
80/90 [89, 89Q, 8A, B3] [06/86-12/96]

A6 [4A, C4] [06/94-12/97]
A8 [402, 408] [03/94-09/02]

Ø50 Ø06 1905 | MRB0490

V-ribbed belt



Notes

Number of Ribs 6
Length [mm] 1905

References

Ø78 903 137 AJ

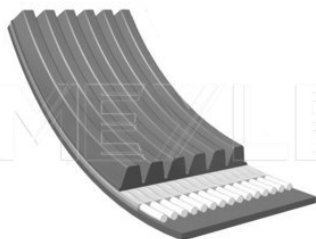
Application info

100 [4A, C4] [12/90-07/94]
80 [8C, 867, B4] [05/91-08/00]
80/90 [89, 89Q, 8A, B3] [06/86-12/96]

A6 [4A, C4] [06/94-12/97]
A8 [402, 408] [03/94-09/02]

Ø50 Ø06 1637 | MRB0438

V-ribbed belt



Notes

Number of Ribs 6
Length [mm] 1637

References

Ø78 903 137 AN

Application info

80 [8C, 867, B4] [05/91-08/00]
80/90 [89, 89Q, 8A, B3] [06/86-12/96]

A6 [4A, C4] [06/94-12/97]
A8 [402, 408] [03/94-09/02]



V-ribbed belt

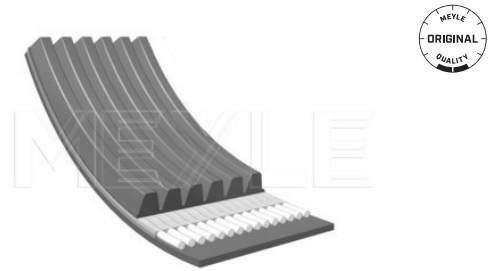
050 006 1760 | MRB0462

Notes

Number of Ribs 6
Length [mm] 1760

References

078 903 137 AP



Application info

A4 [802, 805, B5] [11/94-09/01]
A6 [4A, C4] [06/94-12/97]

A6 [4B, C5] [01/97-01/05]
A8 [402, 408] [03/94-09/02]

V-ribbed belt

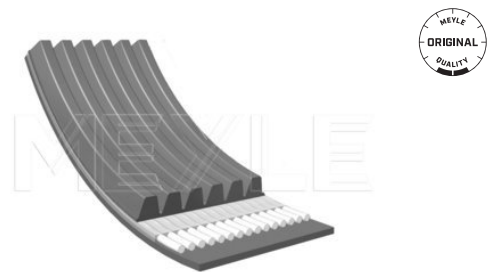
050 006 1863 | MRB0481

Notes

Number of Ribs 6
Length [mm] 1863

References

078 903 137 AQ



Application info

80 [8C, 8G7, B4] [05/91-08/00]
80/90 [89, 89Q, 8A, B3] [06/86-12/96]

A6 [4A, C4] [06/94-12/97]
A8 [402, 408] [03/94-09/02]

V-ribbed belt

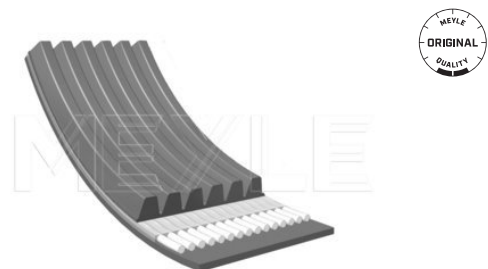
050 006 1875 | MRB0484

Notes

Number of Ribs 6
Length [mm] 1875

References

078 903 137 AR 078 903 137 BD



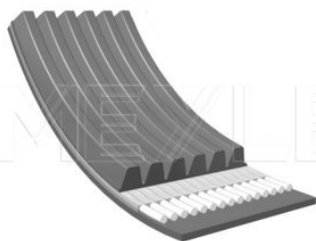
Application info

A4 [802, 805, B5] [11/94-09/01]
A6 [4A, C4] [06/94-12/97]

A8 [402, 408] [03/94-09/02]

050 006 1880 | MRB0485

V-ribbed belt



Notes

Number of Ribs 6
Length [mm] 1880

References

078 903 137 BC 078 903 137 BJ

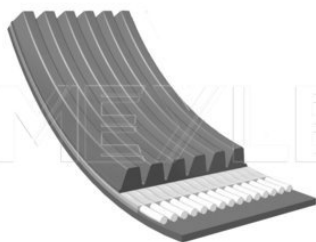
Application info

A4 [802, 805, B5] [11/94-09/01]
A4 [8E2, 8E5, B6] [10/00-12/04]
A4 [8EC, 8ED] [11/04-06/08]
A4 [8H7] [04/02-03/09]

A6 [4A, C4] [06/94-12/97]
A6 [4B, C5] [01/97-01/05]
A8 [4D2, 4D8] [03/94-09/02]
A8 [4E] [10/02-07/10]

050 006 1856 | MRB0480

V-ribbed belt



Notes

Number of Ribs 6
Length [mm] 1856

References

078 903 137 BL

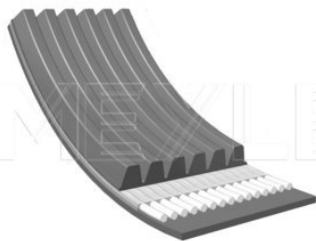
Application info

A4 [802, 805, B5] [11/94-09/01]
A4 [8E2, 8E5, B6] [10/00-12/04]
A4 [8H7] [04/02-03/09]

A6 [4B, C5] [01/97-01/05]
Allroad [4BH] [05/00-08/05]

050 006 2280 | MRB0542

V-ribbed belt



Notes

Number of Ribs 6
Length [mm] 2280

References

078 903 137 C

V-ribbed belt

050 006 2280 | MRB0542

Application info

100 [4A, C4] [12/90-07/94]

V-ribbed belt

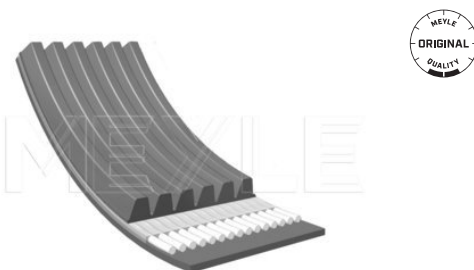
050 006 2260 | MRB0537

Notes

Number of Ribs 6
Length [mm] 2260

References

078 903 137 K 078 903 137 P



Application info

100 [4A, C4] [12/90-07/94]
80 [8C, 8G7, B4] [05/91-08/00]

80/90 [89, 89Q, 8A, B3] [06/86-12/96]

V-ribbed belt

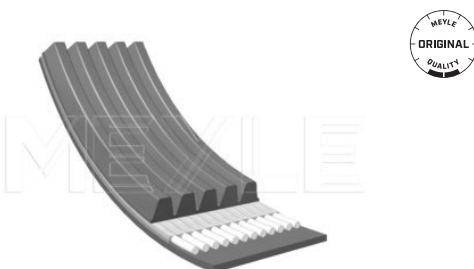
050 005 0985 | MRB0213

Notes

Number of Ribs 5
Length [mm] 985

References

079 903 137 AJ



Application info

A6 [4G2, 4G5, C7] [11/10-05/13]

A8 [4H_] [11/09--]

V-ribbed belt

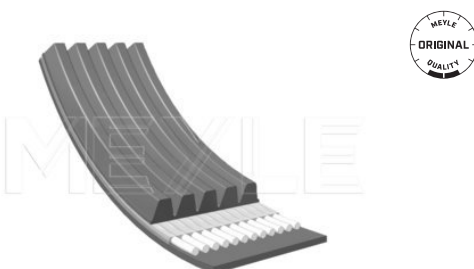
050 005 1165 | MRB0243

Notes

Number of Ribs 5
Length [mm] 1165

References

079 903 137 S



050 005 1165 | MRB0243

V-ribbed belt

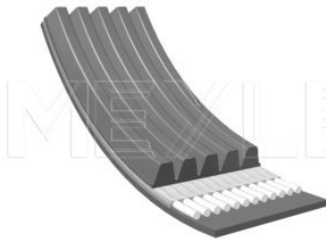
Application info

A4 (8EC, 8ED) (11/04-06/08)

A4 (8H7) (04/02-03/09)

050 005 0950 | MRB0207

V-ribbed belt



Notes

Number of Ribs	5
Length [mm]	950

References

07L 903 137 C	07L 903 137 M
---------------	---------------

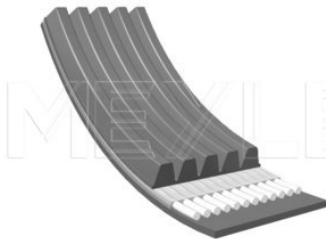
Application info

A6 (4F2, 4FH, 4F5) (05/04-08/11)

R8 I (04/07-07/15)

050 005 0970 | MRB0210

V-ribbed belt



Notes

Number of Ribs	5
Length [mm]	970

References

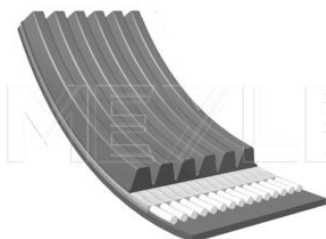
07L 903 137 T

Application info

R8 I (04/07-07/15)

050 006 1090 | MRB0356

V-ribbed belt



Notes

Number of Ribs	6
Length [mm]	1090

References

6Q0 903 137 A

V-ribbed belt

050 006 1090 | MRB0356

Application info

A1 [8X1, 8XA] [05/10--]

A3 [8P1, 8PA] [05/03-08/12]

V-ribbed belt

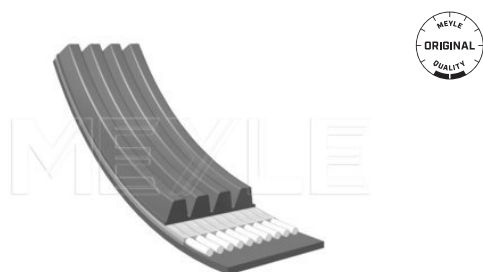
050 004 0855 | MRB0090

Notes

Number of Ribs 4
Length [mm] 855

References

028260849G	068260849A
050903137B	058 260 849
050903137C	058 260 849 A



Application info

100 [4A, C4] [12/90-07/94]
80 [8C, 8G7, B4] [05/91-08/00]
80/90 [89, 89Q, 8A, B3] [06/86-12/96]
A4 [8D2, 8D5, B5] [11/94-09/01]

A4 [8E2, 8E5, B6] [10/00-12/04]
A6 [4A, C4] [06/94-12/97]
A6 [4B, C5] [01/97-01/05]

V-ribbed belt

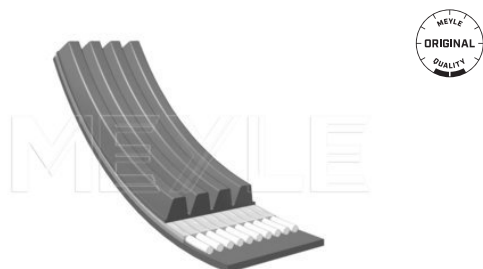
050 004 0890 | MRB0097

Notes

Number of Ribs 4
Length [mm] 890

References

034 903 137 B	053 903 137 A
---------------	---------------



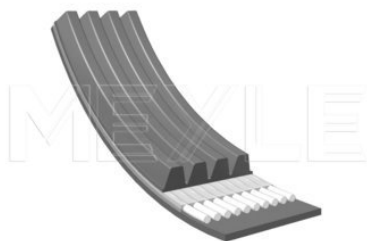
Application info

100 [4A, C4] [12/90-07/94]
80 [8C, 8G7, B4] [05/91-08/00]

80/90 [89, 89Q, 8A, B3] [06/86-12/96]
A6 [4A, C4] [06/94-12/97]

050 004 1215 | MRB0147

V-ribbed belt



Notes

Number of Ribs 4
Length [mm] 1215

References

059 260 849 0

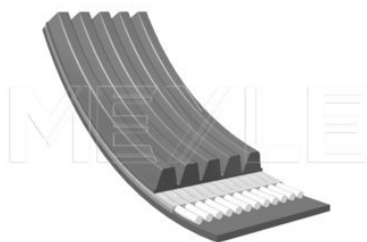
Application info

A4 [8E2, 8E5, B6] [10/00-12/04]
A4 [8EC, 8ED] [11/04-06/08]
A4 [8H7] [04/02-03/09]

A6 [4B, C5] [01/97-01/05]
Allroad [4BH] [05/00-08/05]

050 005 1120 | MRB0235

V-ribbed belt



Notes

Number of Ribs 5
Length [mm] 1120

References

079903137A 079903137AA

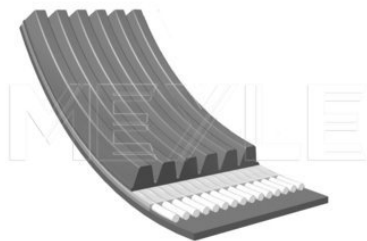
Application info

A4 [8E2, 8E5, B6] [10/00-12/04]
A4 [8EC, 8ED] [11/04-06/08]
A4 [8H7] [04/02-03/09]

A8 [4H_] [11/09--]
Allroad [4BH] [05/00-08/05]
Q7 [4L] [03/06-05/12]

050 006 1735 | MRB0457

V-ribbed belt



Notes

Number of Ribs 6
Length [mm] 1735

References

6Q0 260 849 C 046 903 137 F
046 903 137 E 078 903 137 BM

V-ribbed belt

050 006 1735 | MRB0457

Application info

A1 [8X1, 8XA] [05/10--]
A3 [8P1, 8PA] [05/03-08/12]
A4 [8D2, 8D5, 85] [11/94-09/01]

A6 [4B, C5] [01/97-01/05]
Allroad [4BH] [05/00-08/05]

Clutch disc

117 228 2301 | MMX0575

Notes

Diameter [mm] 228

References

034 141 031 D	053 141 031 A
034 141 031 F	034 141 032
034 141 031 G	034 141 032 J
034 141 031 M	034 141 032 K
034 141 031 P	034 141 032 N
034 141 031 Q	034 141 032 P
034 141 031 R	050 141 032 A
034 141 031 TX	050 141 032 B
048 141 031 C	050 141 032 C
048 141 031 D	050 141 032 D
048 141 031 E	050 141 032 J
048 141 031 S	050 141 032 N
048 141 031 T	050 141 032 P
053 141 031	050 141 032 Q



Application info

100 [4A, C4] [12/90-07/94]
100/200 [44, 44Q, C3] [08/82-12/91]
80 [8C, 8G7, B4] [05/91-08/00]

80/90 [89, 89Q, 8A, B3] [06/86-12/96]
A6 [4A, C4] [06/94-12/97]

Clutch disc

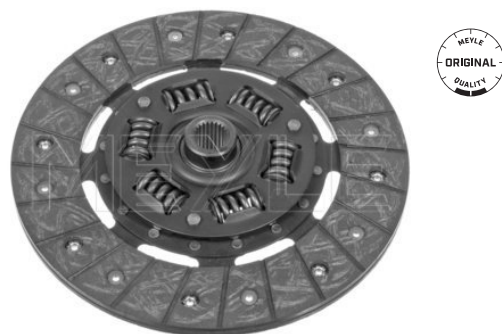
117 228 2400 | MMX0576

Notes

Diameter [mm] 228

References

035 141 033	035 141 033 X
035 141 033 T	035 141 034 E



Application info

100/200 [44, 44Q, C3] [08/82-12/91]

80/90 [81, 85, B2] [08/78-10/88]

117 210 2301 | MMX0566

Clutch disc



Notes

Diameter [mm] 210

References

048 141 031 A	028 141 033 R
048 141 031 B	050 141 033 K
028 141 033	050 141 033 KX
028 141 033 AX	028 141 034 G
028 141 033 P	028 141 034 H
028 141 033 Q	028 141 034 J

Application info

100/200 [44, 44Q, C3] [08/82-12/91]
80 [8C, 8G7, B4] [05/91-08/00]
80/90 [89, 89Q, 8A, B3] [06/86-12/96]

A4 [802, 805, B5] [11/94-09/01]
A6 [4A, C4] [06/94-12/97]

100 142 0004 | MMX0437

Clutch master cylinder



Notes

Diameter [mm] 15.87
for left-hand drive vehicles

References

1J1 721 388 A	1J1 721 388 E
1J1 721 388 C	1J1 721 388 G

Application info

A3 [8L1] [09/96-05/03]

TT [8N3, 8N9] [10/98-06/06]

100 721 0004 | MMX0484

Clutch master cylinder



Notes

Diameter [mm] 19

References

443 721 401 A	4A0 721 401
---------------	-------------

Application info

100 [4A, C4] [12/90-07/94]
100/200 [44, 44Q, C3] [08/82-12/91]
80 [8C, 8G7, B4] [05/91-08/00]

80/90 [89, 89Q, 8A, B3] [06/86-12/96]
A6 [4A, C4] [06/94-12/97]
V8 [01] [10/88-02/94]

Clutch slave cylinder

100 142 0005 | MMX0438

Notes

Diameter [mm] 19.05

References

1J0 721 261 J 1J0 721 261 L



Application info

A3 [8L1] [09/96-05/03]

TT [8N3, 8N9] [10/98-06/06]

Clutch slave cylinder

100 721 0003 | MMX0483

Notes

Diameter [mm] 22.2

References

4A0 721 261 893 721 261 A



Application info

100 [4A, C4] [12/90-07/94]

100/200 [44, 44Q, C3] [08/82-12/91]

80 [8C, 8G7, B4] [05/91-08/00]

80/90 [89, 89Q, 8A, B3] [06/86-12/96]

A6 [4A, C4] [06/94-12/97]

A8 [402, 408] [03/94-09/02]

V8 [01] [10/88-02/94]

Pilot bearing, clutch

100 105 0004 | MMX0361

Notes

Inner diameter [mm] 14

Outer diameter [mm] 21

Height [mm] 15

References

056 105 313 C



100 105 0004 | MMX0361

Pilot bearing, clutch

Application info

100 [4A, C4] [12/90-07/94]
100/200 [44, 44Q, C3] [08/82-12/91]
80 [8C, 8G7, B4] [05/91-08/00]
80/90 [81, 85, B2] [08/78-10/88]

80/90 [89, 89Q, 8A, B3] [06/86-12/96]
A4 [802, 805, B5] [11/94-09/01]
A6 [4A, C4] [06/94-12/97]
A6 [4B, C5] [01/97-01/05]

100 226 0005 | MFL0057

Coolant flange



Notes

with seal

References

1J0 121 087 A

Application info

A3 [8L1] [09/96-05/03]

TT [8N3, 8N9] [10/98-06/06]

100 121 1065 | MFL0051

Coolant flange



Notes

for foreflow

References

1J0 121 087 B

Application info

A3 [8L1] [09/96-05/03]
A3 [8P1, 8PA] [05/03-08/12]

A4 [8E2, 8E5, B6] [10/00-12/04]
A4 [8H7] [04/02-03/09]



Coolant flange

100 121 1051 | MFL0039

Notes

with seal

References

030 121 121 B



Application info

80 [8C, 8G7, B4] [05/91-08/00]
80/90 [89, 890, 8A, B3] [06/86-12/96]
A4 [802, 805, B5] [11/94-09/01]

A6 [4A, C4] [06/94-12/97]
A6 [4B, C5] [01/97-01/05]

Coolant flange

114 226 0001 | MFL0067

Notes

Manufacturer Restriction

with seal
Henschel

References

032 121 121 K



Application info

A2 [8Z0] [02/00-08/05]

Coolant flange

100 121 0052 | MFL0010

Notes

with seal
Front

References

038 121 121



Application info

A3 [8L1] [09/96-05/03]

100 121 1067 | MFL0052

Coolant flange



Notes

from water pipe to water pump with seal

References

048 121 121 B

Application info

100 [4A, C4] [12/90-07/94]
80 [8C, 8G7, B4] [05/91-08/00]
80/90 [89, 89Q, 8A, B3] [06/86-12/96]

A4 [802, 805, B5] [11/94-09/01]
A6 [4A, C4] [06/94-12/97]
A6 [4B, C5] [01/97-01/05]

100 121 1027 | MFL0034

Coolant flange



Notes

from water pipe to water pump with seal

References

055 121 121 F

Application info

100/200 [44, 44Q, C3] [08/82-12/91]
80/90 [81, 85, B2] [08/78-10/88]

80/90 [89, 89Q, 8A, B3] [06/86-12/96]

100 121 0053 | MFL0011

Coolant flange



Notes

with seal
Left

References

028 121 132

Application info

80 [8C, 8G7, B4] [05/91-08/00]
A4 [802, 805, B5] [11/94-09/01]
A4 [8E2, 8E5, B6] [10/00-12/04]

A6 [4A, C4] [06/94-12/97]
A6 [4B, C5] [01/97-01/05]



Coolant flange

100 121 0073/S | MFL0023

Notes

with seal
with accessories

References

037 121 132 A

037 121 132 B

Parts list

100 121 0080 | MMX0412
100 121 1026 | MFL0033

Plug, coolant flange
Coolant flange



Application info

100 [4A, C4] [12/90-07/94]

80/90 [89, 89Q, 8A, B3] [06/86-12/96]

Coolant flange

100 121 1026 | MFL0033

Notes

with seal

References

037 121 132 A

037 121 132 B



Application info

100 [4A, C4] [12/90-07/94]

80/90 [89, 89Q, 8A, B3] [06/86-12/96]

Coolant flange

100 121 1054 | MFL0042

Notes

from water pump to engine
with seal

References

037 121 132 G



Application info

100 [4A, C4] [12/90-07/94]
80 [8C, 8G7, B4] [05/91-08/00]

A6 [4A, C4] [06/94-12/97]

100 121 0057 | MFL0015

Coolant flange



Notes

with seal

References

038 121 132 C

Application info

A2 [8Z0] [02/00-08/05]

A3 [8L1] [09/96-05/03]

100 121 1055 | MFL0043

Coolant flange



Notes

with seal

References

050 121 132 A

Application info

A4 [802, 805, B5] [11/94-09/01]

100 121 1062 | MFL0050

Coolant flange



Notes

with seal
Rear

References

050 121 132 B

Application info

A4 [802, 805, B5] [11/94-09/01]

Coolant flange

100 121 1050 | MFL0037

Notes

Piece
with seal

References

058 121 132



Application info

80 [8C, 8G7, B4] [05/91-08/00]
A4 [802, 805, B5] [11/94-09/01]

A6 [4B, C5] [01/97-01/05]

Coolant flange

100 121 1050/S | MFL0038

Notes

Kit
Black
with seal
with accessories

References

058 121 132

Parts list

100 121 1050 | MFL0037

Coolant flange



Application info

80 [8C, 8G7, B4] [05/91-08/00]
A4 [802, 805, B5] [11/94-09/01]

A6 [4B, C5] [01/97-01/05]

Coolant flange

100 121 0113 | MFL0029

Notes

with seal

References

058 121 132 A

058 121 132 C



Application info

A4 [802, 805, B5] [11/94-09/01]
A4 [8E2, 8E5, B6] [10/00-12/04]

A6 [4B, C5] [01/97-01/05]

6

100 121 0112 | MFL0028

Coolant flange



Notes

with seal
Cylinder Head

References

068 121 132

068 121 133 AB

Application info

80 (8C, 8G7, B4) (05/91-08/00)

100 121 0058 | MFL0016

Coolant flange



Notes

from expansion tank to en-
gine cooler
with seal

References

06A 121 132

Application info

A3 (8L1) (09/96-05/03)

100 121 0068 | MFL0021

Coolant flange



Notes

with seal

References

06A 121 132 A

Application info

A3 (8L1) (09/96-05/03)

TT (8N3, 8N9) (10/98-06/06)



Coolant flange

100 121 0059 | MFL0017

Notes

without holder
with seal

References

06A 121 132 AP

06A 121 132 Q



Application info

A3 [8L1] [09/96-05/03]

TT [8N3, 8N9] [10/98-06/06]

Coolant flange

100 121 0059/C | MFL0018

Notes

with seal
with holder

References

06A 121 132 AP

06A 121 132 Q

Parts list

100 121 0059 | MFL0017

Coolant flange



Application info

A3 [8L1] [09/96-05/03]

TT [8N3, 8N9] [10/98-06/06]

Coolant flange

100 226 0012 | MFL0059

Notes

with seal
Plastic
Rear

References

06B 121 132 E



Application info

A4 [8D2, 8D5, B5] [11/94-09/01]

A4 [8E2, 8E5, B6] [10/00-12/04]

A4 [8EC, 8ED] [11/04-06/08]

A4 [8H7] [04/02-03/09]

100 121 0106 | MFL0027

Coolant flange



Notes

with seal

References

026 121 144 A
026 121 144 E
037 121 144 A

026 121 145 E
037 121 145

Application info

100/200 [44, 44Q, C3] [08/82-12/91]
80/90 [81, 85, B2] [08/78-10/88]

A6 [4B, C5] [01/97-01/05]

100 121 1058 | MFL0046

Coolant flange



Notes

with seal

References

026 121 144 F

Application info

100/200 [44, 44Q, C3] [08/82-12/91]
80/90 [81, 85, B2] [08/78-10/88]

80/90 [89, 89Q, 8A, B3] [06/86-12/96]

100 121 1068 | MFL0053

Coolant flange



Notes

with seal

References

028 121 144 M

Application info

80 [8C, 8G7, B4] [05/91-08/00]

A6 [4A, C4] [06/94-12/97]



Coolant flange

100 121 0055 | MFL0013

Notes

with seal
Rear

References

028 121 144 N



Application info

A4 [802, 805, B5] [11/94-09/01]

Coolant flange

100 121 0077 | MFL0025

Notes

with seal

References

044 121 144 B



Application info

A3 [8L1] [09/96-05/03]

Coolant flange

100 121 0015 | MFL0005

Notes

with seal
Cylinder Head

References

068 121 144

068 121 145 Q



Application info

80/90 [89, 89Q, 8A, B3] [06/86-12/96]

100 121 1060 | MFL0049

Coolant flange



Notes

with seal

References

027 121 145 B

Application info

100 [4A, C4] [12/90-07/94]
80 [8C, 8G7, B4] [05/91-08/00]

80/90 [89, 89Q, 8A, B3] [06/86-12/96]
A6 [4A, C4] [06/94-12/97]

100 121 0078 | MFL0026

Coolant flange



Notes

from engine to water pipe
with seal

References

048 121 145 B

Application info

80 [8C, 8G7, B4] [05/91-08/00]

80/90 [89, 89Q, 8A, B3] [06/86-12/96]

114 226 0003 | MFL0068

Coolant flange



Notes

from connecting pipe to
engine cooler
with seal

References

6Q0 122 291 E

Application info

A3 [8P1, 8PA] [05/03-08/12]

TT [8J3, 8J9] [08/06-06/10]



Cooling water pipe

100 226 0008 | MMX0452

Notes

Length [mm] 325

References

032 121 065 B 032 121 065 F
032 121 065 D



Application info

A2 [8Z0] [02/00-08/05]

Cooling water pipe

114 239 0001 | MMX0556

Notes

Upper

References

1J0 122 291 B



Application info

A3 [8L1] [09/96-05/03]

Expansion tank

100 121 1064 | MET0030

References

1J0 121 403 B



Application info

A3 [8L1] [09/96-05/03]

TT [8N3, 8N9] [10/98-06/06]

100 121 0041 | MET0027

Expansion tank



References

4A0 121 403

Application info

100 [4A, C4] [12/90-07/94]

A6 [4A, C4] [06/94-12/97]

100 223 0002 | MET0033

Expansion tank



References

4D0 121 403 C

Application info

A8 [4D2, 4D8] [03/94-09/02]

100 223 0006 | MET0036

Expansion tank



References

4F0 121 403 C

4F0 121 403 N

4F0 121 403 G

Application info

A6 [4F2, 4FH, 4F5] [05/04-08/11]



Expansion tank

100 121 0032 | MET0023

References

443 121 403 8A0 121 403 A
893 121 403 431 121 407 C



Application info

100/200 [44, 44Q, C3] [08/82-12/91]

80/90 [89, 89Q, 8A, B3] [06/86-12/96]

Expansion tank

100 121 0064 | MET0029

References

800 121 403 D



Application info

A4 [802, 805, B5] [11/94-09/01]

Expansion tank

100 121 0061 | MET0028

Notes

without filler cap

References

800 121 403 L



Application info

A4 [802, 805, B5] [11/94-09/01]

A6 [4B, C5] [01/97-01/05]

6

100 223 0003 | MET0034

Expansion tank



References

8E0 121 403

Application info

A4 [8E2, 8E5, B6] [10/00-12/04]
A4 [8EC, 8ED] [11/04-06/08]

A4 [8H7] [04/02-03/09]
A6 [4B, C5] [01/97-01/05]

100 223 0000 | MET0031

Expansion tank



References

8E0 121 403 A

Application info

A4 [8E2, 8E5, B6] [10/00-12/04]
A4 [8EC, 8ED] [11/04-06/08]

A4 [8H7] [04/02-03/09]

100 223 0001 | MET0032

Expansion tank



References

8E0 121 403 C

Application info

A4 [8E2, 8E5, B6] [10/00-12/04]

A4 [8H7] [04/02-03/09]

Expansion tank

100 223 0009 | MET0082

Notes

without filler cap

References

1K0 121 407

1K0 121 407 A



Application info

A3 (8P1, 8PA) (05/03-08/12)
Q3 (8U) (06/11--)

TT (8J3, 8J9) (08/06-06/10)

Expansion tank

100 223 0008 | MET0081

References

7L0 121 407 E

7L0 121 407 F



Application info

Q7 (4L) (03/06-05/12)

Expansion tank cap

100 121 0049 | MMX0406

Notes

Pressure [bar]

Blue
1.5

References

1J0 121 321 A

1J0 121 321 B



6

+

100 121 0049 | MMX0406

Expansion tank cap

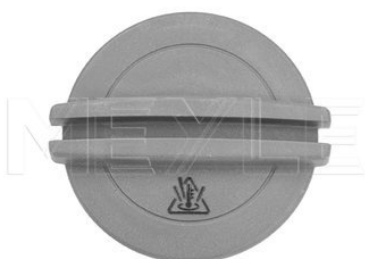
Application info

80 [8C, 8G7, B4] [05/91-08/00]
80/90 [89, 89Q, 8A, B3] [06/86-12/96]
A2 [8Z0] [02/00-08/05]
A3 [8L1] [09/96-05/03]
A4 [8D2, 8D5, B5] [11/94-09/01]
A4 [8E2, 8E5, 86] [10/00-12/04]

A4 [8H7] [04/02-03/09]
A6 [4A, C4] [06/94-12/97]
A6 [4B, C5] [01/97-01/05]
Allroad [4BH] [05/00-08/05]
TT [8N3, 8N9] [10/98-06/06]

100 238 0002 | MMX0454

Expansion tank cap



Notes

Pressure [bar]

Blue
1.4

References

380 121 321

Application info

A3 [8P1, 8PA] [05/03-08/12]
A4 [8EC, 8ED] [11/04-06/08]
A4 [8K2, 8K5, 8KH] [11/07--]
A5 [8F, 8T] [06/07--]

Allroad [4BH] [05/00-08/05]
Q5 [8R] [11/08--]
TT [8J3, 8J9] [08/06-06/10]

100 121 0042 | MMX0403

Expansion tank cap



Notes

Pressure [bar]

Blue
1.3

References

443 121 321

Application info

100 [4A, C4] [12/90-07/94]
100/200 [44, 44Q, C3] [08/82-12/91]
80 [8C, 8G7, B4] [05/91-08/00]
80/90 [81, 85, B2] [08/78-10/88]
80/90 [85] [07/80-07/91]

80/90 [89, 89Q, 8A, B3] [06/86-12/96]
A6 [4A, C4] [06/94-12/97]
A8 [4D2, 4D8] [03/94-09/02]
V8 [D1] [10/88-02/94]

Expansion tank cap

100 238 0003 | MMX0455

Notes

Pressure [bar] Blue
1.6

References

8E0 121 321



Application info

A4 [8D2, 8D5, B5] [11/94-09/01]
A4 [8E2, 8E5, B6] [10/00-12/04]
A4 [8EC, 8ED] [11/04-06/08]
A4 [8H7] [04/02-03/09]

A6 [4B, C5] [01/97-01/05]
A6 [4F2, 4FH, 4F5] [05/04-08/11]
A8 [4E] [10/02-07/10]

Fan blade

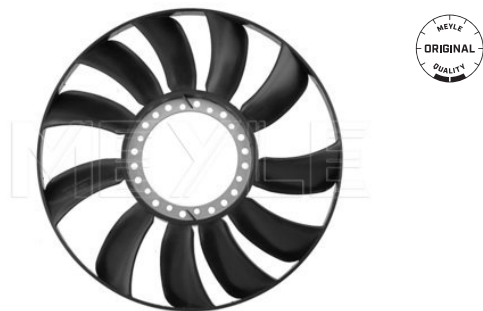
100 121 0071 | MMX0409

Notes

Number of Wings 11
Diameter [mm] 353

References

058 121 301 B



Application info

A4 [8D2, 8D5, B5] [11/94-09/01]
A4 [8E2, 8E5, B6] [10/00-12/04]

A4 [8EC, 8ED] [11/04-06/08]
A6 [4B, C5] [01/97-01/05]

Fan blade

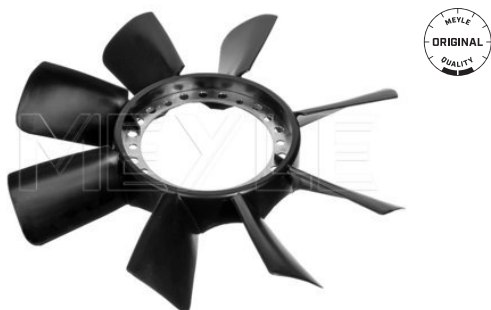
100 121 0089 | MMX0414

Notes

Number of Wings 8
Diameter [mm] 350

References

078 121 301 E



Application info

A4 [8D2, 8D5, B5] [11/94-09/01]
A4 [8E2, 8E5, B6] [10/00-12/04]

A6 [4B, C5] [01/97-01/05]
A8 [4D2, 4D8] [03/94-09/02]

100 121 0036 | MFC0033

Fan clutch



References

058 121 350

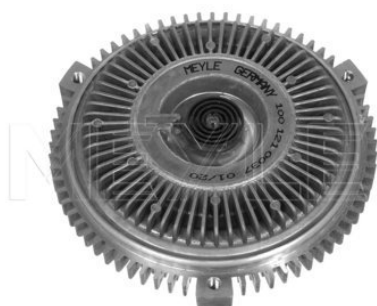
Application info

A4 [802, 805, B5] [11/94-09/01]
A4 [8E2, 8E5, B6] [10/00-12/04]

A6 [4B, C5] [01/97-01/05]

100 121 0037 | MFC0034

Fan clutch



References

059 121 350
059 121 350 A
059 121 350 F

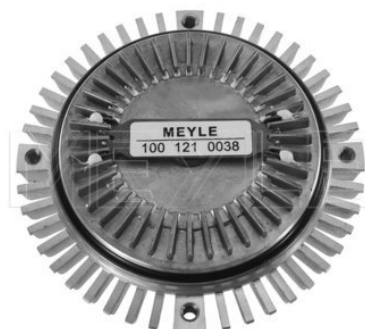
059 121 350 G
059 121 350 H

Application info

A4 [802, 805, B5] [11/94-09/01]

100 121 0038 | MFC0035

Fan clutch



References

078 121 350 A

Application info

A4 [802, 805, B5] [11/94-09/01]
A4 [8E2, 8E5, B6] [10/00-12/04]

A6 [4B, C5] [01/97-01/05]
A8 [402, 408] [03/94-09/02]



Plug, coolant flange

100 121 0080 | MMX0412

Notes

with accessories

References

357 121 140 357 121 999 X
357 121 140 S



Application info

100 [4A, C4] [12/90-07/94]	A4 [802, 805, B5] [11/94-09/01]
80 [8C, 8G7, B4] [05/91-08/00]	A4 [8E2, 8E5, B6] [10/00-12/04]
80/90 [89, 89Q, 8A, B3] [06/86-12/96]	A6 [4B, C5] [01/97-01/05]
A2 [8Z0] [02/00-08/05]	A8 [402, 408] [03/94-09/02]
A3 [8L1] [09/96-05/03]	

Radiator fan motor

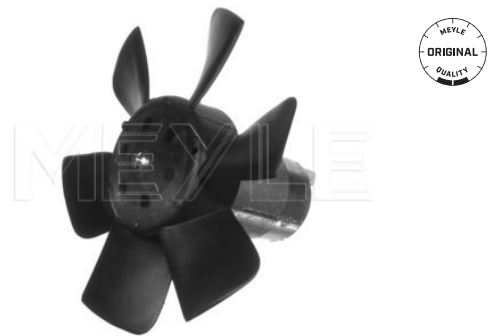
100 236 0011 | MRM0015

Notes

Rated Power [W] 250/150
Diameter [mm] 280

References

165 959 455 AB 191 959 455 T
165 959 455 AM



Application info

80/90 [81, 85, B2] [08/78-10/88]

Radiator fan motor

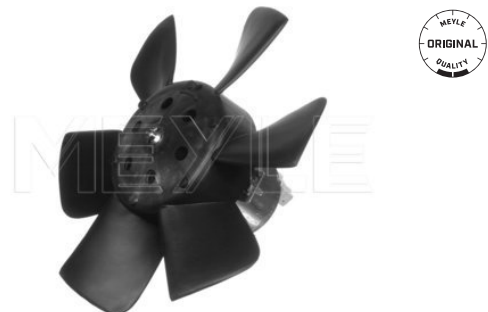
100 236 0013 | MRM0017

Notes

Rated Power [W] 100/60
Diameter [mm] 280

References

165 959 455 J 191 959 455 AA
165 959 455 K 191 959 455 J
165 959 455 L 191 959 455 L



6



100 236 0013 | MRM0017

Radiator fan motor

Application info

100/200 [44, 44Q, C3] [08/82-12/91]
80/90 [81, 85, B2] [08/78-10/88]

80/90 [89, 89Q, 8A, B3] [06/86-12/96]

100 236 0007 | MRM0012

Radiator fan motor



Notes

Rated Power [W] 220/60
Diameter [mm] 290

References

1C0 959 455 C 6Q0 959 455 C
1J0 959 455 M

Application info

A3 [8L1] [09/96-05/03]

TT [8N3, 8N9] [10/98-06/06]

100 236 0035 | MRM0028

Radiator fan motor



Notes

Rated Power [W] 220/60
Diameter [mm] 290

References

1J0 959 455 R

Application info

A3 [8L1] [09/96-05/03]

TT [8N3, 8N9] [10/98-06/06]

100 236 0024 | MRM0025

Radiator fan motor



Notes

Rated Power [W] 300/60
Diameter [mm] 345

References

1J0 959 455 S

Radiator fan motor

100 236 0024 | MRM0025

Application info

A3 (8L1) (09/96-05/03)

TT (8N3, 8N9) (10/98-06/06)

Radiator fan motor

100 236 0003 | MRM0009

Notes

Rated Power [W] 150
Diameter [mm] 295
Right

References

1K0 959 455 DG 1K0 959 455 R
1K0 959 455 ES



Application info

A3 (8P1, 8PA) (05/03-08/12)

Radiator fan motor

100 236 0051 | MRM0134

Notes

Rated Power [W] 220
Diameter [mm] 360
Left

References

1K0 959 455 EA 1K0 959 455 P



Application info

A3 (8P1, 8PA) (05/03-08/12)

Radiator fan motor

100 236 0050 | MRM0038

Notes

Rated Power [W] 200
Diameter [mm] 295
Right

References

1K0 959 455 DH 1K0 959 455 Q
1K0 959 455 ET



100 236 0050 | MRM0038

Radiator fan motor

Application info

A3 [8P1, 8PA] [05/03-08/12]

TT [8J3, 8J9] [08/06-06/10]

120 009 0001 | MRM0056

Radiator fan motor



Notes

Rated Power [W]	180
Diameter [mm]	280

References

4A0 959 455 C

Application info

100 [4A, C4] [12/90-07/94]
80 [8C, 8G7, B4] [05/91-08/00]

80/90 [89, 89Q, 8A, B3] [06/86-12/96]
A6 [4A, C4] [06/94-12/97]

100 236 0039 | MRM0032

Radiator fan motor



Notes

Rated Power [W]	400
Diameter [mm]	383
	Left

References

4F0 959 455

Application info

A6 [4F2, 4FH, 4F5] [05/04-08/11]

100 236 0006 | MRM0011

Radiator fan motor



Notes

Rated Power [W]	100/60
Diameter [mm]	345

References

1J0 959 455 B	6E0 959 455 A
---------------	---------------

Radiator fan motor

100 236 0006 | MRM0011

Application info

A3 (8L1) (09/96-05/03)

Radiator fan motor

100 236 0009 | MRM0014

Notes

Rated Power [W] 250/60
Diameter [mm] 345
Number of Poles 3

References

6Q0 959 455 K 6X0 959 455 F
6X0 959 455 A



Application info

A3 (8L1) (09/96-05/03)

TT (8N3, 8N9) (10/98-06/06)

Radiator fan motor

100 236 0030 | MRM0027

Notes

Rated Power [W] 80
Diameter [mm] 280

References

800 959 455 B



Application info

A4 (802, 805, 85) (11/94-09/01)

A6 (4B, C5) (01/97-01/05)

Radiator fan motor

100 959 0013 | MRM0041

Notes

Rated Power [W] 300
Diameter [mm] 280
Voltage [V] 12

References

800 959 455 C



6

100 959 0013 | MRM0041

Radiator fan motor

Application info

B0 [8C, 8G7, B4] [05/91-08/00]
A4 [8D2, 8D5, B5] [11/94-09/01]
A6 [4A, C4] [06/94-12/97]

A6 [4B, C5] [01/97-01/05]
A8 [4D2, 4D8] [03/94-09/02]

100 236 0022 | MRM0024

Radiator fan motor



Notes

Rated Power [W] **300**
Diameter [mm] **280**

References

800 959 455 P **800 959 455 R**

Application info

A6 [4A, C4] [06/94-12/97]
A6 [4B, C5] [01/97-01/05]

A8 [4D2, 4D8] [03/94-09/02]
Allroad [4BH] [05/00-08/05]

100 236 0036 | MRM0029

Radiator fan motor



Notes

Rated Power [W] **400**
Diameter [mm] **400**

References

8E0 959 455 A **8E0 959 455 L**

Application info

A4 [8E2, 8E5, B6] [10/00-12/04]
A4 [8EC, 8ED] [11/04-06/08]

A6 [4B, C5] [01/97-01/05]
A6 [4F2, 4FH, 4F5] [05/04-08/11]



Radiator fan motor

100 236 0037 | MRM0030

Notes

Rated Power [W] 200
Diameter [mm] 300

References

8E0 959 455 B 8E0 959 455 N



Application info

A4 [8E2, 8E5, B6] [10/00-12/04]
A4 [8EC, 8ED] [11/04-06/08]
A4 [8H7] [04/02-03/09]

A6 [4B, C5] [01/97-01/05]
A6 [4F2, 4FH, 4F5] [05/04-08/11]

Radiator hose

119 121 0042 | MRH0140

Notes

from engine to water pump

References

026 121 053 G



Application info

100/200 [44, 44Q, C3] [08/82-12/91]
80/90 [81, 85, B2] [08/78-10/88]

80/90 [89, 89Q, 8A, B3] [06/86-12/96]

Radiator hose

119 121 0179 | MRH0203

Notes

Lower

References

028 121 053 K



Application info

80 [8C, 8G7, B4] [05/91-08/00]
A4 [8D2, 8D5, B5] [11/94-09/01]

A6 [4A, C4] [06/94-12/97]

100 121 1069 | MRH0123

Radiator hose



Notes

from engine cooler to water pump

References

048 121 053 C

Application info

100 [4A, C4] [12/90-07/94]
80 [8C, 8G7, B4] [05/91-08/00]

80/90 [89, 89Q, 8A, B3] [06/86-12/96]
A6 [4A, C4] [06/94-12/97]

119 121 0064 | MRH0150

Radiator hose



Notes

Length [mm]

from engine to water pump
300

References

068 121 053 AE
068 121 053 E

068 121 053 M

Application info

80/90 [81, 85, B2] [08/78-10/88]

80/90 [89, 89Q, 8A, B3] [06/86-12/96]

119 121 0026 | MRH0135

Radiator hose



Notes

Lower

References

4A0 121 055

Application info

100 [4A, C4] [12/90-07/94]

A6 [4A, C4] [06/94-12/97]



Radiator hose

119 121 0121 | MRH0170

Notes

for backflow
Lower

References

800 121 055 G



Application info

A4 [802, 805, B5] [11/94-09/01]

Radiator hose

119 121 0139 | MRH0180

Notes

from engine to water pipe

References

026 121 056 K



Application info

100/200 [44, 44Q, C3] [08/82-12/91]
80 [8C, 8G7, B4] [05/91-08/00]

80/90 [81, 85, B2] [08/78-10/88]
80/90 [89, 89Q, 8A, B3] [06/86-12/96]

Radiator hose

119 121 0167 | MRH0196

Notes

from water pipe to oil cooler
for backflow

References

058 121 058 B



Application info

80 [8C, 8G7, B4] [05/91-08/00]
A4 [802, 805, B5] [11/94-09/01]

A6 [4A, C4] [06/94-12/97]
A6 [4B, C5] [01/97-01/05]

119 121 0168 | MRH0197

Radiator hose



Notes

from oil cooler to water pipe
for foreflow

References

058 121 058 C

Application info

A4 (802, 805, B5) [11/94-09/01]

A6 (4B, C5) [01/97-01/05]

119 121 0169 | MRH0198

Radiator hose



Notes

from oil cooler to water pipe
for foreflow

References

058 121 058 R

Application info

A4 (802, 805, B5) [11/94-09/01]

A6 (4B, C5) [01/97-01/05]

119 121 0164 | MRH0194

Radiator hose



Notes

from oil cooler to water pipe
for backflow

References

068 121 058

Application info

A4 (802, 805, B5) [11/94-09/01]

A6 (4B, C5) [01/97-01/05]

Radiator hose

119 121 0165 | MRH0195

Notes

from oil cooler to water pipe
for foreflow

References

06B 121 058 S



Application info

A4 [8D2, 8D5, B5] [11/94-09/01]
A4 [8E2, 8E5, B6] [10/00-12/04]
A4 [8EC, 8ED] [11/04-06/08]

A4 [8H7] [04/02-03/09]
A6 [4B, C5] [01/97-01/05]

Radiator hose

119 121 0132 | MRH0176

Notes

from oil cooler to water pipe
Automatic Transmission

References

1J0 121 058 AC

1J0 121 058 E



Application info

A3 [8L1] [09/96-05/03]

Radiator hose

119 121 0032 | MRH0137

Notes

from waterpump to connect-
ing pipe

References

026 121 063 N



Application info

80 [8C, 8G7, B4] [05/91-08/00]

80/90 [89, 89Q, 8A, B3] [06/86-12/96]

119 121 0133 | MRH0177

Radiator hose



Notes

from oil cooler to water pipe
Centre

References

1J0 121 086 B

Application info

A3 (8L1) (09/96-05/03)

119 222 0004 | MRH0206

Radiator hose



Notes

from oil cooler to water pipe

References

1J0 121 086 BG

Application info

A3 (8L1) (09/96-05/03)

119 121 0130 | MRH0174

Radiator hose



Notes

from oil cooler to water pipe

References

1J0 121 086 R

Application info

A3 (8L1) (09/96-05/03)



Radiator hose

119 121 0131 | MRH0175

Notes

from connecting pipe to engine cooler

References

1J0 121 096 AF



Application info

A3 [8L1] [09/96-05/03]

Radiator hose

119 222 0005 | MRH0207

Notes

from coupling piece to water pipe

References

1J0 121 096 BK



Application info

A3 [8L1] [09/96-05/03]

Radiator hose

119 121 0013 | MRH0131

Notes

from engine to engine cooler
Upper

References

447 121 101 H



Application info

100/200 [44, 44Q, C3] [08/82-12/91]

119 121 0012 | MRH0130

Radiator hose



Notes

from radiator to intermediate piece
Upper

References

4A0 121 101 C

Application info

100 [4A, C4] [12/90-07/94]

A6 [4A, C4] [06/94-12/97]

119 121 0075 | MRH0157

Radiator hose



Notes

from radiator to intermediate piece
Upper

References

811 121 101 F
811 121 101 J

855 121 101
855 121 101 C

Application info

100/200 [44, 44Q, C3] [08/82-12/91]
80/90 [89, 89Q, 8A, B3] [06/86-12/96]

A6 [4A, C4] [06/94-12/97]

119 121 0035 | MRH0138

Radiator hose



Notes

from engine to engine cooler

References

893 121 101 B

Application info

80/90 [89, 89Q, 8A, B3] [06/86-12/96]



Radiator hose

119 121 0124 | MRH0172

Notes

from engine to engine cooler
Upper

References

8A0 121 101 C



Application info

80 [8C, 8G7, 84] [05/91-08/00]

80/90 [89, 89Q, 8A, 83] [06/86-12/96]

Radiator hose

119 121 0122 | MRH0171

Notes

from expansion tank to water
pipe

References

1J0 121 109 B



Application info

A3 [8L1] [09/96-05/03]

Radiator hose

119 222 0006 | MRH0208

Notes

from throttle body to distrib-
utor

References

1J0 121 447 L



Application info

A3 [8L1] [09/96-05/03]

119 121 0178 | MRH0202

Radiator hose



Notes

from engine to water pipe
for backflow

References

058 121 471 B

Application info

A4 [802, 805, B5] [11/94-09/01]
A4 [8E2, 8E5, B6] [10/00-12/04]

A4 [8EC, 8ED] [11/04-06/08]
A4 [8H7] [04/02-03/09]

119 222 0007 | MRH0209

Radiator hose



Notes

Manual Transmission
Lower

References

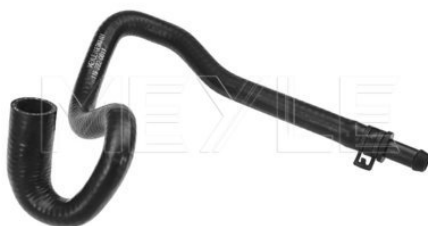
1J0 122 051 H

Application info

A3 [8L1] [09/96-05/03]

119 222 0011 | MRH0210

Radiator hose



Notes

from water pipe to additional
water pump

References

1J0 122 063 A

Application info

A3 [8L1] [09/96-05/03]

TT [8N3, 8N9] [10/98-06/06]



Radiator hose

119 222 0016 | MRH0320

Notes

from connecting pipe to engine cooler for vehicles with air conditioning
Upper

References

1J0 122 101 D

Parts list

100 919 0019 | MEX0288

Temperature switch, coolant warning lamp



Application info

A3 (8L1) (09/96-05/03)

Radiator mount

100 121 0004 | MMX0398

Notes

Outer diameter [mm] 40
Height [mm] 15
Thread Size M8x1,5

References

431 121 273



Application info

100/200 (44, 44Q, C3) (08/82-12/91)
80 (8C, 8G7, B4) (05/91-08/00)
80/90 (81, 85, B2) (08/78-10/88)

80/90 (85) (07/80-07/91)
80/90 (89, 89Q, 8A, B3) (06/86-12/96)

Radiator mount

100 121 0003 | MMX0397

Notes

Outer diameter [mm] 27
Height [mm] 11.5
Front

References

443 121 273 E



6



100 121 0003 | MMX0397

Radiator mount

Application info

100/200 [44, 44Q, C3] [08/82-12/91]
80 [8C, 8G7, B4] [05/91-08/00]
80/90 [81, 85, B2] [08/78-10/88]

80/90 [85] [07/80-07/91]
80/90 [89, 89Q, 8A, B3] [06/86-12/96]

128 228 0001 | MTH0050

Thermostat



Notes

Opening Temperature [°C]

with seal
Synthetic Material Housing
105
for vehicles with manual
transmission

References

06A 121 111

Application info

A3 [8L1] [09/96-05/03]

128 228 0006 | MTH0104

Thermostat



Notes

Opening Temperature [°C]

with seal
Synthetic Material Housing
88

References

06E 121 111 G

Application info

A4 [8EC, 8ED] [11/04-06/08]
A4 [8H7] [04/02-03/09]

A6 [4F2, 4FH, 4F5] [05/04-08/11]
A8 [4E] [10/02-07/10]

Thermostat

128 228 0004 | MTH0098

Notes

Opening Temperature [°C] with seal 87

References

036 121 113



Application info

A3 [8P1, 8PA] [05/03-08/12]
A4 [8EC, 8ED] [11/04-06/08]

A6 [4F2, 4FH, 4F5] [05/04-08/11]

Thermostat

028 271 0002 | MTH0006

Notes

Opening Temperature [°C] with seal 71

References

044 121 113 068 121 113
056 121 113 0



Application info

100 [4A, C4] [12/90-07/94]
100/200 [44, 44Q, C3] [08/82-12/91]
80 [8C, 8G7, B4] [05/91-08/00]

80/90 [81, 85, B2] [08/78-10/88]
80/90 [89, 89Q, 8A, B3] [06/86-12/96]
A6 [4A, C4] [06/94-12/97]

Thermostat

028 275 0005 | MTH0013

Notes

Opening Temperature [°C] with seal 75

References

044 121 113 068 121 113
056 121 113 0



Application info

100 [4A, C4] [12/90-07/94]
100/200 [44, 44Q, C3] [08/82-12/91]
80 [8C, 8G7, B4] [05/91-08/00]

80/90 [81, 85, B2] [08/78-10/88]
80/90 [89, 89Q, 8A, B3] [06/86-12/96]
A6 [4A, C4] [06/94-12/97]

028 280 0010 | MTH0022

Thermostat



Notes

Opening Temperature [°C] with seal 80

References

044 121 113 068 121 113
056 121 113 D

Application info

100 [4A, C4] [12/90-07/94]

100/200 [44, 44Q, C3] [08/82-12/91]

80 [8C, 8G7, B4] [05/91-08/00]

80/90 [81, 85, B2] [08/78-10/88]

80/90 [89, 89Q, 8A, B3] [06/86-12/96]

A6 [4A, C4] [06/94-12/97]

028 287 0010 | MTH0034

Thermostat



Notes

Opening Temperature [°C] with seal 87

References

044 121 113 068 121 113
056 121 113 D

Application info

100 [4A, C4] [12/90-07/94]

100/200 [44, 44Q, C3] [08/82-12/91]

80 [8C, 8G7, B4] [05/91-08/00]

80/90 [81, 85, B2] [08/78-10/88]

80/90 [89, 89Q, 8A, B3] [06/86-12/96]

A6 [4A, C4] [06/94-12/97]

028 292 0001 | MTH0040

Thermostat



Notes

Opening Temperature [°C] with seal 92

References

044 121 113 068 121 113
056 121 113 D





Thermostat

028 292 0001 | MTH0040

Application info

100 [4A, C4] [12/90-07/94]
100/200 [44, 44Q, C3] [08/82-12/91]
80 [8C, 8G7, B4] [05/91-08/00]

80/90 [81, 85, B2] [08/78-10/88]
80/90 [89, 89Q, 8A, B3] [06/86-12/96]
A6 [4A, C4] [06/94-12/97]

Thermostat

028 287 0009 | MTH0033

Notes

Opening Temperature [°C] with seal
87

References

050 121 113 C



Application info

80 [8C, 8G7, B4] [05/91-08/00]
A3 [8L1] [09/96-05/03]
A4 [802, 805, B5] [11/94-09/01]

A6 [4A, C4] [06/94-12/97]
A6 [4B, C5] [01/97-01/05]
TT [8N3, 8N9] [10/98-06/06]

Thermostat

100 121 0048 | MTH0046

Notes

Temperature range from [°C] 87
Temperature range to [°C] 102
with seal

References

068 121 113 068 121 113 D
068 121 113 B 068 121 113 H



Application info

80 [8C, 8G7, B4] [05/91-08/00]
80/90 [89, 89Q, 8A, B3] [06/86-12/96]
A2 [8Z0] [02/00-08/05]
A3 [8L1] [09/96-05/03]

A4 [802, 805, B5] [11/94-09/01]
A4 [8E2, 8E5, B6] [10/00-12/04]
A6 [4A, C4] [06/94-12/97]
A6 [4B, C5] [01/97-01/05]

028 280 0001 | MTH0016

Thermostat



Notes

Opening Temperature [°C] with seal
80

References

035 121 113	069 121 113
035 121 113 A	069 121 113 A
035 121 113 B	075 121 113 A

Application info

100 [4A, C4] [12/90-07/94]
100/200 [44, 44Q, C3] [08/82-12/91]
80 [8C, 8G7, B4] [05/91-08/00]
80/90 [81, 85, B2] [08/78-10/88]

80/90 [85] [07/80-07/91]
80/90 [89, 89Q, 8A, B3] [06/86-12/96]
A6 [4A, C4] [06/94-12/97]

028 287 0006 | MTH0030

Thermostat



Notes

Opening Temperature [°C] with seal
87

References

035 121 113	069 121 113
035 121 113 A	069 121 113 A
035 121 113 B	075 121 113 A

Application info

100 [4A, C4] [12/90-07/94]
100/200 [44, 44Q, C3] [08/82-12/91]
80 [8C, 8G7, B4] [05/91-08/00]
80/90 [81, 85, B2] [08/78-10/88]

80/90 [85] [07/80-07/91]
80/90 [89, 89Q, 8A, B3] [06/86-12/96]
A6 [4A, C4] [06/94-12/97]

028 271 0006 | MTH0009

Thermostat



Notes

Opening Temperature [°C] with seal
71

References

078 121 113 F



Thermostat

028 271 0006 | MTH0009

Application info

100 [4A, C4] [12/90-07/94]
 80 [8C, 8G7, B4] [05/91-08/00]
 80/90 [81, 85, B2] [08/78-10/88]
 80/90 [89, 89Q, 8A, B3] [06/86-12/96]
 A4 [8D2, 8D5, B5] [11/94-09/01]
 A4 [8E2, 8E5, B6] [10/00-12/04]
 A4 [8EC, 8ED] [11/04-06/08]

A4 [8H7] [04/02-03/09]
 A6 [4A, C4] [06/94-12/97]
 A6 [4B, C5] [01/97-01/05]
 A8 [4D2, 4D8] [03/94-09/02]
 Allroad [4BH] [05/00-08/05]
 V8 [D1] [10/88-02/94]

Thermostat

028 280 0008 | MTH0021

Notes

Opening Temperature [°C]

with seal
80

References

078 121 113 F



Application info

100 [4A, C4] [12/90-07/94]
 80 [8C, 8G7, B4] [05/91-08/00]
 80/90 [89, 89Q, 8A, B3] [06/86-12/96]
 A4 [8D2, 8D5, B5] [11/94-09/01]
 A4 [8E2, 8E5, B6] [10/00-12/04]
 A6 [4A, C4] [06/94-12/97]

A6 [4B, C5] [01/97-01/05]
 A8 [4D2, 4D8] [03/94-09/02]
 A8 [4E] [10/02-07/10]
 Allroad [4BH] [05/00-08/05]
 V8 [D1] [10/88-02/94]

Thermostat

028 287 0007 | MTH0031

Notes

Opening Temperature [°C]

with seal
87

References

078 121 113 F



Application info

100 [4A, C4] [12/90-07/94]
 80 [8C, 8G7, B4] [05/91-08/00]
 80/90 [89, 89Q, 8A, B3] [06/86-12/96]
 A4 [8D2, 8D5, B5] [11/94-09/01]
 A4 [8E2, 8E5, B6] [10/00-12/04]
 A6 [4A, C4] [06/94-12/97]

A6 [4B, C5] [01/97-01/05]
 A8 [4D2, 4D8] [03/94-09/02]
 A8 [4E] [10/02-07/10]
 Allroad [4BH] [05/00-08/05]
 V8 [D1] [10/88-02/94]

028 292 0009 | MTH0044

Thermostat



Notes

Opening Temperature [°C]

with seal
92

References

078 121 113 G

Application info

A4 [802, 805, B5] [11/94-09/01]
A4 [8E2, 8E5, B6] [10/00-12/04]
A4 [8H7] [04/02-03/09]

A6 [4B, C5] [01/97-01/05]
A8 [402, 408] [03/94-09/02]

028 105 0000 | MTH0001

Thermostat



Notes

Opening Temperature [°C]

with seal
Synthetic Material Housing
105

References

06A 121 114

Application info

A3 [8L1] [09/96-05/03]

113 012 0031 | MWP0122

Water pump



Notes

Quality

with seal
Sealed with SiC/SiC

References

028 121 004
028 121 004 V

028 121 004 X

Application info

A4 [802, 805, B5] [11/94-09/01]

A6 [4B, C5] [01/97-01/05]

Water pump

113 012 0006 | MWP0105

Notes

Quality
Number of Teeth

for toothed belt drive
with seal
Sealed with SiC/SiC
29

References

034 121 004 034 121 004 X
034 121 004 A 034 121 005 D
034 121 004 V



Application info

100/200 [44, 44Q, C3] [08/82-12/91]
80/90 [85] [07/80-07/91]

80/90 [89, 89Q, 8A, B3] [06/86-12/96]

Water pump

113 012 0012 | MWP0110

Notes

Quality
Number of Teeth

for toothed belt drive
with seal
Sealed with SiC/SiC
26

References

035 121 004 035 121 004 AX
035 121 004 A 035 121 005 B
035 121 004 AV 035 121 005 E



Application info

100/200 [44, 44Q, C3] [08/82-12/91]
80/90 [81, 85, B2] [08/78-10/88]

80/90 [85] [07/80-07/91]
80/90 [89, 89Q, 8A, B3] [06/86-12/96]

Water pump

113 220 0025 | MWP0552

Notes

Quality

for v-ribbed belt use
with seal
without integrated regulator
Sealed with SiC/SiC
non-switchable water pump
without integrated disabling
contact

References

03F 121 004 A 03F 121 004 E
03F 121 004 B 03F 121 004 F
03F 121 004 D 03F 121 005



Application info

A1 [8X1, 8XA] [05/10--]

A3 [8P1, 8PA] [05/03-08/12]

113 012 0022 | MWP0117

Water pump



Notes

Quality
Number of Teeth

for toothed belt drive
with seal
Sealed with SIC/SIC
29

References

054 121 004
054 121 004 A

054 121 004 AX

Application info

100 [4A, C4] [12/90-07/94]
100/200 [44, 44Q, C3] [08/82-12/91]
80 [8C, 867, B4] [05/91-08/00]

80/90 [89, 89Q, 8A, B3] [06/86-12/96]
A6 [4A, C4] [06/94-12/97]

113 220 0013 | MWP0160

Water pump



Notes

for toothed belt drive
with seal

References

057 121 004 C

Application info

A8 [402, 408] [03/94-09/02]

113 012 0036 | MWP0125

Water pump



Notes

for toothed belt drive
with seal

References

059 121 004 B
059 121 004 C

059 121 004 CX

Application info

A4 [802, 805, B5] [11/94-09/01]
A6 [4B, C5] [01/97-01/05]

A8 [402, 408] [03/94-09/02]

Water pump
113 220 0014 | MWP0161
Notes

 for toothed belt drive
 with seal

References

 059 121 004 D
 059 121 004 DX

 059 121 004 E
 059 121 004 EX

Application info

 A4 [8D2, 8D5, B5] [11/94-09/01]
 A4 [8E2, 8E5, B6] [10/00-12/04]
 A4 [8EC, 8ED] [11/04-06/08]
 A4 [8H7] [04/02-03/09]

 A6 [4B, C5] [01/97-01/05]
 A8 [4D2, 4D8] [03/94-09/02]
 Allroad [4BH] [05/00-08/05]

Water pump
113 012 0053 | MWP0141
Notes

 for toothed belt drive
 with seal
 Sealed with SiC/SiC

Quality

References

 06C 121 004 G
 06C 121 004 H

 06C 121 004 HX
 06C 121 004 X

Application info

 A4 [8E2, 8E5, B6] [10/00-12/04]
 A4 [8EC, 8ED] [11/04-06/08]
 A4 [8H7] [04/02-03/09]

 A6 [4B, C5] [01/97-01/05]
 A6 [4F2, 4FH, 4F5] [05/04-08/11]
 A8 [4E] [10/02-07/10]

Water pump
113 012 0047 | MWP0135
Notes

 for toothed belt drive
 with seal
 Sealed with SiC/SiC

Quality

References

 077 121 004 M
 077 121 004 MX
 077 121 004 N

 077 121 004 NX
 077 121 004 P
 077 121 004 PX


113 012 0047 | MWP0135

Water pump

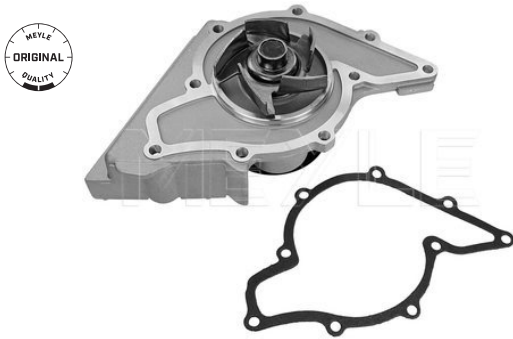
Application info

A6 [4B, C5] [01/97-01/05]
A8 [4D2, 4D8] [03/94-09/02]

A8 [4E] [10/02-07/10]

113 012 0016 | MWP0113

Water pump



Notes

for toothed belt drive
with seal

References

078 121 004
078 121 004 A
078 121 004 B

078 121 004 C
078 121 004 CX

Application info

100 [4A, C4] [12/90-07/94]
80 [8C, 8G7, B4] [05/91-08/00]
80/90 [89, 89Q, 8A, B3] [06/86-12/96]

A6 [4A, C4] [06/94-12/97]
A8 [4D2, 4D8] [03/94-09/02]

113 012 0011 | MWP0109

Water pump



Notes

with seal
without housing

References

026 121 005 F
026 121 005 K

026 121 005 L

Application info

80 [8C, 8G7, B4] [05/91-08/00]
A4 [8D2, 8D5, B5] [11/94-09/01]

A6 [4A, C4] [06/94-12/97]
A6 [4B, C5] [01/97-01/05]



Water pump

113 012 0001 | MWP0101

Notes

for shaft diameter [mm]

30
with seal
without housing

References

026 121 005	026 121 005 H
026 121 005 A	037 121 005 B
026 121 005 C	037 121 005 C
026 121 005 E	068 121 005 A
026 121 005 G	



Application info

100 [4A, C4] [12/90-07/94]
100/200 [44, 44Q, C3] [08/82-12/91]
80 [8C, 8G7, B4] [05/91-08/00]

80/90 [81, 85, B2] [08/78-10/88]
80/90 [89, 89Q, 8A, B3] [06/86-12/96]
A6 [4A, C4] [06/94-12/97]

Water pump

113 012 0025 | MWP0119

Notes

Quality
Number of Teeth

for toothed belt drive
with seal
Sealed with SiC/SiC
26

References

052 121 004	052 121 005 AX
052 121 005	052 121 005 L
052 121 005 A	052 121 019



Application info

80/90 [81, 85, B2] [08/78-10/88]

Water pump

113 012 0042/HD | MWP0131HD

Notes

Observe service information

Number of Wings

Quality
Number of Teeth

for toothed belt drive
7
with seal
Sealed with SiC/SiC
20

References

074 121 005 M	074 121 005 NU
074 121 005 MU	074 121 005 NV
074 121 005 MX	074 121 005 NX
074 121 005 N	



Application info

100 [4A, C4] [12/90-07/94]

A6 [4A, C4] [06/94-12/97]

113 012 8100 | MWP0148

Water pump



Notes

for toothed belt drive
with seal

References

078 121 004 H	078 121 004 JX
078 121 004 HV	078 121 004 Q
078 121 004 HX	078 121 004 QX
078 121 004 J	078 121 006
078 121 004 JV	078 121 006 X

Application info

80 [8C, 8G7, B4] [05/91-08/00]
80/90 [89, 89Q, 8A, B3] [06/86-12/96]
A4 [802, 805, B5] [11/94-09/01]
A4 [8E2, 8E5, B6] [10/00-12/04]

A4 [8H7] [04/02-03/09]
A6 [4A, C4] [06/94-12/97]
A6 [4B, C5] [01/97-01/05]
A8 [402, 408] [03/94-09/02]

113 012 0048 | MWP0136

Water pump



Notes

Quality

for toothed belt drive
with seal
Sealed with SiC/SiC

References

078 121 004 L	078 121 006 A
078 121 004 R	078 121 006 AX

Application info

A4 [802, 805, B5] [11/94-09/01]
A6 [4B, C5] [01/97-01/05]

Allroad [4BH] [05/00-08/05]

113 012 0049 | MWP0137

Water pump



Notes

Number of Teeth

for toothed belt drive
with seal
27

References

036 121 005 F	036 121 005 PX
036 121 005 FX	036 121 008 G
036 121 005 P	036 121 008 GX

Application info

A2 [8Z0] [02/00-08/05]

Water pump
113 012 0040 | MWP0129
Notes

 Quality
 Number of Teeth

 for toothed belt drive
 with seal
 Sealed with SiC/SiC
 27

References

036 121 005 B	036 121 008 K
036 121 005 E	036 121 008 KX
036 121 005 EX	036 121 008 L
036 121 005 Q	036 121 008 LX
036 121 005 QX	036 121 008 M
036 121 005 S	036 121 008 MX
036 121 005 SX	


Application info

A2 [BZ0] [02/00-08/05]

Water pump
113 012 0040/HD | MWP0129HD
Notes

 Quality
 Number of Teeth

 for toothed belt drive
 with seal
 Sealed with SiC/SiC
 27

References

036 121 005 B	036 121 005 SX
036 121 005 E	036 121 008 K
036 121 005 EX	036 121 008 KX
036 121 005 Q	036 121 008 L
036 121 005 QX	036 121 008 LX
036 121 005 R	036 121 008 M
036 121 005 S	036 121 008 MX


Application info

A2 [BZ0] [02/00-08/05]

Water pump
113 220 0004 | MWP0151
Notes

Quality

 with seal
 Sealed with SiC/SiC

References

03C 121 005 D	03C 121 005 LX
03C 121 005 DX	03C 121 005 S
03C 121 005 K	03C 121 005 SX
03C 121 005 KX	03C 121 008 C
03C 121 005 L	03C 121 008 CX



113 220 0004 | MWP0151

Water pump

Application info

A3 [8P1, 8PA] [05/03-08/12]

113 220 0016 | MWP0162

Water pump



Notes

Quality

with seal
Sealed with SiC/SiC

References

03C 121 005 N
03C 121 005 R
03C 121 008 B

03C 121 008 E
03C 121 008 H
03C 121 008 HX

Application info

A1 [8X1, 8XA] [05/10--]

A3 [8P1, 8PA] [05/03-08/12]

113 220 0009 | MWP0156

Water pump



Notes

with seal

References

07D 121 005 N
07D 121 005 R

07D 121 008 A

Application info

A8 [4E] [10/02-07/10]

113 012 0028 | MWP0121

Water pump



Notes

with seal
with housing

References

026 121 010 A
026 121 010 D
026 121 010 DX
055 121 010 X

068 121 010
056 121 011
056 121 013 A

Water pump

113 012 0028 | MWP0121

Application info

80/90 (81, 85, B2) (08/78-10/88)

Water pump

113 012 0008 | MWP0106

Notes

for shaft diameter [mm]

30
with seal
with housing

References

026 121 010	037 121 010 B
026 121 010 C	037 121 010 BX
026 121 010 F	037 121 010 C
037 121 010	037 121 010 CX
037 121 010 A	068 121 010 A

Parts list

113 012 0001 MWP0101	Water pump
------------------------	------------



Application info

100 (4A, C4) (12/90-07/94)
100/200 (44, 44Q, C3) (08/82-12/91)
80 (8C, 8G7, B4) (05/91-08/00)

80/90 (81, 85, B2) (08/78-10/88)
80/90 (89, 89Q, 8A, B3) (06/86-12/96)
A6 (4A, C4) (06/94-12/97)

Water pump

113 012 0009 | MWP0107

Notes

with seal
with housing

References

050 121 010	050 121 010 C
050 121 010 A	050 121 010 CX



Application info

80 (8C, 8G7, B4) (05/91-08/00)
A4 (802, 805, B5) (11/94-09/01)

A6 (4A, C4) (06/94-12/97)
A6 (4B, C5) (01/97-01/05)

113 012 0051 | MWP0139

Water pump



Notes

Quality

with seal
Sealed with SiC/SiC

References

022 121 011
022 121 011 L

022 121 011 V
022 121 011 X

Application info

A3 [8P1, 8PA] [05/03-08/12]
TT [8J3, 8J9] [08/06-06/10]

TT [8N3, 8N9] [10/98-06/06]

113 220 0012 | MWP0159

Water pump



Notes

with seal

References

022 121 011 A

Application info

Q7 [4L] [03/06-05/12]

113 012 0037 | MWP0126

Water pump



Notes

Quality
Number of Teeth

for toothed belt drive
with seal
Sealed with SiC/SiC
19

References

038 121 011
038 121 011 A

038 121 011 AX

Application info

A3 [8L1] [09/96-05/03]

Water pump
113 220 0018/HD | MWP0164HD
Notes

Observe service information

 Quality
 Number of Teeth

 for toothed belt drive
 with seal
 Sealed with SiC/SiC
 19

References

038 121 011 C	038 121 011 K
038 121 011 D	036 121 011
038 121 011 G	03L 121 011 B
038 121 011 H	03L 121 011 G
038 121 011 J	


Application info

 A3 (8L1) (09/96-05/03)
 A3 (8P1, 8PA) (05/03-08/12)
 A4 (8D2, 8D5, 85) (11/94-09/01)
 A4 (8E2, 8E5, 86) (10/00-12/04)
 A4 (8EC, 8ED) (11/04-06/08)
 A4 (8H7) (04/02-03/09)

 A4 (8K2, 8K5, 8KH) (11/07--)
 A5 (8F, 8T) (06/07--)
 A6 (4B, C5) (01/97-01/05)
 A6 (4F2, 4FH, 4F5) (05/04-08/11)
 Q5 (8R) (11/08--)
 TT (8J3, 8J9) (08/06-06/10)

Water pump
113 220 0021 | MWP0167
Notes

 Quality
 Number of Teeth

 for toothed belt drive
 with seal
 Sealed with SiC/SiC
 19

References

03L 121 011	03L 121 011 H
03L 121 011 C	03L 121 011 J
03L 121 011 E	03L 121 011 P


Application info

 A1 (8X1, 8XA) (05/10--)
 A3 (8P1, 8PA) (05/03-08/12)
 A4 (8K2, 8K5, 8KH) (11/07--)
 A5 (8F, 8T) (06/07--)

 A6 (4G2, 4G5, C7) (11/10-05/13)
 Q3 (8U) (06/11--)
 Q5 (8R) (11/08--)
 TT (8J3, 8J9) (08/06-06/10)

Water pump
113 220 0021/HD | MWP0167HD
Notes

 Quality
 Number of Teeth

 for toothed belt drive
 with seal
 Sealed with SiC/SiC
 19

References

03L 121 011	03L 121 011 H
03L 121 011 C	03L 121 011 J
03L 121 011 E	03L 121 011 P



113 220 0021/HD | MWP0167HD

Water pump

Application info

A1 (8X1, 8XA) [05/10--]
A3 (8P1, 8PA) [05/03-08/12]
A4 (8K2, 8K5, 8KH) [11/07--]
A5 (8F, 8T) [06/07--]

A6 (4G2, 4G5, C7) [11/10-05/13]
Q3 (8U) [06/11--]
Q5 (8R) [11/08--]
TT (8J3, 8J9) [08/06-06/10]

113 012 0050 | MWP0138

Water pump



Notes

Quality
Number of Teeth

for toothed belt drive
with seal
Sealed with SiC/SiC
19

References

045 121 011 B

045 121 011 BX

Application info

A2 (8Z0) [02/00-08/05]

113 012 0056 | MWP0144

Water pump



Notes

Quality
Number of Teeth

for toothed belt drive
with seal
Sealed with SiC/SiC
19

References

045 121 011 F
045 121 011 H

045 121 011 HX

Application info

A2 (8Z0) [02/00-08/05]

A3 (8P1, 8PA) [05/03-08/12]

Water pump

113 012 0056/HD | MWP0144HD

Notes

Quality
Number of Teeth

for toothed belt drive
with seal
Sealed with SiC/SiC
19

References

045 121 011 F 045 121 011 HX
045 121 011 H



Application info

A2 [8Z0] [02/00-08/05]

A3 [8P1, 8PA] [05/03-08/12]

Water pump

113 220 0029 | MWP0576

Notes

Quality

for toothed belt drive
with seal
without integrated regulator
Sealed with SiC/SiC
non-switchable water pump
without integrated disabling
contact

References

04L 121 011 04L 121 011 X
04L 121 011 E



Application info

A1 [8X1, 8XA] [05/10--]
A3 [8V1, 8VS, 8V7, 8PA] [04/12--]
A4 [8K2, 8K5, 8KH] [11/07--]
A4 [8W2, 8W5 B9] [05/15--]
A5 [8F, 8T] [06/07--]

A6 [4G2, 4G5, C7] [11/10-05/13]
Q2 [09/16--]
Q3 [8U] [06/11--]
TT [8S] [09/14--]

Water pump

113 012 0052 | MWP0140

Notes

Quality
Number of Teeth

for toothed belt drive
with seal
Sealed with SiC/SiC
23

References

06B 121 011 H 06B 121 011 M
06B 121 011 HX 06B 121 011 MX



113 012 0052 | MWP0140

Water pump

Application info

A3 [8P1, 8PA] [05/03-08/12]

A4 [8E2, 8E5, B6] [10/00-12/04]

113 012 0033/HD | MWP0123HD

Water pump



Notes

Quality
Number of Teeth

for toothed belt drive
with seal
Sealed with SiC/SiC
23

References

06B 121 011
06B 121 011 A
06B 121 011 B
06B 121 011 C
06B 121 011 E
06B 121 011 EX

06B 121 011 L
06B 121 011 LX
06B 121 011 N
06B 121 011 Q
06B 121 011 QX

Application info

A3 [8L1] [09/96-05/03]
A3 [8P1, 8PA] [05/03-08/12]
A4 [8D2, 8D5, B5] [11/94-09/01]
A4 [8E2, 8E5, B6] [10/00-12/04]

A4 [8EC, 8ED] [11/04-06/08]
A4 [8H7] [04/02-03/09]
A6 [4B, C5] [01/97-01/05]

113 220 0011/HD | MWP0158HD

Water pump



Notes

Quality
Number of Teeth

for toothed belt drive
with seal
Sealed with SiC/SiC
23

References

06A 121 011

06F 121 011

Application info

A1 [8X1, 8XA] [05/10--]
A3 [8P1, 8PA] [05/03-08/12]
A4 [8EC, 8ED] [11/04-06/08]

A4 [8H7] [04/02-03/09]
A6 [4F2, 4FH, 4F5] [05/04-08/11]
TT [8J3, 8J9] [08/06-06/10]

Water pump
113 012 0027 | MWP0120
Notes

 Quality
 Number of Teeth

 for toothed belt drive
 with seal
 Sealed with SiC/SiC
 23

References

06A 121 011 C	06A 121 011 TX
06A 121 011 E	06A 121 012
06A 121 011 F	06A 121 012 D
06A 121 011 G	06A 121 012 E
06A 121 011 H	06A 121 012 G
06A 121 011 L	06A 121 012 GX
06A 121 011 LX	06A 121 012 X
06A 121 011 T	


Application info

 A3 [8L1] [09/96-05/03]
 A4 [8D2, 8D5, B5] [11/94-09/01]
 A4 [8E2, 8E5, B6] [10/00-12/04]
 A4 [8EC, 8ED] [11/04-06/08]

 A4 [8H7] [04/02-03/09]
 A6 [4B, C5] [01/97-01/05]
 TT [8N3, 8N9] [10/98-06/06]

Water pump
113 012 0027/HD | MWP0120HD
Notes

 Quality
 Number of Teeth

 for toothed belt drive
 with seal
 Sealed with SiC/SiC
 23

References

06A 121 011 C	06A 121 011 TX
06A 121 011 E	06A 121 012
06A 121 011 F	06A 121 012 D
06A 121 011 G	06A 121 012 E
06A 121 011 H	06A 121 012 G
06A 121 011 L	06A 121 012 GX
06A 121 011 LX	06A 121 012 X
06A 121 011 T	


Application info

 A3 [8L1] [09/96-05/03]
 A4 [8D2, 8D5, B5] [11/94-09/01]
 A4 [8E2, 8E5, B6] [10/00-12/04]
 A4 [8EC, 8ED] [11/04-06/08]

 A4 [8H7] [04/02-03/09]
 A6 [4B, C5] [01/97-01/05]
 TT [8N3, 8N9] [10/98-06/06]

113 220 0026 | MWP0558

Water pump



Notes

Number of Teeth

for toothed belt drive
with seal
without housing
29

References

06L 121 005 A
06K 121 011

06L 121 012
06L 121 012 A

Application info

A1 [8X1, 8XA] [05/10--]
A3 [8V1, 8VS, 8V7, 8PA] [04/12--]
A4 [8K2, 8K5, 8KH] [11/07--]
A4 [8W2, 8W5 B9] [05/15--]
A5 [8F, 8T] [06/07--]
A6 [4G2, 4G5, C7] [11/10-05/13]

A7 Sportback [4GA] [10/10--]
Q3 [8U] [06/11--]
Q5 [8R] [11/08--]
Q7 [4M] [06/15--]
TT [8S] [09/14--]

113 220 0003 | MWP0150

Water pump



Notes

Quality

with seal
Sealed with SiC/SiC

References

057 121 011 E
079 121 011 F

079 121 011 H
079 121 012 B

Application info

A4 [8E2, 8E5, 8E6] [10/00-12/04]
A4 [8EC, 8ED] [11/04-06/08]
A4 [8H7] [04/02-03/09]
A6 [4F2, 4FH, 4F5] [05/04-08/11]

A8 [4E] [10/02-07/10]
Allroad [4BH] [05/00-08/05]
Q7 [4L] [03/06-05/12]

113 220 0006 | MWP0153

Water pump



Notes

Quality

with seal
Sealed with SiC/SiC

References

06E 121 005 D
06E 121 005 F
06E 121 005 N

06E 121 008 N
06E 121 018 A

Water pump

113 220 0006 | MWP0153

Application info

A4 [8EC, 8ED] [11/04-06/08]
A4 [8H7] [04/02-03/09]
A4 [8K2, 8K5, 8KH] [11/07--]
A5 [8F, 8T] [06/07--]

A6 [4F2, 4FH, 4F5] [05/04-08/11]
A8 [4E] [10/02-07/10]
Q5 [8R] [11/08--]
Q7 [4L] [03/06-05/12]

Water pump

113 220 0006/HD | MWP0153HD

Notes

Quality

with seal
Sealed with SiC/SiC

References

06E 121 005 D
06E 121 005 F
06E 121 005 N

06E 121 008 N
06E 121 018 A



Application info

A4 [8EC, 8ED] [11/04-06/08]
A4 [8H7] [04/02-03/09]
A4 [8K2, 8K5, 8KH] [11/07--]
A5 [8F, 8T] [06/07--]

A6 [4F2, 4FH, 4F5] [05/04-08/11]
A8 [4E] [10/02-07/10]
Q5 [8R] [11/08--]
Q7 [4L] [03/06-05/12]

Water pump

113 220 0017/HD | MWP0163HD

Notes

Quality

with seal
Sealed with SiC/SiC

References

06E 121 005 G
06E 121 005 P

06E 121 008 P
06E 121 018 B



Application info

A4 [8K2, 8K5, 8KH] [11/07--]
A5 [8F, 8T] [06/07--]
A6 [4F2, 4FH, 4F5] [05/04-08/11]

A8 [4E] [10/02-07/10]
Q5 [8R] [11/08--]

6

113 220 0023/HD | MWP0169HD

Water pump



Notes

Quality
Number of Teeth

for toothed belt drive
with seal
without housing
Sealed with SiC/SiC
29

References

06H 121 026 AB	06H 121 026 DC
06H 121 026 AF	06H 121 026 DD
06H 121 026 AG	06H 121 026 N
06H 121 026 B	06J 121 026 A
06H 121 026 BA	06J 121 026 AG
06H 121 026 BE	06J 121 026 B
06H 121 026 BF	06J 121 026 F
06H 121 026 CC	06J 121 026 G
06H 121 026 CF	06J 121 026 J
06H 121 026 CP	06J 121 026 L
06H 121 026 CQ	06J 121 026 M

Application info

A3 (8P1, 8PA) (05/03-08/12)
A4 (8K2, 8K5, 8KH) (11/07--)
A5 (8F, 8T) (06/07--)
A6 (4G2, 4G5, C7) (11/10-05/13)

A8 (4H_) (11/09--)
Q3 (8U) (06/11--)
Q5 (8R) (11/08--)
TT (8J3, 8J9) (08/06-06/10)

113 220 0027 | MWP0577

Water pump



Notes

for toothed belt drive
with seal
without housing

References

04C 121 004 E	04C 121 600 J
04C 121 004 F	04C 121 600 L
04C 121 004 J	

Application info

A3 (8V1, 8VS, 8V7, 8PA) (04/12--)

Water pump

113 220 0024 | MWP0549

Notes

Quality
Number of Teeth

for toothed belt drive
with seal
without housing
Sealed with SiC/SiC
28

References

04E 121 600 AD



Application info

A1 [8X1, 8XA] [05/10--]

A3 [8V1, 8VS, 8V7, 8PA] [04/12--]

Breather valve

100 899 0078 | MMX0488

References

077 103 245 B



Application info

A4 [8E2, 8E5, 8E6] [10/00-12/04]
A4 [8H7] [04/02-03/09]
A6 [4B, C5] [01/97-01/05]

A6 [4F2, 4FH, 4F5] [05/04-08/11]
A8 [4D2, 4D8] [03/94-09/02]

Crankshaft seal

100 103 1002 | MMX1499

Notes

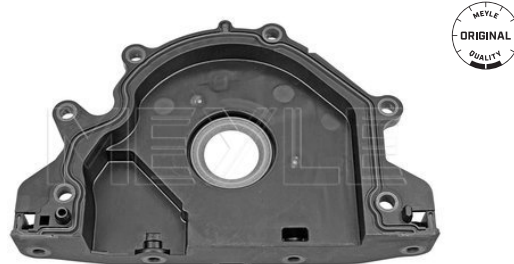
Inner diameter [mm]
Outer diameter [mm]

Right-hand Twist
Synthetic Material Housing
PTFE (polytetrafluoroethyl-
ene)
35
136
without mounting sleeve
Timing End

References

04L 103 151

04L 103 151 A



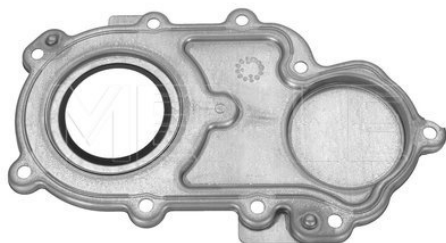
Application info

A3 [8V1, 8VS, 8V7, 8PA] [04/12--]
A4 [8K2, 8K5, 8KH] [11/07--]
A5 [8F, 8T] [06/07--]

A6 [4G2, 4G5, C7] [11/10-05/13]
Q5 [8R] [11/08--]

100 103 1001 | MMX1498

Crankshaft seal



Notes

Inner diameter [mm]

Right-hand Twist
Metal Housing
Sheet Steel
55
without mounting sleeve
Timing End

References

06E 103 153 E

Application info

A4 [8EC, 8ED] [11/04-06/08]
A4 [8H7] [04/02-03/09]
A4 [8K2, 8K5, 8KH] [11/07--]
A5 [8F, 8T] [06/07--]
A6 [4F2, 4FH, 4F5] [05/04-08/11]
A6 [4G2, 4G5, C7] [11/10-05/13]

A7 Sportback [4GA] [10/10--]
A8 [4E] [10/02-07/10]
A8 [4H_] [11/09--]
Q5 [8R] [11/08--]
Q7 [4L] [03/06-05/12]

100 103 1015 | MMX1512

Crankshaft seal



Notes

Inner diameter [mm]
Outer diameter [mm]

Left-hand Twist
Synthetic Material Housing
PTFE [polytetrafluoroethyl-
ene]
85
132
with mounting sleeve
Transmission End

References

04E 103 170 A

Application info

A1 [8X1, 8XA] [05/10--]
A3 [8V1, 8V5, 8V7, 8PA] [04/12--]

A4 [8W2, 8W5 B9] [05/15--]
Q3 [8U] [06/11--]

100 103 1011 | MMX1508

Crankshaft seal



Notes

Inner diameter [mm]
Outer diameter [mm]

Left-hand Twist
Aluminium Housing
Cast Aluminium
85
131
with mounting sleeve
Transmission End

References

026 103 171 B
026 103 171 D
028 103 171

028 103 171 B
028 103 171 K
068 103 171 F

Crankshaft seal

100 103 1011 | MMX1508

Application info

80 [8C, 8G7, B4] [05/91-08/00]
A4 [802, 805, B5] [11/94-09/01]

A6 [4B, C5] [01/97-01/05]

Crankshaft seal

100 103 1004 | MMX1501

Notes

Inner diameter [mm]
Outer diameter [mm]

Left-hand Twist
Synthetic Material Housing
PTFE (polytetrafluoroethyl-
ene)
85
131
with mounting sleeve
Transmission End

References

030 103 171 L



Application info

A2 [8Z0] [02/00-08/05]

Crankshaft seal

100 103 1009 | MMX1506

Notes

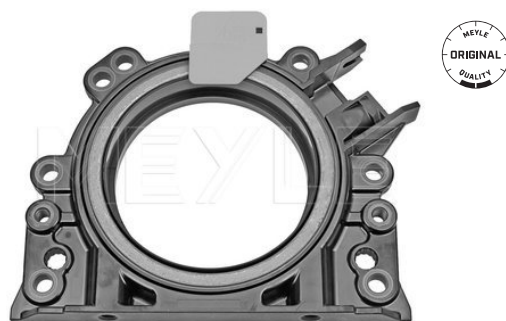
Inner diameter [mm]
Outer diameter [mm]

Left-hand Twist
Synthetic Material Housing
PTFE (polytetrafluoroethyl-
ene)
85
111
with mounting sleeve
Transmission End

References

030 103 171 S

030 103 171 T



Application info

A3 [8P1, 8PA] [05/03-08/12]

100 103 1003 | MMX1500

Crankshaft seal



Notes

Inner diameter [mm]
Outer diameter [mm]

References

036 103 171 B

Left-hand Twist
Synthetic Material Housing
PTFE (polytetrafluoroethyl-
ene)
85
131
with mounting sleeve
Transmission End

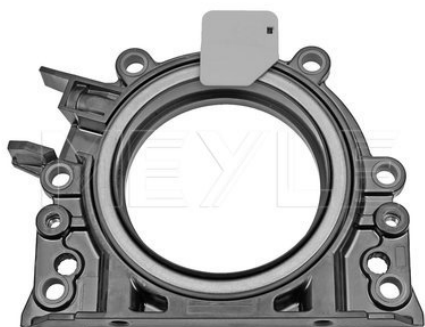
041 103 171 A

Application info

A3 [8P1, 8PA] [05/03-08/12]

100 103 1008 | MMX1505

Crankshaft seal



Notes

Inner diameter [mm]
Outer diameter [mm]

References

038 103 171 S

Left-hand Twist
Synthetic Material Housing
PTFE (polytetrafluoroethyl-
ene)
85
101
with mounting sleeve
Transmission End

Application info

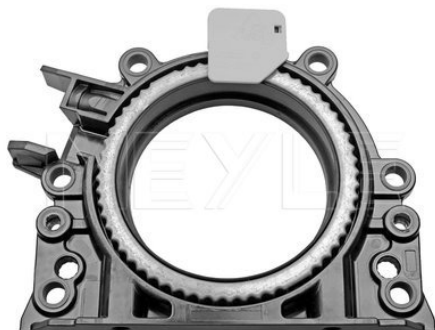
A3 [8P1, 8PA] [05/03-08/12]

A4 [8EC, 8ED] [11/04-06/08]

A6 [4F2, 4FH, 4F5] [05/04-08/11]

100 103 1000 | MMX1497

Crankshaft seal



Notes

Inner diameter [mm]
Outer diameter [mm]

References

03L 103 171

Left-hand Twist
Synthetic Material Housing
PTFE (polytetrafluoroethyl-
ene)
85
131
with mounting sleeve
Transmission End

03L 103 171 A

Crankshaft seal

100 103 1000 | MMX1497

Application info

A1 [8X1, 8XA] [05/10--]
A3 [8P1, 8PA] [05/03-08/12]
A4 [8K2, 8K5, 8KH] [11/07--]
A5 [8F, 8T] [06/07--]
A6 [4F2, 4FH, 4F5] [05/04-08/11]

A6 [4G2, 4G5, C7] [11/10-05/13]
Q3 [8U] [06/11--]
Q5 [8R] [11/08--]
TT [8J3, 8J9] [08/06-06/10]

Crankshaft seal

100 103 1007 | MMX1504

Notes

Inner diameter [mm]
Outer diameter [mm]

Left-hand Twist
Synthetic Material Housing
PTFE [polytetrafluoroethyl-
ene]
85
131
with mounting sleeve
Transmission End



References

04L 103 171

Application info

A1 [8X1, 8XA] [05/10--]
A3 [8V1, 8VS, 8V7, 8PA] [04/12--]
A5 [8F, 8T] [06/07--]

Q5 [8R] [11/08--]
TT [8S] [09/14--]

Crankshaft seal

100 103 1010 | MMX1507

Notes

Inner diameter [mm]
Outer diameter [mm]

Left-hand Twist
Synthetic Material Housing
PTFE [polytetrafluoroethyl-
ene]
85
131
with mounting sleeve
Transmission End



References

03B 103 171 B
06A 103 171 A

06A 103 171 B

Application info

A2 [8Z0] [02/00-08/05]
A3 [8L1] [09/96-05/03]
A3 [8P1, 8PA] [05/03-08/12]
A4 [8D2, 8D5, 85] [11/94-09/01]
A4 [8E2, 8E5, 86] [10/00-12/04]
A4 [8EC, 8ED] [11/04-06/08]

A4 [8H7] [04/02-03/09]
A6 [4B, C5] [01/97-01/05]
A6 [4F2, 4FH, 4F5] [05/04-08/11]
TT [8J3, 8J9] [08/06-06/10]
TT [8N3, 8N9] [10/98-06/06]

100 103 1012 | MMX1509

Crankshaft seal



Notes

Inner diameter [mm]
Outer diameter [mm]

Left-hand Twist
Aluminium Housing
Cast Aluminium
85
131
with mounting sleeve
Transmission End

References

06B 103 171 B

Application info

A3 [8L1] [09/96-05/03]
A3 [8P1, 8PA] [05/03-08/12]
A4 [8D2, 8D5, 85] [11/94-09/01]
A4 [8E2, 8E5, 86] [10/00-12/04]

A4 [8EC, 8ED] [11/04-06/08]
A4 [8H7] [04/02-03/09]
A6 [4B, C5] [01/97-01/05]

100 103 1005 | MMX1502

Crankshaft seal



Notes

Inner diameter [mm]
Outer diameter [mm]

Left-hand Twist
Metal Housing
Sheet Steel
85
164
without mounting sleeve
Transmission End

References

06H 103 171 A
06H 103 171 F

06K 103 171 A
06K 103 171 F

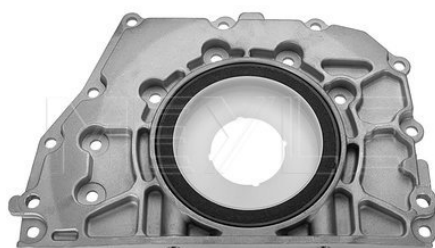
Application info

A3 [8P1, 8PA] [05/03-08/12]
A4 [8K2, 8K5, 8KH] [11/07--]
A5 [8F, 8T] [06/07--]
A6 [4G2, 4G5, C7] [11/10-05/13]

A8 [4H_] [11/09--]
Q3 [8U] [06/11--]
Q5 [8R] [11/08--]
TT [8J3, 8J9] [08/06-06/10]

100 103 1013 | MMX1510

Crankshaft seal



Notes

Inner diameter [mm]
Outer diameter [mm]

Left-hand Twist
Aluminium Housing
Cast Aluminium
85
235
with mounting sleeve
Transmission End

References

078 103 171 L

Crankshaft seal

100 103 1013 | MMX1510

Application info

80 [8C, 8G7, B4] [05/91-08/00]
A4 [802, 805, B5] [11/94-09/01]
A4 [8E2, 8E5, B6] [10/00-12/04]

A4 [8H7] [04/02-03/09]
A6 [4B, C5] [01/97-01/05]
A8 [402, 408] [03/94-09/02]

Breather hose

100 224 0006 | MMX0451

References

06A 103 213 F



Application info

A3 [8L1] [09/96-05/03]
A4 [802, 805, B5] [11/94-09/01]
A4 [8E2, 8E5, B6] [10/00-12/04]
A4 [8EC, 8ED] [11/04-06/08]

A4 [8H7] [04/02-03/09]
A6 [4B, C5] [01/97-01/05]
TT [8N3, 8N9] [10/98-06/06]

Breather hose

100 036 0032 | MMX0324

References

06B 103 221 A 06B 103 221 P
06B 103 221 B



Application info

A4 [802, 805, B5] [11/94-09/01]
A4 [8E2, 8E5, B6] [10/00-12/04]

A4 [8H7] [04/02-03/09]
A6 [4B, C5] [01/97-01/05]

6

100 224 0005 | MMX0450

Breather hose



References

078 103 223 B

Application info

A4 [802, 805, B5] [11/94-09/01]
A6 [4B, C5] [01/97-01/05]

A8 [402, 408] [03/94-09/02]

100 040 0000 | MMX0330

Breather hose



References

028 103 491 J

Application info

80 [8C, 8G7, B4] [05/91-08/00]
80/90 [89, 89Q, 8A, B3] [06/86-12/96]
A4 [802, 805, B5] [11/94-09/01]

A6 [4A, C4] [06/94-12/97]
A6 [4B, C5] [01/97-01/05]

100 036 0002 | MMX0317

Breather hose



Notes

Upper

References

048 103 493 A

Application info

100 [4A, C4] [12/90-07/94]

A6 [4A, C4] [06/94-12/97]



Breather hose

100 103 0048 | MMX0350

References

050 103 493 A



Application info

80 [8C, 8G7, B4] [05/91-08/00]

Oil seal, camshaft

100 103 0100 | MMX0359

Notes

Inner diameter [mm]	32
Outer diameter [mm]	47
Height [mm]	10
	Transmission End

References

026 103 085 E	068 103 085 E
---------------	---------------



Application info

100 [4A, C4] [12/90-07/94]
 100/200 [44, 44Q, C3] [08/82-12/91]
 80 [8C, 8G7, B4] [05/91-08/00]
 80/90 [81, 85, B2] [08/78-10/88]
 80/90 [85] [07/80-07/91]
 80/90 [89, 89Q, 8A, B3] [06/86-12/96]

A3 [8L1] [09/96-05/03]
 A4 [8D2, 8D5, B5] [11/94-09/01]
 A6 [4A, C4] [06/94-12/97]
 A6 [4B, C5] [01/97-01/05]
 A8 [4D2, 4D8] [03/94-09/02]
 V8 [01] [10/88-02/94]

Muffler bracket

014 049 0008 | MMX0121

Notes

End Silencer
Front Silencer

References

893 253 147 F



014 049 0008 | MMX0121

Muffler bracket

Application info

100 [4A, C4] [12/90-07/94]
100/200 [44, 44Q, C3] [08/82-12/91]
80 [8C, 8G7, B4] [05/91-08/00]
80/90 [81, 85, B2] [08/78-10/88]

80/90 [89, 89Q, 8A, B3] [06/86-12/96]
A6 [4A, C4] [06/94-12/97]
V8 [01] [10/88-02/94]

112 133 0005 | MAF0164

Air filter



Notes

Height [mm] 57
Width [mm] 212
Length [mm] 212
Filter Insert

References

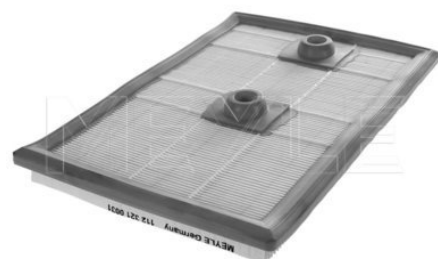
021 129 620

Application info

100/200 [44, 44Q, C3] [08/82-12/91]

112 321 0031 | MAF0663

Air filter



Notes

Height [mm] 30.5
Width [mm] 190
Length [mm] 270
Filter Insert

References

04E 129 620

Application info

A1 [8X1, 8XA] [05/10--]
A3 [8V1, 8VS, 8V7, 8PA] [04/12--]

Q3 [8U] [06/11--]

Air filter
112 129 0005 | MAF0132
Notes

Inner diameter [mm]	222
Outer diameter [mm]	282
Height [mm]	62
	Filter Insert

References

056 129 620	551 129 620
-------------	-------------


Application info

 100/200 [44, 44Q, C3] [08/82-12/91]
 80 [8C, 8G7, B4] [05/91-08/00]

 80/90 [81, 85, B2] [08/78-10/88]
 80/90 [89, 89Q, 8A, B3] [06/86-12/96]

Air filter
112 129 0006 | MAF0133
Notes

Height [mm]	57
Width [mm]	134
Length [mm]	334
	Filter Insert

References

069 129 620


Application info

 100/200 [44, 44Q, C3] [08/82-12/91]
 80 [8C, 8G7, B4] [05/91-08/00]
 80/90 [81, 85, B2] [08/78-10/88]

 80/90 [85] [07/80-07/91]
 80/90 [89, 89Q, 8A, B3] [06/86-12/96]

Air filter
112 129 0023 | MAF0146
Notes

Height [mm]	58
Width [mm]	258
Length [mm]	287
	Filter Insert

References

077 129 620 A	077 129 620 C
077 129 620 B	077 129 620 D


Application info

A6 [4A, C4] [06/94-12/97]

A8 [4D2, 4D8] [03/94-09/02]

112 129 0008 | MAF0135

Air filter



Notes

Height [mm]	57
Width [mm]	184
Length [mm]	308
	Filter Insert

References

191 129 620

Application info

100 [4A, C4] [12/90-07/94]

100/200 [44, 44Q, C3] [08/82-12/91]

80 [8C, 8G7, B4] [05/91-08/00]

80/90 [85] [07/80-07/91]

80/90 [89, 89Q, 8A, B3] [06/86-12/96]

A6 [4A, C4] [06/94-12/97]

100 321 0008 | MAF0078

Air filter



Notes

Inner diameter [mm]	68
Outer diameter [mm]	136
Height [mm]	221
	Filter Insert

References

1F0 129 620

Application info

A3 [8P1, 8PA] [05/03-08/12]

112 129 0010 | MAF0137

Air filter



Notes

Height [mm]	49
Width [mm]	184.5
Length [mm]	364
	Filter Insert without pre-filter

References

1J0 129 620

Application info

A3 [8L1] [09/96-05/03]

TT [8N3, 8N9] [10/98-06/06]



Air filter

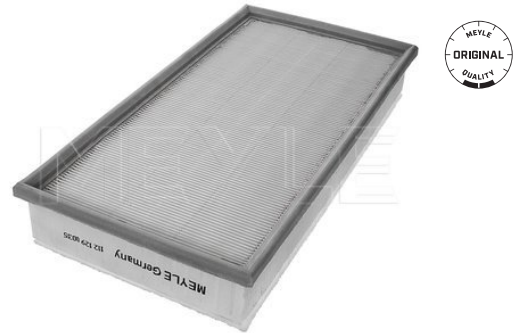
112 129 0035 | MAF0151

Notes

Height [mm]	57
Width [mm]	185
Length [mm]	365
	Filter Insert with pre-filter

References

1J0 129 620 A



Application info

A3 [8L1] [09/96-05/03]

TT [8N3, 8N9] [10/98-06/06]

Air filter

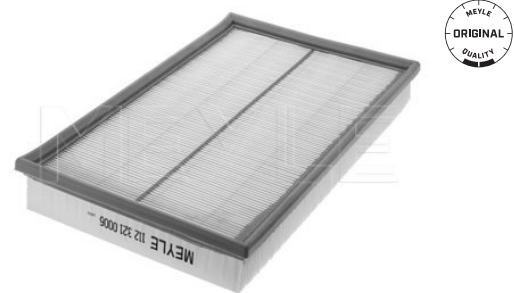
112 321 0006 | MAF0169

Notes

Height [mm]	49
Width [mm]	223
Length [mm]	346
	Filter Insert

References

1K0 129 620



Application info

A3 [8P1, 8PA] [05/03-08/12]
Q3 [8U] [06/11--]

TT [8J3, 8J9] [08/06-06/10]

Air filter

112 129 0040 | MAF0154

Notes

Height [mm]	70
Width [mm]	135.5
Length [mm]	344.5
	Filter Insert

References

1K0 129 620 D



Application info

A3 [8P1, 8PA] [05/03-08/12]
Q3 [8U] [06/11--]

TT [8J3, 8J9] [08/06-06/10]

112 321 0005 | MAF0168

Air filter



Notes

Inner diameter [mm]	89
Outer diameter [mm]	152
Height [mm]	184.5
	Filter Insert

References

4E0 129 620	4E0 129 620 C
-------------	---------------

Application info

AB [4E] [10/02-07/10]

112 321 0023 | MAF0185

Air filter



Notes

Inner diameter [mm]	86.4
Outer diameter [mm]	152
Height [mm]	154.5
	Filter Insert

References

4E0 129 620 A	4E0 129 620 D
---------------	---------------

Application info

AB [4E] [10/02-07/10]

112 321 0024 | MAF0186

Air filter



Notes

Inner diameter [mm]	86.5
Outer diameter [mm]	152
Height [mm]	184.5
	Filter Insert

References

4E0 129 620 B	4E0 129 620 E
---------------	---------------

Application info

AB [4E] [10/02-07/10]



Air filter

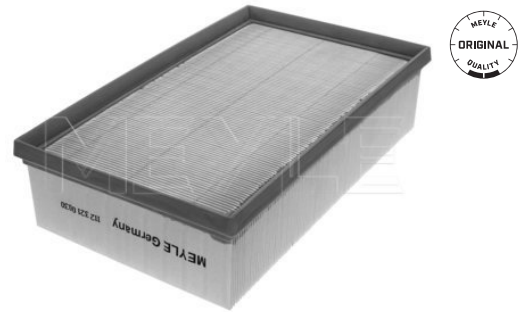
112 321 0030 | MAF0191

Notes

Height [mm]	70
Width [mm]	176.5
Length [mm]	292
	Filter Insert

References

5Q0 129 620 B



Application info

A3 (8V1, 8VS, 8V7, 8PA) (04/12--)

TT (8S) (09/14--)

Air filter

112 321 0033 | MAF0666

Notes

Height [mm]	80
Width [mm]	177
Length [mm]	292
	Filter Insert with pre-filter

References

5Q0 129 620 C



Application info

A3 (8V1, 8VS, 8V7, 8PA) (04/12--)

TT (8S) (09/14--)

Air filter

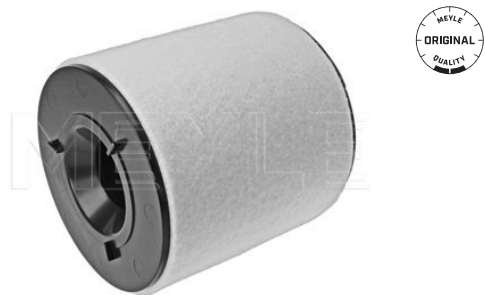
112 321 0008 | MAF0171

Notes

Inner diameter [mm]	68
Outer diameter [mm]	149
Height [mm]	169.5
	Filter Insert

References

6R0 129 620 A



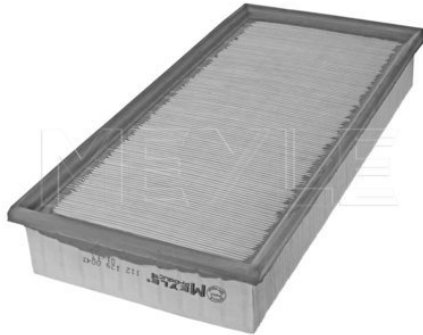
Application info

A1 (8X1, 8XA) (05/10--)

6

112 129 0043 | MAF0157

Air filter



Notes

Height [mm]	57.3
Width [mm]	185
Length [mm]	389
	Filter Insert

References

7L0 129 620

Application info

Q7 [4L] [03/06-05/12]

112 129 0044 | MAF0158

Air filter



Notes

Height [mm]	62.3
Width [mm]	185.2
Length [mm]	389
	Filter Insert

References

7L0 129 620 A

Application info

Q7 [4L] [03/06-05/12]

112 129 0031 | MAF0147

Air filter



Notes

Inner diameter [mm]	70
Outer diameter [mm]	117
Height [mm]	264
	Filter Insert

References

8Z0 129 620 8Z0 129 620 A

Application info

A2 [8Z0] [02/00-08/05]



Air filter

112 133 0002 | MAF0162

Notes

Height [mm]	42
Width [mm]	134
Length [mm]	273
	Filter Insert

References

049 133 843



Application info

80/90 (81, 85, B2) (08/78-10/88)

Air filter

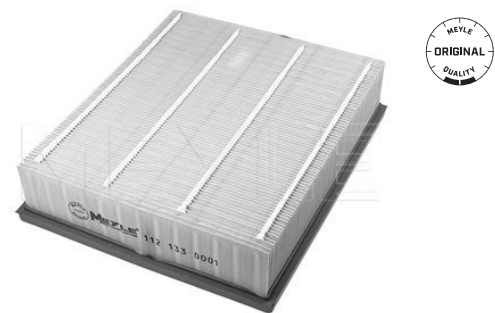
112 133 0001 | MAF0161

Notes

Height [mm]	54.5
Width [mm]	212.5
Length [mm]	254
	Filter Insert

References

058 133 843



Application info

A4 (802, 805, B5) (11/94-09/01)
A6 (4B, C5) (01/97-01/05)

Allroad (4BH) (05/00-08/05)

Air filter

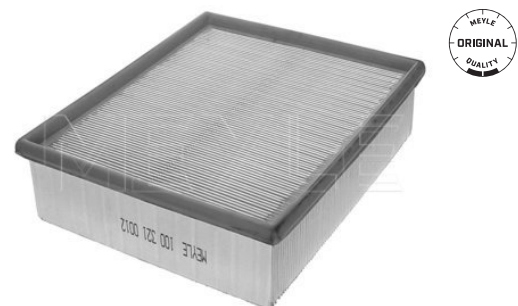
100 321 0012 | MAF0081

Notes

Height [mm]	69
Width [mm]	213
Length [mm]	254
	Filter Insert

References

059 133 843 A



Application info

A4 (802, 805, B5) (11/94-09/01)
A6 (4B, C5) (01/97-01/05)

Allroad (4BH) (05/00-08/05)

112 321 0022 | MAF0184

Air filter



Notes

Inner diameter [mm]	105
Outer diameter [mm]	166
Height [mm]	192
	Filter Insert

References

059 133 843 B

Application info

A6 [4F2, 4FH, 4F5] [05/04-08/11]

112 133 0003 | MAF0163

Air filter



Notes

Height [mm]	70.25
Width [mm]	212.5
Length [mm]	266.5
	Filter Insert

References

06C 133 843

Application info

A4 [8E2, 8E5, 86] [10/00-12/04]
A4 [8EC, 8ED] [11/04-06/08]

A4 [8H7] [04/02-03/09]

112 321 0026 | MAF0188

Air filter



Notes

Height [mm]	37
Width [mm]	173
Length [mm]	409
	Filter Insert

References

06F 133 843 A

Application info

A3 [8P1, 8PA] [05/03-08/12]

TT [8J3, 8J9] [08/06-06/10]



Air filter

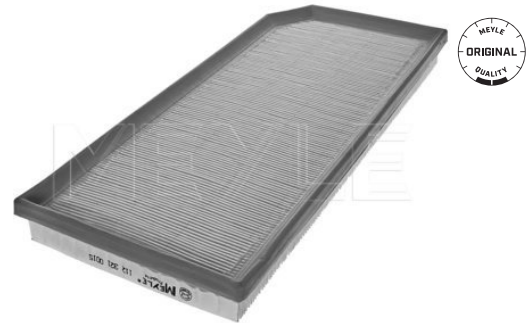
112 321 0015 | MAF0177

Notes

Height [mm]	32
Width [mm]	173
Width 1 [mm]	142
Length [mm]	405
	Filter Insert

References

06F 133 843 B



Application info

A3 [8P1, 8PA] [05/03-08/12]

Air filter

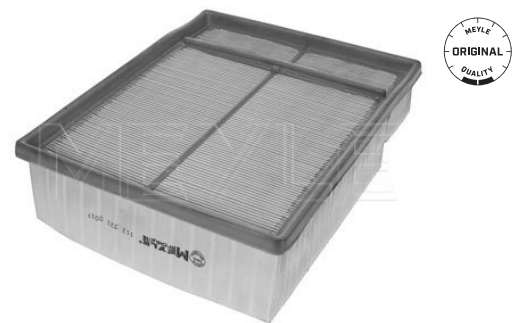
112 321 0017 | MAF0179

Notes

Height [mm]	70.3
Width [mm]	212.5
Length [mm]	266.5
	Filter Insert

References

079 133 843 A



Application info

A4 [8E2, 8E5, 8E6] [10/00-12/04]
A4 [8EC, 8ED] [11/04-06/08]

A4 [8H7] [04/02-03/09]

Air filter

112 321 0003 | MAF0166

Notes

Inner diameter [mm]	80
Outer diameter [mm]	150
Height [mm]	168
	Filter Insert

References

4F0 133 843 A



Application info

A6 [4F2, 4FH, 4F5] [05/04-08/11]

112 321 0027 | MAF0189

Air filter



Notes

Inner diameter 1 [mm]	78
Inner diameter [mm]	31
Outer diameter [mm]	163
Height [mm]	122
	Filter Insert

References

4G0 133 843 H	4G0 133 843 K
---------------	---------------

Application info

A6 [4G2, 4G5, C7] [11/10-05/13]

A7 Sportback [4GA] [10/10--]

112 321 0019 | MAF0181

Air filter



Notes

Inner diameter [mm]	102
Outer diameter [mm]	160
Height [mm]	168
	Filter Insert

References

8K0 133 843

Application info

A4 [8K2, 8K5, 8KH] [11/07--]

A5 [8F, 8T] [06/07--]

Q5 [8R] [11/08--]

112 321 0020 | MAF0182

Air filter



Notes

Inner diameter [mm]	102
Outer diameter [mm]	169
Height [mm]	168
	Filter Insert

References

8K0 133 843 D

Application info

A4 [8K2, 8K5, 8KH] [11/07--]

A5 [8F, 8T] [06/07--]

Q5 [8R] [11/08--]

Air filter
112 321 0018 | MAF0180
Notes

Height [mm]	59
Width [mm]	128
Length [mm]	322
	Filter Insert

References

8K0 133 837 AC	8R0 133 843 C
8K0 133 843 E	8R0 133 843 D
8K0 133 843 M	8R0 133 843 K


Application info

 A4 (8K2, 8K5, 8KH) (11/07--)
 A5 (8F, 8T) (06/07--)

Q5 (8R) (11/08--)

Fuel filter
100 127 0005 | MFF0029
Notes

	Steel
Diameter [mm]	85
Height [mm]	159
Connecting thread	M16x1,5
	Screw-on Filter

References

068 127 177 B


Application info

100/200 (44, 440, C3) (08/82-12/91)

80/90 (81, 85, 82) (08/78-10/88)

Fuel filter
114 323 0006 | MFF0236
Notes

Diameter 1 [mm]	76
Diameter 2 [mm]	9.5
Outer diameter [mm]	93
Height [mm]	151
	Filter Insert

References

5Q0 127 177	5Q0 127 177 B
-------------	---------------


Application info

A3 (8V1, 8VS, 8V7, 8PA) (04/12--)

TT (8S) (09/14--)

100 323 0024 | MFF0259

Fuel filter



Notes

Diameter 1 [mm]
Diameter 2 [mm]
Diameter [mm]
Height [mm]

with seal
76
9.5
93
135
Filter Insert

References

7N0 127 177

7N0 127 177 B

Application info

Q3 [8U] [06/11--]

100 323 0027 | MFF0258

Fuel filter



Notes

Diameter 1 [mm]
Outer diameter [mm]
Height 1 [mm]
Height [mm]

with seal
76.5
93.5
130.7
138.8
with water trap
Filter Insert

References

7N0 127 177 A

7N0 127 177 C

Application info

Q3 [8U] [06/11--]

114 323 0004 | MFF0076

Fuel filter



Notes

Diameter [mm]
Height [mm]

Metal
55
250
In-Line Filter
with damping

References

4G0 127 400 C

Application info

A6 [4G2, 4G5, C7] [11/10-05/13]

A7 Sportback [4GA] [10/10--]



Fuel filter

100 323 0025 | MFF0231

Notes

Diameter [mm]	Metal
Height [mm]	88
	131
	In-Line Filter

References

6C0 127 400	6R0 127 400 C
-------------	---------------



Application info

A1 [8X1, 8XA] [05/10--]

Fuel filter

114 323 0005 | MFF0077

Notes

Diameter [mm]	Metal
Height [mm]	55
	248
	In-Line Filter with damping

References

8R0 127 400	8R0 127 400 A
-------------	---------------



Application info

Q5 [8R] [11/08--]

Fuel filter

100 127 0007 | MFF0031

Notes

Outer diameter [mm]	Steel
Height [mm]	89
	202.3
	In-Line Filter

References

1J0 127 401 A



Application info

A3 [8L1] [09/96-05/03]
 A4 [8D2, 8D5, B5] [11/94-09/01]
 A4 [8E2, 8E5, B6] [10/00-12/04]

A4 [8EC, 8ED] [11/04-06/08]
 A4 [8H7] [04/02-03/09]
 A6 [4B, C5] [01/97-01/05]

100 323 0021 | MFF0067

Fuel filter



Notes

Diameter [mm]
Height [mm]

Aluminium
55
248
In-Line Filter

References

4F0 127 401 F

Application info

A6 [4F2, 4FH, 4F5] [05/04-08/11]

114 323 0002 | MFF0074

Fuel filter



Notes

Diameter [mm]
Height [mm]

Metal
77
216
In-Line Filter

References

4F0 127 401 H

Application info

A6 [4F2, 4FH, 4F5] [05/04-08/11]

114 323 0007 | MFF0251

Fuel filter



Notes

Diameter [mm]
Height [mm]

Metal
55
246
In-Line Filter

References

4G0 127 401

Application info

A6 [4G2, 4G5, C7] [10/10-05/13]

A7 Sportback [4GA] [10/10--]



Fuel filter

100 323 0017 | MFF0064

Notes

Diameter [mm]
Height [mm]

Metal
88
132
In-Line Filter

References

6Q0 127 401 F



Application info

A1 [8X1, 8XA] [05/10--]

Fuel filter

114 323 0003 | MFF0075

Notes

Diameter [mm]
Height [mm]

Metal
55
250
In-Line Filter
without damping

References

8K0 127 400
8K0 127 400 A

8K0 127 400 C
8T0 127 401 A



Application info

A4 [8K2, 8K5, 8KH] [11/07--]
A5 [8F, 8T] [06/07--]
A8 [4H_] [11/09--]

Q5 [8R] [11/08--]
Q7 [4L] [03/06-05/12]

Fuel filter

100 201 0012 | MFF0049

Notes

Diameter [mm]
Diameter 1 [mm]
Height [mm]

with seal
83
38.5
142
Filter Insert

References

1K0 127 434 A



Application info

A3 [8P1, 8PA] [05/03-08/12]

100 323 0005 | MFF0055

Fuel filter



Notes

Diameter [mm]
Diameter 1 [mm]
Height [mm]

with seal
83.5
18.5
116
Filter Insert

References

1K0 127 434 B

Application info

A3 [8P1, 8PA] [05/03-08/12]

100 323 0004 | MFF0054

Fuel filter



Notes

Diameter [mm]
Diameter 1 [mm]
Height [mm]

with seal
78
11
136.5
Filter Insert

References

3C0 127 434

Application info

A3 [8P1, 8PA] [05/03-08/12]

TT [8J3, 8J9] [08/06-06/10]

100 323 0014 | MFF0062

Fuel filter



Notes

Diameter [mm]
Diameter 1 [mm]
Height [mm]

with gaskets/seals
102
43
84.5
Filter Insert

References

7L6 127 434 C

Application info

Q7 [4L] [03/06-05/12]



Fuel filter

100 127 0008 | MFF0032

Notes

Diameter [mm]	Steel
Height [mm]	83
Connecting thread	186.5
	M16x1,5
	Screw-on Filter

References

028 127 435 A



Application info

100 [4A, C4] [12/90-07/94]
 100/200 [44, 44Q, C3] [08/82-12/91]
 80 [8C, 8G7, B4] [05/91-08/00]
 80/90 [89, 89Q, 8A, B3] [06/86-12/96]

A4 [802, 805, B5] [11/94-09/01]
 A6 [4A, C4] [06/94-12/97]
 A6 [4B, C5] [01/97-01/05]

Fuel filter

114 323 0000 | MFF0072

Notes

Diameter [mm]	Zinc-coated
Height [mm]	Steel
	87
	164
	In-Line Filter

References

057 127 435 D



Application info

A4 [802, 805, B5] [11/94-09/01]
 A4 [8E2, 8E5, B6] [10/00-12/04]
 A4 [8EC, 8ED] [11/04-06/08]
 A4 [8H7] [04/02-03/09]

A6 [4B, C5] [01/97-01/05]
 A8 [402, 408] [03/94-09/02]
 Allroad [4BH] [05/00-08/05]

Fuel filter

100 127 0013 | MFF0036

Notes

Diameter [mm]	Steel
Height [mm]	81
Connecting thread	158.5
	M16x1,5
	Screw-on Filter

References

800 127 435



100 127 0013 | MFF0036

Fuel filter

Application info

A4 [802, 805, 85] [11/94-09/01]

A6 [4B, C5] [01/97-01/05]

100 323 0009 | MFF0058

Fuel filter



Notes

Diameter [mm]
Height [mm]

Zinc-coated
Steel
89
157
In-Line Filter

References

8E0 127 401
8E0 127 401 D

8E0 127 435 A

Application info

A4 [8EC, 8ED] [11/04-06/08]
A4 [8H7] [04/02-03/09]

A6 [4F2, 4FH, 4F5] [05/04-08/11]

100 133 0009 | MFF0041

Fuel filter



Notes

Diameter [mm]
Height [mm]
Thread Size
Connecting thread

with gaskets/seals
Steel
86
173,3
M14x1,5
M14x1,5
Screw-on Filter

References

811 133 511 D

Application info

80/90 [81, 85, 82] [08/78-10/88]
80/90 [85] [07/80-07/91]

80/90 [89, 89Q, 8A, 83] [06/86-12/96]

100 133 0006 | MFF0038

Fuel filter



Notes

Diameter [mm]
Height [mm]
Thread Size
Connecting thread

with gaskets/seals
Steel
86
155
M14x1,5
M12x1,5
Screw-on Filter

References

893 133 511



Fuel filter

100 133 0006 | MFF0038

Application info

100 [4A, C4] [12/90-07/94]
 100/200 [44, 44Q, C3] [08/82-12/91]
 80 [8C, 8G7, B4] [05/91-08/00]
 80/90 [81, 85, B2] [08/78-10/88]

80/90 [85] [07/80-07/91]
 80/90 [89, 89Q, 8A, B3] [06/86-12/96]
 A6 [4A, C4] [06/94-12/97]

Fuel filter

100 323 0007 | MFF0056

Notes

	with seal
	Metal
Diameter [mm]	84
Height [mm]	71.3
	Filter Insert

References

081 198 552



Application info

80/90 [81, 85, B2] [08/78-10/88]

Fuel filter

100 323 0011 | MFF0059

Notes

	Steel
Pressure [bar]	3
Diameter [mm]	77.6
Height [mm]	165
	In-Line Filter

References

6Q0 201 051 B 6Q0 201 051 H



Application info

A2 [8Z0] [02/00-08/05]

100 323 0003 | MFF0053

Fuel filter



Notes

Pressure [bar] 4
Diameter [mm] 59.5
Height [mm] 165
In-Line Filter with pressure regulator

References

6Q0 201 051 C 6Q0 201 051 J

Application info

A3 [8P1, 8PA] [05/03-08/12]

TT [8J3, 8J9] [08/06-06/10]

314 133 2108 | MFF0146

Fuel filter



Notes

Diameter [mm] 80
Height [mm] 162
In-Line Filter

References

1H0 201 511 A

Application info

A4 [8D2, 8D5, 8D5] [11/94-09/01]

A6 [4B, C5] [01/97-01/05]

100 201 0007 | MFF0046

Fuel filter



Notes

Diameter [mm] 80
Height [mm] 176
In-Line Filter

References

1J0 201 511 A

Application info

A3 [8L1] [09/96-05/03]

A4 [8E2, 8E5, 8E6] [10/00-12/04]

A4 [8EC, 8ED] [11/04-06/08]

A4 [8H7] [04/02-03/09]

A8 [4E] [10/02-07/10]

TT [8N3, 8N9] [10/98-06/06]

Fuel filter
100 201 0001 | MFF0044
Notes

Diameter [mm] 31
 Height [mm] 105
 In-Line Filter

References

251 201 511 G


Application info

 100/200 [44, 44Q, C3] [08/82-12/91]
 80/90 [81, 85, B2] [08/78-10/88]

80/90 [89, 89Q, 8A, B3] [06/86-12/96]

Fuel filter
100 201 0010 | MFF0047
Notes

with gaskets/seals
 Zinc-coated
 Steel
 Diameter [mm] 80.3
 Height [mm] 128
 Connecting thread M14x1,5
 Thread Measurement 1
 Screw-on Filter

References

441 201 511 C


Application info

 80 [8C, 8G7, B4] [05/91-08/00]
 A4 [8D2, 8D5, B5] [11/94-09/01]
 A6 [4A, C4] [06/94-12/97]
 A6 [4B, C5] [01/97-01/05]

 A8 [4D2, 4D8] [03/94-09/02]
 Allroad [4BH] [05/00-08/05]
 V8 [D1] [10/88-02/94]

Fuel filter
100 201 0000 | MFF0043
Notes

Diameter [mm] 60
 Height [mm] 160
 In-Line Filter

References

6X0 201 511 B


Application info

A2 [8Z0] [02/00-08/05]

A3 [8P1, 8PA] [05/03-08/12]

100 201 0013 | MFF0050

Fuel filter



Notes

Diameter [mm]
Height [mm]

Steel
55
163
In-Line Filter

References

6X0 201 511 B

Application info

A2 [8Z0] [02/00-08/05]

A3 [8P1, 8PA] [05/03-08/12]

100 323 0018 | MFF0065

Fuel filter



Notes

Diameter [mm]
Height [mm]

Metal
74.5
183
In-Line Filter

References

8E0 201 511 C
8E0 201 511 F

8E0 201 511 G
8E0 201 511 L

Application info

A4 [8E2, 8E5, B6] [10/00-12/04]
A4 [8EC, 8ED] [11/04-06/08]

A4 [8H7] [04/02-03/09]

100 127 0003 | MFP0015

Fuel pump



Notes

Number of Poles
Voltage [V]

with seal
Petrol
Mechanical
1
12

References

026 127 025 A

Application info

100/200 [44, 44Q, C3] [08/82-12/91]
80/90 [81, 85, B2] [08/78-10/88]

80/90 [89, 89Q, 8A, B3] [06/86-12/96]

Fuel pump
100 919 0084 | MFP0043
Notes

without tank sender unit
 Petrol
 Electric
 Pressure [bar] 3
 Number of Poles 2
 Voltage [V] 12

References

1J0 919 051 B	1J0 919 087 D
1J0 919 051 C	1J0 919 087 H
1J0 919 051 H	1J0 919 087 J
1J0 919 087 C	


Application info

A3 (8L1) (09/96-05/03)

Fuel pump mount
100 133 0011 | MMX0428
Notes

Outer diameter [mm] 20
 Height [mm] 10
 Thread Size M6x1

References

443 133 741 A


Application info

100 (4A, C4) (12/90-07/94)	80/90 (89, 89Q, 8A, B3) (06/86-12/96)
100/200 (44, 44Q, C3) (08/82-12/91)	A4 (802, 805, B5) (11/94-09/01)
80 (8C, 8G7, B4) (05/91-08/00)	A6 (4A, C4) (06/94-12/97)
80/90 (81, 85, B2) (08/78-10/88)	A6 (4B, C5) (01/97-01/05)
80/90 (85) (07/80-07/91)	A8 (402, 408) (03/94-09/02)

Fuel pump mount
100 201 0002 | MMX0447
Notes

Outer diameter [mm] 19
 Height [mm] 15
 Thread Size M6x1

References

191 201 256



100 201 0002 | MMX0447

Fuel pump mount

Application info
V8 (D1) (10/88-02/94)

100 425 0103 | MMX0477

Injector nozzle



References

068 130 201 BX 068 130 211 B
068 130 201 EX

Application info
100/200 (44, 44Q, C3) (08/82-12/91)
80/90 (81, 85, B2) (08/78-10/88)

80/90 (89, 89Q, 8A, B3) (06/86-12/96)

100 425 0138 | MMX0480

Injector nozzle



References

068 130 211 D

Application info
80/90 (89, 89Q, 8A, B3) (06/86-12/96)

100 036 0041 | MMX1549

Intake hose, turbo charger



Notes

Upper

References

1K0 145 790 C

Intake hose, turbo charger

100 036 0041 | MMX1549

Application info

A3 (8P1, 8PA) (05/03-08/12)

Intake hose, turbo charger

100 036 0043 | MMX1562

Notes

Rear
Lower Left

References

3C0 145 828 K



Application info

A3 (8P1, 8PA) (05/03-08/12)

Intake hose, turbo charger

100 036 0040 | MMX1545

References

800 145 828 G



Application info

A4 (802, 805, 85) (11/94-09/01)

Intake hose, turbo charger

119 145 0010 | MMX0583

Notes

Lower

References

800 145 828 L



6

119 145 0010 | MMX0583

Intake hose, turbo charger

Application info

A4 (802, 805, 85) (11/94-09/01)

A6 (4B, C5) (01/97-01/05)

100 036 0036 | MMX1471

Intake hose, turbo charger



References

1K0 145 832 B

Application info

A3 (8P1, 8PA) (05/03-08/12)

TT (8J3, 8J9) (08/06-06/10)

100 036 0028 | MMX0321

Intake hose, turbo charger



References

1H0 145 834 J

Application info

A4 (802, 805, 85) (11/94-09/01)

A6 (4B, C5) (01/97-01/05)

100 036 0038 | MMX1515

Intake hose, turbo charger



References

1J0 145 834 A

Intake hose, turbo charger

100 036 0038 | MMX1515

Application info

A3 (8L1) (09/96-05/03)

TT (8N3, 8N9) (10/98-06/06)

Intake hose, turbo charger

100 036 0039 | MMX1474

Notes

Lower Left

References

1K0 145 834 B
1K0 145 834 G

1K0 145 834 L



Application info

A3 (8P1, 8PA) (05/03-08/12)

Intake hose, turbo charger

100 036 0037 | MMX1472

References

3B0 145 834 P

800 145 834 L



Application info

A4 (8E2, 8E5, 8E6) (10/00-12/04)

A6 (4B, C5) (01/97-01/05)

Intake hose, turbo charger

119 145 0011 | MMX0584

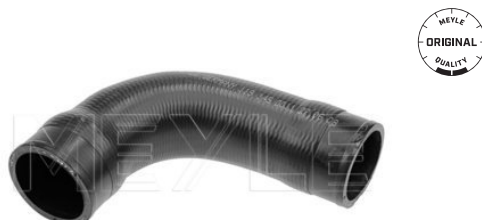
Notes

angled
Lower

References

058 145 834 A
800 145 834

800 145 834 F



6

119 145 0011 | MMX0584

Intake hose, turbo charger

Application info

A4 (802, 805, B5) (11/94-09/01)

A6 (4B, C5) (01/97-01/05)

100 036 0034 | MMX1556

Intake hose, turbo charger



References

1J0 145 838 B

Application info

A3 (8L1) (09/96-05/03)

100 036 0046 | MMX1664

Intake hose, turbo charger



Notes

Upper

Application info

A4 (802, 805, B5) (11/94-09/01)

A6 (4B, C5) (01/97-01/05)

100 036 0018 | MMX0319

Suction hose, air filter



References

1J0 129 684 CG

1J0 129 684 N

Suction hose, air filter

100 036 0018 | MMX0319

Application info

A3 (8L1) (09/96-05/03)

Suction hose, air filter

100 133 0014 | MMX0429

Notes

with suction pipe

References

027 133 357 A



Application info

100/200 (44, 44Q, C3) (08/82-12/91)

Valve, fuel supply system

100 034 0003 | MMX0313

References

1J0 127 247 A



Application info

A3 (8L1) (09/96-05/03)
A4 (802, 805, B5) (11/94-09/01)

A6 (4B, C5) (01/97-01/05)

A/T oil pan gasket

100 321 0003 | MMX0465

Notes

No. of holes 1

5
Piece
Elastomer
01N
Automatic Transmission,
4-speed
VOLKSWAGEN

Transmission Type

Manufacturer Restriction

References

01N 321 370



100 321 0003 | MMX0465

A/T oil pan gasket

Application info

80 [8C, 8G7, B4] [05/91-08/00]
80/90 [89, 89Q, 8A, B3] [06/86-12/96]

A4 [802, 805, B5] [11/94-09/01]

100 321 0001 | MMX0463

A/T oil pan gasket



Notes

No. of holes 1

Transmission Type
Transmission Type

Manufacturer Restriction

4
Piece
Elastomer
096
095
Automatic Transmission,
4-speed
AISIN WARNER

References

096 321 370

Application info

A3 [8L1] [09/96-05/03]

100 321 0007 | MMX0469

A/T oil pan gasket



Notes

No. of holes 1

References

097 321 370

5
Elastomer
Automatic Transmission,
4-speed
with fastening material

097 321 371

Application info

100 [4A, C4] [12/90-07/94]
80 [8C, 8G7, B4] [05/91-08/00]

80/90 [89, 89Q, 8A, B3] [06/86-12/96]
A6 [4A, C4] [06/94-12/97]



A/T oil pan gasket

100 139 0002 | MMX0431

Notes

No. of holes 1	8
	Piece
	Elastomer
Transmission Type	TF-60SN
Transmission Type	AQ250
Transmission Type	09G
	Automatic Transmission,
	6-speed
Manufacturer Restriction	AISIN WARNER



References

09G 321 370

Application info

A3 [8P1, 8PA] [05/03-08/12]

TT [8N3, 8N9] [10/98-06/06]

A/T oil pan gasket

100 321 0002 | MMX0464

Notes

	Piece
	Elastomer
Transmission Type	003
	Automatic Transmission,
	3-speed
Manufacturer Restriction	VOLKSWAGEN



References

010 321 371 B

Application info

100/200 [44, 44Q, C3] [08/82-12/91]
80/90 [81, 85, B2] [08/78-10/88]

80/90 [89, 89Q, 8A, B3] [06/86-12/96]

A/T oil pan gasket

100 321 0005 | MMX0467

Notes

	Elastomer
	Automatic Transmission,
	4-speed



References

01F 321 371

Application info

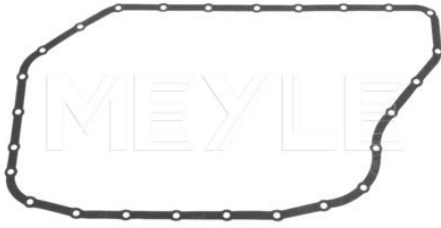
100 [4A, C4] [12/90-07/94]
A6 [4A, C4] [06/94-12/97]

A8 [4D2, 4D8] [03/94-09/02]

6

100 139 0001 | MMX0430

A/T oil pan gasket



Notes

No. of holes 1	26
Transmission Type	Piece Paper 5HP24 FLA Automatic Transmission, 5-speed
Manufacturer Restriction	ZF

References

Ø1L 321 371

Application info

A6 [4B, C5] [01/97-01/05]
A6 [4F2, 4FH, 4F5] [05/04-08/11]

A8 [4D2, 4D8] [03/94-09/02]

100 321 0004 | MMX0466

A/T oil pan gasket



Notes

No. of holes 1	27
Transmission Type	Piece Paper 5HP19 Automatic Transmission, 5-speed
Manufacturer Restriction	Armstrong Paper

References

Ø1V 321 371

Application info

A4 [802, 805, 85] [11/94-09/01]
A4 [8E2, 8E5, 86] [10/00-12/04]
A4 [8EC, 8ED] [11/04-06/08]
A4 [8H7] [04/02-03/09]

A6 [4B, C5] [01/97-01/05]
A8 [4D2, 4D8] [03/94-09/02]
Allroad [4BH] [05/00-08/05]

100 321 0010 | MMX0470

A/T oil pan gasket



Notes

No. of holes 1	16
Transmission Type	Piece Steel Elastomer Ø9D TR-60SN Automatic Transmission, 6-speed
Manufacturer Restriction	AISIN WARNER with fastening material

References

Ø9D 321 371





A/T oil pan gasket

100 321 0010 | MMX0470

Application info

Q7 [4L] [03/06-05/12]

A/T oil pan gasket

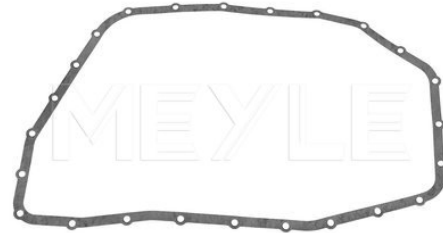
100 140 0004 | MMX1466

Notes

No. of holes 1	24
	Piece
	Paper
Transmission Type	6HP26 A61
	Automatic Transmission,
	6-speed
Manufacturer Restriction	ZF

References

09E 321 371



Application info

A6 [4F2, 4FH, 4F5] [05/04-08/11]

A8 [4E] [10/02-07/10]

A/T oil pan gasket

100 140 0002 | MMX0433

Notes

No. of holes 1	13
	Piece
	Steel Elastomer
Transmission Type	6HP26 A61
Transmission Type	6HP26 A
Transmission Type	6HP26 AF
	Automatic Transmission,
	6-speed
Manufacturer Restriction	ZF

References

09E 321 371 A



Application info

A4 [8K2, 8K5, 8KH] [11/07--]

A5 [8F, 8T] [06/07--]

A6 [4F2, 4FH, 4F5] [05/04-08/11]

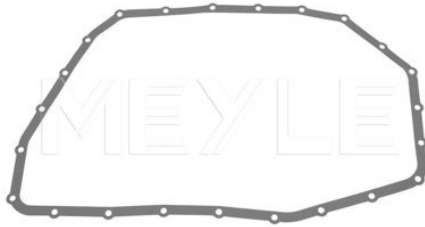
A8 [4E] [10/02-07/10]

Q5 [8R] [11/08--]

6

100 321 0017 | MMX0472

A/T oil pan gasket



Notes

No. of holes 1	23
	Piece
	Paper
Transmission Type	6HP19 A
Transmission Type	AL420
Transmission Type	09L
	Automatic Transmission,
	6-speed
Manufacturer Restriction	ZF

References

09L 321 371

Application info

A4 [8E2, 8E5, B6] [10/00-12/04]
A4 [8EC, 8ED] [11/04-06/08]
A4 [8H7] [04/02-03/09]

A6 [4F2, 4FH, 4F5] [05/04-08/11]
A8 [4E] [10/02-07/10]

100 321 0018 | MMX0473

A/T oil pan gasket



Notes

No. of holes 1	13
	Piece
	Steel Elastomer
Transmission Type	AL420
Transmission Type	09L
Transmission Type	6HP19 A
	Automatic Transmission,
	6-speed
Manufacturer Restriction	ZF

References

09L 321 371 A

Application info

A4 [8E2, 8E5, B6] [10/00-12/04]
A4 [8EC, 8ED] [11/04-06/08]
A4 [8H7] [04/02-03/09]

A6 [4F2, 4FH, 4F5] [05/04-08/11]
A8 [4E] [10/02-07/10]

A/T oil pan gasket

100 321 0019 | MMX0474

Notes

No. of holes 1	13
	Piece
	Steel Elastomer
Transmission Type	6HP19 X
Transmission Type	6HP19
Transmission Type	ØAT
	Automatic Transmission,
	6-speed
Manufacturer Restriction	ZF



References

ØAT 321 371

Application info

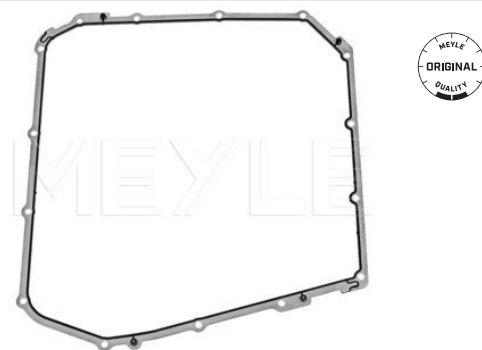
Q7 [4L] [Ø3/Ø6-Ø5/12]

A/T oil pan gasket

100 140 0003 | MMX0434

Notes

No. of holes 1	15
	Piece
	Steel Elastomer
Transmission Type	DL5Ø1
Transmission Type	ØB5
	Automatic Transmission,
	7-speed
Manufacturer Restriction	AUDI



References

ØB5 321 371 D ØB5 321 371 E

Application info

A4 [8K2, 8K5, 8KH] [11/Ø7--]
A5 [8F, 8T] [Ø6/Ø7--]
A6 [4G2, 4G5, C7] [11/10-Ø5/13]

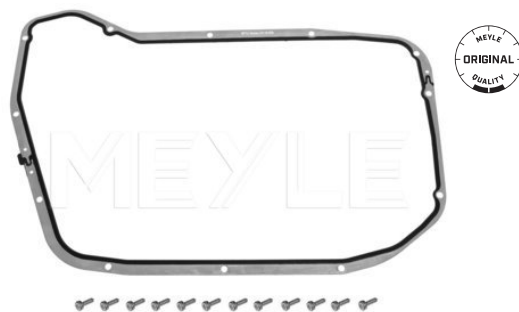
A7 Sportback [4GA] [10/10--]
Q5 [8R] [11/Ø8--]

A/T oil pan gasket

100 139 0004 | MMX0432

Notes

No. of holes 1	12
	Piece
	Steel Elastomer
Transmission Type	8HP55 A
Transmission Type	8HP55
Transmission Type	ØBK
	Automatic Transmission,
	8-speed
Manufacturer Restriction	ZF



References

ØBK 398 009

100 139 0004 | MMX0432

A/T oil pan gasket

Application info

A4 (8K2, 8K5, 8KH) [11/07--]
A5 (8F, 8T) [06/07--]
A6 (4G2, 4G5, C7) [11/10-05/13]

A7 Sportback (4GA) [10/10--]
A8 (4H_) [11/09--]
Q5 (8R) [11/08--]

100 103 0040 | MMX0345

Oil dipstick funnel



Notes

Orange
Plastic

References

038 103 663

Application info

A3 (8L1) [09/96-05/03]
A4 (8D2, 8D5, B5) [11/94-09/01]

A4 (8E2, 8E5, B6) [10/00-12/04]
A6 (4B, C5) [01/97-01/05]

100 103 0045 | MMX0348

Oil dipstick funnel



Notes

Orange
Plastic

References

06A 103 663 C

Application info

A3 (8L1) [09/96-05/03]



Oil filter

100 322 0014 | MOF0214

Notes

Diameter [mm]	76
Height [mm]	123
Thread Size	M27x1,5
	Screw-on Filter

References

06H 115 403	06J 115 403 M
06J 115 403 C	06H 115 561
06J 115 403 J	06J 115 561 B



Application info

A3 [8P1, 8PA] [05/03-08/12]	A8 [4H_] [11/09--]
A4 [8K2, 8K5, 8KH] [11/07--]	Q3 [8U] [06/11--]
A5 [8F, 8T] [06/07--]	Q5 [8R] [11/08--]
A6 [4G2, 4G5, C7] [11/10-05/13]	TT [8J3, 8J9] [08/06-06/10]

Oil filter

100 115 0018 | MOF0045

Notes

Bypass Valve Opening Pressure [bar]	2.5
Outer diameter [mm]	77.5
Height [mm]	172.5
Thread Size	3/4"-16 UNF
	Screw-on Filter with one anti-return valve

References

028 115 561



Application info

80 [8C, 8G7, B4] [05/91-08/00]

Oil filter

100 115 0019 | MOF0046

Notes

Bypass Valve Opening Pressure [bar]	2.5
Outer diameter [mm]	95
Height [mm]	144
Thread Size	3/4"-16 UNF
	Screw-on Filter with one anti-return valve

References

028 115 561 G



Application info

A4 [8D2, 8D5, B5] [11/94-09/01]

100 115 0004 | MOF0037

Oil filter



Notes

Bypass Valve Opening Pressure [bar]	1.5
Diameter [mm]	76
Inner diameter 1 [mm]	71.5
Outer diameter [mm]	78
Height [mm]	91.5
Thread Size	3/4"-16 UNF
	Screw-on Filter

References

030 115 561 AB	030 115 561 AN
----------------	----------------

Application info

A2 [8Z0] [02/00-08/05]

100 322 0015 | MOF0056

Oil filter



Notes

Bypass Valve Opening Pressure [bar]	1.5
Outer diameter [mm]	78.5
Height [mm]	97.74
Thread Size	3/4"-16 UNF
	Screw-on Filter

References

03C 115 561 B

Application info

A1 [8X1, 8XA] [05/10--]

A3 [8P1, 8PA] [05/03-08/12]

100 322 0021 | MOF0211

Oil filter



Notes

Bypass Valve Opening Pressure [bar]	2.5
Outer diameter [mm]	77
Height [mm]	78
Thread Size	3/4"-16 UNF-1B
	Screw-on Filter
	with one anti-return valve

References

04E 115 561 H

Application info

A1 [8X1, 8XA] [05/10--]
A3 [8V1, 8VS, 8V7, 8PA] [04/12--]

Q3 [8U] [06/11--]

Oil filter
100 115 0001 | MOF0034
Notes

Bypass Valve Opening Pressure [bar] 2.5
 Diameter [mm] 76
 Height [mm] 118.5
 Thread Size 3/4"-16 UNF
 Screw-on Filter with one anti-return valve

References

026 115 561 3 056 115 561 G


Application info

100 [4A, C4] [12/90-07/94] 80/90 [89, 89Q, 8A, B3] [06/86-12/96]
 100/200 [44, 44Q, C3] [08/82-12/91] A4 [8D2, 8D5, B5] [11/94-09/01]
 80 [8C, 8G7, B4] [05/91-08/00] A6 [4A, C4] [06/94-12/97]
 80/90 [81, 85, B2] [08/78-10/88]

Oil filter
100 115 0003 | MOF0036
Notes

Bypass Valve Opening Pressure [bar] 2.5
 Diameter [mm] 93
 Inner diameter 1 [mm] 71
 Outer diameter [mm] 95
 Height [mm] 147
 Thread Size 3/4"-16 UNF
 Screw-on Filter with one anti-return valve

References

068 115 561 B


Application info

100 [4A, C4] [12/90-07/94] 80/90 [81, 85, B2] [08/78-10/88]
 100/200 [44, 44Q, C3] [08/82-12/91] 80/90 [89, 89Q, 8A, B3] [06/86-12/96]
 80 [8C, 8G7, B4] [05/91-08/00] A6 [4A, C4] [06/94-12/97]

Oil filter
100 322 0001 | MOF0048
Notes

Bypass Valve Opening Pressure [bar] 2.5
 Outer diameter [mm] 88.5
 Height [mm] 139.5
 Thread Size 3/4"-16 UNF
 Screw-on Filter with one anti-return valve

References

068 115 561 E



100 322 0001 | MOF0048

Oil filter

Application info

A6 [4A, C4] [06/94-12/97]

100 322 0017 | MOF0057

Oil filter



Notes

Bypass Valve Opening Pressure [bar]	2.5
Outer diameter [mm]	93
Height [mm]	142
Thread Size	3/4"-16 UNF
	Screw-on Filter with one anti-return valve

References

06B 115 561 F

Application info

A4 [8D2, 8D5, B5] [11/94-09/01]
A4 [8E2, 8E5, B6] [10/00-12/04]
A4 [8EC, 8ED] [11/04-06/08]

A4 [8H7] [04/02-03/09]
A6 [4B, C5] [01/97-01/05]

100 115 0009 | MOF0040

Oil filter



Notes

Bypass Valve Opening Pressure [bar]	2.5
Diameter [mm]	76
Height [mm]	120.6
Thread Size	3/4"-16 UNF
	Screw-on Filter with one anti-return valve

References

06A 115 561 B 1JM 115 561 BZ

Application info

100 [4A, C4] [12/90-07/94]
100/200 [44, 44Q, C3] [08/82-12/91]
80 [8C, 8G7, B4] [05/91-08/00]
80/90 [85] [07/80-07/91]
80/90 [89, 89Q, 8A, B3] [06/86-12/96]
A3 [8L1] [09/96-05/03]
A3 [8P1, 8PA] [05/03-08/12]
A4 [8D2, 8D5, B5] [11/94-09/01]

A4 [8E2, 8E5, B6] [10/00-12/04]
A4 [8EC, 8ED] [11/04-06/08]
A4 [8H7] [04/02-03/09]
A6 [4A, C4] [06/94-12/97]
A6 [4B, C5] [01/97-01/05]
A8 [4D2, 4D8] [03/94-09/02]
TT [8N3, 8N9] [10/98-06/06]

Oil filter

100 115 0005 | MOF0038

Notes

Diameter [mm] 93
 Height [mm] 114
 Thread Size 3/4"-16 UNF
 Long-life Filter
 Screw-on Filter

References

078 115 561 J



Application info

80 [8C, 8G7, B4] [05/91-08/00]
 80/90 [89, 89Q, 8A, B3] [06/86-12/96]
 A4 [8D2, 8D5, B5] [11/94-09/01]
 A4 [8E2, 8E5, B6] [10/00-12/04]
 A4 [8EC, 8ED] [11/04-06/08]
 A4 [8H7] [04/02-03/09]

A6 [4A, C4] [06/94-12/97]
 A6 [4B, C5] [01/97-01/05]
 A6 [4F2, 4FH, 4F5] [05/04-08/11]
 A8 [4D2, 4D8] [03/94-09/02]
 A8 [4E] [10/02-07/10]
 Allroad [4BH] [05/00-08/05]

Oil filter

114 322 0001 | MOF0063

Notes

Inner diameter 1 [mm] 23.5
 Inner diameter [mm] 39.5
 Outer diameter [mm] 83
 Height [mm] 110.5
 Filter Insert

References

021 115 562 A



Application info

A6 [4B, C5] [01/97-01/05]
 A8 [4D2, 4D8] [03/94-09/02]

Q7 [4L] [03/06-05/12]

Oil filter

100 115 0014 | MOF0042

Notes

Inner diameter [mm] 29
 Outer diameter [mm] 65
 Height [mm] 75
 Filter Insert

References

03C 115 562



100 115 0014 | MOF0042

Oil filter

Application info

A3 [8P1, 8PA] [05/03-08/12]

100 322 0011 | MOF0053

Oil filter



Notes

Inner diameter [mm]	with seal
Outer diameter [mm]	29
Height [mm]	65
	101
	Filter Insert

References

03L 115 466	03L 115 562
-------------	-------------

Application info

A1 [8X1, 8XA] [05/10--]
A3 [8P1, 8PA] [05/03-08/12]
A4 [8K2, 8K5, 8KH] [11/07--]
A5 [8F, 8T] [06/07--]

A6 [4G2, 4G5, C7] [11/10-05/13]
Q3 [8U] [06/11--]
Q5 [8R] [11/08--]
TT [8J3, 8J9] [08/06-06/10]

100 322 0019 | MOF0210

Oil filter



Notes

Inner diameter [mm]	with seal
Outer diameter [mm]	33.5
Height [mm]	65
	103
	Filter Insert

References

03N 115 562

Application info

A1 [8X1, 8XA] [05/10--]
A3 [8V1, 8VS, 8V7, 8PA] [04/12--]
A4 [8K2, 8K5, 8KH] [11/07--]
A5 [8F, 8T] [06/07--]

A6 [4G2, 4G5, C7] [11/10-05/13]
Q3 [8U] [06/11--]
Q5 [8R] [11/08--]
TT [8S] [09/14--]

Oil filter
100 115 0011 | MOF0041
Notes

Inner diameter 2 [mm]	with seal	34.5
Inner diameter 1 [mm]		13.5
Outer diameter [mm]		72.5
Height [mm]		199
	Filter Insert	

References

059 115 562


Application info

 A4 [8D2, 8D5, B5] [11/94-09/01]
 A4 [8E2, 8E5, B6] [10/00-12/04]
 A4 [8EC, 8ED] [11/04-06/08]
 A4 [8H7] [04/02-03/09]

 A6 [4B, C5] [01/97-01/05]
 A8 [4D2, 4D8] [03/94-09/02]
 Allroad [4BH] [05/00-08/05]

Oil filter
100 115 0016 | MOF0043
Notes

Inner diameter [mm]	with seal	31.5
Outer diameter [mm]		65
Height [mm]		125
	Filter Insert	

References

060 115 562


Application info

 A1 [8X1, 8XA] [05/10--]
 A3 [8P1, 8PA] [05/03-08/12]
 A4 [8EC, 8ED] [11/04-06/08]
 A4 [8H7] [04/02-03/09]

 A6 [4F2, 4FH, 4F5] [05/04-08/11]
 Q3 [8U] [06/11--]
 TT [8J3, 8J9] [08/06-06/10]

Oil filter
100 322 0018 | MOF0058
Notes

Inner diameter [mm]	with gaskets/seals	31.5
Outer diameter [mm]		65
Height [mm]		154
	Filter Insert	

References

06E 115 562 A 06E 115 562 C



100 322 0018 | MOF0058

Oil filter

Application info

A4 [8EC, 8ED] [11/04-06/08]
A4 [8H7] [04/02-03/09]
A4 [8K2, 8K5, 8KH] [11/07--]
A5 [8F, 8T] [06/07--]
A6 [4F2, 4FH, 4F5] [05/04-08/11]
A6 [4G2, 4G5, C7] [11/10-05/13]

A7 Sportback [4GA] [10/10--]
A8 [4E] [10/02-07/10]
A8 [4H_] [11/09--]
Q5 [8R] [11/08--]
Q7 [4L] [03/06-05/12]

100 322 0022 | MOF0059

Oil filter



Notes

Inner diameter [mm]
Outer diameter [mm]
Height [mm]

with seal
24
52
112
Filter Insert

References

Ø6K 115 466 Ø6L 115 562
Ø6L 115 466

Application info

A1 [8X1, 8XA] [05/10--]
A3 [8V1, 8VS, 8V7, 8PA] [04/12--]
A4 [8K2, 8K5, 8KH] [11/07--]
A5 [8F, 8T] [06/07--]
A6 [4G2, 4G5, C7] [11/10-05/13]

A7 Sportback [4GA] [10/10--]
Q3 [8U] [06/11--]
Q5 [8R] [11/08--]
TT [8S] [09/14--]

100 115 0000 | MOF0033

Oil filter



Notes

Inner diameter [mm]
Outer diameter [mm]
Height [mm]

with seal
29
71
141
Filter Insert

References

Ø71 115 562 A Ø71 115 562 C

Application info

A2 [8Z0] [02/00-08/05]
A3 [8P1, 8PA] [05/03-08/12]
A4 [8EC, 8ED] [11/04-06/08]
A4 [8H7] [04/02-03/09]
A4 [8K2, 8K5, 8KH] [11/07--]

A5 [8F, 8T] [06/07--]
A6 [4F2, 4FH, 4F5] [05/04-08/11]
Q5 [8R] [11/08--]
TT [8J3, 8J9] [08/06-06/10]
TT [8N3, 8N9] [10/98-06/06]



Oil filter

100 115 0007 | MOF0039

Notes

Inner diameter 2 [mm]
 Inner diameter 1 [mm]
 Outer diameter [mm]
 Height [mm]

with gaskets/seals
 25.5
 25.5
 64.5
 155.5
 Filter Insert

References

074 115 562



Application info

A3 [8L1] [09/96-05/03]
 A4 [8D2, 8D5, 85] [11/94-09/01]
 A4 [8E2, 8E5, 86] [10/00-12/04]

A4 [8EC, 8ED] [11/04-06/08]
 A4 [8H7] [04/02-03/09]
 A6 [4B, C5] [01/97-01/05]

Oil pressure switch

114 820 0004 | MMX1326

Notes

Pressure [bar]
 Pressure to [bar]
 Pressure from [bar]
 Spanner Size
 Thread Size
 Number of Poles

Black
 Opener
 1.4
 1.6
 1.2
 24
 M10 x 1
 1

References

060 919 031



Application info

A3 [8P1, 8PA] [05/03-08/12]

A4 [8EC, 8ED] [11/04-06/08]

Oil pressure switch

100 919 0030 | MMX0493

Notes

Pressure to [bar]
 Pressure from [bar]
 Spanner Size
 Thread Size
 Number of Poles

Red
 with seal
 Lock
 0.3
 0.15
 24
 M10 x 1,0
 1

References

028 919 081 H





Oil pressure switch

100 919 0042 | MMX0496

Notes

	Brown
	Lock
Pressure to [bar]	0.85
Pressure from [bar]	0.55
Spanner Size	24
Thread Size	M10 x 1,0
Number of Poles	1

References

038 919 081 C	038 919 081 K
---------------	---------------



Application info

A1 (8X1, 8XA) [05/10--]
 A2 (8Z0) [02/00-08/05]
 A3 (8P1, 8PA) [05/03-08/12]
 A3 (8V1, 8VS, 8V7, 8PA) [04/12--]
 A4 (8E2, 8E5, 8E6) [10/00-12/04]
 A4 (8EC, 8ED) [11/04-06/08]
 A4 (8H7) [04/02-03/09]
 A4 (8K2, 8K5, 8KH) [11/07--]

A5 (8F, 8T) [06/07--]
 A6 (4B, C5) [01/97-01/05]
 A6 (4F2, 4FH, 4F5) [05/04-08/11]
 A6 (4G2, 4G5, C7) [11/10-05/13]
 A8 (4H_) [11/09--]
 Q3 (8U) [06/11--]
 Q5 (8R) [11/08--]
 TT (8J3, 8J9) [08/06-06/10]

Oil pressure switch

100 800 9068 | MMX0486

Notes

	Grey
	Opener
Pressure to [bar]	1.05
Pressure from [bar]	0.75
Spanner Size	24
Thread Size	M10 x 1,0
Number of Poles	1

References

038 919 081 F	038 919 081 M
038 919 081 G	



Application info

A3 (8P1, 8PA) [05/03-08/12]
 A4 (8D2, 8D5, 8E5) [11/94-09/01]
 A4 (8E2, 8E5, 8E6) [10/00-12/04]
 A4 (8EC, 8ED) [11/04-06/08]
 A4 (8H7) [04/02-03/09]
 A4 (8K2, 8K5, 8KH) [11/07--]
 A5 (8F, 8T) [06/07--]
 A6 (4B, C5) [01/97-01/05]
 A6 (4F2, 4FH, 4F5) [05/04-08/11]

A8 (4D2, 4D8) [03/94-09/02]
 A8 (4E) [10/02-07/10]
 A8 (4H_) [11/09--]
 Allroad (4BH) [05/00-08/05]
 Q5 (8R) [11/08--]
 Q7 (4L) [03/06-05/12]
 TT (8J3, 8J9) [08/06-06/10]
 TT (8N3, 8N9) [10/98-06/06]

114 820 0003 | MMX1325

Oil pressure switch



Notes

Pressure to [bar]	Green
Pressure from [bar]	0.6
Spanner Size	0.3
Thread Size	24
Number of Poles	M10 x 1
	1

References

03C 919 081

Application info

A1 [8X1, 8XA] [05/10--]
 A3 [8P1, 8PA] [05/03-08/12]
 A4 [8K2, 8K5, 8KH] [11/07--]
 A5 [8F, 8T] [06/07--]
 A6 [4G2, 4G5, C7] [11/10-05/13]

A7 Sportback [4GA] [10/10--]
 A8 [4H_] [11/09--]
 Q3 [8U] [06/11--]
 Q5 [8R] [11/08--]

100 919 0025 | MMX0491

Oil pressure switch



Notes

Pressure to [bar]	White with seal
Pressure from [bar]	Lock
Spanner Size	2
Thread Size	1.6
Number of Poles	24
	M10 x 1,0
	1

References

056 919 081

Application info

100 [4A, C4] [12/90-07/94]
 100/200 [44, 44Q, C3] [08/82-12/91]
 80 [8C, 8G7, B4] [05/91-08/00]
 80/90 [81, 85, B2] [08/78-10/88]

80/90 [89, 89Q, 8A, B3] [06/86-12/96]
 A4 [8D2, 8D5, B5] [11/94-09/01]
 A6 [4A, C4] [06/94-12/97]
 A8 [4D2, 4D8] [03/94-09/02]

100 919 0029 | MMX0492

Oil pressure switch



Notes

Pressure to [bar]	Grey
Pressure from [bar]	Lock
Spanner Size	1
Thread Size	0.75
Number of Poles	24
	M10 x 1,0
	1

References

068 919 081 C

Oil pressure switch

100 919 0029 | MMX0492

Application info

100 [4A, C4] [12/90-07/94]

100/200 [44, 44Q, C3] [08/82-12/91]

80 [8C, 8G7, B4] [05/91-08/00]

80/90 [89, 89Q, 8A, B3] [06/86-12/96]

A3 [8L1] [09/96-05/03]

A4 [8D2, 8D5, B5] [11/94-09/01]

A6 [4A, C4] [06/94-12/97]

A6 [4B, C5] [01/97-01/05]

A8 [4D2, 4D8] [03/94-09/02]

Oil pressure switch

100 919 0014 | MMX0489

Notes

	Black
	Lock
Pressure to [bar]	1.6
Pressure from [bar]	1.2
Spanner Size	24
Thread Size	M10 x 1
Number of Poles	1

References

068 919 081

068 919 081 D



Application info

100/200 [44, 44Q, C3] [08/82-12/91]

80 [8C, 8G7, B4] [05/91-08/00]

80/90 [89, 89Q, 8A, B3] [06/86-12/96]

A3 [8L1] [09/96-05/03]

A4 [8D2, 8D5, B5] [11/94-09/01]

A6 [4A, C4] [06/94-12/97]

A6 [4B, C5] [01/97-01/05]

A8 [4D2, 4D8] [03/94-09/02]

Oil pressure switch

100 919 0020 | MMX0490

Notes

	Black
	Lock
Pressure to [bar]	1.6
Pressure from [bar]	1.2
Spanner Size	24
Thread Size	M10 x 1,0
Number of Poles	1

References

06A 919 081 D

06A 919 081 J



Application info

80 [8C, 8G7, B4] [05/91-08/00]

80/90 [89, 89Q, 8A, B3] [06/86-12/96]

A3 [8L1] [09/96-05/03]

A3 [8P1, 8PA] [05/03-08/12]

A4 [8D2, 8D5, B5] [11/94-09/01]

A4 [8E2, 8E5, 8E] [10/00-12/04]

A4 [8EC, 8ED] [11/04-06/08]

A4 [8H7] [04/02-03/09]

A6 [4A, C4] [06/94-12/97]

A6 [4B, C5] [01/97-01/05]

A6 [4F2, 4FH, 4F5] [05/04-08/11]

A8 [4D2, 4D8] [03/94-09/02]

A8 [4E] [10/02-07/10]

Allroad [4BH] [05/00-08/05]

Q7 [4L] [03/06-05/12]

TT [8J3, 8J9] [08/06-06/10]

TT [8N3, 8N9] [10/98-06/06]

100 919 0034 | MMX0495

Oil pressure switch



Notes

Pressure to [bar]	Grey
Pressure from [bar]	Lock
Spanner Size	0.4
Thread Size	0.28
Number of Poles	22
	M10 x 1,0
	2

References

1J0 919 081

Application info

A3 (8L1) (09/96-05/03)

TT (8N3, 8N9) (10/98-06/06)

100 199 0026 | MMX0441

Anti torque mount



Notes

Outer diameter [mm]	Elastomer
	63
	Front

References

811 199 339 A	823 199 339 A
811 199 339 B	

Application info

100/200 (44, 44Q, C3) (08/82-12/91)
80 (8C, 8G7, B4) (05/91-08/00)

80/90 (81, 85, B2) (08/78-10/88)
80/90 (89, 89Q, 8A, B3) (06/86-12/96)

100 199 0078 | MMX0443

Anti torque mount



Notes

Elastomer
Front

References

800 199 339 A

Application info

80/90 (89, 89Q, 8A, B3) (06/86-12/96)
A4 (802, 805, B5) (11/94-09/01)

A6 (4B, C5) (01/97-01/05)



Anti torque mount

100 199 0082 | MMX0444

Notes

Elastomer
Front

References

800 199 339 D



Application info

A4 [802, 805, B5] [11/94-09/01]

Anti torque mount

100 030 0005 | MMX0310

Notes

Elastomer
Front

References

800 199 339 M



Application info

A4 [802, 805, B5] [11/94-09/01]

Anti torque mount

100 199 0066 | MMX0442

Notes

Diameter [mm]

Elastomer
68
Front

References

893 199 339
800 199 339 F

800 199 339 P



Application info

100 [4A, C4] [12/90-07/94]
100/200 [44, 44Q, C3] [08/82-12/91]
80 [8C, 8G7, B4] [05/91-08/00]
80/90 [81, 85, B2] [08/78-10/88]
80/90 [89, 89Q, 8A, B3] [06/86-12/96]

A4 [802, 805, B5] [11/94-09/01]
A4 [8E2, 8E5, B6] [10/00-12/04]
A6 [4A, C4] [06/94-12/97]
A6 [4B, C5] [01/97-01/05]
Allroad [4BH] [05/00-08/05]

100 199 0140 | MMX0446

Anti torque mount



Notes

Required quantity

Elastomer
2
Front

References

8E0 199 339

Application info

A4 [8E2, 8E5, B6] [10/00-12/04]
A4 [8H7] [04/02-03/09]
A6 [4B, C5] [01/97-01/05]

A6 [4F2, 4FH, 4F5] [05/04-08/11]
A8 [4E] [10/02-07/10]
Allroad [4BH] [05/00-08/05]

100 199 1021 | MEM0745

Engine mount



Notes

Required quantity

Kit
Rubber-metal Bearing
1
Rear
Upper
Lower

Replace in pairs only

References

5Q0 198 037

Application info

A3 [8V1, 8VS, 8V7, 8PA] [04/12--]

TT [8S] [09/14--]

100 199 1020 | MEM0744

Engine mount



Notes

Required quantity

Kit
Rubber-metal Bearing
1
Rear
Lower
Upper

References

5Q0 198 037 A

Application info

A3 [8V1, 8VS, 8V7, 8PA] [04/12--]

Engine mount
100 199 1001 | MEM0629
Notes

Hydro Bearing

References

 8K0 198 381 BE
 8R0 198 381
 8R0 198 381 C
 8R0 198 381 D
 8K0 199 381 GK
 8K0 199 381 LD
 8K0 199 381 NK

 8K0 199 381 NP
 8K0 199 381 NT
 8K0 199 381 PB
 8R0 199 381 AL
 8R0 199 381 AM
 8R0 199 381 J
 8R0 199 381 L

Application info

A4 [8K2, 8K5, 8KH] [11/07--]

Engine mount
100 199 1002 | MEM0636
Notes

Hydro Bearing

References

 8K0 198 381
 8K0 198 381 BE
 8R0 198 381
 8R0 198 381 D
 8K0 199 381 KA
 8K0 199 381 KD
 8K0 199 381 LC

 8K0 199 381 LS
 8K0 199 381 NJ
 8K0 199 381 NN
 8K0 199 381 PD
 8K0 199 381 PG
 8R0 199 381 D
 8R0 199 381 G

Application info

 A4 [8K2, 8K5, 8KH] [11/07--]
 A5 [8F, 8T] [06/07--]

Q5 [8R] [11/08--]

Engine mount
100 199 1003 | MEM0626
Notes

 Electronically controlled
 hydro mount
 with plug

References

 8K0 198 381 BF*
 8R0 198 381 B*
 8R0 198 381 C*
 8R0 198 381 E*
 8R0 198 381 S*
 8K0 199 381 DH
 8K0 199 381 EL
 8K0 199 381 GQ
 8K0 199 381 LE
 8K0 199 381 LL

 8K0 199 381 LT
 8K0 199 381 ME
 8K0 199 381 MG
 8K0 199 381 NL
 8K0 199 381 NQ
 8K0 199 381 NS
 8K0 199 381 PA
 8R0 199 381 C
 8R0 199 381 E


100 199 1003 | MEM0626

Engine mount

Application info

A4 [8K2, 8K5, 8KH] [11/07--]
A5 [8F, 8T] [06/07--]
A6 [4F2, 4FH, 4F5] [05/04-08/11]

A6 [4G2, 4G5, C7] [11/10-05/13]
Q5 [8R] [11/08--]

100 199 1004 | MEM0645

Engine mount



Notes

Electronically controlled hydro mount with plug

References

8K0 198 381 AG	8K0 199 381 MC
8K0 198 381 AQ	8K0 199 381 MK
8R0 198 381 B	8K0 199 381 NE
8R0 198 381 M	8K0 199 381 PC
8R0 198 381 S	8K0 199 381 PE
8K0 199 381 DE	8K0 199 381 PH
8K0 199 381 ED	8R0 199 381 AK
8K0 199 381 EM	8R0 199 381 AP
8K0 199 381 JQ	8R0 199 381 H
8K0 199 381 KF	8R0 199 381 K
8K0 199 381 KQ	8R0 199 381 M
8K0 199 381 LF	8K0 198 381B
8K0 199 381 LN	

Application info

A4 [8K2, 8K5, 8KH] [11/07--]
A5 [8F, 8T] [06/07--]

Q5 [8R] [11/08--]

100 199 1005 | MEM0646

Engine mount



Notes

Electronically controlled hydro mount with plug

References

8K0 198 381 AG	8K0 199 381 JR
8K0 198 381 AK	8K0 199 381 KR
8K0 198 381 Q	8K0 199 381 NF
8R0 198 381 E	8K0 199 381 NG
8R0 198 381 K	8K0 199 381 NM
8R0 198 381 M	8K0 199 381 NR
8R0 198 381 Q	8R0 199 381 N
8K0 199 381 DQ	8R0 199 381 Q
8K0 199 381 DS	

Application info

A4 [8K2, 8K5, 8KH] [11/07--]
A5 [8F, 8T] [06/07--]

Q5 [8R] [11/08--]

Engine mount

100 199 1007 | MEM0719

Notes

Hydro Bearing

References

8R0 198 381 AK
8R0 198 381 K
8K0 199 381 DJ
8K0 199 381 DK
8K0 199 381 DL
8K0 199 381 DM
8K0 199 381 JN
8K0 199 381 KN
8K0 199 381 KP
8K0 199 381 MB

8K0 199 381 NA
8K0 199 381 NB
8K0 199 381 NC
8K0 199 381 ND
8R0 199 381 AB
8R0 199 381 AN
8R0 199 381 P
8R0 199 381 R
8R0 199 381 T



Application info

A4 [8K2, 8K5, 8KH] [11/07--]

Engine mount

100 199 1009 | MEM0720

Notes

Electronically controlled
hydro mount
with plug

References

8K0 198 381 BN
8R0 198 381 P
8K0 199 381 DA
8K0 199 381 GQ
8K0 199 381 LJ

8K0 199 381 LL
8K0 199 381 PF
8R0 199 381 B
8R0 199 381 F



Application info

A4 [8K2, 8K5, 8KH] [11/07--]
A5 [8F, 8T] [06/07--]

A6 [4G2, 4G5, C7] [11/10-05/13]
Q5 [8R] [11/08--]

Engine mount

100 199 1010 | MEM0721

Notes

Hydro Bearing

References

8R0 198 381 P
8R0 199 381 A

8R0 199 381 AJ



Application info

A4 [8K2, 8K5, 8KH] [11/07--]
A5 [8F, 8T] [06/07--]

Q5 [8R] [11/08--]

100 199 1185 | MEM0794

Engine mount



Notes

Piece
Hydro Bearing
Left and right

References

7L6 199 131 A

Application info

Q7 [4L] [03/06-05/12]

100 199 0190 | MEM0757

Engine mount



Notes

Hydro Bearing
Left and right

References

7L8 199 131 A

Application info

Q7 [4L] [03/06-05/12]

100 199 0215 | MEM0605

Engine mount



Notes

Hydro Bearing
Left and right

References

7L8 199 131 F

Application info

Q7 [4L] [03/06-05/12]

Engine mount
100 199 1041 | MEM0687
Notes

 Hydro Bearing
 Right Front

References

1J0 199 262 BE

1J0 199 262 BF


Application info

A3 [8L1] [09/96-05/03]

Engine mount
100 199 0112 | MEM0202
Notes

 Hydro Bearing
 Right

References

1K0 199 262 AS


Application info

A3 [8P1, 8PA] [05/03-08/12]

Engine mount
100 199 0129 | MEM0213
Notes

 Hydro Bearing
 Right

References

1K0 199 262 AT

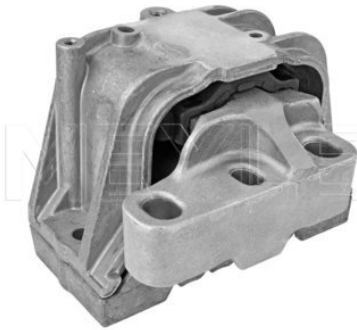

Application info

A3 [8P1, 8PA] [05/03-08/12]

6

100 199 0217 | MEM0244

Engine mount



Notes

Hydro Bearing
Right

References

1K0 199 262 CG

Application info

A3 [8P1, 8PA] [05/03-08/12]

100 199 0108 | MEM0198

Engine mount



Notes

Hydro Bearing
Right

References

1K0 199 262 K

Application info

A3 [8P1, 8PA] [05/03-08/12]

100 199 0122 | MEM0209

Engine mount



Notes

Hydro Bearing
Right

References

1K0 199 262 AC
1K0 199 262 AL

1K0 199 262 L

Application info

A3 [8P1, 8PA] [05/03-08/12]



Engine mount

100 199 0113 | MEM0203

Notes

Rubber-metal Bearing
Right

References

1K0 199 262 AB
1K0 199 262 AM

1K0 199 262 M



Application info

A3 [8P1, 8PA] [05/03-08/12]

TT [8J3, 8J9] [08/06-06/10]

Engine mount

100 199 0018 | MEM0138

Notes

Hydro Bearing
Left Front

References

4A0 199 351
4A0 199 351 A

4A0 199 351 B



Application info

100 [4A, C4] [12/90-07/94]

A6 [4A, C4] [06/94-12/97]

Engine mount

100 199 0049 | MEM0161

Notes

Hydro Bearing
Front

References

443 199 379 D



Application info

100 [4A, C4] [12/90-07/94]

100/200 [44, 44Q, C3] [08/82-12/91]

80/90 [81, 85, B2] [08/78-10/88]

80/90 [89, 89Q, 8A, B3] [06/86-12/96]

A6 [4A, C4] [06/94-12/97]

100 199 0051 | MEM0163

Engine mount



Notes

Hydro Bearing
Front

References

4A0 199 379 A
4A0 199 379 B

4A0 199 379 C

Application info

100 [4A, C4] [12/90-07/94]

A6 [4A, C4] [06/94-12/97]

100 199 0134 | MEM0217

Engine mount



Notes

Electronically controlled
hydro mount
Left and right

References

4B0 199 379 E

Application info

A4 [802, 805, B5] [11/94-09/01]

A6 [4B, C5] [01/97-01/05]

100 199 0173 | MEM0232

Engine mount



Notes

Hydro Bearing
Left Front

References

4F0 199 379 AP

4F0 199 379 BF

Application info

A6 [4F2, 4FH, 4F5] [05/04-08/11]



Engine mount

100 199 0046 | MEM0158

Notes

Hydro Bearing
Left Front

References

8A0 199 379 B

8A0 199 379 E



Application info

80 [8C, 8G7, B4] [05/91-08/00]

80/90 [89, 89Q, 8A, B3] [06/86-12/96]

Engine mount

100 199 0040 | MEM0152

Notes

Hydro Bearing
Left Front

References

800 199 379 AQ

800 199 379 J



Application info

A4 [802, 805, B5] [11/94-09/01]

A6 [4B, C5] [01/97-01/05]

Engine mount

100 199 0056 | MEM0166

Notes

Hydro Bearing
Left and right
Front

References

800 199 379 AT
800 199 379 E
800 199 379 H

800 199 379 K
800 199 379 L



Application info

A4 [802, 805, B5] [11/94-09/01]

A6 [4B, C5] [01/97-01/05]

100 199 0084 | MEM0181

Engine mount



Notes

Hydro Bearing
Left Front

References

8E0 199 379 AF

8E0 199 379 D

Application info

A4 [8E2, 8E5, B6] [10/00-12/04]
A4 [8EC, 8ED] [11/04-06/08]

A4 [8H7] [04/02-03/09]

100 199 0083 | MEM0180

Engine mount



Notes

Hydro Bearing
Right Front

References

8E0 199 379 AG

8E0 199 379 F

Application info

A4 [8E2, 8E5, B6] [10/00-12/04]
A4 [8EC, 8ED] [11/04-06/08]

A4 [8H7] [04/02-03/09]

100 199 0179 | MEM0236

Engine mount



Notes

Hydro Bearing
Left Front

References

8E0 199 379 AD
8E0 199 379 AQ

8E0 199 379 BG

Application info

A4 [8E2, 8E5, B6] [10/00-12/04]
A4 [8EC, 8ED] [11/04-06/08]

A4 [8H7] [04/02-03/09]



Engine mount

100 199 0011 | MEM0132

Notes

Rubber-metal Bearing
Front

References

823 199 381 B

893 199 381 B



Application info

80/90 [81, 85, B2] [08/78-10/88]

80/90 [89, 89Q, 8A, B3] [06/86-12/96]

Engine mount

100 199 0017 | MEM0137

Notes

Hydro Bearing
Front

References

443 199 382



Application info

100/200 [44, 44Q, C3] [08/82-12/91]
80/90 [81, 85, B2] [08/78-10/88]

80/90 [85] [07/80-07/91]
80/90 [89, 89Q, 8A, B3] [06/86-12/96]

Engine mount

100 199 0174 | MEM0233

Notes

Hydro Bearing
Right Front

References

4F0 199 382 A0

4F0 199 382 BH



Application info

A6 [4F2, 4FH, 4F5] [05/04-08/11]

100 199 0176 | MEM0234

Engine mount



Notes

Hydro Bearing
Right Front

References

4F0 199 382 AR

4F0 199 382 BJ

Application info

A6 [4F2, 4FH, 4F5] [05/04-08/11]

100 199 0123 | MEM0210

Engine mount



Notes

Hydro Bearing
Right

References

4F0 199 382 AS

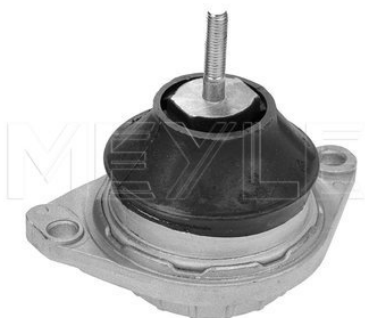
4F0 199 382 BK

Application info

A6 [4F2, 4FH, 4F5] [05/04-08/11]

100 199 0092 | MEM0183

Engine mount



Notes

Hydro Bearing
Right Front

References

8A0 199 382 A

Application info

80 [8C, 8G7, B4] [05/91-08/00]

80/90 [89, 89Q, 8A, B3] [06/86-12/96]



Engine mount

100 199 0048 | MEM0160

Notes

Hydro Bearing
Right Front

References

800 199 382 AN

800 199 382 L



Application info

A4 [802, 805, B5] [11/94-09/01]

A6 [4B, C5] [01/97-01/05]

Engine mount

100 199 0189 | MEM0242

Notes

Hydro Bearing
Right

References

8E0 199 382 AG



Application info

A4 [8E2, 8E5, B6] [10/00-12/04]

A4 [8EC, 8ED] [11/04-06/08]

A4 [8H7] [04/02-03/09]

Engine mount

100 199 0180 | MEM0237

Notes

Hydro Bearing
Right Front

References

8E0 199 382 AA

8E0 199 382 AH

8E0 199 382 B

8E0 199 382 J

8E0 199 382 Q



Application info

A4 [8E2, 8E5, B6] [10/00-12/04]

A4 [8EC, 8ED] [11/04-06/08]

A4 [8H7] [04/02-03/09]

100 199 0192 | MEM0243

Engine mount



Notes

Hydro Bearing
Right

References

8E0 199 382 AJ

Application info

A4 [8EC, 8ED] [11/04-06/08]

A4 [8H7] [04/02-03/09]

100 199 0068 | MEM0171

Engine mount



Notes

Rubber-metal Bearing
Left Front

References

1J0 199 555 AH

Application info

A3 [8L1] [09/96-05/03]

100 199 0053 | MEM0165

Engine mount



Notes

Rubber-metal Bearing
Left Front

References

1J0 199 555 AJ

Application info

A3 [8L1] [09/96-05/03]



Engine mount

100 199 0069 | MEM0172

Notes

Rubber-metal Bearing
Left Front

References

1J0 199 555 AK



Application info

A3 [8L1] [09/96-05/03]

Engine mount

100 199 0184 | MEM0239

Notes

Hydro Bearing
Left

References

1J0 199 555 AP

1J0 199 555 AQ



Application info

A3 [8L1] [09/96-05/03]

Engine mount

100 199 1054 | MEM0740

Notes

Hydro Bearing
Left

References

1K0 199 555 CA



Application info

A3 [8P1, 8PA] [05/03-08/12]

100 199 1052 | MEM0738

Engine mount



Notes

Hydro Bearing
Left

References

1K0 199 555 CB

Application info

A3 [8P1, 8PA] [05/03-08/12]

100 199 1098 | MEM0701

Engine mount



Notes

Hydro Bearing
Left

References

1K0 199 555 L

1K0 199 555 M

Application info

A3 [8P1, 8PA] [05/03-08/12]

100 199 0099 | MEM0190

Engine mount



Notes

Rubber-metal Bearing
Left

References

1K0 199 555 N

Application info

A3 [8P1, 8PA] [05/03-08/12]



Engine mount

100 199 0096 | MEM0187

Notes

Rubber-metal Bearing
Left

References

1K0 199 555 AQ
1K0 199 555 Q

1K0 199 555 R



Application info

A3 [8P1, 8PA] [05/03-08/12]

Engine mount

100 199 0095 | MEM0186

Notes

Rubber-metal Bearing
Left

References

1K0 199 555 AT

1K0 199 555 T



Application info

A3 [8P1, 8PA] [05/03-08/12]

Engine mount

100 199 0204 | MEM0610

Notes

Hydro Bearing
Left

References

5Q0 199 555 Q



Application info

A3 [8V1, 8VS, 8V7, 8PA] [04/12--]

100 199 0203 | MEM0609

Engine mount



Notes

Hydro Bearing
Left

References

5Q0 199 555 R

Application info

A3 [8V1, 8VS, 8V7, 8PA] [04/12--]

100 199 0205 | MEM0611

Engine mount



Notes

Hydro Bearing
7-Speed Manual Transmis-
sion
Dual-clutch transmission
Left

References

5Q0 199 555 S

Application info

A3 [8V1, 8VS, 8V7, 8PA] [04/12--]

100 199 0200 | MEM0608

Engine mount



Notes

Hydro Bearing
Transmission End
Left

References

5Q0 199 555 T

Application info

A3 [8V1, 8VS, 8V7, 8PA] [04/12--]



Engine mount

100 199 0125 | MTM0090

Notes

Rubber-metal Bearing
Left Rear



References

6Q0 199 555 AF
6Q0 199 555 AS

6Q0 199 555 T

Application info

A1 [8X1, 8XA] [05/10--]

Engine mount

100 199 0126 | MTM0091

Notes

Rubber-metal Bearing
Left Rear



References

6Q0 199 555 AE

6Q0 199 555 AT

Application info

A1 [8X1, 8XA] [05/10--]

Engine mount

100 199 0045 | MEM0157

Notes

Rubber-metal Bearing
Rear



References

1J0 199 851 AA
1J0 199 851 M

1J0 199 851 N



Application info

A3 [8L1] [09/96-05/03]

TT [8N3, 8N9] [10/98-06/06]

100 199 0160 | MEM0586

Engine mount



Notes

Rubber-metal Bearing
Rear

References

1J0 199 851 AB

1J0 199 851 R

Application info

A3 (8L1) (09/96-05/03)

100 199 1040 | MEM0746

Engine mount



Notes

Rubber-metal Bearing
Rear

References

1J0 199 851 AM

Application info

TT (8N3, 8N9) (10/98-06/06)

100 199 0178 | MEM0235

Engine mount



Notes

Rubber-metal Bearing
Rear

References

6Q0 199 851 AP

Application info

A1 (8X1, 8XA) (05/10--)



Engine mount

100 199 0143 | MEM0222

Notes

Rubber-metal Bearing
Rear

References

1K0 199 855 BB

1K0 199 855 L



Application info

A3 [8P1, 8PA] [05/03-08/12]

Engine mount

100 199 0195 | MEM0619

Notes

Rubber-metal Bearing
Rear

References

1K0 199 855 AG

1K0 199 855 BD



Application info

A3 [8P1, 8PA] [05/03-08/12]

Engine mount

100 199 0142 | MEM0650

Notes

Rubber-metal Bearing
Rear

References

3C0 199 855 A

3C0 199 855 J



Application info

TT [8J3, 8J9] [08/06-06/10]

100 199 0209 | MEM0707

Engine mount



Notes

Rubber-metal Bearing
Rear

References

3C0 199 855 K

Application info

TT [8J3, 8J9] [08/06-06/10]

100 199 0167 | MEM0705

Engine mount



Notes

Rubber-metal Bearing
Centre
Rear

References

3C0 199 855 M

Application info

A3 [8P1, 8PA] [05/03-08/12]
Q3 [8U] [06/11--]

TT [8J3, 8J9] [08/06-06/10]

100 199 1057 | MEM0747

Engine mount



Notes

Rubber-metal Bearing
Rear

References

5Q0 199 855 J

Application info

A3 [8V1, 8VS, 8V7, 8PA] [04/12--]

TT [8S] [09/14--]



Engine mount

100 199 1056 | MEM0742

Notes

Rubber-metal Bearing
Rear

References

5Q0 199 855 N



Application info

A3 [8V1, 8VS, 8V7, 8PA] [04/12--]

Engine mount

100 199 0161 | MEM0230

Notes

Rubber-metal Bearing
Lower
Rear

References

1K0 199 867
1K0 199 867 A
1K0 199 867 B

1K0 199 867 C
1K0 199 867 P
1K0 199 867 Q

Counterpart

100 199 0162 | MEM0231
100 199 0162 | MEM0231



Application info

A3 [8P1, 8PA] [05/03-08/12]

TT [8J3, 8J9] [08/06-06/10]

Engine mount

100 199 0311 | MEM0671

Notes

Rubber-metal Bearing
Rear
Lower

References

3C0 199 867 E

Counterpart

100 199 0312 | MEM0672

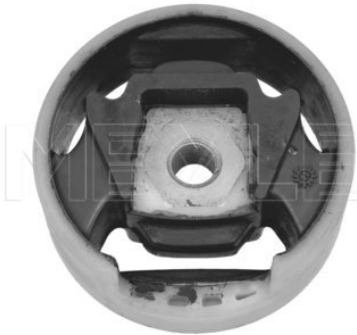


Application info

A3 [8P1, 8PA] [05/03-08/12]

100 199 0162 | MEM0231

Engine mount



Notes

Rubber-metal Bearing
Upper
Rear

References

1K0 199 868
1K0 199 868 A
1K0 199 868 C

1K0 199 868 P
1K0 199 868 Q

Counterpart

100 199 0161 | MEM0230
100 199 0161 | MEM0230

Application info

A3 (8P1, 8PA) (05/03-08/12)

TT (8J3, 8J9) (08/06-06/10)

100 199 0312 | MEM0672

Engine mount



Notes

Rubber-metal Bearing
Rear
Upper

References

3C0 199 868 E

Counterpart

100 199 0311 | MEM0671

Application info

A3 (8P1, 8PA) (05/03-08/12)

100 399 0035 | MEM0245

Engine mount



Notes

Rubber-metal Bearing
Manual Transmission, 6-
speed

References

8E0 399 105 CF
8E0 399 105 EF

8E0 399 105 HS

Application info

A4 (8E2, 8E5, 8E6) (10/00-12/04)
A4 (8EC, 8ED) (11/04-06/08)

A4 (8H7) (04/02-03/09)

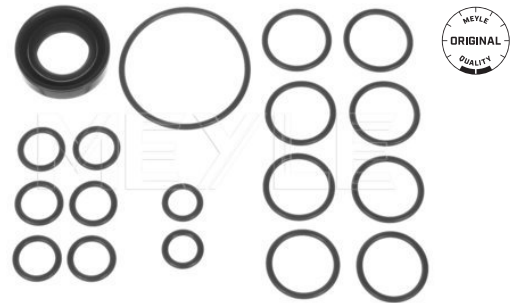


Gasket set, hydraulic pump

100 198 0002 | MSX0030

References

026 198 049 B



Application info

100/200 [44, 44Q, C3] [08/82-12/91]

V8 [01] [10/88-02/94]

Hydraulic pump, P/S

114 631 0040 | MHP0129

Notes

Operating Pressure [bar]

Hydraulic
120

References

BK0 145 153 F



Application info

A4 [8K2, 8K5, 8KH] [11/07--]

A5 [8F, 8T] [06/07--]

Hydraulic pump, P/S

114 631 0035 | MHP0124

Notes

Operating Pressure [bar]

Hydraulic
130

References

BK0 145 154 B

BK0 145 154 G

BK0 145 154 H

BK0 145 154 L

BR0 145 154 B

BR0 145 155 K

BR0 145 155 N

BR0 145 155 S

BR0 145 156 G



Application info

A4 [8K2, 8K5, 8KH] [11/07--]

A5 [8F, 8T] [06/07--]

Q5 [8R] [11/08--]

114 631 0005 | MHP0028

Hydraulic pump, P/S



Notes

Operating Pressure [bar]

Hydraulic
Aluminium
120

References

8N0 145 154 A

Application info

A3 [8L1] [09/96-05/03]

TT [8N3, 8N9] [10/98-06/06]

114 631 0017 | MHP0040

Hydraulic pump, P/S



Notes

Operating Pressure [bar]

Hydraulic
Aluminium
120

References

048 145 155 FX

Application info

100 [4A, C4] [12/90-07/94]

A6 [4A, C4] [06/94-12/97]

A6 [4B, C5] [01/97-01/05]

114 631 0032 | MHP0052

Hydraulic pump, P/S



Notes

Manufacturer Restriction
Operating Pressure [bar]

Hydraulic
ZF
120

References

050 145 155 A
050 145 155 AV

050 145 155 AX

Application info

80 [8C, 8G7, B4] [05/91-08/00]

80/90 [81, 85, B2] [08/78-10/88]

80/90 [89, 89Q, 8A, B3] [06/86-12/96]



Hydraulic pump, P/S

114 631 0018 | MHP0041

Notes

Operating Pressure [bar] Hydraulic 120

References

4B0 145 155 R 4B0 145 155 RX



Application info

A6 [4B, C5] [01/97-01/05]

Hydraulic pump, P/S

114 631 0020 | MHP0043

Notes

Manufacturer Restriction Hydraulic Aluminium ZF
Operating Pressure [bar] 120

References

4B0 145 155 T 4B0 145 155 TX



Application info

A6 [4B, C5] [01/97-01/05]

Hydraulic pump, P/S

114 631 0024 | MHP0047

Notes

Manufacturer Restriction Hydraulic ZF
Operating Pressure [bar] 120

References

8E0 145 155 N



Application info

A4 [8E2, 8E5, B6] [10/00-12/04]
A4 [8EC, 8ED] [11/04-06/08]

A4 [8H7] [04/02-03/09]

7

114 631 0019 | MHP0042

Hydraulic pump, P/S



Notes

Manufacturer Restriction
Operating Pressure [bar]

Hydraulic
ZF
120

References

4B0 145 156

4B0 145 156 X

Application info

A6 [4B, C5] [01/97-01/05]

114 631 0031 | MHP0051

Hydraulic pump, P/S



Notes

Operating Pressure [bar]

Hydraulic
120

References

800 145 156

800 145 156 X

Application info

A4 [802, 805, B5] [11/94-09/01]

114 631 0021 | MHP0044

Hydraulic pump, P/S



Notes

Manufacturer Restriction
Operating Pressure [bar]

Hydraulic
Aluminium
ZF
120

References

800 145 156 A

800 145 156 AX

Application info

A4 [802, 805, B5] [11/94-09/01]

7



Hydraulic pump, P/S

114 631 0006 | MHP0029

Notes

Operating Pressure [bar]

Hydraulic
Aluminium
110

References

800 145 156 KX



Application info

A4 (802, 805, B5) [11/94-09/01]

Hydraulic pump, P/S

114 631 0007 | MHP0030

Notes

Manufacturer Restriction
Operating Pressure [bar]

Hydraulic
Aluminium
ZF
110

References

800 145 156 T

800 145 156 TX



Application info

A4 (802, 805, B5) [11/94-09/01]

A4 (8E2, 8E5, B6) [10/00-12/04]

Hydraulic pump, P/S

114 631 0003 | MHP0026

Notes

Operating Pressure [bar]

Hydraulic
Aluminium
90

References

1J0 422 154 E
1J0 422 154 H

1J0 422 154 HX



Application info

A3 (8L1) [09/96-05/03]

114 631 0041 | MHP0130

Hydraulic pump, P/S



Notes

Operating Pressure [bar]

Hydraulic
Aluminium
95

References

1J0 422 152 MX	1J0 422 154 J
1J0 422 154	1J0 422 154 JX
1J0 422 154 A	2K0 422 154
1J0 422 154 AX	2K0 422 154 A

Application info

A3 [8L1] [09/96-05/03]

114 631 0034 | MHP0123

Hydraulic pump, P/S



Notes

Manufacturer Restriction
Operating Pressure [bar]

Hydraulic
KAYABA
110

References

7L6 422 154 D	7L8 422 154
7L6 422 154 E	7L8 422 154 D

Application info

Q7 [4L] [03/06-05/12]

159 202 0004 | MHH0080

P/S hose



Notes

for foreflow
from expansion tank to hy-
draulic pump

References

3B0 422 887	8D0 422 887 C
4B0 422 887 E	

Application info

A4 [8D2, 8D5, 8B5] [11/94-09/01]

A6 [4B, C5] [01/97-01/05]

7



P/S hose

159 203 0001 | MHH0081

Notes

for backflow

References

800 422 891 A

800 422 891 C



Application info

A4 (802, 805, B5) [11/94-09/01]

P/S hose

159 203 0000 | MHH0046

Notes

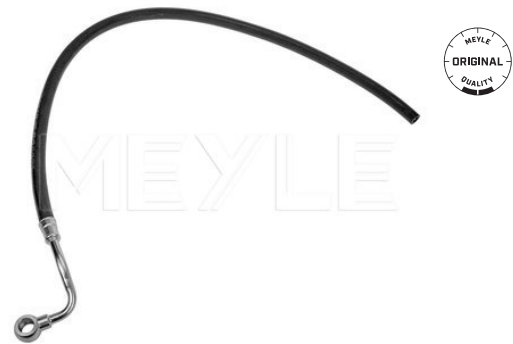
with backflow
from steering gear to cooling
pipe

References

801 422 891 D

801 422 891 G

801 422 891 J



Application info

A4 (802, 805, B5) [11/94-09/01]

P/S hose

159 630 0001 | MHH0021

Notes

for foreflow
Holder may need adaptation
from hydraulic pump to steer-
ing gear

References

1J0 422 893 CN



Application info

A3 (8L1) [09/96-05/03]

159 202 0002 | MHH0053

P/S hose



Notes

for foreflow
from hydraulic pump to steering gear

References

4B0 422 893 A

4B0 422 893 G

Application info

A4 (802, 805, B5) [11/94-09/01]
A4 (8E2, 8E5, B6) [10/00-12/04]

A4 (8H7) [04/02-03/09]

159 202 0005 | MHH0019

P/S hose



Notes

with expansion hose
for foreflow
from hydraulic pump to steering gear

References

801 422 893 AL

Application info

A4 (802, 805, B5) [11/94-09/01]

A6 (4B, C5) [01/97-01/05]

100 623 0000 | MSX0066

P/S fluid reservoir



Notes

with lid

References

1J0 422 371 C

Application info

A3 (8L1) [09/96-05/03]

TT (8N3, 8N9) [10/98-06/06]

P/S fluid reservoir
100 422 0016 | MSX0061
References

 800 422 371 H 800 422 373 C
 800 422 371 K

Application info

 A4 [802, 805, 85] [11/94-09/01]
 A4 [8EC, 8ED] [11/04-06/08]

 A6 [4B, C5] [01/97-01/05]
 A6 [4F2, 4FH, 4F5] [05/04-08/11]

Steering boot
100 422 0013 | MSX0058
Notes

Inner diameter 2 [mm]	54
Inner diameter 1 [mm]	18
Height [mm]	205

 for vehicles with power steering

References

400 419 831 D


Application info

A4 [802, 805, 85] [11/94-09/01]

A8 [402, 408] [03/94-09/02]

Steering boot
100 419 0016 | MSX0042
Notes

Inner diameter 2 [mm]	Elastomer
Inner diameter 1 [mm]	54
Height [mm]	20

 205
 for vehicles with power steering

References

400 419 831 E


Application info

 A4 [802, 805, 85] [11/94-09/01]
 A6 [4B, C5] [01/97-01/05]
 A8 [402, 408] [03/94-09/02]

 A8 [4E] [10/02-07/10]
 Allroad [4BH] [05/00-08/05]

100 419 0006 | MSX0037

Steering boot



Notes

Inner diameter 2 [mm]	45
Inner diameter 1 [mm]	27
Height [mm]	150
	Front Axle Right
	Front Axle Left

References

811 419 831 B

Application info

80 (8C, 8G7, B4) (05/91-08/00)
80/90 (81, 85, B2) (08/78-10/88)

80/90 (89, 89Q, 8A, B3) (06/86-12/96)

100 419 0005 | MSX0036

Steering boot



Notes

Inner diameter 2 [mm]	43
Inner diameter 1 [mm]	33
Height [mm]	510
	Front Axle Right
	Front Axle Left

References

823 419 831

Application info

80/90 (81, 85, B2) (08/78-10/88)

100 419 0017 | MSX0043

Steering boot



Notes

Inner diameter 2 [mm]	63
Inner diameter 1 [mm]	17.5
Height [mm]	255
	for vehicles with power steering

References

800 419 831 J

800 419 831 K

Application info

A4 (802, 805, B5) (11/94-09/01)
A6 (4B, C5) (01/97-01/05)

A8 (402, 408) (03/94-09/02)
Allroad (4BH) (05/00-08/05)

7

Steering boot
100 422 9010 | MSX0062
Notes

Inner diameter 2 [mm]	49
Inner diameter 1 [mm]	14.5
Height [mm]	186

for vehicles with power steering
Front Axle Right
Front Axle Left

References

1J0 422 831 B


Application info

A3 [8L1] [09/96-05/03]

Steering boot
100 620 0003 | MSX0065
Notes

Inner diameter 2 [mm]	61
Inner diameter 1 [mm]	19
Height [mm]	222

Front Axle Right
Front Axle Left

References

4F0 422 831


Application info

A6 [4F2, 4FH, 4F5] [05/04-08/11]

Steering boot
100 620 0002 | MSX0064
Notes

Inner diameter 2 [mm]	with accessories
Inner diameter 1 [mm]	49.5
Height [mm]	15.5

190
for vehicles with power steering
Front Axle Right
Front Axle Left

References

1K0 423 831 A


Application info

 A3 [8P1, 8PA] [05/03-08/12]
 A3 [8V1, 8VS, 8V7, 8PA] [04/12--]
 Q3 [8U] [06/11--]

 TT [8J3, 8J9] [08/06-06/10]
 TT [8S] [09/14--]

100 620 0015 | MSK0149

Steering boot kit



Notes

Inner diameter 2 [mm]
Inner diameter 1 [mm]
Height [mm]

with accessories
49
14.5
186
for vehicles with power steering
Front Axle Left
Front Axle Right

References

1J0 422 831 B

Application info

A3 [8L1] (09/96-05/03)

100 620 0007 | MSK0013

Steering boot kit



Notes

Inner diameter 2 [mm]
Inner diameter 1 [mm]
Height [mm]

with accessories
66
15.5
195
Front Axle Right
Front Axle Left

References

7L0 422 831 A

Application info

Q7 [4L] (03/06-05/12)

614 620 0010 | MSK0126

Steering boot kit



Notes

Inner diameter 2 [mm]
Inner diameter 1 [mm]
Height [mm]

with accessories
49
16
190
Front Axle Left
Front Axle Right

References

8N0 422 831

Application info

A3 [8L1] (09/96-05/03)

TT [8N3, 8N9] (10/98-06/06)

Steering boot kit

100 620 0013 | MSK0098

Notes

Inner diameter 2 [mm]	with accessories
Inner diameter 1 [mm]	54
Height [mm]	15.5
	187

References

4G0 423 831



Application info

A4 [8K2, 8K5, 8KH] [11/07--]
A5 [8F, 8T] [06/07--]
A6 [4G2, 4G5, C7] [11/10-05/13]

A7 Sportback [4GA] [10/10--]
A8 [4H_] [11/09--]
Q5 [8R] [11/08--]

Steering boot kit

100 620 0014 | MSK0099

Notes

Inner diameter 2 [mm]	with accessories
Inner diameter 1 [mm]	51
Height [mm]	13.5
	191
	Front Axle Left
	Front Axle Right

References

6C0 423 831 B



Application info

A1 [8X1, 8XA] [05/10--]

Steering boot kit

100 620 0004 | MSK0010

Notes

Inner diameter 2 [mm]	with accessories
Inner diameter 1 [mm]	47.5
Height [mm]	14.5
	205
	Front Axle Right
	Front Axle Left

References

6Q0 423 831 D



Application info

A1 [8X1, 8XA] [05/10--]

A2 [8Z0] [02/00-08/05]

7

100 620 0012 | MSK0097

Steering boot kit



Notes

Inner diameter 2 [mm]
Inner diameter 1 [mm]
Height [mm]

with accessories
79
15.5
201

References

4G0 423 832 A

Application info

A4 (8K2, 8K5, 8KH) [11/07--]
A5 (8F, 8T) [06/07--]
A6 (4G2, 4G5, C7) [11/10-05/13]

A7 Sportback (4GA) [10/10--]
A8 (4H_) [11/09--]
Q5 (8R) [11/08--]

116 031 0009 | MAR0073

Axial rod



Notes

Thread Measurement 2
Thread Measurement 1
Length [mm]

M16x1,5
M16x1,5
127
Front Axle Right
Front Axle Left

References

4E0 419 821

4E0 419 821 A

Application info

A8 (4E) [10/02-07/10]

116 030 8286 | MAR0061

Axial rod



Notes

Thread Measurement 2
Thread Measurement 1
Manufacturer Restriction
Length [mm]

M14x1,5
M16x1,5
ZF
339
for vehicles with power steering
Front Axle Right
Front Axle Left

References

1J0 422 803*
1J0 422 803 A*

1J0 422 804*
1J0 422 804 A*

Application info

A3 (8L1) [09/96-05/03]



Axial rod

116 030 8504 | MAR0064

Notes

Thread Measurement 2
Thread Measurement 1
Manufacturer Restriction
Length [mm]

M14x1,5
M16x1,5
ZF
319
for vehicles with power steering
Front Axle Right
Front Axle Left

References

1J0 422 803 B

1J0 422 804 B



Application info

A3 [8L1] [09/96-05/03]

Axial rod

116 031 0016 | MAR0078

Notes

Thread Measurement 2
Thread Measurement 1
Length [mm]

M16x1,5
M16x1,5
288
Front Axle Right
Front Axle Left

References

7L0 422 803 C
7L0 422 803 D

7L0 422 804 C
7L0 422 804 D



Application info

Q7 [4L] [03/06-05/12]

Axial rod

116 031 0022 | MAR0081

Notes

Thread Measurement 2
Thread Measurement 1
Manufacturer Restriction
Length [mm]

M16x1,5
M16x1,5
ZF
360
for vehicles with power steering
Front Axle Right
Front Axle Left

References

8N0 422 803 C*
8N0 422 803 D*
8N0 422 804 C*

8N0 422 804 D*
8N0 422 807 A
8N0 422 807 C



Application info

A3 [8L1] [09/96-05/03]

TT [8N3, 8N9] [10/98-06/06]

116 031 0023 | MAR0082

Axial rod



Notes

Thread Measurement 2
Thread Measurement 1
Length [mm]

M16x1,5
M16x1,5
226
Front Axle Right
Front Axle Left

References

4H0 422 810
4H0 422 810 A

8J0 423 810

Application info

A4 [8K2, 8K5, 8KH] [11/07--]
A5 [8F, 8T] [06/07--]
A6 [4F2, 4FH, 4F5] [05/04-08/11]

AB [4H_] [11/09--]
Q5 [8R] [11/08--]
TT [8J3, 8J9] [08/06-06/10]

116 030 4680 | MAR0046

Axial rod



Notes

Thread Measurement 2
Thread Measurement 1
Length [mm]

M14x1,5
M16x1,5
128
Front Axle Right
Front Axle Left

References

8E0 419 801 B
4B0 419 821 G
4Q0 419 821 Q
4Q0 422 821
4Q0 422 821 A

8E0 422 821
8E0 422 821 B
8E0 422 821 C
8E0 422 821 D

Application info

A4 [8D2, 8D5, B5] [11/94-09/01]
A4 [8E2, 8E5, B6] [10/00-12/04]
A4 [8EC, 8ED] [11/04-06/08]
A4 [8H7] [04/02-03/09]

A6 [4B, C5] [01/97-01/05]
A6 [4F2, 4FH, 4F5] [05/04-08/11]
A8 [4D2, 4D8] [03/94-09/02]
Allroad [4BH] [05/00-08/05]

116 031 0005 | MAR0069

Axial rod



Notes

Thread Measurement 2
Thread Measurement 1
Length [mm]

M14x1,5
M16x1,5
134
Front Axle Right
Front Axle Left

References

4F0 422 821

4F0 422 821 D

Axial rod

116 031 0005 | MAR0069

Application info

A6 [4F2, 4FH, 4F5] [05/04-08/11]

Axial rod

116 031 0008 | MAR0072

Notes

Thread Measurement 2	M14x1,5
Thread Measurement 1	M14x1,5
Length [mm]	314
	Front Axle Right
	Front Axle Left



References

6R0 423 803 B	6R0 423 804 B
6R0 423 803 C	6R0 423 804 C
6R0 423 803 D	6R0 423 804 D
8Z0 423 803 F	8Z0 423 804 F

Application info

A1 [8X1, 8XA] [05/10--]

A2 [8Z0] [02/00-08/05]

Axial rod

116 031 0029/HD | MAR0495HD

Notes

Thread Measurement 2	M14x1,5
Thread Measurement 1	M14x1,5
Length [mm]	314
	Front Axle Left
	Front Axle Right



Reinforced Version

References

6R0 423 803 B	6R0 423 804 B
6R0 423 803 C	6R0 423 804 C
6R0 423 803 D	6R0 423 804 D
8Z0 423 803 F	8Z0 423 804 F

Application info

A1 [8X1, 8XA] [05/10--]

A2 [8Z0] [02/00-08/05]

116 031 0000 | MAR0065

Axial rod



Notes

Thread Measurement 2
Thread Measurement 1
Length [mm]

M16x1,5
M16x1,5
310
Front Axle Right
Front Axle Left

References

1K0 423 810 A

Application info

A3 [8P1, 8PA] [05/03-08/12]
A3 [8V1, 8VS, 8V7, 8PA] [04/12--]

Q3 [8U] [06/11--]

116 031 0028 | MAR0085

Axial rod



Notes

Thread Measurement 2
Thread Measurement 1
Length [mm]

M16x1,5
M16x1,5
236
Front Axle Right
Front Axle Left

References

4G0 423 810 A

Application info

A6 [4G2, 4G5, C7] [11/10-05/13]
A7 Sportback [4GA] [10/10--]

A8 [4H_] [11/09--]
Q5 [8R] [11/08--]

116 031 0015 | MAR0394

Axial rod



Notes

Thread Measurement 2
Thread Measurement 1
Length [mm]

M14x1,5
M14x1,5
313
Front Axle Right
Front Axle Left

References

6C0 423 810 B

6C0 423 810 C

Application info

A1 [8X1, 8XA] [05/10--]



Lever, steering rod

116 010 0004 | MSX0072

Notes

Length [mm]

Camber Link
106
Outer
Rear Axle Right
Rear Axle Left

References

443 505 153 B



Application info

100 [4A, C4] [12/90-07/94]
100/200 [44, 44Q, C3] [08/82-12/91]

A6 [4A, C4] [06/94-12/97]
V8 [01] [10/88-02/94]

Mounting, track rod

100 710 0006 | MSX0069

Notes

Inner diameter [mm]
Outer diameter [mm]
Height [mm]

14
40
45
Outer
Rear Axle Right
Rear Axle Left

References

1K0 505 543 A



Application info

A3 [8P1, 8PA] [05/03-08/12]

TT [8J3, 8J9] [08/06-06/10]

Tie rod assembly

116 030 8231 | MTA0085

Notes

Thread Measurement 1
Length [mm]

M12x1,5
612
for vehicles with power steering
Front Axle Left

References

4A0 419 801 A

Parts list

116 020 7149 | MTE0145

Tie rod end

Counterpart

116 030 8232 | MTA0086



Application info

100 [4A, C4] [12/90-07/94]

A6 [4A, C4] [06/94-12/97]

7

116 030 8233 | MTA0087

Tie rod assembly



Notes

Thread Measurement 1 M12x1,5
Length [mm] 619
Front Axle Left

References

4A0 419 801 C

Parts list

116 020 8206 | MTE0151 Tie rod end

Counterpart

116 030 8234 | MTA0088

Application info

100 [4A, C4] [12/90-07/94]

116 030 0007/HD | MTA0031HD

Tie rod assembly



Notes

Thread Measurement 2 M16x1,5
Thread Measurement 1 M8x1,25
Front Axle Right
Front Axle Left

Reinforced Version

References

4E0 419 801 C 4E0 419 801 E
4E0 419 801 D

Parts list

116 031 0009 | MAR0073 Axial rod
116 020 0020/HD | MTE0118HD Tie rod end

Application info

A8 [4E] [10/02-07/10]

116 030 3924 | MTA0062

Tie rod assembly



Notes

Thread Measurement 2 M14x1,5
Thread Measurement 1 M10x1
for left-hand drive vehicles
Front Axle Left

References

811 419 801 E

Parts list

116 020 3916 | MTE0140 Tie rod end

Counterpart

116 030 7197 | MTA0076

7





Tie rod assembly

116 030 3924 | MTA0062

Application info

80 [8C, 8G7, B4] [05/91-08/00]
80/90 [81, 85, B2] [08/78-10/88]

80/90 [89, 89Q, 8A, B3] [06/86-12/96]

Tie rod assembly

116 030 8227/HD | MTA0084HD

Notes

Thread Measurement 2
Thread Measurement 1

M16x1,5
M8x1,25
Front Axle Right
Front Axle Left

Reinforced Version

References

4B0 419 801 B
4B0 419 801 M
4D0 419 801 B

4D0 419 801 E
4D0 419 801 L
8E0 419 801 B

Parts list

116 030 4680 | MAR0046
116 020 8228/HD | MTE0158HD

Axial rod
Tie rod end



Application info

A4 [8D2, 8D5, B5] [11/94-09/01]
A4 [8E2, 8E5, B6] [10/00-12/04]
A4 [8H7] [04/02-03/09]

A6 [4B, C5] [01/97-01/05]
A8 [4D2, 4D8] [03/94-09/02]
Allroad [4BH] [05/00-08/05]

Tie rod assembly

116 030 0020/HD | MTA0040HD

Notes

Thread Measurement 2
Thread Measurement 1

M16x1,5
M8x1,25
Front Axle Right
Front Axle Left

Reinforced Version

References

4B0 419 801 G
8E0 419 801 E

8E0 422 821 C

Parts list

116 030 4680 | MAR0046
116 020 0008/HD | MTE0115HD

Axial rod
Tie rod end



Application info

A4 [8E2, 8E5, B6] [10/00-12/04]
A4 [8EC, 8ED] [11/04-06/08]
A4 [8H7] [04/02-03/09]

A6 [4B, C5] [01/97-01/05]
A6 [4F2, 4FH, 4F5] [05/04-08/11]

116 030 8232 | MTA0086

Tie rod assembly



Notes

Thread Measurement 1
Length [mm]

M12x1,5
612
for vehicles with power steering
Front Axle Right

References

4A0 419 802 A

Parts list

116 020 7150 | MTE0146

Tie rod end

Counterpart

116 030 8231 | MTA0085

Application info

100 [4A, C4] [12/90-07/94]

A6 [4A, C4] [06/94-12/97]

116 030 8234 | MTA0088

Tie rod assembly



Notes

Thread Measurement 1
Length [mm]

M12x1,5
619
Front Axle Right

References

4A0 419 802 C

Parts list

116 020 8207 | MTE0152

Tie rod end

Counterpart

116 030 8233 | MTA0087

Application info

100 [4A, C4] [12/90-07/94]

116 030 7197 | MTA0076

Tie rod assembly



Notes

Thread Measurement 2
Thread Measurement 1
Length [mm]

M14x1,5
M10x1
584
for left-hand drive vehicles
Front Axle Right

References

893 419 802

Parts list

116 020 3916 | MTE0140

Tie rod end

Counterpart

116 030 3924 | MTA0062



Tie rod assembly

116 030 7197 | MTA0076

Application info

80 [8C, 8G7, B4] [05/91-08/00]

80/90 [89, 89Q, 8A, B3] [06/86-12/96]

Tie rod assembly

116 030 0028/HD | MTA0043HD

Notes

Thread Measurement 2
Thread Measurement 1

M16x1,5
M8x1,25
Front Axle Right
Front Axle Left

Reinforced Version

References

4F0 419 811 D
4F0 498 811 A

4F0 498 811 C

Parts list

116 031 0005 | MAR0069
116 020 0008/HD | MTE0115HD

Axial rod
Tie rod end



Application info

A6 [4F2, 4FH, 4F5] [05/04-08/11]

Tie rod assembly

116 030 8281 | MTA0103

Notes

Thread Measurement 2
Thread Measurement 1
Manufacturer Restriction

M16x1,5
M12x1,5
ZF
for vehicles with power steering
Front Axle Left

References

1J0 422 803
1J0 422 803 A

1J0 422 803 C

Parts list

116 030 8286 | MAR0061
116 020 8283 | MTE0162

Axial rod
Tie rod end

Counterpart

116 030 8284 | MTA0106



Application info

A3 [8L1] [09/96-05/03]

116 030 8500 | MTA0115

Tie rod assembly



Notes

Thread Measurement 2
Thread Measurement 1
Manufacturer Restriction

M16x1,5
M12x1,5
ZF
for vehicles with power steering
Front Axle Left

References

1J0 422 803 B

1J0 422 803 H

Parts list

116 030 8504 | MAR0064
116 020 8502 | MTE0164

Axial rod
Tie rod end

Counterpart

116 030 8501 | MTA0116

Application info

A3 [8L1] [09/96-05/03]

116 030 0013 | MTA0034

Tie rod assembly



Notes

Thread Measurement 2
Thread Measurement 1

M16x1,5
M14x1,5
Front Axle Left

References

7L0 422 803 D

Parts list

116 031 0016 | MAR0078
116 020 0005 | MTE0113

Axial rod
Tie rod end

Counterpart

116 030 0014 | MTA0035

Application info

Q7 [4L] [03/06-05/12]



Tie rod assembly

116 030 0004 | MTA0030

Notes

Thread Measurement 2
Thread Measurement 1
Manufacturer Restriction

M16x1,5
M12x1,5
ZF
for vehicles with power steering
Front Axle Left

References

BN0 422 803 A

BN0 422 803 D

Parts list

116 031 0022 | MAR0081

Axial rod

116 020 0002 | MTE0110

Tie rod end

Counterpart

116 030 0003 | MTA0029



Application info

A3 [8L1] [09/96-05/03]

TT [8N3, 8N9] [10/98-06/06]

Tie rod assembly

116 030 8284 | MTA0106

Notes

Thread Measurement 2
Thread Measurement 1
Manufacturer Restriction

with left-hand thread
M16x1,5
M12x1,5
ZF
for vehicles with power steering
Front Axle Right

References

1J0 422 804

1J0 422 804 C

1J0 422 804 A

Parts list

116 030 8286 | MAR0061

Axial rod

116 020 8285 | MTE0163

Tie rod end

Counterpart

116 030 8281 | MTA0103



Application info

A3 [8L1] [09/96-05/03]

116 030 8501 | MTA0116

Tie rod assembly



Notes

Thread Measurement 2
Thread Measurement 1
Manufacturer Restriction

M16x1,5
M12x1,5
ZF
for vehicles with power steering
Front Axle Right

References

1J0 422 804 B

1J0 422 804 H

Parts list

116 030 8504 | MAR0064
116 020 8503 | MTE0165

Axial rod
Tie rod end

Counterpart

116 030 8500 | MTA0115

Application info

A3 [8L1] [09/96-05/03]

116 030 0014 | MTA0035

Tie rod assembly



Notes

Thread Measurement 2
Thread Measurement 1

M16x1,5
M14x1,5
Front Axle Right

References

7L0 422 804 D

Parts list

116 031 0016 | MAR0078
116 020 0006 | MTE0114

Axial rod
Tie rod end

Counterpart

116 030 0013 | MTA0034

Application info

Q7 [4L] [03/06-05/12]



Tie rod assembly

116 030 0003 | MTA0029

Notes

Thread Measurement 2
Thread Measurement 1
Manufacturer Restriction

M16x1,5
M12x1,5
ZF
for vehicles with power steering
Front Axle Right

References

8N0 422 804 A

8N0 422 804 D

Parts list

116 031 0022 | MAR0081
116 020 0003 | MTE0111

Axial rod
Tie rod end

Counterpart

116 030 0004 | MTA0030



Application info

A3 [8L1] [09/96-05/03]

TT [8N3, 8N9] [10/98-06/06]

Tie rod assembly

116 030 0018 | MTA0038

Notes

Thread Measurement 2
Thread Measurement 1

M16x1,5
M12x1,5
Front Axle Left

References

1K0 423 811 G

Parts list

116 031 0000 | MAR0065
116 020 0025 | MTE0121

Axial rod
Tie rod end

Counterpart

116 030 0019 | MTA0039



Application info

A3 [8P1, 8PA] [05/03-08/12]
A3 [8V1, 8VS, 8V7, 8PA] [04/12--]

Q3 [8U] [06/11--]

116 030 0019 | MTA0039

Tie rod assembly



Notes

Thread Measurement 2
Thread Measurement 1

M16x1,5
M12x1,5
Front Axle Right

References

1K0 423 812 G

Parts list

116 031 0000 | MAR0065
116 020 0026 | MTE0122

Axial rod
Tie rod end

Counterpart

116 030 0018 | MTA0038

Application info

A3 [8P1, 8PA] [05/03-08/12]
A3 [8V1, 8VS, 8V7, 8PA] [04/12--]

Q3 [8U] [06/11--]

116 020 3026 | MTE0138

Tie rod end



Notes

Thread Measurement 2
Thread Measurement 1
Length [mm]

M14x1,5
M10x1
109
Front Axle Right
Front Axle Left

References

827 419 802 C
861 419 812

862 419 812

Application info

80/90 [81, 85, B2] [08/78-10/88]

116 020 7149 | MTE0145

Tie rod end



Notes

Thread Measurement 2
Thread Measurement 1
Length [mm]

M16x1,5
M12x1,5
75
Front Axle Left

References

443 419 811 B

443 419 811 D

Counterpart

116 020 7150 | MTE0146

Application info

100 [4A, C4] [12/90-07/94]
100/200 [44, 44Q, C3] [08/82-12/91]

A6 [4A, C4] [06/94-12/97]
V8 [01] [10/88-02/94]

Tie rod end
116 020 8206 | MTE0151
Notes

Thread Measurement 2 M18x1,5
 Thread Measurement 1 M12x1,5
 Length [mm] 75
 Front Axle Left

References

4A0 419 811 A

Counterpart

116 020 8207 | MTE0152


Application info

100 [4A, C4] [12/90-07/94]

Tie rod end
116 020 0020/HD | MTE0118HD
Notes

Thread Measurement 2 M16x1,5
 Thread Measurement 1 M8x1,25
 Length [mm] 160
 Front Axle Right
 Front Axle Left

Reinforced Version

References

4E0 419 811 D

4E0 419 811 E


Application info

AB [4E] [10/02-07/10]

Tie rod end
116 020 0008/HD | MTE0115HD
Notes

Thread Measurement 2 M14x1,5
 Thread Measurement 1 M8x1,25
 Length [mm] 155
 Front Axle Right
 Front Axle Left

Reinforced Version

References

4B0 419 811 G
 4B0 419 811 Q
 4D0 419 811 J
 4F0 419 811 A
 4F0 419 811 C

4F0 419 811 D
 8E0 419 811
 4F0 498 811
 4F0 498 811 A
 4F0 498 811 C



116 020 0008/HD | MTE0115HD

Tie rod end

Application info

A4 [8D2, 8D5, B5] [11/94-09/01]
A4 [8E2, 8E5, B6] [10/00-12/04]
A4 [8EC, 8ED] [11/04-06/08]
A4 [8H7] [04/02-03/09]

A6 [4B, C5] [01/97-01/05]
A6 [4F2, 4FH, 4F5] [05/04-08/11]
A8 [4D2, 4D8] [03/94-09/02]
Allroad [4BH] [05/00-08/05]

116 020 0046 | MTE0734

Tie rod end



Notes

Thread Measurement 2
Thread Measurement 1
Length [mm]

M14x1,5
M8x1,25
155
Front Axle Right
Front Axle Left

References

4B0 419 811 G	4F0 419 811 D
4B0 419 811 Q	8E0 419 811
4D0 419 811 J	4F0 498 811
4F0 419 811 A	4F0 498 811 A
4F0 419 811 C	4F0 498 811 C

Application info

A4 [8D2, 8D5, B5] [11/94-09/01]
A4 [8E2, 8E5, B6] [10/00-12/04]
A4 [8EC, 8ED] [11/04-06/08]
A4 [8H7] [04/02-03/09]

A6 [4B, C5] [01/97-01/05]
A6 [4F2, 4FH, 4F5] [05/04-08/11]
A8 [4D2, 4D8] [03/94-09/02]
Allroad [4BH] [05/00-08/05]

116 020 8228/HD | MTE0158HD

Tie rod end



Notes

Thread Measurement 2
Thread Measurement 1
Length [mm]

M14x1,5
M8x1,25
155
Front Axle Right
Front Axle Left

Reinforced Version

References

4B0 419 811 F	8E0 419 811 B
4F0 419 811 E	

Application info

A4 [8D2, 8D5, B5] [11/94-09/01]
A4 [8E2, 8E5, B6] [10/00-12/04]
A4 [8H7] [04/02-03/09]

A6 [4B, C5] [01/97-01/05]
A8 [4D2, 4D8] [03/94-09/02]
Allroad [4BH] [05/00-08/05]

Tie rod end
116 020 0047 | MTE0735
Notes

 Thread Measurement 2
Thread Measurement 1
Length [mm]

 M14x1,5
M8x1,25
156
Front Axle Right
Front Axle Left

References

4B0 419 811 F

8E0 419 811 B


Application info

 A4 [802, 805, 85] [11/94-09/01]
A4 [8E2, 8E5, 86] [10/00-12/04]
A4 [8H7] [04/02-03/09]

 A6 [4B, C5] [01/97-01/05]
A8 [402, 408] [03/94-09/02]
Allroad [4BH] [05/00-08/05]

Tie rod end
116 020 8123 | MTE0148
Notes

 Thread Measurement 2
Thread Measurement 1
Length [mm]

 M14x1,5
M12x1,5
94
Front Axle

References

8Z0 419 811 A

Counterpart

116 020 8122 | MTE0147


Application info

A2 [8Z0] [02/00-08/05]

Tie rod end
116 020 7150 | MTE0146
Notes

 Thread Measurement 2
Thread Measurement 1
Length [mm]

 M16x1,5
M12x1,5
75
Front Axle Right

References

443 419 812 B

443 419 812 D

Counterpart

116 020 7149 | MTE0145


Application info

 100 [4A, C4] [12/90-07/94]
100/200 [44, 44Q, C3] [08/82-12/91]

 A6 [4A, C4] [06/94-12/97]
V8 [01] [10/88-02/94]

116 020 8207 | MTE0152

Tie rod end



Notes

Thread Measurement 2
Thread Measurement 1
Length [mm]

M18x1,5
M12x1,5
75
Front Axle Right

References

4A0 419 812 A

Counterpart

116 020 8206 | MTE0151

Application info

100 [4A, C4] [12/90-07/94]

116 020 3916 | MTE0140

Tie rod end



Notes

Thread Measurement 2
Thread Measurement 1
Length [mm]

M14x1,5
M10x1
74
Front Axle Right
Front Axle Left

References

811 419 812 A

Application info

80 [8C, 8G7, B4] [05/91-08/00]
80/90 [81, 85, B2] [08/78-10/88]

80/90 [89, 89Q, 8A, B3] [06/86-12/96]

116 020 8122 | MTE0147

Tie rod end



Notes

Thread Measurement 2
Thread Measurement 1
Length [mm]

M14x1,5
M12x1,5
94
Front Axle

References

8Z0 419 812 A

Counterpart

116 020 8123 | MTE0148

Application info

A2 [8Z0] [02/00-08/05]

7

Tie rod end
116 020 8283 | MTE0162
Notes

Thread Measurement 2
Thread Measurement 1
Manufacturer Restriction
Length [mm]

M14x1,5
M12x1,5
ZF
75
for vehicles with power steering
Front Axle Left

References

1J0 422 811 A

Counterpart

116 020 8285 | MTE0163


Application info

A3 (8L1) (09/96-05/03)

Tie rod end
116 020 0002 | MTE0110
Notes

Thread Measurement 2
Thread Measurement 1
Manufacturer Restriction
Length [mm]

M16x1,5
M12x1,5
ZF
85
for vehicles with power steering
Front Axle Left

References

8N0 422 811 A

Counterpart

116 020 0003 | MTE0111


Application info

A3 (8L1) (09/96-05/03)

TT (8N3, 8N9) (10/98-06/06)

Tie rod end
116 020 8285 | MTE0163
Notes

Thread Measurement 2
Thread Measurement 1
Manufacturer Restriction
Length [mm]

with left-hand thread
M14x1,5
M12x1,5
ZF
75
for vehicles with power steering
Front Axle Right

References

1J0 422 812 A

Counterpart

116 020 8283 | MTE0162


7
+

116 020 8285 | MTE0163

Tie rod end

Application info

A3 (8L1) (09/96-05/03)

116 020 8503 | MTE0165

Tie rod end



Notes

Thread Measurement 2
Thread Measurement 1
Length [mm]

M14x1,5
M12x1,5
94

References

1J0 422 812 B

8Z0 423 811 A

Counterpart

116 020 8502 | MTE0164

Application info

A2 (8Z0) (02/00-08/05)

A3 (8L1) (09/96-05/03)

116 020 0003 | MTE0111

Tie rod end



Notes

Thread Measurement 2
Thread Measurement 1
Manufacturer Restriction
Length [mm]

M16x1,5
M12x1,5
ZF
85
for vehicles with power steering
Front Axle Right

References

8N0 422 812 A

Counterpart

116 020 0002 | MTE0110

Application info

A3 (8L1) (09/96-05/03)

TT (8N3, 8N9) (10/98-06/06)



Tie rod end

116 020 0033 | MTE0129

Notes

Thread Measurement 2	M16x1,5
Thread Measurement 1	M14x1,5
Length [mm]	209
	Front Axle Left

References

4H0 422 817 A

Counterpart

116 020 0034 | MTE0130



Application info

A8 [4H_] [11/09--]

Tie rod end

116 020 0005 | MTE0113

Notes

Thread Measurement 2	M16x1,5
Thread Measurement 1	M14x1,5
Length [mm]	90
	Front Axle Left

References

7L0 422 817 B	7L0 422 817 D
7L0 422 817 C	

Counterpart

116 020 0006 | MTE0114



Application info

Q7 [4L] [03/06-05/12]

Tie rod end

116 020 0030/HD | MTE0126HD

Notes

Thread Measurement 2	M16x1,5
Thread Measurement 1	M12x1,5
Length [mm]	206
	Front Axle Left

Reinforced Version

References

8K0 422 817 A	4G0 423 811 A
8K0 422 817 B	

Counterpart

116 020 0029/HD | MTE0125HD



Application info

A4 [8K2, 8K5, 8KH] [11/07--]	A7 Sportback [4GA] [10/10--]
A5 [8F, 8T] [06/07--]	Q5 [8R] [11/08--]
A6 [4G2, 4G5, C7] [11/10-05/13]	

116 020 0034 | MTE0130

Tie rod end



Notes

Thread Measurement 2
Thread Measurement 1
Length [mm]

M16x1,5
M14x1,5
209
Front Axle Right

References

4H0 422 818 A

Counterpart

116 020 0033 | MTE0129

Application info

A8 [4H_] [11/09--]

116 020 0006 | MTE0114

Tie rod end



Notes

Thread Measurement 2
Thread Measurement 1
Length [mm]

M16x1,5
M14x1,5
90
Front Axle Right

References

7L0 422 818 B
7L0 422 818 C

7L0 422 818 D

Counterpart

116 020 0005 | MTE0113

Application info

Q7 [4L] [03/06-05/12]

116 020 0029/HD | MTE0125HD

Tie rod end



Notes

Thread Measurement 2
Thread Measurement 1
Length [mm]

M16x1,5
M12x1,5
206
Front Axle Right

Reinforced Version

References

8K0 422 818 A
8K0 422 818 B

4G0 423 812 A

Counterpart

116 020 0030/HD | MTE0126HD

Application info

A4 [8K2, 8K5, 8KH] [11/07--]
A5 [8F, 8T] [06/07--]
A6 [4G2, 4G5, C7] [11/10-05/13]

A7 Sportback [4GA] [10/10--]
Q5 [8R] [11/08--]



Tie rod end

116 020 0025 | MTE0121

Notes

Thread Measurement 2	M16x1,5
Thread Measurement 1	M12x1,5
Length [mm]	94
	Front Axle Left

References

1K0 423 811 E	1K0 423 811 K
1K0 423 811 J	

Counterpart

116 020 0026 | MTE0122



Application info

A3 [8P1, 8PA] [05/03-08/12]	Q3 [8U] [06/11--]
A3 [8V1, 8VS, 8V7, 8PA] [04/12--]	

Tie rod end

116 020 0035 | MTE0131

Notes

Thread Measurement 2	M14x1,5
Thread Measurement 1	M12x1,5
Length [mm]	94
	Front Axle Left

References

1S0 423 811 A

Counterpart

116 020 0036 | MTE0132



Application info

A1 [8X1, 8XA] [05/10--]

Tie rod end

116 020 0009 | MTE0725

Notes

Thread Measurement 2	M14x1,5
Thread Measurement 1	M12x1,5
Length [mm]	94
	Front Axle Left

References

6C0 423 811 A

Counterpart

116 020 0010 | MTE0726



Application info

A1 [8X1, 8XA] [05/10--]

7

116 020 0043 | MTE0724

Tie rod end



Notes

Thread Measurement 2
Thread Measurement 1
Length [mm]

M14x1.5
M12x1.5
94
Outer
Front Axle Left

References

6R0 423 811 A

Counterpart

116 020 0042 | MTE0723

Application info

A1 [8X1, 8XA] [05/10--]

116 020 0043/HD | MTE0724HD

Tie rod end



Notes

Thread Measurement 2
Thread Measurement 1
Length [mm]

M14x1.5
M12x1.5
94
Front Axle Left
Outer

Reinforced Version

References

6R0 423 811 A

Counterpart

116 020 0042/HD | MTE0723HD

Application info

A1 [8X1, 8XA] [05/10--]

116 020 0031 | MTE0127

Tie rod end



Notes

Thread Measurement 2
Thread Measurement 1
Length [mm]

M16x1,5
M12x1,5
200
Front Axle Left

References

8J0 423 811

Counterpart

116 020 0032 | MTE0128

Application info

TT [8J3, 8J9] [08/06-06/10]

7



Tie rod end

116 020 0026 | MTE0122

Notes

Thread Measurement 2	M16x1,5
Thread Measurement 1	M12x1,5
Length [mm]	94
	Front Axle Right

References

1K0 423 812 E	1K0 423 812 K
1K0 423 812 J	

Counterpart

116 020 0025 | MTE0121



Application info

A3 [8P1, 8PA] [05/03-08/12]	Q3 [8U] [06/11--]
A3 [8V1, 8VS, 8V7, 8PA] [04/12--]	

Tie rod end

116 020 0036 | MTE0132

Notes

Thread Measurement 2	M14x1,5
Thread Measurement 1	M12x1,5
Length [mm]	94
	Front Axle Right

References

1S0 423 812 A

Counterpart

116 020 0035 | MTE0131



Application info

A1 [8X1, 8XA] [05/10--]

Tie rod end

116 020 0010 | MTE0726

Notes

Thread Measurement 2	M14x1,5
Thread Measurement 1	M12x1,5
Length [mm]	94
	Front Axle Right

References

6C0 423 812 A

Counterpart

116 020 0009 | MTE0725



Application info

A1 [8X1, 8XA] [05/10--]

7

116 020 0042 | MTE0723

Tie rod end



Notes

Thread Measurement 2
Thread Measurement 1
Length [mm]

M14x1.5
M12x1.5
94
Outer
Front Axle Right

References

6R0 423 812 A

Counterpart

116 020 0043 | MTE0724

Application info

A1 [8X1, 8XA] [05/10--]

116 020 0042/HD | MTE0723HD

Tie rod end



Notes

Thread Measurement 2
Thread Measurement 1
Length [mm]

M14x1.5
M12x1.5
94
Front Axle Right
Outer

Reinforced Version

References

6R0 423 812 A

Counterpart

116 020 0043/HD | MTE0724HD

Application info

A1 [8X1, 8XA] [05/10--]

116 020 0032 | MTE0128

Tie rod end



Notes

Thread Measurement 2
Thread Measurement 1
Length [mm]

M16x1,5
M12x1,5
200
Front Axle Right

References

8J0 423 812

Counterpart

116 020 0031 | MTE0127

Application info

TT [8J3, 8J9] [08/06-06/10]

7



Tie rod end

116 020 8502 | MTE0164

Notes

Thread Measurement 2	M14x1,5
Thread Measurement 1	M12x1,5
Length [mm]	94

References

1J0 422 811 B	8Z0 423 812 A
---------------	---------------

Counterpart

116 020 8503 | MTE0165



Application info

A2 [8Z0] [02/00-08/05]

A3 [8L1] [09/96-05/03]

Tie rod end

116 020 0013 | MTE0116

Notes

Thread Measurement 2	M14x1,5
Thread Measurement 1	M14x1,5
Length [mm]	106
	inner
	Rear Axle Left

References

443 505 365 D

Counterpart

116 020 0014 | MTE0117



Application info

100 [4A, C4] [12/90-07/94]

100/200 [44, 44Q, C3] [08/82-12/91]

A6 [4A, C4] [06/94-12/97]

V8 [01] [10/88-02/94]

Tie rod end

116 020 0014 | MTE0117

Notes

Thread Measurement 2	M14x1,5
Thread Measurement 1	M14x1,5
Length [mm]	106
	inner
	Rear Axle Right

References

443 505 366 D

Counterpart

116 020 0013 | MTE0116



Application info

100 [4A, C4] [12/90-07/94]

100/200 [44, 44Q, C3] [08/82-12/91]

A6 [4A, C4] [06/94-12/97]

V8 [01] [10/88-02/94]

116 010 0039 | MBJ0432

Ball joint



Notes

with accessories
Front Axle Left
Lower

References

1J0 407 365 A
1J0 407 365 C

1J0 407 365 D
1J0 407 365 J

Counterpart

116 010 0040 | MBJ0433

Application info

A3 [8L1] [09/96-05/03]

116 010 8287/HD | MBJ0099HD

Ball joint



Notes

with accessories
Lower
Front Axle Left

Reinforced Version

References

1J0 407 365 A
1J0 407 365 C

1J0 407 365 D
1J0 407 365 J

Counterpart

116 010 8288/HD | MBJ0100HD

Application info

A3 [8L1] [09/96-05/03]

116 010 0015 | MBJ0054

Ball joint



Notes

Thread Size

with accessories
M12x1,5
Lower
Front Axle Left

References

1K0 407 365 B
1K0 407 365 C

1K0 407 365 E

Counterpart

116 010 0016 | MBJ0055

Application info

A3 [8P1, 8PA] [05/03-08/12]

Q3 [8U] [06/11--]



Ball joint

116 010 0017 | MBJ0056

Notes

Thread Measurement 1

with accessories
M12x1,5
Lower
Front Axle Left

References

3C0 407 365 A

3C0 407 365 B

Counterpart

116 010 0018 | MBJ0057



Application info

A3 [8P1, 8PA] [05/03-08/12]

A3 [8V1, 8VS, 8V7, 8PA] [04/12--]

Ball joint

116 010 0033 | MBJ0063

Notes

Thread Size

with accessories
M12x1,5
Front Axle Left

References

5Q0 407 365 A

Counterpart

116 010 0034 | MBJ0064



Application info

A3 [8V1, 8VS, 8V7, 8PA] [04/12--]

Ball joint

116 010 0024 | MBJ0061

Notes

Thread Measurement 2
Thread Measurement 1

with accessories
M10x1,5
M12x1,5

References

6R0 407 365
6R0 407 365 A

6R0 407 365 B

Counterpart

116 010 0025 | MBJ0062



Application info

A1 [8X1, 8XA] [05/10--]

116 010 3916 | MBJ0079

Ball joint



Notes

Length [mm]
Cone Size [mm]

with accessories
42
17
for vehicles without power
steering
Lower
Front Axle Left

References

855 407 365

Counterpart

116 010 3915 | MBJ0078

Application info

80/90 (81, 85, B2) (08/78-10/88)

80/90 (89, 89Q, 8A, B3) (06/86-12/96)

116 010 3917 | MBJ0080

Ball joint



Notes

Length [mm]

with accessories
51
for vehicles with power steering
Lower
Front Axle Left

References

855 407 365 A

Counterpart

116 010 3918 | MBJ0081

Application info

80/90 (81, 85, B2) (08/78-10/88)
80/90 (85) (07/80-07/91)

80/90 (89, 89Q, 8A, B3) (06/86-12/96)

116 010 7168 | MBJ0085

Ball joint



Notes

Length [mm]
Cone Size [mm]

with accessories
42
19
for vehicles without power
steering
Lower
Front Axle Left

References

893 407 365 A

Counterpart

116 010 7172 | MBJ0088

Ball joint

116 010 7168 | MBJ0085

Application info

80/90 (89, 89Q, 8A, B3) (06/86-12/96)

Ball joint

116 010 7170 | MBJ0087

Notes

Length [mm]
Cone Size [mm]

with accessories
51
19
for vehicles with power steering
Lower
Front Axle Left

References

893 407 365 F

Counterpart

116 010 7174 | MBJ0090



Application info

80/90 (89, 89Q, 8A, B3) (06/86-12/96)

Ball joint

116 010 7175 | MBJ0091

Notes

Length [mm]
Cone Size [mm]

with accessories
48
19
for vehicles with power steering
Lower
Front Axle Left

References

895 407 365

8A0 407 365

Counterpart

116 010 7177 | MBJ0092



Application info

80 (8C, 8G7, B4) (05/91-08/00)

80/90 (89, 89Q, 8A, B3) (06/86-12/96)

116 010 0022 | MBJ0059

Ball joint



Notes

Thread Measurement 1

with accessories
M12x1,5
Front Axle Left

References

8J0 407 365

Counterpart

116 010 0023 | MBJ0060

Application info

TT [8J3, 8J9] [08/06-06/10]

TT [8S] [09/14--]

116 010 0005 | MBJ0048

Ball joint



Notes

Thread Size

with accessories
M12x1,5
Lower
Front Axle Right
Front Axle Left

References

8N0 407 365 B

8N0 407 365 C

Application info

A3 [8L1] [09/96-05/03]

TT [8N3, 8N9] [10/98-06/06]

116 010 0007 | MBJ0049

Ball joint



Notes

Thread Size

with accessories
M12x1,5
Lower
Front Axle Left

References

8Z0 407 365 A

Counterpart

116 010 0008 | MBJ0050

Application info

A2 [8Z0] [02/00-08/05]



Ball joint

116 010 0040 | MBJ0433

Notes

with accessories
Front Axle Right
Lower

References

1J0 407 366 A
1J0 407 366 C

1J0 407 366 D
1J0 407 366 J

Counterpart

116 010 0039 | MBJ0432



Application info

A3 [8L1] [09/96-05/03]

Ball joint

116 010 8288/HD | MBJ0100HD

Notes

with accessories
Lower
Front Axle Right

Reinforced Version

References

1J0 407 366 A
1J0 407 366 C

1J0 407 366 D
1J0 407 366 J

Counterpart

116 010 8287/HD | MBJ0099HD



Application info

A3 [8L1] [09/96-05/03]

Ball joint

116 010 0016 | MBJ0055

Notes

Thread Size

with accessories
M12x1,5
Lower
Front Axle Right

References

1K0 407 366 B
1K0 407 366 C

1K0 407 366 E

Counterpart

116 010 0015 | MBJ0054



Application info

A3 [8P1, 8PA] [05/03-08/12]

Q3 [8U] [06/11--]

116 010 0018 | MBJ0057

Ball joint



Notes

Thread Measurement 1

with accessories
M12x1,5
Lower
Front Axle Right

References

3C0 407 366 A

3C0 407 366 B

Counterpart

116 010 0017 | MBJ0056

Application info

A3 [8P1, 8PA] [05/03-08/12]

A3 [8V1, 8VS, 8V7, 8PA] [04/12--]

116 010 0034 | MBJ0064

Ball joint



Notes

Thread Size

with accessories
M12x1,5
Front Axle Right

References

5Q0 407 366 A

Counterpart

116 010 0033 | MBJ0063

Application info

A3 [8V1, 8VS, 8V7, 8PA] [04/12--]

116 010 0025 | MBJ0062

Ball joint



Notes

Thread Measurement 2
Thread Measurement 1

with accessories
M10x1,5
M12x1,5

References

6R0 407 366
6R0 407 366 A

6R0 407 366 B

Counterpart

116 010 0024 | MBJ0061

Application info

A1 [8X1, 8XA] [05/10--]

Ball joint
116 010 3915 | MBJ0078
Notes

 Length [mm]
 Cone Size [mm]

 with accessories
 42
 17
 for vehicles without power
 steering
 Lower
 Front Axle Right

References

855 407 366

Counterpart

116 010 3916 | MBJ0079


Application info

80/90 (81, 85, B2) (08/78-10/88)

80/90 (89, 89Q, 8A, B3) (06/86-12/96)

Ball joint
116 010 3918 | MBJ0081
Notes

Length [mm]

 with accessories
 51
 for vehicles with power steering
 Lower
 Front Axle Right

References

855 407 366 A

Counterpart

116 010 3917 | MBJ0080


Application info

80/90 (81, 85, B2) (08/78-10/88)

80/90 (85) (07/80-07/91)

80/90 (89, 89Q, 8A, B3) (06/86-12/96)

Ball joint
116 010 7172 | MBJ0088
Notes

 Length [mm]
 Cone Size [mm]

 with accessories
 42
 19
 for vehicles without power
 steering
 Lower
 Front Axle Right

References

893 407 366 A

Counterpart

116 010 7168 | MBJ0085



116 010 7172 | MBJ0088

Ball joint

Application info

80/90 (89, 89Q, 8A, B3) (06/86-12/96)

116 010 7174 | MBJ0090

Ball joint



Notes

Length [mm]
Cone Size [mm]

with accessories
51
19
for vehicles with power steering
Lower
Front Axle Right

References

893 407 366 F

Counterpart

116 010 7170 | MBJ0087

Application info

80/90 (89, 89Q, 8A, B3) (06/86-12/96)

116 010 7177 | MBJ0092

Ball joint



Notes

Length [mm]
Cone Size [mm]

with accessories
48
19
for vehicles with power steering
Lower
Front Axle Right

References

895 407 366

8A0 407 366

Counterpart

116 010 7175 | MBJ0091

Application info

80 (8C, 8G7, B4) (05/91-08/00)

80/90 (89, 89Q, 8A, B3) (06/86-12/96)



Ball joint

116 010 0023 | MBJ0060

Notes

Thread Measurement 1

with accessories
M12x1,5
Front Axle Right

References

8J0 407 366

Counterpart

116 010 0022 | MBJ0059



Application info

TT [8J3, 8J9] [08/06-06/10]

TT [8S] [09/14--]

Ball joint

116 010 0008 | MBJ0050

Notes

Thread Size

with accessories
M12x1,5
Lower
Front Axle Right

References

8Z0 407 366 A

Counterpart

116 010 0007 | MBJ0049



Application info

A2 [8Z0] [02/00-08/05]

Ball joint

116 010 0000 | MBJ0047

Notes

Outer diameter [mm]
Height [mm]
Thread Size
Cone Size [mm]

42
109
M12x1,5
17.2
Front Axle Right
Front Axle Left

References

4G0 407 689 A

4G0 407 689 C



Application info

A4 [8K2, 8K5, 8KH] [11/07--]
A5 [8F, 8T] [06/07--]
A6 [4G2, 4G5, C7] [11/10-05/13]

A7 Sportback [4GA] [10/10--]
Q5 [8R] [11/08--]

116 010 0019 | MBJ0058

Ball joint



Notes

Outer diameter [mm]	42
Height [mm]	109
Thread Measurement 1	M12x1,5
Cone Size [mm]	13.8
	Front
	Lower
	Front Axle Right
	Front Axle Left

References

8K0 407 689 D	8K0 407 689 F
8K0 407 689 E	8K0 407 689 G

Application info

A4 (8K2, 8K5, 8KH) [11/07--]
A5 (8F, 8T) [06/07--]
A6 (4G2, 4G5, C7) [11/10-05/13]

A7 Sportback (4GA) [10/10--]
Q5 (8R) [11/08--]

116 010 3030 | MBJ0071

Ball joint



Notes

Length [mm]	with accessories 42
	Lower
	Front Axle Right
	Front Axle Left

References

321 413 025 B

Application info

80/90 (81, 85, B2) [08/78-10/88]

116 050 0017 | MCA0144

Control arm



Notes

Aluminium
with rubber mounting
with ball joint
Control Arm
Upper
Front Axle Right
Front Axle Left

References

7L0 407 021	7L0 407 021 B
7L0 407 021 A	

Parts list

100 610 0015 MCB0102	Control arm bushing
------------------------	---------------------

Control arm

116 050 0017 | MCA0144

Application info

Q7 [4L] [03/06-05/12]

Q7 [4M] [06/15--]

Control arm

116 050 0017/S | MCA0983

Notes

with accessories
Aluminium
with ball joint
with rubber mounting
Control Arm
Front Axle Left
Front Axle Right
Upper



References

7L0 407 021
7L0 407 021 A

7L0 407 021 B

Parts list

100 610 0015 | MCB0102

Control arm bushing

Application info

Q7 [4L] [03/06-05/12]

Q7 [4M] [06/15--]

Control arm

116 050 0101 | MCA0870

Notes

Aluminium
with ball joint
with rubber mounting
Control Arm
Upper
Front Axle Right
Front Axle Left



References

7L8 407 021

Parts list

100 610 0015 | MCB0102

Control arm bushing

Application info

Q7 [4L] [03/06-05/12]

116 050 0101/S | MCA0984

Control arm



Notes

with accessories
Aluminium
with rubber mounting
with ball joint
Control Arm
Front Axle Left
Front Axle Right
Upper

References

7L8 407 021

Parts list

100 610 0015 | MCB0102

Control arm bushing

Application info

Q7 [4L] [03/06-05/12]

116 050 0132/HD | MCA0197HD

Control arm



Notes

Sheet Steel
with rubber mounting
Control Arm
Left

Reinforced Version

References

857 407 147 A

893 407 147 C

Parts list

100 407 0026/HD | MCB0053HD

Control arm bushing

Counterpart

116 050 0131/HD | MCA0196HD

Application info

80/90 [81, 85, B2] [08/78-10/88]

80/90 [85] [07/80-07/91]

80/90 [89, 89Q, 8A, B3] [06/86-12/96]



Control arm

116 050 0133/HD | MCA0198HD

Notes

Sheet Steel
with rubber mounting
Control Arm
for vehicles with power steering
Lower
Front Axle Left

Reinforced Version

References

893 407 147 E

Parts list

100 407 0026/HD | MCB0053HD Control arm bushing

Counterpart

116 050 0134/HD | MCA0199HD



Application info

80/90 [89, 89Q, 8A, B3] [06/86-12/96]

Control arm

116 050 0154/HD | MCA0202HD

Notes

Sheet Steel
with rubber mounting
Control Arm
Lower
Front Axle Left

Reinforced Version

References

895 407 147 A

Parts list

100 407 0026/HD | MCB0053HD Control arm bushing

Counterpart

116 050 0155/HD | MCA0203HD



Application info

80 [8C, 8G7, B4] [05/91-08/00]

80/90 [89, 89Q, 8A, B3] [06/86-12/96]

116 050 0131/HD | MCA0196HD

Control arm



Notes

Sheet Steel
without ball joint
with rubber mounting
Control Arm
Right

Reinforced Version

References

857 407 148 A

893 407 148 C

Parts list

100 407 0026/HD | MCB0053HD Control arm bushing

Counterpart

116 050 0132/HD | MCA0197HD

Application info

80/90 (81, 85, B2) (08/78-10/88)
80/90 (85) (07/80-07/91)

80/90 (89, 89Q, 8A, B3) (06/86-12/96)

116 050 0134/HD | MCA0199HD

Control arm



Notes

Sheet Steel
with rubber mounting
Control Arm
for vehicles with power steering
Lower
Front Axle Right

Reinforced Version

References

893 407 148 E

Parts list

100 407 0026/HD | MCB0053HD Control arm bushing

Counterpart

116 050 0133/HD | MCA0198HD

Application info

80/90 (89, 89Q, 8A, B3) (06/86-12/96)

Control arm

116 050 0155/HD | MCA0203HD

Notes

Sheet Steel
with rubber mounting
Control Arm
Lower
Front Axle Right

Reinforced Version

References

895 407 148 A

Parts list

100 407 0026/HD | MCB0053HD Control arm bushing

Counterpart

116 050 0154/HD | MCA0202HD



Application info

80 [8C, 8G7, 84] [05/91-08/00]

80/90 [89, 89Q, 8A, 83] [06/86-12/96]

Control arm

116 050 0009/HD | MCA0138HD

Notes

Sheet Steel
with rubber mounting
with ball joint
Control Arm
Front Axle Left

Reinforced Version

References

1J0 407 151 A 1J0 407 151 C

Parts list

116 010 8287/HD | MBJ0099HD Ball joint
100 407 0015 | MCB0047 Control arm bushing
100 407 0043 | MCB0060 Control arm bushing

Counterpart

116 050 0010/HD | MCA0139HD



Application info

A3 [8L1] [09/96-05/03]

116 050 0010/HD | MCA0139HD

Control arm



Notes

Sheet Steel
with rubber mounting
with ball joint
Control Arm
Front Axle Right

Reinforced Version

References

1J0 407 151 A

1J0 407 151 C

Parts list

116 010 8288/HD | MBJ0100HD

Ball joint

100 407 0015 | MCB0047

Control arm bushing

100 407 0043 | MCB0060

Control arm bushing

Counterpart

116 050 0009/HD | MCA0138HD

Application info

A3 (8L1) (09/96-05/03)

116 050 0156 | MCA0204

Control arm



Notes

Sheet Steel
with rubber mounting
Control Arm
Lower
Front Axle Right
Front Axle Left

References

1J0 407 151 A

1J0 407 151 C

Parts list

100 407 0015 | MCB0047

Control arm bushing

100 407 0043 | MCB0060

Control arm bushing

Application info

A3 (8L1) (09/96-05/03)



Control arm

116 050 0032/HD | MCA0151HD

Notes

Cast Steel
without ball joint
with rubber mounting
Control Arm
Front Axle Left

Reinforced Version

References

1K0 407 151 AC
1K0 407 151 AD

1K0 407 151 AK
1K0 407 151 BF

Parts list

100 199 0085/HD | MCM0003HD Mount, control arm
100 407 0086 | MCB0077 Control arm bushing

Counterpart

116 050 0033/HD | MCA0152HD



Application info

A3 [8P1, 8PA] [05/03-08/12]

Control arm

116 050 0199 | MCA1065

Notes

Cast Steel
without ball joint
with rubber mounting
Control Arm
Front Axle Left

References

1K0 407 151 AC
1K0 407 151 AD

1K0 407 151 AK
1K0 407 151 BF

Parts list

100 407 0086 | MCB0077 Control arm bushing

Counterpart

116 050 0200 | MCA1066



Application info

A3 [8P1, 8PA] [05/03-08/12]

116 050 0181/HD | MCA0822HD

Control arm



Notes

Sheet Steel
with ball joint
with rubber mounting
Control Arm
Front Axle Left

Reinforced Version

References

1K0 407 151 AA	1K0 407 151 BC
1K0 407 151 AB	1K0 407 151 BD
1K0 407 151 AE	1K0 407 151 N
1K0 407 151 AH	1K0 407 151 P

Parts list

116 010 0015 MBJ0054	Ball joint
100 199 0085/HD MCM0003HD	Mount, control arm
100 407 0086 MCB0077	Control arm bushing

Counterpart

116 050 0182/HD | MCA0823HD

Application info

A3 [8P1, 8PA] [05/03-08/12]

116 050 0215 | MCA1078

Control arm



Notes

Sheet Steel
with rubber mounting
with ball joint
Control Arm
Front Axle Left

References

1K0 407 151 AA	1K0 407 151 BC
1K0 407 151 AB	1K0 407 151 BD
1K0 407 151 AE	1K0 407 151 N
1K0 407 151 AH	1K0 407 151 P

Parts list

116 010 0015 MBJ0054	Ball joint
100 407 0086 MCB0077	Control arm bushing

Counterpart

116 050 0216 | MCA1079

Application info

A3 [8P1, 8PA] [05/03-08/12]



Control arm

116 050 0002/HD | MCA0132HD

Notes

Reinforced Version

Sheet Steel
with rubber mounting
Control Arm
Front Axle Left

References

1K0 407 151 AA
1K0 407 151 AB
1K0 407 151 AE
1K0 407 151 AH

1K0 407 151 BC
1K0 407 151 BD
1K0 407 151 N
1K0 407 151 P

Parts list

100 199 0085/HD | MCM0003HD Mount, control arm
100 407 0086 | MCB0077 Control arm bushing

Counterpart

116 050 0003/HD | MCA0133HD



Application info

A3 [8P1, 8PA] [05/03-08/12]

A3 [8V1, 8VS, 8V7, 8PA] [04/12--]

Control arm

116 050 0197 | MCA1063

Notes

Sheet Steel
without ball joint
with rubber mounting
Control Arm
Front Axle Left

References

1K0 407 151 AA
1K0 407 151 AB
1K0 407 151 AE
1K0 407 151 AH

1K0 407 151 BC
1K0 407 151 BD
1K0 407 151 N
1K0 407 151 P

Parts list

100 407 0086 | MCB0077 Control arm bushing

Counterpart

116 050 0198 | MCA1064



Application info

A3 [8P1, 8PA] [05/03-08/12]

116 050 0072/HD | MCA0167HD

Control arm



Notes

Aluminium
with rubber mounting
Control Arm
Front Axle Right
Front Axle Left

Reinforced Version

References

3C0 407 151 G

3C0 407 151 H

Parts list

100 610 0014/HD | MCM0014HD

Mount, control arm

100 407 0086 | MCB0077

Control arm bushing

Application info

Q3 [8U] [06/11--]

116 050 3910 | MCA0223

Control arm



Notes

Steel
380
with rubber mounting
18
Control Arm
Lower
Front Axle Left

Length [mm]

Cone Size [mm]

References

441 404 155 S

443 407 151 B

437 407 151 A

431 407 155 A

Parts list

100 407 0001 | MCB0041

Control arm bushing

100 407 0014 | MCB0046

Control arm bushing

Counterpart

116 050 3911 | MCA0224

Application info

100/200 [44, 44Q, C3] [08/82-12/91]



Control arm

116 050 0025 | MCA0147

Notes

Length [mm] Steel
 385
 with rubber mounting

Cone Size [mm] 19
 Control Arm
 for vehicles with power steering
 Lower
 Front Axle Left



References

441 407 151 A 441 407 155
 441 407 151 C 441 407 155 B

Parts list

100 407 0001 | MCB0041 Control arm bushing
 100 407 0014 | MCB0046 Control arm bushing

Counterpart

116 050 0026 | MCA0148

Application info

100/200 [44, 44Q, C3] [08/82-12/91] V8 [01] [10/88-02/94]

Control arm

116 050 8200/HD | MCA0225HD

Notes

Length [mm] with accessories
 Steel
 392
 with rubber mounting
 Control Arm
 Lower
 Front Axle Left

Reinforced Version



References

4A0 407 151

Parts list

100 610 0000/HD | MCX0166HD Mounting kit, control arm
 100 399 0020 | MCX0141 Sleeve, control arm mount
 100 407 0013/HD | MCB0045HD Control arm bushing
 100 407 0017/HD | MCB0048HD Control arm bushing

Counterpart

116 050 8201/HD | MCA0226HD

Application info

100 [4A, C4] [12/90-07/94] A6 [4A, C4] [06/94-12/97]

116 050 0058/HD | MCA0158HD

Control arm



Notes

Length [mm]

Cone Size [mm]

Reinforced Version

References

4B3 407 151 D

Parts list

100 407 0047/HD | MCB0061HD Control arm bushing

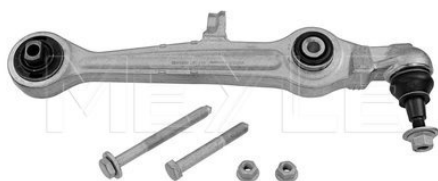
with accessories
Aluminium
365
with rubber mounting
16
Control Arm
Front Axle Right
Front Axle Left

Application info

A6 [4B, C5] [01/97-01/05]

116 050 0031/HD | MCA0150HD

Control arm



Notes

Length [mm]

Cone Size [mm]

Reinforced Version

References

4B0 407 151
4B3 407 151 A
4B3 407 151 C

Parts list

100 407 0022/HD | MCB0050HD Control arm bushing
100 407 0047/HD | MCB0061HD Control arm bushing

with accessories
Aluminium
365
with rubber mounting
16
Control Arm
Lower
Front
Front Axle Right
Front Axle Left

Application info

A4 [802, 805, B5] [11/94-09/01]
A6 [4B, C5] [01/97-01/05]

A8 [402, 408] [03/94-09/02]



Control arm

116 050 0212 | MCA1075

Notes

with accessories
Aluminium
Length [mm] 365
with rubber mounting
Cone Size [mm] 16
Control Arm
Front Axle Right
Front Axle Left
Front
Lower



References

4B0 407 151 4B3 407 151 E
4B3 407 151 A 4B3 407 151 F
4B3 407 151 C 4B3 407 151 K

Application info

A4 [802, 805, 85] [11/94-09/01]
A6 [4B, C5] [01/97-01/05]

A8 [402, 408] [03/94-09/02]

Control arm

116 050 0067/HD | MCA0165HD

Notes

with accessories
Aluminium
Length [mm] 470
with rubber mounting
Control Arm
Lower
Front
Front Axle Right
Front Axle Left
Reinforced Version



References

4E0 407 151 G 4E0 407 151 L

Parts list

100 610 0003/HD | MCB0095HD Control arm bushing
100 610 0004/HD | MCB0096HD Control arm bushing

Application info

A8 [4E] [10/02-07/10]

116 050 0043/HD | MCA0154HD

Control arm



Notes

Length [mm]

with accessories
Aluminium
469
with rubber mounting
Control Arm
Lower
Front
Front Axle Right
Front Axle Left

Reinforced Version

References

4F0 407 151

4F0 407 151 A

Parts list

100 610 0003/HD | MCB0095HD

Control arm bushing

100 610 0004/HD | MCB0096HD

Control arm bushing

Application info

A6 [4F2, 4FH, 4F5] [05/04-08/11]

116 050 0123/S | MCA1013

Control arm



Notes

with add-on material
Sheet Steel
with rubber mounting
Control Arm
Front Axle Left

References

5Q0 407 151 J

Parts list

100 407 0086 | MCB0077

Control arm bushing

100 610 0036 | MCB0389

Control arm bushing

Counterpart

116 050 0124/S | MCA1014

Application info

A3 [8V1, 8VS, 8V7, 8PA] [04/12--]



Control arm

116 050 0103/HD | MCA0188HD

Notes

Sheet Steel
with rubber mounting
Control Arm
Front Axle Left

Reinforced Version

References

6R0 407 151 B

6R0 407 151 F

Parts list

100 407 0015 | MCB0047

Control arm bushing

100 407 0073/HD | MCB0072HD

Control arm bushing

Counterpart

116 050 0104/HD | MCA0189HD



Application info

A1 [8X1, 8XA] [05/10--]

Control arm

116 050 0096 | MCA0182

Notes

Aluminium
with rubber mounting
with ball joint
Control Arm
Lower
Front Axle Left

References

7L8 407 151 K

7P0 407 151 D

7P0 407 151 B

7P0 407 151 E

7P0 407 151 C

Parts list

100 610 0011 | MCB0100

Control arm bushing

100 610 0012 | MCB0101

Control arm bushing

100 610 0024/HD | MCB0107HD

Control arm bushing

Counterpart

116 050 0097 | MCA0183



Application info

Q7 [4L] [03/06-05/12]

Q7 [4M] [06/15--]

116 050 0096/S | MCA1000

Control arm



Notes

with accessories
Aluminium
with ball joint
with rubber mounting
Control Arm
Front Axle Left
Lower

References

7L8 407 151 K
7P0 407 151 B
7P0 407 151 C

7P0 407 151 D
7P0 407 151 E

Parts list

100 610 0011 | MCB0100
100 610 0012 | MCB0101
100 610 0024/HD | MCB0107HD

Control arm bushing
Control arm bushing
Control arm bushing

Counterpart

116 050 0097/S | MCA1001

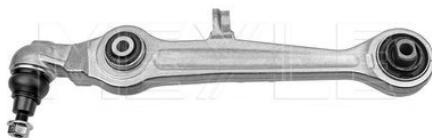
Application info

Q7 [4L] [03/06-05/12]

Q7 [4M] [06/15--]

116 050 0205 | MCA1068

Control arm



Notes

Length [mm]
Cone Size [mm]

with accessories
Aluminium
365
with rubber mounting
20
Control Arm
Front Axle Right
Front Axle Left
Front
Lower

References

400 407 151 H
400 407 151 P

800 407 151 E

Application info

A4 [802, 805, 85] [11/94-09/01]
A6 [4B, C5] [01/97-01/05]

A8 [402, 408] [03/94-09/02]



Control arm

116 050 8228/HD | MCA0227HD

Notes

with accessories
Aluminium
Length [mm] 365
with rubber mounting
Cone Size [mm] 24.7
Control Arm
Lower
Front
Front Axle Right
Front Axle Left

Reinforced Version



References

400 407 151 H 800 407 151 E
400 407 151 P

Parts list

100 407 0022/HD | MCB0050HD Control arm bushing
100 407 0047/HD | MCB0061HD Control arm bushing

Application info

A4 [802, 805, B5] [11/94-09/01]
A6 [4B, C5] [01/97-01/05]

A8 [402, 408] [03/94-09/02]

Control arm

116 050 0092 | MCA0179

Notes

Aluminium
without ball joint
with rubber mounting
for control arm
Front Axle Right
Front Axle Left



References

8J0 407 151 D

Parts list

100 610 0028 | MCM0016 Mount, control arm
100 407 0086 | MCB0077 Control arm bushing

Application info

TT [8J3, 8J9] [08/06-06/10]

TT [8S] [09/14--]

116 050 0137 | MCA0200

Control arm



Notes

Aluminium
with rubber mounting
with ball joint
Control Arm
Lower
Front Axle Left

References

8J0 407 151 D

Parts list

116 010 0022 | MBJ0059
116 050 0092 | MCA0179

Ball joint
Control arm

Counterpart

116 050 0138 | MCA0201

Application info

TT [8J3, 8J9] [08/06-06/10]

TT [8S] [09/14--]

116 050 0138 | MCA0201

Control arm



Notes

Aluminium
with rubber mounting
with ball joint
Control Arm
Lower
Front Axle Right

References

8J0 407 151 D

Parts list

116 010 0023 | MBJ0060
116 050 0092 | MCA0179

Ball joint
Control arm

Counterpart

116 050 0137 | MCA0200

Application info

TT [8J3, 8J9] [08/06-06/10]

TT [8S] [09/14--]

Control arm

116 050 0170/HD | MCA0213HD

Notes

Bore Ø [mm] Aluminium
14
with rubber mounting
Control Arm
Front
Lower
Front Axle Left

Reinforced Version

References

8K0 407 151 B 8K0 407 151 D
8K0 407 151 C

Parts list

100 610 0003/HD | MCB0095HD Control arm bushing
100 610 0021 | MCB0105 Control arm bushing

Counterpart

116 050 0169/HD | MCA0212HD



Application info

A4 [8K2, 8K5, 8KH] [11/07--] A7 Sportback [4GA] [10/10--]
A5 [8F, 8T] [06/07--] Q5 [8R] [11/08--]
A6 [4G2, 4G5, C7] [11/10-05/13]

Control arm

116 050 0224/HD | MCA1128HD

Notes

Bore Ø [mm] with add-on material
Aluminium
17
with rubber mounting
Control Arm
Front Axle Left
Front
Lower

Reinforced Version

References

8K0 407 151 F

Parts list

100 610 0003/HD | MCB0095HD Control arm bushing
100 610 0021 | MCB0105 Control arm bushing

Counterpart

116 050 0225/HD | MCA1129HD



Application info

A4 [8K2, 8K5, 8KH] [11/07--] A7 Sportback [4GA] [10/10--]
A5 [8F, 8T] [06/07--] Q5 [8R] [11/08--]
A6 [4G2, 4G5, C7] [11/10-05/13]

116 050 0098 | MCA0184

Control arm



Notes

Thread Size

Cast Steel
M12x1,5
with rubber mounting
with ball joint
Control Arm
Front Axle Left

References

8Z0 407 151 J

Parts list

100 407 0089 | MCB0078

Control arm bushing

Counterpart

116 050 0099 | MCA0185

Application info

A2 [8Z0] [02/00-08/05]

116 050 0033/HD | MCA0152HD

Control arm



Notes

Reinforced Version

Cast Steel
without ball joint
with rubber mounting
Control Arm
Front Axle Right

References

1K0 407 152 AC
1K0 407 152 AD

1K0 407 152 AK
1K0 407 152 BF

Parts list

100 199 0086/HD | MCM0004HD
100 407 0086 | MCB0077

Mount, control arm
Control arm bushing

Counterpart

116 050 0032/HD | MCA0151HD

Application info

A3 [8P1, 8PA] [05/03-08/12]



Control arm

116 050 0200 | MCA1066

Notes

Cast Steel
without ball joint
with rubber mounting
Control Arm
Front Axle Right

References

1K0 407 152 AC
1K0 407 152 AD

1K0 407 152 AK
1K0 407 152 BF

Parts list

100 407 0086 | MCB0077

Control arm bushing

Counterpart

116 050 0199 | MCA1065



Application info

A3 [8P1, 8PA] [05/03-08/12]

Control arm

116 050 0003/HD | MCA0133HD

Notes

Sheet Steel
without ball joint
with rubber mounting
Control Arm
Front Axle Right

Reinforced Version

References

1K0 407 152 AA
1K0 407 152 AB
1K0 407 152 AE
1K0 407 152 AH

1K0 407 152 BC
1K0 407 152 BD
1K0 407 152 N
1K0 407 152 P

Parts list

100 199 0086/HD | MCM0004HD
100 407 0086 | MCB0077

Mount, control arm
Control arm bushing

Counterpart

116 050 0002/HD | MCA0132HD



Application info

A3 [8P1, 8PA] [05/03-08/12]

A3 [8V1, 8VS, 8V7, 8PA] [04/12--]

116 050 0182/HD | MCA0823HD

Control arm



Notes

Sheet Steel
with rubber mounting
with ball joint
Control Arm
Front Axle Right

Reinforced Version

References

1K0 407 152 AA	1K0 407 152 BC
1K0 407 152 AB	1K0 407 152 BD
1K0 407 152 AE	1K0 407 152 N
1K0 407 152 AH	1K0 407 152 P

Parts list

116 010 0016 MBJ0055	Ball joint
100 199 0086/HD MCM0004HD	Mount, control arm
100 407 0086 MCB0077	Control arm bushing

Counterpart

116 050 0181/HD | MCA0822HD

Application info

A3 (8P1, 8PA) (05/03-08/12)

116 050 0198 | MCA1064

Control arm



Notes

Sheet Steel
without ball joint
with rubber mounting
Control Arm
Front Axle Right

References

1K0 407 152 AA	1K0 407 152 BC
1K0 407 152 AB	1K0 407 152 BD
1K0 407 152 AE	1K0 407 152 N
1K0 407 152 AH	1K0 407 152 P

Parts list

100 407 0086 MCB0077	Control arm bushing
------------------------	---------------------

Counterpart

116 050 0197 | MCA1063

Application info

A3 (8P1, 8PA) (05/03-08/12)



Control arm

116 050 0216 | MCA1079

Notes

Sheet Steel
with rubber mounting
with ball joint
Control Arm
Front Axle Right



References

1K0 407 152 AA
1K0 407 152 AB
1K0 407 152 AE
1K0 407 152 AH

1K0 407 152 BC
1K0 407 152 BD
1K0 407 152 N
1K0 407 152 P

Parts list

116 010 0016 | MBJ0055 Ball joint
100 199 0086/HD | MCM0004HD Mount, control arm

Counterpart

116 050 0215 | MCA1078

Application info

A3 [8P1, 8PA] [05/03-08/12]

Control arm

116 050 3911 | MCA0224

Notes

Length [mm]

Cone Size [mm]

Steel
380
with rubber mounting
18
Control Arm
Lower
Front Axle Right



References

437 407 152 A
443 407 152 B

437 407 156 A
441 407 156 A

Parts list

100 407 0001 | MCB0041 Control arm bushing
100 407 0014 | MCB0046 Control arm bushing

Counterpart

116 050 3910 | MCA0223

Application info

100/200 [44, 44Q, C3] [08/82-12/91]

116 050 0026 | MCA0148

Control arm



Notes

Length [mm] Steel
385
with rubber mounting
Cone Size [mm] 19
Control Arm
for vehicles with power steering
Lower
Front Axle Right

References

441 407 152 A 441 407 156
441 407 152 C

Parts list

100 407 0001 | MCB0041 Control arm bushing
100 407 0014 | MCB0046 Control arm bushing

Counterpart

116 050 0025 | MCA0147

Application info

100/200 [44, 44Q, C3] [08/82-12/91]

V8 [01] [10/88-02/94]

116 050 8201/HD | MCA0226HD

Control arm



Notes

Length [mm] with accessories
Steel
392
with rubber mounting
Control Arm
Lower
Front Axle Right

Reinforced Version

References

4A0 407 152

Parts list

100 610 0000/HD | MCX0166HD Mounting kit, control arm
100 399 0020 | MCX0141 Sleeve, control arm mount
100 407 0013/HD | MCB0045HD Control arm bushing
100 407 0017/HD | MCB0048HD Control arm bushing

Counterpart

116 050 8200/HD | MCA0225HD

Application info

100 [4A, C4] [12/90-07/94]

A6 [4A, C4] [06/94-12/97]



Control arm

116 050 0124/S | MCA1014

Notes

with add-on material
Sheet Steel
with rubber mounting
Control Arm
Front Axle Right

References

5Q0 407 152 J

Parts list

100 407 0086 | MCB0077

100 610 0036 | MCB0389

Control arm bushing
Control arm bushing

Counterpart

116 050 0123/S | MCA1013



Application info

A3 (8V1, 8VS, 8V7, 8PA) (04/12--)

Control arm

116 050 0104/HD | MCA0189HD

Notes

Sheet Steel
with rubber mounting
Control Arm
Front Axle Right

Reinforced Version

References

6R0 407 152 B

6R0 407 152 F

Parts list

100 407 0015 | MCB0047

100 407 0073/HD | MCB0072HD

Control arm bushing
Control arm bushing

Counterpart

116 050 0103/HD | MCA0188HD



Application info

A1 (8X1, 8XA) (05/10--)

116 050 0097 | MCA0183

Control arm



Notes

Aluminium
with rubber mounting
with ball joint
Control Arm
Lower
Front Axle Right

References

7L8 407 152 K
7P0 407 152 B
7P0 407 152 C

7P0 407 152 D
7P0 407 152 E

Parts list

100 610 0011 | MCB0100
100 610 0012 | MCB0101
100 610 0024/HD | MCB0107HD

Control arm bushing
Control arm bushing
Control arm bushing

Counterpart

116 050 0096 | MCA0182

Application info

Q7 [4L] [03/06-05/12]

Q7 [4M] [06/15--]

116 050 0097/S | MCA1001

Control arm



Notes

with accessories
Aluminium
with ball joint
with rubber mounting
Control Arm
Front Axle Right
Lower

References

7L8 407 152 K
7P0 407 152 B
7P0 407 152 C

7P0 407 152 D
7P0 407 152 E

Parts list

100 610 0011 | MCB0100
100 610 0012 | MCB0101
100 610 0024/HD | MCB0107HD

Control arm bushing
Control arm bushing
Control arm bushing

Counterpart

116 050 0096/S | MCA1000

Application info

Q7 [4L] [03/06-05/12]

Q7 [4M] [06/15--]



Control arm

116 050 0169/HD | MCA0212HD

Notes

Bore Ø [mm]

Aluminium
14
with rubber mounting
Control Arm
Front
Lower
Front Axle Right

Reinforced Version

References

8K0 407 152 B
8K0 407 152 C

8K0 407 152 D

Parts list

100 610 0003/HD | MCB0095HD Control arm bushing
100 610 0021 | MCB0105 Control arm bushing

Counterpart

116 050 0170/HD | MCA0213HD



Application info

A4 [8K2, 8K5, 8KH] [11/07--]
A5 [8F, 8T] [06/07--]
A6 [4G2, 4G5, C7] [11/10-05/13]

A7 Sportback [4GA] [10/10--]
Q5 [8R] [11/08--]

Control arm

116 050 0225/HD | MCA1129HD

Notes

Bore Ø [mm]
Length [mm]

with add-on material
Aluminium
17
351
with rubber mounting
Control Arm
Front Axle Right
Front
Lower

Reinforced Version

References

8K0 407 152 F

Parts list

100 610 0003/HD | MCB0095HD Control arm bushing
100 610 0021 | MCB0105 Control arm bushing

Counterpart

116 050 0224/HD | MCA1128HD



Application info

A4 [8K2, 8K5, 8KH] [11/07--]
A5 [8F, 8T] [06/07--]
A6 [4G2, 4G5, C7] [11/10-05/13]

A7 Sportback [4GA] [10/10--]
Q5 [8R] [11/08--]

116 050 0099 | MCA0185

Control arm



Notes

Thread Size

Cast Steel
M12x1,5
with rubber mounting
with ball joint
Control Arm
Front Axle Right

References

8Z0 407 152 J

Parts list

100 407 0089 | MCB0078

Control arm bushing

Counterpart

116 050 0098 | MCA0184

Application info

A2 [8Z0] [02/00-08/05]

116 050 8239/HD | MCA0228HD

Control arm



Notes

Length [mm]

Aluminium
318
with rubber mounting
Control Arm
Upper
Front
Front Axle Right
Front Axle Left

Reinforced Version

References

400 407 505 A

400 407 505 F

400 407 505 B

400 407 505 H

400 407 505 D

400 407 505 J

Parts list

100 407 0025/HD | MCB0052HD

Control arm bushing

Application info

A8 [402, 408] [03/94-09/02]



Control arm

116 050 0042/HD | MCA0153HD

Notes

Length [mm]

with accessories
Aluminium
301
with rubber mounting
Control Arm
Upper
Front
Front Axle Left

Reinforced Version

References

4E0 407 505 B
4E0 407 505 E

4E0 407 505 F

Parts list

100 407 0070/HD | MCB0071HD Control arm bushing

Counterpart

116 050 0063/HD | MCA0161HD



Application info

A6 [4F2, 4FH, 4F5] [05/04-08/11]

A8 [4E] [10/02-07/10]

Control arm

116 050 0213 | MCA1076

Notes

Length [mm]

with accessories
Aluminium
301
with rubber mounting
Control Arm
Front Axle Left
Front
Upper

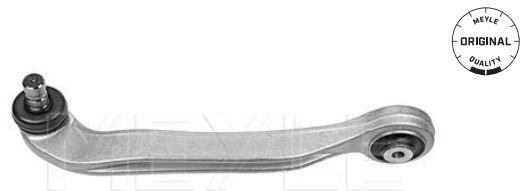
References

4E0 407 505 B
4E0 407 505 E

4E0 407 505 F

Counterpart

116 050 0214 | MCA1077



Application info

A6 [4F2, 4FH, 4F5] [05/04-08/11]

A8 [4E] [10/02-07/10]

116 050 0145/HD | MCA1007HD

Control arm



Notes

Aluminium
with rubber mounting
with ball joint
Control Arm
Front
Upper
Front Axle Left

Reinforced Version

References

4H0 407 505 D
4H0 407 505 E

4H0 407 505 F

Parts list

100 407 0070/HD | MCB0071HD Control arm bushing

Counterpart

116 050 0146/HD | MCA1008HD

Application info

A8 [4H_] [11/09--]

116 050 0209 | MCA1072

Control arm



Notes

Length [mm]

with accessories
Aluminium
273
with rubber mounting
Control Arm
Front Axle Left
Front
Upper

References

800 407 505 E
8E0 407 505 A
8E0 407 505 C

8E0 407 505 E
8E0 407 505 P
8E0 407 505 Q

Counterpart

116 050 0208 | MCA1071

Application info

A4 [802, 805, B5] [11/94-09/01]
A4 [8E2, 8E5, B6] [10/00-12/04]
A4 [8EC, 8ED] [11/04-06/08]

A4 [8H7] [04/02-03/09]
A6 [4B, C5] [01/97-01/05]
Allroad [4BH] [05/00-08/05]



Control arm

116 050 8297/HD | MCA0233HD

Notes

Length [mm]

with accessories
Aluminium
273
with rubber mounting
Control Arm
Upper
Front
Front Axle Left

Reinforced Version

References

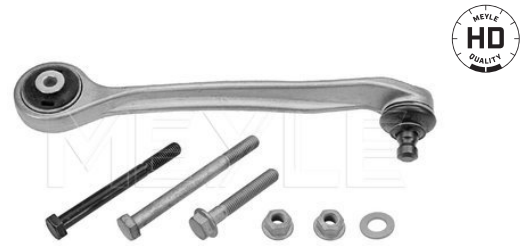
8D0 407 505 E	8E0 407 505 E
8E0 407 505 A	8E0 407 505 P
8E0 407 505 C	8E0 407 505 Q

Parts list

100 407 0024/HD | MCB0051HD Control arm bushing

Counterpart

116 050 8298/HD | MCA0234HD



Application info

A4 [8D2, 8D5, B5] [11/94-09/01]
A4 [8E2, 8E5, B6] [10/00-12/04]
A4 [8EC, 8ED] [11/04-06/08]

A4 [8H7] [04/02-03/09]
A6 [4B, C5] [01/97-01/05]
Allroad [4BH] [05/00-08/05]

Control arm

116 050 0168/HD | MCA0211HD

Notes

Length [mm]

Aluminium
269
with rubber mounting
with ball joint
Control Arm
Front
Upper
Front Axle Left

Reinforced Version

References

8K0 407 505 A	8K0 407 505 M
8K0 407 505 B	8K0 407 505 N

Parts list

100 407 0070/HD | MCB0071HD Control arm bushing

Counterpart

116 050 0167/HD | MCA0210HD



Application info

A4 [8K2, 8K5, 8KH] [11/07--]
A5 [8F, 8T] [06/07--]
A6 [4G2, 4G5, C7] [11/10-05/13]

A7 Sportback [4GA] [10/10--]
Q5 [8R] [11/08--]

116 050 0063/HD | MCA0161HD

Control arm



Notes

Length [mm]

Reinforced Version

References

4E0 407 506 B
4E0 407 506 E

Parts list

100 407 0070/HD | MCB0071HD

Counterpart

116 050 0042/HD | MCA0153HD

with accessories
Aluminium
301
with rubber mounting
Control Arm
Upper
Front
Front Axle Right

4E0 407 506 F

Control arm bushing

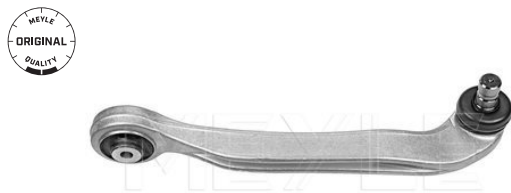
Application info

A6 [4F2, 4FH, 4F5] [05/04-08/11]

A8 [4E] [10/02-07/10]

116 050 0214 | MCA1077

Control arm



Notes

Length [mm]

References

4E0 407 506 B
4E0 407 506 E

Counterpart

116 050 0213 | MCA1076

with accessories
Aluminium
301
with rubber mounting
Control Arm
Front Axle Right
Front
Upper

4E0 407 506 F

Application info

A6 [4F2, 4FH, 4F5] [05/04-08/11]

A8 [4E] [10/02-07/10]



Control arm

116 050 0146/HD | MCA1008HD

Notes

Aluminium
with rubber mounting
with ball joint
Control Arm
Upper
Front
Front Axle Right

Reinforced Version

References

4H0 407 506 D
4H0 407 506 E

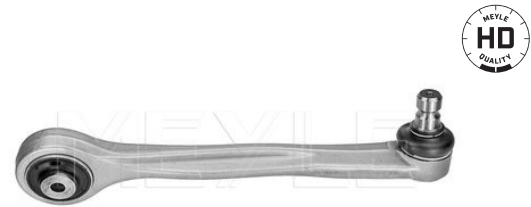
4H0 407 506 F

Parts list

100 407 0070/HD | MCB0071HD Control arm bushing

Counterpart

116 050 0145/HD | MCA1007HD



Application info

A8 [4H_] [11/09--]

Control arm

116 050 0208 | MCA1071

Notes

Length [mm]

with accessories
Aluminium
273
with rubber mounting
Control Arm
Front Axle Right
Front
Upper

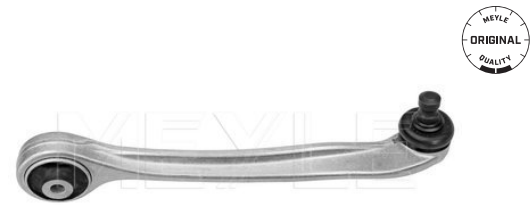
References

800 407 506 E
8E0 407 506 A
8E0 407 506 C

8E0 407 506 E
8E0 407 506 P
8E0 407 506 Q

Counterpart

116 050 0209 | MCA1072



Application info

A4 [802, 805, B5] [11/94-09/01]
A4 [8E2, 8E5, B6] [10/00-12/04]
A4 [8EC, 8ED] [11/04-06/08]

A4 [8H7] [04/02-03/09]
A6 [4B, C5] [01/97-01/05]
Allroad [4BH] [05/00-08/05]

116 050 8298/HD | MCA0234HD

Control arm



Notes

Length [mm]

with accessories
Aluminium
273
with rubber mounting
Control Arm
Upper
Front
Front Axle Right

Reinforced Version

References

800 407 506 E	8E0 407 506 E
8E0 407 506 A	8E0 407 506 P
8E0 407 506 C	8E0 407 506 Q

Parts list

100 407 0024/HD | MCB0051HD Control arm bushing

Counterpart

116 050 8297/HD | MCA0233HD

Application info

A4 (8D2, 8D5, B5) [11/94-09/01]
A4 (8E2, 8E5, B6) [10/00-12/04]
A4 (8EC, 8ED) [11/04-06/08]

A4 (8H7) [04/02-03/09]
A6 (4B, C5) [01/97-01/05]
Allroad (4BH) [05/00-08/05]

116 050 0167/HD | MCA0210HD

Control arm



Notes

Length [mm]

Aluminium
269
with rubber mounting
with ball joint
Control Arm
Front
Upper
Front Axle Right

Reinforced Version

References

8K0 407 506 A	8K0 407 506 M
8K0 407 506 B	8K0 407 506 N

Parts list

100 407 0070/HD | MCB0071HD Control arm bushing

Counterpart

116 050 0168/HD | MCA0211HD

Application info

A4 (8K2, 8K5, 8KH) [11/07--]
A5 (8F, 8T) [06/07--]
A6 (4G2, 4G5, C7) [11/10-05/13]

A7 Sportback (4GA) [10/10--]
Q5 (8R) [11/08--]



Control arm

116 050 0207 | MCA1070

Notes

Length [mm]

with accessories
Aluminium
248
with rubber mounting
Control Arm
Front Axle Left
Upper
Rear



References

400 407 509 J
400 407 509 K
800 407 509 G
8E0 407 509 A

8E0 407 509 C
8E0 407 509 E
8E0 407 509 P
8E0 407 509 Q

Counterpart

116 050 0206 | MCA1069

Application info

A4 [802, 805, B5] [11/94-09/01]
A4 [8E2, 8E5, B6] [10/00-12/04]
A4 [8EC, 8ED] [11/04-06/08]
A4 [8H7] [04/02-03/09]

A6 [4B, C5] [01/97-01/05]
A8 [402, 408] [03/94-09/02]
Allroad [4BH] [05/00-08/05]

Control arm

116 050 8292/HD | MCA0231HD

Notes

Length [mm]

with accessories
Aluminium
248
with rubber mounting
Control Arm
Upper
Rear
Front Axle Left



Reinforced Version

References

400 407 509 J
400 407 509 K
800 407 509 G
8E0 407 509 A

8E0 407 509 C
8E0 407 509 E
8E0 407 509 P
8E0 407 509 Q

Parts list

100 407 0024/HD | MCB0051HD Control arm bushing

Counterpart

116 050 8293/HD | MCA0232HD

Application info

A4 [802, 805, B5] [11/94-09/01]
A4 [8E2, 8E5, B6] [10/00-12/04]
A4 [8EC, 8ED] [11/04-06/08]
A4 [8H7] [04/02-03/09]

A6 [4B, C5] [01/97-01/05]
A8 [402, 408] [03/94-09/02]
Allroad [4BH] [05/00-08/05]

116 050 0015/HD | MCA0142HD

Control arm



Notes

Length [mm]

with accessories
Aluminium
256
with rubber mounting
Control Arm
Upper
Rear
Front Axle Left

Reinforced Version

References

4E0 407 509 B	4E0 407 509 G
4E0 407 509 E	4E0 407 509 H
4E0 407 509 F	

Parts list

100 407 0070/HD MCB0071HD	Control arm bushing
-----------------------------	---------------------

Counterpart

116 050 0016/HD | MCA0143HD

Application info

A6 [4F2, 4FH, 4F5] [05/04-08/11]

AB [4E] [10/02-07/10]

116 050 0147/HD | MCA1009HD

Control arm



Notes

Aluminium
with rubber mounting
with ball joint
Control Arm
Rear
Upper
Front Axle Left

Reinforced Version

References

4H0 407 509 A	4H0 407 509 E
4H0 407 509 D	4H0 407 509 F

Parts list

100 407 0070/HD MCB0071HD	Control arm bushing
-----------------------------	---------------------

Counterpart

116 050 0148/HD | MCA1010HD

Application info

AB [4H_] [11/09--]



Control arm

116 050 0166/HD | MCA0209HD

Notes

Length [mm]

Aluminium
233
with rubber mounting
Control Arm
Rear
Upper
Front Axle Left

Reinforced Version

References

8K0 407 509 A
8K0 407 509 B
8K0 407 509 M

8K0 407 509 N
8K0 407 509 P

Parts list

100 407 0070/HD | MCB0071HD Control arm bushing

Counterpart

116 050 0165/HD | MCA0208HD



Application info

A4 [8K2, 8K5, 8KH] [11/07--]
A5 [8F, 8T] [06/07--]
A6 [4G2, 4G5, C7] [11/10-05/13]

A7 Sportback [4GA] [10/10--]
Q5 [8R] [11/08--]

Control arm

116 050 0206 | MCA1069

Notes

Length [mm]

with accessories
Aluminium
248
with rubber mounting
Control Arm
Front Axle Right
Upper
Rear

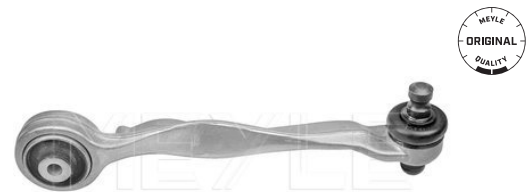
References

400 407 510 J
400 407 510 K
800 407 510 G
8E0 407 510 A

8E0 407 510 C
8E0 407 510 E
8E0 407 510 P
8E0 407 510 Q

Counterpart

116 050 0207 | MCA1070



Application info

A4 [802, 805, B5] [11/94-09/01]
A4 [8E2, 8E5, B6] [10/00-12/04]
A4 [8EC, 8ED] [11/04-06/08]
A4 [8H7] [04/02-03/09]

A6 [4B, C5] [01/97-01/05]
A8 [402, 408] [03/94-09/02]
Allroad [4BH] [05/00-08/05]

8

116 050 8293/HD | MCA0232HD

Control arm



Notes

Length [mm]

with accessories
Aluminium
248
with rubber mounting
Control Arm
Upper
Rear
Front Axle Right

Reinforced Version

References

400 407 510 J	8E0 407 510 C
400 407 510 K	8E0 407 510 E
800 407 510 G	8E0 407 510 P
8E0 407 510 A	8E0 407 510 Q

Parts list

100 407 0024/HD | MCB0051HD Control arm bushing

Counterpart

116 050 8292/HD | MCA0231HD

Application info

A4 [802, 805, B5] [11/94-09/01]
A4 [8E2, 8E5, B6] [10/00-12/04]
A4 [8EC, 8ED] [11/04-08/08]
A4 [8H7] [04/02-03/09]

A6 [4B, C5] [01/97-01/05]
A8 [402, 408] [03/94-09/02]
Allroad [4BH] [05/00-08/05]

116 050 0016/HD | MCA0143HD

Control arm



Notes

Length [mm]

with accessories
Aluminium
257
with rubber mounting
Control Arm
Upper
Rear
Front Axle Right

Reinforced Version

References

4E0 407 510 B	4E0 407 510 G
4E0 407 510 E	4E0 407 510 H
4E0 407 510 F	

Parts list

100 407 0070/HD | MCB0071HD Control arm bushing

Counterpart

116 050 0015/HD | MCA0142HD

Application info

A6 [4F2, 4FH, 4F5] [05/04-08/11]

A8 [4E] [10/02-07/10]



Control arm

116 050 0148/HD | MCA1010HD

Notes

Aluminium
with rubber mounting
with ball joint
Control Arm
Rear
Upper
Front Axle Right

Reinforced Version

References

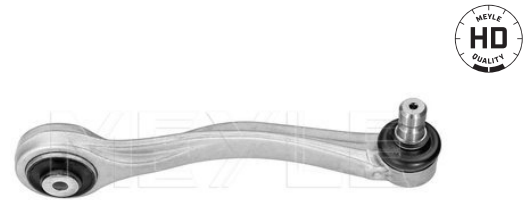
4H0 407 510 A	4H0 407 510 E
4H0 407 510 D	4H0 407 510 F

Parts list

100 407 0070/HD MCB0071HD	Control arm bushing
-----------------------------	---------------------

Counterpart

116 050 0147/HD | MCA1009HD



Application info

A8 [4H_] [11/09--]

Control arm

116 050 0165/HD | MCA0208HD

Notes

Length [mm]

Aluminium
233
with rubber mounting
Control Arm
Rear
Upper
Front Axle Right

Reinforced Version

References

8K0 407 510 A	8K0 407 510 N
8K0 407 510 B	8K0 407 510 P
8K0 407 510 M	

Parts list

100 407 0070/HD MCB0071HD	Control arm bushing
-----------------------------	---------------------

Counterpart

116 050 0166/HD | MCA0209HD



Application info

A4 [8K2, 8K5, 8KH] [11/07--]
A5 [8F, 8T] [06/07--]
A6 [4G2, 4G5, C7] [11/10-05/13]

A7 Sportback [4GA] [10/10--]
Q5 [8R] [11/08--]

116 050 0065/HD | MCA0163HD

Control arm



Notes

Length [mm]

Reinforced Version

References

4E0 407 693 F
4E0 407 693 L
4E0 407 693 M

with accessories
Aluminium
397
with rubber mounting
Control Arm
Lower
Rear
Front Axle Left

4E0 407 693 N
4E0 407 693 R

Parts list

100 610 0018/HD | MCB0103HD Control arm bushing

Counterpart

116 050 0066/HD | MCA0164HD

Application info

A8 [4E] [10/02-07/10]

116 050 0044/HD | MCA0155HD

Control arm



Notes

Length [mm]

Reinforced Version

References

4F0 407 693
4F0 407 693 B
4F0 407 693 C

with accessories
Aluminium
392
with rubber mounting
Control Arm
Lower
Rear
Front Axle Left

4F0 407 693 G
4F0 407 693 H
4F0 407 693 J

Parts list

100 407 0095/HD | MCB0082HD Control arm bushing

Counterpart

116 050 0064/HD | MCA0162HD

Application info

A6 [4F2, 4FH, 4F5] [05/04-08/11]



Control arm

116 050 0129/HD | MCA0802HD

Notes

Thread Size

Aluminium
M14x1,5
with rubber mounting
with ball joint
Control Arm
Rear
Lower
Front Axle Left

Reinforced Version

References

4G0 407 693 D
4G0 407 693 F
4G0 407 693 H

4G0 407 693 J
4G0 407 693 L

Parts list

100 610 0018/HD | MCB0103HD Control arm bushing

Counterpart

116 050 0130/HD | MCA0803HD



Application info

A6 [4G2, 4G5, C7] [11/10-05/13]

A7 Sportback [4GA] [10/10--]

Control arm

116 050 0211 | MCA1074

Notes

Length [mm]

with accessories
Aluminium
383
with rubber mounting
Control Arm
Front Axle Left
Lower
Rear

References

400 407 693 AC
400 407 693 AD
400 407 693 E
400 407 693 G
400 407 693 H
400 407 693 K

400 407 693 M
400 407 693 P
8E0 407 693 AG
8E0 407 693 K
8E0 407 693 Q
400 407 695 J

Counterpart

116 050 0210 | MCA1073



Application info

A4 [8D2, 8D5, 8D5] [11/94-09/01]
A4 [8E2, 8E5, 8E6] [10/00-12/04]
A4 [8EC, 8ED] [11/04-06/08]

A4 [8H7] [04/02-03/09]
A6 [4B, C5] [01/97-01/05]
A8 [4D2, 4D8] [03/94-09/02]

116 050 8299/HD | MCA0235HD

Control arm



Notes

Length [mm]

Reinforced Version

with accessories
Aluminium
383
with rubber mounting
Control Arm
Lower
Rear
Front Axle Left

References

4D0 407 693 AC	4D0 407 693 M
4D0 407 693 AD	4D0 407 693 P
4D0 407 693 E	8E0 407 693 AG
4D0 407 693 G	8E0 407 693 K
4D0 407 693 H	8E0 407 693 Q
4D0 407 693 K	4D0 407 695 J

Parts list

100 407 0060/HD | MCB0069HD Control arm bushing

Counterpart

116 050 8300/HD | MCA0236HD

Application info

A4 [8D2, 8D5, B5] [11/94-09/01]
A4 [8E2, 8E5, B6] [10/00-12/04]
A4 [8EC, 8ED] [11/04-06/08]

A4 [8H7] [04/02-03/09]
A6 [4B, C5] [01/97-01/05]
A8 [4D2, 4D8] [03/94-09/02]

116 050 0048/HD | MCA0156HD

Control arm



Notes

Length [mm]

Reinforced Version

with accessories
Aluminium
383
with rubber mounting
Control Arm
Lower
Rear
Front Axle Left

References

8E0 407 693 AA	8E0 407 693 AL
8E0 407 693 AC	8E0 407 693 AM
8E0 407 693 AJ	8E0 407 693 N
8E0 407 693 AK	8E0 407 693 T

Parts list

100 407 0095/HD | MCB0082HD Control arm bushing

Counterpart

116 050 0073/HD | MCA0168HD

Application info

A4 [8EC, 8ED] [11/04-06/08]

A4 [8H7] [04/02-03/09]



Control arm

116 050 0139/HD | MCA0985HD

Notes

with accessories
 Aluminium
 with rubber mounting
 Control Arm
 Lower
 Rear
 Front Axle Left

Reinforced Version

References

400 407 693 AE

8E0 407 693 D

Parts list

100 407 0060/HD | MCB0069HD Control arm bushing

Counterpart

116 050 0140/HD | MCA0986HD



Application info

A8 [4D2, 4D8] [03/94-09/02]

Control arm

116 050 0174/HD | MCA0217HD

Notes

with add-on material
 Aluminium
 M14x1,5
 with ball joint
 with rubber mounting
 Control Arm
 Rear
 Lower
 Front Axle Left

Thread Size

Reinforced Version

References

8K0 407 693 AF
8K0 407 693 S

8K0 407 693 T

Parts list

100 610 0018/HD | MCB0103HD Control arm bushing

Counterpart

116 050 0173/HD | MCA0216HD



Application info

A4 [8K2, 8K5, 8KH] [11/07--]
A5 [8F, 8T] [06/07--]

Q5 [8R] [11/08--]

116 050 0172/HD | MCA0215HD

Control arm



Notes

Thread Size

Aluminium
M12x1,5
with ball joint
with rubber mounting
Control Arm
Rear
Lower
Front Axle Left

Reinforced Version

References

8K0 407 693 AE 8K0 407 693 N
8K0 407 693 F 8K0 407 693 R
8K0 407 693 K

Parts list

100 610 0018/HD | MCB0103HD Control arm bushing

Counterpart

116 050 0171/HD | MCA0214HD

Application info

A4 (8K2, 8K5, 8KH) [11/07--]
A5 (8F, 8T) [06/07--]

Q5 (8R) [11/08--]

116 050 0066/HD | MCA0164HD

Control arm



Notes

Length [mm]

with accessories
Aluminium
397
with rubber mounting
Control Arm
Lower
Rear
Front Axle Right

Reinforced Version

References

4E0 407 694 F 4E0 407 694 N
4E0 407 694 L 4E0 407 694 R
4E0 407 694 M

Parts list

100 610 0018/HD | MCB0103HD Control arm bushing

Counterpart

116 050 0065/HD | MCA0163HD

Application info

A8 (4E) [10/02-07/10]



Control arm

116 050 0064/HD | MCA0162HD

Notes

with accessories
Aluminium
Length [mm] 392
with rubber mounting
Control Arm
Lower
Rear
Reinforced Version Front Axle Right



References

4F0 407 694	4F0 407 694 G
4F0 407 694 B	4F0 407 694 H
4F0 407 694 C	4F0 407 694 J

Parts list

100 407 0095/HD | MCB0082HD Control arm bushing

Counterpart

116 050 0044/HD | MCA0155HD

Application info

A6 [4F2, 4FH, 4F5] [05/04-08/11]

Control arm

116 050 0130/HD | MCA0803HD

Notes

Aluminium
Thread Size M14x1,5
with rubber mounting
with ball joint
Control Arm
Rear
Lower
Reinforced Version Front Axle Right



References

4G0 407 694 D	4G0 407 694 J
4G0 407 694 F	4G0 407 694 L
4G0 407 694 H	

Parts list

100 610 0018/HD | MCB0103HD Control arm bushing

Counterpart

116 050 0129/HD | MCA0802HD

Application info

A6 [4G2, 4G5, C7] [11/10-05/13]

A7 Sportback [4GA] [10/10--]

116 050 0210 | MCA1073

Control arm



Notes

Length [mm]

with accessories
Aluminium
383
with rubber mounting
Control Arm
Front Axle Right
Lower
Rear

References

400 407 694 AC
400 407 694 AD
400 407 694 E
400 407 694 G
400 407 694 H
400 407 694 K

400 407 694 M
400 407 694 P
8E0 407 694 AG
8E0 407 694 K
8E0 407 694 Q
400 407 696 J

Counterpart

116 050 0211 | MCA1074

Application info

A4 [802, 805, B5] [11/94-09/01]
A4 [8E2, 8E5, B6] [10/00-12/04]
A4 [8EC, 8ED] [11/04-06/08]

A4 [8H7] [04/02-03/09]
A6 [4B, C5] [01/97-01/05]
A8 [402, 408] [03/94-09/02]

116 050 8300/HD | MCA0236HD

Control arm



Notes

Length [mm]

with accessories
Aluminium
383
with rubber mounting
Control Arm
Lower
Rear
Front Axle Right

Reinforced Version

References

400 407 694 AC
400 407 694 AD
400 407 694 E
400 407 694 G
400 407 694 H
400 407 694 K

400 407 694 M
400 407 694 P
8E0 407 694 AG
8E0 407 694 K
8E0 407 694 Q
400 407 696 J

Parts list

100 407 0060/HD | MCB0069HD Control arm bushing

Counterpart

116 050 8299/HD | MCA0235HD

Application info

A4 [802, 805, B5] [11/94-09/01]
A4 [8E2, 8E5, B6] [10/00-12/04]
A4 [8EC, 8ED] [11/04-06/08]

A4 [8H7] [04/02-03/09]
A6 [4B, C5] [01/97-01/05]
A8 [402, 408] [03/94-09/02]



Control arm

116 050 0073/HD | MCA0168HD

Notes

with accessories
Aluminium
383
with rubber mounting
Control Arm
Lower
Rear
Front Axle Right

Reinforced Version

References

8E0 407 694 AA	8E0 407 694 AL
8E0 407 694 AC	8E0 407 694 AM
8E0 407 694 AJ	8E0 407 694 N
8E0 407 694 AK	8E0 407 694 T

Parts list

100 407 0095/HD | MCB0082HD Control arm bushing

Counterpart

116 050 0048/HD | MCA0156HD



Application info

A4 [8EC, 8ED] [11/04-06/08]

A4 [8H7] [04/02-03/09]

Control arm

116 050 0140/HD | MCA0986HD

Notes

with accessories
Aluminium
with rubber mounting
Control Arm
Lower
Rear
Front Axle Right

Reinforced Version

References

4D0 407 694 AE	8E0 407 694 D
----------------	---------------

Parts list

100 407 0060/HD | MCB0069HD Control arm bushing

Counterpart

116 050 0139/HD | MCA0985HD



Application info

A8 [4D2, 4D8] [03/94-09/02]

116 050 0173/HD | MCA0216HD

Control arm



Notes

Thread Size

with add-on material
Aluminium
M14x1,5
with ball joint
with rubber mounting
Control Arm
Rear
Lower
Front Axle Right

Reinforced Version

References

8K0 407 694 AF
8K0 407 694 S

8K0 407 694 T

Parts list

100 610 0018/HD | MCB0103HD

Control arm bushing

Counterpart

116 050 0174/HD | MCA0217HD

Application info

A4 (8K2, 8K5, 8KH) (11/07--)
A5 (8F, 8T) (06/07--)

Q5 (8R) (11/08--)

116 050 0171/HD | MCA0214HD

Control arm



Notes

Thread Size

Aluminium
M12x1,5
with ball joint
with rubber mounting
Control Arm
Rear
Lower
Front Axle Right

Reinforced Version

References

8K0 407 694 AE
8K0 407 694 F
8K0 407 694 K

8K0 407 694 N
8K0 407 694 R

Parts list

100 610 0018/HD | MCB0103HD

Control arm bushing

Counterpart

116 050 0172/HD | MCA0215HD

Application info

A4 (8K2, 8K5, 8KH) (11/07--)
A5 (8F, 8T) (06/07--)

Q5 (8R) (11/08--)



Control arm

116 039 8243 | MCA0130

Notes

Length [mm]

Aluminium
293
Control Arm
Rear Axle Right
Rear Axle Left

References

400 501 529 A

400 501 529 F



Application info

A8 [402, 408] [03/94-09/02]

Control arm

116 050 0164 | MCA0207

Notes

Length [mm]

Aluminium
293
Control Arm
Rear Axle Right
Rear Axle Left

References

400 501 529 H



Application info

A8 [402, 408] [03/94-09/02]

Control arm

116 035 0000 | MCA0129

Notes

Thread Size
Length [mm]

Aluminium
M12x1,5
295
Control Arm
Rear Axle Right
Rear Axle Left

References

400 501 529 E

400 501 529 J



Application info

A8 [402, 408] [03/94-09/02]

116 050 0080 | MCA0173

Control arm



Notes

Sheet Steel
with rubber mounting
Trailing Arm
Front
Rear Axle Left

References

1K0 505 223 K

Parts list

100 505 0014 | MCM0011

Mount, control arm

Counterpart

116 050 0081 | MCA0174

Application info

A1 (8X1, 8XA) (05/10--)
A3 (8P1, 8PA) (05/03-08/12)

TT (8J3, 8J9) (08/06-06/10)

116 050 0080/S | MCA0868

Control arm



Notes

with accessories
Sheet Steel
with rubber mounting
Trailing Arm
Rear Axle Left
Front

References

1K0 505 223 K

Parts list

116 050 0080 | MCA0173

Control arm

Counterpart

116 050 0081/S | MCA0869

Application info

A3 (8P1, 8PA) (05/03-08/12)

TT (8J3, 8J9) (08/06-06/10)



Control arm

116 050 0143/HD | MCA1027HD

Notes

with add-on material
Sheet Steel
with rubber mounting
Trailing Arm
Rear Axle Left

Reinforced Version

References

3C0 505 223 D

Parts list

114 711 0000/HD | MCM0150HD Mount, control arm

Counterpart

116 050 0144/HD | MCA1028HD



Application info

Q3 (8U) (06/11--)

Control arm

116 050 0081 | MCA0174

Notes

Sheet Steel
with rubber mounting
Trailing Arm
Front
Rear Axle Right

References

1K0 505 224 K

Parts list

100 505 0014 | MCM0011 Mount, control arm

Counterpart

116 050 0080 | MCA0173



Application info

A1 (8X1, 8XA) (05/10--)
A3 (8P1, 8PA) (05/03-08/12)

TT (8J3, 8J9) (08/06-06/10)

116 050 0081/S | MCA0869

Control arm



Notes

with accessories
Sheet Steel
with rubber mounting
Trailing Arm
Rear Axle Right
Front

References

1K0 505 224 K

Parts list

116 050 0081 | MCA0174

Control arm

Counterpart

116 050 0080/S | MCA0868

Application info

A3 (8P1, 8PA) (05/03-08/12)

TT (8J3, 8J9) (08/06-06/10)

116 050 0144/HD | MCA1028HD

Control arm



Notes

with add-on material
Sheet Steel
with rubber mounting
Trailing Arm
Rear Axle Right

Reinforced Version

References

3C0 505 224 D

Parts list

114 711 0000/HD | MCM0150HD

Mount, control arm

Counterpart

116 050 0143/HD | MCA1027HD

Application info

Q3 (8U) (06/11--)

116 050 0079 | MCA0172

Control arm



Notes

Sheet Steel
with rubber mounting
Control Arm
Lower
Rear Axle Right
Rear Axle Left

References

1K0 505 311 AB

Parts list

100 505 0016 | MCB0090

Control arm bushing

Control arm

116 050 0079 | MCA0172

Application info

A1 (8X1, 8XA) (05/10--)
A3 (8P1, 8PA) (05/03-08/12)

Q3 (8U) (06/11--)
TT (8J3, 8J9) (08/06-06/10)

Control arm

116 050 0079/S | MCA0800

Notes

with accessories
Sheet Steel
with rubber mounting
Control Arm
Lower
Rear Axle Right
Rear Axle Left



References

1K0 505 311 AB

Parts list

116 050 0079 | MCA0172

Control arm

Application info

A1 (8X1, 8XA) (05/10--)
A3 (8P1, 8PA) (05/03-08/12)

Q3 (8U) (06/11--)
TT (8J3, 8J9) (08/06-06/10)

Control arm

116 050 0105 | MCA0946

Notes

Sheet Steel
with rubber mounting
Control Arm
Lower
Rear Axle Left



References

7L0 505 311 B

Parts list

100 610 0011 | MCB0100
100 710 0035 | MCB0395

Control arm bushing
Control arm bushing

Counterpart

116 050 0106 | MCA0947

Application info

Q7 (4L) (03/06-05/12)

116 050 0121 | MCA0194

Control arm



Notes

Aluminium
with rubber mounting
Control Arm
Rear Axle Left

References

8K0 505 311 H

8K0 505 311 J

Counterpart

116 050 0122 | MCA0195

Application info

A4 [8K2, 8K5, 8KH] [11/07--]
A5 [8F, 8T] [06/07--]

A6 [4G2, 4G5, C7] [11/10-05/13]

116 050 0106 | MCA0947

Control arm



Notes

Sheet Steel
with rubber mounting
Control Arm
Lower
Rear Axle Right

References

7L0 505 312 B

Parts list

100 610 0011 | MCB0100
100 710 0035 | MCB0395

Control arm bushing
Control arm bushing

Counterpart

116 050 0105 | MCA0946

Application info

Q7 [4L] [03/06-05/12]

116 050 0122 | MCA0195

Control arm



Notes

Aluminium
with rubber mounting
Control Arm
Rear Axle Right

References

8K0 505 312 H

8K0 505 312 J

Counterpart

116 050 0121 | MCA0194



Control arm

116 050 0122 | MCA0195

Application info

A4 (8K2, 8K5, 8KH) [11/07--]
A5 (8F, 8T) [06/07--]

A6 (4G2, 4G5, C7) [11/10-05/13]

Control arm

116 050 0185 | MCA1112

Notes

Steel
Control Arm
Rear Axle Right
Rear Axle Left

References

4F0 505 323 E
4F0 505 323 H

4F0 505 323 K
4F0 505 323 L

Parts list

100 711 0017 | MCB0112

Control arm bushing



Application info

A6 (4F2, 4FH, 4F5) [05/04-08/11]

Control arm

116 050 0187/HD | MCA0951HD

Notes

with accessories
Cast Steel
with rubber mounting
with ball joint
Control Arm
Lower
Front Axle Left

Reinforced Version

References

7L0 407 151F
7L0 407 151J

7L0 407 151K

Parts list

100 610 0011 | MCB0100

100 610 0012 | MCB0101

100 610 0024/HD | MCB0107HD

Control arm bushing

Control arm bushing

Control arm bushing

Counterpart

116 050 0186/HD | MCA0950HD



Application info

Q7 (4L) [03/06-05/12]

116 050 0186/HD | MCA0950HD

Control arm



Notes

with accessories
Cast Steel
with rubber mounting
with ball joint
Control Arm
Lower
Front Axle Right

Reinforced Version

References

7L0 407 152F
7L0 407 152J

7L0 407 152K

Parts list

100 610 0011 | MCB0100
100 610 0012 | MCB0101
100 610 0024/HD | MCB0107HD

Control arm bushing
Control arm bushing
Control arm bushing

Counterpart

116 050 0187/HD | MCA0951HD

Application info

Q7 [4L] [03/06-05/12]

116 050 0000/HD | MCA0131HD

Control arm



Notes

with accessories
Aluminium
364
with rubber mounting
16
Control Arm
Lower
Front
Front Axle Right
Front Axle Left

Length [mm]

Cone Size [mm]

Reinforced Version

References

8E0 407 151 E
8E0 407 151 K
8E0 407 151 L

8E0 407 151 M
8E0 407 151 N
8E0 407 151 R

Parts list

100 407 0022/HD | MCB0050HD
100 407 0082 | MCB0074

Control arm bushing
Control arm bushing

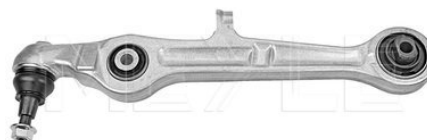
Application info

A4 [8E2, 8E5, B6] [10/00-12/04]
A4 [8EC, 8ED] [11/04-06/08]

A4 [8H7] [04/02-03/09]

Control arm
116 050 0203 | MCA1067
Notes

with accessories
 Aluminium
 Length [mm] 364
 with rubber mounting
 Cone Size [mm] 16
 Control Arm
 Front Axle Right
 Front Axle Left
 Front
 Lower


References

8E0 407 151 E 8E0 407 151 M
 8E0 407 151 K 8E0 407 151 N
 8E0 407 151 L 8E0 407 151 R

Parts list

100 407 0082 | MCB0074 Control arm bushing

Application info

A4 [8E2, 8E5, 86] [10/00-12/04] A4 [8H7] [04/02-03/09]
 A4 [8EC, 8ED] [11/04-06/08]

Control arm bushing
100 610 0027/HD | MCB0108HD
Notes

Inner diameter [mm] 19
 Outer diameter [mm] 65
 Height [mm] 50
 Rear
 Front Axle Right
 Front Axle Left

Reinforced Version

References

1K0 199 231 G 1K0 199 232 G
 1K0 199 231 J 1K0 199 232 J
 1K0 199 231 K 1K0 199 232 K


Application info

A3 [8P1, 8PA] [05/03-08/12]

Control arm bushing
100 610 0043 | MCB0441
Notes

Inner diameter [mm] 19
 Outer diameter [mm] 65
 Height [mm] 50
 Front Axle Right
 Front Axle Left

References

1K0 199 231 G 1K0 199 232 G
 1K0 199 231 J 1K0 199 232 J
 1K0 199 231 K 1K0 199 232 K



100 610 0043 | MCB0441

Control arm bushing

Application info

A3 [8P1, 8PA] [05/03-08/12]

100 610 0015 | MCB0102

Control arm bushing



Notes

Inner diameter [mm]
Outer diameter [mm]
Height [mm]

Rubber-metal Bearing
10
40
43
Upper
Front Axle Right
Front Axle Left

References

7L0 407 077

Application info

Q7 [4L] [03/06-05/12]

Q7 [4M] [06/15--]

100 407 0043 | MCB0060

Control arm bushing



Notes

Inner diameter [mm]
Outer diameter [mm]
Height [mm]

13
60
41
Lower
Rear
Front Axle Right
Front Axle Left

References

1J0 407 181

1J0 407 181 A

Application info

A1 [8X1, 8XA] [05/10--]
A3 [8L1] [09/96-05/03]

TT [8N3, 8N9] [10/98-06/06]

100 407 0001 | MCB0041

Control arm bushing



Notes

Inner diameter [mm]
Outer diameter [mm]
Height [mm]

16
58
23
Outer
Lower
Front Axle Right
Front Axle Left

References

431 407 181 F

Control arm bushing

100 407 0001 | MCB0041

Application info

100/200 [44, 44Q, C3] [08/82-12/91]

V8 [01] [10/88-02/94]

Control arm bushing

100 407 0013/HD | MCB0045HD

Notes

Inner diameter [mm]	16
Outer diameter [mm]	62
Height [mm]	25
	Outer
	Lower
	Front Axle Right
	Front Axle Left

Reinforced Version

References

4A0 407 181 A



Application info

100 [4A, C4] [12/90-07/94]

A6 [4A, C4] [06/94-12/97]

Control arm bushing

100 407 0047/HD | MCB0061HD

Notes

Inner diameter [mm]	12
Outer diameter [mm]	40
Height [mm]	50
	Outer
	Lower
	Front
	Front Axle Right
	Front Axle Left

Reinforced Version

References

400 407 181 F

400 407 181 H



Application info

A4 [802, 805, B5] [11/94-09/01]

A6 [4B, C5] [01/97-01/05]

A8 [402, 408] [03/94-09/02]

Allroad [4BH] [05/00-08/05]

100 610 0003/HD | MCB0095HD

Control arm bushing



Notes

Inner diameter [mm]	12
Outer diameter [mm]	44
Height [mm]	45
	Outer
	Lower
	Front
	Front Axle Right
	Front Axle Left

Reinforced Version

References

4E0 407 181 B

Application info

A4 [8K2, 8K5, 8KH] [11/07--]
 A5 [8F, 8T] [06/07--]
 A6 [4F2, 4FH, 4F5] [05/04-08/11]
 A6 [4G2, 4G5, C7] [11/10-05/13]

A7 Sportback [4GA] [10/10--]
 A8 [4E] [10/02-07/10]
 A8 [4H_] [11/09--]
 Q5 [8R] [11/08--]

100 407 0073/HD | MCB0072HD

Control arm bushing



Notes

Inner diameter [mm]	13
Outer diameter [mm]	60
Height [mm]	41
	Lower
	Rear
	Front Axle Right
	Front Axle Left

Reinforced Version

References

6R0 407 181 B 8N0 407 181 B

Application info

A1 [8X1, 8XA] [05/10--]
 A3 [8L1] [09/96-05/03]

TT [8N3, 8N9] [10/98-06/06]

Control arm bushing

100 407 0040 | MCB0057

Notes

Inner diameter [mm]	10
Outer diameter [mm]	38
Height [mm]	44
	for vehicles without power steering
	Lower
	Rear
	Front
	Front Axle Right
	Front Axle Left

References

811 407 181	811 407 181 A
-------------	---------------



Application info

80/90 (81, 85, B2) (08/78-10/88)

80/90 (89, 89Q, 8A, B3) (06/86-12/96)

Control arm bushing

100 040 0001/HD | MCB0040HD

Notes

Version	old
Inner diameter [mm]	10
Outer diameter [mm]	37
Height [mm]	44
	Lower
	Rear
	Front

Reinforced Version

References

857 407 181



Application info

80 (8C, 8G7, B4) (05/91-08/00)

80/90 (81, 85, B2) (08/78-10/88)

80/90 (85) (07/80-07/91)

80/90 (89, 89Q, 8A, B3) (06/86-12/96)

Control arm bushing

100 407 0042/HD | MCB0059HD

Notes

Inner diameter [mm]	10
Outer diameter [mm]	44
Height [mm]	44
	Lower
	Rear
	Front
	Front Axle Right
	Front Axle Left

Reinforced Version

References

893 407 181



100 407 0042/HD | MCB0059HD

Control arm bushing

Application info

80 [8C, 8G7, B4] [05/91-08/00]
80/90 [85] [07/80-07/91]

80/90 [89, 89Q, 8A, B3] [06/86-12/96]

100 407 0026/HD | MCB0053HD

Control arm bushing



Notes

Version	new
Inner diameter [mm]	10
Outer diameter [mm]	37.5
Height [mm]	44
	Lower
	Rear
	Front

Reinforced Version

References

8A0 407 181

Application info

80 [8C, 8G7, B4] [05/91-08/00]
80/90 [81, 85, B2] [08/78-10/88]

80/90 [85] [07/80-07/91]
80/90 [89, 89Q, 8A, B3] [06/86-12/96]

100 407 0082 | MCB0074

Control arm bushing



Notes

Inner diameter [mm]	12
Outer diameter [mm]	40
Height [mm]	37
	Outer
	Lower
	Front
	Front Axle Right
	Front Axle Left

References

8E0 407 181 B	8E0 407 181 D
8E0 407 181 C	

Application info

A4 [8E2, 8E5, B6] [10/00-12/04]
A4 [8EC, 8ED] [11/04-06/08]

A4 [8H7] [04/02-03/09]

Control arm bushing
100 407 0086 | MCB0077
Notes

Inner diameter [mm]	12
Outer diameter [mm]	40
Height [mm]	54
	Lower
	Front
	Front Axle Right
	Front Axle Left

References

1K0 407 182	5Q0 407 182
1K0 407 182 A	


Application info

A3 [8P1, 8PA] [05/03-08/12]	TT [8J3, 8J9] [08/06-06/10]
A3 [8V1, 8VS, 8V7, 8PA] [04/12--]	TT [8S] [09/14--]
Q3 [8U] [06/11--]	

Control arm bushing
100 407 0015 | MCB0047
Notes

Inner diameter [mm]	12
Outer diameter [mm]	33
Height [mm]	54
	Lower
	Front
	Front Axle Right
	Front Axle Left

References

191 407 182	357 407 182
-------------	-------------


Application info

A1 [8X1, 8XA] [05/10--]	TT [8N3, 8N9] [10/98-06/06]
A3 [8L1] [09/96-05/03]	

Control arm bushing
100 407 0022/HD | MCB0050HD
Notes

Inner diameter [mm]	32
Outer diameter [mm]	50
Height [mm]	60
	inner
	Lower
	Front
	Front Axle Right
	Front Axle Left

Reinforced Version

References

400 407 182 E	427 407 182
400 407 182 G	



100 407 0022/HD | MCB0050HD

Control arm bushing

Application info

A4 [8D2, 8D5, B5] [11/94-09/01]
A4 [8E2, 8E5, B6] [10/00-12/04]
A4 [8EC, 8ED] [11/04-08/08]
A4 [8H7] [04/02-03/09]

A6 [4B, C5] [01/97-01/05]
A6 [4F2, 4FH, 4F5] [05/04-08/11]
A8 [4D2, 4D8] [03/94-09/02]
Allroad [4BH] [05/00-08/05]

100 610 0004/HD | MCB0096HD

Control arm bushing



Notes

Inner diameter [mm]	12
Outer diameter [mm]	55
Height [mm]	60
	inner
	Lower
	Front
	Front Axle Right
	Front Axle Left

Reinforced Version

References

4E0 407 182 C

Application info

A6 [4F2, 4FH, 4F5] [05/04-08/11]

A8 [4E] [10/02-07/10]

100 610 0010/HD | MCB0099HD

Control arm bushing



Notes

Inner diameter [mm]	14
Outer diameter [mm]	60
Height [mm]	60
	Lower
	Rear
	Front Axle Right
	Front Axle Left

Reinforced Version

References

7L0 407 182 C

7L0 407 182 E

Application info

Q7 [4L] [03/06-05/12]

Control arm bushing
100 610 0024/HD | MCB0107HD
Notes

Inner diameter [mm]	14
Outer diameter [mm]	72
Height [mm]	60
	Rear
	Lower
	Front Axle Right
	Front Axle Left

Reinforced Version

References

7L0 407 182 D	7L0 407 182 G
7L0 407 182 F	


Application info

Q7 [4L] [03/06-05/12]

Q7 [4M] [06/15--]

Control arm bushing
100 610 0021 | MCB0105
Notes

Inner diameter [mm]	12
Outer diameter [mm]	50
Height [mm]	55
	inner
	Front
	Lower
	Front Axle Right
	Front Axle Left

References

8K0 407 182 A	8K0 407 182 B
---------------	---------------


Application info

 A4 [8K2, 8K5, 8KH] [11/07--]
 A5 [8F, 8T] [06/07--]
 A6 [4G2, 4G5, C7] [11/10-05/13]

 A7 Sportback [4GA] [10/10--]
 Q5 [8R] [11/08--]

Control arm bushing
100 407 0075 | MCB0073
Notes

Inner diameter [mm]	12
Outer diameter [mm]	45
Height [mm]	54
	Lower
	Front
	Front Axle Right
	Front Axle Left

References

8N0 407 182 A


Application info

A3 [8L1] [09/96-05/03]

TT [8N3, 8N9] [10/98-06/06]

100 407 0089 | MCB0078

Control arm bushing



Notes

Inner diameter [mm]	15
Outer diameter [mm]	36
Height [mm]	48
	Control Arm
	Lower
	Front Axle Right
	Front Axle Left

References

8Z0 407 182 B	8Z0 407 195 D
8Z0 407 182 C	

Application info

A2 [8Z0] [02/00-08/05]

100 407 0014 | MCB0046

Control arm bushing



Notes

Inner diameter [mm]	12
Outer diameter [mm]	47
Height [mm]	58
	inner
	Lower
	Front Axle Right
	Front Axle Left

References

431 407 183 A

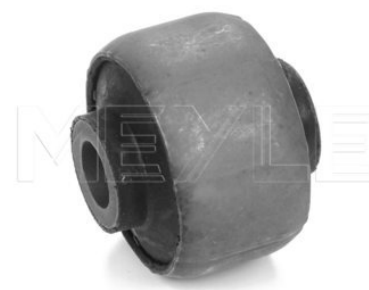
Application info

100/200 [44, 44Q, C3] [08/82-12/91]

V8 [01] [10/88-02/94]

100 407 0017/HD | MCB0048HD

Control arm bushing



Notes

Inner diameter [mm]	15
Outer diameter [mm]	55
Height [mm]	48
	inner
	Lower
	Front Axle Right
	Front Axle Left

Reinforced Version

References

4A0 407 183 C	4A0 407 183 D
---------------	---------------

Application info

100 [4A, C4] [12/90-07/94]

A6 [4A, C4] [06/94-12/97]



Control arm bushing

100 407 0017/S | MCB0049

Notes

Inner diameter [mm]	Kit
Outer diameter [mm]	15
Height [mm]	55
	48
	with mounting sleeves
	inner
	Lower
	Front Axle Right
	Front Axle Left

Reinforced Version

References

4A0 407 183 C	4A0 407 183 D
---------------	---------------

Parts list

100 399 0020 MCX0141	Sleeve, control arm mount
100 407 0017/HD MCB0048HD	Control arm bushing



Application info

100 [4A, C4] [12/90-07/94]

A6 [4A, C4] [06/94-12/97]

Control arm bushing

100 407 0060/HD | MCB0069HD

Notes

Inner diameter [mm]	12
Outer diameter [mm]	65
Height [mm]	80
	Lower
	Rear
	Front Axle Right
	Front Axle Left

Reinforced Version

References

400 407 183 AA	400 407 183 P
400 407 183 AB	400 407 183 Q
400 407 183 AC	4F0 407 183 A



Application info

A4 [802, 805, 805] [11/94-09/01]
 A4 [8E2, 8E5, 8E6] [10/00-12/04]
 A4 [8EC, 8ED] [11/04-06/08]
 A4 [8H7] [04/02-03/09]

A6 [4B, C5] [01/97-01/05]
 A6 [4F2, 4FH, 4F5] [05/04-08/11]
 A8 [402, 408] [03/94-09/02]
 Allroad [4BH] [05/00-08/05]

100 610 0018/HD | MCB0103HD

Control arm bushing



Notes

Inner diameter [mm]	12
Outer diameter [mm]	75
Height [mm]	80
	Lower
	Rear
	Front Axle Right
	Front Axle Left

Reinforced Version

References

4E0 407 183 A	4G0 407 183 A
4E0 407 183 B	4H0 407 183
4E0 407 183 H	4H0 407 183 B
4G0 407 183	4H0 407 183 C

Application info

A4 (8K2, 8K5, 8KH) [11/07--]
 A5 (8F, 8T) [06/07--]
 A6 (4G2, 4G5, C7) [11/10-05/13]
 A7 Sportback (4GA) [10/10--]

AB (4E) [10/02-07/10]
 AB (4H_) [11/09--]
 Q5 (8R) [11/08--]

100 407 0095/HD | MCB0082HD

Control arm bushing



Notes

Inner diameter [mm]	12
Outer diameter [mm]	65
Height [mm]	80
	Lower
	Rear
	Front Axle Right
	Front Axle Left

Reinforced Version

References

4F0 407 183 C	4F0 407 183 F
4F0 407 183 E	8K0 407 183 A

Application info

A4 (8EC, 8ED) [11/04-06/08]
 A4 (8K2, 8K5, 8KH) [11/07--]
 A5 (8F, 8T) [06/07--]

A6 (4F2, 4FH, 4F5) [05/04-08/11]
 AB (4E) [10/02-07/10]
 Q5 (8R) [11/08--]

100 610 0036 | MCB0389

Control arm bushing



Notes

Inner diameter [mm]	13
Outer diameter [mm]	65
Height [mm]	50
	Front Axle Left
	Front Axle Right

References

5Q0 407 183 E

Control arm bushing

100 610 0036 | MCB0389

Application info

A3 (8V1, 8VS, 8V7, 8PA) (04/12--)

Control arm bushing

114 610 0000 | MCB0446

Notes

Inner diameter [mm]	13.5
Outer diameter [mm]	66
Height [mm]	50
	inner
	Rear
	Front Axle Right
	Front Axle Left

References

5Q0 407 183 F



Application info

A3 (8V1, 8VS, 8V7, 8PA) (04/12--)

TT (8S) (09/14--)

Control arm bushing

100 610 0011 | MCB0100

Notes

Inner diameter [mm]	14
Outer diameter [mm]	40
Height [mm]	60
	Lower
	Front
	Front Axle Right
	Front Axle Left

References

7L0 407 183 A 7L8 407 183



Application info

Q7 (4L) (03/06-05/12)

Q7 (4M) (06/15--)

Control arm bushing

100 610 0038 | MCB0390

Notes

Inner diameter [mm]	12
Outer diameter [mm]	75
Height [mm]	80
	Front Axle Left
	Front Axle Right

References

8K0 407 183 D 8K0 407 183 F



100 610 0038 | MCB0390

Control arm bushing

Application info

A4 [8K2, 8K5, 8KH] [11/07--]
A5 [8F, 8T] [06/07--]

Q5 [8R] [11/08--]

100 610 0038/HD | MCB0390HD

Control arm bushing



Notes

Inner diameter [mm]	12
Outer diameter [mm]	75
Height [mm]	80
	Front Axle Right
	Front Axle Left

Reinforced Version

References

8K0 407 183 D	8K0 407 183 F
---------------	---------------

Application info

A4 [8K2, 8K5, 8KH] [11/07--]
A5 [8F, 8T] [06/07--]

Q5 [8R] [11/08--]

100 407 0024/HD | MCB0051HD

Control arm bushing



Notes

Inner diameter [mm]	10
Outer diameter [mm]	47
Height [mm]	40
	Upper
	Front Axle Right
	Front Axle Left

Reinforced Version

References

4B0 407 515	400 407 515 C
-------------	---------------

Application info

A4 [8D2, 8D5, 8D5] [11/94-09/01]
A4 [8E2, 8E5, 8E6] [10/00-12/04]
A4 [8EC, 8ED] [11/04-08/08]
A4 [8H7] [04/02-03/09]

A6 [4B, C5] [01/97-01/05]
A8 [4D2, 4D8] [03/94-09/02]
Allroad [4BH] [05/00-08/05]

Control arm bushing
100 407 0070/HD | MCB0071HD
Notes

Inner diameter [mm]	10
Outer diameter [mm]	47
Height [mm]	40
	Upper
	Front Axle Right
	Front Axle Left

Reinforced Version

References

4E0 407 515 D	800 407 515 B
4H0 407 515	800 407 515 C
4H0 407 515 A	8K0 407 515
4H0 407 515 B	8R0 407 515
800 407 515 A	


Application info

A4 [8D2, 8D5, B5] [11/94-09/01]
 A4 [8E2, 8E5, B6] [10/00-12/04]
 A4 [8K2, 8K5, 8KH] [11/07--]
 A5 [8F, 8T] [06/07--]
 A6 [4B, C5] [01/97-01/05]
 A6 [4F2, 4FH, 4F5] [05/04-08/11]

A6 [4G2, 4G5, C7] [11/10-05/13]
 A7 Sportback [4GA] [10/10--]
 A8 [4E] [10/02-07/10]
 A8 [4H_] [11/09--]
 Q5 [8R] [11/08--]

Control arm bushing
100 407 0025/HD | MCB0052HD
Notes

	Aluminium
Inner diameter [mm]	12
Outer diameter [mm]	63
Height [mm]	55
	Upper
	Front
	Front Axle Right
	Front Axle Left

Reinforced Version

References

400 407 516 C


Application info

A8 [402, 408] [03/94-09/02]

100 610 0012 | MCB0101

Control arm bushing



Notes

Inner diameter [mm]	14
Outer diameter [mm]	47
Height [mm]	74
	Outer
	Lower
	Front Axle Right
	Front Axle Left

References

7L0 412 333 A

Application info

Q7 [4L] [03/06-05/12]

Q7 [4M] [06/15--]

100 711 0017 | MCB0112

Control arm bushing



Notes

Inner diameter [mm]	12
Outer diameter [mm]	36
Height [mm]	46
	inner
	Upper
	Rear
	Rear Axle

References

8E0 501 541 K

Application info

A6 [4F2, 4FH, 4F5] [05/04-08/11]

100 501 0023 | MCB0085

Control arm bushing



Notes

Inner diameter [mm]	12
Outer diameter [mm]	36
Height [mm]	46
	Upper
	Rear Axle Right
	Rear Axle Left

References

8E0 501 541 Q

8E0 501 541 S

Application info

A4 [8E2, 8E5, B6] [10/00-12/04]
A4 [8EC, 8ED] [11/04-06/08]

A4 [8H7] [04/02-03/09]



Control arm bushing

100 505 0018 | MCB0092

Notes

Inner diameter [mm]	12
Outer diameter [mm]	36
Height [mm]	30
for semi-trailing arm	
Lower	
Rear Axle Right	
Rear Axle Left	

References

800 505 171



Application info

A4 [802, 805, B5] [11/94-09/01]

Control arm bushing

100 505 0017 | MCB0091

Notes

Inner diameter [mm]	12
Outer diameter [mm]	38
Height [mm]	55
Outer	
Upper	
Rear Axle Right	
Rear Axle Left	

References

8A0 505 172 B



Application info

80 [8C, 8G7, B4] [05/91-08/00]

A4 [802, 805, B5] [11/94-09/01]

Control arm bushing

100 505 0020 | MCB0093

Notes

Inner diameter [mm]	12
Outer diameter [mm]	36
Height [mm]	50
Rear Axle Right	
Rear Axle Left	

References

8E0 505 185 C



Application info

A6 [4B, C5] [01/97-01/05]

Allroad [4BH] [05/00-08/05]

100 505 0008 | MCB0088

Control arm bushing



Notes

Inner diameter [mm]	12
Outer diameter [mm]	44
Height [mm]	60
	Front
	Outer
	Lower
	Rear Axle Right
	Rear Axle Left

References

8E0 505 203 D	8E0 505 312 AC*
8E0 505 311 AC*	8E0 505 312 S*
8E0 505 311 S*	8E0 505 312 T*
8E0 505 311 T*	

Application info

A4 (8E2, 8E5, 8E6) [10/00-12/04]
A4 (8EC, 8ED) [11/04-06/08]

A4 (8H7) [04/02-03/09]
A6 (4F2, 4FH, 4F5) [05/04-08/11]

100 505 0016 | MCB0090

Control arm bushing



Notes

Inner diameter [mm]	12
Outer diameter [mm]	42
Height [mm]	60
	inner
	Lower
	Rear Axle Right
	Rear Axle Left

References

1K0 505 311 AB

Application info

A1 (8X1, 8XA) [05/10--]
A3 (8P1, 8PA) [05/03-08/12]

Q3 (8U) [06/11--]
TT (8J3, 8J9) [08/06-06/10]

100 710 0035 | MCB0395

Control arm bushing



Notes

Inner diameter [mm]	14
Outer diameter [mm]	60.5
Height [mm]	70
	Rear Axle Right
	Rear Axle Left

References

7L0 505 311 B

Control arm bushing

100 710 0035 | MCB0395

Application info

Q7 [4L] [03/06-05/12]

Control arm bushing

100 505 0006 | MCB0086

Notes

Inner diameter [mm]	12
Outer diameter [mm]	46
Height [mm]	50
	Rear
	Outer
	Lower
	Rear Axle Right
	Rear Axle Left

References

8E0 505 279 G	8E0 505 311 T*
8E0 505 279 J	8E0 505 312 AC*
8E0 505 311 AC*	8E0 505 312 S*
8E0 505 311 S*	8E0 505 312 T*



Application info

A4 [8E2, 8E5, B6] [10/00-12/04]

A4 [8H7] [04/02-03/09]

Control arm bushing

100 505 0007 | MCB0087

Notes

Inner diameter [mm]	12
Outer diameter [mm]	46
Height [mm]	39
	inner
	Lower
	Front
	Rear Axle Right
	Rear Axle Left

References

8E0 505 185 N*	8E0 505 312 AC*
8E0 505 311 AC*	8E0 505 312 S*
8E0 505 311 S*	8E0 505 312 T*
8E0 505 311 T*	



Application info

A4 [8E2, 8E5, B6] [10/00-12/04]

A4 [8H7] [04/02-03/09]

100 710 0012 | MCB0110

Control arm bushing



Notes

Inner diameter [mm]	14
Outer diameter [mm]	45
Height [mm]	38
	Outer
	Upper
	Rear Axle Right
	Rear Axle Left

References

1K0 505 203 A	1K0 505 323 N*
---------------	----------------

Application info

A1 [8X1, 8XA] [05/10--]
A3 [8P1, 8PA] [05/03-08/12]

Q3 [8U] [06/11--]
TT [8J3, 8J9] [08/06-06/10]

100 710 0013 | MCB0111

Control arm bushing



Notes

Inner diameter [mm]	12
Outer diameter [mm]	39
Height [mm]	45
	inner
	Upper
	Rear Axle Right
	Rear Axle Left

References

1K0 505 279 A	1K0 505 323 N
---------------	---------------

Application info

A1 [8X1, 8XA] [05/10--]
A3 [8P1, 8PA] [05/03-08/12]
A3 [8V1, 8VS, 8V7, 8PA] [04/12--]

Q3 [8U] [06/11--]
TT [8J3, 8J9] [08/06-06/10]

100 505 0011 | MCB0089

Control arm bushing



Notes

Inner diameter [mm]	12
Outer diameter [mm]	38
Height [mm]	50
	Outer
	Lower
	Rear Axle Right
	Rear Axle Left

References

1K0 505 553	1K0 505 553 A
-------------	---------------

Application info

A1 [8X1, 8XA] [05/10--]
A3 [8P1, 8PA] [05/03-08/12]

Q3 [8U] [06/11--]
TT [8J3, 8J9] [08/06-06/10]

Control arm bushing

100 710 0038 | MCB0445

Notes

Inner diameter [mm] 12
 Outer diameter [mm] 37
 Height [mm] 50
 Rear
 Lower
 Outer
 Rear Axle Right
 Rear Axle Left

References

5Q0 505 553



Application info

Q2 (09/16--)

TT (8S) (09/14--)

Control arm bushing

100 511 0004 | MCB0094

Notes

Inner diameter [mm] 12
 Outer diameter [mm] 44
 Height [mm] 25
 inner
 Front
 Rear Axle Right
 Rear Axle Left

References

8A0 511 247 B



Application info

80 (8C, 8G7, B4) (05/91-08/00)

Control arm set

116 050 0190/S | MCK0047

Notes

with accessories
 Front Axle Left
 Front Axle Right

Full Set

References

7L0 407 021	7P0 407 151 E
7L0 407 021 A	7LB 407 152 K
7L0 407 021 B	7P0 407 152 B
7LB 407 151 K	7P0 407 152 C
7P0 407 151 B	7P0 407 152 D
7P0 407 151 C	7P0 407 152 E
7P0 407 151 D	

Parts list

116 050 0017/S MCA0983	Control arm
116 050 0096/S MCA1000	Control arm
116 050 0097/S MCA1001	Control arm
116 060 0029/S MSL0704	Stabilizer link



116 050 0190/S | MCK0047

Control arm set

Application info

Q7 [4L] [03/06-05/12]

116 050 0194/HD | MCK0046HD

Control arm set



Notes

with accessories
Front Axle Left
Front Axle Right

Full Set
Reinforced Version

References

7L0 407 021	7L0 407 151J
7L0 407 021 A	7L0 407 151K
7L0 407 021 B	7L0 407 152F
7L0 411 317	7L0 407 152J
7L0 407 151F	7L0 407 152K

Parts list

116 050 0017/S MCA0983	Control arm
116 050 0186/HD MCA0950HD	Control arm
116 050 0187/HD MCA0951HD	Control arm
116 060 0029/S MSL0704	Stabilizer link

Application info

Q7 [4L] [03/06-05/12]

116 050 0191/S | MCK0048

Control arm set



Notes

with accessories
Front Axle Left
Front Axle Right

Full Set

References

7L8 407 021	7L8 407 152 K
7L8 407 151 K	7P0 407 152 B
7P0 407 151 B	7P0 407 152 C
7P0 407 151 C	7P0 407 152 D
7P0 407 151 D	7P0 407 152 E
7P0 407 151 E	

Parts list

116 050 0096/S MCA1000	Control arm
116 050 0097/S MCA1001	Control arm
116 050 0101/S MCA0984	Control arm
116 060 0029/S MSL0704	Stabilizer link

Application info

Q7 [4L] [03/06-05/12]



Control arm set

116 050 0041/HD | MCK0008HD

Notes

with accessories
 Aluminium
 with suspension rod
 Control Arm
 Front Axle Right
 Front Axle Left

Reinforced Version

References

4B0 407 151	8E0 407 510 P
4B3 407 151 A	8E0 407 510 Q
4B3 407 151 C	4D0 407 693 AC
4B3 407 151 E	4D0 407 693 AD
4B3 407 151 F	4D0 407 693 E
4B3 407 151 K	4D0 407 693 G
4D0 407 505 A	4D0 407 693 H
4D0 407 505 B	4D0 407 693 K
4D0 407 505 D	4D0 407 693 M
4D0 407 505 F	4D0 407 693 P
4D0 407 505 H	8E0 407 693 AG
4D0 407 505 J	8E0 407 693 K
4D0 407 509 J	8E0 407 693 Q
4D0 407 509 K	4D0 407 694 AC
8D0 407 509 G	4D0 407 694 AD
8E0 407 509 A	4D0 407 694 E
8E0 407 509 C	4D0 407 694 G
8E0 407 509 E	4D0 407 694 H
8E0 407 509 P	4D0 407 694 K
8E0 407 509 Q	4D0 407 694 M
4D0 407 510 J	4D0 407 694 P
4D0 407 510 K	8E0 407 694 AG
8D0 407 510 G	8E0 407 694 K
8E0 407 510 A	8E0 407 694 Q
8E0 407 510 C	4D0 407 695 J
8E0 407 510 E	4D0 407 696 J

Parts list

116 050 0031/HD MCA0150HD	Control arm
116 050 8239/HD MCA0228HD	Control arm
116 050 8292/HD MCA0231HD	Control arm
116 050 8293/HD MCA0232HD	Control arm
116 050 8299/HD MCA0235HD	Control arm
116 050 8300/HD MCA0236HD	Control arm
116 060 0006 MSL0113	Stabilizer link
116 020 0008/HD MTE0115HD	Tie rod end



Application info

A8 [4D2, 4D8] [03/94-09/02]

116 050 0087/HD | MCK0013HD

Control arm set



Notes

with accessories
Aluminium
with suspension rod
Control Arm
Front Axle Right
Front Axle Left

Reinforced Version

References

4B0 407 151	8E0 407 510 A
4B3 407 151 A	8E0 407 510 C
4B3 407 151 C	8E0 407 510 E
4B3 407 151 E	8E0 407 510 P
4B3 407 151 F	8E0 407 510 Q
4B3 407 151 K	4D0 407 693 AC
8D0 407 505 E	4D0 407 693 AD
8E0 407 505 A	4D0 407 693 E
8E0 407 505 C	4D0 407 693 G
8E0 407 505 E	4D0 407 693 H
8E0 407 505 P	4D0 407 693 K
8E0 407 505 Q	4D0 407 693 M
8D0 407 506 E	4D0 407 693 P
8E0 407 506 A	8E0 407 693 AG
8E0 407 506 C	8E0 407 693 K
8E0 407 506 E	8E0 407 693 Q
8E0 407 506 P	4D0 407 694 AC
8E0 407 506 Q	4D0 407 694 AD
4D0 407 509 J	4D0 407 694 E
4D0 407 509 K	4D0 407 694 G
8D0 407 509 G	4D0 407 694 H
8E0 407 509 A	4D0 407 694 K
8E0 407 509 C	4D0 407 694 M
8E0 407 509 E	4D0 407 694 P
8E0 407 509 P	8E0 407 694 AG
8E0 407 509 Q	8E0 407 694 K
4D0 407 510 J	8E0 407 694 Q
4D0 407 510 K	4D0 407 695 J
8D0 407 510 G	4D0 407 696 J

Parts list

116 050 0031/HD MCA0150HD	Control arm
116 050 8292/HD MCA0231HD	Control arm
116 050 8293/HD MCA0232HD	Control arm
116 050 8297/HD MCA0233HD	Control arm
116 050 8298/HD MCA0234HD	Control arm
116 050 8299/HD MCA0235HD	Control arm
116 050 8300/HD MCA0236HD	Control arm
116 060 0007 MSL0114	Stabilizer link
116 060 0008 MSL0115	Stabilizer link
116 020 0008/HD MTE0115HD	Tie rod end

Application info

A4 [802, 805, 85] [11/94-09/01]

A6 [4B, C5] [01/97-01/05]



Control arm set

116 050 0095/HD | MCK0014HD

Notes

with accessories
with suspension rod
Control Arm
Front Axle Right
Front Axle Left

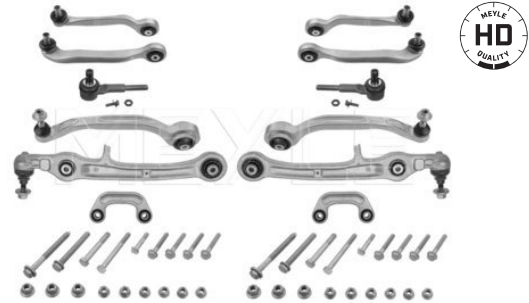
Full Set
Reinforced Version

References

4F0 407 151	4E0 407 510 F
4F0 407 151 A	4E0 407 510 G
4E0 407 505 B	4E0 407 510 H
4E0 407 505 E	4F0 407 693
4E0 407 505 F	4F0 407 693 B
4E0 407 506 B	4F0 407 693 C
4E0 407 506 E	4F0 407 693 G
4E0 407 506 F	4F0 407 693 H
4E0 407 509 B	4F0 407 693 J
4E0 407 509 E	4F0 407 694
4E0 407 509 F	4F0 407 694 B
4E0 407 509 G	4F0 407 694 C
4E0 407 509 H	4F0 407 694 G
4E0 407 510 B	4F0 407 694 H
4E0 407 510 E	4F0 407 694 J

Parts list

116 050 0015/HD MCA0142HD	Control arm
116 050 0016/HD MCA0143HD	Control arm
116 050 0042/HD MCA0153HD	Control arm
116 050 0043/HD MCA0154HD	Control arm
116 050 0044/HD MCA0155HD	Control arm
116 050 0063/HD MCA0161HD	Control arm
116 050 0064/HD MCA0162HD	Control arm
116 060 0028 MSL0134	Stabilizer link
116 020 0008/HD MTE0115HD	Tie rod end



Application info

A6 [4F2, 4FH, 4F5] [05/04-08/11]

116 050 0029/HD | MCK0005HD

Control arm set



Notes

with accessories
Aluminium
with suspension rod
Front Axle Right
Front Axle Left

Reinforced Version

References

400 407 151 H	8E0 407 510 P
400 407 151 P	8E0 407 510 Q
800 407 151 E	400 407 693 AC
800 407 505 E	400 407 693 AD
8E0 407 505 A	400 407 693 E
8E0 407 505 C	400 407 693 G
8E0 407 505 E	400 407 693 H
8E0 407 505 P	400 407 693 K
8E0 407 505 Q	400 407 693 M
8E0 407 506 A	400 407 693 P
8E0 407 506 C	8E0 407 693 AG
8E0 407 506 E	8E0 407 693 K
8E0 407 506 P	8E0 407 693 Q
8E0 407 506 Q	400 407 694 AC
400 407 509 J	400 407 694 AD
400 407 509 K	400 407 694 E
800 407 509 G	400 407 694 G
8E0 407 509 A	400 407 694 H
8E0 407 509 C	400 407 694 K
8E0 407 509 E	400 407 694 M
8E0 407 509 P	400 407 694 P
8E0 407 509 Q	8E0 407 694 AG
400 407 510 J	8E0 407 694 K
400 407 510 K	8E0 407 694 Q
800 407 510 G	400 407 695 J
8E0 407 510 A	400 407 696 J
8E0 407 510 C	800 498 998
8E0 407 510 E	800 498 998 B

Parts list

116 050 8228/HD MCA0227HD	Control arm
116 050 8292/HD MCA0231HD	Control arm
116 050 8293/HD MCA0232HD	Control arm
116 050 8297/HD MCA0233HD	Control arm
116 050 8298/HD MCA0234HD	Control arm
116 050 8299/HD MCA0235HD	Control arm
116 050 8300/HD MCA0236HD	Control arm
116 060 0007 MSL0114	Stabilizer link
116 060 0008 MSL0115	Stabilizer link
116 020 0008/HD MTE0115HD	Tie rod end

Application info

A4 (802, 805, 85) [11/94-09/01]

A6 (4B, C5) [01/97-01/05]



Control arm set

116 050 0030/HD | MCK0006HD

Notes

with accessories
 Aluminium
 with suspension rod
 Front Axle Right
 Front Axle Left

Reinforced Version

References

400 407 151 H	400 407 693 AC
400 407 151 P	400 407 693 AD
800 407 151 E	400 407 693 E
400 407 505 A	400 407 693 G
400 407 505 B	400 407 693 H
400 407 505 D	400 407 693 K
400 407 505 F	400 407 693 M
400 407 505 H	400 407 693 P
400 407 505 J	8E0 407 693 AG
400 407 509 J	8E0 407 693 K
400 407 509 K	8E0 407 693 Q
800 407 509 G	400 407 694 AC
8E0 407 509 A	400 407 694 AD
8E0 407 509 C	400 407 694 E
8E0 407 509 E	400 407 694 G
8E0 407 509 P	400 407 694 H
8E0 407 509 Q	400 407 694 K
400 407 510 J	400 407 694 M
400 407 510 K	400 407 694 P
800 407 510 G	8E0 407 694 AG
8E0 407 510 A	8E0 407 694 K
8E0 407 510 C	8E0 407 694 Q
8E0 407 510 E	400 407 695 J
8E0 407 510 P	400 407 696 J
8E0 407 510 Q	400 498 998 C

Parts list

116 050 8228/HD MCA0227HD	Control arm
116 050 8239/HD MCA0228HD	Control arm
116 050 8292/HD MCA0231HD	Control arm
116 050 8293/HD MCA0232HD	Control arm
116 050 8299/HD MCA0235HD	Control arm
116 050 8300/HD MCA0236HD	Control arm
116 060 0006 MSL0113	Stabilizer link
116 020 0008/HD MTE0115HD	Tie rod end

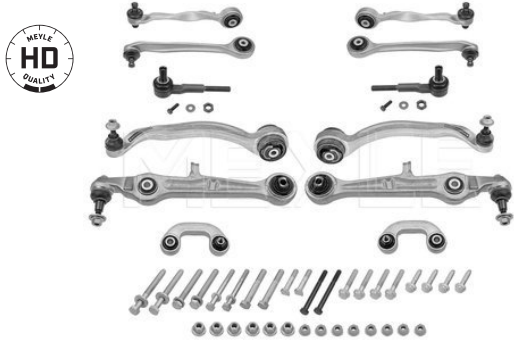


Application info

A8 [4D2, 4D8] [03/94-09/02]

116 050 0083/HD | MCK0010HD

Control arm set



Notes

with accessories
with suspension rod
Control Arm
Front Axle Right
Front Axle Left

Reinforced Version

References

8E0 407 151 E	8E0 407 510 A
8E0 407 151 K	8E0 407 510 C
8E0 407 151 L	8E0 407 510 E
8E0 407 151 M	8E0 407 510 P
8E0 407 151 N	8E0 407 510 Q
8E0 407 151 R	4D0 407 693 AC
8D0 407 505 E	4D0 407 693 AD
8E0 407 505 A	4D0 407 693 E
8E0 407 505 C	4D0 407 693 G
8E0 407 505 E	4D0 407 693 H
8E0 407 505 P	4D0 407 693 K
8E0 407 505 Q	4D0 407 693 M
8D0 407 506 E	4D0 407 693 P
8E0 407 506 A	8E0 407 693 AG
8E0 407 506 C	8E0 407 693 K
8E0 407 506 E	8E0 407 693 Q
8E0 407 506 P	4D0 407 694 AC
8E0 407 506 Q	4D0 407 694 AD
4D0 407 509 J	4D0 407 694 E
4D0 407 509 K	4D0 407 694 G
8D0 407 509 G	4D0 407 694 H
8E0 407 509 A	4D0 407 694 K
8E0 407 509 C	4D0 407 694 M
8E0 407 509 E	4D0 407 694 P
8E0 407 509 P	8E0 407 694 AG
8E0 407 509 Q	8E0 407 694 K
4D0 407 510 J	8E0 407 694 Q
4D0 407 510 K	4D0 407 695 J
8D0 407 510 G	4D0 407 696 J

Parts list

116 050 0000/HD MCA0131HD	Control arm
116 050 8292/HD MCA0231HD	Control arm
116 050 8293/HD MCA0232HD	Control arm
116 050 8297/HD MCA0233HD	Control arm
116 050 8298/HD MCA0234HD	Control arm
116 050 8299/HD MCA0235HD	Control arm
116 050 8300/HD MCA0236HD	Control arm
116 060 0016 MSL0122	Stabilizer link
116 060 0017 MSL0123	Stabilizer link
996 060 0107 MCX0346	Mounting kit, stabilizer link
116 020 0008/HD MTE0115HD	Tie rod end

Application info

A4 [8E2, 8E5, B6] [10/00-12/04]

A4 [8H7] [04/02-03/09]



Control arm set

116 050 0085/HD | MCK0011HD

Notes

with accessories
with suspension rod
Control Arm
Front Axle Right
Front Axle Left

Reinforced Version

References

8E0 407 151 E	8E0 407 509 Q
8E0 407 151 K	4D0 407 510 J
8E0 407 151 L	4D0 407 510 K
8E0 407 151 M	8D0 407 510 G
8E0 407 151 N	8E0 407 510 A
8E0 407 151 R	8E0 407 510 C
8D0 407 505 E	8E0 407 510 E
8E0 407 505 A	8E0 407 510 P
8E0 407 505 C	8E0 407 510 Q
8E0 407 505 E	8E0 407 693 AA
8E0 407 505 P	8E0 407 693 AC
8E0 407 505 Q	8E0 407 693 AJ
8D0 407 506 E	8E0 407 693 AK
8E0 407 506 A	8E0 407 693 AL
8E0 407 506 C	8E0 407 693 AM
8E0 407 506 E	8E0 407 693 N
8E0 407 506 P	8E0 407 693 T
8E0 407 506 Q	8E0 407 694 AA
4D0 407 509 J	8E0 407 694 AC
4D0 407 509 K	8E0 407 694 AJ
8D0 407 509 G	8E0 407 694 AK
8E0 407 509 A	8E0 407 694 AL
8E0 407 509 C	8E0 407 694 AM
8E0 407 509 E	8E0 407 694 N
8E0 407 509 P	8E0 407 694 T

Parts list

116 050 0000/HD MCA0131HD	Control arm
116 050 0048/HD MCA0156HD	Control arm
116 050 0073/HD MCA0168HD	Control arm
116 050 8292/HD MCA0231HD	Control arm
116 050 8293/HD MCA0232HD	Control arm
116 050 8297/HD MCA0233HD	Control arm
116 050 8298/HD MCA0234HD	Control arm
116 060 0016 MSL0122	Stabilizer link
116 060 0017 MSL0123	Stabilizer link
116 020 0008/HD MTE0115HD	Tie rod end



Application info

A4 [8EC, 8ED] [11/04-06/08]

116 050 0222/HD | MCK0050HD

Control arm set



Notes

with add-on material
Front Axle Right
Front Axle Left

Full Set
Reinforced Version

References

8K0 407 151 B	8K0 407 509 B
8K0 407 151 C	8K0 407 509 M
8K0 407 151 D	8K0 407 509 N
8K0 407 152 B	8K0 407 509 P
8K0 407 152 C	8K0 407 510 A
8K0 407 152 D	8K0 407 510 B
8K0 407 505 A	8K0 407 510 M
8K0 407 505 B	8K0 407 510 N
8K0 407 505 M	8K0 407 510 P
8K0 407 505 N	8K0 407 693 F
8K0 407 506 A	8K0 407 693 K
8K0 407 506 B	8K0 407 693 N
8K0 407 506 M	8K0 407 694 F
8K0 407 506 N	8K0 407 694 K
8K0 407 509 A	8K0 407 694 N

Parts list

116 010 0019 MBJ0058	Ball joint
116 050 0165/HD MCA0208HD	Control arm
116 050 0166/HD MCA0209HD	Control arm
116 050 0167/HD MCA0210HD	Control arm
116 050 0168/HD MCA0211HD	Control arm
116 050 0169/HD MCA0212HD	Control arm
116 050 0170/HD MCA0213HD	Control arm
116 050 0171/HD MCA0214HD	Control arm
116 050 0172/HD MCA0215HD	Control arm
116 060 0041/S MSL0910	Stabilizer link

Application info

A4 (8K2, 8K5, 8KH) [11/07--]
A5 (8F, 8T) [06/07--]

Q5 (8R) [11/08--]



Control arm set

116 050 0223/HD | MCK0051HD

Notes

Full Set
Reinforced Version

with add-on material
Front Axle Right
Front Axle Left

References

8K0 407 151 B
8K0 407 151 C
8K0 407 151 D
8K0 407 152 B
8K0 407 152 C
8K0 407 152 D
8K0 407 505 A
8K0 407 505 B
8K0 407 505 M
8K0 407 505 N
8K0 407 506 A
8K0 407 506 B
8K0 407 506 M
8K0 407 506 N
8K0 407 509 A

8K0 407 509 B
8K0 407 509 M
8K0 407 509 N
8K0 407 509 P
8K0 407 510 A
8K0 407 510 B
8K0 407 510 M
8K0 407 510 N
8K0 407 510 P
8K0 407 693 AF
8K0 407 693 S
8K0 407 693 T
8K0 407 694 AF
8K0 407 694 S
8K0 407 694 T

Parts list

116 010 0019 | MBJ0058
116 050 0165/HD | MCA0208HD
116 050 0166/HD | MCA0209HD
116 050 0167/HD | MCA0210HD
116 050 0168/HD | MCA0211HD
116 050 0169/HD | MCA0212HD
116 050 0170/HD | MCA0213HD
116 050 0173/HD | MCA0216HD
116 050 0174/HD | MCA0217HD
116 060 0041/S | MSL0910

Ball joint
Control arm
Control arm
Control arm
Control arm
Control arm
Control arm
Control arm
Control arm
Control arm
Stabilizer link



Application info

A4 [8K2, 8K5, 8KH] [11/07--]
A5 [8F, 8T] [06/07--]

Q5 [8R] [11/08--]

Control arm set

116 050 0022/HD | MCK0004HD

Notes

Slim Set
Reinforced Version

with accessories
Aluminium
Lower
Front Axle Right
Front Axle Left

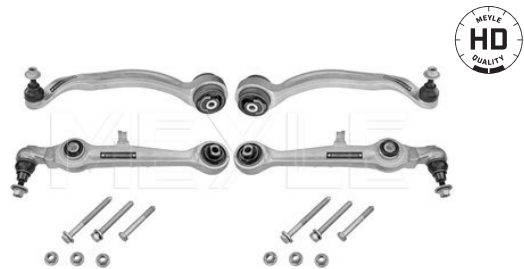
References

3B0 498 798 A

Parts list

116 050 8228/HD | MCA0227HD
116 050 8299/HD | MCA0235HD
116 050 8300/HD | MCA0236HD

Control arm
Control arm
Control arm



116 050 0022/HD | MCK0004HD

Control arm set

Application info

A4 [802, 805, B5] [11/94-09/01]
A6 [4B, C5] [01/97-01/05]

A8 [402, 408] [03/94-09/02]

100 505 0001 | MAM0018

Mount, axle rod



Notes

Inner diameter [mm] 12
Rear Axle Right
Rear Axle Left

References

431 505 172

Application info

100 [4A, C4] [12/90-07/94]
100/200 [44, 44Q, C3] [08/82-12/91]
80/90 [81, 85, B2] [08/78-10/88]

80/90 [89, 89Q, 8A, B3] [06/86-12/96]
A6 [4A, C4] [06/94-12/97]

100 710 0016 | MAM0019

Mount, axle rod



Notes

Inner diameter [mm] 14
Outer diameter [mm] 44
Height [mm] 40
Outer
Front
Rear Axle Right
Rear Axle Left

References

7L0 505 323 A

Application info

Q7 [4L] [03/06-05/12]

Mount, axle rod
100 710 0017 | MAM0020
Notes

Inner diameter [mm]	12
Outer diameter [mm]	44
Height [mm]	40
	inner
	Front
	Rear Axle Right
	Rear Axle Left

References

7L0 505 323 A


Application info

Q7 [4L] [03/06-05/12]

Mount, axle rod
114 710 0000 | MAM0021
Notes

Inner diameter [mm]	12
Outer diameter [mm]	44
Height [mm]	46
	Rear Axle Right
	Rear Axle Left

References

8K0 505 323 D	8K0 505 324 D
8K0 505 323 F	8K0 505 324 F
8K0 505 323 H	8K0 505 324 H


Application info

 A4 [8K2, 8K5, 8KH] [11/07--]
 A5 [8F, 8T] [06/07--]
 A6 [4G2, 4G5, C7] [11/10-05/13]

 A7 Sportback [4GA] [10/10--]
 A8 [4H_] [11/09--]
 Q5 [8R] [11/08--]

Mount, control arm
100 199 0085/HD | MCM0003HD
Notes

	with rubber mounting
	Rear
	Front Axle Left
Reinforced Version	

References

1K0 199 231 G	1K0 199 231 K
1K0 199 231 J	

Parts list

100 610 0027/HD MCB0108HD	Control arm bushing
-----------------------------	---------------------

Counterpart

100 199 0086/HD | MCM0004HD



100 199 0085/HD | MCM0003HD

Mount, control arm

Application info

A3 [8P1, 8PA] [05/03-08/12]

A3 [8V1, 8VS, 8V7, 8PA] [04/12--]

100 610 0041 | MCM0156

Mount, control arm



Notes

with rubber mounting
Front Axle Left

References

1K0 199 231 G
1K0 199 231 J

1K0 199 231 K

Parts list

100 610 0043 | MCB0441

Control arm bushing

Counterpart

100 610 0042 | MCM0157

Application info

A3 [8P1, 8PA] [05/03-08/12]

100 610 0014/HD | MCM0014HD

Mount, control arm



Notes

with rubber mounting
Rear
Front Axle Right
Front Axle Left

Reinforced Version

References

3C0 199 231 D
3C0 199 231 E

3C0 199 231 F

Parts list

100 610 0027/HD | MCB0108HD

Control arm bushing

Application info

Q3 [8U] [06/11--]



Mount, control arm

100 610 0044 | MCM0158

Notes

with rubber mounting
Front Axle Right
Front Axle Left

References

3C0 199 231 D 3C0 199 231 E

Parts list

100 610 0043 | MCB0441 Control arm bushing



Application info

Q3 [8U] [06/11--]

Mount, control arm

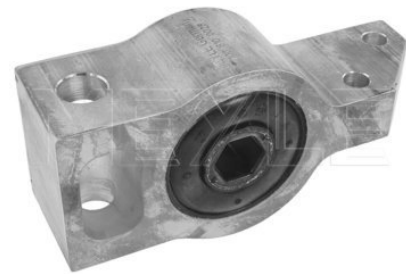
100 610 0028 | MCM0016

Notes

Front Axle Right
Front Axle Left

References

8J0 199 231



Application info

TT [8J3, 8J9] [08/06-06/10]

Mount, control arm

100 199 0086/HD | MCM0004HD

Notes

with rubber mounting
Rear
Front Axle Right

Reinforced Version

References

1K0 199 232 G 1K0 199 232 K
1K0 199 232 J

Parts list

100 610 0027/HD | MCB0108HD Control arm bushing

Counterpart

100 199 0085/HD | MCM0003HD



Application info

A3 [8P1, 8PA] [05/03-08/12]

A3 [8V1, 8VS, 8V7, 8PA] [04/12--]

8

100 610 0042 | MCM0157

Mount, control arm



Notes

with rubber mounting
Front Axle Right

References

1K0 199 232 G
1K0 199 232 J

1K0 199 232 K

Parts list

100 610 0043 | MCB0441

Control arm bushing

Counterpart

100 610 0041 | MCM0156

Application info

A3 (8P1, 8PA) (05/03-08/12)

100 610 0017 | MCM0015

Mount, control arm



Notes

Inner diameter [mm]
Outer diameter [mm]

18
62
Front Axle Right
Front Axle Left

References

8Z0 407 183 A

Application info

A2 (8Z0) (02/00-08/05)

100 505 0015 | MCM0012

Mount, control arm



Notes

Inner diameter [mm]
Outer diameter [mm]
Height [mm]

12
72
60
for drag link
Lower
Rear Axle Right
Rear Axle Left

References

1J0 505 171 B

Application info

A3 (8L1) (09/96-05/03)

TT (8N3, 8N9) (10/98-06/06)



Mount, control arm

100 505 0004 | MCM0009

Notes

Inner diameter [mm]	12
Outer diameter [mm]	38
Height [mm]	49
	inner
	Upper
	Rear Axle Right
	Rear Axle Left

References

800 505 185 A



Application info

A4 [802, 805, B5] [11/94-09/01]

Mount, control arm

100 505 0005 | MCM0010

Notes

Inner diameter [mm]	12	Rubber-metal Bearing
Outer diameter [mm]	47	
Height [mm]	50	
		Rear
		inner
		Lower
		Rear Axle Right
		Rear Axle Left

References

8E0 505 171 J	8E0 505 312 AC*
8E0 505 311 AC*	8E0 505 312 S*
8E0 505 311 S*	8E0 505 312 T*
8E0 505 311 T*	



Application info

A4 [8E2, 8E5, B6] [10/00-12/04]

A4 [8H7] [04/02-03/09]

Mount, control arm

100 505 0014 | MCM0011

Notes

Inner diameter [mm]	12
Outer diameter [mm]	60
Height [mm]	64
	for drag link
	Rear Axle Right
	Rear Axle Left

References

1K0 505 541 B	1K0 505 541 D
1K0 505 541 C	5Q0 505 541 A



100 505 0014 | MCM0011

Mount, control arm

Application info

A1 (8X1, 8XA) [05/10--]
A3 (8P1, 8PA) [05/03-08/12]
A3 (8V1, 8VS, 8V7, 8PA) [04/12--]

Q3 (8U) [06/11--]
TT (8J3, 8J9) [08/06-06/10]
TT (8S) [09/14--]

114 711 0000/HD | MCM0150HD

Mount, control arm



Notes

Inner diameter [mm] 12
Outer diameter [mm] 60
Height [mm] 64
Rear Axle Left
Rear Axle Right

Reinforced Version

References

1K0 505 541 B 1K0 505 541 D
1K0 505 541 C 5Q0 505 541 A

Application info

A1 (8X1, 8XA) [05/10--]
A3 (8P1, 8PA) [05/03-08/12]
A3 (8V1, 8VS, 8V7, 8PA) [04/12--]

Q3 (8U) [06/11--]
TT (8J3, 8J9) [08/06-06/10]
TT (8S) [09/14--]

100 610 0000/HD | MCX0166HD

Mounting kit, control arm



Notes

with accessories
Lower
Front Axle Right
Front Axle Left

Reinforced Version

References

4A0 399 347 C 4A0 407 181 A
4A0 399 413 A 4A0 407 201

Parts list

100 399 0020 | MCX0141 Sleeve, control arm mount
100 407 0013/HD | MCB0045HD Control arm bushing

Application info

100 (4A, C4) [12/90-07/94]

A6 (4A, C4) [06/94-12/97]

Mounting kit, control arm

100 654 0000 | MCX0178

Notes

Upper
Front Axle Right
Front Axle Left



Application info

A4 [8D2, 8D5, B5] [11/94-09/01]
A4 [8E2, 8E5, B6] [10/00-12/04]
A4 [8EC, 8ED] [11/04-06/08]
A4 [8H7] [04/02-03/09]

A6 [4B, C5] [01/97-01/05]
A8 [4D2, 4D8] [03/94-09/02]
Allroad [4BH] [05/00-08/05]

Repair kit, control arm

100 610 0045 | MCR0033

Notes

with accessories
with rubber mounting
Front Axle Left



References

1K0 199 231 G 1K0 199 231 K
1K0 199 231 J

Counterpart

100 610 0046 | MCR0034

Application info

A3 [8P1, 8PA] [05/03-08/12]

Repair kit, control arm

100 610 0085/HD | MCR0018HD

Notes

with accessories
with rubber mounting
Front Axle Left

Reinforced Version



References

1K0 199 231 G 1K0 199 231 K
1K0 199 231 J

Parts list

100 199 0085/HD | MCM0003HD Mount, control arm

Counterpart

100 610 0086/HD | MCR0019HD



100 610 0085/HD | MCR0018HD

Repair kit, control arm

Application info

A3 (8P1, 8PA) (05/03-08/12)

100 610 0037/HD | MCR0017HD

Repair kit, control arm



Notes

with accessories
Front Axle Right
Front Axle Left

Reinforced Version

References

3C0 199 231 D

3C0 199 231 E

Parts list

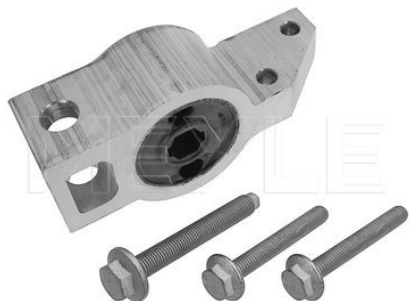
100 610 0014/HD | MCM0014HD Mount, control arm

Application info

Q3 (8U) (06/11--)

100 610 0046 | MCR0034

Repair kit, control arm



Notes

with accessories
with rubber mounting
Front Axle Right

References

1K0 199 232 G

1K0 199 232 J

Counterpart

100 610 0045 | MCR0033

Application info

A3 (8P1, 8PA) (05/03-08/12)

Repair kit, control arm

100 610 0086/HD | MCR0019HD

Notes

with accessories
with rubber mounting
Front Axle Right

Reinforced Version

References

1K0 199 232 G 1K0 199 232 J

Parts list

100 199 0086/HD | MCM0004HD Mount, control arm

Counterpart

100 610 0085/HD | MCR0018HD



Application info

A3 (8P1, 8PA) (05/03-08/12)

Rod/strut, suspension

116 035 0002 | MSR0054

Notes

Length [mm] Guide Rod
298
with rubber mounting
Lower
Rear Axle Left

References

1K0 501 529 F

Parts list

100 710 0006 | MSX0069 Mounting, track rod

Counterpart

116 035 0003 | MSR0055



Application info

A3 (8P1, 8PA) (05/03-08/12)
Q3 (8U) (06/11--)

TT (8J3, 8J9) (08/06-06/10)

Rod/strut, suspension

116 035 0014 | MSR0062

Notes

Length [mm] Push Rod
298
with rubber mounting
Rear Axle Right
Rear Axle Left

References

1K0 501 529 J



116 035 0014 | MSR0062

Rod/strut, suspension

Application info

A1 [8X1, 8XA] [05/10--]
A3 [8P1, 8PA] [05/03-08/12]

TT [8J3, 8J9] [08/06-06/10]

116 035 0006 | MSR0057

Rod/strut, suspension



Notes

Thread Size
Length [mm]

Guide Rod
M12x1,5
282
Rear Axle Right
Rear Axle Left

References

4E0 501 529 D

4E0 501 529 G

Application info

A8 [4E] [10/02-07/10]

116 035 0009 | MSR0059

Rod/strut, suspension



Notes

Length [mm]

Guide Rod
Steel
370
with rubber mounting
Rear Axle Right
Rear Axle Left

References

4F0 501 529 C

4F0 501 529 E

Application info

A6 [4F2, 4FH, 4F5] [05/04-08/11]

116 030 0027 | MSR0052

Rod/strut, suspension



Notes

Length [mm]

Coupling Rod
500
with rubber mounting
Rear Axle Right
Rear Axle Left

References

7L0 501 529 C
7L0 501 529 D

7L8 501 529 A

Rod/strut, suspension

116 030 0027 | MSR0052

Application info

Q7 [4L] [03/06-05/12]

Rod/strut, suspension

116 035 0001 | MSR0053

Notes

Length [mm]

Guide Rod
346
with rubber mounting
Rear Axle Right
Rear Axle Left

References

8E0 501 529 G
8E0 501 529 K

8E0 501 529 P



Application info

A4 [8E2, 8E5, 8B6] [10/00-12/04]
A4 [8EC, 8ED] [11/04-06/08]

A4 [8H7] [04/02-03/09]

Rod/strut, suspension

116 035 0017 | MSR0134

Notes

Length [mm]

Guide Rod
282
with rubber mounting
Rear Axle Right
Rear Axle Left

References

8K0 501 529 L



Application info

A4 [8K2, 8K5, 8KH] [11/07--]
A5 [8F, 8T] [06/07--]
A6 [4G2, 4G5, C7] [11/10-05/13]

A7 Sportback [4GA] [10/10--]
A8 [4H_] [11/09--]
Q5 [8R] [11/08--]

116 035 0015 | MSR0115

Rod/strut, suspension



Notes

Length [mm]

Guide Rod
282
with rubber mounting
Rear Axle Left

References

8K0 501 529 K

8K0 501 529 N

Counterpart

116 035 0016 | MSR0116

Application info

A4 [8K2, 8K5, 8KH] [11/07--]
A5 [8F, 8T] [06/07--]
A6 [4G2, 4G5, C7] [11/10-05/13]

A7 Sportback [4GA] [10/10--]
Q5 [8R] [11/08--]

116 035 0003 | MSR0055

Rod/strut, suspension



Notes

Length [mm]

Guide Rod
298
with rubber mounting
Lower
Rear Axle Right

References

1K0 501 530 C

Parts list

100 710 0006 | MSX0069

Mounting, track rod

Counterpart

116 035 0002 | MSR0054

Application info

A3 [8P1, 8PA] [05/03-08/12]
Q3 [8U] [06/11--]

TT [8J3, 8J9] [08/06-06/10]

116 039 8294 | MSR0063

Rod/strut, suspension



Notes

Thread Size
Length [mm]

Guide Rod
Steel
M12x1,5
321
Rear Axle Right
Rear Axle Left

References

800 501 530

Rod/strut, suspension

116 039 8294 | MSR0063

Application info

A4 [802, 805, B5] [11/94-09/01]

Rod/strut, suspension

116 035 0016 | MSR0116

Notes

Length [mm]

Guide Rod
282
with rubber mounting
Rear Axle Right



References

8K0 501 530 K

8K0 501 530 N



Counterpart

116 035 0015 | MSR0115

Application info

A4 [8K2, 8K5, 8KH] [11/07--]

A5 [8F, 8T] [06/07--]

A6 [4G2, 4G5, C7] [11/10-05/13]

A7 Sportback [4GA] [10/10--]

Q5 [8R] [11/08--]

Rod/strut, suspension

116 035 0020 | MSR0120

Notes

Length [mm]

Pull Rod
Sheet Steel
306
with rubber mounting
Rear Axle Right
Rear Axle Left



References

1K0 505 323 H

1K0 505 323 N

5Q0 505 323 C

5Q0 505 323 D



Parts list

100 710 0013 | MCB0111

Control arm bushing

Application info

A1 [8X1, 8XA] [05/10--]

A3 [8P1, 8PA] [05/03-08/12]

A3 [8V1, 8VS, 8V7, 8PA] [04/12--]

Q3 [8U] [06/11--]

TT [8J3, 8J9] [08/06-06/10]

TT [8S] [09/14--]

116 035 0020/S | MSR0121

Rod/strut, suspension



Notes

Length [mm]

with accessories
Pull Rod
Sheet Steel
306
with rubber mounting
Rear Axle Left
Rear Axle Right

References

1K0 505 323 H
1K0 505 323 N

5Q0 505 323 C
5Q0 505 323 D

Parts list

116 035 0020 | MSR0120

Rod/strut, suspension

Application info

A1 (8X1, 8XA) (05/10--)
A3 (8P1, 8PA) (05/03-08/12)
A3 (8V1, 8VS, 8V7, 8PA) (04/12--)

Q3 (8U) (06/11--)
TT (8J3, 8J9) (08/06-06/10)
TT (8S) (09/14--)

116 050 0027 | MSR0066

Rod/strut, suspension



Notes

Length [mm]

Guide Rod
Steel
306
with rubber mounting
Rear Axle Right
Rear Axle Left

References

1K0 505 323 H

1K0 505 323 N

Parts list

100 710 0012 | MCB0110
100 710 0013 | MCB0111

Control arm bushing
Control arm bushing

Application info

A1 (8X1, 8XA) (05/10--)
A3 (8P1, 8PA) (05/03-08/12)

Q3 (8U) (06/11--)
TT (8J3, 8J9) (08/06-06/10)

Rod/strut, suspension

116 050 0027/S | MSR0113

Notes

with accessories
Guide Rod
Steel
306
with rubber mounting
Rear Axle Right
Rear Axle Left

Length [mm]

References

1K0 505 323 H 1K0 505 323 N

Parts list

116 050 0027 | MSR0066 Rod/strut, suspension



Application info

A1 (8X1, 8XA) (05/10--)
A3 (8P1, 8PA) (05/03-08/12)

Q3 (8U) (06/11--)
TT (8J3, 8J9) (08/06-06/10)

Rod/strut, suspension

116 035 0008 | MSR0058

Notes

Guide Rod
300
with rubber mounting
Upper
Front
Rear Axle Right
Rear Axle Left

Length [mm]

References

7L0 505 323 A

Parts list

100 710 0016 | MAM0019 Mount, axle rod
100 710 0017 | MAM0020 Mount, axle rod



Application info

Q7 (4L) (03/06-05/12)

116 035 0012 | MSR0060

Rod/strut, suspension



Notes

Length [mm]

Guide Rod
362
with rubber mounting
Rear
Rear Axle Left

References

8K0 505 323 D
8K0 505 323 F

8K0 505 323 H

Parts list

114 710 0000 | MAM0021

Mount, axle rod

Counterpart

116 035 0013 | MSR0061

Application info

A4 [8K2, 8K5, 8KH] [11/07--]
A5 [8F, 8T] [06/07--]
A6 [4G2, 4G5, C7] [11/10-05/13]

A7 Sportback [4GA] [10/10--]
A8 [4H_] [11/09--]
Q5 [8R] [11/08--]

116 035 0013 | MSR0061

Rod/strut, suspension



Notes

Length [mm]

Guide Rod
362
with rubber mounting
Rear
Rear Axle Right

References

8K0 505 324 D
8K0 505 324 F

8K0 505 324 H

Parts list

114 710 0000 | MAM0021

Mount, axle rod

Counterpart

116 035 0012 | MSR0060

Application info

A4 [8K2, 8K5, 8KH] [11/07--]
A5 [8F, 8T] [06/07--]
A6 [4G2, 4G5, C7] [11/10-05/13]

A7 Sportback [4GA] [10/10--]
A8 [4H_] [11/09--]
Q5 [8R] [11/08--]

Rod/strut, suspension

116 050 0023 | MSR0064

Notes

Thread Size

Camber Link
M14x1,5
Rear Axle Left

References

443 505 351 P

Parts list

116 010 0004 | MSX0072
116 020 0013 | MTE0116

Lever, steering rod
Tie rod end

Counterpart

116 050 0024 | MSR0065



Application info

100 [4A, C4] [12/90-07/94]
100/200 [44, 44Q, C3] [08/82-12/91]

A6 [4A, C4] [06/94-12/97]
V8 [01] [10/88-02/94]

Rod/strut, suspension

116 050 0024 | MSR0065

Notes

Thread Size

Camber Link
M14x1,5
Rear Axle Right

References

443 505 352 P

Parts list

116 010 0004 | MSX0072
116 020 0014 | MTE0117

Lever, steering rod
Tie rod end

Counterpart

116 050 0023 | MSR0064



Application info

100 [4A, C4] [12/90-07/94]
100/200 [44, 44Q, C3] [08/82-12/91]

A6 [4A, C4] [06/94-12/97]
V8 [01] [10/88-02/94]

Rod/strut, suspension

116 050 0059 | MSR0067

Notes

Length [mm]

Guide Rod
360
with rubber mounting
Upper
Rear
Rear Axle Left

References

7L0 505 397

Counterpart

116 050 0060 | MSR0068



116 050 0059 | MSR0067

Rod/strut, suspension

Application info
Q7 [4L] [03/06-05/12]



Notes

Length [mm]

Guide Rod
360
with rubber mounting
Upper
Rear
Rear Axle Right

References

7L0 505 398

Counterpart

116 050 0059 | MSR0067

Application info
Q7 [4L] [03/06-05/12]

100 399 0020 | MCX0141

Sleeve, control arm mount



Notes

Inner diameter [mm]
Outer diameter [mm]
Length [mm]

13
15
56
Front Axle Right
Front Axle Left

References

4A0 399 413 A

Application info
100 [4A, C4] [12/90-07/94]

A6 [4A, C4] [06/94-12/97]

100 411 0053 | MCX0147

Bracket, stabilizer bushing



Notes

Front Axle Left
Front Axle Right

References

1J0 411 336 C

1J0 411 336 D



Bracket, stabilizer bushing

100 411 0053 | MCX0147

Application info

A3 (8L1) (09/96-05/03)

TT (8N3, 8N9) (10/98-06/06)

Bracket, stabilizer bushing

100 511 0016 | MCX0158

Notes

Rear Axle

References

1K0 511 439 E



Application info

A3 (8P1, 8PA) (05/03-08/12)

TT (8J3, 8J9) (08/06-06/10)

Mount, rod/strut stabilizer

100 411 0044 | MCX0146

Notes

Inner diameter [mm]

15
Front Axle Right
Front Axle Left

References

1J0 411 327



Application info

A3 (8L1) (09/96-05/03)

Mount, stabilizer

100 411 0012 | MSB0063

Notes

Inner diameter [mm]
Required quantity

13
2
Outer
Front Axle Right
Front Axle Left

References

823 411 313 A



100 411 0012 | MSB0063

Mount, stabilizer

Application info

80/90 (81, 85, B2) (08/78-10/88)

80/90 (89, 89Q, 8A, B3) (06/86-12/96)

100 411 0048 | MSB0084

Mount, stabilizer



Notes

Inner diameter [mm] 17
Front Axle Right
Front Axle Left

References

1J0 411 314 AC 1J0 411 314 S
1J0 411 314 B

Application info

A3 (8L1) (09/96-05/03)

TT (8N3, 8N9) (10/98-06/06)

100 411 0048/S | MSB0085

Mount, stabilizer



Notes

Inner diameter [mm] Kit
17
Front Axle Right
Front Axle Left

References

1J0 411 314 AC 1J0 411 314 S
1J0 411 314 B

Parts list

100 411 0048 | MSB0084 Mount, stabilizer
100 411 0053 | MCX0147 Bracket, stabilizer bushing

Application info

A3 (8L1) (09/96-05/03)

TT (8N3, 8N9) (10/98-06/06)

100 411 0033 | MSB0075

Mount, stabilizer



Notes

Inner diameter [mm] Piece
19
Front Axle Right
Front Axle Left

References

1J0 411 314 C 1J0 411 314 R

Mount, stabilizer
100 411 0033 | MSB0075
Application info

A3 (8L1) (09/96-05/03)

TT (8N3, 8N9) (10/98-06/06)

Mount, stabilizer
100 411 0033/S | MSB0076
Notes

Inner diameter [mm]

 Kit
 19
 Front Axle Right
 Front Axle Left

References

1J0 411 314 C

1J0 411 314 R

Parts list

 100 411 0033 | MSB0075
 100 411 0053 | MCX0147

 Mount, stabilizer
 Bracket, stabilizer bushing

Application info

A3 (8L1) (09/96-05/03)

TT (8N3, 8N9) (10/98-06/06)

Mount, stabilizer
114 615 0006 | MSB0400
Notes

 Inner diameter [mm]
 Required quantity

 20
 2
 Front Axle Left
 Front Axle Right

References

1J0 411 314 P


Application info

A3 (8L1) (09/96-05/03)

TT (8N3, 8N9) (10/98-06/06)

Mount, stabilizer
100 411 0040 | MSB0080
Notes

 Version
 Inner diameter [mm]

 new
 21
 Front Axle Right
 Front Axle Left

References

1J0 411 314 T



100 411 0040 | MSB0080

Mount, stabilizer

Application info

A3 [8L1] [09/96-05/03]

TT [8N3, 8N9] [10/98-06/06]

100 411 0040/S | MSB0081

Mount, stabilizer



Notes

Version

new

Inner diameter [mm]

Kit
21
Front Axle Right
Front Axle Left

References

1J0 411 314 T

Parts list

100 411 0040 | MSB0080

Mount, stabilizer

100 411 0053 | MCX0147

Bracket, stabilizer bushing

Application info

A3 [8L1] [09/96-05/03]

TT [8N3, 8N9] [10/98-06/06]

100 411 0050 | MSB0087

Mount, stabilizer



Notes

Inner diameter [mm]

16
Front Axle Right
Front Axle Left

References

6Q0 411 314 L

6Q0 411 314 P

Application info

A2 [8Z0] [02/00-06/05]

Mount, stabilizer
100 411 0050/S | MSB0088
Notes

Inner diameter [mm]

 Kit
 16
 Front Axle Right
 Front Axle Left

References

 6Q0 411 314 L
 6Q0 411 314 P

 6Q0 411 333 A
 6Q0 411 334 A

Parts list

100 411 0050 | MSB0087

Mount, stabilizer


Application info

A2 [8Z0] [02/00-08/05]

Mount, stabilizer
100 411 0052/S | MSB0092
Notes

Inner diameter [mm]

 Kit
 18
 Front Axle Right
 Front Axle Left

References

6Q0 411 314 R

Parts list

100 411 0052 | MSB0091

Mount, stabilizer


Application info

A1 [8X1, 8XA] [05/10--]

Mount, stabilizer
100 615 0004 | MSB0100
Notes

 Inner diameter [mm]
 Required quantity

 21
 2
 Front Axle Right
 Front Axle Left

References

8Z0 411 314 B


Application info

A2 [8Z0] [02/00-08/05]

100 411 0013 | MSB0064

Mount, stabilizer



Notes

Inner diameter [mm]

21
inner
Front Axle Right
Front Axle Left

References

443 411 327

Application info

100/200 [44, 44Q, C3] [08/82-12/91]

100 411 0004 | MSB0061

Mount, stabilizer



Notes

Inner diameter [mm]

25
inner
Front Axle Right
Front Axle Left

References

4A0 411 327 A

Application info

100 [4A, C4] [12/90-07/94]

A6 [4A, C4] [06/94-12/97]

100 411 0021 | MSB0071

Mount, stabilizer



Notes

Inner diameter [mm]

25
inner
Front Axle Right
Front Axle Left

References

400 411 327 E

400 411 327 G

Application info

A4 [802, 805, B5] [11/94-09/01]

A8 [402, 408] [03/94-09/02]

Mount, stabilizer
100 411 0026 | MSB0072
Notes

 Inner diameter [mm] 27
 inner
 Front Axle Right
 Front Axle Left

References

400 411 327 F 400 411 327 H


Application info

 A4 [802, 805, B5] [11/94-09/01]
 A6 [4B, C5] [01/97-01/05]

 A8 [402, 408] [03/94-09/02]
 Allroad [4BH] [05/00-08/05]

Mount, stabilizer
100 411 0046 | MSB0083
Notes

 Inner diameter [mm] 29
 Front Axle Right
 Front Axle Left

References

400 411 327 J


Application info

 A4 [8E2, 8E5, B6] [10/00-12/04]
 A4 [8EC, 8ED] [11/04-08/08]

 A4 [8H7] [04/02-03/09]
 A6 [4F2, 4FH, 4F5] [05/04-08/11]

Mount, stabilizer
100 411 0011 | MSB0062
Notes

 Inner diameter [mm] 20
 Required quantity 2
 inner
 Front Axle Right
 Front Axle Left

References

811 411 327 A


Application info

80/90 [81, 85, B2] [08/78-10/88]

80/90 [89, 89Q, 8A, B3] [06/86-12/96]

100 615 0010 | MSB0105

Mount, stabilizer



Notes

Stabiliser Diameter [mm]	26
Inner diameter [mm]	25
	Front Axle Right
	Front Axle Left

References

811 411 327 B

Application info

80 [8C, 8G7, B4] [05/91-08/00]

80/90 [89, 89Q, 8A, B3] [06/86-12/96]

100 411 0015 | MSB0066

Mount, stabilizer



Notes

Inner diameter [mm]	22
Required quantity	2
	Front Axle Right
	Front Axle Left

References

893 411 327 C

Application info

80/90 [89, 89Q, 8A, B3] [06/86-12/96]

100 411 0018 | MSB0069

Mount, stabilizer



Notes

Stabiliser Diameter [mm]	25
Inner diameter [mm]	24
	Front Axle Right
	Front Axle Left

References

893 411 327 E

Application info

80 [8C, 8G7, B4] [05/91-08/00]

80/90 [89, 89Q, 8A, B3] [06/86-12/96]

Mount, stabilizer

100 615 0019 | MSB0107

Notes

Inner diameter [mm] 23
Front Axle Right
Front Axle Left

References

8K0 411 327 A



Application info

A4 [8K2, 8K5, 8KH] [11/07--]
A5 [8F, 8T] [06/07--]

A6 [4G2, 4G5, C7] [11/10-05/13]
A7 Sportback [4GA] [10/10--]

Mount, stabilizer

114 615 0005 | MSB0399

Notes

Inner diameter [mm] 26
Required quantity 2
Front Axle Left
Front Axle Right

References

8K0 411 327 B



Application info

A4 [8W2, 8W5 B9] [05/15--]
A5 [8F, 8T] [06/07--]
A6 [4G2, 4G5, C7] [11/10-05/13]

A7 Sportback [4GA] [10/10--]
A8 [4H_] [11/09--]

Mount, stabilizer

114 615 0004 | MSB0398

Notes

Inner diameter [mm] 28
Required quantity 2
Front Axle Left
Front Axle Right

References

8K0 411 327 C



Application info

A8 [4H_] [11/09--]

Q5 [8R] [11/08--]

100 411 0051/S | MSB0090

Mount, stabilizer



Notes

Inner diameter [mm]

Kit
17
Front Axle Right
Front Axle Left

References

6Q0 411 333 A

Parts list

100 411 0051 | MSB0089

Mount, stabilizer

Application info

A1 [8X1, 8XA] [05/10--]

A2 [8Z0] [02/00-08/05]

100 511 0011 | MSB0093

Mount, stabilizer



Notes

Inner diameter [mm]

19
Rear Axle Right
Rear Axle Left

References

1K0 511 327 AP

Application info

A3 [8P1, 8PA] [05/03-08/12]

100 511 0013 | MSB0095

Mount, stabilizer



Notes

Inner diameter [mm]

21
Rear Axle Right
Rear Axle Left

References

1K0 511 327 AR

Application info

A3 [8P1, 8PA] [05/03-08/12]

Mount, stabilizer
100 511 0015 | MSB0097
Notes

 Inner diameter [mm] 18
 Rear Axle Right
 Rear Axle Left

References

4B0 511 327


Application info

A4 [8E2, 8E5, B6] [10/00-12/04]

A4 [8H7] [04/02-03/09]

Mount, stabilizer
100 715 0001 | MSB0108
Notes

 Stabiliser Diameter [mm] 18
 Inner diameter [mm] 17
 Rear Axle Right
 Rear Axle Left

References

8E0 511 327 A


Application info

A4 [8E2, 8E5, B6] [10/00-12/04]

A4 [8H7] [04/02-03/09]

Mount, stabilizer
100 615 0000 | MSB0349
Notes

 Inner diameter [mm] 22
 Rear Axle Right
 Rear Axle Left

References

8E0 511 327 D


Application info

A4 [8E2, 8E5, B6] [10/00-12/04]

A4 [8EC, 8ED] [11/04-06/08]

100 511 0017 | MSB0098

Mount, stabilizer



Notes

Inner diameter [mm] 22
Rear Axle

References

1J0 511 423

Application info

A3 (8L1) (09/96-05/03)

TT (8N3, 8N9) (10/98-06/06)

116 060 7179 | MSL0146

Stabilizer link



Notes

Thread Measurement 2 M10x1,5
Thread Measurement 1 M10x1,5
Length [mm] 269
Coupling Rod
Front Axle Right
Front Axle Left

References

893 407 465 8A0 407 465 B
893 407 465 A 8A0 407 465 C
8A0 407 465

Application info

80 (8C, 8G7, B4) (05/91-08/00)

80/90 (89, 89Q, 8A, B3) (06/86-12/96)

116 060 0013 | MSL0120

Stabilizer link



Notes

Thread Measurement 2 M8x1,25
Thread Measurement 1 M8x1,25
Length [mm] 148
with accessories
Coupling Rod
Front Axle Right
Front Axle Left

References

855 407 469

Application info

80/90 (81, 85, B2) (08/78-10/88)

80/90 (89, 89Q, 8A, B3) (06/86-12/96)



Stabilizer link

116 060 0011/HD | MSL0118HD

Notes

Thread Measurement 2
Thread Measurement 1
Length [mm]

Reinforced Version

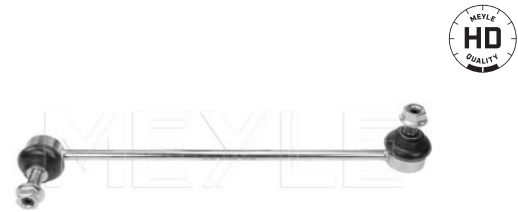
with spanner attachment
Coupling Rod
M12X1,5
M12X1,5
336
Front Axle Left

References

1J0 411 315 D

Counterpart

116 060 0012/HD | MSL0119HD



Application info

A3 (8L1) [09/96-05/03]

TT (8N3, 8N9) [10/98-06/06]

Stabilizer link

116 060 0051 | MSL0756

Notes

Thread Measurement 2
Thread Measurement 1
Length [mm]

References

1J0 411 315 D

Counterpart

116 060 0050 | MSL0755

with spanner attachment
Coupling Rod
M12X1,5
M12X1,5
336
Front Axle Left



Application info

A3 (8L1) [09/96-05/03]

TT (8N3, 8N9) [10/98-06/06]

Stabilizer link

100 411 0007 | MSL0074

Notes

Stabiliser Diameter [mm]

Inner diameter [mm]
Thread Measurement 1
Length [mm]

References

1J0 411 315 C

1J0 411 315 J

23
Coupling Rod
10
M10x1,5
105
Front Axle Right
Front Axle Left



Application info

A3 (8L1) [09/96-05/03]

116 060 0046 | MSL0752

Stabilizer link



Notes

Thread Measurement 2
Thread Measurement 1
Length [mm]

with spanner attachment
Coupling Rod
M12X1,5
M12X1,5
335
Front Axle Right
Front Axle Left

References

1K0 411 315 D
1K0 411 315 J
1K0 411 315 K

1K0 411 315 P
1K0 411 315 R
5Q0 411 315 B

Application info

A3 [8P1, 8PA] [05/03-08/12]
A3 [8V1, 8VS, 8V7, 8PA] [04/12--]
Q3 [8U] [06/11--]

TT [8J3, 8J9] [08/06-06/10]
TT [8S] [09/14--]

116 060 0063/HD | MSL0922HD

Stabilizer link



Notes

Thread Measurement 2
Thread Measurement 1
Length [mm]

with spanner attachment
Coupling Rod
M12X1,5
M12X1,5
335
Front Axle Right
Front Axle Left

Reinforced Version

References

1K0 411 315 D
1K0 411 315 J
1K0 411 315 K

1K0 411 315 P
1K0 411 315 R
5Q0 411 315 B

Application info

A3 [8P1, 8PA] [05/03-08/12]
A3 [8V1, 8VS, 8V7, 8PA] [04/12--]
Q3 [8U] [06/11--]

TT [8J3, 8J9] [08/06-06/10]
TT [8S] [09/14--]

Stabilizer link

116 060 0000/HD | MSL0107HD

Notes

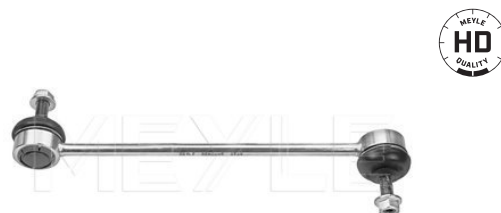
Thread Measurement 2
Thread Measurement 1
Length [mm]

with spanner attachment
Coupling Rod
M10x1,5
M10x1,5
270
Front Axle Right
Front Axle Left

Reinforced Version

References

6Q0 411 315 A	6Q0 411 315 L
6Q0 411 315 B	6Q0 411 315 M
6Q0 411 315 C	6Q0 411 315 N
6Q0 411 315 D	6Q0 411 315 P
6Q0 411 315 E	6Q0 411 315 Q
6Q0 411 315 F	6R0 411 315
6Q0 411 315 G	6R0 411 315 A
6Q0 411 315 J	



Application info

A1 [8X1, 8XA] [05/10--]

A2 [8Z0] [02/00-08/05]

Stabilizer link

116 060 0045 | MSL0751

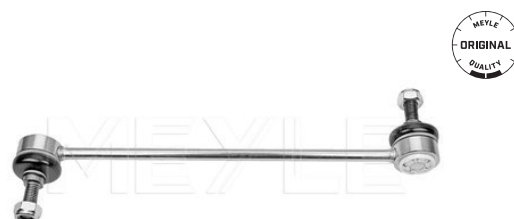
Notes

Thread Measurement 2
Thread Measurement 1
Length [mm]

with spanner attachment
Coupling Rod
M10x1,5
M10x1,5
270
Front Axle Right
Front Axle Left

References

6Q0 411 315 A	6Q0 411 315 L
6Q0 411 315 B	6Q0 411 315 M
6Q0 411 315 C	6Q0 411 315 N
6Q0 411 315 D	6Q0 411 315 P
6Q0 411 315 E	6Q0 411 315 Q
6Q0 411 315 F	6R0 411 315
6Q0 411 315 G	6R0 411 315 A
6Q0 411 315 J	



Application info

A1 [8X1, 8XA] [05/10--]

A2 [8Z0] [02/00-08/05]

116 060 0012/HD | MSL0119HD

Stabilizer link



Notes

Thread Measurement 2
Thread Measurement 1
Length [mm]

Reinforced Version

with spanner attachment
Coupling Rod
M12X1,5
M12X1,5
336
Front Axle Right

References

1J0 411 316 0

Counterpart

116 060 0011/HD | MSL0118HD

Application info

A3 [8L1] [09/96-05/03]

TT [8N3, 8N9] [10/98-06/06]

116 060 0050 | MSL0755

Stabilizer link



Notes

Thread Measurement 2
Thread Measurement 1
Length [mm]

with spanner attachment
Coupling Rod
M12X1,5
M12X1,5
336
Front Axle Right

References

1J0 411 316 0

Counterpart

116 060 0051 | MSL0756

Application info

A3 [8L1] [09/96-05/03]

TT [8N3, 8N9] [10/98-06/06]

116 060 0006 | MSL0113

Stabilizer link



Notes

Length [mm]

with accessories
Coupling Rod
Aluminium
90
Front Axle Right
Front Axle Left

References

400 411 317 G
400 411 317 J

400 411 317 K

Application info

A8 [402, 408] [03/94-09/02]

Allroad [4BH] [05/00-08/05]



Stabilizer link

116 060 0018 | MSL0124

Notes

Inner diameter [mm]
Length [mm]

Coupling Rod
Aluminium
12
110
Front Axle Right
Front Axle Left

References

4E0 411 317 D



Application info

A8 [4E] [10/02-07/10]

Stabilizer link

116 060 0028 | MSL0134

Notes

Length [mm]

with accessories
Coupling Rod
Aluminium
110
Front Axle Right
Front Axle Left

References

4E0 411 317 C
4E0 411 317 E

4E0 411 317 F



Application info

A6 [4F2, 4FH, 4F5] [05/04-08/11]

A8 [4E] [10/02-07/10]

Stabilizer link

116 060 0034 | MSL0140

Notes

Length [mm]

with add-on material
Coupling Rod
Aluminium
170
Front Axle Right
Front Axle Left

References

4H0 411 317 A

4H0 411 317 C



Application info

A4 [8K2, 8K5, 8KH] [11/07--]

A5 [8F, 8T] [06/07--]

A6 [4G2, 4G5, C7] [11/10-05/13]

A7 Sportback [4GA] [10/10--]

A8 [4H_] [11/09--]

116 060 0041/S | MSL0910

Stabilizer link



Notes

with accessories
Coupling Rod
Aluminium
Front Axle Right
Front Axle Left

References

4G0 411 317
4G0 411 317 A
4H0 411 317 A
4H0 411 317 C

4M0 411 317
8K0 411 317 C
8K0 411 317 D
8K0 411 317 E

Application info

A4 [8K2, 8K5, 8KH] [11/07--]
A4 [8W2, 8W5 B9] [05/15--]
A5 [8F, 8T] [06/07--]
A5 [F5] [06/16--]
A6 [4G2, 4G5, C7] [11/10-05/13]

A7 Sportback [4GA] [10/10--]
A8 [4H_] [11/09--]
Q5 [8R] [11/08--]
Q5 [FY] [01/17--]
Q7 [4M] [06/15--]

116 060 0029 | MSL0135

Stabilizer link



Notes

Coupling Rod
Aluminium
197
Front Axle Right
Front Axle Left

Length [mm]

References

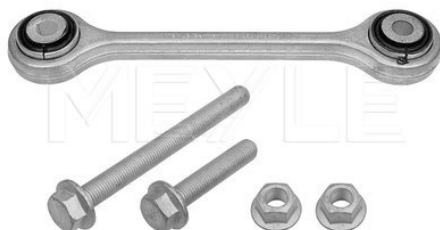
7L0 411 317

Application info

Q7 [4L] [03/06-05/12]

116 060 0029/S | MSL0704

Stabilizer link



Notes

with accessories
Coupling Rod
Aluminium
197
Front Axle Left
Front Axle Right

Length [mm]

References

7L0 411 317

Stabilizer link

116 060 0029/S | MSL0704

Application info

Q7 [4L] [03/06-05/12]

Stabilizer link

116 060 0007 | MSL0114

Notes

Length [mm]

with accessories
Coupling Rod
Aluminium
90
Front Axle Left

References

400 411 317 J

800 411 317 D

Counterpart

116 060 0008 | MSL0115



Application info

A4 [802, 805, B5] [11/94-09/01]

A6 [4B, C5] [01/97-01/05]

Stabilizer link

116 060 0016 | MSL0122

Notes

Length [mm]

White
with accessories
Coupling Rod
Aluminium
90
Front Axle Left

References

8E0 411 317

Counterpart

116 060 0017 | MSL0123



Application info

A4 [8E2, 8E5, B6] [10/00-12/04]

A4 [8EC, 8ED] [11/04-06/08]

A4 [8H7] [04/02-03/09]

116 060 0049 | MSL0897

Stabilizer link



Notes

with add-on material
Coupling Rod
Plastic
Front Axle Left
Front Axle Right

References

8K0 411 317 C
8K0 411 317 D

8K0 411 317 E

Application info

A4 [8K2, 8K5, 8KH] [11/07--]
A4 [8W2, 8W5 B9] [05/15--]
A5 [8F, 8T] [06/07--]
A5 [F5] [06/16--]
A6 [4G2, 4G5, C7] [11/10-05/13]

A7 Sportback [4GA] [10/10--]
A8 [4H_] [11/09--]
Q5 [8R] [11/08--]
Q7 [4M] [06/15--]

116 060 0008 | MSL0115

Stabilizer link



Notes

with accessories
Coupling Rod
Aluminium
90
Front Axle Right

Length [mm]

References

8D0 411 318 D

Counterpart

116 060 0007 | MSL0114

Application info

A4 [8D2, 8D5, B5] [11/94-09/01]

A6 [4B, C5] [01/97-01/05]

116 060 0017 | MSL0123

Stabilizer link



Notes

with accessories
Coupling Rod
Aluminium
90
Front Axle Right

Length [mm]

References

8E0 411 318

Counterpart

116 060 0016 | MSL0122

Stabilizer link
116 060 0017 | MSL0123
Application info

 A4 (8E2, 8E5, 8E6) [10/00-12/04]
 A4 (8EC, 8ED) [11/04-06/08]

A4 (8H7) [04/02-03/09]

Stabilizer link
116 060 0023 | MSL0128
Notes

 Inner diameter [mm]
 Thread Measurement 1
 Length [mm]

 Coupling Rod
 10
 M10x1,5
 95
 Rear Axle Right
 Rear Axle Left

References

 1K0 505 465 AA
 1K0 505 465 K

1K0 505 465 R


Application info

 A1 (8X1, 8XA) [05/10--]
 A3 (8P1, 8PA) [05/03-08/12]

 Q3 (8U) [06/11--]
 TT (8J3, 8J9) [08/06-06/10]

Stabilizer link
116 060 0023/S | MSL0129
Notes

 Inner diameter [mm]
 Thread Measurement 2
 Thread Measurement 1
 Length [mm]

 Kit
 with accessories
 Coupling Rod
 10
 M10x1,5
 M10x1,5
 95
 Rear Axle Right
 Rear Axle Left

References

 1K0 505 465 AA
 1K0 505 465 K

1K0 505 465 R

Parts list

116 060 0023 | MSL0128

Stabilizer link


Application info

 A1 (8X1, 8XA) [05/10--]
 A3 (8P1, 8PA) [05/03-08/12]

 Q3 (8U) [06/11--]
 TT (8J3, 8J9) [08/06-06/10]

116 060 8240/HD | MSL0147HD

Stabilizer link



Notes

Thread Measurement 2
Thread Measurement 1
Length [mm]

Coupling Rod
M10x1,5
M10x1,5
120
Rear Axle Right
Rear Axle Left

Reinforced Version

References

400 505 465 D

Application info

A8 [402, 408] [03/94-09/02]

116 060 0037 | MSL0143

Stabilizer link



Notes

Inner diameter [mm]
Thread Measurement 1
Length [mm]

with accessories
Coupling Rod
10
M10x1,5
99
Rear Axle Right
Rear Axle Left

References

4F0 505 465 P

Application info

A6 [4F2, 4FH, 4F5] [05/04-08/11]

116 060 0026 | MSL0132

Stabilizer link



Notes

Length [mm]

with accessories
Coupling Rod
Plastic
98
Rear Axle Right
Rear Axle Left

References

4F0 505 465 N

4F0 505 465 Q

Application info

A6 [4F2, 4FH, 4F5] [05/04-08/11]



Stabilizer link

116 060 0039 | MSL0708

Notes

Inner diameter [mm]
Thread Measurement 1
Length [mm]

with accessories
Coupling Rod
8
M10x1,5
70
Rear Axle Right
Rear Axle Left

References

5Q0 505 465 C



Application info

A1 [8X1, 8XA] [05/10--]
A3 [8V1, 8VS, 8V7, 8PA] [04/12--]

TT [8S] [09/14--]

Stabilizer link

116 060 0021/HD | MSL0126HD

Notes

Inner diameter 1 [mm]
Thread Measurement 1
Length [mm]

with spanner attachment
with accessories
Coupling Rod
12
M12x1,5
200
Rear Axle Left

Reinforced Version

References

7L0 505 465 C
7L0 505 465 D

7L8 505 465 B

Counterpart

116 060 0022/HD | MSL0127HD



Application info

Q7 [4L] [03/06-05/12]

Q7 [4M] [06/15--]

Stabilizer link

116 060 8295/HD | MSL0148HD

Notes

Inner diameter [mm]
Thread Measurement 1
Length [mm]

with spanner attachment
Coupling Rod
10
M10x1,5
227
Rear Axle Left

Reinforced Version

References

8A0 505 465 C

8D0 505 465

Counterpart

116 060 8296/HD | MSL0149HD



116 060 8295/HD | MSL0148HD

Stabilizer link

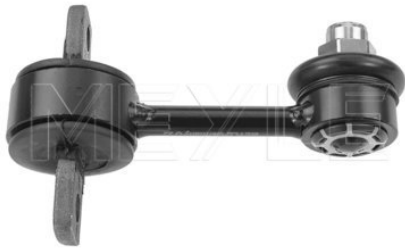
Application info

80 [8C, 8G7, B4] [05/91-08/00]

A4 [8D2, 8D5, B5] [11/94-09/01]

116 060 0027 | MSL0133

Stabilizer link



Notes

Thread Measurement 1
Length [mm]

Coupling Rod
M10x1,5
80
Rear Axle Right
Rear Axle Left

References

8E0 505 465 AC
8E0 505 465 AF

8E0 505 465 K
8E0 505 465 T

Application info

A4 [8E2, 8E5, B6] [10/00-12/04]
A4 [8EC, 8ED] [11/04-06/08]

A4 [8H7] [04/02-03/09]

116 060 0035 | MSL0141

Stabilizer link



Notes

Inner diameter 2 [mm]
Inner diameter 1 [mm]
Length [mm]

Coupling Rod
Plastic
10
10
63
Rear Axle Right
Rear Axle Left

References

8E0 505 465 C

8E0 505 465 D

Application info

A6 [4B, C5] [01/97-01/05]

Allroad [4BH] [05/00-08/05]

116 060 0036 | MSL0142

Stabilizer link



Notes

Inner diameter 2 [mm]
Inner diameter 1 [mm]
Length [mm]

Coupling Rod
Plastic
10
10
59
Rear Axle Right
Rear Axle Left

References

8K0 505 465 E

8K0 505 465 G



Stabilizer link

116 060 0036 | MSL0142

Application info

A4 [8K2, 8K5, 8KH] [11/07--]
A5 [8F, 8T] [06/07--]
A6 [4G2, 4G5, C7] [11/10-05/13]

A7 Sportback [4GA] [10/10--]
A8 [4H_] [11/09--]
Q5 [8R] [11/08--]

Stabilizer link

116 060 0015/HD | MSL0121HD

Notes

with spanner attachment
Coupling Rod
14
M10x1,5
175
Rear Axle Right
Rear Axle Left

Reinforced Version

References

1J0 505 466 B



Application info

A3 [8L1] [09/96-05/03]

TT [8N3, 8N9] [10/98-06/06]

Stabilizer link

116 060 0002/HD | MSL0109HD

Notes

with spanner attachment
Coupling Rod
for vehicles with off-road
suspension
M10x1,5
195
Rear Axle Right
Rear Axle Left

Reinforced Version

References

1J0 505 466 C



Application info

A3 [8L1] [09/96-05/03]

TT [8N3, 8N9] [10/98-06/06]

116 060 0022/HD | MSL0127HD

Stabilizer link



Notes

Thread Measurement 1
Length [mm]

Reinforced Version

References

7L0 505 466 C
7L0 505 466 D

with spanner attachment
with accessories
Suspension Rod
M12X1,5
250
Rear Axle Right

7L8 505 466 B

Counterpart

116 060 0021/HD | MSL0126HD

Application info

Q7 [4L] [03/06-05/12]

Q7 [4M] [06/15--]

116 060 8296/HD | MSL0149HD

Stabilizer link



Notes

Inner diameter [mm]
Thread Measurement 1
Length [mm]

Reinforced Version

References

8A0 505 466 C

Counterpart

116 060 8295/HD | MSL0148HD

with spanner attachment
Coupling Rod
10
M10x1,5
227
Rear Axle Right

800 505 466

Application info

80 [8C, 8G7, B4] [05/91-08/00]

A4 [802, 805, B5] [11/94-09/01]

116 031 0025 | MSL0105

Stabilizer link



Notes

Coupling Rod
Rear Axle Left

References

4E0 505 547 A

Counterpart

116 031 0026 | MSL0106

4E0 505 547 L

Stabilizer link

116 031 0025 | MSL0105

Application info

A8 [4E] (10/02-07/10)

Stabilizer link

116 031 0026 | MSL0106

Notes

Coupling Rod
Rear Axle Right

References

4E0 505 548 A

4E0 505 548 L

Counterpart

116 031 0025 | MSL0105



Application info

A8 [4E] (10/02-07/10)

Sway bar

100 653 0009/HD | MCX0365HD

Notes

Stabiliser Diameter [mm]

21.7
with clamps
with rubber mounting
Front Axle

References

1K0 411 303 BH



Application info

A3 [8P1, 8PA] (05/03-08/12)

Sway bar

100 653 0005/HD | MCX0363HD

Notes

Stabiliser Diameter [mm]

22.5
with clamps
with rubber mounting
Front Axle

Reinforced Version

References

1K0 411 303 BJ



100 653 0005/HD | MCX0363HD

Sway bar

Application info

A3 [8P1, 8PA] [05/03-08/12]



Notes

Stabiliser Diameter [mm]

23.6
with clamps
with rubber mounting
Front Axle

Reinforced Version

References

1K0 411 303 BK

Application info

A3 [8P1, 8PA] [05/03-08/12]

100 653 0003/HD | MCX0176HD

Sway bar



Notes

Stabiliser Diameter [mm]

19
Kit
Front Axle

Reinforced Version

References

6Q0 411 305 AM

Parts list

100 411 0051/S | MSB0090

Mount, stabilizer

116 060 0000/HD | MSL0107HD

Stabilizer link

Application info

A1 [8X1, 8XA] [05/10--]

100 653 0004/HD | MCX0177HD

Sway bar



Notes

Stabiliser Diameter [mm]

20
Kit
Front Axle

Reinforced Version

References

6Q0 411 305 AC

6Q0 411 305 AN

Parts list

100 411 0052/S | MSB0092

Mount, stabilizer

116 060 0000/HD | MSL0107HD

Stabilizer link

Sway bar

100 653 0004/HD | MCX0177HD

Application info

A1 (8X1, 8XA) (05/10--)

Sway bar

100 653 0021 | MCX0371

Notes

Stabiliser Diameter [mm] 18.5
with clamps
with rubber mounting
Rear Axle



References

1K0 511 305 BD 1K0 511 409 BD
1K0 511 305 CN

Application info

A3 (8P1, 8PA) (05/03-08/12)

TT (8J3, 8J9) (08/06-06/10)

Sway bar

100 653 0025 | MCX0373

Notes

Stabiliser Diameter [mm] 20.7
with clamps
with rubber mounting
Rear Axle



References

1K0 511 305 BE 1K0 511 409 BE
1K0 511 305 CP

Application info

A3 (8P1, 8PA) (05/03-08/12)

Sway bar

100 653 0011 | MCX0366

Notes

Stabiliser Diameter [mm] 18.5
with clamps
with rubber mounting
Rear Axle



References

1K0 511 305 DB 1K0 511 409 BS
1K0 511 409 BN

100 653 0011 | MCX0366

Sway bar

Application info

A3 [8P1, 8PA] [05/03-08/12]

TT [8J3, 8J9] [08/06-06/10]

100 653 0013 | MCX0367

Sway bar



Notes

Stabiliser Diameter [mm]

19.6
with clamps
with rubber mounting
Rear Axle

References

1K0 511 305 DC

1K0 511 409 BP

Application info

A3 [8P1, 8PA] [05/03-08/12]

100 653 0017 | MCX0369

Sway bar



Notes

Stabiliser Diameter [mm]

21.7
with clamps
with rubber mounting
Rear Axle

References

1K0 511 305 DT

1K0 511 409 CB

Application info

Q3 [8U] [06/11--]

100 653 0031 | MCX0376

Sway bar



Notes

Stabiliser Diameter [mm]

21.7
with clamps
with rubber mounting
Rear Axle

References

3C0 511 305 D

3C0 511 409 D

Sway bar

100 653 0031 | MCX0376

Application info

Q3 (8U) (06/11--)

Sway bar

100 653 0015 | MCX0368

Notes

Stabiliser Diameter [mm] 20.7
with clamps
with rubber mounting
Rear Axle



References

1K0 511 305 BH 1K0 511 409 BQ
1K0 511 409 BB 1K0 511 409 CA



Application info

A3 (8P1, 8PA) (05/03-08/12)

Stub axle

100 501 0029 | MST0003

Notes

Number of Holes 4
Rear Axle



References

1J0 501 117 B



Application info

A3 (8L1) (09/96-05/03)

TT (8N3, 8N9) (10/98-06/06)

Stub axle

100 501 1010 | MST0007

Notes

Number of Holes 6
Rear Axle left and right



References

321 501 117 357 501 117 A
357 501 117 357 501 117 D



100 501 1010 | MST0007

Stub axle

Application info

80/90 [81, 85, B2] [08/78-10/88]

80/90 [89, 89Q, 8A, B3] [06/86-12/96]

100 501 0031 | MST0004

Stub axle



Notes

Number of Holes **6**
Rear Axle left and right

References

4A0 501 117 A **800 501 117 C**

Application info

100 [4A, C4] [12/90-07/94]
100/200 [44, 44Q, C3] [08/82-12/91]
80 [8C, 8G7, B4] [05/91-08/00]
80/90 [81, 85, B2] [08/78-10/88]

80/90 [89, 89Q, 8A, B3] [06/86-12/96]
A4 [802, 805, B5] [11/94-09/01]
A6 [4A, C4] [06/94-12/97]

100 710 0002 | MAB0068

Axle support bushing



Notes

with rubber mounting
Rear Axle Left

References

4B0 501 521 D **8E0 501 521 N**
4B0 501 521 E

Counterpart

100 710 0003 | MAB0069

Application info

A6 [4B, C5] [01/97-01/05]



Axle support bushing

100 710 0003 | MAB0069

Notes

with rubber mounting
Rear Axle Right

References

4B0 501 522 D
4B0 501 522 E

8E0 501 522 N

Counterpart

100 710 0002 | MAB0068



Application info

A6 [4B, C5] [01/97-01/05]

Axle support bushing

114 710 0001 | MAB0168

Notes

Inner diameter [mm]
Outer diameter [mm]
Height [mm]

Rubber Bush
Plastic
12
72
90
Rear Axle Right
Rear Axle Left

References

1J0 501 541 C
1J0 501 541 D
1J0 501 541 E

6R0 501 541 A
6R0 501 541 C



Application info

A1 [8X1, 8XA] [05/10--]
A3 [8L1] [09/96-05/03]

TT [8N3, 8N9] [10/98-06/06]

Axle support bushing

100 501 0007 | MAB0047

Notes

Inner diameter [mm]
Outer diameter [mm]
Height [mm]

12
57
90
Rear Axle Right
Rear Axle Left

References

8A0 501 541



Application info

80 [8C, 8G7, 84] [05/91-08/00]

8

100 501 0018 | MAB0050

Axle support bushing



Notes

Inner diameter [mm]	12
Outer diameter [mm]	56
Height [mm]	101
	Rear Axle Right
	Rear Axle Left

References

800 501 541 A

Application info

A4 (802, 805, B5) [11/94-09/01]

100 501 0019 | MAB0051

Axle support bushing



Notes

Inner diameter [mm]	12
Outer diameter [mm]	56
Height [mm]	101
	Rear Axle Right
	Rear Axle Left

References

800 501 541 D

Application info

A4 (802, 805, B5) [11/94-09/01]

100 710 0009 | MAB0071

Axle support bushing



Notes

Inner diameter [mm]	16
Outer diameter [mm]	52
Height [mm]	56
	Left and right
	Rear Axle

References

1J0 505 145 B

Application info

A3 (8L1) [09/96-05/03]

TT (8N3, 8N9) [10/98-06/06]

Axle support bushing
100 710 0032 | MAB0170
Notes

Inner diameter [mm]	Hydro Bearing
Outer diameter [mm]	19
Height [mm]	80
Required quantity	72
	2
	Rear Axle Right
	Rear Axle Left
	Rear

References

4F0 505 145 A


Application info

A6 [4F2, 4FH, 4F5] [05/04-08/11]

Axle support bushing
100 710 0033 | MAB0171
Notes

Inner diameter [mm]	20
Outer diameter [mm]	80
Height [mm]	75
Required quantity	2
	Front
	Rear Axle Right
	Rear Axle Left

References

4F0 505 145

4F0 505 145 B


Application info

A6 [4F2, 4FH, 4F5] [05/04-08/11]

Axle support bushing
114 710 0003 | MAB0178
Notes

Inner diameter [mm]	Hydro Bearing
Outer diameter [mm]	21.5
Height [mm]	80
	85
	Rear
	Rear Axle Right
	Rear Axle Left

References

4G0 505 145 C


Application info

 A4 [8K2, 8K5, 8KH] [11/07--]
 A5 [8F, 8T] [06/07--]

 A6 [4G2, 4G5, C7] [11/10-05/13]
 A7 Sportback [4GA] [10/10--]

100 710 0022 | MAB0185

Axle support bushing



Notes

Inner diameter [mm]	21
Outer diameter [mm]	83
Height [mm]	77
	Front
	Rear Axle Right
	Rear Axle Left

References

8K0 505 145 B

Application info

A4 [8K2, 8K5, 8KH] [11/07--]

A5 [8F, 8T] [06/07--]

100 710 0023 | MAB0190

Axle support bushing



Notes

Inner diameter [mm]	21
Outer diameter [mm]	83
Height [mm]	77
	Rear
	Rear Axle Right
	Rear Axle Left

References

8K0 505 145 C

Application info

A4 [8K2, 8K5, 8KH] [11/07--]

A5 [8F, 8T] [06/07--]

114 710 0004 | MAB0179

Axle support bushing



Notes

Inner diameter [mm]	Hydro Bearing
Outer diameter [mm]	20.5
Height [mm]	80
	85
	Rear
	Rear Axle Right
	Rear Axle Left

References

8R0 505 145 A

Application info

A4 [8K2, 8K5, 8KH] [11/07--]
A5 [8F, 8T] [06/07--]

Q5 [8R] [11/08--]



Axle support bushing

100 511 0002 | MAB0061

Notes

Inner diameter [mm]	12
Outer diameter [mm]	56
Height [mm]	43
	Rear Axle Right
	Rear Axle Left

References

431 511 247 C



Application info

100/200 [44, 44Q, C3] [08/82-12/91]

Axle support bushing

100 511 0003 | MAB0062

Notes

Inner diameter [mm]	14
Outer diameter [mm]	44
Height [mm]	23
	Front
	Rear Axle Right
	Rear Axle Left

References

443 511 247 D



Application info

100/200 [44, 44Q, C3] [08/82-12/91]

V8 [01] [10/88-02/94]

Axle support bushing

100 511 0005 | MAB0063

Notes

Inner diameter [mm]	14
Outer diameter [mm]	62
Height [mm]	57
	Rear Axle Right
	Rear Axle Left

References

4A0 511 247



Application info

100 [4A, C4] [12/90-07/94]

A6 [4A, C4] [06/94-12/97]

100 511 0009 | MAB0066

Axle support bushing



Notes

Inner diameter [mm] 14
Outer diameter [mm] 48
Height [mm] 25
Rear Axle Right
Rear Axle Left

References

4A0 511 247 B

Application info

100 [4A, C4] [12/90-07/94]

100/200 [44, 44Q, C3] [08/82-12/91]

A6 [4A, C4] [06/94-12/97]

V8 [01] [10/88-02/94]

100 511 0001 | MAB0060

Axle support bushing



Notes

Inner diameter [mm] 12
Outer diameter [mm] 41
Height [mm] 38
Rear Axle Right
Rear Axle Left

References

811 511 247

Application info

80 [8C, 8G7, B4] [05/91-08/00]

80/90 [81, 85, B2] [08/78-10/88]

80/90 [89, 89Q, 8A, B3] [06/86-12/96]

100 511 0007 | MAB0065

Axle support bushing



Notes

Inner diameter [mm] 12
Outer diameter [mm] 58
Height [mm] 36
Rear
Rear Axle Right
Rear Axle Left

References

400 511 523 A

400 511 523 C

Application info

100 [4A, C4] [12/90-07/94]

100/200 [44, 44Q, C3] [08/82-12/91]

80 [8C, 8G7, B4] [05/91-08/00]

A6 [4A, C4] [06/94-12/97]

A8 [4D2, 4D8] [03/94-09/02]

V8 [01] [10/88-02/94]

Axle support bushing

100 710 0036 | MAB0160

Notes

Inner diameter [mm]	Hydro Bearing
Outer diameter [mm]	12.4
Height [mm]	92.5
	92
	Rear
	Rear Axle

References

7L8 599 030 A	7L8 599 030 E
7L8 599 030 B	7L8 599 035
7L8 599 030 C	7L8 599 035 C
7L8 599 030 D	



Application info

Q7 [4L] [03/06-05/12]

Axle support bushing

100 710 0037 | MAB0161

Notes

Inner diameter [mm]	Hydro Bearing
Outer diameter [mm]	12.3
Height [mm]	92.4
	75
	Front
	Rear Axle

References

7L8 599 030 A	7L8 599 030 D
7L8 599 030 B	7L8 599 030 E
7L8 599 030 C	7L8 599 035 D



Application info

Q7 [4L] [03/06-05/12]

Mount, axle carrier

100 199 0032 | MFM0003

Notes

	Rubber-metal Bearing
	Front

References

8A0 199 415 B	8A0 199 415 C
---------------	---------------



Application info

80 [8C, 8G7, 84] [05/91-08/00]

80/90 [89, 89Q, 8A, 83] [06/86-12/96]

100 199 0023 | MFM0002

Mount, axle carrier



Notes

Required quantity

Rubber-metal Bearing
2

References

811 199 419 C

893 199 419

Application info

80 (8C, 8G7, B4) (05/91-08/00)
80/90 (81, 85, B2) (08/78-10/88)

80/90 (89, 89Q, 8A, B3) (06/86-12/96)

100 199 0055 | MFM0006

Mount, axle carrier



Notes

Rubber-metal Bearing

References

8A0 199 419

Application info

80 (8C, 8G7, B4) (05/91-08/00)

80/90 (89, 89Q, 8A, B3) (06/86-12/96)

100 199 0067 | MFM0007

Mount, axle carrier



Notes

Required quantity

Rubber-metal Bearing
2

References

8A0 199 419 A

Application info

80 (8C, 8G7, B4) (05/91-08/00)

80/90 (89, 89Q, 8A, B3) (06/86-12/96)

Mount, axle carrier

100 199 0063 | MCX0140

Notes

Inner diameter [mm] 18
Outer diameter [mm] 50
Height [mm] 31
Front Axle Right
Front Axle Left

References

1J0 199 429



Application info

A3 [8L1] [09/96-05/03]

TT [8N3, 8N9] [10/98-06/06]

Mount, axle carrier

100 399 0016 | MFM0008

Notes

Required quantity 2
Rubber-metal Bearing
Front

References

800 399 415 E



Application info

A4 [802, 805, B5] [11/94-09/01]
A4 [8E2, 8E5, B6] [10/00-12/04]

A4 [8EC, 8ED] [11/04-06/08]
A6 [4B, C5] [01/97-01/05]

Mount, axle carrier

100 399 0017 | MFM0009

Notes

Required quantity 2
Rubber-metal Bearing

References

800 399 419 C



Application info

A4 [802, 805, B5] [11/94-09/01]

A6 [4B, C5] [01/97-01/05]

100 505 0009/HD | MCX0156HD

Mount, axle carrier



Notes

Inner diameter [mm]	19
Outer diameter [mm]	80
Height [mm]	72
	Rear
	Rear Axle

Reinforced Version

References

8E0 505 145 AP

Application info

A4 [8E2, 8E5, B6] [10/00-12/04]

A4 [8EC, 8ED] [11/04-06/08]

100 505 0010/HD | MCX0157HD

Mount, axle carrier



Notes

Inner diameter [mm]	19
Outer diameter [mm]	77
Height [mm]	77
	Front
	Rear Axle

Reinforced Version

References

8E0 505 145 AR

Application info

A4 [8E2, 8E5, B6] [10/00-12/04]

A4 [8EC, 8ED] [11/04-06/08]

100 199 0022 | MFM0001

Mount, axle carrier



Notes

Required quantity	Rubber-metal Bearing
	2

References

811 199 415	893 199 415
811 199 415 A	823 407 415 B
811 199 415 B	

Application info

80/90 [81, 85, B2] [08/78-10/88]

80/90 [89, 89Q, 8A, B3] [06/86-12/96]



Repair kit, subframe

100 710 0000/S | MFK0023

Notes

with accessories
Rear Axle Right
Rear Axle Left

References

4B0 501 521 D 4B0 501 522 D
4B0 501 521 E 4B0 501 522 E
8E0 501 521 N 8E0 501 522 N

Parts list

100 710 0002 | MAB0068 Axle support bushing
100 710 0003 | MAB0069 Axle support bushing



Application info

A6 [4B, C5] [01/97-01/05]

Repair kit, subframe

114 710 0001/S | MFK0030

Notes

Outer diameter [mm]
Height [mm]

Kit
72
90
Rear Axle Right
Rear Axle Left

References

1J0 501 541 C 6R0 501 541 A
1J0 501 541 D 6R0 501 541 C
1J0 501 541 E

Parts list

114 710 0001 | MAB0168 Axle support bushing



Application info

A1 [8X1, 8XA] [05/10--]
A3 [8L1] [09/96-05/03]

TT [8N3, 8N9] [10/98-06/06]

Repair kit, subframe

100 505 1008/S | MFK0022

Notes

Kit
Rear Axle Right
Rear Axle Left

References

8E0 505 311 AC* 8E0 505 312 AC*
8E0 505 311 S* 8E0 505 312 S*
8E0 505 311 T* 8E0 505 312 T*

Parts list

100 505 0005 | MCM0010 Mount, control arm
100 505 0006 | MCB0086 Control arm bushing
100 505 0007 | MCB0087 Control arm bushing
100 505 0008 | MCB0088 Control arm bushing



8



100 505 1008/S | MFK0022

Repair kit, subframe

Application info

A4 [8E2, 8E5, 86] [10/00-12/04]
A4 [8H7] [04/02-03/09]

A6 [4F2, 4FH, 4F5] [05/04-08/11]

100 199 1020 | MEM0744

Subframe mount



Notes

Required quantity

Kit
Rubber-metal Bearing
1
Upper
Rear
Lower

References

5Q0 198 037 A

Application info

A3 [8V1, 8VS, 8V7, 8PA] [04/12--]

100 199 0033 | MFM0004

Subframe mount



Notes

Rubber-metal Bearing
Front

References

893 199 415 A

Application info

80 [8C, 8G7, 84] [05/91-08/00]
80/90 [81, 85, 82] [08/78-10/88]

80/90 [89, 89Q, 8A, 83] [06/86-12/96]

100 199 0032 | MFM0003

Subframe mount



Notes

Rubber-metal Bearing
Front

References

8A0 199 415 B

8A0 199 415 C



Subframe mount

100 199 0032 | MFM0003

Application info

80 [8C, 8G7, B4] [05/91-08/00]

80/90 [89, 89Q, 8A, B3] [06/86-12/96]

Subframe mount

100 199 0023 | MFM0002

Notes

Required quantity Rubber-metal Bearing
2

References

811 199 419 C 893 199 419



Application info

80 [8C, 8G7, B4] [05/91-08/00]
80/90 [81, 85, B2] [08/78-10/88]

80/90 [89, 89Q, 8A, B3] [06/86-12/96]

Subframe mount

100 199 0055 | MFM0006

Notes

Rubber-metal Bearing

References

8A0 199 419



Application info

80 [8C, 8G7, B4] [05/91-08/00]

80/90 [89, 89Q, 8A, B3] [06/86-12/96]

Subframe mount

100 199 0067 | MFM0007

Notes

Required quantity Rubber-metal Bearing
2

References

8A0 199 419 A



100 199 0067 | MFM0007

Subframe mount

Application info

80 [8C, 8G7, B4] [05/91-08/00]

80/90 [89, 89Q, 8A, B3] [06/86-12/96]

100 199 0161 | MEM0230

Subframe mount



Notes

Rubber-metal Bearing
Lower
Rear

References

1K0 199 867
1K0 199 867 A
1K0 199 867 B

1K0 199 867 C
1K0 199 867 P
1K0 199 867 Q

Counterpart

100 199 0162 | MEM0231
100 199 0162 | MEM0231

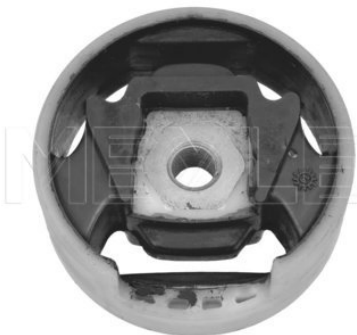
Application info

A3 [8P1, 8PA] [05/03-08/12]

TT [8J3, 8J9] [08/06-06/10]

100 199 0162 | MEM0231

Subframe mount



Notes

Rubber-metal Bearing
Upper
Rear

References

1K0 199 868
1K0 199 868 A
1K0 199 868 C

1K0 199 868 P
1K0 199 868 Q

Counterpart

100 199 0161 | MEM0230
100 199 0161 | MEM0230

Application info

A3 [8P1, 8PA] [05/03-08/12]

TT [8J3, 8J9] [08/06-06/10]

Subframe mount

100 399 0035 | MEM0245

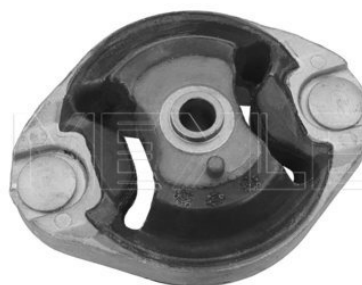
Notes

Rubber-metal Bearing
Manual Transmission, 6-
speed

References

8E0 399 105 CF
8E0 399 105 EF

8E0 399 105 HS



Application info

A4 [8E2, 8E5, B6] [10/00-12/04]
A4 [8EC, 8ED] [11/04-06/08]

A4 [8H7] [04/02-03/09]

Subframe mount

100 399 0034 | MFM0011

Notes

Hydro Bearing
Rear

References

4F0 399 151 AM



Application info

A6 [4F2, 4FH, 4F5] [05/04-08/11]

Subframe mount

100 399 0033 | MFM0010

Notes

Hydro Bearing
Rear

References

4F0 399 151 AN



Application info

A6 [4F2, 4FH, 4F5] [05/04-08/11]

100 399 0002 | MUM0001

Subframe mount



Notes

Rubber-metal Bearing

References

431 399 415 B

443 399 415 A

Application info

100/200 [44, 44Q, C3] [08/82-12/91]

V8 [D1] [10/88-02/94]

100 399 0012 | MUM0005

Subframe mount



Notes

Rubber-metal Bearing

References

4A0 399 415

4A0 399 415 B

Application info

100 [4A, C4] [12/90-07/94]

A6 [4A, C4] [06/94-12/97]

100 399 0036 | MFM0012

Subframe mount



Notes

Required quantity

Rubber-metal Bearing
2
Front

References

4F0 399 415 C

Application info

A6 [4F2, 4FH, 4F5] [05/04-08/11]

Subframe mount

100 399 0028 | MUM0007

Notes

Rubber-metal Bearing

References

800 399 415 D



Application info

A4 [802, 805, B5] [11/94-09/01]
A4 [8E2, 8E5, B6] [10/00-12/04]

A4 [8EC, 8ED] [11/04-06/08]
A6 [4B, C5] [01/97-01/05]

Subframe mount

100 399 0016 | MFM0008

Notes

Required quantity

Rubber-metal Bearing
2
Front

References

800 399 415 E



Application info

A4 [802, 805, B5] [11/94-09/01]
A4 [8E2, 8E5, B6] [10/00-12/04]

A4 [8EC, 8ED] [11/04-06/08]
A6 [4B, C5] [01/97-01/05]

Subframe mount

100 399 0007 | MUM0002

Notes

Rubber-metal Bearing

References

431 399 419 A

443 399 419 A



Application info

100/200 [44, 44Q, C3] [08/82-12/91]

100 399 0011 | MUM0004

Subframe mount



Notes

Rubber-metal Bearing

References

4A0 399 419 D

4A0 399 419 E

Application info

100 [4A, C4] [12/90-07/94]

A6 [4A, C4] [06/94-12/97]

100 399 0017 | MFM0009

Subframe mount



Notes

Required quantity

Rubber-metal Bearing
2

References

800 399 419 C

Application info

A4 [802, 805, B5] [11/94-09/01]

A6 [4B, C5] [01/97-01/05]

100 399 0010 | MUM0003

Subframe mount



Notes

Rubber-metal Bearing

References

4A0 399 420 D

4A0 399 420 E

Application info

100 [4A, C4] [12/90-07/94]

A6 [4A, C4] [06/94-12/97]



Subframe mount

100 710 0007 | MFM0014

Notes

Rubber-metal Bearing
Rear
Rear Axle

References

8E0 505 145 M



Application info

A6 [4B, C5] [01/97-01/05]

Subframe mount

100 199 0022 | MFM0001

Notes

Required quantity

Rubber-metal Bearing
2

References

811 199 415
811 199 415 A
811 199 415 B

893 199 415
823 407 415 B



Application info

80/90 [81, 85, B2] [06/78-10/88]

80/90 [89, 89Q, 8A, B3] [06/86-12/96]

Coil spring

100 639 0022 | MCS0128

Notes

Required quantity

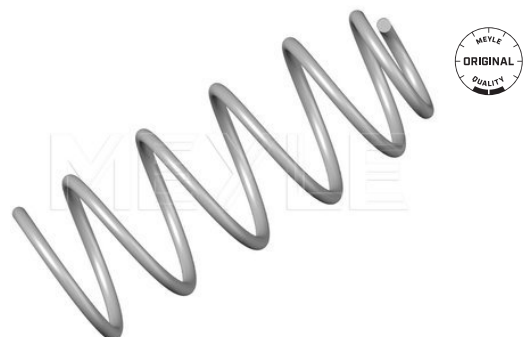
2
Front Axle

Replace in pairs only

References

1J0 411 105 AS

1J0 411 105 L



Application info

A3 [8L1] [09/96-05/03]

100 639 0043 | MCS0149

Coil spring



Notes

Required quantity 2
Front Axle
Replace in pairs only

References

1J0 411 105 BT

Application info

TT [8N3, 8N9] [10/98-06/06]

100 639 0044 | MCS0150

Coil spring



Notes

Required quantity 2
Front Axle
Replace in pairs only

References

1J0 411 105 CA

Application info

A3 [8L1] [09/96-05/03]

TT [8N3, 8N9] [10/98-06/06]

100 639 0003 | MCS0109

Coil spring



Notes

Required quantity 2
Front Axle
Replace in pairs only

References

1J0 411 105 K

Application info

A3 [8L1] [09/96-05/03]



Coil spring

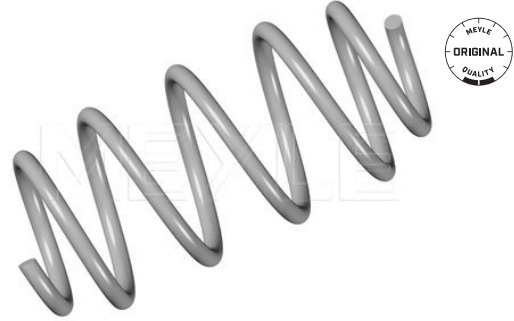
100 639 0040 | MCS0146

Notes

Required quantity 2
Front Axle
Replace in pairs only

References

1K0 411 105 DC 1K0 411 105 DC



Application info

A3 [8P1, 8PA] [05/03-08/12]

Coil spring

100 639 0032 | MCS0138

Notes

Required quantity 2
Front Axle
Replace in pairs only

References

4A0 411 105



Application info

A6 [4A, C4] [06/94-12/97]

Coil spring

100 639 0031 | MCS0137

Notes

Required quantity 2
Front Axle
Replace in pairs only

References

4A5 411 105 A



Application info

A6 [4A, C4] [06/94-12/97]

100 639 0046 | MCS0152

Coil spring



Notes

Required quantity 2
Front Axle

Replace in pairs only

References

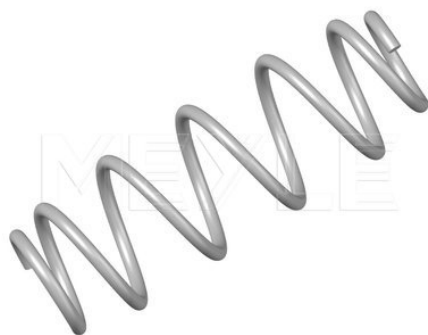
4F0 411 105 BE 4F0 411 105 BF

Application info

A6 [4F2, 4FH, 4F5] [05/04-08/11]

100 639 0008 | MCS0114

Coil spring



Notes

Required quantity 2
Front Axle

Replace in pairs only

References

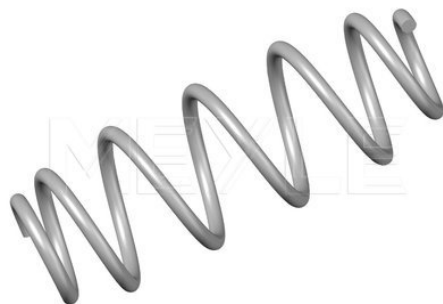
8D0 411 105 AP

Application info

A4 [8D2, 8D5, B5] [11/94-09/01]

100 639 0027 | MCS0133

Coil spring



Notes

Required quantity 2
Front Axle

Replace in pairs only

References

8D0 411 105 AS

Application info

A4 [8D2, 8D5, B5] [11/94-09/01]

Coil spring

100 639 0047 | MCS0153

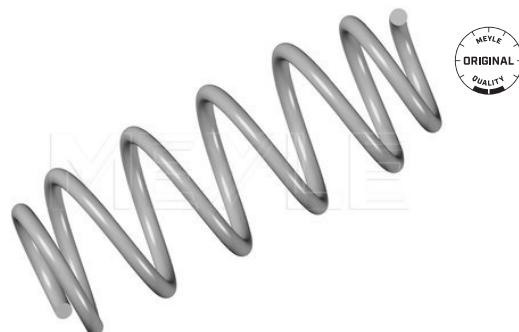
Notes

Required quantity **2**
Front Axle

Replace in pairs only

References

800 411 105 BM



Application info

A4 [802, 805, B5] [11/94-09/01]

Coil spring

100 639 0005 | MCS0111

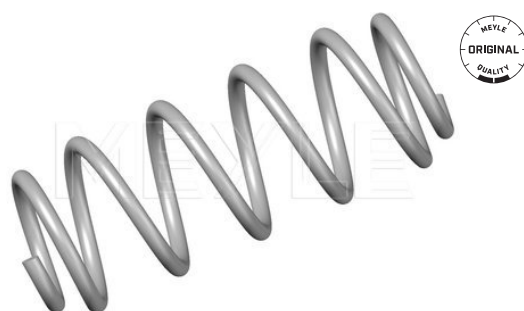
Notes

Required quantity **2**
Front Axle

Replace in pairs only

References

800 411 105 DL



Application info

A6 [4B, C5] [01/97-01/05]

Coil spring

100 639 0028 | MCS0134

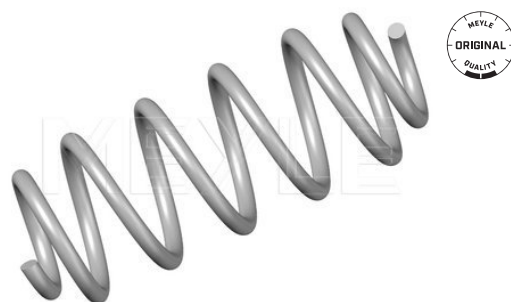
Notes

Required quantity **2**
Front Axle

Replace in pairs only

References

800 411 105 DN 800 411 105 DP



Application info

A6 [4B, C5] [01/97-01/05]

100 639 0041 | MCS0147

Coil spring



Notes

Required quantity 2
Front Axle

Replace in pairs only

References

8E0 411 105 BE 8E0 411 105 BE

Application info

A4 (8E2, 8E5, B6) [10/00-12/04]

100 639 0042 | MCS0148

Coil spring



Notes

Required quantity 2
Front Axle

Replace in pairs only

References

8E0 411 105 BG 8E0 411 105 BG

Application info

A4 (8E2, 8E5, B6) [10/00-12/04]

100 639 0039 | MCS0145

Coil spring



Notes

Required quantity 2
Front Axle

Replace in pairs only

References

8E0 411 105 BH 8E0 411 105 BH

Application info

A4 (8E2, 8E5, B6) [10/00-12/04]



Coil spring

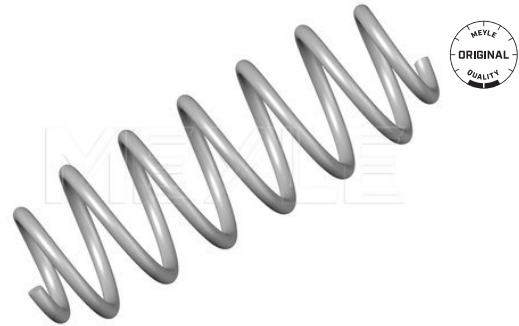
100 739 0002 | MCS0159

Notes

Required quantity 2
Rear Axle
Replace in pairs only

References

1J0 511 115 AK



Application info

A3 [8L1] [09/96-05/03]

Coil spring

100 739 0047 | MCS0204

Notes

Required quantity 2
Rear Axle
Replace in pairs only

References

1J0 511 115 BN



Application info

TT [8N3, 8N9] [10/98-06/06]

Coil spring

100 739 0048 | MCS0205

Notes

Required quantity 2
Rear Axle
Replace in pairs only

References

1J0 511 115 CD

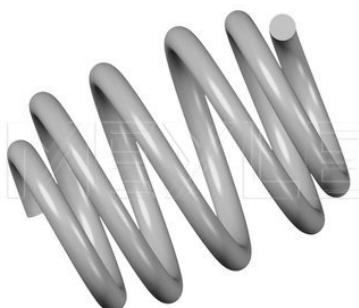


Application info

TT [8N3, 8N9] [10/98-06/06]

100 739 0003 | MCS0160

Coil spring



Notes

Required quantity 2
Rear Axle

Replace in pairs only

References

1J0 511 115 BG 1J0 511 115 DD

Application info

A3 [8L1] [09/96-05/03]

TT [8N3, 8N9] [10/98-06/06]

100 739 0038 | MCS0195

Coil spring



Notes

Required quantity 2
Rear Axle

Replace in pairs only

References

4A5 511 115 P

Application info

A6 [4A, C4] [06/94-12/97]

100 739 0036 | MCS0193

Coil spring



Notes

Required quantity 2
Rear Axle

Replace in pairs only

References

4B0 511 115 AP

Application info

A6 [4B, C5] [01/97-01/05]



Coil spring

100 739 0029 | MCS0186

Notes

Required quantity 2
Rear Axle
Replace in pairs only



References

4B0 511 115 B

Application info

A6 [4B, C5] [01/97-01/05]

Coil spring

100 739 0031 | MCS0188

Notes

Required quantity 2
Rear Axle
Replace in pairs only



References

4B0 511 115 C

Application info

A6 [4B, C5] [01/97-01/05]

Coil spring

100 739 0032 | MCS0189

Notes

Required quantity 2
Rear Axle
Replace in pairs only



References

4B0 511 115 K

Application info

A6 [4B, C5] [01/97-01/05]

100 739 0033 | MCS0190

Coil spring



Notes

Required quantity 2
Rear Axle
Replace in pairs only

References

4B0 511 115 L

Application info

A6 [4B, C5] [01/97-01/05]

100 739 0050 | MCS0207

Coil spring



Notes

Required quantity 2
Rear Axle
Replace in pairs only

References

4F0 511 115 BN 4F0 511 115 BP

Application info

A6 [4F2, 4FH, 4F5] [05/04-08/11]

100 739 0051 | MCS0208

Coil spring



Notes

Required quantity 2
Rear Axle
Replace in pairs only

References

4F0 511 115 BR

Application info

A6 [4F2, 4FH, 4F5] [05/04-08/11]

Coil spring

100 739 0037 | MCS0194

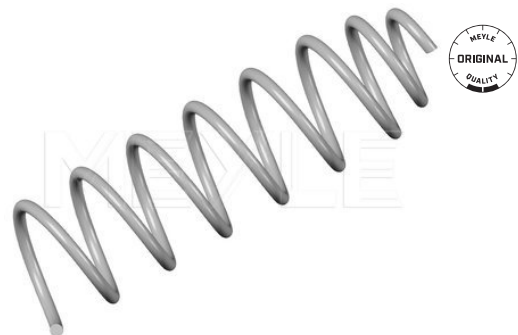
Notes

Required quantity **2**
Rear Axle

Replace in pairs only

References

805 511 115 AA



Application info

A4 (802, 805, B5) [11/94-09/01]

Coil spring

100 739 0016 | MCS0173

Notes

Required quantity **2**
Rear Axle

Replace in pairs only

References

805 511 115 G



Application info

A4 (802, 805, B5) [11/94-09/01]

Coil spring

100 739 0004 | MCS0161

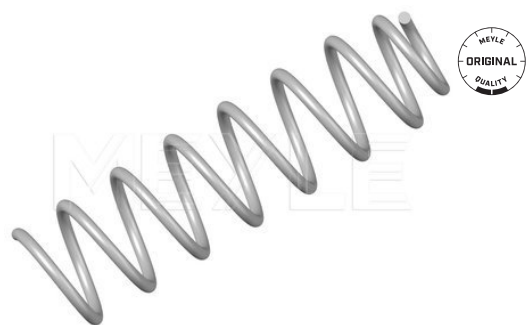
Notes

Required quantity **2**
Rear Axle

Replace in pairs only

References

805 511 115 S 805 511 115 T

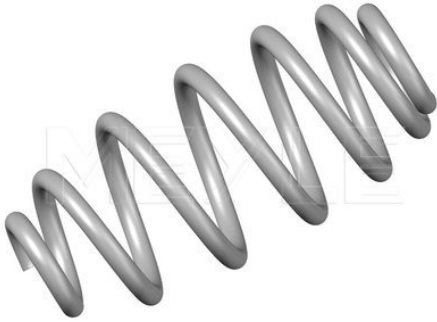


Application info

A4 (802, 805, B5) [11/94-09/01]

100 739 0009 | MCS0166

Coil spring



Notes

Required quantity 2
Rear Axle

Replace in pairs only

References

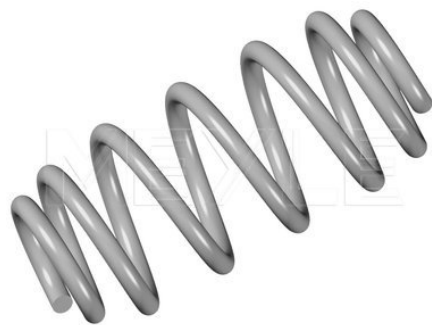
8E0 511 115 CQ

Application info

A4 (8E2, 8E5, B6) [10/00-12/04]

100 739 0040 | MCS0197

Coil spring



Notes

Required quantity 2
Rear Axle

Replace in pairs only

References

8E0 511 115 CS

Application info

A4 (8E2, 8E5, B6) [10/00-12/04]

100 739 0044 | MCS0201

Coil spring



Notes

Required quantity 2
Rear Axle

Replace in pairs only

References

8P0 511 115 D 8P0 511 115 E

Application info

A3 (8P1, 8PA) [05/03-08/12]



Coil spring

100 739 0014 | MCS0171

Notes

Required quantity 2
Rear Axle
Replace in pairs only



Application info

A4 [802, 805, B5] [11/94-09/01]

Coil spring

100 739 0015 | MCS0172

Notes

Required quantity 2
Rear Axle
Replace in pairs only



Application info

A4 [802, 805, B5] [11/94-09/01]

Coil spring

100 739 0041 | MCS0198

Notes

Required quantity 2
Rear Axle
Replace in pairs only



Application info

A6 [4B, C5] [01/97-01/05]

100 739 0042 | MCS0199

Coil spring



Notes

Required quantity 2
Rear Axle
Replace in pairs only

Application info

A6 [4B, C5] [01/97-01/05]

100 739 0045 | MCS0202

Coil spring



Notes

Required quantity 2
Rear Axle
Replace in pairs only

Application info

A4 [8E2, 8E5, B6] [10/00-12/04]

100 739 0046 | MCS0203

Coil spring



Notes

Required quantity 2
Rear Axle
Replace in pairs only

Application info

A4 [8E2, 8E5, B6] [10/00-12/04]



Dust cover kit, shock absorber

100 640 0004 | MSC0008

Notes

Kit
Front Axle



Application info

A4 [8D2, 8D5, B5] [11/94-09/01]
A4 [8E2, 8E5, B6] [10/00-12/04]
A4 [8EC, 8ED] [11/04-06/08]
A4 [8H7] [04/02-03/09]

A6 [4B, C5] [01/97-01/05]
A6 [4F2, 4FH, 4F5] [05/04-08/11]
A8 [4D2, 4D8] [03/94-09/02]

Dust cover kit, shock absorber

100 640 0006 | MSC0010

Notes

Kit
Front Axle

Parts list

100 412 0014 | MRS0018

Rubber stop, suspension



Application info

A1 [8X1, 8XA] [05/10--]

A3 [8L1] [09/96-05/03]

Dust cover kit, shock absorber

100 640 0007 | MSC0011

Notes

Kit
Front Axle



Application info

A2 [8Z0] [02/00-08/05]

A3 [8P1, 8PA] [05/03-08/12]

100 640 0008 | MSC0012

Dust cover kit, shock absorber



Notes

Kit
Front Axle

Application info

A3 [8P1, 8PA] [05/03-08/12]

100 640 0009 | MSC0013

Dust cover kit, shock absorber



Notes

Kit
Front Axle

Application info

TT [8J3, 8J9] [08/06-06/10]

100 640 0011 | MSC0015

Dust cover kit, shock absorber



Notes

Kit
Front Axle

Application info

80 [8C, 8G7, B4] [05/91-08/00]
80/90 [81, 85, B2] [08/78-10/88]

80/90 [89, 89Q, 8A, B3] [06/86-12/96]



Dust cover kit, shock absorber

100 640 0014 | MSC0124

Notes

Kit
Front Axle



Application info

A4 [8K2, 8K5, 8KH] [11/07--]

A5 [8F, 8T] [06/07--]

Dust cover kit, shock absorber

100 740 0002 | MSC0017

Notes

Kit
Round
Rear Axle

Parts list

100 512 0014 | MRS0036
100 513 0007 | MCX0164

Rubber stop, suspension
Dust cover/boot, strut



Application info

A2 [8Z0] [02/00-08/05]
A3 [8L1] [09/96-05/03]

A3 [8P1, 8PA] [05/03-08/12]

Dust cover kit, shock absorber

100 740 0003 | MSC0018

Notes

Kit
Rear Axle

Parts list

100 742 0005 | MRS0061
100 513 0003 | MCX0162

Rubber stop, suspension
Dust cover/boot, strut



Application info

A4 [802, 805, 85] [11/94-09/01]

100 740 0007 | MSC0021

Dust cover kit, shock absorber



Notes

Kit
Rear Axle

Application info

A4 [8E2, 8E5, B6] [10/00-12/04]
A4 [8EC, 8ED] [11/04-06/08]

A6 [4B, C5] [01/97-01/05]
A6 [4F2, 4FH, 4F5] [05/04-08/11]

100 740 0008 | MSC0022

Dust cover kit, shock absorber



Notes

Kit
Rear Axle

Application info

A4 [8E2, 8E5, B6] [10/00-12/04]
A4 [8EC, 8ED] [11/04-06/08]
A4 [8H7] [04/02-03/09]

A6 [4B, C5] [01/97-01/05]
A6 [4F2, 4FH, 4F5] [05/04-08/11]

100 740 0009 | MSC0023

Dust cover kit, shock absorber



Notes

Kit
Oval
Rear Axle

Application info

A3 [8P1, 8PA] [05/03-08/12]



Dust cover kit, shock absorber

100 740 0012 | MSC0026

Notes

Kit
Round
Rear Axle



Application info

A1 [8X1, 8XA] [05/10--]
A3 [8P1, 8PA] [05/03-08/12]

TT [8N3, 8N9] [10/98-06/06]

Dust cover kit, shock absorber

100 740 0013 | MSC0027

Notes

Kit
Round
Rear Axle



Application info

A1 [8X1, 8XA] [05/10--]

Dust cover kit, shock absorber

100 740 0015 | MSC0029

Notes

Kit
Rear Axle



Application info

Q3 [8U] [06/11--]

314 640 0001 | MSC0054

Dust cover kit, shock absorber



Notes

Kit
Front Axle

Application info

A2 [8Z0] [02/00-08/05]

100 412 0042 | MCX0151

Dust cover/boot, strut



Notes

Height [mm] 80
Required quantity 2
Front Axle

References

400 412 137 C

Application info

A4 [8D2, 8D5, B5] [11/94-09/01]
A4 [8E2, 8E5, B6] [10/00-12/04]
A4 [8EC, 8ED] [11/04-06/08]
A4 [8H7] [04/02-03/09]

A6 [4B, C5] [01/97-01/05]
A8 [4D2, 4D8] [03/94-09/02]
A8 [4E] [10/02-07/10]

100 412 0013 | MCX0149

Dust cover/boot, strut



Notes

Height [mm] 105
Front Axle

References

431 412 175 D

Application info

100 [4A, C4] [12/90-07/94]
100/200 [44, 44Q, C3] [08/82-12/91]

A6 [4A, C4] [06/94-12/97]
V8 [D1] [10/88-02/94]



Dust cover/boot, strut

100 413 0000 | MCX0154

Notes

Height [mm] 221.5
Front Axle

References

357 413 175 A



Application info

A3 [8L1] [09/96-05/03]

TT [8N3, 8N9] [10/98-06/06]

Dust cover/boot, strut

100 643 0003 | MCX0174

Notes

Height [mm] 206
Front Axle

References

6N0 413 175 A



Application info

A2 [8Z0] [02/00-08/05]
A3 [8P1, 8PA] [05/03-08/12]

Q3 [8U] [06/11--]
TT [8J3, 8J9] [08/06-06/10]

Dust cover/boot, strut

100 743 0002 | MCX0181

Notes

Height [mm] 155
Required quantity 2
Rear Axle

References

8E0 512 137 E



Application info

A4 [8E2, 8E5, 8E6] [10/00-12/04]
A4 [8EC, 8ED] [11/04-06/08]
A4 [8H7] [04/02-03/09]
A4 [8K2, 8K5, 8KH] [11/07--]

A5 [8F, 8T] [06/07--]
A6 [4F2, 4FH, 4F5] [05/04-08/11]
TT [8J3, 8J9] [08/06-06/10]

100 513 0006 | MCX0163

Dust cover/boot, strut



Notes

Height [mm]	180
Required quantity	2 Rear Axle

References

1J0 513 425

Application info

A1 [8X1, 8XA] [05/10--]

A3 [8L1] [09/96-05/03]

100 513 0007 | MCX0164

Dust cover/boot, strut



Notes

Height [mm]	180
Required quantity	2 Rear Axle

References

1J0 513 425 A

Application info

A2 [8Z0] [02/00-08/05]

A3 [8L1] [09/96-05/03]

A3 [8P1, 8PA] [05/03-08/12]

TT [8N3, 8N9] [10/98-06/06]

100 513 0003 | MCX0162

Dust cover/boot, strut



Notes

Height [mm]	106 Rear Axle
-------------	------------------

References

357 513 425

Application info

A4 [802, 805, 85] [11/94-09/01]



Repair kit, strut mount

100 412 2019/S | MCX0565

Notes

Kit
with ball bearing
Front Axle left and right

References

6R0 412 249

1J0 412 331 C



Application info

A1 [8X1, 8XA] [05/10--]

Repair kit, strut mount

100 412 2039/S | MSM0211

Notes

with ball bearing
Front Axle left and right

References

1K0 412 331 B

Parts list

100 412 2039 | MSM0210

100 641 0022 | MMB0026

Strut mount

Strut mount bearing



Application info

A3 [8P1, 8PA] [05/03-08/12]

A3 [8V1, 8VS, 8V7, 8PA] [04/12--]

Q3 [8U] [06/11--]

TT [8J3, 8J9] [08/06-06/10]

Repair kit, strut mount

100 641 2041 | MCX0521

Notes

with ball bearing
Front Axle left and right

References

5Q0 412 331 C

5Q0 412 331 D

Parts list

100 412 2041 | MSM0230

100 641 0020 | MMB0025

Strut mount

Strut mount bearing



Application info

A3 [8V1, 8VS, 8V7, 8PA] [04/12--]

100 412 2038/S | MCX0560

Repair kit, strut mount



Notes

with fastening material
Front Axle left and right

References

6N0 412 331 E

Application info

A2 [8Z0] [02/00-08/05]

100 641 2040 | MCX0555

Repair kit, strut mount



Notes

with anti-friction bearing
Front Axle

References

8J0 412 331

Parts list

100 412 2040 | MSM0234
100 641 0022 | MMB0026

Strut mount
Strut mount bearing

Application info

A3 [8P1, 8PA] [05/03-08/12]

TT [8J3, 8J9] [08/06-06/10]

100 412 0024 | MRS0023

Rubber stop, suspension



Notes

Height [mm]
Required quantity

90
2
Front Axle

References

4A0 412 131

Application info

100 [4A, C4] [12/90-07/94]

A6 [4A, C4] [06/94-12/97]

Rubber stop, suspension

100 412 0025 | MRS0024

Notes

for vehicles without off-road suspension
for vehicles without sports suspension

Height [mm] 65
Required quantity 2
Front Axle

References

893 412 131 B



Application info

80 (8C, 8G7, 84) [05/91-08/00]
80/90 (81, 85, 82) [08/78-10/88]

80/90 (85) [07/80-07/91]
80/90 (89, 89Q, 8A, 83) [06/86-12/96]

Rubber stop, suspension

100 412 0030 | MRS0025

Notes

for vehicles with off-road suspension
for vehicles with sports suspension

Height [mm] 77
Required quantity 2
Front Axle

References

800 412 131 E



Application info

A4 (802, 805, 85) [11/94-09/01]
A4 (8E2, 8E5, 86) [10/00-12/04]

A6 (4B, C5) [01/97-01/05]

Rubber stop, suspension

100 412 0033 | MRS0204

Notes

Piece for vehicles without off-road suspension
for vehicles without sports suspension

Height [mm] 85
Required quantity 2
Front Axle

References

800 412 131 F



100 412 0033 | MRS0204

Rubber stop, suspension

Application info

A4 [8D2, 8D5, B5] [11/94-09/01]
A4 [8E2, 8E5, B6] [10/00-12/04]
A4 [8EC, 8ED] [11/04-06/08]
A4 [8H7] [04/02-03/09]

A6 [4B, C5] [01/97-01/05]
A6 [4F2, 4FH, 4F5] [05/04-08/11]
A8 [4D2, 4D8] [03/94-09/02]
A8 [4E] [10/02-07/10]

100 642 0008 | MRS0050

Rubber stop, suspension



Notes

Height [mm] 94
Required quantity 2
Front Axle

References

800 412 131 H

Application info

A4 [8E2, 8E5, B6] [10/00-12/04]
A4 [8H7] [04/02-03/09]

A6 [4B, C5] [01/97-01/05]

100 642 0015 | MRS0055

Rubber stop, suspension



Notes

Height [mm] 81
Required quantity 2
Front Axle

References

8K0 412 131 E

Application info

A4 [8H7] [04/02-03/09]
A4 [8K2, 8K5, 8KH] [11/07--]
A5 [8F, 8T] [06/07--]

A6 [4F2, 4FH, 4F5] [05/04-08/11]
A6 [4G2, 4G5, C7] [11/10-05/13]
A7 Sportback [4GA] [10/10--]

Rubber stop, suspension

100 642 0011 | MRS0053

Notes

Height [mm] 72
Required quantity 2
Front Axle

References

8K0 412 131 F



Application info

A4 [8K2, 8K5, 8KH] [11/07--]

A5 [8F, 8T] [06/07--]

Rubber stop, suspension

100 642 0016 | MRS0056

Notes

Height [mm] 66
Required quantity 2
Front Axle

References

8K0 412 131 G



Application info

A4 [8K2, 8K5, 8KH] [11/07--]

A5 [8F, 8T] [06/07--]

Rubber stop, suspension

100 642 0010 | MRS0052

Notes

Height [mm] 56
Required quantity 2
Front Axle

References

6Q0 412 301 A



Application info

A2 [8Z0] [02/00-08/05]

100 412 0014 | MRS0018

Rubber stop, suspension



Notes

Inner diameter [mm]	14
Outer diameter [mm]	132
Height [mm]	63
Required quantity	2
	Front Axle

References

1H0 412 303 B

Application info

A1 [8X1, 8XA] [05/10--]
A3 [8L1] [09/96-05/03]

TT [8N3, 8N9] [10/98-06/06]

100 512 0029 | MRS0041

Rubber stop, suspension



Notes

	for vehicles with sports sus- pension
Height [mm]	53
Required quantity	2
	Front Axle

References

1J0 412 303

Application info

A3 [8L1] [09/96-05/03]

TT [8N3, 8N9] [10/98-06/06]

100 642 0002 | MRS0044

Rubber stop, suspension



Notes

Height [mm]	70
Required quantity	2
	Front Axle

References

1K0 412 303 B

Application info

A3 [8P1, 8PA] [05/03-08/12]

A3 [8V1, 8VS, 8V7, 8PA] [04/12--]



Rubber stop, suspension

100 642 0004 | MRS0046

Notes

Inner diameter [mm]	30
Height [mm]	55
Required quantity	2
	Front Axle

References

1K0 412 303 F



Application info

A3 [8P1, 8PA] [05/03-08/12]

Rubber stop, suspension

100 642 0007 | MRS0049

Notes

Height [mm]	80
Required quantity	2
	Front Axle

References

1K0 412 303 M



Application info

A3 [8V1, 8VS, 8V7, 8PA] [04/12--]

Rubber stop, suspension

100 642 0012 | MRS0054

Notes

Height [mm]	90
Required quantity	2
	Front Axle

References

1K0 412 303	1K0 412 303 S
-------------	---------------



Application info

A3 [8P1, 8PA] [05/03-08/12]

8

100 742 0008 | MRS0064

Rubber stop, suspension



Notes

Height [mm] 100
Required quantity 2
Rear Axle

References

1K0 511 353 J

Application info

A3 [8P1, 8PA] [05/03-08/12]

100 742 0018 | MRS0072

Rubber stop, suspension



Notes

Height [mm] 118
Required quantity 2
Rear Axle
Round for vehicles with sports suspension

References

1K0 511 353 N

Application info

A1 [8X1, 8XA] [05/10--]

A3 [8P1, 8PA] [05/03-08/12]

100 512 0024 | MRS0039

Rubber stop, suspension



Notes

Outer diameter [mm] 70
Height [mm] 186
Required quantity 2
Rear Axle
Elastomer

References

4A0 512 129

Application info

100 [4A, C4] [12/90-07/94]

A6 [4A, C4] [06/94-12/97]

Rubber stop, suspension

100 512 0011 | MRS0034

Notes

Height [mm]
Required quantity

for vehicles with off-road suspension
143
2
Rear Axle

References

1J0 512 131



Application info

A3 [8L1] [09/96-05/03]

Rubber stop, suspension

100 512 0014 | MRS0036

Notes

Height [mm]
Required quantity

for vehicles without off-road suspension
for vehicles without sports suspension
128
2
Rear Axle

References

1J0 512 131 B



Application info

A2 [8Z0] [02/00-08/05]
A3 [8L1] [09/96-05/03]

A3 [8P1, 8PA] [05/03-08/12]

Rubber stop, suspension

100 512 0018 | MRS0037

Notes

Height [mm]
Required quantity

for vehicles with sports suspension
105
2
Rear Axle

References

1J0 512 131 C



Application info

A3 [8L1] [09/96-05/03]

TT [8N3, 8N9] [10/98-06/06]

100 512 0027 | MRS0040

Rubber stop, suspension



Notes

Height [mm]
Required quantity

for vehicles without off-road suspension
for vehicles without sports suspension
134
2
Rear Axle

References

3B0 512 131 H

Application info

A4 [8E2, 8E5, B6] [10/00-12/04]

A6 [4B, C5] [01/97-01/05]

100 742 0002 | MRS0058

Rubber stop, suspension



Notes

Height [mm]
Required quantity

for vehicles with sports suspension
103.5
2
Rear Axle

References

4B0 512 131 B

Application info

A4 [8E2, 8E5, B6] [10/00-12/04]

A6 [4B, C5] [01/97-01/05]

100 512 0012 | MRS0035

Rubber stop, suspension



Notes

Height [mm]
Required quantity

for vehicles with off-road suspension
134
2
Rear Axle

References

4B0 512 131 N

Application info

A4 [8E2, 8E5, B6] [10/00-12/04]

A6 [4B, C5] [01/97-01/05]



Rubber stop, suspension

100 742 0003 | MRS0059

Notes

Height [mm]	67
Required quantity	2 Rear Axle

References

4B0 512 131 Q



Application info

A6 [4B, C5] [01/97-01/05]

Rubber stop, suspension

100 742 0016 | MRS0070

Notes

Height [mm]	134
Required quantity	2 Rear Axle

References

4F0 512 131



Application info

A4 [8EC, 8ED] [11/04-06/08]

A6 [4F2, 4FH, 4F5] [05/04-08/11]

Rubber stop, suspension

100 742 0009 | MRS0065

Notes

Height [mm]	123
Required quantity	2 Rear Axle

References

6Q0 512 131 B



Application info

A2 [8Z0] [02/00-08/05]

8

114 742 0001 | MRS0098

Rubber stop, suspension



Notes

Height [mm]	120
Required quantity	2 Rear Axle

References

6X0 512 131 A

Application info

A2 [8Z0] [02/00-08/05]

100 742 0031 | MRS0085

Rubber stop, suspension



Notes

Height [mm]	90
Required quantity	2 Rear Axle

References

7L0 512 131 B

Application info

Q7 [4L] [03/06-05/12]

100 742 0024 | MRS0078

Rubber stop, suspension



Notes

	for vehicles with sports sus- pension
Height [mm]	112
Required quantity	2 Rear Axle

References

800 512 131

Application info

A4 [802, 805, B5] [11/94-09/01]



Rubber stop, suspension

100 742 0011 | MRS0066

Notes

Height [mm]
Required quantity

for vehicles with off-road
suspension
127
2
Rear Axle

References

800 512 131 E



Application info

A4 [802, 805, B5] [11/94-09/01]

Rubber stop, suspension

100 742 0004 | MRS0060

Notes

Height [mm]
Required quantity

for vehicles with heavy duty
suspension
134
2
Rear Axle

References

800 512 131 L



Application info

A4 [802, 805, B5] [11/94-09/01]

A4 [8E2, 8E5, B6] [10/00-12/04]

Rubber stop, suspension

100 742 0005 | MRS0061

Notes

Height [mm]
Required quantity

127
2
Rear Axle

References

805 512 131 F



Application info

A4 [802, 805, B5] [11/94-09/01]

100 742 0029 | MRS0083

Rubber stop, suspension



Notes

Height [mm] 110
Required quantity 2
Rear Axle

References

4F0 512 131 A 8E0 512 131 P

Application info

A4 [8EC, 8ED] [11/04-06/08]

A4 [8H7] [04/02-03/09]

100 742 0026 | MRS0080

Rubber stop, suspension



Notes

Height [mm] 146
Required quantity 2
Rear Axle

References

8K0 512 131

Application info

A4 [8K2, 8K5, 8KH] [11/07--]

A5 [8F, 8T] [06/07--]

A6 [4F2, 4FH, 4F5] [05/04-08/11]

A6 [4G2, 4G5, C7] [11/10-05/13]

A7 Sportback [4GA] [10/10--]

Q5 [8R] [11/08--]

100 742 0027 | MRS0081

Rubber stop, suspension



Notes

Height [mm] 118
Required quantity 2
Rear Axle

References

8K0 512 131 B

Application info

A4 [8K2, 8K5, 8KH] [11/07--]

A5 [8F, 8T] [06/07--]

A6 [4F2, 4FH, 4F5] [05/04-08/11]

A6 [4G2, 4G5, C7] [11/10-05/13]

A7 Sportback [4GA] [10/10--]

Rubber stop, suspension

100 742 0030 | MRS0084

Notes

Height [mm] 110
Required quantity 2
Rear Axle

References

8K0 512 131 D



Application info

A4 [8K2, 8K5, 8KH] [11/07--]

A5 [8F, 8T] [06/07--]

Shock absorber

126 625 0002 | MSA0100

Notes

Top pin
Bottom Fork
Gas Pressure
Twin-Tube
Front Axle

References

4B0 412 031 M



Application info

A4 [8D2, 8D5, 8D5] [11/94-09/01]

A6 [4B, C5] [01/97-01/05]

TT [8N3, 8N9] [10/98-06/06]

Shock absorber

126 623 0016 | MSA0722

Notes

Housing Diameter [mm] 50
Suspension Strut
Gas Pressure
Twin-Tube
Front Axle

References

5Q0 413 023 CP 5Q0 413 023 FH
5Q0 413 023 DA 5Q0 413 023 FQ
5Q0 413 023 DB 5Q0 413 023 FR
5Q0 413 023 DQ 8V0 413 023 C
5Q0 413 023 DR 8V0 413 023 D
5Q0 413 023 EB



Application info

A3 [8V1, 8VS, 8V7, 8PA] [04/12--]

126 623 0011 | MSA0090

Shock absorber



Notes

Suspension Strut
Gas Pressure
Twin-Tube
Front Axle

References

1J0 413 031 AG
1J0 413 031 AM

1J0 413 031 BH
1J0 413 031 BJ

Application info

A3 (8L1) (09/96-05/03)

126 623 0050 | MSA0094

Shock absorber



Notes

Suspension Strut
Gas Pressure
Twin-Tube
50
Front Axle

References

1K0 413 031 AS
1K0 413 031 AT

1K0 413 031 CM

Application info

A3 (8P1, 8PA) (05/03-08/12)

126 623 0055 | MSA0095

Shock absorber



Notes

Suspension Strut
Gas Pressure
Twin-Tube
55
Front Axle

References

1T0 413 031 CF

Application info

A3 (8P1, 8PA) (05/03-08/12)

Q3 (8U) (06/11--)



Shock absorber

126 624 0001 | MSA0096

Notes

Suspension Strut Insert
Gas Pressure
Twin-Tube
Front Axle

References

441 413 031 G	443 413 031 G
441 413 031 H	4A0 413 031 J
441 413 031 N	4A0 413 031 M



Application info

100 [4A, C4] [12/90-07/94]
100/200 [44, 44Q, C3] [08/82-12/91]

A6 [4A, C4] [06/94-12/97]
V8 [01] [10/88-02/94]

Shock absorber

126 625 0000 | MSA0098

Notes

Top pin
Bottom Fork
Gas Pressure
Twin-Tube
Front Axle

References

4D0 413 031 AB	4D0 413 031 AP
4D0 413 031 AC	4D0 413 031 BL
4D0 413 031 AD	4D0 413 031 BN
4D0 413 031 AE	4D0 413 031 N



Application info

A8 [4D2, 4D8] [03/94-09/02]

Shock absorber

126 625 0005 | MSA0103

Notes

Bottom Fork
Top pin
Gas Pressure
Twin-Tube
Front Axle

References

4F0 413 031 AL	4F0 413 031 BN
4F0 413 031 AM	4F0 413 031 BQ
4F0 413 031 AS	



Application info

A6 [4F2, 4FH, 4F5] [05/04-08/11]

126 623 0015 | MSA0093

Shock absorber



Notes

Suspension Strut
Gas Pressure
Twin-Tube
Front Axle

References

5N0 413 031 AA	8J0 413 031 J
5N0 413 031 K	8J0 413 031 N
5N0 413 031 L	8J0 413 031 T
5N0 413 031 T	

Application info

Q3 [8U] [06/11--]

TT [8J3, 8J9] [08/06-06/10]

126 623 0004 | MSA0087

Shock absorber



Notes

Suspension Strut
Gas Pressure
Twin-Tube
Front Axle

References

6Q0 413 031 BH	8Z0 413 031 AB
6Q0 413 031 BN	8Z0 413 031 S
6Q0 413 031 BR	

Application info

A2 [8Z0] [02/00-08/05]

126 623 0014 | MSA0597

Shock absorber



Notes

Suspension Strut
Gas Pressure
Twin-Tube
Front Axle

References

6R0 413 031 AJ	6R0 413 031 F
6R0 413 031 C	6R0 413 031 Q

Application info

A1 [8X1, 8XA] [05/10--]



Shock absorber

126 625 0008 | MSA0629

Notes

Bottom Fork
Top pin
Gas Pressure
Twin-Tube
Front Axle Left

References

7L8 413 031 E
7L8 413 031 G

7L8 413 031 J
7L8 413 031 K

Counterpart

126 625 0009 | MSA0630



Application info

Q7 [4L] [03/06-05/12]

Shock absorber

126 625 0003 | MSA0101

Notes

Top pin
Bottom Fork
Gas Pressure
Twin-Tube
Front Axle

References

800 413 031 BM



Application info

A4 [802, 805, B5] [11/94-09/01]

TT [8N3, 8N9] [10/98-06/06]

Shock absorber

126 625 0010 | MSA0647

Notes

Bottom Fork
Top pin
Gas Pressure
Twin-Tube
Front Axle

References

4B0 412 031 BT
4B0 412 031 CA
3B0 413 031 Q

3B0 413 031 R
800 413 031 BS



Application info

A4 [802, 805, B5] [11/94-09/01]

A6 [4B, C5] [01/97-01/05]

TT [8N3, 8N9] [10/98-06/06]

126 625 0004 | MSA0102

Shock absorber



Notes

Top pin
Bottom Fork
Gas Pressure
Twin-Tube
Front Axle

References

8E0 413 031 AK	8E0 413 031 CC
8E0 413 031 BE	8E0 413 031 CT
8E0 413 031 CB	8E0 413 031 DA

Application info

A4 [8E2, 8E5, B6] [10/00-12/04]
A4 [8EC, 8ED] [11/04-06/08]

A4 [8H7] [04/02-03/09]

126 623 0013 | MSA0092

Shock absorber



Notes

Suspension Strut
Gas Pressure
Twin-Tube
Front Axle

References

8F0 413 031 B	8K0 413 031 AN
8K0 413 031 AC	8K0 413 031 AS
8K0 413 031 AD	8K0 413 031 BF
8K0 413 031 AE	8K0 413 031 BG
8K0 413 031 AF	8T0 413 031 AC
8K0 413 031 AL	8T0 413 031 AD

Application info

A4 [8K2, 8K5, 8KH] [11/07--]
A5 [8F, 8T] [06/07--]

Q5 [8R] [11/08--]

126 625 0009 | MSA0630

Shock absorber



Notes

Bottom Fork
Top pin
Gas Pressure
Twin-Tube
Front Axle Right

References

7L8 413 032 E	7L8 413 032 J
7L8 413 032 G	7L8 413 032 K

Counterpart

126 625 0008 | MSA0629

Shock absorber

126 625 0009 | MSA0630

Application info

Q7 [4L] [03/06-05/12]

Shock absorber

126 614 0005 | MSA0081

Notes

Suspension Strut Insert
Oil Pressure
Twin-Tube
Front Axle

References

893 413 503 AA



Application info

80/90 [81, 85, B2] [08/78-10/88]

80/90 [89, 89Q, 8A, B3] [06/86-12/96]

Shock absorber

126 624 0002 | MSA0097

Notes

Suspension Strut Insert
Gas Pressure
Twin-Tube
Front Axle

References

893 413 503 D
893 413 503 E
893 413 503 M
893 413 503 N
893 413 503 Q

893 413 503 R
893 413 503 S
895 413 503 E
8G0 413 503
8G0 413 503 B



Application info

80 [8C, 8G7, B4] [05/91-08/00]
80/90 [81, 85, B2] [08/78-10/88]

80/90 [89, 89Q, 8A, B3] [06/86-12/96]

Shock absorber

126 725 0005 | MSA0117

Notes

Top pin
Bottom eye
Gas Pressure
Twin-Tube
Rear Axle

References

1J0 513 025 BL

1J0 513 025 C



126 725 0005 | MSA0117

Shock absorber

Application info

A3 (8L1) (09/96-05/03)

126 725 0024 | MSA0132

Shock absorber



Notes

Top pin
Bottom eye
Gas Pressure
Twin-Tube
Rear Axle

References

1K0 513 029 DS

1K0 513 029 FA

Application info

A3 (8P1, 8PA) (05/03-08/12)

126 725 0017 | MSA0716

Shock absorber



Notes

Bottom eye
Top pin
Gas Pressure
Twin-Tube
Rear Axle

References

5Q0 513 029 AS
5Q0 513 029 BK
5Q0 513 029 CJ
5Q0 513 029 CK
5Q0 513 029 CM

5Q0 513 029 EB
5Q0 513 029 EC
5Q0 513 029 EK
5Q0 513 029 EL
5Q0 513 029 GM

Application info

A3 (8V1, 8VS, 8V7, 8PA) (04/12--)

126 725 0032 | MSA0610

Shock absorber



Notes

Bottom eye
Top pin
Gas Pressure
Twin-Tube
Rear Axle

References

7L8 513 029 G
7L8 513 029 H

7L8 513 029 K

Shock absorber

126 725 0032 | MSA0610

Application info

Q7 [4L] [03/06-05/12]

Shock absorber

126 725 0003 | MSA0115

Notes

Top pin
Bottom eye
Gas Pressure
Twin-Tube
Rear Axle

References

8A0 513 029 H

8A5 513 029 P



Application info

80 [8C, 8G7, B4] [05/91-08/00]

Shock absorber

126 725 0029 | MSA0574

Notes

Bottom eye
Top pin
Gas Pressure
Twin-Tube
Rear Axle

References

8J0 513 029 K
8J0 513 029 L

8J0 513 029 P
8J0 513 029 Q



Application info

TT [8J3, 8J9] [08/06-06/10]

Shock absorber

126 725 0009 | MSA0121

Notes

Top pin
Bottom eye
Gas Pressure
Twin-Tube
Rear Axle

References

385 513 031 B
480 513 031 R

480 513 032 D



126 725 0009 | MSA0121

Shock absorber

Application info

A6 [4B, C5] [01/97-01/05]

126 725 0004 | MSA0116

Shock absorber



Notes

Top pin
Bottom eye
Gas Pressure
Twin-Tube
Rear Axle

References

443 513 031 N

443 513 031 R

Application info

100/200 [44, 44Q, C3] [08/82-12/91]

126 725 0008 | MSA0120

Shock absorber



Notes

Top pin
Bottom eye
Gas Pressure
Twin-Tube
Rear Axle

References

4A0 513 031

4A0 513 031 B

4A9 513 031 B

Application info

100 [4A, C4] [12/90-07/94]

100/200 [44, 44Q, C3] [08/82-12/91]

A6 [4A, C4] [06/94-12/97]

126 725 0018 | MSA0128

Shock absorber



Notes

Top pin
Bottom Fork
Gas Pressure
Twin-Tube
without groove
Rear Axle

References

400 513 031 F

400 513 031 K

400 513 031 L

400 513 031 N

400 513 031 T

Shock absorber
126 725 0018 | MSA0128
Application info

A8 [402, 408] [03/94-09/02]

Shock absorber
126 715 0003 | MSA0105
Notes

 Top pin
 Bottom eye
 Oil Pressure
 Twin-Tube
 Rear Axle

References

811 513 031 D	811 513 031 R
811 513 031 E	893 513 031
811 513 031 F	893 513 031 AG
811 513 031 K	893 513 031 AN
811 513 031 L	893 513 031 E
811 513 031 N	893 513 031 P
811 513 031 P	893 513 031 Q
811 513 031 Q	


Application info

80/90 [81, 85, 82] [08/78-10/88]

80/90 [89, 89Q, 8A, 83] [06/86-12/96]

Shock absorber
126 725 0006 | MSA0118
Notes

 Top pin
 Bottom eye
 Gas Pressure
 Twin-Tube
 Rear Axle

References

800 513 031	805 513 031
800 513 031 A	805 513 031 A
800 513 031 B	805 513 031 B
800 513 031 C	805 513 031 C
800 513 031 E	805 513 031 H


Application info

A4 [802, 805, 85] [11/94-09/01]

126 725 0007 | MSA0119

Shock absorber



Notes

Top pin
Bottom eye
Gas Pressure
Twin-Tube
Rear Axle

References

800 513 031 D
800 513 031 F

805 513 031 K
805 513 031 L

Application info

A4 [802, 805, B5] [11/94-09/01]

126 725 0028 | MSA0573

Shock absorber



Notes

Bottom eye
Top pin
Gas Pressure
Twin-Tube
Rear Axle

References

4F0 513 032 AE

4F0 513 032 H

Application info

A6 [4F2, 4FH, 4F5] [05/04-08/11]

126 725 0036 | MSA0724

Shock absorber



Notes

Bottom eye
Top pin
Gas Pressure
Twin-Tube
Rear Axle

References

4G5 513 035
4G5 513 035 F
4G8 513 035 A

4G9 513 035
4G9 513 035 F

Application info

A6 [4G2, 4G5, C7] [11/10-05/13]

A7 Sportback [4GA] [10/10--]



Shock absorber

126 725 0027 | MSA0135

Notes

Top pin
Bottom eye
Gas Pressure
Twin-Tube
Rear Axle

References

8K0 513 035 AK
8K0 513 035 K
8K0 513 035 T

8T0 513 035 L
8T0 513 035 Q



Application info

A4 [8K2, 8K5, 8KH] [11/07--]
A5 [8F, 8T] [06/07--]

Q5 [8R] [11/08--]

Shock absorber

126 725 0034 | MSA0723

Notes

Bottom eye
Top pin
Gas Pressure
Twin-Tube
Rear Axle

References

8R0 513 035 C

8R0 513 035 E



Application info

Q5 [8R] [11/08--]

Shock absorber

126 725 0025 | MSA0133

Notes

Top pin
Bottom eye
Gas Pressure
Twin-Tube
Rear Axle

References

8E0 513 033
8E0 513 033 B

8E0 513 033 G
8E0 513 036 AE



Application info

A4 [8E2, 8E5, 8E6] [10/00-12/04]
A4 [8EC, 8ED] [11/04-06/08]

A4 [8H7] [04/02-03/09]

8

126 725 0026 | MSA0134

Shock absorber



Notes

Top pin
Bottom eye
Gas Pressure
Twin-Tube
Rear Axle

References

8E0 513 035 S
8E0 513 036 A
8E0 513 036 AD

8E0 513 036 B
8E0 513 036 E
8E0 513 036 R

Application info

A4 (8EC, 8ED) [11/04-06/08]

126 725 0030 | MSA0625

Shock absorber



Notes

Bottom eye
Top pin
Gas Pressure
Twin-Tube
Rear Axle

References

5N0 513 049 AG

5N0 513 049 AH

Application info

Q3 (8U) [06/11--]

100 412 0044 | MCX0152

Spring seat



Notes

Inner diameter [mm]

23.7
Front Axle

References

800 412 065 D
800 412 065 E

800 412 065 F
800 412 065 G

Application info

A4 (8D2, 8D5, B5) [11/94-09/01]
A4 (8E2, 8E5, B6) [10/00-12/04]
A4 (8EC, 8ED) [11/04-06/08]

A6 (4A, C4) [06/94-12/97]
A6 (4B, C5) [01/97-01/05]
A8 (4D2, 4D8) [03/94-09/02]



Spring seat

100 412 0022 | MCX0150

Notes

Inner diameter [mm]

22
Upper
Front Axle

References

1J0 412 341



Application info

A3 [8L1] [09/96-05/03]

TT [8N3, 8N9] [10/98-06/06]

Strut mount

100 412 0004/HD | MSM0024HD

Notes

Reinforced Version

with ball bearing
Front Axle

References

811 412 323 C
811 412 323 D

8A0 412 323 B
8A0 412 323 D



Application info

80 [8C, 8G7, 84] [05/91-08/00]
80/90 [81, 85, 82] [08/78-10/88]

80/90 [89, 89Q, 8A, B3] [06/86-12/96]

Strut mount

100 641 0012 | MSM0213

Notes

References

7L0 412 327 A

without ball bearing



Application info

Q7 [4L] [03/06-05/12]

100 412 0019 | MSM0033

Strut mount



Notes

Inner diameter [mm] 30
Outer diameter [mm] 82
without ball bearing
Front Axle

References

1J0 412 331 B 1J0 412 331 C

Application info

A1 [8X1, 8XA] [05/10--]
A3 [8L1] [09/96-05/03]

TT [8N3, 8N9] [10/98-06/06]

100 412 0019/S | MSM0034

Strut mount



Notes

Kit
with ball bearing
Front Axle

References

1J0 412 331 1J0 412 331 B 1J0 412 331 C

Parts list

100 412 0019 | MSM0033 Strut mount
100 412 0017 | MMB0002 Strut mount bearing

Application info

A1 [8X1, 8XA] [05/10--]
A3 [8L1] [09/96-05/03]

TT [8N3, 8N9] [10/98-06/06]

100 412 1019/S | MSM0044

Strut mount



Notes

Alternative Repair Kit 100 412 0019/S
with ball bearing
Front Axle
Full Set

References

1J0 412 331 1J0 412 331 B 1J0 412 331 C

Parts list

100 412 0019/S | MSM0034 Strut mount

Application info

A1 [8X1, 8XA] [05/10--]
A3 [8L1] [09/96-05/03]

TT [8N3, 8N9] [10/98-06/06]

Strut mount

100 412 2039 | MSM0210

Notes

without ball bearing
Front Axle

References

1K0 412 331 B



Application info

A3 [8P1, 8PA] [05/03-08/12]
A3 [8V1, 8VS, 8V7, 8PA] [04/12--]

Q3 [8U] [06/11--]
TT [8J3, 8J9] [08/06-06/10]

Strut mount

100 412 2041 | MSM0230

Notes

Rubber-metal Bearing
without ball bearing
Front Axle left and right

References

5Q0 412 331 C
5Q0 412 331 D

5Q0 412 331 E



Application info

A3 [8V1, 8VS, 8V7, 8PA] [04/12--]

Strut mount

100 412 2038 | MSM0253

Notes

Alternative Repair Kit

100 412 2038/S
Rubber-metal Bearing
without ball bearing
Front Axle left and right

References

6N0 412 331 E

6Q0 412 331 B



Application info

A2 [8Z0] [02/00-08/05]

100 412 2040 | MSM0234

Strut mount



Notes

Rubber-metal Bearing
without ball bearing
Front Axle

References

8J0 412 331

Application info

A3 [8P1, 8PA] [05/03-08/12]

TT [8J3, 8J9] [08/06-06/10]

100 412 0005 | MSM0025

Strut mount



Notes

without ball bearing
Front Axle

References

443 412 377

Application info

100/200 [44, 44Q, C3] [08/82-12/91]

100 412 0005/S | MSM0026

Strut mount



Notes

Kit
with ball bearing
Front Axle

References

443 412 377

Parts list

100 412 0005 | MSM0025
100 412 0035 | MMB0003

Strut mount
Strut mount bearing

Application info

100/200 [44, 44Q, C3] [08/82-12/91]

Strut mount

100 412 0007 | MSM0027

Notes

without ball bearing
Front Axle

References

4A0 412 377 C



Application info

100 [4A, C4] [12/90-07/94]
A6 [4A, C4] [06/94-12/97]

V8 [01] [10/88-02/94]

Strut mount

100 412 0007/S | MSM0028

Notes

Kit
with ball bearing
Front Axle

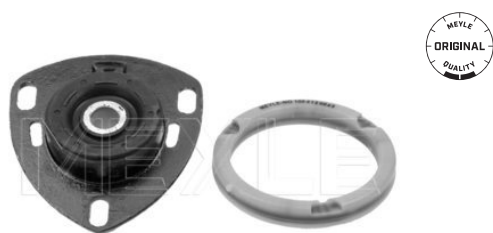
References

4A0 412 377 C

Parts list

100 412 0007 | MSM0027
100 412 0045 | MMB0004

Strut mount
Strut mount bearing



Application info

100 [4A, C4] [12/90-07/94]
A6 [4A, C4] [06/94-12/97]

V8 [01] [10/88-02/94]

Strut mount

100 412 0012 | MSM0032

Notes

Inner diameter [mm]

12
without ball bearing
Front Axle

References

400 412 377 F



Application info

A4 [802, 805, B5] [11/94-09/01]
A4 [8E2, 8E5, B6] [10/00-12/04]

A6 [4B, C5] [01/97-01/05]
A8 [402, 408] [03/94-09/02]

100 412 0048 | MSM0042

Strut mount



Notes

without ball bearing
Front Axle

References

4F0 412 377 B

4F0 412 377 D

Application info

A6 [4F2, 4FH, 4F5] [05/04-08/11]

100 412 1048 | MSM0241

Strut mount



Notes

Piece
Rubber-metal Bearing
without ball bearing
Front Axle

References

4F0 412 377 B

4F0 412 377 D

Application info

A6 [4F2, 4FH, 4F5] [05/04-08/11]

100 412 0096 | MSM0043

Strut mount



Notes

without ball bearing
Front Axle

References

8E0 412 377

8E0 412 377 C

Application info

A4 [8E2, 8E5, B6] [10/00-12/04]

A4 [8EC, 8ED] [11/04-06/08]

A4 [8H7] [04/02-03/09]

A6 [4G2, 4G5, C7] [11/10-05/13]

A7 Sportback [4GA] [10/10--]

Strut mount
100 641 0010 | MSM0062
Notes

 without ball bearing
 Front Axle

References

 8K0 412 377 A
 8K0 412 377 B

 8K0 412 377 C
 8K0 412 377 D

Application info

 A4 [8K2, 8K5, 8KH] [11/07--]
 A5 [8F, 8T] [06/07--]

Q5 [8R] [11/08--]

Strut mount
100 512 0005 | MSM0048
Notes

 without ball bearing
 Rear Axle

References

443 512 331


Application info

 100 [4A, C4] [12/90-07/94]
 100/200 [44, 44Q, C3] [08/82-12/91]

A6 [4A, C4] [06/94-12/97]

Strut mount
100 512 0022 | MSM0051
Notes

 without ball bearing
 Rear Axle Lower

References

800 512 333


Application info

A4 [802, 805, B5] [11/94-09/01]

100 512 0023 | MSM0052

Strut mount



Notes

without ball bearing
Rear Axle Upper

References

800 512 335

Application info

A4 (802, 805, B5) [11/94-09/01]

100 513 0008 | MSM0056

Strut mount



Notes

without ball bearing
Rear Axle

References

1K0 513 353 G

Application info

A3 (8P1, 8PA) [05/03-08/12]

100 513 0009 | MSM0057

Strut mount



Notes

Oval
without ball bearing
Rear Axle

References

1K0 513 353 H

1K0 513 353 J

Application info

A3 (8P1, 8PA) [05/03-08/12]

Strut mount

100 513 0010 | MSM0058

Notes

Round
without ball bearing
Rear Axle

References

3C0 513 353 C



Application info

A1 [8X1, 8XA] [05/10--]
A3 [8P1, 8PA] [05/03-08/12]
A3 [8V1, 8VS, 8V7, 8PA] [04/12--]

Q3 [8U] [06/11--]
TT [8J3, 8J9] [08/06-06/10]

Strut mount

100 741 0000 | MSM0065

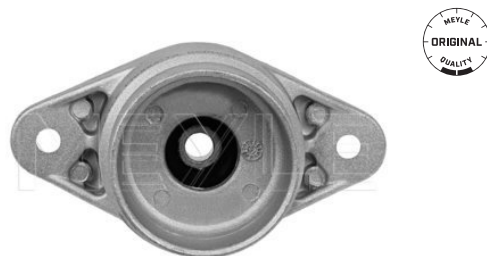
Notes

without ball bearing
Rear Axle

References

4F0 513 353 B

4F0 513 353 D



Application info

A4 [8E2, 8E5, 8E6] [10/00-12/04]
A4 [8EC, 8ED] [11/04-06/08]

A4 [8H7] [04/02-03/09]
A6 [4F2, 4FH, 4F5] [05/04-08/11]

Strut mount

100 741 1002 | MSM0236

Notes

without ball bearing
Rear Axle left and right

References

4G0 513 353 D



Application info

A6 [4G2, 4G5, C7] [11/10-05/13]

A7 Sportback [4GA] [10/10--]

8

100 513 0001 | MSM0054

Strut mount



Notes

without ball bearing
Rear Axle

References

1J0 513 353 A
1J0 513 353 B
1J0 513 353 C

1J0 513 353 G
6R0 513 353
6R0 513 353 B

Application info

A1 [8X1, 8XA] [05/10--]
A2 [8Z0] [02/00-08/05]

A3 [8L1] [09/96-05/03]
TT [8N3, 8N9] [10/98-06/06]

100 513 1001 | MSM0232

Strut mount



Notes

without ball bearing
Rear Axle

References

1J0 513 353 A
1J0 513 353 B
1J0 513 353 C

1J0 513 353 G
6R0 513 353
6R0 513 353 B

Application info

A1 [8X1, 8XA] [05/10--]
A3 [8L1] [09/96-05/03]

TT [8N3, 8N9] [10/98-06/06]

100 513 0004 | MSM0055

Strut mount



Notes

without ball bearing
Rear Axle

References

8E0 513 353 B

8E0 513 353 C

Application info

A6 [4B, C5] [01/97-01/05]

Strut mount
100 741 0002 | MSM0067
Notes

 without ball bearing
 Rear Axle Upper

References

8K0 513 353 D

8K0 513 353 E


Application info

 A4 [8K2, 8K5, 8KH] [11/07--]
 A5 [8F, 8T] [06/07--]

Q5 [8R] [11/08--]

Strut mount bearing
100 412 0017 | MMB0002
Notes

Inner diameter [mm]	14
Outer diameter [mm]	45
Height [mm]	13.5

 Front Axle

References

1J0 412 249


Application info

 A1 [8X1, 8XA] [05/10--]
 A3 [8L1] [09/96-05/03]

TT [8N3, 8N9] [10/98-06/06]

Strut mount bearing
100 641 0022 | MMB0026
Notes

Inner diameter [mm]	68
Outer diameter [mm]	112
Height [mm]	27

 Front Axle

References

1K0 412 249 B

6N0 412 249 C


Application info

 A2 [8Z0] [02/00-08/05]
 A3 [8P1, 8PA] [05/03-08/12]
 A3 [8V1, 8VS, 8V7, 8PA] [04/12--]

 Q3 [8U] [06/11--]
 TT [8J3, 8J9] [08/06-06/10]

100 412 0035 | MMB0003

Strut mount bearing



Notes

Inner diameter [mm]	81
Outer diameter [mm]	102
Height [mm]	15
	Front Axle

References

441 412 249 A

Application info

100/200 [44, 44Q, C3] [08/82-12/91]

V8 [D1] [10/88-02/94]

100 412 0045 | MMB0004

Strut mount bearing



Notes

Inner diameter [mm]	91
Outer diameter [mm]	112
Height [mm]	15
	Front Axle

References

4A0 412 249

Application info

100 [4A, C4] [12/90-07/94]

A6 [4A, C4] [06/94-12/97]

100 641 0020 | MMB0025

Strut mount bearing



Notes

Inner diameter [mm]	78
Outer diameter [mm]	127
Height [mm]	40
	Front Axle left and right

References

5Q0 412 249 E

Application info

A3 [8V1, 8VS, 8V7, 8PA] [04/12--]

Strut mount bearing
100 641 0024 | MMB0027
Notes

Inner diameter [mm]	14
Outer diameter [mm]	45
Height [mm]	13.5
	Front Axle

References

6R0 412 249


Application info

A1 [8X1, 8XA] [05/10--]

Mount, wheel bearing housing
116 010 0006 | MCX0193
Notes

Inner diameter [mm]	12
Outer diameter [mm]	44
Height [mm]	50
	for drag link
	Rear
	Rear Axle Right
	Rear Axle Left

References

1J0 505 203

1J0 505 365 N


Application info

A3 [8L1] [09/96-05/03]

TT [8N3, 8N9] [10/98-06/06]

Protection lid, wheel hub
100 752 0006 | MCX0182
Notes

Rear Axle

References

1J0 501 249 A

1J0 501 249 C


Application info

A3 [8L1] [09/96-05/03]

A3 [8P1, 8PA] [05/03-08/12]

A4 [8E2, 8E5, 8E6] [10/00-12/04]

A4 [8EC, 8ED] [11/04-06/08]

A4 [8H7] [04/02-03/09]

TT [8J3, 8J9] [08/06-06/10]

TT [8N3, 8N9] [10/98-06/06]

100 501 0008 | MCX0155

Protection lid, wheel hub



Notes

Rear Axle

References

823 501 249

Application info

80/90 [81, 85, B2] [08/78-10/88]

80/90 [89, 89Q, 8A, B3] [06/86-12/96]

100 614 0002 | MCX0169

Sensor ring, ABS



Notes

Number of Teeth, ABS ring
Inner diameter [mm]

45
63.95

References

893 498 099 GX

Application info

100 [4A, C4] [12/90-07/94]

100/200 [44, 44Q, C3] [08/82-12/91]

80 [8C, 8G7, B4] [05/91-08/00]

80/90 [89, 89Q, 8A, B3] [06/86-12/96]

A4 [802, 805, B5] [11/94-09/01]

A6 [4A, C4] [06/94-12/97]

100 614 0000 | MCX0167

Sensor ring, ABS



Notes

Rear Axle left and right

References

1J0 614 149

Application info

A3 [8L1] [09/96-05/03]

TT [8N3, 8N9] [10/98-06/06]



Sensor ring, ABS

100 614 0001 | MCX0168

Notes

Rear Axle left and right

References

443 614 149 A

800 614 149



Application info

100 [4A, C4] [12/90-07/94]

100/200 [44, 44Q, C3] [08/82-12/91]

80 [8C, 8G7, B4] [05/91-08/00]

80/90 [89, 89Q, 8A, B3] [06/86-12/96]

A4 [802, 805, B5] [11/94-09/01]

A6 [4A, C4] [06/94-12/97]

Wheel bearing

100 405 0101 | MWB0020

Notes

Alternative Repair Kit

100 598 0101/SK

Alternative Repair Kit

100 598 0101

Inner diameter [mm]

29

Outer diameter [mm]

50

Height [mm]

14.73

inner

Rear Axle

References

1GM 405 625

311 405 625 F

311 405 625

311 405 625 N

311 405 625 B



Application info

100 [4A, C4] [12/90-07/94]

100/200 [44, 44Q, C3] [08/82-12/91]

80 [8C, 8G7, B4] [05/91-08/00]

80/90 [81, 85, B2] [08/78-10/88]

80/90 [89, 89Q, 8A, B3] [06/86-12/96]

A4 [802, 805, B5] [11/94-09/01]

A6 [4A, C4] [06/94-12/97]

Wheel bearing

100 405 0201 | MWB0021

Notes

Alternative Repair Kit

100 598 0101

Alternative Repair Kit

100 598 0101/SK

Inner diameter [mm]

17.5

Outer diameter [mm]

40

Height [mm]

15

References

1GM 405 645

311 405 645 B



100 405 0201 | MWB0021

Wheel bearing

Application info

80/90 (81, 85, B2) (08/78-10/88)

80/90 (89, 89Q, 8A, B3) (06/86-12/96)

100 407 0048 | MWB0031

Wheel bearing



Notes

Alternative Repair Kit
Inner diameter [mm]
Outer diameter [mm]
Height [mm]

100 498 0048
40
74
39.9
Front Axle

References

1J0 407 625

Application info

A3 (8L1) (09/96-05/03)

TT (8N3, 8N9) (10/98-06/06)

100 407 0034 | MWB0026

Wheel bearing



Notes

Alternative Repair Kit
Inner diameter [mm]
Outer diameter [mm]
Height [mm]

100 498 0034
42
82
37
Front Axle

References

443 407 625 D

Application info

100/200 (44, 44Q, C3) (08/82-12/91)

100 407 0037 | MWB0028

Wheel bearing



Notes

Alternative Repair Kit
Inner diameter [mm]
Outer diameter [mm]
Height [mm]

100 498 0037
43
82
37
Front Axle

References

441 407 625 A
443 407 625 A
443 407 625 F
443 407 625 H

4A0 407 625
4A0 407 625 A
400 407 625 E



Wheel bearing

100 407 0037 | MWB0028

Application info

100 [4A, C4] [12/90-07/94]
 100/200 [44, 44Q, C3] [08/82-12/91]
 80 [8C, 8G7, B4] [05/91-08/00]
 80/90 [89, 89Q, 8A, B3] [06/86-12/96]

A6 [4A, C4] [06/94-12/97]
 A6 [4B, C5] [01/97-01/05]
 A8 [4D2, 4D8] [03/94-09/02]
 V8 [01] [10/88-02/94]

Wheel bearing

100 407 0092 | MWB0034

Notes

Alternative Repair Kit	100 498 0122
Inner diameter [mm]	43
Outer diameter [mm]	82
Height [mm]	40

References

400 407 625 H



Application info

A4 [802, 805, B5] [11/94-09/01]
 A4 [8E2, 8E5, B6] [10/00-12/04]
 A4 [8EC, 8ED] [11/04-06/08]
 A4 [8H7] [04/02-03/09]

A6 [4B, C5] [01/97-01/05]
 A8 [4D2, 4D8] [03/94-09/02]
 A8 [4E] [10/02-07/10]

Wheel bearing

100 407 0033 | MWB0025

Notes

Alternative Repair Kit	100 498 0033
Inner diameter [mm]	39
Outer diameter [mm]	68.07
Height [mm]	37

Front Axle

References

811 407 625 B



Application info

80/90 [81, 85, B2] [08/78-10/88]

80/90 [89, 89Q, 8A, B3] [06/86-12/96]

100 407 0038 | MWB0029

Wheel bearing



Notes

Alternative Repair Kit	100 598 0338
Alternative Repair Kit	100 598 0238
Alternative Repair Kit	100 598 0138
Alternative Repair Kit	100 598 0038
Inner diameter 2 [mm]	41
Inner diameter 1 [mm]	39
Outer diameter [mm]	75
Height [mm]	37

References

893 407 625 C	800 407 625 A
800 407 625	

Application info

80 [8C, 8G7, B4] [05/91-08/00]

A4 [802, 805, B5] [11/94-09/01]

014 098 0024 | MWB0001

Wheel bearing



Notes

Alternative Repair Kit	614 750 0009
Alternative Repair Kit	714 502 0006
Alternative Repair Kit	014 033 0048
Alternative Repair Kit	100 498 0023
Alternative Repair Kit	100 598 0002
Inner diameter [mm]	19
Outer diameter [mm]	45
Height [mm]	17

References

443 505 509

Application info

100 [4A, C4] [12/90-07/94]

100/200 [44, 44Q, C3] [08/82-12/91]

80 [8C, 8G7, B4] [05/91-08/00]

80/90 [81, 85, B2] [08/78-10/88]

80/90 [89, 89Q, 8A, B3] [06/86-12/96]

A4 [802, 805, B5] [11/94-09/01]

A6 [4A, C4] [06/94-12/97]

300 334 1102 | MWB0045

Wheel bearing



Notes

Alternative Repair Kit	300 334 1102/S
Inner diameter [mm]	42
Outer diameter [mm]	75
Height [mm]	37
	Rear Axle

Wheel bearing
300 334 1102 | MWB0045
Application info

 100/200 [44, 44Q, C3] [08/82-12/91]
 80/90 [81, 85, B2] [08/78-10/88]

 80/90 [85] [07/80-07/91]
 80/90 [89, 89Q, 8A, B3] [06/86-12/96]

Wheel bearing kit
100 650 0008 | MWK0084
Notes

 Inner diameter [mm]
 Outer diameter [mm]
 Height [mm]

 with add-on material
 for vehicles with ASB

 51
 96
 50

References

7L0 498 287


Application info

Q7 [4L] [03/06-05/12]

Wheel bearing kit
100 498 0048 | MWK0058
Notes

 Inner diameter [mm]
 Outer diameter [mm]
 Height [mm]

with add-on material

 40
 74
 39.9

References

1J0 498 625

1J0 498 625 A

Parts list

100 407 0048 | MWB0031

Wheel bearing


Application info

A3 [8L1] [09/96-05/03]

TT [8N3, 8N9] [10/98-06/06]

Wheel bearing kit
100 498 0033 | MWK0048
Notes

 Inner diameter [mm]
 Outer diameter [mm]
 Height [mm]

with add-on material

 39
 68
 37
 Front Axle left and right

References

321 498 625 E

Parts list

100 407 0033 | MWB0025

Wheel bearing



100 498 0033 | MWK0048

Wheel bearing kit

Application info

80/90 [81, 85, B2] [08/78-10/88]

80/90 [89, 89Q, 8A, B3] [06/86-12/96]

100 498 0036 | MWK0052

Wheel bearing kit



Notes

Inner diameter [mm]
Outer diameter [mm]
Height [mm]

with add-on material
42
75
37
Rear Axle left and right
Front Axle left and right

References

443 498 625

Application info

100/200 [44, 44Q, C3] [08/82-12/91]
80/90 [81, 85, B2] [08/78-10/88]

80/90 [85] [07/80-07/91]
80/90 [89, 89Q, 8A, B3] [06/86-12/96]

100 498 0034 | MWK0049

Wheel bearing kit



Notes

Inner diameter [mm]
Outer diameter [mm]
Height [mm]

with add-on material
42
82
37

References

431 498 625 A
443 498 625 B

443 498 625 C
443 498 625 E

Parts list

100 407 0034 | MWB0026

Wheel bearing

Application info

100/200 [44, 44Q, C3] [08/82-12/91]

80/90 [85] [07/80-07/91]

Wheel bearing kit
100 498 0037 | MWK0053
Notes

 Inner diameter [mm]
 Outer diameter [mm]
 Height [mm]
 Thread Size

 with accessories
 with add-on material
 43
 82
 37
 M16x1,5x77
 Front Axle left and right

References

4A0 498 625

Parts list

100 407 0037 | MWB0028

Wheel bearing


Application info

 100 [4A, C4] [12/90-07/94]
 100/200 [44, 44Q, C3] [08/82-12/91]
 80 [8C, 8G7, B4] [05/91-08/00]
 A4 [802, 805, B5] [11/94-09/01]

 A6 [4A, C4] [06/94-12/97]
 A6 [4B, C5] [01/97-01/05]
 Allroad [4BH] [05/00-08/05]
 V8 [01] [10/88-02/94]

Wheel bearing kit
100 498 0137 | MWK0062
Notes

 Inner diameter [mm]
 Outer diameter [mm]
 Height [mm]
 Thread Size

 with add-on material
 43
 82
 37
 M16x1,5x77
 with lock ring
 Front Axle left and right

References

4A0 498 625

Parts list

100 407 0037 | MWB0028

Wheel bearing


Application info

 100 [4A, C4] [12/90-07/94]
 100/200 [44, 44Q, C3] [08/82-12/91]
 A4 [802, 805, B5] [11/94-09/01]

 A6 [4A, C4] [06/94-12/97]
 A6 [4B, C5] [01/97-01/05]
 Allroad [4BH] [05/00-08/05]

100 498 0138 | MWK0063

Wheel bearing kit



Notes

Inner diameter [mm]	with add-on material
Outer diameter [mm]	39
Height [mm]	75
Thread Size	37
	M14x1,5x73
	Front Axle left and right

References

4B0 498 625	8D0 498 625
-------------	-------------

Parts list

100 407 0038 MWB0029	Wheel bearing
------------------------	---------------

Application info

A4 (8D2, 8D5, B5) [11/94-09/01]

A6 (4B, C5) [01/97-01/05]

100 498 0337 | MWK0071

Wheel bearing kit



Notes

Inner diameter [mm]	with add-on material
Outer diameter [mm]	43
Height [mm]	82
Thread Size	37
	M16x1,5x77
	Front Axle left and right

References

4B0 498 625 A

Parts list

100 407 0037 MWB0028	Wheel bearing
------------------------	---------------

Application info

A4 (8D2, 8D5, B5) [11/94-09/01]

A6 (4B, C5) [01/97-01/05]

A8 (4D2, 4D8) [03/94-09/02]

Allroad (4BH) [05/00-08/05]

100 650 0006 | MWK0082

Wheel bearing kit



Notes

Inner diameter [mm]	with add-on material
Outer diameter [mm]	45
Height [mm]	92
Thread Size	32
Number of Holes	M12x1,5x45
	4

References

4E0 498 625	4F0 598 625 A
4E0 498 625 B	4F0 598 625 B
4E0 498 625 D	

Wheel bearing kit
100 650 0006 | MWK0082
Application info

 A6 [4F2, 4FH, 4F5] [05/04-08/11]
 A8 [4E] [10/02-07/10]

RB I [04/07-07/15]

Wheel bearing kit
100 650 0007 | MWK0083
Notes

Inner diameter [mm]	43
Outer diameter [mm]	85
Height [mm]	40.25
Number of Holes	4

with add-on material
 Front Axle left and right

References

4F0 498 625	4F0 498 625 B
-------------	---------------


Application info

A6 [4F2, 4FH, 4F5] [05/04-08/11]

Wheel bearing kit
100 650 0010 | MWK0085
Notes

Inner diameter 2 [mm]	62
Inner diameter 1 [mm]	61
Outer diameter [mm]	102
Height [mm]	40.5
Rim Hole Number	5
Number of Holes	4

with add-on material

References

8K0 407 625 A	4H0 498 625 A
8K0 407 625 E	8K0 598 625
4H0 498 625	


Application info

 A4 [8H7] [04/02-03/09]
 A4 [8K2, 8K5, 8KH] [11/07--]

 A5 [8F, 8T] [06/07--]
 Q5 [8R] [11/08--]

100 498 0237 | MWK0070

Wheel bearing kit



Notes

Inner diameter [mm]
Outer diameter [mm]
Height [mm]

with add-on material
43
82
37
Front Axle left and right

References

893 498 625 E

Parts list

100 407 0037 | MWB0028

Wheel bearing

Application info

80 [8C, 8G7, B4] [05/91-08/00]

80/90 [89, 89Q, 8A, B3] [06/86-12/96]

100 498 0038 | MWK0054

Wheel bearing kit



Notes

Inner diameter 2 [mm]
Inner diameter 1 [mm]
Outer diameter [mm]
Height [mm]

with add-on material
41
39
75
37

References

893 498 625
893 498 625 A
893 498 625 B

893 498 625 D
8A0 498 625

Parts list

100 407 0038 | MWB0029

Wheel bearing

Application info

80 [8C, 8G7, B4] [05/91-08/00]

80/90 [89, 89Q, 8A, B3] [06/86-12/96]

100 498 0171 | MWK0064

Wheel bearing kit



Notes

Inner diameter [mm]
Outer diameter [mm]
Height [mm]
Thread Size

with add-on material
43
85
37
M16x1,5x77
Front Axle left and right

References

400 498 625 A

800 498 625 A

Application info

A4 [802, 805, B5] [11/94-09/01]

A8 [402, 408] [03/94-09/02]



Wheel bearing kit

100 498 0122 | MWK0059

Notes

	with add-on material
Inner diameter [mm]	43
Outer diameter [mm]	82
Height [mm]	40
Thread Size	M12x1,5x45
Thread Size	M16x1,5x77
Number of Holes	4

References

800 498 625 C	8E0 498 625 B
8E0 498 625 A	

Parts list

100 407 0092 MWB0034	Wheel bearing
------------------------	---------------



Application info

A4 [802, 805, B5] [11/94-09/01]
 A4 [8E2, 8E5, B6] [10/00-12/04]
 A4 [8EC, 8ED] [11/04-06/08]

A4 [8H7] [04/02-03/09]
 A6 [4B, C5] [01/97-01/05]
 A8 [402, 408] [03/94-09/02]

Wheel bearing kit

100 498 0210 | MWK0066

Notes

	with add-on material
Inner diameter [mm]	40
Outer diameter [mm]	74
Height [mm]	39.9
	Front Axle left and right

References

8L0 498 625	8L0 498 625 B
-------------	---------------

Parts list

100 407 0048 MWB0031	Wheel bearing
------------------------	---------------



Application info

A3 [8L1] [09/96-05/03]

TT [8N3, 8N9] [10/98-06/06]

Wheel bearing kit

100 598 0101 | MWK0075

Notes

	with add-on material
Inner diameter 2 [mm]	17.5
Inner diameter 1 [mm]	29
Outer diameter 2 [mm]	40
Outer diameter 1 [mm]	50
Height 2 [mm]	14.73
Height 1 [mm]	15
	Rear Axle left and right

References

191 598 625



100 598 0101 | MWK0075

Wheel bearing kit

Application info

80/90 [81, 85, B2] [08/78-10/88]

80/90 [89, 89Q, 8A, B3] [06/86-12/96]

100 598 0002 | MWK0072

Wheel bearing kit



Notes

Inner diameter 2 [mm]
Inner diameter 1 [mm]
Outer diameter 2 [mm]
Outer diameter 1 [mm]
Height 2 [mm]
Height 1 [mm]

with add-on material
19
29
45
50
17
14.73
Rear Axle left and right

References

4A0 598 625 A

Parts list

014 098 0024 | MWB0001
100 405 0101 | MWB0020

Wheel bearing
Wheel bearing

Application info

100 [4A, C4] [12/90-07/94]
100/200 [44, 44Q, C3] [08/82-12/91]
80 [8C, 8G7, B4] [05/91-08/00]
80/90 [81, 85, B2] [08/78-10/88]

80/90 [89, 89Q, 8A, B3] [06/86-12/96]
A4 [802, 805, B5] [11/94-09/01]
A6 [4A, C4] [06/94-12/97]

100 598 0238 | MWK0078

Wheel bearing kit



Notes

Inner diameter [mm]
Outer diameter [mm]
Height [mm]
Thread Size

with add-on material
39
75
37
M16x1,5x77
Rear Axle left and right

References

4B0 598 625 B

Parts list

100 407 0038 | MWB0029

Wheel bearing

Application info

A6 [4B, C5] [01/97-01/05]

Wheel bearing kit
100 598 0003 | MWK0073
Notes

Inner diameter 2 [mm]	with add-on material
Inner diameter 1 [mm]	19
Outer diameter 2 [mm]	29
Outer diameter 1 [mm]	45
Height 2 [mm]	50
Height 1 [mm]	17
	14.73
	Rear Axle left and right


References

800 598 625	800 598 625 B
-------------	---------------

Parts list

014 098 0024 MWB0001	Wheel bearing
100 405 0101 MWB0020	Wheel bearing

Application info

80 (8C, 8G7, B4) (05/91-08/00)

A4 (802, 805, B5) (11/94-09/01)

Wheel bearing kit
100 598 0338 | MWK0080
Notes

Inner diameter [mm]	with add-on material
Outer diameter [mm]	39
Height [mm]	75
Thread Size	37
	M14x1,5x75
	Rear Axle left and right


References

800 598 625 A

Parts list

100 407 0038 MWB0029	Wheel bearing
------------------------	---------------

Application info

A4 (802, 805, B5) (11/94-09/01)

Wheel bearing kit
100 750 0002 | MWK0086
Notes

Inner diameter [mm]	with add-on material
Outer diameter [mm]	43
Height [mm]	82
	37
	Rear Axle left and right


References

8E0 598 625



100 750 0002 | MWK0086

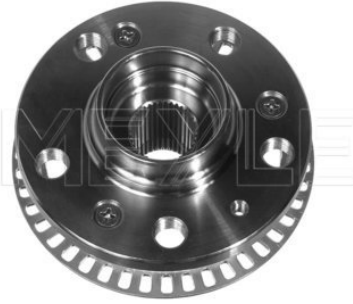
Wheel bearing kit

Application info

A4 [8E2, 8E5, B6] [10/00-12/04]

100 407 6007 | MWH0023

Wheel hub



Notes

Outer diameter [mm]
Bolt Hole Circle Ø [mm]
Rim Hole Number

without add-on material
120
100
5
without wheel bearing

References

1J0 407 613 G

Application info

A3 [8L1] [09/96-05/03]

TT [8N3, 8N9] [10/98-06/06]

100 650 0014 | MWH0219

Wheel hub



Notes

Outer diameter [mm]
Outer diameter 2 [mm]
Outer diameter 1 [mm]
Height 1 [mm]
Bolt Hole Circle Ø [mm]
Rim Hole Number

without add-on material
131
43
56.2
75
112
5
without wheel bearing

References

4B0 407 613 A

4B0 407 613 B

Application info

A4 [8E2, 8E5, B6] [10/00-12/04]
A4 [8EC, 8ED] [11/04-06/08]

A4 [8H7] [04/02-03/09]
A6 [4B, C5] [01/97-01/05]

100 650 0012 | MWH0030

Wheel hub



Notes

Outer diameter [mm]
Bolt Hole Circle Ø [mm]
Rim Hole Number

without add-on material
131
112
5
without wheel bearing

References

400 407 613 E



Wheel hub

100 650 0012 | MWH0030

Application info

A4 [8EC, 8ED] [11/04-06/08]
A4 [8H7] [04/02-03/09]
A6 [4B, C5] [01/97-01/05]

A6 [4F2, 4FH, 4F5] [05/04-08/11]
A8 [4E] [10/02-07/10]
R8 I [04/07-07/15]

Wheel hub

100 407 0068 | MWH0019

Notes

Outer diameter [mm]
Bolt Hole Circle Ø [mm]
Rim Hole Number

without add-on material
130
112
5
without wheel bearing
Front Axle left and right

References

4A0 407 615 D
4A0 407 615 F

4A0 407 615 G



Application info

A4 [8D2, 8D5, B5] [11/94-09/01]
A4 [8E2, 8E5, B6] [10/00-12/04]
A4 [8EC, 8ED] [11/04-06/08]
A4 [8H7] [04/02-03/09]

A6 [4A, C4] [06/94-12/97]
A6 [4B, C5] [01/97-01/05]
Allroad [4BH] [05/00-08/05]

Wheel hub

100 407 0010 | MWH0013

Notes

Outer diameter [mm]
Bolt Hole Circle Ø [mm]
Rim Hole Number

without add-on material
121
100
4
without wheel bearing
Front Axle left and right

References

823 407 615 A



Application info

80/90 [81, 85, B2] [08/78-10/88]
80/90 [85] [07/80-07/91]

80/90 [89, 89Q, 8A, B3] [06/86-12/96]

100 407 0079 | MWH0022

Wheel hub



Notes

Outer diameter [mm]
Height 1 [mm]
Bolt Hole Circle Ø [mm]
Rim Hole Number

without add-on material
131
75
112
5
without wheel bearing
Front Axle left and right

References

800 407 615 E

Application info

A4 (802, 805, B5) [11/94-09/01]

A6 (4B, C5) [01/97-01/05]

100 652 0001 | MWH0034

Wheel hub



Notes

for brake disc diameter [mm]
for brake disc diameter [mm]
for brake disc thickness [mm]
for brake disc thickness [mm]

288
256
25
22
with add-on material
Disc Brake
72
126.5
100
5
with integrated sensor ring
with wheel hub
Front Axle left and right

Diameter [mm]
Outer diameter [mm]
Bolt Hole Circle Ø [mm]
Rim Hole Number

References

6Q0 407 621 AJ

Application info

A2 (8Z0) [02/00-08/05]

100 650 0003 | MWH0026

Wheel hub



Notes

Inner diameter [mm]
Outer diameter [mm]
Bolt Hole Circle Ø [mm]
Rim Hole Number

with add-on material
27
136
112
5
Three-point mounting
with integrated sensor ring
with integrated wheel bearing
Front Axle left and right

References

1K0 498 621

5K0 498 621 A

Wheel hub
100 650 0003 | MWH0026
Application info

A3 (8P1, 8PA) (05/03-08/12)

Wheel hub
100 650 0005 | MWH0028
Notes

 Inner diameter [mm]
 Outer diameter [mm]
 Bolt Hole Circle Ø [mm]
 Rim Hole Number

 with add-on material
 for vehicles with ABS
 27.5
 136
 112
 5
 Four-point mounting
 with integrated sensor ring
 with integrated wheel bearing

References

1T0 498 621	8X0 498 625
3C0 498 621	8J0 598 625
5K0 498 621	


Application info

 A1 (8X1, 8XA) (05/10--)
 A3 (8P1, 8PA) (05/03-08/12)

 Q3 (8U) (06/11--)
 TT (8J3, 8J9) (08/06-06/10)

Wheel hub
100 650 1003 | MWH0031
Notes

 for brake disc diameter [mm]
 Outer diameter [mm]
 Outer diameter 2 [mm]
 Bolt Hole Circle Ø [mm]
 Rim Hole Number

 288
 with add-on material
 136
 80
 112
 5
 Three-point mounting
 with integrated sensor ring
 with integrated wheel bearing
 Front Axle left and right

References

5Q0 407 621 B	8V0 498 625
---------------	-------------


Application info

A3 (8V1, 8VS, 8V7, 8PA) (04/12--)

100 650 1005 | MWH0032

Wheel hub



Notes

for brake disc diameter [mm]	312
	with add-on material
Outer diameter [mm]	136
Outer diameter 2 [mm]	85
Bolt Hole Circle Ø [mm]	112
Rim Hole Number	5
	Three-point mounting with integrated sensor ring with integrated wheel bearing Front Axle left and right

References

5Q0 407 621 A	8V0 498 625 A
---------------	---------------

Application info

A3 [8V1, 8VS, 8V7, 8PA] [04/12--]

100 598 0181 | MWH0025

Wheel hub



Notes

	with add-on material
Number of Teeth, ABS ring	43
Inner diameter 1 [mm]	30
Outer diameter [mm]	120
Bolt Hole Circle Ø [mm]	100
Rim Hole Number	5
	with wheel hub with ABS sensor ring Rear Axle left and right

References

1J0 501 611 0	1J0 598 477
---------------	-------------

Parts list

100 752 0006 MCX0182	Protection lid, wheel hub
------------------------	---------------------------

Application info

A3 [8L1] [09/96-05/03]

TT [8N3, 8N9] [10/98-06/06]

100 752 0001 | MWH0038

Wheel hub



Notes

	with add-on material
Inner diameter [mm]	39
Outer diameter [mm]	130
Bolt Hole Circle Ø [mm]	112
Rim Hole Number	5
	with integrated wheel bearing Rear Axle left and right

References

8E0 501 611 J

Wheel hub

100 752 0001 | MWH0038

Application info

A6 [4A, C4] [06/94-12/97]

A6 [4B, C5] [01/97-01/05]

Wheel hub

100 752 0008 | MWH0221

Notes

Outer diameter [mm]
Bolt Hole Circle Ø [mm]
Rim Hole Number

without add-on material
Disc Brake
157
130
5
without wheel bearing

References

7L0 501 655 A

7L0 501 655 B



Application info

Q7 [4L] [03/06-05/12]

Wheel hub

100 752 0003 | MWH0039

Notes

Inner diameter [mm]
Outer diameter [mm]
Bolt Hole Circle Ø [mm]
Rim Hole Number

with add-on material
32
137
112
5
with integrated sensor ring
with integrated wheel bearing
Rear Axle left and right

References

1T0 598 611 B

Parts list

100 752 0006 | MCX0182

Protection lid, wheel hub



Application info

A3 [8P1, 8PA] [05/03-08/12]

TT [8J3, 8J9] [08/06-06/10]

100 750 0007 | MWH0037

Wheel hub



Notes

Outer diameter [mm]
Bolt Hole Circle Ø [mm]
Rim Hole Number

with add-on material
131
112
5
Four-point mounting
with integrated wheel bearing
Rear Axle left and right

References

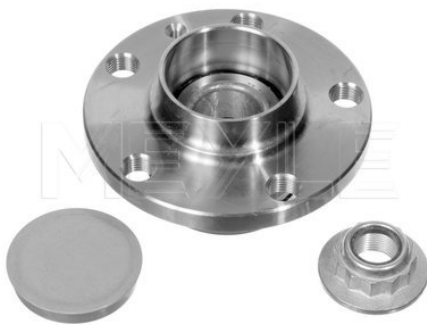
4F0 598 611 B

Application info

A6 [4F2, 4FH, 4F5] [05/04-08/11]

114 750 0001 | MWH0061

Wheel hub



Notes

Inner diameter [mm]
Outer diameter [mm]
Bolt Hole Circle Ø [mm]
Rim Hole Number

with add-on material
28
120
100
5
with integrated wheel bearing
Standard
Rear Axle left and right

References

6Q0 598 611

Application info

A1 [8X1, 8XA] [05/10--]

A2 [8Z0] [02/00-08/05]

100 750 0000 | MWH0035

Wheel hub



Notes

Number of Teeth, ABS ring
Inner diameter [mm]
Outer diameter [mm]
Bolt Hole Circle Ø [mm]
Rim Hole Number

with add-on material
45
32
131
112
5
with ABS sensor ring
with integrated wheel bearing
Rear Axle left and right

References

8E0 598 611
8E0 598 611 A

8E0 598 611 B
8E0 598 611 C

Parts list

100 752 0006 | MCX0182

Protection lid, wheel hub



Wheel hub

100 750 0000 | MWH0035

Application info

A4 [8E2, 8E5, 8E6] [10/00-12/04]
A4 [8EC, 8ED] [11/04-06/08]

A4 [8H7] [04/02-03/09]

Wheel hub

100 650 0011 | MWH0029

Notes

Inner diameter [mm]
Outer diameter [mm]
Bolt Hole Circle Ø [mm]
Rim Hole Number

with add-on material
32
142
112
5
with integrated sensor ring
with integrated wheel bearing
Rear Axle left and right

References

8K0 598 611

8K0 598 611 A



Application info

A4 [8K2, 8K5, 8KH] [11/07--]
A5 [8F, 8T] [06/07--]

A6 [4G2, 4G5, C7] [11/10-05/13]

Wheel hub

100 750 0001 | MWH0036

Notes

Inner diameter [mm]
Outer diameter [mm]
Bolt Hole Circle Ø [mm]
Rim Hole Number

with add-on material
30
136
112
5
with integrated wheel bearing
Rear Axle left and right

References

1K0 598 611
8V0 598 611

8V0 598 611 A

Parts list

100 752 0006 | MCX0182

Protection lid, wheel hub



Application info

A3 [8P1, 8PA] [05/03-08/12]

A3 [8V1, 8VS, 8V7, 8PA] [04/12--]

MEYLE no.	Ref. no.	Page
Audi		
014 009 0081	059 903 341 A	361
014 042 0003	443 611 775 A	160
014 049 0008	893 253 147 F	481
014 098 0024	443 505 509	834
014 698 0006	400 698 647	141
014 698 0006/S	400 698 647	142
014 731 1021	068 903 803 DX	329
014 731 1023	068 903 803 DX	329
014 731 1090	028 903 803 A 070 903 803 A	330
014 800 0052	431 819 809 A	41
025 201 6819	8A0 698 151 C	121
025 201 6819/PD	8A0 698 151 C	121
025 202 2815	171 698 151 E 811 698 151 823 698 151 823 698 151 A 827 698 151 827 698 151 A 839 698 151 861 698 151 861 698 151 A 891 698 151	120
025 205 7419	811 615 115 C 811 615 115 D 811 615 115 E 855 615 115 C 855 615 115 D 855 615 115 E 321 698 151 321 698 151 A 431 698 151 C 431 698 151 E 431 698 151 H 431 698 151 L 811 698 151 A 811 698 151 B	109
025 206 6919	443 398 151 F 853 615 115 C 8A0 615 115 B 357 698 151 431 698 151 D 431 698 151 F 431 698 151 G 437 698 151 443 698 151 A	108

MEYLE no.	Ref. no.	Page
Audi		
	443 698 151 H 8A0 698 151 B	
025 206 7619/PD	4A0 615 116 A 4A0 698 151 4A0 698 151 A 4A0 698 151 C 400 698 151 H	110
025 206 7619/W	4A0 615 116 A 4A0 698 151 4A0 698 151 A 4A0 698 151 C 400 698 151 H	110
025 209 0119/W	443 398 151 F 431 698 151 D 431 698 151 F 437 698 151 443 698 151 A 443 698 151 C 443 698 151 D 443 698 151 F 443 698 151 G 443 698 151 H 443 698 151 J 443 698 151 K	109
025 209 6117	1J0 698 451 1J0 698 451 B 1J0 698 451 D 1J0 698 451 E 1J0 698 451 F 1J0 698 451 H 1J0 698 451 J 1J0 698 451 L 1J0 698 451 N 1J0 698 451 P 1J0 698 451 R 1K0 698 451 A 1K0 698 451 C 1K0 698 451 J 4B0 698 451 B 4B0 698 451 E 400 698 451 C 6X0 698 451 A 8E0 698 451 8E0 698 451 A 8E0 698 451 B 8E0 698 451 D	129



MEYLE no.	Ref. no.	Page
Audi		
	8E0 698 451 E 8E0 698 451 K 8E0 698 451 L	
025 209 6117/PD	1J0 698 451 1J0 698 451 B 1J0 698 451 D 1J0 698 451 E 1J0 698 451 F 1J0 698 451 H 1J0 698 451 J 1J0 698 451 L 1J0 698 451 N 1J0 698 451 P 1J0 698 451 R 1K0 698 451 A 1K0 698 451 C 1K0 698 451 J 4B0 698 451 B 4B0 698 451 E 4D0 698 451 C 6X0 698 451 A 8E0 698 451 8E0 698 451 A 8E0 698 451 B 8E0 698 451 D 8E0 698 451 E 8E0 698 451 K 8E0 698 451 L	130
025 211 3819/W	447 615 115 B 447 615 115 M 895 615 115 B 895 615 115 C 447 615 116 B 447 615 116 M 441 698 151 E 447 698 151 447 698 151 A 447 698 151 B 447 698 151 E 447 698 151 F 895 698 151 895 698 151 A	121
025 211 4416	443 498 451 B 447 615 115 E 447 615 116 E 443 615 415 N	133

MEYLE no.	Ref. no.	Page
Audi		
	443 615 415 P 4A0 615 415 4A0 615 415 C 4D0 615 415 437 698 451 443 698 451 443 698 451 A 443 698 451 B 447 698 451 447 698 451 A 447 698 451 C 4A0 698 451 4A0 698 451 A 4D0 698 451 4D0 698 451 A 4D0 698 451 B 4D0 698 451 F 857 698 451	
025 211 4416/PD	443 498 451 B 447 615 115 E 447 615 116 E 443 615 415 N 443 615 415 P 4A0 615 415 4A0 615 415 C 4D0 615 415 437 698 451 443 698 451 443 698 451 A 443 698 451 B 447 698 451 447 698 451 A 447 698 451 C 4A0 698 451 4A0 698 451 A 4D0 698 451 4D0 698 451 A 4D0 698 451 B 4D0 698 451 F 857 698 451	134
025 212 1118	447 698 151 C	110
025 214 5218/PD	4D0 698 151 A 4D0 698 151 AD 4D0 698 151 C 4D0 698 151 E	114
025 214 5218/W	4D0 698 151 A	114

MEYLE no.	Ref. no.	Page
Audi		
	400 698 151 AD 400 698 151 C 400 698 151 E	
025 214 5418/PD	4B0 698 151 C 8D0 698 151 B 8D0 698 151 K	112
025 214 5418/W	4B0 698 151 C 8D0 698 151 B 8D0 698 151 K	113
025 216 2419	8D0 698 151 A 8D0 698 151 C 8D0 698 151 F	122
025 216 2419/PD	8D0 698 151 A 8D0 698 151 C 8D0 698 151 F	122
025 219 1119	1J0 698 151 L 3A0 698 151 A 8N0 698 151	107
025 219 1119/PD	1J0 698 151 L 3A0 698 151 A 8N0 698 151	105
025 219 4519	8E0 698 151 N	123
025 219 4519-1/PD	8E0 698 151 B 8E0 698 151 M	123
025 219 4519/PD	8E0 698 151 N	124
025 219 4519/W	8E0 698 151 B 8E0 698 151 M	123
025 220 3517	5Q0 698 151 C	119
025 230 1820/PD	4B0 698 151 4B0 698 151 A 4B0 698 151 AB 4B0 698 151 B 4B0 698 151 E 4B0 698 151 H 4B0 698 151 J 4B0 698 151 K 4B0 698 151 M 4B0 698 151 N 4F0 698 151 8E0 698 151 F 8E0 698 151 K	111
025 230 1820/W	4B0 698 151 4B0 698 151 A 4B0 698 151 AB 4B0 698 151 B 4B0 698 151 E	111

MEYLE no.	Ref. no.	Page
Audi		
	4B0 698 151 H 4B0 698 151 J 4B0 698 151 K 4B0 698 151 M 4B0 698 151 N 4F0 698 151 8E0 698 151 F 8E0 698 151 K	
025 231 3019/A	1J0 698 151 1J0 698 151 B 1J0 698 151 J 6R0 698 151 A	105
025 231 3019/PD	1J0 698 151 1J0 698 151 A 1J0 698 151 B 6R0 698 151 A	103
025 231 3119/PD	1J0 698 151 D 1J0 698 151 E 1J0 698 151 F 1J0 698 151 G 1K0 698 151 A 1K0 698 151 F	104
025 231 3119/W	1J0 698 151 D 1J0 698 151 E 1J0 698 151 F 1J0 698 151 G 1K0 698 151 A 1K0 698 151 F	104
025 232 8017/W	4B0 698 151 D 4B0 698 151 L 4B0 698 151 S 4B3 698 151	113
025 233 2617	4B3 698 451 4B3 698 451 A 4E0 698 451 4E0 698 451 A 4E4 698 451 A 4F0 698 451 4F0 698 451 F 4F0 698 451 G 4F0 698 451 K 8E0 698 451 C 8E0 698 451 N 8E0 698 451 P	132
025 233 2617/PD	4B3 698 451 4B3 698 451 A	133



MEYLE no.	Ref. no.	Page
Audi		
	4E0 698 451 4E0 698 451 A 4E4 698 451 A 4F0 698 451 4F0 698 451 F 4F0 698 451 G 4F0 698 451 K 8E0 698 451 C 8E0 698 451 N 8E0 698 451 P	
025 233 9219/PD	1J0 698 151 M 8N0 698 151 A 8N0 698 151 C 8N0 698 151 E	105
025 233 9219/W	1J0 698 151 M 8N0 698 151 A 8N0 698 151 C 8N0 698 151 E	106
025 235 8720/PD	1K0 698 151 1K0 698 151 E 3C0 698 151 A 3C0 698 151 C 5K0 698 151 5K0 698 151 A 8J0 698 151 8J0 698 151 C	107
025 235 8720/W	1K0 698 151 1K0 698 151 C 1K0 698 151 E 3C0 698 151 A 3C0 698 151 C 3C0 698 151 D 5K0 698 151 8J0 698 151 8J0 698 151 C	108
025 235 8919	8X0 698 151	128
025 236 9317	4L0 698 151 A 4L0 698 151 B 7L0 698 151 J 7L0 698 151 P	118
025 236 9317/PD	7L0 698 151 J 7L0 698 151 P	120
025 236 9417	7L0 698 451 B 7L0 698 451 G 7L5 698 451	138
025 236 9417/PD	7L0 698 451 B	139

MEYLE no.	Ref. no.	Page
Audi		
	7L0 698 451 G 7L5 698 451	
025 237 6220/W	4B0 698 151 AC 4B0 698 151 AD 4B0 698 151 Q 4B0 698 151 R	112
025 238 0120/W	1K0 698 151 B	106
025 238 9620/PD	4E0 698 151 4E0 698 151 A 4E0 698 151 B 4E0 698 151 E 4E0 698 151 J 4E0 698 151 K 4E4 698 151 4E4 698 151 A	115
025 238 9620/W	4E0 698 151 4E0 698 151 A 4E0 698 151 B 4E0 698 151 E 4E0 698 151 J 4E0 698 151 K 4E4 698 151 4E4 698 151 A	115
025 239 1417	1K0 698 451 B 1K0 698 451 D 1K0 698 451 E 1K0 698 451 F 1K0 698 451 G 1K0 698 451 H 1K0 698 451 K 3C0 698 451 D 4F0 698 451 A 4F0 698 451 B 4F0 698 451 D 4F0 698 451 E 8E0 698 451 B 8E0 698 451 D 8E0 698 451 E 8E0 698 451 F 8E0 698 451 J 8E0 698 451 L 8E0 698 451 M	130
025 239 1417/PD	1K0 698 451 B 1K0 698 451 D 1K0 698 451 E 1K0 698 451 F	131

MEYLE no.	Ref. no.	Page
Audi		
	1K0 698 451 G 1K0 698 451 H 1K0 698 451 K 3C0 698 451 D 4F0 698 451 A 4F0 698 451 B 4F0 698 451 D 4F0 698 451 E 8E0 698 451 B 8E0 698 451 D 8E0 698 451 E 8E0 698 451 F 8E0 698 451 J 8E0 698 451 L 8E0 698 451 M	
025 239 5020/PD	4E0 698 151 F 4E0 698 151 M 4F0 698 151 A 4F0 698 151 D 4F0 698 151 K 8E0 698 151 C 8E0 698 151 G 8E0 698 151 L	116
025 239 5020/W	4E0 698 151 F 4E0 698 151 M 4F0 698 151 A 4F0 698 151 D 4F0 698 151 K 8E0 698 151 C 8E0 698 151 G 8E0 698 151 L	116
025 240 9817	8J0 698 151 D 8J0 698 151 E 8J0 698 151 G 8J0 698 151 H 8J0 698 151 K	124
025 240 9817/PD	8J0 698 151 D 8J0 698 151 E 8J0 698 151 G 8J0 698 151 H 8J0 698 151 K	125
025 242 6118	4L0 698 451 B 4L0 698 451 C	135
025 242 9616	7L0 698 451 F	137
025 242 9616/PD	7L0 698 451 F	138
025 243 3219/PD	5N0 698 151	118

MEYLE no.	Ref. no.	Page
Audi		
	5N0 698 151 B	
025 243 3219/W	5N0 698 151 5N0 698 151 B	119
025 244 8317	3AA 698 451 3C0 698 451 F	131
025 244 8317/PD	3AA 698 451 3C0 698 451 F	132
025 245 6317	5K0 698 451 5K0 698 451 A 5K0 698 451 C	136
025 245 6317/PD	5K0 698 451 5K0 698 451 A 5K0 698 451 C	136
025 246 0617-1/PD	8K0 698 451 A 8K0 698 451 B 8K0 698 451 C 8K0 698 451 F	139
025 246 0617-2/PD	8K0 698 451 8K0 698 451 D 8K0 698 451 E	140
025 246 0617/K1	8K0 698 451 A 8K0 698 451 B 8K0 698 451 C 8K0 698 451 F	140
025 246 0617/K2	8K0 698 451 8K0 698 451 D 8K0 698 451 E	141
025 246 0617/PD	4H0 698 451 A 4H0 698 451 C 4H0 698 451 D 4H0 698 451 K 4H0 698 451 L	134
025 246 0617/W	4H0 698 451 A 4H0 698 451 C 4H0 698 451 D 4H0 698 451 K 4H0 698 451 L	135
025 246 4317	4H0 698 451 F	135
025 247 0520/PD	8K0 698 151 A 8K0 698 151 F	125
025 247 0520/W	8K0 698 151 F	125
025 247 4319/PD	8K0 698 151 8K0 698 151 B 8K0 698 151 C 8K0 698 151 D 8K0 698 151 E	126

MEYLE no.	Ref. no.	Page
Audi		
	8K0 698 151 G 8K0 698 151 H 8K0 698 151 J 8K0 698 151 K 8K0 698 151 L	
025 247 4319/W	4G0 698 151 4G0 698 151 D 4G0 698 151 L 8K0 698 151 8K0 698 151 B 8K0 698 151 C 8K0 698 151 D 8K0 698 151 E 8K0 698 151 G 8K0 698 151 H 8K0 698 151 J 8K0 698 151 K 8K0 698 151 L 8R0 698 151 8R0 698 151 A	117
025 250 0816	3Q0 698 451 5Q0 698 451 5Q0 698 451 C 8V0 698 451 8V0 698 451 A 8V0 698 451 B	137
025 250 0816/PD	3Q0 698 451 5Q0 698 451 5Q0 698 451 C 8V0 698 451 8V0 698 451 A 8V0 698 451 B	137
025 251 1720/W	8V0 698 151 C	128
025 256 4316	8R0 698 151 AB 8R0 698 151 D 8R0 698 151 E 8R0 698 151 G 8R0 698 151 J 8R0 698 151 K 8R0 698 151 L	126
025 256 4316/PD	8R0 698 151 AB 8R0 698 151 D 8R0 698 151 E 8R0 698 151 G 8R0 698 151 J 8R0 698 151 K	127

MEYLE no.	Ref. no.	Page
Audi		
	8R0 698 151 L	
025 256 8320	8V0 698 151 8V0 698 151 B 8V0 698 151 D	127
025 256 8320/PD	8V0 698 151 8V0 698 151 B 8V0 698 151 D	128
025 261 5820/PD	4G0 698 151 B 4G0 698 151 G 4G0 698 151 S 4H0 698 151 D 4H0 698 151 G	117
028 105 0000	06A 121 114	454
028 271 0002	044 121 113 056 121 113 D 068 121 113	449
028 271 0006	078 121 113 F	452
028 275 0005	044 121 113 056 121 113 D 068 121 113	449
028 280 0001	035 121 113 035 121 113 A 035 121 113 B 069 121 113 069 121 113 A 075 121 113 A	452
028 280 0008	078 121 113 F	453
028 280 0010	044 121 113 056 121 113 D 068 121 113	450
028 287 0006	035 121 113 035 121 113 A 035 121 113 B 069 121 113 069 121 113 A 075 121 113 A	452
028 287 0007	078 121 113 F	453
028 287 0009	050 121 113 C	451
028 287 0010	044 121 113 056 121 113 D 068 121 113	450
028 292 0001	044 121 113 056 121 113 D 068 121 113	450
028 292 0009	078 121 113 G	454
029 280 1210	-	22

MEYLE no.	Ref. no.	Page
Audi		
029 330 1314	-	22
029 350 1415	-	23
029 375 1514	-	23
029 380 1513	8X3 955 425	23
029 380 1514	-	24
029 400 1600	-	24
029 400 1616	8K9 955 425	24
029 450 1800	-	25
029 475 1900	-	25
029 500 2000	-	25
029 530 2100	-	26
029 550 2200	-	26
029 580 2300	-	27
029 600 2400	-	27
029 650 2600	-	27
029 680 2700	-	28
029 750 3000	-	28
050 004 0855	028260849G 050903137B 050903137C 068260849A 058 260 849 058 260 849 A	407
050 004 0890	034 903 137 B 053 903 137 A	407
050 004 1215	059 260 849 D	408
050 004 1238	059 260 849 B	384
050 005 0930	07K 145 933 R	382
050 005 0950	07L 903 137 C 07L 903 137 M	406
050 005 0970	07L 903 137 T	406
050 005 0985	079 903 137 AJ	405
050 005 1060	07K145933E	379
050 005 1090	079903137AG	378
050 005 1105	079903137E	378
050 005 1120	079903137A 079903137AA	408
050 005 1125	079903137AB	377
050 005 1130	07L903137E	379
050 005 1135	079903137T	378
050 005 1165	079 903 137 S	405
050 005 1300	058 903 137 C 058 903 137 E 06B 903 137 06B 903 137 A 06B 903 137 E	395

MEYLE no.	Ref. no.	Page
Audi		
050 005 1435	038 903 137 H	386
050 006 0735	04E 145 933 C 04E 145 933 G	382
050 006 0745	036 145 933 M 04E 145 933 N	381
050 006 0858	045 903 137 E	390
050 006 0890	028 903 137 K	386
050 006 0900	06F 903 137 E	399
050 006 0906	038 903 137 G	386
050 006 0950	03G 903 137 A	387
050 006 0955	06F 903 137 L	399
050 006 0995	045 903 137 D	390
050 006 1000	04E 145 933 A	381
050 006 1025	04L 260 849 C	383
050 006 1045	06F 260 849 E 028 903 137 B 028 903 137 BB 028 903 137 T	384
050 006 1050	03G 903 137 B	388
050 006 1055	06F 260 849 L	385
050 006 1070	03L 903 137 03L 903 137 G	389
050 006 1080	03L 903 137 D	389
050 006 1084	036 145 933 F	380
050 006 1090	6Q0 903 137 A	406
050 006 1100	06J 260 849 F	385
050 006 1120	06A 145 933 D 06J 260 849 D	385
050 006 1125	036 145 933 Q	381
050 006 1130	06L 903 137 A	400
050 006 1175	028 260 849 H	383
050 006 1195/D	06A 260 849 06A 260 849 B 06A 260 849 C 06A 260 849 E	384
050 006 1240	022 145 933 N	380
050 006 1264	03L 903 137 J	389
050 006 1295	054 903 137 A 054 903 137 E	392
050 006 1320/D	066 145 933 J	382
050 006 1325	046 903 137 A	390
050 006 1345	046 903 137 N	391
050 006 1430	03F 903 137 A	387
050 006 1570	06B 903 137 J 06D 903 137 A 06D 903 137 C	396

MEYLE no.	Ref. no.	Page
Audi		
	06D 903 137 E	
050 006 1580	03L 903 137 A	388
050 006 1590	06B 903 137 C 06H 903 137 C	400
050 006 1600	047 903 137 AC	392
050 006 1610	03G 903 137 E	388
050 006 1613	022 145 933 AG 022 145 933 AP 03G 903 137 E	379
050 006 1623	057 903 137 H 057 903 137 K	393
050 006 1637	078 903 137 AN	402
050 006 1660	037 145 933 B 038 903 137 E 038 903 137 J	387
050 006 1675	078 903 137	402
050 006 1690	03F 260 849 A 054 903 137 B	392
050 006 1698	03C 260 849 A	383
050 006 1705	046 903 137 B	391
050 006 1725	046 903 137 M	391
050 006 1735	6Q0 260 849 C 046 903 137 E 046 903 137 F 078 903 137 BM	408
050 006 1760	078 903 137 AP	403
050 006 1856	078 903 137 BL	404
050 006 1863	078 903 137 AQ	403
050 006 1875	078 903 137 AR 078 903 137 BD	403
050 006 1880	078 903 137 BC 078 903 137 BJ	404
050 006 1885	06C 903 137 E	396
050 006 1905	078 903 137 AJ	402
050 006 1920	06C 903 137 D	395
050 006 1930	06C 903 137 C	395
050 006 2260	078 903 137 K 078 903 137 P	405
050 006 2280	078 903 137 C	404
050 006 2285	06E 903 137 AA	396
050 006 2330	06E 903 137 T	399
050 006 2403	059 903 137 H 06E 903 137 AC 06E 903 137 K	397
050 006 2415	059 903 137 AG 06E 903 137 A	397

MEYLE no.	Ref. no.	Page
Audi		
	06E 903 137 J	
050 006 2425	077 903 137 G	401
050 006 2445	06E 903 137 Q	398
050 006 2460	059 903 137 AB 06E 903 137 N 077 903 137 B 077 903 137 D 077 903 137 E	400
050 006 2465	06E 903 137 C	397
050 006 2475	059 903 137 AC 059 903 137 R 06E 903 137 AE 077 903 137 H 077 903 137 L	394
050 006 2490	059 903 137 T 06E 903 137 R	398
050 006 2498	059 903 137 AE	393
050 006 2523	059 903 137 AL 059 903 137 AM	394
050 006 2535	059 903 137 AJ 059 903 137 AN 059 903 137 AP	394
050 006 2612	057 903 137 C 077 903 137 M 077 903 137 R	393
050 006 2680	077 903 137 Q	401
050 007 2074/D	022 145 933 P	380
100 009 0001	059 145 276	360
100 009 0005	074 109 243	373
100 020 0001	030 145 299 C 030 145 299 F	358
100 020 0003	06B 903 133 06B 903 133 A 06B 903 133 E	358
100 020 1032	068 905 061 N 019 081 1 N 019 100 1 N 102 130 02	296
100 020 1036	N 103 021 02	296
100 020 2022	N 101 401 05	295
100 030 0005	800 199 339 M	533
100 034 0003	1J0 127 247 A	511
100 036 0002	048 103 493 A	480
100 036 0018	1J0 129 684 CG 1J0 129 684 N	510
100 036 0028	1H0 145 834 J	508

MEYLE no.	Ref. no.	Page
Audi		
100 036 0032	06B 103 221 A 06B 103 221 B 06B 103 221 P	479
100 036 0034	1J0 145 838 B	510
100 036 0036	1K0 145 832 B	508
100 036 0037	3B0 145 834 P 8D0 145 834 L	509
100 036 0038	1J0 145 834 A	508
100 036 0039	1K0 145 834 B 1K0 145 834 G 1K0 145 834 L	509
100 036 0040	8D0 145 828 G	507
100 036 0041	1K0 145 790 C	506
100 036 0043	3C0 145 828 K	507
100 036 0046	-	510
100 040 0000	028 103 491 J	480
100 040 0001/HD	857 407 181	671
100 103 0040	038 103 663	518
100 103 0045	06A 103 663 C	518
100 103 0048	050 103 493 A	481
100 103 0100	026 103 085 E 068 103 085 E	481
100 103 1000	03L 103 171 03L 103 171 A	476
100 103 1001	06E 103 153 E	474
100 103 1002	04L 103 151 04L 103 151 A	473
100 103 1003	036 103 171 B 041 103 171 A	476
100 103 1004	030 103 171 L	475
100 103 1005	06H 103 171 A 06H 103 171 F 06K 103 171 A 06K 103 171 F	478
100 103 1007	04L 103 171	477
100 103 1008	038 103 171 S	476
100 103 1009	030 103 171 S 030 103 171 T	475
100 103 1010	038 103 171 B 06A 103 171 A 06A 103 171 B	477
100 103 1011	026 103 171 B 026 103 171 D 028 103 171 028 103 171 B 028 103 171 K	474

MEYLE no.	Ref. no.	Page
Audi		
	068 103 171 F	
100 103 1012	06B 103 171 B	478
100 103 1013	078 103 171 L	478
100 103 1015	04E 103 170 A	474
100 105 0004	056 105 313 C	411
100 109 0007	078 109 243 A 078 109 243 C	367
100 109 0010	068 109 243 F	366
100 109 0016	026 109 243 L	362
100 109 0016/S	026 109 243 L	363
100 109 0034	03L 109 244 D 058 109 244	374
100 109 0035	078 109 244 F	375
100 109 0036	054 109 479*	368
100 109 0038	069 109 243 B	372
100 109 0049	068 109 243 B 068 109 243 E	366
100 109 0051	038 109 244 J 038 109 244 N	373
100 109 0054	068 109 243 D 068 109 243 F	367
100 109 0056	051 109 243	365
100 109 0059	026 109 243 J	362
100 109 0063	038 109 243 N	364
100 109 9002/S	6K0 198 002 056 198 119	369
100 115 0000	071 115 562 A 071 115 562 C	526
100 115 0001	026 115 561 3 056 115 561 G	521
100 115 0003	068 115 561 B	521
100 115 0004	030 115 561 AB 030 115 561 AN	520
100 115 0005	078 115 561 J	523
100 115 0007	074 115 562	527
100 115 0009	06A 115 561 B 1JM 115 561 BZ	522
100 115 0011	059 115 562	525
100 115 0014	03C 115 562	523
100 115 0016	06D 115 562	525
100 115 0018	028 115 561	519
100 115 0019	028 115 561 G	519
100 121 0003	443 121 273 E	447
100 121 0004	431 121 273	447
100 121 0015	068 121 144 068 121 145 Q	421

MEYLE no.	Ref. no.	Page
Audi		
100 121 0032	443 121 403 893 121 403 8A0 121 403 A 431 121 407 C	425
100 121 0036	058 121 350	430
100 121 0037	059 121 350 059 121 350 A 059 121 350 F 059 121 350 G 059 121 350 H	430
100 121 0038	078 121 350 A	430
100 121 0041	4A0 121 403	424
100 121 0042	443 121 321	428
100 121 0048	068 121 113 068 121 113 B 068 121 113 D 068 121 113 H	451
100 121 0049	1J0 121 321 A 1J0 121 321 B	427
100 121 0052	038 121 121	413
100 121 0053	028 121 132	414
100 121 0055	028 121 144 N	421
100 121 0057	038 121 132 C	416
100 121 0058	06A 121 132	418
100 121 0059	06A 121 132 AP 06A 121 132 Q	419
100 121 0059/C	06A 121 132 AP 06A 121 132 Q	419
100 121 0061	8D0 121 403 L	425
100 121 0064	8D0 121 403 D	425
100 121 0068	06A 121 132 A	418
100 121 0071	058 121 301 B	429
100 121 0073/S	037 121 132 A 037 121 132 B	415
100 121 0077	044 121 144 B	421
100 121 0078	048 121 145 B	422
100 121 0080	357 121 140 357 121 140 S 357 121 999 X	431
100 121 0089	078 121 301 E	429
100 121 0106	026 121 144 A 026 121 144 E 037 121 144 A 026 121 145 E 037 121 145	420
100 121 0112	068 121 132	418

MEYLE no.	Ref. no.	Page
Audi		
	068 121 133 AB	
100 121 0113	058 121 132 A 058 121 132 C	417
100 121 1026	037 121 132 A 037 121 132 B	415
100 121 1027	055 121 121 F	414
100 121 1050	058 121 132	417
100 121 1050/S	058 121 132	417
100 121 1051	030 121 121 B	413
100 121 1054	037 121 132 G	415
100 121 1055	050 121 132 A	416
100 121 1058	026 121 144 F	420
100 121 1060	027 121 145 B	422
100 121 1062	050 121 132 B	416
100 121 1064	1J0 121 403 B	423
100 121 1065	1J0 121 087 B	412
100 121 1067	048 121 121 B	414
100 121 1068	028 121 144 M	420
100 121 1069	048 121 053 C	438
100 127 0003	026 127 025 A	504
100 127 0005	068 127 177 B	493
100 127 0007	1J0 127 401 A	495
100 127 0008	028 127 435 A	499
100 127 0013	8D0 127 435	499
100 130 0006	8E0 399 105 AF 8E0 399 105 CL 8E0 399 105 EL 8E0 399 105 JD	240, 247
100 130 0006	8E0 399 105 AF 8E0 399 105 CL 8E0 399 105 EL 8E0 399 105 JD	240, 247
100 130 0009	8E0 399 105 BG 8E0 399 105 DM 8E0 399 105 G 8E0 399 105 HB	246, 254
100 130 0009	8E0 399 105 BG 8E0 399 105 DM 8E0 399 105 G 8E0 399 105 HB	246, 254
100 130 0011	4B0 399 151 M	241, 248
100 130 0011	4B0 399 151 M	241, 248
100 133 0006	893 133 511	500
100 133 0009	811 133 511 D	500
100 133 0011	443 133 741 A	505
100 133 0014	027 133 357 A	511

MEYLE no.	Ref. no.	Page
Audi		
100 135 0001	01V 325 429	259
100 135 0001/SK	01V 325 429	260
100 135 0002	01L 325 429 B	258
100 135 0002/SK	01L 325 429 B	258
100 135 0003	09L 325 429	262
100 135 0003/SK	09L 325 429	263
100 135 0004	09E 325 429	261
100 135 0004/SK	09E 325 429	261
100 135 0005	0B6 325 429	264
100 135 0005/SK	0B6 325 429	264
100 135 0013	0BK 398 009	266
100 135 0014	01M 325 429	259
100 135 0100	09G 325 429	262
100 135 0102	02E 305 051 C 02E 305 051 D 2E0 398 051	257
100 135 0103	0BH 325 183 B	257
100 135 0105	09D 325 435	265
100 135 0108	0C8 325 435	265
100 135 0114	0B5 325 429 E	263
100 136 0001	09A 325 429	235
100 136 0002	09D 325 435	237
100 136 0003	02E 305 051 C 02E 305 051 D 02E 398 051	233
100 136 0004	0BH 325 183 B	233
100 136 0006	0BK 398 009	237
100 136 0008	01L 325 429 B	233
100 136 0009	0B6 325 429	236
100 136 0010	09E 325 429	235
100 136 0011	09L 325 429	236
100 137 0001	09G 325 429	228
100 137 0002	09D 325 435	231
100 137 0003	0B5 325 429 E	230
100 137 0006	0BK 398 009	232
100 137 0008	01L 325 429 B	225
100 137 0009	0B6 325 429	230
100 137 0010	0C8 325 435	231
100 137 0012	0AT 325 429	229
100 137 0111	09L 325 429	229
100 137 0112	09L 325 429	229
100 137 1003	0B5 325 330 A 0B5 398 060 A	225
100 137 1004	0B5 325 060 C 0B5 325 330 A 0B5 398 060	225

MEYLE no.	Ref. no.	Page
Audi		
100 139 0001	01L 321 371	514
100 139 0002	09G 321 370	513
100 139 0004	0BK 398 009	517
100 140 0001	02E 321 371 E	224
100 140 0002	09E 321 371 A	515
100 140 0003	0B5 321 371 D 0B5 321 371 E	517
100 140 0004	09E 321 371	515
100 142 0004	1J1 721 388 A 1J1 721 388 C 1J1 721 388 E 1J1 721 388 G	410
100 142 0005	1J0 721 261 J 1J0 721 261 L	411
100 145 0003	030 145 299 F	360
100 145 0005	038 145 276	359
100 151 0100/S	5N0 521 101 E 5N0 521 101 EX 5N0 521 101 M 5N0 521 101 MX	175
100 151 0200/S	7L8 521 102 L 7L8 521 102 M	175
100 151 0300/S	1K0 521 349	175
100 152 0103	1K0 521 307 A	176
100 152 1002	1J0 521 127 A	224
100 198 0002	026 198 049 B	559
100 199 0011	823 199 381 B 893 199 381 B	545
100 199 0017	443 199 382	545
100 199 0018	4A0 199 351 4A0 199 351 A 4A0 199 351 B	541
100 199 0022	811 199 415 811 199 415 A 811 199 415 B 893 199 415 823 407 415 B	758, 767
100 199 0022	811 199 415 811 199 415 A 811 199 415 B 893 199 415 823 407 415 B	758, 767
100 199 0023	811 199 419 C 893 199 419	756, 761
100 199 0023	811 199 419 C 893 199 419	756, 761

MEYLE no.	Ref. no.	Page
Audi		
100 199 0026	811 199 339 A 811 199 339 B 823 199 339 A	532
100 199 0032	8A0 199 415 B 8A0 199 415 C	755, 760
100 199 0032	8A0 199 415 B 8A0 199 415 C	755, 760
100 199 0033	893 199 415 A	760
100 199 0040	8D0 199 379 AQ 8D0 199 379 J	543
100 199 0045	1J0 199 851 AA 1J0 199 851 M 1J0 199 851 N	239, 246, 553
100 199 0045	1J0 199 851 AA 1J0 199 851 M 1J0 199 851 N	239, 246, 553
100 199 0045	1J0 199 851 AA 1J0 199 851 M 1J0 199 851 N	239, 246, 553
100 199 0046	8A0 199 379 B 8A0 199 379 E	543
100 199 0048	8D0 199 382 AN 8D0 199 382 L	547
100 199 0049	443 199 379 D	541
100 199 0051	4A0 199 379 A 4A0 199 379 B 4A0 199 379 C	542
100 199 0053	1J0 199 555 AJ	238, 244, 548
100 199 0053	1J0 199 555 AJ	238, 244, 548
100 199 0053	1J0 199 555 AJ	238, 244, 548
100 199 0055	8A0 199 419	756, 761
100 199 0055	8A0 199 419	756, 761
100 199 0056	8D0 199 379 AT 8D0 199 379 E 8D0 199 379 H 8D0 199 379 K 8D0 199 379 L	543
100 199 0063	1J0 199 429	757
100 199 0066	893 199 339 8D0 199 339 F 8D0 199 339 P	533
100 199 0067	8A0 199 419 A	756, 761
100 199 0067	8A0 199 419 A	756, 761
100 199 0068	1J0 199 555 AH	548
100 199 0069	1J0 199 555 AK	549
100 199 0078	8D0 199 339 A	532

MEYLE no.	Ref. no.	Page
Audi		
100 199 0082	8D0 199 339 D	533
100 199 0083	8E0 199 379 AG 8E0 199 379 F	544
100 199 0084	8E0 199 379 AF 8E0 199 379 D	544
100 199 0085/HD	1K0 199 231 G 1K0 199 231 J 1K0 199 231 K	699
100 199 0086/HD	1K0 199 232 G 1K0 199 232 J 1K0 199 232 K	701
100 199 0092	8A0 199 382 A	546
100 199 0095	1K0 199 555 AT 1K0 199 555 T	551
100 199 0096	1K0 199 555 AQ 1K0 199 555 Q 1K0 199 555 R	239, 244, 551
100 199 0096	1K0 199 555 AQ 1K0 199 555 Q 1K0 199 555 R	239, 244, 551
100 199 0096	1K0 199 555 AQ 1K0 199 555 Q 1K0 199 555 R	239, 244, 551
100 199 0099	1K0 199 555 N	550
100 199 0108	1K0 199 262 K	540
100 199 0112	1K0 199 262 AS	539
100 199 0113	1K0 199 262 AB 1K0 199 262 AM 1K0 199 262 M	541
100 199 0122	1K0 199 262 AC 1K0 199 262 AL 1K0 199 262 L	540
100 199 0123	4F0 199 382 AS 4F0 199 382 BK	546
100 199 0125	6Q0 199 555 AF 6Q0 199 555 AS 6Q0 199 555 T	245, 553
100 199 0125	6Q0 199 555 AF 6Q0 199 555 AS 6Q0 199 555 T	245, 553
100 199 0126	6Q0 199 555 AE 6Q0 199 555 AT	239, 553
100 199 0126	6Q0 199 555 AE 6Q0 199 555 AT	239, 553
100 199 0129	1K0 199 262 AT	238, 243, 539
100 199 0129	1K0 199 262 AT	238, 243, 539

MEYLE no.	Ref. no.	Page
Audi		
100 199 0129	1K0 199 262 AT	238, 243, 539
100 199 0134	4B0 199 379 E	542
100 199 0140	8E0 199 339	534
100 199 0142	3C0 199 855 A 3C0 199 855 J	246, 555
100 199 0142	3C0 199 855 A 3C0 199 855 J	246, 555
100 199 0143	1K0 199 855 BB 1K0 199 855 L	555
100 199 0160	1J0 199 851 AB 1J0 199 851 R	554
100 199 0161	1K0 199 867 1K0 199 867 A 1K0 199 867 B 1K0 199 867 C 1K0 199 867 P 1K0 199 867 Q	557, 762
100 199 0161	1K0 199 867 1K0 199 867 A 1K0 199 867 B 1K0 199 867 C 1K0 199 867 P 1K0 199 867 Q	557, 762
100 199 0162	1K0 199 868 1K0 199 868 A 1K0 199 868 C 1K0 199 868 P 1K0 199 868 Q	558, 762
100 199 0162	1K0 199 868 1K0 199 868 A 1K0 199 868 C 1K0 199 868 P 1K0 199 868 Q	558, 762
100 199 0167	3C0 199 855 M	556
100 199 0173	4F0 199 379 AP 4F0 199 379 BF	542
100 199 0174	4F0 199 382 AQ 4F0 199 382 BH	545
100 199 0176	4F0 199 382 AR 4F0 199 382 BJ	546
100 199 0178	6Q0 199 851 AP	554
100 199 0179	8E0 199 379 AD 8E0 199 379 AQ 8E0 199 379 BG	544
100 199 0180	8E0 199 382 AA 8E0 199 382 AH	547

MEYLE no.	Ref. no.	Page
Audi		
	8E0 199 382 B 8E0 199 382 J 8E0 199 382 Q	
100 199 0184	1J0 199 555 AP 1J0 199 555 AQ	244, 549
100 199 0184	1J0 199 555 AP 1J0 199 555 AQ	244, 549
100 199 0189	8E0 199 382 AG	547
100 199 0190	7L8 199 131 A	538
100 199 0192	8E0 199 382 AJ	548
100 199 0194	1K0 199 555 AC	238
100 199 0195	1K0 199 855 AG 1K0 199 855 BD	555
100 199 0200	5Q0 199 555 T	552
100 199 0203	5Q0 199 555 R	552
100 199 0204	5Q0 199 555 Q	245, 551
100 199 0204	5Q0 199 555 Q	245, 551
100 199 0205	5Q0 199 555 S	245, 552
100 199 0205	5Q0 199 555 S	245, 552
100 199 0209	3C0 199 855 K	556
100 199 0215	7L8 199 131 F	538
100 199 0217	1K0 199 262 CG	540
100 199 0311	3C0 199 867 E	557
100 199 0312	3C0 199 868 E	558
100 199 1001	8K0 198 381 BE 8R0 198 381 8R0 198 381 C 8R0 198 381 D 8K0 199 381 GK 8K0 199 381 LD 8K0 199 381 NK 8K0 199 381 NP 8K0 199 381 NT 8K0 199 381 PB 8R0 199 381 AL 8R0 199 381 AM 8R0 199 381 J 8R0 199 381 L	535
100 199 1002	8K0 198 381 8K0 198 381 BE 8R0 198 381 8R0 198 381 D 8K0 199 381 KA 8K0 199 381 KD 8K0 199 381 LC 8K0 199 381 LS	535

MEYLE no.	Ref. no.	Page
Audi		
	8K0 199 381 NJ 8K0 199 381 NN 8K0 199 381 PD 8K0 199 381 PG 8R0 199 381 D 8R0 199 381 G	
100 199 1003	8K0 198 381 BF* 8R0 198 381 B* 8R0 198 381 C* 8R0 198 381 E* 8R0 198 381 S* 8K0 199 381 DH 8K0 199 381 EL 8K0 199 381 GQ 8K0 199 381 LE 8K0 199 381 LL 8K0 199 381 LT 8K0 199 381 ME 8K0 199 381 MG 8K0 199 381 NL 8K0 199 381 NQ 8K0 199 381 NS 8K0 199 381 PA 8R0 199 381 C 8R0 199 381 E	535
100 199 1004	8K0 198 381 AG 8K0 198 381 AQ 8R0 198 381 B 8R0 198 381 M 8R0 198 381 S 8K0 199 381 DE 8K0 199 381 ED 8K0 199 381 EM 8K0 199 381 JQ 8K0 199 381 KF 8K0 199 381 KQ 8K0 199 381 LF 8K0 199 381 LN 8K0 199 381 MC 8K0 199 381 MK 8K0 199 381 NE 8K0 199 381 PC 8K0 199 381 PE 8K0 199 381 PH 8R0 199 381 AK 8R0 199 381 AP	536

MEYLE no.	Ref. no.	Page
Audi		
	8R0 199 381 H 8R0 199 381 K 8R0 199 381 M 8K0 198 381 B	
100 199 1005	8K0 198 381 AG 8K0 198 381 AK 8K0 198 381 Q 8R0 198 381 E 8R0 198 381 K 8R0 198 381 M 8R0 198 381 Q 8K0 199 381 DQ 8K0 199 381 DS 8K0 199 381 JR 8K0 199 381 KR 8K0 199 381 NF 8K0 199 381 NG 8K0 199 381 NM 8K0 199 381 NR 8R0 199 381 N 8R0 199 381 Q	536
100 199 1007	8R0 198 381 AK 8R0 198 381 K 8K0 199 381 DJ 8K0 199 381 DK 8K0 199 381 DL 8K0 199 381 DM 8K0 199 381 JN 8K0 199 381 KN 8K0 199 381 KP 8K0 199 381 MB 8K0 199 381 NA 8K0 199 381 NB 8K0 199 381 NC 8K0 199 381 ND 8R0 199 381 AB 8R0 199 381 AN 8R0 199 381 P 8R0 199 381 R 8R0 199 381 T	537
100 199 1009	8K0 198 381 BN 8R0 198 381 P 8K0 199 381 DA 8K0 199 381 GQ 8K0 199 381 LJ 8K0 199 381 LL	537

MEYLE no.	Ref. no.	Page
Audi		
	8K0 199 381 PF 8R0 199 381 B 8R0 199 381 F	
100 199 1010	8R0 198 381 P 8R0 199 381 A 8R0 199 381 AJ	537
100 199 1020	5Q0 198 037 A	534, 760
100 199 1020	5Q0 198 037 A	534, 760
100 199 1021	5Q0 198 037	534
100 199 1040	1J0 199 851 AM	554
100 199 1041	1J0 199 262 BE 1J0 199 262 BF	539
100 199 1052	1K0 199 555 CB	550
100 199 1054	1K0 199 555 CA	549
100 199 1056	5Q0 199 855 N	557
100 199 1057	5Q0 199 855 J	556
100 199 1098	1K0 199 555 L 1K0 199 555 M	550
100 199 1185	7L6 199 131 A	538
100 201 0000	6X0 201 511 B	503
100 201 0001	251 201 511 G	503
100 201 0002	191 201 256	505
100 201 0007	1J0 201 511 A	502
100 201 0010	441 201 511 C	503
100 201 0012	1K0 127 434 A	497
100 201 0013	6X0 201 511 B	504
100 223 0000	8E0 121 403 A	426
100 223 0001	8E0 121 403 C	426
100 223 0002	4D0 121 403 C	424
100 223 0003	8E0 121 403	426
100 223 0006	4F0 121 403 C 4F0 121 403 G 4F0 121 403 N	424
100 223 0008	7L0 121 407 E 7L0 121 407 F	427
100 223 0009	1K0 121 407 1K0 121 407 A	427
100 224 0005	078 103 223 B	480
100 224 0006	06A 103 213 F	479
100 226 0005	1J0 121 087 A	412
100 226 0008	032 121 065 B 032 121 065 D 032 121 065 F	423
100 226 0012	06B 121 132 E	419
100 236 0001	8D1 820 021 A 8D1 820 021 C	342

MEYLE no.	Ref. no.	Page
Audi		
100 236 0003	1K0 959 455 DG 1K0 959 455 ES 1K0 959 455 R	433
100 236 0006	1J0 959 455 B 6E0 959 455 A	434
100 236 0007	1C0 959 455 C 1J0 959 455 M 6QD 959 455 C	432
100 236 0009	6Q0 959 455 K 6X0 959 455 A 6X0 959 455 F	435
100 236 0011	165 959 455 AB 165 959 455 AM 191 959 455 T	431
100 236 0013	165 959 455 J 165 959 455 K 165 959 455 L 191 959 455 AA 191 959 455 J 191 959 455 L	431
100 236 0022	8D0 959 455 P 8D0 959 455 R	436
100 236 0024	1J0 959 455 S	432
100 236 0029	251 819 015	341
100 236 0030	8D0 959 455 B	435
100 236 0031	1J1 819 021 C	341
100 236 0035	1J0 959 455 R	432
100 236 0036	8E0 959 455 A 8E0 959 455 L	436
100 236 0037	8E0 959 455 B 8E0 959 455 N	437
100 236 0039	4F0 959 455	434
100 236 0050	1K0 959 455 DH 1K0 959 455 ET 1K0 959 455 Q	433
100 236 0051	1K0 959 455 EA 1K0 959 455 P	433
100 238 0002	380 121 321	428
100 238 0003	8E0 121 321	429
100 260 0001	058 260 511	361
100 321 0001	096 321 370	512
100 321 0002	010 321 371 B	513
100 321 0003	01N 321 370	511
100 321 0004	01V 321 371	514
100 321 0005	01F 321 371	513
100 321 0007	097 321 370	512

MEYLE no.	Ref. no.	Page
Audi		
	097 321 371	
100 321 0008	1F0 129 620	484
100 321 0010	090 321 371	514
100 321 0012	059 133 843 A	489
100 321 0017	09L 321 371	516
100 321 0018	09L 321 371 A	516
100 321 0019	0AT 321 371	517
100 322 0001	068 115 561 E	521
100 322 0011	03L 115 466 03L 115 562	524
100 322 0014	06H 115 403 06J 115 403 C 06J 115 403 J 06J 115 403 M 06H 115 561 06J 115 561 B	519
100 322 0015	03C 115 561 B	520
100 322 0017	068 115 561 F	522
100 322 0018	06E 115 562 A 06E 115 562 C	525
100 322 0019	03N 115 562	524
100 322 0021	04E 115 561 H	520
100 322 0022	06K 115 466 06L 115 466 06L 115 562	526
100 323 0003	6Q0 201 051 C 6Q0 201 051 J	502
100 323 0004	3C0 127 434	498
100 323 0005	1K0 127 434 B	498
100 323 0007	061 198 552	501
100 323 0009	8E0 127 401 8E0 127 401 D 8E0 127 435 A	500
100 323 0011	6Q0 201 051 B 6Q0 201 051 H	501
100 323 0014	7L6 127 434 C	498
100 323 0017	6Q0 127 401 F	497
100 323 0018	8E0 201 511 C 8E0 201 511 F 8E0 201 511 G 8E0 201 511 L	504
100 323 0021	4F0 127 401 F	496
100 323 0024	7N0 127 177 7N0 127 177 B	494
100 323 0025	6C0 127 400 6R0 127 400 C	495

MEYLE no.	Ref. no.	Page
Audi		
100 323 0027	7N0 127 177 A 7N0 127 177 C	494
100 325 0001	01M 325 429	234
100 325 0002	095 325 429 D	234
100 325 0004	01M 325 443	224
100 325 0005	01V 325 429	234
100 325 0007	09G 325 429	235
100 325 0008	01F 325 433 01F 398 425	237
100 325 0011	0AT 325 429	236
100 398 0000	010 398 009	232
100 398 0002	095 325 429 D	228
100 398 0003	01V 325 429	227
100 398 0004	01F 325 433	231
100 398 0006	01M 325 429	226
100 398 0009	01M 325 429	226
100 398 0010	01M 325 429	227
100 399 0001	431 399 151 D	240, 247
100 399 0001	431 399 151 D	240, 247
100 399 0002	431 399 415 B 443 399 415 A	251, 254, 764
100 399 0002	431 399 415 B 443 399 415 A	251, 254, 764
100 399 0002	431 399 415 B 443 399 415 A	251, 254, 764
100 399 0005	8A0 399 151 D	242, 250
100 399 0005	8A0 399 151 D	242, 250
100 399 0007	431 399 419 A 443 399 419 A	252, 256, 765
100 399 0007	431 399 419 A 443 399 419 A	252, 256, 765
100 399 0007	431 399 419 A 443 399 419 A	252, 256, 765
100 399 0008	893 399 151 A	249
100 399 0009	8D0 399 151 M	243, 251
100 399 0009	8D0 399 151 M	243, 251
100 399 0010	4A0 399 420 D 4A0 399 420 E	253, 256, 766
100 399 0010	4A0 399 420 D 4A0 399 420 E	253, 256, 766
100 399 0010	4A0 399 420 D 4A0 399 420 E	253, 256, 766
100 399 0011	4A0 399 419 D 4A0 399 419 E	253, 256, 766
100 399 0011	4A0 399 419 D 4A0 399 419 E	253, 256, 766

MEYLE no.	Ref. no.	Page
Audi		
100 399 0011	4A0 399 419 D 4A0 399 419 E	253, 256, 766
100 399 0012	4A0 399 415 4A0 399 415 B	251, 254, 764
100 399 0012	4A0 399 415 4A0 399 415 B	251, 254, 764
100 399 0012	4A0 399 415 4A0 399 415 B	251, 254, 764
100 399 0013	8D0 399 151 H	250
100 399 0015	8D0 399 151 J	242, 250
100 399 0015	8D0 399 151 J	242, 250
100 399 0016	8D0 399 415 E	757, 765
100 399 0016	8D0 399 415 E	757, 765
100 399 0017	8D0 399 419 C	757, 766
100 399 0017	8D0 399 419 C	757, 766
100 399 0020	4A0 399 413 A	716
100 399 0021	4A0 399 151 C 4A0 399 151 K	241, 248
100 399 0021	4A0 399 151 C 4A0 399 151 K	241, 248
100 399 0022	4A0 399 151 D	248
100 399 0025	8D0 399 151 R	243
100 399 0028	8D0 399 415 D	252, 255, 765
100 399 0028	8D0 399 415 D	252, 255, 765
100 399 0028	8D0 399 415 D	252, 255, 765
100 399 0033	4F0 399 151 AN	242, 249, 763
100 399 0033	4F0 399 151 AN	242, 249, 763
100 399 0033	4F0 399 151 AN	242, 249, 763
100 399 0034	4F0 399 151 AM	241, 249, 763
100 399 0034	4F0 399 151 AM	241, 249, 763
100 399 0034	4F0 399 151 AM	241, 249, 763
100 399 0035	8E0 399 105 CF 8E0 399 105 EF 8E0 399 105 HS	247, 558, 763
100 399 0035	8E0 399 105 CF 8E0 399 105 EF 8E0 399 105 HS	247, 558, 763
100 399 0035	8E0 399 105 CF 8E0 399 105 EF 8E0 399 105 HS	247, 558, 763
100 399 0036	4F0 399 415 C	252, 255, 764
100 399 0036	4F0 399 415 C	252, 255, 764
100 399 0036	4F0 399 415 C	252, 255, 764
100 405 0101	1G0 405 625 311 405 625 311 405 625 B	831

MEYLE no.	Ref. no.	Page
Audi		
	311 405 625 F 311 405 625 N	
100 405 0201	1G0 405 645 311 405 645 B	831
100 407 0001	431 407 181 F	668
100 407 0010	823 407 615 A	845
100 407 0013/HD	4A0 407 181 A	669
100 407 0014	431 407 183 A	676
100 407 0015	191 407 182 357 407 182	673
100 407 0017/HD	4A0 407 183 C 4A0 407 183 D	676
100 407 0017/S	4A0 407 183 C 4A0 407 183 D	677
100 407 0022/HD	4D0 407 182 E 4D0 407 182 G 427 407 182	673
100 407 0024/HD	4B0 407 515 4D0 407 515 C	680
100 407 0025/HD	4D0 407 516 C	681
100 407 0026/HD	8A0 407 181	672
100 407 0028	321 407 285 D	195
100 407 0029	1H0 407 285 A 1H0 407 285 B	195
100 407 0033	811 407 625 B	833
100 407 0034	443 407 625 D	832
100 407 0037	441 407 625 A 443 407 625 A 443 407 625 F 443 407 625 H 4A0 407 625 4A0 407 625 A 4D0 407 625 E	832
100 407 0038	893 407 625 C 8D0 407 625 8D0 407 625 A	834
100 407 0040	811 407 181 811 407 181 A	671
100 407 0042/HD	893 407 181	671
100 407 0043	1J0 407 181 1J0 407 181 A	668
100 407 0047/HD	4D0 407 181 F 4D0 407 181 H	669
100 407 0048	1J0 407 625	832
100 407 0060/HD	4D0 407 183 AA 4D0 407 183 AB	677

MEYLE no.	Ref. no.	Page
Audi		
	4D0 407 183 AC 4D0 407 183 P 4D0 407 183 Q 4F0 407 183 A	
100 407 0068	4A0 407 615 D 4A0 407 615 F 4A0 407 615 G	845
100 407 0069	443 407 283 A	195
100 407 0070/HD	4E0 407 515 D 4H0 407 515 4H0 407 515 A 4H0 407 515 B 8D0 407 515 A 8D0 407 515 B 8D0 407 515 C 8K0 407 515 8R0 407 515	681
100 407 0073/HD	6R0 407 181 B 8N0 407 181 B	670
100 407 0075	8N0 407 182 A	675
100 407 0079	8D0 407 615 E	846
100 407 0082	8E0 407 181 B 8E0 407 181 C 8E0 407 181 D	672
100 407 0086	1K0 407 182 1K0 407 182 A 5Q0 407 182	673
100 407 0089	8Z0 407 182 B 8Z0 407 182 C 8Z0 407 195 D	676
100 407 0092	4D0 407 625 H	833
100 407 0095/HD	4F0 407 183 C 4F0 407 183 E 4F0 407 183 F 8K0 407 183 A	678
100 407 6007	1J0 407 613 G	844
100 411 0004	4A0 411 327 A	722
100 411 0007	1J0 411 315 C 1J0 411 315 J	729
100 411 0011	811 411 327 A	723
100 411 0012	823 411 313 A	717
100 411 0013	443 411 327	722
100 411 0015	893 411 327 C	724
100 411 0018	893 411 327 E	724
100 411 0021	4D0 411 327 E 4D0 411 327 G	722

MEYLE no.	Ref. no.	Page
Audi		
100 411 0026	4D0 411 327 F 4D0 411 327 H	723
100 411 0033	1J0 411 314 C 1J0 411 314 R	718
100 411 0033/S	1J0 411 314 C 1J0 411 314 R	719
100 411 0040	1J0 411 314 T	719
100 411 0040/S	1J0 411 314 T	720
100 411 0044	1J0 411 327	717
100 411 0046	4D0 411 327 J	723
100 411 0048	1J0 411 314 AC 1J0 411 314 B 1J0 411 314 S	718
100 411 0048/S	1J0 411 314 AC 1J0 411 314 B 1J0 411 314 S	718
100 411 0050	6Q0 411 314 L 6Q0 411 314 P	720
100 411 0050/S	6Q0 411 314 L 6Q0 411 314 P 6Q0 411 333 A 6Q0 411 334 A	721
100 411 0051/S	6Q0 411 333 A	726
100 411 0052/S	6Q0 411 314 R	721
100 411 0053	1J0 411 336 C 1J0 411 336 D	716
100 412 0004/HD	811 412 323 C 811 412 323 D 8A0 412 323 B 8A0 412 323 D	817
100 412 0005	443 412 377	820
100 412 0005/S	443 412 377	820
100 412 0007	4A0 412 377 C	821
100 412 0007/S	4A0 412 377 C	821
100 412 0012	4D0 412 377 F	821
100 412 0013	431 412 175 D	786
100 412 0014	1H0 412 303 B	794
100 412 0017	1J0 412 249	827
100 412 0019	1J0 412 331 B 1J0 412 331 C	818
100 412 0019/S	1J0 412 331 1J0 412 331 B 1J0 412 331 C	818
100 412 0022	1J0 412 341	817
100 412 0024	4A0 412 131	790
100 412 0025	893 412 131 B	791

MEYLE no.	Ref. no.	Page
Audi		
100 412 0030	800 412 131 E	791
100 412 0033	800 412 131 F	791
100 412 0035	441 412 249 A	828
100 412 0042	400 412 137 C	786
100 412 0043	400 412 107 B	7
100 412 0044	800 412 065 D 800 412 065 E 800 412 065 F 800 412 065 G	816
100 412 0045	4A0 412 249	828
100 412 0048	4F0 412 377 B 4F0 412 377 D	822
100 412 0096	8E0 412 377 8E0 412 377 C	822
100 412 1019/S	1J0 412 331 1J0 412 331 B 1J0 412 331 C	818
100 412 1048	4F0 412 377 B 4F0 412 377 D	822
100 412 2019/S	6R0 412 249 1J0 412 331 C	789
100 412 2038	6N0 412 331 E 6Q0 412 331 B	819
100 412 2038/S	6N0 412 331 E	790
100 412 2039	1K0 412 331 B	819
100 412 2039/S	1K0 412 331 B	789
100 412 2040	8J0 412 331	820
100 412 2041	5Q0 412 331 C 5Q0 412 331 D 5Q0 412 331 E	819
100 413 0000	357 413 175 A	787
100 419 0005	823 419 831	568
100 419 0006	811 419 831 B	568
100 419 0016	400 419 831 E	567
100 419 0017	800 419 831 J 800 419 831 K	568
100 422 0013	400 419 831 D	567
100 422 0016	800 422 371 H 800 422 371 K 800 422 373 C	567
100 422 9010	1J0 422 831 B	569
100 425 0103	068 130 201 BX 068 130 201 EX 068 130 211 B	506
100 425 0138	068 130 211 D	506
100 495 0002	1K0 498 201 C	179

MEYLE no.	Ref. no.	Page
Audi		
100 495 0004	6Q0 498 203	191
100 495 0005	3B0 498 203 B 3B0 498 203 F	189
100 495 0006	8N0 498 203	194
100 495 0007	1K0 498 203 A	187
100 495 0008	4E0 498 203	191
100 495 0009	7H0 498 203	191
100 495 0010	1K0 498 203 B	187
100 495 0011	8E0 498 203 A 8E0 498 203 D	194
100 495 0012	3D0 498 203 7L0 498 203	192
100 495 0013	7M3 498 201 B 7M3 498 201 J	183
100 495 0014	8N0 498 201 B	185
100 495 0015	4E0 498 201	182
100 495 0018	1K0 498 201 A	179
100 495 0019	3B0 498 203 E	189
100 495 0024	7L0 498 201 7L0 498 201 A	183
100 495 0025	8E0 498 201 D	184
100 498 0003 C	020 498 085 G	266
100 498 0014	893 498 099 B 893 498 099 F 893 498 099 H	215
100 498 0015	893 498 099 E	215
100 498 0016	171 498 103 C 171 498 103 CX 321 498 103 321 498 103 A 321 498 103 X 321 498 350 X 113 598 101 JZW 498 350 AX ZBC 407 331	221
100 498 0018	191 498 103 191 498 103 C 191 498 103 CV 191 498 103 CX 191 498 103 X 1K0 498 103 1K0 498 103 X 321 498 103 D 357 498 103 357 498 103 A 357 498 103 B	220

MEYLE no.	Ref. no.	Page
Audi		
	357 498 103 BX 357 498 103 V 191 498 104 C	
100 498 0021	191 498 203 C	185
100 498 0024	4A0 498 203 C	190
100 498 0025	357 498 203 357 498 203 A	188
100 498 0026	431 498 203 C	189
100 498 0027	4A0 498 203 4A0 498 203 A	190
100 498 0028	1H0 498 203 A 1K0 498 203	186
100 498 0030	893 498 201	184
100 498 0033	321 498 625 E	835
100 498 0034	431 498 625 A 443 498 625 B 443 498 625 C 443 498 625 E	836
100 498 0036	443 498 625	836
100 498 0037	4A0 498 625	837
100 498 0038	893 498 625 893 498 625 A 893 498 625 B 893 498 625 D 8A0 498 625	840
100 498 0041	1K0 498 201 357 498 201 A	178
100 498 0042	1J0 498 201 A	177
100 498 0043	443 498 201 B	181
100 498 0044	191 498 201 D	176
100 498 0047	1K0 498 203	186
100 498 0048	1J0 498 625 1J0 498 625 A	835
100 498 0051	321 498 103 C 321 498 103 CX 191 498 104 191 498 104 A 191 498 104 X 357 498 104 357 498 104 V 357 498 104 X 535 498 104	223
100 498 0052	1J0 498 099 1J0 498 099 A	206
100 498 0057	893 498 099 M 893 498 099 MX	216

MEYLE no.	Ref. no.	Page
Audi		
	895 498 099 A 895 498 099 H 8A0 498 099 8A0 498 099 X	
100 498 0058	321 498 099 B 321 498 099 E 321 498 099 EX 321 498 099 F 811 498 099 E 811 498 099 F 191 598 099	207
100 498 0061	1H0 498 099 A 357 498 099 E 357 498 099 EV 357 498 099 EX	208
100 498 0062	431 498 103 C 431 498 103 CX 443 498 103 A 431 498 104 CX 251 598 101 A	222
100 498 0063	4A0 407 305 A 4A0 498 099 B 4A0 498 099 C 4A0 498 099 J	210
100 498 0064	4D0 407 305 B 4D0 498 099 4D0 498 099 A 4D0 498 099 AX 4D0 498 099 X 8D0 498 099 D 8D0 498 099 E 8E0 498 099 A 8E0 498 099 G 4D0 598 099	211
100 498 0069	3B0 498 099 A 8D0 498 099 8D0 498 099 B 8D0 498 099 BX	217
100 498 0072	3B0 498 203 A 3B0 498 203 G 8D0 498 203 A	188
100 498 0073	893 498 203 A 893 498 203 C 8A0 498 203	192
100 498 0075	3B0 498 203 F 441 498 203 A	190

MEYLE no.	Ref. no.	Page
Audi		
100 498 0078	1J0 498 203	186
100 498 0080	191 498 201 B	176
100 498 0085	321 498 203 A	187
100 498 0086	4A0 498 099 4A0 498 099 D 893 498 099 L 893 498 099 LX	210
100 498 0088	8D0 407 305 M 3B0 498 099 B 3B0 498 099 BX 3B0 498 099 C 3B0 498 099 CX 3B0 498 099 H	208
100 498 0089	4B0 498 201	181
100 498 0090	1J0 498 201 J 1J0 498 201 K	178
100 498 0091	3B0 498 203 F 8D0 498 203 B 8D0 498 203 C	193
100 498 0091/SK	8D0 498 203 B	193
100 498 0094	3B0 498 201 8D0 498 201	180
100 498 0095	1J0 498 201	177
100 498 0100	431 498 099 A 431 498 099 AX 803 498 099 A	208
100 498 0102	893 498 099 G 893 498 099 GX 895 498 099 B	215
100 498 0105	431 498 099 D 431 498 099 DX 431 498 099 F	209
100 498 0108	443 498 099 B 443 498 099 BX 443 498 099 C 443 498 099 CX	209
100 498 0112	6Q0 498 099	213
100 498 0114	321 498 103 B 811 498 103 A 893 498 103 893 498 103 X	222
100 498 0116	443 498 099 D 443 498 099 DX	210
100 498 0117	6Q0 498 099 D 6Q0 498 099 DX 6R0 498 099	213

MEYLE no.	Ref. no.	Page
Audi		
100 498 0118	6Q0 498 099 E 6Q0 498 099 EX	213
100 498 0119	6Q0 498 099 F	214
100 498 0121	1J0 407 311 R 1J0 498 099 E 1J0 498 099 EX	206
100 498 0122	8D0 498 625 C 8E0 498 625 A 8E0 498 625 B	841
100 498 0127	7M3 498 201 7M3 498 201 A	183
100 498 0129	1J0 498 201 G	178
100 498 0130	8N0 498 201 A	184
100 498 0132	1J0 498 201 E	177
100 498 0137	4A0 498 625	837
100 498 0138	4B0 498 625 8D0 498 625	838
100 498 0139	1K0 498 201 D	180
100 498 0140	1K0 407 271 CQ 1K0 407 451 PX	197
100 498 0141	1K0 407 272 FS 1K0 407 452 QX	201
100 498 0145	8D0 407 272 AJ 8D0 407 272 BB 8D0 407 272 DT 8D0 407 452 CV 8D0 407 452 CX	205
100 498 0146	8D0 407 271 AJ 8D0 407 271 BB 8D0 407 271 DT 8D0 407 451 CV 8D0 407 451 CX 8D0 407 451 LX	205
100 498 0147	1J0 407 271 AP 1J0 407 271 H 1J0 407 271 JD 1J0 407 451 AX	204
100 498 0148	1J0 407 272 1J0 407 272 JK	200
100 498 0152	6E0 407 311 6E0 498 099	212
100 498 0153	7L6 407 321 E 7L6 498 099 A 7L6 498 099 C	214
100 498 0157	7L0 498 099 A 7L0 498 099 C	214

MEYLE no.	Ref. no.	Page
Audi		
100 498 0171	400 498 625 A 800 498 625 A	840
100 498 0180	800 498 099 C	217
100 498 0181	893 498 099 P 893 498 099 PX	216
100 498 0182	1J0 498 103 1K0 498 103 B	220
100 498 0190	8E0 407 305 A 8E0 498 099 8E0 498 099 D	218
100 498 0193	1K0 407 311 J 1K0 498 099 B 1K0 498 099 BX 1KM 498 099	207
100 498 0195	1K0 407 311 L 1K0 498 099 1K0 498 099 A 1K0 498 099 AX 1K0 498 099 E 1K0 498 099 X	206
100 498 0197	6X0 498 103	222
100 498 0202	8N0 498 099 8N0 498 099 A 8N0 498 099 AX	219
100 498 0203	1K0 498 103 C	220
100 498 0204	4F0 498 099 A	211
100 498 0205	800 498 103 800 498 103 A 800 498 103 AX	223
100 498 0206	8E0 407 305 B 8E0 498 099 C 8E0 498 099 CX	217
100 498 0208	4F0 498 201	182
100 498 0209	1K0 498 103 E 3C0 498 103 F	221
100 498 0210	8L0 498 625 8L0 498 625 B	841
100 498 0212	5M0 498 099	212
100 498 0237	893 498 625 E	840
100 498 0238	8K0 498 099 A	218
100 498 0239	8K0 498 099 B 8K0 498 099 BX	219
100 498 0240	8K0 498 099 C	219
100 498 0241	4F0 498 099 B	212
100 498 0260	8R0 407 271 8R0 407 271 B	199

MEYLE no.	Ref. no.	Page
Audi		
	8R0 407 271 BX	
100 498 0337	4B0 498 625 A	838
100 498 0610	1K0 407 271 ES 1K0 407 271 HM 1K0 407 271 NQ	198
100 498 0612	1K0 407 451 DX 1K0 407 451 TX	204
100 498 0613	1K0 407 272 KJ 1K0 407 272 RL 1K0 407 272 TK 1K0 407 454 NX	202
100 498 0627	1J0 407 271 EP 1J0 407 451 GX 1J0 407 451 HX	196
100 498 0637	1K0 407 271 BF 1K0 407 271 KA 1K0 407 271 LG 1K0 407 271 NT	197
100 498 0649	1K0 407 272 CC 1K0 407 272 EC 1K0 407 272 F	201
100 498 0652	1J0 407 271 AH 1J0 407 271 AM 1J0 407 271 Q	196
100 498 0666	800 407 271 AP 800 407 271 BA 800 407 451 V 800 407 453 aX	199
100 498 0668	800 407 271 AN 800 407 271 BJ 800 407 271 CL 800 407 271 DJ 800 407 271 DP 800 407 451 FX	198
100 498 0671	800 407 272 AN 800 407 272 BJ 800 407 272 CL 800 407 272 DJ 800 407 272 DP 800 407 452 FX	203
100 498 0684	1K0 407 272 KG 1K0 407 272 NK 1K0 407 272 QF	202
100 498 0685	1J0 407 272 BJ 1J0 407 272 GD 1J0 407 452 KX	201

MEYLE no.	Ref. no.	Page
Audi		
	1J0 407 452 QX	
100 498 0686	1J0 407 272 CT 1J0 407 452 GX	200
100 498 0696	8D0 407 272 AQ 8D0 407 452 AV 8D0 407 452 AX	204
100 498 0698	8D0 407 272 AP 8D0 407 272 DL 8D0 407 454 x	203
100 498 0706	8D0 407 271 AQ 8D0 407 451 AV 8D0 407 451 AX	199
100 498 1072	3B0 498 203 A 3B0 498 203 G 8D0 498 203 A	188
100 498 1074	3B0 498 201 A 893 498 201 A 8A0 498 201	180
100 498 1076	443 498 201 A	181
100 498 1085	8E0 498 203	193
100 498 1123	1K0 498 201 B	179
100 498 9022/R	171 498 203 191 498 203 D 191 598 203	185
100 501 0004	191 498 201 D	196
100 501 0007	8A0 501 541	749
100 501 0008	823 501 249	830
100 501 0018	8D0 501 541 A	750
100 501 0019	8D0 501 541 D	750
100 501 0023	8E0 501 541 Q 8E0 501 541 S	682
100 501 0029	1J0 501 117 B	747
100 501 0031	4A0 501 117 A 8D0 501 117 C	748
100 501 1010	321 501 117 357 501 117 357 501 117 A 357 501 117 D	747
100 505 0001	431 505 172	698
100 505 0004	8D0 505 185 A	703
100 505 0005	8E0 505 171 J 8E0 505 311 AC* 8E0 505 311 S* 8E0 505 311 T* 8E0 505 312 AC* 8E0 505 312 S*	703

MEYLE no.	Ref. no.	Page
Audi		
	8E0 505 312 T*	
100 505 0006	8E0 505 279 G 8E0 505 279 J 8E0 505 311 AC* 8E0 505 311 S* 8E0 505 311 T* 8E0 505 312 AC* 8E0 505 312 S* 8E0 505 312 T*	685
100 505 0007	8E0 505 185 N* 8E0 505 311 AC* 8E0 505 311 S* 8E0 505 311 T* 8E0 505 312 AC* 8E0 505 312 S* 8E0 505 312 T*	685
100 505 0008	8E0 505 203 D 8E0 505 311 AC* 8E0 505 311 S* 8E0 505 311 T* 8E0 505 312 AC* 8E0 505 312 S* 8E0 505 312 T*	684
100 505 0009/HD	8E0 505 145 AP	758
100 505 0010/HD	8E0 505 145 AR	758
100 505 0011	1K0 505 553 1K0 505 553 A	686
100 505 0014	1K0 505 541 B 1K0 505 541 C 1K0 505 541 D 5Q0 505 541 A	703
100 505 0015	1J0 505 171 B	702
100 505 0016	1K0 505 311 AB	684
100 505 0017	8A0 505 172 B	683
100 505 0018	8D0 505 171	683
100 505 0020	8E0 505 185 C	683
100 505 1008/S	8E0 505 311 AC* 8E0 505 311 S* 8E0 505 311 T* 8E0 505 312 AC* 8E0 505 312 S* 8E0 505 312 T*	759
100 511 0001	811 511 247	754
100 511 0002	431 511 247 C	753
100 511 0003	443 511 247 D	753
100 511 0004	8A0 511 247 B	687

MEYLE no.	Ref. no.	Page
Audi		
100 511 0005	4A0 511 247	753
100 511 0007	400 511 523 A 400 511 523 C	754
100 511 0009	4A0 511 247 B	754
100 511 0011	1K0 511 327 AP	726
100 511 0013	1K0 511 327 AR	726
100 511 0015	4B0 511 327	727
100 511 0016	1K0 511 439 E	717
100 511 0017	1J0 511 423	728
100 512 0005	443 512 331	823
100 512 0011	1J0 512 131	797
100 512 0012	4B0 512 131 N	798
100 512 0014	1J0 512 131 B	797
100 512 0018	1J0 512 131 C	797
100 512 0022	800 512 333	823
100 512 0023	800 512 335	824
100 512 0024	4A0 512 129	796
100 512 0027	3B0 512 131 H	798
100 512 0028	1J0 512 149 B	7
100 512 0029	1J0 412 303	794
100 513 0001	1J0 513 353 A 1J0 513 353 B 1J0 513 353 C 1J0 513 353 G 6R0 513 353 6R0 513 353 B	826
100 513 0003	357 513 425	788
100 513 0004	8E0 513 353 B 8E0 513 353 C	826
100 513 0006	1J0 513 425	788
100 513 0007	1J0 513 425 A	788
100 513 0008	1K0 513 353 G	824
100 513 0009	1K0 513 353 H 1K0 513 353 J	824
100 513 0010	3C0 513 353 C	825
100 513 1001	1J0 513 353 A 1J0 513 353 B 1J0 513 353 C 1J0 513 353 G 6R0 513 353 6R0 513 353 B	826
100 525 0001	800 611 775 F 800 611 775 G 800 611 775 J	167
100 525 0006	4F0 611 775 4F0 611 775 D	163

MEYLE no.	Ref. no.	Page
Audi		
100 525 0007	4F0 611 707 4F0 611 707 B	154
100 525 0009	8E0 611 707 8E0 611 707 A 8E0 611 707 D 8E0 611 707 G	155
100 525 0010/S	8N0 611 707 A	155
100 525 0011	7L0 611 776 7L0 611 776 A 7P0 611 776	168
100 525 0012	8A0 611 775 D	166
100 525 0019/S	4Z7 611 775 4Z7 611 775 A	163
100 525 0021	7L0 611 701 C	151
100 525 0022	3D0 611 701 E	150
100 525 0023	4E0 611 707 A 4E0 611 707 C	154
100 525 0024	8N0 611 707 B	156
100 525 0025	4E0 611 775 A 4E0 611 775 G 4E0 611 775 K	162
100 525 0028	4D0 611 775 B	161
100 525 0029	4D0 611 707 D 4D0 611 707 F 4D0 611 707 H 4E0 611 707	153
100 525 0033	4D0 611 775 D 4D0 611 775 G	162
100 525 0033/S	4D0 611 775 D 4D0 611 775 G	162
100 525 0035	8K0 611 707 A 8K0 611 707 B 8K0 611 707 C 8K0 611 707 D 8K0 611 707 E	155
100 525 0036	8K0 611 775 D 8K0 611 775 F 8K0 611 775 J	168
100 525 0039	8Z0 611 707 8Z0 611 707 C	156
100 525 0043/S	8J0 611 701 C 8J0 611 701 G	152
100 525 0044	8J0 611 701 D	151
100 525 0045	8J0 611 775 B	168
100 525 0049	8A0 611 775	165
100 525 0051/S	5N0 611 701 A	150

MEYLE no.	Ref. no.	Page
Audi		
100 525 0052/S	5N0 611 775 A	164
100 525 0054/S	1J0 611 763 AD 1J0 611 763 K 1J0 611 763 R	156
100 525 0055/S	1J0 611 764 AD 1J0 611 764 K 1J0 611 764 R	157
100 525 0058/S	1K0 611 775 D 5C0 611 775 C 1K0 611 776	159
100 525 0061/S	6R0 611 701 B 6R0 611 701 F 6R0 611 701 J	151
100 525 0062/S	8E0 611 763 E 8E0 611 763 F 8E0 611 763 K	157
100 525 0063/S	8E0 611 764 E 8E0 611 764 F 8E0 611 764 K	158
100 527 0001	8K0 615 121 8T0 907 637	284
100 527 0002	8R0 615 121 A	283
100 532 0001	4D0 611 021 A	169
100 532 0003	1J1 614 019 A	171
100 532 0004	1J1 614 019 C 1J1 614 019 F	171
100 532 0005	8E0 611 021	170
100 532 0006	8E0 611 021 A 8E0 611 021 B	170
100 532 0007	4D0 611 021 B	169
100 598 0002	4A0 598 625 A	842
100 598 0003	8D0 598 625 8D0 598 625 B	843
100 598 0101	191 598 625	841
100 598 0181	1J0 501 611 D 1J0 598 477	848
100 598 0238	4B0 598 625 B	842
100 598 0338	8D0 598 625 A	843
100 610 0000/HD	4A0 399 347 C 4A0 399 413 A 4A0 407 181 A 4A0 407 201	704
100 610 0003/HD	4E0 407 181 B	670
100 610 0004/HD	4E0 407 182 C	674
100 610 0010/HD	7L0 407 182 C 7L0 407 182 E	674

MEYLE no.	Ref. no.	Page
Audi		
100 610 0011	7L0 407 183 A 7L8 407 183	679
100 610 0012	7L0 412 333 A	682
100 610 0014/HD	3C0 199 231 D 3C0 199 231 E 3C0 199 231 F	700
100 610 0015	7L0 407 077	668
100 610 0017	8Z0 407 183 A	702
100 610 0018/HD	4E0 407 183 A 4E0 407 183 B 4E0 407 183 H 4G0 407 183 4G0 407 183 A 4H0 407 183 4H0 407 183 B 4H0 407 183 C	678
100 610 0021	8K0 407 182 A 8K0 407 182 B	675
100 610 0024/HD	7L0 407 182 D 7L0 407 182 F 7L0 407 182 G	675
100 610 0027/HD	1K0 199 231 G 1K0 199 231 J 1K0 199 231 K 1K0 199 232 G 1K0 199 232 J 1K0 199 232 K	667
100 610 0028	8J0 199 231	701
100 610 0036	5Q0 407 183 E	678
100 610 0037/HD	3C0 199 231 D 3C0 199 231 E	706
100 610 0038	8K0 407 183 D 8K0 407 183 F	679
100 610 0038/HD	8K0 407 183 D 8K0 407 183 F	680
100 610 0041	1K0 199 231 G 1K0 199 231 J 1K0 199 231 K	700
100 610 0042	1K0 199 232 G 1K0 199 232 J 1K0 199 232 K	702
100 610 0043	1K0 199 231 G 1K0 199 231 J 1K0 199 231 K 1K0 199 232 G 1K0 199 232 J	667

MEYLE no.	Ref. no.	Page
Audi		
	1K0 199 232 K	
100 610 0044	3C0 199 231 D 3C0 199 231 E	701
100 610 0045	1K0 199 231 G 1K0 199 231 J 1K0 199 231 K	705
100 610 0046	1K0 199 232 G 1K0 199 232 J	706
100 610 0085/HD	1K0 199 231 G 1K0 199 231 J 1K0 199 231 K	705
100 610 0086/HD	1K0 199 232 G 1K0 199 232 J	707
100 611 0000	811 611 775	164
100 611 0002	171 611 775	158
100 611 0006	171 611 701 L	148
100 611 0012	433 611 775 A	159
100 611 0013	443 611 775	159
100 611 0016	893 611 707	154
100 611 0019	893 611 775 A	165
100 611 0021	4A0 611 707	153
100 611 0022	803 611 707 443 611 775 F 803 611 775 8D0 611 775 D	167
100 611 0028	331 611 051 A 6Q0 611 053 6Q0 611 053 C	173
100 611 0035	171 611 019 A 171 611 019 E 171 611 019 N	169
100 611 0036	171 611 051 B	172
100 611 0040	4E0 611 775 L 8D0 611 775 E	163
100 611 0041	8D0 611 775 B	166
100 611 0042	3U0 611 707 8D0 611 707 8D0 611 707 B 8D0 611 707 D	152
100 611 0043	1J0 611 775 6Q0 611 775 A 6Q0 611 775 B 6X0 611 775	164
100 611 0046	811 611 775 A	165
100 611 0047	4A0 611 775	160
100 611 0049	441 611 707	152

MEYLE no.	Ref. no.	Page
Audi		
100 611 0050	443 611 707 C	153
100 611 0053/S	1J0 611 701 1J0 611 701 L 1J0 611 701 N	148
100 611 0055	1H0 611 053 B	172
100 611 0056	1H0 611 053 A	172
100 611 0057	6N0 611 053 6Q0 611 053 C 6QE 611 053	174
100 611 0058	1H0 611 053 6Q0 611 053 B	173
100 611 0068	3A0 611 053	173
100 611 0070	321 611 939 E	174
100 611 0071/S	1K0 611 701 1K0 611 701 B 1K0 611 701 D 1K0 611 701 H 1K0 611 701 K 1K0 611 701 M	149
100 611 0073	1K0 611 775 A 1K0 611 775 C	158
100 611 0075	1J1 614 019	171
100 611 0076/S	4B0 611 775 C	161
100 611 0077	4B0 611 775	160
100 611 0083/S	1J0 611 701 G 1J0 611 701 M	148
100 611 0084	8D0 611 775 C	166
100 611 0085/S	8E0 611 775 H 8E0 611 775 N	167
100 611 0086	4D0 611 775 C	161
100 614 0000	1J0 614 149	830
100 614 0001	443 614 149 A 8D0 614 149	831
100 614 0002	893 498 099 GX	830
100 615 0000	8E0 511 327 D	727
100 615 0004	8Z0 411 314 B	721
100 615 0010	811 411 327 B	724
100 615 0019	8K0 411 327 A	725
100 620 0002	1K0 423 831 A	569
100 620 0003	4F0 422 831	569
100 620 0004	6Q0 423 831 D	571
100 620 0007	7L0 422 831 A	570
100 620 0012	4G0 423 832 A	572
100 620 0013	4G0 423 831	571
100 620 0014	6C0 423 831 B	571
100 620 0015	1J0 422 831 B	570

MEYLE no.	Ref. no.	Page
Audi		
100 623 0000	1J0 422 371 C	566
100 639 0003	1J0 411 105 K	768
100 639 0005	8D0 411 105 DL	771
100 639 0008	8D0 411 105 AP	770
100 639 0022	1J0 411 105 AS 1J0 411 105 L	767
100 639 0027	8D0 411 105 AS	770
100 639 0028	8D0 411 105 DN 8D0 411 105 DP	771
100 639 0031	4A5 411 105 A	769
100 639 0032	4A0 411 105	769
100 639 0039	8E0 411 105 BH 8E0 411 105 BH	772
100 639 0040	1K0 411 105 DC 1K0 411 105 DC	769
100 639 0041	8E0 411 105 BE 8E0 411 105 BE	772
100 639 0042	8E0 411 105 BG 8E0 411 105 BG	772
100 639 0043	1J0 411 105 BT	768
100 639 0044	1J0 411 105 CA	768
100 639 0046	4F0 411 105 BE 4F0 411 105 BF	770
100 639 0047	8D0 411 105 BM	771
100 640 0004	-	781
100 640 0006	-	781
100 640 0007	-	781
100 640 0008	-	782
100 640 0009	-	782
100 640 0011	-	782
100 640 0014	-	783
100 641 0010	8K0 412 377 A 8K0 412 377 B 8K0 412 377 C 8K0 412 377 D	823
100 641 0012	7L0 412 327 A	817
100 641 0020	5Q0 412 249 E	828
100 641 0022	1K0 412 249 B 6N0 412 249 C	827
100 641 0024	6R0 412 249	829
100 641 2040	8J0 412 331	790
100 641 2041	5Q0 412 331 C 5Q0 412 331 D	789
100 642 0002	1K0 412 303 B	794
100 642 0004	1K0 412 303 F	795
100 642 0007	1K0 412 303 M	795

MEYLE no.	Ref. no.	Page
Audi		
100 642 0008	8D0 412 131 H	792
100 642 0010	6Q0 412 301 A	793
100 642 0011	8K0 412 131 F	793
100 642 0012	1K0 412 303 1K0 412 303 S	795
100 642 0015	8K0 412 131 E	792
100 642 0016	8K0 412 131 G	793
100 643 0003	6N0 413 175 A	787
100 650 0003	1K0 498 621 5K0 498 621 A	846
100 650 0005	1T0 498 621 3C0 498 621 5K0 498 621 8X0 498 625 8J0 598 625	847
100 650 0006	4E0 498 625 4E0 498 625 B 4E0 498 625 D 4F0 598 625 A 4F0 598 625 B	838
100 650 0007	4F0 498 625 4F0 498 625 B	839
100 650 0008	7L0 498 287	835
100 650 0010	8K0 407 625 A 8K0 407 625 E 4H0 498 625 4H0 498 625 A 8K0 598 625	839
100 650 0011	8K0 598 611 8K0 598 611 A	851
100 650 0012	4D0 407 613 E	844
100 650 0014	4B0 407 613 A 4B0 407 613 B	844
100 650 1003	5Q0 407 621 B 8V0 498 625	847
100 650 1005	5Q0 407 621 A 8V0 498 625 A	848
100 652 0001	6Q0 407 621 AJ	846
100 653 0003/HD	6Q0 411 305 AM	744
100 653 0004/HD	6Q0 411 305 AC 6Q0 411 305 AN	744
100 653 0005/HD	1K0 411 303 BJ	743
100 653 0007/HD	1K0 411 303 BK	744
100 653 0009/HD	1K0 411 303 BH	743
100 653 0011	1K0 511 305 DB 1K0 511 409 BN	745

MEYLE no.	Ref. no.	Page
Audi		
	1K0 511 409 BS	
100 653 0013	1K0 511 305 DC 1K0 511 409 BP	746
100 653 0015	1K0 511 305 BH 1K0 511 409 BB 1K0 511 409 BQ 1K0 511 409 CA	747
100 653 0017	1K0 511 305 DT 1K0 511 409 CB	746
100 653 0021	1K0 511 305 BD 1K0 511 305 CN 1K0 511 409 BD	745
100 653 0025	1K0 511 305 BE 1K0 511 305 CP 1K0 511 409 BE	745
100 653 0031	3C0 511 305 D 3C0 511 409 D	746
100 654 0000	-	705
100 698 0006	443 698 647 4D0 698 647	142
100 698 0008	251 615 219	141
100 710 0000/S	4B0 501 521 D 4B0 501 521 E 8E0 501 521 N 4B0 501 522 D 4B0 501 522 E 8E0 501 522 N	759
100 710 0002	4B0 501 521 D 4B0 501 521 E 8E0 501 521 N	748
100 710 0003	4B0 501 522 D 4B0 501 522 E 8E0 501 522 N	749
100 710 0006	1K0 505 543 A	577
100 710 0007	8E0 505 145 M	767
100 710 0009	1J0 505 145 B	750
100 710 0012	1K0 505 203 A 1K0 505 323 N*	686
100 710 0013	1K0 505 279 A 1K0 505 323 N	686
100 710 0016	7L0 505 323 A	698
100 710 0017	7L0 505 323 A	699
100 710 0022	8K0 505 145 B	752
100 710 0023	8K0 505 145 C	752
100 710 0032	4F0 505 145 A	751
100 710 0033	4F0 505 145	751

MEYLE no.	Ref. no.	Page
Audi		
	4F0 505 145 B	
100 710 0035	7L0 505 311 B	684
100 710 0036	7L8 599 030 A 7L8 599 030 B 7L8 599 030 C 7L8 599 030 D 7L8 599 030 E 7L8 599 035 7L8 599 035 C	755
100 710 0037	7L8 599 030 A 7L8 599 030 B 7L8 599 030 C 7L8 599 030 D 7L8 599 030 E 7L8 599 035 D	755
100 710 0038	5Q0 505 553	687
100 711 0017	8E0 501 541 K	682
100 715 0001	8E0 511 327 A	727
100 721 0002	6X0 721 173 A	28, 39
100 721 0002	6X0 721 173 A	28, 39
100 721 0003	4A0 721 261 893 721 261 A	411
100 721 0004	443 721 401 A 4A0 721 401	410
100 739 0002	1J0 511 115 AK	773
100 739 0003	1J0 511 115 BG 1J0 511 115 DD	774
100 739 0004	8D5 511 115 S 8D5 511 115 T	777
100 739 0009	8E0 511 115 CQ	778
100 739 0014	-	779
100 739 0015	-	779
100 739 0016	8D5 511 115 G	777
100 739 0029	4B0 511 115 B	775
100 739 0031	4B0 511 115 C	775
100 739 0032	4B0 511 115 K	775
100 739 0033	4B0 511 115 L	776
100 739 0036	4B0 511 115 AP	774
100 739 0037	8D5 511 115 AA	777
100 739 0038	4A5 511 115 P	774
100 739 0040	8E0 511 115 CS	778
100 739 0041	-	779
100 739 0042	-	780
100 739 0044	8P0 511 115 D 8P0 511 115 E	778
100 739 0045	-	780

MEYLE no.	Ref. no.	Page
Audi		
100 739 0046	-	780
100 739 0047	1J0 511 115 BN	773
100 739 0048	1J0 511 115 CD	773
100 739 0050	4F0 511 115 BN 4F0 511 115 BP	776
100 739 0051	4F0 511 115 BR	776
100 740 0002	-	783
100 740 0003	-	783
100 740 0007	-	784
100 740 0008	-	784
100 740 0009	-	784
100 740 0012	-	785
100 740 0013	-	785
100 740 0015	-	785
100 741 0000	4F0 513 353 B 4F0 513 353 D	825
100 741 0002	8K0 513 353 D 8K0 513 353 E	827
100 741 1002	4G0 513 353 D	825
100 742 0002	4B0 512 131 B	798
100 742 0003	4B0 512 131 Q	799
100 742 0004	8D0 512 131 L	801
100 742 0005	8D5 512 131 F	801
100 742 0008	1K0 511 353 J	796
100 742 0009	6Q0 512 131 B	799
100 742 0011	8D0 512 131 E	801
100 742 0016	4F0 512 131	799
100 742 0018	1K0 511 353 N	796
100 742 0024	8D0 512 131	800
100 742 0026	8K0 512 131	802
100 742 0027	8K0 512 131 B	802
100 742 0029	4F0 512 131 A 8E0 512 131 P	802
100 742 0030	8K0 512 131 D	803
100 742 0031	7L0 512 131 B	800
100 743 0002	8E0 512 137 E	787
100 750 0000	8E0 598 611 8E0 598 611 A 8E0 598 611 B 8E0 598 611 C	850
100 750 0001	1K0 598 611 8V0 598 611 8V0 598 611 A	851
100 750 0002	8E0 598 625	843
100 750 0007	4F0 598 611 B	850
100 752 0001	8E0 501 611 J	848

MEYLE no.	Ref. no.	Page
Audi		
100 752 0003	1T0 598 611 B	849
100 752 0006	1J0 501 249 A 1J0 501 249 C	829
100 752 0008	7L0 501 655 A 7L0 501 655 B	849
100 800 0028	171 955 529 191 955 529	345
100 800 0037	893 959 263	343
100 800 0043	111 951 113 B 191 951 113 A	346
100 800 0074	4D0 905 351 8D0 905 351 4D0 997 351	306
100 800 8052	357 919 369 E	325
100 800 9009	165 906 381	314
100 800 9050	025 906 041 A	315
100 800 9053	701 919 369 C	317
100 800 9068	038 919 081 F 038 919 081 G 038 919 081 M	529
100 810 0009	4A0 820 539 A	343
100 819 0001	1H1 819 030 A 1H1 819 031 B	40
100 819 0002	893 819 030 B 8D1 819 030 B 8D1 819 031 B	40
100 819 0003	443 819 030 443 819 031 B 443 819 031 C	39
100 819 0004	1J1 819 031 A 1J1 819 031 B	40
100 819 0005	171 819 809 A 171 819 809 E 211 819 819	41
100 830 0003	1J0 906 381 A 357 906 381 A	350
100 830 0014	191 955 531	346
100 830 0015	3D0 951 253 A 7N0 951 253	354
100 830 0016	7M0 951 253 C	355
100 830 0018	1J0 906 383 C	314
100 830 0019	4D0 951 253	315
100 840 0000	191 959 263	343
100 850 0002	4B0 953 503 G	334
100 850 0004	1K0 953 513 1K0 953 513 E	336

MEYLE no.	Ref. no.	Page
Audi		
100 850 0007	1K0 953 519 H	339
100 850 0009	1K0 953 519 J	339
100 850 0013	4E0 953 503 B 4E0 953 503 F	335
100 850 0014	8E0 953 513 A	338
100 850 0015	4E0 953 513 E 4E0 953 513 K	337
100 850 0016	8E0 953 521 D	340
100 850 0017	4E0 953 521 4E0 953 521 B	340
100 850 0019	8E0 953 503 A	335
100 850 0021	8E0 953 503 B	335
100 850 0022	8E0 953 503 C	336
100 860 0000	059 963 319 H	295
100 860 0001	N 105 916 02 N 105 916 03	298
100 860 0002	03L 963 319 03L 963 319 A 03L 963 319 C 04L 963 319 B 059 963 319 C 059 963 319 E 059 963 319 F 059 963 319 J 059 963 319 M 059 963 319 S 059 998 319	294
100 860 0003	N 105 798 02	297
100 860 0007	N 105 798 05 N 105 798 08	298
100 860 0008	N 105 916 04 N 105 916 08	299
100 880 0000	1J0 919 506 M	313
100 880 0001	1J0 907 521	341
100 880 0007	1J0 919 506 L	312
100 880 0019	1J0 919 506 E 1J0 919 506 H	311
100 880 0021	1J0 919 506 K	312
100 880 0025	8D0 959 501 D	313
100 885 0001	058 905 101 058 905 105	300
100 885 0002	06B 905 115 06B 905 115 B 06B 905 115 E	302
100 885 0004	078 905 104 078 905 104 A	299

MEYLE no.	Ref. no.	Page
Audi		
100 885 0007	06C 905 115 B 06C 905 115 D 06C 905 115 E 06C 905 115 F 06C 905 115 G 06C 905 115 H 06C 905 115 K 06C 905 115 L 06C 905 115 M	303
100 885 0010	330 905 115 A	304
100 885 0021	058 905 101 A 058 905 105 A	299
100 885 0022	022 905 100 B 022 905 100 E 022 905 100 H 022 905 100 L 022 905 100 P 022 905 100 S 022 905 100 T 022 905 715 022 905 715 A 022 905 715 B	304
100 885 0024	04E 905 110 E 04E 905 110 K	301
100 885 0025	06H 905 110 D 06H 905 110 E 06H 905 110 F 06H 905 110 G	305
100 885 0040	036 905 100 A 036 905 100 B 036 905 100 D 036 905 715 036 905 715 A 036 905 715 C 036 905 715 E 036 905 715 F 036 905 715 G	305
100 890 0009	113 945 515 H	332
100 890 0010	1J0 945 511 A	330
100 890 0021	113 945 515 G	332
100 899 0004	06A 906 433 C	290
100 899 0007	4B0 927 803	268
100 899 0008	4B0 927 803 C	269
100 899 0009	4B0 927 803 B	268
100 899 0010	8D0 927 807 C	275
100 899 0011	1J0 927 807 D	273

MEYLE no.	Ref. no.	Page
Audi		
100 899 0012	06A 905 161 06A 905 161 B 06A 905 161 C	321
100 899 0013	058 905 161 B	320
100 899 0014	078 905 161 A 078 905 161 C	321
100 899 0015	058 905 379	308
100 899 0016	06A 906 433 E	290
100 899 0029	8E0 927 803 B	271
100 899 0030	8E0 927 803 A	271
100 899 0031	8D0 927 803	270
100 899 0035	045 957 147 A 045 957 147 B	322
100 899 0036	4B0 953 503 H	334
100 899 0038	8L0 955 711 8L0 955 711 A 8L0 955 711 B	267
100 899 0040	028 907 319 B	292
100 899 0041	7H0 927 803 WHT 003 857	278
100 899 0042	7H0 927 804 WHT 003 856	277
100 899 0043	1K0 927 807 WHT 003 859	280
100 899 0044	1K0 927 808 WHT 003 858	279
100 899 0045	06A 906 433 G 06A 906 433 L	291
100 899 0046	06B 905 163 A	321
100 899 0049	6Q0 927 808 B WHT 003 862	281
100 899 0050	6Q0 927 807 B WHT 003 863	282
100 899 0052	6Q0 927 804 B WHT 003 860	280
100 899 0053	6Q0 927 803 A 6Q0 927 803 B WHT 003 861	281
100 899 0058	038 907 319	292
100 899 0061	086 927 321 095 927 321 095 927 321 A 095 927 321 C	285
100 899 0063	045 957 147 045 957 147 C	293
100 899 0078	077 103 245 B	473

MEYLE no.	Ref. no.	Page
Audi		
100 899 0079	4B0 927 807 C 4B0 927 807 L	273
100 899 0080	038 907 319 D 038 907 319 J 038 957 147 D 038 957 147 F	293
100 899 0083	1H0 959 139 B 7M3 959 139	344
100 899 0086	06A 906 433 K	291
100 899 0092	038 907 319 E	292
100 899 0093	036 907 601 036 907 601 A 036 907 601 B 036 907 601 C 036 907 601 D 036 907 601 E	322
100 899 0095	1H0 907 543 A	344
100 899 0096	1J0 907 543 A	344
100 899 0097	4B0 927 803 E	269
100 899 0100	078 905 375 034 905 381 034 905 381 A 034 905 381 B 035 905 381 B 078 905 381 078 905 381 A	289
100 900 0000	035 906 265 B	310
100 903 0000	06A 903 315 E	359
100 903 0001	058 903 133 D	360
100 903 0003	078 903 133 AB	361
100 903 0006	038 903 315 K	359
100 903 0011	058 903 133 D	358
100 905 0000	4A0 905 849 B	307
100 905 0005	191 905 351 A 191 905 351 B 191 905 351 C	305
100 905 0007	6N0 905 104 867 905 105 A 867 905 352	300
100 905 0009	211 905 351 211 905 351 A 211 905 351 B 211 905 351 D 211 905 351 E	306
100 905 0014	111 905 865 L	307
100 905 0017	893 905 855 A	6

MEYLE no.	Ref. no.	Page
Audi		
100 905 0020	4B0 905 849	307
100 905 0024	06B 905 379 06B 905 379 A 06B 905 379 C 06B 905 379 D 06B 998 124	309
100 905 0025	06F 905 115 06F 905 115 A 06F 905 115 B 06F 905 115 C 06F 905 115 D 06F 905 115 E 06F 905 115 F 06F 905 115 G 06H 905 115 06H 905 115 A 06H 905 115 B 07K 905 715 07K 905 715 A 07K 905 715 B 07K 905 715 C 07K 905 715 D 07K 905 715 E 07K 905 715 F	303
100 906 0007	026 906 161	316
100 906 0008	034 906 161	316
100 909 0004	4B0 837 461	17
100 909 0009	8E0 837 461 B 8E0 837 461 C	18
100 909 0010	8E0 837 462 B 8E0 837 462 C	19
100 909 0023	8L3 837 461	18
100 909 0024	8L3 837 462	19
100 909 0039	4B0 837 461 C	17
100 909 0040	4B0 837 462 A 4B0 837 462 C	19
100 909 0041	8P4 837 461 A 8P4 837 461 B 8P4 837 461 C	18
100 909 0042	8P4 837 462 A 8P4 837 462 B 8P4 837 462 C	20
100 919 0010	053 919 501 A	318
100 919 0013	035 919 369 M	316
100 919 0014	068 919 081 068 919 081 D	531

MEYLE no.	Ref. no.	Page
Audi		
100 919 0015	049 919 501	317
100 919 0017	059 919 501 A 078 919 501 C	319
100 919 0019	191 919 369 A	324
100 919 0020	06A 919 081 D 06A 919 081 J	531
100 919 0021	1H0 919 149 A	349
100 919 0022	1H0 919 149 C	349
100 919 0024	251 919 501 A 251 919 501 D	320
100 919 0025	056 919 081	530
100 919 0027	049 919 501 B 049 919 501 E	318
100 919 0028	1J0 919 379 A	267
100 919 0029	068 919 081 C	530
100 919 0030	028 919 081 H	527
100 919 0031	028 919 081 D 028 919 081 H	528
100 919 0032	06A 919 501 06A 919 501 A	319
100 919 0034	1J0 919 081	532
100 919 0042	038 919 081 C 038 919 081 K	529
100 919 0043	059 919 501 078 919 501 B	318
100 919 0084	1J0 919 051 B 1J0 919 051 C 1J0 919 051 H 1J0 919 087 C 1J0 919 087 D 1J0 919 087 H 1J0 919 087 J	505
100 927 0001	8D0 927 803 B 8D0 927 803 C 8D0 927 803 D	270
100 927 0002	1J0 927 807 B	272
100 927 0003	1J0 927 803 1H0 927 807	268
100 927 0004	1J0 927 804 1H0 927 808	272
100 937 0001	191 937 503 7M0 951 253 A 8D0 951 253	356
100 941 0006	111 941 583 411 941 583 B	348
100 941 0010	8L0 941 822 A	294

MEYLE no.	Ref. no.	Page
Audi		
100 945 0000	4A0 945 515 A	333
100 945 0001	191 945 515 B	332
100 947 0001	6N0 947 563	349
100 950 0001	06A 906 262 AK 1K0 998 262	311
100 951 0001	141 951 253 B 431 951 253 H 443 951 253 K 8D0 951 253 A	357
100 951 0004	176 951 113 176 951 113 A 191 951 221 3B0 951 221 431 951 221 A 893 951 221	347
100 951 0005	192 951 117 3B0 951 205 B 3B7 951 205 C 3U0 951 205 A 010 951 206 3U0 951 206 3U0 951 206 A 176 951 213 176 951 213 A 6K0 951 219 A 4D0 951 221 B 4E0 951 221 893 951 221 171 951 223 1K0 951 223 A 3B0 951 223 3U0 951 223 431 951 223 A 4D0 951 223 A 4E0 951 223 893 951 223	347
100 953 0000	4B0 953 503 E	333
100 953 0007	321 953 513	337
100 953 0012	111 953 227 D 191 953 227 191 953 227 A 1H0 953 227 6U0 953 227	348
100 953 0014	443 953 513 H 443 953 513 L	337
100 953 0016	4B0 953 503 F	333

MEYLE no.	Ref. no.	Page
Audi		
100 953 0020	8L0 953 513 G	338
100 953 0021	8L0 953 513 J	339
100 955 0002	171 955 651 431 955 651	21
100 955 0006	1K5 955 651	20
100 955 0008	4A0 955 651	21
100 955 0010	1K6 955 651	20
100 955 0011	1C0 955 119	267
100 955 0012	4A0 955 651 A 4A0 955 651 B	22
100 959 0001	1H0 959 481 1H0 959 481 B 1H0 959 481 C	326
100 959 0003	191 959 481 A 191 959 481 C 321 959 481 D	325
100 959 0004	4A0 959 855 A 893 959 855	345
100 959 0010	8D0 959 481 B	328
100 959 0013	8D0 959 455 C	435
100 959 0016	1J0 959 481 A	327
100 959 0020	867 959 481	328
100 959 0026	4A0 959 101 A	342
100 959 7517	251 959 481 251 959 481 G 251 959 481 K	327
100 959 8717	251 959 481 251 959 481 G 251 959 481 K	328
100 959 9001	1H0 959 481 1H0 959 481 B 1H0 959 481 C	326
112 129 0005	056 129 620 551 129 620	483
112 129 0006	069 129 620	483
112 129 0008	191 129 620	484
112 129 0010	1J0 129 620	484
112 129 0023	077 129 620 A 077 129 620 B 077 129 620 C 077 129 620 D	483
112 129 0031	8Z0 129 620 8Z0 129 620 A	488
112 129 0035	1J0 129 620 A	485
112 129 0040	1K0 129 620 D	485
112 129 0043	7L0 129 620	488

MEYLE no.	Ref. no.	Page
Audi		
112 129 0044	7L0 129 620 A	488
112 133 0001	058 133 843	489
112 133 0002	049 133 843	489
112 133 0003	06C 133 843	490
112 133 0005	021 129 620	482
112 319 0001	1H1 819 640 A 1H0 819 644 B	34
112 319 0002	8A0 819 439 A	32
112 319 0003	6Q0 820 367 B	37
112 319 0004	8E0 819 439	32
112 319 0005	4A1 820 367	37
112 319 0006/S	4D0 819 439 4D0 898 438	38
112 319 0011	1K0 819 644 A 1K0 819 644 B	35
112 319 0012	7H0 819 631	33
112 319 0015/S	4F0 819 439 4F0 898 438	38
112 319 0020	8K0 819 439	33
112 319 0023	6R0 820 367	37
112 319 0024	4M0 819 439	31
112 319 1005	4A0 819 439 A	29
112 320 0001	1H0 091 800	29
112 320 0002	3B0 091 800	29
112 320 0003	6Q0 819 653 B	36
112 320 0004	4B0 819 439 C	30
112 320 0006/S	4D0 819 439 A 4D0 898 438 A	38
112 320 0010	4B0 091 800 4A0 819 430 A 4B0 819 439 4B0 819 439 A	30
112 320 0011	1K1 819 653 B	35
112 320 0012	7H0 819 631 A	34
112 320 0015/S	4F0 819 439 A 4F0 819 439 C 4F0 898 438 A 4F0 898 438 B 4F0 898 438 C	39
112 320 0016	4E0 819 439 A	31
112 320 0017	4H0 819 439	31
112 320 0019	1K2 819 653 1K2 819 653 A 1K2 819 653 B	35
112 320 0020	8K0 819 439 A 8K0 819 439 B	33

MEYLE no.	Ref. no.	Page
Audi		
112 320 0022	5Q0 819 653	36
112 320 0023	6R0 819 653	36
112 320 0024	4M0 819 439 A	32
112 320 1001	1J0 819 644 A	34
112 321 0003	4F0 133 843 A	491
112 321 0005	4E0 129 620 4E0 129 620 C	486
112 321 0006	1K0 129 620	485
112 321 0008	6R0 129 620 A	487
112 321 0015	06F 133 843 B	491
112 321 0017	079 133 843 A	491
112 321 0018	8K0 133 837 AC 8K0 133 843 E 8K0 133 843 M 8R0 133 843 C 8R0 133 843 D 8R0 133 843 K	493
112 321 0019	8K0 133 843	492
112 321 0020	8K0 133 843 D	492
112 321 0022	059 133 843 B	490
112 321 0023	4E0 129 620 A 4E0 129 620 D	486
112 321 0024	4E0 129 620 B 4E0 129 620 E	486
112 321 0026	06F 133 843 A	490
112 321 0027	4G0 133 843 H 4G0 133 843 K	492
112 321 0030	5Q0 129 620 B	487
112 321 0031	04E 129 620	482
112 321 0033	5Q0 129 620 C	487
112 330 0001/S	074 115 562	2
112 330 0003/S	03L 115 466 03L 115 562	1
112 330 0004/S	071 115 562 A 071 115 562 C	1
112 330 0005/S	071 115 562 A 071 115 562 C	2
112 330 0006/S	03N 115 562	1
113 012 0001	026 121 005 026 121 005 A 026 121 005 C 026 121 005 E 026 121 005 G 026 121 005 H 037 121 005 B 037 121 005 C	459

MEYLE no.	Ref. no.	Page
Audi		
	068 121 005 A	
113 012 0006	034 121 004 034 121 004 A 034 121 004 V 034 121 004 X 034 121 005 D	455
113 012 0008	026 121 010 026 121 010 C 026 121 010 F 037 121 010 037 121 010 A 037 121 010 B 037 121 010 BX 037 121 010 C 037 121 010 CX 068 121 010 A	463
113 012 0009	050 121 010 050 121 010 A 050 121 010 C 050 121 010 CX	463
113 012 0011	026 121 005 F 026 121 005 K 026 121 005 L	458
113 012 0012	035 121 004 035 121 004 A 035 121 004 AV 035 121 004 AX 035 121 005 B 035 121 005 E	455
113 012 0016	078 121 004 078 121 004 A 078 121 004 B 078 121 004 C 078 121 004 CX	458
113 012 0022	054 121 004 054 121 004 A 054 121 004 AX	456
113 012 0025	052 121 004 052 121 005 052 121 005 A 052 121 005 AX 052 121 005 L 052 121 019	459
113 012 0027	06A 121 011 C 06A 121 011 E 06A 121 011 F	469

MEYLE no.	Ref. no.	Page
Audi		
	06A 121 011 G 06A 121 011 H 06A 121 011 L 06A 121 011 LX 06A 121 011 T 06A 121 011 TX 06A 121 012 06A 121 012 D 06A 121 012 E 06A 121 012 G 06A 121 012 GX 06A 121 012 X	
113 012 0027/HD	06A 121 011 C 06A 121 011 E 06A 121 011 F 06A 121 011 G 06A 121 011 H 06A 121 011 L 06A 121 011 LX 06A 121 011 T 06A 121 011 TX 06A 121 012 06A 121 012 D 06A 121 012 E 06A 121 012 G 06A 121 012 GX 06A 121 012 X	469
113 012 0028	026 121 010 A 026 121 010 D 026 121 010 DX 055 121 010 X 068 121 010 056 121 011 056 121 013 A	462
113 012 0031	028 121 004 028 121 004 V 028 121 004 X	454
113 012 0033/HD	06B 121 011 06B 121 011 A 06B 121 011 B 06B 121 011 C 06B 121 011 E 06B 121 011 EX 06B 121 011 L 06B 121 011 LX 06B 121 011 N	468

MEYLE no.	Ref. no.	Page
Audi		
	06B 121 011 Q 06B 121 011 QX	
113 012 0036	059 121 004 B 059 121 004 C 059 121 004 CX	456
113 012 0037	038 121 011 038 121 011 A 038 121 011 AX	464
113 012 0040	036 121 005 B 036 121 005 E 036 121 005 EX 036 121 005 Q 036 121 005 QX 036 121 005 S 036 121 005 SX 036 121 008 K 036 121 008 KX 036 121 008 L 036 121 008 LX 036 121 008 M 036 121 008 MX	461
113 012 0040/HD	036 121 005 B 036 121 005 E 036 121 005 EX 036 121 005 Q 036 121 005 QX 036 121 005 R 036 121 005 S 036 121 005 SX 036 121 008 K 036 121 008 KX 036 121 008 L 036 121 008 LX 036 121 008 M 036 121 008 MX	461
113 012 0042/HD	074 121 005 M 074 121 005 MU 074 121 005 MX 074 121 005 N 074 121 005 NU 074 121 005 NV 074 121 005 NX	459
113 012 0047	077 121 004 M 077 121 004 MX 077 121 004 N 077 121 004 NX	457

MEYLE no.	Ref. no.	Page
Audi		
	077 121 004 P 077 121 004 PX	
113 012 0048	078 121 004 L 078 121 004 R 078 121 006 A 078 121 006 AX	460
113 012 0049	036 121 005 F 036 121 005 FX 036 121 005 P 036 121 005 PX 036 121 008 G 036 121 008 GX	460
113 012 0050	045 121 011 B 045 121 011 BX	466
113 012 0051	022 121 011 022 121 011 L 022 121 011 V 022 121 011 X	464
113 012 0052	06B 121 011 H 06B 121 011 HX 06B 121 011 M 06B 121 011 MX	467
113 012 0053	06C 121 004 G 06C 121 004 H 06C 121 004 HX 06C 121 004 X	457
113 012 0056	045 121 011 F 045 121 011 H 045 121 011 HX	466
113 012 0056/HD	045 121 011 F 045 121 011 H 045 121 011 HX	467
113 012 8100	078 121 004 H 078 121 004 HV 078 121 004 HX 078 121 004 J 078 121 004 JV 078 121 004 JX 078 121 004 Q 078 121 004 QX 078 121 006 078 121 006 X	460
113 220 0003	057 121 011 E 079 121 011 F 079 121 011 H 079 121 012 B	470

MEYLE no.	Ref. no.	Page
Audi		
113 220 0004	03C 121 005 D 03C 121 005 DX 03C 121 005 K 03C 121 005 KX 03C 121 005 L 03C 121 005 LX 03C 121 005 S 03C 121 005 SX 03C 121 008 C 03C 121 008 CX	461
113 220 0006	06E 121 005 D 06E 121 005 F 06E 121 005 N 06E 121 008 N 06E 121 018 A	470
113 220 0006/HD	06E 121 005 D 06E 121 005 F 06E 121 005 N 06E 121 008 N 06E 121 018 A	471
113 220 0009	07D 121 005 N 07D 121 005 R 07D 121 008 A	462
113 220 0011/HD	06A 121 011 06F 121 011	468
113 220 0012	022 121 011 A	464
113 220 0013	057 121 004 C	456
113 220 0014	059 121 004 D 059 121 004 DX 059 121 004 E 059 121 004 EX	457
113 220 0016	03C 121 005 N 03C 121 005 R 03C 121 008 B 03C 121 008 E 03C 121 008 H 03C 121 008 HX	462
113 220 0017/HD	06E 121 005 G 06E 121 005 P 06E 121 008 P 06E 121 018 B	471
113 220 0018/HD	038 121 011 C 038 121 011 D 038 121 011 G 038 121 011 H 038 121 011 J	465

MEYLE no.	Ref. no.	Page
Audi		
	038 121 011 K 03G 121 011 03L 121 011 B 03L 121 011 G	
113 220 0021	03L 121 011 03L 121 011 C 03L 121 011 E 03L 121 011 H 03L 121 011 J 03L 121 011 P	465
113 220 0021/HD	03L 121 011 03L 121 011 C 03L 121 011 E 03L 121 011 H 03L 121 011 J 03L 121 011 P	465
113 220 0023/HD	06H 121 026 AB 06H 121 026 AF 06H 121 026 AG 06H 121 026 B 06H 121 026 BA 06H 121 026 BE 06H 121 026 BF 06H 121 026 CC 06H 121 026 CF 06H 121 026 CP 06H 121 026 CQ 06H 121 026 DC 06H 121 026 DD 06H 121 026 N 06J 121 026 A 06J 121 026 AG 06J 121 026 B 06J 121 026 F 06J 121 026 G 06J 121 026 J 06J 121 026 L 06J 121 026 M	472
113 220 0024	04E 121 600 AD	473
113 220 0025	03F 121 004 A 03F 121 004 B 03F 121 004 D 03F 121 004 E 03F 121 004 F 03F 121 005	455
113 220 0026	06L 121 005 A	470

MEYLE no.	Ref. no.	Page
Audi		
	06K 121 011 06L 121 012 06L 121 012 A	
113 220 0027	04C 121 004 E 04C 121 004 F 04C 121 004 J 04C 121 600 J 04C 121 600 L	472
113 220 0029	04L 121 011 04L 121 011 E 04L 121 011 X	467
114 042 0502	867 698 520 X	146
114 042 0601	1H0 609 525 1H0 609 525 D 811 609 525 E 1H0 609 526 1H0 609 526 D 1H0 609 527 1H0 609 527 D 1H0 609 528 1H0 609 528 D 1H0 698 071 431 698 073 E	145
114 042 1101	357 698 525 C	147
114 042 1201	7L0 698 525	147
114 226 0001	032 121 121 K	413
114 226 0003	6Q0 122 291 E	422
114 239 0001	1J0 122 291 B	423
114 322 0001	021 115 562 A	523
114 323 0000	057 127 435 D	499
114 323 0002	4F0 127 401 H	496
114 323 0003	8K0 127 400 8K0 127 400 A 8K0 127 400 C 8T0 127 401 A	497
114 323 0004	4G0 127 400 C	494
114 323 0005	8R0 127 400 8R0 127 400 A	495
114 323 0006	5Q0 127 177 5Q0 127 177 B	493
114 323 0007	4G0 127 401	496
114 525 0002	1K0 611 701 A 1K0 611 701 C 1K0 611 701 J 1K0 611 701 L 1K0 611 701 N	149

MEYLE no.	Ref. no.	Page
Audi		
114 525 0005	3C0 611 701 J	150
114 527 0000	7L0 907 637 C	284
114 527 0001	7L0 907 637	283
114 527 0004	7L5 907 637 B	284
114 532 0008	8D0 611 021 A 8D0 611 021 B	170
114 533 0003/K	1H0 609 525 1H0 609 525 D 811 609 525 E 1H0 609 526 1H0 609 526 D 1H0 609 527 1H0 609 527 D 1H0 609 528 1H0 609 528 D 1H0 698 071 431 698 073 E	146
114 533 0004/K	867 609 525 867 609 526 867 609 527 867 609 528 867 698 525 867 698 525 X	145
114 533 0006/K	357 609 525 C 431 609 525 357 609 526 C 431 609 526 357 609 527 E 431 609 527 E 357 609 528 E 431 609 528 E 357 698 525 CV 357 698 525 CX 443 698 525 BV 443 698 525 BX 443 698 525 CX	147
114 610 0000	5Q0 407 183 F	679
114 615 0004	8K0 411 327 C	725
114 615 0005	8K0 411 327 B	725
114 615 0006	1J0 411 314 P	719
114 631 0003	1J0 422 154 E 1J0 422 154 H 1J0 422 154 HX	563
114 631 0005	8N0 145 154 A	560
114 631 0006	8D0 145 156 KX	563
114 631 0007	8D0 145 156 T	563

MEYLE no.	Ref. no.	Page
Audi		
	8D0 145 156 TX	
114 631 0017	04B 145 155 FX	560
114 631 0018	4B0 145 155 R 4B0 145 155 RX	561
114 631 0019	4B0 145 156 4B0 145 156 X	562
114 631 0020	4B0 145 155 T 4B0 145 155 TX	561
114 631 0021	8D0 145 156 A 8D0 145 156 AX	562
114 631 0024	8E0 145 155 N	561
114 631 0031	8D0 145 156 8D0 145 156 X	562
114 631 0032	050 145 155 A 050 145 155 AV 050 145 155 AX	560
114 631 0034	7L6 422 154 D 7L6 422 154 E 7L8 422 154 7L8 422 154 D	564
114 631 0035	8K0 145 154 B 8K0 145 154 G 8K0 145 154 H 8K0 145 154 L 8R0 145 154 B 8R0 145 155 K 8R0 145 155 N 8R0 145 155 S 8K0 145 156 G	559
114 631 0040	8K0 145 153 F	559
114 631 0041	1J0 422 152 MX 1J0 422 154 1J0 422 154 A 1J0 422 154 AX 1J0 422 154 J 1J0 422 154 JX 2K0 422 154 2K0 422 154 A	564
114 710 0000	8K0 505 323 D 8K0 505 323 F 8K0 505 323 H 8K0 505 324 D 8K0 505 324 F 8K0 505 324 H	699
114 710 0001	1J0 501 541 C 1J0 501 541 D	749

MEYLE no.	Ref. no.	Page
Audi		
	1J0 501 541 E 6R0 501 541 A 6R0 501 541 C	
114 710 0001/S	1J0 501 541 C 1J0 501 541 D 1J0 501 541 E 6R0 501 541 A 6R0 501 541 C	759
114 710 0003	4G0 505 145 C	751
114 710 0004	8R0 505 145 A	752
114 711 0000/HD	1K0 505 541 B 1K0 505 541 C 1K0 505 541 D 5Q0 505 541 A	704
114 742 0001	6X0 512 131 A	800
114 750 0001	6Q0 598 611	850
114 800 0001	1J0 919 149 A	350
114 800 0004	4B0 927 807 E	274
114 800 0005	4B0 927 807 J	274
114 800 0007	8D0 927 807 F	275
114 800 0008	8D0 927 807 G	275
114 800 0009	2K0 927 807 WHT 003 864	282
114 800 0013	4E0 927 804 D 4E0 927 804 F	272
114 800 0014	4E0 927 803 D 4E0 927 803 F	270
114 800 0021	7L0 927 807 A 7L0 927 807 B WHT 003 857 A	278
114 800 0022	7L0 927 808 A 7L0 927 808 B WHT 003 856 A	278
114 800 0023	8E0 927 807 G	277
114 800 0028	4B0 927 807 M	274
114 800 0029	8E0 927 807 B	276
114 800 0030	8E0 927 807 C	276
114 800 0031	8E0 927 807 E	276
114 800 0033	03G 957 147 B	322
114 800 0034	8E0 927 807 F	277
114 800 0035	1J0 907 660 C 1J0 907 660 F	323
114 800 0036	06E 907 660	323
114 800 0037	1J0 907 660 B	323
114 800 0041	WHT 003 859 A	280
114 800 0042	WHT 003 858 A	279

MEYLE no.	Ref. no.	Page
Audi		
114 800 0043	WHT 003 864 A	282
114 800 0045	WHT 005 651	283
114 820 0000	357 820 021 893 820 021	342
114 820 0001	036 919 081 D	528
114 820 0003	03C 919 081	530
114 820 0004	06D 919 031	527
114 830 0000	4H0 951 253	351
114 830 0001	4H0 951 253 C	353
114 830 0002	4H0 951 253 A	352
114 880 0000	4F0 959 501 E 4F0 959 501 G	313
114 880 0002	038 907 281 D 04L 907 281	289
114 880 0003	038 907 281 B 04L 907 282 04L 907 282 B	285
114 880 0004/S	038 907 281 D 04L 907 281	289
114 880 0010/S	038 907 281 B 04L 907 282 04L 907 282 B	286
114 880 0011/S	038 907 281 B 04L 907 282	286
114 880 0012/S	038 907 281 B 04L 907 282	287
114 880 0013/S	038 907 281 B 04L 907 282	287
114 880 0014/S	038 907 281 B 04L 907 282	288
114 880 0015/S	038 907 281 B 04L 907 282	288
114 885 0006	06A 905 115 A 06A 905 115 B 06A 905 115 C 06A 905 115 D 06B 905 115 G 06B 905 115 H 06B 905 115 J 06B 905 115 L 06B 905 115 M 06B 905 115 N 06B 905 115 Q 06B 905 115 R 06B 905 115 S	302
114 885 0007	032 905 106	301

MEYLE no.	Ref. no.	Page
Audi		
	032 905 106 B 032 905 106 D 032 905 106 E 032 905 106 F	
114 890 0007	02K 945 415 C 02K 945 415 E 02T 945 415 02T 945 415 D 02T 945 415 P	346
114 890 0011	1C0 945 511 A 1J0 945 511 B 1J0 945 511 C 1J0 945 511 D 1J0 945 511 E 1J0 945 511 F	330
114 890 0012	6Q0 945 511	331
114 890 0013	1K2 945 511	331
114 890 0014	7L6 945 511	331
114 899 0000	036 906 051	324
114 899 0003	030 905 377 C	309
114 899 0005	078 906 433 A 071 957 147	293
114 899 0006	07K 906 433 B	291
114 899 0007	1K0 905 865 1K0 905 865 A	308
114 950 0000	03C 906 262 AA 03C 906 262 M 03E 906 262 B 03E 906 262 C 06A 906 262 BS	310
114 950 0001	030 906 265 BS 030 906 265 BT 032 906 265 E 036 906 265 06A 906 265 A 06A 906 265 AC 06A 906 265 B 06A 906 265 F 06A 906 265 G 06A 906 265 H 06A 906 265 P 06A 906 265 Q	311
114 950 0002	032 906 265 F 036 906 265 C 06A 906 265 AM 06A 906 265 E	310

MEYLE no.	Ref. no.	Page
Audi		
115 521 0028/PD	5Q0 615 301 A	58
115 521 0029	171 615 301 175 615 301 321 615 301 839 615 301	47
115 521 0036	4A0 615 301 B	50
115 521 0036/PD	4A0 615 301 B	51
115 521 0037	8D0 615 601 A	96
115 521 0037/PD	8D0 615 601 A	96
115 521 0039	8E0 615 301 AA 8E0 615 601 D 8E0 615 601 Q	65
115 521 0039/PD	8E0 615 301 AA 8E0 615 601 D 8E0 615 601 Q	66
115 521 0041/PD	8E0 615 301 K 8E0 615 301 T	68
115 521 1002	321 615 301 A 321 615 301 B 321 615 301 C 841 615 301	48
115 521 1003	431 615 301 A 443 615 301 A 443 615 301 B 443 615 301 D	49
115 521 1005	811 615 301 811 615 301 B 823 615 301	62
115 521 1008	447 615 301 A 447 615 301 B	50
115 521 1010	1K0 615 301 M	45
115 521 1014	431 615 301 443 615 301	49
115 521 1017	8E0 615 301 B 8E0 615 301 D 8E0 615 301 P	68
115 521 1018	1J0 615 301 D 1J0 615 301 L 1JE 615 301 6R0 615 301	58
115 521 1024	8A0 615 301 8A0 615 301 D	64
115 521 1027	1J0 615 301 E 1J0 615 301 P	42
115 521 1028	8D0 615 301 A	65
115 521 1040	4A0 615 301 C	69

MEYLE no.	Ref. no.	Page
Audi		
	8E0 615 301 Q	
115 521 1044	1K0 615 301 AC 1K0 615 301 AK 1K0 615 301 S	44
115 521 1045	1K0 615 301 K 1K0 615 301 T 5C0 615 301 A	46
115 521 1051	1J0 615 301 C 1J0 615 301 R 6R0 615 301 A	59
115 521 1073	441 615 301 AA	48
115 521 1075	4B3 615 301	51
115 521 1083	8D0 615 301 K 8D0 615 301 M 8E0 615 301 AD	66
115 521 1085	6R0 615 301 B 8L0 615 301 8N0 615 301 A	60
115 521 1087	895 615 301	63
115 521 1088	895 615 301 A	63
115 521 1094	1K0 615 301 AA 5C0 615 301 B	43
115 521 1097	4F0 615 301 D	53
115 521 1098	4F0 615 301 E	54
115 521 1099	4F0 615 301 G	55
115 521 1103	7L8 615 301	61
115 521 1104	7L8 615 302	74
115 521 1109	4D0 615 301 A 4D0 615 301 F 4D0 615 301 J	52
115 521 1110	8A0 615 301 A 8A0 615 301 E	64
115 521 1117	8K0 615 301 A	72
115 523 0008/PD	4B3 615 601	89
115 523 0009/PD	8K0 615 601 C	102
115 523 0010/PD	8J0 615 601	100
115 523 0011/PD	8J0 615 601 A	101
115 523 0012/PD	1K0 615 601 AA 6R0 615 601	77
115 523 0013	3Q0 615 601	83
115 523 0013/PD	3Q0 615 601	83
115 523 0015	4A0 615 301 A 4A0 615 601 A	85
115 523 0015/PD	4A0 615 301 A 4A0 615 601 A	86
115 523 0016	8D0 615 601 B	97

MEYLE no.	Ref. no.	Page
Audi		
115 523 0016/PD	8D0 615 601 B	97
115 523 0018	1K0 615 601 AB 1K0 615 601 K	77
115 523 0018/PD	1K0 615 601 AB 1K0 615 601 K	78
115 523 0021/PD	1J0 615 601 D	75
115 523 0022	8L0 615 601 8N0 615 601 B	102
115 523 0022/PD	8L0 615 601 8N0 615 601 B	103
115 523 0023	4B0 615 601	86
115 523 0023/PD	4B0 615 601	87
115 523 0024	4B0 615 601 B	88
115 523 0024/PD	4B0 615 601 B	89
115 523 0025	1K0 615 601 M	80
115 523 0025/PD	1K0 615 601 M	81
115 523 0026	1K0 615 601 N	81
115 523 0026/PD	1K0 615 601 N	82
115 523 0027	4F0 615 601 E	91
115 523 0027/PD	4F0 615 601 E	92
115 523 0028	4F0 615 601 F	92
115 523 0028/PD	4F0 615 601 F	93
115 523 0029/PD	4D0 615 601 B	90
115 523 0030	8E0 615 601 B 8E0 615 601 P	99
115 523 0030/PD	8E0 615 601 A 8E0 615 601 B 8E0 615 601 P	99
115 523 0031	8E0 615 601 M	98
115 523 0031/PD	8E0 615 601 M	98
115 523 0032/PD	8E0 615 601 K 8E0 615 601 R	100
115 523 0033/PD	3D0 615 601 D 4E0 615 601 A 4E0 615 601 K	91
115 523 0034/PD	7L8 615 601 A 7L8 615 601 D 7L8 615 601 E	95
115 523 0035/PD	4H0 615 601 D 4H0 615 601 H 4H0 615 601 K	93
115 523 0036/PD	3D0 615 601 E 4E0 615 601 4E0 615 601 E 4E0 615 601 J	90
115 523 0037	1J0 615 601	76

MEYLE no.	Ref. no.	Page
Audi		
	1J0 615 601 C 1J0 615 601 N 1J0 615 601 P	
115 523 0037/PD	1J0 615 601 1J0 615 601 C 1J0 615 601 N 1J0 615 601 P	76
115 523 0038	1K0 615 601 AC 1K0 615 601 L	78
115 523 0038/PD	1K0 615 601 AC 1K0 615 601 L	79
115 523 0039	3B0 615 301 B 4B0 615 301 A 4B0 615 301 C 8D0 615 301 J 8E0 615 301 R	70
115 523 0039/PD	3B0 615 301 B 4B0 615 301 A 4B0 615 301 C 8D0 615 301 J 8E0 615 301 R	71
115 523 0040	4B0 615 601 A	87
115 523 0040/PD	4B0 615 601 A	88
115 523 0041	7L6 615 601 D 7L6 615 601 J 7L8 615 601 C	94
115 523 0041/PD	7L6 615 601 D 7L6 615 601 J 7L8 615 601 C	94
115 523 0042/PD	8K0 615 601 B	101
115 523 0043	1K0 615 601 AD	79
115 523 0043/PD	1K0 615 601 AD	80
115 523 1004	3B0 615 601 B 8D0 615 601 D	82
115 523 1006	443 615 601	84
115 523 1007	443 615 601 E	84
115 523 1010	171 501 615 B 191 501 615 B	143
115 523 1013	447 615 601 A 447 615 601 B	85
115 523 1015	1H0 501 615 A	143
115 523 1035	6Q0 609 617	145
115 523 1081	853 615 601 8A0 615 601	95
115 523 1108	893 501 615	144
115 523 1113	431 501 615	144

MEYLE no.	Ref. no.	Page
Audi		
	431 501 615 A 443 501 615 A	
116 010 0000	4G0 407 689 A 4G0 407 689 C	609
116 010 0004	443 505 153 B	577
116 010 0005	8N0 407 365 B 8N0 407 365 C	604
116 010 0006	1J0 505 203 1J0 505 365 N	829
116 010 0007	8Z0 407 365 A	604
116 010 0008	8Z0 407 366 A	609
116 010 0015	1K0 407 365 B 1K0 407 365 C 1K0 407 365 E	600
116 010 0016	1K0 407 366 B 1K0 407 366 C 1K0 407 366 E	605
116 010 0017	3C0 407 365 A 3C0 407 365 B	601
116 010 0018	3C0 407 366 A 3C0 407 366 B	606
116 010 0019	8K0 407 689 D 8K0 407 689 E 8K0 407 689 F 8K0 407 689 G	610
116 010 0022	8J0 407 365	604
116 010 0023	8J0 407 366	609
116 010 0024	6R0 407 365 6R0 407 365 A 6R0 407 365 B	601
116 010 0025	6R0 407 366 6R0 407 366 A 6R0 407 366 B	606
116 010 0033	5Q0 407 365 A	601
116 010 0034	5Q0 407 366 A	606
116 010 0039	1J0 407 365 A 1J0 407 365 C 1J0 407 365 D 1J0 407 365 J	600
116 010 0040	1J0 407 366 A 1J0 407 366 C 1J0 407 366 D 1J0 407 366 J	605
116 010 3030	321 413 025 B	610
116 010 3915	855 407 366	607
116 010 3916	855 407 365	602

MEYLE no.	Ref. no.	Page
Audi		
116 010 3917	855 407 365 A	602
116 010 3918	855 407 366 A	607
116 010 7168	893 407 365 A	602
116 010 7170	893 407 365 F	603
116 010 7172	893 407 366 A	607
116 010 7174	893 407 366 F	608
116 010 7175	895 407 365 8A0 407 365	603
116 010 7177	895 407 366 8A0 407 366	608
116 010 8287/HD	1J0 407 365 A 1J0 407 365 C 1J0 407 365 D 1J0 407 365 J	600
116 010 8288/HD	1J0 407 366 A 1J0 407 366 C 1J0 407 366 D 1J0 407 366 J	605
116 020 0002	8N0 422 811 A	591
116 020 0003	8N0 422 812 A	592
116 020 0005	7L0 422 817 B 7L0 422 817 C 7L0 422 817 D	593
116 020 0006	7L0 422 818 B 7L0 422 818 C 7L0 422 818 D	594
116 020 0008/HD	4B0 419 811 G 4B0 419 811 Q 4D0 419 811 J 4F0 419 811 A 4F0 419 811 C 4F0 419 811 D 8E0 419 811 4F0 498 811 4F0 498 811 A 4F0 498 811 C	587
116 020 0009	6C0 423 811 A	595
116 020 0010	6C0 423 812 A	597
116 020 0013	443 505 365 D	599
116 020 0014	443 505 366 D	599
116 020 0020/HD	4E0 419 811 D 4E0 419 811 E	587
116 020 0025	1K0 423 811 E 1K0 423 811 J 1K0 423 811 K	595
116 020 0026	1K0 423 812 E	597

MEYLE no.	Ref. no.	Page
Audi		
	1K0 423 812 J 1K0 423 812 K	
116 020 0029/HD	8K0 422 818 A 8K0 422 818 B 4G0 423 812 A	594
116 020 0030/HD	8K0 422 817 A 8K0 422 817 B 4G0 423 811 A	593
116 020 0031	8J0 423 811	596
116 020 0032	8J0 423 812	598
116 020 0033	4H0 422 817 A	593
116 020 0034	4H0 422 818 A	594
116 020 0035	1S0 423 811 A	595
116 020 0036	1S0 423 812 A	597
116 020 0042	6R0 423 812 A	598
116 020 0042/HD	6R0 423 812 A	598
116 020 0043	6R0 423 811 A	596
116 020 0043/HD	6R0 423 811 A	596
116 020 0046	4B0 419 811 G 4B0 419 811 Q 4D0 419 811 J 4F0 419 811 A 4F0 419 811 C 4F0 419 811 D 8E0 419 811 4F0 498 811 4F0 498 811 A 4F0 498 811 C	588
116 020 0047	4B0 419 811 F 8E0 419 811 B	589
116 020 3026	827 419 802 C 861 419 812 862 419 812	586
116 020 3916	811 419 812 A	590
116 020 7149	443 419 811 B 443 419 811 D	586
116 020 7150	443 419 812 B 443 419 812 D	589
116 020 8122	8Z0 419 812 A	590
116 020 8123	8Z0 419 811 A	589
116 020 8206	4A0 419 811 A	587
116 020 8207	4A0 419 812 A	590
116 020 8228/HD	4B0 419 811 F 4F0 419 811 E 8E0 419 811 B	588
116 020 8283	1J0 422 811 A	591

MEYLE no.	Ref. no.	Page
Audi		
116 020 8285	1J0 422 812 A	591
116 020 8502	1J0 422 811 B 8Z0 423 812 A	599
116 020 8503	1J0 422 812 B 8Z0 423 811 A	592
116 030 0003	8N0 422 804 A 8N0 422 804 D	585
116 030 0004	8N0 422 803 A 8N0 422 803 D	583
116 030 0007/HD	4E0 419 801 C 4E0 419 801 D 4E0 419 801 E	578
116 030 0013	7L0 422 803 D	582
116 030 0014	7L0 422 804 D	584
116 030 0018	1K0 423 811 G	585
116 030 0019	1K0 423 812 G	586
116 030 0020/HD	4B0 419 801 G 8E0 419 801 E 8E0 422 821 C	579
116 030 0027	7L0 501 529 C 7L0 501 529 D 7LB 501 529 A	708
116 030 0028/HD	4F0 419 811 D 4F0 498 811 A 4F0 498 811 C	581
116 030 3924	811 419 801 E	578
116 030 4680	8E0 419 801 B 4B0 419 821 G 4D0 419 821 Q 4D0 422 821 4D0 422 821 A 8E0 422 821 8E0 422 821 B 8E0 422 821 C 8E0 422 821 D	574
116 030 7197	893 419 802	580
116 030 8227/HD	4B0 419 801 B 4B0 419 801 M 4D0 419 801 B 4D0 419 801 E 4D0 419 801 L 8E0 419 801 B	579
116 030 8231	4A0 419 801 A	577
116 030 8232	4A0 419 802 A	580
116 030 8233	4A0 419 801 C	578
116 030 8234	4A0 419 802 C	580

MEYLE no.	Ref. no.	Page
Audi		
116 030 8281	1J0 422 803 1J0 422 803 A 1J0 422 803 C	581
116 030 8284	1J0 422 804 1J0 422 804 A 1J0 422 804 C	583
116 030 8286	1J0 422 803* 1J0 422 803 A* 1J0 422 804* 1J0 422 804 A*	572
116 030 8500	1J0 422 803 B 1J0 422 803 H	582
116 030 8501	1J0 422 804 B 1J0 422 804 H	584
116 030 8504	1J0 422 803 B 1J0 422 804 B	573
116 031 0000	1K0 423 810 A	576
116 031 0005	4F0 422 821 4F0 422 821 D	574
116 031 0008	6R0 423 803 B 6R0 423 803 C 6R0 423 803 D 8Z0 423 803 F 6R0 423 804 B 6R0 423 804 C 6R0 423 804 D 8Z0 423 804 F	575
116 031 0009	4E0 419 821 4E0 419 821 A	572
116 031 0015	6C0 423 810 B 6C0 423 810 C	576
116 031 0016	7L0 422 803 C 7L0 422 803 D 7L0 422 804 C 7L0 422 804 D	573
116 031 0022	8N0 422 803 C* 8N0 422 803 D* 8N0 422 804 C* 8N0 422 804 D* 8N0 422 807 A 8N0 422 807 C	573
116 031 0023	4H0 422 810 4H0 422 810 A 8J0 423 810	574
116 031 0025	4E0 505 547 A 4E0 505 547 L	742

MEYLE no.	Ref. no.	Page
Audi		
116 031 0026	4E0 505 548 A 4E0 505 548 L	743
116 031 0028	4G0 423 810 A	576
116 031 0029/HD	6R0 423 803 B 6R0 423 803 C 6R0 423 803 D 8Z0 423 803 F 6R0 423 804 B 6R0 423 804 C 6R0 423 804 D 8Z0 423 804 F	575
116 035 0000	4D0 501 529 E 4D0 501 529 J	659
116 035 0001	8E0 501 529 G 8E0 501 529 K 8E0 501 529 P	709
116 035 0002	1K0 501 529 F	707
116 035 0003	1K0 501 530 C	710
116 035 0006	4E0 501 529 D 4E0 501 529 G	708
116 035 0008	7L0 505 323 A	713
116 035 0009	4F0 501 529 C 4F0 501 529 E	708
116 035 0012	8K0 505 323 D 8K0 505 323 F 8K0 505 323 H	714
116 035 0013	8K0 505 324 D 8K0 505 324 F 8K0 505 324 H	714
116 035 0014	1K0 501 529 J	707
116 035 0015	8K0 501 529 K 8K0 501 529 N	710
116 035 0016	8K0 501 530 K 8K0 501 530 N	711
116 035 0017	8K0 501 529 L	709
116 035 0020	1K0 505 323 H 1K0 505 323 N 5Q0 505 323 C 5Q0 505 323 D	711
116 035 0020/S	1K0 505 323 H 1K0 505 323 N 5Q0 505 323 C 5Q0 505 323 D	712
116 039 8243	4D0 501 529 A 4D0 501 529 F	659
116 039 8294	8D0 501 530	710

MEYLE no.	Ref. no.	Page
Audi		
116 050 0000/HD	8E0 407 151 E 8E0 407 151 K 8E0 407 151 L 8E0 407 151 M 8E0 407 151 N 8E0 407 151 R	666
116 050 0002/HD	1K0 407 151 AA 1K0 407 151 AB 1K0 407 151 AE 1K0 407 151 AH 1K0 407 151 BC 1K0 407 151 BD 1K0 407 151 N 1K0 407 151 P	619
116 050 0003/HD	1K0 407 152 AA 1K0 407 152 AB 1K0 407 152 AE 1K0 407 152 AH 1K0 407 152 BC 1K0 407 152 BD 1K0 407 152 N 1K0 407 152 P	631
116 050 0009/HD	1J0 407 151 A 1J0 407 151 C	615
116 050 0010/HD	1J0 407 151 A 1J0 407 151 C	616
116 050 0015/HD	4E0 407 509 B 4E0 407 509 E 4E0 407 509 F 4E0 407 509 G 4E0 407 509 H	646
116 050 0016/HD	4E0 407 510 B 4E0 407 510 E 4E0 407 510 F 4E0 407 510 G 4E0 407 510 H	648
116 050 0017	7L0 407 021 7L0 407 021 A 7L0 407 021 B	610
116 050 0017/S	7L0 407 021 7L0 407 021 A 7L0 407 021 B	611
116 050 0022/HD	3B0 498 798 A	697
116 050 0023	443 505 351 P	715
116 050 0024	443 505 352 P	715
116 050 0025	441 407 151 A	621

MEYLE no.	Ref. no.	Page
Audi		
	441 407 151 C 441 407 155 441 407 155 B	
116 050 0026	441 407 152 A 441 407 152 C 441 407 156	634
116 050 0027	1K0 505 323 H 1K0 505 323 N	712
116 050 0027/S	1K0 505 323 H 1K0 505 323 N	713
116 050 0029/HD	4D0 407 151 H 4D0 407 151 P 8D0 407 151 E 8D0 407 505 E 8E0 407 505 A 8E0 407 505 C 8E0 407 505 E 8E0 407 505 P 8E0 407 505 Q 8E0 407 506 A 8E0 407 506 C 8E0 407 506 E 8E0 407 506 P 8E0 407 506 Q 4D0 407 509 J 4D0 407 509 K 8D0 407 509 G 8E0 407 509 A 8E0 407 509 C 8E0 407 509 E 8E0 407 509 P 8E0 407 509 Q 4D0 407 510 J 4D0 407 510 K 8D0 407 510 G 8E0 407 510 A 8E0 407 510 C 8E0 407 510 E 8E0 407 510 P 8E0 407 510 Q 4D0 407 693 AC 4D0 407 693 AD 4D0 407 693 E 4D0 407 693 G 4D0 407 693 H 4D0 407 693 K	692

MEYLE no.	Ref. no.	Page
Audi		
	400 407 693 M	
	400 407 693 P	
	8E0 407 693 AG	
	8E0 407 693 K	
	8E0 407 693 Q	
	400 407 694 AC	
	400 407 694 AD	
	400 407 694 E	
	400 407 694 G	
	400 407 694 H	
	400 407 694 K	
	400 407 694 M	
	400 407 694 P	
	8E0 407 694 AG	
	8E0 407 694 K	
	8E0 407 694 Q	
	400 407 695 J	
	400 407 696 J	
	8D0 498 998	
	8D0 498 998 B	
116 050 0030/HD	400 407 151 H	693
	400 407 151 P	
	8D0 407 151 E	
	400 407 505 A	
	400 407 505 B	
	400 407 505 D	
	400 407 505 F	
	400 407 505 H	
	400 407 505 J	
	400 407 509 J	
	400 407 509 K	
	8D0 407 509 G	
	8E0 407 509 A	
	8E0 407 509 C	
	8E0 407 509 E	
	8E0 407 509 P	
	8E0 407 509 Q	
	400 407 510 J	
	400 407 510 K	
	8D0 407 510 G	
	8E0 407 510 A	
	8E0 407 510 C	
	8E0 407 510 E	
	8E0 407 510 P	
	8E0 407 510 Q	
	400 407 693 AC	

MEYLE no.	Ref. no.	Page
Audi		
	400 407 693 AD	
	400 407 693 E	
	400 407 693 G	
	400 407 693 H	
	400 407 693 K	
	400 407 693 M	
	400 407 693 P	
	8E0 407 693 AG	
	8E0 407 693 K	
	8E0 407 693 Q	
	400 407 694 AC	
	400 407 694 AD	
	400 407 694 E	
	400 407 694 G	
	400 407 694 H	
	400 407 694 K	
	400 407 694 M	
	400 407 694 P	
	8E0 407 694 AG	
	8E0 407 694 K	
	8E0 407 694 Q	
	400 407 695 J	
	400 407 696 J	
	400 498 998 C	
116 050 0031/HD	4B0 407 151	622
	4B3 407 151 A	
	4B3 407 151 C	
	4B3 407 151 E	
	4B3 407 151 F	
	4B3 407 151 K	
116 050 0032/HD	1K0 407 151 AC	617
	1K0 407 151 AD	
	1K0 407 151 AK	
	1K0 407 151 BF	
116 050 0033/HD	1K0 407 152 AC	630
	1K0 407 152 AD	
	1K0 407 152 AK	
	1K0 407 152 BF	
116 050 0041/HD	4B0 407 151	689
	4B3 407 151 A	
	4B3 407 151 C	
	4B3 407 151 E	
	4B3 407 151 F	
	4B3 407 151 K	
	400 407 505 A	
	400 407 505 B	

MEYLE no.	Ref. no.	Page
Audi		
	4D0 407 505 D	
	4D0 407 505 F	
	4D0 407 505 H	
	4D0 407 505 J	
	4D0 407 509 J	
	4D0 407 509 K	
	8D0 407 509 G	
	8E0 407 509 A	
	8E0 407 509 C	
	8E0 407 509 E	
	8E0 407 509 P	
	8E0 407 509 Q	
	4D0 407 510 J	
	4D0 407 510 K	
	8D0 407 510 G	
	8E0 407 510 A	
	8E0 407 510 C	
	8E0 407 510 E	
	8E0 407 510 P	
	8E0 407 510 Q	
	4D0 407 693 AC	
	4D0 407 693 AD	
	4D0 407 693 E	
	4D0 407 693 G	
	4D0 407 693 H	
	4D0 407 693 K	
	4D0 407 693 M	
	4D0 407 693 P	
	8E0 407 693 AG	
	8E0 407 693 K	
	8E0 407 693 Q	
	4D0 407 694 AC	
	4D0 407 694 AD	
	4D0 407 694 E	
	4D0 407 694 G	
	4D0 407 694 H	
	4D0 407 694 K	
	4D0 407 694 M	
	4D0 407 694 P	
	8E0 407 694 AG	
	8E0 407 694 K	
	8E0 407 694 Q	
	4D0 407 695 J	
	4D0 407 696 J	
116 050 0042/HD	4E0 407 505 B 4E0 407 505 E	639

MEYLE no.	Ref. no.	Page
Audi		
	4E0 407 505 F	
116 050 0043/HD	4F0 407 151 4F0 407 151 A	624
116 050 0044/HD	4F0 407 693 4F0 407 693 B 4F0 407 693 C 4F0 407 693 G 4F0 407 693 H 4F0 407 693 J	650
116 050 0048/HD	8E0 407 693 AA 8E0 407 693 AC 8E0 407 693 AJ 8E0 407 693 AK 8E0 407 693 AL 8E0 407 693 AM 8E0 407 693 N 8E0 407 693 T	652
116 050 0058/HD	4B3 407 151 D	622
116 050 0059	7L0 505 397	715
116 050 0060	7L0 505 398	716
116 050 0063/HD	4E0 407 506 B 4E0 407 506 E 4E0 407 506 F	642
116 050 0064/HD	4F0 407 694 4F0 407 694 B 4F0 407 694 C 4F0 407 694 G 4F0 407 694 H 4F0 407 694 J	655
116 050 0065/HD	4E0 407 693 F 4E0 407 693 L 4E0 407 693 M 4E0 407 693 N 4E0 407 693 R	650
116 050 0066/HD	4E0 407 694 F 4E0 407 694 L 4E0 407 694 M 4E0 407 694 N 4E0 407 694 R	654
116 050 0067/HD	4E0 407 151 G 4E0 407 151 L	623
116 050 0072/HD	3C0 407 151 G 3C0 407 151 H	620
116 050 0073/HD	8E0 407 694 AA 8E0 407 694 AC 8E0 407 694 AJ	657

MEYLE no.	Ref. no.	Page
Audi		
	8E0 407 694 AK 8E0 407 694 AL 8E0 407 694 AM 8E0 407 694 N 8E0 407 694 T	
116 050 0079	1K0 505 311 AB	662
116 050 0079/S	1K0 505 311 AB	663
116 050 0080	1K0 505 223 K	660
116 050 0080/S	1K0 505 223 K	660
116 050 0081	1K0 505 224 K	661
116 050 0081/S	1K0 505 224 K	662
116 050 0083/HD	8E0 407 151 E 8E0 407 151 K 8E0 407 151 L 8E0 407 151 M 8E0 407 151 N 8E0 407 151 R 8D0 407 505 E 8E0 407 505 A 8E0 407 505 C 8E0 407 505 E 8E0 407 505 P 8E0 407 505 Q 8D0 407 506 E 8E0 407 506 A 8E0 407 506 C 8E0 407 506 E 8E0 407 506 P 8E0 407 506 Q 4D0 407 509 J 4D0 407 509 K 8D0 407 509 G 8E0 407 509 A 8E0 407 509 C 8E0 407 509 E 8E0 407 509 P 8E0 407 509 Q 4D0 407 510 J 4D0 407 510 K 8D0 407 510 G 8E0 407 510 A 8E0 407 510 C 8E0 407 510 E 8E0 407 510 P 8E0 407 510 Q 4D0 407 693 AC	694

MEYLE no.	Ref. no.	Page
Audi		
	4D0 407 693 AD 4D0 407 693 E 4D0 407 693 G 4D0 407 693 H 4D0 407 693 K 4D0 407 693 M 4D0 407 693 P 8E0 407 693 AG 8E0 407 693 K 8E0 407 693 Q 4D0 407 694 AC 4D0 407 694 AD 4D0 407 694 E 4D0 407 694 G 4D0 407 694 H 4D0 407 694 K 4D0 407 694 M 4D0 407 694 P 8E0 407 694 AG 8E0 407 694 K 8E0 407 694 Q 4D0 407 695 J 4D0 407 696 J	
116 050 0085/HD	8E0 407 151 E 8E0 407 151 K 8E0 407 151 L 8E0 407 151 M 8E0 407 151 N 8E0 407 151 R 8D0 407 505 E 8E0 407 505 A 8E0 407 505 C 8E0 407 505 E 8E0 407 505 P 8E0 407 505 Q 8D0 407 506 E 8E0 407 506 A 8E0 407 506 C 8E0 407 506 E 8E0 407 506 P 8E0 407 506 Q 4D0 407 509 J 4D0 407 509 K 8D0 407 509 G 8E0 407 509 A 8E0 407 509 C	695



MEYLE no.	Ref. no.	Page
Audi		
+	8E0 407 509 E	
	8E0 407 509 P	
	8E0 407 509 Q	
	4D0 407 510 J	
	4D0 407 510 K	
	8D0 407 510 G	
	8E0 407 510 A	
	8E0 407 510 C	
	8E0 407 510 E	
	8E0 407 510 P	
	8E0 407 510 Q	
	8E0 407 693 AA	
	8E0 407 693 AC	
	8E0 407 693 AJ	
	8E0 407 693 AK	
	8E0 407 693 AL	
	8E0 407 693 AM	
	8E0 407 693 N	
	8E0 407 693 T	
	8E0 407 694 AA	
	8E0 407 694 AC	
	8E0 407 694 AJ	
	8E0 407 694 AK	
	8E0 407 694 AL	
	8E0 407 694 AM	
	8E0 407 694 N	
	8E0 407 694 T	
	116 050 0087/HD	4B0 407 151
	4B3 407 151 A	
	4B3 407 151 C	
	4B3 407 151 E	
	4B3 407 151 F	
	4B3 407 151 K	
	8D0 407 505 E	
	8E0 407 505 A	
	8E0 407 505 C	
	8E0 407 505 E	
	8E0 407 505 P	
	8E0 407 505 Q	
	8D0 407 506 E	
	8E0 407 506 A	
	8E0 407 506 C	
	8E0 407 506 E	
	8E0 407 506 P	
	8E0 407 506 Q	
	4D0 407 509 J	

MEYLE no.	Ref. no.	Page
Audi		
	4D0 407 509 K	
	8D0 407 509 G	
	8E0 407 509 A	
	8E0 407 509 C	
	8E0 407 509 E	
	8E0 407 509 P	
	8E0 407 509 Q	
	4D0 407 510 J	
	4D0 407 510 K	
	8D0 407 510 G	
	8E0 407 510 A	
	8E0 407 510 C	
	8E0 407 510 E	
	8E0 407 510 P	
	8E0 407 510 Q	
	4D0 407 693 AC	
	4D0 407 693 AD	
	4D0 407 693 E	
	4D0 407 693 G	
	4D0 407 693 H	
	4D0 407 693 K	
	4D0 407 693 M	
	4D0 407 693 P	
	8E0 407 693 AG	
	8E0 407 693 K	
	8E0 407 693 Q	
	4D0 407 694 AC	
	4D0 407 694 AD	
	4D0 407 694 E	
	4D0 407 694 G	
	4D0 407 694 H	
	4D0 407 694 K	
	4D0 407 694 M	
	4D0 407 694 P	
	8E0 407 694 AG	
	8E0 407 694 K	
	8E0 407 694 Q	
	4D0 407 695 J	
	4D0 407 696 J	
116 050 0092	8J0 407 151 D	627
116 050 0095/HD	4F0 407 151	691
	4F0 407 151 A	
	4E0 407 505 B	
	4E0 407 505 E	
	4E0 407 505 F	
	4E0 407 506 B	

MEYLE no.	Ref. no.	Page
Audi		
	4E0 407 506 E	
	4E0 407 506 F	
	4E0 407 509 B	
	4E0 407 509 E	
	4E0 407 509 F	
	4E0 407 509 G	
	4E0 407 509 H	
	4E0 407 510 B	
	4E0 407 510 E	
	4E0 407 510 F	
	4E0 407 510 G	
	4E0 407 510 H	
	4F0 407 693	
	4F0 407 693 B	
	4F0 407 693 C	
	4F0 407 693 G	
	4F0 407 693 H	
	4F0 407 693 J	
	4F0 407 694	
	4F0 407 694 B	
	4F0 407 694 C	
	4F0 407 694 G	
	4F0 407 694 H	
	4F0 407 694 J	
116 050 0096	7L8 407 151 K 7P0 407 151 B 7P0 407 151 C 7P0 407 151 D 7P0 407 151 E	625
116 050 0096/S	7L8 407 151 K 7P0 407 151 B 7P0 407 151 C 7P0 407 151 D 7P0 407 151 E	626
116 050 0097	7L8 407 152 K 7P0 407 152 B 7P0 407 152 C 7P0 407 152 D 7P0 407 152 E	636
116 050 0097/S	7L8 407 152 K 7P0 407 152 B 7P0 407 152 C 7P0 407 152 D 7P0 407 152 E	636
116 050 0098	8Z0 407 151 J	630
116 050 0099	8Z0 407 152 J	638

MEYLE no.	Ref. no.	Page
Audi		
116 050 0101	7L8 407 021	611
116 050 0101/S	7L8 407 021	612
116 050 0103/HD	6R0 407 151 B 6R0 407 151 F	625
116 050 0104/HD	6R0 407 152 B 6R0 407 152 F	635
116 050 0105	7L0 505 311 B	663
116 050 0106	7L0 505 312 B	664
116 050 0121	8K0 505 311 H 8K0 505 311 J	664
116 050 0122	8K0 505 312 H 8K0 505 312 J	664
116 050 0123/S	5Q0 407 151 J	624
116 050 0124/S	5Q0 407 152 J	635
116 050 0129/HD	4G0 407 693 D 4G0 407 693 F 4G0 407 693 H 4G0 407 693 J 4G0 407 693 L	651
116 050 0130/HD	4G0 407 694 D 4G0 407 694 F 4G0 407 694 H 4G0 407 694 J 4G0 407 694 L	655
116 050 0131/HD	857 407 148 A 893 407 148 C	614
116 050 0132/HD	857 407 147 A 893 407 147 C	612
116 050 0133/HD	893 407 147 E	613
116 050 0134/HD	893 407 148 E	614
116 050 0137	8J0 407 151 D	628
116 050 0138	8J0 407 151 D	628
116 050 0139/HD	4D0 407 693 AE 8E0 407 693 D	653
116 050 0140/HD	4D0 407 694 AE 8E0 407 694 D	657
116 050 0143/HD	3C0 505 223 D	661
116 050 0144/HD	3C0 505 224 D	662
116 050 0145/HD	4H0 407 505 D 4H0 407 505 E 4H0 407 505 F	640
116 050 0146/HD	4H0 407 506 D 4H0 407 506 E 4H0 407 506 F	643
116 050 0147/HD	4H0 407 509 A 4H0 407 509 D	646



MEYLE no.	Ref. no.	Page
Audi		
	4H0 407 509 E 4H0 407 509 F	
116 050 0148/HD	4H0 407 510 A 4H0 407 510 D 4H0 407 510 E 4H0 407 510 F	649
116 050 0154/HD	895 407 147 A	613
116 050 0155/HD	895 407 148 A	615
116 050 0156	1J0 407 151 A 1J0 407 151 C	616
116 050 0164	4D0 501 529 H	659
116 050 0165/HD	8K0 407 510 A 8K0 407 510 B 8K0 407 510 M 8K0 407 510 N 8K0 407 510 P	649
116 050 0166/HD	8K0 407 509 A 8K0 407 509 B 8K0 407 509 M 8K0 407 509 N 8K0 407 509 P	647
116 050 0167/HD	8K0 407 506 A 8K0 407 506 B 8K0 407 506 M 8K0 407 506 N	644
116 050 0168/HD	8K0 407 505 A 8K0 407 505 B 8K0 407 505 M 8K0 407 505 N	641
116 050 0169/HD	8K0 407 152 B 8K0 407 152 C 8K0 407 152 D	637
116 050 0170/HD	8K0 407 151 B 8K0 407 151 C 8K0 407 151 D	629
116 050 0171/HD	8K0 407 694 AE 8K0 407 694 F 8K0 407 694 K 8K0 407 694 N 8K0 407 694 R	658
116 050 0172/HD	8K0 407 693 AE 8K0 407 693 F 8K0 407 693 K 8K0 407 693 N 8K0 407 693 R	654
116 050 0173/HD	8K0 407 694 AF	658

MEYLE no.	Ref. no.	Page
Audi		
	8K0 407 694 S 8K0 407 694 T	
116 050 0174/HD	8K0 407 693 AF 8K0 407 693 S 8K0 407 693 T	653
116 050 0181/HD	1K0 407 151 AA 1K0 407 151 AB 1K0 407 151 AE 1K0 407 151 AH 1K0 407 151 BC 1K0 407 151 BD 1K0 407 151 N 1K0 407 151 P	618
116 050 0182/HD	1K0 407 152 AA 1K0 407 152 AB 1K0 407 152 AE 1K0 407 152 AH 1K0 407 152 BC 1K0 407 152 BD 1K0 407 152 N 1K0 407 152 P	632
116 050 0185	4F0 505 323 E 4F0 505 323 H 4F0 505 323 K 4F0 505 323 L	665
116 050 0186/HD	7L0 407 152F 7L0 407 152J 7L0 407 152K	666
116 050 0187/HD	7L0 407 151F 7L0 407 151J 7L0 407 151K	665
116 050 0190/S	7L0 407 021 7L0 407 021 A 7L0 407 021 B 7L8 407 151 K 7P0 407 151 B 7P0 407 151 C 7P0 407 151 D 7P0 407 151 E 7L8 407 152 K 7P0 407 152 B 7P0 407 152 C 7P0 407 152 D 7P0 407 152 E	687
116 050 0191/S	7L8 407 021 7L8 407 151 K	688

MEYLE no.	Ref. no.	Page
Audi		
	7P0 407 151 B 7P0 407 151 C 7P0 407 151 D 7P0 407 151 E 7LB 407 152 K 7P0 407 152 B 7P0 407 152 C 7P0 407 152 D 7P0 407 152 E	
116 050 0194/HD	7L0 407 021 7L0 407 021 A 7L0 407 021 B 7L0 411 317 7L0 407 151F 7L0 407 151J 7L0 407 151K 7L0 407 152F 7L0 407 152J 7L0 407 152K	688
116 050 0197	1K0 407 151 AA 1K0 407 151 AB 1K0 407 151 AE 1K0 407 151 AH 1K0 407 151 BC 1K0 407 151 BD 1K0 407 151 N 1K0 407 151 P	619
116 050 0198	1K0 407 152 AA 1K0 407 152 AB 1K0 407 152 AE 1K0 407 152 AH 1K0 407 152 BC 1K0 407 152 BD 1K0 407 152 N 1K0 407 152 P	632
116 050 0199	1K0 407 151 AC 1K0 407 151 AD 1K0 407 151 AK 1K0 407 151 BF	617
116 050 0200	1K0 407 152 AC 1K0 407 152 AD 1K0 407 152 AK 1K0 407 152 BF	631
116 050 0203	8E0 407 151 E 8E0 407 151 K 8E0 407 151 L	667

MEYLE no.	Ref. no.	Page
Audi		
	8E0 407 151 M 8E0 407 151 N 8E0 407 151 R	
116 050 0205	4D0 407 151 H 4D0 407 151 P 8D0 407 151 E	626
116 050 0206	4D0 407 510 J 4D0 407 510 K 8D0 407 510 G 8E0 407 510 A 8E0 407 510 C 8E0 407 510 E 8E0 407 510 P 8E0 407 510 Q	647
116 050 0207	4D0 407 509 J 4D0 407 509 K 8D0 407 509 G 8E0 407 509 A 8E0 407 509 C 8E0 407 509 E 8E0 407 509 P 8E0 407 509 Q	645
116 050 0208	8D0 407 506 E 8E0 407 506 A 8E0 407 506 C 8E0 407 506 E 8E0 407 506 P 8E0 407 506 Q	643
116 050 0209	8D0 407 505 E 8E0 407 505 A 8E0 407 505 C 8E0 407 505 E 8E0 407 505 P 8E0 407 505 Q	640
116 050 0210	4D0 407 694 AC 4D0 407 694 AD 4D0 407 694 E 4D0 407 694 G 4D0 407 694 H 4D0 407 694 K 4D0 407 694 M 4D0 407 694 P 8E0 407 694 AG 8E0 407 694 K 8E0 407 694 Q 4D0 407 696 J	656



MEYLE no.	Ref. no.	Page
Audi		
116 050 0211	400 407 693 AC 400 407 693 AD 400 407 693 E 400 407 693 G 400 407 693 H 400 407 693 K 400 407 693 M 400 407 693 P 8E0 407 693 AG 8E0 407 693 K 8E0 407 693 Q 400 407 695 J	651
116 050 0212	4B0 407 151 4B3 407 151 A 4B3 407 151 C 4B3 407 151 E 4B3 407 151 F 4B3 407 151 K	623
116 050 0213	4E0 407 505 B 4E0 407 505 E 4E0 407 505 F	639
116 050 0214	4E0 407 506 B 4E0 407 506 E 4E0 407 506 F	642
116 050 0215	1K0 407 151 AA 1K0 407 151 AB 1K0 407 151 AE 1K0 407 151 AH 1K0 407 151 BC 1K0 407 151 BD 1K0 407 151 N 1K0 407 151 P	618
116 050 0216	1K0 407 152 AA 1K0 407 152 AB 1K0 407 152 AE 1K0 407 152 AH 1K0 407 152 BC 1K0 407 152 BD 1K0 407 152 N 1K0 407 152 P	633
116 050 0222/HD	8K0 407 151 B 8K0 407 151 C 8K0 407 151 D 8K0 407 152 B 8K0 407 152 C 8K0 407 152 D	696

MEYLE no.	Ref. no.	Page
Audi		
	8K0 407 505 A 8K0 407 505 B 8K0 407 505 M 8K0 407 505 N 8K0 407 506 A 8K0 407 506 B 8K0 407 506 M 8K0 407 506 N 8K0 407 509 A 8K0 407 509 B 8K0 407 509 M 8K0 407 509 N 8K0 407 509 P 8K0 407 510 A 8K0 407 510 B 8K0 407 510 M 8K0 407 510 N 8K0 407 510 P 8K0 407 693 F 8K0 407 693 K 8K0 407 693 N 8K0 407 694 F 8K0 407 694 K 8K0 407 694 N	
116 050 0223/HD	8K0 407 151 B 8K0 407 151 C 8K0 407 151 D 8K0 407 152 B 8K0 407 152 C 8K0 407 152 D 8K0 407 505 A 8K0 407 505 B 8K0 407 505 M 8K0 407 505 N 8K0 407 506 A 8K0 407 506 B 8K0 407 506 M 8K0 407 506 N 8K0 407 509 A 8K0 407 509 B 8K0 407 509 M 8K0 407 509 N 8K0 407 509 P 8K0 407 510 A 8K0 407 510 B 8K0 407 510 M	697



MEYLE no.	Ref. no.	Page
Audi		
	8K0 407 510 N 8K0 407 510 P 8K0 407 693 AF 8K0 407 693 S 8K0 407 693 T 8K0 407 694 AF 8K0 407 694 S 8K0 407 694 T	
116 050 0224/HD	8K0 407 151 F	629
116 050 0225/HD	8K0 407 152 F	637
116 050 3910	441 404 155 S 437 407 151 A 443 407 151 B 431 407 155 A	620
116 050 3911	437 407 152 A 443 407 152 B 437 407 156 A 441 407 156 A	633
116 050 8200/HD	4A0 407 151	621
116 050 8201/HD	4A0 407 152	634
116 050 8228/HD	4D0 407 151 H 4D0 407 151 P 8D0 407 151 E	627
116 050 8239/HD	4D0 407 505 A 4D0 407 505 B 4D0 407 505 D 4D0 407 505 F 4D0 407 505 H 4D0 407 505 J	638
116 050 8292/HD	4D0 407 509 J 4D0 407 509 K 8D0 407 509 G 8E0 407 509 A 8E0 407 509 C 8E0 407 509 E 8E0 407 509 P 8E0 407 509 Q	645
116 050 8293/HD	4D0 407 510 J 4D0 407 510 K 8D0 407 510 G 8E0 407 510 A 8E0 407 510 C 8E0 407 510 E 8E0 407 510 P 8E0 407 510 Q	648
116 050 8297/HD	8D0 407 505 E	641

MEYLE no.	Ref. no.	Page
Audi		
	8E0 407 505 A 8E0 407 505 C 8E0 407 505 E 8E0 407 505 P 8E0 407 505 Q	
116 050 8298/HD	8D0 407 506 E 8E0 407 506 A 8E0 407 506 C 8E0 407 506 E 8E0 407 506 P 8E0 407 506 Q	644
116 050 8299/HD	4D0 407 693 AC 4D0 407 693 AD 4D0 407 693 E 4D0 407 693 G 4D0 407 693 H 4D0 407 693 K 4D0 407 693 M 4D0 407 693 P 8E0 407 693 AG 8E0 407 693 K 8E0 407 693 Q 4D0 407 695 J	652
116 050 8300/HD	4D0 407 694 AC 4D0 407 694 AD 4D0 407 694 E 4D0 407 694 G 4D0 407 694 H 4D0 407 694 K 4D0 407 694 M 4D0 407 694 P 8E0 407 694 AG 8E0 407 694 K 8E0 407 694 Q 4D0 407 696 J	656
116 060 0000/HD	6Q0 411 315 A 6Q0 411 315 B 6Q0 411 315 C 6Q0 411 315 D 6Q0 411 315 E 6Q0 411 315 F 6Q0 411 315 G 6Q0 411 315 J 6Q0 411 315 L 6Q0 411 315 M 6Q0 411 315 N	731

MEYLE no.	Ref. no.	Page
Audi		
	6Q0 411 315 P 6Q0 411 315 Q 6R0 411 315 6R0 411 315 A	
116 060 0002/HD	1J0 505 466 C	741
116 060 0006	4D0 411 317 G 4D0 411 317 J 4D0 411 317 K	732
116 060 0007	4D0 411 317 J 8D0 411 317 D	735
116 060 0008	8D0 411 318 D	736
116 060 0011/HD	1J0 411 315 D	729
116 060 0012/HD	1J0 411 316 D	732
116 060 0013	855 407 469	728
116 060 0015/HD	1J0 505 466 B	741
116 060 0016	8E0 411 317	735
116 060 0017	8E0 411 318	736
116 060 0018	4E0 411 317 D	733
116 060 0021/HD	7L0 505 465 C 7L0 505 465 D 7L8 505 465 B	739
116 060 0022/HD	7L0 505 466 C 7L0 505 466 D 7L8 505 466 B	742
116 060 0023	1K0 505 465 AA 1K0 505 465 K 1K0 505 465 R	737
116 060 0023/S	1K0 505 465 AA 1K0 505 465 K 1K0 505 465 R	737
116 060 0026	4F0 505 465 N 4F0 505 465 Q	738
116 060 0027	8E0 505 465 AC 8E0 505 465 AF 8E0 505 465 K 8E0 505 465 T	740
116 060 0028	4E0 411 317 C 4E0 411 317 E 4E0 411 317 F	733
116 060 0029	7L0 411 317	734
116 060 0029/S	7L0 411 317	734
116 060 0034	4H0 411 317 A 4H0 411 317 C	733
116 060 0035	8E0 505 465 C 8E0 505 465 D	740
116 060 0036	8K0 505 465 E	740

MEYLE no.	Ref. no.	Page
Audi		
	8K0 505 465 G	
116 060 0037	4F0 505 465 P	738
116 060 0039	5Q0 505 465 C	739
116 060 0041/S	4G0 411 317 4G0 411 317 A 4H0 411 317 A 4H0 411 317 C 4M0 411 317 8K0 411 317 C 8K0 411 317 D 8K0 411 317 E	734
116 060 0045	6Q0 411 315 A 6Q0 411 315 B 6Q0 411 315 C 6Q0 411 315 D 6Q0 411 315 E 6Q0 411 315 F 6Q0 411 315 G 6Q0 411 315 J 6Q0 411 315 L 6Q0 411 315 M 6Q0 411 315 N 6Q0 411 315 P 6Q0 411 315 Q 6R0 411 315 6R0 411 315 A	731
116 060 0046	1K0 411 315 D 1K0 411 315 J 1K0 411 315 K 1K0 411 315 P 1K0 411 315 R 5Q0 411 315 B	730
116 060 0049	8K0 411 317 C 8K0 411 317 D 8K0 411 317 E	736
116 060 0050	1J0 411 316 D	732
116 060 0051	1J0 411 315 D	729
116 060 0063/HD	1K0 411 315 D 1K0 411 315 J 1K0 411 315 K 1K0 411 315 P 1K0 411 315 R 5Q0 411 315 B	730
116 060 7179	893 407 465 893 407 465 A 8A0 407 465	728

MEYLE no.	Ref. no.	Page
Audi		
	8A0 407 465 B 8A0 407 465 C	
116 060 8240/HD	4D0 505 465 D	738
116 060 8295/HD	8A0 505 465 C 8D0 505 465	739
116 060 8296/HD	8A0 505 466 C 8D0 505 466	742
117 210 2301	048 141 031 A 048 141 031 B 028 141 033 028 141 033 AX 028 141 033 P 028 141 033 Q 028 141 033 R 050 141 033 K 050 141 033 KX 028 141 034 G 028 141 034 H 028 141 034 J	410
117 228 2301	034 141 031 D 034 141 031 F 034 141 031 G 034 141 031 M 034 141 031 P 034 141 031 Q 034 141 031 R 034 141 031 TX 048 141 031 C 048 141 031 D 048 141 031 E 048 141 031 S 048 141 031 T 053 141 031 053 141 031 A 034 141 032 034 141 032 J 034 141 032 K 034 141 032 N 034 141 032 P 050 141 032 A 050 141 032 B 050 141 032 C 050 141 032 D 050 141 032 J 050 141 032 N 050 141 032 P	409

MEYLE no.	Ref. no.	Page
Audi		
	050 141 032 Q	
117 228 2400	035 141 033 035 141 033 T 035 141 033 X 035 141 034 E	409
119 121 0012	4A0 121 101 C	444
119 121 0013	447 121 101 H	443
119 121 0026	4A0 121 055	438
119 121 0032	026 121 063 N	441
119 121 0035	893 121 101 B	444
119 121 0042	026 121 053 G	437
119 121 0064	068 121 053 AE 068 121 053 E 068 121 053 M	438
119 121 0075	811 121 101 F 811 121 101 J 855 121 101 855 121 101 C	444
119 121 0121	8D0 121 055 G	439
119 121 0122	1J0 121 109 B	445
119 121 0124	8A0 121 101 C	445
119 121 0130	1J0 121 086 R	442
119 121 0131	1J0 121 096 AF	443
119 121 0132	1J0 121 058 AC 1J0 121 058 E	441
119 121 0133	1J0 121 086 B	442
119 121 0139	026 121 056 K	439
119 121 0164	068 121 058	440
119 121 0165	068 121 058 S	441
119 121 0167	058 121 058 B	439
119 121 0168	058 121 058 C	440
119 121 0169	058 121 058 R	440
119 121 0178	058 121 471 B	446
119 121 0179	028 121 053 K	437
119 145 0010	8D0 145 828 L	507
119 145 0011	058 145 834 A 8D0 145 834 8D0 145 834 F	509
119 222 0004	1J0 121 086 BG	442
119 222 0005	1J0 121 096 BK	443
119 222 0006	1J0 121 447 L	445
119 222 0007	1J0 122 051 H	446
119 222 0011	1J0 122 063 A	446
119 222 0016	1J0 122 101 D	447
120 009 0001	4A0 959 455 C	434
126 614 0005	893 413 503 AA	809

MEYLE no.	Ref. no.	Page
Audi		
126 623 0004	6Q0 413 031 BH 6Q0 413 031 BN 6Q0 413 031 BR 8Z0 413 031 AB 8Z0 413 031 S	806
126 623 0011	1J0 413 031 AG 1J0 413 031 AM 1J0 413 031 BH 1J0 413 031 BJ	804
126 623 0013	8F0 413 031 B 8K0 413 031 AC 8K0 413 031 AD 8K0 413 031 AE 8K0 413 031 AF 8K0 413 031 AL 8K0 413 031 AN 8K0 413 031 AS 8K0 413 031 BF 8K0 413 031 BG 8T0 413 031 AC 8T0 413 031 AD	808
126 623 0014	6R0 413 031 AJ 6R0 413 031 C 6R0 413 031 F 6R0 413 031 Q	806
126 623 0015	5N0 413 031 AA 5N0 413 031 K 5N0 413 031 L 5N0 413 031 T 8J0 413 031 J 8J0 413 031 N 8J0 413 031 T	806
126 623 0016	5Q0 413 023 CP 5Q0 413 023 DA 5Q0 413 023 DB 5Q0 413 023 DQ 5Q0 413 023 DR 5Q0 413 023 EB 5Q0 413 023 FH 5Q0 413 023 FQ 5Q0 413 023 FR 8V0 413 023 C 8V0 413 023 D	803
126 623 0050	1K0 413 031 AS 1K0 413 031 AT 1K0 413 031 CM	804

MEYLE no.	Ref. no.	Page
Audi		
126 623 0055	1T0 413 031 CF	804
126 624 0001	441 413 031 G 441 413 031 H 441 413 031 N 443 413 031 G 4A0 413 031 J 4A0 413 031 M	805
126 624 0002	893 413 503 D 893 413 503 E 893 413 503 M 893 413 503 N 893 413 503 Q 893 413 503 R 893 413 503 S 895 413 503 E 8G0 413 503 8G0 413 503 B	809
126 625 0000	4D0 413 031 AB 4D0 413 031 AC 4D0 413 031 AD 4D0 413 031 AE 4D0 413 031 AP 4D0 413 031 BL 4D0 413 031 BN 4D0 413 031 N	805
126 625 0002	4B0 412 031 M	803
126 625 0003	8D0 413 031 BM	807
126 625 0004	8E0 413 031 AK 8E0 413 031 BE 8E0 413 031 CB 8E0 413 031 CC 8E0 413 031 CT 8E0 413 031 DA	808
126 625 0005	4F0 413 031 AL 4F0 413 031 AM 4F0 413 031 AS 4F0 413 031 BN 4F0 413 031 BQ	805
126 625 0008	7L8 413 031 E 7L8 413 031 G 7L8 413 031 J 7L8 413 031 K	807
126 625 0009	7L8 413 032 E 7L8 413 032 G 7L8 413 032 J 7L8 413 032 K	808

MEYLE no.	Ref. no.	Page
Audi		
126 625 0010	4B0 412 031 BT 4B0 412 031 CA 3B0 413 031 Q 3B0 413 031 R 8D0 413 031 BS	807
126 715 0003	811 513 031 D 811 513 031 E 811 513 031 F 811 513 031 K 811 513 031 L 811 513 031 N 811 513 031 P 811 513 031 Q 811 513 031 R 893 513 031 893 513 031 AG 893 513 031 AN 893 513 031 E 893 513 031 P 893 513 031 Q	813
126 725 0003	8A0 513 029 H 8A5 513 029 P	811
126 725 0004	443 513 031 N 443 513 031 R	812
126 725 0005	1J0 513 025 BL 1J0 513 025 C	809
126 725 0006	8D0 513 031 8D0 513 031 A 8D0 513 031 B 8D0 513 031 C 8D0 513 031 E 8D5 513 031 8D5 513 031 A 8D5 513 031 B 8D5 513 031 C 8D5 513 031 H	813
126 725 0007	8D0 513 031 D 8D0 513 031 F 8D5 513 031 K 8D5 513 031 L	814
126 725 0008	4A0 513 031 4A0 513 031 B 4A9 513 031 B	812
126 725 0009	3B5 513 031 B 4B0 513 031 R 4B0 513 032 D	811

MEYLE no.	Ref. no.	Page
Audi		
126 725 0017	5Q0 513 029 AS 5Q0 513 029 BK 5Q0 513 029 CJ 5Q0 513 029 CK 5Q0 513 029 CM 5Q0 513 029 EB 5Q0 513 029 EC 5Q0 513 029 EK 5Q0 513 029 EL 5Q0 513 029 GM	810
126 725 0018	4D0 513 031 F 4D0 513 031 K 4D0 513 031 L 4D0 513 031 N 4D0 513 031 T	812
126 725 0024	1K0 513 029 DS 1K0 513 029 FA	810
126 725 0025	8E0 513 033 8E0 513 033 B 8E0 513 033 G 8E0 513 036 AE	815
126 725 0026	8E0 513 035 S 8E0 513 036 A 8E0 513 036 AD 8E0 513 036 B 8E0 513 036 E 8E0 513 036 R	816
126 725 0027	8K0 513 035 AK 8K0 513 035 K 8K0 513 035 T 8T0 513 035 L 8T0 513 035 Q	815
126 725 0028	4F0 513 032 AE 4F0 513 032 H	814
126 725 0029	8J0 513 029 K 8J0 513 029 L 8J0 513 029 P 8J0 513 029 Q	811
126 725 0030	5N0 513 049 AG 5N0 513 049 AH	816
126 725 0032	7L8 513 029 G 7L8 513 029 H 7L8 513 029 K	810
126 725 0034	8R0 513 035 C 8R0 513 035 E	815
126 725 0036	4G5 513 035	814

MEYLE no.	Ref. no.	Page
Audi		
	4G5 513 035 F 4G8 513 035 A 4G9 513 035 4G9 513 035 F	
128 228 0001	06A 121 111	448
128 228 0004	03G 121 113	449
128 228 0006	06E 121 111 G	448
140 161 0062	3B0 823 359 3B0 823 359 A 3B0 823 359 B 4B0 823 359 A 4B0 823 359 B 4B0 823 359 C	3
140 161 0063	4B5 827 552 C 4B5 827 552 D	8
140 161 0066	8A9 827 552 D	12
140 161 0067	8D9 827 552 8D9 827 552 F	12
140 161 0068	8N0 823 359 3B5 827 550 3B5 827 550 A 8D5 827 552 A 8D5 827 552 B 8D5 827 552 C 8D5 827 552 D 8D5 827 552 F	12
140 161 0070	8D0 823 354 8D0 823 359 8D0 823 359 A 8D0 823 359 B	4
140 161 0071	8D9 827 552 E 8D9 827 552 G	13
140 161 0240	4A5 827 552	8
140 161 0340	4A9 827 552	8
140 161 0536	443 823 359 B	3
140 161 0654	893 827 552	11
140 161 0716	8A5 827 552 8A5 827 552 A	11
140 161 0815	8L0 823 359	5
140 910 0003	8E0 823 359 A	5
140 910 0008	4F0 823 359 A	4
140 910 0010	8P0 823 359	6
140 910 0012	4D0 827 551 A 4D0 827 551 B	7
140 910 0014	4B9 827 552 A 4B9 827 552 G	9

MEYLE no.	Ref. no.	Page
Audi		
	4B9 827 552 L 4B9 827 552 M	
140 910 0016	4B5 827 552 F 4B5 827 552 G	9
140 910 0017	8E9 827 552 E	13
140 910 0018	4D0 823 359 F	3
140 910 0020	8N8 827 552 B	15
140 910 0022	8P3 827 552 D	16
140 910 0023	4F5 827 552	10
140 910 0024	8E5 827 552 C 8E5 827 552 J 8E5 827 552 K	13
140 910 0025	4F9 827 552 B 4F9 827 552 C 4F9 827 552 D	10
140 910 0026	8E9 827 552 H 8E9 827 552 K	14
140 910 0027	8P4 827 552 B	16
140 910 0056	4B9 827 552 E	9
140 910 0060	8P3 827 552 A 8P3 827 552 C	15
140 910 0061	4B9 827 552 N	10
140 910 0068	4L0 823 359	4
140 910 0069	8J0 823 359 C	5
140 910 0070	8T0 823 359	6
140 910 0076	8J8 827 552 8J8 827 552 A	14
140 910 0084	4L0 827 552 C 4L0 827 552 F	11
140 910 0092	8N7 827 552 B 8N7 827 552 C	15
140 910 0093	8K9 827 552 A	14
151 049 0004	06A 198 119	371
151 049 0009	038 198 119 A 038 198 119 C	369
151 049 0012	036 198 119 A 036 198 119 C 036 198 119 E	369
151 049 0013	038109119MS1 038198119D 038198119E	368
151 049 0016	-	371
151 049 0082	03L 198 119	370
151 049 0097	03L 198 119 B 03L 198 119 C 03L 198 119 D	370

MEYLE no.	Ref. no.	Page
Audi		
151 049 0098	06B 198 119 C	371
151 902 1001	059 109 243 D 059 109 243 J	366
151 902 1002	06A 109 479 A 06A 109 479 B 06A 109 479 C 06A 109 479 F	368
151 902 1003	058 109 243 C 058 109 243 E	365
151 902 1005	036 109 243 AC 036 109 243 AG 036 109 243 K 036 109 243 S	363
151 902 1006	036 109 243 AB 036 109 243 AD 036 109 243 AF 036 109 243 E 036 109 243 L 036 109 243 R	363
151 902 1007	03L 109 243 B 03L 109 243 D 03L 109 243 F	364
151 902 1008	04L 109 243 B 04L 109 243 C 04L 109 243 G	364
151 902 1009	078 109 243 K	367
151 902 2000	06B 109 244	374
151 902 2001	059 109 244 A	374
151 902 2002	036 109 181 A 036 109 181 B	372
151 902 2003	03G 109 244	375
151 902 2004	03G 109 244 A	376
151 902 2005	036 109 244 C 036 109 244 D 036 109 244 J	373
151 902 3000	06B 109 477 06B 109 479	377
151 902 4000	059 109 487 A 059 109 487 B 059 109 487 C	376
151 902 4001	078 109 487 078 109 487 A 078 109 487 C	376
159 202 0002	4B0 422 893 A 4B0 422 893 G	566
159 202 0004	3B0 422 887	564

MEYLE no.	Ref. no.	Page
Audi		
	4B0 422 887 E 8D0 422 887 C	
159 202 0005	8D1 422 893 AL	566
159 203 0000	8D1 422 891 D 8D1 422 891 G 8D1 422 891 J	565
159 203 0001	8D0 422 891 A 8D0 422 891 C	565
159 630 0001	1J0 422 893 CN	565
183 521 0001/PD	8K0 615 301	72
183 521 0002/PD	4F0 615 301 J	56
183 521 0003/PD	8J0 615 301 8J0 615 301 G	71
183 521 0007/PD	4G0 615 301	57
183 521 0008/PD	1K0 615 301 AD	44
183 521 0022/PD	8R0 615 301	74
183 521 1010/PD	1K0 615 301 M	46
183 521 1017/PD	8E0 615 301 B 8E0 615 301 D 8E0 615 301 P	69
183 521 1018/PD	1J0 615 301 D 1J0 615 301 L 1JE 615 301 6R0 615 301	59
183 521 1027/PD	1J0 615 301 E 1J0 615 301 P	42
183 521 1040/PD	4A0 615 301 C 8E0 615 301 Q	70
183 521 1044/PD	1K0 615 301 AC 1K0 615 301 AK 1K0 615 301 S	45
183 521 1045/PD	1K0 615 301 K 1K0 615 301 T	47
183 521 1049/PD	4G0 615 301 A 4G0 615 301 K 4H0 615 301 K 4H0 615 301 R	57
183 521 1051/PD	1J0 615 301 C 1J0 615 301 R 6R0 615 301 A	60
183 521 1083/PD	8D0 615 301 K 8D0 615 301 M 8E0 615 301 AD	67
183 521 1085/PD	6R0 615 301 B 8L0 615 301 8N0 615 301 A	61

MEYLE no.	Ref. no.	Page
Audi		
183 521 1094/PD	1K0 615 301 AA 5C0 615 301 B	43
183 521 1097/PD	4F0 615 301 D	54
183 521 1098/PD	4F0 615 301 E	55
183 521 1099/PD	4F0 615 301 G	56
183 521 1103/PD	7L8 615 301	62
183 521 1104/PD	7L8 615 302	75
183 521 1106/PD	8E0 615 301 AE	67
183 521 1109/PD	4D0 615 301 A 4D0 615 301 F 4D0 615 301 J	52
183 521 1117/PD	8K0 615 301 A	73
183 521 1118/PD	8K0 615 301 B 8K0 615 301 E 8K0 615 301 K 8K0 615 301 M	73
183 521 1123/PD	3D0 615 301 F 3D0 615 301 M 4E0 615 301 A 4E0 615 301 G 4E0 615 301 J 4E0 615 301 P	53
300 334 1102	-	834
313 067 0001	3B0 955 681 A	16
314 133 2108	1H0 201 511 A	502
314 640 0001	-	786
614 620 0010	8N0 422 831	570
714 860 0000	N 105 792 02	297



Ref. no.	MEYLE no.	Page
Audi		
028260849G	050 004 0855	407
038109119MS1	151 049 0013	368
038198119D	151 049 0013	368
038198119E	151 049 0013	368
050903137B	050 004 0855	407
050903137C	050 004 0855	407
068260849A	050 004 0855	407
079903137A	050 005 1120	408
079903137AA	050 005 1120	408
079903137AB	050 005 1125	377
079903137AG	050 005 1090	378
079903137E	050 005 1105	378
079903137T	050 005 1135	378
07K145933E	050 005 1060	379
07L903137E	050 005 1130	379
1H0 091 800	112 320 0001	29
3B0 091 800	112 320 0002	29
4B0 091 800	112 320 0010	30
026 103 085 E	100 103 0100	481
068 103 085 E	100 103 0100	481
04L 103 151	100 103 1002	473
04L 103 151 A	100 103 1002	473
06E 103 153 E	100 103 1001	474
04E 103 170 A	100 103 1015	474
026 103 171 B	100 103 1011	474
026 103 171 D	100 103 1011	474
028 103 171	100 103 1011	474
028 103 171 B	100 103 1011	474
028 103 171 K	100 103 1011	474
030 103 171 L	100 103 1004	475
030 103 171 S	100 103 1009	475
030 103 171 T	100 103 1009	475
036 103 171 B	100 103 1003	476
038 103 171 B	100 103 1010	477
038 103 171 S	100 103 1008	476
03L 103 171	100 103 1000	476
03L 103 171 A	100 103 1000	476
041 103 171 A	100 103 1003	476
04L 103 171	100 103 1007	477
068 103 171 F	100 103 1011	474
06A 103 171 A	100 103 1010	477
06A 103 171 B	100 103 1010	477
06B 103 171 B	100 103 1012	478
06H 103 171 A	100 103 1005	478
06H 103 171 F	100 103 1005	478
06K 103 171 A	100 103 1005	478

Ref. no.	MEYLE no.	Page
Audi		
06K 103 171 F	100 103 1005	478
078 103 171 L	100 103 1013	478
06A 103 213 F	100 224 0006	479
06B 103 221 A	100 036 0032	479
06B 103 221 B	100 036 0032	479
06B 103 221 P	100 036 0032	479
078 103 223 B	100 224 0005	480
077 103 245 B	100 899 0078	473
028 103 491 J	100 040 0000	480
048 103 493 A	100 036 0002	480
050 103 493 A	100 103 0048	481
038 103 663	100 103 0040	518
06A 103 663 C	100 103 0045	518
056 105 313 C	100 105 0004	411
036 109 181 A	151 902 2002	372
036 109 181 B	151 902 2002	372
026 109 243 J	100 109 0059	362
026 109 243 L	100 109 0016 100 109 0016/S	362-363
036 109 243 AB	151 902 1006	363
036 109 243 AC	151 902 1005	363
036 109 243 AD	151 902 1006	363
036 109 243 AF	151 902 1006	363
036 109 243 AG	151 902 1005	363
036 109 243 E	151 902 1006	363
036 109 243 K	151 902 1005	363
036 109 243 L	151 902 1006	363
036 109 243 R	151 902 1006	363
036 109 243 S	151 902 1005	363
038 109 243 N	100 109 0063	364
03L 109 243 B	151 902 1007	364
03L 109 243 D	151 902 1007	364
03L 109 243 F	151 902 1007	364
04L 109 243 B	151 902 1008	364
04L 109 243 C	151 902 1008	364
04L 109 243 G	151 902 1008	364
051 109 243	100 109 0056	365
058 109 243 C	151 902 1003	365
058 109 243 E	151 902 1003	365
059 109 243 D	151 902 1001	366
059 109 243 J	151 902 1001	366
068 109 243 F	100 109 0010	366
069 109 243 B	100 109 0038	372
06B 109 243 B	100 109 0049	366
06B 109 243 D	100 109 0054	367
06B 109 243 E	100 109 0049	366

Ref. no.	MEYLE no.	Page
Audi		
06B 109 243 F	100 109 0054	367
074 109 243	100 009 0005	373
078 109 243 A	100 109 0007	367
078 109 243 C	100 109 0007	367
078 109 243 K	151 902 1009	367
036 109 244 C	151 902 2005	373
036 109 244 D	151 902 2005	373
036 109 244 J	151 902 2005	373
038 109 244 J	100 109 0051	373
038 109 244 N	100 109 0051	373
036 109 244	151 902 2003	375
036 109 244 A	151 902 2004	376
03L 109 244 D	100 109 0034	374
058 109 244	100 109 0034	374
059 109 244 A	151 902 2001	374
06B 109 244	151 902 2000	374
078 109 244 F	100 109 0035	375
06B 109 477	151 902 3000	377
054 109 479*	100 109 0036	368
06A 109 479 A	151 902 1002	368
06A 109 479 B	151 902 1002	368
06A 109 479 C	151 902 1002	368
06A 109 479 F	151 902 1002	368
06B 109 479	151 902 3000	377
059 109 487 A	151 902 4000	376
059 109 487 B	151 902 4000	376
059 109 487 C	151 902 4000	376
078 109 487	151 902 4001	376
078 109 487 A	151 902 4001	376
078 109 487 C	151 902 4001	376
06H 115 403	100 322 0014	519
06J 115 403 C	100 322 0014	519
06J 115 403 J	100 322 0014	519
06J 115 403 M	100 322 0014	519
03L 115 466	100 322 0011 112 330 0003/S	1, 524
06K 115 466	100 322 0022	526
06L 115 466	100 322 0022	526
028 115 561 3	100 115 0001	521
028 115 561	100 115 0018	519
028 115 561 G	100 115 0019	519
030 115 561 AB	100 115 0004	520
030 115 561 AN	100 115 0004	520
03C 115 561 B	100 322 0015	520
04E 115 561 H	100 322 0021	520
056 115 561 G	100 115 0001	521

Ref. no.	MEYLE no.	Page
Audi		
068 115 561 B	100 115 0003	521
068 115 561 E	100 322 0001	521
068 115 561 F	100 322 0017	522
06A 115 561 B	100 115 0009	522
06H 115 561	100 322 0014	519
06J 115 561 B	100 322 0014	519
078 115 561 J	100 115 0005	523
1JM 115 561 BZ	100 115 0009	522
021 115 562 A	114 322 0001	523
03C 115 562	100 115 0014	523
03L 115 562	100 322 0011 112 330 0003/S	1, 524
03N 115 562	100 322 0019 112 330 0006/S	1, 524
059 115 562	100 115 0011	525
06D 115 562	100 115 0016	525
06E 115 562 A	100 322 0018	525
06E 115 562 C	100 322 0018	525
06L 115 562	100 322 0022	526
071 115 562 A	100 115 0000 112 330 0004/S 112 330 0005/S	1-2, 526
071 115 562 C	100 115 0000 112 330 0004/S 112 330 0005/S	1-2, 526
074 115 562	100 115 0007 112 330 0001/S	2, 527
028 121 004	113 012 0031	454
028 121 004 V	113 012 0031	454
028 121 004 X	113 012 0031	454
034 121 004	113 012 0006	455
034 121 004 A	113 012 0006	455
034 121 004 V	113 012 0006	455
034 121 004 X	113 012 0006	455
035 121 004	113 012 0012	455
035 121 004 A	113 012 0012	455
035 121 004 AV	113 012 0012	455
035 121 004 AX	113 012 0012	455
03F 121 004 A	113 220 0025	455
03F 121 004 B	113 220 0025	455
03F 121 004 D	113 220 0025	455
03F 121 004 E	113 220 0025	455
03F 121 004 F	113 220 0025	455
04C 121 004 E	113 220 0027	472
04C 121 004 F	113 220 0027	472
04C 121 004 J	113 220 0027	472

Ref. no.	MEYLE no.	Page
Audi		
052 121 004	113 012 0025	459
054 121 004	113 012 0022	456
054 121 004 A	113 012 0022	456
054 121 004 AX	113 012 0022	456
057 121 004 C	113 220 0013	456
059 121 004 B	113 012 0036	456
059 121 004 C	113 012 0036	456
059 121 004 CX	113 012 0036	456
059 121 004 D	113 220 0014	457
059 121 004 DX	113 220 0014	457
059 121 004 E	113 220 0014	457
059 121 004 EX	113 220 0014	457
06C 121 004 G	113 012 0053	457
06C 121 004 H	113 012 0053	457
06C 121 004 HX	113 012 0053	457
06C 121 004 X	113 012 0053	457
077 121 004 M	113 012 0047	457
077 121 004 MX	113 012 0047	457
077 121 004 N	113 012 0047	457
077 121 004 NX	113 012 0047	457
077 121 004 P	113 012 0047	457
077 121 004 PX	113 012 0047	457
078 121 004	113 012 0016	458
078 121 004 A	113 012 0016	458
078 121 004 B	113 012 0016	458
078 121 004 C	113 012 0016	458
078 121 004 CX	113 012 0016	458
078 121 004 H	113 012 8100	460
078 121 004 HV	113 012 8100	460
078 121 004 HX	113 012 8100	460
078 121 004 J	113 012 8100	460
078 121 004 JV	113 012 8100	460
078 121 004 JX	113 012 8100	460
078 121 004 L	113 012 0048	460
078 121 004 Q	113 012 8100	460
078 121 004 QX	113 012 8100	460
078 121 004 R	113 012 0048	460
026 121 005	113 012 0001	459
026 121 005 A	113 012 0001	459
026 121 005 C	113 012 0001	459
026 121 005 E	113 012 0001	459
026 121 005 F	113 012 0011	458
026 121 005 G	113 012 0001	459
026 121 005 H	113 012 0001	459
026 121 005 K	113 012 0011	458
026 121 005 L	113 012 0011	458

Ref. no.	MEYLE no.	Page
Audi		
034 121 005 D	113 012 0006	455
035 121 005 B	113 012 0012	455
035 121 005 E	113 012 0012	455
036 121 005 B	113 012 0040 113 012 0040/HD	461
036 121 005 E	113 012 0040 113 012 0040/HD	461
036 121 005 EX	113 012 0040 113 012 0040/HD	461
036 121 005 F	113 012 0049	460
036 121 005 FX	113 012 0049	460
036 121 005 P	113 012 0049	460
036 121 005 PX	113 012 0049	460
036 121 005 Q	113 012 0040 113 012 0040/HD	461
036 121 005 QX	113 012 0040 113 012 0040/HD	461
036 121 005 R	113 012 0040/HD	461
036 121 005 S	113 012 0040 113 012 0040/HD	461
036 121 005 SX	113 012 0040 113 012 0040/HD	461
037 121 005 B	113 012 0001	459
037 121 005 C	113 012 0001	459
03C 121 005 D	113 220 0004	461
03C 121 005 DX	113 220 0004	461
03C 121 005 K	113 220 0004	461
03C 121 005 KX	113 220 0004	461
03C 121 005 L	113 220 0004	461
03C 121 005 LX	113 220 0004	461
03C 121 005 N	113 220 0016	462
03C 121 005 R	113 220 0016	462
03C 121 005 S	113 220 0004	461
03C 121 005 SX	113 220 0004	461
03F 121 005	113 220 0025	455
052 121 005	113 012 0025	459
052 121 005 A	113 012 0025	459
052 121 005 AX	113 012 0025	459
052 121 005 L	113 012 0025	459
068 121 005 A	113 012 0001	459
06E 121 005 D	113 220 0006 113 220 0006/HD	470-471
06E 121 005 F	113 220 0006 113 220 0006/HD	470-471
06E 121 005 G	113 220 0017/HD	471
06E 121 005 N	113 220 0006	470-471

Ref. no.	MEYLE no.	Page
Audi		
	113 220 0006/HD	
06E 121 005 P	113 220 0017/HD	471
06L 121 005 A	113 220 0026	470
074 121 005 M	113 012 0042/HD	459
074 121 005 MU	113 012 0042/HD	459
074 121 005 MX	113 012 0042/HD	459
074 121 005 N	113 012 0042/HD	459
074 121 005 NU	113 012 0042/HD	459
074 121 005 NV	113 012 0042/HD	459
074 121 005 NX	113 012 0042/HD	459
07D 121 005 N	113 220 0009	462
07D 121 005 R	113 220 0009	462
078 121 006	113 012 8100	460
078 121 006 A	113 012 0048	460
078 121 006 AX	113 012 0048	460
078 121 006 X	113 012 8100	460
036 121 008 G	113 012 0049	460
036 121 008 GX	113 012 0049	460
036 121 008 K	113 012 0040 113 012 0040/HD	461
036 121 008 KX	113 012 0040 113 012 0040/HD	461
036 121 008 L	113 012 0040 113 012 0040/HD	461
036 121 008 LX	113 012 0040 113 012 0040/HD	461
036 121 008 M	113 012 0040 113 012 0040/HD	461
036 121 008 MX	113 012 0040 113 012 0040/HD	461
03C 121 008 B	113 220 0016	462
03C 121 008 C	113 220 0004	461
03C 121 008 CX	113 220 0004	461
03C 121 008 E	113 220 0016	462
03C 121 008 H	113 220 0016	462
03C 121 008 HX	113 220 0016	462
06E 121 008 N	113 220 0006 113 220 0006/HD	470-471
06E 121 008 P	113 220 0017/HD	471
07D 121 008 A	113 220 0009	462
026 121 010	113 012 0008	463
026 121 010 A	113 012 0028	462
026 121 010 C	113 012 0008	463
026 121 010 D	113 012 0028	462
026 121 010 DX	113 012 0028	462
026 121 010 F	113 012 0008	463

Ref. no.	MEYLE no.	Page
Audi		
037 121 010	113 012 0008	463
037 121 010 A	113 012 0008	463
037 121 010 B	113 012 0008	463
037 121 010 BX	113 012 0008	463
037 121 010 C	113 012 0008	463
037 121 010 CX	113 012 0008	463
050 121 010	113 012 0009	463
050 121 010 A	113 012 0009	463
050 121 010 C	113 012 0009	463
050 121 010 CX	113 012 0009	463
055 121 010 X	113 012 0028	462
068 121 010	113 012 0028	462
068 121 010 A	113 012 0008	463
022 121 011	113 012 0051	464
022 121 011 A	113 220 0012	464
022 121 011 L	113 012 0051	464
022 121 011 V	113 012 0051	464
022 121 011 X	113 012 0051	464
038 121 011	113 012 0037	464
038 121 011 A	113 012 0037	464
038 121 011 AX	113 012 0037	464
038 121 011 C	113 220 0018/HD	465
038 121 011 D	113 220 0018/HD	465
038 121 011 G	113 220 0018/HD	465
038 121 011 H	113 220 0018/HD	465
038 121 011 J	113 220 0018/HD	465
038 121 011 K	113 220 0018/HD	465
03G 121 011	113 220 0018/HD	465
03L 121 011	113 220 0021 113 220 0021/HD	465
03L 121 011 B	113 220 0018/HD	465
03L 121 011 C	113 220 0021 113 220 0021/HD	465
03L 121 011 E	113 220 0021 113 220 0021/HD	465
03L 121 011 G	113 220 0018/HD	465
03L 121 011 H	113 220 0021 113 220 0021/HD	465
03L 121 011 J	113 220 0021 113 220 0021/HD	465
03L 121 011 P	113 220 0021 113 220 0021/HD	465
045 121 011 B	113 012 0050	466
045 121 011 BX	113 012 0050	466
045 121 011 F	113 012 0056 113 012 0056/HD	466-467

Ref. no.	MEYLE no.	Page
Audi		
045 121 011 H	113 012 0056 113 012 0056/HD	466-467
045 121 011 HX	113 012 0056 113 012 0056/HD	466-467
04L 121 011	113 220 0029	467
04L 121 011 E	113 220 0029	467
04L 121 011 X	113 220 0029	467
056 121 011	113 012 0028	462
057 121 011 E	113 220 0003	470
06A 121 011	113 220 0011/HD	468
06A 121 011 C	113 012 0027 113 012 0027/HD	469
06A 121 011 E	113 012 0027 113 012 0027/HD	469
06A 121 011 F	113 012 0027 113 012 0027/HD	469
06A 121 011 G	113 012 0027 113 012 0027/HD	469
06A 121 011 H	113 012 0027 113 012 0027/HD	469
06A 121 011 L	113 012 0027 113 012 0027/HD	469
06A 121 011 LX	113 012 0027 113 012 0027/HD	469
06A 121 011 T	113 012 0027 113 012 0027/HD	469
06A 121 011 TX	113 012 0027 113 012 0027/HD	469
06B 121 011	113 012 0033/HD	468
06B 121 011 A	113 012 0033/HD	468
06B 121 011 B	113 012 0033/HD	468
06B 121 011 C	113 012 0033/HD	468
06B 121 011 E	113 012 0033/HD	468
06B 121 011 EX	113 012 0033/HD	468
06B 121 011 H	113 012 0052	467
06B 121 011 HX	113 012 0052	467
06B 121 011 L	113 012 0033/HD	468
06B 121 011 LX	113 012 0033/HD	468
06B 121 011 M	113 012 0052	467
06B 121 011 MX	113 012 0052	467
06B 121 011 N	113 012 0033/HD	468
06B 121 011 Q	113 012 0033/HD	468
06B 121 011 QX	113 012 0033/HD	468
06F 121 011	113 220 0011/HD	468
06K 121 011	113 220 0026	470
079 121 011 F	113 220 0003	470

Ref. no.	MEYLE no.	Page
Audi		
079 121 011 H	113 220 0003	470
06A 121 012	113 012 0027 113 012 0027/HD	469
06A 121 012 D	113 012 0027 113 012 0027/HD	469
06A 121 012 E	113 012 0027 113 012 0027/HD	469
06A 121 012 G	113 012 0027 113 012 0027/HD	469
06A 121 012 GX	113 012 0027 113 012 0027/HD	469
06A 121 012 X	113 012 0027 113 012 0027/HD	469
06L 121 012	113 220 0026	470
06L 121 012 A	113 220 0026	470
079 121 012 B	113 220 0003	470
056 121 013 A	113 012 0028	462
06E 121 018 A	113 220 0006 113 220 0006/HD	470-471
06E 121 018 B	113 220 0017/HD	471
052 121 019	113 012 0025	459
06H 121 026 AB	113 220 0023/HD	472
06H 121 026 AF	113 220 0023/HD	472
06H 121 026 AG	113 220 0023/HD	472
06H 121 026 B	113 220 0023/HD	472
06H 121 026 BA	113 220 0023/HD	472
06H 121 026 BE	113 220 0023/HD	472
06H 121 026 BF	113 220 0023/HD	472
06H 121 026 CC	113 220 0023/HD	472
06H 121 026 CF	113 220 0023/HD	472
06H 121 026 CP	113 220 0023/HD	472
06H 121 026 CQ	113 220 0023/HD	472
06H 121 026 DC	113 220 0023/HD	472
06H 121 026 DD	113 220 0023/HD	472
06H 121 026 N	113 220 0023/HD	472
06J 121 026 A	113 220 0023/HD	472
06J 121 026 AG	113 220 0023/HD	472
06J 121 026 B	113 220 0023/HD	472
06J 121 026 F	113 220 0023/HD	472
06J 121 026 G	113 220 0023/HD	472
06J 121 026 J	113 220 0023/HD	472
06J 121 026 L	113 220 0023/HD	472
06J 121 026 M	113 220 0023/HD	472
026 121 053 G	119 121 0042	437
028 121 053 K	119 121 0179	437
048 121 053 C	100 121 1069	438

Ref. no.	MEYLE no.	Page
Audi		
068 121 053 AE	119 121 0064	438
068 121 053 E	119 121 0064	438
068 121 053 M	119 121 0064	438
4A0 121 055	119 121 0026	438
800 121 055 G	119 121 0121	439
026 121 056 K	119 121 0139	439
058 121 058 B	119 121 0167	439
058 121 058 C	119 121 0168	440
058 121 058 R	119 121 0169	440
06B 121 058	119 121 0164	440
06B 121 058 S	119 121 0165	441
1J0 121 058 AC	119 121 0132	441
1J0 121 058 E	119 121 0132	441
026 121 063 N	119 121 0032	441
032 121 065 B	100 226 0008	423
032 121 065 D	100 226 0008	423
032 121 065 F	100 226 0008	423
1J0 121 086 B	119 121 0133	442
1J0 121 086 BG	119 222 0004	442
1J0 121 086 R	119 121 0130	442
1J0 121 087 A	100 226 0005	412
1J0 121 087 B	100 121 1065	412
1J0 121 096 AF	119 121 0131	443
1J0 121 096 BK	119 222 0005	443
447 121 101 H	119 121 0013	443
4A0 121 101 C	119 121 0012	444
811 121 101 F	119 121 0075	444
811 121 101 J	119 121 0075	444
855 121 101	119 121 0075	444
855 121 101 C	119 121 0075	444
893 121 101 B	119 121 0035	444
8A0 121 101 C	119 121 0124	445
1J0 121 109 B	119 121 0122	445
06A 121 111	128 228 0001	448
06E 121 111 G	128 228 0006	448
035 121 113	028 280 0001 028 287 0006	452
035 121 113 A	028 280 0001 028 287 0006	452
035 121 113 B	028 280 0001 028 287 0006	452
03G 121 113	128 228 0004	449
044 121 113	028 271 0002 028 275 0005 028 280 0010 028 287 0010	449-450

Ref. no.	MEYLE no.	Page
Audi		
	028 292 0001	
050 121 113 C	028 287 0009	451
056 121 113 D	028 271 0002 028 275 0005 028 280 0010 028 287 0010 028 292 0001	449-450
068 121 113	028 271 0002 028 275 0005 028 280 0010 028 287 0010 028 292 0001 100 121 0048	449-451
068 121 113 B	100 121 0048	451
068 121 113 D	100 121 0048	451
068 121 113 H	100 121 0048	451
069 121 113	028 280 0001 028 287 0006	452
069 121 113 A	028 280 0001 028 287 0006	452
075 121 113 A	028 280 0001 028 287 0006	452
078 121 113 F	028 271 0006 028 280 0008 028 287 0007	452-453
078 121 113 G	028 292 0009	454
06A 121 114	028 105 0000	454
030 121 121 B	100 121 1051	413
032 121 121 K	114 226 0001	413
038 121 121	100 121 0052	413
048 121 121 B	100 121 1067	414
055 121 121 F	100 121 1027	414
028 121 132	100 121 0053	414
037 121 132 A	100 121 0073/S 100 121 1026	415
037 121 132 B	100 121 0073/S 100 121 1026	415
037 121 132 G	100 121 1054	415
038 121 132 C	100 121 0057	416
050 121 132 A	100 121 1055	416
050 121 132 B	100 121 1062	416
058 121 132	100 121 1050 100 121 1050/S	417
058 121 132 A	100 121 0113	417
058 121 132 C	100 121 0113	417
068 121 132	100 121 0112	418

Ref. no.	MEYLE no.	Page
Audi		
06A 121 132	100 121 0058	418
06A 121 132 A	100 121 0068	418
06A 121 132 AP	100 121 0059 100 121 0059/C	419
06A 121 132 Q	100 121 0059 100 121 0059/C	419
06B 121 132 E	100 226 0012	419
06B 121 133 AB	100 121 0112	418
357 121 140	100 121 0080	431
357 121 140 S	100 121 0080	431
026 121 144 A	100 121 0106	420
026 121 144 E	100 121 0106	420
026 121 144 F	100 121 1058	420
028 121 144 M	100 121 1068	420
028 121 144 N	100 121 0055	421
037 121 144 A	100 121 0106	420
044 121 144 B	100 121 0077	421
068 121 144	100 121 0015	421
026 121 145 E	100 121 0106	420
027 121 145 B	100 121 1060	422
037 121 145	100 121 0106	420
048 121 145 B	100 121 0078	422
068 121 145 Q	100 121 0015	421
431 121 273	100 121 0004	447
443 121 273 E	100 121 0003	447
058 121 301 B	100 121 0071	429
078 121 301 E	100 121 0089	429
1J0 121 321 A	100 121 0049	427
1J0 121 321 B	100 121 0049	427
3B0 121 321	100 238 0002	428
443 121 321	100 121 0042	428
8E0 121 321	100 238 0003	429
058 121 350	100 121 0036	430
059 121 350	100 121 0037	430
059 121 350 A	100 121 0037	430
059 121 350 F	100 121 0037	430
059 121 350 G	100 121 0037	430
059 121 350 H	100 121 0037	430
078 121 350 A	100 121 0038	430
1J0 121 403 B	100 121 1064	423
443 121 403	100 121 0032	425
4A0 121 403	100 121 0041	424
4D0 121 403 C	100 223 0002	424
4F0 121 403 C	100 223 0006	424
4F0 121 403 G	100 223 0006	424
4F0 121 403 N	100 223 0006	424

Ref. no.	MEYLE no.	Page
Audi		
893 121 403	100 121 0032	425
8A0 121 403 A	100 121 0032	425
8D0 121 403 D	100 121 0064	425
8D0 121 403 L	100 121 0061	425
8E0 121 403	100 223 0003	426
8E0 121 403 A	100 223 0000	426
8E0 121 403 C	100 223 0001	426
1K0 121 407	100 223 0009	427
1K0 121 407 A	100 223 0009	427
431 121 407 C	100 121 0032	425
7L0 121 407 E	100 223 0008	427
7L0 121 407 F	100 223 0008	427
1J0 121 447 L	119 222 0006	445
058 121 471 B	119 121 0178	446
04C 121 600 J	113 220 0027	472
04C 121 600 L	113 220 0027	472
04E 121 600 AD	113 220 0024	473
357 121 999 X	100 121 0080	431
1J0 122 051 H	119 222 0007	446
1J0 122 063 A	119 222 0011	446
1J0 122 101 D	119 222 0016	447
1J0 122 291 B	114 239 0001	423
6Q0 122 291 E	114 226 0003	422
026 127 025 A	100 127 0003	504
068 127 177 B	100 127 0005	493
5Q0 127 177	114 323 0006	493
5Q0 127 177 B	114 323 0006	493
7N0 127 177	100 323 0024	494
7N0 127 177 A	100 323 0027	494
7N0 127 177 B	100 323 0024	494
7N0 127 177 C	100 323 0027	494
1J0 127 247 A	100 034 0003	511
4G0 127 400 C	114 323 0004	494
6C0 127 400	100 323 0025	495
6R0 127 400 C	100 323 0025	495
8K0 127 400	114 323 0003	497
8K0 127 400 A	114 323 0003	497
8K0 127 400 C	114 323 0003	497
8R0 127 400	114 323 0005	495
8R0 127 400 A	114 323 0005	495
1J0 127 401 A	100 127 0007	495
4F0 127 401 F	100 323 0021	496
4F0 127 401 H	114 323 0002	496
4G0 127 401	114 323 0007	496
6Q0 127 401 F	100 323 0017	497
8E0 127 401	100 323 0009	500

Ref. no.	MEYLE no.	Page
Audi		
8E0 127 401 D	100 323 0009	500
8T0 127 401 A	114 323 0003	497
1K0 127 434 A	100 201 0012	497
1K0 127 434 B	100 323 0005	498
3C0 127 434	100 323 0004	498
7L6 127 434 C	100 323 0014	498
028 127 435 A	100 127 0008	499
057 127 435 D	114 323 0000	499
8D0 127 435	100 127 0013	499
8E0 127 435 A	100 323 0009	500
021 129 620	112 133 0005	482
04E 129 620	112 321 0031	482
056 129 620	112 129 0005	483
069 129 620	112 129 0006	483
077 129 620 A	112 129 0023	483
077 129 620 B	112 129 0023	483
077 129 620 C	112 129 0023	483
077 129 620 D	112 129 0023	483
191 129 620	112 129 0008	484
1F0 129 620	100 321 0008	484
1J0 129 620	112 129 0010	484
1J0 129 620 A	112 129 0035	485
1K0 129 620	112 321 0006	485
1K0 129 620 D	112 129 0040	485
4E0 129 620	112 321 0005	486
4E0 129 620 A	112 321 0023	486
4E0 129 620 B	112 321 0024	486
4E0 129 620 C	112 321 0005	486
4E0 129 620 D	112 321 0023	486
4E0 129 620 E	112 321 0024	486
551 129 620	112 129 0005	483
5Q0 129 620 B	112 321 0030	487
5Q0 129 620 C	112 321 0033	487
6R0 129 620 A	112 321 0008	487
7L0 129 620	112 129 0043	488
7L0 129 620 A	112 129 0044	488
8Z0 129 620	112 129 0031	488
8Z0 129 620 A	112 129 0031	488
1J0 129 684 CG	100 036 0018	510
1J0 129 684 N	100 036 0018	510
068 130 201 BX	100 425 0103	506
068 130 201 EX	100 425 0103	506
068 130 211 B	100 425 0103	506
068 130 211 D	100 425 0138	506
027 133 357 A	100 133 0014	511
811 133 511 D	100 133 0009	500

Ref. no.	MEYLE no.	Page
Audi		
893 133 511	100 133 0006	500
443 133 741 A	100 133 0011	505
8K0 133 837 AC	112 321 0018	493
049 133 843	112 133 0002	489
058 133 843	112 133 0001	489
059 133 843 A	100 321 0012	489
059 133 843 B	112 321 0022	490
06C 133 843	112 133 0003	490
06F 133 843 A	112 321 0026	490
06F 133 843 B	112 321 0015	491
079 133 843 A	112 321 0017	491
4F0 133 843 A	112 321 0003	491
4G0 133 843 H	112 321 0027	492
4G0 133 843 K	112 321 0027	492
8K0 133 843	112 321 0019	492
8K0 133 843 D	112 321 0020	492
8K0 133 843 E	112 321 0018	493
8K0 133 843 M	112 321 0018	493
8R0 133 843 C	112 321 0018	493
8R0 133 843 D	112 321 0018	493
8R0 133 843 K	112 321 0018	493
034 141 031 D	117 228 2301	409
034 141 031 F	117 228 2301	409
034 141 031 G	117 228 2301	409
034 141 031 M	117 228 2301	409
034 141 031 P	117 228 2301	409
034 141 031 Q	117 228 2301	409
034 141 031 R	117 228 2301	409
034 141 031 TX	117 228 2301	409
048 141 031 A	117 210 2301	410
048 141 031 B	117 210 2301	410
048 141 031 C	117 228 2301	409
048 141 031 D	117 228 2301	409
048 141 031 E	117 228 2301	409
048 141 031 S	117 228 2301	409
048 141 031 T	117 228 2301	409
053 141 031	117 228 2301	409
053 141 031 A	117 228 2301	409
034 141 032	117 228 2301	409
034 141 032 J	117 228 2301	409
034 141 032 K	117 228 2301	409
034 141 032 N	117 228 2301	409
034 141 032 P	117 228 2301	409
050 141 032 A	117 228 2301	409
050 141 032 B	117 228 2301	409
050 141 032 C	117 228 2301	409

Ref. no.	MEYLE no.	Page
Audi		
050 141 032 D	117 228 2301	409
050 141 032 J	117 228 2301	409
050 141 032 N	117 228 2301	409
050 141 032 P	117 228 2301	409
050 141 032 Q	117 228 2301	409
028 141 033	117 210 2301	410
028 141 033 AX	117 210 2301	410
028 141 033 P	117 210 2301	410
028 141 033 Q	117 210 2301	410
028 141 033 R	117 210 2301	410
035 141 033	117 228 2400	409
035 141 033 T	117 228 2400	409
035 141 033 X	117 228 2400	409
050 141 033 K	117 210 2301	410
050 141 033 KX	117 210 2301	410
028 141 034 G	117 210 2301	410
028 141 034 H	117 210 2301	410
028 141 034 J	117 210 2301	410
035 141 034 E	117 228 2400	409
8K0 145 153 F	114 631 0040	559
8K0 145 154 B	114 631 0035	559
8K0 145 154 G	114 631 0035	559
8K0 145 154 H	114 631 0035	559
8K0 145 154 L	114 631 0035	559
8N0 145 154 A	114 631 0005	560
8R0 145 154 B	114 631 0035	559
048 145 155 FX	114 631 0017	560
050 145 155 A	114 631 0032	560
050 145 155 AV	114 631 0032	560
050 145 155 AX	114 631 0032	560
4B0 145 155 R	114 631 0018	561
4B0 145 155 RX	114 631 0018	561
4B0 145 155 T	114 631 0020	561
4B0 145 155 TX	114 631 0020	561
8E0 145 155 N	114 631 0024	561
8R0 145 155 K	114 631 0035	559
8R0 145 155 N	114 631 0035	559
8R0 145 155 S	114 631 0035	559
4B0 145 156	114 631 0019	562
4B0 145 156 X	114 631 0019	562
8D0 145 156	114 631 0031	562
8D0 145 156 A	114 631 0021	562
8D0 145 156 AX	114 631 0021	562
8D0 145 156 KX	114 631 0006	563
8D0 145 156 T	114 631 0007	563
8D0 145 156 TX	114 631 0007	563

Ref. no.	MEYLE no.	Page
Audi		
8D0 145 156 X	114 631 0031	562
8K0 145 156 G	114 631 0035	559
038 145 276	100 145 0005	359
059 145 276	100 009 0001	360
030 145 299 C	100 020 0001	358
030 145 299 F	100 020 0001	358, 360
	100 145 0003	
1K0 145 790 C	100 036 0041	506
3C0 145 828 K	100 036 0043	507
8D0 145 828 G	100 036 0040	507
8D0 145 828 L	119 145 0010	507
1K0 145 832 B	100 036 0036	508
058 145 834 A	119 145 0011	509
1H0 145 834 J	100 036 0028	508
1J0 145 834 A	100 036 0038	508
1K0 145 834 B	100 036 0039	509
1K0 145 834 G	100 036 0039	509
1K0 145 834 L	100 036 0039	509
3B0 145 834 P	100 036 0037	509
8D0 145 834	119 145 0011	509
8D0 145 834 F	119 145 0011	509
8D0 145 834 L	100 036 0037	509
1J0 145 838 B	100 036 0034	510
022 145 933 AG	050 006 1613	379
022 145 933 AP	050 006 1613	379
022 145 933 N	050 006 1240	380
022 145 933 P	050 007 2074/D	380
036 145 933 F	050 006 1084	380
036 145 933 M	050 006 0745	381
036 145 933 Q	050 006 1125	381
037 145 933 B	050 006 1660	387
04E 145 933 A	050 006 1000	381
04E 145 933 C	050 006 0735	382
04E 145 933 G	050 006 0735	382
04E 145 933 N	050 006 0745	381
066 145 933 J	050 006 1320/D	382
06A 145 933 D	050 006 1120	385
07K 145 933 R	050 005 0930	382
6K0 198 002	100 109 9002/S	369
5Q0 198 037	100 199 1021	534
5Q0 198 037 A	100 199 1020	534, 760
026 198 049 B	100 198 0002	559
036 198 119 A	151 049 0012	369
036 198 119 C	151 049 0012	369
036 198 119 E	151 049 0012	369
038 198 119 A	151 049 0009	369

Ref. no.	MEYLE no.	Page
Audi		
038 198 119 C	151 049 0009	369
03L 198 119	151 049 0082	370
03L 198 119 B	151 049 0097	370
03L 198 119 C	151 049 0097	370
03L 198 119 D	151 049 0097	370
056 198 119	100 109 9002/S	369
06A 198 119	151 049 0004	371
06B 198 119 C	151 049 0098	371
8K0 198 381	100 199 1002	535
8K0 198 381 AG	100 199 1004 100 199 1005	536
8K0 198 381 AK	100 199 1005	536
8K0 198 381 AQ	100 199 1004	536
8K0 198 381 BE	100 199 1001 100 199 1002	535
8K0 198 381 BF*	100 199 1003	535
8K0 198 381 BN	100 199 1009	537
8K0 198 381 Q	100 199 1005	536
8R0 198 381	100 199 1001 100 199 1002	535
8R0 198 381 AK	100 199 1007	537
8R0 198 381 B	100 199 1004	535-536
8R0 198 381 B*	100 199 1003	535-536
8R0 198 381 C	100 199 1001	535
8R0 198 381 C*	100 199 1003	535
8R0 198 381 D	100 199 1001 100 199 1002	535
8R0 198 381 E	100 199 1005	535-536
8R0 198 381 E*	100 199 1003	535-536
8R0 198 381 K	100 199 1005 100 199 1007	536-537
8R0 198 381 M	100 199 1004 100 199 1005	536
8R0 198 381 P	100 199 1009 100 199 1010	537
8R0 198 381 Q	100 199 1005	536
8R0 198 381 S	100 199 1004	535-536
8R0 198 381 S*	100 199 1003	535-536
061 198 552	100 323 0007	501
7L6 199 131 A	100 199 1185	538
7L8 199 131 A	100 199 0190	538
7L8 199 131 F	100 199 0215	538
1K0 199 231 G	100 199 0085/HD 100 610 0027/HD 100 610 0041 100 610 0043	667, 699-700, 705

Ref. no.	MEYLE no.	Page
Audi		
	100 610 0045 100 610 0085/HD	
1K0 199 231 J	100 199 0085/HD 100 610 0027/HD 100 610 0041 100 610 0043 100 610 0045 100 610 0085/HD	667, 699-700, 705
1K0 199 231 K	100 199 0085/HD 100 610 0027/HD 100 610 0041 100 610 0043 100 610 0045 100 610 0085/HD	667, 699-700, 705
3C0 199 231 D	100 610 0014/HD 100 610 0037/HD 100 610 0044	700-701, 706
3C0 199 231 E	100 610 0014/HD 100 610 0037/HD 100 610 0044	700-701, 706
3C0 199 231 F	100 610 0014/HD	700
8J0 199 231	100 610 0028	701
1K0 199 232 G	100 199 0086/HD 100 610 0027/HD 100 610 0042 100 610 0043 100 610 0046 100 610 0086/HD	667, 701-702, 706-707
1K0 199 232 J	100 199 0086/HD 100 610 0027/HD 100 610 0042 100 610 0043 100 610 0046 100 610 0086/HD	667, 701-702, 706-707
1K0 199 232 K	100 199 0086/HD 100 610 0027/HD 100 610 0042 100 610 0043	667, 701-702
1J0 199 262 BE	100 199 1041	539
1J0 199 262 BF	100 199 1041	539
1K0 199 262 AB	100 199 0113	541
1K0 199 262 AC	100 199 0122	540
1K0 199 262 AL	100 199 0122	540
1K0 199 262 AM	100 199 0113	541
1K0 199 262 AS	100 199 0112	539
1K0 199 262 AT	100 199 0129	238, 243, 539

Ref. no.	MEYLE no.	Page
Audi		
1K0 199 262 CG	100 199 0217	540
1K0 199 262 K	100 199 0108	540
1K0 199 262 L	100 199 0122	540
1K0 199 262 M	100 199 0113	541
811 199 339 A	100 199 0026	532
811 199 339 B	100 199 0026	532
823 199 339 A	100 199 0026	532
893 199 339	100 199 0066	533
8D0 199 339 A	100 199 0078	532
8D0 199 339 D	100 199 0082	533
8D0 199 339 F	100 199 0066	533
8D0 199 339 M	100 030 0005	533
8D0 199 339 P	100 199 0066	533
8E0 199 339	100 199 0140	534
4A0 199 351	100 199 0018	541
4A0 199 351 A	100 199 0018	541
4A0 199 351 B	100 199 0018	541
443 199 379 D	100 199 0049	541
4A0 199 379 A	100 199 0051	542
4A0 199 379 B	100 199 0051	542
4A0 199 379 C	100 199 0051	542
4B0 199 379 E	100 199 0134	542
4F0 199 379 AP	100 199 0173	542
4F0 199 379 BF	100 199 0173	542
8A0 199 379 B	100 199 0046	543
8A0 199 379 E	100 199 0046	543
8D0 199 379 AQ	100 199 0040	543
8D0 199 379 AT	100 199 0056	543
8D0 199 379 E	100 199 0056	543
8D0 199 379 H	100 199 0056	543
8D0 199 379 J	100 199 0040	543
8D0 199 379 K	100 199 0056	543
8D0 199 379 L	100 199 0056	543
8E0 199 379 AD	100 199 0179	544
8E0 199 379 AF	100 199 0084	544
8E0 199 379 AG	100 199 0083	544
8E0 199 379 AQ	100 199 0179	544
8E0 199 379 BG	100 199 0179	544
8E0 199 379 D	100 199 0084	544
8E0 199 379 F	100 199 0083	544
823 199 381 B	100 199 0011	545
893 199 381 B	100 199 0011	545
8K0 199 381 DA	100 199 1009	537
8K0 199 381 DE	100 199 1004	536
8K0 199 381 DH	100 199 1003	535
8K0 199 381 DJ	100 199 1007	537

Ref. no.	MEYLE no.	Page
Audi		
8K0 199 381 DK	100 199 1007	537
8K0 199 381 DL	100 199 1007	537
8K0 199 381 DM	100 199 1007	537
8K0 199 381 DQ	100 199 1005	536
8K0 199 381 DS	100 199 1005	536
8K0 199 381 ED	100 199 1004	536
8K0 199 381 EL	100 199 1003	535
8K0 199 381 EM	100 199 1004	536
8K0 199 381 GK	100 199 1001	535
8K0 199 381 GQ	100 199 1003 100 199 1009	535, 537
8K0 199 381 JN	100 199 1007	537
8K0 199 381 JQ	100 199 1004	536
8K0 199 381 JR	100 199 1005	536
8K0 199 381 KA	100 199 1002	535
8K0 199 381 KD	100 199 1002	535
8K0 199 381 KF	100 199 1004	536
8K0 199 381 KN	100 199 1007	537
8K0 199 381 KP	100 199 1007	537
8K0 199 381 KQ	100 199 1004	536
8K0 199 381 KR	100 199 1005	536
8K0 199 381 LC	100 199 1002	535
8K0 199 381 LD	100 199 1001	535
8K0 199 381 LE	100 199 1003	535
8K0 199 381 LF	100 199 1004	536
8K0 199 381 LJ	100 199 1009	537
8K0 199 381 LL	100 199 1003 100 199 1009	535, 537
8K0 199 381 LN	100 199 1004	536
8K0 199 381 LS	100 199 1002	535
8K0 199 381 LT	100 199 1003	535
8K0 199 381 MB	100 199 1007	537
8K0 199 381 MC	100 199 1004	536
8K0 199 381 ME	100 199 1003	535
8K0 199 381 MG	100 199 1003	535
8K0 199 381 MK	100 199 1004	536
8K0 199 381 NA	100 199 1007	537
8K0 199 381 NB	100 199 1007	537
8K0 199 381 NC	100 199 1007	537
8K0 199 381 ND	100 199 1007	537
8K0 199 381 NE	100 199 1004	536
8K0 199 381 NF	100 199 1005	536
8K0 199 381 NG	100 199 1005	536
8K0 199 381 NJ	100 199 1002	535
8K0 199 381 NK	100 199 1001	535
8K0 199 381 NL	100 199 1003	535

Ref. no.	MEYLE no.	Page
Audi		
8K0 199 381 NM	100 199 1005	536
8K0 199 381 NN	100 199 1002	535
8K0 199 381 NP	100 199 1001	535
8K0 199 381 NQ	100 199 1003	535
8K0 199 381 NR	100 199 1005	536
8K0 199 381 NS	100 199 1003	535
8K0 199 381 NT	100 199 1001	535
8K0 199 381 PA	100 199 1003	535
8K0 199 381 PB	100 199 1001	535
8K0 199 381 PC	100 199 1004	536
8K0 199 381 PD	100 199 1002	535
8K0 199 381 PE	100 199 1004	536
8K0 199 381 PF	100 199 1009	537
8K0 199 381 PG	100 199 1002	535
8K0 199 381 PH	100 199 1004	536
8R0 199 381 A	100 199 1010	537
8R0 199 381 AB	100 199 1007	537
8R0 199 381 AJ	100 199 1010	537
8R0 199 381 AK	100 199 1004	536
8R0 199 381 AL	100 199 1001	535
8R0 199 381 AM	100 199 1001	535
8R0 199 381 AN	100 199 1007	537
8R0 199 381 AP	100 199 1004	536
8R0 199 381 B	100 199 1009	537
8R0 199 381 C	100 199 1003	535
8R0 199 381 D	100 199 1002	535
8R0 199 381 E	100 199 1003	535
8R0 199 381 F	100 199 1009	537
8R0 199 381 G	100 199 1002	535
8R0 199 381 H	100 199 1004	536
8R0 199 381 J	100 199 1001	535
8R0 199 381 K	100 199 1004	536
8R0 199 381 L	100 199 1001	535
8R0 199 381 M	100 199 1004	536
8R0 199 381 N	100 199 1005	536
8R0 199 381 P	100 199 1007	537
8R0 199 381 Q	100 199 1005	536
8R0 199 381 R	100 199 1007	537
8R0 199 381 T	100 199 1007	537
443 199 382	100 199 0017	545
4F0 199 382 AQ	100 199 0174	545
4F0 199 382 AR	100 199 0176	546
4F0 199 382 AS	100 199 0123	546
4F0 199 382 BH	100 199 0174	545
4F0 199 382 BJ	100 199 0176	546
4F0 199 382 BK	100 199 0123	546

Ref. no.	MEYLE no.	Page
Audi		
8A0 199 382 A	100 199 0092	546
8D0 199 382 AN	100 199 0048	547
8D0 199 382 L	100 199 0048	547
8E0 199 382 AA	100 199 0180	547
8E0 199 382 AG	100 199 0189	547
8E0 199 382 AH	100 199 0180	547
8E0 199 382 AJ	100 199 0192	548
8E0 199 382 B	100 199 0180	547
8E0 199 382 J	100 199 0180	547
8E0 199 382 Q	100 199 0180	547
811 199 415	100 199 0022	758, 767
811 199 415 A	100 199 0022	758, 767
811 199 415 B	100 199 0022	758, 767
893 199 415	100 199 0022	758, 767
893 199 415 A	100 199 0033	760
8A0 199 415 B	100 199 0032	755, 760
8A0 199 415 C	100 199 0032	755, 760
811 199 419 C	100 199 0023	756, 761
893 199 419	100 199 0023	756, 761
8A0 199 419	100 199 0055	756, 761
8A0 199 419 A	100 199 0067	756, 761
1J0 199 429	100 199 0063	757
1J0 199 555 AH	100 199 0068	548
1J0 199 555 AJ	100 199 0053	238, 244, 548
1J0 199 555 AK	100 199 0069	549
1J0 199 555 AP	100 199 0184	244, 549
1J0 199 555 AQ	100 199 0184	244, 549
1K0 199 555 AC	100 199 0194	238
1K0 199 555 AQ	100 199 0096	239, 244, 551
1K0 199 555 AT	100 199 0095	551
1K0 199 555 CA	100 199 1054	549
1K0 199 555 CB	100 199 1052	550
1K0 199 555 L	100 199 1098	550
1K0 199 555 M	100 199 1098	550
1K0 199 555 N	100 199 0099	550
1K0 199 555 Q	100 199 0096	239, 244, 551
1K0 199 555 R	100 199 0096	239, 244, 551
1K0 199 555 T	100 199 0095	551
5Q0 199 555 Q	100 199 0204	245, 551
5Q0 199 555 R	100 199 0203	552
5Q0 199 555 S	100 199 0205	245, 552
5Q0 199 555 T	100 199 0200	552
6Q0 199 555 AE	100 199 0126	239, 553
6Q0 199 555 AF	100 199 0125	245, 553
6Q0 199 555 AS	100 199 0125	245, 553
6Q0 199 555 AT	100 199 0126	239, 553

Ref. no.	MEYLE no.	Page
Audi		
6Q0 199 555 T	100 199 0125	245, 553
1J0 199 851 AA	100 199 0045	239, 246, 553
1J0 199 851 AB	100 199 0160	554
1J0 199 851 AM	100 199 1040	554
1J0 199 851 M	100 199 0045	239, 246, 553
1J0 199 851 N	100 199 0045	239, 246, 553
1J0 199 851 R	100 199 0160	554
6Q0 199 851 AP	100 199 0178	554
1K0 199 855 AG	100 199 0195	555
1K0 199 855 BB	100 199 0143	555
1K0 199 855 BD	100 199 0195	555
1K0 199 855 L	100 199 0143	555
3C0 199 855 A	100 199 0142	246, 555
3C0 199 855 J	100 199 0142	246, 555
3C0 199 855 K	100 199 0209	556
3C0 199 855 M	100 199 0167	556
5Q0 199 855 J	100 199 1057	556
5Q0 199 855 N	100 199 1056	557
1K0 199 867	100 199 0161	557, 762
1K0 199 867 A	100 199 0161	557, 762
1K0 199 867 B	100 199 0161	557, 762
1K0 199 867 C	100 199 0161	557, 762
1K0 199 867 P	100 199 0161	557, 762
1K0 199 867 Q	100 199 0161	557, 762
3C0 199 867 E	100 199 0311	557
1K0 199 868	100 199 0162	558, 762
1K0 199 868 A	100 199 0162	558, 762
1K0 199 868 C	100 199 0162	558, 762
1K0 199 868 P	100 199 0162	558, 762
1K0 199 868 Q	100 199 0162	558, 762
3C0 199 868 E	100 199 0312	558
6Q0 201 051 B	100 323 0011	501
6Q0 201 051 C	100 323 0003	502
6Q0 201 051 H	100 323 0011	501
6Q0 201 051 J	100 323 0003	502
191 201 256	100 201 0002	505
1H0 201 511 A	314 133 2108	502
1J0 201 511 A	100 201 0007	502
251 201 511 G	100 201 0001	503
441 201 511 C	100 201 0010	503
6X0 201 511 B	100 201 0000 100 201 0013	503-504
8E0 201 511 C	100 323 0018	504
8E0 201 511 F	100 323 0018	504
8E0 201 511 G	100 323 0018	504
8E0 201 511 L	100 323 0018	504

Ref. no.	MEYLE no.	Page
Audi		
893 253 147 F	014 049 0008	481
058 260 511	100 260 0001	361
028 260 849 H	050 006 1175	383
03C 260 849 A	050 006 1698	383
03F 260 849 A	050 006 1690	392
04L 260 849 C	050 006 1025	383
058 260 849	050 004 0855	407
058 260 849 A	050 004 0855	407
059 260 849 B	050 004 1238	384
059 260 849 D	050 004 1215	408
06A 260 849	050 006 1195/D	384
06A 260 849 B	050 006 1195/D	384
06A 260 849 C	050 006 1195/D	384
06A 260 849 E	050 006 1195/D	384
06F 260 849 E	050 006 1045	384
06F 260 849 L	050 006 1055	385
06J 260 849 D	050 006 1120	385
06J 260 849 F	050 006 1100	385
6Q0 260 849 C	050 006 1735	408
02E 305 051 C	100 135 0102 100 136 0003	233, 257
02E 305 051 D	100 135 0102 100 136 0003	233, 257
01N 321 370	100 321 0003	511
096 321 370	100 321 0001	512
097 321 370	100 321 0007	512
09G 321 370	100 139 0002	513
010 321 371 B	100 321 0002	513
01F 321 371	100 321 0005	513
01L 321 371	100 139 0001	514
01V 321 371	100 321 0004	514
02E 321 371 E	100 140 0001	224
097 321 371	100 321 0007	512
09D 321 371	100 321 0010	514
09E 321 371	100 140 0004	515
09E 321 371 A	100 140 0002	515
09L 321 371	100 321 0017	516
09L 321 371 A	100 321 0018	516
0AT 321 371	100 321 0019	517
0B5 321 371 D	100 140 0003	517
0B5 321 371 E	100 140 0003	517
0B5 325 060 C	100 137 1004	225
0BH 325 183 B	100 135 0103 100 136 0004	233, 257
0B5 325 330 A	100 137 1003 100 137 1004	225

Ref. no.	MEYLE no.	Page
Audi		
01L 325 429 B	100 135 0002	225, 233, 258
	100 135 0002/SK	
	100 136 0008	
	100 137 0008	
01M 325 429	100 135 0014	226-227, 234, 259
	100 325 0001	
	100 398 0006	
	100 398 0009	
	100 398 0010	
01V 325 429	100 135 0001	227, 234, 259-260
	100 135 0001/SK	
	100 325 0005	
	100 398 0003	
095 325 429 D	100 325 0002	228, 234
	100 398 0002	
09A 325 429	100 136 0001	235
09E 325 429	100 135 0004	235, 261
	100 135 0004/SK	
	100 136 0010	
09G 325 429	100 135 0100	228, 235, 262
	100 137 0001	
	100 325 0007	
09L 325 429	100 135 0003	229, 236, 262-263
	100 135 0003/SK	
	100 136 0011	
	100 137 0111	
	100 137 0112	
0AT 325 429	100 137 0012	229, 236
	100 325 0011	
0B5 325 429 E	100 135 0114	230, 263
	100 137 0003	
0B6 325 429	100 135 0005	230, 236, 264
	100 135 0005/SK	
	100 136 0009	
	100 137 0009	
01F 325 433	100 325 0008	231, 237
	100 398 0004	
09D 325 435	100 135 0105	231, 237, 265
	100 136 0002	
	100 137 0002	
0C8 325 435	100 135 0108	231, 265
	100 137 0010	
01M 325 443	100 325 0004	224
010 398 009	100 398 0000	232
0BK 398 009	100 135 0013	232, 237, 266, 517
	100 136 0006	

Ref. no.	MEYLE no.	Page
Audi		
	100 137 0006	
	100 139 0004	
02E 398 051	100 136 0003	233
2E0 398 051	100 135 0102	257
0B5 398 060	100 137 1004	225
0B5 398 060 A	100 137 1003	225
443 398 151 F	025 206 6919	108-109
	025 209 0119/W	
01F 398 425	100 325 0008	237
8E0 399 105 AF	100 130 0006	240, 247
8E0 399 105 BG	100 130 0009	246, 254
8E0 399 105 CF	100 399 0035	247, 558, 763
8E0 399 105 CL	100 130 0006	240, 247
8E0 399 105 DM	100 130 0009	246, 254
8E0 399 105 EF	100 399 0035	247, 558, 763
8E0 399 105 EL	100 130 0006	240, 247
8E0 399 105 G	100 130 0009	246, 254
8E0 399 105 HB	100 130 0009	246, 254
8E0 399 105 HS	100 399 0035	247, 558, 763
8E0 399 105 JD	100 130 0006	240, 247
431 399 151 D	100 399 0001	240, 247
4A0 399 151 C	100 399 0021	241, 248
4A0 399 151 D	100 399 0022	248
4A0 399 151 K	100 399 0021	241, 248
4B0 399 151 M	100 130 0011	241, 248
4F0 399 151 AM	100 399 0034	241, 249, 763
4F0 399 151 AN	100 399 0033	242, 249, 763
893 399 151 A	100 399 0008	249
8A0 399 151 D	100 399 0005	242, 250
8D0 399 151 H	100 399 0013	250
8D0 399 151 J	100 399 0015	242, 250
8D0 399 151 M	100 399 0009	243, 251
8D0 399 151 R	100 399 0025	243
4A0 399 347 C	100 610 0000/HD	704
4A0 399 413 A	100 399 0020	704, 716
	100 610 0000/HD	
431 399 415 B	100 399 0002	251, 254, 764
443 399 415 A	100 399 0002	251, 254, 764
4A0 399 415	100 399 0012	251, 254, 764
4A0 399 415 B	100 399 0012	251, 254, 764
4F0 399 415 C	100 399 0036	252, 255, 764
8D0 399 415 D	100 399 0028	252, 255, 765
8D0 399 415 E	100 399 0016	757, 765
431 399 419 A	100 399 0007	252, 256, 765
443 399 419 A	100 399 0007	252, 256, 765
4A0 399 419 D	100 399 0011	253, 256, 766

Ref. no.	MEYLE no.	Page
Audi		
4A0 399 419 E	100 399 0011	253, 256, 766
800 399 419 C	100 399 0017	757, 766
4A0 399 420 D	100 399 0010	253, 256, 766
4A0 399 420 E	100 399 0010	253, 256, 766
441 404 155 S	116 050 3910	620
1G6 405 625	100 405 0101	831
311 405 625	100 405 0101	831
311 405 625 B	100 405 0101	831
311 405 625 F	100 405 0101	831
311 405 625 N	100 405 0101	831
1G6 405 645	100 405 0201	831
311 405 645 B	100 405 0201	831
7L0 407 021	116 050 0017 116 050 0017/S 116 050 0190/S 116 050 0194/HD	610-611, 687-688
7L0 407 021 A	116 050 0017 116 050 0017/S 116 050 0190/S 116 050 0194/HD	610-611, 687-688
7L0 407 021 B	116 050 0017 116 050 0017/S 116 050 0190/S 116 050 0194/HD	610-611, 687-688
7L8 407 021	116 050 0101 116 050 0101/S 116 050 0191/S	611-612, 688
7L0 407 077	100 610 0015	668
857 407 147 A	116 050 0132/HD	612
893 407 147 C	116 050 0132/HD	612
893 407 147 E	116 050 0133/HD	613
895 407 147 A	116 050 0154/HD	613
857 407 148 A	116 050 0131/HD	614
893 407 148 C	116 050 0131/HD	614
893 407 148 E	116 050 0134/HD	614
895 407 148 A	116 050 0155/HD	615
1J0 407 151 A	116 050 0009/HD 116 050 0010/HD 116 050 0156	615-616
1J0 407 151 C	116 050 0009/HD 116 050 0010/HD 116 050 0156	615-616
1K0 407 151 AA	116 050 0002/HD 116 050 0181/HD 116 050 0197 116 050 0215	618-619

Ref. no.	MEYLE no.	Page
Audi		
1K0 407 151 AB	116 050 0002/HD 116 050 0181/HD 116 050 0197 116 050 0215	618-619
1K0 407 151 AC	116 050 0032/HD 116 050 0199	617
1K0 407 151 AD	116 050 0032/HD 116 050 0199	617
1K0 407 151 AE	116 050 0002/HD 116 050 0181/HD 116 050 0197 116 050 0215	618-619
1K0 407 151 AH	116 050 0002/HD 116 050 0181/HD 116 050 0197 116 050 0215	618-619
1K0 407 151 AK	116 050 0032/HD 116 050 0199	617
1K0 407 151 BC	116 050 0002/HD 116 050 0181/HD 116 050 0197 116 050 0215	618-619
1K0 407 151 BD	116 050 0002/HD 116 050 0181/HD 116 050 0197 116 050 0215	618-619
1K0 407 151 BF	116 050 0032/HD 116 050 0199	617
1K0 407 151 N	116 050 0002/HD 116 050 0181/HD 116 050 0197 116 050 0215	618-619
1K0 407 151 P	116 050 0002/HD 116 050 0181/HD 116 050 0197 116 050 0215	618-619
3C0 407 151 G	116 050 0072/HD	620
3C0 407 151 H	116 050 0072/HD	620
437 407 151 A	116 050 3910	620
441 407 151 A	116 050 0025	621
441 407 151 C	116 050 0025	621
443 407 151 B	116 050 3910	620
4A0 407 151	116 050 8200/HD	621
480 407 151	116 050 0031/HD 116 050 0041/HD 116 050 0087/HD	622-623, 689-690

Ref. no.	MEYLE no.	Page
Audi		
	116 050 0212	
4B3 407 151 A	116 050 0031/HD 116 050 0041/HD 116 050 0087/HD 116 050 0212	622-623, 689-690
4B3 407 151 C	116 050 0031/HD 116 050 0041/HD 116 050 0087/HD 116 050 0212	622-623, 689-690
4B3 407 151 D	116 050 0058/HD	622
4B3 407 151 E	116 050 0031/HD 116 050 0041/HD 116 050 0087/HD 116 050 0212	622-623, 689-690
4B3 407 151 F	116 050 0031/HD 116 050 0041/HD 116 050 0087/HD 116 050 0212	622-623, 689-690
4B3 407 151 K	116 050 0031/HD 116 050 0041/HD 116 050 0087/HD 116 050 0212	622-623, 689-690
4D0 407 151 H	116 050 0029/HD 116 050 0030/HD 116 050 0205 116 050 8228/HD	626-627, 692-693
4D0 407 151 P	116 050 0029/HD 116 050 0030/HD 116 050 0205 116 050 8228/HD	626-627, 692-693
4E0 407 151 G	116 050 0067/HD	623
4E0 407 151 L	116 050 0067/HD	623
4F0 407 151	116 050 0043/HD 116 050 0095/HD	624, 691
4F0 407 151 A	116 050 0043/HD 116 050 0095/HD	624, 691
5Q0 407 151 J	116 050 0123/S	624
6R0 407 151 B	116 050 0103/HD	625
6R0 407 151 F	116 050 0103/HD	625
7L8 407 151 K	116 050 0096 116 050 0096/S 116 050 0190/S 116 050 0191/S	625-626, 687-688
7P0 407 151 B	116 050 0096 116 050 0096/S 116 050 0190/S	625-626, 687-688

Ref. no.	MEYLE no.	Page
Audi		
	116 050 0191/S	
7P0 407 151 C	116 050 0096 116 050 0096/S 116 050 0190/S 116 050 0191/S	625-626, 687-688
7P0 407 151 D	116 050 0096 116 050 0096/S 116 050 0190/S 116 050 0191/S	625-626, 687-688
7P0 407 151 E	116 050 0096 116 050 0096/S 116 050 0190/S 116 050 0191/S	625-626, 687-688
8D0 407 151 E	116 050 0029/HD 116 050 0030/HD 116 050 0205 116 050 8228/HD	626-627, 692-693
8E0 407 151 E	116 050 0000/HD 116 050 0083/HD 116 050 0085/HD 116 050 0203	666-667, 694-695
8E0 407 151 K	116 050 0000/HD 116 050 0083/HD 116 050 0085/HD 116 050 0203	666-667, 694-695
8E0 407 151 L	116 050 0000/HD 116 050 0083/HD 116 050 0085/HD 116 050 0203	666-667, 694-695
8E0 407 151 M	116 050 0000/HD 116 050 0083/HD 116 050 0085/HD 116 050 0203	666-667, 694-695
8E0 407 151 N	116 050 0000/HD 116 050 0083/HD 116 050 0085/HD 116 050 0203	666-667, 694-695
8E0 407 151 R	116 050 0000/HD 116 050 0083/HD 116 050 0085/HD 116 050 0203	666-667, 694-695
8J0 407 151 D	116 050 0092 116 050 0137 116 050 0138	627-628
8K0 407 151 B	116 050 0170/HD 116 050 0222/HD	629, 696-697

Ref. no.	MEYLE no.	Page
Audi		
	116 050 0223/HD	
8K0 407 151 C	116 050 0170/HD 116 050 0222/HD 116 050 0223/HD	629, 696-697
8K0 407 151 D	116 050 0170/HD 116 050 0222/HD 116 050 0223/HD	629, 696-697
8K0 407 151 F	116 050 0224/HD	629
8Z0 407 151 J	116 050 0098	630
1K0 407 152 AA	116 050 0003/HD 116 050 0182/HD 116 050 0198 116 050 0216	631-633
1K0 407 152 AB	116 050 0003/HD 116 050 0182/HD 116 050 0198 116 050 0216	631-633
1K0 407 152 AC	116 050 0033/HD 116 050 0200	630-631
1K0 407 152 AD	116 050 0033/HD 116 050 0200	630-631
1K0 407 152 AE	116 050 0003/HD 116 050 0182/HD 116 050 0198 116 050 0216	631-633
1K0 407 152 AH	116 050 0003/HD 116 050 0182/HD 116 050 0198 116 050 0216	631-633
1K0 407 152 AK	116 050 0033/HD 116 050 0200	630-631
1K0 407 152 BC	116 050 0003/HD 116 050 0182/HD 116 050 0198 116 050 0216	631-633
1K0 407 152 BD	116 050 0003/HD 116 050 0182/HD 116 050 0198 116 050 0216	631-633
1K0 407 152 BF	116 050 0033/HD 116 050 0200	630-631
1K0 407 152 N	116 050 0003/HD 116 050 0182/HD 116 050 0198 116 050 0216	631-633
1K0 407 152 P	116 050 0003/HD	631-633

Ref. no.	MEYLE no.	Page
Audi		
	116 050 0182/HD 116 050 0198 116 050 0216	
437 407 152 A	116 050 3911	633
441 407 152 A	116 050 0026	634
441 407 152 C	116 050 0026	634
443 407 152 B	116 050 3911	633
4A0 407 152	116 050 8201/HD	634
5Q0 407 152 J	116 050 0124/S	635
6R0 407 152 B	116 050 0104/HD	635
6R0 407 152 F	116 050 0104/HD	635
7L8 407 152 K	116 050 0097 116 050 0097/S 116 050 0190/S 116 050 0191/S	636, 687-688
7P0 407 152 B	116 050 0097 116 050 0097/S 116 050 0190/S 116 050 0191/S	636, 687-688
7P0 407 152 C	116 050 0097 116 050 0097/S 116 050 0190/S 116 050 0191/S	636, 687-688
7P0 407 152 D	116 050 0097 116 050 0097/S 116 050 0190/S 116 050 0191/S	636, 687-688
7P0 407 152 E	116 050 0097 116 050 0097/S 116 050 0190/S 116 050 0191/S	636, 687-688
8K0 407 152 B	116 050 0169/HD 116 050 0222/HD 116 050 0223/HD	637, 696-697
8K0 407 152 C	116 050 0169/HD 116 050 0222/HD 116 050 0223/HD	637, 696-697
8K0 407 152 D	116 050 0169/HD 116 050 0222/HD 116 050 0223/HD	637, 696-697
8K0 407 152 F	116 050 0225/HD	637
8Z0 407 152 J	116 050 0099	638
431 407 155 A	116 050 3910	620
441 407 155	116 050 0025	621
441 407 155 B	116 050 0025	621
437 407 156 A	116 050 3911	633

Ref. no.	MEYLE no.	Page
Audi		
441 407 156	116 050 0026	634
441 407 156 A	116 050 3911	633
1J0 407 181	100 407 0043	668
1J0 407 181 A	100 407 0043	668
431 407 181 F	100 407 0001	668
4A0 407 181 A	100 407 0013/HD 100 610 0000/HD	669, 704
4D0 407 181 F	100 407 0047/HD	669
4D0 407 181 H	100 407 0047/HD	669
4E0 407 181 B	100 610 0003/HD	670
6R0 407 181 B	100 407 0073/HD	670
811 407 181	100 407 0040	671
811 407 181 A	100 407 0040	671
857 407 181	100 040 0001/HD	671
893 407 181	100 407 0042/HD	671
8A0 407 181	100 407 0026/HD	672
8E0 407 181 B	100 407 0082	672
8E0 407 181 C	100 407 0082	672
8E0 407 181 D	100 407 0082	672
8N0 407 181 B	100 407 0073/HD	670
191 407 182	100 407 0015	673
1K0 407 182	100 407 0086	673
1K0 407 182 A	100 407 0086	673
357 407 182	100 407 0015	673
4D0 407 182 E	100 407 0022/HD	673
4D0 407 182 G	100 407 0022/HD	673
4E0 407 182 C	100 610 0004/HD	674
4Z7 407 182	100 407 0022/HD	673
5Q0 407 182	100 407 0086	673
7L0 407 182 C	100 610 0010/HD	674
7L0 407 182 D	100 610 0024/HD	675
7L0 407 182 E	100 610 0010/HD	674
7L0 407 182 F	100 610 0024/HD	675
7L0 407 182 G	100 610 0024/HD	675
8K0 407 182 A	100 610 0021	675
8K0 407 182 B	100 610 0021	675
8N0 407 182 A	100 407 0075	675
8Z0 407 182 B	100 407 0089	676
8Z0 407 182 C	100 407 0089	676
431 407 183 A	100 407 0014	676
4A0 407 183 C	100 407 0017/HD 100 407 0017/S	676-677
4A0 407 183 D	100 407 0017/HD 100 407 0017/S	676-677
4D0 407 183 AA	100 407 0060/HD	677
4D0 407 183 AB	100 407 0060/HD	677

Ref. no.	MEYLE no.	Page
Audi		
4D0 407 183 AC	100 407 0060/HD	677
4D0 407 183 P	100 407 0060/HD	677
4D0 407 183 Q	100 407 0060/HD	677
4E0 407 183 A	100 610 0018/HD	678
4E0 407 183 B	100 610 0018/HD	678
4E0 407 183 H	100 610 0018/HD	678
4F0 407 183 A	100 407 0060/HD	677
4F0 407 183 C	100 407 0095/HD	678
4F0 407 183 E	100 407 0095/HD	678
4F0 407 183 F	100 407 0095/HD	678
4G0 407 183	100 610 0018/HD	678
4G0 407 183 A	100 610 0018/HD	678
4H0 407 183	100 610 0018/HD	678
4H0 407 183 B	100 610 0018/HD	678
4H0 407 183 C	100 610 0018/HD	678
5Q0 407 183 E	100 610 0036	678
5Q0 407 183 F	114 610 0000	679
7L0 407 183 A	100 610 0011	679
7L8 407 183	100 610 0011	679
8K0 407 183 A	100 407 0095/HD	678
8K0 407 183 D	100 610 0038 100 610 0038/HD	679-680
8K0 407 183 F	100 610 0038 100 610 0038/HD	679-680
8Z0 407 183 A	100 610 0017	702
8Z0 407 195 D	100 407 0089	676
4A0 407 201	100 610 0000/HD	704
1J0 407 271 AH	100 498 0652	196
1J0 407 271 AM	100 498 0652	196
1J0 407 271 AP	100 498 0147	204
1J0 407 271 EP	100 498 0627	196
1J0 407 271 H	100 498 0147	204
1J0 407 271 JD	100 498 0147	204
1J0 407 271 Q	100 498 0652	196
1K0 407 271 BF	100 498 0637	197
1K0 407 271 CQ	100 498 0140	197
1K0 407 271 ES	100 498 0610	198
1K0 407 271 HM	100 498 0610	198
1K0 407 271 KA	100 498 0637	197
1K0 407 271 LG	100 498 0637	197
1K0 407 271 NQ	100 498 0610	198
1K0 407 271 NT	100 498 0637	197
8D0 407 271 AJ	100 498 0146	205
8D0 407 271 AN	100 498 0668	198
8D0 407 271 AP	100 498 0666	199
8D0 407 271 AQ	100 498 0706	199

Ref. no.	MEYLE no.	Page
Audi		
800 407 271 BA	100 498 0666	199
800 407 271 BB	100 498 0146	205
800 407 271 BJ	100 498 0668	198
800 407 271 CL	100 498 0668	198
800 407 271 DJ	100 498 0668	198
800 407 271 DP	100 498 0668	198
800 407 271 DT	100 498 0146	205
8R0 407 271	100 498 0260	199
8R0 407 271 B	100 498 0260	199
8R0 407 271 BX	100 498 0260	199
1J0 407 272	100 498 0148	200
1J0 407 272 BJ	100 498 0685	201
1J0 407 272 CT	100 498 0686	200
1J0 407 272 GD	100 498 0685	201
1J0 407 272 JK	100 498 0148	200
1K0 407 272 CC	100 498 0649	201
1K0 407 272 EC	100 498 0649	201
1K0 407 272 F	100 498 0649	201
1K0 407 272 FS	100 498 0141	201
1K0 407 272 KG	100 498 0684	202
1K0 407 272 KJ	100 498 0613	202
1K0 407 272 NK	100 498 0684	202
1K0 407 272 QF	100 498 0684	202
1K0 407 272 RL	100 498 0613	202
1K0 407 272 TK	100 498 0613	202
800 407 272 AJ	100 498 0145	205
800 407 272 AN	100 498 0671	203
800 407 272 AP	100 498 0698	203
800 407 272 AQ	100 498 0696	204
800 407 272 BB	100 498 0145	205
800 407 272 BJ	100 498 0671	203
800 407 272 CL	100 498 0671	203
800 407 272 DJ	100 498 0671	203
800 407 272 DL	100 498 0698	203
800 407 272 DP	100 498 0671	203
800 407 272 DT	100 498 0145	205
443 407 283 A	100 407 0069	195
1H0 407 285 A	100 407 0029	195
1H0 407 285 B	100 407 0029	195
321 407 285 D	100 407 0028	195
4A0 407 305 A	100 498 0063	210
4D0 407 305 B	100 498 0064	211
800 407 305 M	100 498 0088	208
8E0 407 305 A	100 498 0190	218
8E0 407 305 B	100 498 0206	217
1J0 407 311 R	100 498 0121	206

Ref. no.	MEYLE no.	Page
Audi		
1K0 407 311 J	100 498 0193	207
1K0 407 311 L	100 498 0195	206
6E0 407 311	100 498 0152	212
7L6 407 321 E	100 498 0153	214
1J0 407 365 A	116 010 0039 116 010 8287/HD	600
1J0 407 365 C	116 010 0039 116 010 8287/HD	600
1J0 407 365 D	116 010 0039 116 010 8287/HD	600
1J0 407 365 J	116 010 0039 116 010 8287/HD	600
1K0 407 365 B	116 010 0015	600
1K0 407 365 C	116 010 0015	600
1K0 407 365 E	116 010 0015	600
3C0 407 365 A	116 010 0017	601
3C0 407 365 B	116 010 0017	601
5Q0 407 365 A	116 010 0033	601
6R0 407 365	116 010 0024	601
6R0 407 365 A	116 010 0024	601
6R0 407 365 B	116 010 0024	601
855 407 365	116 010 3916	602
855 407 365 A	116 010 3917	602
893 407 365 A	116 010 7168	602
893 407 365 F	116 010 7170	603
895 407 365	116 010 7175	603
8A0 407 365	116 010 7175	603
8J0 407 365	116 010 0022	604
8N0 407 365 B	116 010 0005	604
8N0 407 365 C	116 010 0005	604
8Z0 407 365 A	116 010 0007	604
1J0 407 366 A	116 010 0040 116 010 8288/HD	605
1J0 407 366 C	116 010 0040 116 010 8288/HD	605
1J0 407 366 D	116 010 0040 116 010 8288/HD	605
1J0 407 366 J	116 010 0040 116 010 8288/HD	605
1K0 407 366 B	116 010 0016	605
1K0 407 366 C	116 010 0016	605
1K0 407 366 E	116 010 0016	605
3C0 407 366 A	116 010 0018	606
3C0 407 366 B	116 010 0018	606
5Q0 407 366 A	116 010 0034	606
6R0 407 366	116 010 0025	606

Ref. no.	MEYLE no.	Page
Audi		
6R0 407 366 A	116 010 0025	606
6R0 407 366 B	116 010 0025	606
855 407 366	116 010 3915	607
855 407 366 A	116 010 3918	607
893 407 366 A	116 010 7172	607
893 407 366 F	116 010 7174	608
895 407 366	116 010 7177	608
8A0 407 366	116 010 7177	608
8J0 407 366	116 010 0023	609
8Z0 407 366 A	116 010 0008	609
823 407 415 B	100 199 0022	758, 767
1J0 407 451 AX	100 498 0147	204
1J0 407 451 GX	100 498 0627	196
1J0 407 451 HX	100 498 0627	196
1K0 407 451 DX	100 498 0612	204
1K0 407 451 PX	100 498 0140	197
1K0 407 451 TX	100 498 0612	204
8D0 407 451 AV	100 498 0706	199
8D0 407 451 AX	100 498 0706	199
8D0 407 451 CV	100 498 0146	205
8D0 407 451 CX	100 498 0146	205
8D0 407 451 FX	100 498 0668	198
8D0 407 451 LX	100 498 0146	205
8D0 407 451 V	100 498 0666	199
1J0 407 452 GX	100 498 0686	200
1J0 407 452 KX	100 498 0685	201
1J0 407 452 QX	100 498 0685	201
1K0 407 452 QX	100 498 0141	201
8D0 407 452 AV	100 498 0696	204
8D0 407 452 AX	100 498 0696	204
8D0 407 452 CV	100 498 0145	205
8D0 407 452 CX	100 498 0145	205
8D0 407 452 FX	100 498 0671	203
8D0 407 453 aX	100 498 0666	199
1K0 407 454 NX	100 498 0613	202
8D0 407 454 x	100 498 0698	203
893 407 465	116 060 7179	728
893 407 465 A	116 060 7179	728
8A0 407 465	116 060 7179	728
8A0 407 465 B	116 060 7179	728
8A0 407 465 C	116 060 7179	728
855 407 469	116 060 0013	728
4D0 407 505 A	116 050 0030/HD 116 050 0041/HD 116 050 8239/HD	638, 689, 693
4D0 407 505 B	116 050 0030/HD	638, 689, 693

Ref. no.	MEYLE no.	Page
Audi		
	116 050 0041/HD 116 050 8239/HD	
4D0 407 505 D	116 050 0030/HD 116 050 0041/HD 116 050 8239/HD	638, 689, 693
4D0 407 505 F	116 050 0030/HD 116 050 0041/HD 116 050 8239/HD	638, 689, 693
4D0 407 505 H	116 050 0030/HD 116 050 0041/HD 116 050 8239/HD	638, 689, 693
4D0 407 505 J	116 050 0030/HD 116 050 0041/HD 116 050 8239/HD	638, 689, 693
4E0 407 505 B	116 050 0042/HD 116 050 0095/HD 116 050 0213	639, 691
4E0 407 505 E	116 050 0042/HD 116 050 0095/HD 116 050 0213	639, 691
4E0 407 505 F	116 050 0042/HD 116 050 0095/HD 116 050 0213	639, 691
4H0 407 505 D	116 050 0145/HD	640
4H0 407 505 E	116 050 0145/HD	640
4H0 407 505 F	116 050 0145/HD	640
8D0 407 505 E	116 050 0029/HD 116 050 0083/HD 116 050 0085/HD 116 050 0087/HD 116 050 0209 116 050 8297/HD	640-641, 690, 692, 694-695
8E0 407 505 A	116 050 0029/HD 116 050 0083/HD 116 050 0085/HD 116 050 0087/HD 116 050 0209 116 050 8297/HD	640-641, 690, 692, 694-695
8E0 407 505 C	116 050 0029/HD 116 050 0083/HD 116 050 0085/HD 116 050 0087/HD 116 050 0209 116 050 8297/HD	640-641, 690, 692, 694-695
8E0 407 505 E	116 050 0029/HD 116 050 0083/HD	640-641, 690, 692, 694-695

Ref. no.	MEYLE no.	Page
Audi		
	116 050 0085/HD 116 050 0087/HD 116 050 0209 116 050 8297/HD	
8E0 407 505 P	116 050 0029/HD 116 050 0083/HD 116 050 0085/HD 116 050 0087/HD 116 050 0209 116 050 8297/HD	640-641, 690, 692, 694-695
8E0 407 505 Q	116 050 0029/HD 116 050 0083/HD 116 050 0085/HD 116 050 0087/HD 116 050 0209 116 050 8297/HD	640-641, 690, 692, 694-695
8K0 407 505 A	116 050 0168/HD 116 050 0222/HD 116 050 0223/HD	641, 696-697
8K0 407 505 B	116 050 0168/HD 116 050 0222/HD 116 050 0223/HD	641, 696-697
8K0 407 505 M	116 050 0168/HD 116 050 0222/HD 116 050 0223/HD	641, 696-697
8K0 407 505 N	116 050 0168/HD 116 050 0222/HD 116 050 0223/HD	641, 696-697
4E0 407 506 B	116 050 0063/HD 116 050 0095/HD 116 050 0214	642, 691
4E0 407 506 E	116 050 0063/HD 116 050 0095/HD 116 050 0214	642, 691
4E0 407 506 F	116 050 0063/HD 116 050 0095/HD 116 050 0214	642, 691
4H0 407 506 D	116 050 0146/HD	643
4H0 407 506 E	116 050 0146/HD	643
4H0 407 506 F	116 050 0146/HD	643
8D0 407 506 E	116 050 0083/HD 116 050 0085/HD 116 050 0087/HD 116 050 0208 116 050 8298/HD	643-644, 690, 694-695

Ref. no.	MEYLE no.	Page
Audi		
8E0 407 506 A	116 050 0029/HD 116 050 0083/HD 116 050 0085/HD 116 050 0087/HD 116 050 0208 116 050 8298/HD	643-644, 690, 692, 694-695
8E0 407 506 C	116 050 0029/HD 116 050 0083/HD 116 050 0085/HD 116 050 0087/HD 116 050 0208 116 050 8298/HD	643-644, 690, 692, 694-695
8E0 407 506 E	116 050 0029/HD 116 050 0083/HD 116 050 0085/HD 116 050 0087/HD 116 050 0208 116 050 8298/HD	643-644, 690, 692, 694-695
8E0 407 506 P	116 050 0029/HD 116 050 0083/HD 116 050 0085/HD 116 050 0087/HD 116 050 0208 116 050 8298/HD	643-644, 690, 692, 694-695
8E0 407 506 Q	116 050 0029/HD 116 050 0083/HD 116 050 0085/HD 116 050 0087/HD 116 050 0208 116 050 8298/HD	643-644, 690, 692, 694-695
8K0 407 506 A	116 050 0167/HD 116 050 0222/HD 116 050 0223/HD	644, 696-697
8K0 407 506 B	116 050 0167/HD 116 050 0222/HD 116 050 0223/HD	644, 696-697
8K0 407 506 M	116 050 0167/HD 116 050 0222/HD 116 050 0223/HD	644, 696-697
8K0 407 506 N	116 050 0167/HD 116 050 0222/HD 116 050 0223/HD	644, 696-697
4D0 407 509 J	116 050 0029/HD 116 050 0030/HD 116 050 0041/HD 116 050 0083/HD	645, 689-690, 692-695

Ref. no.	MEYLE no.	Page
Audi		
	116 050 0085/HD 116 050 0087/HD 116 050 0207 116 050 8292/HD	
4D0 407 509 K	116 050 0029/HD 116 050 0030/HD 116 050 0041/HD 116 050 0083/HD 116 050 0085/HD 116 050 0087/HD 116 050 0207 116 050 8292/HD	645, 689-690, 692-695
4E0 407 509 B	116 050 0015/HD 116 050 0095/HD	646, 691
4E0 407 509 E	116 050 0015/HD 116 050 0095/HD	646, 691
4E0 407 509 F	116 050 0015/HD 116 050 0095/HD	646, 691
4E0 407 509 G	116 050 0015/HD 116 050 0095/HD	646, 691
4E0 407 509 H	116 050 0015/HD 116 050 0095/HD	646, 691
4H0 407 509 A	116 050 0147/HD	646
4H0 407 509 D	116 050 0147/HD	646
4H0 407 509 E	116 050 0147/HD	646
4H0 407 509 F	116 050 0147/HD	646
8D0 407 509 G	116 050 0029/HD 116 050 0030/HD 116 050 0041/HD 116 050 0083/HD 116 050 0085/HD 116 050 0087/HD 116 050 0207 116 050 8292/HD	645, 689-690, 692-695
8E0 407 509 A	116 050 0029/HD 116 050 0030/HD 116 050 0041/HD 116 050 0083/HD 116 050 0085/HD 116 050 0087/HD 116 050 0207 116 050 8292/HD	645, 689-690, 692-695
8E0 407 509 C	116 050 0029/HD 116 050 0030/HD 116 050 0041/HD 116 050 0083/HD	645, 689-690, 692-695

Ref. no.	MEYLE no.	Page
Audi		
	116 050 0085/HD 116 050 0087/HD 116 050 0207 116 050 8292/HD	
8E0 407 509 E	116 050 0029/HD 116 050 0030/HD 116 050 0041/HD 116 050 0083/HD 116 050 0085/HD 116 050 0087/HD 116 050 0207 116 050 8292/HD	645, 689-690, 692-695
8E0 407 509 P	116 050 0029/HD 116 050 0030/HD 116 050 0041/HD 116 050 0083/HD 116 050 0085/HD 116 050 0087/HD 116 050 0207 116 050 8292/HD	645, 689-690, 692-695
8E0 407 509 Q	116 050 0029/HD 116 050 0030/HD 116 050 0041/HD 116 050 0083/HD 116 050 0085/HD 116 050 0087/HD 116 050 0207 116 050 8292/HD	645, 689-690, 692-695
8K0 407 509 A	116 050 0166/HD 116 050 0222/HD 116 050 0223/HD	647, 696-697
8K0 407 509 B	116 050 0166/HD 116 050 0222/HD 116 050 0223/HD	647, 696-697
8K0 407 509 M	116 050 0166/HD 116 050 0222/HD 116 050 0223/HD	647, 696-697
8K0 407 509 N	116 050 0166/HD 116 050 0222/HD 116 050 0223/HD	647, 696-697
8K0 407 509 P	116 050 0166/HD 116 050 0222/HD 116 050 0223/HD	647, 696-697
4D0 407 510 J	116 050 0029/HD 116 050 0030/HD 116 050 0041/HD	647-648, 689-690, 692-695

Ref. no.	MEYLE no.	Page
Audi		
	116 050 0083/HD 116 050 0085/HD 116 050 0087/HD 116 050 0206 116 050 8293/HD	
4D0 407 510 K	116 050 0029/HD 116 050 0030/HD 116 050 0041/HD 116 050 0083/HD 116 050 0085/HD 116 050 0087/HD 116 050 0206 116 050 8293/HD	647-648, 689-690, 692-695
4E0 407 510 B	116 050 0016/HD 116 050 0095/HD	648, 691
4E0 407 510 E	116 050 0016/HD 116 050 0095/HD	648, 691
4E0 407 510 F	116 050 0016/HD 116 050 0095/HD	648, 691
4E0 407 510 G	116 050 0016/HD 116 050 0095/HD	648, 691
4E0 407 510 H	116 050 0016/HD 116 050 0095/HD	648, 691
4H0 407 510 A	116 050 0148/HD	649
4H0 407 510 D	116 050 0148/HD	649
4H0 407 510 E	116 050 0148/HD	649
4H0 407 510 F	116 050 0148/HD	649
8D0 407 510 G	116 050 0029/HD 116 050 0030/HD 116 050 0041/HD 116 050 0083/HD 116 050 0085/HD 116 050 0087/HD 116 050 0206 116 050 8293/HD	647-648, 689-690, 692-695
8E0 407 510 A	116 050 0029/HD 116 050 0030/HD 116 050 0041/HD 116 050 0083/HD 116 050 0085/HD 116 050 0087/HD 116 050 0206 116 050 8293/HD	647-648, 689-690, 692-695
8E0 407 510 C	116 050 0029/HD 116 050 0030/HD 116 050 0041/HD	647-648, 689-690, 692-695

Ref. no.	MEYLE no.	Page
Audi		
	116 050 0083/HD 116 050 0085/HD 116 050 0087/HD 116 050 0206 116 050 8293/HD	
8E0 407 510 E	116 050 0029/HD 116 050 0030/HD 116 050 0041/HD 116 050 0083/HD 116 050 0085/HD 116 050 0087/HD 116 050 0206 116 050 8293/HD	647-648, 689-690, 692-695
8E0 407 510 P	116 050 0029/HD 116 050 0030/HD 116 050 0041/HD 116 050 0083/HD 116 050 0085/HD 116 050 0087/HD 116 050 0206 116 050 8293/HD	647-648, 689-690, 692-695
8E0 407 510 Q	116 050 0029/HD 116 050 0030/HD 116 050 0041/HD 116 050 0083/HD 116 050 0085/HD 116 050 0087/HD 116 050 0206 116 050 8293/HD	647-648, 689-690, 692-695
8K0 407 510 A	116 050 0165/HD 116 050 0222/HD 116 050 0223/HD	649, 696-697
8K0 407 510 B	116 050 0165/HD 116 050 0222/HD 116 050 0223/HD	649, 696-697
8K0 407 510 M	116 050 0165/HD 116 050 0222/HD 116 050 0223/HD	649, 696-697
8K0 407 510 N	116 050 0165/HD 116 050 0222/HD 116 050 0223/HD	649, 696-697
8K0 407 510 P	116 050 0165/HD 116 050 0222/HD 116 050 0223/HD	649, 696-697
4B0 407 515	100 407 0024/HD	680
4D0 407 515 C	100 407 0024/HD	680

Ref. no.	MEYLE no.	Page
Audi		
4E0 407 515 D	100 407 0070/HD	681
4H0 407 515	100 407 0070/HD	681
4H0 407 515 A	100 407 0070/HD	681
4H0 407 515 B	100 407 0070/HD	681
8D0 407 515 A	100 407 0070/HD	681
8D0 407 515 B	100 407 0070/HD	681
8D0 407 515 C	100 407 0070/HD	681
8K0 407 515	100 407 0070/HD	681
8R0 407 515	100 407 0070/HD	681
4D0 407 516 C	100 407 0025/HD	681
1J0 407 613 G	100 407 6007	844
4B0 407 613 A	100 650 0014	844
4B0 407 613 B	100 650 0014	844
4D0 407 613 E	100 650 0012	844
4A0 407 615 D	100 407 0068	845
4A0 407 615 F	100 407 0068	845
4A0 407 615 G	100 407 0068	845
823 407 615 A	100 407 0010	845
8D0 407 615 E	100 407 0079	846
5Q0 407 621 A	100 650 1005	848
5Q0 407 621 B	100 650 1003	847
6Q0 407 621 AJ	100 652 0001	846
1J0 407 625	100 407 0048	832
441 407 625 A	100 407 0037	832
443 407 625 A	100 407 0037	832
443 407 625 D	100 407 0034	832
443 407 625 F	100 407 0037	832
443 407 625 H	100 407 0037	832
4A0 407 625	100 407 0037	832
4A0 407 625 A	100 407 0037	832
4D0 407 625 E	100 407 0037	832
4D0 407 625 H	100 407 0092	833
811 407 625 B	100 407 0033	833
893 407 625 C	100 407 0038	834
8D0 407 625	100 407 0038	834
8D0 407 625 A	100 407 0038	834
8K0 407 625 A	100 650 0010	839
8K0 407 625 E	100 650 0010	839
4G0 407 689 A	116 010 0000	609
4G0 407 689 C	116 010 0000	609
8K0 407 689 D	116 010 0019	610
8K0 407 689 E	116 010 0019	610
8K0 407 689 F	116 010 0019	610
8K0 407 689 G	116 010 0019	610
4D0 407 693 AC	116 050 0029/HD 116 050 0030/HD	651-652, 689-690, 692-694

Ref. no.	MEYLE no.	Page
Audi		
	116 050 0041/HD 116 050 0083/HD 116 050 0087/HD 116 050 0211 116 050 8299/HD	
4D0 407 693 AD	116 050 0029/HD 116 050 0030/HD 116 050 0041/HD 116 050 0083/HD 116 050 0087/HD 116 050 0211 116 050 8299/HD	651-652, 689-690, 692-694
4D0 407 693 AE	116 050 0139/HD	653
4D0 407 693 E	116 050 0029/HD 116 050 0030/HD 116 050 0041/HD 116 050 0083/HD 116 050 0087/HD 116 050 0211 116 050 8299/HD	651-652, 689-690, 692-694
4D0 407 693 G	116 050 0029/HD 116 050 0030/HD 116 050 0041/HD 116 050 0083/HD 116 050 0087/HD 116 050 0211 116 050 8299/HD	651-652, 689-690, 692-694
4D0 407 693 H	116 050 0029/HD 116 050 0030/HD 116 050 0041/HD 116 050 0083/HD 116 050 0087/HD 116 050 0211 116 050 8299/HD	651-652, 689-690, 692-694
4D0 407 693 K	116 050 0029/HD 116 050 0030/HD 116 050 0041/HD 116 050 0083/HD 116 050 0087/HD 116 050 0211 116 050 8299/HD	651-652, 689-690, 692-694
4D0 407 693 M	116 050 0029/HD 116 050 0030/HD 116 050 0041/HD 116 050 0083/HD 116 050 0087/HD	651-652, 689-690, 692-694

Ref. no.	MEYLE no.	Page
Audi		
	116 050 0211 116 050 8299/HD	
4E0 407 693 P	116 050 0029/HD 116 050 0030/HD 116 050 0041/HD 116 050 0083/HD 116 050 0087/HD 116 050 0211 116 050 8299/HD	651-652, 689-690, 692-694
4E0 407 693 F	116 050 0065/HD	650
4E0 407 693 L	116 050 0065/HD	650
4E0 407 693 M	116 050 0065/HD	650
4E0 407 693 N	116 050 0065/HD	650
4E0 407 693 R	116 050 0065/HD	650
4F0 407 693	116 050 0044/HD 116 050 0095/HD	650, 691
4F0 407 693 B	116 050 0044/HD 116 050 0095/HD	650, 691
4F0 407 693 C	116 050 0044/HD 116 050 0095/HD	650, 691
4F0 407 693 G	116 050 0044/HD 116 050 0095/HD	650, 691
4F0 407 693 H	116 050 0044/HD 116 050 0095/HD	650, 691
4F0 407 693 J	116 050 0044/HD 116 050 0095/HD	650, 691
4G0 407 693 D	116 050 0129/HD	651
4G0 407 693 F	116 050 0129/HD	651
4G0 407 693 H	116 050 0129/HD	651
4G0 407 693 J	116 050 0129/HD	651
4G0 407 693 L	116 050 0129/HD	651
8E0 407 693 AA	116 050 0048/HD 116 050 0085/HD	652, 695
8E0 407 693 AC	116 050 0048/HD 116 050 0085/HD	652, 695
8E0 407 693 AG	116 050 0029/HD 116 050 0030/HD 116 050 0041/HD 116 050 0083/HD 116 050 0087/HD 116 050 0211 116 050 8299/HD	651-652, 689-690, 692-694
8E0 407 693 AJ	116 050 0048/HD 116 050 0085/HD	652, 695
8E0 407 693 AK	116 050 0048/HD 116 050 0085/HD	652, 695

Ref. no.	MEYLE no.	Page
Audi		
8E0 407 693 AL	116 050 0048/HD 116 050 0085/HD	652, 695
8E0 407 693 AM	116 050 0048/HD 116 050 0085/HD	652, 695
8E0 407 693 D	116 050 0139/HD	653
8E0 407 693 K	116 050 0029/HD 116 050 0030/HD 116 050 0041/HD 116 050 0083/HD 116 050 0087/HD 116 050 0211 116 050 8299/HD	651-652, 689-690, 692-694
8E0 407 693 N	116 050 0048/HD 116 050 0085/HD	652, 695
8E0 407 693 Q	116 050 0029/HD 116 050 0030/HD 116 050 0041/HD 116 050 0083/HD 116 050 0087/HD 116 050 0211 116 050 8299/HD	651-652, 689-690, 692-694
8E0 407 693 T	116 050 0048/HD 116 050 0085/HD	652, 695
8K0 407 693 AE	116 050 0172/HD	654
8K0 407 693 AF	116 050 0174/HD 116 050 0223/HD	653, 697
8K0 407 693 F	116 050 0172/HD 116 050 0222/HD	654, 696
8K0 407 693 K	116 050 0172/HD 116 050 0222/HD	654, 696
8K0 407 693 N	116 050 0172/HD 116 050 0222/HD	654, 696
8K0 407 693 R	116 050 0172/HD	654
8K0 407 693 S	116 050 0174/HD 116 050 0223/HD	653, 697
8K0 407 693 T	116 050 0174/HD 116 050 0223/HD	653, 697
4D0 407 694 AC	116 050 0029/HD 116 050 0030/HD 116 050 0041/HD 116 050 0083/HD 116 050 0087/HD 116 050 0210 116 050 8300/HD	656, 689-690, 692-694
4D0 407 694 AD	116 050 0029/HD 116 050 0030/HD	656, 689-690, 692-694

Ref. no.	MEYLE no.	Page
Audi		
	116 050 0041/HD 116 050 0083/HD 116 050 0087/HD 116 050 0210 116 050 8300/HD	
4D0 407 694 AE	116 050 0140/HD	657
4D0 407 694 E	116 050 0029/HD 116 050 0030/HD 116 050 0041/HD 116 050 0083/HD 116 050 0087/HD 116 050 0210 116 050 8300/HD	656, 689-690, 692-694
4D0 407 694 G	116 050 0029/HD 116 050 0030/HD 116 050 0041/HD 116 050 0083/HD 116 050 0087/HD 116 050 0210 116 050 8300/HD	656, 689-690, 692-694
4D0 407 694 H	116 050 0029/HD 116 050 0030/HD 116 050 0041/HD 116 050 0083/HD 116 050 0087/HD 116 050 0210 116 050 8300/HD	656, 689-690, 692-694
4D0 407 694 K	116 050 0029/HD 116 050 0030/HD 116 050 0041/HD 116 050 0083/HD 116 050 0087/HD 116 050 0210 116 050 8300/HD	656, 689-690, 692-694
4D0 407 694 M	116 050 0029/HD 116 050 0030/HD 116 050 0041/HD 116 050 0083/HD 116 050 0087/HD 116 050 0210 116 050 8300/HD	656, 689-690, 692-694
4D0 407 694 P	116 050 0029/HD 116 050 0030/HD 116 050 0041/HD 116 050 0083/HD 116 050 0087/HD	656, 689-690, 692-694

Ref. no.	MEYLE no.	Page
Audi		
	116 050 0210 116 050 8300/HD	
4E0 407 694 F	116 050 0066/HD	654
4E0 407 694 L	116 050 0066/HD	654
4E0 407 694 M	116 050 0066/HD	654
4E0 407 694 N	116 050 0066/HD	654
4E0 407 694 R	116 050 0066/HD	654
4F0 407 694	116 050 0064/HD 116 050 0095/HD	655, 691
4F0 407 694 B	116 050 0064/HD 116 050 0095/HD	655, 691
4F0 407 694 C	116 050 0064/HD 116 050 0095/HD	655, 691
4F0 407 694 G	116 050 0064/HD 116 050 0095/HD	655, 691
4F0 407 694 H	116 050 0064/HD 116 050 0095/HD	655, 691
4F0 407 694 J	116 050 0064/HD 116 050 0095/HD	655, 691
4G0 407 694 D	116 050 0130/HD	655
4G0 407 694 F	116 050 0130/HD	655
4G0 407 694 H	116 050 0130/HD	655
4G0 407 694 J	116 050 0130/HD	655
4G0 407 694 L	116 050 0130/HD	655
8E0 407 694 AA	116 050 0073/HD 116 050 0085/HD	657, 695
8E0 407 694 AC	116 050 0073/HD 116 050 0085/HD	657, 695
8E0 407 694 AG	116 050 0029/HD 116 050 0030/HD 116 050 0041/HD 116 050 0083/HD 116 050 0087/HD 116 050 0210 116 050 8300/HD	656, 689-690, 692-694
8E0 407 694 AJ	116 050 0073/HD 116 050 0085/HD	657, 695
8E0 407 694 AK	116 050 0073/HD 116 050 0085/HD	657, 695
8E0 407 694 AL	116 050 0073/HD 116 050 0085/HD	657, 695
8E0 407 694 AM	116 050 0073/HD 116 050 0085/HD	657, 695
8E0 407 694 D	116 050 0140/HD	657
8E0 407 694 K	116 050 0029/HD 116 050 0030/HD	656, 689-690, 692-694

Ref. no.	MEYLE no.	Page
Audi		
	116 050 0041/HD 116 050 0083/HD 116 050 0087/HD 116 050 0210 116 050 8300/HD	
8E0 407 694 N	116 050 0073/HD 116 050 0085/HD	657, 695
8E0 407 694 Q	116 050 0029/HD 116 050 0030/HD 116 050 0041/HD 116 050 0083/HD 116 050 0087/HD 116 050 0210 116 050 8300/HD	656, 689-690, 692-694
8E0 407 694 T	116 050 0073/HD 116 050 0085/HD	657, 695
8K0 407 694 AE	116 050 0171/HD	658
8K0 407 694 AF	116 050 0173/HD 116 050 0223/HD	658, 697
8K0 407 694 F	116 050 0171/HD 116 050 0222/HD	658, 696
8K0 407 694 K	116 050 0171/HD 116 050 0222/HD	658, 696
8K0 407 694 N	116 050 0171/HD 116 050 0222/HD	658, 696
8K0 407 694 R	116 050 0171/HD	658
8K0 407 694 S	116 050 0173/HD 116 050 0223/HD	658, 697
8K0 407 694 T	116 050 0173/HD 116 050 0223/HD	658, 697
400 407 695 J	116 050 0029/HD 116 050 0030/HD 116 050 0041/HD 116 050 0083/HD 116 050 0087/HD 116 050 0211 116 050 8299/HD	651-652, 689-690, 692-694
400 407 696 J	116 050 0029/HD 116 050 0030/HD 116 050 0041/HD 116 050 0083/HD 116 050 0087/HD 116 050 0210 116 050 8300/HD	656, 689-690, 692-694
1J0 411 105 AS	100 639 0022	767
1J0 411 105 BT	100 639 0043	768

Ref. no.	MEYLE no.	Page
Audi		
1J0 411 105 CA	100 639 0044	768
1J0 411 105 K	100 639 0003	768
1J0 411 105 L	100 639 0022	767
1K0 411 105 DC	100 639 0040	769
1K0 411 105 DC	100 639 0040	769
4A0 411 105	100 639 0032	769
4A5 411 105 A	100 639 0031	769
4F0 411 105 BE	100 639 0046	770
4F0 411 105 BF	100 639 0046	770
8D0 411 105 AP	100 639 0008	770
8D0 411 105 AS	100 639 0027	770
8D0 411 105 BM	100 639 0047	771
8D0 411 105 DL	100 639 0005	771
8D0 411 105 DN	100 639 0028	771
8D0 411 105 DP	100 639 0028	771
8E0 411 105 BE	100 639 0041	772
8E0 411 105 BG	100 639 0042	772
8E0 411 105 BH	100 639 0039	772
8E0 411 105 BE	100 639 0041	772
8E0 411 105 BG	100 639 0042	772
8E0 411 105 BH	100 639 0039	772
1K0 411 303 BH	100 653 0009/HD	743
1K0 411 303 BJ	100 653 0005/HD	743
1K0 411 303 BK	100 653 0007/HD	744
6Q0 411 305 AC	100 653 0004/HD	744
6Q0 411 305 AM	100 653 0003/HD	744
6Q0 411 305 AN	100 653 0004/HD	744
823 411 313 A	100 411 0012	717
1J0 411 314 AC	100 411 0048 100 411 0048/S	718
1J0 411 314 B	100 411 0048 100 411 0048/S	718
1J0 411 314 C	100 411 0033 100 411 0033/S	718-719
1J0 411 314 P	114 615 0006	719
1J0 411 314 R	100 411 0033 100 411 0033/S	718-719
1J0 411 314 S	100 411 0048 100 411 0048/S	718
1J0 411 314 T	100 411 0040 100 411 0040/S	719-720
6Q0 411 314 L	100 411 0050 100 411 0050/S	720-721
6Q0 411 314 P	100 411 0050 100 411 0050/S	720-721
6Q0 411 314 R	100 411 0052/S	721

Ref. no.	MEYLE no.	Page
Audi		
8Z0 411 314 B	100 615 0004	721
1J0 411 315 C	100 411 0007	729
1J0 411 315 D	116 060 0011/HD 116 060 0051	729
1J0 411 315 J	100 411 0007	729
1K0 411 315 D	116 060 0046 116 060 0063/HD	730
1K0 411 315 J	116 060 0046 116 060 0063/HD	730
1K0 411 315 K	116 060 0046 116 060 0063/HD	730
1K0 411 315 P	116 060 0046 116 060 0063/HD	730
1K0 411 315 R	116 060 0046 116 060 0063/HD	730
5Q0 411 315 B	116 060 0046 116 060 0063/HD	730
6Q0 411 315 A	116 060 0000/HD 116 060 0045	731
6Q0 411 315 B	116 060 0000/HD 116 060 0045	731
6Q0 411 315 C	116 060 0000/HD 116 060 0045	731
6Q0 411 315 D	116 060 0000/HD 116 060 0045	731
6Q0 411 315 E	116 060 0000/HD 116 060 0045	731
6Q0 411 315 F	116 060 0000/HD 116 060 0045	731
6Q0 411 315 G	116 060 0000/HD 116 060 0045	731
6Q0 411 315 J	116 060 0000/HD 116 060 0045	731
6Q0 411 315 L	116 060 0000/HD 116 060 0045	731
6Q0 411 315 M	116 060 0000/HD 116 060 0045	731
6Q0 411 315 N	116 060 0000/HD 116 060 0045	731
6Q0 411 315 P	116 060 0000/HD 116 060 0045	731
6Q0 411 315 Q	116 060 0000/HD 116 060 0045	731
6R0 411 315	116 060 0000/HD 116 060 0045	731
6R0 411 315 A	116 060 0000/HD	731

Ref. no.	MEYLE no.	Page
Audi		
	116 060 0045	
1J0 411 316 D	116 060 0012/HD 116 060 0050	732
400 411 317 G	116 060 0006	732
400 411 317 J	116 060 0006 116 060 0007	732, 735
400 411 317 K	116 060 0006	732
4E0 411 317 C	116 060 0028	733
4E0 411 317 D	116 060 0018	733
4E0 411 317 E	116 060 0028	733
4E0 411 317 F	116 060 0028	733
4G0 411 317	116 060 0041/S	734
4G0 411 317 A	116 060 0041/S	734
4H0 411 317 A	116 060 0034 116 060 0041/S	733-734
4H0 411 317 C	116 060 0034 116 060 0041/S	733-734
4M0 411 317	116 060 0041/S	734
7L0 411 317	116 050 0194/HD 116 060 0029 116 060 0029/S	688, 734
800 411 317 D	116 060 0007	735
8E0 411 317	116 060 0016	735
8K0 411 317 C	116 060 0041/S 116 060 0049	734, 736
8K0 411 317 D	116 060 0041/S 116 060 0049	734, 736
8K0 411 317 E	116 060 0041/S 116 060 0049	734, 736
800 411 318 D	116 060 0008	736
8E0 411 318	116 060 0017	736
1J0 411 327	100 411 0044	717
443 411 327	100 411 0013	722
4A0 411 327 A	100 411 0004	722
400 411 327 E	100 411 0021	722
400 411 327 F	100 411 0026	723
400 411 327 G	100 411 0021	722
400 411 327 H	100 411 0026	723
400 411 327 J	100 411 0046	723
811 411 327 A	100 411 0011	723
811 411 327 B	100 615 0010	724
893 411 327 C	100 411 0015	724
893 411 327 E	100 411 0018	724
8K0 411 327 A	100 615 0019	725
8K0 411 327 B	114 615 0005	725
8K0 411 327 C	114 615 0004	725

Ref. no.	MEYLE no.	Page
Audi		
6Q0 411 333 A	100 411 0050/S 100 411 0051/S	721, 726
6Q0 411 334 A	100 411 0050/S	721
1J0 411 336 C	100 411 0053	716
1J0 411 336 D	100 411 0053	716
4B0 412 031 BT	126 625 0010	807
4B0 412 031 CA	126 625 0010	807
4B0 412 031 M	126 625 0002	803
8D0 412 065 D	100 412 0044	816
8D0 412 065 E	100 412 0044	816
8D0 412 065 F	100 412 0044	816
8D0 412 065 G	100 412 0044	816
4D0 412 107 B	100 412 0043	7
4A0 412 131	100 412 0024	790
893 412 131 B	100 412 0025	791
8D0 412 131 E	100 412 0030	791
8D0 412 131 F	100 412 0033	791
8D0 412 131 H	100 642 0008	792
8K0 412 131 E	100 642 0015	792
8K0 412 131 F	100 642 0011	793
8K0 412 131 G	100 642 0016	793
4D0 412 137 C	100 412 0042	786
431 412 175 D	100 412 0013	786
1J0 412 249	100 412 0017	827
1K0 412 249 B	100 641 0022	827
441 412 249 A	100 412 0035	828
4A0 412 249	100 412 0045	828
5Q0 412 249 E	100 641 0020	828
6N0 412 249 C	100 641 0022	827
6R0 412 249	100 412 2019/S 100 641 0024	789, 829
6Q0 412 301 A	100 642 0010	793
1H0 412 303 B	100 412 0014	794
1J0 412 303	100 512 0029	794
1K0 412 303	100 642 0012	795
1K0 412 303 B	100 642 0002	794
1K0 412 303 F	100 642 0004	795
1K0 412 303 M	100 642 0007	795
1K0 412 303 S	100 642 0012	795
811 412 323 C	100 412 0004/HD	817
811 412 323 D	100 412 0004/HD	817
8A0 412 323 B	100 412 0004/HD	817
8A0 412 323 D	100 412 0004/HD	817
7L0 412 327 A	100 641 0012	817
1J0 412 331	100 412 0019/S 100 412 1019/S	818

Ref. no.	MEYLE no.	Page
Audi		
1J0 412 331 B	100 412 0019 100 412 0019/S 100 412 1019/S	818
1J0 412 331 C	100 412 0019 100 412 0019/S 100 412 1019/S 100 412 2019/S	789, 818
1K0 412 331 B	100 412 2039 100 412 2039/S	789, 819
5Q0 412 331 C	100 412 2041 100 641 2041	789, 819
5Q0 412 331 D	100 412 2041 100 641 2041	789, 819
5Q0 412 331 E	100 412 2041	819
6N0 412 331 E	100 412 2038 100 412 2038/S	790, 819
6Q0 412 331 B	100 412 2038	819
8J0 412 331	100 412 2040 100 641 2040	790, 820
7L0 412 333 A	100 610 0012	682
1J0 412 341	100 412 0022	817
443 412 377	100 412 0005 100 412 0005/S	820
4A0 412 377 C	100 412 0007 100 412 0007/S	821
4D0 412 377 F	100 412 0012	821
4F0 412 377 B	100 412 0048 100 412 1048	822
4F0 412 377 D	100 412 0048 100 412 1048	822
8E0 412 377	100 412 0096	822
8E0 412 377 C	100 412 0096	822
8K0 412 377 A	100 641 0010	823
8K0 412 377 B	100 641 0010	823
8K0 412 377 C	100 641 0010	823
8K0 412 377 D	100 641 0010	823
5Q0 413 023 CP	126 623 0016	803
5Q0 413 023 DA	126 623 0016	803
5Q0 413 023 DB	126 623 0016	803
5Q0 413 023 DQ	126 623 0016	803
5Q0 413 023 DR	126 623 0016	803
5Q0 413 023 EB	126 623 0016	803
5Q0 413 023 FH	126 623 0016	803
5Q0 413 023 FQ	126 623 0016	803
5Q0 413 023 FR	126 623 0016	803
8V0 413 023 C	126 623 0016	803

Ref. no.	MEYLE no.	Page
Audi		
8V0 413 023 D	126 623 0016	803
321 413 025 B	116 010 3030	610
1J0 413 031 AG	126 623 0011	804
1J0 413 031 AM	126 623 0011	804
1J0 413 031 BH	126 623 0011	804
1J0 413 031 BJ	126 623 0011	804
1K0 413 031 AS	126 623 0050	804
1K0 413 031 AT	126 623 0050	804
1K0 413 031 CM	126 623 0050	804
1T0 413 031 CF	126 623 0055	804
3B0 413 031 Q	126 625 0010	807
3B0 413 031 R	126 625 0010	807
441 413 031 G	126 624 0001	805
441 413 031 H	126 624 0001	805
441 413 031 N	126 624 0001	805
443 413 031 G	126 624 0001	805
4A0 413 031 J	126 624 0001	805
4A0 413 031 M	126 624 0001	805
4D0 413 031 AB	126 625 0000	805
4D0 413 031 AC	126 625 0000	805
4D0 413 031 AD	126 625 0000	805
4D0 413 031 AE	126 625 0000	805
4D0 413 031 AP	126 625 0000	805
4D0 413 031 BL	126 625 0000	805
4D0 413 031 BN	126 625 0000	805
4D0 413 031 N	126 625 0000	805
4F0 413 031 AL	126 625 0005	805
4F0 413 031 AM	126 625 0005	805
4F0 413 031 AS	126 625 0005	805
4F0 413 031 BN	126 625 0005	805
4F0 413 031 BQ	126 625 0005	805
5N0 413 031 AA	126 623 0015	806
5N0 413 031 K	126 623 0015	806
5N0 413 031 L	126 623 0015	806
5N0 413 031 T	126 623 0015	806
6Q0 413 031 BH	126 623 0004	806
6Q0 413 031 BN	126 623 0004	806
6Q0 413 031 BR	126 623 0004	806
6R0 413 031 AJ	126 623 0014	806
6R0 413 031 C	126 623 0014	806
6R0 413 031 F	126 623 0014	806
6R0 413 031 Q	126 623 0014	806
7L8 413 031 E	126 625 0008	807
7L8 413 031 G	126 625 0008	807
7L8 413 031 J	126 625 0008	807
7L8 413 031 K	126 625 0008	807

Ref. no.	MEYLE no.	Page
Audi		
8D0 413 031 BM	126 625 0003	807
8D0 413 031 BS	126 625 0010	807
8E0 413 031 AK	126 625 0004	808
8E0 413 031 BE	126 625 0004	808
8E0 413 031 CB	126 625 0004	808
8E0 413 031 CC	126 625 0004	808
8E0 413 031 CT	126 625 0004	808
8E0 413 031 DA	126 625 0004	808
8F0 413 031 B	126 623 0013	808
8J0 413 031 J	126 623 0015	806
8J0 413 031 N	126 623 0015	806
8J0 413 031 T	126 623 0015	806
8K0 413 031 AC	126 623 0013	808
8K0 413 031 AD	126 623 0013	808
8K0 413 031 AE	126 623 0013	808
8K0 413 031 AF	126 623 0013	808
8K0 413 031 AL	126 623 0013	808
8K0 413 031 AN	126 623 0013	808
8K0 413 031 AS	126 623 0013	808
8K0 413 031 BF	126 623 0013	808
8K0 413 031 BG	126 623 0013	808
8T0 413 031 AC	126 623 0013	808
8T0 413 031 AD	126 623 0013	808
8Z0 413 031 AB	126 623 0004	806
8Z0 413 031 S	126 623 0004	806
7L8 413 032 E	126 625 0009	808
7L8 413 032 G	126 625 0009	808
7L8 413 032 J	126 625 0009	808
7L8 413 032 K	126 625 0009	808
357 413 175 A	100 413 0000	787
6N0 413 175 A	100 643 0003	787
893 413 503 AA	126 614 0005	809
893 413 503 D	126 624 0002	809
893 413 503 E	126 624 0002	809
893 413 503 M	126 624 0002	809
893 413 503 N	126 624 0002	809
893 413 503 Q	126 624 0002	809
893 413 503 R	126 624 0002	809
893 413 503 S	126 624 0002	809
895 413 503 E	126 624 0002	809
8G0 413 503	126 624 0002	809
8G0 413 503 B	126 624 0002	809
4A0 419 801 A	116 030 8231	577
4A0 419 801 C	116 030 8233	578
4B0 419 801 B	116 030 8227/HD	579
4B0 419 801 G	116 030 0020/HD	579

Ref. no.	MEYLE no.	Page
Audi		
4B0 419 801 M	116 030 8227/HD	579
4D0 419 801 B	116 030 8227/HD	579
4D0 419 801 E	116 030 8227/HD	579
4D0 419 801 L	116 030 8227/HD	579
4E0 419 801 C	116 030 0007/HD	578
4E0 419 801 D	116 030 0007/HD	578
4E0 419 801 E	116 030 0007/HD	578
811 419 801 E	116 030 3924	578
8E0 419 801 B	116 030 4680 116 030 8227/HD	574, 579
8E0 419 801 E	116 030 0020/HD	579
4A0 419 802 A	116 030 8232	580
4A0 419 802 C	116 030 8234	580
827 419 802 C	116 020 3026	586
893 419 802	116 030 7197	580
443 419 811 B	116 020 7149	586
443 419 811 D	116 020 7149	586
4A0 419 811 A	116 020 8206	587
4B0 419 811 F	116 020 0047 116 020 8228/HD	588-589
4B0 419 811 G	116 020 0008/HD 116 020 0046	587-588
4B0 419 811 Q	116 020 0008/HD 116 020 0046	587-588
4D0 419 811 J	116 020 0008/HD 116 020 0046	587-588
4E0 419 811 D	116 020 0020/HD	587
4E0 419 811 E	116 020 0020/HD	587
4F0 419 811 A	116 020 0008/HD 116 020 0046	587-588
4F0 419 811 C	116 020 0008/HD 116 020 0046	587-588
4F0 419 811 D	116 020 0008/HD 116 020 0046 116 030 0028/HD	581, 587-588
4F0 419 811 E	116 020 8228/HD	588
8E0 419 811	116 020 0008/HD 116 020 0046	587-588
8E0 419 811 B	116 020 0047 116 020 8228/HD	588-589
8Z0 419 811 A	116 020 8123	589
443 419 812 B	116 020 7150	589
443 419 812 D	116 020 7150	589
4A0 419 812 A	116 020 8207	590
811 419 812 A	116 020 3916	590
861 419 812	116 020 3026	586

Ref. no.	MEYLE no.	Page
Audi		
862 419 812	116 020 3026	586
8Z0 419 812 A	116 020 8122	590
4B0 419 821 G	116 030 4680	574
4D0 419 821 Q	116 030 4680	574
4E0 419 821	116 031 0009	572
4E0 419 821 A	116 031 0009	572
4D0 419 831 D	100 422 0013	567
4D0 419 831 E	100 419 0016	567
811 419 831 B	100 419 0006	568
823 419 831	100 419 0005	568
8D0 419 831 J	100 419 0017	568
8D0 419 831 K	100 419 0017	568
1J0 422 152 MX	114 631 0041	564
1J0 422 154	114 631 0041	564
1J0 422 154 A	114 631 0041	564
1J0 422 154 AX	114 631 0041	564
1J0 422 154 E	114 631 0003	563
1J0 422 154 H	114 631 0003	563
1J0 422 154 HX	114 631 0003	563
1J0 422 154 J	114 631 0041	564
1J0 422 154 JX	114 631 0041	564
2K0 422 154	114 631 0041	564
2K0 422 154 A	114 631 0041	564
7L6 422 154 D	114 631 0034	564
7L6 422 154 E	114 631 0034	564
7L8 422 154	114 631 0034	564
7L8 422 154 D	114 631 0034	564
1J0 422 371 C	100 623 0000	566
8D0 422 371 H	100 422 0016	567
8D0 422 371 K	100 422 0016	567
8D0 422 373 C	100 422 0016	567
1J0 422 803	116 030 8281	572, 581
1J0 422 803*	116 030 8286	572, 581
1J0 422 803 A	116 030 8281	572, 581
1J0 422 803 A*	116 030 8286	572, 581
1J0 422 803 B	116 030 8500 116 030 8504	573, 582
1J0 422 803 C	116 030 8281	581
1J0 422 803 H	116 030 8500	582
7L0 422 803 C	116 031 0016	573
7L0 422 803 D	116 030 0013 116 031 0016	573, 582
8N0 422 803 A	116 030 0004	583
8N0 422 803 C*	116 031 0022	573
8N0 422 803 D	116 030 0004	573, 583
8N0 422 803 D*	116 031 0022	573, 583

Ref. no.	MEYLE no.	Page
Audi		
1J0 422 804	116 030 8284	572, 583
1J0 422 804*	116 030 8286	572, 583
1J0 422 804 A	116 030 8284	572, 583
1J0 422 804 A*	116 030 8286	572, 583
1J0 422 804 B	116 030 8501 116 030 8504	573, 584
1J0 422 804 C	116 030 8284	583
1J0 422 804 H	116 030 8501	584
7L0 422 804 C	116 031 0016	573
7L0 422 804 D	116 030 0014 116 031 0016	573, 584
8N0 422 804 A	116 030 0003	585
8N0 422 804 C*	116 031 0022	573
8N0 422 804 D	116 030 0003	573, 585
8N0 422 804 D*	116 031 0022	573, 585
8N0 422 807 A	116 031 0022	573
8N0 422 807 C	116 031 0022	573
4H0 422 810	116 031 0023	574
4H0 422 810 A	116 031 0023	574
1J0 422 811 A	116 020 8283	591
1J0 422 811 B	116 020 8502	599
8N0 422 811 A	116 020 0002	591
1J0 422 812 A	116 020 8285	591
1J0 422 812 B	116 020 8503	592
8N0 422 812 A	116 020 0003	592
4H0 422 817 A	116 020 0033	593
7L0 422 817 B	116 020 0005	593
7L0 422 817 C	116 020 0005	593
7L0 422 817 D	116 020 0005	593
8K0 422 817 A	116 020 0030/HD	593
8K0 422 817 B	116 020 0030/HD	593
4H0 422 818 A	116 020 0034	594
7L0 422 818 B	116 020 0006	594
7L0 422 818 C	116 020 0006	594
7L0 422 818 D	116 020 0006	594
8K0 422 818 A	116 020 0029/HD	594
8K0 422 818 B	116 020 0029/HD	594
4D0 422 821	116 030 4680	574
4D0 422 821 A	116 030 4680	574
4F0 422 821	116 031 0005	574
4F0 422 821 D	116 031 0005	574
8E0 422 821	116 030 4680	574
8E0 422 821 B	116 030 4680	574
8E0 422 821 C	116 030 0020/HD 116 030 4680	574, 579
8E0 422 821 D	116 030 4680	574

Ref. no.	MEYLE no.	Page
Audi		
1J0 422 831 B	100 422 9010 100 620 0015	569-570
4F0 422 831	100 620 0003	569
7L0 422 831 A	100 620 0007	570
8N0 422 831	614 620 0010	570
3B0 422 887	159 202 0004	564
4B0 422 887 E	159 202 0004	564
8D0 422 887 C	159 202 0004	564
8D0 422 891 A	159 203 0001	565
8D0 422 891 C	159 203 0001	565
8D1 422 891 D	159 203 0000	565
8D1 422 891 G	159 203 0000	565
8D1 422 891 J	159 203 0000	565
1J0 422 893 CN	159 630 0001	565
4B0 422 893 A	159 202 0002	566
4B0 422 893 G	159 202 0002	566
8D1 422 893 AL	159 202 0005	566
6R0 423 803 B	116 031 0008 116 031 0029/HD	575
6R0 423 803 C	116 031 0008 116 031 0029/HD	575
6R0 423 803 D	116 031 0008 116 031 0029/HD	575
8Z0 423 803 F	116 031 0008 116 031 0029/HD	575
6R0 423 804 B	116 031 0008 116 031 0029/HD	575
6R0 423 804 C	116 031 0008 116 031 0029/HD	575
6R0 423 804 D	116 031 0008 116 031 0029/HD	575
8Z0 423 804 F	116 031 0008 116 031 0029/HD	575
1K0 423 810 A	116 031 0000	576
4G0 423 810 A	116 031 0028	576
6C0 423 810 B	116 031 0015	576
6C0 423 810 C	116 031 0015	576
8J0 423 810	116 031 0023	574
1K0 423 811 E	116 020 0025	595
1K0 423 811 G	116 030 0018	585
1K0 423 811 J	116 020 0025	595
1K0 423 811 K	116 020 0025	595
1S0 423 811 A	116 020 0035	595
4G0 423 811 A	116 020 0030/HD	593
6C0 423 811 A	116 020 0009	595
6R0 423 811 A	116 020 0043	596

Ref. no.	MEYLE no.	Page
Audi		
	116 020 0043/HD	
8J0 423 811	116 020 0031	596
8Z0 423 811 A	116 020 8503	592
1K0 423 812 E	116 020 0026	597
1K0 423 812 G	116 030 0019	586
1K0 423 812 J	116 020 0026	597
1K0 423 812 K	116 020 0026	597
1S0 423 812 A	116 020 0036	597
4G0 423 812 A	116 020 0029/HD	594
6C0 423 812 A	116 020 0010	597
6R0 423 812 A	116 020 0042 116 020 0042/HD	598
8J0 423 812	116 020 0032	598
8Z0 423 812 A	116 020 8502	599
1K0 423 831 A	100 620 0002	569
4G0 423 831	100 620 0013	571
6C0 423 831 B	100 620 0014	571
6Q0 423 831 D	100 620 0004	571
4G0 423 832 A	100 620 0012	572
020 498 085 G	100 498 0003 C	266
1H0 498 099 A	100 498 0061	208
1J0 498 099	100 498 0052	206
1J0 498 099 A	100 498 0052	206
1J0 498 099 E	100 498 0121	206
1J0 498 099 EX	100 498 0121	206
1K0 498 099	100 498 0195	206
1K0 498 099 A	100 498 0195	206
1K0 498 099 AX	100 498 0195	206
1K0 498 099 B	100 498 0193	207
1K0 498 099 BX	100 498 0193	207
1K0 498 099 E	100 498 0195	206
1K0 498 099 X	100 498 0195	206
1KM 498 099	100 498 0193	207
321 498 099 B	100 498 0058	207
321 498 099 E	100 498 0058	207
321 498 099 EX	100 498 0058	207
321 498 099 F	100 498 0058	207
357 498 099 E	100 498 0061	208
357 498 099 EV	100 498 0061	208
357 498 099 EX	100 498 0061	208
3B0 498 099 A	100 498 0069	217
3B0 498 099 B	100 498 0088	208
3B0 498 099 BX	100 498 0088	208
3B0 498 099 C	100 498 0088	208
3B0 498 099 CX	100 498 0088	208
3B0 498 099 H	100 498 0088	208

Ref. no.	MEYLE no.	Page
Audi		
431 498 099 A	100 498 0100	208
431 498 099 AX	100 498 0100	208
431 498 099 D	100 498 0105	209
431 498 099 DX	100 498 0105	209
431 498 099 F	100 498 0105	209
443 498 099 B	100 498 0108	209
443 498 099 BX	100 498 0108	209
443 498 099 C	100 498 0108	209
443 498 099 CX	100 498 0108	209
443 498 099 D	100 498 0116	210
443 498 099 DX	100 498 0116	210
4A0 498 099	100 498 0086	210
4A0 498 099 B	100 498 0063	210
4A0 498 099 C	100 498 0063	210
4A0 498 099 D	100 498 0086	210
4A0 498 099 J	100 498 0063	210
4D0 498 099	100 498 0064	211
4D0 498 099 A	100 498 0064	211
4D0 498 099 AX	100 498 0064	211
4D0 498 099 X	100 498 0064	211
4F0 498 099 A	100 498 0204	211
4F0 498 099 B	100 498 0241	212
5M0 498 099	100 498 0212	212
6E0 498 099	100 498 0152	212
6Q0 498 099	100 498 0112	213
6Q0 498 099 D	100 498 0117	213
6Q0 498 099 DX	100 498 0117	213
6Q0 498 099 E	100 498 0118	213
6Q0 498 099 EX	100 498 0118	213
6Q0 498 099 F	100 498 0119	214
6R0 498 099	100 498 0117	213
7L0 498 099 A	100 498 0157	214
7L0 498 099 C	100 498 0157	214
7L6 498 099 A	100 498 0153	214
7L6 498 099 C	100 498 0153	214
803 498 099 A	100 498 0100	208
811 498 099 E	100 498 0058	207
811 498 099 F	100 498 0058	207
893 498 099 B	100 498 0014	215
893 498 099 E	100 498 0015	215
893 498 099 F	100 498 0014	215
893 498 099 G	100 498 0102	215
893 498 099 GX	100 498 0102 100 614 0002	215, 830
893 498 099 H	100 498 0014	215
893 498 099 L	100 498 0086	210

Ref. no.	MEYLE no.	Page
Audi		
893 498 099 LX	100 498 0086	210
893 498 099 M	100 498 0057	216
893 498 099 MX	100 498 0057	216
893 498 099 P	100 498 0181	216
893 498 099 PX	100 498 0181	216
895 498 099 A	100 498 0057	216
895 498 099 B	100 498 0102	215
895 498 099 H	100 498 0057	216
8A0 498 099	100 498 0057	216
8A0 498 099 X	100 498 0057	216
8D0 498 099	100 498 0069	217
8D0 498 099 B	100 498 0069	217
8D0 498 099 BX	100 498 0069	217
8D0 498 099 C	100 498 0180	217
8D0 498 099 D	100 498 0064	211
8D0 498 099 E	100 498 0064	211
8E0 498 099	100 498 0190	218
8E0 498 099 A	100 498 0064	211
8E0 498 099 C	100 498 0206	217
8E0 498 099 CX	100 498 0206	217
8E0 498 099 D	100 498 0190	218
8E0 498 099 G	100 498 0064	211
8K0 498 099 A	100 498 0238	218
8K0 498 099 B	100 498 0239	219
8K0 498 099 BX	100 498 0239	219
8K0 498 099 C	100 498 0240	219
8N0 498 099	100 498 0202	219
8N0 498 099 A	100 498 0202	219
8N0 498 099 AX	100 498 0202	219
171 498 103 C	100 498 0016	221
171 498 103 CX	100 498 0016	221
191 498 103	100 498 0018	220
191 498 103 C	100 498 0018	220
191 498 103 CV	100 498 0018	220
191 498 103 CX	100 498 0018	220
191 498 103 X	100 498 0018	220
1J0 498 103	100 498 0182	220
1K0 498 103	100 498 0018	220
1K0 498 103 B	100 498 0182	220
1K0 498 103 C	100 498 0203	220
1K0 498 103 E	100 498 0209	221
1K0 498 103 X	100 498 0018	220
321 498 103	100 498 0016	221
321 498 103 A	100 498 0016	221
321 498 103 B	100 498 0114	222
321 498 103 C	100 498 0051	223

Ref. no.	MEYLE no.	Page
Audi		
321 498 103 CX	100 498 0051	223
321 498 103 D	100 498 0018	220
321 498 103 X	100 498 0016	221
357 498 103	100 498 0018	220
357 498 103 A	100 498 0018	220
357 498 103 B	100 498 0018	220
357 498 103 BX	100 498 0018	220
357 498 103 V	100 498 0018	220
3C0 498 103 F	100 498 0209	221
431 498 103 C	100 498 0062	222
431 498 103 CX	100 498 0062	222
443 498 103 A	100 498 0062	222
6X0 498 103	100 498 0197	222
811 498 103 A	100 498 0114	222
893 498 103	100 498 0114	222
893 498 103 X	100 498 0114	222
8D0 498 103	100 498 0205	223
8D0 498 103 A	100 498 0205	223
8D0 498 103 AX	100 498 0205	223
191 498 104	100 498 0051	223
191 498 104 A	100 498 0051	223
191 498 104 C	100 498 0018	220
191 498 104 X	100 498 0051	223
357 498 104	100 498 0051	223
357 498 104 V	100 498 0051	223
357 498 104 X	100 498 0051	223
431 498 104 CX	100 498 0062	222
535 498 104	100 498 0051	223
191 498 201 B	100 498 0080	176
191 498 201 D	100 498 0044 100 501 0004	176, 196
1J0 498 201	100 498 0095	177
1J0 498 201 A	100 498 0042	177
1J0 498 201 E	100 498 0132	177
1J0 498 201 G	100 498 0129	178
1J0 498 201 J	100 498 0090	178
1J0 498 201 K	100 498 0090	178
1K0 498 201	100 498 0041	178
1K0 498 201 A	100 495 0018	179
1K0 498 201 B	100 498 1123	179
1K0 498 201 C	100 495 0002	179
1K0 498 201 D	100 498 0139	180
357 498 201 A	100 498 0041	178
380 498 201	100 498 0094	180
380 498 201 A	100 498 1074	180
443 498 201 A	100 498 1076	181

Ref. no.	MEYLE no.	Page
Audi		
443 498 201 B	100 498 0043	181
4B0 498 201	100 498 0089	181
4E0 498 201	100 495 0015	182
4F0 498 201	100 498 0208	182
7L0 498 201	100 495 0024	183
7L0 498 201 A	100 495 0024	183
7M3 498 201	100 498 0127	183
7M3 498 201 A	100 498 0127	183
7M3 498 201 B	100 495 0013	183
7M3 498 201 J	100 495 0013	183
893 498 201	100 498 0030	184
893 498 201 A	100 498 1074	180
8A0 498 201	100 498 1074	180
8D0 498 201	100 498 0094	180
8E0 498 201 D	100 495 0025	184
8N0 498 201 A	100 498 0130	184
8N0 498 201 B	100 495 0014	185
171 498 203	100 498 9022/R	185
191 498 203 C	100 498 0021	185
191 498 203 D	100 498 9022/R	185
1H0 498 203 A	100 498 0028	186
1J0 498 203	100 498 0078	186
1K0 498 203	100 498 0028 100 498 0047	186
1K0 498 203 A	100 495 0007	187
1K0 498 203 B	100 495 0010	187
321 498 203 A	100 498 0085	187
357 498 203	100 498 0025	188
357 498 203 A	100 498 0025	188
3B0 498 203 A	100 498 0072 100 498 1072	188
3B0 498 203 B	100 495 0005	189
3B0 498 203 E	100 495 0019	189
3B0 498 203 F	100 495 0005 100 498 0075 100 498 0091	189-190, 193
3B0 498 203 G	100 498 0072 100 498 1072	188
3D0 498 203	100 495 0012	192
431 498 203 C	100 498 0026	189
441 498 203 A	100 498 0075	190
4A0 498 203	100 498 0027	190
4A0 498 203 A	100 498 0027	190
4A0 498 203 C	100 498 0024	190
4E0 498 203	100 495 0008	191
6Q0 498 203	100 495 0004	191

Ref. no.	MEYLE no.	Page
Audi		
7H0 498 203	100 495 0009	191
7L0 498 203	100 495 0012	192
893 498 203 A	100 498 0073	192
893 498 203 C	100 498 0073	192
8A0 498 203	100 498 0073	192
8D0 498 203 A	100 498 0072 100 498 1072	188
8D0 498 203 B	100 498 0091 100 498 0091/SK	193
8D0 498 203 C	100 498 0091	193
8E0 498 203	100 498 1085	193
8E0 498 203 A	100 495 0011	194
8E0 498 203 D	100 495 0011	194
8N0 498 203	100 495 0006	194
7L0 498 287	100 650 0008	835
321 498 350 X	100 498 0016	221
443 498 451 B	025 211 4416 025 211 4416/PD	133-134
1K0 498 621	100 650 0003	846
1T0 498 621	100 650 0005	847
3C0 498 621	100 650 0005	847
5K0 498 621	100 650 0005	847
5K0 498 621 A	100 650 0003	846
1J0 498 625	100 498 0048	835
1J0 498 625 A	100 498 0048	835
321 498 625 E	100 498 0033	835
431 498 625 A	100 498 0034	836
443 498 625	100 498 0036	836
443 498 625 B	100 498 0034	836
443 498 625 C	100 498 0034	836
443 498 625 E	100 498 0034	836
4A0 498 625	100 498 0037 100 498 0137	837
4B0 498 625	100 498 0138	838
4B0 498 625 A	100 498 0337	838
4D0 498 625 A	100 498 0171	840
4E0 498 625	100 650 0006	838
4E0 498 625 B	100 650 0006	838
4E0 498 625 D	100 650 0006	838
4F0 498 625	100 650 0007	839
4F0 498 625 B	100 650 0007	839
4H0 498 625	100 650 0010	839
4H0 498 625 A	100 650 0010	839
893 498 625	100 498 0038	840
893 498 625 A	100 498 0038	840
893 498 625 B	100 498 0038	840

Ref. no.	MEYLE no.	Page
Audi		
893 498 625 D	100 498 0038	840
893 498 625 E	100 498 0237	840
8A0 498 625	100 498 0038	840
8D0 498 625	100 498 0138	838
8D0 498 625 A	100 498 0171	840
8D0 498 625 C	100 498 0122	841
8E0 498 625 A	100 498 0122	841
8E0 498 625 B	100 498 0122	841
8L0 498 625	100 498 0210	841
8L0 498 625 B	100 498 0210	841
8V0 498 625	100 650 1003	847
8V0 498 625 A	100 650 1005	848
8X0 498 625	100 650 0005	847
3B0 498 798 A	116 050 0022/HD	697
4F0 498 811	116 020 0008/HD 116 020 0046	587-588
4F0 498 811 A	116 020 0008/HD 116 020 0046 116 030 0028/HD	581, 587-588
4F0 498 811 C	116 020 0008/HD 116 020 0046 116 030 0028/HD	581, 587-588
4D0 498 998 C	116 050 0030/HD	693
8D0 498 998	116 050 0029/HD	692
8D0 498 998 B	116 050 0029/HD	692
1J0 501 117 B	100 501 0029	747
321 501 117	100 501 1010	747
357 501 117	100 501 1010	747
357 501 117 A	100 501 1010	747
357 501 117 D	100 501 1010	747
4A0 501 117 A	100 501 0031	748
8D0 501 117 C	100 501 0031	748
1J0 501 249 A	100 752 0006	829
1J0 501 249 C	100 752 0006	829
823 501 249	100 501 0008	830
4B0 501 521 D	100 710 0000/S 100 710 0002	748, 759
4B0 501 521 E	100 710 0000/S 100 710 0002	748, 759
8E0 501 521 N	100 710 0000/S 100 710 0002	748, 759
4B0 501 522 D	100 710 0000/S 100 710 0003	749, 759
4B0 501 522 E	100 710 0000/S 100 710 0003	749, 759
8E0 501 522 N	100 710 0000/S	749, 759

Ref. no.	MEYLE no.	Page
Audi		
	100 710 0003	
1K0 501 529 F	116 035 0002	707
1K0 501 529 J	116 035 0014	707
4D0 501 529 A	116 039 8243	659
4D0 501 529 E	116 035 0000	659
4D0 501 529 F	116 039 8243	659
4D0 501 529 H	116 050 0164	659
4D0 501 529 J	116 035 0000	659
4E0 501 529 D	116 035 0006	708
4E0 501 529 G	116 035 0006	708
4F0 501 529 C	116 035 0009	708
4F0 501 529 E	116 035 0009	708
7L0 501 529 C	116 030 0027	708
7L0 501 529 D	116 030 0027	708
7L8 501 529 A	116 030 0027	708
8E0 501 529 G	116 035 0001	709
8E0 501 529 K	116 035 0001	709
8E0 501 529 P	116 035 0001	709
8K0 501 529 K	116 035 0015	710
8K0 501 529 L	116 035 0017	709
8K0 501 529 N	116 035 0015	710
1K0 501 530 C	116 035 0003	710
8D0 501 530	116 039 8294	710
8K0 501 530 K	116 035 0016	711
8K0 501 530 N	116 035 0016	711
1J0 501 541 C	114 710 0001 114 710 0001/S	749, 759
1J0 501 541 D	114 710 0001 114 710 0001/S	749, 759
1J0 501 541 E	114 710 0001 114 710 0001/S	749, 759
6R0 501 541 A	114 710 0001 114 710 0001/S	749, 759
6R0 501 541 C	114 710 0001 114 710 0001/S	749, 759
8A0 501 541	100 501 0007	749
8D0 501 541 A	100 501 0018	750
8D0 501 541 D	100 501 0019	750
8E0 501 541 K	100 711 0017	682
8E0 501 541 Q	100 501 0023	682
8E0 501 541 S	100 501 0023	682
1J0 501 611 D	100 598 0181	848
8E0 501 611 J	100 752 0001	848
171 501 615 B	115 523 1010	143
191 501 615 B	115 523 1010	143
1H0 501 615 A	115 523 1015	143

Ref. no.	MEYLE no.	Page
Audi		
431 501 615	115 523 1113	144
431 501 615 A	115 523 1113	144
443 501 615 A	115 523 1113	144
893 501 615	115 523 1108	144
7L0 501 655 A	100 752 0008	849
7L0 501 655 B	100 752 0008	849
1J0 505 145 B	100 710 0009	750
4F0 505 145	100 710 0033	751
4F0 505 145 A	100 710 0032	751
4F0 505 145 B	100 710 0033	751
4G0 505 145 C	114 710 0003	751
8E0 505 145 AP	100 505 0009/HD	758
8E0 505 145 AR	100 505 0010/HD	758
8E0 505 145 M	100 710 0007	767
8K0 505 145 B	100 710 0022	752
8K0 505 145 C	100 710 0023	752
8R0 505 145 A	114 710 0004	752
443 505 153 B	116 010 0004	577
1J0 505 171 B	100 505 0015	702
8D0 505 171	100 505 0018	683
8E0 505 171 J	100 505 0005	703
431 505 172	100 505 0001	698
8A0 505 172 B	100 505 0017	683
8D0 505 185 A	100 505 0004	703
8E0 505 185 C	100 505 0020	683
8E0 505 185 N*	100 505 0007	685
1J0 505 203	116 010 0006	829
1K0 505 203 A	100 710 0012	686
8E0 505 203 D	100 505 0008	684
1K0 505 223 K	116 050 0080 116 050 0080/S	660
3C0 505 223 D	116 050 0143/HD	661
1K0 505 224 K	116 050 0081 116 050 0081/S	661-662
3C0 505 224 D	116 050 0144/HD	662
1K0 505 279 A	100 710 0013	686
8E0 505 279 G	100 505 0006	685
8E0 505 279 J	100 505 0006	685
1K0 505 311 AB	100 505 0016 116 050 0079 116 050 0079/S	662-663, 684
7L0 505 311 B	100 710 0035 116 050 0105	663, 684
8E0 505 311 AC*	100 505 0005 100 505 0006 100 505 0007	684-685, 703, 759

Ref. no.	MEYLE no.	Page
Audi		
	100 505 0008 100 505 1008/S	
8E0 505 311 S*	100 505 0005 100 505 0006 100 505 0007 100 505 0008 100 505 1008/S	684-685, 703, 759
8E0 505 311 T*	100 505 0005 100 505 0006 100 505 0007 100 505 0008 100 505 1008/S	684-685, 703, 759
8K0 505 311 H	116 050 0121	664
8K0 505 311 J	116 050 0121	664
7L0 505 312 B	116 050 0106	664
8E0 505 312 AC*	100 505 0005 100 505 0006 100 505 0007 100 505 0008 100 505 1008/S	684-685, 703, 759
8E0 505 312 S*	100 505 0005 100 505 0006 100 505 0007 100 505 0008 100 505 1008/S	684-685, 703, 759
8E0 505 312 T*	100 505 0005 100 505 0006 100 505 0007 100 505 0008 100 505 1008/S	684-685, 703, 759
8K0 505 312 H	116 050 0122	664
8K0 505 312 J	116 050 0122	664
1K0 505 323 H	116 035 0020 116 035 0020/S 116 050 0027 116 050 0027/S	711-713
1K0 505 323 N	100 710 0013 116 035 0020 116 035 0020/S 116 050 0027 116 050 0027/S	686, 711-713
1K0 505 323 N*	100 710 0012	686, 711-713
4F0 505 323 E	116 050 0185	665
4F0 505 323 H	116 050 0185	665
4F0 505 323 K	116 050 0185	665
4F0 505 323 L	116 050 0185	665

Ref. no.	MEYLE no.	Page
Audi		
5Q0 505 323 C	116 035 0020 116 035 0020/S	711-712
5Q0 505 323 D	116 035 0020 116 035 0020/S	711-712
7L0 505 323 A	100 710 0016 100 710 0017 116 035 0008	698-699, 713
8K0 505 323 D	114 710 0000 116 035 0012	699, 714
8K0 505 323 F	114 710 0000 116 035 0012	699, 714
8K0 505 323 H	114 710 0000 116 035 0012	699, 714
8K0 505 324 D	114 710 0000 116 035 0013	699, 714
8K0 505 324 F	114 710 0000 116 035 0013	699, 714
8K0 505 324 H	114 710 0000 116 035 0013	699, 714
443 505 351 P	116 050 0023	715
443 505 352 P	116 050 0024	715
1J0 505 365 N	116 010 0006	829
443 505 365 D	116 020 0013	599
443 505 366 D	116 020 0014	599
7L0 505 397	116 050 0059	715
7L0 505 398	116 050 0060	716
1K0 505 465 AA	116 060 0023 116 060 0023/S	737
1K0 505 465 K	116 060 0023 116 060 0023/S	737
1K0 505 465 R	116 060 0023 116 060 0023/S	737
4D0 505 465 D	116 060 8240/HD	738
4F0 505 465 N	116 060 0026	738
4F0 505 465 P	116 060 0037	738
4F0 505 465 Q	116 060 0026	738
5Q0 505 465 C	116 060 0039	739
7L0 505 465 C	116 060 0021/HD	739
7L0 505 465 D	116 060 0021/HD	739
7L8 505 465 B	116 060 0021/HD	739
8A0 505 465 C	116 060 8295/HD	739
8D0 505 465	116 060 8295/HD	739
8E0 505 465 AC	116 060 0027	740
8E0 505 465 AF	116 060 0027	740
8E0 505 465 C	116 060 0035	740
8E0 505 465 D	116 060 0035	740

Ref. no.	MEYLE no.	Page
Audi		
8E0 505 465 K	116 060 0027	740
8E0 505 465 T	116 060 0027	740
8K0 505 465 E	116 060 0036	740
8K0 505 465 G	116 060 0036	740
1J0 505 466 B	116 060 0015/HD	741
1J0 505 466 C	116 060 0002/HD	741
7L0 505 466 C	116 060 0022/HD	742
7L0 505 466 D	116 060 0022/HD	742
7L8 505 466 B	116 060 0022/HD	742
8A0 505 466 C	116 060 8296/HD	742
8D0 505 466	116 060 8296/HD	742
443 505 509	014 098 0024	834
1K0 505 541 B	100 505 0014 114 711 0000/HD	703-704
1K0 505 541 C	100 505 0014 114 711 0000/HD	703-704
1K0 505 541 D	100 505 0014 114 711 0000/HD	703-704
5Q0 505 541 A	100 505 0014 114 711 0000/HD	703-704
1K0 505 543 A	100 710 0006	577
4E0 505 547 A	116 031 0025	742
4E0 505 547 L	116 031 0025	742
4E0 505 548 A	116 031 0026	743
4E0 505 548 L	116 031 0026	743
1K0 505 553	100 505 0011	686
1K0 505 553 A	100 505 0011	686
5Q0 505 553	100 710 0038	687
1J0 511 115 AK	100 739 0002	773
1J0 511 115 BG	100 739 0003	774
1J0 511 115 BN	100 739 0047	773
1J0 511 115 CD	100 739 0048	773
1J0 511 115 DD	100 739 0003	774
4A5 511 115 P	100 739 0038	774
4B0 511 115 AP	100 739 0036	774
4B0 511 115 B	100 739 0029	775
4B0 511 115 C	100 739 0031	775
4B0 511 115 K	100 739 0032	775
4B0 511 115 L	100 739 0033	776
4F0 511 115 BN	100 739 0050	776
4F0 511 115 BP	100 739 0050	776
4F0 511 115 BR	100 739 0051	776
8D5 511 115 AA	100 739 0037	777
8D5 511 115 G	100 739 0016	777
8D5 511 115 S	100 739 0004	777
8D5 511 115 T	100 739 0004	777

Ref. no.	MEYLE no.	Page
Audi		
8E0 511 115 CQ	100 739 0009	778
8E0 511 115 CS	100 739 0040	778
8P0 511 115 D	100 739 0044	778
8P0 511 115 E	100 739 0044	778
431 511 247 C	100 511 0002	753
443 511 247 D	100 511 0003	753
4A0 511 247	100 511 0005	753
4A0 511 247 B	100 511 0009	754
811 511 247	100 511 0001	754
8A0 511 247 B	100 511 0004	687
1K0 511 305 BD	100 653 0021	745
1K0 511 305 BE	100 653 0025	745
1K0 511 305 BH	100 653 0015	747
1K0 511 305 CN	100 653 0021	745
1K0 511 305 CP	100 653 0025	745
1K0 511 305 DB	100 653 0011	745
1K0 511 305 DC	100 653 0013	746
1K0 511 305 DT	100 653 0017	746
3C0 511 305 D	100 653 0031	746
1K0 511 327 AP	100 511 0011	726
1K0 511 327 AR	100 511 0013	726
4B0 511 327	100 511 0015	727
8E0 511 327 A	100 715 0001	727
8E0 511 327 D	100 615 0000	727
1K0 511 353 J	100 742 0008	796
1K0 511 353 N	100 742 0018	796
1K0 511 409 BB	100 653 0015	747
1K0 511 409 BD	100 653 0021	745
1K0 511 409 BE	100 653 0025	745
1K0 511 409 BN	100 653 0011	745
1K0 511 409 BP	100 653 0013	746
1K0 511 409 BQ	100 653 0015	747
1K0 511 409 BS	100 653 0011	745
1K0 511 409 CA	100 653 0015	747
1K0 511 409 CB	100 653 0017	746
3C0 511 409 D	100 653 0031	746
1J0 511 423	100 511 0017	728
1K0 511 439 E	100 511 0016	717
4Q0 511 523 A	100 511 0007	754
4Q0 511 523 C	100 511 0007	754
4A0 512 129	100 512 0024	796
1J0 512 131	100 512 0011	797
1J0 512 131 B	100 512 0014	797
1J0 512 131 C	100 512 0018	797
3B0 512 131 H	100 512 0027	798
4B0 512 131 B	100 742 0002	798

Ref. no.	MEYLE no.	Page
Audi		
4B0 512 131 N	100 512 0012	798
4B0 512 131 Q	100 742 0003	799
4F0 512 131	100 742 0016	799
4F0 512 131 A	100 742 0029	802
6Q0 512 131 B	100 742 0009	799
6X0 512 131 A	114 742 0001	800
7L0 512 131 B	100 742 0031	800
8D0 512 131	100 742 0024	800
8D0 512 131 E	100 742 0011	801
8D0 512 131 L	100 742 0004	801
8D5 512 131 F	100 742 0005	801
8E0 512 131 P	100 742 0029	802
8K0 512 131	100 742 0026	802
8K0 512 131 B	100 742 0027	802
8K0 512 131 D	100 742 0030	803
8E0 512 137 E	100 743 0002	787
1J0 512 149 B	100 512 0028	7
443 512 331	100 512 0005	823
8D0 512 333	100 512 0022	823
8D0 512 335	100 512 0023	824
1J0 513 025 BL	126 725 0005	809
1J0 513 025 C	126 725 0005	809
1K0 513 029 DS	126 725 0024	810
1K0 513 029 FA	126 725 0024	810
5Q0 513 029 AS	126 725 0017	810
5Q0 513 029 BK	126 725 0017	810
5Q0 513 029 CJ	126 725 0017	810
5Q0 513 029 CK	126 725 0017	810
5Q0 513 029 CM	126 725 0017	810
5Q0 513 029 EB	126 725 0017	810
5Q0 513 029 EC	126 725 0017	810
5Q0 513 029 EK	126 725 0017	810
5Q0 513 029 EL	126 725 0017	810
5Q0 513 029 GM	126 725 0017	810
7L8 513 029 G	126 725 0032	810
7L8 513 029 H	126 725 0032	810
7L8 513 029 K	126 725 0032	810
8A0 513 029 H	126 725 0003	811
8A5 513 029 P	126 725 0003	811
8J0 513 029 K	126 725 0029	811
8J0 513 029 L	126 725 0029	811
8J0 513 029 P	126 725 0029	811
8J0 513 029 Q	126 725 0029	811
3B5 513 031 B	126 725 0009	811
443 513 031 N	126 725 0004	812
443 513 031 R	126 725 0004	812

Ref. no.	MEYLE no.	Page
Audi		
4A0 513 031	126 725 0008	812
4A0 513 031 B	126 725 0008	812
4A9 513 031 B	126 725 0008	812
4B0 513 031 R	126 725 0009	811
4D0 513 031 F	126 725 0018	812
4D0 513 031 K	126 725 0018	812
4D0 513 031 L	126 725 0018	812
4D0 513 031 N	126 725 0018	812
4D0 513 031 T	126 725 0018	812
811 513 031 D	126 715 0003	813
811 513 031 E	126 715 0003	813
811 513 031 F	126 715 0003	813
811 513 031 K	126 715 0003	813
811 513 031 L	126 715 0003	813
811 513 031 N	126 715 0003	813
811 513 031 P	126 715 0003	813
811 513 031 Q	126 715 0003	813
811 513 031 R	126 715 0003	813
893 513 031	126 715 0003	813
893 513 031 AG	126 715 0003	813
893 513 031 AN	126 715 0003	813
893 513 031 E	126 715 0003	813
893 513 031 P	126 715 0003	813
893 513 031 Q	126 715 0003	813
8D0 513 031	126 725 0006	813
8D0 513 031 A	126 725 0006	813
8D0 513 031 B	126 725 0006	813
8D0 513 031 C	126 725 0006	813
8D0 513 031 D	126 725 0007	814
8D0 513 031 E	126 725 0006	813
8D0 513 031 F	126 725 0007	814
8D5 513 031	126 725 0006	813
8D5 513 031 A	126 725 0006	813
8D5 513 031 B	126 725 0006	813
8D5 513 031 C	126 725 0006	813
8D5 513 031 H	126 725 0006	813
8D5 513 031 K	126 725 0007	814
8D5 513 031 L	126 725 0007	814
4B0 513 032 D	126 725 0009	811
4F0 513 032 AE	126 725 0028	814
4F0 513 032 H	126 725 0028	814
8E0 513 033	126 725 0025	815
8E0 513 033 B	126 725 0025	815
8E0 513 033 G	126 725 0025	815
4G5 513 035	126 725 0036	814
4G5 513 035 F	126 725 0036	814

Ref. no.	MEYLE no.	Page
Audi		
4G8 513 035 A	126 725 0036	814
4G9 513 035	126 725 0036	814
4G9 513 035 F	126 725 0036	814
8E0 513 035 S	126 725 0026	816
8K0 513 035 AK	126 725 0027	815
8K0 513 035 K	126 725 0027	815
8K0 513 035 T	126 725 0027	815
8R0 513 035 C	126 725 0034	815
8R0 513 035 E	126 725 0034	815
8T0 513 035 L	126 725 0027	815
8T0 513 035 Q	126 725 0027	815
8E0 513 036 A	126 725 0026	816
8E0 513 036 AD	126 725 0026	816
8E0 513 036 AE	126 725 0025	815
8E0 513 036 B	126 725 0026	816
8E0 513 036 E	126 725 0026	816
8E0 513 036 R	126 725 0026	816
5N0 513 049 AG	126 725 0030	816
5N0 513 049 AH	126 725 0030	816
1J0 513 353 A	100 513 0001 100 513 1001	826
1J0 513 353 B	100 513 0001 100 513 1001	826
1J0 513 353 C	100 513 0001 100 513 1001	826
1J0 513 353 G	100 513 0001 100 513 1001	826
1K0 513 353 G	100 513 0008	824
1K0 513 353 H	100 513 0009	824
1K0 513 353 J	100 513 0009	824
3C0 513 353 C	100 513 0010	825
4F0 513 353 B	100 741 0000	825
4F0 513 353 D	100 741 0000	825
4G0 513 353 D	100 741 1002	825
6R0 513 353	100 513 0001 100 513 1001	826
6R0 513 353 B	100 513 0001 100 513 1001	826
8E0 513 353 B	100 513 0004	826
8E0 513 353 C	100 513 0004	826
8K0 513 353 D	100 741 0002	827
8K0 513 353 E	100 741 0002	827
1J0 513 425	100 513 0006	788
1J0 513 425 A	100 513 0007	788
357 513 425	100 513 0003	788
5N0 521 101 E	100 151 0100/S	175

Ref. no.	MEYLE no.	Page
Audi		
5N0 521 101 EX	100 151 0100/S	175
5N0 521 101 M	100 151 0100/S	175
5N0 521 101 MX	100 151 0100/S	175
7L8 521 102 L	100 151 0200/S	175
7L8 521 102 M	100 151 0200/S	175
1J0 521 127 A	100 152 1002	224
1K0 521 307 A	100 152 0103	176
1K0 521 349	100 151 0300/S	175
191 598 099	100 498 0058	207
400 598 099	100 498 0064	211
113 598 101	100 498 0016	221
251 598 101 A	100 498 0062	222
191 598 203	100 498 9022/R	185
1J0 598 477	100 598 0181	848
1K0 598 611	100 750 0001	851
1T0 598 611 B	100 752 0003	849
4F0 598 611 B	100 750 0007	850
6Q0 598 611	114 750 0001	850
8E0 598 611	100 750 0000	850
8E0 598 611 A	100 750 0000	850
8E0 598 611 B	100 750 0000	850
8E0 598 611 C	100 750 0000	850
8K0 598 611	100 650 0011	851
8K0 598 611 A	100 650 0011	851
8V0 598 611	100 750 0001	851
8V0 598 611 A	100 750 0001	851
191 598 625	100 598 0101	841
4A0 598 625 A	100 598 0002	842
4B0 598 625 B	100 598 0238	842
4F0 598 625 A	100 650 0006	838
4F0 598 625 B	100 650 0006	838
800 598 625	100 598 0003	843
800 598 625 A	100 598 0338	843
800 598 625 B	100 598 0003	843
8E0 598 625	100 750 0002	843
8J0 598 625	100 650 0005	847
8K0 598 625	100 650 0010	839
7L8 599 030 A	100 710 0036 100 710 0037	755
7L8 599 030 B	100 710 0036 100 710 0037	755
7L8 599 030 C	100 710 0036 100 710 0037	755
7L8 599 030 D	100 710 0036 100 710 0037	755
7L8 599 030 E	100 710 0036	755

Ref. no.	MEYLE no.	Page
Audi		
	100 710 0037	
7L8 599 035	100 710 0036	755
7L8 599 035 C	100 710 0036	755
7L8 599 035 D	100 710 0037	755
1H0 609 525	114 042 0601 114 533 0003/K	145-146
1H0 609 525 D	114 042 0601 114 533 0003/K	145-146
357 609 525 C	114 533 0006/K	147
431 609 525	114 533 0006/K	147
811 609 525 E	114 042 0601 114 533 0003/K	145-146
867 609 525	114 533 0004/K	145
1H0 609 526	114 042 0601 114 533 0003/K	145-146
1H0 609 526 D	114 042 0601 114 533 0003/K	145-146
357 609 526 C	114 533 0006/K	147
431 609 526	114 533 0006/K	147
867 609 526	114 533 0004/K	145
1H0 609 527	114 042 0601 114 533 0003/K	145-146
1H0 609 527 D	114 042 0601 114 533 0003/K	145-146
357 609 527 E	114 533 0006/K	147
431 609 527 E	114 533 0006/K	147
867 609 527	114 533 0004/K	145
1H0 609 528	114 042 0601 114 533 0003/K	145-146
1H0 609 528 D	114 042 0601 114 533 0003/K	145-146
357 609 528 E	114 533 0006/K	147
431 609 528 E	114 533 0006/K	147
867 609 528	114 533 0004/K	145
6Q0 609 617	115 523 1035	145
171 611 019 A	100 611 0035	169
171 611 019 E	100 611 0035	169
171 611 019 N	100 611 0035	169
400 611 021 A	100 532 0001	169
400 611 021 B	100 532 0007	169
800 611 021 A	114 532 0008	170
800 611 021 B	114 532 0008	170
8E0 611 021	100 532 0005	170
8E0 611 021 A	100 532 0006	170
8E0 611 021 B	100 532 0006	170
171 611 051 B	100 611 0036	172

Ref. no.	MEYLE no.	Page
Audi		
331 611 051 A	100 611 0028	173
1H0 611 053	100 611 0058	173
1H0 611 053 A	100 611 0056	172
1H0 611 053 B	100 611 0055	172
3A0 611 053	100 611 0068	173
6N0 611 053	100 611 0057	174
6Q0 611 053	100 611 0028	173
6Q0 611 053 B	100 611 0058	173
6Q0 611 053 C	100 611 0028 100 611 0057	173-174
6QE 611 053	100 611 0057	174
171 611 701 L	100 611 0006	148
1J0 611 701	100 611 0053/S	148
1J0 611 701 G	100 611 0083/S	148
1J0 611 701 L	100 611 0053/S	148
1J0 611 701 M	100 611 0083/S	148
1J0 611 701 N	100 611 0053/S	148
1K0 611 701	100 611 0071/S	149
1K0 611 701 A	114 525 0002	149
1K0 611 701 B	100 611 0071/S	149
1K0 611 701 C	114 525 0002	149
1K0 611 701 D	100 611 0071/S	149
1K0 611 701 H	100 611 0071/S	149
1K0 611 701 J	114 525 0002	149
1K0 611 701 K	100 611 0071/S	149
1K0 611 701 L	114 525 0002	149
1K0 611 701 M	100 611 0071/S	149
1K0 611 701 N	114 525 0002	149
3C0 611 701 J	114 525 0005	150
3D0 611 701 E	100 525 0022	150
5N0 611 701 A	100 525 0051/S	150
6R0 611 701 B	100 525 0061/S	151
6R0 611 701 F	100 525 0061/S	151
6R0 611 701 J	100 525 0061/S	151
7L0 611 701 C	100 525 0021	151
8J0 611 701 C	100 525 0043/S	152
8J0 611 701 D	100 525 0044	151
8J0 611 701 G	100 525 0043/S	152
3U0 611 707	100 611 0042	152
441 611 707	100 611 0049	152
443 611 707 C	100 611 0050	153
4A0 611 707	100 611 0021	153
4D0 611 707 D	100 525 0029	153
4D0 611 707 F	100 525 0029	153
4D0 611 707 H	100 525 0029	153
4E0 611 707	100 525 0029	153

Ref. no.	MEYLE no.	Page
Audi		
4E0 611 707 A	100 525 0023	154
4E0 611 707 C	100 525 0023	154
4F0 611 707	100 525 0007	154
4F0 611 707 B	100 525 0007	154
803 611 707	100 611 0022	167
893 611 707	100 611 0016	154
8D0 611 707	100 611 0042	152
8D0 611 707 B	100 611 0042	152
8D0 611 707 D	100 611 0042	152
8E0 611 707	100 525 0009	155
8E0 611 707 A	100 525 0009	155
8E0 611 707 D	100 525 0009	155
8E0 611 707 G	100 525 0009	155
8K0 611 707 A	100 525 0035	155
8K0 611 707 B	100 525 0035	155
8K0 611 707 C	100 525 0035	155
8K0 611 707 D	100 525 0035	155
8K0 611 707 E	100 525 0035	155
8N0 611 707 A	100 525 0010/S	155
8N0 611 707 B	100 525 0024	156
8Z0 611 707	100 525 0039	156
8Z0 611 707 C	100 525 0039	156
1J0 611 763 AD	100 525 0054/S	156
1J0 611 763 K	100 525 0054/S	156
1J0 611 763 R	100 525 0054/S	156
8E0 611 763 E	100 525 0062/S	157
8E0 611 763 F	100 525 0062/S	157
8E0 611 763 K	100 525 0062/S	157
1J0 611 764 AD	100 525 0055/S	157
1J0 611 764 K	100 525 0055/S	157
1J0 611 764 R	100 525 0055/S	157
8E0 611 764 E	100 525 0063/S	158
8E0 611 764 F	100 525 0063/S	158
8E0 611 764 K	100 525 0063/S	158
171 611 775	100 611 0002	158
1J0 611 775	100 611 0043	164
1K0 611 775 A	100 611 0073	158
1K0 611 775 C	100 611 0073	158
1K0 611 775 D	100 525 0058/S	159
433 611 775 A	100 611 0012	159
443 611 775	100 611 0013	159
443 611 775 A	014 042 0003	160
443 611 775 F	100 611 0022	167
4A0 611 775	100 611 0047	160
4B0 611 775	100 611 0077	160
4B0 611 775 C	100 611 0076/S	161

Ref. no.	MEYLE no.	Page
Audi		
4D0 611 775 B	100 525 0028	161
4D0 611 775 C	100 611 0086	161
4D0 611 775 D	100 525 0033 100 525 0033/S	162
4D0 611 775 G	100 525 0033 100 525 0033/S	162
4E0 611 775 A	100 525 0025	162
4E0 611 775 G	100 525 0025	162
4E0 611 775 K	100 525 0025	162
4E0 611 775 L	100 611 0040	163
4F0 611 775	100 525 0006	163
4F0 611 775 D	100 525 0006	163
4Z7 611 775	100 525 0019/S	163
4Z7 611 775 A	100 525 0019/S	163
5C0 611 775 C	100 525 0058/S	159
5N0 611 775 A	100 525 0052/S	164
6Q0 611 775 A	100 611 0043	164
6Q0 611 775 B	100 611 0043	164
6X0 611 775	100 611 0043	164
803 611 775	100 611 0022	167
811 611 775	100 611 0000	164
811 611 775 A	100 611 0046	165
893 611 775 A	100 611 0019	165
8A0 611 775	100 525 0049	165
8A0 611 775 D	100 525 0012	166
8D0 611 775 B	100 611 0041	166
8D0 611 775 C	100 611 0084	166
8D0 611 775 D	100 611 0022	167
8D0 611 775 E	100 611 0040	163
8D0 611 775 F	100 525 0001	167
8D0 611 775 G	100 525 0001	167
8D0 611 775 J	100 525 0001	167
8E0 611 775 H	100 611 0085/S	167
8E0 611 775 N	100 611 0085/S	167
8J0 611 775 B	100 525 0045	168
8K0 611 775 D	100 525 0036	168
8K0 611 775 F	100 525 0036	168
8K0 611 775 J	100 525 0036	168
1K0 611 776	100 525 0058/S	159
7L0 611 776	100 525 0011	168
7L0 611 776 A	100 525 0011	168
7P0 611 776	100 525 0011	168
321 611 939 E	100 611 0070	174
1J1 614 019	100 611 0075	171
1J1 614 019 A	100 532 0003	171
1J1 614 019 C	100 532 0004	171

Ref. no.	MEYLE no.	Page
Audi		
1J1 614 019 F	100 532 0004	171
1J0 614 149	100 614 0000	830
443 614 149 A	100 614 0001	831
8D0 614 149	100 614 0001	831
447 615 115 B	025 211 3819/W	121
447 615 115 E	025 211 4416 025 211 4416/PD	133-134
447 615 115 M	025 211 3819/W	121
811 615 115 C	025 205 7419	109
811 615 115 D	025 205 7419	109
811 615 115 E	025 205 7419	109
853 615 115 C	025 206 6919	108
855 615 115 C	025 205 7419	109
855 615 115 D	025 205 7419	109
855 615 115 E	025 205 7419	109
895 615 115 B	025 211 3819/W	121
895 615 115 C	025 211 3819/W	121
8A0 615 115 B	025 206 6919	108
447 615 116 B	025 211 3819/W	121
447 615 116 E	025 211 4416 025 211 4416/PD	133-134
447 615 116 M	025 211 3819/W	121
4A0 615 116 A	025 206 7619/PD 025 206 7619/W	110
8K0 615 121	100 527 0001	284
8R0 615 121 A	100 527 0002	283
251 615 219	100 698 0008	141
171 615 301	115 521 0029	47
175 615 301	115 521 0029	47
1J0 615 301 C	115 521 1051 183 521 1051/PD	59-60
1J0 615 301 D	115 521 1018 183 521 1018/PD	58-59
1J0 615 301 E	115 521 1027 183 521 1027/PD	42
1J0 615 301 L	115 521 1018 183 521 1018/PD	58-59
1J0 615 301 P	115 521 1027 183 521 1027/PD	42
1J0 615 301 R	115 521 1051 183 521 1051/PD	59-60
1JE 615 301	115 521 1018 183 521 1018/PD	58-59
1K0 615 301 AA	115 521 1094 183 521 1094/PD	43
1K0 615 301 AC	115 521 1044	44-45

Ref. no.	MEYLE no.	Page
Audi		
	183 521 1044/PD	
1K0 615 301 AD	183 521 0008/PD	44
1K0 615 301 AK	115 521 1044 183 521 1044/PD	44-45
1K0 615 301 K	115 521 1045 183 521 1045/PD	46-47
1K0 615 301 M	115 521 1010 183 521 1010/PD	45-46
1K0 615 301 S	115 521 1044 183 521 1044/PD	44-45
1K0 615 301 T	115 521 1045 183 521 1045/PD	46-47
321 615 301	115 521 0029	47
321 615 301 A	115 521 1002	48
321 615 301 B	115 521 1002	48
321 615 301 C	115 521 1002	48
380 615 301 B	115 523 0039 115 523 0039/PD	70-71
300 615 301 F	183 521 1123/PD	53
300 615 301 M	183 521 1123/PD	53
431 615 301	115 521 1014	49
431 615 301 A	115 521 1003	49
441 615 301 AA	115 521 1073	48
443 615 301	115 521 1014	49
443 615 301 A	115 521 1003	49
443 615 301 B	115 521 1003	49
443 615 301 D	115 521 1003	49
447 615 301 A	115 521 1008	50
447 615 301 B	115 521 1008	50
4A0 615 301 A	115 523 0015 115 523 0015/PD	85-86
4A0 615 301 B	115 521 0036 115 521 0036/PD	50-51
4A0 615 301 C	115 521 1040 183 521 1040/PD	69-70
4B0 615 301 A	115 523 0039 115 523 0039/PD	70-71
4B0 615 301 C	115 523 0039 115 523 0039/PD	70-71
4B3 615 301	115 521 1075	51
4D0 615 301 A	115 521 1109 183 521 1109/PD	52
4D0 615 301 F	115 521 1109 183 521 1109/PD	52
4D0 615 301 J	115 521 1109 183 521 1109/PD	52

Ref. no.	MEYLE no.	Page
Audi		
4E0 615 301 A	183 521 1123/PD	53
4E0 615 301 G	183 521 1123/PD	53
4E0 615 301 J	183 521 1123/PD	53
4E0 615 301 P	183 521 1123/PD	53
4F0 615 301 D	115 521 1097 183 521 1097/PD	53-54
4F0 615 301 E	115 521 1098 183 521 1098/PD	54-55
4F0 615 301 G	115 521 1099 183 521 1099/PD	55-56
4F0 615 301 J	183 521 0002/PD	56
4G0 615 301	183 521 0007/PD	57
4G0 615 301 A	183 521 1049/PD	57
4G0 615 301 K	183 521 1049/PD	57
4H0 615 301 K	183 521 1049/PD	57
4H0 615 301 R	183 521 1049/PD	57
5C0 615 301 A	115 521 1045	46
5C0 615 301 B	115 521 1094 183 521 1094/PD	43
5Q0 615 301 A	115 521 0028/PD	58
6R0 615 301	115 521 1018 183 521 1018/PD	58-59
6R0 615 301 A	115 521 1051 183 521 1051/PD	59-60
6R0 615 301 B	115 521 1085 183 521 1085/PD	60-61
7L8 615 301	115 521 1103 183 521 1103/PD	61-62
811 615 301	115 521 1005	62
811 615 301 B	115 521 1005	62
823 615 301	115 521 1005	62
839 615 301	115 521 0029	47
841 615 301	115 521 1002	48
895 615 301	115 521 1087	63
895 615 301 A	115 521 1088	63
8A0 615 301	115 521 1024	64
8A0 615 301 A	115 521 1110	64
8A0 615 301 D	115 521 1024	64
8A0 615 301 E	115 521 1110	64
8D0 615 301 A	115 521 1028	65
8D0 615 301 J	115 523 0039 115 523 0039/PD	70-71
8D0 615 301 K	115 521 1083 183 521 1083/PD	66-67
8D0 615 301 M	115 521 1083 183 521 1083/PD	66-67

Ref. no.	MEYLE no.	Page
Audi		
8E0 615 301 AA	115 521 0039 115 521 0039/PD	65-66
8E0 615 301 AD	115 521 1083 183 521 1083/PD	66-67
8E0 615 301 AE	183 521 1106/PD	67
8E0 615 301 B	115 521 1017 183 521 1017/PD	68-69
8E0 615 301 D	115 521 1017 183 521 1017/PD	68-69
8E0 615 301 K	115 521 0041/PD	68
8E0 615 301 P	115 521 1017 183 521 1017/PD	68-69
8E0 615 301 Q	115 521 1040 183 521 1040/PD	69-70
8E0 615 301 R	115 523 0039 115 523 0039/PD	70-71
8E0 615 301 T	115 521 0041/PD	68
8J0 615 301	183 521 0003/PD	71
8J0 615 301 G	183 521 0003/PD	71
8K0 615 301	183 521 0001/PD	72
8K0 615 301 A	115 521 1117 183 521 1117/PD	72-73
8K0 615 301 B	183 521 1118/PD	73
8K0 615 301 E	183 521 1118/PD	73
8K0 615 301 K	183 521 1118/PD	73
8K0 615 301 M	183 521 1118/PD	73
8L0 615 301	115 521 1085 183 521 1085/PD	60-61
8N0 615 301 A	115 521 1085 183 521 1085/PD	60-61
8R0 615 301	183 521 0022/PD	74
7L8 615 302	115 521 1104 183 521 1104/PD	74-75
443 615 415 N	025 211 4416 025 211 4416/PD	133-134
443 615 415 P	025 211 4416 025 211 4416/PD	133-134
4A0 615 415	025 211 4416 025 211 4416/PD	133-134
4A0 615 415 C	025 211 4416 025 211 4416/PD	133-134
4D0 615 415	025 211 4416 025 211 4416/PD	133-134
1J0 615 601	115 523 0037 115 523 0037/PD	76
1J0 615 601 C	115 523 0037	76

Ref. no.	MEYLE no.	Page
Audi		
	115 523 0037/PD	
1J0 615 601 D	115 523 0021/PD	75
1J0 615 601 N	115 523 0037 115 523 0037/PD	76
1J0 615 601 P	115 523 0037 115 523 0037/PD	76
1K0 615 601 AA	115 523 0012/PD	77
1K0 615 601 AB	115 523 0018 115 523 0018/PD	77-78
1K0 615 601 AC	115 523 0038 115 523 0038/PD	78-79
1K0 615 601 AD	115 523 0043 115 523 0043/PD	79-80
1K0 615 601 K	115 523 0018 115 523 0018/PD	77-78
1K0 615 601 L	115 523 0038 115 523 0038/PD	78-79
1K0 615 601 M	115 523 0025 115 523 0025/PD	80-81
1K0 615 601 N	115 523 0026 115 523 0026/PD	81-82
3B0 615 601 B	115 523 1004	82
3D0 615 601 D	115 523 0033/PD	91
3D0 615 601 E	115 523 0036/PD	90
3Q0 615 601	115 523 0013 115 523 0013/PD	83
443 615 601	115 523 1006	84
443 615 601 E	115 523 1007	84
447 615 601 A	115 523 1013	85
447 615 601 B	115 523 1013	85
4A0 615 601 A	115 523 0015 115 523 0015/PD	85-86
4B0 615 601	115 523 0023 115 523 0023/PD	86-87
4B0 615 601 A	115 523 0040 115 523 0040/PD	87-88
4B0 615 601 B	115 523 0024 115 523 0024/PD	88-89
4B3 615 601	115 523 0008/PD	89
4D0 615 601 B	115 523 0029/PD	90
4E0 615 601	115 523 0036/PD	90
4E0 615 601 A	115 523 0033/PD	91
4E0 615 601 E	115 523 0036/PD	90
4E0 615 601 J	115 523 0036/PD	90
4E0 615 601 K	115 523 0033/PD	91
4F0 615 601 E	115 523 0027	91-92

Ref. no.	MEYLE no.	Page
Audi		
	115 523 0027/PD	
4F0 615 601 F	115 523 0028 115 523 0028/PD	92-93
4H0 615 601 D	115 523 0035/PD	93
4H0 615 601 H	115 523 0035/PD	93
4H0 615 601 K	115 523 0035/PD	93
6R0 615 601	115 523 0012/PD	77
7L6 615 601 D	115 523 0041 115 523 0041/PD	94
7L6 615 601 J	115 523 0041 115 523 0041/PD	94
7L8 615 601 A	115 523 0034/PD	95
7L8 615 601 C	115 523 0041 115 523 0041/PD	94
7L8 615 601 D	115 523 0034/PD	95
7L8 615 601 E	115 523 0034/PD	95
853 615 601	115 523 1081	95
8A0 615 601	115 523 1081	95
8D0 615 601 A	115 521 0037 115 521 0037/PD	96
8D0 615 601 B	115 523 0016 115 523 0016/PD	97
8D0 615 601 D	115 523 1004	82
8E0 615 601 A	115 523 0030/PD	99
8E0 615 601 B	115 523 0030 115 523 0030/PD	99
8E0 615 601 D	115 521 0039 115 521 0039/PD	65-66
8E0 615 601 K	115 523 0032/PD	100
8E0 615 601 M	115 523 0031 115 523 0031/PD	98
8E0 615 601 P	115 523 0030 115 523 0030/PD	99
8E0 615 601 Q	115 521 0039 115 521 0039/PD	65-66
8E0 615 601 R	115 523 0032/PD	100
8J0 615 601	115 523 0010/PD	100
8J0 615 601 A	115 523 0011/PD	101
8K0 615 601 B	115 523 0042/PD	101
8K0 615 601 C	115 523 0009/PD	102
8L0 615 601	115 523 0022 115 523 0022/PD	102-103
8N0 615 601 B	115 523 0022 115 523 0022/PD	102-103
1H0 698 071	114 042 0601 114 533 0003/K	145-146

Ref. no.	MEYLE no.	Page
Audi		
431 698 073 E	114 042 0601 114 533 0003/K	145-146
171 698 151 E	025 202 2815	120
1J0 698 151	025 231 3019/A 025 231 3019/PD	103, 105
1J0 698 151 A	025 231 3019/PD	103
1J0 698 151 B	025 231 3019/A 025 231 3019/PD	103, 105
1J0 698 151 D	025 231 3119/PD 025 231 3119/W	104
1J0 698 151 E	025 231 3119/PD 025 231 3119/W	104
1J0 698 151 F	025 231 3119/PD 025 231 3119/W	104
1J0 698 151 G	025 231 3119/PD 025 231 3119/W	104
1J0 698 151 J	025 231 3019/A	105
1J0 698 151 L	025 219 1119 025 219 1119/PD	105, 107
1J0 698 151 M	025 233 9219/PD 025 233 9219/W	105-106
1K0 698 151	025 235 8720/PD 025 235 8720/W	107-108
1K0 698 151 A	025 231 3119/PD 025 231 3119/W	104
1K0 698 151 B	025 238 0120/W	106
1K0 698 151 C	025 235 8720/W	108
1K0 698 151 E	025 235 8720/PD 025 235 8720/W	107-108
1K0 698 151 F	025 231 3119/PD 025 231 3119/W	104
321 698 151	025 205 7419	109
321 698 151 A	025 205 7419	109
357 698 151	025 206 6919	108
3A0 698 151 A	025 219 1119 025 219 1119/PD	105, 107
3C0 698 151 A	025 235 8720/PD 025 235 8720/W	107-108
3C0 698 151 C	025 235 8720/PD 025 235 8720/W	107-108
3C0 698 151 D	025 235 8720/W	108
431 698 151 C	025 205 7419	109
431 698 151 D	025 206 6919 025 209 0119/W	108-109
431 698 151 E	025 205 7419	109
431 698 151 F	025 206 6919	108-109

Ref. no.	MEYLE no.	Page
Audi		
	025 209 0119/W	
431 698 151 G	025 206 6919	108
431 698 151 H	025 205 7419	109
431 698 151 L	025 205 7419	109
437 698 151	025 206 6919 025 209 0119/W	108-109
441 698 151 E	025 211 3819/W	121
443 698 151 A	025 206 6919 025 209 0119/W	108-109
443 698 151 C	025 209 0119/W	109
443 698 151 D	025 209 0119/W	109
443 698 151 F	025 209 0119/W	109
443 698 151 G	025 209 0119/W	109
443 698 151 H	025 206 6919 025 209 0119/W	108-109
443 698 151 J	025 209 0119/W	109
443 698 151 K	025 209 0119/W	109
447 698 151	025 211 3819/W	121
447 698 151 A	025 211 3819/W	121
447 698 151 B	025 211 3819/W	121
447 698 151 C	025 212 1118	110
447 698 151 E	025 211 3819/W	121
447 698 151 F	025 211 3819/W	121
4A0 698 151	025 206 7619/PD 025 206 7619/W	110
4A0 698 151 A	025 206 7619/PD 025 206 7619/W	110
4A0 698 151 C	025 206 7619/PD 025 206 7619/W	110
4B0 698 151	025 230 1820/PD 025 230 1820/W	111
4B0 698 151 A	025 230 1820/PD 025 230 1820/W	111
4B0 698 151 AB	025 230 1820/PD 025 230 1820/W	111
4B0 698 151 AC	025 237 6220/W	112
4B0 698 151 AD	025 237 6220/W	112
4B0 698 151 B	025 230 1820/PD 025 230 1820/W	111
4B0 698 151 C	025 214 5418/PD 025 214 5418/W	112-113
4B0 698 151 D	025 232 8017/W	113
4B0 698 151 E	025 230 1820/PD 025 230 1820/W	111
4B0 698 151 H	025 230 1820/PD 025 230 1820/W	111

Ref. no.	MEYLE no.	Page
Audi		
4B0 698 151 J	025 230 1820/PD 025 230 1820/W	111
4B0 698 151 K	025 230 1820/PD 025 230 1820/W	111
4B0 698 151 L	025 232 8017/W	113
4B0 698 151 M	025 230 1820/PD 025 230 1820/W	111
4B0 698 151 N	025 230 1820/PD 025 230 1820/W	111
4B0 698 151 Q	025 237 6220/W	112
4B0 698 151 R	025 237 6220/W	112
4B0 698 151 S	025 232 8017/W	113
4B3 698 151	025 232 8017/W	113
4D0 698 151 A	025 214 5218/PD 025 214 5218/W	114
4D0 698 151 AD	025 214 5218/PD 025 214 5218/W	114
4D0 698 151 C	025 214 5218/PD 025 214 5218/W	114
4D0 698 151 E	025 214 5218/PD 025 214 5218/W	114
4D0 698 151 H	025 206 7619/PD 025 206 7619/W	110
4E0 698 151	025 238 9620/PD 025 238 9620/W	115
4E0 698 151 A	025 238 9620/PD 025 238 9620/W	115
4E0 698 151 B	025 238 9620/PD 025 238 9620/W	115
4E0 698 151 E	025 238 9620/PD 025 238 9620/W	115
4E0 698 151 F	025 239 5020/PD 025 239 5020/W	116
4E0 698 151 J	025 238 9620/PD 025 238 9620/W	115
4E0 698 151 K	025 238 9620/PD 025 238 9620/W	115
4E0 698 151 M	025 239 5020/PD 025 239 5020/W	116
4E4 698 151	025 238 9620/PD 025 238 9620/W	115
4E4 698 151 A	025 238 9620/PD 025 238 9620/W	115
4F0 698 151	025 230 1820/PD 025 230 1820/W	111
4F0 698 151 A	025 239 5020/PD	116

Ref. no.	MEYLE no.	Page
Audi		
	025 239 5020/W	
4F0 698 151 D	025 239 5020/PD 025 239 5020/W	116
4F0 698 151 K	025 239 5020/PD 025 239 5020/W	116
4G0 698 151	025 247 4319/W	117
4G0 698 151 B	025 261 5820/PD	117
4G0 698 151 D	025 247 4319/W	117
4G0 698 151 G	025 261 5820/PD	117
4G0 698 151 L	025 247 4319/W	117
4G0 698 151 S	025 261 5820/PD	117
4H0 698 151 D	025 261 5820/PD	117
4H0 698 151 G	025 261 5820/PD	117
4L0 698 151 A	025 236 9317	118
4L0 698 151 B	025 236 9317	118
5K0 698 151	025 235 8720/PD 025 235 8720/W	107-108
5K0 698 151 A	025 235 8720/PD	107
5N0 698 151	025 243 3219/PD 025 243 3219/W	118-119
5N0 698 151 B	025 243 3219/PD 025 243 3219/W	118-119
5Q0 698 151 C	025 220 3517	119
6R0 698 151 A	025 231 3019/A 025 231 3019/PD	103, 105
7L0 698 151 J	025 236 9317 025 236 9317/PD	118, 120
7L0 698 151 P	025 236 9317 025 236 9317/PD	118, 120
811 698 151	025 202 2815	120
811 698 151 A	025 205 7419	109
811 698 151 B	025 205 7419	109
823 698 151	025 202 2815	120
823 698 151 A	025 202 2815	120
827 698 151	025 202 2815	120
827 698 151 A	025 202 2815	120
839 698 151	025 202 2815	120
861 698 151	025 202 2815	120
861 698 151 A	025 202 2815	120
891 698 151	025 202 2815	120
895 698 151	025 211 3819/W	121
895 698 151 A	025 211 3819/W	121
8A0 698 151 B	025 206 6919	108
8A0 698 151 C	025 201 6819 025 201 6819/PD	121
8D0 698 151 A	025 216 2419	122

Ref. no.	MEYLE no.	Page
Audi		
	025 216 2419/PD	
8D0 698 151 B	025 214 5418/PD 025 214 5418/W	112-113
8D0 698 151 C	025 216 2419 025 216 2419/PD	122
8D0 698 151 F	025 216 2419 025 216 2419/PD	122
8D0 698 151 K	025 214 5418/PD 025 214 5418/W	112-113
8E0 698 151 B	025 219 4519-1/PD 025 219 4519/W	123
8E0 698 151 C	025 239 5020/PD 025 239 5020/W	116
8E0 698 151 F	025 230 1820/PD 025 230 1820/W	111
8E0 698 151 G	025 239 5020/PD 025 239 5020/W	116
8E0 698 151 K	025 230 1820/PD 025 230 1820/W	111
8E0 698 151 L	025 239 5020/PD 025 239 5020/W	116
8E0 698 151 M	025 219 4519-1/PD 025 219 4519/W	123
8E0 698 151 N	025 219 4519 025 219 4519/PD	123-124
8J0 698 151	025 235 8720/PD 025 235 8720/W	107-108
8J0 698 151 C	025 235 8720/PD 025 235 8720/W	107-108
8J0 698 151 D	025 240 9817 025 240 9817/PD	124-125
8J0 698 151 E	025 240 9817 025 240 9817/PD	124-125
8J0 698 151 G	025 240 9817 025 240 9817/PD	124-125
8J0 698 151 H	025 240 9817 025 240 9817/PD	124-125
8J0 698 151 K	025 240 9817 025 240 9817/PD	124-125
8K0 698 151	025 247 4319/PD 025 247 4319/W	117, 126
8K0 698 151 A	025 247 0520/PD	125
8K0 698 151 B	025 247 4319/PD 025 247 4319/W	117, 126
8K0 698 151 C	025 247 4319/PD 025 247 4319/W	117, 126

Ref. no.	MEYLE no.	Page
Audi		
8K0 698 151 D	025 247 4319/PD 025 247 4319/W	117, 126
8K0 698 151 E	025 247 4319/PD 025 247 4319/W	117, 126
8K0 698 151 F	025 247 0520/PD 025 247 0520/W	125
8K0 698 151 G	025 247 4319/PD 025 247 4319/W	117, 126
8K0 698 151 H	025 247 4319/PD 025 247 4319/W	117, 126
8K0 698 151 J	025 247 4319/PD 025 247 4319/W	117, 126
8K0 698 151 K	025 247 4319/PD 025 247 4319/W	117, 126
8K0 698 151 L	025 247 4319/PD 025 247 4319/W	117, 126
8N0 698 151	025 219 1119 025 219 1119/PD	105, 107
8N0 698 151 A	025 233 9219/PD 025 233 9219/W	105-106
8N0 698 151 C	025 233 9219/PD 025 233 9219/W	105-106
8N0 698 151 E	025 233 9219/PD 025 233 9219/W	105-106
8R0 698 151	025 247 4319/W	117
8R0 698 151 A	025 247 4319/W	117
8R0 698 151 AB	025 256 4316 025 256 4316/PD	126-127
8R0 698 151 D	025 256 4316 025 256 4316/PD	126-127
8R0 698 151 E	025 256 4316 025 256 4316/PD	126-127
8R0 698 151 G	025 256 4316 025 256 4316/PD	126-127
8R0 698 151 J	025 256 4316 025 256 4316/PD	126-127
8R0 698 151 K	025 256 4316 025 256 4316/PD	126-127
8R0 698 151 L	025 256 4316 025 256 4316/PD	126-127
8V0 698 151	025 256 8320 025 256 8320/PD	127-128
8V0 698 151 B	025 256 8320 025 256 8320/PD	127-128
8V0 698 151 C	025 251 1720/W	128
8V0 698 151 D	025 256 8320	127-128

Ref. no.	MEYLE no.	Page
Audi		
	025 256 8320/PD	
8X0 698 151	025 235 8919	128
1J0 698 451	025 209 6117 025 209 6117/PD	129-130
1J0 698 451 B	025 209 6117 025 209 6117/PD	129-130
1J0 698 451 D	025 209 6117 025 209 6117/PD	129-130
1J0 698 451 E	025 209 6117 025 209 6117/PD	129-130
1J0 698 451 F	025 209 6117 025 209 6117/PD	129-130
1J0 698 451 H	025 209 6117 025 209 6117/PD	129-130
1J0 698 451 J	025 209 6117 025 209 6117/PD	129-130
1J0 698 451 L	025 209 6117 025 209 6117/PD	129-130
1J0 698 451 N	025 209 6117 025 209 6117/PD	129-130
1J0 698 451 P	025 209 6117 025 209 6117/PD	129-130
1J0 698 451 R	025 209 6117 025 209 6117/PD	129-130
1K0 698 451 A	025 209 6117 025 209 6117/PD	129-130
1K0 698 451 B	025 239 1417 025 239 1417/PD	130-131
1K0 698 451 C	025 209 6117 025 209 6117/PD	129-130
1K0 698 451 D	025 239 1417 025 239 1417/PD	130-131
1K0 698 451 E	025 239 1417 025 239 1417/PD	130-131
1K0 698 451 F	025 239 1417 025 239 1417/PD	130-131
1K0 698 451 G	025 239 1417 025 239 1417/PD	130-131
1K0 698 451 H	025 239 1417 025 239 1417/PD	130-131
1K0 698 451 J	025 209 6117 025 209 6117/PD	129-130
1K0 698 451 K	025 239 1417 025 239 1417/PD	130-131
3AA 698 451	025 244 8317 025 244 8317/PD	131-132

Ref. no.	MEYLE no.	Page
Audi		
3C0 698 451 D	025 239 1417 025 239 1417/PD	130-131
3C0 698 451 F	025 244 8317 025 244 8317/PD	131-132
3Q0 698 451	025 250 0816 025 250 0816/PD	137
437 698 451	025 211 4416 025 211 4416/PD	133-134
443 698 451	025 211 4416 025 211 4416/PD	133-134
443 698 451 A	025 211 4416 025 211 4416/PD	133-134
443 698 451 B	025 211 4416 025 211 4416/PD	133-134
447 698 451	025 211 4416 025 211 4416/PD	133-134
447 698 451 A	025 211 4416 025 211 4416/PD	133-134
447 698 451 C	025 211 4416 025 211 4416/PD	133-134
4A0 698 451	025 211 4416 025 211 4416/PD	133-134
4A0 698 451 A	025 211 4416 025 211 4416/PD	133-134
4B0 698 451 B	025 209 6117 025 209 6117/PD	129-130
4B0 698 451 E	025 209 6117 025 209 6117/PD	129-130
4B3 698 451	025 233 2617 025 233 2617/PD	132-133
4B3 698 451 A	025 233 2617 025 233 2617/PD	132-133
4D0 698 451	025 211 4416 025 211 4416/PD	133-134
4D0 698 451 A	025 211 4416 025 211 4416/PD	133-134
4D0 698 451 B	025 211 4416 025 211 4416/PD	133-134
4D0 698 451 C	025 209 6117 025 209 6117/PD	129-130
4D0 698 451 F	025 211 4416 025 211 4416/PD	133-134
4E0 698 451	025 233 2617 025 233 2617/PD	132-133
4E0 698 451 A	025 233 2617 025 233 2617/PD	132-133

Ref. no.	MEYLE no.	Page
Audi		
4E4 698 451 A	025 233 2617 025 233 2617/PD	132-133
4F0 698 451	025 233 2617 025 233 2617/PD	132-133
4F0 698 451 A	025 239 1417 025 239 1417/PD	130-131
4F0 698 451 B	025 239 1417 025 239 1417/PD	130-131
4F0 698 451 D	025 239 1417 025 239 1417/PD	130-131
4F0 698 451 E	025 239 1417 025 239 1417/PD	130-131
4F0 698 451 F	025 233 2617 025 233 2617/PD	132-133
4F0 698 451 G	025 233 2617 025 233 2617/PD	132-133
4F0 698 451 K	025 233 2617 025 233 2617/PD	132-133
4H0 698 451 A	025 246 0617/PD 025 246 0617/W	134-135
4H0 698 451 C	025 246 0617/PD 025 246 0617/W	134-135
4H0 698 451 D	025 246 0617/PD 025 246 0617/W	134-135
4H0 698 451 F	025 246 4317	135
4H0 698 451 K	025 246 0617/PD 025 246 0617/W	134-135
4H0 698 451 L	025 246 0617/PD 025 246 0617/W	134-135
4L0 698 451 B	025 242 6118	135
4L0 698 451 C	025 242 6118	135
5K0 698 451	025 245 6317 025 245 6317/PD	136
5K0 698 451 A	025 245 6317 025 245 6317/PD	136
5K0 698 451 C	025 245 6317 025 245 6317/PD	136
5Q0 698 451	025 250 0816 025 250 0816/PD	137
5Q0 698 451 C	025 250 0816 025 250 0816/PD	137
6X0 698 451 A	025 209 6117 025 209 6117/PD	129-130
7L0 698 451 B	025 236 9417 025 236 9417/PD	138-139
7L0 698 451 F	025 242 9616	137-138

Ref. no.	MEYLE no.	Page
Audi		
	025 242 9616/PD	
7L0 698 451 G	025 236 9417 025 236 9417/PD	138-139
7L5 698 451	025 236 9417 025 236 9417/PD	138-139
857 698 451	025 211 4416 025 211 4416/PD	133-134
8E0 698 451	025 209 6117 025 209 6117/PD	129-130
8E0 698 451 A	025 209 6117 025 209 6117/PD	129-130
8E0 698 451 B	025 209 6117 025 209 6117/PD 025 239 1417 025 239 1417/PD	129-131
8E0 698 451 C	025 233 2617 025 233 2617/PD	132-133
8E0 698 451 D	025 209 6117 025 209 6117/PD 025 239 1417 025 239 1417/PD	129-131
8E0 698 451 E	025 209 6117 025 209 6117/PD 025 239 1417 025 239 1417/PD	129-131
8E0 698 451 F	025 239 1417 025 239 1417/PD	130-131
8E0 698 451 J	025 239 1417 025 239 1417/PD	130-131
8E0 698 451 K	025 209 6117 025 209 6117/PD	129-130
8E0 698 451 L	025 209 6117 025 209 6117/PD 025 239 1417 025 239 1417/PD	129-131
8E0 698 451 M	025 239 1417 025 239 1417/PD	130-131
8E0 698 451 N	025 233 2617 025 233 2617/PD	132-133
8E0 698 451 P	025 233 2617 025 233 2617/PD	132-133
8K0 698 451	025 246 0617-2/PD 025 246 0617/K2	140-141
8K0 698 451 A	025 246 0617-1/PD 025 246 0617/K1	139-140
8K0 698 451 B	025 246 0617-1/PD	139-140

Ref. no.	MEYLE no.	Page
Audi		
	025 246 0617/K1	
8K0 698 451 C	025 246 0617-1/PD 025 246 0617/K1	139-140
8K0 698 451 D	025 246 0617-2/PD 025 246 0617/K2	140-141
8K0 698 451 E	025 246 0617-2/PD 025 246 0617/K2	140-141
8K0 698 451 F	025 246 0617-1/PD 025 246 0617/K1	139-140
8V0 698 451	025 250 0816 025 250 0816/PD	137
8V0 698 451 A	025 250 0816 025 250 0816/PD	137
8V0 698 451 B	025 250 0816 025 250 0816/PD	137
867 698 520 X	114 042 0502	146
357 698 525 C	114 042 1101	147
357 698 525 CV	114 533 0006/K	147
357 698 525 CX	114 533 0006/K	147
443 698 525 BV	114 533 0006/K	147
443 698 525 BX	114 533 0006/K	147
443 698 525 CX	114 533 0006/K	147
7L0 698 525	114 042 1201	147
867 698 525	114 533 0004/K	145
867 698 525 X	114 533 0004/K	145
443 698 647	100 698 0006	142
4D0 698 647	014 698 0006 014 698 0006/S 100 698 0006	141-142
6X0 721 173 A	100 721 0002	28, 39
1J0 721 261 J	100 142 0005	411
1J0 721 261 L	100 142 0005	411
4A0 721 261	100 721 0003	411
893 721 261 A	100 721 0003	411
1J1 721 388 A	100 142 0004	410
1J1 721 388 C	100 142 0004	410
1J1 721 388 E	100 142 0004	410
1J1 721 388 G	100 142 0004	410
443 721 401 A	100 721 0004	410
4A0 721 401	100 721 0004	410
7L0 407 151F	116 050 0187/HD 116 050 0194/HD	665, 688
7L0 407 151J	116 050 0187/HD 116 050 0194/HD	665, 688
7L0 407 151K	116 050 0187/HD 116 050 0194/HD	665, 688

Ref. no.	MEYLE no.	Page
Audi		
7L0 407 152F	116 050 0186/HD 116 050 0194/HD	666, 688
7L0 407 152J	116 050 0186/HD 116 050 0194/HD	666, 688
7L0 407 152K	116 050 0186/HD 116 050 0194/HD	666, 688
251 819 015	100 236 0029	341
1J1 819 021 C	100 236 0031	341
1H1 819 030 A	100 819 0001	40
443 819 030	100 819 0003	39
893 819 030 B	100 819 0002	40
8D1 819 030 B	100 819 0002	40
1H1 819 031 B	100 819 0001	40
1J1 819 031 A	100 819 0004	40
1J1 819 031 B	100 819 0004	40
443 819 031 B	100 819 0003	39
443 819 031 C	100 819 0003	39
8D1 819 031 B	100 819 0002	40
4A0 819 430 A	112 320 0010	30
4A0 819 439 A	112 319 1005	29
4B0 819 439	112 320 0010	30
4B0 819 439 A	112 320 0010	30
4B0 819 439 C	112 320 0004	30
4D0 819 439	112 319 0006/S	38
4D0 819 439 A	112 320 0006/S	38
4E0 819 439 A	112 320 0016	31
4F0 819 439	112 319 0015/S	38
4F0 819 439 A	112 320 0015/S	39
4F0 819 439 C	112 320 0015/S	39
4H0 819 439	112 320 0017	31
4M0 819 439	112 319 0024	31
4M0 819 439 A	112 320 0024	32
8A0 819 439 A	112 319 0002	32
8E0 819 439	112 319 0004	32
8K0 819 439	112 319 0020	33
8K0 819 439 A	112 320 0020	33
8K0 819 439 B	112 320 0020	33
7H0 819 631	112 319 0012	33
7H0 819 631 A	112 320 0012	34
1H1 819 640 A	112 319 0001	34
1H0 819 644 B	112 319 0001	34
1J0 819 644 A	112 320 1001	34
1K0 819 644 A	112 319 0011	35
1K0 819 644 B	112 319 0011	35
1K1 819 653 B	112 320 0011	35
1K2 819 653	112 320 0019	35

Ref. no.	MEYLE no.	Page
Audi		
1K2 819 653 A	112 320 0019	35
1K2 819 653 B	112 320 0019	35
5Q0 819 653	112 320 0022	36
6Q0 819 653 B	112 320 0003	36
6R0 819 653	112 320 0023	36
171 819 809 A	100 819 0005	41
171 819 809 E	100 819 0005	41
431 819 809 A	014 800 0052	41
211 819 819	100 819 0005	41
357 820 021	114 820 0000	342
893 820 021	114 820 0000	342
8D1 820 021 A	100 236 0001	342
8D1 820 021 C	100 236 0001	342
4A1 820 367	112 319 0005	37
6Q0 820 367 B	112 319 0003	37
6R0 820 367	112 319 0023	37
4A0 820 539 A	100 810 0009	343
8D0 823 354	140 161 0070	4
3B0 823 359	140 161 0062	3
3B0 823 359 A	140 161 0062	3
3B0 823 359 B	140 161 0062	3
443 823 359 B	140 161 0536	3
4B0 823 359 A	140 161 0062	3
4B0 823 359 B	140 161 0062	3
4B0 823 359 C	140 161 0062	3
4D0 823 359 F	140 910 0018	3
4F0 823 359 A	140 910 0008	4
4L0 823 359	140 910 0068	4
8D0 823 359	140 161 0070	4
8D0 823 359 A	140 161 0070	4
8D0 823 359 B	140 161 0070	4
8E0 823 359 A	140 910 0003	5
8J0 823 359 C	140 910 0069	5
8L0 823 359	140 161 0815	5
8N0 823 359	140 161 0068	12
8P0 823 359	140 910 0010	6
8T0 823 359	140 910 0070	6
3B5 827 550	140 161 0068	12
3B5 827 550 A	140 161 0068	12
4D0 827 551 A	140 910 0012	7
4D0 827 551 B	140 910 0012	7
4A5 827 552	140 161 0240	8
4A9 827 552	140 161 0340	8
4B5 827 552 C	140 161 0063	8
4B5 827 552 D	140 161 0063	8
4B5 827 552 F	140 910 0016	9

Ref. no.	MEYLE no.	Page
Audi		
4B5 827 552 G	140 910 0016	9
4B9 827 552 A	140 910 0014	9
4B9 827 552 E	140 910 0056	9
4B9 827 552 G	140 910 0014	9
4B9 827 552 L	140 910 0014	9
4B9 827 552 M	140 910 0014	9
4B9 827 552 N	140 910 0061	10
4F5 827 552	140 910 0023	10
4F9 827 552 B	140 910 0025	10
4F9 827 552 C	140 910 0025	10
4F9 827 552 D	140 910 0025	10
4L0 827 552 C	140 910 0084	11
4L0 827 552 F	140 910 0084	11
893 827 552	140 161 0654	11
8A5 827 552	140 161 0716	11
8A5 827 552 A	140 161 0716	11
8A9 827 552 D	140 161 0066	12
8D5 827 552 A	140 161 0068	12
8D5 827 552 B	140 161 0068	12
8D5 827 552 C	140 161 0068	12
8D5 827 552 D	140 161 0068	12
8D5 827 552 F	140 161 0068	12
8D9 827 552	140 161 0067	12
8D9 827 552 E	140 161 0071	13
8D9 827 552 F	140 161 0067	12
8D9 827 552 G	140 161 0071	13
8E5 827 552 C	140 910 0024	13
8E5 827 552 J	140 910 0024	13
8E5 827 552 K	140 910 0024	13
8E9 827 552 E	140 910 0017	13
8E9 827 552 H	140 910 0026	14
8E9 827 552 K	140 910 0026	14
8J8 827 552	140 910 0076	14
8J8 827 552 A	140 910 0076	14
8K9 827 552 A	140 910 0093	14
8N7 827 552 B	140 910 0092	15
8N7 827 552 C	140 910 0092	15
8N8 827 552 B	140 910 0020	15
8P3 827 552 A	140 910 0060	15
8P3 827 552 C	140 910 0060	15
8P3 827 552 D	140 910 0022	16
8P4 827 552 B	140 910 0027	16
4B0 837 461	100 909 0004	17
4B0 837 461 C	100 909 0039	17
8E0 837 461 B	100 909 0009	18
8E0 837 461 C	100 909 0009	18

Ref. no.	MEYLE no.	Page
Audi		
8L3 837 461	100 909 0023	18
8P4 837 461 A	100 909 0041	18
8P4 837 461 B	100 909 0041	18
8P4 837 461 C	100 909 0041	18
4B0 837 462 A	100 909 0040	19
4B0 837 462 C	100 909 0040	19
8E0 837 462 B	100 909 0010	19
8E0 837 462 C	100 909 0010	19
8L3 837 462	100 909 0024	19
8P4 837 462 A	100 909 0042	20
8P4 837 462 B	100 909 0042	20
8P4 837 462 C	100 909 0042	20
4D0 898 438	112 319 0006/S	38
4D0 898 438 A	112 320 0006/S	38
4F0 898 438	112 319 0015/S	38
4F0 898 438 A	112 320 0015/S	39
4F0 898 438 B	112 320 0015/S	39
4F0 898 438 C	112 320 0015/S	39
8K0 198 381B	100 199 1004	536
058 903 133 D	100 903 0001 100 903 0011	358, 360
06B 903 133	100 020 0003	358
06B 903 133 A	100 020 0003	358
06B 903 133 E	100 020 0003	358
078 903 133 AB	100 903 0003	361
028 903 137 B	050 006 1045	384
028 903 137 BB	050 006 1045	384
028 903 137 K	050 006 0890	386
028 903 137 T	050 006 1045	384
034 903 137 B	050 004 0890	407
038 903 137 E	050 006 1660	387
038 903 137 G	050 006 0906	386
038 903 137 H	050 005 1435	386
038 903 137 J	050 006 1660	387
03F 903 137 A	050 006 1430	387
03G 903 137 A	050 006 0950	387
03G 903 137 B	050 006 1050	388
03G 903 137 E	050 006 1610 050 006 1613	379, 388
03L 903 137	050 006 1070	389
03L 903 137 A	050 006 1580	388
03L 903 137 D	050 006 1080	389
03L 903 137 G	050 006 1070	389
03L 903 137 J	050 006 1264	389
045 903 137 D	050 006 0995	390
045 903 137 E	050 006 0858	390

Ref. no.	MEYLE no.	Page
Audi		
046 903 137 A	050 006 1325	390
046 903 137 B	050 006 1705	391
046 903 137 E	050 006 1735	408
046 903 137 F	050 006 1735	408
046 903 137 M	050 006 1725	391
046 903 137 N	050 006 1345	391
047 903 137 AC	050 006 1600	392
053 903 137 A	050 004 0890	407
054 903 137 A	050 006 1295	392
054 903 137 B	050 006 1690	392
054 903 137 E	050 006 1295	392
057 903 137 C	050 006 2612	393
057 903 137 H	050 006 1623	393
057 903 137 K	050 006 1623	393
058 903 137 C	050 005 1300	395
058 903 137 E	050 005 1300	395
059 903 137 AB	050 006 2460	400
059 903 137 AC	050 006 2475	394
059 903 137 AE	050 006 2498	393
059 903 137 AG	050 006 2415	397
059 903 137 AJ	050 006 2535	394
059 903 137 AL	050 006 2523	394
059 903 137 AM	050 006 2523	394
059 903 137 AN	050 006 2535	394
059 903 137 AP	050 006 2535	394
059 903 137 H	050 006 2403	397
059 903 137 R	050 006 2475	394
059 903 137 T	050 006 2490	398
06B 903 137	050 005 1300	395
06B 903 137 A	050 005 1300	395
06B 903 137 C	050 006 1590	400
06B 903 137 E	050 005 1300	395
06B 903 137 J	050 006 1570	396
06C 903 137 C	050 006 1930	395
06C 903 137 D	050 006 1920	395
06C 903 137 E	050 006 1885	396
06D 903 137 A	050 006 1570	396
06D 903 137 C	050 006 1570	396
06D 903 137 E	050 006 1570	396
06E 903 137 A	050 006 2415	397
06E 903 137 AA	050 006 2285	396
06E 903 137 AC	050 006 2403	397
06E 903 137 AE	050 006 2475	394
06E 903 137 C	050 006 2465	397
06E 903 137 J	050 006 2415	397
06E 903 137 K	050 006 2403	397

Ref. no.	MEYLE no.	Page
Audi		
06E 903 137 N	050 006 2460	400
06E 903 137 Q	050 006 2445	398
06E 903 137 R	050 006 2490	398
06E 903 137 T	050 006 2330	399
06F 903 137 E	050 006 0900	399
06F 903 137 L	050 006 0955	399
06H 903 137 C	050 006 1590	400
06L 903 137 A	050 006 1130	400
077 903 137 B	050 006 2460	400
077 903 137 D	050 006 2460	400
077 903 137 E	050 006 2460	400
077 903 137 G	050 006 2425	401
077 903 137 H	050 006 2475	394
077 903 137 L	050 006 2475	394
077 903 137 M	050 006 2612	393
077 903 137 Q	050 006 2680	401
077 903 137 R	050 006 2612	393
078 903 137	050 006 1675	402
078 903 137 AJ	050 006 1905	402
078 903 137 AN	050 006 1637	402
078 903 137 AP	050 006 1760	403
078 903 137 AQ	050 006 1863	403
078 903 137 AR	050 006 1875	403
078 903 137 BC	050 006 1880	404
078 903 137 BD	050 006 1875	403
078 903 137 BJ	050 006 1880	404
078 903 137 BL	050 006 1856	404
078 903 137 BM	050 006 1735	408
078 903 137 C	050 006 2280	404
078 903 137 K	050 006 2260	405
078 903 137 P	050 006 2260	405
079 903 137 AJ	050 005 0985	405
079 903 137 S	050 005 1165	405
07L 903 137 C	050 005 0950	406
07L 903 137 M	050 005 0950	406
07L 903 137 T	050 005 0970	406
6Q0 903 137 A	050 006 1090	406
038 903 315 K	100 903 0006	359
06A 903 315 E	100 903 0000	359
059 903 341 A	014 009 0081	361
028 903 803 A	014 731 1090	330
068 903 803 DX	014 731 1021 014 731 1023	329
070 903 803 A	014 731 1090	330
068 905 061	100 020 1032	296
022 905 100 B	100 885 0022	304

Ref. no.	MEYLE no.	Page
Audi		
022 905 100 E	100 885 0022	304
022 905 100 H	100 885 0022	304
022 905 100 L	100 885 0022	304
022 905 100 P	100 885 0022	304
022 905 100 S	100 885 0022	304
022 905 100 T	100 885 0022	304
036 905 100 A	100 885 0040	305
036 905 100 B	100 885 0040	305
036 905 100 D	100 885 0040	305
058 905 101	100 885 0001	300
058 905 101 A	100 885 0021	299
078 905 104	100 885 0004	299
078 905 104 A	100 885 0004	299
6N0 905 104	100 905 0007	300
058 905 105	100 885 0001	300
058 905 105 A	100 885 0021	299
867 905 105 A	100 905 0007	300
032 905 106	114 885 0007	301
032 905 106 B	114 885 0007	301
032 905 106 D	114 885 0007	301
032 905 106 E	114 885 0007	301
032 905 106 F	114 885 0007	301
04E 905 110 E	100 885 0024	301
04E 905 110 K	100 885 0024	301
06H 905 110 D	100 885 0025	305
06H 905 110 E	100 885 0025	305
06H 905 110 F	100 885 0025	305
06H 905 110 G	100 885 0025	305
06A 905 115 A	114 885 0006	302
06A 905 115 B	114 885 0006	302
06A 905 115 C	114 885 0006	302
06A 905 115 D	114 885 0006	302
06B 905 115	100 885 0002	302
06B 905 115 B	100 885 0002	302
06B 905 115 E	100 885 0002	302
06B 905 115 G	114 885 0006	302
06B 905 115 H	114 885 0006	302
06B 905 115 J	114 885 0006	302
06B 905 115 L	114 885 0006	302
06B 905 115 M	114 885 0006	302
06B 905 115 N	114 885 0006	302
06B 905 115 Q	114 885 0006	302
06B 905 115 R	114 885 0006	302
06B 905 115 S	114 885 0006	302
06C 905 115 B	100 885 0007	303
06C 905 115 D	100 885 0007	303

Ref. no.	MEYLE no.	Page
Audi		
06C 905 115 E	100 885 0007	303
06C 905 115 F	100 885 0007	303
06C 905 115 G	100 885 0007	303
06C 905 115 H	100 885 0007	303
06C 905 115 K	100 885 0007	303
06C 905 115 L	100 885 0007	303
06C 905 115 M	100 885 0007	303
06F 905 115	100 905 0025	303
06F 905 115 A	100 905 0025	303
06F 905 115 B	100 905 0025	303
06F 905 115 C	100 905 0025	303
06F 905 115 D	100 905 0025	303
06F 905 115 E	100 905 0025	303
06F 905 115 F	100 905 0025	303
06F 905 115 G	100 905 0025	303
06H 905 115	100 905 0025	303
06H 905 115 A	100 905 0025	303
06H 905 115 B	100 905 0025	303
330 905 115 A	100 885 0010	304
058 905 161 B	100 899 0013	320
06A 905 161	100 899 0012	321
06A 905 161 B	100 899 0012	321
06A 905 161 C	100 899 0012	321
078 905 161 A	100 899 0014	321
078 905 161 C	100 899 0014	321
06B 905 163 A	100 899 0046	321
191 905 351 A	100 905 0005	305
191 905 351 B	100 905 0005	305
191 905 351 C	100 905 0005	305
211 905 351	100 905 0009	306
211 905 351 A	100 905 0009	306
211 905 351 B	100 905 0009	306
211 905 351 D	100 905 0009	306
211 905 351 E	100 905 0009	306
400 905 351	100 800 0074	306
800 905 351	100 800 0074	306
867 905 352	100 905 0007	300
078 905 375	100 899 0100	289
030 905 377 C	114 899 0003	309
058 905 379	100 899 0015	308
06B 905 379	100 905 0024	309
06B 905 379 A	100 905 0024	309
06B 905 379 C	100 905 0024	309
06B 905 379 D	100 905 0024	309
034 905 381	100 899 0100	289
034 905 381 A	100 899 0100	289

Ref. no.	MEYLE no.	Page
Audi		
034 905 381 B	100 899 0100	289
035 905 381 B	100 899 0100	289
078 905 381	100 899 0100	289
078 905 381 A	100 899 0100	289
022 905 715	100 885 0022	304
022 905 715 A	100 885 0022	304
022 905 715 B	100 885 0022	304
036 905 715	100 885 0040	305
036 905 715 A	100 885 0040	305
036 905 715 C	100 885 0040	305
036 905 715 E	100 885 0040	305
036 905 715 F	100 885 0040	305
036 905 715 G	100 885 0040	305
07K 905 715	100 905 0025	303
07K 905 715 A	100 905 0025	303
07K 905 715 B	100 905 0025	303
07K 905 715 C	100 905 0025	303
07K 905 715 D	100 905 0025	303
07K 905 715 E	100 905 0025	303
07K 905 715 F	100 905 0025	303
4A0 905 849 B	100 905 0000	307
4B0 905 849	100 905 0020	307
893 905 855 A	100 905 0017	6
111 905 865 L	100 905 0014	307
1K0 905 865	114 899 0007	308
1K0 905 865 A	114 899 0007	308
025 906 041 A	100 800 9050	315
036 906 051	114 899 0000	324
026 906 161	100 906 0007	316
034 906 161	100 906 0008	316
03C 906 262 AA	114 950 0000	310
03C 906 262 M	114 950 0000	310
03E 906 262 B	114 950 0000	310
03E 906 262 C	114 950 0000	310
06A 906 262 AK	100 950 0001	311
06A 906 262 BS	114 950 0000	310
030 906 265 BS	114 950 0001	311
030 906 265 BT	114 950 0001	311
032 906 265 E	114 950 0001	311
032 906 265 F	114 950 0002	310
035 906 265 B	100 900 0000	310
036 906 265	114 950 0001	311
036 906 265 C	114 950 0002	310
06A 906 265 A	114 950 0001	311
06A 906 265 AC	114 950 0001	311
06A 906 265 AM	114 950 0002	310

Ref. no.	MEYLE no.	Page
Audi		
06A 906 265 B	114 950 0001	311
06A 906 265 E	114 950 0002	310
06A 906 265 F	114 950 0001	311
06A 906 265 G	114 950 0001	311
06A 906 265 H	114 950 0001	311
06A 906 265 P	114 950 0001	311
06A 906 265 Q	114 950 0001	311
165 906 381	100 800 9009	314
1J0 906 381 A	100 830 0003	350
357 906 381 A	100 830 0003	350
1J0 906 383 C	100 830 0018	314
06A 906 433 C	100 899 0004	290
06A 906 433 E	100 899 0016	290
06A 906 433 G	100 899 0045	291
06A 906 433 K	100 899 0086	291
06A 906 433 L	100 899 0045	291
078 906 433 A	114 899 0005	293
07K 906 433 B	114 899 0006	291
038 907 281 B	114 880 0003 114 880 0010/S 114 880 0011/S 114 880 0012/S 114 880 0013/S 114 880 0014/S 114 880 0015/S	285-288
038 907 281 D	114 880 0002 114 880 0004/S	289
04L 907 281	114 880 0002 114 880 0004/S	289
04L 907 282	114 880 0003 114 880 0010/S 114 880 0011/S 114 880 0012/S 114 880 0013/S 114 880 0014/S 114 880 0015/S	285-288
04L 907 282 B	114 880 0003 114 880 0010/S	285-286
028 907 319 B	100 899 0040	292
038 907 319	100 899 0058	292
038 907 319 D	100 899 0080	293
038 907 319 E	100 899 0092	292
038 907 319 J	100 899 0080	293
1J0 907 521	100 880 0001	341
1H0 907 543 A	100 899 0095	344
1J0 907 543 A	100 899 0096	344

Ref. no.	MEYLE no.	Page
Audi		
036 907 601	100 899 0093	322
036 907 601 A	100 899 0093	322
036 907 601 B	100 899 0093	322
036 907 601 C	100 899 0093	322
036 907 601 D	100 899 0093	322
036 907 601 E	100 899 0093	322
7L0 907 637	114 527 0001	283
7L0 907 637 C	114 527 0000	284
7L5 907 637 B	114 527 0004	284
8T0 907 637	100 527 0001	284
06E 907 660	114 800 0036	323
1J0 907 660 B	114 800 0037	323
1J0 907 660 C	114 800 0035	323
1J0 907 660 F	114 800 0035	323
06D 919 031	114 820 0004	527
1J0 919 051 B	100 919 0084	505
1J0 919 051 C	100 919 0084	505
1J0 919 051 H	100 919 0084	505
028 919 081 D	100 919 0031	528
028 919 081 H	100 919 0030 100 919 0031	527-528
036 919 081 D	114 820 0001	528
038 919 081 C	100 919 0042	529
038 919 081 F	100 800 9068	529
038 919 081 G	100 800 9068	529
038 919 081 K	100 919 0042	529
038 919 081 M	100 800 9068	529
03C 919 081	114 820 0003	530
056 919 081	100 919 0025	530
068 919 081	100 919 0014	531
068 919 081 C	100 919 0029	530
068 919 081 D	100 919 0014	531
06A 919 081 D	100 919 0020	531
06A 919 081 J	100 919 0020	531
1J0 919 081	100 919 0034	532
1J0 919 087 C	100 919 0084	505
1J0 919 087 D	100 919 0084	505
1J0 919 087 H	100 919 0084	505
1J0 919 087 J	100 919 0084	505
1H0 919 149 A	100 919 0021	349
1H0 919 149 C	100 919 0022	349
1J0 919 149 A	114 800 0001	350
035 919 369 M	100 919 0013	316
191 919 369 A	100 919 0019	324
357 919 369 E	100 800 8052	325
701 919 369 C	100 800 9053	317

Ref. no.	MEYLE no.	Page
Audi		
1J0 919 379 A	100 919 0028	267
049 919 501	100 919 0015	317
049 919 501 B	100 919 0027	318
049 919 501 E	100 919 0027	318
053 919 501 A	100 919 0010	318
059 919 501	100 919 0043	318
059 919 501 A	100 919 0017	319
06A 919 501	100 919 0032	319
06A 919 501 A	100 919 0032	319
078 919 501 B	100 919 0043	318
078 919 501 C	100 919 0017	319
251 919 501 A	100 919 0024	320
251 919 501 D	100 919 0024	320
1J0 919 506 E	100 880 0019	311
1J0 919 506 H	100 880 0019	311
1J0 919 506 K	100 880 0021	312
1J0 919 506 L	100 880 0007	312
1J0 919 506 M	100 880 0000	313
086 927 321	100 899 0061	285
095 927 321	100 899 0061	285
095 927 321 A	100 899 0061	285
095 927 321 C	100 899 0061	285
1J0 927 803	100 927 0003	268
4B0 927 803	100 899 0007	268
4B0 927 803 B	100 899 0009	268
4B0 927 803 C	100 899 0008	269
4B0 927 803 E	100 899 0097	269
4E0 927 803 D	114 800 0014	270
4E0 927 803 F	114 800 0014	270
6Q0 927 803 A	100 899 0053	281
6Q0 927 803 B	100 899 0053	281
7H0 927 803	100 899 0041	278
8D0 927 803	100 899 0031	270
8D0 927 803 B	100 927 0001	270
8D0 927 803 C	100 927 0001	270
8D0 927 803 D	100 927 0001	270
8E0 927 803 A	100 899 0030	271
8E0 927 803 B	100 899 0029	271
1J0 927 804	100 927 0004	272
4E0 927 804 D	114 800 0013	272
4E0 927 804 F	114 800 0013	272
6Q0 927 804 B	100 899 0052	280
7H0 927 804	100 899 0042	277
1H0 927 807	100 927 0003	268
1J0 927 807 B	100 927 0002	272
1J0 927 807 D	100 899 0011	273

Ref. no.	MEYLE no.	Page
Audi		
1K0 927 807	100 899 0043	280
2K0 927 807	114 800 0009	282
4B0 927 807 C	100 899 0079	273
4B0 927 807 E	114 800 0004	274
4B0 927 807 J	114 800 0005	274
4B0 927 807 L	100 899 0079	273
4B0 927 807 M	114 800 0028	274
6Q0 927 807 B	100 899 0050	282
7L0 927 807 A	114 800 0021	278
7L0 927 807 B	114 800 0021	278
800 927 807 C	100 899 0010	275
800 927 807 F	114 800 0007	275
800 927 807 G	114 800 0008	275
8E0 927 807 B	114 800 0029	276
8E0 927 807 C	114 800 0030	276
8E0 927 807 E	114 800 0031	276
8E0 927 807 F	114 800 0034	277
8E0 927 807 G	114 800 0023	277
1H0 927 808	100 927 0004	272
1K0 927 808	100 899 0044	279
6Q0 927 808 B	100 899 0049	281
7L0 927 808 A	114 800 0022	278
7L0 927 808 B	114 800 0022	278
191 937 503	100 937 0001	356
111 941 583	100 941 0006	348
411 941 583 B	100 941 0006	348
8L0 941 822 A	100 941 0010	294
02K 945 415 C	114 890 0007	346
02K 945 415 E	114 890 0007	346
02T 945 415	114 890 0007	346
02T 945 415 D	114 890 0007	346
02T 945 415 P	114 890 0007	346
1C0 945 511 A	114 890 0011	330
1J0 945 511 A	100 890 0010	330
1J0 945 511 B	114 890 0011	330
1J0 945 511 C	114 890 0011	330
1J0 945 511 D	114 890 0011	330
1J0 945 511 E	114 890 0011	330
1J0 945 511 F	114 890 0011	330
1K2 945 511	114 890 0013	331
6Q0 945 511	114 890 0012	331
7L6 945 511	114 890 0014	331
113 945 515 G	100 890 0021	332
113 945 515 H	100 890 0009	332
191 945 515 B	100 945 0001	332
4A0 945 515 A	100 945 0000	333

Ref. no.	MEYLE no.	Page
Audi		
6N0 947 563	100 947 0001	349
111 951 113 B	100 800 0043	346
176 951 113	100 951 0004	347
176 951 113 A	100 951 0004	347
191 951 113 A	100 800 0043	346
192 951 117	100 951 0005	347
380 951 205 B	100 951 0005	347
387 951 205 C	100 951 0005	347
3U0 951 205 A	100 951 0005	347
010 951 206	100 951 0005	347
3U0 951 206	100 951 0005	347
3U0 951 206 A	100 951 0005	347
176 951 213	100 951 0005	347
176 951 213 A	100 951 0005	347
6K0 951 219 A	100 951 0005	347
191 951 221	100 951 0004	347
380 951 221	100 951 0004	347
431 951 221 A	100 951 0004	347
400 951 221 B	100 951 0005	347
4E0 951 221	100 951 0005	347
893 951 221	100 951 0004 100 951 0005	347
171 951 223	100 951 0005	347
1K0 951 223 A	100 951 0005	347
380 951 223	100 951 0005	347
3U0 951 223	100 951 0005	347
431 951 223 A	100 951 0005	347
400 951 223 A	100 951 0005	347
4E0 951 223	100 951 0005	347
893 951 223	100 951 0005	347
141 951 253 B	100 951 0001	357
300 951 253 A	100 830 0015	354
431 951 253 H	100 951 0001	357
443 951 253 K	100 951 0001	357
400 951 253	100 830 0019	315
4H0 951 253	114 830 0000	351
4H0 951 253 A	114 830 0002	352
4H0 951 253 C	114 830 0001	353
7M0 951 253 A	100 937 0001	356
7M0 951 253 C	100 830 0016	355
7N0 951 253	100 830 0015	354
800 951 253	100 937 0001	356
800 951 253 A	100 951 0001	357
111 953 227 D	100 953 0012	348
191 953 227	100 953 0012	348
191 953 227 A	100 953 0012	348

Ref. no.	MEYLE no.	Page
Audi		
1H0 953 227	100 953 0012	348
6U0 953 227	100 953 0012	348
4B0 953 503 E	100 953 0000	333
4B0 953 503 F	100 953 0016	333
4B0 953 503 G	100 850 0002	334
4B0 953 503 H	100 899 0036	334
4E0 953 503 B	100 850 0013	335
4E0 953 503 F	100 850 0013	335
8E0 953 503 A	100 850 0019	335
8E0 953 503 B	100 850 0021	335
8E0 953 503 C	100 850 0022	336
1K0 953 513	100 850 0004	336
1K0 953 513 E	100 850 0004	336
321 953 513	100 953 0007	337
443 953 513 H	100 953 0014	337
443 953 513 L	100 953 0014	337
4E0 953 513 E	100 850 0015	337
4E0 953 513 K	100 850 0015	337
8E0 953 513 A	100 850 0014	338
8L0 953 513 G	100 953 0020	338
8L0 953 513 J	100 953 0021	339
1K0 953 519 H	100 850 0007	339
1K0 953 519 J	100 850 0009	339
4E0 953 521	100 850 0017	340
4E0 953 521 B	100 850 0017	340
8E0 953 521 D	100 850 0016	340
1C0 955 119	100 955 0011	267
8K9 955 425	029 400 1616	24
8X3 955 425	029 380 1513	23
171 955 529	100 800 0028	345
191 955 529	100 800 0028	345
191 955 531	100 830 0014	346
171 955 651	100 955 0002	21
1K5 955 651	100 955 0006	20
1K6 955 651	100 955 0010	20
431 955 651	100 955 0002	21
4A0 955 651	100 955 0008	21
4A0 955 651 A	100 955 0012	22
4A0 955 651 B	100 955 0012	22
3B0 955 681 A	313 067 0001	16
8L0 955 711	100 899 0038	267
8L0 955 711 A	100 899 0038	267
8L0 955 711 B	100 899 0038	267
038 957 147 D	100 899 0080	293
038 957 147 F	100 899 0080	293
036 957 147 B	114 800 0033	322

Ref. no.	MEYLE no.	Page
Audi		
045 957 147	100 899 0063	293
045 957 147 A	100 899 0035	322
045 957 147 B	100 899 0035	322
045 957 147 C	100 899 0063	293
071 957 147	114 899 0005	293
4A0 959 101 A	100 959 0026	342
1H0 959 139 B	100 899 0083	344
7M3 959 139	100 899 0083	344
191 959 263	100 840 0000	343
893 959 263	100 800 0037	343
165 959 455 AB	100 236 0011	431
165 959 455 AM	100 236 0011	431
165 959 455 J	100 236 0013	431
165 959 455 K	100 236 0013	431
165 959 455 L	100 236 0013	431
191 959 455 AA	100 236 0013	431
191 959 455 J	100 236 0013	431
191 959 455 L	100 236 0013	431
191 959 455 T	100 236 0011	431
1C0 959 455 C	100 236 0007	432
1J0 959 455 B	100 236 0006	434
1J0 959 455 M	100 236 0007	432
1J0 959 455 R	100 236 0035	432
1J0 959 455 S	100 236 0024	432
1K0 959 455 DG	100 236 0003	433
1K0 959 455 DH	100 236 0050	433
1K0 959 455 EA	100 236 0051	433
1K0 959 455 ES	100 236 0003	433
1K0 959 455 ET	100 236 0050	433
1K0 959 455 P	100 236 0051	433
1K0 959 455 Q	100 236 0050	433
1K0 959 455 R	100 236 0003	433
4A0 959 455 C	120 009 0001	434
4F0 959 455	100 236 0039	434
6E0 959 455 A	100 236 0006	434
6Q0 959 455 K	100 236 0009	435
6Q0 959 455 C	100 236 0007	432
6X0 959 455 A	100 236 0009	435
6X0 959 455 F	100 236 0009	435
8D0 959 455 B	100 236 0030	435
8D0 959 455 C	100 959 0013	435
8D0 959 455 P	100 236 0022	436
8D0 959 455 R	100 236 0022	436
8E0 959 455 A	100 236 0036	436
8E0 959 455 B	100 236 0037	437
8E0 959 455 L	100 236 0036	436

Ref. no.	MEYLE no.	Page
Audi		
8E0 959 455 N	100 236 0037	437
191 959 481 A	100 959 0003	325
191 959 481 C	100 959 0003	325
1H0 959 481	100 959 0001 100 959 9001	326
1H0 959 481 B	100 959 0001 100 959 9001	326
1H0 959 481 C	100 959 0001 100 959 9001	326
1J0 959 481 A	100 959 0016	327
251 959 481	100 959 7517 100 959 8717	327-328
251 959 481 G	100 959 7517 100 959 8717	327-328
251 959 481 K	100 959 7517 100 959 8717	327-328
321 959 481 D	100 959 0003	325
867 959 481	100 959 0020	328
800 959 481 B	100 959 0010	328
4F0 959 501 E	114 880 0000	313
4F0 959 501 G	114 880 0000	313
800 959 501 D	100 880 0025	313
4A0 959 855 A	100 959 0004	345
893 959 855	100 959 0004	345
03L 963 319	100 860 0002	294
03L 963 319 A	100 860 0002	294
03L 963 319 C	100 860 0002	294
04L 963 319 B	100 860 0002	294
059 963 319 C	100 860 0002	294
059 963 319 E	100 860 0002	294
059 963 319 F	100 860 0002	294
059 963 319 H	100 860 0000	295
059 963 319 J	100 860 0002	294
059 963 319 M	100 860 0002	294
059 963 319 S	100 860 0002	294
400 997 351	100 800 0074	306
06B 998 124	100 905 0024	309
1K0 998 262	100 950 0001	311
059 998 319	100 860 0002	294
JZW 498 350 AX	100 498 0016	221
N 019 081 1	100 020 1032	296
N 019 100 1	100 020 1032	296
N 101 401 05	100 020 2022	295
N 102 130 02	100 020 1032	296
N 103 021 02	100 020 1036	296
N 105 792 02	714 860 0000	297

Ref. no.	MEYLE no.	Page
Audi		
N 105 798 02	100 860 0003	297
N 105 798 05	100 860 0007	298
N 105 798 08	100 860 0007	298
N 105 916 02	100 860 0001	298
N 105 916 03	100 860 0001	298
N 105 916 04	100 860 0008	299
N 105 916 08	100 860 0008	299
WHT 003 856	100 899 0042	277
WHT 003 856 A	114 800 0022	278
WHT 003 857	100 899 0041	278
WHT 003 857 A	114 800 0021	278
WHT 003 858	100 899 0044	279
WHT 003 858 A	114 800 0042	279
WHT 003 859	100 899 0043	280
WHT 003 859 A	114 800 0041	280
WHT 003 860	100 899 0052	280
WHT 003 861	100 899 0053	281
WHT 003 862	100 899 0049	281
WHT 003 863	100 899 0050	282
WHT 003 864	114 800 0009	282
WHT 003 864 A	114 800 0043	282
WHT 005 651	114 800 0045	283
ZBC 407 331	100 498 0016	221

Short no.	MEYLE no.	Page
Audi		
	100 151 0300/S	175
MAB0047	100 501 0007	749
MAB0050	100 501 0018	750
MAB0051	100 501 0019	750
MAB0060	100 511 0001	754
MAB0061	100 511 0002	753
MAB0062	100 511 0003	753
MAB0063	100 511 0005	753
MAB0065	100 511 0007	754
MAB0066	100 511 0009	754
MAB0068	100 710 0002	748
MAB0069	100 710 0003	749
MAB0071	100 710 0009	750
MAB0160	100 710 0036	755
MAB0161	100 710 0037	755
MAB0168	114 710 0001	749
MAB0170	100 710 0032	751
MAB0171	100 710 0033	751
MAB0178	114 710 0003	751
MAB0179	114 710 0004	752
MAB0185	100 710 0022	752
MAB0190	100 710 0023	752
MAF0078	100 321 0008	484
MAF0081	100 321 0012	489
MAF0132	112 129 0005	483
MAF0133	112 129 0006	483
MAF0135	112 129 0008	484
MAF0137	112 129 0010	484
MAF0146	112 129 0023	483
MAF0147	112 129 0031	488
MAF0151	112 129 0035	485
MAF0154	112 129 0040	485
MAF0157	112 129 0043	488
MAF0158	112 129 0044	488
MAF0161	112 133 0001	489
MAF0162	112 133 0002	489
MAF0163	112 133 0003	490
MAF0164	112 133 0005	482
MAF0166	112 321 0003	491
MAF0168	112 321 0005	486
MAF0169	112 321 0006	485
MAF0171	112 321 0008	487
MAF0177	112 321 0015	491
MAF0179	112 321 0017	491
MAF0180	112 321 0018	493
MAF0181	112 321 0019	492

Short no.	MEYLE no.	Page
Audi		
MAF0182	112 321 0020	492
MAF0184	112 321 0022	490
MAF0185	112 321 0023	486
MAF0186	112 321 0024	486
MAF0188	112 321 0026	490
MAF0189	112 321 0027	492
MAF0191	112 321 0030	487
MAF0663	112 321 0031	482
MAF0666	112 321 0033	487
MAM0018	100 505 0001	698
MAM0019	100 710 0016	698
MAM0020	100 710 0017	699
MAM0021	114 710 0000	699
MAR0046	116 030 4680	574
MAR0061	116 030 8286	572
MAR0064	116 030 8504	573
MAR0065	116 031 0000	576
MAR0069	116 031 0005	574
MAR0072	116 031 0008	575
MAR0073	116 031 0009	572
MAR0078	116 031 0016	573
MAR0081	116 031 0022	573
MAR0082	116 031 0023	574
MAR0085	116 031 0028	576
MAR0394	116 031 0015	576
MAR0495HD	116 031 0029/HD	575
MAS0037	100 899 0007	268
MAS0038	100 899 0008	269
MAS0039	100 899 0009	268
MAS0040	100 899 0010	275
MAS0041	100 899 0011	273
MAS0042	100 899 0029	271
MAS0043	100 899 0030	271
MAS0044	100 899 0031	270
MAS0045	100 899 0041	278
MAS0046	100 899 0042	277
MAS0047	100 899 0043	280
MAS0048	100 899 0044	279
MAS0049	100 899 0049	281
MAS0050	100 899 0050	282
MAS0052	100 899 0052	280
MAS0053	100 899 0053	281
MAS0063	100 899 0079	273
MAS0064	100 899 0097	269
MAS0065	100 927 0001	270
MAS0066	100 927 0002	272

Short no.	MEYLE no.	Page
Audi		
MAS0067	100 927 0003	268
MAS0068	100 927 0004	272
MAS0236	114 800 0009	282
MAS0262	114 800 0004	274
MAS0282	114 800 0005	274
MAS0284	114 800 0007	275
MAS0286	114 800 0029	276
MAS0287	114 800 0034	277
MAS0305	114 800 0023	277
MAS0306	114 800 0030	276
MAS0307	114 800 0031	276
MAS0329	114 800 0013	272
MAS0330	114 800 0014	270
MAS0337	114 800 0041	280
MAS0338	114 800 0042	279
MAS0339	114 800 0043	282
MAS0365	114 800 0008	275
MAS0366	114 800 0021	278
MAS0367	114 800 0022	278
MAS0369	114 800 0028	274
MAS0379	114 800 0045	283
MAX0100	112 330 0001/S	2
MAX0102	112 330 0003/S	1
MAX0103	112 330 0004/S	1
MAX0104	112 330 0005/S	2
MAX0106	112 330 0006/S	1
MBD0176	115 521 1002	48
MBD0177	115 521 1003	49
MBD0179	115 521 1005	62
MBD0182	115 521 1008	50
MBD0184	115 521 1010	45
MBD0185	115 521 1014	49
MBD0188	115 521 1017	68
MBD0189	115 521 1018	58
MBD0194	115 521 1024	64
MBD0197	115 521 1027	42
MBD0198	115 521 1028	65
MBD0205	115 521 1040	69
MBD0207	115 521 1044	44
MBD0208	115 521 1045	46
MBD0211	115 521 1051	59
MBD0216	115 521 1073	48
MBD0218	115 521 1075	51
MBD0221	115 521 1083	66
MBD0222	115 521 1085	60
MBD0224	115 521 1087	63

Short no.	MEYLE no.	Page
Audi		
MBD0225	115 521 1088	63
MBD0226	115 521 1094	43
MBD0227	115 521 1097	53
MBD0228	115 521 1098	54
MBD0229	115 521 1099	55
MBD0232	115 521 1103	61
MBD0233	115 521 1104	74
MBD0235	115 521 1109	52
MBD0236	115 521 1110	64
MBD0239	115 521 1117	72
MBD0256	115 523 1004	82
MBD0258	115 523 1006	84
MBD0259	115 523 1007	84
MBD0263	115 523 1013	85
MBD0277	115 523 1081	95
MBD1524PD	183 521 0001/PD	72
MBD1525PD	183 521 0002/PD	56
MBD1526PD	183 521 0003/PD	71
MBD1527PD	183 521 0007/PD	57
MBD1528PD	183 521 0008/PD	44
MBD1529PD	183 521 0022/PD	74
MBD1530PD	183 521 1010/PD	46
MBD1531PD	183 521 1017/PD	69
MBD1532PD	183 521 1018/PD	59
MBD1533PD	183 521 1027/PD	42
MBD1534PD	183 521 1040/PD	70
MBD1535PD	183 521 1044/PD	45
MBD1536PD	183 521 1045/PD	47
MBD1537PD	183 521 1049/PD	57
MBD1538PD	183 521 1051/PD	60
MBD1540PD	183 521 1083/PD	67
MBD1541PD	183 521 1085/PD	61
MBD1542PD	183 521 1094/PD	43
MBD1543PD	183 521 1097/PD	54
MBD1544PD	183 521 1098/PD	55
MBD1545PD	183 521 1099/PD	56
MBD1548PD	183 521 1103/PD	62
MBD1549PD	183 521 1104/PD	75
MBD1550PD	183 521 1106/PD	67
MBD1551PD	183 521 1109/PD	52
MBD1552PD	183 521 1117/PD	73
MBD1553PD	183 521 1118/PD	73
MBD1554PD	183 521 1123/PD	53
MBD1769PD	115 521 0028/PD	58
MBD1770	115 521 0029	47
MBD1777	115 521 0036	50



Short no.	MEYLE no.	Page
Audi		
MBD1777PD	115 521 0036/PD	51
MBD1778	115 521 0037	96
MBD1778PD	115 521 0037/PD	96
MBD1780	115 521 0039	65
MBD1780PD	115 521 0039/PD	66
MBD1782PD	115 521 0041/PD	68
MBD1783PD	115 523 0008/PD	89
MBD1784PD	115 523 0009/PD	102
MBD1785PD	115 523 0010/PD	100
MBD1786PD	115 523 0011/PD	101
MBD1787PD	115 523 0012/PD	77
MBD1788	115 523 0013	83
MBD1788PD	115 523 0013/PD	83
MBD1790	115 523 0015	85
MBD1790PD	115 523 0015/PD	86
MBD1791	115 523 0016	97
MBD1791PD	115 523 0016/PD	97
MBD1793	115 523 0018	77
MBD1793PD	115 523 0018/PD	78
MBD1796PD	115 523 0021/PD	75
MBD1797	115 523 0022	102
MBD1797PD	115 523 0022/PD	103
MBD1798	115 523 0023	86
MBD1798PD	115 523 0023/PD	87
MBD1799	115 523 0024	88
MBD1799PD	115 523 0024/PD	89
MBD1800	115 523 0025	80
MBD1800PD	115 523 0025/PD	81
MBD1801	115 523 0026	81
MBD1801PD	115 523 0026/PD	82
MBD1802	115 523 0027	91
MBD1802PD	115 523 0027/PD	92
MBD1803	115 523 0028	92
MBD1803PD	115 523 0028/PD	93
MBD1804PD	115 523 0029/PD	90
MBD1805	115 523 0030	99
MBD1805PD	115 523 0030/PD	99
MBD1806	115 523 0031	98
MBD1806PD	115 523 0031/PD	98
MBD1807PD	115 523 0032/PD	100
MBD1808PD	115 523 0033/PD	91
MBD1809PD	115 523 0034/PD	95
MBD1810PD	115 523 0035/PD	93
MBD1811PD	115 523 0036/PD	90
MBD1812	115 523 0037	76
MBD1812PD	115 523 0037/PD	76

Short no.	MEYLE no.	Page
Audi		
MBD1813	115 523 0038	78
MBD1813PD	115 523 0038/PD	79
MBD1814	115 523 0039	70
MBD1814PD	115 523 0039/PD	71
MBD1815	115 523 0040	87
MBD1815PD	115 523 0040/PD	88
MBD1816	115 523 0041	94
MBD1816PD	115 523 0041/PD	94
MBD1817PD	115 523 0042/PD	101
MBD2162	115 523 0043	79
MBD2162PD	115 523 0043/PD	80
MBH0003	014 042 0003	160
MBH0056	100 525 0001	167
MBH0061	100 525 0006	163
MBH0062	100 525 0007	154
MBH0063	100 525 0009	155
MBH0064	100 525 0010/S	155
MBH0065	100 525 0011	168
MBH0066	100 525 0012	166
MBH0072	100 525 0019/S	163
MBH0074	100 525 0021	151
MBH0075	100 525 0022	150
MBH0076	100 525 0023	154
MBH0077	100 525 0024	156
MBH0078	100 525 0025	162
MBH0080	100 525 0028	161
MBH0081	100 525 0029	153
MBH0084	100 525 0033	162
MBH0085	100 525 0033/S	162
MBH0087	100 525 0035	155
MBH0088	100 525 0036	168
MBH0090	100 525 0039	156
MBH0092	100 525 0043/S	152
MBH0093	100 525 0044	151
MBH0094	100 525 0045	168
MBH0098	100 525 0049	165
MBH0100	100 525 0051/S	150
MBH0101	100 525 0052/S	164
MBH0103	100 525 0054/S	156
MBH0104	100 525 0055/S	157
MBH0107	100 525 0058/S	159
MBH0109	100 525 0061/S	151
MBH0110	100 525 0062/S	157
MBH0111	100 525 0063/S	158
MBH0112	100 611 0000	164
MBH0114	100 611 0002	158

Short no.	MEYLE no.	Page
Audi		
MBH0118	100 611 0006	148
MBH0122	100 611 0012	159
MBH0123	100 611 0013	159
MBH0124	100 611 0016	154
MBH0126	100 611 0019	165
MBH0128	100 611 0021	153
MBH0129	100 611 0022	167
MBH0136	100 611 0040	163
MBH0137	100 611 0041	166
MBH0138	100 611 0042	152
MBH0139	100 611 0043	164
MBH0142	100 611 0046	165
MBH0143	100 611 0047	160
MBH0144	100 611 0049	152
MBH0145	100 611 0050	153
MBH0147	100 611 0053/S	148
MBH0156	100 611 0071/S	149
MBH0157	100 611 0073	158
MBH0158	100 611 0076/S	161
MBH0159	100 611 0077	160
MBH0165	100 611 0083/S	148
MBH0166	100 611 0084	166
MBH0167	100 611 0085/S	167
MBH0168	100 611 0086	161
MBH0217	114 525 0002	149
MBH0220	114 525 0005	150
MBJ0047	116 010 0000	609
MBJ0048	116 010 0005	604
MBJ0049	116 010 0007	604
MBJ0050	116 010 0008	609
MBJ0054	116 010 0015	600
MBJ0055	116 010 0016	605
MBJ0056	116 010 0017	601
MBJ0057	116 010 0018	606
MBJ0058	116 010 0019	610
MBJ0059	116 010 0022	604
MBJ0060	116 010 0023	609
MBJ0061	116 010 0024	601
MBJ0062	116 010 0025	606
MBJ0063	116 010 0033	601
MBJ0064	116 010 0034	606
MBJ0071	116 010 3030	610
MBJ0078	116 010 3915	607
MBJ0079	116 010 3916	602
MBJ0080	116 010 3917	602
MBJ0081	116 010 3918	607

Short no.	MEYLE no.	Page
Audi		
MBJ0085	116 010 7168	602
MBJ0087	116 010 7170	603
MBJ0088	116 010 7172	607
MBJ0090	116 010 7174	608
MBJ0091	116 010 7175	603
MBJ0092	116 010 7177	608
MBJ0099HD	116 010 8287/HD	600
MBJ0100HD	116 010 8288/HD	605
MBJ0432	116 010 0039	600
MBJ0433	116 010 0040	605
MBK0029	100 495 0002	179
MBK0031	100 495 0004	191
MBK0032	100 495 0005	189
MBK0033	100 495 0006	194
MBK0034	100 495 0007	187
MBK0035	100 495 0008	191
MBK0036	100 495 0009	191
MBK0037	100 495 0010	187
MBK0038	100 495 0011	194
MBK0039	100 495 0012	192
MBK0040	100 495 0013	183
MBK0041	100 495 0014	185
MBK0042	100 495 0015	182
MBK0045	100 495 0018	179
MBK0046	100 495 0019	189
MBK0048	100 495 0024	183
MBK0049	100 495 0025	184
MBK0052	100 498 0021	185
MBK0053	100 498 0024	190
MBK0054	100 498 0025	188
MBK0055	100 498 0026	189
MBK0056	100 498 0027	190
MBK0057	100 498 0028	186
MBK0059	100 498 0030	184
MBK0060	100 498 0041	178
MBK0061	100 498 0042	177
MBK0062	100 498 0043	181
MBK0063	100 498 0044	176
MBK0065	100 498 0047	186
MBK0067	100 498 0072	188
MBK0068	100 498 0073	192
MBK0070	100 498 0075	190
MBK0073	100 498 0078	186
MBK0075	100 498 0080	176
MBK0079	100 498 0085	187
MBK0080	100 498 0089	181



Short no.	MEYLE no.	Page
Audi		
MBK0081	100 498 0090	178
MBK0082	100 498 0091	193
MBK0083	100 498 0091/SK	193
MBK0085	100 498 0094	180
MBK0086	100 498 0095	177
MBK0090	100 498 0127	183
MBK0091	100 498 0129	178
MBK0092	100 498 0130	184
MBK0093	100 498 0132	177
MBK0096	100 498 0139	180
MBK0097	100 498 0208	182
MBK0099	100 498 1072	188
MBK0100	100 498 1074	180
MBK0101	100 498 1076	181
MBK0105	100 498 1085	193
MBK0107	100 498 1123	179
MBK0108	100 498 9022/R	185
MBL0021	029 400 1600	24
MBL0027	029 450 1800	25
MBL0028	029 475 1900	25
MBL0029	029 500 2000	25
MBL0030	029 530 2100	26
MBL0032	029 550 2200	26
MBL0033	029 580 2300	27
MBL0034	029 600 2400	27
MBL0036	029 650 2600	27
MBL0038	029 680 2700	28
MBL0041	029 750 3000	28
MBL0045	029 280 1210	22
MBL0048	029 330 1314	22
MBL0049	029 380 1513	23
MBL0050	029 400 1616	24
MBL0051	029 350 1415	23
MBL0053	029 375 1514	23
MBL0081	029 380 1514	24
MBP0011	025 201 6819	121
MBP0011PD	025 201 6819/PD	121
MBP0012	025 202 2815	120
MBP0022	025 205 7419	109
MBP0029	025 206 6919	108
MBP0031	025 206 7619/W	110
MBP0048	025 209 0119/W	109
MBP0057	025 209 6117	129
MBP0057PD	025 209 6117/PD	130
MBP0078	025 211 3819/W	121
MBP0082	025 211 4416	133

Short no.	MEYLE no.	Page
Audi		
MBP0082PD	025 211 4416/PD	134
MBP0095	025 212 1118	110
MBP0131	025 214 5218/W	114
MBP0132	025 214 5418/W	113
MBP0164	025 216 2419	122
MBP0164PD	025 216 2419/PD	122
MBP0224	025 219 1119	107
MBP0224PD	025 219 1119/PD	105
MBP0233	025 219 4519	123
MBP0233PD	025 219 4519/PD	124
MBP0234	025 219 4519/W	123
MBP0244	025 230 1820/W	111
MBP0267	025 231 3019/A	105
MBP0268	025 231 3119/W	104
MBP0310	025 232 8017/W	113
MBP0321	025 233 2617	132
MBP0321PD	025 233 2617/PD	133
MBP0333	025 233 9219/W	106
MBP0392	025 235 8720/W	108
MBP0393	025 235 8919	128
MBP0416	025 236 9317	118
MBP0416PD	025 236 9317/PD	120
MBP0417	025 236 9417	138
MBP0417PD	025 236 9417/PD	139
MBP0444	025 237 6220/W	112
MBP0452	025 238 0120/W	106
MBP0467	025 238 9620/W	115
MBP0470	025 239 1417	130
MBP0470PD	025 239 1417/PD	131
MBP0483	025 239 5020/W	116
MBP0525	025 240 9817	124
MBP0525PD	025 240 9817/PD	125
MBP0560	025 242 9616	137
MBP0560PD	025 242 9616/PD	138
MBP0573	025 243 3219/W	119
MBP0602	025 244 8317	131
MBP0602PD	025 244 8317/PD	132
MBP0629	025 245 6317	136
MBP0629PD	025 245 6317/PD	136
MBP0637	025 246 0617/K1	140
MBP0638	025 246 0617/K2	141
MBP0639	025 246 0617/W	135
MBP0657	025 247 0520/W	125
MBP0662	025 247 4319/W	117
MBP0684	025 250 0816	137
MBP0684PD	025 250 0816/PD	137

Short no.	MEYLE no.	Page
Audi		
MBP0757PD	025 206 7619/PD	110
MBP0765PD	025 214 5218/PD	114
MBP0766PD	025 214 5418/PD	112
MBP0776PD	025 230 1820/PD	111
MBP0780PD	025 231 3019/PD	103
MBP0781PD	025 231 3119/PD	104
MBP0797PD	025 235 8720/PD	107
MBP0806PD	025 238 9620/PD	115
MBP0808PD	025 239 5020/PD	116
MBP0819PD	025 261 5820/PD	117
MBP0825PD	025 219 4519-1/PD	123
MBP0830PD	025 243 3219/PD	118
MBP0832PD	025 246 0617-1/PD	139
MBP0833PD	025 246 0617-2/PD	140
MBP0834PD	025 246 0617/PD	134
MBP0836PD	025 247 0520/PD	125
MBP0837PD	025 247 4319/PD	126
MBP0843	025 256 8320	127
MBP0843PD	025 256 8320/PD	128
MBP0848	025 256 4316	126
MBP0848PD	025 256 4316/PD	127
MBP1577	025 251 1720/W	128
MBP1599	025 220 3517	119
MBP1620PD	025 233 9219/PD	105
MBP1738	025 242 6118	135
MBP1740	025 246 4317	135
MBS0020	114 042 0502	146
MBS0021	114 042 0601	145
MBS0024	114 042 1101	147
MBS0026	114 533 0003/K	146
MBS0027	114 533 0004/K	145
MBS0029	114 533 0006/K	147
MBT0023	100 020 0001	358
MBT0024	100 020 0003	358
MBT0028	100 903 0000	359
MBT0029	100 903 0006	359
MBT0031	100 903 0011	358
MBX0010	014 698 0006	141
MBX0011	014 698 0006/S	142
MBX0141	100 532 0001	169
MBX0142	100 532 0003	171
MBX0143	100 532 0004	171
MBX0144	100 532 0005	170
MBX0145	100 532 0006	170
MBX0146	100 532 0007	169
MBX0148	100 611 0035	169

Short no.	MEYLE no.	Page
Audi		
MBX0150	100 611 0070	174
MBX0152	100 611 0075	171
MBX0155	100 698 0006	142
MBX0156	100 698 0008	141
MBX0160	114 532 0008	170
MCA0129	116 035 0000	659
MCA0130	116 039 8243	659
MCA0131HD	116 050 0000/HD	666
MCA0132HD	116 050 0002/HD	619
MCA0133HD	116 050 0003/HD	631
MCA0138HD	116 050 0009/HD	615
MCA0139HD	116 050 0010/HD	616
MCA0142HD	116 050 0015/HD	646
MCA0143HD	116 050 0016/HD	648
MCA0144	116 050 0017	610
MCA0147	116 050 0025	621
MCA0148	116 050 0026	634
MCA0150HD	116 050 0031/HD	622
MCA0151HD	116 050 0032/HD	617
MCA0152HD	116 050 0033/HD	630
MCA0153HD	116 050 0042/HD	639
MCA0154HD	116 050 0043/HD	624
MCA0155HD	116 050 0044/HD	650
MCA0156HD	116 050 0048/HD	652
MCA0158HD	116 050 0058/HD	622
MCA0161HD	116 050 0063/HD	642
MCA0162HD	116 050 0064/HD	655
MCA0163HD	116 050 0065/HD	650
MCA0164HD	116 050 0066/HD	654
MCA0165HD	116 050 0067/HD	623
MCA0167HD	116 050 0072/HD	620
MCA0168HD	116 050 0073/HD	657
MCA0172	116 050 0079	662
MCA0173	116 050 0080	660
MCA0174	116 050 0081	661
MCA0179	116 050 0092	627
MCA0182	116 050 0096	625
MCA0183	116 050 0097	636
MCA0184	116 050 0098	630
MCA0185	116 050 0099	638
MCA0188HD	116 050 0103/HD	625
MCA0189HD	116 050 0104/HD	635
MCA0194	116 050 0121	664
MCA0195	116 050 0122	664
MCA0196HD	116 050 0131/HD	614
MCA0197HD	116 050 0132/HD	612

Short no.	MEYLE no.	Page
Audi		
MCA0198HD	116 050 0133/HD	613
MCA0199HD	116 050 0134/HD	614
MCA0200	116 050 0137	628
MCA0201	116 050 0138	628
MCA0202HD	116 050 0154/HD	613
MCA0203HD	116 050 0155/HD	615
MCA0204	116 050 0156	616
MCA0207	116 050 0164	659
MCA0208HD	116 050 0165/HD	649
MCA0209HD	116 050 0166/HD	647
MCA0210HD	116 050 0167/HD	644
MCA0211HD	116 050 0168/HD	641
MCA0212HD	116 050 0169/HD	637
MCA0213HD	116 050 0170/HD	629
MCA0214HD	116 050 0171/HD	658
MCA0215HD	116 050 0172/HD	654
MCA0216HD	116 050 0173/HD	658
MCA0217HD	116 050 0174/HD	653
MCA0223	116 050 3910	620
MCA0224	116 050 3911	633
MCA0225HD	116 050 8200/HD	621
MCA0226HD	116 050 8201/HD	634
MCA0227HD	116 050 8228/HD	627
MCA0228HD	116 050 8239/HD	638
MCA0231HD	116 050 8292/HD	645
MCA0232HD	116 050 8293/HD	648
MCA0233HD	116 050 8297/HD	641
MCA0234HD	116 050 8298/HD	644
MCA0235HD	116 050 8299/HD	652
MCA0236HD	116 050 8300/HD	656
MCA0800	116 050 0079/S	663
MCA0802HD	116 050 0129/HD	651
MCA0803HD	116 050 0130/HD	655
MCA0822HD	116 050 0181/HD	618
MCA0823HD	116 050 0182/HD	632
MCA0868	116 050 0080/S	660
MCA0869	116 050 0081/S	662
MCA0870	116 050 0101	611
MCA0946	116 050 0105	663
MCA0947	116 050 0106	664
MCA0950HD	116 050 0186/HD	666
MCA0951HD	116 050 0187/HD	665
MCA0983	116 050 0017/S	611
MCA0984	116 050 0101/S	612
MCA0985HD	116 050 0139/HD	653
MCA0986HD	116 050 0140/HD	657

Short no.	MEYLE no.	Page
Audi		
MCA1000	116 050 0096/S	626
MCA1001	116 050 0097/S	636
MCA1007HD	116 050 0145/HD	640
MCA1008HD	116 050 0146/HD	643
MCA1009HD	116 050 0147/HD	646
MCA1010HD	116 050 0148/HD	649
MCA1013	116 050 0123/S	624
MCA1014	116 050 0124/S	635
MCA1027HD	116 050 0143/HD	661
MCA1028HD	116 050 0144/HD	662
MCA1063	116 050 0197	619
MCA1064	116 050 0198	632
MCA1065	116 050 0199	617
MCA1066	116 050 0200	631
MCA1067	116 050 0203	667
MCA1068	116 050 0205	626
MCA1069	116 050 0206	647
MCA1070	116 050 0207	645
MCA1071	116 050 0208	643
MCA1072	116 050 0209	640
MCA1073	116 050 0210	656
MCA1074	116 050 0211	651
MCA1075	116 050 0212	623
MCA1076	116 050 0213	639
MCA1077	116 050 0214	642
MCA1078	116 050 0215	618
MCA1079	116 050 0216	633
MCA1112	116 050 0185	665
MCA1128HD	116 050 0224/HD	629
MCA1129HD	116 050 0225/HD	637
MCB0040HD	100 407 0001/HD	671
MCB0041	100 407 0001	668
MCB0045HD	100 407 0013/HD	669
MCB0046	100 407 0014	676
MCB0047	100 407 0015	673
MCB0048HD	100 407 0017/HD	676
MCB0049	100 407 0017/S	677
MCB0050HD	100 407 0022/HD	673
MCB0051HD	100 407 0024/HD	680
MCB0052HD	100 407 0025/HD	681
MCB0053HD	100 407 0026/HD	672
MCB0057	100 407 0040	671
MCB0059HD	100 407 0042/HD	671
MCB0060	100 407 0043	668
MCB0061HD	100 407 0047/HD	669
MCB0069HD	100 407 0060/HD	677

Short no.	MEYLE no.	Page
Audi		
MCB0071HD	100 407 0070/HD	681
MCB0072HD	100 407 0073/HD	670
MCB0073	100 407 0075	675
MCB0074	100 407 0082	672
MCB0077	100 407 0086	673
MCB0078	100 407 0089	676
MCB0082HD	100 407 0095/HD	678
MCB0085	100 501 0023	682
MCB0086	100 505 0006	685
MCB0087	100 505 0007	685
MCB0088	100 505 0008	684
MCB0089	100 505 0011	686
MCB0090	100 505 0016	684
MCB0091	100 505 0017	683
MCB0092	100 505 0018	683
MCB0093	100 505 0020	683
MCB0094	100 511 0004	687
MCB0095HD	100 610 0003/HD	670
MCB0096HD	100 610 0004/HD	674
MCB0099HD	100 610 0010/HD	674
MCB0100	100 610 0011	679
MCB0101	100 610 0012	682
MCB0102	100 610 0015	668
MCB0103HD	100 610 0018/HD	678
MCB0105	100 610 0021	675
MCB0107HD	100 610 0024/HD	675
MCB0108HD	100 610 0027/HD	667
MCB0110	100 710 0012	686
MCB0111	100 710 0013	686
MCB0112	100 711 0017	682
MCB0389	100 610 0036	678
MCB0390	100 610 0038	679
MCB0390HD	100 610 0038/HD	680
MCB0395	100 710 0035	684
MCB0441	100 610 0043	667
MCB0445	100 710 0038	687
MCB0446	114 610 0000	679
MCF0076	112 319 0001	34
MCF0077	112 319 0002	32
MCF0078	112 319 0003	37
MCF0079	112 319 0004	32
MCF0080	112 319 0005	37
MCF0081	112 319 0006/S	38
MCF0085	112 319 0011	35
MCF0086	112 319 0012	33
MCF0087	112 319 0015/S	38

Short no.	MEYLE no.	Page
Audi		
MCF0088	112 319 0020	33
MCF0090	112 319 1005	29
MCF0091	112 320 0001	29
MCF0092	112 320 0002	29
MCF0093	112 320 0003	36
MCF0094	112 320 0004	30
MCF0096	112 320 0006/S	38
MCF0098	112 320 0010	30
MCF0099	112 320 0011	35
MCF0100	112 320 0012	34
MCF0102	112 320 0015/S	39
MCF0103	112 320 0016	31
MCF0104	112 320 0017	31
MCF0106	112 320 0019	35
MCF0107	112 320 0020	33
MCF0109	112 320 0022	36
MCF0110	112 320 1001	34
MCF0440	112 319 0023	37
MCF0441	112 320 0023	36
MCF0463	112 319 0024	31
MCF0464	112 320 0024	32
MCK0004HD	116 050 0022/HD	697
MCK0005HD	116 050 0029/HD	692
MCK0006HD	116 050 0030/HD	693
MCK0008HD	116 050 0041/HD	689
MCK0010HD	116 050 0083/HD	694
MCK0011HD	116 050 0085/HD	695
MCK0013HD	116 050 0087/HD	690
MCK0014HD	116 050 0095/HD	691
MCK0046HD	116 050 0194/HD	688
MCK0047	116 050 0190/S	687
MCK0048	116 050 0191/S	688
MCK0050HD	116 050 0222/HD	696
MCK0051HD	116 050 0223/HD	697
MCM0003HD	100 199 0085/HD	699
MCM0004HD	100 199 0086/HD	701
MCM0009	100 505 0004	703
MCM0010	100 505 0005	703
MCM0011	100 505 0014	703
MCM0012	100 505 0015	702
MCM0014HD	100 610 0014/HD	700
MCM0015	100 610 0017	702
MCM0016	100 610 0028	701
MCM0150HD	114 711 0000/HD	704
MCM0156	100 610 0041	700
MCM0157	100 610 0042	702

Short no.	MEYLE no.	Page
Audi		
MCM0158	100 610 0044	701
MCR0017HD	100 610 0037/HD	706
MCR0018HD	100 610 0085/HD	705
MCR0019HD	100 610 0086/HD	707
MCR0033	100 610 0045	705
MCR0034	100 610 0046	706
MCS0109	100 639 0003	768
MCS0111	100 639 0005	771
MCS0114	100 639 0008	770
MCS0128	100 639 0022	767
MCS0133	100 639 0027	770
MCS0134	100 639 0028	771
MCS0137	100 639 0031	769
MCS0138	100 639 0032	769
MCS0145	100 639 0039	772
MCS0146	100 639 0040	769
MCS0147	100 639 0041	772
MCS0148	100 639 0042	772
MCS0149	100 639 0043	768
MCS0150	100 639 0044	768
MCS0152	100 639 0046	770
MCS0153	100 639 0047	771
MCS0159	100 739 0002	773
MCS0160	100 739 0003	774
MCS0161	100 739 0004	777
MCS0166	100 739 0009	778
MCS0171	100 739 0014	779
MCS0172	100 739 0015	779
MCS0173	100 739 0016	777
MCS0186	100 739 0029	775
MCS0188	100 739 0031	775
MCS0189	100 739 0032	775
MCS0190	100 739 0033	776
MCS0193	100 739 0036	774
MCS0194	100 739 0037	777
MCS0195	100 739 0038	774
MCS0197	100 739 0040	778
MCS0198	100 739 0041	779
MCS0199	100 739 0042	780
MCS0201	100 739 0044	778
MCS0202	100 739 0045	780
MCS0203	100 739 0046	780
MCS0204	100 739 0047	773
MCS0205	100 739 0048	773
MCS0207	100 739 0050	776
MCS0208	100 739 0051	776

Short no.	MEYLE no.	Page
Audi		
MCV0013	100 498 0014	215
MCV0014	100 498 0015	215
MCV0015	100 498 0016	221
MCV0017	100 498 0018	220
MCV0020	100 498 0051	223
MCV0021	100 498 0052	206
MCV0026	100 498 0057	216
MCV0027	100 498 0058	207
MCV0029	100 498 0061	208
MCV0030	100 498 0062	222
MCV0031	100 498 0063	210
MCV0032	100 498 0064	211
MCV0036	100 498 0069	217
MCV0038	100 498 0086	210
MCV0039	100 498 0088	208
MCV0040	100 498 0100	208
MCV0041	100 498 0102	215
MCV0042	100 498 0105	209
MCV0043	100 498 0108	209
MCV0044	100 498 0112	213
MCV0046	100 498 0114	222
MCV0047	100 498 0116	210
MCV0048	100 498 0117	213
MCV0049	100 498 0118	213
MCV0050	100 498 0119	214
MCV0052	100 498 0121	206
MCV0054	100 498 0152	212
MCV0055	100 498 0153	214
MCV0059	100 498 0157	214
MCV0061	100 498 0180	217
MCV0062	100 498 0181	216
MCV0063	100 498 0182	220
MCV0068	100 498 0190	218
MCV0070	100 498 0193	207
MCV0071	100 498 0195	206
MCV0073	100 498 0197	222
MCV0077	100 498 0202	219
MCV0078	100 498 0203	220
MCV0079	100 498 0204	211
MCV0080	100 498 0205	223
MCV0081	100 498 0206	217
MCV0082	100 498 0209	221
MCV0083	100 498 0238	218
MCV0084	100 498 0239	219
MCV0085	100 498 0240	219
MCV0086	100 498 0241	212

Short no.	MEYLE no.	Page
Audi		
MCV0397	100 498 0212	212
MCX0140	100 199 0063	757
MCX0141	100 399 0020	716
MCX0146	100 411 0044	717
MCX0147	100 411 0053	716
MCX0149	100 412 0013	786
MCX0150	100 412 0022	817
MCX0151	100 412 0042	786
MCX0152	100 412 0044	816
MCX0154	100 413 0000	787
MCX0155	100 501 0008	830
MCX0156HD	100 505 0009/HD	758
MCX0157HD	100 505 0010/HD	758
MCX0158	100 511 0016	717
MCX0162	100 513 0003	788
MCX0163	100 513 0006	788
MCX0164	100 513 0007	788
MCX0166HD	100 610 0000/HD	704
MCX0167	100 614 0000	830
MCX0168	100 614 0001	831
MCX0169	100 614 0002	830
MCX0174	100 643 0003	787
MCX0176HD	100 653 0003/HD	744
MCX0177HD	100 653 0004/HD	744
MCX0178	100 654 0000	705
MCX0181	100 743 0002	787
MCX0182	100 752 0006	829
MCX0193	116 010 0006	829
MCX0363HD	100 653 0005/HD	743
MCX0364HD	100 653 0007/HD	744
MCX0365HD	100 653 0009/HD	743
MCX0366	100 653 0011	745
MCX0367	100 653 0013	746
MCX0368	100 653 0015	747
MCX0369	100 653 0017	746
MCX0371	100 653 0021	745
MCX0373	100 653 0025	745
MCX0376	100 653 0031	746
MCX0521	100 641 2041	789
MCX0555	100 641 2040	790
MCX0560	100 412 2038/S	790
MCX0565	100 412 2019/S	789
MDM0107	100 151 0100/S	175
MDM0108	100 151 0200/S	175
MDR0010	115 523 1010	143
MDR0012	115 523 1015	143

Short no.	MEYLE no.	Page
Audi		
MDR0014	115 523 1035	145
MDR0018	115 523 1108	144
MDR0019	115 523 1113	144
MDS0003	100 498 0140	197
MDS0004	100 498 0141	201
MDS0007	100 498 0145	205
MDS0008	100 498 0146	205
MDS0009	100 498 0147	204
MDS0010	100 498 0148	200
MDS0065	100 498 0610	198
MDS0066	100 498 0612	204
MDS0067	100 498 0613	202
MDS0071	100 498 0627	196
MDS0074	100 498 0637	197
MDS0075	100 498 0649	201
MDS0077	100 498 0652	196
MDS0080	100 498 0666	199
MDS0082	100 498 0668	198
MDS0083	100 498 0671	203
MDS0085	100 498 0684	202
MDS0086	100 498 0685	201
MDS0087	100 498 0686	200
MDS0089	100 498 0696	204
MDS0090	100 498 0698	203
MDS0092	100 498 0706	199
MDS0160	100 498 0260	199
MEM0132	100 199 0011	545
MEM0137	100 199 0017	545
MEM0138	100 199 0018	541
MEM0152	100 199 0040	543
MEM0157	100 199 0045	239, 246, 553
MEM0157	100 199 0045	239, 246, 553
MEM0157	100 199 0045	239, 246, 553
MEM0158	100 199 0046	543
MEM0160	100 199 0048	547
MEM0161	100 199 0049	541
MEM0163	100 199 0051	542
MEM0165	100 199 0053	238, 244, 548
MEM0165	100 199 0053	238, 244, 548
MEM0165	100 199 0053	238, 244, 548
MEM0166	100 199 0056	543
MEM0171	100 199 0068	548
MEM0172	100 199 0069	549
MEM0180	100 199 0083	544
MEM0181	100 199 0084	544
MEM0183	100 199 0092	546

Short no.	MEYLE no.	Page
Audi		
MEM0186	100 199 0095	551
MEM0187	100 199 0096	239, 244, 551
MEM0187	100 199 0096	239, 244, 551
MEM0187	100 199 0096	239, 244, 551
MEM0190	100 199 0099	550
MEM0198	100 199 0108	540
MEM0202	100 199 0112	539
MEM0203	100 199 0113	541
MEM0209	100 199 0122	540
MEM0210	100 199 0123	546
MEM0213	100 199 0129	238, 243, 539
MEM0213	100 199 0129	238, 243, 539
MEM0213	100 199 0129	238, 243, 539
MEM0213	100 199 0129	238, 243, 539
MEM0217	100 199 0134	542
MEM0222	100 199 0143	555
MEM0230	100 199 0161	557, 762
MEM0230	100 199 0161	557, 762
MEM0231	100 199 0162	558, 762
MEM0231	100 199 0162	558, 762
MEM0232	100 199 0173	542
MEM0233	100 199 0174	545
MEM0234	100 199 0176	546
MEM0235	100 199 0178	554
MEM0236	100 199 0179	544
MEM0237	100 199 0180	547
MEM0239	100 199 0184	244, 549
MEM0239	100 199 0184	244, 549
MEM0242	100 199 0189	547
MEM0243	100 199 0192	548
MEM0244	100 199 0217	540
MEM0245	100 399 0035	247, 558, 763
MEM0245	100 399 0035	247, 558, 763
MEM0245	100 399 0035	247, 558, 763
MEM0586	100 199 0160	554
MEM0605	100 199 0215	538
MEM0608	100 199 0200	552
MEM0609	100 199 0203	552
MEM0610	100 199 0204	245, 551
MEM0610	100 199 0204	245, 551
MEM0611	100 199 0205	245, 552
MEM0611	100 199 0205	245, 552
MEM0619	100 199 0195	555
MEM0626	100 199 1003	535
MEM0629	100 199 1001	535
MEM0636	100 199 1002	535
MEM0645	100 199 1004	536

Short no.	MEYLE no.	Page
Audi		
MEM0646	100 199 1005	536
MEM0650	100 199 0142	246, 555
MEM0650	100 199 0142	246, 555
MEM0671	100 199 0311	557
MEM0672	100 199 0312	558
MEM0687	100 199 1041	539
MEM0701	100 199 1098	550
MEM0705	100 199 0167	556
MEM0707	100 199 0209	556
MEM0719	100 199 1007	537
MEM0720	100 199 1009	537
MEM0721	100 199 1010	537
MEM0732	100 199 0194	238
MEM0738	100 199 1052	550
MEM0740	100 199 1054	549
MEM0742	100 199 1056	557
MEM0744	100 199 1020	534, 760
MEM0744	100 199 1020	534, 760
MEM0745	100 199 1021	534
MEM0746	100 199 1040	554
MEM0747	100 199 1057	556
MEM0757	100 199 0190	538
MEM0794	100 199 1185	538
MET0023	100 121 0032	425
MET0027	100 121 0041	424
MET0028	100 121 0061	425
MET0029	100 121 0064	425
MET0030	100 121 1064	423
MET0031	100 223 0000	426
MET0032	100 223 0001	426
MET0033	100 223 0002	424
MET0034	100 223 0003	426
MET0036	100 223 0006	424
MET0081	100 223 0008	427
MET0082	100 223 0009	427
MEX0039	014 731 1021	329
MEX0040	014 731 1023	329
MEX0041	014 731 1090	330
MEX0162	100 236 0001	342
MEX0165	100 236 0029	341
MEX0166	100 236 0031	341
MEX0171	100 800 0028	345
MEX0178	100 800 0037	343
MEX0179	100 800 0043	346
MEX0182	100 800 0074	306
MEX0183	100 800 8052	325

Short no.	MEYLE no.	Page
Audi		
MEX0184	100 800 9009	314
MEX0185	100 800 9050	315
MEX0186	100 800 9053	317
MEX0191	100 810 0009	343
MEX0193	100 830 0003	350
MEX0196	100 830 0014	346
MEX0197	100 830 0015	354
MEX0198	100 830 0016	355
MEX0199	100 830 0018	314
MEX0200	100 830 0019	315
MEX0203	100 840 0000	343
MEX0206	100 880 0000	313
MEX0207	100 880 0001	341
MEX0210	100 880 0007	312
MEX0212	100 880 0019	311
MEX0214	100 880 0021	312
MEX0218	100 880 0025	313
MEX0229	100 890 0009	332
MEX0230	100 890 0010	330
MEX0237	100 890 0021	332
MEX0240	100 899 0012	321
MEX0241	100 899 0013	320
MEX0242	100 899 0014	321
MEX0243	100 899 0015	308
MEX0249	100 899 0035	322
MEX0250	100 899 0038	267
MEX0251	100 899 0046	321
MEX0254	100 899 0061	285
MEX0257	100 899 0083	344
MEX0261	100 899 0093	322
MEX0263	100 899 0095	344
MEX0264	100 899 0096	344
MEX0265	100 900 0000	310
MEX0267	100 905 0000	307
MEX0268	100 905 0005	305
MEX0270	100 905 0009	306
MEX0272	100 905 0014	307
MEX0273	100 905 0020	307
MEX0274	100 905 0024	309
MEX0276	100 906 0007	316
MEX0277	100 906 0008	316
MEX0284	100 919 0010	318
MEX0285	100 919 0013	316
MEX0286	100 919 0015	317
MEX0287	100 919 0017	319
MEX0288	100 919 0019	324

Short no.	MEYLE no.	Page
Audi		
MEX0289	100 919 0021	349
MEX0291	100 919 0024	320
MEX0293	100 919 0027	318
MEX0294	100 919 0028	267
MEX0295	100 919 0032	319
MEX0297	100 919 0043	318
MEX0300	100 937 0001	356
MEX0305	100 941 0006	348
MEX0308	100 941 0010	294
MEX0309	100 945 0000	333
MEX0310	100 945 0001	332
MEX0313	100 947 0001	349
MEX0314	100 950 0001	311
MEX0315	100 951 0001	357
MEX0316	100 951 0004	347
MEX0317	100 951 0005	347
MEX0319	100 953 0012	348
MEX0321	100 955 0011	267
MEX0322	100 959 0001	326
MEX0324	100 959 0003	325
MEX0325	100 959 0004	345
MEX0327	100 959 0010	328
MEX0329	100 959 0016	327
MEX0332	100 959 0020	328
MEX0333	100 959 0026	342
MEX0334	100 959 7517	327
MEX0335	100 959 8717	328
MEX0336	100 959 9001	326
MEX0338	114 800 0001	350
MEX0340	114 820 0000	342
MEX0341	114 830 0000	351
MEX0342	114 830 0001	353
MEX0343	114 830 0002	352
MEX0344	114 880 0000	313
MEX0349	114 890 0007	346
MEX0352	114 899 0000	324
MEX0353	114 899 0003	309
MEX0485	114 890 0011	330
MEX0489	114 950 0000	310
MEX0490	114 950 0001	311
MEX0491	114 950 0002	310
MEX0496	114 800 0035	323
MEX0497	114 800 0036	323
MEX0498	114 800 0037	323
MEX0509	114 880 0002	289
MEX0510	114 880 0003	285



Short no.	MEYLE no.	Page
Audi		
MEX0511	114 880 0004/S	289
MEX0517	114 880 0010/S	286
MEX0518	114 880 0011/S	286
MEX0519	114 880 0012/S	287
MEX0520	114 880 0013/S	287
MEX0521	114 880 0014/S	288
MEX0522	114 880 0015/S	288
MEX0586	114 800 0033	322
MEX0604	114 890 0012	331
MEX0605	114 890 0013	331
MEX0606	114 890 0014	331
MEX0608	114 899 0007	308
MEX0620	100 919 0022	349
MFC0033	100 121 0036	430
MFC0034	100 121 0037	430
MFC0035	100 121 0038	430
MFF0029	100 127 0005	493
MFF0031	100 127 0007	495
MFF0032	100 127 0008	499
MFF0036	100 127 0013	499
MFF0038	100 133 0006	500
MFF0041	100 133 0009	500
MFF0043	100 201 0000	503
MFF0044	100 201 0001	503
MFF0046	100 201 0007	502
MFF0047	100 201 0010	503
MFF0049	100 201 0012	497
MFF0050	100 201 0013	504
MFF0053	100 323 0003	502
MFF0054	100 323 0004	498
MFF0055	100 323 0005	498
MFF0056	100 323 0007	501
MFF0058	100 323 0009	500
MFF0059	100 323 0011	501
MFF0062	100 323 0014	498
MFF0064	100 323 0017	497
MFF0065	100 323 0018	504
MFF0067	100 323 0021	496
MFF0072	114 323 0000	499
MFF0074	114 323 0002	496
MFF0075	114 323 0003	497
MFF0076	114 323 0004	494
MFF0077	114 323 0005	495
MFF0146	314 133 2108	502
MFF0231	100 323 0025	495
MFF0236	114 323 0006	493

Short no.	MEYLE no.	Page
Audi		
MFF0251	114 323 0007	496
MFF0258	100 323 0027	494
MFF0259	100 323 0024	494
MFK0022	100 505 1008/S	759
MFK0023	100 710 0000/S	759
MFK0030	114 710 0001/S	759
MFL0005	100 121 0015	421
MFL0010	100 121 0052	413
MFL0011	100 121 0053	414
MFL0013	100 121 0055	421
MFL0015	100 121 0057	416
MFL0016	100 121 0058	418
MFL0017	100 121 0059	419
MFL0018	100 121 0059/C	419
MFL0021	100 121 0068	418
MFL0023	100 121 0073/S	415
MFL0025	100 121 0077	421
MFL0026	100 121 0078	422
MFL0027	100 121 0106	420
MFL0028	100 121 0112	418
MFL0029	100 121 0113	417
MFL0033	100 121 1026	415
MFL0034	100 121 1027	414
MFL0037	100 121 1050	417
MFL0038	100 121 1050/S	417
MFL0039	100 121 1051	413
MFL0042	100 121 1054	415
MFL0043	100 121 1055	416
MFL0046	100 121 1058	420
MFL0049	100 121 1060	422
MFL0050	100 121 1062	416
MFL0051	100 121 1065	412
MFL0052	100 121 1067	414
MFL0053	100 121 1068	420
MFL0057	100 226 0005	412
MFL0059	100 226 0012	419
MFL0067	114 226 0001	413
MFL0068	114 226 0003	422
MF00001	100 199 0022	758, 767
MF00001	100 199 0022	758, 767
MF00002	100 199 0023	756, 761
MF00002	100 199 0023	756, 761
MF00003	100 199 0032	755, 760
MF00003	100 199 0032	755, 760
MF00004	100 199 0033	760
MF00006	100 199 0055	756, 761

Short no.	MEYLE no.	Page
Audi		
MFM0006	100 199 0055	756, 761
MFM0007	100 199 0067	756, 761
MFM0007	100 199 0067	756, 761
MFM0008	100 399 0016	757, 765
MFM0008	100 399 0016	757, 765
MFM0009	100 399 0017	757, 766
MFM0009	100 399 0017	757, 766
MFM0010	100 399 0033	242, 249, 763
MFM0010	100 399 0033	242, 249, 763
MFM0010	100 399 0033	242, 249, 763
MFM0011	100 399 0034	241, 249, 763
MFM0011	100 399 0034	241, 249, 763
MFM0011	100 399 0034	241, 249, 763
MFM0012	100 399 0036	252, 255, 764
MFM0012	100 399 0036	252, 255, 764
MFM0012	100 399 0036	252, 255, 764
MFM0014	100 710 0007	767
MFP0015	100 127 0003	504
MFP0043	100 919 0084	505
MGP0015	100 020 1032	296
MGP0016	100 020 1036	296
MGP0017	100 020 2022	295
MGP0018	100 860 0000	295
MGP0019	100 860 0001	298
MGP0020	100 860 0002	294
MGP0021	100 860 0003	297
MGP0091	714 860 0000	297
MGP0108	100 860 0008	299
MGP0110	100 860 0007	298
MHF0010	100 136 0001	235
MHF0011	100 136 0002	237
MHF0012	100 136 0003	233
MHF0013	100 136 0004	233
MHF0014	100 136 0006	237
MHF0015	100 136 0008	233
MHF0016	100 136 0009	236
MHF0017	100 136 0011	236
MHF0018	100 325 0001	234
MHF0019	100 325 0002	234
MHF0020	100 325 0005	234
MHF0022	100 325 0007	235
MHF0023	100 325 0008	237
MHF0026	100 325 0011	236
MHF0045	100 136 0010	235
MHH0019	159 202 0005	566
MHH0021	159 630 0001	565

Short no.	MEYLE no.	Page
Audi		
MHH0046	159 203 0000	565
MHH0053	159 202 0002	566
MHH0080	159 202 0004	564
MHH0081	159 203 0001	565
MHK0011	100 137 0001	228
MHK0012	100 137 0002	231
MHK0013	100 137 0003	230
MHK0014	100 137 0006	232
MHK0015	100 137 0008	225
MHK0016	100 137 0009	230
MHK0017	100 137 0010	231
MHK0018	100 398 0000	232
MHK0020	100 398 0002	228
MHK0021	100 398 0003	227
MHK0022	100 398 0004	231
MHK0023	100 398 0006	226
MHK0025	100 398 0009	226
MHK0026	100 398 0010	227
MHK0046	100 137 1003	225
MHK0047	100 137 1004	225
MHK0053	100 137 0012	229
MHK0058	100 137 0111	229
MHK0059	100 137 0112	229
MHP0026	114 631 0003	563
MHP0028	114 631 0005	560
MHP0029	114 631 0006	563
MHP0030	114 631 0007	563
MHP0040	114 631 0017	560
MHP0041	114 631 0018	561
MHP0042	114 631 0019	562
MHP0043	114 631 0020	561
MHP0044	114 631 0021	562
MHP0047	114 631 0024	561
MHP0051	114 631 0031	562
MHP0052	114 631 0032	560
MHP0123	114 631 0034	564
MHP0124	114 631 0035	559
MHP0129	114 631 0040	559
MHP0130	114 631 0041	564
MHS0014	140 161 0062	3
MHS0015	140 161 0070	4
MHS0018	140 161 0536	3
MHS0020	140 161 0815	5
MHS0023	140 910 0003	5
MHS0025	140 910 0008	4
MHS0026	140 910 0010	6

Short no.	MEYLE no.	Page
Audi		
MHS0027	140 910 0018	3
MHS0037	140 910 0068	4
MHS0038	140 910 0069	5
MHS0039	140 910 0070	6
MIC0010	100 885 0001	300
MIC0011	100 885 0002	302
MIC0013	100 885 0004	299
MIC0015	100 885 0007	303
MIC0017	100 885 0010	304
MIC0022	100 885 0021	299
MIC0023	100 885 0024	301
MIC0024	100 885 0040	305
MIC0025	100 905 0007	300
MIC0027	100 905 0025	303
MIC0034	114 885 0006	302
MIC0100	114 885 0007	301
MIC0106	100 885 0025	305
MIC0127	100 885 0022	304
MIX0069	014 800 0052	41
MIX0118	100 412 0043	7
MIX0120	100 512 0028	7
MIX0126	100 721 0002	28, 39
MIX0126	100 721 0002	28, 39
MIX0128	100 819 0001	40
MIX0129	100 819 0002	40
MIX0130	100 819 0003	39
MIX0131	100 819 0004	40
MIX0132	100 819 0005	41
MIX0140	100 905 0017	6
MIX0194	313 067 0001	16
MMB0002	100 412 0017	827
MMB0003	100 412 0035	828
MMB0004	100 412 0045	828
MMB0025	100 641 0020	828
MMB0026	100 641 0022	827
MMB0027	100 641 0024	829
MMX0121	014 049 0008	481
MMX0300	100 009 0005	373
MMX0310	100 030 0005	533
MMX0313	100 034 0003	511
MMX0317	100 036 0002	480
MMX0319	100 036 0018	510
MMX0321	100 036 0028	508
MMX0324	100 036 0032	479
MMX0330	100 040 0000	480
MMX0345	100 103 0040	518

Short no.	MEYLE no.	Page
Audi		
MMX0348	100 103 0045	518
MMX0350	100 103 0048	481
MMX0359	100 103 0100	481
MMX0361	100 105 0004	411
MMX0368	100 109 0007	367
MMX0369	100 109 0010	366
MMX0371	100 109 0016	362
MMX0372	100 109 0016/S	363
MMX0377	100 109 0034	374
MMX0378	100 109 0035	375
MMX0379	100 109 0036	368
MMX0380	100 109 0038	372
MMX0382	100 109 0049	366
MMX0383	100 109 0051	373
MMX0385	100 109 0054	367
MMX0386	100 109 0056	365
MMX0388	100 109 0059	362
MMX0389	100 109 0063	364
MMX0390	100 109 9002/S	369
MMX0397	100 121 0003	447
MMX0398	100 121 0004	447
MMX0403	100 121 0042	428
MMX0406	100 121 0049	427
MMX0409	100 121 0071	429
MMX0412	100 121 0080	431
MMX0414	100 121 0089	429
MMX0428	100 133 0011	505
MMX0429	100 133 0014	511
MMX0430	100 139 0001	514
MMX0431	100 139 0002	513
MMX0432	100 139 0004	517
MMX0433	100 140 0002	515
MMX0434	100 140 0003	517
MMX0437	100 142 0004	410
MMX0438	100 142 0005	411
MMX0441	100 199 0026	532
MMX0442	100 199 0066	533
MMX0443	100 199 0078	532
MMX0444	100 199 0082	533
MMX0446	100 199 0140	534
MMX0447	100 201 0002	505
MMX0450	100 224 0005	480
MMX0451	100 224 0006	479
MMX0452	100 226 0008	423
MMX0454	100 238 0002	428
MMX0455	100 238 0003	429

Short no.	MEYLE no.	Page
Audi		
MMX0462	100 260 0001	361
MMX0463	100 321 0001	512
MMX0464	100 321 0002	513
MMX0465	100 321 0003	511
MMX0466	100 321 0004	514
MMX0467	100 321 0005	513
MMX0469	100 321 0007	512
MMX0470	100 321 0010	514
MMX0472	100 321 0017	516
MMX0473	100 321 0018	516
MMX0474	100 321 0019	517
MMX0477	100 425 0103	506
MMX0480	100 425 0138	506
MMX0483	100 721 0003	411
MMX0484	100 721 0004	410
MMX0486	100 800 9068	529
MMX0488	100 899 0078	473
MMX0489	100 919 0014	531
MMX0490	100 919 0020	531
MMX0491	100 919 0025	530
MMX0492	100 919 0029	530
MMX0493	100 919 0030	527
MMX0494	100 919 0031	528
MMX0495	100 919 0034	532
MMX0496	100 919 0042	529
MMX0556	114 239 0001	423
MMX0557	114 820 0001	528
MMX0566	117 210 2301	410
MMX0575	117 228 2301	409
MMX0576	117 228 2400	409
MMX0583	119 145 0010	507
MMX0584	119 145 0011	509
MMX0628	151 049 0004	371
MMX0633	151 049 0009	369
MMX0636	151 049 0012	369
MMX0637	151 049 0013	368
MMX0640	151 049 0016	371
MMX0706	151 049 0082	370
MMX1325	114 820 0003	530
MMX1326	114 820 0004	527
MMX1345	151 049 0097	370
MMX1466	100 140 0004	515
MMX1467	151 049 0098	371
MMX1471	100 036 0036	508
MMX1472	100 036 0037	509
MMX1474	100 036 0039	509

Short no.	MEYLE no.	Page
Audi		
MMX1497	100 103 1000	476
MMX1498	100 103 1001	474
MMX1499	100 103 1002	473
MMX1500	100 103 1003	476
MMX1501	100 103 1004	475
MMX1502	100 103 1005	478
MMX1504	100 103 1007	477
MMX1505	100 103 1008	476
MMX1506	100 103 1009	475
MMX1507	100 103 1010	477
MMX1508	100 103 1011	474
MMX1509	100 103 1012	478
MMX1510	100 103 1013	478
MMX1512	100 103 1015	474
MMX1515	100 036 0038	508
MMX1545	100 036 0040	507
MMX1549	100 036 0041	506
MMX1556	100 036 0034	510
MMX1562	100 036 0043	507
MMX1617	151 902 1001	366
MMX1618	151 902 1002	368
MMX1619	151 902 1003	365
MMX1621	151 902 1005	363
MMX1622	151 902 1006	363
MMX1623	151 902 1007	364
MMX1624	151 902 1008	364
MMX1625	151 902 1009	367
MMX1626	151 902 2002	372
MMX1627	151 902 2003	375
MMX1628	151 902 2004	376
MMX1629	151 902 2005	373
MMX1630	151 902 3000	377
MMX1631	151 902 4000	376
MMX1632	151 902 4001	376
MMX1662	151 902 2000	374
MMX1664	100 036 0046	510
MMX1668	151 902 2001	374
MOF0033	100 115 0000	526
MOF0034	100 115 0001	521
MOF0036	100 115 0003	521
MOF0037	100 115 0004	520
MOF0038	100 115 0005	523
MOF0039	100 115 0007	527
MOF0040	100 115 0009	522
MOF0041	100 115 0011	525
MOF0042	100 115 0014	523



Short no.	MEYLE no.	Page
Audi		
MDF0043	100 115 0016	525
MDF0045	100 115 0018	519
MDF0046	100 115 0019	519
MDF0048	100 322 0001	521
MDF0053	100 322 0011	524
MDF0056	100 322 0015	520
MDF0057	100 322 0017	522
MDF0058	100 322 0018	525
MDF0059	100 322 0022	526
MDF0063	114 322 0001	523
MDF0210	100 322 0019	524
MDF0211	100 322 0021	520
MDF0214	100 322 0014	519
MOK0007	100 135 0001	259
MOK0008	100 135 0002	258
MOK0009	100 135 0003	262
MOK0010	100 135 0005	264
MOK0011	100 135 0013	266
MOK0012	100 135 0100	262
MOK0014	100 135 0102	257
MOK0015	100 135 0103	257
MOK0017	100 135 0105	265
MOK0032	100 135 0014	259
MOK0038	100 135 0001/SK	260
MOK0039	100 135 0002/SK	258
MOK0040	100 135 0003/SK	263
MOK0041	100 135 0005/SK	264
MOK0051	100 135 0004	261
MOK0052	100 135 0004/SK	261
MOK0056	100 135 0114	263
MOK0058	100 135 0108	265
MPB0021	114 042 1201	147
MPJ0101	100 152 1002	224
MPS0005	100 899 0004	290
MPS0006	100 899 0016	290
MPS0007	100 899 0045	291
MPS0009	100 899 0058	292
MPS0010	100 899 0080	293
MPS0011	100 899 0086	291
MPS0012	100 899 0092	292
MPS0013	100 899 0100	289
MPS0015	114 899 0005	293
MPS0045	114 899 0006	291
MPS0051	100 899 0040	292
MPS0060	100 899 0063	293
MRB0090	050 004 0855	407

Short no.	MEYLE no.	Page
Audi		
MRB0097	050 004 0890	407
MRB0147	050 004 1215	408
MRB0149	050 004 1238	384
MRB0205	050 005 0930	382
MRB0207	050 005 0950	406
MRB0210	050 005 0970	406
MRB0213	050 005 0985	405
MRB0226	050 005 1060	379
MRB0230	050 005 1090	378
MRB0232	050 005 1105	378
MRB0235	050 005 1120	408
MRB0236	050 005 1125	377
MRB0237	050 005 1130	379
MRB0238	050 005 1135	378
MRB0243	050 005 1165	405
MRB0261	050 005 1300	395
MRB0271	050 005 1435	386
MRB0304	050 006 0735	382
MRB0305	050 006 0745	381
MRB0318	050 006 0858	390
MRB0325	050 006 0890	386
MRB0327	050 006 0900	399
MRB0328	050 006 0906	386
MRB0332	050 006 0950	387
MRB0333	050 006 0955	399
MRB0338	050 006 0995	390
MRB0339	050 006 1000	381
MRB0344	050 006 1025	383
MRB0347	050 006 1045	384
MRB0348	050 006 1050	388
MRB0349	050 006 1055	385
MRB0352	050 006 1070	389
MRB0354	050 006 1080	389
MRB0355	050 006 1084	380
MRB0356	050 006 1090	406
MRB0359	050 006 1100	385
MRB0363	050 006 1120	385
MRB0364	050 006 1125	381
MRB0365	050 006 1130	400
MRB0371	050 006 1175	383
MRB0376	050 006 1195/D	384
MRB0385	050 006 1240	380
MRB0388	050 006 1264	389
MRB0392	050 006 1295	392
MRB0397	050 006 1320/D	382
MRB0398	050 006 1325	390

Short no.	MEYLE no.	Page
Audi		
MRB0401	050 006 1345	391
MRB0414	050 006 1430	387
MRB0429	050 006 1570	396
MRB0431	050 006 1580	388
MRB0432	050 006 1590	400
MRB0433	050 006 1600	392
MRB0435	050 006 1610	388
MRB0436	050 006 1613	379
MRB0437	050 006 1623	393
MRB0438	050 006 1637	402
MRB0442	050 006 1660	387
MRB0446	050 006 1675	402
MRB0449	050 006 1690	392
MRB0451	050 006 1698	383
MRB0452	050 006 1705	391
MRB0456	050 006 1725	391
MRB0457	050 006 1735	408
MRB0462	050 006 1760	403
MRB0480	050 006 1856	404
MRB0481	050 006 1863	403
MRB0484	050 006 1875	403
MRB0485	050 006 1880	404
MRB0486	050 006 1885	396
MRB0490	050 006 1905	402
MRB0493	050 006 1920	395
MRB0494	050 006 1930	395
MRB0537	050 006 2260	405
MRB0542	050 006 2280	404
MRB0543	050 006 2285	396
MRB0547	050 006 2330	399
MRB0554	050 006 2403	397
MRB0555	050 006 2415	397
MRB0556	050 006 2425	401
MRB0557	050 006 2445	398
MRB0558	050 006 2460	400
MRB0559	050 006 2465	397
MRB0560	050 006 2475	394
MRB0562	050 006 2490	398
MRB0563	050 006 2498	393
MRB0566	050 006 2523	394
MRB0567	050 006 2535	394
MRB0571	050 006 2612	393
MRB0574	050 006 2680	401
MRB0629	050 007 2074/D	380
MRH0123	100 121 1069	438
MRH0130	119 121 0012	444

Short no.	MEYLE no.	Page
Audi		
MRH0131	119 121 0013	443
MRH0135	119 121 0026	438
MRH0137	119 121 0032	441
MRH0138	119 121 0035	444
MRH0140	119 121 0042	437
MRH0150	119 121 0064	438
MRH0157	119 121 0075	444
MRH0170	119 121 0121	439
MRH0171	119 121 0122	445
MRH0172	119 121 0124	445
MRH0174	119 121 0130	442
MRH0175	119 121 0131	443
MRH0176	119 121 0132	441
MRH0177	119 121 0133	442
MRH0180	119 121 0139	439
MRH0194	119 121 0164	440
MRH0195	119 121 0165	441
MRH0196	119 121 0167	439
MRH0197	119 121 0168	440
MRH0198	119 121 0169	440
MRH0202	119 121 0178	446
MRH0203	119 121 0179	437
MRH0206	119 222 0004	442
MRH0207	119 222 0005	443
MRH0208	119 222 0006	445
MRH0209	119 222 0007	446
MRH0210	119 222 0011	446
MRH0320	119 222 0016	447
MRM0009	100 236 0003	433
MRM0011	100 236 0006	434
MRM0012	100 236 0007	432
MRM0014	100 236 0009	435
MRM0015	100 236 0011	431
MRM0017	100 236 0013	431
MRM0024	100 236 0022	436
MRM0025	100 236 0024	432
MRM0027	100 236 0030	435
MRM0028	100 236 0035	432
MRM0029	100 236 0036	436
MRM0030	100 236 0037	437
MRM0032	100 236 0039	434
MRM0038	100 236 0050	433
MRM0041	100 959 0013	435
MRM0056	120 009 0001	434
MRM0134	100 236 0051	433
MRS0018	100 412 0014	794



Short no.	MEYLE no.	Page
Audi		
MRS0023	100 412 0024	790
MRS0024	100 412 0025	791
MRS0025	100 412 0030	791
MRS0034	100 512 0011	797
MRS0035	100 512 0012	798
MRS0036	100 512 0014	797
MRS0037	100 512 0018	797
MRS0039	100 512 0024	796
MRS0040	100 512 0027	798
MRS0041	100 512 0029	794
MRS0044	100 642 0002	794
MRS0046	100 642 0004	795
MRS0049	100 642 0007	795
MRS0050	100 642 0008	792
MRS0052	100 642 0010	793
MRS0053	100 642 0011	793
MRS0054	100 642 0012	795
MRS0055	100 642 0015	792
MRS0056	100 642 0016	793
MRS0058	100 742 0002	798
MRS0059	100 742 0003	799
MRS0060	100 742 0004	801
MRS0061	100 742 0005	801
MRS0064	100 742 0008	796
MRS0065	100 742 0009	799
MRS0066	100 742 0011	801
MRS0070	100 742 0016	799
MRS0072	100 742 0018	796
MRS0078	100 742 0024	800
MRS0080	100 742 0026	802
MRS0081	100 742 0027	802
MRS0083	100 742 0029	802
MRS0084	100 742 0030	803
MRS0085	100 742 0031	800
MRS0098	114 742 0001	800
MRS0204	100 412 0033	791
MSA0081	126 614 0005	809
MSA0087	126 623 0004	806
MSA0090	126 623 0011	804
MSA0092	126 623 0013	808
MSA0093	126 623 0015	806
MSA0094	126 623 0050	804
MSA0095	126 623 0055	804
MSA0096	126 624 0001	805
MSA0097	126 624 0002	809
MSA0098	126 625 0000	805

Short no.	MEYLE no.	Page
Audi		
MSA0100	126 625 0002	803
MSA0101	126 625 0003	807
MSA0102	126 625 0004	808
MSA0103	126 625 0005	805
MSA0105	126 715 0003	813
MSA0115	126 725 0003	811
MSA0116	126 725 0004	812
MSA0117	126 725 0005	809
MSA0118	126 725 0006	813
MSA0119	126 725 0007	814
MSA0120	126 725 0008	812
MSA0121	126 725 0009	811
MSA0128	126 725 0018	812
MSA0132	126 725 0024	810
MSA0133	126 725 0025	815
MSA0134	126 725 0026	816
MSA0135	126 725 0027	815
MSA0573	126 725 0028	814
MSA0574	126 725 0029	811
MSA0597	126 623 0014	806
MSA0610	126 725 0032	810
MSA0625	126 725 0030	816
MSA0629	126 625 0008	807
MSA0630	126 625 0009	808
MSA0647	126 625 0010	807
MSA0716	126 725 0017	810
MSA0722	126 623 0016	803
MSA0723	126 725 0034	815
MSA0724	126 725 0036	814
MSB0061	100 411 0004	722
MSB0062	100 411 0011	723
MSB0063	100 411 0012	717
MSB0064	100 411 0013	722
MSB0066	100 411 0015	724
MSB0069	100 411 0018	724
MSB0071	100 411 0021	722
MSB0072	100 411 0026	723
MSB0075	100 411 0033	718
MSB0076	100 411 0033/S	719
MSB0080	100 411 0040	719
MSB0081	100 411 0040/S	720
MSB0083	100 411 0046	723
MSB0084	100 411 0048	718
MSB0085	100 411 0048/S	718
MSB0087	100 411 0050	720
MSB0088	100 411 0050/S	721

Short no.	MEYLE no.	Page
Audi		
MSB0090	100 411 0051/S	726
MSB0092	100 411 0052/S	721
MSB0093	100 511 0011	726
MSB0095	100 511 0013	726
MSB0097	100 511 0015	727
MSB0098	100 511 0017	728
MSB0100	100 615 0004	721
MSB0105	100 615 0010	724
MSB0107	100 615 0019	725
MSB0108	100 715 0001	727
MSB0349	100 615 0000	727
MSB0398	114 615 0004	725
MSB0399	114 615 0005	725
MSB0400	114 615 0006	719
MSC0008	100 640 0004	781
MSC0010	100 640 0006	781
MSC0011	100 640 0007	781
MSC0012	100 640 0008	782
MSC0013	100 640 0009	782
MSC0015	100 640 0011	782
MSC0017	100 740 0002	783
MSC0018	100 740 0003	783
MSC0021	100 740 0007	784
MSC0022	100 740 0008	784
MSC0023	100 740 0009	784
MSC0026	100 740 0012	785
MSC0027	100 740 0013	785
MSC0029	100 740 0015	785
MSC0054	314 640 0001	786
MSC0124	100 640 0014	783
MSK0010	100 620 0004	571
MSK0013	100 620 0007	570
MSK0097	100 620 0012	572
MSK0098	100 620 0013	571
MSK0099	100 620 0014	571
MSK0126	614 620 0010	570
MSK0149	100 620 0015	570
MSL0074	100 411 0007	729
MSL0105	116 031 0025	742
MSL0106	116 031 0026	743
MSL0107HD	116 060 0000/HD	731
MSL0109HD	116 060 0002/HD	741
MSL0113	116 060 0006	732
MSL0114	116 060 0007	735
MSL0115	116 060 0008	736
MSL0118HD	116 060 0011/HD	729

Short no.	MEYLE no.	Page
Audi		
MSL0119HD	116 060 0012/HD	732
MSL0120	116 060 0013	728
MSL0121HD	116 060 0015/HD	741
MSL0122	116 060 0016	735
MSL0123	116 060 0017	736
MSL0124	116 060 0018	733
MSL0126HD	116 060 0021/HD	739
MSL0127HD	116 060 0022/HD	742
MSL0128	116 060 0023	737
MSL0129	116 060 0023/S	737
MSL0132	116 060 0026	738
MSL0133	116 060 0027	740
MSL0134	116 060 0028	733
MSL0135	116 060 0029	734
MSL0140	116 060 0034	733
MSL0141	116 060 0035	740
MSL0142	116 060 0036	740
MSL0143	116 060 0037	738
MSL0146	116 060 7179	728
MSL0147HD	116 060 8240/HD	738
MSL0148HD	116 060 8295/HD	739
MSL0149HD	116 060 8296/HD	742
MSL0704	116 060 0029/S	734
MSL0708	116 060 0039	739
MSL0751	116 060 0045	731
MSL0752	116 060 0046	730
MSL0755	116 060 0050	732
MSL0756	116 060 0051	729
MSL0897	116 060 0049	736
MSL0910	116 060 0041/S	734
MSL0922HD	116 060 0063/HD	730
MSM0024HD	100 412 0004/HD	817
MSM0025	100 412 0005	820
MSM0026	100 412 0005/S	820
MSM0027	100 412 0007	821
MSM0028	100 412 0007/S	821
MSM0032	100 412 0012	821
MSM0033	100 412 0019	818
MSM0034	100 412 0019/S	818
MSM0042	100 412 0048	822
MSM0043	100 412 0096	822
MSM0044	100 412 1019/S	818
MSM0048	100 512 0005	823
MSM0051	100 512 0022	823
MSM0052	100 512 0023	824
MSM0054	100 513 0001	826



Short no.	MEYLE no.	Page
Audi		
MSM0055	100 513 0004	826
MSM0056	100 513 0008	824
MSM0057	100 513 0009	824
MSM0058	100 513 0010	825
MSM0062	100 641 0010	823
MSM0065	100 741 0000	825
MSM0067	100 741 0002	827
MSM0210	100 412 2039	819
MSM0211	100 412 2039/S	789
MSM0213	100 641 0012	817
MSM0230	100 412 2041	819
MSM0232	100 513 1001	826
MSM0234	100 412 2040	820
MSM0236	100 741 1002	825
MSM0241	100 412 1048	822
MSM0253	100 412 2038	819
MSR0052	116 030 0027	708
MSR0053	116 035 0001	709
MSR0054	116 035 0002	707
MSR0055	116 035 0003	710
MSR0057	116 035 0006	708
MSR0058	116 035 0008	713
MSR0059	116 035 0009	708
MSR0060	116 035 0012	714
MSR0061	116 035 0013	714
MSR0062	116 035 0014	707
MSR0063	116 039 8294	710
MSR0064	116 050 0023	715
MSR0065	116 050 0024	715
MSR0066	116 050 0027	712
MSR0067	116 050 0059	715
MSR0068	116 050 0060	716
MSR0113	116 050 0027/S	713
MSR0115	116 035 0015	710
MSR0116	116 035 0016	711
MSR0120	116 035 0020	711
MSR0121	116 035 0020/S	712
MSR0134	116 035 0017	709
MST0003	100 501 0029	747
MST0004	100 501 0031	748
MST0007	100 501 1010	747
MSW0022	100 850 0002	334
MSW0024	100 850 0004	336
MSW0026	100 850 0007	339
MSW0028	100 850 0009	339
MSW0029	100 850 0014	338

Short no.	MEYLE no.	Page
Audi		
MSW0030	100 850 0015	337
MSW0031	100 850 0016	340
MSW0032	100 850 0017	340
MSW0033	100 850 0019	335
MSW0034	100 850 0022	336
MSW0037	100 899 0036	334
MSW0039	100 953 0000	333
MSW0041	100 953 0007	337
MSW0046	100 953 0014	337
MSW0048	100 953 0016	333
MSW0052	100 953 0020	338
MSW0053	100 953 0021	339
MSW0079	100 850 0021	335
MSW0080	100 850 0013	335
MSX0030	100 198 0002	559
MSX0036	100 419 0005	568
MSX0037	100 419 0006	568
MSX0042	100 419 0016	567
MSX0043	100 419 0017	568
MSX0058	100 422 0013	567
MSX0061	100 422 0016	567
MSX0062	100 422 9010	569
MSX0064	100 620 0002	569
MSX0065	100 620 0003	569
MSX0066	100 623 0000	566
MSX0069	100 710 0006	577
MSX0072	116 010 0004	577
MTA0029	116 030 0003	585
MTA0030	116 030 0004	583
MTA0031HD	116 030 0007/HD	578
MTA0034	116 030 0013	582
MTA0035	116 030 0014	584
MTA0038	116 030 0018	585
MTA0039	116 030 0019	586
MTA0040HD	116 030 0020/HD	579
MTA0043HD	116 030 0028/HD	581
MTA0062	116 030 3924	578
MTA0076	116 030 7197	580
MTA0084HD	116 030 8227/HD	579
MTA0085	116 030 8231	577
MTA0086	116 030 8232	580
MTA0087	116 030 8233	578
MTA0088	116 030 8234	580
MTA0103	116 030 8281	581
MTA0106	116 030 8284	583
MTA0115	116 030 8500	582

Short no.	MEYLE no.	Page
Audi		
MTA0116	116 030 8501	584
MTE0110	116 020 0002	591
MTE0111	116 020 0003	592
MTE0113	116 020 0005	593
MTE0114	116 020 0006	594
MTE0115HD	116 020 0008/HD	587
MTE0116	116 020 0013	599
MTE0117	116 020 0014	599
MTE0118HD	116 020 0020/HD	587
MTE0121	116 020 0025	595
MTE0122	116 020 0026	597
MTE0125HD	116 020 0029/HD	594
MTE0126HD	116 020 0030/HD	593
MTE0127	116 020 0031	596
MTE0128	116 020 0032	598
MTE0129	116 020 0033	593
MTE0130	116 020 0034	594
MTE0131	116 020 0035	595
MTE0132	116 020 0036	597
MTE0138	116 020 3026	586
MTE0140	116 020 3916	590
MTE0145	116 020 7149	586
MTE0146	116 020 7150	589
MTE0147	116 020 8122	590
MTE0148	116 020 8123	589
MTE0151	116 020 8206	587
MTE0152	116 020 8207	590
MTE0158HD	116 020 8228/HD	588
MTE0162	116 020 8283	591
MTE0163	116 020 8285	591
MTE0164	116 020 8502	599
MTE0165	116 020 8503	592
MTE0723	116 020 0042	598
MTE0723HD	116 020 0042/HD	598
MTE0724	116 020 0043	596
MTE0724HD	116 020 0043/HD	596
MTE0725	116 020 0009	595
MTE0726	116 020 0010	597
MTE0734	116 020 0046	588
MTE0735	116 020 0047	589
MTH0001	028 105 0000	454
MTH0006	028 271 0002	449
MTH0009	028 271 0006	452
MTH0013	028 275 0005	449
MTH0016	028 280 0001	452
MTH0021	028 280 0008	453

Short no.	MEYLE no.	Page
Audi		
MTH0022	028 280 0010	450
MTH0030	028 287 0006	452
MTH0031	028 287 0007	453
MTH0033	028 287 0009	451
MTH0034	028 287 0010	450
MTH0040	028 292 0001	450
MTH0044	028 292 0009	454
MTH0046	100 121 0048	451
MTH0050	128 228 0001	448
MTH0098	128 228 0004	449
MTH0104	128 228 0006	448
MTM0021	100 130 0006	240, 247
MTM0021	100 130 0006	240, 247
MTM0024	100 130 0009	246, 254
MTM0024	100 130 0009	246, 254
MTM0025	100 130 0011	241, 248
MTM0025	100 130 0011	241, 248
MTM0029	100 399 0001	240, 247
MTM0029	100 399 0001	240, 247
MTM0031	100 399 0005	242, 250
MTM0031	100 399 0005	242, 250
MTM0033	100 399 0008	249
MTM0034	100 399 0009	243, 251
MTM0034	100 399 0009	243, 251
MTM0035	100 399 0013	250
MTM0036	100 399 0015	242, 250
MTM0036	100 399 0015	242, 250
MTM0037	100 399 0021	241, 248
MTM0037	100 399 0021	241, 248
MTM0038	100 399 0022	248
MTM0039	100 399 0025	243
MTM0090	100 199 0125	245, 553
MTM0090	100 199 0125	245, 553
MTM0091	100 199 0126	239, 553
MTM0091	100 199 0126	239, 553
MTR0001	014 009 0081	361
MTR0015	100 009 0001	360
MTR0016	100 145 0003	360
MTR0017	100 145 0005	359
MTR0019	100 903 0001	360
MTR0020	100 903 0003	361
MTS0049	140 161 0063	8
MTS0050	140 161 0066	12
MTS0051	140 161 0067	12
MTS0052	140 161 0068	12
MTS0053	140 161 0071	13

Short no.	MEYLE no.	Page
Audi		
MTS0055	140 161 0240	8
MTS0056	140 161 0340	8
MTS0060	140 161 0654	11
MTS0062	140 161 0716	11
MTS0074	140 910 0012	7
MTS0076	140 910 0014	9
MTS0078	140 910 0016	9
MTS0079	140 910 0017	13
MTS0081	140 910 0020	15
MTS0083	140 910 0022	16
MTS0084	140 910 0023	10
MTS0085	140 910 0024	13
MTS0086	140 910 0025	10
MTS0087	140 910 0026	14
MTS0088	140 910 0027	16
MTS0111	140 910 0056	9
MTS0112	140 910 0060	15
MTS0113	140 910 0061	10
MTS0122	140 910 0076	14
MTS0127	140 910 0084	11
MTS0133	140 910 0092	15
MTS0134	140 910 0093	14
MTX0044	100 140 0001	224
MTX0045	100 325 0004	224
MTX0047	100 407 0028	195
MTX0048	100 407 0029	195
MTX0049	100 407 0069	195
MTX0050	100 498 0003 C	266
MTX0052	100 501 0004	196
MTX0087	100 152 0103	176
MUM0001	100 399 0002	251, 254, 764
MUM0001	100 399 0002	251, 254, 764
MUM0001	100 399 0002	251, 254, 764
MUM0002	100 399 0007	252, 256, 765
MUM0002	100 399 0007	252, 256, 765
MUM0002	100 399 0007	252, 256, 765
MUM0003	100 399 0010	253, 256, 766
MUM0003	100 399 0010	253, 256, 766
MUM0003	100 399 0010	253, 256, 766
MUM0004	100 399 0011	253, 256, 766
MUM0004	100 399 0011	253, 256, 766
MUM0004	100 399 0011	253, 256, 766
MUM0005	100 399 0012	251, 254, 764
MUM0005	100 399 0012	251, 254, 764
MUM0005	100 399 0012	251, 254, 764
MUM0007	100 399 0028	252, 255, 765

Short no.	MEYLE no.	Page
Audi		
MUM0007	100 399 0028	252, 255, 765
MUM0007	100 399 0028	252, 255, 765
MWB0001	014 098 0024	834
MWB0020	100 405 0101	831
MWB0021	100 405 0201	831
MWB0025	100 407 0033	833
MWB0026	100 407 0034	832
MWB0028	100 407 0037	832
MWB0029	100 407 0038	834
MWB0031	100 407 0048	832
MWB0034	100 407 0092	833
MWB0045	300 334 1102	834
MWC0001	100 611 0028	173
MWC0007	100 611 0036	172
MWC0009	100 611 0055	172
MWC0010	100 611 0056	172
MWC0011	100 611 0057	174
MWC0012	100 611 0058	173
MWC0013	100 611 0068	173
MWH0013	100 407 0010	845
MWH0019	100 407 0068	845
MWH0022	100 407 0079	846
MWH0023	100 407 6007	844
MWH0025	100 598 0181	848
MWH0026	100 650 0003	846
MWH0028	100 650 0005	847
MWH0029	100 650 0011	851
MWH0030	100 650 0012	844
MWH0031	100 650 1003	847
MWH0032	100 650 1005	848
MWH0034	100 652 0001	846
MWH0035	100 750 0000	850
MWH0036	100 750 0001	851
MWH0037	100 750 0007	850
MWH0038	100 752 0001	848
MWH0039	100 752 0003	849
MWH0061	114 750 0001	850
MWH0219	100 650 0014	844
MWH0221	100 752 0008	849
MWI0004	100 955 0002	21
MWI0006	100 955 0006	20
MWI0008	100 955 0008	21
MWI0009	100 955 0010	20
MWI0010	100 955 0012	22
MWK0048	100 498 0033	835
MWK0049	100 498 0034	836

Short no.	MEYLE no.	Page
Audi		
MWK0052	100 498 0036	836
MWK0053	100 498 0037	837
MWK0054	100 498 0038	840
MWK0058	100 498 0048	835
MWK0059	100 498 0122	841
MWK0062	100 498 0137	837
MWK0063	100 498 0138	838
MWK0064	100 498 0171	840
MWK0066	100 498 0210	841
MWK0070	100 498 0237	840
MWK0071	100 498 0337	838
MWK0072	100 598 0002	842
MWK0073	100 598 0003	843
MWK0075	100 598 0101	841
MWK0078	100 598 0238	842
MWK0080	100 598 0338	843
MWK0082	100 650 0006	838
MWK0083	100 650 0007	839
MWK0084	100 650 0008	835
MWK0085	100 650 0010	839
MWK0086	100 750 0002	843
MWL0064	100 909 0004	17
MWL0065	100 909 0009	18
MWL0066	100 909 0010	19
MWL0069	100 909 0023	18
MWL0070	100 909 0024	19
MWL0075	100 909 0039	17
MWL0076	100 909 0040	19
MWL0077	100 909 0041	18
MWL0078	100 909 0042	20
MWP0101	113 012 0001	459
MWP0105	113 012 0006	455
MWP0106	113 012 0008	463
MWP0107	113 012 0009	463
MWP0109	113 012 0011	458
MWP0110	113 012 0012	455
MWP0113	113 012 0016	458
MWP0117	113 012 0022	456
MWP0119	113 012 0025	459
MWP0120	113 012 0027	469
MWP0120HD	113 012 0027/HD	469
MWP0121	113 012 0028	462
MWP0122	113 012 0031	454
MWP0123HD	113 012 0033/HD	468
MWP0125	113 012 0036	456
MWP0126	113 012 0037	464

Short no.	MEYLE no.	Page
Audi		
MWP0129	113 012 0040	461
MWP0129HD	113 012 0040/HD	461
MWP0131HD	113 012 0042/HD	459
MWP0135	113 012 0047	457
MWP0136	113 012 0048	460
MWP0137	113 012 0049	460
MWP0138	113 012 0050	466
MWP0139	113 012 0051	464
MWP0140	113 012 0052	467
MWP0141	113 012 0053	457
MWP0144	113 012 0056	466
MWP0144HD	113 012 0056/HD	467
MWP0148	113 012 8100	460
MWP0150	113 220 0003	470
MWP0151	113 220 0004	461
MWP0153	113 220 0006	470
MWP0153HD	113 220 0006/HD	471
MWP0156	113 220 0009	462
MWP0158HD	113 220 0011/HD	468
MWP0159	113 220 0012	464
MWP0160	113 220 0013	456
MWP0161	113 220 0014	457
MWP0162	113 220 0016	462
MWP0163HD	113 220 0017/HD	471
MWP0164HD	113 220 0018/HD	465
MWP0167	113 220 0021	465
MWP0167HD	113 220 0021/HD	465
MWP0169HD	113 220 0023/HD	472
MWP0549	113 220 0024	473
MWP0552	113 220 0025	455
MWP0558	113 220 0026	470
MWP0576	113 220 0029	467
MWP0577	113 220 0027	472
MWS0020	100 527 0001	284
MWS0021	114 527 0000	284
MWS0022	114 527 0001	283
MWS0025	114 527 0004	284
MWS0114	100 527 0002	283





MEYLE

**You see the pretty
curves, underneath
is what counts.**



The MEYLE brand supplies its customers with more than 21,000 extremely reliable and durable spare parts manufactured at our own production facilities or by trusted production partners. MEYLE boasts a highly diversified product range.

Whether steering and suspension components, rubber-to-metal parts, brakes, damping components, cooling systems, filters, drive components, electric and sensors MEYLE is synonymous with top-grade quality-tested spare parts.

Notes

This catalogue is protected by copyright. Reproduction of text, graphic elements, photographs and/or data, even in part, is prohibited. MEYLE, **MEYLE**, or parts thereof, are registered trademarks of MEYLE AG.

All supplies and services are subject to our General Terms and Conditions. The original spare part numbers shown in this catalogue are for cross-reference purposes only and shall not be disclosed to third parties on invoices and delivery notes. While the information in this catalogue was compiled and edited with utmost care we do not assume responsibility or accept claims arising from errors or inconsistencies. Subject to technical and/or design changes.

This issue of the catalogue supersedes all previous issues.
All rights reserved. © 2017 MEYLE AG



MEYLE parts are available through:

MEYLE AG

Merkurring 111, 22143 Hamburg, Germany
Tel. +49 40 67506 510, Fax +49 40 67506 506
contact@meyle.com

www.meyle.com

MEYLE