

08.2013



***Lenkungs-***

***Katalog***

***Achsaufhängungsteile***

***STEERING AND SUSPENSION PARTS • PIÈCES DE DIRECTION ET SUSPENSION***



## HPS<sup>®</sup> – High Performance Standard

MAPCO hat den „HIGH PERFORMANCE STANDARD-HPS<sup>®</sup>“ eingeführt.

<b>Extra Stark</b>	<b>anstatt</b>	<b>Extra leicht</b>
<b>High end</b>	<b>anstatt</b>	<b>Low Cost</b>
<b>Lange Haltbarkeit</b>	<b>anstatt</b>	<b>Kurzlebige Kundenzufriedenheit</b>

Stabilisatorstreben sind ein selbsterklärendes Beispiel für den Bedarf an Verbesserungen und hinzu eine der Produktgruppen, die dringend bearbeiten werden müssen.

- HPS<sup>®</sup> - Stabilisatorstreben**
- HPS<sup>®</sup> - Manschetten**
- HPS<sup>®</sup> - Fett**
- HPS<sup>®</sup> - Radlagersätze**
- HPS<sup>®</sup> - Schutzkappen**



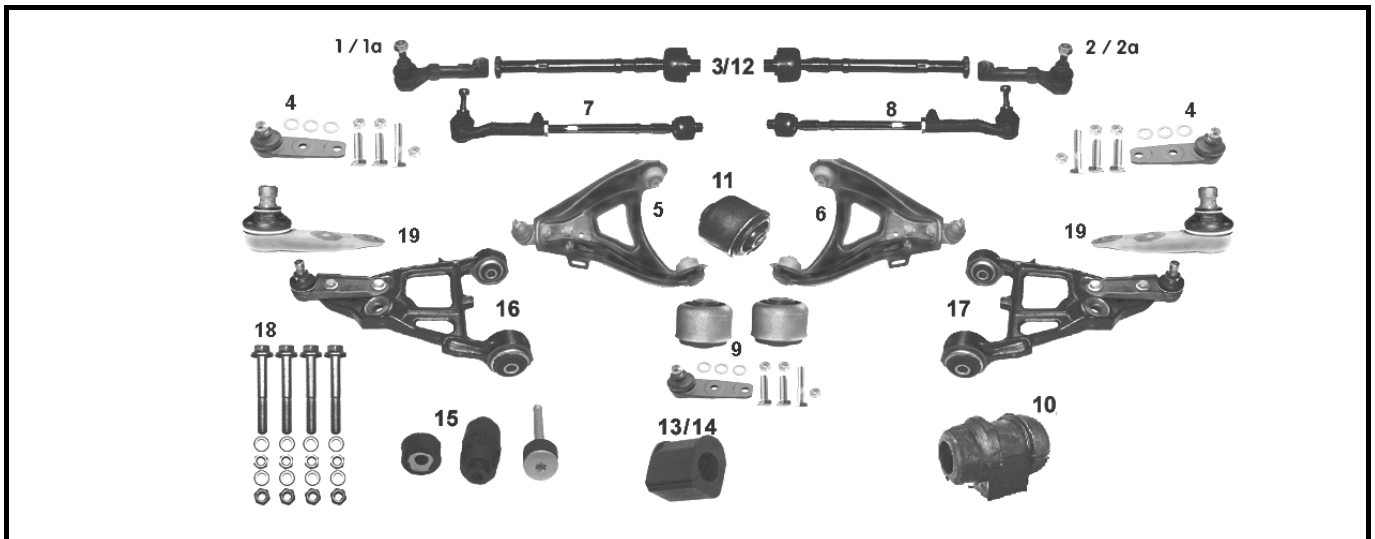




08/2013

**Katalog / catalogue**  
steering and suspension parts  
**Lenkungs- und Aufhängungsteile**  
pièces de direction et de suspension

Inhalt / content :	Seite / page
Symbole symboles / symbols	004 - 005
Fahrzeugzuordnung der Artikel - Bildteil application / affectation	006 - 385
Anwendungsliste - Textteil buyers guide	386 - 517
Vergleichslisten / OE - Nummern + Aftermarket -Crosslisten cross list / liste de correspondance	518 - 714



= in Fahrtrichtung links /from drivers position left	in Fahrtrichtung rechts / from drivers position right =
LHT = Linksgewinde	Rechtsgewinde = RHT



**Nummernsystem / système de références / parts number system**







19 ...	49 ...	51 ... 52 ...	59 ... 53...	Lenkungs- und Achsaufhängungsteile steering and suspension parts / pièces de direction et de suspension
19 0..	49 0..			ALFA ROMEO - FIAT - LADA - LANCIA
19 1..	49 1..			RENAULT, DACIA
19 2..	49 2..			TALBOT , LA-KIT'S
19 3..	49 3..			PEUGEOT
19 4..	49 4..			CITROËN
19 5..	49 5..	51 5..	59 5..	DAIHATSU - DAEWOO - MAZDA - MITSUBISHI - NISSAN – SUBARU - TOYOTA
19 6..	49 6..			AUDI - BMW - FORD - JAGUAR - OPEL - VOLKSWAGEN
19 7..	49 7..			AUDI - BMW - FORD - OPEL - MERCEDES BENZ - SEAT - VOLKSWAGEN
19 8..	49 8..	51 8..	59 8..	AUDI - BMW - FORD - OPEL - MERCEDES BENZ - SEAT - VOLKSWAGEN
19 9..	49 9..	51 8..	59 8..	CHRYSLER - ROVER - SAAB - SKODA - VOLVO
19 2..				Reparatursätze für Lenkerarme
33...				Buchsen für Achsträger / Lenkerarme / Stabilisatorstreben
36...				Reparatursätze für Stabilisatoren
95...				Montagesätze für Lenkerarme ( Befestigungsteile)

Symbol						
--------	--	--	--	--	--	--

	kein Bild	no illustration	sans photo	Senza immagine	Без изображения	bez obrázku
	links	left	gauche	Sinistra	Слева	levý
	rechts	right	droit	Destra	Справа	pravý
	oben	upper	supérieur	Superiore	сверху	horní
	unten	lower	inférieur	Inferiore	внизу	spodní
	VA	Front Axle	train AV	Asse anteriore	Передний мост	přední náprava
	HA	Rear Axle	train AR	Asse posteriore	Задний мост	zadní náprava
	mit Servolenkung	power steering	direction assistée	Con servosterzo	С рулевым механизмом с усилителем	se servořízením
	ohne Servolenkung	manual steering	sans D.A.	Senza servosterzo	Без рулевого механизма с усилителем	bez servořízení
ABS	mit ABS	with ABS	avec ABS	Con ABS	С АБС	s ABS
ABS	ohne ABS	without ABS	sans ABS	Senza ABS	Без АБС	bez ABS
	nur	only	uniquement	Solo	только	pouze
	außer	except	excl.	Ad eccezione di	кроме	kromě
	Durchmesser	Diameter	diamètre	Diametro	диаметр	průměr
	manuelles Getriebe	Manual Gear Box	BVM	Cambio manuale	Коробка передач с ручным управлением	manuální převodovka
	Automatikgetriebe	Automatic Gear Box	BVA	Cambio automatico	Автоматическая коробка передач	automatická převodovka
	Baujahr	year build	année de construction	Anno di costruzione	Год выпуска	Rok výroby
→XXX	bis Baujahr	to year build	jusqu'à année de construction	Fino all'anno	До года выпуска	do roku výroby
XXX→	ab Baujahr	from year build	à p. année de construction	A partire dall'anno	С года выпуска	od roku výroby
Chassis →xxx	bis Fahrgestellnummer	up to Chassis No	jusqu'à n° de chassis	Fino a Numero di telaio	До номера шасси	do čísla karoserie
Chassis xxx→	ab Fahrgestellnummer	from Chassis No	à p. n° de chassis	A partire da Numero di telaio	С номера шасси	od čísla karoserie
LHT	Linksgewinde	LHT	pas de vis gauche	LHT	Левая резьба	levostranný závit
RHT	Rechtsgewinde	RHT	pas de vis droite	RHT	Правая резьба	pravostranný závit
	Cabriolet	Convertible	Cabriolet	Cabriolet	кабриолет	kabriolet
	Schrägheck	Hatchback	berline 5p	2 Volumi	Легковой автомобиль-седан	hatchback
	Kombi	Estate	break	Station Wagon	Кузов универсал	kombi
	Coupe	Coupé	coupé	Coupe	Купе	coupe
	Stufenheck	Saloon	berline 4p	3 volumi	Легковой автомобиль-седан с багажником	sedan
	Lieferwagen	Light Commercial Vehicles	véhicule utilitaire	Veicoli commerciali	Кузов-фургон	Lehký užitkový vůz
	verstärkte Aufhängung	reinforced suspension	suspension renforcée	Sospensione rinforzata	Усиленная подвеска	zesílené zavěšení
	erhöhte Nutzlast	high payload	charge utile augmentée	Carico elevato	Повышенный полезный груз	vyšší náklad



Symbol						
--------	--	--	--	---	--	--

	Radgröße	wheel size	dimension de roue	Dimensione ruota	Величина колеса	velikost kola
<b>drs</b>	Türen	doors	portes	Porte	Двери	dveře
<b>cyl</b>	Zylinderzahl	no. of cylinders	cylindres	Cilindro	Количество цилиндр	počet válců
	Sportfahrwerk	Sport chassis	Châssis sport	Equipaggiamento sportivo	Спортивная подвеска	sportovní podvozek
	Reparatursatz	repair set	Nécessaire de réparation	Kit Riparazione	набор ремонта	opravná sada
	Reparatursatz Stabilisatorlager	repair set for stabilizer bar	Nécessaire de réparation de camps de stabilisateur	Kit Riparazione Stabilizzatore	Ремонтный комплект стабилизатора	opravná sada stabilizátoru
	Schrauben	screws	Vis	Vite	Болты	Srouby
	Lenkungs dämpfer	steering damper	pattes de fixations percé	ammortizzatore della direzione	Амортизатор рулевого управления	tlumič řízení

# ALFA ROMEO

ALFA ROMEO 145 + 146

07/94 → 01/01

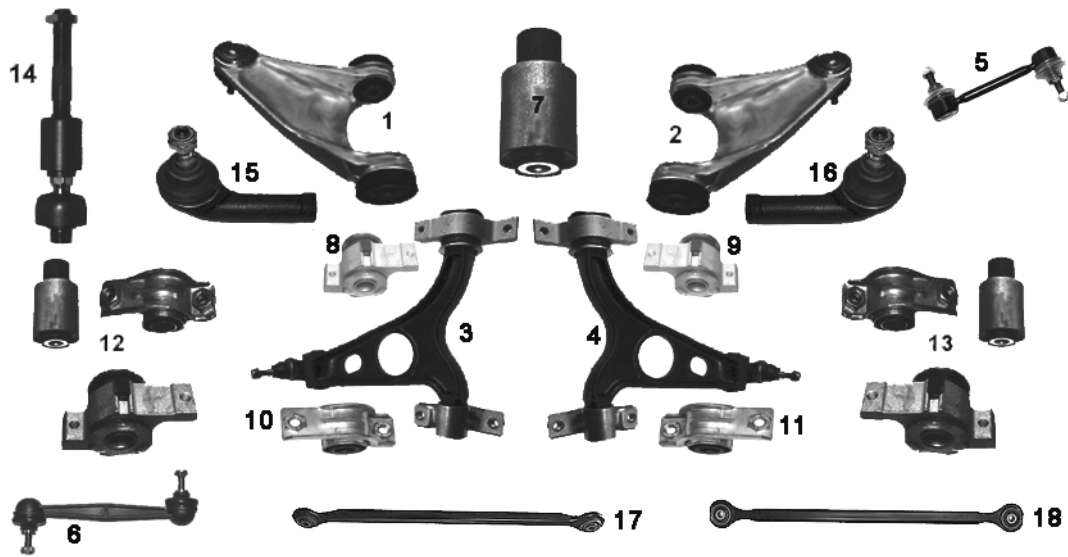


NR	MAPCO	REF			←	→	↑	↓			NEW	INFO
1	19013	60608979	✓		✓				✓	✓		M18x1,5RHT
2	19014	60608980	✓			✓			✓	✓		M18x1,5LHT
3	19009	60813013 60809813	✓		✓				✓	✓		
4	19010	60813014 60809814	✓			✓			✓	✓		
5	49053	9947718	✓		✓	✓			✓	✓		01/96 → M14x1,5RHT
6	33019	7601065	✓		✓				✓	✓		
7	33035	7601068	✓			✓			✓	✓		
8	34054			✓	✓	✓			✓	✓		
9	33009	60809242	✓		✓	✓			✓	✓		



ALFA ROMEO 147

01/01→



NR	MAPCO	REF			←	→	↑	↓			NEW	INFO
1	49027	6065 1939	✓		✓		✓		✓	✓		
2	49026	6065 1940	✓			✓	✓		✓	✓		
3	49028	6065 2465	✓		✓				✓	✓		
4	49029	6065 2466	✓			✓			✓	✓		
5	49030HPS	6062 5029	✓		✓	✓			✓	✓		
6	49031	6061 3575		✓	✓	✓			✓	✓		
7	33007		✓		✓	✓		✓	✓	✓		
8	33008		✓		✓				✓	✓		aussen/outside
9	33010		✓			✓			✓	✓		aussen/outside
10	33013		✓		✓				✓	✓		innen/inner
11	33014		✓			✓			✓	✓		innen/inner
12	19231		✓		✓			✓	✓	✓		Kit
13	19232		✓			✓		✓	✓	✓		Kit
14	19018	994 7923	✓		✓	✓			✓	✓		
15	19029	994 7919	✓		✓				✓	✓		
16	19030	994 7920	✓			✓			✓	✓		
17	49067	6062 9903		✓	✓	✓			✓	✓		560,0mm
18	49068	5174 9713		✓	✓	✓			✓	✓		595,0mm

19 53026

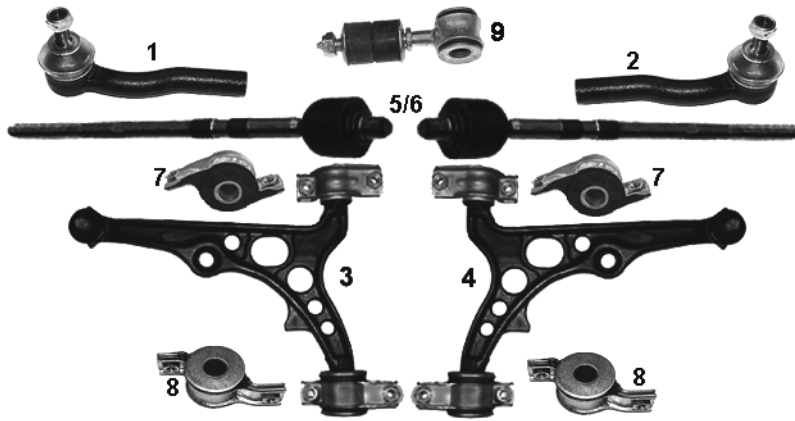
✓ ✓ ✓ ✓ ✓ ✓ ✓



axle Kit

ALFA ROMEO 155

1992→ 12/97

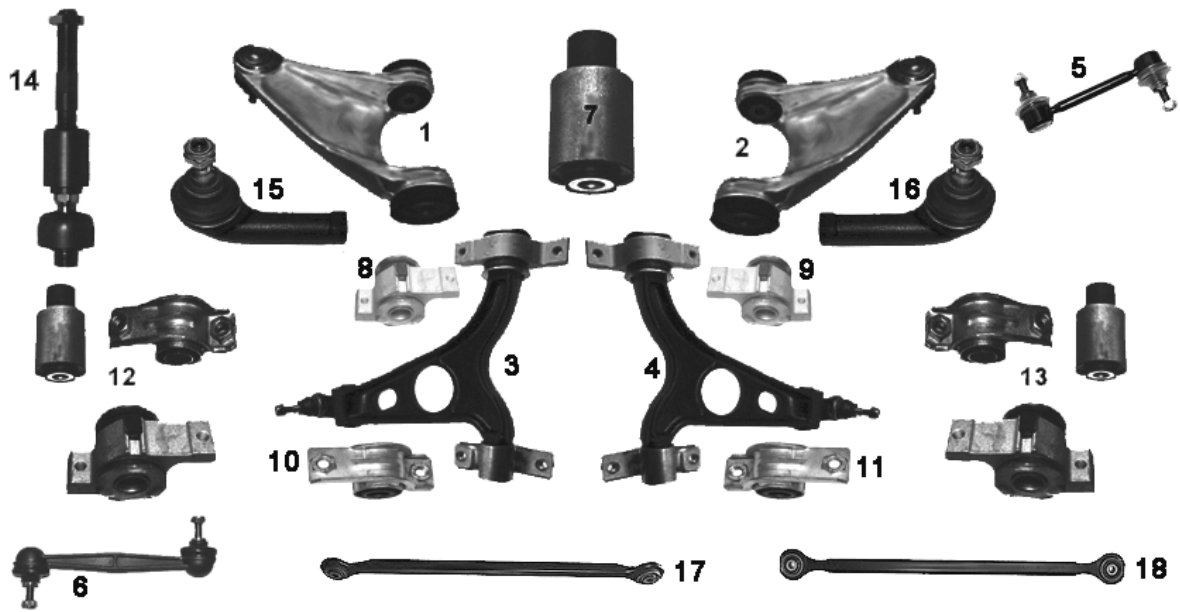


NR	MAPCO	REF			←	→	↑	↓			NEW	INFO
1	19052	6056 5706	✓		✓				✓	✓		M12x1,5RHT
2	19053	6056 5705	✓			✓			✓	✓		M12x1,5RHT
3	19009	6081 3013 6080 9813	✓		✓				✓	✓		
4	19010	6081 3014 6080 9814	✓			✓			✓	✓		
5	19016	994 4452	✓		✓	✓			✓			
6	19017	994 7361	✓		✓	✓				✓		
7	33019	7601065	✓		✓				✓	✓		
8	33035	7601068	✓			✓			✓	✓		
9	33009	60809242	✓		✓	✓			✓	✓		



ALFA ROMEO 156 (932)

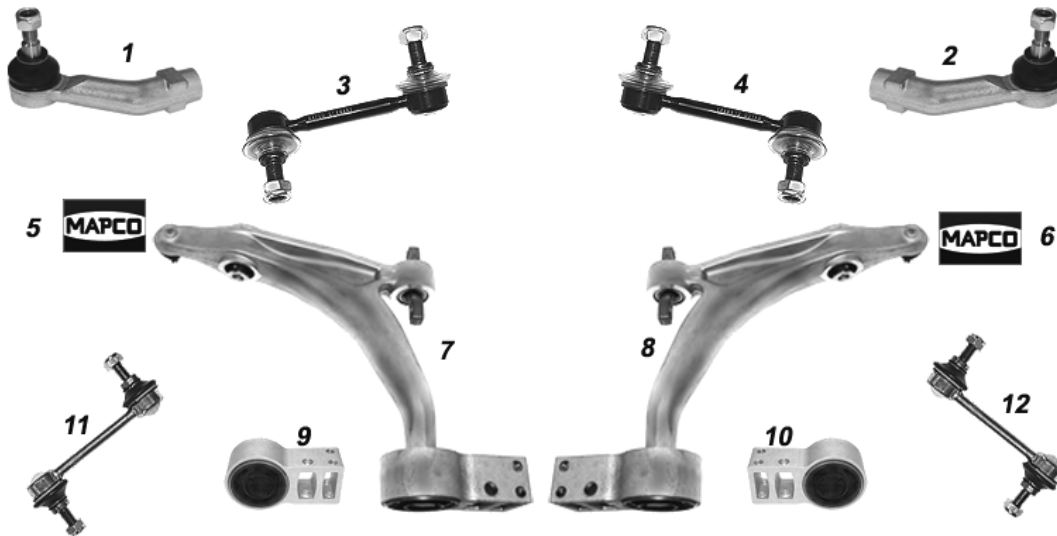
09/97 → 05/06



NR	MAPCO	REF									NEW	INFO
1	49027	6065 1939	✓		✓		✓		✓	✓		
2	49026	6065 1940	✓			✓	✓		✓	✓		
3	49028	6065 2465	✓		✓				✓	✓		
4	49029	6065 2466	✓			✓			✓	✓		
5	49030HPS	4684 3389	✓		✓	✓			✓	✓		
6	49031	6061 3575		✓	✓	✓			✓	✓		
7	33007		✓		✓	✓		✓	✓	✓		
8	33008		✓		✓				✓	✓		aussen/outside
9	33010		✓			✓			✓	✓		aussen/outside
10	33013		✓		✓				✓	✓		innen/inner
11	33014		✓			✓			✓	✓		innen/inner
12	19231		✓		✓			✓	✓	✓		Kit
13	19232		✓			✓		✓	✓	✓		Kit
14	19018	9947 923	✓		✓	✓			✓	✓		
15	19029	9947 919	✓		✓				✓	✓		
16	19030	9947 920	✓			✓			✓	✓		
17	49067	6062 9903		✓	✓	✓			✓	✓	✓	560,0mm
18	49068	5174 9713		✓	✓	✓			✓	✓	✓	595,0mm
19	53026		✓		✓	✓			✓	✓	✓	<p>axle Kit </p>

**ALFA ROMEO 159**

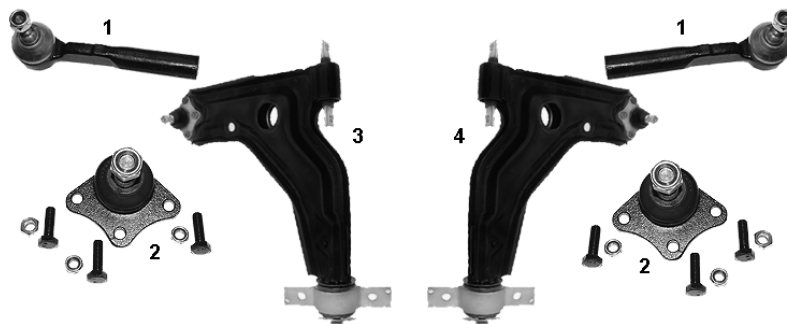
09/05→



NR	MAPCO	REF			←	→	↑	↓			NEW	INFO
1	59014	77363706	✓		✓				✓		✓	
2	59015	77363707	✓			✓			✓		✓	
3	59017	50704361	✓		✓				✓	✓	✓	
4	59016	50704362	✓			✓			✓	✓	✓	
5	59018	50704947	✓		✓		✓		✓	✓	✓	LEA
6	59019	50704948	✓			✓	✓		✓	✓	✓	LEA
7	59022	51795447	✓		✓			✓	✓	✓	✓	
8	59023	51795446	✓			✓		✓	✓	✓	✓	
9	33048	50706954	✓		✓			✓	✓	✓	✓	
10	33049	50706955	✓			✓		✓	✓	✓	✓	
11	59020	50705702		✓	✓				✓	✓	✓	
12	59021	50705703		✓		✓			✓	✓	✓	

**ALFA ROMEO 164 - 164TD**

01/87→ 09/98

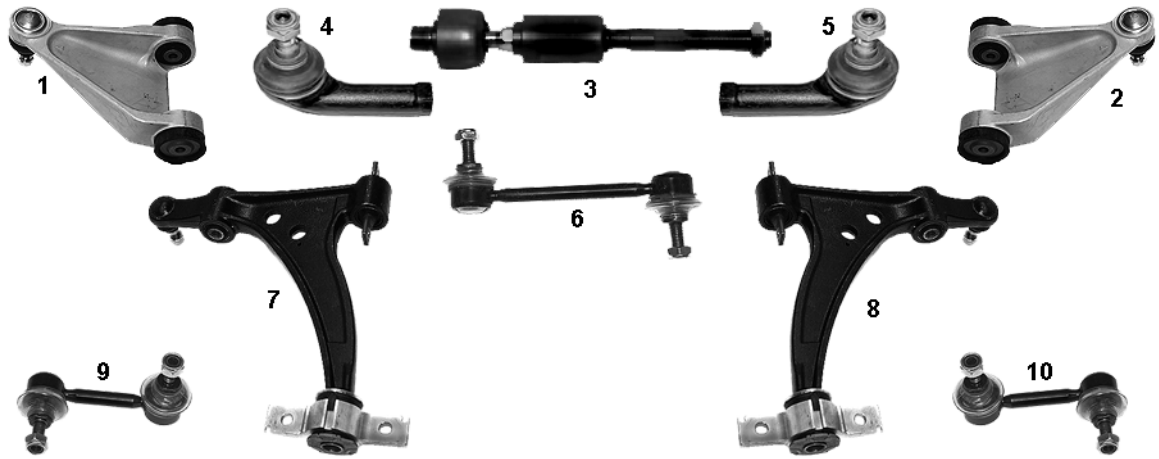


NR	MAPCO	REF			←	→	↑	↓			NEW	INFO
1	19007	6051 1622	✓		✓	✓			✓	✓		M14x1,5RHT
2	19060	8244 6499	✓		✓	✓			✓	✓		✓ 2.0 TS Ø 13 mm
2	19008	6051 0360	✓		✓	✓			✓	✓		Ø 15 mm
3	19020	6058 8843	✓		✓				✓	✓		Ø 15 mm
4	19021	6058 8844	✓			✓			✓	✓		Ø 15 mm



ALFA ROMEO 166 (936)

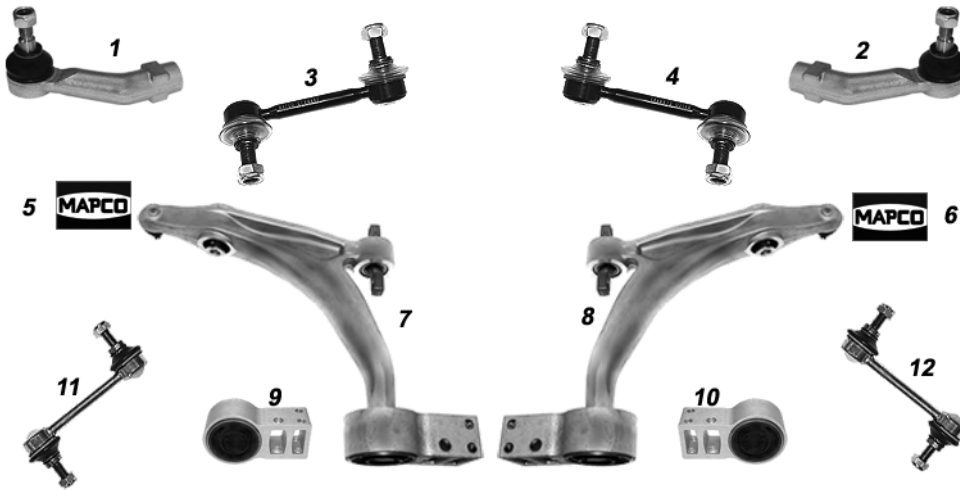
09/98→



NR	MAPCO	REF			←	→	↑	↓			NEW	INFO
1	49080	6065 3551	✓		✓		✓		✓	✓		Alu
2	49081	6065 3552	✓			✓	✓		✓	✓		Alu
3	19018	9947 923	✓		✓	✓			✓	✓		
4	19029	9947 919	✓		✓				✓	✓		
5	19030	9947 920	✓			✓			✓	✓		
6	49032HPS	6063 0757	✓		✓	✓			✓	✓		
7	19031	6066 5804	✓		✓				✓	✓		
8	19032	6066 5805	✓			✓			✓	✓		
9	49034	6062 8284		✓	✓				✓	✓		
10	49033	6062 8255		✓	✓				✓	✓		
11	53080		✓		✓	✓			✓	✓	✓	 axle Kit

**ALFA ROMEO BRERA**

01/06→



NR	MAPCO	REF			←	→	↑	↓			NEW	INFO
1	59014	77363706	✓		✓				✓		✓	
2	59015	77363707	✓			✓			✓		✓	
3	59017	50704361	✓		✓				✓	✓	✓	
4	59016	50704362	✓			✓			✓	✓	✓	
5	59018	50704947	✓		✓		✓		✓	✓	✓	LEA
6	59019	50704948	✓			✓	✓		✓	✓	✓	LEA
7	59022	51795447	✓		✓			✓	✓	✓	✓	
8	59023	51795446	✓			✓		✓	✓	✓	✓	
9	33048	50706954	✓		✓			✓	✓	✓	✓	
10	33049	50706955	✓			✓		✓	✓	✓	✓	
11	59020	50705702			✓	✓			✓	✓	✓	
12	59021	50705703			✓		✓		✓	✓	✓	

**ALFA ROMEO GTV**

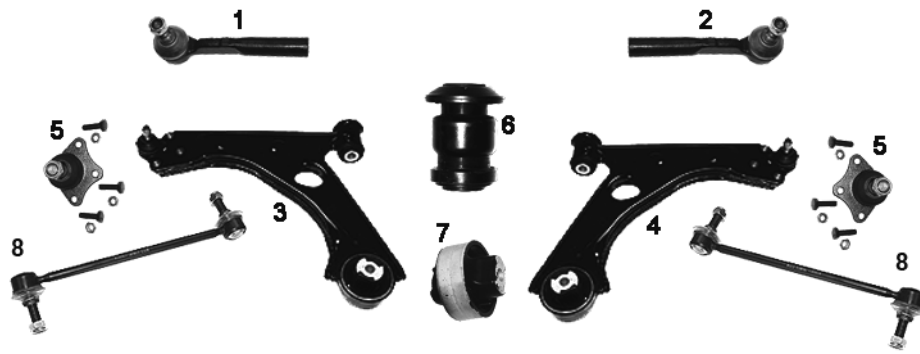
05/98→



NR	MAPCO	REF			←	→	↑	↓			NEW	INFO
1	49053	9947 718	✓		✓	✓			✓	✓		M14x1,5RHT
2	49046	6061 4514	✓		✓	✓			✓	✓		
3	19009	6081 3013	✓		✓				✓	✓		
4	19010	6081 3014	✓			✓			✓	✓		
5	33019	7601 065	✓		✓				✓	✓		
6	33035	7601 068	✓			✓			✓	✓		
7	49048	6061 2436			✓	✓			✓	✓		
8	49047	6061 2435			✓		✓		✓	✓		
9	19015	9947 714	✓		✓	✓			✓	✓		

**ALFA ROMEO MITO**

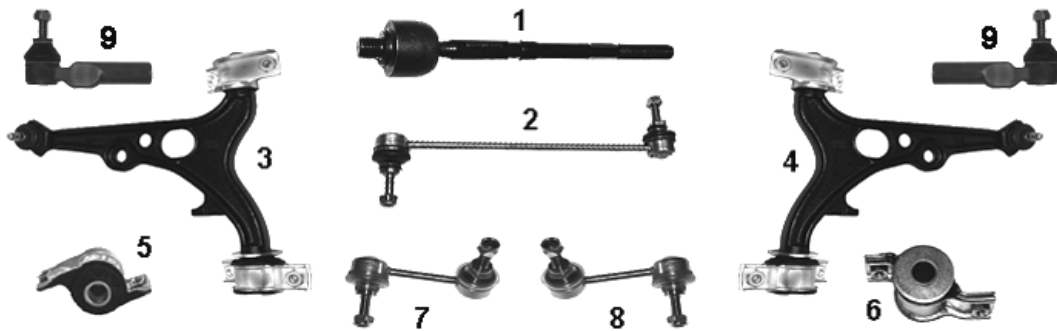
09/08→



NR	MAPCO	REF			←	→	↑	↓			NEW	INFO
1	59012	7736 3829	✓		✓				✓	✓		
2	59013	7736 3830	✓			✓			✓	✓		
3	19097	5178 3057	✓		✓				✓	✓		
4	19098	5178 3056	✓			✓			✓	✓		
5	49092	No OE ref	✓		✓	✓			✓	✓		
6	33044	No OE ref	✓		✓	✓			✓	✓		
7	33045	No OE ref	✓		✓	✓			✓	✓		
8	59026HPS	5570 0753	✓		✓	✓			✓	✓	✓	

**ALFA ROMEO SPIDER (916S\_)**

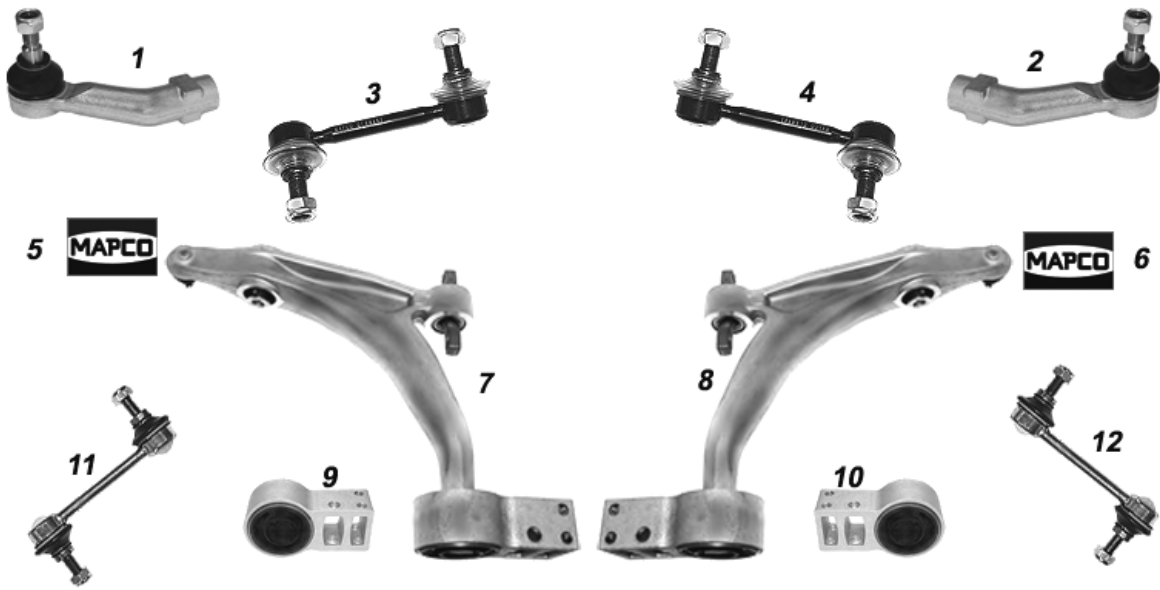
09/94→04/05



NR	MAPCO	REF			←	→	↑	↓			NEW	INFO
1	49053	9947 718	✓		✓	✓			✓	✓		M14x1,5RHT
2	49046	6061 4514	✓		✓	✓			✓	✓		
3	19009	6081 3013	✓		✓				✓	✓		
4	19010	6081 3014	✓			✓			✓	✓		
5	33019	7601 065	✓		✓				✓	✓		
6	33035	7601 068	✓			✓			✓	✓		
7	49048	6061 2436			✓	✓			✓	✓		
8	49047	6061 2435			✓		✓		✓	✓		
9	19015	9947 714	✓		✓	✓			✓	✓		

ALFA ROMEO SPIDER

09/06→

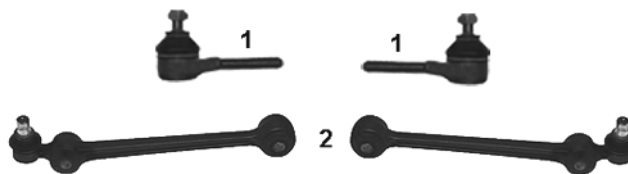


NR	MAPCO	REF			←	→	↑	↓			NEW	INFO
1	59014	77363706	✓		✓				✓		✓	
2	59015	77363707	✓			✓			✓		✓	
3	59017	50704361	✓		✓				✓	✓	✓	
4	59016	50704362	✓			✓			✓	✓	✓	
5	59018	50704947	✓		✓		✓		✓	✓	✓	LEA
6	59019	50704948	✓			✓	✓		✓	✓	✓	LEA
7	59022	51795447	✓		✓			✓	✓	✓	✓	
8	59023	51795446	✓			✓		✓	✓	✓	✓	
9	33048	50706954	✓		✓			✓	✓	✓	✓	
10	33049	50706955	✓			✓		✓	✓	✓	✓	
11	59020	50705702		✓	✓				✓	✓	✓	
12	59021	50705703		✓		✓			✓	✓	✓	

# AUDI

AUDI 50 (86)

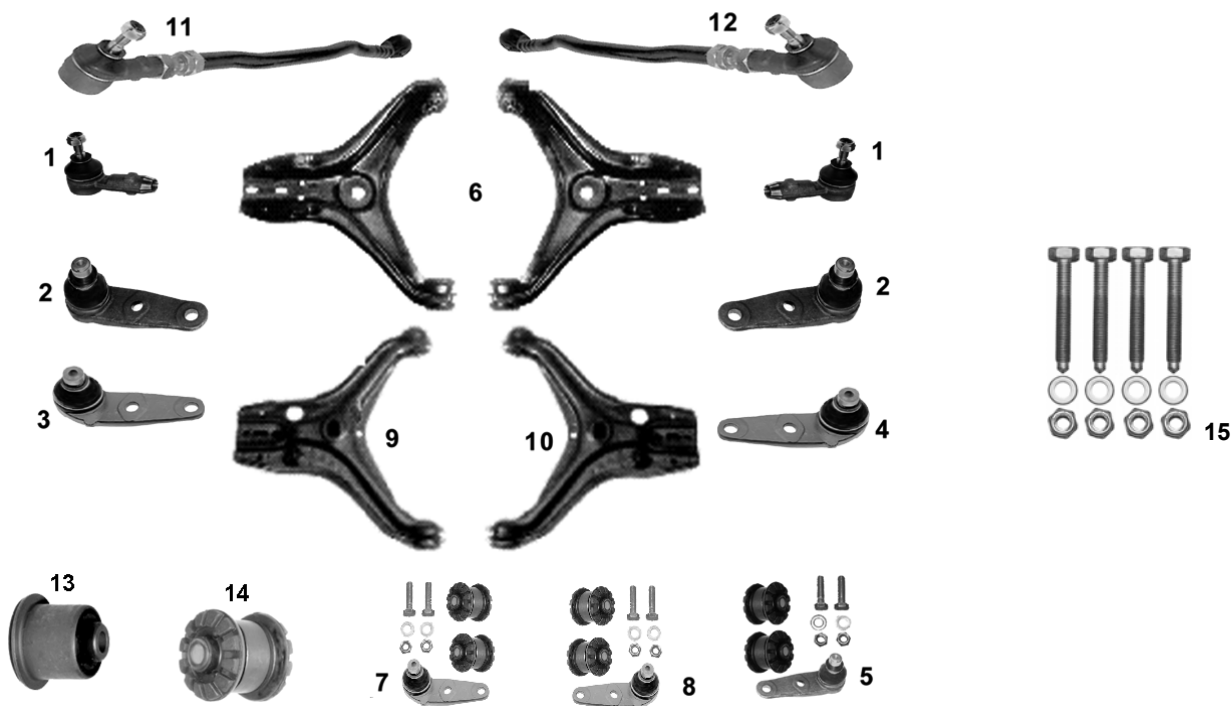
08/74 → 07/78



NR	MAPCO	REF								INFO
1	19850	811419812	✓	✓	✓			✓	✓	M14x1,5RHT
2	19854	861407151B	✓	✓	✓			✓	✓	

AUDI 80 (B2)  
AUDI 90 (B2)

04/80 → 08/86  
06/84 → 01/87

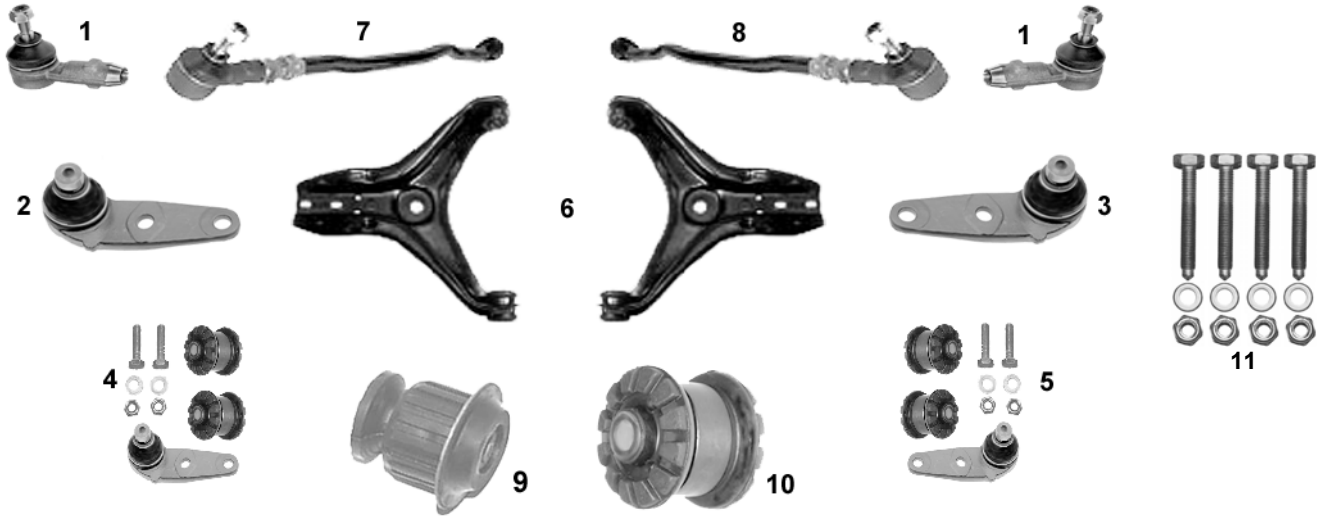


NR	MAPCO	REF								INFO
1	19890	811419812A	✓	✓	✓			✓	✓	M14x1,5RHT
2	19857	823407365E	✓	✓	✓			✓	✓	Chassis → 81-D077973 /  QUATTRO Ø 17 mm
3	19893	855407365A/B	✓	✓				✓		Chassis 81-D077974 → Ø 17 mm
4	19894	855407366A/B	✓		✓			✓		Chassis 81-D077974 → Ø 17 mm
5	19257		✓	✓	✓			✓		Kit → 8/86
6	49768	893407147G	✓	✓	✓			✓		
7	19293		✓	✓				✓		Kit 09/86 → 03/87
8	19294		✓		✓			✓		Kit 09/86 → 03/87
9	49769	893407147C/D	✓	✓				✓		
10	49770	893407148C/D	✓		✓			✓		
11	49761	811419801E	✓	✓				✓	✓	
12	49762	811419802J	✓		✓			✓	✓	
13	33813	857 407 181	✓	✓	✓			✓		
14	33828	811 407 181	✓	✓	✓			✓		
15	95705		✓	✓	✓			✓	✓	MS



AUDI 80 (B3)  
AUDI 90 (B3)

09/86 → 07/89  
09/86 → 07/89

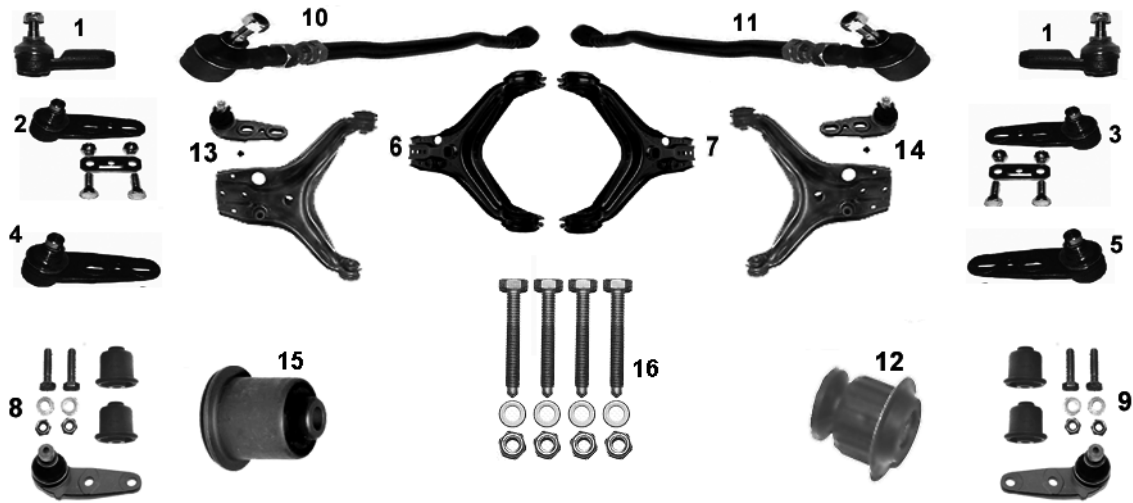


NR	MAPCO	REF									NEW	INFO
1	19890	811419812A	✓		✓	✓				✓		M14x1,5RHT
2	19893	855407365A/B	✓		✓					✓		Chassis 81-D077974 → Ø 17 mm
3	19894	855407366A/B	✓			✓				✓		Chassis 81-D077974 → Ø 17 mm
4	19293		✓		✓					✓		Kit
5	19294		✓			✓				✓		Kit
6	49768	893407147G	✓		✓	✓				✓		
7	49761	811419801E	✓		✓					✓		
8	49763	893419802	✓			✓				✓		
9	33830	893199415	✓		✓	✓				✓		
10	33828	811407181 811407181A	✓		✓	✓				✓		
11	95705		✓		✓	✓				✓		MS

AUDI 80 (B3)  
AUDI 90 (B3)



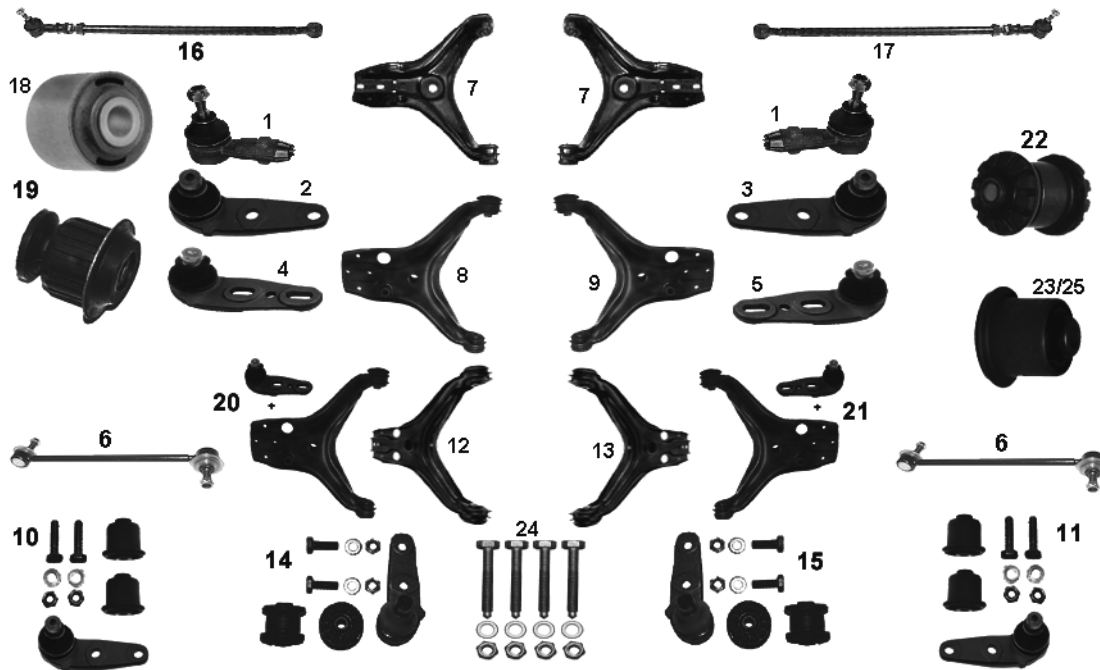
09/86 → 07/89  
09/86 → 07/89



NR	MAPCO	REF									NEW	INFO
1	19890	811419812A	✓		✓	✓			✓			M14x1,5RHT
2	19893	855407365A/B	✓		✓				✓			Chassis → 89-J-373598 Ø 17 mm
3	19894	855407366A/B	✓			✓			✓			Chassis → 89-J-373598 Ø 17 mm
4	19680	893407365F	✓		✓				✓			Chassis 89-J-373599 → Ø 19 mm
5	19681	893407366F	✓			✓			✓			Chassis 89-J-373599 → Ø 19 mm
6	49769	893407147C	✓		✓				✓			
7	49770	893407148C	✓			✓			✓			
8	19280		✓		✓				✓			Kit
9	19281		✓			✓			✓			Kit
10	49761	811419801E	✓		✓				✓			
11	49763	893419802	✓			✓			✓			
12	33830	893199415	✓		✓	✓			✓			
13	49769/1		✓		✓				✓			10 + 4
14	49770/1		✓			✓			✓			11 + 5
15	33813	857407181	✓		✓	✓			✓			
16	95705		✓		✓	✓			✓			MS

AUDI 80 (B3)  
AUDI 90 (B3)

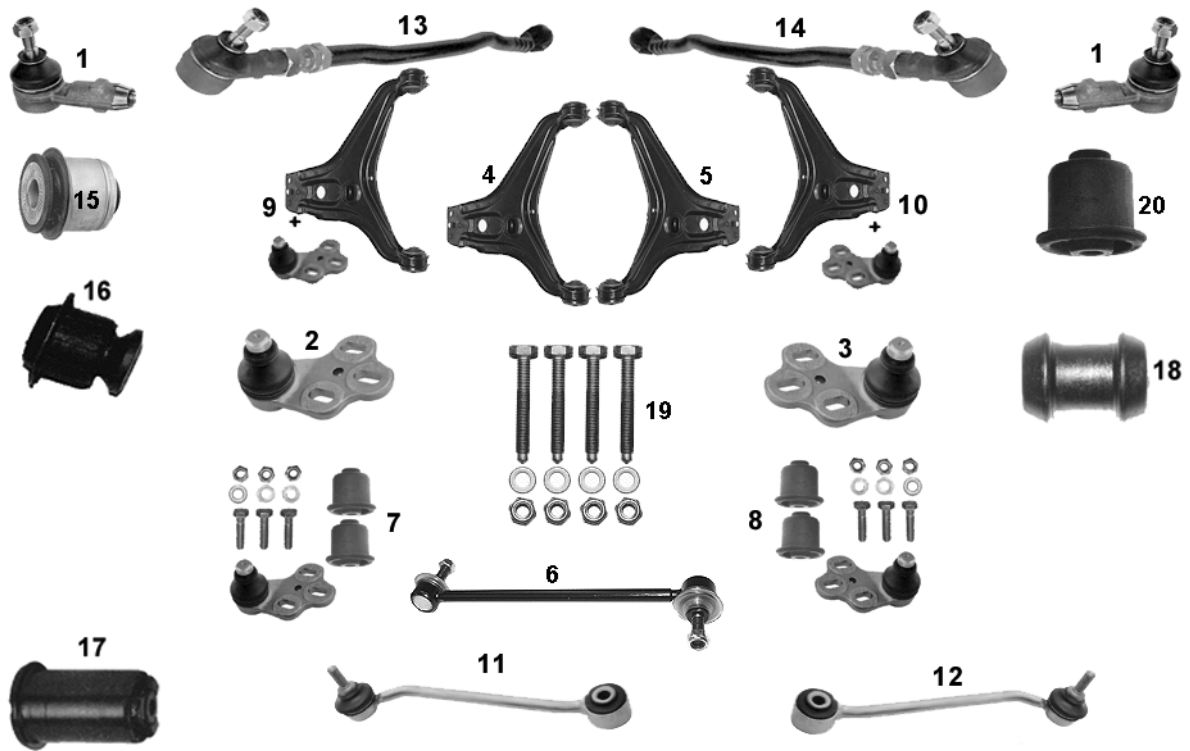
07/89→09/91



NR	MAPCO	REF			←	→	↑	↓			NEW	INFO
1	19890	811419812A	✓		✓	✓			✓	✓		M14x1,5RHT
2	19898	893407365A	✓		✓					✓		Ø 19 mm
3	19897	893407366A	✓			✓				✓		Ø 19 mm
4	19680	893407365F	✓		✓				✓			Ø 19 mm
5	19681	893407366F	✓			✓			✓			Ø 19 mm
6	19603HPS	893407465	✓		✓	✓			✓	✓		Chassis 8A-L-045001→
7	49768	893407147G	✓		✓	✓				✓		
8	49769	893407147C/D	✓		✓				✓			Chassis → 8A-L-038656
9	49770	893407148C/D	✓			✓			✓			Chassis → 8A-L-038656
10	19280		✓		✓				✓			Kit
11	19281		✓			✓			✓			Kit
12	49775	893407147E	✓		✓				✓			Chassis 8A-L-038657→
13	49776	893407148E	✓			✓			✓			Chassis 8A-L-038657→
14	19297		✓		✓					✓		Kit
15	19298		✓			✓				✓		Kit
16	49761	811419801E	✓		✓				✓	✓		
17	49763	893419802	✓			✓			✓	✓		
18	33829	811511247		✓	✓	✓			✓	✓		
19	33830	893199415	✓		✓	✓			✓	✓		
20	49769/1		✓		✓				✓	✓		8+4
21	49770/1		✓			✓			✓	✓		9+5
22	33828	81407181 811407181A	✓		✓	✓				✓		
23	33813	857407181	✓		✓	✓			✓			2.8
24	95705		✓		✓	✓			✓	✓		MS
25	33846	893407181	✓		✓	✓			✓			✓ 2.8

**AUDI 80 + Cabrio (B4)**

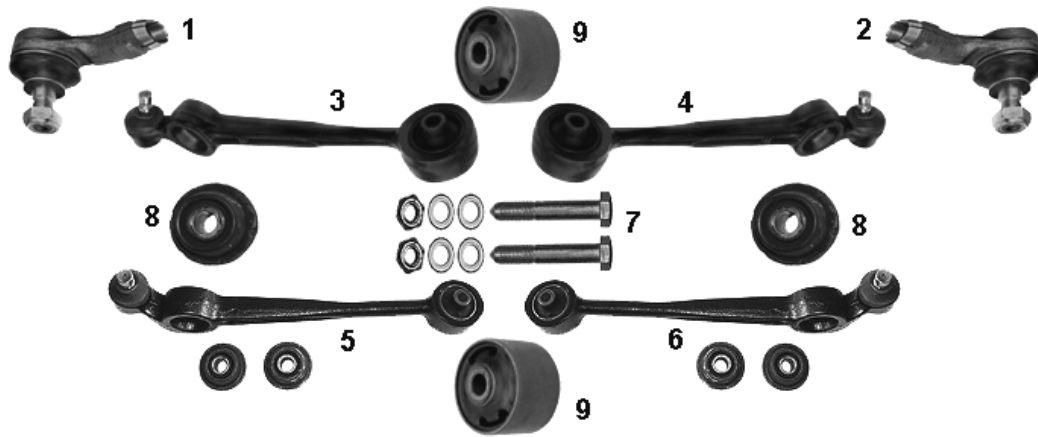
09/91→12/94



NR	MAPCO	REF									INFO
1	19890	811419812A	✓		✓	✓			✓	✓	M14x1,5RHT
2	19684	8A0407365	✓		✓				✓	✓	Ø 19 mm
3	19685	8A0407366	✓			✓			✓	✓	Ø 19 mm
4	49705	895407147A	✓		✓				✓	✓	
5	49706	895407148A	✓			✓			✓	✓	
6	19603HPS	8A0406465C	✓		✓	✓			✓	✓	
7	19284		✓		✓	✓			✓	✓	Kit
8	19285		✓		✓	✓			✓	✓	Kit
9	49705/1		✓		✓				✓	✓	4+2
10	49706/1		✓			✓			✓	✓	5+3
11	49688	8D0505465		✓	✓				✓	✓	
12	49689	8D0505466		✓		✓			✓	✓	
13	49761	811419801E	✓		✓				✓	✓	
14	49763	893419802	✓			✓			✓	✓	
15	33827	893199419	✓		✓	✓			✓	✓	
16	33830	893199415	✓		✓	✓			✓	✓	
17	33894	8A0501541		✓	✓	✓			✓	✓	
18	33907	857407474	✓		✓	✓			✓	✓	
19	95705		✓		✓	✓			✓	✓	MS
20	33842	857407181	✓		✓	✓			✓		

AUDI 100 (C3)

09/85 → 01/91

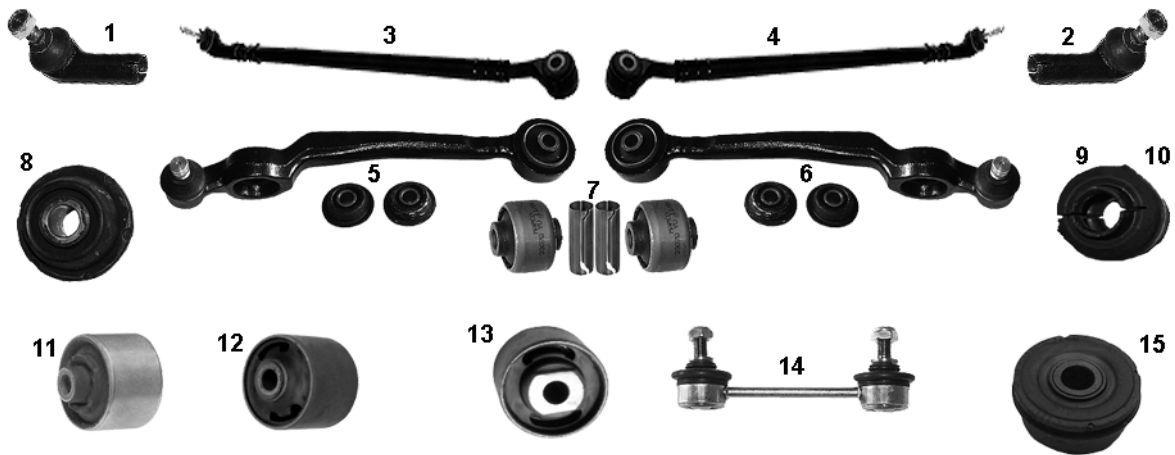


NR	MAPCO	REF			←	→	↑	↓			NEW	INFO
1	49717	443419811D	✓		✓				✓	✓		M16x1,5 RHT
2	49718	443 419812B 443 419812D	✓			✓			✓	✓		M16x1,5 RHT
3	49698	437407151B 443407151B	✓		✓					✓		
4	49699	437407151B 443407152B	✓			✓				✓		
5	49696/1	437407151A	✓		✓				✓			
6	49697/1	437407152A	✓			✓			✓			
7	95696		✓		✓	✓			✓	✓		MS
8	33891	431407181F	✓		✓	✓			✓	✓		
9	33898	431511247C	✓		✓	✓			✓	✓		



**AUDI 100 (C4)**

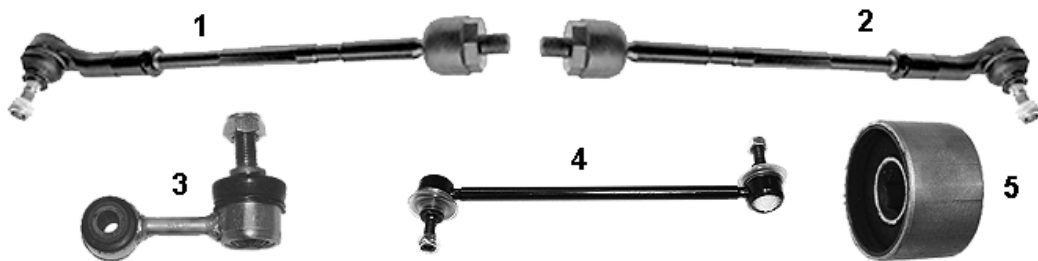
09/91→06/94



NR	MAPCO	REF			←	→	↑	↓			NEW	INFO
1	19692	4A0419811A	✓		✓				✓	✓		M18x1,5RHT
2	19693	4A0419812A	✓			✓			✓	✓		M18x1,5RHT
3	49789	4A0419801A	✓		✓				✓	✓		
4	49790	4A0419802A	✓			✓			✓	✓		
5	19694	4A0407151	✓		✓				✓	✓		
6	19695	4A0407152	✓			✓			✓	✓		
7	33878/2		✓		✓	✓			✓	✓		Kit
8	33892	4A0407181A	✓		✓	✓			✓	✓		
9	33938	4A0411327F	✓		✓	✓			✓	✓		Ø 24 mm ✓ 2.0
10	36904	4A0411327A	✓		✓	✓			✓	✓		Ø 25 mm
11	33941	4D0511523A		✓	✓	✓		✓	✓	✓		
12	33898	431511247C		✓	✓	✓			✓	✓		
13	33899	4A0511247		✓	✓	✓			✓	✓		
14	49686	4A0505389		✓	✓	✓			✓	✓		
15	36941	4A0511247B		✓	✓	✓		✓	✓	✓		

**AUDI A2**

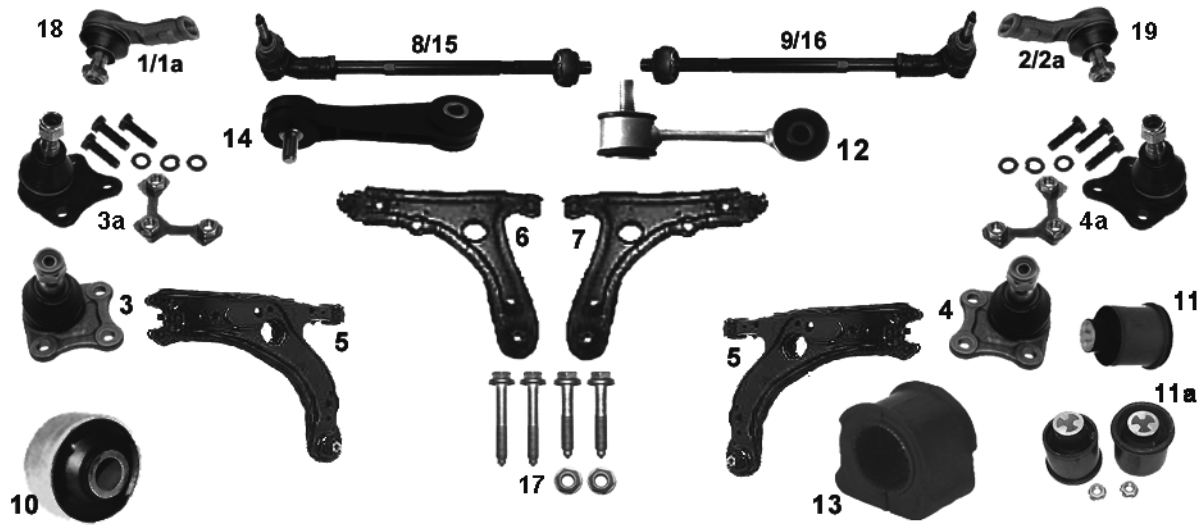
02/00→08/05



NR	MAPCO	REF			←	→	↑	↓			NEW	INFO
1	59892	8Z0 423 803C	✓		✓				✓	✓		
2	59891	8Z0 423 804C	✓			✓			✓	✓		
3	59894	8Z0 411 315B	✓		✓	✓			✓	✓		1.2 TDI
4	59812HPS	6Q0 411 315A	✓		✓	✓			✓	✓		1.4, 1.4TDI, 1.6 FSI
5	36798	8Z0 407 183	✓		✓	✓			✓	✓		1.4

AUDI A3 (8L1)

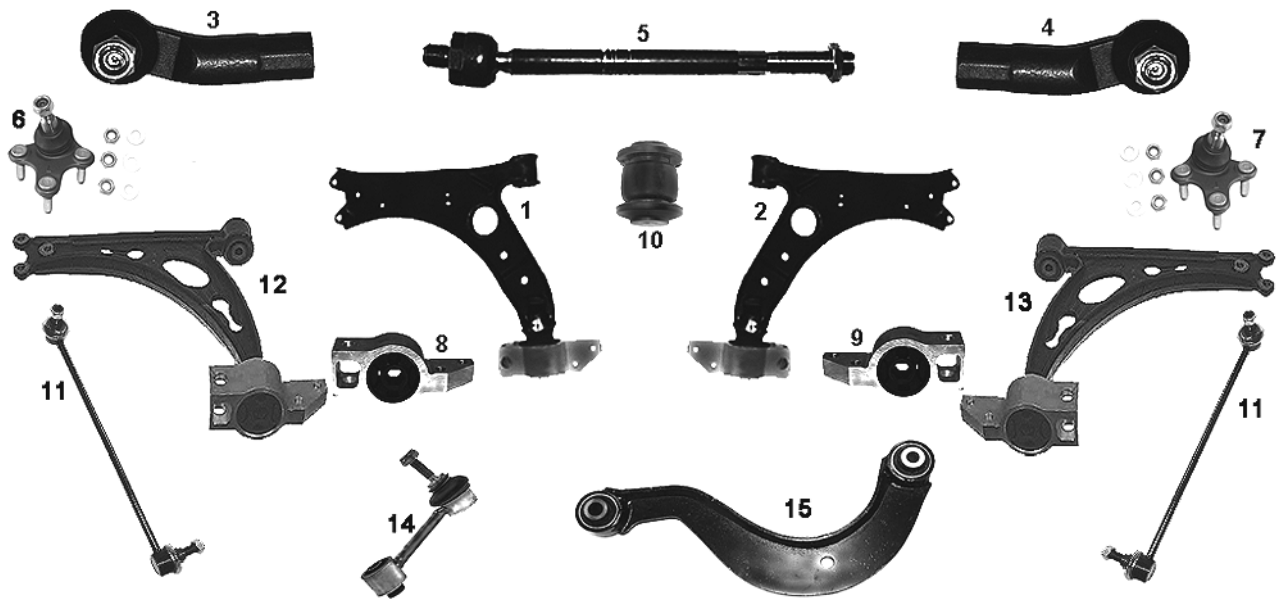
10/97→05/03



NR	MAPCO	REF			←	→	↑	↓			NEW	INFO
1	49700	1J0 422 811B	✓		✓				✓	✓		94mm M14x1,5RHT, Chassis 8L-W-050422 →
1a	59895	1J0 422 811A	✓		✓				✓	✓		75mm M14x1,5RHT, Chassis → 8L-W-050421
2	49701	1J0 422 812B	✓			✓			✓	✓		94mm M14x1,5RHT, Chassis 8L-W-050422 →
2a	59896	1J0 422 812A	✓			✓			✓	✓		75mm M14x1,5RHT, Chassis → 8L-W-050421
3	49702	1J0 407 365C	✓		✓				✓	✓		
3a	49702/1	1J0 407 365A	✓		✓				✓	✓		
4	49703	1J0 407 366C	✓			✓			✓	✓		
4a	49703/1	1J0 407 366A	✓			✓			✓	✓		
5	49704	1J0 407 151B	✓		✓	✓			✓	✓		
6	49704/1		✓		✓				✓	✓		5+3a Chassis 8L-W-050422→
7	49704/2		✓			✓			✓	✓		5+4a Chassis 8L-W-050422→
8	49690	1J0 422 803B	✓		✓				✓	✓		Chassis 8L-W-050422→
9	49691	1J0 422 804B	✓			✓			✓	✓		Chassis 8L-W-050422→
10	33903	1J0 407 181	✓		✓	✓			✓	✓		S3 quattro
10	36772	8N0 407 181B	✓		✓	✓			✓	✓		✓ S3 quattro
11	33912	1J0 501 541C		✓	✓	✓			✓	✓		
11a	33912/2	1J0 501 541C		✓	✓	✓			✓	✓		
12	49867	1J0 411 315C	✓		✓	✓			✓	✓		Stahl/steel 105mm, Ø 23mm
13	33927	1J0 411 314B	✓		✓	✓			✓	✓		Innen Ø 19mm
14	49868	1J0 411 315C	✓		✓	✓			✓	✓		Plastik 105mm Ø 21mm
15	49869	1J0 422 803A	✓		✓				✓	✓		Chassis → 8L-W-050421
16	49870	1J0 422 804A	✓			✓			✓	✓		Chassis → 8L-W-050421
17	95704		✓		✓	✓			✓	✓		MS
18	51711	8N0 422 811A	✓		✓				✓			16x1,5RHT ✓S3 quattro
19	51712	8N0 422 812A	✓			✓			✓			16x1,5RHT ✓S3 quattro

AUDI A3 (8P1)  
AUDI A3 (8PA)

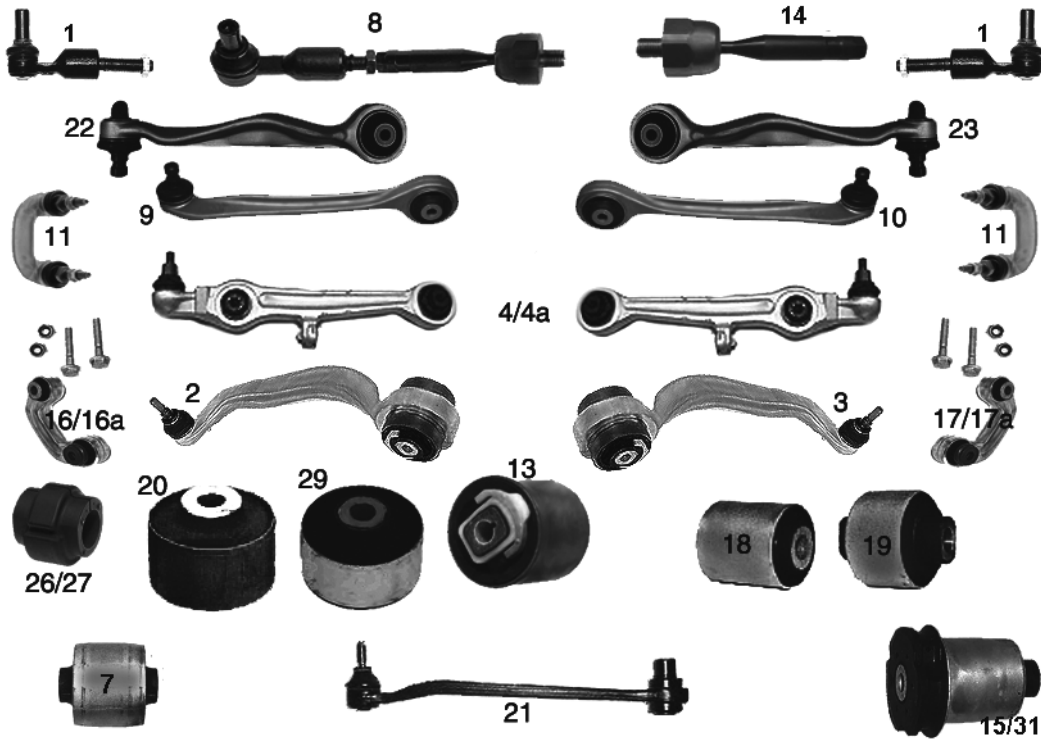
05/03→  
09/04→



NR	MAPCO	REF									INFO
1	51715	1K0 407 151P	✓		✓			✓	✓	✓	
2	51716	1K0 407 152P	✓			✓		✓	✓	✓	
3	51826	1K0 423 811J	✓		✓				✓	✓	
4	51827	1K0 423 812J	✓			✓			✓	✓	
5	51723	1K0 423 810A	✓		✓	✓			✓	✓	M16x1,5RHT 310 mm
6	51724	1K0 407 365E	✓		✓			✓	✓	✓	Ø 16 mm
7	51725	1K0 407 366E	✓			✓		✓	✓	✓	Ø 16 mm
8	36948	1K0 199 231G	✓		✓			✓	✓	✓	
9	36949	1K0 199 232G	✓			✓		✓	✓	✓	
10	36950	1K0 407 182	✓		✓	✓		✓	✓	✓	
11	51825HPS	1K0 411 315D	✓		✓	✓		✓	✓	✓	
12	51726	1K0 407 151AC	✓		✓			✓	✓	✓	✓
13	51727	1K0 407 152M	✓			✓		✓	✓	✓	✓
14	51829HPS	1K0 505 465C		✓	✓	✓			✓	✓	
15	52718	1K0 505 323H		✓	✓	✓	✓		✓	✓	✓

AUDI A4 (B5, B6)

11/94 → 12/04

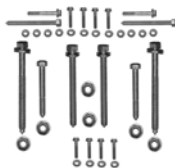


NR	MAPCO	REF			←	→	↑	↓			NEW	INFO
1	49707HPS	4D0419811B	✓		✓	✓			✓	✓		
2	49708OES	4D0407693N	✓		✓			✓	✓	✓		hinten/ rear/ arrière
3	49709OES	4D0407694N	✓			✓		✓	✓	✓		hinten/ rear/ arrière
4	49710OES	4D0407151P	✓		✓	✓			✓	✓		vorn/ front/ avant → 10/04
4a	51710OES	8E0407151N	✓		✓	✓			✓	✓		vorn/ front/ avant 11/04 →
7	36778	4F0407183C	✓		✓	✓		✓	✓	✓		bushing hinten/ rear/ arrière 11/04 →
8	49732	4D0419801B	✓		✓	✓			✓	✓		
9	49680OES	8D0407505F	✓		✓		✓		✓	✓		vorn/ front/ avant
10	49681OES	8D0407506F	✓			✓	✓		✓	✓		vorn/ front/ avant
11	49682	4D0411317J	✓		✓	✓			✓	✓		Chassis →8D-W-290000
13	33932	4D0407183N	✓		✓	✓		✓	✓	✓		
14	49738	4D0422821A	✓		✓	✓			✓	✓		
15	33902	8D0501541D		✓	✓	✓			✓	✓		
16	49683OES	8D0411317D	✓		✓	✓		✓	✓	✓		
16a	49683/1OES	8D0411317D	✓		✓	✓		✓	✓	✓		+  Chassis 8D-W-290001→
17	49684OES	8D0411318D	✓		✓	✓		✓	✓	✓		
17a	49684/1OES	8D0411318D	✓		✓	✓		✓	✓	✓		+  Chassis 8D-W-290001→
18	33839	4D0407181H	✓		✓	✓			✓	✓		Ø 40 mm
19	33840	4D0407182E	✓		✓	✓			✓	✓		Ø 50 mm
20	33876	4D0407515D	✓		✓	✓			✓	✓		
21	59893	8D0 501 530		✓					✓	✓		01/95→
22	49791OES	4D0407509G	✓		✓				✓	✓		hinten/ rear/ arrière
23	49792OES	4D0407510G	✓			✓			✓	✓		hinten/ rear/ arrière
26	33939	4D0411327E	✓		✓	✓			✓	✓		
27	33940	4D0411327F	✓		✓	✓			✓	✓		✓
28	95710		✓		✓	✓			✓	✓		MS

AUDI A4 (B5, B6)

Fortsetzung / continued (S.24)

11/94→12/04



28



24



24a

32



24b

33



25



26

34

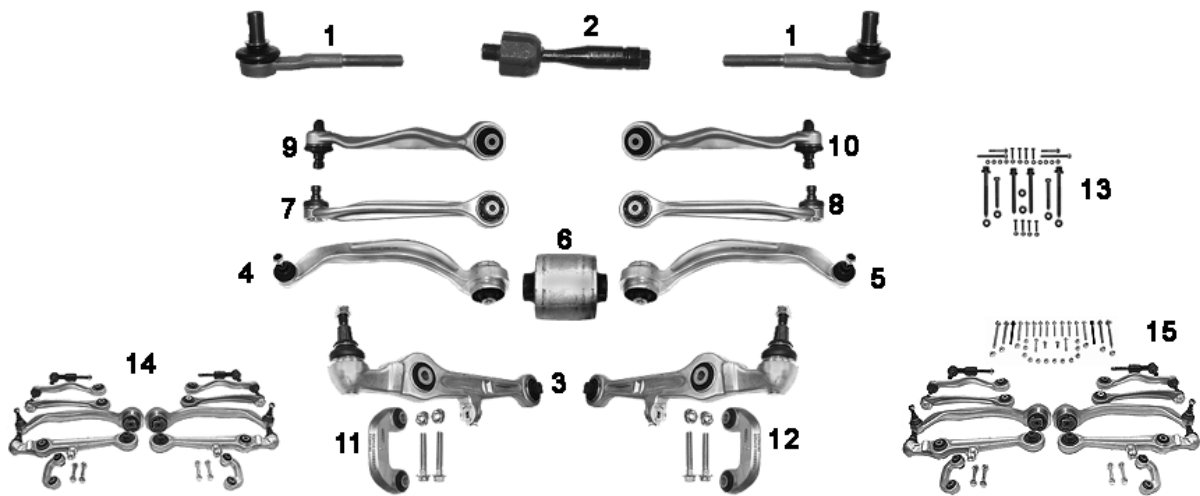


27

NR	MAPCO	REF			←	→	↑	↓			NEW	INFO
24	59818HPS	4D0498998C	✓		✓	✓			✓	✓		
24a	<b>59818/1HPS</b>	4D0498998C	✓		✓	✓			✓	✓		→ 10/04   + MS
24b	59818/2	4D0498998C	✓		✓	✓			✓	✓		→ 10/04   + MS
25	59819	8D0498998	✓		✓	✓			✓	✓		
26	59819/1	8D0498998	✓		✓	✓			✓	✓		→ 10/04   + MS
27	59819/2	8D0498998	✓		✓	✓			✓	✓		
29	36915	4B0407515	✓		✓	✓	✓		✓	✓		vorn/ front/ avant
31	33988	8D0501541A		✓	✓	✓			✓	✓	✓	✓
32	59824/1HPS		✓		✓	✓			✓	✓		11/04 →   + MS
33	59824/2		✓		✓	✓			✓	✓		11/04 →   + MS
34	59825/1		✓		✓	✓			✓	✓		11/04 →   + MS

AUDI A4 (8EC), (8ED)

11/04→

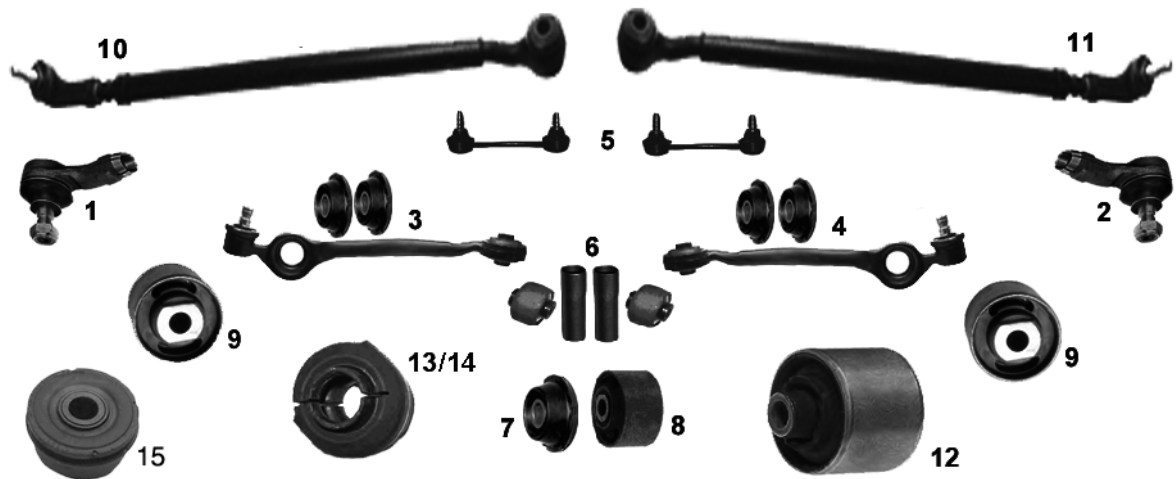


NR	MAPCO	REF			←	→	↑	↓			NEW	INFO
1	59707OES	4B0419811G	✓		✓	✓			✓		✓	Metall Konus 17,5 mm M14 x 1,5 mm
2	49738	4D0422821A	✓		✓	✓			✓			
3	51710OES	8E0407151N	✓		✓	✓			✓			vorn/ front/ avant
4	51872	8E0407693AL	✓		✓		✓	✓	✓		✓	hinten/ rear/ arrière
5	51873	8E0407694AL	✓			✓	✓	✓	✓		✓	hinten/ rear/ arrière
6	36778	4F0407183C	✓		✓	✓		✓	✓			bushing hinten/ rear/ arrière
7	49680OES	8D0407505F	✓		✓		✓		✓			vorn/ front/ avant
8	49681OES	8D0407506F	✓			✓	✓		✓			vorn/ front/ avant
9	49791OES	4D0407509G	✓		✓		✓		✓			hinten/ rear/ arrière
10	49792OES	4D0407510G	✓			✓	✓		✓			hinten/ rear/ arrière
11	52712	8E0411317	✓		✓			✓	✓		✓	
12	52713	8E0411318	✓			✓		✓	✓		✓	
13	95710		✓		✓	✓			✓			MS
14	59827	8E0498998	✓		✓	✓			✓		✓	
15	59827/1	8E0498998	✓		✓	✓			✓		✓	+ MS



AUDI A6 (C4)

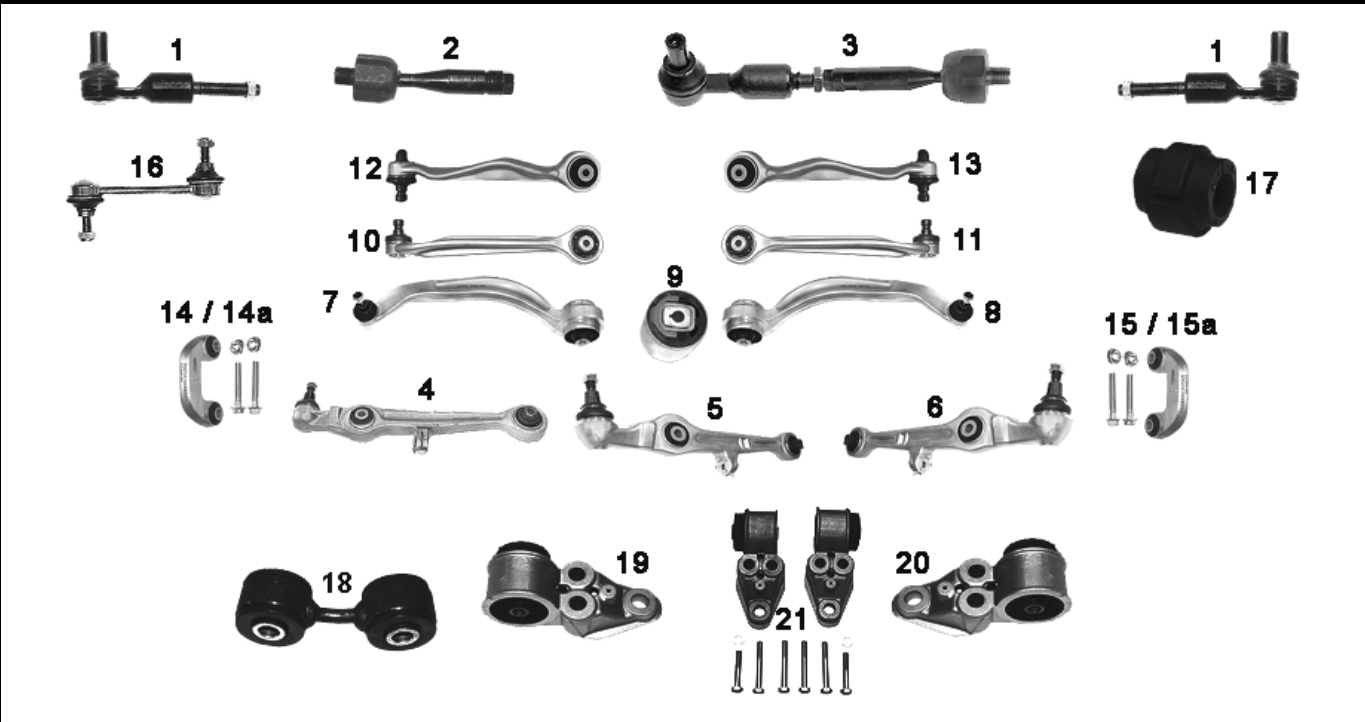
08/94 → 12/97



NR	MAPCO	REF			←	→	↑	↓			NEW	INFO
1	49717	443419811D	✓		✓				✓	✓		M16x1,5RHT
2	49718	443419812D	✓			✓			✓	✓		M16x1,5RHT
3	19694	4A0407151	✓		✓				✓	✓		
4	19695	4A0407152	✓			✓			✓	✓		
5	49686	4A0505389		✓	✓	✓			✓	✓		
6	33878/2		✓		✓	✓			✓	✓		Kit
7	33892	4A0407181A	✓		✓	✓			✓	✓		
8	33898	431511247C	✓		✓	✓			✓	✓		
9	33899	4A0511247		✓	✓	✓			✓	✓		
10	49789	4A0419801A	✓		✓				✓	✓		
11	49790	4A0419802A	✓			✓			✓	✓		
12	33941	4D0511523A		✓	✓	✓		✓	✓	✓		
13	33938	4A0411327F	✓		✓	✓			✓	✓		Ø 24 mm ✓ 2.0
14	36904	4A0411327A	✓		✓	✓			✓	✓		Ø 25 mm
15	36941	4A0511247B		✓	✓	✓		✓	✓	✓	✓	

AUDI A6 (C5)

01/97→01/05

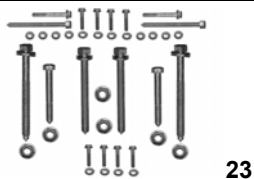


NR	MAPCO	REF			←	→	↑	↓			NEW	INFO
1	49707HPS	4D0419811B	✓		✓	✓			✓	✓		
2	49738	4D0422821A	✓		✓	✓			✓	✓		
3	49732	4D0419801B	✓		✓	✓			✓	✓		
4	49710OES	4D0407151P	✓		✓	✓			✓	✓		vorn/ front/ avant →12/01
5	51710OES	8E0407151N	✓		✓	✓			✓	✓		✓ quattro 1998→ 12/01 vorn/ front/ avant 01/02 →
6	51730	4B3407151K	✓		✓	✓			✓	✓		CH. → 4B-3-011-544 CH. 4B-2-031-501→
7	49708OES	4D0407693N	✓		✓			✓	✓	✓		hinten/ rear/ arrière
8	49709OES	4D0407694N	✓			✓		✓	✓	✓		hinten/ rear/ arrière
9	33932	4D0407183N	✓		✓	✓		✓	✓	✓		
10	49680OES	8D0407505F	✓		✓		✓		✓	✓		vorn/ front/ avant
11	49681OES	8D0407506F	✓			✓	✓		✓	✓		vorn/ front/ avant
12	49791OES	4D0407509G	✓		✓				✓	✓		hinten/ rear/ arrière
13	49792OES	4D0407510G	✓			✓			✓	✓		hinten/ rear/ arrière
14	49683OES	8D0411317D	✓		✓	✓		✓	✓	✓		
14a	49683/1OES	8D0411317D	✓		✓	✓		✓	✓	✓		+  Chassis 8D-W-290001→
15	49684OES	8D0411318D	✓		✓	✓		✓	✓	✓		
15a	49684/1OES	8D0411318D	✓		✓	✓		✓	✓	✓		+  Chassis 8D-W-290001→
16	49714	4D0505465D	✓		✓	✓			✓	✓		
17	33940	4D0411327F	✓		✓	✓			✓	✓		
18	59820	8E0505465C			✓	✓	✓		✓	✓		✓ quattro
19	36775	4B0501521D			✓	✓			✓	✓		
20	36776	4B0501522D			✓		✓		✓	✓		
21	36782				✓	✓	✓		✓	✓		

Fortsetzung / continued Seite/ page 29

AUDI A6 (C5)

Fortsetzung / continued (S.28) 01/97→01/05



23



24  
33



25  
28  
34



26  
29



27



30  
31

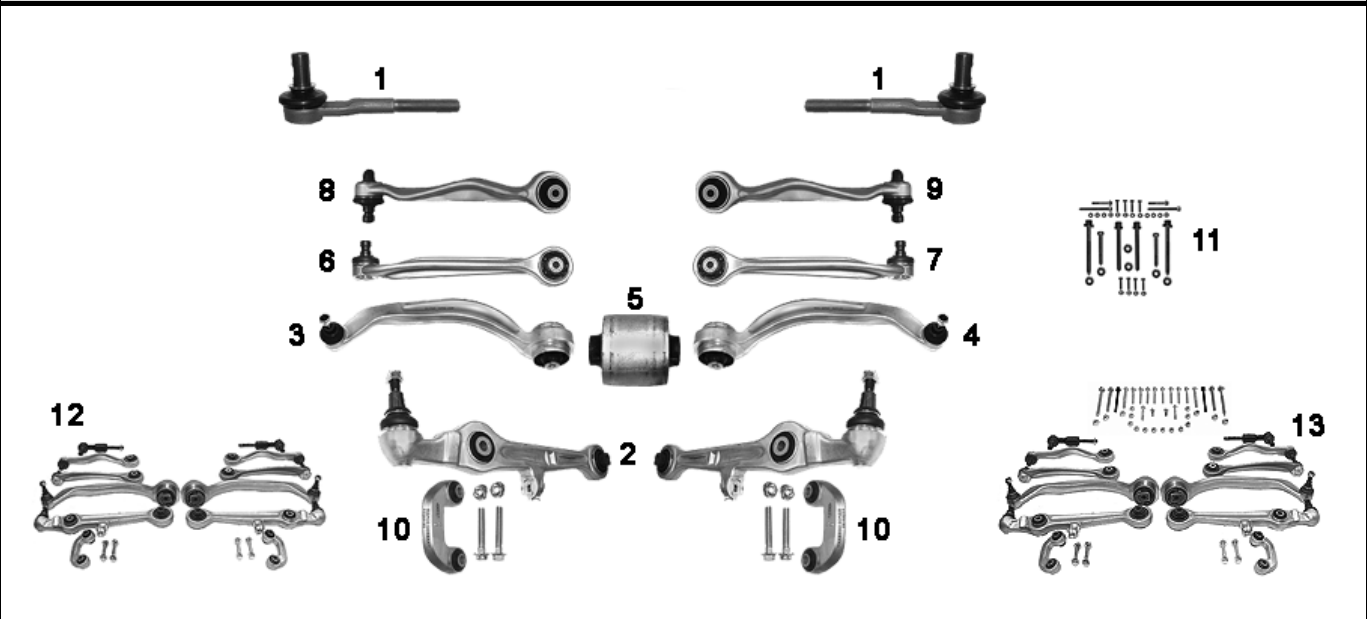


32

NR	MAPCO	REF									NEW	INFO
23	95710		✓		✓	✓			✓	✓		MS
24	59818HPS	4D0498998C	✓		✓	✓			✓	✓		
25	59818/1HPS	4D0498998C	✓		✓	✓			✓	✓		→12/01   + MS
26	59818/2	4D0498998C	✓		✓	✓			✓	✓		→12/01   + MS
27	59819	8D0498998	✓		✓	✓			✓	✓		
28	59824/1HPS		✓		✓	✓			✓	✓		✓ quattro 1998→ 12/01, 01/02 →   + MS
29	59824/2		✓		✓	✓			✓	✓		✓ quattro 1998→ 12/01, 01/02 →   + MS
30	59825/1		✓		✓	✓			✓	✓		✓ quattro 1998→ 12/01, 01/02 →   + MS
31	59819/1	8D0498998	✓		✓	✓			✓	✓		→ 12/01   + MS
32	59819/2	8D0498998	✓		✓	✓			✓	✓		
33	59826	4B3498998	✓		✓	✓			✓	✓	✓	CH. → 4B-3-011-544 CH. 4B-2-031-501→
34	59826/1	4B3498998	✓		✓	✓			✓	✓	✓	CH. → 4B-3-011-544 CH. 4B-2-031-501→   + MS

AUDI A6 (4F2), (4F5)

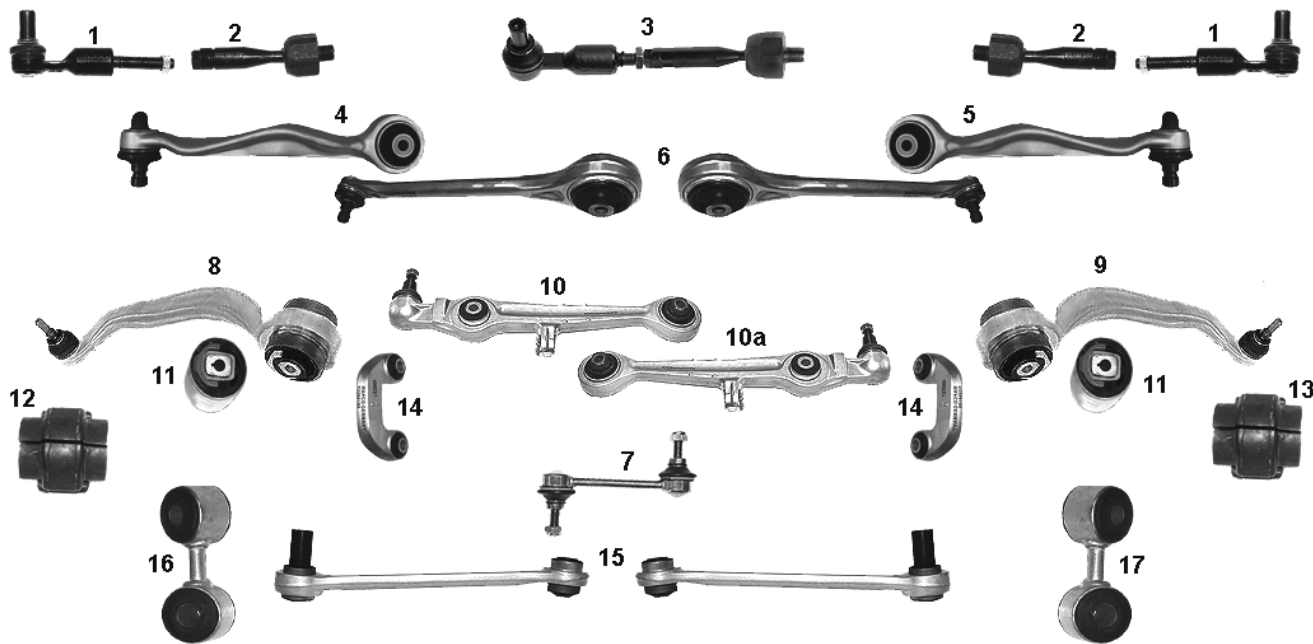
05/04→



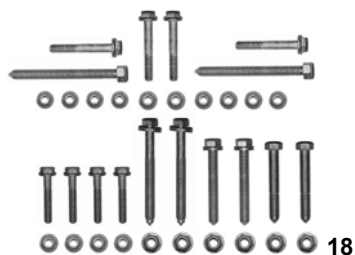
NR	MAPCO	REF			←	→	↑	↓			NEW	INFO
1	59707OES	4B0419811G	✓		✓	✓			✓	✓	✓	Metall Konus 17,5 mm M14 x 1,5 mm
2	52710	4F0407151	✓		✓	✓		✓	✓	✓	✓	vorn/ front/ avant
3	51874	4F0407693B	✓		✓			✓	✓	✓	✓	hinten/ rear/ arrière
4	51875	4F0407694B	✓			✓		✓	✓	✓	✓	hinten/ rear/ arrière
5	36777	4F0407183A	✓		✓	✓		✓	✓	✓	✓	hinten/ rear/ arrière
6	51876	4E0407505B	✓		✓		✓		✓	✓	✓	hinten/ rear/ arrière
7	51877	4E0407506B	✓			✓	✓		✓	✓	✓	hinten/ rear/ arrière
8	51878	4E0407509B	✓		✓		✓		✓	✓	✓	vorn/ front/ avant
9	51879	4E0407510B	✓			✓	✓		✓	✓	✓	vorn/ front/ avant
10	52711	4E0411317E	✓		✓	✓		✓	✓	✓	✓	
11	95710		✓		✓	✓			✓	✓		MS
12	59828		✓		✓	✓			✓	✓	✓	
13	59828/1		✓		✓	✓			✓	✓	✓	+ MS

AUDI A8 (4D8)

08/94→09/02



NR	MAPCO	REF			←	→	↑	↓			NEW	INFO
1	49707HPS	4D0419811B	✓		✓	✓			✓	✓		
2	49738	4D0422821A	✓		✓	✓			✓	✓		
3	49732	4D0419801B	✓		✓	✓			✓	✓		
4	49791OES	4D0407509G	✓		✓				✓	✓		hinten/ rear/ arrière
5	49792OES	4D0407510G	✓		✓				✓	✓		hinten/ rear/ arrière
6	49713OES	4D0407505D	✓		✓				✓	✓		
7	49714	4D0505465D		✓	✓	✓			✓	✓		
8	49708OES	4D0407693N	✓		✓			✓	✓	✓		hinten/ rear/ arrière
9	49709OES	4D0407694N	✓		✓			✓	✓	✓		hinten/ rear/ arrière
10	49710OES	4D0407151P	✓		✓	✓			✓	✓		vorn/ front/ avant →12/98
10a	51710OES	8E0407151N	✓		✓	✓			✓	✓		vorn/ front/ avant 01/99 →2003
11	33932	4D0407183N	✓		✓	✓		✓	✓	✓		
12	33939	4D0411327E	✓		✓	✓			✓	✓		
13	33940	4D0411327F	✓		✓	✓			✓	✓		✓
14	49685OES	4D0411317K	✓		✓	✓		✓	✓	✓		
15	49716	4D0501529E		✓	✓	✓			✓	✓		
16	49729	4D0505547C		✓	✓				✓	✓		
17	49715	4D0505548C		✓		✓			✓	✓		
18	95713		✓		✓	✓			✓	✓		MS



Fortsetzung / continued  
Seite/page 32

**AUDI A8 (4D8)**

**Fortsetzung / continued (S.31)**

08/94→09/02



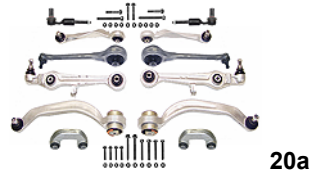
19



19a



20

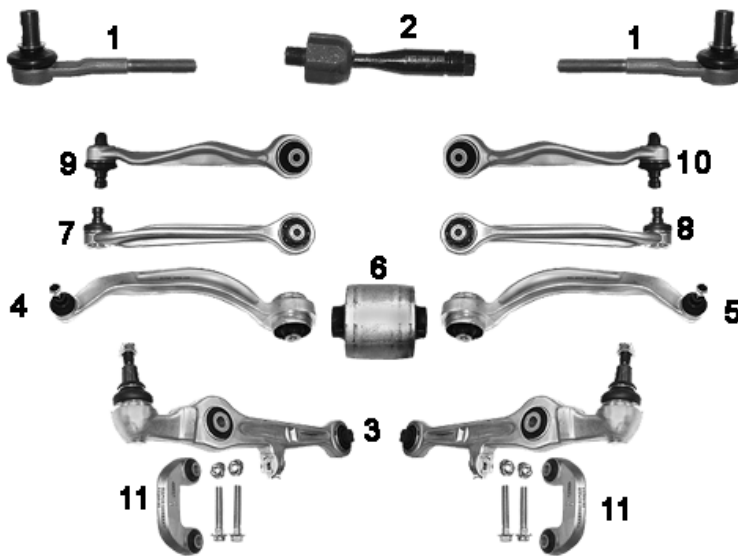


20a

NR	MAPCO	REF			←	→	↑	↓			NEW	INFO
19	59821		✓		✓	✓			✓	✓		Chassis →144999
19a	59821/1		✓		✓	✓			✓	✓		Chassis →144999   + MS
20	59822		✓		✓	✓			✓	✓		Chassis 145000→
20a	59822/1		✓		✓	✓			✓	✓		Chassis 145000→   + MS

**AUDI A8 (4E\_)**

10/02→

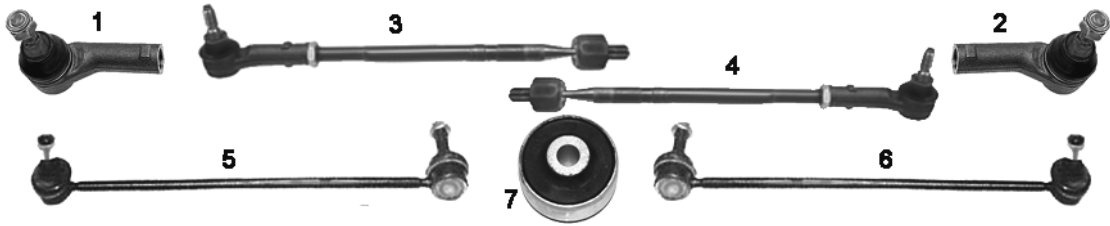


NR	MAPCO	REF			←	→	↑	↓			NEW	INFO
1	51735	4E0419811E	✓		✓	✓			✓	✓	✓	Metall Konus 23,0mm M16 x 1,5 mm
2	51736	4E0419801E	✓		✓	✓			✓	✓	✓	
3	51737	4E0407151L	✓		✓	✓		✓	✓	✓	✓	vorn/ front/ avant
4	51738	4E0407693N	✓		✓			✓	✓	✓	✓	hinten/ rear/ arrière
5	51739	4E0407694N	✓		✓			✓	✓	✓	✓	hinten/ rear/ arrière
6	36777	4F0407183A	✓		✓	✓		✓	✓	✓	✓	hinten/ rear/ arrière
7	51876	4E0407505B	✓		✓		✓		✓	✓	✓	vorn/ front/ avant
8	51877	4E0407506B	✓		✓	✓			✓	✓	✓	vorn/ front/ avant
9	51878	4E0407509B	✓		✓		✓		✓	✓	✓	hinten/ rear/ arrière
10	51879	4E0407510B	✓		✓	✓			✓	✓	✓	hinten/ rear/ arrière
11	52711	4E0411317E	✓		✓	✓		✓	✓	✓	✓	



**AUDI TT (8N3)**  
**AUDI TT Roadster (8N9)**

10/98→  
10/99→



NR	MAPCO	REF			←	→	↑	↓			NEW	INFO
1	51711	8N0422811A	✓		✓				✓	✓		16x1,5RHT
2	51712	8N0422812A	✓			✓			✓	✓		16x1,5RHT
3	51713	8N0422803A	✓		✓				✓	✓		
4	51714	8N0422804A	✓			✓			✓	✓		
5	49793	1J0411315D	✓		✓				✓	✓		
6	49794	1J0411316D	✓			✓			✓	✓		
7	36772	8N0407181B	✓		✓	✓			✓	✓		

**AUDI TT (8J3)**  
**AUDI TT Roadster (8J9)**

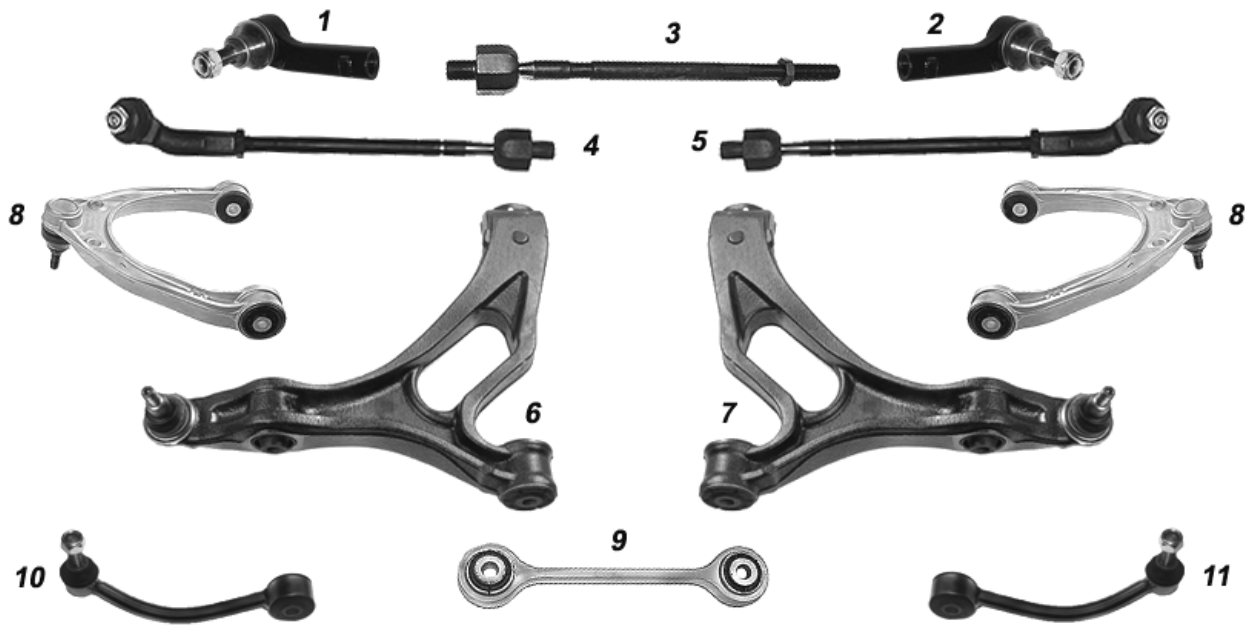
10/06→  
02/07→



NR	MAPCO	REF			←	→	↑	↓			NEW	INFO
1	51829HPS	1K0505465J	✓		✓	✓			✓	✓		

AUDI Q7 (4L)

08/06→

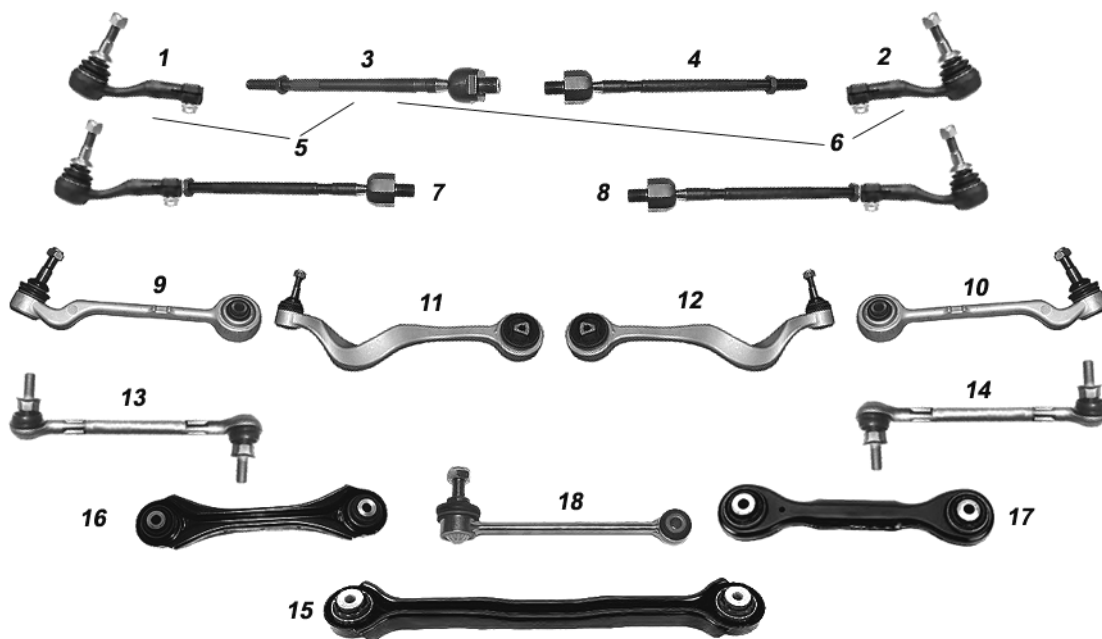


NR	MAPCO	REF									NEW	INFO
1	51742	7L0422817D	✓		✓				✓	✓	✓	M16X1,5
2	51743	7L0422818D	✓			✓			✓	✓	✓	M16X1,5
3	51744	7L0422821	✓		✓	✓			✓	✓	✓	M16X1,5
4	51745	7L0422803D	✓		✓				✓	✓	✓	1+3
5	51746	7L0422804D	✓			✓			✓	✓	✓	2+3
6	52714	7L8407151E	✓		✓			✓	✓	✓	✓	
7	52715	7L8407152D	✓			✓		✓	✓	✓	✓	
8	52716	7L0407021	✓		✓	✓	✓		✓	✓	✓	
9	51824	7L0411317	✓		✓	✓			✓	✓		197,0 mm
10	51733	7L0505465D		✓	✓				✓	✓	✓	
11	51734	7L0505466D		✓		✓			✓	✓	✓	

# BMW

BMW 1er (E81, E87)  
 BMW 1er Cabriolet (E88)  
 BMW 1er Coupe (E82)

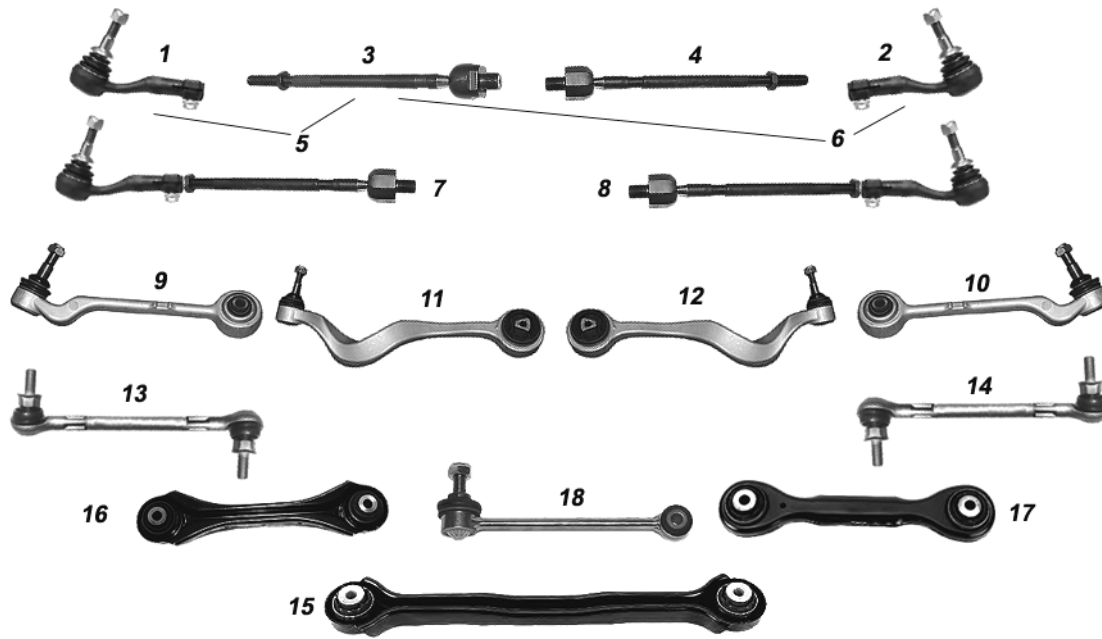
09/04→  
 03/08→  
 10/07→



NR	MAPCO	REF									NEW	INFO
1	51667	32106765089	✓		✓				✓	✓	✓	TRW
2	51668	32106765090	✓			✓			✓	✓	✓	TRW
3	51653	No OE ref	✓		✓	✓			✓	✓	✓	TRW
4	51654	No OE ref	✓		✓	✓			✓	✓	✓	ZF
5	51655	32216762243	✓		✓				✓	✓	✓	TRW
6	51656	32216762244	✓			✓			✓	✓	✓	TRW
7	51665	32106765235	✓		✓				✓	✓	✓	ZF
8	51666	32106765236	✓			✓			✓	✓	✓	ZF
9	51634	31126763699	✓		✓			✓	✓	✓		Ø 16 mm
10	51635	31126763700	✓			✓		✓	✓	✓		Ø 16 mm
11	51648	31124036269	✓		✓			✓	✓	✓	✓	
12	51649	31124036270	✓			✓		✓	✓	✓	✓	
13	51657	31356765933	✓		✓				✓	✓	✓	
14	51658	31356765934	✓			✓			✓	✓	✓	
15	51651	33326763471		✓	✓	✓		✓	✓	✓	✓	
16	51650	33326763473		✓	✓	✓	✓		✓	✓	✓	
17	51652	33326765425		✓	✓	✓	✓		✓	✓	✓	241,0 mm
18	51659	33556764428		✓	✓	✓			✓	✓	✓	

BMW X1\_Drive

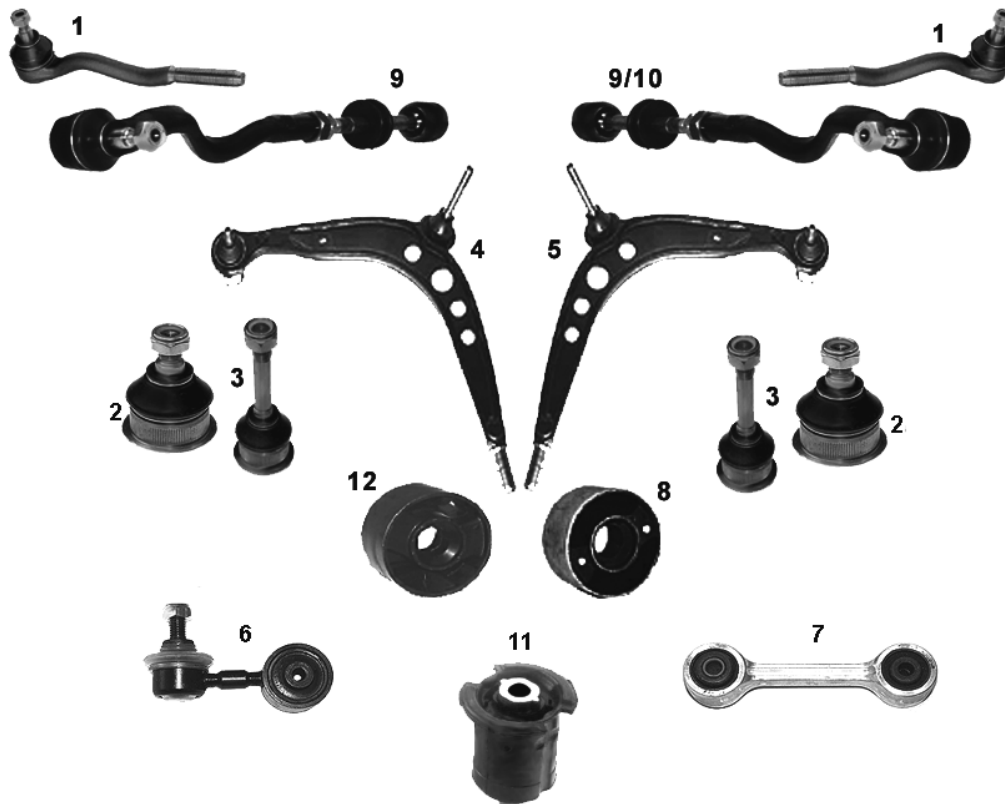
10/09→



NR	MAPCO	REF			←	→	↑	↓			NEW	INFO
1	51667	32106765089	✓		✓				✓	✓	✓	TRW
2	51668	32106765090	✓			✓			✓	✓	✓	TRW
3	51653	No OE ref	✓		✓	✓			✓	✓	✓	TRW
4	51654	No OE ref	✓		✓	✓			✓	✓	✓	ZF
5	51655	32216762243	✓		✓				✓	✓	✓	TRW
6	51656	32216762244	✓			✓			✓	✓	✓	TRW
7	51665	32106765235	✓		✓				✓	✓	✓	ZF
8	51666	32106765236	✓			✓			✓	✓	✓	ZF
9	51634	31126763699	✓		✓			✓	✓	✓		Ø 16 mm
10	51635	31126763700	✓			✓		✓	✓	✓		Ø 16 mm
11	51648	31124036269	✓		✓			✓	✓	✓	✓	
12	51649	31124036270	✓			✓		✓	✓	✓	✓	
13	51657	31356765933	✓		✓				✓	✓	✓	
14	51658	31356765934	✓			✓			✓	✓	✓	
15	51651	33326763471		✓	✓	✓		✓	✓	✓	✓	
16	51650	33326763473		✓	✓	✓	✓		✓	✓	✓	
17	51652	33326765425		✓	✓	✓	✓		✓	✓	✓	241,0 mm
18	51659	33556764428		✓	✓	✓			✓	✓	✓	

BMW 3er (E30)

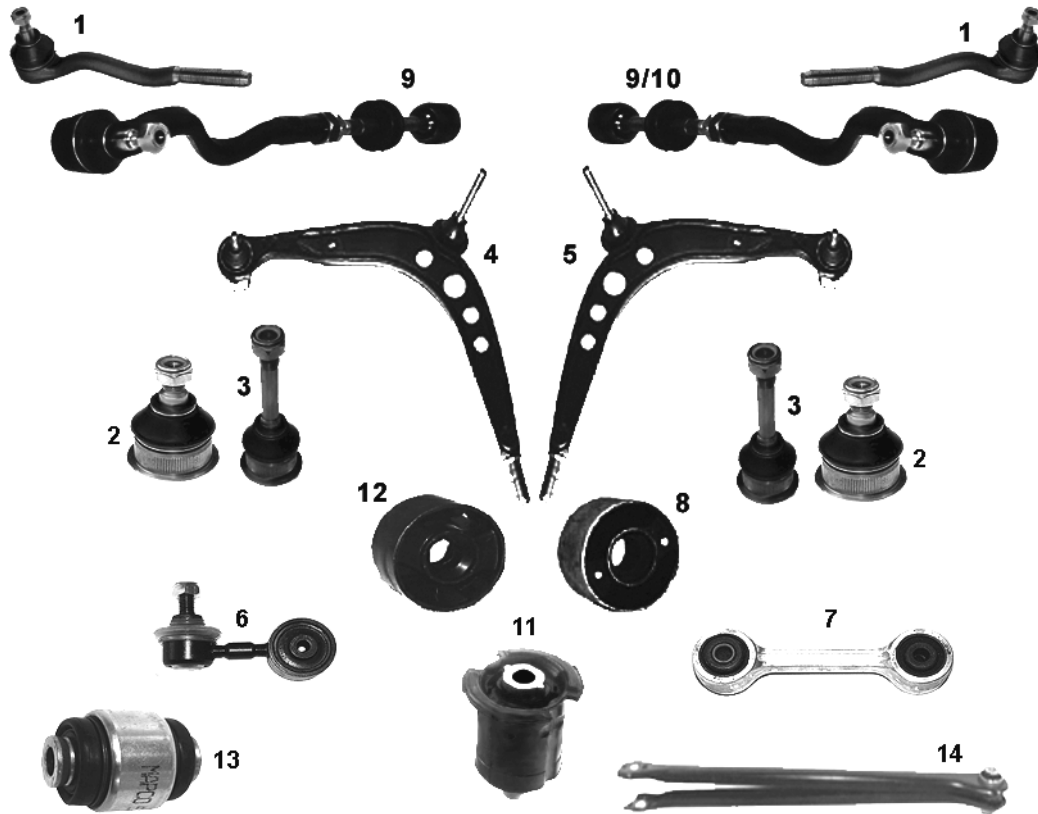
10/82—08/90



NR	MAPCO	REF									NEW	INFO
1	19660	32111126757	✓		✓	✓			✓	✓		M14x1,5RHT
2	19661	31121126254	✓		✓	✓		✓	✓	✓		
3	19662	31121126253	✓		✓	✓		✓	✓	✓		
4	49733	31121127725	✓		✓				✓	✓		
5	49734	31121127726	✓			✓			✓	✓		
6	19667HPS	31351091764	✓		✓	✓			✓	✓		
7	49786	33551126932		✓	✓	✓			✓	✓		
8	33875	31129058815	✓		✓	✓			✓	✓		
9	49780	32111125186	✓		✓	✓			✓	✓		
10	49781	32111125187	✓			✓			✓	✓		✓
11	33689	33311129144		✓	✓	✓			✓	✓		15x58x104 mm
12	33875/1	31121130123	✓		✓	✓			✓	✓		

BMW Z1

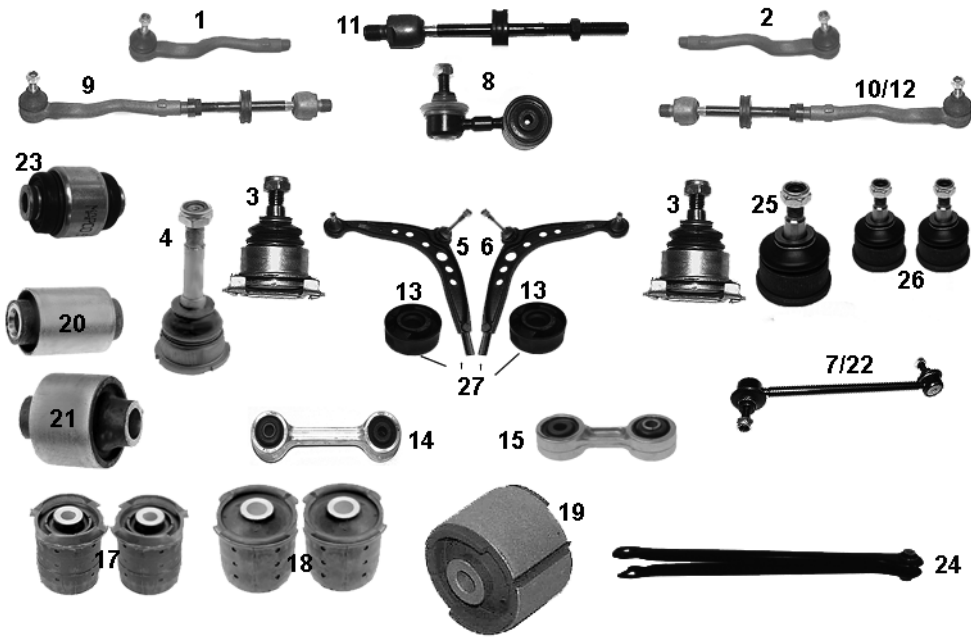
1988→1991



NR	MAPCO	REF									NEW	INFO
1	19660	32111126757	✓		✓	✓			✓	✓		M14x1,5RHT
2	19661	31121126254	✓		✓	✓		✓	✓	✓		
3	19662	31121126253	✓		✓	✓		✓	✓	✓		
4	49733	31121127725	✓		✓				✓	✓		
5	49734	31121127726	✓			✓			✓	✓		
6	19667HPS	31351091764	✓		✓	✓			✓	✓		
7	49786	33551126932			✓	✓	✓		✓	✓		
8	33875	31129058815	✓		✓	✓			✓	✓		
9	49780	32111125186	✓		✓	✓			✓	✓		
10	49781	32111125187	✓			✓			✓	✓		✓
11	33689	33311129144			✓	✓	✓		✓	✓		15x58x104 mm
12	33875/1	31121130123 31121130140 31129058931	✓		✓	✓			✓	✓		
13	59621	33321138722			✓	✓	✓		✓	✓		aussen/outside
14	59638	33321092237			✓	✓	✓		✓	✓		✓ 2,5

BMW 3er (E36)

09/90 → 1999

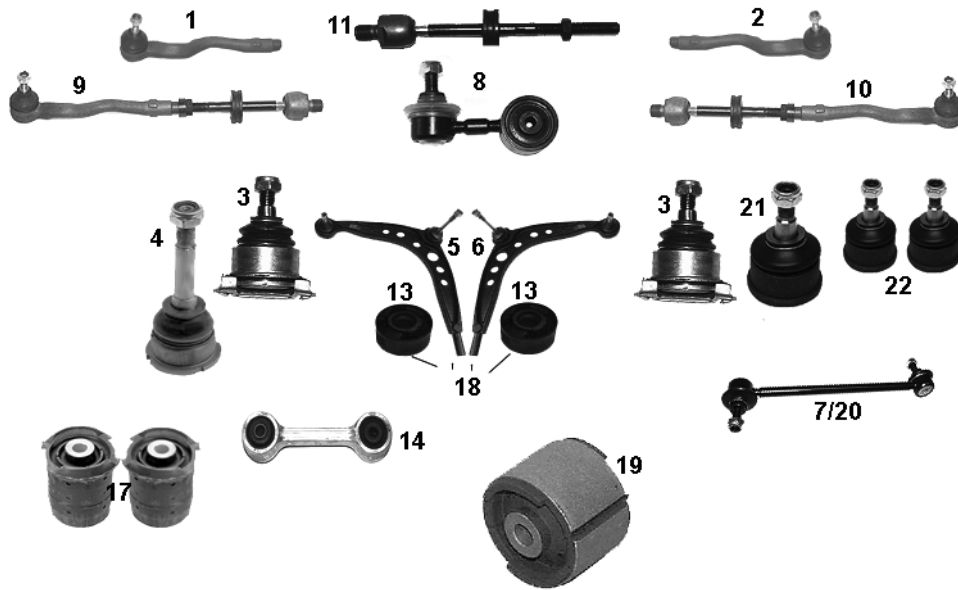


NR	MAPCO	REF			←	→	↑	↓			NEW	INFO
1	19663	32111139313	✓		✓				✓	✓		M14x1,5RHT
2	19664	32111139314	✓			✓			✓	✓		M14x1,5RHT
3	19666HPS	31121140398	✓		✓	✓			✓	✓		M12x1,5 / 36,5 mm
4	19665	31121139131	✓		✓	✓			✓	✓		M14x1,5 / 89,7 mm
5	19670HPS	31121140957	✓		✓				✓	✓		
6	19671HPS	31121140958	✓			✓			✓	✓		
7	19678HPS	31351134582	✓		✓	✓			✓			10/91→
8	19667HPS	31351091764	✓		✓	✓			✓	✓		
9	49782	32111139315	✓		✓				✓	✓		367 mm
10	49783	32111139316	✓			✓			✓	✓		367 mm ✓  STOP 316i M40
11	49785/1	32111136133	✓		✓	✓			✓	✓		M14x1,5
12	49785	32111139318	✓			✓			✓	✓		367 mm ✓  ✓ 316i M40
13	33847	31129059288	✓		✓	✓			✓	✓		
14	49786	33551126932			✓	✓	✓		✓	✓		COMPACT
15	49787	33551135307			✓	✓	✓		✓	✓		✓ COMPACT
17	33692	33319059300			✓	✓	✓		✓	✓		12,5x60,5x77 mm
17	33692/2	Kit : 2 x 33692			✓	✓	✓		✓	✓		axle kit
18	33693	33319059301			✓	✓	✓		✓	✓		15,5x62,5x66,5 mm
18	33693/2	Kit : 2 x 33693			✓	✓	✓		✓	✓		axle kit
19	33934	33321097009			✓	✓	✓		✓	✓		für Längslenker Aluminium
20	36661	33321092248			✓	✓	✓		✓	✓		Innen/inner Stahl/steel 52,0x40,0x12,0 mm
21	36662	33321136311			✓	✓	✓		✓	✓		ausen/outside Stahl/steel 52,0x45,5x12,0 mm
22	59613HPS	31352227203			✓	✓	✓		✓	✓		231 mm ✓ M3 3.0+3.2
23	59621	33321138722			✓	✓	✓		✓	✓		ausen/outside
24	59638	33321092237			✓	✓	✓	✓	✓	✓		
25	19666/1	31121096685	✓		✓	✓			✓	✓		ausen/outside Stahl/steel
26	19666/2	Kit : 2 x 19666/1	✓		✓	✓			✓	✓		ausen/outside Stahl/steel
27	53670		✓		✓	✓			✓	✓		axle kit



**BMW Z3**

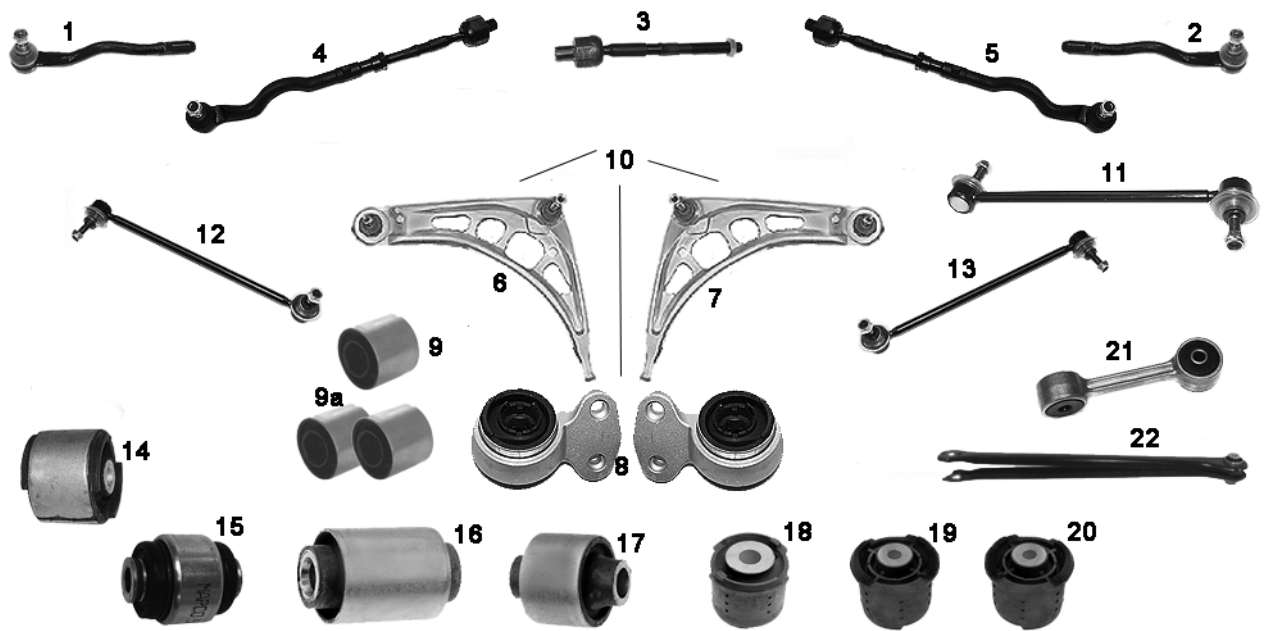
1995→



NR	MAPCO	REF									NEW	INFO
1	19663	32111139313 32111140489	✓		✓				✓	✓		M14x1,5RHT
2	19664	32111139314 32111140490	✓			✓			✓	✓		M14x1,5RHT
3	19666HPS	31121140398	✓		✓	✓			✓	✓		M12x1,5 / 36,5 mm
4	19665	31121139131	✓		✓	✓			✓	✓		M14x1,5 / 89,7 mm
5	19670HPS	31121140957 31121140399	✓		✓				✓	✓		
6	19671HPS	31121140958 31121140400	✓			✓			✓	✓		
7	19678HPS	31351134582	✓		✓	✓			✓			10/91→
8	19667HPS	31351091764 31351127689	✓		✓	✓			✓	✓		
9	49782	32111139315	✓		✓				✓	✓		367 mm
10	49783	32111139316	✓			✓			✓	✓		367 mm ✓  STOP 316i M40
11	49785/1	32111136133	✓		✓	✓			✓	✓		M14x1,5
13	33847	31129059288	✓		✓	✓			✓	✓		
14	49786	33551126932			✓	✓	✓		✓	✓		
17	33692	33319059300			✓	✓	✓		✓	✓		12,5x60,5x77 mm
17	33692/2	Kit : 2 x 33692			✓	✓	✓		✓	✓		axle kit
18	53670		✓		✓	✓			✓	✓		axle kit
19	33934	33321097009			✓	✓	✓		✓	✓		✓ Längslenker Aluminium
20	59613HPS	31352227203			✓	✓	✓		✓	✓		231 mm ✓ 3.2
21	19666/1	31121096685	✓		✓	✓			✓	✓		aussen/outside Stahl/steel
22	19666/2	Kit : 2 x 19666/1	✓		✓	✓			✓	✓		aussen/outside Stahl/steel

BMW 3er (E46)

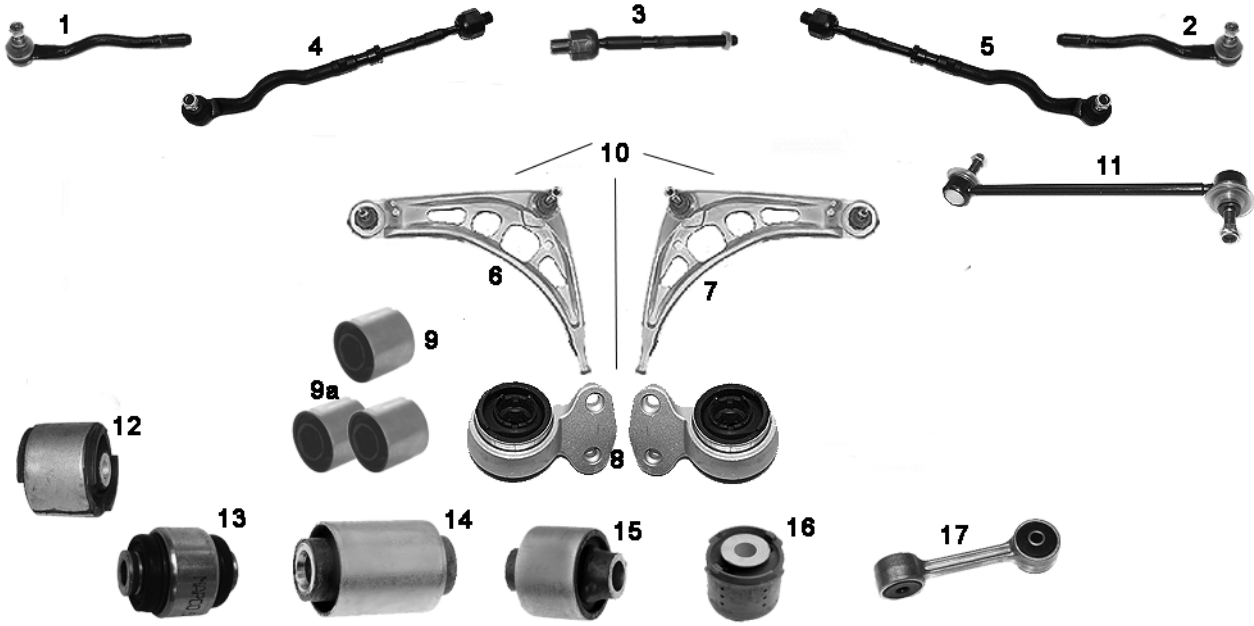
02/98→ 02/05



NR	MAPCO	REF			←	→	↑	↓			NEW	INFO
1	49653	32211095957	✓		✓				✓	✓		
2	49654	32211095958	✓			✓			✓	✓		
3	19676	32211095950	✓		✓	✓			✓	✓		M14x1,5 / M18x1,5
4	19784	32211095955	✓		✓				✓	✓		
5	19785	32211095956	✓			✓			✓	✓		
6	49676/1	31136751317	✓		✓				✓	✓		Aluminium
7	49677/1	31136751318	✓			✓			✓	✓		Aluminium für Xenon-Licht
8	36660	31121095278 31121096983	✓		✓	✓			✓	✓		axle kit
9	33933	31126750057	✓		✓	✓			✓	✓		✓ 1&2
9a	33933/2	31124000612	✓		✓	✓			✓	✓		axle kit
10	53676		✓		✓	✓			✓	✓		axle kit
11	19700HPS	31351095694	✓		✓	✓			✓	✓		275 mm
12	51642HPS	31356751079	✓		✓				✓	✓	✓	308,0mm
13	51643HPS	31356751080	✓			✓			✓	✓	✓	308,0mm
14	33934	33321097009		✓	✓	✓			✓	✓		✓ Längslenker Aluminium
15	59621	33321138722		✓	✓	✓			✓	✓		aussen/outside
16	36661	33321092248		✓	✓	✓			✓	✓		Innen/inner Stahl/steel 52,0x40,0x12,0 mm
17	36662	33321136311		✓	✓	✓			✓	✓		aussen/outside Stahl/steel 52,0x45,5x12,0 mm
18	36664	33311092517		✓	✓	✓			✓	✓		Ø Innen/inner 20,5 mm Ø aussen/outside 72,0 mm
19	36665	33311092515		✓	✓				✓	✓		
20	36666	33311092516		✓		✓			✓	✓		
21	49799	33551094619		✓	✓	✓			✓	✓		
22	59638	33321092237		✓	✓	✓		✓	✓	✓		

BMW Z4 (E85)

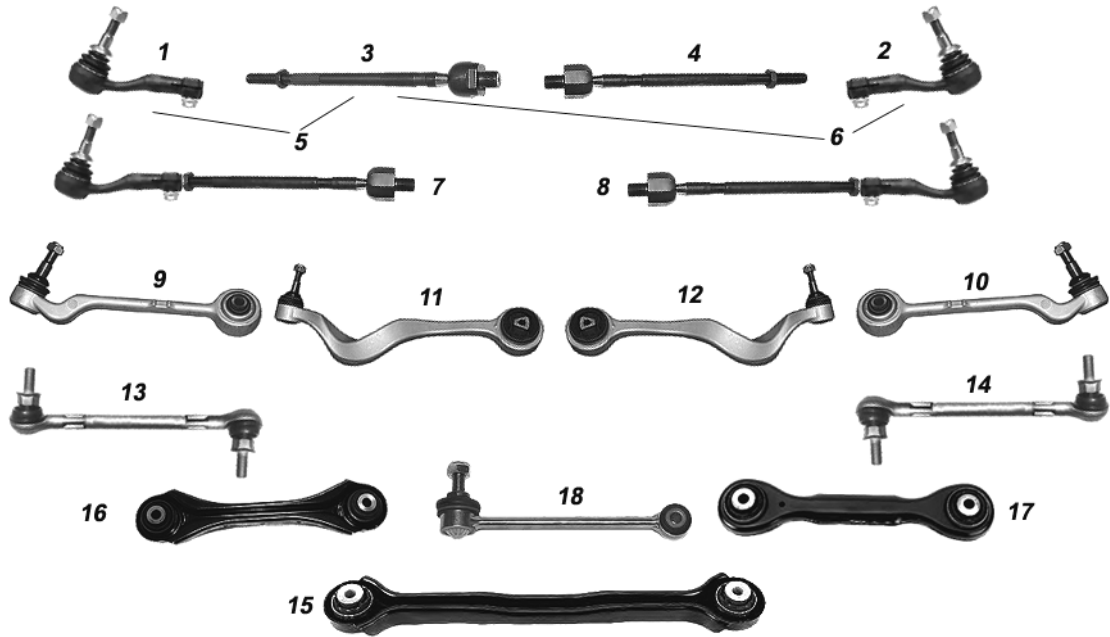
02/03→



NR	MAPCO	REF			←	→	↑	↓			NEW	INFO
1	49653	32211095957	✓		✓				✓	✓		
2	49654	32211095958	✓			✓			✓	✓		
3	19676	32211095950	✓		✓	✓			✓	✓		M14x1,5 / M18x1,5
4	19784	32211095955	✓		✓				✓	✓		
5	19785	32211095956	✓			✓			✓	✓		
6	49676/1	31136751317	✓		✓				✓	✓		Aluminium
7	49677/1	31136751318	✓			✓			✓	✓		Aluminium für Xenon-Licht
8	36660	31121095278 31121096983	✓		✓	✓			✓	✓		axle kit
9	33933	31126750057	✓		✓	✓			✓	✓		✓ 1&2
9a	33933/2	31124000612	✓		✓	✓			✓	✓		axle kit
10	53676		✓		✓	✓			✓	✓		axle kit
11	19700HPS	31351095694	✓		✓	✓			✓	✓		275 mm
12	33934	33321097009		✓	✓	✓			✓	✓		✓ Längslenker Aluminium
13	59621	33321138722		✓	✓	✓			✓	✓		aussen/outside
14	36661	33321092248		✓	✓	✓			✓	✓		Innen/inner Stahl/steel 52,0x40,0x12,0 mm
15	36662	33321136311		✓	✓	✓			✓	✓		aussen/outside Stahl/steel 52,0x45,5x12,0 mm
16	36664	33311092517		✓	✓	✓			✓	✓		Ø Innen/inner 20,5 mm Ø aussen/outside 72,0 mm
17	49799	33551094619		✓	✓	✓			✓	✓		

BMW 3er (E9\_)

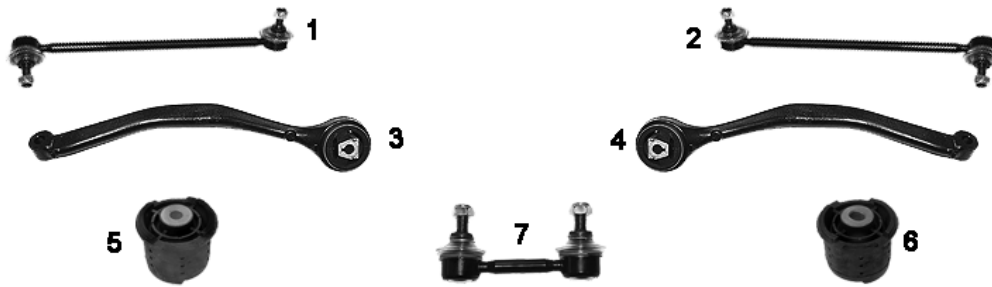
01/05→



NR	MAPCO	REF									NEW	INFO
1	51667	32106765089	✓		✓				✓	✓	✓	TRW
2	51668	32106765090	✓			✓			✓	✓	✓	TRW
3	51653	No Oeref	✓		✓	✓			✓	✓	✓	TRW
4	51654	No Oeref	✓		✓	✓			✓	✓	✓	ZF
5	51655	32216762243	✓		✓				✓	✓	✓	TRW
6	51656	32216762244	✓			✓			✓	✓	✓	TRW
7	51665	32106765235	✓		✓				✓	✓	✓	ZF
8	51666	32106765236	✓			✓			✓	✓	✓	ZF
9	51634	31126763699	✓		✓			✓	✓	✓		Ø 16 mm
10	51635	31126763700	✓			✓		✓	✓	✓		Ø 16 mm
11	51648	31124036269	✓		✓			✓	✓	✓	✓	
12	51649	31124036270	✓			✓		✓	✓	✓	✓	
13	51657	31356765933	✓		✓				✓	✓	✓	
14	51658	31356765934	✓			✓			✓	✓	✓	
15	51651	33326763471		✓	✓	✓		✓	✓	✓	✓	
16	51650	33326763473		✓	✓	✓	✓		✓	✓	✓	
17	51652	33326765425		✓	✓	✓	✓		✓	✓	✓	241,0 mm
18	51659	33556764428		✓	✓	✓			✓	✓	✓	

**BMW X3 (E83)**

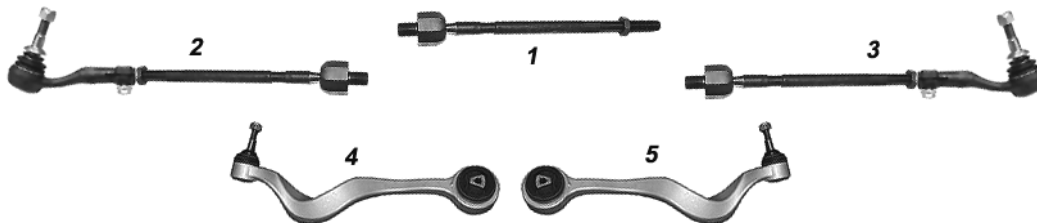
01/04→



NR	MAPCO	REF			←	→	↑	↓			NEW	INFO
1	51639HPS	31303413201	✓		✓				✓	✓	✓	300,0 mm
2	51640HPS	31303413202	✓			✓			✓	✓	✓	300,0 mm
3	51630	31103412137			✓	✓			✓	✓	✓	
4	51631	31103412138			✓		✓		✓	✓	✓	
5	36665	33311092515			✓	✓			✓	✓		
6	36666	33311092516			✓		✓		✓	✓		
7	51641HPS	33503413197			✓	✓	✓		✓	✓	✓	95,0 mm

**BMW Z4 (E89) sDrive**

05/09→

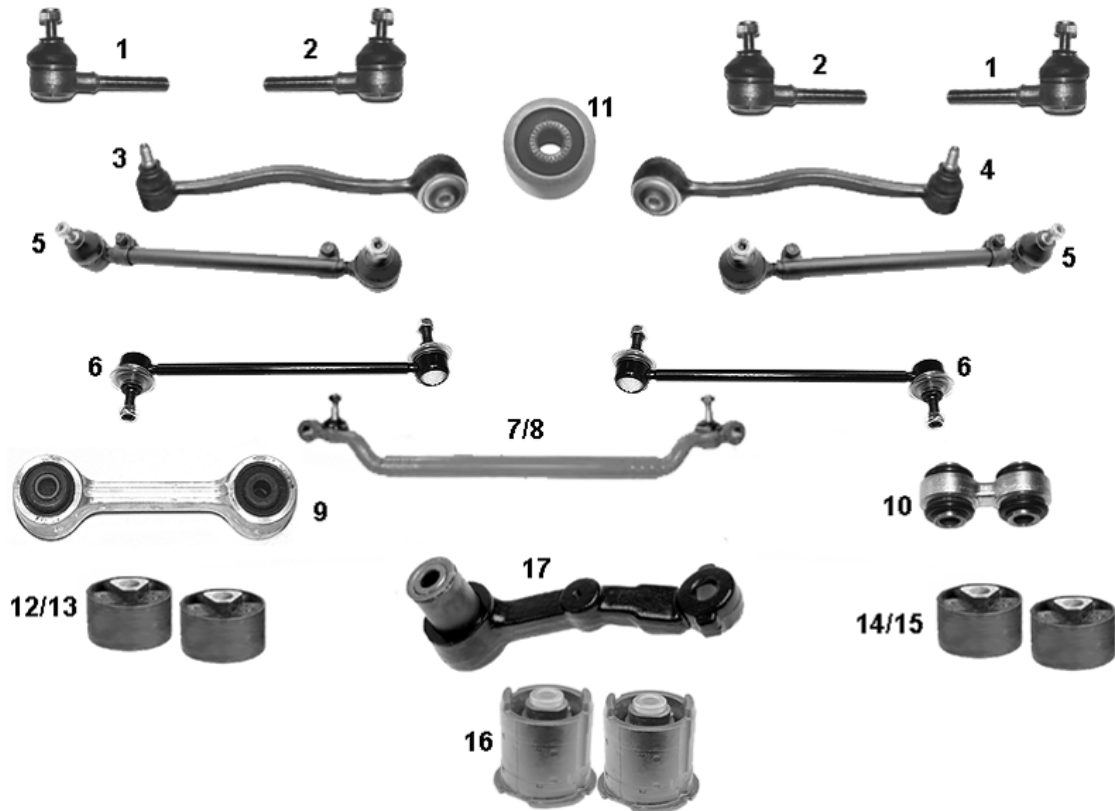


NR	MAPCO	REF			←	→	↑	↓			NEW	INFO
1	51653	No OE ref	✓		✓	✓			✓	✓	✓	ZF
2	51665	32106765235	✓		✓				✓	✓	✓	ZF
3	51666	32106765236	✓			✓			✓	✓	✓	ZF
4	51648	31124036269	✓		✓			✓	✓	✓	✓	
5	51649	31124036270	✓			✓		✓	✓	✓	✓	

BMW 5er (E28)  
BMW 5er (E24)

06/81 → 12/87

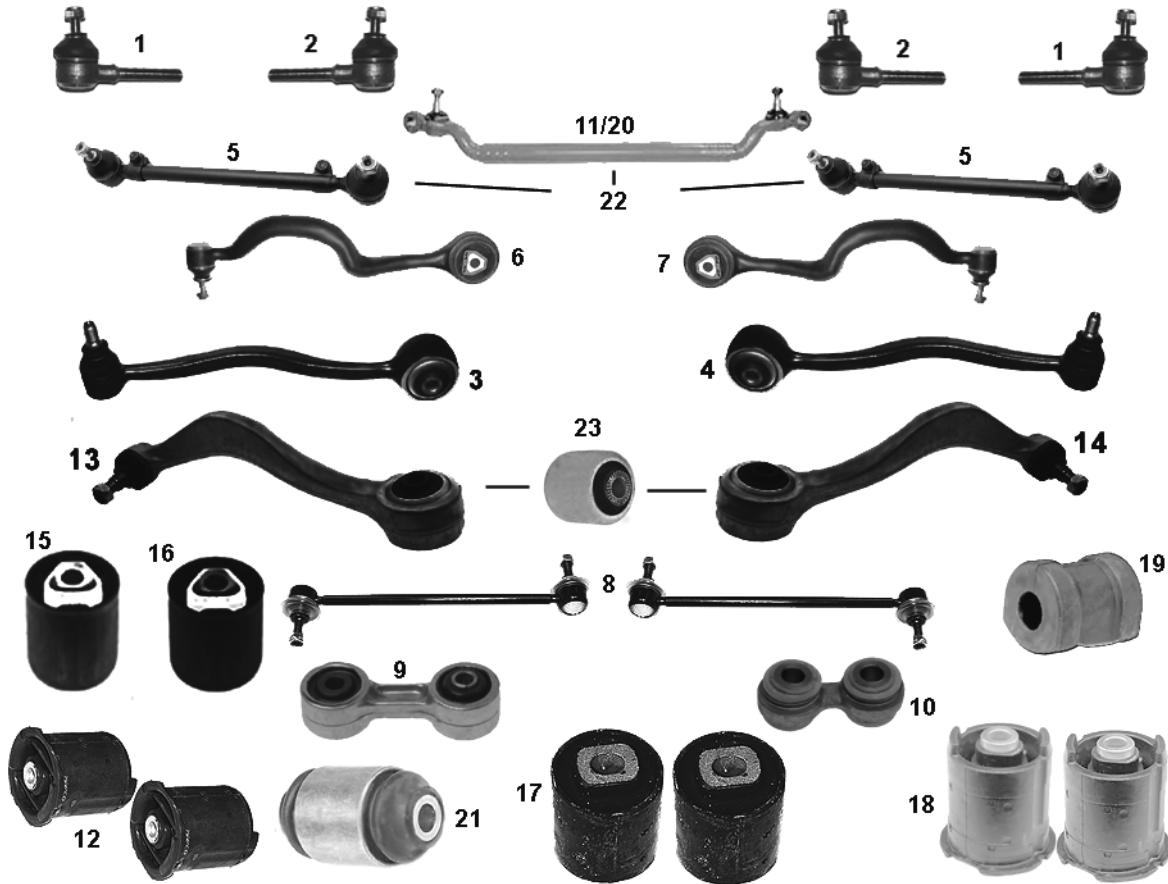
06/82 → 08/89



NR	MAPCO	REF									NEW	INFO
1	19669	32211135820	✓		✓	✓			✓	✓		M14x1,5RHT
2	19668	32211135819	✓		✓	✓			✓	✓		M14x1,5LHT
3	19673	31121131587 31121139991	✓		✓				✓	✓		
4	19674	31121131588 31121139992	✓			✓			✓	✓		
5	19675	32211135666	✓		✓	✓			✓	✓		
6	19678HPS	31351134582	✓		✓	✓			✓	✓		
7	49730	32211129014	✓		✓	✓			✓	✓		Ø 28 mm
8	49731	32211129017	✓		✓	✓			✓	✓		Ø 26 mm
9	49786	33551126932			✓	✓	✓		✓	✓		
10	49788	33321126476			✓	✓	✓		✓	✓		
11	33691	31121124622	✓		✓	✓			✓	✓		für/ for 19673/74
12	33637	31129058816	✓		✓	✓			✓	✓		✓ E28 518, 518i, 520i, 525e
13	33637/2	Kit : 2 x 33637	✓		✓	✓			✓	✓		✓ E28 518, 518i, 520i, 525e
14	33641	31129058818	✓		✓	✓			✓	✓		✓ E28 520i, 525e  , 525d+td, 525i, 528i
15	33641/2	Kit : 2 x 33641	✓		✓	✓			✓	✓		✓ E28 520i, 525e  , 525d+td, 525i, 528i
16	33695	33311130488			✓	✓	✓		✓	✓		15x70x85 mm
16	33695/2	Kit : 2 x 33695			✓	✓	✓		✓	✓		axle kit 15x70x85 mm
17	49657	32211136450	✓		✓	✓			✓	✓		

BMW 5er (E34)

01/88 → 01/97

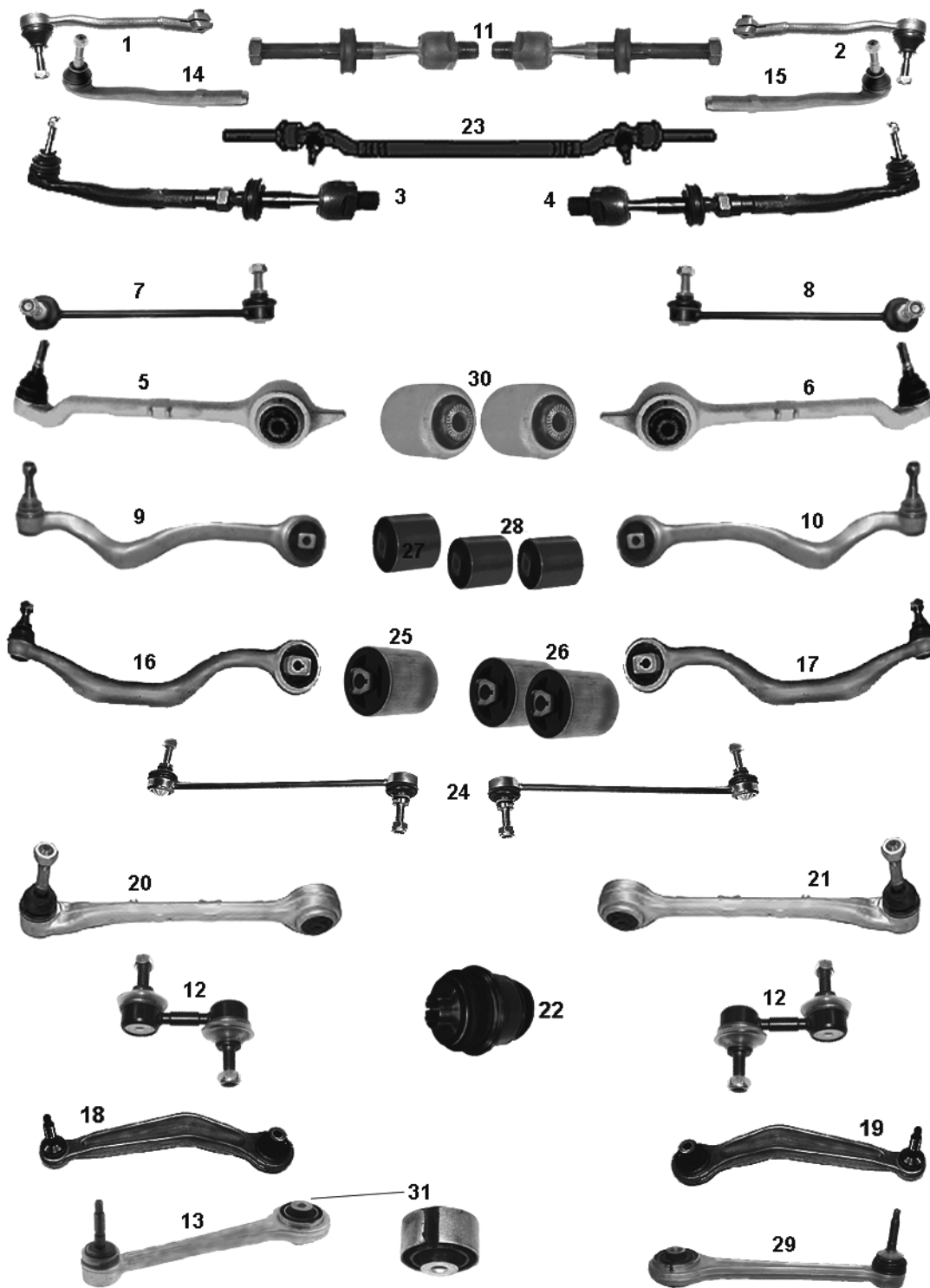


NR	MAPCO	REF			←	→	↑	↓			NEW	INFO
1	19669	32211135820	✓		✓	✓			✓	✓		M14x1,5RHT
2	19668	32211135819	✓		✓	✓			✓	✓		M14x1,5LHT
3	19673	31121131587	✓		✓				✓	✓		
4	19674	31121131588	✓			✓			✓	✓		
5	19675	32211135666	✓		✓	✓			✓	✓		
6	19698	31121141097	✓		✓		✓		✓	✓		
7	19699	31121141098	✓			✓	✓		✓	✓		
8	19678HPS	31351134582	✓		✓	✓			✓	✓		
9	49787	33551135307		✓	✓	✓			✓	✓		
10	49788	33321126476		✓	✓	✓			✓	✓		
11	49660	32211138854	✓		✓	✓			✓	✓		518i
12	33690	33311129760		✓	✓	✓			✓	✓		15 X 80 X 85 mm
12	33690/2	Kit : 2 x 33690		✓	✓	✓			✓	✓		axle kit 15 X 80 X 85 mm
13	49661	31121139987	✓		✓				✓	✓		Aluminium
14	49662	31121139988	✓			✓			✓	✓		Aluminium
15	33638	31121136606	✓		✓	✓	✓		✓	✓		✓ 524TD, 525TD+TDS, 530i,535i,540i
16	33639	31121136605	✓		✓	✓	✓		✓	✓		✓ 520i, 525i
17	33694	33171131903		✓	✓	✓			✓	✓		51 X 60 mm
17	33694/2	Kit : 2 x 33694		✓	✓	✓			✓	✓		axle kit 51 X 60 mm
18	33695	33311130488		✓	✓	✓			✓	✓		15 X 70 X 85 mm
18	33695/2	Kit : 2 x 33695		✓	✓	✓			✓	✓		axle kit 15 X 70 X 85 mm
19	33697	31351133738	✓		✓	✓			✓	✓		
20	19786	32211136683	✓		✓	✓			✓	✓		✓ 518i + 518g
21	36663	33321135808		✓	✓	✓			✓	✓		
22	59627		✓		✓	✓			✓	✓		( 2x 19675 + 1x 49660 )  518i
23	36670	31121133236	✓		✓	✓		✓	✓	✓	✓	



BMW 5er (E39)

11/95→05/04

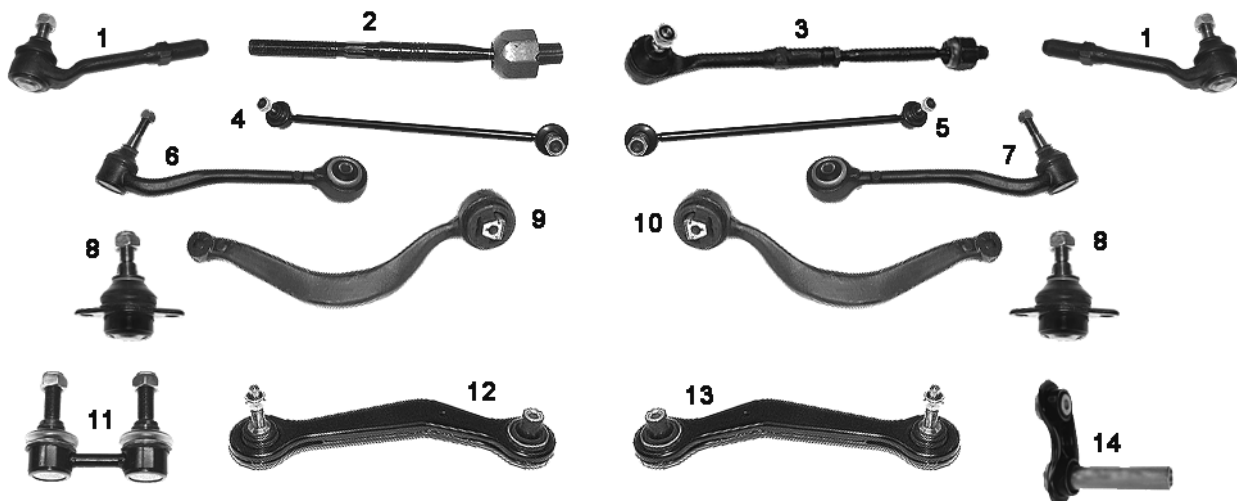


NR	MAPCO	REF									NEW	INFO
1	49735	32211091723	✓		✓				✓	✓		✓ 535i + 540i
2	49736	32211091724	✓			✓			✓	✓		✓ 535i + 540i
3	49721	32111094673	✓		✓				✓	✓		✓ 520i + 523 + 525 + 528
4	49722	32111094674	✓			✓			✓	✓		✓ 520i + 523 + 525 + 528
5	49723	31121093449	✓		✓			✓	✓	✓		Aluminium
6	49724	31121093450	✓			✓		✓	✓	✓		Aluminium

Fortsetzung / continued Seite/page 48

Fortsetzung / continued von/from Seite/page 47												
BMW 5er (E39)											11/95→05/04	
NR	MAPCO	REF									NEW	INFO
7	49725HPS	31351091855	✓		✓				✓	✓		
8	49726HPS	31351091856	✓			✓			✓	✓		
9	49727	31121141717	✓		✓		✓		✓	✓		
10	49728	31121141718	✓			✓	✓		✓	✓		
11	49746	32111091769	✓		✓	✓			✓	✓		
12	49663HPS	33551092292		✓	✓	✓			✓	✓		
13	49652	33321090745		✓	✓	✓	✓		✓	✓		
14	19782	32111091769	✓		✓				✓	✓		✓ 520i + 523 + 525 + 528
15	19783	32111091770	✓			✓			✓	✓		✓ 520i + 523 + 525 + 528
16	59615	31121092609	✓		✓		✓		✓	✓		
17	59616	31121092610	✓			✓	✓		✓	✓		
18	59619	33321090815		✓	✓			✓	✓	✓		
19	59620	33321090816		✓		✓		✓	✓	✓		
20	59617	31121141961	✓		✓			✓	✓	✓		
21	59618	31121141962	✓			✓		✓	✓	✓		
22	59622	33321090504		✓	✓	✓			✓	✓		
23	59624	32211096059	✓		✓	✓			✓	✓		Linkslenker / LHD
24	59628	31351095664	✓		✓	✓			✓	✓		✓ 535i + 540i, M5
25	36668	31121141752	✓		✓	✓	✓		✓	✓		✓ 16 +17
26	36668/2	KIT 2x36668	✓		✓	✓	✓		✓	✓		✓ 16 +17
27	33669	31129068753	✓		✓	✓	✓		✓	✓		✓ 9+10
28	33669/2	KIT 2x33669	✓		✓	✓	✓		✓	✓		✓ 9+10
29	59637	33322282065		✓	✓	✓	✓		✓	✓		212,0mm 12/01-
30	36687/2	31121092019	✓		✓	✓		✓	✓	✓	✓	✓ 5+6
31	36688	33321090102		✓	✓	✓	✓		✓	✓	✓	✓ 13

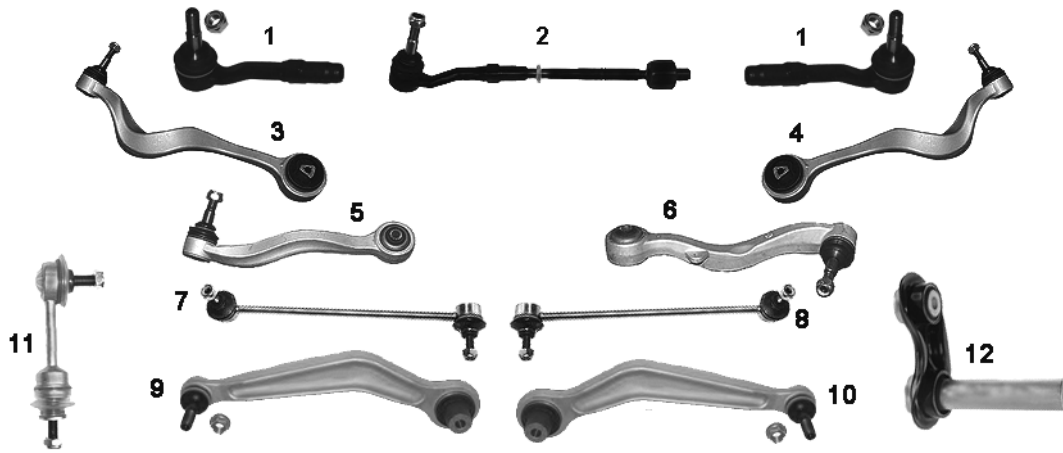
**BMW X5 (E53)** 05/00→



NR	MAPCO	REF			←	→	↑	↓			NEW	INFO
1	59600	32211096327	✓		✓	✓			✓	✓		
2	59610	32216751277	✓		✓	✓			✓	✓		M14 x 1,5 RHT
3	59601	32216751277	✓		✓	✓			✓	✓		
4	59603HPS	31356750703	✓		✓				✓	✓		
5	59604HPS	31356750704	✓			✓			✓	✓		
6	59608	31126760275	✓		✓		✓		✓	✓		
7	59609	31126760276	✓			✓	✓		✓	✓		
8	59602	31126756491	✓		✓	✓		✓	✓	✓		
9	59606	31121096169	✓		✓			✓	✓	✓		
10	59607	31121096170	✓			✓		✓	✓	✓		
11	59605HPS	33551096735		✓	✓	✓			✓	✓		
12	59611	33321095411		✓	✓				✓	✓		
13	59612	33321095412		✓		✓			✓	✓		
14	51647	33326770749		✓	✓	✓		✓	✓	✓	✓	

**BMW 5er (E60,E61)**

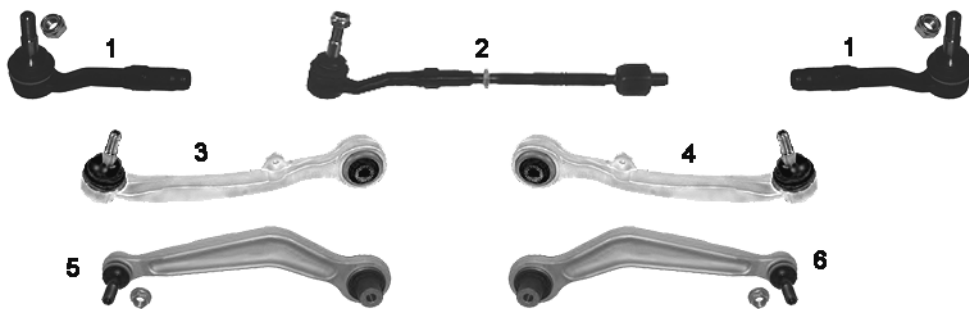
07/03→



NR	MAPCO	REF			←	→	↑	↓			NEW	INFO
1	59626	32216756369	✓		✓	✓			✓	✓		M16x1,5RHT
2	51638	32216762403	✓		✓	✓			✓	✓		
3	51636	31126765995	✓		✓		✓		✓	✓		
4	51637	31126765996	✓			✓	✓		✓	✓		
5	51632	31126760181	✓		✓			✓	✓	✓		
6	51633	31126760182	✓			✓		✓	✓	✓		
7	51644	31354014531	✓		✓				✓	✓	✓	300,0 mm
8	51645	31354014532	✓			✓			✓	✓	✓	300,0 mm
9	59635	33326767759		✓	✓		✓		✓	✓		
10	59636	33326767760		✓		✓	✓		✓	✓		
11	51646	33556761000		✓	✓	✓			✓	✓	✓	132,0 mm
12	51647	33326770749		✓	✓	✓		✓	✓	✓	✓	

**BMW 6er (E63)**

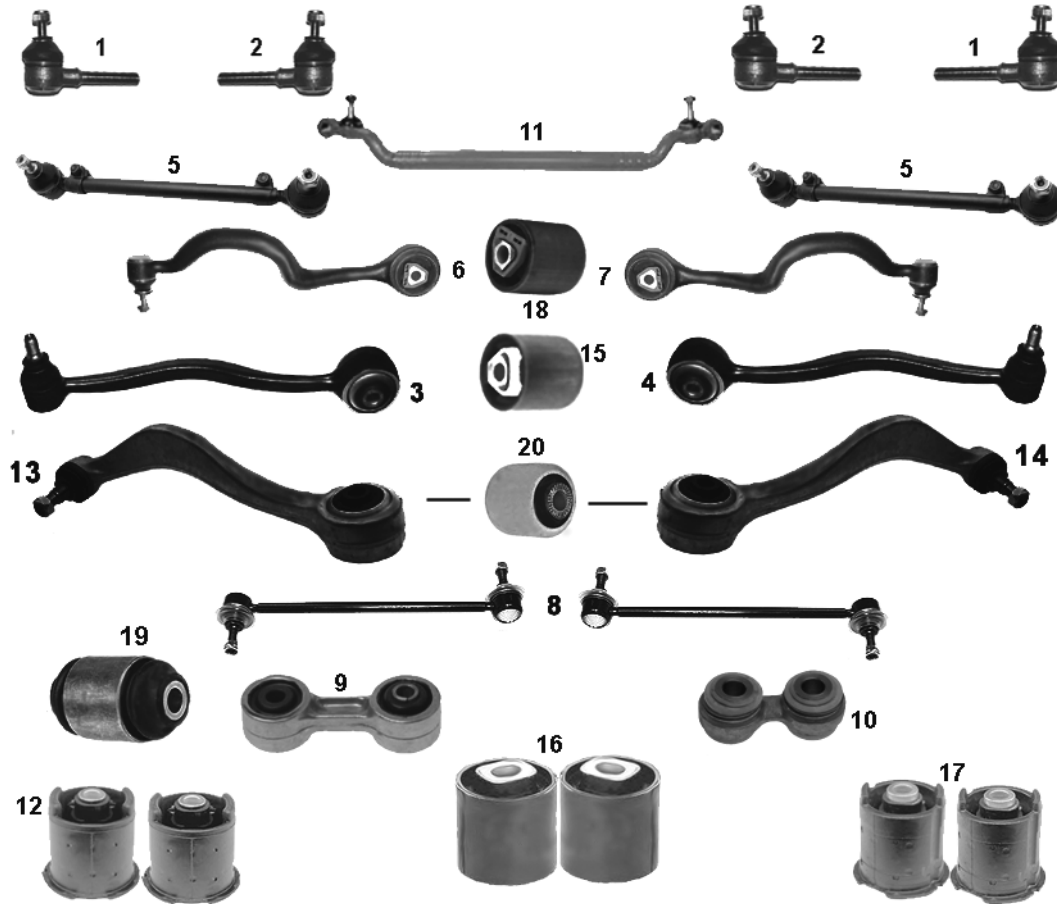
01/04→



NR	MAPCO	REF			←	→	↑	↓			NEW	INFO
1	59626	32216756369	✓		✓	✓			✓	✓		M16x1,5RHT
2	51638	32216762403	✓		✓	✓			✓	✓		
3	59629	31126755835	✓		✓				✓	✓		✓ 645 Ci
4	59630	31126755836	✓			✓			✓	✓		✓ 645 Ci
5	59635	33326767759		✓	✓		✓		✓	✓		✓ 645 Ci
6	59636	33326767760		✓		✓	✓		✓	✓		✓ 645 Ci

BMW 7er (E32)

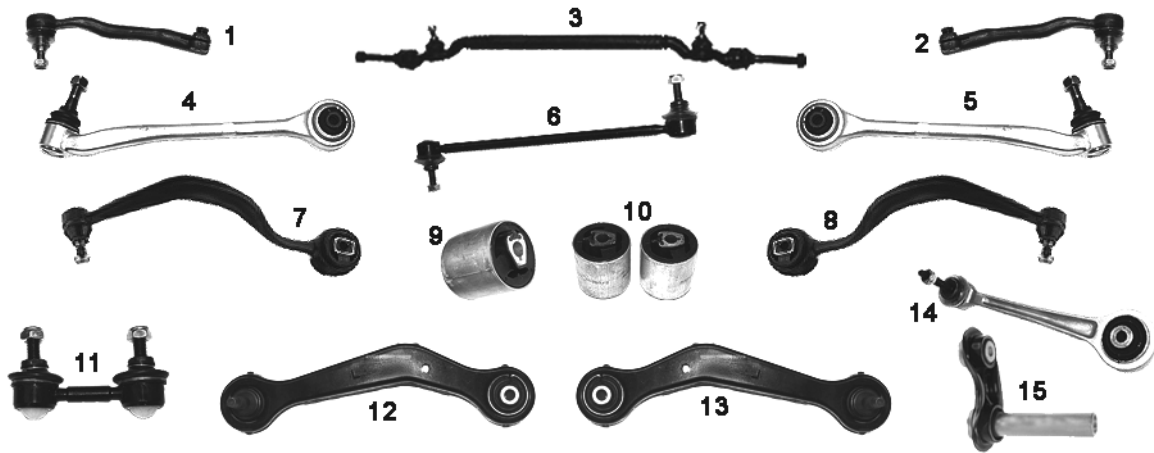
01/88 → 09/94



NR	MAPCO	REF									NEW	INFO
1	19669	32211135820	✓		✓	✓			✓	✓		M14x1,5RHT
2	19668	32211135819	✓		✓	✓			✓	✓		M14x1,5LHT
3	19673	31121131587	✓		✓				✓	✓		
4	19674	31121131588	✓			✓			✓	✓		
5	19675	32211135666	✓		✓	✓			✓	✓		
6	49678	31121139999	✓		✓		✓		✓	✓		
7	49679	31121140000	✓			✓	✓		✓	✓		
8	19678HPS	31351134582	✓		✓	✓			✓	✓		
9	49787	33551135307		✓	✓	✓			✓	✓		außen/outher
10	49788	33321126476		✓	✓	✓			✓	✓		innen/inner
11	49658	32211138850	✓		✓	✓			✓	✓		
12	33690	33311129760		✓	✓	✓			✓	✓		15 X 80 X 85 mm
12	33690/2	Kit : 2 x 33690		✓	✓	✓			✓	✓		axle kit 15 X 80 X 85 mm
13	49661	31121139987	✓		✓				✓	✓		Aluminium
14	49662	31121139988	✓			✓			✓	✓		Aluminium
15	33638	3112 1136 606 3112 1139 456	✓		✓	✓	✓		✓	✓		✓ 730i, 735i
16	33694	33171131903		✓	✓	✓			✓	✓		51 X 60 mm
16	33694/2	Kit : 2 x 33694		✓	✓	✓			✓	✓		axle kit 51 X 60 mm
17	33695	33311130488		✓	✓	✓			✓	✓		15 X 70 X 85 mm
17	33695/2	Kit : 2 x 33695		✓	✓	✓			✓	✓		axle kit 15 X 70 X 85 mm
18	33666	31121136607	✓		✓		✓		✓	✓		✓ 730i, 735i, 740i (grün)
19	36663	33321135808		✓	✓	✓			✓	✓		
20	36670	31121133236	✓		✓	✓		✓	✓	✓	✓	

BMW 7er (E38)

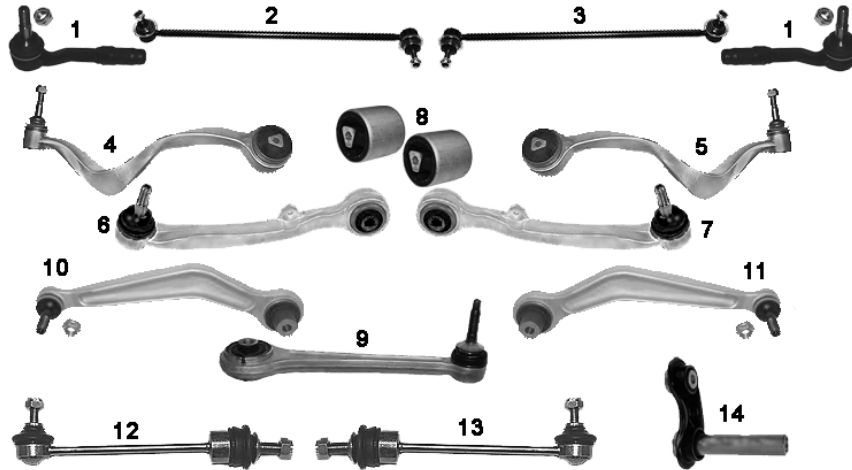
10/94 → 11/01



NR	MAPCO	REF									NEW	INFO
1	49739	32211141345	✓		✓				✓	✓		M16x1,5
2	49740	32211141346	✓			✓			✓	✓		M16x1,5
3	49741	32211096057	✓		✓	✓			✓	✓		
4	49694	31121142087	✓		✓				✓	✓		Aluminium
5	49695	31121142088	✓			✓			✓	✓		Aluminium
6	49795HPS	31351095695	✓		✓	✓			✓	✓		
7	49650	31121141723	✓		✓		✓		✓	✓		
8	49651	31121141724	✓			✓	✓		✓	✓		
9	36668	31121141752	✓		✓	✓	✓		✓	✓		✓ 7 + 8
10	36668/2	KIT 2x36668	✓		✓	✓	✓		✓	✓		✓ 7 + 8
11	49796	33551091497		✓	✓	✓			✓	✓		
12	49655	33321090905		✓	✓				✓	✓		
13	49656	33321090906		✓		✓			✓	✓		
14	49652	33321090745		✓	✓	✓	✓		✓	✓		
15	51647	33326770749		✓	✓	✓		✓	✓	✓	✓	

**BMW 7er (E65, E66)**

11/01→



NR	MAPCO	REF			←	→	↑	↓			NEW	INFO
1	59626	32216756369	✓		✓	✓			✓	✓		M16x1,5RHT
2	59623HPS	31356753767	✓		✓				✓	✓		426 mm
3	59631HPS	31356753768	✓			✓			✓	✓		
4	59633	31124026453	✓		✓		✓		✓	✓		
5	59634	31124026454	✓			✓	✓		✓	✓		
6	59629	31126755835	✓		✓				✓	✓		
7	59630	31126755836	✓			✓			✓	✓		
8	36689	31120304308	✓		✓	✓			✓	✓	✓	
9	59637	33322282065		✓	✓	✓	✓		✓	✓		212 mm
10	59635	33326767759		✓	✓		✓		✓	✓		
11	59636	33326767760		✓		✓	✓		✓	✓		
12	59632	33556757460		✓	✓	✓	✓		✓	✓		212 mm
13	59639	33556753770		✓	✓	✓			✓			✓ dynamic drive
14	51647	33326770749		✓	✓	✓		✓	✓	✓	✓	

**BMW 8er (E31)**

08/89→12/99



NR	MAPCO	REF			←	→	↑	↓			NEW	INFO
1	19669	32211135820	✓		✓	✓			✓	✓		M14x1,5RHT
2	19668	32211135819	✓		✓	✓			✓	✓		M14x1,5LHT
3	19678HPS	31351134582	✓		✓	✓			✓	✓		
4	33666	31121136607	✓		✓	✓	✓		✓	✓		(grün)
5	49678	31121139999	✓		✓		✓		✓	✓		
6	49679	31121140000	✓			✓	✓		✓	✓		



# CHEVROLET

## CHEVROLET AVEO

03/06→



NR	MAPCO	REF								NEW	INFO
1	51298	93740722	✓	✓				✓		✓	M12x1,25
2	51299	93740723	✓		✓			✓		✓	M12x1,25
3	51296	96535081	✓	✓			✓	✓	✓	✓	
4	51297	96535082	✓		✓		✓	✓	✓	✓	
5	51300	96535089	✓	✓	✓		✓	✓	✓	✓	M12x1,25
6	33574	96653381	✓	✓	✓		✓	✓	✓	✓	
7	33575	96535087	✓	✓	✓		✓	✓	✓	✓	
8	19558HPS	96391875	✓	✓	✓			✓	✓		264,0 mm

## CHEVROLET CAPTIVA

06/06→



NR	MAPCO	REF								NEW	INFO
1	51301	9662 6667 part	✓	✓	✓			✓	✓	✓	
2	51302	4806304	✓	✓				✓	✓	✓	
3	51303	4806305	✓		✓			✓	✓	✓	

**CHEVROLET KALOS**

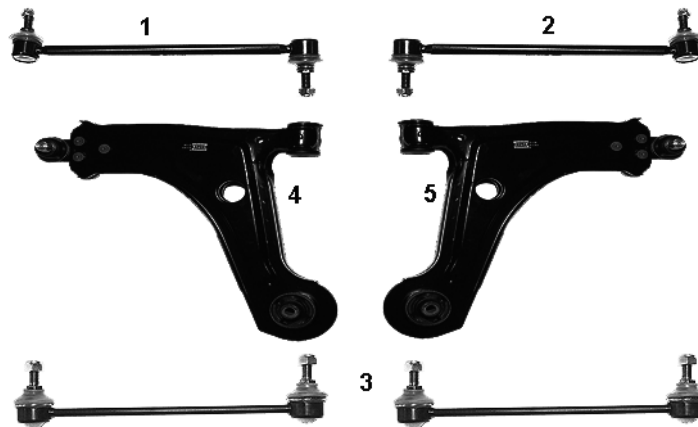
03/05→



NR	MAPCO	REF			←	→	↑	↓			NEW	INFO
1	51298	93740722	✓		✓				✓		✓	M12x1,25
2	51299	93740723	✓			✓			✓		✓	M12x1,25
3	51296	96535081	✓		✓		✓	✓	✓	✓	✓	
4	51297	96535082	✓			✓		✓	✓	✓	✓	
5	51300	96535089	✓		✓	✓		✓	✓	✓	✓	M12x1,25
6	33574	96653381	✓		✓	✓		✓	✓	✓	✓	
7	33575	96535087	✓		✓	✓		✓	✓	✓	✓	
8	19558HPS	96391875	✓		✓	✓			✓	✓		264,0 mm

**CHEVROLET LACETTI**

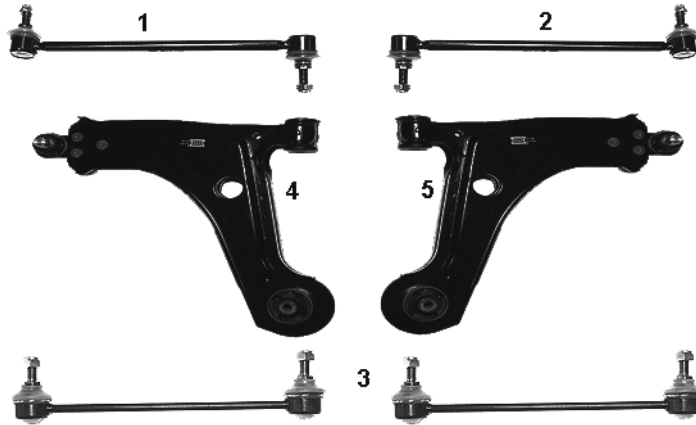
03/05→



NR	MAPCO	REF			←	→	↑	↓			NEW	INFO
1	51290HPS	96403099	✓		✓				✓	✓		
2	51291HPS	96403100	✓			✓			✓	✓		
3	51293HPS	96561754		✓	✓	✓			✓	✓		
4	51294	96415063	✓		✓		✓	✓	✓	✓	✓	
5	51295	96415064	✓			✓		✓	✓	✓	✓	

**CHEVROLET NUBIRA**

03/05→



NR	MAPCO	REF									NEW	INFO
1	51290HPS	96403099	✓		✓				✓	✓		
2	51291HPS	96403100	✓			✓			✓	✓		
3	51293HPS	96561754		✓	✓	✓			✓	✓		
4	51294	96415063	✓		✓			✓	✓	✓	✓	
5	51295	96415064	✓			✓		✓	✓	✓	✓	

**CHEVROLET REZZO**

03/05→

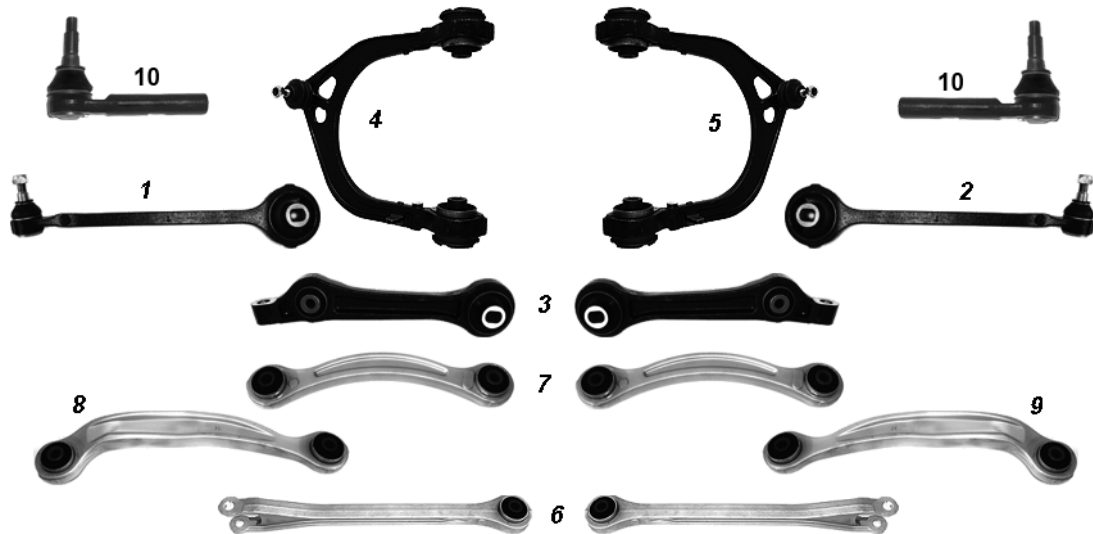


NR	MAPCO	REF									NEW	INFO
1	19558HPS	96391875	✓		✓	✓			✓	✓		264,0 mm

# CHRYSLER

## CHRYSLER 300C

09/04 →



NR	MAPCO	REF								NEW	INFO
1	59939	DA782613AC	✓	✓			✓	✓			
2	59940	DA782612AC	✓		✓		✓	✓			
3	59941	DA782561AE	✓	✓	✓		✓	✓			
4	59943	DA782665AB	✓	✓			✓	✓			
5	59942	DA782666AB	✓		✓	✓		✓			
6	59938	DA782836AB		✓	✓	✓		✓	✓		
7	59935	DA782745AB		✓	✓	✓	✓	✓			
8	59937	DA782537AB		✓	✓		✓	✓			
9	59936	DA782536AB		✓		✓	✓	✓			
10	59944	52013468AB	✓		✓	✓		✓	✓	✓	

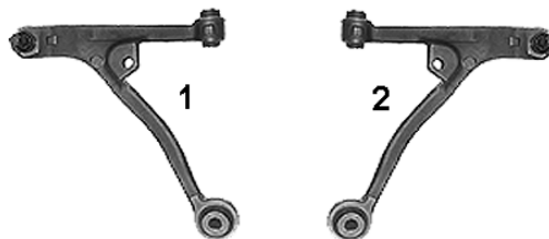
## CHRYSLER CIRRUS

05/94 → 09/00

NR	MAPCO	REF								NEW	INFO
1	59932	4695626	✓		✓	✓		✓	✓	✓	

## CHRYSLER NEON (PL)

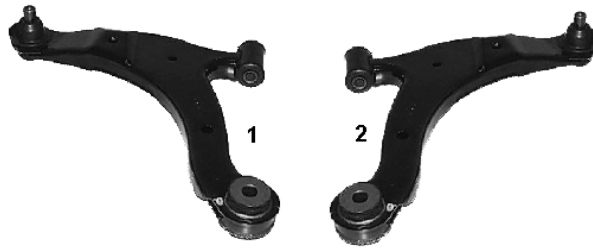
05/94 → 08/99



NR	MAPCO	REF								NEW	INFO
1	49936	4509775	✓		✓			✓	✓	✓	
2	49937	4509774	✓		✓			✓	✓	✓	

**CHRYSLER NEON II 1.6**  
**CHRYSLER NEON II 2.0 16V**

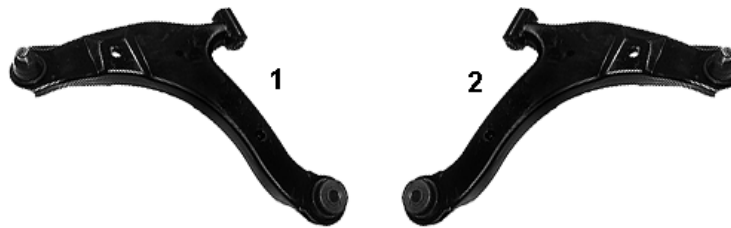
11/01 →  
 08/99 →



NR	MAPCO	REF			←	→	↑	↓			NEW	INFO
1	49930	5272237AC	✓		✓				✓	✓		
2	49931	5272236AC	✓			✓			✓	✓		

**CHRYSLER PT CRUISER Cabriolet**  
**CHRYSLER PT CRUISER (PT\_)**


03/04 →  
 11/01 →





NR	MAPCO	REF			←	→	↑	↓			NEW	INFO
1	59930	4656731AH	✓		✓				✓	✓		
2	59931	4656730AH	✓			✓			✓	✓		


**CHRYSLER SEBRING (JR)**

04/01 →

NR	MAPCO	REF			←	→	↑	↓			NEW	INFO
1	59932	4695626	✓		✓	✓			✓	✓	✓	 1

CHRYSLER STRATUS (JA) CHRYSLER STRATUS Cabriolet (JX)											12/95→ 06/96→04/01	
NR	MAPCO	REF			←	→	↑	↓			NEW	INFO
1	59932	4695626	✓		✓	✓			✓	✓	✓	 1

CHRYSLER VOYAGER II (GS)											01/95→03/01	
NR	MAPCO	REF			←	→	↑	↓			NEW	INFO
1	49938HPS	4743454AA	✓		✓	✓			✓	✓	✓	 1

CHRYSLER VOYAGER III (RG)											02/00→	
NR	MAPCO	REF			←	→	↑	↓			NEW	INFO
1	49938HPS	4743454AA	✓		✓	✓			✓	✓	✓	 1

# CITROËN

CITROËN 2CV, AMI, DYANE, ACADIANE, MEHARI

03/63→07/90

NR	MAPCO	REF								NEW	INFO
1	19416	5451858	✓	✓	✓			✓	✓		

CITROËN AX Chassis 4803 ->

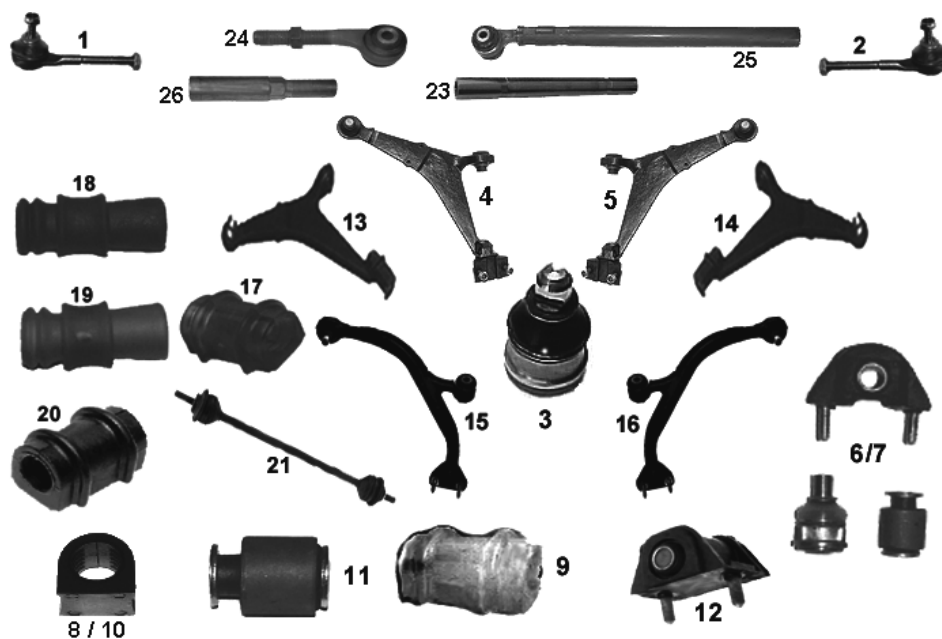
01/90→12/98

NR	MAPCO	REF								NEW	INFO
1	36402		✓	✓	✓			✓	✓		
2	36404		✓	✓	✓			✓	✓		
3	36405		✓	✓	✓			✓	✓		



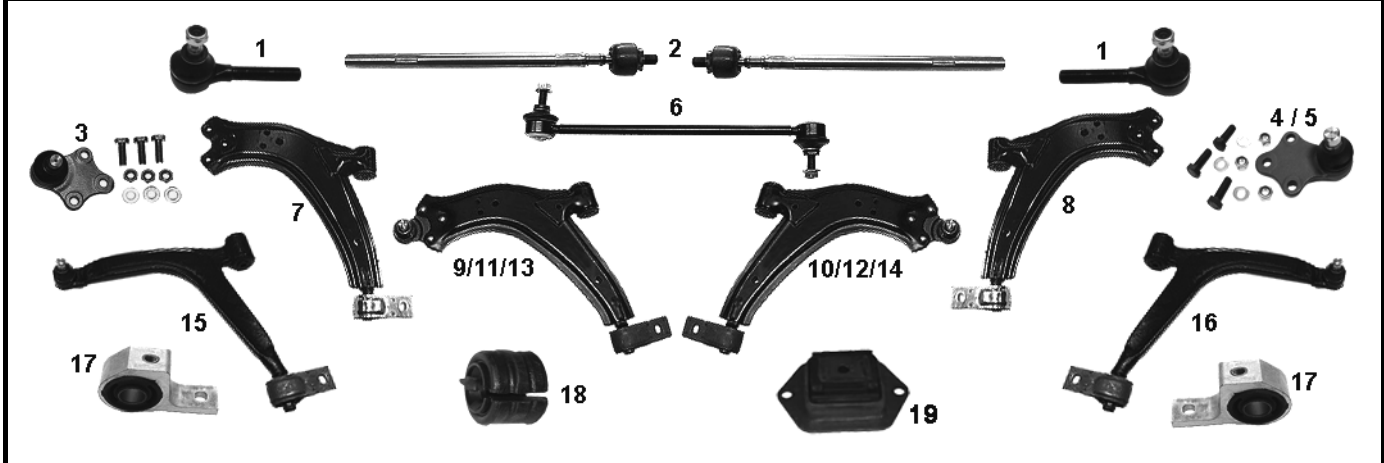
CITROËN AX

06/86→12/98



NR	MAPCO	REF			←	→	↑	↓			NEW	INFO
1	19417	9471000565 381741	✓		✓				✓	✓		M14x1,5RHT
2	19418	9471000665 381742	✓			✓			✓	✓		M14x1,5RHT
3	19419	95603309	✓		✓	✓			✓	✓		(Ø 14 mm) →03/91
3	19428	96093233 0000364036	✓		✓	✓			✓	✓		(Ø 16 mm) 04/91→
4	19321	95658978	✓		✓				✓	✓		(Ø 16 mm) 04/91→
5	19322	95658979	✓			✓			✓	✓		(Ø 16 mm) 04/91→
6	19248		✓		✓	✓			✓	✓		Kit 04/91→
7	19249		✓		✓	✓			✓	✓		Kit →03/91
8	33400	96064489	✓		✓	✓			✓	✓		(Ø 19 mm)
9	33402	96064481	✓		✓	✓			✓	✓		
10	33409	96064491	✓		✓	✓			✓	✓		(Ø 21 mm)
11	33414	95603308	✓		✓	✓			✓	✓		
12	33415	96106474	✓		✓	✓			✓	✓		
13	19472	96133608	✓		✓				✓	✓		(Ø 14 mm) →03/91
14	19471	96133609	✓			✓			✓	✓		(Ø 14 mm) →03/91
15	19360	352080	✓		✓				✓	✓		04/91→
16	19361	352081	✓			✓			✓	✓		04/91→
17	33323	509457	✓		✓	✓			✓	✓		21mm
18	33324	509459	✓		✓	✓			✓	✓		19mm
19	33325	509460	✓		✓	✓			✓	✓		20mm
20	33420	96054481	✓		✓	✓			✓	✓		19mm
21	19476HPS	508733	✓		✓	✓			✓	✓		✓ 1.4Gti 300 mm
22	95321		✓		✓	✓			✓	✓		MS
23	19480	3812A0	✓		✓	✓			✓	✓		M14x1,5
24	19481	381732	✓		✓				✓			M14x1,5LHT
25	19482	381735	✓			✓			✓			M14x1,5LHT
26	19483	381734	✓		✓	✓			✓			12,0mm, M14x1,5RHT, 132,0mm

**CITROËN BERLINGO (MF)** 07/96→



NR	MAPCO	REF			←	→	↑	↓			NEW	INFO
1	19301	381750	✓		✓	✓			✓	✓		M14x1,5RHT
2	19411	3812C0	✓		✓	✓			✓	✓		
3	19427	364038	✓		✓	✓				✓		Chassis → O 7972 16 mm
4	19473	364051	✓		✓	✓			✓			Chassis O 7973 → 18 mm
5	19389	364050	✓		✓	✓				✓		Chassis O 7973 → 18 mm
6	19337HPS	508739	✓		✓	✓			✓	✓		
7	19331/1	3520E0	✓		✓				✓	✓		
8	19332/1	352190	✓			✓			✓	✓		
9	19437	3520F6	✓		✓					✓		✓ 1.1 - 1.4 Chassis→ O 7972, 16 mm
10	19438	3521F6	✓			✓				✓		✓ 1.1 - 1.4 Chassis→ O 7972, 16 mm
11	19439	3520F7	✓		✓				✓			Chassis→ O 7972 16 mm
12	19440	3521A7	✓			✓			✓			Chassis→ O 7972 16 mm
13	19474	3520H5	✓		✓				✓	✓		Chassis O 7973 → 18 mm
14	19475	3521E5	✓			✓			✓	✓		Chassis O 7973 → 18 mm
15	19485	3520J3	✓		✓				✓	✓		✓ 2.0 HDI 90 12/99→
16	19486	3521F3	✓			✓			✓	✓		✓ 2.0 HDI 90 12/99→
17	33431	352383	✓		✓	✓			✓	✓		✓ 2.0 HDI 90 12/99→
18	33424	509465	✓		✓	✓			✓	✓		Ø 21 mm
19	33433	515262			✓	✓	✓		✓	✓	✓	

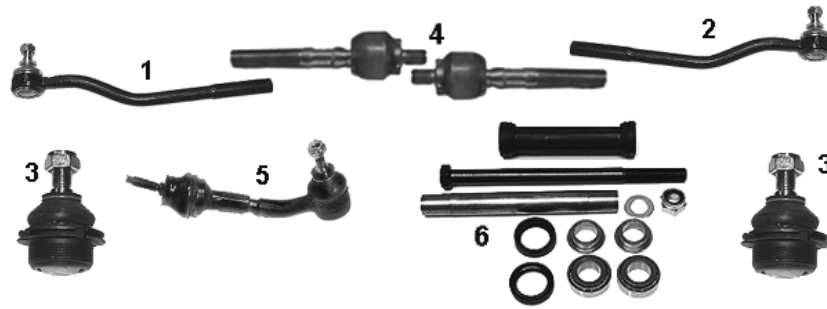
**CITROËN BERLINGO** 04/08→



NR	MAPCO	REF			←	→	↑	↓			NEW	INFO
1	49401	3812 F4	✓		✓	✓			✓	✓	✓	
2	19372	3640 68	✓		✓	✓			✓	✓		
3	19383	3520 K8	✓		✓				✓	✓		18,0 mm
4	19384	3521 G8	✓			✓			✓	✓		18,0 mm
5	33336	3523 92	✓		✓	✓			✓	✓		
6	33434	3523 91	✓		✓	✓			✓	✓	✓	

**CITROËN BX**

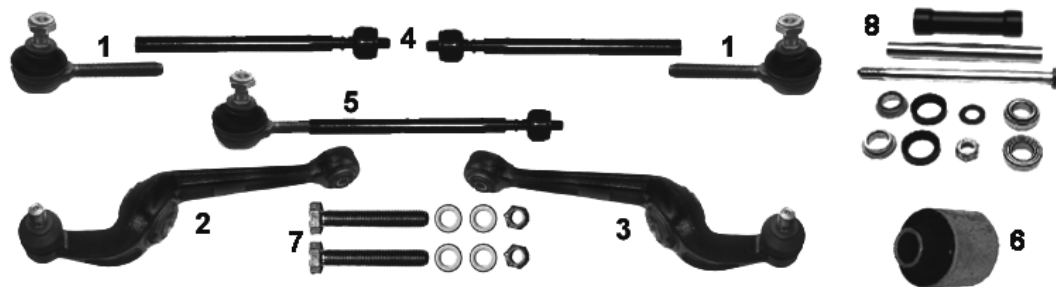
09/82→12/94



NR	MAPCO	REF			←	→	↑	↓			NEW	INFO
1	19413	95496044	✓		✓				✓	✓		M14x1,5RHT
2	19414	95496045	✓			✓			✓	✓		M14x1,5RHT
3	19415	95494204	✓		✓	✓			✓	✓		
4	19412	95395440	✓		✓	✓			✓	✓		M14x1,5RHT M12x1,2RHT
5	19470	95597955	✓		✓	✓			✓	✓		
6	34413	95619159		✓	✓	✓			✓	✓		

**CITROËN C15 Benzin/ petrol**

05/88→12/97



NR	MAPCO	REF			←	→	↑	↓			NEW	INFO
1	19301	381750	✓		✓	✓			✓	✓		M14x1,5RHT
2	19310	91516336	✓		✓				✓	✓		D Chassis 4196→
3	19311	91516337	✓			✓			✓	✓		D Chassis 4196→
4	19355/1	95560858	✓		✓	✓			✓	✓		M14x1,50RHT 262 mm
5	19355	381215	✓		✓	✓			✓	✓		1 + 4
6	33307	352320	✓		✓	✓			✓	✓		
7	95310		✓		✓	✓			✓	✓		MS
8	34413	95619159		✓	✓	✓			✓	✓		HA

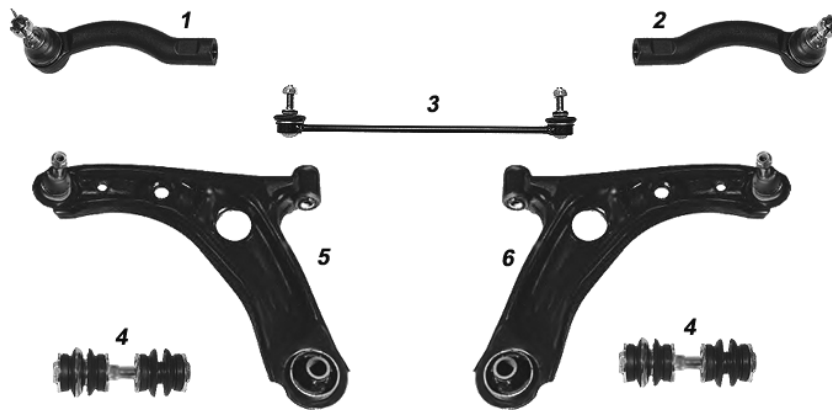
CITROËN C15 D										1984→12/97	
NR	MAPCO	REF			←	→	↑	↓			INFO
1	19301	381750	✓		✓	✓			✓	✓	M14x1,5RHT
2	19310	91516336	✓		✓				✓	✓	D Chassis 4196→
3	19311	91516337	✓			✓			✓	✓	D Chassis 4196→
4	19446/1	96136394	✓		✓	✓			✓	✓	M14x1,50RHT 314mm
5	19446	381295	✓		✓	✓			✓	✓	1 + 4
6	33307	352320	✓		✓	✓			✓	✓	
7	95310		✓		✓	✓			✓	✓	MS
8	34413	95619159		✓	✓	✓			✓	✓	HA

CITROËN C15 600 Kg 954cc, 1.1+1.4 Ch. 4196→										05/88→ 07/95	
CITROËN C15 1.8D 600 Kg										11/84→ 07/95	
NR	MAPCO	REF			←	→	↑	↓			INFO
1	36304		✓		✓	✓			✓	✓	

CITROËN C25										07/81→03/94	
NR	MAPCO	REF			←	→	↑	↓			INFO
1	19420	9750390080	✓		✓	✓			✓	✓	M16x1,5RHT
2	19405	364017	✓		✓				✓	✓	M16x1,5RHT
3	19421	4388159	✓			✓			✓	✓	(Ø 16 mm) →09/85
4	19422	364026	✓		✓	✓			✓	✓	(Ø 17 mm) 10/85→
5	19441	7576732	✓		✓				✓	✓	10/85→93 (1.0-1.4t)
6	19442	7576731	✓			✓			✓	✓	10/85→93 (1.0-1.4t)
7	19468	7567283	✓		✓				✓	✓	10/85→93 (1.8t)
8	19469	7567282	✓			✓			✓	✓	10/85→93 (1.8t)

CITROËN C1 (PM\_, PN\_)

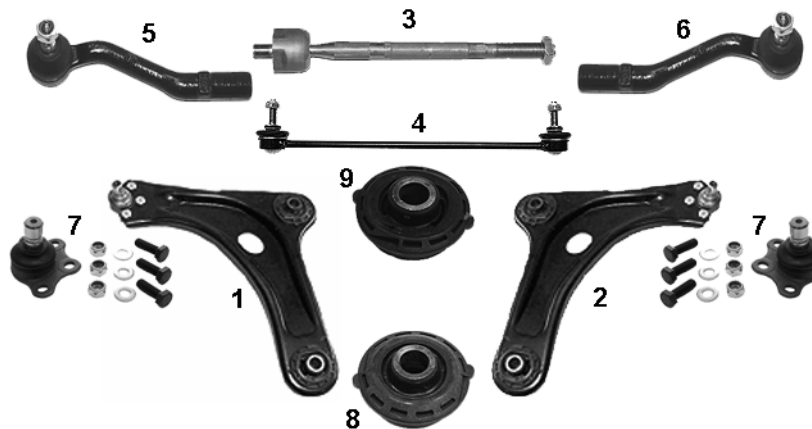
06/05→



NR	MAPCO	REF			←	→	↑	↓			NEW	INFO
1	49306	381763	✓		✓				✓	✓	✓	
2	49307	381764	✓			✓			✓	✓	✓	
3	19348HPS	508759	✓		✓	✓			✓	✓		335,0 mm
4	49308	509110	✓		✓	✓			✓	✓	✓	
5	49318	3520Q2	✓		✓				✓	✓	✓	
6	49319	3521L3	✓			✓			✓	✓	✓	

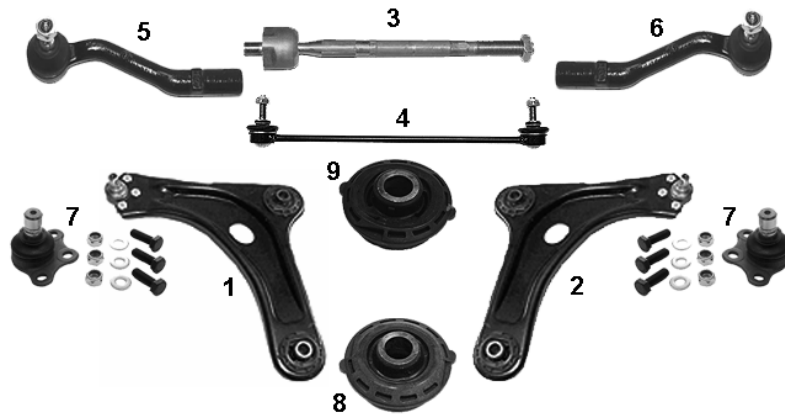
CITROËN C2

09/03→



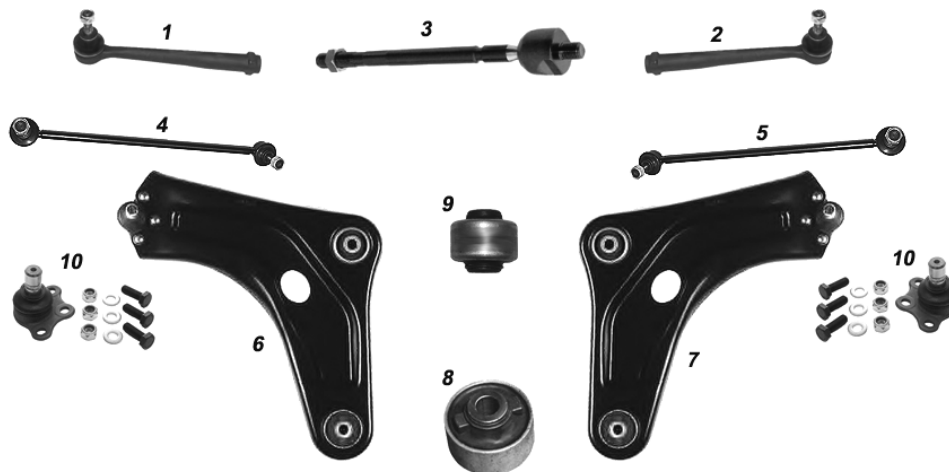
NR	MAPCO	REF			←	→	↑	↓			NEW	INFO
1	19385	3520L9	✓		✓				✓	✓		
2	19386	3521J1	✓			✓			✓	✓		
3	19479	3812E1	✓		✓	✓			✓	✓		
4	19348HPS	508745	✓		✓	✓			✓	✓		
5	19489	381755	✓		✓				✓	✓		
6	19490	381756	✓			✓			✓	✓		
7	19491	364062	✓		✓	✓			✓	✓		
8	33334	3523AA	✓		✓	✓			✓	✓		Ø 55,2mm
9	33335	352398	✓		✓	✓			✓	✓		Ø 55,5mm

**CITROËN C3** 02/02→



NR	MAPCO	REF			←	→	↑	↓			NEW	INFO
1	19385	3520L4	✓		✓				✓	✓		
2	19386	3521H6	✓			✓			✓	✓		
3	19479	3812E1	✓		✓	✓			✓	✓		
4	19348HPS	508745	✓		✓	✓			✓	✓		
5	19489	381755	✓		✓				✓	✓		
6	19490	381756	✓			✓			✓	✓		
7	19491	364056	✓		✓	✓			✓	✓		
8	33334	3523AA	✓		✓	✓			✓	✓		Ø 55,2mm
9	33335	352398	✓		✓	✓			✓	✓		Ø 55,5mm

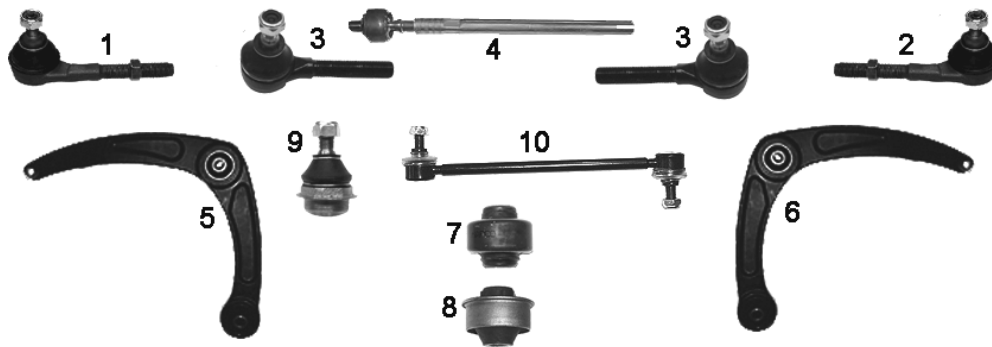
**CITROËN C3 Picasso** 10/05→



NR	MAPCO	REF			←	→	↑	↓			NEW	INFO
1	49312	381767	✓		✓				✓	✓	✓	
2	49313	381768	✓			✓			✓	✓	✓	
3	49314	3812.E8	✓		✓	✓			✓	✓	✓	
4	49304HPS	508754	✓		✓				✓	✓	✓	330,0 mm
5	49305HPS	508755	✓			✓			✓	✓	✓	330,0 mm
6	49310	3520R7	✓		✓				✓	✓	✓	
7	49311	3521N8	✓			✓			✓	✓	✓	
8	33435	3523CC	✓		✓	✓			✓	✓	✓	
9	33436	3523CE	✓		✓	✓			✓	✓	✓	
10	19491	364062	✓		✓	✓			✓	✓		

**CITROËN C4**

11/04 →



NR	MAPCO	REF			←	→	↑	↓			NEW	INFO
1	19417	381741	✓		✓				✓	✓		Chassis →10310
2	19418	381742	✓			✓			✓	✓		Chassis →10310
3	19301	381750	✓		✓	✓			✓	✓		M14x1,5RHT Chassis 10311→
4	19379	3812E0	✓		✓	✓			✓	✓		Chassis →10310
5	19383	3520P3	✓		✓				✓	✓		18,0 mm
6	19384	3521K3	✓			✓			✓	✓		18,0 mm
7	33434	352391	✓		✓	✓			✓	✓	✓	
8	33336	352392	✓		✓	✓			✓	✓		
9	19372	364068	✓		✓	✓			✓	✓		
10	19375HPS	508750	✓		✓	✓			✓	✓		

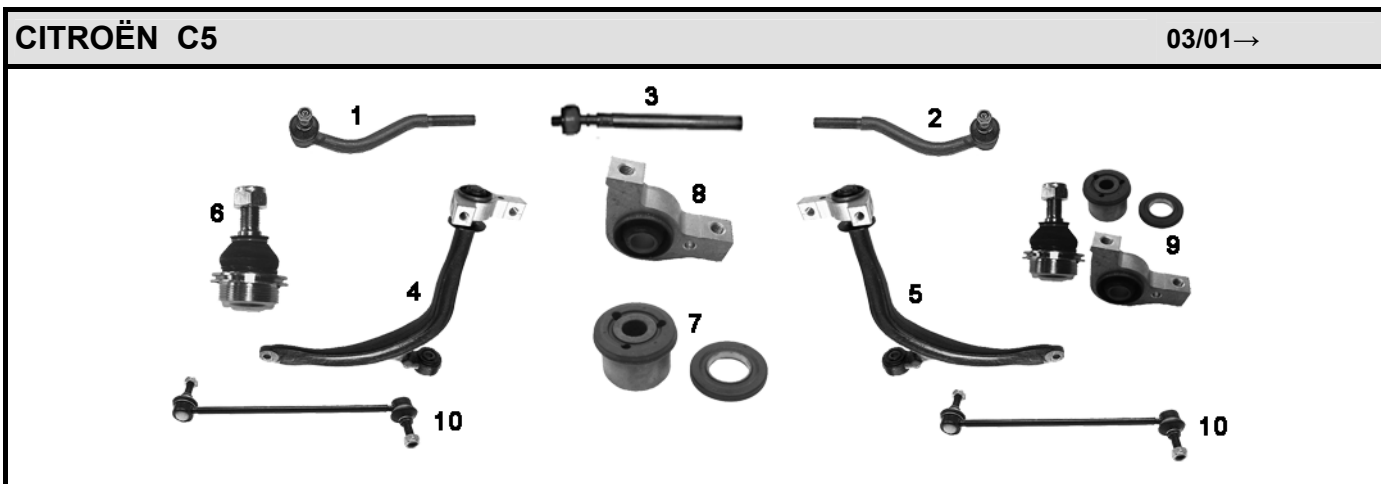
**CITROËN C4 Picasso (UD\_)**

02/07 →

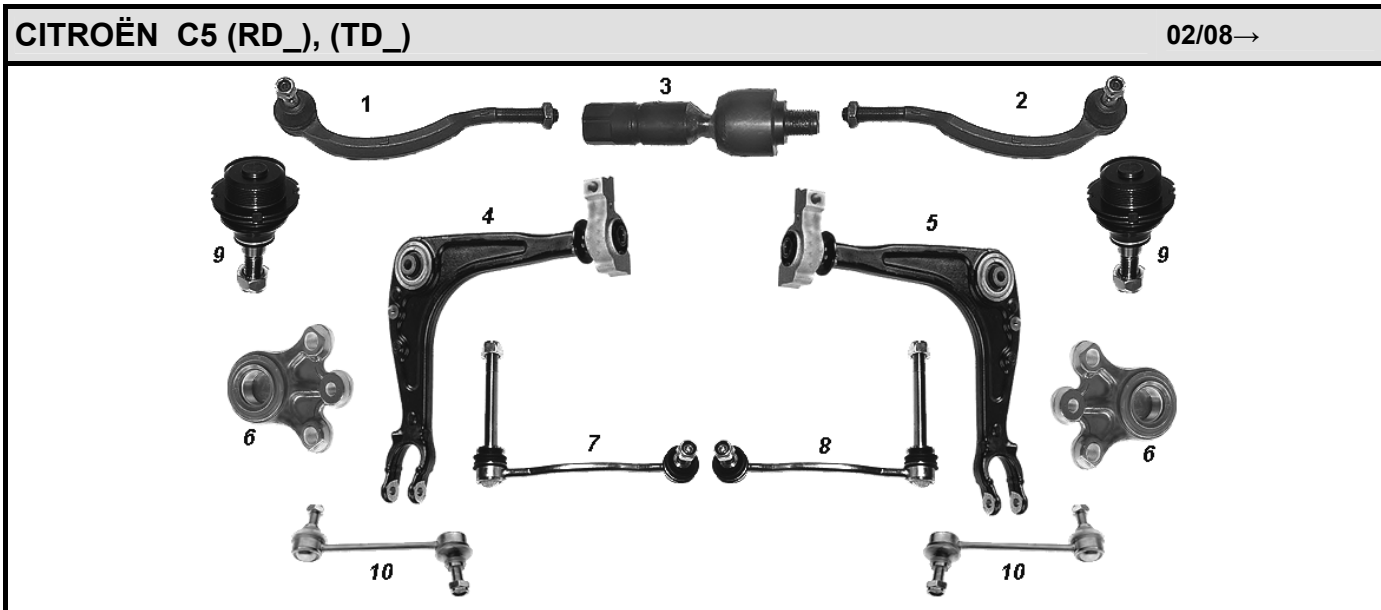


NR	MAPCO	REF			←	→	↑	↓			NEW	INFO
1	49315	3812F2	✓		✓	✓			✓	✓	✓	257,0 mm
2	19372	364068	✓		✓	✓			✓	✓		
3	33336	352392	✓		✓	✓			✓	✓		
4	33434	352391	✓		✓	✓			✓	✓	✓	





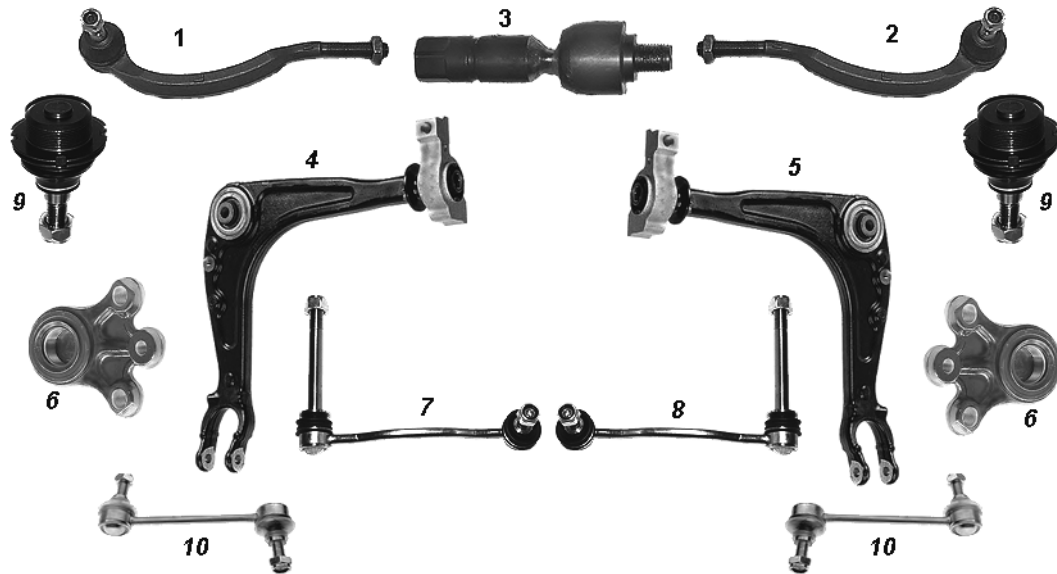
NR	MAPCO	REF			←	→	↑	↓			NEW	INFO
1	19477	381753	✓		✓				✓	✓		M16x1,5RHT
2	19478	381754	✓			✓			✓	✓		M16x1,5RHT
3	49400	3812C8	✓		✓	✓			✓	✓	✓	M16x1,5
4	19390	3520K3	✓		✓				✓	✓		
5	19391	3521G3	✓			✓			✓	✓		
6	19425	364034	✓		✓	✓			✓	✓		
7	33427	352384	✓		✓	✓		✓	✓	✓		
8	33428	352395	✓		✓	✓		✓	✓	✓		
9	19245		✓		✓	✓			✓	✓		KIT
10	19362HPS	508748	✓		✓	✓			✓	✓		



NR	MAPCO	REF			←	→	↑	↓			NEW	INFO
1	19392	381758	✓		✓				✓	✓		M14x1,5
2	19393	381757	✓			✓			✓	✓		M14x1,5
3	19395	3812E3	✓		✓	✓			✓	✓		M14x1,5
4	49320	3520N6	✓		✓			✓	✓	✓	✓	
5	49321	3521J6	✓			✓		✓	✓	✓	✓	
6	49309	364072	✓		✓	✓		✓	✓	✓	✓	
7	19396	508752	✓		✓				✓	✓		
8	19397	508753	✓			✓			✓	✓		
9	19394	364057	✓		✓	✓	✓		✓	✓		
10	49303	517852		✓	✓	✓			✓	✓	✓	140,0 mm

CITROËN C6 (TD\_)

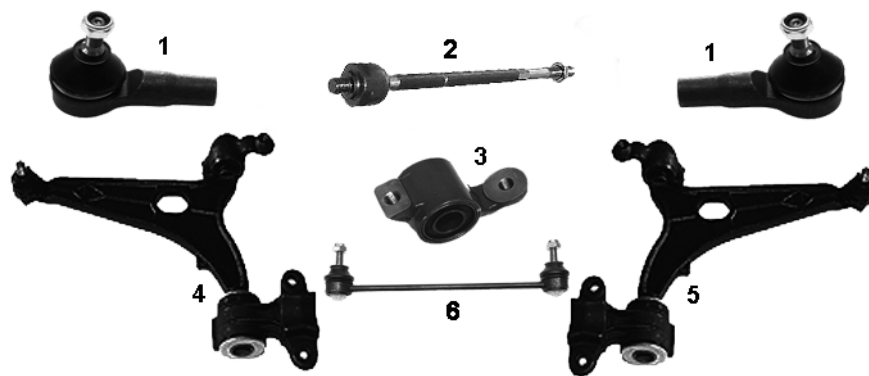
09/05→



NR	MAPCO	REF			←	→	↑	↓			NEW	INFO
1	19392	381758	✓		✓				✓	✓		M14x1,5
2	19393	381757	✓			✓			✓	✓		M14x1,5
3	19395	3812E3	✓		✓	✓			✓	✓		M14x1,5
4	49320	3520N6	✓		✓			✓	✓	✓	✓	
5	49321	3521J6	✓			✓		✓	✓	✓	✓	
6	49309	364072	✓		✓	✓		✓	✓	✓	✓	
7	19396	508752	✓		✓				✓	✓		
8	19397	508753	✓			✓			✓	✓		
9	19394	364057	✓		✓	✓	✓		✓	✓		
10	49303	517852		✓	✓	✓			✓	✓	✓	140,0 mm

CITROËN C8

07/02→



NR	MAPCO	REF			←	→	↑	↓			NEW	INFO
1	19492	405912	✓		✓	✓			✓	✓		M14x1,5
2	19493	3812E2	✓		✓	✓			✓	✓	✓	M14x1,5
3	33017	1312317080	✓		✓	✓			✓	✓		
4	49082	3520P6	✓		✓				✓	✓		
5	49083	3521K6	✓			✓			✓	✓		
6	19376HPS	508751	✓		✓	✓			✓	✓		

**CITROËN EVASION**  
**CITROËN JUMPY (U6U)**

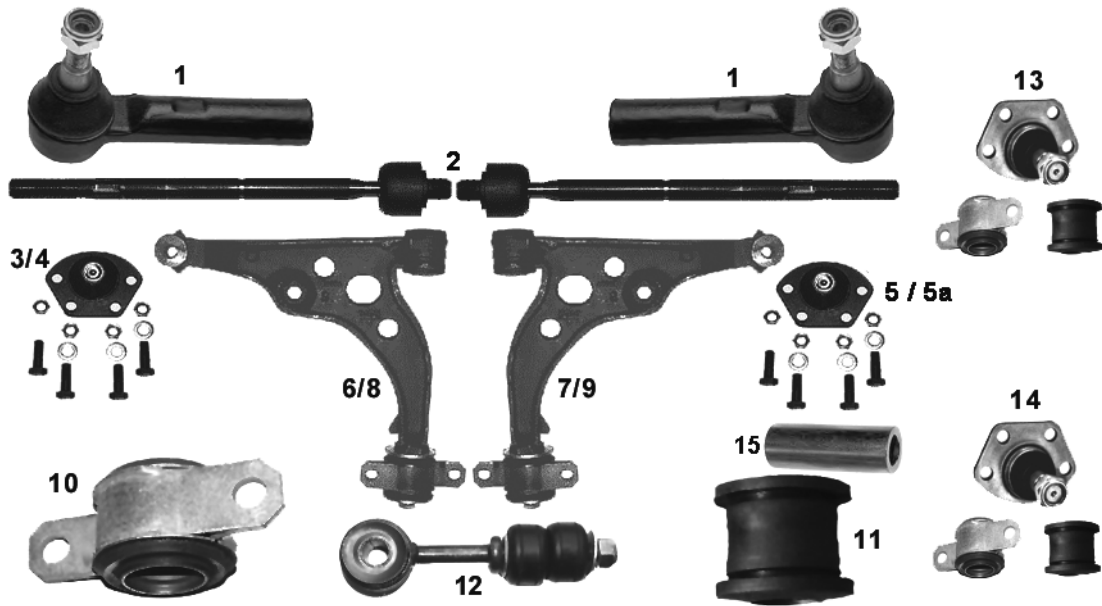
06/94→07/02  
06/94→



NR	MAPCO	REF			←	→	↑	↓			NEW	INFO
1	19430	9404059080	✓		✓	✓			✓	✓		M14x1,5RHT
2	19431	3520P8	✓		✓				✓	✓		Chassis 6944→
3	19432	3521L0	✓			✓			✓	✓		Chassis 6944→
4	19023	3812A4	✓		✓	✓			✓	✓		M14x1,5RHT
5	19363	508735	✓		✓	✓			✓	✓		
6	33017	1312317080	✓		✓	✓			✓	✓		

CITROËN JUMPER (230\_)

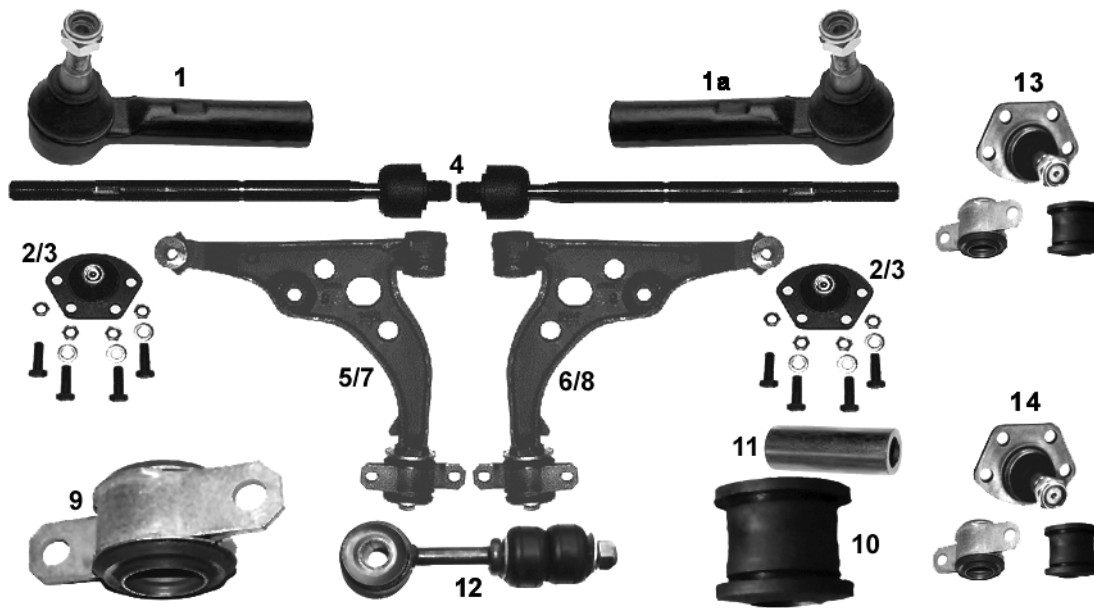
02/94→04/02



NR	MAPCO	REF			←	→	↑	↓			NEW	INFO
1	19447	4018A3	✓		✓	✓			✓	✓		M16x1,5RHT 120,0mm
2	19448	14716544080	✓		✓	✓			✓	✓		M16 x 1,5
3	19449	364032	✓		✓	✓			✓	✓		✓ (1.0t-1.4t) Ø 17,0mm
4	19450	364033	✓		✓	✓			✓	✓		✓ (1.8t) Ø 20,0mm
5	19498	364055	✓		✓	✓		✓	✓	✓		✓ (1.0t-1.4t) Ø 20,0mm 02/01→
5a	19499	364054	✓		✓	✓			✓	✓	✓	✓ (1.8t) Ø 24,0mm 02/01→
6	19461	352095	✓		✓				✓	✓		✓ (1.0t-1.4t)
7	19462	352165	✓			✓			✓	✓		✓ (1.0t-1.4t)
8	19463	352096	✓		✓				✓	✓		✓ (1.8t)
9	19464	352166	✓			✓			✓	✓		✓ (1.8t)
10	33001	352394	✓		✓	✓			✓	✓		
11	33006	352393	✓		✓	✓			✓	✓		
15	33006/1	352505	✓		✓	✓			✓	✓		Hülse
12	19366	508737	✓		✓	✓			✓	✓		
13	19251		✓		✓	✓			✓	✓		Kit ✓ (1.0t-1.4t)
14	19250		✓		✓	✓			✓	✓		Kit ✓ (1.8t)
15	33006/1	352505	✓		✓	✓			✓	✓		Hülse

CITROËN JUMPER (244\_)

04/02→



NR	MAPCO	REF								NEW	INFO
1	19447	4018A3	✓	✓	✓			✓	✓		→12/2002 M16x1,5RHT 120,0mm
1a	19099	4018E0	✓	✓	✓			✓	✓	✓	12/2002→ M16x1,5RHT
2	19498	364055	✓	✓	✓		✓	✓	✓	✓	✓ (1.0t-1.4t) ø 20,0mm
3	19499	364054	✓	✓	✓			✓	✓	✓	✓ (1.8t) ø 24,0mm
4	19448	400624	✓	✓	✓			✓			M16 x 1,5
5	49084	3520N3	✓	✓				✓	✓		✓ (1.0t-1.4t)
6	49085	3521J3	✓		✓			✓	✓		✓ (1.0t-1.4t)
7	49086	3520L0	✓	✓				✓	✓		✓ (1.8t)
8	49087	3521H3	✓		✓			✓	✓		✓ (1.8t)
9	33001	352394	✓	✓	✓			✓	✓		
10	33006	352393	✓	✓	✓			✓	✓		
11	33006/1	352505	✓	✓	✓			✓	✓		Hülse
12	19366	508737	✓	✓	✓			✓	✓		
13	19251		✓	✓	✓			✓	✓		Kit ✓ (1.0t-1.4t)
14	19250		✓	✓	✓			✓	✓		Kit ✓ (1.8t)

CITROËN JUMPER

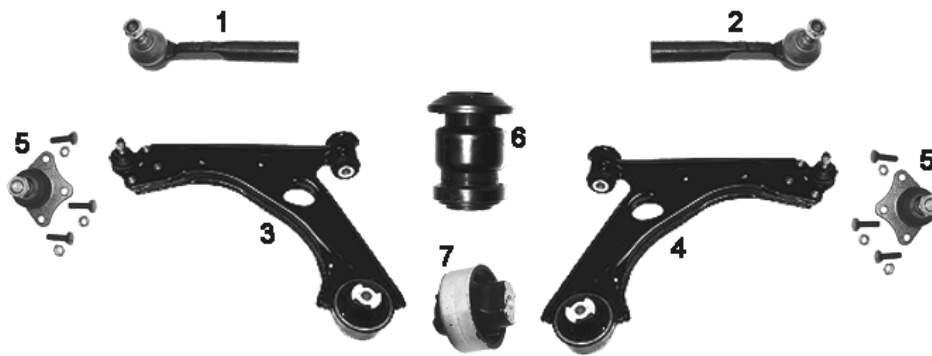
04/06→



NR	MAPCO	REF								NEW	INFO
1	19496	3817 69	✓	✓				✓	✓	✓	
2	19497	3817 70	✓		✓			✓	✓	✓	
3	19494	3520 S0	✓	✓				✓	✓	✓	✓ (1.0t-1.7t)
4	19495	3521 P1	✓		✓			✓	✓	✓	✓ (1.0t-1.7t)
5	49099	3640 67	✓	✓	✓			✓	✓	✓	∅ 24mm

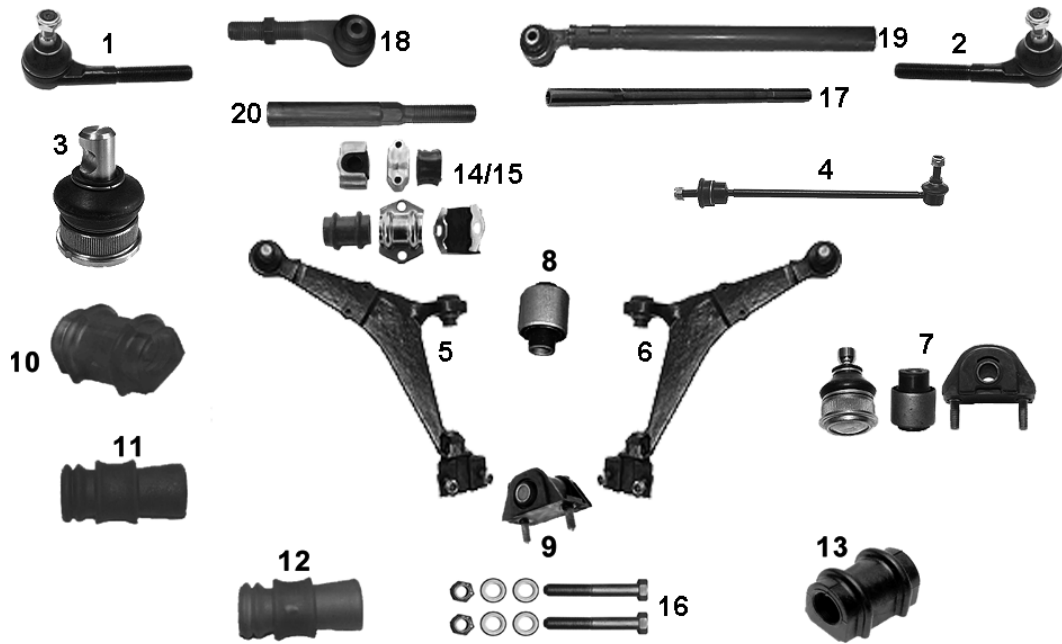
CITROËN NEMO

02/08→



NR	MAPCO	REF								NEW	INFO
1	59012	3817 86	✓	✓				✓	✓	✓	
2	59013	3817 87	✓		✓			✓	✓	✓	
3	19097	3520 W3	✓	✓				✓	✓		
4	19098	3521 S6	✓		✓			✓	✓		
5	49092	3520 W3 part of	✓	✓	✓			✓	✓	✓	
6	33044		✓	✓	✓			✓	✓		
7	33045		✓	✓	✓			✓	✓		

**CITROËN SAXO** 05/96→



NR	MAPCO	REF								NEW	INFO
1	19417	381741	✓	✓				✓	✓		M14x1,5RHT
2	19418	381742	✓		✓			✓	✓		M14x1,5RHT
3	19428	96093233	✓	✓	✓			✓	✓		Ø 16 mm
4	19338HPS	508740	✓	✓	✓			✓	✓		
5	19321	95658978	✓	✓				✓	✓		
6	19322	95658979	✓		✓			✓	✓		
7	19248		✓	✓	✓			✓	✓		Kit
8	33414	95603308	✓	✓	✓			✓	✓		
9	33415	96106474	✓	✓	✓			✓	✓		
10	33323	509457	✓	✓	✓			✓	✓		21mm
11	33324	509459	✓	✓	✓			✓	✓		19mm
12	33325	509460	✓	✓	✓			✓	✓		20mm
13	33420	96054481	✓	✓	✓			✓	✓		19mm
14	36402		✓	✓	✓			✓	✓		
15	36404		✓	✓	✓			✓	✓		
16	95321		✓	✓	✓			✓	✓		MS
17	19480	3812A0	✓	✓	✓			✓	✓		M14x1,5
18	19481	381732	✓	✓				✓			M14x1,5LHT
19	19482	381735	✓		✓			✓			M14x1,5LHT
20	19483	381734	✓	✓	✓			✓			12,0mm, M14x1,5RHT, 132,0mm

**CITROËN VISA 1.7D** 03/84→ 06/89

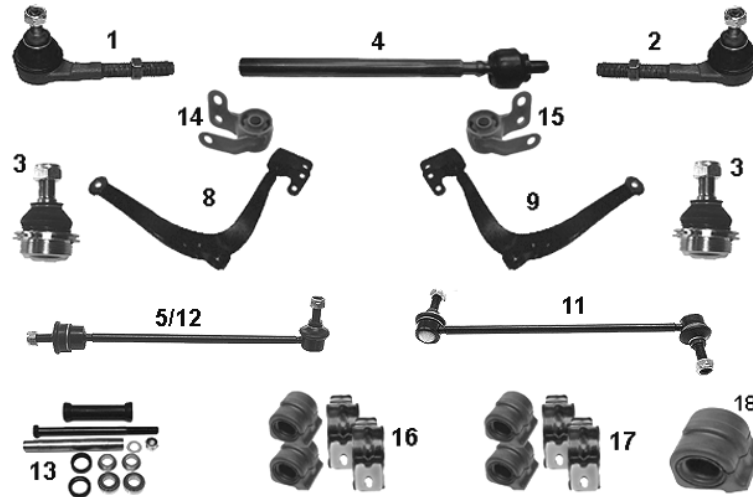


NR	MAPCO	REF								NEW	INFO
1	36403		✓	✓	✓			✓	✓		



**CITROËN XANTIA X1, X2**

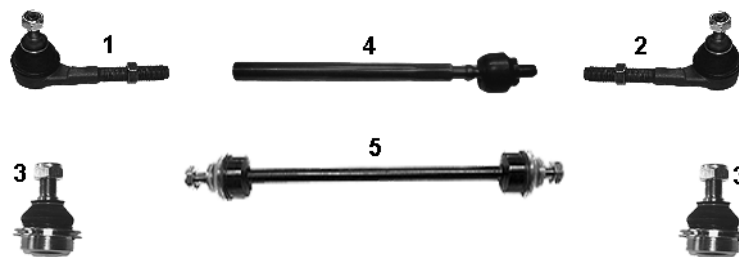
03/93→ 04/03



NR	MAPCO	REF			←	→	↑	↓			NEW	INFO
1	19417	381741	✓		✓				✓	✓		M14x1,5RHT
2	19418	381742	✓			✓			✓	✓		M14x1,5RHT
3	19425	364034	✓		✓	✓			✓	✓		
4	19410	96136394	✓		✓	✓			✓	✓		M14x1,50RHT 314,0 mm
5	19429HPS	96145457	✓		✓	✓			✓	✓		Chassis →6614
6	19444		✓		✓				✓	✓		1+4
7	19445		✓			✓			✓	✓		2+4
8	19453	3520C1	✓		✓				✓	✓		
9	19454	352181	✓			✓			✓	✓		
11	19362HPS	508748	✓		✓	✓			✓	✓		Chassis 8851→
12	19338HPS	508740	✓		✓	✓			✓	✓		Chassis 6615→8850
13	34413	95619159		✓	✓	✓			✓	✓		
14	33425	352381	✓		✓			✓	✓	✓		
15	33426	352382	✓			✓		✓	✓	✓		
16	36406		✓		✓	✓			✓	✓		
17	36407		✓		✓	✓			✓	✓		
18	33403	96089104	✓		✓	✓			✓	✓	✓	Ø 22mm

**CITROËN XM**

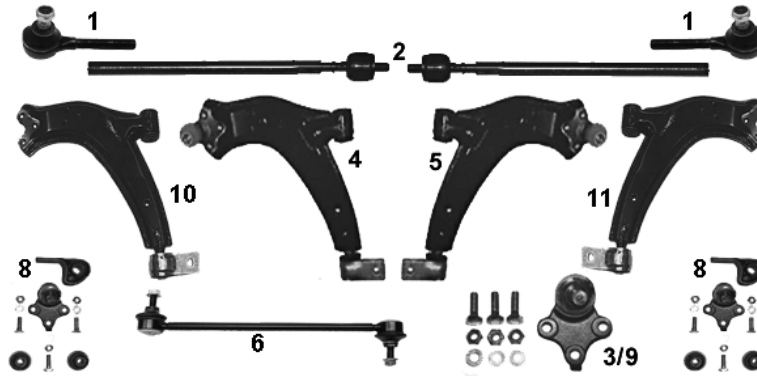
03/89→10/00



NR	MAPCO	REF			←	→	↑	↓			NEW	INFO
1	19417	381741	✓		✓				✓	✓		M14x1,5RHT
2	19418	381742	✓			✓			✓	✓		M14x1,5RHT
3	19425	364034	✓		✓	✓			✓	✓		
4	19409	96032460	✓		✓	✓			✓	✓		M14x1,5 RHT
5	19451HPS	508741	✓		✓	✓			✓	✓		

**CITROËN XSARA**

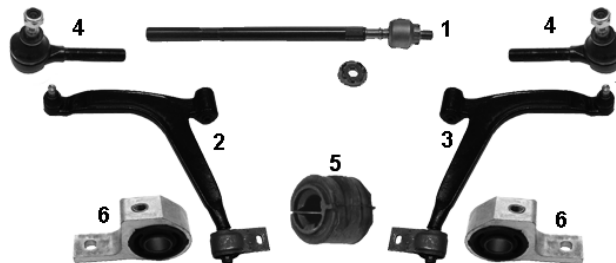
04/97 → 08/05



NR	MAPCO	REF			←	→	↑	↓			NEW	INFO
1	19301	381750	✓		✓	✓			✓	✓		M14x1,5RHT
2	19411	3812C0	✓		✓	✓			✓	✓		
3	19427	364038	✓		✓	✓			✓			16mm
4	19459	3520G5	✓		✓				✓			16mm
5	19460	3521C5	✓			✓			✓			16mm
6	19337HPS	508739	✓		✓	✓			✓	✓		
7	19443		✓		✓	✓			✓	✓		1 + 2
8	19247		✓		✓	✓			✓	✓		Kit
9	19473	364051	✓		✓	✓			✓			18 mm
10	19331/1	3520E0	✓		✓				✓	✓		
11	19332/1	352190	✓			✓			✓	✓		

**CITROËN XSARA PICASSO (N68)**

12/99 →



NR	MAPCO	REF			←	→	↑	↓			NEW	INFO
1	19484	3812C6	✓		✓	✓			✓	✓		320 mm M14x1,5RHT
2	19485	3520J3	✓		✓				✓	✓		✓1.6/1.8/2.0
3	19486	3521F3	✓			✓			✓	✓		✓1.6/1.8/2.0
4	19301	381750	✓		✓	✓			✓	✓		M14x1,5RHT
5	33424	509465	✓		✓	✓			✓	✓		Ø 21mm
6	33431	352383	✓		✓	✓			✓	✓		

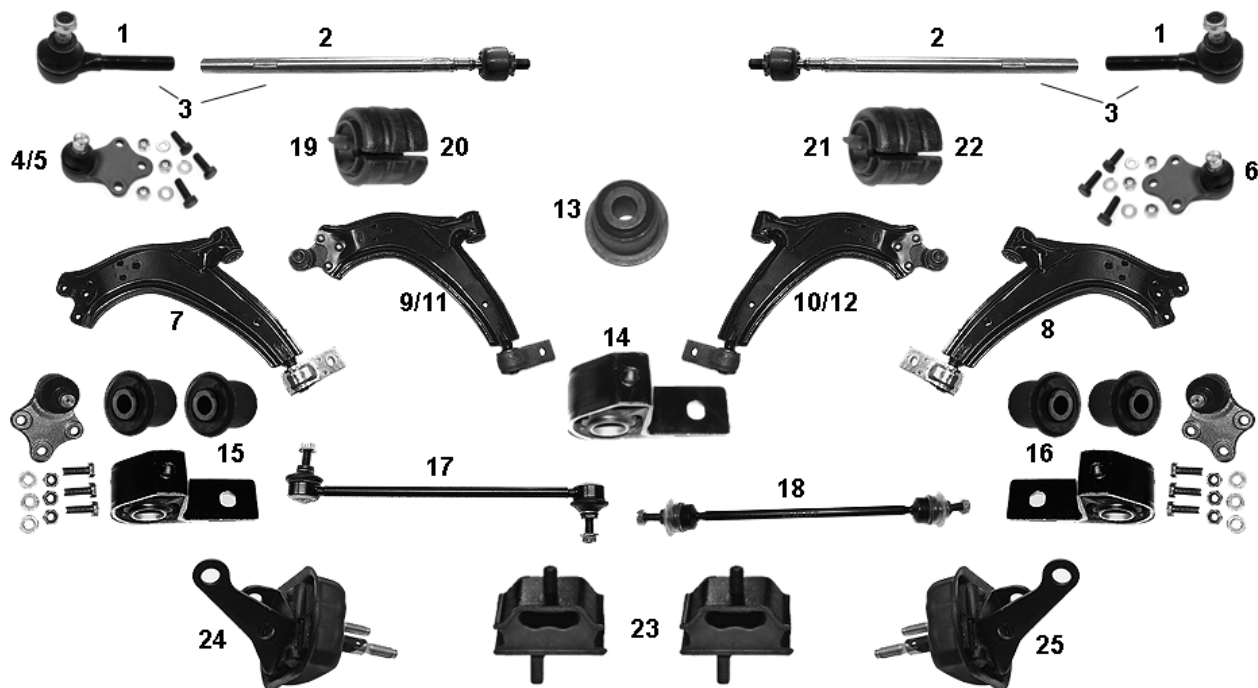
**CITROËN ZX 2.0i 16V**

01/91 → 06/97

NR	MAPCO	REF			←	→	↑	↓			NEW	INFO
1	36406		✓		✓	✓			✓	✓		
2	36400		✓		✓	✓			✓	✓		
3	36401		✓		✓	✓			✓	✓		

CITROËN ZX

01/91 → 06/97

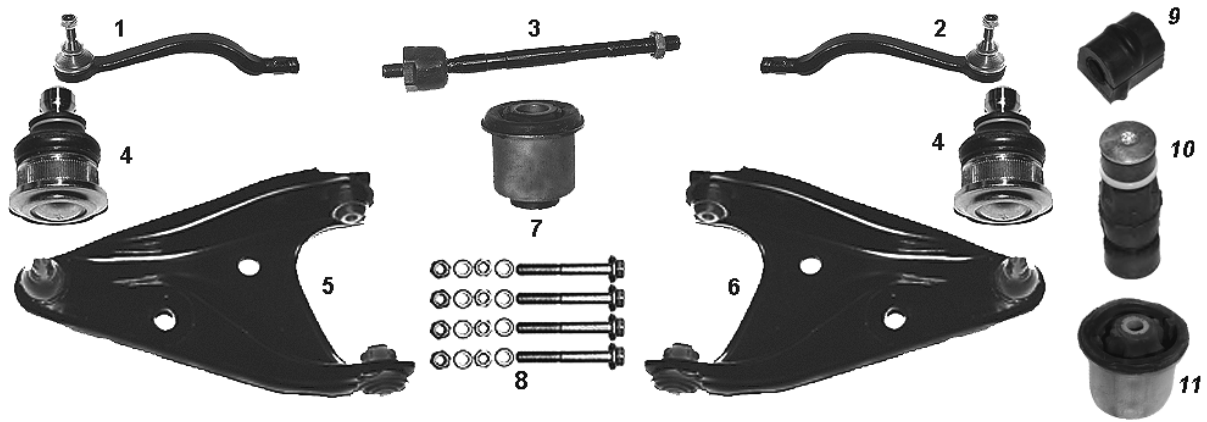


NR	MAPCO	REF			←	→	↑	↓			NEW	INFO
1	19301	381750	✓	✓	✓				✓	✓		M14x1,5RHT
2	19411	3812C0	✓	✓	✓				✓	✓		M14x1,5RHT
3	19443		✓	✓	✓				✓	✓		1 + 2
4	19426	364039	✓	✓	✓					✓		
5	19427	364038	✓	✓	✓				✓			Chassis →O 07972 16mm
6	19473	364051	✓	✓	✓				✓	✓		Chassis O 07973 → 18 mm
7	19331/1	3520E0	✓	✓					✓	✓		
8	19332/1	352190	✓		✓				✓	✓		
9	19437	3520A1	✓	✓						✓		Chassis →O 07972 16mm
10	19438	3521A6	✓		✓					✓		Chassis →O 07972 16mm
11	19439	3520F7	✓	✓					✓			Chassis →O 07972 16mm
12	19440	3521A7	✓		✓				✓			Chassis →O 07972 16mm
13	33416	352362	✓	✓	✓				✓	✓		
14	33417	352375	✓	✓	✓				✓	✓		
15	19246		✓	✓	✓					✓		Kit
16	19247		✓	✓	✓				✓			Kit
17	19337HPS	508734	✓	✓	✓				✓	✓		
18	19435HPS	96111480	✓	✓	✓				✓	✓		✓ 1.9i Chassies →O 065683
19	33421	96158745	✓	✓	✓				✓	✓		(Ø 18 mm)
20	33422	509466	✓	✓	✓				✓	✓		(Ø 19 mm)
21	33424	509465	✓	✓	✓				✓	✓		(Ø 21 mm)
22	33423	96051398	✓	✓	✓				✓	✓		(Ø 24 mm)
23	33321	513171		✓	✓	✓			✓	✓		
24	33329	513169		✓	✓				✓	✓		
25	33330	513170		✓	✓				✓	✓		

# DACIA

DACIA LOGAN

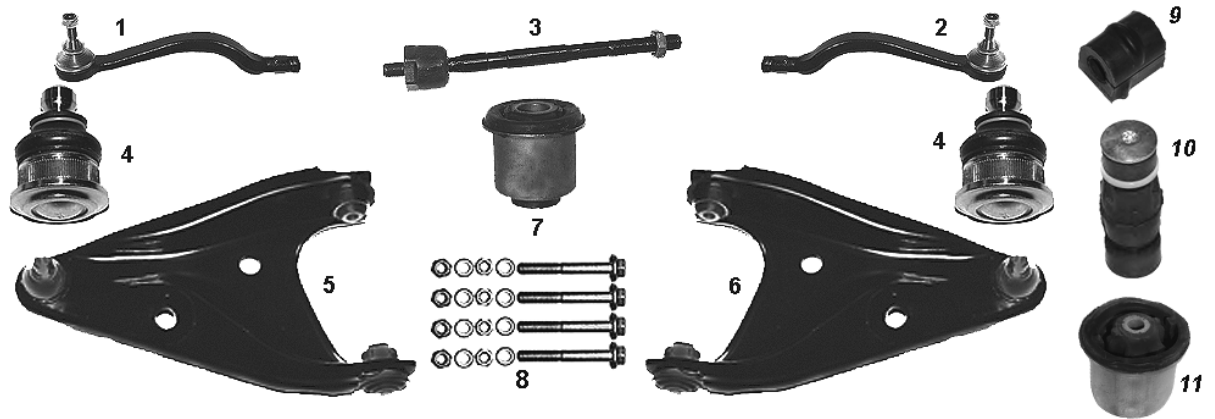
09/04 →



NR	MAPCO	REF								NEW	INFO
1	49192	6001547610	✓	✓			✓	✓	✓		
2	49193	6001547611	✓		✓		✓	✓	✓		
3	49194	6001547606	✓	✓	✓			✓	✓		
4	49151	6001547519	✓	✓	✓			✓	✓		Ø = 18mm
5	49190	8200216376	✓	✓			✓	✓	✓		
6	49191	8200216377	✓		✓		✓	✓	✓		
7	33124	6040002245	✓	✓	✓		✓	✓	✓		
8	95137		✓	✓	✓			✓	✓		MS
9	33127	6001547140	✓	✓	✓			✓	✓	✓	
10	49160	6001547138	✓	✓	✓			✓	✓	✓	
11	33173	6001549988		✓	✓	✓		✓	✓	✓	

DACIA LOGAN MCV

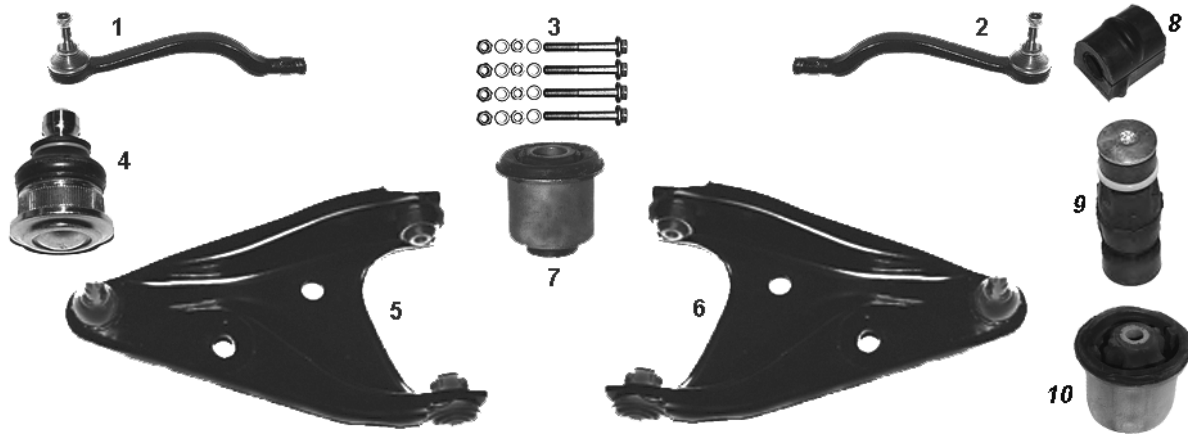
02/07→



NR	MAPCO	REF								NEW	INFO
1	49192	6001547610	✓	✓			✓	✓	✓		
2	49193	6001547611	✓		✓		✓	✓	✓		
3	49194	6001547606	✓	✓	✓			✓	✓		
4	49151	6001547519	✓	✓	✓			✓	✓		Ø = 18mm
5	49190	8200216376	✓	✓			✓	✓	✓		
6	49191	8200216377	✓		✓		✓	✓	✓		
7	33124	6040002245	✓	✓	✓		✓	✓	✓		
8	95137		✓	✓	✓			✓	✓		MS
9	33127	6001547140	✓	✓	✓			✓	✓	✓	
10	49160	6001547138	✓	✓	✓			✓	✓	✓	
11	33173	6001549988		✓	✓	✓		✓	✓	✓	

DACIA SANDERO

06/08→

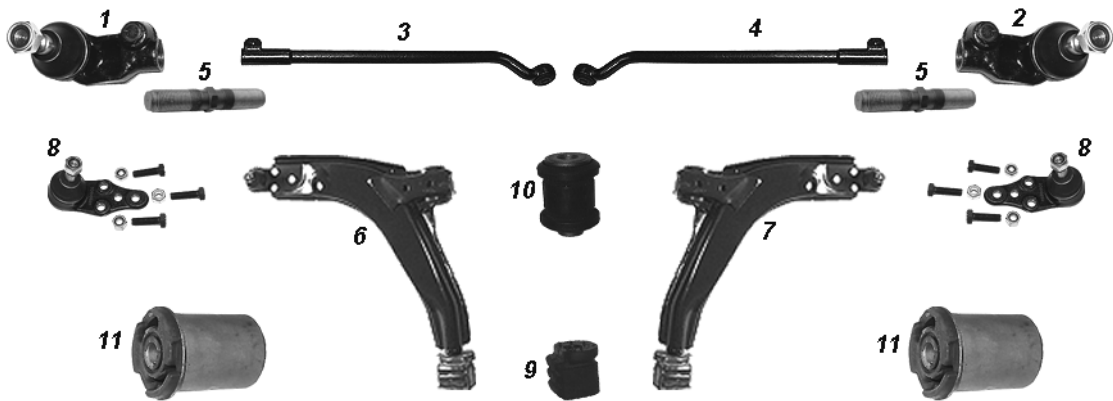


NR	MAPCO	REF								NEW	INFO
1	49192	6001547610	✓	✓			✓	✓	✓		
2	49193	6001547611	✓		✓		✓	✓	✓		
3	95137		✓	✓	✓			✓	✓		MS
4	49151	6001547519	✓	✓	✓			✓	✓		Ø = 18mm
5	49190	8200216376	✓	✓			✓	✓	✓		
6	49191	8200216377	✓		✓		✓	✓	✓		
7	33124	6040002245	✓	✓	✓		✓	✓	✓		
8	33127	6001547140	✓	✓	✓			✓	✓	✓	
9	49160	6001547138	✓	✓	✓			✓	✓	✓	
10	33173	6001549988		✓	✓	✓		✓	✓	✓	

# DAEWOO

## DAEWOO ESPERO (KLEJ)

1991→1999



NR	MAPCO	REF			←	→	↑	↓			NEW	INFO
1	19718	26001807	✓		✓				✓	✓		M16x1,5RHT
2	19719	26001806	✓			✓			✓	✓		M16x1,5RHT
3	59295	07848281	✓		✓				✓	✓		
4	59296	07848282	✓			✓			✓	✓		
5	59367	7846696	✓		✓	✓			✓	✓		98,5mm M16x1,5
6	49756	96218397	✓		✓				✓	✓		
7	49757	96218398	✓			✓			✓	✓		
8	19714	94788122	✓		✓	✓			✓	✓		
9	33757	352335	✓		✓	✓			✓	✓		
10	33752	96185973	✓		✓	✓			✓	✓		
11	33785	90189050		✓	✓	✓			✓	✓		Ø 48,0mm


## DAEWOO KALOS (KLAS)

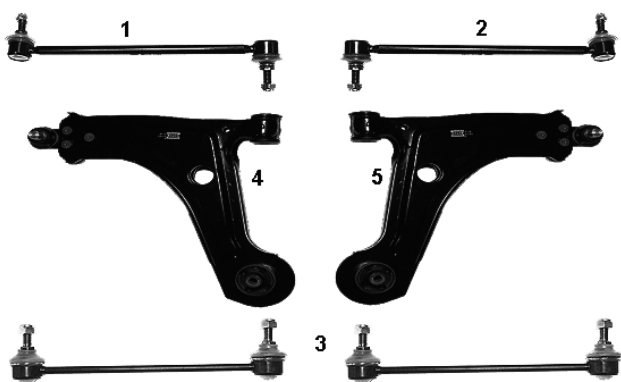
09/02→

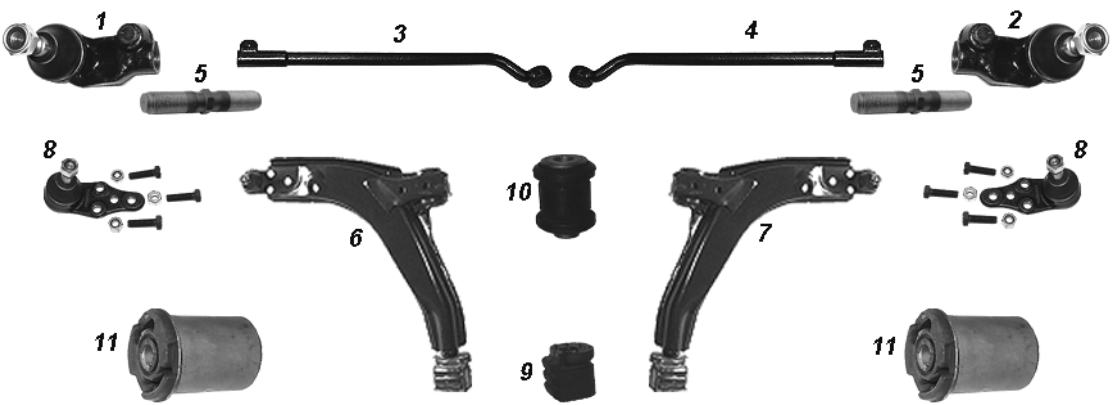


NR	MAPCO	REF			←	→	↑	↓			NEW	INFO
1	51298	93740722	✓		✓				✓	✓		M12x1,25
2	51299	93740723	✓			✓			✓	✓		M12x1,25
3	51296	96535081	✓		✓			✓	✓	✓		
4	51297	96535082	✓			✓		✓	✓	✓		
5	51300	96535089	✓		✓	✓			✓	✓		M12x1,25
6	33574	96653381	✓		✓	✓		✓	✓	✓		
7	33575	96535087	✓		✓	✓			✓	✓		
8	19558HPS	96391875	✓		✓	✓			✓	✓		264,0 mm



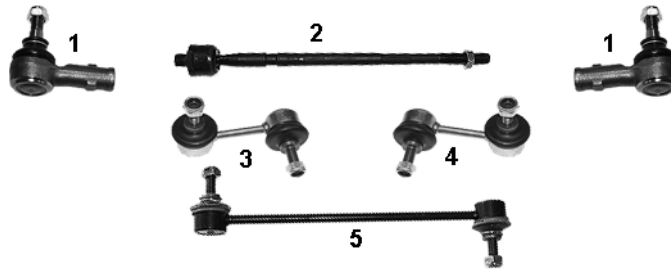
KORANDO (KJ)											01/99→
NR	MAPCO	REF								NEW	INFO
1	19557	4666005501	✓	✓	✓			✓	✓		M14 x 1,5 RHT 

DAEWOO LACETTI (KLAN)											02/04→
											
NR	MAPCO	REF								NEW	INFO
1	51290HPS	96403099	✓	✓				✓	✓		
2	51291HPS	96403100	✓		✓			✓	✓		
3	51293HPS	96561754		✓	✓	✓		✓	✓	✓	
4	51294	96415063	✓	✓			✓	✓	✓	✓	
5	51295	96415064	✓		✓		✓	✓	✓	✓	

DAEWOO LANOS (KLAT)											09/97→ 2005
											
NR	MAPCO	REF								NEW	INFO
1	19718	26001807	✓	✓				✓	✓		M16x1,5RHT
2	19719	26001806	✓		✓			✓	✓		M16x1,5RHT
3	59295	07848281	✓	✓				✓	✓		
4	59296	07848282	✓		✓			✓	✓		
5	59367	7846696	✓	✓	✓			✓	✓		98,5mm M16x1,5
6	49756	96218397	✓	✓				✓	✓		
7	49757	96218398	✓		✓			✓	✓		
8	19714	94788122	✓	✓	✓			✓	✓		
9	33757	352335	✓	✓	✓			✓	✓		
10	33752	96185973	✓	✓	✓			✓	✓		
11	33785	90189050		✓	✓	✓		✓	✓		Ø 48,0mm

**DAEWOO LEGANZA (KLAV)**

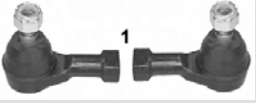
06/97 → 04/04



NR	MAPCO	REF			←	→	↑	↓			NEW	INFO
1	59211	96205809	✓		✓	✓			✓	✓		
2	59217	520838	✓		✓	✓			✓	✓		288,0 mm
3	49295	96225858	✓		✓				✓	✓		80,0mm
4	49296	96225859	✓			✓			✓	✓		80,0mm
5	49297	96207628		✓	✓	✓			✓	✓		

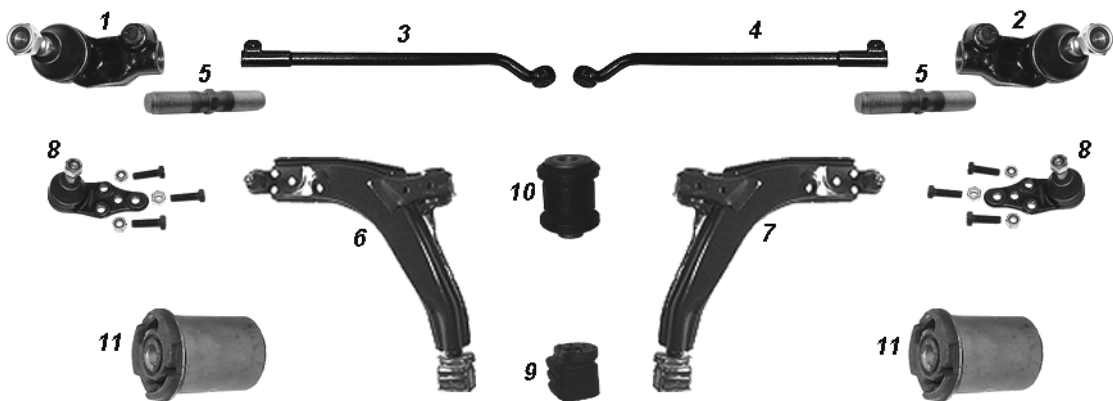
**DAEWOO MUSSO (FJ)**

01/99 → 2005

NR	MAPCO	REF			←	→	↑	↓			NEW	INFO
1	19557	4666005501	✓		✓	✓			✓	✓		 M14 x 1,5 RHT

**DAEWOO NEXIA (KLETN)**

02/95 → 08/97



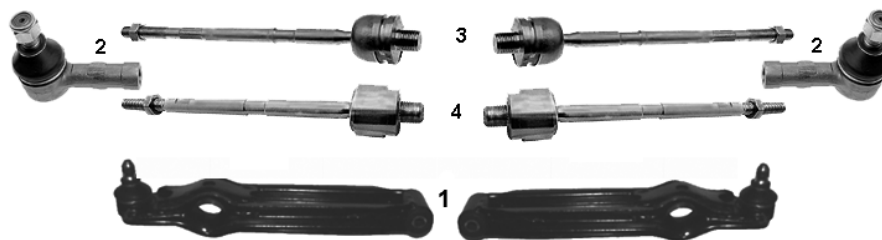
NR	MAPCO	REF			←	→	↑	↓			NEW	INFO
1	19718	26001807	✓		✓				✓	✓		M16x1,5RHT
2	19719	26001806	✓			✓			✓	✓		M16x1,5RHT
3	59295	07848281	✓		✓				✓	✓		
4	59296	07848282	✓			✓			✓	✓		
5	59367	7846696	✓	✓	✓				✓	✓		98,5mm M16x1,5
6	49756	96218397	✓		✓				✓	✓		
7	49757	96218398	✓			✓			✓	✓		
8	19714	94788122	✓		✓	✓			✓	✓		
9	33757	352335	✓		✓	✓			✓	✓		
10	33752	96185973	✓		✓	✓			✓	✓		
11	33785	90189050		✓	✓	✓			✓	✓		Ø 48,0mm

DAEWOO NUBIRA (KLAJ)											04/97→ 2005	
NR	MAPCO	REF			←	→	↑	↓			NEW	INFO
1	59211	96205809	✓		✓	✓			✓	✓		
2	59217	520838	✓		✓	✓			✓	✓		
3	49597	96268439	✓		✓				✓	✓		→12/99
4	49598	96268440	✓			✓			✓	✓		→12/99
5	49290	96268454	✓		✓				✓	✓		01/00→
6	49291	96268455	✓			✓			✓	✓		01/00→
7	19559HPS	96300627	✓		✓	✓			✓	✓		→12/98
7a	19558HPS	96275798	✓		✓	✓			✓	✓		01/99→
8	19519	96300648	✓		✓	✓			✓	✓		
9	33570	(96298000)	✓		✓	✓			✓	✓		
10	33571	(96308002)	✓		✓	✓			✓	✓		
11	19299		✓		✓	✓			✓	✓		Kit
12	49298HPS	96300222		✓	✓	✓			✓	✓		

DAEWOO NUBIRA (KLAN)											07/03→	
NR	MAPCO	REF			←	→	↑	↓			NEW	INFO
1	51290HPS	96403099	✓		✓				✓	✓		
2	51291HPS	96403100	✓			✓			✓	✓		
3	51293HPS	96561754		✓	✓	✓			✓	✓	✓	
4	51294	96415063	✓		✓			✓	✓	✓		
5	51295	96415064	✓			✓		✓	✓	✓		

**DAEWOO TICO (KLY3)  
DAEWOO MATIZ (KLYA)**

1995→2005  
1997→2005



NR	MAPCO	REF			←	→	↑	↓			NEW	INFO
1	19518	4500A78B01	✓		✓	✓			✓	✓		
2	19517	48810A78B00	✓		✓	✓			✓	✓		M12x1,5RHT
3	59717	521257	✓		✓	✓			✓	✓		Rad / wheel 175
4	59718	KBJR45	✓		✓	✓			✓	✓		M12x1,5RHT 268 mm

**DAEWOO TACUMA / REZZO (KLAU)**

09/00→



NR	MAPCO	REF			←	→	↑	↓			NEW	INFO
1	19558HPS	96391875	✓		✓	✓			✓	✓		264,0 mm

**DAIHATSU**

**DAIHATSU APPLAUSE**

1989→07/97



NR	MAPCO	REF			←	→	↑	↓			NEW	INFO
1	19597	45047-87784	✓		✓				✓	✓		M12x1,25RHT
2	19598	45046-87784	✓			✓			✓	✓		M12x1,25RHT

**DAIHATSU CHARADE II**

01/83→12/86



NR	MAPCO	REF			←	→	↑	↓			NEW	INFO
1	59212	48068-87705	✓		✓	✓			✓	✓		

DAIHATSU CHARADE III										01/87→12/92	
NR	MAPCO	REF								NEW	INFO
1	19597	45047-87784	✓	✓				✓	✓		M12x1,5RHT
2	19598	45046-87784	✓		✓			✓	✓		M12x1,5RHT
3	59213	48069-87706	✓	✓				✓	✓		
4	59218	48068-87706	✓		✓			✓	✓		
5	59214	45503-87708	✓	✓	✓			✓	✓		

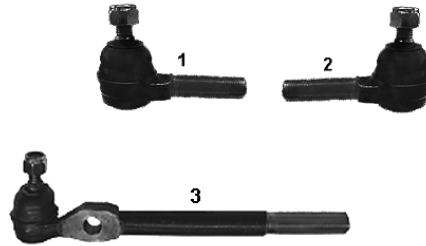
DAIHATSU CUORE II + III										1985→12/94	
NR	MAPCO	REF								NEW	INFO
1	59216	45047-87780	✓	✓				✓	✓		M12x1,5RHT
2	59215	45046-87780	✓		✓			✓	✓		M12x1,5RHT

DAIHATSU FEROZA (F300)										10/88→	
NR	MAPCO	REF								NEW	INFO
1	59208	45047-87680	✓	✓				✓	✓		M20x1,5LHT
2	59207	45046-87680	✓		✓			✓	✓		M20x1,5RHT

DAIHATSU HIJET I										06/86→12/89	
NR	MAPCO	REF								NEW	INFO
1	19531	45047-87580	✓	✓				✓	✓		
2	19532	45046-87580	✓		✓			✓	✓		

**DAIHATSU ROCKY (F7, F8)**

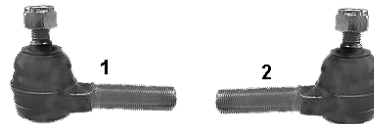
09/84 → 04/93



NR	MAPCO	REF			←	→	↑	↓			NEW	INFO
1	59208	45047-87680	✓		✓				✓	✓		M20x1,5LHT
2	59207	45046-87680	✓			✓			✓	✓		M20x1,5RHT
3	59209	45047-87682	✓		✓				✓	✓		M22x1,5LHT

**DAIHATSU WILDCAT/ROCKY (F70), (F75)**

02/85 → 04/87

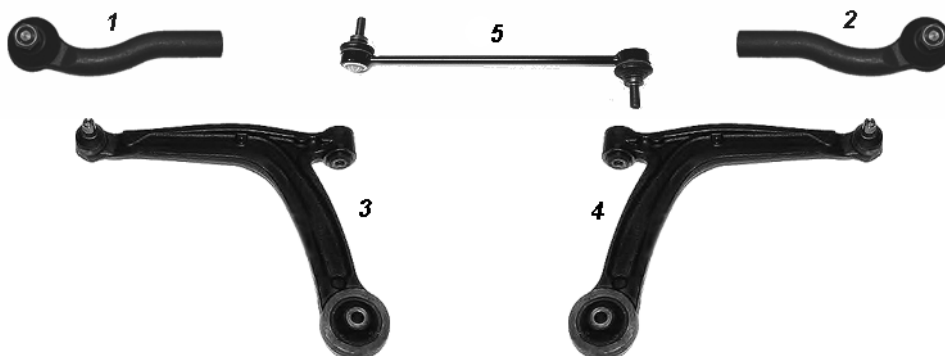


NR	MAPCO	REF			←	→	↑	↓			NEW	INFO
1	59208	45047-87680	✓		✓				✓	✓		M20x1,5LHT
2	59207	45046-87680	✓			✓			✓	✓		M20x1,5RHT

**FIAT**

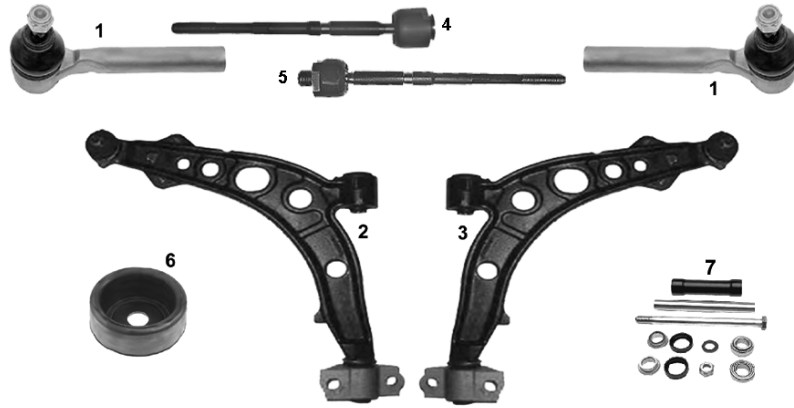
**FIAT 500**

10/07 →



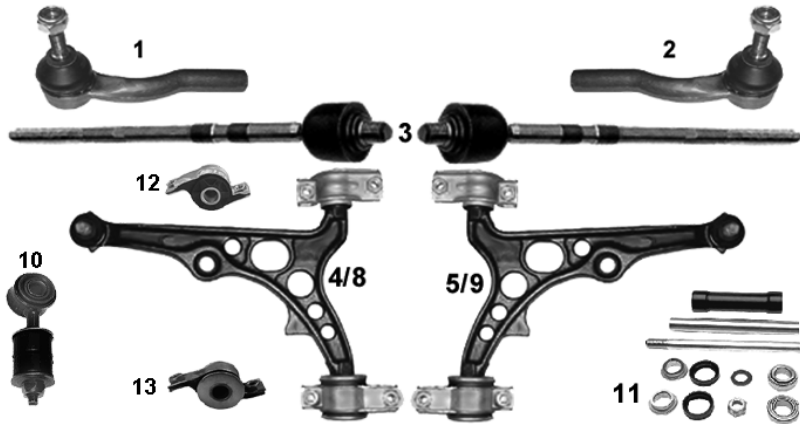
NR	MAPCO	REF			←	→	↑	↓			NEW	INFO
1	49057	77362507	✓		✓				✓	✓		
2	49058	77362508	✓			✓			✓	✓		
3	49096	51857021	✓		✓			✓	✓	✓	✓	
4	49097	51857022	✓			✓		✓	✓	✓	✓	
5	19028HPS	50700941	✓		✓	✓			✓	✓		

**FIAT BARCHETTA** 03/95→



NR	MAPCO	REF			←	→	↑	↓			NEW	INFO
1	19065	7752285	✓		✓	✓			✓	✓		M12x1,5RHT
2	19066	7750977	✓		✓				✓	✓		
3	19067	7750978	✓			✓			✓	✓		
4	19068	7701491	✓		✓	✓				✓		M12x1,5RHT
5	19079	9945562	✓		✓	✓			✓			
6	33005	46476755			✓	✓	✓		✓	✓		
7	34053	17736515			✓	✓	✓		✓	✓		

**FIAT BRAVA - BRAVO** 10/95→10/01

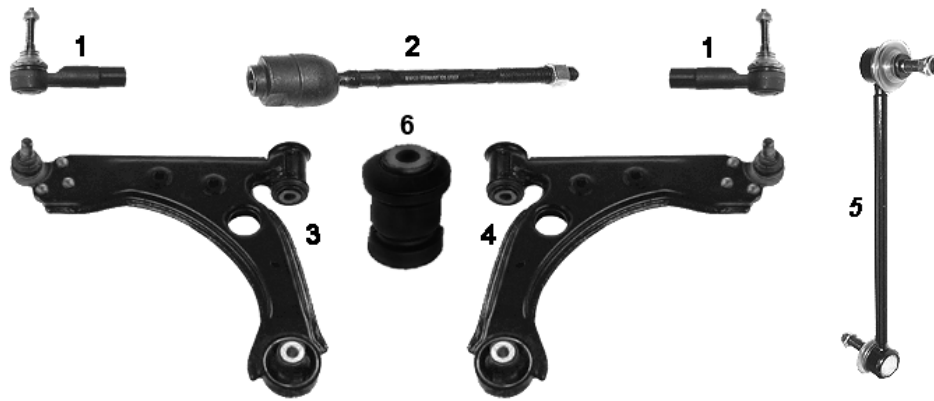


NR	MAPCO	REF			←	→	↑	↓			NEW	INFO
1	19052	7591216	✓		✓				✓	✓		M12x1,5RHT
2	19053	7591215	✓			✓			✓	✓		M12x1,5RHT
3	19022	9941625	✓		✓	✓			✓	✓		M12x1,5RHT
4	19056	46423822	✓		✓				✓	✓		Ø 17 mm  2.0
5	19057	46423823	✓			✓			✓	✓		Ø 17 mm  2.0
6	19022/1		✓		✓				✓	✓		1 + 3
7	19022/2		✓			✓			✓	✓		2 + 3
8	19009	46474556	✓		✓				✓	✓		✓ 2.0
9	19010	46474557	✓			✓			✓	✓		✓ 2.0
10	33009	60809242	✓		✓	✓			✓	✓		
11	34054				✓	✓	✓		✓	✓		
12	33019	7601065	✓		✓				✓	✓		
13	33035	7601068	✓			✓			✓	✓		



**FIAT BRAVO**

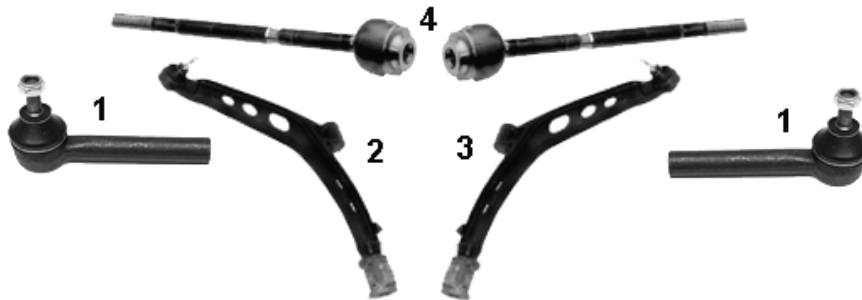
04/07→



NR	MAPCO	REF			←	→	↑	↓			NEW	INFO
1	49040	9949218	✓		✓	✓			✓	✓		
2	49043	9949217	✓		✓	✓			✓	✓		
3	49094	50705464	✓		✓				✓	✓		
4	49095	50705465	✓			✓			✓	✓		
5	19028HPS	50700941	✓		✓	✓			✓	✓		
6	33057	50704252	✓		✓	✓			✓	✓	✓	

**FIAT CINQUECENTO (170)  
FIAT SEICENTO (187)**

07/91→07/99  
01/98→



5 / 6

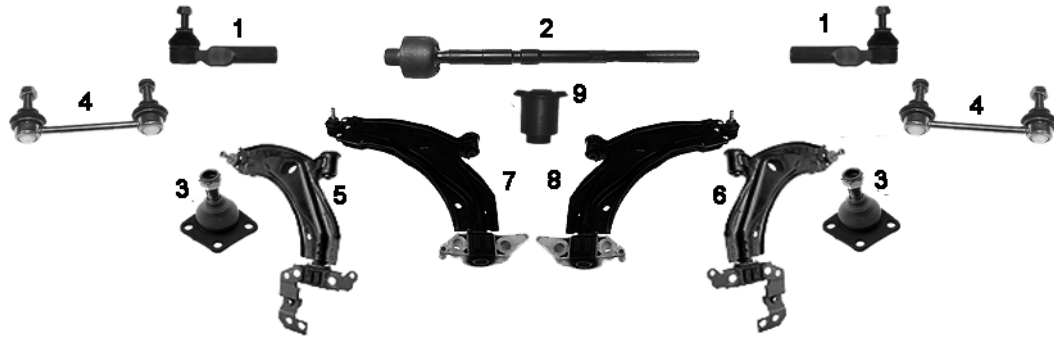
NR	MAPCO	REF			←	→	↑	↓			NEW	INFO
1	19042	5960036	✓		✓	✓			✓	✓		M12x1,5RHT
2	19072	7636995	✓		✓				✓	✓		
3	19073	7636996	✓			✓			✓	✓		
4	19069	7658273	✓		✓	✓			✓	✓		
5	49076	7663114		✓	✓				✓	✓	✓	
6	49077	7663115		✓		✓			✓	✓	✓	

FIAT CROMA (154)		10/85→12/96										
NR	MAPCO	REF			←	→	↑	↓			NEW	INFO
1	19058	82392503 99239556	✓		✓	✓			✓	✓		→03/86 M12x1,5RHT
1	19059	82387676	✓		✓	✓			✓	✓		04/86→ M14x1,5RHT
2	19060	82398170 82446499	✓		✓	✓			✓	✓		→12/91 Ø 13 mm
3	19008	60510360 82420623	✓		✓	✓			✓	✓		01/92→ Ø 15 mm
4	19020	60801529	✓		✓				✓	✓		01/92→ Ø 15 mm
5	19021	60801528	✓			✓			✓	✓		01/92→ Ø 15 mm

FIAT CROMA (194)		06/05→										
NR	MAPCO	REF			←	→	↑	↓			NEW	INFO
1	49620	77363713	✓		✓				✓	✓		M14x1,5
2	49621	77363712	✓			✓			✓	✓		M14x1,5
3	49622	1603415	✓		✓	✓			✓	✓		
4	49623	51748653	✓		✓				✓	✓		
5	49624	51748652	✓			✓			✓	✓		
6	33788	352323	✓		✓	✓			✓	✓		
7	36703	71740107	✓		✓	✓			✓	✓		
8	49749HPS	51741130	✓		✓	✓			✓	✓		

**FIAT DOBLO (119) / DOBLO Cargo (223)**

03/01→



NR	MAPCO	REF								NEW	INFO
1	19015	9947714	✓	✓	✓			✓	✓		M14x1,5RHT
2	49093	98845024	✓	✓	✓			✓	✓	✓	
3	49038	46543045	✓	✓	✓			✓	✓		
4	49039HPS	51717000		✓	✓	✓		✓	✓		118,0mm
5	49036	51866701	✓	✓				✓	✓		Chassis 5023343 →
6	49037	51866700	✓		✓			✓	✓		Chassis 5023343 →
7	49089	51727865	✓	✓			✓	✓	✓		✓ Cargo
8	49090	51727863	✓		✓		✓	✓	✓		✓ Cargo
9	33018	46421522	✓	✓	✓			✓	✓		

**FIAT DUCATO (290)  
FIAT TALENTO (290)**

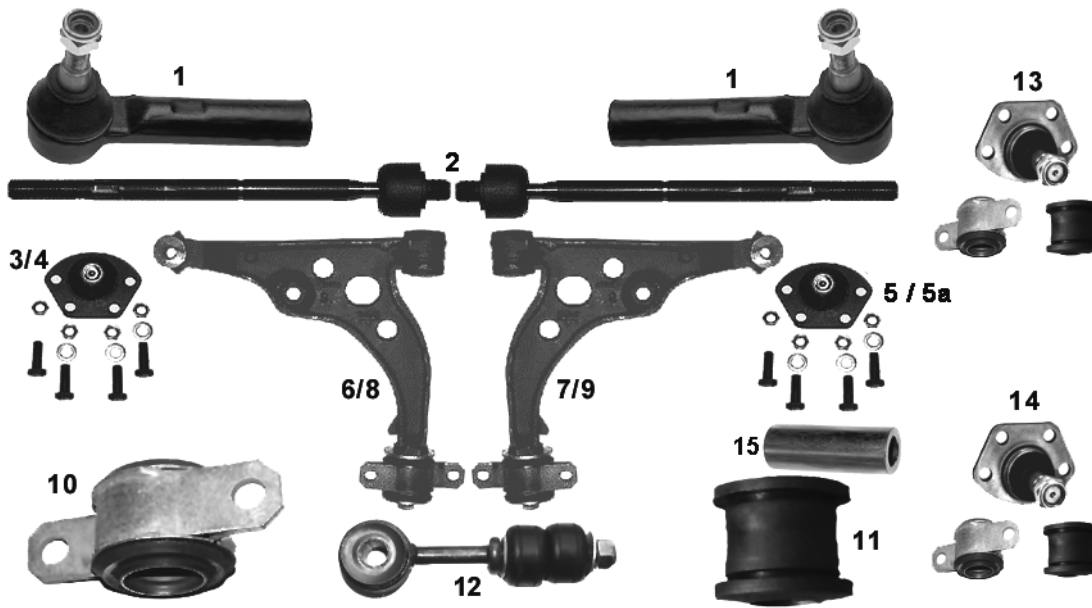
01/82→ 03/94  
03/89→ 03/94



NR	MAPCO	REF								NEW	INFO
1	19420	9750079980	✓	✓	✓			✓	✓		M16x1,5RHT
2	19405	9750390080	✓	✓	✓			✓			M16x1,5RHT
3	19421	4388159	✓	✓	✓			✓	✓		→09/85 Ø 16 mm
4	19422	7567284	✓	✓	✓			✓	✓		10/85→ Ø 17 mm
5	19441	1317240080	✓	✓				✓	✓		10/85→93 ✓ 1.0-1.4t
6	19442	1317241080	✓		✓			✓	✓		10/85→93 ✓ 1.0-1.4t
7	19468	1317238080	✓	✓				✓	✓		10/85→93 ✓ 1.8 t
8	19469	1317239080	✓		✓			✓	✓		10/85→93 ✓ 1.8 t

FIAT DUCATO (230)

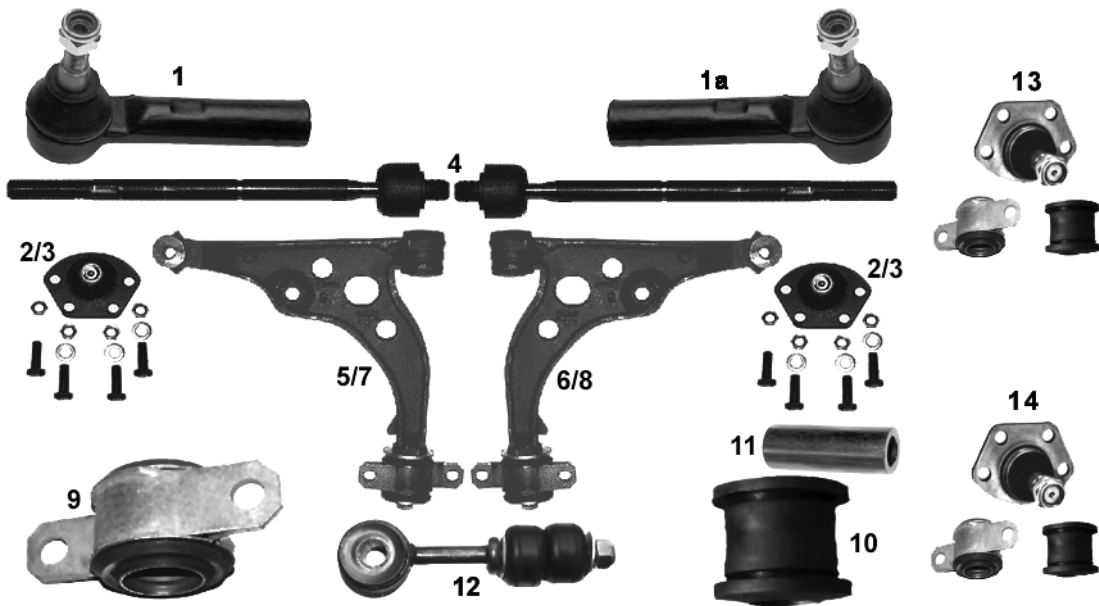
03/94 → 04/02



NR	MAPCO	REF								NEW	INFO
1	19447	1306716080	✓	✓	✓			✓	✓		→12/2002 M16x1,5RHT 120,0mm
1a	19099	1331640080	✓	✓	✓			✓	✓	✓	12/2002→ M16x1,5RHT
2	19448	14716544080	✓	✓	✓			✓			M16 x 1,5
3	19449	1302368080	✓	✓	✓			✓	✓		✓ (1.0t-1.4t) Ø 17,0mm
4	19450	1300473080	✓	✓	✓			✓	✓		✓ (1.8t) Ø 20,0mm
5	19498	1331640080	✓	✓	✓		✓	✓	✓	✓	✓ (1.0t-1.4t) Ø 20,0mm
5a	19499	1331641080	✓	✓	✓			✓	✓	✓	✓ (1.8t) Ø 24,0mm
6	19461	1320786080	✓		✓			✓	✓		✓ (1.0t-1.4t)
7	19462	1317241080	✓	✓				✓	✓		✓ (1.8t)
8	19463	1317238080	✓		✓			✓	✓		✓ (1.8t)
9	19464	1317239080	✓	✓	✓			✓	✓		
10	33006	352393	✓	✓	✓			✓	✓		
11	33006/1	352505	✓	✓	✓			✓	✓		Hülse
12	19366	508737	✓	✓	✓			✓	✓		
13	19251		✓	✓	✓			✓	✓		Kit ✓ (1.0t-1.4t)
14	19250		✓	✓	✓			✓	✓		Kit ✓ (1.8t)

FIAT DUCATO (244)

04/02→



NR	MAPCO	REF								NEW	INFO
1	19447	1306716080	✓	✓	✓			✓	✓		→12/2002 M16x1,5RHT 120,0mm
1a	19099	77362278	✓	✓	✓			✓	✓	✓	12/2002→ M16x1,5RHT
2	19498	1331640080	✓	✓	✓		✓	✓	✓	✓	✓ (1.0t-1.4t) ø 20,0mm
3	19499	1331641080	✓	✓	✓			✓	✓	✓	✓ (1.8t) ø 24,0mm
4	19448	14716544080	✓	✓	✓			✓			M16 x 1,5
5	49084	1331938080	✓	✓				✓	✓		✓ (1.0t-1.4t)
6	49085	1331940080	✓		✓			✓	✓		✓ (1.0t-1.4t)
7	49086	1339464080	✓	✓				✓	✓		✓ (1.8t)
8	49087	1331939080	✓		✓			✓	✓		✓ (1.8t)
9	33001	352394	✓	✓	✓			✓	✓		
10	33006	352393	✓	✓	✓			✓	✓		
11	33006/1	352505	✓	✓	✓			✓	✓		Hülse
12	19366	508737	✓	✓	✓			✓	✓		
13	19251		✓	✓	✓			✓	✓		Kit ✓ (1.0t-1.4t)
14	19250		✓	✓	✓			✓	✓		Kit ✓ (1.8t)

**FIAT DUCATO**

07/06→



NR	MAPCO	REF								NEW	INFO
1	19496	77364253	✓	✓				✓	✓	✓	
2	19497	77364009	✓		✓			✓	✓	✓	
3	19494	1352227080	✓	✓				✓	✓	✓	✓ (1.0t-1.7t)
4	19495	1352225080	✓		✓			✓	✓	✓	✓ (1.0t-1.7t)
5	49099	50705629	✓	✓	✓			✓	✓	✓	∅ 24mm

**FIAT DUNA (146 B)**

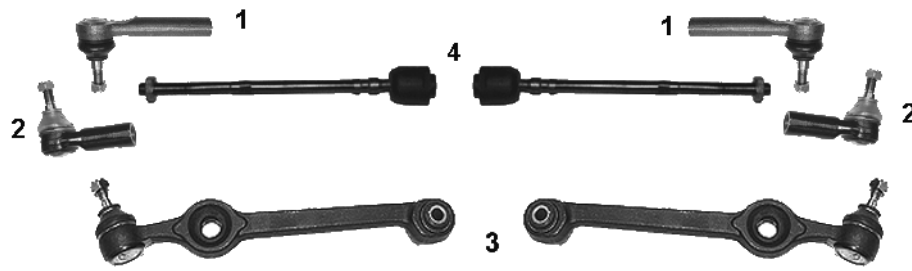
01/87→ 12/91



NR	MAPCO	REF								NEW	INFO
1	19047	5958246	✓	✓	✓			✓	✓		M12x1,5RHT
2	19050	7705615	✓	✓				✓	✓		
3	19051	7705616	✓		✓			✓	✓		

**FIAT FIORINO (146)**

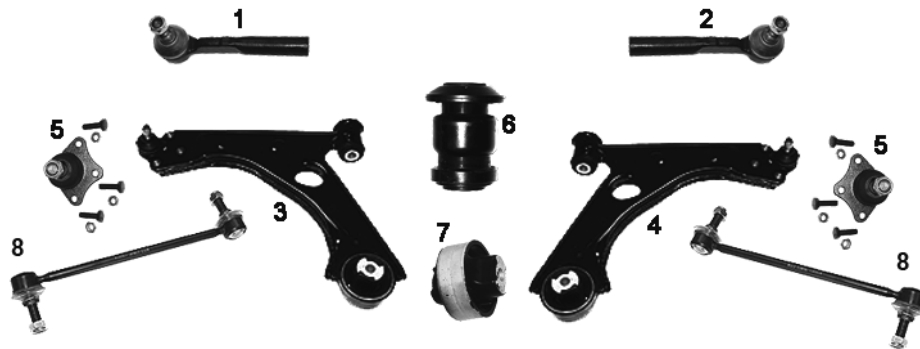
01/88→ 05/01



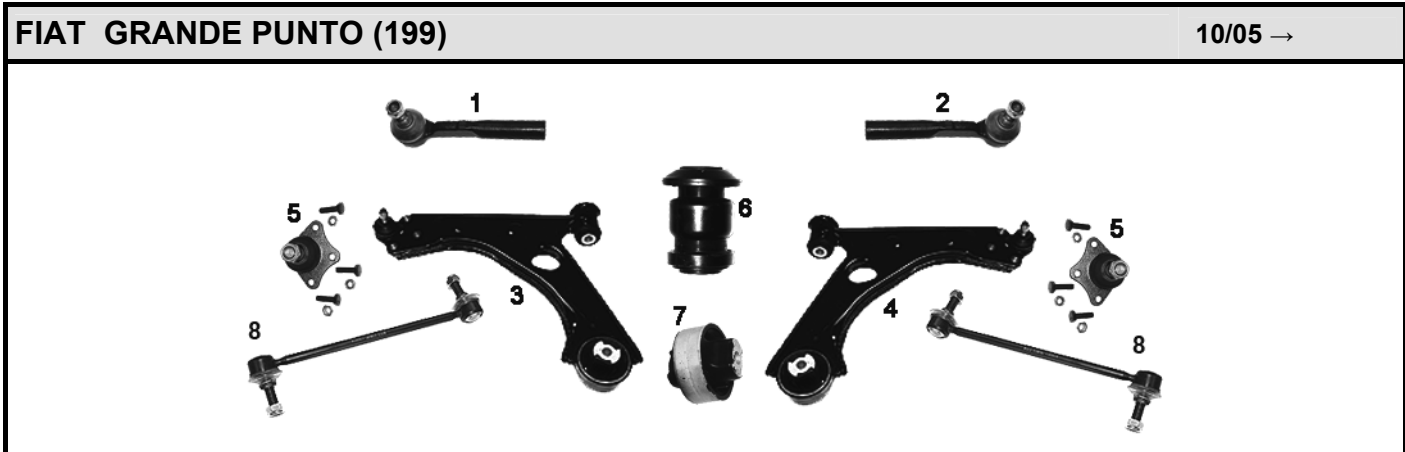
NR	MAPCO	REF			←	→	↑	↓			NEW	INFO
1	49010	7690960 50006262	✓		✓	✓			✓	✓		M14x1,5RHT
2	49011	7693816	✓		✓	✓			✓	✓		M16x1,5RHT
3	49012	7674825	✓		✓	✓			✓	✓		Chassis 8157358→
4	19043	7076231	✓		✓	✓			✓	✓		M12x1,5RHT

**FIAT FIORINO Kasten**

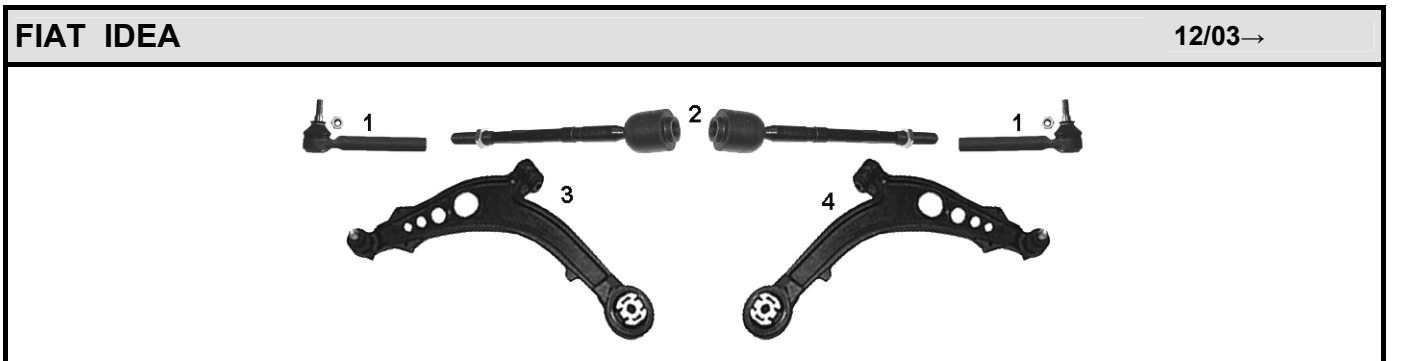
02/08→



NR	MAPCO	REF			←	→	↑	↓			NEW	INFO
1	59012	7736 3829	✓		✓				✓	✓		
2	59013	7736 3830	✓			✓			✓	✓		
3	19097	5178 3057	✓		✓				✓	✓		
4	19098	5178 3056	✓			✓			✓	✓		
5	49092		✓		✓	✓			✓	✓		
6	33044		✓		✓	✓			✓	✓		
7	33045		✓		✓	✓			✓	✓		
8	59026H	55700753	✓		✓	✓			✓	✓	✓	



NR	MAPCO	REF			←	→	↑	↓			NEW	INFO
1	59012	51783057	✓		✓				✓	✓		
2	59013	77363829	✓			✓			✓	✓		
3	19097	55703629	✓		✓				✓	✓		
4	19098	55703627	✓			✓			✓	✓		
5	49092	77363830	✓		✓	✓			✓	✓		
6	33044	55703232	✓		✓	✓			✓	✓		
7	33045	55700751	✓		✓	✓			✓	✓		
8	59026HPS	55700753	✓		✓	✓			✓	✓	✓	

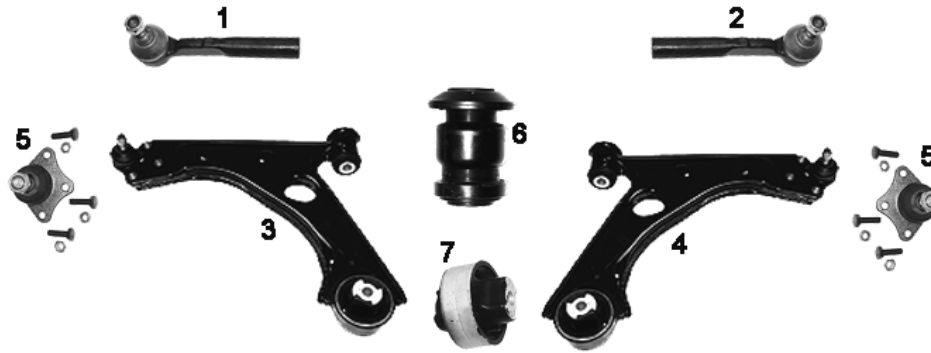


NR	MAPCO	REF			←	→	↑	↓			NEW	INFO
1	49059	77362503	✓		✓	✓			✓	✓		M14x1,5RHT
2	49071	77362502	✓		✓	✓			✓	✓		M14x1,5
3	49078	50703232	✓		✓				✓	✓		
4	49079	50703231	✓			✓			✓	✓		



**FIAT LINEA**

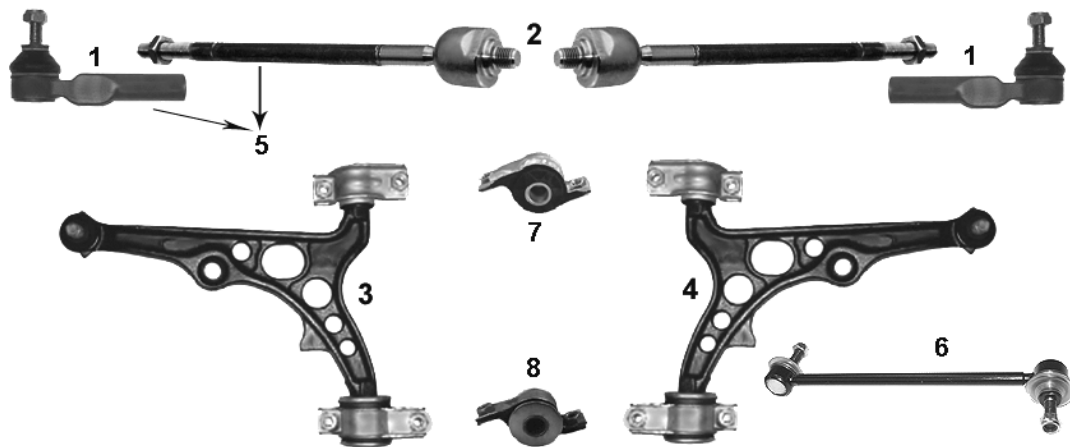
06/07→



NR	MAPCO	REF			←	→	↑	↓			NEW	INFO
1	59012	51783057	✓		✓				✓	✓	✓	
2	59013	77363829	✓			✓			✓	✓	✓	
3	19097	55703629	✓		✓				✓	✓		
4	19098	55703627	✓			✓			✓	✓		
5	49092	77363830	✓		✓	✓			✓	✓	✓	
6	33044	55703232	✓		✓	✓			✓	✓		
7	33045	55700751	✓		✓	✓			✓	✓		

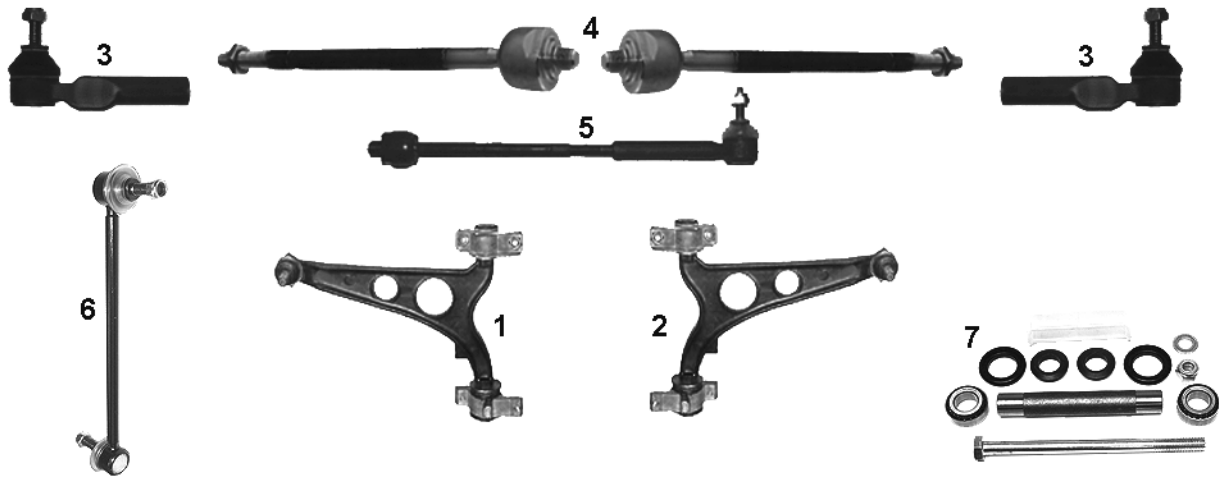
**FIAT MAREA + MAREA WEEKEND (185)**

09/96→



NR	MAPCO	REF			←	→	↑	↓			NEW	INFO
1	19015	9947714	✓		✓	✓			✓	✓		M14x1,5RHT  2.0, 2.4TD, 2.4ITD
1	49098	9947926	✓		✓	✓			✓	✓	✓	M14x1,5RHT ✓ 2.0, 2.4TD, 2.4JTD
2	19023	9947713	✓		✓	✓			✓	✓		M14x1,5RHT
3	19009	46474556	✓		✓				✓	✓		✓
4	19010	46474557	✓			✓			✓	✓		✓
5	19023/1		✓		✓	✓			✓	✓		1 + 2
6	19026HPS	46413122	✓		✓	✓			✓	✓		
7	33019	7601065	✓		✓				✓	✓		
8	33035	7601068	✓			✓			✓	✓		

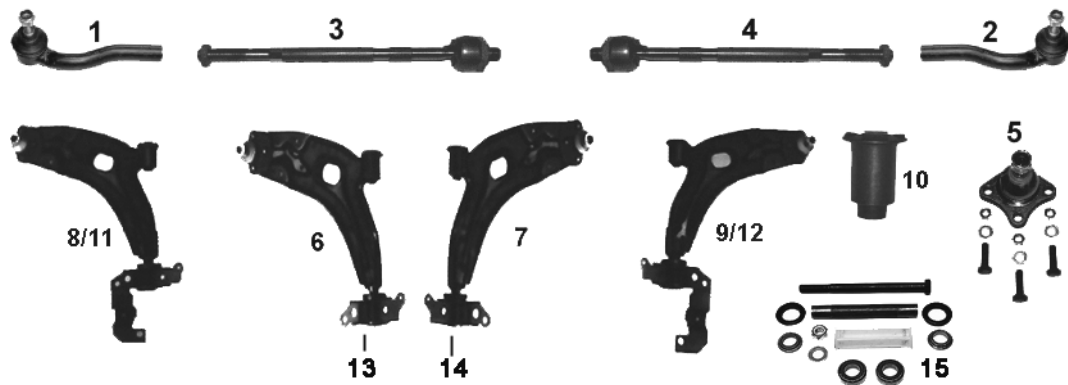
**FIAT MULTIPLA (186)** 04/99→



NR	MAPCO	REF								NEW	INFO
1	49064	46764746	✓	✓				✓	✓		
2	49065	46764747	✓		✓			✓	✓		
3	19015	9947714	✓	✓	✓			✓	✓		M14x1,5RHT
4	19023	9947713	✓	✓	✓			✓	✓		M14x1,5RHT
5	19023/1		✓	✓	✓			✓	✓		3 + 4
6	19026HPS	46413122	✓	✓	✓			✓	✓		
7	34053	17736515		✓	✓	✓		✓	✓		

**FIAT PALIO, PALIO Weekend (178DX)**

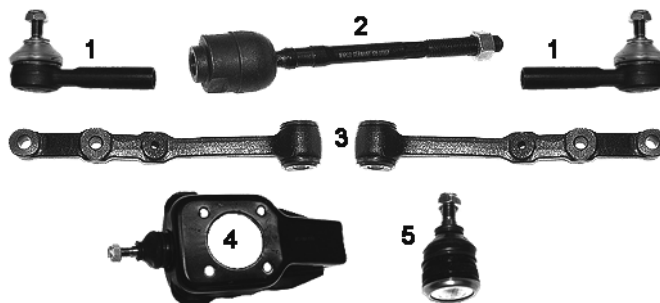
04/96→



NR	MAPCO	REF			←	→	↑	↓			NEW	INFO
1	49017	46745364	✓		✓	✓			✓	✓		M14x1,5RHT
2	49018	46745365	✓		✓	✓			✓	✓		M14x1,5RHT
3	49019	7079383	✓		✓	✓				✓		
4	49020	7079382	✓		✓	✓			✓			
5	49021	46437951	✓		✓	✓			✓	✓		
6	49022	46454595	✓		✓					✓		01/98→
7	49023	46454596	✓			✓				✓		01/98→
8	49024	46454597	✓		✓				✓	✓		
9	49025	46454598	✓			✓			✓	✓		
10	33018	46421522	✓		✓	✓			✓	✓		
11	49051	46546777	✓		✓				✓			
12	49052	46546776	✓			✓			✓			
13	33046	46454062	✓		✓				✓	✓	✓	
14	33047	46454061	✓			✓			✓	✓	✓	
15	34054			✓	✓	✓			✓	✓		

**FIAT PANDA (141A\_)**

03/80→07/04



NR	MAPCO	REF			←	→	↑	↓			NEW	INFO
1	19046	5960835	✓		✓	✓				✓		10/82→ M12x1,5RHT
2	19452	5960321	✓		✓	✓				✓		M12x1,5RH
3	19045	4402672	✓		✓	✓				✓		
4	19048	7585137	✓		✓	✓				✓		
5	19044	4402649	✓		✓	✓				✓		

FIAT PANDA (169)		09/03→										
NR	MAPCO	REF			←	→	↑	↓			NEW	INFO
1	49057	77362507	✓		✓				✓	✓		M12x1,5LHT
2	49058	77362508	✓			✓			✓	✓		M12x1,5RHT
3	49072	77362506	✓		✓	✓			✓	✓		
4	49054	50703128	✓		✓				✓	✓		1.4 16V
5	49055	50703129	✓			✓			✓	✓		1.4 16V
6	49066HPS	50703296	✓		✓	✓			✓	✓		315 mm
7	33069		✓		✓	✓		✓	✓	✓	✓	

FIAT PUNTO (176)		09/93→ 09/99										
NR	MAPCO	REF			←	→	↑	↓			NEW	INFO
1	19065	9946949	✓		✓	✓			✓	✓		M12x1,5RHT
2	19066	46430002	✓		✓	✓			✓	✓		
3	19067	46430003	✓		✓	✓			✓	✓		
4	19068	7701491	✓		✓	✓				✓		M12x1,5RHT
5	19079	9945562	✓		✓	✓			✓	✓		
6	33005	46476755			✓	✓	✓		✓	✓		
7	34053	17736515			✓	✓	✓		✓	✓		
8	49060	7736514			✓	✓			✓	✓		ABS
9	49061	7736515			✓		✓		✓	✓		ABS
10	49062	7769900			✓	✓			✓	✓		ABS
11	49063	7769901			✓		✓		✓	✓		ABS
12	33039	7755671			✓	✓	✓		✓	✓		vorn/front
13	33040	7756218			✓	✓	✓		✓	✓		hinten/rear

**FIAT PUNTO (188)**

09/99→



NR	MAPCO	REF			←	→	↑	↓			NEW	INFO
1	33011		✓		✓	✓		✓	✓	✓		
2	33012		✓		✓	✓		✓	✓	✓		
3	19024	9948343	✓		✓	✓			✓	✓		M12x1,5RHT
4	49044	46545660	✓		✓			✓		✓		
5	49045	46545661	✓			✓		✓	✓	✓		

**FIAT QUBO**

09/08→



NR	MAPCO	REF			←	→	↑	↓			NEW	INFO
1	59012	51783057	✓		✓				✓	✓		
2	59013	77363829	✓			✓			✓	✓		
3	19097	55703629	✓		✓				✓	✓		
4	19098	55703627	✓			✓			✓	✓		
5	49092	77363830	✓		✓	✓			✓	✓	✓	
6	33044	55703232	✓		✓	✓			✓	✓		
7	33045	55700751	✓		✓	✓			✓	✓		

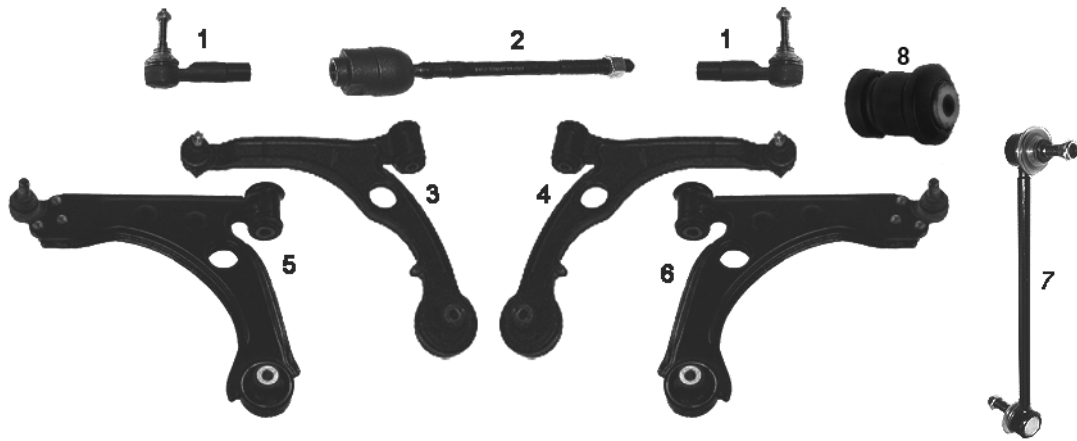
**FIAT SEDICI**

06/06→



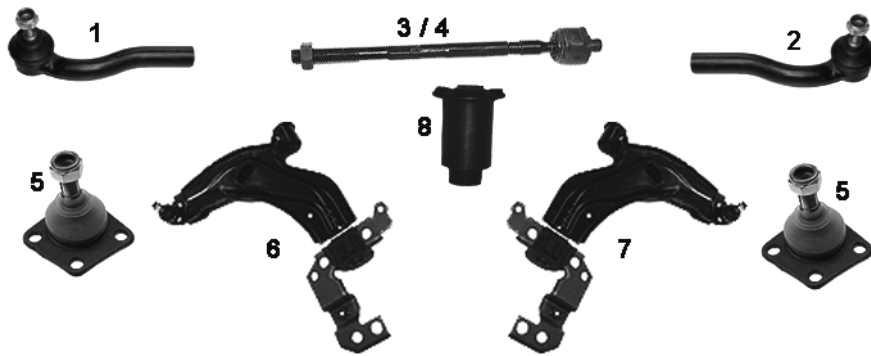
NR	MAPCO	REF			←	→	↑	↓			NEW	INFO
1	59024	71742688	✓		✓	✓			✓	✓	✓	

**FIAT STILO (192)** 10/01→  
**FIAT STILO Multi Wagon (192)** 01/03→



NR	MAPCO	REF			←	→	↑	↓			NEW	INFO
1	49040	9949218	✓		✓	✓			✓	✓		
2	49043	9949217	✓		✓	✓			✓	✓		
3	49041	50705083	✓		✓				✓	✓		→09/06
4	49042	50705084	✓			✓			✓	✓		→09/06
5	49094	50705464	✓		✓				✓	✓		10/06→
6	49095	50705465	✓			✓			✓	✓		10/06→
7	19028HPS	50700941	✓		✓	✓			✓	✓		
8	33057	50704252	✓		✓	✓			✓	✓	✓	

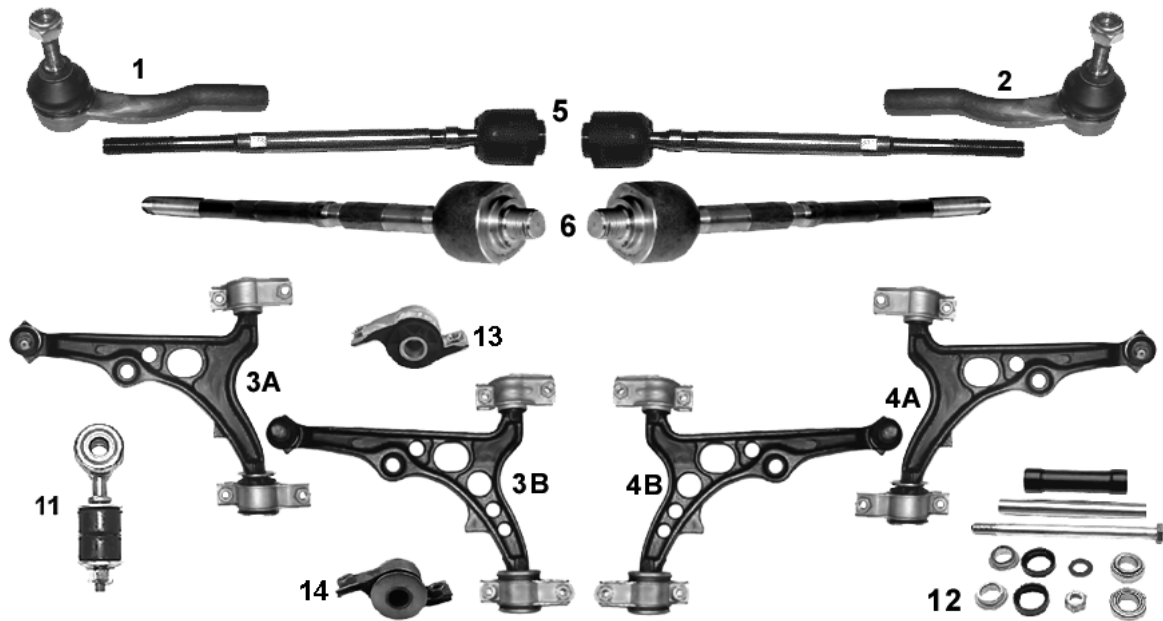
**FIAT STRADA (178E)** 06/99→



NR	MAPCO	REF			←	→	↑	↓			NEW	INFO
1	49017	46745364	✓		✓	✓			✓	✓		M14x1,5RHT
2	49018	46745365	✓		✓	✓			✓	✓		M14x1,5RHT
3	49091	7081842	✓		✓	✓			✓	✓		
4	49070	7081851	✓		✓	✓			✓			
5	49038	7081835	✓		✓	✓			✓	✓		→ 07/01
6	49036	51866701	✓		✓				✓	✓		09/2002 →
7	49037	51866700	✓			✓			✓	✓		09/2002 →
8	33018	46421522	✓		✓	✓		✓	✓	✓		

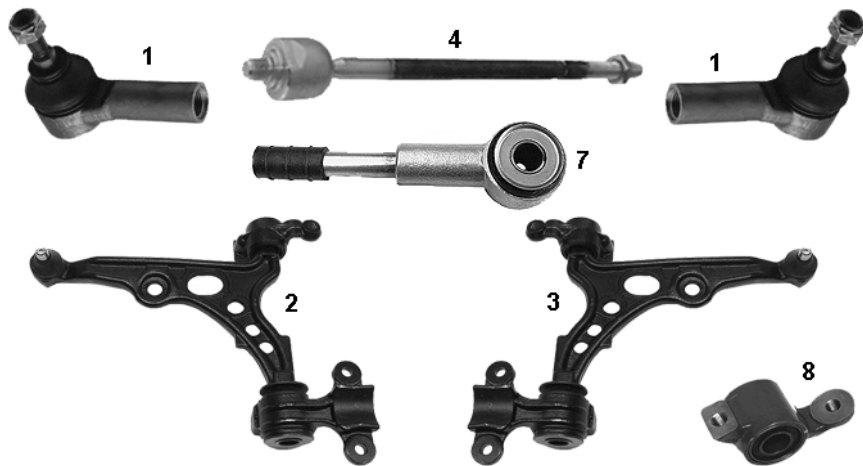
FIAT TEMPRA (159)  
FIAT TIPO (160)

03/90→08/97  
07/87→04/95



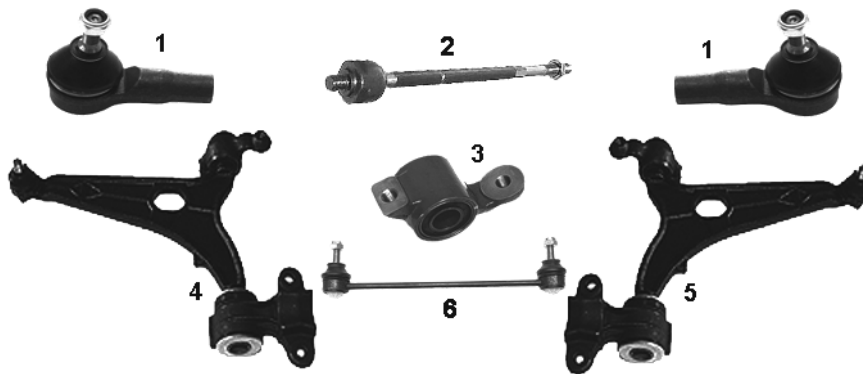
NR	MAPCO	REF			←	→	↑	↓			NEW	INFO
1	19052	7591216	✓		✓	✓			✓	✓		M12x1,5RHT
2	19053	7591215	✓		✓	✓			✓	✓		M12x1,5RHT
3A	19054	7601057	✓		✓				✓	✓		→06/90 Ø 15 mm
3B	19056	82461081	✓		✓				✓	✓		07/90→ Ø 17 mm
4A	19055	76010373	✓			✓			✓	✓		→06/90 Ø 15 mm
4B	19057	82461082	✓			✓			✓	✓		07/90→ Ø 17 mm
5	19043	7633721	✓		✓	✓				✓		M12x1,5RHT
6	19022	9941625	✓		✓	✓			✓			M12x1,5RHT
7	19022/1		✓		✓	✓			✓			1 + 6
8	19022/2		✓		✓	✓			✓			2 + 6
9	19049/1		✓		✓	✓				✓		1 + 5
10	19049/2		✓		✓	✓				✓		2 + 5
11	33009	60809242	✓		✓	✓			✓	✓		
12	34054			✓	✓	✓			✓	✓		
13	33019	7601065	✓		✓				✓	✓		
14	33035	7601068	✓			✓			✓	✓		

**FIAT ULYSSE (220)** 06/94 → 08/02  
**FIAT SCUDO (220\_)** 02/96 →



NR	MAPCO	REF			←	→	↑	↓			NEW	INFO
1	19430	9404059080	✓		✓	✓			✓	✓		M14x1,5RHT
2	19431	1313083080	✓		✓				✓	✓		
3	19432	1313084080	✓			✓			✓	✓		
4	19023	9566950880	✓		✓	✓			✓	✓		M14x1,5RHT
5	19363	130866480	✓		✓	✓			✓	✓		
6	33017	1312317080	✓		✓	✓			✓	✓		

**FIAT ULYSSE (179AX)** 08/02 →

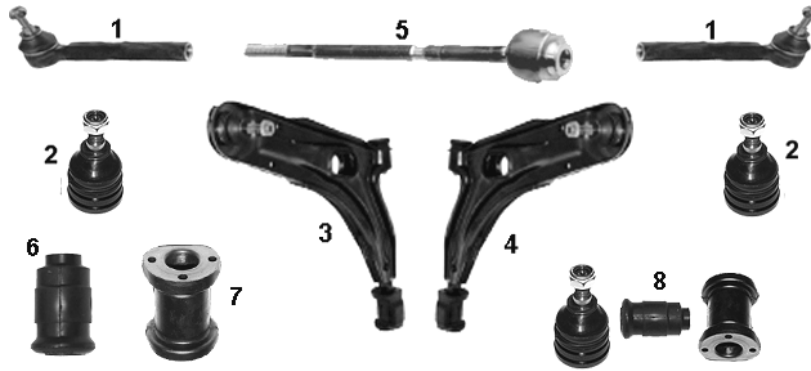


NR	MAPCO	REF			←	→	↑	↓			NEW	INFO
1	19492	77362279	✓		✓	✓			✓	✓		M14x1,5
2	19493	77362280	✓		✓	✓			✓	✓		M14x1,5
3	33017	1312317080	✓		✓	✓			✓	✓		
4	49082	1346384080	✓		✓				✓	✓		
5	49083	1346385080	✓			✓			✓	✓		
6	19376HPS	1331209080	✓		✓	✓			✓	✓		



**FIAT UNO (146A/E)**

01/87→ 08/00

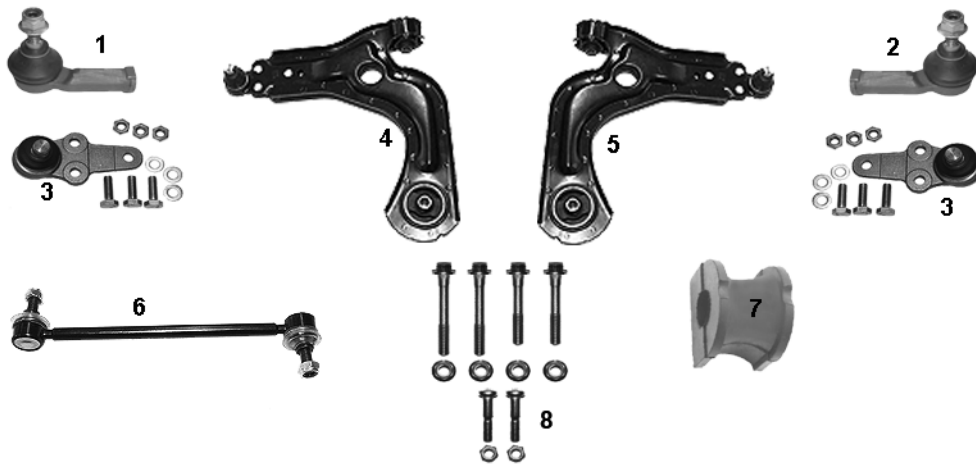


NR	MAPCO	REF			←	→	↑	↓			NEW	INFO
1	19047	5958246	✓		✓	✓			✓	✓		M12x1,5RHT
2	19044	4402649	✓		✓	✓			✓	✓		
3	19050	7705615	✓		✓				✓	✓		
4	19051	7705616	✓			✓			✓	✓		
5	19043	7633721	✓		✓	✓				✓		280,0mm M12x1,5RHT
6	33002	5927292	✓		✓	✓		✓	✓	✓		
7	33003	5927293	✓		✓	✓		✓	✓	✓		
8	19244		✓		✓	✓		✓	✓	✓		Kit


**FORD**

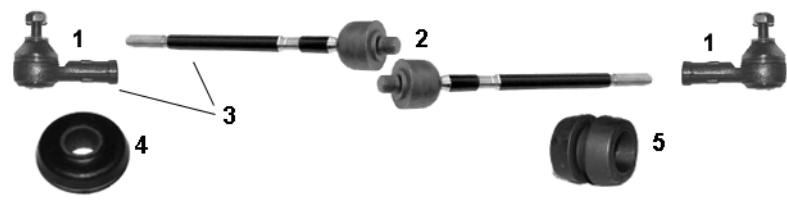
**FORD COURIER (F3L, F5L)**

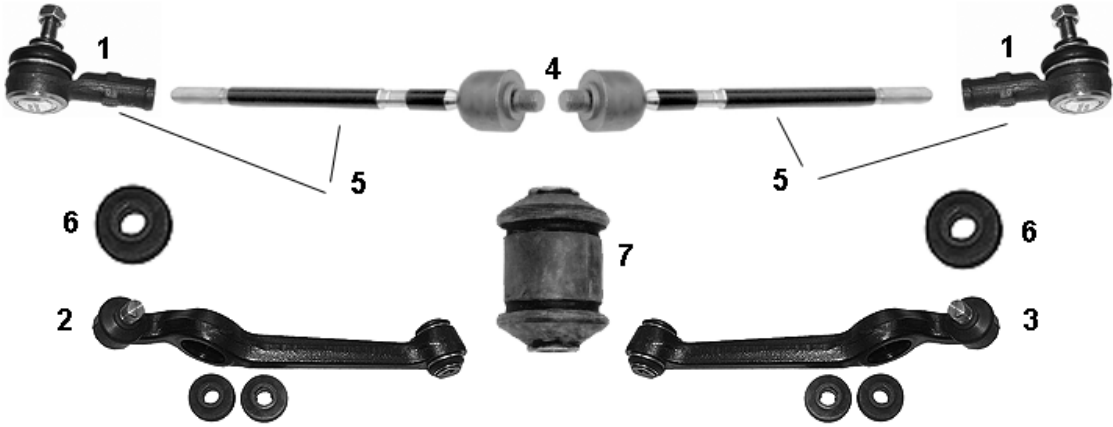
02/96→



NR	MAPCO	REF			←	→	↑	↓			NEW	INFO
1	19640	1011858	✓		✓				✓	✓		M14x1,5RHT
2	19641	1011857	✓			✓			✓	✓		M14x1,5RHT
3	19763	5021410	✓		✓	✓			✓	✓		16,5 mm
4	19656	1020221	✓		✓				✓	✓		
5	19657	1020219	✓			✓			✓	✓		
6	19608HPS	1004018	✓		✓	✓			✓	✓		238 mm
7	33670	1102771	✓		✓	✓			✓	✓		
8	95642		✓		✓	✓			✓	✓		MS

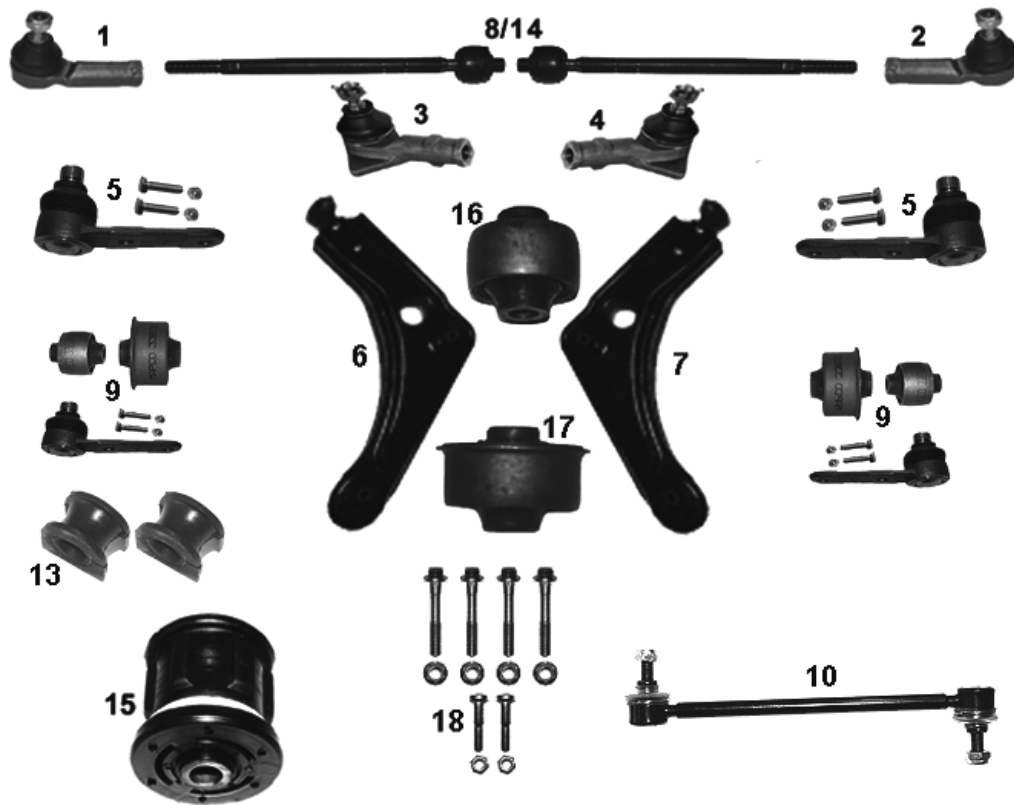
FORD ESCORT II											03/73→ 08/80
NR	MAPCO	REF								NEW	INFO
1	19727	6128814	✓	✓	✓			✓	✓		 ½ x 20 UNF RHT

FORD ESCORT III											06/83→12/85
FORD ORION I											07/83→03/86
											
NR	MAPCO	REF								NEW	INFO
1	19727	6128814	✓	✓	✓			✓	✓		½ x 20 UNF RHT
2	19723	6127726	✓	✓	✓			✓	✓		½" x 20 RHT-M14x1,5
3	19723/1		✓	✓	✓			✓	✓		1 + 4
4	33611	5021661	✓	✓	✓			✓	✓		
5	33610	6087890	✓	✓	✓			✓	✓		

FORD ESCORT IV											01/86→10/90
FORD ORION II											
											
NR	MAPCO	REF								NEW	INFO
1	19727	6128814	✓	✓	✓			✓	✓		½ x 20 UNF RHT
2	19743/1	5021459	✓	✓				✓	✓		03/86→11/90
3	19744/1	5021458	✓		✓			✓	✓		03/86→11/90
4	19723	6127726	✓	✓	✓			✓	✓		½" x 20 RHT-M14x1,5
5	19723/1		✓	✓	✓			✓	✓		1 + 4
6	33611	5021661	✓	✓	✓			✓	✓		
7	33609	1619120	✓	✓	✓			✓	✓		

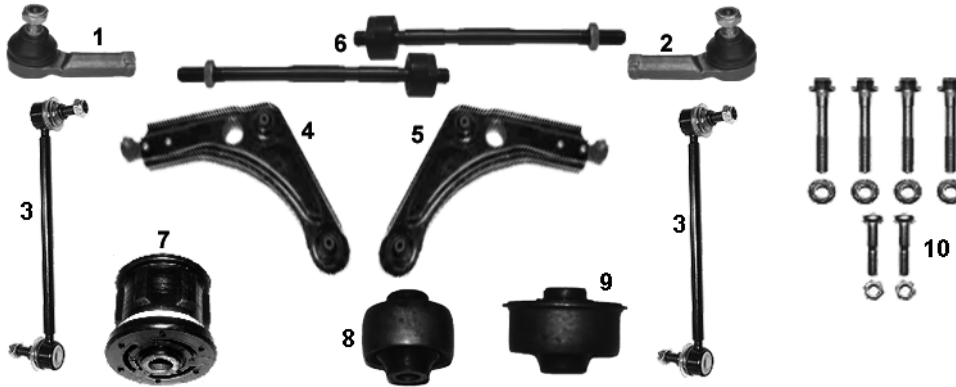
FORD ESCORT V, VI  
FORD ORION III

07/90→01/95  
07/90→12/93



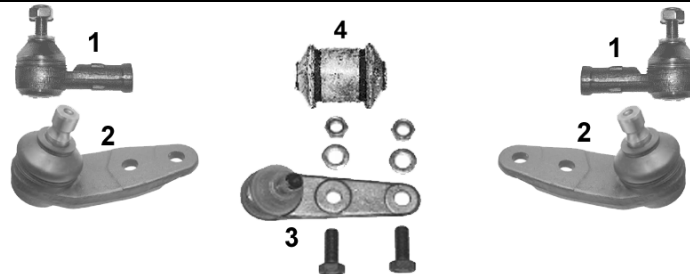
NR	MAPCO	REF								NEW	INFO
1	19752	6555938	✓	✓				✓	✓		RS 2000 M14x2,0RHT
2	19753	6555936	✓		✓			✓	✓		RS 2000 M14x2,0RHT
3	19735	6120232	✓	✓				✓	✓		✓ RS 2000 M14x2,0RHT
4	19736	6120231	✓		✓			✓	✓		✓ RS 2000 M14x2,0RHT
5	19754	6525844	✓	✓	✓			✓	✓		
6	19760	7351748	✓	✓				✓	✓		
7	19761	7351747	✓		✓			✓	✓		
8	19724	1024130	✓	✓	✓				✓		WUELFRATH
9	19254		✓	✓	✓			✓	✓		Kit
10	19604HPS	1661237	✓	✓	✓			✓	✓		
11	19724/1		✓	✓				✓	✓		1 + 8
12	19724/2		✓		✓			✓	✓		2 + 8
13	33628/2	(7102392)	✓	✓	✓			✓	✓		Kit 2 x 33628
14	49737	6197238	✓	✓	✓			✓			TRW
15	33642	1041979		✓	✓	✓		✓	✓		
16	33614	1000445	✓	✓	✓			✓	✓		
17	33615	1035929	✓	✓	✓			✓	✓		
18	95760		✓	✓	✓			✓	✓		MS

**FORD ESCORT VII** 01/95→10/98



NR	MAPCO	REF								NEW	INFO
1	19752	6555938	✓	✓				✓	✓		M14x2,0RHT
2	19753	6555936	✓		✓			✓	✓		M14x2,0RHT
3	19608HPS	1661237	✓	✓	✓			✓	✓		238 mm
4	19760	7351748	✓	✓				✓	✓		
5	19761	7351747	✓		✓			✓	✓		
6	49737	6197238	✓	✓	✓			✓			TRW
7	33642	1041979		✓	✓	✓		✓	✓		
8	33614	1000445	✓	✓	✓			✓	✓		
9	33615	1035929	✓	✓	✓			✓	✓		
10	95760		✓	✓	✓			✓	✓		MS

**FORD FIESTA I + FIESTA II (FBD)** 05/76→ 11/89



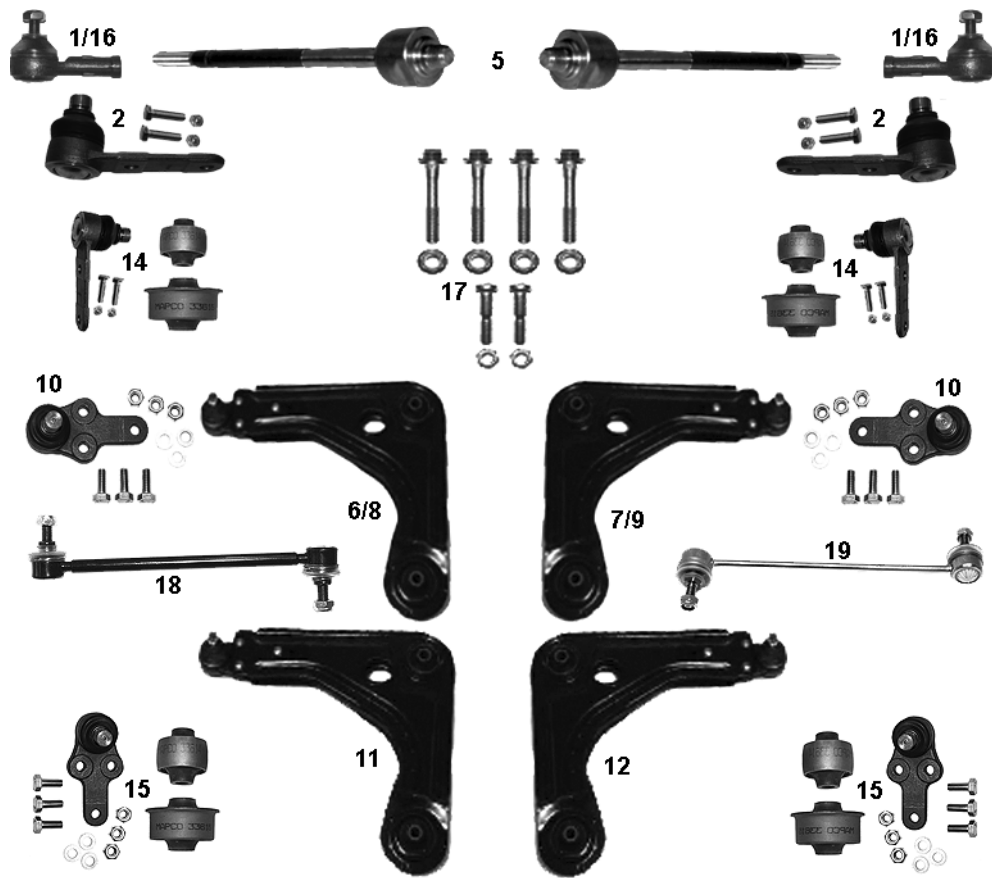
NR	MAPCO	REF								NEW	INFO
1	19727	6128814	✓	✓	✓			✓	✓		10/83→ ½" x 20UNF RHT
2	19721	6111394	✓	✓	✓			✓	✓		→08/83
3	19725	6130560	✓	✓	✓			✓	✓		09/83→
4	33609	1619120	✓	✓	✓			✓	✓		Innen / inner

**FORD FIESTA III (GFJ)** 01/89 → 08/96  
**FORD FIESTA COURIER** 02/94 → 07/96

NR	MAPCO	REF								NEW	INFO
1	33600		✓	✓	✓			✓	✓		
2	33601		✓	✓	✓			✓	✓		

**FORD FIESTA III (GFJ)**  
**FORD COURIER**

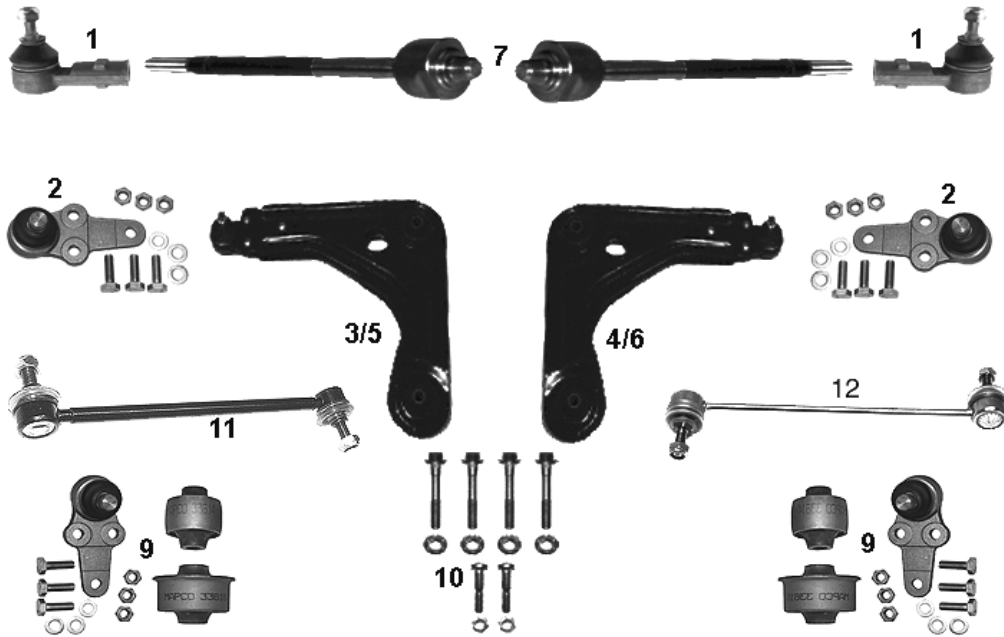
01/89→12/93  
07/91→12/93



NR	MAPCO	REF			←	→	↑	↓			NEW	INFO
1	19727	6128814	✓		✓	✓			✓	✓		1/2" x 20UNF RHT
2	19754	1047853	✓		✓	✓			✓	✓		
5	19722	1659374	✓		✓	✓			✓	✓		1/2 x 20 UNF
6	19755/1	7152281	✓		✓					✓		
7	19756/1	7152278	✓			✓				✓		
8	19755/4	7152280	✓		✓					✓		✓ 1.8 16V
9	19756/4	7152277	✓			✓				✓		✓ 1.8 16V
10	19765	1047798	✓		✓	✓				✓		Ø 17 mm
11	19755/5	7152279	✓		✓					✓		✓ XR2 Turbo 10/90→03/92
12	19756/5	7152276	✓			✓				✓		✓ XR2 Turbo 10/90→03/92
13	19722/1		✓		✓	✓			✓	✓		1 + 5
14	19254		✓		✓	✓			✓	✓		Kit
15	19265		✓		✓	✓			✓	✓		Kit
16	19646	6969518	✓		✓	✓			✓	✓		✓ TURBO - XR2, 1.8D - 1.8TD
17	95760		✓		✓	✓			✓	✓		MS
18	19604HPS	1061631	✓		✓	✓			✓	✓		Stahl/steel 238 mm
19	51604	1666243	✓		✓	✓			✓	✓		✓ 1.8 TD 03/93 → 261 mm

**FORD FIESTA III (GFJ)**  
**FORD COURIER**

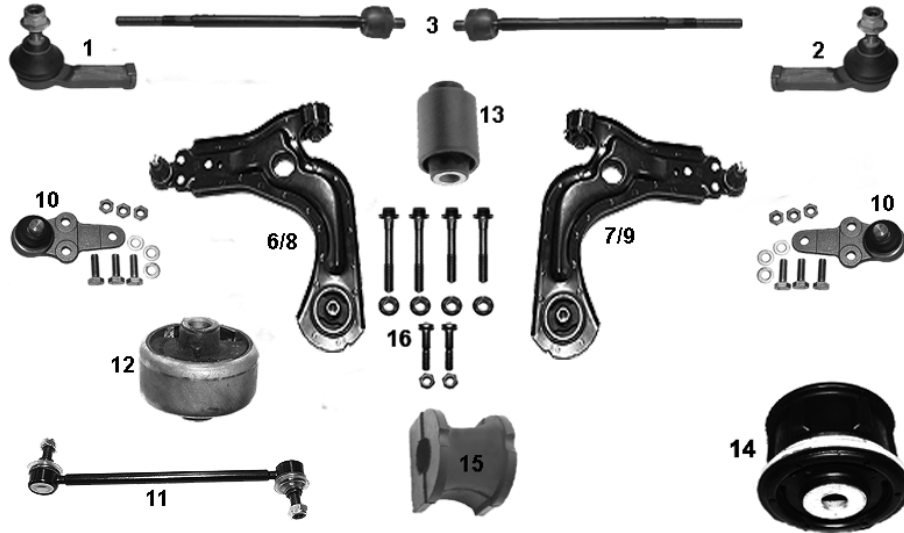
01/94 → 12/95  
01/94 → 02/96



NR	MAPCO	REF								NEW	INFO
1	19646	6969518	✓	✓	✓			✓	✓		13,5 mm ½ X 20 UNF RHT
2	19763	1047797	✓	✓	✓			✓	✓		16,5 mm
3	19755/2	7152271	✓	✓					✓		
4	19756/2	7152269	✓		✓				✓		
5	19755/3	7152272	✓	✓				✓			
6	19756/3	7152270	✓		✓			✓			
7	19722	1659374	✓	✓	✓			✓	✓		½ x 20 UNF RHT
8	19722/1		✓	✓	✓			✓	✓		1 + 7
9	19263		✓	✓	✓			✓	✓		Kit
10	95760		✓	✓	✓			✓	✓		MS
11	19604HPS	1061631	✓	✓	✓			✓	✓		Stahl/steel 238 mm
12	51604	1666243	✓	✓	✓			✓	✓		✓ 1.8 TD 261 mm

FORD FIESTA IV (JA\_, JB\_)

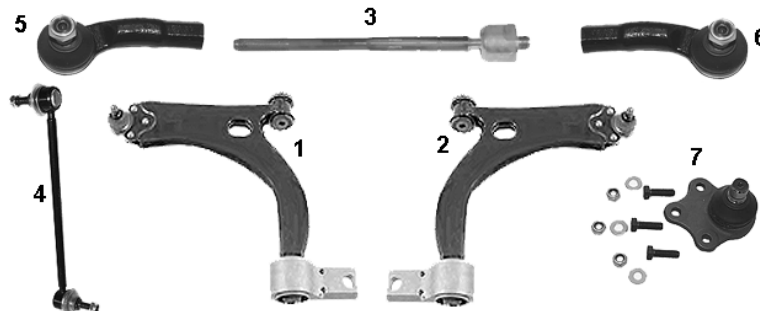
08/95→01/02



NR	MAPCO	REF			←	→	↑	↓			NEW	INFO
1	19640	1011858	✓		✓				✓	✓		M16x1,5RHT
2	19641	1011857	✓			✓			✓	✓		M16x1,5RHT
3	19644	1044014	✓		✓	✓			✓	✓		213 mm
4	19644/1		✓		✓				✓	✓		3+1
5	19644/2		✓		✓				✓	✓		3+2
6	19642	1020220	✓		✓					✓		Courier
7	19643	1020214	✓			✓				✓		Courier
8	19642/1	1021220	✓		✓				✓			Courier
9	19643/1	1021219	✓			✓			✓			Courier
10	19763	5021410	✓		✓	✓			✓	✓		16,5 mm
11	19608HPS	1004018	✓		✓	✓			✓	✓		238 mm
12	33635	1063372	✓		✓	✓			✓	✓		
13	33636	1055191	✓		✓	✓			✓	✓		
14	33643	7371059		✓	✓	✓			✓	✓		
15	33670	1102771	✓		✓	✓			✓	✓		innen/innerØ 15mm
16	95642		✓		✓	✓			✓	✓		MS

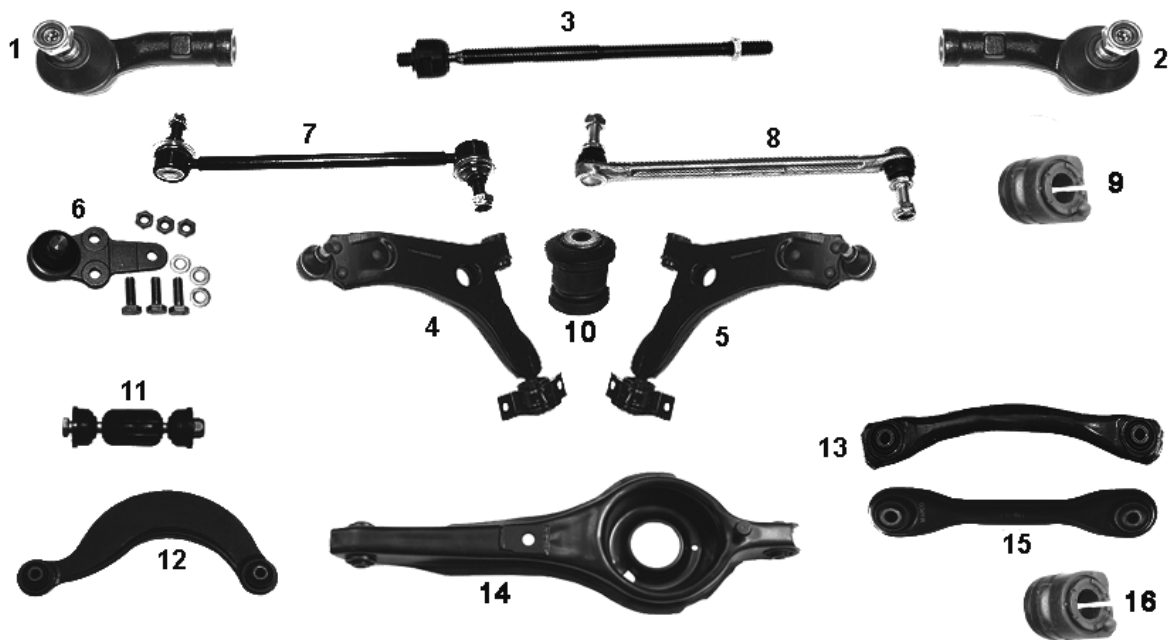
FORD FIESTA V (JH\_)

11/01→



NR	MAPCO	REF			←	→	↑	↓			NEW	INFO
1	59650	1146131	✓		✓				✓	✓		
2	59651	1146130	✓			✓			✓	✓		
3	59663	4472940	✓		✓	✓			✓	✓		M14X1,5
4	19774HPS	1146150	✓		✓	✓			✓	✓		
5	59669	1202549	✓		✓				✓	✓		M12x1,5
6	59670	1202548	✓			✓			✓	✓		M12x1,5
7	59671	2S613395AB	✓		✓	✓			✓	✓		Ø 16,5mm

**FORD FOCUS (D\_ \_)** 10/98→11/04



NR	MAPCO	REF								NEW	INFO
1	19648	1074306	✓	✓				✓	✓		M14 x 2,0 RHT
2	19649	1074305	✓		✓			✓	✓		M14 x 2,0 RHT
3	19650	3707333	✓	✓	✓			✓	✓		
4	19651	1207974	✓	✓				✓	✓		
5	19652	1073214	✓		✓			✓	✓		
6	19653	1212810	✓	✓	✓			✓	✓		17,5 mm
7	19608HPS	1661237	✓	✓	✓			✓	✓		Stahl/steel 238 mm
8	19609HPS	1107068	✓	✓	✓			✓	✓		Aluminium 238 mm
9	33644	1073217	✓	✓	✓			✓	✓		innen/innerØ 18mm
10	33676	1061570	✓	✓	✓		✓	✓	✓		Ø 35,0 mm
11	59648	1061702		✓	✓	✓		✓	✓		
12	59646	1061659		✓	✓	✓		✓	✓		
13	51607	1448127		✓	✓	✓		✓	✓		
14	59647	1064128		✓	✓	✓		✓	✓		
15	59668	1061668		✓	✓	✓		✓	✓		
16	33671	1073249		✓	✓	✓		✓	✓		innen/innerØ 18mm

Fortsetzung / continued (S.113)



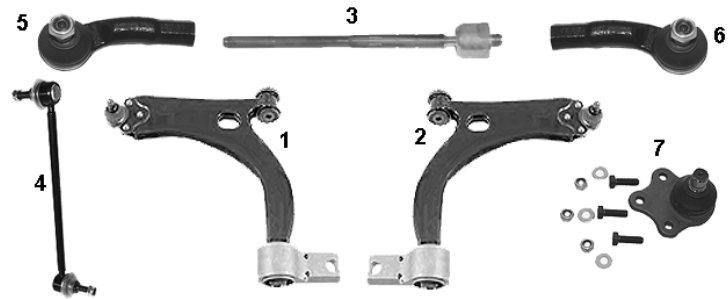
FORD FOCUS (D_ _)			Fortsetzung / continued (S.112)							10/98→11/04	
			17						18		
			19						26		
			20						21		
			22						23		
			24						25		
NR	MAPCO	REF								NEW	INFO
17	53612		✓	✓	✓			✓	✓		axle Kit
18	53613		✓	✓	✓			✓	✓		axle Kit
19	95647		✓	✓	✓			✓	✓	✓	MS
20	53612/1		✓	✓	✓			✓	✓	✓	axle Kit + MS
21	53613/1		✓	✓	✓			✓	✓	✓	axle Kit + MS
22	51605	4628835	✓	✓				✓	✓	✓	
23	51606	4628189	✓		✓			✓	✓	✓	
24	51609	4628841	✓	✓				✓	✓	✓	
25	51608	4628840	✓		✓			✓	✓	✓	
26	33678	1061670	✓	✓	✓			✓	✓	✓	

FORD FOCUS II		11/04 →										
NR	MAPCO	REF			←	→	↑	↓			NEW	INFO
1	51602	1332075	✓		✓			✓	✓	✓		
2	51603	1332074	✓			✓		✓	✓	✓		
3	59664HPS	1230909	✓		✓				✓	✓		
4	59668	1061668		✓	✓	✓			✓	✓		
5	59646	1061659		✓	✓	✓			✓	✓		
6	51610	1310333		✓	✓	✓			✓	✓	✓	76,5 mm
7	33678	1061670		✓	✓	✓			✓	✓	✓	

FORD FOCUS C- MAX		10/03 → 03/07										
NR	MAPCO	REF			←	→	↑	↓			NEW	INFO
1	51602	1332075	✓		✓			✓	✓	✓		
2	51603	1332074	✓			✓		✓	✓	✓		
3	59664HPS	1230909	✓		✓				✓	✓		
4	59668	1061668		✓	✓	✓			✓	✓		
5	59646	1061659		✓	✓	✓			✓	✓		
6	51610	1310333		✓	✓	✓			✓	✓	✓	76,5 mm
7	33678	1061670		✓	✓	✓			✓	✓	✓	

**FORD FUSION (JU\_)**

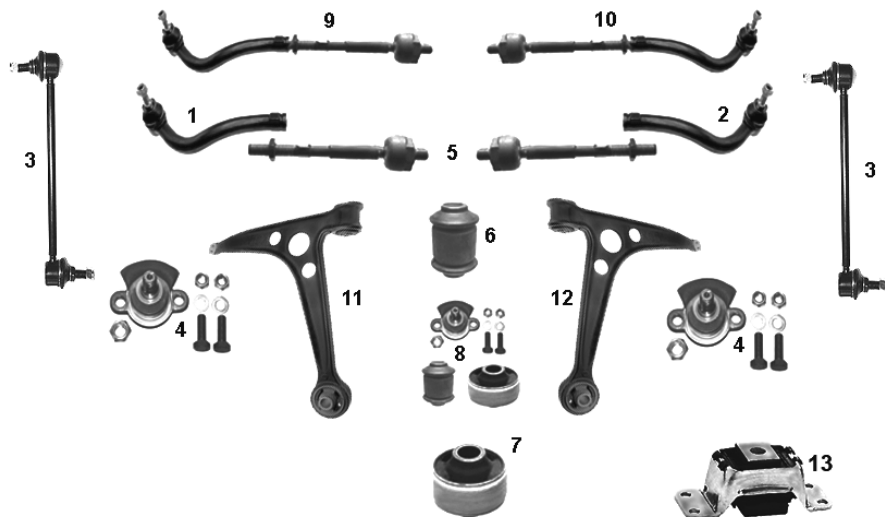
08/02→



NR	MAPCO	REF			←	→	↑	↓			NEW	INFO
1	59650	1146131	✓		✓				✓	✓		
2	59651	1146130	✓			✓			✓	✓		
3	59663	4472940	✓		✓	✓			✓	✓		M14X1,5
4	19774HPS	1146150	✓		✓	✓			✓	✓		
5	59669	1202549	✓		✓				✓	✓		M12x1,5
6	59670	1202548	✓			✓			✓	✓		M12x1,5
7	59671	2S613395AB	✓		✓	✓			✓	✓		Ø 16,5mm

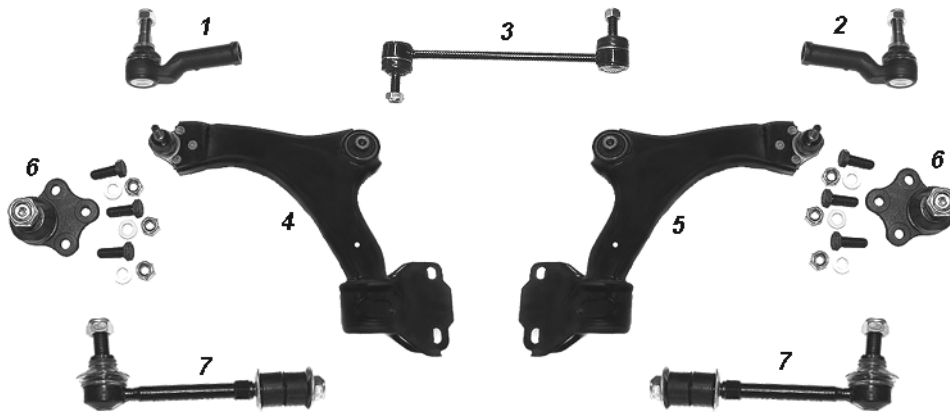
**FORD GALAXY (WGR)**

03/95→



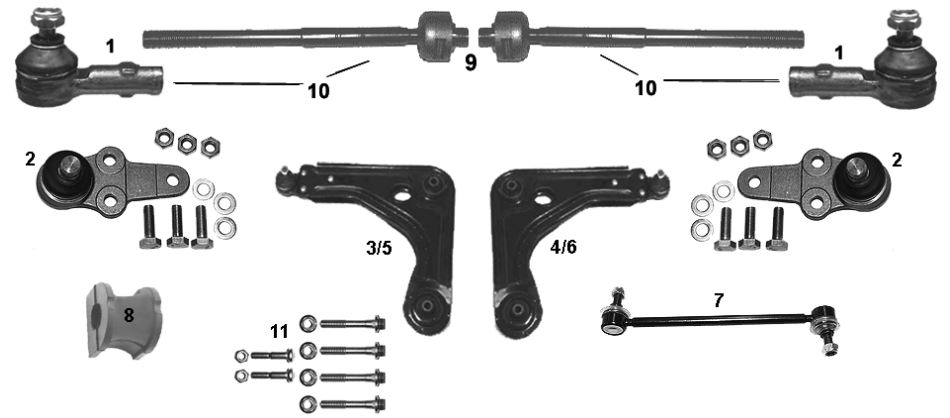
NR	MAPCO	REF			←	→	↑	↓			NEW	INFO
1	49857	1058380	✓		✓				✓	✓		M14x1,5 RHT
2	49858	1058378	✓			✓			✓	✓		M14x1,5 RHT
3	49856HPS	1009591	✓		✓	✓			✓	✓		
4	49861	7200946	✓		✓	✓			✓	✓		
5	49866	1092382	✓		✓	✓			✓	✓		
6	33908	7201717	✓		✓	✓			✓	✓		
7	33928	1044571	✓		✓	✓			✓	✓		
8	19266		✓		✓	✓			✓	✓		Kit
9	49866/1	1020497	✓		✓				✓	✓		
10	49866/2	1020496	✓			✓			✓	✓		
11	49876	1007602	✓		✓				✓	✓		
12	49877	1012632	✓			✓			✓	✓		
13	33864	7403748			✓	✓	✓		✓	✓		

**FORD GALAXY** 05/06 →



NR	MAPCO	REF			←	→	↑	↓			NEW	INFO
1	51619	1433274	✓		✓				✓	✓	✓	M18x1,5
2	51620	1433273	✓		✓				✓	✓	✓	M18x1,5
3	51621	1377849	✓		✓	✓			✓	✓	✓	
4	51622	1507182	✓		✓				✓	✓	✓	
5	51623	1507181	✓		✓				✓	✓	✓	
6	51624	No OE ref	✓		✓	✓			✓	✓	✓	
7	51625	1425853		✓	✓	✓			✓	✓	✓	

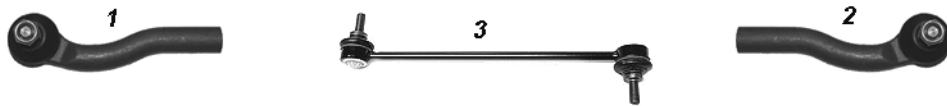
**FORD KA (RB\_)** 09/96 →



NR	MAPCO	REF			←	→	↑	↓			NEW	INFO
1	19645	1034417	✓		✓				✓	✓		½ x20 UNF RHT
2	19763	1047797	✓		✓				✓	✓		Ø 16,5 mm
3	19701	1032101	✓		✓				✓			
4	19702	1046444	✓		✓	✓			✓			
5	19701/1	1032102	✓		✓				✓			
6	19702/1	1046445	✓		✓				✓			
7	19608HPS	1004018	✓		✓	✓			✓	✓		238 mm
8	33670	1102771	✓		✓	✓			✓	✓		
9	19722	6790700	✓		✓	✓			✓	✓		
10	19722/2		✓		✓	✓			✓	✓		1 + 9
11	95760		✓		✓	✓			✓	✓		MS

**FORD KA**

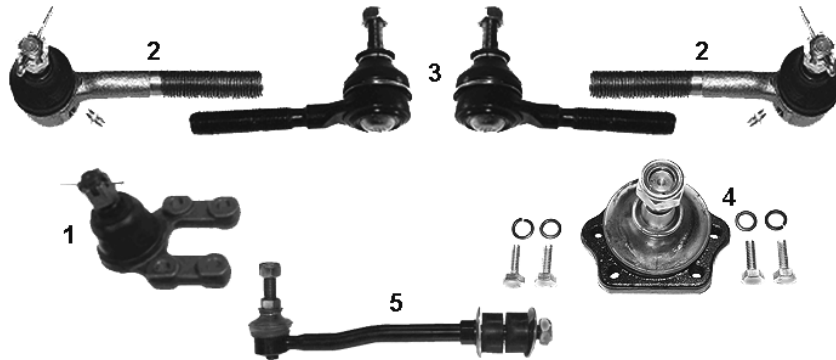
02/09→



NR	MAPCO	REF			←	→	↑	↓			NEW	INFO
1	49057	1546259	✓		✓				✓	✓	✓	
2	49058	1546260	✓			✓			✓	✓	✓	
3	19028HPS	1580517	✓		✓	✓			✓	✓		

**FORD MAVERICK**

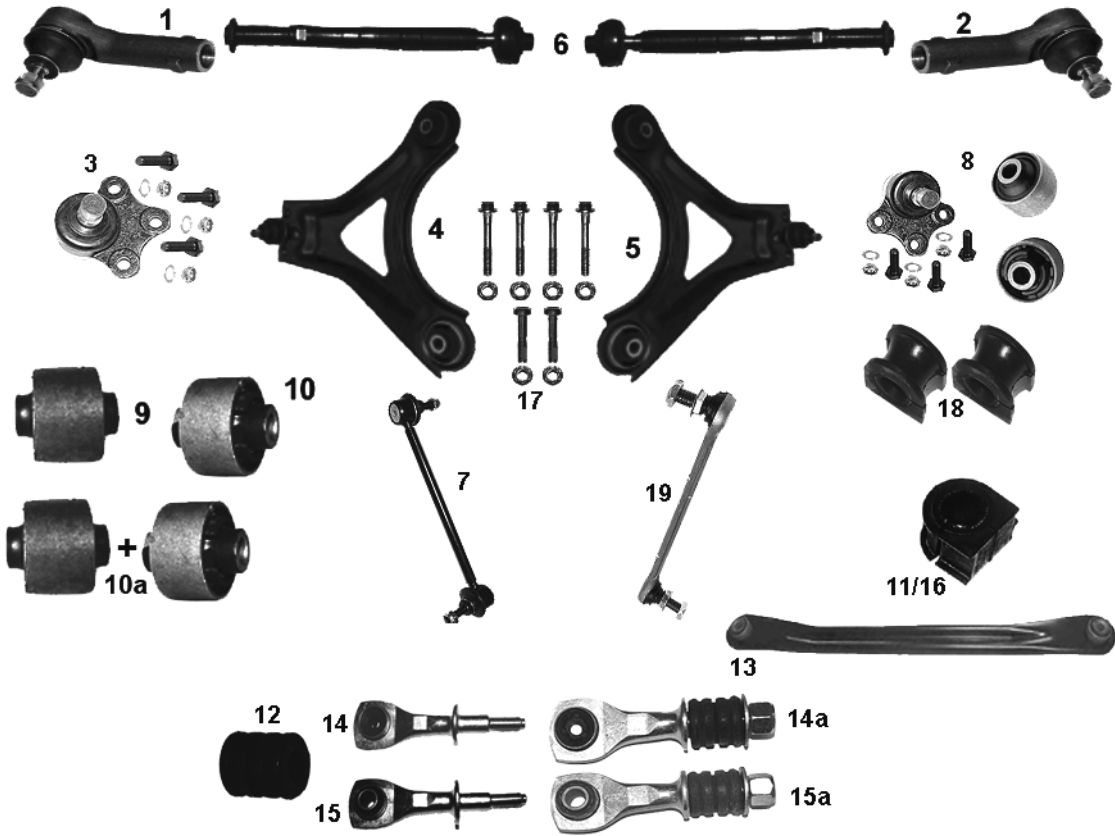
02/93→04/98



NR	MAPCO	REF			←	→	↑	↓			NEW	INFO
1	59520	1954431	✓		✓	✓		✓	✓	✓		
2	19534	1961668	✓		✓	✓			✓	✓		13,4mm aussen / outside M16x1.5 RHT
3	19533	1961669	✓		✓	✓			✓	✓		13,4mm Innen / inner M16x1.5 LHT
4	19535	1954430	✓		✓	✓	✓		✓	✓		
5	49227HPS	1954821		✓	✓	✓			✓	✓		

FORD MONDEO I

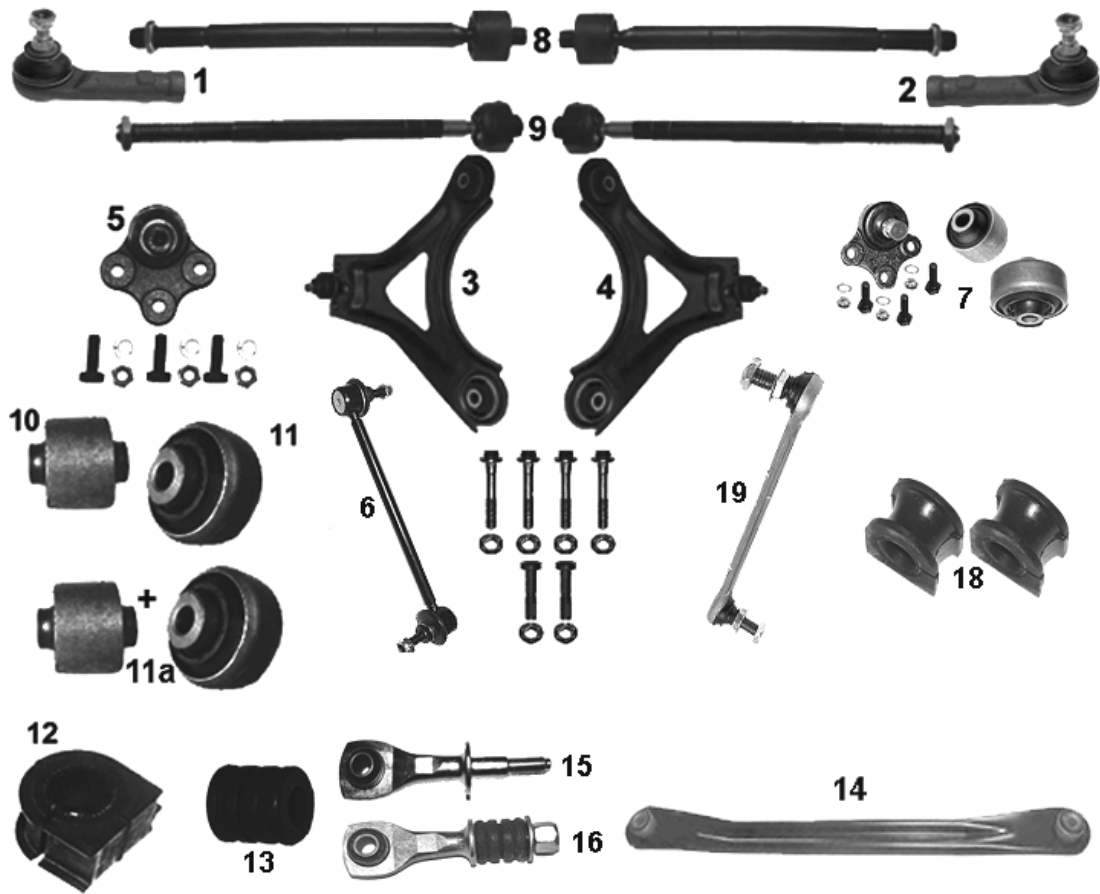
01/93→08/96



NR	MAPCO	REF			←	→	↑	↓			NEW	INFO
1	19757	5027451	✓		✓				✓	✓		M16x1,5RHT
2	19758	5027452	✓			✓			✓	✓		M16x1,5RHT
3	19759	93BB3395AC	✓		✓	✓			✓	✓		
4	19768	6954471	✓		✓				✓	✓		
5	19769	6954470	✓			✓			✓	✓		
6	19647	6737692	✓		✓	✓			✓	✓		M16x1,5RHT 14"-Rad / Wheel
7	19605HPS	6960036	✓		✓	✓			✓	✓		237mm
8	19259		✓		✓	✓			✓	✓		Kit
9	33616	6790115	✓		✓	✓			✓	✓		
10	33617	6870549	✓		✓	✓			✓	✓		
10a	33616/7		✓		✓	✓			✓	✓		Kit 33616 + 33617
11	33631	7144204		✓	✓	✓			✓	✓		
12	33634	6915411		✓	✓	✓			✓	✓		
13	19658	6867577		✓	✓	✓			✓	✓		
14	33633	7014210		✓	✓	✓			✓	✓		01/93→10/94
14a	33633/1	7014210		✓	✓	✓			✓	✓		01/93→10/94
15	33632	1054209		✓	✓	✓			✓	✓		11/94→ 08/96
15a	33632/1	1054209		✓	✓	✓			✓	✓		11/94→ 08/96
16	33630	7144202		✓	✓	✓			✓	✓		
17	95768		✓		✓	✓			✓	✓		MS
18	33629/2	6714194	✓		✓	✓			✓	✓		innen/innerØ 19mm
19	19601	1106269	✓		✓	✓			✓	✓		238,0 mm Aluminium

FORD MONDEO II

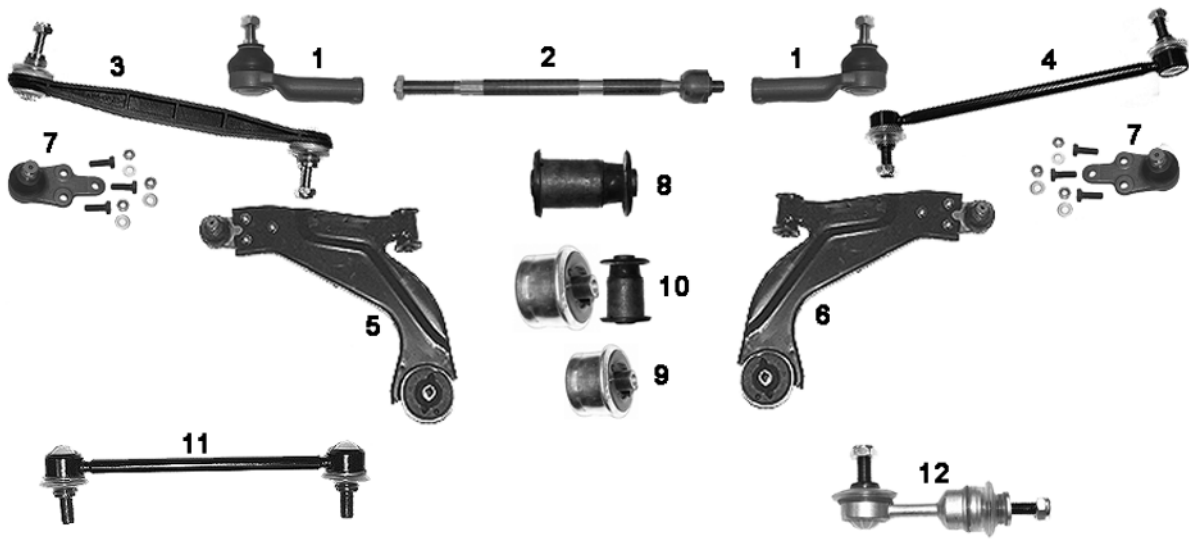
09/96→11/00



NR	MAPCO	REF			←	→	↑	↓			NEW	INFO
1	49640	1035691	✓		✓				✓	✓		M16x1,5RHT
2	49641	1035690	✓			✓			✓	✓		M16x1,5RHT
3	19768	1102949	✓		✓				✓	✓		→2000
4	19769	1102948	✓			✓			✓	✓		→2000
5	19759	93BB3395AC	✓		✓	✓			✓	✓		
6	19605HPS	6960036	✓		✓	✓			✓	✓		238,0 mm Stahl / steel
7	19260		✓		✓	✓			✓	✓		Kit
8	49642	3903147	✓		✓	✓			✓	✓		14"-Rad / Wheel
9	49643	3903149	✓		✓	✓			✓	✓		15"/16"-Rad / Wheel
10	33616	6790115	✓		✓	✓			✓	✓		
11	33618	1023058	✓		✓	✓			✓	✓		
11a	33616/8		✓		✓	✓			✓	✓		Kit 33616 + 33618
12	33630	7144202		✓	✓	✓			✓	✓		
13	33634	6915411		✓	✓	✓			✓	✓		
14	19658	6867577		✓	✓	✓			✓	✓		
15	33632	1054209		✓	✓	✓			✓	✓		→07/98
16	33632/1			✓	✓	✓			✓	✓		→07/98
17	95768		✓		✓	✓			✓	✓		MS
18	33629/2	6714194	✓		✓	✓			✓	✓		innen/innerØ 19mm
19	19601	1106269	✓		✓	✓			✓	✓		238,0 mm Aluminium

FORD MONDEO III

11/00→



NR	MAPCO	REF			←	→	↑	↓			NEW	INFO
1	59672	1138313	✓		✓	✓			✓	✓		M16x1,5
2	59666	4111327	✓		✓	✓			✓	✓		M16x1,5RHT
3	19777	1219697	✓		✓	✓			✓	✓		250,0 mm Plastik
4	19773HPS	1127646	✓		✓	✓			✓	✓		250,0 mm Stahl/ Steel
5	59644	1116579	✓		✓				✓	✓		
6	59645	1116578	✓			✓			✓	✓		
7	59673	1S713395AE	✓		✓	✓		✓	✓	✓		
8	33646	1118476	✓		✓	✓			✓	✓		
9	33647	1311416	✓		✓	✓			✓	✓		
10	33646/7		✓		✓	✓			✓	✓		
11	19775HPS	1127648			✓	✓	✓		✓	✓		
12	19776HPS	1130452			✓	✓	✓		✓	✓		

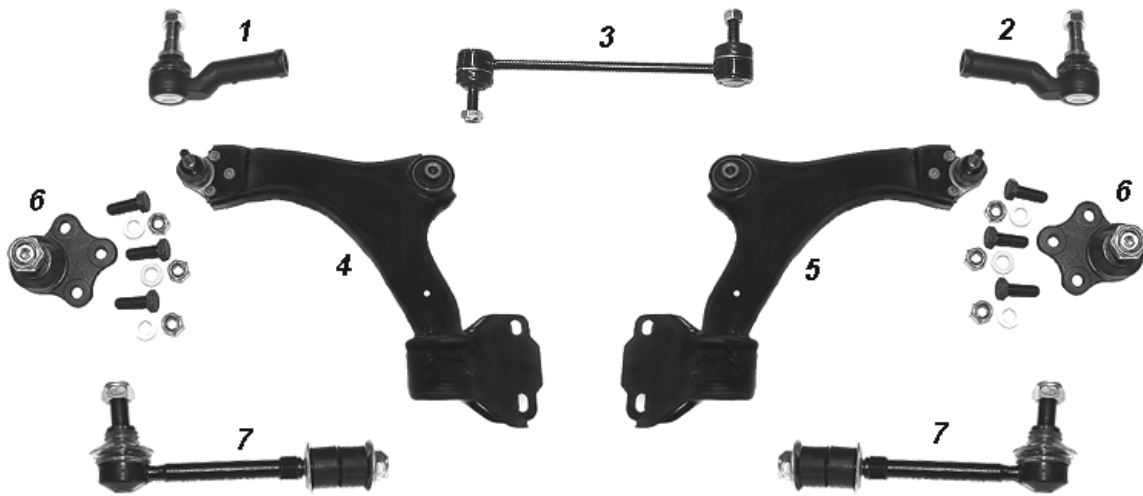
Fortsetzung / continued (S.121)



FORD MONDEO III			Fortsetzung / continued (S.120)							11/00→		
NR	MAPCO	REF									INFO	
13	51613	1206474		✓	✓	✓			✓	✓	✓	575 mm
14	51614	1117859		✓	✓	✓			✓	✓	✓	hinten/ rear 550 mm
15	51615	1117857		✓	✓	✓			✓	✓	✓	vorn/ front 600 mm
16	51616	1230619		✓	✓	✓			✓	✓	✓	vorn/ front
17	51617	1214290		✓	✓	✓			✓	✓	✓	hinten/ rear
18	51618	1325326		✓	✓	✓	✓		✓	✓	✓	
19	53614			✓	✓	✓			✓	✓	✓	axle Kit
20	53615			✓	✓	✓			✓	✓	✓	axle Kit

FORD MONDEO IV

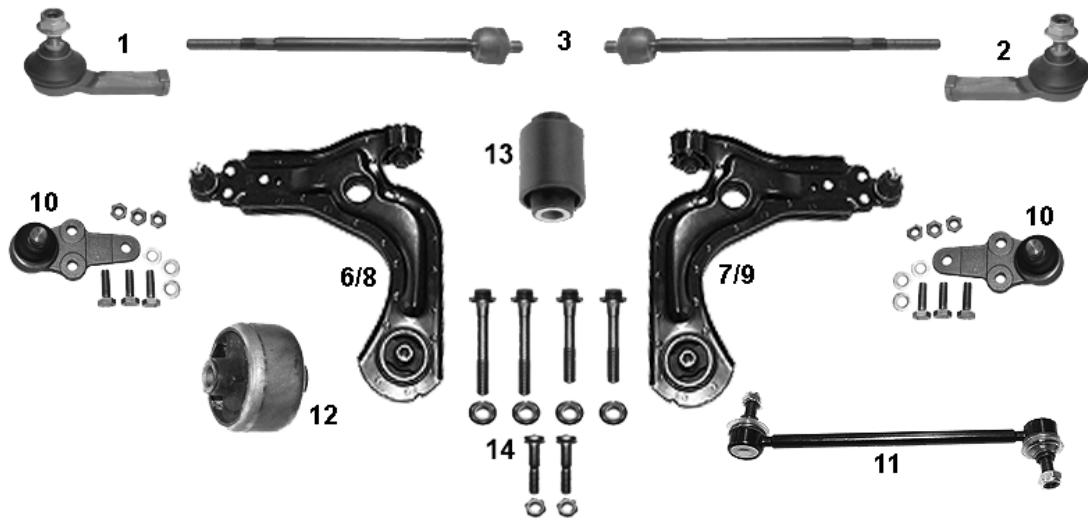
03/07→



NR	MAPCO	REF								NEW	INFO
1	51619	1433274	✓	✓				✓	✓	✓	M18x1,5
2	51620	1433273	✓		✓			✓	✓	✓	M18x1,5
3	51621	1377849	✓	✓	✓			✓	✓	✓	
4	51622	1507182	✓	✓				✓	✓	✓	
5	51623	1507181	✓		✓			✓	✓	✓	
6	51624	No OE ref	✓	✓	✓			✓	✓	✓	
7	51625	1425853		✓	✓	✓		✓	✓	✓	

FORD PUMA (EC\_)

03/97→



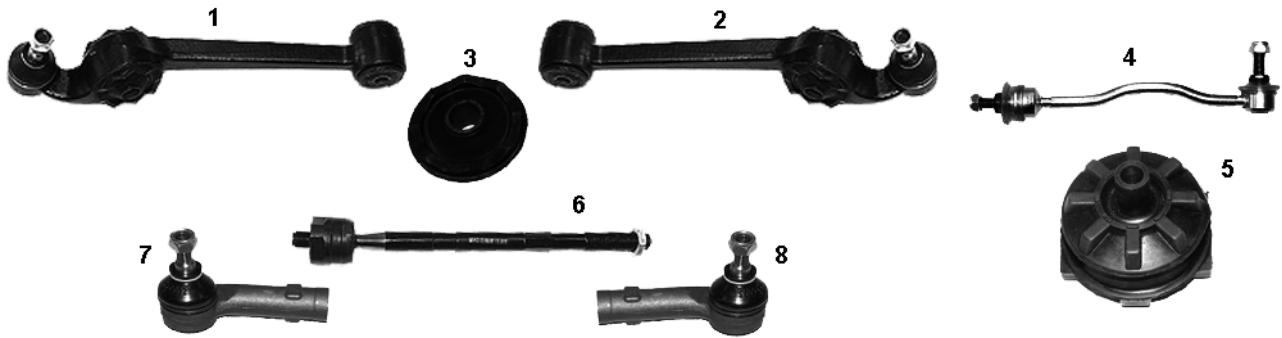
NR	MAPCO	REF			←	→	↑	↓			NEW	INFO
1	19640	1011858	✓		✓				✓	✓		M16x1,5RHT
2	19641	1011857	✓			✓			✓	✓		M16x1,5RHT
3	19644	1044014	✓		✓	✓			✓	✓		213 mm
4	19644/1		✓		✓				✓	✓		3+1
5	19644/2		✓			✓			✓	✓		3+2
6	19642	1020220	✓		✓	✓				✓		
7	19643	1020214	✓			✓				✓		
8	19642/1	1021220	✓			✓			✓			
9	19643/1	1021219	✓		✓	✓			✓			
10	19763	5021410	✓		✓	✓			✓	✓		16,5 mm
11	19608HPS	1004018	✓		✓	✓			✓	✓		238 mm
12	33635	1063372	✓		✓	✓			✓	✓		
13	33636	1055191	✓		✓	✓			✓	✓		
14	95642		✓		✓	✓			✓	✓		MS

**FORD SCORPIO I** 04/85→12/94



NR	MAPCO	REF								NEW	INFO
1	19745	6160988	✓	✓	✓			✓	✓		4WD, M14x2RHT
2	19735	6120232	✓	✓				✓	✓		✓ 4WD, M14x2RHT
3	19736	6120231	✓		✓			✓	✓		✓ 4WD
4	19746/1	6154290	✓	✓				✓	✓		
5	19747/1	6154289	✓		✓			✓	✓		
6	19655	6132991	✓	✓	✓			✓	✓		
7	33627	1656752	✓	✓	✓			✓	✓		
8	33645	6141919		✓	✓	✓		✓	✓		
9	33677	6192705	✓	✓	✓		✓	✓	✓		

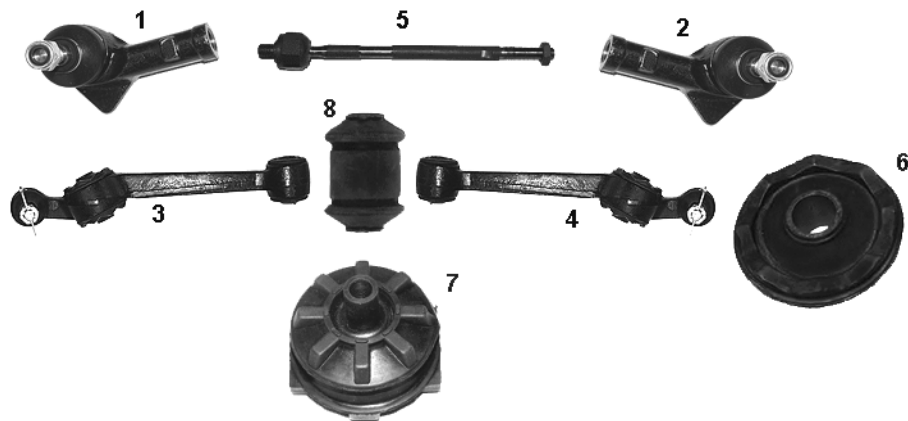
**FORD SCORPIO II** 10/94→08/98



NR	MAPCO	REF								NEW	INFO
1	19746/1	6154290	✓	✓				✓	✓		→12/94
2	19747/1	6154289	✓		✓			✓	✓		→12/94
3	33627	1656752	✓	✓	✓			✓	✓		
4	19659HPS	1045413	✓	✓	✓			✓	✓		
5	33645	6141919		✓	✓	✓		✓	✓		
6	19762	7292960	✓	✓	✓			✓	✓		305 mm M16x1,5RHT
7	59665	5030222	✓	✓				✓	✓		M16x1,5RHT
8	59657	5030221	✓		✓			✓	✓		M16x1,5RHT

**FORD SIERRA**

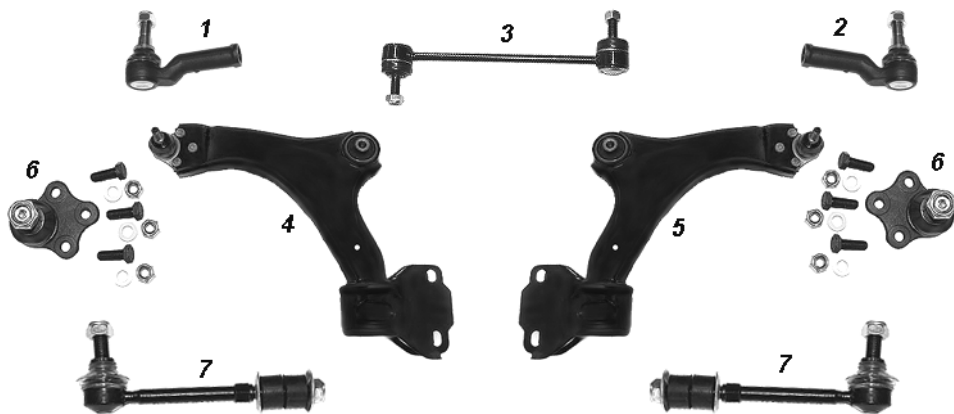
1982→02/93



NR	MAPCO	REF			←	→	↑	↓			NEW	INFO
1	19735	6120232	✓		✓				✓	✓		M14x2,0RHT
2	19736	6120231	✓			✓			✓	✓		M14x2,0RHT
3	19737/1	6114617	✓		✓				✓	✓		
4	19738/1	6114616	✓			✓			✓	✓		
5	19654	6185336	✓		✓	✓			✓			ZF 5019429 / 5023570
6	33627	1656752	✓		✓	✓			✓	✓		
7	33645	6141919		✓	✓	✓			✓	✓		
8	33677	6192705	✓		✓	✓		✓	✓	✓		

**FORD S-MAX**

05/06→



NR	MAPCO	REF			←	→	↑	↓			NEW	INFO
1	51619	1433274	✓		✓				✓	✓	✓	M18x1,5
2	51620	1433273	✓			✓			✓	✓	✓	M18x1,5
3	51621	1377849	✓		✓	✓			✓	✓	✓	
4	51622	1507182	✓		✓				✓	✓	✓	
5	51623	1507181	✓			✓			✓	✓	✓	
6	51624	No OE ref	✓		✓	✓			✓	✓	✓	
7	51625	1425853		✓	✓	✓			✓	✓	✓	

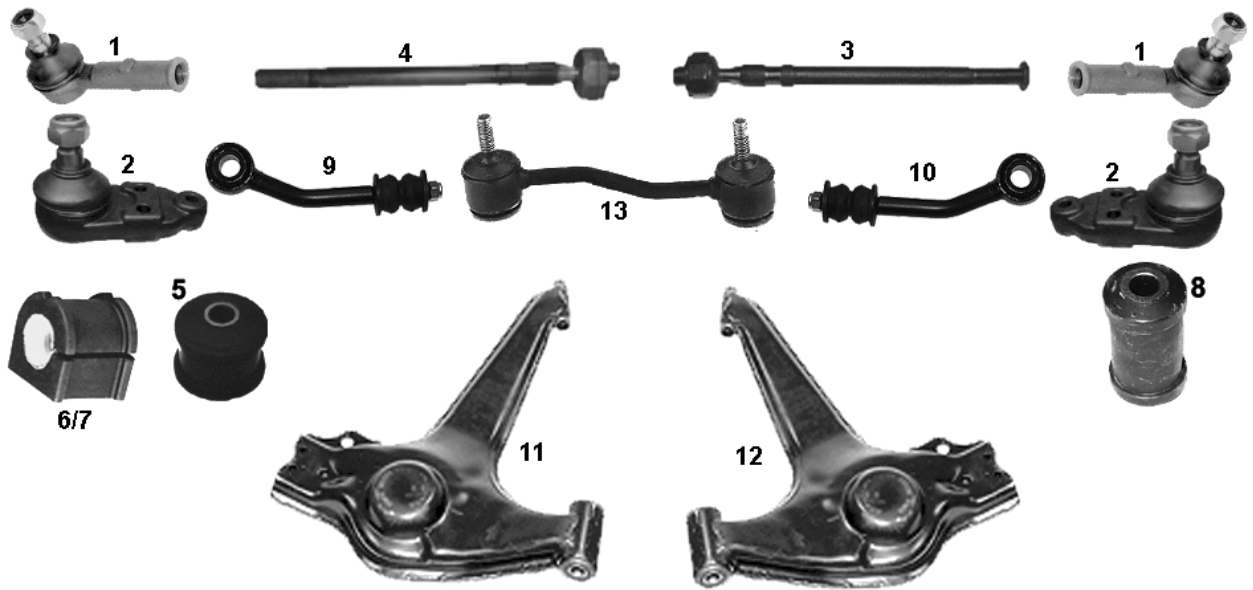
FORD TOURNEO CONNECT										06/02→	
NR	MAPCO	REF								NEW	INFO
1	59676	4381840	✓	✓	✓			✓	✓		
2	59674	4366974	✓	✓			✓	✓	✓		
3	59675	4366973	✓		✓		✓	✓	✓		
4	51600HPS	1332453	✓	✓	✓			✓	✓	✓	238,0mm
5	51601	1332463		✓	✓	✓		✓	✓	✓	133,0mm

FORD TRANSIT (7__ _)										11/65→10/86	
NR	MAPCO	REF								NEW	INFO
1	59658	1796515	✓		✓			✓	✓		 M18x1,5RHT 1

FORD TRANSIT

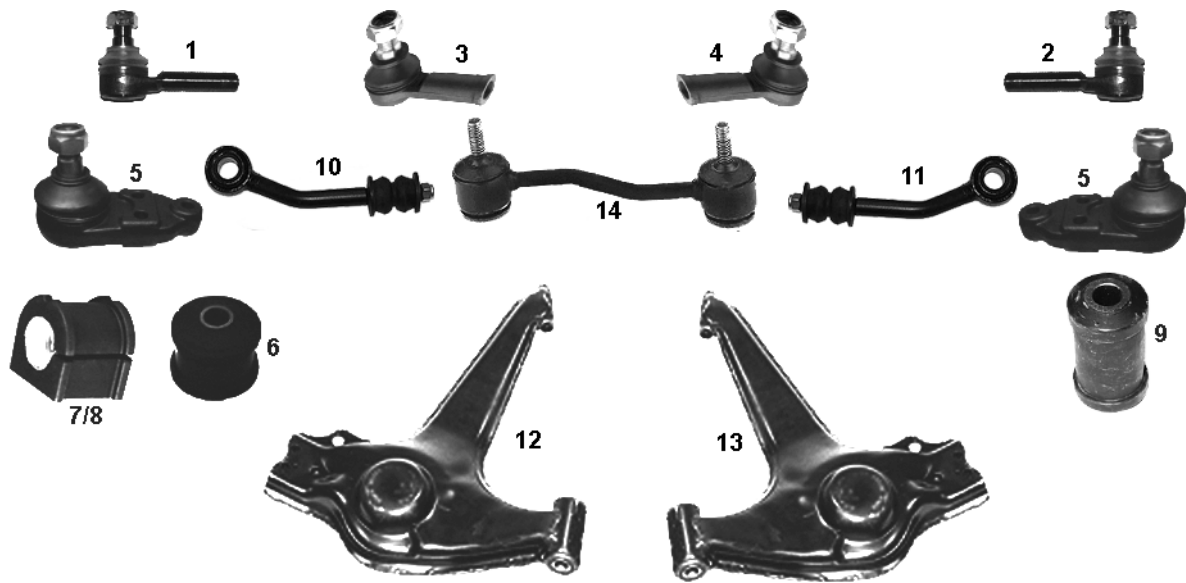


10/85→ 03/00



NR	MAPCO	REF								NEW	INFO
1	19748	6172643	✓	✓	✓				✓		→09/92 M16x1,5RHT
1	19750	6687191	✓	✓	✓				✓		09/91→ M16x1,5RHT
2	19749	6154161	✓	✓	✓				✓		85→08/91
2	19751	6650261	✓	✓	✓				✓		09/91→ M20x1,5
3	19740	6156463	✓	✓	✓				✓		→12/91
4	49644	6869951	✓	✓	✓				✓		01/92→
5	33672	6608818	✓	✓	✓				✓		1992→ 03/00
6	33673	6521811	✓	✓	✓				✓		innen/innerØ 18mm 1991→ 1994
7	33674	6521812	✓	✓	✓				✓		innen/innerØ 20mm 1994→ 03/00
8	33675	6517356	✓	✓	✓				✓		innen/innerØ 16mm 1991→ 03/00
9	19780	6150970	✓		✓				✓		
10	19781	6150971	✓	✓					✓		
11	59654	6608832	✓	✓					✓		1992→ 03/00
12	59655	6608830	✓		✓				✓		1992→ 03/00
13	59667	6168182	✓	✓	✓				✓		180,0 mm (T_ _) 85→09/92

**FORD TRANSIT** 08/87 → 03/00

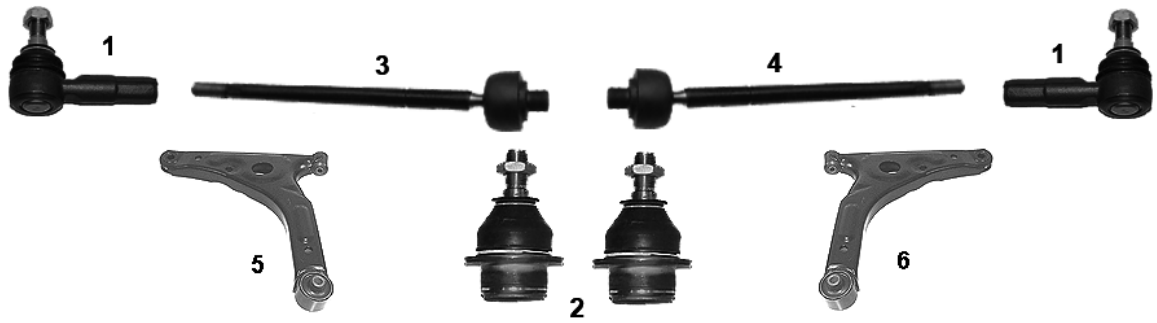


NR	MAPCO	REF			←	→	↑	↓			NEW	INFO
1	19741	5021447	✓		✓				✓			10/92 → M20x1,5 LHT
2	19742	5021446	✓			✓			✓			10/92 → M20x1,5 RHT
3	49645	5025557	✓		✓				✓			→ 09/92 M16x1,5 LHT
4	49646	5025558	✓			✓			✓			→ 09/92 M16x1,5 RHT
5	19749	5021430	✓		✓	✓			✓			
6	33672	6608818	✓		✓	✓			✓			1991 → 03/00
7	33673	6521811	✓		✓	✓			✓			innen/innerØ 18mm 1991 → 1994
8	33674	6521812	✓		✓	✓			✓			innen/innerØ 20mm 1994 → 03/00
9	33675	6517356	✓		✓	✓			✓			innen/innerØ 16mm 1991 → 03/00
10	19780	6150970	✓			✓			✓			
11	19781	6150971	✓		✓				✓			
12	59654	6608832	✓		✓				✓			1992 → 03/00
13	59655	6608830	✓			✓			✓			1992 → 03/00
14	59667	6168182	✓		✓	✓			✓			180,0 mm (T_ _) 85 → 09/92



FORD TRANSIT (F\_ \_)

01/00→



NR	MAPCO	REF			←	→	↑	↓			NEW	INFO
1	59640	1138275	✓		✓	✓			✓			M16x1,5 RHT
2	59643	4173761	✓		✓	✓			✓	✓		
3	59641	4059923	✓		✓				✓	✓		M16x1,5 RHT
4	59642	4059924	✓			✓			✓	✓		M16x1,5 RHT
5	59661	4540775	✓		✓				✓	✓		
6	59662	4540774	✓			✓			✓	✓		

FORD TRANSIT CONNECT

06/02→

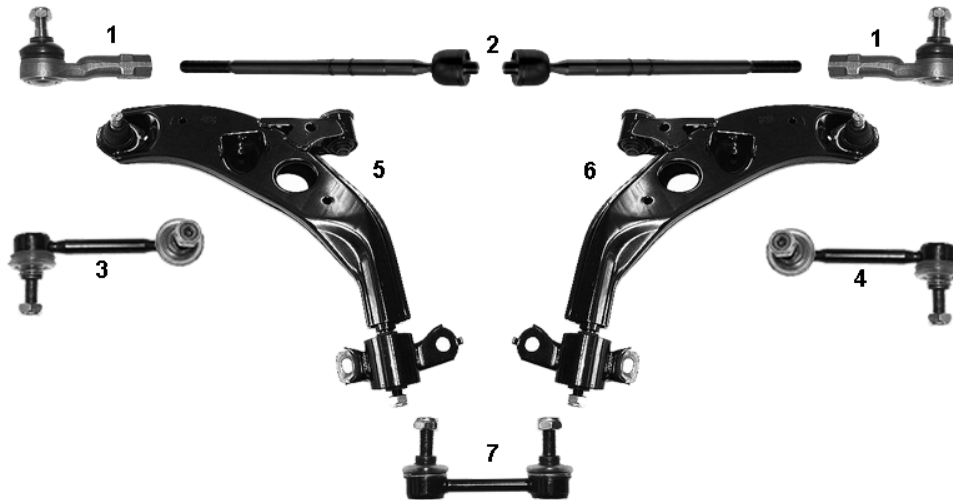


NR	MAPCO	REF			←	→	↑	↓			NEW	INFO
1	59676	4381840	✓		✓	✓			✓	✓		
2	59674	4366974	✓		✓			✓	✓	✓		
3	59675	4366973	✓			✓		✓	✓	✓		
4	51600HPS	1332453	✓		✓	✓			✓	✓	✓	238,0mm
5	51601	1332463		✓	✓	✓			✓	✓	✓	133,0mm

# FORD USA

FORD PROBE II (EPC)

10/93→03/98

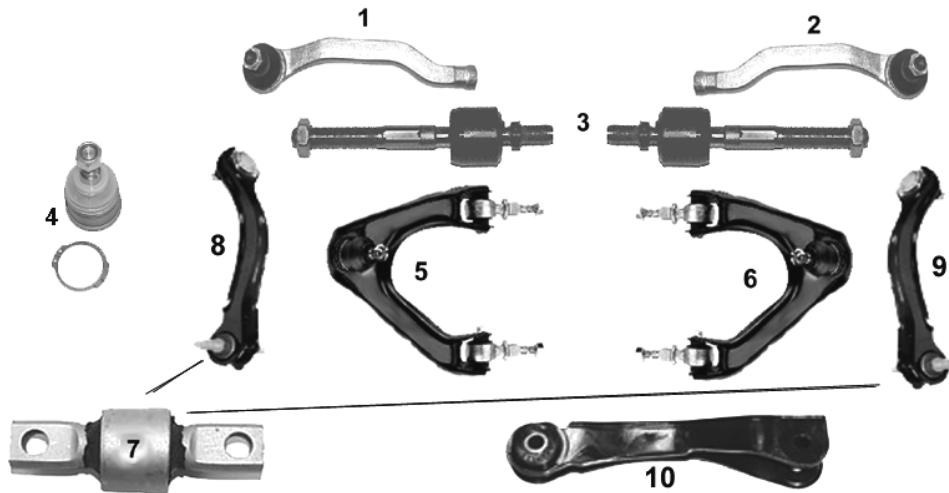


NR	MAPCO	REF			←	→	↑	↓			NEW	INFO
1	19589	3405915	✓		✓	✓			✓	✓		M14x1,5RHT
2	19599	3405940	✓		✓	✓			✓	✓		M14x1,5RHT
3	19590HPS	3410592	✓		✓				✓	✓		
4	19591HPS	3410591	✓			✓			✓	✓		
5	49582	3703255	✓		✓			✓	✓	✓		
6	49583	3707090	✓			✓		✓	✓	✓		
7	19592HPS	3799085			✓	✓	✓		✓	✓		

# HONDA

HONDA ACCORD IV 1.6, 1.8, 1.9i, 2.0  
HONDA ACCORD IV 2.0i 16V

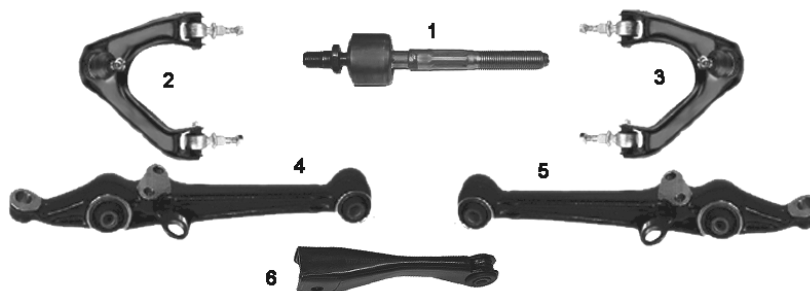
01/92→10/98  
01/92→02/93



NR	MAPCO	REF									NEW	INFO
1	19504	53560-SM4-004	✓		✓				✓	✓		M14x1,5 RHT
2	19505	53540-SM4-004	✓			✓			✓	✓		M14x1,5 RHT
3	19506	53521-SM4-013	✓		✓	✓			✓	✓		
4	19507	51220-SM4-013	✓		✓	✓		✓	✓	✓		M12X1,25
5	49506	51460-SM4-023	✓		✓		✓		✓	✓		2.0i 16V
6	49507	51450-SM4-023	✓			✓	✓		✓	✓		2.0i 16V
7	33523	52393-SM4-004		✓	✓	✓	✓		✓	✓		✓ 2.0i 16V
8	49203	52400-SM4-033		✓	✓		✓		✓	✓		✓ 2.0i 16V
9	49204	52390-SM1-A03		✓		✓	✓		✓	✓		✓ 2.0i 16V
10	49267	52306-SE0-030		✓	✓	✓			✓	✓		

HONDA ACCORD V Aerodeck 2.0 iLS 16V  
HONDA ACCORD V Aerodeck 2.2 iES

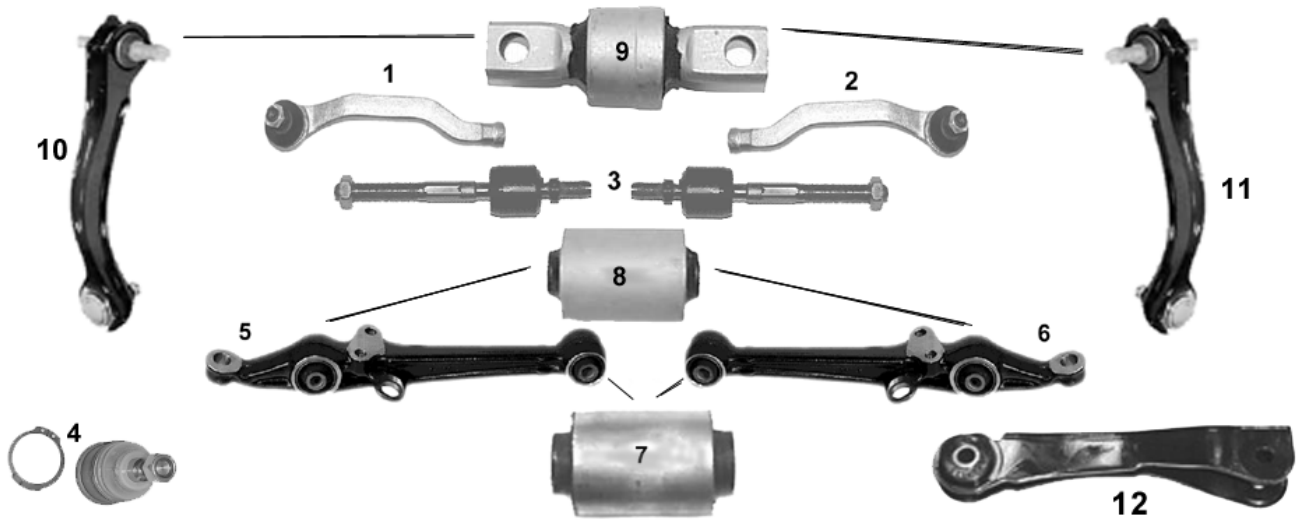
09/93→02/98  
09/93→02/99



NR	MAPCO	REF									NEW	INFO
1	59246	53010-SV4-000	✓		✓	✓			✓	✓		M14x1,5 RHT 135 mm
2	49205	51460-SV5-000	✓		✓		✓		✓	✓		
3	49206	51450-SV4-000	✓			✓	✓		✓	✓		
4	49209	51365-SV4-000	✓		✓			✓	✓	✓		
5	49210	51355-SV4-000	✓			✓		✓	✓	✓		
6	49267	52306-SE0-030		✓	✓	✓			✓	✓		

HONDA ACCORD VI 1.8 - 2.0i\_ - 2.2i VTEC, 2.0TDi

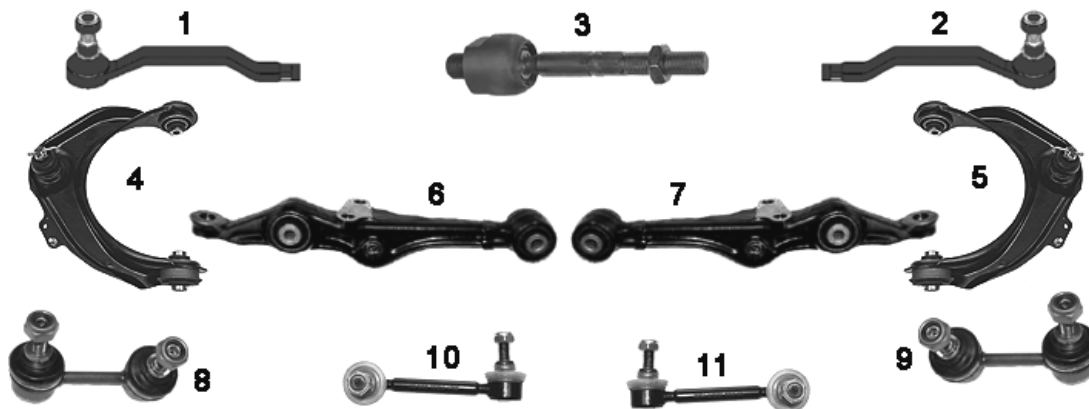
1994→10/98



NR	MAPCO	REF			←	→	↑	↓			NEW	INFO
1	19504	53560-SM4-004	✓		✓				✓	✓		M14x1,5 RHT
2	19505	53540-SM4-004	✓			✓			✓	✓		M14x1,5 RHT
3	19506	53521-SM4-013	✓		✓	✓			✓	✓		
4	19507	51220-SM4-013	✓		✓	✓		✓	✓	✓		M12X1,25
5	49508	51365-SM4-040	✓		✓			✓	✓	✓		
6	49509	51355-SM4-040	✓			✓		✓	✓	✓		
7	33222	51393-SV1-A01	✓		✓	✓		✓	✓	✓		
8	33522	51393-SE0-003	✓		✓	✓		✓	✓	✓		
9	33523	52393-SM4-004			✓	✓	✓		✓	✓		
10	49203	52400-SM4-033			✓	✓		✓	✓	✓		
11	49204	52390-SM1-A03			✓		✓		✓	✓		
12	49267	52306-SE0-030			✓	✓	✓		✓	✓		

**HONDA ACCORD VII (CG)**

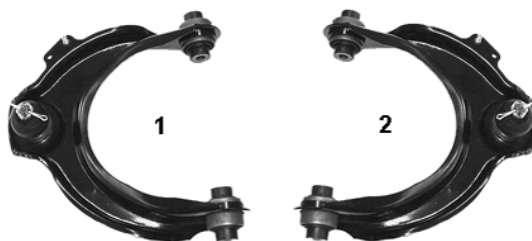
10/98→



NR	MAPCO	REF			←	→	↑	↓			NEW	INFO
1	49264	53560-S1A-E01	✓		✓				✓	✓		M14x1,5RHT
2	49265	53540-S1A-E01	✓			✓			✓	✓		M14x1,5RHT
3	59514	53010-S84-A01	✓		✓	✓			✓	✓		
4	49211	51460-S84-A01	✓		✓		✓		✓	✓		
5	49212	51450-S84-A01	✓			✓	✓		✓	✓		
6	49213	51365-S84-A00	✓		✓			✓	✓	✓		
7	49214	51355-S84-A00	✓			✓		✓	✓	✓		
8	59500	51320-S84-A01	✓		✓				✓	✓		
9	59501	51321-S84-A01	✓			✓			✓	✓		
10	59503HPS	52325-S84-A01		✓	✓				✓	✓		
11	59502HPS	52320-S84-A01		✓	✓				✓	✓		

**HONDA ACCORD VIII (CL)**

02/03→



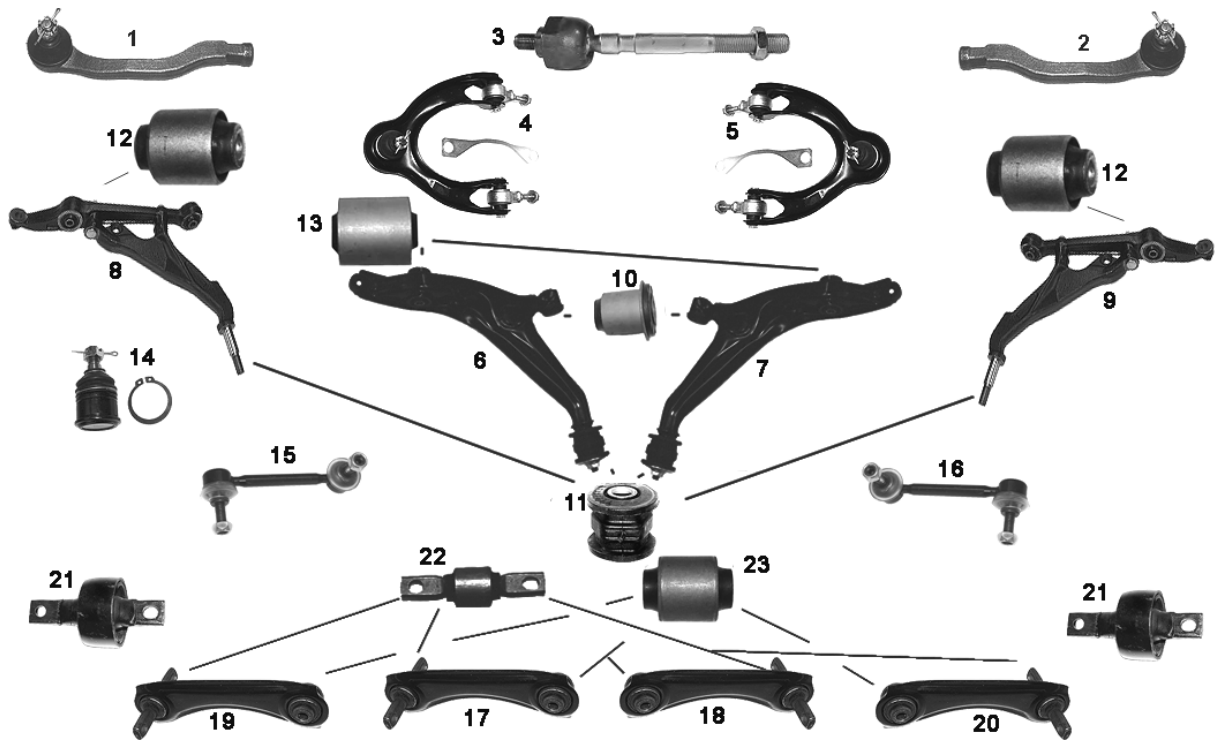
NR	MAPCO	REF			←	→	↑	↓			NEW	INFO
1	51500	51460-SDA-A01	✓		✓		✓		✓	✓		
2	51501	51450-SDA-A01	✓			✓	✓		✓	✓		

HONDA CIVIC II											10/83→10/87	
NR	MAPCO	REF			←	→	↑	↓			NEW	INFO
1	59330	51361-SB2-013	✓		✓			✓	✓	✓		
2	59331	51351-SB2-013	✓			✓		✓	✓	✓		
3	59319	53540-611-020	✓		✓	✓			✓	✓		M12x1,25 RHT

HONDA CIVIC III (ED)											10/87→1991	
NR	MAPCO	REF			←	→	↑	↓			NEW	INFO
1	19500	53560-SH3-013	✓		✓				✓	✓		M14x1,5RHT
2	19501	53540-SH3-013	✓			✓			✓	✓		M14x1,5RHT
3	19502	53521-SH3-003	✓		✓	✓			✓	✓		M14x1,5 / M12x1,5
4	19503	51220-SH3-003	✓		✓	✓		✓	✓	✓		M12X1,25
5	49511	51460-SH3-023	✓		✓		✓		✓	✓		
6	49512	51450-SH3-023	✓			✓	✓		✓	✓		
8	33521	51810-SH3-004	✓		✓	✓		✓	✓	✓		
9	33221	51810-SV4-003	✓		✓	✓		✓	✓	✓		
10	59506	51365-SH3-020	✓		✓			✓	✓	✓		
11	59507	51355-SH3-020	✓			✓		✓	✓	✓		
12	49517	90112-SE0-000	✓		✓	✓			✓	✓		

HONDA CIVIC IV (EG,EH,EJ) 1.3 - 1.5Lsi - 1.5VEi  
 HONDA CIVIC IV (EG,EH,EJ) 1.6 Esi - 1.6VTi

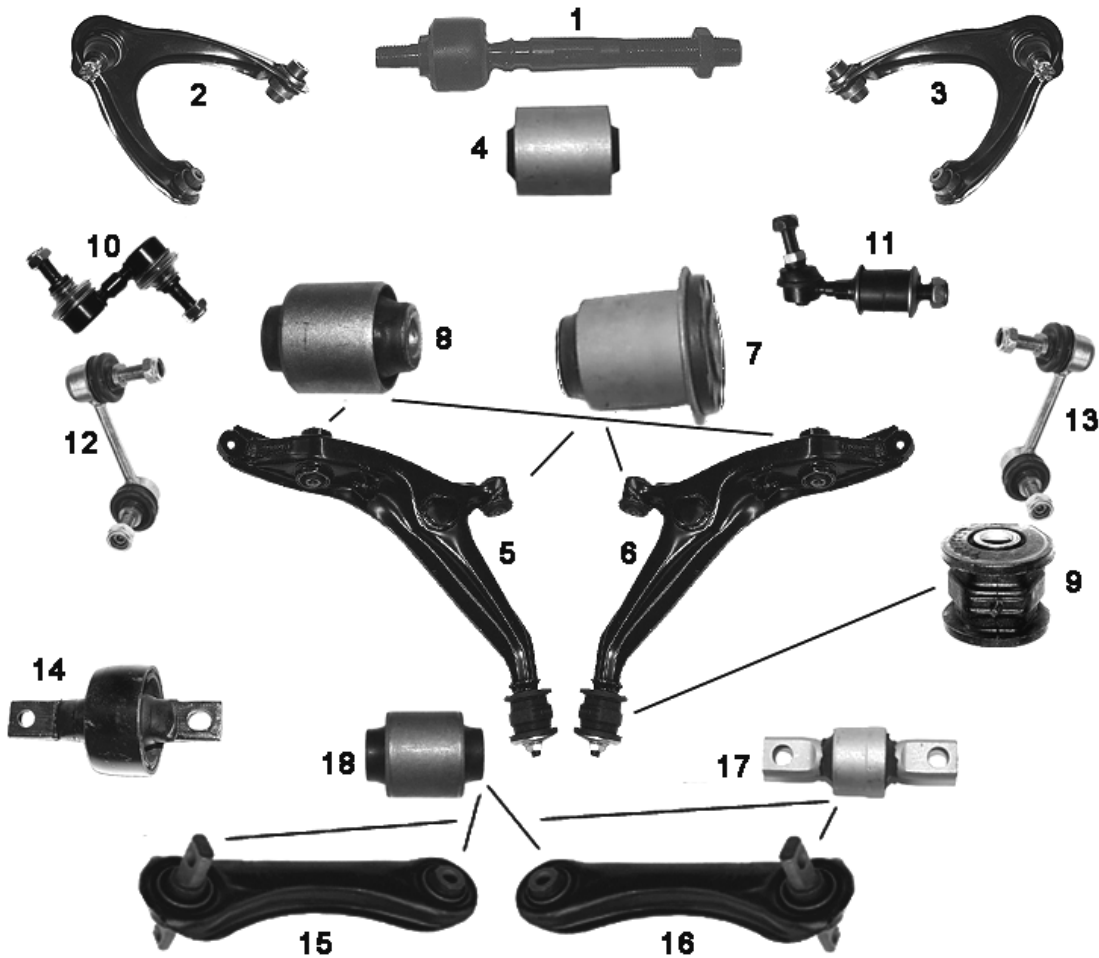
10/91→11/95



NR	MAPCO	REF			←	→	↑	↓			NEW	INFO
1	19508	53560-SR3-003	✓		✓				✓	✓		M14x1,5RHT
2	19509	53540-SR3-003	✓			✓			✓	✓		M14x1,5RHT
3	59557	53010-SR3-010	✓		✓	✓			✓	✓		M14x1,5 / M12x1,5
4	49502	51460-SR3-023	✓		✓		✓		✓	✓		
5	49503	51450-SR3-023	✓			✓	✓		✓	✓		
6	49500	51360-S04-G00	✓		✓			✓	✓	✓		✓EJ 1.5i
7	49501	51350-S04-G00	✓			✓		✓	✓	✓		✓EJ 1.5i
8	49215	51360-SR3-020	✓		✓			✓	✓	✓		✓EG8,EH9,EG9
9	49216	51350-SR3-020	✓			✓		✓	✓	✓		✓EG8,EH9,EG9
10	33525	52365-SH3-014	✓		✓	✓		✓	✓	✓		✓EJ 1.5i
11	33526	51395-SR3-N02	✓		✓	✓		✓	✓	✓		✓EJ 1.5i
12	33527	51392-SR3-024	✓		✓	✓		✓	✓	✓		✓EJ 1.5i
13	33521	51810-SH3-004	✓		✓	✓			✓	✓		
14	49510	51220-S04-003	✓		✓	✓		✓	✓	✓		
15	49268HPS	52320-S10-003		✓	✓			✓	✓	✓		
16	49269HPS	52321-S10-003		✓		✓			✓	✓		
17	49262	52400-SR3-A00		✓	✓		✓		✓	✓		
18	49263	52390-SR3-A00		✓		✓	✓		✓	✓		
19	49504	52400-SR3-000		✓	✓				✓	✓		✓EJ
20	49505	52390-SR3-000		✓		✓			✓	✓		✓EJ
21	33520	52385-ST3-G01		✓	✓	✓			✓	✓		
22	33523	52393-SM4-003		✓	✓	✓			✓	✓		
23	33524	52390-SH3-000		✓	✓	✓			✓	✓		

HONDA CIVIC V (EJ9)

11/95→02/01



NR	MAPCO	REF			←	→	↑	↓			NEW	INFO
1	59512	53010-S04-000	✓		✓	✓			✓	✓		M14x1,5 / M10x1,25
2	49513	51460-S04-023	✓		✓		✓		✓	✓		✓CRX
3	49514	51450-S04-023	✓			✓	✓		✓	✓		✓CRX
4	33521	51810-SH3-004	✓		✓	✓			✓	✓		
5	49500	51360-S04-G00	✓		✓			✓	✓	✓		✓ <sub>3</sub> .drs
6	49501	51350-S04-G00	✓			✓		✓	✓	✓		✓ <sub>3</sub> .drs
7	33525	52365-SH3-014	✓		✓	✓		✓	✓	✓		
8	33527	51392-SR3-024	✓		✓	✓		✓	✓	✓		
9	33526	51396-SR3-N02	✓		✓	✓		✓	✓	✓		
10	49200HPS	51320-S04-003	✓		✓	✓			✓	✓		
11	51505	51320-ST7-003	✓		✓	✓			✓	✓		M10x1,25
12	49202	52320-S04-003		✓	✓				✓	✓		
13	49201	52230-S04-003		✓		✓			✓	✓		
14	33520	52385-ST3-G01		✓	✓	✓			✓	✓		
15	49504	52400-SR3-000		✓	✓				✓	✓		
16	49505	52390-SR3-000		✓		✓			✓	✓		
17	33523	52393-SM4-003		✓	✓	✓			✓	✓		
18	33524	52390-SH3-000		✓	✓	✓			✓	✓		



**HONDA CIVIC VI 1.7 85KW**

02/01→



NR	MAPCO	REF			←	→	↑	↓			NEW	INFO
1	59505HPS	51321-S5A-003	✓		✓				✓	✓		
2	59504HPS	51320-S5A-003	✓			✓			✓	✓		
3	33226	51391-S5A-024	✓		✓	✓		✓	✓	✓		
4	51505	51320-ST7-003	✓		✓	✓			✓	✓		M10x1,25
5	59241	52321-S5A-013		✓	✓				✓	✓		
6	59242	52320-S5A-013		✓	✓				✓	✓		

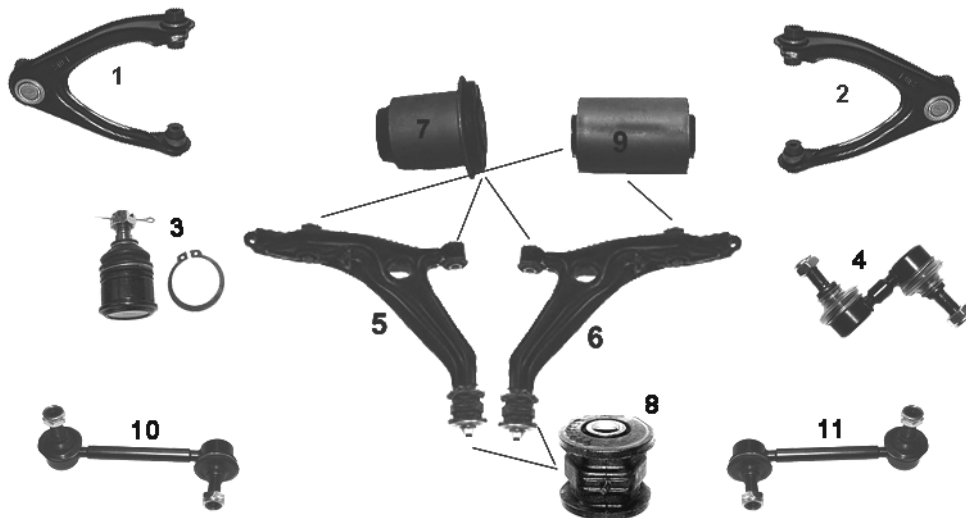
**HONDA CONCERTO 1.4-1.6i 16V**

08/89→03/95

NR	MAPCO	REF			←	→	↑	↓			NEW	INFO
1	49911	GSV1170	✓		✓	✓			✓	✓		

**HONDA CR-V I (RD)**

10/95 → 2002



NR	MAPCO	REF			←	→	↑	↓			NEW	INFO
1	49260	51460-S10-020	✓		✓		✓		✓	✓		
2	49261	51450-S10-020	✓			✓	✓		✓	✓		
3	19503	51220-SH3-003	✓		✓	✓		✓	✓	✓		M12X1,25
4	49200HPS	51320-S04-003	✓		✓	✓			✓	✓		
5	49217	51360-S10-G00	✓		✓			✓	✓	✓		
6	49218	51350-S10-G00	✓			✓		✓	✓	✓		
7	33525	52365-SH3-014	✓		✓	✓		✓	✓	✓		
8	33526	51396-SR3-N02	✓		✓	✓		✓	✓	✓		
9	33527	51392-SR3-024	✓		✓	✓		✓	✓	✓		
10	49269HPS	52321-S10-003		✓	✓				✓	✓		
11	49268HPS	52320-S10-003		✓	✓				✓	✓		

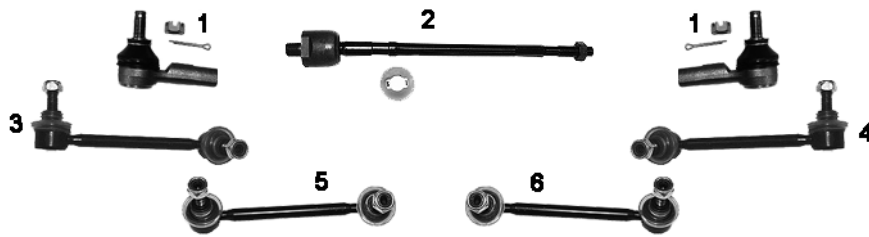
HONDA CR-V II		07/02 →										
NR	MAPCO	REF			←	→	↑	↓			NEW	INFO
1	59513	53010-S10-000	✓		✓	✓			✓	✓		
2	51541HPS	52321-S9A-003			✓	✓			✓	✓		
3	51542HPS	52320-S9A-003			✓	✓			✓	✓		

HONDA CRX I (AF, AS)		10/83 → 10/87										
NR	MAPCO	REF			←	→	↑	↓			NEW	INFO
1	59330	51361-SB2-013	✓		✓			✓	✓	✓		
2	59331	51351-SB2-013	✓			✓		✓	✓	✓		
3	59319	53540-611-020	✓		✓	✓			✓	✓		M12x1,25 RHT

HONDA CRX II (ED, EE)		1988 → 1991										
NR	MAPCO	REF			←	→	↑	↓			NEW	INFO
1	19500	53560-SH3-013	✓		✓				✓	✓		M14x1,5RHT
2	19501	53540-SH3-013	✓			✓			✓	✓		M14x1,5RHT
3	19502	53521-SH3-003	✓		✓	✓			✓	✓		M14x1,5 / M12x1,5
4	19503	51220-SH3-003	✓		✓	✓		✓	✓	✓		M12X1,25
5	49511	51460-SH3-023	✓		✓		✓		✓	✓		
6	49512	51450-SH3-023	✓			✓	✓		✓	✓		
7	59506	51365-SH3-020	✓		✓			✓	✓	✓		
8	59507	51355-SH3-020	✓			✓		✓	✓	✓		
9	33521	51810-SH3-004	✓		✓	✓		✓	✓	✓		
10	33221	51810-SV4-003	✓		✓	✓		✓	✓	✓		
11	49517	90112-SE0-000	✓		✓	✓			✓	✓		

**HONDA HR-V (GH)**

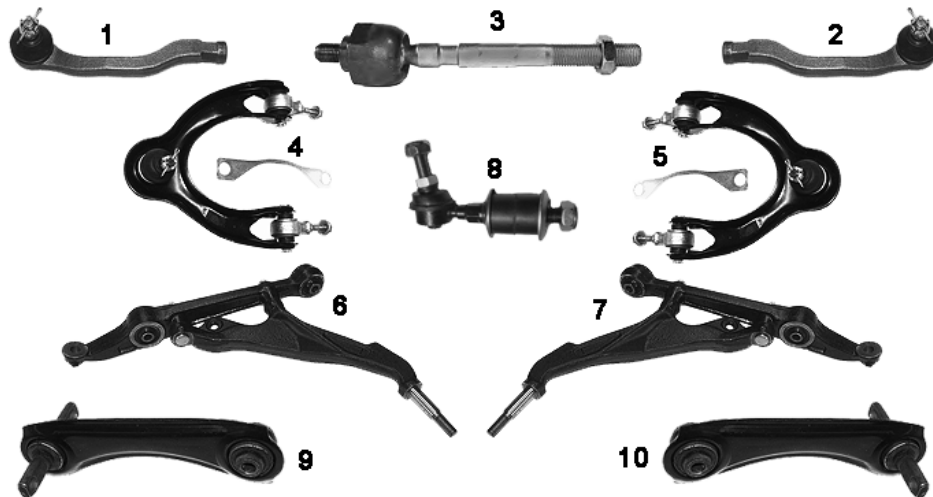
03/99→



NR	MAPCO	REF									NEW	INFO
1	59515	53450-SX8-T01	✓		✓	✓			✓	✓		
2	59558	53010-S2H-J01	✓		✓	✓			✓	✓		
3	59244	51321-S2H-003	✓		✓				✓	✓		
4	59243	51320-S2H-003	✓			✓			✓	✓		
5	51507HPS	52321-S2H-003			✓	✓			✓	✓	✓	
6	51508HPS	52320-S2H-003			✓				✓	✓	✓	

**HONDA INTEGRA (DC2)**

11/97→ 10/01



NR	MAPCO	REF									NEW	INFO
1	19508	53560-SR3-003	✓		✓				✓	✓		M14x1,5RHT
2	19509	53540-SR3-003	✓			✓			✓	✓		M14x1,5RHT
3	59557	53010-SR3-010	✓		✓	✓			✓	✓		M14x1,5 / M12x1,5
4	49502	51460-SR3-023	✓		✓		✓		✓	✓		
5	49503	51450-SR3-023	✓			✓	✓		✓	✓		
6	49215	51360-SR3-020	✓		✓			✓	✓	✓		
7	49216	51350-SR3-020	✓			✓		✓	✓	✓		
8	51505	51320-ST7-003	✓		✓	✓			✓	✓		M10x1,25
9	49504	52400-SR3-000			✓	✓			✓	✓		
10	49505	52390-SR3-000			✓				✓	✓		

HONDA JAZZ										03/02→		
NR	MAPCO	REF			←	→	↑	↓			NEW	INFO
1	51502	51360-SAA-E01	✓		✓			✓	✓	✓		
2	51503	51350-SAA-E01	✓			✓		✓	✓	✓		

HONDA LEGEND I										01/88→12/90		
NR	MAPCO	REF			←	→	↑	↓			NEW	INFO
1	59247	53521-SD4-023	✓		✓	✓			✓	✓		M12x1,25 RHT, 125 mm
2	59333	51220-SD4-004	✓		✓	✓		✓	✓	✓		18mm
3	59371	53440-SD4-003	✓		✓				✓	✓		M12x1,25 RHT Konus 14,0 mm
4	59372	53540-SD4-003	✓			✓			✓	✓		M12x1,25 RHT Konus 14,0 mm
5	51506	52306-SE0-A00		✓	✓	✓			✓	✓		

HONDA LEGEND II										01/91→02/96		
NR	MAPCO	REF			←	→	↑	↓			NEW	INFO
1	59314	53560-SP0-023	✓		✓				✓	✓		M14x1,5 RHT
2	59249	53540-SP0-025	✓			✓			✓	✓		M14x1,5 RHT

HONDA LEGEND III (KA9)										02/96→		
NR	MAPCO	REF			←	→	↑	↓			NEW	INFO
1	59333	51220-SD4-004	✓		✓	✓		✓	✓	✓		 18mm

HONDA LOGO 1.3											03/99 → 03/02	
NR	MAPCO	REF			←	→	↑	↓			NEW	INFO
1	59515	53450-SX8-T01	✓		✓	✓				✓	✓	

HONDA PRELUDE IV (BB)											02/92 → 09/96	
NR	MAPCO	REF			←	→	↑	↓			NEW	INFO
1	59559	53010-SS0-000	✓		✓	✓				✓	✓	
2	59315	53560-SS0-004	✓		✓					✓	✓	
3	59311	53540-SS0-004	✓			✓				✓	✓	

HONDA PRELUDE V (BB) 2.0 16V+2.2 16V											10/96 → 10/00	
NR	MAPCO	REF			←	→	↑	↓			NEW	INFO
1	59245	52320-S30-003			✓	✓	✓			✓	✓	

HONDA SHUTTLE (RA)											10/94 → 05/01	
NR	MAPCO	REF			←	→	↑	↓			NEW	INFO
1	59313	53560-SV4-013	✓		✓					✓	✓	
2	59312	53540-SV4-013	✓			✓				✓	✓	
3	51506	52306-SE0-A00			✓	✓	✓			✓	✓	✓

# HYUNDAI

## HYUNDAI ACCENT (X-3)

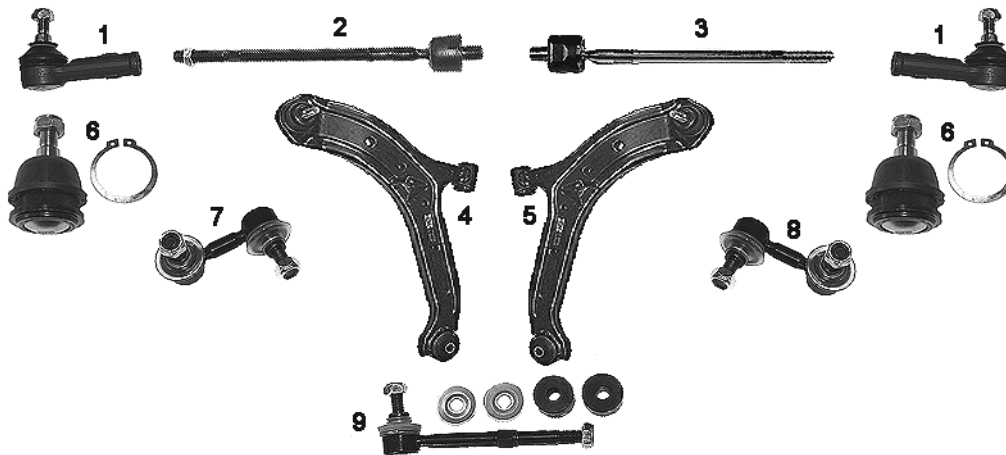
10/94→01/01



NR	MAPCO	REF			←	→	↑	↓			NEW	INFO
1	49255	54503-22A00	✓		✓	✓			✓	✓		
2	59574	56540-24001	✓		✓	✓				✓		
3	59570	57730-28500	✓		✓	✓			✓			321mm
4	19512	56820-28500	✓		✓	✓			✓	✓		M14x1,5RHT
5	59292	54500-22200	✓		✓				✓	✓		
6	59291	54501-22200	✓			✓			✓	✓		

## HYUNDAI ACCENT (LC)

01/01→



NR	MAPCO	REF			←	→	↑	↓			NEW	INFO
1	59586	56820-25000	✓		✓	✓			✓	✓		
2	59571	57755-25000	✓		✓	✓			✓			
3	59572	56540-25000	✓		✓	✓				✓		
4	59376	54500-25000	✓		✓				✓	✓		
5	59377	54501-25000	✓			✓			✓	✓		
6	49255	54503-22A00	✓		✓	✓			✓	✓		
7	49250HPS	54830-25010	✓		✓				✓	✓		
8	49251HPS	54830-25020	✓			✓			✓	✓		
9	49252	55830-25000		✓	✓	✓			✓	✓		

**HYUNDAI AMICA**

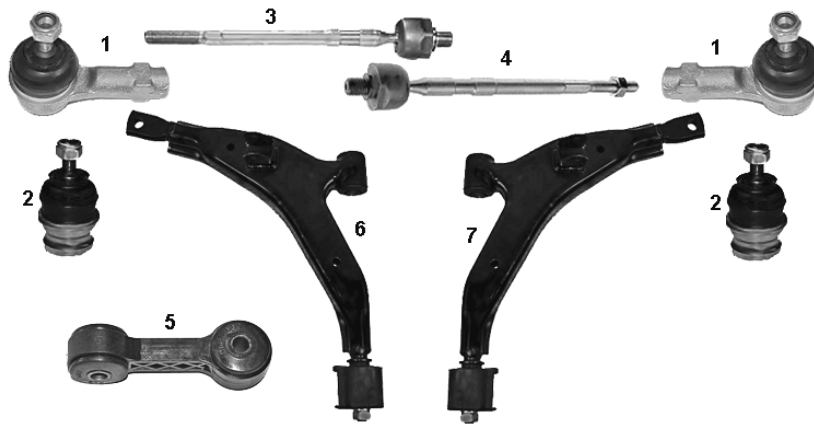
2000 →



NR	MAPCO	REF			←	→	↑	↓			NEW	INFO
1	19540	56820-28000	✓		✓	✓			✓	✓		M12x1,25 RHT
2	59580	54530-02050	✓		✓	✓			✓	✓		

**HYUNDAI ATOS**

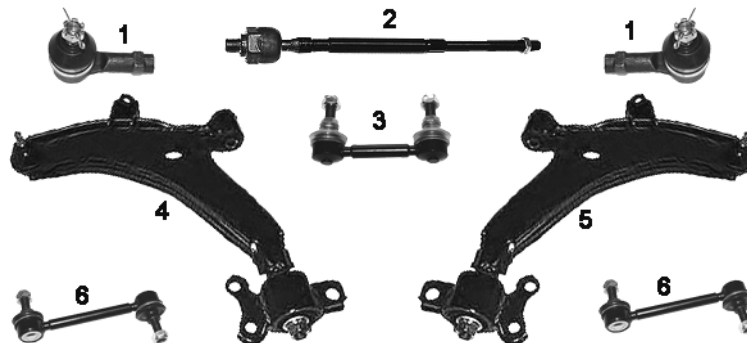
02/98 →



NR	MAPCO	REF			←	→	↑	↓			NEW	INFO
1	59203	56820-02500	✓		✓	✓			✓	✓		M13x1,5RHT
2	59580	54530-02050	✓		✓	✓			✓	✓		
3	59719	56540-02000	✓		✓	✓				✓		
4	59553	57755-02000	✓		✓	✓			✓	✓		
5	51209	54820-02000	✓		✓	✓			✓	✓		
6	51211	54500-02051	✓		✓	✓			✓	✓		
7	51212	54501-02052	✓			✓			✓	✓		

**HYUNDAI COUPE (RD)**

06/96→04/02



NR	MAPCO	REF			←	→	↑	↓			NEW	INFO
1	19540	56820-28000	✓		✓	✓			✓	✓		
2	59573	57730-29001	✓		✓	✓			✓	✓		
3	19543HPS	54830-28000	✓		✓				✓	✓		
4	51234	54500-29500	✓		✓				✓	✓	✓	
5	51235	54501-29500	✓		✓				✓	✓	✓	
6	49254HPS	55530-29000		✓	✓	✓			✓	✓		

HYUNDAI COUPE (GK)		03/02→										
NR	MAPCO	REF			←	→	↑	↓			NEW	INFO
1	59365	54830-2C000	✓		✓				✓	✓		
2	59366	54840-2C000	✓			✓			✓	✓		
3	51234	54500-29500	✓		✓				✓	✓	✓	
4	51235	54501-29500	✓			✓			✓	✓	✓	

HYUNDAI ELANTRA (XD)		06/00→										
NR	MAPCO	REF			←	→	↑	↓			NEW	INFO
1	59554	57724-2D000	✓		✓				✓	✓		
2	51220	54500-2D000	✓		✓				✓	✓	✓	
3	51221	54501-2D000	✓			✓			✓	✓	✓	

HYUNDAI GETZ (TB)		09/02→										
NR	MAPCO	REF			←	→	↑	↓			NEW	INFO
1	59351HPS	54830-1C000	✓		✓				✓	✓	✓	L: 200,0 mm M10x1,25
2	59355HPS	54840-1C000	✓			✓			✓	✓	✓	L: 200,0 mm M10x1,25
3	59378	54500-1C000	✓		✓				✓	✓		
4	59379	54501-1C010	✓			✓			✓	✓		
5	33572		✓		✓	✓			✓	✓		
6	33573		✓		✓	✓			✓	✓		



**HYUNDAI H-1 Travel**

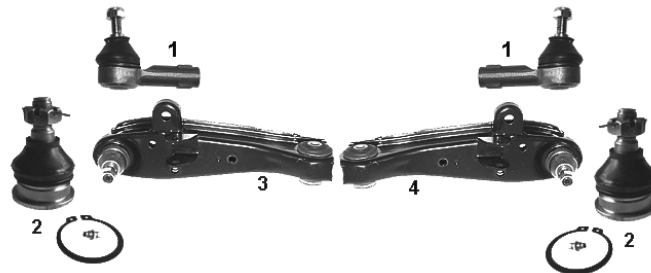
05/08→



NR	MAPCO	REF			←	→	↑	↓			NEW	INFO
1	51222	56820 4H000	✓		✓				✓	✓	✓	
2	51223	56820 4H100	✓			✓			✓	✓	✓	
3	51228	54530 3J000	✓		✓	✓		✓	✓	✓	✓	

**HYUNDAI H 100**

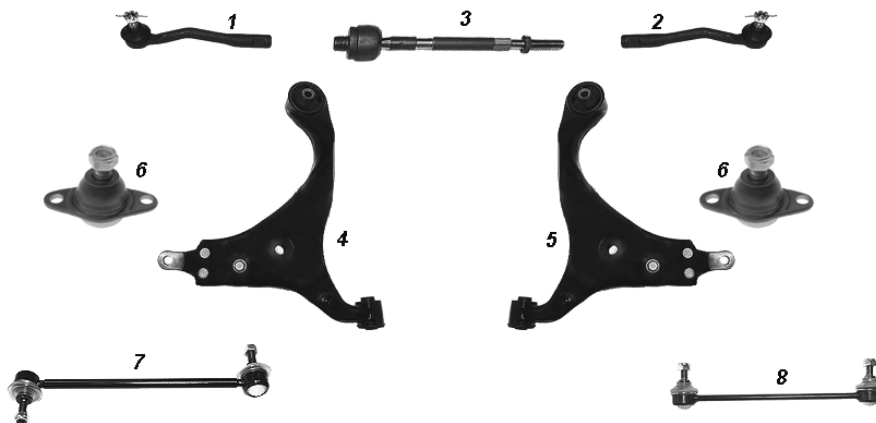
1993→03/00



NR	MAPCO	REF			←	→	↑	↓			NEW	INFO
1	19510	56820-21110	✓		✓	✓			✓	✓		M14x1,5 RHT
2	19551	54524-43301	✓		✓	✓		✓	✓	✓		
3	49940	54510-43152	✓		✓			✓	✓	✓		
4	49941	54540-43150	✓			✓		✓	✓	✓		

**HYUNDAI i30 , i30CW Kombi**

10/07→



NR	MAPCO	REF			←	→	↑	↓			NEW	INFO
1	51236	56820-2H000	✓		✓				✓	✓	✓	
2	51237	56820-2H090	✓			✓			✓	✓	✓	
3	51238	56540-2H000	✓		✓	✓			✓	✓	✓	
4	51232	54500-2H000	✓		✓				✓	✓	✓	
5	51233	54501-2H000	✓			✓			✓	✓	✓	
6	51239	51760-2G000	✓		✓	✓		✓	✓	✓	✓	
7	51241	54830-2H000	✓		✓	✓			✓	✓	✓	243,0 mm
8	51242	55530-1H000		✓	✓	✓			✓	✓	✓	170,0 mm

HYUNDAI LANTRA I (J-1)		10/90→11/95										
NR	MAPCO	REF			←	→	↑	↓			NEW	INFO
1	19540	56820-28000	✓		✓	✓			✓			→ 04/92 M12x1,25RHT
2	19512	56820-28500	✓		✓	✓			✓	✓		05/92→ M14x1,5RHT
3	59339	57730-28000	✓		✓	✓			✓			→04/92 M12x1,25RHT 301mm
4	59336	56540-28020	✓		✓	✓			✓			05/92→ M14x1,5RHT 317mm
5	19513	54530-28A00	✓		✓	✓			✓	✓		M12x1,25RHT
6	19543HPS	54830-37020	✓		✓	✓			✓	✓		1.5i
7	59204	54830-37010	✓		✓	✓			✓	✓		✓1.5 i.e. , 1.6 i.e. 16V

HYUNDAI LANTRA II (J-2)		11/95→09/00										
NR	MAPCO	REF			←	→	↑	↓			NEW	INFO
1	49256	56820-36000	✓		✓	✓			✓	✓		
2	59202	56850-28520	✓		✓	✓			✓	✓		✓
3	59573	57730-29001	✓		✓	✓			✓	✓		300mm
4	59336	56540-28020	✓		✓	✓			✓			M14x1,5RHT 317mm
5	51234	54500-29500	✓		✓				✓	✓	✓	
6	51235	54501-29500	✓			✓			✓	✓	✓	
7	49253	54830-29000	✓		✓	✓			✓	✓		
8	49254HPS	55530-29000		✓	✓	✓			✓	✓		

**HYUNDAI MATRIX (FC)**

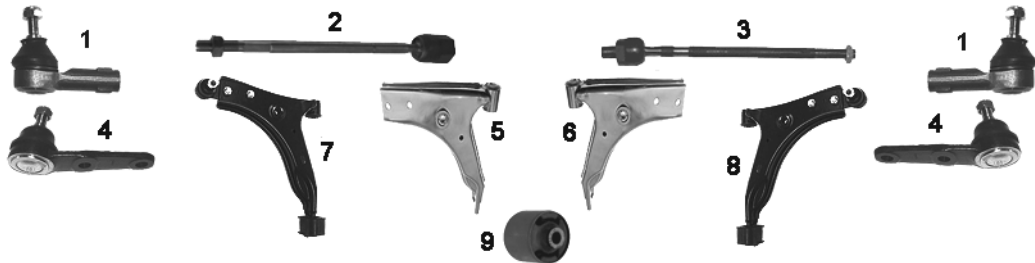
06/01→



NR	MAPCO	REF			←	→	↑	↓			NEW	INFO
1	51218	54500-17000	✓		✓			✓	✓	✓		
2	51219	54501-17000	✓			✓		✓	✓	✓		
3	49250HPS	54830-25010	✓		✓				✓	✓		
4	49251HPS	54830-25020	✓			✓			✓	✓		

**HYUNDAI PONY - EXCEL**

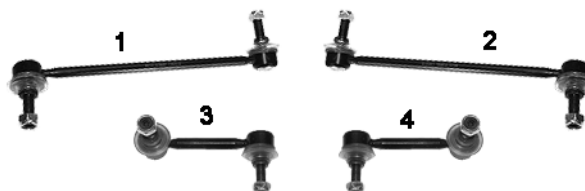
1990→1994



NR	MAPCO	REF			←	→	↑	↓			NEW	INFO
1	19510	56820-21110	✓		✓	✓			✓	✓		M14x1,5 RHT
2	59575	57730-24100	✓		✓	✓			✓			TRW 305mm
3	19515	57730-24000	✓		✓	✓			✓			05/92→05/93
4	19511	54530-24A00	✓		✓	✓			✓	✓		
5	59576	54502-24001	✓		✓				✓	✓		
6	59577	54503-24001	✓			✓			✓	✓		
7	59576/1	54502-24001	✓		✓				✓	✓		
8	59577/1	54503-24001	✓			✓			✓	✓		
9	33510	55541-28310		✓	✓	✓			✓	✓		

**HYUNDAI SANTA-FE (SM)**

02/01→



NR	MAPCO	REF			←	→	↑	↓			NEW	INFO
1	51205HPS	54830-26000	✓		✓				✓	✓		
2	51206HPS	54840-26000	✓			✓			✓	✓		
3	51208	55530-26600		✓	✓				✓	✓		
4	51207	55540-26600		✓		✓			✓	✓		

HYUNDAI SANTA-FE (CM)										03/06→		
NR	MAPCO	REF			←	→	↑	↓			NEW	INFO
1	51226	54830-2B000	✓		✓				✓	✓	✓	
2	51227	54840-2B000	✓			✓			✓	✓	✓	

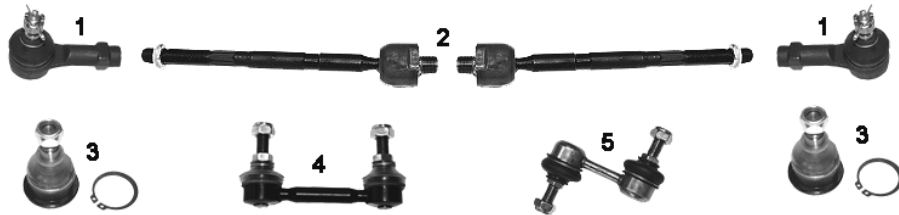
HYUNDAI SANTAMO										05/99→		
NR	MAPCO	REF			←	→	↑	↓			NEW	INFO
1	51201	54830-M2000	✓		✓				✓	✓		
2	51202	54840-M2000	✓			✓			✓	✓		

HYUNDAI S-COUPÉ										07/91→05/96		
NR	MAPCO	REF			←	→	↑	↓			NEW	INFO
1	59574	56540-24001	✓		✓	✓				✓		
2	59571	57755-25000	✓		✓	✓			✓			
3	19510	56820-21110	✓		✓	✓			✓	✓		M14x1,5 RHT
4	19511	54530-24A00	✓		✓	✓			✓	✓		
5	59576	54502-24001	✓		✓				✓	✓		
6	59577	54503-24001	✓			✓			✓	✓		
7	59576/1	54502-24001	✓		✓				✓	✓	✓	
8	59577/1	54503-24001	✓			✓			✓	✓	✓	

HYUNDAI SONATA I (Y-2)										01/91→10/93		
NR	MAPCO	REF			←	→	↑	↓			NEW	INFO
1	49255	54503-22A00	✓		✓	✓			✓	✓		
2	49256	56820-36000	✓		✓	✓			✓	✓		
3	59552HPS	54830-36101		✓	✓	✓			✓	✓		

**HYUNDAI SONATA II (Y-3)**

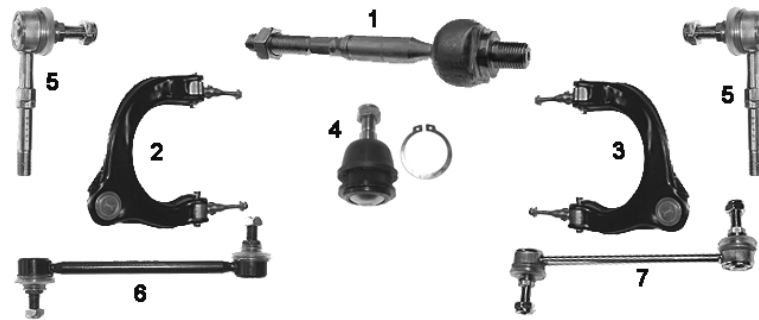
05/93→ 06/98



NR	MAPCO	REF			←	→	↑	↓			NEW	INFO
1	49256	56820-36000	✓		✓	✓			✓			
2	59555	57716-34000	✓		✓	✓			✓	✓		M14x1,5 RHT
3	59585	54503-34A00	✓		✓	✓			✓	✓		
4	59551	54830-34000	✓		✓	✓			✓	✓		
5	59581	55580-37020		✓	✓	✓			✓	✓		

**HYUNDAI SONATA III (EF)**

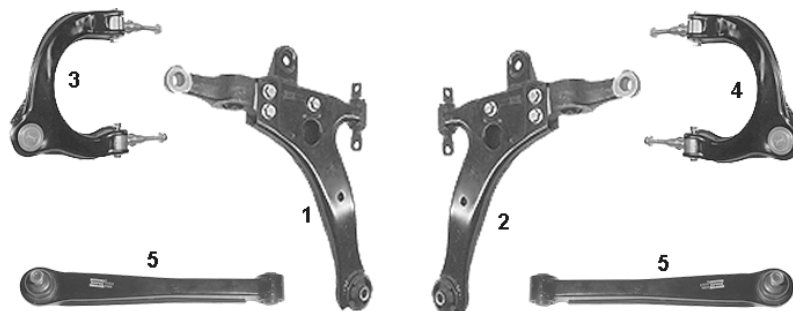
06/98→10/01



NR	MAPCO	REF			←	→	↑	↓			NEW	INFO
1	59556	57724-38000	✓		✓	✓			✓			1999→ M14x1,5RHT
2	59382	54410-38000	✓		✓		✓		✓	✓		
3	59383	54420-38000	✓			✓	✓		✓	✓		
4	49255	54503-22A00	✓		✓	✓		✓	✓	✓		
5	59583	54830-38100	✓		✓	✓			✓	✓		1999→
6	59582HPS	55530-38000		✓	✓	✓			✓	✓		1998→99
7	59584	55530-38600		✓	✓	✓			✓	✓		1999→

**HYUNDAI SONATA IV**

10/01→





NR	MAPCO	REF			←	→	↑	↓			NEW	INFO
1	59384	54500-38011	✓		✓			✓	✓	✓		
2	59385	54501-38011	✓			✓		✓	✓	✓		
3	59382	54410-38000	✓		✓		✓		✓	✓		
4	59383	54420-38000	✓			✓	✓		✓	✓		
5	51215	55210-38000		✓	✓	✓			✓	✓		



HYUNDAI SONATA V (NF)											01/05 →	
NR	MAPCO	REF			←	→	↑	↓			NEW	INFO
1	51224	54500-3K000	✓		✓			✓	✓	✓	✓	LEA
2	51225	54501-3K000	✓			✓		✓	✓	✓	✓	LEA

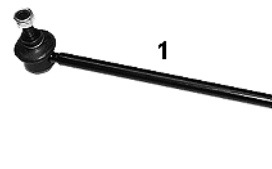
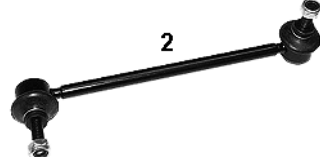
HYUNDAI STAREX HYUNDAI H-1											06/97 → 10/97 →	
NR	MAPCO	REF			←	→	↑	↓			NEW	INFO
1	59205	56872-43010	✓		✓	✓			✓	✓		10/97 →
2	59578	54830-4A002	✓		✓	✓			✓	✓		
3	59579HPS	55530-4A000		✓	✓	✓			✓	✓		
4	59327	54417-4AA00	✓		✓	✓	✓		✓	✓		
5	59329	54530-4AA00	✓		✓	✓		✓	✓	✓		
6	59386	54400-4A000	✓		✓		✓		✓	✓		
7	59387	54401-4A000	✓			✓	✓		✓	✓		
8	51210	57729-4A000	✓		✓	✓			✓	✓		M14x1,5 292 mm
9	51216	54500-4A000	✓		✓			✓	✓	✓		
10	51217	54501-4A000	✓			✓		✓	✓	✓		
11	59545HPS	MR 267875		✓	✓	✓			✓	✓		


HYUNDAI TRAJET (FO)											04/01 →	
NR	MAPCO	REF			←	→	↑	↓			NEW	INFO
1	51203	54830-3A000	✓		✓				✓	✓		
2	51204	54840-3A000	✓			✓			✓	✓		

HYUNDAI XG										12/98→		
NR	MAPCO	REF			←	→	↑	↓			NEW	INFO
1	59556	57724-38000	✓		✓	✓			✓	✓		M14x1,5RHT  1

ISUZU												
ISUZU CAMPO (KB)										01/83→12/90		
NR	MAPCO	REF			←	→	↑	↓			NEW	INFO
1	49616	8-94459-464-1	✓		✓	✓		✓	✓	✓		 1

ISUZU TROOPER (UBS)										03/84→12/91		
 1  2												
NR	MAPCO	REF			←	→	↑	↓			NEW	INFO
1	59290	89422-45503	✓		✓	✓	✓		✓	✓		
2	49616	8-94459-464-1	✓		✓	✓		✓	✓	✓		

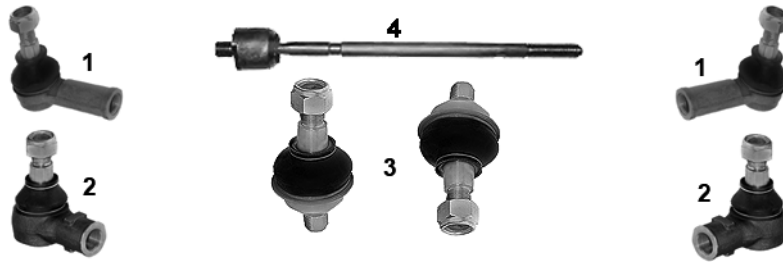
ISUZU TROOPER (_B_)										08/91 →		
 1  2												
NR	MAPCO	REF			←	→	↑	↓			NEW	INFO
1	19811HPS	8-97018-228-2	✓		✓				✓	✓		
2	59849	8-97018-227-2	✓			✓			✓	✓		

ISUZU TROOPER										04/00 →		
NR	MAPCO	REF			←	→	↑	↓			NEW	INFO
1	51594HPS	8-97018-125-2			✓	✓	✓		✓	✓	✓	 1

# IVECO

## IVECO DAILY I

01/78→04/99



NR	MAPCO	REF			←	→	↑	↓			NEW	INFO
1	19406	93800662	✓		✓	✓			✓	✓		∅ 16mm / M16x1,5RHT
2	19407	93802209	✓		✓	✓			✓	✓		∅ 21mm / M20x1,5RHT
3	19408	93802242	✓		✓	✓	✓	✓	✓	✓		∅ 21,5 mm
4	19404	998 3325	✓		✓	✓			✓	✓		330,0mm

## IVECO DAYLY II

05/99→



NR	MAPCO	REF			←	→	↑	↓			NEW	INFO
1	19423	4253 4911	✓		✓	✓			✓	✓	✓	
2	19404	998 3325	✓		✓	✓			✓	✓		330,0mm
3	19424	299 2593	✓		✓	✓			✓	✓	✓	325,0mm

## IVECO DAYLY CITY

01/00→



NR	MAPCO	REF			←	→	↑	↓			NEW	INFO
1	59025	4253 2977	✓		✓	✓			✓	✓	✓	

# JAGUAR

## JAGUAR XJ SERIE III JAGUAR XJ SERIE 40

→1988

→1997

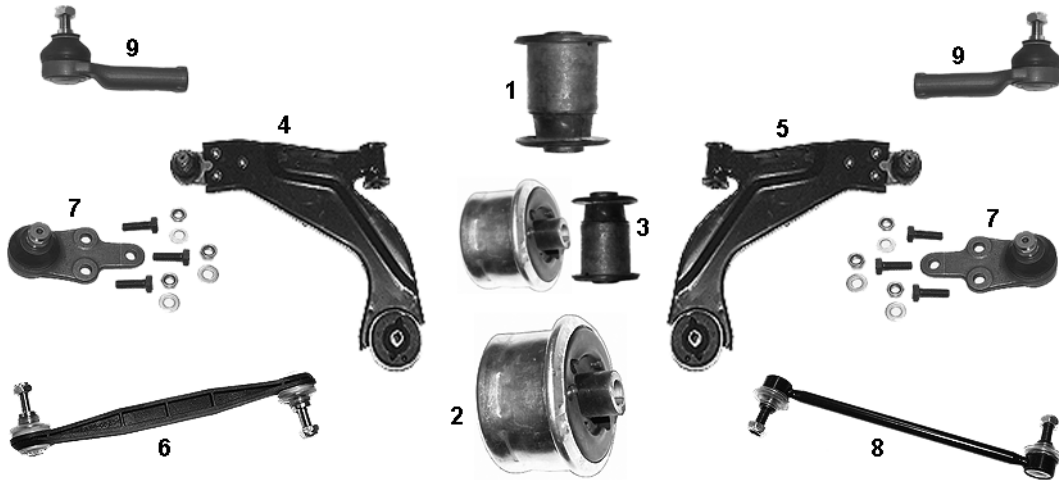


NR	MAPCO	REF			←	→	↑	↓			NEW	INFO
1	49648	CAC 9938	✓		✓	✓	✓		✓	✓		
2	49649	CAC 9937	✓		✓	✓		✓	✓	✓		



**JAGUAR X-TYPE (CF1)  
JAGUAR X-TYPE ESTATE**

06/01→  
02/04→



NR	MAPCO	REF			←	→	↑	↓			NEW	INFO
1	33646	1118476	✓		✓	✓			✓	✓		
2	33647	1311416	✓		✓	✓			✓	✓		
3	33646/7		✓		✓	✓			✓	✓		
4	59644	C2S 39662	✓		✓				✓	✓		
5	59645	C2S 39661	✓			✓			✓	✓		
6	19777	C2S 26883	✓		✓	✓			✓	✓		250,0 mm Plastik
7	59673	C2S 396612	✓		✓	✓		✓	✓	✓		
8	19773HPS	C2S 3248	✓		✓	✓			✓	✓		250,0 mm Stahl/steel
9	59672	CS2 47357	✓		✓	✓			✓	✓		M16x1,5

# JEEP

**JEEP CHEROKEE (XJ)**

10/84→



NR	MAPCO	REF			←	→	↑	↓			NEW	INFO
1	49932	52087710	✓		✓	✓	✓		✓	✓		
2	49933	52088312	✓		✓	✓		✓	✓	✓		

JEEP GRAND CHEROKEE I (Z)											09/91→04/99	
NR	MAPCO	REF			←	→	↑	↓			NEW	INFO
1	49932	52087710	✓		✓	✓	✓		✓	✓		
2	49933	52088312	✓		✓	✓		✓	✓	✓		
3	49934	52088520			✓	✓	✓	✓		✓	✓	
4	49935	52088521			✓	✓	✓		✓	✓	✓	

JEEP WRANGLER II (TJ)											08/96→	
NR	MAPCO	REF			←	→	↑	↓			NEW	INFO
1	49934	52088520			✓	✓	✓	✓		✓	✓	

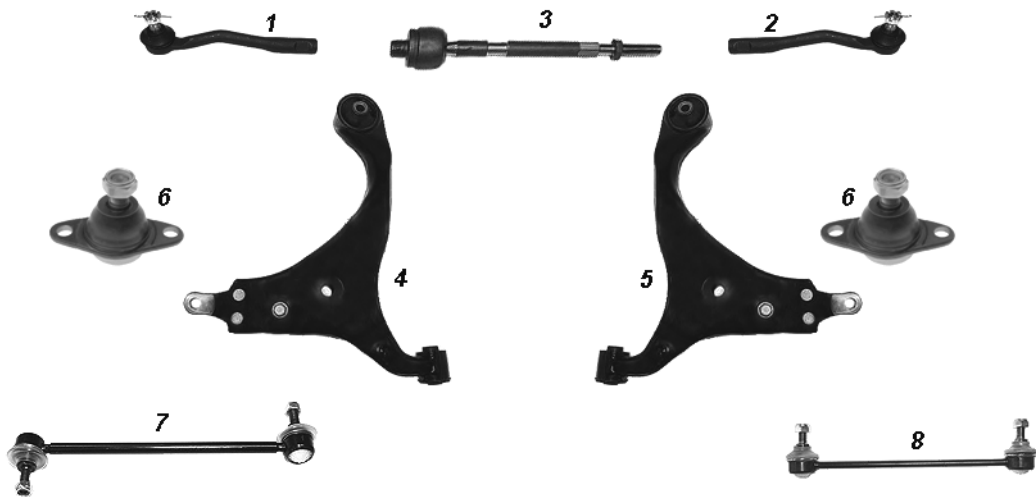
## KIA

KIA CARNIVAL (UP)											08/99→10/01	
NR	MAPCO	REF			←	→	↑	↓			NEW	INFO
1	51230	0K552-34-160B	✓		✓	✓			✓	✓	✓	

KIA CARNIVAL II											10/01→	
NR	MAPCO	REF			←	→	↑	↓			NEW	INFO
1	51230	0K552-34-160B	✓		✓	✓			✓	✓	✓	

**KIA CEE'D**

09/07→



NR	MAPCO	REF			←	→	↑	↓			NEW	INFO
1	51236	56820-2H000	✓		✓				✓	✓	✓	
2	51237	56820-2H090	✓			✓			✓	✓	✓	
3	51238	56540-2H000	✓		✓	✓			✓	✓	✓	
4	51232	54500-2H000	✓		✓				✓	✓	✓	
5	51233	54501-2H000	✓			✓			✓	✓	✓	
6	51239	51760-2G000	✓		✓	✓		✓	✓	✓	✓	
7	51241	54830-2H000	✓		✓	✓			✓	✓	✓	243,0 mm
8	51242	55530-1H000		✓	✓	✓			✓	✓	✓	170,0 mm

**KIA CLARUS (K9A)**

07/96→



NR	MAPCO	REF			←	→	↑	↓			NEW	INFO
1	59342	0K9A2-32-280	✓		✓	✓			✓	✓		
2	59590	KGA2A-34-170A	✓		✓				✓	✓		
3	59591	KGA2A-34-150A	✓			✓			✓	✓		
4	51231	KGA2C-28-170A		✓	✓	✓			✓	✓		88,0 mm

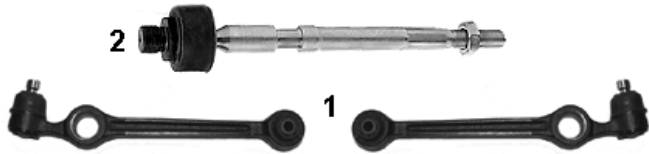
**KIA JOICE 2.0**

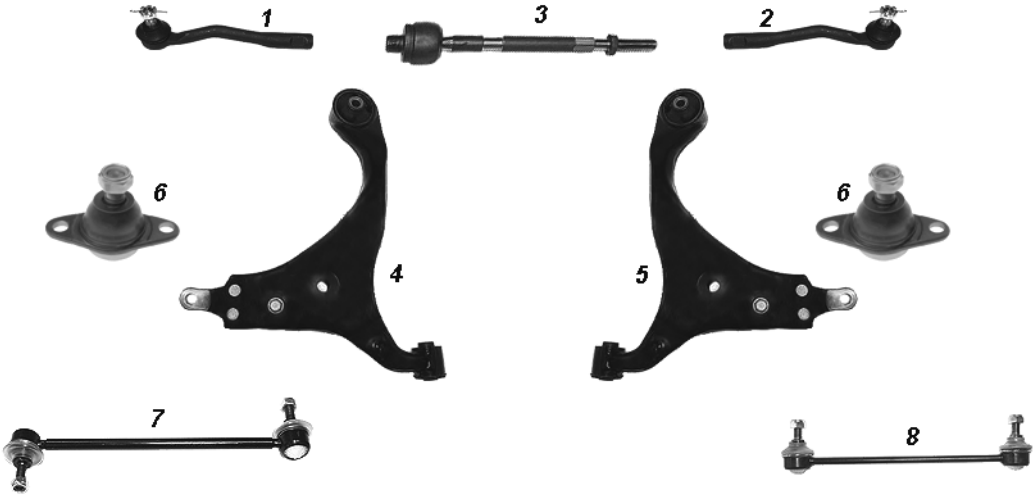
02/00→



NR	MAPCO	REF			←	→	↑	↓			NEW	INFO
1	51201	54830-M2000	✓		✓				✓	✓		
2	51202	54840-M2000	✓			✓			✓	✓		

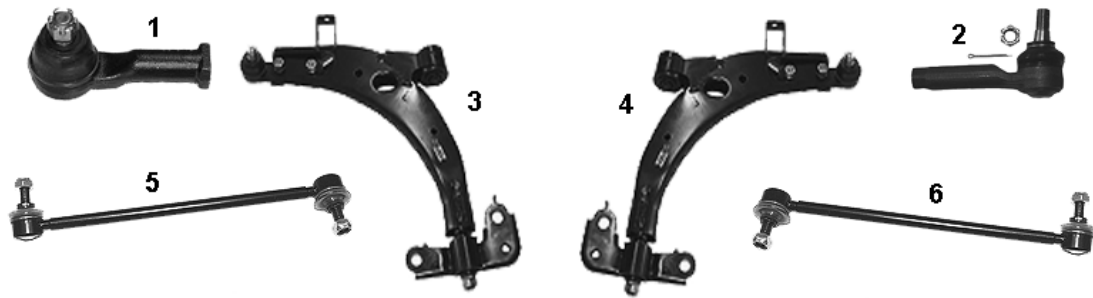
KIA MAGENTIS (GD)										05/01→		
												
NR	MAPCO	REF			←	→	↑	↓			NEW	INFO
1	51215	55210-38000	✓		✓	✓			✓	✓		

KIA PRIDE (DA)										01/90→		
												
NR	MAPCO	REF			←	→	↑	↓			NEW	INFO
1	51531	KKY01-34-390A	✓		✓		✓		✓	✓		
2	51533	KK150-32-240	✓		✓	✓			✓	✓		M12x1,5RHT

KIA PRO CEE'D										02/08→		
												
NR	MAPCO	REF			←	→	↑	↓			NEW	INFO
1	51236	56820-2H000	✓		✓				✓	✓	✓	
2	51237	56820-2H090	✓			✓			✓	✓	✓	
3	51238	56540-2H000	✓		✓	✓			✓	✓	✓	
4	51232	54500-2H000	✓		✓				✓	✓	✓	
5	51233	54501-2H000	✓			✓			✓	✓	✓	
6	51239	51760-2G000	✓		✓	✓		✓	✓	✓	✓	
7	51241	54830-2H000	✓		✓	✓			✓	✓	✓	243,0 mm
8	51242	55530-1H000		✓	✓	✓			✓	✓	✓	170,0 mm

**KIA SEPHIA (FA)**

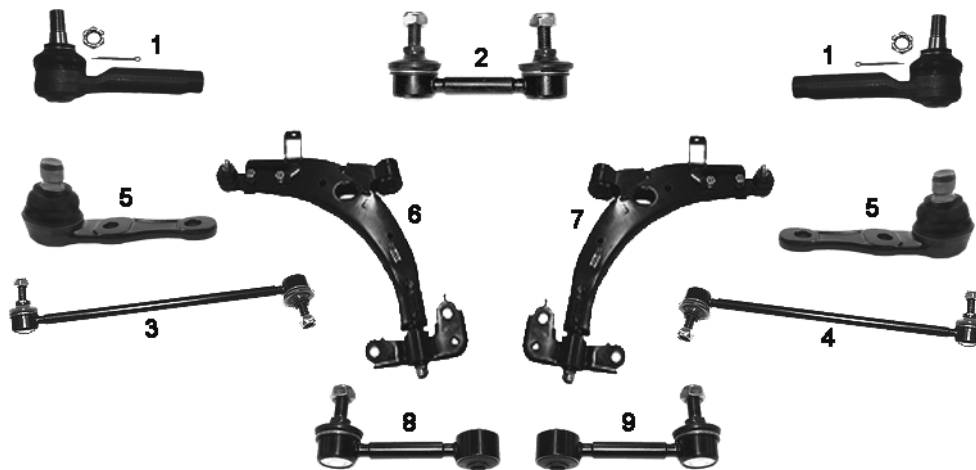
09/93→



NR	MAPCO	REF			←	→	↑	↓			NEW	INFO
1	49518	0K201-32-280	✓		✓	✓			✓	✓		→ 04/97
2	59342	0K9A2-32-280	✓		✓	✓			✓	✓		05/97→
3	51582	0K2A1-34-350B	✓		✓				✓	✓		
4	51583	0K2A1-34-300B	✓			✓			✓	✓		
5	59344HPS	0K2N1-34-170A	✓		✓				✓	✓		
6	59341HPS	0K2N1-34-150A	✓			✓			✓	✓		

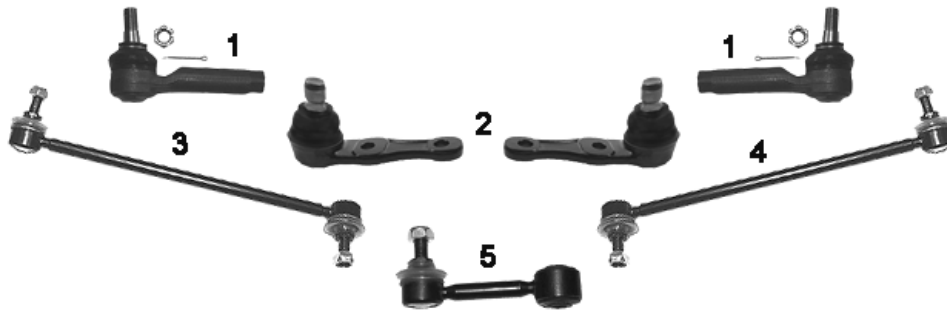
**KIA SHUMA (FB)**

10/97→12/01



NR	MAPCO	REF			←	→	↑	↓			NEW	INFO
1	59342	0K9A2-32-280	✓		✓	✓			✓	✓		
2	59589	0K2A5-34-150A	✓		✓	✓			✓	✓		80mm
3	59344HPS	0K2N1-34-170A	✓		✓				✓	✓		
4	59341HPS	0K2N1-34-150A	✓			✓			✓	✓		
5	59346	0K2A1-34-550A	✓		✓	✓		✓	✓	✓		
6	51582	0K2A1-34-350	✓		✓				✓	✓		
7	51583	0K2A1-34-300B	✓			✓			✓	✓		
8	59594HPS	0K2A1-34-150A			✓	✓	✓		✓	✓		
9	59343HPS	0K2A1-28-150B			✓	✓	✓		✓	✓		

**KIA SHUMA II (FB)** 05/01→08/04



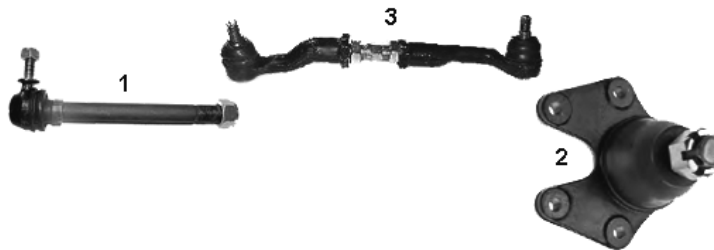
NR	MAPCO	REF			←	→	↑	↓			NEW	INFO
1	59342	0K9A2-32-280	✓		✓	✓			✓	✓		
2	59346	0K2A1-34-550A	✓		✓	✓		✓	✓	✓		
3	59344HPS	0K2N1-34-170A	✓		✓				✓	✓		
4	59341HPS	0K2N1-34-150A	✓			✓			✓	✓		
5	59343HPS	0K2A1-28-150B			✓	✓	✓		✓	✓		

**KIA SORENTO (JC)** 08/02→



NR	MAPCO	REF			←	→	↑	↓			NEW	INFO
1	51532	54810 3E000	✓		✓	✓			✓	✓		

**KIA SPORTAGE (K00)** 04/94→

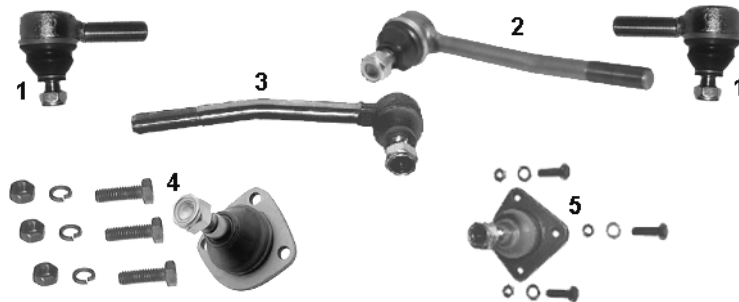


NR	MAPCO	REF			←	→	↑	↓			NEW	INFO
1	59345	0K011-34-160A	✓		✓	✓			✓	✓		
2	59337	0K011-34-510B	✓		✓	✓			✓	✓		
3	59230	0K011-32-270A	✓		✓	✓			✓	✓		

# LADA

LADA SHIGULI 1200-1300-1500-1600  
LADA VAZ 2101-1200

1972→02/93



NR	MAPCO	REF			←	→	↑	↓			NEW	INFO
1	19080	21013003057	✓		✓	✓					✓	M16x1RHT aussen/ outside
2	19082	21013003064	✓		✓	✓					✓	M16x1RHT innen/ inner
3	19081	21013003050	✓		✓	✓					✓	M16x1RHT innen/ inner
4	19085	21012904185	✓		✓	✓					✓	
5	19084	21012904063	✓		✓	✓					✓	

## LADA NIVA

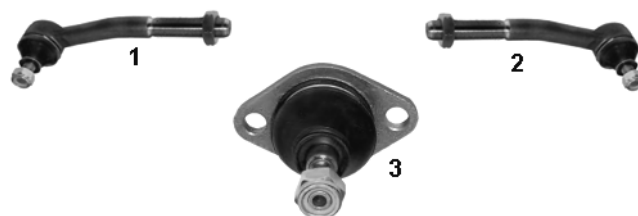
1975→



NR	MAPCO	REF			←	→	↑	↓			NEW	INFO
1	19080	21013003057	✓		✓	✓					✓	M16x1RHT aussen/ outside
2	19085	21012904185	✓		✓	✓	✓	✓			✓	

## LADA SAMARA

1985→



NR	MAPCO	REF			←	→	↑	↓			NEW	INFO
1	19090	21083414057	✓		✓						✓	M18x1,5LHT
2	19089	21083414056	✓			✓					✓	M18x1,5LHT
3	19091	21082904185	✓		✓	✓	✓				✓	

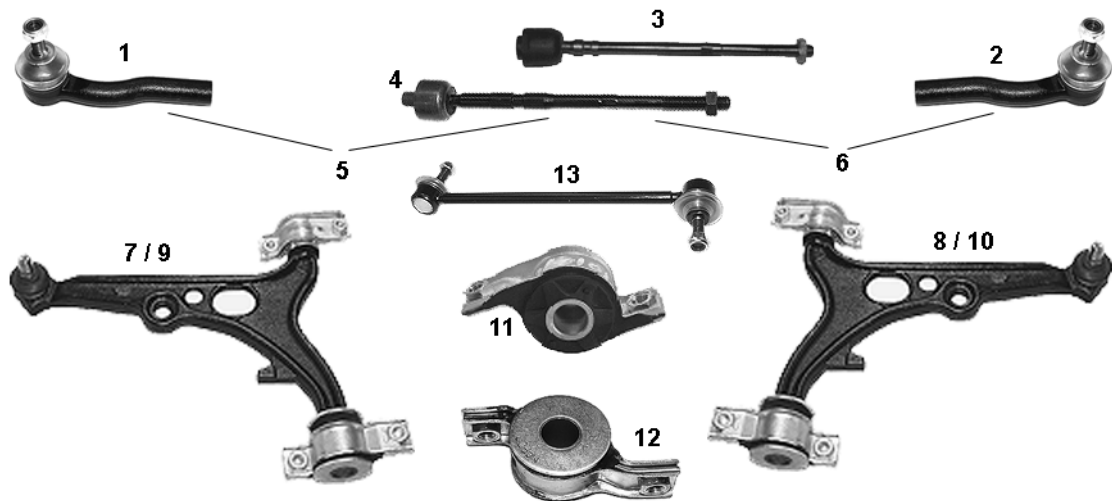
LADA 110, 111, 112										01/95→		
NR	MAPCO	REF			←	→	↑	↓			NEW	INFO
1	19092	21103414057	✓		✓				✓	✓		M18x1,5 LHT
2	19093	21103414056	✓			✓			✓	✓		M18x1,5 LHT

LANCIA												
LANCIA Y10										1985→12/95		
NR	MAPCO	REF			←	→	↑	↓			NEW	INFO
1	19047	5958246	✓		✓	✓				✓		M12x1,5RHT
2	19044	4402649	✓		✓	✓				✓		
3	19048	4403138	✓		✓	✓				✓		
4	19045	4402672	✓		✓	✓				✓		
5	19452	5960321	✓		✓	✓				✓	✓	M12x1,5RH



**LANCIA DEDRA**  
**LANCIA DELTA II (836)**

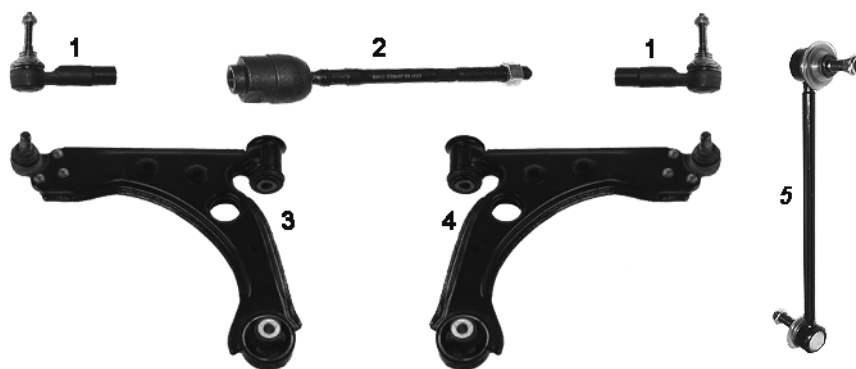
1990→07/99  
1993→08/99



NR	MAPCO	REF			←	→	↑	↓			NEW	INFO
1	19052	7591216	✓		✓				✓	✓		M12x1,5RHT
2	19053	7591215	✓			✓			✓	✓		M12x1,5RHT
3	19043	7633221	✓		✓	✓					✓	M12x1,5RHT
4	19022	9941625	✓		✓	✓			✓			M12x1,5RHT
5	19022/1		✓		✓				✓			1 + 4
6	19022/2		✓			✓			✓			2 + 4
7	19056	82461081	✓		✓				✓	✓		Ø 17 mm ✓ TD
8	19057	82461082	✓			✓			✓	✓		Ø 17 mm ✓ TD
9	19009	46423822	✓		✓				✓	✓		TD
10	19010	46423823	✓			✓			✓	✓		TD
11	33019	7601065	✓		✓				✓	✓		
12	33035	7601068	✓			✓			✓	✓		
13	19026HPS	46413122	✓		✓	✓			✓	✓		

**LANCIA DELTA III**

09/08→



NR	MAPCO	REF			←	→	↑	↓			NEW	INFO
1	49040	9949218	✓		✓	✓			✓	✓		
2	49043	9949217	✓		✓	✓			✓	✓		
3	49094	50705464	✓		✓				✓	✓	✓	
4	49095	50705465	✓			✓			✓	✓	✓	
5	19028HPS	50700941	✓		✓	✓			✓	✓	✓	

LANCIA KAPPA										1994→10/01		
NR	MAPCO	REF			←	→	↑	↓			NEW	INFO
1	19059	82387676	✓		✓	✓			✓	✓		M14x1,5RHT
2	49014	82480099	✓		✓	✓			✓	✓		

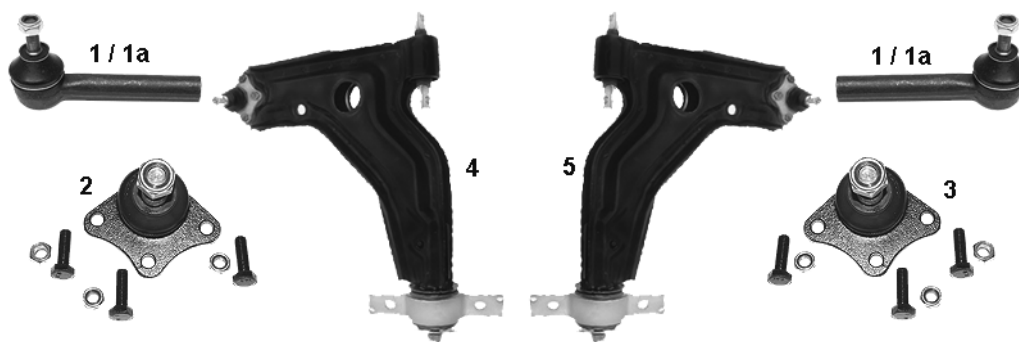
LANCIA LYBRA										07/99→		
NR	MAPCO	REF			←	→	↑	↓			NEW	INFO
1	49098	9947926	✓		✓	✓			✓	✓	✓	M14x1,5RHT
2	59011	9948296	✓		✓	✓			✓	✓	✓	

LANCIA MUSA										10/04→		
NR	MAPCO	REF			←	→	↑	↓			NEW	INFO
1	49059	77362503	✓		✓	✓			✓	✓		M14x1,5RHT
2	49071	77362380	✓		✓	✓			✓	✓		
3	49078	50703232	✓		✓				✓	✓		
4	49079	50703231	✓		✓				✓	✓		

LANCIA PHEDRA (179)										09/02→		
NR	MAPCO	REF			←	→	↑	↓			NEW	INFO
1	19376HPS	13312 09080	✓		✓	✓			✓	✓		
2	19492	773 662 79	✓		✓	✓			✓	✓		M14x1,5

**LANCIA THEMA**

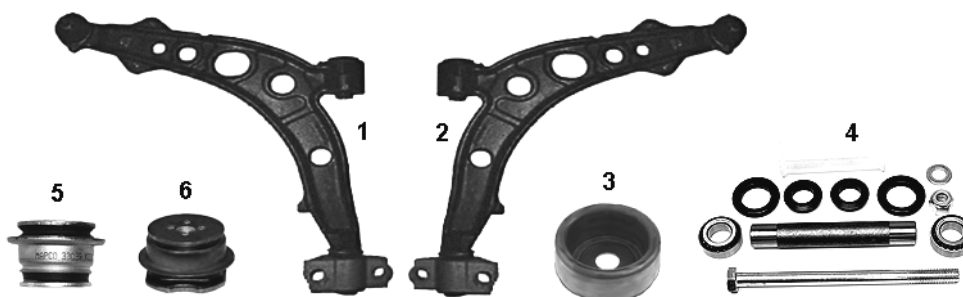
03/84→07/94



NR	MAPCO	REF			←	→	↑	↓			NEW	INFO
1	19058	82392503	✓		✓	✓			✓	✓		M12x1,5RHT, →03/86
1a	19059	82387676	✓		✓	✓			✓	✓		M14x1,5RHT, 04/86→
2	19060	82398170	✓		✓	✓			✓	✓		Ø 13 mm, →12/91
3	19008	82420623	✓		✓	✓			✓	✓		Ø 15 mm, 01/92→
4	19020	82480039	✓		✓				✓	✓		Ø 15 mm, 01/92→
5	19021	82480038	✓		✓				✓	✓		Ø 15 mm, 01/92→

**LANCIA Y (840A)**

11/95→



NR	MAPCO	REF			←	→	↑	↓			NEW	INFO
1	19066	7750977	✓		✓	✓			✓	✓		
2	19067	7750978	✓		✓	✓			✓	✓		
3	33005	46476755			✓	✓	✓		✓	✓		
4	34053	17736515			✓	✓	✓		✓	✓		
5	33039	7755671			✓	✓	✓		✓	✓		vorn/front
6	33040	7756218			✓	✓	✓		✓	✓		hinten/rear

**LANCIA YPSILON**

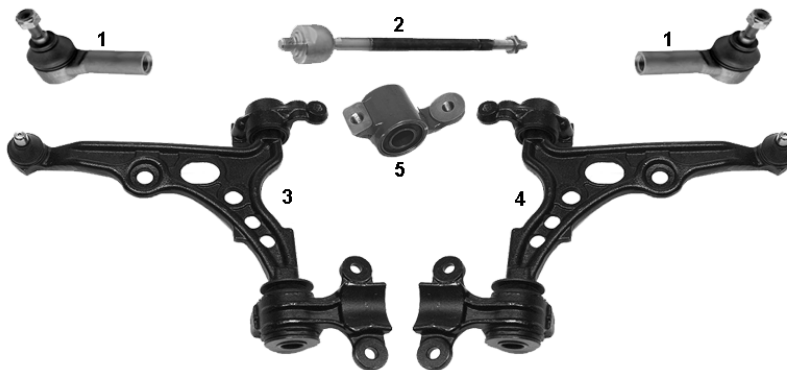
10/03→



NR	MAPCO	REF			←	→	↑	↓			NEW	INFO
1	59010	77362381	✓		✓	✓			✓	✓	✓	
2	49071	77362380	✓		✓	✓			✓	✓		
3	49078	50703232	✓		✓				✓	✓		
4	49079	50703231	✓			✓			✓	✓		

**LANCIA ZETA**

1994→09/02



NR	MAPCO	REF			←	→	↑	↓			NEW	INFO
1	19078	1306003080	✓		✓	✓			✓	✓		M14x1,5RHT
2	19023	9566950880	✓		✓	✓			✓	✓		M14x1,5
3	19431	1313083080	✓		✓				✓	✓		✓ D, TD
4	19432	1313084080	✓			✓			✓	✓		✓ D, TD
5	33017	1312317080	✓		✓	✓			✓	✓		

# LAND ROVER

## LAND ROVER 90/110 (DHMC)

09/85—07/90




NR	MAPCO	REF			←	→	↑	↓			NEW	INFO
1	59680	RTC 5870	✓		✓				✓	✓		11/16"x16 LHT
2	59681	RTC 5869	✓			✓			✓	✓		11/16"x16 RHT
3	59682	575 882			✓	✓	✓	✓	✓	✓		-12/00
4	59683	ANR 1799			✓	✓	✓		✓	✓	✓	

## LAND ROVER DEFENDER (LD) 2.5 90TDI

09/90→

## LAND ROVER DEFENDER (LD) 2.5 + 3.9 V8

09/90→

NR	MAPCO	REF			←	→	↑	↓			NEW	INFO
1	59678	NTC 1888	✓	✓	✓	✓			✓	✓		 1

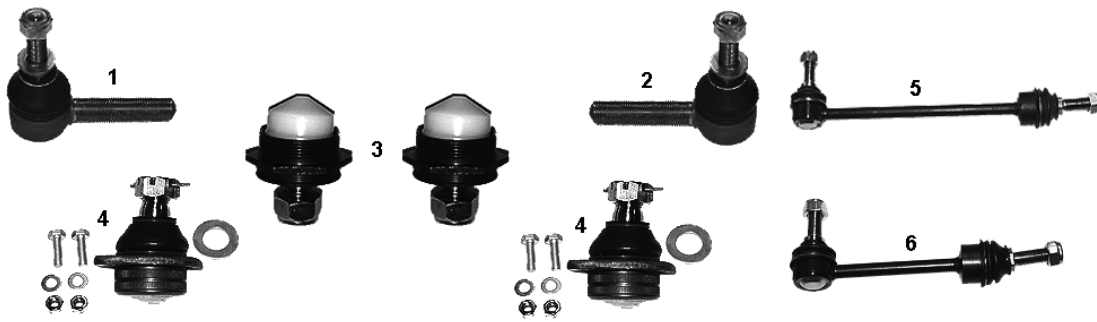
## LAND ROVER DISCOVERY I

09/89—06/94



NR	MAPCO	REF			←	→	↑	↓			NEW	INFO
1	59680	RTC 5870	✓		✓				✓	✓		11/16"x16 LHT
2	59681	RTC 5869	✓			✓			✓	✓		11/16"x16 LHT
3	59682	575 882			✓	✓	✓	✓	✓	✓		
4	59683	ANR 1799			✓	✓	✓		✓	✓	✓	

**LAND ROVER DISCOVERY II (LJ, LT)** 06/94 →



NR	MAPCO	REF								NEW	INFO
1	59680	RTC 5870	✓		✓			✓	✓		11/16"x16 LHT
2	59681	RTC 5869	✓		✓			✓	✓		11/16"x16 LHT
3	59682	575 882		✓	✓	✓	✓	✓	✓		→12/98
4	59683	ANR 1799		✓	✓	✓		✓	✓		→12/97
5	59697	RBM 100223	✓		✓	✓		✓	✓	✓	
6	59698	RGD 100682		✓	✓	✓		✓	✓	✓	

**LAND ROVER DISCOVERY III (TAA)** 10/04 →



NR	MAPCO	REF								NEW	INFO
1	51684	QJB 500010	✓		✓	✓		✓	✓	✓	
2	51685	RBK 500300	✓		✓	✓		✓	✓	✓	
3	51681	RBM 500190	✓		✓	✓		✓	✓	✓	330,0mm
4	51682	RGD 000312		✓	✓	✓		✓	✓	✓	

**LAND ROVER FREELANDER**

02/98→



NR	MAPCO	REF			←	→	↑	↓			NEW	INFO
1	59684	QJB 100230	✓		✓				✓	✓		M16x1,5LHT
2	59685	QJB 100220	✓			✓			✓	✓		M16x1,5LHT
3	59686		✓		✓	✓		✓	✓	✓		
4	59687	RBM 100172	✓		✓	✓			✓	✓		
5	59688	RBJ 102450	✓		✓				✓	✓		
6	59689	RBJ 102440	✓			✓			✓	✓		

**LAND ROVER FREELANDER 2 (FA)**

10/06→



NR	MAPCO	REF			←	→	↑	↓			NEW	INFO
1	51619	LR0 02610	✓		✓				✓	✓	✓	M18x1,5
2	51620	LR0 02609	✓			✓			✓	✓	✓	M18x1,5

**LAND ROVER RANGE ROVER I**

04/86→ 07/94



NR	MAPCO	REF			←	→	↑	↓			NEW	INFO
1	59680	RTC 5870	✓		✓				✓	✓		11/16"x16 LHT
2	59681	RTC 5869	✓			✓			✓	✓		11/16"x16 LHT
3	59682	575 882			✓	✓	✓	✓	✓	✓		
4	59683	ANR 1799			✓	✓	✓		✓	✓		

LAND ROVER RANGE ROVER II (LP)										07/94 → 03/02	
NR	MAPCO	REF								NEW	INFO
1	59679	ANR 3304	✓	✓	✓			✓	✓		

LAND ROVER RANGE ROVER III (LM)										03/02 →	
NR	MAPCO	REF								NEW	INFO
1	51683	QJB 500050	✓	✓	✓			✓	✓	✓	Ø 18,0 mm
2	51686	RBM 500200	✓	✓	✓			✓	✓	✓	380,0 mm
3	51687	RBJ 500920	✓	✓	✓		✓	✓	✓	✓	
4	51688	RBK 500210	✓	✓	✓			✓	✓	✓	
5	36690	RHF 000260		✓	✓	✓	✓	✓	✓	✓	

LAND ROVER RANGE ROVER SPORT (LS)										02/05 →	
NR	MAPCO	REF								NEW	INFO
1	51689	QJB 500040	✓	✓	✓			✓	✓	✓	M16x1,5 Ø 20,0 mm
2	51692	QFK 500030	✓	✓	✓			✓	✓	✓	M16x1,5
3	51685	RBK 500300	✓	✓	✓			✓	✓	✓	Ø 26,0 mm
4	51693	RBM 500150	✓	✓				✓	✓	✓	
5	51694	RBM 500140	✓		✓			✓	✓	✓	
6	51682	RGD 000312		✓	✓	✓		✓	✓	✓	



# LEXUS

## LEXUS ES (F1,F2)

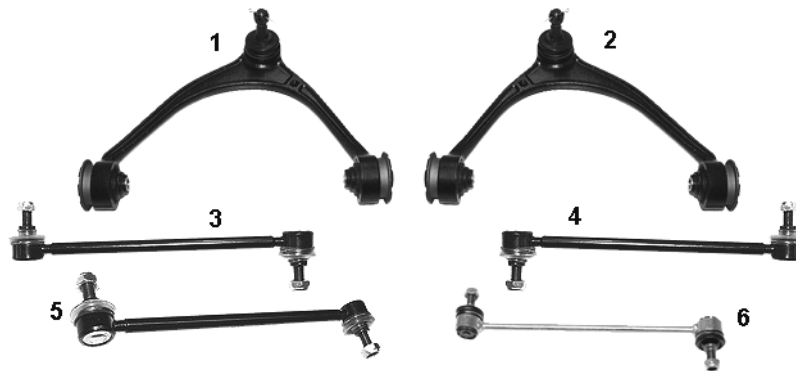
09/91→12/97



NR	MAPCO	REF								INFO
1	51552	48069-33050	✓	✓			✓	✓	✓	
2	51553	48068-33070	✓		✓		✓	✓	✓	

## LEXUS GS 300

08/97→



NR	MAPCO	REF								INFO
1	49950	48630-39055	✓	✓		✓	✓	✓		
2	49951	48610-39085	✓		✓	✓	✓	✓		
3	49280HPS	48810-33010	✓	✓			✓	✓		
4	49281HPS	48820-33020	✓		✓		✓	✓		
5	49282HPS	48830-32040		✓	✓	✓		✓	✓	250,0 mm
6	49285	48830-33010		✓	✓	✓		✓	✓	165,0 mm

## LEXUS RX (MCU)

05/03→



NR	MAPCO	REF								INFO
1	51388	43330-29405	✓	✓			✓	✓	✓	17,5 mm
2	51389	45503-39225	✓		✓		✓	✓	✓	17,5 mm

# MAZDA

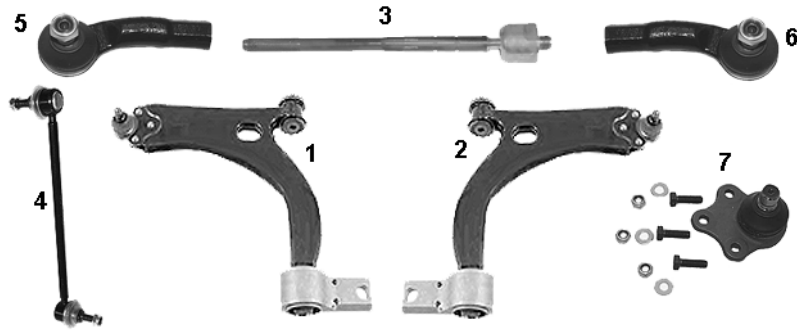
MAZDA 21 DA - DB3										10/87→10/90		
NR	MAPCO	REF			←	→	↑	↓			NEW	INFO
1	19580	8AB1-32-280	✓		✓	✓			✓	✓		
2	51531	KKY01-34-390A	✓		✓	✓		✓	✓	✓		
3	51533	KK150-32-240	✓		✓	✓			✓	✓		✓ DA M12x1,5RHT

MAZDA 121 DB1										11/90→03/96		
NR	MAPCO	REF			←	→	↑	↓			NEW	INFO
1	19583	8AB2-32-280	✓		✓	✓			✓	✓		

MAZDA 21 III (ZQ)										03/96→		
NR	MAPCO	REF			←	→	↑	↓			NEW	INFO
1	19640	1E01-32-280A	✓		✓				✓	✓		M16x1,5RHT
2	19641	1E00-32-280A	✓			✓			✓	✓		M16x1,5RHT
3	19763	1E00-34-550	✓		✓	✓			✓	✓		
4	19642	1E00-34-350A	✓		✓					✓		
5	19643	1E03-34-300A	✓			✓				✓		
6	19642/1	1E01-34-350A	✓		✓				✓			
7	19643/1	1E01-34-300A	✓			✓			✓			
8	19604HPS	1E01-34-170	✓		✓	✓			✓	✓		
9	95642		✓		✓	✓			✓	✓		MS
10	19644	1E00-32-240	✓		✓	✓			✓	✓		320 mm
11	19644/1		✓		✓				✓	✓		10+1
12	19644/2		✓			✓			✓	✓		10+2

**MAZDA 2**

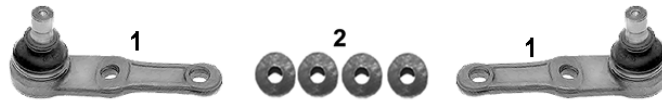
04/03→



NR	MAPCO	REF			←	→	↑	↓			NEW	INFO
1	59650	DD32-34-350	✓		✓				✓	✓		
2	59651	DD32-34-300	✓			✓			✓	✓		
3	59663	DE90-32-240	✓		✓	✓			✓	✓		M14x1,5
4	19774HPS	DD32-34-170	✓		✓	✓			✓	✓		
5	59669	DE90-32-290	✓		✓				✓	✓		M10x1,5 / M14X1,5
6	59670	DE90-32-280	✓			✓			✓	✓		M10x1,5 / M14X1,5
7	59671	2S613395AB	✓		✓	✓			✓	✓		Ø 16,5mm

**MAZDA 323 (BD1)**

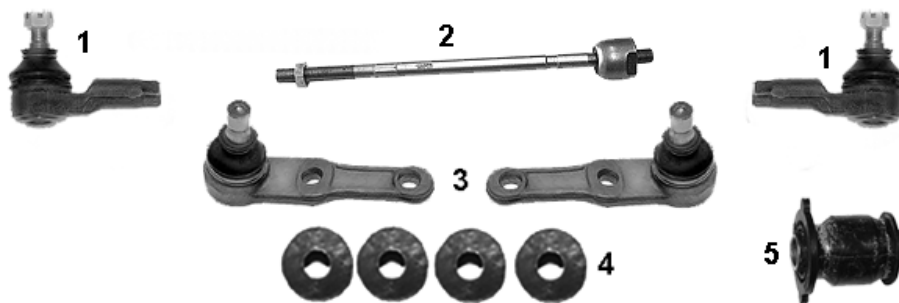
11/80→01/85



NR	MAPCO	REF			←	→	↑	↓			NEW	INFO
1	19582	B092-34-550	✓		✓	✓			✓	✓		
2	33532/4		✓		✓	✓			✓	✓		

**MAZDA 323 (BF) - (BW)**

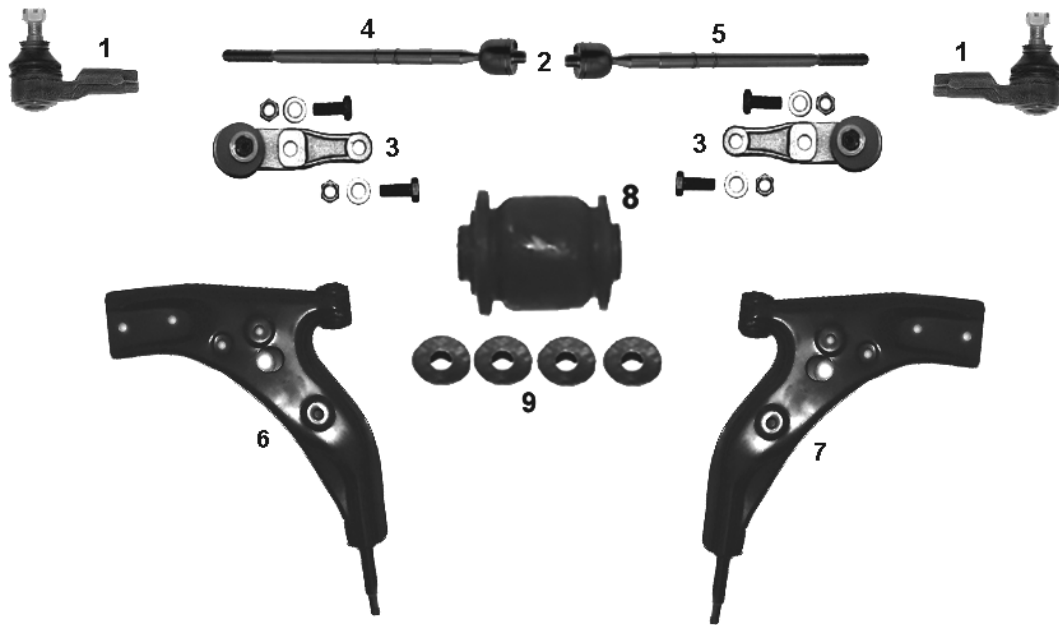
02/85→10/89



NR	MAPCO	REF			←	→	↑	↓			NEW	INFO
1	19580	8AB1-32-280	✓		✓	✓			✓	✓		M12x1,25RHT
2	19581	BF67-32-240	✓		✓	✓				✓		
3	19582	B092-34-550	✓		✓	✓			✓	✓		
4	33532/4		✓		✓	✓			✓	✓		
5	33541	B097-34-470A	✓		✓	✓			✓	✓		

MAZDA 323 (BG)

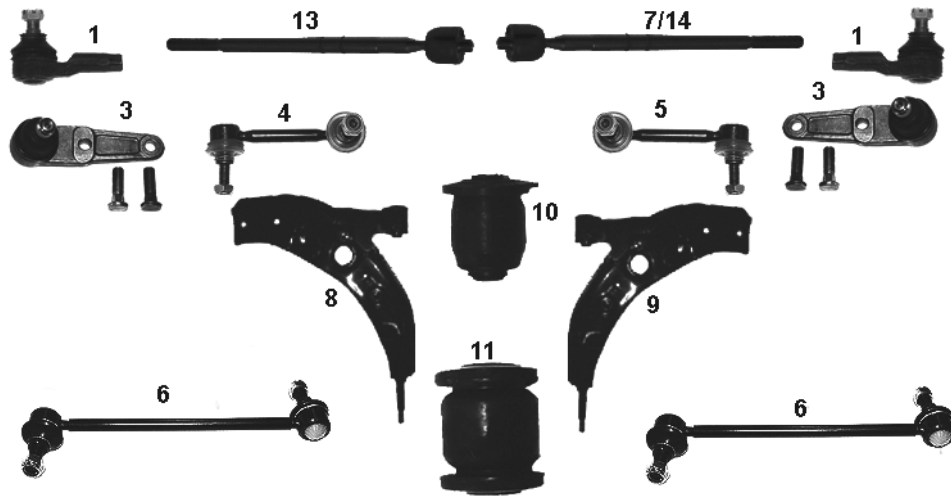
09/89→07/94



NR	MAPCO	REF									NEW	INFO
1	19583	8AB2-32-280	✓		✓	✓			✓	✓		M12,5x1,25 RHT
2	19584	B455-32-24X	✓		✓	✓				✓		340,0mm
3	19585	B455-34-550	✓		✓	✓			✓	✓		Ø 16,0mm
4	19594	B456-32-25X	✓		✓				✓			
5	59231	B456-32-24X	✓			✓			✓			
6	49230	BR70-34-350B	✓		✓			✓	✓	✓		
7	49231	BR70-34-300B	✓			✓		✓	✓	✓		
8	33533	B210-34-470	✓		✓	✓		✓	✓	✓		
9	33532/4		✓		✓	✓			✓	✓		

MAZDA 323 (BA)

08/94—09/98



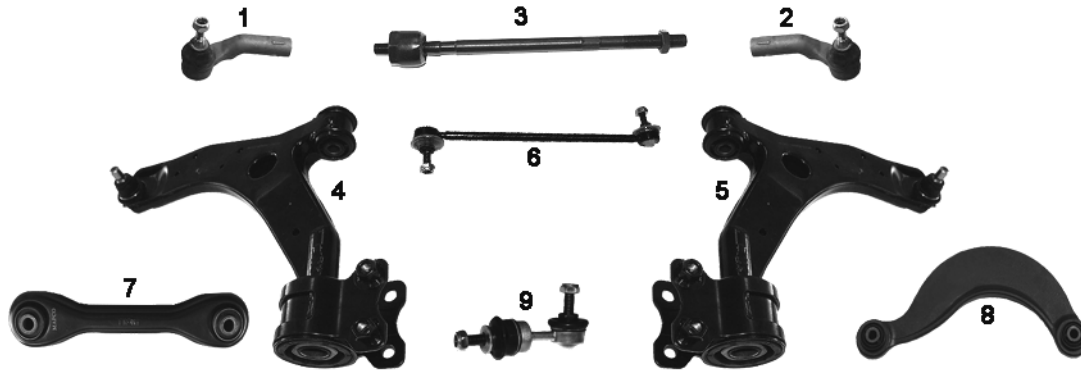
NR	MAPCO	REF								INFO
1	19583	B21H-32-280	✓	✓	✓			✓	✓	M12,5x1,25 RHT
3	49589	BTDA-34-550	✓	✓	✓			✓	✓	
4	19590HPS	GA2A-34-170	✓	✓				✓	✓	
5	19591HPS	GA2A-34-150	✓		✓			✓	✓	
6	19593HPS	BC1D-28-170		✓				✓	✓	
7	59711	B21H-32-25X	✓	✓	✓			✓		M12x1,25RHT / ✓1.5 16V
8	49580	B01A-34-350E	✓	✓				✓	✓	✓1.7D - 2.0
9	49581	B01A-34-300E	✓		✓			✓	✓	✓1.7D - 2.0
10	33535	BC1D-34-470	✓	✓	✓			✓	✓	
11	33540	LB41-34-460	✓	✓	✓			✓	✓	
13	49586	E016-32-25X	✓	✓	✓			✓		M12x1,25RHT / 310,0mm / ✓1.8 16V
14	59232	E016-32-250	✓	✓	✓				✓	335,0mm

**MAZDA 323 VI (BJ)** 09/98→05/04



NR	MAPCO	REF								NEW	INFO
1	49584	B25D-34-350B	✓		✓			✓	✓	✓	
2	49585	B25D-34-300B	✓		✓			✓	✓	✓	
3	33538	B25D-34-460	✓		✓	✓			✓	✓	
4	33539	B25D-34-470	✓		✓	✓			✓	✓	
5	49590HPS	B26R-34-170	✓		✓	✓			✓	✓	190,0 mm / Chassis → JMZBJ304194
6	59388HPS	LC62-34-170B	✓		✓	✓			✓	✓	265,0 mm
7	33532/4		✓		✓	✓			✓	✓	
8	49591HPS	B26R-28-170		✓	✓	✓			✓	✓	190,0 mm / →10/00
9	51332HPS	B30H-28-170B		✓	✓	✓			✓	✓	160,0 mm / 10/00→

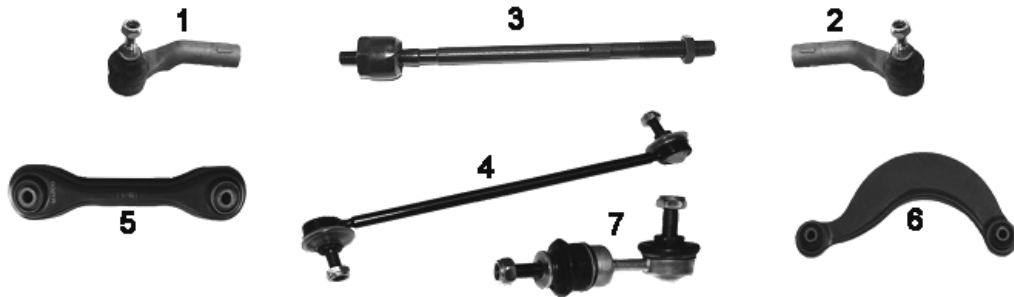
**MAZDA 3 (BK\_\_)** 10/03→



NR	MAPCO	REF								NEW	INFO
1	51342	BP4L-32-290	✓		✓			✓	✓	✓	M17x1,5
2	51343	BP4L-32-280	✓		✓			✓	✓	✓	M17x1,5
3	51344	BP4L-32-240	✓		✓	✓			✓	✓	M17x1,5
4	51330	B32H-34-350	✓		✓			✓	✓	✓	
5	51331	B32H-34-300	✓		✓			✓	✓	✓	
6	59664HPS	BP4K-34-170C	✓		✓	✓			✓	✓	298,0 mm
7	59668	C236-28-500A		✓	✓	✓			✓	✓	
8	59646	BP4K-28-C10B		✓	✓	✓			✓	✓	
9	51610	BP4K-28-170C		✓	✓	✓			✓	✓	76,5 mm

**MAZDA 5 (CR19)**

03/05→



NR	MAPCO	REF			←	→	↑	↓			NEW	INFO
1	51342	BP4L-32-290	✓		✓				✓	✓	✓	M17x1,5
2	51343	BP4L-32-280	✓			✓			✓	✓	✓	M17x1,5
3	51344	BP4L-32-240	✓		✓	✓			✓	✓	✓	M17x1,5
4	59664HPS	BP4K-34-170C	✓		✓	✓			✓	✓		298,0 mm
5	59668	C236-28-500A		✓	✓	✓			✓	✓		
6	59646	BP4K-28-C10B		✓	✓	✓			✓	✓		
7	51610	BP4K-28-170C		✓	✓	✓			✓	✓	✓	76,5 mm

**MAZDA 626 III GV  
MAZDA 626 III GD**

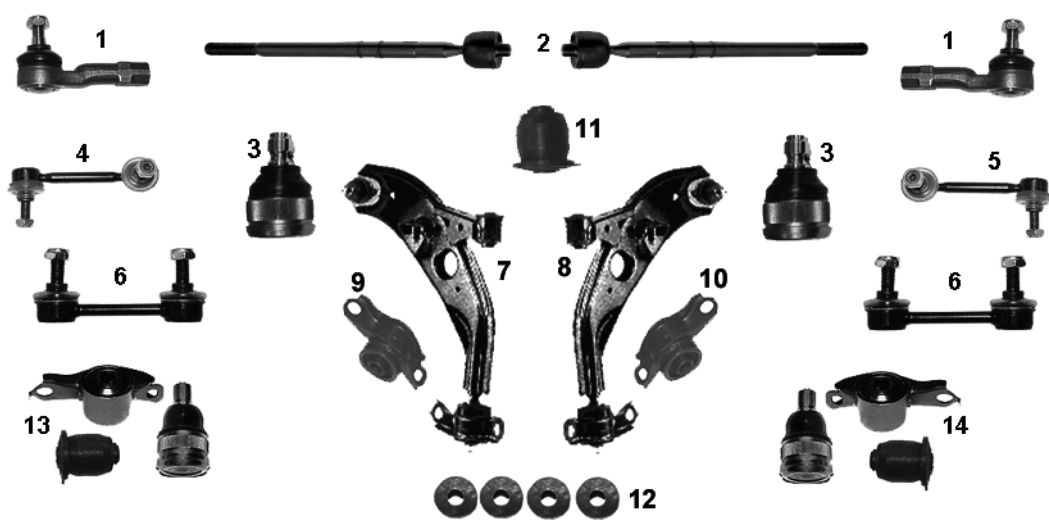
09/87→09/97  
07/87→05/92



NR	MAPCO	REF			←	→	↑	↓			NEW	INFO
1	19595	8AH1-32-280	✓		✓	✓			✓	✓		Chassis → 561648 / M12x1,25RHT
2	19588	GJ22-32-240	✓		✓	✓			✓	✓		
3	19587	G030-99-356	✓		✓	✓			✓	✓		Ø 18,0mm
4	19590HPS	GA2A-34-170	✓		✓				✓	✓		
5	19591HPS	GA2A-34-150	✓			✓			✓	✓		
6	19592HPS	GA2C-28-170B		✓	✓	✓			✓	✓		
7	33532/4		✓		✓	✓			✓	✓		
8	59350	8AG3-32-280	✓		✓	✓			✓	✓		Chassis 561649→
9	51538	GF22-34-350A	✓		✓				✓	✓		
10	51539	GJ83-34-300A	✓			✓			✓	✓		

**MAZDA 626 IV GE**

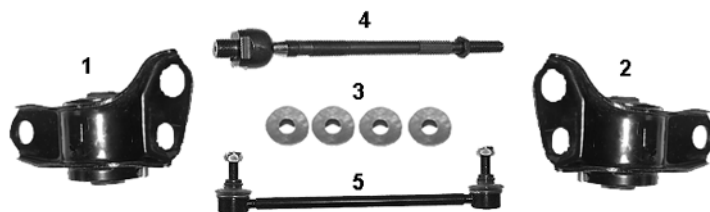
08/91 → 04/97



NR	MAPCO	REF			←	→	↑	↓			NEW	INFO
1	19589	8AG4-32-280	✓		✓	✓			✓	✓		M14x1,5RHT
2	19599	GA2A-32-250	✓		✓	✓			✓	✓		M14x1,5RHT
3	19587	G030-99-356	✓		✓	✓			✓	✓		Ø 18,0mm
4	19590HPS	GA2A-34170	✓		✓				✓	✓		
5	19591HPS	GA2A-34150	✓			✓			✓	✓		
6	19592HPS	GA2B-28-170		✓	✓	✓			✓	✓		
7	49582	GA6B-34-350	✓		✓				✓	✓		
8	49583	GA6B-34-300	✓			✓			✓	✓		
9	33530	GA2A-34-46YE	✓		✓				✓	✓		
10	33531	GA2A-34-46XE	✓			✓			✓	✓		
11	33534	GA2B-34-470	✓		✓	✓			✓	✓		
12	33532/4		✓		✓	✓			✓	✓		
13	19287		✓		✓				✓	✓		Kit
14	19288		✓			✓			✓	✓		Kit

**MAZDA 626 V GF**

05/97 → 10/02

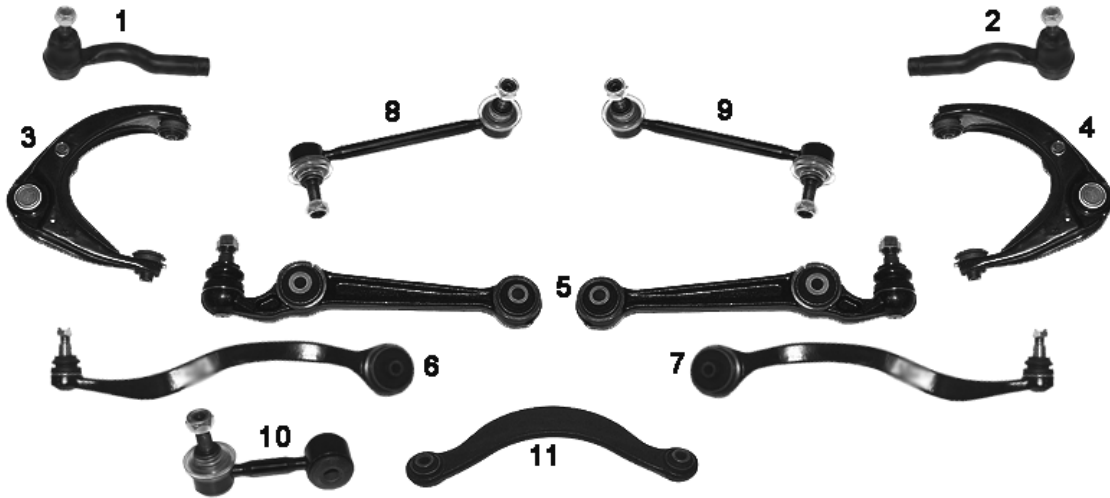


NR	MAPCO	REF			←	→	↑	↓			NEW	INFO
1	33536	GD7A-34-46X	✓		✓				✓	✓		
2	33537	GD7A-34-46Y	✓			✓			✓	✓		
3	33532/4		✓		✓	✓			✓	✓		
4	59712	GE4T-32-240	✓		✓	✓			✓	✓		
5	59535HPS	GE4T-28-170		✓	✓	✓			✓	✓		



**MAZDA 6 (GG, GY)**

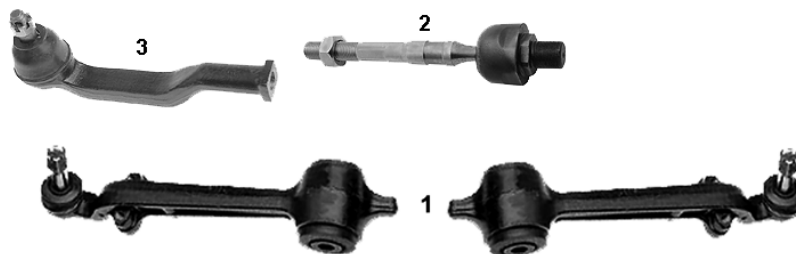
06/02→



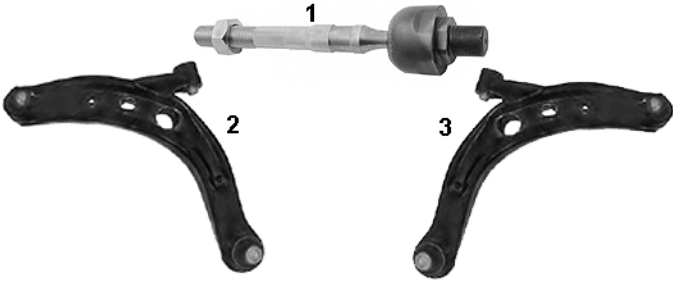
NR	MAPCO	REF			←	→	↑	↓			NEW	INFO
1	51340	G26A-32-290	✓		✓				✓	✓	✓	M14x1,5
2	51341	G26A-32-280	✓			✓			✓	✓	✓	M14x1,5
3	49235	GJ6A-37-250B	✓		✓		✓		✓	✓		
4	49234	GJ6A-34-200B	✓			✓	✓		✓	✓		
5	49233	GJ6A-34-300B	✓		✓	✓		✓	✓	✓		
6	59368	GJ6A-34-J50C	✓		✓				✓	✓		hinten / rear / arrière
7	59369	GJ6A-34-J00C	✓			✓			✓	✓		hinten / rear / arrière
8	51334HPS	GJ6A-34-170A	✓		✓				✓	✓		155,0 mm
9	51335HPS	GJ6A-34-150A	✓			✓			✓	✓		155,0 mm
10	51336	GJ6A-28-170			✓	✓	✓		✓	✓		77,0 mm
11	59370	GJ6A-28-C10A			✓	✓	✓		✓	✓		


**MAZDA MP-V I**


03/95→ 09/99




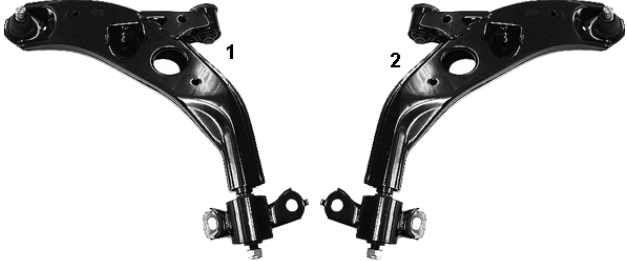
NR	MAPCO	REF			←	→	↑	↓			NEW	INFO
1	49236	LB82-34-300	✓		✓	✓		✓	✓	✓		
2	59349	LA01-32-115	✓		✓	✓			✓	✓		M17x1RHT
3	59338	8AL1-32-280	✓		✓				✓	✓		M14x1,50RHT

MAZDA MP-V II (LW)										10/99 → 07/02		
												
NR	MAPCO	REF			←	→	↑	↓			NEW	INFO
1	59349	LA01-32-115	✓		✓	✓			✓	✓		M17x1RHT
2	59394	LC62-34-350C	✓		✓			✓	✓	✓		
3	59395	LC62-34-300C	✓			✓		✓	✓	✓		

MAZDA MX-3 (EC)										01/94 →		
NR	MAPCO	REF			←	→	↑	↓			NEW	INFO
1	59534	EA01-28-170D	✓		✓	✓			✓	✓		

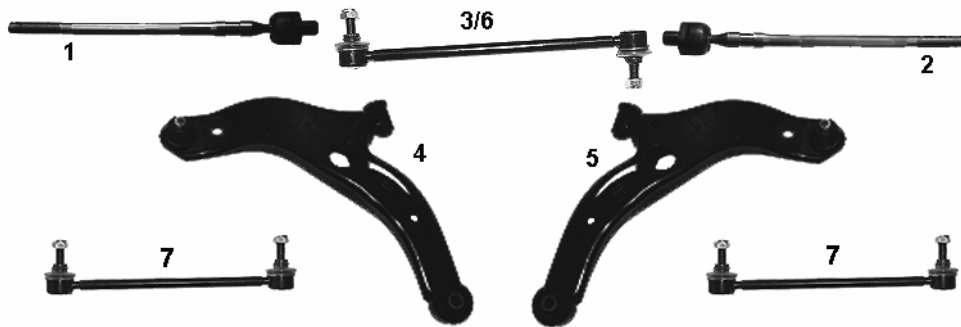
MAZDA MX-5 I (NA) 1.6-1.8										05/90 → 04/98		
NR	MAPCO	REF			←	→	↑	↓			NEW	INFO
1	59713	NA01-32-240	✓		✓	✓			✓	✓		

MAZDA MX-5 II (NB) 1.6 16V, 1.8 16V										05/98 →		
MAZDA MX-5 II 1.9 16V										11/00 →		
NR	MAPCO	REF			←	→	↑	↓			NEW	INFO
1	49232	NA01-34-170	✓		✓	✓			✓	✓		

MAZDA MX-6 (GE6)										02/92 →		
												
NR	MAPCO	REF			←	→	↑	↓			NEW	INFO
1	49582	GA2B-34-350A	✓		✓			✓	✓	✓		
2	49583	GA6B-34-300A	✓			✓		✓	✓	✓		

**MAZDA PREMACY (CP) 1.9**  
**MAZDA PREMACY (CP) 2.0TD**

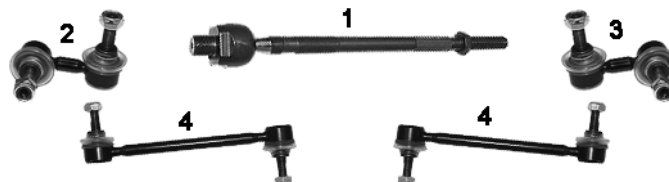
07/99→  
 10/99→07/00



NR	MAPCO	REF			←	→	↑	↓			NEW	INFO
1	59715	B25D-32-240	✓		✓				✓	✓		
2	59714	B25D-32-250	✓			✓			✓	✓		
3	49590HPS	B26R-34-170	✓		✓	✓			✓	✓		Chassis → 151177, 190,0 mm
4	59389	C100-34-350B	✓		✓				✓	✓		
5	59390	C100-34-300B	✓			✓			✓	✓		
6	59388HPS	LC62-34-170B	✓		✓	✓			✓	✓		Chassis 151177→, 265,0 mm
7	51332HPS	B30H-28-170B		✓	✓	✓			✓	✓	✓	160,0 mm / 10/00→

**MAZDA XEDOS 9 (TA)**

07/93→07/00

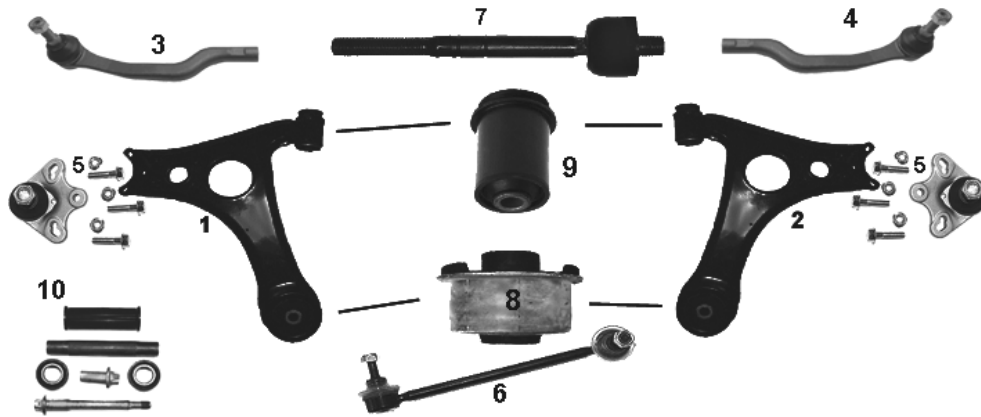


NR	MAPCO	REF			←	→	↑	↓			NEW	INFO
1	59716	T001-32-240	✓		✓	✓			✓	✓		M13x1,5RHT
2	51337	T001-34-17XA	✓		✓				✓	✓	✓	
3	51338	T001-34-170A	✓			✓			✓	✓	✓	
4	51339HPS	T001-28-170A		✓	✓	✓			✓	✓	✓	

# MERCEDES-BENZ

MERCEDES-BENZ A-Klasse (W168)

07/97—08/04



NR	MAPCO	REF								NEW	INFO
1	49814/1	1683300827	✓	✓				✓	✓		
2	49814/2	1683300927	✓		✓			✓	✓		
3	49823	1683301135	✓	✓				✓	✓		
4	49824	1683301235	✓		✓			✓	✓		
5	49825	1683330127	✓	✓	✓			✓	✓		
6	49834HPS	1683200789	✓	✓	✓			✓	✓		
7	49894	1683301335	✓	✓	✓			✓	✓		✓ 1.6, 1.7, 1.9
8	33943	1683330614	✓	✓	✓			✓	✓		
9	33944	1683330714	✓	✓	✓			✓	✓		
10	59846			✓	✓	✓		✓	✓		

MERCEDES-BENZ A-Klasse (W169)

09/04 →



NR	MAPCO	REF								NEW	INFO
1	52806HPS	1693200989	✓	✓	✓			✓	✓		244,0 mm M20x1,5LHT

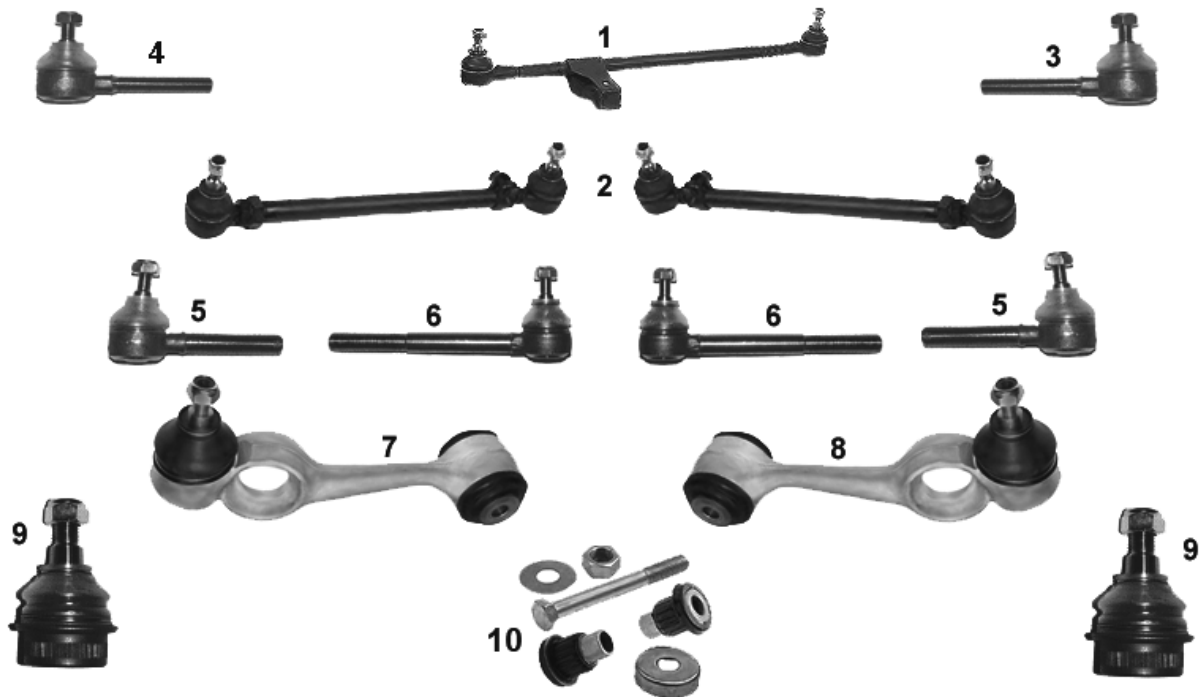
MERCEDES-BENZ B-Klasse (W245)

03/05 →



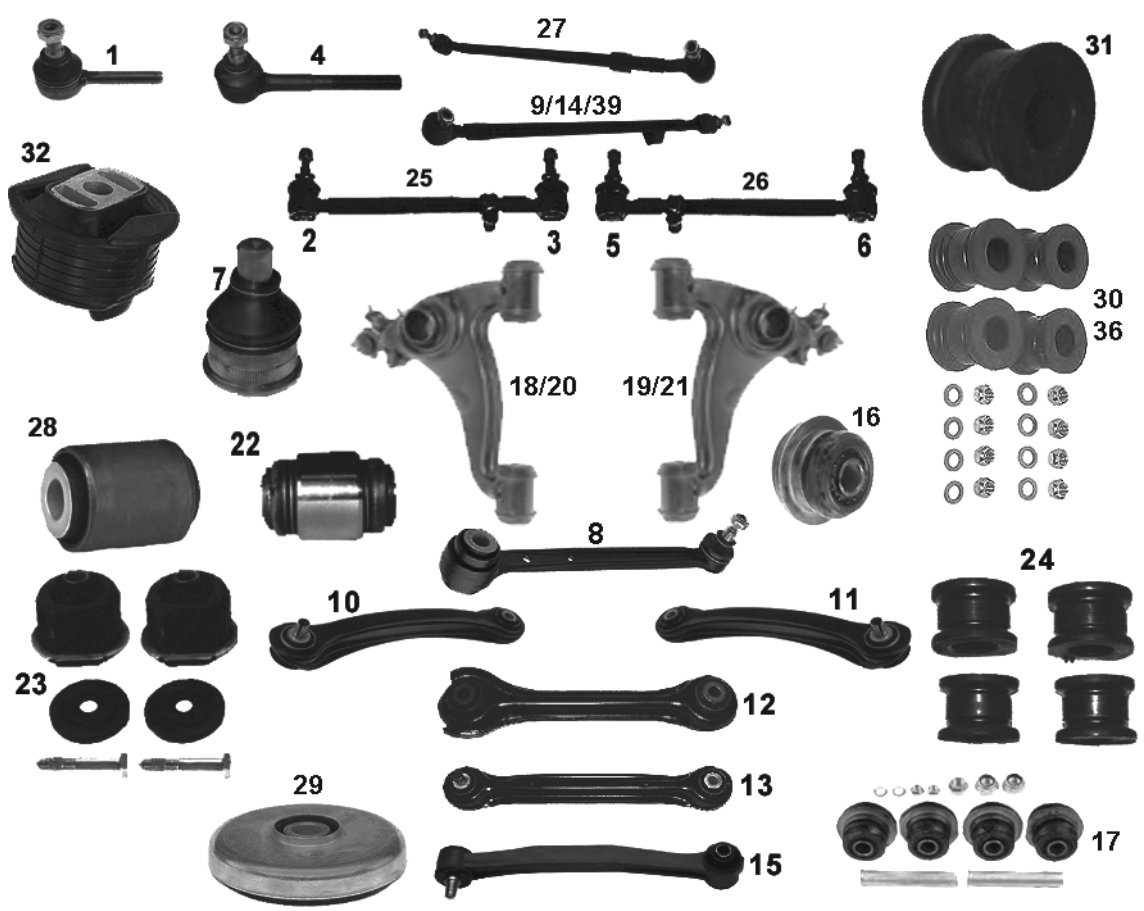
NR	MAPCO	REF								NEW	INFO
1	52806HPS	1693200989	✓	✓	✓			✓	✓		244,0 mm M20x1,5LHT

**MERCEDES-BENZ** C123 230-280 (C/CE) 01/76→10/84  
 T123 200-230-240-250-280-300 (T/TD/TE)  
 W123 200-220-230-240-250-280-300 D/E



NR	MAPCO	REF								INFO
1	19838	1234601505	✓	✓	✓			✓	✓	innen/inner
2	19829	1233301803	✓	✓	✓			✓	✓	
3	19836	0003385010	✓	✓	✓			✓	✓	M14x1,5LHT
4	19846	0003385110	✓	✓	✓			✓	✓	M14x1,5RHT
5	19841	1233380210	✓	✓	✓			✓	✓	M16x1,5LHT
6	19840	1233380110	✓	✓	✓			✓	✓	M16x1,5RHT
7	19842	1233305207	✓	✓				✓	✓	
8	19843	1233305307	✓		✓			✓	✓	
9	19844	1163330927	✓	✓	✓			✓	✓	
10	33972	1234600050	✓	✓	✓			✓	✓	

<b>MERCEDES-BENZ</b>	<b>C124</b> 200 – 230 – 300 (CE)	1987→06/95
	<b>T124</b> 200 – 230 – 250 – 300 (TD-TE)	09/85→06/95
	<b>W124</b> 200 – 230 – 250 – 260 – 300 (D/E)	11/84→06/95



NR	MAPCO	REF			←	→	↑	↓			NEW	INFO
1	59866	0013305235	✓		✓	✓			✓	✓		M14x1,5RHT innen/inner
2	19846	0003385110	✓		✓	✓			✓	✓		M14x1,5RHT
3	19847	0003385610	✓		✓	✓			✓	✓		M14x1,5LHT
4	59867	0013305335	✓		✓	✓			✓	✓		M14x1,5LHT aussen/outside
5	19848	0003385410	✓		✓	✓			✓	✓		M14x1,5RHT
6	19849	0003385910	✓		✓	✓			✓	✓		M14x1,5LHT
7	19828	1243330327	✓		✓	✓			✓	✓		
8	19832	2013503253		✓	✓	✓			✓	✓		
9	19845	1244600805		✓					✓	✓		Chassis →1BO221104 / 2BO051198
10	19817	1243507606		✓	✓				✓	✓		
11	19818	1243507706		✓		✓			✓	✓		
12	19820	2013505606		✓	✓	✓			✓	✓		
13	19819	1243500129		✓	✓	✓			✓	✓		
14	49813	1244601205	✓		✓	✓			✓	✓		
15	19839	1243200289	✓		✓	✓			✓	✓		
16	33841	2013335114	✓		✓	✓			✓	✓		
17	33841/4	1243300575	✓		✓	✓			✓	✓		
18	49817	1243303007	✓		✓			✓	✓	✓		Chassis →124028
19	49818	1243303107	✓			✓		✓	✓	✓		Chassis →124028
20	49828	1243303407	✓		✓			✓	✓	✓		Chassis 124029→
21	49829	1243303507	✓			✓		✓	✓	✓		Chassis 124029→
22	33870	2013520027	✓		✓	✓			✓	✓		

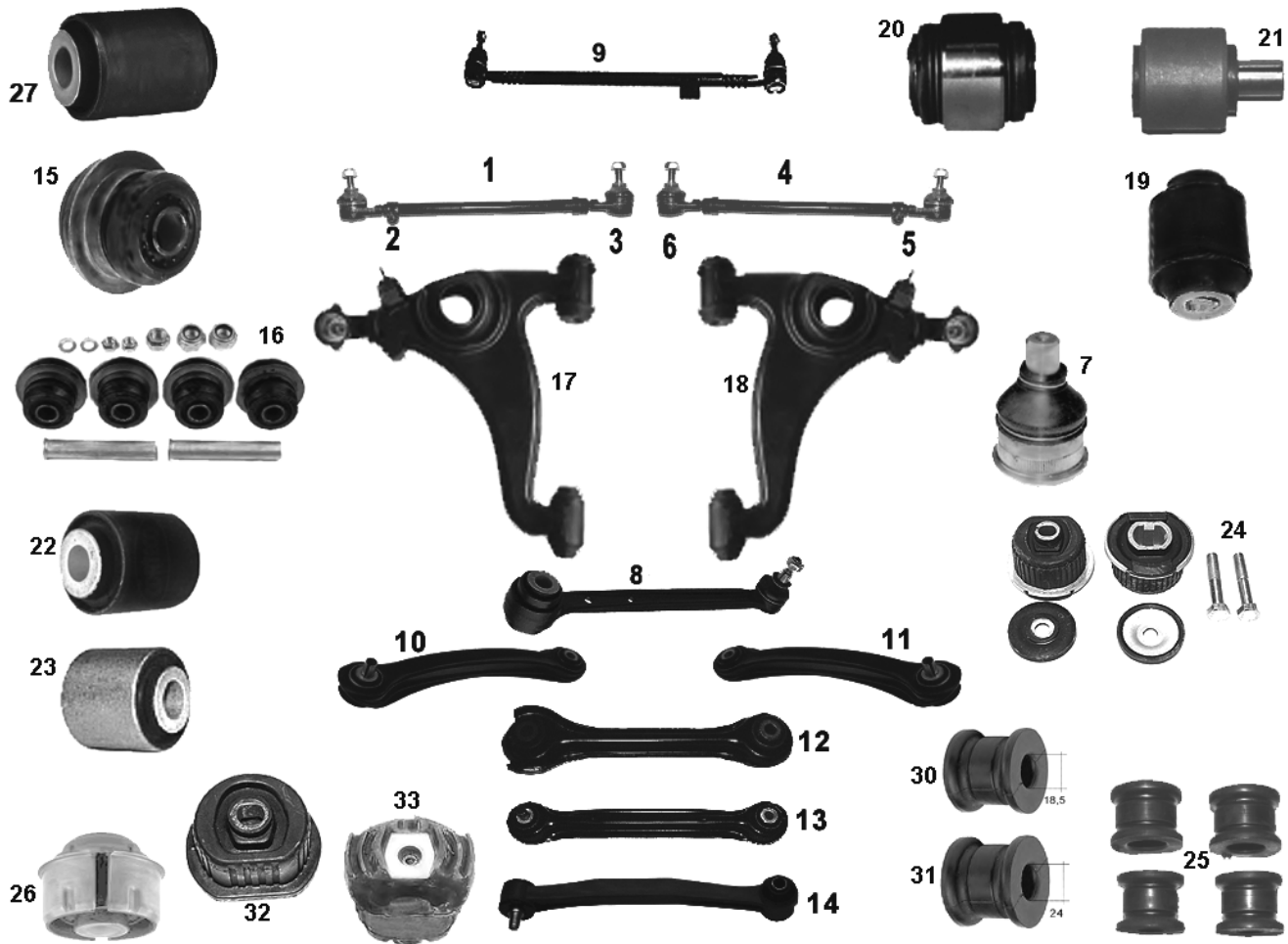
MERCEDES-BENZ		C124 200 – 230 – 300 (CE) T124 200 – 230 – 250 – 300 (TD-TE) W124 200 – 230 – 250 – 260 – 300 (D/E)	Fortsetzung / continued		1987→06/95 09/85→06/95 11/84→06/95					
NR	MAPCO	REF								INFO
23	33910	1243506408		✓	✓	✓		✓	✓	
24	33889/4	1243200447	✓		✓	✓		✓	✓	
25	19830/1	1243300803	✓		✓	✓		✓	✓	
26	19831/1	1243300903	✓		✓	✓		✓	✓	
27	59800	1244601405	✓		✓	✓		✓	✓	
28	33973	2013528765		✓	✓	✓		✓	✓	(✓ 19832)
29	36899	1243511342		✓	✓	✓		✓	✓	
30	33868	2013200047	✓		✓	✓		✓	✓	
31	33845	1243233785	✓		✓	✓		✓	✓	24mm
32	33942	1243510242		✓	✓	✓		✓	✓	
33	33865	1243527765		✓	✓	✓		✓	✓	
34	59830			✓	✓	✓		✓	✓	
35	59831	1244630066	✓		✓	✓		✓	✓	
36	36913	1243201947	✓		✓	✓		✓	✓	
37	33889/2	1243232385	✓		✓	✓		✓	✓	Ø innen/inner 18,5 mm
38	33889/3	1243231785	✓		✓	✓		✓	✓	Ø innen/inner 24,0 mm
39	59830/1			✓	✓	✓		✓	✓	
40	95830			✓	✓	✓		✓	✓	MS
41	95831			✓	✓	✓		✓	✓	MS
42	95832			✓	✓	✓		✓	✓	MS

**VERGLEICHNUMMERN DIENEN NUR ZUR BESSEREN IDENTIFIKATION UND DÜRFEN NICHT AUF RECHNUNGEN ERSCHEINEN!!!**  
**Reference numbers are used for better identification only !**  
**Références d'origine pour meilleure identification seulement !**



MERCEDES-BENZ (W201) 190D/E

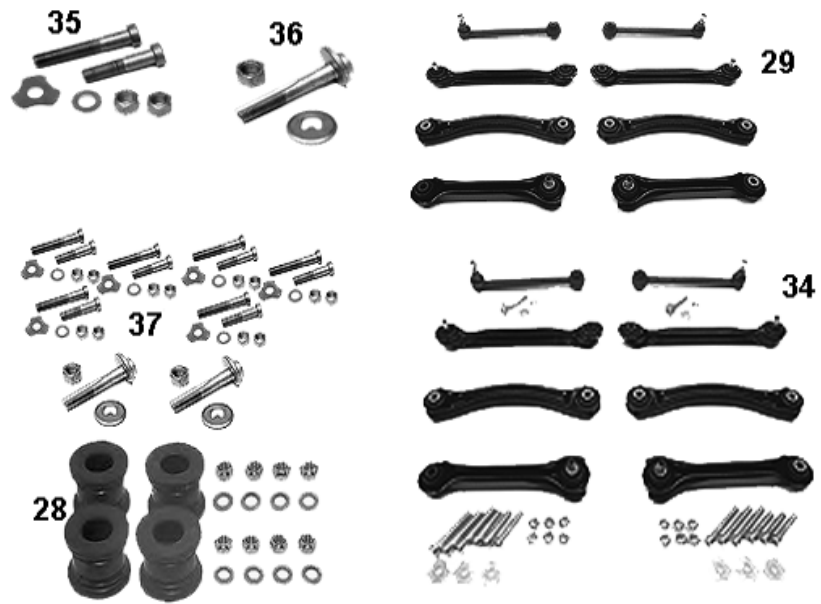
11/82→06/93



NR	MAPCO	REF								NEW	INFO
1	19822	2013300703	✓	✓	✓			✓	✓		
2	19824	0003386010	✓	✓	✓			✓	✓		M12x1,5LHT
3	19823	0003386110	✓	✓	✓			✓	✓		M12x1,5RHT
4	19825	2013301603	✓	✓	✓			✓	✓		
5	19827	0003386210	✓	✓	✓			✓	✓		M12x1,5LHT
6	19826	0003386310	✓	✓	✓			✓	✓		M12x1,5RHT
7	19828	1243330327	✓	✓	✓			✓	✓		
8	19832	2013503253		✓	✓	✓		✓	✓		
9	19821	2014601505	✓	✓	✓			✓	✓		
10	19817	1243507606		✓	✓			✓	✓		
11	19818	2103502506		✓	✓			✓	✓		
12	19820	2013505606		✓	✓	✓		✓	✓		
13	19819	1243500129		✓	✓	✓		✓	✓		
14	19839	1243200289		✓	✓	✓		✓	✓		
15	33841	2013335114	✓	✓	✓			✓	✓		
16	33841/4	1243300575	✓	✓	✓			✓	✓		
17	49815	1243303807	✓	✓				✓	✓		
18	49816	1243303907	✓		✓			✓	✓		
19	33874	2013523665	✓	✓	✓			✓	✓		
20	33870	2013520027	✓	✓	✓			✓	✓		
21	33838	1243529065	✓	✓	✓			✓	✓		Ø 10 mm
22	33836	1243500575		✓	✓	✓		✓	✓		



MERCEDES-BENZ (W201) 190D/E Fortsetzung / continued 11/82 →06/93



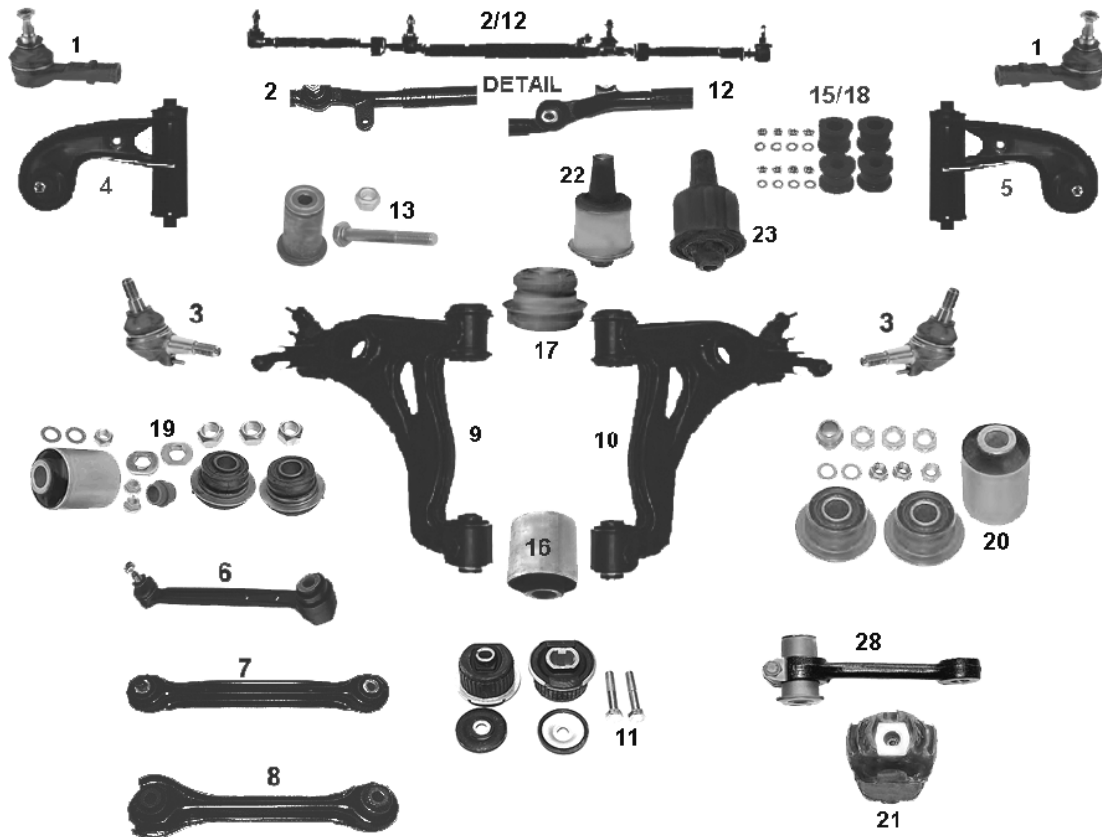
NR	MAPCO	REF								NEW	INFO
23	33837	1243528665		✓	✓	✓		✓	✓		(✓19820)
24	33910	1243506408		✓	✓	✓		✓	✓		
25	33889/4	1243200447	✓		✓	✓		✓	✓		
26	33936	2013334514	✓		✓	✓		✓	✓		Ø 14,3 mm
27	33973	2013528765	✓		✓	✓		✓	✓		
28	33868	2013200047	✓		✓	✓		✓	✓		✓ 2.0, D2.0,D2.5, E2.0, E2.3
29	59830			✓	✓	✓		✓	✓		
30	33889/2	1243232385	✓		✓	✓		✓	✓		Ø innen/inner 18,5 mm
31	33889/3	1243231785	✓		✓	✓		✓	✓		Ø innen/inner 24,0 mm
32	36924	2013512742		✓	✓	✓		✓	✓		
33	33978	2023510842		✓	✓	✓		✓	✓		
34	59830/1			✓	✓	✓		✓	✓		
35	95830			✓	✓	✓		✓	✓		MS
36	95831			✓	✓	✓		✓	✓		MS
37	95832			✓	✓	✓		✓	✓		MS

MERCEDES-BENZ W202 C180- C200 - C220 - C280

06/93→05/00

MERCEDES-BENZ W202 C200D - C220D - C250D


06/93→05/00

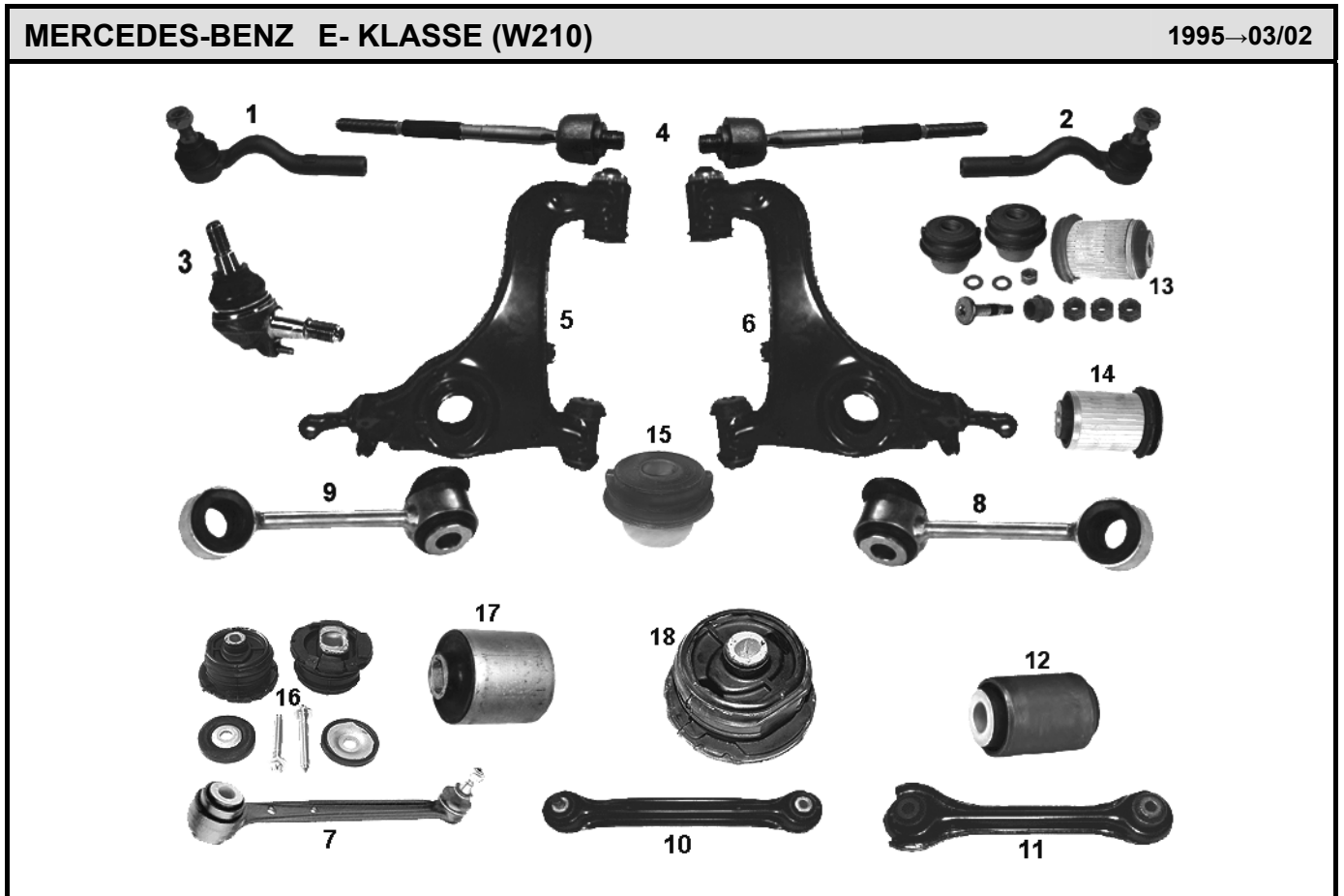


NR	MAPCO	REF									NEW	INFO
1	49800	0013307435	✓		✓	✓			✓	✓		M12x1,5RHT
2	49801	2024600405	✓		✓	✓			✓	✓		Rohr Ø:28mm
3	49802	2023330027	✓		✓	✓			✓	✓		
4	49803	2103308707	✓		✓		✓		✓	✓		
5	49804	2103308807	✓			✓	✓		✓	✓		
6	19832	2013503253		✓	✓	✓			✓	✓		
7	19819	1243500129		✓	✓	✓			✓	✓		
8	19820	2013505606		✓	✓	✓			✓	✓		
9	49821	2023302607	✓		✓			✓	✓	✓		
10	49822	2023302707	✓			✓		✓	✓	✓		
11	33910	1243506408		✓	✓	✓			✓	✓		
12	59862	2024600505	✓		✓	✓			✓	✓		Rohr Ø:28mm
13	33974	2024600319	✓		✓	✓			✓	✓		
14	59830			✓	✓	✓			✓	✓		
15	36908	1243200147	✓		✓	✓			✓	✓		
16	36911	2023336414	✓		✓	✓		✓	✓	✓		
17	36912	2023336714	✓		✓	✓		✓	✓	✓		
18	36913	1243201947	✓		✓	✓			✓	✓		
19	36916	2023300075	✓		✓	✓			✓	✓		Chassis ->A443812, ->F 500865
20	36917	1703300075	✓		✓	✓			✓	✓		Chassis A443813->, F 500866->
21	33978	2023510842		✓	✓	✓			✓	✓		
22	33976	2023336214	✓		✓	✓	✓		✓	✓		
23	33977	2023337714	✓		✓	✓	✓		✓	✓		

MERCEDES-BENZ W202 C180- C200 - C220 - C280			Fortsetzung / continued							06/93→05/00
MERCEDES-BENZ W202 C200D - C220D - C250D										06/93→05/00
NR	MAPCO	REF								INFO
24	59830/1			✓	✓	✓		✓	✓	
25	95830			✓	✓	✓		✓	✓	MS
26	95831			✓	✓	✓		✓	✓	MS
27	95832			✓	✓	✓		✓	✓	MS
28	59869	2024600219	✓		✓	✓		✓	✓	

MERCEDES-BENZ C-Klasse W203										05/00→
MERCEDES-BENZ C-Klasse C203, T203										03/01→
MERCEDES-BENZ CLK C209										06/02→
NR	MAPCO	REF								INFO
1	49895HPS	2033202489	✓	✓	✓			✓	✓	
2	59840	2033302303	✓	✓				✓	✓	18mm M14X1,5RHT
3	59841	2033302403	✓		✓			✓	✓	18mm M14X1,5RHT
4	59844	2203380715	✓	✓	✓			✓	✓	
5	59885	2033301711	✓	✓				✓	✓	Aluminium
6	59884	2033301611	✓		✓	✓		✓	✓	Aluminium
7	59881	2033301911	✓	✓				✓	✓	
8	59882	2033302011	✓		✓			✓	✓	
9	59861HPS	2033201889	✓		✓	✓		✓	✓	✓ 4 matic
10	59857HPS	2033202189	✓		✓	✓		✓	✓	✓
11	59859	2033200789		✓	✓			✓	✓	
12	59860	2033200889		✓	✓			✓	✓	
13	59864	2203520227		✓	✓	✓		✓	✓	
14	36987	2033331014	✓		✓	✓		✓	✓	
15	51851	2033500353		✓	✓	✓		✓	✓	

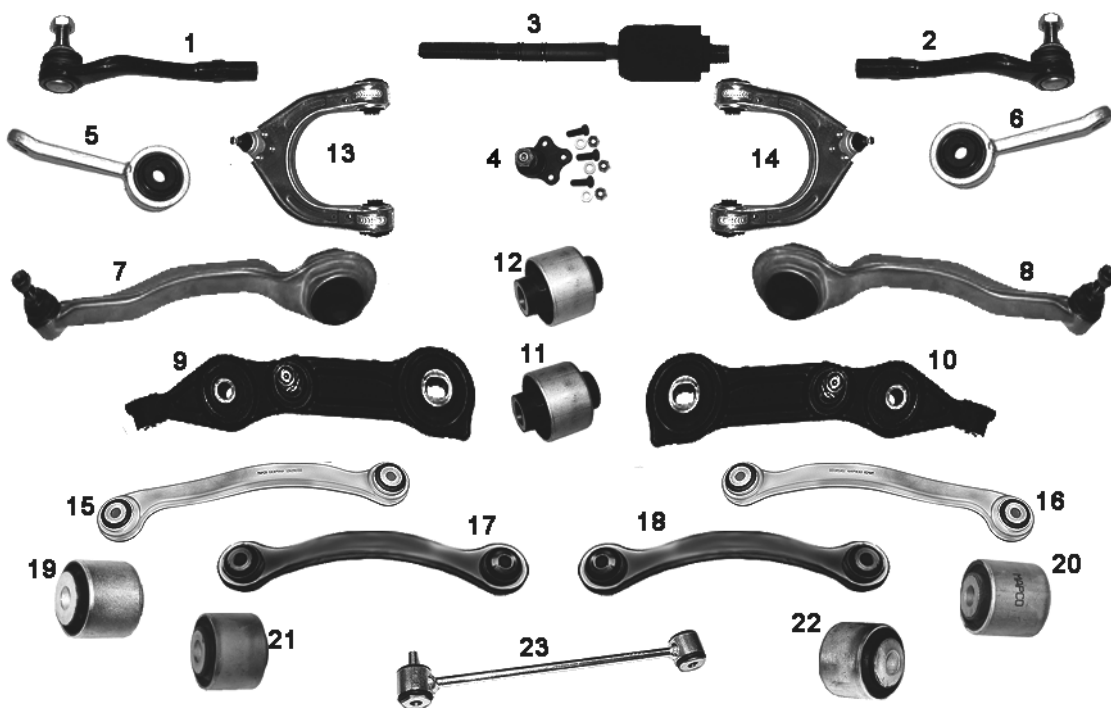
MERCEDES-BENZ E- KLASSE T- Model (S210)										1996→03/03		
NR	MAPCO	REF			←	→	↑	↓			NEW	INFO
1	59847HPS	1243200489			✓	✓	✓			✓	✓	 200,0 mm



NR	MAPCO	REF			←	→	↑	↓			NEW	INFO
1	49805	2103380515	✓		✓	✓			✓	✓		M14x1,5RHT
2	49806	2103380615	✓		✓				✓	✓		M14x1,5RHT
3	49802	2103330427	✓			✓			✓	✓		
4	49807	2103380415	✓		✓	✓			✓	✓		M14x1,5RHT
5	49808	2103306107	✓		✓				✓	✓		
6	49809	2103306207	✓			✓			✓	✓		
7	19832	2103500953		✓	✓	✓			✓	✓		
8	49811HPS	2103203789	✓			✓			✓	✓		
9	49812HPS	2103203689	✓		✓				✓	✓		
10	19819	1243500129		✓	✓	✓			✓	✓		
11	19820	2013505606		✓	✓	✓			✓	✓		
12	33973	2013528765		✓	✓	✓			✓	✓		
13	36909	2103300475	✓		✓	✓			✓	✓		
14	36910	2103336814	✓		✓	✓			✓	✓		
15	33979	2103335514	✓		✓	✓	✓		✓	✓		
16	36973	2103505808		✓	✓	✓			✓	✓		
17	36987	2033331014	✓		✓	✓		✓	✓	✓		
18	36796	2103510842		✓	✓	✓			✓	✓		

MERCEDES-BENZ E-KLASSE W 211/ S 211

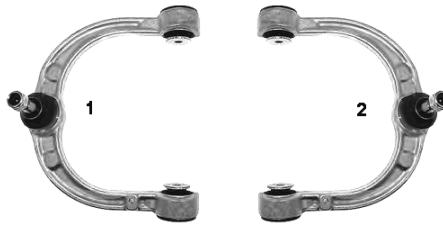
03/02→



NR	MAPCO	REF			←	→	↑	↓			NEW	INFO
1	51840	2113302503	✓		✓				✓	✓		M14x1,5RHT
2	51841	2113300203	✓			✓			✓	✓		M14x1,5RHT
3	51839	2113380015	✓		✓	✓			✓			✓ 4 matic
4	51882	2113309907	✓		✓	✓	✓		✓	✓	✓	
5	59833	2113200989	✓		✓				✓	✓		
6	59834	2113201089	✓			✓			✓	✓		
7	51835	2303301711	✓		✓				✓	✓		
8	51836	2303301811	✓			✓			✓	✓		
9	51837	2113308107	✓		✓				✓	✓		hinten / rear
10	51838	2113308207	✓			✓			✓	✓		hinten / rear
11	33883	2113331114	✓		✓	✓		✓	✓	✓		
12	36988	2113332914	✓		✓	✓		✓	✓	✓		
13	51852	2113306707	✓		✓			✓	✓	✓		
14	51853	2113306807	✓			✓		✓	✓	✓		
15	51856	2303502706		✓	✓		✓		✓	✓	✓	
16	51857	2303502806		✓		✓	✓		✓	✓	✓	
17	51858	2303503506		✓	✓		✓		✓	✓	✓	
18	51859	2303503606		✓		✓	✓		✓	✓	✓	
19	36838	2303521565		✓	✓	✓	✓		✓	✓		
20	36989	2113520865		✓	✓	✓			✓	✓		
21	37830	2303521665		✓	✓	✓	✓		✓	✓	✓	
22	37831	2303521465		✓	✓	✓	✓		✓	✓	✓	
23	59858HPS	2113200889		✓	✓	✓			✓	✓		

**MERCEDES-BENZ GL-KLASSE (X164)**

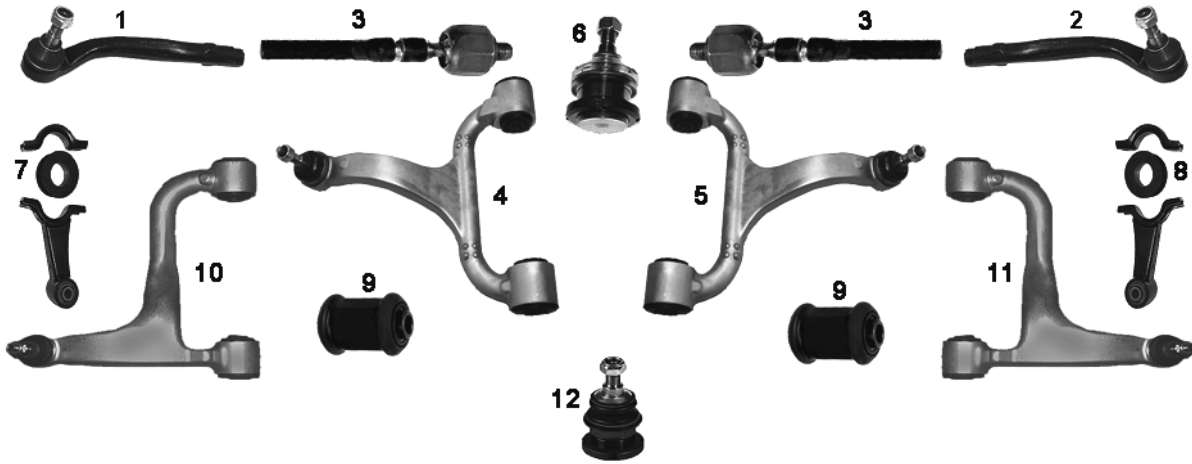
09/06→



NR	MAPCO	REF			←	→	↑	↓			NEW	INFO
1	52807	2513300707	✓		✓		✓		✓	✓	✓	
2	52808	2513300807	✓			✓	✓		✓	✓	✓	

**MERCEDES-BENZ M-KLASSE (W163)**


02/98→06/05



NR	MAPCO	REF			←	→	↑	↓			NEW	INFO
1	59872	1633380015	✓		✓				✓	✓		
2	59873	1633380115	✓			✓			✓	✓		
3	59899	1633380215	✓		✓	✓			✓	✓		M16x1,5
4	51854	1633330001	✓		✓		✓		✓	✓		
5	51855	1633330101	✓			✓	✓		✓	✓		
6	59832	1633300035	✓		✓	✓		✓	✓	✓		16,4mm
7	51844	1633200190	✓		✓				✓	✓		
8	51845	1633200090	✓			✓			✓	✓		
9	37834	1633300175	✓	✓	✓	✓	✓		✓	✓		
10	51842	1633520001		✓	✓		✓		✓	✓		
11	51843	1633520101		✓		✓	✓		✓	✓		
12	59838	1633500013		✓	✓	✓			✓	✓		

MERCEDES-BENZ M-KLASSE (W164)										07/05→		
NR	MAPCO	REF			←	→	↑	↓			NEW	INFO
1	52807	2513300707	✓		✓		✓		✓	✓	✓	
2	52808	2513300807	✓			✓	✓		✓	✓	✓	

MERCEDES-BENZ R-KLASSE (W251)										01/06→		
NR	MAPCO	REF			←	→	↑	↓			NEW	INFO
1	52807	2513300707	✓		✓		✓		✓	✓	✓	
2	52808	2513300807	✓			✓	✓		✓	✓	✓	

MERCEDES-BENZ S-KLASSE (W116)										1972→07/80		
NR	MAPCO	REF			←	→	↑	↓			NEW	INFO
1	59897	0003385510	✓		✓	✓			✓	✓		 M14x1,5RHT 1

MERCEDES-BENZ S-KLASSE (W126)										1985→06/91		
NR	MAPCO	REF			←	→	↑	↓			NEW	INFO
1	49898	1263300303	✓		✓				✓	✓		
2	49899	1263300203	✓			✓			✓	✓		
3	49896	1263300607	✓		✓				✓	✓		
4	49897	1263300707	✓			✓	✓		✓	✓		
5	33970	1263333814	✓		✓	✓	✓		✓	✓		
6	33972	1264600819	✓		✓	✓			✓	✓		

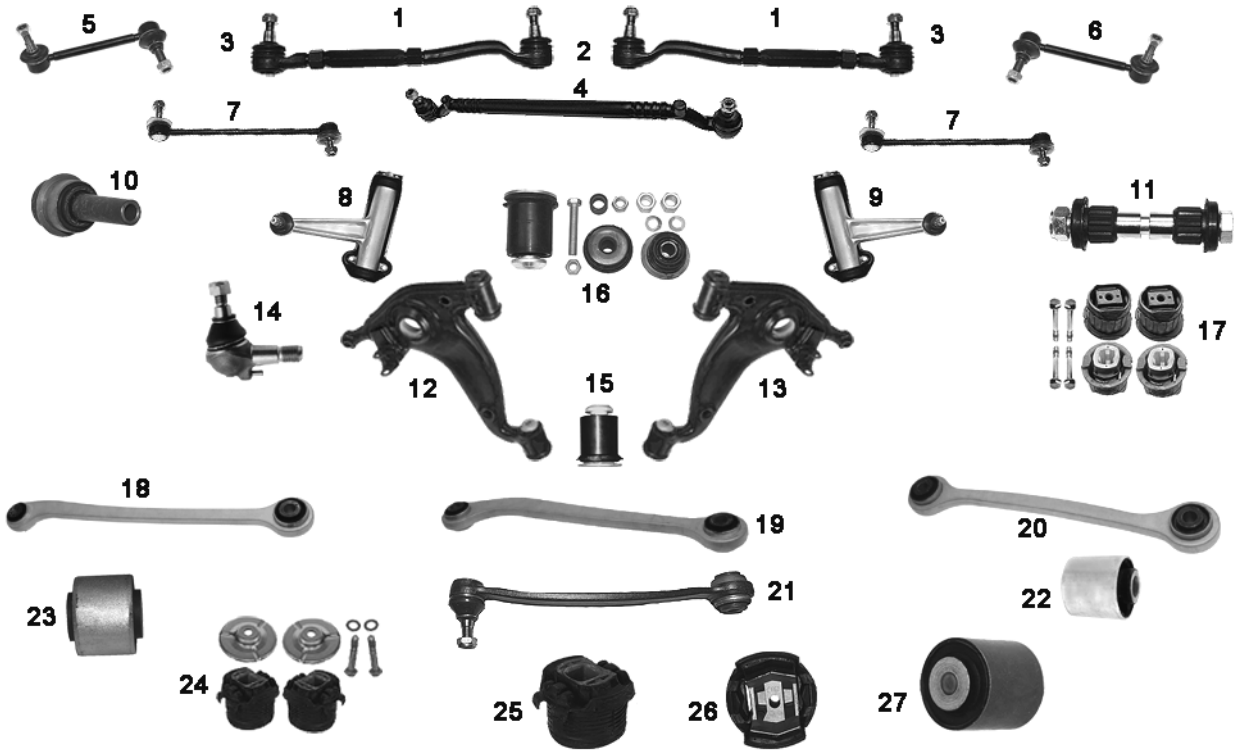


MERCEDES-BENZ C140 500 - 600 (SEC)

10/92 → 02/99

MERCEDES-BENZ S-KLASSE W140 300 - 400 - 500 - 600 (SE-SEL)

02/91 → 10/98

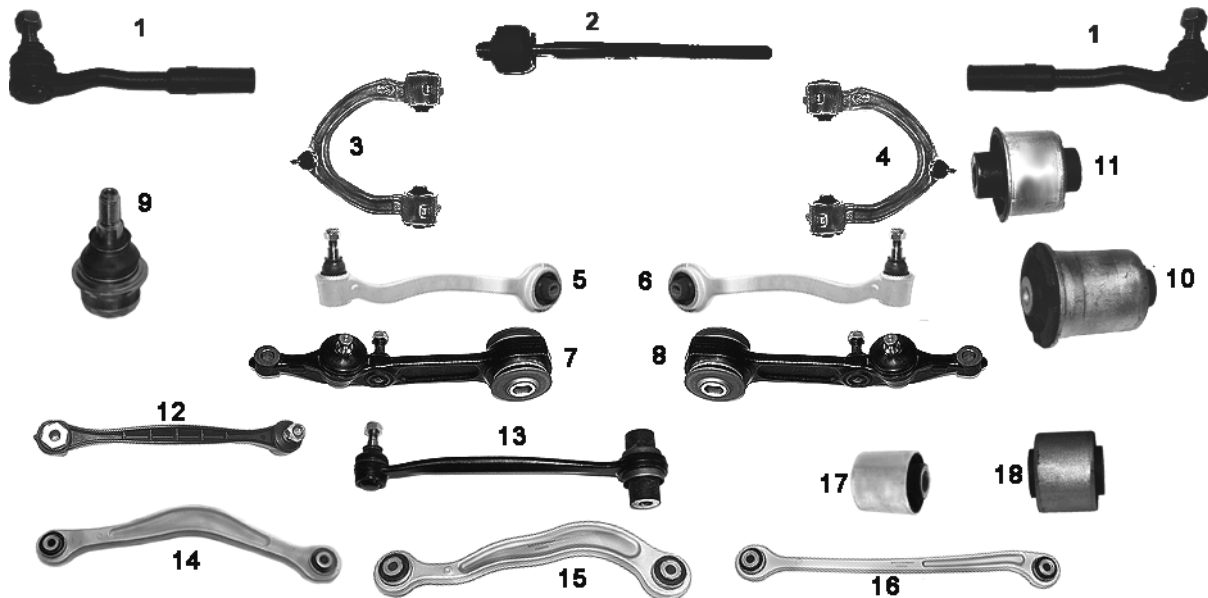


NR	MAPCO	REF			←	→	↑	↓			NEW	INFO
1	19837	1403300003	✓		✓	✓			✓	✓		
2	19833	0013306235	✓		✓	✓			✓	✓		
3	19834	0013306335	✓		✓	✓			✓	✓		
4	49892	1404600805	✓		✓	✓			✓	✓		
5	49826	1403301189	✓		✓				✓	✓		
6	49827	1403301289	✓			✓			✓	✓		
7	59856	1403201789	✓		✓	✓			✓	✓		
8	49819	1403305407	✓		✓		✓		✓	✓		
9	49820	1403307707	✓			✓	✓		✓	✓		
10	36980	1403331714	✓	✓	✓		✓		✓	✓		
11	33922	1404600819	✓		✓	✓			✓	✓		
12	59836	1403306407	✓		✓				✓	✓		
13	59837	1403306507	✓			✓			✓	✓		
14	49891	1403330327	✓		✓	✓		✓	✓	✓		
15	33971	1403331814	✓		✓	✓		✓	✓	✓		
16	33867	1403306007	✓		✓	✓			✓	✓		
17	36919	1403303942	✓		✓	✓			✓	✓		
18	49888	1403503406		✓	✓	✓			✓	✓		Aluminium
19	49889	1403503506		✓	✓	✓			✓	✓		Aluminium
20	49890	1403503606		✓	✓	✓			✓	✓		Aluminium
21	49893	1403503053		✓	✓	✓			✓	✓		
22	37832	1403524565		✓	✓	✓			✓	✓	✓	
23	37833	1403524465		✓	✓	✓			✓	✓	✓	Ø 41,5 mm
24	36920	1403508708		✓	✓	✓			✓	✓		
25	36921	1403517142		✓	✓	✓			✓	✓		
26	36922	1403518142		✓	✓	✓			✓	✓		
27	36923	1403528665		✓	✓	✓			✓	✓		



**MERCEDES-BENZ S-KLASSE (W220)**

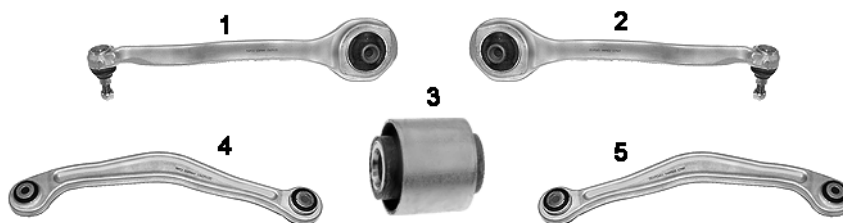
10/98→08/05



NR	MAPCO	REF			←	→	↑	↓			NEW	INFO
1	59843	2303380115	✓		✓	✓			✓	✓		
2	59844	2303380015	✓		✓	✓			✓	✓		
3	51830	2203309307	✓		✓		✓		✓	✓		
4	51831	2203308407	✓			✓	✓		✓	✓		
5	51832	2203304311	✓		✓			✓	✓	✓		
6	51833	2203304411	✓			✓		✓	✓	✓		
7	59879	2203308907	✓		✓			✓	✓	✓		
8	59880	2203309007	✓			✓		✓	✓	✓		
9	51834	2203330727	✓		✓	✓		✓	✓	✓		
10	36833	2303330314	✓		✓	✓	✓		✓	✓		
11	36832	2203331814	✓		✓	✓			✓	✓		
12	59845	2203203689		✓	✓		✓		✓	✓		
13	59874	2203500453		✓	✓	✓			✓	✓		
14	59876	2203502206		✓		✓	✓		✓	✓		
15	59877	2203502406		✓	✓	✓	✓		✓	✓		
16	59878	2203502606		✓	✓	✓		✓	✓	✓		
17	37832	1403524565		✓	✓	✓			✓	✓	✓	
18	37833	1403524465		✓	✓	✓			✓	✓	✓	∅ 41,5 mm

**MERCEDES-BENZ S-KLASSE (W221)**

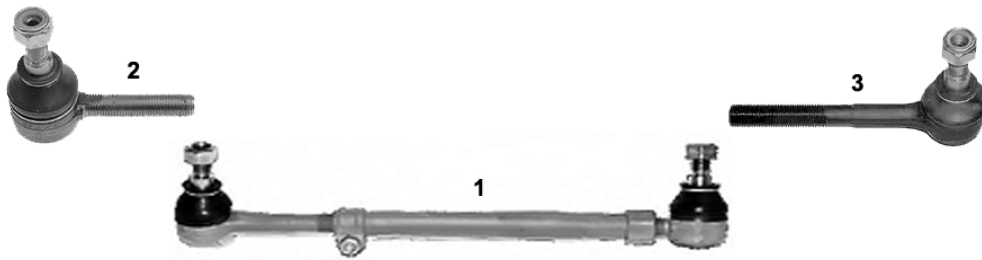
10/05→



NR	MAPCO	REF			←	→	↑	↓			NEW	INFO
1	51880	2213302311	✓		✓			✓	✓	✓	✓	
2	51881	2213302411	✓			✓		✓	✓	✓	✓	
3	37835	2213330814	✓		✓	✓		✓	✓	✓	✓	✓ 1 & 2
4	51860/1	2213500206		✓	✓		✓		✓	✓	✓	
5	51860	2213501006		✓		✓	✓		✓	✓	✓	

**MERCEDES-BENZ SL (R129)**

03/89→10/01



NR	MAPCO	REF			←	→	↑	↓			NEW	INFO
1	59865	1293300203	✓		✓	✓			✓	✓		
2	59866	0013305235	✓		✓	✓			✓	✓		M14x1,5RHT innen/inner
3	59867	0013305335	✓		✓	✓			✓	✓		M14x1,5LHT aussen/outside

**MERCEDES-BENZ SPRINTER (902)**

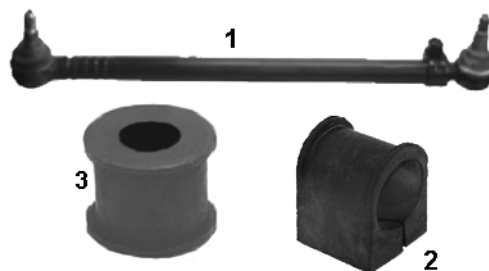
1997→05/06



NR	MAPCO	REF			←	→	↑	↓			NEW	INFO
1	49830	9014600148	✓		✓	✓			✓	✓		M16 x 1,5 RHT
2	49831	9013330727	✓		✓	✓			✓	✓		
3	49833	9014600155	✓		✓	✓			✓	✓		M16 x 1,5 RHT
4	59854	9013200289	✓		✓				✓	✓		
5	59855	9013200389	✓			✓			✓	✓		
6	33947	9043230085	✓		✓	✓			✓	✓		☑ 4x4, Ø 25,0 mm
7	36947	9013230285	✓		✓	✓			✓	✓		Ø 26,0 mm

**MERCEDES-BENZ SPRINTER (904)**

02/96→05/06



NR	MAPCO	REF			←	→	↑	↓			NEW	INFO
1	49844	3094603105	✓		✓	✓			✓	✓		
2	33947	9043230085	✓		✓	✓			✓	✓		Ø 25,0 mm
3	36947	9013230285	✓		✓	✓			✓	✓		Ø 26,0 mm

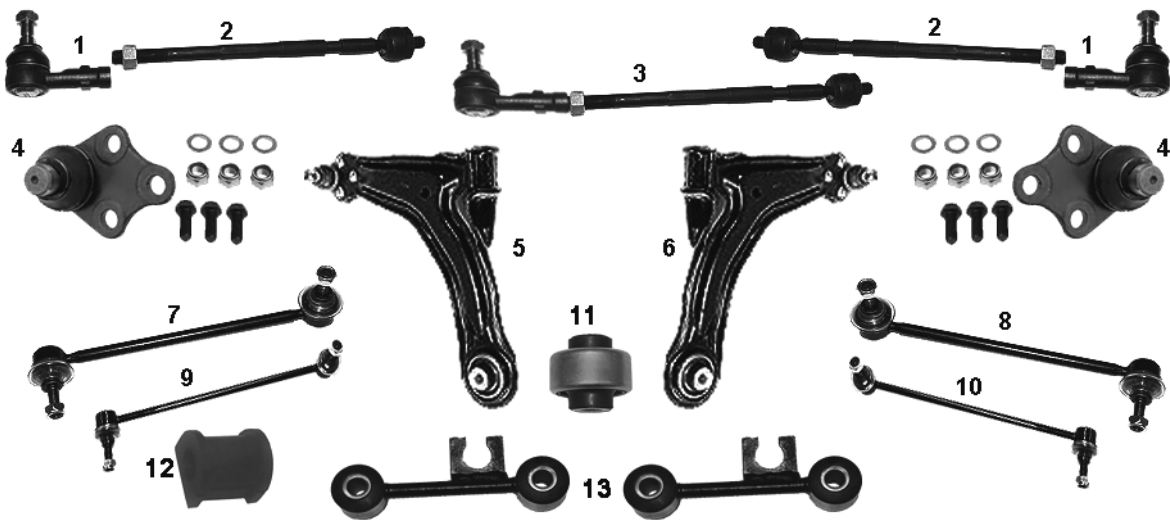
MERCEDES-BENZ SPRINTER (905) 616 CDI										04/01→	
NR	MAPCO	REF								NEW	INFO
1	52802	9053200489	✓	✓				✓	✓	✓	
2	52803	9053200589	✓		✓			✓	✓	✓	

MERCEDES-BENZ SPRINTER (906)										06/06→	
NR	MAPCO	REF								NEW	INFO
1	52811	9064600055	✓	✓	✓			✓	✓	✓	
2	52809	9064600048	✓	✓	✓			✓	✓	✓	
3	52810	9064600055part	✓	✓	✓			✓	✓	✓	
4	52816	9063304007	✓	✓				✓	✓	✓	
5	52817	9063304107	✓		✓			✓	✓	✓	
6	52812	9063380227	✓	✓	✓			✓	✓	✓	
7	37837	6383230285	✓	✓	✓			✓	✓	✓	innen / inner Ø 24,0 mm
8	52813	9063201789	✓	✓				✓	✓	✓	
9	52814	9063201889	✓		✓			✓	✓	✓	
10	52815	9063201389		✓	✓	✓		✓	✓	✓	

MERCEDES-BENZ VIANO (W639)										09/03→	
NR	MAPCO	REF								NEW	INFO
1	52804HPS	6393200089	✓	✓				✓	✓	✓	282,0 mm
2	52805HPS	6393200189	✓		✓			✓	✓	✓	282,0 mm
3	37837	6383230285	✓	✓	✓			✓	✓	✓	innen / inner Ø 24,0 mm

**MERCEDES-BENZ VITO (638) / V-CLASS (638/2)**

01/96 →07/03



NR	MAPCO	REF								NEW	INFO
1	49836	6384600048	✓	✓	✓			✓	✓		
2	49837	6384600255	✓	✓	✓			✓	✓		
3	49838		✓	✓	✓			✓	✓		1 + 2
4	49839	6383330027	✓	✓	✓			✓	✓		
5	59801	6383300010	✓	✓			✓	✓	✓		
6	59802	6383300110	✓		✓		✓	✓	✓		
7	49841HPS	6383230268	✓	✓				✓	✓		250,0mm
8	49840HPS	6383230368	✓		✓			✓	✓		250,0mm
9	52800	6383230468	✓	✓				✓	✓	✓	230,0mm
10	52801	6383230568	✓		✓			✓	✓	✓	230,0mm
11	37836	6383330814	✓	✓	✓			✓	✓	✓	✓ 5 + 6
12	37837	6383230285	✓	✓	✓			✓	✓	✓	innen / inner Ø 24,0 mm
13	49843	6383260116		✓	✓	✓		✓	✓		

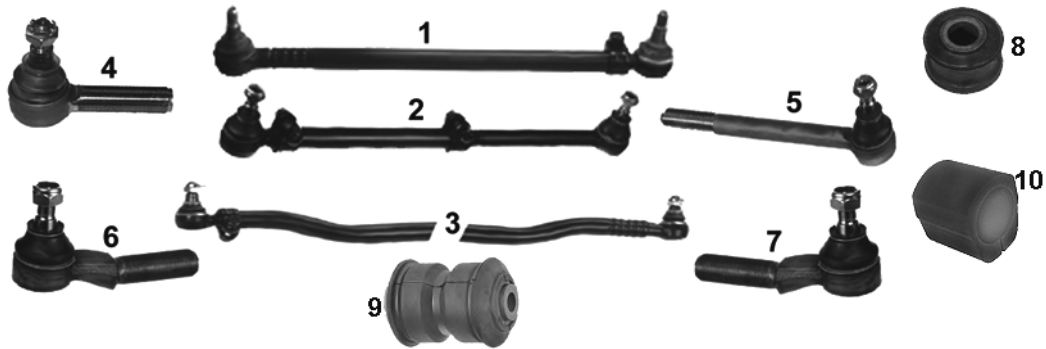
**MERCEDES-BENZ VITO (W639)**

09/03→



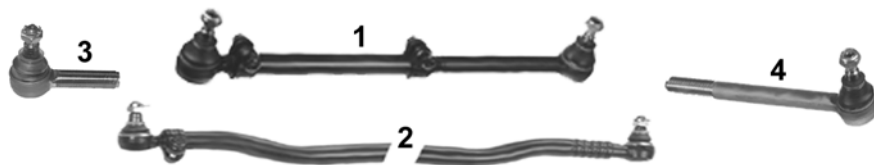
NR	MAPCO	REF								NEW	INFO
1	52804HPS	6393200089	✓	✓				✓	✓	✓	282,0 mm
2	52805HPS	6393200189	✓		✓			✓	✓	✓	282,0 mm
3	37837	6383230285	✓	✓	✓			✓	✓	✓	innen / inner Ø 24,0 mm

**MERCEDES-BENZ T1(601), (602)** 1977 → 02/96



NR	MAPCO	REF			←	→	↑	↓			NEW	INFO
1	49844	3094603105	✓		✓	✓			✓	✓		, 486mm
2	49845	6014601205	✓		✓				✓	✓		483mm
3	49846	6023300103	✓		✓	✓			✓	✓		1352mm
4	49847	0004608548	✓		✓	✓			✓	✓		M22x1,5 , 95mm
5	49848	0004608648	✓		✓	✓			✓	✓		M22x1,5 LHT , 245mm
6	49849	6023305835	✓		✓				✓	✓		M24x1,5 , 115mm
7	49880	6023305735	✓			✓			✓	✓		M24x1,5 , 115mm
8	33946	6013210350	✓		✓	✓			✓	✓		Ø innen/inner 12mm
9	36925	6023240050		✓	✓	✓			✓	✓		
10	36926	6023260282	✓		✓	✓			✓	✓		Ø innen/inner 32,0mm

**MERCEDES-BENZ T1/ TN** 07/81 → 06/95



NR	MAPCO	REF			←	→	↑	↓			NEW	INFO
1	49845	6014601205	✓		✓				✓	✓		483mm
2	49846	6023300103	✓		✓	✓			✓	✓		1352mm
3	49847	0004608548	✓		✓	✓			✓	✓		M22x1,5 , 95mm
4	49848	0004608648	✓		✓	✓			✓	✓		M22x1,5 LHT , 245mm

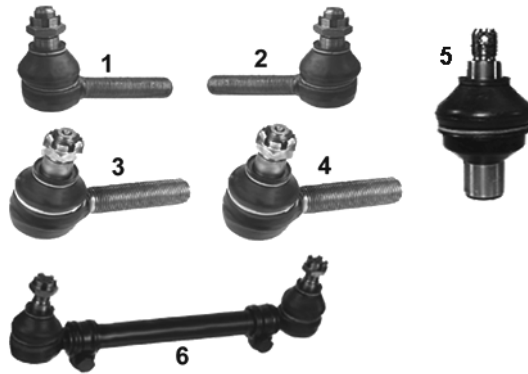
**MERCEDES-BENZ T2/L** 1968 → 12/88



NR	MAPCO	REF			←	→	↑	↓			NEW	INFO
1	49844	3094603105	✓		✓	✓			✓	✓		, 486mm

**MERCEDES-BENZ 100 (631)**

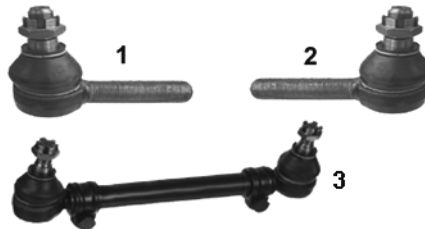
12/90 → 12/96



NR	MAPCO	REF			←	→	↑	↓			NEW	INFO
1	49881	6313300435	✓		✓				✓	✓		M20x1,5LHT
2	49882	4603301235	✓			✓			✓	✓		M20x1,5RHT
3	49883	6313380410	✓		✓	✓			✓	✓		innen/inner M18x1,5LHT , 95mm
4	49884	3094603105	✓		✓	✓			✓	✓		aussen/outside M18x1,5RHT , 95mm
5	59898	0003200028	✓		✓	✓	✓	✓	✓	✓		
6	49886	6313300703	✓		✓	✓			✓	✓		aussen/outside

**MERCEDES-BENZ O 100 City**

01/94 →

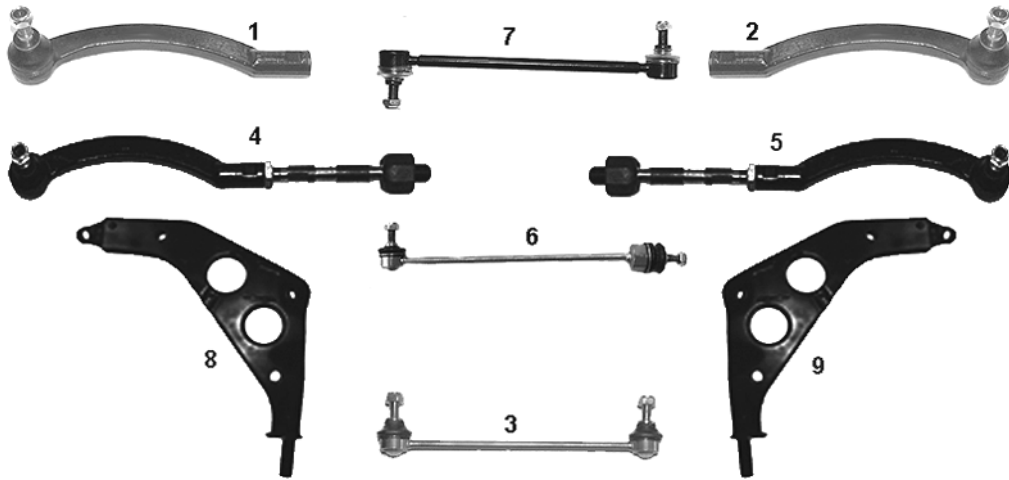


NR	MAPCO	REF			←	→	↑	↓			NEW	INFO
1	49881	6313300435	✓		✓				✓	✓		M20x1,5LHT
2	49882	4603301235	✓			✓			✓	✓		M20x1,5RHT
3	49886	6313300703	✓		✓	✓			✓	✓		aussen/outside

# MINI

MINI COOPER  
MINI COOPER S - ONE

06/01→  
03/02→



NR	MAPCO	REF								NEW	INFO
1	59690	32216754565	✓		✓				✓	✓	
2	59691	32216754566	✓			✓			✓	✓	
3	59694	35551507999		✓	✓	✓			✓	✓	
4	59692	32116754563	✓		✓				✓	✓	
5	59693	32116754564	✓			✓			✓	✓	
6	59695	31351507989	✓		✓	✓			✓	✓	
7	59614HPS	31356759537	✓		✓	✓			✓	✓	
8	51663	31121492144	✓		✓				✓	✓	
9	51664	31126761410	✓			✓			✓	✓	

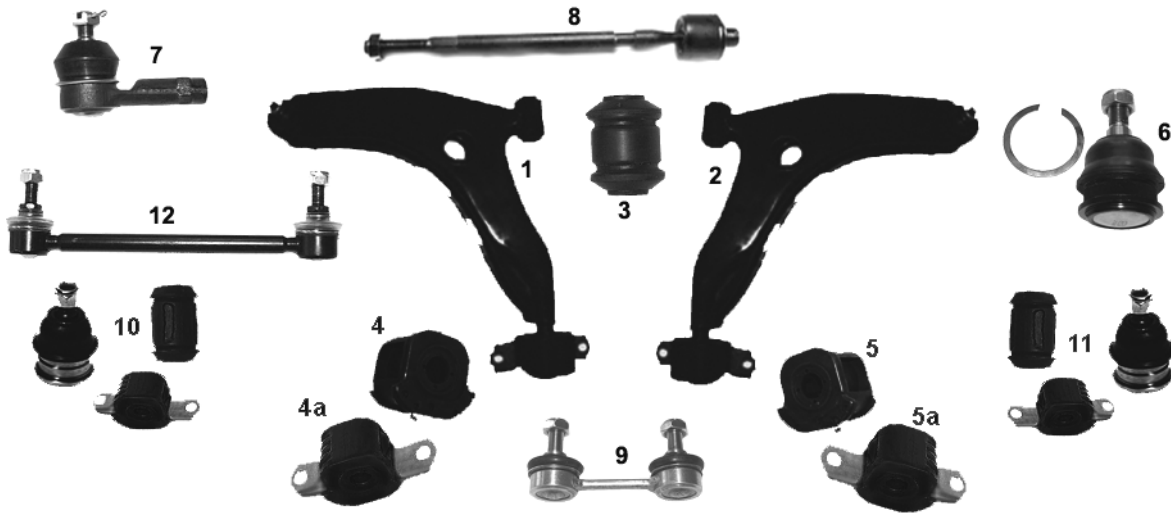
# MITSUBISHI

MITSUBISHI CARISMA

07/95→06/06

MITSUBISHI CARISMA 

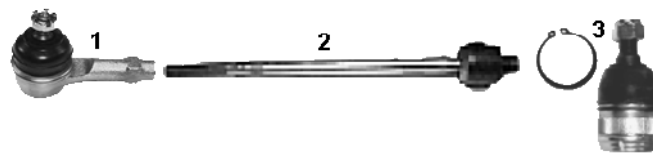
06/96→06/06



NR	MAPCO	REF			←	→	↑	↓			NEW	INFO
1	49544	MR 915769	✓		✓				✓	✓		→02/99
2	49545	MR 915770	✓			✓			✓	✓		→02/99
3	33552	MR 130982	✓		✓	✓			✓	✓		
4	33551	MB 808909	✓		✓				✓	✓		
4a	33551/1	MB 808909	✓		✓				✓	✓		
5	33550	MB 808910	✓			✓			✓	✓		
5a	33550/1	MB 808910	✓			✓			✓	✓		
6	49578	MB 241833	✓		✓	✓			✓	✓		→02/99
7	19540	MB 912076	✓		✓	✓			✓	✓		M12 x1,25 RHT
8	59536	MR 244901	✓		✓	✓			✓	✓		
9	49245	MR 272117		✓	✓	✓			✓	✓		
10	19255		✓		✓				✓	✓		Kit →02/99
11	19256		✓			✓			✓	✓		Kit →02/99
12	49905HPS	MR 272116	✓		✓	✓			✓	✓		200,0mm

## MITSUBISHI COLT – LANCER III

10/83→12/85

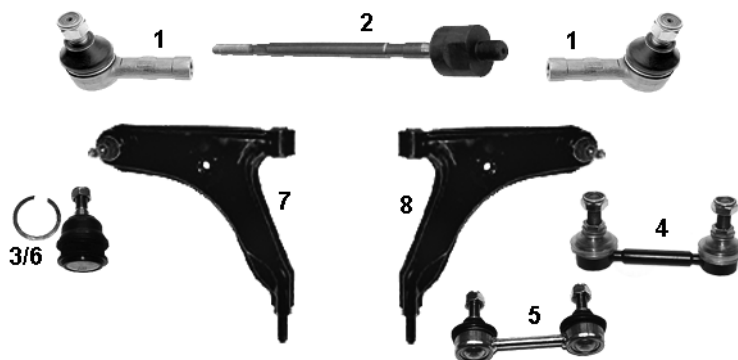


NR	MAPCO	REF			←	→	↑	↓			NEW	INFO
1	19540	MB 527169	✓		✓	✓			✓	✓		M12 x1,25 RHT
2	19541	MB 532046	✓		✓	✓				✓		M12 x1,25 RHT
3	19542	MB 001696	✓		✓	✓			✓	✓		



**MITSUBISHI COLT III – LANCER IV**

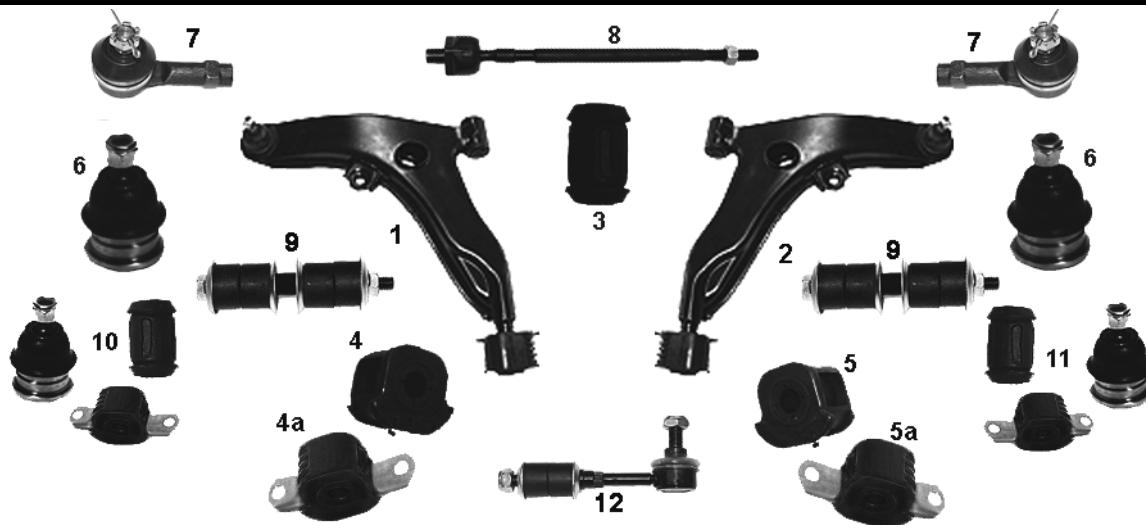
01/86→05/92



NR	MAPCO	REF			←	→	↑	↓			NEW	INFO
1	19547	MB 527169	✓		✓	✓			✓	✓		1988→1992
2	19550	MB 553249	✓		✓	✓			✓	✓		
3	19542	MB912076	✓		✓	✓			✓	✓		
4	19543HPS	MB 518892	✓		✓	✓			✓	✓		
5	19544	MB 809354		✓	✓	✓			✓	✓		
6	49578	MB 241833	✓		✓	✓			✓	✓		1988→1992
7	59356	MB 518806	✓		✓				✓	✓		
8	59357	MB 518807	✓		✓				✓	✓		

**MITSUBISHI COLT IV – LANCER V (CB/D\_A)**

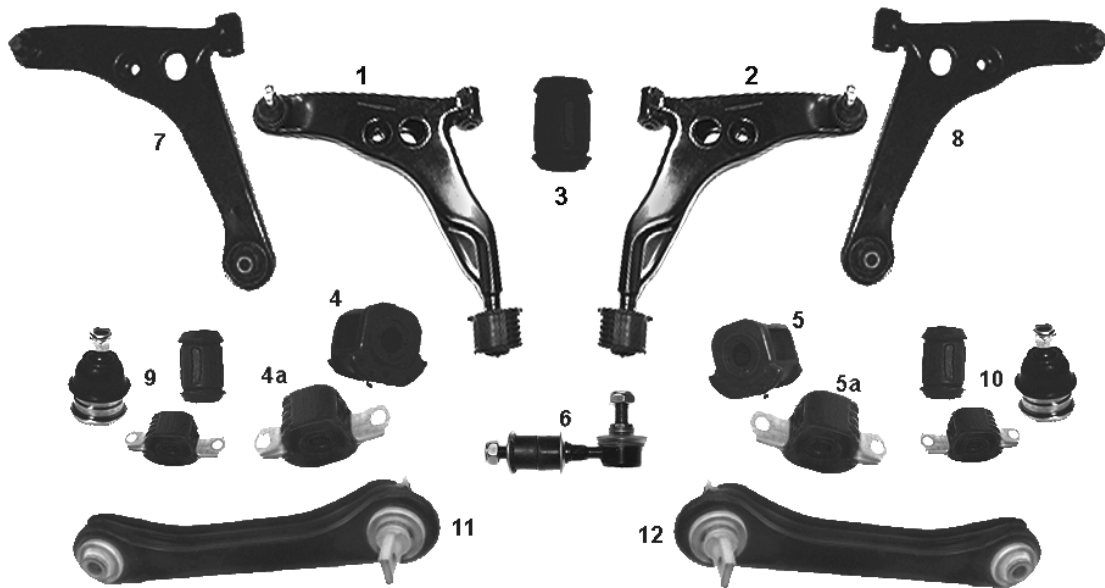
06/92 →12/95



NR	MAPCO	REF			←	→	↑	↓			NEW	INFO
1	49540	MB 912077	✓		✓				✓	✓		1988→1992
2	49541	MB 912078	✓		✓				✓	✓		
3	33552	MR 130982	✓		✓	✓			✓	✓		
4	33551	MB 808909	✓		✓				✓	✓		
4a	33551/1	MB 808909	✓		✓				✓	✓		
5	33550	MB 808910	✓		✓				✓	✓		
5a	33550/1	MB 808910	✓		✓				✓	✓		
6	49578	MB 241833	✓		✓				✓	✓		02/94 → 04/96
7	19547	MB 527169	✓		✓	✓			✓	✓		1988→12/95
8	59308	MR 130807	✓		✓				✓	✓		M12x1,25RHT 315 mm
9	51598	MB 241974	✓		✓	✓			✓	✓	✓	
10	19255		✓		✓				✓	✓		Kit
11	19256		✓		✓				✓	✓		Kit
12	59309	MB 809355		✓	✓	✓			✓	✓		✓1.8 Gti

MITSUBISHI COLT V (CJ\_A), LANCER VI (CK/P\_A)

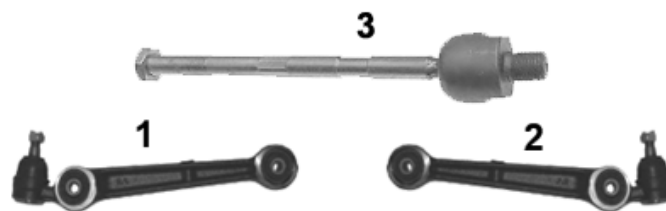
12/95→



NR	MAPCO	REF			←	→	↑	↓			NEW	INFO
1	49542	MR 241341	✓		✓				✓	✓		→ 12/00
2	49543	MR 241342	✓			✓			✓	✓		→ 12/00
3	33552	MR 130982	✓		✓				✓	✓		
4	33551	MB 808909	✓		✓				✓	✓		→ 12/00
4a	33551/1	MB 808909	✓		✓				✓	✓		→ 12/00
5	33550	MB 808910	✓			✓			✓	✓		→ 12/00
5a	33550/1	MB 808910	✓			✓			✓	✓		→ 12/00
6	59540HPS	MB 518780	✓		✓	✓			✓	✓		
7	59283	MR 403419	✓		✓				✓	✓		01/01→
8	59284	MR 403420	✓			✓			✓	✓		01/01→
9	19255		✓		✓				✓	✓		Kit
10	19256		✓			✓			✓	✓		Kit
11	59396	MB 809220		✓	✓				✓	✓		
12	59397	MB 809221		✓		✓			✓	✓		

MITSUBISHI ECLIPSE I + II

04/91→



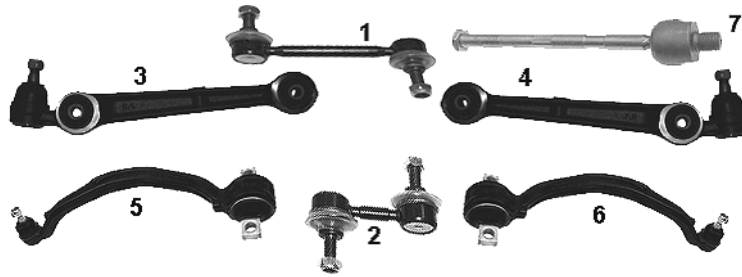
NR	MAPCO	REF			←	→	↑	↓			NEW	INFO
1	49241	MR 296295	✓		✓				✓	✓		
2	49242	MR 296296	✓			✓			✓	✓		
3	59307	MB 949343	✓		✓	✓			✓	✓		M14x1,5RHT 235,0 mm

MITSUBISHI GALANT II, III, IV											1980 → 10/92	
NR	MAPCO	REF			←	→	↑	↓			NEW	INFO
1	49256	MB 192430	✓			✓			✓	✓		
2	59307	MB 949343	✓		✓	✓			✓			06/88 → M14x1,5RHT 235,0 mm
3	49578	MB 241833	✓		✓				✓	✓		

MITSUBISHI GALANT V											11/92 → 08/96	
NR	MAPCO	REF			←	→	↑	↓			NEW	INFO
1	49243	MB 912505	✓		✓		✓		✓	✓		
2	49244	MB 912506	✓			✓	✓		✓	✓		
3	59541HPS	MB 892981	✓		✓	✓			✓	✓		
4	59542	MB 518892		✓	✓	✓			✓	✓		
5	49241	MR 296295	✓		✓				✓	✓		
6	49242	MR 296296	✓			✓			✓	✓		
7	49256	MB 192430	✓		✓	✓			✓	✓		
8	59398	MB912511	✓		✓			✓	✓	✓		
9	59399	MB912512	✓			✓		✓	✓	✓		
10	59307	MB 949343	✓		✓	✓			✓			M14x1,5RHT 235,0 mm

**MITSUBISHI GALANT VI (EA\_)**

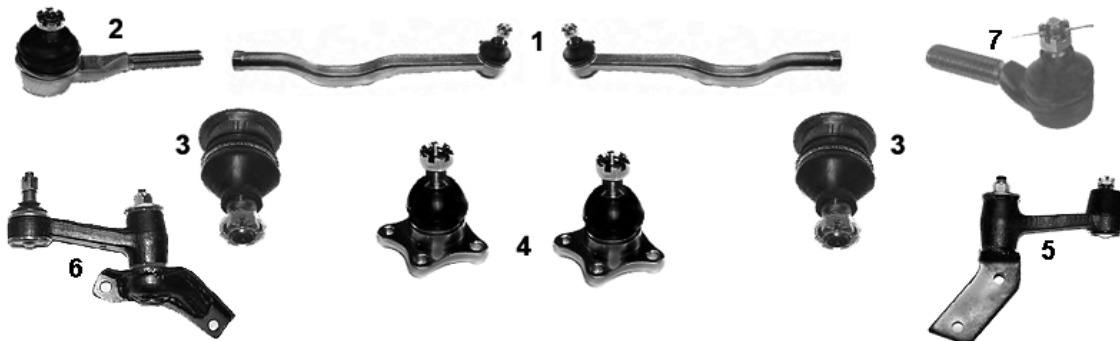
09/96→



NR	MAPCO	REF			←	→	↑	↓			NEW	INFO
1	59541HPS	MB892981	✓		✓	✓			✓	✓		120,0mm
2	59543HPS	MB131732		✓	✓	✓			✓	✓		
3	49241	MR296295	✓		✓				✓	✓		
4	49242	MR296296	✓			✓			✓	✓		
5	59398	MB912511	✓		✓			✓	✓	✓		
6	59399	MB912512	✓			✓		✓	✓	✓		
7	59307	MB949343	✓		✓	✓			✓			M14x1,5RHT 235,0 mm

**MITSUBISHI L200**

1987 → 1998



NR	MAPCO	REF			←	→	↑	↓			NEW	INFO
1	59222	MB 122011	✓		✓	✓			✓	✓		innen/inner
2	59221	MB 166982	✓		✓	✓			✓	✓		außen / outside
3	59223	MB 109585	✓		✓	✓	✓		✓	✓		
4	59224	MB 241818	✓		✓	✓		✓	✓	✓		
5	59303	MB 527228	✓		✓	✓			✓	✓		RHD
6	59304	MB 241423	✓		✓	✓			✓	✓		LHD
7	59373	MB 564855	✓		✓	✓			✓	✓		✓ 2.5 D+TD außen / outside M16x1,5 LHT

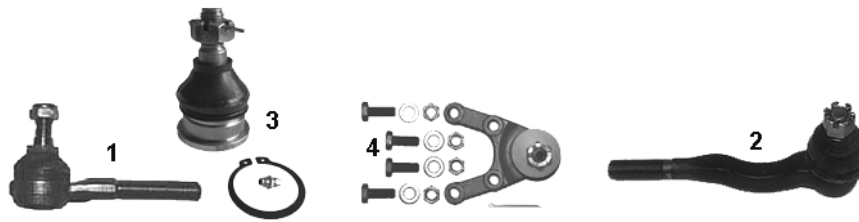
MITSUBISHI L300 Bus													11/84 → 1994
NR	MAPCO	REF			←	→	↑	↓			NEW	INFO	
1	49249	MB166427	✓		✓	✓			✓	✓		innen/inner	
2	49247	MB 527349	✓		✓	✓	✓		✓	✓			
3	49248	MB 527383-01	✓		✓	✓			✓	✓			
4	49940	MB 430112	✓		✓			✓	✓	✓			
5	49941	MB 430113	✓			✓			✓	✓			
6	59310	MB 527650	✓		✓	✓			✓	✓		aussen/outside M14x1,5 LHT	
7	59306	MB 532971	✓		✓	✓				✓			

MITSUBISHI L300 Pritsche													1981 → 1994
NR	MAPCO	REF			←	→	↑	↓			NEW	INFO	
1	59220	MB 166980	✓		✓	✓			✓	✓		innen/inner	
2	59221	MB 166982	✓		✓	✓			✓	✓		aussen/outside	
3	59223	MB 109585	✓		✓	✓	✓		✓	✓			
4	59224	MB 241818	✓		✓			✓	✓	✓			
5	59306	MB 532971	✓		✓	✓				✓			

MITSUBISHI OUTLANDER													05/03 →
NR	MAPCO	REF			←	→	↑	↓			NEW	INFO	
1	49250HPS	MR316368	✓		✓				✓	✓			
2	49251HPS	MR316369	✓			✓			✓	✓			

**MITSUBISHI PAJERO I - MONTERO**

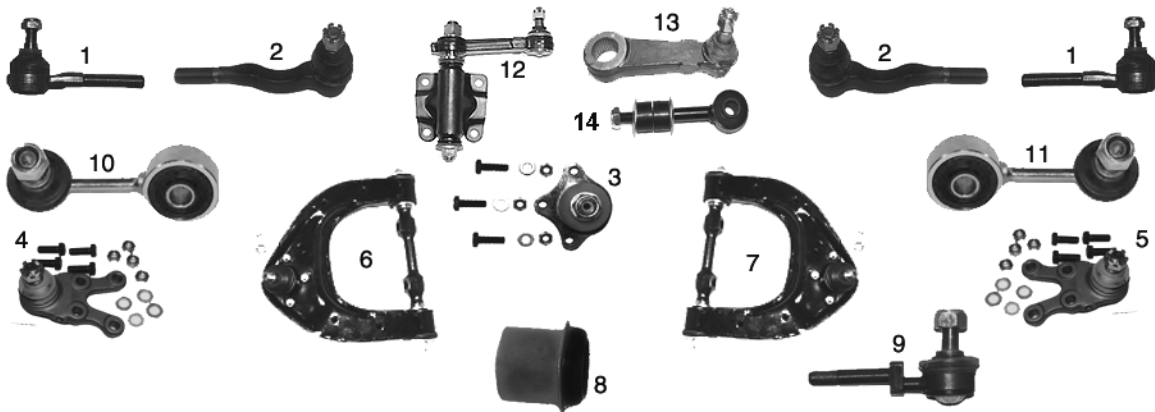
1982 → 1990



NR	MAPCO	REF			←	→	↑	↓			NEW	INFO
1	19546	MB 315775	✓		✓	✓			✓	✓		M16x1,5 LHT aussen/outside
2	19545	MB 315776	✓		✓	✓			✓	✓		M16x1,5 RHT innen/inner
3	19551	MB 176309	✓		✓	✓	✓		✓	✓		
4	19552	MB 176308	✓		✓			✓	✓	✓		

**MITSUBISHI PAJERO II - MONTERO**

1990 → 04/00



NR	MAPCO	REF			←	→	↑	↓			NEW	INFO
1	19549	MB 831043	✓		✓	✓			✓	✓		aussen/outside
2	19548	MB 831044	✓		✓	✓			✓	✓		innen/inner
3	19553	MB 860829	✓		✓	✓	✓		✓	✓		
4	19554	MB 831037	✓		✓			✓	✓	✓		
5	19555	MB 831038	✓			✓		✓	✓	✓		
6	49546	MR 296093	✓		✓		✓		✓	✓		1992→ 04/00
7	49547	MR 296094	✓			✓	✓		✓	✓		1992→ 04/00
8	33553	MB 633820	✓		✓	✓		✓	✓	✓		
9	49240	MB 584021		✓	✓	✓	✓		✓	✓		
10	59546	MR 267876	✓		✓				✓	✓		
11	59547	MR 267877	✓			✓			✓	✓		
12	59305	MB 831042	✓		✓	✓			✓	✓		RHD
13	59340	MB 831040	✓		✓	✓			✓	✓		RHD
14	51549	MB 633926	✓		✓	✓			✓	✓		107,0 mm

MITSUBISHI PAJERO III										04/00 →		
NR	MAPCO	REF			←	→	↑	↓			NEW	INFO
1	51543	MB 267877	✓		✓				✓	✓		
2	51544	MR 374522	✓			✓			✓	✓		
3	51545HPS	MR 418052		✓	✓				✓	✓		
4	51546	MR 418053		✓		✓			✓	✓		

MITSUBISHI SPACE GEAR										05/95 →		
NR	MAPCO	REF			←	→	↑	↓			NEW	INFO
1	59544	MR 267873	✓		✓	✓			✓	✓		
2	59545HPS	MR 267875		✓	✓	✓			✓	✓		

MITSUBISHI SPACE RUNNER (N1_W, N2_W)										10/91 → 08/99		
NR	MAPCO	REF			←	→	↑	↓			NEW	INFO
1	49578	MB 241833	✓		✓	✓			✓	✓		
2	49256	MB 192430	✓		✓	✓			✓	✓		
3	59537HPS	MR 316435	✓		✓				✓	✓	✓	2.0+2.4 GDI
4	59538HPS	MR 316436	✓			✓			✓	✓	✓	2.0+2.4 GDI
5	51240	MB 831559		✓	✓	✓			✓	✓	✓	

**MITSUBISHI SPACE STAR**

06/98 →



NR	MAPCO	REF			←	→	↑	↓			NEW	INFO
1	49578	MB 241833	✓		✓	✓			✓	✓		
2	49256	MB 192430	✓		✓	✓			✓	✓		
3	51550	MB 809222		✓	✓				✓	✓		
4	51551	MB 809223		✓		✓			✓	✓		

**MITSUBISHI SPACE WAGON (N3\_W, N4\_W)**

10/91 → 10/98



NR	MAPCO	REF			←	→	↑	↓			NEW	INFO
1	49256	MB 192430	✓		✓	✓			✓	✓		
2	59510HPS	MB 672370	✓		✓				✓	✓		
3	59511HPS	MB 808076	✓			✓			✓	✓		
4	49578	MB 241833	✓		✓	✓			✓	✓		
5	51240	MB 831559		✓	✓	✓			✓	✓	✓	

**MITSUBISHI SPACE WAGON (N5\_W)**

10/98 →



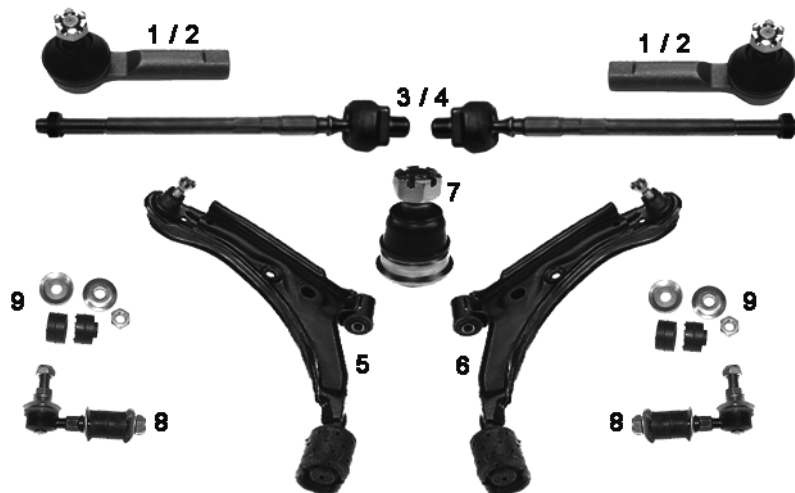
NR	MAPCO	REF			←	→	↑	↓			NEW	INFO
1	59537HPS	MR 316435	✓		✓				✓	✓		
2	59538HPS	MR 316436	✓			✓			✓	✓		



# NISSAN

## NISSAN ALMERA N15

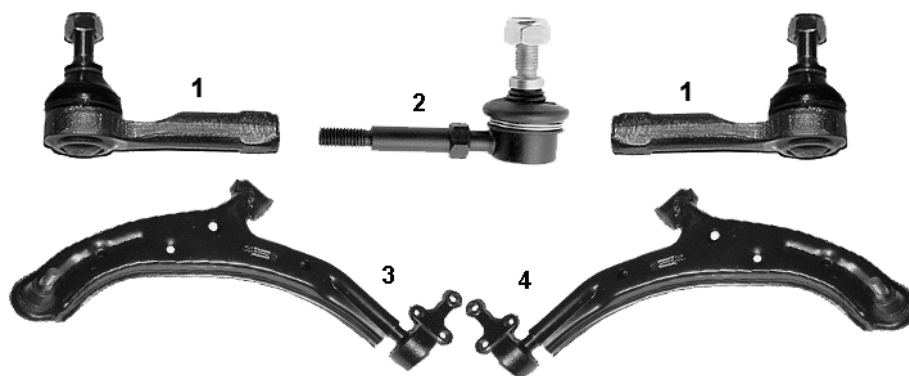
1995→07/00



NR	MAPCO	REF			←	→	↑	↓			NEW	INFO
1	19528	48520-0M025	✓		✓	✓			✓	✓		✓ 1.4-1.6
2	59524	48520-0M085	✓		✓	✓			✓	✓		✓ 2.0D + 2.0 Gti
3	59253	48521-1M210	✓		✓	✓				✓		M12x1,25RHT
4	59360	48521-1M226	✓		✓	✓			✓			M12x1,25RHT
5	49528	54501-0M060	✓		✓				✓	✓		
6	49529	54500-0M060	✓			✓			✓	✓		
7	59522	40160-50Y00	✓		✓	✓		✓	✓	✓		
8	49525HPS	54618-50Y00	✓			✓			✓	✓		
9	33529		✓		✓	✓			✓	✓		49525

## NISSAN ALMERA N16

2000→



NR	MAPCO	REF			←	→	↑	↓			NEW	INFO
1	59225	48520-15U25	✓		✓	✓			✓	✓		M12x1,25
2	59226HPS	54618-4M400	✓		✓	✓			✓	✓		
3	51527	54501-4M400	✓		✓			✓	✓	✓		
4	51528	54500-4M410	✓			✓		✓	✓	✓		

**NISSAN ALMERA TINO (V10)**


08/00 →



NR	MAPCO	REF			←	→	↑	↓			NEW	INFO
1	51281	54668-4U000	✓		✓				✓	✓	✓	
2	51282	54618-4U000	✓			✓			✓	✓	✓	


**NISSAN BLUEBIRD**

11/83 → 12/90

NR	MAPCO	REF			←	→	↑	↓			NEW	INFO
1	59255	48520-50A26	✓		✓	✓			✓	✓		 M12x1,25RHT 1

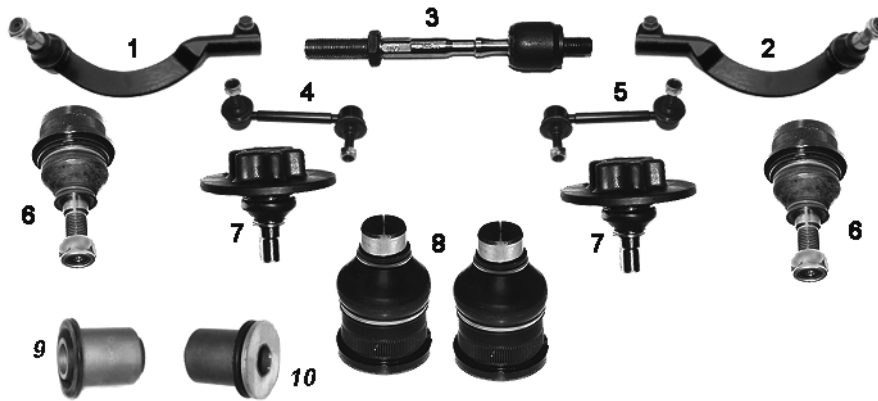
**NISSAN CHERRY**

11/83 → 12/90

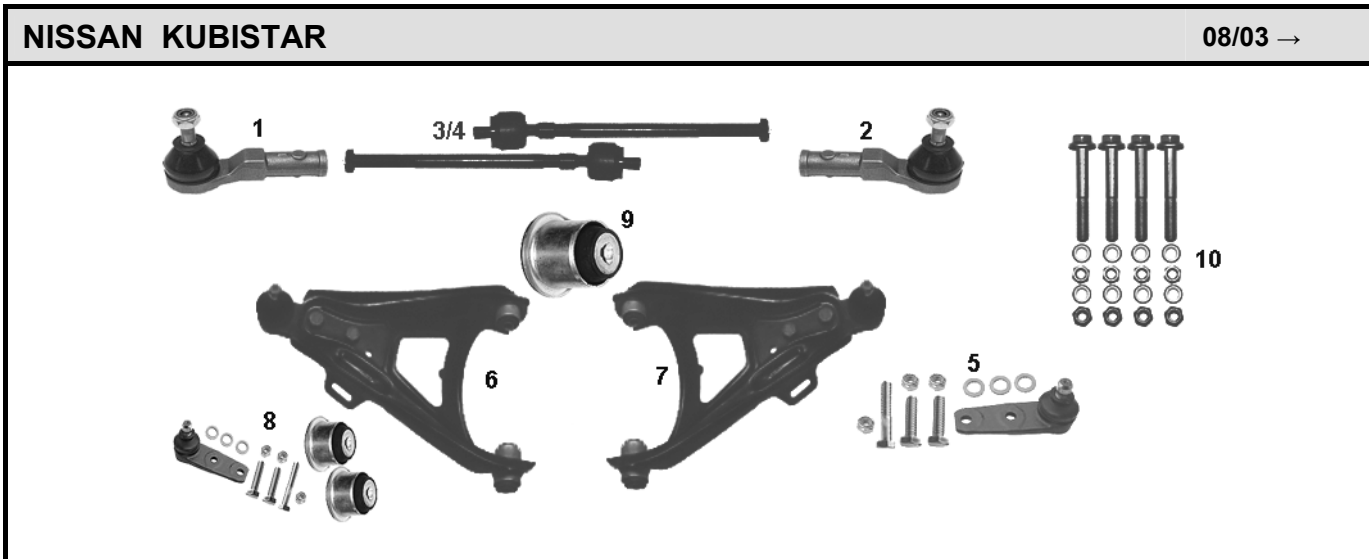
NR	MAPCO	REF			←	→	↑	↓			NEW	INFO
1	59325	40160-01A25	✓		✓	✓			✓	✓		 13 mm 1

**NISSAN INTERSTAR**

07/02 →

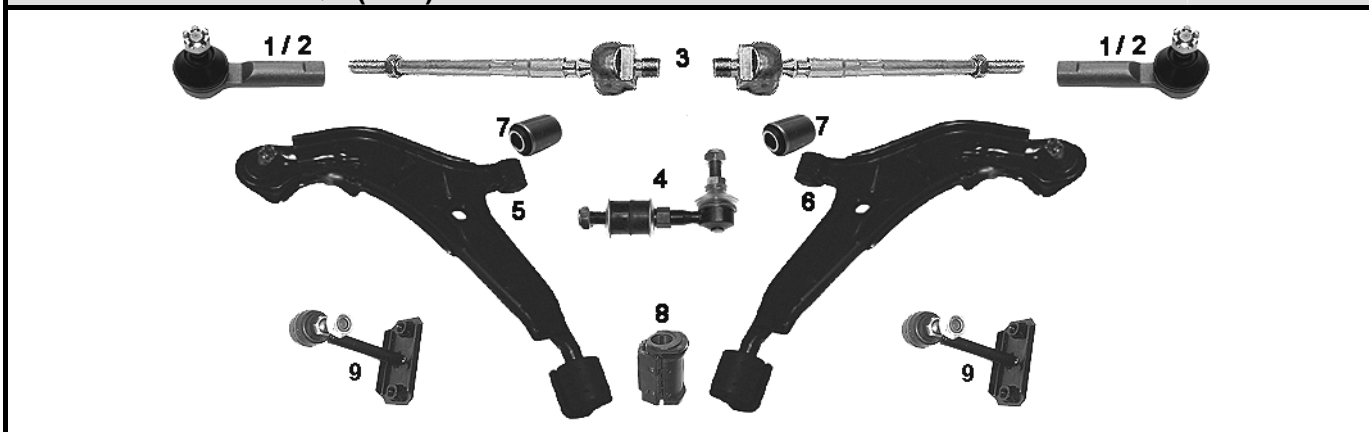


NR	MAPCO	REF			←	→	↑	↓			NEW	INFO
1	49137	48520-00QAH	✓		✓				✓	✓		(M16x1,5RHT) 225mm
2	49138	48520-00QAJ	✓			✓			✓	✓		(M16x1,5RHT) 225mm
3	49125	48521-00QAF	✓		✓	✓			✓	✓		150mm
4	49109HPS	54618-00QAB	✓		✓				✓	✓		
5	49108HPS	54618-00QAA	✓			✓			✓	✓		
6	49110	40160-00QAB	✓		✓	✓	✓		✓	✓		ausssen/ outer
7	49156	40110-00QAA	✓		✓	✓			✓	✓		Innen/ inner
8	49111	40160-000AC	✓		✓	✓		✓	✓	✓		
9	36704	54570-00QAA	✓		✓	✓		✓	✓	✓	✓	
10	36705	54423-00QAA	✓		✓	✓		✓	✓	✓	✓	hinten/ rear



NR	MAPCO	REF			←	→	↑	↓			NEW	INFO
1	49135	48520-00QAN	✓		✓				✓	✓		12,20mm M14x1,5RHT
2	49136	48520-00QAP	✓			✓			✓	✓		12,20mm M14x1,5RHT
3	49117/1	48521-00QAG	✓		✓	✓			✓	✓		außen M 12x1,5 (SMI) 300mm
4	19195	48521-00QAA	✓		✓	✓				✓		235mm
5	19109	54501-00QAH	✓		✓	✓			✓	✓		
6	19196	54501-00Q0L	✓		✓				✓	✓		
7	19197	54500-00Q1A	✓			✓			✓	✓		
8	19208		✓		✓	✓			✓	✓		Kit
9	33165	54560-00Q0A	✓		✓	✓			✓	✓		
10	95137		✓		✓	✓			✓	✓		MS

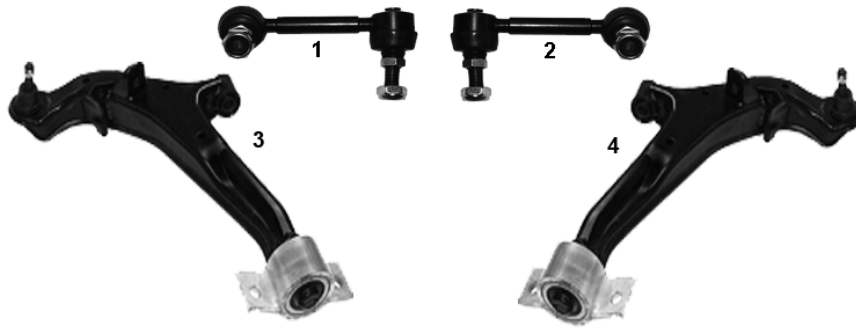
**NISSAN MAXIMA (J30)** 1988→1994  
**NISSAN MAXIMA QX (A32)** 1994→2000



NR	MAPCO	REF			←	→	↑	↓			NEW	INFO
1	59524	48520-0M085	✓		✓	✓			✓	✓		✓ 2.0
2	59256	48520-88E26	✓		✓	✓			✓	✓		✓ 3.0 145mm M12x1,25 RHT
3	59525	48521-0C025	✓		✓	✓			✓	✓		M16x1,25 330mm
4	49222HPS	54618-0E000	✓		✓	✓			✓	✓		
5	49220	54501-41U01	✓		✓				✓	✓		
6	49221	54500-39U01	✓			✓			✓	✓		
7	33511	54590-01E00	✓		✓	✓			✓	✓		
8	33506	54570-50Y11	✓		✓	✓			✓	✓		
9	49219	56260-51E15		✓	✓	✓			✓	✓		✓ A32

**NISSAN MAXIMA QX (A33)**

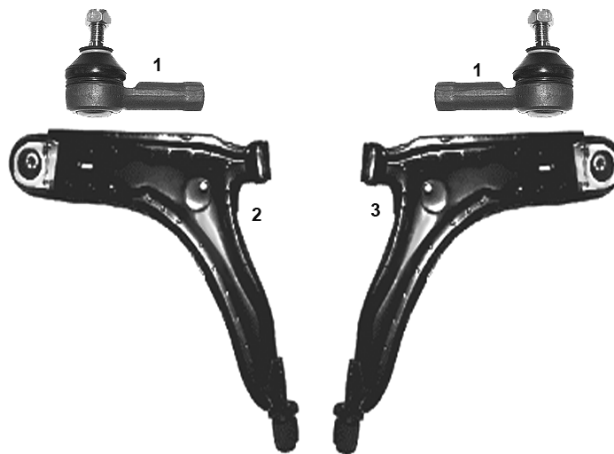
03/00→



NR	MAPCO	REF			←	→	↑	↓			NEW	INFO
1	19538	54668-2Y000	✓		✓				✓	✓	✓	M10x1,25 90mm
2	19539	54618-2Y000	✓			✓			✓	✓	✓	M10x1,25 90mm
3	51286	54570-00QAA	✓		✓			✓	✓	✓	✓	
4	51287	54423-00QAA	✓			✓		✓	✓	✓	✓	

**NISSAN MICRA K 10**

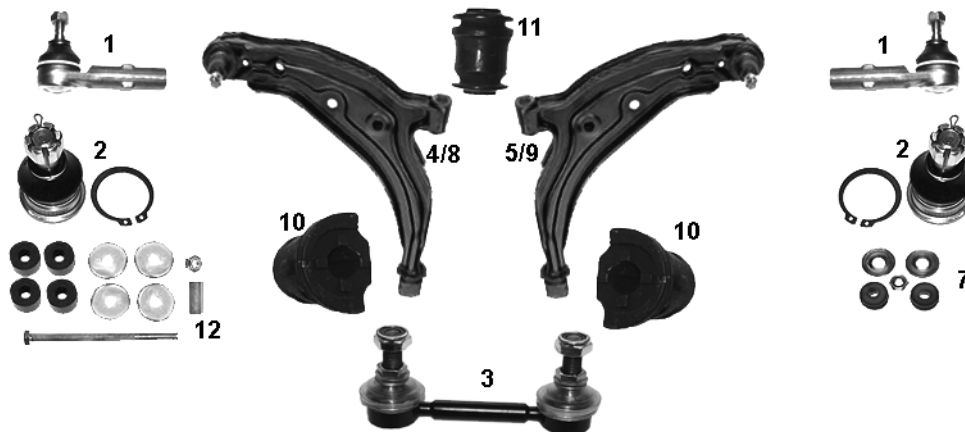
1983 → 1992



NR	MAPCO	REF			←	→	↑	↓			NEW	INFO
1	19556	48520-17B25	✓		✓	✓			✓	✓		M12x1,25RHT
2	49538	54501-21B00	✓		✓				✓	✓		
3	49539	54500-21B00	✓			✓			✓	✓		

**NISSAN MICRA K 11**

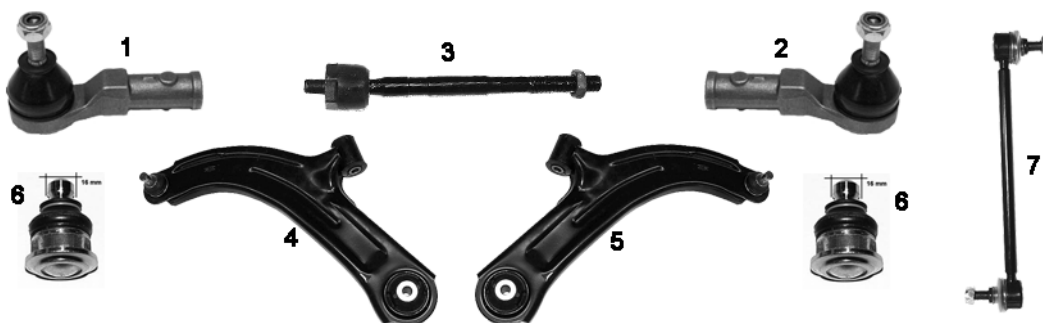
01/92→09/00



NR	MAPCO	REF			←	→	↑	↓			NEW	INFO
1	19525	48520 -4F125	✓		✓	✓			✓	✓		M12x1,25RHT
2	19526	40160 -4F100	✓		✓	✓			✓	✓		
3	19527HPS	56261 -4F725	✓	✓	✓	✓			✓	✓		
4	49520	54501 -4F105	✓		✓				✓	✓		01/92 → 02/98
5	49521	54500 -4F105	✓			✓			✓	✓		01/92 → 02/98
7	33529		✓		✓	✓			✓	✓		
8	49536	54501 -6F600	✓		✓				✓	✓		02/98→09/00
9	49537	54500 -6F600	✓			✓			✓	✓		02/98→09/00
10	33501	54476 -41B02	✓		✓	✓			✓	✓		
11	33502	54560 -17B01	✓		✓	✓			✓	✓		
12	49228	54618 -47B0A	✓		✓	✓			✓	✓		

**NISSAN MICRA K 12**

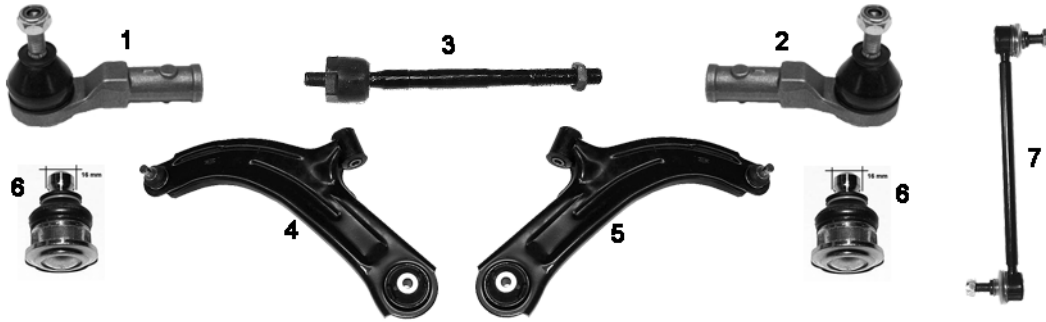
01/03 →



NR	MAPCO	REF			←	→	↑	↓			NEW	INFO
1	49135	48520-00QAN	✓		✓				✓	✓		04/04→ 12,20mm M14x1,5RHT
2	49136	48520-00QAP	✓			✓			✓	✓		04/04→ 12,20mm M14x1,5RHT
3	49159	7701475841	✓		✓	✓			✓	✓	✓	310,0mm
4	59358	54501-AX600	✓		✓				✓	✓		
5	59359	54500-AX600	✓			✓			✓	✓		
6	51283	40160-AX000	✓		✓	✓			✓	✓		ø = 16mm
7	19120HPS	54618-AX600	✓		✓	✓			✓	✓		M10x1,25 248,0mm

**NISSAN MICRA C+C (K12)**

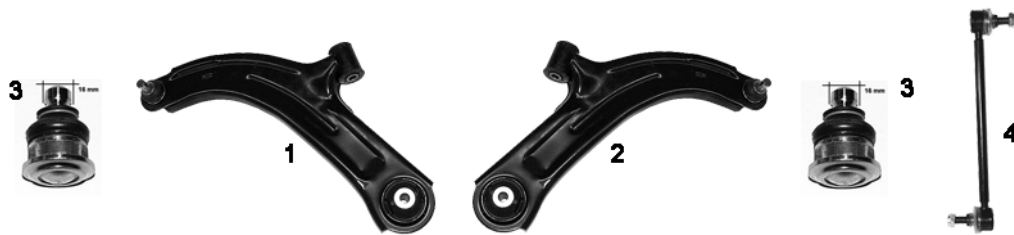
08/05 →



NR	MAPCO	REF			←	→	↑	↓			NEW	INFO
1	49135	48520-00QAN	✓		✓				✓	✓		12,20mm M14x1,5RHT
2	49136	48520-00QAP	✓			✓			✓	✓		12,20mm M14x1,5RHT
3	49159	7701475841	✓		✓	✓			✓	✓	✓	310,0mm
4	59358	54501-AX600	✓		✓				✓	✓		
5	59359	54500-AX600	✓			✓			✓	✓		
6	51283	40160-AX000	✓		✓	✓			✓	✓		∅ = 16mm
7	19120HPS	54618-AX600	✓		✓	✓			✓	✓		M10x1,25 248,0mm

**NISSAN NOTE**

03/06 →



NR	MAPCO	REF			←	→	↑	↓			NEW	INFO
1	59358	54501-AX600	✓		✓				✓	✓		
2	59359	54500-AX600	✓			✓			✓	✓		
3	51283	40160-AX000	✓		✓	✓			✓	✓		∅ = 16mm
4	19120HPS	54618-AX600	✓		✓	✓			✓	✓		M10x1,25 248,0mm

**NISSAN PATHFINDER (R50)**

09/97 →



NR	MAPCO	REF			←	→	↑	↓			NEW	INFO
1	49224HPS	54618-0W001	✓		✓	✓			✓	✓		
2	49223HPS	56260-41G11		✓	✓	✓			✓	✓		

NISSAN PATROL GR II (Y61)										06/97→		
NR	MAPCO	REF			←	→	↑	↓			NEW	INFO
1	49229	54618-VB000	✓		✓	✓			✓	✓		
2	51522	56620-VB010		✓	✓	✓			✓	✓		

NISSAN PICKUP (720)										1983→1986		
NR	MAPCO	REF			←	→	↑	↓			NEW	INFO
1	59259	48521-01W00	✓		✓	✓			✓	✓		innen/inner M18x1,5 RHT  1

NISSAN PICKUP (4WD, D21)										1986→1992		
NR	MAPCO	REF			←	→	↑	↓			NEW	INFO
1	59526	48520-61G25	✓		✓	✓			✓	✓		14,4mm aussen/outside M16x1.5RHT
2	59528	48570-61G25	✓		✓	✓			✓	✓		14,4mm innen/inner M16x1.5LHT
3	19535	40110-01G25	✓		✓	✓	✓		✓	✓		
4	19536	40160-01G50	✓		✓	✓		✓	✓	✓		
5	59520	40160-50W25	✓		✓	✓			✓	✓		

NISSAN PRAIRE (M10, NM10)										01/83→10/88		
NR	MAPCO	REF			←	→	↑	↓			NEW	INFO
1	59325	40160-01A25	✓		✓	✓			✓	✓		13 mm  1

NISSAN PRIMASTAR

03/01→

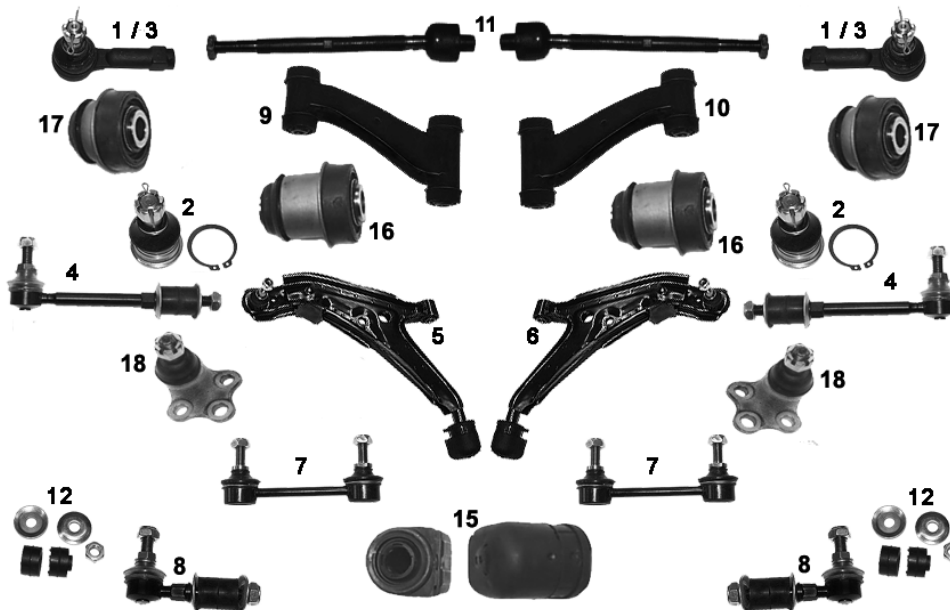


NR	MAPCO	REF			←	→	↑	↓			NEW	INFO
1	49143	48520-00QAK	✓		✓				✓	✓		
2	49144	48520-00QAL	✓			✓			✓	✓		
3	49155	48520-00QAM	✓		✓	✓			✓	✓		280,0 mm
4	49118HPS	54616-00QAA	✓		✓	✓			✓	✓		
5	49141	54503-00QAA	✓		✓			✓	✓	✓		
6	49142	54502-00QAA	✓			✓		✓	✓	✓		
7	49140	54502-00QAA	✓		✓	✓		✓	✓	✓		
8	33122	54502-00QAA	✓		✓	✓			✓	✓		



NISSAN PRIMERA P10 – W10

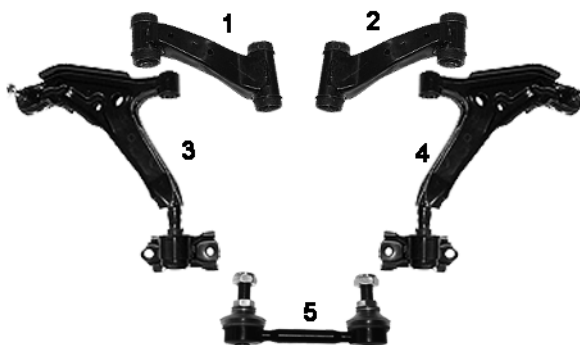
1990 → 06/96



NR	MAPCO	REF			←	→	↑	↓			NEW	INFO
1	19523	48520-73J35	✓		✓	✓			✓	✓		✓ P10 M12x1,25RHT
2	19524	40160-50A00	✓		✓	✓			✓	✓		W10
3	59257	48520-D0126	✓		✓	✓			✓	✓		✓ W10, 13mm M12x1,25 RHT
4	19529HPS	54618-86J25	✓		✓	✓			✓	✓		✓ 2.0
5	49522	54501-86J00	✓		✓				✓	✓		✓ P10/ W10 08/94 →
6	49523	54500-86J00	✓			✓			✓	✓		✓ P10/ W10 08/94 →
7	49524	56261-86J25		✓	✓	✓			✓	✓		✓ 1.6
8	49525HPS	54618-50Y00	✓		✓	✓			✓	✓		✓ 1.6
9	49526	54525-2F010	✓		✓		✓		✓	✓		
10	49527	54524-2F010	✓			✓	✓		✓	✓		
11	19530	48521-72E06	✓		✓	✓			✓	✓		
12	33529		✓		✓	✓			✓	✓		49525HPS
15	33503	54570-50J00	✓		✓	✓		✓	✓	✓		
16	33504	54541-90J02	✓		✓	✓	✓		✓	✓		
17	33505	54545-90J00	✓		✓	✓	✓		✓	✓		
18	59521	40160-01E00	✓		✓	✓			✓	✓		✓ W10 → 08/94

NISSAN PRIMERA P11

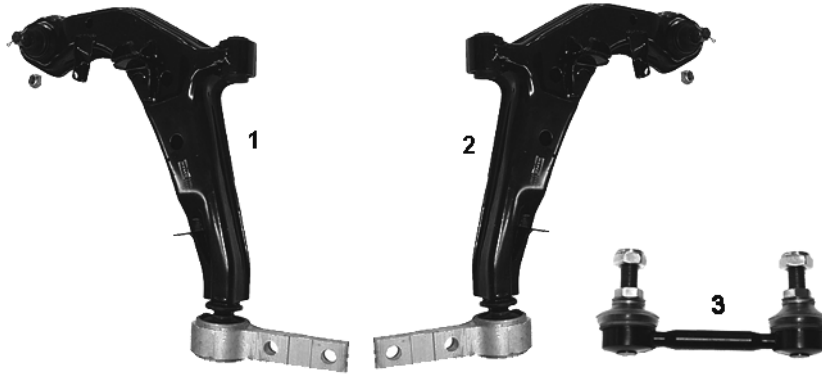
09/96 →



NR	MAPCO	REF			←	→	↑	↓			NEW	INFO
1	49526	54525-2F010	✓		✓		✓		✓	✓		
2	49527	54524-2F010	✓			✓	✓		✓	✓		
3	49534	54501-2F500	✓		✓	✓		✓	✓	✓		
4	49535	54500-2F500	✓		✓	✓		✓	✓	✓		
5	51525HPS	56261-0E000		✓	✓	✓			✓	✓		✓ 2.0 16V

**NISSAN PRIMERA P12**

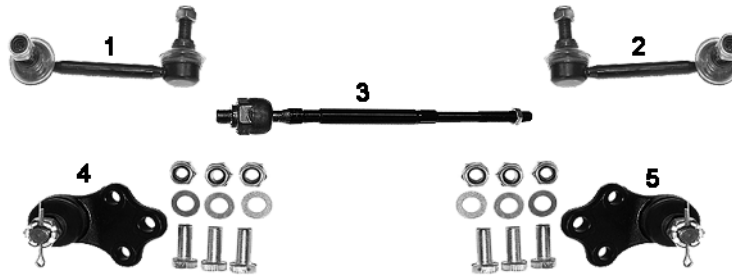
03/02→



NR	MAPCO	REF			←	→	↑	↓			NEW	INFO
1	51529	54501-AV606	✓		✓			✓	✓	✓		
2	51530	54500-AV600	✓			✓		✓	✓	✓		
3	51525HPS	56261-0E000			✓	✓	✓		✓	✓		

**NISSAN SERENA**

11/92→



NR	MAPCO	REF			←	→	↑	↓			NEW	INFO
1	59250	54618-9C000	✓		✓				✓	✓		
2	59251	54618-9C002	✓			✓			✓	✓		
3	59593		✓		✓	✓			✓	✓		
4	59598	40161-9C500	✓		✓				✓	✓		
5	59599	40160-9C500	✓			✓			✓	✓		

**NISSAN SUNNY I (B11)**

03/82→08/90



NR	MAPCO	REF			←	→	↑	↓			NEW	INFO
1	59325	40160-01A25	✓		✓	✓			✓	✓		13 mm
2	59257	48520-D0126	✓		✓	✓			✓	✓		M12x1,25 RHT

**NISSAN SUNNY II (N13)**

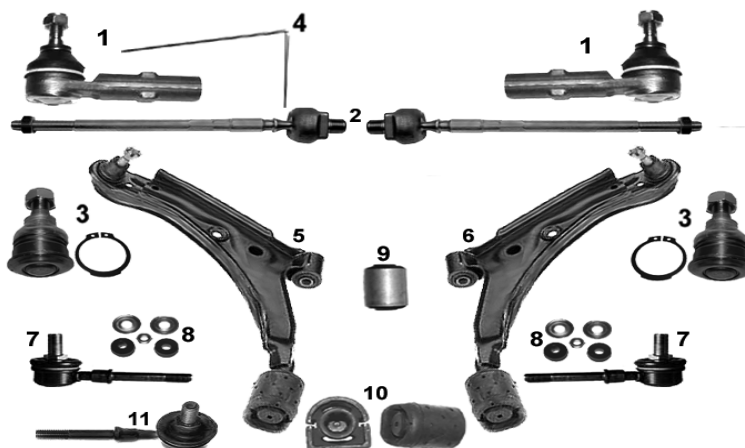
06/86→08/90



NR	MAPCO	REF								NEW	INFO
1	59257	48520-D0126	✓	✓	✓			✓	✓		M12x1,25 RHT
2	19524	40160-50A00	✓	✓	✓		✓	✓	✓		
3	59321	54501-50A00	✓	✓			✓	✓	✓		
4	59322	54500-50A00	✓		✓		✓	✓	✓		

**NISSAN SUNNY III (N14) + NX100 (B13)**

1990→1996



NR	MAPCO	REF								NEW	INFO
1	19520	48520-50Y25	✓	✓	✓			✓	✓		M12x1,25 RHT
2	19521	48521-50Y00	✓	✓	✓		✓	✓	✓		
3	19522	40160-52Y00	✓	✓	✓		✓	✓	✓		
4	49532	48510-50Y25	✓	✓	✓		✓	✓	✓		1 + 2
5	49530	54501-52Y70	✓	✓			✓	✓			
6	49531	54500-52Y70	✓		✓		✓	✓			
7	49525HPS	54618-50Y00	✓	✓	✓		✓	✓			
8	33529		✓	✓	✓		✓	✓			49525HPS
9	33507	54560-50A00	✓	✓	✓		✓	✓	✓		
10	33500	54570-50Y11	✓	✓	✓		✓	✓	✓		
11	59851	54618-54Y10		✓	✓	✓		✓	✓		

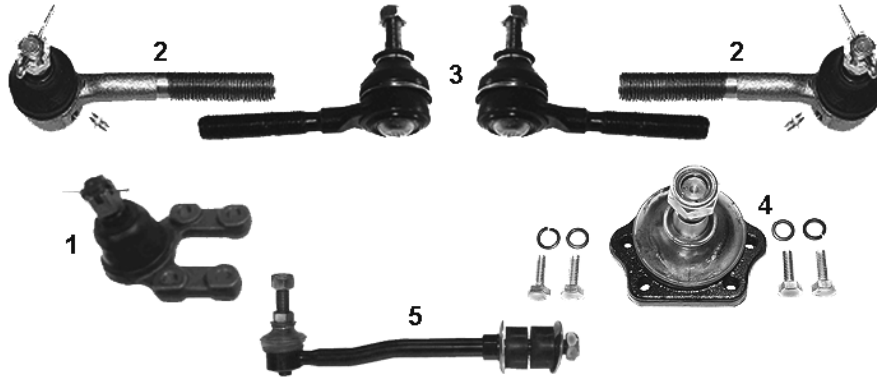
**NISSAN SUNNY Kasten (Y10)**

11/90→

NR	MAPCO	REF								NEW	INFO
1	59257	48520-D0126	✓	✓	✓			✓	✓		M12x1,25 RHT  1

**NISSAN TERRANO I (WD21)**

10/87→02/96



NR	MAPCO	REF			←	→	↑	↓			NEW	INFO
1	59520	40160-50W25	✓		✓	✓		✓	✓	✓		
2	19534	48520-31G25	✓		✓	✓			✓	✓		13,4mm aussen/outside
2	59526	48520-61G25	✓		✓	✓			✓	✓		14,4mm aussen/outside
3	19533	48570-31G25	✓		✓	✓			✓	✓		13,5 mm innen/inner
3	59528	48570-61G25	✓		✓	✓			✓	✓		14,4mm innen/inner
4	19535	40110-01G25	✓		✓	✓	✓		✓	✓		
5	49227HPS	56260-0F001		✓	✓	✓			✓	✓		

**NISSAN TERRANO II (R20)**

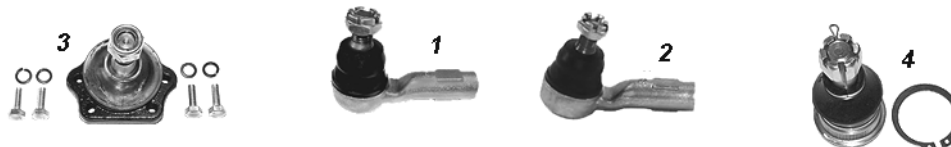
02/93→



NR	MAPCO	REF			←	→	↑	↓			NEW	INFO
1	59526	48520-61G25	✓		✓	✓			✓	✓		aussen/outside
2	59528	48570-61G25	✓		✓	✓			✓	✓		innen/inner
3	49226HPS	54618-0F000	✓		✓	✓			✓	✓		
4	59520	40160-50W25	✓		✓	✓		✓	✓	✓		
5	49227HPS	56260-0F001		✓	✓	✓			✓	✓		

**NISSAN URVAN (E24)**

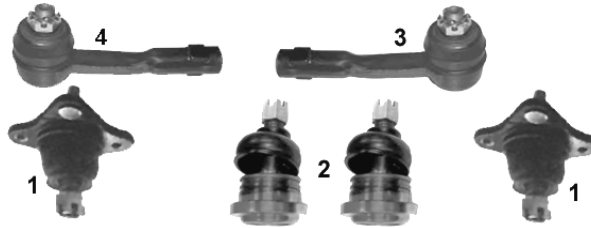
05/87→



NR	MAPCO	REF			←	→	↑	↓			NEW	INFO
1	59227	48640-01N25	✓		✓	✓			✓	✓		M16x1,5 LHT
2	59228	48641-01N25		✓	✓	✓			✓	✓		M16x1,5 RHT
3	19535	40110-01G25	✓		✓	✓	✓		✓	✓		
4	19536	40160-01G50	✓		✓	✓		✓	✓	✓		

**NISSAN VANETTE CARGO C22**

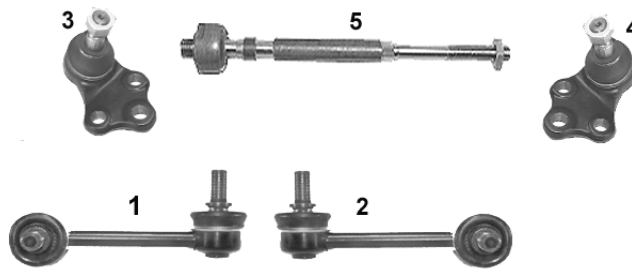
10/86→12/95



NR	MAPCO	REF			←	→	↑	↓			NEW	INFO
1	19537	40110-G5100	✓		✓	✓	✓		✓	✓		
2	59523	40160-G2525	✓		✓	✓		✓	✓	✓		
3	59527	48521-G5125	✓			✓			✓	✓		
4	59229	48641-G5125	✓		✓				✓	✓		

**NISSAN VANETTE CARGO HC23**

01/96→



NR	MAPCO	REF			←	→	↑	↓			NEW	INFO
1	59250	54618-9C000	✓		✓				✓	✓		
2	59251	54618-9C002	✓			✓			✓	✓		
3	59598	40161-9C500	✓		✓				✓	✓		
4	59599	40160-9C500	✓			✓			✓	✓		
5	59593		✓		✓	✓			✓	✓		

**NISSAN NISSAN X-TRAIL (T30)**

07/01→

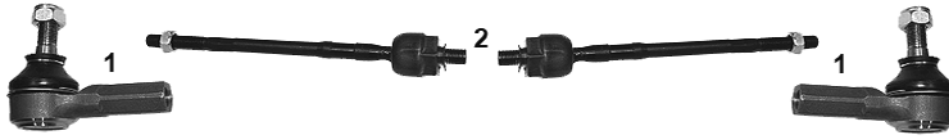


NR	MAPCO	REF			←	→	↑	↓			NEW	INFO
1	51520	54668-8H300	✓		✓				✓	✓		
2	51521	54618-8H300	✓			✓			✓	✓		
3	51284	54501-8H31A	✓		✓			✓	✓	✓	✓	
4	51285	54500-8H31A	✓			✓		✓	✓	✓	✓	

# OPEL - VAUXHALL

## OPEL AGILA (H100)

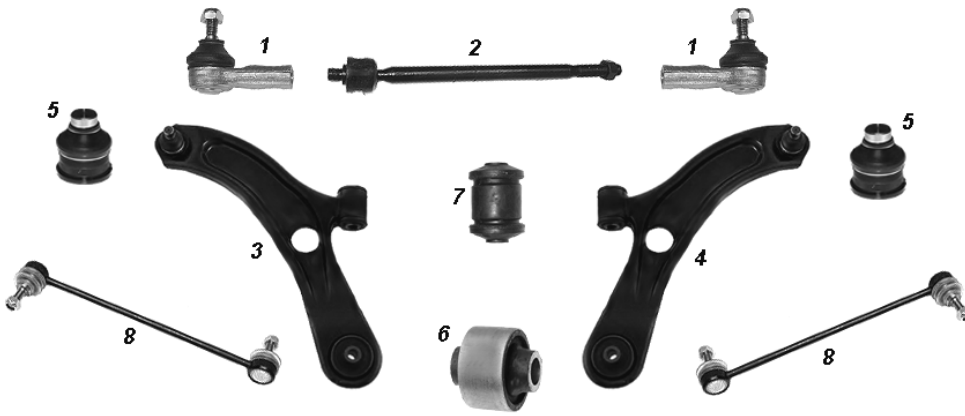
09/00→



NR	MAPCO	REF			←	→	↑	↓			NEW	INFO
1	49611	4701744	✓		✓	✓			✓	✓		M12x1,25RHT
2	49602	4701745	✓		✓	✓			✓	✓		M12x1,25RHT

## OPEL AGILA / VAUXHALL AGILA

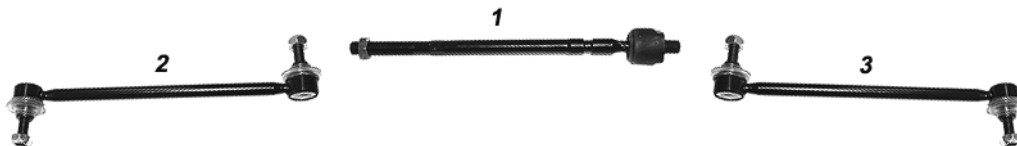
09/07→



NR	MAPCO	REF			←	→	↑	↓			NEW	INFO
1	51250	4709 195	✓		✓	✓			✓	✓	✓	
2	51251	4709 161	✓		✓	✓						
3	51252	4708 300	✓		✓			✓	✓	✓	✓	
4	51253	4708 299	✓			✓		✓	✓	✓	✓	
5	51254	<a href="#">4708 299part</a>	✓		✓	✓		✓	✓	✓	✓	Ø 16,7mm
6	33576	<a href="#">4708 299part</a>	✓		✓	✓		✓	✓	✓	✓	
7	33577	4708 302	✓		✓	✓		✓	✓	✓	✓	
8	51255	4709 702	✓		✓	✓			✓	✓	✓	

## OPEL ANTARA / VAUXHALL ANTARA

05/06→



NR	MAPCO	REF			←	→	↑	↓			NEW	INFO
1	51301	4803429 part	✓		✓	✓			✓	✓	✓	
2	51302	4806304	✓		✓				✓	✓	✓	
3	51303	4806305	✓			✓			✓	✓	✓	

OPEL ARENA		03/98→08/01										
NR	MAPCO	REF			←	→	↑	↓			NEW	INFO
1	19136	4403661	✓		✓	✓			✓	✓		
2	19129/1	7701464313	✓		✓	✓			✓	✓		
3	19129	4403806	✓		✓	✓			✓	✓		
4	19135	4403641	✓		✓	✓			✓	✓		

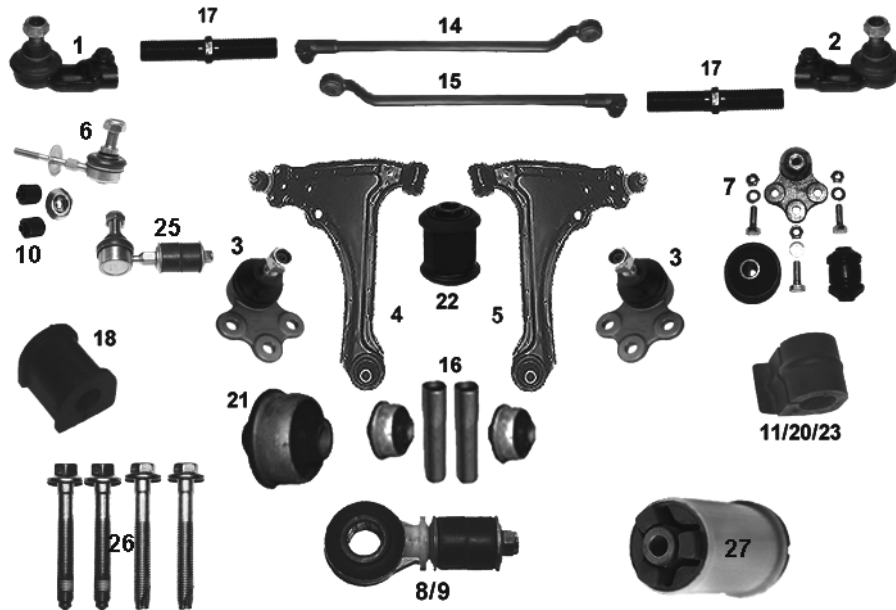
OPEL ASCONA B / VAUXHALL CAVALIER		09/75→08/81										
OPEL MANTA B		09/75→08/88										
NR	MAPCO	REF			←	→	↑	↓			NEW	INFO
1	19717	352815	✓		✓	✓		✓	✓	✓		

OPEL ASCONA C		09/81→10/88										
VAUXHALL CAVALIER Mk II												
NR	MAPCO	REF			←	→	↑	↓			NEW	INFO
1	19718	324039	✓		✓				✓	✓		M16x1,5RHT
2	19719	324038	✓			✓			✓	✓		M16x1,5LHT
3	19802	1603121	✓		✓	✓			✓	✓		
4	59367	322575	✓		✓	✓			✓	✓		M16x1,5
5	33785	402642		✓	✓	✓			✓	✓		Ø 48,0mm
6	33786	402645		✓	✓	✓			✓	✓		Ø 59,0mm



OPEL ASTRA F  
VAUXHALL ASTRA Mk II + III

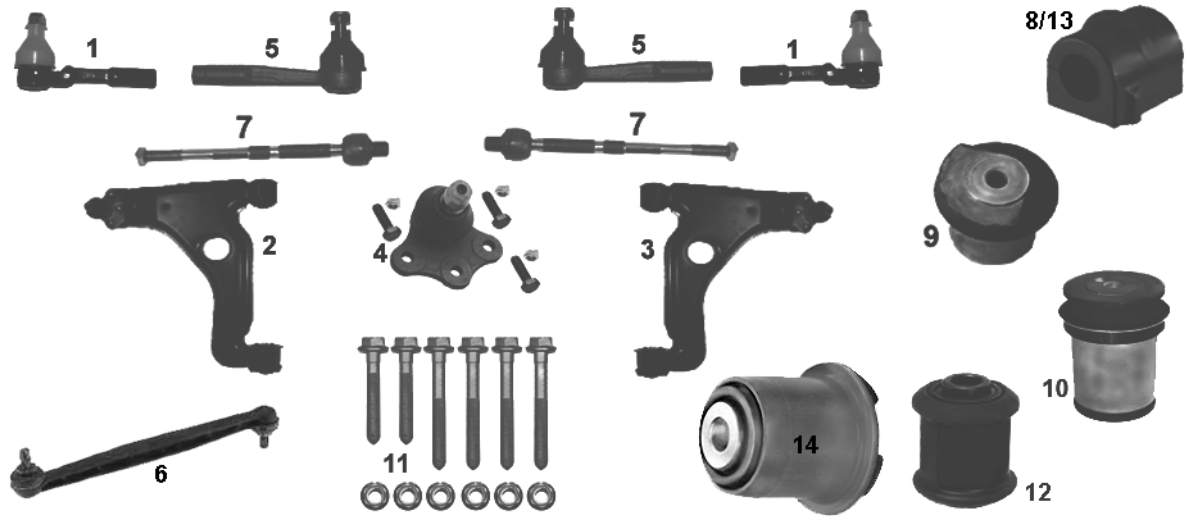
1991 → 1998



NR	MAPCO	REF									INFO
1	19610	324055	✓		✓				✓	✓	M16x2,0 RHT
2	19611	324056	✓			✓			✓	✓	M16x2,0 LHT
3	19612	1603167	✓		✓	✓			✓	✓	
4	19619	352193	✓		✓				✓	✓	Chassis R2595226 →  16V + 4x4
5	19620	352192	✓			✓			✓	✓	Chassis R2595226 →  16V + 4x4
6	19607	350263	✓		✓	✓			✓	✓	
7	19270		✓		✓	✓			✓	✓	Kit
8	33726	350260	✓		✓	✓			✓	✓	Ø 22 mm
9	33727	350261	✓		✓	✓			✓	✓	Ø 18 mm
10	33728		✓		✓	✓			✓	✓	19607
11	33729	350078	✓		✓	✓			✓	✓	Ø 22 mm
12	49750		✓		✓				✓	✓	1 + 14 +17
13	49751		✓			✓			✓	✓	2 + 15 +17
14	49752	322147	✓		✓				✓	✓	
15	49753	322146	✓			✓			✓	✓	
16	33714/2		✓		✓	✓			✓	✓	Kit
17	49604	322576	✓		✓	✓			✓	✓	
18	33739	444153		✓	✓	✓			✓	✓	Ø 14mm
20	33755	350081	✓		✓	✓			✓	✓	Ø 18mm
21	33714	352348	✓		✓	✓			✓	✓	
22	33725	352300	✓		✓	✓			✓	✓	
23	33760	350125	✓		✓	✓			✓	✓	Ø 24 mm
25	19607/8HPS	350263S1	✓		✓	✓			✓	✓	
26	95619		✓		✓	✓			✓	✓	MS
27	33786	402645		✓	✓	✓			✓	✓	Ø 59,0mm



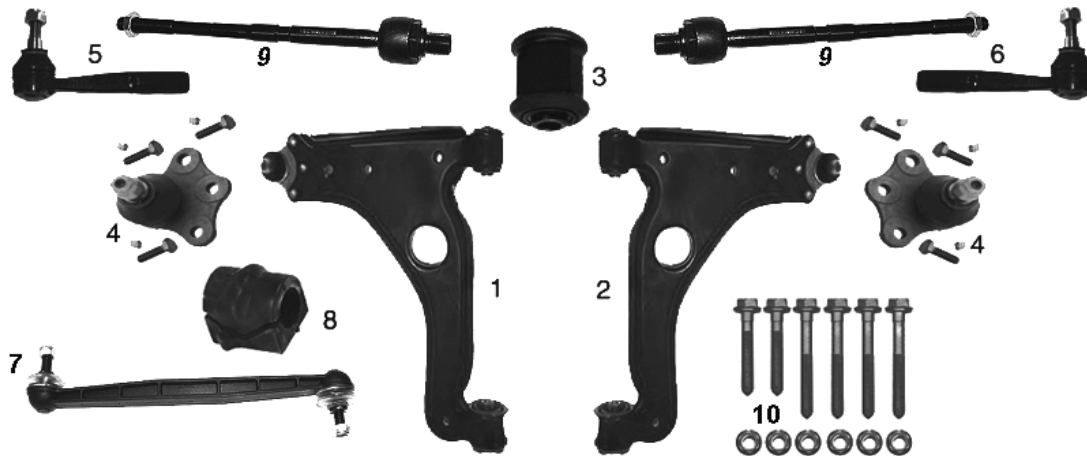
OPEL ASTRA G VAUXHALL ASTRA Mk IV 02/98→10/05



NR	MAPCO	REF									NEW	INFO
1	19637	1603214	✓		✓	✓			✓	✓		DELPHI
2	19633	5352016	✓		✓				✓	✓		
3	19634	5352017	✓			✓			✓	✓		
4	19621	352830	✓		✓	✓			✓	✓		
5	19638	1603215	✓		✓	✓			✓	✓		TRW
6	19639	350611	✓		✓	✓			✓	✓		
7	49607	1603216	✓		✓	✓			✓	✓		282mm
8	33761	0350138	✓		✓	✓			✓	✓		Ø 18mm
9	33762	5402634			✓	✓	✓		✓	✓		1.8 16V+2.0 16V
10	33767	402644			✓	✓	✓		✓	✓		✓ 1.8 16V+2.0 16V
11	95633		✓		✓	✓			✓	✓		MS
12	33788	352323	✓		✓	✓			✓	✓		
13	33789	350130	✓		✓	✓			✓	✓		Ø 16mm
14	33794	352365	✓		✓	✓			✓	✓		Ø 12mm
15	53633		✓		✓	✓			✓	✓	✓	<p>axle Kit</p>

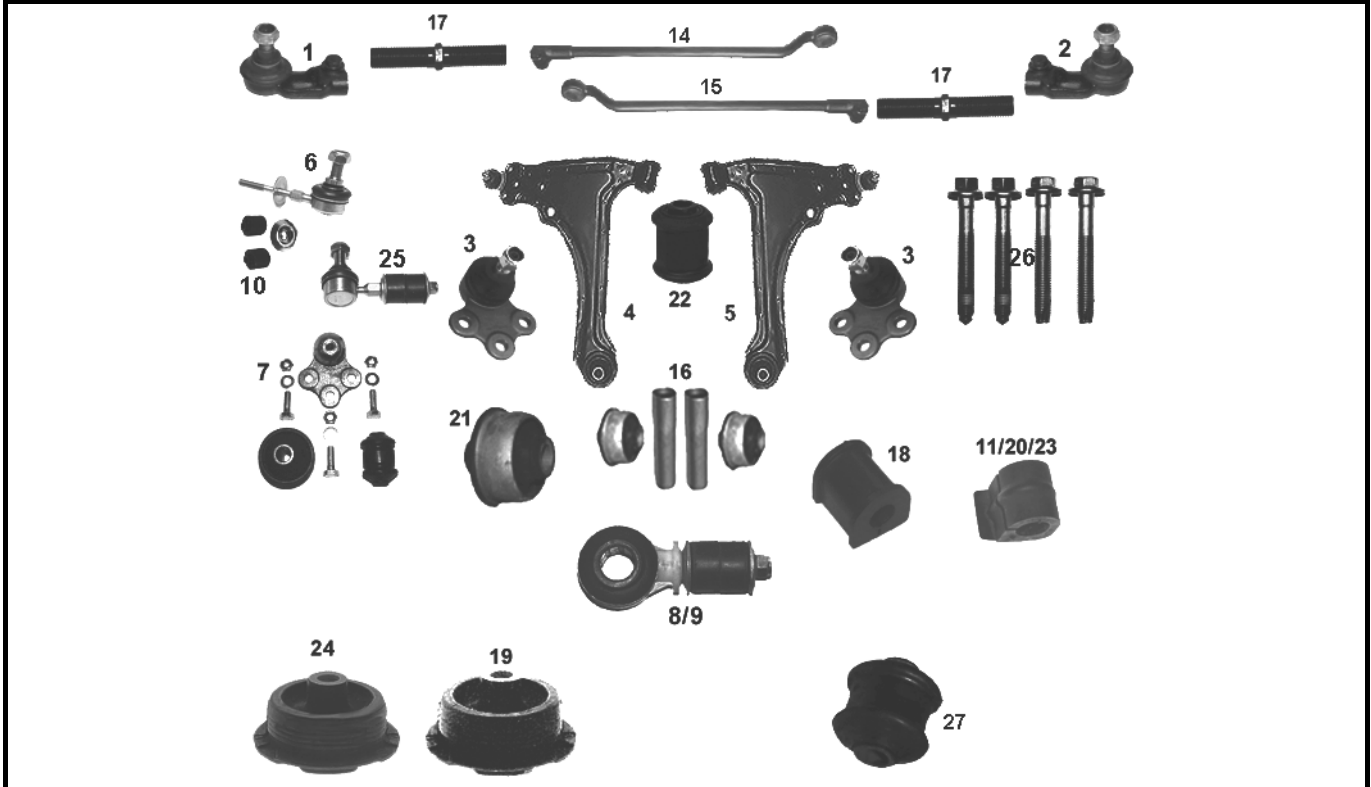
OPEL ASTRA H  
VAUXHALL ASTRA Mk V

03/04→



NR	MAPCO	REF			←	→	↑	↓			NEW	INFO
1	49612	5352029	✓		✓				✓	✓		
2	49613	5352030	✓			✓			✓	✓		
3	33788	352323	✓		✓	✓			✓	✓		
4	19621	352830	✓		✓	✓			✓	✓		
5	49618	1603258	✓		✓				✓	✓		M14x1,5
6	49619	1603257	✓			✓			✓	✓		M14x1,5
7	19639	350614	✓		✓	✓			✓	✓		300 mm
8	36764	350161	✓		✓	✓			✓	✓		
9	49607	1603256	✓		✓	✓			✓	✓		282mm
10	95633		✓		✓	✓			✓	✓		MS

**OPEL CALIBRA (A)**  
**VAUXHALL CALIBRA** 1990→ 1997

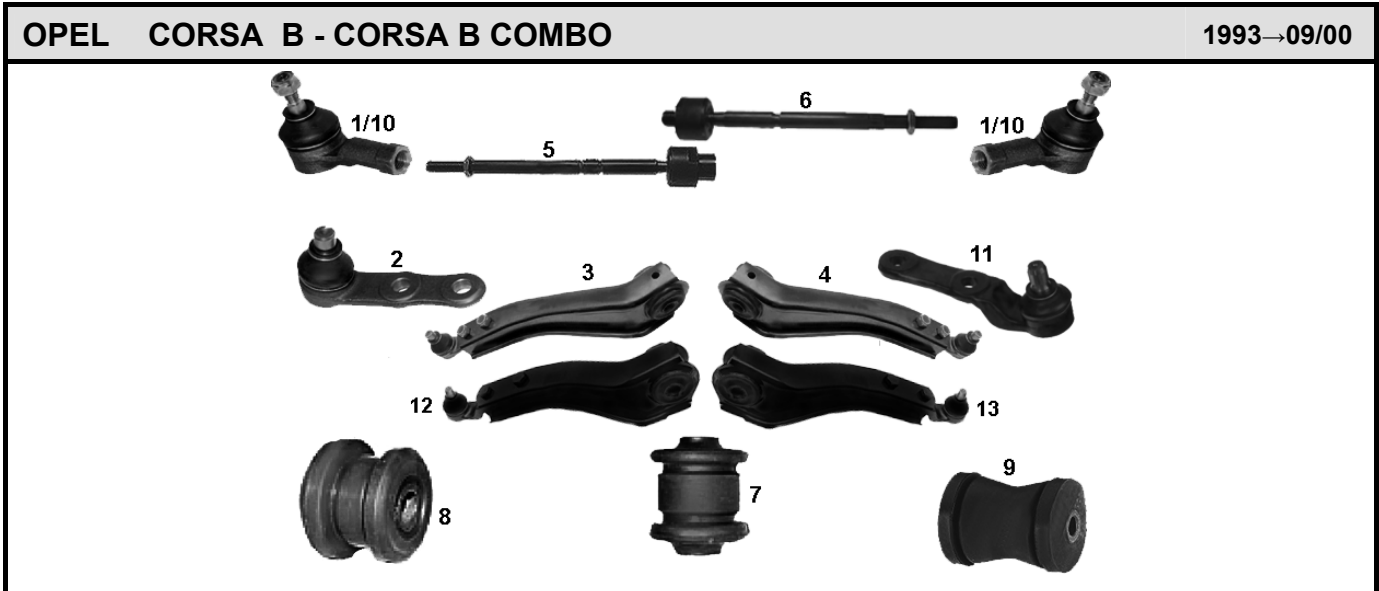


NR	MAPCO	REF									NEW	INFO
1	19610	324055	✓		✓				✓	✓		M16x2,0 RHT
2	19611	324056	✓		✓				✓	✓		M16x2,0 LHT
3	19612	1603167	✓		✓	✓			✓	✓		
4	19619	352193	✓		✓				✓	✓		Chassis R2595226→  16V + 4x4
5	19620	352192	✓		✓				✓	✓		Chassis R2595226→  16V + 4x4
6	19607	350263	✓		✓	✓			✓	✓		
7	19270		✓		✓	✓			✓	✓		Kit
8	33726	350260	✓		✓	✓			✓	✓		Ø 22 mm
9	33727	350261	✓		✓	✓			✓	✓		Ø 18 mm
10	33728		✓		✓	✓			✓	✓		19607
11	33729	350078	✓		✓	✓			✓	✓		Ø 22 mm
12	49750		✓		✓				✓	✓		1 + 14 +17
13	49751		✓		✓				✓	✓		2 + 15 +17
14	49752	322147	✓		✓				✓	✓		
15	49753	322146	✓		✓				✓	✓		
16	33714/2		✓		✓	✓			✓	✓		Kit
17	49604	322576	✓		✓	✓			✓	✓		
18	33739	444153			✓	✓	✓		✓	✓		Ø 14mm
19	33754	402937			✓	✓	✓		✓	✓		✓ 4X4
20	33755	350081	✓		✓	✓			✓	✓		Ø 18 mm
21	33714	352348	✓		✓	✓			✓	✓		
22	33725	352300	✓		✓	✓			✓	✓		
23	33760	350125	✓		✓	✓			✓	✓		Ø 24 mm
24	33879	402935			✓	✓	✓		✓	✓		4X4
25	19607/8HPS	350263	✓		✓	✓			✓	✓		
26	95619		✓		✓	✓			✓	✓		MS
27	33787	423313			✓	✓	✓		✓	✓		Ø 18 mm

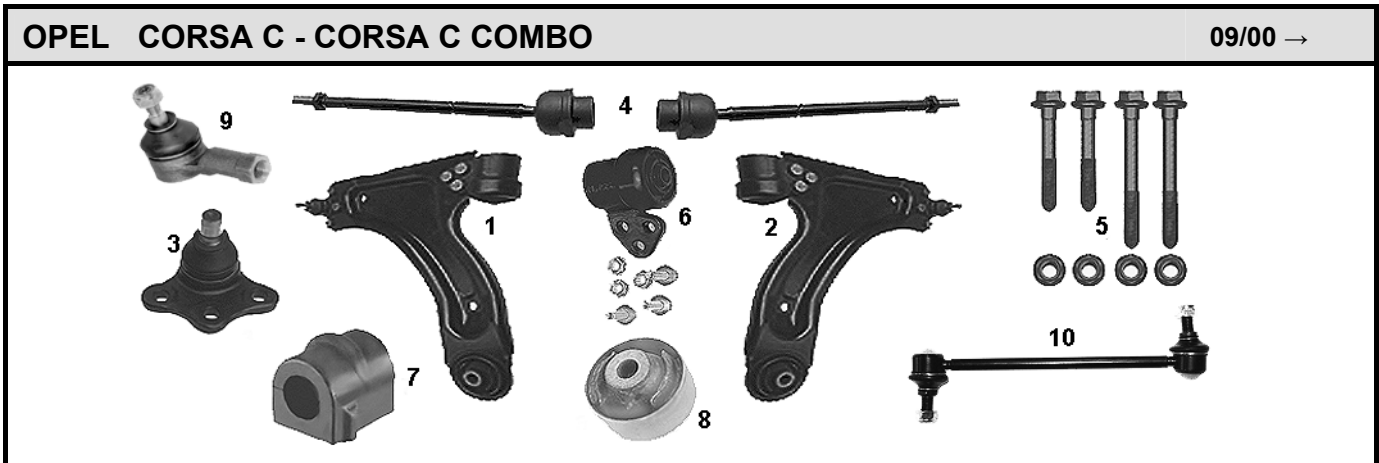
OPEL CAMPO (TF_) 08/91→												
NR	MAPCO	REF			←	→	↑	↓			NEW	INFO
1	49616	8-94459-464-1	✓		✓	✓		✓	✓	✓		1

OPEL CORSA A 09/82 → 03/93												
NR	MAPCO	REF			←	→	↑	↓			NEW	INFO
1	36700		✓		✓	✓			✓	✓		
2	36701		✓		✓	✓			✓	✓		

OPEL CORSA A - CORSA COMBO VAUXHALL NOVA 09/82→12/92 09/82→12/92												
NR	MAPCO	REF			←	→	↑	↓			NEW	INFO
1	19800	324050	✓		✓	✓			✓	✓		M12x1,5RHT
2	19801	1603187	✓		✓	✓			✓	✓		
3	19805	322149	✓		✓	✓			✓	✓		M12x1,5RHT
4	19805/1		✓		✓	✓			✓	✓		1+3
5	19806	0352043	✓		✓				✓	✓		
6	19807	0352044	✓			✓			✓	✓		
7	33735	350109	✓		✓	✓			✓	✓		Ø 21,5mm
8	33737	402643		✓	✓	✓			✓	✓		
9	33793	352327	✓		✓	✓			✓	✓		Ø 10mm
10	33740	350109	✓		✓	✓			✓	✓		Ø 17mm
11	33795	353560	✓		✓	✓			✓	✓		Ø 14mm



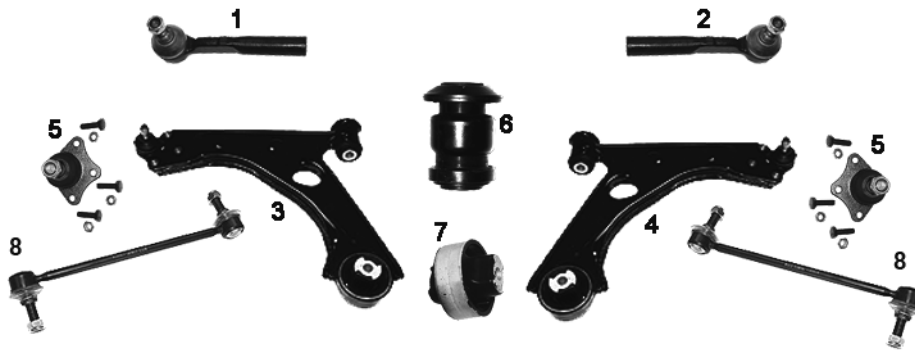
NR	MAPCO	REF								NEW	INFO
1	19800	324050	✓		✓	✓		✓	✓		→1996 M12x1,5RHT
2	19801	1603187	✓		✓	✓		✓	✓		→1996 Ø 15mm
3	19808	352003	✓		✓			✓	✓		→1996
4	19809	352002	✓		✓			✓	✓		→1996
5	49754	322155	✓		✓	✓			✓		
6	49755	322158	✓		✓	✓		✓			
7	33733	352301	✓		✓	✓		✓	✓		
8	33734	353561	✓		✓	✓		✓	✓		
9	33737	402643		✓	✓	✓		✓	✓		
10	19631	324066	✓		✓	✓		✓	✓		1996→ M12 x 1,5 RHT
11	19632	1603202	✓		✓	✓		✓	✓		1996→ Ø 15mm
12	19635	5352011	✓		✓			✓	✓		1996 →
13	19636	5352012	✓		✓			✓	✓		1996 →



NR	MAPCO	REF								NEW	INFO
1	49608	352041	✓		✓			✓	✓		
2	49609	352042	✓		✓			✓	✓		
3	49610	352803	✓		✓	✓		✓	✓		
4	19810	1603008	✓		✓	✓		✓	✓		
5	95608		✓		✓	✓		✓	✓		MS
6	33768	352309	✓		✓	✓		✓	✓		
7	33789	350130	✓		✓	✓		✓	✓		Ø 16mm
8	33796	352310	✓		✓	✓		✓	✓		
9	19800	324050	✓		✓	✓		✓	✓		M12x1,5RHT
10	19600HPS	350610	✓		✓	✓		✓	✓		

OPEL CORSA D

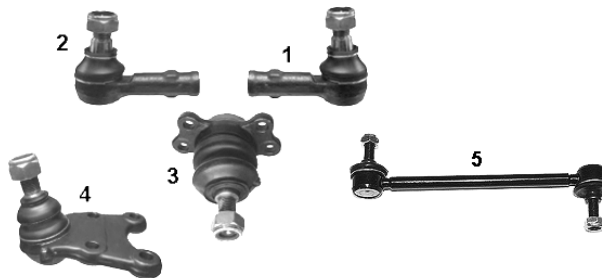
07/06 →



NR	MAPCO	REF			←	→	↑	↓			NEW	INFO
1	59012	1603544	✓		✓				✓	✓		
2	59013	1603545	✓			✓			✓	✓		
3	19097	5352039	✓		✓				✓	✓		
4	19098	5352038	✓			✓			✓	✓		
5	49092	352067	✓		✓	✓			✓	✓		
6	33044	352380	✓		✓	✓			✓	✓		
7	33045	352864	✓		✓	✓			✓	✓		
8	59026HPS	350616	✓		✓	✓			✓	✓	✓	

OPEL FRONTERA A

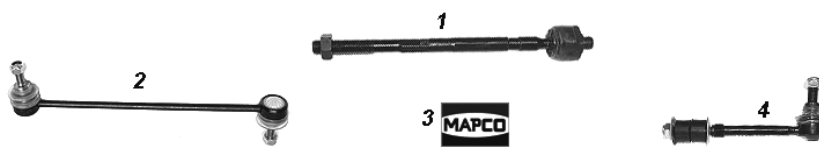
1991 → 1998



NR	MAPCO	REF			←	→	↑	↓			NEW	INFO
1	49742	324058	✓		✓	✓			✓	✓		M14 x 1,5LHT
2	49743	324057	✓		✓	✓			✓	✓		M14 x 1,5RHT
3	49744	310821	✓		✓	✓	✓		✓	✓		
4	49745	352828	✓		✓	✓		✓	✓	✓		
5	51594HPS	444065		✓	✓	✓			✓	✓		

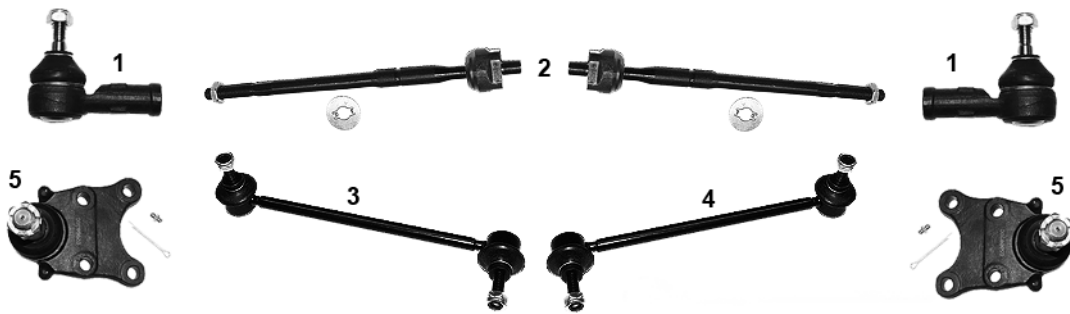
OPEL INSIGNIA

07/08 →



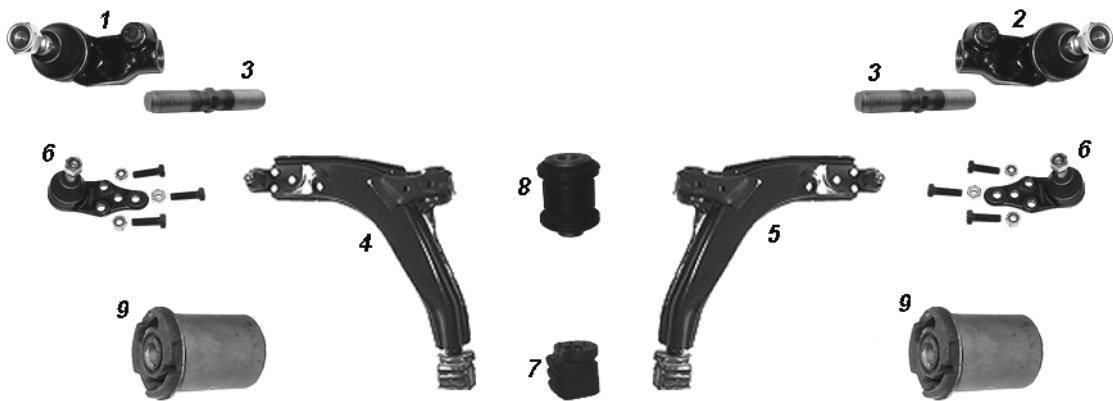
NR	MAPCO	REF			←	→	↑	↓			NEW	INFO
1	59770	6606030	✓		✓	✓			✓	✓		
2	49777	350618	✓		✓	✓			✓	✓		
3	49778	444081		✓	✓	✓			✓	✓	✓	STR
4	49779	444087		✓	✓	✓			✓	✓		

**OPEL FRONTERA B** 10/98 →



NR	MAPCO	REF			←	→	↑	↓			NEW	INFO
1	49626	900907	✓		✓	✓			✓	✓		M14x1,5
2	49603	900905	✓		✓	✓			✓	✓		M14x1,5 RHT
3	19811HPS	350607	✓		✓				✓	✓		
4	59849	350608	✓			✓			✓	✓		
5	49745	352828	✓		✓	✓		✓	✓	✓		

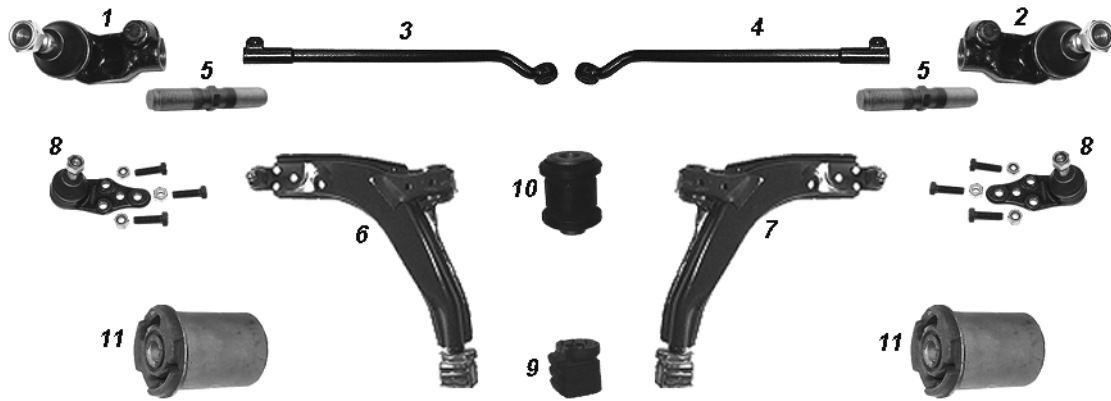
**OPEL KADETT D**  
**VAUXHALL ASTRA CC** 09/79 → 08/84



NR	MAPCO	REF			←	→	↑	↓			NEW	INFO
1	19710	324036	✓		✓				✓	✓		→ 09/81 M16x1,5RHT
2	19711	324037	✓			✓			✓	✓		→ 09/81 M16x1,5RHT
3	59367	07846696	✓		✓	✓			✓	✓		
4	49756	352147	✓		✓				✓	✓		10/81 → 09/84
5	49757	352148	✓			✓			✓	✓		10/81 → 09/84
6	19714	1603164	✓		✓	✓			✓	✓		10/81 →
8	33752	352349	✓		✓	✓			✓	✓		
7	33757	352335	✓		✓	✓			✓	✓		
9	33785	402642		✓	✓	✓			✓	✓		Ø 48,0mm

**OPEL KADETT E  
VAUXHALL CAVALIER Mk II**

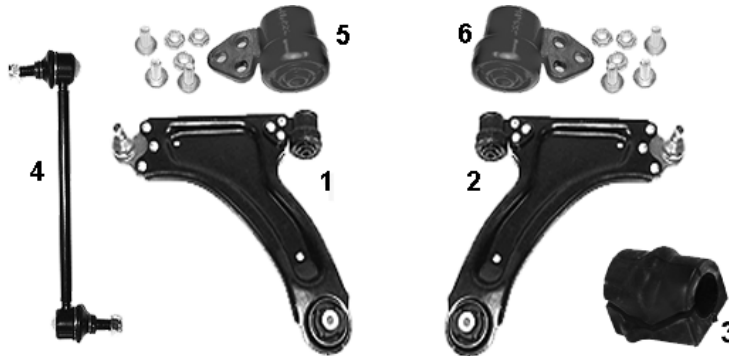
09/84 → 1990



NR	MAPCO	REF			←	→	↑	↓			NEW	INFO
1	19718	324039	✓		✓				✓	✓		M16x1,5RHT
2	19719	324038	✓			✓			✓	✓		M16x1,5LHT
3	59295	322125	✓		✓				✓	✓		
4	59296	322126	✓			✓			✓	✓		
5	59367	07846696	✓		✓	✓			✓	✓		
6	49756	352169	✓		✓				✓	✓		
7	49757	352170	✓			✓			✓	✓		
8	19714	1603164	✓		✓	✓			✓	✓		
9	33757	352335	✓		✓	✓			✓	✓		
10	33752	352349	✓		✓	✓			✓	✓		
11	33785	402642		✓	✓	✓			✓	✓		Ø 48,0mm

**OPEL MERIVA**

05/03 →



NR	MAPCO	REF			←	→	↑	↓			NEW	INFO
1	49614	5352027	✓		✓	✓		✓	✓	✓		
2	49615	5352028	✓		✓	✓		✓	✓	✓		
3	33764	350161	✓		✓	✓		✓	✓	✓		
4	19600HPS	350610	✓		✓	✓			✓	✓		
5	33768	352309	✓		✓	✓			✓	✓		
6	33796	352310	✓		✓	✓			✓	✓		

**OPEL MONTEREY A (UBS\_)**

09/91 → 07/98

NR	MAPCO	REF			←	→	↑	↓			NEW	INFO
1	51594HPS	444065		✓	✓	✓			✓	✓		 1



**OPEL MONTEREY B**

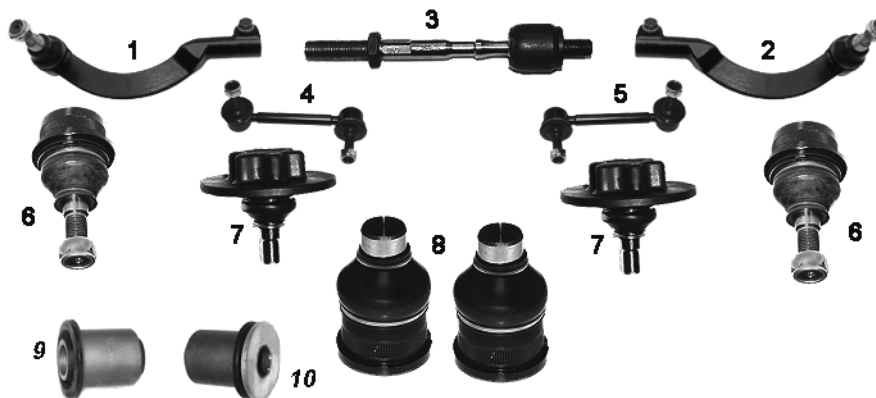
07/98→08/99



NR	MAPCO	REF			←	→	↑	↓			NEW	INFO
1	19811HPS	350607	✓		✓				✓	✓		
2	59849	350608	✓			✓			✓	✓		
3	51594HPS	444065			✓	✓	✓		✓	✓		

**OPEL MOVANO (J9)**

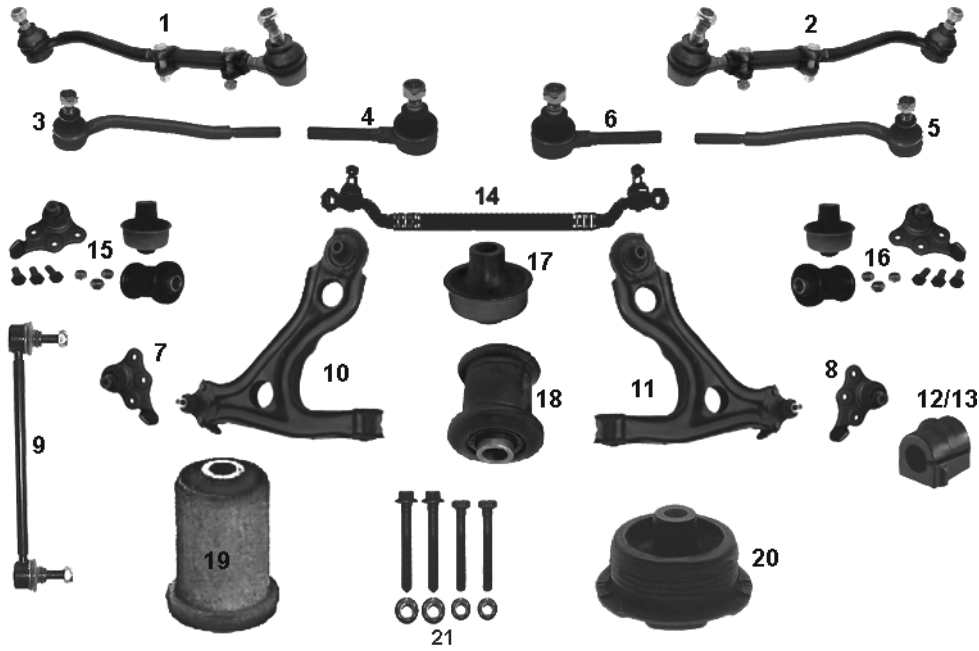
07/98 →



NR	MAPCO	REF			←	→	↑	↓			NEW	INFO
1	49137	4501262	✓		✓				✓	✓		(M16x1,5RHT) 225mm
2	49138	4501263	✓			✓			✓	✓		(M16x1,5RHT) 225mm
3	49125	450261	✓		✓	✓			✓	✓		150mm
4	49109HPS	4500198	✓		✓				✓	✓		
5	49108HPS	4500199	✓			✓			✓	✓		
6	49110	4500254	✓		✓	✓	✓		✓	✓		aussen/ outer
7	49156	4401910	✓		✓	✓			✓	✓		Innen/ inner
8	49111	4401909	✓		✓	✓		✓	✓	✓		
9	36704	4500094	✓		✓	✓		✓	✓	✓		
10	36705	09160395	✓		✓	✓		✓	✓	✓		hinten/

OPEL OMEGA A - SENATOR B  
VAUXHALL CARLTON MK III/ SENATOR

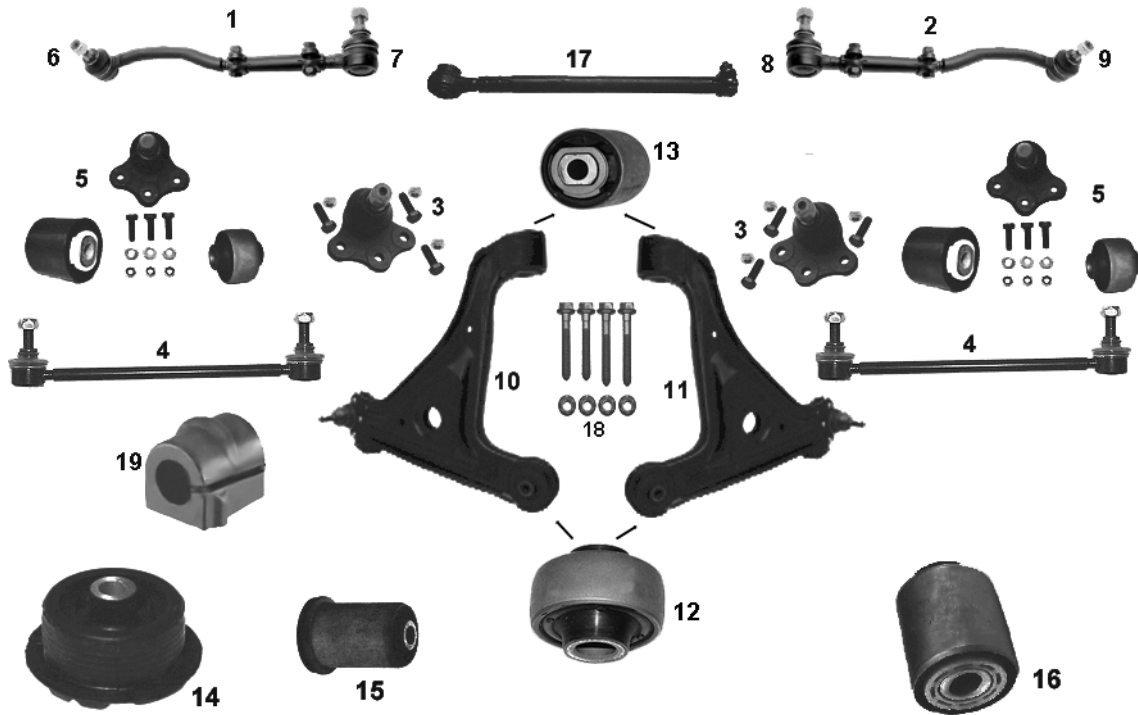
08/86 → 1993



NR	MAPCO	REF								INFO
1	19803/1	322142	✓	✓				✓	✓	
2	19804/1	322143	✓		✓			✓	✓	
3	19613	322175	✓	✓				✓	✓	M14x1,5RHT
4	19615	322171	✓		✓			✓	✓	M14x1,5LHT
5	19614	322176	✓		✓			✓	✓	M14x1,5LHT
6	19616	322172	✓	✓				✓	✓	M14x1,5RHT
7	19617	352826	✓	✓				✓	✓	
8	19618	352827	✓		✓			✓	✓	
9	19602HPS	350605	✓	✓	✓			✓	✓	
10	19624	352135	✓	✓				✓	✓	
11	19625	352136	✓		✓			✓	✓	
12	33791	350147	✓	✓	✓			✓	✓	Ø innen/ inner 23 mm
13	33730	350116	✓	✓	✓			✓	✓	Ø innen/ inner 22 mm
14	49760	322139	✓	✓	✓			✓		
15	19217		✓	✓				✓	✓	Kit
16	19218		✓		✓			✓	✓	Kit
17	33715	352355	✓	✓	✓			✓	✓	
18	33716	352341	✓	✓	✓			✓	✓	
19	33895	423315		✓	✓	✓		✓	✓	
20	33879	402935		✓	✓	✓		✓	✓	
21	95624		✓	✓	✓			✓	✓	MS

**OPEL OMEGA B  
VAUXHALL OMEGA**


03/94 → 07/03



NR	MAPCO	REF			←	→	↑	↓			NEW	INFO
1	19812	322169	✓		✓				✓	✓		
2	19813	322168	✓			✓			✓	✓		
3	19621	352830	✓		✓	✓			✓	✓		
4	19606HPS	350609	✓		✓	✓			✓	✓		
5	19221		✓		✓	✓			✓	✓		Kit
6	49758	324059	✓		✓				✓	✓		M14 x 1,5RHT
7	49600	324061	✓		✓				✓	✓		M14 x 1,5LHT
8	49601	324062	✓			✓			✓	✓		M14 x 1,5RHT
9	49759	324060	✓			✓			✓	✓		M14 x 1,5LHT
10	19629	352007	✓		✓				✓	✓		
11	19630	352008	✓			✓			✓	✓		
12	33848	352457	✓		✓	✓			✓	✓		
13	33849	352458	✓		✓	✓			✓	✓		
14	33753	402942		✓	✓	✓			✓	✓		
15	33895	423315		✓	✓	✓			✓	✓		
16	33766	402649		✓	✓	✓			✓	✓		
17	49605	423017		✓	✓	✓			✓	✓		M16x1,50LHT
18	95629		✓		✓	✓			✓	✓		MS
19	33791	350147	✓		✓	✓			✓	✓		Ø 23mm

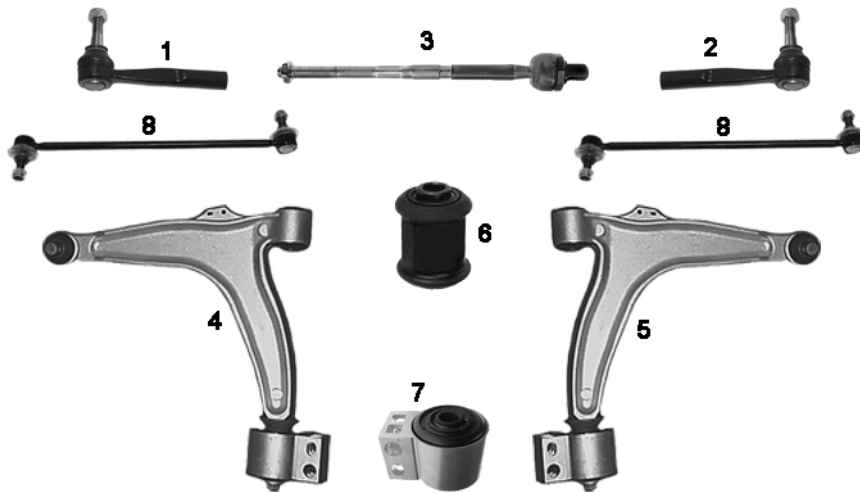
**OPEL REKORD / VAUXHALL CARLTON II  
OPEL COMMODORE  
OPEL MONZA - SENATOR**

09/77 → 1986  
09/77 → 1982  
1977 → 08/86

NR	MAPCO	REF			←	→	↑	↓			NEW	INFO
1	19816	352823	✓		✓	✓			✓	✓		 1

OPEL SIGNUM  
VAUXHALL SIGNUM

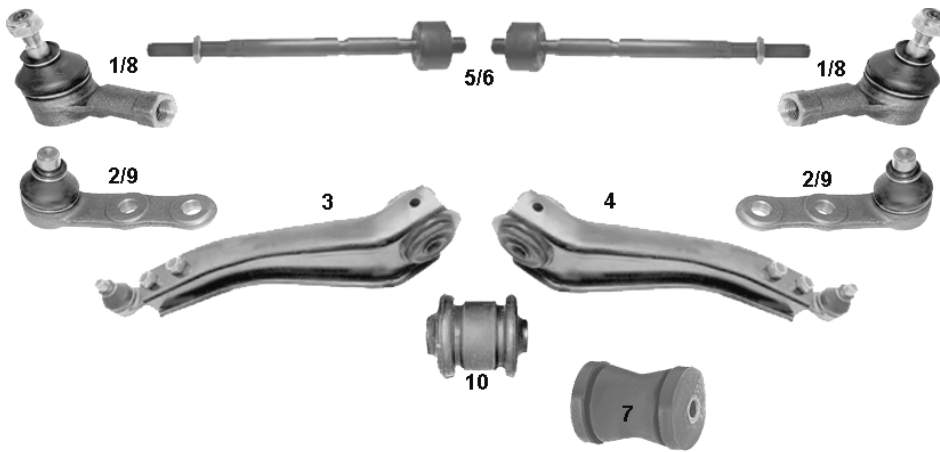
05/03→



NR	MAPCO	REF			←	→	↑	↓			NEW	INFO
1	49620	1603227	✓		✓				✓	✓		M14x1,5
2	49621	1603228	✓			✓			✓	✓		M14x1,5
3	49622	1603415	✓		✓	✓			✓	✓		M14x1,5 283 mm
4	49623	352051	✓		✓				✓	✓		
5	49624	352052	✓			✓			✓	✓		
6	33788	352323	✓		✓	✓			✓	✓		
7	36703	352319	✓		✓	✓			✓	✓	✓	
8	49749HPS	0350603	✓		✓	✓			✓	✓		

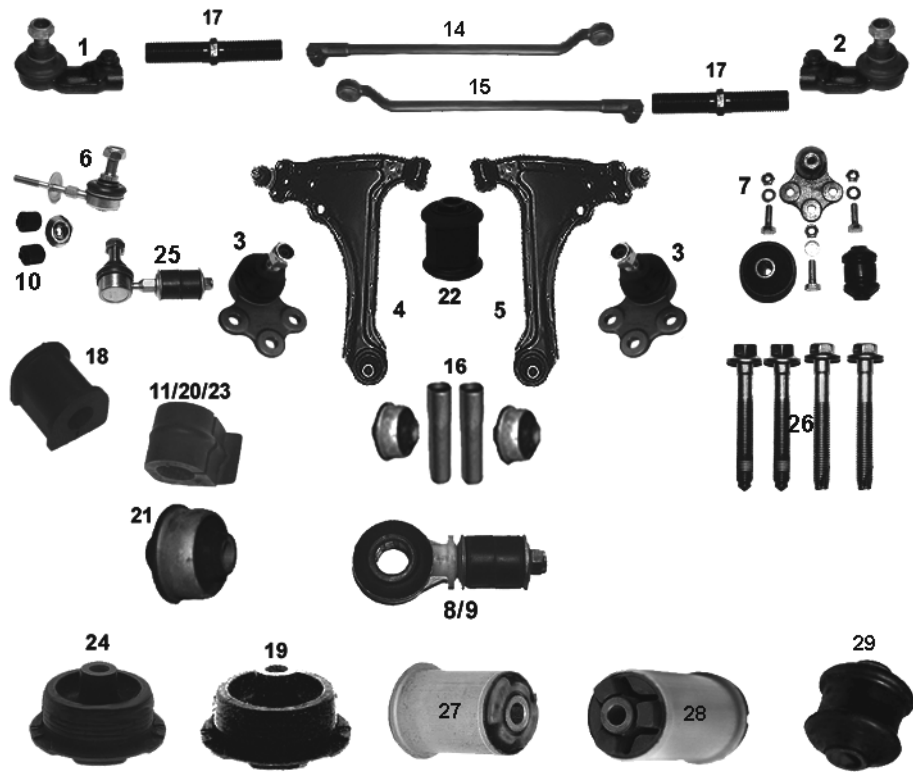
OPEL TIGRA

07/94→



NR	MAPCO	REF			←	→	↑	↓			NEW	INFO
1	19800	352050	✓		✓	✓			✓	✓		→1996 M12 X1,5RHT
2	19801	1603187	✓		✓	✓			✓	✓		→1996
3	19808	352003	✓		✓				✓	✓		
4	19809	352002	✓			✓			✓	✓		
5	49754	322155	✓		✓	✓				✓		
6	49755	352158	✓		✓	✓			✓			
7	33737	402643		✓	✓	✓			✓	✓		
8	19631	324066	✓		✓	✓			✓	✓		1996→ M12 x 1,5 RHT
9	19632	1603202	✓		✓	✓			✓	✓		1996→
10	33733	352301	✓		✓	✓			✓	✓		

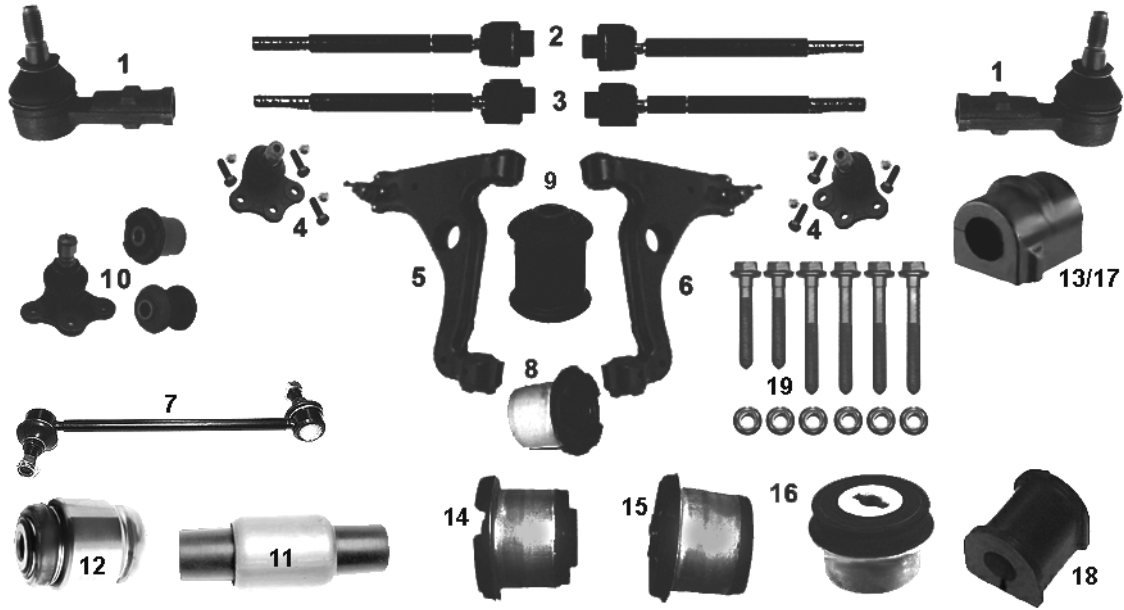
OPEL VECTRA A VAUXHALL CAVALIER 09/88 → 1995



NR	MAPCO	REF									NEW	INFO
1	19610	324055	✓		✓				✓	✓		M16x2,0 RHT
2	19611	324056	✓			✓			✓	✓		M16x2,0 LHT
3	19612	1603167	✓		✓	✓			✓	✓		
4	19619	352193	✓		✓				✓	✓		Chassis R2595226 →  16V + 4x4
5	19620	352192	✓			✓			✓	✓		Chassis R2595226 →  16V + 4x4
6	19607	350263	✓		✓	✓			✓	✓		
7	19270		✓		✓	✓			✓	✓		Kit
8	33726	350260	✓		✓	✓			✓	✓		Ø 22 mm
9	33727	350261	✓		✓	✓			✓	✓		Ø 18 mm
10	33728		✓		✓	✓			✓	✓		19607
11	33729	350078	✓		✓	✓			✓	✓		Ø 22 mm
12	49750		✓		✓				✓	✓		1 + 14 +17
13	49751		✓			✓			✓	✓		2 + 15 +17
14	49752	322147	✓		✓				✓	✓		
15	49753	322146	✓			✓			✓	✓		
16	33714/2		✓		✓	✓			✓	✓		Kit
17	49604	322576	✓		✓	✓			✓	✓		
18	33739	444153			✓	✓	✓		✓	✓		Ø 14mm
19	33754	402937			✓	✓	✓		✓	✓		✓ 4X4
20	33755	350081	✓		✓	✓			✓	✓		Ø 18 mm
21	33714	352348	✓		✓	✓			✓	✓		
22	33725	352300	✓		✓	✓			✓	✓		
23	33760	350125	✓		✓	✓			✓	✓		Ø 24 mm
24	33879	402935			✓	✓	✓		✓	✓		4X4
25	19607/8HPS	350263	✓		✓	✓			✓	✓		
26	95619		✓		✓	✓			✓	✓		MS
27	33785	402642			✓	✓	✓		✓	✓		Ø 48,0mm
28	33786	402645			✓	✓	✓		✓	✓		Ø 59,0mm
29	33787	423313			✓	✓	✓		✓	✓		Ø 18 mm

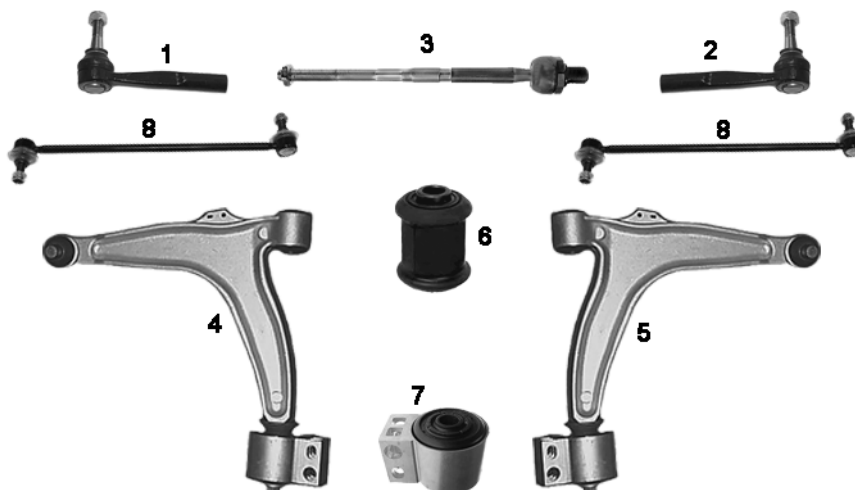
OPEL VECTRA B  
VAUXHALL VECTRA

1996 → 2000



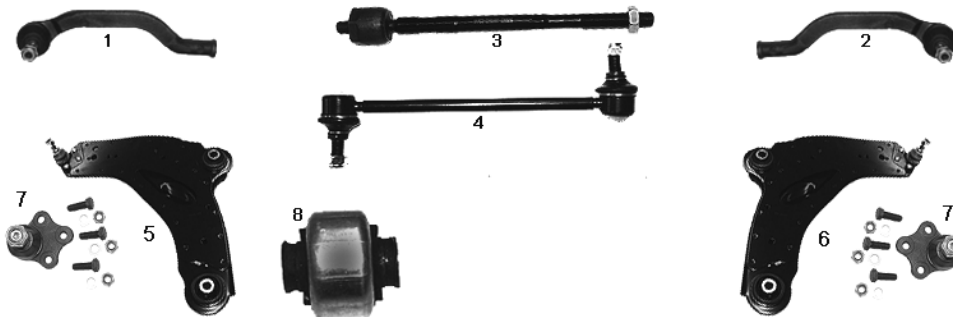
NR	MAPCO	REF									NEW	INFO
1	19626	324063	✓		✓	✓			✓	✓		M14 x 1,5RHT
2	19627	1603199	✓		✓	✓			✓	✓		365mm SAGINAW
3	19628	1603198	✓		✓	✓			✓	✓		322mm ZF
4	19621	352830	✓		✓	✓			✓	✓		
5	19622	5352005	✓		✓				✓	✓		
6	19623	5352004	✓			✓			✓	✓		
7	19600HPS	350610	✓		✓	✓			✓	✓		M12 x 1,5
8	33731	352358	✓		✓	✓			✓	✓		
9	33732	352357	✓		✓	✓			✓	✓		
10	19271		✓		✓	✓			✓	✓		Kit
11	33736	423316		✓	✓	✓			✓	✓		
12	33877	423121		✓	✓	✓			✓	✓		
13	33739	444153		✓	✓	✓			✓	✓		Ø 14mm
14	33756	5402631		✓	✓	✓			✓	✓		Ø 64mm
15	33758	5402630		✓	✓	✓			✓	✓		Ø 67mm
16	33720	423318		✓	✓	✓			✓	✓		Ø 60mm
17	33789	350130	✓		✓	✓			✓	✓		Ø 16mm
18	33792	444200		✓	✓	✓			✓	✓		Ø 16mm
19	95633		✓		✓	✓			✓	✓		MS

**OPEL VECTRA C** 04/02→  
**VAUXHALL VECTRA Mk II**



NR	MAPCO	REF			←	→	↑	↓			NEW	INFO
1	49620	1603227	✓		✓				✓	✓		M14x1,5
2	49621	1603228	✓			✓			✓	✓		M14x1,5
3	49622	1603415	✓		✓	✓			✓	✓		M14x1,5 283 mm
4	49623	352051	✓		✓				✓	✓		
5	49624	352052	✓			✓			✓	✓		
6	33788	352323	✓		✓	✓			✓	✓		
7	36703	352319	✓		✓	✓			✓	✓	✓	
8	49749HPS	0350603	✓		✓	✓			✓	✓		

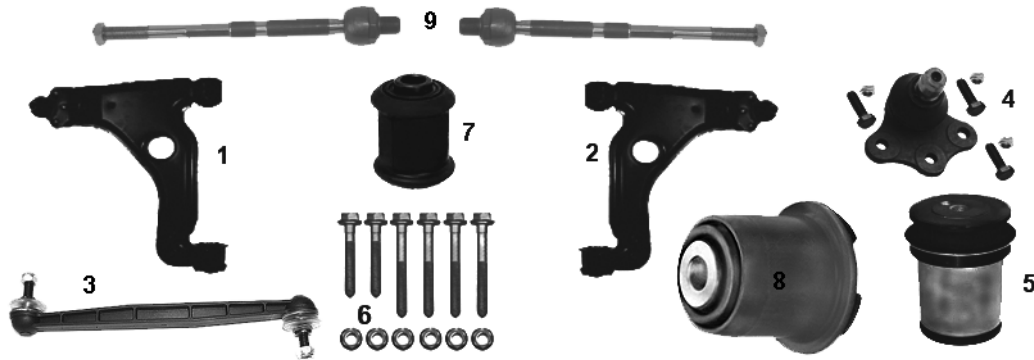
**OPEL VIVARO** 08/01→



NR	MAPCO	REF			←	→	↑	↓			NEW	INFO
1	49143	4408510	✓		✓				✓	✓		
2	49144	4408511	✓			✓			✓	✓		
3	49155	4408474	✓		✓	✓			✓	✓		280,0 mm
4	49118HPS	4408904	✓		✓	✓			✓	✓		
5	49141	4408958	✓		✓			✓	✓	✓		
6	49142	4408959	✓			✓		✓	✓	✓		
7	49140	4412934	✓		✓	✓			✓	✓		
8	33122	4408958	✓		✓	✓			✓	✓		

OPEL ZAFIRA  
VAUXHALL ZAFIRA

04/99 → 06/05



NR	MAPCO	REF			←	→	↑	↓			NEW	INFO
1	19633	5352016	✓		✓				✓	✓		
2	19634	5352017	✓			✓			✓	✓		
3	19639	350611	✓		✓	✓			✓	✓		
4	19621	352830	✓		✓	✓			✓	✓		
5	33767	402 644		✓	✓	✓			✓	✓		
6	95633		✓		✓	✓			✓	✓		MS
7	33788	352323	✓		✓	✓			✓	✓		
8	33794	352365	✓		✓	✓			✓	✓		Ø 12mm
9	49607	1603213	✓		✓	✓			✓	✓		

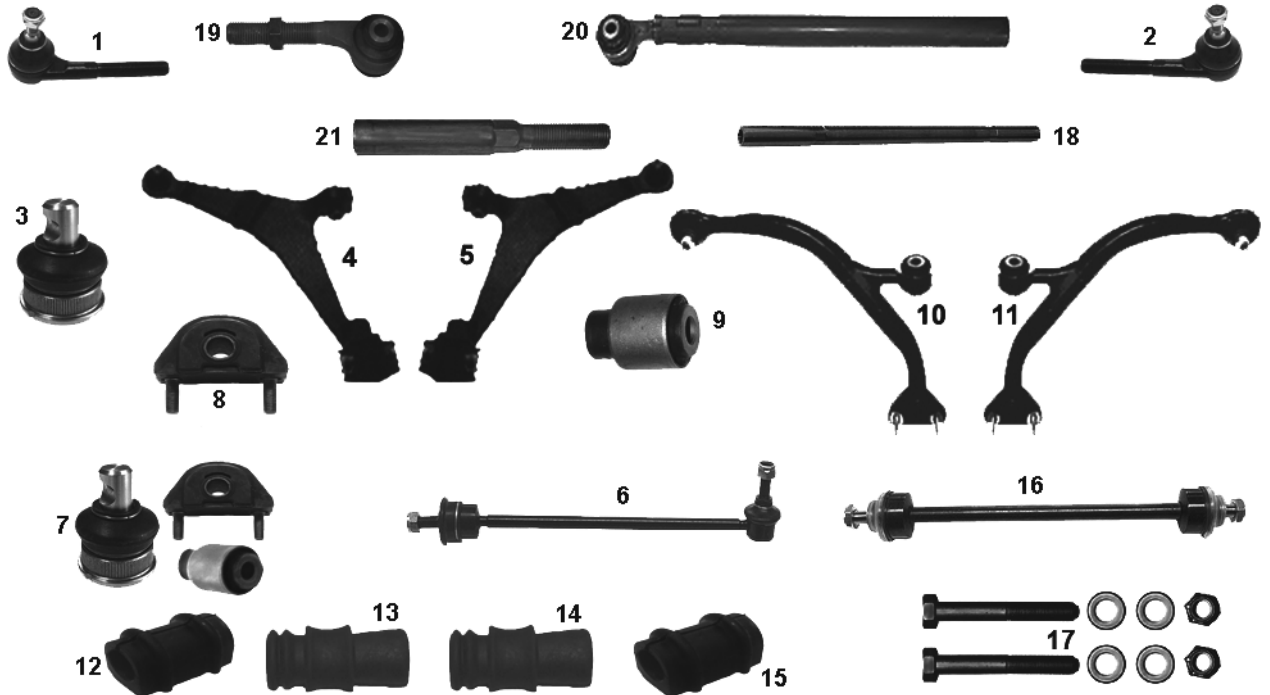
**VERGLEICHNUMMERN DIENEN NUR ZUR BESSEREN IDENTIFIKATION  
UND DÜRFEN NICHT AUF RECHNUNGEN ERSCHEINEN!!!**  
**Reference numbers are used for better identification only !**  
**Références d'origine pour meilleure identification seulement !**



# PEUGEOT

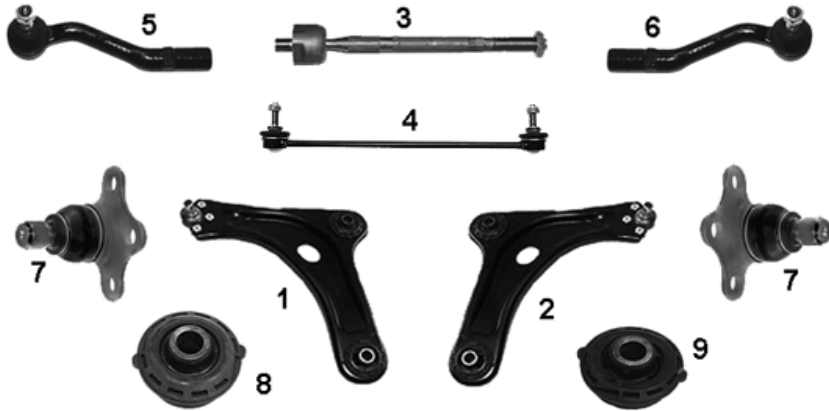
PEUGEOT 106 I  
PEUGEOT 106 II

09/91 → 04/96  
05/96 →



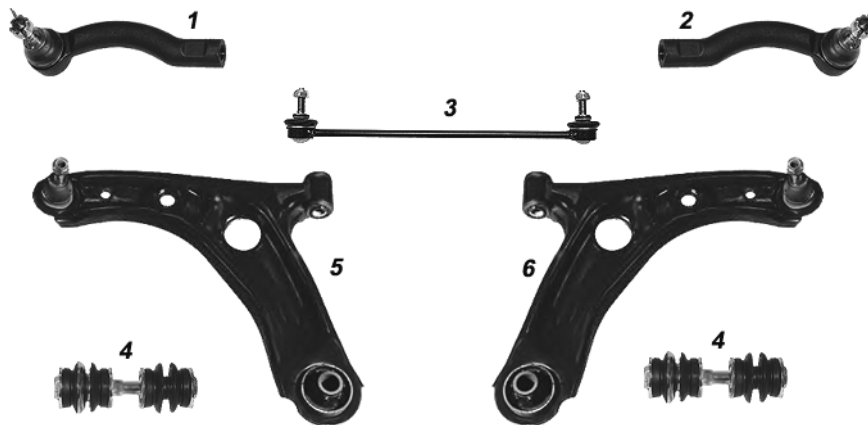
NR	MAPCO	REF			←	→	↑	↓			NEW	INFO
1	19417	3817.41	✓		✓				✓	✓		M14x1,5RHT
2	19418	3817.42	✓			✓			✓	✓		M14x1,5RHT
3	19428	3640.36	✓		✓	✓			✓	✓		Ø 16 mm
4	19321	3520.78	✓		✓				✓	✓		1.6 Ø 16 mm
5	19322	3520.79	✓			✓			✓	✓		1.6 Ø 16 mm
6	19338HPS	5087.40	✓		✓	✓			✓	✓		
7	19228		✓		✓	✓			✓	✓		Kit
8	33313	3523.51	✓		✓	✓			✓	✓		
9	33314	3523.50	✓		✓	✓			✓	✓		
10	19360	3520.80	✓		✓				✓	✓		✓ 1.6
11	19361	3520.81	✓			✓			✓	✓		✓ 1.6
12	33323	5094.57	✓		✓	✓			✓	✓		Ø 21mm 1991 →
13	33324	5094.59	✓		✓	✓			✓	✓		Ø 19mm 1991 →
14	33325	5094.60	✓		✓	✓			✓	✓		Ø 20mm 1991 →
15	33420	5094.56	✓		✓	✓			✓	✓		Ø 19mm 1991 →
16	19476HPS	5087.33	✓		✓	✓			✓	✓		→04/96 300 mm
17	95321		✓		✓	✓			✓	✓		MS
18	19480	3812.A0	✓		✓	✓			✓	✓		M14x1,5
19	19481	3817.32	✓		✓					✓		M14x1,5LHT
20	19482	3817.35	✓			✓				✓		M14x1,5LHT
21	19483	3817.34	✓		✓	✓				✓		12,0mm, M14x1,5RHT, 132,0mm
22	36402		✓		✓	✓			✓	✓		

**PEUGEOT 1007** 04/05 →





NR	MAPCO	REF			←	→	↑	↓			NEW	INFO
1	19385	3520.L9	✓		✓				✓	✓		
2	19386	3521.J1	✓			✓			✓	✓		
3	19479	3812.E1	✓		✓	✓			✓	✓		
4	19348HPS	5087.45	✓		✓	✓			✓	✓		
5	19489	3817.55	✓		✓				✓	✓		
6	19490	3817.56	✓			✓			✓	✓		
7	19491	3640.56	✓		✓	✓			✓	✓		
8	33334	3523.AA	✓		✓	✓			✓	✓		Ø 55,2mm
9	33335	3523.98	✓		✓	✓			✓	✓		Ø 55,5mm

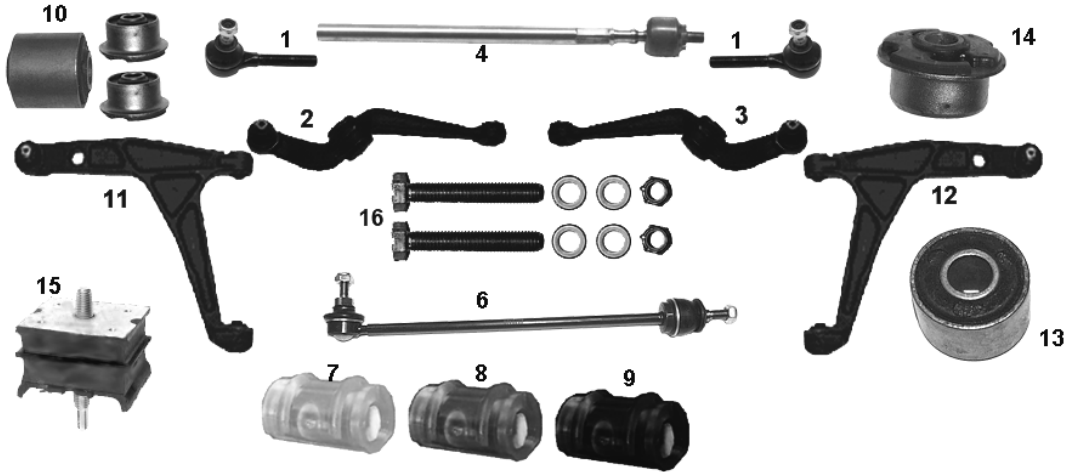
**PEUGEOT 107** 06/05 →



NR	MAPCO	REF			←	→	↑	↓			NEW	INFO
1	49306	3817.63	✓		✓				✓	✓	✓	
2	49307	3817.64	✓			✓			✓	✓	✓	
3	19348HPS	5087.59	✓		✓	✓			✓	✓		335,0 mm
4	49308	5091.10	✓		✓	✓			✓	✓	✓	
5	49318	3520.Q2	✓		✓				✓	✓	✓	
6	49319	3521.L3	✓			✓			✓	✓	✓	

PEUGEOT 205 <sup>STOP</sup> GTi, Rallye, TD										08/83 → 12/99		
										INFO		
NR	MAPCO	REF			←	→	↑	↓			NEW	INFO
1	36403		✓		✓	✓				✓	✓	
2	36305		✓		✓	✓				✓	✓	
3	36304		✓		✓	✓				✓	✓	

PEUGEOT 205 ✓GTi, Rallye, TD										08/83 → 12/99		
										INFO		
NR	MAPCO	REF			←	→	↑	↓			NEW	INFO
1	36310		✓		✓	✓				✓	✓	 1

PEUGEOT 205										01/83 → 09/98		
												
NR	MAPCO	REF			←	→	↑	↓			NEW	INFO
1	19301	3817.18	✓		✓	✓				✓	✓	M14x1,5RHT
2	19310	3520.51	✓		✓					✓	✓	<sup>STOP</sup> Gti
3	19311	3521.34	✓		✓					✓	✓	<sup>STOP</sup> Gti
4	19410	3812.25	✓		✓	✓				✓	✓	M14x1,5 RHT 314,0 mm
5	19446	3812.32	✓		✓	✓				✓	✓	1 + 4
6	19339HPS	5087.32	✓		✓	✓				✓	✓	✓ Gti
7	33311	5094.36	✓		✓	✓				✓	✓	Ø20mm
8	33311/1	5094.37	✓		✓	✓				✓	✓	Ø22mm
9	33311/2	5094.40	✓		✓	✓				✓	✓	Ø23mm
10	19206		✓		✓	✓				✓	✓	Kit
11	19349	3520.55	✓		✓					✓	✓	✓ Gti
12	19350	3521.38	✓		✓					✓	✓	✓ Gti
13	33307	3523.20	✓		✓	✓				✓	✓	
14	33306	3523.49	✓		✓	✓				✓	✓	Ø28mm
15	33327	5151.10		✓	✓	✓				✓	✓	
16	95310		✓		✓	✓				✓	✓	<sup>STOP</sup> Gti MS

**PEUGEOT 206 (A/C)**

09/98→



NR	MAPCO	REF			←	→	↑	↓			NEW	INFO
1	19417	3817.41	✓		✓				✓	✓		M14x1.5 RHT
2	19418	3817.42	✓			✓			✓	✓		M14x1.5 RHT
3	19346	3520.G8	✓		✓				✓	✓		✓ 1.4 16V, 1.6 HDi Chassis → 09440
4	19347	3521.C8	✓			✓			✓	✓		✓ 1.4 16V, 1.6 HDi Chassis → 09440
5	19348HPS	5087.45	✓		✓	✓			✓	✓		
6	33316	3523.76	✓		✓	✓			✓	✓		1.4 16V, 1.6 HDi
7	33317	3523.77	✓		✓	✓			✓	✓		1.6 16V, 2.0 16V, 1.6 HDi
8	19373	3812.C5	✓		✓	✓			✓	✓		M14 x1,5RHT
9	33303	5131.94		✓	✓	✓			✓	✓		
10	19398	3520.L7	✓		✓				✓	✓		✓ 1.4 16V, 1.6 HDi Chassis 09441 →
11	19399	3521.H9	✓			✓			✓	✓		✓ 1.4 16V, 1.6 HDi Chassis 09441 →
12	33315	3523.80	✓		✓	✓			✓	✓		✓ 1.6 16V, 2.0 16V, 1.6 HDi
13	33340	3523.AG	✓		✓	✓			✓	✓		✓ 1.4 16V, 1.6 HDi

**PEUGEOT 206 CC  
PEUGEOT 206 SW**

09/00→

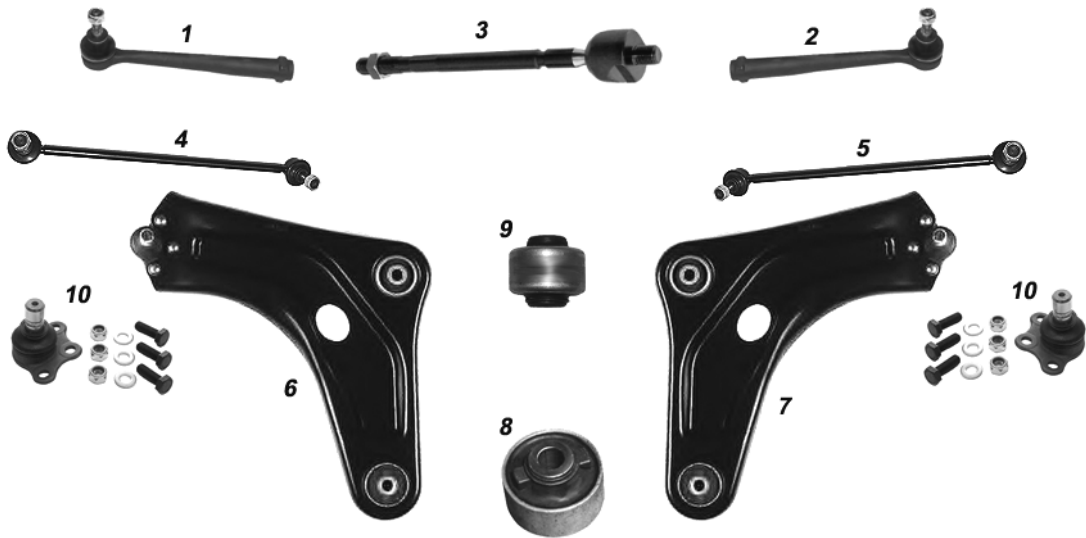
07/02→



NR	MAPCO	REF			←	→	↑	↓			NEW	INFO
1	33303	5131.94		✓	✓	✓			✓	✓		
2	49301	3520.P2	✓		✓				✓	✓		✓ CC
3	49302	3521.K2	✓			✓			✓	✓		✓ CC

**PEUGEOT 207**

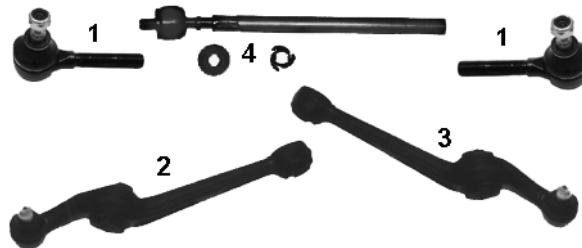
02/06→



NR	MAPCO	REF			←	→	↑	↓			NEW	INFO
1	49312	3817.67	✓		✓				✓	✓	✓	
2	49313	3817.68	✓			✓			✓	✓	✓	
3	49314	3812.E8	✓		✓	✓			✓	✓	✓	
4	49304HPS	5087.54	✓		✓				✓	✓	✓	330,0 mm
5	49305HPS	5087.55	✓			✓			✓	✓	✓	330,0 mm
6	49310	3520.R7	✓		✓				✓	✓	✓	
7	49311	3521.N8	✓			✓			✓	✓	✓	
8	33435	3523.CC	✓		✓	✓			✓	✓	✓	
9	33436	3523.CE	✓		✓	✓			✓	✓	✓	
10	19491	3640.62	✓		✓	✓			✓	✓		

**PEUGEOT 305**

1977→ 09/82

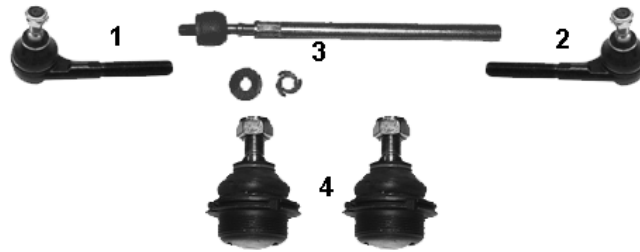


NR	MAPCO	REF			←	→	↑	↓			NEW	INFO
1	19301	3817.50	✓		✓	✓			✓	✓		M14 x 1,5 RHT
2	19351	3520.37	✓		✓				✓	✓		
3	19352	3521.26	✓			✓			✓	✓		
4	19323	3812.19	✓		✓	✓			✓	✓		M14x1,50RHT 262,0 mm

PEUGEOT 305 II 1.6-1.5



10/82→ 07/88

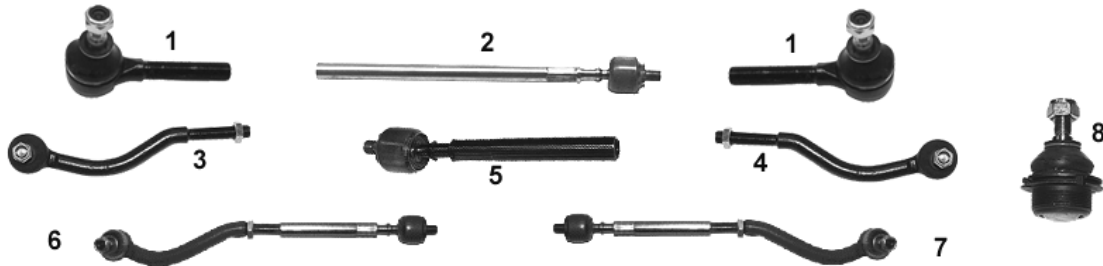


NR	MAPCO	REF			←	→	↑	↓			NEW	INFO
1	19417	3817.41	✓		✓					✓		M14 x 1,5 RHT
2	19418	3817.42	✓			✓				✓		M14 x 1,5 RHT
3	19340	3812.52			✓	✓				✓		258 mm
4	19312	3640.21	✓		✓	✓		✓		✓		

PEUGEOT 305 II 1.6-1.9



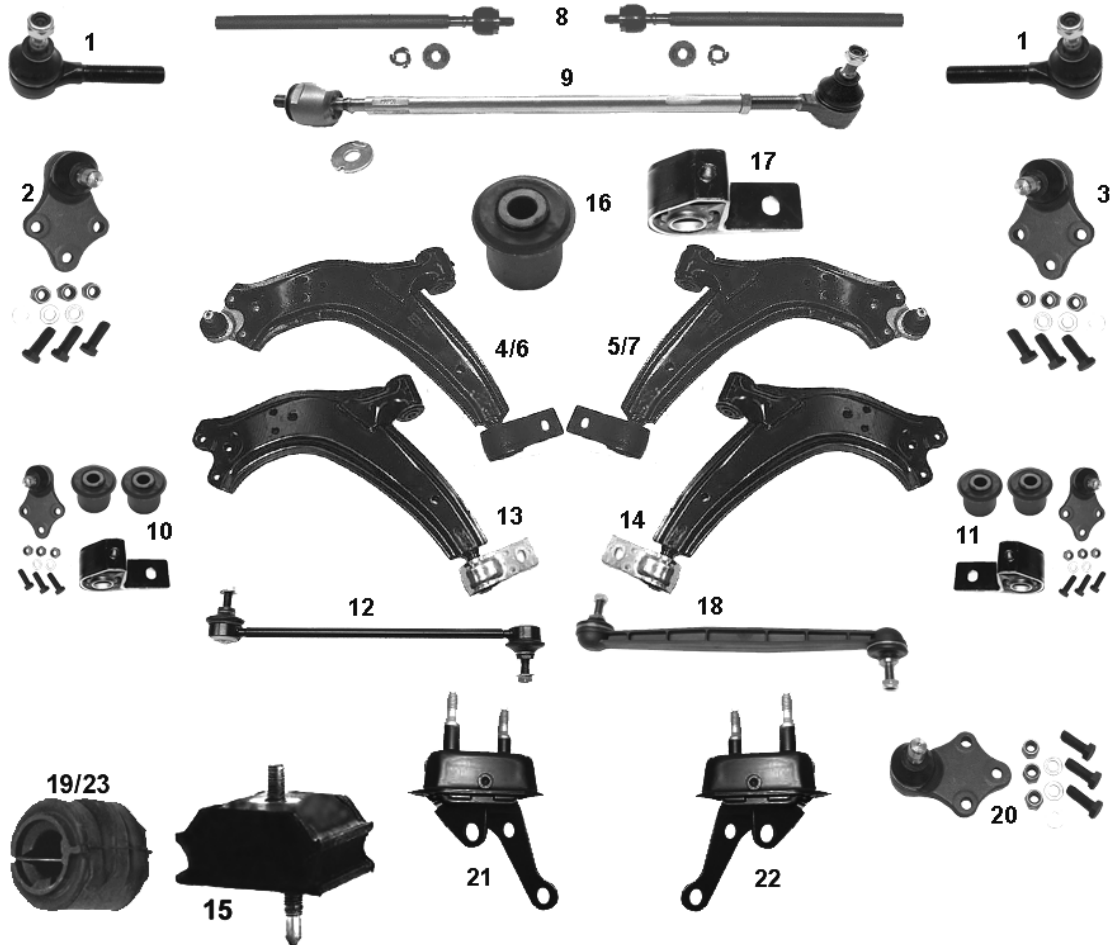
10/82→ 07/88



NR	MAPCO	REF			←	→	↑	↓			NEW	INFO
1	19301	3817.50	✓		✓	✓			✓			Chassis →9370001 M14 x 1,5 RHT
2	19410	3812.95	✓		✓	✓			✓			Chassis →9370001 M14x1,5 RHT 314 mm
3	19315	3817.26	✓		✓				✓			Chassis 9370002→
4	19316	3817.27	✓			✓			✓			Chassis 9370002→
5	19324	3812.98	✓		✓	✓			✓			Chassis 9370002→
6	19325	3812.72	✓		✓				✓			Chassis 9370002→
7	19326	3812.73	✓			✓			✓			Chassis 9370002→
8	19312	3640.21	✓		✓	✓			✓			

PEUGEOT 306

05/93→04/02



NR	MAPCO	REF			←	→	↑	↓			NEW	INFO
1	19301	3817.50	✓		✓	✓			✓	✓		
2	19319	3640.44	✓		✓	✓				✓		1993-1998
3	19320	3640.30	✓		✓	✓			✓			1993-1998
4	19331	3520.F1	✓		✓					✓		1993-1998
5	19332	3521.99	✓			✓				✓		1993-1998
6	19333	3520.84	✓		✓				✓			1993-1998
7	19334	3521.56	✓			✓			✓			1993-1998
8	19336/1	3812.92	✓		✓	✓			✓	✓		
9	19336		✓		✓	✓			✓	✓		1+8
10	19219		✓		✓	✓				✓		Kit 1993-1998
11	19220		✓		✓	✓			✓			Kit 1993-1998
12	19337HPS	5087.46	✓		✓	✓			✓	✓		Stahl/steel
13	19331/1	3520.H3	✓		✓				✓	✓		
14	19332/1	3521.E3	✓			✓			✓	✓		
15	33321	5131.71		✓	✓	✓			✓	✓		
16	33416		✓		✓	✓			✓	✓		
17	33417	3523.75	✓		✓	✓			✓	✓		
18	19367	5087.42	✓		✓	✓			✓	✓		Kunststoff
19	33424	5094.65	✓		✓	✓			✓	✓		Ø 21,0 mm
20	19371	3640.48	✓		✓	✓			✓	✓		1.9D, 2.0 HDI 08/99→ Ø 18,0mm
21	33329	5131.69		✓	✓				✓	✓		
22	33330	5131.70		✓	✓				✓	✓		
23	33337	5094.64	✓		✓	✓			✓	✓		Ø 18,0mm



PEUGEOT 306 Chassis → 7969

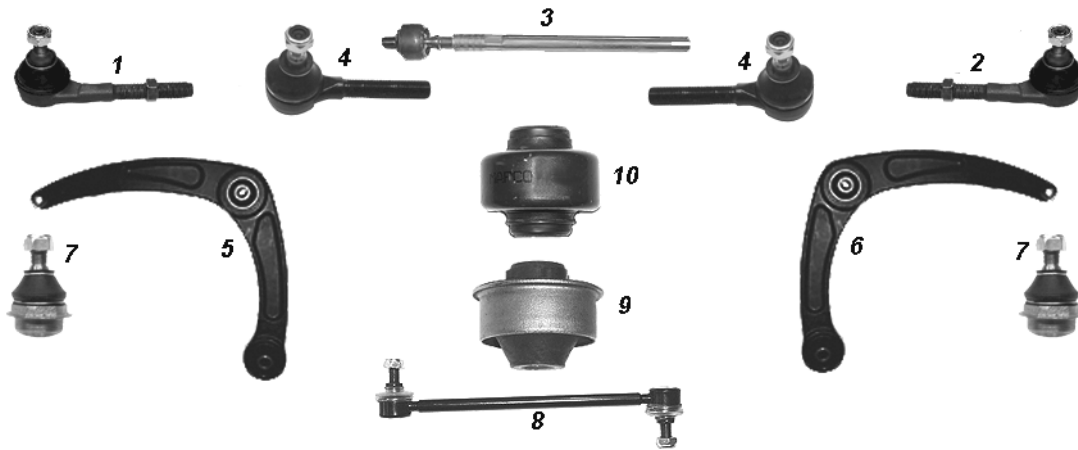
05/93 → 07/99



NR	MAPCO	REF			←	→	↑	↓			NEW	INFO
1	36406		✓		✓	✓			✓	✓		
2	36400		✓		✓	✓			✓	✓		
3	36401		✓		✓	✓			✓	✓		

PEUGEOT 307

08/00 →



NR	MAPCO	REF			←	→	↑	↓			NEW	INFO
1	19417	3817.41	✓		✓					✓		Chassis →10310
2	19418	3817.42	✓			✓				✓		Chassis →10310
3	19379	3812.E0	✓		✓	✓			✓	✓		Chassis →10310
4	19301	3817.50	✓		✓	✓			✓	✓		Chassis 10311→
5	19383	3520.K8	✓		✓				✓	✓		18,0 mm
6	19384	3521.G8	✓			✓			✓	✓		18,0 mm
7	19372	3640.68	✓		✓	✓			✓	✓		
8	19375HPS	5087.50	✓		✓	✓			✓	✓		
9	33336	3523.92	✓		✓	✓			✓	✓		
10	33434	3523.91	✓		✓	✓			✓	✓	✓	



**PEUGEOT 3008**

06/09 →



NR	MAPCO	REF			←	→	↑	↓			NEW	INFO
1	49315	3812.F2	✓		✓	✓			✓	✓	✓	257,0 mm
2	49316	3520.V2	✓		✓				✓	✓	✓	
3	49317	3521.R3	✓			✓			✓	✓	✓	
4	33336	3523.92	✓		✓	✓			✓	✓		
5	33434	3523.91	✓		✓	✓			✓	✓	✓	
6	19372	3640.68	✓		✓	✓			✓	✓		

**PEUGEOT 308**

09/07 →



NR	MAPCO	REF			←	→	↑	↓			NEW	INFO
1	49315	3812.F2	✓		✓	✓			✓	✓	✓	257,0 mm
2	49316	3520.V2	✓		✓				✓	✓	✓	
3	49317	3521.R3	✓			✓			✓	✓	✓	
4	33336	3523.92	✓		✓	✓			✓	✓		
5	33434	3523.91	✓		✓	✓			✓	✓	✓	
6	19372	3640.68	✓		✓	✓			✓	✓		

PEUGEOT 309

10/85 → 12/93



1



2

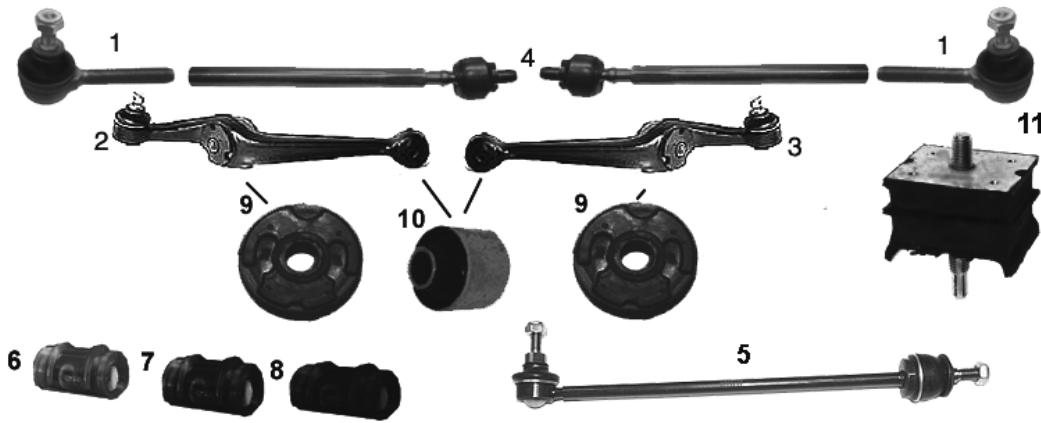


3

NR	MAPCO	REF			←	→	↑	↓			NEW	INFO
1	36306		✓		✓	✓			✓	✓		
2	36307		✓		✓	✓			✓	✓		
3	36300		✓		✓	✓			✓	✓		

PEUGEOT 309 I + II

10/85→12/93



NR	MAPCO	REF			←	→	↑	↓			NEW	INFO
1	19301	3817.50	✓		✓	✓			✓	✓		M14x1,5RHT
2	19313	3520.57	✓		✓				✓	✓		1.9 GTI Chassis→2108017
2	19317	3520.60	✓		✓				✓	✓		1.9 GTI Chassis 2108018→
3	19314	3521.38	✓			✓			✓	✓		1.9 GTI Chassis →2108017
3	19318	3521.41	✓			✓			✓	✓		1.9 GTI Chassis 2108018→
4	19410	3812.95	✓		✓	✓			✓	✓		M14x1,5 RHT 314 mm
4a	19340/1	3812.97	✓		✓	✓			✓	✓		1+4
5	19339HPS	5087.32	✓		✓	✓			✓	✓		✓ Gti
6	33311	5094.36	✓		✓	✓			✓	✓		Ø20mm
7	33311/1	5094.37	✓		✓	✓			✓	✓		Ø22mm
8	33311/2	5094.40	✓		✓	✓			✓	✓		Ø23mm
9	33306	3523.35	✓		✓	✓			✓	✓		
10	33307	3523.20	✓		✓	✓			✓	✓		
11	33327	5151.10		✓	✓	✓	✓		✓	✓		

PEUGEOT 405  1.9, 2.0, Mi16, 4x4										01/87 → 10/96		
1			2			3						
NR	MAPCO	REF			←	→	↑	↓			NEW	INFO
1	36301		✓		✓	✓			✓	✓		
2	36302		✓		✓	✓			✓	✓		
3	36303		✓		✓	✓			✓	✓		

PEUGEOT 405										01/87 → 10/96		
NR	MAPCO	REF			←	→	↑	↓			NEW	INFO
1	19315	3817.48	✓		✓				✓	✓		M14x1,5RHT
2	19316	3817.49	✓			✓			✓	✓		M14x1,5RHT
3	19312	3640.22	✓		✓				✓	✓		Chassis → 71358279
4	19324	3812.98	✓		✓	✓			✓	✓		182,0mm
5	19327	3520.K5	✓		✓				✓	✓		Chassis → 71358279
6	19328	3521.G5	✓			✓			✓	✓		Chassis → 71358279
7	19329	3520.K4	✓		✓				✓	✓		Chassis 71358280 →
8	19330	3521.G4	✓			✓			✓	✓		Chassis 71358280 →
9	19325	3812.72	✓		✓				✓	✓		1+4
10	19326	3812.77	✓			✓			✓	✓		2+4
11	33320	3523.40	✓		✓	✓			✓	✓		
12	33322	3523.54	✓		✓	✓			✓	✓		
13	19364	5087.27	✓		✓	✓			✓	✓		
14	19222		✓		✓	✓			✓	✓		Kit
15	33326	5151.24		✓	✓	✓			✓	✓		4x4
16	19425	3640.34	✓		✓	✓			✓	✓		Chassis 71358280 →

**PEUGEOT 406**

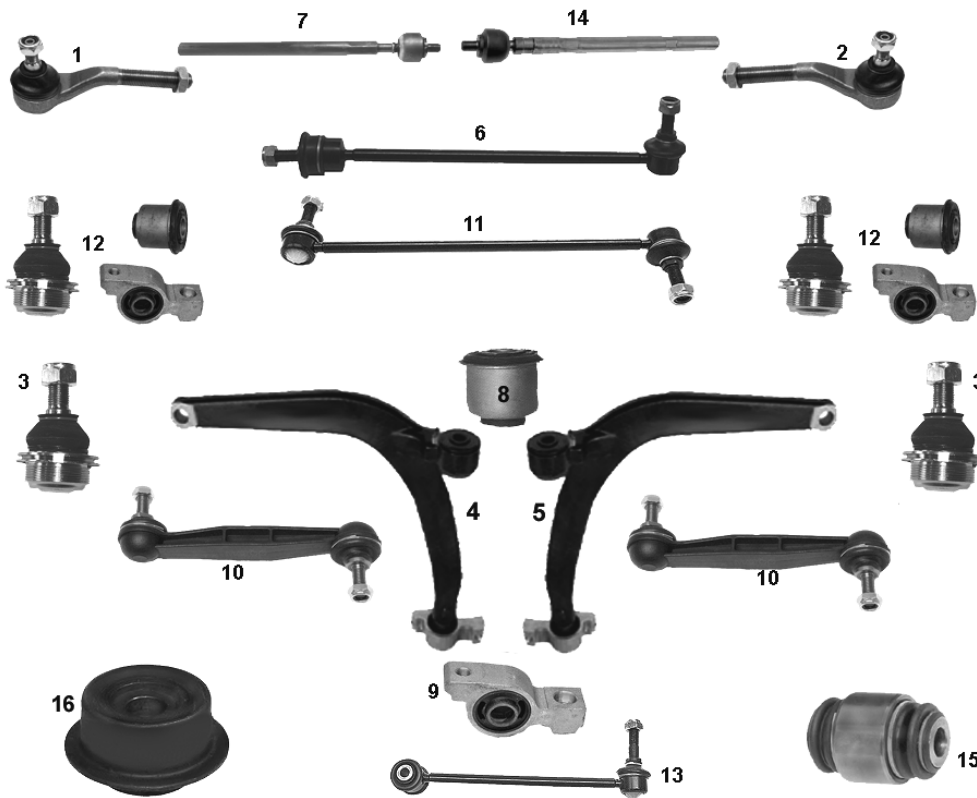
11/95 → 04/99



NR	MAPCO	REF			←	→	↑	↓			NEW	INFO
1	36308		✓		✓				✓	✓		✓ 1.8 11/95→ 04/99
2	36309		✓			✓			✓	✓		1.8 11/95→ 04/99

**PEUGEOT 406**

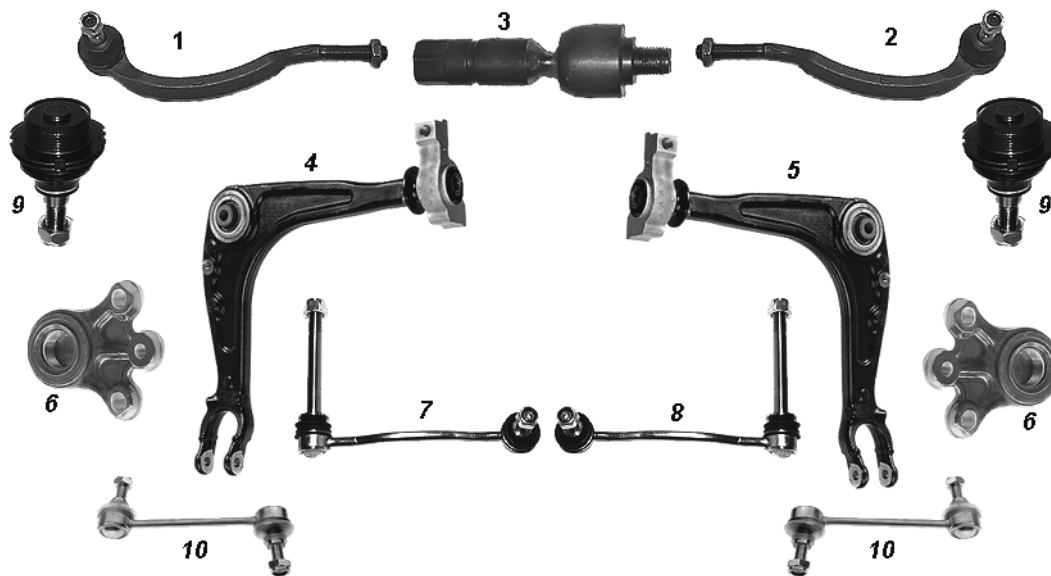
10/95→



NR	MAPCO	REF			←	→	↑	↓			NEW	INFO
1	19341	3817.40	✓		✓				✓	✓		M16x1,5RHT
2	19342	3817.39	✓			✓			✓	✓		M16x1,5RHT
3	19425	3640.34	✓		✓	✓			✓	✓		
4	19344	3520.C0	✓		✓				✓	✓		
5	19345	3521.80	✓			✓			✓	✓		
6	19338HPS	5087.40	✓		✓	✓			✓	✓		Chassis → 7664
7	19353	3812.A9	✓		✓	✓			✓	✓		3.0 V6 Ø 22mm
8	33319	3523.60	✓		✓	✓			✓	✓		
9	33318	3523.61		✓	✓	✓			✓	✓		
10	19365	5178.38		✓	✓	✓			✓	✓		
11	19362HPS	5087.48	✓		✓	✓			✓	✓		Chassis 7665→
12	19225		✓		✓	✓			✓	✓		Kit
13	19368HPS	5178.39		✓	✓	✓			✓	✓		
14	19374	3812.C4	✓		✓	✓			✓	✓		M16 x 1,5RHT Ø 20mm
15	33333	3640.35		✓	✓	✓			✓	✓		Chassis → 7664
16	33338	5152.59		✓	✓	✓			✓	✓		

**PEUGEOT 407**

05/04 →



NR	MAPCO	REF			←	→	↑	↓			NEW	INFO
1	19392	3817.58	✓		✓				✓	✓		M14x1,5
2	19393	3817.57	✓			✓			✓	✓		M14x1,5
3	19395	3812.E3	✓		✓	✓			✓	✓		M14x1,5
4	49320	3520.N6	✓		✓			✓	✓	✓	✓	
5	49321	3521.J6	✓			✓		✓	✓	✓	✓	
6	49309	3640.72	✓		✓	✓		✓	✓	✓	✓	
7	19396	5087.52	✓		✓				✓	✓		
8	19397	5087.53	✓			✓			✓	✓		
9	19394	3640.57	✓		✓	✓	✓		✓	✓		
10	49303	5178.52		✓	✓	✓			✓	✓	✓	140,0 mm

**PEUGEOT 5008**

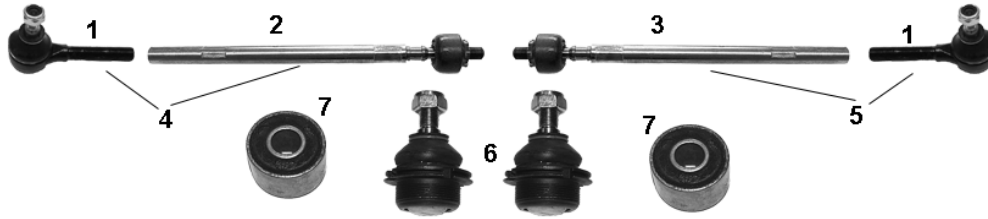
09/07 →



NR	MAPCO	REF			←	→	↑	↓			NEW	INFO
1	49315	3812.F2	✓		✓	✓			✓	✓	✓	
2	19372	3640.68	✓		✓	✓			✓	✓		
3	33336	3523.92	✓		✓	✓			✓	✓		
4	33434	3523.91	✓		✓	✓			✓	✓	✓	

**PEUGEOT 504 - 505 - 604**

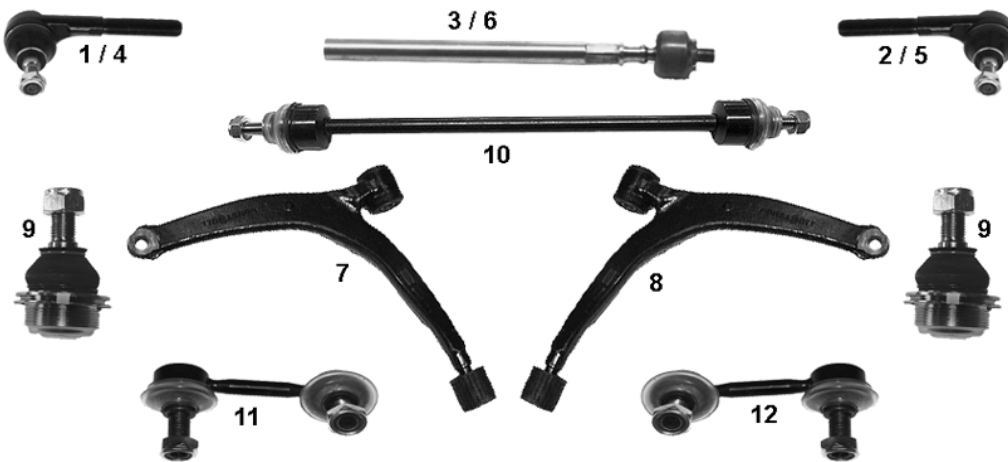
1980→12/93



NR	MAPCO	REF			←	→	↑	↓			NEW	INFO
1	19301	3817.50	✓		✓	✓			✓	✓		M14x1,5RHT
2	19355/1	3812.25	✓		✓	✓			✓			M14x1,50RHT 262,0 mm
3	19354/1	3812.15	✓		✓	✓			✓			M14x1,50RHT 260,0 mm
4	19354	3817.15	✓		✓	✓			✓			
5	19355	3812.19	✓		✓	✓			✓			
6	19307	3640.25	✓		✓	✓		✓	✓	✓		
7	33305	3523.16	✓		✓	✓				✓		

**PEUGEOT 605 (6B)**

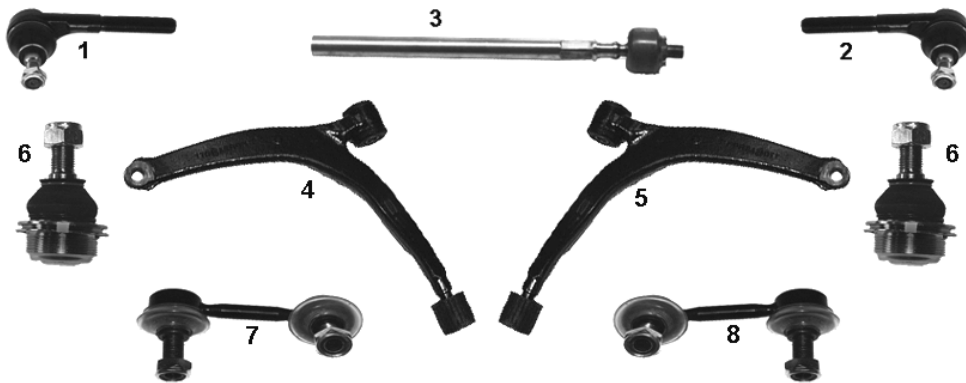
06/89→09/99



NR	MAPCO	REF			←	→	↑	↓			NEW	INFO
1	19418	3817.42	✓		✓				✓	✓		M14x1,5
2	19417	3817.41	✓			✓			✓	✓		M14x1,5
3	19409	3812.99	✓		✓	✓			✓	✓		→06/94 M14x1,5
4	19382	3817.43	✓		✓				✓			M16x1,5RHT
5	19381	3817.44	✓			✓			✓			M16x1,5RHT
6	19353	3812.A9	✓		✓	✓			✓			07/94→ M16x1,5
7	19487	3520.K6	✓		✓				✓	✓		
8	19488	3521.G6	✓			✓			✓	✓		
9	19425	3640.34	✓		✓	✓			✓	✓		
10	19451HPS	5087.41	✓		✓	✓			✓	✓		
11	19370	5178.30			✓	✓			✓	✓		
12	19369HPS	5178.31			✓	✓			✓	✓		

**PEUGEOT 607 2.2 16V, 2.2HDI, 3.0 V6 24V**

02/00→



NR	MAPCO	REF			←	→	↑	↓			NEW	INFO
1	19382	3817.43	✓		✓				✓	✓		M16x 1,5RHT
2	19381	3817.44	✓			✓			✓	✓		M16x 1,5RHT
3	19380	3812.C7	✓		✓	✓			✓	✓		
4	19487	3520.K6	✓		✓				✓	✓		
5	19488	3521.G6	✓			✓			✓	✓		
6	19425	3640.34	✓		✓				✓	✓		
7	19370	5178.22		✓	✓				✓	✓		
8	19369HPS	5178.21		✓		✓			✓	✓		

**PEUGEOT 806 2.0**

**PEUGEOT 806 D + TD**

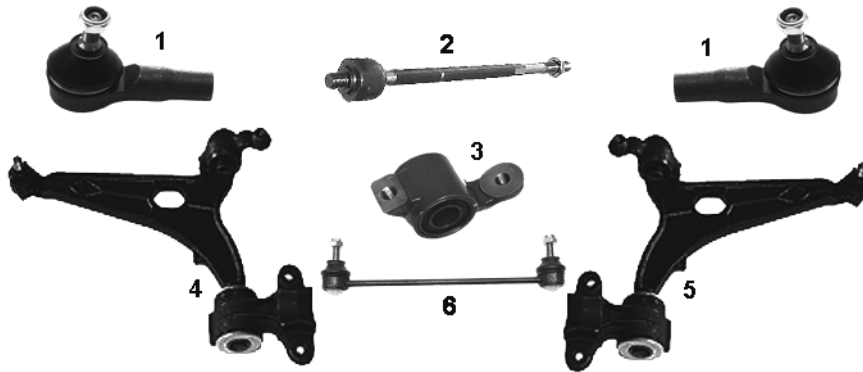
06/94→08/02



NR	MAPCO	REF			←	→	↑	↓			NEW	INFO
1	19430	4059.09	✓		✓	✓			✓	✓		M14x1,5RHT
2	19431	3520.C5	✓		✓				✓	✓		
3	19432	3521.C9	✓			✓			✓	✓		
4	19023	3812.A4	✓		✓				✓	✓		
5	19363	5087.35	✓		✓	✓			✓	✓		
6	33017	1312317080	✓		✓	✓			✓	✓		

**PEUGEOT 807**

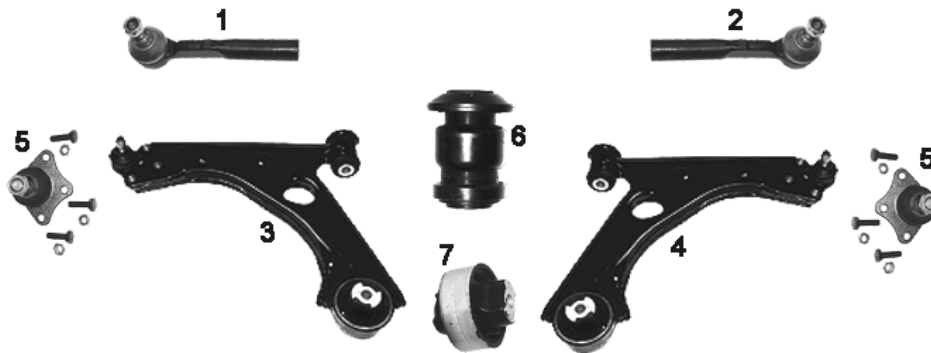
06/02→



NR	MAPCO	REF			←	→	↑	↓			NEW	INFO
1	19492	4059.12	✓		✓	✓			✓	✓		M14x1,5
2	19493	3812.E2	✓		✓	✓			✓	✓	✓	M14x1,5
3	33017	1312317080	✓		✓	✓			✓	✓		
4	49082	3521.H0	✓		✓				✓	✓		
5	49083	3521.H1	✓			✓			✓	✓		
6	19376HPS	5087.51	✓		✓	✓			✓	✓		

**PEUGEOT BIPPER**

02/08→

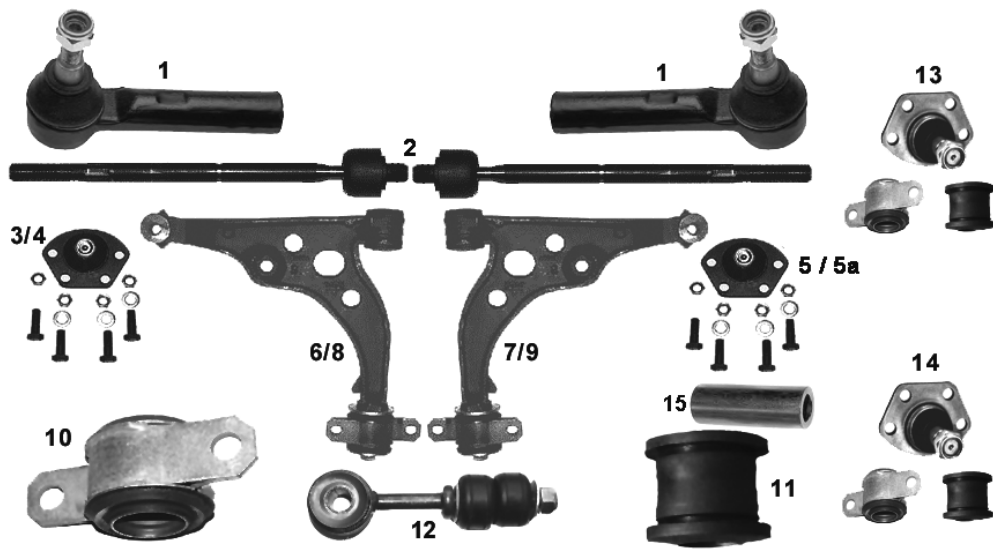


NR	MAPCO	REF			←	→	↑	↓			NEW	INFO
1	59012	3817.86	✓		✓				✓	✓	✓	
2	59013	3817.87	✓			✓			✓	✓	✓	
3	19097	3520.W3	✓		✓				✓	✓		
4	19098	3521.S6	✓			✓			✓	✓		
5	49092	<a href="#">3520.W3 part of</a>	✓		✓	✓			✓	✓	✓	
6	33044		✓		✓	✓			✓	✓		
7	33045		✓		✓	✓			✓	✓		



PEUGEOT BOXER (230)

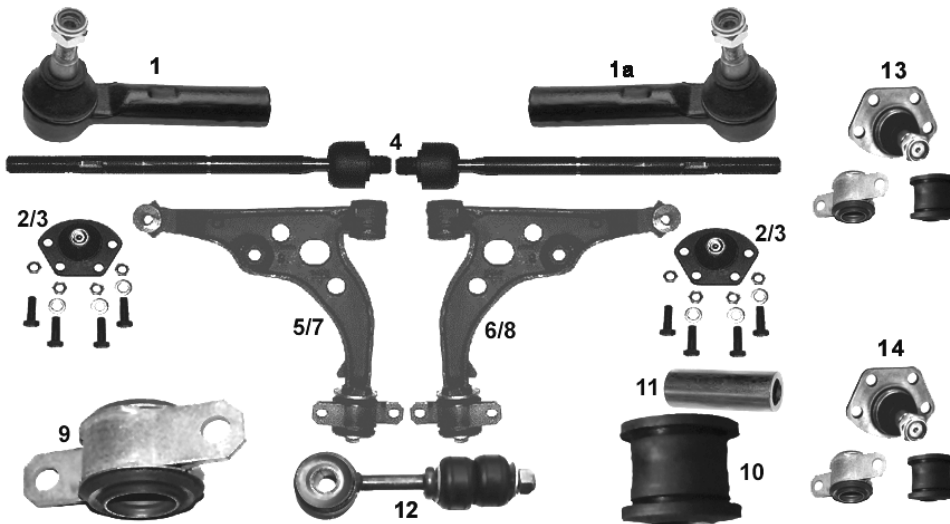
03/94 → 04/02



NR	MAPCO	REF								NEW	INFO
1	19447	4018A3	✓	✓	✓			✓	✓		M16x1,5RHT 120,0mm
2	19448	14716544080	✓	✓	✓			✓	✓		M16 x 1,5
3	19449	364032	✓	✓	✓			✓	✓		✓ (1.0t-1.4t) ø 17,0mm
4	19450	364033	✓	✓	✓			✓	✓		✓ (1.8t) ø 20,0mm
5	19498	364055	✓	✓	✓		✓	✓	✓	✓	✓ (1.0t-1.4t) ø 20,0mm 02/01→
5a	19499	364054	✓	✓	✓			✓	✓	✓	✓ (1.8t) ø 24,0mm 02/01→
6	19461	352095	✓	✓				✓	✓		✓ (1.0t-1.4t)
7	19462	352165	✓		✓			✓	✓		✓ (1.0t-1.4t)
8	19463	352096	✓	✓				✓	✓		✓ (1.8t)
9	19464	352166	✓		✓			✓	✓		✓ (1.8t)
10	33001	352394	✓	✓	✓			✓	✓		
11	33006	352393	✓	✓	✓			✓	✓		
15	33006/1	352505	✓	✓	✓			✓	✓		Hülse
12	19366	508737	✓	✓	✓			✓	✓		
13	19251		✓	✓	✓			✓	✓		Kit ✓ (1.0t-1.4t)
14	19250		✓	✓	✓			✓	✓		Kit ✓ (1.8t)

PEUGEOT BOXER (244)

04/02→



NR	MAPCO	REF			←	→	↑	↓			NEW	INFO
1	19447	4018.A3	✓		✓	✓			✓	✓		→12/02 M16x1,5RHT 120,0mm
1a	19099	4018.E0	✓		✓	✓			✓	✓	✓	12/02→ M16x1,5RHT
2	19498	3640.55	✓		✓	✓		✓	✓	✓	✓	✓ (1.0t-1.4t) ø 20,0mm
3	19499	3640.54	✓		✓	✓			✓	✓	✓	✓ (1.8t) ø 24,0mm
4	19448	4006.24	✓		✓	✓			✓			M16 x 1,5
5	49084	3520.N3	✓		✓				✓	✓		✓ (1.0t-1.4t)
6	49085	3521.J3	✓			✓			✓	✓		✓ (1.0t-1.4t)
7	49086	3520.L0	✓		✓				✓	✓		✓ (1.8t)
8	49087	3521.H3	✓			✓			✓	✓		✓ (1.8t)
9	33001	3523.94	✓		✓	✓			✓	✓		
10	33006	3523.93	✓		✓	✓			✓	✓		
11	33006/1	3525.05	✓		✓	✓			✓	✓		Hülse
12	19366	5087.37	✓		✓	✓			✓	✓		
13	19251		✓		✓	✓			✓	✓		Kit ✓ (1.0t-1.4t)
14	19250		✓		✓	✓			✓	✓		Kit ✓ (1.8t)

PEUGEOT BOXER

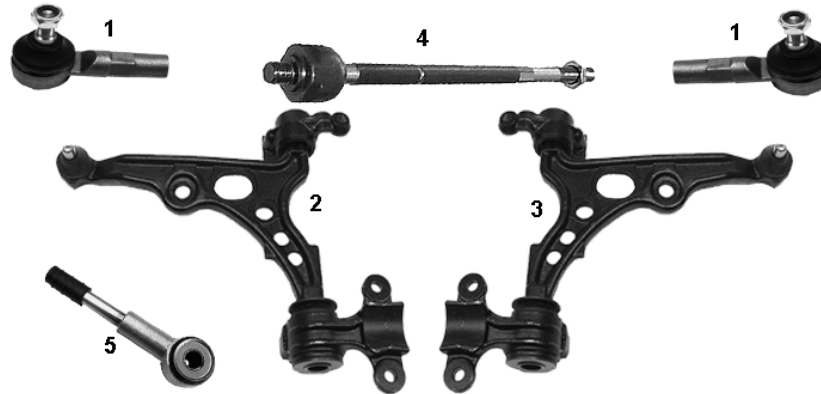
04/06→



NR	MAPCO	REF			←	→	↑	↓			NEW	INFO
1	19496	3817.69	✓		✓				✓	✓	✓	
2	19497	3817.70	✓			✓			✓	✓	✓	
3	19494	3520.S0	✓		✓				✓	✓	✓	✓ (1.0t-1.7t)
4	19495	3521.P1	✓			✓			✓	✓	✓	✓ (1.0t-1.7t)
5	49099	3640.67	✓		✓	✓			✓	✓	✓	ø 24mm

**PEUGEOT EXPERT**

02/96→



NR	MAPCO	REF								NEW	INFO
1	19430	4059.09	✓	✓	✓			✓	✓		M14x1,5RHT
2	19431	3520.C5	✓	✓				✓	✓		
3	19432	3521.85	✓		✓			✓	✓		
4	19023	3812.A4	✓	✓	✓			✓	✓		
5	19363	5087.35	✓	✓	✓			✓	✓		

**PEUGEOT J 5**

09/81→03/94



NR	MAPCO	REF								NEW	INFO
1	19420	3817.11	✓	✓	✓			✓	✓		M16x1,5RHT
2	19405	3812.27	✓	✓	✓				✓		M16x1,5RHT
3	19421	3640.18	✓	✓	✓			✓	✓		→ 09/85
4	19422	3640.26	✓	✓	✓			✓	✓		10/85→
5	19441	3520.76	✓	✓				✓	✓		✓ (1.0 - 1.4 t) 10/85→ 93
6	19442	3521.52	✓		✓			✓	✓		✓ (1.0 - 1.4 t) 10/85→ 93
7	19468	3520.77	✓	✓				✓	✓		✓ (1.8 t) 10/85→ 93
8	19469	3521.53	✓		✓			✓	✓		✓ (1.8 t) 10/85→ 93

PEUGEOT J 9

03/80 → 06/87



NR	MAPCO	REF								NEW	INFO
1	19356	3874.30	✓	✓				✓	✓		M20 x 1,5 LHT
2	19357	3874.31	✓		✓			✓	✓		M20 x 1,5 RHT
3	19358	3608.28	✓	✓	✓	✓		✓	✓		
4	19359	3622.15	✓	✓	✓		✓	✓	✓		

**VERGLEICHNUMMERN DIENEN NUR ZUR BESSEREN IDENTIFIKATION UND DÜRFEN NICHT AUF RECHNUNGEN ERSCHEINEN!**  
**Reference numbers are used for better identification only!**  
**Références d'origine pour meilleure identification seulement!**

**PEUGEOT PARTNER**

1996→



NR	MAPCO	REF								INFO
1	19301	3817.50	✓	✓	✓			✓	✓	M14x1,5RHT
2	19411	3812.C0	✓	✓	✓			✓	✓	
3	19426	3640.39	✓	✓	✓				✓	
4	19427	3640.38	✓	✓	✓			✓		Chassis→ O 7972, →1999, 16mm
5	19437	3520.F6	✓	✓					✓	Chassis→ O 7972, →1999, 16mm
6	19438	3521.A6	✓		✓				✓	Chassis→ O 7972, →1999, 16mm
7	19439	3520.A2	✓	✓				✓		Chassis→ O 7972, →1999, 16mm
8	19440	3521.A7	✓		✓			✓		Chassis→ O 7972, →1999, 16mm
9	19337HPS	5087.39	✓	✓	✓			✓	✓	
10	19473	3640.51	✓	✓	✓			✓		Chassis O 7973 → , 1999→, 18 mm
11	19474	3520.H5	✓	✓				✓	✓	Chassis O 7973 → , 1999→, 18 mm
12	19475	3521.E5	✓		✓			✓	✓	Chassis O 7973 → , 1999→, 18 mm
13	33424	509465	✓	✓	✓			✓	✓	Ø 21 mm
14	19331/1	3521.87	✓	✓	✓			✓	✓	
15	19332/1	3521.90	✓	✓	✓			✓	✓	
16	19485	3520.J3	✓	✓				✓		✓ 2.0 HDI 02/00→
17	19486	3521.F3	✓		✓			✓		✓ 2.0 HDI 02/00→
18	19389	3640.50	✓	✓	✓				✓	Chassis O 7973→, 18 mm
19	33431	3523.83	✓	✓	✓			✓		✓ 2.0 HDI 02/00→
20	33433	5152.62		✓	✓	✓		✓	✓	✓

**PEUGEOT PARTNER**

04/08 →



NR	MAPCO	REF			←	→	↑	↓			NEW	INFO
1	49401	3812.F4	✓		✓	✓			✓	✓	✓	
2	19372	3640.68	✓		✓	✓			✓	✓		
3	19383	3520.K8	✓		✓				✓	✓		18,0 mm
4	19384	3521.G8	✓			✓			✓	✓		18,0 mm
5	33336	3523.92	✓		✓	✓			✓	✓		
6	33434	3523.91	✓		✓	✓			✓	✓	✓	

**PORSCHE**

**PORSCHE 911 Cabriolet (996)**

09/97 → 08/05



NR	MAPCO	REF			←	→	↑	↓			NEW	INFO
1	52780	99634105306	✓	✓	✓	✓		✓	✓	✓	✓	

**PORSCHE 911 (996)**

09/97 → 08/05



NR	MAPCO	REF			←	→	↑	↓			NEW	INFO
1	52780	99634105306	✓	✓	✓	✓		✓	✓	✓	✓	

**PORSCHE 911 Targa (996)**

12/01 → 08/05



NR	MAPCO	REF			←	→	↑	↓			NEW	INFO
1	52780	99634105306	✓	✓	✓	✓		✓	✓	✓	✓	

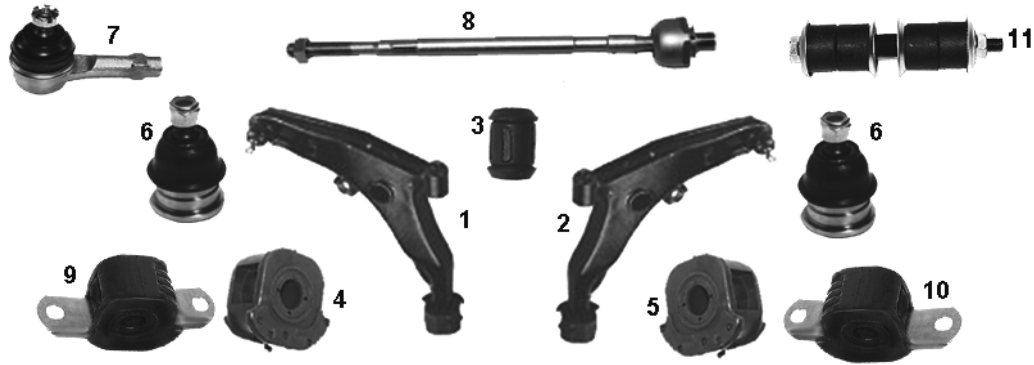
PORSCHE BOXSTER (986)											09/06→	
NR	MAPCO	REF									NEW	INFO
1	52780	99634105306	✓	✓	✓	✓	✓	✓	✓	✓	✓	

PORSCHE CAYENNE (955)											09/02→	
NR	MAPCO	REF									NEW	INFO
1	51742	95534713122	✓		✓				✓	✓	✓	M16X1,5
2	51743	95534713222	✓			✓			✓	✓	✓	M16X1,5
3	51744	95534703121	✓		✓	✓			✓	✓	✓	M16X1,5
4	51745	95534703120	✓		✓				✓	✓	✓	1+3
5	51746	95534703221	✓			✓			✓	✓	✓	2+3
6	52714	7L8407151E	✓		✓			✓	✓	✓	✓	
7	52715	7L8407152D	✓			✓		✓	✓	✓	✓	
8	52716	95534102701	✓		✓	✓	✓		✓	✓	✓	
9	51824	95534306900	✓		✓	✓			✓	✓		197,0 mm
10	51733	95533306921			✓	✓			✓	✓	✓	
11	51734	95533307021			✓	✓			✓	✓	✓	

# PROTON

## PROTON PERSONA 300

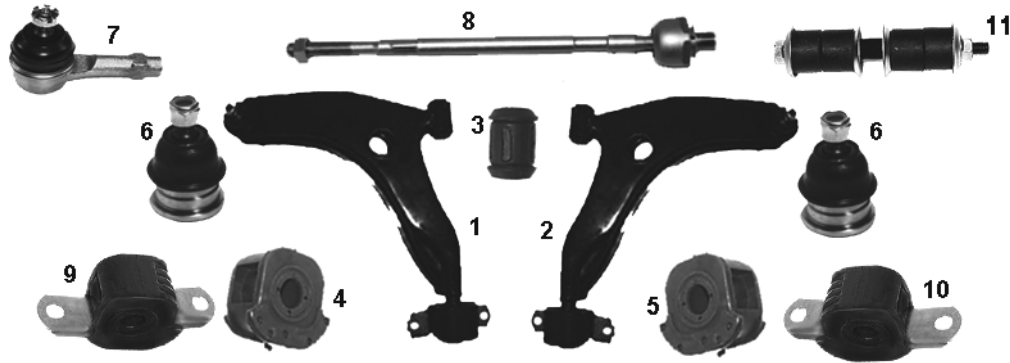
03/96 →



NR	MAPCO	REF			←	→	↑	↓			NEW	INFO
1	49540	MB 912077	✓		✓				✓	✓		
2	49541	MB 912078	✓			✓			✓	✓		
3	33552	MR 130982	✓		✓	✓			✓	✓		
4	33551	MB 808909	✓		✓				✓	✓		
5	33550	MB 808910	✓			✓			✓	✓		
6	49578	MB 241833	✓		✓	✓			✓	✓		
7	19547	MB 598023	✓		✓	✓			✓	✓		M12 x1,25 RHT
8	59206	PW 530031	✓		✓	✓			✓	✓		327,5mm
9	33551/1	MB 808909	✓		✓				✓	✓		
10	33550/1	MB 808910	✓			✓			✓	✓		
11	51598	MB 241974	✓		✓	✓			✓	✓	✓	

## PROTON PERSONA 400

01/94 →



NR	MAPCO	REF			←	→	↑	↓			NEW	INFO
1	49544	MR 179479	✓		✓				✓	✓		
2	49545	MR 179480	✓			✓			✓	✓		
3	33552	MR 130982	✓		✓	✓			✓	✓		
4	33551	MB 808909	✓		✓				✓	✓		
5	33550	MB 808910	✓			✓			✓	✓		
6	49578	MB 241833	✓		✓	✓			✓	✓		
7	19540	MB 912076	✓		✓	✓			✓	✓		M12 x1,25 RHT
8	59206	PW 530031	✓		✓	✓			✓	✓		327,5mm
9	33551/1	MB 808909	✓		✓				✓	✓		
10	33550/1	MB 808910	✓			✓			✓	✓		
11	51598	MB 241974	✓		✓	✓			✓	✓	✓	

**VERGLEICHNUMMERN DIENEN NUR ZUR BESSEREN IDENTIFIKATION UND DÜRFEN NICHT AUF RECHNUNGEN ERSCHEINEN!!!**

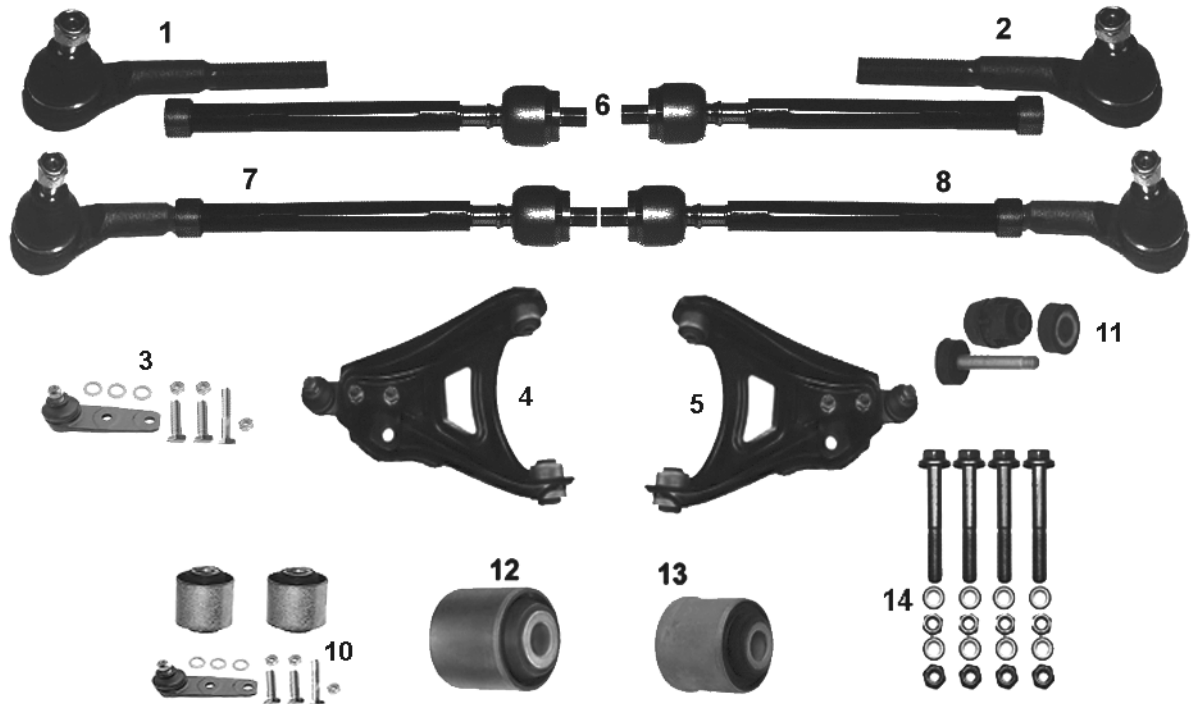
**Reference numbers are used for better identification only!**  
**Références d'origine pour meilleure identification seulement !**



# RENAULT

RENAULT CLIO I

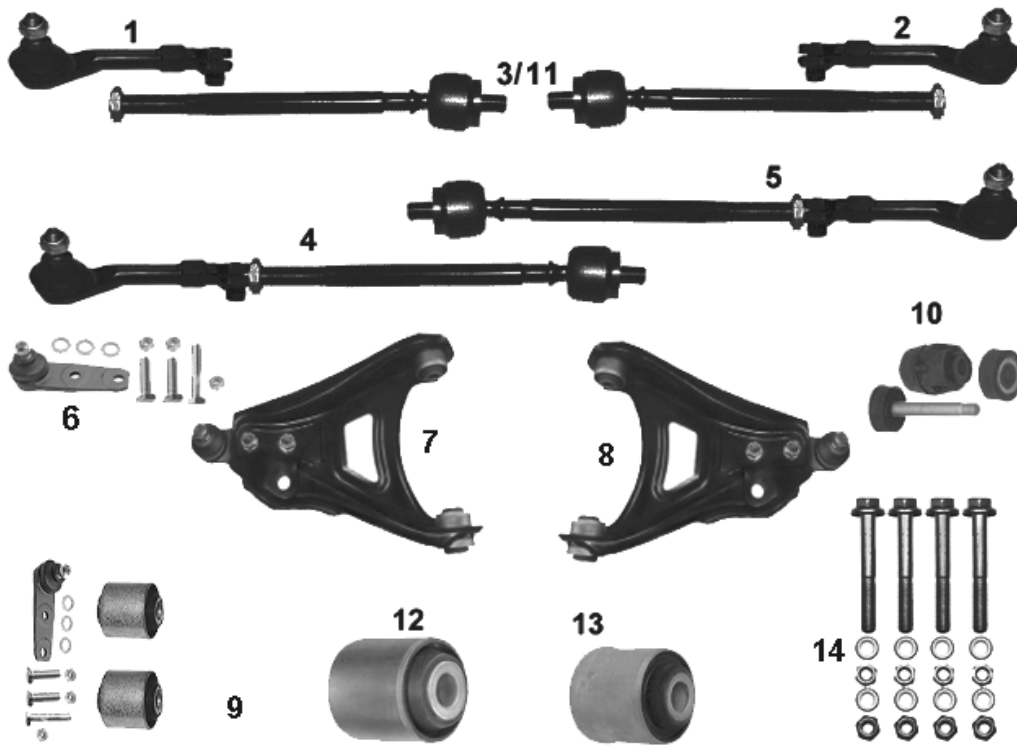
05/90 → 07/94



NR	MAPCO	REF								INFO
1	19133	7701467273	✓	✓				✓	✓	M14x1,5RHT
2	19134	7701467274	✓		✓			✓	✓	M14x1,5RHT
3	19109	7701468883	✓		✓	✓		✓	✓	
4	19137	7700794386	✓		✓			✓	✓	
5	19138	7700794387	✓		✓			✓	✓	
6	19152	7700658272	✓		✓	✓		✓	✓	
7	19153	7701467271	✓		✓			✓	✓	1+6
8	19154	7701467272	✓		✓			✓	✓	2+6
9	19155	7701466158	✓		✓	✓		✓	✓	7+8
10	19209		✓		✓	✓		✓	✓	Kit
11	33164	7700799404	✓		✓	✓		✓	✓	
12	33129	7700799065	✓		✓	✓		✓	✓	
13	33130	7700799064	✓		✓	✓		✓	✓	
14	95137		✓		✓	✓		✓	✓	MS

RENAULT CLIO I

08/94 → 09/98



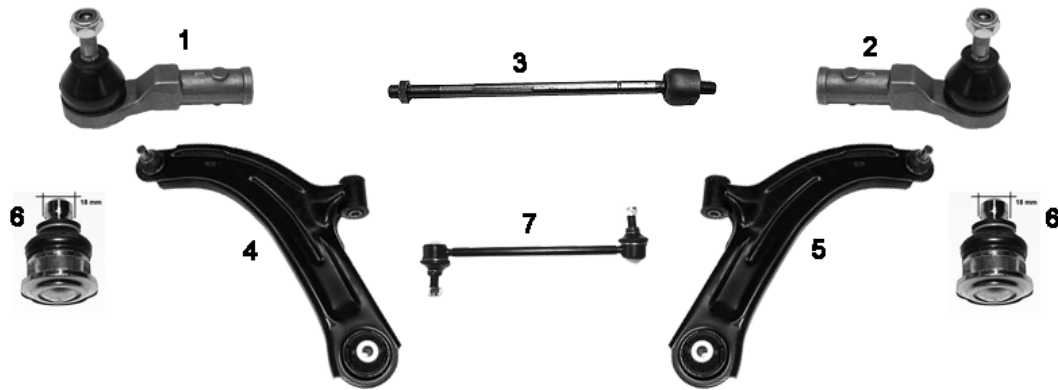
NR	MAPCO	REF								NEW	INFO
1	49100	6000022720	✓	✓				✓	✓		M14 x 1,5 RHT
2	49101	6000022721	✓		✓			✓	✓		M14 x 1,5 RHT
3	19174	7701469777	✓	✓	✓				✓		265,0 mm
4	19175	7701467539	✓	✓				✓	✓		1+3
5	19176	7701467540	✓		✓			✓	✓		2+3
6	19109	7701468883	✓	✓	✓			✓	✓		
7	19137	7700794386	✓	✓				✓	✓		
8	19138	7700794387	✓		✓			✓	✓		
9	19209		✓	✓	✓			✓	✓		Kit
10	33164	7700799404	✓	✓	✓			✓	✓		
11	49102	7701469778	✓	✓	✓			✓			230,0mm
12	33129	7700799065	✓	✓	✓			✓	✓		
13	33130	7700799064	✓	✓	✓			✓	✓		
14	95137		✓	✓	✓			✓	✓		MS

RENAULT CLIO I  16S, RTi, RSi, S, Williams										06/90 → 01/98		
NR	MAPCO	REF								NEW	INFO	
1	36123		✓		✓			✓	✓			
2	36132		✓		✓			✓	✓			
3	36133		✓		✓	✓		✓	✓			

RENAULT CLIO II										09/98 →		
NR	MAPCO	REF								NEW	INFO	
1	19189	7701471145	✓		✓			✓	✓		→ 11/99 M14 x 1,5 RHT	
1a	49135	7701474492	✓		✓			✓	✓		12/99 → 12,20mm M14x1,5RHT	
2	19190	7701471146	✓		✓			✓	✓		→ 11/99 M14 x 1,5 RHT	
2a	49136	7701474493	✓		✓			✓	✓		12/99 → 12,20mm M14x1,5RHT	
5	19193	7701471125	✓		✓	✓			✓		(SMI) → 11/99 240mm	
6	19194	7701471143	✓		✓	✓		✓			258mm (TRW) → 12/99	
7	19195	7701472113	✓		✓	✓			✓		258mm (TRW) 01/00 →	
8	19196	7700425227	✓		✓			✓	✓		04/99 →	
9	19197	7700425228	✓		✓			✓	✓		04/99 →	
10	19109	7701468883	✓		✓	✓		✓	✓			
11	33164	7700799404	✓		✓	✓		✓	✓			
12	33165	7700419249	✓		✓	✓		✓	✓			
13	19208		✓		✓	✓		✓	✓		Kit	
14	49117/1	7701472120	✓		✓	✓			✓		Außen M12x1,5 (SMI) 12/99 → 300mm	
15	51117/1	7701472734	✓		✓	✓			✓	✓	Außen M14x1,5 (TRW) 01/00 → 296mm	
16	95137		✓		✓	✓		✓	✓		MS	
17	33128	7700429441		✓	✓	✓		✓	✓	✓		

**RENAULT CLIO III**

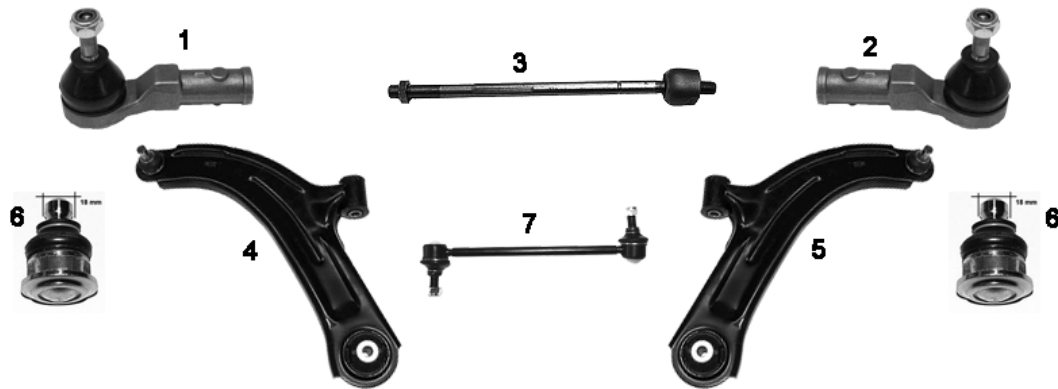
05/05→



NR	MAPCO	REF			←	→	↑	↓			NEW	INFO
1	49135	7701474492	✓		✓				✓	✓		12,20mm M14x1,5RHT
2	49136	7701474493	✓			✓			✓	✓		12,20mm M14x1,5RHT
3	49159	7701475841	✓		✓	✓			✓	✓	✓	310,0mm
4	49152	8200346941	✓		✓			✓	✓	✓		
5	49153	8200346942	✓			✓		✓	✓	✓		
6	49151	8200298455 part of	✓		✓	✓			✓	✓		∅ = 18mm
7	19120HPS	8200127308	✓		✓	✓			✓	✓		M10x1,25 248,0mm

**RENAULT CLIO Grandtour (KR0/1\_)**

02/08→



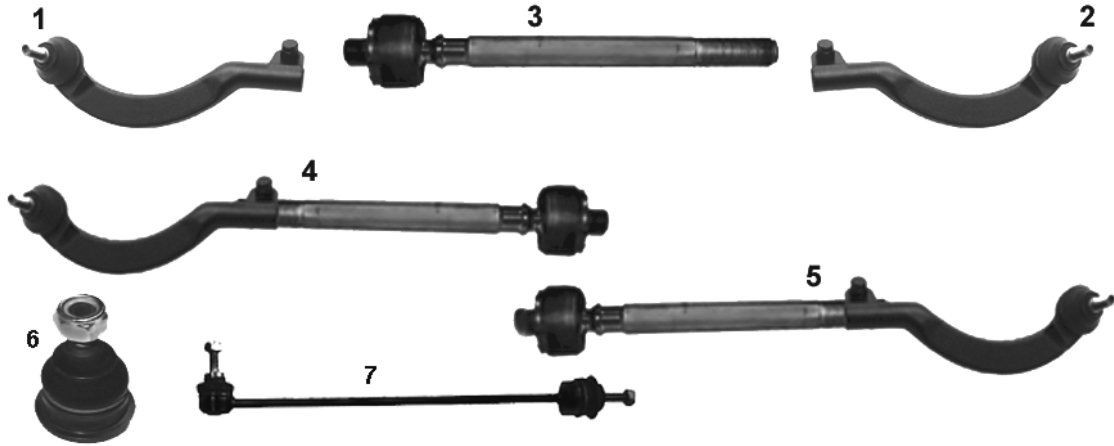
NR	MAPCO	REF			←	→	↑	↓			NEW	INFO
1	49135	7701474492	✓		✓				✓	✓		12,20mm M14x1,5RHT
2	49136	7701474493	✓			✓			✓	✓		12,20mm M14x1,5RHT
3	49159	7701475841	✓		✓	✓			✓	✓	✓	310,0mm
4	49152	8200346941	✓		✓			✓	✓	✓		
5	49153	8200346942	✓			✓		✓	✓	✓		
6	49151	8200298455 part of	✓		✓	✓			✓	✓		∅ = 18mm
7	19120HPS	8200127308	✓		✓	✓			✓	✓		M10x1,25 248,0mm

RENAULT ESPACE I (J11)										07/84→12/92	
NR	MAPCO	REF			←	→	↑	↓			INFO
1	19108	7701464151	✓		✓	✓			✓	✓	M14 x 1,5 RHT
2a	19116	7701461332	✓		✓	✓	✓		✓	✓	→ 12/87
2b	19127	7701463229	✓		✓	✓	✓		✓	✓	01/88→
3	19115	7701461331	✓		✓	✓		✓	✓	✓	→ 12/87
3	19128	7701465689	✓		✓	✓		✓	✓	✓	01/88→
4	19107	7701463025	✓		✓	✓			✓	✓	1 + 5
5	19107/1	7701463025	✓		✓	✓			✓	✓	220 mm

RENAULT ESPACE II (J/S63)										01/91→12/96	
NR	MAPCO	REF			←	→	↑	↓			INFO
1	19108	7701464151	✓		✓	✓			✓	✓	M14 x 1,5 RHT
2	19127	7701463229	✓		✓	✓	✓		✓	✓	01/91→ 10/96
3	19128	7701465689	✓		✓	✓		✓	✓	✓	
4	19126	7701646313	✓		✓	✓			✓	✓	1 + 5
5	19198	7701469229	✓		✓	✓			✓	✓	190,0 mm
6	33168	7700797821	✓		✓	✓			✓	✓	✓ 2.0,2.2,2.1TD
7	33169	6025105409	✓		✓	✓			✓	✓	✓ 2.0,2.2,2.1TD
8	36134		✓		✓	✓			✓	✓	
9	36135		✓		✓	✓			✓	✓	

**RENAULT ESPACE III (JE)**

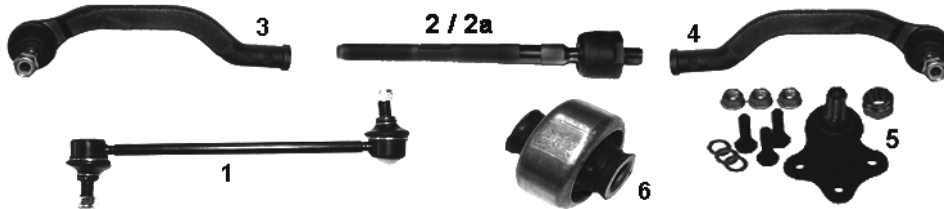
11/96→10/02



NR	MAPCO	REF			←	→	↑	↓			NEW	INFO
1	49112	6025370229	✓		✓				✓	✓		M14 x 1,5 RHT
2	49113	6025370230	✓			✓			✓	✓		M14 x 1,5 RHT
3	49115/1		✓		✓	✓			✓	✓		M14 x 1,5 RHT 255,0 mm
4	49114	6025370493	✓		✓				✓	✓		
5	49115	6025370494	✓			✓			✓	✓		
6	49116	6025308155	✓		✓	✓		✓	✓	✓		
7	19164HPS	7700805494	✓		✓	✓			✓	✓		

**RENAULT ESPACE IV (JK0\_)**

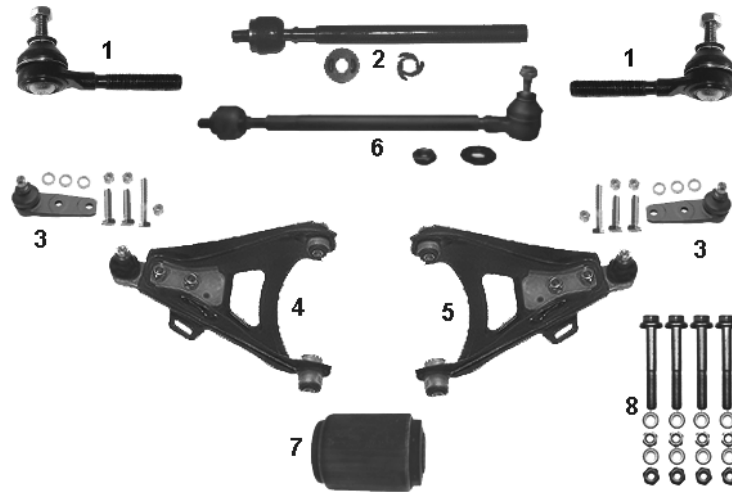
11/02→



NR	MAPCO	REF			←	→	↑	↓			NEW	INFO
1	49118HPS	8200002870	✓		✓	✓			✓	✓		✓ 1.9dCi
2	49145	7701472766	✓		✓	✓			✓	✓		M14x1,5 216,0 mm
2a	49155	7701473333	✓		✓	✓			✓	✓		M14x1,5 280,0 mm
3	49143	7701049282	✓		✓				✓	✓		
4	49144	7701049283	✓			✓			✓	✓		
5	49140	7701476576	✓		✓	✓		✓	✓	✓		
6	33122	8200002869	✓		✓	✓			✓	✓	✓	

RENAULT EXPRESS - RAPID

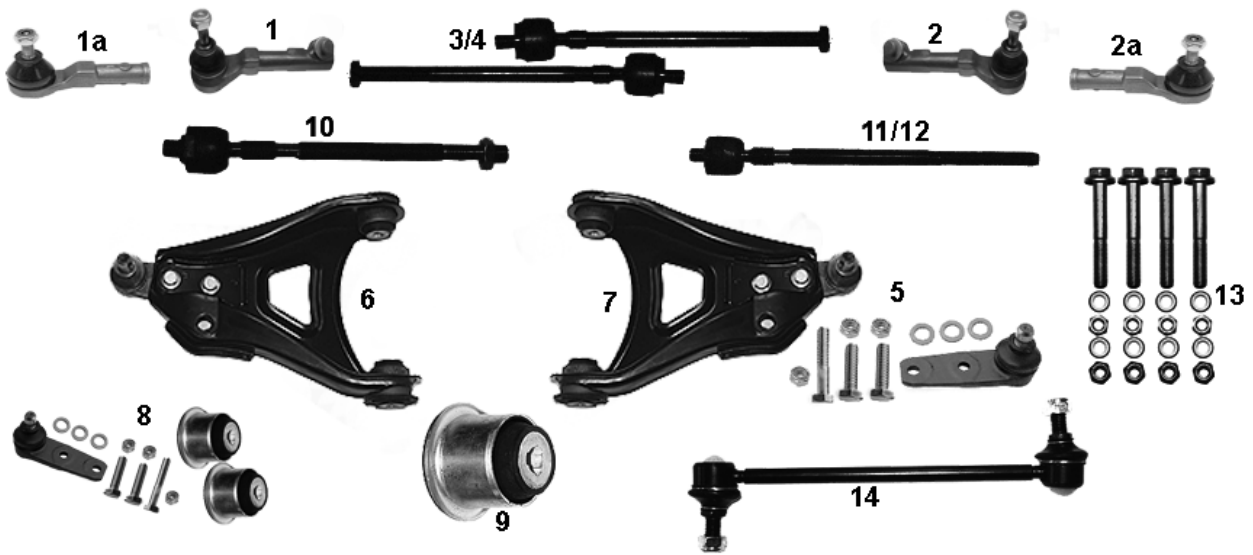
03/86→08/98



NR	MAPCO	REF								NEW	INFO
1	19108	7701461141	✓	✓	✓			✓	✓		M14 x 1,5 RHT
2	19166/1	7701463346	✓	✓	✓			✓	✓		274,0 mm
3	19109	7701468883	✓	✓	✓			✓	✓		
4	19162	7700783455	✓	✓				✓	✓		
5	19163	7700783456	✓		✓			✓	✓		
6	49107		✓	✓	✓			✓	✓		1 + 2
7	33100	7704000681	✓	✓	✓			✓	✓		
8	95137		✓	✓	✓			✓	✓		MS

RENAULT KANGOO (KC0/1\_), (FC0/1\_)

03/98→



NR	MAPCO	REF			←	→	↑	↓			NEW	INFO
1	19180	7701470765	✓		✓				✓	✓		→02/99 M14x1,5RHT
1a	49135	7701474492	✓		✓				✓	✓		03/99→ 12,20mm M14x1,5RHT
2	19181	7701470766	✓			✓			✓	✓		→02/99 M14x1,5RHT
2a	49136	7701474493	✓			✓			✓	✓		03/99→ 12,20mm M14x1,5RHT
3	19182	7701470763	✓		✓	✓				✓		→02/99 264mm
4	19183	7701470764	✓		✓	✓			✓			→02/99 268mm
5	19109	7701468883	✓		✓	✓			✓	✓		
6	19196	7700425227	✓		✓				✓	✓		4x4
7	19197	7700425228	✓			✓			✓	✓		4x4
8	19208		✓		✓	✓			✓	✓		Kit
9	33165	7700419249	✓		✓	✓			✓	✓		
10	19195	7701472113	✓		✓	✓				✓		2000→ 258mm
11	49117/1	7701472120	✓		✓	✓			✓	✓		Außen M12x1,5(SMI) 03/99→ 300mm
12	51117/1	7701472734	✓		✓	✓			✓			Außen M14x1,5(TRW) 03/99→ 296mm
13	95137		✓		✓	✓			✓	✓		MS
14	49146HPS	7700437136	✓		✓	✓			✓	✓	✓	✓ 4x4 258mm

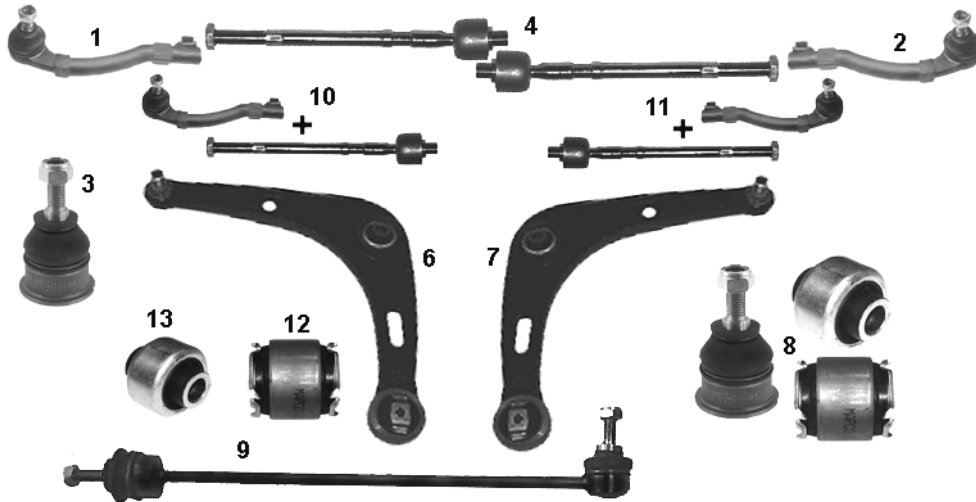


RENAULT KANGOO / KANGOO EXPRESS											02/08→	
NR	MAPCO	REF			←	→	↑	↓			NEW	INFO
1	49157	7701478407	✓		✓				✓	✓	✓	
2	49158	7701478408	✓			✓			✓	✓	✓	
3	49161	7701478406	✓		✓	✓			✓	✓	✓	M14x1,5 210,0mm
4	49162	<a href="#">8200586561</a> part of	✓		✓				✓	✓	✓	Ø = 20,0 mm
5	49163	<a href="#">8200586567</a> part of	✓			✓			✓	✓	✓	Ø = 20,0 mm
6	33119	8200041166	✓		✓	✓			✓	✓	✓	
7	33120	8200242025	✓		✓	✓			✓	✓	✓	
8	49124HPS	8200166159	✓		✓	✓			✓	✓		285,0 mm

RENAULT KANGOO BE BOP											02/09→	
NR	MAPCO	REF			←	→	↑	↓			NEW	INFO
1	49157	7701478407	✓		✓				✓	✓	✓	
2	49158	7701478408	✓			✓			✓	✓	✓	
3	49161	7701478406	✓		✓	✓			✓	✓	✓	M14x1,5 210,0mm
4	49162	<a href="#">8200586561</a> part of	✓		✓				✓	✓	✓	Ø = 20,0 mm
5	49163	<a href="#">8200586567</a> part of	✓			✓			✓	✓	✓	Ø = 20,0 mm
6	33119	8200041166	✓		✓	✓			✓	✓	✓	
7	33120	8200242025	✓		✓	✓			✓	✓	✓	
8	49124HPS	8200166159	✓		✓	✓			✓	✓		285,0 mm

**RENAULT LAGUNA I**

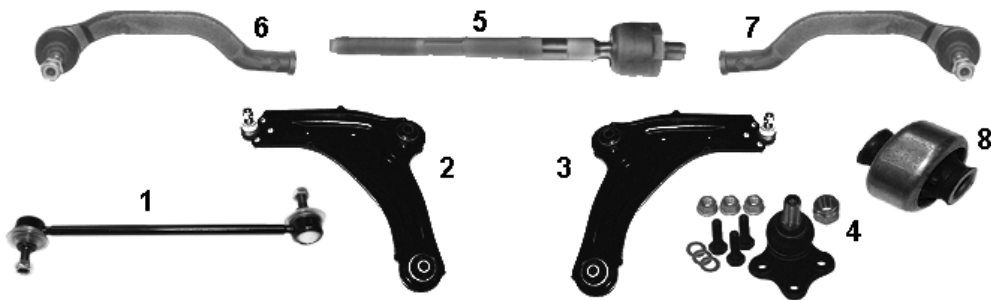
11/93→03/01



NR	MAPCO	REF			←	→	↑	↓			NEW	INFO
1	19141	6000022737	✓		✓				✓	✓		M14x1,5RHT
2	19142	6000022736	✓			✓			✓	✓		M14x1,5RHT
3	19143	7700829322	✓		✓	✓			✓	✓		
4	19156/1	7701469665	✓		✓	✓			✓	✓		
6	19177	7700823097	✓		✓				✓	✓		
7	19178	7700823098	✓			✓			✓	✓		
8	19212		✓		✓	✓			✓	✓		kit
9	19164HPS	7700805494	✓		✓	✓			✓	✓		
10	19156	7701467501	✓		✓				✓	✓		1 + 4
11	19161	7701467502	✓			✓			✓	✓		2 + 4
12	33147	7700824042	✓		✓	✓			✓	✓		
13	33148	7700822503	✓		✓	✓			✓	✓		

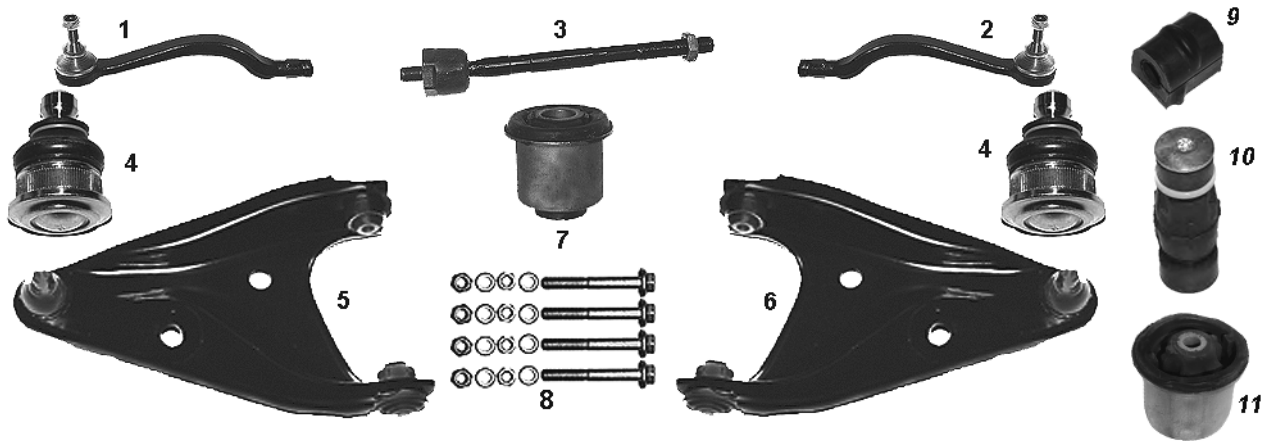
**RENAULT LAGUNA II (B74), (K74)**

03/01→



NR	MAPCO	REF			←	→	↑	↓			NEW	INFO
1	49118HPS	8200002870	✓		✓	✓			✓	✓		
2	49131	8200389134	✓		✓				✓	✓		
3	49132	8200389135	✓			✓			✓	✓		
4	49140	7701476576	✓		✓	✓		✓	✓	✓		
5	49145	7701472766	✓		✓	✓			✓	✓		M14x1,5 216 mm
6	49143	7701049282	✓		✓				✓	✓		
7	49144	7701049283	✓			✓			✓	✓		
8	33122	8200002869	✓		✓	✓			✓	✓	✓	

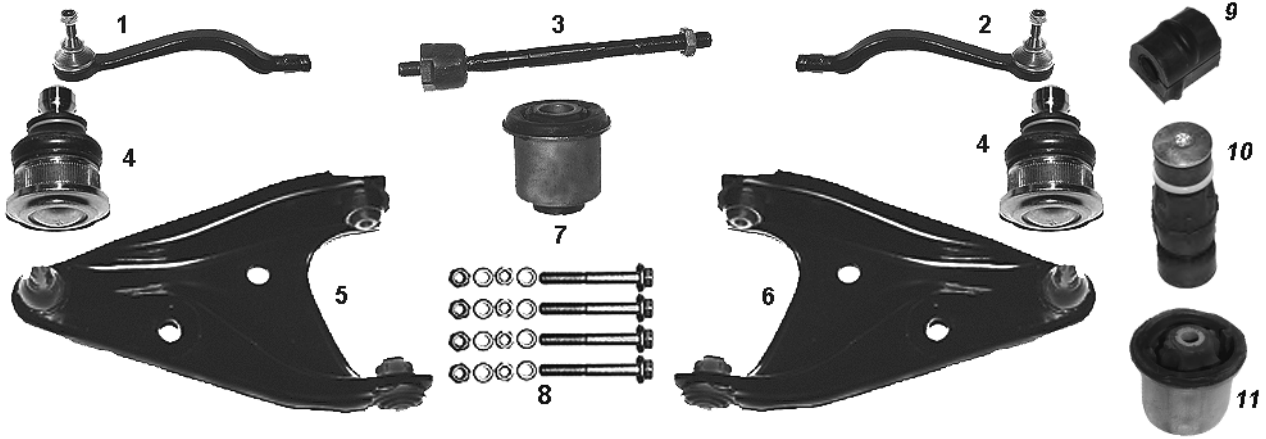
**RENAULT LOGAN (LS\_)** 09/04 →



NR	MAPCO	REF			←	→	↑	↓			NEW	INFO
1	49192	6001547610	✓		✓			✓	✓	✓		
2	49193	6001547611	✓			✓		✓	✓	✓		
3	49194	6001547606	✓		✓	✓			✓	✓		
4	49151	6001547519	✓		✓	✓			✓	✓		Ø = 18mm
5	49190	8200216376	✓		✓			✓	✓	✓		
6	49191	8200216377	✓			✓		✓	✓	✓		
7	33124	6040002245	✓		✓	✓		✓	✓	✓		
8	95137		✓		✓	✓			✓	✓		MS
9	33127	6001547140	✓		✓	✓			✓	✓	✓	
10	49160	6001547138	✓		✓	✓			✓	✓	✓	
11	33173	6001549988		✓	✓	✓			✓	✓	✓	

**RENAULT LOGAN Kombi (KS\_)**

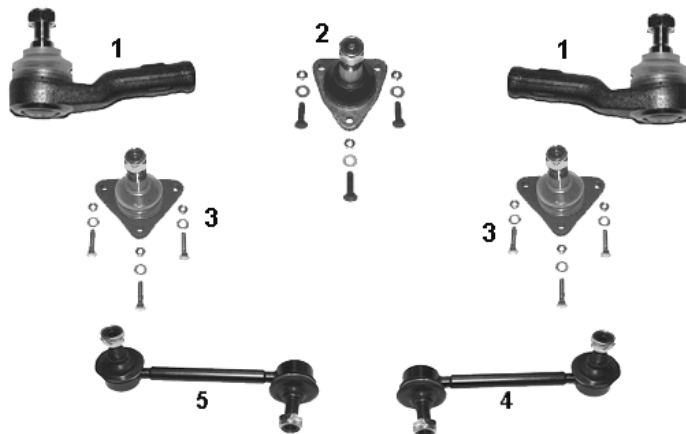
04/07→



NR	MAPCO	REF			←	→	↑	↓			NEW	INFO
1	49192	6001547610	✓		✓			✓	✓	✓		
2	49193	6001547611	✓			✓		✓	✓	✓		
3	49194	6001547606	✓		✓	✓			✓	✓		
4	49151	6001547519	✓		✓	✓			✓	✓		Ø = 18mm
5	49190	8200216376	✓		✓			✓	✓	✓		
6	49191	8200216377	✓			✓		✓	✓	✓		
7	33124	6040002245	✓		✓	✓		✓	✓	✓		
8	95137		✓		✓	✓			✓	✓		MS
9	33127	6001547140	✓		✓	✓			✓	✓	✓	
10	49160	6001547138	✓		✓	✓			✓	✓	✓	
11	33173	6001549988		✓	✓	✓			✓	✓	✓	

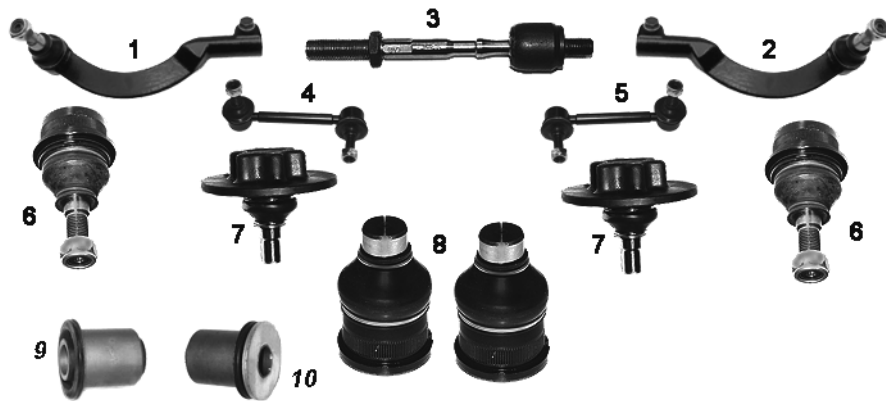
**RENAULT MASTER I**

08/80 → 06/98



NR	MAPCO	REF			←	→	↑	↓			NEW	INFO
1	49104	7701462427	✓		✓	✓			✓	✓		M16x1,5RHT
2	49105	7701462692	✓		✓	✓	✓		✓	✓		
3	49106	7701462693	✓		✓	✓		✓	✓	✓		
4	49108HPS	7700309071	✓			✓			✓	✓		
5	49109HPS	7700309070	✓		✓	✓			✓	✓		

**RENAULT MASTER II** 07/98 →



NR	MAPCO	REF			←	→	↑	↓			NEW	INFO
1	49137	7701470363	✓		✓				✓	✓		(M16x1,5RHT) 225mm
2	49138	7701470364	✓			✓			✓	✓		(M16x1,5RHT) 225mm
3	49125	7701470362	✓		✓	✓			✓	✓		150mm
4	49109HPS	7700309070	✓		✓				✓	✓		
5	49108HPS	7700309071	✓			✓			✓	✓		
6	49110	7700312851	✓		✓	✓	✓		✓	✓		aussen/ outer
7	49156	7701056970	✓		✓	✓			✓	✓		Innen/ inner
8	49111	7700312852	✓		✓	✓		✓	✓	✓		
9	36704	7700302122	✓		✓	✓		✓	✓	✓		
10	36705	7700302123	✓		✓	✓		✓	✓	✓		hinten/ rear

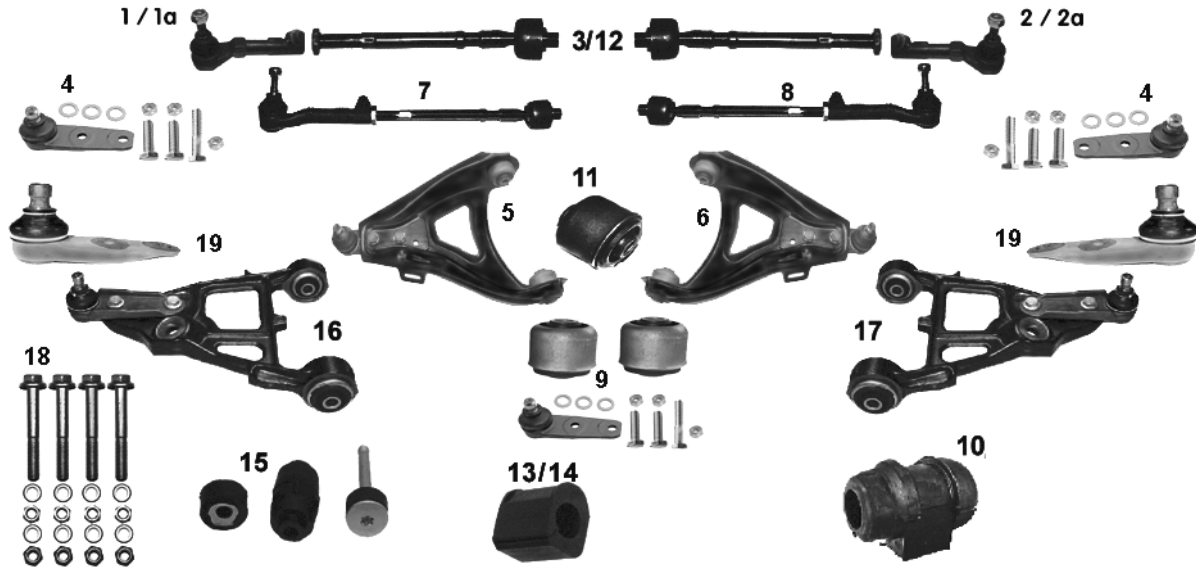
**RENAULT MÉGANE + MÉGANE SCENIC I** 11/95 → 03/99





NR	MAPCO	REF			←	→	↑	↓			NEW	INFO
1	36128		✓		✓	✓			✓	✓		
2	36137		✓		✓	✓			✓	✓		
3	36126		✓		✓	✓			✓	✓		

**RENAULT MÉGANE 1.4 - 1.6 - 2.0 - 1.9D - 1.9TD - CABRIO**  
**RENAULT MÉGANE SCÉNIC 1.4 - 1.6 - 2.0 - 1.9TD**

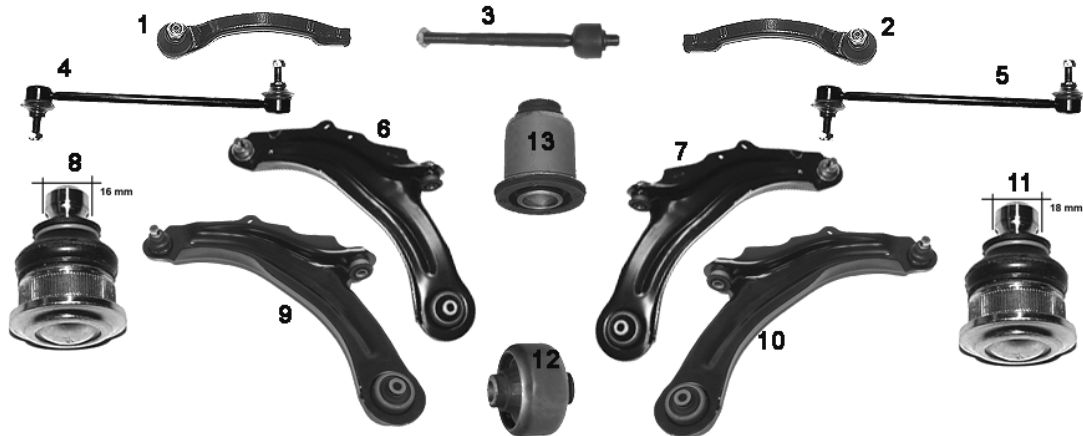
1996→  
01/97→ 09/99










NR	MAPCO	REF			←	→	↑	↓			NEW	INFO
1	19169	7701041311	✓		✓				✓	✓		→02/99 M14x1,5RHT
1a	49135	7701474492	✓		✓				✓	✓		03/99→ 12,20mm M14x1,5RHT
2	19170	7701041312	✓			✓			✓	✓		→02/99 M14x1,5RHT
2a	49136	7701474493	✓			✓			✓	✓		03/99→ 12,20mm M14x1,5RHT
3	49119	7701472087	✓		✓	✓			✓	✓		TRW 285 mm M14x1,5RHT
3	19171	7701469280	✓		✓	✓			✓	✓		TRW 256 mm M14x1,5RHT
4	19109	7701468883	✓		✓	✓			✓	✓		M10  1.9 dTi, 1.9TDi , Scenic
5	19147	7700831368	✓		✓				✓	✓		✓ MÉGANE
6	19148	7700831369	✓			✓			✓	✓		✓ MÉGANE
7	19172	7701468952	✓		✓				✓	✓		1+3 TRW
8	19173	7701468953	✓			✓			✓	✓		2+3 TRW
9	19210		✓		✓	✓			✓	✓		1.9 dTi, 1.9TDi , Scenic Kit
10	33145	7700784170	✓		✓	✓			✓	✓		
11	33146	7700840741	✓		✓	✓			✓	✓		
12	49103	7701469502	✓		✓	✓			✓	✓		256 mm SMI M12x1.0RHT
13	33167	7700835929	✓		✓	✓			✓	✓		∅ 23 mm
14	33118	7700785788	✓		✓	✓			✓	✓		∅ 21 mm
15	33172	7700847382	✓		✓	✓			✓	✓		
16	49129	7700834916	✓		✓				✓	✓		✓ 1.9 dTi, 1.9TDi , ✓ Scenic
17	49130	7700834917	✓			✓			✓	✓		✓ 1.9 dTi, 1.9TDi , ✓ Scenic
18	95137		✓		✓	✓			✓	✓		MS
19	49139	7700828843	✓		✓	✓			✓	✓		M13 ✓ 1.9 dTi, 1.9TDi , ✓ Scenic

RENAULT MÉGANE II   
 RENAULT MÉGANE II 

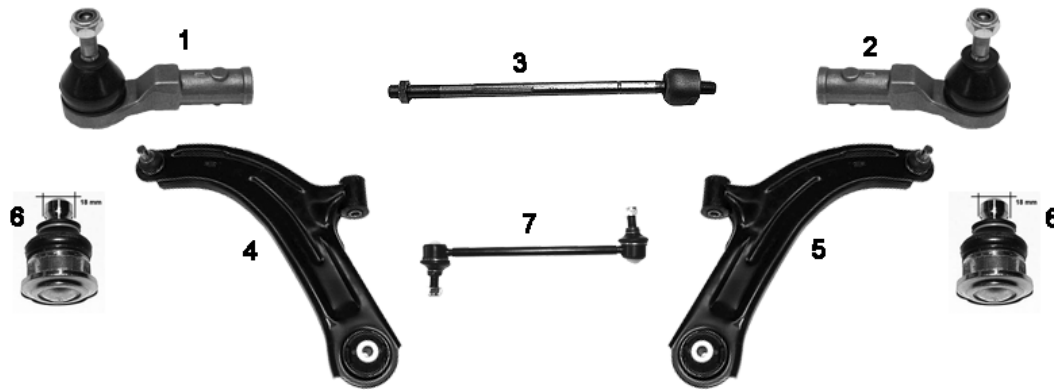
11/02→  
 09/03→



NR	MAPCO	REF								NEW	INFO
1	49147	7701474795	✓	✓				✓	✓		
2	49148	7701474796	✓		✓			✓	✓		
3	49149	<a href="#">7701474448</a> part of	✓	✓	✓			✓	✓		
4	49124HPS	8200166159	✓	✓	✓			✓	✓		285,0mm
5	49154HPS	8200669066	✓	✓	✓			✓	✓		266,0mm
6	49127	8200255760	✓	✓				✓	✓		∅ = 16mm
7	49128	8200255761	✓		✓			✓	✓		∅ = 16mm
8	49150	<a href="#">8200255761</a> part of	✓	✓	✓			✓	✓		∅ = 16mm →01/03
9	49133	8200298454	✓	✓				✓	✓		∅ = 18mm
10	49134	8200298455	✓		✓			✓	✓		∅ = 18mm
11	49151	<a href="#">8200298455</a> part of	✓	✓	✓			✓	✓		∅ = 18mm 02/03→
12	33119	8200041166	✓	✓	✓			✓	✓		
13	33120	8200242025	✓	✓	✓			✓	✓		

**RENAULT MODUS**

12/04→



NR	MAPCO	REF			←	→	↑	↓			NEW	INFO
1	49135	7701474492	✓		✓				✓	✓		12,20mm M14x1,5RHT
2	49136	7701474493	✓			✓			✓	✓		12,20mm M14x1,5RHT
3	49159	7701475841	✓		✓	✓			✓	✓	✓	310,0mm
4	49152	8200346941	✓		✓			✓	✓	✓		
5	49153	8200346942	✓			✓		✓	✓	✓		
6	49151	8200298455 part of	✓		✓	✓			✓	✓		∅ = 18mm
7	19120HPS	8200127308	✓		✓	✓			✓	✓		M10x1,25 248,0mm

**RENAULT SCÉNIC II**

06/03→

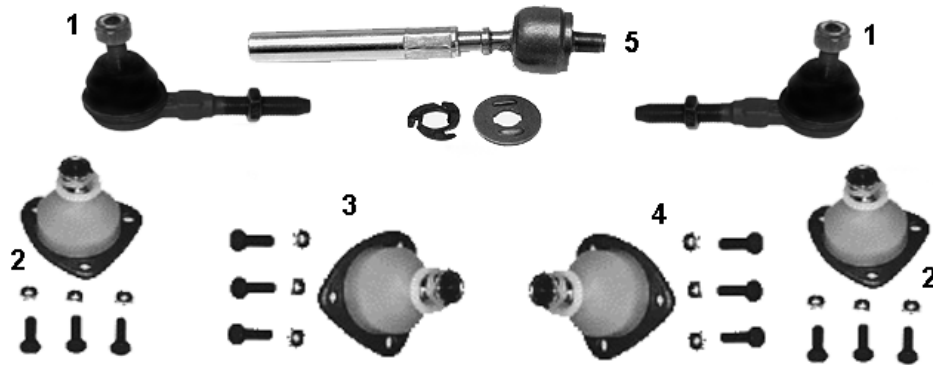


NR	MAPCO	REF			←	→	↑	↓			NEW	INFO
1	49133	8200298454	✓		✓				✓	✓		∅ = 18mm
2	49134	8200298455	✓			✓			✓	✓		∅ = 18mm
3	49151	<a href="#">8200298455</a> part of	✓		✓	✓			✓	✓		∅ = 18mm
4	33119	8200041166	✓		✓	✓			✓	✓		
5	33120	8200242025	✓		✓	✓			✓	✓		
6	49124HPS	8200166159	✓		✓	✓			✓	✓		



**RENAULT R 4 - R 5 - R4 FOURGONETTE - R6**

10/62 → 04/86



NR	MAPCO	REF			←	→	↑	↓			NEW	INFO
1	19105	7701460955	✓		✓	✓			✓	✓		M14x1,5RHT
2	19102	7701451904	✓		✓	✓	✓		✓	✓		
3	19122	7701463686	✓		✓	✓		✓	✓	✓		
4	19123	7701463687	✓		✓	✓		✓	✓	✓		
5	19103	7700656318	✓		✓	✓			✓	✓		

**RENAULT R4  
RENAULT R5  
RENAULT R6**

10/62 → 12/92  
01/72 → 07/84  
06/68 → 12/92



NR	MAPCO	REF			←	→	↑	↓			NEW	INFO
1	36138		✓		✓	✓			✓	✓		
2	36139		✓		✓	✓			✓	✓		
3	36140		✓		✓	✓			✓	✓		

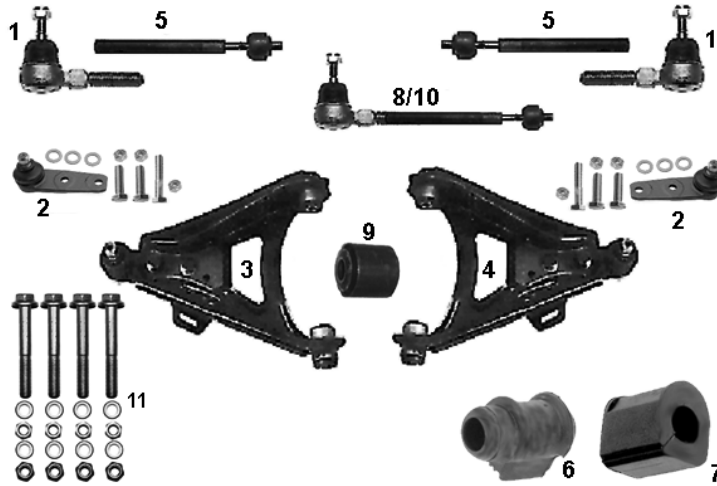
**RENAULT SUPER 5 EXPRESS / EXTRA (F40...)**

10/84 → 12/96

NR	MAPCO	REF			←	→	↑	↓			NEW	INFO
1	36131		✓		✓	✓			✓	✓		

**RENAULT R 5 - SUPER 5 - EXPRESS - RODEO**

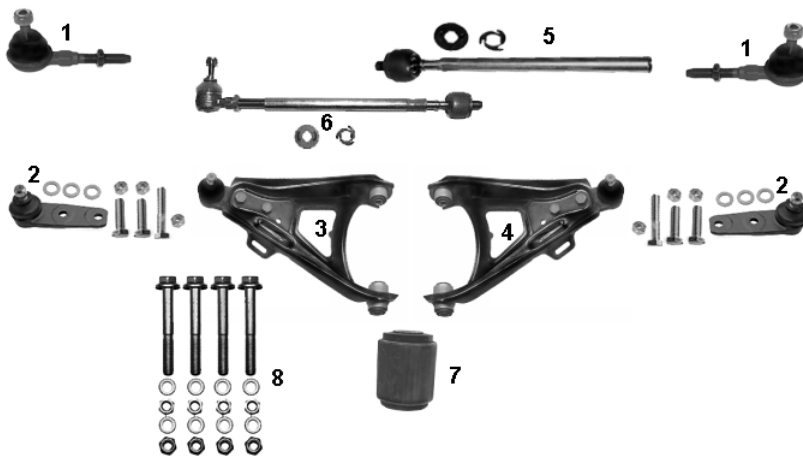
10/84→12/96



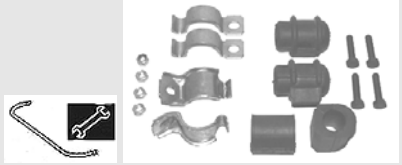
NR	MAPCO	REF			←	→	↑	↓			NEW	INFO
1	19105	7701460955	✓		✓	✓			✓	✓		→ 09/84 M14x1,5RHT
1	19108	7701464151	✓		✓	✓			✓	✓		09/84→ M14x1,5RHT
2	19109	7701468883	✓		✓	✓			✓	✓		
3	19162	7700783455	✓		✓				✓	✓		
4	19163	7700783456	✓			✓			✓	✓		
5	19166/1	7701463346	✓		✓	✓			✓	✓		274,0 mm
6	33115	7700760265	✓		✓	✓			✓	✓		Ø 20mm
7	33116	7700763934	✓		✓	✓			✓	✓		Ø 20mm
8	19166		✓		✓	✓			✓	✓		→ 09/84 19105 + 19166/1
9	33100	7704000681	✓		✓	✓			✓	✓		
10	49107		✓		✓	✓			✓	✓		09/84→ 19108 + 19166/1
11	95137		✓		✓	✓			✓	✓		MS

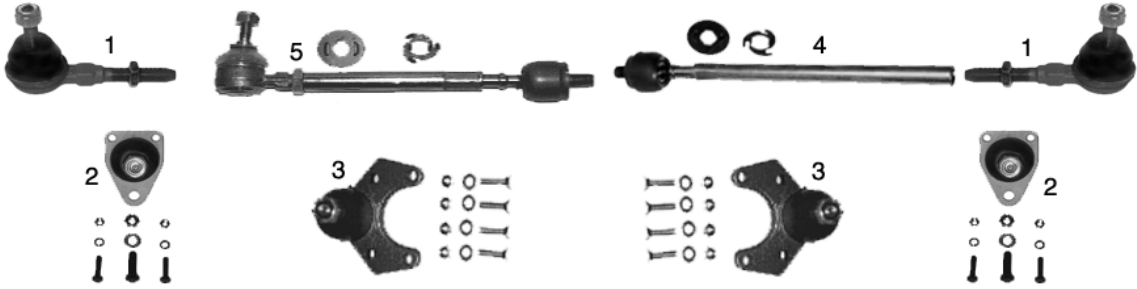
**RENAULT R 9 (L42)  
RENAULT R11 (B/C37)**


09/81→ 12/88  
03/83→ 07/89



NR	MAPCO	REF			←	→	↑	↓			NEW	INFO
1	19108	7701464151	✓		✓	✓			✓	✓		M14x1,5RHT
2	19109	7701462181	✓		✓	✓			✓	✓		
3	19124	7700783449	✓		✓				✓	✓		
4	19125	7700783450	✓			✓			✓	✓		
5	19121	7701462170	✓		✓	✓			✓	✓		
6	19106	7701462540	✓		✓	✓			✓	✓		1 + 5
7	33100	7704000681	✓		✓	✓			✓	✓		
8	95137		✓		✓	✓			✓	✓		MS

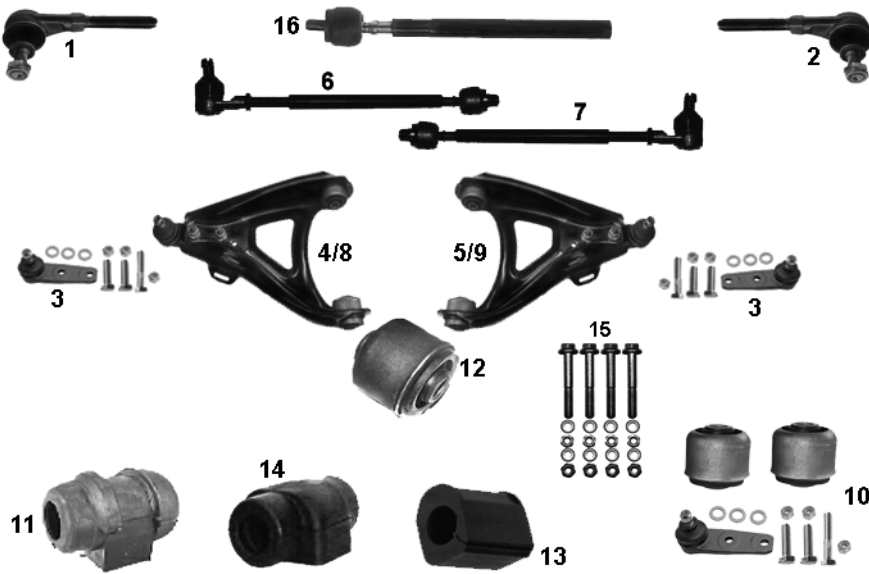
RENAULT R9/R11										09/81 → 12/89	
NR	MAPCO	REF								NEW	INFO
1	36120		✓	✓	✓			✓	✓		

RENAULT R18 (GTD - GTS - GTX - TD - TX - Turbo)										04/78 → 07/86	
RENAULT FUEGO										02/80 → 10/85	
											
NR	MAPCO	REF								NEW	INFO
1	19108	7701464151	✓	✓	✓			✓	✓		M14x1,5RHT
2	19116	7701461332	✓	✓	✓	✓		✓	✓		
3	19115	7701461331	✓	✓	✓		✓	✓	✓		
4	19107/1	7701463025	✓	✓	✓			✓	✓		220 mm
5	19107	7701463025									1 + 4

RENAULT R19 B/C/L...										09/88 → 12/95	
											
NR	MAPCO	REF								NEW	INFO
1	36127		✓	✓	✓			✓	✓		
2	36128		✓	✓	✓			✓	✓		
3	36126		✓	✓	✓			✓	✓		

**RENAULT R19 - R19 CHAMADE - R19 16V**

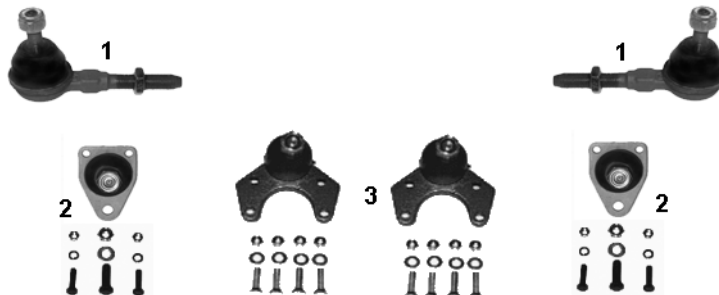
01/88 → 12/95



NR	MAPCO	REF			←	→	↑	↓			NEW	INFO
1	19130	6000030047	✓		✓				✓	✓		M14x1,5RHT
2	19130/1	6000030048	✓			✓			✓	✓		M14x1,5RHT
3	19109	7701468883	✓		✓	✓			✓	✓		
4	19147	7700831368	✓		✓				✓	✓		16V
5	19148	7700831369	✓			✓			✓	✓		16V
6	19150	7701467235	✓		✓				✓	✓		
7	19151	7701467237	✓			✓			✓	✓		
8	19167	7700829841	✓		✓				✓	✓		✓ 16V
9	19168	7700829842	✓			✓			✓	✓		✓ 16V
10	19210		✓		✓	✓			✓	✓		Kit  16V
11	33145	7700784170	✓		✓	✓			✓	✓		∅ 18 mm
12	33146	7700840741	✓		✓	✓			✓	✓		16V
13	33118	7700785788	✓		✓	✓			✓	✓		∅ 23 mm
14	33117	7700771562	✓		✓	✓			✓	✓		∅ 21 mm
15	95137		✓		✓	✓			✓	✓		MS
16	19150/1	7701465917 part	✓		✓	✓			✓	✓		M14x1,5RHT 290 mm

**RENAULT R20 (GTD - GTL - L - TD - TL)  
RENAULT R30 (TD)**

1981 → 12/83  
02/75 → 03/86



NR	MAPCO	REF			←	→	↑	↓			NEW	INFO
1	19108	7701464151	✓		✓	✓			✓	✓		M14x1,5RHT
2	19116	7701461332	✓		✓	✓	✓		✓	✓		
3	19115	7701461331	✓		✓	✓		✓	✓	✓		

RENAULT R21 1.4, 1.7, 1.9D+SD+GSD										03/86→ 12/95	
NR	MAPCO	REF									INFO
1	36124		✓		✓	✓			✓	✓	
2	36125		✓		✓	✓			✓	✓	

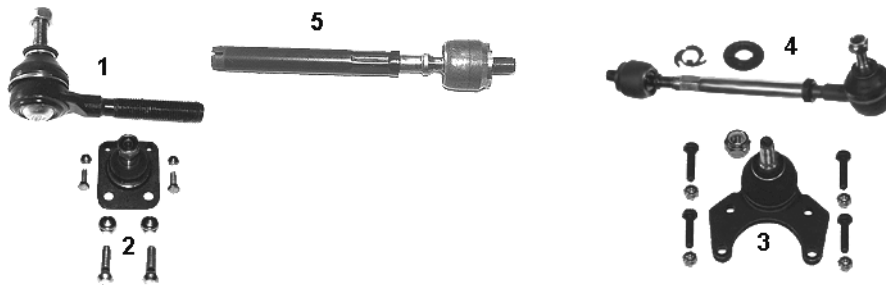
RENAULT R21 2.1D, 2.1TD										03/86→ 12/95	
NR	MAPCO	REF									INFO
1	36121		✓		✓	✓			✓	✓	
2	36122		✓		✓	✓			✓	✓	

RENAULT R21(K48) 2.0+ 2.2										03/86→ 06/94	
NR	MAPCO	REF									INFO
1	36129		✓		✓	✓			✓	✓	
2	36130		✓		✓	✓			✓	✓	

RENAULT R21 + NEVADA										03/86→ 06/94	
NR	MAPCO	REF									INFO
1	19108	7701464151	✓		✓	✓			✓	✓	✓ Benzin / petrol M14x1,5RHT
2	19131	7701464441	✓		✓	✓			✓	✓	✓D M14x1,5RHT
3	19109	7701468883	✓		✓	✓			✓	✓	✓ Benzin / petrol
4	19132	7701464037	✓		✓	✓			✓	✓	✓D
5	19121		✓		✓	✓			✓	✓	
6	19106	7701462540	✓		✓	✓			✓	✓	1 + 5
7	19124	7700783449	✓		✓				✓	✓	
8	19125	7700783450	✓		✓				✓	✓	
9	33102	7700722687	✓		✓	✓			✓	✓	39,0 mm
10	95137		✓		✓	✓			✓	✓	MS
11	33101	7700754515	✓		✓	✓			✓	✓	37,0 mm

**RENAULT R25**

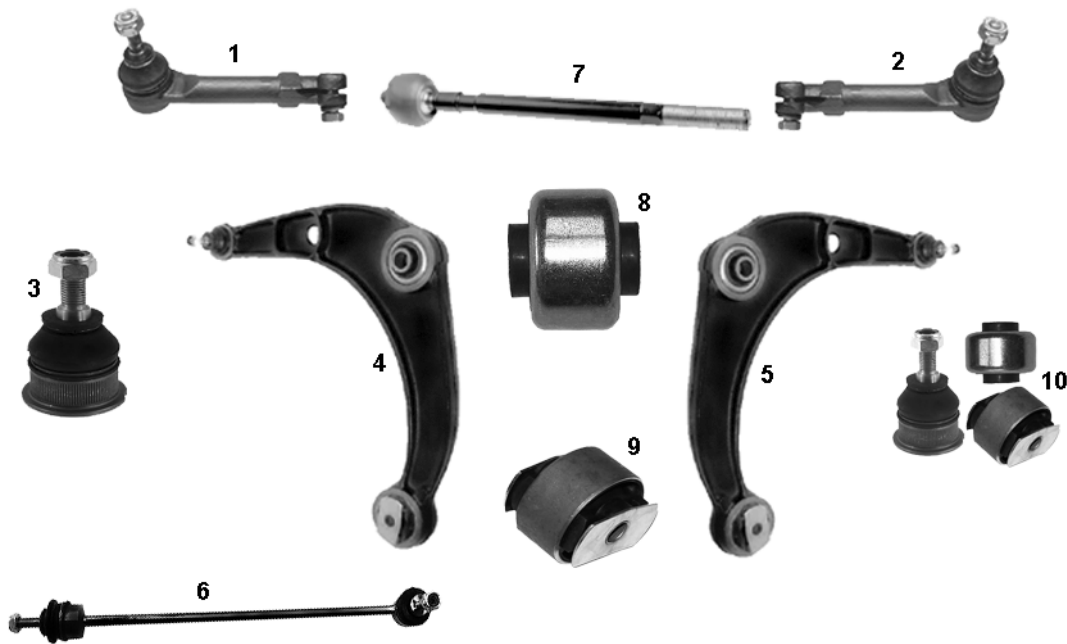
04/84→12/93



NR	MAPCO	REF			←	→	↑	↓			NEW	INFO
1	19108	7701464151	✓		✓	✓			✓	✓		M14x1,5RHT
2	19127	7701463229	✓		✓	✓	✓		✓	✓		
3	19128	7701465689	✓		✓	✓		✓	✓	✓		
4	19126	7701646313	✓		✓	✓			✓	✓		1 + 5
5	19198	7701469229	✓		✓	✓			✓	✓		190 mm

**RENAULT SAFRANE**

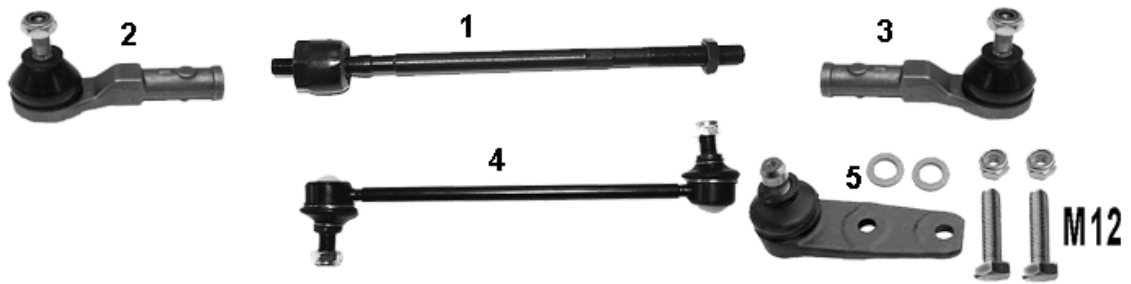
04/95→12/00



NR	MAPCO	REF			←	→	↑	↓			NEW	INFO
1	19144	6000022714	✓		✓				✓	✓		M14x1,5RHT
2	19145	6000022715	✓			✓			✓	✓		M14x1,5RHT
3	19143	7700829322	✓		✓	✓			✓	✓		
4	19186	7700807580	✓		✓				✓	✓		
5	19187	7700807581	✓			✓			✓	✓		
6	19164HPS	7700805494	✓		✓	✓			✓	✓		
7	19188	7701469569	✓		✓	✓			✓	✓		
8	33171	7700806239	✓		✓	✓			✓	✓		
9	33170	7700806238	✓		✓	✓			✓	✓		
10	19216		✓		✓	✓			✓	✓		Kit

**RENAULT SCENIC (JA)**

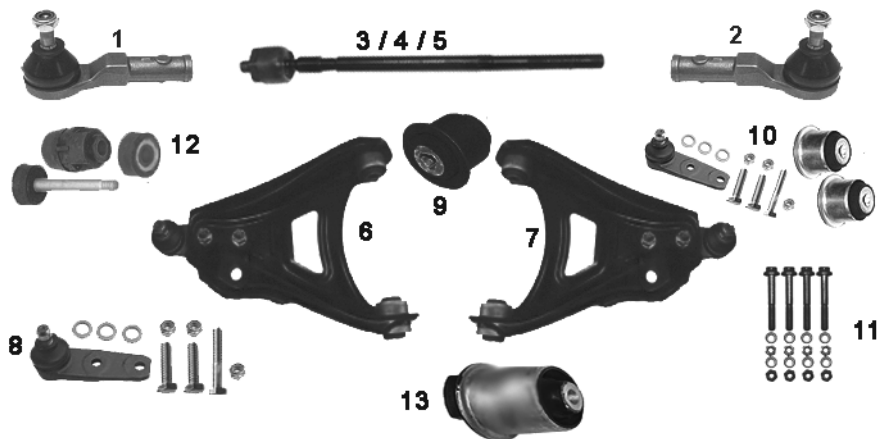
09/99→



NR	MAPCO	REF			←	→	↑	↓			NEW	INFO
1	49126	7701471844	✓		✓	✓			✓			SMI
2	49135	7701474492	✓		✓				✓	✓		12,20mm M14x1,5RHT SMI
3	49136	7701474493	✓		✓				✓	✓		12,20mm M14x1,5RHT SMI
4	49146HPS	7700437136	✓		✓	✓			✓	✓		1.9 dCi + 2.0 16V 258,00 mm
5	19109/2	7700430766	✓		✓	✓			✓	✓	✓	Ø 12mm

**RENAULT THALIA**

08/00→



NR	MAPCO	REF			←	→	↑	↓			NEW	INFO
1	49135	7701474492	✓		✓				✓	✓		12,20mm M14x1,5RHT
2	49136	7701474493	✓		✓				✓	✓		12,20mm M14x1,5RHT
3	19195	7701472113	✓		✓	✓						258mm (TRW)
4	49117/1	7701472120	✓		✓	✓				✓		Außen M12x1,5 (SMI) 300mm
5	51117/1	7701472734	✓		✓	✓			✓	✓		Außen M14x1,5 (TRW) 296mm
6	19196	7700425227	✓		✓				✓	✓		
7	19197	7700425228	✓		✓				✓	✓		
8	19109	7701468883	✓		✓	✓			✓	✓		
9	33165	7700419249	✓		✓	✓			✓	✓		
10	19208		✓		✓	✓			✓	✓		Kit
11	95137		✓		✓	✓			✓	✓		MS
12	33164	7700799404	✓		✓	✓			✓	✓		
13	33128	7700429441		✓	✓	✓			✓	✓	✓	

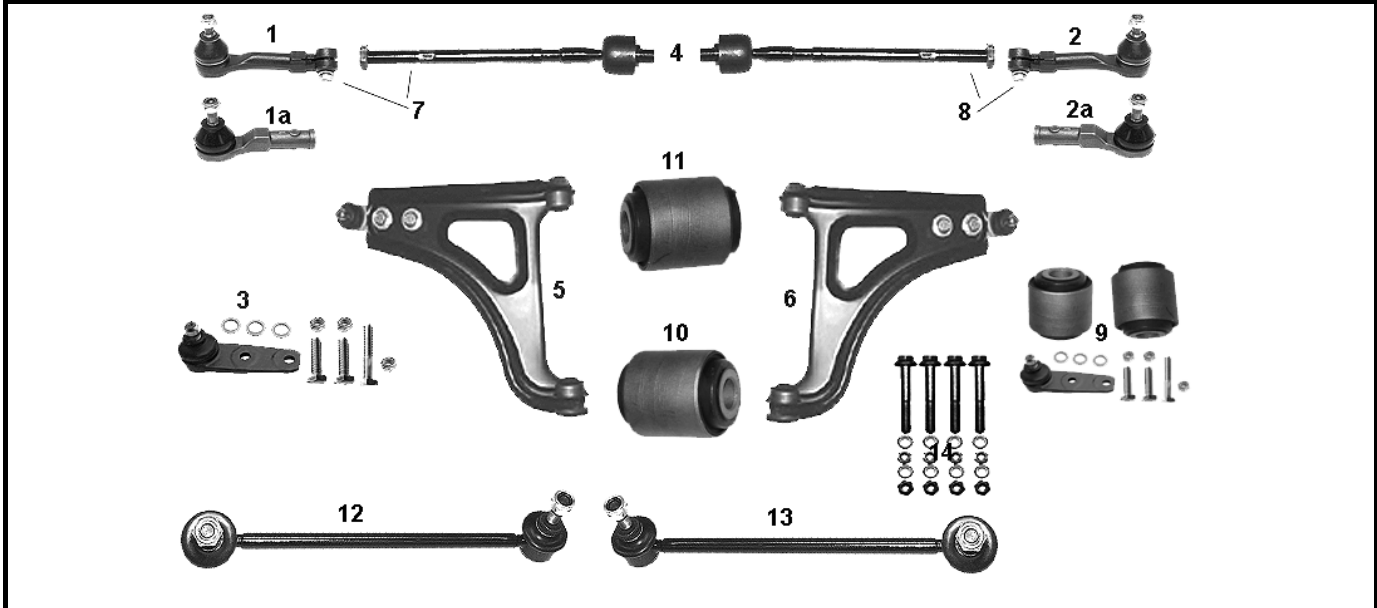
RENAULT TRAFIC														03/80 → 05/97				
1			2			3												
NR	MAPCO	REF			←	→	↑	↓			NEW	INFO						
1	36143		✓		✓	✓			✓	✓								
2	36144		✓		✓	✓			✓	✓								
3	36145		✓		✓	✓			✓	✓								

RENAULT TRAFIC														03/80 → 03/01							
1			4			3			2												
NR	MAPCO	REF			←	→	↑	↓			NEW	INFO									
1	19136	7701461770	✓		✓	✓			✓	✓		M14x1,5RHT									
2	19135	7701461667	✓		✓	✓			✓	✓											
3	19129/1		✓		✓	✓			✓	✓											
4	19129	7701463035	✓		✓	✓			✓	✓		1 + 3									

RENAULT TRAFIC ( _L )														03/01 →			
1			3			2			5			8			7		
NR	MAPCO	REF			←	→	↑	↓			NEW	INFO					
1	49143	7701049282	✓		✓				✓	✓							
2	49144	7701049283	✓			✓			✓	✓							
3	49155	7701473333	✓		✓	✓			✓	✓		280,0mm					
4	49118HPS	8200002870	✓		✓	✓			✓	✓							
5	49141	8200054003	✓		✓			✓	✓	✓							
6	49142	8200054006	✓			✓		✓	✓	✓							
7	49140	7701476576	✓		✓	✓			✓	✓							
8	33122	8200002869	✓		✓	✓			✓	✓							



**RENAULT TWINGO ( C06\_ )** 1993→



NR	MAPCO	REF			←	→	↑	↓			NEW	INFO
1	19139	6000022730	✓		✓				✓	✓		1.2 16V M14x1,5RHT
1a	49135	7701474492	✓		✓				✓	✓		✓ 1.2 16V 12,20mm M14x1,5RHT
2	19140	6000022731	✓			✓			✓	✓		1.2 16V M14x1,5RHT
2a	49136	7701474493	✓			✓			✓	✓		✓ 1.2 16V 12,20mm M14x1,5RHT
3	19109	7701468883	✓		✓	✓			✓	✓		
4	19149	7701469517	✓		✓	✓			✓	✓		
5	19157	7700820028	✓		✓				✓	✓		
6	19158	7700820029	✓			✓			✓	✓		
7	19160	7701467218	✓		✓				✓	✓		
8	19159	7701467219	✓			✓			✓	✓		1 + 4
9	19211		✓		✓	✓			✓	✓		Kit
10	33143	700813364	✓		✓	✓			✓	✓		
11	33144	700819829	✓		✓	✓			✓	✓		
12	49120HPS	8200040618	✓		✓				✓	✓		2002→
13	49121HPS	8200050191	✓			✓			✓	✓		2002→
14	95137		✓		✓	✓			✓	✓		Chassis VF1C0680520043526-> MS

**RENAULT VEL SATIS** 06/02→



NR	MAPCO	REF			←	→	↑	↓			NEW	INFO
1	49143	7701049282	✓		✓				✓	✓		
2	49144	7701049283	✓			✓			✓	✓		
3	49118HPS	8200002870	✓		✓	✓			✓	✓		
4	49140	7701476576	✓		✓	✓		✓	✓	✓		
5	33122	8200002869	✓		✓	✓			✓	✓		

# ROVER

## ROVER AUSTIN METRO


10/80 → 04/90



NR	MAPCO	REF			←	→	↑	↓			NEW	INFO
1	19949	GSJ729	✓		✓	✓			✓	✓		✓ 155 TYRES
2	19955	GSJ731	✓		✓				✓	✓		✓ 185 TYRES
3	19954	GSJ730	✓			✓			✓	✓		✓ 185 TYRES

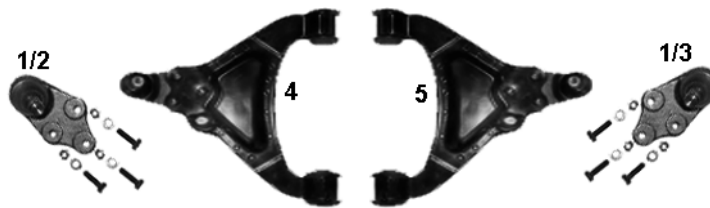
## ROVER MG METRO

1984 → 1990

NR	MAPCO	REF			←	→	↑	↓			NEW	INFO
2	19951	GSJ207	✓		✓	✓			✓	✓		 → 09/84

## ROVER 100

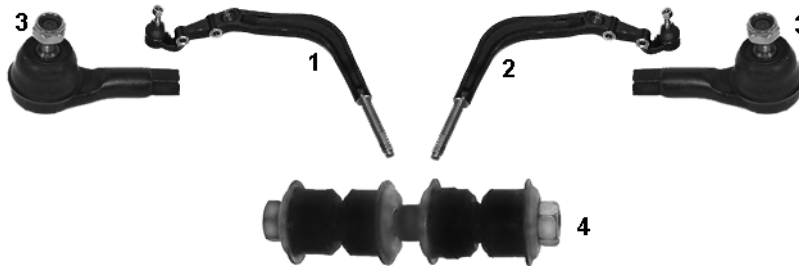
03/90 → 12/98



NR	MAPCO	REF			←	→	↑	↓			NEW	INFO
1	19949	GSJ729	✓		✓	✓			✓	✓		✓ 155 TYRES
2	19955	GSJ731	✓		✓				✓	✓		✓ 185 TYRES
3	19954	GSJ730	✓			✓			✓	✓		✓ 185 TYRES
4	49903	GSJ415	✓		✓				✓	✓		1990 →
5	49904	GSJ416	✓			✓			✓	✓		1990 →

## ROVER 200 (XH)

09/85 → 10/89



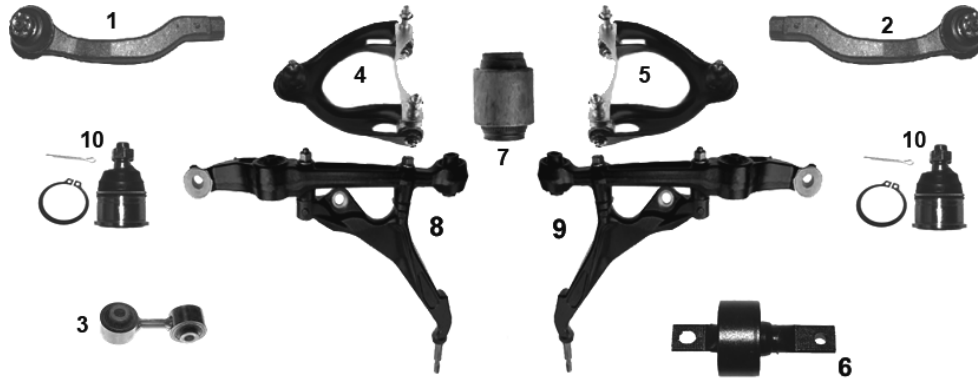
NR	MAPCO	REF			←	→	↑	↓			NEW	INFO
1	59330	51361-SB2-013	✓		✓			✓	✓	✓		
2	59331	51351-SB2-013	✓			✓		✓	✓	✓		
3	59319	53540-611-020	✓		✓	✓			✓	✓		M12x1,25 RHT
4	19958	KHC10011	✓		✓	✓			✓	✓		

ROVER 200 214 - 216 - 218											10/89→03/00	
NR	MAPCO	REF			←	→	↑	↓			NEW	INFO
1	19956	GSJ826	✓		✓	✓			✓	✓		M14x1,5RHT
2	19957	EGP1662	✓		✓	✓			✓	✓		11/89→
3	33223	RGX10007		✓	✓	✓			✓	✓		
4	33960	EGP1673	✓		✓	✓			✓	✓		
5	49911	GSV1170	✓		✓	✓			✓	✓		01/95→

ROVER 400 414 - 416 - 420 TD ROVER 400 TOURER											04/90→ 1995 05/95→ 03/00	
NR	MAPCO	REF			←	→	↑	↓			NEW	INFO
1	19956	GSJ826	✓		✓	✓			✓	✓		M14x1,5RHT
2	33960	EGP1673	✓		✓	✓			✓	✓		
3	33223	RGX10007		✓	✓	✓			✓	✓		
4	49510	GSJ499	✓		✓	✓		✓	✓	✓		
5	49911	GSV1170	✓		✓	✓			✓	✓		

**ROVER 400 414 - 416 - 420 TD**

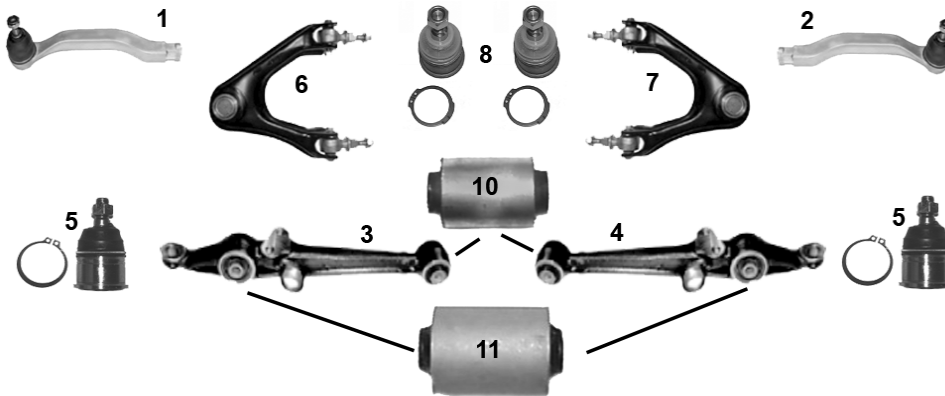
05/95 → 03/00



NR	MAPCO	REF			←	→	↑	↓			NEW	INFO
1	19508	GSJ496	✓		✓				✓	✓		M14x1,5RHT
2	19509	GSJ495	✓			✓			✓	✓		M14x1,5RHT
3	19957	EGP1662	✓			✓			✓	✓		
4	49502	GSJ485	✓		✓		✓		✓	✓		
5	49503	GSJ486	✓			✓	✓		✓	✓		
6	33223	RGX10007		✓	✓	✓			✓	✓		
7	33960	EGP1673	✓		✓	✓			✓	✓		
8	49215	GSJ836	✓		✓				✓	✓		
9	49216	GSJ835	✓			✓			✓	✓		
10	49510	GSJ499	✓		✓	✓		✓	✓	✓		

**ROVER 600**

1993 → 1999



NR	MAPCO	REF			←	→	↑	↓			NEW	INFO
1	19504	GSJ407	✓		✓				✓	✓		M14x1,5RHT
2	19505	GSJ408	✓			✓			✓	✓		M14x1,5RHT
3	49508	RBJ100720	✓		✓		✓	✓	✓	✓		
4	49509	RBJ100690	✓			✓		✓	✓	✓		
5	19507	GSJ1002	✓		✓	✓		✓	✓	✓		
6	49506	GSJ423	✓		✓		✓		✓	✓		
7	49507	GSJ424	✓			✓	✓		✓	✓		
8	19507	GSJ1002	✓		✓	✓	✓		✓	✓		
10	33522	51393-SE0-003	✓		✓	✓		✓	✓	✓		
11	33522	51393-SE0-003	✓		✓	✓		✓	✓	✓		

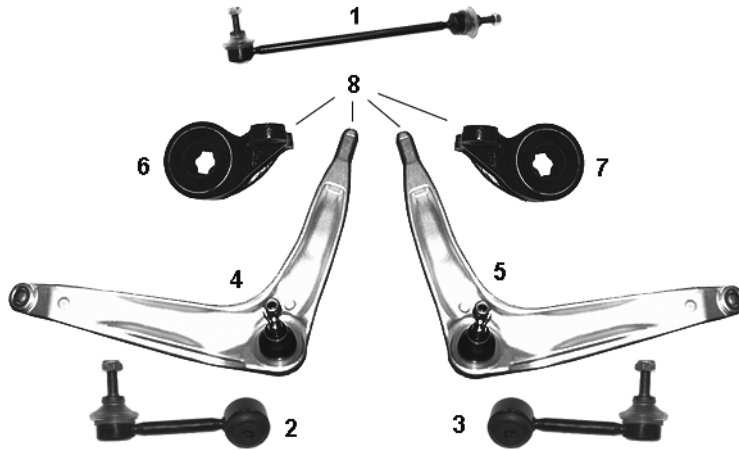
ROVER 800												10/86—02/99
NR	MAPCO	REF									NEW	INFO
1	59371	GSJ 279	✓		✓				✓	✓		M12x1,25 RHT Konus 14,0 mm
2	59372	GSJ 280	✓			✓			✓	✓		M12x1,25 RHT Konus 14,0 mm
3	59333	GSJ295	✓		✓	✓			✓	✓		

ROVER 25												1999 →
NR	MAPCO	REF									NEW	INFO
1	19956	GSJ 288	✓		✓	✓			✓	✓		
2	19957	EGP1662	✓		✓	✓			✓	✓		

ROVER 45 (RT)												02/00 →
NR	MAPCO	REF									NEW	INFO
1	49215	GSJ836	✓		✓			✓	✓	✓		
2	49216	GSJ835	✓			✓		✓	✓	✓		
3	19500	GSJ1170	✓		✓				✓	✓		
4	19501	GSJ1169	✓			✓			✓	✓		
5	59508	RBJ102130	✓		✓		✓		✓	✓		
6	59509	RBJ102120	✓			✓	✓		✓	✓		
7	49510	GSJ499	✓		✓	✓		✓	✓	✓		
8	19957	EGP1662	✓		✓	✓			✓	✓		

ROVER 75(RJ)  
ROVER 75 Tourer (RJ)

02/99 →  
08/01 →



NR	MAPCO	REF			←	→	↑	↓			NEW	INFO
1	59516HPS	RBM-100240	✓		✓	✓			✓	✓		
2	59517HPS	RGD 100571		✓		✓			✓	✓		
3	59518HPS	RGD 100561		✓	✓				✓	✓		
4	51690	GSJ1000	✓		✓			✓	✓	✓		
5	51691	GSJ1001	✓			✓		✓	✓	✓		
6	36961	RBX101760	✓		✓			✓	✓	✓		
7	36962	RBX101770	✓			✓		✓	✓	✓		
8	53690		✓		✓	✓		✓	✓	✓		axle kit

## SAAB

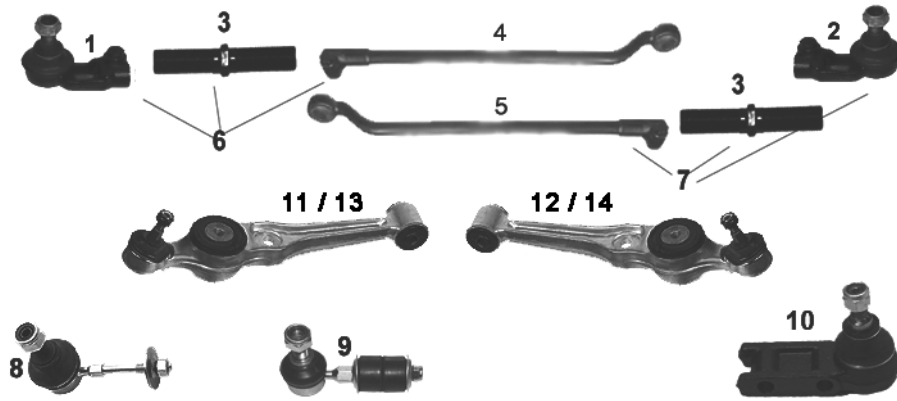
SAAB 900 I

1979 → 1992



NR	MAPCO	REF			←	→	↑	↓			NEW	INFO
1	19982	8993354	✓		✓	✓			✓	✓		
2	19983	8993388	✓		✓	✓			✓	✓		19,2 mm

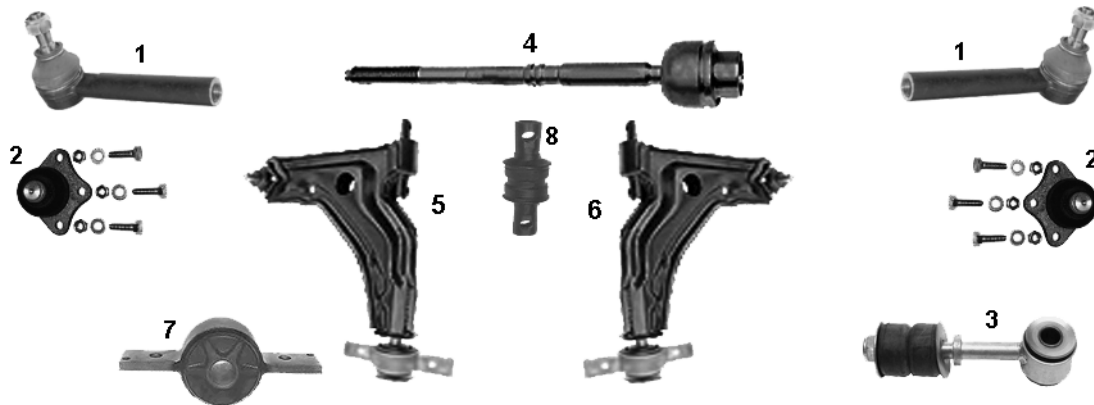
**SAAB 900 II** 07/93 → 12/98



NR	MAPCO	REF			←	→	↑	↓			NEW	INFO
1	19610	4242749	✓		✓				✓	✓		
2	19611	4242756	✓			✓			✓	✓		
3	49604	4242731	✓		✓	✓			✓	✓		
4	49752	4242673	✓		✓				✓	✓		
5	49753	4242681	✓			✓			✓	✓		
6	49750	4242681S1	✓		✓				✓	✓		
7	49751	4242673S1	✓			✓			✓	✓		
8	19607	350263	✓		✓	✓			✓	✓		
9	19607/8HPS	350263S1	✓		✓	✓			✓	✓		
10	19983	8993388	✓		✓	✓			✓	✓		19,2 mm
11	49983	424 8431	✓		✓			✓	✓	✓	✓	Chassis ->S2012271
12	49984	424 8449	✓			✓		✓	✓	✓	✓	Chassis ->S2012271
13	19984	454 3450	✓		✓			✓	✓	✓		Chassis S2012272 ->
14	19985	454 3468	✓			✓		✓	✓	✓		Chassis S2012272 ->

**SAAB 9000**

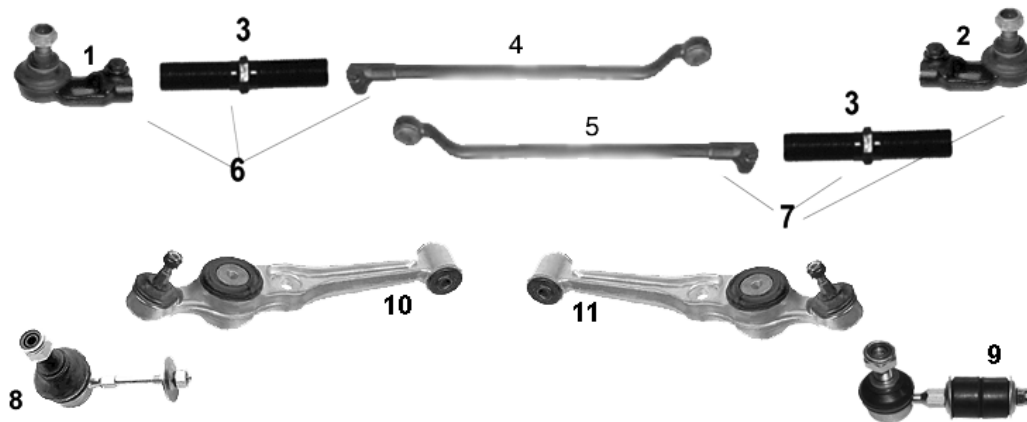
04/85 →12/98



NR	MAPCO	REF			←	→	↑	↓			NEW	INFO
1	19981	8993453	✓		✓	✓			✓	✓		M14x1,5RHT
2	19980	8972135	✓		✓	✓			✓	✓		
3	49980	8958944	✓		✓	✓			✓	✓		
4	49606	8962250	✓		✓	✓			✓	✓		M14x1,5RHT 322 mm
5	49981	8958373	✓		✓				✓	✓		
6	49982	8958365	✓			✓			✓	✓		
7	33015	8965253	✓		✓	✓			✓	✓		
8	33016	8961476	✓		✓	✓			✓	✓		

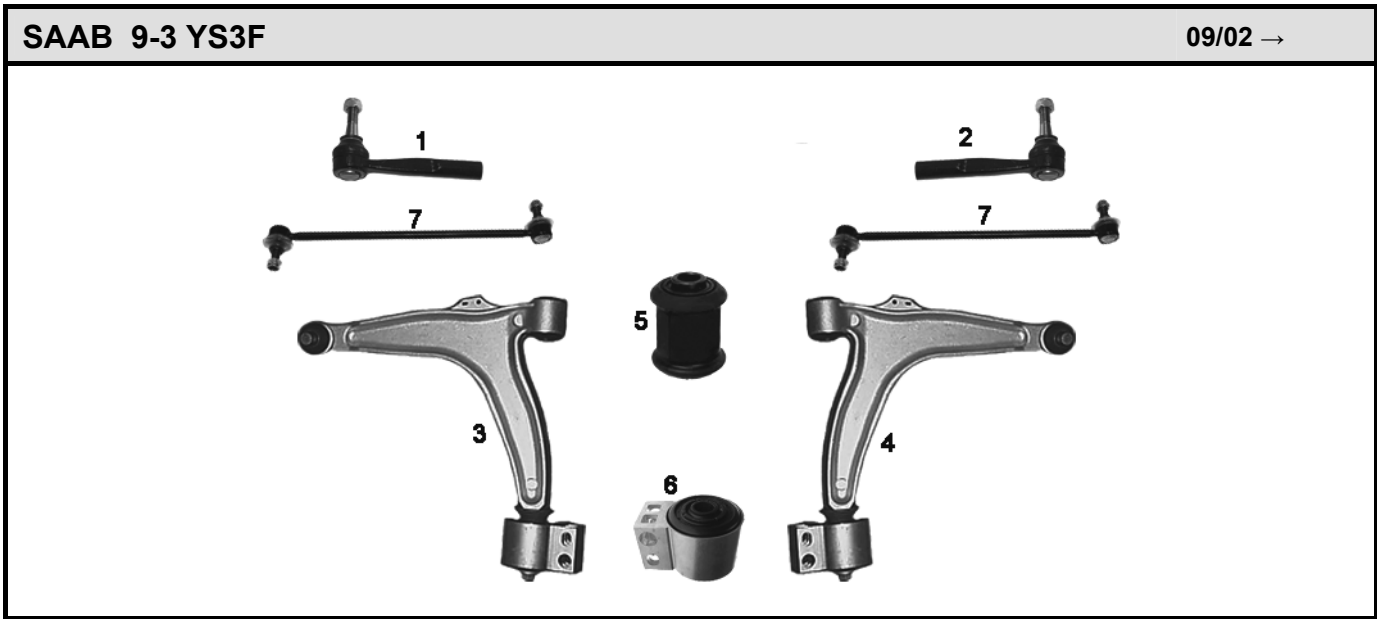
**SAAB 9-3 YS3D**

02/98 →09/02

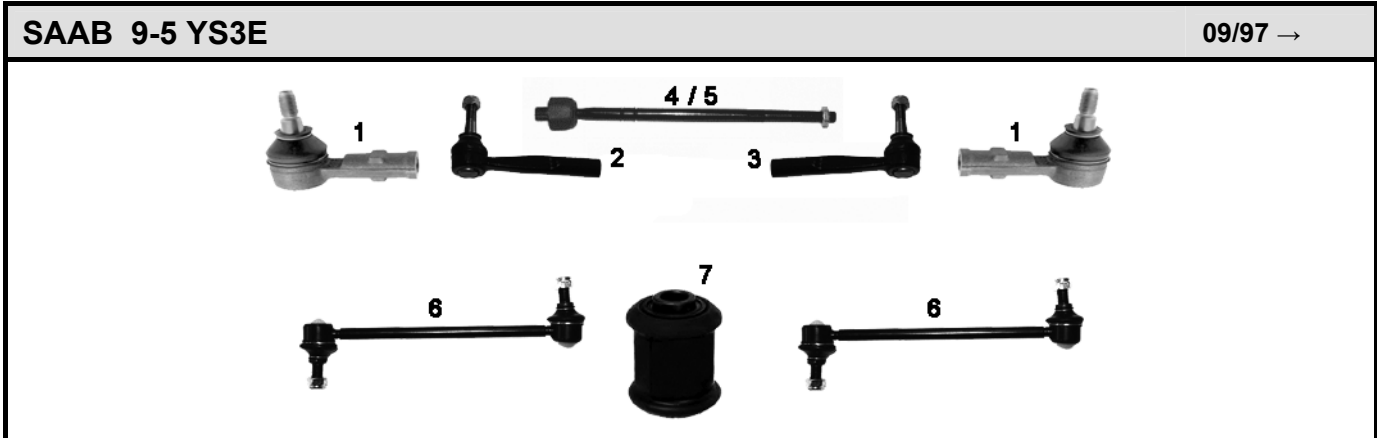


NR	MAPCO	REF			←	→	↑	↓			NEW	INFO
1	19610	4242749	✓		✓				✓	✓		
2	19611	4242756	✓			✓			✓	✓		
3	49604	4242731	✓		✓	✓			✓	✓		
4	49752	4242673	✓		✓				✓	✓		
5	49753	4242681	✓			✓			✓	✓		
6	49750	4242681S1	✓		✓				✓	✓		
7	49751	4242673S1	✓			✓			✓	✓		
8	19607	350263	✓		✓	✓			✓	✓		
9	19607/8HPS	350263S1	✓		✓	✓			✓	✓		
10	19984	454 3450	✓		✓			✓	✓	✓		
11	19985	454 3468	✓			✓		✓	✓	✓		





NR	MAPCO	REF			←	→	↑	↓			NEW	INFO
1	49620	5239314	✓		✓				✓	✓		M14x1,5
2	49621	5239322	✓			✓			✓	✓		M14x1,5
3	49623	352051	✓		✓				✓	✓		
4	49624	352052	✓			✓			✓	✓		
5	33788	4566899	✓		✓	✓			✓	✓		
6	36703	71740107	✓		✓	✓			✓	✓	✓	
7	49749HPS	350603	✓		✓	✓			✓	✓		

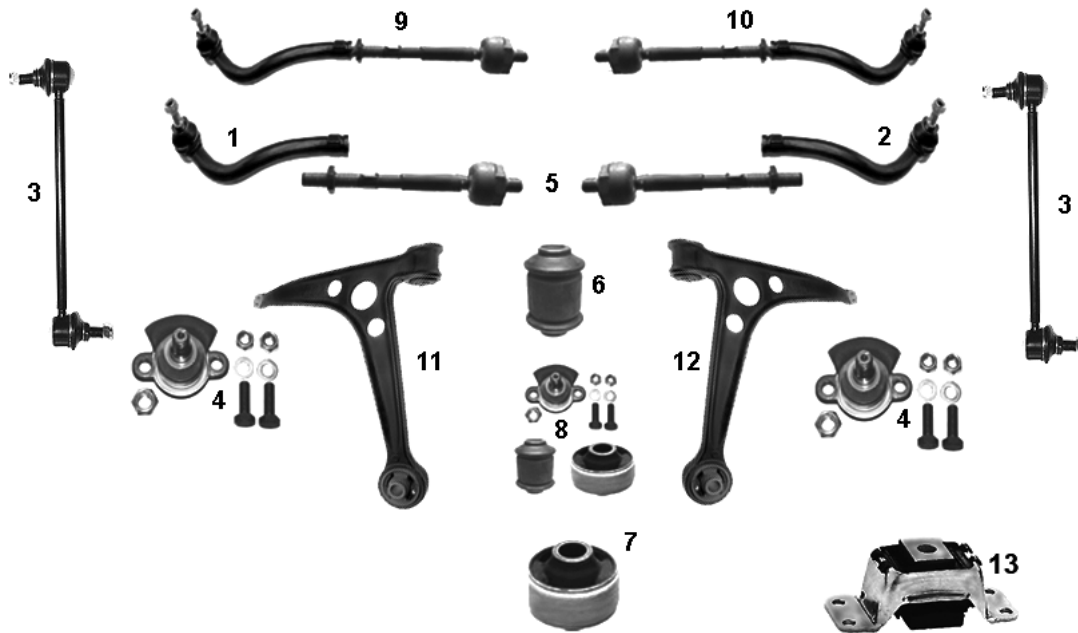


NR	MAPCO	REF			←	→	↑	↓			NEW	INFO
1	19626	4836540	✓		✓	✓			✓	✓		→10/01 M14x1,50 RHT
2	49620	5239314	✓		✓				✓	✓		10/01 → M14x1,5
3	49621	5239322	✓			✓			✓	✓		10/01 → M14x1,5
4	19627	4836557part	✓		✓	✓			✓	✓		→10/01 M14x1,50 RHT SAGINAW
5	19628	4836557part	✓		✓	✓			✓	✓		ZF
6	19600HPS	4686606	✓		✓	✓			✓	✓		
7	33788	4566899	✓		✓	✓			✓	✓		

# SEAT

SEAT ALHAMBRA

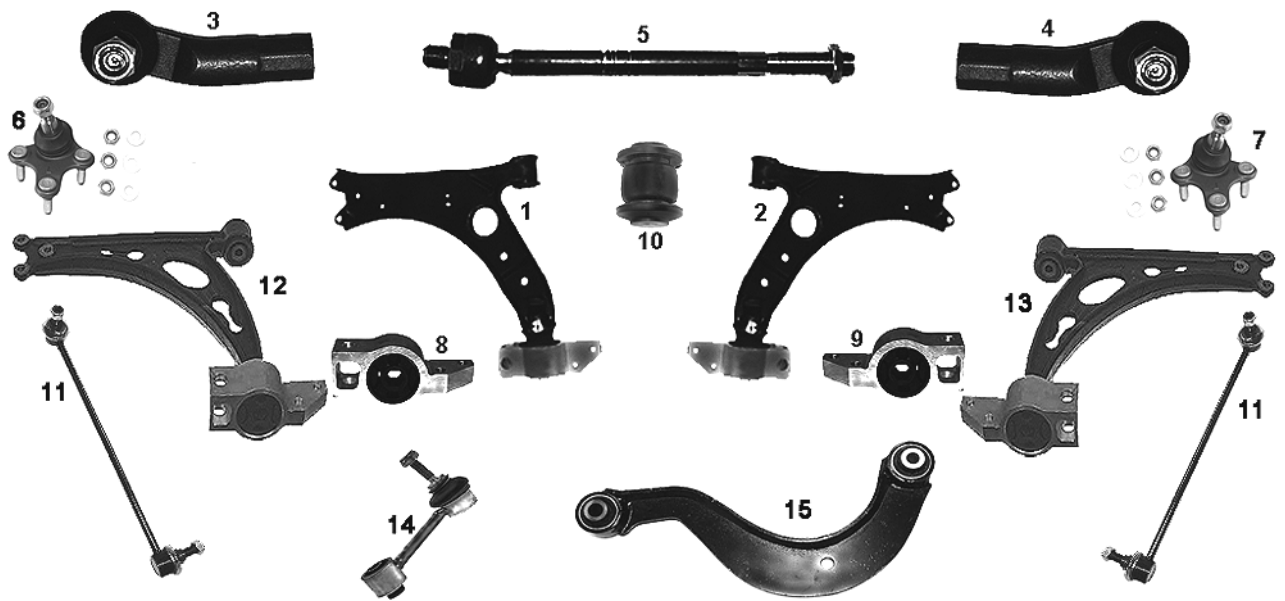
04/96→



NR	MAPCO	REF			←	→	↑	↓			NEW	INFO
1	49857	7M0422817	✓		✓				✓	✓		M14x1,50 RHT
2	49858	7M0422818	✓			✓			✓	✓		M14x1,50 RHT
3	49856HPS	7M0411317	✓		✓	✓			✓	✓		
4	49861	7M0407365A	✓		✓	✓			✓	✓		
5	49866	7M0422803G	✓		✓	✓			✓	✓		
6	33908	7M0501541	✓		✓	✓			✓	✓		
7	33928	7M0407181A	✓		✓	✓			✓	✓		
8	19266		✓		✓	✓			✓	✓		Kit
9	49866/1	7M0422803G	✓		✓				✓	✓		
10	49866/2	7M0422804G	✓			✓			✓	✓		
11	49876	7M0407151B	✓		✓				✓	✓		
12	49877	7M0407152B	✓			✓			✓	✓		
13	33864	7M0505221C		✓	✓	✓			✓	✓		2.8

SEAT ALTEA (5P1)

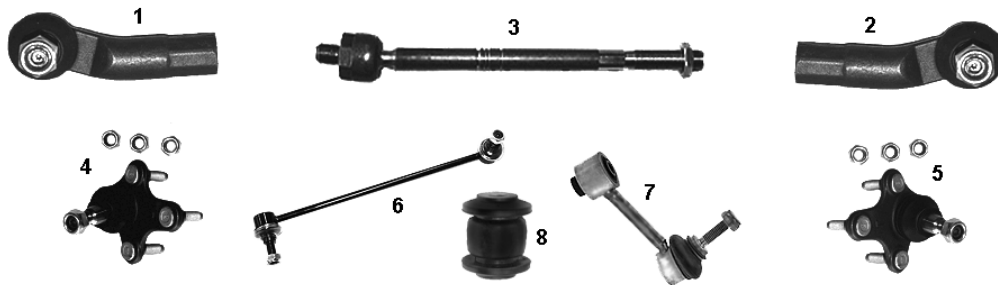
03/04→



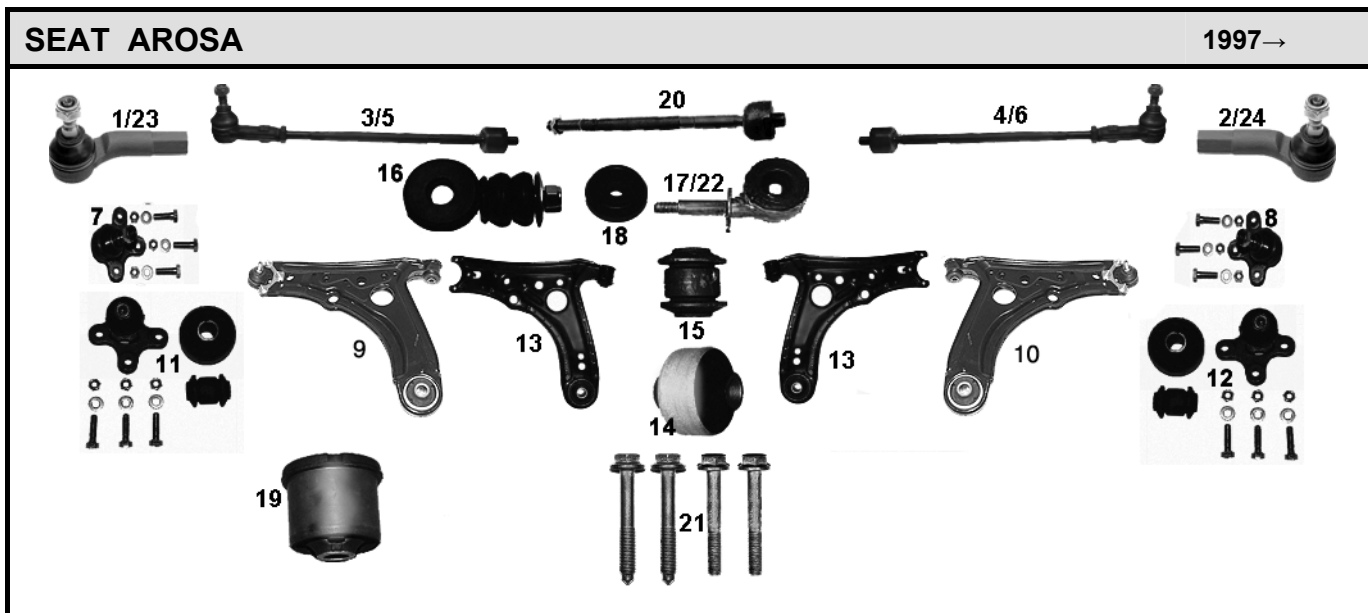
NR	MAPCO	REF			←	→	↑	↓			NEW	INFO
1	51715	1K0 407 151P	✓		✓			✓	✓	✓		
2	51716	1K0 407 152P	✓			✓		✓	✓	✓		
3	51826	1K0 423 811J	✓		✓				✓	✓		
4	51827	1K0 423 812J	✓			✓			✓	✓		
5	51723	1K0 423 810A	✓		✓	✓			✓	✓		M16x1,5RHT 310 mm
6	51724	1K0 407 365E	✓		✓			✓	✓	✓		Ø 16 mm
7	51725	1K0 407 366E	✓			✓		✓	✓	✓		Ø 16 mm
8	36948	1K0 199 231G	✓		✓			✓	✓	✓		
9	36949	1K0 199 232G	✓			✓		✓	✓	✓		
10	36950	1K0 407 182	✓		✓	✓		✓	✓	✓		
11	51825HPS	1K0 411 315D	✓		✓	✓		✓	✓	✓		
12	51726	1K0 407 151AC	✓		✓			✓	✓	✓	✓	
13	51727	1K0 407 152M	✓			✓		✓	✓	✓	✓	
14	51829HPS	1K0 505 465C		✓	✓	✓			✓	✓		
15	52718	1K0 505 323H		✓	✓	✓	✓		✓	✓	✓	

SEAT ALTEA XL (5P5)

10/06→



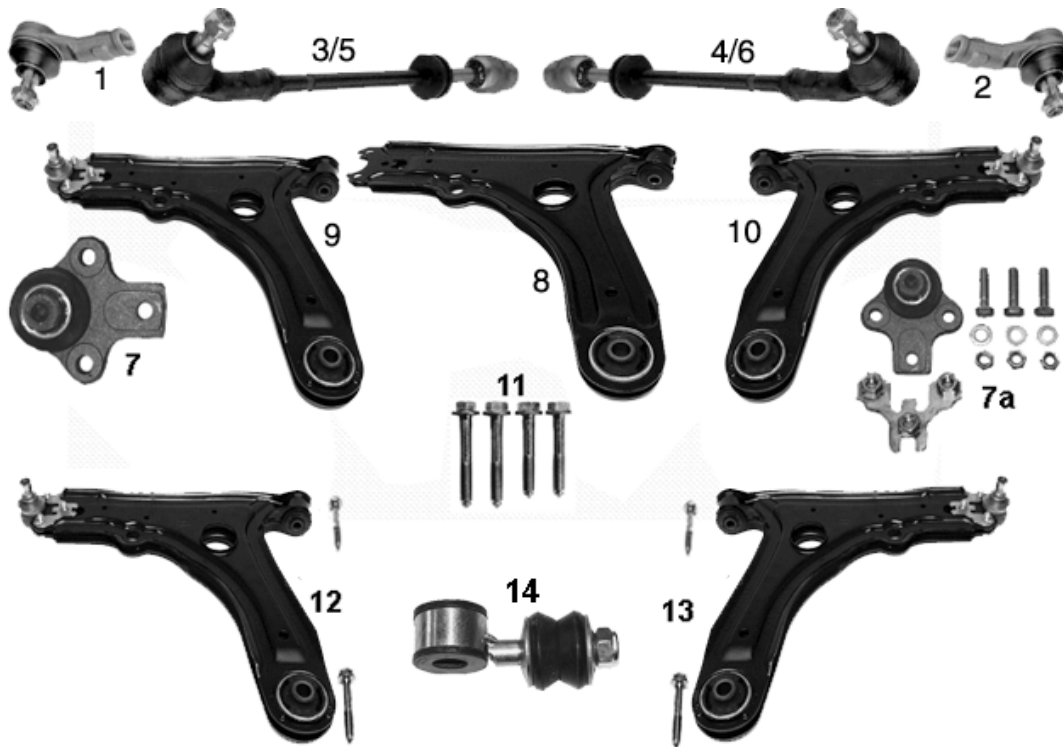
NR	MAPCO	REF			←	→	↑	↓			NEW	INFO
1	51826	1K0 423 811J	✓		✓				✓	✓		
2	51827	1K0 423 812J	✓			✓			✓	✓		
3	51723	1K0 423 810A	✓		✓	✓			✓	✓		M16x1,5RHT 310 mm
4	51724	1K0 407 365E	✓		✓			✓	✓	✓		Konus 16,00 mm
5	51725	1K0 407 366E	✓			✓		✓	✓	✓		Konus 16,00 mm
6	51825HPS	1K0 411 315D	✓		✓	✓		✓	✓	✓		
7	51829HPS	1K0 505 465C		✓	✓	✓			✓	✓		
8	36950	1K0 407 182	✓		✓	✓		✓	✓	✓		



NR	MAPCO	REF								INFO
1	19885	6N0419811	✓	✓					✓	M14x1,50 RHT
2	19886	6N0419812	✓		✓				✓	M14x1,50 RHT
3	19688	6N0419803	✓	✓					✓	
4	19689	6N0419804	✓		✓				✓	
5	19696	6N0422803A	✓	✓				✓		
6	19697	6N0422804A	✓		✓			✓		
7	19895	6N0407365	✓	✓				✓	✓	
8	19896	6N0407365A	✓		✓			✓	✓	
9	51819	6X0407151A	✓	✓				✓	✓	7 + 13
10	51820	6X0407151A	✓		✓			✓	✓	8 + 13
11	19295		✓	✓				✓	✓	Kit
12	19296		✓		✓			✓	✓	Kit
13	51819/1	6X0407151A	✓	✓	✓			✓	✓	
14	33835	6N0407181	✓	✓	✓			✓	✓	Ø 17 mm
15	33834	6N0407182	✓	✓	✓			✓	✓	Ø 10 mm
16	49862/1	6N0411315	✓	✓	✓			✓	✓	17 + 18  1.4 16V 01/00→
17	49862	6N0411315	✓	✓	✓			✓	✓	1.4 16V 01/00→
18	49862/9	191411329	✓	✓	✓			✓	✓	
19	33937	6N0501541D		✓	✓	✓		✓	✓	
20	19696/1	<b>6N0422821A</b>	✓	✓	✓			✓		M14x1,5
21	95686		✓	✓	✓			✓	✓	MS
22	51821	6N041315A	✓	✓	✓			✓	✓	✓ 1.4 16V 01/00-> D Innen/ inner 20,0mm
23	51822	6X0422811	✓	✓				✓	✓	M14x1,5 RHT
24	51823	6X0422812	✓		✓			✓	✓	M14x1,5 RHT

SEAT CORDOBA (6K2)

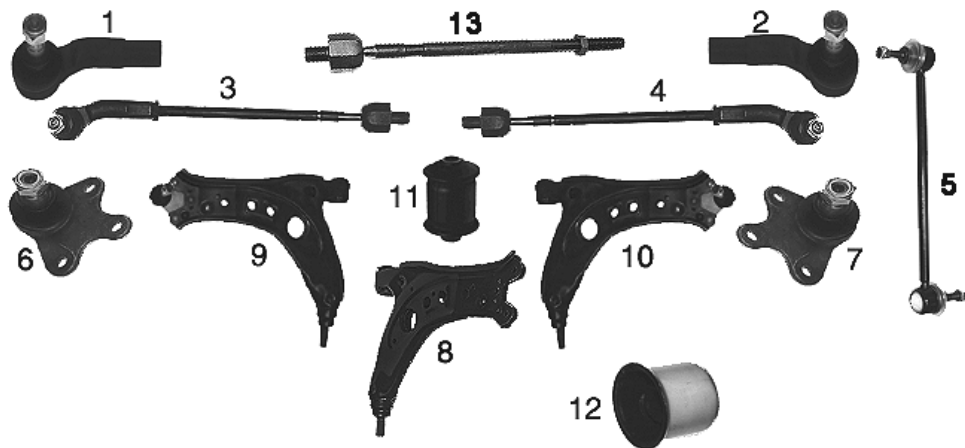
11/93→10/02



NR	MAPCO	REF									NEW	INFO
1	19877	191419811	✓		✓				✓	✓		M14x1,50 RHT
2	19878	191419812	✓			✓			✓	✓		M14x1,50 RHT
3	19892	191419803A	✓		✓					✓		(+1)
4	19888	191419804A	✓			✓				✓		(+2)
5	19860	191422803A	✓		✓				✓			(+1)
6	19861	191422804A	✓			✓			✓			(+2)
7	19889	357407365A	✓		✓	✓			✓	✓		Ø 19 mm
7a	19889/1	357407365A	✓		✓	✓			✓	✓		Ø 19 mm
8	19858	191407153B	✓		✓	✓			✓	✓		
9	19858/1		✓		✓				✓	✓		7 + 8
10	19858/2		✓			✓			✓	✓		7 + 8
11	95858		✓		✓	✓			✓	✓		MS
12	19858/7		✓		✓				✓	✓		+  7 + 8
13	19858/8		✓			✓			✓	✓		+  7 + 8
14	51862	191411315A	✓		✓	✓			✓	✓		Ø 18 mm →03/97

SEAT CORDOBA (6L2)

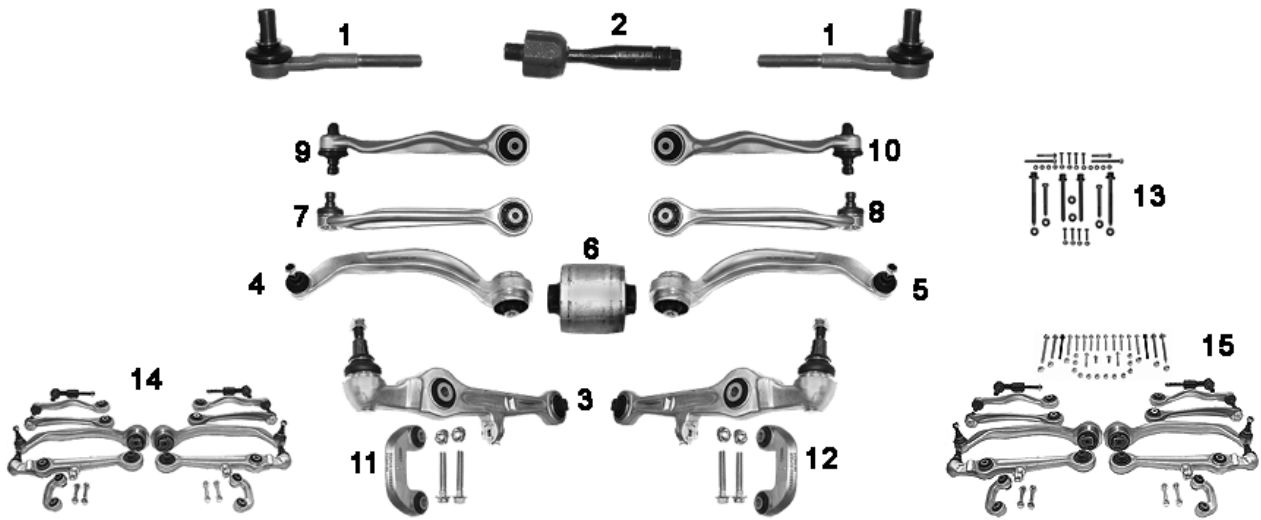
10/02→



NR	MAPCO	REF								INFO
1	59806	6Q0423811	✓	✓				✓	✓	
2	59807	6Q0423812	✓		✓			✓	✓	
3	59808	6Q0423803B	✓	✓				✓	✓	M14x1,5
4	59809	6Q0423804B	✓		✓			✓	✓	M14x1,5
5	59812HPS	6Q0411315C	✓	✓	✓			✓	✓	
6	59810	6Q0407365A	✓	✓				✓	✓	
7	59811	6Q0407366A	✓		✓			✓	✓	
8	59813	6Q0407151D	✓	✓	✓			✓	✓	
9	59813/1		✓		✓			✓	✓	6 + 8
10	59813/2		✓		✓			✓	✓	7 + 8
11	36938	6Q0407182A	✓	✓	✓			✓	✓	
12	36939	6Q0407183	✓	✓	✓			✓	✓	
13	59808/1	6Q0423810C	✓	✓	✓			✓		SMI/KOJO

SEAT EXEO ST (3R5), EXEO (3R2)

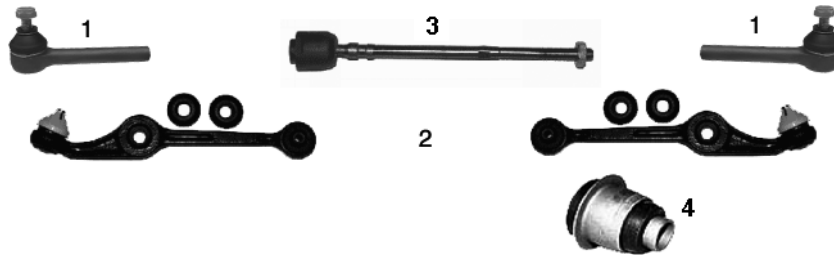
03/09→



NR	MAPCO	REF			←	→	↑	↓			NEW	INFO
1	59707OES	4B0419811G	✓		✓	✓			✓			Metall 17,5 mm M14 x 1,5 mm
2	49738	4D0422821A	✓		✓	✓			✓			
3	51710OES	8E0407151N	✓		✓	✓			✓			vorn/ front/ avant
4	51872	8E0407693AA	✓		✓			✓	✓		✓	hinten/ rear/ arrière
5	51873	8E0407694AA	✓		✓			✓	✓		✓	hinten/ rear/ arrière
6	36778	4F0407183C	✓		✓	✓		✓	✓			hinten/ rear/ arrière
7	49680OES	8D0407505A	✓		✓		✓		✓			vorn/ front/ avant
8	49681OES	8D0407506A	✓			✓	✓		✓			vorn/ front/ avant
9	49791OES	4D0407509B	✓		✓				✓			hinten/ rear/ arrière
10	49792OES	4D0407510B	✓			✓			✓			hinten/ rear/ arrière
11	52712	8E0411317	✓		✓				✓		✓	
12	52713	8E0411318	✓			✓			✓		✓	
13	95710		✓		✓	✓			✓			MS
14	59827	8E0498998	✓		✓	✓			✓			
15	59827/1	8E0498998	✓		✓	✓			✓			+ MS

SEAT IBIZA I

06/84→ 12/93

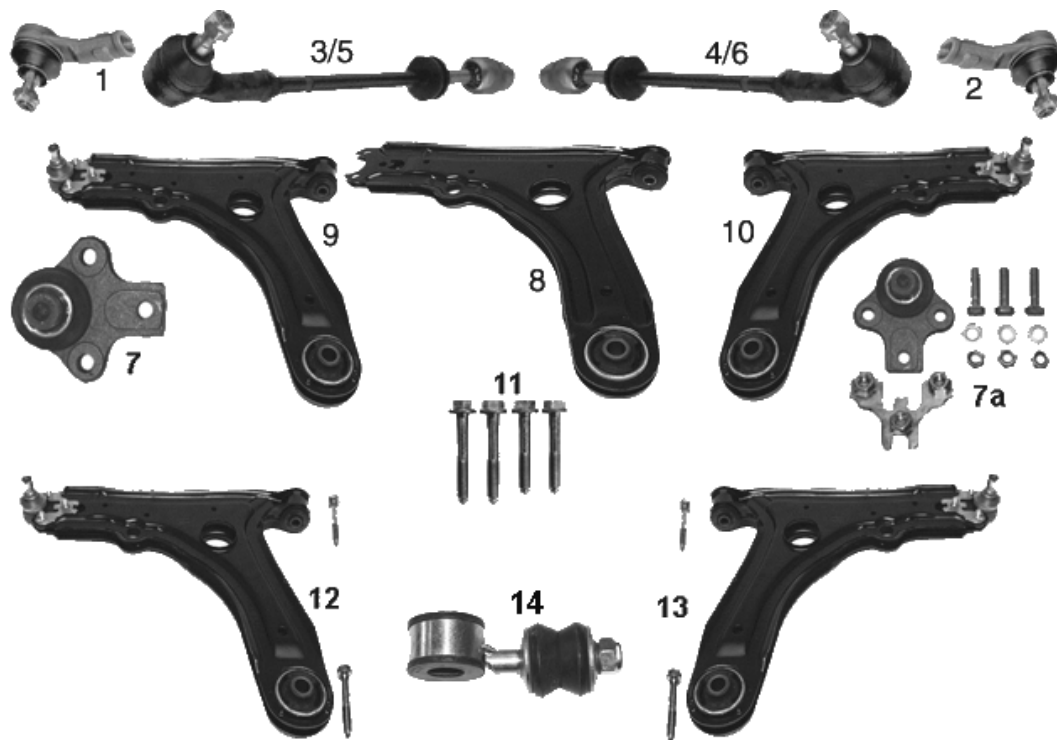


NR	MAPCO	REF			←	→	↑	↓			NEW	INFO
1	19042	SE022162406A	✓		✓	✓				✓		M12x1,5RHT
2	19064	SE021156110B	✓		✓	✓				✓		Ø 17 mm
3	19043	SE022162449A	✓		✓	✓				✓		
4	33004	138156532A		✓	✓	✓					✓	



SEAT IBIZA II + III

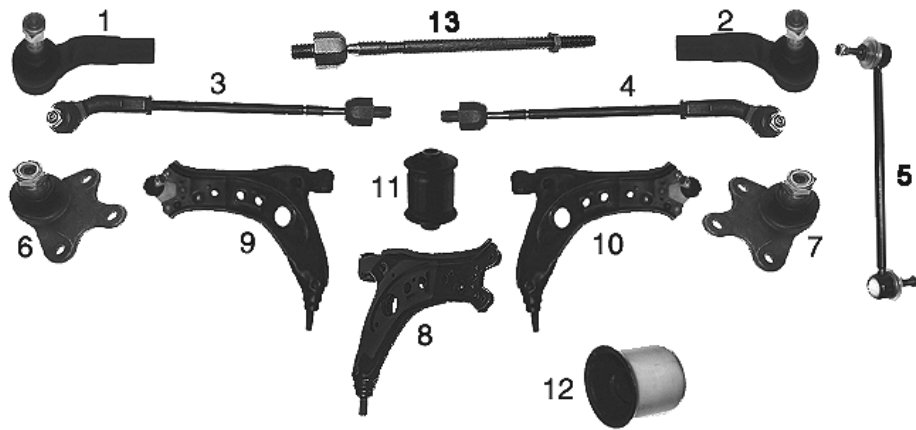
03/93—02/02



NR	MAPCO	REF			←	→	↑	↓			NEW	INFO
1	19877	191419811	✓		✓				✓	✓		M14x1,50 RHT
2	19878	191419812	✓			✓			✓	✓		M14x1,50 RHT
3	19892	191419803A	✓		✓					✓		(+1)
4	19888	191419804A	✓			✓				✓		(+2)
5	19860	191422803A	✓		✓				✓			(+1)
6	19861	191422804A	✓			✓			✓			(+2)
7	19889	357407365A	✓		✓	✓			✓	✓		Ø 19 mm
7a	19889/1	357407365A	✓		✓	✓			✓	✓		Ø 19 mm
8	19858	191407153B	✓		✓	✓			✓	✓		
9	19858/1		✓		✓				✓	✓		7 + 8
10	19858/2		✓			✓			✓	✓		7 + 8
11	95858		✓		✓	✓			✓	✓		MS
12	19858/7		✓		✓				✓	✓		+  7 + 8
13	19858/8		✓			✓			✓	✓		+  7 + 8
14	51862	191411315A	✓		✓	✓			✓	✓	✓	Ø 18 mm →03/97

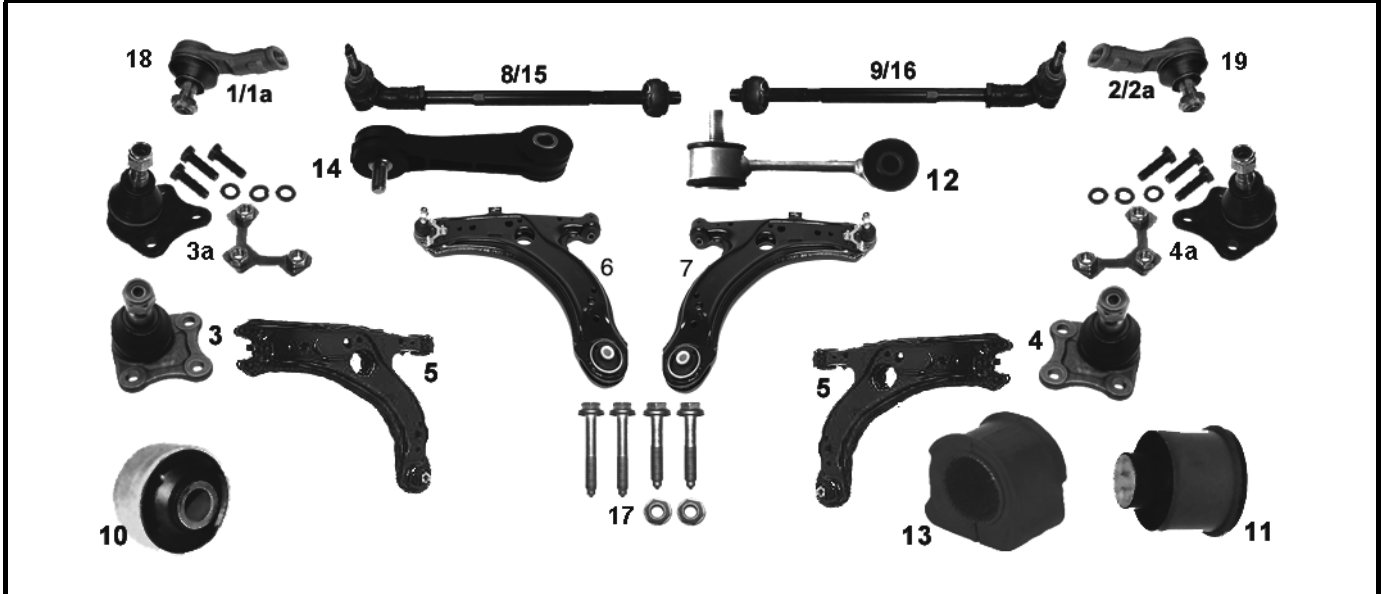
SEAT IBIZA IV (6L1)

02/02→



NR	MAPCO	REF								NEW	INFO
1	59806	6Q0423811	✓	✓				✓	✓		
2	59807	6Q0423812	✓		✓			✓	✓		
3	59808	6Q0423803B	✓	✓				✓	✓		M14x1,5
4	59809	6Q0423804B	✓		✓			✓	✓		M14x1,5
5	59812HPS	6Q0411315C	✓	✓	✓			✓	✓		
6	59810	6Q0407365A	✓	✓				✓	✓		
7	59811	6Q0407366A	✓		✓			✓	✓		
8	59813	6Q0407151D	✓	✓	✓			✓	✓		
9	59813/1		✓		✓			✓	✓		6 + 8
10	59813/2		✓		✓			✓	✓		7 + 8
11	36938	6Q0407182A	✓	✓	✓			✓	✓		
12	36939	6Q0407183	✓	✓	✓			✓	✓		
13	59808/1	6Q0423810C	✓	✓	✓			✓			SMI/ KOJO

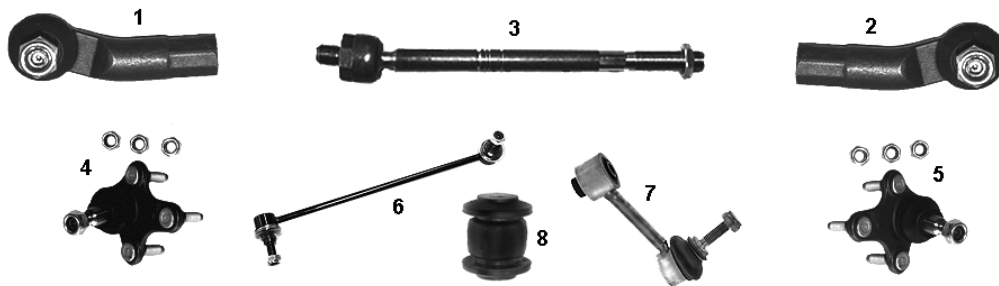
**SEAT LEON (1M1)** 11/99→



NR	MAPCO	REF			←	→	↑	↓			NEW	INFO
1	49700	1J0 422 811B	✓		✓				✓	✓		94mm M14x1,5RHT, Chassis 8L-W-050422 →
1a	59895	1J0 422 811A	✓		✓				✓	✓		75mm M14x1,5RHT, Chassis → 8L-W-050421
2	49701	1J0 422 812B	✓			✓			✓	✓		94mm M14x1,5RHT, Chassis 8L-W-050422 →
2a	59896	1J0 422 812A	✓			✓			✓	✓		75mm M14x1,5RHT, Chassis → 8L-W-050421
3	49702	1J0 407 365C	✓		✓				✓	✓		
3a	49702/1	1J0 407 365A	✓		✓				✓	✓		
4	49703	1J0 407 366C	✓			✓			✓	✓		
4a	49703/1	1J0 407 366A	✓			✓			✓	✓		
5	49704	1J0 407 151B	✓		✓	✓			✓	✓		
6	49704/1		✓		✓				✓	✓		<b>5+3a</b> Chassis 8L-W-050422→
7	49704/2		✓		✓				✓	✓		<b>5+4a</b> Chassis 8L-W-050422→
8	49690	1J0 422 803B	✓		✓				✓	✓		Chassis 8L-W-050422→
9	49691	1J0 422 804B	✓			✓			✓	✓		Chassis 8L-W-050422→
10	33903	1J0 407 181	✓		✓	✓			✓	✓		
11	33912	1J0 501 541C		✓	✓	✓			✓	✓		
12	49867	1J0 411 315C	✓		✓	✓			✓	✓		Stahl/steel 105mm, Ø 23mm
13	33927	1J0 411 314B	✓		✓	✓			✓	✓		Innen Ø 19mm
14	49868	1J0 411 315C	✓		✓	✓			✓	✓		Plastik 105mm Ø 21mm
15	49869	1J0 422 803A	✓		✓				✓	✓		Chassis → 8L-W-050421
16	49870	1J0 422 804A	✓			✓			✓	✓		Chassis → 8L-W-050421
17	95704		✓		✓	✓			✓	✓		MS
18	51711	8N0 422 811A	✓		✓				✓		✓	16x1,5RHT ✓ 1.8T
19	51712	8N0 422 812A	✓			✓			✓		✓	16x1,5RHT ✓ 1.8T

**SEAT LEON (1P1)**

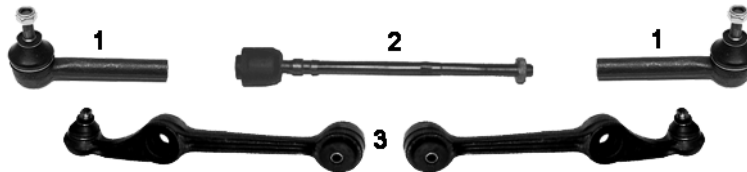
09/05→



NR	MAPCO	REF			←	→	↑	↓			NEW	INFO
1	51826	1K0 423 811J	✓		✓				✓	✓		
2	51827	1K0 423 812J	✓			✓			✓	✓		
3	51723	1K0 423 810A	✓		✓	✓			✓	✓		M16x1,5RHT 310 mm
4	51724	1K0 407 365E	✓		✓			✓	✓	✓		Konus 16,00 mm
5	51725	1K0 407 366E	✓			✓		✓	✓	✓		Konus 16,00 mm
6	51825HPS	1K0 411 315D	✓		✓	✓		✓	✓	✓		
7	51829HPS	1K0 505 465C		✓	✓	✓			✓	✓		
8	36950	1K0 407 182	✓		✓	✓		✓	✓	✓		

**SEAT MALAGA**

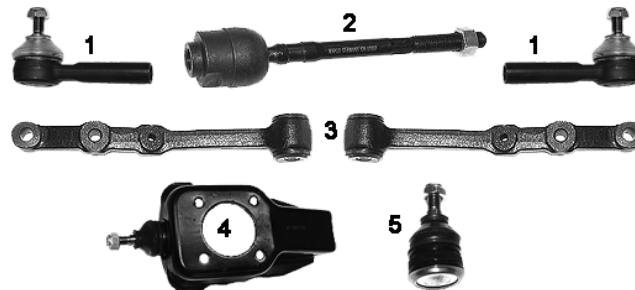
06/84→12/93



NR	MAPCO	REF			←	→	↑	↓			NEW	INFO
1	19042	SE022162406A	✓		✓	✓				✓		M12x1,5RHT
2	19043	SE022162449B	✓		✓	✓				✓		
3	19064	SE021156110B	✓		✓	✓				✓		KONUS Ø 17 mm

**SEAT MARBELLA**

08/86→10/98



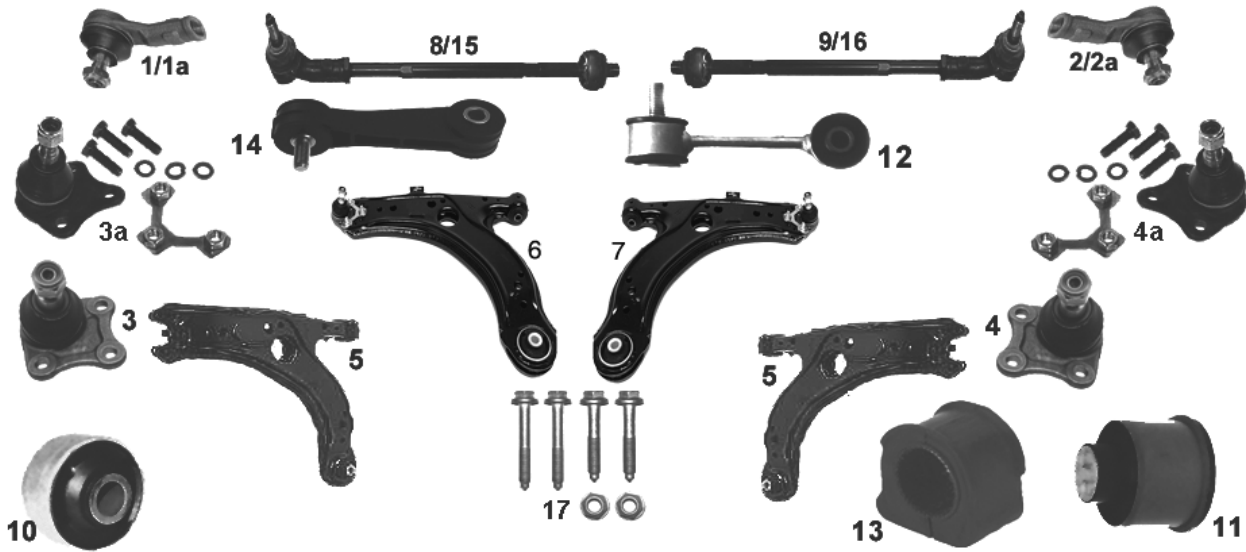
NR	MAPCO	REF			←	→	↑	↓			NEW	INFO
1	19046	SE141162410A	✓		✓	✓				✓		10/82→ M12x1,5RHT
2	19452	SE141162449	✓		✓	✓				✓		M12x1,5RH
3	19045	SE141156110A	✓		✓	✓				✓		
4	19048	SE141140104A	✓		✓	✓				✓		
5	19044	SE141140104A	✓		✓	✓				✓		

SEAT RONDA (022A)		06/82→11/88										
NR	MAPCO	REF			←	→	↑	↓			NEW	INFO
1	19042	SE022162406A	✓		✓	✓					✓	M12x1,5RHT 06/84→
2	19043	SE022162449A	✓		✓	✓					✓	

SEAT TOLEDO I		03/91→ 03/99										
NR	MAPCO	REF			←	→	↑	↓			NEW	INFO
1	19877	191419811	✓		✓						✓	M14x1,5RHT
2	19878	191419812	✓			✓					✓	M14x1,5RHT
3	19892	191419803A	✓		✓						✓	(+1)
4	19888	191419804A	✓			✓					✓	(+2)
5	19860	191422803A	✓		✓						✓	(+1)
6	19861	191422804A	✓			✓					✓	(+2)
7a	19889	357407365A	✓		✓	✓					✓	Ø 19 mm
7b	19889/1	357407365A	✓		✓	✓					✓	Ø 19 mm
8	19858	191407153B	✓		✓	✓					✓	
9	19858/1		✓		✓						✓	7b+8
10	19858/2		✓			✓					✓	7b+8
20	33833	191501541		✓	✓	✓					✓	
21	33833/2	191501541S		✓	✓	✓					✓	
22	95858		✓		✓	✓					✓	MS
24	19858/7		✓		✓						✓	+
25	19858/8		✓			✓					✓	+
28	51862	191411315A	✓		✓	✓					✓	Ø 18 mm →03/97
11	49664	1H0407151A	✓		✓						✓	✓2.0i 16V
12	49665	1H0407152	✓			✓					✓	✓2.0i 16V
13	49666		✓		✓						✓	11 + 15a ✓2.0i 16V
14	49667		✓			✓					✓	12 + 15a ✓2.0i 16V
15	19679	1H0407365	✓		✓	✓					✓	Ø 16,5 mm ✓2.0i 16V
15a	19679/1	1H0407365S	✓		✓	✓					✓	Ø 16,5 mm ✓2.0i 16V
16	33858	1H10501541A		✓	✓	✓					✓	✓2.0i 16V
17	33858/2	1H0501541S		✓	✓	✓					✓	✓2.0i 16V
18	49873	1H0422803A	✓		✓						✓	✓2.0i 16V
19	49874	1H0422804A	✓			✓					✓	✓2.0i 16V
23	95870		✓		✓	✓					✓	MS ✓2.0i 16V
26	49666/7		✓		✓						✓	+  11 + 15a ✓2.0i 16V
27	49667/7		✓		✓						✓	+  12 + 15a ✓2.0i 16V

SEAT TOLEDO II

04/99→



NR	MAPCO	REF			←	→	↑	↓			NEW	INFO
1	49700	1J0 422 811B	✓		✓				✓	✓		94mm M14x1,5RHT, Chassis 8L-W-050422 →
1a	59895	1J0 422 811A	✓		✓				✓	✓		75mm M14x1,5RHT, Chassis → 8L-W-050421
2	49701	1J0 422 812B	✓			✓			✓	✓		94mm M14x1,5RHT, Chassis 8L-W-050422 →
2a	59896	1J0 422 812A	✓			✓			✓	✓		94mm M14x1,5RHT, Chassis → 8L-W-050421
3	49702	1J0 407 365C	✓		✓				✓	✓		
3a	49702/1	1J0 407 365A	✓		✓				✓	✓		
4	49703	1J0 407 366C	✓			✓			✓	✓		
4a	49703/1	1J0 407 366A	✓			✓			✓	✓		
5	49704	1J0 407 151B	✓		✓	✓			✓	✓		
6	49704/1		✓		✓				✓	✓		<b>5+3a</b> Chassis 8L-W-050422→
7	49704/2		✓			✓			✓	✓		<b>5+4a</b> Chassis 8L-W-050422→
8	49690	1J0 422 803B	✓		✓				✓	✓		Chassis 8L-W-050422→
9	49691	1J0 422 804B	✓			✓			✓	✓		Chassis 8L-W-050422→
10	33903	1J0 407 181	✓		✓	✓			✓	✓		
11	33912	1J0 501 541C		✓	✓	✓			✓	✓		
12	49867	1J0 411 315C	✓		✓	✓			✓	✓		Stahl/steel 105mm, Ø 23mm
13	33927	1J0 411 314B	✓		✓	✓			✓	✓		innen/inner Ø 19mm
13a	33824	1J0 411 314G	✓		✓	✓			✓	✓		innen/inner Ø 23mm
14	49868	1J0 411 315C	✓		✓	✓			✓	✓		Plastik 105mm Ø 21mm
15	49869	1J0 422 803A	✓		✓				✓	✓		Chassis → 8L-W-050421
16	49870	1J0 422 804A	✓			✓			✓	✓		Chassis → 8L-W-050421
17	95704		✓		✓	✓			✓	✓		MS

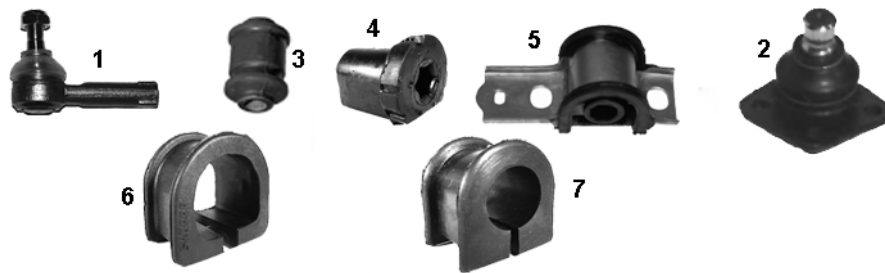
SEAT TOLEDO III											09/04→	
NR	MAPCO	REF			←	→	↑	↓			NEW	INFO
1	51826	1K0 423 811J	✓		✓				✓	✓		
2	51827	1K0 423 812J	✓			✓			✓	✓		
3	51723	1K0 423 810A	✓		✓	✓			✓	✓		M16x1,5RHT 310 mm
4	51724	1K0 407 365E	✓		✓			✓	✓	✓		Konus 16,00 mm
5	51725	1K0 407 366E	✓			✓		✓	✓	✓		Konus 16,00 mm
6	51825HPS	1K0 411 315D	✓		✓	✓		✓	✓	✓		
7	51829HPS	1K0 505 465C		✓	✓	✓			✓	✓		
8	36950	1K0 407 182	✓		✓	✓		✓	✓	✓		

SKODA												
SKODA FABIA											08/99→	
NR	MAPCO	REF			←	→	↑	↓			NEW	INFO
1	59806	6Q0423811	✓		✓				✓	✓		
2	59807	6Q0423812	✓			✓			✓	✓		
3	59808	6Q0423803B	✓		✓				✓	✓		M14x1,5
3a	59808/1	6Q0423810C	✓		✓	✓			✓	✓		SMI/ KOJO
4	59809	6Q0423804B	✓			✓			✓	✓		M14x1,5
5	59812HPS	6Q0411315C	✓		✓	✓			✓	✓		
6	59810	6Q0407365A	✓		✓				✓	✓		
7	59811	6Q0407366A	✓			✓			✓	✓		
8	59813	6Q0407151D	✓		✓	✓			✓	✓		
9	59813/1		✓			✓			✓	✓		6 + 8
10	59813/2		✓			✓			✓	✓		7 + 8
11	33912	1J0501541C		✓	✓	✓			✓	✓		
12	36938	6Q0407182A	✓		✓	✓			✓	✓	✓	
13	36939	6Q0407183	✓		✓	✓			✓	✓	✓	



**SKODA FAVORIT**

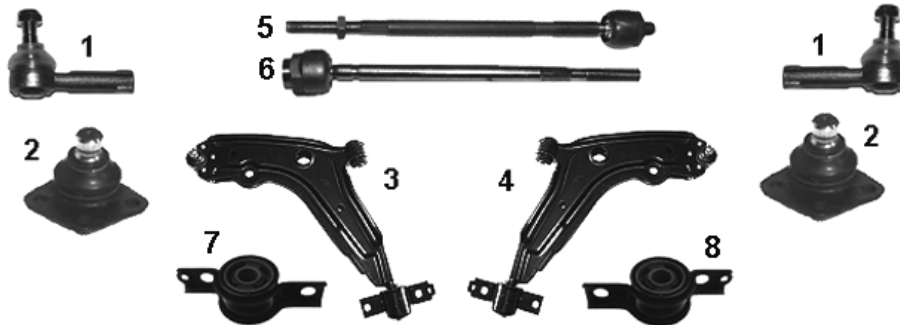
1984→09/94



NR	MAPCO	REF			←	→	↑	↓			NEW	INFO
1	19961	115500440	✓		✓	✓				✓		M12 x 1,0 RHT
2	19962	115420240	✓		✓	✓				✓		
3	19993	6U0407182	✓		✓	✓				✓		
4	19994	115422291	✓		✓	✓				✓		
5	33950	115422292	✓		✓	✓				✓		Ø 26,0 mm
6	33954	115590801	✓		✓	✓				✓		
7	33955	115590802	✓		✓	✓				✓		

**SKODA FELICIA**

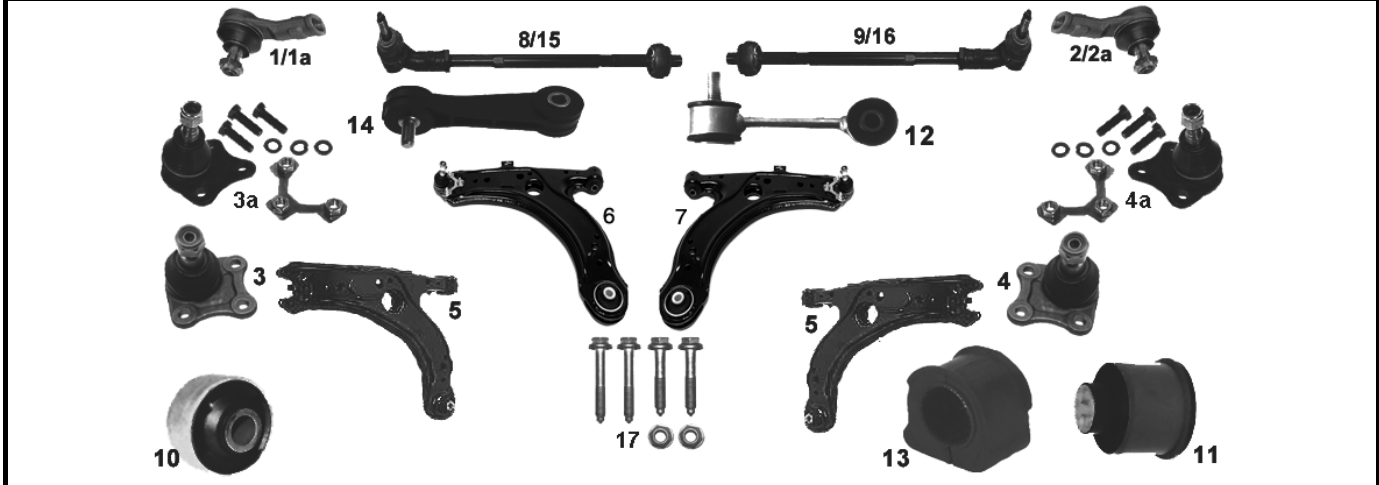
1994→06/01



NR	MAPCO	REF			←	→	↑	↓			NEW	INFO
1	19961	115 500 440	✓		✓	✓				✓	✓	M12 x 1,0 RHT
2	19962	115 420 240	✓		✓	✓				✓	✓	
3	19971	6U0 407 151	✓		✓					✓	✓	
4	19972	6U0 407 152	✓			✓				✓	✓	
5	19973	6U0 422 807	✓		✓	✓				✓	✓	
6	19968	007 350 278N	✓		✓	✓				✓		
7	36780	6U6 407 359A	✓		✓					✓	✓	
8	36781	6U6 407 360A	✓			✓				✓	✓	



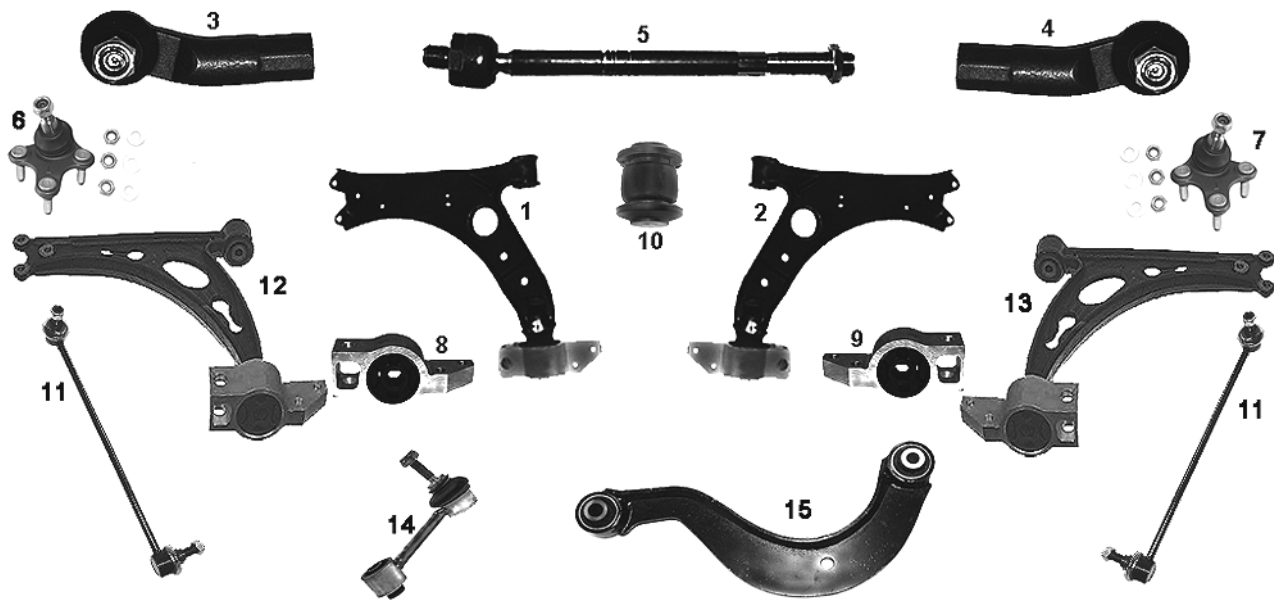
**SKODA OCTAVIA (1U\_)** 1997→



NR	MAPCO	REF								NEW	INFO
1	49700	1J0 422 811B	✓	✓				✓	✓		94mm M14x1,5RHT, Chassis 1U-W-061001→
1a	59895	1J0 422 811A	✓	✓				✓	✓		75mm M14x1,5RHT, Chassis → 1U-W-061000
2	49701	1J0 422 812B	✓		✓			✓	✓		94mm M14x1,5RHT, Chassis 1U-W-061001→
2a	59896	1J0 422 812A	✓		✓			✓	✓		75mm M14x1,5RHT, Chassis → 1U-W-061000
3	49702	1J0 407 365C	✓	✓				✓	✓		
3a	49702/1	1J0 407 365A	✓	✓				✓	✓		
4	49703	1J0 407 366C	✓		✓			✓	✓		
4a	49703/1	1J0 407 366A	✓		✓			✓	✓		
5	49704	1J0 407 151B	✓	✓	✓			✓	✓		
6	49704/1		✓	✓				✓	✓		<b>5+3a</b>
7	49704/2		✓	✓				✓	✓		<b>5+4a</b>
8	49690	1J0 422 803B	✓	✓				✓	✓		Chassis 1U-W-061001→
9	49691	1J0 422 804B	✓		✓			✓	✓		Chassis 1U-W-061001→
10	33903	1J0 407 181	✓	✓	✓			✓	✓		
11	33912	1J0 501 541C		✓	✓	✓		✓	✓		
12	49867	1J0 411 315C	✓	✓	✓			✓	✓		Stahl/steel 105mm, Ø 23mm
13	33927	1J0 411 314B	✓	✓	✓			✓	✓		Innen Ø 19mm
14	49868	1J0 411 315C	✓	✓	✓			✓	✓		Plastik 105mm Ø 21mm
15	49869	1J0 422 803A	✓	✓				✓	✓		Chassis →1U-W-061000
16	49870	1J0 422 804A	✓		✓			✓	✓		Chassis →1U-W-061000
17	95704		✓	✓	✓			✓	✓		MS

SKODA OCTAVIA (1Z\_)

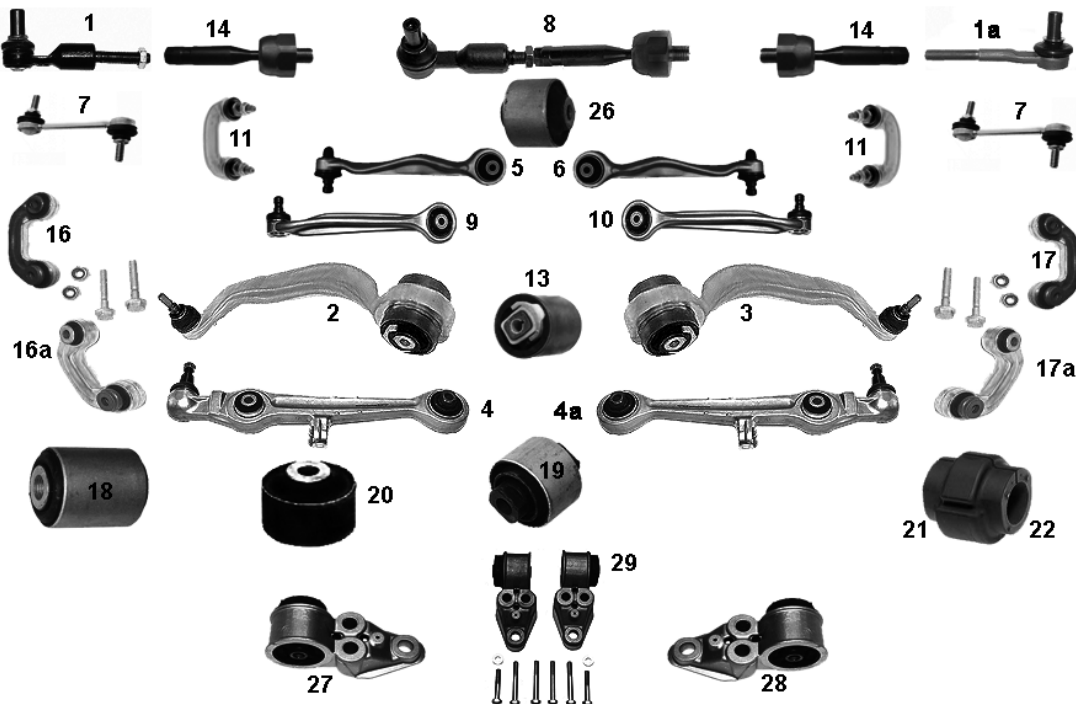
06/04→



NR	MAPCO	REF			←	→	↑	↓			NEW	INFO
1	51715	1K0 407 151P	✓		✓			✓	✓	✓		
2	51716	1K0 407 152P	✓			✓		✓	✓	✓		
3	51826	1K0 423 811J	✓		✓				✓	✓		
4	51827	1K0 423 812J	✓			✓			✓	✓		
5	51723	1K0 423 810A	✓		✓	✓			✓	✓		M16x1,5RHT 310 mm
6	51724	1K0 407 365E	✓		✓			✓	✓	✓		Ø 16 mm
7	51725	1K0 407 366E	✓			✓		✓	✓	✓		Ø 16 mm
8	36948	1K0 199 231G	✓		✓			✓	✓	✓		
9	36949	1K0 199 232G	✓			✓		✓	✓	✓		
10	36950	1K0 407 182	✓		✓	✓		✓	✓	✓		
11	51825HPS	1K0 411 315D	✓		✓	✓		✓	✓	✓		
12	51726	1K0 407 151AC	✓		✓			✓	✓	✓	✓	
13	51727	1K0 407 152M	✓			✓		✓	✓	✓	✓	
14	51829HPS	1K0 505 465C		✓	✓	✓			✓	✓		
15	52718	1K0 505 323H		✓	✓	✓	✓		✓	✓	✓	

SKODA SUPERB

02/02→



NR	MAPCO	REF			←	→	↑	↓			NEW	INFO
1	49707HPS	4D0419811B	✓		✓	✓			✓	✓		Ch. →3U-3-021-397
1a	59707OES	4B0419811D	✓		✓	✓			✓	✓		Ch. →3U-7A-300-774
2	49708OES	4D0407693N	✓		✓		✓	✓	✓	✓		hinten/ rear/ arrière
3	49709OES	4D0407694N	✓		✓		✓	✓	✓	✓		hinten/ rear/ arrière
4	49710OES	4D0407151P	✓		✓	✓			✓	✓		Ch. →3U-3-021-397
4a	51730	4B3407151K	✓		✓	✓			✓	✓	✓	Ch. →3U-6A-300-290
5	49791OES	4D0407509D	✓		✓		✓	✓	✓	✓		hinten/ rear/ arrière
6	49792OES	4D0407510D	✓		✓	✓			✓	✓		hinten/ rear/ arrière
7	49714	4D0505465D	✓		✓	✓			✓	✓		Ch. →3U-3-021-397
8	49732	4D0419801B	✓		✓	✓			✓	✓		
9	49680OES	8D0407505F	✓		✓		✓	✓	✓	✓		vorn/ front/ avant
10	49681OES	8D0407506F	✓		✓	✓			✓	✓		vorn/ front/ avant
11	49682	4D0411317J	✓		✓	✓			✓	✓		
13	33932	4D0407183M	✓		✓	✓			✓	✓		
14	49738	4D0422821A	✓		✓	✓			✓	✓		
16	49683OES	8D0411317D	✓		✓		✓	✓	✓	✓		
16a	49683/1OES	8D0411317D	✓		✓		✓	✓	✓	✓		+
17	49684OES	8D0411318D	✓		✓		✓	✓	✓	✓		
17a	49684/1OES	8D0411318D	✓		✓		✓	✓	✓	✓		+
18	33839	4D0407181H	✓		✓	✓			✓	✓		
19	33840	4D0407182E	✓		✓	✓			✓	✓		
20	33876	4D0407515D	✓		✓	✓			✓	✓		
21	33939	4D0411327E	✓		✓	✓			✓	✓		
22	33940	4D0411327F	✓		✓	✓			✓	✓		✓
26	36915	4B0407515	✓		✓	✓	✓		✓	✓		vorn/ front/ avant
27	36775	4B0501521D			✓	✓			✓	✓		
28	36776	4B0501522D			✓	✓			✓	✓		
29	36782				✓	✓	✓		✓	✓		

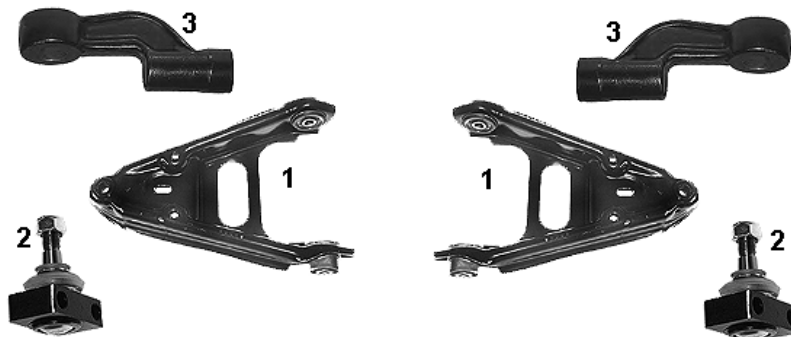
Fortsetzung / continued

SKODA SUPERB			Fortsetzung / continued							02/02→		
NR	MAPCO	REF			←	→	↑	↓			NEW	INFO
23 / 26			23a / 27			23b						
24			25			24a						
NR	MAPCO	REF			←	→	↑	↓			NEW	INFO
23	59818HPS	4D0498998C	✓		✓	✓			✓	✓		Ch. →3U-3-021-397
23a	59818/1HPS	4D0498998C	✓		✓	✓			✓	✓		Ch. →3U-3-021-397   + MS
23b	59818/2	4D0498998C	✓		✓	✓			✓	✓		Ch. →3U-3-021-397   + MS
24	59819	8D0498998	✓		✓	✓			✓	✓		Ch. →3U-3-021-397
24a	59819/1	8D0498998	✓		✓	✓			✓	✓		Ch. →3U-3-021-397   + MS
25	95710		✓		✓	✓			✓	✓		MS
26	59826	4B3498998	✓		✓	✓			✓	✓		Ch. →3U-6A-300-290
27	59826/1	4B3498998	✓		✓	✓			✓	✓		Ch. →3U-6A-300-290   + MS

# SMART

## SMART (MCC) CITY-COUPE CABRIO

07/98→01/04  
03/00→01/04



NR	MAPCO	REF			←	→	↑	↓			NEW	INFO
1	59900	7001V006000000	✓		✓	✓			✓	✓		
2	59902	0015642V001	✓		✓	✓			✓	✓	✓	
3	59903	4887V006000000	✓		✓	✓			✓	✓	✓	

**SMART (MCC) FORTWO CABRIO/ COUPE**

01/04 →

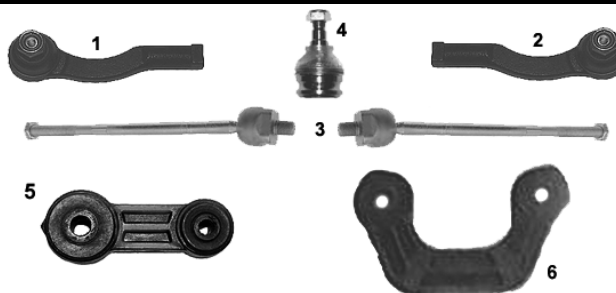


NR	MAPCO	REF			←	→	↑	↓			NEW	INFO
1	59901HPS	5102V005	✓		✓	✓			✓	✓		
2	59902	0015642V001	✓		✓	✓			✓	✓		
3	59903	4887V006000	✓		✓	✓			✓	✓		
4	59904	0001802V004		✓	✓	✓			✓	✓		

**SUBARU**

**SUBARU IMPREZA**

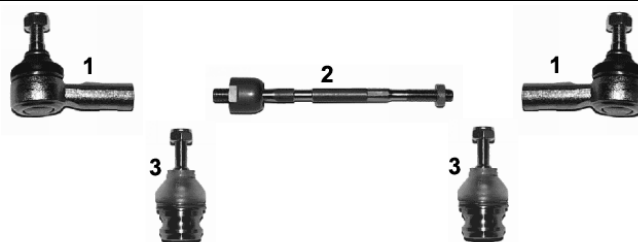
08/92 →



NR	MAPCO	REF			←	→	↑	↓			NEW	INFO
1	49557	31320-GA200	✓		✓	✓			✓	✓		M14 x 1,5 RHT
2	49558	31320-GA190	✓		✓				✓	✓		M14 x 1,5 RHT
3	59364	34140-AA 040	✓			✓			✓	✓		290mm M14 x 1,5 RHT
4	49560	21067-GA050	✓		✓	✓			✓	✓		
5	59597	20420-AA004	✓		✓	✓			✓	✓		
6	59596	20481-AA001		✓	✓	✓			✓	✓		

**SUBARU JUSTY**

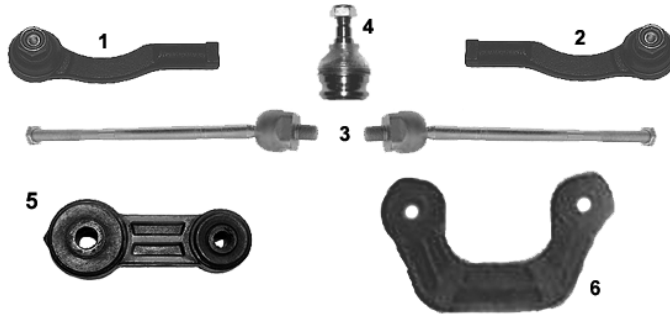
11/84 → 04/95



NR	MAPCO	REF			←	→	↑	↓			NEW	INFO
1	49554	7313-20020	✓		✓	✓			✓	✓		M12 x 1,25 RHT
2	49555	7313-10140	✓		✓	✓			✓	✓		M12 x 1,25 RHT
3	49556	7210-67020	✓		✓	✓			✓	✓		

**SUBARU LEGACY I (BC)**  
**SUBARU LEGACY II (BD,BG)**

1989 → 07/94  
09/94 → 03/99



NR	MAPCO	REF			←	→	↑	↓			NEW	INFO
1	49557	31320-GA200	✓		✓	✓			✓	✓		M14 x 1,5 RHT
2	49558	31320-GA190	✓		✓				✓	✓		M14 x 1,5 RHT
3	59364	34140-AA 040	✓			✓			✓	✓		290mm M14 x 1,5 RHT
4	49560	21067-GA050	✓		✓	✓			✓	✓		
5	59595	20420-AA003	✓		✓	✓			✓	✓		
6	59596	20481-AA001		✓	✓	✓			✓	✓		

**SUBARU LEONE I + II**

03/79 → 07/91

NR	MAPCO	REF			←	→	↑	↓			NEW	INFO
1	59297	7210-67000	✓		✓	✓			✓	✓		1

**SUBARU 1800 XT COUPE**

11/84 → 12/90

NR	MAPCO	REF			←	→	↑	↓			NEW	INFO
1	59297	7210-67000	✓		✓	✓			✓	✓		1

**SUZUKI**

**SUZUKI ALTO I**

06/82 → 12/85

NR	MAPCO	REF			←	→	↑	↓			NEW	INFO
1	59320	48810-84000	✓		✓	✓			✓	✓		M12x1,25 RHT
2	19518	45200-50E00	✓		✓	✓			✓	✓		

SUZUKI ALTO II										01/86 → 11/93	
NR	MAPCO	REF			←	→	↑	↓			INFO
1	59320	48810-84000	✓		✓	✓			✓	✓	M12x1,25 RHT
2	59317	48830-84000	✓		✓	✓			✓	✓	M12x1,25 RHT
3	19518	45200-50E00	✓		✓	✓			✓	✓	

SUZUKI ALTO III										06/94 → 06/02	
NR	MAPCO	REF			←	→	↑	↓			INFO
1	59320	48810-84000	✓		✓	✓			✓	✓	M12x1,25 RHT
2	19518	45200-50E00	✓		✓	✓			✓	✓	

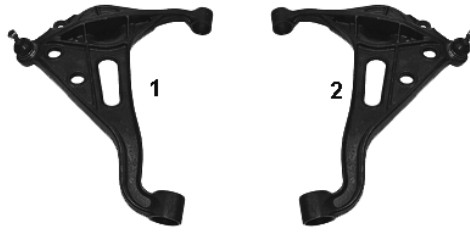
SUZUKI BALENO										01/86 → 07/93	
NR	MAPCO	REF			←	→	↑	↓			INFO
1	59201	48810-82000	✓		✓	✓			✓	✓	
2	59850	46630-60B01	✓		✓	✓			✓	✓	Chassis 103258 →

SUZUKI CARRY										01/86 → 07/93	
NR	MAPCO	REF			←	→	↑	↓			INFO
1	49563	48820-79000	✓		✓				✓	✓	M14 x 1,5 LHT
2	49564	48810-79000	✓			✓			✓	✓	M14 x 1,5 RHT
3	49565	45200-85001	✓		✓	✓			✓	✓	



**SUZUKI GRAND VITARA**

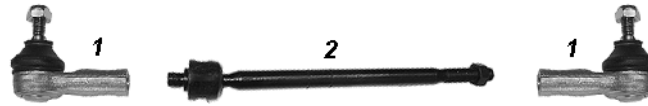
03/98 →



NR	MAPCO	REF			←	→	↑	↓			NEW	INFO
1	51595	45202-67D01	✓		✓			✓	✓	✓	✓	
2	51596	45201-67D01	✓			✓		✓	✓	✓	✓	

**SUZUKI IGNIS**

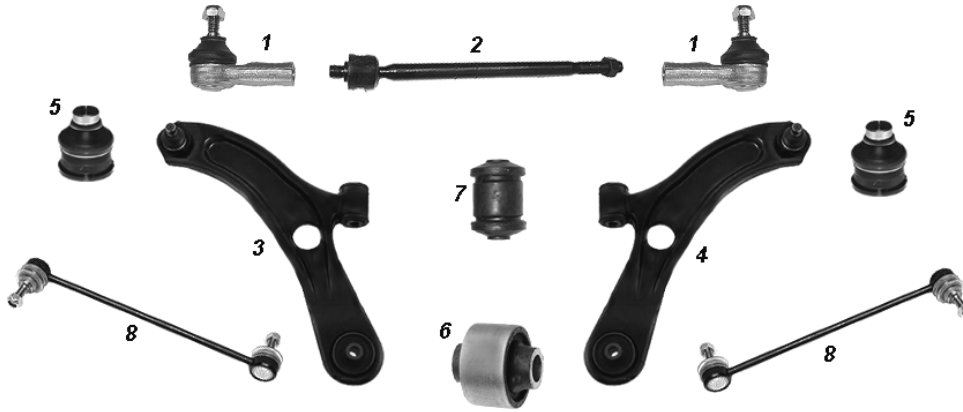
10/00 →



NR	MAPCO	REF			←	→	↑	↓			NEW	INFO
1	51250	48810-60810-000	✓		✓	✓			✓	✓	✓	
2	51251	48830-63J00-000	✓		✓	✓						

**SUZUKI SPLASH**

01/08 →



NR	MAPCO	REF			←	→	↑	↓			NEW	INFO
1	51250	48810-60810-000	✓		✓	✓			✓	✓	✓	
2	51251	48830-63J00-000	✓		✓	✓						
3	51252	45202-72K00-000	✓		✓			✓	✓	✓	✓	
4	51253	45201-72K00-000	✓			✓		✓	✓	✓	✓	
5	51254	No OE	✓		✓	✓		✓	✓	✓	✓	
6	33576	45540-62J00-000	✓		✓	✓		✓	✓	✓	✓	
7	33577	45530-63J00-000	✓		✓	✓		✓	✓	✓	✓	
8	51255	42420-62J00-000	✓		✓	✓			✓	✓	✓	

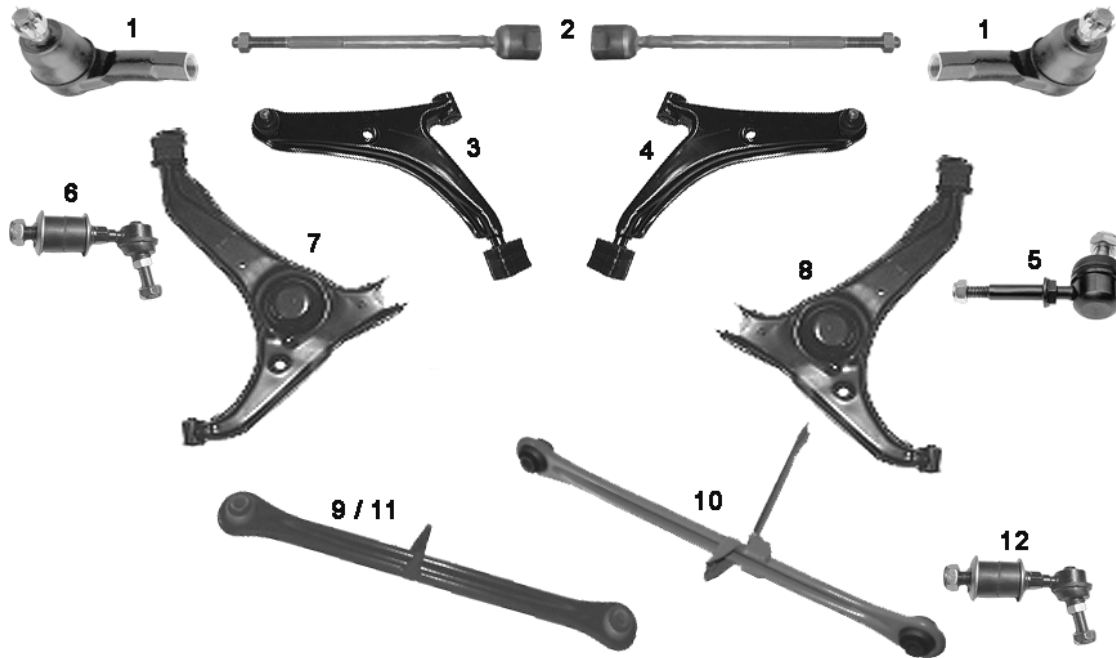


SUZUKI SUPER CARRY BUS										10/85 → 03/99	
NR	MAPCO	REF								NEW	INFO
1	59289	45200-77500	✓	✓	✓	✓	✓	✓	✓		

SUZUKI SWIFT I										10/83 → 12/89	
NR	MAPCO	REF								NEW	INFO
1	49519	46300-60B00		✓	✓	✓		✓	✓		
2	49599	46300-70C02		✓	✓	✓		✓	✓		
3	49595	45200 - 82000	✓		✓	✓		✓	✓		
4	49596	48830-82000	✓		✓	✓		✓	✓		M12X1,5RHT
5	59299	46630-60B11	✓		✓	✓		✓	✓		
6	59201	48810-82000	✓		✓	✓		✓	✓		
7	19518	45200-50E00	✓		✓	✓		✓	✓		

SUZUKI SWIFT II

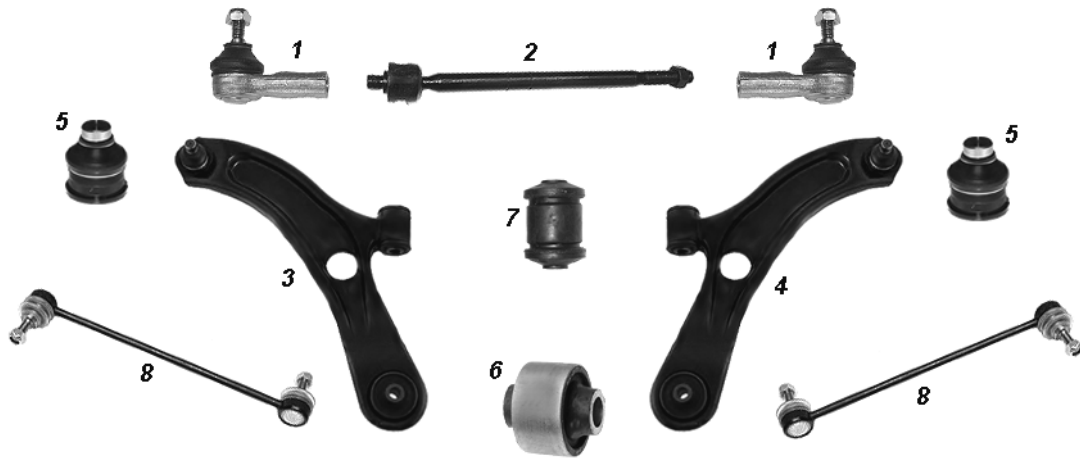
03/89 → 05/01



NR	MAPCO	REF			←	→	↑	↓			NEW	INFO
1	59201	48810-82000	✓		✓	✓			✓	✓		
2	59298	48830-60B00	✓		✓	✓			✓	✓		
3	49292	45202-60B01	✓		✓			✓	✓	✓		
4	49293	45201-60B01	✓			✓		✓	✓	✓		
5	59299	46630-60B11	✓		✓	✓			✓	✓		
6	51593	46630-60B00	✓		✓	✓			✓	✓		
7	49549	46202-60B00			✓	✓		✓	✓	✓		
8	49548	46201-60B00			✓			✓	✓	✓		
9	49519	46300-60B00			✓	✓	✓		✓	✓		→ 1992
10	49599	46300-70C02			✓	✓			✓	✓		
11	49594	46300-60B10			✓	✓	✓		✓	✓		1992→
12	51592	46630-60B10			✓	✓	✓		✓	✓		

**SUZUKI SWIFT III (SG)**

02/05 →



NR	MAPCO	REF									NEW	INFO
1	51250	48810-60810-000	✓		✓	✓			✓	✓	✓	
2	51251	48830-63J00-000	✓		✓	✓						
3	51252	45202-72K00-000	✓		✓		✓	✓	✓	✓	✓	
4	51253	45201-72K00-000	✓			✓	✓	✓	✓	✓	✓	
5	51254	No OE ref	✓		✓	✓	✓	✓	✓	✓	✓	
6	33576	45540-62J00-000	✓		✓	✓	✓	✓	✓	✓	✓	
7	33577	45530-63J00-000	✓		✓	✓	✓	✓	✓	✓	✓	
8	51255	42420-62J00-000	✓		✓	✓			✓	✓	✓	

**SUZUKI SX4**

06/06 →




NR	MAPCO	REF									NEW	INFO
1	59024	42420-80J00-000	✓		✓	✓			✓	✓	✓	

**SUZUKI VITARA**

07/88 → 03/99



NR	MAPCO	REF									NEW	INFO
1	49561	48820-60A00	✓		✓	✓	✓	✓	✓	✓		M16 x 1,5 LHT
2	49562	48810-60A00	✓		✓	✓	✓	✓	✓	✓		M16 x 1,5 RHT
3	59324	45700-60A00	✓		✓	✓			✓	✓		
4	59300	42311-60A00	✓		✓	✓	✓	✓	✓	✓		

SUZUKI WAGON R+(EM)											02/98 → 05/00	
NR	MAPCO	REF			←	→	↑	↓			NEW	INFO
1	59320	48810-84000	✓		✓	✓			✓	✓		 M12x1,25 RHT

**VERGLEICHNUMMERN DIENEN NUR ZUR BESSEREN IDENTIFIKATION UND DÜRFEN NICHT AUF RECHNUNGEN ERSCHEINEN!**  
**Reference numbers are used for better identification only!**  
**Références d'origine pour meilleure identification seulement!**

# TOYOTA

## TOYOTA AURIS

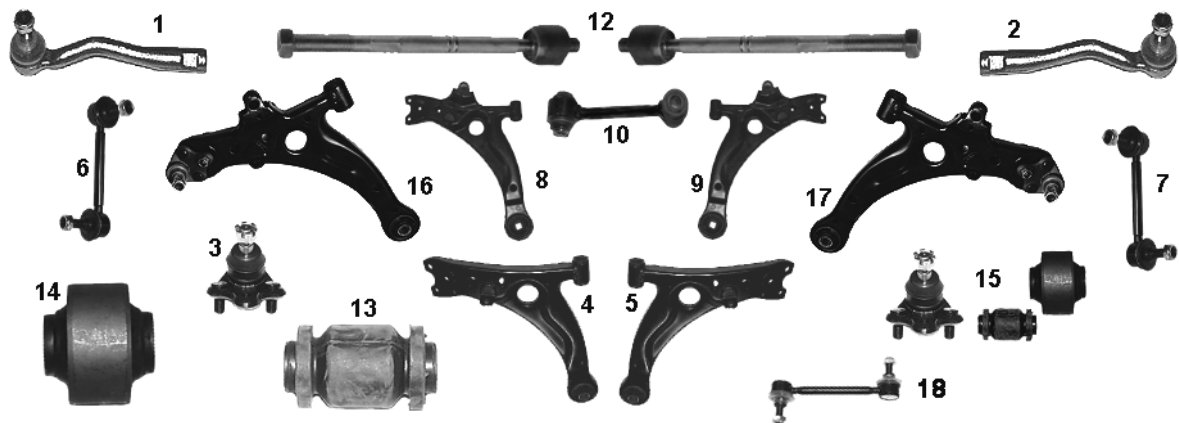
03/07 →



NR	MAPCO	REF			←	→	↑	↓			NEW	INFO
1	51392	48820-02070	✓		✓	✓			✓	✓	✓	360,0mm

## TOYOTA AVENSIS (\_T22\_)

09/97 → 02/03



NR	MAPCO	REF			←	→	↑	↓			NEW	INFO
1	49566	45047-29125	✓		✓				✓	✓		M14 x 1,5RHT
2	49567	45046-29365	✓			✓			✓	✓		M14 x 1,5RHT
3	19563	43330-19095	✓		✓	✓			✓	✓		
4	49576	48069-05040	✓		✓			✓	✓	✓		1.8 Automatik →06/2000
5	49577	48068-05040	✓			✓		✓	✓	✓		1.8 Automatik →06/2000
6	49270HPS	48810-05012	✓		✓			✓	✓	✓		
7	49271HPS	48820-05012	✓			✓		✓	✓	✓		
8	49257	48069-05050	✓		✓			✓	✓	✓		
9	49258	48068-05050	✓			✓		✓	✓	✓		
10	49259	48650-20021	✓		✓	✓			✓	✓		
12	49287	45503-05020	✓		✓	✓			✓	✓		
13	33565	48654-05040	✓		✓	✓			✓	✓		
14	33566	48655-20140	✓		✓	✓			✓	✓		
15	19253		✓		✓	✓			✓	✓		Kit
16	49257/1	(48069-05050)	✓		✓			✓	✓	✓		8+3
17	49258/1	(48068-05050)	✓			✓		✓	✓	✓		9+3
18	51377HPS	48830-05020			✓	✓	✓		✓	✓	✓	140,0mm

TOYOTA AVENSIS VERSO (AC_) 08/01 →												
<p>1</p>												
NR	MAPCO	REF			←	→	↑	↓			NEW	INFO
1	51373HPS	48820-44020	✓		✓	✓			✓	✓	✓	

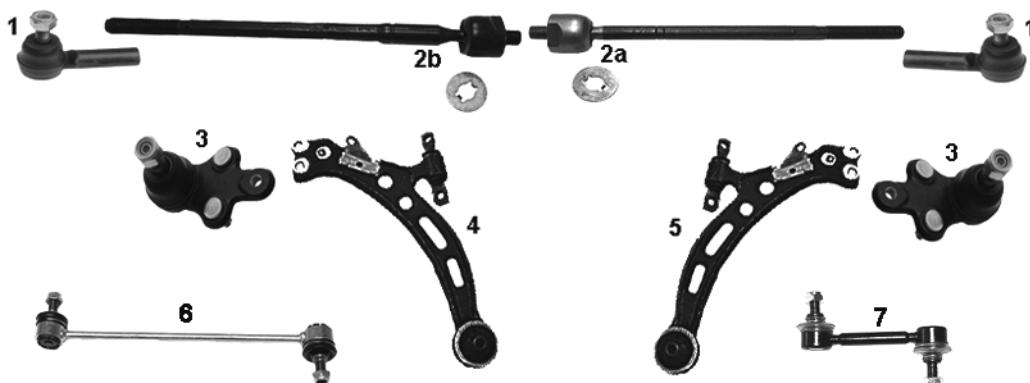
TOYOTA AVENSIS (_T25_) 04/03 →												
<p>1, 2, 3</p>												
NR	MAPCO	REF			←	→	↑	↓			NEW	INFO
1	51577HPS	48820-47010	✓		✓	✓			✓	✓		285,0mm
2	51371	48840-21010		✓	✓				✓	✓	✓	105,0mm
3	51372	48830-21020		✓		✓			✓	✓	✓	105,0mm

TOYOTA AYGO 07/05 →												
<p>1, 2, 3, 4, 5, 6</p>												
NR	MAPCO	REF			←	→	↑	↓			NEW	INFO
1	49306	45047-09125	✓		✓				✓	✓	✓	
2	49307	45046-09295	✓			✓			✓	✓	✓	
3	19348HPS	5087 59	✓		✓	✓			✓	✓		335,0 mm
4	49308	48819-70010	✓		✓	✓			✓	✓	✓	
5	49318	48069-0H010	✓		✓				✓	✓	✓	
6	49319	48068-0H010	✓			✓			✓	✓	✓	

TOYOTA CAMRY (_V2_) 10/86 → 05/91												
NR	MAPCO	REF			←	→	↑	↓			NEW	INFO
1	59328	45503-29105	✓		✓				✓	✓		M14 x 1,5 RHT
<p>1</p>												

**TOYOTA CAMRY (\_V1\_)**

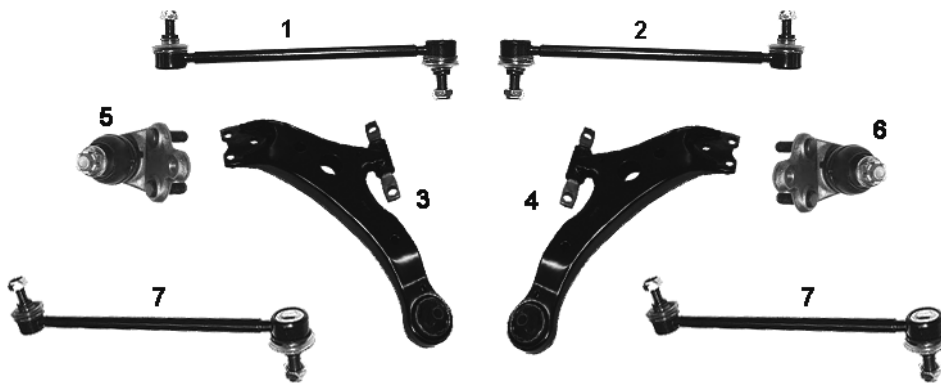
06/91→ 06/97



NR	MAPCO	REF			←	→	↑	↓			NEW	INFO
1	59276	45046-29255	✓		✓	✓			✓	✓		
2a	59268	45503-29355	✓		✓	✓			✓	✓		310,0 mm 06/91→ 07/91
2b	59272	45503-39135	✓		✓	✓			✓	✓		350,0 mm 06/91→ 08/96
3	59567	43330-39285	✓		✓	✓			✓	✓		
4	59374	48069-33010	✓		✓				✓	✓		
5	59375	48068-33010	✓			✓			✓	✓		
6	49285	48830-33010		✓	✓	✓			✓	✓		4x2
7	49579HPS	48830-32010		✓	✓	✓			✓	✓		

**TOYOTA CAMRY (\_V20)**

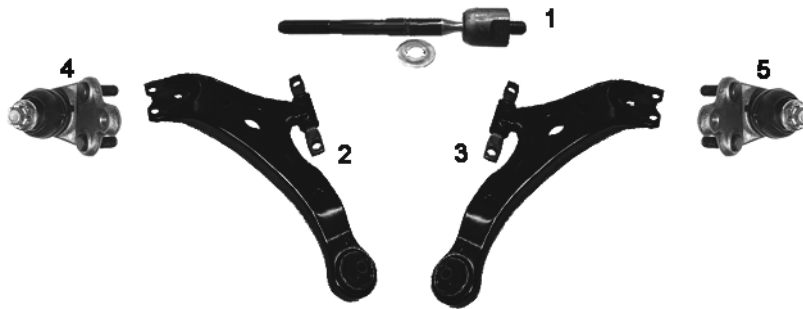
08/96→ 11/01



NR	MAPCO	REF			←	→	↑	↓			NEW	INFO
1	49280HPS	48810-33010	✓		✓				✓	✓		
2	49281HPS	48820-33020	✓			✓			✓	✓		
3	51552	48069-33050	✓		✓				✓	✓		✓ 3.0 V6
4	51553	48068-33070	✓			✓			✓	✓		✓ 3.0 V6
5	51388	43330-29405	✓		✓				✓	✓	✓	17,5 mm
6	51389	45503-39225	✓			✓			✓	✓	✓	17,5 mm
7	49282HPS	48830-32040		✓	✓	✓			✓	✓		4x4

**TOYOTA CAMRY (\_V30)**

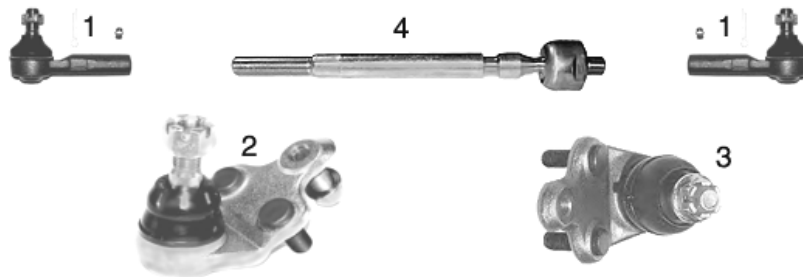
11/01→



NR	MAPCO	REF			←	→	↑	↓			NEW	INFO
1	51390	45503-39225	✓		✓	✓			✓	✓	✓	238mm
2	51552	48069-33050	✓		✓				✓	✓		
3	51553	48068-33070	✓			✓			✓	✓		
4	51388	43330-29405	✓		✓				✓	✓	✓	17,5 mm
5	51389	45503-39225	✓			✓			✓	✓	✓	17,5 mm

**TOYOTA CARINA II (\_T15\_)**

01/84→ 03/88



NR	MAPCO	REF			←	→	↑	↓			NEW	INFO
1	19560	45046-19175	✓		✓	✓			✓	✓		M14 x1,5RHT
2	59565	43330-29145	✓		✓	✓			✓			
3	59323	43330-29135	✓		✓	✓				✓		
4	59332	45503-19036	✓		✓	✓			✓	✓		M14x1,5RHT 330mm

**TOYOTA CARINA II (\_T17)**

12/87→ 06/93

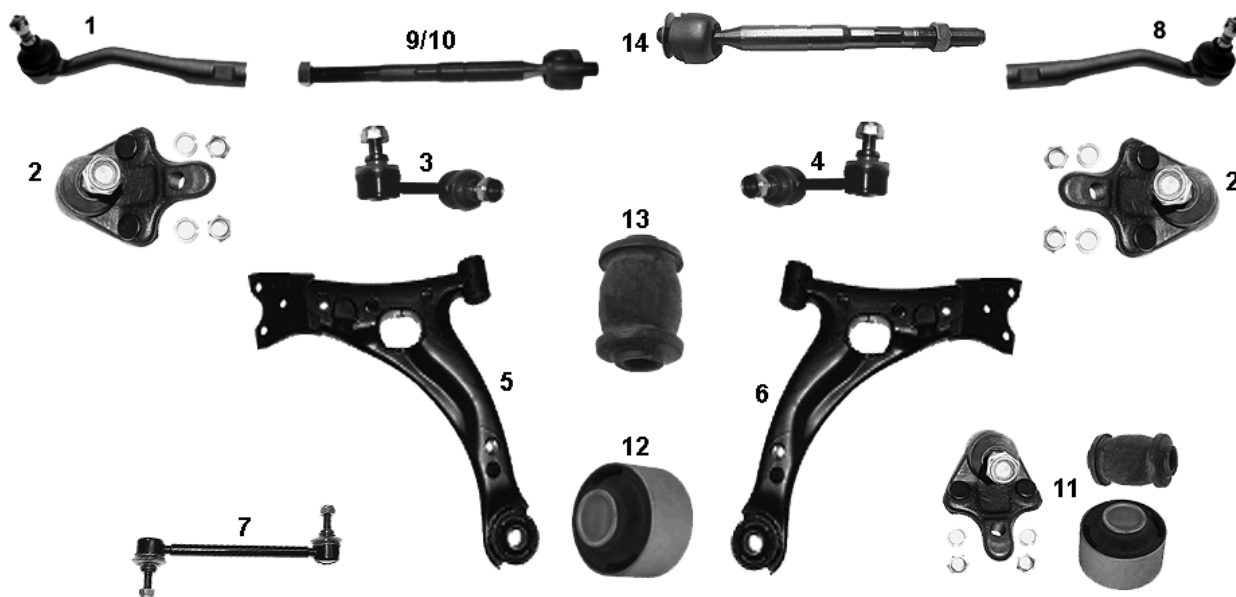


NR	MAPCO	REF			←	→	↑	↓			NEW	INFO
1	59279	45047-29045	✓		✓				✓	✓		
2	59275	45046-29165	✓			✓			✓	✓		
3	59265	45503-29165	✓		✓	✓			✓			SMI
4	59264	45503-29155	✓		✓	✓				✓		SMI



TOYOTA CARINA E (\_T19\_)

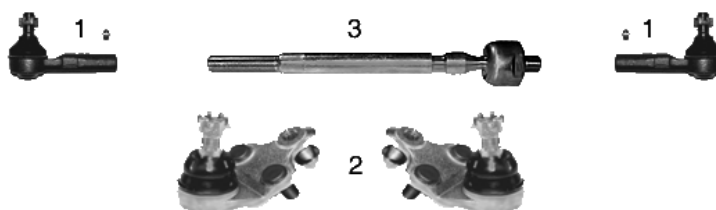
04/92 → 09/97



NR	MAPCO	REF			←	→	↑	↓			NEW	INFO
1	59281	45047-29075	✓		✓				✓	✓		
2	19571	43330-29375	✓		✓	✓			✓	✓		
3	19576	48810-20010	✓		✓				✓	✓		
4	19575	48820-20030	✓			✓			✓	✓		
5	49574	48069-20260	✓		✓				✓	✓		TYP A
6	49575	48068-20260	✓			✓			✓	✓		TYP A
7	49579HPS	48830-32010		✓	✓	✓			✓	✓		
8	59277	45046-29275	✓			✓			✓	✓		
9	49288	45503-29435	✓		✓	✓			✓	✓		Toyota Lenkung/ steering
10	49289	45503-05010	✓		✓	✓			✓	✓		ZF Lenkung/ steering
11	19252		✓		✓	✓			✓	✓		Kit
12	33563	48655-52014	✓		✓	✓			✓	✓		
13	33564	48654-20170	✓		✓	✓			✓	✓		
14	59270	45503-29475	✓		✓	✓			✓	✓		✓ 1.8 107 PS

TOYOTA CELICA (\_T16\_)

12/85 → 12/89



NR	MAPCO	REF			←	→	↑	↓			NEW	INFO
1	19560	45046-19175	✓		✓	✓			✓	✓		M14 x 1,5 RHT
2	59565	43330-29145	✓		✓	✓			✓	✓		
3	59332	45503-19036	✓		✓	✓			✓	✓		M14x1,5RHT 330mm

TOYOTA CELICA (_T18_) <span style="float: right;">10/89 → 01/94</span>												
NR	MAPCO	REF			←	→	↑	↓			NEW	INFO
1	59234	43330-29225	✓		✓	✓		✓	✓	✓		

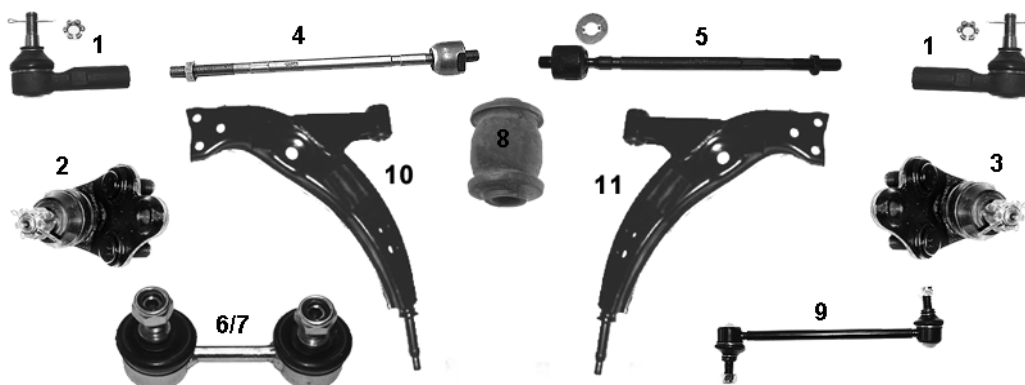
TOYOTA CELICA (_T20_) <span style="float: right;">11/93 → 11/99</span>												
NR	MAPCO	REF			←	→	↑	↓			NEW	INFO
1	19560	45046-29305	✓		✓	✓			✓	✓		
2	19571	43330-29375	✓		✓	✓			✓	✓		
3	49579HPS	48830-32010		✓	✓	✓			✓	✓		

TOYOTA CELICA (ZZT23) <span style="float: right;">11/99 →</span>												
NR	MAPCO	REF			←	→	↑	↓			NEW	INFO
1	51597HPS	48820-32010	✓		✓	✓			✓	✓		 285,0 mm

TOYOTA COROLLA EE80 – CE80 <span style="float: right;">12/84 → 12/87</span>												
NR	MAPCO	REF			←	→	↑	↓			NEW	INFO
1	19560	45046-19175	✓		✓	✓			✓	✓		M14 x 1,5 RHT
2	59323	43330-29137	✓		✓	✓			✓	✓		
3	59332	45503-19036	✓		✓	✓			✓	✓		M14x1,5RHT 330mm

**TOYOTA COROLLA AE 92, EE90**

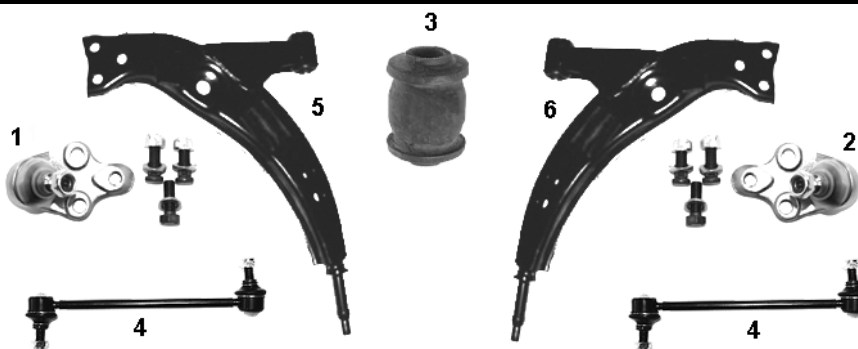
08/87 → 1992



NR	MAPCO	REF			←	→	↑	↓			NEW	INFO
1	19560	45046-19175	✓		✓	✓			✓	✓		M14 x 1,5 RHT
2	19561	43340-19015	✓		✓				✓	✓		
3	19562	43330-19065	✓			✓			✓	✓		
4	19564	45503-19125	✓		✓	✓				✓		
5	19565	45503-19135	✓		✓	✓			✓			
6	19574	48820-20010	✓		✓	✓			✓	✓		✓ 1600i
7	19572	48820-20021	✓		✓	✓			✓	✓		
8	33560	48654-12050	✓		✓	✓			✓	✓		
9	49579HPS	48830-20010		✓	✓	✓			✓	✓		
10	49276	48069-12110	✓		✓				✓	✓		
11	49277	48068-12110	✓			✓			✓	✓		

**TOYOTA COROLLA \_E9\_**

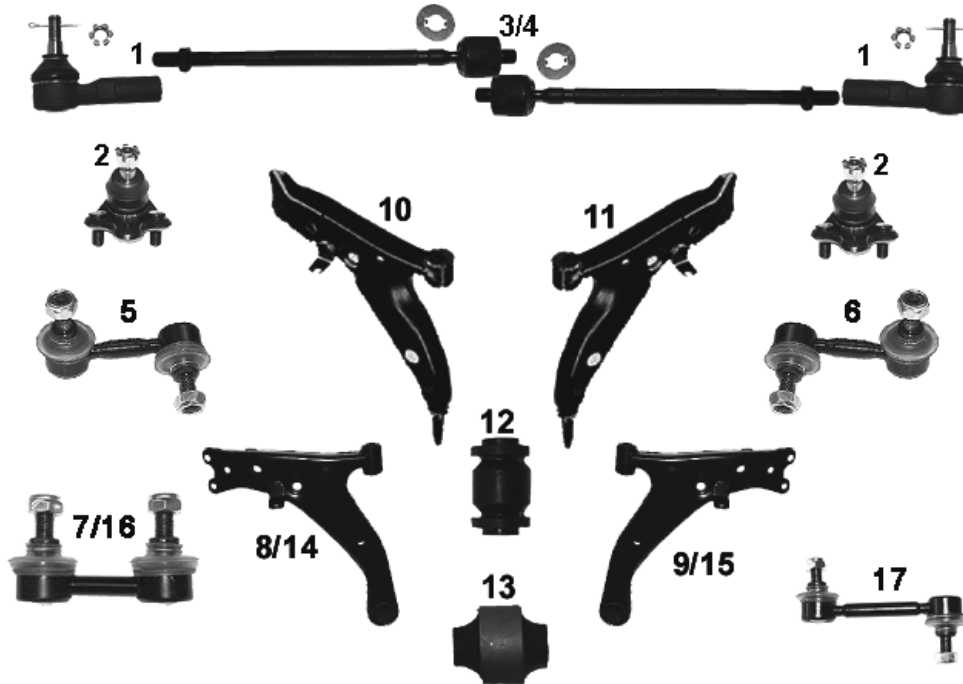
1988 → 06/92



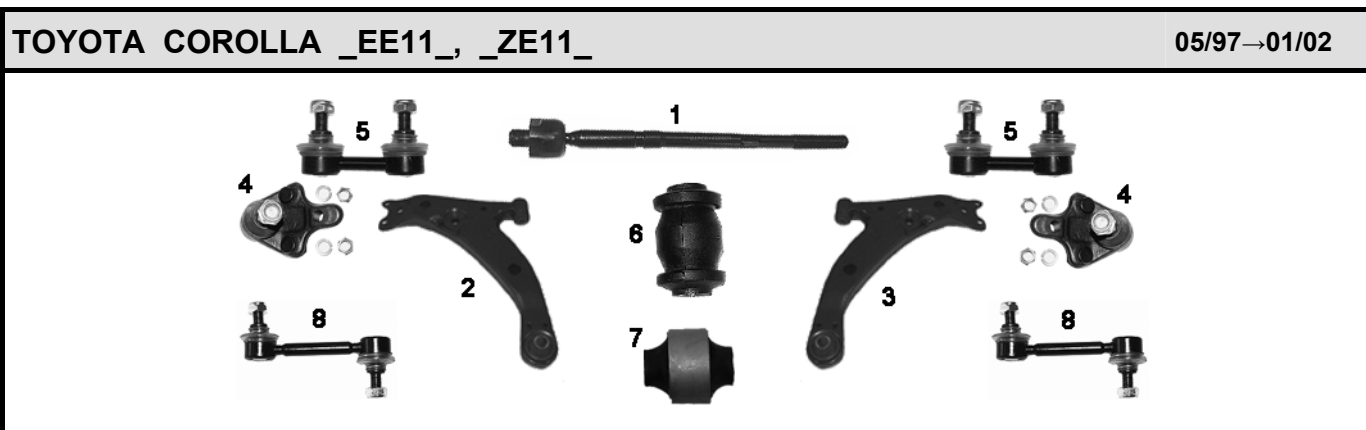
NR	MAPCO	REF			←	→	↑	↓			NEW	INFO
1	19568	43340-19016	✓		✓				✓	✓		
2	19569	43330-19066	✓			✓			✓	✓		
3	33560	48654-12050	✓		✓	✓			✓	✓		
4	49579HPS	48830-32010		✓	✓	✓			✓	✓		
5	49276	48069-12110	✓		✓				✓	✓		
6	49277	48068-12110	✓			✓			✓	✓		

TOYOTA COROLLA \_E10\_

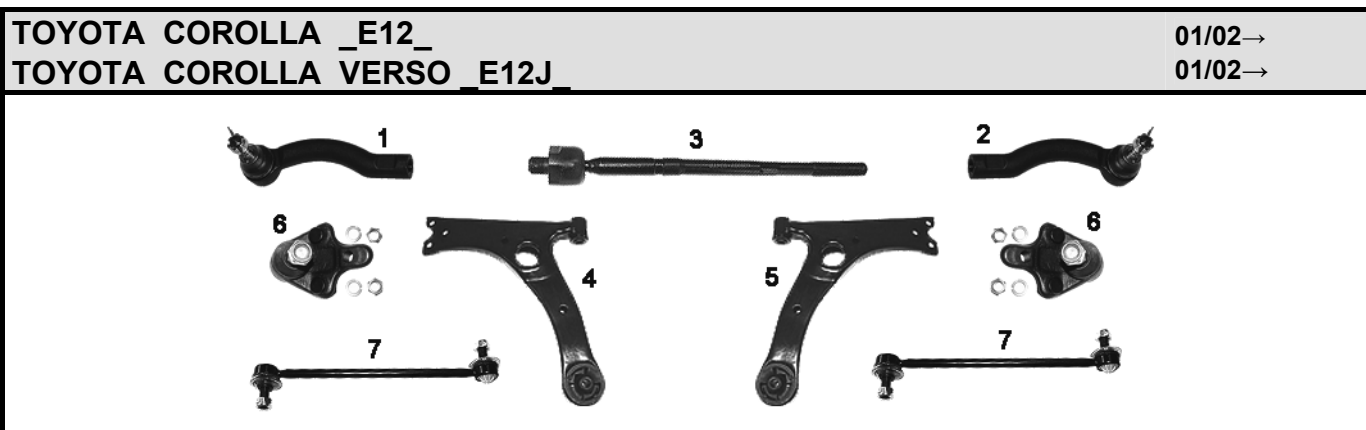
07/92→ 04/97



NR	MAPCO	REF			←	→	↑	↓			NEW	INFO
1	19560	45046-19175	✓		✓	✓			✓	✓		M14 x 1,5 RHT
2	19563	43330-29265	✓		✓	✓			✓	✓		
3	19566	45503-29385	✓		✓	✓				✓		
4	19567	45503-19215	✓		✓	✓			✓			
5	19577	48810-20020	✓		✓				✓	✓		
6	19578	48820-20040	✓			✓			✓	✓		
7	19572	48820-20021	✓		✓	✓			✓	✓		→12/93
8	49572	48069-12190	✓		✓				✓	✓		✓ _E 110
9	49573	48068-12190	✓			✓			✓	✓		✓ _E 110
10	49570	48069-12140	✓		✓				✓	✓		✓ _E100→05/1995
11	49571	48068-12140	✓			✓			✓	✓		✓ _E100→05/1995
12	33561	48654-12070	✓		✓	✓			✓	✓		
13	33562	48655-12120	✓		✓	✓			✓	✓		✓ AE 110
14	49550	48069-02010	✓		✓				✓	✓		✓ _E101 06/1995→
15	49551	48068-02010	✓			✓			✓	✓		✓ _E101 06/1995→
16	19573	48820-33010	✓		✓	✓			✓	✓		12/93→
17	49579HPS	48830-20010		✓	✓	✓			✓	✓		



NR	MAPCO	REF			←	→	↑	↓			NEW	INFO
1	51382	45503-12130	✓		✓	✓			✓	✓	✓	M14x1,5
2	49550	48069-02010	✓		✓				✓	✓		
3	49551	48068-02010	✓			✓			✓	✓		
4	49552	43330-19115	✓		✓	✓			✓	✓		
5	19573	48820-33010	✓		✓	✓			✓	✓		M10x1,25
6	33561	48654-12070-2	✓		✓	✓			✓	✓		
7	33562	48655-12120	✓		✓	✓			✓	✓		
8	49579HPS	48830-12060		✓	✓	✓			✓	✓		→08/98



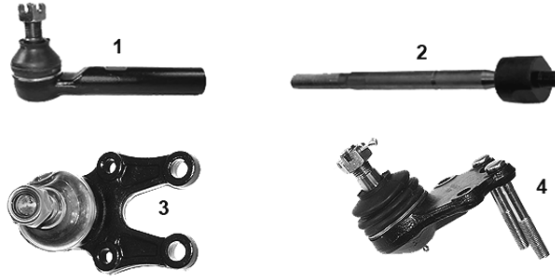
NR	MAPCO	REF			←	→	↑	↓			NEW	INFO
1	51380	45047-19115	✓		✓				✓	✓	✓	
2	51381	45046-19265	✓			✓			✓	✓	✓	
3	51382	45503-12130	✓		✓	✓			✓	✓	✓	M14x1,5
4	51560	48069-12260	✓		✓				✓	✓	✓	
5	51561	48068-12260	✓			✓			✓	✓	✓	
6	49552	43330-19115	✓		✓	✓			✓	✓		
7	51577HPS	48820-47010	✓		✓	✓			✓	✓	✓	285,0mm

**TOYOTA HIACE II** 03/83→ 11/89

NR	MAPCO	REF			←	→	↑	↓			NEW	INFO
1	59335	43330-29125	✓		✓	✓		✓	✓	✓		18,2mm  1

**TOYOTA HIACE III**

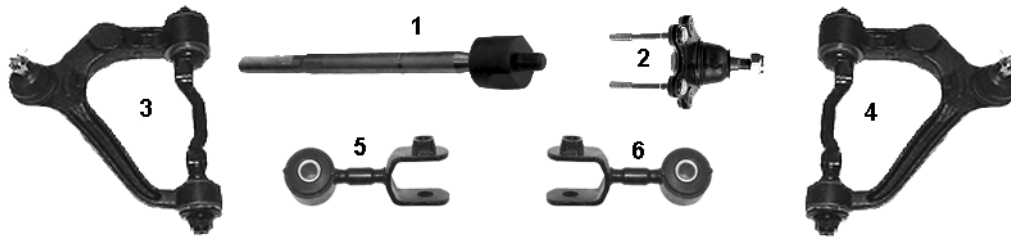
08/89→ 08/95



NR	MAPCO	REF								NEW	INFO
1	59238	45046-29215	✓	✓	✓			✓	✓		M17x1,5 RHT
2	59266	45503-29255	✓	✓	✓			✓	✓		
3	59335	43330-29125	✓	✓	✓		✓	✓	✓		18,2mm
4	59235	43350-29095	✓	✓	✓	✓		✓	✓		

**TOYOTA HIACE IV**

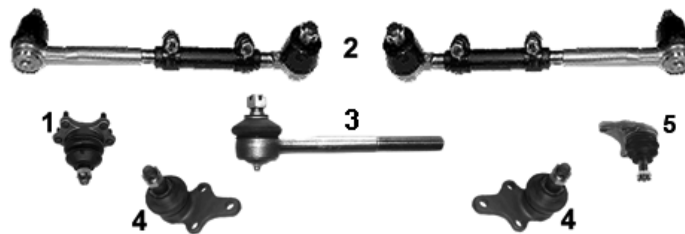
08/95→



NR	MAPCO	REF								NEW	INFO
1	59266	45503-29255	✓	✓	✓			✓	✓		
2	59235	43350-29095	✓	✓	✓	✓		✓	✓		
3	59285	48067-29075	✓	✓		✓		✓	✓		
4	59286	48066-29075	✓		✓	✓		✓	✓		
5	51588	48810-26030	✓	✓				✓	✓		
6	51589	48820-26030	✓		✓			✓	✓		

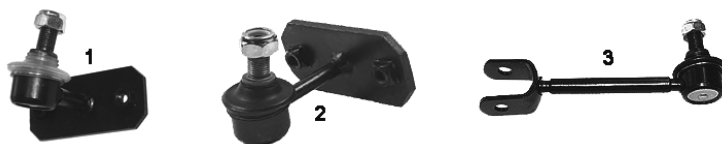
**TOYOTA HILUX Pick-up \_N\_**

01/84→



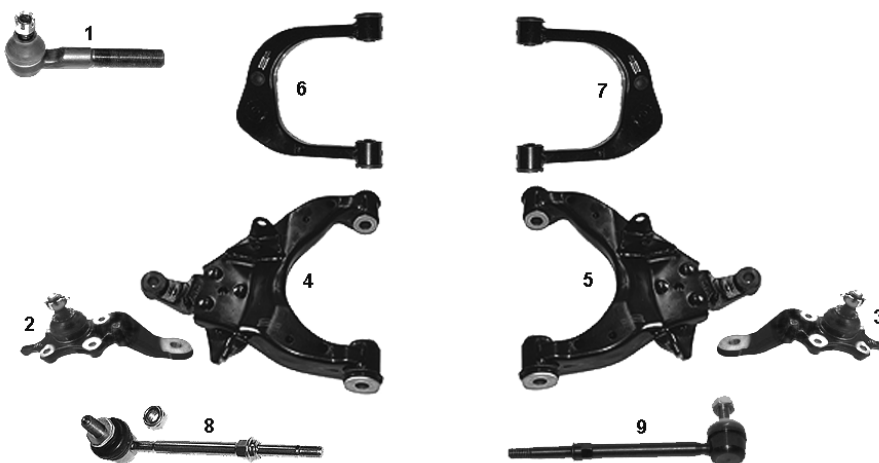
NR	MAPCO	REF								NEW	INFO
1	59261	43350-39045	✓	✓	✓	✓		✓	✓		17mm
2	59262	45460-29215	✓	✓	✓			✓	✓		
3	59282	45046-39125	✓	✓	✓			✓	✓		
4	59569	43330-39245	✓	✓	✓		✓	✓	✓		
5	59236	43350-39035	✓	✓	✓	✓		✓	✓		15mm

**TOYOTA LAND CRUISER (\_J7\_) 11/84→**  
**TOYOTA LAND CRUISER Hardtop (\_J7\_) 07/90→ 05/96**



NR	MAPCO	REF			←	→	↑	↓			NEW	INFO
1	51568	48810-60010	✓		✓				✓	✓		09/93→
2	51573	48820-60010	✓			✓			✓	✓		09/93→
3	51576	48830-60010		✓	✓	✓			✓	✓		09/93→

**TOYOTA LAND CRUISER (\_J9\_) 04/95→**



NR	MAPCO	REF			←	→	↑	↓			NEW	INFO
1	59237	45045-69065	✓		✓				✓	✓		M21x1,5 RHT
2	59353	43340-39325	✓		✓			✓	✓	✓		
3	59354	43330-39415	✓			✓		✓	✓	✓		
4	59391	48069-35081	✓		✓			✓	✓	✓		03/98→
5	59392	48068-35081	✓			✓		✓	✓	✓		03/98→
6	51571	48630-35020	✓		✓		✓		✓	✓		
7	51572	48610-35040	✓			✓	✓		✓	✓		
8	51569	48820-35030	✓		✓	✓			✓	✓		
9	51570	48830-35020		✓	✓	✓			✓	✓		

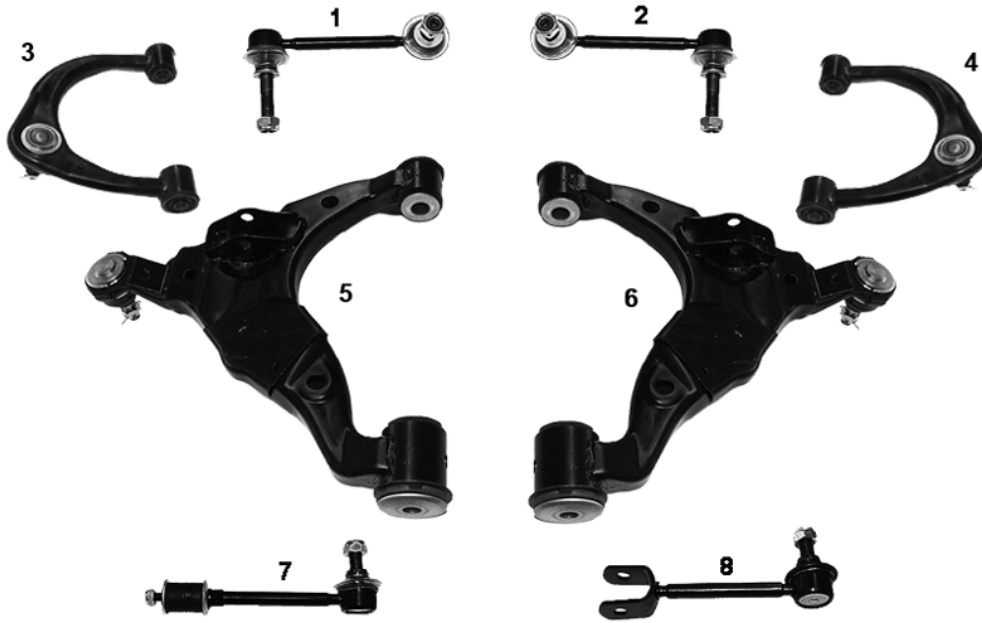
**TOYOTA LAND CRUISER 100 (\_J10\_) 01/98→**



NR	MAPCO	REF			←	→	↑	↓			NEW	INFO
1	51574	48820-60032	✓		✓	✓			✓	✓		
2	51584HPS	48820-30050	✓		✓				✓	✓		
3	51585HPS	48810-30030	✓			✓			✓	✓		

**TOYOTA LAND CRUISER (\_J12\_)**

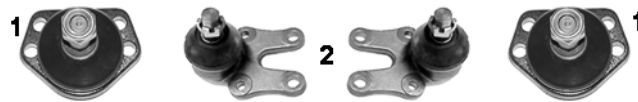
01/03→



NR	MAPCO	REF			←	→	↑	↓			NEW	INFO
1	51378HPS	48810-60040	✓		✓				✓	✓	✓	
2	51379HPS	48820-60050	✓			✓			✓	✓	✓	
3	51386	48630-60020	✓		✓		✓		✓	✓	✓	LEA
4	51387	48610-60050	✓			✓	✓		✓	✓	✓	LEA
5	51384	48069-60010	✓		✓			✓	✓	✓	✓	LEA
6	51385	48068-60010	✓			✓		✓	✓	✓	✓	LEA
7	51374HPS	48830-60030		✓	✓	✓			✓	✓	✓	
8	51576	48830-60010		✓	✓	✓			✓	✓		

**TOYOTA LITEACE**

10/85→ 01/92



NR	MAPCO	REF			←	→	↑	↓			NEW	INFO
1	51383	43350-29035	✓		✓	✓	✓		✓	✓	✓	15,0 mm
2	59318	43330-29115	✓		✓	✓		✓	✓	✓		16,8 mm

**TOYOTA MR 2 (\_W1\_)**

10/84→ 05/00

NR	MAPCO	REF			←	→	↑	↓			NEW	INFO
1	59334	43330-19025	✓		✓	✓		✓	✓	✓		14,3mm 



**TOYOTA PASEO**  08/95→03/99  
08/95→07/99



NR	MAPCO	REF			←	→	↑	↓			NEW	INFO
1	59263	45503-19155	✓		✓	✓			✓	✓		
2	59273	45046-19065	✓		✓	✓			✓	✓		
3	59274	45046-19213	✓		✓	✓			✓	✓		
4	59568	43340-19025	✓		✓			✓	✓	✓		
5	59288	48069-16060	✓		✓			✓	✓	✓		
6	59287	48068-16060	✓			✓		✓	✓	✓		
7	59564	43330-19025	✓			✓		✓	✓	✓		

**TOYOTA PICNIC (\_XM10)** 05/96 → 12/01



NR	MAPCO	REF			←	→	↑	↓			NEW	INFO
1	51373HPS	48820-44020	✓		✓	✓			✓	✓	✓	

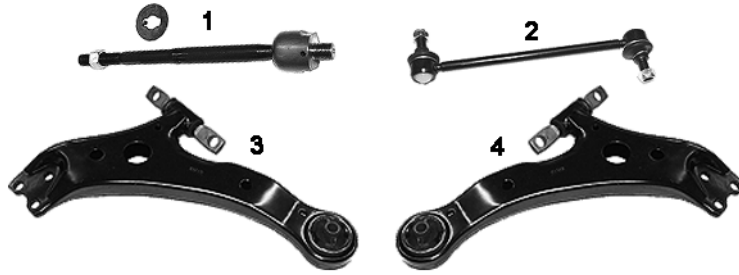
**TOYOTA PREVIA (TCR10)** 05/90 → 08/00



NR	MAPCO	REF			←	→	↑	↓			NEW	INFO
1	49283HPS	48810-28020	✓		✓				✓	✓		M10x1,25
2	49284HPS	48820-28030	✓			✓			✓	✓		M10x1,25
3	59267	45503-29295	✓		✓	✓			✓	✓		
4	59280	45047-29065	✓		✓				✓	✓		
5	59239	45046-29235	✓			✓			✓	✓		
6	59566	43330-29235	✓		✓	✓			✓	✓		
7	59361HPS	48810-28010	✓		✓				✓	✓		M12x1,25
8	59362HPS	48820-28010	✓			✓			✓	✓		M12x1,25

**TOYOTA PREVIA (ACR3\_)**

08/00 →



NR	MAPCO	REF			←	→	↑	↓			NEW	INFO
1	59293	45503-29765	✓		✓	✓			✓	✓		
2	59363HPS	48820-28050	✓		✓	✓			✓	✓		
3	51552	48069-33050	✓		✓				✓	✓		
4	51553	48068-33070	✓			✓			✓	✓		

**TOYOTA PRIUS**

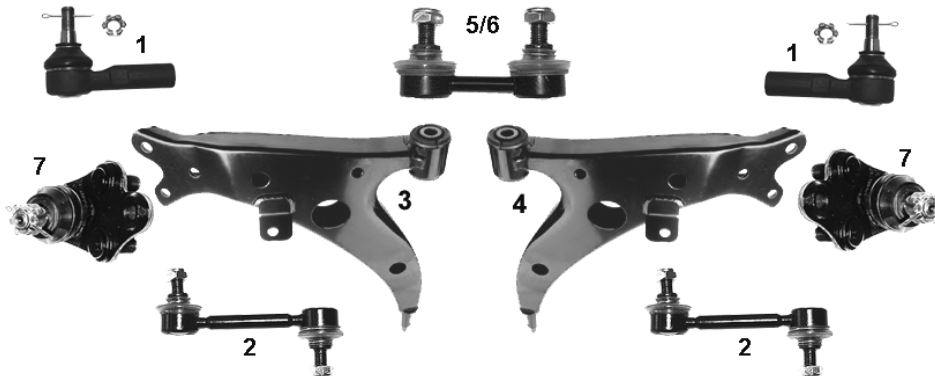
05/00 →



NR	MAPCO	REF			←	→	↑	↓			NEW	INFO
1	51380	45047-19115	✓		✓				✓	✓	✓	
2	51381	45046-19265	✓			✓			✓	✓	✓	
1	51577HPS	48820-47010	✓		✓	✓			✓	✓		285,0mm

**TOYOTA RAV 4 | 2.0 16V**

06/94 → 06/00



NR	MAPCO	REF			←	→	↑	↓			NEW	INFO
1	19560	45046-29305	✓		✓	✓			✓	✓		
2	49579HPS	48830-32010		✓	✓	✓			✓	✓		
3	49272	48069-42022	✓		✓				✓	✓		
4	49273	48068-42012	✓			✓			✓	✓		
5	49274HPS	48820-42010	✓		✓	✓			✓	✓		1997 →
6	19573	48820-33010	✓		✓	✓			✓	✓		1992 → 1997
7	19563	43330-19115	✓		✓	✓			✓	✓		

TOYOTA RAV 4 II (XA2)										06/00→		
NR	MAPCO	REF			←	→	↑	↓			NEW	INFO
1	59380	48069-42040	✓		✓				✓	✓		
2	59381	48068-42040	✓			✓			✓	✓		
3	49237HPS	48820-42020	✓		✓	✓			✓	✓		M10x1,25 260 mm

TOYOTA RAV 4 III										03/06 →		
NR	MAPCO	REF			←	→	↑	↓			NEW	INFO
1	51392	48820-02070	✓		✓	✓			✓	✓	✓	360 mm

TOYOTA STARLET _P7_										10/84→12/92		
NR	MAPCO	REF			←	→	↑	↓			NEW	INFO
1	59563	43330-19045	✓		✓	✓			✓	✓		

TOYOTA STARLET _P8_										12/89→03/96		
NR	MAPCO	REF			←	→	↑	↓			NEW	INFO
1	59263	45503-19195	✓		✓	✓			✓	✓		
2	59273	45046-19065	✓		✓	✓			✓	✓		
3	59274	45046-19213	✓		✓	✓			✓	✓		
4	59568	43340-19025	✓		✓			✓	✓	✓		
5	59564	43330-19025	✓			✓		✓	✓	✓		

**TOYOTA STARLET \_EP91\_**


04/96→03/99



NR	MAPCO	REF			←	→	↑	↓			NEW	INFO
1	59568	43340-19025	✓		✓				✓	✓		
2	59564	43330-19025	✓			✓			✓	✓		

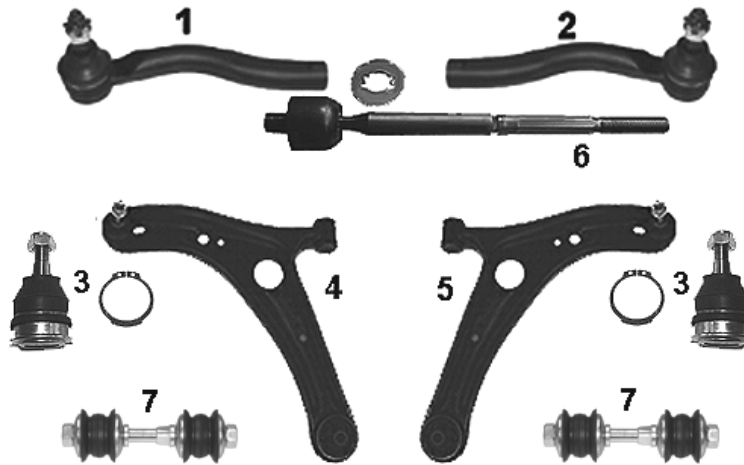
**TOYOTA TERCEL**

03/79→01/88

NR	MAPCO	REF			←	→	↑	↓			NEW	INFO
1	59334	43330-19025	✓		✓	✓		✓	✓	✓		 14,3mm

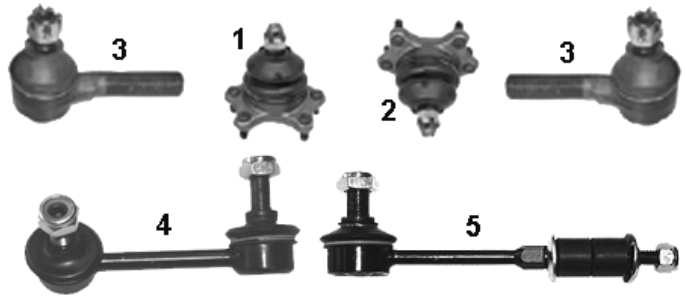
**TOYOTA YARIS (\_CP10)**

04/99→



NR	MAPCO	REF			←	→	↑	↓			NEW	INFO
1	59560	45047-59026	✓		✓				✓	✓		
2	59561	45046-59026	✓			✓			✓	✓		
3	59562	48069-59035part	✓		✓	✓		✓	✓	✓		
4	49568	48069-59035	✓		✓			✓	✓	✓		
5	49569	48068-59035	✓			✓		✓	✓	✓		
6	59294	45503-52010	✓		✓	✓			✓	✓		
7	51391	48819 52010	✓		✓	✓			✓	✓	✓	

TOYOTA 4-RUNNER (\_N130\_) 10/93 → 11/95



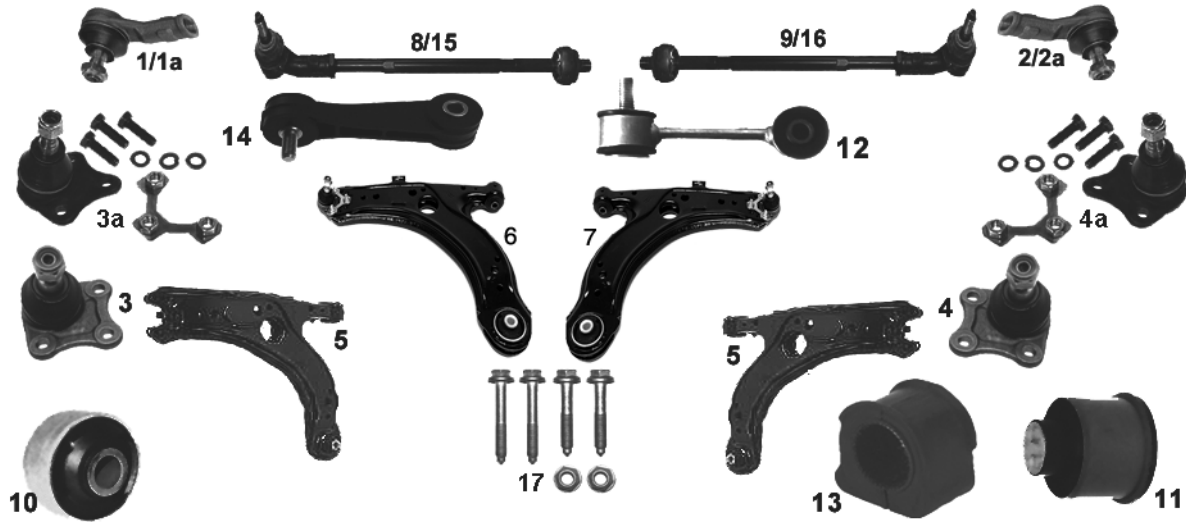
NR	MAPCO	REF								NEW	INFO
1	59261	43360-39085	✓	✓	✓	✓	✓	✓	✓		
2	59260	43330-39265	✓	✓	✓	✓	✓	✓	✓		
3	59278	45046-39235	✓	✓	✓			✓	✓		
4	51586	48820-35010	✓	✓	✓			✓	✓		
5	51587	48830-35010		✓	✓	✓		✓	✓		

**VERGLEICHNUMMERN DIENEN NUR ZUR BESSEREN IDENTIFIKATION UND DÜRFEN NICHT AUF RECHNUNGEN ERSCHEINEN!**  
**Reference numbers are used for better identification only!**  
**Références d'origine pour meilleure identification seulement!**

# VOLKSWAGEN

## VOLKSWAGEN BORA

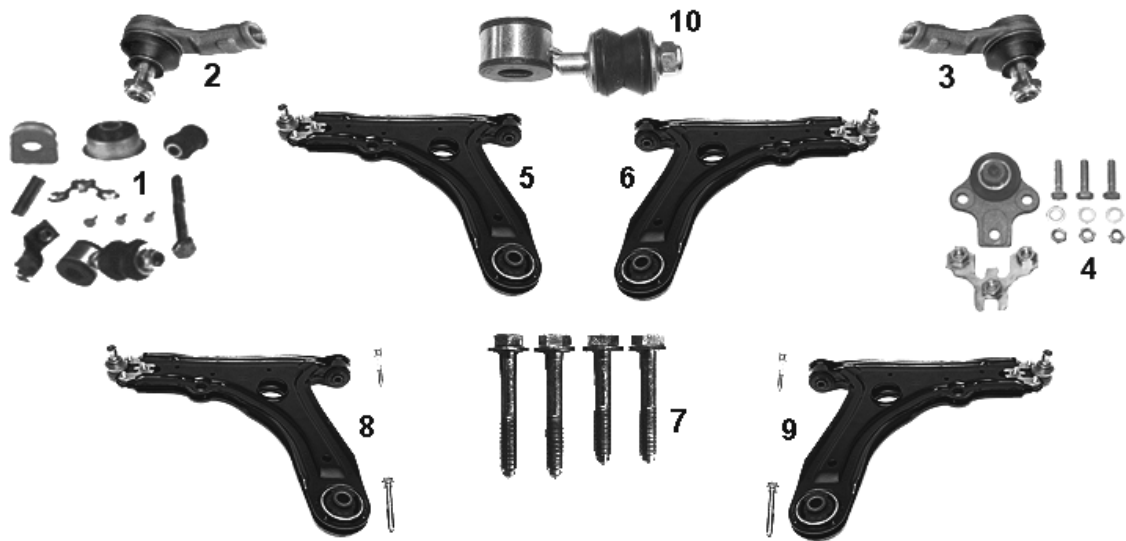
1996→



NR	MAPCO	REF								NEW	INFO
1	49700	1J0 422 811B	✓	✓				✓	✓		94mm M14x1,5RHT, Chassis WP050833→
1a	59895	1J0 422 811A	✓	✓				✓	✓		75mm M14x1,5RHT, Chassis →WP050832
2	49701	1J0 422 812B	✓		✓			✓	✓		94mm M14x1,5RHT, Chassis WP050833→
2a	59896	1J0 422 812A	✓		✓			✓	✓		75mm M14x1,5RHT, Chassis →WP050832
3	49702	1J0 407 365C	✓	✓				✓	✓		
3a	49702/1	1J0 407 365A	✓	✓				✓	✓		
4	49703	1J0 407 366C	✓		✓			✓	✓		
4a	49703/1	1J0 407 366A	✓		✓			✓	✓		
5	49704	1J0 407 151B	✓	✓	✓			✓	✓		
6	49704/1		✓	✓				✓	✓		5+3a
7	49704/2		✓		✓			✓	✓		5+4a
8	49690	1J0 422 803B	✓	✓				✓	✓		Chassis WP050833→
9	49691	1J0 422 804B	✓		✓			✓	✓		Chassis WP050833→
10	33903	1J0 407 181	✓	✓	✓			✓	✓		
11	33912	1J0 501 541C		✓	✓	✓		✓	✓		
12	49867	1J0 411 315C	✓	✓	✓			✓	✓		Stahl/steel 105mm, Ø 23mm
13	33927	1J0 411 314B	✓	✓	✓			✓	✓		Innen Ø 19mm
14	49868	1J0 411 315C	✓	✓	✓			✓	✓		Plastik 105mm Ø 21mm
15	49869	1J0 422 803A	✓	✓				✓	✓		Chassis→WP050832
16	49870	1J0 422 804A	✓		✓			✓	✓		Chassis→WP050832
17	95704		✓	✓	✓			✓	✓		MS

**VOLKSWAGEN CADDY II KASTEN (9K9)**

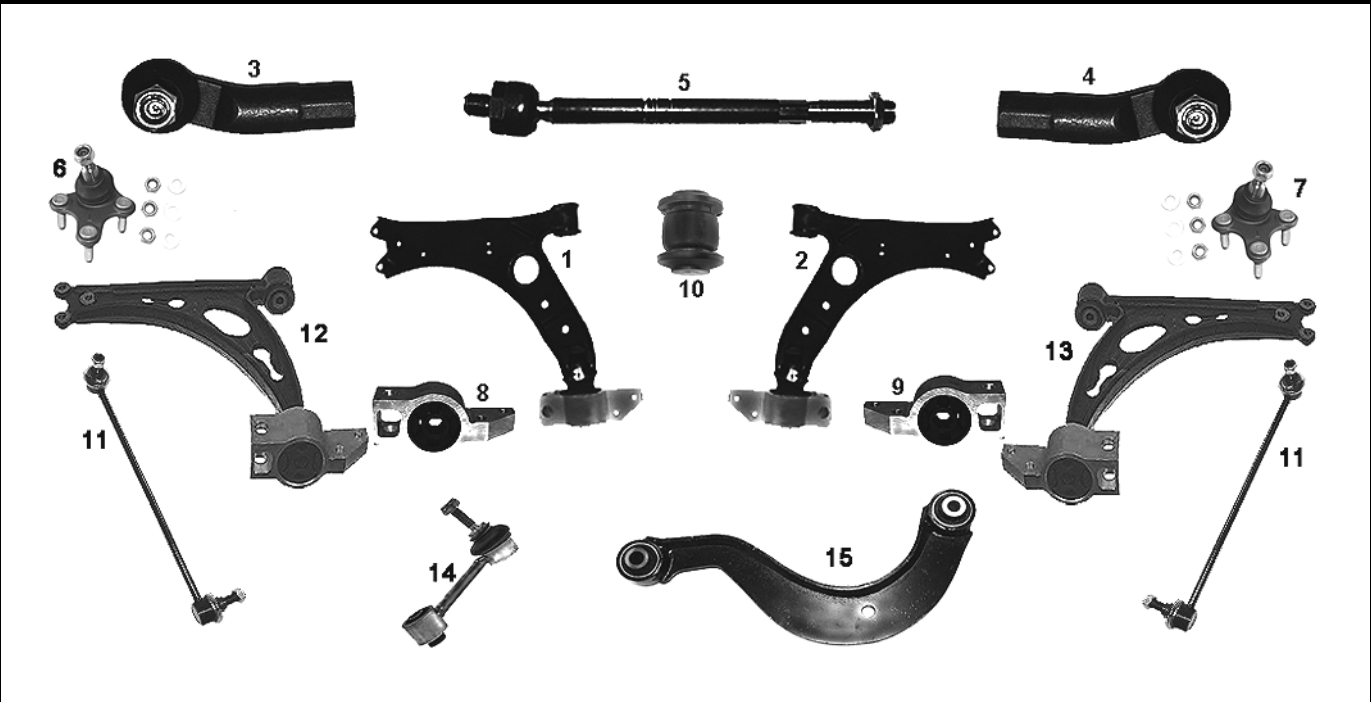
11/95→01/04



NR	MAPCO	REF								INFO	
1	33890		✓	✓	✓			✓	✓		
2	19877	191419811	✓		✓			✓	✓	M14x1,5RHT	
3	19878	191419812	✓		✓			✓	✓	M14x1,5RHT	
4	19889/1	357407365A	✓	✓	✓			✓	✓	19mm	
5	19858/1		✓		✓			✓	✓		
6	19858/2		✓		✓			✓	✓		
7	95858		✓	✓	✓			✓	✓	MS	
8	19858/7		✓	✓				✓	✓	+	
9	19858/8		✓		✓			✓	✓	+	
10	51862	191411315A	✓	✓	✓			✓	✓	✓	Ø 18 mm -> 9K V 525700

Volkswagen CADDY III Kombi / Kasten

03/04→

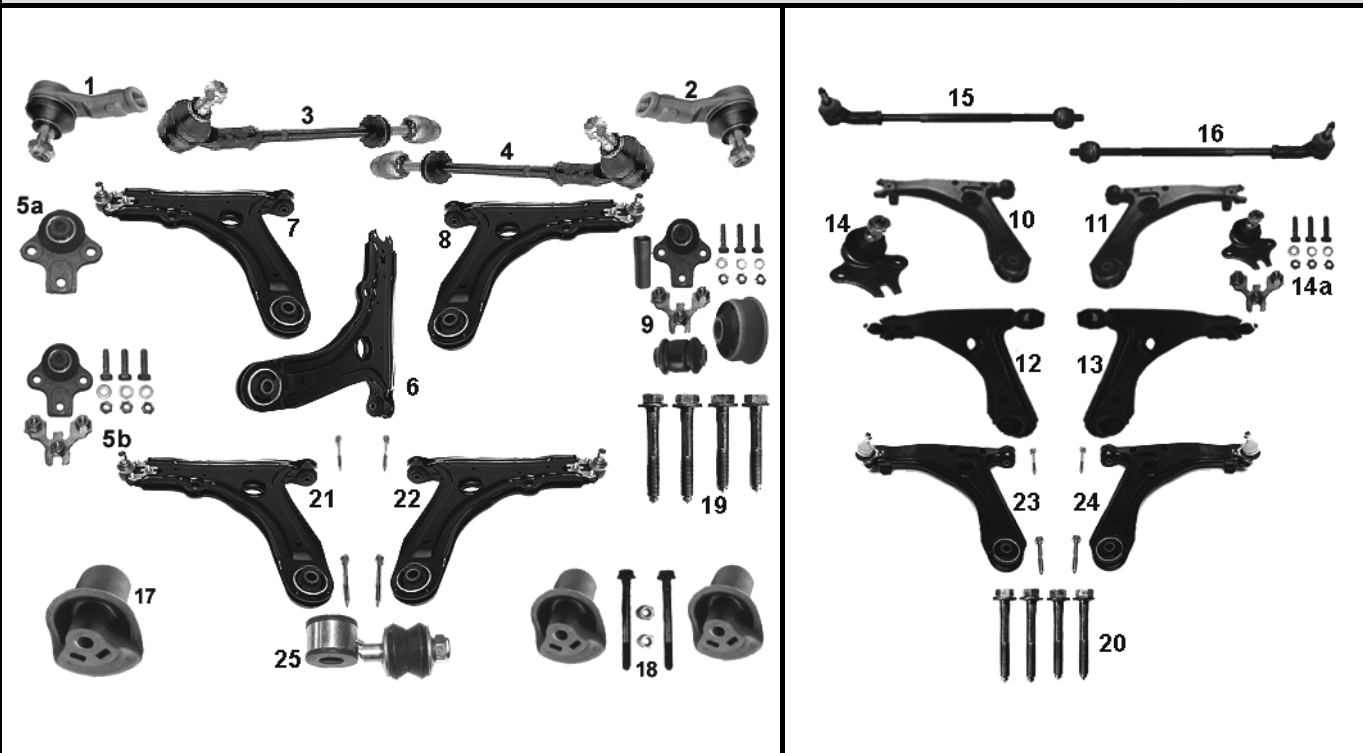


NR	MAPCO	REF									NEW	INFO
1	51715	1K0 407 151P	✓		✓			✓	✓	✓		
2	51716	1K0 407 152P	✓			✓		✓	✓	✓		
3	51826	1K0 423 811J	✓		✓				✓	✓		
4	51827	1K0 423 812J	✓			✓			✓	✓		
5	51723	1K0 423 810A	✓		✓	✓			✓	✓		M16x1,5RHT 310 mm
6	51724	1K0 407 365E	✓		✓			✓	✓	✓		Ø 16 mm
7	51725	1K0 407 366E	✓			✓		✓	✓	✓		Ø 16 mm
8	36948	1K0 199 231G	✓		✓			✓	✓	✓		
9	36949	1K0 199 232G	✓			✓		✓	✓	✓		
10	36950	1K0 407 182	✓		✓	✓		✓	✓	✓		
11	51825HPS	1K0 411 315D	✓		✓	✓		✓	✓	✓		
12	51726	1K0 407 151AC	✓		✓			✓	✓	✓		
13	51727	1K0 407 152AC	✓			✓		✓	✓	✓		
14	51829HPS	1K0 505 465C		✓	✓	✓			✓	✓		
15	52718	1K0 505 323H		✓	✓	✓	✓		✓	✓		



**VOLKSWAGEN CORRADO (53I)**

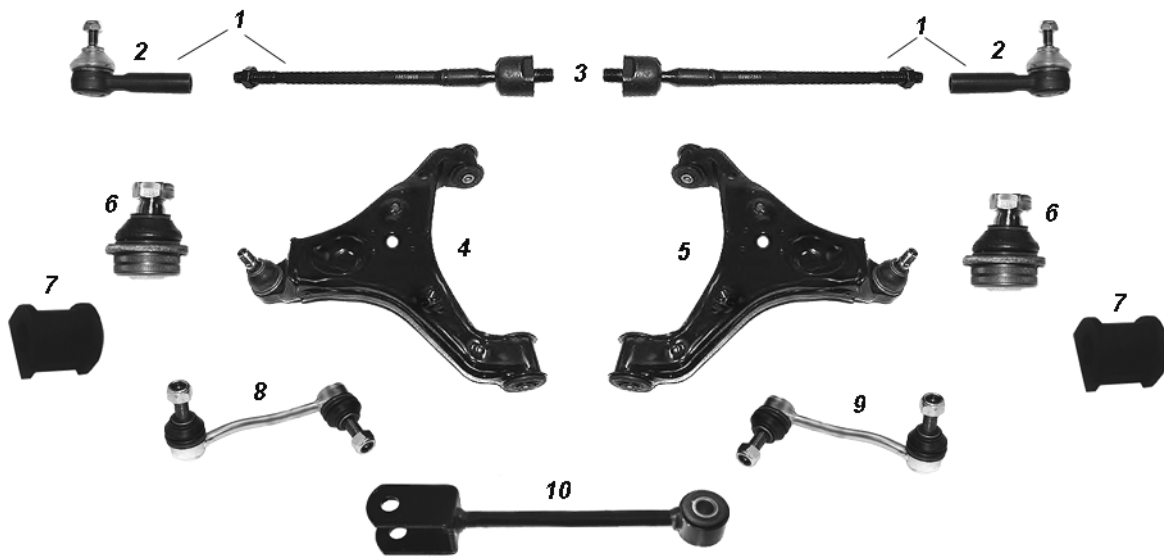
09/88→12/95



NR	MAPCO	REF								NEW	INFO
1	19877	191419811	✓		✓			✓	✓		M14x1,5RHT
2	19878	191419812	✓		✓			✓	✓		M14x1,5RHT
3	19860	191422803A	✓		✓			✓	✓		
4	19861	191422804A	✓		✓			✓	✓		
5a	19889	357407365A	✓	✓	✓			✓	✓		19mm
5b	19889/1	357407365A	✓	✓	✓			✓	✓		19mm
6	19858	191407153B	✓		✓	✓		✓	✓		
7	19858/1		✓		✓			✓	✓		6+5b
8	19858/2		✓		✓			✓	✓		6+5b
9	19289		✓		✓	✓		✓	✓		Kit
17	33833	191501541		✓	✓	✓		✓	✓		
18	33833/2	191501541S		✓	✓	✓		✓	✓		Kit
19	95858		✓		✓	✓		✓	✓	✓	MS
21	19858/7		✓		✓			✓	✓	✓	+  6+5b
22	19858/8		✓		✓			✓	✓	✓	+  6+5b
10	49664	1H0407151A	✓		✓			✓	✓		✓ 2.9 VR6
11	49665	1H0407152	✓		✓			✓	✓		✓ 2.9 VR6
12	49666		✓		✓			✓	✓		10+14a ✓ 2.9 VR6
13	49667		✓		✓			✓	✓		11+14a ✓ 2.9 VR6
14	19679	1H0407365	✓		✓	✓		✓	✓		16,5 mm ✓ 2.9 VR6
14a	19679/1	1H0407365S	✓		✓	✓		✓	✓		16,5 mm ✓ 2.9 VR6
15	49873	1H0422803A	✓		✓			✓	✓		TRW XTR-USA ✓ 2.9 VR6
16	49874	1H0422804A	✓		✓			✓	✓		TRW XTR-USA ✓ 2.9 VR6
20	95870		✓		✓	✓		✓	✓		MS ✓ 2.9 VR6
23	49666/7		✓		✓			✓	✓		+  10+14a ✓ 2.9 VR6
24	49667/7		✓		✓			✓	✓		+  11+14a ✓ 2.9 VR6
25	51862	191411315A	✓		✓	✓		✓	✓	✓	Ø 18 mm

VW CRAFTER 30- 50 (2E)

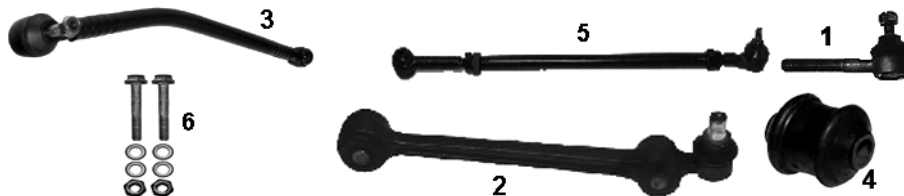
04/06→



NR	MAPCO	REF								NEW	INFO
1	52811	2E0 713 491	✓	✓	✓			✓	✓	✓	
2	52809	2E0 498 104	✓	✓	✓			✓	✓	✓	
3	52810	<a href="#">2E0 713 491part</a>	✓	✓	✓			✓	✓	✓	
4	52816	2E0 407 151M	✓	✓				✓	✓	✓	
5	52817	2E0 407 152M	✓		✓			✓	✓	✓	
6	52812	<a href="#">2E0407151M part</a>	✓	✓	✓			✓	✓	✓	
7	37837	6383230285	✓	✓	✓			✓	✓	✓	innen / inner Ø 24,0 mm
8	52813	2E0 411 317C	✓	✓				✓	✓	✓	
9	52814	2E0 411 318C	✓		✓			✓	✓	✓	
10	52815	2E0 511 051F		✓	✓	✓		✓	✓	✓	

VOLKSWAGEN DERBY

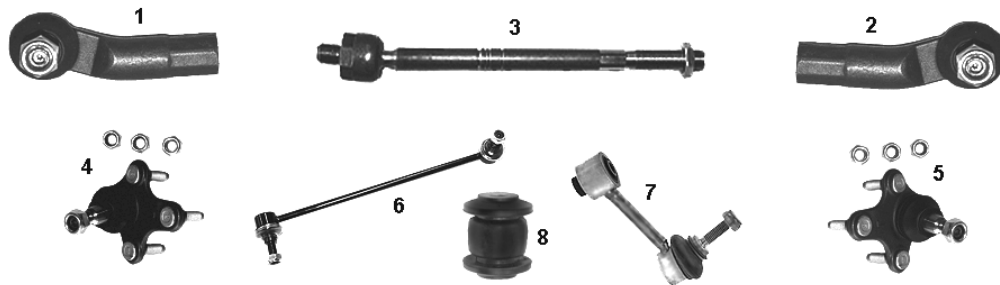
09/76→1984



NR	MAPCO	REF								NEW	INFO
1	19850	811419812	✓	✓	✓			✓	✓		M14x1,5RHT
2	19854	861407151B	✓	✓	✓			✓	✓		10/78 →84
3	19899	871419801A	✓	✓	✓			✓	✓		1977→84
4	33893	861407183	✓	✓				✓	✓		
5	49878	871419802	✓	✓	✓			✓	✓		1977→84
6	95854		✓	✓	✓			✓	✓		MS

**VOLKSWAGEN EOS**

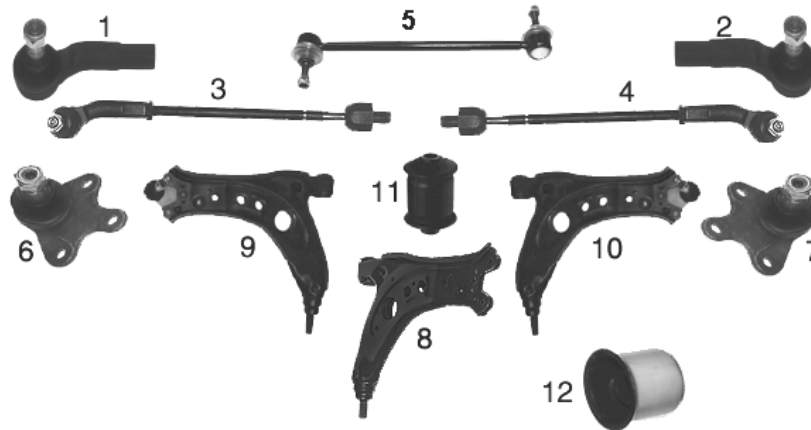
10/03→



NR	MAPCO	REF			←	→	↑	↓			NEW	INFO
1	51826	1K0 423 811J	✓		✓				✓	✓		
2	51827	1K0 423 812J	✓			✓			✓	✓		
3	51723	1K0 423 810A	✓		✓	✓			✓	✓		M16x1,5RHT 310 mm
4	51724	1K0 407 365E	✓		✓			✓	✓	✓		16,00 mm
5	51725	1K0 407 366E	✓			✓		✓	✓	✓		16,00 mm
6	51825HPS	1K0 411 315D	✓		✓	✓		✓	✓	✓		
7	51829HPS	1K0 505 465C		✓	✓	✓			✓	✓		
8	36950	1K0 407 182	✓		✓	✓		✓	✓	✓		

**VOLKSWAGEN FOX (5Z1)**

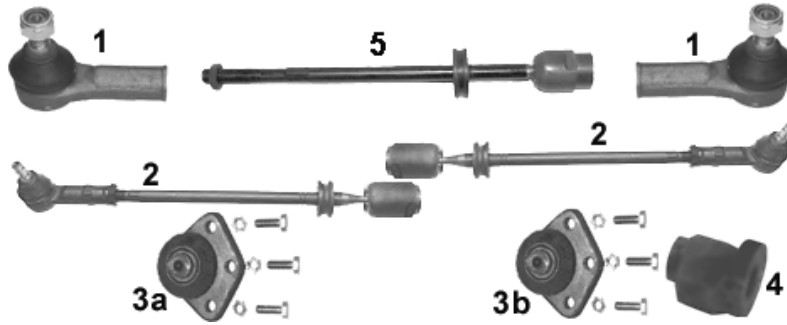
10/03→



NR	MAPCO	REF			←	→	↑	↓			NEW	INFO
1	59806	6Q0423811	✓		✓				✓	✓		
2	59807	6Q0423812	✓			✓			✓	✓		
3	59808	6Q0423803B	✓		✓				✓	✓		M14x1,5
4	59809	6Q0423804B	✓			✓			✓	✓		M14x1,5
5	59812HPS	6Q0411315C	✓		✓	✓			✓	✓		
6	59810	6Q0407365A	✓		✓				✓	✓		
7	59811	6Q0407366A	✓			✓			✓	✓		
8	59813	6Q0407151D	✓		✓	✓			✓	✓		
9	59813/1		✓			✓			✓	✓		6 + 8
10	59813/2		✓			✓			✓	✓		7 + 8
11	36938	6Q0407182A	✓		✓	✓			✓	✓		
12	36939	6Q0407183	✓		✓	✓			✓	✓		

VOLKSWAGEN GOLF I  
JETTA I  
SCIROCCO (53)

08/74→08/83  
08/79→08/83  
02/74→07/80

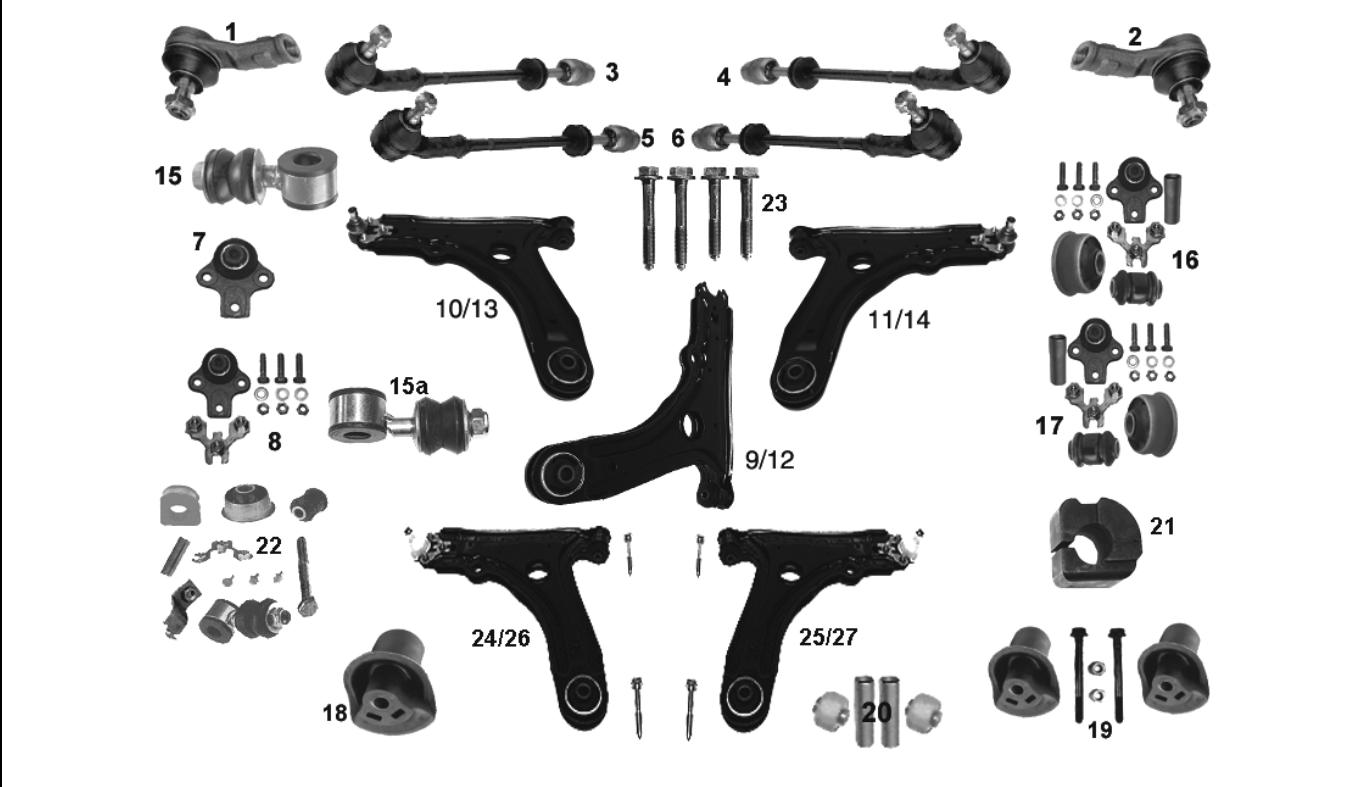


NR	MAPCO	REF			←	→	↑	↓			NEW	INFO
1	19874	171419812	✓		✓	✓			✓	✓		M14x1,5RHT
2	19891	171419804	✓		✓	✓			✓	✓		
3a	19875	171407365	✓		✓	✓			✓	✓		→10/77
3b	19876	171407365G	✓		✓	✓			✓	✓		11/77→
4	33820	171407181A	✓		✓	✓			✓	✓		
5	19891/1	171419821	✓		✓	✓			✓	✓		

**VERGLEICHNUMMERN DIENEN NUR ZUR BESSEREN IDENTIFIKATION UND DÜRFEN NICHT AUF RECHNUNGEN ERSCHEINEN!!!**  
**Reference numbers are used for better identification only !**  
**Références d'origine pour meilleure identification seulement !**

**VOLKSWAGEN GOLF II**  
**VOLKSWAGEN JETTA II**

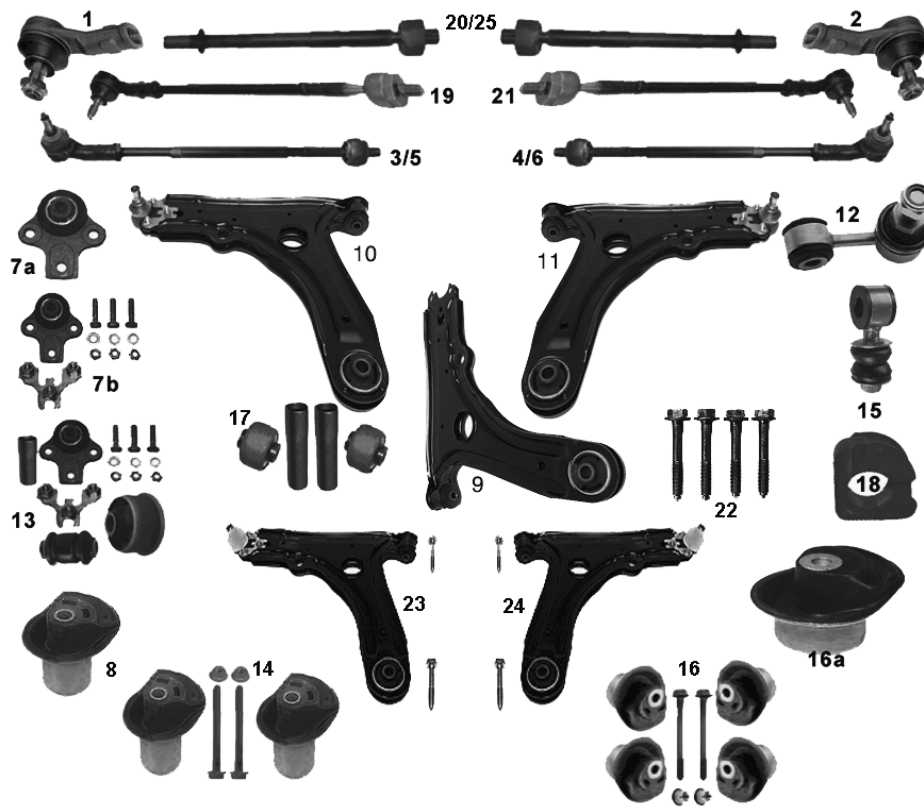
09/83→10/91



NR	MAPCO	REF								NEW	INFO
1	19877	191419811	✓	✓				✓	✓		M14x1,5RHT
2	19878	191419812	✓		✓			✓	✓		M14x1,5RHT
3	19892	191419803	✓	✓					✓		
4	19888	191419804	✓		✓				✓		
5	19860	191422803A	✓	✓				✓			
6	19861	191422804A	✓		✓			✓			
7	19879	191407365	✓	✓	✓			✓	✓		→07/87 Ø 17 mm
7	19889	357407365	✓	✓	✓			✓	✓		08/87→ Ø 19 mm
8	19879/1	191407365	✓	✓	✓			✓	✓		→07/87 Ø 17 mm
8	19889/1	357407365	✓	✓	✓			✓	✓		08/87→ Ø 19 mm
9	19855	191407153B	✓	✓	✓			✓	✓		→07/87
10	19855/1		✓	✓				✓	✓		→07/87 Ø 17 mm
11	19855/2		✓		✓			✓	✓		→07/87 Ø 17 mm
12	19858	191407153B	✓	✓	✓			✓	✓		08/87→
13	19858/1		✓	✓				✓	✓		08/87→ Ø 19 mm
14	19858/2		✓		✓			✓	✓		08/87→ Ø 19 mm
15	49850	191411315B	✓	✓	✓			✓	✓		
15a	51862	191411315A	✓	✓	✓			✓	✓	✓	Ø 18 mm
16	19279		✓	✓	✓			✓	✓		→07/87 Ø 17 mm Kit
17	19289		✓	✓	✓			✓	✓		08/87→ Ø 19 mm Kit
18	33833	191501541		✓	✓	✓		✓	✓		
19	33833/2	191501541S		✓	✓	✓		✓	✓		
20	33818/2		✓	✓	✓			✓	✓		Kit
21	33904	191411314	✓	✓	✓			✓	✓		Ø 17 mm
22	33890		✓	✓	✓			✓	✓		
23	95858		✓	✓	✓			✓	✓		MS
24	19855/7		✓	✓				✓	✓		+  →07/87 Ø 17 mm
25	19855/8		✓		✓			✓	✓		+  →07/87 Ø 17 mm
26	19858/7		✓	✓				✓	✓		+  08/87→ Ø 19 mm
27	19858/8		✓		✓			✓	✓		+  08/87→ Ø 19 mm

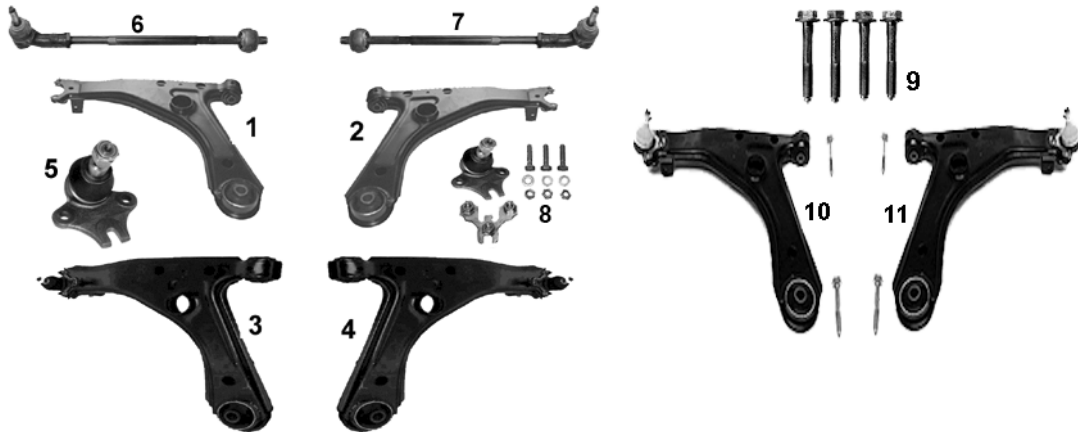
**VOLKSWAGEN GOLF III - JETTA II**  
**VOLKSWAGEN VENTO**

11/91→1997



NR	MAPCO	REF			←	→	↑	↓			NEW	INFO
1	19877	191419811	✓		✓				✓	✓		M14x1,5RHT
2	19878	191419812	✓			✓			✓	✓		M14x1,5RHT
3	19862	1H0419803	✓		✓					✓		1 + 25
4	19863	1H0419804	✓			✓				✓		2 + 25
5	19864	1H0422803	✓		✓				✓			TRW  MOTOR AAA, ABF, ABV, ADY, 2E
6	19865	1H0422804	✓			✓			✓			TRW  MOTOR AAA, ABF, ABV, ADY, 2E
7A	19889	357407365	✓		✓	✓			✓	✓		Ø 19 mm
7B	19889/1	357407365	✓		✓	✓			✓	✓		Ø 19 mm
8	33858	1H0501541A		✓	✓	✓			✓	✓		
9	19870	1H0407151	✓		✓	✓			✓	✓		
10	19870/1		✓		✓				✓	✓		Ø 19 mm
11	19870/2		✓			✓			✓	✓		Ø 19 mm
12	19853HPS	535411315	✓		✓	✓			✓	✓		✓ 2.0 16V - 2.8 VR6
13	19289		✓		✓	✓			✓	✓		Kit
14	33858/2	1H0501541AS		✓	✓	✓			✓	✓		
15	49850		✓		✓	✓			✓	✓		2.0 16V-2.8 VR6
16	33909/4	191411315B		✓	✓	✓			✓	✓		
16a	33909	1H9501541		✓	✓	✓			✓	✓		
17	33818/2		✓		✓	✓			✓	✓		Kit
18	33905	1H0411314	✓		✓	✓			✓	✓		19 mm
19	49672	1H0422803B	✓		✓				✓	✓		ZF
20	49672/1		✓		✓	✓			✓	✓		ZF
21	49673	1H0422804B	✓			✓			✓	✓		ZF
22	95870		✓		✓	✓			✓	✓		MS
23	19870/7		✓		✓				✓	✓		+  Ø 19 mm
24	19870/8		✓			✓			✓	✓		+  Ø 19 mm
25	52719	1H0419821A	✓		✓	✓			✓	✓	✓	

<b>VOLKSWAGEN</b>	GOLF III 2.0, 2.0 Gti 16V, 2.8 VR6,	11/91 → 08/97
	2.9 VR6 Syncro +	
	VENTO 2.0, 2.8 VR6	01/92 → 09/98



NR	MAPCO	REF			←	→	↑	↓			NEW	INFO
1	49664	1H0407151A	✓		✓				✓	✓		
2	49665	1H0407152	✓			✓			✓	✓		
3	49666		✓		✓					✓		
4	49667		✓			✓				✓		
5	19679	1H0407365	✓		✓	✓			✓	✓		16,5 mm
6	49873	1H0422803A	✓		✓				✓	✓		TRW XTR-USA
7	49874	1H0422804A	✓			✓			✓	✓		TRW XTR-USA
8	19679/1	1H0407365S	✓		✓	✓			✓	✓		16,5 mm
9	95870		✓		✓	✓			✓	✓		MS
10	49666/7		✓		✓					✓		+
11	49667/7		✓			✓				✓		+

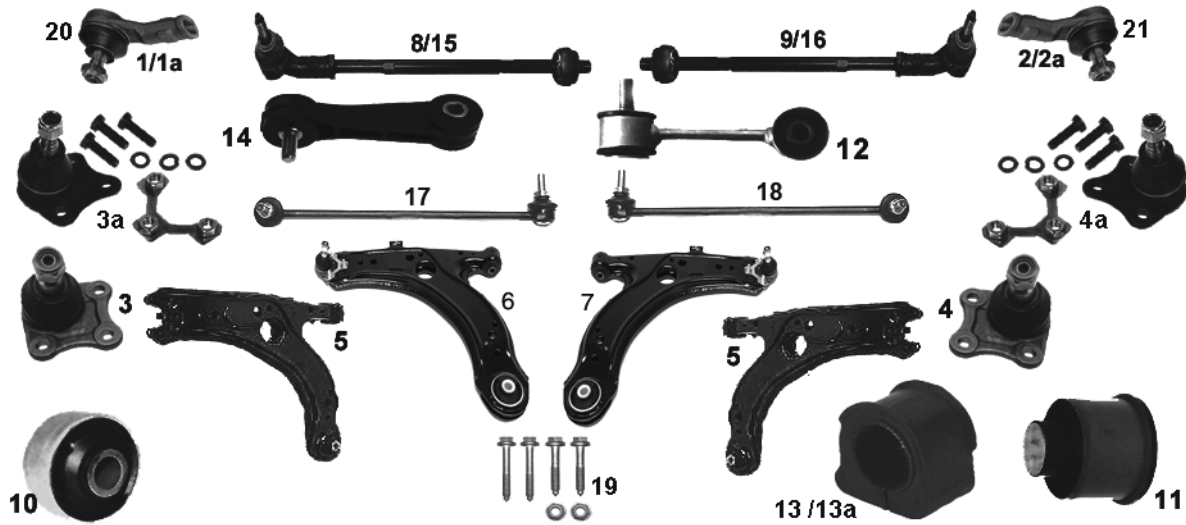
siehe/ see → Golf III

**VERGLEICHNUMMERN DIENEN NUR ZUR BESSEREN IDENTIFIKATION UND DÜRFEN NICHT AUF RECHNUNGEN ERSCHEINEN!!!**  
**Reference numbers are used for better identification only !**  
**Références d'origine pour meilleure identification seulement !**



**VOLKSWAGEN GOLF IV + Variant**

08/97→06/05

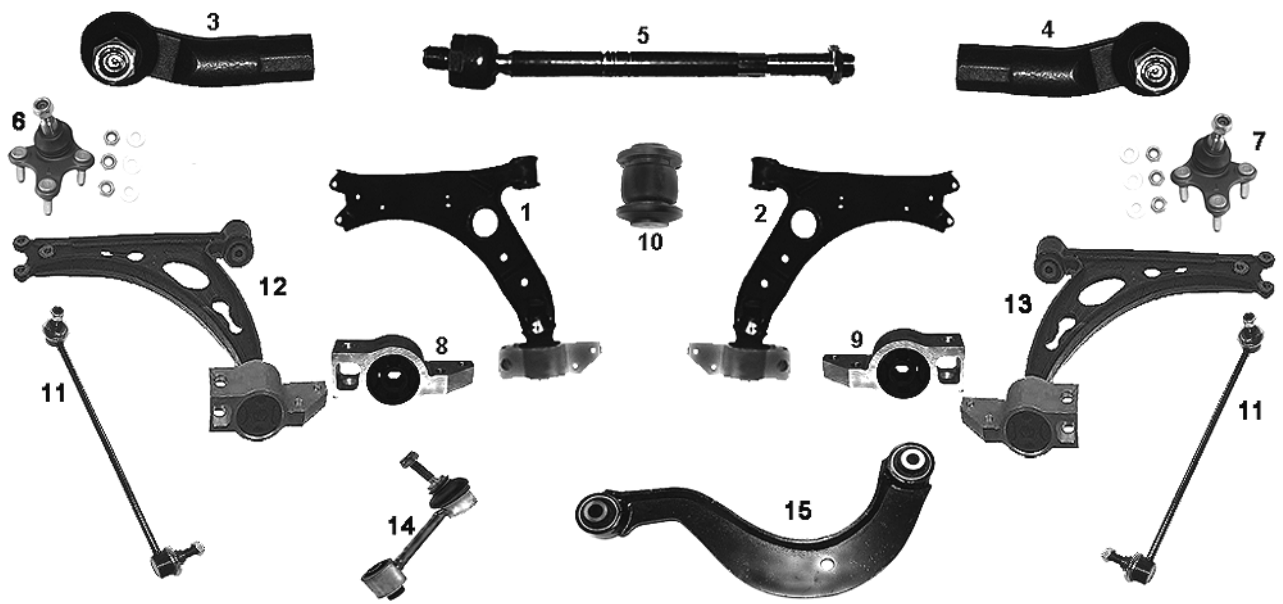


NR	MAPCO	REF								NEW	INFO
1	49700	1J0 422 811B	✓	✓				✓	✓		94mm M14x1,5RHT, Chassis WP050833→
1a	59895	1J0 422 811A	✓	✓				✓	✓		75mm M14x1,5RHT, Chassis →WP050832
2	49701	1J0 422 812B	✓		✓			✓	✓		94mm M14x1,5RHT, Chassis WP050833→
2a	59896	1J0 422 812A	✓		✓			✓	✓		75mm M14x1,5RHT, Chassis →WP050832
3	49702	1J0 407 365C	✓	✓				✓	✓		
3a	49702/1	1J0 407 365A	✓	✓				✓	✓		
4	49703	1J0 407 366C	✓		✓			✓	✓		
4a	49703/1	1J0 407 366A	✓		✓			✓	✓		
5	49704	1J0 407 151B	✓	✓	✓			✓	✓		
6	49704/1		✓	✓				✓	✓		5+3a
7	49704/2		✓		✓			✓	✓		5+4a
8	49690	1J0 422 803B	✓	✓				✓	✓		Chassis WP050833→
9	49691	1J0 422 804B	✓		✓			✓	✓		Chassis WP050833→
10	33903	1J0 407 181	✓	✓	✓			✓	✓		3.2 R32, RSI 3.2
10	36772	8N0 407 181B	✓	✓	✓			✓	✓		✓ 3.2 R32, RSI 3.2
11	33912	1J0 501 541C		✓	✓	✓		✓	✓		
12	49867	1J0 411 315C	✓	✓	✓			✓	✓		Stahl/steel 105mm, Ø 23mm
13	33927	1J0 411 314B	✓	✓	✓			✓	✓		Innen/ inner Ø 19mm
13a	33824	1J0 411 314G	✓	✓	✓			✓	✓		Innen/ inner Ø 23mm
14	49868	1J0 411 315C	✓	✓	✓			✓	✓		Plastik 105mm Ø 21mm
15	49869	1J0 422 803A	✓	✓				✓	✓		Chassis→WP050832
16	49870	1J0 422 804A	✓		✓			✓	✓		Chassis→WP050832
17	59852HPS	68510 017	✓	✓				✓	✓		
18	59853HPS	68510 018	✓		✓			✓	✓		
19	95704		✓	✓	✓			✓	✓		MS
20	51711	8N0 422 811A	✓	✓				✓			16x1,5RHT ✓ 3.2 R32 4motion
21	51712	8N0 422 812A	✓		✓			✓			16x1,5RHT ✓ 3.2 R32 4motion



**VOLKSWAGEN GOLF V (1K1)**

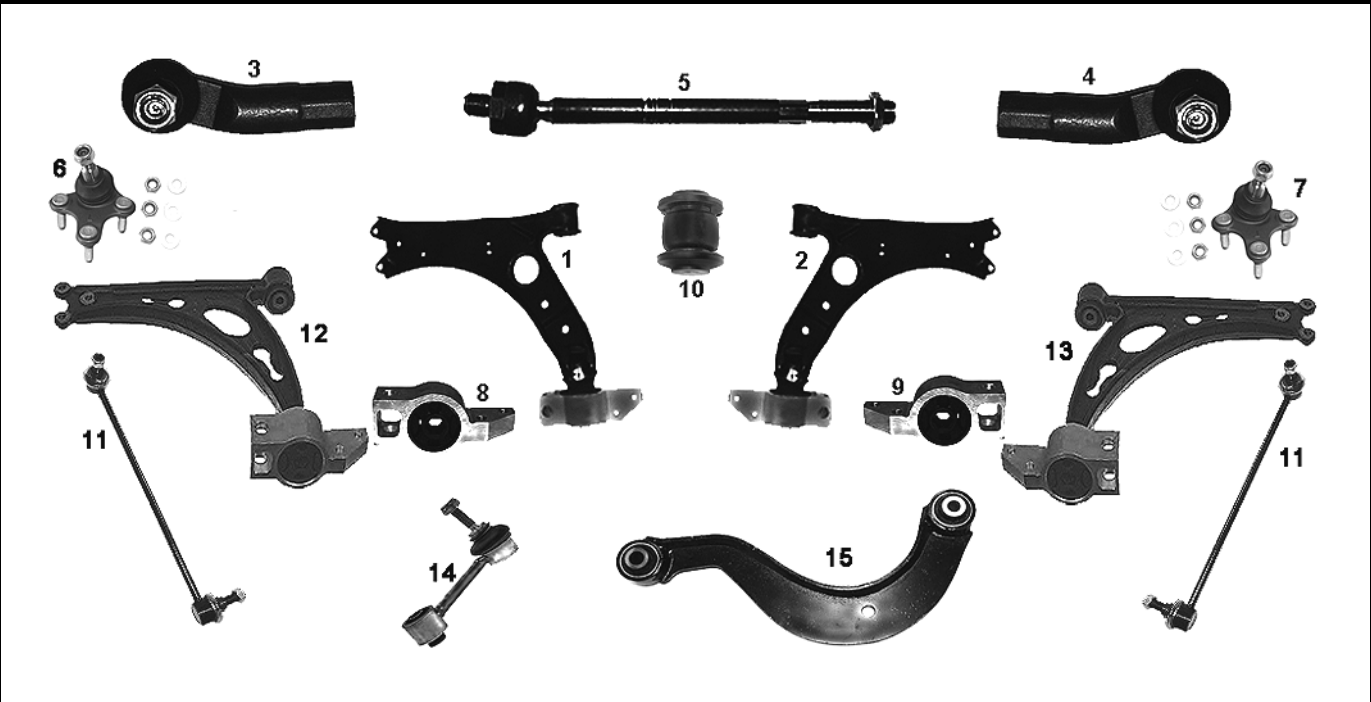
10/03→



NR	MAPCO	REF			←	→	↑	↓			NEW	INFO
1	51715	1K0 407 151P	✓		✓			✓	✓	✓		
2	51716	1K0 407 152P	✓			✓		✓	✓	✓		
3	51826	1K0 423 811J	✓		✓				✓	✓		
4	51827	1K0 423 812J	✓			✓			✓	✓		
5	51723	1K0 423 810A	✓		✓	✓			✓	✓		M16x1,5RHT 310 mm
6	51724	1K0 407 365E	✓		✓			✓	✓	✓		Ø 16 mm
7	51725	1K0 407 366E	✓			✓		✓	✓	✓		Ø 16 mm
8	36948	1K0 199 231G	✓		✓			✓	✓	✓		
9	36949	1K0 199 232G	✓			✓		✓	✓	✓		
10	36950	1K0 407 182	✓		✓	✓		✓	✓	✓		
11	51825HPS	1K0 411 315D	✓		✓	✓		✓	✓	✓		
12	51726	1K0 407 151AC	✓		✓			✓	✓	✓		
13	51727	1K0 407 152AC	✓			✓		✓	✓	✓		
14	51829HPS	1K0 505 465C		✓	✓	✓			✓	✓		
15	52718	1K0 505 323H		✓	✓	✓	✓		✓	✓		

**VOLKSWAGEN GOLF V PLUS (1KP)**

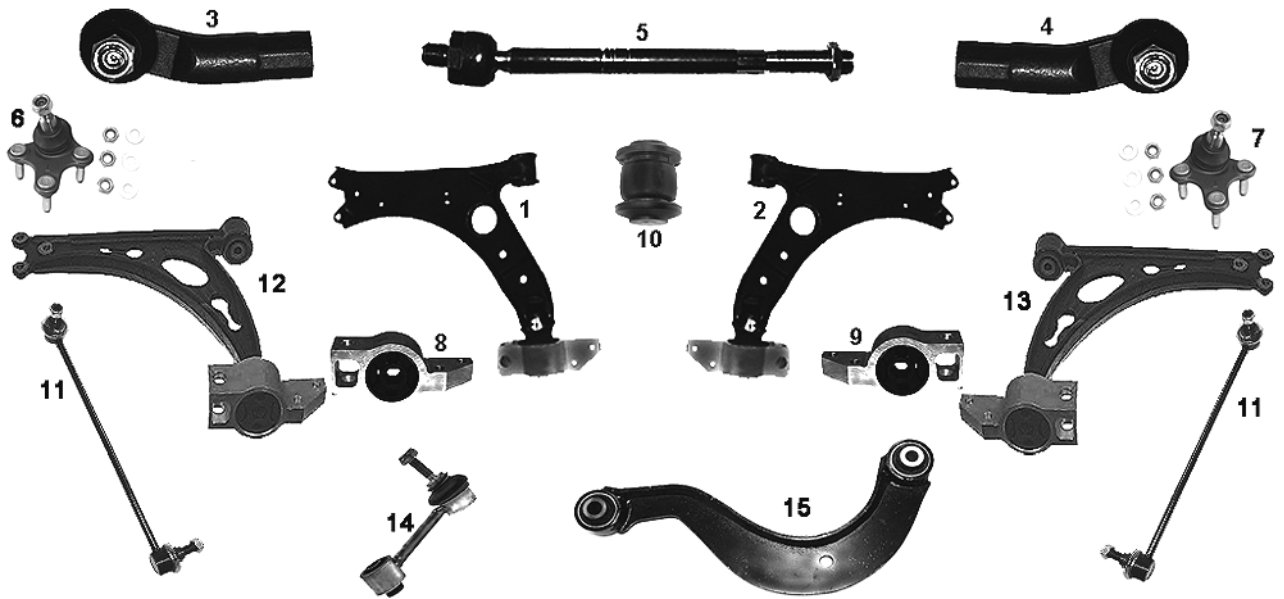
01/05→



NR	MAPCO	REF			←	→	↑	↓			NEW	INFO
1	51715	1K0 407 151P	✓		✓			✓	✓	✓		
2	51716	1K0 407 152P	✓			✓		✓	✓	✓		
3	51826	1K0 423 811J	✓		✓				✓	✓		
4	51827	1K0 423 812J	✓			✓			✓	✓		
5	51723	1K0 423 810A	✓		✓	✓			✓	✓		M16x1,5RHT 310 mm
6	51724	1K0 407 365E	✓		✓			✓	✓	✓		Ø 16 mm
7	51725	1K0 407 366E	✓			✓		✓	✓	✓		Ø 16 mm
8	36948	1K0 199 231G	✓		✓			✓	✓	✓		
9	36949	1K0 199 232G	✓			✓		✓	✓	✓		
10	36950	1K0 407 182	✓		✓	✓		✓	✓	✓		
11	51825HPS	1K0 411 315D	✓		✓	✓		✓	✓	✓		
12	51726	1K0 407 151AC	✓		✓			✓	✓	✓		
13	51727	1K0 407 152AC	✓			✓		✓	✓	✓		
14	51829HPS	1K0 505 465C		✓	✓	✓			✓	✓		
15	52718	1K0 505 323H		✓	✓	✓	✓		✓	✓		

Volkswagen JETTA III (1KM)

08/05→



NR	MAPCO	REF			←	→	↑	↓			NEW	INFO
1	51715	1K0 407 151P	✓		✓			✓	✓	✓		
2	51716	1K0 407 152P	✓			✓		✓	✓	✓		
3	51826	1K0 423 811J	✓		✓				✓	✓		
4	51827	1K0 423 812J	✓			✓			✓	✓		
5	51723	1K0 423 810A	✓		✓	✓			✓	✓		M16x1,5RHT 310 mm
6	51724	1K0 407 365E	✓		✓			✓	✓	✓		Ø 16 mm
7	51725	1K0 407 366E	✓			✓		✓	✓	✓		Ø 16 mm
8	36948	1K0 199 231G	✓		✓			✓	✓	✓		
9	36949	1K0 199 232G	✓			✓		✓	✓	✓		
10	36950	1K0 407 182	✓		✓	✓		✓	✓	✓		
11	51825HPS	1K0 411 315D	✓		✓	✓		✓	✓	✓		
12	51726	1K0 407 151AC	✓		✓			✓	✓	✓		
13	51727	1K0 407 152AC	✓			✓		✓	✓	✓		
14	51829HPS	1K0 505 465C		✓	✓	✓			✓	✓		
15	52718	1K0 505 323H		✓	✓	✓	✓		✓	✓		

VOLKSWAGEN KAEFER

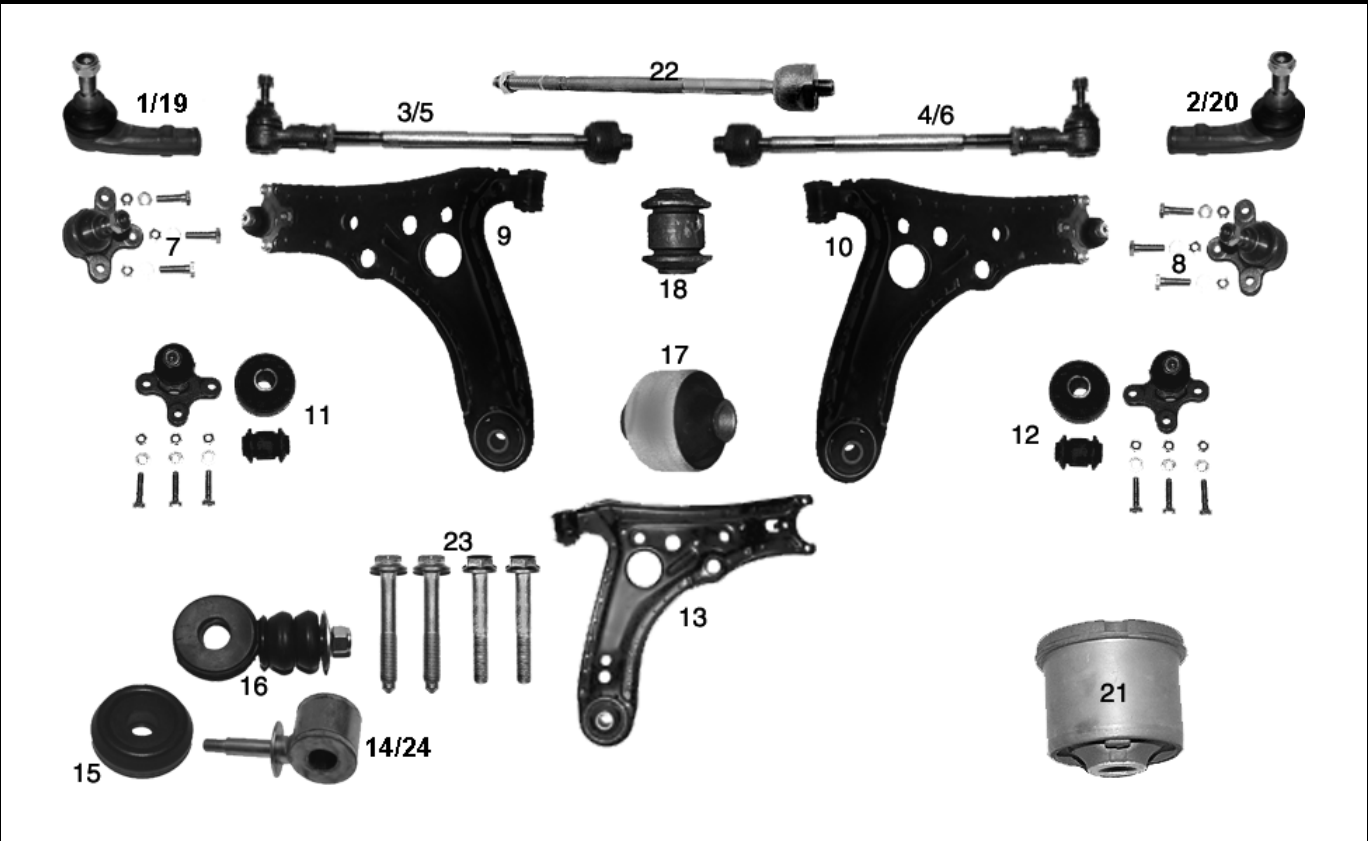
01/60→12/85



NR	MAPCO	REF			←	→	↑	↓			NEW	INFO
1	51800	131405361E	✓		✓	✓	✓		✓	✓		Ø 16 mm
2	51801	131405371G	✓		✓	✓		✓	✓	✓		Ø 15 mm
3	51807	131415813D	✓			✓			✓	✓		innen/inner M14x1,5 LHT
4	51810	113415821	✓		✓	✓			✓	✓		innen/inner M14x1,5RHT

VOLKSWAGEN LUPO

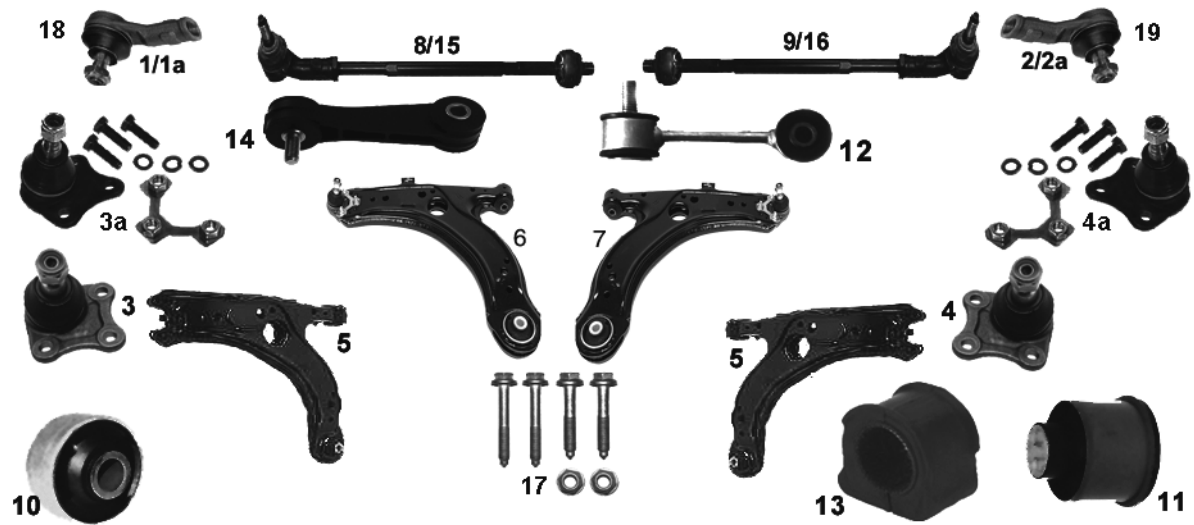
09/98→



NR	MAPCO	REF									NEW	INFO
1	19885	6N0419811	✓		✓						✓	M14 x 1,5 RHT
2	19886	6N0419812	✓			✓					✓	M14 x 1,5 RHT
3	19688	6N0419803	✓		✓						✓	
4	19689	6N0419804	✓			✓					✓	
5	59890	6X0422803A	✓		✓			✓				
6	59889	6X0422804A	✓			✓		✓				
7	19895	6N0407365	✓		✓			✓	✓			
8	19896	6N0407365A	✓			✓		✓	✓			
9	51819	6X0407151A	✓		✓			✓	✓			7+13
10	51820	6X0407151A	✓			✓		✓	✓			8+13
11	19295		✓		✓			✓	✓			Kit
12	19296		✓			✓		✓	✓			Kit
13	51819/1	6X0407151A	✓		✓	✓		✓	✓			
14	49862	6N0411315	✓		✓	✓		✓	✓			
15	49862/9	6N0411329	✓		✓	✓		✓	✓			
16	49862/1		✓		✓	✓		✓	✓			14 + 15
17	33835	6N0407181	✓		✓	✓		✓	✓			
18	33834	6N0407182	✓		✓	✓		✓	✓			
19	51822	6X0422811	✓		✓			✓				M14x1,5 RHT
20	51823	6X0422812	✓			✓		✓				M14x1,5 RHT
21	33937	6N0501541D		✓	✓	✓		✓	✓			
22	19696/1	6N0422821A	✓		✓	✓		✓				
23	95686		✓		✓	✓		✓	✓			MS
24	51821	6N0411315A	✓		✓	✓		✓	✓			✓ 1.4 16V 09/98→, Ø Innen/ inner 20,0mm

**VOLKSWAGEN NEW BEETLE**

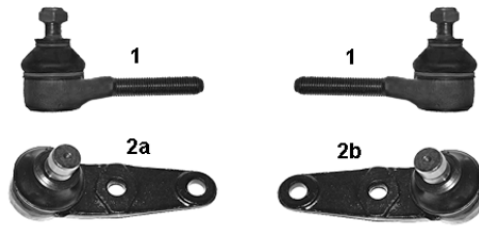
01/98→



NR	MAPCO	REF			←	→	↑	↓			NEW	INFO
1	49700	1J0 422 811B	✓		✓				✓	✓		94mm M14x1,5RHT, Chassis WP050833→
1a	59895	1J0 422 811A	✓		✓				✓	✓		75mm M14x1,5RHT, Chassis →WP050832
2	49701	1J0 422 812B	✓			✓			✓	✓		94mm M14x1,5RHT, Chassis WP050833→
2a	59896	1J0 422 812A	✓			✓			✓	✓		75mm M14x1,5RHT, Chassis →WP050832
3	49702	1J0 407 365C	✓		✓				✓	✓		
3a	49702/1	1J0 407 365A	✓		✓				✓	✓		
4	49703	1J0 407 366C	✓			✓			✓	✓		
4a	49703/1	1J0 407 366A	✓			✓			✓	✓		
5	49704	1J0 407 151B	✓		✓	✓			✓	✓		
6	49704/1		✓		✓				✓	✓		5+3a
7	49704/2		✓		✓				✓	✓		5+4a
8	49690	1J0 422 803B	✓		✓				✓	✓		Chassis WP050833→
9	49691	1J0 422 804B	✓		✓				✓	✓		Chassis WP050833→
10	33903	1J0 407 181	✓		✓	✓			✓	✓		
11	33912	1J0 501 541C		✓	✓	✓			✓	✓		
12	49867	1J0 411 315C	✓		✓	✓			✓	✓		Stahl/steel 105mm, Ø 23mm
13	33927	1J0 411 314B	✓		✓	✓			✓	✓		Innen Ø 19mm
14	49868	1J0 411 315C	✓		✓	✓			✓	✓		Plastik 105mm Ø 21mm
15	49869	1J0 422 803A	✓		✓				✓	✓		Chassis→WP050832
16	49870	1J0 422 804A	✓		✓				✓	✓		Chassis→WP050832
17	95704		✓		✓	✓			✓	✓		MS
18	51711	8N0 422 811A	✓		✓				✓			16x1,5RHT ✓ RSI 3.2
19	51712	8N0 422 812A	✓		✓				✓			16x1,5RHT ✓ RSI 3.2

**VOLKSWAGEN PASSAT - SANTANA - DASHER (USA)**

05/73→07/81

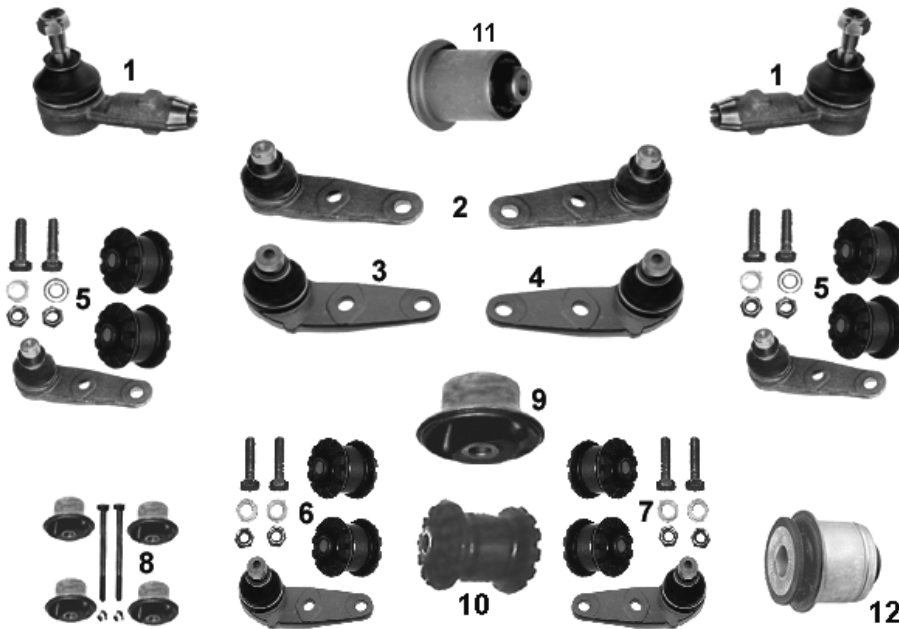


NR	MAPCO	REF			←	→	↑	↓			NEW	INFO
1	19850	811419812	✓		✓	✓				✓		M14x1,5RHT
2a	19856	823407365A	✓		✓	✓				✓		Ø 15 mm →08/77
2b	19857	823407365E	✓		✓	✓				✓		Ø 17 mm 09/77→

**VOLKSWAGEN PASSAT - SANTANA  
VOLKSWAGEN PASSAT SYNCRO (4WD)**

08/81→03/88

08/84→03/88

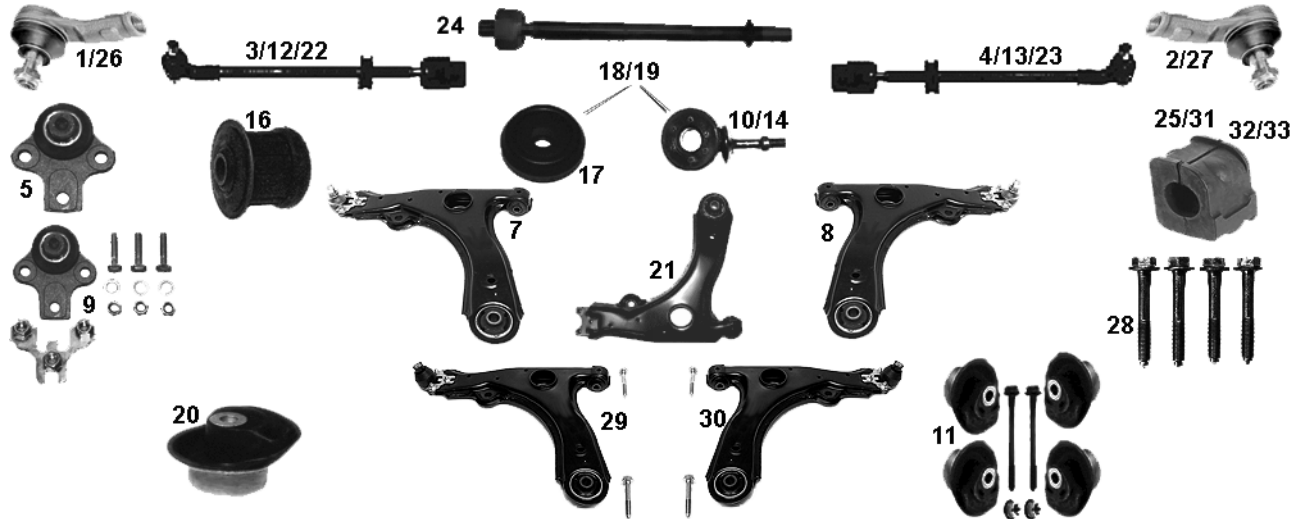


NR	MAPCO	REF			←	→	↑	↓			NEW	INFO
1	19890	811419812A	✓		✓					✓		M14x1,5RHT
2	19857	823407365E	✓		✓	✓				✓		Ø 17 mm
3	19893	855407365A	✓		✓					✓		Ø 17 mm
4	19894	855407366A	✓			✓				✓		Ø 17 mm
5	19257		✓		✓	✓					✓	Kit
6	19293		✓		✓					✓		Kit
7	19294		✓			✓				✓		Kit
8	33826/4			✓	✓	✓				✓	✓	
9	33826	321501541		✓	✓	✓				✓	✓	
10	33828	811407181A	✓		✓	✓				✓	✓	
11	33813	857407181	✓		✓	✓		✓	✓	✓		
12	33827	893199419	✓		✓	✓				✓	✓	



**VOLKSWAGEN PASSAT (\_35I) - PASSAT SYNCRO (4WD)**

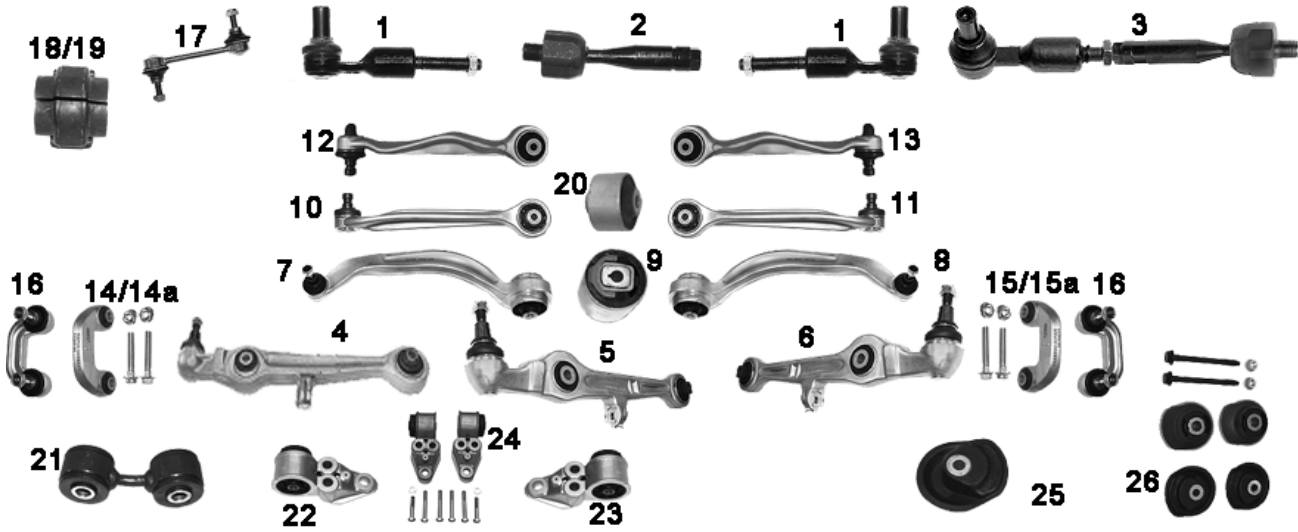
04/88→05/97



NR	MAPCO	REF									NEW	INFO
1	19877	191419811	✓		✓				✓	✓		M14x1,5RHT
2	19878	191419812	✓			✓			✓	✓		M14x1,5RHT
3	19871	357419803	✓		✓					✓		
3	19682	357422803	✓		✓				✓			TRW Chassis →3AR099264
4	19872	357419804	✓			✓				✓		
4	19683	357422804	✓			✓			✓			TRW Chassis →3AR099264
5	19889	357407365	✓		✓	✓			✓	✓		Chassis → 31N255989
7	19690	357407151	✓		✓				✓	✓		Chassis → 31N255989
8	19691	357407151	✓			✓			✓	✓		Chassis → 31N255989
9	19889/1	357407365	✓		✓	✓			✓	✓		Ø 19 mm Chassis → 31N255989
10	49860	357411315D	✓		✓	✓			✓	✓		Ø =21mm 08/93→1997
11	33871/4	3A0501541S		✓	✓	✓			✓	✓		<b>synchro</b>
12	49692	3A0422803C	✓		✓				✓	✓		Chassis 3AR099265 →
13	49693	3A0422804C	✓			✓			✓	✓		Chassis 3AR099265 →
14	49865	357411315C	✓		✓	✓			✓	✓		Ø 19mm 1988→7/93
16	33830	893199415	✓		✓	✓			✓	✓		
17	49860/9	357411329	✓		✓	✓			✓	✓		
18	49860/1	357411315D	✓		✓	✓			✓	✓		10 + 17
19	49865/1		✓		✓	✓			✓	✓		14 + 17
20	33871	3A0501541		✓	✓	✓			✓	✓		<b>synchro</b>
21	19690/1	357407151	✓		✓	✓			✓	✓		Chassis → 31N255989
22	49674	357422803A	✓		✓				✓	✓		ZF
23	49675	357422804A	✓			✓			✓	✓		ZF
24	49674/1		✓		✓	✓			✓	✓		ZF
25	33935	357411313	✓		✓				✓	✓		Ø 21mm innen/inner
26	59816	3A0422811A	✓		✓				✓	✓		Chassis 3A-R-099-265→
27	59817	3A0422812A	✓			✓			✓	✓		Chassis 3A-R-099-265→
28	95870		✓		✓	✓			✓	✓		MS
29	19690/7	357407151	✓		✓				✓	✓		+  Chassis → 31N255989
30	19691/7	357407151	✓			✓			✓	✓		+  Chassis → 31N255989
31	36914	357411314A	✓			✓			✓	✓		Ø 22,7mm innen/inner
32	33948	357411314	✓			✓			✓	✓		Ø 21mm innen/inner
33	33949	357411313A	✓		✓				✓	✓		Ø 22,7mm innen/inner

VOLKSWAGEN PASSAT (3B\_)

08/96→05/05



NR	MAPCO	REF			←	→	↑	↓			NEW	INFO
1	49707HPS	4D0419811B	✓		✓	✓			✓	✓		
2	49738	4D0422821A	✓		✓	✓			✓	✓		
3	49732	4D0419801B	✓		✓	✓			✓	✓		
4	49710OES	4D0407151P	✓		✓	✓			✓	✓		→2001
5	51710OES	4B3407155A	✓		✓	✓			✓	✓		2001→2005
6	51730	4B3407151K	✓		✓	✓			✓	✓		CH. 3B-3-072-001→
7	49708OES	4D0407693N	✓		✓			✓	✓	✓		hinten/ rear/ arrière
8	49709OES	4D0407694N	✓			✓		✓	✓	✓		hinten/ rear/ arrière
9	33932	4D0407183P	✓		✓	✓			✓	✓		innen/inner
10	49680OES	8D0407505F	✓		✓		✓		✓	✓		
11	49681OES	8D0407506F	✓			✓	✓		✓	✓		
12	49791OES	4D0407509G	✓		✓				✓	✓		hinten/ rear/ arrière
13	49792OES	4D0407510G	✓			✓			✓	✓		hinten/ rear/ arrière
14	49683OES	8D0411317D	✓		✓			✓	✓	✓		
14a	49683/1OES		✓		✓			✓	✓	✓		+
15	49684OES	8D0411318D	✓			✓		✓	✓	✓		
15a	49684/1OES		✓			✓		✓	✓	✓		+
16	49682	4D0411317J	✓		✓	✓			✓	✓		
17	49714	4D0505465D	✓		✓	✓			✓	✓		
18	33939	4D0411327E	✓		✓	✓			✓	✓		
19	33940	4D0411327F	✓		✓	✓			✓	✓		
20	36915	4B0407515	✓		✓	✓	✓		✓	✓		vorn/ front/ avant
21	59820	8E0505465C		✓	✓	✓			✓	✓		✓ synchro/ 4-motion
22	36775	4B0501521D		✓	✓				✓	✓		
23	36776	4B0501522D		✓		✓			✓	✓		
24	36782			✓	✓	✓			✓	✓		
25	33871	3A0501541		✓	✓	✓			✓	✓		
26	33871/4	3A0501541S		✓	✓	✓			✓	✓		



**VOLKSWAGEN PASSAT (3B\_)** Fortsetzung/ continued 08/96→05/05



27

33



27a

30

34



27b

31

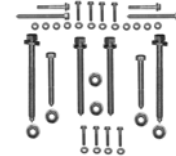


28



28a

32

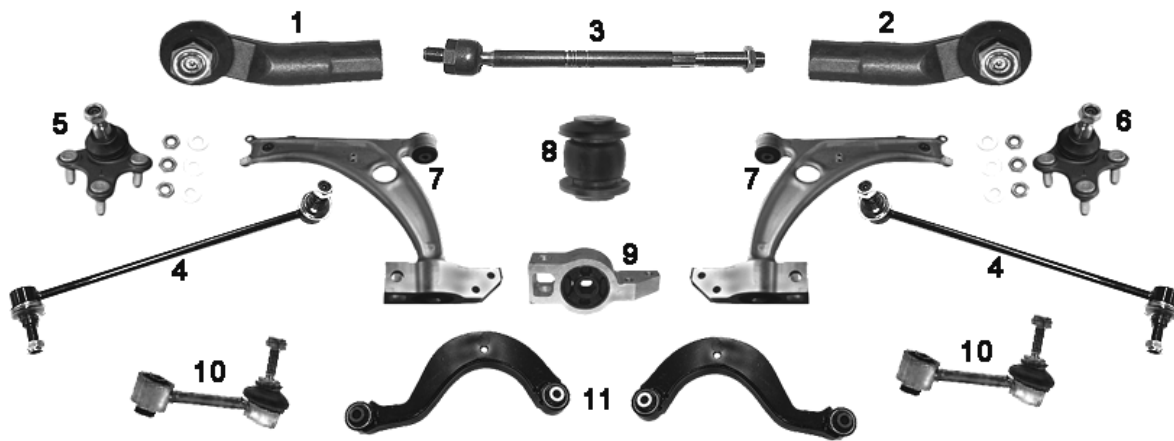


29

NR	MAPCO	REF								NEW	INFO
27	59818HPS	4D0498998C	✓	✓	✓			✓	✓		
27a	59818/1HPS	4D0498998C	✓	✓	✓			✓	✓		→2001   + MS
27b	59818/2	4D0498998C	✓	✓	✓			✓	✓		→2001   + MS
28	59819	8D0498998	✓	✓	✓			✓	✓		
28a	59819/1	8D0498998	✓	✓	✓			✓	✓		→2001   + MS
29	95710		✓	✓	✓			✓	✓		MS
30	59824/1HPS		✓	✓	✓			✓	✓		2001→2005   + MS
31	59824/2		✓	✓	✓			✓	✓		2001→2005   + MS
32	59825/1		✓	✓	✓			✓	✓		2001→2005   + MS
33	59826	4B3498998	✓	✓	✓			✓	✓	✓	CH. 3B-3-072-001→
34	59826/1	4B3498998	✓	✓	✓			✓	✓	✓	CH. 3B-3-072-001→   + MS

**VOLKSWAGEN PASSAT (3C\_)**

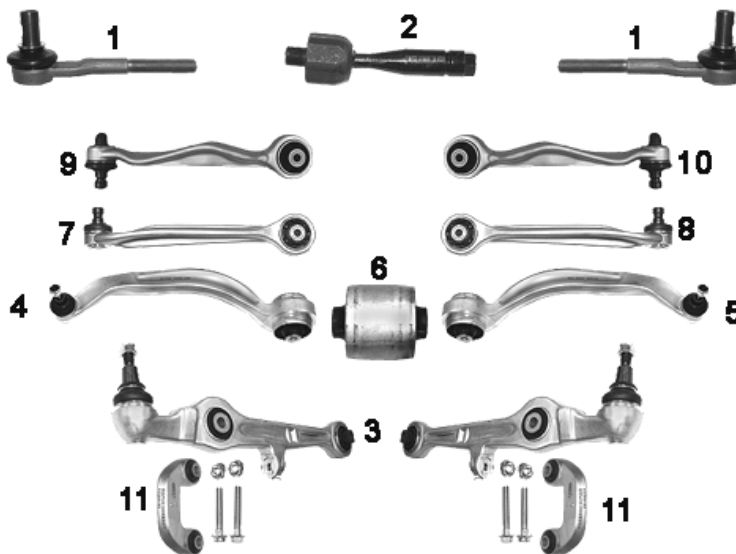
03/05→



NR	MAPCO	REF								NEW	INFO
1	51740	1K0423811K	✓	✓			✓	✓	✓		M16x1,5
2	51741	1K0423812G	✓		✓		✓	✓	✓		M16x1,5
3	51723	1K0423810A	✓	✓			✓	✓			M16x1,5RHT 310 mm
4	51825HPS	1K0411315D	✓	✓	✓		✓	✓	✓		
5	51724	1K0407365E	✓	✓			✓	✓	✓		Ø 16 mm
6	51725	1K0407366E	✓		✓		✓	✓	✓		Ø 16 mm
7	52717	3C0407151E	✓	✓	✓		✓	✓	✓		
8	36950	1K0407182	✓	✓	✓		✓	✓	✓		
9	33987	3C0199231D	✓	✓	✓		✓	✓	✓		
10	51829HPS	1K0505465C		✓	✓	✓		✓	✓		
11	52718	1K0505323H		✓	✓	✓	✓	✓	✓		

**VOLKSWAGEN PHAETON**

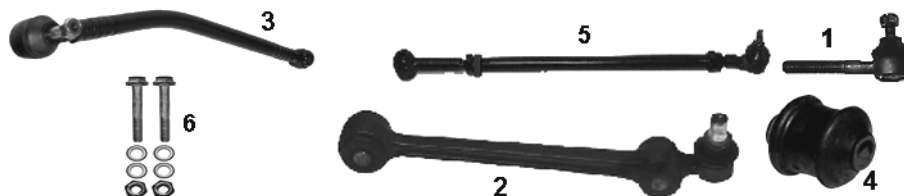
04/02→



NR	MAPCO	REF			←	→	↑	↓			NEW	INFO
1	51735	4E0419811E	✓		✓	✓			✓	✓	✓	Metall Konus 23,0mm M16 x 1,5 mm
2	51736	4E0419801E	✓		✓	✓			✓	✓	✓	
3	51737	4E0407151L	✓		✓	✓		✓	✓	✓	✓	vorn/ front/ avant
4	51738	4F0407693N	✓		✓			✓	✓	✓	✓	hinten/ rear/ arrière
5	51739	4F0407694N	✓			✓		✓	✓	✓	✓	hinten/ rear/ arrière
6	36777	4F0407183A	✓		✓	✓		✓	✓	✓	✓	hinten/ rear/ arrière
7	51876	4E0407505B	✓		✓		✓		✓	✓	✓	vorn/ front/ avant
8	51877	4E0407506B	✓			✓	✓		✓	✓	✓	vorn/ front/ avant
9	51878	4E0407509B	✓		✓		✓		✓	✓	✓	hinten/ rear/ arrière
10	51879	4E0407510B	✓			✓	✓		✓	✓	✓	hinten/ rear/ arrière
11	52711	4E0411317E	✓		✓	✓		✓	✓	✓	✓	

**VOLKSWAGEN POLO II**

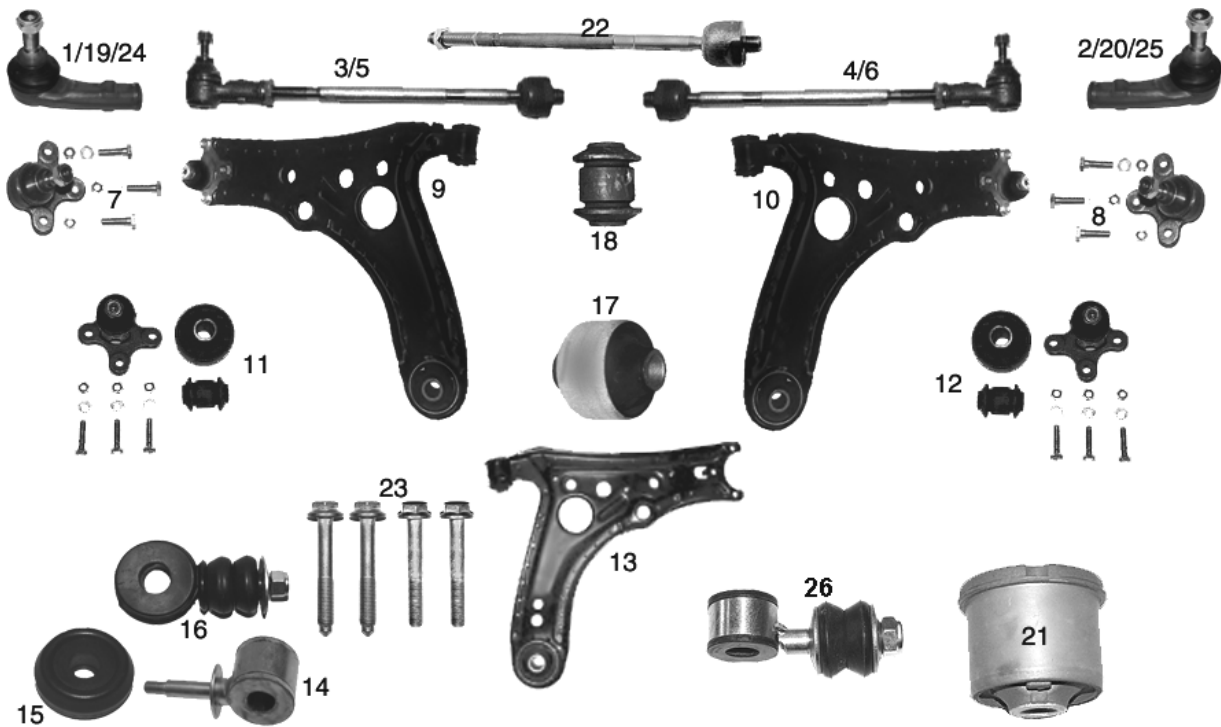
03/75→09/94



NR	MAPCO	REF			←	→	↑	↓			NEW	INFO
1	19850	811419812	✓		✓	✓			✓	✓		M14x1,5RHT
2	19854	861407151B	✓		✓	✓			✓	✓		10/78 →84
3	19899	871419801A	✓		✓	✓			✓	✓		1987→09/94
4	33893	861407183	✓		✓				✓	✓		
5	49878	871419802	✓		✓	✓			✓	✓		1987→09/94
6	95854		✓		✓	✓			✓	✓		MS

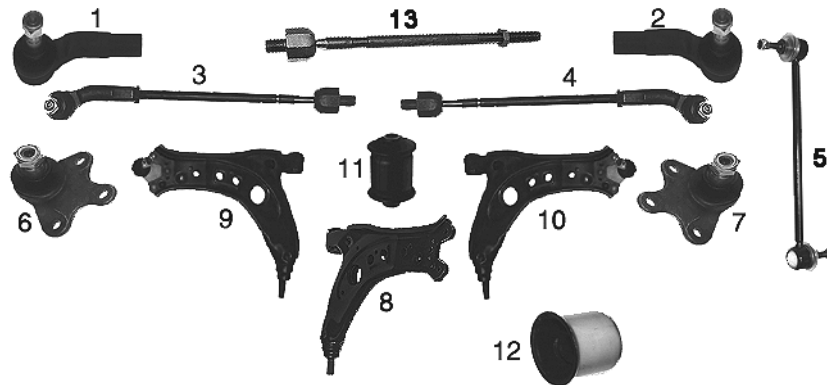
**VOLKSWAGEN POLO III**

10/94 → 09/01



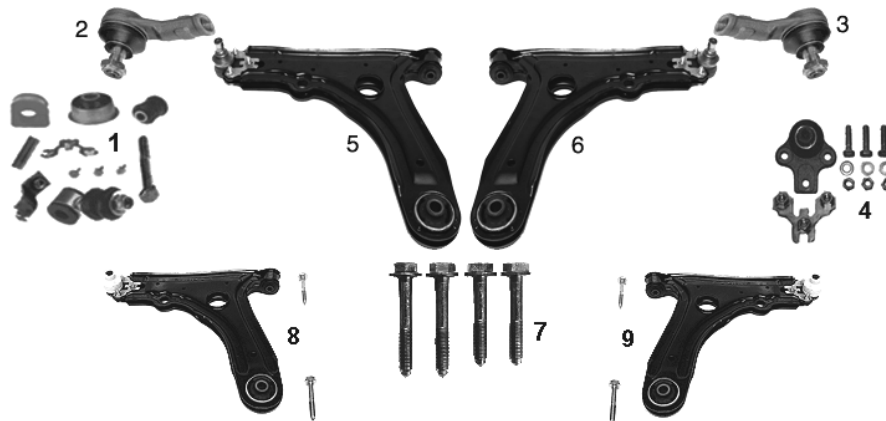
NR	MAPCO	REF			←	→	↑	↓			NEW	INFO
1	19885	6N0419811	✓		✓					✓		M14 x 1,5 RHT
2	19886	6N0419812	✓			✓				✓		M14 x 1,5 RHT
3	19688	6N0419803	✓		✓					✓		
4	19689	6N0419804	✓			✓				✓		
5	59890	6X0422803A	✓		✓			✓				
6	59889	6X0422804A	✓			✓		✓				
7	19895	6N0407365	✓		✓				✓	✓		
8	19896	6N0407365A	✓			✓			✓	✓		
9	19686	6N0407151B	✓		✓				✓	✓		
10	19687	6N0407151B	✓			✓			✓	✓		
11	19295		✓		✓				✓	✓		Kit
12	19296		✓			✓			✓	✓		Kit
13	19686/1	6N0407151B	✓		✓	✓			✓	✓		
14	49862	6N0411315	✓		✓	✓			✓	✓		
15	49862/9	6N0411329	✓		✓	✓			✓	✓		
16	49862/1		✓		✓	✓			✓	✓		14 + 15(2x)
17	33835	6N0407181	✓		✓	✓			✓	✓		
18	33834	6N0407182	✓		✓	✓			✓	✓		
19	49871	6N0422811	✓		✓				✓			M14 x 1,5 RHT
20	49872	6N0422812	✓			✓			✓			M14 x 1,5 RHT
21	33937	6N0501541D		✓	✓	✓			✓	✓		
22	19696/1	6N0422821A	✓		✓	✓			✓			M14x1,5 RH
23	95686		✓		✓	✓			✓	✓		MS
24	51822	6X0422811	✓		✓				✓			M14x1,5 RHT
25	51823	6X0422812	✓			✓			✓			M14x1,5 RHT
26	51862	191411315A	✓		✓	✓			✓	✓		Ø 18 mm

**VOLKSWAGEN POLO IV** 10/01→



NR	MAPCO	REF			←	→	↑	↓			NEW	INFO
1	59806	6Q0423811	✓		✓				✓	✓		
2	59807	6Q0423812	✓			✓			✓	✓		
3	59808	6Q0423803B	✓		✓				✓	✓		M14x1,5
4	59809	6Q0423804B	✓			✓			✓	✓		M14x1,5
5	59812HPS	6Q0411315C	✓		✓	✓			✓	✓		
6	59810	6Q0407365A	✓		✓				✓	✓		
7	59811	6Q0407366A	✓			✓			✓	✓		
8	59813	6Q0407151D	✓		✓	✓			✓	✓		
9	59813/1		✓			✓			✓	✓		6 + 8
10	59813/2		✓			✓			✓	✓		7 + 8
11	36938	6Q0407182A	✓		✓	✓			✓	✓		
12	36939	6Q0407183	✓		✓	✓			✓	✓		
13	59808/1	6Q0423810C	✓		✓	✓			✓			SMI/ KOJO 9N-2-000 001 >

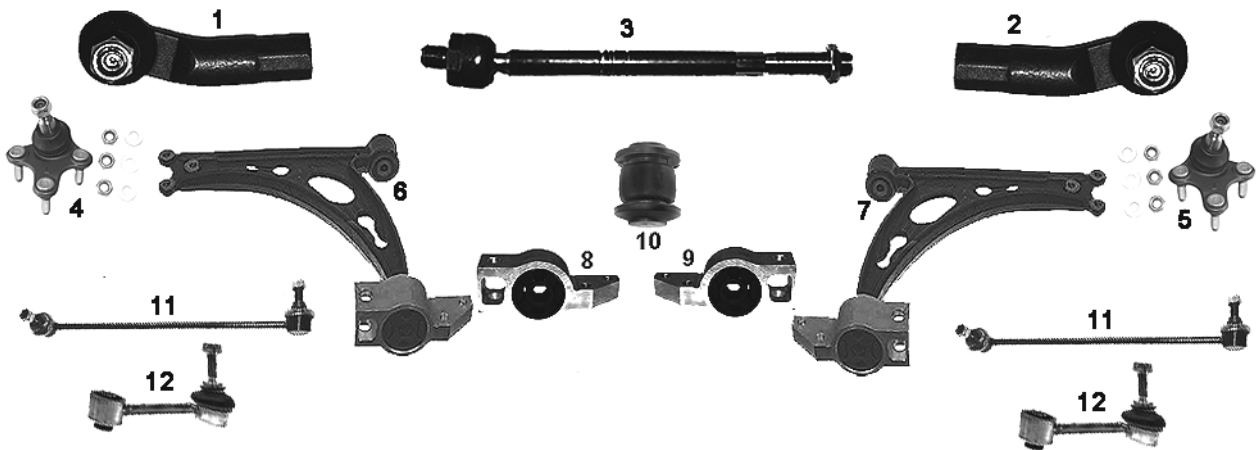
**VOLKSWAGEN POLO CLASSIC** 12/95→ 09/01



NR	MAPCO	REF			←	→	↑	↓			NEW	INFO
1	33890		✓		✓	✓			✓	✓		
2	19877	191419811	✓		✓				✓	✓		M14x1,5RHT
3	19878	191419812	✓			✓			✓	✓		M14x1,5RHT
4	19889/1	357407365A	✓		✓	✓			✓	✓		Ø 19 mm
5	19858/1		✓		✓				✓	✓		
6	19858/2		✓			✓			✓	✓		
7	95858		✓		✓	✓			✓	✓		MS
8	19858/7		✓		✓				✓	✓		+
9	19858/8		✓			✓			✓	✓		+

**VOLKSWAGEN SCIROCCO (137)**

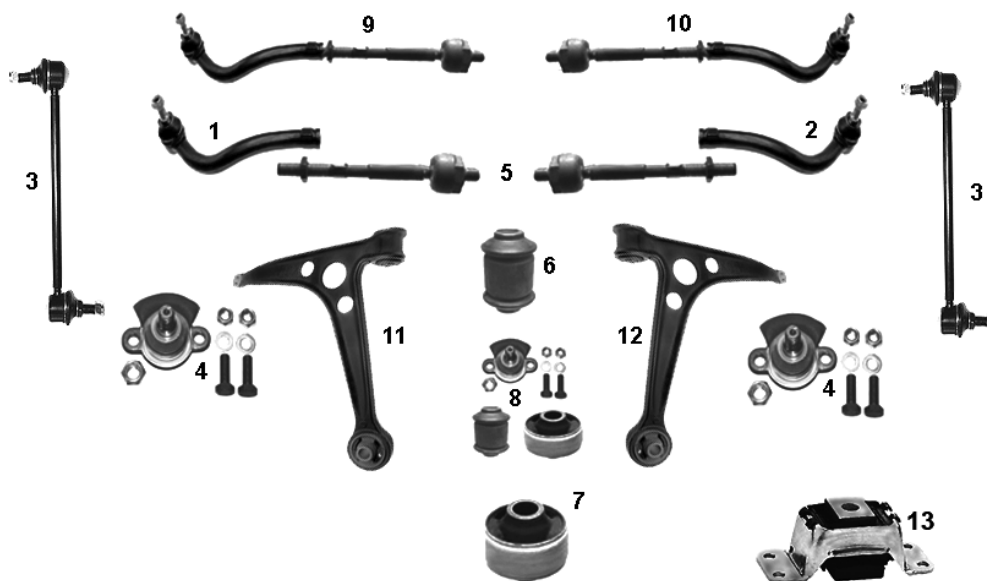
09/08→



NR	MAPCO	REF									NEW	INFO
1	51826	1K0 423 811J	✓		✓				✓	✓		
2	51827	1K0 423 812J	✓			✓			✓	✓		
3	51723	1K0 423 810A	✓		✓	✓			✓	✓		M16x1,5RHT 310 mm
4	51724	1K0 407 365E	✓		✓			✓	✓	✓		Ø 16 mm
5	51725	1K0 407 366E	✓			✓		✓	✓	✓		Ø 16 mm
6	51726	1K0 407 151AC	✓		✓			✓	✓	✓	✓	
7	51727	1K0 407 152AC	✓			✓		✓	✓	✓	✓	
8	36948	1K0 199 231G	✓		✓			✓	✓	✓		
9	36949	1K0 199 232G	✓			✓		✓	✓	✓		
10	36950	1K0 407 182	✓		✓	✓		✓	✓	✓		
11	51825HPS	1K0 411 315D	✓		✓	✓		✓	✓	✓		
12	51829HPS	1K0 505 465C		✓	✓	✓			✓	✓		

**VOLKSWAGEN SHARAN**

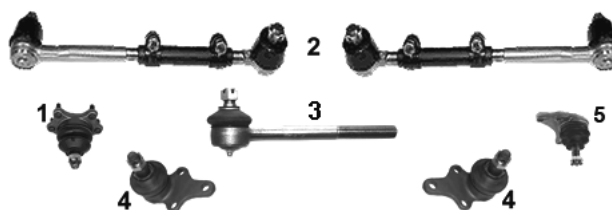
05/95→



NR	MAPCO	REF			←	→	↑	↓			NEW	INFO
1	49857	7M0422817	✓		✓				✓	✓		M14x1,50 RHT
2	49858	7M0422818	✓			✓			✓	✓		M14x1,50 RHT
3	49856HPS	7M0411317	✓		✓	✓			✓	✓		
4	49861	7M0407365A	✓		✓	✓			✓	✓		
5	49866	7M0422803G	✓		✓	✓			✓	✓		
6	33908	7M0501541	✓		✓	✓			✓	✓		
7	33928	7M0407181A	✓		✓	✓			✓	✓		
8	19266		✓		✓	✓			✓	✓		Kit
9	49866/1	7M0422803G	✓		✓				✓	✓		
10	49866/2	7M0422804G	✓			✓			✓	✓		
11	49876	7M0407151B	✓		✓				✓	✓		
12	49877	7M0407152B	✓			✓			✓	✓		
13	33864	7M0505221C		✓	✓	✓			✓	✓		✓ 1.8T 20V

**VOLKSWAGEN TARO**

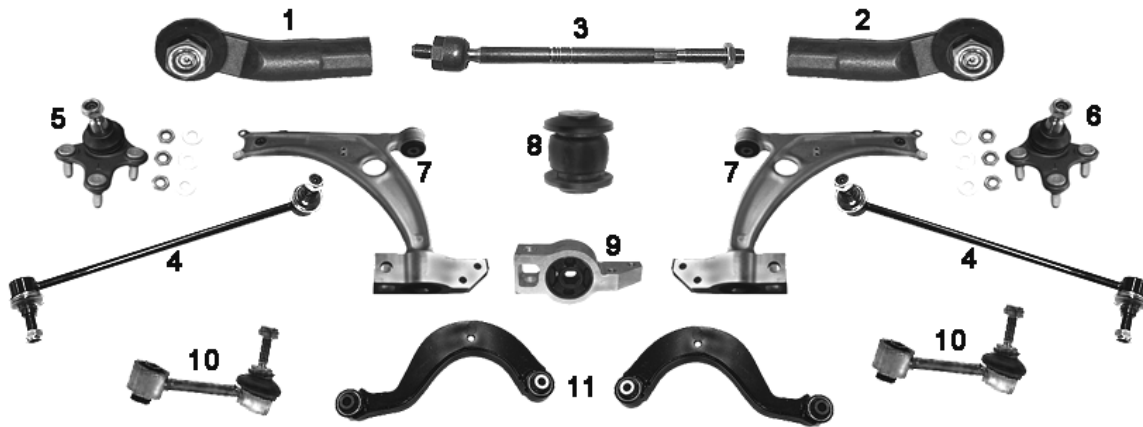
04/89→03/97



NR	MAPCO	REF			←	→	↑	↓			NEW	INFO
1	59261	43350-39045	✓		✓	✓	✓		✓	✓		Ø 17 mm
2	59262	45460-29215	✓		✓	✓			✓	✓		
3	59282	45046-39125	✓		✓	✓			✓	✓		
4	59569	43330-39245	✓		✓	✓		✓	✓	✓		
5	59236	43350-39035	✓		✓	✓	✓		✓	✓		Ø 15 mm

**VOLKSWAGEN TIGUAN**

09/07→

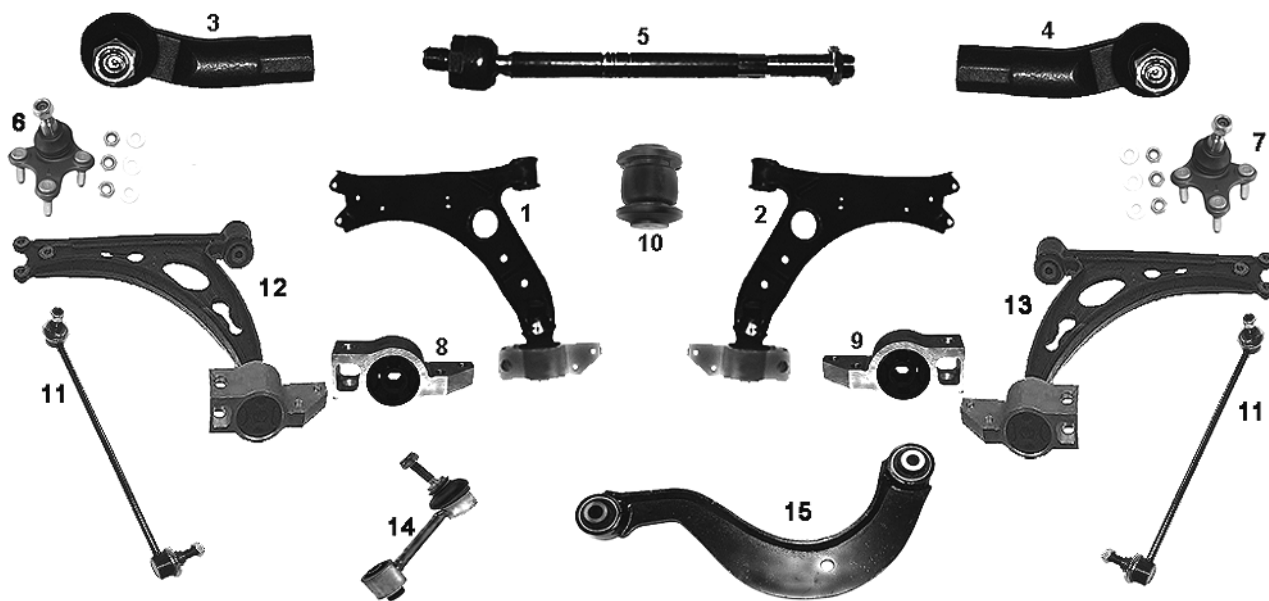


NR	MAPCO	REF									NEW	INFO
1	51740	1K0423811K	✓		✓				✓	✓	✓	M16x1,5
2	51741	1K0423812G	✓			✓			✓	✓	✓	M16x1,5
3	51723	1K0423810A	✓		✓	✓			✓	✓		M16x1,5RHT 310 mm
4	51825HPS	1K0411315D	✓		✓	✓			✓	✓	✓	
5	51724	1K0407365E	✓		✓				✓	✓	✓	Ø 16 mm
6	51725	1K0407366E	✓			✓			✓	✓	✓	Ø 16 mm
7	52717	3C0407151E	✓		✓	✓			✓	✓	✓	
8	36950	1K0407182	✓		✓	✓			✓	✓	✓	
9	33987	3C0199231D	✓		✓	✓			✓	✓	✓	
10	51829HPS	1K0505465C			✓	✓	✓			✓	✓	
11	52718	1K0505323H			✓	✓	✓	✓		✓	✓	



**VOLKSWAGEN TOURAN**

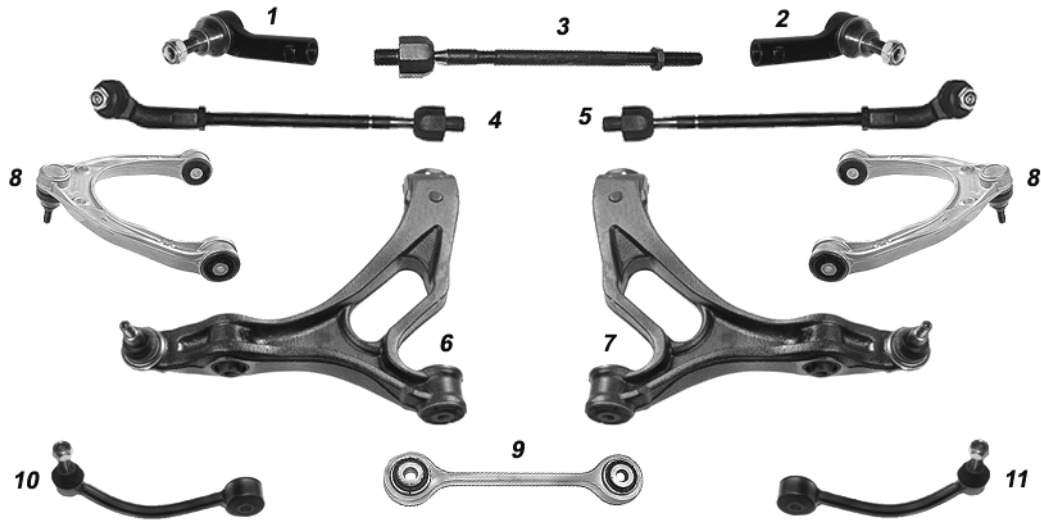
02/03→



NR	MAPCO	REF			←	→	↑	↓			NEW	INFO
1	51715	1K0 407 151P	✓		✓			✓	✓	✓		
2	51716	1K0 407 152P	✓			✓		✓	✓	✓		
3	51826	1K0 423 811J	✓		✓				✓	✓		
4	51827	1K0 423 812J	✓			✓			✓	✓		
5	51723	1K0 423 810A	✓		✓	✓			✓	✓		M16x1,5RHT 310 mm
6	51724	1K0 407 365E	✓		✓			✓	✓	✓		Ø 16 mm
7	51725	1K0 407 366E	✓			✓		✓	✓	✓		Ø 16 mm
8	36948	1K0 199 231G	✓		✓			✓	✓	✓		
9	36949	1K0 199 232G	✓			✓		✓	✓	✓		
10	36950	1K0 407 182	✓		✓	✓		✓	✓	✓		
11	51825HPS	1K0 411 315D	✓		✓	✓		✓	✓	✓		
12	51726	1K0 407 151AC	✓		✓			✓	✓	✓	✓	
13	51727	1K0 407 152AC	✓			✓		✓	✓	✓	✓	
14	51829HPS	1K0 505 465C		✓	✓	✓			✓	✓		
15	52718	1K0 505 323H		✓	✓	✓	✓		✓	✓	✓	

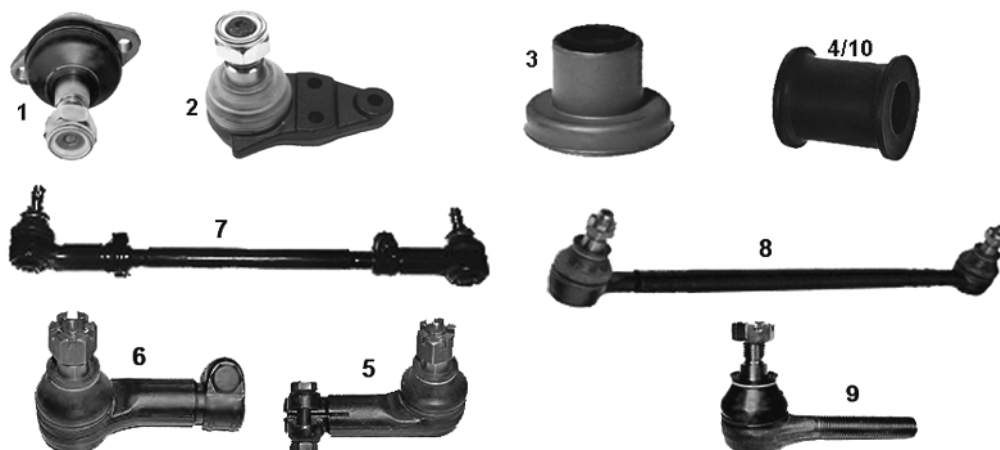
**VOLKSWAGEN TOUAREG (7LA)**

10/02→



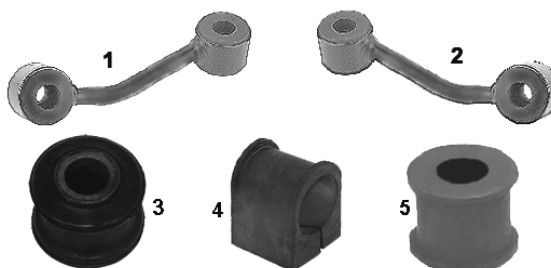
NR	MAPCO	REF			←	→	↑	↓			NEW	INFO
1	51742	7L0422817D	✓		✓				✓	✓	✓	M16X1,5
2	51743	7L0422818D	✓			✓			✓	✓	✓	M16X1,5
3	51744	7L0422821	✓		✓	✓			✓	✓	✓	M16X1,5
4	51745	7L0422803D	✓		✓				✓	✓	✓	1+3
5	51746	7L0422804D	✓			✓			✓	✓	✓	2+3
6	52714	7L8407151E	✓		✓			✓	✓	✓	✓	
7	52715	7L8407152D	✓			✓		✓	✓	✓	✓	
8	52716	7L0407021	✓		✓	✓	✓		✓	✓	✓	
9	51824	7L0411317	✓		✓	✓			✓	✓		197,0 mm
10	51733	7L0505465D		✓	✓				✓	✓	✓	
11	51734	7L0505466D		✓		✓			✓	✓	✓	

**VOLKSWAGEN TRANSPORTER LT 28 - 35 I BUS** 1975→ 06/96  
**VOLKSWAGEN TRANSPORTER LT 40 - 45 I Kasten / Pritsche** 1978→ 06/96



NR	MAPCO	REF			←	→	↑	↓			NEW	INFO
1	19851	281407361	✓		✓	✓	✓		✓	✓		
2	19852	281407187A	✓		✓	✓		✓	✓	✓		
3	33929	281407077	✓		✓	✓			✓	✓		aussen/outside
4	33815	281411041	✓		✓	✓		✓	✓	✓		L 47mm, Ø innen/inner 21mm
5	51802	281415 801D part	✓		✓	✓			✓	✓		14,5mm aussen/outside M16x1,50RHT
6	51803	281415 801D part	✓		✓	✓			✓	✓		14,5mm innen/inner M16x1,50LHT
7	51806	281415 801D	✓		✓				✓	✓		
8	51805	281415 802A	✓			✓			✓	✓		
9	51808	281415 811	✓		✓	✓			✓	✓		16mm aussen/outside M14x1,50LHT
10	33945	281411045	✓		✓	✓			✓	✓		L 31mm Ø innen/inner 21mm

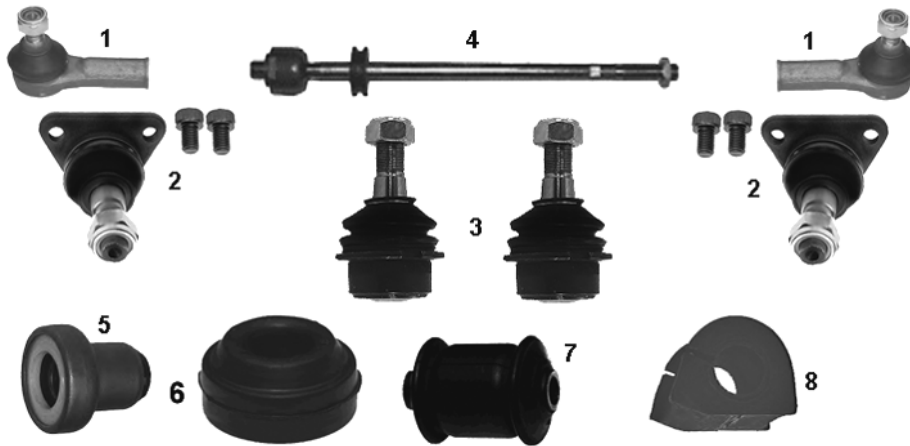
**VOLKSWAGEN TRANSPORTER LT 28 - 31 - 35 II BUS** 04/96→  
**LT 28 - 46 II Kasten / Pritsche** 04/96→



NR	MAPCO	REF			←	→	↑	↓			NEW	INFO
1	59854	2D0411051	✓		✓				✓	✓		
2	59855	2D0411052	✓			✓			✓	✓		
3	33946	2D0511413	✓		✓	✓			✓	✓		Ø innen/inner 12mm
4	33947	2D0411041B	✓		✓	✓			✓	✓		Ø innen/inner 25mm
5	36947	2D0411041A	✓		✓	✓			✓	✓		

**VOLKSWAGEN TRANSPORTER T2**  
**VOLKSWAGEN TRANSPORTER T3**

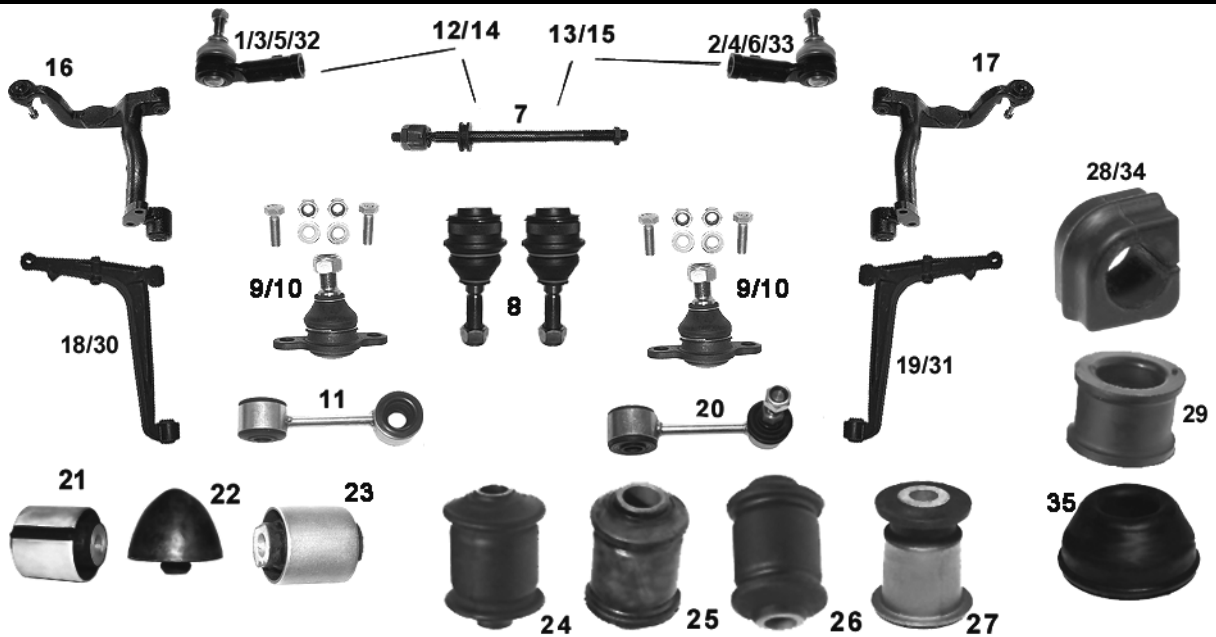
08/67→07/79  
 05/79→07/92



NR	MAPCO	REF									NEW	INFO
1	19874	171419812	✓		✓	✓			✓	✓		M14x1,5 RHT
2	19883	251407361	✓		✓	✓	✓		✓	✓		1979→1992 ✓T3
3	19881	211405371A	✓		✓	✓		✓	✓	✓		→12/78 ✓T2
3	19884	251407187B	✓		✓	✓		✓	✓	✓		1979→1992 ✓T3
4	19887		✓		✓	✓			✓	✓		M14 x 1,5 RHT
5	33859	251407077	✓		✓	✓			✓	✓		
6	33900	251407175	✓		✓	✓			✓	✓		
7	33896	251407183	✓		✓	✓			✓	✓		
8	33814	251411041C	✓		✓	✓			✓	✓		Chassis 24-E-145100 →  1200

**VOLKSWAGEN TRANSPORTER T4**

09/90→04/03



NR	MAPCO	REF								INFO
1	19859	701419811A	✓	✓				✓	✓	Chassis → 70M096448 M16x1,5RHT
2	19880	701419812	✓		✓			✓	✓	Chassis → 70M096448 M16x1,5RHT
3	19866	701419811B	✓	✓				✓	✓	Chassis 70M096449→70S002791 →08/94 M16x1,5RHT
4	19867	701419812A	✓		✓			✓	✓	Chassis 70M096449→70S002791 →08/94 M16x1,5RHT
5	19873	701419811C	✓	✓				✓	✓	18 mm
6	19882	701419812B	✓		✓			✓	✓	18 mm
7	49764		✓	✓	✓			✓	✓	
8	19868	701407187B	✓	✓	✓	✓		✓	✓	
9	19869	701407361C	✓	✓	✓			✓	✓	→12/95
10	49859	7D0407361	✓	✓	✓			✓	✓	01/96→
11	49851	7D0411049	✓	✓	✓			✓	✓	
12	49766	701419803D	✓	✓				✓	✓	3 + 7
13	49767	701419804D	✓		✓			✓	✓	4 + 7
14	49773	701419803E	✓		✓			✓	✓	5 + 7
15	49774	701419804E	✓		✓			✓	✓	6 + 7
16	49852	701407021B	✓	✓		✓		✓	✓	→12/95
17	49853	701407022B	✓		✓	✓		✓	✓	→12/95
18	49854	701407151A	✓	✓			✓	✓	✓	→12/95
19	49855	701407152A	✓		✓		✓	✓	✓	→12/95
20	49863	701411049B	✓	✓	✓			✓	✓	
21	33872	7D0407140	✓	✓	✓		✓	✓	✓	
22	33873	701407303	✓	✓	✓			✓	✓	
23	36784	7D0407140C	✓	✓	✓		✓	✓	✓	
24	33913	701407077	✓	✓	✓			✓	✓	
25	33914	701407183	✓	✓	✓			✓	✓	
26	33915	701407087	✓	✓	✓			✓	✓	
27	33916	7D0407183	✓	✓	✓			✓	✓	
28	33925	701411041	✓	✓	✓			✓	✓	Innen/inner Ø 23mm
29	33926	7D0411045	✓	✓	✓			✓	✓	
30	59804	7D0407151A	✓	✓			✓	✓	✓	01/96→
31	59805	7D0407152A	✓		✓		✓	✓	✓	01/96→
32	59814	701419811E	✓	✓				✓	✓	01/96→ Chassis 70-T-200000→
33	59815	701419812D	✓		✓			✓	✓	01/96→ Chassis 70-T-200000→
34	36940	701411041D	✓	✓	✓			✓	✓	Innen/inner Ø 27mm
35	33897	251407179		✓	✓	✓		✓	✓	

**VOLKSWAGEN TRANSPORTER T4**



**Kits**



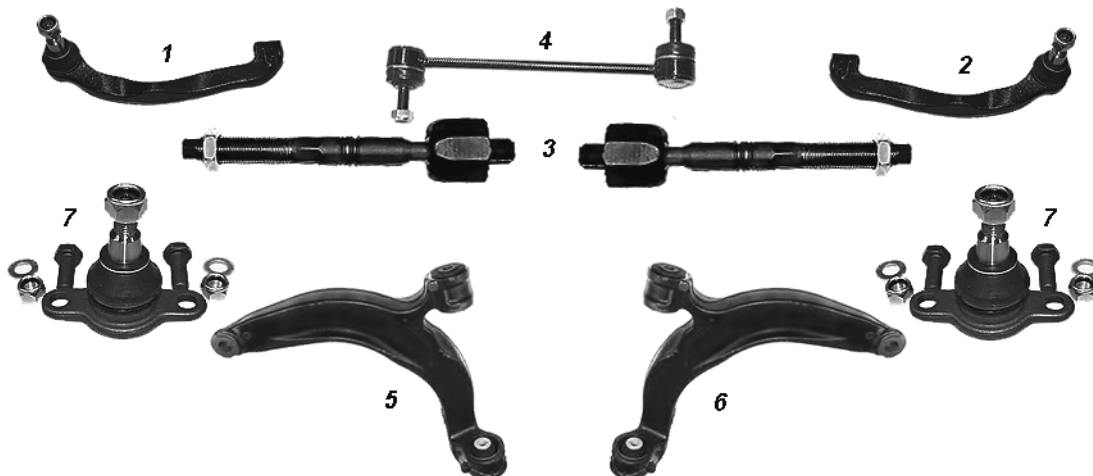
09/90→04/03



NR	MAPCO	REF								INFO
1	19267		✓	✓	✓	✓	✓	✓		01/96→
2	19267/2		✓	✓	✓	✓	✓	✓		2 x 19267 01/96→
3	19268		✓	✓	✓	✓	✓	✓		08/91→
4	19268/2		✓	✓	✓	✓	✓	✓		2 x 19268 08/91→
5	19269		✓	✓	✓	✓	✓	✓		08/91 → 12/95
6	19269/2		✓	✓	✓	✓	✓	✓		2 x 19269 08/91 → 12/95
7	19290		✓	✓	✓	✓	✓	✓		08/91→
8	19291		✓	✓	✓	✓	✓	✓		08/91 → 12/95
9	19292		✓	✓	✓	✓	✓	✓		01/96→
10	51811		✓	✓	✓		✓	✓		→ 07/91 Chassis →70-M-096 448
11	51812		✓	✓	✓		✓	✓		→08/94 Chassis 70-M-096 449 →70-S-002 791
12	51813		✓	✓	✓		✓	✓		→11/95 Chassis 70-S-002 792 →70-T-199 999
13	51814		✓	✓	✓		✓	✓		11/95-> Chassis 70-T-200 000 →
14	51815		✓	✓	✓		✓	✓		→07/91 Chassis →70-M-096 448
15	51816		✓	✓	✓		✓	✓		→08/94 Chassis 70-M-096 449 →70-S-002 791
16	51817		✓	✓	✓		✓	✓		→11/95 Chassis 70-S-002 792 →70-T-199 999
17	51818		✓	✓	✓		✓	✓		11/95→ Chassis 70-T-200 000→

**VOLKSWAGEN TRANSPORTER T5 / MULTIVAN T5**

04/03 →

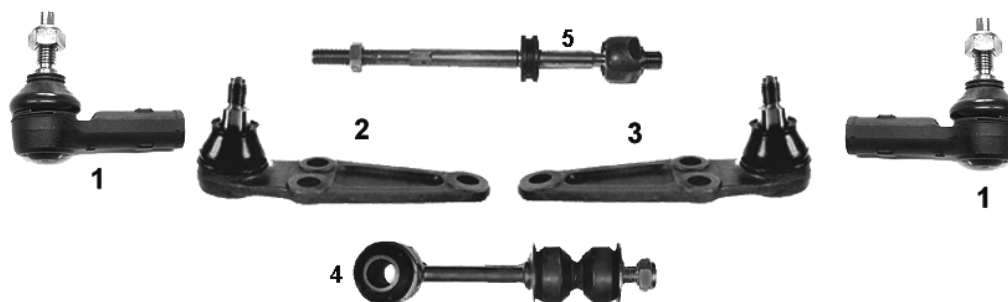


NR	MAPCO	REF									INFO
1	51719	7H0 422 817C	✓		✓				✓	✓	M16x1,5
2	51720	7H0 422 818C	✓			✓			✓	✓	M16x1,5
3	51722	7H0 419 803C part of	✓		✓	✓			✓	✓	M16x1,5
4	51718HPS	7H5 411 317	✓		✓	✓			✓	✓	
5	51731	7H0 407151F	✓		✓			✓	✓	✓	✓
6	51732	7H0 407152F	✓			✓		✓	✓	✓	✓
7	51721	7E0 407 361	✓		✓	✓		✓	✓	✓	

**VOLVO**

**VOLVO 242 - 244 - 245  
VOLVO 262 - 264 - 265**

08/74→08/93

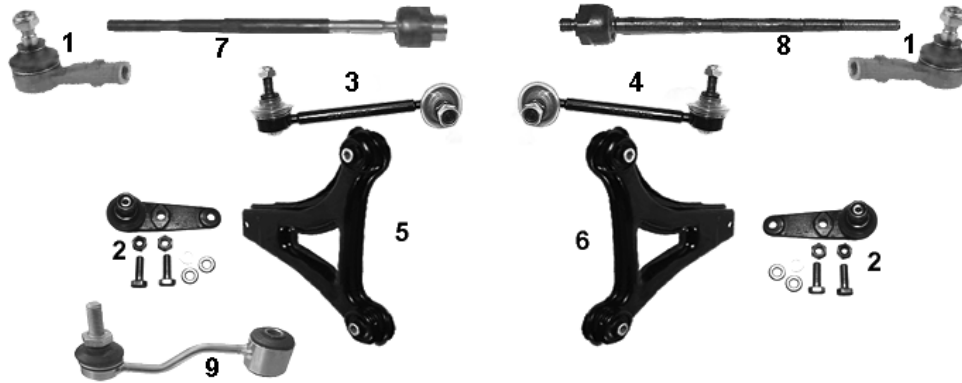


NR	MAPCO	REF									INFO
1	19906	1205658	✓		✓	✓			✓	✓	M14x2RHT
2	19902	1330821	✓		✓				✓		1978→
3	19901	1330820	✓			✓			✓		1978→
4	19915	1206667	✓		✓	✓			✓	✓	Innen/inner Ø 10mm
5	49952	3530167	✓		✓	✓			✓	✓	M14x1,5RHT 252 mm ZF



**VOLVO 480 E**  
**VOLVO 440 K - 460 L**

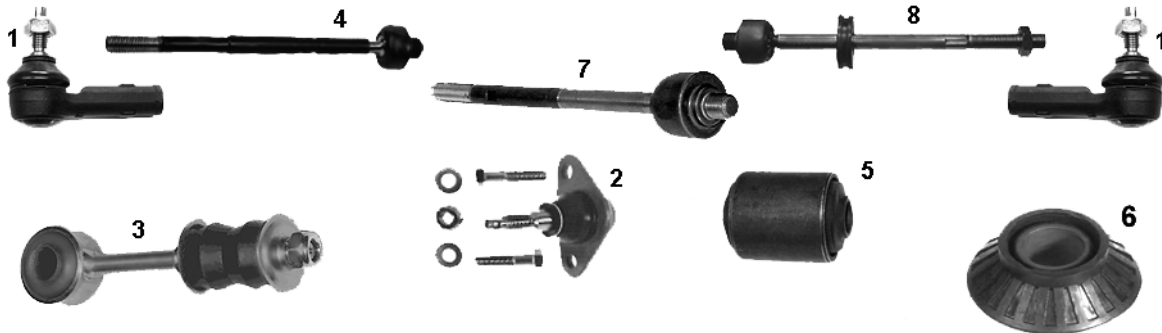
**04/86→09/95**  
**08/88→12/96**



NR	MAPCO	REF			←	→	↑	↓			NEW	INFO
1	19908	3480 012	✓		✓	✓			✓	✓		M12x1,5RHT
2	19909	3410 519	✓		✓	✓			✓	✓		
3	49901HPS	8416 129	✓		✓				✓	✓		
4	49902HPS	8416 130	✓			✓			✓	✓		
5	49925	3443 998	✓		✓				✓	✓		STOP D
6	49926	3443 999	✓			✓			✓	✓		STOP D
7	49928	3410 369	✓		✓	✓			✓			M14x1,50RHT 268,0 mm
8	49944	334 2824	✓		✓	✓			✓			M16x1,5 RHT 289,0 mm
9	19903	343 4868		✓	✓	✓			✓	✓		

**VOLVO 740**  
**VOLVO 760**  
**VOLVO 780 Coupé**

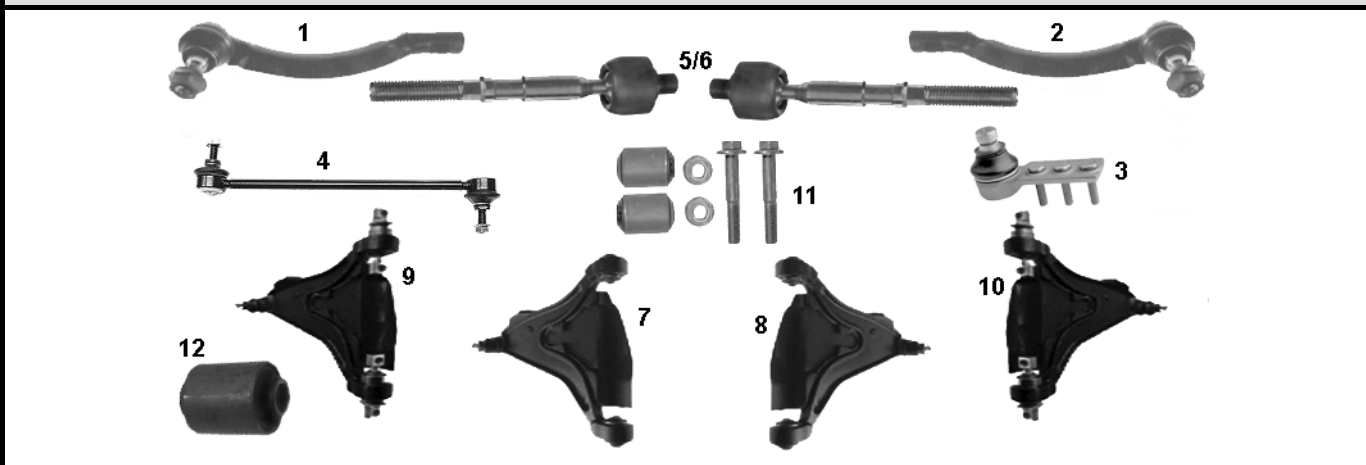
**08/83→08/92**  
**02/82→07/92**  
**08/86→07/90**



NR	MAPCO	REF			←	→	↑	↓			NEW	INFO
1	19906	1 205 658	✓		✓	✓			✓	✓		M14 x 2,0 RHT
2	19907	1 229 573	✓		✓	✓			✓	✓		
3	19913	9 157 725	✓		✓	✓			✓	✓		Innen/inner Ø 12 mm
4	49900	1 273 126	✓		✓	✓			✓	✓		M18X1,5RHT TRW
5	33917	1 329 655	✓		✓	✓			✓	✓		✓ 740+760
6	33923	6 819 057	✓		✓	✓			✓	✓		
7	49942	9140 504	✓		✓	✓			✓	✓		M14x1,5RHT 250,0 mm CAM
8	49943	1387 356	✓		✓	✓			✓	✓		M14x2,0RHT ZF

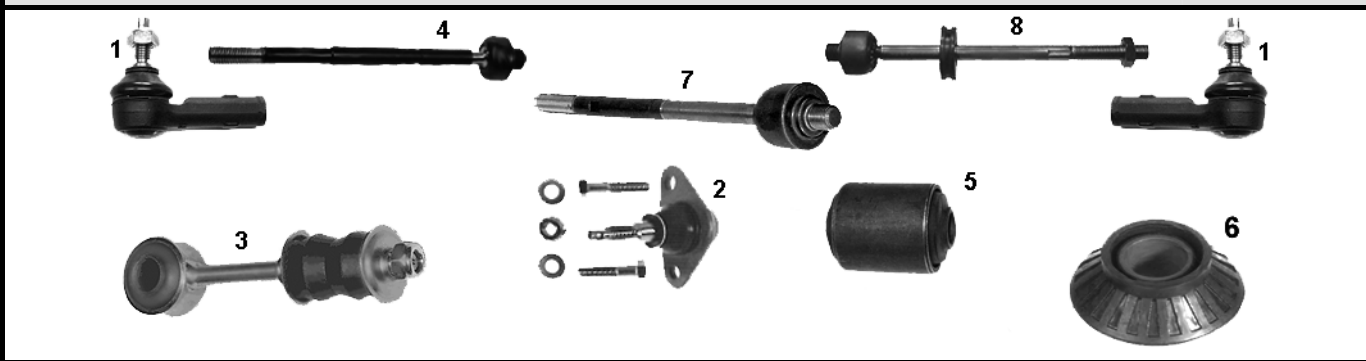


**VOLVO 850** 06/91→12/96



NR	MAPCO	REF			←	→	↑	↓			NEW	INFO
1	19910	271598.5	✓		✓				✓	✓		M14x2,0RHT
2	19911	271599.3	✓			✓			✓	✓		M14x2,0RHT
3	19912	271591.0	✓		✓	✓			✓	✓		
4	19914HPS	1387860	✓		✓	✓			✓	✓		
5	49917	3546266	✓		✓	✓			✓	✓		TRW
6	49954	919 1410	✓		✓	✓			✓	✓		203 mm SMI
7	49912	271901	✓		✓				✓	✓		Turbo
8	49913	271902	✓			✓			✓	✓		Turbo
9	49914	272336	✓		✓				✓	✓		✓ Turbo
10	49915	272337	✓			✓			✓	✓		✓ Turbo
11	36975	271631	✓		✓	✓			✓	✓		KIT
12	36976	6800251	✓		✓	✓			✓	✓	✓	

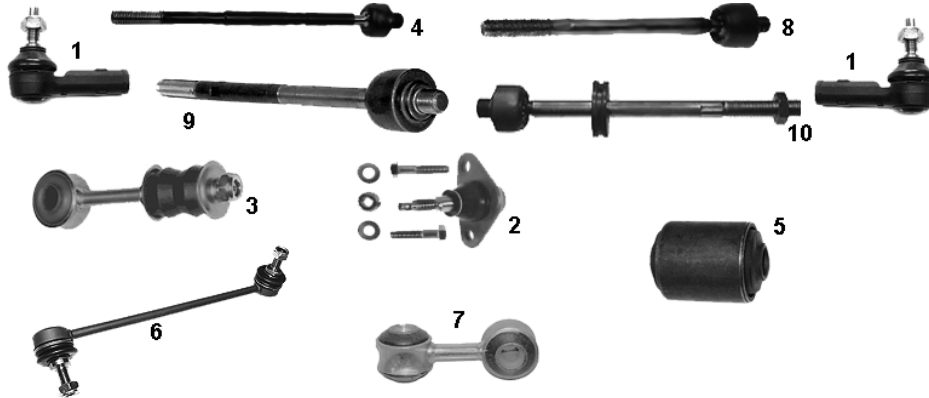
**VOLVO 940 I + II** 1990→ 10/98



NR	MAPCO	REF			←	→	↑	↓			NEW	INFO
1	19906	1 205 658	✓		✓	✓			✓	✓		M14 x 2,0 RHT
2	19907	1 229 573	✓		✓	✓			✓	✓		
3	19913	9 157 725	✓		✓	✓			✓	✓		Innen/inner Ø 12 mm
4	49900	1 273 126	✓		✓	✓			✓	✓		M18X1,5RHT TRW
5	33917	1 329 655	✓		✓	✓			✓	✓		✓ 740+760
6	49918	9140788F	✓		✓	✓			✓	✓		TRW
7	49942	9140 504	✓		✓	✓			✓	✓		M14x1,5RHT 250,0 mm CAM
8	49943	1 387 356	✓		✓	✓			✓	✓		M14x2,0RHT ZF

**VOLVO 960 I + II**

08/90 → 12/96



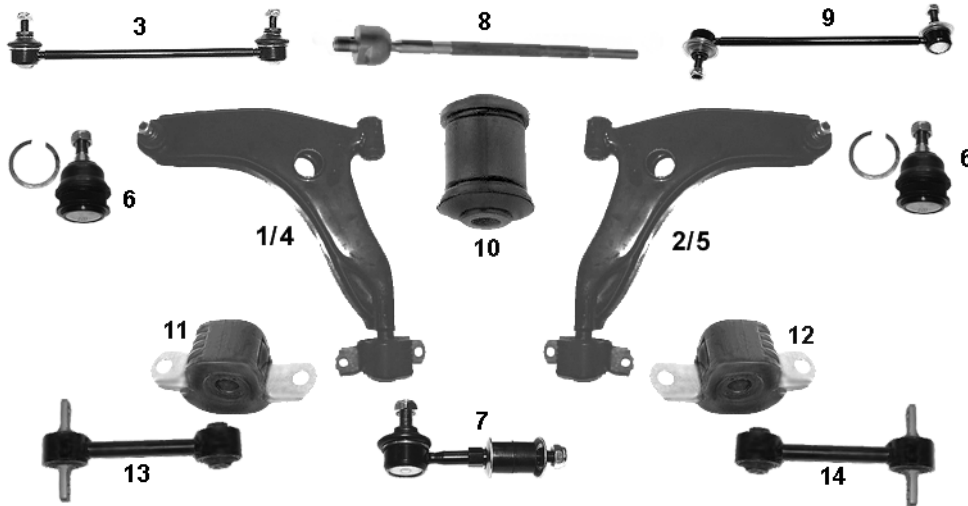
NR	MAPCO	REF			←	→	↑	↓			NEW	INFO
1	19906	1 205 658	✓		✓	✓			✓	✓		M14 x 2,0 RHT
2	19907	1 229 573	✓		✓	✓			✓	✓		
3	19913	9 157 725	✓		✓	✓			✓	✓		Innen/inner Ø 12 mm
4	49900	1 273 126	✓		✓	✓			✓	✓		M18X1,5RHT TRW
5	33917	1 329 655	✓		✓	✓			✓	✓		
6	19937HPS	9 492 837	✓		✓	✓			✓	✓		
7	19938	3 530 304-9		✓	✓	✓			✓	✓		
8	49918	9140788F	✓		✓	✓			✓	✓		TRW
9	49942	9140 504	✓		✓	✓			✓	✓		M14x1,5RHT 250,0 mm CAM
10	49943	1 387 356	✓		✓	✓			✓	✓		M14x2,0RHT ZF

**VOLVO S40 I (VS)**


07/95 → 12/03

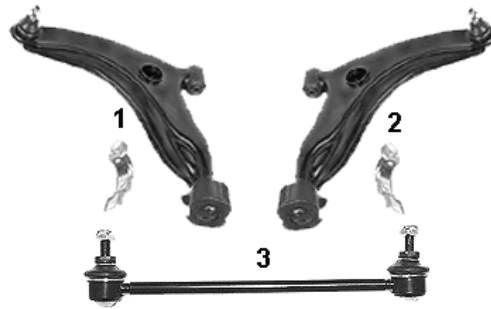
**VOLVO V40 (VW)**

07/95 →



NR	MAPCO	REF			←	→	↑	↓			NEW	INFO
1	49907	30887025	✓		✓				✓	✓		01/98 → 12/00
2	49908	30887033	✓		✓				✓	✓		01/98 → 12/00
3	49905HPS	30871770	✓		✓	✓			✓	✓		→ 12/00
4	49544	30889962	✓		✓				✓	✓		→ 12/97
5	49545	30889963	✓		✓				✓	✓		→ 12/97
6	49578	30863990	✓		✓	✓			✓	✓		
7	49909	30852103		✓	✓	✓			✓	✓		
8	49910	3345797	✓		✓	✓			✓	✓		M12x1,5RHT
9	59664HPS	8623576	✓		✓	✓			✓	✓		
10	33924	30818467	✓		✓	✓			✓	✓		
11	33551/1	30872510	✓		✓				✓	✓		
12	33550/1	30872511	✓		✓				✓	✓		
13	49956	30818091		✓	✓		✓		✓	✓		
14	49957	30620785		✓	✓	✓	✓		✓	✓		

**VOLVO S40**  
**VOLVO V40**  2001→2003



NR	MAPCO	REF			←	→	↑	↓			NEW	INFO
1	49919	30887653	✓		✓				✓	✓		
2	49920	30887654	✓			✓			✓	✓		
3	49947HPS	30884179	✓		✓	✓			✓	✓		267 mm

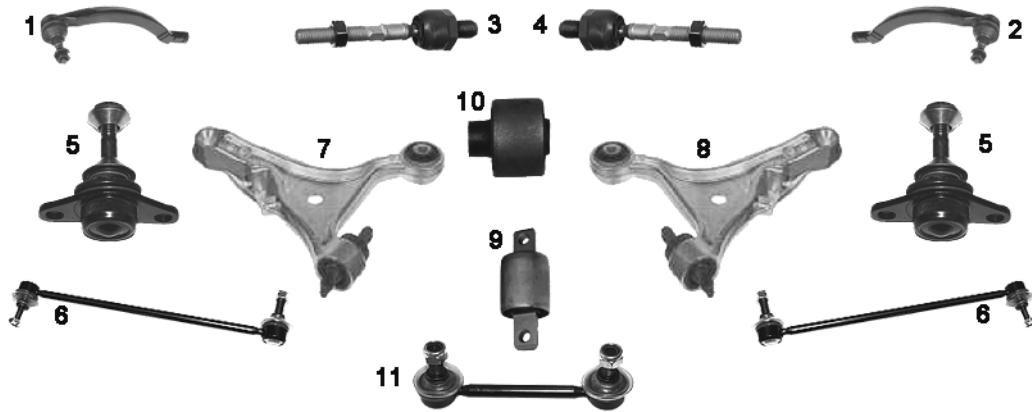
**VOLVO S40 II**  
**VOLVO V50**  01/04→  
04/04→



NR	MAPCO	REF			←	→	↑	↓			NEW	INFO
1	59664HPS	8623576	✓		✓				✓	✓		
2	59668	30683067		✓	✓	✓			✓	✓		
3	59646	8671921		✓	✓	✓			✓	✓		
4	51602	30714126	✓		✓			✓	✓	✓		
5	51603	30714127	✓			✓		✓	✓	✓		

**VOLVO S60**

11/00→



NR	MAPCO	REF			←	→	↑	↓			NEW	INFO
1	49921	274 175	✓		✓				✓	✓		
2	49922	274 176	✓			✓			✓	✓		
3	49923	272 428	✓		✓	✓			✓	✓		M14x2,0 157mm
4	49927	274 179	✓		✓	✓			✓	✓		→12/03 SMI M14x1,5 148mm
5	49924	274 186	✓		✓	✓			✓	✓		
6	49906HPS	274 303	✓		✓	✓			✓	✓		
7	49962	3063 5229	✓		✓			✓	✓	✓	✓	LEA
8	49963	3063 5230	✓			✓		✓	✓	✓	✓	LEA
9	33995	917 3618	✓		✓	✓		✓	✓	✓	✓	
10	33996	863 0604	✓		✓	✓		✓	✓	✓	✓	
11	49916HPS	8672446		✓	✓	✓			✓	✓		

**VOLVO XC60**

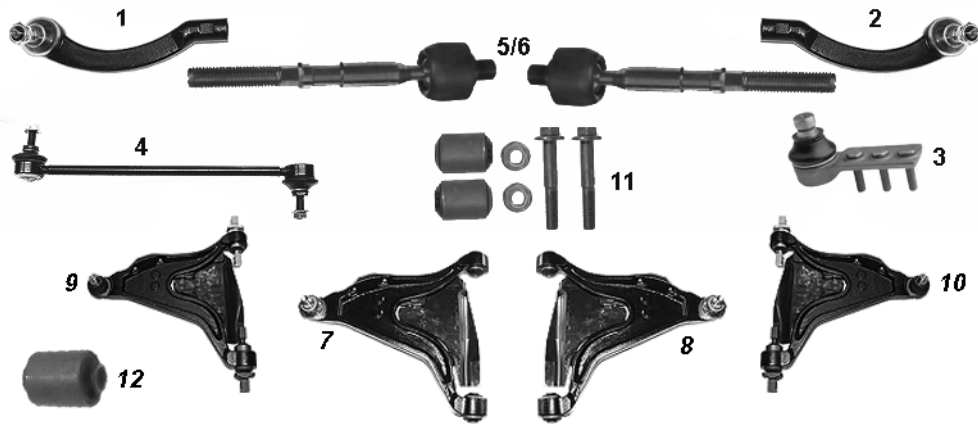
05/08→



NR	MAPCO	REF			←	→	↑	↓			NEW	INFO
1	51619	3130 2344	✓		✓				✓	✓	✓	M18x1,5
2	51620	3130 2345	✓			✓			✓	✓	✓	M18x1,5

VOLVO C70 , S70  
VOLVO V70 I (P80\_)

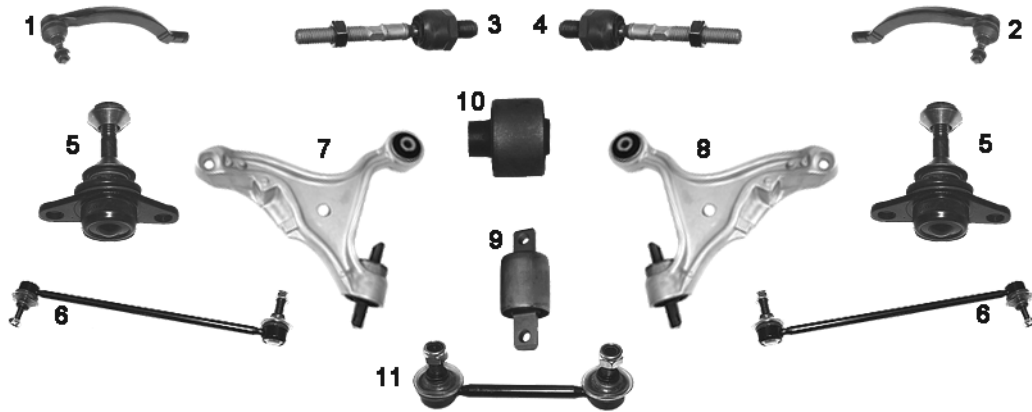
01/97→11/00  
11/96→05/00



NR	MAPCO	REF			←	→	↑	↓			NEW	INFO
1	19910	271598.5	✓		✓				✓	✓		M14x2,0RHT
2	19911	271599.3	✓			✓			✓	✓		M14x2,0RHT
3	19912	271591.0	✓		✓	✓			✓	✓		
4	19914HPS	1387860	✓		✓	✓			✓	✓		
5	49917	3546266	✓		✓	✓			✓	✓		→ 2000 TRW
6	49954	9191410	✓		✓	✓			✓	✓		203 mm SMI
7	49912	271901	✓		✓				✓	✓		Turbo
8	49913	271902	✓			✓			✓	✓		Turbo
9	49914	272336	✓		✓				✓	✓		✓ Turbo
10	49915	272337	✓			✓			✓	✓		✓ Turbo
11	36975	271631	✓		✓	✓			✓	✓		KIT
12	36976	6800251	✓		✓	✓			✓	✓		

**VOLVO V70 II** (P80\_)

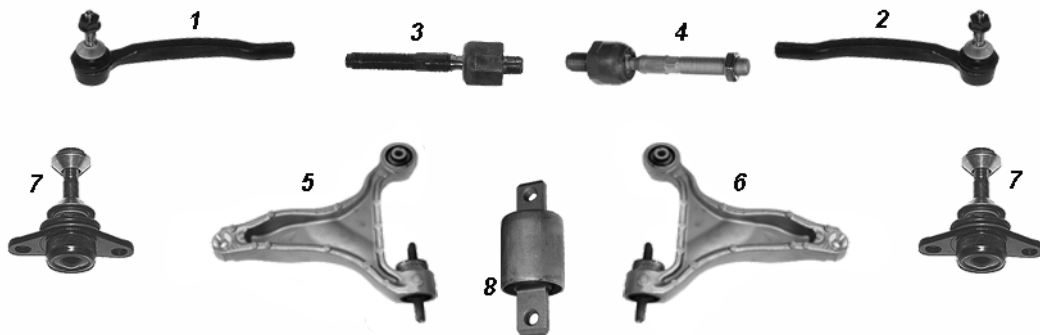
03/00→



NR	MAPCO	REF			←	→	↑	↓			NEW	INFO
1	49921	274175	✓		✓				✓	✓		
2	49922	274176	✓			✓			✓	✓		
3	49923	272428	✓		✓	✓			✓	✓		M14x2,0 157mm
4	49927	274179	✓		✓	✓			✓	✓		→12/03 SMI M14x1,5 148mm
5	49924	274186	✓		✓	✓			✓	✓		
6	49906HPS	274303	✓		✓	✓			✓	✓		
7	49962	30635229	✓		✓			✓	✓	✓	✓	
8	49963	30635230	✓			✓		✓	✓	✓	✓	
9	33995	9173618	✓		✓	✓		✓	✓	✓	✓	
10	33996	8630604	✓		✓	✓		✓	✓	✓	✓	
11	49916HPS	8672446		✓	✓	✓			✓	✓		

**VOLVO XC70 CROSS COUNTRY**

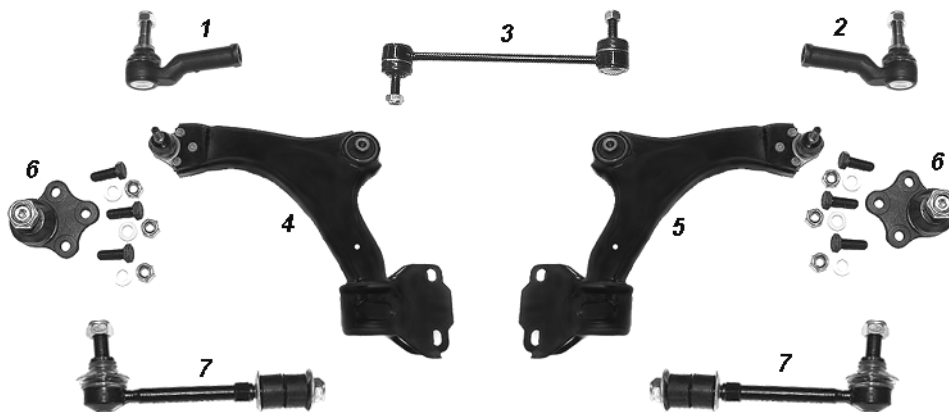
09/02→



NR	MAPCO	REF			←	→	↑	↓			NEW	INFO
1	49965	31201228	✓		✓				✓	✓	✓	
2	49966	31201229	✓			✓			✓	✓	✓	
3	49964	274353	✓		✓	✓			✓	✓	✓	01/04→ ZF M14x1,5
4	49927	274179	✓		✓	✓			✓	✓		→12/03 SMI M14x1,5 148mm
5	49960	30635231	✓		✓			✓	✓	✓	✓	
6	49961	30635232	✓			✓		✓	✓	✓	✓	
7	49924	274187	✓		✓	✓			✓	✓		
8	33995	9173618	✓		✓	✓		✓	✓	✓	✓	

**VOLVO V70 III**

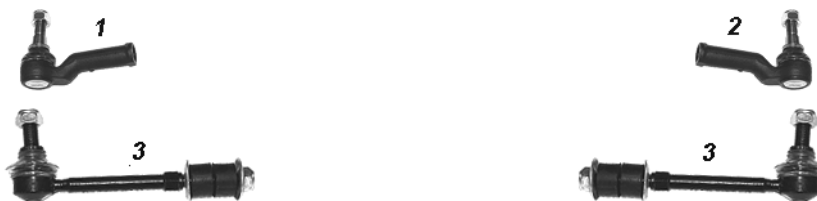
08/07→



NR	MAPCO	REF			←	→	↑	↓			NEW	INFO
1	51619	3130 2344	✓	✓					✓	✓	✓	M18x1,5
2	51620	3130 2345	✓		✓				✓	✓	✓	M18x1,5
3	51621	3064 8461	✓		✓	✓			✓	✓	✓	
4	51622	3127 7343	✓		✓				✓	✓	✓	
5	51623	3127 7344	✓		✓				✓	✓	✓	
6	51624	No OE ref	✓		✓	✓			✓	✓	✓	
7	51625	3076 0678		✓	✓	✓			✓	✓	✓	

**VOLVO XC70 II**

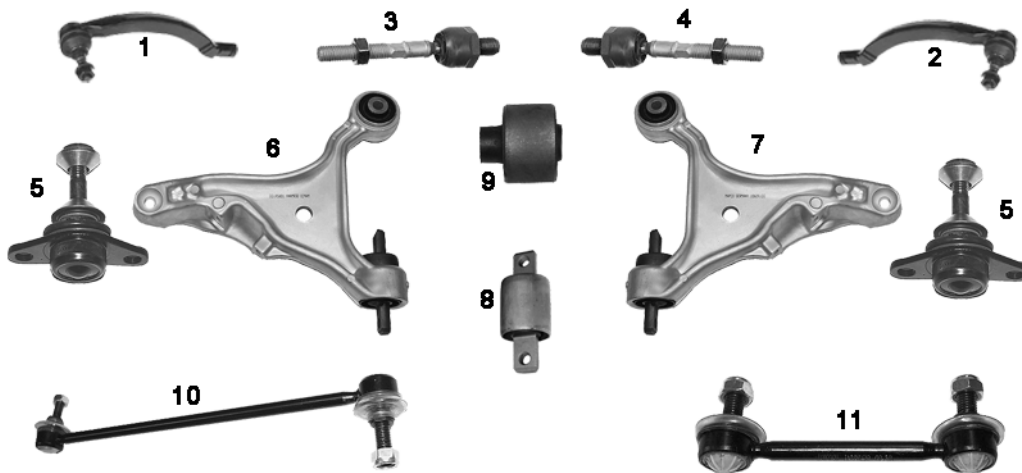
08/07→



NR	MAPCO	REF			←	→	↑	↓			NEW	INFO
1	51619	3130 2344	✓	✓					✓	✓	✓	M18x1,5
2	51620	3130 2345	✓		✓				✓	✓	✓	M18x1,5
3	51625	3076 0678		✓	✓	✓			✓	✓	✓	

**VOLVO S80 (TS, XY)**

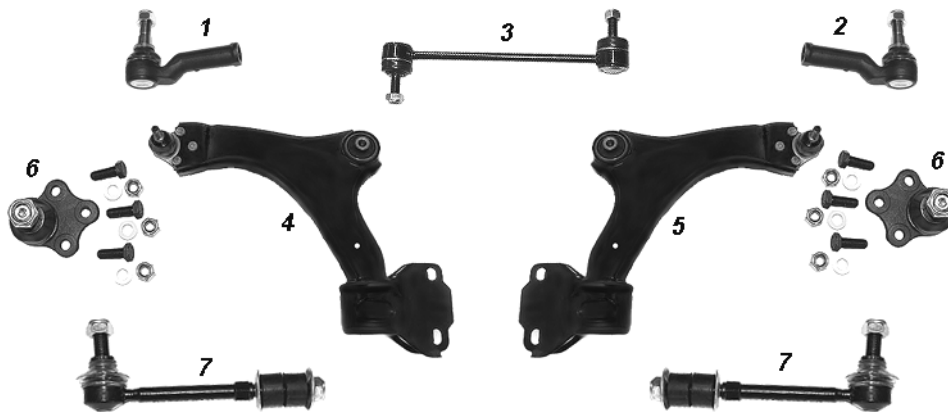
05/98 → 07/06



NR	MAPCO	REF			←	→	↑	↓			NEW	INFO
1	49921	274 175	✓		✓				✓	✓		
2	49922	274 176	✓			✓			✓	✓		
3	49923	272 428	✓		✓	✓			✓	✓		M14x2,0 157mm
4	49927	274 179	✓		✓	✓			✓	✓		→12/03 SMI M14x1,5 148mm
5	49924	274 187	✓		✓	✓			✓	✓		
6	49958	3063 5227	✓		✓			✓	✓	✓	✓	
7	49959	3063 5228	✓			✓		✓	✓	✓	✓	
8	33995	917 3618	✓		✓	✓		✓	✓	✓	✓	
9	33996	863 0604	✓		✓	✓		✓	✓	✓	✓	
10	49906HPS	274 303	✓		✓	✓			✓	✓		335mm
11	49916HPS	867 2446		✓	✓	✓			✓	✓		

**VOLVO S80 II**

03/06 →



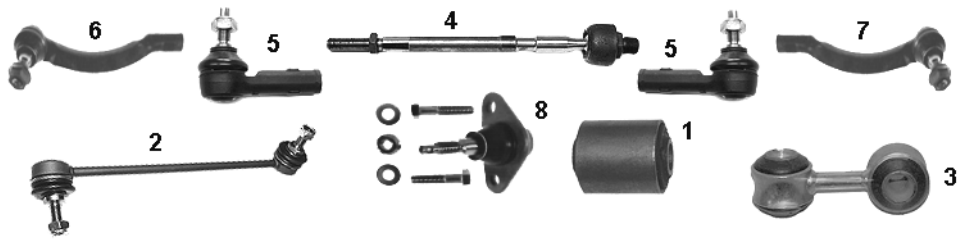
NR	MAPCO	REF			←	→	↑	↓			NEW	INFO
1	51619	3130 2344	✓		✓				✓	✓	✓	M18x1,5
2	51620	3130 2345	✓			✓			✓	✓	✓	M18x1,5
3	51621	3064 8461	✓		✓	✓			✓	✓	✓	
4	51622	3127 7343	✓		✓				✓	✓	✓	
5	51623	3127 7344	✓			✓			✓	✓	✓	
6	51624	No OE ref	✓		✓	✓			✓	✓	✓	
7	51625	3076 0678		✓	✓	✓			✓	✓	✓	



**VOLVO S90**  
**VOLVO V90**



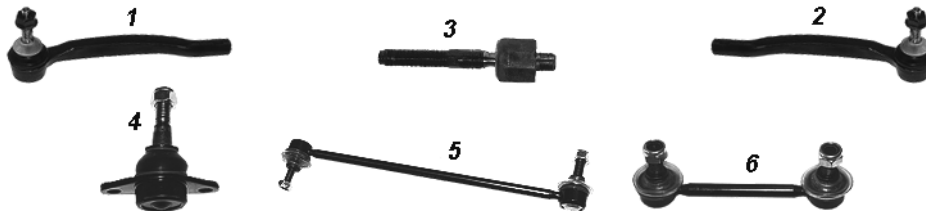
01/97 → 05/98  
01/97 → 12/98



NR	MAPCO	REF			←	→	↑	↓			NEW	INFO
1	33917	1 329 655	✓		✓	✓			✓	✓		✓2.9 24V
2	19937HPS	9 492 837	✓		✓	✓			✓	✓		
3	19938	3 530 304-9		✓	✓	✓			✓	✓		
4	49918	9 140 788F	✓		✓	✓			✓	✓		TRW
5	19906	3516 944	✓		✓	✓			✓	✓		✓2.9Lt 24V 1997-> 1998
6	19910	3546 267	✓		✓				✓	✓		
7	19911	3546 268	✓			✓			✓	✓		
8	19907	270 477	✓		✓	✓			✓	✓		

**VOLVO XC 90**

10/02 →



NR	MAPCO	REF			←	→	↑	↓			NEW	INFO
1	49965	3120 1228	✓		✓				✓	✓	✓	
2	49966	3120 1229	✓			✓			✓	✓	✓	
3	49964	274 353	✓		✓	✓			✓	✓	✓	ZF M14x1,5
4	49955	274 523	✓		✓	✓			✓	✓	✓	
5	49906HPS	274 303	✓		✓	✓			✓	✓		
6	49916HPS	867 2446		✓	✓	✓			✓	✓		

19007	<b>Spurstangenkopf, Tie Rod End, Rotule de barre de connexion</b> ALFA ROMEO 164 (164)
19008	<b>Trag-/Führungsgelenk, Ball Joint, Rotule de suspension</b> ALFA ROMEO 164 (164),FIAT CROMA (154)
19009	<b>Lenker, Radaufhängung, Track Control Arm, Bras de liaison, suspension de roue</b> ALFA ROMEO GTV (916C_),SPIDER (916S_),145 (930),146 (930),155 (167),FIAT BRAVO I (182),COUPE (FA/175),MAREA Weekend (185),MAREA (185)
19010	<b>Lenker, Radaufhängung, Track Control Arm, Bras de liaison, suspension de roue</b> ALFA ROMEO GTV (916C_),SPIDER (916S_),145 (930),146 (930),155 (167),FIAT BRAVO I (182),COUPE (FA/175),MAREA Weekend (185),MAREA (185)
19013	<b>Spurstangenkopf, Tie Rod End, Rotule de barre de connexion</b> ALFA ROMEO 145 (930),146 (930),155 (167)
19014	<b>Spurstangenkopf, Tie Rod End, Rotule de barre de connexion</b> ALFA ROMEO 145 (930),146 (930),155 (167)
19015	<b>Spurstangenkopf, Tie Rod End, Rotule de barre de connexion</b> ALFA ROMEO GTV (916C_),SPIDER (916S_),FIAT MAREA Weekend (185),MAREA (185),MULTIPLA (186)
19016	<b>Axialgelenk, Spurstange, Tie Rod Axle Joint, Rotule de direction intérieure, barre de connexion</b> ALFA ROMEO 145 (930),146 (930),155 (167)
19017	<b>Axialgelenk, Spurstange, Tie Rod Axle Joint, Rotule de direction intérieure, barre de connexion</b> ALFA ROMEO 155 (167)
19018	<b>Axialgelenk, Spurstange, Tie Rod Axle Joint, Rotule de direction intérieure, barre de connexion</b> ALFA ROMEO GT (937),147 (937),156 Sportwagon (932),156 (932)
19020	<b>Lenker, Radaufhängung, Track Control Arm, Bras de liaison, suspension de roue</b> ALFA ROMEO 164 (164),FIAT CROMA (154),LANCIA THEMA SW (834),THEMA (834)
19021	<b>Lenker, Radaufhängung, Track Control Arm, Bras de liaison, suspension de roue</b> ALFA ROMEO 164 (164),FIAT CROMA (154),LANCIA THEMA SW (834),THEMA (834)
19022	<b>Axialgelenk, Spurstange, Tie Rod Axle Joint, Rotule de direction intérieure, barre de connexion</b> FIAT BRAVA (182),BRAVO I (182),TEMPRA S.W. (159),TEMPRA (159),TIPO (160),LANCIA DELTA II (836)
19022/1	<b>Spurstange, Rod Assembly, Barre de connexion</b> FIAT BRAVA (182),BRAVO I (182),TEMPRA S.W. (159),TEMPRA (159),TIPO (160),LANCIA DEDRA SW (835),DEDRA (835),DELTA II (836)
19022/2	<b>Spurstange, Rod Assembly, Barre de connexion</b> ALFA ROMEO GTV (916C_),SPIDER (916S_),155 (167),FIAT BRAVA (182),BRAVO I (182),COUPE (FA/175),TEMPRA S.W. (159),TEMPRA (159),TIPO (160),LANCIA DEDRA SW (835),DEDRA (835),DELTA II (836)
19023	<b>Axialgelenk, Spurstange, Tie Rod Axle Joint, Rotule de direction intérieure, barre de connexion</b> CITROËN EVASION (22, U6),JUMPER Bus (230P),JUMPER Kasten (230L),JUMPER Pritsche/Fahrgestell (230),JUMPY Kasten (BS_, BT_, BY_, BZ_),JUMPY Pritsche/Fahrgestell (BU_, BV_, BW_, BX_),JUMPY (U6U),FIAT MAREA Weekend (185),MAREA (185),MULTIPLA (186),SCUDO Combinato (220P),SCUDO Kasten (220L),ULYSSE (220),LANCIA ZETA (220),PEUGEOT EXPERT Kasten (222),EXPERT Pritsche/Fahrgestell (223),EXPERT (224),806 (221)
19023/1	<b>Spurstange, Rod Assembly, Barre de connexion</b> FIAT COUPE (FA/175),MAREA Weekend (185),MAREA (185),MULTIPLA (186),LANCIA DEDRA SW (835),DEDRA (835)
19024	<b>Axialgelenk, Spurstange, Tie Rod Axle Joint, Rotule de direction intérieure, barre de connexion</b> FIAT PUNTO Van (188AX),PUNTO (188)
19025	<b>Lenker, Radaufhängung, Track Control Arm, Bras de liaison, suspension de roue</b> AUTOBIANCHI A 112,FIAT FIORINO Pick up (147),FIORINO (127),FIORINO (147),127,127 Panorama,128,128 Coupe,128 Familiare,147,147 Panorama,LANCIA A 112,SEAT FURA (025A),ZASTAVA YUGO,YUGO FLORIDA,101 (1100)
19026HPS	<b>Stange/Strebe, Stabilisator, Rod/Strut, stabiliser, Entretoise/tige, stabilisateur</b> FIAT MAREA Weekend (185),MAREA (185),MULTIPLA (186),LANCIA DEDRA SW (835),DEDRA (835),DELTA I (831AB0),DELTA II (836),LYBRA SW (839BX),LYBRA (839AX),PRISMA (831AB0),THEMA SW (834),THEMA (834)
19028HPS	<b>Stange/Strebe, Stabilisator, Rod/Strut, stabiliser, Entretoise/tige, stabilisateur</b> FIAT BRAVO II (198),STILO Multi Wagon (192),STILO (192),500,FORD KA
19029	<b>Spurstangenkopf, Tie Rod End, Rotule de barre de connexion</b> ALFA ROMEO GT (937),147 (937),156 Sportwagon (932),156 (932),166 (936)
19030	<b>Spurstangenkopf, Tie Rod End, Rotule de barre de connexion</b> ALFA ROMEO GT (937),147 (937),156 Sportwagon (932),156 (932),166 (936)
19031	<b>Lenker, Radaufhängung, Track Control Arm, Bras de liaison, suspension de roue</b> ALFA ROMEO 166 (936)
19032	<b>Lenker, Radaufhängung, Track Control Arm, Bras de liaison, suspension de roue</b> ALFA ROMEO 166 (936)
19040	<b>Spurstangenkopf, Tie Rod End, Rotule de barre de connexion</b> FIAT REGATA Weekend,REGATA (138),RITMO Bertone Cabriolet,RITMO I (138A),RITMO II (138A),STRADA (178E),SEAT IBIZA I (021A),MALAGA (023A),RONDA (022A)
19041	<b>Lenker, Radaufhängung, Track Control Arm, Bras de liaison, suspension de roue</b> FIAT REGATA Weekend,REGATA (138),RITMO Bertone Cabriolet,RITMO I (138A),RITMO II (138A),128,128 Coupe,128 Familiare,SEAT FURA (025A),IBIZA I (021A),MALAGA (023A),RONDA (022A),ZASTAVA YUGO,YUGO FLORIDA,101 (1100)



<b>19042</b>	<b>Spurstangenkopf, Tie Rod End, Rotule de barre de connexion</b> AUTOBIANCHI A 112,FIAT CINQUECENTO (170),REGATA Weekend,REGATA (138),RITMO Bertone Cabriolet,RITMO I (138A),RITMO II (138A),SEICENTO Van (187),SEICENTO (187),127,LANCIA A 112,SEAT IBIZA I (021A),MALAGA (023A),RONDA (022A)
<b>19043</b>	<b>Axialgelenk, Spurstange, Tie Rod Axle Joint, Rotule de direction intérieure, barre de connexion</b> FIAT TEMPRA S.W. (159),TEMPRA (159),TIPO (160),UNO (146A/E),131,LANCIA DELTA II (836),SEAT IBIZA I (021A),MALAGA (023A),RONDA (022A)
<b>19044</b>	<b>Trag-/Führungsgelenk, Ball Joint, Rotule de suspension</b> FIAT DUNA Weekend (146 B),DUNA (146 B),PANDA Van (141_),PANDA (141A_),UNO (146A/E),LANCIA Y10 (156),SEAT MARBELLA Kasten (028A),MARBELLA (28),TERRA Kasten (024A),TERRA (24)
<b>19045</b>	<b>Lenker, Radaufhängung, Track Control Arm, Bras de liaison, suspension de roue</b> AUTOBIANCHI Y10,FIAT PANDA Van (141_),PANDA (141A_),LANCIA Y10 (156),SEAT MARBELLA Kasten (028A),MARBELLA (28),TERRA Kasten (024A),TERRA (24)
<b>19046</b>	<b>Spurstangenkopf, Tie Rod End, Rotule de barre de connexion</b> FIAT PANDA Van (141_),PANDA (141A_),SEAT MARBELLA Kasten (028A),MARBELLA (28),TERRA Kasten (024A),TERRA (24)
<b>19047</b>	<b>Spurstangenkopf, Tie Rod End, Rotule de barre de connexion</b> FIAT DUNA Weekend (146 B),DUNA (146 B),FIORINO Pick up (147),FIORINO (127),FIORINO (147),UNO (146A/E),127,127 Panorama,LANCIA Y10 (156)
<b>19048</b>	<b>Lenker, Radaufhängung, Track Control Arm, Bras de liaison, suspension de roue</b> FIAT PANDA Van (141_),PANDA (141A_),LANCIA Y10 (156),SEAT MARBELLA Kasten (028A),MARBELLA (28),TERRA Kasten (024A),TERRA (24)
<b>19049/1</b>	<b>Spurstange, Rod Assembly, Barre de connexion</b> ALFA ROMEO 155 (167),FIAT BRAVA (182),BRAVO I (182),COUPE (FA/175),TEMPRA S.W. (159),TEMPRA (159),TIPO (160),UNO (146A/E),LANCIA DEDRA SW (835),DEDRA (835),DELTA I (831AB0),DELTA II (836)
<b>19049/2</b>	<b>Spurstange, Rod Assembly, Barre de connexion</b> ALFA ROMEO 155 (167),FIAT BRAVA (182),BRAVO I (182),COUPE (FA/175),TEMPRA S.W. (159),TEMPRA (159),TIPO (160),UNO (146A/E),LANCIA DEDRA SW (835),DEDRA (835),DELTA I (831AB0),DELTA II (836)
<b>19050</b>	<b>Lenker, Radaufhängung, Track Control Arm, Bras de liaison, suspension de roue</b> FIAT DUNA Weekend (146 B),DUNA (146 B),ELBA (146_),UNO (146A/E)
<b>19051</b>	<b>Lenker, Radaufhängung, Track Control Arm, Bras de liaison, suspension de roue</b> FIAT DUNA Weekend (146 B),DUNA (146 B),ELBA (146_),UNO (146A/E)
<b>19052</b>	<b>Spurstangenkopf, Tie Rod End, Rotule de barre de connexion</b> ALFA ROMEO GTV (916C_),SPIDER (916S_),145 (930),155 (167),FIAT BRAVA (182),BRAVO I (182),COUPE (FA/175),TEMPRA S.W. (159),TEMPRA (159),TIPO (160),LANCIA DEDRA SW (835),DEDRA (835),DELTA I (831AB0)
<b>19053</b>	<b>Spurstangenkopf, Tie Rod End, Rotule de barre de connexion</b> ALFA ROMEO GTV (916C_),SPIDER (916S_),145 (930),155 (167),FIAT BRAVA (182),BRAVO I (182),COUPE (FA/175),TEMPRA S.W. (159),TEMPRA (159),TIPO (160),LANCIA DEDRA SW (835),DEDRA (835),DELTA I (831AB0)
<b>19054</b>	<b>Lenker, Radaufhängung, Track Control Arm, Bras de liaison, suspension de roue</b> FIAT TEMPRA S.W. (159),TEMPRA (159),TIPO (160),LANCIA DEDRA SW (835),DEDRA (835)
<b>19055</b>	<b>Lenker, Radaufhängung, Track Control Arm, Bras de liaison, suspension de roue</b> FIAT TEMPRA S.W. (159),TEMPRA (159),TIPO (160),LANCIA DEDRA SW (835),DEDRA (835)
<b>19056</b>	<b>Lenker, Radaufhängung, Track Control Arm, Bras de liaison, suspension de roue</b> FIAT BRAVA (182),BRAVO I (182),TEMPRA S.W. (159),TEMPRA (159),TIPO (160),LANCIA DEDRA SW (835),DEDRA (835),DELTA II (836)
<b>19057</b>	<b>Lenker, Radaufhängung, Track Control Arm, Bras de liaison, suspension de roue</b> FIAT BRAVA (182),BRAVO I (182),TEMPRA S.W. (159),TEMPRA (159),TIPO (160),LANCIA DEDRA SW (835),DEDRA (835),DELTA II (836)
<b>19058</b>	<b>Spurstangenkopf, Tie Rod End, Rotule de barre de connexion</b> FIAT CROMA (154),LANCIA THEMA SW (834),THEMA (834)
<b>19059</b>	<b>Spurstangenkopf, Tie Rod End, Rotule de barre de connexion</b> FIAT CROMA (154),LANCIA DELTA I (831AB0),KAPPA Coupe (838),KAPPA SW (838B),KAPPA (838A),THEMA SW (834),THEMA (834)
<b>19060</b>	<b>Trag-/Führungsgelenk, Ball Joint, Rotule de suspension</b> ALFA ROMEO 164 (164),FIAT CROMA (154),LANCIA THEMA (834)
<b>19064</b>	<b>Lenker, Radaufhängung, Track Control Arm, Bras de liaison, suspension de roue</b> SEAT IBIZA I (021A),IBIZA II (6K1),MALAGA (023A)
<b>19065</b>	<b>Spurstangenkopf, Tie Rod End, Rotule de barre de connexion</b> FIAT BARCHETTA (183),PUNTO Cabriolet (176C),PUNTO Van (176L),PUNTO (176),PUNTO (188),LANCIA Y (840A),Y10 (156)
<b>19066</b>	<b>Lenker, Radaufhängung, Track Control Arm, Bras de liaison, suspension de roue</b> FIAT BARCHETTA (183),PUNTO Cabriolet (176C),PUNTO Van (176L),PUNTO (176),LANCIA Y (840A)
<b>19067</b>	<b>Lenker, Radaufhängung, Track Control Arm, Bras de liaison, suspension de roue</b> FIAT BARCHETTA (183),PUNTO Cabriolet (176C),PUNTO Van (176L),PUNTO (176),LANCIA Y (840A)
<b>19068</b>	<b>Axialgelenk, Spurstange, Tie Rod Axle Joint, Rotule de direction intérieure, barre de connexion</b> FIAT BARCHETTA (183),PUNTO Cabriolet (176C),PUNTO Van (176L),PUNTO (176),PUNTO (188),LANCIA Y (840A)
<b>19069</b>	<b>Axialgelenk, Spurstange, Tie Rod Axle Joint, Rotule de direction intérieure, barre de connexion</b> FIAT CINQUECENTO (170),SEICENTO (187)
<b>19070</b>	<b>Spurstangenkopf, Tie Rod End, Rotule de barre de connexion</b> FIAT DUNA Weekend (146 B),DUNA (146 B),FIORINO Kasten (146 Uno)



19071	<b>Lenker, Radaufhängung, Track Control Arm, Bras de liaison, suspension de roue</b> FIAT FIORINO Kasten (146 Uno),FIORINO Pick up (146),FIORINO Pick up (147),FIORINO (127),FIORINO (147)
19072	<b>Lenker, Radaufhängung, Track Control Arm, Bras de liaison, suspension de roue</b> FIAT CINQUECENTO (170),SEICENTO (187)
19073	<b>Lenker, Radaufhängung, Track Control Arm, Bras de liaison, suspension de roue</b> FIAT CINQUECENTO (170),SEICENTO (187)
19076	<b>Lenker, Radaufhängung, Track Control Arm, Bras de liaison, suspension de roue</b> LANCIA ZETA (220)
19077	<b>Lenker, Radaufhängung, Track Control Arm, Bras de liaison, suspension de roue</b> LANCIA ZETA (220)
19078	<b>Spurstangenkopf, Tie Rod End, Rotule de barre de connexion</b> LANCIA ZETA (220)
19079	<b>Axialgelenk, Spurstange, Tie Rod Axle Joint, Rotule de direction intérieure, barre de connexion</b> FIAT BARCHETTA (183),PUNTO Cabriolet (176C),PUNTO Van (176L),PUNTO (176),PUNTO (188)
19080	<b>Spurstangenkopf, Tie Rod End, Rotule de barre de connexion</b> LADA NADESCHDA (2120),NIVA (2121),NOVA Kombi (2104),NOVA (2105),TOSCANA (2107),1200-1500 Kombi,1200-1600
19081	<b>Spurstangenkopf, Tie Rod End, Rotule de barre de connexion</b> LADA NOVA Kombi (2104),NOVA (2105),TOSCANA (2107),1200-1500 Kombi,1200-1600
19082	<b>Spurstangenkopf, Tie Rod End, Rotule de barre de connexion</b> LADA NOVA Kombi (2104),NOVA (2105),TOSCANA (2107),1200-1500 Kombi,1200-1600
19084	<b>Trag-/Führungsgelenk, Ball Joint, Rotule de suspension</b> LADA NIVA (2121),NOVA Kombi (2104),NOVA (2105),1200-1500 Kombi,1200-1600
19085	<b>Trag-/Führungsgelenk, Ball Joint, Rotule de suspension</b> LADA NADESCHDA (2120),NIVA (2121),NOVA Kombi (2104),NOVA (2105),1200-1500 Kombi,1200-1600
19089	<b>Spurstangenkopf, Tie Rod End, Rotule de barre de connexion</b> LADA PRIORA Kombi (2171),PRIORA Schrägheck (2172),PRIORA Stufenheck (2170),SAMARA FORMA (21099),SAMARA (2108, 2109)
19090	<b>Spurstangenkopf, Tie Rod End, Rotule de barre de connexion</b> LADA PRIORA Kombi (2171),PRIORA Schrägheck (2172),PRIORA Stufenheck (2170),SAMARA FORMA (21099),SAMARA (2108, 2109)
19091	<b>Trag-/Führungsgelenk, Ball Joint, Rotule de suspension</b> LADA SAMARA FORMA (21099),SAMARA (2108, 2109),TOSCANA (2107)
19092	<b>Spurstangenkopf, Tie Rod End, Rotule de barre de connexion</b> LADA 110,111,112
19093	<b>Spurstangenkopf, Tie Rod End, Rotule de barre de connexion</b> LADA 110,111,112
19097	<b>Lenker, Radaufhängung, Track Control Arm, Bras de liaison, suspension de roue</b> ALFA ROMEO MITO (955),CITROËN NEMO Kasten (AA_),NEMO Kombi,FIAT FIORINO Kasten/Kombi (225),GRANDE PUNTO Van (199),LINEA (323),PUNTO / GRANDE PUNTO (199),PUNTO EVO,QUBO (225),PEUGEOT BIPPER (AA_),BIPPER Tepee
19098	<b>Lenker, Radaufhängung, Track Control Arm, Bras de liaison, suspension de roue</b> ALFA ROMEO MITO (955),CITROËN NEMO Kasten (AA_),NEMO Kombi,FIAT FIORINO Kasten/Kombi (225),GRANDE PUNTO Van (199),LINEA (323),PUNTO / GRANDE PUNTO (199),PUNTO EVO,QUBO (225),PEUGEOT BIPPER (AA_),BIPPER Tepee
19099	<b>Spurstangenkopf, Tie Rod End, Rotule de barre de connexion</b> CITROËN JUMPER Bus (244, Z_),JUMPER Kasten (244),JUMPER Pritsche/Fahrgestell (244),FIAT DUCATO Bus (244, Z_),DUCATO Kasten (244),DUCATO Pritsche/Fahrgestell (244),PEUGEOT BOXER Bus (244, Z_),BOXER Kasten (244),BOXER Pritsche/Fahrgestell (244)
19102	<b>Trag-/Führungsgelenk, Ball Joint, Rotule de suspension</b> RENAULT RODEO 4,RODEO 5,RODEO 6,16 (115_),4 Kasten (R21_, R23_),4 (112_),5 Kasten (238_),5 (122_),6 (118_)
19103	<b>Axialgelenk, Spurstange, Tie Rod Axle Joint, Rotule de direction intérieure, barre de connexion</b> RENAULT ESPACE I (J11_),RODEO 4,RODEO 5,RODEO 6,14 (121_),16 (115_),18 Kasten,18 Variable (135_),18 (134_),4 Kasten (R21_, R23_),4 (112_),5 Kasten (238_),5 (122_),6 (118_)
19105	<b>Spurstangenkopf, Tie Rod End, Rotule de barre de connexion</b> RENAULT ESPACE I (J11_),RODEO 5,RODEO 6,14 (121_),18 Kasten,18 Variable (135_),18 (134_),20 (127_),4 Kasten (R21_, R23_),4 (112_),5 Kasten (238_),5 (122_),6 (118_)
19106	<b>Spurstange, Rod Assembly, Barre de connexion</b> RENAULT 11 (B/C37_),21 (B48_),21 Kasten (S48_),21 Kombi (K48_),21 Stufenheck (L48_),9 (L42_)
19107	<b>Spurstange, Rod Assembly, Barre de connexion</b> RENAULT ESPACE I (J11_),FUEGO (136_),18 Kasten,18 Variable (135_),18 (134_),20 (127_),30 (127_)
19107/1	<b>Axialgelenk, Spurstange, Tie Rod Axle Joint, Rotule de direction intérieure, barre de connexion</b> RENAULT ESPACE I (J11_),FUEGO (136_),18 Kasten,18 Variable (135_),18 (134_)
19108	<b>Spurstangenkopf, Tie Rod End, Rotule de barre de connexion</b> RENAULT ESPACE I (J11_),ESPACE II (J/S63_),FUEGO (136_),RAPID Kasten (F40_, G40_),SUPER 5 (B/C40_),SUPER 5 Kasten (S40_),11 (B/C37_),11 Kasten (S37_),14 (121_),18 Kasten,18 Variable (135_),18 (134_),20 (127_),21 (B48_),21 Kombi (K48_),21 Stufenheck (L48_),25 (B29_),30 (127_),9 (L42_)



<b>19109</b>	<b>Trag-/Führungsgelenk, Ball Joint, Rotule de suspension</b> NISSAN KUBISTAR (X76),RENAULT CLIO I (B/C57_, 5/357_),CLIO I Kasten (S57_),CLIO II (BB0/1/2_, CB0/1/2_),KANGOO (KC0/1_),KANGOO Rapid (FC0/1_),MEGANE I (BA0/1_),MEGANE I Cabriolet (EA0/1_),MEGANE I Classic (LA0/1_),MEGANE I Coach (DA0/1_),MEGANE I Grandtour (KA0/1_),MEGANE Scenic (JA0/1_),RAPID Kasten (F40_, G40_),SCÉNIC I (JA0/1_),SUPER 5 (B/C40_),SUPER 5 Kasten (S40_),TWINGO (C06_),TWINGO Kasten (S06_),11 (B/C37_),11 Kasten (S37_),18 (134_),19 I (B/C53_),19 I Cabriolet (D53_),19 I Chamade (L53_),19 I Kasten (S53_),19 II (B/C53_),19 II Cabriolet (D53_, 853_),19 II Chamade (L53_),19 II Kasten (S53_),21 (B48_),21 Kasten (S48_),21 Kombi (K48_),21 Stufenheck (L48_),9 (L42_)
<b>19109/2</b>	<b>Trag-/Führungsgelenk, Ball Joint, Rotule de suspension</b> RENAULT MEGANE Scenic (JA0/1_),SCÉNIC I (JA0/1_)
<b>19111</b>	<b>Trag-/Führungsgelenk, Ball Joint, Rotule de suspension</b> DACIA 1310 Kombi,1310 Stufenheck (U, X),RENAULT 12,12 Kasten,12 Variable (117_),15 (130_),17,18 Kasten,18 Variable (135_),18 (134_)
<b>19112</b>	<b>Trag-/Führungsgelenk, Ball Joint, Rotule de suspension</b> DACIA 1310 Kombi,1310 Stufenheck (U, X),RENAULT 12,12 Kasten,12 Variable (117_),15 (130_),17,18 Kasten,18 Variable (135_),18 (134_),20 (127_)
<b>19113</b>	<b>Lenker, Radaufhängung, Track Control Arm, Bras de liaison, suspension de roue</b> DACIA 1300,1300 Kombi,1310 Kombi,1310 Stufenheck (U, X),1410 Kombi,1410 Stufenheck,RENAULT 12,12 Kasten,12 Variable (117_),15 (130_),17
<b>19114</b>	<b>Lenker, Radaufhängung, Track Control Arm, Bras de liaison, suspension de roue</b> RENAULT 12
<b>19115</b>	<b>Trag-/Führungsgelenk, Ball Joint, Rotule de suspension</b> RENAULT ESPACE I (J11_),FUEGO (136_),18 Kasten,18 Variable (135_),18 (134_),20 (127_),30 (127_)
<b>19116</b>	<b>Trag-/Führungsgelenk, Ball Joint, Rotule de suspension</b> RENAULT ESPACE I (J11_),FUEGO (136_),18 Kasten,18 Variable (135_),18 (134_),20 (127_),30 (127_)
<b>19120HPS</b>	<b>Stange/Strebe, Stabilisator, Rod/Strut, stabiliser, Entretoise/tige, stabilisateur</b> NISSAN MICRA C+C (K12),MICRA III (K12),RENAULT CLIO Grandtour (KR0/1_),CLIO III (BR0/1, CR0/1),MODUS / GRAND MODUS (F/JP0_)
<b>19121</b>	<b>Axialgelenk, Spurstange, Tie Rod Axle Joint, Rotule de direction intérieure, barre de connexion</b> RENAULT 11 (B/C37_),11 Kasten (S37_),21 (B48_),21 Kasten (S48_),21 Kombi (K48_),21 Stufenheck (L48_),9 (L42_)
<b>19122</b>	<b>Trag-/Führungsgelenk, Ball Joint, Rotule de suspension</b> RENAULT RODEO 4,RODEO 5,RODEO 6,4 Kasten (R21_, R23_),4 (112_),5 Kasten (238_),5 (122_),6 (118_)
<b>19123</b>	<b>Trag-/Führungsgelenk, Ball Joint, Rotule de suspension</b> RENAULT RODEO 4,RODEO 5,RODEO 6,4 Kasten (R21_, R23_),4 (112_),5 Kasten (238_),5 (122_),6 (118_)
<b>19124</b>	<b>Lenker, Radaufhängung, Track Control Arm, Bras de liaison, suspension de roue</b> RENAULT 11 (B/C37_),11 Kasten (S37_),21 (B48_),21 Kasten (S48_),21 Kombi (K48_),21 Stufenheck (L48_),9 (L42_)
<b>19125</b>	<b>Lenker, Radaufhängung, Track Control Arm, Bras de liaison, suspension de roue</b> RENAULT 11 (B/C37_),11 Kasten (S37_),21 (B48_),21 Kasten (S48_),21 Kombi (K48_),21 Stufenheck (L48_),9 (L42_)
<b>19126</b>	<b>Spurstange, Rod Assembly, Barre de connexion</b> RENAULT ESPACE II (J/S63_),25 (B29_)
<b>19127</b>	<b>Trag-/Führungsgelenk, Ball Joint, Rotule de suspension</b> ALPINE A610,V6,RENAULT ESPACE I (J11_),ESPACE II (J/S63_),ESPACE III (JE0_),25 (B29_)
<b>19128</b>	<b>Trag-/Führungsgelenk, Ball Joint, Rotule de suspension</b> RENAULT ESPACE I (J11_),ESPACE II (J/S63_),25 (B29_)
<b>19129</b>	<b>Spurstange, Rod Assembly, Barre de connexion</b> RENAULT TRAFIC Bus (TXW),TRAFIC Bus (T5, T6, T7),TRAFIC Kasten (TXX),TRAFIC Kasten (T1, T3, T4),TRAFIC Pritsche/Fahrgestell (P6)
<b>19129/1</b>	<b>Axialgelenk, Spurstange, Tie Rod Axle Joint, Rotule de direction intérieure, barre de connexion</b> OPEL ARENA Combi (THB),ARENA Kasten (TB, TF),RENAULT TRAFIC Bus (TXW),TRAFIC Bus (T5, T6, T7),TRAFIC Kasten (TXX),TRAFIC Kasten (T1, T3, T4),TRAFIC Pritsche/Fahrgestell (PXX),TRAFIC Pritsche/Fahrgestell (P6),VAUXHALL ARENA Combi,ARENA Van
<b>19130</b>	<b>Spurstangenkopf, Tie Rod End, Rotule de barre de connexion</b> RENAULT 19 I (B/C53_),19 I Cabriolet (D53_),19 I Chamade (L53_),19 I Kasten (S53_),19 II (B/C53_),19 II Cabriolet (D53_, 853_),19 II Chamade (L53_),19 II Kasten (S53_)
<b>19130/1</b>	<b>Spurstangenkopf, Tie Rod End, Rotule de barre de connexion</b> RENAULT 19 I (B/C53_),19 I Cabriolet (D53_),19 I Chamade (L53_),19 I Kasten (S53_),19 II (B/C53_),19 II Cabriolet (D53_, 853_),19 II Chamade (L53_),19 II Kasten (S53_)
<b>19131</b>	<b>Spurstangenkopf, Tie Rod End, Rotule de barre de connexion</b> RENAULT 21 (B48_),21 Kasten (S48_),21 Kombi (K48_),21 Stufenheck (L48_)
<b>19132</b>	<b>Trag-/Führungsgelenk, Ball Joint, Rotule de suspension</b> RENAULT 21 (B48_),21 Kasten (S48_),21 Kombi (K48_),21 Stufenheck (L48_)
<b>19133</b>	<b>Spurstangenkopf, Tie Rod End, Rotule de barre de connexion</b> RENAULT CLIO I (B/C57_, 5/357_),CLIO I Kasten (S57_)
<b>19134</b>	<b>Spurstangenkopf, Tie Rod End, Rotule de barre de connexion</b> RENAULT CLIO I (B/C57_, 5/357_),CLIO I Kasten (S57_)
<b>19135</b>	<b>Trag-/Führungsgelenk, Ball Joint, Rotule de suspension</b> OPEL ARENA Combi (THB),ARENA Kasten (TB, TF),RENAULT TRAFIC Bus (TXW),TRAFIC Bus (T5, T6, T7),TRAFIC II Bus (JL),TRAFIC II Kasten (FL),TRAFIC Kasten (TXX),TRAFIC Kasten (T1, T3, T4),TRAFIC Pritsche/Fahrgestell (PXX),TRAFIC Pritsche/Fahrgestell (P6),VAUXHALL ARENA Van



19136	<b>Spurstangenkopf, Tie Rod End, Rotule de barre de connexion</b> OPEL ARENA Combi (THB),ARENA Kasten (TB, TF),RENAULT TRAFIC Bus (TXW),TRAFIC Bus (T5, T6, T7),TRAFIC II Bus (JL),TRAFIC II Kasten (FL),TRAFIC Kasten (TXX),TRAFIC Kasten (T1, T3, T4),TRAFIC Pritsche/Fahrgestell (PXX),TRAFIC Pritsche/Fahrgestell (P6),VAUXHALL ARENA Combi,ARENA Van
19137	<b>Lenker, Radaufhängung, Track Control Arm, Bras de liaison, suspension de roue</b> RENAULT CLIO I (B/C57_, 5/357_)
19138	<b>Lenker, Radaufhängung, Track Control Arm, Bras de liaison, suspension de roue</b> RENAULT CLIO I (B/C57_, 5/357_)
19139	<b>Spurstangenkopf, Tie Rod End, Rotule de barre de connexion</b> RENAULT TWINGO (C06_)
19140	<b>Spurstangenkopf, Tie Rod End, Rotule de barre de connexion</b> RENAULT TWINGO (C06_)
19141	<b>Spurstangenkopf, Tie Rod End, Rotule de barre de connexion</b> RENAULT LAGUNA Grandtour (K56_),LAGUNA I (B56_, 556_)
19142	<b>Spurstangenkopf, Tie Rod End, Rotule de barre de connexion</b> RENAULT LAGUNA Grandtour (K56_),LAGUNA I (B56_, 556_)
19143	<b>Trag-/Führungsgelenk, Ball Joint, Rotule de suspension</b> RENAULT LAGUNA Grandtour (K56_),LAGUNA I (B56_, 556_),SAFRANE I (B54_),SAFRANE II (B54_)
19144	<b>Spurstangenkopf, Tie Rod End, Rotule de barre de connexion</b> RENAULT SAFRANE I (B54_),SAFRANE II (B54_)
19144/1	- RENAULT SAFRANE I (B54_),SAFRANE II (B54_)
19145	<b>Spurstangenkopf, Tie Rod End, Rotule de barre de connexion</b> RENAULT SAFRANE I (B54_),SAFRANE II (B54_)
19145/1	- RENAULT SAFRANE I (B54_),SAFRANE II (B54_)
19147	<b>Lenker, Radaufhängung, Track Control Arm, Bras de liaison, suspension de roue</b> RENAULT MEGANE I (BA0/1_),MEGANE I Cabriolet (EA0/1_),MEGANE I Classic (LA0/1_),MEGANE I Coach (DA0/1_),MEGANE I Grandtour (KA0/1_),MEGANE Scenic (JA0/1_),19 I (B/C53_),19 I Cabriolet (D53_),19 I Chamade (L53_),19 I Kasten (S53_),19 II (B/C53_),19 II Cabriolet (D53_, 853_),19 II Chamade (L53_),19 II Kasten (S53_)
19148	<b>Lenker, Radaufhängung, Track Control Arm, Bras de liaison, suspension de roue</b> RENAULT MEGANE I (BA0/1_),MEGANE I Cabriolet (EA0/1_),MEGANE I Classic (LA0/1_),MEGANE I Coach (DA0/1_),MEGANE I Grandtour (KA0/1_),MEGANE Scenic (JA0/1_),19 I (B/C53_),19 I Cabriolet (D53_),19 I Chamade (L53_),19 I Kasten (S53_),19 II (B/C53_),19 II Cabriolet (D53_, 853_),19 II Chamade (L53_),19 II Kasten (S53_)
19149	<b>Axialgelenk, Spurstange, Tie Rod Axle Joint, Rotule de direction intérieure, barre de connexion</b> RENAULT TWINGO (C06_),TWINGO Kasten (S06_)
19150	<b>Spurstange, Rod Assembly, Barre de connexion</b> RENAULT 19 I (B/C53_),19 I Cabriolet (D53_),19 I Chamade (L53_),19 I Kasten (S53_),19 II (B/C53_),19 II Cabriolet (D53_, 853_),19 II Chamade (L53_),19 II Kasten (S53_)
19150/1	<b>Axialgelenk, Spurstange, Tie Rod Axle Joint, Rotule de direction intérieure, barre de connexion</b> RENAULT 19 I (B/C53_),19 I Cabriolet (D53_),19 I Chamade (L53_),19 I Kasten (S53_),19 II (B/C53_),19 II Cabriolet (D53_, 853_),19 II Chamade (L53_),19 II Kasten (S53_)
19151	<b>Spurstange, Rod Assembly, Barre de connexion</b> RENAULT 19 I (B/C53_),19 I Cabriolet (D53_),19 I Chamade (L53_),19 I Kasten (S53_),19 II (B/C53_),19 II Cabriolet (D53_, 853_),19 II Chamade (L53_),19 II Kasten (S53_)
19152	<b>Axialgelenk, Spurstange, Tie Rod Axle Joint, Rotule de direction intérieure, barre de connexion</b> RENAULT CLIO I (B/C57_, 5/357_),CLIO I Kasten (S57_)
19153	<b>Spurstange, Rod Assembly, Barre de connexion</b> RENAULT CLIO I (B/C57_, 5/357_),CLIO I Kasten (S57_)
19154	<b>Spurstange, Rod Assembly, Barre de connexion</b> RENAULT CLIO I (B/C57_, 5/357_),CLIO I Kasten (S57_)
19155	<b>Spurstange, Rod Assembly, Barre de connexion</b> RENAULT CLIO I (B/C57_, 5/357_)
19156	<b>Spurstange, Rod Assembly, Barre de connexion</b> RENAULT LAGUNA Grandtour (K56_),LAGUNA I (B56_, 556_)
19156/1	<b>Axialgelenk, Spurstange, Tie Rod Axle Joint, Rotule de direction intérieure, barre de connexion</b> RENAULT LAGUNA Grandtour (K56_),LAGUNA I (B56_, 556_),MEGANE I (BA0/1_)
19157	<b>Lenker, Radaufhängung, Track Control Arm, Bras de liaison, suspension de roue</b> RENAULT TWINGO (C06_),TWINGO Kasten (S06_)
19158	<b>Lenker, Radaufhängung, Track Control Arm, Bras de liaison, suspension de roue</b> RENAULT TWINGO (C06_),TWINGO Kasten (S06_)
19159	<b>Spurstange, Rod Assembly, Barre de connexion</b> RENAULT TWINGO (C06_),TWINGO Kasten (S06_)



19160	<b>Spurstange, Rod Assembly, Barre de connexion</b> RENAULT TWINGO (C06_),TWINGO Kasten (S06_)
19161	<b>Spurstange, Rod Assembly, Barre de connexion</b> RENAULT LAGUNA Grandtour (K56_),LAGUNA I (B56_, 556_)
19162	<b>Lenker, Radaufhängung, Track Control Arm, Bras de liaison, suspension de roue</b> RENAULT RAPID Kasten (F40_, G40_),RODEO 4,RODEO 5,SUPER 5 (B/C40_),SUPER 5 Kasten (S40_)
19163	<b>Lenker, Radaufhängung, Track Control Arm, Bras de liaison, suspension de roue</b> RENAULT RAPID Kasten (F40_, G40_),RODEO 4,RODEO 5,SUPER 5 (B/C40_),SUPER 5 Kasten (S40_)
19164	<b>Stange/Strebe, Stabilisator, Rod/Strut, stabiliser, Entretoise/tige, stabilisateur</b> RENAULT AVANTIME (DE0_),ESPACE III (JE0_),LAGUNA Grandtour (K56_),LAGUNA I (B56_, 556_),SAFRANE I (B54_),SAFRANE II (B54_)
19164HPS	<b>Stange/Strebe, Stabilisator, Rod/Strut, stabiliser, Entretoise/tige, stabilisateur</b> RENAULT AVANTIME (DE0_),ESPACE III (JE0_),LAGUNA Grandtour (K56_),LAGUNA I (B56_, 556_),SAFRANE I (B54_),SAFRANE II (B54_)
19166	<b>Spurstange, Rod Assembly, Barre de connexion</b> RENAULT RAPID Kasten (F40_, G40_),SUPER 5 (B/C40_),SUPER 5 Kasten (S40_)
19166/1	<b>Axialgelenk, Spurstange, Tie Rod Axle Joint, Rotule de direction intérieure, barre de connexion</b> RENAULT RAPID Kasten (F40_, G40_),SUPER 5 (B/C40_)
19167	<b>Lenker, Radaufhängung, Track Control Arm, Bras de liaison, suspension de roue</b> RENAULT MEGANE I (BA0/1_),MEGANE I Cabriolet (EA0/1_),MEGANE I Classic (LA0/1_),MEGANE I Coach (DA0/1_),MEGANE I Grandtour (KA0/1_),SCÉNIC I (JA0/1_),19 I (B/C53_),19 I Cabriolet (D53_),19 I Chamade (L53_),19 II (B/C53_),19 II Cabriolet (D53_, 853_),19 II Chamade (L53_)
19168	<b>Lenker, Radaufhängung, Track Control Arm, Bras de liaison, suspension de roue</b> RENAULT MEGANE I (BA0/1_),MEGANE I Cabriolet (EA0/1_),MEGANE I Classic (LA0/1_),MEGANE I Coach (DA0/1_),MEGANE I Grandtour (KA0/1_),SCÉNIC I (JA0/1_),19 I (B/C53_),19 I Cabriolet (D53_),19 I Chamade (L53_),19 II (B/C53_),19 II Cabriolet (D53_, 853_),19 II Chamade (L53_)
19169	<b>Spurstangenkopf, Tie Rod End, Rotule de barre de connexion</b> RENAULT KANGOO (KC0/1_),KANGOO Rapid (FC0/1_),MEGANE I (BA0/1_),MEGANE I Cabriolet (EA0/1_),MEGANE I Classic (LA0/1_),MEGANE I Coach (DA0/1_),MEGANE I Grandtour (KA0/1_),MEGANE I Scenic (JA0/1_)
19170	<b>Spurstangenkopf, Tie Rod End, Rotule de barre de connexion</b> RENAULT KANGOO (KC0/1_),KANGOO Rapid (FC0/1_),MEGANE I (BA0/1_),MEGANE I Cabriolet (EA0/1_),MEGANE I Classic (LA0/1_),MEGANE I Coach (DA0/1_),MEGANE I Grandtour (KA0/1_),MEGANE I Scenic (JA0/1_)
19171	<b>Axialgelenk, Spurstange, Tie Rod Axle Joint, Rotule de direction intérieure, barre de connexion</b> RENAULT MEGANE I (BA0/1_),MEGANE I Cabriolet (EA0/1_),MEGANE I Classic (LA0/1_),MEGANE I Coach (DA0/1_),MEGANE I Grandtour (KA0/1_),MEGANE I Scenic (JA0/1_),SCÉNIC I (JA0/1_)
19172	<b>Spurstange, Rod Assembly, Barre de connexion</b> RENAULT MEGANE I (BA0/1_),MEGANE I Cabriolet (EA0/1_),MEGANE I Classic (LA0/1_),MEGANE I Coach (DA0/1_),MEGANE I Grandtour (KA0/1_),MEGANE I Scenic (JA0/1_),SCÉNIC I (JA0/1_)
19173	<b>Spurstange, Rod Assembly, Barre de connexion</b> RENAULT MEGANE I (BA0/1_),MEGANE I Cabriolet (EA0/1_),MEGANE I Classic (LA0/1_),MEGANE I Coach (DA0/1_),MEGANE I Grandtour (KA0/1_),MEGANE I Scenic (JA0/1_),SCÉNIC I (JA0/1_)
19174	<b>Axialgelenk, Spurstange, Tie Rod Axle Joint, Rotule de direction intérieure, barre de connexion</b> RENAULT CLIO I (B/C57_, 5/357_),CLIO I Kasten (S57_)
19175	<b>Spurstange, Rod Assembly, Barre de connexion</b> RENAULT CLIO I (B/C57_, 5/357_),CLIO I Kasten (S57_)
19176	<b>Spurstange, Rod Assembly, Barre de connexion</b> RENAULT CLIO I (B/C57_, 5/357_),CLIO I Kasten (S57_)
19177	<b>Lenker, Radaufhängung, Track Control Arm, Bras de liaison, suspension de roue</b> RENAULT LAGUNA Grandtour (K56_),LAGUNA I (B56_, 556_)
19178	<b>Lenker, Radaufhängung, Track Control Arm, Bras de liaison, suspension de roue</b> RENAULT LAGUNA Grandtour (K56_),LAGUNA I (B56_, 556_)
19180	<b>Spurstangenkopf, Tie Rod End, Rotule de barre de connexion</b> RENAULT KANGOO (KC0/1_),KANGOO Rapid (FC0/1_)
19181	<b>Spurstangenkopf, Tie Rod End, Rotule de barre de connexion</b> RENAULT KANGOO (KC0/1_),KANGOO Rapid (FC0/1_)
19182	<b>Axialgelenk, Spurstange, Tie Rod Axle Joint, Rotule de direction intérieure, barre de connexion</b> RENAULT KANGOO (KC0/1_),KANGOO Rapid (FC0/1_)
19183	<b>Axialgelenk, Spurstange, Tie Rod Axle Joint, Rotule de direction intérieure, barre de connexion</b> RENAULT KANGOO (KC0/1_),KANGOO Rapid (FC0/1_)
19186	<b>Lenker, Radaufhängung, Track Control Arm, Bras de liaison, suspension de roue</b> RENAULT SAFRANE I (B54_),SAFRANE II (B54_)
19187	<b>Lenker, Radaufhängung, Track Control Arm, Bras de liaison, suspension de roue</b> RENAULT SAFRANE I (B54_),SAFRANE II (B54_)
19188	<b>Axialgelenk, Spurstange, Tie Rod Axle Joint, Rotule de direction intérieure, barre de connexion</b> RENAULT SAFRANE I (B54_),SAFRANE II (B54_)

19189	<b>Spurstangenkopf, Tie Rod End, Rotule de barre de connexion</b> RENAULT CLIO II (BB0/1/2_, CB0/1/2_)
19190	<b>Spurstangenkopf, Tie Rod End, Rotule de barre de connexion</b> RENAULT CLIO II (BB0/1/2_, CB0/1/2_)
19193	<b>Axialgelenk, Spurstange, Tie Rod Axle Joint, Rotule de direction intérieure, barre de connexion</b> RENAULT CLIO II (BB0/1/2_, CB0/1/2_)
19194	<b>Axialgelenk, Spurstange, Tie Rod Axle Joint, Rotule de direction intérieure, barre de connexion</b> RENAULT CLIO II (BB0/1/2_, CB0/1/2_),CLIO II Kasten (SB0/1/2_)
19195	<b>Axialgelenk, Spurstange, Tie Rod Axle Joint, Rotule de direction intérieure, barre de connexion</b> NISSAN KUBISTAR (X76),RENAULT CLIO II (BB0/1/2_, CB0/1/2_),CLIO II Kasten (SB0/1/2_),KANGOO (KC0/1_),KANGOO Rapid (FC0/1_)
19196	<b>Lenker, Radaufhängung, Track Control Arm, Bras de liaison, suspension de roue</b> NISSAN KUBISTAR (X76),RENAULT CLIO II (BB0/1/2_, CB0/1/2_),CLIO II Kasten (SB0/1/2_),KANGOO (KC0/1_),KANGOO Rapid (FC0/1_),THALIA (LB0/1/2_)
19197	<b>Lenker, Radaufhängung, Track Control Arm, Bras de liaison, suspension de roue</b> NISSAN KUBISTAR (X76),RENAULT CLIO II (BB0/1/2_, CB0/1/2_),CLIO II Kasten (SB0/1/2_),KANGOO (KC0/1_),KANGOO Rapid (FC0/1_),THALIA (LB0/1/2_)
19198	<b>Axialgelenk, Spurstange, Tie Rod Axle Joint, Rotule de direction intérieure, barre de connexion</b> RENAULT ESPACE II (J/S63_),25 (B29_)
19204	- TALBOT HORIZON,SIMCA 1100 Break/Tourisme,SIMCA 1100 Schrägheck
19206	<b>Reparaturatz, Querlenker, Suspension Kit, Kit de réparation, bras triangulaire</b> PEUGEOT 205 I Cabriolet (741B, 20D),205 I (741A/C),205 II (20A/C),205 Kasten
19208	<b>Reparaturatz, Querlenker, Suspension Kit, Kit de réparation, bras triangulaire</b> RENAULT CLIO II (BB0/1/2_, CB0/1/2_),CLIO II Kasten (SB0/1/2_)
19209	<b>Reparaturatz, Querlenker, Suspension Kit, Kit de réparation, bras triangulaire</b> RENAULT CLIO I (B/C57_, 5/357_),CLIO I Kasten (S57_)
19210	<b>Reparaturatz, Querlenker, Suspension Kit, Kit de réparation, bras triangulaire</b> RENAULT 19 I (B/C53_),19 I Cabriolet (D53_),19 I Chamade (L53_),19 I Kasten (S53_),19 II (B/C53_),19 II Cabriolet (D53_, 853_),19 II Chamade (L53_),19 II Kasten (S53_)
19211	<b>Reparaturatz, Querlenker, Suspension Kit, Kit de réparation, bras triangulaire</b> RENAULT TWINGO (C06_),TWINGO Kasten (S06_)
19212	<b>Reparaturatz, Querlenker, Suspension Kit, Kit de réparation, bras triangulaire</b> RENAULT LAGUNA Grandtour (K56_),LAGUNA I (B56_, 556_),SAFRANE I (B54_),SAFRANE II (B54_)
19213	<b>Reparaturatz, Querlenker, Suspension Kit, Kit de réparation, bras triangulaire</b> RENAULT 21 (B48_),21 Kasten (S48_),21 Kombi (K48_),21 Stufenheck (L48_)
19214	<b>Reparaturatz, Querlenker, Suspension Kit, Kit de réparation, bras triangulaire</b> RENAULT 21 (B48_),21 Kasten (S48_),21 Kombi (K48_),21 Stufenheck (L48_)
19215	<b>Reparaturatz, Querlenker, Suspension Kit, Kit de réparation, bras triangulaire</b> RENAULT SUPER 5 (B/C40_),SUPER 5 Kasten (S40_),11 (B/C37_),11 Kasten (S37_),5 Kasten (238_),5 (122_),9 (L42_)
19216	<b>Reparaturatz, Querlenker, Suspension Kit, Kit de réparation, bras triangulaire</b> RENAULT SAFRANE I (B54_),SAFRANE II (B54_)
19217	<b>Reparaturatz, Querlenker, Suspension Kit, Kit de réparation, bras triangulaire</b> OPEL OMEGA A Caravan (66_, 67_),OMEGA A (16_, 17_, 19_),SENATOR B (29_),VAUXHALL CARLTON Mk III,CARLTON Mk III Estate,SENATOR Mk II (B)
19218	<b>Reparaturatz, Querlenker, Suspension Kit, Kit de réparation, bras triangulaire</b> OPEL OMEGA A Caravan (66_, 67_),OMEGA A (16_, 17_, 19_),SENATOR B (29_),VAUXHALL CARLTON Mk III,CARLTON Mk III Estate,SENATOR Mk II (B)
19219	<b>Reparaturatz, Querlenker, Suspension Kit, Kit de réparation, bras triangulaire</b> PEUGEOT 306 Break (7E, N3, N5),306 Cabriolet (7D, N3, N5),306 Schrägheck (7A, 7C, N3, N5),306 (7B, N3, N5)
19220	<b>Reparaturatz, Querlenker, Suspension Kit, Kit de réparation, bras triangulaire</b> PEUGEOT 306 Break (7E, N3, N5),306 Cabriolet (7D, N3, N5),306 Schrägheck (7A, 7C, N3, N5),306 (7B, N3, N5)
19221	<b>Reparaturatz, Querlenker, Suspension Kit, Kit de réparation, bras triangulaire</b> OPEL OMEGA B Caravan (21_, 22_, 23_),OMEGA B (25_, 26_, 27_),VECTRA B Caravan (31_),VECTRA B CC (38_),VECTRA B (36_),VAUXHALL OMEGA (B),OMEGA (B) Estate,VECTRA (B),VECTRA (B) CC,VECTRA (B) Estate
19222	<b>Reparaturatz, Querlenker, Suspension Kit, Kit de réparation, bras triangulaire</b> PEUGEOT 405 I Break (15E),405 I (15B),405 II Break (4E),405 II (4B)
19223	<b>Reparaturatz, Querlenker, Suspension Kit, Kit de réparation, bras triangulaire</b> CITROËN EVASION (22, U6),JUMPY Kasten (BS_, BT_, BY_, BZ_),JUMPY Pritsche/Fahrgestell (BU_, BV_, BW_, BX_),JUMPY (U6U),FIAT SCUDDO Combinato (220P),SCUDDO Kasten (220L),ULYSSE (220),LANCIA ZETA (220),PEUGEOT EXPERT Kasten (222),EXPERT Pritsche/Fahrgestell (223),EXPERT (224),806 (221)
19224	<b>Reparaturatz, Querlenker, Suspension Kit, Kit de réparation, bras triangulaire</b> CITROËN EVASION (22, U6),JUMPY Kasten (BS_, BT_, BY_, BZ_),JUMPY Pritsche/Fahrgestell (BU_, BV_, BW_, BX_),JUMPY (U6U),FIAT SCUDDO Combinato (220P),SCUDDO Kasten (220L),ULYSSE (220),LANCIA ZETA (220),PEUGEOT EXPERT Kasten (222),EXPERT Pritsche/Fahrgestell (223),EXPERT (224),806 (221)





19225	<b>Reparaturatz, Querlenker, Suspension Kit, Kit de réparation, bras triangulaire</b> PEUGEOT 406 Break (8E/F),406 Coupe (8C),406 (8B)
19226	<b>Reparaturatz, Querlenker, Suspension Kit, Kit de réparation, bras triangulaire</b> CITROËN C8 (EA_, EB_),FIAT ULYSSE (179AX),PEUGEOT 807 (E)
19227	<b>Reparaturatz, Querlenker, Suspension Kit, Kit de réparation, bras triangulaire</b> CITROËN C8 (EA_, EB_),FIAT ULYSSE (179AX),PEUGEOT 807 (E)
19228	<b>Reparaturatz, Querlenker, Suspension Kit, Kit de réparation, bras triangulaire</b> PEUGEOT 106 I (1A, 1C),106 II (1)
19231	<b>Reparaturatz, Querlenker, Suspension Kit, Kit de réparation, bras triangulaire</b> ALFA ROMEO 156 Sportwagon (932),156 (932)
19232	<b>Reparaturatz, Querlenker, Suspension Kit, Kit de réparation, bras triangulaire</b> ALFA ROMEO 156 Sportwagon (932),156 (932)
19233	<b>Reparaturatz, Querlenker, Suspension Kit, Kit de réparation, bras triangulaire</b> FIAT DOBLO Cargo (223),DOBLO (119),STRADA (178E)
19234	<b>Reparaturatz, Querlenker, Suspension Kit, Kit de réparation, bras triangulaire</b> FIAT DOBLO Cargo (223),DOBLO (119),STRADA (178E)
19235	<b>Reparaturatz, Querlenker, Suspension Kit, Kit de réparation, bras triangulaire</b> FIAT DOBLO Cargo (223),DOBLO (119)
19236	<b>Reparaturatz, Querlenker, Suspension Kit, Kit de réparation, bras triangulaire</b> FIAT DOBLO Cargo (223),DOBLO (119)
19237	<b>Reparaturatz, Querlenker, Suspension Kit, Kit de réparation, bras triangulaire</b> ALFA ROMEO BRERA,SPIDER (939),159 Sportwagon (939),159 (939)
19238	<b>Reparaturatz, Querlenker, Suspension Kit, Kit de réparation, bras triangulaire</b> ALFA ROMEO BRERA,SPIDER (939),159 Sportwagon (939),159 (939)
19239	<b>Reparaturatz, Querlenker, Suspension Kit, Kit de réparation, bras triangulaire</b> FIAT BRAVO II (198),STILO Multi Wagon (192),STILO (192),LANCIA DELTA III (844)
19240	<b>Reparaturatz, Querlenker, Suspension Kit, Kit de réparation, bras triangulaire</b> FIAT BARCHETTA (183),PUNTO Cabriolet (176C),PUNTO Van (176L),PUNTO (176),LANCIA Y (840A)
19241	<b>Reparaturatz, Querlenker, Suspension Kit, Kit de réparation, bras triangulaire</b> FIAT BARCHETTA (183),PUNTO Cabriolet (176C),PUNTO Van (176L),PUNTO (176),LANCIA Y (840A)
19242	<b>Reparaturatz, Querlenker, Suspension Kit, Kit de réparation, bras triangulaire</b> FIAT IDEA,LANCIA MUSA (350),YPSILON (843)
19243	<b>Reparaturatz, Querlenker, Suspension Kit, Kit de réparation, bras triangulaire</b> CITROËN JUMPER Bus,JUMPER Kasten,JUMPER Pritsche/Fahrgestell,FIAT DUCATO Bus (250),DUCATO Kasten (250),DUCATO Pritsche/Fahrgestell (250),PEUGEOT BOXER Bus,BOXER Kasten,BOXER Pritsche/Fahrgestell
19244	<b>Reparaturatz, Querlenker, Suspension Kit, Kit de réparation, bras triangulaire</b> FIAT UNO (146A/E)
19245	<b>Reparaturatz, Querlenker, Suspension Kit, Kit de réparation, bras triangulaire</b> CITROËN C5 Break (DE_),C5 Break (RE_),C5 (DC_),C5 (RC_)
19246	<b>Reparaturatz, Querlenker, Suspension Kit, Kit de réparation, bras triangulaire</b> CITROËN ZX Break (N2),ZX (N2)
19247	<b>Reparaturatz, Querlenker, Suspension Kit, Kit de réparation, bras triangulaire</b> CITROËN XSARA Break (N2),XSARA Coupe (N0),XSARA (N1),XSARA PICASSO (N68),ZX Break (N2),ZX (N2)
19248	<b>Reparaturatz, Querlenker, Suspension Kit, Kit de réparation, bras triangulaire</b> CITROËN AX (ZA-_),SAXO (S0, S1)
19249	<b>Reparaturatz, Querlenker, Suspension Kit, Kit de réparation, bras triangulaire</b> CITROËN AX (ZA-)
19250	<b>Reparaturatz, Querlenker, Suspension Kit, Kit de réparation, bras triangulaire</b> CITROËN JUMPER Bus (230P),JUMPER Kasten (230L),JUMPER Pritsche/Fahrgestell (230),FIAT DUCATO Bus (230),DUCATO Kasten (230L),DUCATO Pritsche/Fahrgestell (230),PEUGEOT BOXER Bus (230P),BOXER Kasten (230L),BOXER Pritsche/Fahrgestell (ZCT_)
19251	<b>Reparaturatz, Querlenker, Suspension Kit, Kit de réparation, bras triangulaire</b> CITROËN JUMPER Bus (230P),JUMPER Kasten (230L),JUMPER Pritsche/Fahrgestell (230),FIAT DUCATO Bus (230),DUCATO Kasten (230L),DUCATO Pritsche/Fahrgestell (230),PEUGEOT BOXER Bus (230P),BOXER Kasten (230L),BOXER Pritsche/Fahrgestell (ZCT_)
19252	<b>Reparaturatz, Querlenker, Suspension Kit, Kit de réparation, bras triangulaire</b> TOYOTA CARINA E Sportswagon (_T19_),CARINA E Stufenheck (_T19_),CARINA E (_T19_)
19253	<b>Reparaturatz, Querlenker, Suspension Kit, Kit de réparation, bras triangulaire</b> TOYOTA AVENSIS Liftback (_T22_),AVENSIS Station Wagon (_T22_),AVENSIS (_T22_)
19254	<b>Reparaturatz, Querlenker, Suspension Kit, Kit de réparation, bras triangulaire</b> FORD ESCORT V Cabriolet (ALL),ESCORT V (GAL),ESCORT V Kombi (GAL, AVL),ESCORT VI Cabriolet (ALL),ESCORT VI (GAL),ESCORT VI Kombi (GAL),ESCORT VI Stufenheck (GAL),ESCORT VII Cabriolet (ALL),ESCORT VII (GAL, AAL, ABL),ESCORT VII Kombi (GAL, ANL),ESCORT VII Stufenheck (GAL, AFL),ESCORT '91 Express (AVL),ESCORT '95 Express (AVL),ORION III (GAL)

19255	<b>Reparaturatz, Querlenker, Suspension Kit, Kit de réparation, bras triangulaire</b> MITSUBISHI CARISMA (DA_),CARISMA Stufenheck (DA_)
19256	<b>Reparaturatz, Querlenker, Suspension Kit, Kit de réparation, bras triangulaire</b> MITSUBISHI CARISMA (DA_),CARISMA Stufenheck (DA_)
19257	<b>Reparaturatz, Querlenker, Suspension Kit, Kit de réparation, bras triangulaire</b> AUDI COUPE (81, 85),80 (80, 82, B1),80 (81, 85, B2),VW PASSAT Stufenheck (32B),PASSAT Variant (33),PASSAT (32),PASSAT (32B),SANTANA (32B)
19259	<b>Reparaturatz, Querlenker, Suspension Kit, Kit de réparation, bras triangulaire</b> FORD MONDEO I (GBP),MONDEO I Kombi (BNP),MONDEO I Stufenheck (GBP)
19260	<b>Reparaturatz, Querlenker, Suspension Kit, Kit de réparation, bras triangulaire</b> FORD MONDEO I (GBP),MONDEO I Kombi (BNP),MONDEO I Stufenheck (GBP),MONDEO II (BAP),MONDEO II Kombi (BNP),MONDEO II Stufenheck (BFP)
19263	<b>Reparaturatz, Querlenker, Suspension Kit, Kit de réparation, bras triangulaire</b> FORD COURIER Kasten (F3L, F5L),FIESTA III (GFJ),FIESTA Kasten (JV_),KA (RB_)
19265	<b>Reparaturatz, Querlenker, Suspension Kit, Kit de réparation, bras triangulaire</b> FORD FIESTA III (GFJ)
19266	<b>Reparaturatz, Querlenker, Suspension Kit, Kit de réparation, bras triangulaire</b> FORD GALAXY (WGR),SEAT ALHAMBRA (7V8, 7V9),VW SHARAN (7M8, 7M9, 7M6)
19267	<b>Reparaturatz, Querlenker, Suspension Kit, Kit de réparation, bras triangulaire</b> VW TRANSPORTER T4 Bus (70XB, 70XC, 7DB, 7DW),TRANSPORTER T4 Kasten (70XA),TRANSPORTER T4 Pritsche/Fahrgestell (70XD)
19267/2	<b>Reparaturatz, Querlenker, Suspension Kit, Kit de réparation, bras triangulaire</b> VW TRANSPORTER T4 Bus (70XB, 70XC, 7DB, 7DW),TRANSPORTER T4 Kasten (70XA),TRANSPORTER T4 Pritsche/Fahrgestell (70XD)
19268	<b>Reparaturatz, Querlenker, Suspension Kit, Kit de réparation, bras triangulaire</b> VW TRANSPORTER T4 Bus (70XB, 70XC, 7DB, 7DW),TRANSPORTER T4 Kasten (70XA),TRANSPORTER T4 Pritsche/Fahrgestell (70XD)
19268/2	<b>Reparaturatz, Querlenker, Suspension Kit, Kit de réparation, bras triangulaire</b> VW TRANSPORTER T4 Bus (70XB, 70XC, 7DB, 7DW),TRANSPORTER T4 Kasten (70XA),TRANSPORTER T4 Pritsche/Fahrgestell (70XD)
19269	<b>Reparaturatz, Querlenker, Suspension Kit, Kit de réparation, bras triangulaire</b> VW TRANSPORTER T4 Bus (70XB, 70XC, 7DB, 7DW),TRANSPORTER T4 Kasten (70XA),TRANSPORTER T4 Pritsche/Fahrgestell (70XD)
19269/2	<b>Reparaturatz, Querlenker, Suspension Kit, Kit de réparation, bras triangulaire</b> VW TRANSPORTER T4 Bus (70XB, 70XC, 7DB, 7DW),TRANSPORTER T4 Kasten (70XA),TRANSPORTER T4 Pritsche/Fahrgestell (70XD)
19270	<b>Reparaturatz, Querlenker, Suspension Kit, Kit de réparation, bras triangulaire</b> OPEL ASTRA F Cabriolet (53_B),ASTRA F Caravan (51_, 52_),ASTRA F CC (53_, 54_, 58_, 59_),CALIBRA A (85_),VECTRA A CC (88_, 89_),VECTRA A (86_, 87_)
19271	<b>Reparaturatz, Querlenker, Suspension Kit, Kit de réparation, bras triangulaire</b> OPEL ASTRA G Caravan (F35_),ASTRA G CC (F48_, F08_),ASTRA G Stufenheck (F69_),OMEGA B Caravan (21_, 22_, 23_),OMEGA B (25_, 26_, 27_),VECTRA B Caravan (31_),VECTRA B CC (38_),VECTRA B (36_),ZAFIRA A (F75_)
19279	<b>Reparaturatz, Querlenker, Suspension Kit, Kit de réparation, bras triangulaire</b> VW GOLF II (19E, 1G1),JETTA II (19E, 1G2, 165)
19280	<b>Reparaturatz, Querlenker, Suspension Kit, Kit de réparation, bras triangulaire</b> AUDI COUPE (89, 8B),80 (89, 89Q, 8A, B3),90 (89, 89Q, 8A, B3)
19281	<b>Reparaturatz, Querlenker, Suspension Kit, Kit de réparation, bras triangulaire</b> AUDI COUPE (89, 8B),80 (89, 89Q, 8A, B3),90 (89, 89Q, 8A, B3)
19282	<b>Reparaturatz, Querlenker, Suspension Kit, Kit de réparation, bras triangulaire</b> AUDI A4 Avant (8ED, B7),A4 Avant (8E5, B6),A4 Cabriolet (8H7, B6, 8HE, B7),A4 (8EC, B7),A4 (8E2, B6),AUDI (FAW) A4 Stufenheck (B6),A4 Stufenheck (B7),SEAT EXEO ST (3R5),EXEO (3R2)
19284	<b>Reparaturatz, Querlenker, Suspension Kit, Kit de réparation, bras triangulaire</b> AUDI CABRIOLET (8G7, B4),COUPE (89, 8B),80 Avant (8C, B4),80 (8C, B4)
19285	<b>Reparaturatz, Querlenker, Suspension Kit, Kit de réparation, bras triangulaire</b> AUDI CABRIOLET (8G7, B4),COUPE (89, 8B),80 Avant (8C, B4),80 (8C, B4)
19287	<b>Reparaturatz, Querlenker, Suspension Kit, Kit de réparation, bras triangulaire</b> MAZDA 626 IV (GE),626 IV Hatchback (GE)
19288	<b>Reparaturatz, Querlenker, Suspension Kit, Kit de réparation, bras triangulaire</b> MAZDA 626 IV (GE),626 IV Hatchback (GE)
19289	<b>Reparaturatz, Querlenker, Suspension Kit, Kit de réparation, bras triangulaire</b> SEAT CORDOBA Vario (6K5),CORDOBA (6K1, 6K2),IBIZA II (6K1),INCA (6K9),TOLEDO I (1L),VW CADDY II Kasten (9K9A),CADDY II Pick-up (9U7),CORRADO (53I),GOLF II (19E, 1G1),GOLF III Cabriolet (1E7),GOLF III Variant (1H5),GOLF III (1H1),GOLF IV Cabriolet (1E7),JETTA II (19E, 1G2, 165),PASSAT Variant (3A5, 35I),PASSAT (3A2, 35I),POLO CLASSIC (6KV2),POLO Variant (6KV5),VENTO (1H2)
19290	<b>Reparaturatz, Querlenker, Suspension Kit, Kit de réparation, bras triangulaire</b> VW TRANSPORTER T4 Bus (70XB, 70XC, 7DB, 7DW),TRANSPORTER T4 Kasten (70XA),TRANSPORTER T4 Pritsche/Fahrgestell (70XD)
19291	<b>Reparaturatz, Querlenker, Suspension Kit, Kit de réparation, bras triangulaire</b> VW TRANSPORTER T4 Bus (70XB, 70XC, 7DB, 7DW),TRANSPORTER T4 Kasten (70XA),TRANSPORTER T4 Pritsche/Fahrgestell (70XD)



19292	<b>Reparaturatz, Querlenker, Suspension Kit, Kit de réparation, bras triangulaire</b> VW TRANSPORTER T4 Bus (70XB, 70XC, 7DB, 7DW),TRANSPORTER T4 Kasten (70XA),TRANSPORTER T4 Pritsche/Fahrgestell (70XD)
19293	<b>Reparaturatz, Querlenker, Suspension Kit, Kit de réparation, bras triangulaire</b> AUDI COUPE (81, 85),80 (89, 89Q, 8A, B3),90 (89, 89Q, 8A, B3)
19293/1	<b>Reparaturatz, Querlenker, Suspension Kit, Kit de réparation, bras triangulaire</b> AUDI COUPE (81, 85),80 (89, 89Q, 8A, B3),90 (89, 89Q, 8A, B3)
19294	<b>Reparaturatz, Querlenker, Suspension Kit, Kit de réparation, bras triangulaire</b> AUDI COUPE (81, 85),80 (89, 89Q, 8A, B3),90 (89, 89Q, 8A, B3)
19294/1	<b>Reparaturatz, Querlenker, Suspension Kit, Kit de réparation, bras triangulaire</b> AUDI COUPE (81, 85),80 (89, 89Q, 8A, B3),90 (89, 89Q, 8A, B3)
19295	<b>Reparaturatz, Querlenker, Suspension Kit, Kit de réparation, bras triangulaire</b> SEAT AROSA (6H),VW LUPO (6X1, 6E1),POLO Kasten (6NF),POLO (6N1)
19296	<b>Reparaturatz, Querlenker, Suspension Kit, Kit de réparation, bras triangulaire</b> SEAT AROSA (6H),VW LUPO (6X1, 6E1),POLO Kasten (6NF),POLO (6N1)
19297	<b>Reparaturatz, Querlenker, Suspension Kit, Kit de réparation, bras triangulaire</b> AUDI 80 (89, 89Q, 8A, B3)
19298	<b>Reparaturatz, Querlenker, Suspension Kit, Kit de réparation, bras triangulaire</b> AUDI 80 (89, 89Q, 8A, B3)
19299	<b>Reparaturatz, Querlenker, Suspension Kit, Kit de réparation, bras triangulaire</b> DAEWOO NUBIRA (KLAJ),NUBIRA Stufenheck (KLAJ),NUBIRA Wagon (KLAJ)
19301	<b>Spurstangenkopf, Tie Rod End, Rotule de barre de connexion</b> CITROËN BERLINGO Kasten (M_),BERLINGO (MF),C15 (VD_),C4 Coupe (LA_),C4 (LC_),LNA,VISA,VISA Cabriolet,XSARA Break (N2),XSARA Coupe (N0),XSARA (N1),XSARA PICASSO (N68),ZX Break (N2),ZX (N2),PEUGEOT PARTNER Combispace (5F),PARTNER Kasten (5),104,104 Coupe,205 I Cabriolet (741B, 20D),205 I (741A/C),205 II (20A/C),205 Kasten,304 Break (_04D_),304 Cabriolet (_04B_),304 Coupe (_04C_),304 (_04M_),305 I Break (581D),305 I (581A),305 II Break (581E),305 II (581M),306 Break (7E, N3, N5),306 Cabriolet (7D, N3, N5),306 Schrägheck (7A, 7C, N3, N5),306 (7B, N3, N5),307 Break (3E),307 CC (3B),307 SW (3H),307 (3A/C),309 I (10C, 10A),309 II (3C, 3A),504 (A_, M_),504 Break (D_, F_),504 Cabriolet,504 Coupe,504 Pick-up (E_),505 Break (551D),505 (551A),604 (561A_),TALBOT SAMBA Cabriolet (51E),SAMBA (51A),TAGORA
19307	<b>Trag-/Führungsgelenk, Ball Joint, Rotule de suspension</b> PEUGEOT 504 (A_, M_),504 Break (D_, F_),504 Cabriolet,504 Coupe,504 Pick-up (E_),505 Break (551D),505 (551A),604 (561A_),TALBOT TAGORA
19310	<b>Lenker, Radaufhängung, Track Control Arm, Bras de liaison, suspension de roue</b> CITROËN C15 (VD_),VISA,VISA Cabriolet,PEUGEOT 205 I Cabriolet (741B, 20D),205 I (741A/C),205 II (20A/C),205 Kasten
19311	<b>Lenker, Radaufhängung, Track Control Arm, Bras de liaison, suspension de roue</b> CITROËN C15 (VD_),VISA,VISA Cabriolet,PEUGEOT 205 I Cabriolet (741B, 20D),205 I (741A/C),205 II (20A/C),205 Kasten
19312	<b>Trag-/Führungsgelenk, Ball Joint, Rotule de suspension</b> CITROËN BX Break (XB-_),BX (XB-_),PEUGEOT 305 I Break (581D),305 I (581A),305 II Break (581E),305 II (581M),309 I (10C, 10A),405 I Break (15E),405 I (15B),405 II Break (4E),405 II (4B)
19313	<b>Lenker, Radaufhängung, Track Control Arm, Bras de liaison, suspension de roue</b> PEUGEOT 309 I (10C, 10A),309 II (3C, 3A)
19314	<b>Lenker, Radaufhängung, Track Control Arm, Bras de liaison, suspension de roue</b> PEUGEOT 309 I (10C, 10A),309 II (3C, 3A)
19315	<b>Spurstangenkopf, Tie Rod End, Rotule de barre de connexion</b> PEUGEOT 305 II Break (581E),305 II (581M),405 I Break (15E),405 I (15B),405 II Break (4E),405 II (4B)
19316	<b>Spurstangenkopf, Tie Rod End, Rotule de barre de connexion</b> PEUGEOT 305 II Break (581E),305 II (581M),405 I Break (15E),405 I (15B),405 II Break (4E),405 II (4B)
19317	<b>Lenker, Radaufhängung, Track Control Arm, Bras de liaison, suspension de roue</b> PEUGEOT 309 I (10C, 10A),309 II (3C, 3A)
19318	<b>Lenker, Radaufhängung, Track Control Arm, Bras de liaison, suspension de roue</b> PEUGEOT 309 I (10C, 10A),309 II (3C, 3A)
19319	<b>Trag-/Führungsgelenk, Ball Joint, Rotule de suspension</b> PEUGEOT 306 Break (7E, N3, N5),306 Cabriolet (7D, N3, N5),306 Schrägheck (7A, 7C, N3, N5),306 (7B, N3, N5)
19320	<b>Trag-/Führungsgelenk, Ball Joint, Rotule de suspension</b> PEUGEOT 306 Break (7E, N3, N5),306 Cabriolet (7D, N3, N5),306 Schrägheck (7A, 7C, N3, N5),306 (7B, N3, N5)
19321	<b>Lenker, Radaufhängung, Track Control Arm, Bras de liaison, suspension de roue</b> CITROËN AX (ZA-_),SAXO (S0, S1),PEUGEOT 106 I (1A, 1C),106 II (1)
19322	<b>Lenker, Radaufhängung, Track Control Arm, Bras de liaison, suspension de roue</b> CITROËN AX (ZA-_),SAXO (S0, S1),PEUGEOT 106 I (1A, 1C),106 II (1)
19323	<b>Axialgelenk, Spurstange, Tie Rod Axle Joint, Rotule de direction intérieure, barre de connexion</b> PEUGEOT 305 I Break (581D),305 I (581A)
19324	<b>Axialgelenk, Spurstange, Tie Rod Axle Joint, Rotule de direction intérieure, barre de connexion</b> PEUGEOT 405 I Break (15E),405 I (15B),405 II Break (4E),405 II (4B)

19324/1	<b>Spurstange, Rod Assembly, Barre de connexion</b> PEUGEOT 305 II Break (581E),305 II (581M)
19325	<b>Spurstange, Rod Assembly, Barre de connexion</b> PEUGEOT 305 II Break (581E),305 II (581M),405 I Break (15E),405 I (15B),405 II Break (4E),405 II (4B)
19325/1	<b>Spurstange, Rod Assembly, Barre de connexion</b> PEUGEOT 305 II Break (581E),305 II (581M)
19326	<b>Spurstange, Rod Assembly, Barre de connexion</b> PEUGEOT 305 II Break (581E),305 II (581M),405 I Break (15E),405 I (15B),405 II Break (4E),405 II (4B)
19327	<b>Lenker, Radaufhängung, Track Control Arm, Bras de liaison, suspension de roue</b> PEUGEOT 405 I Break (15E),405 I (15B),405 II Break (4E),405 II (4B)
19328	<b>Lenker, Radaufhängung, Track Control Arm, Bras de liaison, suspension de roue</b> PEUGEOT 405 I Break (15E),405 I (15B),405 II Break (4E),405 II (4B)
19329	<b>Lenker, Radaufhängung, Track Control Arm, Bras de liaison, suspension de roue</b> PEUGEOT 405 I Break (15E),405 I (15B),405 II Break (4E),405 II (4B)
19330	<b>Lenker, Radaufhängung, Track Control Arm, Bras de liaison, suspension de roue</b> PEUGEOT 405 I Break (15E),405 I (15B),405 II Break (4E),405 II (4B)
19331	<b>Lenker, Radaufhängung, Track Control Arm, Bras de liaison, suspension de roue</b> PEUGEOT 306 Break (7E, N3, N5),306 Cabriolet (7D, N3, N5),306 Schrägheck (7A, 7C, N3, N5),306 (7B, N3, N5)
19331/1	<b>Lenker, Radaufhängung, Track Control Arm, Bras de liaison, suspension de roue</b> CITROËN BERLINGO Kasten (M_),BERLINGO (MF),ZX Break (N2),ZX (N2),PEUGEOT PARTNER Combispace (5F),PARTNER Kasten (5),306 Break (7E, N3, N5),306 Cabriolet (7D, N3, N5),306 Schrägheck (7A, 7C, N3, N5),306 (7B, N3, N5)
19332	<b>Lenker, Radaufhängung, Track Control Arm, Bras de liaison, suspension de roue</b> PEUGEOT 306 Break (7E, N3, N5),306 Cabriolet (7D, N3, N5),306 Schrägheck (7A, 7C, N3, N5),306 (7B, N3, N5)
19332/1	<b>Lenker, Radaufhängung, Track Control Arm, Bras de liaison, suspension de roue</b> CITROËN BERLINGO Kasten (M_),BERLINGO (MF),ZX Break (N2),ZX (N2),PEUGEOT PARTNER Combispace (5F),PARTNER Kasten (5),306 Break (7E, N3, N5),306 Cabriolet (7D, N3, N5),306 Schrägheck (7A, 7C, N3, N5),306 (7B, N3, N5)
19335	<b>Spurstange, Rod Assembly, Barre de connexion</b> PEUGEOT 205 I Cabriolet (741B, 20D),205 I (741A/C),205 II (20A/C),205 Kasten
19336	<b>Spurstange, Rod Assembly, Barre de connexion</b> PEUGEOT 306 Break (7E, N3, N5),306 Cabriolet (7D, N3, N5),306 Schrägheck (7A, 7C, N3, N5),306 (7B, N3, N5)
19336/1	<b>Axialgelenk, Spurstange, Tie Rod Axle Joint, Rotule de direction intérieure, barre de connexion</b> PEUGEOT 306 Break (7E, N3, N5),306 Cabriolet (7D, N3, N5),306 Schrägheck (7A, 7C, N3, N5),306 (7B, N3, N5)
19337HPS	<b>Stange/Strebe, Stabilisator, Rod/Strut, stabiliser, Entretoise/tige, stabilisateur</b> CITROËN BERLINGO Kasten (M_),BERLINGO (MF),XSARA Break (N2),XSARA Coupe (N0),XSARA (N1),XSARA PICASSO (N68),ZX Break (N2),ZX (N2),CITROËN (DF-PSA) XSARA PICASSO Großraumlimousine (N68),FIAT DOBLO Cargo (263),DOBLO (263),PEUGEOT PARTNER Combispace (5F),PARTNER Kasten (5),306 Break (7E, N3, N5),306 Cabriolet (7D, N3, N5),306 Schrägheck (7A, 7C, N3, N5),306 Van (N_, 7_),306 (7B, N3, N5)
19338HPS	<b>Stange/Strebe, Stabilisator, Rod/Strut, stabiliser, Entretoise/tige, stabilisateur</b> CITROËN SAXO (S0, S1),XANTIA Break (X1),XANTIA Break (X2),XANTIA (X1),XANTIA (X2),PEUGEOT 106 I (1A, 1C),106 II (1),406 Break (8E/F),406 Coupe (8C),406 (8B)
19339HPS	<b>Stange/Strebe, Stabilisator, Rod/Strut, stabiliser, Entretoise/tige, stabilisateur</b> CITROËN VISA,PEUGEOT 205 I Cabriolet (741B, 20D),205 I (741A/C),205 II (20A/C),309 I (10C, 10A),309 II (3C, 3A)
19340	<b>Axialgelenk, Spurstange, Tie Rod Axle Joint, Rotule de direction intérieure, barre de connexion</b> PEUGEOT 305 II Break (581E),305 II (581M)
19340/1	<b>Spurstange, Rod Assembly, Barre de connexion</b> PEUGEOT 309 I (10C, 10A),309 II (3C, 3A)
19341	<b>Spurstangenkopf, Tie Rod End, Rotule de barre de connexion</b> PEUGEOT 406 Break (8E/F),406 Coupe (8C),406 (8B)
19342	<b>Spurstangenkopf, Tie Rod End, Rotule de barre de connexion</b> PEUGEOT 406 Break (8E/F),406 Coupe (8C),406 (8B)
19344	<b>Lenker, Radaufhängung, Track Control Arm, Bras de liaison, suspension de roue</b> PEUGEOT 406 Break (8E/F),406 Coupe (8C),406 (8B)
19345	<b>Lenker, Radaufhängung, Track Control Arm, Bras de liaison, suspension de roue</b> PEUGEOT 406 Break (8E/F),406 Coupe (8C),406 (8B)
19346	<b>Lenker, Radaufhängung, Track Control Arm, Bras de liaison, suspension de roue</b> PEUGEOT 206 CC (2D),206 Schrägheck (2A/C),206 SW (2E/K)
19347	<b>Lenker, Radaufhängung, Track Control Arm, Bras de liaison, suspension de roue</b> PEUGEOT 206 CC (2D),206 Schrägheck (2A/C),206 SW (2E/K)
19348HPS	<b>Stange/Strebe, Stabilisator, Rod/Strut, stabiliser, Entretoise/tige, stabilisateur</b> CITROËN C2 ENTERPRISE,C2 (JM_),C3 (FC_),C3 II,C3 Pluriel (HB_),DS3,PEUGEOT 1007 (KM_),206 CC (2D),206 Schrägheck (2A/C),206 Stufenheck,206 SW (2E/K),206+ (T3E),206 Van



19349	<b>Lenker, Radaufhängung, Track Control Arm, Bras de liaison, suspension de roue</b> CITROËN VISA, PEUGEOT 205 I Cabriolet (741B, 20D), 205 I (741A/C), 205 II (20A/C)
19350	<b>Lenker, Radaufhängung, Track Control Arm, Bras de liaison, suspension de roue</b> CITROËN VISA, PEUGEOT 205 I Cabriolet (741B, 20D), 205 I (741A/C), 205 II (20A/C)
19351	<b>Lenker, Radaufhängung, Track Control Arm, Bras de liaison, suspension de roue</b> PEUGEOT 304 Break (_04D_), 304 Cabriolet (_04B_), 304 Coupe (_04C_), 304 (_04M_), 305 I Break (581D), 305 I (581A), 305 II Break (581E), 305 II (581M)
19352	<b>Lenker, Radaufhängung, Track Control Arm, Bras de liaison, suspension de roue</b> PEUGEOT 304 Break (_04D_), 304 Cabriolet (_04B_), 304 Coupe (_04C_), 304 (_04M_), 305 I Break (581D), 305 I (581A), 305 II Break (581E), 305 II (581M)
19353	<b>Axialgelenk, Spurstange, Tie Rod Axle Joint, Rotule de direction intérieure, barre de connexion</b> CITROËN XANTIA Break (X1), XANTIA Break (X2), XANTIA (X1), XANTIA (X2), PEUGEOT 406 Break (8E/F), 406 Coupe (8C), 406 (8B), 605 (6B)
19354	<b>Spurstange, Rod Assembly, Barre de connexion</b> PEUGEOT 104, 104 Coupe, 504 (A_, M_), 504 Break (D_, F_), 504 Cabriolet, 504 Coupe, 504 Pick-up (E_), 505 Break (551D), 505 (551A), 604 (561A_), TALBOT SAMBA Cabriolet (51E), SAMBA (51A), TAGORA
19354/1	<b>Axialgelenk, Spurstange, Tie Rod Axle Joint, Rotule de direction intérieure, barre de connexion</b> PEUGEOT 104, 104 Coupe, 505 Break (551D), 505 (551A), 604 (561A_), TALBOT SAMBA Cabriolet (51E), SAMBA (51A), TAGORA
19355	<b>Spurstange, Rod Assembly, Barre de connexion</b> CITROËN C15 (VD_), LNA, VISA, VISA Cabriolet, PEUGEOT 104, 104 Coupe, 504 (A_, M_), 504 Break (D_, F_), 504 Cabriolet, 504 Coupe, 504 Pick-up (E_), 505 Break (551D), 505 (551A), 604 (561A_), TALBOT SAMBA Cabriolet (51E), SAMBA (51A), TAGORA
19355/1	<b>Axialgelenk, Spurstange, Tie Rod Axle Joint, Rotule de direction intérieure, barre de connexion</b> CITROËN C15 (VD_), LNA, VISA, VISA Cabriolet, PEUGEOT 104, 104 Coupe, 505 Break (551D), 505 (551A), 604 (561A_), TALBOT SAMBA Cabriolet (51E), SAMBA (51A)
19356	<b>Spurstangenkopf, Tie Rod End, Rotule de barre de connexion</b> PEUGEOT J7 Bus, J7 Kasten, J7 Pritsche/Fahrgestell, J9 Bus, J9 Kasten, J9 Pritsche/Fahrgestell
19357	<b>Spurstangenkopf, Tie Rod End, Rotule de barre de connexion</b> PEUGEOT J7 Bus, J7 Kasten, J7 Pritsche/Fahrgestell, J9 Bus, J9 Kasten, J9 Pritsche/Fahrgestell
19358	<b>Trag-/Führungsgelenk, Ball Joint, Rotule de suspension</b> PEUGEOT J7 Bus, J7 Kasten, J7 Pritsche/Fahrgestell, J9 Bus, J9 Kasten, J9 Pritsche/Fahrgestell
19359	<b>Trag-/Führungsgelenk, Ball Joint, Rotule de suspension</b> PEUGEOT J7 Bus, J7 Kasten, J7 Pritsche/Fahrgestell, J9 Bus, J9 Kasten, J9 Pritsche/Fahrgestell
19360	<b>Lenker, Radaufhängung, Track Control Arm, Bras de liaison, suspension de roue</b> CITROËN SAXO (S0, S1), PEUGEOT 106 I (1A, 1C), 106 II (1)
19361	<b>Lenker, Radaufhängung, Track Control Arm, Bras de liaison, suspension de roue</b> CITROËN SAXO (S0, S1), PEUGEOT 106 I (1A, 1C), 106 II (1)
19362HPS	<b>Stange/Strebe, Stabilisator, Rod/Strut, stabiliser, Entretoise/tige, stabilisateur</b> CITROËN C5 Break (DE_), C5 Break (RE_), C5 (DC_), C5 (RC_), XANTIA Break (X2), XANTIA (X2), PEUGEOT 406 Break (8E/F), 406 Coupe (8C), 406 (8B), 607 (9D, 9U)
19363	<b>Stange/Strebe, Stabilisator, Rod/Strut, stabiliser, Entretoise/tige, stabilisateur</b> CITROËN EVASION (22, U6), JUMPY Kasten (BS_, BT_, BY_, BZ_), JUMPY Pritsche/Fahrgestell (BU_, BV_, BW_, BX_), JUMPY (U6U), FIAT SCUDO Combinato (220P), SCUDO Kasten (220L), ULYSSE (220), LANCIA ZETA (220), PEUGEOT EXPERT Kasten (222), EXPERT Pritsche/Fahrgestell (223), EXPERT (224), 806 (221)
19364	<b>Stange/Strebe, Stabilisator, Rod/Strut, stabiliser, Entretoise/tige, stabilisateur</b> PEUGEOT 405 I Break (15E), 405 I (15B), 405 II Break (4E), 405 II (4B)
19365	<b>Stange/Strebe, Stabilisator, Rod/Strut, stabiliser, Entretoise/tige, stabilisateur</b> PEUGEOT 406 Break (8E/F), 406 Coupe (8C), 406 (8B)
19366	<b>Stange/Strebe, Stabilisator, Rod/Strut, stabiliser, Entretoise/tige, stabilisateur</b> CITROËN JUMPER Bus (230P), JUMPER Kasten (230L), JUMPER Pritsche/Fahrgestell (230), FIAT DUCATO Bus (230), DUCATO Kasten (230L), DUCATO Kasten (280), DUCATO Kasten (290), DUCATO Panorama (280), DUCATO Panorama (290), DUCATO Pritsche/Fahrgestell (230), DUCATO Pritsche/Fahrgestell (280), DUCATO Pritsche/Fahrgestell (290), PEUGEOT BOXER Bus (230P), BOXER Kasten (230L), BOXER Pritsche/Fahrgestell (ZCT_)
19367	<b>Stange/Strebe, Stabilisator, Rod/Strut, stabiliser, Entretoise/tige, stabilisateur</b> CITROËN BERLINGO Kasten (M_), BERLINGO (MF), PEUGEOT PARTNER Combispace (5F), PARTNER Kasten (5), 306 Break (7E, N3, N5), 306 Cabriolet (7D, N3, N5), 306 Schrägheck (7A, 7C, N3, N5), 306 (7B, N3, N5)
19368HPS	<b>Stange/Strebe, Stabilisator, Rod/Strut, stabiliser, Entretoise/tige, stabilisateur</b> PEUGEOT 406 Break (8E/F), 406 Coupe (8C), 406 (8B)
19369HPS	<b>Stange/Strebe, Stabilisator, Rod/Strut, stabiliser, Entretoise/tige, stabilisateur</b> PEUGEOT 605 (6B), 607 (9D, 9U)
19370HPS	<b>Stange/Strebe, Stabilisator, Rod/Strut, stabiliser, Entretoise/tige, stabilisateur</b> PEUGEOT 605 (6B), 607 (9D, 9U)
19371	<b>Trag-/Führungsgelenk, Ball Joint, Rotule de suspension</b> PEUGEOT 306 Break (7E, N3, N5), 306 Cabriolet (7D, N3, N5), 306 Schrägheck (7A, 7C, N3, N5), 306 (7B, N3, N5)
19372	<b>Trag-/Führungsgelenk, Ball Joint, Rotule de suspension</b>



	CITROËN BERLINGO, BERLINGO Kasten, C4 Coupe (LA_), C4 Grand Picasso (UA_), C4 (LC_), C4 Picasso (UD_), C4 Stufenheck, CITROËN (DF-PSA) C-TRIOMPHE, PEUGEOT PARTNER Kasten, PARTNER Kasten (5), PARTNER Tepee, 3008, 307 Break (3E), 307 CC (3B), 307 SW (3H), 307 (3A/C), 308 CC, 308 SW, 308 (4A_, 4C_), 5008, PEUGEOT (DF-PSA) 307 Schrägheck, 307 Stufenheck
<b>19373</b>	<b>Axialgelenk, Spurstange, Tie Rod Axle Joint, Rotule de direction intérieure, barre de connexion</b> PEUGEOT 206 CC (2D), 206 Schrägheck (2A/C)
<b>19374</b>	<b>Axialgelenk, Spurstange, Tie Rod Axle Joint, Rotule de direction intérieure, barre de connexion</b> CITROËN XANTIA Break (X1), XANTIA Break (X2), XANTIA (X1), XANTIA (X2), PEUGEOT 406 Break (8E/F), 406 Coupe (8C), 406 (8B)
<b>19375HPS</b>	<b>Stange/Strebe, Stabilisator, Rod/Strut, stabiliser, Entretoise/tige, stabilisateur</b> CITROËN BERLINGO, BERLINGO Kasten, C4 (B7), C4 Coupe (LA_), C4 Grand Picasso (UA_), C4 (LC_), C4 Picasso (UD_), C4 Stufenheck, DS5, CITROËN (DF-PSA) C-QUATRE - SHI JIA, C-QUATRE - SHI JIA Stufenheck, C-TRIOMPHE, PEUGEOT PARTNER Tepee, RCZ, 3008, 307 Break (3E), 307 CC (3B), 307 SW (3H), 307 (3A/C), 308 CC, 308 SW, 308 (4A_, 4C_), 5008, PEUGEOT (DF-PSA) 307 Schrägheck, 307 Stufenheck
<b>19376HPS</b>	<b>Stange/Strebe, Stabilisator, Rod/Strut, stabiliser, Entretoise/tige, stabilisateur</b> CITROËN C8 (EA_, EB_), FIAT ULYSSE (179AX), LANCIA PHEDRA (179), PEUGEOT 807 (E)
<b>19379</b>	<b>Axialgelenk, Spurstange, Tie Rod Axle Joint, Rotule de direction intérieure, barre de connexion</b> CITROËN C4 Coupe (LA_), C4 (LC_), PEUGEOT 307 Break (3E), 307 CC (3B), 307 SW (3H), 307 (3A/C)
<b>19380</b>	<b>Axialgelenk, Spurstange, Tie Rod Axle Joint, Rotule de direction intérieure, barre de connexion</b> PEUGEOT 607 (9D, 9U)
<b>19381</b>	<b>Spurstangenkopf, Tie Rod End, Rotule de barre de connexion</b> CITROËN XANTIA Break (X1), XANTIA Break (X2), XANTIA (X1), XANTIA (X2), XM Break (Y3), XM Break (Y4), XM (Y3), XM (Y4), PEUGEOT 605 (6B), 607 (9D, 9U)
<b>19382</b>	<b>Spurstangenkopf, Tie Rod End, Rotule de barre de connexion</b> CITROËN XANTIA Break (X1), XANTIA Break (X2), XANTIA (X1), XANTIA (X2), XM Break (Y3), XM Break (Y4), XM (Y3), XM (Y4), PEUGEOT 605 (6B), 607 (9D, 9U)
<b>19383</b>	<b>Lenker, Radaufhängung, Track Control Arm, Bras de liaison, suspension de roue</b> CITROËN BERLINGO, BERLINGO Kasten, C4 Coupe (LA_), C4 Grand Picasso (UA_), C4 (LC_), C4 Picasso (UD_), PEUGEOT PARTNER Kasten, PARTNER Tepee, 307 Break (3E), 307 CC (3B), 307 SW (3H), 307 (3A/C)
<b>19384</b>	<b>Lenker, Radaufhängung, Track Control Arm, Bras de liaison, suspension de roue</b> CITROËN BERLINGO, BERLINGO Kasten, C4 Coupe (LA_), C4 Grand Picasso (UA_), C4 (LC_), C4 Picasso (UD_), PEUGEOT PARTNER Kasten, PARTNER Tepee, 307 Break (3E), 307 CC (3B), 307 SW (3H), 307 (3A/C)
<b>19385</b>	<b>Lenker, Radaufhängung, Track Control Arm, Bras de liaison, suspension de roue</b> CITROËN C2 (JM_), C3 (FC_), C3 Pluriel (HB_), PEUGEOT 1007 (KM_)
<b>19386</b>	<b>Lenker, Radaufhängung, Track Control Arm, Bras de liaison, suspension de roue</b> CITROËN C2 (JM_), C3 (FC_), C3 Pluriel (HB_), PEUGEOT 1007 (KM_)
<b>19389</b>	<b>Trag-/Führungsgelenk, Ball Joint, Rotule de suspension</b> CITROËN BERLINGO Kasten (M_), BERLINGO (MF), PEUGEOT PARTNER Combispace (5F), PARTNER Kasten (5)
<b>19390</b>	<b>Lenker, Radaufhängung, Track Control Arm, Bras de liaison, suspension de roue</b> CITROËN C5 Break (DE_), C5 Break (RE_), C5 (DC_), C5 (RC_)
<b>19391</b>	<b>Lenker, Radaufhängung, Track Control Arm, Bras de liaison, suspension de roue</b> CITROËN C5 Break (DE_), C5 Break (RE_), C5 (DC_), C5 (RC_)
<b>19392</b>	<b>Spurstangenkopf, Tie Rod End, Rotule de barre de connexion</b> CITROËN C5 Break (TD_), C5 (RD_), C6 (TD_), PEUGEOT 407 Coupe (6C_), 407 SW (6E_), 407 (6D_)
<b>19393</b>	<b>Spurstangenkopf, Tie Rod End, Rotule de barre de connexion</b> CITROËN C5 Break (TD_), C5 (RD_), C6 (TD_), PEUGEOT 407 Coupe (6C_), 407 SW (6E_), 407 (6D_)
<b>19394</b>	<b>Trag-/Führungsgelenk, Ball Joint, Rotule de suspension</b> CITROËN C5 Break (TD_), C5 (RD_), C6 (TD_), PEUGEOT 407 Coupe (6C_), 407 SW (6E_), 407 (6D_)
<b>19395</b>	<b>Axialgelenk, Spurstange, Tie Rod Axle Joint, Rotule de direction intérieure, barre de connexion</b> CITROËN C5 Break (TD_), C5 (RD_), C6 (TD_), PEUGEOT 407 Coupe (6C_), 407 SW (6E_), 407 (6D_)
<b>19396</b>	<b>Stange/Strebe, Stabilisator, Rod/Strut, stabiliser, Entretoise/tige, stabilisateur</b> CITROËN C5 Break (TD_), C5 (RD_), C6 (TD_), PEUGEOT 407 Coupe (6C_), 407 SW (6E_), 407 (6D_)
<b>19397</b>	<b>Stange/Strebe, Stabilisator, Rod/Strut, stabiliser, Entretoise/tige, stabilisateur</b> CITROËN C5 Break (TD_), C5 (RD_), C6 (TD_), PEUGEOT 407 Coupe (6C_), 407 SW (6E_), 407 (6D_)
<b>19398</b>	<b>Lenker, Radaufhängung, Track Control Arm, Bras de liaison, suspension de roue</b> PEUGEOT 206 CC (2D), 206 Schrägheck (2A/C), 206 SW (2E/K)
<b>19399</b>	<b>Lenker, Radaufhängung, Track Control Arm, Bras de liaison, suspension de roue</b> PEUGEOT 206 CC (2D), 206 Schrägheck (2A/C), 206 SW (2E/K)
<b>19404</b>	<b>Axialgelenk, Spurstange, Tie Rod Axle Joint, Rotule de direction intérieure, barre de connexion</b> IVECO DAILY I Kasten/Kombi, DAILY I Pritsche/Fahrgestell, DAILY II Bus, DAILY II Kasten/Kombi, DAILY II Kipper, DAILY II Pritsche/Fahrgestell, DAILY III Kasten/Kombi, DAILY III Pritsche/Fahrgestell, DAILY IV Kasten/Kombi, DAILY IV Kipper, DAILY IV Pritsche/Fahrgestell
<b>19405</b>	<b>Axialgelenk, Spurstange, Tie Rod Axle Joint, Rotule de direction intérieure, barre de connexion</b> CITROËN C25 Bus (280_, 290_), C25 Kasten (280_, 290_), C25 Pritsche/Fahrgestell (280_, 290_), FIAT DUCATO Bus (230), DUCATO Kasten (230L), DUCATO Kasten (280), DUCATO Kasten (290), DUCATO Panorama (280), DUCATO Panorama (290), DUCATO Pritsche/Fahrgestell (280), DUCATO Pritsche/Fahrgestell (290), TALENTO Bus (290), TALENTO Kasten (290), TALENTO Pritsche/Fahrgestell (290), PEUGEOT J5 Bus (280P), J5 Bus (290P), J5 Kasten (280L), J5 Kasten (290L), J5 Pritsche/Fahrgestell (280L), J5 Pritsche/Fahrgestell (290L)



<b>19406</b>	<b>Spurstangenkopf, Tie Rod End, Rotule de barre de connexion</b> IVECO DAILY I Kasten/Kombi,DAILY I Pritsche/Fahrgestell,DAILY II Bus,DAILY II Kasten/Kombi,DAILY II Kipper,DAILY II Pritsche/Fahrgestell,DAILY III Pritsche/Fahrgestell
<b>19407</b>	<b>Spurstangenkopf, Tie Rod End, Rotule de barre de connexion</b> IVECO DAILY I Kasten/Kombi,DAILY I Pritsche/Fahrgestell,DAILY II Bus,DAILY II Kasten/Kombi,DAILY II Kipper,DAILY II Pritsche/Fahrgestell
<b>19408</b>	<b>Trag-/Führungsgelenk, Ball Joint, Rotule de suspension</b> IVECO DAILY I Kasten/Kombi,DAILY I Pritsche/Fahrgestell,DAILY II Bus,DAILY II Kasten/Kombi,DAILY II Kipper,DAILY II Pritsche/Fahrgestell
<b>19409</b>	<b>Axialgelenk, Spurstange, Tie Rod Axle Joint, Rotule de direction intérieure, barre de connexion</b> CITROËN XM Break (Y3),XM Break (Y4),XM (Y3),XM (Y4),PEUGEOT 605 (6B)
<b>19410</b>	<b>Axialgelenk, Spurstange, Tie Rod Axle Joint, Rotule de direction intérieure, barre de connexion</b> CITROËN XANTIA Break (X1),XANTIA Break (X2),XANTIA (X1),XANTIA (X2),PEUGEOT 205 I Cabriolet (741B, 20D),205 I (741A/C),205 II (20A/C),205 Kasten,304 Break (_04D_),304 Cabriolet (_04B_),304 Coupe (_04C_),304 (_04M_),305 I (581A),305 II Break (581E),305 II (581M),309 I (10C, 10A),309 II (3C, 3A)
<b>19411</b>	<b>Axialgelenk, Spurstange, Tie Rod Axle Joint, Rotule de direction intérieure, barre de connexion</b> CITROËN BERLINGO Kasten (M_),BERLINGO (MF),XSARA Break (N2),XSARA Coupe (N0),XSARA (N1),XSARA PICASSO (N68),ZX Break (N2),ZX (N2),CITROËN (DF-PSA) XSARA PICASSO Großraumlimousine (N68),PEUGEOT PARTNER Combispace (5F),PARTNER Kasten (5)
<b>19412</b>	<b>Axialgelenk, Spurstange, Tie Rod Axle Joint, Rotule de direction intérieure, barre de connexion</b> CITROËN BX Break (XB-_),BX (XB-_)
<b>19413</b>	<b>Spurstangenkopf, Tie Rod End, Rotule de barre de connexion</b> CITROËN BX Break (XB-_),BX (XB-_)
<b>19414</b>	<b>Spurstangenkopf, Tie Rod End, Rotule de barre de connexion</b> CITROËN BX Break (XB-_),BX (XB-_)
<b>19415</b>	<b>Trag-/Führungsgelenk, Ball Joint, Rotule de suspension</b> CITROËN BX Break (XB-_),BX (XB-_),PEUGEOT 405 I Break (15E),405 I (15B),405 II Break (4E),405 II (4B)
<b>19416</b>	<b>Reparatursatz, Achsschenkelbolzen, Repair Kit, stub axle pin, Kit d'assemblage, pivot de fusée d'essieu</b> CITROËN ACADIANE,DYANE,2 CV
<b>19417</b>	<b>Spurstangenkopf, Tie Rod End, Rotule de barre de connexion</b> CITROËN AX (ZA-_),C4 Coupe (LA_),C4 (LC_),C4 Stufenheck,SAXO (S0, S1),XANTIA Break (X1),XANTIA Break (X2),XANTIA (X1),XANTIA (X2),XM Break (Y3),XM Break (Y4),XM (Y3),XM (Y4),PEUGEOT 106 I (1A, 1C),106 II (1),206 CC (2D),206 Schrägheck (2A/C),206 Stufenheck,206 SW (2E/K),206+ (T3E),307 Break (3E),307 CC (3B),307 SW (3H),307 (3A/C),605 (6B)
<b>19418</b>	<b>Spurstangenkopf, Tie Rod End, Rotule de barre de connexion</b> CITROËN AX (ZA-_),C4 Coupe (LA_),C4 (LC_),C4 Stufenheck,SAXO (S0, S1),XANTIA Break (X1),XANTIA Break (X2),XANTIA (X1),XANTIA (X2),XM Break (Y3),XM Break (Y4),XM (Y3),XM (Y4),PEUGEOT 106 I (1A, 1C),106 II (1),206 CC (2D),206 Schrägheck (2A/C),206 Stufenheck,206 SW (2E/K),206+ (T3E),307 Break (3E),307 CC (3B),307 SW (3H),307 (3A/C),605 (6B)
<b>19419</b>	<b>Trag-/Führungsgelenk, Ball Joint, Rotule de suspension</b> CITROËN AX (ZA-_)
<b>19420</b>	<b>Spurstangenkopf, Tie Rod End, Rotule de barre de connexion</b> CITROËN C25 Bus (280_, 290_),C25 Kasten (280_, 290_),C25 Pritsche/Fahrgestell (280_, 290_),JUMPER Bus (230P),JUMPER Kasten (230L),FIAT DUCATO Bus (230),DUCATO Kasten (230L),DUCATO Kasten (280),DUCATO Kasten (290),DUCATO Panorama (280),DUCATO Panorama (290),DUCATO Pritsche/Fahrgestell (230),DUCATO Pritsche/Fahrgestell (280),DUCATO Pritsche/Fahrgestell (290),TALENTO Bus (290),TALENTO Kasten (290),TALENTO Pritsche/Fahrgestell (290),PEUGEOT BOXER Bus (230P),BOXER Kasten (230L),J5 Bus (280P),J5 Bus (290P),J5 Kasten (280L),J5 Kasten (290L),J5 Pritsche/Fahrgestell (280L),J5 Pritsche/Fahrgestell (290L)
<b>19421</b>	<b>Trag-/Führungsgelenk, Ball Joint, Rotule de suspension</b> CITROËN C25 Bus (280_, 290_),C25 Kasten (280_, 290_),C25 Pritsche/Fahrgestell (280_, 290_),FIAT DUCATO Kasten (280),DUCATO Kasten (290),DUCATO Panorama (280),DUCATO Panorama (290),DUCATO Pritsche/Fahrgestell (280),242-SERIE Bus,242-SERIE Kasten,PEUGEOT J5 Bus (280P),J5 Bus (290P),J5 Kasten (280L),J5 Pritsche/Fahrgestell (280L),J5 Pritsche/Fahrgestell (290L)
<b>19422</b>	<b>Trag-/Führungsgelenk, Ball Joint, Rotule de suspension</b> CITROËN C25 Bus (280_, 290_),C25 Kasten (280_, 290_),C25 Pritsche/Fahrgestell (280_, 290_),FIAT DUCATO Kasten (280),DUCATO Kasten (290),DUCATO Panorama (280),DUCATO Panorama (290),DUCATO Pritsche/Fahrgestell (280),DUCATO Pritsche/Fahrgestell (290),TALENTO Bus (290),TALENTO Kasten (290),TALENTO Pritsche/Fahrgestell (290),PEUGEOT J5 Bus (280P),J5 Bus (290P),J5 Kasten (280L),J5 Kasten (290L),J5 Pritsche/Fahrgestell (280L),J5 Pritsche/Fahrgestell (290L)
<b>19423</b>	<b>Spurstangenkopf, Tie Rod End, Rotule de barre de connexion</b> IVECO DAILY III Kasten/Kombi,DAILY III Pritsche/Fahrgestell
<b>19424</b>	<b>Axialgelenk, Spurstange, Tie Rod Axle Joint, Rotule de direction intérieure, barre de connexion</b> IVECO DAILY III Kasten/Kombi,DAILY III Pritsche/Fahrgestell
<b>19425</b>	<b>Trag-/Führungsgelenk, Ball Joint, Rotule de suspension</b> CITROËN C5 Break (DE_),C5 Break (RE_),C5 (DC_),C5 (RC_),XANTIA Break (X1),XANTIA Break (X2),XANTIA (X1),XANTIA (X2),XM Break (Y3),XM Break (Y4),XM (Y3),XM (Y4),PEUGEOT 405 I Break (15E),405 I (15B),405 II Break (4E),405 II (4B),406 Break (8E/F),406 Coupe (8C),406 (8B),605 (6B),607 (9D, 9U)
<b>19426</b>	<b>Trag-/Führungsgelenk, Ball Joint, Rotule de suspension</b> CITROËN BERLINGO Kasten (M_),BERLINGO (MF),XSARA Break (N2),XSARA Coupe (N0),XSARA (N1),ZX Break (N2),ZX (N2),PEUGEOT PARTNER Combispace (5F),PARTNER Kasten (5)
<b>19427</b>	<b>Trag-/Führungsgelenk, Ball Joint, Rotule de suspension</b> CITROËN BERLINGO Kasten (M_),BERLINGO (MF),XSARA Break (N2),XSARA Coupe (N0),XSARA (N1),ZX Break (N2),ZX (N2),PEUGEOT PARTNER Combispace (5F),PARTNER Kasten (5)
<b>19428</b>	<b>Trag-/Führungsgelenk, Ball Joint, Rotule de suspension</b> CITROËN AX (ZA-_),SAXO (S0, S1),PEUGEOT 106 I (1A, 1C),106 II (1)

19429HPS	<b>Stange/Strebe, Stabilisator, Rod/Strut, stabiliser, Entretoise/tige, stabilisateur</b> CITROËN XANTIA Break (X1),XANTIA Break (X2),XANTIA (X1),XANTIA (X2)
19430	<b>Spurstangenkopf, Tie Rod End, Rotule de barre de connexion</b> CITROËN EVASION (22, U6),JUMPER Bus (230P),JUMPER Kasten (230L),JUMPER Pritsche/Fahrgestell (230),JUMPY Kasten (BS_, BT_, BY_, BZ_),JUMPY Pritsche/Fahrgestell (BU_, BV_, BW_, BX_),JUMPY (U6U),FIAT SCUDO Combinato (220P),SCUDO Kasten (220L),ULYSSE (220),LANCIA ZETA (220),PEUGEOT EXPERT Kasten (222),EXPERT Pritsche/Fahrgestell (223),EXPERT (224),806 (221)
19431	<b>Lenker, Radaufhängung, Track Control Arm, Bras de liaison, suspension de roue</b> CITROËN EVASION (22, U6),JUMPY Kasten (BS_, BT_, BY_, BZ_),JUMPY Pritsche/Fahrgestell (BU_, BV_, BW_, BX_),JUMPY (U6U),FIAT SCUDO Combinato (220P),SCUDO Kasten (220L),ULYSSE (220),LANCIA ZETA (220),PEUGEOT EXPERT Kasten (222),EXPERT Pritsche/Fahrgestell (223),EXPERT (224),806 (221)
19432	<b>Lenker, Radaufhängung, Track Control Arm, Bras de liaison, suspension de roue</b> CITROËN EVASION (22, U6),JUMPY Kasten (BS_, BT_, BY_, BZ_),JUMPY Pritsche/Fahrgestell (BU_, BV_, BW_, BX_),JUMPY (U6U),FIAT SCUDO Combinato (220P),SCUDO Kasten (220L),ULYSSE (220),LANCIA ZETA (220),PEUGEOT EXPERT Kasten (222),EXPERT Pritsche/Fahrgestell (223),EXPERT (224),806 (221)
19433	<b>Lenker, Radaufhängung, Track Control Arm, Bras de liaison, suspension de roue</b> CITROËN EVASION (22, U6),JUMPY Pritsche/Fahrgestell (BU_, BV_, BW_, BX_),JUMPY (U6U),FIAT SCUDO Combinato (220P),ULYSSE (220),PEUGEOT 806 (221)
19434	<b>Lenker, Radaufhängung, Track Control Arm, Bras de liaison, suspension de roue</b> CITROËN EVASION (22, U6),JUMPY Pritsche/Fahrgestell (BU_, BV_, BW_, BX_),JUMPY (U6U),FIAT SCUDO Combinato (220P),ULYSSE (220),PEUGEOT 806 (221)
19435HPS	<b>Stange/Strebe, Stabilisator, Rod/Strut, stabiliser, Entretoise/tige, stabilisateur</b> CITROËN ZX (N2)
19437	<b>Lenker, Radaufhängung, Track Control Arm, Bras de liaison, suspension de roue</b> CITROËN BERLINGO Kasten (M_),BERLINGO (MF),ZX Break (N2),ZX (N2),PEUGEOT PARTNER Combispace (5F),PARTNER Kasten (5),306 Break (7E, N3, N5),306 Cabriolet (7D, N3, N5),306 Schrägheck (7A, 7C, N3, N5),306 (7B, N3, N5)
19438	<b>Lenker, Radaufhängung, Track Control Arm, Bras de liaison, suspension de roue</b> CITROËN BERLINGO Kasten (M_),BERLINGO (MF),ZX Break (N2),ZX (N2),PEUGEOT PARTNER Combispace (5F),PARTNER Kasten (5),306 Break (7E, N3, N5),306 Cabriolet (7D, N3, N5),306 Schrägheck (7A, 7C, N3, N5),306 (7B, N3, N5)
19441	<b>Lenker, Radaufhängung, Track Control Arm, Bras de liaison, suspension de roue</b> CITROËN C25 Bus (280_, 290_),C25 Kasten (280_, 290_),C25 Pritsche/Fahrgestell (280_, 290_),FIAT DUCATO Kasten (280),DUCATO Kasten (290),DUCATO Panorama (280),DUCATO Panorama (290),DUCATO Pritsche/Fahrgestell (280),DUCATO Pritsche/Fahrgestell (290),TALENTO Bus (290),TALENTO Kasten (290),TALENTO Pritsche/Fahrgestell (290),PEUGEOT J5 Bus (280P),J5 Bus (290P),J5 Kasten (280L),J5 Kasten (290L),J5 Pritsche/Fahrgestell (280L),J5 Pritsche/Fahrgestell (290L)
19442	<b>Lenker, Radaufhängung, Track Control Arm, Bras de liaison, suspension de roue</b> CITROËN C25 Bus (280_, 290_),C25 Kasten (280_, 290_),C25 Pritsche/Fahrgestell (280_, 290_),FIAT DUCATO Kasten (280),DUCATO Kasten (290),DUCATO Panorama (280),DUCATO Panorama (290),DUCATO Pritsche/Fahrgestell (280),DUCATO Pritsche/Fahrgestell (290),TALENTO Bus (290),TALENTO Kasten (290),TALENTO Pritsche/Fahrgestell (290),PEUGEOT J5 Bus (280P),J5 Bus (290P),J5 Kasten (280L),J5 Kasten (290L),J5 Pritsche/Fahrgestell (280L),J5 Pritsche/Fahrgestell (290L)
19443	<b>Spurstange, Rod Assembly, Barre de connexion</b> CITROËN XSARA Break (N2),XSARA Coupe (N0),XSARA (N1),XSARA PICASSO (N68),ZX Break (N2),ZX (N2)
19444	<b>Spurstange, Rod Assembly, Barre de connexion</b> CITROËN XANTIA Break (X1),XANTIA Break (X2),XANTIA (X1),XANTIA (X2)
19445	<b>Spurstange, Rod Assembly, Barre de connexion</b> CITROËN XANTIA Break (X1),XANTIA Break (X2),XANTIA (X1),XANTIA (X2)
19446	<b>Spurstange, Rod Assembly, Barre de connexion</b> CITROËN C15 (VD-_),VISA
19446/1	<b>Axialgelenk, Spurstange, Tie Rod Axle Joint, Rotule de direction intérieure, barre de connexion</b> CITROËN C15 (VD-_),VISA,PEUGEOT 305 II Break (581E),305 II (581M)
19447	<b>Spurstangenkopf, Tie Rod End, Rotule de barre de connexion</b> CITROËN JUMPER Bus (230P),JUMPER Bus (244, Z_),JUMPER Kasten (230L),JUMPER Kasten (244),JUMPER Pritsche/Fahrgestell (230),JUMPER Pritsche/Fahrgestell (244),FIAT DUCATO Bus (230),DUCATO Bus (244, Z_),DUCATO Kasten (230L),DUCATO Kasten (244),DUCATO Pritsche/Fahrgestell (230),DUCATO Pritsche/Fahrgestell (244),PEUGEOT BOXER Bus (230P),BOXER Bus (244, Z_),BOXER Kasten (230L),BOXER Kasten (244),BOXER Pritsche/Fahrgestell (ZCT_),BOXER Pritsche/Fahrgestell (244)
19448	<b>Axialgelenk, Spurstange, Tie Rod Axle Joint, Rotule de direction intérieure, barre de connexion</b> CITROËN JUMPER Bus (230P),JUMPER Bus (244, Z_),JUMPER Kasten (230L),JUMPER Kasten (244),JUMPER Pritsche/Fahrgestell (230),JUMPER Pritsche/Fahrgestell (244),FIAT DUCATO Bus (230),DUCATO Bus (244, Z_),DUCATO Kasten (230L),DUCATO Kasten (244),DUCATO Pritsche/Fahrgestell (230),DUCATO Pritsche/Fahrgestell (244),PEUGEOT BOXER Bus (230P),BOXER Bus (244, Z_),BOXER Kasten (230L),BOXER Kasten (244),BOXER Pritsche/Fahrgestell (ZCT_),BOXER Pritsche/Fahrgestell (244)
19449	<b>Trag-/Führungsgelenk, Ball Joint, Rotule de suspension</b> CITROËN JUMPER Bus (230P),JUMPER Kasten (230L),JUMPER Pritsche/Fahrgestell (230),FIAT DUCATO Bus (230),DUCATO Kasten (230L),DUCATO Pritsche/Fahrgestell (230),PEUGEOT BOXER Bus (230P),BOXER Kasten (230L),BOXER Pritsche/Fahrgestell (ZCT_)
19450	<b>Trag-/Führungsgelenk, Ball Joint, Rotule de suspension</b> CITROËN JUMPER Bus (230P),JUMPER Kasten (230L),JUMPER Pritsche/Fahrgestell (230),FIAT DUCATO Bus (230),DUCATO Kasten (230L),DUCATO Pritsche/Fahrgestell (230),PEUGEOT BOXER Bus (230P),BOXER Kasten (230L),BOXER Pritsche/Fahrgestell (ZCT_)
19451HPS	<b>Stange/Strebe, Stabilisator, Rod/Strut, stabiliser, Entretoise/tige, stabilisateur</b> CITROËN XM Break (Y3),XM Break (Y4),XM (Y3),XM (Y4),PEUGEOT 605 (6B)
19452	<b>Axialgelenk, Spurstange, Tie Rod Axle Joint, Rotule de direction intérieure, barre de connexion</b> FIAT PANDA Van (141_),PANDA (141A_),PANDA (169),LANCIA Y10 (156),SEAT MARBELLA Kasten (028A),MARBELLA (28)





19453	<b>Lenker, Radaufhängung, Track Control Arm, Bras de liaison, suspension de roue</b> CITROËN XANTIA Break (X1),XANTIA Break (X2),XANTIA (X1),XANTIA (X2)
19454	<b>Lenker, Radaufhängung, Track Control Arm, Bras de liaison, suspension de roue</b> CITROËN XANTIA Break (X1),XANTIA Break (X2),XANTIA (X1),XANTIA (X2)
19459	<b>Lenker, Radaufhängung, Track Control Arm, Bras de liaison, suspension de roue</b> CITROËN XSARA Break (N2),XSARA Coupe (N0),XSARA (N1)
19460	<b>Lenker, Radaufhängung, Track Control Arm, Bras de liaison, suspension de roue</b> CITROËN XSARA Break (N2),XSARA Coupe (N0),XSARA (N1)
19461	<b>Lenker, Radaufhängung, Track Control Arm, Bras de liaison, suspension de roue</b> CITROËN JUMPER Bus (230P),JUMPER Kasten (230L),JUMPER Pritsche/Fahrgestell (230),FIAT DUCATO Bus (230),DUCATO Kasten (230L),DUCATO Pritsche/Fahrgestell (230),PEUGEOT BOXER Bus (230P),BOXER Kasten (230L),BOXER Pritsche/Fahrgestell (ZCT_)
19462	<b>Lenker, Radaufhängung, Track Control Arm, Bras de liaison, suspension de roue</b> CITROËN JUMPER Bus (230P),JUMPER Kasten (230L),JUMPER Pritsche/Fahrgestell (230),FIAT DUCATO Bus (230),DUCATO Kasten (230L),DUCATO Pritsche/Fahrgestell (230),PEUGEOT BOXER Bus (230P),BOXER Kasten (230L),BOXER Pritsche/Fahrgestell (ZCT_)
19463	<b>Lenker, Radaufhängung, Track Control Arm, Bras de liaison, suspension de roue</b> CITROËN JUMPER Bus (230P),JUMPER Kasten (230L),JUMPER Pritsche/Fahrgestell (230),FIAT DUCATO Bus (230),DUCATO Kasten (230L),DUCATO Kasten (244),DUCATO Pritsche/Fahrgestell (230),PEUGEOT BOXER Bus (230P),BOXER Kasten (230L),BOXER Pritsche/Fahrgestell (ZCT_)
19464	<b>Lenker, Radaufhängung, Track Control Arm, Bras de liaison, suspension de roue</b> CITROËN JUMPER Bus (230P),JUMPER Kasten (230L),JUMPER Pritsche/Fahrgestell (230),FIAT DUCATO Bus (230),DUCATO Kasten (230L),DUCATO Kasten (244),DUCATO Pritsche/Fahrgestell (230),PEUGEOT BOXER Bus (230P),BOXER Kasten (230L),BOXER Pritsche/Fahrgestell (ZCT_)
19468	<b>Lenker, Radaufhängung, Track Control Arm, Bras de liaison, suspension de roue</b> CITROËN C25 Bus (280_, 290_),C25 Kasten (280_, 290_),C25 Pritsche/Fahrgestell (280_, 290_),FIAT DUCATO Kasten (280),DUCATO Kasten (290),DUCATO Panorama (280),DUCATO Panorama (290),DUCATO Pritsche/Fahrgestell (280),DUCATO Pritsche/Fahrgestell (290),TALENTO Bus (290),TALENTO Kasten (290),TALENTO Pritsche/Fahrgestell (290),PEUGEOT J5 Bus (280P),J5 Bus (290P),J5 Kasten (280L),J5 Kasten (290L),J5 Pritsche/Fahrgestell (280L),J5 Pritsche/Fahrgestell (290L)
19469	<b>Lenker, Radaufhängung, Track Control Arm, Bras de liaison, suspension de roue</b> CITROËN C25 Bus (280_, 290_),C25 Kasten (280_, 290_),C25 Pritsche/Fahrgestell (280_, 290_),FIAT DUCATO Kasten (280),DUCATO Kasten (290),DUCATO Panorama (280),DUCATO Panorama (290),DUCATO Pritsche/Fahrgestell (280),DUCATO Pritsche/Fahrgestell (290),TALENTO Bus (290),TALENTO Kasten (290),TALENTO Pritsche/Fahrgestell (290),PEUGEOT J5 Bus (280P),J5 Bus (290P),J5 Kasten (280L),J5 Kasten (290L),J5 Pritsche/Fahrgestell (280L),J5 Pritsche/Fahrgestell (290L)
19470	<b>Stange/Strebe, Stabilisator, Rod/Strut, stabiliser, Entretoise/tige, stabilisateur</b> CITROËN BX Break (XB-_),BX (XB-_)
19471	<b>Lenker, Radaufhängung, Track Control Arm, Bras de liaison, suspension de roue</b> CITROËN AX (ZA-_)
19472	<b>Lenker, Radaufhängung, Track Control Arm, Bras de liaison, suspension de roue</b> CITROËN AX (ZA-_)
19473	<b>Trag-/Führungsgelenk, Ball Joint, Rotule de suspension</b> CITROËN BERLINGO Kasten (M_),BERLINGO (MF),XSARA Break (N2),XSARA Coupe (N0),XSARA (N1),XSARA PICASSO (N68),PEUGEOT PARTNER Combispace (5F),PARTNER Kasten (5)
19474	<b>Lenker, Radaufhängung, Track Control Arm, Bras de liaison, suspension de roue</b> CITROËN BERLINGO Kasten (M_),BERLINGO (MF),XSARA Break (N2),XSARA Coupe (N0),XSARA (N1),ZX Break (N2),ZX (N2),PEUGEOT PARTNER Combispace (5F),PARTNER Kasten (5)
19475	<b>Lenker, Radaufhängung, Track Control Arm, Bras de liaison, suspension de roue</b> CITROËN BERLINGO Kasten (M_),BERLINGO (MF),XSARA Break (N2),XSARA Coupe (N0),XSARA (N1),ZX Break (N2),ZX (N2),PEUGEOT PARTNER Combispace (5F),PARTNER Kasten (5)
19475/1	<b>Lenker, Radaufhängung, Track Control Arm, Bras de liaison, suspension de roue</b> CITROËN BERLINGO Kasten (M_),BERLINGO (MF),ZX Break (N2),ZX (N2),PEUGEOT PARTNER Combispace (5F),PARTNER Kasten (5),306 Break (7E, N3, N5),306 Cabriolet (7D, N3, N5),306 Schrägheck (7A, 7C, N3, N5),306 (7B, N3, N5)
19476HPS	<b>Stange/Strebe, Stabilisator, Rod/Strut, stabiliser, Entretoise/tige, stabilisateur</b> CITROËN AX (ZA-_),PEUGEOT 106 I (1A, 1C),106 II (1)
19477	<b>Spurstangenkopf, Tie Rod End, Rotule de barre de connexion</b> CITROËN C5 Break (DE_),C5 Break (RE_),C5 (DC_),C5 (RC_)
19478	<b>Spurstangenkopf, Tie Rod End, Rotule de barre de connexion</b> CITROËN C5 Break (DE_),C5 Break (RE_),C5 (DC_),C5 (RC_)
19479	<b>Axialgelenk, Spurstange, Tie Rod Axle Joint, Rotule de direction intérieure, barre de connexion</b> CITROËN C3 (FC_),PEUGEOT 1007 (KM_)
19480	<b>Spurstangenrohr, Tie Rod Tube, Tuyau de la barre de connexion</b> CITROËN AX (ZA-_),SAXO (S0, S1),PEUGEOT 106 I (1A, 1C),106 II (1)
19481	<b>Hebelauge, Spurstange, Eyebolt, steering rod, Oeil de levier, barre de connexion</b> CITROËN AX (ZA-_),SAXO (S0, S1),PEUGEOT 106 I (1A, 1C),106 II (1)
19482	<b>Hebelauge, Spurstange, Eyebolt, steering rod, Oeil de levier, barre de connexion</b> CITROËN SAXO (S0, S1),PEUGEOT 106 I (1A, 1C),106 II (1)
19482/1	- CITROËN SAXO (S0, S1),PEUGEOT 106 I (1A, 1C),106 II (1)

19483	<b>Schraube, Spureinstellung, Bolt, wheel alignment, Boulon, alignement des roues</b> CITROËN SAXO (S0, S1),PEUGEOT 106 I (1A, 1C)
19484	<b>Axialgelenk, Spurstange, Tie Rod Axle Joint, Rotule de direction intérieure, barre de connexion</b> CITROËN BERLINGO Kasten (M_),BERLINGO (MF),XSARA PICASSO (N68),PEUGEOT PARTNER Combispace (5F),PARTNER Kasten (5)
19485	<b>Lenker, Radaufhängung, Track Control Arm, Bras de liaison, suspension de roue</b> CITROËN BERLINGO Kasten (M_),BERLINGO (MF),XSARA PICASSO (N68),PEUGEOT PARTNER Combispace (5F),PARTNER Kasten (5)
19486	<b>Lenker, Radaufhängung, Track Control Arm, Bras de liaison, suspension de roue</b> CITROËN BERLINGO Kasten (M_),BERLINGO (MF),XSARA PICASSO (N68),PEUGEOT PARTNER Combispace (5F),PARTNER Kasten (5)
19487	<b>Lenker, Radaufhängung, Track Control Arm, Bras de liaison, suspension de roue</b> PEUGEOT 605 (6B),607 (9D, 9U)
19488	<b>Lenker, Radaufhängung, Track Control Arm, Bras de liaison, suspension de roue</b> PEUGEOT 605 (6B),607 (9D, 9U)
19489	<b>Spurstangenkopf, Tie Rod End, Rotule de barre de connexion</b> CITROËN C3 (FC_),C3 Pluriel (HB_),PEUGEOT 1007 (KM_)
19490	<b>Spurstangenkopf, Tie Rod End, Rotule de barre de connexion</b> CITROËN C3 (FC_),C3 Pluriel (HB_),PEUGEOT 1007 (KM_)
19491	<b>Trag-/Führungsgelenk, Ball Joint, Rotule de suspension</b> CITROËN C2 (JM_),C3 (FC_),C3 II,C3 Picasso,C3 Pluriel (HB_),PEUGEOT 207 CC (WD_),207 Stufenheck,207 SW (WK_),207 Van,207 (WA_, WC_),208
19492	<b>Spurstangenkopf, Tie Rod End, Rotule de barre de connexion</b> CITROËN C8 (EA_, EB_),JUMPY Kasten (BS_, BT_, BY_, BZ_),JUMPY Pritsche/Fahrgestell (BU_, BV_, BW_, BX_),JUMPY (U6U),FIAT SCUDO Combinato (220P),SCUDO Kasten (220L),ULYSSE (179AX),LANCIA PHEDRA (179),PEUGEOT EXPERT Kasten (222),EXPERT Pritsche/Fahrgestell (223),EXPERT (224),807 (E)
19493	<b>Axialgelenk, Spurstange, Tie Rod Axle Joint, Rotule de direction intérieure, barre de connexion</b> CITROËN C8 (EA_, EB_),FIAT ULYSSE (179AX),LANCIA PHEDRA (179),PEUGEOT 807 (E)
19494	<b>Lenker, Radaufhängung, Track Control Arm, Bras de liaison, suspension de roue</b> CITROËN JUMPER Bus,JUMPER Kasten,JUMPER Pritsche/Fahrgestell,FIAT DUCATO Bus (250),DUCATO Kasten (250),DUCATO Pritsche/Fahrgestell (250),PEUGEOT BOXER Bus,BOXER Kasten,BOXER Pritsche/Fahrgestell
19495	<b>Lenker, Radaufhängung, Track Control Arm, Bras de liaison, suspension de roue</b> CITROËN JUMPER Bus,JUMPER Kasten,JUMPER Pritsche/Fahrgestell,FIAT DUCATO Bus (250),DUCATO Kasten (250),DUCATO Pritsche/Fahrgestell (250),PEUGEOT BOXER Bus,BOXER Kasten,BOXER Pritsche/Fahrgestell
19496	<b>Spurstangenkopf, Tie Rod End, Rotule de barre de connexion</b> CITROËN JUMPER Bus,JUMPER Kasten,JUMPER Pritsche/Fahrgestell,FIAT DUCATO Bus (250),DUCATO Kasten (250),DUCATO Pritsche/Fahrgestell (250),PEUGEOT BOXER Bus,BOXER Kasten,BOXER Pritsche/Fahrgestell
19497	<b>Spurstangenkopf, Tie Rod End, Rotule de barre de connexion</b> CITROËN JUMPER Bus,JUMPER Kasten,JUMPER Pritsche/Fahrgestell,FIAT DUCATO Bus (250),DUCATO Kasten (250),DUCATO Pritsche/Fahrgestell (250),PEUGEOT BOXER Bus,BOXER Kasten,BOXER Pritsche/Fahrgestell
19498	<b>Trag-/Führungsgelenk, Ball Joint, Rotule de suspension</b> CITROËN JUMPER Bus (230P),JUMPER Bus (244, Z_),JUMPER Kasten (230L),JUMPER Kasten (244),JUMPER Pritsche/Fahrgestell (230),JUMPER Pritsche/Fahrgestell (244),FIAT DUCATO Bus (230),DUCATO Bus (244, Z_),DUCATO Kasten (230L),DUCATO Kasten (244),DUCATO Pritsche/Fahrgestell (230),DUCATO Pritsche/Fahrgestell (244),PEUGEOT BOXER Bus (230P),BOXER Bus (244, Z_),BOXER Kasten (230L),BOXER Kasten (244),BOXER Pritsche/Fahrgestell (ZCT_),BOXER Pritsche/Fahrgestell (244)
19499	<b>Trag-/Führungsgelenk, Ball Joint, Rotule de suspension</b> CITROËN JUMPER Bus (230P),JUMPER Bus (244, Z_),JUMPER Kasten (230L),JUMPER Kasten (244),JUMPER Pritsche/Fahrgestell (230),JUMPER Pritsche/Fahrgestell (244),FIAT DUCATO Bus (244, Z_),DUCATO Kasten (244),DUCATO Pritsche/Fahrgestell (244),PEUGEOT BOXER Bus (230P),BOXER Bus (244, Z_),BOXER Kasten (230L),BOXER Kasten (244),BOXER Pritsche/Fahrgestell (ZCT_),BOXER Pritsche/Fahrgestell (244)
19500	<b>Spurstangenkopf, Tie Rod End, Rotule de barre de connexion</b> HONDA CIVIC I Shuttle (AN, AR),CIVIC II Shuttle (EE),CIVIC IV Hatchback (EC, ED, EE),CIVIC IV Stufenheck (ED),CRX II (ED, EE)
19501	<b>Spurstangenkopf, Tie Rod End, Rotule de barre de connexion</b> HONDA CIVIC I Shuttle (AN, AR),CIVIC II Shuttle (EE),CIVIC IV Hatchback (EC, ED, EE),CIVIC IV Stufenheck (ED),CRX II (ED, EE)
19502	<b>Axialgelenk, Spurstange, Tie Rod Axle Joint, Rotule de direction intérieure, barre de connexion</b> HONDA CIVIC IV Hatchback (EC, ED, EE),CIVIC IV Stufenheck (ED),CRX II (ED, EE)
19503	<b>Trag-/Führungsgelenk, Ball Joint, Rotule de suspension</b> HONDA ACCORD III Aerodeck (CA5),ACCORD III (CA4, CA5),CIVIC II Shuttle (EE),CIVIC IV Hatchback (EC, ED, EE),CIVIC IV Stufenheck (ED),CIVIC VI Aerodeck (MB, MC),CIVIC VI Coupe (EJ, EM1),CIVIC VI Fastback (MA, MB),CIVIC VI Hatchback (EJ, EK),CIVIC VI Stufenheck (EJ, EK),CR-V I (RD),CRX II (ED, EE),CRX III (EH, EG),PRELUDE II (AB),PRELUDE III (BA),PRELUDE IV (BB),PRELUDE V (BB)
19504	<b>Spurstangenkopf, Tie Rod End, Rotule de barre de connexion</b> HONDA ACCORD III (CA4, CA5),ACCORD IV Aerodeck (CB),ACCORD IV (CB),ACCORD IV Coupe (CC1),ACCORD V Aerodeck (CE),ACCORD V (CC7, CD),ACCORD V Coupe (CD7, CD9),ACCORD VI (CE, CF),ROVER 600 (RH)
19505	<b>Spurstangenkopf, Tie Rod End, Rotule de barre de connexion</b> HONDA ACCORD III (CA4, CA5),ACCORD IV Aerodeck (CB),ACCORD IV (CB),ACCORD IV Coupe (CC1),ACCORD V Aerodeck (CE),ACCORD V (CC7, CD),ACCORD V Coupe (CD7, CD9),ACCORD VI (CE, CF),ROVER 600 (RH)
19506	<b>Axialgelenk, Spurstange, Tie Rod Axle Joint, Rotule de direction intérieure, barre de connexion</b> HONDA ACCORD IV Aerodeck (CB),ACCORD IV (CB),ACCORD IV Coupe (CC1),ACCORD V Aerodeck (CE),ACCORD V (CC7, CD),ACCORD VI (CE, CF),ROVER 600 (RH)



<b>19507</b>	<b>Trag-/Führungsgelenk, Ball Joint, Rotule de suspension</b> HONDA ACCORD IV Aerodeck (CB), ACCORD IV (CB), ACCORD IV Coupe (CC1), ACCORD V Aerodeck (CE), ACCORD V Coupe (CD7, CD9), ACCORD VI (CE, CF), ACCORD VII (CG, CK), ACCORD VII Coupe (CG), ACCORD VII Hatchback (CH), SHUTTLE (RA), ROVER 600 (RH)
<b>19508</b>	<b>Spurstangenkopf, Tie Rod End, Rotule de barre de connexion</b> HONDA CIVIC V Coupe (EJ), CIVIC V Hatchback (EG), CIVIC V Stufenheck (EG, EH), CIVIC VI Aerodeck (MB, MC), CIVIC VI Fastback (MA, MB), CIVIC VI Hatchback (EJ, EK), CIVIC VI Stufenheck (EJ, EK), CIVIC VII Coupe (EM2), CR-V I (RD), CRX III (EH, EG), INTEGRA Coupe (DC2, DC4), ROVER 400 Hatchback (RT), 400 (RT), 400 Tourer (XW), 400 (XW), 45 (RT), 45 Stufenheck (RT)
<b>19509</b>	<b>Spurstangenkopf, Tie Rod End, Rotule de barre de connexion</b> HONDA CIVIC V Coupe (EJ), CIVIC V Hatchback (EG), CIVIC V Stufenheck (EG, EH), CIVIC VI Aerodeck (MB, MC), CIVIC VI Fastback (MA, MB), CIVIC VI Hatchback (EJ, EK), CIVIC VI Stufenheck (EJ, EK), CIVIC VII Coupe (EM2), CR-V I (RD), CRX III (EH, EG), INTEGRA Coupe (DC2, DC4), ROVER 400 Hatchback (RT), 400 (RT), 400 Tourer (XW), 400 (XW), 45 (RT), 45 Stufenheck (RT)
<b>19510</b>	<b>Spurstangenkopf, Tie Rod End, Rotule de barre de connexion</b> HYUNDAI PONY / EXCEL Stufenheck (X-2), PONY (X-2), S COUPE (SLC)
<b>19511</b>	<b>Trag-/Führungsgelenk, Ball Joint, Rotule de suspension</b> HYUNDAI PONY / EXCEL Stufenheck (X-2), PONY (X-2), S COUPE (SLC)
<b>19512</b>	<b>Spurstangenkopf, Tie Rod End, Rotule de barre de connexion</b> HYUNDAI ACCENT I (X-3), ACCENT Stufenheck (X-3), COUPE (RD), LANTRA I (J-1), SONATA II (Y-2), SONATA III (Y-3)
<b>19513</b>	<b>Trag-/Führungsgelenk, Ball Joint, Rotule de suspension</b> HYUNDAI LANTRA I (J-1)
<b>19515</b>	<b>Axialgelenk, Spurstange, Tie Rod Axle Joint, Rotule de direction intérieure, barre de connexion</b> HYUNDAI PONY / EXCEL Stufenheck (X-2), PONY (X-2)
<b>19516</b>	<b>Stange/Strebe, Stabilisator, Rod/Strut, stabiliser, Entretoise/tige, stabilisateur</b> MAZDA DEMIO (DW), MX-3 (EC)
<b>19517</b>	<b>Spurstangenkopf, Tie Rod End, Rotule de barre de connexion</b> DAEWOO TICO (KLY3)
<b>19518</b>	<b>Lenker, Radaufhängung, Track Control Arm, Bras de liaison, suspension de roue</b> CHEVROLET MATIZ (M200, M250), DAEWOO MATIZ (KLYA), TICO (KLY3), SUZUKI ALTO I (SS80), ALTO II (EC), ALTO III (EF)
<b>19519</b>	<b>Trag-/Führungsgelenk, Ball Joint, Rotule de suspension</b> DAEWOO NUBIRA (KLAJ), NUBIRA Stufenheck (KLAJ), NUBIRA Wagon (KLAJ)
<b>19520</b>	<b>Spurstangenkopf, Tie Rod End, Rotule de barre de connexion</b> NISSAN SUNNY III Hatchback (N14), SUNNY III Liftback (N14), SUNNY III (N14), SUNNY III Traveller (Y10)
<b>19521</b>	<b>Axialgelenk, Spurstange, Tie Rod Axle Joint, Rotule de direction intérieure, barre de connexion</b> NISSAN ALMERA I Hatchback (N15), ALMERA I (N15), PRIMERA Hatchback (P10), PRIMERA (P10), PRIMERA Traveller (W10), SUNNY III Hatchback (N14), SUNNY III Liftback (N14), SUNNY III (N14), SUNNY III Traveller (Y10), SUNNY Kasten (Y10), 100 NX (B13)
<b>19522</b>	<b>Trag-/Führungsgelenk, Ball Joint, Rotule de suspension</b> NISSAN BLUEBIRD Coupe (910), BLUEBIRD Hatchback (T72, T12), BLUEBIRD Station Wagon (WU11), BLUEBIRD Traveller (W910), BLUEBIRD (T72, T12), BLUEBIRD (U11), BLUEBIRD (910), PRIMERA Hatchback (P10), PRIMERA Hatchback (P11), PRIMERA (P10), PRIMERA (P11), PRIMERA Traveller (WP11), PRIMERA Traveller (W10), SUNNY II Coupe (B12), SUNNY II (N13), SUNNY II Traveller (B12), SUNNY III Hatchback (N14), SUNNY III Liftback (N14), SUNNY III (N14), SUNNY III Traveller (Y10), SUNNY Kasten (Y10), 100 NX (B13)
<b>19523</b>	<b>Spurstangenkopf, Tie Rod End, Rotule de barre de connexion</b> NISSAN PRIMERA Hatchback (P10), PRIMERA Hatchback (P11), PRIMERA Hatchback (P12), PRIMERA (P10), PRIMERA (P11), PRIMERA (P12), PRIMERA Traveller (WP11), PRIMERA Traveller (WP12), SERENA (C23M), SUNNY III Traveller (Y10), SUNNY Kasten (Y10), VANETTE CARGO Bus (HC 23), VANETTE CARGO Kasten (HC 23)
<b>19524</b>	<b>Trag-/Führungsgelenk, Ball Joint, Rotule de suspension</b> NISSAN ALMERA II Hatchback (N16), ALMERA II (N16), PRIMERA Hatchback (P10), PRIMERA Hatchback (P11), PRIMERA (P10), PRIMERA (P11), PRIMERA Traveller (WP11), SUNNY II Coupe (B12), SUNNY II Hatchback (N13), SUNNY II (N13), SUNNY II Traveller (B12), SUNNY III Hatchback (N14)
<b>19525</b>	<b>Spurstangenkopf, Tie Rod End, Rotule de barre de connexion</b> NISSAN MICRA II (K11)
<b>19526</b>	<b>Trag-/Führungsgelenk, Ball Joint, Rotule de suspension</b> NISSAN MICRA II (K11)
<b>19527HPS</b>	<b>Stange/Strebe, Stabilisator, Rod/Strut, stabiliser, Entretoise/tige, stabilisateur</b> NISSAN MICRA II (K11)
<b>19528</b>	<b>Spurstangenkopf, Tie Rod End, Rotule de barre de connexion</b> NISSAN ALMERA I Hatchback (N15), ALMERA I (N15)
<b>19529HPS</b>	<b>Stange/Strebe, Stabilisator, Rod/Strut, stabiliser, Entretoise/tige, stabilisateur</b> NISSAN PRIMERA Hatchback (P10), PRIMERA Hatchback (P11), PRIMERA (P10), PRIMERA (P11), PRIMERA Traveller (WP11), PRIMERA Traveller (W10)
<b>19530</b>	<b>Axialgelenk, Spurstange, Tie Rod Axle Joint, Rotule de direction intérieure, barre de connexion</b> INFINITI I30, J30, M30 Convertible, M30 Coupe, NISSAN MAXIMA II (J30), PRAIRIE (M10, NM10), PRAIRIE PRO (M11)
<b>19531</b>	<b>Spurstangenkopf, Tie Rod End, Rotule de barre de connexion</b> DAIHATSU HIJET Bus, HIJET Bus (S85), HIJET Kasten, HIJET Kasten (S85)
<b>19532</b>	<b>Spurstangenkopf, Tie Rod End, Rotule de barre de connexion</b> DAIHATSU HIJET Bus, HIJET Bus (S85), HIJET Kasten, HIJET Kasten (S85)

19533	<b>Spurstangenkopf, Tie Rod End, Rotule de barre de connexion</b> FORD MAVERICK (UDS, UNS),NISSAN PICK UP (D21),TERRANO I (WD21),TERRANO II (R20)
19534	<b>Spurstangenkopf, Tie Rod End, Rotule de barre de connexion</b> FORD MAVERICK (UDS, UNS),NISSAN PICK UP (D21),TERRANO I (WD21),TERRANO II (R20)
19535	<b>Trag-/Führungsgelenk, Ball Joint, Rotule de suspension</b> FORD MAVERICK (UDS, UNS),NISSAN PATHFINDER (R50),PICK UP (D21),TERRANO I (WD21),TERRANO II (R20),URVAN Bus (E23),URVAN Bus (E24),URVAN Kasten (E23),URVAN Kasten (E24)
19536	<b>Trag-/Führungsgelenk, Ball Joint, Rotule de suspension</b> NISSAN PICK UP (D21),URVAN Bus (E24),URVAN Kasten (E24)
19537	<b>Trag-/Führungsgelenk, Ball Joint, Rotule de suspension</b> NISSAN VANETTE Bus (C22),VANETTE Bus (KC120),VANETTE Kasten (C22)
19538	<b>Stange/Strebe, Stabilisator, Rod/Strut, stabiliser, Entretoise/tige, stabilisateur</b> NISSAN MAXIMA QX II (A33)
19539	<b>Stange/Strebe, Stabilisator, Rod/Strut, stabiliser, Entretoise/tige, stabilisateur</b> NISSAN MAXIMA QX II (A33)
19540	<b>Spurstangenkopf, Tie Rod End, Rotule de barre de connexion</b> HYUNDAI COUPE (RD),LANTRA I (J-1),MITSUBISHI CARISMA (DA_),CARISMA Stufenheck (DA_),COLT II (C1_A),COLT III (C5_A),COLT IV (CA_A),COLT V (CJ_, CP_),LANCER III (C1_A, C6_A),LANCER III Station Wagon (C1_V, C3_V),LANCER IV (C6_A, C7_A),LANCER IV Stufenheck (C6_A),LANCER V (CB/D_A),LANCER V Station Wagon (CB_W, CD_W),LANCER VI (CJ-CP_),SPACE STAR (DG_A),PROTON PERSONA 300 (C9_M),PERSONA 400 (C9_S),PERSONA 400 Hatchback (C9_C, C9_S)
19541	<b>Axialgelenk, Spurstange, Tie Rod Axle Joint, Rotule de direction intérieure, barre de connexion</b> MITSUBISHI COLT II (C1_A),LANCER III (C1_A, C6_A),LANCER III Station Wagon (C1_V, C3_V)
19542	<b>Trag-/Führungsgelenk, Ball Joint, Rotule de suspension</b> HYUNDAI COUPE (RD),PONY,PONY Stufenheck,PONY Wagon,MITSUBISHI CELESTE (A7_),COLT II (C1_A),COLT LANCER (A7_),COLT LANCER Station Wagon (A7_K),GALANT I (A12_),GALANT I Station Wagon (A12_V),GALANT II (A16_),GALANT II Station Wagon (A16_V),LANCER F II (A17_),LANCER I (A17_),LANCER III (C1_A, C6_A),LANCER III Station Wagon (C1_V, C3_V),SAPORO I (A12_),SAPORO II (A16_A)
19543HPS	<b>Stange/Strebe, Stabilisator, Rod/Strut, stabiliser, Entretoise/tige, stabilisateur</b> MITSUBISHI COLT III (C5_A),GALANT III (E1_A),GALANT IV (E3_A),GALANT IV Stufenheck (E3_A),LANCER IV (C6_A, C7_A),LANCER IV Stufenheck (C6_A),PAJERO PININ (H6_W, H7_W)
19544	<b>Stange/Strebe, Stabilisator, Rod/Strut, stabiliser, Entretoise/tige, stabilisateur</b> MITSUBISHI COLT II (C1_A),COLT III (C5_A),COLT IV (CA_A),COLT LANCER (A7_),COLT LANCER Station Wagon (A7_K),COLT V (CJ_, CP_),LANCER III (C1_A, C6_A),LANCER III Station Wagon (C1_V, C3_V),LANCER IV (C6_A, C7_A),LANCER IV Stufenheck (C6_A),LANCER V (CB/D_A),LANCER V Station Wagon (CB_W, CD_W)
19545	<b>Spurstangenkopf, Tie Rod End, Rotule de barre de connexion</b> MITSUBISHI PAJERO I Canvas Top (L04_G),PAJERO I (L04_G, L14_G)
19546	<b>Spurstangenkopf, Tie Rod End, Rotule de barre de connexion</b> MITSUBISHI PAJERO I Canvas Top (L04_G),PAJERO I (L04_G, L14_G)
19547	<b>Spurstangenkopf, Tie Rod End, Rotule de barre de connexion</b> HYUNDAI LANTRA I (J-1),MITSUBISHI CARISMA (DA_),CARISMA Stufenheck (DA_),COLT II (C1_A),COLT III (C5_A),COLT IV (CA_A),COLT V (CJ_, CP_),LANCER F II (A17_),LANCER III (C1_A, C6_A),LANCER III Station Wagon (C1_V, C3_V),LANCER IV (C6_A, C7_A),LANCER IV Stufenheck (C6_A),LANCER V (CB/D_A),LANCER V Station Wagon (CB_W, CD_W),LANCER VI (CJ-CP_),PROTON PERSONA 300 (C9_M),PERSONA 400 (C9_S),PERSONA 400 Hatchback (C9_C, C9_S),VOLVO S40 I (VS),V40 Kombi (VW)
19548	<b>Spurstangenkopf, Tie Rod End, Rotule de barre de connexion</b> MITSUBISHI PAJERO CLASSIC (V2_W),PAJERO II Canvas Top (V2_W, V4_W),PAJERO II (V3_W, V2_W, V4_W),PAJERO SPORT (K90)
19549	<b>Spurstangenkopf, Tie Rod End, Rotule de barre de connexion</b> MITSUBISHI L 200 (K7_T, K6_T),PAJERO II Canvas Top (V2_W, V4_W),PAJERO II (V3_W, V2_W, V4_W),PAJERO SPORT (K90),MITSUBISHI (BJC) PAJERO SPORT
19550	<b>Axialgelenk, Spurstange, Tie Rod Axle Joint, Rotule de direction intérieure, barre de connexion</b> MITSUBISHI COLT II (C1_A),COLT III (C5_A),COLT IV (CA_A),LANCER III (C1_A, C6_A),LANCER III Station Wagon (C1_V, C3_V),LANCER IV (C6_A, C7_A),LANCER IV Stufenheck (C6_A),LANCER V (CB/D_A)
19551	<b>Trag-/Führungsgelenk, Ball Joint, Rotule de suspension</b> MITSUBISHI L 200 (K3_T, K2_T, K1_T, K0_T),L 300 Bus (L03_P/G, L0_2P),L 300 Bus (P0_W, P1_W, P2_W),L 300 Kasten (L03_P),L 300 Kasten (P0_W, P1_W),L 300 Pritsche/Fahrgestell (L03_P),L 300 Pritsche/Fahrgestell (P1_T),PAJERO I Canvas Top (L04_G),PAJERO I (L04_G, L14_G),STARION (A18_A)
19552	<b>Trag-/Führungsgelenk, Ball Joint, Rotule de suspension</b> MITSUBISHI L 200 (K3_T, K2_T, K1_T, K0_T),L 200 (K7_T, K6_T),L 300 Bus (L03_P/G, L0_2P),PAJERO I Canvas Top (L04_G),PAJERO I (L04_G, L14_G)
19553	<b>Trag-/Führungsgelenk, Ball Joint, Rotule de suspension</b> MITSUBISHI L 200 (K7_T, K6_T),PAJERO II Canvas Top (V2_W, V4_W),PAJERO II (V3_W, V2_W, V4_W),PAJERO SPORT (K90),MITSUBISHI (BJC) PAJERO SPORT
19554	<b>Trag-/Führungsgelenk, Ball Joint, Rotule de suspension</b> MITSUBISHI L 200 (K7_T, K6_T),PAJERO II Canvas Top (V2_W, V4_W),PAJERO II (V3_W, V2_W, V4_W),PAJERO SPORT (K90),MITSUBISHI (BJC) PAJERO SPORT
19555	<b>Trag-/Führungsgelenk, Ball Joint, Rotule de suspension</b> MITSUBISHI L 200 (K7_T, K6_T),PAJERO II Canvas Top (V2_W, V4_W),PAJERO II (V3_W, V2_W, V4_W),PAJERO SPORT (K90),MITSUBISHI (BJC) PAJERO SPORT



19556	<b>Spurstangenkopf, Tie Rod End, Rotule de barre de connexion</b> NISSAN MICRA I (K10)
19557	<b>Spurstangenkopf, Tie Rod End, Rotule de barre de connexion</b> DAEWOO KORANDO (KJ),MUSSO (FJ)
19558HPS	<b>Stange/Strebe, Stabilisator, Rod/Strut, stabiliser, Entretoise/tige, stabilisateur</b> CHEVROLET AVEO Schrägheck (T250, T255),AVEO Stufenheck (T250, T255),KALOS,KALOS Stufenheck,REZZO,DAEWOO KALOS (KLAS),KALOS Stufenheck (KLAS),NUBIRA (KLAJ),NUBIRA Stufenheck (KLAJ),NUBIRA Wagon (KLAJ),NUBIRA Wagon (KLAN),REZZO (KLAU)
19559HPS	<b>Stange/Strebe, Stabilisator, Rod/Strut, stabiliser, Entretoise/tige, stabilisateur</b> DAEWOO NUBIRA (KLAJ),NUBIRA Stufenheck (KLAJ),NUBIRA Wagon (KLAJ)
19560	<b>Spurstangenkopf, Tie Rod End, Rotule de barre de connexion</b> LEXUS ES (F1, F2),TOYOTA CAMRY Station Wagon (_V2_),CAMRY (_V2_),CARINA II Stufenheck (_T15_),CARINA II (_T15_),CELICA Cabriolet (AT18_, ST18_),CELICA Cabriolet (AT20_, ST20_),CELICA Cabriolet (ST16_, AT16_),CELICA Coupe (AT18_, ST18_),CELICA Coupe (ST16_, AT16_),CELICA Liftback (ST16_, AT16_),CELICA (ST20_, AT20_),COROLLA Compact (_E10_),COROLLA Compact (_E11_),COROLLA Compact (_E9_),COROLLA Coupe (AE86),COROLLA (_E10_),COROLLA (_E11_),COROLLA (_E8_),COROLLA (_E9_),COROLLA FX Compact (E8B),COROLLA Liftback (_E10_),COROLLA Liftback (_E11_),COROLLA Liftback (_E8_),COROLLA Liftback (_E9_),COROLLA Station Wagon (_E7_),COROLLA Station Wagon (_E9_),COROLLA Wagon (_E10_),COROLLA Wagon (_E11_),ECHO Stufenheck,RAV 4 I Cabrio (SXA1_),RAV 4 I (SXA1_),TERCEL Stufenheck,YARIS (SCP1_, NLP1_, NCP1_),TOYOTA (FAW) VIOS
19561	<b>Trag-/Führungsgelenk, Ball Joint, Rotule de suspension</b> TOYOTA COROLLA Compact (_E9_),COROLLA Coupe (AE86),COROLLA (_E9_),COROLLA Liftback (_E9_),COROLLA Station Wagon (_E9_)
19562	<b>Trag-/Führungsgelenk, Ball Joint, Rotule de suspension</b> TOYOTA COROLLA Compact (_E9_),COROLLA Coupe (AE86),COROLLA (_E9_),COROLLA Liftback (_E9_),COROLLA Station Wagon (_E9_)
19563	<b>Trag-/Führungsgelenk, Ball Joint, Rotule de suspension</b> TOYOTA AVENSIS Liftback (_T22_),AVENSIS Station Wagon (_T22_),AVENSIS (_T22_),CARINA E Sportswagon (_T19_),CARINA E Stufenheck (_T19_),CARINA E (_T19_),CELICA Cabriolet (AT18_, ST18_),CELICA Cabriolet (AT20_, ST20_),CELICA Coupe (AT18_, ST18_),CELICA (ST20_, AT20_),COROLLA Compact (_E10_),COROLLA (_E10_),COROLLA Liftback (_E10_),COROLLA Wagon (_E10_),CORONA Station Wagon (RT118),CORONA Stufenheck,CORONA (TT12_),PICNIC (_XM10),RAV 4 I Cabrio (SXA1_),RAV 4 I (SXA1_)
19564	<b>Axialgelenk, Spurstange, Tie Rod Axle Joint, Rotule de direction intérieure, barre de connexion</b> TOYOTA COROLLA Compact (_E9_),COROLLA Coupe (AE86),COROLLA (_E9_),COROLLA Liftback (_E9_),COROLLA Station Wagon (_E9_)
19565	<b>Axialgelenk, Spurstange, Tie Rod Axle Joint, Rotule de direction intérieure, barre de connexion</b> TOYOTA COROLLA Compact (_E9_),COROLLA Coupe (AE86),COROLLA (_E9_),COROLLA Liftback (_E9_),COROLLA Station Wagon (_E9_)
19566	<b>Axialgelenk, Spurstange, Tie Rod Axle Joint, Rotule de direction intérieure, barre de connexion</b> TOYOTA COROLLA Compact (_E10_),COROLLA Compact (_E11_),COROLLA (_E10_),COROLLA (_E11_),COROLLA Liftback (_E10_),COROLLA Liftback (_E11_),COROLLA Wagon (_E10_),COROLLA Wagon (_E11_)
19567	<b>Axialgelenk, Spurstange, Tie Rod Axle Joint, Rotule de direction intérieure, barre de connexion</b> TOYOTA COROLLA Compact (_E10_),COROLLA (_E10_),COROLLA Liftback (_E10_),COROLLA Wagon (_E10_)
19568	<b>Trag-/Führungsgelenk, Ball Joint, Rotule de suspension</b> TOYOTA COROLLA Compact (_E9_),COROLLA (_E9_),COROLLA Liftback (_E9_),COROLLA Station Wagon (_E9_)
19569	<b>Trag-/Führungsgelenk, Ball Joint, Rotule de suspension</b> TOYOTA COROLLA Compact (_E9_),COROLLA (_E9_),COROLLA Liftback (_E9_),COROLLA Station Wagon (_E9_)
19571	<b>Trag-/Führungsgelenk, Ball Joint, Rotule de suspension</b> TOYOTA CARINA E Sportswagon (_T19_),CARINA E Stufenheck (_T19_),CARINA E (_T19_),CELICA Cabriolet (AT20_, ST20_),CELICA (ST20_, AT20_)
19572	<b>Stange/Strebe, Stabilisator, Rod/Strut, stabiliser, Entretoise/tige, stabilisateur</b> TOYOTA COROLLA Compact (_E11_),COROLLA (_E11_),COROLLA Liftback (_E11_),COROLLA Wagon (_E11_)
19573	<b>Stange/Strebe, Stabilisator, Rod/Strut, stabiliser, Entretoise/tige, stabilisateur</b> TOYOTA CAMRY (_CV1_, _XV1_, _V1_),CAMRY (_CV2_, _XV2_),CAMRY Station Wagon (_V2_),CAMRY Station Wagon (_XV1_, _CV1_, _V10),CAMRY (_V2_),CELICA Cabriolet (AT20_, ST20_),CELICA (ST20_, AT20_),COROLLA Compact (_E10_),COROLLA Compact (_E11_),COROLLA (_E10_),COROLLA (_E11_),COROLLA Liftback (_E10_),COROLLA Liftback (_E11_),COROLLA Wagon (_E10_),COROLLA Wagon (_E11_),RAV 4 I (SXA1_)
19574	<b>Stange/Strebe, Stabilisator, Rod/Strut, stabiliser, Entretoise/tige, stabilisateur</b> TOYOTA CAMRY Station Wagon (_V2_),CAMRY (_V2_),COROLLA Compact (_E9_),COROLLA (_E9_),COROLLA Liftback (_E9_),COROLLA Station Wagon (_E9_)
19575	<b>Stange/Strebe, Stabilisator, Rod/Strut, stabiliser, Entretoise/tige, stabilisateur</b> TOYOTA AVENSIS Liftback (_T22_),AVENSIS Station Wagon (_T22_),AVENSIS (_T22_),CARINA E Sportswagon (_T19_),CARINA E Stufenheck (_T19_),CARINA E (_T19_),CARINA II Station Wagon (_T17_),CARINA II Stufenheck (_T17_),CARINA II (_T17_)
19576	<b>Stange/Strebe, Stabilisator, Rod/Strut, stabiliser, Entretoise/tige, stabilisateur</b> TOYOTA AVENSIS Liftback (_T22_),AVENSIS Station Wagon (_T22_),AVENSIS (_T22_),CARINA E Sportswagon (_T19_),CARINA E Stufenheck (_T19_),CARINA E (_T19_),CARINA II Station Wagon (_T17_),CARINA II Stufenheck (_T17_),CARINA II (_T17_)
19577	<b>Stange/Strebe, Stabilisator, Rod/Strut, stabiliser, Entretoise/tige, stabilisateur</b> TOYOTA AVENSIS Liftback (_T22_),AVENSIS Station Wagon (_T22_),AVENSIS (_T22_),CARINA E Sportswagon (_T19_),CARINA E Stufenheck (_T19_),CARINA E (_T19_),CELICA Cabriolet (AT20_, ST20_),CELICA (ST20_, AT20_),CELICA (ZZT23_),COROLLA Compact (_E10_),COROLLA (_E10_),COROLLA Liftback (_E10_),COROLLA Wagon (_E10_)
19578	<b>Stange/Strebe, Stabilisator, Rod/Strut, stabiliser, Entretoise/tige, stabilisateur</b> TOYOTA AVENSIS Liftback (_T22_),AVENSIS Station Wagon (_T22_),AVENSIS (_T22_),CARINA E Sportswagon (_T19_),CARINA E Stufenheck (_T19_),CARINA E (_T19_),CELICA Cabriolet (AT20_, ST20_),CELICA (ST20_, AT20_),CELICA (ZZT23_),COROLLA Compact (_E10_),COROLLA (_E10_),COROLLA Liftback (_E10_),COROLLA Wagon (_E10_)



19580	<b>Spurstangenkopf, Tie Rod End, Rotule de barre de connexion</b> KIA PRIDE (DA),PRIDE Kombi,MAZDA 121 I (DA),121 II (DB),323 I Station Wagon (FA),323 II (BD),323 II Hatchback (BD),323 III (BF),323 III Hatchback (BF),323 III Station Wagon (BW)
19581	<b>Axialgelenk, Spurstange, Tie Rod Axle Joint, Rotule de direction intérieure, barre de connexion</b> MAZDA 323 C V (BA),323 F V (BA),323 III (BF),323 III Hatchback (BF),323 III Station Wagon (BW),323 P V (BA),323 S V (BA)
19582	<b>Trag-/Führungsgelenk, Ball Joint, Rotule de suspension</b> MAZDA 323 I Station Wagon (FA),323 II (BD),323 II Hatchback (BD),323 III (BF),323 III Hatchback (BF),323 III Station Wagon (BW),929 II Coupe (HB),929 II (HB),929 II Kombi (HV)
19583	<b>Spurstangenkopf, Tie Rod End, Rotule de barre de connexion</b> MAZDA DEMIO (DW),MX-3 (EC),RX 7 III (FD),121 II (DB),323 C IV (BG),323 C V (BA),323 F IV (BG),323 F V (BA),323 III Station Wagon (BW),323 P V (BA),323 S IV (BG),323 S V (BA)
19584	<b>Axialgelenk, Spurstange, Tie Rod Axle Joint, Rotule de direction intérieure, barre de connexion</b> MAZDA 323 C IV (BG),323 C V (BA),323 F IV (BG),323 F V (BA),323 P V (BA),323 S IV (BG),323 S V (BA)
19585	<b>Trag-/Führungsgelenk, Ball Joint, Rotule de suspension</b> MAZDA MX-3 (EC),323 C IV (BG),323 C V (BA),323 F IV (BG),323 F V (BA),323 III Station Wagon (BW),323 S IV (BG),323 S V (BA)
19587	<b>Trag-/Führungsgelenk, Ball Joint, Rotule de suspension</b> MAZDA 626 III Hatchback (GD),626 III Station Wagon (GV)
19588	<b>Axialgelenk, Spurstange, Tie Rod Axle Joint, Rotule de direction intérieure, barre de connexion</b> MAZDA 626 II (GC),626 II Hatchback (GC),626 III Coupe (GD),626 III (GD),626 III Hatchback (GD),626 III Station Wagon (GV)
19589	<b>Spurstangenkopf, Tie Rod End, Rotule de barre de connexion</b> FORD USA PROBE I,PROBE II (ECP),MAZDA MPV II (LW),PREMACY (CP),323 F VI (BJ),323 S VI (BJ),626 IV (GE),626 IV Hatchback (GE),626 V (GF),626 V Hatchback (GF),626 V Station Wagon (GW)
19590HPS	<b>Stange/Strebe, Stabilisator, Rod/Strut, stabiliser, Entretoise/tige, stabilisateur</b> FORD USA PROBE II (ECP),KIA CLARUS Kombi (GC),CLARUS (K9A),MAZDA MX-5 II (NB),MX-6 (GD),MX-6 (GE),XEDOS 6 (CA),323 C IV (BG),323 C V (BA),323 F V (BA),323 F VI (BJ),323 P V (BA),323 S V (BA),323 S VI (BJ),626 IV (GE),626 IV Hatchback (GE),626 V (GF),626 V Hatchback (GF),626 V Station Wagon (GW)
19591HPS	<b>Stange/Strebe, Stabilisator, Rod/Strut, stabiliser, Entretoise/tige, stabilisateur</b> FORD USA PROBE II (ECP),KIA CLARUS Kombi (GC),CLARUS (K9A),MAZDA MX-5 II (NB),MX-6 (GE),XEDOS 6 (CA),323 C V (BA),323 F V (BA),323 P V (BA),323 S V (BA),323 S VI (BJ),626 IV (GE),626 IV Hatchback (GE),626 V (GF),626 V Hatchback (GF),626 V Station Wagon (GW)
19592HPS	<b>Stange/Strebe, Stabilisator, Rod/Strut, stabiliser, Entretoise/tige, stabilisateur</b> MAZDA MX-6 (GE),XEDOS 6 (CA),626 IV (GE),626 IV Hatchback (GE)
19593HPS	<b>Stange/Strebe, Stabilisator, Rod/Strut, stabiliser, Entretoise/tige, stabilisateur</b> MAZDA TRIBUTE (EP),323 C V (BA),323 F V (BA),323 P V (BA),323 S V (BA)
19594	<b>Axialgelenk, Spurstange, Tie Rod Axle Joint, Rotule de direction intérieure, barre de connexion</b> MAZDA MX-3 (EC),323 C IV (BG),323 F IV (BG),323 III Station Wagon (BW),323 S IV (BG)
19595	<b>Spurstangenkopf, Tie Rod End, Rotule de barre de connexion</b> MAZDA MX-6 (GE),XEDOS 6 (CA),626 II (GC),626 II Hatchback (GC),626 III Coupe (GD),626 III (GD),626 III Hatchback (GD),626 III Station Wagon (GV),929 II Coupe (HB),929 II (HB),929 II Kombi (HV),929 III (HC)
19597	<b>Spurstangenkopf, Tie Rod End, Rotule de barre de connexion</b> DAIHATSU APPLAUSE I (A101, A111),APPLAUSE II (A101),CHARADE II (G11, G30),CHARADE III (G100, G101, G102),CHARADE IV (G200, G202),CHARADE IV Stufenheck (G203)
19598	<b>Spurstangenkopf, Tie Rod End, Rotule de barre de connexion</b> DAIHATSU APPLAUSE I (A101, A111),APPLAUSE II (A101),CHARADE III (G100, G101, G102),CHARADE IV (G200, G202),CHARADE IV Stufenheck (G203)
19599	<b>Axialgelenk, Spurstange, Tie Rod Axle Joint, Rotule de direction intérieure, barre de connexion</b> FORD USA PROBE I,PROBE II (ECP),MAZDA MX-6 (GE),XEDOS 6 (CA),626 IV (GE),626 IV Hatchback (GE)
19600HPS	<b>Stange/Strebe, Stabilisator, Rod/Strut, stabiliser, Entretoise/tige, stabilisateur</b> OPEL COMBO Kasten/Kombi,COMBO Tour,CORSA C (F08, F68),CORSA C Kasten (F08, W5L),MERIVA,TIGRA TwinTop,VECTRA B Caravan (31_),VECTRA B CC (38_),VECTRA B (36_),SAAB 9-5 Kombi (YS3E),9-5 (YS3E),VAUXHALL COMBO Mk II (C) Kasten/Kombi (F25),CORSA Mk II (C) (W5L, F08),CORSAVAN Mk II (C),MERIVA Mk I (A),TIGRA TwinTop,VECTRA (B),VECTRA (B) CC,VECTRA (B) Estate
19601	<b>Stange/Strebe, Stabilisator, Rod/Strut, stabiliser, Entretoise/tige, stabilisateur</b> FORD COUGAR (EC_),MONDEO I (GBP),MONDEO I Kombi (BNP),MONDEO I Stufenheck (GBP),MONDEO II (BAP),MONDEO II Kombi (BNP),MONDEO II Stufenheck (BFP)
19602HPS	<b>Stange/Strebe, Stabilisator, Rod/Strut, stabiliser, Entretoise/tige, stabilisateur</b> OPEL OMEGA A Caravan (66_, 67_),OMEGA A (16_, 17_, 19_),SENATOR B (29_),VAUXHALL CARLTON Mk II,CARLTON Mk II Estate,CARLTON Mk III,CARLTON Mk III Estate,SENATOR Mk II (B)
19603HPS	<b>Stange/Strebe, Stabilisator, Rod/Strut, stabiliser, Entretoise/tige, stabilisateur</b> AUDI CABRIOLET (8G7, B4),COUPE (89, 8B),80 Avant (8C, B4),80 (8C, B4),80 (89, 89Q, 8A, B3),90 (89, 89Q, 8A, B3)
19604HPS	<b>Stange/Strebe, Stabilisator, Rod/Strut, stabiliser, Entretoise/tige, stabilisateur</b> FORD COURIER Kasten (F3L, F5L),ESCORT V Cabriolet (ALL),ESCORT V (GAL),ESCORT V Kombi (GAL, AVL),ESCORT VI Cabriolet (ALL),ESCORT VI (GAL),ESCORT VI Kombi (GAL),ESCORT VI Stufenheck (GAL),ESCORT '91 Express (AVL),FIESTA III (GFJ),FIESTA Kasten (JV_),ORION III (GAL),STREET KA,MAZDA 121 III (JASM, JBSM)
19605HPS	<b>Stange/Strebe, Stabilisator, Rod/Strut, stabiliser, Entretoise/tige, stabilisateur</b> FORD COUGAR (EC_),MONDEO I (GBP),MONDEO I Kombi (BNP),MONDEO I Stufenheck (GBP),MONDEO II (BAP),MONDEO II Kombi (BNP),MONDEO II Stufenheck (BFP)
19606HPS	<b>Stange/Strebe, Stabilisator, Rod/Strut, stabiliser, Entretoise/tige, stabilisateur</b>



	OPEL OMEGA B Caravan (21_, 22_, 23_), OMEGA B (25_, 26_, 27_), VAUXHALL CARLTON Mk III, CARLTON Mk III Estate, OMEGA (B), OMEGA (B) Estate
<b>19607</b>	<b>Stange/Strebe, Stabilisator, Rod/Strut, stabiliser, Entretoise/tige, stabilisateur</b> OPEL ASTRA F Cabriolet (53_B), ASTRA F Caravan (51_, 52_), ASTRA F CC (53_, 54_, 58_, 59_), ASTRA F CLASSIC Caravan, ASTRA F CLASSIC CC, ASTRA F CLASSIC Stufenheck, ASTRA F Van (55_), ASTRA F (56_, 57_), ASTRA G Cabriolet, ASTRA G Caravan (F35_), ASTRA G CC (F48_, F08_), ASTRA G Coupe (F07_), ASTRA G Stufenheck (F69_), CALIBRA A (85_), VECTRA A CC (88_, 89_), VECTRA A (86_, 87_), SAAB 900 II, 900 II Cabriolet, 900 II Coupe, 9-3 Cabriolet (YS3D), 9-3 (YS3D), 9-5 Kombi (YS3E), 9-5 (YS3E), VAUXHALL ASTRA Mk II Convertible, ASTRA Mk III (F), ASTRA Mk III (F) CC, ASTRA Mk III (F) Convertible, ASTRA Mk III (F) Estate, ASTRA Mk IV (G) CC, ASTRA Mk IV (G) Coupe (F67), ASTRA Mk IV (G) Estate, ASTRA Mk IV (G) Sedan, ASTRAVAN Mk III (F), CALIBRA, CAVALIER Mk III CC, CAVALIER Mk III (87)
<b>19607/8HPS</b>	<b>Stange/Strebe, Stabilisator, Rod/Strut, stabiliser, Entretoise/tige, stabilisateur</b> OPEL ASTRA F Cabriolet (53_B), ASTRA F Caravan (51_, 52_), ASTRA F CC (53_, 54_, 58_, 59_), ASTRA F (56_, 57_), CALIBRA A (85_), VECTRA A CC (88_, 89_), VECTRA A (86_, 87_), SAAB 900 I (AC4, AM4), 900 I Cabriolet, 900 I Combi Coupe, 900 II, 900 II Cabriolet, 900 II Coupe, 9-3 Cabriolet (YS3D), 9-3 (YS3D), 9-5 Kombi (YS3E), 9-5 (YS3E), VAUXHALL ASTRA Mk III (F), ASTRA Mk III (F) CC, ASTRA Mk III (F) Convertible, ASTRA Mk III (F) Estate, CALIBRA, CAVALIER Mk III CC, CAVALIER Mk III (87)
<b>19608HPS</b>	<b>Stange/Strebe, Stabilisator, Rod/Strut, stabiliser, Entretoise/tige, stabilisateur</b> FORD COURIER Kasten (F3L, F5L), COURIER Kasten (J5_, J3_), ESCORT CLASSIC (AAL, ABL), ESCORT CLASSIC Turnier (ANL), ESCORT VII Cabriolet (ALL), ESCORT VII (GAL, AAL, ABL), ESCORT VII Kombi (GAL, ANL), ESCORT VII Stufenheck (GAL, AFL), ESCORT '95 Express (AVL), FIESTA IV (JA_, JB_), FIESTA Kasten (JV_), FOCUS (DAW, DBW), FOCUS Kombi (DNW), FOCUS Stufenheck (DFW), KA (RB_), PUMA (EC_)
<b>19609HPS</b>	<b>Stange/Strebe, Stabilisator, Rod/Strut, stabiliser, Entretoise/tige, stabilisateur</b> FORD FOCUS (DAW, DBW), FOCUS Kombi (DNW), FOCUS Stufenheck (DFW)
<b>19610</b>	<b>Spurstangenkopf, Tie Rod End, Rotule de barre de connexion</b> OPEL ASTRA F Cabriolet (53_B), ASTRA F Caravan (51_, 52_), ASTRA F CC (53_, 54_, 58_, 59_), ASTRA F CLASSIC Caravan, ASTRA F CLASSIC CC, ASTRA F CLASSIC Stufenheck, ASTRA F Van (55_), ASTRA F (56_, 57_), ASTRA G Caravan (F35_), ASTRA G CC (F48_, F08_), CALIBRA A (85_), VECTRA A CC (88_, 89_), VECTRA A (86_, 87_), SAAB 900 II, 900 II Cabriolet, 900 II Coupe, 9-3 Cabriolet (YS3D), 9-3 (YS3D), VAUXHALL ASTRA Mk II Convertible, ASTRA Mk III (F), ASTRA Mk III (F) CC, ASTRA Mk III (F) Convertible, ASTRA Mk III (F) Estate, ASTRA Mk IV (G) CC, ASTRAVAN Mk III (F), CALIBRA, CAVALIER Mk III CC, CAVALIER Mk III (87)
<b>19611</b>	<b>Spurstangenkopf, Tie Rod End, Rotule de barre de connexion</b> OPEL ASTRA F Cabriolet (53_B), ASTRA F Caravan (51_, 52_), ASTRA F CC (53_, 54_, 58_, 59_), ASTRA F CLASSIC Caravan, ASTRA F CLASSIC CC, ASTRA F CLASSIC Stufenheck, ASTRA F Van (55_), ASTRA F (56_, 57_), CALIBRA A (85_), VECTRA A CC (88_, 89_), VECTRA A (86_, 87_), SAAB 900 II, 900 II Cabriolet, 900 II Coupe, 9-3 Cabriolet (YS3D), 9-3 (YS3D), VAUXHALL ASTRA Mk II Convertible, ASTRA Mk III (F), ASTRA Mk III (F) CC, ASTRA Mk III (F) Convertible, ASTRA Mk III (F) Estate, ASTRAVAN Mk III (F), CALIBRA, CAVALIER Mk III CC, CAVALIER Mk III (87)
<b>19612</b>	<b>Trag-/Führungsgelenk, Ball Joint, Rotule de suspension</b> OPEL ASTRA F Cabriolet (53_B), ASTRA F Caravan (51_, 52_), ASTRA F CC (53_, 54_, 58_, 59_), ASTRA F Van (55_), ASTRA F (56_, 57_), CALIBRA A (85_), VECTRA A CC (88_, 89_), VECTRA A (86_, 87_), VECTRA B Caravan (31_), VECTRA B CC (38_), VECTRA B (36_), VAUXHALL ASTRA Mk II Convertible, ASTRA Mk III (F), ASTRA Mk III (F) CC, ASTRA Mk III (F) Convertible, ASTRA Mk III (F) Estate, ASTRAVAN Mk III (F), CALIBRA, CAVALIER Mk III CC, CAVALIER Mk III (87)
<b>19613</b>	<b>Spurstangenkopf, Tie Rod End, Rotule de barre de connexion</b> OPEL OMEGA A Caravan (66_, 67_), OMEGA A (16_, 17_, 19_), SENATOR A (29_), SENATOR B (29_)
<b>19614</b>	<b>Spurstangenkopf, Tie Rod End, Rotule de barre de connexion</b> OPEL OMEGA A Caravan (66_, 67_), OMEGA A (16_, 17_, 19_), SENATOR A (29_), SENATOR B (29_)
<b>19615</b>	<b>Spurstangenkopf, Tie Rod End, Rotule de barre de connexion</b> OPEL OMEGA A Caravan (66_, 67_), OMEGA A (16_, 17_, 19_), SENATOR A (29_), SENATOR B (29_)
<b>19616</b>	<b>Spurstangenkopf, Tie Rod End, Rotule de barre de connexion</b> OPEL OMEGA A Caravan (66_, 67_), OMEGA A (16_, 17_, 19_), SENATOR A (29_), SENATOR B (29_)
<b>19617</b>	<b>Trag-/Führungsgelenk, Ball Joint, Rotule de suspension</b> OPEL OMEGA A Caravan (66_, 67_), OMEGA A (16_, 17_, 19_), SENATOR A (29_), SENATOR B (29_), VAUXHALL CARLTON Mk II, CARLTON Mk II Estate, CARLTON Mk III, CARLTON Mk III Estate, SENATOR Mk II (B)
<b>19618</b>	<b>Trag-/Führungsgelenk, Ball Joint, Rotule de suspension</b> OPEL OMEGA A Caravan (66_, 67_), OMEGA A (16_, 17_, 19_), SENATOR A (29_), SENATOR B (29_), VAUXHALL CARLTON Mk II, CARLTON Mk II Estate, CARLTON Mk III, CARLTON Mk III Estate, SENATOR Mk II (B)
<b>19619</b>	<b>Lenker, Radaufhängung, Track Control Arm, Bras de liaison, suspension de roue</b> OPEL ASTRA F Cabriolet (53_B), ASTRA F Caravan (51_, 52_), ASTRA F CC (53_, 54_, 58_, 59_), ASTRA F CLASSIC CC, ASTRA F Van (55_), ASTRA F (56_, 57_), CALIBRA A (85_), VECTRA A CC (88_, 89_), VECTRA A (86_, 87_), VAUXHALL ASTRA Mk III (F), ASTRA Mk III (F) CC, ASTRA Mk III (F) Convertible, ASTRA Mk III (F) Estate, ASTRAVAN Mk III (F), CALIBRA, CAVALIER Mk III CC, CAVALIER Mk III (87)
<b>19620</b>	<b>Lenker, Radaufhängung, Track Control Arm, Bras de liaison, suspension de roue</b> OPEL ASTRA F Cabriolet (53_B), ASTRA F Caravan (51_, 52_), ASTRA F CC (53_, 54_, 58_, 59_), ASTRA F CLASSIC CC, ASTRA F Van (55_), ASTRA F (56_, 57_), CALIBRA A (85_), VECTRA A CC (88_, 89_), VECTRA A (86_, 87_), VAUXHALL ASTRA Mk III (F), ASTRA Mk III (F) CC, ASTRA Mk III (F) Convertible, ASTRA Mk III (F) Estate, ASTRAVAN Mk III (F), CALIBRA, CAVALIER Mk III CC, CAVALIER Mk III (87)
<b>19621</b>	<b>Trag-/Führungsgelenk, Ball Joint, Rotule de suspension</b> CHEVROLET ASTRA Kombi, ASTRA Schrägheck, ASTRA Stufenheck, ZAFIRA, ZAFIRA (F75), HOLDEN ASTRA (AH), ASTRA Cabriolet (TS), ASTRA Kombi (AH), ASTRA Schrägheck (TS), ASTRA SPORTSBACK (AH), ASTRA Stufenheck (TS), COMMODORE Kombi (VX), STATESMAN Stufenheck (WH), VECTRA Kombi (JS), VECTRA Schrägheck (JR), VECTRA Stufenheck (JS), VECTRA Stufenheck (JS), ZAFIRA (TT), OPEL ASTRA F CLASSIC Caravan, ASTRA G Cabriolet, ASTRA G Caravan (F35_), ASTRA G CC (F48_, F08_), ASTRA G Coupe (F07_), ASTRA G Kasten (F70), ASTRA G Stufenheck (F69_), ASTRA H, ASTRA H Caravan, ASTRA H GTC, ASTRA H Stufenheck, ASTRA H TwinTop, ASTRA H Van, MERIVA B, OMEGA B Caravan (21_, 22_, 23_), OMEGA B (25_, 26_, 27_), VECTRA B Caravan (31_), VECTRA B CC (38_), VECTRA B (36_), ZAFIRA A (F75_), ZAFIRA B (A05), ZAFIRA B Van, ZAFIRA C (P12), VAUXHALL ASTRA Mk II CC, ASTRA Mk III (F) Estate, ASTRA Mk IV (G) CC, ASTRA Mk IV (G) Convertible, ASTRA Mk IV (G) Coupe (F67), ASTRA Mk IV (G) Estate, ASTRA Mk IV (G) Sedan, ASTRA Mk V (H) CC, ASTRA Mk V (H) Estate, ASTRA Mk V (H) Sport Hatch, ASTRA Mk VI (J), ASTRA Mk VI (J) Sports Tourer, ASTRA TwinTop Mk V (H), ASTRAVAN Mk IV (G), ASTRAVAN Mk V (H), CARLTON Mk III, CARLTON Mk III Estate, MERIVA Mk II (B), OMEGA (B), OMEGA (B) Estate, VECTRA (B), VECTRA (B) CC, VECTRA (B) Estate, ZAFIRA Mk I (A) (F75), ZAFIRA Mk II (B) (M75), ZAFIRA Mk III (P12)



19622	<b>Lenker, Radaufhängung, Track Control Arm, Bras de liaison, suspension de roue</b> OPEL VECTRA B Caravan (31_),VECTRA B CC (38_),VECTRA B (36_),VAUXHALL VECTRA (B),VECTRA (B) CC,VECTRA (B) Estate
19623	<b>Lenker, Radaufhängung, Track Control Arm, Bras de liaison, suspension de roue</b> OPEL VECTRA B Caravan (31_),VECTRA B CC (38_),VECTRA B (36_),VAUXHALL VECTRA (B),VECTRA (B) CC,VECTRA (B) Estate
19624	<b>Lenker, Radaufhängung, Track Control Arm, Bras de liaison, suspension de roue</b> OPEL OMEGA A Caravan (66_, 67_),OMEGA A (16_, 17_, 19_),SENATOR B (29_),VAUXHALL CARLTON Mk III,CARLTON Mk III Estate,SENATOR Mk II (B)
19626	<b>Spurstangenkopf, Tie Rod End, Rotule de barre de connexion</b> OPEL VECTRA B Caravan (31_),VECTRA B CC (38_),VECTRA B (36_),SAAB 9-5 Kombi (YS3E),9-5 (YS3E),VAUXHALL VECTRA (B),VECTRA (B) CC,VECTRA (B) Estate
19627	<b>Axialgelenk, Spurstange, Tie Rod Axle Joint, Rotule de direction intérieure, barre de connexion</b> OPEL VECTRA B Caravan (31_),VECTRA B CC (38_),VECTRA B (36_),SAAB 9-5 Kombi (YS3E),9-5 (YS3E),VAUXHALL VECTRA (B),VECTRA (B) CC,VECTRA (B) Estate
19628	<b>Axialgelenk, Spurstange, Tie Rod Axle Joint, Rotule de direction intérieure, barre de connexion</b> OPEL VECTRA B Caravan (31_),VECTRA B CC (38_),VECTRA B (36_),SAAB 9-5 Kombi (YS3E),9-5 (YS3E),VAUXHALL VECTRA (B),VECTRA (B) CC,VECTRA (B) Estate
19629	<b>Lenker, Radaufhängung, Track Control Arm, Bras de liaison, suspension de roue</b> OPEL OMEGA B Caravan (21_, 22_, 23_),OMEGA B (25_, 26_, 27_)
19630	<b>Lenker, Radaufhängung, Track Control Arm, Bras de liaison, suspension de roue</b> OPEL OMEGA B Caravan (21_, 22_, 23_),OMEGA B (25_, 26_, 27_)
19631	<b>Spurstangenkopf, Tie Rod End, Rotule de barre de connexion</b> OPEL COMBO (71_),CORSA B Kasten (73_),CORSA B (73_, 78_, 79_),TIGRA (95_),VAUXHALL COMBO Mk I (B),CORSA Mk I (B),CORSAVAN Mk II (C),TIGRA Mk I (F07)
19632	<b>Trag-/Führungsgelenk, Ball Joint, Rotule de suspension</b> OPEL CORSA B (73_, 78_, 79_),TIGRA (95_)
19633	<b>Lenker, Radaufhängung, Track Control Arm, Bras de liaison, suspension de roue</b> OPEL ASTRA G Cabriolet,ASTRA G Caravan (F35_),ASTRA G CC (F48_, F08_),ASTRA G Coupe (F07_),ASTRA G Kasten (F70),ASTRA G Stufenheck (F69_),ZAFIRA A (F75_),VAUXHALL ASTRA Mk IV (G) CC,ASTRA Mk IV (G) Coupe (F67),ASTRA Mk IV (G) Estate,ASTRA Mk IV (G) Sedan,ZAFIRA Mk I (A) (F75)
19634	<b>Lenker, Radaufhängung, Track Control Arm, Bras de liaison, suspension de roue</b> OPEL ASTRA G Cabriolet,ASTRA G Caravan (F35_),ASTRA G CC (F48_, F08_),ASTRA G Coupe (F07_),ASTRA G Kasten (F70),ASTRA G Stufenheck (F69_),ZAFIRA A (F75_),VAUXHALL ASTRA Mk IV (G) CC,ASTRA Mk IV (G) Coupe (F67),ASTRA Mk IV (G) Estate,ASTRA Mk IV (G) Sedan,ZAFIRA Mk I (A) (F75)
19635	<b>Lenker, Radaufhängung, Track Control Arm, Bras de liaison, suspension de roue</b> OPEL CORSA B (73_, 78_, 79_),TIGRA (95_)
19636	<b>Lenker, Radaufhängung, Track Control Arm, Bras de liaison, suspension de roue</b> OPEL CORSA B (73_, 78_, 79_),TIGRA (95_)
19637	<b>Spurstangenkopf, Tie Rod End, Rotule de barre de connexion</b> OPEL ASTRA G Cabriolet,ASTRA G Caravan (F35_),ASTRA G CC (F48_, F08_),ASTRA G Coupe (F07_),ASTRA G Kasten (F70),ASTRA G Stufenheck (F69_),ZAFIRA A (F75_),VAUXHALL ASTRA Mk IV (G) CC,ASTRA Mk IV (G) Convertible,ASTRA Mk IV (G) Coupe (F67),ASTRA Mk IV (G) Estate,ASTRA Mk IV (G) Sedan,ASTRAVAN Mk IV (G),ZAFIRA Mk I (A) (F75)
19638	<b>Spurstangenkopf, Tie Rod End, Rotule de barre de connexion</b> OPEL ASTRA G Cabriolet,ASTRA G Caravan (F35_),ASTRA G CC (F48_, F08_),ASTRA G Coupe (F07_),ASTRA G Kasten (F70),ASTRA G Stufenheck (F69_),ZAFIRA A (F75_),VAUXHALL ASTRA Mk IV (G) CC,ASTRA Mk IV (G) Coupe (F67),ASTRA Mk IV (G) Estate,ASTRA Mk IV (G) Sedan,ZAFIRA Mk I (A) (F75)
19639	<b>Stange/Strebe, Stabilisator, Rod/Strut, stabiliser, Entretoise/tige, stabilisateur</b> OPEL ASTRA G Cabriolet,ASTRA G Caravan (F35_),ASTRA G CC (F48_, F08_),ASTRA G Coupe (F07_),ASTRA G Kasten (F70),ASTRA G Stufenheck (F69_),ASTRA H,ASTRA H Caravan,ASTRA H GTC,ASTRA H TwinTop,ZAFIRA A (F75_),ZAFIRA B (A05),VAUXHALL ASTRA Mk IV (G) CC,ASTRA Mk IV (G) Convertible,ASTRA Mk IV (G) Coupe (F67),ASTRA Mk IV (G) Estate,ASTRA Mk IV (G) Sedan,ASTRA Mk V (H) CC,ASTRA Mk V (H) Estate,ASTRA Mk V (H) Sport Hatch,ASTRA TwinTop Mk V (H),ASTRAVAN Mk IV (G),ASTRAVAN Mk V (H),ZAFIRA Mk I (A) (F75),ZAFIRA Mk II (B) (M75)
19640	<b>Spurstangenkopf, Tie Rod End, Rotule de barre de connexion</b> FORD COURIER Kasten (J5_, J3_),FIESTA IV (JA_, JB_),FIESTA Kasten (JV_),PUMA (EC_),MAZDA 121 III (JASM, JBSM)
19641	<b>Spurstangenkopf, Tie Rod End, Rotule de barre de connexion</b> FORD COURIER Kasten (J5_, J3_),FIESTA IV (JA_, JB_),FIESTA Kasten (JV_),PUMA (EC_),MAZDA 121 III (JASM, JBSM)
19642	<b>Lenker, Radaufhängung, Track Control Arm, Bras de liaison, suspension de roue</b> FORD COURIER Kasten (J5_, J3_),FIESTA IV (JA_, JB_),FIESTA Kasten (JV_),PUMA (EC_),MAZDA 121 III (JASM, JBSM)
19642/1	<b>Lenker, Radaufhängung, Track Control Arm, Bras de liaison, suspension de roue</b> FORD COURIER Kasten (J5_, J3_),FIESTA IV (JA_, JB_),FIESTA Kasten (JV_),PUMA (EC_),MAZDA 121 III (JASM, JBSM)
19643	<b>Lenker, Radaufhängung, Track Control Arm, Bras de liaison, suspension de roue</b> FORD COURIER Kasten (J5_, J3_),FIESTA IV (JA_, JB_),FIESTA Kasten (JV_),PUMA (EC_),MAZDA 121 III (JASM, JBSM)
19643/1	<b>Lenker, Radaufhängung, Track Control Arm, Bras de liaison, suspension de roue</b> FORD COURIER Kasten (J5_, J3_),FIESTA IV (JA_, JB_),FIESTA Kasten (JV_),PUMA (EC_),MAZDA 121 III (JASM, JBSM)
19644	<b>Axialgelenk, Spurstange, Tie Rod Axle Joint, Rotule de direction intérieure, barre de connexion</b> FORD COURIER Kasten (J5_, J3_),FIESTA IV (JA_, JB_),FIESTA Kasten (JV_),PUMA (EC_),MAZDA 121 III (JASM, JBSM)





19644/1	<b>Spurstange, Rod Assembly, Barre de connexion</b> FORD COURIER Kasten (J5_, J3_),FIESTA IV (JA_, JB_),PUMA (EC_),MAZDA 121 III (JASM, JBMS)
19644/2	<b>Spurstange, Rod Assembly, Barre de connexion</b> FORD COURIER Kasten (J5_, J3_),FIESTA IV (JA_, JB_),PUMA (EC_),MAZDA 121 III (JASM, JBMS)
19645	<b>Spurstangenkopf, Tie Rod End, Rotule de barre de connexion</b> FORD KA (RB_),STREET KA
19646	<b>Spurstangenkopf, Tie Rod End, Rotule de barre de connexion</b> FORD COURIER Kasten (F3L, F5L),FIESTA III (GFJ)
19647	<b>Axialgelenk, Spurstange, Tie Rod Axle Joint, Rotule de direction intérieure, barre de connexion</b> FORD MONDEO I (GBP),MONDEO I Kombi (BNP),MONDEO I Stufenheck (GBP)
19648	<b>Spurstangenkopf, Tie Rod End, Rotule de barre de connexion</b> FORD FOCUS (DAW, DBW),FOCUS Kombi (DNW),FOCUS Stufenheck (DFW)
19649	<b>Spurstangenkopf, Tie Rod End, Rotule de barre de connexion</b> FORD FOCUS (DAW, DBW),FOCUS Kombi (DNW),FOCUS Stufenheck (DFW)
19650	<b>Axialgelenk, Spurstange, Tie Rod Axle Joint, Rotule de direction intérieure, barre de connexion</b> FORD FOCUS (DAW, DBW),FOCUS Kombi (DNW),FOCUS Stufenheck (DFW),TOURNEO CONNECT,TRANSIT CONNECT (P65_, P70_, P80_)
19651	<b>Lenker, Radaufhängung, Track Control Arm, Bras de liaison, suspension de roue</b> FORD FOCUS (DAW, DBW),FOCUS Kombi (DNW),FOCUS Stufenheck (DFW)
19652	<b>Lenker, Radaufhängung, Track Control Arm, Bras de liaison, suspension de roue</b> FORD FOCUS (DAW, DBW),FOCUS Kombi (DNW),FOCUS Stufenheck (DFW)
19653	<b>Trag-/Führungsgelenk, Ball Joint, Rotule de suspension</b> FORD FOCUS (DAW, DBW),FOCUS Kombi (DNW),FOCUS Stufenheck (DFW)
19654	<b>Axialgelenk, Spurstange, Tie Rod Axle Joint, Rotule de direction intérieure, barre de connexion</b> FORD SIERRA (GBG, GB4),SIERRA Kombi (BNC),SIERRA Kombi (BNG),SIERRA Schrägheck (GBC),SIERRA Schrägheck (GBC, GBG)
19655	<b>Axialgelenk, Spurstange, Tie Rod Axle Joint, Rotule de direction intérieure, barre de connexion</b> FORD SCORPIO I (GAE, GGE),SCORPIO I Kombi (GGE),SCORPIO I Stufenheck (GGE)
19656	<b>Lenker, Radaufhängung, Track Control Arm, Bras de liaison, suspension de roue</b> FORD COURIER Kasten (J5_, J3_),FIESTA Kasten (JV_)
19657	<b>Lenker, Radaufhängung, Track Control Arm, Bras de liaison, suspension de roue</b> FORD COURIER Kasten (J5_, J3_),FIESTA Kasten (JV_)
19658	<b>Lenker, Radaufhängung, Track Control Arm, Bras de liaison, suspension de roue</b> FORD COUGAR (EC_),MONDEO I (GBP),MONDEO I Stufenheck (GBP),MONDEO II (BAP),MONDEO II Stufenheck (BFP)
19659HPS	<b>Stange/Strebe, Stabilisator, Rod/Strut, stabiliser, Entretoise/tige, stabilisateur</b> FORD SCORPIO I Kombi (GGE),SCORPIO II (GFR, GGR),SCORPIO II Kombi (GMR, GGR)
19660	<b>Spurstangenkopf, Tie Rod End, Rotule de barre de connexion</b> ALPINA B3 Cabriolet (E30),B3 (E30),B3 Kombi (E30),B6 (E30),C1 (E30),C2 Cabriolet (E30),C2 (E30),RLE Roadster (Z1),BMW Z1,3 Cabriolet (E30),3 (E21),3 (E30),3 Touring (E30)
19661	<b>Trag-/Führungsgelenk, Ball Joint, Rotule de suspension</b> ALPINA B3 Cabriolet (E30),B3 (E30),B3 Kombi (E30),C1 (E30),C2 Cabriolet (E30),C2 (E30),BMW 3 Cabriolet (E30),3 (E30),3 Touring (E30)
19662	<b>Trag-/Führungsgelenk, Ball Joint, Rotule de suspension</b> ALPINA B3 Cabriolet (E30),B3 (E30),B3 Kombi (E30),C1 (E30),C2 Cabriolet (E30),C2 (E30),BMW 3 Cabriolet (E30),3 (E30),3 Touring (E30)
19663	<b>Spurstangenkopf, Tie Rod End, Rotule de barre de connexion</b> ALPINA B3 Cabriolet (E36),B3 Coupe (E36),B3 (E36),B3 Kombi (E36),B6 (E36),B7 Coupe (E24),B8 Cabriolet (E36),B8 Coupe (E36),B8 (E36),B8 Kombi (E36),B9 Coupe (E24),BMW Z3 Coupe (E36),Z3 (E36),3 Cabriolet (E36),3 Compact (E36),3 Coupe (E36),3 (E36),3 Touring (E36)
19664	<b>Spurstangenkopf, Tie Rod End, Rotule de barre de connexion</b> ALPINA B3 Cabriolet (E36),B3 Coupe (E36),B3 (E36),B3 Kombi (E36),B6 (E36),B7 Coupe (E24),B8 Cabriolet (E36),B8 Coupe (E36),B8 (E36),B8 Kombi (E36),B9 Coupe (E24),BMW Z3 Coupe (E36),Z3 (E36),3 Cabriolet (E36),3 Compact (E36),3 Coupe (E36),3 (E36),3 Touring (E36)
19665	<b>Trag-/Führungsgelenk, Ball Joint, Rotule de suspension</b> ALPINA B6 (E36),BMW Z3 Coupe (E36),Z3 (E36),3 Cabriolet (E36),3 Compact (E36),3 Coupe (E36),3 (E36),3 Touring (E36)
19666HPS	<b>Trag-/Führungsgelenk, Ball Joint, Rotule de suspension</b> ALPINA B6 (E36),BMW Z3 Coupe (E36),Z3 (E36),3 Cabriolet (E36),3 Compact (E36),3 Coupe (E36),3 (E36),3 Touring (E36)
19666/1	<b>Trag-/Führungsgelenk, Ball Joint, Rotule de suspension</b> BMW Z3 Coupe (E36),Z3 (E36),3 Cabriolet (E36),3 Compact (E36),3 Coupe (E36),3 (E36),3 Touring (E36)
19666/2	<b>Trag-/Führungsgelenk, Ball Joint, Rotule de suspension</b> ALPINA B6 (E36),BMW Z3 Coupe (E36),Z3 (E36),3 Cabriolet (E36),3 Compact (E36),3 Coupe (E36),3 (E36),3 Touring (E36)
19667HPS	<b>Stange/Strebe, Stabilisator, Rod/Strut, stabiliser, Entretoise/tige, stabilisateur</b> ALPINA B6 (E36),BMW Z3 Coupe (E36),Z3 (E36),3 Cabriolet (E30),3 Cabriolet (E36),3 Compact (E36),3 Coupe (E36),3 (E30),3 (E36),3 Touring (E30),3 Touring (E36)
19668	<b>Spurstangenkopf, Tie Rod End, Rotule de barre de connexion</b> BMW 5 (E28),5 (E34),5 Touring (E34),6 (E24),7 (E32),8 (E31)

19669	<b>Spurstangenkopf, Tie Rod End, Rotule de barre de connexion</b> BMW 5 (E28),5 (E34),5 Touring (E34),6 (E24),7 (E32),8 (E31)
19670HPS	<b>Lenker, Radaufhängung, Track Control Arm, Bras de liaison, suspension de roue</b> ALPINA B6 (E36),BMW Z3 Coupe (E36),Z3 (E36),3 Cabriolet (E36),3 Compact (E36),3 Coupe (E36),3 (E36),3 Touring (E36)
19670/1	<b>Lenker, Radaufhängung, Track Control Arm, Bras de liaison, suspension de roue</b> BMW Z3 Coupe (E36),Z3 (E36),3 Cabriolet (E36),3 Compact (E36),3 Coupe (E36),3 (E36),3 Touring (E36)
19671HPS	<b>Lenker, Radaufhängung, Track Control Arm, Bras de liaison, suspension de roue</b> ALPINA B6 (E36),BMW Z3 Coupe (E36),Z3 (E36),3 Cabriolet (E36),3 Compact (E36),3 Coupe (E36),3 (E36),3 Touring (E36)
19671/1	<b>Lenker, Radaufhängung, Track Control Arm, Bras de liaison, suspension de roue</b> BMW Z3 Coupe (E36),Z3 (E36),3 Cabriolet (E36),3 Compact (E36),3 Coupe (E36),3 (E36),3 Touring (E36)
19673	<b>Lenker, Radaufhängung, Track Control Arm, Bras de liaison, suspension de roue</b> ALPINA B10 (E34),B10 Kombi (E34),B7 Coupe (E24),B7 (E28),B9 Coupe (E24),B9 (E28),BMW 5 (E28),5 (E34),5 Touring (E34),6 (E24),7 (E23),7 (E32),7 (E38)
19674	<b>Lenker, Radaufhängung, Track Control Arm, Bras de liaison, suspension de roue</b> ALPINA B10 (E34),B10 Kombi (E34),B12 (E38),B7 Coupe (E24),B7 (E28),B9 Coupe (E24),B9 (E28),BMW 5 (E28),5 (E34),5 Touring (E34),6 (E24),7 (E23),7 (E32),7 (E38)
19675	<b>Spurstange, Rod Assembly, Barre de connexion</b> ALPINA B10 (E34),B10 Kombi (E34),B11 (E32),B12 Coupe (E31),B12 (E32),B7 Coupe (E24),B7 (E28),B9 Coupe (E24),B9 (E28),BMW 5 (E28),5 (E34),5 Touring (E34),6 (E24),7 (E32),8 (E31)
19676	<b>Axialgelenk, Spurstange, Tie Rod Axle Joint, Rotule de direction intérieure, barre de connexion</b> BMW Z4 Coupe (E86),Z4 (E85),3 Cabriolet (E46),3 Compact (E46),3 Coupe (E46),3 (E46),3 Touring (E46)
19678HPS	<b>Stange/Strebe, Stabilisator, Rod/Strut, stabiliser, Entretoise/tige, stabilisateur</b> ALPINA B10 (E34),B10 Kombi (E34),B11 (E32),B12 Coupe (E31),B12 (E32),B6 (E30),B7 Coupe (E24),B7 (E28),B9 (E28),BMW Z3 Coupe (E36),Z3 (E36),3 Cabriolet (E30),3 Cabriolet (E36),3 Compact (E36),3 Coupe (E36),3 (E21),3 (E30),3 (E36),3 Touring (E30),3 Touring (E36),5 (E28),5 (E34),5 Touring (E34),6 (E24),7 (E23),7 (E32),8 (E31)
19679	<b>Trag-/Führungsgelenk, Ball Joint, Rotule de suspension</b> SEAT TOLEDO I (1L),VW CORRADO (53I),GOLF III (1H1),PASSAT Variant (3A5, 35I),PASSAT (3A2, 35I),VENTO (1H2)
19679/1	<b>Trag-/Führungsgelenk, Ball Joint, Rotule de suspension</b> SEAT TOLEDO I (1L),VW CORRADO (53I),GOLF III Variant (1H5),GOLF III (1H1),PASSAT Variant (3A5, 35I),PASSAT (3A2, 35I),VENTO (1H2)
19680	<b>Trag-/Führungsgelenk, Ball Joint, Rotule de suspension</b> AUDI COUPE (89, 8B),80 (89, 89Q, 8A, B3),90 (89, 89Q, 8A, B3)
19681	<b>Trag-/Führungsgelenk, Ball Joint, Rotule de suspension</b> AUDI COUPE (89, 8B),80 (89, 89Q, 8A, B3),90 (89, 89Q, 8A, B3)
19682	<b>Spurstange, Rod Assembly, Barre de connexion</b> VW PASSAT Variant (3A5, 35I),PASSAT (3A2, 35I)
19683	<b>Spurstange, Rod Assembly, Barre de connexion</b> VW PASSAT Variant (3A5, 35I),PASSAT (3A2, 35I)
19684	<b>Trag-/Führungsgelenk, Ball Joint, Rotule de suspension</b> AUDI CABRIOLET (8G7, B4),COUPE (89, 8B),80 Avant (8C, B4),80 (8C, B4)
19685	<b>Trag-/Führungsgelenk, Ball Joint, Rotule de suspension</b> AUDI CABRIOLET (8G7, B4),COUPE (89, 8B),80 Avant (8C, B4),80 (8C, B4)
19686	<b>Lenker, Radaufhängung, Track Control Arm, Bras de liaison, suspension de roue</b> SEAT AROSA (6H),VW POLO Kasten (6NF),POLO (6N1),POLO (6N2)
19686/1	<b>Lenker, Radaufhängung, Track Control Arm, Bras de liaison, suspension de roue</b> SEAT AROSA (6H),VW POLO Kasten (6NF),POLO (6N1),POLO (6N2)
19687	<b>Lenker, Radaufhängung, Track Control Arm, Bras de liaison, suspension de roue</b> SEAT AROSA (6H),VW POLO Kasten (6NF),POLO (6N1),POLO (6N2)
19688	<b>Spurstange, Rod Assembly, Barre de connexion</b> SEAT AROSA (6H),CORDOBA (6K1, 6K2),VW LUPO (6X1, 6E1),POLO CLASSIC (6KV2),POLO Kasten (6NF),POLO Kasten (86CF),POLO Variant (6KV5),POLO (6N1),POLO (6N2)
19689	<b>Spurstange, Rod Assembly, Barre de connexion</b> SEAT AROSA (6H),CORDOBA (6K1, 6K2),VW LUPO (6X1, 6E1),POLO CLASSIC (6KV2),POLO Kasten (6NF),POLO Kasten (86CF),POLO Variant (6KV5),POLO (6N1),POLO (6N2)
19690	<b>Lenker, Radaufhängung, Track Control Arm, Bras de liaison, suspension de roue</b> VW PASSAT Variant (3A5, 35I),PASSAT (3A2, 35I)
19690/1	<b>Lenker, Radaufhängung, Track Control Arm, Bras de liaison, suspension de roue</b> VW PASSAT Variant (3A5, 35I),PASSAT (3A2, 35I)
19690/7	<b>Lenker, Radaufhängung, Track Control Arm, Bras de liaison, suspension de roue</b> VW PASSAT Variant (3A5, 35I),PASSAT (3A2, 35I)
19691	<b>Lenker, Radaufhängung, Track Control Arm, Bras de liaison, suspension de roue</b> VW PASSAT Variant (3A5, 35I),PASSAT (3A2, 35I)



19691/7	<b>Lenker, Radaufhängung, Track Control Arm, Bras de liaison, suspension de roue</b> VW PASSAT Variant (3A5, 35I),PASSAT (3A2, 35I)
19692	<b>Spurstangenkopf, Tie Rod End, Rotule de barre de connexion</b> AUDI 100 Avant (4A, C4),100 (4A, C4)
19693	<b>Spurstangenkopf, Tie Rod End, Rotule de barre de connexion</b> AUDI 100 Avant (4A, C4),100 (4A, C4)
19694	<b>Lenker, Radaufhängung, Track Control Arm, Bras de liaison, suspension de roue</b> AUDI A6 Avant (4A, C4),A6 (4A, C4),100 Avant (4A, C4),100 (4A, C4)
19695	<b>Lenker, Radaufhängung, Track Control Arm, Bras de liaison, suspension de roue</b> AUDI A6 Avant (4A, C4),A6 (4A, C4),100 Avant (4A, C4),100 (4A, C4)
19696	<b>Spurstange, Rod Assembly, Barre de connexion</b> SEAT AROSA (6H),VW POLO Kasten (6NF),POLO (6N1)
19696/1	<b>Axialgelenk, Spurstange, Tie Rod Axle Joint, Rotule de direction intérieure, barre de connexion</b> SEAT AROSA (6H),VW POLO Kasten (6NF),POLO (6N1)
19697	<b>Spurstange, Rod Assembly, Barre de connexion</b> SEAT AROSA (6H),VW POLO Kasten (6NF),POLO (6N1)
19698	<b>Lenker, Radaufhängung, Track Control Arm, Bras de liaison, suspension de roue</b> ALPINA B10 (E34),B10 Kombi (E34),BMW 5 (E34),5 Touring (E34)
19699	<b>Lenker, Radaufhängung, Track Control Arm, Bras de liaison, suspension de roue</b> ALPINA B10 (E34),B10 Kombi (E34),BMW 5 (E34),5 Touring (E34)
19700HPS	<b>Stange/Strebe, Stabilisator, Rod/Strut, stabiliser, Entretoise/tige, stabilisateur</b> BMW Z4 Coupe (E86),Z4 (E85),3 Cabriolet (E46),3 Compact (E46),3 Coupe (E46),3 (E46),3 Touring (E46),BMW (BRILLIANCE) 3 SERIES (E46)
19701	<b>Lenker, Radaufhängung, Track Control Arm, Bras de liaison, suspension de roue</b> FORD KA (RB_)
19701/1	<b>Lenker, Radaufhängung, Track Control Arm, Bras de liaison, suspension de roue</b> FORD KA (RB_)
19702	<b>Lenker, Radaufhängung, Track Control Arm, Bras de liaison, suspension de roue</b> FORD KA (RB_)
19702/1	<b>Lenker, Radaufhängung, Track Control Arm, Bras de liaison, suspension de roue</b> FORD KA (RB_)
19710	<b>Spurstangenkopf, Tie Rod End, Rotule de barre de connexion</b> OPEL KADETT D Caravan (35_, 36_, 45_, 46_),KADETT D (31_-34_, 41_-44_),VAUXHALL ASTRA CC,ASTRA Estate
19711	<b>Spurstangenkopf, Tie Rod End, Rotule de barre de connexion</b> OPEL KADETT D Caravan (35_, 36_, 45_, 46_),KADETT D (31_-34_, 41_-44_),VAUXHALL ASTRA CC,ASTRA Estate
19714	<b>Trag-/Führungsgelenk, Ball Joint, Rotule de suspension</b> DAEWOO ESPERO (KLEJ),LANOS (KLAT),LANOS Stufenheck (KLAT),NEXIA (KLETN),NEXIA Stufenheck (KLETN),OPEL KADETT D Caravan (35_, 36_, 45_, 46_),KADETT D (31_-34_, 41_-44_),KADETT E Cabriolet (43B_),KADETT E Caravan (35_, 36_, 45_, 46_),KADETT E CC (33_, 34_, 43_, 44_),KADETT E Combo (38_, 48_),KADETT E Kasten (37_, 47_),KADETT E (39_, 49_),VAUXHALL ASTRA CC,ASTRA Estate,ASTRA Mk II Belmont,ASTRA Mk II CC,ASTRA Mk II Convertible,ASTRA Mk II Estate
19718	<b>Spurstangenkopf, Tie Rod End, Rotule de barre de connexion</b> DAEWOO ESPERO (KLEJ),LANOS (KLAT),LANOS Stufenheck (KLAT),LEGANZA (KLAV),NEXIA (KLETN),NEXIA Stufenheck (KLETN),NUBIRA Wagon (KLAJ),OPEL ASCONA C CC (84_, 89_),ASCONA C (81_, 86_, 87_, 88_),COMBO (71_),KADETT E Cabriolet (43B_),KADETT E Caravan (35_, 36_, 45_, 46_),KADETT E CC (33_, 34_, 43_, 44_),KADETT E Combo (38_, 48_),KADETT E Kasten (37_, 47_),KADETT E (39_, 49_),VAUXHALL ASTRA Mk II Belmont,ASTRA Mk II CC,ASTRA Mk II Convertible,ASTRA Mk II Estate,CAVALIER Mk II,CAVALIER Mk II CC,CAVALIER Mk II Convertible,CAVALIER Mk II Estate
19719	<b>Spurstangenkopf, Tie Rod End, Rotule de barre de connexion</b> DAEWOO ESPERO (KLEJ),LANOS (KLAT),LANOS Stufenheck (KLAT),LEGANZA (KLAV),NEXIA (KLETN),NEXIA Stufenheck (KLETN),NUBIRA Wagon (KLAJ),OPEL ASCONA C CC (84_, 89_),ASCONA C (81_, 86_, 87_, 88_),COMBO (71_),KADETT E Cabriolet (43B_),KADETT E Caravan (35_, 36_, 45_, 46_),KADETT E CC (33_, 34_, 43_, 44_),KADETT E Combo (38_, 48_),KADETT E Kasten (37_, 47_),KADETT E (39_, 49_),VAUXHALL ASTRA CC,ASTRA Mk II Belmont,ASTRA Mk II CC,ASTRA Mk II Convertible,ASTRA Mk II Estate,CAVALIER Mk II,CAVALIER Mk II CC,CAVALIER Mk II Convertible,CAVALIER Mk II Estate
19721	<b>Trag-/Führungsgelenk, Ball Joint, Rotule de suspension</b> FORD FIESTA I (GFBT)
19722	<b>Axialgelenk, Spurstange, Tie Rod Axle Joint, Rotule de direction intérieure, barre de connexion</b> FORD COURIER Kasten (F3L, F5L),FIESTA III (GFJ),FIESTA Kasten (FVD),KA (RB_),STREET KA
19722/1	<b>Spurstange, Rod Assembly, Barre de connexion</b> FORD COURIER Kasten (F3L, F5L),FIESTA III (GFJ)
19722/2	<b>Spurstange, Rod Assembly, Barre de connexion</b> FORD KA (RB_),STREET KA
19723	<b>Axialgelenk, Spurstange, Tie Rod Axle Joint, Rotule de direction intérieure, barre de connexion</b> FORD ESCORT III Cabriolet (ALD),ESCORT III (GAA),ESCORT III Kombi (AWA),ESCORT IV Cabriolet (ALF),ESCORT IV (GAF, AWF, ABFT),ESCORT IV Kombi (AWF, AVF),ESCORT '81 Express (AVA),ESCORT '86 Express (AVF),ORION I (AFD),ORION II (AFF)
19723/1	<b>Spurstange, Rod Assembly, Barre de connexion</b>

	FORD ESCORT III Cabriolet (ALD),ESCORT III (GAA),ESCORT III Kombi (AWA),ESCORT IV Cabriolet (ALF),ESCORT IV (GAF, AWF, ABFT),ESCORT IV Kombi (AWF, AVF),ESCORT '81 Express (AVA),ORION I (AFD),ORION II (AFF)
<b>19724</b>	<b>Axialgelenk, Spurstange, Tie Rod Axle Joint, Rotule de direction intérieure, barre de connexion</b>
	FORD ESCORT V Cabriolet (ALL),ESCORT V (GAL),ESCORT V Kombi (GAL, AVL),ESCORT VI Cabriolet (ALL),ESCORT VI (GAL),ESCORT VI Kombi (GAL),ESCORT VI Stufenheck (GAL),ESCORT '91 Express (AVL),ESCORT '95 Express (AVL),ORION III (GAL)
<b>19724/1</b>	<b>Spurstange, Rod Assembly, Barre de connexion</b>
	FORD ESCORT V Cabriolet (ALL),ESCORT V (GAL),ESCORT V Kombi (GAL, AVL),ESCORT VI Cabriolet (ALL),ESCORT VI (GAL),ESCORT VI Kombi (GAL),ESCORT VI Stufenheck (GAL),ESCORT '91 Express (AVL),ESCORT '95 Express (AVL),ORION III (GAL)
<b>19724/2</b>	<b>Spurstange, Rod Assembly, Barre de connexion</b>
	FORD ESCORT V Cabriolet (ALL),ESCORT V (GAL),ESCORT V Kombi (GAL, AVL),ESCORT VI Cabriolet (ALL),ESCORT VI (GAL),ESCORT VI Kombi (GAL),ESCORT VI Stufenheck (GAL),ESCORT '91 Express (AVL),ESCORT '95 Express (AVL),ORION III (GAL)
<b>19725</b>	<b>Trag-/Führungsgelenk, Ball Joint, Rotule de suspension</b>
	FORD FIESTA II (FBD),FIESTA Kasten (FVD)
<b>19727</b>	<b>Spurstangenkopf, Tie Rod End, Rotule de barre de connexion</b>
	FORD CAPRI II (GECF),CAPRI III (GECF),COURIER Kasten (F3L, F5L),ESCORT III Cabriolet (ALD),ESCORT III (GAA),ESCORT III Kombi (AWA),ESCORT IV (GAF, AWF, ABFT),ESCORT IV Kombi (AWF, AVF),ESCORT '81 Express (AVA),ESCORT '86 Express (AVF),FIESTA I (GBFT),FIESTA II (FBD),FIESTA III (GFJ),FIESTA Kasten (FVD),ORION I (AFD),ORION II (AFF)
<b>19735</b>	<b>Spurstangenkopf, Tie Rod End, Rotule de barre de connexion</b>
	FORD ESCORT V (GAL),ESCORT VI (GAL),ESCORT VII (GAL, AAL, ABL),SCORPIO I (GAE, GGE),SCORPIO I Kombi (GGE),SCORPIO I Stufenheck (GGE),SIERRA (GBG, GB4),SIERRA Kombi (BNC),SIERRA Kombi (BNG),SIERRA Schrägheck (GBC),SIERRA Schrägheck (GBC, GBG)
<b>19736</b>	<b>Spurstangenkopf, Tie Rod End, Rotule de barre de connexion</b>
	FORD ESCORT V (GAL),ESCORT VI (GAL),ESCORT VII (GAL, AAL, ABL),SCORPIO I (GAE, GGE),SCORPIO I Kombi (GGE),SCORPIO I Stufenheck (GGE),SIERRA (GBG, GB4),SIERRA Kombi (BNC),SIERRA Kombi (BNG),SIERRA Schrägheck (GBC),SIERRA Schrägheck (GBC, GBG)
<b>19737/1</b>	<b>Lenker, Radaufhängung, Track Control Arm, Bras de liaison, suspension de roue</b>
	FORD P 100 I,P 100 II,SIERRA (GBG, GB4),SIERRA Kombi (BNC),SIERRA Kombi (BNG),SIERRA Schrägheck (GBC),SIERRA Schrägheck (GBC, GBG)
<b>19738/1</b>	<b>Lenker, Radaufhängung, Track Control Arm, Bras de liaison, suspension de roue</b>
	FORD P 100 I,P 100 II,SIERRA (GBG, GB4),SIERRA Kombi (BNC),SIERRA Kombi (BNG),SIERRA Schrägheck (GBC),SIERRA Schrägheck (GBC, GBG)
<b>19740</b>	<b>Axialgelenk, Spurstange, Tie Rod Axle Joint, Rotule de direction intérieure, barre de connexion</b>
	FORD TRANSIT Bus (T_ _),TRANSIT Kasten (T_ _),TRANSIT Pritsche/Fahrgestell (T_ _)
<b>19741</b>	<b>Spurstangenkopf, Tie Rod End, Rotule de barre de connexion</b>
	FORD TRANSIT Bus (T_ _),TRANSIT Kasten (T_ _),TRANSIT Pritsche/Fahrgestell (T_ _),MERCEDES-BENZ G-KLASSE Geländewagen offen (W463),G-KLASSE (W460),G-KLASSE (W461),G-KLASSE (W463),100 Bus (631),100 Kasten (631),100 Pritsche/Fahrgestell (631),PUCH G-MODELL (W 460),G-MODELL (W 461),G-MODELL (W 463)
<b>19742</b>	<b>Spurstangenkopf, Tie Rod End, Rotule de barre de connexion</b>
	FORD TRANSIT Bus (T_ _),TRANSIT Kasten (T_ _),TRANSIT Pritsche/Fahrgestell (T_ _),MERCEDES-BENZ G-KLASSE Geländewagen offen (W463),G-KLASSE (W460),G-KLASSE (W461),G-KLASSE (W463),100 Bus (631),100 Kasten (631),100 Pritsche/Fahrgestell (631),PUCH G-MODELL (W 460),G-MODELL (W 461),G-MODELL (W 463)
<b>19743/1</b>	<b>Lenker, Radaufhängung, Track Control Arm, Bras de liaison, suspension de roue</b>
	FORD ESCORT IV Cabriolet (ALF),ESCORT IV (GAF, AWF, ABFT),ESCORT IV Kombi (AWF, AVF),ESCORT '86 Express (AVF),ORION II (AFF)
<b>19744/1</b>	<b>Lenker, Radaufhängung, Track Control Arm, Bras de liaison, suspension de roue</b>
	FORD ESCORT IV Cabriolet (ALF),ESCORT IV (GAF, AWF, ABFT),ESCORT IV Kombi (AWF, AVF),ESCORT '86 Express (AVF),ORION II (AFF)
<b>19745</b>	<b>Spurstangenkopf, Tie Rod End, Rotule de barre de connexion</b>
	FORD SCORPIO I (GAE, GGE),SCORPIO I Kombi (GGE),SCORPIO I Stufenheck (GGE)
<b>19746/1</b>	<b>Lenker, Radaufhängung, Track Control Arm, Bras de liaison, suspension de roue</b>
	FORD SCORPIO I (GAE, GGE),SCORPIO I Kombi (GGE),SCORPIO I Stufenheck (GGE),SCORPIO II Kombi (GMR, GGR)
<b>19747/1</b>	<b>Lenker, Radaufhängung, Track Control Arm, Bras de liaison, suspension de roue</b>
	FORD SCORPIO I (GAE, GGE),SCORPIO I Kombi (GGE),SCORPIO I Stufenheck (GGE),SCORPIO II Kombi (GMR, GGR)
<b>19748</b>	<b>Spurstangenkopf, Tie Rod End, Rotule de barre de connexion</b>
	FORD TRANSIT Bus (T_ _),TRANSIT Bus (V_ _),TRANSIT Kasten (T_ _),TRANSIT Kasten (V_ _),TRANSIT Pritsche/Fahrgestell (T_ _),TRANSIT Pritsche/Fahrgestell (V_ _)
<b>19749</b>	<b>Trag-/Führungsgelenk, Ball Joint, Rotule de suspension</b>
	FORD TRANSIT Bus (T_ _),TRANSIT Kasten (T_ _),TRANSIT Pritsche/Fahrgestell (T_ _)
<b>19750</b>	<b>Spurstangenkopf, Tie Rod End, Rotule de barre de connexion</b>
	FORD TRANSIT Bus (E_ _),TRANSIT Kasten (E_ _),TRANSIT Pritsche/Fahrgestell (E_ _)
<b>19751</b>	<b>Trag-/Führungsgelenk, Ball Joint, Rotule de suspension</b>
	FORD TRANSIT Bus (E_ _),TRANSIT Kasten (E_ _),TRANSIT Pritsche/Fahrgestell (E_ _)
<b>19752</b>	<b>Spurstangenkopf, Tie Rod End, Rotule de barre de connexion</b>
	FORD ESCORT CLASSIC (AAL, ABL),ESCORT CLASSIC Turnier (ANL),ESCORT V Cabriolet (ALL),ESCORT V (GAL),ESCORT V Kombi (GAL, AVL),ESCORT VI Cabriolet (ALL),ESCORT VI (GAL),ESCORT VI Kombi (GAL),ESCORT VI Stufenheck (GAL),ESCORT VII Cabriolet (ALL),ESCORT VII (GAL, AAL, ABL),ESCORT VII Kombi (GAL, ANL),ESCORT VII Stufenheck (GAL, AFL),ESCORT '91 Express (AVL),ESCORT '95 Express (AVL),ORION III (GAL)
<b>19753</b>	<b>Spurstangenkopf, Tie Rod End, Rotule de barre de connexion</b>



FORD ESCORT CLASSIC (AAL, ABL), ESCORT CLASSIC Turnier (ANL), ESCORT V Cabriolet (ALL), ESCORT V (GAL), ESCORT V Kombi (GAL, AVL), ESCORT VI Cabriolet (ALL), ESCORT VI (GAL), ESCORT VI Kombi (GAL), ESCORT VI Stufenheck (GAL), ESCORT VII Cabriolet (ALL), ESCORT VII (GAL, AAL, ABL), ESCORT VII Kombi (GAL, ANL), ESCORT VII Stufenheck (GAL, AFL), ESCORT '91 Express (AVL), ESCORT '95 Express (AVL), ORION III (GAL)

<b>19754</b>	<b>Trag-/Führungsgelenk, Ball Joint, Rotule de suspension</b> FORD ESCORT V Cabriolet (ALL), ESCORT V (GAL), ESCORT V Kombi (GAL, AVL), ESCORT VI Cabriolet (ALL), ESCORT VI (GAL), ESCORT VI Kombi (GAL), ESCORT VI Stufenheck (GAL), ESCORT VII Cabriolet (ALL), ESCORT VII (GAL, AAL, ABL), ESCORT VII Kombi (GAL, ANL), ESCORT VII Stufenheck (GAL, AFL), ESCORT '91 Express (AVL), ESCORT '95 Express (AVL), ORION III (GAL)
<b>19755/1</b>	<b>Lenker, Radaufhängung, Track Control Arm, Bras de liaison, suspension de roue</b> FORD COURIER Kasten (F3L, F5L), FIESTA III (GFJ)
<b>19755/2</b>	<b>Lenker, Radaufhängung, Track Control Arm, Bras de liaison, suspension de roue</b> FORD COURIER Kasten (F3L, F5L), FIESTA III (GFJ), FIESTA Kasten (JV_)
<b>19755/3</b>	<b>Lenker, Radaufhängung, Track Control Arm, Bras de liaison, suspension de roue</b> FORD FIESTA III (GFJ)
<b>19755/4</b>	<b>Lenker, Radaufhängung, Track Control Arm, Bras de liaison, suspension de roue</b> FORD FIESTA III (GFJ)
<b>19755/5</b>	<b>Lenker, Radaufhängung, Track Control Arm, Bras de liaison, suspension de roue</b> FORD FIESTA III (GFJ)
<b>19756/1</b>	<b>Lenker, Radaufhängung, Track Control Arm, Bras de liaison, suspension de roue</b> FORD COURIER Kasten (F3L, F5L), FIESTA III (GFJ)
<b>19756/2</b>	<b>Lenker, Radaufhängung, Track Control Arm, Bras de liaison, suspension de roue</b> FORD COURIER Kasten (F3L, F5L), FIESTA III (GFJ), FIESTA Kasten (JV_)
<b>19756/3</b>	<b>Lenker, Radaufhängung, Track Control Arm, Bras de liaison, suspension de roue</b> FORD FIESTA III (GFJ)
<b>19756/4</b>	<b>Lenker, Radaufhängung, Track Control Arm, Bras de liaison, suspension de roue</b> FORD FIESTA III (GFJ)
<b>19756/5</b>	<b>Lenker, Radaufhängung, Track Control Arm, Bras de liaison, suspension de roue</b> FORD FIESTA III (GFJ)
<b>19757</b>	<b>Spurstangenkopf, Tie Rod End, Rotule de barre de connexion</b> FORD MONDEO I (GBP), MONDEO I Kombi (BNP), MONDEO I Stufenheck (GBP)
<b>19758</b>	<b>Spurstangenkopf, Tie Rod End, Rotule de barre de connexion</b> FORD MONDEO I (GBP), MONDEO I Kombi (BNP), MONDEO I Stufenheck (GBP)
<b>19760</b>	<b>Lenker, Radaufhängung, Track Control Arm, Bras de liaison, suspension de roue</b> FORD ESCORT CLASSIC (AAL, ABL), ESCORT CLASSIC Turnier (ANL), ESCORT V Cabriolet (ALL), ESCORT V (GAL), ESCORT V Kombi (GAL, AVL), ESCORT VI Cabriolet (ALL), ESCORT VI (GAL), ESCORT VI Kombi (GAL), ESCORT VI Stufenheck (GAL), ESCORT VII Cabriolet (ALL), ESCORT VII (GAL, AAL, ABL), ESCORT VII Kombi (GAL, ANL), ESCORT VII Stufenheck (GAL, AFL), ESCORT '91 Express (AVL), ESCORT '95 Express (AVL), ORION III (GAL)
<b>19761</b>	<b>Lenker, Radaufhängung, Track Control Arm, Bras de liaison, suspension de roue</b> FORD ESCORT CLASSIC (AAL, ABL), ESCORT CLASSIC Turnier (ANL), ESCORT V Cabriolet (ALL), ESCORT V (GAL), ESCORT V Kombi (GAL, AVL), ESCORT VI Cabriolet (ALL), ESCORT VI (GAL), ESCORT VI Kombi (GAL), ESCORT VI Stufenheck (GAL), ESCORT VII Cabriolet (ALL), ESCORT VII (GAL, AAL, ABL), ESCORT VII Kombi (GAL, ANL), ESCORT VII Stufenheck (GAL, AFL), ESCORT '91 Express (AVL), ESCORT '95 Express (AVL), ORION III (GAL)
<b>19762</b>	<b>Axialgelenk, Spurstange, Tie Rod Axle Joint, Rotule de direction intérieure, barre de connexion</b> FORD SCORPIO II (GFR, GGR), SCORPIO II Kombi (GNR, GGR)
<b>19763</b>	<b>Trag-/Führungsgelenk, Ball Joint, Rotule de suspension</b> FORD COURIER Kasten (F3L, F5L), COURIER Kasten (J5_, J3_), FIESTA III (GFJ), FIESTA IV (JA_, JB_), FIESTA Kasten (FVD), FIESTA Kasten (JV_), KA (RB_), PUMA (EC_), MAZDA 121 III (JASM, JBSM)
<b>19765</b>	<b>Trag-/Führungsgelenk, Ball Joint, Rotule de suspension</b> FORD COURIER Kasten (F3L, F5L), FIESTA III (GFJ)
<b>19768</b>	<b>Lenker, Radaufhängung, Track Control Arm, Bras de liaison, suspension de roue</b> FORD MONDEO I (GBP), MONDEO I Kombi (BNP), MONDEO I Stufenheck (GBP), MONDEO II (BAP), MONDEO II Kombi (BNP), MONDEO II Stufenheck (BFP)
<b>19769</b>	<b>Lenker, Radaufhängung, Track Control Arm, Bras de liaison, suspension de roue</b> FORD MONDEO I (GBP), MONDEO I Kombi (BNP), MONDEO I Stufenheck (GBP), MONDEO II (BAP), MONDEO II Kombi (BNP), MONDEO II Stufenheck (BFP)
<b>19773HPS</b>	<b>Stange/Strebe, Stabilisator, Rod/Strut, stabiliser, Entretoise/tige, stabilisateur</b> FORD MONDEO III (B5Y), MONDEO III Kombi (BWY), MONDEO III Stufenheck (B4Y), JAGUAR X-TYPE (CF1), X-TYPE Estate
<b>19774</b>	<b>Stange/Strebe, Stabilisator, Rod/Strut, stabiliser, Entretoise/tige, stabilisateur</b> FORD FIESTA V (JH_, JD_), FUSION (JU_), MAZDA 2 (DY)
<b>19774HPS</b>	<b>Stange/Strebe, Stabilisator, Rod/Strut, stabiliser, Entretoise/tige, stabilisateur</b> FORD FIESTA V (JH_, JD_), FUSION (JU_), MAZDA 2 (DY)
<b>19775HPS</b>	<b>Stange/Strebe, Stabilisator, Rod/Strut, stabiliser, Entretoise/tige, stabilisateur</b> FORD MONDEO III (B5Y), MONDEO III Stufenheck (B4Y)



19776HPS	<b>Stange/Strebe, Stabilisator, Rod/Strut, stabiliser, Entretoise/tige, stabilisateur</b> FORD MONDEO III Kombi (BWY)
19777	<b>Stange/Strebe, Stabilisator, Rod/Strut, stabiliser, Entretoise/tige, stabilisateur</b> FORD MONDEO III (B5Y),MONDEO III Kombi (BWY),MONDEO III Stufenheck (B4Y),JAGUAR X-TYPE (CF1),X-TYPE Estate
19780	<b>Stange/Strebe, Stabilisator, Rod/Strut, stabiliser, Entretoise/tige, stabilisateur</b> FORD TRANSIT Bus (E_ _),TRANSIT Bus (T_ _),TRANSIT Bus (V_ _),TRANSIT Kasten (E_ _),TRANSIT Kasten (T_ _),TRANSIT Pritsche/Fahrgestell (E_ _),TRANSIT Pritsche/Fahrgestell (T_ _),TRANSIT Pritsche/Fahrgestell (V_ _)
19781	<b>Stange/Strebe, Stabilisator, Rod/Strut, stabiliser, Entretoise/tige, stabilisateur</b> FORD TRANSIT Bus (E_ _),TRANSIT Bus (T_ _),TRANSIT Bus (V_ _),TRANSIT Kasten (E_ _),TRANSIT Kasten (T_ _),TRANSIT Pritsche/Fahrgestell (E_ _),TRANSIT Pritsche/Fahrgestell (T_ _),TRANSIT Pritsche/Fahrgestell (V_ _)
19782	<b>Spurstangenkopf, Tie Rod End, Rotule de barre de connexion</b> BMW 5 (E39),5 Touring (E39)
19783	<b>Spurstangenkopf, Tie Rod End, Rotule de barre de connexion</b> BMW 5 (E39),5 Touring (E39)
19784	<b>Spurstange, Rod Assembly, Barre de connexion</b> BMW 3 (E46)
19785	<b>Spurstange, Rod Assembly, Barre de connexion</b> BMW 3 (E46)
19786	<b>Spurstange, Rod Assembly, Barre de connexion</b> BMW 5 (E34),5 Touring (E34)
19800	<b>Spurstangenkopf, Tie Rod End, Rotule de barre de connexion</b> OPEL COMBO Kasten/Kombi,COMBO Tour,CORSA A CC (93_ , 94_ , 98_ , 99_ ),CORSA A Kasten,CORSA A TR (91_ , 92_ , 96_ , 97_ ),CORSA B Kasten (73_ ),CORSA B (73_ , 78_ , 79_ ),CORSA C (F08, F68),CORSA C Kasten (F08, W5L),TIGRA TwinTop,TIGRA (95_ ),SMART FORTWO Coupe (451),VAUXHALL COMBO Mk II (C) Kasten/Kombi (F25),CORSA Mk I (B),CORSA Mk II (C) (W5L, F08),CORSAVAN Mk II (C),NOVA,NOVA CC,NOVAVAN,TIGRA Mk I (F07),TIGRA TwinTop
19801	<b>Trag-/Führungsgelenk, Ball Joint, Rotule de suspension</b> OPEL COMBO (71_ ),CORSA A CC (93_ , 94_ , 98_ , 99_ ),CORSA A TR (91_ , 92_ , 96_ , 97_ ),CORSA B (73_ , 78_ , 79_ ),TIGRA (95_ )
19802	<b>Trag-/Führungsgelenk, Ball Joint, Rotule de suspension</b> OPEL ASCONA C CC (84_ , 89_ ),ASCONA C (81_ , 86_ , 87_ , 88_ ),VAUXHALL CAVALIER Mk II,CAVALIER Mk II CC,CAVALIER Mk II Convertible,CAVALIER Mk II Estate
19803/1	<b>Spurstange, Rod Assembly, Barre de connexion</b> OPEL OMEGA A Caravan (66_ , 67_ ),OMEGA A (16_ , 17_ , 19_ ),SENATOR A (29_ ),SENATOR B (29_ ),VAUXHALL CARLTON Mk II,CARLTON Mk II Estate,SENATOR Mk II (B)
19804/1	<b>Spurstange, Rod Assembly, Barre de connexion</b> OPEL OMEGA A Caravan (66_ , 67_ ),OMEGA A (16_ , 17_ , 19_ ),SENATOR A (29_ ),SENATOR B (29_ ),VAUXHALL CARLTON Mk II,CARLTON Mk II Estate,SENATOR Mk II (B)
19805	<b>Axialgelenk, Spurstange, Tie Rod Axle Joint, Rotule de direction intérieure, barre de connexion</b> OPEL CORSA A CC (93_ , 94_ , 98_ , 99_ ),CORSA A Kasten,CORSA A TR (91_ , 92_ , 96_ , 97_ ),VAUXHALL CORSA Mk I (B),CORSAVAN Mk I (B),NOVA,NOVA CC,NOVAVAN
19805/1	<b>Spurstange, Rod Assembly, Barre de connexion</b> OPEL CORSA A CC (93_ , 94_ , 98_ , 99_ ),CORSA A Kasten,CORSA A TR (91_ , 92_ , 96_ , 97_ ),VAUXHALL NOVA,NOVA CC
19806	<b>Lenker, Radaufhängung, Track Control Arm, Bras de liaison, suspension de roue</b> OPEL CORSA A CC (93_ , 94_ , 98_ , 99_ ),CORSA A Kasten,CORSA A TR (91_ , 92_ , 96_ , 97_ ),VAUXHALL CORSA Mk I (B),CORSAVAN Mk I (B),NOVA,NOVA CC
19807	<b>Lenker, Radaufhängung, Track Control Arm, Bras de liaison, suspension de roue</b> OPEL CORSA A CC (93_ , 94_ , 98_ , 99_ ),CORSA A Kasten,CORSA A TR (91_ , 92_ , 96_ , 97_ ),VAUXHALL CORSA Mk I (B),CORSAVAN Mk I (B),NOVA,NOVA CC
19808	<b>Lenker, Radaufhängung, Track Control Arm, Bras de liaison, suspension de roue</b> OPEL CORSA B (73_ , 78_ , 79_ ),TIGRA (95_ )
19809	<b>Lenker, Radaufhängung, Track Control Arm, Bras de liaison, suspension de roue</b> OPEL CORSA B (73_ , 78_ , 79_ ),TIGRA (95_ )
19810	<b>Axialgelenk, Spurstange, Tie Rod Axle Joint, Rotule de direction intérieure, barre de connexion</b> OPEL COMBO Kasten/Kombi,COMBO Tour,CORSA C (F08, F68),CORSA C Kasten (F08, W5L),VAUXHALL COMBO Mk II (C) Kasten/Kombi (F25),CORSA Mk II (C) (W5L, F08),CORSAVAN Mk II (C)
19811	<b>Stange/Strebe, Stabilisator, Rod/Strut, stabiliser, Entretoise/tige, stabilisateur</b> OPEL FRONTERA B (6B_ ),MONTEREY B
19811HPS	<b>Stange/Strebe, Stabilisator, Rod/Strut, stabiliser, Entretoise/tige, stabilisateur</b> ISUZU TROOPER,TROOPER Soft Top,TROOPER Soft Top (UB),TROOPER (UB),OPEL FRONTERA A Sport (5_SUD2),FRONTERA A (5_MWL4),FRONTERA B (6B_ ),MONTEREY A (UBS_ ),MONTEREY B
19812	<b>Spurstange, Rod Assembly, Barre de connexion</b> OPEL OMEGA B Caravan (21_ , 22_ , 23_ ),OMEGA B (25_ , 26_ , 27_ ),VAUXHALL CARLTON Mk III,CARLTON Mk III Estate,OMEGA (B),OMEGA (B) Estate
19813	<b>Spurstange, Rod Assembly, Barre de connexion</b> OPEL OMEGA B Caravan (21_ , 22_ , 23_ ),OMEGA B (25_ , 26_ , 27_ ),VAUXHALL CARLTON Mk III,CARLTON Mk III Estate,OMEGA (B),OMEGA (B) Estate



19816	<b>Trag-/Führungsgelenk, Ball Joint, Rotule de suspension</b> OPEL MONZA A (22_),REKORD E Caravan (61_, 66_, 67_),REKORD E (17_,-19_, 11_, 14_, 16_),SENATOR A (29_),VAUXHALL CARLTON Mk II,CARLTON Mk II Estate,ROYALE,ROYALE Coupe,SENATOR
19817	<b>Stange/Strebe, Stabilisator, Rod/Strut, stabiliser, Entretoise/tige, stabilisateur</b> MERCEDES-BENZ CABRIOLET (A124),C-KLASSE Kombi (S202),C-KLASSE (W202),CLK Cabriolet (A208),CLK (C208),COUPE (C124),E-KLASSE Cabriolet (A124),E-KLASSE Coupe (C124),E-KLASSE Kombi (S124),E-KLASSE Kombi (S210),E-KLASSE (W124),E-KLASSE (W210),KOMBI Kombi (S124),SL (R129),SLK (R170),Stufenheck (W124),190 (W201)
19818	<b>Stange/Strebe, Stabilisator, Rod/Strut, stabiliser, Entretoise/tige, stabilisateur</b> MERCEDES-BENZ CABRIOLET (A124),C-KLASSE Kombi (S202),C-KLASSE (W202),CLK Cabriolet (A208),CLK (C208),COUPE (C124),E-KLASSE Cabriolet (A124),E-KLASSE Coupe (C124),E-KLASSE Kombi (S124),E-KLASSE Kombi (S210),E-KLASSE (W124),E-KLASSE (W210),KOMBI Kombi (S124),SL (R129),SLK (R170),Stufenheck (W124),190 (W201)
19819	<b>Stange/Strebe, Stabilisator, Rod/Strut, stabiliser, Entretoise/tige, stabilisateur</b> MERCEDES-BENZ CABRIOLET (A124),C-KLASSE Kombi (S202),C-KLASSE (W202),CLK Cabriolet (A208),CLK (C208),COUPE (C124),E-KLASSE Cabriolet (A124),E-KLASSE Coupe (C124),E-KLASSE Kombi (S124),E-KLASSE Kombi (S210),E-KLASSE (W124),E-KLASSE (W210),KOMBI Kombi (S124),SL (R129),SLK (R170),Stufenheck (W124),190 (W201)
19820	<b>Stange/Strebe, Stabilisator, Rod/Strut, stabiliser, Entretoise/tige, stabilisateur</b> MERCEDES-BENZ CABRIOLET (A124),C-KLASSE Kombi (S202),C-KLASSE (W202),CLK Cabriolet (A208),CLK (C208),COUPE (C124),E-KLASSE Cabriolet (A124),E-KLASSE Coupe (C124),E-KLASSE Kombi (S124),E-KLASSE Kombi (S210),E-KLASSE (W124),E-KLASSE (W210),KOMBI Kombi (S124),SL (R129),SLK (R170),Stufenheck (W124),190 (W201)
19821	<b>Spurstange, Rod Assembly, Barre de connexion</b> MERCEDES-BENZ 190 (W201)
19822	<b>Spurstange, Rod Assembly, Barre de connexion</b> MERCEDES-BENZ 190 (W201)
19823	<b>Spurstangenkopf, Tie Rod End, Rotule de barre de connexion</b> MERCEDES-BENZ 190 (W201)
19824	<b>Spurstangenkopf, Tie Rod End, Rotule de barre de connexion</b> MERCEDES-BENZ 190 (W201)
19825	<b>Spurstange, Rod Assembly, Barre de connexion</b> MERCEDES-BENZ 190 (W201)
19826	<b>Spurstangenkopf, Tie Rod End, Rotule de barre de connexion</b> MERCEDES-BENZ 190 (W201)
19827	<b>Spurstangenkopf, Tie Rod End, Rotule de barre de connexion</b> MERCEDES-BENZ 190 (W201)
19828	<b>Trag-/Führungsgelenk, Ball Joint, Rotule de suspension</b> MERCEDES-BENZ CABRIOLET (A124),COUPE (C124),E-KLASSE Cabriolet (A124),E-KLASSE Coupe (C124),E-KLASSE Kombi (S124),E-KLASSE (W124),KOMBI Kombi (S124),SL (R107),SL (R129),Stufenheck (W124),190 (W201)
19829	<b>Spurstange, Rod Assembly, Barre de connexion</b> MERCEDES-BENZ COUPE (C123),KOMBI Kombi (S123),S-KLASSE (W116),Stufenheck (W123)
19830/1	<b>Spurstange, Rod Assembly, Barre de connexion</b> MERCEDES-BENZ CABRIOLET (A124),COUPE (C124),E-KLASSE Cabriolet (A124),E-KLASSE Coupe (C124),E-KLASSE Kombi (S124),E-KLASSE (W124),KOMBI Kombi (S124),Stufenheck (W124)
19831/1	<b>Spurstange, Rod Assembly, Barre de connexion</b> MERCEDES-BENZ CABRIOLET (A124),COUPE (C124),E-KLASSE Cabriolet (A124),E-KLASSE Coupe (C124),E-KLASSE Kombi (S124),E-KLASSE (W124),KOMBI Kombi (S124),Stufenheck (W124)
19832	<b>Stange/Strebe, Radaufhängung, Rod/Strut, wheel suspension, Bielle de barre stabilisatrice</b> MERCEDES-BENZ CABRIOLET (A124),C-KLASSE Kombi (S202),C-KLASSE (W202),CLK Cabriolet (A208),CLK (C208),COUPE (C124),E-KLASSE Cabriolet (A124),E-KLASSE Coupe (C124),E-KLASSE Kombi (S124),E-KLASSE Kombi (S210),E-KLASSE (W124),E-KLASSE (W210),KOMBI Kombi (S124),SL (R129),SLK (R170),Stufenheck (W124),190 (W201)
19833	<b>Spurstangenkopf, Tie Rod End, Rotule de barre de connexion</b> MERCEDES-BENZ S-KLASSE Coupe (C140),S-KLASSE (W140)
19834	<b>Spurstangenkopf, Tie Rod End, Rotule de barre de connexion</b> MERCEDES-BENZ S-KLASSE Coupe (C140),S-KLASSE (W140)
19836	<b>Spurstangenkopf, Tie Rod End, Rotule de barre de connexion</b> MERCEDES-BENZ CABRIOLET (W111),COUPE (C123),COUPE (W111),HECKFLOSSE (W110),HECKFLOSSE (W111, W112),KOMBI Kombi (S123),PAGODE (W113),PONTON (W120),PONTON (W121),PONTON (W128),PONTON (W180),S-KLASSE Coupe (C126),S-KLASSE Stufenheck (W108, W109),S-KLASSE (W116),S-KLASSE (W126),SL Coupe (C107),SL (R107),SL (W121),Stufenheck (W123),/8 Coupe (W114),/8 (W114),/8 (W115)
19837	<b>Spurstange, Rod Assembly, Barre de connexion</b> MERCEDES-BENZ S-KLASSE Coupe (C140),S-KLASSE (W140)
19838	<b>Spurstange, Rod Assembly, Barre de connexion</b> MERCEDES-BENZ COUPE (C123),KOMBI Kombi (S123),S-KLASSE Coupe (C126),S-KLASSE (W116),S-KLASSE (W126),Stufenheck (W123)
19839	<b>Stange/Strebe, Stabilisator, Rod/Strut, stabiliser, Entretoise/tige, stabilisateur</b> MERCEDES-BENZ CABRIOLET (A124),C-KLASSE Kombi (S202),C-KLASSE (W202),CLK Cabriolet (A208),CLK (C208),COUPE (C124),E-KLASSE Cabriolet (A124),E-KLASSE Coupe (C124),E-KLASSE Kombi (S124),E-KLASSE Kombi (S210),E-KLASSE (W124),E-KLASSE (W210),KOMBI Kombi (S124),SL (R129),SLK (R170),Stufenheck (W124),190 (W201)
19840	<b>Spurstangenkopf, Tie Rod End, Rotule de barre de connexion</b> MERCEDES-BENZ COUPE (C123),KOMBI Kombi (S123),S-KLASSE Coupe (C126),S-KLASSE (W116),S-KLASSE (W126),Stufenheck (W123)

19841	<b>Spurstangenkopf, Tie Rod End, Rotule de barre de connexion</b> MERCEDES-BENZ COUPE (C123),KOMBI Kombi (S123),S-KLASSE Coupe (C126),S-KLASSE (W116),S-KLASSE (W126),Stufenheck (W123)
19842	<b>Lenker, Radaufhängung, Track Control Arm, Bras de liaison, suspension de roue</b> MERCEDES-BENZ COUPE (C123),KOMBI Kombi (S123),S-KLASSE (W116),Stufenheck (W123)
19843	<b>Lenker, Radaufhängung, Track Control Arm, Bras de liaison, suspension de roue</b> MERCEDES-BENZ COUPE (C123),KOMBI Kombi (S123),S-KLASSE (W116),Stufenheck (W123)
19844	<b>Trag-/Führungsgelenk, Ball Joint, Rotule de suspension</b> MERCEDES-BENZ COUPE (C123),KOMBI Kombi (S123),S-KLASSE Coupe (C126),S-KLASSE (W116),S-KLASSE (W126),Stufenheck (W123)
19845	<b>Spurstange, Rod Assembly, Barre de connexion</b> MERCEDES-BENZ CABRIOLET (A124),COUPE (C124),E-KLASSE Cabriolet (A124),E-KLASSE Coupe (C124),E-KLASSE Kombi (S124),E-KLASSE (W124),KOMBI Kombi (S124),Stufenheck (W124)
19846	<b>Spurstangenkopf, Tie Rod End, Rotule de barre de connexion</b> MERCEDES-BENZ CABRIOLET (A124),COUPE (C123),COUPE (C124),E-KLASSE Cabriolet (A124),E-KLASSE Coupe (C124),E-KLASSE Kombi (S124),E-KLASSE (W124),KOMBI Kombi (S123),KOMBI Kombi (S124),S-KLASSE Coupe (C126),S-KLASSE (W116),S-KLASSE (W126),Stufenheck (W123),Stufenheck (W124)
19847	<b>Spurstangenkopf, Tie Rod End, Rotule de barre de connexion</b> MERCEDES-BENZ CABRIOLET (A124),COUPE (C124),E-KLASSE Cabriolet (A124),E-KLASSE Coupe (C124),E-KLASSE Kombi (S124),E-KLASSE (W124),KOMBI Kombi (S124),Stufenheck (W124)
19848	<b>Spurstangenkopf, Tie Rod End, Rotule de barre de connexion</b> MERCEDES-BENZ CABRIOLET (A124),COUPE (C124),E-KLASSE Cabriolet (A124),E-KLASSE Coupe (C124),E-KLASSE Kombi (S124),E-KLASSE (W124),KOMBI Kombi (S124),Stufenheck (W124)
19849	<b>Spurstangenkopf, Tie Rod End, Rotule de barre de connexion</b> MERCEDES-BENZ CABRIOLET (A124),COUPE (C124),E-KLASSE Cabriolet (A124),E-KLASSE Coupe (C124),E-KLASSE Kombi (S124),E-KLASSE (W124),KOMBI Kombi (S124),Stufenheck (W124)
19850	<b>Spurstangenkopf, Tie Rod End, Rotule de barre de connexion</b> AUDI COUPE (81, 85),COUPE (89, 8B),QUATTRO (85),50 (86),80 (80, 82, B1),80 (81, 85, B2),90 (81, 85, B2),VW DERBY (86),DERBY (86C, 80),PASSAT Stufenheck (32B),PASSAT Variant (32B),PASSAT Variant (33),PASSAT (32),PASSAT (32B),POLO CLASSIC (86C, 80),POLO Coupe (86C, 80),POLO Kasten (6NF),POLO Kasten (86CF),POLO (86),POLO (86C, 80),SANTANA (32B)
19851	<b>Trag-/Führungsgelenk, Ball Joint, Rotule de suspension</b> VW LT 28-35 I Bus (281-363),LT 28-35 I Kasten (281-363),LT 28-35 I Pritsche/Fahrgestell (281-363),LT 40-55 I Kasten (291-512),LT 40-55 I Pritsche/Fahrgestell (293-909)
19852	<b>Trag-/Führungsgelenk, Ball Joint, Rotule de suspension</b> VW LT 28-35 I Bus (281-363),LT 28-35 I Kasten (281-363),LT 28-35 I Pritsche/Fahrgestell (281-363),LT 40-55 I Kasten (291-512),LT 40-55 I Pritsche/Fahrgestell (293-909)
19853HPS	<b>Stange/Strebe, Stabilisator, Rod/Strut, stabiliser, Entretoise/tige, stabilisateur</b> SEAT TOLEDO I (1L),VW GOLF III (1H1),VENTO (1H2)
19854	<b>Lenker, Radaufhängung, Track Control Arm, Bras de liaison, suspension de roue</b> VW DERBY (86),DERBY (86C, 80),POLO CLASSIC (86C, 80),POLO Coupe (86C, 80),POLO Kasten (86CF),POLO (86),POLO (86C, 80)
19855/1	<b>Lenker, Radaufhängung, Track Control Arm, Bras de liaison, suspension de roue</b> VW GOLF II (19E, 1G1),JETTA II (19E, 1G2, 165)
19855/2	<b>Lenker, Radaufhängung, Track Control Arm, Bras de liaison, suspension de roue</b> VW GOLF II (19E, 1G1),JETTA II (19E, 1G2, 165)
19855/7	<b>Lenker, Radaufhängung, Track Control Arm, Bras de liaison, suspension de roue</b> VW GOLF II (19E, 1G1),JETTA II (19E, 1G2, 165)
19855/8	<b>Lenker, Radaufhängung, Track Control Arm, Bras de liaison, suspension de roue</b> VW GOLF II (19E, 1G1),JETTA II (19E, 1G2, 165)
19856	<b>Trag-/Führungsgelenk, Ball Joint, Rotule de suspension</b> AUDI 80 (80, 82, B1),VW PASSAT Variant (33),PASSAT (32)
19857	<b>Trag-/Führungsgelenk, Ball Joint, Rotule de suspension</b> AUDI COUPE (81, 85),COUPE (89, 8B),80 (81, 85, B2),90 (81, 85, B2),VW PASSAT Stufenheck (32B),PASSAT Variant (32B),PASSAT Variant (33),PASSAT (32),PASSAT (32B),SANTANA (32B)
19858	<b>Lenker, Radaufhängung, Track Control Arm, Bras de liaison, suspension de roue</b> SEAT CORDOBA Vario (6K5),CORDOBA (6K1, 6K2),CORDOBA (6K2),IBIZA II (6K1),IBIZA III (6K1),INCA (6K9),TOLEDO I (1L),VW CADDY II Kasten (9K9A),CADDY II Kombi (9K9B),CORRADO (53I),GOLF II (19E, 1G1),JETTA II (19E, 1G2, 165),POLO CLASSIC (6KV2),POLO Variant (6KV5)
19858/1	<b>Lenker, Radaufhängung, Track Control Arm, Bras de liaison, suspension de roue</b> SEAT CORDOBA Vario (6K5),CORDOBA (6K1, 6K2),CORDOBA (6K2),IBIZA II (6K1),IBIZA III (6K1),INCA (6K9),TOLEDO I (1L),VW CADDY II Kasten (9K9A),CADDY II Kombi (9K9B),CORRADO (53I),GOLF II (19E, 1G1),JETTA II (19E, 1G2, 165),POLO CLASSIC (6KV2),POLO Variant (6KV5)
19858/2	<b>Lenker, Radaufhängung, Track Control Arm, Bras de liaison, suspension de roue</b> SEAT CORDOBA Vario (6K5),CORDOBA (6K1, 6K2),CORDOBA (6K2),IBIZA II (6K1),IBIZA III (6K1),INCA (6K9),TOLEDO I (1L),VW CADDY II Kasten (9K9A),CADDY II Kombi (9K9B),CORRADO (53I),GOLF II (19E, 1G1),JETTA II (19E, 1G2, 165),POLO CLASSIC (6KV2),POLO Variant (6KV5)
19858/7	<b>Lenker, Radaufhängung, Track Control Arm, Bras de liaison, suspension de roue</b> SEAT CORDOBA Vario (6K5),CORDOBA (6K1, 6K2),CORDOBA (6K2),IBIZA II (6K1),IBIZA III (6K1),INCA (6K9),TOLEDO I (1L),VW CADDY II Kasten (9K9A),CADDY II Pick-up (9U7),CORRADO (53I),GOLF II (19E, 1G1),JETTA II (19E, 1G2, 165),POLO CLASSIC (6KV2),POLO Variant (6KV5)





<b>19858/8</b>	<b>Lenker, Radaufhängung, Track Control Arm, Bras de liaison, suspension de roue</b> SEAT CORDOBA Vario (6K5),CORDOBA (6K1, 6K2),CORDOBA (6K2),IBIZA II (6K1),IBIZA III (6K1),INCA (6K9),TOLEDO I (1L),VW CADDY II Kasten (9K9A),CADDY II Pick-up (9U7),CORRADO (53I),GOLF II (19E, 1G1),JETTA II (19E, 1G2, 165),POLO CLASSIC (6KV2),POLO Variant (6KV5)
<b>19859</b>	<b>Spurstangenkopf, Tie Rod End, Rotule de barre de connexion</b> VW TRANSPORTER T4 Bus (70XB, 70XC, 7DB, 7DW),TRANSPORTER T4 Kasten (70XA),TRANSPORTER T4 Pritsche/Fahrgestell (70XD)
<b>19860</b>	<b>Spurstange, Rod Assembly, Barre de connexion</b> SEAT CORDOBA Vario (6K5),CORDOBA (6K1, 6K2),IBIZA II (6K1),TOLEDO I (1L),VW SCIROCCO (53B)
<b>19861</b>	<b>Spurstange, Rod Assembly, Barre de connexion</b> SEAT CORDOBA Vario (6K5),CORDOBA (6K1, 6K2),IBIZA II (6K1),TOLEDO I (1L),VW CORRADO (53I),SCIROCCO (53B)
<b>19862</b>	<b>Spurstange, Rod Assembly, Barre de connexion</b> VW GOLF III Variant (1H5),GOLF III (1H1),VENTO (1H2)
<b>19863</b>	<b>Spurstange, Rod Assembly, Barre de connexion</b> VW GOLF III Variant (1H5),GOLF III (1H1),VENTO (1H2)
<b>19864</b>	<b>Spurstange, Rod Assembly, Barre de connexion</b> VW GOLF III Cabriolet (1E7),GOLF III Variant (1H5),GOLF III (1H1),VENTO (1H2)
<b>19865</b>	<b>Spurstange, Rod Assembly, Barre de connexion</b> VW GOLF III Cabriolet (1E7),GOLF III Variant (1H5),GOLF III (1H1),VENTO (1H2)
<b>19866</b>	<b>Spurstangenkopf, Tie Rod End, Rotule de barre de connexion</b> VW KOMBI Kasten (T2),TRANSPORTER T4 Bus (70XB, 70XC, 7DB, 7DW),TRANSPORTER T4 Kasten (70XA),TRANSPORTER T4 Pritsche/Fahrgestell (70XD)
<b>19867</b>	<b>Spurstangenkopf, Tie Rod End, Rotule de barre de connexion</b> VW KOMBI Kasten (T2),TRANSPORTER T4 Bus (70XB, 70XC, 7DB, 7DW),TRANSPORTER T4 Kasten (70XA),TRANSPORTER T4 Pritsche/Fahrgestell (70XD)
<b>19868</b>	<b>Trag-/Führungsgelenk, Ball Joint, Rotule de suspension</b> VW KOMBI Bus (T2),KOMBI Kasten (T2),TRANSPORTER T4 Bus (70XB, 70XC, 7DB, 7DW),TRANSPORTER T4 Kasten (70XA),TRANSPORTER T4 Pritsche/Fahrgestell (70XD)
<b>19870</b>	<b>Lenker, Radaufhängung, Track Control Arm, Bras de liaison, suspension de roue</b> VW GOLF III Cabriolet (1E7),GOLF III Variant (1H5),GOLF III (1H1),GOLF IV Cabriolet (1E7),VENTO (1H2)
<b>19870/1</b>	<b>Lenker, Radaufhängung, Track Control Arm, Bras de liaison, suspension de roue</b> VW GOLF III Cabriolet (1E7),GOLF III Variant (1H5),GOLF III (1H1),GOLF IV Cabriolet (1E7),VENTO (1H2)
<b>19870/2</b>	<b>Lenker, Radaufhängung, Track Control Arm, Bras de liaison, suspension de roue</b> VW GOLF III Cabriolet (1E7),GOLF III Variant (1H5),GOLF III (1H1),GOLF IV Cabriolet (1E7),VENTO (1H2)
<b>19870/7</b>	<b>Lenker, Radaufhängung, Track Control Arm, Bras de liaison, suspension de roue</b> VW GOLF III Cabriolet (1E7),GOLF III Variant (1H5),GOLF III (1H1),GOLF IV Cabriolet (1E7),VENTO (1H2)
<b>19870/8</b>	<b>Lenker, Radaufhängung, Track Control Arm, Bras de liaison, suspension de roue</b> VW GOLF III Cabriolet (1E7),GOLF III Variant (1H5),GOLF III (1H1),GOLF IV Cabriolet (1E7),VENTO (1H2)
<b>19871</b>	<b>Spurstange, Rod Assembly, Barre de connexion</b> VW PASSAT Variant (3A5, 35I),PASSAT (3A2, 35I)
<b>19872</b>	<b>Spurstange, Rod Assembly, Barre de connexion</b> VW PASSAT Variant (3A5, 35I),PASSAT (3A2, 35I)
<b>19873</b>	<b>Spurstangenkopf, Tie Rod End, Rotule de barre de connexion</b> VW TRANSPORTER T4 Bus (70XB, 70XC, 7DB, 7DW),TRANSPORTER T4 Kasten (70XA),TRANSPORTER T4 Pritsche/Fahrgestell (70XD)
<b>19874</b>	<b>Spurstangenkopf, Tie Rod End, Rotule de barre de connexion</b> PORSCHE 924,VOLVO 340-360 Stufenheck (344),340-360 (343, 345),VW CADDY I (14),GOLF I Cabriolet (155),GOLF I (17),JETTA I (16),SCIROCCO (53),SCIROCCO (53B),TRANSPORTER T3 Bus,TRANSPORTER T3 Kasten,TRANSPORTER T3 Pritsche/Fahrgestell
<b>19875</b>	<b>Trag-/Führungsgelenk, Ball Joint, Rotule de suspension</b> PORSCHE 924,VW GOLF I (17),SCIROCCO (53),SCIROCCO (53B)
<b>19876</b>	<b>Trag-/Führungsgelenk, Ball Joint, Rotule de suspension</b> VW CADDY I (14),GOLF I Cabriolet (155),GOLF I (17),JETTA I (16),SCIROCCO (53),SCIROCCO (53B)
<b>19877</b>	<b>Spurstangenkopf, Tie Rod End, Rotule de barre de connexion</b> SEAT CORDOBA Vario (6K5),CORDOBA (6K1, 6K2),CORDOBA (6K2),IBIZA II (6K1),IBIZA III (6K1),TOLEDO I (1L),VW CORRADO (53I),GOLF II (19E, 1G1),GOLF III Cabriolet (1E7),GOLF III Variant (1H5),GOLF III (1H1),GOLF IV Cabriolet (1E7),JETTA II (19E, 1G2, 165),PASSAT Variant (3A5, 35I),PASSAT (3A2, 35I),POLO CLASSIC (86C, 80),VENTO (1H2)
<b>19878</b>	<b>Spurstangenkopf, Tie Rod End, Rotule de barre de connexion</b> SEAT CORDOBA Vario (6K5),CORDOBA (6K1, 6K2),CORDOBA (6K2),IBIZA II (6K1),IBIZA III (6K1),TOLEDO I (1L),VW CORRADO (53I),GOLF II (19E, 1G1),GOLF III Cabriolet (1E7),GOLF III Variant (1H5),GOLF III (1H1),GOLF IV Cabriolet (1E7),JETTA II (19E, 1G2, 165),PASSAT Variant (3A5, 35I),PASSAT (3A2, 35I),VENTO (1H2)
<b>19879</b>	<b>Trag-/Führungsgelenk, Ball Joint, Rotule de suspension</b> VW GOLF II (19E, 1G1),JETTA II (19E, 1G2, 165)
<b>19879/1</b>	<b>Trag-/Führungsgelenk, Ball Joint, Rotule de suspension</b> VW GOLF II (19E, 1G1),JETTA II (19E, 1G2, 165)



19880	<b>Spurstangenkopf, Tie Rod End, Rotule de barre de connexion</b> VW TRANSPORTER T4 Bus (70XB, 70XC, 7DB, 7DW),TRANSPORTER T4 Kasten (70XA),TRANSPORTER T4 Pritsche/Fahrgestell (70XD)
19881	<b>Trag-/Führungsgelenk, Ball Joint, Rotule de suspension</b> VW TRANSPORTER T2 Bus,TRANSPORTER T2 Kasten,TRANSPORTER T2 Pritsche/Fahrgestell
19882	<b>Spurstangenkopf, Tie Rod End, Rotule de barre de connexion</b> VW TRANSPORTER T4 Bus (70XB, 70XC, 7DB, 7DW),TRANSPORTER T4 Kasten (70XA),TRANSPORTER T4 Pritsche/Fahrgestell (70XD)
19883	<b>Trag-/Führungsgelenk, Ball Joint, Rotule de suspension</b> VW TRANSPORTER T3 Bus,TRANSPORTER T3 Kasten,TRANSPORTER T3 Pritsche/Fahrgestell
19884	<b>Trag-/Führungsgelenk, Ball Joint, Rotule de suspension</b> VW TRANSPORTER T3 Bus,TRANSPORTER T3 Kasten,TRANSPORTER T3 Pritsche/Fahrgestell
19885	<b>Spurstangenkopf, Tie Rod End, Rotule de barre de connexion</b> SEAT AROSA (6H),VW LUPO (6X1, 6E1),POLO Kasten (6NF),POLO (6N1),POLO (6N2)
19886	<b>Spurstangenkopf, Tie Rod End, Rotule de barre de connexion</b> SEAT AROSA (6H),VW LUPO (6X1, 6E1),POLO Kasten (6NF),POLO (6N1),POLO (6N2)
19887	<b>Axialgelenk, Spurstange, Tie Rod Axle Joint, Rotule de direction intérieure, barre de connexion</b> VW TRANSPORTER T3 Bus,TRANSPORTER T3 Kasten,TRANSPORTER T3 Pritsche/Fahrgestell
19888	<b>Spurstange, Rod Assembly, Barre de connexion</b> SEAT CORDOBA (6K1, 6K2),IBIZA II (6K1),IBIZA III (6K1),TOLEDO I (1L),VW GOLF II (19E, 1G1),JETTA II (19E, 1G2, 165)
19889	<b>Trag-/Führungsgelenk, Ball Joint, Rotule de suspension</b> SEAT CORDOBA Vario (6K5),CORDOBA (6K1, 6K2),CORDOBA (6K2),IBIZA II (6K1),IBIZA III (6K1),INCA (6K9),TOLEDO I (1L),VW CADDY II Kasten (9K9A),CADDY II Kombi (9K9B),CORRADO (53I),GOLF II (19E, 1G1),GOLF III Cabriolet (1E7),GOLF III Variant (1H5),GOLF III (1H1),GOLF IV Cabriolet (1E7),JETTA II (19E, 1G2, 165),PASSAT Variant (3A5, 35I),PASSAT (3A2, 35I),POLO CLASSIC (6KV2),POLO Variant (6KV5),VENTO (1H2)
19889/1	<b>Trag-/Führungsgelenk, Ball Joint, Rotule de suspension</b> SEAT CORDOBA Vario (6K5),CORDOBA (6K1, 6K2),CORDOBA (6K2),IBIZA II (6K1),IBIZA III (6K1),INCA (6K9),TOLEDO I (1L),VW CADDY II Kasten (9K9A),CADDY II Kombi (9K9B),CORRADO (53I),GOLF II (19E, 1G1),GOLF III Cabriolet (1E7),GOLF III Variant (1H5),GOLF III (1H1),GOLF IV Cabriolet (1E7),JETTA II (19E, 1G2, 165),PASSAT Variant (3A5, 35I),PASSAT (3A2, 35I),POLO CLASSIC (6KV2),POLO Variant (6KV5),VENTO (1H2)
19890	<b>Spurstangenkopf, Tie Rod End, Rotule de barre de connexion</b> AUDI CABRIOLET (8G7, B4),COUPE (81, 85),COUPE (89, 8B),80 Avant (8C, B4),80 (8C, B4),80 (81, 85, B2),80 (89, 89Q, 8A, B3),90 (81, 85, B2),90 (89, 89Q, 8A, B3),VW PASSAT Stufenheck (32B),PASSAT Variant (32B),PASSAT (32B),SANTANA (32B)
19891	<b>Spurstange, Rod Assembly, Barre de connexion</b> VW CADDY I (14),GOLF I Cabriolet (155),GOLF I (17),JETTA I (16),SCIROCCO (53),SCIROCCO (53B)
19891/1	<b>Axialgelenk, Spurstange, Tie Rod Axle Joint, Rotule de direction intérieure, barre de connexion</b> VW CADDY I (14),GOLF I Cabriolet (155),GOLF I (17),JETTA I (16),SCIROCCO (53),SCIROCCO (53B)
19892	<b>Spurstange, Rod Assembly, Barre de connexion</b> SEAT CORDOBA (6K1, 6K2),IBIZA II (6K1),IBIZA III (6K1),TOLEDO I (1L),VW GOLF II (19E, 1G1),GOLF III Variant (1H5),JETTA II (19E, 1G2, 165)
19893	<b>Trag-/Führungsgelenk, Ball Joint, Rotule de suspension</b> AUDI COUPE (81, 85),80 (81, 85, B2),80 (89, 89Q, 8A, B3),90 (81, 85, B2),90 (89, 89Q, 8A, B3)
19894	<b>Trag-/Führungsgelenk, Ball Joint, Rotule de suspension</b> AUDI COUPE (81, 85),80 (81, 85, B2),80 (89, 89Q, 8A, B3),90 (81, 85, B2),90 (89, 89Q, 8A, B3),VW PASSAT Stufenheck (32B),PASSAT Variant (32B),PASSAT (32B),SANTANA (32B)
19895	<b>Trag-/Führungsgelenk, Ball Joint, Rotule de suspension</b> SEAT AROSA (6H),VW LUPO (6X1, 6E1),POLO Kasten (6NF),POLO (6N1),POLO (6N2)
19895/1	<b>Trag-/Führungsgelenk, Ball Joint, Rotule de suspension</b> SEAT AROSA (6H),VW LUPO (6X1, 6E1),POLO Kasten (6NF),POLO (6N1),POLO (6N2)
19895/9	<b>Sicherungsblech, Trag-/Führungsgelenk, Securing Plate, ball joint, Plaque d'arrêt, rotule de suspension</b> SEAT AROSA (6H),VW LUPO (6X1, 6E1),POLO (6N1),POLO (6N2),POLO (9N_)
19896	<b>Trag-/Führungsgelenk, Ball Joint, Rotule de suspension</b> SEAT AROSA (6H),VW LUPO (6X1, 6E1),POLO Kasten (6NF),POLO (6N1),POLO (6N2)
19896/1	<b>Trag-/Führungsgelenk, Ball Joint, Rotule de suspension</b> SEAT AROSA (6H),VW LUPO (6X1, 6E1),POLO Kasten (6NF),POLO (6N1),POLO (6N2)
19897	<b>Trag-/Führungsgelenk, Ball Joint, Rotule de suspension</b> AUDI 80 (89, 89Q, 8A, B3)
19898	<b>Trag-/Führungsgelenk, Ball Joint, Rotule de suspension</b> AUDI 80 (89, 89Q, 8A, B3)
19899	<b>Spurstange, Rod Assembly, Barre de connexion</b> VW DERBY (86C, 80),POLO CLASSIC (86C, 80),POLO Coupe (86C, 80),POLO Kasten (86CF),POLO (86C, 80)
19901	<b>Trag-/Führungsgelenk, Ball Joint, Rotule de suspension</b> VOLVO 240 Kombi (P245),240 (P242, P244),260 Coupe (P262),260 Kombi (P265),260 (P262, P264)
19902	<b>Trag-/Führungsgelenk, Ball Joint, Rotule de suspension</b> VOLVO 240 Kombi (P245),240 (P242, P244),260 Coupe (P262),260 Kombi (P265),260 (P262, P264)



19903	<b>Stange/Strebe, Stabilisator, Rod/Strut, stabiliser, Entretoise/tige, stabilisateur</b> VOLVO 440 K (445),460 L (464),480 E
19906	<b>Spurstangenkopf, Tie Rod End, Rotule de barre de connexion</b> VOLVO S90,V90 Kombi,240 Kombi (P245),240 (P242, P244),260 Coupe (P262),260 Kombi (P265),260 (P262, P264),740 Kombi (745),740 (744),760 Kombi (704, 765),760 (704, 764),780,940 II Kombi (945),940 II (944),940 Kombi (945),940 (944),960 II Kombi (965),960 II (964),960 Kombi (965),960 (964)
19907	<b>Trag-/Führungsgelenk, Ball Joint, Rotule de suspension</b> VOLVO S90,V90 Kombi,740 Kombi (745),740 (744),760 Kombi (704, 765),760 (704, 764),780,940 II Kombi (945),940 II (944),940 Kombi (945),940 (944),960 II Kombi (965),960 II (964),960 Kombi (965),960 (964)
19908	<b>Spurstangenkopf, Tie Rod End, Rotule de barre de connexion</b> VOLVO 440 K (445),460 L (464),480 E
19909	<b>Trag-/Führungsgelenk, Ball Joint, Rotule de suspension</b> VOLVO 440 K (445),460 L (464),480 E
19910	<b>Spurstangenkopf, Tie Rod End, Rotule de barre de connexion</b> VOLVO C70 I Cabriolet,C70 I Coupe,S60,S70 (P80_),S90,V70 I (P80_),V90 Kombi,XC70 CROSS COUNTRY,850 Kombi (LW),850 (LS),940 II Kombi (945),940 II (944),940 Kombi (945),940 (944),960 II Kombi (965),960 II (964),960 Kombi (965),960 (964)
19911	<b>Spurstangenkopf, Tie Rod End, Rotule de barre de connexion</b> VOLVO C70 I Cabriolet,C70 I Coupe,S60,S70 (P80_),S90,V70 I (P80_),V90 Kombi,XC70 CROSS COUNTRY,850 Kombi (LW),850 (LS),940 II Kombi (945),940 II (944),940 Kombi (945),940 (944),960 II Kombi (965),960 II (964),960 Kombi (965),960 (964)
19912	<b>Trag-/Führungsgelenk, Ball Joint, Rotule de suspension</b> VOLVO 850 Kombi (LW),850 (LS)
19913	<b>Stange/Strebe, Stabilisator, Rod/Strut, stabiliser, Entretoise/tige, stabilisateur</b> VOLVO S90,V90 Kombi,740 Kombi (745),740 (744),760 Kombi (704, 765),760 (704, 764),940 II Kombi (945),940 II (944),940 Kombi (945),940 (944),960 II Kombi (965),960 II (964),960 Kombi (965),960 (964)
19914HPS	<b>Stange/Strebe, Stabilisator, Rod/Strut, stabiliser, Entretoise/tige, stabilisateur</b> DACIA DUSTER,VOLVO C70 I Cabriolet,C70 I Coupe,S70 (P80_),V70 I (P80_),850 Kombi (LW),850 (LS)
19915	<b>Stange/Strebe, Stabilisator, Rod/Strut, stabiliser, Entretoise/tige, stabilisateur</b> VOLVO 240 Kombi (P245),240 (P242, P244),260 Coupe (P262),260 Kombi (P265),260 (P262, P264)
19937	<b>Stange/Strebe, Stabilisator, Rod/Strut, stabiliser, Entretoise/tige, stabilisateur</b> VOLVO S90,V90 Kombi,940 II Kombi (945),940 II (944),940 Kombi (945),960 II Kombi (965),960 II (964),960 Kombi (965),960 (964)
19937HPS	<b>Stange/Strebe, Stabilisator, Rod/Strut, stabiliser, Entretoise/tige, stabilisateur</b> VOLVO S90,V90 Kombi,940 II Kombi (945),940 II (944),940 Kombi (945),960 II Kombi (965),960 II (964),960 Kombi (965),960 (964)
19938	<b>Stange/Strebe, Stabilisator, Rod/Strut, stabiliser, Entretoise/tige, stabilisateur</b> VOLVO S90,V90 Kombi,960 II Kombi (965),960 II (964)
19949	<b>Trag-/Führungsgelenk, Ball Joint, Rotule de suspension</b> ROVER 100 Cabriolet (XP),100 (METRO) (XP)
19951	<b>Trag-/Führungsgelenk, Ball Joint, Rotule de suspension</b> AUSTIN METRO,MG METRO
19954	<b>Trag-/Führungsgelenk, Ball Joint, Rotule de suspension</b> ROVER 100 (METRO) (XP)
19955	<b>Trag-/Führungsgelenk, Ball Joint, Rotule de suspension</b> ROVER 100 (METRO) (XP)
19956	<b>Spurstangenkopf, Tie Rod End, Rotule de barre de connexion</b> HONDA CONCERTO (HW),CONCERTO Stufenheck (HWW),ROVER CABRIOLET (XW),200 Coupe (XW),200 Hatchback (XW),200 (RF),400 Hatchback (RT),400 (RT),400 Tourer (XW),400 (XW)
19957	<b>Stange/Strebe, Stabilisator, Rod/Strut, stabiliser, Entretoise/tige, stabilisateur</b> HONDA CONCERTO (HW),MG MG ZR,ROVER 200 Coupe (XW),200 Hatchback (XW),200 (RF),25 (RF),400 Tourer (XW),400 (XW)
19958	<b>Stange/Strebe, Stabilisator, Rod/Strut, stabiliser, Entretoise/tige, stabilisateur</b> ROVER 200 (XH)
19961	<b>Spurstangenkopf, Tie Rod End, Rotule de barre de connexion</b> SKODA FAVORIT Forman (785),FAVORIT Pick-up (787),FAVORIT (781),FELICIA I Fun (797),FELICIA I Kombi (6U5),FELICIA I (6U1),FELICIA II Kombi (6U5),FELICIA II (6U1)
19962	<b>Trag-/Führungsgelenk, Ball Joint, Rotule de suspension</b> SKODA FAVORIT Forman (785),FAVORIT Pick-up (787),FAVORIT (781),FELICIA I Fun (797),FELICIA I Kombi (6U5),FELICIA I (6U1),FELICIA II Kombi (6U5),FELICIA II (6U1)
19968	<b>Axialgelenk, Spurstange, Tie Rod Axle Joint, Rotule de direction intérieure, barre de connexion</b> SKODA FELICIA I Fun (797),FELICIA I Kombi (6U5),FELICIA I (6U1),FELICIA II Kombi (6U5),FELICIA II (6U1)
19971	<b>Lenker, Radaufhängung, Track Control Arm, Bras de liaison, suspension de roue</b> SKODA FELICIA I Fun (797),FELICIA I Kombi (6U5),FELICIA I (6U1),FELICIA II Kombi (6U5),FELICIA II (6U1)
19972	<b>Lenker, Radaufhängung, Track Control Arm, Bras de liaison, suspension de roue</b> SKODA FELICIA I Fun (797),FELICIA I Kombi (6U5),FELICIA I (6U1),FELICIA II Kombi (6U5),FELICIA II (6U1)
19973	<b>Axialgelenk, Spurstange, Tie Rod Axle Joint, Rotule de direction intérieure, barre de connexion</b> SKODA FAVORIT Forman (785),FELICIA I Kombi (6U5),FELICIA I (6U1),FELICIA II Kombi (6U5),FELICIA II (6U1),VW CADDY II Pick-up (9U7)



19980	<b>Trag-/Führungsgelenk, Ball Joint, Rotule de suspension</b> SAAB 9000,9000 Schrägheck
19981	<b>Spurstangenkopf, Tie Rod End, Rotule de barre de connexion</b> SAAB 9000,9000 Schrägheck
19982	<b>Spurstangenkopf, Tie Rod End, Rotule de barre de connexion</b> SAAB 900 I Combi Coupe,900 II
19983	<b>Trag-/Führungsgelenk, Ball Joint, Rotule de suspension</b> SAAB 90,900 I (AC4, AM4),900 I Cabriolet,900 I Combi Coupe,900 II,900 II Cabriolet,900 II Coupe,99,99 Combi Coupe
19984	<b>Lenker, Radaufhängung, Track Control Arm, Bras de liaison, suspension de roue</b> SAAB 900 II,900 II Cabriolet,900 II Coupe,9-3 Cabriolet (YS3D),9-3 (YS3D)
19985	<b>Lenker, Radaufhängung, Track Control Arm, Bras de liaison, suspension de roue</b> SAAB 900 II,900 II Cabriolet,900 II Coupe,9-3 Cabriolet (YS3D),9-3 (YS3D)
19993	<b>Lagerung, Lenker, Control Arm-/Trailing Arm Bush, Suspension, bras de liaison</b> SKODA FAVORIT Forman (785),FAVORIT (781)
19994	<b>Lagerung, Lenker, Control Arm-/Trailing Arm Bush, Suspension, bras de liaison</b> SKODA FAVORIT Forman (785),FAVORIT (781)
29795	<b>Gelenk, Lenksäule, Joint, steering column, Joint, colonne de direction</b> FORD FIESTA III (GFJ),KA (RB_),STREET KA
33001	<b>Lagerung, Lenker, Control Arm-/Trailing Arm Bush, Suspension, bras de liaison</b> CITROËN JUMPER Bus (230P),JUMPER Bus (244, Z_),JUMPER Kasten (230L),JUMPER Kasten (244),JUMPER Pritsche/Fahrgestell (230),JUMPER Pritsche/Fahrgestell (244),FIAT DUCATO Bus (230),DUCATO Bus (244, Z_),DUCATO Kasten (230L),DUCATO Kasten (244),DUCATO Pritsche/Fahrgestell (230),DUCATO Pritsche/Fahrgestell (244),PEUGEOT BOXER Bus (230P),BOXER Bus (244, Z_),BOXER Kasten (230L),BOXER Kasten (244),BOXER Pritsche/Fahrgestell (ZCT_),BOXER Pritsche/Fahrgestell (244)
33002	<b>Lagerung, Lenker, Control Arm-/Trailing Arm Bush, Suspension, bras de liaison</b> FIAT BARCHETTA (183),CINQUECENTO (170),PUNTO Cabriolet (176C),PUNTO Van (176L),PUNTO (176),SEICENTO (187),UNO (146A/E),LANCIA Y (840A)
33003	<b>Lagerung, Lenker, Control Arm-/Trailing Arm Bush, Suspension, bras de liaison</b> FIAT SEICENTO (187),UNO (146A/E)
33004	<b>Lagerung, Achskörper, Mounting, axle beam, Suspension, corps de l'essieu</b> SEAT IBIZA I (021A)
33005	<b>Lagerung, Achskörper, Mounting, axle beam, Suspension, corps de l'essieu</b> FIAT BARCHETTA (183),PUNTO Cabriolet (176C),PUNTO (176),PUNTO (188),LANCIA Y (840A)
33006	<b>Lagerung, Lenker, Control Arm-/Trailing Arm Bush, Suspension, bras de liaison</b> CITROËN JUMPER Bus (230P),JUMPER Kasten (230L),JUMPER Pritsche/Fahrgestell (230),FIAT DUCATO Bus (230),DUCATO Kasten (230L),DUCATO Pritsche/Fahrgestell (230),PEUGEOT BOXER Bus (230P),BOXER Kasten (230L),BOXER Pritsche/Fahrgestell (ZCT_)
33006/1	<b>Hülse, Querlenkerlagerung, Sleeve, control arm mounting, Manchon, fixation du bras transversal</b> CITROËN JUMPER Bus (230P),JUMPER Kasten (230L),JUMPER Pritsche/Fahrgestell (230),FIAT DUCATO Bus (230),DUCATO Kasten (230L),DUCATO Pritsche/Fahrgestell (230),PEUGEOT BOXER Bus (230P),BOXER Kasten (230L),BOXER Pritsche/Fahrgestell (ZCT_)
33007	<b>Lagerung, Lenker, Control Arm-/Trailing Arm Bush, Suspension, bras de liaison</b> ALFA ROMEO GT (937),147 (937),156 Sportwagon (932),156 (932)
33008	<b>Lagerung, Lenker, Control Arm-/Trailing Arm Bush, Suspension, bras de liaison</b> ALFA ROMEO GT (937),147 (937),156 Sportwagon (932),156 (932)
33009	<b>Stange/Strebe, Stabilisator, Rod/Strut, stabiliser, Entretoise/tige, stabilisateur</b> ALFA ROMEO GTV (916C_),SPIDER (916S_),145 (930),146 (930),155 (167),FIAT BRAVA (182),BRAVO I (182),COUPE (FA/175),TEMPRA S.W. (159),TEMPRA (159),TIPO (160),LANCIA DEDRA SW (835),DEDRA (835),DELTA II (836)
33010	<b>Lagerung, Lenker, Control Arm-/Trailing Arm Bush, Suspension, bras de liaison</b> ALFA ROMEO GT (937),147 (937),156 Sportwagon (932),156 (932)
33011	<b>Lagerung, Lenker, Control Arm-/Trailing Arm Bush, Suspension, bras de liaison</b> FIAT IDEA,PANDA Van (169),PANDA (169),PUNTO Van (188AX),PUNTO (188),LANCIA MUSA (350),YPSILON (843)
33012	<b>Lagerung, Lenker, Control Arm-/Trailing Arm Bush, Suspension, bras de liaison</b> FIAT PUNTO Van (188AX),PUNTO (188)
33013	<b>Lagerung, Lenker, Control Arm-/Trailing Arm Bush, Suspension, bras de liaison</b> ALFA ROMEO GT (937),147 (937),156 Sportwagon (932),156 (932)
33014	<b>Lagerung, Lenker, Control Arm-/Trailing Arm Bush, Suspension, bras de liaison</b> ALFA ROMEO GT (937),147 (937),156 Sportwagon (932),156 (932)
33015	<b>Lagerung, Lenker, Control Arm-/Trailing Arm Bush, Suspension, bras de liaison</b> SAAB 9000,9000 Schrägheck
33016	<b>Lagerung, Lenker, Control Arm-/Trailing Arm Bush, Suspension, bras de liaison</b> SAAB 9000,9000 Schrägheck
33017	<b>Lagerung, Lenker, Control Arm-/Trailing Arm Bush, Suspension, bras de liaison</b> CITROËN C8 (EA_, EB_),EVASION (22, U6),JUMPY Kasten (BS_, BT_, BY_, BZ_),JUMPY Pritsche/Fahrgestell (BU_, BV_, BW_, BX_),JUMPY (U6U),FIAT SCUDO Combinato (220P),SCUDO Kasten (220L),ULYSSE (179AX),ULYSSE (220),LANCIA ZETA (220),PEUGEOT EXPERT Kasten (222),EXPERT Pritsche/Fahrgestell (223),EXPERT (224),806 (221),807 (E)



33018	<b>Lagerung, Lenker, Control Arm-/Trailing Arm Bush, Suspension, bras de liaison</b> FIAT DOBLO Cargo (223), DOBLO (119), PALIO Weekend (178DX), PALIO (178BX), SIENA (178_), STRADA (178E)
33019	<b>Lagerung, Lenker, Control Arm-/Trailing Arm Bush, Suspension, bras de liaison</b> ALFA ROMEO GTV (916C_), 145 (930), 146 (930), 155 (167), FIAT BRAVA (182), BRAVO I (182), COUPE (FA/175), MAREA Weekend (185), MAREA (185), TEMPRA S.W. (159), TEMPRA (159), LANCIA DEDRA SW (835), DEDRA (835), DELTA I (831AB0), DELTA II (836)
33035	<b>Lagerung, Lenker, Control Arm-/Trailing Arm Bush, Suspension, bras de liaison</b> ALFA ROMEO GTV (916C_), 145 (930), 146 (930), 155 (167), FIAT BRAVA (182), BRAVO I (182), COUPE (FA/175), MAREA Weekend (185), MAREA (185), TEMPRA S.W. (159), TEMPRA (159), LANCIA DEDRA SW (835), DEDRA (835), DELTA I (831AB0), DELTA II (836)
33039	<b>Lagerung, Achskörper, Mounting, axle beam, Suspension, corps de l'essieu</b> FIAT PUNTO Cabriolet (176C), PUNTO Van (176L), PUNTO (176)
33040	<b>Lagerung, Achskörper, Mounting, axle beam, Suspension, corps de l'essieu</b> FIAT PUNTO Cabriolet (176C), PUNTO (176)
33044	<b>Lagerung, Lenker, Control Arm-/Trailing Arm Bush, Suspension, bras de liaison</b> ALFA ROMEO MITO (955), CITROËN NEMO Kasten (AA_), NEMO Kombi, FIAT FIORINO Kasten/Kombi (225), GRANDE PUNTO Van (199), LINEA (323), PUNTO / GRANDE PUNTO (199), PUNTO EVO, QUBO (225), 500 C Giardiniera, OPEL CORSA D, CORSA D Van, PEUGEOT BIPPER (AA_), BIPPER Tepee, VAUXHALL CORSA Mk III (D) (L_8), CORSAVAN Mk III (D)
33045	<b>Lagerung, Lenker, Control Arm-/Trailing Arm Bush, Suspension, bras de liaison</b> ALFA ROMEO MITO (955), CITROËN NEMO Kasten (AA_), NEMO Kombi, FIAT FIORINO Kasten/Kombi (225), LINEA (323), PUNTO / GRANDE PUNTO (199), PUNTO EVO, QUBO (225), PEUGEOT BIPPER (AA_), BIPPER Tepee
33046	<b>Lagerung, Lenker, Control Arm-/Trailing Arm Bush, Suspension, bras de liaison</b> FIAT PALIO Weekend (178DX), PALIO (178BX), SIENA (178_), STRADA (178E)
33047	<b>Lagerung, Lenker, Control Arm-/Trailing Arm Bush, Suspension, bras de liaison</b> FIAT PALIO Weekend (178DX), PALIO (178BX), SIENA (178_), STRADA (178E)
33048	<b>Lagerung, Lenker, Control Arm-/Trailing Arm Bush, Suspension, bras de liaison</b> ALFA ROMEO BRERA, SPIDER (939), 159 Sportwagon (939), 159 (939)
33049	<b>Lagerung, Lenker, Control Arm-/Trailing Arm Bush, Suspension, bras de liaison</b> ALFA ROMEO BRERA, SPIDER (939), 159 Sportwagon (939), 159 (939)
33057	<b>Lagerung, Lenker, Control Arm-/Trailing Arm Bush, Suspension, bras de liaison</b> FIAT BRAVO II (198), STILO Multi Wagon (192), STILO (192), LANCIA DELTA III (844)
33060	<b>Lagerung, Lenker, Control Arm-/Trailing Arm Bush, Suspension, bras de liaison</b> ALFA ROMEO BRERA, SPIDER (939), 159 Sportwagon (939), 159 (939)
33061	<b>Lagerung, Lenker, Control Arm-/Trailing Arm Bush, Suspension, bras de liaison</b> ALFA ROMEO BRERA, SPIDER (939), 159 Sportwagon (939), 159 (939)
33062	<b>Lagerung, Lenker, Control Arm-/Trailing Arm Bush, Suspension, bras de liaison</b> ALFA ROMEO BRERA, SPIDER (939), 159 Sportwagon (939), 159 (939)
33063	<b>Lagerung, Lenker, Control Arm-/Trailing Arm Bush, Suspension, bras de liaison</b> ALFA ROMEO BRERA, SPIDER (939), 159 Sportwagon (939), 159 (939)
33069	<b>Lagerung, Lenker, Control Arm-/Trailing Arm Bush, Suspension, bras de liaison</b> FIAT PANDA Van (169), PANDA (169)
33100	<b>Lagerung, Lenker, Control Arm-/Trailing Arm Bush, Suspension, bras de liaison</b> RENAULT RAPID Kasten (F40_, G40_), SUPER 5 (B/C40_), 11 (B/C37_), 9 (L42_)
33101	<b>Lagerung, Lenker, Control Arm-/Trailing Arm Bush, Suspension, bras de liaison</b> RENAULT 21 (B48_), 21 Kombi (K48_), 21 Stufenheck (L48_)
33102	<b>Lagerung, Lenker, Control Arm-/Trailing Arm Bush, Suspension, bras de liaison</b> RENAULT 21 (B48_), 21 Kasten (S48_), 21 Kombi (K48_), 21 Stufenheck (L48_)
33103	<b>Lagerung, Stabilisator, Stabiliser Mounting, Suspension, stabilisateur</b> RENAULT CLIO I (B/C57_, 5/357_)
33104	<b>Lagerung, Stabilisator, Stabiliser Mounting, Suspension, stabilisateur</b> RENAULT SUPER 5 (B/C40_), SUPER 5 Kasten (S40_), 21 (B48_), 21 Kasten (S48_), 21 Kombi (K48_), 21 Stufenheck (L48_)
33105	<b>Lagerung, Stabilisator, Stabiliser Mounting, Suspension, stabilisateur</b> RENAULT CLIO I (B/C57_, 5/357_), CLIO I Kasten (S57_), CLIO II (BB0/1/2_, CB0/1/2_)
33115	<b>Lagerung, Stabilisator, Stabiliser Mounting, Suspension, stabilisateur</b> RENAULT RAPID Kasten (F40_, G40_), SUPER 5 (B/C40_), SUPER 5 Kasten (S40_)
33116	<b>Lagerung, Stabilisator, Stabiliser Mounting, Suspension, stabilisateur</b> RENAULT RAPID Kasten (F40_, G40_), SUPER 5 (B/C40_), SUPER 5 Kasten (S40_)
33117	<b>Lagerung, Stabilisator, Stabiliser Mounting, Suspension, stabilisateur</b> RENAULT 19 I (B/C53_), 19 I Cabriolet (D53_), 19 I Chamade (L53_), 19 I Kasten (S53_), 19 II (B/C53_), 19 II Cabriolet (D53_, 853_), 19 II Chamade (L53_), 19 II Kasten (S53_)
33118	<b>Lagerung, Stabilisator, Stabiliser Mounting, Suspension, stabilisateur</b> RENAULT CLIO I (B/C57_, 5/357_), CLIO I Kasten (S57_), CLIO II (BB0/1/2_, CB0/1/2_), MEGANE I (BA0/1_), MEGANE I Cabriolet (EA0/1_), MEGANE I Classic (LA0/1_), MEGANE I Coach (DA0/1_), MEGANE I Grandtour (KA0/1_), MEGANE II (BM0/1_, CM0/1_), MEGANE Scenic (JA0/1_), SCÉNIC I (JA0/1_), 19 I (B/C53_), 19 I Cabriolet (D53_), 19 I Chamade (L53_), 19 I Kasten (S53_), 19 II (B/C53_), 19 II Cabriolet (D53_, 853_), 19 II Chamade (L53_), 19 II Kasten (S53_)



33119	<b>Lagerung, Lenker, Control Arm-/Trailing Arm Bush, Suspension, bras de liaison</b> RENAULT MEGANE II (BM0/1_, CM0/1_),MEGANE II Coupé-Cabriolet (EM0/1_),MEGANE II Grandtour (KM0/1_),MEGANE II Stufenheck (LM0/1_),SCÉNIC II (JM0/1_)
33120	<b>Lagerung, Lenker, Control Arm-/Trailing Arm Bush, Suspension, bras de liaison</b> RENAULT MEGANE II (BM0/1_, CM0/1_),MEGANE II Coupé-Cabriolet (EM0/1_),MEGANE II Grandtour (KM0/1_),MEGANE II Stufenheck (LM0/1_),SCÉNIC II (JM0/1_)
33121	<b>Lagerung, Lenker, Control Arm-/Trailing Arm Bush, Suspension, bras de liaison</b> RENAULT LAGUNA II (BG0/1_),LAGUNA II Grandtour (KG0/1_)
33122	<b>Lagerung, Lenker, Control Arm-/Trailing Arm Bush, Suspension, bras de liaison</b> NISSAN PRIMASTAR Bus (X83),PRIMASTAR Kasten (X83),OPEL VIVARO Combi (J7),VIVARO Kasten (F7),RENAULT ESPACE IV (JK0/1_),LAGUNA II (BG0/1_),LAGUNA II Grandtour (KG0/1_),MEGANE II (BM0/1_, CM0/1_),MEGANE II Coupé-Cabriolet (EM0/1_),TRAFIC II Bus (JL),TRAFIC II Kasten (FL),VEL SATIS (BJ0_),VAUXHALL VIVARO Combi (J7),VIVARO Kasten (F7)
33123	<b>Lagerung, Lenker, Control Arm-/Trailing Arm Bush, Suspension, bras de liaison</b> RENAULT AVANTIME (DE0_),ESPACE III (JE0_),VEL SATIS (BJ0_)
33124	<b>Lagerung, Lenker, Control Arm-/Trailing Arm Bush, Suspension, bras de liaison</b> DACIA LOGAN EXPRESS (FS_),LOGAN (LS_),LOGAN MCV (KS_),LOGAN Pick-up (US_),PICK UP,SANDERO,RENAULT LOGAN Kombi (KS_),LOGAN (LS_)
33127	<b>Lagerung, Stabilisator, Stabiliser Mounting, Suspension, stabilisateur</b> DACIA LOGAN (LS_),LOGAN MCV (KS_),SANDERO,RENAULT LOGAN Kombi (KS_),LOGAN (LS_)
33128	<b>Lagerung, Achskörper, Mounting, axle beam, Suspension, corps de l'essieu</b> RENAULT CLIO II (BB0/1/2_, CB0/1/2_),CLIO II Kasten (SB0/1/2_),THALIA (LB0/1/2_),TWINGO (CN0_)
33129	<b>Lagerung, Lenker, Control Arm-/Trailing Arm Bush, Suspension, bras de liaison</b> RENAULT CLIO I (B/C57_, 5/357_),CLIO I Kasten (S57_)
33130	<b>Lagerung, Lenker, Control Arm-/Trailing Arm Bush, Suspension, bras de liaison</b> RENAULT CLIO I (B/C57_, 5/357_),CLIO I Kasten (S57_)
33143	<b>Lagerung, Lenker, Control Arm-/Trailing Arm Bush, Suspension, bras de liaison</b> RENAULT TWINGO (C06_),TWINGO Kasten (S06_)
33144	<b>Lagerung, Lenker, Control Arm-/Trailing Arm Bush, Suspension, bras de liaison</b> RENAULT TWINGO (C06_),TWINGO Kasten (S06_)
33145	<b>Lagerung, Stabilisator, Stabiliser Mounting, Suspension, stabilisateur</b> RENAULT MEGANE I (BA0/1_),MEGANE I Cabriolet (EA0/1_),MEGANE I Classic (LA0/1_),MEGANE I Coach (DA0/1_),MEGANE I Grandtour (KA0/1_),MEGANE II (BM0/1_, CM0/1_),MEGANE Scenic (JA0/1_),SCÉNIC I (JA0/1_),19 I (B/C53_),19 I Cabriolet (D53_),19 I Chamade (L53_),19 II (B/C53_),19 II Cabriolet (D53_, 853_),19 II Chamade (L53_),19 II Kasten (S53_)
33146	<b>Lagerung, Lenker, Control Arm-/Trailing Arm Bush, Suspension, bras de liaison</b> RENAULT MEGANE I (BA0/1_),MEGANE I Cabriolet (EA0/1_),MEGANE I Classic (LA0/1_),MEGANE I Coach (DA0/1_),MEGANE I Grandtour (KA0/1_),MEGANE Scenic (JA0/1_),SCÉNIC I (JA0/1_),19 I (B/C53_),19 I Cabriolet (D53_),19 I Chamade (L53_),19 I Kasten (S53_),19 II (B/C53_),19 II Cabriolet (D53_, 853_),19 II Chamade (L53_),19 II Kasten (S53_)
33147	<b>Lagerung, Lenker, Control Arm-/Trailing Arm Bush, Suspension, bras de liaison</b> RENAULT LAGUNA Grandtour (K56_),LAGUNA I (B56_, 556_)
33148	<b>Lagerung, Lenker, Control Arm-/Trailing Arm Bush, Suspension, bras de liaison</b> RENAULT LAGUNA Grandtour (K56_),LAGUNA I (B56_, 556_)
33164	<b>Stange/Strebe, Stabilisator, Rod/Strut, stabiliser, Entretoise/tige, stabilisateur</b> NISSAN KUBISTAR (X76),RENAULT CLIO I (B/C57_, 5/357_),CLIO II (BB0/1/2_, CB0/1/2_),KANGOO (KC0/1_),KANGOO Rapid (FC0/1_),THALIA (LB0/1/2_)
33165	<b>Lagerung, Lenker, Control Arm-/Trailing Arm Bush, Suspension, bras de liaison</b> NISSAN KUBISTAR (X76),RENAULT CLIO II (BB0/1/2_, CB0/1/2_),KANGOO (KC0/1_),KANGOO Rapid (FC0/1_)
33167	<b>Lagerung, Stabilisator, Stabiliser Mounting, Suspension, stabilisateur</b> RENAULT MEGANE I (BA0/1_),MEGANE I Cabriolet (EA0/1_),MEGANE I Classic (LA0/1_),MEGANE I Coach (DA0/1_),MEGANE I Grandtour (KA0/1_),MEGANE Scenic (JA0/1_)
33168	<b>Lagerung, Stabilisator, Stabiliser Mounting, Suspension, stabilisateur</b> RENAULT ESPACE II (J/S63_),25 (B29_)
33169	<b>Lagerung, Stabilisator, Stabiliser Mounting, Suspension, stabilisateur</b> RENAULT ESPACE II (J/S63_)
33170	<b>Lagerung, Lenker, Control Arm-/Trailing Arm Bush, Suspension, bras de liaison</b> RENAULT SAFRANE I (B54_),SAFRANE II (B54_)
33171	<b>Lagerung, Lenker, Control Arm-/Trailing Arm Bush, Suspension, bras de liaison</b> RENAULT SAFRANE I (B54_),SAFRANE II (B54_)
33172	<b>Stange/Strebe, Stabilisator, Rod/Strut, stabiliser, Entretoise/tige, stabilisateur</b> RENAULT MEGANE I (BA0/1_),MEGANE I Cabriolet (EA0/1_),MEGANE I Classic (LA0/1_),MEGANE I Coach (DA0/1_),MEGANE I Grandtour (KA0/1_),MEGANE Scenic (JA0/1_)
33173	<b>Lagerung, Achskörper, Mounting, axle beam, Suspension, corps de l'essieu</b> DACIA LOGAN (LS_),LOGAN MCV (KS_),SANDERO,RENAULT LOGAN Kombi (KS_),LOGAN (LS_)
33174	<b>Lagerung, Achskörper, Mounting, axle beam, Suspension, corps de l'essieu</b> RENAULT LAGUNA II (BG0/1_),LAGUNA II Grandtour (KG0/1_)



33175	<b>Lagerung, Achskörper, Mounting, axle beam, Suspension, corps de l'essieu</b> RENAULT LAGUNA II (BG0/1_),LAGUNA II Grandtour (KG0/1_)
33220	<b>Lagerung, Lenker, Control Arm-/Trailing Arm Bush, Suspension, bras de liaison</b> HONDA CIVIC V Coupe (EJ),CIVIC V Hatchback (EG),CIVIC V Stufenheck (EG, EH),CIVIC VI Coupe (EJ, EM1),CIVIC VI Fastback (MA, MB),CIVIC VI Hatchback (EJ, EK),CIVIC VI Stufenheck (EJ, EK)
33221	<b>Lagerung, Lenker, Control Arm-/Trailing Arm Bush, Suspension, bras de liaison</b> HONDA CRX II (ED, EE)
33222	<b>Lagerung, Lenker, Control Arm-/Trailing Arm Bush, Suspension, bras de liaison</b> HONDA ACCORD V (CC7, CD),ACCORD VI (CE, CF)
33223	<b>Lagerung, Lenker, Control Arm-/Trailing Arm Bush, Suspension, bras de liaison</b> HONDA CIVIC VII Coupe (EM2),CIVIC VII Hatchback (EU, EP, EV),CIVIC VII Stufenheck (ES),CRX II (ED, EE),CRX III (EH, EG),ROVER CABRIOLET (XW),COUPE,200 Coupe (XW),200 Hatchback (XW),200 (RF),200 (XH),25 (RF),400 Hatchback (RT),400 (RT),400 Tourer (XW),400 (XW),45 (RT),45 Stufenheck (RT)
33224	- HONDA CIVIC IV Hatchback (EC, ED, EE),CIVIC IV Stufenheck (ED),CRX II (ED, EE)
33225	<b>Lagerung, Lenker, Control Arm-/Trailing Arm Bush, Suspension, bras de liaison</b> HONDA CIVIC IV Hatchback (EC, ED, EE),CIVIC IV Stufenheck (ED),CRX II (ED, EE)
33226	<b>Lagerung, Lenker, Control Arm-/Trailing Arm Bush, Suspension, bras de liaison</b> HONDA CIVIC VII Coupe (EM2),CIVIC VII Hatchback (EU, EP, EV),CIVIC VII Stufenheck (ES)
33227	<b>Lagerung, Lenker, Control Arm-/Trailing Arm Bush, Suspension, bras de liaison</b> FIAT BARCHETTA (183),PUNTO Cabriolet (176C),PUNTO Van (176L),PUNTO (176),LANCIA Y (840A),YPSILON (843)
33228	<b>Lagerung, Lenker, Control Arm-/Trailing Arm Bush, Suspension, bras de liaison</b> FIAT BARCHETTA (183),PUNTO Cabriolet (176C),PUNTO Van (176L),PUNTO (176),LANCIA Y (840A),YPSILON (843)
33229	<b>Lagerung, Lenker, Control Arm-/Trailing Arm Bush, Suspension, bras de liaison</b> FIAT IDEA,LANCIA MUSA (350),YPSILON (843)
33231	<b>Lagerung, Lenker, Control Arm-/Trailing Arm Bush, Suspension, bras de liaison</b> FIAT DOBLO Cargo (223),DOBLO (119),PALIO Weekend (178DX),SIENA (178_),STRADA (178E)
33232	<b>Lagerung, Lenker, Control Arm-/Trailing Arm Bush, Suspension, bras de liaison</b> FIAT DOBLO Cargo (223),DOBLO (119),PALIO Weekend (178DX),SIENA (178_),STRADA (178E)
33233	<b>Lagerung, Lenker, Control Arm-/Trailing Arm Bush, Suspension, bras de liaison</b> FIAT DOBLO Cargo (223),DOBLO (119)
33234	<b>Lagerung, Lenker, Control Arm-/Trailing Arm Bush, Suspension, bras de liaison</b> FIAT DOBLO Cargo (223),DOBLO (119),PALIO Weekend (178DX),SIENA (178_)
33235	<b>Lagerung, Lenker, Control Arm-/Trailing Arm Bush, Suspension, bras de liaison</b> CITROËN C8 (EA_, EB_),FIAT ULYSSE (179AX),LANCIA PHEDRA (179),PEUGEOT 807 (E)
33236	<b>Lagerung, Lenker, Control Arm-/Trailing Arm Bush, Suspension, bras de liaison</b> CITROËN C8 (EA_, EB_),FIAT ULYSSE (179AX),LANCIA PHEDRA (179),PEUGEOT 807 (E)
33237	<b>Lagerung, Lenker, Control Arm-/Trailing Arm Bush, Suspension, bras de liaison</b> ALFA ROMEO GT (937),147 (937),156 Sportwagon (932),156 (932)
33238	<b>Lagerung, Lenker, Control Arm-/Trailing Arm Bush, Suspension, bras de liaison</b> FIAT BRAVO II (198),STILO Multi Wagon (192),STILO (192),LANCIA DELTA III (844)
33239	<b>Lagerung, Lenker, Control Arm-/Trailing Arm Bush, Suspension, bras de liaison</b> FIAT BRAVO II (198),STILO Multi Wagon (192),STILO (192),LANCIA DELTA III (844)
33240	<b>Lagerung, Lenker, Control Arm-/Trailing Arm Bush, Suspension, bras de liaison</b> FIAT BRAVO II (198),STILO Multi Wagon (192),STILO (192),LANCIA DELTA III (844)
33241	<b>Lagerung, Lenker, Control Arm-/Trailing Arm Bush, Suspension, bras de liaison</b> FIAT PANDA (169)
33300	<b>Lagerung, Stabilisator, Stabiliser Mounting, Suspension, stabilisateur</b> PEUGEOT 206 CC (2D),206 Schrägheck (2A/C),206 SW (2E/K)
33303	<b>Lagerung, Achskörper, Mounting, axle beam, Suspension, corps de l'essieu</b> PEUGEOT 206 CC (2D),206 Schrägheck (2A/C),206 SW (2E/K)
33305	<b>Lagerung, Lenker, Control Arm-/Trailing Arm Bush, Suspension, bras de liaison</b> PEUGEOT 504 (A_, M_),504 Break (D_, F_),504 Cabriolet,504 Coupe,504 Pick-up (E_),505 Break (551D),505 (551A),604 (561A_)
33306	<b>Lagerung, Lenker, Control Arm-/Trailing Arm Bush, Suspension, bras de liaison</b> CITROËN VISA,PEUGEOT 205 I Cabriolet (741B, 20D),205 I (741A/C),205 II (20A/C),309 I (10C, 10A),309 II (3C, 3A)
33307	<b>Lagerung, Lenker, Control Arm-/Trailing Arm Bush, Suspension, bras de liaison</b> CITROËN C15 (VD_),LNA,VISA,VISA Cabriolet,PEUGEOT 104,104 Coupe,205 I Cabriolet (741B, 20D),205 I (741A/C),205 II (20A/C),205 Kasten,309 I (10C, 10A),309 II (3C, 3A)
33311	<b>Lagerung, Stabilisator, Stabiliser Mounting, Suspension, stabilisateur</b> PEUGEOT 205 I Cabriolet (741B, 20D),205 I (741A/C),205 II (20A/C),205 Kasten,309 I (10C, 10A),309 II (3C, 3A)

33311/1	<b>Lagerung, Stabilisator, Stabiliser Mounting, Suspension, stabilisateur</b> PEUGEOT 205 I Cabriolet (741B, 20D),205 I (741A/C),205 II (20A/C),205 Kasten,309 I (10C, 10A),309 II (3C, 3A)
33311/2	<b>Lagerung, Stabilisator, Stabiliser Mounting, Suspension, stabilisateur</b> PEUGEOT 205 I Cabriolet (741B, 20D),205 I (741A/C),205 II (20A/C),205 Kasten,309 I (10C, 10A),309 II (3C, 3A)
33313	<b>Lagerung, Lenker, Control Arm-/Trailing Arm Bush, Suspension, bras de liaison</b> PEUGEOT 106 I (1A, 1C),106 II (1)
33314	<b>Lagerung, Lenker, Control Arm-/Trailing Arm Bush, Suspension, bras de liaison</b> PEUGEOT 106 I (1A, 1C),106 II (1)
33315	<b>Lagerung, Lenker, Control Arm-/Trailing Arm Bush, Suspension, bras de liaison</b> PEUGEOT 206 CC (2D),206 Schrägheck (2A/C),206 SW (2E/K)
33316	<b>Lagerung, Lenker, Control Arm-/Trailing Arm Bush, Suspension, bras de liaison</b> PEUGEOT 206 CC (2D),206 Schrägheck (2A/C),206 SW (2E/K)
33317	<b>Lagerung, Lenker, Control Arm-/Trailing Arm Bush, Suspension, bras de liaison</b> PEUGEOT 206 CC (2D),206 Schrägheck (2A/C),206 SW (2E/K)
33318	<b>Lagerung, Lenker, Control Arm-/Trailing Arm Bush, Suspension, bras de liaison</b> PEUGEOT 406 Break (8E/F),406 Coupe (8C),406 (8B)
33319	<b>Lagerung, Lenker, Control Arm-/Trailing Arm Bush, Suspension, bras de liaison</b> PEUGEOT 406 Break (8E/F),406 Coupe (8C),406 (8B)
33320	<b>Lagerung, Lenker, Control Arm-/Trailing Arm Bush, Suspension, bras de liaison</b> PEUGEOT 405 I Break (15E),405 I (15B),405 II Break (4E),405 II (4B)
33321	<b>Lagerung, Achskörper, Mounting, axle beam, Suspension, corps de l'essieu</b> CITROËN ZX Break (N2),ZX (N2),PEUGEOT 306 Break (7E, N3, N5),306 Cabriolet (7D, N3, N5),306 Schrägheck (7A, 7C, N3, N5),306 (7B, N3, N5)
33322	<b>Lagerung, Lenker, Control Arm-/Trailing Arm Bush, Suspension, bras de liaison</b> PEUGEOT 405 I Break (15E),405 I (15B),405 II Break (4E),405 II (4B)
33323	<b>Lagerung, Stabilisator, Stabiliser Mounting, Suspension, stabilisateur</b> CITROËN AX (ZA-_),SAXO (S0, S1),PEUGEOT 106 I (1A, 1C),106 II (1)
33324	<b>Lagerung, Stabilisator, Stabiliser Mounting, Suspension, stabilisateur</b> CITROËN AX (ZA-_),SAXO (S0, S1),PEUGEOT 106 I (1A, 1C),106 II (1)
33325	<b>Lagerung, Stabilisator, Stabiliser Mounting, Suspension, stabilisateur</b> CITROËN AX (ZA-_),SAXO (S0, S1),PEUGEOT 106 I (1A, 1C),106 II (1)
33326	<b>Lagerung, Achsträger, Mounting, axle bracket, Suspension, support d'essieu</b> PEUGEOT 309 I (10C, 10A),405 I Break (15E),405 I (15B),405 II Break (4E),405 II (4B)
33327	<b>Lagerung, Achsträger, Mounting, axle bracket, Suspension, support d'essieu</b> CITROËN C1 (PM_, PN_),PEUGEOT 107,205 I (741A/C),205 II (20A/C),309 I (10C, 10A),309 II (3C, 3A),TOYOTA AYGO (WNB1_, KGB1_)
33329	<b>Lagerung, Achskörper, Mounting, axle beam, Suspension, corps de l'essieu</b> CITROËN ZX (N2),PEUGEOT 306 Break (7E, N3, N5),306 Cabriolet (7D, N3, N5),306 Schrägheck (7A, 7C, N3, N5),306 (7B, N3, N5)
33330	<b>Lagerung, Achskörper, Mounting, axle beam, Suspension, corps de l'essieu</b> CITROËN ZX (N2),PEUGEOT 306 Break (7E, N3, N5),306 Cabriolet (7D, N3, N5),306 Schrägheck (7A, 7C, N3, N5),306 (7B, N3, N5)
33333	<b>Lagerung, Lenker, Control Arm-/Trailing Arm Bush, Suspension, bras de liaison</b> PEUGEOT 406 Break (8E/F),406 (8B)
33334	<b>Lagerung, Lenker, Control Arm-/Trailing Arm Bush, Suspension, bras de liaison</b> CITROËN C2 (JM_),C3 (FC_),C3 Pluriel (HB_),PEUGEOT 1007 (KM_)
33335	<b>Lagerung, Lenker, Control Arm-/Trailing Arm Bush, Suspension, bras de liaison</b> CITROËN C2 (JM_),C3 (FC_),C3 Pluriel (HB_),PEUGEOT 1007 (KM_)
33336	<b>Lagerung, Lenker, Control Arm-/Trailing Arm Bush, Suspension, bras de liaison</b> CITROËN BERLINGO,BERLINGO Kasten,C4 Coupe (LA_),C4 Grand Picasso (UA_),C4 (LC_),C4 Picasso (UD_),PEUGEOT PARTNER Kasten,PARTNER Tepee,3008,307 Break (3E),307 CC (3B),307 SW (3H),307 (3A/C),308 CC,308 SW,308 (4A_, 4C_),5008
33337	<b>Lagerung, Stabilisator, Stabiliser Mounting, Suspension, stabilisateur</b> CITROËN XSARA (N1),ZX (N2),PEUGEOT 306 Break (7E, N3, N5),306 Cabriolet (7D, N3, N5),306 Schrägheck (7A, 7C, N3, N5),306 (7B, N3, N5)
33338	<b>Lagerung, Achskörper, Mounting, axle beam, Suspension, corps de l'essieu</b> PEUGEOT 406 Break (8E/F),406 Coupe (8C),406 (8B)
33340	<b>Lagerung, Lenker, Control Arm-/Trailing Arm Bush, Suspension, bras de liaison</b> PEUGEOT 206 CC (2D),206 Schrägheck (2A/C),206 SW (2E/K)
33341	<b>Lagerung, Stabilisator, Stabiliser Mounting, Suspension, stabilisateur</b> CITROËN XSARA Break (N2),XSARA Coupe (N0),XSARA (N1),PEUGEOT 306 Break (7E, N3, N5),306 Cabriolet (7D, N3, N5),306 Schrägheck (7A, 7C, N3, N5),306 (7B, N3, N5)
33342	<b>Lagerung, Stabilisator, Stabiliser Mounting, Suspension, stabilisateur</b> PEUGEOT 306 Break (7E, N3, N5),306 Cabriolet (7D, N3, N5),306 Schrägheck (7A, 7C, N3, N5),306 (7B, N3, N5)





33343	<b>Lagerung, Lenker, Control Arm-/Trailing Arm Bush, Suspension, bras de liaison</b> CITROËN VISA, PEUGEOT 205 I Cabriolet (741B, 20D), 205 I (741A/C), 205 II (20A/C), 309 I (10C, 10A), 309 II (3C, 3A)
33400	<b>Lagerung, Stabilisator, Stabiliser Mounting, Suspension, stabilisateur</b> CITROËN AX (ZA-)
33402	<b>Lagerung, Stabilisator, Stabiliser Mounting, Suspension, stabilisateur</b> CITROËN AX (ZA-)
33403	<b>Lagerung, Stabilisator, Stabiliser Mounting, Suspension, stabilisateur</b> CITROËN XANTIA Break (X1), XANTIA Break (X2), XANTIA (X1), XANTIA (X2)
33409	<b>Lagerung, Stabilisator, Stabiliser Mounting, Suspension, stabilisateur</b> CITROËN AX (ZA-)
33414	<b>Lagerung, Lenker, Control Arm-/Trailing Arm Bush, Suspension, bras de liaison</b> CITROËN AX (ZA-), SAXO (S0, S1)
33415	<b>Lagerung, Lenker, Control Arm-/Trailing Arm Bush, Suspension, bras de liaison</b> CITROËN AX (ZA-), SAXO (S0, S1)
33416	<b>Lagerung, Lenker, Control Arm-/Trailing Arm Bush, Suspension, bras de liaison</b> CITROËN ZX Break (N2), ZX (N2), PEUGEOT PARTNER Combispace (5F), PARTNER Kasten (5), 306 Break (7E, N3, N5), 306 Cabriolet (7D, N3, N5), 306 Schrägheck (7A, 7C, N3, N5), 306 (7B, N3, N5)
33417	<b>Lagerung, Lenker, Control Arm-/Trailing Arm Bush, Suspension, bras de liaison</b> CITROËN ZX Break (N2), ZX (N2), PEUGEOT 306 Break (7E, N3, N5), 306 Cabriolet (7D, N3, N5), 306 Schrägheck (7A, 7C, N3, N5), 306 (7B, N3, N5)
33420	<b>Lagerung, Stabilisator, Stabiliser Mounting, Suspension, stabilisateur</b> CITROËN AX (ZA-), SAXO (S0, S1), PEUGEOT 106 I (1A, 1C), 106 II (1)
33421	<b>Lagerung, Stabilisator, Stabiliser Mounting, Suspension, stabilisateur</b> CITROËN ZX Break (N2), ZX (N2)
33422	<b>Lagerung, Stabilisator, Stabiliser Mounting, Suspension, stabilisateur</b> CITROËN ZX Break (N2), ZX (N2)
33423	<b>Lagerung, Stabilisator, Stabiliser Mounting, Suspension, stabilisateur</b> CITROËN ZX Break (N2), ZX (N2)
33424	<b>Lagerung, Stabilisator, Stabiliser Mounting, Suspension, stabilisateur</b> CITROËN BERLINGO Kasten (M_), BERLINGO (MF), ZX Break (N2), ZX (N2), PEUGEOT PARTNER Combispace (5F), PARTNER Kasten (5), 306 Break (7E, N3, N5), 306 Cabriolet (7D, N3, N5), 306 Schrägheck (7A, 7C, N3, N5), 306 (7B, N3, N5)
33425	<b>Lagerung, Lenker, Control Arm-/Trailing Arm Bush, Suspension, bras de liaison</b> CITROËN XANTIA Break (X1), XANTIA Break (X2), XANTIA (X1), XANTIA (X2)
33426	<b>Lagerung, Lenker, Control Arm-/Trailing Arm Bush, Suspension, bras de liaison</b> CITROËN XANTIA Break (X1), XANTIA Break (X2), XANTIA (X1), XANTIA (X2)
33427	<b>Lagerung, Lenker, Control Arm-/Trailing Arm Bush, Suspension, bras de liaison</b> CITROËN C5 Break (DE_), C5 Break (RE_), C5 (DC_), C5 (RC_)
33428	<b>Lagerung, Lenker, Control Arm-/Trailing Arm Bush, Suspension, bras de liaison</b> CITROËN C5 Break (DE_), C5 Break (RE_), C5 (DC_), C5 (RC_)
33430	<b>Lagerung, Blattfeder, Mounting, leaf spring, Suspension, ressort à lames</b> CITROËN JUMPER Bus (230P), JUMPER Bus (244, Z_), JUMPER Kasten (230L), JUMPER Kasten (244), JUMPER Pritsche/Fahrgestell (230), JUMPER Pritsche/Fahrgestell (244), FIAT DUCATO Bus (230), DUCATO Bus (244, Z_), DUCATO Kasten (230L), DUCATO Kasten (244), DUCATO Pritsche/Fahrgestell (230), DUCATO Pritsche/Fahrgestell (244), PEUGEOT BOXER Bus (230P), BOXER Bus (244, Z_), BOXER Kasten (230L), BOXER Kasten (244), BOXER Pritsche/Fahrgestell (ZCT_), BOXER Pritsche/Fahrgestell (244)
33431	<b>Lagerung, Lenker, Control Arm-/Trailing Arm Bush, Suspension, bras de liaison</b> CITROËN BERLINGO Kasten (M_), BERLINGO (MF), XSARA PICASSO (N68), PEUGEOT PARTNER Combispace (5F), PARTNER Kasten (5)
33432	<b>Lagerung, Blattfeder, Mounting, leaf spring, Suspension, ressort à lames</b> CITROËN JUMPER Bus (230P), JUMPER Bus (244, Z_), JUMPER Kasten (230L), JUMPER Kasten (244), JUMPER Pritsche/Fahrgestell (230), JUMPER Pritsche/Fahrgestell (244), FIAT DUCATO Bus (230), DUCATO Bus (244, Z_), DUCATO Kasten (230L), DUCATO Kasten (244), DUCATO Pritsche/Fahrgestell (230), DUCATO Pritsche/Fahrgestell (244), PEUGEOT BOXER Bus (230P), BOXER Bus (244, Z_), BOXER Kasten (230L), BOXER Kasten (244), BOXER Pritsche/Fahrgestell (ZCT_), BOXER Pritsche/Fahrgestell (244)
33433	<b>Lagerung, Achskörper, Mounting, axle beam, Suspension, corps de l'essieu</b> CITROËN BERLINGO Kasten (M_), BERLINGO (MF), XSARA PICASSO (N68), PEUGEOT PARTNER Combispace (5F), PARTNER Kasten (5)
33434	<b>Lagerung, Lenker, Control Arm-/Trailing Arm Bush, Suspension, bras de liaison</b> CITROËN BERLINGO, BERLINGO Kasten, C4 Coupe (LA_), C4 Grand Picasso (UA_), C4 (LC_), C4 Picasso (UD_), C4 Stufenheck, PEUGEOT PARTNER Kasten, PARTNER Tepee, 3008, 307 Break (3E), 307 CC (3B), 307 SW (3H), 307 (3A/C), 308 CC, 308 SW, 308 (4A_, 4C_), 5008
33435	<b>Lagerung, Lenker, Control Arm-/Trailing Arm Bush, Suspension, bras de liaison</b> CITROËN C3 Picasso, PEUGEOT 207 CC (WD_), 207 SW (WK_), 207 (WA_, WC_)
33436	<b>Lagerung, Lenker, Control Arm-/Trailing Arm Bush, Suspension, bras de liaison</b> CITROËN C3 Picasso, PEUGEOT 207 CC (WD_), 207 SW (WK_), 207 (WA_, WC_)
33437	<b>Lagerung, Lenker, Control Arm-/Trailing Arm Bush, Suspension, bras de liaison</b> CITROËN XANTIA Break (X1), XANTIA Break (X2), XANTIA (X1), XANTIA (X2)

33442	<b>Lagerung, Lenker, Control Arm-/Trailing Arm Bush, Suspension, bras de liaison</b> CITROËN EVASION (22, U6),JUMPY Kasten (BS_, BT_, BY_, BZ_),JUMPY Pritsche/Fahrgestell (BU_, BV_, BW_, BX_),JUMPY (U6U),FIAT SCUDO Combinato (220P),SCUDO Kasten (220L),ULYSSE (220),LANCIA ZETA (220),PEUGEOT EXPERT Kasten (222),EXPERT Pritsche/Fahrgestell (223),EXPERT (224),806 (221)
33443	<b>Lagerung, Lenker, Control Arm-/Trailing Arm Bush, Suspension, bras de liaison</b> CITROËN EVASION (22, U6),JUMPY Kasten (BS_, BT_, BY_, BZ_),JUMPY Pritsche/Fahrgestell (BU_, BV_, BW_, BX_),JUMPY (U6U),FIAT SCUDO Combinato (220P),SCUDO Kasten (220L),ULYSSE (220),LANCIA ZETA (220),PEUGEOT EXPERT Kasten (222),EXPERT Pritsche/Fahrgestell (223),EXPERT (224),806 (221)
33444	<b>Lagerung, Lenker, Control Arm-/Trailing Arm Bush, Suspension, bras de liaison</b> CITROËN JUMPER Bus,JUMPER Kasten,JUMPER Pritsche/Fahrgestell,FIAT DUCATO Bus (250),DUCATO Kasten (250),DUCATO Pritsche/Fahrgestell (250),PEUGEOT BOXER Bus,BOXER Kasten,BOXER Pritsche/Fahrgestell
33445	<b>Lagerung, Lenker, Control Arm-/Trailing Arm Bush, Suspension, bras de liaison</b> CITROËN JUMPER Bus,JUMPER Kasten,JUMPER Pritsche/Fahrgestell,FIAT DUCATO Bus (250),DUCATO Kasten (250),DUCATO Pritsche/Fahrgestell (250),PEUGEOT BOXER Bus,BOXER Kasten,BOXER Pritsche/Fahrgestell
33457	<b>Lagerung, Stabilisator, Stabiliser Mounting, Suspension, stabilisateur</b> PEUGEOT 406 Break (8E/F),406 (8B)
33458	<b>Lagerung, Stabilisator, Stabiliser Mounting, Suspension, stabilisateur</b> PEUGEOT 307 Break (3E),307 CC (3B),307 SW (3H),307 (3A/C),308 CC,308 SW,308 (4A_, 4C_)
33459	<b>Lagerung, Lenker, Control Arm-/Trailing Arm Bush, Suspension, bras de liaison</b> CITROËN C5 Break (TD_),C5 (RD_),C6 (TD_),PEUGEOT 407 Coupe (6C_),407 SW (6E_),407 (6D_)
33485	<b>Lagerung, Lenker, Control Arm-/Trailing Arm Bush, Suspension, bras de liaison</b> CITROËN C5 Break (TD_),C5 (RD_),C6 (TD_),PEUGEOT 407 Coupe (6C_),407 SW (6E_),407 (6D_),508,508 SW
33486	<b>Lagerung, Achskörper, Mounting, axle beam, Suspension, corps de l'essieu</b> CITROËN C4 Coupe (LA_),C4 (LC_),C4 Stufenheck,PEUGEOT 307 Break (3E),307 CC (3B),307 SW (3H),307 (3A/C)
33500	<b>Lagerung, Lenker, Control Arm-/Trailing Arm Bush, Suspension, bras de liaison</b> NISSAN SUNNY III Hatchback (N14),SUNNY III Liftback (N14),SUNNY III (N14),SUNNY III Traveller (Y10),SUNNY Kasten (Y10),100 NX (B13)
33501	<b>Lagerung, Lenker, Control Arm-/Trailing Arm Bush, Suspension, bras de liaison</b> NISSAN MICRA II (K11)
33502	<b>Lagerung, Lenker, Control Arm-/Trailing Arm Bush, Suspension, bras de liaison</b> NISSAN MICRA II (K11)
33503	<b>Lagerung, Lenker, Control Arm-/Trailing Arm Bush, Suspension, bras de liaison</b> NISSAN PRIMERA Hatchback (P10),PRIMERA (P10),PRIMERA Traveller (W10)
33504	<b>Lagerung, Lenker, Control Arm-/Trailing Arm Bush, Suspension, bras de liaison</b> NISSAN PRIMERA Hatchback (P10),PRIMERA Hatchback (P11),PRIMERA (P10),PRIMERA (P11),PRIMERA Traveller (WP11)
33505	<b>Lagerung, Lenker, Control Arm-/Trailing Arm Bush, Suspension, bras de liaison</b> NISSAN PRIMERA Hatchback (P10),PRIMERA Hatchback (P11),PRIMERA (P10),PRIMERA (P11),PRIMERA Traveller (WP11)
33506	<b>Lagerung, Lenker, Control Arm-/Trailing Arm Bush, Suspension, bras de liaison</b> NISSAN MAXIMA QX III (A32)
33507	<b>Lagerung, Lenker, Control Arm-/Trailing Arm Bush, Suspension, bras de liaison</b> NISSAN ALMERA I Hatchback (N15),ALMERA I (N15),SUNNY II Coupe (B12),SUNNY II Hatchback (N13),SUNNY II (N13),SUNNY II Traveller (B12),SUNNY III Hatchback (N14),SUNNY III Liftback (N14),SUNNY III (N14),SUNNY III Traveller (Y10),SUNNY Kasten (Y10),100 NX (B13)
33510	<b>Lagerung, Achskörper, Mounting, axle beam, Suspension, corps de l'essieu</b> HYUNDAI PONY / EXCEL Stufenheck (X-2),PONY (X-2)
33511	<b>Lagerung, Lenker, Control Arm-/Trailing Arm Bush, Suspension, bras de liaison</b> INFINITI G20,NISSAN BLUEBIRD Station Wagon (WU11),BLUEBIRD (U11),MAXIMA QX III (A32),MAXIMA Station Wagon,PRIMERA Hatchback (P11),PRIMERA (P11),PRIMERA Traveller (WP11)
33520	<b>Lagerung, Lenker, Control Arm-/Trailing Arm Bush, Suspension, bras de liaison</b> HONDA CIVIC IV Hatchback (EC, ED, EE),CIVIC IV Stufenheck (ED),CIVIC V Coupe (EJ),CIVIC V Hatchback (EG),CIVIC V Stufenheck (EG, EH),CIVIC VI Aerodeck (MB, MC),CIVIC VI Coupe (EJ, EM1),CIVIC VI Fastback (MA, MB),CIVIC VI Hatchback (EJ, EK),CIVIC VI Stufenheck (EJ, EK)
33521	<b>Lagerung, Lenker, Control Arm-/Trailing Arm Bush, Suspension, bras de liaison</b> HONDA CIVIC V Coupe (EJ),CIVIC V Hatchback (EG),CIVIC V Stufenheck (EG, EH),CIVIC VI Fastback (MA, MB),CIVIC VI Hatchback (EJ, EK),CIVIC VI Stufenheck (EJ, EK)
33522	<b>Lagerung, Lenker, Control Arm-/Trailing Arm Bush, Suspension, bras de liaison</b> HONDA ACCORD III Aerodeck (CA5),ACCORD III (CA4, CA5),ACCORD IV Aerodeck (CB),ACCORD IV (CB),CIVIC IV Hatchback (EC, ED, EE),CIVIC IV Stufenheck (ED),CIVIC V Stufenheck (EG, EH),PRELUDE III (BA)
33523	<b>Lagerung, Lenker, Control Arm-/Trailing Arm Bush, Suspension, bras de liaison</b> HONDA ACCORD VI (CE, CF),ROVER 600 (RH)
33524	<b>Lagerung, Lenker, Control Arm-/Trailing Arm Bush, Suspension, bras de liaison</b> HONDA CIVIC II Shuttle (EE),CIVIC IV Hatchback (EC, ED, EE),CIVIC IV Stufenheck (ED),CIVIC V Coupe (EJ),CIVIC V Hatchback (EG),CIVIC V Stufenheck (EG, EH),CIVIC VI Aerodeck (MB, MC),CIVIC VI Fastback (MA, MB),CIVIC VII Coupe (EM2),CIVIC VII Hatchback (EU, EP, EV)
33525	<b>Lagerung, Lenker, Control Arm-/Trailing Arm Bush, Suspension, bras de liaison</b> HONDA CIVIC V Coupe (EJ),CIVIC VI Aerodeck (MB, MC),CIVIC VI Fastback (MA, MB),CR-V I (RD)
33526	<b>Lagerung, Lenker, Control Arm-/Trailing Arm Bush, Suspension, bras de liaison</b> HONDA CIVIC V Coupe (EJ),CIVIC VI Aerodeck (MB, MC),CIVIC VI Fastback (MA, MB),CR-V I (RD)



<b>33527</b>	<b>Lagerung, Lenker, Control Arm-/Trailing Arm Bush, Suspension, bras de liaison</b> HONDA CIVIC III Stufenheck (AM, AK, AU),CIVIC IV Hatchback (EC, ED, EE),CIVIC IV Stufenheck (ED),CIVIC V Coupe (EJ),CIVIC V Hatchback (EG),CIVIC V Stufenheck (EG, EH),CRX II (ED, EE),CRX III (EH, EG)
<b>33528</b>	<b>Lagerung, Lenker, Control Arm-/Trailing Arm Bush, Suspension, bras de liaison</b> HONDA CIVIC V Coupe (EJ),CIVIC V Hatchback (EG),CIVIC V Stufenheck (EG, EH),CIVIC VI Fastback (MA, MB),CR-V I (RD)
<b>33529</b>	<b>Reparaturatz, Stabilisatorkoppelstange, Anti-roll Bar Stabiliser Kit, Kit de réparation, barre de couplage stabilisatrice</b> NISSAN ALMERA I Hatchback (N15),ALMERA I (N15),ALMERA II Hatchback (N16),ALMERA II (N16),ALMERA TINO (V10),MICRA II (K11),PRIMERA Hatchback (P10),PRIMERA (P10),PRIMERA Traveller (W10),SUNNY III Hatchback (N14),SUNNY III Liftback (N14),SUNNY III (N14),100 NX (B13)
<b>33530</b>	<b>Lagerung, Lenker, Control Arm-/Trailing Arm Bush, Suspension, bras de liaison</b> MAZDA 626 IV (GE),626 IV Hatchback (GE)
<b>33531</b>	<b>Lagerung, Lenker, Control Arm-/Trailing Arm Bush, Suspension, bras de liaison</b> MAZDA 626 IV (GE),626 IV Hatchback (GE)
<b>33532/4</b>	<b>Lagerung, Stabilisatorkoppelstange, Mounting, stabilizer coupling rod, Suspension, barre de couplage stabilisatrice</b> MAZDA 323 C IV (BG),323 C V (BA),323 F IV (BG),323 F V (BA),323 F VI (BJ),323 I (FA),323 I Station Wagon (FA),323 II (BD),323 II Hatchback (BD),323 III (BF),323 III Hatchback (BF),323 III Station Wagon (BW),323 P V (BA),323 S IV (BG),323 S V (BA),323 S VI (BJ),626 I (CB),626 II (GC),626 II Hatchback (GC),626 III Coupe (GD),626 III (GD),626 III Hatchback (GD),626 III Station Wagon (GV),626 IV (GE),626 IV Hatchback (GE),626 V (GF),626 V Hatchback (GF),626 V Station Wagon (GW)
<b>33533</b>	<b>Lagerung, Lenker, Control Arm-/Trailing Arm Bush, Suspension, bras de liaison</b> MAZDA 323 C IV (BG),323 F IV (BG),323 S IV (BG)
<b>33534</b>	<b>Lagerung, Lenker, Control Arm-/Trailing Arm Bush, Suspension, bras de liaison</b> MAZDA MX-6 (GE),XEDOS 6 (CA),626 IV (GE),626 IV Hatchback (GE),626 V (GF),626 V Hatchback (GF),626 V Station Wagon (GW)
<b>33535</b>	<b>Lagerung, Lenker, Control Arm-/Trailing Arm Bush, Suspension, bras de liaison</b> MAZDA 323 C V (BA),323 F V (BA),323 S V (BA)
<b>33536</b>	<b>Lagerung, Lenker, Control Arm-/Trailing Arm Bush, Suspension, bras de liaison</b> MAZDA 626 V (GF),626 V Hatchback (GF)
<b>33537</b>	<b>Lagerung, Lenker, Control Arm-/Trailing Arm Bush, Suspension, bras de liaison</b> MAZDA 626 V (GF),626 V Hatchback (GF)
<b>33538</b>	<b>Lagerung, Lenker, Control Arm-/Trailing Arm Bush, Suspension, bras de liaison</b> MAZDA PREMACY (CP),323 F VI (BJ),323 S VI (BJ)
<b>33539</b>	<b>Lagerung, Lenker, Control Arm-/Trailing Arm Bush, Suspension, bras de liaison</b> MAZDA PREMACY (CP),323 F VI (BJ),323 S VI (BJ)
<b>33540</b>	<b>Lagerung, Lenker, Control Arm-/Trailing Arm Bush, Suspension, bras de liaison</b> MAZDA 323 C V (BA),323 F V (BA),323 S V (BA)
<b>33541</b>	<b>Lagerung, Lenker, Control Arm-/Trailing Arm Bush, Suspension, bras de liaison</b> MAZDA 323 I Station Wagon (FA),323 II (BD),323 II Hatchback (BD),323 III (BF),323 III Hatchback (BF),323 III Station Wagon (BW)
<b>33550</b>	<b>Lagerung, Lenker, Control Arm-/Trailing Arm Bush, Suspension, bras de liaison</b> MITSUBISHI LANCER V (CB/D_A),LANCER V Station Wagon (CB_W, CD_W),PROTON PERSONA 300 (C9_M),PERSONA 400 (C9_S),PERSONA 400 Hatchback (C9_C, C9_S)
<b>33550/1</b>	<b>Lagerung, Lenker, Control Arm-/Trailing Arm Bush, Suspension, bras de liaison</b> MITSUBISHI CARISMA (DA_),CARISMA Stufenheck (DA_),COLT IV (CA_A),PROTON PERSONA 300 (C9_M),PERSONA 400 (C9_S),PERSONA 400 Hatchback (C9_C, C9_S),VOLVO S40 I (VS),V40 Kombi (VW)
<b>33551</b>	<b>Lagerung, Lenker, Control Arm-/Trailing Arm Bush, Suspension, bras de liaison</b> MITSUBISHI LANCER V (CB/D_A),LANCER V Station Wagon (CB_W, CD_W),PROTON PERSONA 300 (C9_M),PERSONA 400 (C9_S),PERSONA 400 Hatchback (C9_C, C9_S)
<b>33551/1</b>	<b>Lagerung, Lenker, Control Arm-/Trailing Arm Bush, Suspension, bras de liaison</b> MITSUBISHI CARISMA (DA_),CARISMA Stufenheck (DA_),COLT IV (CA_A),PROTON PERSONA 300 (C9_M),PERSONA 400 (C9_S),PERSONA 400 Hatchback (C9_C, C9_S),VOLVO S40 I (VS),V40 Kombi (VW)
<b>33552</b>	<b>Lagerung, Lenker, Control Arm-/Trailing Arm Bush, Suspension, bras de liaison</b> MITSUBISHI LANCER V (CB/D_A),LANCER V Station Wagon (CB_W, CD_W),PROTON PERSONA 300 (C9_M),PERSONA 400 (C9_S),PERSONA 400 Hatchback (C9_C, C9_S)
<b>33553</b>	<b>Lagerung, Lenker, Control Arm-/Trailing Arm Bush, Suspension, bras de liaison</b> MITSUBISHI PAJERO I Canvas Top (L04_G),PAJERO I (L04_G, L14_G),PAJERO II Canvas Top (V2_W, V4_W),PAJERO II (V3_W, V2_W, V4_W),PAJERO III Canvas Top (V60, V70),PAJERO PININ (H6_W, H7_W),PAJERO SPORT (K90)
<b>33560</b>	<b>Lagerung, Lenker, Control Arm-/Trailing Arm Bush, Suspension, bras de liaison</b> TOYOTA COROLLA Compact (_E10_),COROLLA Compact (_E9_),COROLLA (_E10_),COROLLA (_E9_),COROLLA Liftback (_E9_),COROLLA Station Wagon (_E9_),COROLLA Wagon (_E10_)
<b>33561</b>	<b>Lagerung, Lenker, Control Arm-/Trailing Arm Bush, Suspension, bras de liaison</b> TOYOTA COROLLA Compact (_E10_),COROLLA (_E10_),COROLLA Liftback (_E10_),COROLLA Wagon (_E10_)
<b>33562</b>	<b>Lagerung, Lenker, Control Arm-/Trailing Arm Bush, Suspension, bras de liaison</b> TOYOTA COROLLA Compact (_E10_),COROLLA (_E10_),COROLLA Liftback (_E10_),COROLLA Wagon (_E10_)
<b>33563</b>	<b>Lagerung, Lenker, Control Arm-/Trailing Arm Bush, Suspension, bras de liaison</b> TOYOTA AVENSIS Combi (T25),AVENSIS Liftback (_T22_),AVENSIS Station Wagon (_T22_),AVENSIS Stufenheck (T25),AVENSIS (_T22_),AVENSIS (T25_),AVENSIS VERSO (_CLM2_, _ACM2_)



33564	<b>Lagerung, Lenker, Control Arm-/Trailing Arm Bush, Suspension, bras de liaison</b> TOYOTA CARINA E Sportswagon (_T19_),CARINA E Stufenheck (_T19_),CARINA E (_T19_),CARINA II Station Wagon (_T17_),CARINA II Stufenheck (_T17_),CARINA II (_T17_),CELICA (AT16_, ST16_),CELICA Cabriolet (AT18_, ST18_),CELICA Cabriolet (ST16_, AT16_),CELICA Coupe (AT18_, ST18_),CELICA Coupe (ST16_, AT16_),CELICA Liftback (ST16_, AT16_),COROLLA Compact (_E10_),COROLLA Compact (_E11_),COROLLA Compact (_E9_),COROLLA (_E10_),COROLLA (_E11_),COROLLA (_E9_),COROLLA Liftback (_E10_),COROLLA Liftback (_E11_),COROLLA Liftback (_E9_),COROLLA Station Wagon (_E9_),COROLLA Wagon (_E10_),COROLLA Wagon (_E11_)
33565	<b>Lagerung, Lenker, Control Arm-/Trailing Arm Bush, Suspension, bras de liaison</b> TOYOTA AVENSIS Combi (T25),AVENSIS Liftback (_T22_),AVENSIS Station Wagon (_T22_),AVENSIS Stufenheck (T25),AVENSIS (_T22_),AVENSIS (T25_),AVENSIS VERSO (_CLM2_, _ACM2_)
33566	<b>Lagerung, Lenker, Control Arm-/Trailing Arm Bush, Suspension, bras de liaison</b> TOYOTA AVENSIS Combi (T25),AVENSIS Liftback (_T22_),AVENSIS Station Wagon (_T22_),AVENSIS Stufenheck (T25),AVENSIS (_T22_),AVENSIS (T25_),AVENSIS VERSO (_CLM2_, _ACM2_)
33567	<b>Lagerung, Lenker, Control Arm-/Trailing Arm Bush, Suspension, bras de liaison</b> TOYOTA YARIS (SCP1_, NLP1_, NCP1_),YARIS VERSO (_NLP2_, _NCP2_)
33568	<b>Lagerung, Lenker, Control Arm-/Trailing Arm Bush, Suspension, bras de liaison</b> TOYOTA YARIS (SCP1_, NLP1_, NCP1_),YARIS VERSO (_NLP2_, _NCP2_)
33570	<b>Lagerung, Lenker, Control Arm-/Trailing Arm Bush, Suspension, bras de liaison</b> DAEWOO NUBIRA (KLAJ),NUBIRA Stufenheck (KLAJ),NUBIRA Wagon (KLAJ)
33571	<b>Lagerung, Lenker, Control Arm-/Trailing Arm Bush, Suspension, bras de liaison</b> DAEWOO NUBIRA (KLAJ),NUBIRA Stufenheck (KLAJ),NUBIRA Wagon (KLAJ)
33572	<b>Lagerung, Lenker, Control Arm-/Trailing Arm Bush, Suspension, bras de liaison</b> HYUNDAI GETZ (TB)
33573	<b>Lagerung, Lenker, Control Arm-/Trailing Arm Bush, Suspension, bras de liaison</b> HYUNDAI GETZ (TB)
33574	<b>Lagerung, Lenker, Control Arm-/Trailing Arm Bush, Suspension, bras de liaison</b> CHEVROLET AVEO Schrägheck (T250, T255),AVEO Stufenheck (T250, T255),KALOS,KALOS Stufenheck,DAEWOO KALOS (KLAS),KALOS Stufenheck (KLAS)
33575	<b>Lagerung, Lenker, Control Arm-/Trailing Arm Bush, Suspension, bras de liaison</b> CHEVROLET AVEO Schrägheck (T250, T255),AVEO Stufenheck (T250, T255),KALOS,KALOS Stufenheck,DAEWOO KALOS (KLAS),KALOS Stufenheck (KLAS)
33576	<b>Lagerung, Lenker, Control Arm-/Trailing Arm Bush, Suspension, bras de liaison</b> OPEL AGILA (B) (H08),SUZUKI SPLASH,SWIFT III (MZ, EZ),VAUXHALL AGILA Mk II (B)
33577	<b>Lagerung, Lenker, Control Arm-/Trailing Arm Bush, Suspension, bras de liaison</b> OPEL AGILA (B) (H08),SUZUKI SWIFT III (MZ, EZ),VAUXHALL AGILA Mk II (B)
33578	<b>Lagerung, Lenker, Control Arm-/Trailing Arm Bush, Suspension, bras de liaison</b> SUZUKI BALENO (EG),BALENO Kombi (EG),BALENO Schrägheck (EG),SWIFT Cabriolet (SF413),SWIFT II Schrägheck (EA, MA),SWIFT II Stufenheck (AH, AJ)
33579	<b>Lagerung, Lenker, Control Arm-/Trailing Arm Bush, Suspension, bras de liaison</b> CHEVROLET LACETTI (J200),NUBIRA Kombi,NUBIRA Stufenheck,DAEWOO LACETTI Schrägheck (KLAN),LACETTI Stufenheck (J200),NUBIRA Stufenheck (KLAN),NUBIRA Wagon (KLAN)
33581	<b>Lagerung, Lenker, Control Arm-/Trailing Arm Bush, Suspension, bras de liaison</b> NISSAN X-TRAIL (T30)
33582	<b>Lagerung, Lenker, Control Arm-/Trailing Arm Bush, Suspension, bras de liaison</b> HYUNDAI ACCENT III (MC),ACCENT Stufenheck (MC),KIA RIO II (JB),RIO II Stufenheck (JB)
33583	<b>Lagerung, Lenker, Control Arm-/Trailing Arm Bush, Suspension, bras de liaison</b> HYUNDAI ACCENT III (MC),ACCENT Stufenheck (MC),KIA RIO II (JB),RIO II Stufenheck (JB),VENGA (YN)
33584	<b>Lagerung, Lenker, Control Arm-/Trailing Arm Bush, Suspension, bras de liaison</b> HYUNDAI SANTA FÉ I (SM)
33585	<b>Lagerung, Lenker, Control Arm-/Trailing Arm Bush, Suspension, bras de liaison</b> HYUNDAI SANTA FÉ I (SM)
33586	<b>Lagerung, Lenker, Control Arm-/Trailing Arm Bush, Suspension, bras de liaison</b> HYUNDAI COUPE (GK),ELANTRA Stufenheck (XD),ELANTRA (XD),KIA CERATO (LD),CERATO Stufenheck (LD)
33587	<b>Lagerung, Lenker, Control Arm-/Trailing Arm Bush, Suspension, bras de liaison</b> HYUNDAI ix55,SANTA FÉ I (SM),SANTA FÉ II (CM)
33588	<b>Lagerung, Lenker, Control Arm-/Trailing Arm Bush, Suspension, bras de liaison</b> HYUNDAI i10,KIA PICANTO (BA),PICANTO (TA)
33589	<b>Lagerung, Lenker, Control Arm-/Trailing Arm Bush, Suspension, bras de liaison</b> HYUNDAI i10,KIA PICANTO (BA)
33591	<b>Lagerung, Lenker, Control Arm-/Trailing Arm Bush, Suspension, bras de liaison</b> HYUNDAI ATOS (MX),ATOS PRIME (MX)
33592	<b>Lagerung, Lenker, Control Arm-/Trailing Arm Bush, Suspension, bras de liaison</b> HYUNDAI ATOS (MX),ATOS PRIME (MX)



<b>33594</b>	<b>Lagerung, Lenker, Control Arm-/Trailing Arm Bush, Suspension, bras de liaison</b> SUBARU JUSTY I (KAD),JUSTY II (JMA, MS),SUZUKI SWIFT Cabriolet (SF413),SWIFT I (AA),SWIFT II Schrägheck (EA, MA),SWIFT II Stufenheck (AH, AJ)
<b>33608</b>	<b>Lagerung, Lenker, Control Arm-/Trailing Arm Bush, Suspension, bras de liaison</b> FORD FIESTA I (GFBT)
<b>33609</b>	<b>Lagerung, Lenker, Control Arm-/Trailing Arm Bush, Suspension, bras de liaison</b> FORD ESCORT III Cabriolet (ALD),ESCORT III (GAA),ESCORT III Kombi (AWA),ESCORT IV Cabriolet (ALF),ESCORT IV (GAF, AWF, ABFT),ESCORT IV Kombi (AWF, AVF),ESCORT '86 Express (AVF),FIESTA I (GFBT),FIESTA II (FBD),ORION I (AFD),ORION II (AFF)
<b>33610</b>	<b>Lagerung, Lenker, Control Arm-/Trailing Arm Bush, Suspension, bras de liaison</b> FORD ESCORT III Cabriolet (ALD),ESCORT III (GAA),ESCORT III Kombi (AWA),ESCORT '81 Express (AVA),ORION I (AFD),ORION II (AFF)
<b>33611</b>	<b>Lagerung, Lenker, Control Arm-/Trailing Arm Bush, Suspension, bras de liaison</b> FORD ESCORT III Cabriolet (ALD),ESCORT III (GAA),ESCORT III Kombi (AWA),ESCORT IV Cabriolet (ALF),ESCORT IV (GAF, AWF, ABFT),ESCORT IV Kombi (AWF, AVF),ESCORT '86 Express (AVF),ORION I (AFD),ORION II (AFF)
<b>33614</b>	<b>Lagerung, Lenker, Control Arm-/Trailing Arm Bush, Suspension, bras de liaison</b> FORD COURIER Kasten (F3L, F5L),ESCORT CLASSIC (AAL, ABL),ESCORT CLASSIC Turnier (ANL),ESCORT V Cabriolet (ALL),ESCORT V (GAL),ESCORT V Kombi (GAL, AVL),ESCORT VI Cabriolet (ALL),ESCORT VI (GAL),ESCORT VI Kombi (GAL),ESCORT VI Stufenheck (GAL),ESCORT VII Cabriolet (ALL),ESCORT VII (GAL, AAL, ABL),ESCORT VII Kombi (GAL, ANL),ESCORT VII Stufenheck (GAL, AFL),ESCORT '91 Express (AVL),ESCORT '95 Express (AVL),FIESTA III (GFJ),KA (RB_),ORION III (GAL)
<b>33615</b>	<b>Lagerung, Lenker, Control Arm-/Trailing Arm Bush, Suspension, bras de liaison</b> FORD COURIER Kasten (F3L, F5L),ESCORT CLASSIC (AAL, ABL),ESCORT CLASSIC Turnier (ANL),ESCORT V Cabriolet (ALL),ESCORT V (GAL),ESCORT V Kombi (GAL, AVL),ESCORT VI Cabriolet (ALL),ESCORT VI (GAL),ESCORT VI Kombi (GAL),ESCORT VI Stufenheck (GAL),ESCORT VII Cabriolet (ALL),ESCORT VII (GAL, AAL, ABL),ESCORT VII Kombi (GAL, ANL),ESCORT VII Stufenheck (GAL, AFL),ESCORT '91 Express (AVL),ESCORT '95 Express (AVL),FIESTA III (GFJ),FIESTA Kasten (JV_),KA (RB_),ORION III (GAL)
<b>33616</b>	<b>Lagerung, Lenker, Control Arm-/Trailing Arm Bush, Suspension, bras de liaison</b> FORD MONDEO I (GBP),MONDEO I Kombi (BNP),MONDEO I Stufenheck (GBP),MONDEO II (BAP),MONDEO II Kombi (BNP),MONDEO II Stufenheck (BFP)
<b>33616/7</b>	<b>Lagerung, Lenker, Control Arm-/Trailing Arm Bush, Suspension, bras de liaison</b> FORD MONDEO I (GBP),MONDEO I Kombi (BNP),MONDEO I Stufenheck (GBP)
<b>33616/8</b>	<b>Lagerung, Lenker, Control Arm-/Trailing Arm Bush, Suspension, bras de liaison</b> FORD MONDEO I (GBP),MONDEO I Kombi (BNP),MONDEO I Stufenheck (GBP),MONDEO II (BAP),MONDEO II Kombi (BNP),MONDEO II Stufenheck (BFP)
<b>33617</b>	<b>Lagerung, Lenker, Control Arm-/Trailing Arm Bush, Suspension, bras de liaison</b> FORD MONDEO I (GBP),MONDEO I Kombi (BNP),MONDEO I Stufenheck (GBP)
<b>33618</b>	<b>Lagerung, Lenker, Control Arm-/Trailing Arm Bush, Suspension, bras de liaison</b> FORD MONDEO I (GBP),MONDEO I Kombi (BNP),MONDEO I Stufenheck (GBP),MONDEO II (BAP),MONDEO II Kombi (BNP),MONDEO II Stufenheck (BFP)
<b>33627</b>	<b>Lagerung, Lenker, Control Arm-/Trailing Arm Bush, Suspension, bras de liaison</b> FORD SCORPIO I (GAE, GGE),SCORPIO I Kombi (GGE),SCORPIO I Stufenheck (GGE),SIERRA (GBG, GB4),SIERRA Kombi (BNC),SIERRA Kombi (BNG),SIERRA Schrägheck (GBC),SIERRA Schrägheck (GBC, GBG)
<b>33628</b>	<b>Lagerung, Stabilisator, Stabiliser Mounting, Suspension, stabilisateur</b> FORD COURIER Kasten (F3L, F5L),COURIER Kasten (J5_, J3_),ESCORT CLASSIC (AAL, ABL),ESCORT CLASSIC Turnier (ANL),ESCORT IV Cabriolet (ALF),ESCORT V Cabriolet (ALL),ESCORT V (GAL),ESCORT V Kombi (GAL, AVL),ESCORT VI Cabriolet (ALL),ESCORT VI (GAL),ESCORT VI Kombi (GAL),ESCORT VI Stufenheck (GAL),ESCORT VII Cabriolet (ALL),ESCORT VII (GAL, AAL, ABL),ESCORT VII Kombi (GAL, ANL),ESCORT VII Stufenheck (GAL, AFL),ESCORT '91 Express (AVL),ESCORT '95 Express (AVL),FIESTA III (GFJ),FIESTA IV (JA_, JB_),FIESTA Kasten (JV_),ORION III (GAL),PUMA (EC_),MAZDA 121 III (JASM, JBSM)
<b>33628/2</b>	<b>Lagerung, Stabilisator, Stabiliser Mounting, Suspension, stabilisateur</b> FORD COURIER Kasten (F3L, F5L),COURIER Kasten (J5_, J3_),ESCORT V Cabriolet (ALL),ESCORT V (GAL),ESCORT V Kombi (GAL, AVL),ESCORT VI Cabriolet (ALL),ESCORT VI (GAL),ESCORT VI Kombi (GAL),ESCORT VI Stufenheck (GAL),ESCORT VII Cabriolet (ALL),ESCORT VII (GAL, AAL, ABL),ESCORT VII Kombi (GAL, ANL),ESCORT VII Stufenheck (GAL, AFL),ESCORT '91 Express (AVL),ESCORT '95 Express (AVL),FIESTA III (GFJ),FIESTA IV (JA_, JB_),FIESTA V (JH_, JD_),ORION III (GAL),PUMA (EC_),MAZDA 121 III (JASM, JBSM)
<b>33629/2</b>	<b>Lagerung, Stabilisator, Stabiliser Mounting, Suspension, stabilisateur</b> FORD COUGAR (EC_),MONDEO I (GBP),MONDEO I Kombi (BNP),MONDEO I Stufenheck (GBP),MONDEO II (BAP),MONDEO II Kombi (BNP),MONDEO II Stufenheck (BFP)
<b>33630</b>	<b>Lagerung, Stabilisator, Stabiliser Mounting, Suspension, stabilisateur</b> FORD MONDEO I (GBP),MONDEO I Kombi (BNP),MONDEO I Stufenheck (GBP),MONDEO II (BAP),MONDEO II Stufenheck (BFP)
<b>33631</b>	<b>Lagerung, Stabilisator, Stabiliser Mounting, Suspension, stabilisateur</b> FORD MONDEO I (GBP),MONDEO I Kombi (BNP),MONDEO I Stufenheck (GBP),MONDEO II (BAP),MONDEO II Kombi (BNP),MONDEO II Stufenheck (BFP)
<b>33632</b>	<b>Stange/Strebe, Stabilisator, Rod/Strut, stabiliser, Entretoise/tige, stabilisateur</b> FORD COUGAR (EC_),MONDEO I (GBP),MONDEO I Kombi (BNP),MONDEO I Stufenheck (GBP),MONDEO II (BAP),MONDEO II Kombi (BNP),MONDEO II Stufenheck (BFP)
<b>33632/1</b>	<b>Stange/Strebe, Stabilisator, Rod/Strut, stabiliser, Entretoise/tige, stabilisateur</b> FORD COUGAR (EC_),MONDEO I (GBP),MONDEO I Kombi (BNP),MONDEO I Stufenheck (GBP),MONDEO II (BAP),MONDEO II Kombi (BNP),MONDEO II Stufenheck (BFP)
<b>33633</b>	<b>Stange/Strebe, Stabilisator, Rod/Strut, stabiliser, Entretoise/tige, stabilisateur</b> FORD MONDEO I (GBP),MONDEO I Kombi (BNP),MONDEO I Stufenheck (GBP)
<b>33633/1</b>	<b>Stange/Strebe, Stabilisator, Rod/Strut, stabiliser, Entretoise/tige, stabilisateur</b> FORD MONDEO I (GBP),MONDEO I Kombi (BNP),MONDEO I Stufenheck (GBP)

33634	<b>Lagerung, Stabilisator, Stabiliser Mounting, Suspension, stabilisateur</b> FORD COUGAR (EC_),MONDEO I (GBP),MONDEO I Kombi (BNP),MONDEO I Stufenheck (GBP),MONDEO II (BAP),MONDEO II Kombi (BNP)
33635	<b>Lagerung, Lenker, Control Arm-/Trailing Arm Bush, Suspension, bras de liaison</b> FORD COURIER Kasten (J5_, J3_),FIESTA IV (JA_, JB_),FIESTA Kasten (JV_),PUMA (EC_),MAZDA 121 III (JASM, JBSM)
33636	<b>Lagerung, Lenker, Control Arm-/Trailing Arm Bush, Suspension, bras de liaison</b> FORD COURIER Kasten (J5_, J3_),FIESTA IV (JA_, JB_),FIESTA Kasten (JV_),PUMA (EC_),MAZDA 121 III (JASM, JBSM)
33637	<b>Lagerung, Lenker, Control Arm-/Trailing Arm Bush, Suspension, bras de liaison</b> BMW 5 (E28)
33637/2	<b>Reparaturatz, Lenker, Repair Kit, link, Kit de remise en état, bras de liaison</b> BMW 5 (E28),6 (E24)
33638	<b>Lagerung, Lenker, Control Arm-/Trailing Arm Bush, Suspension, bras de liaison</b> BMW 5 (E34),5 Touring (E34),7 (E32)
33639	<b>Lagerung, Lenker, Control Arm-/Trailing Arm Bush, Suspension, bras de liaison</b> BMW 5 (E34),5 Touring (E34)
33641	<b>Lagerung, Lenker, Control Arm-/Trailing Arm Bush, Suspension, bras de liaison</b> BMW 5 (E28)
33641/2	<b>Reparaturatz, Lenker, Repair Kit, link, Kit de remise en état, bras de liaison</b> BMW 5 (E28)
33642	<b>Lagerung, Achskörper, Mounting, axle beam, Suspension, corps de l'essieu</b> FORD ESCORT CLASSIC (AAL, ABL),ESCORT CLASSIC Turnier (ANL),ESCORT VII Cabriolet (ALL),ESCORT VII (GAL, AAL, ABL),ESCORT VII Kombi (GAL, ANL),ESCORT VII Stufenheck (GAL, AFL),ESCORT '95 Express (AVL)
33643	<b>Lagerung, Achskörper, Mounting, axle beam, Suspension, corps de l'essieu</b> FORD COURIER Kasten (J5_, J3_),FIESTA IV (JA_, JB_),MAZDA 121 III (JASM, JBSM)
33644	<b>Lagerung, Stabilisator, Stabiliser Mounting, Suspension, stabilisateur</b> FORD FOCUS (DAW, DBW),FOCUS Kombi (DNW),FOCUS Stufenheck (DFW)
33645	<b>Lagerung, Achskörper, Mounting, axle beam, Suspension, corps de l'essieu</b> FORD SCORPIO I (GAE, GGE),SCORPIO I Kombi (GGE),SCORPIO I Stufenheck (GGE),SIERRA (GBG, GB4),SIERRA Kombi (BNC),SIERRA Kombi (BNG),SIERRA Schrägheck (GBC),SIERRA Schrägheck (GBC, GBG)
33646	<b>Lagerung, Lenker, Control Arm-/Trailing Arm Bush, Suspension, bras de liaison</b> FORD MONDEO III (B5Y),MONDEO III Kombi (BWY),MONDEO III Stufenheck (B4Y),JAGUAR X-TYPE (CF1),X-TYPE Estate
33646/7	<b>Reparaturatz, Lenker, Repair Kit, link, Kit de remise en état, bras de liaison</b> FORD MONDEO III (B5Y),MONDEO III Kombi (BWY),MONDEO III Stufenheck (B4Y),JAGUAR X-TYPE (CF1),X-TYPE Estate
33647	<b>Lagerung, Lenker, Control Arm-/Trailing Arm Bush, Suspension, bras de liaison</b> FORD MONDEO III (B5Y),MONDEO III Kombi (BWY),MONDEO III Stufenheck (B4Y),JAGUAR X-TYPE (CF1),X-TYPE Estate
33666	<b>Lagerung, Lenker, Control Arm-/Trailing Arm Bush, Suspension, bras de liaison</b> BMW 7 (E32),8 (E31)
33670	<b>Lagerung, Stabilisator, Stabiliser Mounting, Suspension, stabilisateur</b> FORD COURIER Kasten (J5_, J3_),FIESTA IV (JA_, JB_),KA (RB_)
33671	<b>Lagerung, Stabilisator, Stabiliser Mounting, Suspension, stabilisateur</b> FORD FOCUS (DAW, DBW),FOCUS Kombi (DNW),FOCUS Stufenheck (DFW)
33672	<b>Lagerung, Lenker, Control Arm-/Trailing Arm Bush, Suspension, bras de liaison</b> FORD TRANSIT Bus (E_),TRANSIT Bus (T_),TRANSIT Kasten (E_),TRANSIT Kasten (T_),TRANSIT Pritsche/Fahrgestell (E_),TRANSIT Pritsche/Fahrgestell (T_)
33673	<b>Lagerung, Stabilisator, Stabiliser Mounting, Suspension, stabilisateur</b> FORD TRANSIT Bus (E_),TRANSIT Kasten (E_),TRANSIT Pritsche/Fahrgestell (E_)
33674	<b>Lagerung, Stabilisator, Stabiliser Mounting, Suspension, stabilisateur</b> FORD TRANSIT Bus (E_),TRANSIT Kasten (E_),TRANSIT Pritsche/Fahrgestell (E_),TRANSIT TOURNEO
33675	<b>Lagerung, Lenker, Control Arm-/Trailing Arm Bush, Suspension, bras de liaison</b> FORD TRANSIT Bus (E_),TRANSIT Bus (T_),TRANSIT Kasten (E_),TRANSIT Kasten (T_),TRANSIT Pritsche/Fahrgestell (E_),TRANSIT Pritsche/Fahrgestell (T_)
33676	<b>Lagerung, Lenker, Control Arm-/Trailing Arm Bush, Suspension, bras de liaison</b> FORD FOCUS (DAW, DBW),FOCUS Kombi (DNW),FOCUS Stufenheck (DFW)
33677	<b>Lagerung, Lenker, Control Arm-/Trailing Arm Bush, Suspension, bras de liaison</b> FORD ESCORT VI (GAL),ESCORT VII (GAL, AAL, ABL),FIESTA Kasten (FVD),SCORPIO I (GAE, GGE),SCORPIO I Kombi (GGE),SCORPIO I Stufenheck (GGE),SIERRA (GBG, GB4),SIERRA Kombi (BNG),SIERRA Schrägheck (GBC),SIERRA Schrägheck (GBC, GBG)
33678	<b>Lagerung, Lenker, Control Arm-/Trailing Arm Bush, Suspension, bras de liaison</b> FORD C-MAX,FOCUS C-MAX,FOCUS (DAW, DBW),FOCUS II Cabriolet,FOCUS II (DA_),FOCUS II Kombi (DA_),FOCUS Kombi (DNW),FOCUS Stufenheck (DFW),KUGA,FORD (CHANGAN) FOCUS Schrägheck (CD5),FOCUS Stufenheck (CD4),MAZDA 3 (BK),3 Stufenheck (BK),5 (CR19),5 (CW),VOLVO C30,C70 II Cabriolet,S40 II (MS),V50 (MW)
33679	<b>Lagerung, Lenker, Control Arm-/Trailing Arm Bush, Suspension, bras de liaison</b> FORD COUGAR (EC_),MONDEO I (GBP),MONDEO I Kombi (BNP),MONDEO I Stufenheck (GBP),MONDEO II (BAP),MONDEO II Kombi (BNP),MONDEO II Stufenheck (BFP)



33680	<b>Lagerung, Lenker, Control Arm-/Trailing Arm Bush, Suspension, bras de liaison</b> FORD FOCUS (DAW, DBW), FOCUS Kombi (DNW), FOCUS Stufenheck (DFW)
33681	<b>Lagerung, Lenker, Control Arm-/Trailing Arm Bush, Suspension, bras de liaison</b> FORD FIESTA V (JH_, JD_), FUSION (JU_), MAZDA 2 (DY)
33683	<b>Lagerung, Achskörper, Mounting, axle beam, Suspension, corps de l'essieu</b> FORD FIESTA IV (JA_, JB_), FIESTA Kasten (JV_), KA (RB_), PUMA (EC_), STREET KA
33689	<b>Lagerung, Achskörper, Mounting, axle beam, Suspension, corps de l'essieu</b> BMW 3 Cabriolet (E30), 3 (E30), 3 Touring (E30)
33690	<b>Lagerung, Achskörper, Mounting, axle beam, Suspension, corps de l'essieu</b> BMW 5 (E28), 5 (E34), 5 (E39), 5 Touring (E34), 7 (E32)
33690/2	<b>Reparaturatz, Achskörper, Repair Set, axle beam, Kit de réparation, corps de l'essieu</b> BMW 5 (E34), 5 (E39), 5 Touring (E34), 7 (E32)
33691	<b>Lagerung, Lenker, Control Arm-/Trailing Arm Bush, Suspension, bras de liaison</b> BMW X5 (E53), 5 (E28), 5 (E34), 5 (E39), 5 Touring (E34), 6 (E24), 7 (E32), 8 (E31)
33692	<b>Lagerung, Achskörper, Mounting, axle beam, Suspension, corps de l'essieu</b> BMW 3 Cabriolet (E36), 3 Coupe (E36), 3 (E36), 3 Touring (E36)
33692/2	<b>Lagerung, Achskörper, Mounting, axle beam, Suspension, corps de l'essieu</b> BMW 3 Cabriolet (E36), 3 Coupe (E36), 3 (E36), 3 Touring (E36)
33693	<b>Lagerung, Achskörper, Mounting, axle beam, Suspension, corps de l'essieu</b> BMW 3 Cabriolet (E36), 3 Coupe (E36), 3 (E36), 3 Touring (E36)
33693/2	<b>Lagerung, Achskörper, Mounting, axle beam, Suspension, corps de l'essieu</b> BMW 3 Cabriolet (E36), 3 Coupe (E36), 3 (E36), 3 Touring (E36)
33694	<b>Lagerung, Achskörper, Mounting, axle beam, Suspension, corps de l'essieu</b> BMW 5 (E28), 5 (E34), 5 (E39), 5 Touring (E34), 7 (E32)
33694/2	<b>Lagerung, Achskörper, Mounting, axle beam, Suspension, corps de l'essieu</b> BMW 5 (E34), 5 Touring (E34), 7 (E32)
33695	<b>Lagerung, Achskörper, Mounting, axle beam, Suspension, corps de l'essieu</b> BMW 5 (E28), 6 (E24), 7 (E23)
33695/2	<b>Reparaturatz, Achskörper, Repair Set, axle beam, Kit de réparation, corps de l'essieu</b> BMW 5 (E28), 6 (E24), 7 (E23)
33697	<b>Lagerung, Stabilisator, Stabiliser Mounting, Suspension, stabilisateur</b> BMW 5 (E34), 5 Touring (E34)
33714	<b>Lagerung, Lenker, Control Arm-/Trailing Arm Bush, Suspension, bras de liaison</b> OPEL ASTRA F Cabriolet (53_B), ASTRA F Caravan (51_, 52_), ASTRA F CC (53_, 54_, 58_, 59_), ASTRA F CLASSIC Caravan, ASTRA F CLASSIC CC, ASTRA F CLASSIC Stufenheck, ASTRA F Van (55_), ASTRA F (56_, 57_), CALIBRA A (85_), VECTRA A CC (88_, 89_), VECTRA A (86_, 87_), VAUXHALL ASTRA Mk III (F), ASTRA Mk III (F) CC, ASTRA Mk III (F) Convertible, ASTRA Mk III (F) Estate, ASTRAVAN Mk III (F), CALIBRA, CAVALIER Mk III CC, CAVALIER Mk III (87)
33714/2	<b>Reparaturatz, Lenker, Repair Kit, link, Kit de remise en état, bras de liaison</b> OPEL ASTRA F Cabriolet (53_B), ASTRA F Caravan (51_, 52_), ASTRA F CC (53_, 54_, 58_, 59_), ASTRA F CLASSIC Caravan, ASTRA F CLASSIC CC, ASTRA F CLASSIC Stufenheck, ASTRA F Van (55_), ASTRA F (56_, 57_), CALIBRA A (85_), VECTRA A CC (88_, 89_), VECTRA A (86_, 87_), VAUXHALL ASTRA Mk III (F), ASTRA Mk III (F) CC, ASTRA Mk III (F) Convertible, ASTRA Mk III (F) Estate, CALIBRA, CAVALIER Mk III CC, CAVALIER Mk III (87)
33714/9	<b>Hülse, Querlenkerlagerung, Sleeve, control arm mounting, Manchon, fixation du bras transversal</b> OPEL ASTRA F Cabriolet (53_B), ASTRA F Caravan (51_, 52_), ASTRA F CC (53_, 54_, 58_, 59_), ASTRA F CLASSIC Caravan, ASTRA F (56_, 57_), CALIBRA A (85_), VECTRA A CC (88_, 89_), VECTRA A (86_, 87_), SAAB 900 II, 900 II Cabriolet, 900 II Coupe, 9-3 Cabriolet (YS3D), 9-3 (YS3D), 9-3 (YS3F), VAUXHALL ASTRA Mk II Convertible, ASTRA Mk III (F), ASTRA Mk III (F) CC, ASTRA Mk III (F) Convertible, ASTRA Mk III (F) Estate, ASTRAVAN Mk III (F), CALIBRA, CARLTON Mk III, CAVALIER Mk III CC, CAVALIER Mk III (87)
33715	<b>Lagerung, Lenker, Control Arm-/Trailing Arm Bush, Suspension, bras de liaison</b> OPEL OMEGA A Caravan (66_, 67_), OMEGA A (16_, 17_, 19_), OMEGA B Caravan (21_, 22_, 23_), OMEGA B (25_, 26_, 27_), SENATOR B (29_), VAUXHALL SENATOR Mk II (B)
33716	<b>Lagerung, Lenker, Control Arm-/Trailing Arm Bush, Suspension, bras de liaison</b> OPEL OMEGA A Caravan (66_, 67_), OMEGA A (16_, 17_, 19_), SENATOR B (29_), VAUXHALL SENATOR Mk II (B)
33717	<b>Buchse, Lenkstockhebel, Bush, steering control arm, Douille, levier de direction</b> OPEL OMEGA A Caravan (66_, 67_), OMEGA A (16_, 17_, 19_), SENATOR B (29_), VAUXHALL CARLTON Mk III, CARLTON Mk III Estate, SENATOR Mk II (B)
33720	<b>Lagerung, Lenker, Control Arm-/Trailing Arm Bush, Suspension, bras de liaison</b> OPEL VECTRA B Caravan (31_), VECTRA B CC (38_), VECTRA B (36_)
33725	<b>Lagerung, Lenker, Control Arm-/Trailing Arm Bush, Suspension, bras de liaison</b> OPEL ASTRA F Cabriolet (53_B), ASTRA F Caravan (51_, 52_), ASTRA F CC (53_, 54_, 58_, 59_), ASTRA F CLASSIC Caravan, ASTRA F CLASSIC CC, ASTRA F CLASSIC Stufenheck, ASTRA F Van (55_), ASTRA F (56_, 57_), CALIBRA A (85_), VECTRA A CC (88_, 89_), VECTRA A (86_, 87_), VAUXHALL CALIBRA
33726	<b>Stange/Strebe, Stabilisator, Rod/Strut, stabiliser, Entretoise/tige, stabilisateur</b> OPEL ASTRA F Cabriolet (53_B), ASTRA F Caravan (51_, 52_), ASTRA F CC (53_, 54_, 58_, 59_), ASTRA F Van (55_), ASTRA F (56_, 57_), CALIBRA A (85_), VECTRA A CC (88_, 89_), VECTRA A (86_, 87_)

33727	<b>Stange/Strebe, Stabilisator, Rod/Strut, stabiliser, Entretoise/tige, stabilisateur</b> OPEL ASTRA F Cabriolet (53_B),ASTRA F Caravan (51_, 52_),ASTRA F CC (53_, 54_, 58_, 59_),ASTRA F Van (55_),ASTRA F (56_, 57_),CALIBRA A (85_),VECTRA A CC (88_, 89_),VECTRA A (86_, 87_)
33728	<b>Reparaturatz, Stabilisatorkoppelstange, Anti-roll Bar Stabiliser Kit, Kit de réparation, barre de couplage stabilisatrice</b> OPEL ASTRA F Cabriolet (53_B),ASTRA F Caravan (51_, 52_),ASTRA F CC (53_, 54_, 58_, 59_),ASTRA F CLASSIC Caravan,ASTRA F CLASSIC CC,ASTRA F CLASSIC Stufenheck,ASTRA F Van (55_),ASTRA F (56_, 57_),CALIBRA A (85_),KADETT B Coupe,VECTRA A CC (88_, 89_),VECTRA A (86_, 87_),SAAB 900 II,900 II Cabriolet,900 II Coupe,9-3 Cabriolet (YS3D),9-3 (YS3D),VAUXHALL ASTRA Mk III (F),ASTRA Mk III (F) CC,ASTRA Mk III (F) Convertible,ASTRA Mk III (F) Estate,CALIBRA,CAVALIER Mk III CC,CAVALIER Mk III (87)
33729	<b>Lagerung, Stabilisator, Stabiliser Mounting, Suspension, stabilisateur</b> OPEL ASTRA F Cabriolet (53_B),ASTRA F Caravan (51_, 52_),ASTRA F CC (53_, 54_, 58_, 59_),ASTRA F Van (55_),ASTRA F (56_, 57_),CALIBRA A (85_),VECTRA A CC (88_, 89_),VECTRA A (86_, 87_)
33730	<b>Lagerung, Stabilisator, Stabiliser Mounting, Suspension, stabilisateur</b> OPEL OMEGA A Caravan (66_, 67_),OMEGA A (16_, 17_, 19_),SENATOR B (29_)
33731	<b>Lagerung, Lenker, Control Arm-/Trailing Arm Bush, Suspension, bras de liaison</b> OPEL VECTRA B Caravan (31_),VECTRA B CC (38_),VECTRA B (36_),VAUXHALL VECTRA (B),VECTRA (B) CC,VECTRA (B) Estate
33732	<b>Lagerung, Lenker, Control Arm-/Trailing Arm Bush, Suspension, bras de liaison</b> OPEL VECTRA B Caravan (31_),VECTRA B CC (38_),VECTRA B (36_),VAUXHALL VECTRA (B),VECTRA (B) CC,VECTRA (B) Estate
33733	<b>Lagerung, Lenker, Control Arm-/Trailing Arm Bush, Suspension, bras de liaison</b> OPEL COMBO (71_),CORSA A CC (93_, 94_, 98_, 99_),CORSA A Kasten,CORSA A TR (91_, 92_, 96_, 97_),CORSA B Kasten (73_),CORSA B (73_, 78_, 79_),VAUXHALL CORSA Mk I (B),CORSA Mk II (C) (W5L, F08),CORSAVAN Mk I (B)
33734	<b>Lagerung, Lenker, Control Arm-/Trailing Arm Bush, Suspension, bras de liaison</b> OPEL COMBO (71_),CORSA B Kasten (73_),CORSA B (73_, 78_, 79_)
33735	<b>Lagerung, Stabilisator, Stabiliser Mounting, Suspension, stabilisateur</b> OPEL COMBO (71_),CORSA A CC (93_, 94_, 98_, 99_),CORSA A Kasten,CORSA A TR (91_, 92_, 96_, 97_),CORSA B Kasten (73_),CORSA B (73_, 78_, 79_),VAUXHALL COMBO Mk I (B),CORSA Mk I (B),CORSAVAN Mk I (B)
33736	<b>Lagerung, Achsstrebe, Tie Bar Bush, Suspension, jambe d'essieu</b> OPEL VECTRA B Caravan (31_),VECTRA B CC (38_),VECTRA B (36_)
33737	<b>Lagerung, Achsstrebe, Tie Bar Bush, Suspension, jambe d'essieu</b> OPEL CORSA A CC (93_, 94_, 98_, 99_),CORSA A TR (91_, 92_, 96_, 97_),CORSA B (73_, 78_, 79_),TIGRA (95_)
33739	<b>Lagerung, Stabilisatorkoppelstange, Mounting, stabilizer coupling rod, Suspension, barre de couplage stabilisatrice</b> OPEL CALIBRA A (85_),OMEGA A Caravan (66_, 67_),OMEGA A (16_, 17_, 19_),OMEGA B Caravan (21_, 22_, 23_),OMEGA B (25_, 26_, 27_),SENATOR B (29_),VECTRA A CC (88_, 89_),VECTRA A (86_, 87_),VECTRA B Caravan (31_),VECTRA B CC (38_),VECTRA B (36_),VAUXHALL CALIBRA,CARLTON Mk III,EARLTON Mk III Estate,CAVALIER Mk III CC,CAVALIER Mk III (87),SENATOR Mk II (B),VECTRA (B),VECTRA (B) CC,VECTRA (B) Estate
33740	<b>Lagerung, Stabilisatorkoppelstange, Mounting, stabilizer coupling rod, Suspension, barre de couplage stabilisatrice</b> OPEL CORSA A CC (93_, 94_, 98_, 99_),CORSA A Kasten,CORSA A TR (91_, 92_, 96_, 97_)
33752	<b>Lagerung, Lenker, Control Arm-/Trailing Arm Bush, Suspension, bras de liaison</b> DAEWOO ESPERO (KLEJ),LANOS (KLAT),LANOS Stufenheck (KLAT),NEXIA (KLETN),NEXIA Stufenheck (KLETN),OPEL KADETT D Caravan (35_, 36_, 45_, 46_),KADETT E Caravan (35_, 36_, 45_, 46_),KADETT E CC (33_, 34_, 43_, 44_),KADETT E (39_, 49_)
33753	<b>Lagerung, Achskörper, Mounting, axle beam, Suspension, corps de l'essieu</b> OPEL OMEGA B Caravan (21_, 22_, 23_),OMEGA B (25_, 26_, 27_),VAUXHALL OMEGA (B),OMEGA (B) Estate
33754	<b>Lagerung, Achskörper, Mounting, axle beam, Suspension, corps de l'essieu</b> OPEL CALIBRA A (85_),VECTRA A (86_, 87_)
33755	<b>Lagerung, Stabilisatorkoppelstange, Mounting, stabilizer coupling rod, Suspension, barre de couplage stabilisatrice</b> OPEL ASTRA F Cabriolet (53_B),ASTRA F Caravan (51_, 52_),ASTRA F CC (53_, 54_, 58_, 59_),ASTRA F CLASSIC Caravan,ASTRA F CLASSIC CC,ASTRA F CLASSIC Stufenheck,ASTRA F Van (55_),ASTRA F (56_, 57_)
33756	<b>Lagerung, Achskörper, Mounting, axle beam, Suspension, corps de l'essieu</b> OPEL VECTRA B Caravan (31_),VECTRA B CC (38_),VECTRA B (36_)
33757	<b>Lagerung, Lenker, Control Arm-/Trailing Arm Bush, Suspension, bras de liaison</b> DAEWOO ESPERO (KLEJ),LANOS (KLAT),LANOS Stufenheck (KLAT),NEXIA (KLETN),NEXIA Stufenheck (KLETN),OPEL KADETT D Caravan (35_, 36_, 45_, 46_),KADETT D (31_-34_, 41_-44_),KADETT D (32_, 37_, 39_, 42_),KADETT E Cabriolet (43B),KADETT E Caravan (35_, 36_, 45_, 46_),KADETT E CC (33_, 34_, 43_, 44_),KADETT E Combo (38_, 48_),KADETT E Kasten (37_, 47_),KADETT E (39_, 49_),VAUXHALL ASTRA CC,ASTRA Estate,ASTRA Mk II Belmont,ASTRA Mk II CC,ASTRA Mk II Convertible,ASTRA Mk II Estate
33758	<b>Lagerung, Achskörper, Mounting, axle beam, Suspension, corps de l'essieu</b> OPEL VECTRA B Caravan (31_),VECTRA B CC (38_),VECTRA B (36_)
33760	<b>Lagerung, Stabilisator, Stabiliser Mounting, Suspension, stabilisateur</b> OPEL VECTRA A CC (88_, 89_),VECTRA A (86_, 87_)
33761	<b>Lagerung, Stabilisator, Stabiliser Mounting, Suspension, stabilisateur</b> OPEL ASTRA G Cabriolet,ASTRA G Caravan (F35_),ASTRA G CC (F48_, F08_),ASTRA G Coupe (F07_),ASTRA G Kasten (F70),ASTRA G Stufenheck (F69_),CORSA A CC (93_, 94_, 98_, 99_),CORSA A TR (91_, 92_, 96_, 97_),CORSA B (73_, 78_, 79_),KADETT C,KADETT C Caravan,KADETT C City,KADETT C Coupe,KADETT D Caravan (35_, 36_, 45_, 46_),KADETT D (31_-34_, 41_-44_),KADETT E Caravan (35_, 36_, 45_, 46_),KADETT E CC (33_, 34_, 43_, 44_),KADETT E (39_, 49_),MANTA B (58_, 59_),TIGRA TwinTop
33762	<b>Lagerung, Achskörper, Mounting, axle beam, Suspension, corps de l'essieu</b> OPEL ASTRA G Cabriolet,ASTRA G Caravan (F35_),ASTRA G CC (F48_, F08_),ASTRA G Coupe (F07_),ASTRA G Kasten (F70),ASTRA G Stufenheck (F69_),MERIVA,ZAFIRA A (F75_)
33766	<b>Lagerung, Achskörper, Mounting, axle beam, Suspension, corps de l'essieu</b> OPEL OMEGA B Caravan (21_, 22_, 23_),OMEGA B (25_, 26_, 27_)





33767	<b>Lagerung, Achskörper, Mounting, axle beam, Suspension, corps de l'essieu</b> OPEL ASTRA G Coupe (F07_),ZAFIRA A (F75_),VAUXHALL ASTRA Mk IV (G) Coupe (F67)
33768	<b>Lagerung, Lenker, Control Arm-/Trailing Arm Bush, Suspension, bras de liaison</b> OPEL COMBO Kasten/Kombi,COMBO Tour,CORSA C (F08, F68),CORSA C Kasten (F08, W5L),MERIVA,TIGRA TwinTop,VAUXHALL COMBO Mk II (C) Kasten/Kombi (F25),CORSA Mk II (C) (W5L, F08),CORSAVAN Mk II (C),MERIVA Mk I (A),TIGRA TwinTop
33785	<b>Lagerung, Achskörper, Mounting, axle beam, Suspension, corps de l'essieu</b> DAEWOO ESPERO (KLEJ),LANOS (KLAT),LANOS Stufenheck (KLAT),NEXIA (KLETN),NEXIA Stufenheck (KLETN),OPEL ASCONA C CC (84_, 89_),ASCONA C (81_, 86_, 87_, 88_),KADETT D Caravan (35_, 36_, 45_, 46_),KADETT D (31_,34_, 41_,44_),KADETT E Caravan (35_, 36_, 45_, 46_),KADETT E CC (33_, 34_, 43_, 44_),KADETT E (39_, 49_),VECTRA A CC (88_, 89_),VECTRA A (86_, 87_)
33786	<b>Lagerung, Achskörper, Mounting, axle beam, Suspension, corps de l'essieu</b> OPEL ASCONA C CC (84_, 89_),ASCONA C (81_, 86_, 87_, 88_),ASTRA F Caravan (51_, 52_),ASTRA F CC (53_, 54_, 58_, 59_),ASTRA F (56_, 57_),KADETT E Caravan (35_, 36_, 45_, 46_),KADETT E CC (33_, 34_, 43_, 44_),KADETT E (39_, 49_),VECTRA A CC (88_, 89_),VECTRA A (86_, 87_)
33787	<b>Lagerung, Lenker, Control Arm-/Trailing Arm Bush, Suspension, bras de liaison</b> OPEL CALIBRA A (85_),OMEGA A Caravan (66_, 67_),OMEGA A (16_, 17_, 19_),OMEGA B (25_, 26_, 27_),SENATOR B (29_),VECTRA A (86_, 87_)
33788	<b>Lagerung, Lenker, Control Arm-/Trailing Arm Bush, Suspension, bras de liaison</b> FIAT CROMA (194),OPEL ASTRA G Cabriolet,ASTRA G Caravan (F35_),ASTRA G CC (F48_, F08_),ASTRA G Coupe (F07_),ASTRA G Kasten (F70),ASTRA G Stufenheck (F69_),ASTRA H,ASTRA H Caravan,ASTRA H GTC,ASTRA H Stufenheck,ASTRA H TwinTop,ASTRA H Van,MERIVA B,SIGNUM,VECTRA B Caravan (31_),VECTRA B CC (38_),VECTRA B (36_),VECTRA C,VECTRA C Caravan,VECTRA C GTS,ZAFIRA A (F75_),ZAFIRA B (A05),ZAFIRA B Van,SAAB 9-3 Cabriolet (YS3F),9-3 Kombi,9-3 (YS3F),9-5 Kombi (YS3E),9-5 (YS3E),VAUXHALL ASTRA Mk IV (G) CC,ASTRA Mk IV (G) Convertible,ASTRA Mk IV (G) Coupe (F67),ASTRA Mk IV (G) Estate,ASTRA Mk IV (G) Sedan,ASTRA Mk V (H) CC,ASTRA Mk V (H) Estate,ASTRA Mk V (H) Sport Hatch,ASTRA TwinTop Mk V (H),ASTRAVAN Mk IV (G),ASTRAVAN Mk V (H),MERIVA Mk II (B),SIGNUM,VECTRA (B),VECTRA (B) CC,VECTRA (B) Estate,VECTRA Mk II (C),VECTRA Mk II (C) Estate,VECTRA Mk II (C) GTS,ZAFIRA Mk I (A) (F75),ZAFIRA Mk II (B) (M75)
33789	<b>Lagerung, Stabilisator, Stabiliser Mounting, Suspension, stabilisateur</b> OPEL ASTRA G Caravan (F35_),ASTRA G CC (F48_, F08_),ASTRA G Stufenheck (F69_),COMBO Kasten/Kombi,CORSA C (F08, F68),CORSA C Kasten (F08, W5L),VECTRA B Caravan (31_),VECTRA B CC (38_),VECTRA B (36_)
33791	<b>Lagerung, Stabilisator, Stabiliser Mounting, Suspension, stabilisateur</b> OPEL OMEGA B Caravan (21_, 22_, 23_),OMEGA B (25_, 26_, 27_),VAUXHALL OMEGA (B),OMEGA (B) Estate
33792	<b>Lagerung, Stabilisator, Stabiliser Mounting, Suspension, stabilisateur</b> OPEL VECTRA B CC (38_),VECTRA B (36_)
33793	<b>Lagerung, Lenker, Control Arm-/Trailing Arm Bush, Suspension, bras de liaison</b> OPEL CORSA A CC (93_, 94_, 98_, 99_),CORSA A TR (91_, 92_, 96_, 97_)
33794	<b>Lagerung, Lenker, Control Arm-/Trailing Arm Bush, Suspension, bras de liaison</b> OPEL ASTRA G Cabriolet,ASTRA G Caravan (F35_),ASTRA G CC (F48_, F08_),ASTRA G Coupe (F07_),ASTRA G Stufenheck (F69_),ASTRA H,ASTRA H Caravan,ZAFIRA A (F75_)
33795	<b>Lagerung, Achskörper, Mounting, axle beam, Suspension, corps de l'essieu</b> OPEL CORSA A CC (93_, 94_, 98_, 99_),CORSA A TR (91_, 92_, 96_, 97_)
33796	<b>Lagerung, Lenker, Control Arm-/Trailing Arm Bush, Suspension, bras de liaison</b> OPEL COMBO Kasten/Kombi,COMBO Tour,CORSA C (F08, F68),CORSA C Kasten (F08, W5L),MERIVA,VAUXHALL COMBO Mk II (C) Kasten/Kombi (F25),CORSA Mk II (C) (W5L, F08),CORSAVAN Mk II (C),MERIVA Mk I (A)
33808	<b>Lagerung, Lenker, Control Arm-/Trailing Arm Bush, Suspension, bras de liaison</b> AUDI A6 Avant (4A, C4),A6 (4A, C4),CABRIOLET (8G7, B4),COUPE (81, 85),COUPE (89, 8B),100 Avant (4A, C4),100 Avant (43, C2),100 Avant (44, 44Q, C3),100 (4A, C4),100 (44, 44Q, C3),200 (44, 44Q),80 Avant (8C, B4),80 (8C, B4),80 (81, 85, B2),80 (89, 89Q, 8A, B3),90 (81, 85, B2),90 (89, 89Q, 8A, B3)
33814	<b>Lagerung, Stabilisator, Stabiliser Mounting, Suspension, stabilisateur</b> VW TRANSPORTER T3 Bus,TRANSPORTER T3 Kasten,TRANSPORTER T3 Pritsche/Fahrgestell
33815	<b>Lagerung, Stabilisator, Stabiliser Mounting, Suspension, stabilisateur</b> VW LT 28-35 I Bus (281-363),LT 28-35 I Kasten (281-363),LT 28-35 I Pritsche/Fahrgestell (281-363),LT 40-55 I Kasten (291-512),LT 40-55 I Pritsche/Fahrgestell (293-909)
33818	<b>Lagerung, Lenker, Control Arm-/Trailing Arm Bush, Suspension, bras de liaison</b> SEAT CORDOBA Vario (6K5),CORDOBA (6K1, 6K2),CORDOBA (6K2),IBIZA I (021A),IBIZA II (6K1),IBIZA III (6K1),INCA (6K9),TOLEDO I (1L),VW CADDY II Kasten (9K9A),CADDY II Kombi (9K9B),CADDY II Pick-up (9U7),CORRADO (53I),GOLF II (19E, 1G1),GOLF III Cabriolet (1E7),GOLF III Variant (1H5),GOLF III (1H1),GOLF IV Cabriolet (1E7),JETTA II (19E, 1G2, 165),PASSAT Variant (3A5, 35I),PASSAT (3A2, 35I),POLO CLASSIC (6KV2),POLO Variant (6KV5),POLO (6N1),POLO (86),POLO (86C, 80),VENTO (1H2)
33818/2	<b>Reparaturatz, Lenker, Repair Kit, link, Kit de remise en état, bras de liaison</b> SEAT CORDOBA Vario (6K5),CORDOBA (6K1, 6K2),CORDOBA (6K2),IBIZA I (021A),IBIZA II (6K1),IBIZA III (6K1),INCA (6K9),TOLEDO I (1L),VW CADDY II Kasten (9K9A),CADDY II Kombi (9K9B),CADDY II Pick-up (9U7),CORRADO (53I),GOLF II (19E, 1G1),GOLF III Cabriolet (1E7),GOLF III Variant (1H5),GOLF III (1H1),GOLF IV Cabriolet (1E7),JETTA II (19E, 1G2, 165),PASSAT Variant (3A5, 35I),PASSAT (3A2, 35I),POLO CLASSIC (6KV2),POLO Variant (6KV5),POLO (6N1),POLO (86),POLO (86C, 80),VENTO (1H2)
33818/9	<b>Hülse, Querlenkerlagerung, Sleeve, Control arm mounting, Manchon, fixation du bras transversal</b> SEAT CORDOBA Vario (6K5),CORDOBA (6K1, 6K2),IBIZA I (021A),IBIZA II (6K1),IBIZA III (6K1),INCA (6K9),TOLEDO I (1L),VW CADDY II Kasten (9K9A),CADDY II Kombi (9K9B),CADDY II Pick-up (9U7),CORRADO (53I),GOLF II (19E, 1G1),GOLF III Cabriolet (1E7),GOLF III Variant (1H5),GOLF III (1H1),GOLF IV Cabriolet (1E7),JETTA II (19E, 1G2, 165),PASSAT Stufenheck (32B),PASSAT Variant (3A5, 35I),PASSAT (3A2, 35I),PASSAT (32B),POLO CLASSIC (6KV2),POLO CLASSIC (86C, 80),POLO Variant (6KV5),POLO (6N1),POLO (6N2),POLO (86),POLO (86C, 80),VENTO (1H2)
33819	<b>Lagerung, Lenker, Control Arm-/Trailing Arm Bush, Suspension, bras de liaison</b>

	AUDI A1 Sportback (8XA),A1 (8X1),A3 (8L1),TT Roadster (8N9),TT (8N3),SEAT CORDOBA Vario (6K5),CORDOBA (6K1, 6K2),CORDOBA (6K2),IBIZA II (6K1),IBIZA III (6K1),IBIZA V SPORTCOUPE (6J1),IBIZA V ST (6J8),IBIZA V (6J5),INCA (6K9),LEON (1M1),TOLEDO I (1L),TOLEDO II (1M2),SKODA FABIA,FABIA Combi,OCTAVIA Combi (1U5),OCTAVIA (1U2),ROOMSTER Praktik (5J),VW BORA Kombi (1J6),BORA (1J2),CADDY II Kasten (9K9A),CADDY II Kombi (9K9B),CORRADO (53I),GOLF II (19E, 1G1),GOLF III Cabriolet (1E7),GOLF III Variant (1H5),GOLF III (1H1),GOLF IV Cabriolet (1E7),GOLF IV Variant (1J5),GOLF IV (1J1),JETTA II (19E, 1G2, 165),NEW BEETLE Cabriolet (1Y7),NEW BEETLE (9C1, 1C1),PASSAT Variant (3A5, 35I),PASSAT (3A2, 35I),POLO CLASSIC (6KV2),POLO Kasten (6NF),POLO Stufenheck,POLO Variant (6KV5),POLO (6R_),POLO (9N_),UP,VENTO (1H2)
<b>33820</b>	<b>Lagerung, Lenker, Control Arm-/Trailing Arm Bush, Suspension, bras de liaison</b> VW CADDY I (14),GOLF I Cabriolet (155),GOLF I (17),JETTA I (16),SCIROCCO (53),SCIROCCO (53B)
<b>33824</b>	<b>Lagerung, Stabilisator, Stabiliser Mounting, Suspension, stabilisateur</b> SEAT LEON (1M1),TOLEDO II (1M2),VW BORA Kombi (1J6),BORA (1J2),GOLF IV Variant (1J5),GOLF IV (1J1),NEW BEETLE (9C1, 1C1)
<b>33826</b>	<b>Lagerung, Achskörper, Mounting, axle beam, Suspension, corps de l'essieu</b> VW PASSAT Stufenheck (32B),PASSAT Variant (32B),PASSAT (32B),SANTANA (32B)
<b>33826/4</b>	<b>Reparaturatz, Achskörper, Repair Set, axle beam, Kit de réparation, corps de l'essieu</b> VW PASSAT Stufenheck (32B),PASSAT Variant (32B),PASSAT (32B),SANTANA (32B)
<b>33827</b>	<b>Lagerung, Achsstrebe, Tie Bar Bush, Suspension, jambe d'essieu</b> AUDI CABRIOLET (8G7, B4),COUPE (81, 85),COUPE (89, 8B),80 Avant (8C, B4),80 (8C, B4),80 (81, 85, B2),80 (89, 89Q, 8A, B3),90 (89, 89Q, 8A, B3),VW PASSAT Stufenheck (32B),PASSAT Variant (32B),PASSAT (32B),SANTANA (32B)
<b>33828</b>	<b>Lagerung, Lenker, Control Arm-/Trailing Arm Bush, Suspension, bras de liaison</b> AUDI CABRIOLET (8G7, B4),COUPE (81, 85),QUATTRO (85),100 Coupe (C1),100 (C1),80 Avant (8C, B4),80 (8C, B4),80 (81, 85, B2),80 (89, 89Q, 8A, B3),90 (81, 85, B2),90 (89, 89Q, 8A, B3),VW PASSAT Stufenheck (32B),PASSAT Variant (32B),PASSAT (32B),SANTANA (32B)
<b>33829</b>	<b>Lagerung, Achsstrebe, Tie Bar Bush, Suspension, jambe d'essieu</b> AUDI CABRIOLET (8G7, B4),COUPE (81, 85),COUPE (89, 8B),QUATTRO (85),80 Avant (8C, B4),80 (8C, B4),80 (81, 85, B2),80 (89, 89Q, 8A, B3),90 (81, 85, B2),90 (89, 89Q, 8A, B3)
<b>33830</b>	<b>Lagerung, Achsträger, Mounting, axle bracket, Suspension, support d'essieu</b> AUDI COUPE (81, 85),COUPE (89, 8B),QUATTRO (85),80 Avant (8C, B4),80 (8C, B4),80 (80, 82, B1),80 (81, 85, B2),80 (89, 89Q, 8A, B3),90 (89, 89Q, 8A, B3),VW PASSAT Stufenheck (32B),PASSAT Variant (32B),PASSAT Variant (33),PASSAT (32),PASSAT (32B),SANTANA (32B)
<b>33833</b>	<b>Lagerung, Achskörper, Mounting, axle beam, Suspension, corps de l'essieu</b> SEAT TOLEDO I (1L),VW CORRADO (53I),GOLF II (19E, 1G1),JETTA II (19E, 1G2, 165)
<b>33833/2</b>	<b>Reparaturatz, Achskörper, Repair Set, axle beam, Kit de réparation, corps de l'essieu</b> SEAT TOLEDO I (1L),VW CORRADO (53I),GOLF II (19E, 1G1),JETTA II (19E, 1G2, 165)
<b>33834</b>	<b>Lagerung, Lenker, Control Arm-/Trailing Arm Bush, Suspension, bras de liaison</b> SEAT AROSA (6H),VW LUPO (6X1, 6E1),POLO Kasten (6NF),POLO (6N1),POLO (6N2)
<b>33835</b>	<b>Lagerung, Lenker, Control Arm-/Trailing Arm Bush, Suspension, bras de liaison</b> SEAT AROSA (6H),VW LUPO (6X1, 6E1),POLO CLASSIC (6KV2),POLO Kasten (6NF),POLO Variant (6KV5),POLO (6N1),POLO (6N2)
<b>33836</b>	<b>Lagerung, Lenker, Control Arm-/Trailing Arm Bush, Suspension, bras de liaison</b> MERCEDES-BENZ C-KLASSE Kombi (S202),C-KLASSE Kombi (S203),C-KLASSE Sportcoupe (CL203),C-KLASSE (W202),C-KLASSE (W203),CLK Cabriolet (A208),CLK (C208),E-KLASSE Cabriolet (A124),E-KLASSE Coupe (C124),E-KLASSE Kombi (S124),E-KLASSE Kombi (S210),E-KLASSE (W124),E-KLASSE (W210),KOMBI Kombi (S123),KOMBI Kombi (S124),S-KLASSE Coupe (C126),S-KLASSE Coupe (C140),S-KLASSE (W126),S-KLASSE (W140),S-KLASSE (W220),Stufenheck (W123),Stufenheck (W124),190 (W201)
<b>33837</b>	<b>Lagerung, Lenker, Control Arm-/Trailing Arm Bush, Suspension, bras de liaison</b> MERCEDES-BENZ C-KLASSE Kombi (S202),C-KLASSE Kombi (S203),C-KLASSE Sportcoupe (CL203),C-KLASSE (W202),C-KLASSE (W203),CLK Cabriolet (A208),CLK (C208),COUPE (C123),COUPE (C124),E-KLASSE Cabriolet (A124),E-KLASSE Coupe (C124),E-KLASSE Kombi (S124),E-KLASSE Kombi (S210),E-KLASSE (W124),E-KLASSE (W210),KOMBI Kombi (S123),KOMBI Kombi (S124),S-KLASSE Coupe (C140),S-KLASSE (W140),S-KLASSE (W220),Stufenheck (W123),Stufenheck (W124),190 (W201)
<b>33838</b>	<b>Lagerung, Lenker, Control Arm-/Trailing Arm Bush, Suspension, bras de liaison</b> MERCEDES-BENZ CABRIOLET (A124),C-KLASSE Kombi (S202),C-KLASSE (W202),CLK Cabriolet (A208),CLK Cabriolet (A209),CLK (C208),CLK (C209),COUPE (C124),E-KLASSE Cabriolet (A124),E-KLASSE Coupe (C124),E-KLASSE Kombi (S124),E-KLASSE Kombi (S210),E-KLASSE (W124),E-KLASSE (W210),KOMBI Kombi (S124),SL (R129),SLK (R170),Stufenheck (W124),190 (W201)
<b>33839</b>	<b>Lagerung, Lenker, Control Arm-/Trailing Arm Bush, Suspension, bras de liaison</b> AUDI ALLROAD (4BH, C5),A4 Avant (8D5, B5),A4 (8D2, B5),A6 Avant (4B, C5),A6 (4B, C5),A8 (4D2, 4D8),AUDI (FAW) A6L Stufenheck (C5),SKODA SUPERB (3U4),VW PASSAT Variant (3B5),PASSAT Variant (3B6),PASSAT (3B2),PASSAT (3B3),VW (SVW) PASSAT Stufenheck (B5)
<b>33840</b>	<b>Lagerung, Lenker, Control Arm-/Trailing Arm Bush, Suspension, bras de liaison</b> AUDI ALLROAD (4BH, C5),A4 Avant (8D5, B5),A4 Avant (8ED, B7),A4 Avant (8E5, B6),A4 Cabriolet (8H7, B6, 8HE, B7),A4 (8D2, B5),A4 (8EC, B7),A4 (8E2, B6),A6 Avant (4B, C5),A6 (4B, C5),A8 (4D2, 4D8),AUDI (FAW) A4 Stufenheck (B6),A4 Stufenheck (B7),A6L Stufenheck (C5),SEAT EXEO ST (3R5),EXEO (3R2),SKODA SUPERB (3U4),VW PASSAT Variant (3B5),PASSAT Variant (3B6),PASSAT (3B2),PASSAT (3B3),VW (SVW) PASSAT Stufenheck (B5)
<b>33841</b>	<b>Lagerung, Lenker, Control Arm-/Trailing Arm Bush, Suspension, bras de liaison</b> MERCEDES-BENZ CABRIOLET (A124),COUPE (C124),E-KLASSE Cabriolet (A124),E-KLASSE Coupe (C124),E-KLASSE Kombi (S124),E-KLASSE (W124),KOMBI Kombi (S124),Stufenheck (W124),190 (W201)
<b>33841/4</b>	<b>Reparaturatz, Lenker, Repair Kit, link, Kit de remise en état, bras de liaison</b> MERCEDES-BENZ COUPE (C124),E-KLASSE Cabriolet (A124),E-KLASSE Coupe (C124),E-KLASSE Kombi (S124),E-KLASSE (W124),KOMBI Kombi (S124),SL (R107),SL (R129),Stufenheck (W124),190 (W201)
<b>33842</b>	<b>Lagerung, Lenker, Control Arm-/Trailing Arm Bush, Suspension, bras de liaison</b> AUDI CABRIOLET (8G7, B4),COUPE (81, 85),COUPE (89, 8B),QUATTRO (85),80 Avant (8C, B4),80 (8C, B4),80 (81, 85, B2),80 (89, 89Q, 8A, B3),90 (81, 85, B2),90 (89, 89Q, 8A, B3),VW PASSAT Stufenheck (32B),PASSAT Variant (32B),PASSAT (32B),SANTANA (32B)
<b>33843</b>	<b>Lagerung, Stabilisator, Stabilisatorstange, Mounting, stabilizer coupling rod, Suspension, barre de couplage stabilisatrice</b> AUDI CABRIOLET (8G7, B4),COUPE (89, 8B),80 Avant (8C, B4),80 (8C, B4)



<b>33844</b>	<b>Lagerung, Stabilisator-Koppelstange, Mounting, stabilizer coupling rod, Suspension, barre de couplage stabilisatrice</b> AUDI 80 (8C, B4),80 (80, 82, B1),80 (81, 85, B2),80 (89, 89Q, 8A, B3),90 (89, 89Q, 8A, B3),VW PASSAT Stufenheck (32B),PASSAT Variant (32B),PASSAT (32B),SANTANA (32B)
<b>33845</b>	<b>Lagerung, Stabilisator, Stabiliser Mounting, Suspension, stabilisateur</b> MERCEDES-BENZ COUPE (C124),Stufenheck (W124),190 (W201)
<b>33846</b>	<b>Lagerung, Lenker, Control Arm-/Trailing Arm Bush, Suspension, bras de liaison</b> AUDI CABRIOLET (8G7, B4),COUPE (89, 8B),80 Avant (8C, B4),80 (8C, B4),90 (89, 89Q, 8A, B3)
<b>33847</b>	<b>Lagerung, Lenker, Control Arm-/Trailing Arm Bush, Suspension, bras de liaison</b> ALPINA B3 Cabriolet (E36),B3 Coupe (E36),B3 (E36),B3 Kombi (E36),B6 (E36),B8 Cabriolet (E36),B8 Coupe (E36),B8 (E36),B8 Kombi (E36),BMW Z3 Coupe (E36),Z3 (E36),3 Cabriolet (E36),3 Compact (E36),3 Coupe (E36),3 (E36),3 Touring (E36)
<b>33847/2</b>	<b>Reparaturatz, Lenker, Repair Kit, link, Kit de remise en état, bras de liaison</b> BMW Z3 Coupe (E36),Z3 (E36),3 Cabriolet (E36),3 Compact (E36),3 Coupe (E36),3 (E36),3 Touring (E36)
<b>33847/3</b>	<b>Halter, Querlenkerlagerung, Holder, control arm mounting, Support, silentbloc du bras transversal</b> BMW Z1,Z3 Coupe (E36),Z3 (E36),3 Cabriolet (E30),3 Cabriolet (E36),3 Compact (E36),3 Coupe (E36),3 (E30),3 (E36),3 Touring (E30),3 Touring (E36)
<b>33847/4</b>	<b>Halter, Querlenkerlagerung, Holder, control arm mounting, Support, silentbloc du bras transversal</b> BMW Z3 Coupe (E36),Z3 (E36),3 Cabriolet (E30),3 Cabriolet (E36),3 Compact (E36),3 Coupe (E36),3 (E30),3 (E36),3 Touring (E30),3 Touring (E36)
<b>33848</b>	<b>Lagerung, Lenker, Control Arm-/Trailing Arm Bush, Suspension, bras de liaison</b> OPEL OMEGA B Caravan (21_, 22_, 23_),OMEGA B (25_, 26_, 27_),VAUXHALL OMEGA (B),OMEGA (B) Estate,SENATOR Mk II (B)
<b>33849</b>	<b>Lagerung, Lenker, Control Arm-/Trailing Arm Bush, Suspension, bras de liaison</b> OPEL OMEGA B Caravan (21_, 22_, 23_),OMEGA B (25_, 26_, 27_),VAUXHALL OMEGA (B),OMEGA (B) Estate
<b>33858</b>	<b>Lagerung, Achskörper, Mounting, axle beam, Suspension, corps de l'essieu</b> SEAT TOLEDO I (1L),VW CORRADO (53I),GOLF III Cabriolet (1E7),GOLF III (1H1),GOLF IV Cabriolet (1E7),VENTO (1H2)
<b>33858/2</b>	<b>Reparaturatz, Achskörper, Repair Set, axle beam, Kit de réparation, corps de l'essieu</b> SEAT TOLEDO I (1L),VW CORRADO (53I),GOLF III Cabriolet (1E7),GOLF III (1H1),GOLF IV Cabriolet (1E7),VENTO (1H2)
<b>33859</b>	<b>Lagerung, Lenker, Control Arm-/Trailing Arm Bush, Suspension, bras de liaison</b> VW TRANSPORTER T3 Bus,TRANSPORTER T3 Kasten,TRANSPORTER T3 Pritsche/Fahrgestell
<b>33864</b>	<b>Lagerung, Achskörper, Mounting, axle beam, Suspension, corps de l'essieu</b> FORD GALAXY (WGR),SEAT ALHAMBRA (7V8, 7V9),VW SHARAN (7M8, 7M9, 7M6)
<b>33865</b>	<b>Lagerung, Achskörper, Mounting, axle beam, Suspension, corps de l'essieu</b> MERCEDES-BENZ CABRIOLET (A124),COUPE (C124),E-KLASSE Kombi (S124),E-KLASSE (W124),KOMBI Kombi (S124),Stufenheck (W124)
<b>33867</b>	<b>Reparaturatz, Lenker, Repair Kit, link, Kit de remise en état, bras de liaison</b> MERCEDES-BENZ G-KLASSE (W460),S-KLASSE Coupe (C140),S-KLASSE (W140)
<b>33868</b>	<b>Reparaturatz, Stabilisatorlager, Repair Kit, stabilizer suspension, Kit de réparation, suspension du stabilisateur</b> MERCEDES-BENZ 190 (W201)
<b>33870</b>	<b>Lagerung, Radlagergehäuse, Bearing, wheel bearing housing, Roulement, boîtier du roulement des roues</b> MERCEDES-BENZ CABRIOLET (A124),C-KLASSE Kombi (S202),C-KLASSE Kombi (S203),C-KLASSE Sportcoupe (CL203),C-KLASSE (W202),C-KLASSE (W203),CLK Cabriolet (A208),CLK Cabriolet (A209),CLK (C208),CLK (C209),COUPE (C124),E-KLASSE Cabriolet (A124),E-KLASSE Coupe (C124),E-KLASSE Kombi (S124),E-KLASSE Kombi (S210),E-KLASSE (W124),E-KLASSE (W210),KOMBI Kombi (S124),S-KLASSE Coupe (C140),S-KLASSE (W140),S-KLASSE (W220),SL (R129),SLK (R170),SLK (R171),Stufenheck (W124),190 (W201)
<b>33871</b>	<b>Lagerung, Achskörper, Mounting, axle beam, Suspension, corps de l'essieu</b> VW PASSAT Variant (3A5, 35I),PASSAT (3A2, 35I)
<b>33871/4</b>	<b>Reparaturatz, Achskörper, Repair Set, axle beam, Kit de réparation, corps de l'essieu</b> VW PASSAT Variant (3A5, 35I),PASSAT (3A2, 35I)
<b>33872</b>	<b>Lagerung, Lenker, Control Arm-/Trailing Arm Bush, Suspension, bras de liaison</b> VW TRANSPORTER T4 Bus (70XB, 70XC, 7DB, 7DW),TRANSPORTER T4 Kasten (70XA),TRANSPORTER T4 Pritsche/Fahrgestell (70XD)
<b>33874</b>	<b>Lagerung, Lenker, Control Arm-/Trailing Arm Bush, Suspension, bras de liaison</b> MERCEDES-BENZ 190 (W201)
<b>33875</b>	<b>Lagerung, Lenker, Control Arm-/Trailing Arm Bush, Suspension, bras de liaison</b> ALPINA B3 Cabriolet (E30),B3 (E30),B3 Kombi (E30),C1 (E30),C2 Cabriolet (E30),C2 (E30),BMW 3 Cabriolet (E30),3 (E30),3 Touring (E30),5 (E28),6 (E24)
<b>33875/1</b>	<b>Lagerung, Lenker, Control Arm-/Trailing Arm Bush, Suspension, bras de liaison</b> ALPINA B3 Cabriolet (E30),B3 (E30),B3 Kombi (E30),C1 (E30),C2 Cabriolet (E30),C2 (E30),BMW Z1,3 Cabriolet (E30),3 (E30),3 Touring (E30),5 (E28),5 (E34),5 Touring (E34),6 (E24)
<b>33875/2</b>	<b>Lagerung, Lenker, Control Arm-/Trailing Arm Bush, Suspension, bras de liaison</b> ALPINA B3 Cabriolet (E30),B3 (E30),B3 Kombi (E30),C1 (E30),C2 Cabriolet (E30),C2 (E30),BMW 3 Cabriolet (E30),3 (E30),3 Touring (E30),5 (E28),6 (E24)
<b>33876</b>	<b>Lagerung, Lenker, Control Arm-/Trailing Arm Bush, Suspension, bras de liaison</b> AUDI ALLROAD (4BH, C5),A4 Avant (8D5, B5),A4 Avant (8ED, B7),A4 Avant (8E5, B6),A4 Cabriolet (8H7, B6, 8HE, B7),A4 (8D2, B5),A4 (8EC, B7),A4 (8E2, B6),A6 Avant (4B, C5),A6 (4B, C5),A8 (4D2, 4D8),AUDI (FAW) A4 Stufenheck (B6),A6L Stufenheck (C5),SKODA SUPERB (3U4),VW PASSAT Variant (3B5),PASSAT Variant (3B6),PASSAT (3B2),PASSAT (3B3),VW (SVW) PASSAT Stufenheck (B5)
<b>33877</b>	<b>Lagerung, Achskörper, Mounting, axle beam, Suspension, corps de l'essieu</b> OPEL VECTRA B Caravan (31_),VECTRA B CC (38_),VECTRA B (36_)

<b>33878</b>	<b>Lagerung, Lenker, Control Arm-/Trailing Arm Bush, Suspension, bras de liaison</b> AUDI A6 Avant (4A, C4),A6 (4A, C4),100 Avant (4A, C4),100 (4A, C4)
<b>33878/2</b>	<b>Reparaturatz, Lenker, Repair Kit, link, Kit de remise en état, bras de liaison</b> AUDI A6 Avant (4A, C4),A6 (4A, C4),100 Avant (4A, C4),100 (4A, C4)
<b>33878/9</b>	<b>Hülse, Querlenkerlagerung, Sleeve, control arm mounting, Manchon, fixation du bras transversal</b> AUDI A6 Avant (4A, C4),A6 (4A, C4),100 Avant (4A, C4),100 (4A, C4)
<b>33879</b>	<b>Lagerung, Achskörper, Mounting, axle beam, Suspension, corps de l'essieu</b> OPEL OMEGA A Caravan (66_, 67_),OMEGA A (16_, 17_, 19_),SENATOR B (29_),VECTRA A CC (88_, 89_),VECTRA A (86_, 87_)
<b>33883</b>	<b>Lagerung, Lenker, Control Arm-/Trailing Arm Bush, Suspension, bras de liaison</b> MERCEDES-BENZ CLS (C219),E-KLASSE Kombi (S211),E-KLASSE (W211),MERCEDES-BENZ (BBDC) E-CLASS (W211)
<b>33889/2</b>	<b>Lagerung, Stabilisator, Stabiliser Mounting, Suspension, stabilisateur</b> MERCEDES-BENZ C-KLASSE Kombi (S202),C-KLASSE (W202),CLK Cabriolet (A208),COUPE (C124),E-KLASSE Coupe (C124),E-KLASSE Kombi (S210),E-KLASSE (W124),E-KLASSE (W210),SL (R129),SLK (R170),Stufenheck (W124),190 (W201)
<b>33889/3</b>	<b>Lagerung, Stabilisator, Stabiliser Mounting, Suspension, stabilisateur</b> MERCEDES-BENZ COUPE (C124),E-KLASSE (W124),Stufenheck (W124),190 (W201)
<b>33889/4</b>	<b>Reparaturatz, Stabilisatorstange, Anti-roll Bar Stabiliser Kit, Kit de réparation, barre de couplage stabilisatrice</b> MERCEDES-BENZ Stufenheck (W124),190 (W201)
<b>33890</b>	<b>Reparaturatz, Lenker, Repair Kit, link, Kit de remise en état, bras de liaison</b> SEAT CORDOBA (6K1, 6K2),IBIZA II (6K1),TOLEDO I (1L),VW CADDY II Kasten (9K9A),GOLF II (19E, 1G1),JETTA II (19E, 1G2, 165),POLO CLASSIC (6KV2),POLO Variant (6KV5)
<b>33891</b>	<b>Lagerung, Lenker, Control Arm-/Trailing Arm Bush, Suspension, bras de liaison</b> AUDI V8 (44_, 4C_),100 Avant (43, C2),100 Avant (44, 44Q, C3),100 (43, C2),100 (44, 44Q, C3),200 Avant (44, 44Q),200 (43),200 (44, 44Q)
<b>33892</b>	<b>Lagerung, Lenker, Control Arm-/Trailing Arm Bush, Suspension, bras de liaison</b> AUDI A6 Avant (4A, C4),A6 (4A, C4),100 Avant (4A, C4),100 (4A, C4)
<b>33893</b>	<b>Lagerung, Lenker, Control Arm-/Trailing Arm Bush, Suspension, bras de liaison</b> AUDI 50 (86),VW DERBY (86),DERBY (86C, 80),POLO CLASSIC (86C, 80),POLO Coupe (86C, 80),POLO (86),POLO (86C, 80)
<b>33894</b>	<b>Lagerung, Achskörper, Mounting, axle beam, Suspension, corps de l'essieu</b> AUDI 80 Avant (8C, B4),80 (8C, B4)
<b>33895</b>	<b>Lagerung, Lenker, Control Arm-/Trailing Arm Bush, Suspension, bras de liaison</b> OPEL OMEGA A Caravan (66_, 67_),OMEGA A (16_, 17_, 19_),OMEGA B Caravan (21_, 22_, 23_),OMEGA B (25_, 26_, 27_),SENATOR B (29_),VAUXHALL SENATOR Mk II (B)
<b>33896</b>	<b>Lagerung, Lenker, Control Arm-/Trailing Arm Bush, Suspension, bras de liaison</b> VW TRANSPORTER T3 Bus,TRANSPORTER T3 Kasten,TRANSPORTER T3 Pritsche/Fahrgestell
<b>33897</b>	<b>Lagerung, Lenker, Control Arm-/Trailing Arm Bush, Suspension, bras de liaison</b> VW TRANSPORTER T3 Bus,TRANSPORTER T3 Kasten,TRANSPORTER T3 Pritsche/Fahrgestell
<b>33898</b>	<b>Lagerung, Achskörper, Mounting, axle beam, Suspension, corps de l'essieu</b> AUDI 100 Avant (43, C2),100 Avant (44, 44Q, C3),100 (43, C2),100 (44, 44Q, C3),200 Avant (44, 44Q),200 (43),200 (44, 44Q)
<b>33899</b>	<b>Lagerung, Achskörper, Mounting, axle beam, Suspension, corps de l'essieu</b> AUDI A6 Avant (4A, C4),A6 (4A, C4),100 Avant (4A, C4),100 (4A, C4)
<b>33900</b>	<b>Lagerung, Lenker, Control Arm-/Trailing Arm Bush, Suspension, bras de liaison</b> VW TRANSPORTER T3 Bus,TRANSPORTER T3 Kasten,TRANSPORTER T3 Pritsche/Fahrgestell
<b>33901</b>	<b>Lagerung, Lenker, Control Arm-/Trailing Arm Bush, Suspension, bras de liaison</b> AUDI 100 Avant (43, C2),100 Avant (44, 44Q, C3),100 (43, C2),100 (44, 44Q, C3),200 Avant (44, 44Q),200 (43),200 (44, 44Q)
<b>33902</b>	<b>Lagerung, Achskörper, Mounting, axle beam, Suspension, corps de l'essieu</b> AUDI A4 Avant (8D5, B5),A4 (8D2, B5)
<b>33903</b>	<b>Lagerung, Lenker, Control Arm-/Trailing Arm Bush, Suspension, bras de liaison</b> AUDI A1 Sportback (8XA),A1 (8X1),A3 (8L1),TT Roadster (8N9),TT (8N3),SEAT IBIZA V SPORTCOUPE (6J1),IBIZA V ST (6J8),IBIZA V (6J5),LEON (1M1),TOLEDO II (1M2),SKODA FABIA,FABIA Combi,OCTAVIA Combi (1U5),OCTAVIA (1U2),VW BORA Kombi (1J6),BORA (1J2),GOLF IV Variant (1J5),GOLF IV (1J1),NEW BEETLE Cabriolet (1Y7),NEW BEETLE (9C1, 1C1),POLO Stufenheck,POLO (6R_),POLO (9N_),UP
<b>33904</b>	<b>Lagerung, Stabilisatorstange, Mounting, stabilizer coupling rod, Suspension, barre de couplage stabilisatrice</b> SEAT CORDOBA Vario (6K5),CORDOBA (6K1, 6K2),IBIZA II (6K1),INCA (6K9),TOLEDO I (1L),VW CADDY II Kasten (9K9A),CORRADO (53I),GOLF II (19E, 1G1),GOLF III Variant (1H5),GOLF III (1H1),JETTA II (19E, 1G2, 165),POLO CLASSIC (6KV2),POLO Variant (6KV5),VENTO (1H2)
<b>33905</b>	<b>Lagerung, Stabilisatorstange, Mounting, stabilizer coupling rod, Suspension, barre de couplage stabilisatrice</b> VW CADDY II Kasten (9K9A),CORRADO (53I),GOLF II (19E, 1G1),GOLF III Cabriolet (1E7),GOLF III Variant (1H5),GOLF III (1H1),GOLF IV Cabriolet (1E7),JETTA II (19E, 1G2, 165),POLO CLASSIC (6KV2),POLO Variant (6KV5),VENTO (1H2)
<b>33906</b>	<b>Lagerung, Stabilisator, Stabiliser Mounting, Suspension, stabilisateur</b> AUDI COUPE (81, 85),80 (80, 82, B1),80 (81, 85, B2),80 (89, 89Q, 8A, B3),90 (81, 85, B2),90 (89, 89Q, 8A, B3),VW PASSAT Stufenheck (32B),PASSAT Variant (32B),PASSAT Variant (33),PASSAT (32),PASSAT (32B),SANTANA (32B)
<b>33907</b>	<b>Lagerung, Lenker, Control Arm-/Trailing Arm Bush, Suspension, bras de liaison</b> AUDI A2 (8Z0),CABRIOLET (8G7, B4),80 Avant (8C, B4),80 (8C, B4),VW PASSAT Stufenheck (32B),PASSAT Variant (32B),PASSAT (32B),SANTANA (32B)



<b>33908</b>	<b>Lagerung, Lenker, Control Arm-/Trailing Arm Bush, Suspension, bras de liaison</b> FORD GALAXY (WGR),SEAT ALHAMBRA (7V8, 7V9),VW SHARAN (7M8, 7M9, 7M6)
<b>33909</b>	<b>Lagerung, Achskörper, Mounting, axle beam, Suspension, corps de l'essieu</b> VW GOLF III Variant (1H5)
<b>33909/4</b>	<b>Lagerung, Achskörper, Mounting, axle beam, Suspension, corps de l'essieu</b> VW GOLF III Variant (1H5)
<b>33910</b>	<b>Lagerung, Achskörper, Mounting, axle beam, Suspension, corps de l'essieu</b> MERCEDES-BENZ C-KLASSE Kombi (S202),C-KLASSE (W202),CLK Cabriolet (A208),CLK (C208),COUPE (C124),E-KLASSE Cabriolet (A124),E-KLASSE Coupe (C124),E-KLASSE Kombi (S124),E-KLASSE (W124),KOMBI Kombi (S124),Stufenheck (W124),190 (W201)
<b>33912</b>	<b>Lagerung, Achskörper, Mounting, axle beam, Suspension, corps de l'essieu</b> AUDI A3 (8L1),TT Roadster (8J9),TT Roadster (8N9),TT (8J3),TT (8N3),SEAT CORDOBA (6L2),IBIZA IV (6L1),LEON (1M1),LEON (1P1),TOLEDO II (1M2),TOLEDO III (5P2),SKODA FABIA Combi (6Y5),FABIA Stufenheck (6Y3),FABIA (6Y2),OCTAVIA Combi (1U5),OCTAVIA Combi (1Z5),OCTAVIA (1U2),OCTAVIA (1Z3),ROOMSTER (5J),VW BORA Kombi (1J6),BORA (1J2),GOLF IV Variant (1J5),GOLF IV (1J1),NEW BEETLE Cabriolet (1Y7),NEW BEETLE (9C1, 1C1),POLO Stufenheck (9A4),POLO (9N_)
<b>33912/2</b>	<b>Reparaturatz, Achskörper, Repair Set, axle beam, Kit de réparation, corps de l'essieu</b> AUDI A3 (8L1),TT Roadster (8J9),TT Roadster (8N9),TT (8J3),TT (8N3),SEAT CORDOBA (6L2),IBIZA IV (6L1),LEON (1M1),LEON (1P1),TOLEDO II (1M2),TOLEDO III (5P2),SKODA FABIA Combi (6Y5),FABIA Praktik,FABIA Stufenheck (6Y3),FABIA (6Y2),OCTAVIA Combi (1U5),OCTAVIA Combi (1Z5),OCTAVIA (1U2),OCTAVIA (1Z3),ROOMSTER (5J),VW BORA Kombi (1J6),BORA (1J2),GOLF IV Variant (1J5),GOLF IV (1J1),NEW BEETLE Cabriolet (1Y7),NEW BEETLE (9C1, 1C1),POLO Stufenheck (9A4),POLO (9N_)
<b>33913</b>	<b>Lagerung, Lenker, Control Arm-/Trailing Arm Bush, Suspension, bras de liaison</b> VW TRANSPORTER T4 Bus (70XB, 70XC, 7DB, 7DW),TRANSPORTER T4 Kasten (70XA),TRANSPORTER T4 Pritsche/Fahrgestell (70XD)
<b>33914</b>	<b>Lagerung, Lenker, Control Arm-/Trailing Arm Bush, Suspension, bras de liaison</b> VW TRANSPORTER T4 Bus (70XB, 70XC, 7DB, 7DW),TRANSPORTER T4 Kasten (70XA),TRANSPORTER T4 Pritsche/Fahrgestell (70XD)
<b>33915</b>	<b>Lagerung, Lenker, Control Arm-/Trailing Arm Bush, Suspension, bras de liaison</b> VW TRANSPORTER T4 Bus (70XB, 70XC, 7DB, 7DW),TRANSPORTER T4 Kasten (70XA),TRANSPORTER T4 Pritsche/Fahrgestell (70XD)
<b>33916</b>	<b>Lagerung, Lenker, Control Arm-/Trailing Arm Bush, Suspension, bras de liaison</b> VW KOMBI Bus (T2),KOMBI Kasten (T2),TRANSPORTER T4 Bus (70XB, 70XC, 7DB, 7DW),TRANSPORTER T4 Kasten (70XA),TRANSPORTER T4 Pritsche/Fahrgestell (70XD)
<b>33917</b>	<b>Lagerung, Achsstrebe, Tie Bar Bush, Suspension, jambe d'essieu</b> VOLVO S90,V90 Kombi,740 Kombi (745),740 (744),760 Kombi (704, 765),760 (704, 764),940 II Kombi (945),940 II (944),940 Kombi (945),940 (944),960 II Kombi (965),960 II (964),960 Kombi (965),960 (964)
<b>33922</b>	<b>Reparaturatz, Umlenkhebel, Repair Kit, reversing lever, Kit d'assemblage, levier de déviation</b> MERCEDES-BENZ S-KLASSE Coupe (C140),S-KLASSE (W140)
<b>33923</b>	<b>Lagerung, Lenker, Control Arm-/Trailing Arm Bush, Suspension, bras de liaison</b> VOLVO V70 I (P80_),740 Kombi (745),740 (744),760 Kombi (704, 765),760 (704, 764),850 Kombi (LW),940 II Kombi (945),940 II (944),940 Kombi (945),940 (944),960 II Kombi (965),960 II (964),960 Kombi (965),960 (964)
<b>33924</b>	<b>Lagerung, Lenker, Control Arm-/Trailing Arm Bush, Suspension, bras de liaison</b> MITSUBISHI CARISMA (DA_),VOLVO S40 I (VS),V40 Kombi (VW)
<b>33925</b>	<b>Lagerung, Stabilisatorkoppelstange, Mounting, stabilizer coupling rod, Suspension, barre de couplage stabilisatrice</b> VW TRANSPORTER T4 Bus (70XB, 70XC, 7DB, 7DW),TRANSPORTER T4 Kasten (70XA),TRANSPORTER T4 Pritsche/Fahrgestell (70XD)
<b>33926</b>	<b>Lagerung, Stabilisatorkoppelstange, Mounting, stabilizer coupling rod, Suspension, barre de couplage stabilisatrice</b> VW TRANSPORTER T4 Bus (70XB, 70XC, 7DB, 7DW),TRANSPORTER T4 Kasten (70XA),TRANSPORTER T4 Pritsche/Fahrgestell (70XD)
<b>33927</b>	<b>Lagerung, Stabilisatorkoppelstange, Mounting, stabilizer coupling rod, Suspension, barre de couplage stabilisatrice</b> AUDI A3 (8L1),TT Roadster (8N9),TT (8N3),SKODA OCTAVIA Combi (1U5),OCTAVIA (1U2),OCTAVIA (1Z3),VW BORA Kombi (1J6),BORA (1J2),GOLF IV Variant (1J5),GOLF IV (1J1)
<b>33928</b>	<b>Lagerung, Lenker, Control Arm-/Trailing Arm Bush, Suspension, bras de liaison</b> FORD GALAXY (WGR),SEAT ALHAMBRA (7V8, 7V9),VW SHARAN (7M8, 7M9, 7M6)
<b>33929</b>	<b>Lagerung, Lenker, Control Arm-/Trailing Arm Bush, Suspension, bras de liaison</b> VW LT 28-35 I Bus (281-363),LT 28-35 I Kasten (281-363),LT 28-35 I Pritsche/Fahrgestell (281-363)
<b>33932</b>	<b>Lagerung, Lenker, Control Arm-/Trailing Arm Bush, Suspension, bras de liaison</b> AUDI ALLROAD (4BH, C5),A4 Avant (8D5, B5),A4 Avant (8ED, B7),A4 Avant (8E5, B6),A4 Cabriolet (8H7, B6, 8HE, B7),A4 (8D2, B5),A4 (8EC, B7),A4 (8E2, B6),A6 Allroad (4FH, C6),A6 Avant (4B, C5),A6 Avant (4F5, C6),A6 (4B, C5),A6 (4F2, C6),A8 (4D2, 4D8),A8 (4E_),AUDI (FAW) A4 Stufenheck (B6),A6L Stufenheck (C5),SKODA SUPERB (3U4),VW PASSAT Variant (3B5),PASSAT Variant (3B6),PASSAT (3B2),PASSAT (3B3),PHAETON (3D_),VW (SVW) PASSAT Stufenheck (B5)
<b>33933</b>	<b>Lagerung, Lenker, Control Arm-/Trailing Arm Bush, Suspension, bras de liaison</b> BMW Z4 Coupe (E86),Z4 (E85),3 Cabriolet (E46),3 Compact (E46),3 Coupe (E46),3 (E46),3 Touring (E46),BMW (BRILLIANCE) 3 SERIES (E46)
<b>33933/2</b>	<b>Lagerung, Lenker, Control Arm-/Trailing Arm Bush, Suspension, bras de liaison</b> BMW Z4 Coupe (E86),Z4 (E85),3 Cabriolet (E46),3 Compact (E46),3 Coupe (E46),3 (E46),3 Touring (E46),BMW (BRILLIANCE) 3 SERIES (E46)
<b>33934</b>	<b>Lagerung, Lenker, Control Arm-/Trailing Arm Bush, Suspension, bras de liaison</b> BMW 3 Cabriolet (E36),3 Coupe (E36),3 Coupe (E46),3 (E36),3 (E46),3 Touring (E36),3 Touring (E46)
<b>33935</b>	<b>Lagerung, Stabilisator, Stabiliser Mounting, Suspension, stabilisateur</b> VW PASSAT Variant (3A5, 35I),PASSAT (3A2, 35I)
<b>33936</b>	<b>Lagerung, Lenker, Control Arm-/Trailing Arm Bush, Suspension, bras de liaison</b> MERCEDES-BENZ CABRIOLET (A124),COUPE (C124),E-KLASSE Coupe (C124),E-KLASSE Kombi (S124),E-KLASSE (W124),KOMBI Kombi (S124),Stufenheck (W124),190 (W201)

33937	<b>Lagerung, Achskörper, Mounting, axle beam, Suspension, corps de l'essieu</b> SEAT AROSA (6H),CORDOBA Vario (6K5),CORDOBA (6K1, 6K2),IBIZA II (6K1),VW LUPO (6X1, 6E1),POLO CLASSIC (6KV2),POLO Variant (6KV5),POLO (6N1)
33938	<b>Lagerung, Stabilisator, Stabiliser Mounting, Suspension, stabilisateur</b> AUDI A6 Avant (4A, C4),A6 (4A, C4),100 Avant (4A, C4),100 (4A, C4)
33939	<b>Lagerung, Stabilisator, Stabiliser Mounting, Suspension, stabilisateur</b> AUDI A4 Avant (8D5, B5),A4 (8D2, B5),A8 (4D2, 4D8),SKODA SUPERB (3U4),VW PASSAT (3B2),VW (SVW) PASSAT Stufenheck (B5)
33940	<b>Lagerung, Stabilisator, Stabiliser Mounting, Suspension, stabilisateur</b> AUDI A4 Avant (8D5, B5),A4 (8D2, B5),A6 Avant (4B, C5),A6 (4B, C5),A8 (4D2, 4D8),AUDI (FAW) A6L Stufenheck (C5),SKODA SUPERB (3U4),VW PASSAT Variant (3B5),PASSAT (3B2),VW (SVW) PASSAT Stufenheck (B5)
33941	<b>Lagerung, Achskörper, Mounting, axle beam, Suspension, corps de l'essieu</b> AUDI A6 Avant (4A, C4),A6 (4A, C4),V8 (44_, 4C_),100 Avant (4A, C4),100 Avant (44, 44Q, C3),100 (4A, C4),100 (44, 44Q, C3),200 Avant (44, 44Q),200 (44, 44Q),80 Avant (8C, B4),80 (8C, B4)
33942	<b>Lagerung, Achskörper, Mounting, axle beam, Suspension, corps de l'essieu</b> MERCEDES-BENZ CABRIOLET (A124),COUPE (C124),E-KLASSE Kombi (S124),KOMBI Kombi (S124),Stufenheck (W124)
33943	<b>Lagerung, Lenker, Control Arm-/Trailing Arm Bush, Suspension, bras de liaison</b> MERCEDES-BENZ A-KLASSE (W168)
33944	<b>Lagerung, Lenker, Control Arm-/Trailing Arm Bush, Suspension, bras de liaison</b> MERCEDES-BENZ A-KLASSE (W168)
33945	<b>Lagerung, Stabilisator, Stabiliser Mounting, Suspension, stabilisateur</b> VW LT 28-35 I Bus (281-363),LT 28-35 I Kasten (281-363),LT 28-35 I Pritsche/Fahrgestell (281-363),LT 40-55 I Kasten (291-512),LT 40-55 I Pritsche/Fahrgestell (293-909),TRANSPORTER T2 Kasten
33946	<b>Lagerung, Stabilisator, Stabiliser Mounting, Suspension, stabilisateur</b> MERCEDES-BENZ SPRINTER 2-t Bus (901, 902),SPRINTER 2-t Kasten (901, 902),SPRINTER 2-t Pritsche/Fahrgestell (901, 902),SPRINTER 3-t Bus (903),SPRINTER 3-t Kasten (903),SPRINTER 3-t Pritsche/Fahrgestell (903),SPRINTER 3-t Pritsche/Fahrgestell (906),SPRINTER 3,5 Pritsche/Fahrgestell (906),SPRINTER 3,5-t Bus (906),SPRINTER 3,5-t Kasten (906),SPRINTER 4-t Kasten (904),SPRINTER 4-t Pritsche/Fahrgestell (904),SPRINTER 4,6-t Kasten (906),SPRINTER 4,6-t Pritsche/Fahrgestell (906),SPRINTER 5-t Kasten (906),SPRINTER 5-t Pritsche/Fahrgestell (906),T1 Bus (601),T1 Bus (602),T1 Kasten (601),T1 Kasten (602),T1 Pritsche/Fahrgestell (601),T1 Pritsche/Fahrgestell (602),T1/TN Kasten/Kombi,T1/TN Pritsche/Fahrgestell,T2/LN1 Kasten/Kombi,T2/LN1 Pritsche/Fahrgestell,VARIO Kasten/Kombi,VARIO Pritsche/Fahrgestell,VW CRAFTER 30-35 Bus (2E_),CRAFTER 30-50 Kasten (2E_),CRAFTER 30-50 Pritsche/Fahrgestell (2F_),LT 28-35 II Bus (2DM),LT 28-46 II Kasten (2DX0AE),LT 28-46 II Pritsche/Fahrgestell (2DX0FE)
33947	<b>Lagerung, Stabilisator, Stabiliser Mounting, Suspension, stabilisateur</b> MERCEDES-BENZ SPRINTER 2-t Bus (901, 902),SPRINTER 2-t Kasten (901, 902),SPRINTER 2-t Pritsche/Fahrgestell (901, 902),SPRINTER 3-t Bus (903),SPRINTER 3-t Kasten (903),SPRINTER 3-t Pritsche/Fahrgestell (903),VW LT 28-35 II Bus (2DM),LT 28-46 II Kasten (2DX0AE),LT 28-46 II Pritsche/Fahrgestell (2DX0FE)
33948	<b>Lagerung, Stabilisator, Stabiliser Mounting, Suspension, stabilisateur</b> VW PASSAT Variant (3A5, 35I),PASSAT (3A2, 35I)
33949	<b>Lagerung, Stabilisator, Stabiliser Mounting, Suspension, stabilisateur</b> VW PASSAT Variant (3A5, 35I),PASSAT (3A2, 35I)
33950	<b>Lagerung, Lenker, Control Arm-/Trailing Arm Bush, Suspension, bras de liaison</b> SKODA FAVORIT (781)
33952	<b>Lagerung, Lenker, Control Arm-/Trailing Arm Bush, Suspension, bras de liaison</b> SKODA FAVORIT Forman (785),FAVORIT Pick-up (787),FAVORIT (781),FELICIA I Fun (797),FELICIA I Kombi (6U5),FELICIA I (6U1),FELICIA II Kombi (6U5),FELICIA II (6U1)
33953	<b>Buchse, Lenkwelle, Bush, steering shaft, Douille, arbre de direction</b> SKODA FAVORIT Forman (785),FAVORIT Pick-up (787),FAVORIT (781),FELICIA I Fun (797),FELICIA I Kombi (6U5),FELICIA I (6U1),FELICIA II Kombi (6U5),FELICIA II (6U1)
33954	<b>Lagerung, Stabilisator, Stabiliser Mounting, Suspension, stabilisateur</b> SKODA FAVORIT (781)
33955	<b>Lagerung, Stabilisator, Stabiliser Mounting, Suspension, stabilisateur</b> SKODA FAVORIT (781)
33957	<b>Lagerung, Lenker, Control Arm-/Trailing Arm Bush, Suspension, bras de liaison</b> SKODA FAVORIT Forman (785),FAVORIT Pick-up (787),FAVORIT (781),FELICIA I Fun (797),FELICIA I Kombi (6U5),FELICIA I (6U1),FELICIA II Kombi (6U5),FELICIA II (6U1)
33960	<b>Lagerung, Lenker, Control Arm-/Trailing Arm Bush, Suspension, bras de liaison</b> ROVER 200 Hatchback (XW),200 (RF),400 Hatchback (RT),400 (RT),400 (XW)
33970	<b>Lagerung, Lenker, Control Arm-/Trailing Arm Bush, Suspension, bras de liaison</b> MERCEDES-BENZ S-KLASSE Coupe (C126),S-KLASSE (W126)
33971	<b>Lagerung, Lenker, Control Arm-/Trailing Arm Bush, Suspension, bras de liaison</b> MERCEDES-BENZ S-KLASSE Coupe (C140),S-KLASSE (W140)
33972	<b>Reparaturatz, Umlenkhebel, Repair Kit, reversing lever, Kit d'assemblage, levier de déviation</b> MERCEDES-BENZ COUPE (C123),KOMBI Kombi (S123),S-KLASSE Coupe (C126),S-KLASSE Stufenheck (W108, W109),S-KLASSE (W126),SL Coupe (C107),SL (R107),Stufenheck (W123),/B (W115)
33973	<b>Lagerung, Lenker, Control Arm-/Trailing Arm Bush, Suspension, bras de liaison</b> MERCEDES-BENZ CABRIOLET (A124),C-KLASSE Kombi (S202),C-KLASSE (W202),CLK Cabriolet (A208),CLK (C208),COUPE (C124),E-KLASSE Cabriolet (A124),E-KLASSE Coupe (C124),E-KLASSE Kombi (S124),E-KLASSE Kombi (S210),E-KLASSE (W124),E-KLASSE (W210),KOMBI Kombi (S124),SL (R129),Stufenheck (W124),190 (W201)



33974	<b>Reparaturatz, Umlenkhebel, Repair Kit, reversing lever, Kit d'assemblage, levier de déviation</b> MERCEDES-BENZ C-KLASSE Kombi (S202),C-KLASSE (W202),CLK Cabriolet (A208),CLK (C208),SLK (R170)
33976	<b>Lagerung, Lenker, Control Arm-/Trailing Arm Bush, Suspension, bras de liaison</b> MERCEDES-BENZ C-KLASSE Kombi (S202),C-KLASSE (W202),CLK Cabriolet (A208),CLK (C208),SLK (R170)
33977	<b>Lagerung, Lenker, Control Arm-/Trailing Arm Bush, Suspension, bras de liaison</b> MERCEDES-BENZ C-KLASSE Kombi (S202),C-KLASSE (W202),CLK Cabriolet (A208),CLK (C208),E-KLASSE Kombi (S210),E-KLASSE (W210),SLK (R170)
33978	<b>Lagerung, Achskörper, Mounting, axle beam, Suspension, corps de l'essieu</b> MERCEDES-BENZ C-KLASSE Kombi (S202),C-KLASSE (W202),CLK Cabriolet (A208),CLK (C208),SLK (R170),190 (W201)
33979	<b>Lagerung, Lenker, Control Arm-/Trailing Arm Bush, Suspension, bras de liaison</b> MERCEDES-BENZ E-KLASSE Kombi (S210),E-KLASSE (W210)
33987	<b>Lagerung, Lenker, Control Arm-/Trailing Arm Bush, Suspension, bras de liaison</b> VW PASSAT Variant (3C5),PASSAT (3C2),TIGUAN (5N_)
33988	<b>Lagerung, Achskörper, Mounting, axle beam, Suspension, corps de l'essieu</b> AUDI A4 Avant (8D5, B5),A4 (8D2, B5)
33994	<b>Lagerung, Lenker, Control Arm-/Trailing Arm Bush, Suspension, bras de liaison</b> VOLVO 740 Kombi (745),740 (744),760 Kombi (704, 765),760 (704, 764),780,940 II Kombi (945),940 II (944),940 Kombi (945),940 (944),960 II Kombi (965),960 II (964),960 Kombi (965),960 (964)
33995	<b>Lagerung, Lenker, Control Arm-/Trailing Arm Bush, Suspension, bras de liaison</b> VOLVO S60,S80 I (TS, XY),V70 II (P80_),XC70 CROSS COUNTRY
33996	<b>Lagerung, Lenker, Control Arm-/Trailing Arm Bush, Suspension, bras de liaison</b> VOLVO S60,S80 I (TS, XY),V70 II (P80_)
34053	<b>Reparaturatz, Achskörper, Repair Set, axle beam, Kit de réparation, corps de l'essieu</b> FIAT BARCHETTA (183),PUNTO Cabriolet (176C),PUNTO (176),LANCIA Y (840A)
34054	<b>Reparaturatz, Achskörper, Repair Set, axle beam, Kit de réparation, corps de l'essieu</b> ALFA ROMEO 145 (930),146 (930),FIAT BRAVO I (182),PALIO Weekend (178DX),PALIO (178BX),TIPO (160)
34413	<b>Reparaturatz, Achskörper, Repair Set, axle beam, Kit de réparation, corps de l'essieu</b> CITROËN BX Break (XB-_),BX (XB-_),C15 (VD-_),XANTIA (X1),XANTIA (X2)
36015	<b>Lagerung, Lenker, Control Arm-/Trailing Arm Bush, Suspension, bras de liaison</b> SAAB 900 II,900 II Cabriolet,900 II Coupe,9-3 Cabriolet (YS3D),9-3 (YS3D)
36016	<b>Lagerung, Lenker, Control Arm-/Trailing Arm Bush, Suspension, bras de liaison</b> SAAB 900 II,900 II Cabriolet,900 II Coupe,9-3 Cabriolet (YS3D),9-3 (YS3D)
36120	<b>Reparaturatz, Stabilisatorlager, Repair Kit, stabilizer suspension, Kit de réparation, suspension du stabilisateur</b> RENAULT 11 (B/C37_),9 (L42_)
36121	<b>Reparaturatz, Stabilisatorlager, Repair Kit, stabilizer suspension, Kit de réparation, suspension du stabilisateur</b> RENAULT 21 (B48_),21 Kombi (K48_),21 Stufenheck (L48_)
36122	<b>Reparaturatz, Stabilisatorlager, Repair Kit, stabilizer suspension, Kit de réparation, suspension du stabilisateur</b> RENAULT 21 (B48_),21 Kombi (K48_),21 Stufenheck (L48_)
36123	<b>Reparaturatz, Stabilisatorlager, Repair Kit, stabilizer suspension, Kit de réparation, suspension du stabilisateur</b> RENAULT CLIO I (B/C57_, 5/357_),CLIO I Kasten (S57_)
36124	<b>Reparaturatz, Stabilisatorlager, Repair Kit, stabilizer suspension, Kit de réparation, suspension du stabilisateur</b> RENAULT 21 (B48_),21 Kasten (S48_),21 Kombi (K48_),21 Stufenheck (L48_)
36125	<b>Reparaturatz, Stabilisatorlager, Repair Kit, stabilizer suspension, Kit de réparation, suspension du stabilisateur</b> RENAULT 21 (B48_),21 Kasten (S48_),21 Kombi (K48_),21 Stufenheck (L48_)
36126	<b>Reparaturatz, Stabilisatorlager, Repair Kit, stabilizer suspension, Kit de réparation, suspension du stabilisateur</b> RENAULT MEGANE I (BA0/1_),MEGANE I Cabriolet (EA0/1_),MEGANE I Classic (LA0/1_),MEGANE I Coach (DA0/1_),MEGANE Scenic (JA0/1_),19 I (B/C53_),19 I Cabriolet (D53_),19 I Chamade (L53_),19 II (B/C53_),19 II Cabriolet (D53_, 853_),19 II Chamade (L53_)
36127	<b>Reparaturatz, Stabilisatorlager, Repair Kit, stabilizer suspension, Kit de réparation, suspension du stabilisateur</b> RENAULT 19 I (B/C53_),19 I Cabriolet (D53_),19 I Chamade (L53_),19 II (B/C53_),19 II Cabriolet (D53_, 853_),19 II Chamade (L53_),19 II Kasten (S53_)
36128	<b>Reparaturatz, Stabilisatorlager, Repair Kit, stabilizer suspension, Kit de réparation, suspension du stabilisateur</b> RENAULT MEGANE I (BA0/1_),MEGANE I Cabriolet (EA0/1_),MEGANE I Classic (LA0/1_),MEGANE I Coach (DA0/1_),MEGANE Scenic (JA0/1_),19 I (B/C53_),19 I Cabriolet (D53_),19 I Chamade (L53_),19 II (B/C53_),19 II Cabriolet (D53_, 853_),19 II Chamade (L53_)
36129	<b>Reparaturatz, Stabilisatorlager, Repair Kit, stabilizer suspension, Kit de réparation, suspension du stabilisateur</b> RENAULT 21 (B48_),21 Kombi (K48_),21 Stufenheck (L48_)
36130	<b>Reparaturatz, Stabilisatorlager, Repair Kit, stabilizer suspension, Kit de réparation, suspension du stabilisateur</b> RENAULT 21 (B48_),21 Kombi (K48_),21 Stufenheck (L48_)
36131	<b>Reparaturatz, Stabilisatorlager, Repair Kit, stabilizer suspension, Kit de réparation, suspension du stabilisateur</b> RENAULT RAPID Kasten (F40_, G40_),SUPER 5 (B/C40_)
36132	<b>Reparaturatz, Stabilisatorlager, Repair Kit, stabilizer suspension, Kit de réparation, suspension du stabilisateur</b> RENAULT CLIO I (B/C57_, 5/357_),CLIO I Kasten (S57_)



36133	<b>Reparaturatz, Stabilisatorlager, Repair Kit, stabilizer suspension, Kit de réparation, suspension du stabilisateur</b> RENAULT CLIO I (B/C57_, 5/357_),CLIO I Kasten (S57_)
36134	<b>Reparaturatz, Stabilisatorlager, Repair Kit, stabilizer suspension, Kit de réparation, suspension du stabilisateur</b> RENAULT ESPACE II (J/S63_)
36135	<b>Reparaturatz, Stabilisatorlager, Repair Kit, stabilizer suspension, Kit de réparation, suspension du stabilisateur</b> RENAULT ESPACE II (J/S63_)
36136	<b>Reparaturatz, Stabilisatorlager, Repair Kit, stabilizer suspension, Kit de réparation, suspension du stabilisateur</b> RENAULT LAGUNA Grandtour (K56_),LAGUNA I (B56_, 556_)
36137	<b>Reparaturatz, Stabilisatorlager, Repair Kit, stabilizer suspension, Kit de réparation, suspension du stabilisateur</b> RENAULT MEGANE I (BA0/1_),MEGANE I Cabriolet (EA0/1_),MEGANE I Classic (LA0/1_),MEGANE I Coach (DA0/1_),MEGANE Scenic (JA0/1_)
36138	<b>Reparaturatz, Stabilisatorlager, Repair Kit, stabilizer suspension, Kit de réparation, suspension du stabilisateur</b> RENAULT 4 Kasten (R21_, R23_),4 (112_),5 Kasten (238_),5 (122_),6 (118_)
36139	<b>Reparaturatz, Stabilisatorlager, Repair Kit, stabilizer suspension, Kit de réparation, suspension du stabilisateur</b> RENAULT 4 Kasten (R21_, R23_),4 (112_),5 Kasten (238_),5 (122_),6 (118_)
36140	<b>Reparaturatz, Stabilisatorlager, Repair Kit, stabilizer suspension, Kit de réparation, suspension du stabilisateur</b> RENAULT 4 Kasten (R21_, R23_),4 (112_),5 Kasten (238_),5 (122_),6 (118_)
36143	<b>Reparaturatz, Stabilisatorlager, Repair Kit, stabilizer suspension, Kit de réparation, suspension du stabilisateur</b> RENAULT TRAFIC Bus (TXW),TRAFIC Bus (T5, T6, T7),TRAFIC Kasten (TXX),TRAFIC Kasten (T1, T3, T4),TRAFIC Pritsche/Fahrgestell (PXX),TRAFIC Pritsche/Fahrgestell (P6)
36144	<b>Reparaturatz, Stabilisatorlager, Repair Kit, stabilizer suspension, Kit de réparation, suspension du stabilisateur</b> RENAULT TRAFIC Bus (TXW),TRAFIC Bus (T5, T6, T7),TRAFIC Kasten (TXX),TRAFIC Kasten (T1, T3, T4),TRAFIC Pritsche/Fahrgestell (PXX),TRAFIC Pritsche/Fahrgestell (P6)
36145	<b>Reparaturatz, Stabilisatorlager, Repair Kit, stabilizer suspension, Kit de réparation, suspension du stabilisateur</b> RENAULT TRAFIC Bus (TXW),TRAFIC Bus (T5, T6, T7),TRAFIC Kasten (TXX),TRAFIC Kasten (T1, T3, T4),TRAFIC Pritsche/Fahrgestell (PXX),TRAFIC Pritsche/Fahrgestell (P6)
36198	<b>Lagerung, Stabilisator, Stabiliser Mounting, Suspension, stabilisateur</b> RENAULT LAGUNA II (BG0/1_),LAGUNA II Grandtour (KG0/1_)
36300	<b>Reparaturatz, Stabilisatorlager, Repair Kit, stabilizer suspension, Kit de réparation, suspension du stabilisateur</b> PEUGEOT 309 I (10C, 10A)
36301	<b>Reparaturatz, Stabilisatorlager, Repair Kit, stabilizer suspension, Kit de réparation, suspension du stabilisateur</b> PEUGEOT 405 I Break (15E),405 I (15B),405 II Break (4E),405 II (4B)
36302	<b>Reparaturatz, Stabilisatorlager, Repair Kit, stabilizer suspension, Kit de réparation, suspension du stabilisateur</b> PEUGEOT 405 I Break (15E),405 I (15B),405 II Break (4E),405 II (4B)
36303	<b>Reparaturatz, Stabilisatorlager, Repair Kit, stabilizer suspension, Kit de réparation, suspension du stabilisateur</b> PEUGEOT 405 I Break (15E),405 I (15B),405 II Break (4E),405 II (4B)
36304	<b>Reparaturatz, Stabilisatorlager, Repair Kit, stabilizer suspension, Kit de réparation, suspension du stabilisateur</b> CITROËN C15 (VD-_),PEUGEOT 205 I Cabriolet (741B, 20D),205 I (741A/C),205 II (20A/C),205 Kasten
36305	<b>Reparaturatz, Stabilisatorlager, Repair Kit, stabilizer suspension, Kit de réparation, suspension du stabilisateur</b> PEUGEOT 205 I Cabriolet (741B, 20D),205 I (741A/C),205 II (20A/C),205 Kasten
36306	<b>Reparaturatz, Stabilisatorlager, Repair Kit, stabilizer suspension, Kit de réparation, suspension du stabilisateur</b> PEUGEOT 309 I (10C, 10A)
36307	<b>Reparaturatz, Stabilisatorlager, Repair Kit, stabilizer suspension, Kit de réparation, suspension du stabilisateur</b> PEUGEOT 309 I (10C, 10A)
36308	<b>Reparaturatz, Stabilisatorlager, Repair Kit, stabilizer suspension, Kit de réparation, suspension du stabilisateur</b> PEUGEOT 406 (8B)
36309	<b>Reparaturatz, Stabilisatorlager, Repair Kit, stabilizer suspension, Kit de réparation, suspension du stabilisateur</b> PEUGEOT 406 Break (8E/F),406 Coupe (8C),406 (8B)
36310	<b>Reparaturatz, Stabilisatorlager, Repair Kit, stabilizer suspension, Kit de réparation, suspension du stabilisateur</b> PEUGEOT 205 I (741A/C),205 II (20A/C)
36400	<b>Reparaturatz, Stabilisatorlager, Repair Kit, stabilizer suspension, Kit de réparation, suspension du stabilisateur</b> CITROËN ZX Break (N2),ZX (N2),PEUGEOT 306 Break (7E, N3, N5),306 Cabriolet (7D, N3, N5),306 Schrägheck (7A, 7C, N3, N5),306 (7B, N3, N5)
36401	<b>Reparaturatz, Stabilisatorlager, Repair Kit, stabilizer suspension, Kit de réparation, suspension du stabilisateur</b> CITROËN ZX Break (N2),ZX (N2),PEUGEOT 306 Break (7E, N3, N5),306 Cabriolet (7D, N3, N5),306 Schrägheck (7A, 7C, N3, N5),306 (7B, N3, N5)
36402	<b>Reparaturatz, Stabilisatorlager, Repair Kit, stabilizer suspension, Kit de réparation, suspension du stabilisateur</b> CITROËN AX (ZA-_),SAXO (S0, S1),PEUGEOT 106 I (1A, 1C),106 II (1)
36403	<b>Reparaturatz, Stabilisatorlager, Repair Kit, stabilizer suspension, Kit de réparation, suspension du stabilisateur</b> PEUGEOT 205 I Cabriolet (741B, 20D),205 I (741A/C),205 II (20A/C),205 Kasten
36404	<b>Reparaturatz, Stabilisatorlager, Repair Kit, stabilizer suspension, Kit de réparation, suspension du stabilisateur</b> CITROËN AX (ZA-_),SAXO (S0, S1)





36405	<b>Reparaturatz, Stabilisatorlager, Repair Kit, stabilizer suspension, Kit de réparation, suspension du stabilisateur</b> CITROËN AX (ZA-)
36406	<b>Reparaturatz, Stabilisatorlager, Repair Kit, stabilizer suspension, Kit de réparation, suspension du stabilisateur</b> CITROËN ZX Break (N2),ZX (N2),PEUGEOT 306 Break (7E, N3, N5),306 Cabriolet (7D, N3, N5),306 Schrägheck (7A, 7C, N3, N5),306 (7B, N3, N5)
36407	<b>Reparaturatz, Stabilisatorlager, Repair Kit, stabilizer suspension, Kit de réparation, suspension du stabilisateur</b> CITROËN XANTIA Break (X1),XANTIA Break (X2),XANTIA (X1),XANTIA (X2)
36408	<b>Reparaturatz, Stabilisatorlager, Repair Kit, stabilizer suspension, Kit de réparation, suspension du stabilisateur</b> CITROËN XANTIA Break (X2),XANTIA (X2)
36550	<b>Lagerung, Lenker, Control Arm-/Trailing Arm Bush, Suspension, bras de liaison</b> CHEVROLET LACETTI (J200),NUBIRA Kombi,NUBIRA Stufenheck,DAEWOO LACETTI Schrägheck (KLAN),LACETTI Stufenheck (J200),NUBIRA Stufenheck (KLAN),NUBIRA Wagon (KLAN)
36551	<b>Lagerung, Lenker, Control Arm-/Trailing Arm Bush, Suspension, bras de liaison</b> BUICK (SGM) EXCELLE Stufenheck,CHEVROLET LACETTI (J200),NUBIRA Kombi,NUBIRA Stufenheck,OPTRA (1J_),REZZO,DAEWOO LACETTI Schrägheck (KLAN),NUBIRA Stufenheck (KLAN),NUBIRA Wagon (KLAN)
36600	<b>Reparaturatz, Stabilisatorlager, Repair Kit, stabilizer suspension, Kit de réparation, suspension du stabilisateur</b> FORD COURIER Kasten (J5_, J3_),FIESTA III (GFJ),FIESTA IV (JA_, JB_),FIESTA Kasten (FVD)
36601	<b>Reparaturatz, Stabilisatorlager, Repair Kit, stabilizer suspension, Kit de réparation, suspension du stabilisateur</b> FORD COURIER Kasten (J5_, J3_),FIESTA III (GFJ),FIESTA IV (JA_, JB_),FIESTA Kasten (FVD)
36622	<b>Lagerung, Lenker, Control Arm-/Trailing Arm Bush, Suspension, bras de liaison</b> FORD C-MAX,FOCUS C-MAX,FOCUS II Cabriolet,FOCUS II (DA_),FOCUS II Kombi (DA_),FOCUS II Stufenheck (DA_),MAZDA 3 (BK),3 Stufenheck (BK),5 (CR19),VOLVO S40 II (MS),V50 (MW)
36627	<b>Lagerung, Lenker, Control Arm-/Trailing Arm Bush, Suspension, bras de liaison</b> FORD COUGAR (EC_),MONDEO I (GBP),MONDEO I Stufenheck (GBP),MONDEO II (BAP),MONDEO II Stufenheck (BFP)
36628	<b>Lagerung, Lenker, Control Arm-/Trailing Arm Bush, Suspension, bras de liaison</b> FORD FOCUS C-MAX,FOCUS II Cabriolet,FOCUS II (DA_),FOCUS II Kombi (DA_),FOCUS II Stufenheck (DA_),VOLVO S40 II (MS),V50 (MW)
36629	<b>Lagerung, Lenker, Control Arm-/Trailing Arm Bush, Suspension, bras de liaison</b> FORD FIESTA V (JH_, JD_),FIESTA Van,FUSION (JU_),MAZDA 2 (DY)
36630	<b>Lagerung, Lenker, Control Arm-/Trailing Arm Bush, Suspension, bras de liaison</b> FORD FIESTA V (JH_, JD_),FUSION (JU_),MAZDA 2 (DY)
36660	<b>Reparaturatz, Lenker, Repair Kit, link, Kit de remise en état, bras de liaison</b> BMW Z4 Coupe (E86),Z4 (E85),3 Cabriolet (E46),3 Compact (E46),3 Coupe (E46),3 (E46),3 Touring (E46),BMW (BRILLIANCE) 3 SERIES (E46)
36661	<b>Lagerung, Achsstrebe, Tie Bar Bush, Suspension, jambe d'essieu</b> BMW 3 Cabriolet (E36),3 Coupe (E36),3 Coupe (E46),3 (E36),3 (E46),3 Touring (E36),3 Touring (E46)
36662	<b>Lagerung, Achsstrebe, Tie Bar Bush, Suspension, jambe d'essieu</b> BMW 3 Cabriolet (E36),3 Coupe (E36),3 Coupe (E46),3 (E36),3 (E46),3 Touring (E36),3 Touring (E46)
36663	<b>Lagerung, Lenker, Control Arm-/Trailing Arm Bush, Suspension, bras de liaison</b> BMW 5 (E34),5 Touring (E34),7 (E32)
36664	<b>Lagerung, Achskörper, Mounting, axle beam, Suspension, corps de l'essieu</b> BMW Z4 (E85),3 Cabriolet (E46),3 Compact (E46),3 Coupe (E46),3 (E46),3 Touring (E46)
36665	<b>Lagerung, Achskörper, Mounting, axle beam, Suspension, corps de l'essieu</b> BMW X3 (E83),3 Cabriolet (E46),3 Compact (E46),3 Coupe (E46),3 (E46),3 Touring (E46)
36666	<b>Lagerung, Achskörper, Mounting, axle beam, Suspension, corps de l'essieu</b> BMW X3 (E83),3 Cabriolet (E46),3 Compact (E46),3 Coupe (E46),3 (E46),3 Touring (E46)
36668	<b>Lagerung, Lenker, Control Arm-/Trailing Arm Bush, Suspension, bras de liaison</b> BMW 5 (E39),5 Touring (E39),7 (E38)
36668/2	<b>Lagerung, Lenker, Control Arm-/Trailing Arm Bush, Suspension, bras de liaison</b> BMW 5 (E39),5 Touring (E39),7 (E38)
36669	<b>Lagerung, Lenker, Control Arm-/Trailing Arm Bush, Suspension, bras de liaison</b> BMW 5 (E39),5 Touring (E39)
36669/2	<b>Lagerung, Lenker, Control Arm-/Trailing Arm Bush, Suspension, bras de liaison</b> BMW Z8 (E52),5 (E39),5 Touring (E39)
36670	<b>Lagerung, Lenker, Control Arm-/Trailing Arm Bush, Suspension, bras de liaison</b> ALPINA B10 (E34),B10 Kombi (E34),B11 (E32),B12 (E32),BMW 5 (E34),5 Touring (E34),7 (E32)
36678	<b>Lagerung, Lenker, Control Arm-/Trailing Arm Bush, Suspension, bras de liaison</b> BMW 1 Cabriolet (E88),1 Coupe (E82),1 (E81),3 Cabriolet (E93),3 Coupe (E92),3 (E90),3 Touring (E91),BMW (BRILLIANCE) 3 SERIES (E90)
36679/2	<b>Lagerung, Lenker, Control Arm-/Trailing Arm Bush, Suspension, bras de liaison</b> BMW X1 (E84),Z4 (E89),1 Cabriolet (E88),1 Coupe (E82),1 (E81),3 Cabriolet (E93),3 Coupe (E92),3 (E90),3 Touring (E91),5 (E60),5 Touring (E61),6 Cabriolet (E64),6 (E63),7 (E65, E66),BMW (BRILLIANCE) 3 SERIES (E90),5 SERIES (E60)
36687/2	<b>Lagerung, Lenker, Control Arm-/Trailing Arm Bush, Suspension, bras de liaison</b> BMW 5 (E39),5 Touring (E39)

36688	<b>Lagerung, Lenker, Control Arm-/Trailing Arm Bush, Suspension, bras de liaison</b> BMW 5 (E39),5 Touring (E39)
36689	<b>Reparaturatz, Lenker, Repair Kit, link, Kit de remise en état, bras de liaison</b> BMW 7 (E65, E66)
36690	<b>Lagerung, Radlagergehäuse, Bearing, wheel bearing housing, Roulement, boîtier du roulement des roues</b> LAND ROVER RANGE ROVER III (LM)
36691	<b>Lagerung, Lenker, Control Arm-/Trailing Arm Bush, Suspension, bras de liaison</b> MINI MINI Cabriolet (R52),MINI (R50, R53)
36700	<b>Reparaturatz, Stabilisatorlager, Repair Kit, stabilizer suspension, Kit de réparation, suspension du stabilisateur</b> OPEL CORSA A CC (93_, 94_, 98_, 99_),CORSA A Kasten,CORSA A TR (91_, 92_, 96_, 97_)
36701	<b>Reparaturatz, Stabilisatorlager, Repair Kit, stabilizer suspension, Kit de réparation, suspension du stabilisateur</b> OPEL CORSA A CC (93_, 94_, 98_, 99_),CORSA A Kasten,CORSA A TR (91_, 92_, 96_, 97_)
36703	<b>Lagerung, Lenker, Control Arm-/Trailing Arm Bush, Suspension, bras de liaison</b> FIAT CROMA (194),OPEL SIGNUM,VECTRA C,VECTRA C Caravan,VECTRA C GTS,SAAB 9-3 Cabriolet (YS3F),9-3 Kombi,9-3 (YS3F),VAUXHALL SIGNUM,VECTRA Mk II (C),VECTRA Mk II (C) Estate,VECTRA Mk II (C) GTS
36704	<b>Lagerung, Lenker, Control Arm-/Trailing Arm Bush, Suspension, bras de liaison</b> NISSAN INTERSTAR Bus (X70),INTERSTAR Kasten (X70),OPEL MOVANO Combi (J9),MOVANO Kasten (F9),MOVANO Kipper (H9),MOVANO Pritsche/Fahrgestell (U9, E9),RENAULT MASTER II Bus (JD),MASTER II Kasten (FD),MASTER II Pritsche/Fahrgestell (ED/HD/UD)
36705	<b>Lagerung, Lenker, Control Arm-/Trailing Arm Bush, Suspension, bras de liaison</b> NISSAN INTERSTAR Bus (X70),INTERSTAR Kasten (X70),OPEL MOVANO Combi (J9),MOVANO Kasten (F9),MOVANO Kipper (H9),MOVANO Pritsche/Fahrgestell (U9, E9),RENAULT MASTER II Bus (JD),MASTER II Kasten (FD),MASTER II Pritsche/Fahrgestell (ED/HD/UD)
36722	<b>Lagerung, Lenker, Control Arm-/Trailing Arm Bush, Suspension, bras de liaison</b> OPEL CORSA D,CORSA D Van,VAUXHALL CORSA Mk III (D) (L_8),CORSAVAN Mk III (D)
36725	<b>Lagerung, Lenker, Control Arm-/Trailing Arm Bush, Suspension, bras de liaison</b> OPEL SINTRA,VAUXHALL SINTRA
36726	<b>Lagerung, Lenker, Control Arm-/Trailing Arm Bush, Suspension, bras de liaison</b> OPEL SINTRA,VAUXHALL SINTRA
36764	<b>Lagerung, Stabilisatorstange, Mounting, stabilizer coupling rod, Suspension, barre de couplage stabilisatrice</b> OPEL ASTRA H,ASTRA H GTC,MERIVA
36770	<b>Lagerung, Blattfeder, Mounting, leaf spring, Suspension, ressort à lames</b> VW LT 28-35 I Bus (281-363),LT 28-35 I Kasten (281-363),LT 28-35 I Pritsche/Fahrgestell (281-363),LT 40-55 I Kasten (291-512),LT 40-55 I Pritsche/Fahrgestell (293-909)
36771	<b>Lagerung, Lenker, Control Arm-/Trailing Arm Bush, Suspension, bras de liaison</b> AUDI A6 Avant (4F5, C6),A6 (4F2, C6),A8 (4E_)
36772	<b>Lagerung, Lenker, Control Arm-/Trailing Arm Bush, Suspension, bras de liaison</b> AUDI A3 (8L1),TT Roadster (8N9),TT (8N3),VW GOLF IV (1J1),NEW BEETLE (9C1, 1C1)
36773	<b>Lagerung, Lenker, Control Arm-/Trailing Arm Bush, Suspension, bras de liaison</b> AUDI A4 Avant (8D5, B5),A4 Avant (8ED, B7),A4 Avant (8E5, B6),A4 (8D2, B5),A4 (8EC, B7),A4 (8E2, B6),A6 Allroad (4FH, C6),A6 Avant (4B, C5),A6 Avant (4F5, C6),A6 (4B, C5),A6 (4F2, C6),A8 (4D2, 4D8),A8 (4E_),AUDI (FAW) A4 Stufenheck (B7),A6L Stufenheck (C5),A6L Stufenheck (C6),SEAT EXEO ST (3R5),EXEO (3R2),VW PHAETON (3D_)
36774	<b>Lagerung, Lenker, Control Arm-/Trailing Arm Bush, Suspension, bras de liaison</b> AUDI A6 Allroad (4FH, C6),A6 Avant (4F5, C6),A6 (4F2, C6),A8 (4E_),AUDI (FAW) A6L Stufenheck (C6),VW PHAETON (3D_)
36775	<b>Lagerung, Achskörper, Mounting, axle beam, Suspension, corps de l'essieu</b> AUDI A6 Avant (4B, C5),A6 Avant (4F5, C6),A6 (4B, C5),A6 (4F2, C6),SKODA SUPERB (3U4),VW PASSAT Variant (3B5),PASSAT Variant (3B6),PASSAT (3B2),PASSAT (3B3),VW (SVW) PASSAT Stufenheck (B5)
36776	<b>Lagerung, Achskörper, Mounting, axle beam, Suspension, corps de l'essieu</b> AUDI A6 Avant (4B, C5),A6 Avant (4F5, C6),A6 (4B, C5),A6 (4F2, C6),SKODA SUPERB (3U4),VW PASSAT Variant (3B5),PASSAT Variant (3B6),PASSAT (3B2),PASSAT (3B3),VW (SVW) PASSAT Stufenheck (B5)
36777	<b>Lagerung, Lenker, Control Arm-/Trailing Arm Bush, Suspension, bras de liaison</b> AUDI A6 Avant (4F5, C6),A6 (4F2, C6),A8 (4E_),VW PHAETON (3D_)
36778	<b>Lagerung, Lenker, Control Arm-/Trailing Arm Bush, Suspension, bras de liaison</b> AUDI A4 Avant (8ED, B7),A4 (8EC, B7)
36780	<b>Lagerung, Lenker, Control Arm-/Trailing Arm Bush, Suspension, bras de liaison</b> SKODA FELICIA I Fun (797),FELICIA I Kombi (6U5),FELICIA I (6U1),FELICIA II Kombi (6U5),FELICIA II (6U1)
36781	<b>Lagerung, Lenker, Control Arm-/Trailing Arm Bush, Suspension, bras de liaison</b> SKODA FELICIA I Fun (797),FELICIA I Kombi (6U5),FELICIA I (6U1),FELICIA II Kombi (6U5),FELICIA II (6U1)
36782	<b>Reparaturatz, Achskörper, Repair Set, axle beam, Kit de réparation, corps de l'essieu</b> AUDI A6 Avant (4B, C5),A6 Avant (4F5, C6),A6 (4B, C5),A6 (4F2, C6),SKODA SUPERB (3U4),VW PASSAT Variant (3B5),PASSAT Variant (3B6),PASSAT (3B2),PASSAT (3B3),VW (SVW) PASSAT Stufenheck (B5)
36784	<b>Lagerung, Lenker, Control Arm-/Trailing Arm Bush, Suspension, bras de liaison</b> VW KOMBI Bus (T2),KOMBI Kasten (T2),TRANSPORTER T4 Bus (70XB, 70XC, 7DB, 7DW),TRANSPORTER T4 Kasten (70XA),TRANSPORTER T4 Pritsche/Fahrgestell (70XD)
36785	<b>Lagerung, Lenker, Control Arm-/Trailing Arm Bush, Suspension, bras de liaison</b>



	VW MULTIVAN T5 (7HM, 7HN, 7HF, 7EF, 7EM, 7EN),TRANSPORTER T5 Bus (7HB, 7HJ, 7EB, 7EJ, 7EF),TRANSPORTER T5 Kasten (7HA, 7HH, 7EA, 7EH),TRANSPORTER T5 Pritsche/Fahrgestell (7JD, 7JE, 7JL, 7JY, 7JZ)
<b>36786</b>	<b>Lagerung, Lenker, Control Arm-/Trailing Arm Bush, Suspension, bras de liaison</b>
	VW MULTIVAN T5 (7HM, 7HN, 7HF, 7EF, 7EM, 7EN),TRANSPORTER T5 Bus (7HB, 7HJ, 7EB, 7EJ, 7EF),TRANSPORTER T5 Kasten (7HA, 7HH, 7EA, 7EH),TRANSPORTER T5 Pritsche/Fahrgestell (7JD, 7JE, 7JL, 7JY, 7JZ)
<b>36787</b>	<b>Lagerung, Stabilisator, Stabiliser Mounting, Suspension, stabilisateur</b>
	AUDI A3 (8L1),TT Roadster (8N9),TT (8N3),SEAT LEON (1M1),TOLEDO II (1M2),SKODA OCTAVIA Combi (1U5),OCTAVIA (1U2),VW BORA Kombi (1J6),BORA (1J2),GOLF IV Variant (1J5),GOLF IV (1J1),NEW BEETLE Cabriolet (1Y7),NEW BEETLE (9C1, 1C1),VW (FAW) GOLF
<b>36788</b>	<b>Lagerung, Stabilisator, Stabiliser Mounting, Suspension, stabilisateur</b>
	SKODA FABIA Combi (6Y5),FABIA Praktik,FABIA Stufenheck (6Y3),FABIA (6Y2),VW POLO (9N_)
<b>36789</b>	<b>Lagerung, Stabilisator, Stabiliser Mounting, Suspension, stabilisateur</b>
	SEAT CORDOBA (6L2),IBIZA IV (6L1),SKODA FABIA Combi (6Y5),FABIA Praktik,FABIA Stufenheck (6Y3),FABIA (6Y2),VW FOX (5Z1, 5Z3),POLO (9N_),VW (SVW) POLO JINQIN Schrägheck,POLO JINQU Stufenheck,POLO Schrägheck,POLO Stufenheck
<b>36790</b>	<b>Lagerung, Stabilisator, Stabiliser Mounting, Suspension, stabilisateur</b>
	SEAT CORDOBA (6L2),IBIZA IV (6L1),SKODA FABIA Combi (6Y5),FABIA Praktik,FABIA Stufenheck (6Y3),FABIA (6Y2),ROOMSTER (5J),VW POLO (9N_),VW (SVW) POLO JINQIN Schrägheck,POLO JINQU Stufenheck,POLO Schrägheck,POLO Stufenheck
<b>36791</b>	<b>Lagerung, Lenker, Control Arm-/Trailing Arm Bush, Suspension, bras de liaison</b>
	AUDI A3 Sportback (8PA),A3 (8P1),SEAT ALTEA (5P1),LEON (1P1),TOLEDO III (5P2),SKODA OCTAVIA Combi (1Z5),OCTAVIA (1Z3),VW EOS (1F7, 1F8),GOLF PLUS (5M1, 521),GOLF V (1K1),GOLF VI Variant (AJ5),GOLF VI (5K1),JETTA III (1K2),PASSAT Variant (3C5),PASSAT (3C2),TOURAN (1T1, 1T2)
<b>36792</b>	<b>Halter, Stabilisatorlagerung, Bracket, stabilizer mounting, Support, suspension du stabilisateur</b>
	AUDI A3 Sportback (8PA),A3 (8P1),TT Roadster (8J9),SEAT ALTEA (5P1),LEON (1P1),TOLEDO III (5P2),SKODA OCTAVIA Combi (1Z5),OCTAVIA (1Z3),VW EOS (1F7, 1F8),GOLF PLUS (5M1, 521),GOLF V (1K1),GOLF VI (5K1),JETTA III (1K2),PASSAT Variant (3C5),PASSAT (3C2),SCIROCCO (137),TOURAN (1T1, 1T2)
<b>36796</b>	<b>Lagerung, Achskörper, Mounting, axle beam, Suspension, corps de l'essieu</b>
	MERCEDES-BENZ E-KLASSE Kombi (S210),E-KLASSE (W210)
<b>36798</b>	<b>Lagerung, Lenker, Control Arm-/Trailing Arm Bush, Suspension, bras de liaison</b>
	AUDI A2 (8Z0)
<b>36832</b>	<b>Lagerung, Lenker, Control Arm-/Trailing Arm Bush, Suspension, bras de liaison</b>
	MERCEDES-BENZ S-KLASSE Coupe (C215),S-KLASSE (W220)
<b>36833</b>	<b>Lagerung, Lenker, Control Arm-/Trailing Arm Bush, Suspension, bras de liaison</b>
	MERCEDES-BENZ S-KLASSE (W220)
<b>36838</b>	<b>Lagerung, Lenker, Control Arm-/Trailing Arm Bush, Suspension, bras de liaison</b>
	MERCEDES-BENZ CLS (C219),E-KLASSE Kombi (S211),E-KLASSE (W211),SL (R230)
<b>36852</b>	<b>Lagerung, Achsträger, Mounting, axle bracket, Suspension, support d'essieu</b>
	AUDI A3 (8L1),SEAT TOLEDO II (1M2),SKODA OCTAVIA Combi (1U5),OCTAVIA (1U2),VW BORA Kombi (1J6),BORA (1J2),GOLF III Variant (1H5),GOLF III (1H1),GOLF IV Variant (1J5),GOLF IV (1J1),NEW BEETLE (9C1, 1C1)
<b>36899</b>	<b>Lagerung, Achskörper, Mounting, axle beam, Suspension, corps de l'essieu</b>
	MERCEDES-BENZ CABRIOLET (A124),COUPE (C124),E-KLASSE Coupe (C124),E-KLASSE Kombi (S124),E-KLASSE (W124),KOMBI Kombi (S124),Stufenheck (W124)
<b>36904</b>	<b>Lagerung, Stabilisator, Stabiliser Mounting, Suspension, stabilisateur</b>
	AUDI A6 (4A, C4),100 Avant (4A, C4),100 (4A, C4)
<b>36908</b>	<b>Reparaturatz, Stabilisatorlager, Repair Kit, stabilizer suspension, Kit de réparation, suspension du stabilisateur</b>
	MERCEDES-BENZ C-KLASSE Kombi (S202),C-KLASSE (W202),CLK (C208),COUPE (C124),E-KLASSE Coupe (C124),E-KLASSE (W124),SL (R129),Stufenheck (W124)
<b>36909</b>	<b>Reparaturatz, Lenker, Repair Kit, link, Kit de remise en état, bras de liaison</b>
	MERCEDES-BENZ E-KLASSE Kombi (S210),E-KLASSE (W210)
<b>36910</b>	<b>Lagerung, Lenker, Control Arm-/Trailing Arm Bush, Suspension, bras de liaison</b>
	MERCEDES-BENZ E-KLASSE Kombi (S210),E-KLASSE (W210)
<b>36911</b>	<b>Lagerung, Lenker, Control Arm-/Trailing Arm Bush, Suspension, bras de liaison</b>
	MERCEDES-BENZ C-KLASSE Kombi (S202),C-KLASSE (W202)
<b>36912</b>	<b>Lagerung, Lenker, Control Arm-/Trailing Arm Bush, Suspension, bras de liaison</b>
	MERCEDES-BENZ C-KLASSE Kombi (S202),C-KLASSE (W202)
<b>36913</b>	<b>Lagerung, Stabilisator, Stabiliser Mounting, Suspension, stabilisateur</b>
	MERCEDES-BENZ C-KLASSE Kombi (S202),C-KLASSE (W202),CLK (C208),COUPE (C124),E-KLASSE Kombi (S124),E-KLASSE (W124),SL (R129),Stufenheck (W124)
<b>36914</b>	<b>Lagerung, Stabilisator, Stabiliser Mounting, Suspension, stabilisateur</b>
	VW PASSAT Variant (3A5, 35I),PASSAT (3A2, 35I)
<b>36915</b>	<b>Lagerung, Lenker, Control Arm-/Trailing Arm Bush, Suspension, bras de liaison</b>
	AUDI ALLROAD (4BH, C5),A4 Avant (8D5, B5),A4 Avant (8E5, B6),A4 Cabriolet (8H7, B6, 8HE, B7),A4 (8D2, B5),A4 (8E2, B6),A6 Avant (4B, C5),A6 (4B, C5),A8 (4D2, 4D8),SKODA SUPERB (3U4),VW PASSAT Variant (3B5),PASSAT Variant (3B6),PASSAT (3B2),PASSAT (3B3)
<b>36916</b>	<b>Reparaturatz, Lenker, Repair Kit, link, Kit de remise en état, bras de liaison</b>
	MERCEDES-BENZ C-KLASSE Kombi (S202),C-KLASSE (W202)
<b>36917</b>	<b>Reparaturatz, Lenker, Repair Kit, link, Kit de remise en état, bras de liaison</b>
	MERCEDES-BENZ C-KLASSE Kombi (S202),C-KLASSE (W202),S-KLASSE (W140),SLK (R170)



36919	<b>Reparaturatz, Achskörper, Repair Set, axle beam, Kit de réparation, corps de l'essieu</b> MERCEDES-BENZ S-KLASSE Coupe (C140),S-KLASSE (W140)
36920	<b>Reparaturatz, Achskörper, Repair Set, axle beam, Kit de réparation, corps de l'essieu</b> MERCEDES-BENZ S-KLASSE Coupe (C140),S-KLASSE (W140)
36921	<b>Lagerung, Achskörper, Mounting, axle beam, Suspension, corps de l'essieu</b> MERCEDES-BENZ S-KLASSE Coupe (C140),S-KLASSE (W140)
36922	<b>Lagerung, Achskörper, Mounting, axle beam, Suspension, corps de l'essieu</b> MERCEDES-BENZ S-KLASSE Coupe (C140),S-KLASSE (W140)
36923	<b>Lagerung, Lenker, Control Arm-/Trailing Arm Bush, Suspension, bras de liaison</b> MERCEDES-BENZ S-KLASSE Coupe (C140),S-KLASSE (W140)
36924	<b>Lagerung, Achskörper, Mounting, axle beam, Suspension, corps de l'essieu</b> MERCEDES-BENZ 190 (W201)
36925	<b>Lagerung, Blattfeder, Mounting, leaf spring, Suspension, ressort à lames</b> MERCEDES-BENZ T1 Kasten (601),T1 Pritsche/Fahrgestell (601),T1 Pritsche/Fahrgestell (602)
36926	<b>Lagerung, Stabilisator, Stabilisatorstange, Mounting, stabilizer coupling rod, Suspension, barre de couplage stabilisatrice</b> MERCEDES-BENZ T1 Bus (602),T1 Kasten (602),T1 Pritsche/Fahrgestell (601),T1 Pritsche/Fahrgestell (602)
36938	<b>Lagerung, Lenker, Control Arm-/Trailing Arm Bush, Suspension, bras de liaison</b> SEAT CORDOBA (6L2),IBIZA IV (6L1),SKODA FABIA Combi (6Y5),FABIA Praktik,FABIA Stufenheck (6Y3),FABIA (6Y2),ROOMSTER (5J),VW FOX (5Z1, 5Z3),POLO Stufenheck (9A4),POLO (9N_),VW (SVW) POLO Schrägheck,POLO Stufenheck
36939	<b>Lagerung, Lenker, Control Arm-/Trailing Arm Bush, Suspension, bras de liaison</b> SEAT CORDOBA (6L2),IBIZA IV (6L1),SKODA FABIA Combi (6Y5),FABIA Praktik,FABIA Stufenheck (6Y3),FABIA (6Y2),ROOMSTER (5J),VW FOX (5Z1, 5Z3),POLO Stufenheck (9A4),POLO (9N_),VW (SVW) POLO JINQIN Schrägheck,POLO JINQU Stufenheck,POLO Schrägheck,POLO Stufenheck
36940	<b>Lagerung, Stabilisator, Stabilisatorstange, Mounting, stabilizer coupling rod, Suspension, barre de couplage stabilisatrice</b> VW TRANSPORTER T4 Bus (70XB, 70XC, 7DB, 7DW),TRANSPORTER T4 Kasten (70XA),TRANSPORTER T4 Pritsche/Fahrgestell (70XD)
36941	<b>Lagerung, Lenker, Control Arm-/Trailing Arm Bush, Suspension, bras de liaison</b> AUDI A6 (4A, C4),V8 (44_, 4C_),100 Avant (4A, C4),100 (4A, C4),200 Avant (44, 44Q),200 (44, 44Q)
36947	<b>Lagerung, Stabilisator, Stabilisatorstange, Mounting, stabilizer coupling rod, Suspension, barre de couplage stabilisatrice</b> MERCEDES-BENZ SPRINTER 2-t Bus (901, 902),SPRINTER 2-t Kasten (901, 902),SPRINTER 2-t Pritsche/Fahrgestell (901, 902),SPRINTER 3-t Bus (903),SPRINTER 3-t Kasten (903),SPRINTER 3-t Pritsche/Fahrgestell (903),SPRINTER 4-t Bus (904),SPRINTER 4-t Kasten (904),SPRINTER 4-t Pritsche/Fahrgestell (904),VW LT 28-35 II Bus (2DM),LT 28-46 II Kasten (2DX0AE),LT 28-46 II Pritsche/Fahrgestell (2DX0FE)
36948	<b>Lagerung, Lenker, Control Arm-/Trailing Arm Bush, Suspension, bras de liaison</b> AUDI A3 Cabriolet (8P7),A3 Sportback (8PA),A3 (8P1),SEAT ALTEA XL (5P5, 5P8),ALTEA (5P1),LEON (1P1),TOLEDO III (5P2),SKODA OCTAVIA Combi (1Z5),OCTAVIA (1Z3),SUPERB Kombi (3T5),SUPERB (3T4),YETI (5L),VW CADDY III Kasten (2KA, 2KH, 2CA, 2CH),CADDY III Kombi (2KB, 2KJ, 2CB, 2CJ),EOS (1F7, 1F8),GOLF PLUS (5M1, 521),GOLF V Variant (1K5),GOLF V (1K1),GOLF VI Cabriolet (517),GOLF VI Variant (AJ5),GOLF VI (5K1),JETTA III (1K2),JETTA IV (162),SCIROCCO (137),TOURAN (1T1, 1T2),TOURAN (1T3),VW (FAW) SAGITAR
36949	<b>Lagerung, Lenker, Control Arm-/Trailing Arm Bush, Suspension, bras de liaison</b> AUDI A3 Cabriolet (8P7),A3 Sportback (8PA),A3 (8P1),SEAT ALTEA XL (5P5, 5P8),ALTEA (5P1),LEON (1P1),TOLEDO III (5P2),SKODA OCTAVIA Combi (1Z5),OCTAVIA (1Z3),SUPERB Kombi (3T5),SUPERB (3T4),YETI (5L),VW CADDY III Kasten (2KA, 2KH, 2CA, 2CH),CADDY III Kombi (2KB, 2KJ, 2CB, 2CJ),EOS (1F7, 1F8),GOLF PLUS (5M1, 521),GOLF V Variant (1K5),GOLF V (1K1),GOLF VI Cabriolet (517),GOLF VI Variant (AJ5),GOLF VI (5K1),JETTA III (1K2),JETTA IV (162),SCIROCCO (137),TOURAN (1T1, 1T2),TOURAN (1T3),VW (FAW) SAGITAR
36950	<b>Lagerung, Lenker, Control Arm-/Trailing Arm Bush, Suspension, bras de liaison</b> AUDI A3 Sportback (8PA),A3 (8P1),SEAT ALTEA XL (5P5, 5P8),ALTEA (5P1),CORDOBA (6K2),IBIZA III (6K1),LEON (1P1),TOLEDO III (5P2),SKODA OCTAVIA Combi (1Z5),OCTAVIA (1Z3),SKODA (SVW ) OCTAVIA,VW CADDY III Kasten (2KA, 2KH, 2CA, 2CH),CADDY III Kombi (2KB, 2KJ, 2CB, 2CJ),EOS (1F7, 1F8),GOLF PLUS (5M1, 521),GOLF V Variant (1K5),GOLF V (1K1),GOLF VI Cabriolet (517),GOLF VI (5K1),JETTA III (1K2),PASSAT Variant (3C5),PASSAT (3C2),TIGUAN (5N_),TOURAN (1T1, 1T2),VW (FAW) MAGOTAN (B6),SAGITAR,VW (SVW) TOURAN Großraumlimousine
36961	<b>Lagerung, Lenker, Control Arm-/Trailing Arm Bush, Suspension, bras de liaison</b> MG MG ZT,MG ZT- T,ROVER 75 (RJ),75 Tourer (RJ)
36962	<b>Lagerung, Lenker, Control Arm-/Trailing Arm Bush, Suspension, bras de liaison</b> MG MG ZT,MG ZT- T,ROVER 75 (RJ),75 Tourer (RJ)
36963	<b>Lagerung, Lenker, Control Arm-/Trailing Arm Bush, Suspension, bras de liaison</b> VOLVO C70 I Cabriolet,C70 I Coupe,S70 (P80_),V70 I (P80_),850 Kombi (LW),850 (LS)
36971	<b>Reparaturatz, Achskörper, Repair Set, axle beam, Kit de réparation, corps de l'essieu</b> MERCEDES-BENZ C-KLASSE Kombi (S202),C-KLASSE (W202),CLK Cabriolet (A208),CLK (C208),S-KLASSE (W140),SLK (R170),190 (W201)
36972	<b>Lagerung, Lenker, Control Arm-/Trailing Arm Bush, Suspension, bras de liaison</b> MERCEDES-BENZ CABRIOLET (A124),C-KLASSE Kombi (S202),C-KLASSE Kombi (S203),C-KLASSE Sportcoupe (CL203),C-KLASSE (W202),C-KLASSE (W203),CLK Cabriolet (A208),CLK Cabriolet (A209),CLK (C208),CLK (C209),COUPE (C124),E-KLASSE Cabriolet (A124),E-KLASSE Coupe (C124),E-KLASSE Kombi (S124),E-KLASSE Kombi (S210),E-KLASSE (W124),E-KLASSE (W210),KOMBI Kombi (S124),SL (R129),SLK (R170),SLK (R171),Stufenheck (W124), 190 (W201)
36973	<b>Reparaturatz, Achskörper, Repair Set, axle beam, Kit de réparation, corps de l'essieu</b> MERCEDES-BENZ C-KLASSE Kombi (S202),E-KLASSE (W210)
36975	<b>Reparaturatz, Lenker, Repair Kit, link, Kit de remise en état, bras de liaison</b> VOLVO S70 (P80_),S80 I (TS, XY),V70 I (P80_),V70 II (P80_),850 Kombi (LW),850 (LS)
36976	<b>Lagerung, Lenker, Control Arm-/Trailing Arm Bush, Suspension, bras de liaison</b> VOLVO S70 (P80_),S80 I (TS, XY),V70 I (P80_),V70 II (P80_),850 Kombi (LW),850 (LS)



36980	<b>Lagerung, Lenker, Control Arm-/Trailing Arm Bush, Suspension, bras de liaison</b> MERCEDES-BENZ S-KLASSE Coupe (C126),S-KLASSE Coupe (C140),S-KLASSE (W140)
36987	<b>Lagerung, Lenker, Control Arm-/Trailing Arm Bush, Suspension, bras de liaison</b> MERCEDES-BENZ C-KLASSE Kombi (S203),C-KLASSE Sportcoupe (CL203),C-KLASSE (W203),CLK Cabriolet (A209),CLK (C209)
36988	<b>Lagerung, Lenker, Control Arm-/Trailing Arm Bush, Suspension, bras de liaison</b> MERCEDES-BENZ CLS (C219),E-KLASSE Kombi (S211),E-KLASSE (W211),SL (R230)
36989	<b>Lagerung, Achsstrebe, Tie Bar Bush, Suspension, jambe d'essieu</b> MERCEDES-BENZ E-KLASSE Kombi (S211),E-KLASSE (W211)
37661	<b>Lagerung, Lenker, Control Arm-/Trailing Arm Bush, Suspension, bras de liaison</b> BMW X3 (E83),X5 (E53)
37662	<b>Lagerung, Achskörper, Mounting, axle beam, Suspension, corps de l'essieu</b> BMW Z3 Coupe (E36),Z3 (E36),3 Compact (E36)
37663	<b>Lagerung, Lenker, Control Arm-/Trailing Arm Bush, Suspension, bras de liaison</b> BMW X3 (E83),Z4 Coupe (E86),Z4 (E85),3 Cabriolet (E36),3 Cabriolet (E46),3 Compact (E36),3 Compact (E46),3 Coupe (E36),3 Coupe (E46),3 (E36),3 (E46),3 Touring (E36),3 Touring (E46)
37664	<b>Lagerung, Stabilisator, Stabiliser Mounting, Suspension, stabilisateur</b> BMW Z4 (E85),3 Cabriolet (E46),3 Compact (E46),3 Coupe (E46),3 (E46),3 Touring (E46),BMW (BRILLIANCE) 3 SERIES (E46)
37665	<b>Lagerung, Achskörper, Mounting, axle beam, Suspension, corps de l'essieu</b> BMW X1 (E84),1 Cabriolet (E88),1 Coupe (E82),1 (E81),3 Cabriolet (E93),3 Coupe (E92),3 (E90),3 Touring (E91)
37666	<b>Lagerung, Achskörper, Mounting, axle beam, Suspension, corps de l'essieu</b> BMW X3 (E83),Z4 Coupe (E86),Z4 (E85),1 Coupe (E82),1 (E81),3 Cabriolet (E93),3 Coupe (E92),3 (E90),3 Touring (E91)
37667	<b>Lagerung, Achskörper, Mounting, axle beam, Suspension, corps de l'essieu</b> BMW 1 Cabriolet (E88),1 Coupe (E82),1 (E81),3 Cabriolet (E93),3 Coupe (E92),3 (E90),3 Touring (E91)
37668	<b>Lagerung, Achskörper, Mounting, axle beam, Suspension, corps de l'essieu</b> BMW 1 Coupe (E82),1 (E81),3 Cabriolet (E93),3 Coupe (E92),3 (E90),3 Touring (E91)
37830	<b>Lagerung, Lenker, Control Arm-/Trailing Arm Bush, Suspension, bras de liaison</b> MERCEDES-BENZ CLS (C219),E-KLASSE Kombi (S211),E-KLASSE (W211),SL (R230)
37831	<b>Lagerung, Lenker, Control Arm-/Trailing Arm Bush, Suspension, bras de liaison</b> MERCEDES-BENZ E-KLASSE Kombi (S211),E-KLASSE (W211)
37832	<b>Lagerung, Lenker, Control Arm-/Trailing Arm Bush, Suspension, bras de liaison</b> MERCEDES-BENZ S-KLASSE Coupe (C140),S-KLASSE (W140),S-KLASSE (W220)
37833	<b>Lagerung, Lenker, Control Arm-/Trailing Arm Bush, Suspension, bras de liaison</b> MERCEDES-BENZ S-KLASSE Coupe (C140),S-KLASSE Coupe (C215),S-KLASSE (W140),S-KLASSE (W220)
37834	<b>Reparaturatz, Lenker, Repair Kit, link, Kit de remise en état, bras de liaison</b> MERCEDES-BENZ M-KLASSE (W163)
37835	<b>Lagerung, Lenker, Control Arm-/Trailing Arm Bush, Suspension, bras de liaison</b> MERCEDES-BENZ S-KLASSE (W221)
37836	<b>Lagerung, Lenker, Control Arm-/Trailing Arm Bush, Suspension, bras de liaison</b> MERCEDES-BENZ VITO Bus (638),VITO Kasten (638),V-KLASSE (638/2)
37837	<b>Lagerung, Stabilisator, Stabiliser Mounting, Suspension, stabilisateur</b> MERCEDES-BENZ SPRINTER 3,5-t Bus (906),SPRINTER 3,5-t Kasten (906),SPRINTER 5-t Kasten (906),VIANO (W639),VITO / MIXTO Kasten (W639),VITO Bus (W639),VITO Bus (638),VITO Kasten (638),V-KLASSE (638/2)
37838	<b>Lagerung, Stabilisator, Stabiliser Mounting, Suspension, stabilisateur</b> MERCEDES-BENZ SPRINTER 2-t Bus (901, 902),SPRINTER 2-t Kasten (901, 902),SPRINTER 2-t Pritsche/Fahrgestell (901, 902),SPRINTER 3-t Bus (903),SPRINTER 3-t Kasten (903),SPRINTER 3-t Pritsche/Fahrgestell (903)
37844	<b>Lagerung, Lenkgetriebe, Mounting, steering gear, Suspension, crémaillère de direction</b> MERCEDES-BENZ C-KLASSE Kombi (S203),C-KLASSE Sportcoupe (CL203),C-KLASSE (W203),CLK Cabriolet (A209),CLK (C209),SLK (R171)
37845	<b>Lagerung, Lenker, Control Arm-/Trailing Arm Bush, Suspension, bras de liaison</b> MERCEDES-BENZ A-KLASSE (W169),B-KLASSE (W245)
37862	<b>Lagerung, Achskörper, Mounting, axle beam, Suspension, corps de l'essieu</b> VW MULTIVAN T5 (7HM, 7HN, 7HF, 7EF, 7EM, 7EN),TRANSPORTER T5 Bus (7HB, 7HJ, 7EB, 7EJ, 7EF),TRANSPORTER T5 Kasten (7HA, 7HH, 7EA, 7EH),TRANSPORTER T5 Pritsche/Fahrgestell (7JD, 7JE, 7JL, 7JY, 7JZ)
37863	<b>Lagerung, Lenker, Control Arm-/Trailing Arm Bush, Suspension, bras de liaison</b> AUDI Q7 (4L),PORSCHE CAYENNE (955),VW TOUAREG (7LA, 7L6, 7L7)
37864	<b>Lagerung, Lenker, Control Arm-/Trailing Arm Bush, Suspension, bras de liaison</b> AUDI A4 Avant (8K5, B8),A4 (8K2, B8),A5 (8T3),Q5 (8R)
37865	<b>Lagerung, Lenker, Control Arm-/Trailing Arm Bush, Suspension, bras de liaison</b> AUDI A4 Avant (8ED, B7),A4 Avant (8E5, B6),A4 Cabriolet (8H7, B6, 8HE, B7),A4 (8EC, B7),A4 (8E2, B6),AUDI (FAW) A4 Stufenheck (B6),A4 Stufenheck (B7),SEAT EXEO ST (3R5),EXEO (3R2)
37868	<b>Lagerung, Lenker, Control Arm-/Trailing Arm Bush, Suspension, bras de liaison</b> AUDI Q7 (4L),PORSCHE CAYENNE (955),VW TOUAREG (7LA, 7L6, 7L7)

37869	<b>Lagerung, Lenker, Control Arm-/Trailing Arm Bush, Suspension, bras de liaison</b> AUDI Q7 (4L),PORSCHE CAYENNE (955),VW TOUAREG (7LA, 7L6, 7L7)
37874	<b>Lagerung, Lenker, Control Arm-/Trailing Arm Bush, Suspension, bras de liaison</b> MERCEDES-BENZ C-KLASSE Kombi (S203),C-KLASSE Sportcoupe (CL203),C-KLASSE (W203),CLC-KLASSE (CL203),CLK Cabriolet (A209),CLK (C209)
37875	<b>Lagerung, Lenker, Control Arm-/Trailing Arm Bush, Suspension, bras de liaison</b> MERCEDES-BENZ CLS (C219),E-KLASSE Kombi (S211),E-KLASSE (W211)
37876	<b>Reparaturatz, Achskörper, Repair Set, axle beam, Kit de réparation, corps de l'essieu</b> MERCEDES-BENZ CABRIOLET (A124),COUPE (C124),E-KLASSE Cabriolet (A124),E-KLASSE Coupe (C124),E-KLASSE Kombi (S124),E-KLASSE (W124),KOMBI Kombi (S124),SL (R129),SLK (R170),Stufenheck (W124)
37877	<b>Reparaturatz, Lenker, Repair Kit, link, Kit de remise en état, bras de liaison</b> MERCEDES-BENZ S-KLASSE Coupe (C215),S-KLASSE (W220),SL (R230)
37880	<b>Lagerung, Lenker, Control Arm-/Trailing Arm Bush, Suspension, bras de liaison</b> AUDI Q7 (4L),PORSCHE CAYENNE (955),VW TOUAREG (7LA, 7L6, 7L7)
37881	<b>Lagerung, Lenker, Control Arm-/Trailing Arm Bush, Suspension, bras de liaison</b> AUDI Q7 (4L),VW TOUAREG (7LA, 7L6, 7L7)
37882	<b>Lagerung, Lenker, Control Arm-/Trailing Arm Bush, Suspension, bras de liaison</b> AUDI Q7 (4L),VW TOUAREG (7LA, 7L6, 7L7)
37883	<b>Lagerung, Lenker, Control Arm-/Trailing Arm Bush, Suspension, bras de liaison</b> MERCEDES-BENZ S-KLASSE Coupe (C216),S-KLASSE (W221)
37884	<b>Lagerung, Lenker, Control Arm-/Trailing Arm Bush, Suspension, bras de liaison</b> MERCEDES-BENZ S-KLASSE Coupe (C216),S-KLASSE (W221)
37885	<b>Lagerung, Lenker, Control Arm-/Trailing Arm Bush, Suspension, bras de liaison</b> MERCEDES-BENZ S-KLASSE Coupe (C216),S-KLASSE (W221)
37886	<b>Lagerung, Lenker, Control Arm-/Trailing Arm Bush, Suspension, bras de liaison</b> MERCEDES-BENZ S-KLASSE Coupe (C216),S-KLASSE (W221)
37887	<b>Lagerung, Lenker, Control Arm-/Trailing Arm Bush, Suspension, bras de liaison</b> MERCEDES-BENZ S-KLASSE Coupe (C216),S-KLASSE (W221)
37888	<b>Lagerung, Lenker, Control Arm-/Trailing Arm Bush, Suspension, bras de liaison</b> MERCEDES-BENZ S-KLASSE Coupe (C216),S-KLASSE (W221)
37889	<b>Lagerung, Lenker, Control Arm-/Trailing Arm Bush, Suspension, bras de liaison</b> MERCEDES-BENZ CLS (C219),E-KLASSE Kombi (S211),E-KLASSE (W211),MERCEDES-BENZ (BBDC) E-CLASS (W211)
37890	<b>Lagerung, Lenker, Control Arm-/Trailing Arm Bush, Suspension, bras de liaison</b> MERCEDES-BENZ S-KLASSE Coupe (C215),S-KLASSE (W220)
37891	<b>Lagerung, Lenker, Control Arm-/Trailing Arm Bush, Suspension, bras de liaison</b> AUDI A3 Cabriolet (8P7),A3 Sportback (8PA),A3 (8P1),TT Roadster (8J9),TT (8J3),SEAT ALTEA XL (5P5, 5P8),ALTEA (5P1),LEON (1P1),TOLEDO III (5P2),SKODA OCTAVIA Combi (1Z5),OCTAVIA (1Z3),SUPERB Kombi (3T5),SUPERB (3T4),YETI (5L),VW EOS (1F7, 1F8),GOLF PLUS (5M1, 521),GOLF V Variant (1K5),GOLF V (1K1),GOLF VI Cabriolet (517),GOLF VI Variant (AJ5),GOLF VI (5K1),JETTA III (1K2),JETTA IV (162),PASSAT CC (357),PASSAT Variant (3C5),PASSAT Variant (365),PASSAT (3C2),PASSAT (362),SCIROCCO (137),TIGUAN (5N_),TOURAN (1T1, 1T2),TOURAN (1T3)
37980	<b>Lagerung, Lenker, Control Arm-/Trailing Arm Bush, Suspension, bras de liaison</b> VOLVO S60,S80 I (TS, XY),V70 I (P80_),V70 II (P80_),XC70 CROSS COUNTRY,XC90
37981	<b>Lagerung, Lenker, Control Arm-/Trailing Arm Bush, Suspension, bras de liaison</b> SAAB 9-5 Kombi (YS3E),9-5 (YS3E)
49010	<b>Spurstangenkopf, Tie Rod End, Rotule de barre de connexion</b> FIAT FIORINO Kasten (146 Uno),FIORINO Pick up (146),FIORINO (147)
49011	<b>Spurstangenkopf, Tie Rod End, Rotule de barre de connexion</b> FIAT FIORINO Kasten (146 Uno),FIORINO Pick up (146),FIORINO (147)
49012	<b>Lenker, Radaufhängung, Track Control Arm, Bras de liaison, suspension de roue</b> FIAT FIORINO Kasten (146 Uno),FIORINO Pick up (146)
49014	<b>Trag-/Führungsgelenk, Ball Joint, Rotule de suspension</b> LANCIA KAPPA Coupe (838),KAPPA SW (838B),KAPPA (838A)
49017	<b>Spurstangenkopf, Tie Rod End, Rotule de barre de connexion</b> FIAT PALIO Weekend (178DX),PALIO (178BX),STRADA (178E)
49018	<b>Spurstangenkopf, Tie Rod End, Rotule de barre de connexion</b> FIAT PALIO Weekend (178DX),PALIO (178BX),STRADA (178E)
49019	<b>Axialgelenk, Spurstange, Tie Rod Axle Joint, Rotule de direction intérieure, barre de connexion</b> FIAT PALIO Weekend (178DX),PALIO (178BX),SIENA (178_),STRADA (178E)
49020	<b>Axialgelenk, Spurstange, Tie Rod Axle Joint, Rotule de direction intérieure, barre de connexion</b> FIAT PALIO Weekend (178DX),PALIO (178BX),SIENA (178_),STRADA (178E)



<b>49021</b>	<b>Trag-/Führungsgelenk, Ball Joint, Rotule de suspension</b> FIAT PALIO Weekend (178DX),PALIO (178BX),SIENA (178_),STRADA (178E)
<b>49022</b>	<b>Lenker, Radaufhängung, Track Control Arm, Bras de liaison, suspension de roue</b> FIAT PALIO Weekend (178DX)
<b>49023</b>	<b>Lenker, Radaufhängung, Track Control Arm, Bras de liaison, suspension de roue</b> FIAT PALIO Weekend (178DX)
<b>49024</b>	<b>Lenker, Radaufhängung, Track Control Arm, Bras de liaison, suspension de roue</b> FIAT PALIO Weekend (178DX),STRADA (178E)
<b>49025</b>	<b>Lenker, Radaufhängung, Track Control Arm, Bras de liaison, suspension de roue</b> FIAT PALIO Weekend (178DX),STRADA (178E)
<b>49028</b>	<b>Lenker, Radaufhängung, Track Control Arm, Bras de liaison, suspension de roue</b> ALFA ROMEO GT (937),147 (937),156 Sportwagon (932),156 (932)
<b>49029</b>	<b>Lenker, Radaufhängung, Track Control Arm, Bras de liaison, suspension de roue</b> ALFA ROMEO GT (937),147 (937),156 Sportwagon (932),156 (932)
<b>49030HPS</b>	<b>Stange/Strebe, Stabilisator, Rod/Strut, stabiliser, Entretoise/tige, stabilisateur</b> ALFA ROMEO GT (937),147 (937),156 Sportwagon (932),156 (932)
<b>49031</b>	<b>Stange/Strebe, Stabilisator, Rod/Strut, stabiliser, Entretoise/tige, stabilisateur</b> ALFA ROMEO GT (937),147 (937),156 Sportwagon (932),156 (932)
<b>49032HPS</b>	<b>Stange/Strebe, Stabilisator, Rod/Strut, stabiliser, Entretoise/tige, stabilisateur</b> ALFA ROMEO 166 (936)
<b>49033</b>	<b>Stange/Strebe, Stabilisator, Rod/Strut, stabiliser, Entretoise/tige, stabilisateur</b> ALFA ROMEO 166 (936)
<b>49034</b>	<b>Stange/Strebe, Stabilisator, Rod/Strut, stabiliser, Entretoise/tige, stabilisateur</b> ALFA ROMEO 166 (936)
<b>49036</b>	<b>Lenker, Radaufhängung, Track Control Arm, Bras de liaison, suspension de roue</b> FIAT DOBLO Cargo (223),DOBLO (119),PALIO Weekend (178DX),SIENA (178_),STRADA (178E)
<b>49037</b>	<b>Lenker, Radaufhängung, Track Control Arm, Bras de liaison, suspension de roue</b> FIAT DOBLO Cargo (223),DOBLO (119),PALIO Weekend (178DX),SIENA (178_),STRADA (178E)
<b>49038</b>	<b>Trag-/Führungsgelenk, Ball Joint, Rotule de suspension</b> FIAT DOBLO Cargo (223),DOBLO (119),STRADA (178E)
<b>49039HPS</b>	<b>Stange/Strebe, Stabilisator, Rod/Strut, stabiliser, Entretoise/tige, stabilisateur</b> FIAT DOBLO Cargo (223),DOBLO (119)
<b>49040</b>	<b>Spurstangenkopf, Tie Rod End, Rotule de barre de connexion</b> FIAT STILO Multi Wagon (192),STILO (192)
<b>49041</b>	<b>Lenker, Radaufhängung, Track Control Arm, Bras de liaison, suspension de roue</b> FIAT STILO Multi Wagon (192),STILO (192)
<b>49042</b>	<b>Lenker, Radaufhängung, Track Control Arm, Bras de liaison, suspension de roue</b> FIAT STILO Multi Wagon (192),STILO (192)
<b>49043</b>	<b>Axialgelenk, Spurstange, Tie Rod Axle Joint, Rotule de direction intérieure, barre de connexion</b> FIAT STILO (192)
<b>49044</b>	<b>Lenker, Radaufhängung, Track Control Arm, Bras de liaison, suspension de roue</b> FIAT PUNTO Van (188AX),PUNTO (188)
<b>49045</b>	<b>Lenker, Radaufhängung, Track Control Arm, Bras de liaison, suspension de roue</b> FIAT PUNTO Van (188AX),PUNTO (188)
<b>49046</b>	<b>Stange/Strebe, Stabilisator, Rod/Strut, stabiliser, Entretoise/tige, stabilisateur</b> ALFA ROMEO GTV (916C_),SPIDER (916S_)
<b>49047</b>	<b>Stange/Strebe, Stabilisator, Rod/Strut, stabiliser, Entretoise/tige, stabilisateur</b> ALFA ROMEO GTV (916C_),SPIDER (916S_)
<b>49048</b>	<b>Stange/Strebe, Stabilisator, Rod/Strut, stabiliser, Entretoise/tige, stabilisateur</b> ALFA ROMEO GTV (916C_)
<b>49050</b>	<b>Trag-/Führungsgelenk, Ball Joint, Rotule de suspension</b> ALFA ROMEO ALFETTA GT (116),ALFETTA (116),GIULIETTA (116),75 (162B),90 (162),AUSTIN MAESTRO (XC)
<b>49051</b>	<b>Lenker, Radaufhängung, Track Control Arm, Bras de liaison, suspension de roue</b> FIAT PALIO Weekend (178DX)
<b>49052</b>	<b>Lenker, Radaufhängung, Track Control Arm, Bras de liaison, suspension de roue</b> FIAT PALIO Weekend (178DX)
<b>49053</b>	<b>Axialgelenk, Spurstange, Tie Rod Axle Joint, Rotule de direction intérieure, barre de connexion</b> ALFA ROMEO GTV (916C_),SPIDER (916S_),145 (930),146 (930),155 (167)

49054	<b>Lenker, Radaufhängung, Track Control Arm, Bras de liaison, suspension de roue</b> FIAT PANDA Van (169),PANDA (169)
49055	<b>Lenker, Radaufhängung, Track Control Arm, Bras de liaison, suspension de roue</b> FIAT PANDA Van (169),PANDA (169)
49057	<b>Spurstangenkopf, Tie Rod End, Rotule de barre de connexion</b> FIAT PANDA (169),500,FORD KA
49058	<b>Spurstangenkopf, Tie Rod End, Rotule de barre de connexion</b> FIAT PANDA (169),500,FORD KA
49059	<b>Spurstangenkopf, Tie Rod End, Rotule de barre de connexion</b> FIAT IDEA,LANCIA MUSA (350)
49060	<b>Lenker, Radaufhängung, Track Control Arm, Bras de liaison, suspension de roue</b> FIAT PUNTO Cabriolet (176C),PUNTO Van (176L),PUNTO (176),LANCIA Y (840A)
49061	<b>Lenker, Radaufhängung, Track Control Arm, Bras de liaison, suspension de roue</b> FIAT PUNTO Cabriolet (176C),PUNTO Van (176L),PUNTO (176),LANCIA Y (840A)
49062	<b>Lenker, Radaufhängung, Track Control Arm, Bras de liaison, suspension de roue</b> FIAT PUNTO Cabriolet (176C),PUNTO Van (176L),PUNTO (176),LANCIA Y (840A)
49063	<b>Lenker, Radaufhängung, Track Control Arm, Bras de liaison, suspension de roue</b> FIAT PUNTO Cabriolet (176C),PUNTO Van (176L),PUNTO (176),LANCIA Y (840A)
49064	<b>Lenker, Radaufhängung, Track Control Arm, Bras de liaison, suspension de roue</b> FIAT MULTIPLA (186),LANCIA LYBRA SW (839BX),LYBRA (839AX)
49065	<b>Lenker, Radaufhängung, Track Control Arm, Bras de liaison, suspension de roue</b> FIAT MULTIPLA (186),LANCIA LYBRA SW (839BX),LYBRA (839AX)
49066	<b>Stange/Strebe, Stabilisator, Rod/Strut, stabiliser, Entretoise/tige, stabilisateur</b> FIAT PANDA (169)
49066HPS	<b>Stange/Strebe, Stabilisator, Rod/Strut, stabiliser, Entretoise/tige, stabilisateur</b> FIAT PANDA (169)
49067	<b>Stange/Strebe, Stabilisator, Rod/Strut, stabiliser, Entretoise/tige, stabilisateur</b> ALFA ROMEO 147 (937),156 Sportwagon (932),156 (932)
49068	<b>Stange/Strebe, Stabilisator, Rod/Strut, stabiliser, Entretoise/tige, stabilisateur</b> ALFA ROMEO 147 (937),156 Sportwagon (932),156 (932)
49069	<b>Trag-/Führungsgelenk, Ball Joint, Rotule de suspension</b> FIAT DOBLO Cargo (223),DOBLO (119),PALIO Weekend (178DX),PALIO (178BX),SIENA (178_),STRADA (178E)
49070	<b>Axialgelenk, Spurstange, Tie Rod Axle Joint, Rotule de direction intérieure, barre de connexion</b> FIAT STRADA (178E)
49071	<b>Axialgelenk, Spurstange, Tie Rod Axle Joint, Rotule de direction intérieure, barre de connexion</b> FIAT IDEA,LANCIA MUSA (350),YPSILON (843)
49072	<b>Axialgelenk, Spurstange, Tie Rod Axle Joint, Rotule de direction intérieure, barre de connexion</b> FIAT PANDA (169)
49073	<b>Spurstangenkopf, Tie Rod End, Rotule de barre de connexion</b> FIAT FIORINO Kasten (146 Uno),FIORINO Pick up (146)
49074	<b>Spurstangenkopf, Tie Rod End, Rotule de barre de connexion</b> FIAT DOBLO Cargo (223),DOBLO (119)
49075	<b>Spurstangenkopf, Tie Rod End, Rotule de barre de connexion</b> FIAT DOBLO Cargo (223),DOBLO (119)
49076	<b>Lenker, Radaufhängung, Track Control Arm, Bras de liaison, suspension de roue</b> FIAT CINQUECENTO (170),SEICENTO (187)
49077	<b>Lenker, Radaufhängung, Track Control Arm, Bras de liaison, suspension de roue</b> FIAT CINQUECENTO (170),SEICENTO (187)
49078	<b>Lenker, Radaufhängung, Track Control Arm, Bras de liaison, suspension de roue</b> FIAT IDEA,LANCIA MUSA (350),YPSILON (843)
49079	<b>Lenker, Radaufhängung, Track Control Arm, Bras de liaison, suspension de roue</b> FIAT IDEA,LANCIA MUSA (350),YPSILON (843)
49080	<b>Lenker, Radaufhängung, Track Control Arm, Bras de liaison, suspension de roue</b> ALFA ROMEO 166 (936)
49081	<b>Lenker, Radaufhängung, Track Control Arm, Bras de liaison, suspension de roue</b> ALFA ROMEO 166 (936)
49082	<b>Lenker, Radaufhängung, Track Control Arm, Bras de liaison, suspension de roue</b> CITROËN C8 (EA_, EB_),FIAT ULYSSE (179AX),LANCIA PHEDRA (179),PEUGEOT 807 (E)





49083	<b>Lenker, Radaufhängung, Track Control Arm, Bras de liaison, suspension de roue</b> CITROËN C8 (EA_, EB_),FIAT ULYSSE (179AX),LANCIA PHEDRA (179),PEUGEOT 807 (E)
49084	<b>Lenker, Radaufhängung, Track Control Arm, Bras de liaison, suspension de roue</b> CITROËN JUMPER Bus (230P),JUMPER Bus (244, Z_),JUMPER Kasten (230L),JUMPER Kasten (244),JUMPER Pritsche/Fahrgestell (230),JUMPER Pritsche/Fahrgestell (244),FIAT DUCATO Bus (230),DUCATO Bus (244, Z_),DUCATO Kasten (230L),DUCATO Kasten (244),DUCATO Pritsche/Fahrgestell (230),DUCATO Pritsche/Fahrgestell (244),PEUGEOT BOXER Bus (230P),BOXER Bus (244, Z_),BOXER Kasten (230L),BOXER Kasten (244),BOXER Pritsche/Fahrgestell (ZCT_),BOXER Pritsche/Fahrgestell (244)
49085	<b>Lenker, Radaufhängung, Track Control Arm, Bras de liaison, suspension de roue</b> CITROËN JUMPER Bus (230P),JUMPER Bus (244, Z_),JUMPER Kasten (230L),JUMPER Kasten (244),JUMPER Pritsche/Fahrgestell (230),JUMPER Pritsche/Fahrgestell (244),FIAT DUCATO Bus (230),DUCATO Bus (244, Z_),DUCATO Kasten (230L),DUCATO Kasten (244),DUCATO Pritsche/Fahrgestell (230),DUCATO Pritsche/Fahrgestell (244),PEUGEOT BOXER Bus (230P),BOXER Bus (244, Z_),BOXER Kasten (230L),BOXER Kasten (244),BOXER Pritsche/Fahrgestell (ZCT_),BOXER Pritsche/Fahrgestell (244)
49086	<b>Lenker, Radaufhängung, Track Control Arm, Bras de liaison, suspension de roue</b> CITROËN JUMPER Bus (230P),JUMPER Bus (244, Z_),JUMPER Kasten (230L),JUMPER Kasten (244),JUMPER Pritsche/Fahrgestell (230),JUMPER Pritsche/Fahrgestell (244),FIAT DUCATO Bus (230),DUCATO Bus (244, Z_),DUCATO Kasten (230L),DUCATO Kasten (244),DUCATO Pritsche/Fahrgestell (230),DUCATO Pritsche/Fahrgestell (244),PEUGEOT BOXER Bus (244, Z_),BOXER Kasten (244),BOXER Pritsche/Fahrgestell (244)
49087	<b>Lenker, Radaufhängung, Track Control Arm, Bras de liaison, suspension de roue</b> CITROËN JUMPER Bus (230P),JUMPER Bus (244, Z_),JUMPER Kasten (230L),JUMPER Kasten (244),JUMPER Pritsche/Fahrgestell (230),JUMPER Pritsche/Fahrgestell (244),FIAT DUCATO Bus (230),DUCATO Bus (244, Z_),DUCATO Kasten (230L),DUCATO Kasten (244),DUCATO Pritsche/Fahrgestell (230),DUCATO Pritsche/Fahrgestell (244),PEUGEOT BOXER Bus (244, Z_),BOXER Kasten (244),BOXER Pritsche/Fahrgestell (244)
49088	<b>Stange/Strebe, Stabilisator, Rod/Strut, stabiliser, Entretoise/tige, stabilisateur</b> LANCIA KAPPA Coupe (838),KAPPA SW (838B),KAPPA (838A)
49089	<b>Lenker, Radaufhängung, Track Control Arm, Bras de liaison, suspension de roue</b> FIAT DOBLO Cargo (223),DOBLO (119)
49090	<b>Lenker, Radaufhängung, Track Control Arm, Bras de liaison, suspension de roue</b> FIAT DOBLO Cargo (223),DOBLO (119)
49091	<b>Axialgelenk, Spurstange, Tie Rod Axle Joint, Rotule de direction intérieure, barre de connexion</b> FIAT PALIO Weekend (178DX),PALIO (178BX),STRADA (178E)
49092	<b>Trag-/Führungsgelenk, Ball Joint, Rotule de suspension</b> ALFA ROMEO MITO (955),CITROËN NEMO Kasten (AA_),FIAT FIORINO Kasten/Kombi (225),LINEA (323),PUNTO / GRANDE PUNTO (199),OPEL CORSA D,PEUGEOT BIPPER (AA_)
49093	<b>Axialgelenk, Spurstange, Tie Rod Axle Joint, Rotule de direction intérieure, barre de connexion</b> FIAT DOBLO Cargo (223),DOBLO (119)
49094	<b>Lenker, Radaufhängung, Track Control Arm, Bras de liaison, suspension de roue</b> FIAT BRAVO II (198),STILO Multi Wagon (192),STILO (192),LANCIA DELTA III (844)
49095	<b>Lenker, Radaufhängung, Track Control Arm, Bras de liaison, suspension de roue</b> FIAT BRAVO II (198),STILO Multi Wagon (192),STILO (192),LANCIA DELTA III (844)
49096	<b>Lenker, Radaufhängung, Track Control Arm, Bras de liaison, suspension de roue</b> FIAT 500,500 C
49097	<b>Lenker, Radaufhängung, Track Control Arm, Bras de liaison, suspension de roue</b> FIAT 500,500 C
49098	<b>Spurstangenkopf, Tie Rod End, Rotule de barre de connexion</b> FIAT MAREA Weekend (185),MAREA (185),LANCIA LYBRA SW (839BX),LYBRA (839AX)
49099	<b>Trag-/Führungsgelenk, Ball Joint, Rotule de suspension</b> CITROËN JUMPER Bus,JUMPER Kasten,JUMPER Pritsche/Fahrgestell,FIAT DUCATO Bus (250),DUCATO Kasten (250),DUCATO Pritsche/Fahrgestell (250),PEUGEOT BOXER Bus,BOXER Kasten,BOXER Pritsche/Fahrgestell
49100	<b>Spurstangenkopf, Tie Rod End, Rotule de barre de connexion</b> RENAULT CLIO I (B/C57_, 5/357_),CLIO I Kasten (S57_)
49101	<b>Spurstangenkopf, Tie Rod End, Rotule de barre de connexion</b> RENAULT CLIO I (B/C57_, 5/357_),CLIO I Kasten (S57_)
49102	<b>Axialgelenk, Spurstange, Tie Rod Axle Joint, Rotule de direction intérieure, barre de connexion</b> RENAULT CLIO I (B/C57_, 5/357_),CLIO I Kasten (S57_)
49103	<b>Axialgelenk, Spurstange, Tie Rod Axle Joint, Rotule de direction intérieure, barre de connexion</b> RENAULT MEGANE I (BA0/1_),MEGANE I Cabriolet (EA0/1_),MEGANE I Classic (LA0/1_),MEGANE I Coach (DA0/1_),MEGANE I Grandtour (KA0/1_),MEGANE Scenic (JA0/1_)
49104	<b>Spurstangenkopf, Tie Rod End, Rotule de barre de connexion</b> RENAULT MASTER I Bus (T_),MASTER I Kasten (T_),MASTER I Pritsche/Fahrgestell (P_)
49105	<b>Trag-/Führungsgelenk, Ball Joint, Rotule de suspension</b> RENAULT MASTER I Bus (T_),MASTER I Kasten (T_),MASTER I Pritsche/Fahrgestell (P_)
49106	<b>Trag-/Führungsgelenk, Ball Joint, Rotule de suspension</b> RENAULT MASTER I Bus (T_),MASTER I Kasten (T_),MASTER I Pritsche/Fahrgestell (P_)
49107	<b>Spurstange, Rod Assembly, Barre de connexion</b> RENAULT RAPID Kasten (F40_, G40_),SUPER 5 (B/C40_),SUPER 5 Kasten (S40_)

<b>49108HPS</b>	<b>Stange/Strebe, Stabilisator, Rod/Strut, stabiliser, Entretoise/tige, stabilisateur</b> NISSAN INTERSTAR Bus (X70),INTERSTAR Kasten (X70),INTERSTAR Pritsche/Fahrgestell,PEL MOVANO Combi (J9),MOVANO Kasten (F9),MOVANO Kipper (H9),MOVANO Pritsche/Fahrgestell (U9, E9),RENAULT MASTER I Bus (T__),MASTER I Kasten (T__),MASTER I Pritsche/Fahrgestell (P__),MASTER II Bus (JD),MASTER II Kasten (FD),MASTER II Pritsche/Fahrgestell (ED/HD/UD),VAUXHALL MOVANO Mk I (A) Chassis/Cab (ED, UD, HD),MOVANO Mk I (A) Combi (JD),MOVANO Mk I (A) Van (FD)
<b>49109HPS</b>	<b>Stange/Strebe, Stabilisator, Rod/Strut, stabiliser, Entretoise/tige, stabilisateur</b> NISSAN INTERSTAR Bus (X70),INTERSTAR Kasten (X70),INTERSTAR Pritsche/Fahrgestell,PEL MOVANO Combi (J9),MOVANO Kasten (F9),MOVANO Kipper (H9),MOVANO Pritsche/Fahrgestell (U9, E9),RENAULT MASTER I Bus (T__),MASTER I Kasten (T__),MASTER I Pritsche/Fahrgestell (P__),MASTER II Bus (JD),MASTER II Kasten (FD),MASTER II Pritsche/Fahrgestell (ED/HD/UD),VAUXHALL MOVANO Mk I (A) Chassis/Cab (ED, UD, HD),MOVANO Mk I (A) Combi (JD),MOVANO Mk I (A) Van (FD)
<b>49110</b>	<b>Trag-/Führungsgelenk, Ball Joint, Rotule de suspension</b> NISSAN INTERSTAR Bus (X70),INTERSTAR Kasten (X70),PEL MOVANO Combi (J9),MOVANO Kasten (F9),MOVANO Kipper (H9),MOVANO Pritsche/Fahrgestell (U9, E9),RENAULT MASTER II Bus (JD),MASTER II Kasten (FD),MASTER II Pritsche/Fahrgestell (ED/HD/UD)
<b>49111</b>	<b>Trag-/Führungsgelenk, Ball Joint, Rotule de suspension</b> NISSAN INTERSTAR Bus (X70),INTERSTAR Kasten (X70),PEL MOVANO Combi (J9),MOVANO Kasten (F9),MOVANO Kipper (H9),MOVANO Pritsche/Fahrgestell (U9, E9),RENAULT MASTER II Bus (JD),MASTER II Kasten (FD),MASTER II Pritsche/Fahrgestell (ED/HD/UD)
<b>49112</b>	<b>Spurstangenkopf, Tie Rod End, Rotule de barre de connexion</b> RENAULT ESPACE III (JE0_)
<b>49113</b>	<b>Spurstangenkopf, Tie Rod End, Rotule de barre de connexion</b> RENAULT ESPACE III (JE0_)
<b>49114</b>	<b>Spurstange, Rod Assembly, Barre de connexion</b> RENAULT ESPACE III (JE0_)
<b>49115</b>	<b>Spurstange, Rod Assembly, Barre de connexion</b> RENAULT ESPACE III (JE0_)
<b>49115/1</b>	<b>Axialgelenk, Spurstange, Tie Rod Axle Joint, Rotule de direction intérieure, barre de connexion</b> RENAULT AVANTIME (DE0_),ESPACE III (JE0_),VEL SATIS (BJ0_)
<b>49116</b>	<b>Trag-/Führungsgelenk, Ball Joint, Rotule de suspension</b> RENAULT ESPACE III (JE0_)
<b>49117/1</b>	<b>Axialgelenk, Spurstange, Tie Rod Axle Joint, Rotule de direction intérieure, barre de connexion</b> NISSAN KUBISTAR (X76),RENAULT CLIO II (BB0/1/2_, CB0/1/2_),CLIO II Kasten (SB0/1/2_),KANGOO (KC0/1_),KANGOO Rapid (FC0/1_)
<b>49118HPS</b>	<b>Stange/Strebe, Stabilisator, Rod/Strut, stabiliser, Entretoise/tige, stabilisateur</b> NISSAN PRIMASTAR Bus (X83),PRIMASTAR Kasten (X83),PEL VIVARO Combi (J7),VIVARO Kasten (F7),VIVARO Pritsche/Fahrgestell (E7),RENAULT CLIO III (BR0/1, CR0/1),ESPACE IV (JK0/1_),LAGUNA II (BG0/1_),LAGUNA II Grandtour (KG0/1_),TRAFIC II Bus (JL),TRAFIC II Kasten (FL),TRAFIC II Pritsche/Fahrgestell (EL),VEL SATIS (BJ0_),VAUXHALL VIVARO Combi (J7),VIVARO Kasten (F7),VIVARO Pritsche/Fahrgestell (E7)
<b>49119</b>	<b>Axialgelenk, Spurstange, Tie Rod Axle Joint, Rotule de direction intérieure, barre de connexion</b> RENAULT MEGANE I (BA0/1_),MEGANE I Cabriolet (EA0/1_),MEGANE I Classic (LA0/1_),MEGANE I Coach (DA0/1_),MEGANE I Grandtour (KA0/1_),MEGANE II (BM0/1_, CM0/1_),MEGANE Scenic (JA0/1_),SCÉNIC I (JA0/1_)
<b>49120</b>	<b>Stange/Strebe, Stabilisator, Rod/Strut, stabiliser, Entretoise/tige, stabilisateur</b> RENAULT TWINGO (C06_)
<b>49120HPS</b>	<b>Stange/Strebe, Stabilisator, Rod/Strut, stabiliser, Entretoise/tige, stabilisateur</b> RENAULT TWINGO (C06_)
<b>49121</b>	<b>Stange/Strebe, Stabilisator, Rod/Strut, stabiliser, Entretoise/tige, stabilisateur</b> RENAULT TWINGO (C06_)
<b>49121HPS</b>	<b>Stange/Strebe, Stabilisator, Rod/Strut, stabiliser, Entretoise/tige, stabilisateur</b> RENAULT TWINGO (C06_)
<b>49124HPS</b>	<b>Stange/Strebe, Stabilisator, Rod/Strut, stabiliser, Entretoise/tige, stabilisateur</b> RENAULT GRAND SCÉNIC II (JM0/1_),KANGOO / GRAND KANGOO (KW0/1_),KANGOO BE BOP (KW0/1_),KANGOO Express (FW0/1_),MEGANE II (BM0/1_, CM0/1_),MEGANE II Coupé-Cabriolet (EM0/1_),MEGANE II Grandtour (KM0/1_),MEGANE II Stufenheck (LM0/1_),SCÉNIC II (JM0/1_)
<b>49125</b>	<b>Axialgelenk, Spurstange, Tie Rod Axle Joint, Rotule de direction intérieure, barre de connexion</b> NISSAN INTERSTAR Bus (X70),INTERSTAR Kasten (X70),PEL MOVANO Combi (J9),MOVANO Kasten (F9),MOVANO Kipper (H9),MOVANO Pritsche/Fahrgestell (U9, E9),RENAULT MASTER II Bus (JD),MASTER II Kasten (FD),MASTER II Pritsche/Fahrgestell (ED/HD/UD),VAUXHALL MOVANO Mk I (A) Chassis/Cab (ED, UD, HD),MOVANO Mk I (A) Combi (JD),MOVANO Mk I (A) Van (FD)
<b>49126</b>	<b>Axialgelenk, Spurstange, Tie Rod Axle Joint, Rotule de direction intérieure, barre de connexion</b> RENAULT MEGANE I (BA0/1_),MEGANE I Cabriolet (EA0/1_),MEGANE I Classic (LA0/1_),MEGANE I Coach (DA0/1_),MEGANE Scenic (JA0/1_),SCÉNIC I (JA0/1_)
<b>49127</b>	<b>Lenker, Radaufhängung, Track Control Arm, Bras de liaison, suspension de roue</b> RENAULT MEGANE II Coupé-Cabriolet (EM0/1_),MEGANE II Grandtour (KM0/1_),MEGANE II Stufenheck (LM0/1_)
<b>49128</b>	<b>Lenker, Radaufhängung, Track Control Arm, Bras de liaison, suspension de roue</b> RENAULT MEGANE II Coupé-Cabriolet (EM0/1_),MEGANE II Grandtour (KM0/1_),MEGANE II Stufenheck (LM0/1_)
<b>49129</b>	<b>Lenker, Radaufhängung, Track Control Arm, Bras de liaison, suspension de roue</b> RENAULT MEGANE I (BA0/1_),MEGANE I Classic (LA0/1_),MEGANE Scenic (JA0/1_),SCÉNIC I (JA0/1_)
<b>49130</b>	<b>Lenker, Radaufhängung, Track Control Arm, Bras de liaison, suspension de roue</b> RENAULT MEGANE I (BA0/1_),MEGANE I Classic (LA0/1_),MEGANE Scenic (JA0/1_),SCÉNIC I (JA0/1_)



49131	<b>Lenker, Radaufhängung, Track Control Arm, Bras de liaison, suspension de roue</b> RENAULT LAGUNA II (BG0/1_),LAGUNA II Grandtour (KG0/1_)
49132	<b>Lenker, Radaufhängung, Track Control Arm, Bras de liaison, suspension de roue</b> RENAULT LAGUNA II (BG0/1_),LAGUNA II Grandtour (KG0/1_)
49133	<b>Lenker, Radaufhängung, Track Control Arm, Bras de liaison, suspension de roue</b> RENAULT MEGANE II (BM0/1_, CM0/1_),MEGANE II Coupé-Cabriolet (EM0/1_),MEGANE II Grandtour (KM0/1_),MEGANE II Stufenheck (LM0/1_),SCÉNIC II (JM0/1_)
49134	<b>Lenker, Radaufhängung, Track Control Arm, Bras de liaison, suspension de roue</b> RENAULT MEGANE II (BM0/1_, CM0/1_),MEGANE II Coupé-Cabriolet (EM0/1_),MEGANE II Grandtour (KM0/1_),MEGANE II Stufenheck (LM0/1_),SCÉNIC II (JM0/1_)
49135	<b>Spurstangenkopf, Tie Rod End, Rotule de barre de connexion</b> NISSAN KUBISTAR Kasten,KUBISTAR (X76),MICRA C+C (K12),PLATINA,RENAULT CLIO II (BB0/1/2_, CB0/1/2_),CLIO II Kasten (SB0/1/2_),CLIO III (BR0/1, CR0/1),KANGOO / GRAND KANGOO (KW0/1_),KANGOO (KC0/1_),KANGOO Rapid (FC0/1_),MEGANE I (BA0/1_),MEGANE I Cabriolet (EA0/1_),MEGANE I Classic (LA0/1_),MEGANE I Coach (DA0/1_),MEGANE I Grandtour (KA0/1_),MEGANE Scenic (JA0/1_),MODUS / GRAND MODUS (F/JP0_),SCÉNIC I (JA0/1_),THALIA II (LU1/2_),THALIA (LB0/1/2_),TWINGO (CN0_),TWINGO (C06_),TWINGO Kasten (S06_),WIND (E4M_)
49136	<b>Spurstangenkopf, Tie Rod End, Rotule de barre de connexion</b> NISSAN KUBISTAR Kasten,KUBISTAR (X76),MICRA C+C (K12),PLATINA,RENAULT CLIO II (BB0/1/2_, CB0/1/2_),CLIO II Kasten (SB0/1/2_),CLIO III (BR0/1, CR0/1),KANGOO / GRAND KANGOO (KW0/1_),KANGOO (KC0/1_),KANGOO Rapid (FC0/1_),MEGANE I (BA0/1_),MEGANE I Cabriolet (EA0/1_),MEGANE I Classic (LA0/1_),MEGANE I Coach (DA0/1_),MEGANE I Grandtour (KA0/1_),MEGANE Scenic (JA0/1_),MODUS / GRAND MODUS (F/JP0_),SCÉNIC I (JA0/1_),THALIA II (LU1/2_),THALIA (LB0/1/2_),TWINGO (CN0_),TWINGO (C06_),TWINGO Kasten (S06_),WIND (E4M_)
49137	<b>Spurstangenkopf, Tie Rod End, Rotule de barre de connexion</b> NISSAN INTERSTAR Bus (X70),INTERSTAR Kasten (X70),OPEL MOVANO Combi (J9),MOVANO Kasten (F9),MOVANO Kipper (H9),MOVANO Pritsche/Fahrgestell (U9, E9),RENAULT MASTER II Bus (JD),MASTER II Kasten (FD),MASTER II Pritsche/Fahrgestell (ED/HD/UD),VAUXHALL MOVANO Mk I (A) Chassis/Cab (ED, UD, HD),MOVANO Mk I (A) Combi (JD),MOVANO Mk I (A) Van (FD)
49138	<b>Spurstangenkopf, Tie Rod End, Rotule de barre de connexion</b> NISSAN INTERSTAR Bus (X70),INTERSTAR Kasten (X70),OPEL MOVANO Combi (J9),MOVANO Kasten (F9),MOVANO Kipper (H9),MOVANO Pritsche/Fahrgestell (U9, E9),RENAULT MASTER II Bus (JD),MASTER II Kasten (FD),MASTER II Pritsche/Fahrgestell (ED/HD/UD),VAUXHALL MOVANO Mk I (A) Chassis/Cab (ED, UD, HD),MOVANO Mk I (A) Combi (JD),MOVANO Mk I (A) Van (FD)
49139	<b>Trag-/Führungsgelenk, Ball Joint, Rotule de suspension</b> RENAULT MEGANE Scenic (JA0/1_)
49140	<b>Trag-/Führungsgelenk, Ball Joint, Rotule de suspension</b> NISSAN PRIMASTAR Bus (X83),PRIMASTAR Kasten (X83),OPEL VIVARO Combi (J7),VIVARO Kasten (F7),RENAULT ESPACE IV (JK0/1_),LAGUNA II (BG0/1_),LAGUNA II Grandtour (KG0/1_),TRAFIC II Bus (JL),TRAFIC II Kasten (FL),TRAFIC II Pritsche/Fahrgestell (EL),VEL SATIS (BJ0_),VAUXHALL VIVARO Combi (J7),VIVARO Kasten (F7),VIVARO Pritsche/Fahrgestell (E7)
49141	<b>Lenker, Radaufhängung, Track Control Arm, Bras de liaison, suspension de roue</b> NISSAN PRIMASTAR Bus (X83),PRIMASTAR Kasten (X83),OPEL VIVARO Combi (J7),VIVARO Kasten (F7),RENAULT TRAFIC II Bus (JL),TRAFIC II Kasten (FL),TRAFIC II Pritsche/Fahrgestell (EL)
49142	<b>Lenker, Radaufhängung, Track Control Arm, Bras de liaison, suspension de roue</b> NISSAN PRIMASTAR Bus (X83),PRIMASTAR Kasten (X83),OPEL VIVARO Combi (J7),VIVARO Kasten (F7),RENAULT TRAFIC II Bus (JL),TRAFIC II Kasten (FL),TRAFIC II Pritsche/Fahrgestell (EL)
49145	<b>Axialgelenk, Spurstange, Tie Rod Axle Joint, Rotule de direction intérieure, barre de connexion</b> RENAULT LAGUNA II (BG0/1_),LAGUNA II Grandtour (KG0/1_)
49146	<b>Stange/Strebe, Stabilisator, Rod/Strut, stabiliser, Entretoise/tige, stabilisateur</b> RENAULT KANGOO (KC0/1_),KANGOO Rapid (FC0/1_),SCÉNIC I (JA0/1_)
49146HPS	<b>Stange/Strebe, Stabilisator, Rod/Strut, stabiliser, Entretoise/tige, stabilisateur</b> RENAULT KANGOO (KC0/1_),KANGOO Rapid (FC0/1_),SCÉNIC I (JA0/1_)
49147	<b>Spurstangenkopf, Tie Rod End, Rotule de barre de connexion</b> RENAULT GRAND SCÉNIC II (JM0/1_),MEGANE II (BM0/1_, CM0/1_),MEGANE II Coupé-Cabriolet (EM0/1_),MEGANE II Grandtour (KM0/1_),MEGANE II Stufenheck (LM0/1_),SCÉNIC II (JM0/1_)
49148	<b>Spurstangenkopf, Tie Rod End, Rotule de barre de connexion</b> RENAULT GRAND SCÉNIC II (JM0/1_),MEGANE II (BM0/1_, CM0/1_),MEGANE II Coupé-Cabriolet (EM0/1_),MEGANE II Grandtour (KM0/1_),MEGANE II Stufenheck (LM0/1_),SCÉNIC II (JM0/1_)
49149	<b>Axialgelenk, Spurstange, Tie Rod Axle Joint, Rotule de direction intérieure, barre de connexion</b> RENAULT MEGANE II (BM0/1_, CM0/1_),MEGANE II Grandtour (KM0/1_),MEGANE II Stufenheck (LM0/1_)
49150	<b>Trag-/Führungsgelenk, Ball Joint, Rotule de suspension</b> RENAULT MEGANE II (BM0/1_, CM0/1_)
49151	<b>Trag-/Führungsgelenk, Ball Joint, Rotule de suspension</b> DACIA LOGAN EXPRESS (FS_),LOGAN (LS_),LOGAN MCV (KS_),LOGAN Pick-up (US_),PICK UP,SANDERO,NISSAN MICRA III (K12),NOTE (E11),RENAULT CLIO Grandtour (KR0/1_),CLIO III (BR0/1, CR0/1),GRAND SCÉNIC II (JM0/1_),LOGAN Kombi (KS_),LOGAN (LS_),MEGANE II (BM0/1_, CM0/1_),MEGANE II Coupé-Cabriolet (EM0/1_),MEGANE II Grandtour (KM0/1_),MEGANE II Stufenheck (LM0/1_),MODUS / GRAND MODUS (F/JP0_),SCÉNIC II (JM0/1_)
49152	<b>Lenker, Radaufhängung, Track Control Arm, Bras de liaison, suspension de roue</b> RENAULT CLIO Grandtour (KR0/1_),CLIO II Kasten (SB0/1/2_),CLIO III (BR0/1, CR0/1),MODUS / GRAND MODUS (F/JP0_)
49153	<b>Lenker, Radaufhängung, Track Control Arm, Bras de liaison, suspension de roue</b> RENAULT CLIO Grandtour (KR0/1_),CLIO II Kasten (SB0/1/2_),CLIO III (BR0/1, CR0/1),MODUS / GRAND MODUS (F/JP0_)
49154HPS	<b>Stange/Strebe, Stabilisator, Rod/Strut, stabiliser, Entretoise/tige, stabilisateur</b> RENAULT MEGANE II (BM0/1_, CM0/1_)



49155	<b>Axialgelenk, Spurstange, Tie Rod Axle Joint, Rotule de direction intérieure, barre de connexion</b> NISSAN PRIMASTAR Bus (X83),PRIMASTAR Kasten (X83),OPEL VIVARO Combi (J7),VIVARO Kasten (F7),RENAULT ESPACE IV (JK0/1_),TRAFIC II Bus (JL),TRAFIC II Kasten (FL),TRAFIC II Pritsche/Fahrgestell (EL),TRAFIC Pritsche/Fahrgestell (P6)
49156	<b>Trag-/Führungsgelenk, Ball Joint, Rotule de suspension</b> NISSAN INTERSTAR Bus (X70),INTERSTAR Kasten (X70),INTERSTAR Pritsche/Fahrgestell,OPEL MOVANO Combi (J9),MOVANO Kasten (F9),MOVANO Kipper (H9),MOVANO Pritsche/Fahrgestell (U9, E9),RENAULT MASTER II Bus (JD),MASTER II Kasten (FD),MASTER II Pritsche/Fahrgestell (ED/HD/UD),VAUXHALL MOVANO Mk I (A) Chassis/Cab (ED, UD, HD),MOVANO Mk I (A) Combi (JD),MOVANO Mk I (A) Van (FD)
49157	<b>Spurstangenkopf, Tie Rod End, Rotule de barre de connexion</b> RENAULT KANGOO / GRAND KANGOO (KW0/1_),KANGOO Express (FW0/1_)
49158	<b>Spurstangenkopf, Tie Rod End, Rotule de barre de connexion</b> RENAULT KANGOO / GRAND KANGOO (KW0/1_),KANGOO Express (FW0/1_)
49159	<b>Axialgelenk, Spurstange, Tie Rod Axle Joint, Rotule de direction intérieure, barre de connexion</b> NISSAN MICRA C+C (K12),MICRA III (K12),RENAULT CLIO Grandtour (KR0/1_),CLIO III (BR0/1, CR0/1),MODUS / GRAND MODUS (F/JP0_)
49160	<b>Stange/Strebe, Stabilisator, Rod/Strut, stabiliser, Entretoise/tige, stabilisateur</b> DACIA LOGAN (LS_),LOGAN MCV (KS_),SANDERO,RENAULT LOGAN Kombi (KS_),LOGAN (LS_)
49161	<b>Axialgelenk, Spurstange, Tie Rod Axle Joint, Rotule de direction intérieure, barre de connexion</b> RENAULT FLUENCE (L30_),GRAND SCÉNIC III (JZ0/1_),KANGOO / GRAND KANGOO (KW0/1_),KANGOO BE BOP (KW0/1_),KANGOO Express (FW0/1_),MEGANE III Coupe (DZ0/1_),MEGANE III Grandtour (KZ0/1),MEGANE III Schrägheck (BZ0_),MEGANE III Stufenheck,SCÉNIC III (JZ0/1_)
49162	<b>Trag-/Führungsgelenk, Ball Joint, Rotule de suspension</b> RENAULT KANGOO / GRAND KANGOO (KW0/1_),KANGOO BE BOP (KW0/1_),KANGOO Express (FW0/1_)
49163	<b>Trag-/Führungsgelenk, Ball Joint, Rotule de suspension</b> RENAULT KANGOO / GRAND KANGOO (KW0/1_),KANGOO BE BOP (KW0/1_),KANGOO Express (FW0/1_)
49165	<b>Lenker, Radaufhängung, Track Control Arm, Bras de liaison, suspension de roue</b> NISSAN INTERSTAR Bus (X70),INTERSTAR Kasten (X70),OPEL MOVANO Combi (J9),MOVANO Kasten (F9),MOVANO Kipper (H9),MOVANO Pritsche/Fahrgestell (U9, E9),RENAULT MASTER II Bus (JD),MASTER II Kasten (FD),MASTER II Pritsche/Fahrgestell (ED/HD/UD),VAUXHALL MOVANO Mk I (A) Chassis/Cab (ED, UD, HD),MOVANO Mk I (A) Combi (JD),MOVANO Mk I (A) Van (FD)
49166	<b>Lenker, Radaufhängung, Track Control Arm, Bras de liaison, suspension de roue</b> NISSAN INTERSTAR Bus (X70),INTERSTAR Kasten (X70),OPEL MOVANO Combi (J9),MOVANO Kasten (F9),MOVANO Kipper (H9),MOVANO Pritsche/Fahrgestell (U9, E9),RENAULT MASTER II Bus (JD),MASTER II Kasten (FD),MASTER II Pritsche/Fahrgestell (ED/HD/UD),VAUXHALL MOVANO Mk I (A) Chassis/Cab (ED, UD, HD),MOVANO Mk I (A) Combi (JD),MOVANO Mk I (A) Van (FD)
49190	<b>Lenker, Radaufhängung, Track Control Arm, Bras de liaison, suspension de roue</b> DACIA LOGAN (LS_),LOGAN MCV (KS_),SANDERO,RENAULT LOGAN Kombi (KS_),LOGAN (LS_)
49191	<b>Lenker, Radaufhängung, Track Control Arm, Bras de liaison, suspension de roue</b> DACIA LOGAN (LS_),LOGAN MCV (KS_),SANDERO,RENAULT LOGAN Kombi (KS_),LOGAN (LS_)
49192	<b>Spurstangenkopf, Tie Rod End, Rotule de barre de connexion</b> DACIA LOGAN EXPRESS (FS_),LOGAN (LS_),LOGAN MCV (KS_),LOGAN Pick-up (US_),SANDERO,RENAULT LOGAN Kombi (KS_),LOGAN (LS_)
49193	<b>Spurstangenkopf, Tie Rod End, Rotule de barre de connexion</b> DACIA LOGAN EXPRESS (FS_),LOGAN (LS_),LOGAN MCV (KS_),LOGAN Pick-up (US_),SANDERO,RENAULT LOGAN Kombi (KS_),LOGAN (LS_)
49194	<b>Axialgelenk, Spurstange, Tie Rod Axle Joint, Rotule de direction intérieure, barre de connexion</b> DACIA LOGAN EXPRESS (FS_),LOGAN (LS_),LOGAN MCV (KS_),LOGAN Pick-up (US_),SANDERO,RENAULT LOGAN Kombi (KS_),LOGAN (LS_)
49195	<b>Spurstange, Rod Assembly, Barre de connexion</b> DACIA LOGAN EXPRESS (FS_),LOGAN (LS_),LOGAN MCV (KS_),LOGAN Pick-up (US_),SANDERO,RENAULT LOGAN Kombi (KS_),LOGAN (LS_)
49196	<b>Spurstange, Rod Assembly, Barre de connexion</b> DACIA LOGAN EXPRESS (FS_),LOGAN (LS_),LOGAN MCV (KS_),LOGAN Pick-up (US_),SANDERO,RENAULT LOGAN Kombi (KS_),LOGAN (LS_)
49200HPS	<b>Stange/Strebe, Stabilisator, Rod/Strut, stabiliser, Entretoise/tige, stabilisateur</b> HONDA CIVIC V Coupe (EJ),CIVIC VI Aerodeck (MB, MC),CIVIC VI Coupe (EJ, EM1),CIVIC VI Fastback (MA, MB),CIVIC VI Hatchback (EJ, EK),CIVIC VI Stufenheck (EJ, EK),CR-V I (RD)
49201HPS	<b>Stange/Strebe, Stabilisator, Rod/Strut, stabiliser, Entretoise/tige, stabilisateur</b> HONDA CIVIC V Coupe (EJ),CIVIC VI Aerodeck (MB, MC),CIVIC VI Fastback (MA, MB),CIVIC VII Coupe (EM2),CIVIC VII Hatchback (EU, EP, EV)
49202HPS	<b>Stange/Strebe, Stabilisator, Rod/Strut, stabiliser, Entretoise/tige, stabilisateur</b> HONDA CIVIC V Coupe (EJ),CIVIC VI Aerodeck (MB, MC),CIVIC VI Fastback (MA, MB),CIVIC VII Coupe (EM2),CIVIC VII Hatchback (EU, EP, EV)
49203	<b>Lenker, Radaufhängung, Track Control Arm, Bras de liaison, suspension de roue</b> HONDA ACCORD IV Coupe (CC1),ACCORD V Aerodeck (CE),ACCORD V (CC7, CD),ACCORD V Coupe (CD7, CD9),ACCORD VI (CE, CF),ROVER 600 (RH)
49204	<b>Lenker, Radaufhängung, Track Control Arm, Bras de liaison, suspension de roue</b> HONDA ACCORD IV Coupe (CC1),ACCORD V Aerodeck (CE),ACCORD V (CC7, CD),ACCORD V Coupe (CD7, CD9),ACCORD VI (CE, CF),ROVER 600 (RH)
49205	<b>Lenker, Radaufhängung, Track Control Arm, Bras de liaison, suspension de roue</b> HONDA ACCORD V Aerodeck (CE),ACCORD V Coupe (CD7, CD9)

49206	<b>Lenker, Radaufhängung, Track Control Arm, Bras de liaison, suspension de roue</b> HONDA ACCORD V Aerodeck (CE), ACCORD V Coupe (CD7, CD9)
49209	<b>Lenker, Radaufhängung, Track Control Arm, Bras de liaison, suspension de roue</b> HONDA ACCORD V Aerodeck (CE)
49210	<b>Lenker, Radaufhängung, Track Control Arm, Bras de liaison, suspension de roue</b> HONDA ACCORD V Aerodeck (CE)
49211	<b>Lenker, Radaufhängung, Track Control Arm, Bras de liaison, suspension de roue</b> HONDA ACCORD VII (CG, CK), ACCORD VII Hatchback (CH)
49212	<b>Lenker, Radaufhängung, Track Control Arm, Bras de liaison, suspension de roue</b> HONDA ACCORD VII (CG, CK), ACCORD VII Hatchback (CH)
49213	<b>Lenker, Radaufhängung, Track Control Arm, Bras de liaison, suspension de roue</b> HONDA ACCORD VII (CG, CK), ACCORD VII Hatchback (CH)
49214	<b>Lenker, Radaufhängung, Track Control Arm, Bras de liaison, suspension de roue</b> HONDA ACCORD VII (CG, CK), ACCORD VII Hatchback (CH)
49215	<b>Lenker, Radaufhängung, Track Control Arm, Bras de liaison, suspension de roue</b> HONDA CIVIC V Coupe (EJ), CIVIC V Hatchback (EG), CIVIC V Stufenheck (EG, EH), CIVIC VI Fastback (MA, MB), CRX III (EH, EG), INTEGRA Coupe (DC2, DC4), ROVER 400 Hatchback (RT), 400 (RT), 45 (RT), 45 Stufenheck (RT)
49216	<b>Lenker, Radaufhängung, Track Control Arm, Bras de liaison, suspension de roue</b> HONDA CIVIC V Coupe (EJ), CIVIC V Hatchback (EG), CIVIC V Stufenheck (EG, EH), CIVIC VI Fastback (MA, MB), CRX III (EH, EG), INTEGRA Coupe (DC2, DC4), ROVER 400 Hatchback (RT), 400 (RT), 45 (RT), 45 Stufenheck (RT)
49217	<b>Lenker, Radaufhängung, Track Control Arm, Bras de liaison, suspension de roue</b> HONDA CR-V I (RD)
49218	<b>Lenker, Radaufhängung, Track Control Arm, Bras de liaison, suspension de roue</b> HONDA CR-V I (RD)
49219	<b>Stange/Strebe, Stabilisator, Rod/Strut, stabiliser, Entretoise/tige, stabilisateur</b> NISSAN MAXIMA QX III (A32), MAXIMA Station Wagon
49220	<b>Lenker, Radaufhängung, Track Control Arm, Bras de liaison, suspension de roue</b> INFINITI I30, J30, NISSAN BLUEBIRD Hatchback (T72, T12), MAXIMA QX III (A32), MAXIMA Station Wagon
49221	<b>Lenker, Radaufhängung, Track Control Arm, Bras de liaison, suspension de roue</b> INFINITI I30, J30, NISSAN BLUEBIRD Hatchback (T72, T12), MAXIMA QX III (A32), MAXIMA Station Wagon
49222HPS	<b>Stange/Strebe, Stabilisator, Rod/Strut, stabiliser, Entretoise/tige, stabilisateur</b> NISSAN MAXIMA QX III (A32), MAXIMA Station Wagon
49223	<b>Stange/Strebe, Stabilisator, Rod/Strut, stabiliser, Entretoise/tige, stabilisateur</b> NISSAN PATHFINDER (R50)
49223HPS	<b>Stange/Strebe, Stabilisator, Rod/Strut, stabiliser, Entretoise/tige, stabilisateur</b> NISSAN PATHFINDER (R50)
49224	<b>Stange/Strebe, Stabilisator, Rod/Strut, stabiliser, Entretoise/tige, stabilisateur</b> NISSAN PATHFINDER (R50)
49224HPS	<b>Stange/Strebe, Stabilisator, Rod/Strut, stabiliser, Entretoise/tige, stabilisateur</b> NISSAN PATHFINDER (R50)
49226HPS	<b>Stange/Strebe, Stabilisator, Rod/Strut, stabiliser, Entretoise/tige, stabilisateur</b> FORD MAVERICK (UDS, UNS), NISSAN TERRANO II (R20)
49227HPS	<b>Stange/Strebe, Stabilisator, Rod/Strut, stabiliser, Entretoise/tige, stabilisateur</b> FORD MAVERICK (UDS, UNS), NISSAN TERRANO II (R20)
49228	<b>Stange/Strebe, Stabilisator, Rod/Strut, stabiliser, Entretoise/tige, stabilisateur</b> NISSAN MICRA II (K11)
49229	<b>Stange/Strebe, Stabilisator, Rod/Strut, stabiliser, Entretoise/tige, stabilisateur</b> NISSAN PATROL GR II Wagon (Y61)
49230	<b>Lenker, Radaufhängung, Track Control Arm, Bras de liaison, suspension de roue</b> MAZDA 323 C IV (BG)
49231	<b>Lenker, Radaufhängung, Track Control Arm, Bras de liaison, suspension de roue</b> MAZDA 323 C IV (BG)
49232	<b>Stange/Strebe, Stabilisator, Rod/Strut, stabiliser, Entretoise/tige, stabilisateur</b> MAZDA MX-5 I (NA)
49233	<b>Lenker, Radaufhängung, Track Control Arm, Bras de liaison, suspension de roue</b> MAZDA 6 (GG), 6 Hatchback (GG), 6 Station Wagon (GY)
49234	<b>Lenker, Radaufhängung, Track Control Arm, Bras de liaison, suspension de roue</b> MAZDA 6 (GG)
49235	<b>Lenker, Radaufhängung, Track Control Arm, Bras de liaison, suspension de roue</b> MAZDA 6 (GG)

49236	<b>Lenker, Radaufhängung, Track Control Arm, Bras de liaison, suspension de roue</b> MAZDA MPV I (LV)
49237HPS	<b>Stange/Strebe, Stabilisator, Rod/Strut, stabiliser, Entretoise/tige, stabilisateur</b> TOYOTA RAV 4 II (CLA2_, XA2_, ZCA2_, ACA2_)
49238	<b>Stange/Strebe, Stabilisator, Rod/Strut, stabiliser, Entretoise/tige, stabilisateur</b> TOYOTA RAV 4 II (CLA2_, XA2_, ZCA2_, ACA2_)
49239	<b>Stange/Strebe, Stabilisator, Rod/Strut, stabiliser, Entretoise/tige, stabilisateur</b> TOYOTA RAV 4 II (CLA2_, XA2_, ZCA2_, ACA2_)
49240	<b>Stange/Strebe, Stabilisator, Rod/Strut, stabiliser, Entretoise/tige, stabilisateur</b> MITSUBISHI PAJERO II Canvas Top (V2_W, V4_W),PAJERO II (V3_W, V2_W, V4_W)
49241	<b>Lenker, Radaufhängung, Track Control Arm, Bras de liaison, suspension de roue</b> MITSUBISHI ECLIPSE I (D2_A),ECLIPSE II (D3_A),GALANT V (E5_A, E7_A, E8_A),GALANT V Stufenheck (E5_A, E7_A, E8_A),GALANT VI (EA_),GALANT VI Station Wagon (EA_)
49242	<b>Lenker, Radaufhängung, Track Control Arm, Bras de liaison, suspension de roue</b> MITSUBISHI ECLIPSE I (D2_A),ECLIPSE II (D3_A),GALANT V (E5_A, E7_A, E8_A),GALANT V Stufenheck (E5_A, E7_A, E8_A),GALANT VI (EA_),GALANT VI Station Wagon (EA_)
49243	<b>Lenker, Radaufhängung, Track Control Arm, Bras de liaison, suspension de roue</b> MITSUBISHI GALANT V (E5_A, E7_A, E8_A),GALANT V Stufenheck (E5_A, E7_A, E8_A)
49244	<b>Lenker, Radaufhängung, Track Control Arm, Bras de liaison, suspension de roue</b> MITSUBISHI GALANT V (E5_A, E7_A, E8_A),GALANT V Stufenheck (E5_A, E7_A, E8_A)
49245	<b>Stange/Strebe, Stabilisator, Rod/Strut, stabiliser, Entretoise/tige, stabilisateur</b> MITSUBISHI CARISMA (DA_),CARISMA Stufenheck (DA_)
49247	<b>Trag-/Führungsgelenk, Ball Joint, Rotule de suspension</b> MITSUBISHI L 300 Bus (LO3_P/G, L0_2P),L 300 Bus (P0_W, P1_W, P2_W),L 300 Kasten (P0_W, P1_W)
49248	<b>Trag-/Führungsgelenk, Ball Joint, Rotule de suspension</b> HYUNDAI H100 Bus (P),H100 Kasten,MITSUBISHI L 300 Bus (P0_W, P1_W, P2_W),L 300 Kasten (P0_W, P1_W),L 300 Pritsche/Fahrgestell (P1_T)
49249	<b>Spurstangenkopf, Tie Rod End, Rotule de barre de connexion</b> MITSUBISHI L 300 Bus (LO3_P/G, L0_2P),L 300 Bus (P0_W, P1_W, P2_W)
49250HPS	<b>Stange/Strebe, Stabilisator, Rod/Strut, stabiliser, Entretoise/tige, stabilisateur</b> HYUNDAI ACCENT I (X-3),ACCENT II (LC),ACCENT Stufenheck (LC),ACCENT Stufenheck (X-3),MATRIX (FC),MITSUBISHI OUTLANDER I (CU_W)
49251HPS	<b>Stange/Strebe, Stabilisator, Rod/Strut, stabiliser, Entretoise/tige, stabilisateur</b> HYUNDAI ACCENT II (LC),ACCENT Stufenheck (LC),MATRIX (FC),MITSUBISHI OUTLANDER I (CU_W)
49252	<b>Stange/Strebe, Stabilisator, Rod/Strut, stabiliser, Entretoise/tige, stabilisateur</b> HYUNDAI ACCENT II (LC)
49253	<b>Stange/Strebe, Stabilisator, Rod/Strut, stabiliser, Entretoise/tige, stabilisateur</b> HYUNDAI COUPE (RD),LANTRA II (J-2),LANTRA II Wagon (J-2)
49254	<b>Stange/Strebe, Stabilisator, Rod/Strut, stabiliser, Entretoise/tige, stabilisateur</b> HYUNDAI COUPE (RD),LANTRA II (J-2),LANTRA II Wagon (J-2)
49254HPS	<b>Stange/Strebe, Stabilisator, Rod/Strut, stabiliser, Entretoise/tige, stabilisateur</b> HYUNDAI COUPE (GK),COUPE (RD),ELANTRA Stufenheck (XD),ELANTRA (XD),LANTRA II (J-2),LANTRA II Wagon (J-2),MATRIX (FC),TIBURON Coupe,KIA CERATO (LD),CERATO Stufenheck (LD)
49255	<b>Trag-/Führungsgelenk, Ball Joint, Rotule de suspension</b> HYUNDAI ACCENT I (X-3),ACCENT II (LC),ACCENT Stufenheck (LC),ACCENT Stufenheck (X-3),COUPE (GK),COUPE (RD),ELANTRA Stufenheck (XD),ELANTRA (XD),GETZ (TB),LANTRA II (J-2),LANTRA II Wagon (J-2),MATRIX (FC),SONATA II (Y-2)
49256	<b>Spurstangenkopf, Tie Rod End, Rotule de barre de connexion</b> HYUNDAI LANTRA II (J-2),LANTRA II Wagon (J-2),SONATA II (Y-2),SONATA III (Y-3),KIA JOICE,MITSUBISHI CORDIA (A21_A, AB),ECLIPSE I (D2_A),ECLIPSE II (D3_A),GALANT III (E1_A),GALANT IV (E3_A),GALANT IV Stufenheck (E3_A),GALANT V (E5_A, E7_A, E8_A),GALANT V Stufenheck (E5_A, E7_A, E8_A),GALANT VI (EA_),GALANT VI Station Wagon (EA_),PAJERO PININ (H6_W, H7_W),SANTAMO,SAPPORO III (E16A),SIGMA (F2_A, F1_A),SIGMA Station Wagon (F0_W),SPACE RUNNER (N1_W, N2_W),SPACE RUNNER (N6_W),SPACE WAGON (D0_W/W),SPACE WAGON (N3_W, N4_W),SPACE WAGON (N9_W, N8_W),TREDIA (A21_)
49257	<b>Lenker, Radaufhängung, Track Control Arm, Bras de liaison, suspension de roue</b> TOYOTA AVENSIS Liftback (_T22_),AVENSIS Station Wagon (_T22_),AVENSIS (_T22_)
49257/1	<b>Lenker, Radaufhängung, Track Control Arm, Bras de liaison, suspension de roue</b> TOYOTA AVENSIS Liftback (_T22_),AVENSIS Station Wagon (_T22_),AVENSIS (_T22_)
49258	<b>Lenker, Radaufhängung, Track Control Arm, Bras de liaison, suspension de roue</b> TOYOTA AVENSIS Liftback (_T22_),AVENSIS Station Wagon (_T22_),AVENSIS (_T22_)
49258/1	<b>Lenker, Radaufhängung, Track Control Arm, Bras de liaison, suspension de roue</b> TOYOTA AVENSIS Liftback (_T22_),AVENSIS Station Wagon (_T22_),AVENSIS (_T22_)
49259	<b>Stange/Strebe, Stabilisator, Rod/Strut, stabiliser, Entretoise/tige, stabilisateur</b> TOYOTA AVENSIS Liftback (_T22_),AVENSIS Station Wagon (_T22_),AVENSIS (_T22_)



49260	<b>Lenker, Radaufhängung, Track Control Arm, Bras de liaison, suspension de roue</b> HONDA CR-V I (RD)
49261	<b>Lenker, Radaufhängung, Track Control Arm, Bras de liaison, suspension de roue</b> HONDA CR-V I (RD)
49262	<b>Stange/Strebe, Radaufhängung, Rod/Strut, wheel suspension, Bielle de barre stabilisatrice</b> HONDA CIVIC V Stufenheck (EG, EH)
49263	<b>Stange/Strebe, Radaufhängung, Rod/Strut, wheel suspension, Bielle de barre stabilisatrice</b> HONDA CIVIC V Stufenheck (EG, EH)
49264	<b>Spurstangenkopf, Tie Rod End, Rotule de barre de connexion</b> HONDA ACCORD VII Aerodeck (CM_), ACCORD VII (CG, CK), ACCORD VII Coupe (CG), ACCORD VII Hatchback (CH)
49265	<b>Spurstangenkopf, Tie Rod End, Rotule de barre de connexion</b> HONDA ACCORD VII Aerodeck (CM_), ACCORD VII (CG, CK), ACCORD VII Coupe (CG), ACCORD VII Hatchback (CH)
49267	<b>Stange/Strebe, Radaufhängung, Rod/Strut, wheel suspension, Bielle de barre stabilisatrice</b> HONDA ACCORD IV Aerodeck (CB), ACCORD IV (CB), ACCORD IV Coupe (CC1), ACCORD V Aerodeck (CE), ACCORD V (CC7, CD), ACCORD V Coupe (CD7, CD9), ACCORD VI (CE, CF)
49268HPS	<b>Stange/Strebe, Stabilisator, Rod/Strut, stabiliser, Entretoise/tige, stabilisateur</b> HONDA CR-V I (RD)
49269HPS	<b>Stange/Strebe, Stabilisator, Rod/Strut, stabiliser, Entretoise/tige, stabilisateur</b> HONDA CR-V I (RD)
49270HPS	<b>Stange/Strebe, Stabilisator, Rod/Strut, stabiliser, Entretoise/tige, stabilisateur</b> TOYOTA AVENSIS Liftback (_T22_), AVENSIS Station Wagon (_T22_), AVENSIS (_T22_)
49271HPS	<b>Stange/Strebe, Stabilisator, Rod/Strut, stabiliser, Entretoise/tige, stabilisateur</b> TOYOTA AVENSIS Liftback (_T22_), AVENSIS Station Wagon (_T22_), AVENSIS (_T22_)
49272	<b>Lenker, Radaufhängung, Track Control Arm, Bras de liaison, suspension de roue</b> TOYOTA RAV 4 I Cabrio (SXA1_), RAV 4 I (SXA1_)
49273	<b>Lenker, Radaufhängung, Track Control Arm, Bras de liaison, suspension de roue</b> TOYOTA RAV 4 I Cabrio (SXA1_), RAV 4 I (SXA1_)
49274HPS	<b>Stange/Strebe, Stabilisator, Rod/Strut, stabiliser, Entretoise/tige, stabilisateur</b> TOYOTA RAV 4 I Cabrio (SXA1_), RAV 4 I (SXA1_)
49276	<b>Lenker, Radaufhängung, Track Control Arm, Bras de liaison, suspension de roue</b> TOYOTA COROLLA (_E9_), COROLLA Station Wagon (_E9_)
49277	<b>Lenker, Radaufhängung, Track Control Arm, Bras de liaison, suspension de roue</b> TOYOTA COROLLA (_E9_), COROLLA Station Wagon (_E9_)
49280	<b>Stange/Strebe, Stabilisator, Rod/Strut, stabiliser, Entretoise/tige, stabilisateur</b> LEXUS ES (F1, F2), TOYOTA CAMRY (_CV2_, _XV2_)
49280HPS	<b>Stange/Strebe, Stabilisator, Rod/Strut, stabiliser, Entretoise/tige, stabilisateur</b> LEXUS ES (F1, F2), TOYOTA CAMRY (_CV2_, _XV2_)
49281	<b>Stange/Strebe, Stabilisator, Rod/Strut, stabiliser, Entretoise/tige, stabilisateur</b> LEXUS ES (F1, F2), TOYOTA CAMRY (_CV2_, _XV2_)
49281HPS	<b>Stange/Strebe, Stabilisator, Rod/Strut, stabiliser, Entretoise/tige, stabilisateur</b> LEXUS ES (F1, F2), TOYOTA CAMRY (_CV2_, _XV2_)
49282HPS	<b>Stange/Strebe, Stabilisator, Rod/Strut, stabiliser, Entretoise/tige, stabilisateur</b> LEXUS GS (JZS147), GS (UZS161, JZS160), TOYOTA CAMRY (_CV2_, _XV2_)
49283	<b>Stange/Strebe, Stabilisator, Rod/Strut, stabiliser, Entretoise/tige, stabilisateur</b> TOYOTA PREVIA (TCR2_, TCR1_)
49283HPS	<b>Stange/Strebe, Stabilisator, Rod/Strut, stabiliser, Entretoise/tige, stabilisateur</b> TOYOTA PREVIA (TCR2_, TCR1_)
49284	<b>Stange/Strebe, Stabilisator, Rod/Strut, stabiliser, Entretoise/tige, stabilisateur</b> TOYOTA PREVIA (TCR2_, TCR1_)
49284HPS	<b>Stange/Strebe, Stabilisator, Rod/Strut, stabiliser, Entretoise/tige, stabilisateur</b> TOYOTA PREVIA (TCR2_, TCR1_)
49285	<b>Stange/Strebe, Stabilisator, Rod/Strut, stabiliser, Entretoise/tige, stabilisateur</b> LEXUS GS (JZS147), GS (UZS161, JZS160), IS I (JCE1_, GXE1_), TOYOTA CAMRY (_CV1_, _XV1_, _V1_), CAMRY Station Wagon (_XV1_, _CV1_, _V10)
49287	<b>Axialgelenk, Spurstange, Tie Rod Axle Joint, Rotule de direction intérieure, barre de connexion</b> TOYOTA AVENSIS Liftback (_T22_), AVENSIS Station Wagon (_T22_), AVENSIS (_T22_)
49288	<b>Axialgelenk, Spurstange, Tie Rod Axle Joint, Rotule de direction intérieure, barre de connexion</b> TOYOTA CARINA E Sportswagon (_T19_), CARINA E Stufenheck (_T19_), CARINA E (_T19_)
49289	<b>Axialgelenk, Spurstange, Tie Rod Axle Joint, Rotule de direction intérieure, barre de connexion</b> TOYOTA CARINA E Sportswagon (_T19_), CARINA E Stufenheck (_T19_), CARINA E (_T19_)

49290	<b>Lenker, Radaufhängung, Track Control Arm, Bras de liaison, suspension de roue</b> DAEWOO NUBIRA (KLAJ),NUBIRA Stufenheck (KLAJ),NUBIRA Wagon (KLAJ)
49291	<b>Lenker, Radaufhängung, Track Control Arm, Bras de liaison, suspension de roue</b> DAEWOO NUBIRA (KLAJ),NUBIRA Stufenheck (KLAJ),NUBIRA Wagon (KLAJ)
49292	<b>Lenker, Radaufhängung, Track Control Arm, Bras de liaison, suspension de roue</b> SUZUKI SWIFT II Schrägheck (EA, MA),SWIFT II Stufenheck (AH, AJ)
49293	<b>Lenker, Radaufhängung, Track Control Arm, Bras de liaison, suspension de roue</b> SUZUKI SWIFT II Schrägheck (EA, MA),SWIFT II Stufenheck (AH, AJ)
49295	<b>Stange/Strebe, Stabilisator, Rod/Strut, stabiliser, Entretoise/tige, stabilisateur</b> CHEVROLET EPICA (KL1_),EVANDA,DAEWOO EVANDA (KLAL),LEGANZA (KLAV),REZZO (KLAU)
49296	<b>Stange/Strebe, Stabilisator, Rod/Strut, stabiliser, Entretoise/tige, stabilisateur</b> CHEVROLET EPICA (KL1_),EVANDA,DAEWOO EVANDA (KLAL),LEGANZA (KLAV),REZZO (KLAU)
49297	<b>Stange/Strebe, Stabilisator, Rod/Strut, stabiliser, Entretoise/tige, stabilisateur</b> DAEWOO LEGANZA (KLAV)
49298	<b>Stange/Strebe, Stabilisator, Rod/Strut, stabiliser, Entretoise/tige, stabilisateur</b> DAEWOO NUBIRA (KLAJ),NUBIRA Stufenheck (KLAJ),NUBIRA Wagon (KLAJ)
49298HPS	<b>Stange/Strebe, Stabilisator, Rod/Strut, stabiliser, Entretoise/tige, stabilisateur</b> DAEWOO NUBIRA (KLAJ),NUBIRA Stufenheck (KLAJ),NUBIRA Wagon (KLAJ),NUBIRA Wagon (KLAN)
49301	<b>Lenker, Radaufhängung, Track Control Arm, Bras de liaison, suspension de roue</b> PEUGEOT 206 CC (2D),206 Schrägheck (2A/C),206 SW (2E/K)
49302	<b>Lenker, Radaufhängung, Track Control Arm, Bras de liaison, suspension de roue</b> PEUGEOT 206 CC (2D),206 Schrägheck (2A/C),206 SW (2E/K)
49303	<b>Stange/Strebe, Stabilisator, Rod/Strut, stabiliser, Entretoise/tige, stabilisateur</b> CITROËN C5 Break (TD_),C5 (RD_),C6 (TD_),PEUGEOT 407 Coupe (6C_),407 SW (6E_),407 (6D_)
49304HPS	<b>Stange/Strebe, Stabilisator, Rod/Strut, stabiliser, Entretoise/tige, stabilisateur</b> CITROËN C3 Picasso,PEUGEOT 207 CC (WD_),207 Stufenheck,207 SW (WK_),207 (WA_, WC_)
49305HPS	<b>Stange/Strebe, Stabilisator, Rod/Strut, stabiliser, Entretoise/tige, stabilisateur</b> CITROËN C3 Picasso,PEUGEOT 207 CC (WD_),207 Stufenheck,207 SW (WK_),207 (WA_, WC_)
49306	<b>Spurstangenkopf, Tie Rod End, Rotule de barre de connexion</b> CITROËN C1 (PM_, PN_),PEUGEOT 107,TOYOTA AYGO (WNB1_, KGB1_)
49307	<b>Spurstangenkopf, Tie Rod End, Rotule de barre de connexion</b> CITROËN C1 (PM_, PN_),PEUGEOT 107,TOYOTA AYGO (WNB1_, KGB1_)
49308	<b>Stange/Strebe, Stabilisator, Rod/Strut, stabiliser, Entretoise/tige, stabilisateur</b> CITROËN C1 (PM_, PN_),PEUGEOT 107,TOYOTA AYGO (WNB1_, KGB1_)
49309	<b>Trag-/Führungsgelenk, Ball Joint, Rotule de suspension</b> CITROËN C5 Break (TD_),C5 (RD_),C6 (TD_),PEUGEOT 407 Coupe (6C_),407 SW (6E_),407 (6D_)
49310	<b>Lenker, Radaufhängung, Track Control Arm, Bras de liaison, suspension de roue</b> CITROËN C3 Picasso,PEUGEOT 207 CC (WD_),207 SW (WK_),207 (WA_, WC_)
49311	<b>Lenker, Radaufhängung, Track Control Arm, Bras de liaison, suspension de roue</b> CITROËN C3 Picasso,PEUGEOT 207 CC (WD_),207 SW (WK_),207 (WA_, WC_)
49314	<b>Axialgelenk, Spurstange, Tie Rod Axle Joint, Rotule de direction intérieure, barre de connexion</b> CITROËN C3 Picasso,PEUGEOT 207 CC (WD_),207 SW (WK_),207 (WA_, WC_)
49315	<b>Axialgelenk, Spurstange, Tie Rod Axle Joint, Rotule de direction intérieure, barre de connexion</b> PEUGEOT 3008,308 CC,308 SW,308 (4A_, 4C_),5008
49316	<b>Lenker, Radaufhängung, Track Control Arm, Bras de liaison, suspension de roue</b> PEUGEOT 3008,308 SW,308 (4A_, 4C_),5008
49317	<b>Lenker, Radaufhängung, Track Control Arm, Bras de liaison, suspension de roue</b> PEUGEOT 3008,308 SW,308 (4A_, 4C_),5008
49318	<b>Lenker, Radaufhängung, Track Control Arm, Bras de liaison, suspension de roue</b> CITROËN C1 (PM_, PN_),PEUGEOT 107,TOYOTA AYGO (WNB1_, KGB1_)
49319	<b>Lenker, Radaufhängung, Track Control Arm, Bras de liaison, suspension de roue</b> CITROËN C1 (PM_, PN_),PEUGEOT 107,TOYOTA AYGO (WNB1_, KGB1_)
49320	<b>Lenker, Radaufhängung, Track Control Arm, Bras de liaison, suspension de roue</b> CITROËN C5 Break (TD_),C5 (RD_),C6 (TD_),PEUGEOT 407 Coupe (6C_),407 SW (6E_),407 (6D_),508,508 SW
49321	<b>Lenker, Radaufhängung, Track Control Arm, Bras de liaison, suspension de roue</b> CITROËN C5 Break (TD_),C5 (RD_),C6 (TD_),PEUGEOT 407 Coupe (6C_),407 SW (6E_),407 (6D_),508,508 SW
49322	<b>Lenker, Radaufhängung, Track Control Arm, Bras de liaison, suspension de roue</b> PEUGEOT 306 Break (7E, N3, N5),306 Cabriolet (7D, N3, N5),306 Schrägheck (7A, 7C, N3, N5),306 (7B, N3, N5)





49323	<b>Lenker, Radaufhängung, Track Control Arm, Bras de liaison, suspension de roue</b> PEUGEOT 306 Break (7E, N3, N5),306 Cabriolet (7D, N3, N5),306 Schrägheck (7A, 7C, N3, N5),306 (7B, N3, N5)
49400	<b>Axialgelenk, Spurstange, Tie Rod Axle Joint, Rotule de direction intérieure, barre de connexion</b> CITROËN C5 Break (DE_),C5 Break (RE_),C5 (DC_),C5 (RC_)
49401	<b>Axialgelenk, Spurstange, Tie Rod Axle Joint, Rotule de direction intérieure, barre de connexion</b> CITROËN BERLINGO,BERLINGO Kasten,PEUGEOT EXPERT Tepee (VF3V_),PARTNER Kasten,PARTNER Tepee,RCZ
49402	<b>Stange/Strebe, Stabilisator, Rod/Strut, stabiliser, Entretoise/tige, stabilisateur</b> CITROËN JUMPER Bus,JUMPER Kasten,JUMPER Pritsche/Fahrgestell,FIAT DUCATO Bus (250),DUCATO Kasten (250),DUCATO Pritsche/Fahrgestell (250),PEUGEOT BOXER Bus,BOXER Kasten,BOXER Pritsche/Fahrgestell
49403HPS	<b>Stange/Strebe, Stabilisator, Rod/Strut, stabiliser, Entretoise/tige, stabilisateur</b> CITROËN JUMPER Bus,JUMPER Kasten,JUMPER Pritsche/Fahrgestell,FIAT DUCATO Bus (250),DUCATO Kasten (250),DUCATO Pritsche/Fahrgestell (250),PEUGEOT BOXER Bus,BOXER Kasten,BOXER Pritsche/Fahrgestell
49404HPS	<b>Stange/Strebe, Stabilisator, Rod/Strut, stabiliser, Entretoise/tige, stabilisateur</b> CITROËN C-CROSSER (EP_),MITSUBISHI ASX (GA_W_),LANCER SPORTBACK (CX_A),LANCER Stufenheck (CY/Z_A),OUTLANDER II (CW_W),PEUGEOT 4007 (GP_)
49405HPS	<b>Stange/Strebe, Stabilisator, Rod/Strut, stabiliser, Entretoise/tige, stabilisateur</b> CITROËN C-CROSSER ENTERPRISE,C-CROSSER (EP_),MITSUBISHI ASX (GA_W_),LANCER SPORTBACK (CX_A),LANCER Stufenheck (CY/Z_A),OUTLANDER II (CW_W),PEUGEOT 4007 (GP_)
49406HPS	<b>Stange/Strebe, Stabilisator, Rod/Strut, stabiliser, Entretoise/tige, stabilisateur</b> CITROËN C-CROSSER ENTERPRISE,C-CROSSER (EP_),MITSUBISHI ASX (GA_W_),LANCER SPORTBACK (CX_A),LANCER Stufenheck (CY/Z_A),OUTLANDER II (CW_W),PEUGEOT 4007 (GP_)
49407HPS	<b>Stange/Strebe, Stabilisator, Rod/Strut, stabiliser, Entretoise/tige, stabilisateur</b> CITROËN JUMPY,JUMPY Kasten,FIAT SCUDO Kasten (270_),SCUDO Pritsche/Fahrgestell (270_),SCUDO (270_),PEUGEOT EXPERT Kasten (VF3A_, VF3U_, VF3X_),EXPERT Pritsche/Fahrgestell,EXPERT Tepee (VF3V_)
49408	<b>Lenker, Radaufhängung, Track Control Arm, Bras de liaison, suspension de roue</b> CITROËN C8 (EA_, EB_),JUMPY,JUMPY Kasten,FIAT SCUDO Kasten (270_),SCUDO Pritsche/Fahrgestell (270_),SCUDO (270_),PEUGEOT EXPERT Kasten (VF3A_, VF3U_, VF3X_),EXPERT Pritsche/Fahrgestell,EXPERT Tepee (VF3V_),807 (E)
49409	<b>Lenker, Radaufhängung, Track Control Arm, Bras de liaison, suspension de roue</b> CITROËN C8 (EA_, EB_),JUMPY,JUMPY Kasten,FIAT SCUDO Kasten (270_),SCUDO Pritsche/Fahrgestell (270_),SCUDO (270_),PEUGEOT EXPERT Kasten (VF3A_, VF3U_, VF3X_),EXPERT Pritsche/Fahrgestell,EXPERT Tepee (VF3V_),807 (E)
49410	<b>Lenker, Radaufhängung, Track Control Arm, Bras de liaison, suspension de roue</b> CITROËN C-CROSSER (EP_),MITSUBISHI OUTLANDER II (CW_W),PEUGEOT 4007 (GP_)
49411	<b>Lenker, Radaufhängung, Track Control Arm, Bras de liaison, suspension de roue</b> CITROËN C-CROSSER ENTERPRISE,C-CROSSER (EP_),MITSUBISHI OUTLANDER II (CW_W),PEUGEOT 4007 (GP_)
49412HPS	<b>Stange/Strebe, Stabilisator, Rod/Strut, stabiliser, Entretoise/tige, stabilisateur</b> CITROËN NEMO Kasten (AA_),NEMO Kombi,FIAT BRAVO II (198),FIORINO Kasten/Kombi (225),LINEA (323),QUBO (225),STILO Multi Wagon (192),STILO (192),500,500 Kombi,LANCIA DELTA III (844),PEUGEOT BIPPER (AA_),BIPPER Tepee
49413	<b>Spurstange, Rod Assembly, Barre de connexion</b> CITROËN JUMPER Bus (230P),JUMPER Bus (244, Z_),JUMPER Kasten (230L),JUMPER Kasten (244),JUMPER Pritsche/Fahrgestell (230),JUMPER Pritsche/Fahrgestell (244),FIAT DUCATO Bus (230),DUCATO Bus (244, Z_),DUCATO Kasten (230L),DUCATO Kasten (244),DUCATO Pritsche/Fahrgestell (230),DUCATO Pritsche/Fahrgestell (244),PEUGEOT BOXER Bus (230P),BOXER Bus (244, Z_),BOXER Kasten (230L),BOXER Kasten (244),BOXER Pritsche/Fahrgestell (ZCT_),BOXER Pritsche/Fahrgestell (244)
49414	<b>Spurstange, Rod Assembly, Barre de connexion</b> CITROËN BERLINGO Kasten (M_),BERLINGO (MF),XSARA Break (N2),XSARA Coupe (N0),XSARA (N1),ZX Break (N2),ZX (N2),PEUGEOT PARTNER Combispace (5F),PARTNER Kasten (5)
49415	<b>Axialgelenk, Spurstange, Tie Rod Axle Joint, Rotule de direction intérieure, barre de connexion</b> CITROËN C-CROSSER (EP_),MITSUBISHI OUTLANDER II (CW_W),PEUGEOT 4007 (GP_)
49500	<b>Lenker, Radaufhängung, Track Control Arm, Bras de liaison, suspension de roue</b> HONDA CIVIC VI Aerodeck (MB, MC),CIVIC VI Fastback (MA, MB),CIVIC VI Hatchback (EJ, EK),CIVIC VI Stufenheck (EJ, EK)
49501	<b>Lenker, Radaufhängung, Track Control Arm, Bras de liaison, suspension de roue</b> HONDA CIVIC VI Aerodeck (MB, MC),CIVIC VI Fastback (MA, MB),CIVIC VI Hatchback (EJ, EK),CIVIC VI Stufenheck (EJ, EK)
49502	<b>Lenker, Radaufhängung, Track Control Arm, Bras de liaison, suspension de roue</b> HONDA CIVIC V Coupe (EJ),CIVIC V Hatchback (EG),CIVIC V Stufenheck (EG, EH),CIVIC VI Fastback (MA, MB),CRX III (EH, EG),INTEGRA Coupe (DC2, DC4),MG MG ZS,MG ZS Hatchback,ROVER 400 Hatchback (RT),400 (RT)
49503	<b>Lenker, Radaufhängung, Track Control Arm, Bras de liaison, suspension de roue</b> HONDA CIVIC V Coupe (EJ),CIVIC V Hatchback (EG),CIVIC V Stufenheck (EG, EH),CIVIC VI Fastback (MA, MB),CRX III (EH, EG),INTEGRA Coupe (DC2, DC4),MG MG ZS,MG ZS Hatchback,ROVER 400 Hatchback (RT),400 (RT)
49504	<b>Stange/Strebe, Radaufhängung, Rod/Strut, wheel suspension, Biellette de barre stabilisatrice</b> HONDA CIVIC V Coupe (EJ),CIVIC V Hatchback (EG),CIVIC VI Aerodeck (MB, MC),CIVIC VI Fastback (MA, MB),CIVIC VI Hatchback (EJ, EK),CIVIC VI Stufenheck (EJ, EK),CIVIC VII Stufenheck (ES),CR-V I (RD),CR-V II (RD_),INTEGRA Coupe (DC2, DC4)
49505	<b>Stange/Strebe, Radaufhängung, Rod/Strut, wheel suspension, Biellette de barre stabilisatrice</b> HONDA CIVIC V Coupe (EJ),CIVIC V Hatchback (EG),CIVIC VI Aerodeck (MB, MC),CIVIC VI Fastback (MA, MB),CIVIC VI Hatchback (EJ, EK),CIVIC VI Stufenheck (EJ, EK),CIVIC VII Hatchback (EU, EP, EV),CIVIC VII Stufenheck (ES),CR-V II (RD_),INTEGRA Coupe (DC2, DC4)
49506	<b>Lenker, Radaufhängung, Track Control Arm, Bras de liaison, suspension de roue</b> HONDA ACCORD IV Aerodeck (CB),ACCORD IV (CB),ACCORD IV Coupe (CC1),ROVER 600 (RH)
49507	<b>Lenker, Radaufhängung, Track Control Arm, Bras de liaison, suspension de roue</b> HONDA ACCORD IV Aerodeck (CB),ACCORD IV (CB),ACCORD IV Coupe (CC1),ROVER 600 (RH)



49508	<b>Lenker, Radaufhängung, Track Control Arm, Bras de liaison, suspension de roue</b> HONDA ACCORD IV Aerodeck (CB), ACCORD IV (CB), ACCORD IV Coupe (CC1), ACCORD V (CC7, CD), ACCORD V Coupe (CD7, CD9), ROVER 600 (RH)
49509	<b>Lenker, Radaufhängung, Track Control Arm, Bras de liaison, suspension de roue</b> HONDA ACCORD IV Aerodeck (CB), ACCORD IV (CB), ACCORD IV Coupe (CC1), ROVER 600 (RH)
49510	<b>Trag-/Führungsgelenk, Ball Joint, Rotule de suspension</b> HONDA CIVIC V Coupe (EJ), CIVIC V Hatchback (EG), CIVIC V Stufenheck (EG, EH), CIVIC VI Fastback (MA, MB), ROVER 400 Hatchback (RT), 400 (RT), 45 (RT), 45 Stufenheck (RT)
49511	<b>Lenker, Radaufhängung, Track Control Arm, Bras de liaison, suspension de roue</b> HONDA CIVIC II Shuttle (EE), CIVIC IV Hatchback (EC, ED, EE), CIVIC IV Stufenheck (ED), CRX II (ED, EE)
49512	<b>Lenker, Radaufhängung, Track Control Arm, Bras de liaison, suspension de roue</b> HONDA CIVIC II Shuttle (EE), CIVIC IV Hatchback (EC, ED, EE), CIVIC IV Stufenheck (ED), CRX II (ED, EE)
49513	<b>Lenker, Radaufhängung, Track Control Arm, Bras de liaison, suspension de roue</b> HONDA CIVIC VI Aerodeck (MB, MC), CIVIC VI Coupe (EJ, EM1), CIVIC VI Fastback (MA, MB), CIVIC VI Hatchback (EJ, EK), CIVIC VI Stufenheck (EJ, EK)
49514	<b>Lenker, Radaufhängung, Track Control Arm, Bras de liaison, suspension de roue</b> HONDA CIVIC VI Aerodeck (MB, MC), CIVIC VI Coupe (EJ, EM1), CIVIC VI Fastback (MA, MB), CIVIC VI Hatchback (EJ, EK), CIVIC VI Stufenheck (EJ, EK)
49517	<b>Stange/Strebe, Stabilisator, Rod/Strut, stabiliser, Entretoise/tige, stabilisateur</b> HONDA CIVIC IV Hatchback (EC, ED, EE), CIVIC IV Stufenheck (ED), CIVIC V Coupe (EJ), CIVIC V Hatchback (EG), CIVIC V Stufenheck (EG, EH), CIVIC VI Fastback (MA, MB), CRX II (ED, EE), CRX III (EH, EG), PRELUDE III (BA)
49518	<b>Spurstangenkopf, Tie Rod End, Rotule de barre de connexion</b> KIA SEPHIA (FA), SEPHIA Stufenheck (FA)
49519	<b>Stange/Strebe, Stabilisator, Rod/Strut, stabiliser, Entretoise/tige, stabilisateur</b> SUZUKI SWIFT Cabriolet (SF413), SWIFT II Schrägheck (EA, MA), SWIFT II Stufenheck (AH, AJ)
49520	<b>Lenker, Radaufhängung, Track Control Arm, Bras de liaison, suspension de roue</b> NISSAN MICRA II (K11)
49521	<b>Lenker, Radaufhängung, Track Control Arm, Bras de liaison, suspension de roue</b> NISSAN MICRA II (K11)
49522	<b>Lenker, Radaufhängung, Track Control Arm, Bras de liaison, suspension de roue</b> NISSAN PRIMERA Hatchback (P10), PRIMERA (P10), PRIMERA Traveller (WP11), PRIMERA Traveller (W10)
49523	<b>Lenker, Radaufhängung, Track Control Arm, Bras de liaison, suspension de roue</b> NISSAN PRIMERA Hatchback (P10), PRIMERA (P10), PRIMERA Traveller (WP11), PRIMERA Traveller (W10)
49524	<b>Stange/Strebe, Stabilisator, Rod/Strut, stabiliser, Entretoise/tige, stabilisateur</b> NISSAN PRIMERA Hatchback (P10), PRIMERA (P10)
49525HPS	<b>Stange/Strebe, Stabilisator, Rod/Strut, stabiliser, Entretoise/tige, stabilisateur</b> NISSAN ALMERA I Hatchback (N15), ALMERA I (N15), BLUEBIRD Hatchback (T72, T12), BLUEBIRD Station Wagon (WU11), BLUEBIRD (T72, T12), BLUEBIRD (U11), MAXIMA II (J30), PRIMERA Hatchback (P10), PRIMERA (P10), PRIMERA Traveller (W10), SUNNY II Coupe (B12), SUNNY II Hatchback (N13), SUNNY II (N13), SUNNY II Traveller (B12), SUNNY III Hatchback (N14), SUNNY III Liftback (N14), SUNNY III (N14), SUNNY III Traveller (Y10), SUNNY Kasten (Y10), 100 NX (B13)
49526	<b>Lenker, Radaufhängung, Track Control Arm, Bras de liaison, suspension de roue</b> NISSAN PRIMERA Hatchback (P10), PRIMERA Hatchback (P11), PRIMERA (P10), PRIMERA (P11), PRIMERA Traveller (WP11)
49527	<b>Lenker, Radaufhängung, Track Control Arm, Bras de liaison, suspension de roue</b> NISSAN PRIMERA Hatchback (P10), PRIMERA Hatchback (P11), PRIMERA (P10), PRIMERA (P11), PRIMERA Traveller (WP11)
49528	<b>Lenker, Radaufhängung, Track Control Arm, Bras de liaison, suspension de roue</b> NISSAN ALMERA I Hatchback (N15), ALMERA I (N15)
49529	<b>Lenker, Radaufhängung, Track Control Arm, Bras de liaison, suspension de roue</b> NISSAN ALMERA I Hatchback (N15), ALMERA I (N15)
49530	<b>Lenker, Radaufhängung, Track Control Arm, Bras de liaison, suspension de roue</b> NISSAN SUNNY III Hatchback (N14), SUNNY III Liftback (N14), SUNNY III (N14), SUNNY III Traveller (Y10), SUNNY Kasten (Y10), 100 NX (B13)
49531	<b>Lenker, Radaufhängung, Track Control Arm, Bras de liaison, suspension de roue</b> NISSAN SUNNY III Hatchback (N14), SUNNY III Liftback (N14), SUNNY III (N14), SUNNY III Traveller (Y10), SUNNY Kasten (Y10), 100 NX (B13)
49532	<b>Spurstange, Rod Assembly, Barre de connexion</b> NISSAN PRIMERA Traveller (W10), SUNNY III Hatchback (N14), SUNNY III Liftback (N14), SUNNY III (N14), SUNNY III Traveller (Y10), SUNNY Kasten (Y10), 100 NX (B13)
49534	<b>Lenker, Radaufhängung, Track Control Arm, Bras de liaison, suspension de roue</b> NISSAN PRIMERA Hatchback (P11), PRIMERA (P10), PRIMERA (P11), PRIMERA Traveller (WP11)
49535	<b>Lenker, Radaufhängung, Track Control Arm, Bras de liaison, suspension de roue</b> NISSAN PRIMERA Hatchback (P11), PRIMERA (P10), PRIMERA (P11), PRIMERA Traveller (WP11)
49536	<b>Lenker, Radaufhängung, Track Control Arm, Bras de liaison, suspension de roue</b> NISSAN MICRA II (K11)
49537	<b>Lenker, Radaufhängung, Track Control Arm, Bras de liaison, suspension de roue</b> NISSAN MICRA II (K11)



49538	<b>Lenker, Radaufhängung, Track Control Arm, Bras de liaison, suspension de roue</b> NISSAN MICRA I (K10)
49539	<b>Lenker, Radaufhängung, Track Control Arm, Bras de liaison, suspension de roue</b> NISSAN MICRA I (K10)
49540	<b>Lenker, Radaufhängung, Track Control Arm, Bras de liaison, suspension de roue</b> MITSUBISHI COLT IV (CA_A), LANCER IV (C6_A, C7_A), LANCER V (CB/D_A), LANCER V Station Wagon (CB_W, CD_W), PROTON PERSONA 300 (C9_M), PERSONA 400 (C9_S), PERSONA 400 Hatchback (C9_C, C9_S)
49541	<b>Lenker, Radaufhängung, Track Control Arm, Bras de liaison, suspension de roue</b> MITSUBISHI COLT IV (CA_A), LANCER IV (C6_A, C7_A), LANCER V (CB/D_A), LANCER V Station Wagon (CB_W, CD_W), PROTON PERSONA 300 (C9_M), PERSONA 400 (C9_S), PERSONA 400 Hatchback (C9_C, C9_S)
49542	<b>Lenker, Radaufhängung, Track Control Arm, Bras de liaison, suspension de roue</b> MITSUBISHI COLT V (CJ_, CP_), LANCER VI (CJ-CP_)
49543	<b>Lenker, Radaufhängung, Track Control Arm, Bras de liaison, suspension de roue</b> MITSUBISHI COLT V (CJ_, CP_), LANCER VI (CJ-CP_)
49544	<b>Lenker, Radaufhängung, Track Control Arm, Bras de liaison, suspension de roue</b> MITSUBISHI CARISMA (DA_), CARISMA Stufenheck (DA_), VOLVO S40 I (VS), V40 Kombi (VW)
49545	<b>Lenker, Radaufhängung, Track Control Arm, Bras de liaison, suspension de roue</b> MITSUBISHI CARISMA (DA_), CARISMA Stufenheck (DA_), VOLVO S40 I (VS), V40 Kombi (VW)
49546	<b>Lenker, Radaufhängung, Track Control Arm, Bras de liaison, suspension de roue</b> MITSUBISHI L 200 (K7_T, K6_T), PAJERO II Canvas Top (V2_W, V4_W), PAJERO II (V3_W, V2_W, V4_W), PAJERO SPORT (K90)
49547	<b>Lenker, Radaufhängung, Track Control Arm, Bras de liaison, suspension de roue</b> MITSUBISHI L 200 (K7_T, K6_T), PAJERO II Canvas Top (V2_W, V4_W), PAJERO II (V3_W, V2_W, V4_W), PAJERO SPORT (K90)
49548	<b>Lenker, Radaufhängung, Track Control Arm, Bras de liaison, suspension de roue</b> SUZUKI SWIFT II Schrägheck (EA, MA), SWIFT II Stufenheck (AH, AJ)
49549	<b>Lenker, Radaufhängung, Track Control Arm, Bras de liaison, suspension de roue</b> SUZUKI SWIFT II Schrägheck (EA, MA), SWIFT II Stufenheck (AH, AJ)
49550	<b>Lenker, Radaufhängung, Track Control Arm, Bras de liaison, suspension de roue</b> TOYOTA COROLLA Compact (_E10_), COROLLA Compact (_E11_), COROLLA (_E10_), COROLLA (_E11_), COROLLA Liftback (_E10_), COROLLA Liftback (_E11_), COROLLA Wagon (_E10_), COROLLA Wagon (_E11_)
49551	<b>Lenker, Radaufhängung, Track Control Arm, Bras de liaison, suspension de roue</b> TOYOTA COROLLA Compact (_E10_), COROLLA Compact (_E11_), COROLLA (_E10_), COROLLA (_E11_), COROLLA Liftback (_E10_), COROLLA Liftback (_E11_), COROLLA Wagon (_E10_), COROLLA Wagon (_E11_)
49552	<b>Trag-/Führungsgelenk, Ball Joint, Rotule de suspension</b> TOYOTA CELICA (ZZT23_), COROLLA Combi (_E12J_, _E12T_), COROLLA Compact (_E10_), COROLLA Compact (_E11_), COROLLA (_E10_), COROLLA (_E11_), COROLLA Liftback (_E10_), COROLLA Liftback (_E11_), COROLLA Stufenheck (_E12J_, _E12T_), COROLLA Verso (ZDE12_, CDE12_), COROLLA Wagon (_E10_), COROLLA Wagon (_E11_), COROLLA (ZZE12_, NDE12_, ZDE12_), PRIUS Stufenheck (NHW11_), RAV 4 II (CLA2_, XA2_, ZCA2_, ACA2_)
49554	<b>Spurstangenkopf, Tie Rod End, Rotule de barre de connexion</b> SUBARU JUSTY I (KAD), JUSTY II (JMA, MS)
49555	<b>Axialgelenk, Spurstange, Tie Rod Axle Joint, Rotule de direction intérieure, barre de connexion</b> SUBARU JUSTY I (KAD), JUSTY II (JMA, MS)
49556	<b>Trag-/Führungsgelenk, Ball Joint, Rotule de suspension</b> SUBARU JUSTY I (KAD)
49557	<b>Spurstangenkopf, Tie Rod End, Rotule de barre de connexion</b> SUBARU IMPREZA Coupe (GFC), IMPREZA Station Wagon (GD, GG), IMPREZA Station Wagon (GF), IMPREZA Stufenheck (GC), IMPREZA Stufenheck (GD, GG), LEGACY I (BC), LEGACY I Station Wagon (BC, BJB), LEGACY II (BD, BG), LEGACY II Station Wagon (BD, BG)
49558	<b>Spurstangenkopf, Tie Rod End, Rotule de barre de connexion</b> SUBARU IMPREZA Coupe (GFC), IMPREZA Station Wagon (GD, GG), IMPREZA Station Wagon (GF), IMPREZA Stufenheck (GC), IMPREZA Stufenheck (GD, GG), LEGACY I (BC), LEGACY I Station Wagon (BC, BJB), LEGACY II (BD, BG), LEGACY II Station Wagon (BD, BG)
49559	<b>Axialgelenk, Spurstange, Tie Rod Axle Joint, Rotule de direction intérieure, barre de connexion</b> SUBARU IMPREZA Coupe (GFC), IMPREZA Station Wagon (GD, GG), IMPREZA Station Wagon (GF), IMPREZA Stufenheck (GC), IMPREZA Stufenheck (GD, GG), LEGACY I (BC), LEGACY I Station Wagon (BC, BJB), LEGACY II (BD, BG), LEGACY II Station Wagon (BD, BG), LEGACY III (BE, BH), LEGACY III Station Wagon (BE, BH), OUTBACK (BE, BH)
49560	<b>Trag-/Führungsgelenk, Ball Joint, Rotule de suspension</b> SUBARU IMPREZA Coupe (GFC), IMPREZA Station Wagon (GD, GG), IMPREZA Station Wagon (GF), IMPREZA Stufenheck (GC), IMPREZA Stufenheck (GD, GG), LEGACY I (BC), LEGACY I Station Wagon (BC, BJB), LEGACY II (BD, BG), LEGACY II Station Wagon (BD, BG), LEGACY III (BE, BH), LEGACY III Station Wagon (BE, BH)
49561	<b>Spurstangenkopf, Tie Rod End, Rotule de barre de connexion</b> SUZUKI VITARA Cabrio (ET, TA), VITARA (ET, TA)
49562	<b>Spurstangenkopf, Tie Rod End, Rotule de barre de connexion</b> SUZUKI SAMURAI (SJ), SJ 410, SJ 410 Cabrio, SJ 413, VITARA Cabrio (ET, TA), VITARA (ET, TA)
49563	<b>Spurstangenkopf, Tie Rod End, Rotule de barre de connexion</b> SUZUKI CARRY Kasten (ST90V), SUPER CARRY Bus (ED)
49564	<b>Spurstangenkopf, Tie Rod End, Rotule de barre de connexion</b> SUZUKI CARRY Kasten (ST90V), SAMURAI (SJ), SUPER CARRY Bus (ED)

49565	<b>Lenker, Radaufhängung, Track Control Arm, Bras de liaison, suspension de roue</b> SUZUKI CARRY Kasten (ST90V),SUPER CARRY Bus (ED)
49566	<b>Spurstangenkopf, Tie Rod End, Rotule de barre de connexion</b> TOYOTA AVENSIS Liftback (_T22_),AVENSIS Station Wagon (_T22_),AVENSIS (_T22_),CARINA E Sportswagon (_T19_),CARINA E Stufenheck (_T19_),CARINA E (_T19_)
49567	<b>Spurstangenkopf, Tie Rod End, Rotule de barre de connexion</b> TOYOTA AVENSIS Liftback (_T22_),AVENSIS Station Wagon (_T22_),AVENSIS (_T22_),CARINA E Sportswagon (_T19_),CARINA E Stufenheck (_T19_),CARINA E (_T19_)
49568	<b>Lenker, Radaufhängung, Track Control Arm, Bras de liaison, suspension de roue</b> TOYOTA YARIS (SCP1_, NLP1_, NCP1_),YARIS VERSO (_NLP2_, _NCP2_)
49569	<b>Lenker, Radaufhängung, Track Control Arm, Bras de liaison, suspension de roue</b> TOYOTA YARIS (SCP1_, NLP1_, NCP1_),YARIS VERSO (_NLP2_, _NCP2_)
49570	<b>Lenker, Radaufhängung, Track Control Arm, Bras de liaison, suspension de roue</b> TOYOTA COROLLA Compact (_E10_),COROLLA (_E10_),COROLLA Liftback (_E10_),COROLLA Wagon (_E10_)
49571	<b>Lenker, Radaufhängung, Track Control Arm, Bras de liaison, suspension de roue</b> TOYOTA COROLLA Compact (_E10_),COROLLA (_E10_),COROLLA Liftback (_E10_),COROLLA Wagon (_E10_)
49572	<b>Lenker, Radaufhängung, Track Control Arm, Bras de liaison, suspension de roue</b> TOYOTA COROLLA (_E10_),COROLLA Wagon (_E10_)
49573	<b>Lenker, Radaufhängung, Track Control Arm, Bras de liaison, suspension de roue</b> TOYOTA COROLLA (_E10_),COROLLA Wagon (_E10_)
49574	<b>Lenker, Radaufhängung, Track Control Arm, Bras de liaison, suspension de roue</b> TOYOTA CARINA E Sportswagon (_T19_),CARINA E Stufenheck (_T19_),CARINA E (_T19_)
49575	<b>Lenker, Radaufhängung, Track Control Arm, Bras de liaison, suspension de roue</b> TOYOTA CARINA E Sportswagon (_T19_),CARINA E Stufenheck (_T19_),CARINA E (_T19_)
49576	<b>Lenker, Radaufhängung, Track Control Arm, Bras de liaison, suspension de roue</b> TOYOTA AVENSIS Liftback (_T22_),AVENSIS Station Wagon (_T22_),AVENSIS (_T22_)
49577	<b>Lenker, Radaufhängung, Track Control Arm, Bras de liaison, suspension de roue</b> TOYOTA AVENSIS Liftback (_T22_),AVENSIS Station Wagon (_T22_),AVENSIS (_T22_)
49578	<b>Trag-/Führungsgelenk, Ball Joint, Rotule de suspension</b> MITSUBISHI CARISMA (DA_),CARISMA Stufenheck (DA_),COLT II (C1_A),COLT III (C5_A),COLT IV (CA_A),CORDIA (A21_A, AB),ECLIPSE I (D2_A),ECLIPSE II (D3_A),GALANT II (A16_),GALANT II Station Wagon (A16_V),GALANT III (E1_A),GALANT IV (E3_A),GALANT IV Stufenheck (E3_A),GALANT V (E5_A, E7_A, E8_A),GALANT V Stufenheck (E5_A, E7_A, E8_A),GALANT VI (EA_),GALANT VI Station Wagon (EA_),LANCER III (C1_A, C6_A),LANCER III Station Wagon (C1_V, C3_V),LANCER IV (C6_A, C7_A),LANCER IV Stufenheck (C6_A),LANCER V (CB/D_A),LANCER V Station Wagon (CB_W, CD_W),SAPPORO III (E16A),SIGMA (F2_A, F1_A),SIGMA Station Wagon (F0_W),SPACE RUNNER (N1_W, N2_W),SPACE STAR (DG_A),SPACE WAGON (D0_W/V),SPACE WAGON (N3_W, N4_W),TREDIA (A21_),VOLVO S40 I (VS),V40 Kombi (VW)
49579HPS	<b>Stange/Strebe, Stabilisator, Rod/Strut, stabiliser, Entretoise/tige, stabilisateur</b> TOYOTA CAMRY Liftback (_V1_),CAMRY Station Wagon (_V2_),CAMRY Stufenheck (_V1_),CAMRY (_V2_),CARINA E Sportswagon (_T19_),CARINA E Stufenheck (_T19_),CARINA E (_T19_),CARINA II Station Wagon (_T17_),CARINA II Stufenheck (_T17_),CARINA II (_T17_),CELICA (AT16_, ST16_),CELICA Cabriolet (AT18_, ST18_),CELICA Cabriolet (AT20_, ST20_),CELICA Cabriolet (ST16_, AT16_),CELICA Coupe (AT18_, ST18_),CELICA Liftback (ST16_, AT16_),CELICA (ST20_, AT20_),COROLLA Compact (_E10_),COROLLA Compact (_E11_),COROLLA Compact (_E9_),COROLLA (_E10_),COROLLA (_E11_),COROLLA (_E9_),COROLLA Liftback (_E10_),COROLLA Liftback (_E11_),COROLLA Liftback (_E9_),COROLLA Station Wagon (_E9_),COROLLA Wagon (_E10_),COROLLA Wagon (_E11_),RAV 4 I (SXA1_)
49580	<b>Lenker, Radaufhängung, Track Control Arm, Bras de liaison, suspension de roue</b> MAZDA 323 C IV (BG),323 C V (BA),323 F V (BA),323 P V (BA),323 S IV (BG),323 S V (BA)
49581	<b>Lenker, Radaufhängung, Track Control Arm, Bras de liaison, suspension de roue</b> MAZDA 323 C IV (BG),323 C V (BA),323 F V (BA),323 P V (BA),323 S IV (BG),323 S V (BA)
49582	<b>Lenker, Radaufhängung, Track Control Arm, Bras de liaison, suspension de roue</b> FORD USA PROBE II (ECP),MAZDA MX-6 (GE),626 III Station Wagon (GV),626 IV (GE),626 IV Hatchback (GE)
49583	<b>Lenker, Radaufhängung, Track Control Arm, Bras de liaison, suspension de roue</b> FORD USA PROBE II (ECP),MAZDA MX-6 (GE),626 III Station Wagon (GV),626 IV (GE),626 IV Hatchback (GE)
49584	<b>Lenker, Radaufhängung, Track Control Arm, Bras de liaison, suspension de roue</b> MAZDA 323 F VI (BJ),323 S VI (BJ)
49585	<b>Lenker, Radaufhängung, Track Control Arm, Bras de liaison, suspension de roue</b> MAZDA 323 F VI (BJ),323 S VI (BJ)
49586	<b>Axialgelenk, Spurstange, Tie Rod Axle Joint, Rotule de direction intérieure, barre de connexion</b> MAZDA MX-3 (EC),323 C V (BA),323 F V (BA),323 S V (BA)
49589	<b>Trag-/Führungsgelenk, Ball Joint, Rotule de suspension</b> MAZDA MX-3 (EC),323 C IV (BG),323 C V (BA),323 F V (BA),323 P V (BA),323 S IV (BG),323 S V (BA)
49590	<b>Stange/Strebe, Stabilisator, Rod/Strut, stabiliser, Entretoise/tige, stabilisateur</b> MAZDA PREMACY (CP),323 F VI (BJ),323 S VI (BJ)
49590HPS	<b>Stange/Strebe, Stabilisator, Rod/Strut, stabiliser, Entretoise/tige, stabilisateur</b> MAZDA PREMACY (CP),323 F VI (BJ),323 S VI (BJ)



<b>49591HPS</b>	<b>Stange/Strebe, Stabilisator, Rod/Strut, stabiliser, Entretoise/tige, stabilisateur</b> MAZDA PREMACY (CP),323 F VI (BJ),323 S VI (BJ)
<b>49594</b>	<b>Stange/Strebe, Radaufhängung, Rod/Strut, wheel suspension, Biellette de barre stabilisatrice</b> SUZUKI SWIFT Cabriolet (SF413),SWIFT I (AA),SWIFT II Schrägheck (EA, MA),SWIFT II Stufenheck (AH, AJ)
<b>49595</b>	<b>Lenker, Radaufhängung, Track Control Arm, Bras de liaison, suspension de roue</b> SUZUKI SWIFT I (AA)
<b>49596</b>	<b>Axialgelenk, Spurstange, Tie Rod Axle Joint, Rotule de direction intérieure, barre de connexion</b> SUZUKI SWIFT I (AA),SWIFT II Stufenheck (AH, AJ)
<b>49597</b>	<b>Lenker, Radaufhängung, Track Control Arm, Bras de liaison, suspension de roue</b> DAEWOO NUBIRA (KLAJ),NUBIRA Stufenheck (KLAJ),NUBIRA Wagon (KLAJ)
<b>49598</b>	<b>Lenker, Radaufhängung, Track Control Arm, Bras de liaison, suspension de roue</b> DAEWOO NUBIRA (KLAJ),NUBIRA Stufenheck (KLAJ),NUBIRA Wagon (KLAJ)
<b>49599</b>	<b>Stange/Strebe, Stabilisator, Rod/Strut, stabiliser, Entretoise/tige, stabilisateur</b> SUZUKI SWIFT Cabriolet (SF413),SWIFT I (AA),SWIFT II Schrägheck (EA, MA),SWIFT II Stufenheck (AH, AJ)
<b>49600</b>	<b>Spurstangenkopf, Tie Rod End, Rotule de barre de connexion</b> OPEL OMEGA B Caravan (21_, 22_, 23_),OMEGA B (25_, 26_, 27_)
<b>49601</b>	<b>Spurstangenkopf, Tie Rod End, Rotule de barre de connexion</b> OPEL OMEGA B Caravan (21_, 22_, 23_),OMEGA B (25_, 26_, 27_)
<b>49602</b>	<b>Axialgelenk, Spurstange, Tie Rod Axle Joint, Rotule de direction intérieure, barre de connexion</b> OPEL AGILA (A) (H00),VAUXHALL AGILA Mk I (A)
<b>49603</b>	<b>Axialgelenk, Spurstange, Tie Rod Axle Joint, Rotule de direction intérieure, barre de connexion</b> OPEL FRONTERA B (6B_),MONTEREY B
<b>49604</b>	<b>Schraube, Spureinstellung, Bolt, wheel alignment, Boulon, alignement des roues</b> OPEL ASTRA F Cabriolet (53_B),ASTRA F Caravan (51_, 52_),ASTRA F CC (53_, 54_, 58_, 59_),ASTRA F CLASSIC Caravan,ASTRA F CLASSIC CC,ASTRA F CLASSIC Stufenheck,ASTRA F Van (55_),ASTRA F (56_, 57_),CALIBRA A (85_),VECTRA A CC (88_, 89_),VECTRA A (86_, 87_),SAAB 900 II,900 II Cabriolet,900 II Coupe,9-3 Cabriolet (YS3D),9-3 (YS3D),VAUXHALL ASTRA Mk II Belmont,ASTRA Mk II CC,ASTRA Mk II Convertible,ASTRA Mk II Estate,CALIBRA,CARLTON Mk III,CAVALIER Mk III CC,CAVALIER Mk III (87)
<b>49605</b>	- OPEL OMEGA B Caravan (21_, 22_, 23_),OMEGA B (25_, 26_, 27_)
<b>49606</b>	<b>Axialgelenk, Spurstange, Tie Rod Axle Joint, Rotule de direction intérieure, barre de connexion</b> SAAB 9000,9000 Schrägheck
<b>49607</b>	<b>Axialgelenk, Spurstange, Tie Rod Axle Joint, Rotule de direction intérieure, barre de connexion</b> OPEL ASTRA G Cabriolet,ASTRA G Caravan (F35_),ASTRA G CC (F48_, F08_),ASTRA G Coupe (F07_),ASTRA G Kasten (F70),ASTRA G Stufenheck (F69_),ASTRA H,ASTRA H Caravan,ASTRA H GTC,ASTRA H TwinTop,ZAFIRA A (F75_),VAUXHALL ASTRA Mk IV (G) CC,ASTRA Mk IV (G) Coupe (F67),ASTRA Mk IV (G) Estate,ASTRA Mk IV (G) Sedan,ZAFIRA Mk I (A) (F75)
<b>49608</b>	<b>Lenker, Radaufhängung, Track Control Arm, Bras de liaison, suspension de roue</b> OPEL COMBO Kasten/Kombi,COMBO Tour,CORSA C (F08, F68),CORSA C Kasten (F08, W5L),TIGRA TwinTop,VAUXHALL COMBO Mk II (C) Kasten/Kombi (F25),CORSA Mk II (C) (W5L, F08),CORSAVAN Mk II (C),TIGRA TwinTop
<b>49609</b>	<b>Lenker, Radaufhängung, Track Control Arm, Bras de liaison, suspension de roue</b> OPEL COMBO Kasten/Kombi,COMBO Tour,CORSA C (F08, F68),CORSA C Kasten (F08, W5L),TIGRA TwinTop,VAUXHALL COMBO Mk II (C) Kasten/Kombi (F25),CORSA Mk II (C) (W5L, F08),CORSAVAN Mk II (C),TIGRA TwinTop
<b>49610</b>	<b>Trag-/Führungsgelenk, Ball Joint, Rotule de suspension</b> OPEL COMBO Kasten/Kombi,COMBO Tour,CORSA C (F08, F68),CORSA C Kasten (F08, W5L),TIGRA TwinTop,VAUXHALL COMBO Mk II (C) Kasten/Kombi (F25),CORSA Mk II (C) (W5L, F08),CORSAVAN Mk II (C),TIGRA TwinTop
<b>49611</b>	<b>Spurstangenkopf, Tie Rod End, Rotule de barre de connexion</b> OPEL AGILA (A) (H00),SUZUKI WAGON R+ (MM),VAUXHALL AGILA Mk I (A)
<b>49612</b>	<b>Lenker, Radaufhängung, Track Control Arm, Bras de liaison, suspension de roue</b> OPEL ASTRA H,ASTRA H Caravan,ASTRA H GTC,ASTRA H TwinTop,MERIVA B,ZAFIRA A (F75_),ZAFIRA B (A05),VAUXHALL ASTRA Mk V (H) CC,ASTRA Mk V (H) Estate,ASTRA Mk V (H) Sport Hatch,ASTRA TwinTop Mk V (H),ASTRAVAN Mk V (H),MERIVA Mk II (B),ZAFIRA Mk I (A) (F75),ZAFIRA Mk II (B) (M75)
<b>49613</b>	<b>Lenker, Radaufhängung, Track Control Arm, Bras de liaison, suspension de roue</b> OPEL ASTRA H,ASTRA H Caravan,ASTRA H GTC,ASTRA H TwinTop,MERIVA B,ZAFIRA A (F75_),ZAFIRA B (A05),VAUXHALL ASTRA Mk V (H) CC,ASTRA Mk V (H) Estate,ASTRA Mk V (H) Sport Hatch,ASTRA TwinTop Mk V (H),ASTRAVAN Mk V (H),MERIVA Mk II (B),ZAFIRA Mk I (A) (F75),ZAFIRA Mk II (B) (M75)
<b>49614</b>	<b>Lenker, Radaufhängung, Track Control Arm, Bras de liaison, suspension de roue</b> OPEL MERIVA,VAUXHALL MERIVA Mk I (A)
<b>49615</b>	<b>Lenker, Radaufhängung, Track Control Arm, Bras de liaison, suspension de roue</b> OPEL MERIVA,VAUXHALL MERIVA Mk I (A)
<b>49616</b>	<b>Trag-/Führungsgelenk, Ball Joint, Rotule de suspension</b> ISUZU CAMPO (KB),TROOPER Soft Top (UBS),TROOPER (UBS),OPEL CAMPO (TF_)
<b>49618</b>	<b>Spurstangenkopf, Tie Rod End, Rotule de barre de connexion</b> OPEL ASTRA H,ASTRA H Caravan,VAUXHALL ASTRA Mk V (H) CC
<b>49619</b>	<b>Spurstangenkopf, Tie Rod End, Rotule de barre de connexion</b> OPEL ASTRA H,ASTRA H Caravan,VAUXHALL ASTRA Mk V (H) CC

49620	<b>Spurstangenkopf, Tie Rod End, Rotule de barre de connexion</b> FIAT CROMA (194), OPEL SIGNUM, VECTRA C, VECTRA C Caravan, VECTRA C GTS, SAAB 9-3 Cabriolet (YS3F), 9-3 Kombi, 9-3 (YS3F), 9-5 Kombi (YS3E), 9-5 (YS3E)
49621	<b>Spurstangenkopf, Tie Rod End, Rotule de barre de connexion</b> FIAT CROMA (194), OPEL SIGNUM, VECTRA C, VECTRA C Caravan, VECTRA C GTS, SAAB 9-3 Cabriolet (YS3F), 9-3 Kombi, 9-3 (YS3F), 9-5 Kombi (YS3E), 9-5 (YS3E)
49622	<b>Axialgelenk, Spurstange, Tie Rod Axle Joint, Rotule de direction intérieure, barre de connexion</b> OPEL VECTRA C, VECTRA C GTS, VAUXHALL VECTRA Mk II (C), VECTRA Mk II (C) GTS
49623	<b>Lenker, Radaufhängung, Track Control Arm, Bras de liaison, suspension de roue</b> FIAT CROMA (194), OPEL SIGNUM, VECTRA C, VECTRA C Caravan, VECTRA C GTS, SAAB 9-3 Cabriolet (YS3D), 9-3 Cabriolet (YS3F), 9-3 Kombi, 9-3 (YS3F), VAUXHALL SIGNUM, VECTRA Mk II (C), VECTRA Mk II (C) Estate, VECTRA Mk II (C) GTS
49624	<b>Lenker, Radaufhängung, Track Control Arm, Bras de liaison, suspension de roue</b> FIAT CROMA (194), OPEL SIGNUM, VECTRA C, VECTRA C Caravan, VECTRA C GTS, SAAB 9-3 Cabriolet (YS3D), 9-3 Cabriolet (YS3F), 9-3 Kombi, 9-3 (YS3F), VAUXHALL SIGNUM, VECTRA Mk II (C), VECTRA Mk II (C) Estate, VECTRA Mk II (C) GTS
49626	<b>Spurstangenkopf, Tie Rod End, Rotule de barre de connexion</b> OPEL FRONTERA B (6B_), MONTEREY B, VAUXHALL FRONTERA Mk II (B), MONTEREY Mk II
49627	<b>Spurstangenkopf, Tie Rod End, Rotule de barre de connexion</b> OPEL AGILA (A) (H00), SUBARU JUSTY III (G3X), SUZUKI IGNIS II, WAGON R, WAGON R+ (MM), VAUXHALL AGILA Mk I (A)
49628	<b>Lenker, Radaufhängung, Track Control Arm, Bras de liaison, suspension de roue</b> OPEL VECTRA B Caravan (31_), VECTRA B CC (38_), VECTRA B (36_), VAUXHALL VECTRA (B), VECTRA (B) CC, VECTRA (B) Estate
49630	<b>Trag-/Führungsgelenk, Ball Joint, Rotule de suspension</b> OPEL MERIVA, VAUXHALL MERIVA Mk I (A)
49631	<b>Trag-/Führungsgelenk, Ball Joint, Rotule de suspension</b> OPEL MERIVA, VAUXHALL MERIVA Mk I (A)
49640	<b>Spurstangenkopf, Tie Rod End, Rotule de barre de connexion</b> FORD COUGAR (EC_), MONDEO II (BAP), MONDEO II Kombi (BNP), MONDEO II Stufenheck (BFP)
49641	<b>Spurstangenkopf, Tie Rod End, Rotule de barre de connexion</b> FORD COUGAR (EC_), MONDEO II (BAP), MONDEO II Kombi (BNP), MONDEO II Stufenheck (BFP)
49642	<b>Axialgelenk, Spurstange, Tie Rod Axle Joint, Rotule de direction intérieure, barre de connexion</b> FORD MONDEO II (BAP), MONDEO II Kombi (BNP), MONDEO II Stufenheck (BFP)
49643	<b>Axialgelenk, Spurstange, Tie Rod Axle Joint, Rotule de direction intérieure, barre de connexion</b> FORD MONDEO II (BAP), MONDEO II Kombi (BNP), MONDEO II Stufenheck (BFP)
49644	<b>Axialgelenk, Spurstange, Tie Rod Axle Joint, Rotule de direction intérieure, barre de connexion</b> FORD TRANSIT Bus (E_), TRANSIT Kasten (E_), TRANSIT Pritsche/Fahrgestell (E_)
49645	<b>Spurstangenkopf, Tie Rod End, Rotule de barre de connexion</b> FORD TRANSIT Bus (T_), TRANSIT Kasten (T_), TRANSIT Pritsche/Fahrgestell (T_)
49646	<b>Spurstangenkopf, Tie Rod End, Rotule de barre de connexion</b> FORD TRANSIT Bus (T_), TRANSIT Kasten (T_), TRANSIT Pritsche/Fahrgestell (T_)
49648	<b>Trag-/Führungsgelenk, Ball Joint, Rotule de suspension</b> DAIMLER DAIMLER XJ (X30_), XJ 40, 81, 2.8 - 5.3, JAGUAR XJ, XJ Coupe, XJ (NAW, NBW), XJ (XJ 40, 81), XJ (X300), XJSC Convertible
49649	<b>Trag-/Führungsgelenk, Ball Joint, Rotule de suspension</b> DAIMLER DAIMLER XJ (X30_), XJ 40, 81, 2.8 - 5.3, JAGUAR XJ, XJ Coupe, XJ (NAW, NBW), XJ (XJ 40, 81), XJ (X300), XJSC Convertible
49650	<b>Lenker, Radaufhängung, Track Control Arm, Bras de liaison, suspension de roue</b> BMW 7 (E38)
49651	<b>Lenker, Radaufhängung, Track Control Arm, Bras de liaison, suspension de roue</b> BMW 7 (E38)
49652	<b>Lenker, Radaufhängung, Track Control Arm, Bras de liaison, suspension de roue</b> BMW 5 (E39), 5 Touring (E39), 7 (E38)
49653	<b>Spurstangenkopf, Tie Rod End, Rotule de barre de connexion</b> BMW 3 Cabriolet (E46), 3 Coupe (E46), 3 (E46), 3 Touring (E46)
49654	<b>Spurstangenkopf, Tie Rod End, Rotule de barre de connexion</b> BMW 3 Cabriolet (E46), 3 Coupe (E46), 3 (E46), 3 Touring (E46)
49655	<b>Lenker, Radaufhängung, Track Control Arm, Bras de liaison, suspension de roue</b> BMW 7 (E38)
49656	<b>Lenker, Radaufhängung, Track Control Arm, Bras de liaison, suspension de roue</b> BMW 7 (E38)
49657	<b>Lenkhebel, Steering Arm, Levier de commande de direction</b> BMW 5 (E28)
49658	<b>Spurstange, Rod Assembly, Barre de connexion</b> BMW 7 (E32)



49660	<b>Spurstange, Rod Assembly, Barre de connexion</b> BMW 5 (E34),5 Touring (E34)
49661	<b>Lenker, Radaufhängung, Track Control Arm, Bras de liaison, suspension de roue</b> ALPINA B10 (E34),B10 Kombi (E34),B11 (E32),B12 (E32),BMW 5 (E28),5 (E34),5 Touring (E34),6 (E24),7 (E32)
49662	<b>Lenker, Radaufhängung, Track Control Arm, Bras de liaison, suspension de roue</b> ALPINA B10 (E34),B10 Kombi (E34),B11 (E32),B12 (E32),BMW 5 (E28),5 (E34),5 Touring (E34),6 (E24),7 (E32)
49663HPS	<b>Stange/Strebe, Stabilisator, Rod/Strut, stabiliser, Entretoise/tige, stabilisateur</b> ALPINA B10 (E39),B10 Kombi (E39),D10 (E39),D10 Kombi (E39),BMW 5 (E39),5 Touring (E39)
49664	<b>Lenker, Radaufhängung, Track Control Arm, Bras de liaison, suspension de roue</b> SEAT TOLEDO I (1L),VW CORRADO (53I),GOLF III Variant (1H5),GOLF III (1H1),VENTO (1H2)
49665	<b>Lenker, Radaufhängung, Track Control Arm, Bras de liaison, suspension de roue</b> SEAT TOLEDO I (1L),VW CORRADO (53I),GOLF III Variant (1H5),GOLF III (1H1),VENTO (1H2)
49666	<b>Lenker, Radaufhängung, Track Control Arm, Bras de liaison, suspension de roue</b> SEAT TOLEDO I (1L),VW CORRADO (53I),GOLF III Variant (1H5),GOLF III (1H1),VENTO (1H2)
49666/7	<b>Lenker, Radaufhängung, Track Control Arm, Bras de liaison, suspension de roue</b> SEAT TOLEDO I (1L),VW CORRADO (53I),GOLF III Variant (1H5),GOLF III (1H1),VENTO (1H2)
49667	<b>Lenker, Radaufhängung, Track Control Arm, Bras de liaison, suspension de roue</b> SEAT TOLEDO I (1L),VW CORRADO (53I),GOLF III Variant (1H5),GOLF III (1H1),VENTO (1H2)
49667/7	<b>Lenker, Radaufhängung, Track Control Arm, Bras de liaison, suspension de roue</b> SEAT TOLEDO I (1L),VW CORRADO (53I),GOLF III Variant (1H5),GOLF III (1H1),VENTO (1H2)
49672	<b>Spurstange, Rod Assembly, Barre de connexion</b> VW CORRADO (53I),GOLF III Cabriolet (1E7),GOLF III Variant (1H5),GOLF III (1H1),GOLF IV Cabriolet (1E7),VENTO (1H2)
49672/1	<b>Axialgelenk, Spurstange, Tie Rod Axle Joint, Rotule de direction intérieure, barre de connexion</b> VW CORRADO (53I),GOLF III Cabriolet (1E7),GOLF III Variant (1H5),GOLF III (1H1),GOLF IV Cabriolet (1E7),VENTO (1H2)
49673	<b>Spurstange, Rod Assembly, Barre de connexion</b> VW CORRADO (53I),GOLF III Cabriolet (1E7),GOLF III Variant (1H5),GOLF III (1H1),GOLF IV Cabriolet (1E7),VENTO (1H2)
49674	<b>Spurstange, Rod Assembly, Barre de connexion</b> VW PASSAT Variant (3A5, 35I),PASSAT (3A2, 35I)
49674/1	<b>Axialgelenk, Spurstange, Tie Rod Axle Joint, Rotule de direction intérieure, barre de connexion</b> VW PASSAT Variant (3A5, 35I),PASSAT (3A2, 35I)
49675	<b>Spurstange, Rod Assembly, Barre de connexion</b> VW PASSAT Variant (3A5, 35I),PASSAT (3A2, 35I)
49676/1HPS	<b>Lenker, Radaufhängung, Track Control Arm, Bras de liaison, suspension de roue</b> BMW Z4 Coupe (E86),Z4 (E85),3 Cabriolet (E46),3 Compact (E46),3 Coupe (E46),3 (E46),3 Touring (E46)
49677/1HPS	<b>Lenker, Radaufhängung, Track Control Arm, Bras de liaison, suspension de roue</b> BMW Z4 Coupe (E86),Z4 (E85),3 Cabriolet (E46),3 Compact (E46),3 Coupe (E46),3 (E46),3 Touring (E46)
49678	<b>Lenker, Radaufhängung, Track Control Arm, Bras de liaison, suspension de roue</b> ALPINA B11 (E32),B12 Coupe (E31),B12 (E32),BMW 7 (E32),8 (E31)
49679	<b>Lenker, Radaufhängung, Track Control Arm, Bras de liaison, suspension de roue</b> ALPINA B11 (E32),B12 Coupe (E31),B12 (E32),BMW 7 (E32),8 (E31)
49685OES	<b>Stange/Strebe, Stabilisator, Rod/Strut, stabiliser, Entretoise/tige, stabilisateur</b> AUDI A4 Avant (8D5, B5),A4 (8D2, B5)
49686	<b>Stange/Strebe, Stabilisator, Rod/Strut, stabiliser, Entretoise/tige, stabilisateur</b> AUDI A6 Avant (4A, C4),A6 (4A, C4),100 Avant (4A, C4),100 (4A, C4)
49688	<b>Stange/Strebe, Stabilisator, Rod/Strut, stabiliser, Entretoise/tige, stabilisateur</b> AUDI A4 Avant (8D5, B5),A4 (8D2, B5),80 Avant (8C, B4),80 (8C, B4)
49689	<b>Stange/Strebe, Stabilisator, Rod/Strut, stabiliser, Entretoise/tige, stabilisateur</b> AUDI A4 Avant (8D5, B5),A4 (8D2, B5),80 Avant (8C, B4),80 (8C, B4)
49690	<b>Spurstange, Rod Assembly, Barre de connexion</b> AUDI A3 (8L1),SEAT LEON (1M1),TOLEDO II (1M2),SKODA OCTAVIA Combi (1U5),OCTAVIA (1U2),VW BORA Kombi (1J6),BORA (1J2),GOLF IV Variant (1J5),GOLF IV (1J1),NEW BEETLE (9C1, 1C1)
49690/1	<b>Axialgelenk, Spurstange, Tie Rod Axle Joint, Rotule de direction intérieure, barre de connexion</b> AUDI A3 (8L1),SEAT TOLEDO II (1M2),SKODA OCTAVIA Combi (1U5),OCTAVIA (1U2),VW BORA Kombi (1J6),BORA (1J2),GOLF IV Variant (1J5),GOLF IV (1J1),NEW BEETLE (9C1, 1C1)
49691	<b>Spurstange, Rod Assembly, Barre de connexion</b> AUDI A3 (8L1),SEAT LEON (1M1),TOLEDO II (1M2),SKODA OCTAVIA Combi (1U5),OCTAVIA (1U2),VW BORA Kombi (1J6),BORA (1J2),GOLF IV Variant (1J5),GOLF IV (1J1),NEW BEETLE (9C1, 1C1)
49692	<b>Spurstange, Rod Assembly, Barre de connexion</b> VW PASSAT Variant (3A5, 35I),PASSAT (3A2, 35I)

49693	<b>Spurstange, Rod Assembly, Barre de connexion</b> VW PASSAT Variant (3A5, 35I),PASSAT (3A2, 35I)
49694	<b>Lenker, Radaufhängung, Track Control Arm, Bras de liaison, suspension de roue</b> ALPINA B12 (E38),BMW 7 (E38)
49695	<b>Lenker, Radaufhängung, Track Control Arm, Bras de liaison, suspension de roue</b> ALPINA B12 (E38),BMW 7 (E38)
49696/1	<b>Lenker, Radaufhängung, Track Control Arm, Bras de liaison, suspension de roue</b> AUDI 100 Avant (44, 44Q, C3),100 (44, 44Q, C3),200 Avant (44, 44Q),200 (43),200 (44, 44Q)
49697/1	<b>Lenker, Radaufhängung, Track Control Arm, Bras de liaison, suspension de roue</b> AUDI 100 Avant (44, 44Q, C3),100 (44, 44Q, C3),200 Avant (44, 44Q),200 (43),200 (44, 44Q)
49698	<b>Lenker, Radaufhängung, Track Control Arm, Bras de liaison, suspension de roue</b> AUDI 100 Avant (44, 44Q, C3),100 (44, 44Q, C3)
49699	<b>Lenker, Radaufhängung, Track Control Arm, Bras de liaison, suspension de roue</b> AUDI 100 Avant (44, 44Q, C3),100 (44, 44Q, C3)
49700	<b>Spurstangenkopf, Tie Rod End, Rotule de barre de connexion</b> AUDI A3 (8L1),SEAT LEON (1M1),TOLEDO II (1M2),SKODA OCTAVIA Combi (1U5),OCTAVIA (1U2),VW BORA Kombi (1J6),BORA (1J2),GOLF IV Variant (1J5),GOLF IV (1J1),NEW BEETLE (9C1, 1C1)
49701	<b>Spurstangenkopf, Tie Rod End, Rotule de barre de connexion</b> AUDI A3 (8L1),SEAT LEON (1M1),TOLEDO II (1M2),SKODA OCTAVIA Combi (1U5),OCTAVIA (1U2),VW BORA Kombi (1J6),BORA (1J2),GOLF IV Variant (1J5),GOLF IV (1J1),NEW BEETLE (9C1, 1C1)
49702	<b>Trag-/Führungsgelenk, Ball Joint, Rotule de suspension</b> AUDI A3 (8L1),SEAT LEON (1M1),TOLEDO II (1M2),SKODA OCTAVIA (1U2),VW BORA Kombi (1J6),BORA (1J2),GOLF IV Variant (1J5),GOLF IV (1J1),NEW BEETLE (9C1, 1C1)
49702/1	<b>Trag-/Führungsgelenk, Ball Joint, Rotule de suspension</b> AUDI A2 (8Z0),A3 (8L1),SEAT LEON (1M1),LEON (1P1),TOLEDO II (1M2),SKODA OCTAVIA Combi (1U5),OCTAVIA Combi (1Z5),OCTAVIA (1U2),OCTAVIA (1Z3),VW BORA Kombi (1J6),BORA (1J2),GOLF IV Variant (1J5),GOLF IV (1J1),NEW BEETLE Cabriolet (1Y7),NEW BEETLE (9C1, 1C1)
49703	<b>Trag-/Führungsgelenk, Ball Joint, Rotule de suspension</b> AUDI A3 (8L1),SEAT LEON (1M1),TOLEDO II (1M2),SKODA OCTAVIA (1U2),VW BORA Kombi (1J6),BORA (1J2),GOLF IV Variant (1J5),GOLF IV (1J1),NEW BEETLE (9C1, 1C1)
49703/1	<b>Trag-/Führungsgelenk, Ball Joint, Rotule de suspension</b> AUDI A2 (8Z0),A3 (8L1),SEAT LEON (1M1),LEON (1P1),TOLEDO II (1M2),SKODA OCTAVIA Combi (1U5),OCTAVIA Combi (1Z5),OCTAVIA (1U2),OCTAVIA (1Z3),VW BORA Kombi (1J6),BORA (1J2),GOLF IV Variant (1J5),GOLF IV (1J1),NEW BEETLE Cabriolet (1Y7),NEW BEETLE (9C1, 1C1)
49704	<b>Lenker, Radaufhängung, Track Control Arm, Bras de liaison, suspension de roue</b> AUDI A3 (8L1),SEAT LEON (1M1),TOLEDO II (1M2),SKODA OCTAVIA Combi (1U5),OCTAVIA (1U2),VW BORA Kombi (1J6),BORA (1J2),GOLF III Variant (1H5),GOLF III (1H1),GOLF IV Variant (1J5),GOLF IV (1J1),NEW BEETLE (9C1, 1C1)
49704/1	<b>Lenker, Radaufhängung, Track Control Arm, Bras de liaison, suspension de roue</b> AUDI A3 (8L1),SEAT LEON (1M1),TOLEDO II (1M2),SKODA OCTAVIA Combi (1U5),OCTAVIA (1U2),VW BORA Kombi (1J6),BORA (1J2),GOLF III Variant (1H5),GOLF III (1H1),GOLF IV Variant (1J5),GOLF IV (1J1),NEW BEETLE (9C1, 1C1)
49704/2	<b>Lenker, Radaufhängung, Track Control Arm, Bras de liaison, suspension de roue</b> AUDI A3 (8L1),SEAT LEON (1M1),TOLEDO II (1M2),SKODA OCTAVIA Combi (1U5),OCTAVIA (1U2),VW BORA Kombi (1J6),BORA (1J2),GOLF III Variant (1H5),GOLF III (1H1),GOLF IV Variant (1J5),GOLF IV (1J1),NEW BEETLE (9C1, 1C1)
49705	<b>Lenker, Radaufhängung, Track Control Arm, Bras de liaison, suspension de roue</b> AUDI CABRIOLET (8G7, B4),COUPE (89, 8B),80 Avant (8C, B4),80 (8C, B4)
49705/1	<b>Lenker, Radaufhängung, Track Control Arm, Bras de liaison, suspension de roue</b> AUDI CABRIOLET (8G7, B4),COUPE (89, 8B),80 Avant (8C, B4),80 (8C, B4)
49706	<b>Lenker, Radaufhängung, Track Control Arm, Bras de liaison, suspension de roue</b> ALPINE A310,AUDI CABRIOLET (8G7, B4),COUPE (89, 8B),80 Avant (8C, B4),80 (8C, B4)
49706/1	<b>Lenker, Radaufhängung, Track Control Arm, Bras de liaison, suspension de roue</b> AUDI CABRIOLET (8G7, B4),COUPE (89, 8B),80 Avant (8C, B4),80 (8C, B4)
49707HPS	<b>Spurstangenkopf, Tie Rod End, Rotule de barre de connexion</b> AUDI ALLROAD (4BH, C5),A4 Avant (8D5, B5),A4 (8D2, B5),A4 (8E2, B6),A6 Avant (4A, C4),A6 Avant (4B, C5),A6 (4A, C4),A6 (4B, C5),A8 (4D2, 4D8),AUDI (FAW) A4 Stufenheck (B6),A6L Stufenheck (C5),SKODA SUPERB (3U4),VW PASSAT Variant (3B5),PASSAT Variant (3B6),PASSAT (3B2),PASSAT (3B3),VW (SVW) PASSAT Stufenheck (B5)
49707OES	<b>Spurstangenkopf, Tie Rod End, Rotule de barre de connexion</b> AUDI ALLROAD (4BH, C5),A4 Avant (8D5, B5),A4 (8D2, B5),A4 (8E2, B6),A6 Avant (4A, C4),A6 Avant (4B, C5),A6 (4A, C4),A6 (4B, C5),A8 (4D2, 4D8),AUDI (FAW) A4 Stufenheck (B6),A6L Stufenheck (C5),SKODA SUPERB (3U4),VW PASSAT Variant (3A5, 35I),PASSAT Variant (3B5),PASSAT Variant (3B6),PASSAT (3A2, 35I),PASSAT (3B2),PASSAT (3B3),VW (SVW) PASSAT Stufenheck (B5)
49713OES	<b>Lenker, Radaufhängung, Track Control Arm, Bras de liaison, suspension de roue</b> AUDI A8 (4D2, 4D8)
49714	<b>Stange/Strebe, Stabilisator, Rod/Strut, stabiliser, Entretoise/tige, stabilisateur</b> AUDI A8 (4D2, 4D8)
49715	<b>Stange/Strebe, Stabilisator, Rod/Strut, stabiliser, Entretoise/tige, stabilisateur</b> AUDI A8 (4D2, 4D8)





49716	<b>Stange/Strebe, Stabilisator, Rod/Strut, stabiliser, Entretoise/tige, stabilisateur</b> AUDI A4 Avant (8D5, B5),A4 (8D2, B5),A8 (4D2, 4D8)
49717	<b>Spurstangenkopf, Tie Rod End, Rotule de barre de connexion</b> AUDI A6 Avant (4A, C4),A6 (4A, C4),V8 (44_, 4C_),100 Avant (4A, C4),100 Avant (43, C2),100 Avant (44, 44Q, C3),100 (4A, C4),100 (44, 44Q, C3),200 Avant (44, 44Q),200 (43),200 (44, 44Q)
49718	<b>Spurstangenkopf, Tie Rod End, Rotule de barre de connexion</b> AUDI A6 Avant (4A, C4),A6 Avant (4B, C5),A6 (4A, C4),A6 (4B, C5),V8 (44_, 4C_),100 Avant (4A, C4),100 Avant (43, C2),100 Avant (44, 44Q, C3),100 (4A, C4),100 (44, 44Q, C3),200 Avant (44, 44Q),200 (43),200 (44, 44Q)
49721	<b>Spurstange, Rod Assembly, Barre de connexion</b> ALPINA B10 (E39),B10 Kombi (E39),D10 (E39),D10 Kombi (E39),BMW 5 (E39),5 Touring (E39)
49722	<b>Spurstange, Rod Assembly, Barre de connexion</b> ALPINA B10 (E39),B10 Kombi (E39),D10 (E39),D10 Kombi (E39),BMW 5 (E39),5 Touring (E39)
49723	<b>Lenker, Radaufhängung, Track Control Arm, Bras de liaison, suspension de roue</b> BMW 5 (E39),5 Touring (E39)
49724	<b>Lenker, Radaufhängung, Track Control Arm, Bras de liaison, suspension de roue</b> BMW 5 (E39),5 Touring (E39)
49725	<b>Stange/Strebe, Stabilisator, Rod/Strut, stabiliser, Entretoise/tige, stabilisateur</b> BMW 5 (E39),5 Touring (E39)
49725HPS	<b>Stange/Strebe, Stabilisator, Rod/Strut, stabiliser, Entretoise/tige, stabilisateur</b> BMW 5 (E39),5 Touring (E39)
49726	<b>Stange/Strebe, Stabilisator, Rod/Strut, stabiliser, Entretoise/tige, stabilisateur</b> BMW 5 (E39),5 Touring (E39)
49726HPS	<b>Stange/Strebe, Stabilisator, Rod/Strut, stabiliser, Entretoise/tige, stabilisateur</b> BMW 5 (E39),5 Touring (E39)
49727	<b>Lenker, Radaufhängung, Track Control Arm, Bras de liaison, suspension de roue</b> BMW 5 (E39),5 Touring (E39)
49728	<b>Lenker, Radaufhängung, Track Control Arm, Bras de liaison, suspension de roue</b> BMW 5 (E39),5 Touring (E39)
49729	<b>Stange/Strebe, Stabilisator, Rod/Strut, stabiliser, Entretoise/tige, stabilisateur</b> AUDI A8 (4D2, 4D8)
49730	<b>Spurstange, Rod Assembly, Barre de connexion</b> ALPINA B7 Coupe (E24),B7 (E28),B9 Coupe (E24),B9 (E28),BMW 5 (E28),6 (E24)
49731	<b>Spurstange, Rod Assembly, Barre de connexion</b> ALPINA B7 Coupe (E24),B7 (E28),B9 Coupe (E24),B9 (E28),BMW 5 (E28),6 (E24)
49732	<b>Spurstange, Rod Assembly, Barre de connexion</b> AUDI A4 Avant (8D5, B5),A4 (8D2, B5),A4 (8E2, B6),A6 Avant (4B, C5),A6 (4B, C5),A8 (4D2, 4D8),SKODA SUPERB (3U4),VW PASSAT Variant (3B5),PASSAT Variant (3B6),PASSAT (3B2),PASSAT (3B3)
49733	<b>Lenker, Radaufhängung, Track Control Arm, Bras de liaison, suspension de roue</b> ALPINA B3 Cabriolet (E30),B3 (E30),B3 Kombi (E30),C1 (E30),C2 Cabriolet (E30),C2 (E30),BMW Z1,3 Cabriolet (E30),3 (E30),3 Touring (E30)
49734	<b>Lenker, Radaufhängung, Track Control Arm, Bras de liaison, suspension de roue</b> ALPINA B3 Cabriolet (E30),B3 (E30),B3 Kombi (E30),C1 (E30),C2 Cabriolet (E30),C2 (E30),BMW Z1,3 Cabriolet (E30),3 (E30),3 Touring (E30)
49735	<b>Spurstangenkopf, Tie Rod End, Rotule de barre de connexion</b> BMW 5 (E39),5 Touring (E39)
49736	<b>Spurstangenkopf, Tie Rod End, Rotule de barre de connexion</b> BMW 5 (E39),5 Touring (E39)
49737	<b>Axialgelenk, Spurstange, Tie Rod Axle Joint, Rotule de direction intérieure, barre de connexion</b> FORD ESCORT CLASSIC (AAL, ABL),ESCORT CLASSIC Turnier (ANL),ESCORT V Cabriolet (ALL),ESCORT V (GAL),ESCORT V Kombi (GAL, AVL),ESCORT VI Cabriolet (ALL),ESCORT VI (GAL),ESCORT VI Kombi (GAL),ESCORT VI Stufenheck (GAL),ESCORT VII Cabriolet (ALL),ESCORT VII (GAL, AAL, ABL),ESCORT VII Kombi (GAL, ANL),ESCORT VII Stufenheck (GAL, AFL),ESCORT '91 Express (AVL),ESCORT '95 Express (AVL),ORION III (GAL)
49738	<b>Axialgelenk, Spurstange, Tie Rod Axle Joint, Rotule de direction intérieure, barre de connexion</b> AUDI ALLROAD (4BH, C5),A4 Avant (8D5, B5),A4 Avant (8ED, B7),A4 Avant (8E5, B6),A4 Cabriolet (8HT, B6, 8HE, B7),A4 (8D2, B5),A4 (8EC, B7),A4 (8E2, B6),A6 Avant (4B, C5),A6 (4B, C5),A8 (4D2, 4D8),AUDI (FAW) A4 Stufenheck (B6),A4 Stufenheck (B7),A6L Stufenheck (C5),SEAT EXEO ST (3R5),EXEO (3R2),SKODA SUPERB (3U4),VW PASSAT Variant (3B5),PASSAT Variant (3B6),PASSAT (3B2),PASSAT (3B3),VW (SVW) PASSAT Stufenheck (B5)
49739	<b>Spurstangenkopf, Tie Rod End, Rotule de barre de connexion</b> ALPINA B12 (E38),BMW 7 (E38)
49740	<b>Spurstangenkopf, Tie Rod End, Rotule de barre de connexion</b> ALPINA B12 (E38),BMW 7 (E38)
49741	<b>Spurstange, Rod Assembly, Barre de connexion</b> ALPINA B12 (E38),BMW 7 (E38)
49742	<b>Spurstangenkopf, Tie Rod End, Rotule de barre de connexion</b>

	ISUZU CAMPO (KB),TROOPER Soft Top (UBS),TROOPER (UBS),OPEL CAMPO (TF_),FRONTERA A Sport (5_SUD2),FRONTERA A (5_MWL4),MONTEREY A (UBS_),VAUXHALL BRAVA Pick-up,MONTEREY,MONTEREY Mk II
<b>49743</b>	<b>Spurstangenkopf, Tie Rod End, Rotule de barre de connexion</b>
	ISUZU CAMPO (KB),TROOPER Soft Top (UBS),TROOPER (UBS),OPEL CAMPO (TF_),FRONTERA A Sport (5_SUD2),FRONTERA A (5_MWL4),MONTEREY A (UBS_),MONTEREY B,VAUXHALL BRAVA Pick-up,MONTEREY,MONTEREY Mk II
<b>49744</b>	<b>Trag-/Führungsgelenk, Ball Joint, Rotule de suspension</b>
	ISUZU CAMPO (KB),TROOPER Soft Top (UBS),TROOPER (UBS),OPEL CAMPO (TF_),FRONTERA A Sport (5_SUD2),FRONTERA A (5_MWL4),FRONTERA B (6B_),MONTEREY A (UBS_),MONTEREY B,VAUXHALL BRAVA Pick-up,FRONTERA Mk I (A),FRONTERA Mk I (A) Sport,MONTEREY,MONTEREY Mk II
<b>49745</b>	<b>Trag-/Führungsgelenk, Ball Joint, Rotule de suspension</b>
	ISUZU CAMPO (KB),TROOPER Soft Top (UBS),TROOPER (UBS),OPEL CAMPO (TF_),FRONTERA A Sport (5_SUD2),FRONTERA A (5_MWL4),FRONTERA B (6B_),MONTEREY A (UBS_),MONTEREY B,VAUXHALL BRAVA Pick-up,FRONTERA Mk I (A),FRONTERA Mk I (A) Sport,FRONTERA Mk II (B),MONTEREY,MONTEREY Mk II
<b>49746</b>	<b>Axialgelenk, Spurstange, Tie Rod Axle Joint, Rotule de direction intérieure, barre de connexion</b>
	BMW 5 (E39),5 Touring (E39)
<b>49749HPS</b>	<b>Stange/Strebe, Stabilisator, Rod/Strut, stabiliser, Entretroise/tige, stabilisateur</b>
	FIAT CROMA (194),OPEL SIGNUM,VECTRA C,VECTRA C Caravan,VECTRA C GTS,SAAB 9-3 Cabriolet (YS3F),9-3 (YS3F)
<b>49750</b>	<b>Spurstange, Rod Assembly, Barre de connexion</b>
	OPEL ASTRA F Cabriolet (53_B),ASTRA F Caravan (51_, 52_),ASTRA F CC (53_, 54_, 58_, 59_),ASTRA F Van (55_),ASTRA F (56_, 57_),CALIBRA A (85_),VECTRA A CC (88_, 89_),VECTRA A (86_, 87_),SAAB 900 II,900 II Cabriolet,900 II Coupe,9-3 Cabriolet (YS3D),9-3 (YS3D),VAUXHALL ASTRA Mk III (F),ASTRA Mk III (F) CC,ASTRA Mk III (F) Estate,ASTRAVAN Mk III (F),CALIBRA,CAVALIER Mk III CC,CAVALIER Mk III (87)
<b>49751</b>	<b>Spurstange, Rod Assembly, Barre de connexion</b>
	OPEL ASTRA F Cabriolet (53_B),ASTRA F Caravan (51_, 52_),ASTRA F CC (53_, 54_, 58_, 59_),ASTRA F Van (55_),ASTRA F (56_, 57_),CALIBRA A (85_),VECTRA A CC (88_, 89_),VECTRA A (86_, 87_),SAAB 900 II,900 II Cabriolet,900 II Coupe,9-3 Cabriolet (YS3D),9-3 (YS3D),VAUXHALL ASTRA Mk III (F),ASTRA Mk III (F) CC,ASTRA Mk III (F) Estate,ASTRAVAN Mk III (F),CALIBRA,CAVALIER Mk III CC,CAVALIER Mk III (87)
<b>49752</b>	<b>Axialgelenk, Spurstange, Tie Rod Axle Joint, Rotule de direction intérieure, barre de connexion</b>
	OPEL ASTRA F Cabriolet (53_B),ASTRA F Caravan (51_, 52_),ASTRA F CC (53_, 54_, 58_, 59_),ASTRA F Van (55_),ASTRA F (56_, 57_),CALIBRA A (85_),VECTRA A CC (88_, 89_),VECTRA A (86_, 87_),SAAB 900 II,900 II Cabriolet,900 II Coupe,9-3 Cabriolet (YS3D),VAUXHALL ASTRA Mk III (F),ASTRA Mk III (F) CC,ASTRA Mk III (F) Convertible,ASTRA Mk III (F) Estate,ASTRAVAN Mk III (F),CALIBRA,CAVALIER Mk III CC,CAVALIER Mk III (87)
<b>49753</b>	<b>Axialgelenk, Spurstange, Tie Rod Axle Joint, Rotule de direction intérieure, barre de connexion</b>
	OPEL ASTRA F Cabriolet (53_B),ASTRA F Caravan (51_, 52_),ASTRA F CC (53_, 54_, 58_, 59_),ASTRA F Van (55_),ASTRA F (56_, 57_),CALIBRA A (85_),VECTRA A CC (88_, 89_),VECTRA A (86_, 87_),SAAB 900 II,900 II Cabriolet,900 II Coupe,9-3 Cabriolet (YS3D),VAUXHALL ASTRA Mk III (F),ASTRA Mk III (F) CC,ASTRA Mk III (F) Convertible,ASTRA Mk III (F) Estate,ASTRAVAN Mk III (F),CALIBRA,CAVALIER Mk III CC,CAVALIER Mk III (87)
<b>49754</b>	<b>Axialgelenk, Spurstange, Tie Rod Axle Joint, Rotule de direction intérieure, barre de connexion</b>
	OPEL COMBO (71_),CORSA B Kasten (73_),CORSA B (73_, 78_, 79_),TIGRA (95_),VAUXHALL COMBO Mk I (B),CORSA Mk II (C) (W5L, F08),CORSAVAN Mk I (B),NOVA,NOVA CC,NOVAVAN,TIGRA Mk I (F07)
<b>49755</b>	<b>Axialgelenk, Spurstange, Tie Rod Axle Joint, Rotule de direction intérieure, barre de connexion</b>
	OPEL COMBO (71_),CORSA B Kasten (73_),CORSA B (73_, 78_, 79_),TIGRA (95_),VAUXHALL COMBO Mk I (B),CORSA Mk II (C) (W5L, F08),CORSAVAN Mk I (B),NOVA,NOVA CC,NOVAVAN,TIGRA Mk I (F07)
<b>49756</b>	<b>Lenker, Radaufhängung, Track Control Arm, Bras de liaison, suspension de roue</b>
	DAEWOO ESPERO (KLEJ),LANOS (KLAT),LANOS Stufenheck (KLAT),NEXIA (KLETN),NEXIA Stufenheck (KLETN),OPEL KADETT D Caravan (35_, 36_, 45_, 46_),KADETT D (31_-34_, 41_-44_),KADETT E Cabriolet (43B_),KADETT E Caravan (35_, 36_, 45_, 46_),KADETT E CC (33_, 34_, 43_, 44_),KADETT E Combo (38_, 48_),KADETT E Kasten (37_, 47_),KADETT E (39_, 49_),VAUXHALL ASTRA Mk II Belmont,ASTRA Mk II CC,ASTRA Mk II Convertible,ASTRA Mk II Estate
<b>49757</b>	<b>Lenker, Radaufhängung, Track Control Arm, Bras de liaison, suspension de roue</b>
	DAEWOO ESPERO (KLEJ),LANOS (KLAT),LANOS Stufenheck (KLAT),NEXIA (KLETN),NEXIA Stufenheck (KLETN),OPEL KADETT D Caravan (35_, 36_, 45_, 46_),KADETT D (31_-34_, 41_-44_),KADETT E Cabriolet (43B_),KADETT E Caravan (35_, 36_, 45_, 46_),KADETT E CC (33_, 34_, 43_, 44_),KADETT E Combo (38_, 48_),KADETT E Kasten (37_, 47_),KADETT E (39_, 49_),VAUXHALL ASTRA Mk II Belmont,ASTRA Mk II CC,ASTRA Mk II Convertible,ASTRA Mk II Estate
<b>49758</b>	<b>Spurstangenkopf, Tie Rod End, Rotule de barre de connexion</b>
	OPEL OMEGA B Caravan (21_, 22_, 23_),OMEGA B (25_, 26_, 27_)
<b>49759</b>	<b>Spurstangenkopf, Tie Rod End, Rotule de barre de connexion</b>
	OPEL OMEGA B Caravan (21_, 22_, 23_),OMEGA B (25_, 26_, 27_)
<b>49760</b>	<b>Spurstange, Rod Assembly, Barre de connexion</b>
	OPEL OMEGA A Caravan (66_, 67_),OMEGA A (16_, 17_, 19_),SENATOR B (29_),VAUXHALL CARLTON Mk II,CARLTON Mk II Estate,CARLTON Mk III,CARLTON Mk III Estate,SENATOR Mk II (B)
<b>49761</b>	<b>Spurstange, Rod Assembly, Barre de connexion</b>
	AUDI CABRIOLET (8G7, B4),COUPE (81, 85),COUPE (89, 8B),80 Avant (8C, B4),80 (8C, B4),80 (81, 85, B2),80 (89, 89Q, 8A, B3),90 (81, 85, B2),90 (89, 89Q, 8A, B3),VW PASSAT Stufenheck (32B),PASSAT Variant (32B),PASSAT (32B),SANTANA (32B)
<b>49762</b>	<b>Spurstange, Rod Assembly, Barre de connexion</b>
	AUDI COUPE (81, 85),80 (81, 85, B2),90 (81, 85, B2),VW PASSAT Stufenheck (32B),PASSAT Variant (32B),PASSAT (32B),SANTANA (32B)
<b>49763</b>	<b>Spurstange, Rod Assembly, Barre de connexion</b>
	AUDI CABRIOLET (8G7, B4),COUPE (89, 8B),80 Avant (8C, B4),80 (8C, B4),80 (89, 89Q, 8A, B3),90 (89, 89Q, 8A, B3)
<b>49764</b>	<b>Axialgelenk, Spurstange, Tie Rod Axle Joint, Rotule de direction intérieure, barre de connexion</b>
	VW TRANSPORTER T4 Bus (70XB, 70XC, 7DB, 7DW),TRANSPORTER T4 Kasten (70XA),TRANSPORTER T4 Pritsche/Fahrgestell (70XD)
<b>49766</b>	<b>Spurstange, Rod Assembly, Barre de connexion</b>
	VW TRANSPORTER T4 Bus (70XB, 70XC, 7DB, 7DW),TRANSPORTER T4 Kasten (70XA),TRANSPORTER T4 Pritsche/Fahrgestell (70XD)



49767	<b>Spurstange, Rod Assembly, Barre de connexion</b> VW TRANSPORTER T4 Bus (70XB, 70XC, 7DB, 7DW),TRANSPORTER T4 Kasten (70XA),TRANSPORTER T4 Pritsche/Fahrgestell (70XD)
49768	<b>Lenker, Radaufhängung, Track Control Arm, Bras de liaison, suspension de roue</b> AUDI COUPE (81, 85),COUPE (89, 8B),80 (8C, B4),80 (80, 82, B1),80 (81, 85, B2),80 (89, 89Q, 8A, B3),90 (81, 85, B2),90 (89, 89Q, 8A, B3),VW PASSAT Stufenheck (32B),PASSAT Variant (32B),PASSAT (32B),SANTANA (32B)
49769	<b>Lenker, Radaufhängung, Track Control Arm, Bras de liaison, suspension de roue</b> AUDI COUPE (81, 85),COUPE (89, 8B),QUATTRO (85),80 (81, 85, B2),80 (89, 89Q, 8A, B3),90 (81, 85, B2),90 (89, 89Q, 8A, B3),VW PASSAT Stufenheck (32B),PASSAT Variant (32B),PASSAT (32B),SANTANA (32B)
49769/1	<b>Lenker, Radaufhängung, Track Control Arm, Bras de liaison, suspension de roue</b> AUDI COUPE (89, 8B),80 (89, 89Q, 8A, B3),90 (89, 89Q, 8A, B3)
49770	<b>Lenker, Radaufhängung, Track Control Arm, Bras de liaison, suspension de roue</b> AUDI CABRIOLET (8G7, B4),COUPE (81, 85),COUPE (89, 8B),QUATTRO (85),80 Avant (8C, B4),80 (8C, B4),80 (81, 85, B2),80 (89, 89Q, 8A, B3),90 (81, 85, B2),90 (89, 89Q, 8A, B3),VW PASSAT Stufenheck (32B),PASSAT Variant (32B),PASSAT (32B),SANTANA (32B)
49770/1	<b>Lenker, Radaufhängung, Track Control Arm, Bras de liaison, suspension de roue</b> AUDI COUPE (89, 8B),80 (89, 89Q, 8A, B3),90 (89, 89Q, 8A, B3)
49773	<b>Spurstange, Rod Assembly, Barre de connexion</b> VW TRANSPORTER T4 Bus (70XB, 70XC, 7DB, 7DW),TRANSPORTER T4 Kasten (70XA),TRANSPORTER T4 Pritsche/Fahrgestell (70XD)
49774	<b>Spurstange, Rod Assembly, Barre de connexion</b> VW TRANSPORTER T4 Bus (70XB, 70XC, 7DB, 7DW),TRANSPORTER T4 Kasten (70XA),TRANSPORTER T4 Pritsche/Fahrgestell (70XD)
49775	<b>Lenker, Radaufhängung, Track Control Arm, Bras de liaison, suspension de roue</b> AUDI COUPE (89, 8B),80 (89, 89Q, 8A, B3),90 (89, 89Q, 8A, B3)
49776	<b>Lenker, Radaufhängung, Track Control Arm, Bras de liaison, suspension de roue</b> AUDI COUPE (89, 8B),80 (89, 89Q, 8A, B3),90 (89, 89Q, 8A, B3)
49777HPS	<b>Stange/Strebe, Stabilisator, Rod/Strut, stabiliser, Entretoise/tige, stabilisateur</b> OPEL ASTRA J,ASTRA Sports Tourer (J),INSIGNIA,INSIGNIA Sports Tourer,INSIGNIA Stufenheck,VAUXHALL ASTRA Mk VI (J),ASTRA Mk VI (J) Sports Tourer,INSIGNIA,INSIGNIA Sedan,INSIGNIA SPORTS TOURER
49778	<b>Stange/Strebe, Stabilisator, Rod/Strut, stabiliser, Entretoise/tige, stabilisateur</b> OPEL INSIGNIA,INSIGNIA Sports Tourer,INSIGNIA Stufenheck,VAUXHALL INSIGNIA,INSIGNIA Sedan,INSIGNIA SPORTS TOURER
49779	<b>Stange/Strebe, Stabilisator, Rod/Strut, stabiliser, Entretoise/tige, stabilisateur</b> OPEL INSIGNIA,INSIGNIA Sports Tourer,INSIGNIA Stufenheck
49780	<b>Spurstange, Rod Assembly, Barre de connexion</b> ALPINA B3 Cabriolet (E30),B3 (E30),B3 Kombi (E30),B6 (E30),C1 (E30),C2 Cabriolet (E30),C2 (E30),BMW 3 Cabriolet (E30),3 (E30),3 Touring (E30)
49781	<b>Spurstange, Rod Assembly, Barre de connexion</b> ALPINA B3 Cabriolet (E30),B3 (E30),B3 Kombi (E30),B6 (E30),C1 (E30),C2 Cabriolet (E30),C2 (E30),BMW 3 Cabriolet (E30),3 (E30),3 Touring (E30)
49781/1	<b>Axialgelenk, Spurstange, Tie Rod Axle Joint, Rotule de direction intérieure, barre de connexion</b> BMW 3 Cabriolet (E30),3 (E30),3 Touring (E30)
49782	<b>Spurstange, Rod Assembly, Barre de connexion</b> ALPINA B3 Cabriolet (E36),B3 Coupe (E36),B3 (E36),B3 Kombi (E36),B6 (E36),B7 Coupe (E24),B8 Cabriolet (E36),B8 Coupe (E36),B8 (E36),B8 Kombi (E36),B9 Coupe (E24),BMW Z3 Coupe (E36),Z3 (E36),3 Cabriolet (E36),3 Compact (E36),3 Coupe (E36),3 (E36),3 Touring (E36)
49783	<b>Spurstange, Rod Assembly, Barre de connexion</b> ALPINA B3 Cabriolet (E36),B3 Coupe (E36),B3 (E36),B3 Kombi (E36),B6 (E36),B7 Coupe (E24),B8 Cabriolet (E36),B8 Coupe (E36),B8 (E36),B8 Kombi (E36),B9 Coupe (E24),BMW Z3 Coupe (E36),Z3 (E36),3 Cabriolet (E36),3 Compact (E36),3 Coupe (E36),3 (E36),3 Touring (E36)
49785	<b>Spurstange, Rod Assembly, Barre de connexion</b> BMW Z3 Coupe (E36),Z3 (E36),3 Cabriolet (E36),3 Compact (E36),3 Coupe (E36),3 (E36),3 Touring (E36)
49786	<b>Stange/Strebe, Stabilisator, Rod/Strut, stabiliser, Entretoise/tige, stabilisateur</b> ALPINA B6 (E36),BMW Z1,Z3 Coupe (E36),Z3 (E36),3 Cabriolet (E30),3 Cabriolet (E36),3 Compact (E36),3 Coupe (E36),3 (E30),3 (E36),3 Touring (E30),3 Touring (E36),5 (E28),5 (E34),5 (E39),5 Touring (E34),5 Touring (E39),6 (E24),7 (E23),7 (E32)
49787	<b>Stange/Strebe, Stabilisator, Rod/Strut, stabiliser, Entretoise/tige, stabilisateur</b> BMW Z3 Coupe (E36),Z3 (E36),3 Cabriolet (E36),3 Compact (E36),3 Coupe (E36),3 (E36),3 Touring (E36),5 (E34),5 Touring (E34),7 (E32)
49788	<b>Stange/Strebe, Stabilisator, Rod/Strut, stabiliser, Entretoise/tige, stabilisateur</b> ALPINA B10 (E34),B10 Kombi (E34),B11 (E32),B12 (E32),B7 Coupe (E24),B7 (E28),B9 Coupe (E24),B9 (E28),BMW 5 (E28),5 (E34),5 Touring (E34),6 (E24),7 (E23),7 (E32)
49789	<b>Spurstange, Rod Assembly, Barre de connexion</b> AUDI A6 Avant (4A, C4),A6 (4A, C4),100 Avant (4A, C4),100 (4A, C4)
49790	<b>Spurstange, Rod Assembly, Barre de connexion</b> AUDI A6 Avant (4A, C4),A6 Avant (4B, C5),A6 (4A, C4),100 Avant (4A, C4),100 (4A, C4)
49793	<b>Stange/Strebe, Stabilisator, Rod/Strut, stabiliser, Entretoise/tige, stabilisateur</b> AUDI TT Roadster (8N9),TT (8N3)
49794	<b>Stange/Strebe, Stabilisator, Rod/Strut, stabiliser, Entretoise/tige, stabilisateur</b> AUDI TT Roadster (8N9),TT (8N3)
49795HPS	<b>Stange/Strebe, Stabilisator, Rod/Strut, stabiliser, Entretoise/tige, stabilisateur</b> BMW Z8 (E52),7 (E38)



49796	<b>Stange/Strebe, Stabilisator, Rod/Strut, stabiliser, Entretoise/tige, stabilisateur</b> BMW 7 (E38)
49799	<b>Stange/Strebe, Stabilisator, Rod/Strut, stabiliser, Entretoise/tige, stabilisateur</b> BMW 3 Cabriolet (E46),3 Coupe (E46),3 (E46),3 Touring (E46)
49800	<b>Spurstangenkopf, Tie Rod End, Rotule de barre de connexion</b> MERCEDES-BENZ C-KLASSE Kombi (S202),C-KLASSE (W202),CLK Cabriolet (A208),CLK (C208),SLK (R170)
49801	<b>Spurstange, Rod Assembly, Barre de connexion</b> MERCEDES-BENZ C-KLASSE Kombi (S202),C-KLASSE (W202),CLK Cabriolet (A208),CLK (C208)
49802	<b>Trag-/Führungsgelenk, Ball Joint, Rotule de suspension</b> MERCEDES-BENZ C-KLASSE Kombi (S202),C-KLASSE (W202),CLK Cabriolet (A208),CLK (C208),E-KLASSE Cabriolet (A124),E-KLASSE Kombi (S210),E-KLASSE (W210),SLK (R170)
49803	<b>Lenker, Radaufhängung, Track Control Arm, Bras de liaison, suspension de roue</b> MERCEDES-BENZ C-KLASSE Kombi (S202),C-KLASSE (W202),CLK Cabriolet (A208),CLK (C208),E-KLASSE Kombi (S210),E-KLASSE (W210),SLK (R170)
49804	<b>Lenker, Radaufhängung, Track Control Arm, Bras de liaison, suspension de roue</b> MERCEDES-BENZ C-KLASSE Kombi (S202),C-KLASSE (W202),CLK Cabriolet (A208),CLK (C208),E-KLASSE Kombi (S210),E-KLASSE (W210),SLK (R170)
49805	<b>Spurstangenkopf, Tie Rod End, Rotule de barre de connexion</b> MERCEDES-BENZ E-KLASSE Kombi (S210),E-KLASSE (W210)
49806	<b>Spurstangenkopf, Tie Rod End, Rotule de barre de connexion</b> MERCEDES-BENZ E-KLASSE Kombi (S210),E-KLASSE (W210)
49807	<b>Axialgelenk, Spurstange, Tie Rod Axle Joint, Rotule de direction intérieure, barre de connexion</b> MERCEDES-BENZ E-KLASSE Kombi (S210),E-KLASSE (W210)
49808	<b>Lenker, Radaufhängung, Track Control Arm, Bras de liaison, suspension de roue</b> MERCEDES-BENZ E-KLASSE Kombi (S210),E-KLASSE (W210)
49809	<b>Lenker, Radaufhängung, Track Control Arm, Bras de liaison, suspension de roue</b> MERCEDES-BENZ E-KLASSE Kombi (S210),E-KLASSE (W210)
49811HPS	<b>Stange/Strebe, Stabilisator, Rod/Strut, stabiliser, Entretoise/tige, stabilisateur</b> MERCEDES-BENZ E-KLASSE Kombi (S210),E-KLASSE (W210)
49812HPS	<b>Stange/Strebe, Stabilisator, Rod/Strut, stabiliser, Entretoise/tige, stabilisateur</b> MERCEDES-BENZ E-KLASSE Kombi (S210),E-KLASSE (W210)
49813	<b>Spurstange, Rod Assembly, Barre de connexion</b> MERCEDES-BENZ CABRIOLET (A124),COUPE (C124),E-KLASSE Cabriolet (A124),E-KLASSE Coupe (C124),E-KLASSE Kombi (S124),E-KLASSE (W124),KOMBI Kombi (S124),Stufenheck (W124)
49814/1	<b>Lenker, Radaufhängung, Track Control Arm, Bras de liaison, suspension de roue</b> MERCEDES-BENZ A-KLASSE (W168)
49814/2	<b>Lenker, Radaufhängung, Track Control Arm, Bras de liaison, suspension de roue</b> MERCEDES-BENZ A-KLASSE (W168)
49815	<b>Lenker, Radaufhängung, Track Control Arm, Bras de liaison, suspension de roue</b> MERCEDES-BENZ CABRIOLET (A124),COUPE (C124),E-KLASSE Coupe (C124),E-KLASSE Kombi (S124),E-KLASSE (W124),KOMBI Kombi (S124),Stufenheck (W124),190 (W201)
49816	<b>Lenker, Radaufhängung, Track Control Arm, Bras de liaison, suspension de roue</b> MERCEDES-BENZ CABRIOLET (A124),COUPE (C124),E-KLASSE Coupe (C124),E-KLASSE Kombi (S124),E-KLASSE (W124),KOMBI Kombi (S124),Stufenheck (W124),190 (W201)
49817	<b>Lenker, Radaufhängung, Track Control Arm, Bras de liaison, suspension de roue</b> MERCEDES-BENZ CABRIOLET (A124),COUPE (C124),E-KLASSE Cabriolet (A124),E-KLASSE Coupe (C124),E-KLASSE Kombi (S124),E-KLASSE (W124),KOMBI Kombi (S123),KOMBI Kombi (S124),SL (R129),Stufenheck (W124),190 (W201)
49818	<b>Lenker, Radaufhängung, Track Control Arm, Bras de liaison, suspension de roue</b> MERCEDES-BENZ CABRIOLET (A124),COUPE (C124),E-KLASSE Cabriolet (A124),E-KLASSE Coupe (C124),E-KLASSE Kombi (S124),E-KLASSE (W124),KOMBI Kombi (S123),KOMBI Kombi (S124),SL (R129),Stufenheck (W124),190 (W201)
49819	<b>Lenker, Radaufhängung, Track Control Arm, Bras de liaison, suspension de roue</b> MERCEDES-BENZ S-KLASSE Coupe (C140),S-KLASSE (W140)
49820	<b>Lenker, Radaufhängung, Track Control Arm, Bras de liaison, suspension de roue</b> MERCEDES-BENZ S-KLASSE Coupe (C140),S-KLASSE (W140)
49821	<b>Lenker, Radaufhängung, Track Control Arm, Bras de liaison, suspension de roue</b> MERCEDES-BENZ C-KLASSE Kombi (S202),C-KLASSE (W202),SLK (R170)
49822	<b>Lenker, Radaufhängung, Track Control Arm, Bras de liaison, suspension de roue</b> MERCEDES-BENZ C-KLASSE Kombi (S202),C-KLASSE (W202),SLK (R170)
49823	<b>Spurstangenkopf, Tie Rod End, Rotule de barre de connexion</b> MERCEDES-BENZ A-KLASSE (W168)
49824	<b>Spurstangenkopf, Tie Rod End, Rotule de barre de connexion</b> MERCEDES-BENZ A-KLASSE (W168)



49825	<b>Trag-/Führungsgelenk, Ball Joint, Rotule de suspension</b> MERCEDES-BENZ A-KLASSE (W168)
49826	<b>Stange/Strebe, Stabilisator, Rod/Strut, stabiliser, Entretoise/tige, stabilisateur</b> MERCEDES-BENZ S-KLASSE Coupe (C140),S-KLASSE (W140)
49827	<b>Stange/Strebe, Stabilisator, Rod/Strut, stabiliser, Entretoise/tige, stabilisateur</b> MERCEDES-BENZ S-KLASSE Coupe (C140),S-KLASSE (W140)
49828	<b>Lenker, Radaufhängung, Track Control Arm, Bras de liaison, suspension de roue</b> MERCEDES-BENZ CABRIOLET (A124),COUPE (C124),E-KLASSE Coupe (C124),E-KLASSE Kombi (S124),E-KLASSE (W124),KOMBI Kombi (S124),SL (R129),Stufenheck (W124)
49829	<b>Lenker, Radaufhängung, Track Control Arm, Bras de liaison, suspension de roue</b> MERCEDES-BENZ CABRIOLET (A124),COUPE (C124),E-KLASSE Coupe (C124),E-KLASSE Kombi (S124),E-KLASSE (W124),KOMBI Kombi (S124),SL (R129),Stufenheck (W124)
49831	<b>Trag-/Führungsgelenk, Ball Joint, Rotule de suspension</b> MERCEDES-BENZ SPRINTER 2-t Bus (901, 902),SPRINTER 2-t Kasten (901, 902),SPRINTER 2-t Pritsche/Fahrgestell (901, 902),SPRINTER 3-t Bus (903),SPRINTER 3-t Kasten (903),SPRINTER 3-t Pritsche/Fahrgestell (903),SPRINTER 4-t Bus (904),SPRINTER 4-t Kasten (904),SPRINTER 4-t Pritsche/Fahrgestell (904),VW LT 28-35 II Bus (2DM),LT 28-46 II Kasten (2DX0AE),LT 28-46 II Pritsche/Fahrgestell (2DX0FE)
49833	<b>Axialgelenk, Spurstange, Tie Rod Axle Joint, Rotule de direction intérieure, barre de connexion</b> MERCEDES-BENZ SPRINTER 2-t Bus (901, 902),SPRINTER 2-t Kasten (901, 902),SPRINTER 2-t Pritsche/Fahrgestell (901, 902),SPRINTER 3-t Bus (903),SPRINTER 3-t Kasten (903),SPRINTER 3-t Pritsche/Fahrgestell (903),SPRINTER 4-t Bus (904),SPRINTER 4-t Kasten (904),SPRINTER 4-t Pritsche/Fahrgestell (904),VW LT 28-35 II Bus (2DM),LT 28-46 II Kasten (2DX0AE),LT 28-46 II Pritsche/Fahrgestell (2DX0FE)
49834HPS	<b>Stange/Strebe, Stabilisator, Rod/Strut, stabiliser, Entretoise/tige, stabilisateur</b> MERCEDES-BENZ A-KLASSE (W168)
49837	<b>Axialgelenk, Spurstange, Tie Rod Axle Joint, Rotule de direction intérieure, barre de connexion</b> MERCEDES-BENZ VITO Bus (638),VITO Kasten (638),V-KLASSE (638/2)
49838	<b>Spurstange, Rod Assembly, Barre de connexion</b> MERCEDES-BENZ VITO Bus (638),VITO Kasten (638)
49839	<b>Trag-/Führungsgelenk, Ball Joint, Rotule de suspension</b> MERCEDES-BENZ VITO Bus (638),VITO Kasten (638)
49840HPS	<b>Stange/Strebe, Stabilisator, Rod/Strut, stabiliser, Entretoise/tige, stabilisateur</b> MERCEDES-BENZ VITO Bus (638),VITO Kasten (638),V-KLASSE (638/2)
49841HPS	<b>Stange/Strebe, Stabilisator, Rod/Strut, stabiliser, Entretoise/tige, stabilisateur</b> MERCEDES-BENZ VITO Bus (638),VITO Kasten (638),V-KLASSE (638/2)
49843	<b>Stange/Strebe, Stabilisator, Rod/Strut, stabiliser, Entretoise/tige, stabilisateur</b> MERCEDES-BENZ VITO Bus (638),VITO Kasten (638),V-KLASSE (638/2)
49844	<b>Lenkstange, Centre Rod Assembly, Barre de direction</b> MERCEDES-BENZ T1 Bus (601),T1 Bus (602),T1 Kasten (601),T1 Kasten (602),T1 Pritsche/Fahrgestell (601),T1 Pritsche/Fahrgestell (602),T2/L Kasten/Kombi,T2/L Kipper,T2/L Pritsche/Fahrgestell
49845	<b>Lenkstange, Centre Rod Assembly, Barre de direction</b> MERCEDES-BENZ T1 Kasten (601),T1 Pritsche/Fahrgestell (601),T1/TN Kasten/Kombi
49847	<b>Spurstangenkopf, Tie Rod End, Rotule de barre de connexion</b> MERCEDES-BENZ T1 Kasten (601),T1 Kasten (602),T1 Pritsche/Fahrgestell (601),T1 Pritsche/Fahrgestell (602),T1/TN Kasten/Kombi
49848	<b>Spurstangenkopf, Tie Rod End, Rotule de barre de connexion</b> MERCEDES-BENZ T1 Kasten (601),T1 Kasten (602),T1 Pritsche/Fahrgestell (601),T1 Pritsche/Fahrgestell (602),T1/TN Kasten/Kombi
49849	<b>Spurstangenkopf, Tie Rod End, Rotule de barre de connexion</b> MERCEDES-BENZ T1 Kasten (601),T1 Pritsche/Fahrgestell (601)
49850	<b>Stange/Strebe, Stabilisator, Rod/Strut, stabiliser, Entretoise/tige, stabilisateur</b> SEAT CORDOBA Vario (6K5),CORDOBA (6K1, 6K2),IBIZA II (6K1),TOLEDO I (1L),VW CORRADO (53I),GOLF I Cabriolet (155),GOLF I (17),GOLF II (19E, 1G1),GOLF III Cabriolet (1E7),GOLF III Variant (1H5),GOLF III (1H1),GOLF IV Cabriolet (1E7),JETTA I (16),JETTA II (19E, 1G2, 165),VENTO (1H2)
49851	<b>Stange/Strebe, Stabilisator, Rod/Strut, stabiliser, Entretoise/tige, stabilisateur</b> VW TRANSPORTER T4 Bus (70XB, 70XC, 7DB, 7DW),TRANSPORTER T4 Kasten (70XA),TRANSPORTER T4 Pritsche/Fahrgestell (70XD)
49852	<b>Lenker, Radaufhängung, Track Control Arm, Bras de liaison, suspension de roue</b> VW TRANSPORTER T4 Bus (70XB, 70XC, 7DB, 7DW),TRANSPORTER T4 Kasten (70XA),TRANSPORTER T4 Pritsche/Fahrgestell (70XD)
49853	<b>Lenker, Radaufhängung, Track Control Arm, Bras de liaison, suspension de roue</b> VW TRANSPORTER T4 Bus (70XB, 70XC, 7DB, 7DW),TRANSPORTER T4 Kasten (70XA),TRANSPORTER T4 Pritsche/Fahrgestell (70XD)
49854	<b>Lenker, Radaufhängung, Track Control Arm, Bras de liaison, suspension de roue</b> VW TRANSPORTER T4 Bus (70XB, 70XC, 7DB, 7DW),TRANSPORTER T4 Kasten (70XA),TRANSPORTER T4 Pritsche/Fahrgestell (70XD)
49855	<b>Lenker, Radaufhängung, Track Control Arm, Bras de liaison, suspension de roue</b> VW TRANSPORTER T4 Bus (70XB, 70XC, 7DB, 7DW),TRANSPORTER T4 Kasten (70XA),TRANSPORTER T4 Pritsche/Fahrgestell (70XD)
49856HPS	<b>Stange/Strebe, Stabilisator, Rod/Strut, stabiliser, Entretoise/tige, stabilisateur</b> FORD GALAXY (WGR),SEAT ALHAMBRA (7V8, 7V9),VW SHARAN (7M8, 7M9, 7M6)
49857	<b>Spurstangenkopf, Tie Rod End, Rotule de barre de connexion</b> FORD GALAXY (WGR),SEAT ALHAMBRA (7V8, 7V9),VW SHARAN (7M8, 7M9, 7M6)

49858	<b>Spurstangenkopf, Tie Rod End, Rotule de barre de connexion</b> FORD GALAXY (WGR),SEAT ALHAMBRA (7V8, 7V9),VW SHARAN (7M8, 7M9, 7M6)
49860	<b>Stange/Strebe, Stabilisator, Rod/Strut, stabiliser, Entretoise/tige, stabilisateur</b> VW PASSAT Variant (3A5, 35I),PASSAT (3A2, 35I)
49860/1	<b>Stange/Strebe, Stabilisator, Rod/Strut, stabiliser, Entretoise/tige, stabilisateur</b> VW PASSAT Variant (3A5, 35I),PASSAT (3A2, 35I)
49860/9	<b>Lagerung, Stabilisator, Stabiliser Mounting, Suspension, stabilisateur</b> VW PASSAT Variant (3A5, 35I),PASSAT (3A2, 35I)
49861	<b>Trag-/Führungsgelenk, Ball Joint, Rotule de suspension</b> FORD GALAXY (WGR),SEAT ALHAMBRA (7V8, 7V9),VW SHARAN (7M8, 7M9, 7M6)
49862	<b>Stange/Strebe, Stabilisator, Rod/Strut, stabiliser, Entretoise/tige, stabilisateur</b> SEAT AROSA (6H),VW LUPO (6X1, 6E1),POLO Kasten (6NF),POLO (6N1),POLO (6N2)
49862/1	<b>Stange/Strebe, Stabilisator, Rod/Strut, stabiliser, Entretoise/tige, stabilisateur</b> SEAT AROSA (6H),VW LUPO (6X1, 6E1),POLO Kasten (6NF),POLO (6N1),POLO (6N2)
49862/9	<b>Lagerung, Stabilisator, Stabiliser Mounting, Suspension, stabilisateur</b> SEAT AROSA (6H),CORDOBA Vario (6K5),CORDOBA (6K1, 6K2),CORDOBA (6K2),IBIZA II (6K1),IBIZA III (6K1),INCA (6K9),TOLEDO I (1L),VW CADDY II Kasten (9K9A),CADDY II Kombi (9K9B),CADDY II Pick-up (9U7),CORRADO (53I),GOLF II (19E, 1G1),GOLF III Cabriolet (1E7),GOLF III Variant (1H5),GOLF III (1H1),GOLF IV Cabriolet (1E7),JETTA II (19E, 1G2, 165),LUPO (6X1, 6E1),PASSAT Variant (3A5, 35I),PASSAT (3A2, 35I),POLO CLASSIC (6KV2),POLO Coupe (86C, 80),POLO Kasten (6NF),POLO Variant (6KV5),POLO (6N1),POLO (6N2),POLO (9N_),VENTO (1H2)
49863	<b>Stange/Strebe, Stabilisator, Rod/Strut, stabiliser, Entretoise/tige, stabilisateur</b> VW TRANSPORTER T4 Bus (70XB, 70XC, 7DB, 7DW),TRANSPORTER T4 Kasten (70XA),TRANSPORTER T4 Pritsche/Fahrgestell (70XD)
49865	<b>Stange/Strebe, Stabilisator, Rod/Strut, stabiliser, Entretoise/tige, stabilisateur</b> VW PASSAT (3A2, 35I)
49865/1	<b>Stange/Strebe, Stabilisator, Rod/Strut, stabiliser, Entretoise/tige, stabilisateur</b> VW PASSAT (3A2, 35I)
49866	<b>Axialgelenk, Spurstange, Tie Rod Axle Joint, Rotule de direction intérieure, barre de connexion</b> FORD GALAXY (WGR),SEAT ALHAMBRA (7V8, 7V9),VW SHARAN (7M8, 7M9, 7M6)
49866/1	<b>Spurstange, Rod Assembly, Barre de connexion</b> FORD GALAXY (WGR),SEAT ALHAMBRA (7V8, 7V9),VW SHARAN (7M8, 7M9, 7M6)
49866/2	<b>Spurstange, Rod Assembly, Barre de connexion</b> FORD GALAXY (WGR),SEAT ALHAMBRA (7V8, 7V9),VW SHARAN (7M8, 7M9, 7M6)
49867	<b>Stange/Strebe, Stabilisator, Rod/Strut, stabiliser, Entretoise/tige, stabilisateur</b> AUDI A3 (8L1),SKODA OCTAVIA Combi (1U5),OCTAVIA (1U2),VW BORA Kombi (1J6),BORA (1J2),GOLF IV Variant (1J5),GOLF IV (1J1),NEW BEETLE Cabriolet (1Y7),NEW BEETLE (9C1, 1C1)
49868	<b>Stange/Strebe, Stabilisator, Rod/Strut, stabiliser, Entretoise/tige, stabilisateur</b> AUDI A3 (8L1),SEAT LEON (1M1),TOLEDO II (1M2),SKODA OCTAVIA Combi (1U5),OCTAVIA (1U2),VW BORA Kombi (1J6),BORA (1J2),GOLF IV Cabriolet (1E7),GOLF IV Variant (1J5),GOLF IV (1J1),NEW BEETLE Cabriolet (1Y7),NEW BEETLE (9C1, 1C1)
49869	<b>Spurstange, Rod Assembly, Barre de connexion</b> AUDI A3 (8L1),SKODA OCTAVIA (1U2),VW GOLF III Variant (1H5),GOLF III (1H1),GOLF IV Variant (1J5),GOLF IV (1J1),NEW BEETLE (9C1, 1C1),VENTO (1H2)
49870	<b>Spurstange, Rod Assembly, Barre de connexion</b> AUDI A3 (8L1),SKODA OCTAVIA (1U2),VW GOLF III Variant (1H5),GOLF III (1H1),GOLF IV Variant (1J5),GOLF IV (1J1),NEW BEETLE (9C1, 1C1),VENTO (1H2)
49871	<b>Spurstangenkopf, Tie Rod End, Rotule de barre de connexion</b> SEAT AROSA (6H),VW POLO Kasten (6NF),POLO (6N1),POLO (6N2)
49872	<b>Spurstangenkopf, Tie Rod End, Rotule de barre de connexion</b> SEAT AROSA (6H),VW POLO Kasten (6NF),POLO (6N1),POLO (6N2)
49873	<b>Spurstange, Rod Assembly, Barre de connexion</b> SEAT TOLEDO I (1L),VW CORRADO (53I),GOLF III (1H1),VENTO (1H2)
49874	<b>Spurstange, Rod Assembly, Barre de connexion</b> SEAT TOLEDO I (1L),VW CORRADO (53I),GOLF III (1H1),VENTO (1H2)
49876	<b>Lenker, Radaufhängung, Track Control Arm, Bras de liaison, suspension de roue</b> FORD GALAXY (WGR),SEAT ALHAMBRA (7V8, 7V9),VW SHARAN (7M8, 7M9, 7M6)
49877	<b>Lenker, Radaufhängung, Track Control Arm, Bras de liaison, suspension de roue</b> FORD GALAXY (WGR),SEAT ALHAMBRA (7V8, 7V9),VW SHARAN (7M8, 7M9, 7M6)
49878	<b>Spurstange, Rod Assembly, Barre de connexion</b> VW DERBY (86C, 80),POLO (86C, 80)
49880	<b>Spurstangenkopf, Tie Rod End, Rotule de barre de connexion</b> MERCEDES-BENZ T1 Kasten (601),T1 Pritsche/Fahrgestell (601)
49881	<b>Spurstangenkopf, Tie Rod End, Rotule de barre de connexion</b> MERCEDES-BENZ O 100,100 Bus (631),100 Kasten (631),100 Pritsche/Fahrgestell (631)



49882	<b>Spurstangenkopf, Tie Rod End, Rotule de barre de connexion</b> MERCEDES-BENZ 100 Bus (631),100 Kasten (631),100 Pritsche/Fahrgestell (631)
49883	<b>Spurstangenkopf, Tie Rod End, Rotule de barre de connexion</b> MERCEDES-BENZ 100 Bus (631),100 Kasten (631),100 Pritsche/Fahrgestell (631)
49884	<b>Spurstangenkopf, Tie Rod End, Rotule de barre de connexion</b> MERCEDES-BENZ 100 Bus (631),100 Kasten (631),100 Pritsche/Fahrgestell (631)
49886	<b>Spurstange, Rod Assembly, Barre de connexion</b> MERCEDES-BENZ O 100,100 Bus (631),100 Kasten (631),100 Pritsche/Fahrgestell (631)
49888	<b>Stange/Strebe, Radaufhängung, Rod/Strut, wheel suspension, Bielle de barre stabilisatrice</b> MERCEDES-BENZ S-KLASSE Coupe (C140),S-KLASSE (W140)
49889	<b>Stange/Strebe, Radaufhängung, Rod/Strut, wheel suspension, Bielle de barre stabilisatrice</b> MERCEDES-BENZ S-KLASSE Coupe (C140),S-KLASSE (W140)
49890	<b>Stange/Strebe, Radaufhängung, Rod/Strut, wheel suspension, Bielle de barre stabilisatrice</b> MERCEDES-BENZ S-KLASSE Coupe (C140),S-KLASSE (W140)
49891	<b>Trag-/Führungsgelenk, Ball Joint, Rotule de suspension</b> MERCEDES-BENZ S-KLASSE Coupe (C140),S-KLASSE (W140)
49892	<b>Spurstange, Rod Assembly, Barre de connexion</b> MERCEDES-BENZ S-KLASSE Coupe (C140),S-KLASSE (W140)
49893	<b>Stange/Strebe, Radaufhängung, Rod/Strut, wheel suspension, Bielle de barre stabilisatrice</b> MERCEDES-BENZ S-KLASSE Coupe (C140),S-KLASSE (W140)
49894	<b>Axialgelenk, Spurstange, Tie Rod Axle Joint, Rotule de direction intérieure, barre de connexion</b> MERCEDES-BENZ A-KLASSE (W168),VANEO (414)
49895HPS	<b>Stange/Strebe, Stabilisator, Rod/Strut, stabiliser, Entretoise/tige, stabilisateur</b> MERCEDES-BENZ C-KLASSE Kombi (S203),C-KLASSE Sportcoupe (CL203),C-KLASSE (W203),CLC-KLASSE (CL203),CLK Cabriolet (A209),CLK (C209)
49896	<b>Lenker, Radaufhängung, Track Control Arm, Bras de liaison, suspension de roue</b> MERCEDES-BENZ S-KLASSE Coupe (C126),S-KLASSE (W126)
49897	<b>Lenker, Radaufhängung, Track Control Arm, Bras de liaison, suspension de roue</b> MERCEDES-BENZ S-KLASSE Coupe (C126),S-KLASSE (W126)
49898	<b>Spurstange, Rod Assembly, Barre de connexion</b> MERCEDES-BENZ S-KLASSE Coupe (C126),S-KLASSE (W116),S-KLASSE (W126)
49899	<b>Spurstange, Rod Assembly, Barre de connexion</b> MERCEDES-BENZ S-KLASSE Coupe (C126),S-KLASSE (W116),S-KLASSE (W126)
49900	<b>Axialgelenk, Spurstange, Tie Rod Axle Joint, Rotule de direction intérieure, barre de connexion</b> VOLVO S90,V90 Kombi,740 Kombi (745),740 (744),760 Kombi (704, 765),760 (704, 764),780,940 II Kombi (945),940 II (944),940 Kombi (945),940 (944),960 II Kombi (965),960 II (964),960 Kombi (965),960 (964)
49901HPS	<b>Stange/Strebe, Stabilisator, Rod/Strut, stabiliser, Entretoise/tige, stabilisateur</b> VOLVO 440 K (445),460 L (464),480 E
49902HPS	<b>Stange/Strebe, Stabilisator, Rod/Strut, stabiliser, Entretoise/tige, stabilisateur</b> VOLVO 440 K (445),460 L (464),480 E
49903	<b>Lenker, Radaufhängung, Track Control Arm, Bras de liaison, suspension de roue</b> ROVER 100 Cabriolet (XP),100 (METRO) (XP)
49904	<b>Lenker, Radaufhängung, Track Control Arm, Bras de liaison, suspension de roue</b> ROVER 100 Cabriolet (XP),100 (METRO) (XP)
49905HPS	<b>Stange/Strebe, Stabilisator, Rod/Strut, stabiliser, Entretoise/tige, stabilisateur</b> MITSUBISHI CARISMA (DA_),CARISMA Stufenheck (DA_),VOLVO S40 I (VS),V40 Kombi (VW)
49906HPS	<b>Stange/Strebe, Stabilisator, Rod/Strut, stabiliser, Entretoise/tige, stabilisateur</b> VOLVO S60,S80 I (TS, XY),V70 I (P80_),V70 II (P80_),V70 III,XC70 CROSS COUNTRY,XC90
49907	<b>Lenker, Radaufhängung, Track Control Arm, Bras de liaison, suspension de roue</b> VOLVO S40 I (VS),V40 Kombi (VW)
49908	<b>Lenker, Radaufhängung, Track Control Arm, Bras de liaison, suspension de roue</b> VOLVO S40 I (VS),V40 Kombi (VW)
49909	<b>Stange/Strebe, Stabilisator, Rod/Strut, stabiliser, Entretoise/tige, stabilisateur</b> MITSUBISHI CARISMA (DA_),CARISMA Stufenheck (DA_),SPACE STAR (DG_A),VOLVO S40 I (VS),V40 Kombi (VW)
49910	<b>Axialgelenk, Spurstange, Tie Rod Axle Joint, Rotule de direction intérieure, barre de connexion</b> VOLVO S40 I (VS),V40 Kombi (VW)
49911	<b>Axialgelenk, Spurstange, Tie Rod Axle Joint, Rotule de direction intérieure, barre de connexion</b> HONDA CONCERTO (HW),ROVER 200 Coupe (XW),200 Hatchback (XW),200 (RF),400 Tourer (XW),400 (XW)
49912	<b>Lenker, Radaufhängung, Track Control Arm, Bras de liaison, suspension de roue</b> VOLVO S70 (P80_),V70 I (P80_),850 Kombi (LW),850 (LS)



49913	<b>Lenker, Radaufhängung, Track Control Arm, Bras de liaison, suspension de roue</b> VOLVO S70 (P80_),V70 I (P80_),850 Kombi (LW),850 (LS)
49914	<b>Lenker, Radaufhängung, Track Control Arm, Bras de liaison, suspension de roue</b> VOLVO C70 I Cabriolet,C70 I Coupe,S70 (P80_),V70 I (P80_),XC70 CROSS COUNTRY,850 Kombi (LW),850 (LS)
49915	<b>Lenker, Radaufhängung, Track Control Arm, Bras de liaison, suspension de roue</b> VOLVO C70 I Cabriolet,C70 I Coupe,S70 (P80_),V70 I (P80_),XC70 CROSS COUNTRY,850 Kombi (LW),850 (LS)
49916HPS	<b>Stange/Strebe, Stabilisator, Rod/Strut, stabiliser, Entretoise/tige, stabilisateur</b> VOLVO S60,S80 I (TS, XY),V70 I (P80_),V70 II (P80_),V70 III,XC70 CROSS COUNTRY,XC90
49917	<b>Axialgelenk, Spurstange, Tie Rod Axle Joint, Rotule de direction intérieure, barre de connexion</b> VOLVO C70 I Cabriolet,C70 I Coupe,S60,S70 (P80_),850 Kombi (LW),850 (LS)
49918	<b>Axialgelenk, Spurstange, Tie Rod Axle Joint, Rotule de direction intérieure, barre de connexion</b> VOLVO S90,V90 Kombi,940 II Kombi (945),940 II (944),960 II Kombi (965),960 II (964)
49919	<b>Lenker, Radaufhängung, Track Control Arm, Bras de liaison, suspension de roue</b> VOLVO S40 I (VS),V40 Kombi (VW)
49920	<b>Lenker, Radaufhängung, Track Control Arm, Bras de liaison, suspension de roue</b> VOLVO S40 I (VS),V40 Kombi (VW)
49921	<b>Spurstangenkopf, Tie Rod End, Rotule de barre de connexion</b> VOLVO S60,S80 I (TS, XY),V70 I (P80_),V70 II (P80_),V70 III,XC70 CROSS COUNTRY
49922	<b>Spurstangenkopf, Tie Rod End, Rotule de barre de connexion</b> VOLVO S60,S80 I (TS, XY),V70 I (P80_),V70 II (P80_),V70 III,XC70 CROSS COUNTRY
49923	<b>Axialgelenk, Spurstange, Tie Rod Axle Joint, Rotule de direction intérieure, barre de connexion</b> VOLVO S80 I (TS, XY)
49924	<b>Trag-/Führungsgelenk, Ball Joint, Rotule de suspension</b> VOLVO S60,S80 I (TS, XY),V70 II (P80_),XC70 CROSS COUNTRY
49925	<b>Lenker, Radaufhängung, Track Control Arm, Bras de liaison, suspension de roue</b> VOLVO 440 K (445),460 L (464),480 E
49926	<b>Lenker, Radaufhängung, Track Control Arm, Bras de liaison, suspension de roue</b> VOLVO 440 K (445),460 L (464),480 E
49927	<b>Axialgelenk, Spurstange, Tie Rod Axle Joint, Rotule de direction intérieure, barre de connexion</b> VOLVO S60,S80 I (TS, XY),V70 II (P80_),XC70 CROSS COUNTRY
49928	<b>Axialgelenk, Spurstange, Tie Rod Axle Joint, Rotule de direction intérieure, barre de connexion</b> VOLVO 440 K (445),460 L (464)
49930	<b>Lenker, Radaufhängung, Track Control Arm, Bras de liaison, suspension de roue</b> CHRYSLER NEON II
49931	<b>Lenker, Radaufhängung, Track Control Arm, Bras de liaison, suspension de roue</b> CHRYSLER NEON II
49932	<b>Stange/Strebe, Radaufhängung, Rod/Strut, wheel suspension, Biellette de barre stabilisatrice</b> JEEP CHEROKEE (XJ),GRAND CHEROKEE I (ZJ)
49933	<b>Stange/Strebe, Radaufhängung, Rod/Strut, wheel suspension, Biellette de barre stabilisatrice</b> JEEP CHEROKEE (XJ),GRAND CHEROKEE I (ZJ)
49934	<b>Stange/Strebe, Radaufhängung, Rod/Strut, wheel suspension, Biellette de barre stabilisatrice</b> JEEP GRAND CHEROKEE I (ZJ),WRANGLER II (TJ)
49935	<b>Stange/Strebe, Radaufhängung, Rod/Strut, wheel suspension, Biellette de barre stabilisatrice</b> JEEP GRAND CHEROKEE I (ZJ)
49936	<b>Lenker, Radaufhängung, Track Control Arm, Bras de liaison, suspension de roue</b> CHRYSLER NEON (PL)
49937	<b>Lenker, Radaufhängung, Track Control Arm, Bras de liaison, suspension de roue</b> CHRYSLER NEON (PL)
49938HPS	<b>Stange/Strebe, Stabilisator, Rod/Strut, stabiliser, Entretoise/tige, stabilisateur</b> CHRYSLER VOYAGER III (GS),VOYAGER IV (RG),DODGE CARAVAN II,CARAVAN III (RG_)
49940	<b>Lenker, Radaufhängung, Track Control Arm, Bras de liaison, suspension de roue</b> HYUNDAI H100 Bus (P),H100 Kasten,MITSUBISHI L 300 Bus (LO3_P/G, L0_2P),L 300 Bus (P0_W, P1_W, P2_W),L 300 Kasten (P0_W, P1_W)
49941	<b>Lenker, Radaufhängung, Track Control Arm, Bras de liaison, suspension de roue</b> HYUNDAI H100 Bus (P),H100 Kasten,MITSUBISHI L 300 Bus (LO3_P/G, L0_2P),L 300 Bus (P0_W, P1_W, P2_W),L 300 Kasten (P0_W, P1_W)
49942	<b>Axialgelenk, Spurstange, Tie Rod Axle Joint, Rotule de direction intérieure, barre de connexion</b> VOLVO S90,V90 Kombi,740 Kombi (745),740 (744),760 Kombi (704, 765),760 (704, 764),940 II Kombi (945),940 II (944),940 Kombi (945),940 (944),960 II Kombi (965),960 II (964),960 Kombi (965),960 (964)
49943	<b>Axialgelenk, Spurstange, Tie Rod Axle Joint, Rotule de direction intérieure, barre de connexion</b> VOLVO 740 Kombi (745),740 (744),760 Kombi (704, 765),760 (704, 764),940 Kombi (945),940 (944),960 Kombi (965),960 (964)



49944	<b>Axialgelenk, Spurstange, Tie Rod Axle Joint, Rotule de direction intérieure, barre de connexion</b> VOLVO 440 K (445),460 L (464),480 E
49947	<b>Stange/Strebe, Stabilisator, Rod/Strut, stabiliser, Entretoise/tige, stabilisateur</b> VOLVO S40 I (VS),V40 Kombi (VW)
49947HPS	<b>Stange/Strebe, Stabilisator, Rod/Strut, stabiliser, Entretoise/tige, stabilisateur</b> VOLVO S40 I (VS),V40 Kombi (VW)
49948	<b>Lenker, Radaufhängung, Track Control Arm, Bras de liaison, suspension de roue</b> VOLVO XC90
49949	<b>Lenker, Radaufhängung, Track Control Arm, Bras de liaison, suspension de roue</b> VOLVO XC90
49950	<b>Lenker, Radaufhängung, Track Control Arm, Bras de liaison, suspension de roue</b> LEXUS GS (UZS161, JZS160)
49951	<b>Lenker, Radaufhängung, Track Control Arm, Bras de liaison, suspension de roue</b> LEXUS GS (UZS161, JZS160)
49952	<b>Axialgelenk, Spurstange, Tie Rod Axle Joint, Rotule de direction intérieure, barre de connexion</b> VOLVO 240 Kombi (P245),240 (P242, P244),260 Kombi (P265),260 (P262, P264)
49954	<b>Axialgelenk, Spurstange, Tie Rod Axle Joint, Rotule de direction intérieure, barre de connexion</b> VOLVO S70 (P80_),V70 I (P80_),850 Kombi (LW),850 (LS)
49955	<b>Trag-/Führungsgelenk, Ball Joint, Rotule de suspension</b> VOLVO XC90
49956	<b>Stange/Strebe, Radaufhängung, Rod/Strut, wheel suspension, Biellette de barre stabilisatrice</b> VOLVO S40 I (VS),V40 Kombi (VW)
49958	<b>Lenker, Radaufhängung, Track Control Arm, Bras de liaison, suspension de roue</b> VOLVO S80 I (TS, XY)
49959	<b>Lenker, Radaufhängung, Track Control Arm, Bras de liaison, suspension de roue</b> VOLVO S80 I (TS, XY)
49960	<b>Lenker, Radaufhängung, Track Control Arm, Bras de liaison, suspension de roue</b> VOLVO XC70 CROSS COUNTRY
49961	<b>Lenker, Radaufhängung, Track Control Arm, Bras de liaison, suspension de roue</b> VOLVO XC70 CROSS COUNTRY
49962	<b>Lenker, Radaufhängung, Track Control Arm, Bras de liaison, suspension de roue</b> VOLVO S60,V70 II (P80_)
49963	<b>Lenker, Radaufhängung, Track Control Arm, Bras de liaison, suspension de roue</b> VOLVO S60,V70 II (P80_)
49964	<b>Axialgelenk, Spurstange, Tie Rod Axle Joint, Rotule de direction intérieure, barre de connexion</b> VOLVO S60,S80 I (TS, XY),V70 II (P80_),XC70 CROSS COUNTRY,XC90
49965	<b>Spurstangenkopf, Tie Rod End, Rotule de barre de connexion</b> VOLVO XC70 CROSS COUNTRY,XC90
49966	<b>Spurstangenkopf, Tie Rod End, Rotule de barre de connexion</b> VOLVO XC70 CROSS COUNTRY,XC90
49967	<b>Spurstangenkopf, Tie Rod End, Rotule de barre de connexion</b> VOLVO S80 I (TS, XY)
49968	<b>Spurstangenkopf, Tie Rod End, Rotule de barre de connexion</b> VOLVO S80 I (TS, XY)
49969	<b>Spurstangenkopf, Tie Rod End, Rotule de barre de connexion</b> VOLVO S40 I (VS),V40 Kombi (VW)
49970	<b>Spurstangenkopf, Tie Rod End, Rotule de barre de connexion</b> VOLVO S40 I (VS),V40 Kombi (VW)
49980	<b>Stange/Strebe, Stabilisator, Rod/Strut, stabiliser, Entretoise/tige, stabilisateur</b> SAAB 9000,9000 Schrägheck
49981	<b>Lenker, Radaufhängung, Track Control Arm, Bras de liaison, suspension de roue</b> SAAB 9000,9000 Schrägheck
49982	<b>Lenker, Radaufhängung, Track Control Arm, Bras de liaison, suspension de roue</b> SAAB 9000,9000 Schrägheck
49983	<b>Lenker, Radaufhängung, Track Control Arm, Bras de liaison, suspension de roue</b> SAAB 900 II,900 II Cabriolet,900 II Coupe
49984	<b>Lenker, Radaufhängung, Track Control Arm, Bras de liaison, suspension de roue</b> SAAB 900 II,900 II Cabriolet,900 II Coupe



49985	<b>Lenker, Radaufhängung, Track Control Arm, Bras de liaison, suspension de roue</b> SAAB 9-5 Kombi (YS3E),9-5 (YS3E)
49986	<b>Lenker, Radaufhängung, Track Control Arm, Bras de liaison, suspension de roue</b> SAAB 9-5 Kombi (YS3E),9-5 (YS3E)
51117/1	<b>Axialgelenk, Spurstange, Tie Rod Axle Joint, Rotule de direction intérieure, barre de connexion</b> NISSAN KUBISTAR (X76),RENAULT CLIO I (B/C57_, 5/357_),CLIO II (BB0/1/2_, CB0/1/2_),CLIO II Kasten (SB0/1/2_),KANGOO (KC0/1_),KANGOO Rapid (FC0/1_),THALIA (LB0/1/2_)
51201	<b>Stange/Strebe, Stabilisator, Rod/Strut, stabiliser, Entretoise/tige, stabilisateur</b> HYUNDAI SANTAMO,KIA JOICE
51202	<b>Stange/Strebe, Stabilisator, Rod/Strut, stabiliser, Entretoise/tige, stabilisateur</b> HYUNDAI SANTAMO,KIA JOICE
51203	<b>Stange/Strebe, Stabilisator, Rod/Strut, stabiliser, Entretoise/tige, stabilisateur</b> HYUNDAI HIGHWAY VAN,TRAJET (FO)
51204	<b>Stange/Strebe, Stabilisator, Rod/Strut, stabiliser, Entretoise/tige, stabilisateur</b> HYUNDAI HIGHWAY VAN,TRAJET (FO)
51205HPS	<b>Stange/Strebe, Stabilisator, Rod/Strut, stabiliser, Entretoise/tige, stabilisateur</b> HYUNDAI SANTA FÉ I (SM)
51206HPS	<b>Stange/Strebe, Stabilisator, Rod/Strut, stabiliser, Entretoise/tige, stabilisateur</b> HYUNDAI SANTA FÉ I (SM)
51207	<b>Stange/Strebe, Stabilisator, Rod/Strut, stabiliser, Entretoise/tige, stabilisateur</b> HYUNDAI SANTA FÉ I (SM)
51208	<b>Stange/Strebe, Stabilisator, Rod/Strut, stabiliser, Entretoise/tige, stabilisateur</b> HYUNDAI SANTA FÉ I (SM)
51209	<b>Stange/Strebe, Stabilisator, Rod/Strut, stabiliser, Entretoise/tige, stabilisateur</b> HYUNDAI ATOS (MX),ATOS PRIME (MX)
51210	<b>Axialgelenk, Spurstange, Tie Rod Axle Joint, Rotule de direction intérieure, barre de connexion</b> HYUNDAI H-1 / STAREX,H-1 Kasten
51211	<b>Lenker, Radaufhängung, Track Control Arm, Bras de liaison, suspension de roue</b> HYUNDAI ATOS (MX),ATOS PRIME (MX)
51212	<b>Lenker, Radaufhängung, Track Control Arm, Bras de liaison, suspension de roue</b> HYUNDAI ATOS (MX),ATOS PRIME (MX)
51215	<b>Lenker, Radaufhängung, Track Control Arm, Bras de liaison, suspension de roue</b> HYUNDAI SONATA IV (EF),KIA MAGENTIS (GD)
51216	<b>Lenker, Radaufhängung, Track Control Arm, Bras de liaison, suspension de roue</b> HYUNDAI H-1 / STAREX,H-1 Kasten
51217	<b>Lenker, Radaufhängung, Track Control Arm, Bras de liaison, suspension de roue</b> HYUNDAI H-1 / STAREX,H-1 Kasten
51218	<b>Lenker, Radaufhängung, Track Control Arm, Bras de liaison, suspension de roue</b> HYUNDAI MATRIX (FC)
51219	<b>Lenker, Radaufhängung, Track Control Arm, Bras de liaison, suspension de roue</b> HYUNDAI MATRIX (FC)
51220	<b>Lenker, Radaufhängung, Track Control Arm, Bras de liaison, suspension de roue</b> HYUNDAI ELANTRA Stufenheck (XD),ELANTRA (XD)
51221	<b>Lenker, Radaufhängung, Track Control Arm, Bras de liaison, suspension de roue</b> HYUNDAI ELANTRA Stufenheck (XD),ELANTRA (XD)
51222	<b>Spurstangenkopf, Tie Rod End, Rotule de barre de connexion</b> HYUNDAI H-1 Travel
51223	<b>Spurstangenkopf, Tie Rod End, Rotule de barre de connexion</b> HYUNDAI H-1 Travel
51224	<b>Lenker, Radaufhängung, Track Control Arm, Bras de liaison, suspension de roue</b> HYUNDAI SONATA V (NF)
51225	<b>Lenker, Radaufhängung, Track Control Arm, Bras de liaison, suspension de roue</b> HYUNDAI SONATA V (NF)
51226	<b>Stange/Strebe, Stabilisator, Rod/Strut, stabiliser, Entretoise/tige, stabilisateur</b> HYUNDAI ix55,SANTA FÉ I (SM),SANTA FÉ II (CM),KIA SORENTO II (XM)
51227	<b>Stange/Strebe, Stabilisator, Rod/Strut, stabiliser, Entretoise/tige, stabilisateur</b> HYUNDAI ix55,SANTA FÉ I (SM),SANTA FÉ II (CM),KIA SORENTO II (XM)
51228	<b>Trag-/Führungsgelenk, Ball Joint, Rotule de suspension</b> HYUNDAI H-1 Travel

51230	<b>Stange/Strebe, Stabilisator, Rod/Strut, stabiliser, Entretoise/tige, stabilisateur</b> KIA CARNIVAL I (UP),CARNIVAL II (GQ)
51231	<b>Stange/Strebe, Stabilisator, Rod/Strut, stabiliser, Entretoise/tige, stabilisateur</b> KIA CLARUS Kombi (GC),CLARUS (K9A)
51232	<b>Lenker, Radaufhängung, Track Control Arm, Bras de liaison, suspension de roue</b> HYUNDAI i30 CW (FD),i30 (FD),KIA CEE'D Schrägheck (ED),CEE'D SW (ED),PRO CEE'D (ED)
51233	<b>Lenker, Radaufhängung, Track Control Arm, Bras de liaison, suspension de roue</b> HYUNDAI i30 CW (FD),i30 (FD),KIA CEE'D Schrägheck (ED),CEE'D SW (ED),PRO CEE'D (ED)
51234	<b>Lenker, Radaufhängung, Track Control Arm, Bras de liaison, suspension de roue</b> HYUNDAI COUPE (GK),COUPE (RD),LANTRA II (J-2),LANTRA II Wagon (J-2)
51235	<b>Lenker, Radaufhängung, Track Control Arm, Bras de liaison, suspension de roue</b> HYUNDAI COUPE (GK),COUPE (RD),LANTRA II (J-2),LANTRA II Wagon (J-2)
51236	<b>Spurstangenkopf, Tie Rod End, Rotule de barre de connexion</b> HYUNDAI i30 CW (FD),i30 (FD),KIA CEE'D Schrägheck (ED),CEE'D SW (ED),PRO CEE'D (ED)
51237	<b>Spurstangenkopf, Tie Rod End, Rotule de barre de connexion</b> HYUNDAI i30 CW (FD),i30 (FD),KIA CEE'D Schrägheck (ED),CEE'D SW (ED),PRO CEE'D (ED)
51238	<b>Axialgelenk, Spurstange, Tie Rod Axle Joint, Rotule de direction intérieure, barre de connexion</b> HYUNDAI i30 CW (FD),i30 (FD),KIA CEE'D Schrägheck (ED),CEE'D SW (ED),PRO CEE'D (ED)
51239	<b>Trag-/Führungsgelenk, Ball Joint, Rotule de suspension</b> HYUNDAI i30 CW (FD),i30 (FD),KIA CEE'D Schrägheck (ED),CEE'D SW (ED),PRO CEE'D (ED)
51240	<b>Stange/Strebe, Stabilisator, Rod/Strut, stabiliser, Entretoise/tige, stabilisateur</b> MITSUBISHI SPACE RUNNER (N1_W, N2_W),SPACE WAGON (N3_W, N4_W)
51241HPS	<b>Stange/Strebe, Stabilisator, Rod/Strut, stabiliser, Entretoise/tige, stabilisateur</b> HYUNDAI ELANTRA Stufenheck (XD),ELANTRA (XD),i30 CW (FD),i30 (FD),KIA CEE'D Schrägheck (ED),CEE'D SW (ED),PRO CEE'D (ED)
51242	<b>Stange/Strebe, Stabilisator, Rod/Strut, stabiliser, Entretoise/tige, stabilisateur</b> HYUNDAI i30 CW (FD),i30 (FD),KIA CEE'D Schrägheck (ED),CEE'D SW (ED),PRO CEE'D (ED)
51243	<b>Stange/Strebe, Stabilisator, Rod/Strut, stabiliser, Entretoise/tige, stabilisateur</b> KIA PICANTO (BA)
51244	<b>Stange/Strebe, Stabilisator, Rod/Strut, stabiliser, Entretoise/tige, stabilisateur</b> KIA PICANTO (BA)
51245	<b>Axialgelenk, Spurstange, Tie Rod Axle Joint, Rotule de direction intérieure, barre de connexion</b> KIA PICANTO (BA)
51246	<b>Trag-/Führungsgelenk, Ball Joint, Rotule de suspension</b> HYUNDAI i10,KIA PICANTO (BA)
51247	<b>Stange/Strebe, Stabilisator, Rod/Strut, stabiliser, Entretoise/tige, stabilisateur</b> HYUNDAI SANTA FÉ I (SM),SANTA FÉ II (CM),KIA SORENTO II (XM)
51248	<b>Lenker, Radaufhängung, Track Control Arm, Bras de liaison, suspension de roue</b> HYUNDAI ACCENT III (MC),ACCENT Stufenheck (MC),KIA RIO II (JB),RIO II Stufenheck (JB)
51249	<b>Lenker, Radaufhängung, Track Control Arm, Bras de liaison, suspension de roue</b> HYUNDAI ACCENT III (MC),ACCENT Stufenheck (MC),KIA RIO II (JB),RIO II Stufenheck (JB)
51250	<b>Spurstangenkopf, Tie Rod End, Rotule de barre de connexion</b> OPEL AGILA (B) (H08),SUZUKI IGNIS (FH),IGNIS II,SPLASH,SWIFT III (MZ, EZ),VAUXHALL AGILA Mk II (B)
51251	<b>Axialgelenk, Spurstange, Tie Rod Axle Joint, Rotule de direction intérieure, barre de connexion</b> OPEL AGILA (B) (H08),SUZUKI SPLASH,SWIFT III (MZ, EZ),VAUXHALL AGILA Mk II (B)
51252	<b>Lenker, Radaufhängung, Track Control Arm, Bras de liaison, suspension de roue</b> OPEL AGILA (B) (H08),SUZUKI SPLASH,SWIFT III (MZ, EZ),VAUXHALL AGILA Mk II (B)
51253	<b>Lenker, Radaufhängung, Track Control Arm, Bras de liaison, suspension de roue</b> OPEL AGILA (B) (H08),SUZUKI SPLASH,SWIFT III (MZ, EZ),VAUXHALL AGILA Mk II (B)
51254	<b>Trag-/Führungsgelenk, Ball Joint, Rotule de suspension</b> OPEL AGILA (B) (H08),SUZUKI SPLASH,SWIFT III (MZ, EZ),VAUXHALL AGILA Mk II (B)
51255HPS	<b>Stange/Strebe, Stabilisator, Rod/Strut, stabiliser, Entretoise/tige, stabilisateur</b> OPEL AGILA (B) (H08),SUZUKI SPLASH,SWIFT III (MZ, EZ),VAUXHALL AGILA Mk II (B)
51256	<b>Lenker, Radaufhängung, Track Control Arm, Bras de liaison, suspension de roue</b> KIA PICANTO (BA)
51257	<b>Lenker, Radaufhängung, Track Control Arm, Bras de liaison, suspension de roue</b> KIA PICANTO (BA)
51258HPS	<b>Stange/Strebe, Stabilisator, Rod/Strut, stabiliser, Entretoise/tige, stabilisateur</b> HYUNDAI TUCSON (JM),KIA SPORTAGE (JE_),SPORTAGE (SL)

51259HPS	<b>Stange/Strebe, Stabilisator, Rod/Strut, stabiliser, Entretoise/tige, stabilisateur</b> HYUNDAI TUCSON (JM), KIA SPORTAGE (JE_), SPORTAGE (SL)
51260	<b>Trag-/Führungsgelenk, Ball Joint, Rotule de suspension</b> KIA CARNIVAL / GRAND CARNIVAL III (VQ)
51261	<b>Lenker, Radaufhängung, Track Control Arm, Bras de liaison, suspension de roue</b> HYUNDAI TUCSON (JM), KIA SPORTAGE (JE_)
51262	<b>Lenker, Radaufhängung, Track Control Arm, Bras de liaison, suspension de roue</b> HYUNDAI TUCSON (JM), KIA SPORTAGE (JE_)
51263	<b>Lenker, Radaufhängung, Track Control Arm, Bras de liaison, suspension de roue</b> SUZUKI GRAND VITARA II (JT)
51264	<b>Lenker, Radaufhängung, Track Control Arm, Bras de liaison, suspension de roue</b> SUZUKI GRAND VITARA II (JT)
51265	<b>Lenker, Radaufhängung, Track Control Arm, Bras de liaison, suspension de roue</b> MITSUBISHI CARISMA (DA_), CARISMA Stufenheck (DA_), SPACE STAR (DG_A)
51266	<b>Lenker, Radaufhängung, Track Control Arm, Bras de liaison, suspension de roue</b> MITSUBISHI CARISMA (DA_), CARISMA Stufenheck (DA_), SPACE STAR (DG_A)
51267	<b>Axialgelenk, Spurstange, Tie Rod Axle Joint, Rotule de direction intérieure, barre de connexion</b> NISSAN BLUEBIRD Hatchback (T72, T12), BLUEBIRD Station Wagon (WU11), BLUEBIRD (T72, T12), BLUEBIRD (U11), CHERRY III (N12), MICRA I (K10), PRAIRIE (M10, NM10), PRAIRIE PRO (M11), SILVIA (S12), STANZA Hatchback (T11), STANZA (T11), SUNNY I (B11), SUNNY I Coupe (B11), SUNNY I Traveller (B11), SUNNY II Coupe (B12), SUNNY II Hatchback (N13), SUNNY II (N13), SUNNY II Traveller (B12), 200 SX (S13)
51268	<b>Lenker, Radaufhängung, Track Control Arm, Bras de liaison, suspension de roue</b> NISSAN QASHQAI / QASHQAI +2 (J10, JJ10)
51269	<b>Lenker, Radaufhängung, Track Control Arm, Bras de liaison, suspension de roue</b> NISSAN QASHQAI / QASHQAI +2 (J10, JJ10)
51270	<b>Lenker, Radaufhängung, Track Control Arm, Bras de liaison, suspension de roue</b> HONDA CIVIC VII Coupe (EM2), CIVIC VII Hatchback (EU, EP, EV), CIVIC VII Stufenheck (ES)
51271	<b>Lenker, Radaufhängung, Track Control Arm, Bras de liaison, suspension de roue</b> HONDA CIVIC VII Coupe (EM2), CIVIC VII Hatchback (EU, EP, EV), CIVIC VII Stufenheck (ES)
51272	<b>Axialgelenk, Spurstange, Tie Rod Axle Joint, Rotule de direction intérieure, barre de connexion</b> HONDA CIVIC VIII Hatchback (FN, FK), CIVIC VIII Stufenheck (FD, FA)
51273	<b>Spurstangenkopf, Tie Rod End, Rotule de barre de connexion</b> HONDA ACCORD VIII (CL_, CM_), ACCORD VIII Tourer (CM_)
51274	<b>Spurstangenkopf, Tie Rod End, Rotule de barre de connexion</b> HONDA ACCORD VIII (CL_, CM_), ACCORD VIII Tourer (CM_)
51275	<b>Spurstangenkopf, Tie Rod End, Rotule de barre de connexion</b> HONDA ACCORD IX (CU), ACCORD IX TOURER
51276	<b>Spurstangenkopf, Tie Rod End, Rotule de barre de connexion</b> HONDA ACCORD IX (CU), ACCORD IX TOURER
51277	<b>Stange/Strebe, Stabilisator, Rod/Strut, stabiliser, Entretoise/tige, stabilisateur</b> DAEWOO KORANDO Cabrio (KJ), KORANDO (KJ), MUSSO (FJ), SSANGYONG KORANDO Cabrio (KJ), KORANDO (KJ), KORANDO (K4), MUSSO (FJ)
51278	<b>Stange/Strebe, Stabilisator, Rod/Strut, stabiliser, Entretoise/tige, stabilisateur</b> LEXUS IS II (GSE2_, ALE2_, USE2_)
51279	<b>Stange/Strebe, Stabilisator, Rod/Strut, stabiliser, Entretoise/tige, stabilisateur</b> LEXUS IS II (GSE2_, ALE2_, USE2_)
51281	<b>Stange/Strebe, Stabilisator, Rod/Strut, stabiliser, Entretoise/tige, stabilisateur</b> NISSAN ALMERA TINO (V10)
51282	<b>Stange/Strebe, Stabilisator, Rod/Strut, stabiliser, Entretoise/tige, stabilisateur</b> NISSAN ALMERA TINO (V10)
51283	<b>Trag-/Führungsgelenk, Ball Joint, Rotule de suspension</b> NISSAN MICRA III (K12), NOTE (E11)
51284	<b>Lenker, Radaufhängung, Track Control Arm, Bras de liaison, suspension de roue</b> NISSAN X-TRAIL (T30)
51285	<b>Lenker, Radaufhängung, Track Control Arm, Bras de liaison, suspension de roue</b> NISSAN X-TRAIL (T30)
51286	<b>Lenker, Radaufhängung, Track Control Arm, Bras de liaison, suspension de roue</b> NISSAN MAXIMA QX II (A33)
51287	<b>Lenker, Radaufhängung, Track Control Arm, Bras de liaison, suspension de roue</b> NISSAN MAXIMA QX II (A33)



51288	<b>Lenker, Radaufhängung, Track Control Arm, Bras de liaison, suspension de roue</b> NISSAN ALMERA TINO (V10)
51289	<b>Lenker, Radaufhängung, Track Control Arm, Bras de liaison, suspension de roue</b> NISSAN ALMERA TINO (V10)
51290HPS	<b>Stange/Strebe, Stabilisator, Rod/Strut, stabiliser, Entretoise/tige, stabilisateur</b> CHEVROLET LACETTI (J200),NUBIRA Kombi,NUBIRA Stufenheck,DAEWOO LACETTI Schrägheck (KLAN),NUBIRA Stufenheck (KLAN),NUBIRA Wagon (KLAN)
51291HPS	<b>Stange/Strebe, Stabilisator, Rod/Strut, stabiliser, Entretoise/tige, stabilisateur</b> CHEVROLET LACETTI (J200),NUBIRA Kombi,NUBIRA Stufenheck,DAEWOO LACETTI Schrägheck (KLAN),NUBIRA Stufenheck (KLAN),NUBIRA Wagon (KLAN)
51292	<b>Axialgelenk, Spurstange, Tie Rod Axle Joint, Rotule de direction intérieure, barre de connexion</b> DAEWOO MATIZ (KLYA)
51293HPS	<b>Stange/Strebe, Stabilisator, Rod/Strut, stabiliser, Entretoise/tige, stabilisateur</b> CHEVROLET LACETTI (J200),NUBIRA Kombi,NUBIRA Stufenheck,DAEWOO LACETTI Schrägheck (KLAN),NUBIRA Stufenheck (KLAN),NUBIRA Wagon (KLAN)
51294	<b>Lenker, Radaufhängung, Track Control Arm, Bras de liaison, suspension de roue</b> CHEVROLET LACETTI (J200),NUBIRA Kombi,NUBIRA Stufenheck,DAEWOO LACETTI Schrägheck (KLAN),NUBIRA Stufenheck (KLAN)
51295	<b>Lenker, Radaufhängung, Track Control Arm, Bras de liaison, suspension de roue</b> CHEVROLET LACETTI (J200),NUBIRA Kombi,NUBIRA Stufenheck,DAEWOO LACETTI Schrägheck (KLAN),NUBIRA Stufenheck (KLAN)
51296	<b>Lenker, Radaufhängung, Track Control Arm, Bras de liaison, suspension de roue</b> CHEVROLET AVEO Stufenheck (T250, T255),KALOS,KALOS Stufenheck,DAEWOO KALOS (KLAS)
51297	<b>Lenker, Radaufhängung, Track Control Arm, Bras de liaison, suspension de roue</b> CHEVROLET AVEO Stufenheck (T250, T255),KALOS,KALOS Stufenheck,DAEWOO KALOS (KLAS)
51298	<b>Spurstangenkopf, Tie Rod End, Rotule de barre de connexion</b> CHEVROLET AVEO Schrägheck (T250, T255),AVEO Stufenheck (T250, T255),KALOS,KALOS Stufenheck,DAEWOO KALOS (KLAS),KALOS Stufenheck (KLAS)
51299	<b>Spurstangenkopf, Tie Rod End, Rotule de barre de connexion</b> CHEVROLET AVEO Schrägheck (T250, T255),AVEO Stufenheck (T250, T255),KALOS,KALOS Stufenheck,DAEWOO KALOS (KLAS),KALOS Stufenheck (KLAS)
51300	<b>Trag-/Führungsgelenk, Ball Joint, Rotule de suspension</b> CHEVROLET AVEO Schrägheck (T250, T255),AVEO Stufenheck (T250, T255),KALOS,KALOS Stufenheck,DAEWOO KALOS (KLAS),KALOS Stufenheck (KLAS)
51301	<b>Axialgelenk, Spurstange, Tie Rod Axle Joint, Rotule de direction intérieure, barre de connexion</b> CHEVROLET CAPTIVA (C100, C140),OPEL ANTARA,VAUXHALL ANTARA (J26, H26)
51302HPS	<b>Stange/Strebe, Stabilisator, Rod/Strut, stabiliser, Entretoise/tige, stabilisateur</b> CHEVROLET CAPTIVA (C100, C140),CAPTIVA SPORT,OPEL ANTARA,VAUXHALL ANTARA (J26, H26)
51303HPS	<b>Stange/Strebe, Stabilisator, Rod/Strut, stabiliser, Entretoise/tige, stabilisateur</b> CHEVROLET CAPTIVA (C100, C140),CAPTIVA SPORT,OPEL ANTARA,VAUXHALL ANTARA (J26, H26)
51304	<b>Lenker, Radaufhängung, Track Control Arm, Bras de liaison, suspension de roue</b> CHEVROLET EPICA (KL1_),EVANDA,DAEWOO EVANDA (KLAL)
51305	<b>Lenker, Radaufhängung, Track Control Arm, Bras de liaison, suspension de roue</b> CHEVROLET EPICA (KL1_),EVANDA,DAEWOO EVANDA (KLAL)
51306	<b>Trag-/Führungsgelenk, Ball Joint, Rotule de suspension</b> HYUNDAI HIGHWAY VAN,SANTA FÉ I (SM),SANTA FÉ II (CM),TRAJET (FO),KIA SORENTO II (XM)
51307	<b>Stange/Strebe, Stabilisator, Rod/Strut, stabiliser, Entretoise/tige, stabilisateur</b> HYUNDAI ix35 (LM)
51308	<b>Spurstangenkopf, Tie Rod End, Rotule de barre de connexion</b> HYUNDAI SANTA FÉ I (SM),SANTA FÉ II (CM)
51309	<b>Spurstangenkopf, Tie Rod End, Rotule de barre de connexion</b> HYUNDAI SANTA FÉ I (SM),SANTA FÉ II (CM)
51310	<b>Axialgelenk, Spurstange, Tie Rod Axle Joint, Rotule de direction intérieure, barre de connexion</b> HYUNDAI SANTA FÉ II (CM)
51311	<b>Trag-/Führungsgelenk, Ball Joint, Rotule de suspension</b> HYUNDAI ACCENT III (MC),ACCENT Stufenheck (MC),KIA RIO II (JB),RIO II Stufenheck (JB)
51312	<b>Spurstangenkopf, Tie Rod End, Rotule de barre de connexion</b> HYUNDAI TUCSON (JM),KIA SPORTAGE (JE_)
51313	<b>Spurstangenkopf, Tie Rod End, Rotule de barre de connexion</b> HYUNDAI TUCSON (JM),KIA SPORTAGE (JE_)
51314	<b>Trag-/Führungsgelenk, Ball Joint, Rotule de suspension</b> MAZDA 6 (GG),6 Hatchback (GG),6 Station Wagon (GY)
51315	<b>Axialgelenk, Spurstange, Tie Rod Axle Joint, Rotule de direction intérieure, barre de connexion</b> MAZDA 6 (GG),6 Hatchback (GG),6 Sport Kombi (GH),6 Station Wagon (GY)

51316	<b>Lenker, Radaufhängung, Track Control Arm, Bras de liaison, suspension de roue</b> MITSUBISHI OUTLANDER I (CU_W)
51317	<b>Lenker, Radaufhängung, Track Control Arm, Bras de liaison, suspension de roue</b> MITSUBISHI OUTLANDER I (CU_W)
51318	<b>Spurstangenkopf, Tie Rod End, Rotule de barre de connexion</b> NISSAN MICRA III (K12)
51319	<b>Spurstangenkopf, Tie Rod End, Rotule de barre de connexion</b> NISSAN MICRA III (K12)
51320	<b>Spurstangenkopf, Tie Rod End, Rotule de barre de connexion</b> NISSAN QASHQAI / QASHQAI +2 (J10, JJ10),X-TRAIL (T31),RENAULT KOLEOS (HY_)
51321	<b>Spurstangenkopf, Tie Rod End, Rotule de barre de connexion</b> NISSAN QASHQAI / QASHQAI +2 (J10, JJ10),X-TRAIL (T31),RENAULT KOLEOS (HY_)
51322	<b>Axialgelenk, Spurstange, Tie Rod Axle Joint, Rotule de direction intérieure, barre de connexion</b> NISSAN QASHQAI / QASHQAI +2 (J10, JJ10),X-TRAIL (T31),RENAULT KOLEOS (HY_)
51323	<b>Trag-/Führungsgelenk, Ball Joint, Rotule de suspension</b> NISSAN MURANO (Z50),MURANO (Z51),QASHQAI / QASHQAI +2 (J10, JJ10),TEANA I (J31),X-TRAIL (T31)
51330	<b>Lenker, Radaufhängung, Track Control Arm, Bras de liaison, suspension de roue</b> MAZDA 3 (BK),3 Stufenheck (BK),5 (CR19)
51331	<b>Lenker, Radaufhängung, Track Control Arm, Bras de liaison, suspension de roue</b> MAZDA 3 (BK),3 Stufenheck (BK),5 (CR19)
51332HPS	<b>Stange/Strebe, Stabilisator, Rod/Strut, stabiliser, Entretoise/tige, stabilisateur</b> MAZDA PREMACY (CP),323 F VI (BJ),323 S VI (BJ)
51334HPS	<b>Stange/Strebe, Stabilisator, Rod/Strut, stabiliser, Entretoise/tige, stabilisateur</b> MAZDA 6 (GG),6 Hatchback (GG),6 Station Wagon (GY)
51335HPS	<b>Stange/Strebe, Stabilisator, Rod/Strut, stabiliser, Entretoise/tige, stabilisateur</b> MAZDA 6 (GG),6 Hatchback (GG),6 Station Wagon (GY)
51336	<b>Stange/Strebe, Stabilisator, Rod/Strut, stabiliser, Entretoise/tige, stabilisateur</b> MAZDA 6 (GG),6 Hatchback (GG),6 Station Wagon (GY)
51337	<b>Stange/Strebe, Stabilisator, Rod/Strut, stabiliser, Entretoise/tige, stabilisateur</b> MAZDA XEDOS 9 (TA)
51338	<b>Stange/Strebe, Stabilisator, Rod/Strut, stabiliser, Entretoise/tige, stabilisateur</b> MAZDA XEDOS 9 (TA)
51339HPS	<b>Stange/Strebe, Stabilisator, Rod/Strut, stabiliser, Entretoise/tige, stabilisateur</b> MAZDA XEDOS 9 (TA)
51340	<b>Spurstangenkopf, Tie Rod End, Rotule de barre de connexion</b> MAZDA 6 (GG),6 (GH),6 Hatchback (GG),6 Sport (GH),6 Sport Kombi (GH),6 Station Wagon (GY)
51341	<b>Spurstangenkopf, Tie Rod End, Rotule de barre de connexion</b> MAZDA 6 (GG),6 (GH),6 Hatchback (GG),6 Sport (GH),6 Sport Kombi (GH),6 Station Wagon (GY)
51342	<b>Spurstangenkopf, Tie Rod End, Rotule de barre de connexion</b> MAZDA 3 (BK),3 (BL),3 Stufenheck (BK),3 Stufenheck (BL),5 (CR19)
51343	<b>Spurstangenkopf, Tie Rod End, Rotule de barre de connexion</b> MAZDA 3 (BK),3 (BL),3 Stufenheck (BK),3 Stufenheck (BL),5 (CR19)
51344	<b>Axialgelenk, Spurstange, Tie Rod Axle Joint, Rotule de direction intérieure, barre de connexion</b> FORD (CHANGAN) FOCUS Schrägheck (CD5),FOCUS Stufenheck (CD4),MAZDA 3 (BK),3 Stufenheck (BK),5 (CR19)
51345	<b>Lenker, Radaufhängung, Track Control Arm, Bras de liaison, suspension de roue</b> MAZDA XEDOS 6 (CA),626 V (GF),626 V Hatchback (GF),626 V Station Wagon (GW)
51346	<b>Lenker, Radaufhängung, Track Control Arm, Bras de liaison, suspension de roue</b> MAZDA XEDOS 6 (CA),626 V (GF),626 V Hatchback (GF),626 V Station Wagon (GW)
51347	<b>Lenker, Radaufhängung, Track Control Arm, Bras de liaison, suspension de roue</b> FORD FIESTA Van,FIESTA VI,MAZDA 2 (DE)
51348	<b>Lenker, Radaufhängung, Track Control Arm, Bras de liaison, suspension de roue</b> FORD FIESTA Van,FIESTA VI,MAZDA 2 (DE)
51360	<b>Trag-/Führungsgelenk, Ball Joint, Rotule de suspension</b> TOYOTA AVENSIS Combi (T25),AVENSIS Stufenheck (T25),AVENSIS (T25_)
51361	<b>Spurstangenkopf, Tie Rod End, Rotule de barre de connexion</b> TOYOTA PRIUS Liftback (NHW20_)
51362	<b>Spurstangenkopf, Tie Rod End, Rotule de barre de connexion</b> TOYOTA PRIUS Liftback (NHW20_)



51363	<b>Spurstangenkopf, Tie Rod End, Rotule de barre de connexion</b> TOYOTA PRIUS (ZVW3_)
51364	<b>Spurstangenkopf, Tie Rod End, Rotule de barre de connexion</b> TOYOTA PRIUS (ZVW3_)
51365	<b>Spurstangenkopf, Tie Rod End, Rotule de barre de connexion</b> TOYOTA RAV 4 III (ACA3_, ACE_, ALA3_, GSA3_, ZSA3_)
51366	<b>Spurstangenkopf, Tie Rod End, Rotule de barre de connexion</b> TOYOTA RAV 4 III (ACA3_, ACE_, ALA3_, GSA3_, ZSA3_)
51367	<b>Stange/Strebe, Stabilisator, Rod/Strut, stabiliser, Entretoise/tige, stabilisateur</b> TOYOTA RAV 4 III (ACA3_, ACE_, ALA3_, GSA3_, ZSA3_)
51371	<b>Stange/Strebe, Stabilisator, Rod/Strut, stabiliser, Entretoise/tige, stabilisateur</b> TOYOTA AVENSIS Combi (T25), AVENSIS Stufenheck (T25), AVENSIS (T25_)
51372	<b>Stange/Strebe, Stabilisator, Rod/Strut, stabiliser, Entretoise/tige, stabilisateur</b> TOYOTA AVENSIS Combi (T25), AVENSIS Stufenheck (T25), AVENSIS (T25_)
51373HPS	<b>Stange/Strebe, Stabilisator, Rod/Strut, stabiliser, Entretoise/tige, stabilisateur</b> TOYOTA AVENSIS VERSO (_CLM2_, _ACM2_), PICNIC (_XM10)
51374HPS	<b>Stange/Strebe, Stabilisator, Rod/Strut, stabiliser, Entretoise/tige, stabilisateur</b> TOYOTA LAND CRUISER (KDJ12_, GRJ12_)
51377HPS	<b>Stange/Strebe, Stabilisator, Rod/Strut, stabiliser, Entretoise/tige, stabilisateur</b> TOYOTA AVENSIS Liftback (_T22_), AVENSIS Station Wagon (_T22_), AVENSIS (_T22_)
51378HPS	<b>Stange/Strebe, Stabilisator, Rod/Strut, stabiliser, Entretoise/tige, stabilisateur</b> TOYOTA LAND CRUISER (_J6_), LAND CRUISER (KDJ12_, GRJ12_)
51379HPS	<b>Stange/Strebe, Stabilisator, Rod/Strut, stabiliser, Entretoise/tige, stabilisateur</b> TOYOTA LAND CRUISER (_J6_), LAND CRUISER (KDJ12_, GRJ12_)
51380	<b>Spurstangenkopf, Tie Rod End, Rotule de barre de connexion</b> TOYOTA COROLLA Combi (_E12J_, _E12T_), COROLLA Stufenheck (_E12J_, _E12T_), COROLLA Verso (ZDE12_, CDE12_), COROLLA (ZZE12_, NDE12_, ZDE12_), PRIUS Liftback (NHW20_), PRIUS Stufenheck (NHW11_)
51381	<b>Spurstangenkopf, Tie Rod End, Rotule de barre de connexion</b> TOYOTA COROLLA Combi (_E12J_, _E12T_), COROLLA Stufenheck (_E12J_, _E12T_), COROLLA Verso (ZDE12_, CDE12_), COROLLA (ZZE12_, NDE12_, ZDE12_), PRIUS Liftback (NHW20_), PRIUS Stufenheck (NHW11_)
51382	<b>Axialgelenk, Spurstange, Tie Rod Axle Joint, Rotule de direction intérieure, barre de connexion</b> TOYOTA COROLLA Combi (_E12J_, _E12T_), COROLLA Compact (_E11_), COROLLA Liftback (_E11_), COROLLA Stufenheck (_E12J_, _E12T_), COROLLA Verso (ZDE12_, CDE12_), COROLLA (ZZE12_, NDE12_, ZDE12_)
51383	<b>Trag-/Führungsgelenk, Ball Joint, Rotule de suspension</b> TOYOTA LITEACE Bus (CM30_G, KM30_G), LITEACE Kasten (CM3_V, KM3_V), LITEACE Kasten (KM2_), MODELL F Bus (_R2_, 31)
51384	<b>Lenker, Radaufhängung, Track Control Arm, Bras de liaison, suspension de roue</b> TOYOTA LAND CRUISER (KDJ12_, GRJ12_)
51385	<b>Lenker, Radaufhängung, Track Control Arm, Bras de liaison, suspension de roue</b> TOYOTA LAND CRUISER (KDJ12_, GRJ12_)
51386	<b>Lenker, Radaufhängung, Track Control Arm, Bras de liaison, suspension de roue</b> TOYOTA LAND CRUISER (KDJ12_, GRJ12_)
51387	<b>Lenker, Radaufhängung, Track Control Arm, Bras de liaison, suspension de roue</b> TOYOTA LAND CRUISER (KDJ12_, GRJ12_)
51388	<b>Trag-/Führungsgelenk, Ball Joint, Rotule de suspension</b> LEXUS RX (MCU15), RX (MHU3_, GSU3_, MCU3_), TOYOTA CAMRY (_CV2_, _XV2_), CAMRY (MCV3_, ACV3_, _XV3_), PREVIA (MCR3_, ACR3_, CLR3_)
51389	<b>Trag-/Führungsgelenk, Ball Joint, Rotule de suspension</b> LEXUS RX (MCU15), RX (MHU3_, GSU3_, MCU3_), TOYOTA CAMRY (MCV3_, ACV3_, _XV3_), CAMRY SOLARA Cabriolet (MCV3_, ACV3_), CAMRY SOLARA Coupe (MCV3_, ACV3_), PREVIA (MCR3_, ACR3_, CLR3_)
51390	<b>Axialgelenk, Spurstange, Tie Rod Axle Joint, Rotule de direction intérieure, barre de connexion</b> TOYOTA CAMRY (MCV3_, ACV3_, _XV3_)
51391	<b>Stange/Strebe, Stabilisator, Rod/Strut, stabiliser, Entretoise/tige, stabilisateur</b> TOYOTA YARIS (SCP1_, NLP1_, NCP1_), YARIS (SCP9_, NSP9_, KSP9_, NCP9_, ZSP9_), YARIS VERSO (_NLP2_, _NCP2_)
51392HPS	<b>Stange/Strebe, Stabilisator, Rod/Strut, stabiliser, Entretoise/tige, stabilisateur</b> TOYOTA AURIS (ZZE15_, ADE15_, ZRE15_, NDE15_), RAV 4 III (ACA3_, ACE_, ALA3_, GSA3_, ZSA3_)
51393	<b>Lenker, Radaufhängung, Track Control Arm, Bras de liaison, suspension de roue</b> TOYOTA YARIS (SCP9_, NSP9_, KSP9_, NCP9_, ZSP9_)
51394	<b>Lenker, Radaufhängung, Track Control Arm, Bras de liaison, suspension de roue</b> TOYOTA YARIS (SCP9_, NSP9_, KSP9_, NCP9_, ZSP9_)
51395	<b>Lenker, Radaufhängung, Track Control Arm, Bras de liaison, suspension de roue</b> TOYOTA RAV 4 III (ACA3_, ACE_, ALA3_, GSA3_, ZSA3_)



51396	<b>Lenker, Radaufhängung, Track Control Arm, Bras de liaison, suspension de roue</b> TOYOTA RAV 4 III (ACA3_, ACE_, ALA3_, GSA3_, ZSA3_)
51397	<b>Lenker, Radaufhängung, Track Control Arm, Bras de liaison, suspension de roue</b> TOYOTA AVENSIS Combi (T25), AVENSIS Stufenheck (T25), AVENSIS (T25_), AVENSIS VERSO (_CLM2_, _ACM2_)
51398	<b>Lenker, Radaufhängung, Track Control Arm, Bras de liaison, suspension de roue</b> TOYOTA AVENSIS Combi (T25), AVENSIS Stufenheck (T25), AVENSIS (T25_), AVENSIS VERSO (_CLM2_, _ACM2_)
51500	<b>Lenker, Radaufhängung, Track Control Arm, Bras de liaison, suspension de roue</b> HONDA ACCORD VIII (CL_, CM_), ACCORD VIII Tourer (CM_)
51501	<b>Lenker, Radaufhängung, Track Control Arm, Bras de liaison, suspension de roue</b> HONDA ACCORD VIII (CL_, CM_), ACCORD VIII Tourer (CM_)
51502	<b>Lenker, Radaufhängung, Track Control Arm, Bras de liaison, suspension de roue</b> HONDA JAZZ II (GD)
51503	<b>Lenker, Radaufhängung, Track Control Arm, Bras de liaison, suspension de roue</b> HONDA JAZZ II (GD)
51504	<b>Trag-/Führungsgelenk, Ball Joint, Rotule de suspension</b> HONDA ACCORD VI (CE, CF), CIVIC V Coupe (EJ), CIVIC V Hatchback (EG), CIVIC V Stufenheck (EG, EH), CIVIC VI Aerodeck (MB, MC), CIVIC VI Coupe (EJ, EM1), CIVIC VI Fastback (MA, MB), CIVIC VI Hatchback (EJ, EK), CIVIC VI Stufenheck (EJ, EK), CR-V I (RD), CR-V II (RD_)
51505	<b>Stange/Strebe, Stabilisator, Rod/Strut, stabiliser, Entretoise/tige, stabilisateur</b> HONDA CIVIC VI Aerodeck (MB, MC), CIVIC VI Coupe (EJ, EM1), CIVIC VI Fastback (MA, MB), CIVIC VI Hatchback (EJ, EK), CIVIC VI Stufenheck (EJ, EK), CIVIC VII Hatchback (EU, EP, EV), CIVIC VII Stufenheck (ES), INTEGRA Coupe (DC2, DC4)
51506	<b>Stange/Strebe, Stabilisator, Rod/Strut, stabiliser, Entretoise/tige, stabilisateur</b> HONDA LEGEND I Coupe (KA3), LEGEND I (HS, KA), SHUTTLE (RA)
51507HPS	<b>Stange/Strebe, Stabilisator, Rod/Strut, stabiliser, Entretoise/tige, stabilisateur</b> HONDA HR-V (GH)
51508HPS	<b>Stange/Strebe, Stabilisator, Rod/Strut, stabiliser, Entretoise/tige, stabilisateur</b> HONDA HR-V (GH)
51509	<b>Spurstangenkopf, Tie Rod End, Rotule de barre de connexion</b> HONDA JAZZ II (GD)
51510	<b>Spurstangenkopf, Tie Rod End, Rotule de barre de connexion</b> HONDA JAZZ II (GD)
51511	<b>Lenker, Radaufhängung, Track Control Arm, Bras de liaison, suspension de roue</b> HONDA ACCORD VIII (CL_, CM_), ACCORD VIII Tourer (CM_), HONDA (GAC) ACCORD VII
51512	<b>Lenker, Radaufhängung, Track Control Arm, Bras de liaison, suspension de roue</b> HONDA ACCORD VIII (CL_, CM_), ACCORD VIII Tourer (CM_), HONDA (GAC) ACCORD VII
51513	<b>Lenker, Radaufhängung, Track Control Arm, Bras de liaison, suspension de roue</b> HONDA ACCORD IX (CU), ACCORD IX TOURER
51514	<b>Lenker, Radaufhängung, Track Control Arm, Bras de liaison, suspension de roue</b> HONDA ACCORD IX (CU), ACCORD IX TOURER
51515	<b>Lenker, Radaufhängung, Track Control Arm, Bras de liaison, suspension de roue</b> HONDA CIVIC VIII Hatchback (FN, FK), CIVIC VIII Stufenheck (FD, FA)
51516	<b>Lenker, Radaufhängung, Track Control Arm, Bras de liaison, suspension de roue</b> HONDA CIVIC VIII Hatchback (FN, FK), CIVIC VIII Stufenheck (FD, FA)
51517HPS	<b>Stange/Strebe, Stabilisator, Rod/Strut, stabiliser, Entretoise/tige, stabilisateur</b> HONDA CR-V III
51518HPS	<b>Stange/Strebe, Stabilisator, Rod/Strut, stabiliser, Entretoise/tige, stabilisateur</b> HONDA CR-V III
51519HPS	<b>Stange/Strebe, Stabilisator, Rod/Strut, stabiliser, Entretoise/tige, stabilisateur</b> HONDA CR-V III
51520	<b>Stange/Strebe, Stabilisator, Rod/Strut, stabiliser, Entretoise/tige, stabilisateur</b> NISSAN X-TRAIL (T30)
51521	<b>Stange/Strebe, Stabilisator, Rod/Strut, stabiliser, Entretoise/tige, stabilisateur</b> NISSAN X-TRAIL (T30)
51522	<b>Stange/Strebe, Stabilisator, Rod/Strut, stabiliser, Entretoise/tige, stabilisateur</b> NISSAN PATROL GR II Wagon (Y61)
51525HPS	<b>Stange/Strebe, Stabilisator, Rod/Strut, stabiliser, Entretoise/tige, stabilisateur</b> NISSAN PRIMERA Hatchback (P12), PRIMERA (P12), PRIMERA Traveller (WP12)
51526	<b>Stange/Strebe, Stabilisator, Rod/Strut, stabiliser, Entretoise/tige, stabilisateur</b> NISSAN PATROL GR I (Y60, GR), PATROL GR II Wagon (Y61)
51527	<b>Lenker, Radaufhängung, Track Control Arm, Bras de liaison, suspension de roue</b> NISSAN ALMERA II Hatchback (N16), ALMERA II (N16)





51528	<b>Lenker, Radaufhängung, Track Control Arm, Bras de liaison, suspension de roue</b> NISSAN ALMERA II Hatchback (N16),ALMERA II (N16)
51529	<b>Lenker, Radaufhängung, Track Control Arm, Bras de liaison, suspension de roue</b> NISSAN PRIMERA Hatchback (P12),PRIMERA (P12),PRIMERA Traveller (WP12)
51530	<b>Lenker, Radaufhängung, Track Control Arm, Bras de liaison, suspension de roue</b> NISSAN PRIMERA Hatchback (P12),PRIMERA (P12),PRIMERA Traveller (WP12)
51531	<b>Lenker, Radaufhängung, Track Control Arm, Bras de liaison, suspension de roue</b> KIA PRIDE (DA),MAZDA 121 I (DA)
51532	<b>Stange/Strebe, Stabilisator, Rod/Strut, stabiliser, Entretoise/tige, stabilisateur</b> KIA SORENTO I (JC)
51533	<b>Axialgelenk, Spurstange, Tie Rod Axle Joint, Rotule de direction intérieure, barre de connexion</b> KIA PRIDE (DA),PRIDE Kombi,MAZDA 121 I (DA)
51534	<b>Trag-/Führungsgelenk, Ball Joint, Rotule de suspension</b> MAZDA B-SERIE (UF)
51535	<b>Trag-/Führungsgelenk, Ball Joint, Rotule de suspension</b> MAZDA B-SERIE (UF)
51536	<b>Trag-/Führungsgelenk, Ball Joint, Rotule de suspension</b> MAZDA B-SERIE (UF),B-SERIE (UN)
51537	<b>Trag-/Führungsgelenk, Ball Joint, Rotule de suspension</b> FORD ECONOVAN Kasten (KAA),ECONOVAN (KBA, KCA),MAZDA E-SERIE Bus (SR1),E-SERIE Kasten (SR2)
51538	<b>Lenker, Radaufhängung, Track Control Arm, Bras de liaison, suspension de roue</b> MAZDA 626 III Coupe (GD),626 III (GD),626 III Hatchback (GD),626 III Station Wagon (GV)
51539	<b>Lenker, Radaufhängung, Track Control Arm, Bras de liaison, suspension de roue</b> MAZDA 626 III Coupe (GD),626 III (GD),626 III Hatchback (GD),626 III Station Wagon (GV)
51540	<b>Trag-/Führungsgelenk, Ball Joint, Rotule de suspension</b> FORD ECONOVAN Kasten (KAA),ECONOVAN (KBA, KCA),MAZDA E-SERIE Bus (SR1),E-SERIE Kasten (SR2)
51541HPS	<b>Stange/Strebe, Stabilisator, Rod/Strut, stabiliser, Entretoise/tige, stabilisateur</b> HONDA CR-V II (RD_)
51542HPS	<b>Stange/Strebe, Stabilisator, Rod/Strut, stabiliser, Entretoise/tige, stabilisateur</b> HONDA CR-V II (RD_)
51543	<b>Stange/Strebe, Stabilisator, Rod/Strut, stabiliser, Entretoise/tige, stabilisateur</b> MITSUBISHI PAJERO III Canvas Top (V60, V70),PAJERO SPORT (K90)
51544	<b>Stange/Strebe, Stabilisator, Rod/Strut, stabiliser, Entretoise/tige, stabilisateur</b> MITSUBISHI PAJERO III Canvas Top (V60, V70),PAJERO SPORT (K90)
51545HPS	<b>Stange/Strebe, Stabilisator, Rod/Strut, stabiliser, Entretoise/tige, stabilisateur</b> MITSUBISHI PAJERO CLASSIC (V2_W),PAJERO III Canvas Top (V60, V70),PAJERO SPORT (K90)
51546HPS	<b>Stange/Strebe, Stabilisator, Rod/Strut, stabiliser, Entretoise/tige, stabilisateur</b> MITSUBISHI PAJERO CLASSIC (V2_W),PAJERO III Canvas Top (V60, V70),PAJERO SPORT (K90)
51547	<b>Lenker, Radaufhängung, Track Control Arm, Bras de liaison, suspension de roue</b> MITSUBISHI COLT CZC Cabriolet (RG),COLT VI (Z3_A, Z2_A),SMART FORFOUR (454)
51548	<b>Lenker, Radaufhängung, Track Control Arm, Bras de liaison, suspension de roue</b> MITSUBISHI COLT CZC Cabriolet (RG),COLT VI (Z3_A, Z2_A),SMART FORFOUR (454)
51549	<b>Stange/Strebe, Stabilisator, Rod/Strut, stabiliser, Entretoise/tige, stabilisateur</b> MITSUBISHI PAJERO II Canvas Top (V2_W, V4_W),PAJERO II (V3_W, V2_W, V4_W)
51550	<b>Lenker, Radaufhängung, Track Control Arm, Bras de liaison, suspension de roue</b> MITSUBISHI CARISMA (DA_),COLT V (CJ_, CP_),SPACE STAR (DG_A)
51551	<b>Lenker, Radaufhängung, Track Control Arm, Bras de liaison, suspension de roue</b> MITSUBISHI CARISMA (DA_),COLT V (CJ_, CP_),SPACE STAR (DG_A)
51552	<b>Lenker, Radaufhängung, Track Control Arm, Bras de liaison, suspension de roue</b> LEXUS ES (F1, F2),TOYOTA CAMRY (_CV2_,_XV2_),CAMRY (MCV3_, ACV3_,_XV3_),PREVIA (MCR3_, ACR3_, CLR3_)
51553	<b>Lenker, Radaufhängung, Track Control Arm, Bras de liaison, suspension de roue</b> LEXUS ES (F1, F2),TOYOTA CAMRY (_CV2_,_XV2_),CAMRY (MCV3_, ACV3_,_XV3_),PREVIA (MCR3_, ACR3_, CLR3_)
51554	<b>Lenker, Radaufhängung, Track Control Arm, Bras de liaison, suspension de roue</b> LEXUS ES (F1, F2),ES (MCV_, VZV_),TOYOTA CAMRY (_CV2_,_XV2_)
51555	<b>Lenker, Radaufhängung, Track Control Arm, Bras de liaison, suspension de roue</b> LEXUS ES (F1, F2),ES (MCV_, VZV_),TOYOTA CAMRY (_CV2_,_XV2_)
51556HPS	<b>Stange/Strebe, Stabilisator, Rod/Strut, stabiliser, Entretoise/tige, stabilisateur</b> HONDA JAZZ II (GD)

<b>51557HPS</b>	<b>Stange/Strebe, Stabilisator, Rod/Strut, stabiliser, Entretoise/tige, stabilisateur</b> HONDA JAZZ II (GD)
<b>51558HPS</b>	<b>Stange/Strebe, Stabilisator, Rod/Strut, stabiliser, Entretoise/tige, stabilisateur</b> HONDA CIVIC VIII Hatchback (FN, FK),CIVIC VIII Stufenheck (FD, FA)
<b>51560</b>	<b>Lenker, Radaufhängung, Track Control Arm, Bras de liaison, suspension de roue</b> TOYOTA COROLLA Combi (_E12J_, _E12T_),COROLLA Stufenheck (_E12J_, _E12T_),COROLLA Verso (ZDE12_, CDE12_),COROLLA (ZZE12_, NDE12_, ZDE12_)
<b>51561</b>	<b>Lenker, Radaufhängung, Track Control Arm, Bras de liaison, suspension de roue</b> TOYOTA COROLLA Combi (_E12J_, _E12T_),COROLLA Stufenheck (_E12J_, _E12T_),COROLLA Verso (ZDE12_, CDE12_),COROLLA (ZZE12_, NDE12_, ZDE12_)
<b>51564</b>	<b>Trag-/Führungsgelenk, Ball Joint, Rotule de suspension</b> TOYOTA LAND CRUISER 90 (_J9_)
<b>51565</b>	<b>Trag-/Führungsgelenk, Ball Joint, Rotule de suspension</b> TOYOTA YARIS (SCP1_, NLP1_, NCP1_),YARIS VERSO (_NLP2_, _NCP2_)
<b>51567</b>	<b>Spurstangenkopf, Tie Rod End, Rotule de barre de connexion</b> TOYOTA HILUX II Pick-up (RN6_, RN5_, LN6_, YN6_, YN5_, LN5_),4 RUNNER (RN10_, VZN13_, VZN10_, RN13_)
<b>51568</b>	<b>Stange/Strebe, Stabilisator, Rod/Strut, stabiliser, Entretoise/tige, stabilisateur</b> TOYOTA LAND CRUISER Hardtop (_J7_),LAND CRUISER (_J7_)
<b>51569</b>	<b>Stange/Strebe, Stabilisator, Rod/Strut, stabiliser, Entretoise/tige, stabilisateur</b> TOYOTA LAND CRUISER 90 (_J9_)
<b>51570</b>	<b>Stange/Strebe, Stabilisator, Rod/Strut, stabiliser, Entretoise/tige, stabilisateur</b> TOYOTA LAND CRUISER 90 (_J9_)
<b>51571</b>	<b>Lenker, Radaufhängung, Track Control Arm, Bras de liaison, suspension de roue</b> TOYOTA LAND CRUISER 90 (_J9_)
<b>51572</b>	<b>Lenker, Radaufhängung, Track Control Arm, Bras de liaison, suspension de roue</b> TOYOTA LAND CRUISER 90 (_J9_)
<b>51573</b>	<b>Stange/Strebe, Stabilisator, Rod/Strut, stabiliser, Entretoise/tige, stabilisateur</b> TOYOTA LAND CRUISER Hardtop (_J7_),LAND CRUISER (_J7_)
<b>51574</b>	<b>Stange/Strebe, Stabilisator, Rod/Strut, stabiliser, Entretoise/tige, stabilisateur</b> TOYOTA LAND CRUISER 100 (_J10_)
<b>51575</b>	<b>Stange/Strebe, Stabilisator, Rod/Strut, stabiliser, Entretoise/tige, stabilisateur</b> TOYOTA CAMRY (MCV3_, ACV3_, _XV3_)
<b>51576</b>	<b>Stange/Strebe, Stabilisator, Rod/Strut, stabiliser, Entretoise/tige, stabilisateur</b> TOYOTA LAND CRUISER Hardtop (_J7_),LAND CRUISER (_J7_),LAND CRUISER (KDJ12_, GRJ12_)
<b>51577HPS</b>	<b>Stange/Strebe, Stabilisator, Rod/Strut, stabiliser, Entretoise/tige, stabilisateur</b> TOYOTA AVENSIS Combi (T25),AVENSIS Stufenheck (T25),AVENSIS (T25_),COROLLA Combi (_E12J_, _E12T_),COROLLA Liftback (_E11_),COROLLA Stufenheck (_E12J_, _E12T_),COROLLA Verso (ZDE12_, CDE12_),COROLLA Verso (ZER_, ZZE_, R1_),COROLLA (ZZE12_, NDE12_, ZDE12_),MR 2 III (ZZW3_),PRIUS Liftback (NHW20_),PRIUS Stufenheck (NHW11_)
<b>51581</b>	<b>Spurstangenkopf, Tie Rod End, Rotule de barre de connexion</b> FORD ECONOVAN Kasten (KAA),ECONOVAN (KBA, KCA),MAZDA E-SERIE Bus (SR1),E-SERIE Kasten (SR2)
<b>51582</b>	<b>Lenker, Radaufhängung, Track Control Arm, Bras de liaison, suspension de roue</b> KIA SEPHIA (FA),SHUMA (FB)
<b>51583</b>	<b>Lenker, Radaufhängung, Track Control Arm, Bras de liaison, suspension de roue</b> KIA SEPHIA (FA),SHUMA (FB)
<b>51584</b>	<b>Stange/Strebe, Stabilisator, Rod/Strut, stabiliser, Entretoise/tige, stabilisateur</b> TOYOTA LAND CRUISER 100 (_J10_)
<b>51584HPS</b>	<b>Stange/Strebe, Stabilisator, Rod/Strut, stabiliser, Entretoise/tige, stabilisateur</b> TOYOTA LAND CRUISER 100 (_J10_)
<b>51585</b>	<b>Stange/Strebe, Stabilisator, Rod/Strut, stabiliser, Entretoise/tige, stabilisateur</b> TOYOTA LAND CRUISER 100 (_J10_)
<b>51585HPS</b>	<b>Stange/Strebe, Stabilisator, Rod/Strut, stabiliser, Entretoise/tige, stabilisateur</b> TOYOTA LAND CRUISER 100 (_J10_)
<b>51586</b>	<b>Stange/Strebe, Stabilisator, Rod/Strut, stabiliser, Entretoise/tige, stabilisateur</b> TOYOTA 4 RUNNER (RN10_, VZN13_, VZN10_, RN13_)
<b>51587</b>	<b>Stange/Strebe, Stabilisator, Rod/Strut, stabiliser, Entretoise/tige, stabilisateur</b> TOYOTA 4 RUNNER (RN10_, VZN13_, VZN10_, RN13_)
<b>51588</b>	<b>Stange/Strebe, Stabilisator, Rod/Strut, stabiliser, Entretoise/tige, stabilisateur</b> TOYOTA HIACE IV Bus,HIACE IV Kasten (RCH2_, RCH1_, KLH2_, KLH1_)
<b>51589</b>	<b>Stange/Strebe, Stabilisator, Rod/Strut, stabiliser, Entretoise/tige, stabilisateur</b> TOYOTA HIACE IV Bus,HIACE IV Kasten (RCH2_, RCH1_, KLH2_, KLH1_)



<b>51590</b>	<b>Lenker, Radaufhängung, Track Control Arm, Bras de liaison, suspension de roue</b> SUZUKI BALENO (EG),BALENO Kombi (EG),BALENO Schrägheck (EG)
<b>51591</b>	<b>Lenker, Radaufhängung, Track Control Arm, Bras de liaison, suspension de roue</b> SUZUKI BALENO (EG),BALENO Kombi (EG),BALENO Schrägheck (EG)
<b>51592</b>	<b>Stange/Strebe, Stabilisator, Rod/Strut, stabiliser, Entretoise/tige, stabilisateur</b> SUZUKI SWIFT Cabriolet (SF413),SWIFT II Schrägheck (EA, MA),SWIFT II Stufenheck (AH, AJ)
<b>51593</b>	<b>Stange/Strebe, Stabilisator, Rod/Strut, stabiliser, Entretoise/tige, stabilisateur</b> SUZUKI SWIFT Cabriolet (SF413),SWIFT I (AA),SWIFT II Schrägheck (EA, MA),SWIFT II Stufenheck (AH, AJ)
<b>51594</b>	<b>Stange/Strebe, Stabilisator, Rod/Strut, stabiliser, Entretoise/tige, stabilisateur</b> ISUZU TROOPER,TROOPER Soft Top,TROOPER Soft Top (UB),TROOPER (UB),OPEL FRONTERA A Sport (5_SUD2),FRONTERA A (5_MWL4),MONTEREY A (UBS_),MONTEREY B
<b>51594HPS</b>	<b>Stange/Strebe, Stabilisator, Rod/Strut, stabiliser, Entretoise/tige, stabilisateur</b> ISUZU TROOPER,TROOPER Soft Top,TROOPER Soft Top (UB),TROOPER (UB),OPEL FRONTERA A Sport (5_SUD2),FRONTERA A (5_MWL4),MONTEREY A (UBS_),MONTEREY B
<b>51595</b>	<b>Lenker, Radaufhängung, Track Control Arm, Bras de liaison, suspension de roue</b> SUZUKI GRAND VITARA I (FT, GT)
<b>51596</b>	<b>Lenker, Radaufhängung, Track Control Arm, Bras de liaison, suspension de roue</b> SUZUKI GRAND VITARA I (FT, GT)
<b>51597</b>	<b>Stange/Strebe, Stabilisator, Rod/Strut, stabiliser, Entretoise/tige, stabilisateur</b> TOYOTA CELICA (ZZT23_),COROLLA Combi (_E12J_,_E12T_),COROLLA Liftback (_E11_),COROLLA Stufenheck (_E12J_,_E12T_),COROLLA Verso (ZDE12_,CDE12_),COROLLA (ZZE12_,NDE12_,ZDE12_)
<b>51597HPS</b>	<b>Stange/Strebe, Stabilisator, Rod/Strut, stabiliser, Entretoise/tige, stabilisateur</b> TOYOTA COROLLA Combi (_E12J_,_E12T_),COROLLA Liftback (_E11_),COROLLA Stufenheck (_E12J_,_E12T_),COROLLA (ZZE12_,NDE12_,ZDE12_)
<b>51598</b>	<b>Stange/Strebe, Stabilisator, Rod/Strut, stabiliser, Entretoise/tige, stabilisateur</b> MITSUBISHI CARISMA (DA_),CARISMA Stufenheck (DA_),COLT II (C1_A),COLT IV (CA_A),LANCER Coupe (CC),LANCER III (C1_A,C6_A),LANCER III Station Wagon (C1_V,C3_V),LANCER V (CB/D_A),LANCER V Station Wagon (CB_W,CD_W),SPACE STAR (DG_A),PROTON PERSONA 300 (C9_M),PERSONA 400 (C9_S),PERSONA 400 Hatchback (C9_C,C9_S)
<b>51599HPS</b>	<b>Stange/Strebe, Stabilisator, Rod/Strut, stabiliser, Entretoise/tige, stabilisateur</b> TOYOTA YARIS (SCP9_,NSP9_,KSP9_,NCP9_,ZSP9_)
<b>51600HPS</b>	<b>Stange/Strebe, Stabilisator, Rod/Strut, stabiliser, Entretoise/tige, stabilisateur</b> FORD TOURNEO CONNECT,TRANSIT CONNECT (P65_,P70_,P80_)
<b>51601</b>	<b>Stange/Strebe, Stabilisator, Rod/Strut, stabiliser, Entretoise/tige, stabilisateur</b> FORD TOURNEO CONNECT,TRANSIT CONNECT (P65_,P70_,P80_)
<b>51602</b>	<b>Lenker, Radaufhängung, Track Control Arm, Bras de liaison, suspension de roue</b> FORD FOCUS C-MAX,FOCUS II (DA_),FOCUS II Kombi (DA_),FOCUS II Stufenheck (DA_),VOLVO C70 II Cabriolet,S40 II (MS),V50 (MW)
<b>51603</b>	<b>Lenker, Radaufhängung, Track Control Arm, Bras de liaison, suspension de roue</b> FORD FOCUS C-MAX,FOCUS II (DA_),FOCUS II Kombi (DA_),FOCUS II Stufenheck (DA_),VOLVO C70 II Cabriolet,S40 II (MS),V50 (MW)
<b>51604HPS</b>	<b>Stange/Strebe, Stabilisator, Rod/Strut, stabiliser, Entretoise/tige, stabilisateur</b> FORD FIESTA III (GFJ)
<b>51605</b>	<b>Lenker, Radaufhängung, Track Control Arm, Bras de liaison, suspension de roue</b> FORD FOCUS (DAW, DBW),FOCUS Stufenheck (DFW)
<b>51606</b>	<b>Lenker, Radaufhängung, Track Control Arm, Bras de liaison, suspension de roue</b> FORD FOCUS (DAW, DBW),FOCUS Stufenheck (DFW)
<b>51607</b>	<b>Lenker, Radaufhängung, Track Control Arm, Bras de liaison, suspension de roue</b> FORD FOCUS II Kombi (DA_),FOCUS Kombi (DNW),KUGA
<b>51608</b>	<b>Lenker, Radaufhängung, Track Control Arm, Bras de liaison, suspension de roue</b> FORD FOCUS Kombi (DNW)
<b>51609</b>	<b>Lenker, Radaufhängung, Track Control Arm, Bras de liaison, suspension de roue</b> FORD FOCUS Kombi (DNW)
<b>51610HPS</b>	<b>Stange/Strebe, Stabilisator, Rod/Strut, stabiliser, Entretoise/tige, stabilisateur</b> FORD FOCUS C-MAX,FOCUS II Cabriolet,FOCUS II (DA_),FOCUS II Kombi (DA_),FOCUS II Stufenheck (DA_),MAZDA 3 (BK),3 Stufenheck (BK),5 (CR19),VOLVO C70 II Cabriolet,S40 II (MS),V50 (MW)
<b>51612</b>	<b>Reparatursatz, Radaufhängung, Repair Kit, wheel suspension, Kit de réparation, suspension de roue</b> FORD FOCUS (DAW, DBW),FOCUS Stufenheck (DFW)
<b>51613</b>	<b>Stange/Strebe, Radaufhängung, Rod/Strut, wheel suspension, Biellette de barre stabilisatrice</b> FORD MONDEO III (B5Y),MONDEO III Stufenheck (B4Y)
<b>51614</b>	<b>Stange/Strebe, Radaufhängung, Rod/Strut, wheel suspension, Biellette de barre stabilisatrice</b> FORD MONDEO III (B5Y),MONDEO III Stufenheck (B4Y)
<b>51615</b>	<b>Stange/Strebe, Radaufhängung, Rod/Strut, wheel suspension, Biellette de barre stabilisatrice</b> FORD MONDEO III (B5Y),MONDEO III Stufenheck (B4Y)



51616	<b>Lenker, Radaufhängung, Track Control Arm, Bras de liaison, suspension de roue</b> FORD MONDEO III Kombi (BWY)
51617	<b>Lenker, Radaufhängung, Track Control Arm, Bras de liaison, suspension de roue</b> FORD MONDEO I Kombi (BNP),MONDEO II Kombi (BNP),MONDEO III Kombi (BWY)
51618	<b>Lenker, Radaufhängung, Track Control Arm, Bras de liaison, suspension de roue</b> FORD MONDEO III Kombi (BWY)
51619	<b>Spurstangenkopf, Tie Rod End, Rotule de barre de connexion</b> FORD GALAXY,MONDEO IV,MONDEO IV Stufenheck,MONDEO IV Turnier,S-MAX,LAND ROVER FREELANDER 2 (FA_),VOLVO S80 II (AS),V70 III,XC60,XC70 II
51620	<b>Spurstangenkopf, Tie Rod End, Rotule de barre de connexion</b> FORD GALAXY,MONDEO IV,MONDEO IV Stufenheck,MONDEO IV Turnier,S-MAX,LAND ROVER FREELANDER 2 (FA_),VOLVO S80 II (AS),V70 III,XC60,XC70 II
51621	<b>Stange/Strebe, Stabilisator, Rod/Strut, stabiliser, Entretoise/tige, stabilisateur</b> FORD GALAXY,MONDEO IV,MONDEO IV Stufenheck,MONDEO IV Turnier,S-MAX,FORD (CHANGAN) MONDEO,VOLVO S60 II,S80 II (AS),V70 III,XC60,XC70 II
51622	<b>Lenker, Radaufhängung, Track Control Arm, Bras de liaison, suspension de roue</b> FORD GALAXY,MONDEO IV,MONDEO IV Stufenheck,MONDEO IV Turnier,S-MAX,FORD (CHANGAN) MONDEO,VOLVO S80 II (AS),V70 III
51623	<b>Lenker, Radaufhängung, Track Control Arm, Bras de liaison, suspension de roue</b> FORD GALAXY,MONDEO IV,MONDEO IV Stufenheck,MONDEO IV Turnier,S-MAX,FORD (CHANGAN) MONDEO,VOLVO S80 II (AS),V70 III
51624	<b>Trag-/Führungsgelenk, Ball Joint, Rotule de suspension</b> FORD GALAXY,MONDEO IV,MONDEO IV Stufenheck,MONDEO IV Turnier,S-MAX,FORD (CHANGAN) MONDEO,VOLVO S80 II (AS),V70 III
51625	<b>Stange/Strebe, Stabilisator, Rod/Strut, stabiliser, Entretoise/tige, stabilisateur</b> FORD GALAXY,MONDEO IV,MONDEO IV Stufenheck,MONDEO IV Turnier,S-MAX,VOLVO S60 II,S80 II (AS),V60,V70 III,XC60,XC70 II
51627	<b>Spurstangenkopf, Tie Rod End, Rotule de barre de connexion</b> MAZDA 2 (DE)
51628	<b>Spurstangenkopf, Tie Rod End, Rotule de barre de connexion</b> MAZDA 2 (DE)
51629	<b>Axialgelenk, Spurstange, Tie Rod Axle Joint, Rotule de direction intérieure, barre de connexion</b> FORD FIESTA Van,FIESTA VI,MAZDA 2 (DE)
51630	<b>Lenker, Radaufhängung, Track Control Arm, Bras de liaison, suspension de roue</b> BMW X3 (E83)
51631	<b>Lenker, Radaufhängung, Track Control Arm, Bras de liaison, suspension de roue</b> BMW X3 (E83)
51632	<b>Lenker, Radaufhängung, Track Control Arm, Bras de liaison, suspension de roue</b> BMW 5 (E60),5 Touring (E61),BMW (BRILLIANCE) 5 SERIES (E60)
51633	<b>Lenker, Radaufhängung, Track Control Arm, Bras de liaison, suspension de roue</b> BMW 5 (E60),5 Touring (E61),BMW (BRILLIANCE) 5 SERIES (E60)
51634	<b>Lenker, Radaufhängung, Track Control Arm, Bras de liaison, suspension de roue</b> BMW 1 Cabriolet (E88),1 Coupe (E82),1 (E81),3 Cabriolet (E93),3 Coupe (E92),3 (E90),3 Touring (E91),BMW (BRILLIANCE) 3 SERIES (E90)
51635	<b>Lenker, Radaufhängung, Track Control Arm, Bras de liaison, suspension de roue</b> BMW 1 Cabriolet (E88),1 Coupe (E82),1 (E81),3 Cabriolet (E93),3 Coupe (E92),3 (E90),3 Touring (E91),BMW (BRILLIANCE) 3 SERIES (E90)
51636	<b>Lenker, Radaufhängung, Track Control Arm, Bras de liaison, suspension de roue</b> BMW 5 (E60),5 Touring (E61),BMW (BRILLIANCE) 5 SERIES (E60)
51637	<b>Lenker, Radaufhängung, Track Control Arm, Bras de liaison, suspension de roue</b> BMW 5 (E60),5 Touring (E61),BMW (BRILLIANCE) 5 SERIES (E60)
51638	<b>Spurstange, Rod Assembly, Barre de connexion</b> BMW 5 (E60),5 Touring (E61),6 Cabriolet (E64),6 (E63)
51639	<b>Stange/Strebe, Stabilisator, Rod/Strut, stabiliser, Entretoise/tige, stabilisateur</b> BMW X3 (E83)
51639HPS	<b>Stange/Strebe, Stabilisator, Rod/Strut, stabiliser, Entretoise/tige, stabilisateur</b> BMW X3 (E83),3 Coupe (E92)
51640HPS	<b>Stange/Strebe, Stabilisator, Rod/Strut, stabiliser, Entretoise/tige, stabilisateur</b> BMW X3 (E83)
51641HPS	<b>Stange/Strebe, Stabilisator, Rod/Strut, stabiliser, Entretoise/tige, stabilisateur</b> BMW X3 (E83)
51642HPS	<b>Stange/Strebe, Stabilisator, Rod/Strut, stabiliser, Entretoise/tige, stabilisateur</b> BMW 3 (E46),3 Touring (E46)
51643HPS	<b>Stange/Strebe, Stabilisator, Rod/Strut, stabiliser, Entretoise/tige, stabilisateur</b> BMW 3 (E46),3 Touring (E46)



<b>51644HPS</b>	<b>Stange/Strebe, Stabilisator, Rod/Strut, stabiliser, Entretoise/tige, stabilisateur</b> BMW 5 (E60),5 Touring (E61),BMW (BRILLIANCE) 5 SERIES (E60)
<b>51645HPS</b>	<b>Stange/Strebe, Stabilisator, Rod/Strut, stabiliser, Entretoise/tige, stabilisateur</b> BMW 5 (E60),5 Touring (E61),BMW (BRILLIANCE) 5 SERIES (E60)
<b>51646</b>	<b>Stange/Strebe, Stabilisator, Rod/Strut, stabiliser, Entretoise/tige, stabilisateur</b> BMW 5 (E60),5 Touring (E61),6 Cabriolet (E64),6 (E63)
<b>51647</b>	<b>Lenker, Radaufhängung, Track Control Arm, Bras de liaison, suspension de roue</b> BMW X5 (E53),Z8 (E52),5 (E39),5 (E60),5 Touring (E39),5 Touring (E61),6 Cabriolet (E64),6 (E63),7 (E38),7 (E65, E66)
<b>51650</b>	<b>Lenker, Radaufhängung, Track Control Arm, Bras de liaison, suspension de roue</b> BMW 1 Cabriolet (E88),1 Coupe (E82),1 (E81),3 Cabriolet (E93),3 Coupe (E92),3 (E90),3 Touring (E91),BMW (BRILLIANCE) 3 SERIES (E90)
<b>51651</b>	<b>Stange/Strebe, Radaufhängung, Rod/Strut, wheel suspension, Bielle de barre stabilisatrice</b> BMW 1 Cabriolet (E88),1 Coupe (E82),1 (E81),3 (E90),3 Touring (E91)
<b>51652</b>	<b>Stange/Strebe, Radaufhängung, Rod/Strut, wheel suspension, Bielle de barre stabilisatrice</b> BMW 1 Cabriolet (E88),1 Coupe (E82),1 (E81),3 Coupe (E92),3 (E90),3 Touring (E91)
<b>51653</b>	<b>Axialgelenk, Spurstange, Tie Rod Axle Joint, Rotule de direction intérieure, barre de connexion</b> BMW 1 Cabriolet (E88),1 Coupe (E82),1 (E81),3 Cabriolet (E93),3 Coupe (E92),3 (E90),3 Touring (E91)
<b>51654</b>	<b>Axialgelenk, Spurstange, Tie Rod Axle Joint, Rotule de direction intérieure, barre de connexion</b> BMW 1 (E81),3 Cabriolet (E93),3 Coupe (E92),3 (E90),3 Touring (E91)
<b>51655</b>	<b>Spurstange, Rod Assembly, Barre de connexion</b> BMW 1 Cabriolet (E88),1 Coupe (E82),1 (E81),3 Cabriolet (E93),3 Coupe (E92),3 (E90),3 Touring (E91)
<b>51656</b>	<b>Spurstange, Rod Assembly, Barre de connexion</b> BMW 1 Cabriolet (E88),1 Coupe (E82),1 (E81),3 Cabriolet (E93),3 Coupe (E92),3 (E90),3 Touring (E91)
<b>51657HPS</b>	<b>Stange/Strebe, Stabilisator, Rod/Strut, stabiliser, Entretoise/tige, stabilisateur</b> BMW X1 (E84),Z4 (E89),1 Cabriolet (E88),1 Coupe (E82),1 (E81),3 Cabriolet (E93),3 Coupe (E92),3 (E90),3 Touring (E91)
<b>51658HPS</b>	<b>Stange/Strebe, Stabilisator, Rod/Strut, stabiliser, Entretoise/tige, stabilisateur</b> BMW X1 (E84),Z4 (E89),1 Cabriolet (E88),1 Coupe (E82),1 (E81),3 Cabriolet (E93),3 Coupe (E92),3 (E90),3 Touring (E91)
<b>51659</b>	<b>Stange/Strebe, Stabilisator, Rod/Strut, stabiliser, Entretoise/tige, stabilisateur</b> BMW 1 Cabriolet (E88),1 Coupe (E82),1 (E81),3 Cabriolet (E93),3 Coupe (E92),3 (E90),3 Touring (E91)
<b>51660</b>	<b>Trag-/Führungsgelenk, Ball Joint, Rotule de suspension</b> MINI MINI Cabriolet (R52),MINI (R50, R53)
<b>51661</b>	<b>Trag-/Führungsgelenk, Ball Joint, Rotule de suspension</b> MINI MINI (R50, R53)
<b>51662</b>	<b>Trag-/Führungsgelenk, Ball Joint, Rotule de suspension</b> MINI MINI (R50, R53)
<b>51663</b>	<b>Lenker, Radaufhängung, Track Control Arm, Bras de liaison, suspension de roue</b> MINI MINI Cabriolet (R52),MINI (R50, R53)
<b>51664</b>	<b>Lenker, Radaufhängung, Track Control Arm, Bras de liaison, suspension de roue</b> MINI MINI Cabriolet (R52),MINI (R50, R53)
<b>51665</b>	<b>Spurstange, Rod Assembly, Barre de connexion</b> BMW 1 (E81),3 Cabriolet (E93),3 Coupe (E92),3 (E90),3 Touring (E91),6 Cabriolet (E64),6 (E63)
<b>51666</b>	<b>Spurstange, Rod Assembly, Barre de connexion</b> BMW 1 (E81),3 Cabriolet (E93),3 Coupe (E92),3 (E90),3 Touring (E91)
<b>51667</b>	<b>Spurstangenkopf, Tie Rod End, Rotule de barre de connexion</b> BMW 1 (E81),3 Cabriolet (E93),3 Coupe (E92),3 (E90),3 Touring (E91)
<b>51668</b>	<b>Spurstangenkopf, Tie Rod End, Rotule de barre de connexion</b> BMW 1 (E81),3 Cabriolet (E93),3 Coupe (E92),3 (E90),3 Touring (E91)
<b>51669</b>	<b>Axialgelenk, Spurstange, Tie Rod Axle Joint, Rotule de direction intérieure, barre de connexion</b> MINI MINI Cabriolet (R52),MINI (R50, R53),MINI (R56)
<b>51670</b>	<b>Lenker, Radaufhängung, Track Control Arm, Bras de liaison, suspension de roue</b> LAND ROVER DISCOVERY III (TAA)
<b>51671</b>	<b>Lenker, Radaufhängung, Track Control Arm, Bras de liaison, suspension de roue</b> LAND ROVER DISCOVERY III (TAA)
<b>51672</b>	<b>Trag-/Führungsgelenk, Ball Joint, Rotule de suspension</b> LAND ROVER DISCOVERY III (TAA)
<b>51673</b>	<b>Lenker, Radaufhängung, Track Control Arm, Bras de liaison, suspension de roue</b> LAND ROVER DISCOVERY III (TAA),DISCOVERY IV (LA)
<b>51674</b>	<b>Lenker, Radaufhängung, Track Control Arm, Bras de liaison, suspension de roue</b> LAND ROVER DISCOVERY III (TAA),DISCOVERY IV (LA)

51675	<b>Spurstange, Rod Assembly, Barre de connexion</b> LAND ROVER RANGE ROVER II (LP)
51676	<b>Spurstange, Rod Assembly, Barre de connexion</b> LAND ROVER DISCOVERY II (LJ, LT)
51677	<b>Spurstange, Rod Assembly, Barre de connexion</b> LAND ROVER DISCOVERY I (LJ, LG)
51678	<b>Spurstangenkopf, Tie Rod End, Rotule de barre de connexion</b> LAND ROVER DISCOVERY I (LJ, LG),DISCOVERY II (LJ, LT),RANGE ROVER II (LP)
51681	<b>Stange/Strebe, Stabilisator, Rod/Strut, stabiliser, Entretoise/tige, stabilisateur</b> LAND ROVER DISCOVERY III (TAA)
51682	<b>Stange/Strebe, Stabilisator, Rod/Strut, stabiliser, Entretoise/tige, stabilisateur</b> LAND ROVER DISCOVERY III (TAA),RANGE ROVER SPORT (LS)
51683	<b>Spurstangenkopf, Tie Rod End, Rotule de barre de connexion</b> LAND ROVER RANGE ROVER III (LM)
51684	<b>Spurstangenkopf, Tie Rod End, Rotule de barre de connexion</b> LAND ROVER DISCOVERY III (TAA),DISCOVERY IV (LA)
51685	<b>Trag-/Führungsgelenk, Ball Joint, Rotule de suspension</b> LAND ROVER DISCOVERY III (TAA),RANGE ROVER SPORT (LS)
51686	<b>Stange/Strebe, Stabilisator, Rod/Strut, stabiliser, Entretoise/tige, stabilisateur</b> LAND ROVER RANGE ROVER III (LM)
51687	<b>Lenker, Radaufhängung, Track Control Arm, Bras de liaison, suspension de roue</b> LAND ROVER RANGE ROVER III (LM)
51688	<b>Trag-/Führungsgelenk, Ball Joint, Rotule de suspension</b> LAND ROVER RANGE ROVER III (LM)
51689	<b>Spurstangenkopf, Tie Rod End, Rotule de barre de connexion</b> LAND ROVER RANGE ROVER SPORT (LS)
51690	<b>Lenker, Radaufhängung, Track Control Arm, Bras de liaison, suspension de roue</b> MG MG ZT,MG ZT- T,ROVER 75 (RJ),75 Tourer (RJ)
51691	<b>Lenker, Radaufhängung, Track Control Arm, Bras de liaison, suspension de roue</b> MG MG ZT,MG ZT- T,ROVER 75 (RJ),75 Tourer (RJ)
51692	<b>Axialgelenk, Spurstange, Tie Rod Axle Joint, Rotule de direction intérieure, barre de connexion</b> LAND ROVER RANGE ROVER SPORT (LS)
51693	<b>Stange/Strebe, Stabilisator, Rod/Strut, stabiliser, Entretoise/tige, stabilisateur</b> LAND ROVER RANGE ROVER SPORT (LS)
51694	<b>Stange/Strebe, Stabilisator, Rod/Strut, stabiliser, Entretoise/tige, stabilisateur</b> LAND ROVER RANGE ROVER SPORT (LS)
51710OES	<b>Lenker, Radaufhängung, Track Control Arm, Bras de liaison, suspension de roue</b> AUDI A4 Avant (8ED, B7),A4 Avant (8E5, B6),A4 Cabriolet (8H7, B6, 8HE, B7),A4 (8EC, B7),A4 (8E2, B6),AUDI (FAW) A4 Stufenheck (B6),A4 Stufenheck (B7),SEAT EXEO ST (3R5),EXEO (3R2)
51711	<b>Spurstangenkopf, Tie Rod End, Rotule de barre de connexion</b> AUDI A3 (8L1),TT Roadster (8N9),TT (8N3),SEAT LEON (1M1),VW GOLF IV (1J1),NEW BEETLE (9C1, 1C1)
51712	<b>Spurstangenkopf, Tie Rod End, Rotule de barre de connexion</b> AUDI A3 (8L1),TT Roadster (8N9),TT (8N3),SEAT LEON (1M1),VW GOLF IV (1J1),NEW BEETLE (9C1, 1C1)
51713	<b>Spurstange, Rod Assembly, Barre de connexion</b> AUDI A3 (8L1),TT (8N3)
51714	<b>Spurstange, Rod Assembly, Barre de connexion</b> AUDI A3 (8L1),TT (8N3)
51715	<b>Lenker, Radaufhängung, Track Control Arm, Bras de liaison, suspension de roue</b> AUDI A3 Sportback (8PA),A3 (8P1),SEAT ALTEA (5P1),LEON (1P1),TOLEDO III (5P2),SKODA OCTAVIA Combi (1Z5),OCTAVIA (1Z3),VW CADDY III Kasten (2KA, 2KH, 2CA, 2CH),CADDY III Kombi (2KB, 2KJ, 2CB, 2CJ),EOS (1F7, 1F8),GOLF PLUS (5M1, 521),GOLF V (1K1),JETTA III (1K2),TOURAN (1T1, 1T2)
51716	<b>Lenker, Radaufhängung, Track Control Arm, Bras de liaison, suspension de roue</b> AUDI A3 Sportback (8PA),A3 (8P1),SEAT ALTEA (5P1),LEON (1P1),TOLEDO III (5P2),SKODA OCTAVIA Combi (1Z5),OCTAVIA (1Z3),VW CADDY III Kasten (2KA, 2KH, 2CA, 2CH),CADDY III Kombi (2KB, 2KJ, 2CB, 2CJ),EOS (1F7, 1F8),GOLF PLUS (5M1, 521),GOLF V (1K1),JETTA III (1K2),TOURAN (1T1, 1T2)
51718HPS	<b>Stange/Strebe, Stabilisator, Rod/Strut, stabiliser, Entretoise/tige, stabilisateur</b> VW MULTIVAN T5 (7HM, 7HN, 7HF, 7EF, 7EM, 7EN),TRANSPORTER T5 Bus (7HB, 7HJ, 7EB, 7EJ, 7EF),TRANSPORTER T5 Kasten (7HA, 7HH, 7EA, 7EH),TRANSPORTER T5 Pritsche/Fahrgestell (7JD, 7JE, 7JL, 7JY, 7JZ)
51721	<b>Trag-/Führungsgelenk, Ball Joint, Rotule de suspension</b> VW MULTIVAN T5 (7HM, 7HN, 7HF, 7EF, 7EM, 7EN),TRANSPORTER T5 Bus (7HB, 7HJ, 7EB, 7EJ, 7EF),TRANSPORTER T5 Kasten (7HA, 7HH, 7EA, 7EH),TRANSPORTER T5 Pritsche/Fahrgestell (7JD, 7JE, 7JL, 7JY, 7JZ)



51722	<b>Axialgelenk, Spurstange, Tie Rod Axle Joint, Rotule de direction intérieure, barre de connexion</b> VW MULTIVAN T5 (7HM, 7HN, 7HF, 7EF, 7EM, 7EN),TRANSPORTER T5 Bus (7HB, 7HJ, 7EB, 7EJ, 7EF),TRANSPORTER T5 Kasten (7HA, 7HH, 7EA, 7EH),TRANSPORTER T5 Pritsche/Fahrgestell (7JD, 7JE, 7JL, 7JY, 7JZ)
51723	<b>Axialgelenk, Spurstange, Tie Rod Axle Joint, Rotule de direction intérieure, barre de connexion</b> AUDI A3 Cabriolet (8P7),A3 Sportback (8PA),A3 (8P1),SEAT ALTEA XL (5P5, 5P8),ALTEA (5P1),LEON (1P1),TOLEDO III (5P2),SKODA OCTAVIA Combi (1Z5),OCTAVIA (1Z3),SUPERB Kombi (3T5),SUPERB (3T4),YETI (5L),SKODA (SVW ) OCTAVIA,SUPERB,VW CADDY III Kasten (2KA, 2KH, 2CA, 2CH),CADDY III Kombi (2KB, 2KJ, 2CB, 2CJ),EOS (1F7, 1F8),GOLF PLUS (5M1, 521),GOLF V Variant (1K5),GOLF V (1K1),GOLF VI Variant (AJ5),GOLF VI (5K1),JETTA III (1K2),PASSAT CC (357),PASSAT Variant (3C5),PASSAT (3C2),SCIROCCO (137),TIGUAN (5N_),TOURAN (1T1, 1T2),VW (FAW) CADDY Kasten,MAGOTAN (B6),SAGITAR,VW (SVW) TOURAN Großraumlimousine
51724	<b>Trag-/Führungsgelenk, Ball Joint, Rotule de suspension</b> AUDI A3 Cabriolet (8P7),A3 Sportback (8PA),A3 (8P1),SEAT ALTEA XL (5P5, 5P8),ALTEA (5P1),LEON (1P1),TOLEDO III (5P2),SKODA OCTAVIA Combi (1Z5),OCTAVIA (1Z3),SUPERB (3T4),YETI (5L),SKODA (SVW ) OCTAVIA,SUPERB,VW CADDY III Kasten (2KA, 2KH, 2CA, 2CH),CADDY III Kombi (2KB, 2KJ, 2CB, 2CJ),EOS (1F7, 1F8),GOLF PLUS (5M1, 521),GOLF V Variant (1K5),GOLF V (1K1),GOLF VI Variant (AJ5),GOLF VI (5K1),JETTA III (1K2),JETTA IV (162),SCIROCCO (137),TIGUAN (5N_),TOURAN (1T1, 1T2),TOURAN (1T3),VW (FAW) GOLF,MAGOTAN (B6),SAGITAR,VW (SVW) TIGUAN,TOURAN Großraumlimousine
51725	<b>Trag-/Führungsgelenk, Ball Joint, Rotule de suspension</b> AUDI A3 Cabriolet (8P7),A3 Sportback (8PA),A3 (8P1),SEAT ALTEA XL (5P5, 5P8),ALTEA (5P1),LEON (1P1),TOLEDO III (5P2),SKODA OCTAVIA Combi (1Z5),OCTAVIA (1Z3),SUPERB (3T4),YETI (5L),SKODA (SVW ) OCTAVIA,SUPERB,VW CADDY III Kasten (2KA, 2KH, 2CA, 2CH),CADDY III Kombi (2KB, 2KJ, 2CB, 2CJ),EOS (1F7, 1F8),GOLF PLUS (5M1, 521),GOLF V Variant (1K5),GOLF V (1K1),GOLF VI Cabriolet (517),GOLF VI Variant (AJ5),GOLF VI (5K1),JETTA III (1K2),JETTA IV (162),SCIROCCO (137),TIGUAN (5N_),TOURAN (1T1, 1T2),TOURAN (1T3),VW (FAW) GOLF,MAGOTAN (B6),SAGITAR,VW (SVW) TIGUAN,TOURAN Großraumlimousine
51726	<b>Lenker, Radaufhängung, Track Control Arm, Bras de liaison, suspension de roue</b> AUDI A3 Sportback (8PA),A3 (8P1),SEAT ALTEA XL (5P5, 5P8),ALTEA (5P1),LEON (1P1),TOLEDO III (5P2),SKODA OCTAVIA Combi (1Z5),OCTAVIA (1Z3),VW EOS (1F7, 1F8),GOLF PLUS (5M1, 521),GOLF V (1K1),JETTA III (1K2),TOURAN (1T1, 1T2)
51727	<b>Lenker, Radaufhängung, Track Control Arm, Bras de liaison, suspension de roue</b> AUDI A3 Sportback (8PA),A3 (8P1),SEAT ALTEA XL (5P5, 5P8),ALTEA (5P1),LEON (1P1),TOLEDO III (5P2),SKODA OCTAVIA Combi (1Z5),OCTAVIA (1Z3),VW EOS (1F7, 1F8),GOLF PLUS (5M1, 521),GOLF V (1K1),JETTA III (1K2),TOURAN (1T1, 1T2)
51728	<b>Spurstange, Rod Assembly, Barre de connexion</b> AUDI A3 Sportback (8PA),A3 (8P1),SEAT ALTEA (5P1),LEON (1P1),TOLEDO III (5P2),SKODA OCTAVIA Combi (1Z5),OCTAVIA (1Z3),VW CADDY III Kasten (2KA, 2KH, 2CA, 2CH),CADDY III Kombi (2KB, 2KJ, 2CB, 2CJ),EOS (1F7, 1F8),GOLF PLUS (5M1, 521),GOLF V (1K1),JETTA III (1K2),PASSAT (3C2),TOURAN (1T1, 1T2)
51729	<b>Spurstange, Rod Assembly, Barre de connexion</b> AUDI A3 Sportback (8PA),A3 (8P1),SEAT ALTEA (5P1),LEON (1P1),TOLEDO III (5P2),SKODA OCTAVIA Combi (1Z5),OCTAVIA (1Z3),VW CADDY III Kasten (2KA, 2KH, 2CA, 2CH),CADDY III Kombi (2KB, 2KJ, 2CB, 2CJ),EOS (1F7, 1F8),GOLF PLUS (5M1, 521),GOLF V (1K1),JETTA III (1K2),PASSAT (3C2),TOURAN (1T1, 1T2)
51730	<b>Lenker, Radaufhängung, Track Control Arm, Bras de liaison, suspension de roue</b> AUDI A6 Avant (4B, C5),A6 (4B, C5),A8 (4D2, 4D8),SKODA SUPERB (3U4),VW PASSAT Variant (3B6),PASSAT (3B3)
51731	<b>Lenker, Radaufhängung, Track Control Arm, Bras de liaison, suspension de roue</b> VW MULTIVAN T5 (7HM, 7HN, 7HF, 7EF, 7EM, 7EN),TRANSPORTER T5 Bus (7HB, 7HJ, 7EB, 7EJ, 7EF),TRANSPORTER T5 Kasten (7HA, 7HH, 7EA, 7EH),TRANSPORTER T5 Pritsche/Fahrgestell (7JD, 7JE, 7JL, 7JY, 7JZ)
51732	<b>Lenker, Radaufhängung, Track Control Arm, Bras de liaison, suspension de roue</b> VW MULTIVAN T5 (7HM, 7HN, 7HF, 7EF, 7EM, 7EN),TRANSPORTER T5 Bus (7HB, 7HJ, 7EB, 7EJ, 7EF),TRANSPORTER T5 Kasten (7HA, 7HH, 7EA, 7EH),TRANSPORTER T5 Pritsche/Fahrgestell (7JD, 7JE, 7JL, 7JY, 7JZ)
51733	<b>Stange/Strebe, Stabilisator, Rod/Strut, stabiliser, Entretoise/tige, stabilisateur</b> AUDI Q7 (4L),PORSCHE CAYENNE (955),VW TOUAREG (7LA, 7L6, 7L7)
51734	<b>Stange/Strebe, Stabilisator, Rod/Strut, stabiliser, Entretoise/tige, stabilisateur</b> AUDI Q7 (4L),PORSCHE CAYENNE (955),VW TOUAREG (7LA, 7L6, 7L7)
51735	<b>Spurstangenkopf, Tie Rod End, Rotule de barre de connexion</b> AUDI A8 (4E_),VW PHAETON (3D_)
51736	<b>Axialgelenk, Spurstange, Tie Rod Axle Joint, Rotule de direction intérieure, barre de connexion</b> AUDI A8 (4E_),VW PHAETON (3D_)
51737	<b>Lenker, Radaufhängung, Track Control Arm, Bras de liaison, suspension de roue</b> AUDI A8 (4E_),VW PHAETON (3D_)
51738	<b>Lenker, Radaufhängung, Track Control Arm, Bras de liaison, suspension de roue</b> AUDI A8 (4E_),VW PHAETON (3D_)
51739	<b>Lenker, Radaufhängung, Track Control Arm, Bras de liaison, suspension de roue</b> AUDI A8 (4E_),VW PHAETON (3D_)
51742	<b>Spurstangenkopf, Tie Rod End, Rotule de barre de connexion</b> AUDI Q7 (4L),PORSCHE CAYENNE (955),VW TOUAREG (7LA, 7L6, 7L7)
51743	<b>Spurstangenkopf, Tie Rod End, Rotule de barre de connexion</b> AUDI Q7 (4L),PORSCHE CAYENNE (955),VW TOUAREG (7LA, 7L6, 7L7)
51744	<b>Axialgelenk, Spurstange, Tie Rod Axle Joint, Rotule de direction intérieure, barre de connexion</b> AUDI Q7 (4L),PORSCHE CAYENNE (955),VW TOUAREG (7LA, 7L6, 7L7)
51745	<b>Spurstange, Rod Assembly, Barre de connexion</b> AUDI Q7 (4L),PORSCHE CAYENNE (955),VW TOUAREG (7LA, 7L6, 7L7)
51746	<b>Spurstange, Rod Assembly, Barre de connexion</b> AUDI Q7 (4L),PORSCHE CAYENNE (955),VW TOUAREG (7LA, 7L6, 7L7)

51747	<b>Axialgelenk, Spurstange, Tie Rod Axle Joint, Rotule de direction intérieure, barre de connexion</b> AUDI A3 (8L1),TT Roadster (8N9),TT (8N3),VW NEW BEETLE (9C1, 1C1)
51748	<b>Trag-/Führungsgelenk, Ball Joint, Rotule de suspension</b> AUDI A3 Sportback (8PA),A3 (8P1),SEAT ALHAMBRA (710),LEON (1P1),VW PASSAT CC (357),PASSAT Variant (3C5),PASSAT Variant (365),PASSAT (3C2),PASSAT (362),SHARAN (7N)
51749	<b>Trag-/Führungsgelenk, Ball Joint, Rotule de suspension</b> AUDI A3 Sportback (8PA),A3 (8P1),SEAT ALHAMBRA (710),LEON (1P1),VW PASSAT CC (357),PASSAT Variant (3C5),PASSAT Variant (365),PASSAT (3C2),PASSAT (362),SHARAN (7N)
51800	<b>Trag-/Führungsgelenk, Ball Joint, Rotule de suspension</b> VW KAEFER,KARMANN GHIA Cabriolet (14, 34),KARMANN GHIA Coupe (14, 34)
51801	<b>Trag-/Führungsgelenk, Ball Joint, Rotule de suspension</b> VW KAEFER,KARMANN GHIA Cabriolet (14, 34),KARMANN GHIA Coupe (14, 34)
51802	<b>Spurstangenkopf, Tie Rod End, Rotule de barre de connexion</b> VW LT 28-35 I Bus (281-363),LT 28-35 I Kasten (281-363),LT 28-35 I Pritsche/Fahrgestell (281-363),LT 40-55 I Kasten (291-512),LT 40-55 I Pritsche/Fahrgestell (293-909)
51803	<b>Spurstangenkopf, Tie Rod End, Rotule de barre de connexion</b> VW LT 28-35 I Bus (281-363),LT 28-35 I Kasten (281-363),LT 28-35 I Pritsche/Fahrgestell (281-363)
51805	<b>Spurstange, Rod Assembly, Barre de connexion</b> VW LT 28-35 I Bus (281-363),LT 28-35 I Kasten (281-363),LT 28-35 I Pritsche/Fahrgestell (281-363),LT 28-35 II Bus (2DM),LT 28-46 II Kasten (2DX0AE),LT 28-46 II Pritsche/Fahrgestell (2DX0FE),LT 40-55 I Kasten (291-512),LT 40-55 I Pritsche/Fahrgestell (293-909)
51806	<b>Spurstange, Rod Assembly, Barre de connexion</b> VW LT 28-35 I Bus (281-363),LT 28-35 I Kasten (281-363),LT 28-35 I Pritsche/Fahrgestell (281-363),LT 40-55 I Kasten (291-512),LT 40-55 I Pritsche/Fahrgestell (293-909),TRANSPORTER T1 Bus (22, 24, 25, 28),TRANSPORTER T1 Kasten (21, 23),TRANSPORTER T1 Pritsche/Fahrgestell (26),TRANSPORTER T2 Bus,TRANSPORTER T2 Kasten,TRANSPORTER T2 Pritsche/Fahrgestell
51807	<b>Spurstangenkopf, Tie Rod End, Rotule de barre de connexion</b> VW KAEFER,KAEFER Cabriolet (15),KARMANN GHIA Cabriolet (14, 34),KARMANN GHIA Coupe (14, 34),1500,1600 Schrägheck (31),1500,1600 Variant (36),1500,1600 (31)
51808	<b>Spurstangenkopf, Tie Rod End, Rotule de barre de connexion</b> VW LT 28-35 I Bus (281-363),LT 28-35 I Kasten (281-363),LT 28-35 I Pritsche/Fahrgestell (281-363),LT 40-55 I Kasten (291-512),LT 40-55 I Pritsche/Fahrgestell (293-909)
51810	<b>Spurstangenkopf, Tie Rod End, Rotule de barre de connexion</b> VW KAEFER,KAEFER Cabriolet (15),KARMANN GHIA Cabriolet (14, 34),KARMANN GHIA Coupe (14, 34)
51811	<b>Reparaturatz, Radaufhängung, Repair Kit, wheel suspension, Kit de réparation, suspension de roue</b> VW TRANSPORTER T4 Bus (70XB, 70XC, 7DB, 7DW),TRANSPORTER T4 Kasten (70XA),TRANSPORTER T4 Pritsche/Fahrgestell (70XD)
51812	<b>Reparaturatz, Radaufhängung, Repair Kit, wheel suspension, Kit de réparation, suspension de roue</b> VW TRANSPORTER T4 Bus (70XB, 70XC, 7DB, 7DW),TRANSPORTER T4 Kasten (70XA),TRANSPORTER T4 Pritsche/Fahrgestell (70XD)
51813	<b>Reparaturatz, Radaufhängung, Repair Kit, wheel suspension, Kit de réparation, suspension de roue</b> VW TRANSPORTER T4 Bus (70XB, 70XC, 7DB, 7DW),TRANSPORTER T4 Kasten (70XA),TRANSPORTER T4 Pritsche/Fahrgestell (70XD)
51814	<b>Reparaturatz, Radaufhängung, Repair Kit, wheel suspension, Kit de réparation, suspension de roue</b> VW TRANSPORTER T4 Bus (70XB, 70XC, 7DB, 7DW),TRANSPORTER T4 Kasten (70XA),TRANSPORTER T4 Pritsche/Fahrgestell (70XD)
51815	<b>Reparaturatz, Radaufhängung, Repair Kit, wheel suspension, Kit de réparation, suspension de roue</b> VW TRANSPORTER T4 Bus (70XB, 70XC, 7DB, 7DW),TRANSPORTER T4 Kasten (70XA),TRANSPORTER T4 Pritsche/Fahrgestell (70XD)
51816	<b>Reparaturatz, Radaufhängung, Repair Kit, wheel suspension, Kit de réparation, suspension de roue</b> VW TRANSPORTER T4 Bus (70XB, 70XC, 7DB, 7DW),TRANSPORTER T4 Kasten (70XA),TRANSPORTER T4 Pritsche/Fahrgestell (70XD)
51817	<b>Reparaturatz, Radaufhängung, Repair Kit, wheel suspension, Kit de réparation, suspension de roue</b> VW TRANSPORTER T4 Bus (70XB, 70XC, 7DB, 7DW),TRANSPORTER T4 Kasten (70XA),TRANSPORTER T4 Pritsche/Fahrgestell (70XD)
51818	<b>Reparaturatz, Radaufhängung, Repair Kit, wheel suspension, Kit de réparation, suspension de roue</b> VW TRANSPORTER T4 Bus (70XB, 70XC, 7DB, 7DW),TRANSPORTER T4 Kasten (70XA),TRANSPORTER T4 Pritsche/Fahrgestell (70XD)
51819	<b>Lenker, Radaufhängung, Track Control Arm, Bras de liaison, suspension de roue</b> SEAT AROSA (6H),VW LUPO (6X1, 6E1)
51819/1	<b>Lenker, Radaufhängung, Track Control Arm, Bras de liaison, suspension de roue</b> SEAT AROSA (6H),VW LUPO (6X1, 6E1),POLO (6N2)
51820	<b>Lenker, Radaufhängung, Track Control Arm, Bras de liaison, suspension de roue</b> SEAT AROSA (6H),VW LUPO (6X1, 6E1)
51821	<b>Stange/Strebe, Stabilisator, Rod/Strut, stabiliser, Entretoise/tige, stabilisateur</b> SEAT AROSA (6H),SKODA FELICIA I Kombi (6U5),FELICIA I (6U1),FELICIA II Kombi (6U5),FELICIA II (6U1),VW LUPO (6X1, 6E1),POLO Kasten (6NF),POLO (6N1),POLO (6N2)
51822	<b>Spurstangenkopf, Tie Rod End, Rotule de barre de connexion</b> AUDI A2 (8Z0),SEAT AROSA (6H),CORDOBA Vario (6K5),CORDOBA (6K1, 6K2),CORDOBA (6K2),IBIZA II (6K1),IBIZA III (6K1),INCA (6K9),VW CADDY II Kombi (9K9B),LUPO (6X1, 6E1),POLO CLASSIC (6KV2),POLO Variant (6KV5),POLO (6N1),POLO (6N2)
51823	<b>Spurstangenkopf, Tie Rod End, Rotule de barre de connexion</b> AUDI A2 (8Z0),SEAT AROSA (6H),CORDOBA Vario (6K5),CORDOBA (6K1, 6K2),CORDOBA (6K2),IBIZA II (6K1),IBIZA III (6K1),INCA (6K9),VW CADDY II Kasten (9K9A),LUPO (6X1, 6E1),POLO CLASSIC (6KV2),POLO Variant (6KV5),POLO (6N1),POLO (6N2)





<b>51824</b>	<b>Stange/Strebe, Stabilisator, Rod/Strut, stabiliser, Entretoise/tige, stabilisateur</b> AUDI Q7 (4L),PORSCHE CAYENNE,CAYENNE (955),VW TOUAREG (7LA, 7L6, 7L7)
<b>51825HPS</b>	<b>Stange/Strebe, Stabilisator, Rod/Strut, stabiliser, Entretoise/tige, stabilisateur</b> AUDI A3 Cabriolet (8P7),A3 Sportback (8PA),A3 (8P1),TT Roadster (8J9),TT (8J3),SEAT ALTEA XL (5P5, 5P8),ALTEA (5P1),LEON (1P1),TOLEDO III (5P2),SKODA OCTAVIA Combi (1Z5),OCTAVIA (1Z3),SUPERB Kombi (3T5),SUPERB (3T4),YETI (5L),SKODA (SVW ) OCTAVIA,SUPERB,VW CADDY III Kasten (2KA, 2KH, 2CA, 2CH),CADDY III Kombi (2KB, 2KJ, 2CB, 2CJ),EOS (1F7, 1F8),GOLF PLUS (5M1, 521),GOLF V Variant (1K5),GOLF V (1K1),GOLF VI Variant (AJ5),GOLF VI (5K1),JETTA III (1K2),PASSAT CC (357),PASSAT Variant (3C5),PASSAT (3C2),SCIROCCO (137),TIGUAN (5N_),TOURAN (1T1, 1T2),VW (FAW) CADDY Kasten,MAGOTAN (B6),SAGITAR,VW (SVW) TOURAN Großraumlimousine
<b>51826</b>	<b>Spurstangenkopf, Tie Rod End, Rotule de barre de connexion</b> AUDI A3 Cabriolet (8P7),A3 Sportback (8PA),A3 (8P1),SEAT ALHAMBRA (710),ALTEA XL (5P5, 5P8),ALTEA (5P1),LEON (1P1),TOLEDO III (5P2),SKODA OCTAVIA Combi (1Z5),OCTAVIA (1Z3),SUPERB Kombi (3T5),SUPERB (3T4),YETI (5L),SKODA (SVW ) OCTAVIA,VW CADDY III Kasten (2KA, 2KH, 2CA, 2CH),CADDY III Kombi (2KB, 2KJ, 2CB, 2CJ),EOS (1F7, 1F8),GOLF PLUS (5M1, 521),GOLF V Variant (1K5),GOLF V (1K1),GOLF VI Cabriolet (517),GOLF VI Variant (AJ5),GOLF VI (5K1),JETTA III (1K2),PASSAT CC (357),PASSAT Variant (3C5),PASSAT (3C2),SCIROCCO (137),SHARAN (7N),TIGUAN (5N_),TOURAN (1T1, 1T2),TOURAN (1T3),VW (FAW) MAGOTAN (B6),SAGITAR,VW (SVW) TOURAN Großraumlimousine
<b>51827</b>	<b>Spurstangenkopf, Tie Rod End, Rotule de barre de connexion</b> AUDI A3 Cabriolet (8P7),A3 Sportback (8PA),A3 (8P1),SEAT ALHAMBRA (710),ALTEA XL (5P5, 5P8),ALTEA (5P1),LEON (1P1),TOLEDO III (5P2),SKODA OCTAVIA Combi (1Z5),OCTAVIA (1Z3),SUPERB (3T4),YETI (5L),SKODA (SVW ) OCTAVIA,VW CADDY III Kasten (2KA, 2KH, 2CA, 2CH),CADDY III Kombi (2KB, 2KJ, 2CB, 2CJ),EOS (1F7, 1F8),GOLF PLUS (5M1, 521),GOLF V Variant (1K5),GOLF V (1K1),GOLF VI Cabriolet (517),GOLF VI Variant (AJ5),GOLF VI (5K1),JETTA III (1K2),PASSAT CC (357),PASSAT Variant (3C5),PASSAT (3C2),SCIROCCO (137),SHARAN (7N),TIGUAN (5N_),TOURAN (1T1, 1T2),TOURAN (1T3),VW (FAW) MAGOTAN (B6),SAGITAR,VW (SVW) TOURAN Großraumlimousine
<b>51829HPS</b>	<b>Stange/Strebe, Stabilisator, Rod/Strut, stabiliser, Entretoise/tige, stabilisateur</b> AUDI A3 Cabriolet (8P7),A3 Sportback (8PA),A3 (8P1),TT Roadster (8J9),TT (8J3),SEAT ALTEA XL (5P5, 5P8),ALTEA (5P1),LEON (1P1),TOLEDO II (1M2),TOLEDO III (5P2),SKODA OCTAVIA Combi (1Z5),OCTAVIA (1Z3),SUPERB Kombi (3T5),SUPERB (3T4),YETI (5L),VW EOS (1F7, 1F8),GOLF PLUS (5M1, 521),GOLF V Variant (1K5),GOLF V (1K1),GOLF VI Variant (AJ5),GOLF VI (5K1),JETTA III (1K2),PASSAT CC (357),PASSAT Variant (3C5),PASSAT (3C2),SCIROCCO (137),SHARAN (7N),TIGUAN (5N_),TOURAN (1T1, 1T2)
<b>51830</b>	<b>Lenker, Radaufhängung, Track Control Arm, Bras de liaison, suspension de roue</b> MERCEDES-BENZ S-KLASSE Coupe (C215),S-KLASSE (W220)
<b>51831</b>	<b>Lenker, Radaufhängung, Track Control Arm, Bras de liaison, suspension de roue</b> MERCEDES-BENZ S-KLASSE Coupe (C215),S-KLASSE (W220)
<b>51832</b>	<b>Lenker, Radaufhängung, Track Control Arm, Bras de liaison, suspension de roue</b> MERCEDES-BENZ S-KLASSE Coupe (C215),S-KLASSE (W220)
<b>51833</b>	<b>Lenker, Radaufhängung, Track Control Arm, Bras de liaison, suspension de roue</b> MERCEDES-BENZ S-KLASSE Coupe (C215),S-KLASSE (W220)
<b>51834</b>	<b>Trag-/Führungsgelenk, Ball Joint, Rotule de suspension</b> MERCEDES-BENZ CLS (C219),E-KLASSE Kombi (S211),E-KLASSE (W211),S-KLASSE Coupe (C215),S-KLASSE (W220),SL (R230),MERCEDES-BENZ (BBDC) E-CLASS (W211)
<b>51835</b>	<b>Lenker, Radaufhängung, Track Control Arm, Bras de liaison, suspension de roue</b> MERCEDES-BENZ CLS (C219),E-KLASSE Kombi (S211),E-KLASSE (W211),SL (R230)
<b>51836</b>	<b>Lenker, Radaufhängung, Track Control Arm, Bras de liaison, suspension de roue</b> MERCEDES-BENZ CLS (C219),E-KLASSE Kombi (S211),E-KLASSE (W211),SL (R230)
<b>51837</b>	<b>Lenker, Radaufhängung, Track Control Arm, Bras de liaison, suspension de roue</b> MERCEDES-BENZ CLS (C219),E-KLASSE Kombi (S211),E-KLASSE (W211),SL (R230),MERCEDES-BENZ (BBDC) E-CLASS (W211)
<b>51838</b>	<b>Lenker, Radaufhängung, Track Control Arm, Bras de liaison, suspension de roue</b> MERCEDES-BENZ CLS (C219),E-KLASSE Kombi (S211),E-KLASSE (W211),SL (R230),MERCEDES-BENZ (BBDC) E-CLASS (W211)
<b>51839</b>	<b>Axialgelenk, Spurstange, Tie Rod Axle Joint, Rotule de direction intérieure, barre de connexion</b> MERCEDES-BENZ E-KLASSE Kombi (S211),E-KLASSE (W211)
<b>51840</b>	<b>Spurstangenkopf, Tie Rod End, Rotule de barre de connexion</b> MERCEDES-BENZ E-KLASSE Kombi (S211),E-KLASSE (W211)
<b>51841</b>	<b>Spurstangenkopf, Tie Rod End, Rotule de barre de connexion</b> MERCEDES-BENZ E-KLASSE Kombi (S211),E-KLASSE (W211)
<b>51842</b>	<b>Lenker, Radaufhängung, Track Control Arm, Bras de liaison, suspension de roue</b> MERCEDES-BENZ M-KLASSE (W163)
<b>51843</b>	<b>Lenker, Radaufhängung, Track Control Arm, Bras de liaison, suspension de roue</b> MERCEDES-BENZ M-KLASSE (W163)
<b>51844</b>	<b>Stange/Strebe, Stabilisator, Rod/Strut, stabiliser, Entretoise/tige, stabilisateur</b> MERCEDES-BENZ M-KLASSE (W163)
<b>51845</b>	<b>Stange/Strebe, Stabilisator, Rod/Strut, stabiliser, Entretoise/tige, stabilisateur</b> MERCEDES-BENZ M-KLASSE (W163)
<b>51847</b>	<b>Trag-/Führungsgelenk, Ball Joint, Rotule de suspension</b> MERCEDES-BENZ CLS (C219),E-KLASSE Kombi (S211),E-KLASSE (W211),S-KLASSE (W220),SL (R230)
<b>51848</b>	<b>Trag-/Führungsgelenk, Ball Joint, Rotule de suspension</b> MERCEDES-BENZ A-KLASSE (W169),B-KLASSE (W245)

51850	<b>Spurstangenkopf, Tie Rod End, Rotule de barre de connexion</b> MERCEDES-BENZ CABRIOLET (W111),COUPE (C123),COUPE (W111),HECKFLOSSE (W110),HECKFLOSSE (W111, W112),KOMBI Kombi (S123),PAGODE (W113),PONTON (W120),PONTON (W121),PONTON (W128),PONTON (W180),S-KLASSE Coupe (C126),S-KLASSE Stufenheck (W108, W109),S-KLASSE (W116),S-KLASSE (W126),SL Coupe (C107),SL (R107),SL (W121),Stufenheck (W123),/8 Coupe (W114),/8 (W114),/8 (W115)
51851	<b>Stange/Strebe, Stabilisator, Rod/Strut, stabiliser, Entretoise/tige, stabilisateur</b> MERCEDES-BENZ C-KLASSE Kombi (S203),C-KLASSE Sportcoupe (CL203),C-KLASSE (W203)
51852	<b>Lenker, Radaufhängung, Track Control Arm, Bras de liaison, suspension de roue</b> MERCEDES-BENZ CLS (C219),E-KLASSE Kombi (S211),E-KLASSE (W211)
51853	<b>Lenker, Radaufhängung, Track Control Arm, Bras de liaison, suspension de roue</b> MERCEDES-BENZ CLS (C219),E-KLASSE Kombi (S211),E-KLASSE (W211)
51854	<b>Lenker, Radaufhängung, Track Control Arm, Bras de liaison, suspension de roue</b> MERCEDES-BENZ M-KLASSE (W163)
51855	<b>Lenker, Radaufhängung, Track Control Arm, Bras de liaison, suspension de roue</b> MERCEDES-BENZ M-KLASSE (W163)
51856	<b>Stange/Strebe, Radaufhängung, Rod/Strut, wheel suspension, Bielle de barre stabilisatrice</b> MERCEDES-BENZ CLS (C219),E-KLASSE Kombi (S211),E-KLASSE (W211),SL (R230)
51857	<b>Stange/Strebe, Radaufhängung, Rod/Strut, wheel suspension, Bielle de barre stabilisatrice</b> MERCEDES-BENZ CLS (C219),E-KLASSE Kombi (S211),E-KLASSE (W211),SL (R230)
51858	<b>Stange/Strebe, Radaufhängung, Rod/Strut, wheel suspension, Bielle de barre stabilisatrice</b> MERCEDES-BENZ CLS (C219),E-KLASSE Kombi (S211),E-KLASSE (W211),SL (R230)
51859	<b>Stange/Strebe, Radaufhängung, Rod/Strut, wheel suspension, Bielle de barre stabilisatrice</b> MERCEDES-BENZ CLS (C219),E-KLASSE Kombi (S211),E-KLASSE (W211),SL (R230)
51860	<b>Stange/Strebe, Radaufhängung, Rod/Strut, wheel suspension, Bielle de barre stabilisatrice</b> MERCEDES-BENZ S-KLASSE (W221)
51860/1	<b>Stange/Strebe, Radaufhängung, Rod/Strut, wheel suspension, Bielle de barre stabilisatrice</b> MERCEDES-BENZ S-KLASSE (W221)
51861	<b>Stange/Strebe, Stabilisator, Rod/Strut, stabiliser, Entretoise/tige, stabilisateur</b> SEAT CORDOBA Vario (6K5),CORDOBA (6K1, 6K2),CORDOBA (6K2),IBIZA II (6K1),IBIZA III (6K1),INCA (6K9),TOLEDO I (1L),VW CADDY II Kasten (9K9A),CADDY II Kombi (9K9B),POLO CLASSIC (6KV2),POLO Variant (6KV5)
51862	<b>Stange/Strebe, Stabilisator, Rod/Strut, stabiliser, Entretoise/tige, stabilisateur</b> SEAT CORDOBA Vario (6K5),CORDOBA (6K1, 6K2),CORDOBA (6K2),IBIZA II (6K1),IBIZA III (6K1),INCA (6K9),TOLEDO I (1L),VW CADDY II Kasten (9K9A),CADDY II Kombi (9K9B),CORRADO (531),GOLF II (19E, 1G1),POLO CLASSIC (6KV2),POLO Variant (6KV5)
51870	<b>Lenker, Radaufhängung, Track Control Arm, Bras de liaison, suspension de roue</b> AUDI A6 Avant (4A, C4),A6 (4A, C4),V8 (44_, 4C_),100 Avant (4A, C4),100 Avant (44, 44Q, C3),100 (4A, C4),100 (44, 44Q, C3),200 Avant (44, 44Q),200 (44, 44Q)
51871	<b>Lenker, Radaufhängung, Track Control Arm, Bras de liaison, suspension de roue</b> AUDI A6 Avant (4A, C4),A6 (4A, C4),V8 (44_, 4C_),100 Avant (4A, C4),100 Avant (44, 44Q, C3),100 (4A, C4),100 (44, 44Q, C3),200 Avant (44, 44Q),200 (44, 44Q)
51872	<b>Lenker, Radaufhängung, Track Control Arm, Bras de liaison, suspension de roue</b> AUDI A4 Avant (8ED, B7),A4 (8EC, B7),SEAT EXEO ST (3R5),EXEO (3R2)
51873	<b>Lenker, Radaufhängung, Track Control Arm, Bras de liaison, suspension de roue</b> AUDI A4 Avant (8ED, B7),A4 (8EC, B7),SEAT EXEO ST (3R5),EXEO (3R2)
51874	<b>Lenker, Radaufhängung, Track Control Arm, Bras de liaison, suspension de roue</b> AUDI A6 Allroad (4FH, C6),A6 Avant (4F5, C6),A6 (4F2, C6),AUDI (FAW) A6L Stufenheck (C6)
51875	<b>Lenker, Radaufhängung, Track Control Arm, Bras de liaison, suspension de roue</b> AUDI A6 Allroad (4FH, C6),A6 Avant (4F5, C6),A6 (4F2, C6),AUDI (FAW) A6L Stufenheck (C6)
51876	<b>Lenker, Radaufhängung, Track Control Arm, Bras de liaison, suspension de roue</b> AUDI A6 Allroad (4FH, C6),A6 Avant (4F5, C6),A6 (4F2, C6),A8 (4E_),AUDI (FAW) A6L Stufenheck (C6),VW PHAETON (3D_)
51877	<b>Lenker, Radaufhängung, Track Control Arm, Bras de liaison, suspension de roue</b> AUDI A6 Allroad (4FH, C6),A6 Avant (4F5, C6),A6 (4F2, C6),A8 (4E_),AUDI (FAW) A6L Stufenheck (C6),VW PHAETON (3D_)
51878	<b>Lenker, Radaufhängung, Track Control Arm, Bras de liaison, suspension de roue</b> AUDI A6 Allroad (4FH, C6),A6 Avant (4F5, C6),A6 (4F2, C6),A8 (4E_),AUDI (FAW) A6L Stufenheck (C6),VW PHAETON (3D_)
51879	<b>Lenker, Radaufhängung, Track Control Arm, Bras de liaison, suspension de roue</b> AUDI A6 Allroad (4FH, C6),A6 Avant (4F5, C6),A6 (4F2, C6),A8 (4D2, 4D8),A8 (4E_),AUDI (FAW) A6L Stufenheck (C6),VW PHAETON (3D_)
51880	<b>Lenker, Radaufhängung, Track Control Arm, Bras de liaison, suspension de roue</b> MERCEDES-BENZ S-KLASSE Coupe (C216),S-KLASSE (W221)
51881	<b>Lenker, Radaufhängung, Track Control Arm, Bras de liaison, suspension de roue</b> MERCEDES-BENZ S-KLASSE Coupe (C216),S-KLASSE (W221)
51882	<b>Trag-/Führungsgelenk, Ball Joint, Rotule de suspension</b> MERCEDES-BENZ CLS (C219),E-KLASSE Kombi (S211),E-KLASSE (W211)



52600	<b>Stange/Strebe, Stabilisator, Rod/Strut, stabiliser, Entretoise/tige, stabilisateur</b> FORD FIESTA VI, MAZDA 2 (DE)
52601	<b>Lenker, Radaufhängung, Track Control Arm, Bras de liaison, suspension de roue</b> FORD MONDEO IV, MONDEO IV Stufenheck, MONDEO IV Turnier
52602	<b>Lenker, Radaufhängung, Track Control Arm, Bras de liaison, suspension de roue</b> FORD GALAXY, MONDEO IV, MONDEO IV Stufenheck, MONDEO IV Turnier, S-MAX
52603HPS	<b>Stange/Strebe, Stabilisator, Rod/Strut, stabiliser, Entretoise/tige, stabilisateur</b> FORD TRANSIT Bus, TRANSIT Bus (FD_, FB_, FS_, FZ_, FC_), TRANSIT Kasten, TRANSIT Kasten (FA_), TRANSIT Pritsche/Fahrgestell, TRANSIT Pritsche/Fahrgestell (FM_, FN_), TRANSIT TOURNEO
52604HPS	<b>Stange/Strebe, Stabilisator, Rod/Strut, stabiliser, Entretoise/tige, stabilisateur</b> FORD TRANSIT Bus (FD_, FB_, FS_, FZ_, FC_), TRANSIT Kasten (FA_), TRANSIT Pritsche/Fahrgestell (FM_, FN_)
52605HPS	<b>Stange/Strebe, Stabilisator, Rod/Strut, stabiliser, Entretoise/tige, stabilisateur</b> FORD TRANSIT Bus (FD_, FB_, FS_, FZ_, FC_), TRANSIT Kasten (FA_)
52606	<b>Trag-/Führungsgelenk, Ball Joint, Rotule de suspension</b> FORD C-MAX, FOCUS II Cabriolet, FOCUS II (DA_), FOCUS II Kombi (DA_), FOCUS II Stufenheck (DA_), VOLVO C30, C70 II Cabriolet, S40 II (MS), V50 (MW)
52607	<b>Trag-/Führungsgelenk, Ball Joint, Rotule de suspension</b> FORD C-MAX, FOCUS C-MAX, FOCUS II Cabriolet, FOCUS II (DA_), FOCUS II Kombi (DA_), FOCUS II Stufenheck (DA_), VOLVO C70 II Cabriolet, S40 II (MS), V50 (MW)
52608	<b>Lenker, Radaufhängung, Track Control Arm, Bras de liaison, suspension de roue</b> FORD C-MAX, FOCUS C-MAX, FOCUS II Cabriolet, FOCUS II (DA_), FOCUS II Kombi (DA_), FOCUS II Stufenheck (DA_), FORD (CHANGAN) FOCUS Schrägheck (CD5), FOCUS Stufenheck (CD4), VOLVO C30, C70 II Cabriolet, S40 II (MS), V50 (MW)
52609	<b>Lenker, Radaufhängung, Track Control Arm, Bras de liaison, suspension de roue</b> FORD FOCUS C-MAX, FOCUS II Cabriolet, FOCUS II (DA_), FOCUS II Kombi (DA_), FOCUS II Stufenheck (DA_), FORD (CHANGAN) FOCUS Schrägheck (CD5), FOCUS Stufenheck (CD4), VOLVO C70 II Cabriolet, S40 II (MS), V50 (MW)
52630	<b>Stange/Strebe, Stabilisator, Rod/Strut, stabiliser, Entretoise/tige, stabilisateur</b> BMW X5 (E70), X6 (E71, E72)
52631	<b>Lenker, Radaufhängung, Track Control Arm, Bras de liaison, suspension de roue</b> BMW X5 (E70), X6 (E71, E72)
52632	<b>Lenker, Radaufhängung, Track Control Arm, Bras de liaison, suspension de roue</b> BMW X5 (E70), X6 (E71, E72)
52633	<b>Lenker, Radaufhängung, Track Control Arm, Bras de liaison, suspension de roue</b> BMW X5 (E70), X6 (E71, E72)
52634	<b>Lenker, Radaufhängung, Track Control Arm, Bras de liaison, suspension de roue</b> BMW X5 (E70), X6 (E71, E72)
52635	<b>Lenker, Radaufhängung, Track Control Arm, Bras de liaison, suspension de roue</b> BMW 3 (E46), 3 Touring (E46)
52636	<b>Lenker, Radaufhängung, Track Control Arm, Bras de liaison, suspension de roue</b> BMW 3 (E46), 3 Touring (E46)
52637	<b>Lenker, Radaufhängung, Track Control Arm, Bras de liaison, suspension de roue</b> BMW X5 (E70), X6 (E71, E72)
52638	<b>Lenker, Radaufhängung, Track Control Arm, Bras de liaison, suspension de roue</b> BMW X5 (E70), X6 (E71, E72)
52639	<b>Lenker, Radaufhängung, Track Control Arm, Bras de liaison, suspension de roue</b> BMW X5 (E70), X6 (E71, E72)
52640	<b>Lenker, Radaufhängung, Track Control Arm, Bras de liaison, suspension de roue</b> BMW X5 (E70), X6 (E71, E72)
52680	<b>Axialgelenk, Spurstange, Tie Rod Axle Joint, Rotule de direction intérieure, barre de connexion</b> LAND ROVER DISCOVERY III (TAA)
52681	<b>Axialgelenk, Spurstange, Tie Rod Axle Joint, Rotule de direction intérieure, barre de connexion</b> LAND ROVER DISCOVERY III (TAA)
52682	<b>Trag-/Führungsgelenk, Ball Joint, Rotule de suspension</b> LAND ROVER RANGE ROVER SPORT (LS)
52690	<b>Trag-/Führungsgelenk, Ball Joint, Rotule de suspension</b> MINI MINI Cabriolet (R57), MINI CLUBMAN (R55), MINI Coupe (R58), MINI (R56)
52691	<b>Trag-/Führungsgelenk, Ball Joint, Rotule de suspension</b> MINI MINI Cabriolet (R57), MINI CLUBMAN (R55), MINI Coupe (R58), MINI (R56)
52710	<b>Lenker, Radaufhängung, Track Control Arm, Bras de liaison, suspension de roue</b> AUDI A6 Allroad (4FH, C6), A6 Avant (4F5, C6), A6 (4F2, C6), AUDI (FAW) A6L Stufenheck (C6)
52712	<b>Stange/Strebe, Stabilisator, Rod/Strut, stabiliser, Entretoise/tige, stabilisateur</b> AUDI A4 Avant (8ED, B7), A4 Avant (8E5, B6), A4 Cabriolet (8H7, B6, 8HE, B7), A4 (8EC, B7), A4 (8E2, B6), SEAT EXEO ST (3R5), EXEO (3R2)

52713	<b>Stange/Strebe, Stabilisator, Rod/Strut, stabiliser, Entretoise/tige, stabilisateur</b> AUDI A4 Avant (8ED, B7),A4 Avant (8E5, B6),A4 Cabriolet (8H7, B6, 8HE, B7),A4 (8EC, B7),A4 (8E2, B6),AUDI (FAW) A4 Stufenheck (B7),SEAT EXEO ST (3R5),EXEO (3R2)
52714	<b>Lenker, Radaufhängung, Track Control Arm, Bras de liaison, suspension de roue</b> AUDI Q7 (4L)
52715	<b>Lenker, Radaufhängung, Track Control Arm, Bras de liaison, suspension de roue</b> AUDI Q7 (4L)
52716	<b>Lenker, Radaufhängung, Track Control Arm, Bras de liaison, suspension de roue</b> AUDI Q7 (4L),PORSCHE CAYENNE (955),VW TOUAREG (7LA, 7L6, 7L7)
52717	<b>Lenker, Radaufhängung, Track Control Arm, Bras de liaison, suspension de roue</b> VW PASSAT Variant (3C5),PASSAT (3C2),TIGUAN (5N_)
52718	<b>Lenker, Radaufhängung, Track Control Arm, Bras de liaison, suspension de roue</b> AUDI A3 Sportback (8PA),A3 (8P1),TT Roadster (8J9),TT (8J3),SEAT ALTEA (5P1),LEON (1P1),TOLEDO III (5P2),SKODA OCTAVIA Combi (1Z5),OCTAVIA (1Z3),VW GOLF PLUS (5M1, 521),GOLF V (1K1),JETTA III (1K2),PASSAT Variant (3C5),PASSAT (3C2),TOURAN (1T1, 1T2)
52719	<b>Axialgelenk, Spurstange, Tie Rod Axle Joint, Rotule de direction intérieure, barre de connexion</b> VW GOLF III Cabriolet (1E7),GOLF III Variant (1H5),GOLF III (1H1),VENTO (1H2)
52720	<b>Lenker, Radaufhängung, Track Control Arm, Bras de liaison, suspension de roue</b> AUDI A3 Cabriolet (8P7),A3 Sportback (8PA),A3 (8P1),TT Roadster (8J9),TT (8J3),SEAT ALTEA (5P1),LEON (1P1),TOLEDO III (5P2),SKODA OCTAVIA Combi (1Z5),OCTAVIA (1Z3),SUPERB Kombi (3T5),SUPERB (3T4),YETI (5L),VW EOS (1F7, 1F8),GOLF PLUS (5M1, 521),GOLF V Variant (1K5),GOLF V (1K1),GOLF VI Variant (AJ5),GOLF VI (5K1),JETTA III (1K2),PASSAT CC (357),PASSAT Variant (3C5),PASSAT (3C2),SCIROCCO (137),TIGUAN (5N_),TOURAN (1T1, 1T2)
52721	<b>Lenker, Radaufhängung, Track Control Arm, Bras de liaison, suspension de roue</b> AUDI A3 Cabriolet (8P7),A3 Sportback (8PA),A3 (8P1),TT Roadster (8J9),TT (8J3),SEAT ALTEA (5P1),LEON (1P1),TOLEDO III (5P2),SKODA OCTAVIA Combi (1Z5),OCTAVIA (1Z3),SUPERB (3T4),YETI (5L),VW EOS (1F7, 1F8),GOLF PLUS (5M1, 521),GOLF V Variant (1K5),GOLF V (1K1),GOLF VI (5K1),JETTA III (1K2),PASSAT CC (357),PASSAT Variant (3C5),PASSAT (3C2),SCIROCCO (137),TIGUAN (5N_),TOURAN (1T1, 1T2)
52722	<b>Lenker, Radaufhängung, Track Control Arm, Bras de liaison, suspension de roue</b> AUDI A4 Avant (8K5, B8),A4 (8K2, B8),A5 Sportback (8TA),A5 (8T3),AUDI (FAW) A4L Stufenheck (B8)
52723	<b>Lenker, Radaufhängung, Track Control Arm, Bras de liaison, suspension de roue</b> AUDI A4 Avant (8K5, B8),A4 (8K2, B8),A5 Sportback (8TA),A5 (8T3),AUDI (FAW) A4L Stufenheck (B8)
52724	<b>Lenker, Radaufhängung, Track Control Arm, Bras de liaison, suspension de roue</b> AUDI A4 Avant (8K5, B8),A4 (8K2, B8),A5 Sportback (8TA),A5 (8T3),AUDI (FAW) A4L Stufenheck (B8)
52725	<b>Lenker, Radaufhängung, Track Control Arm, Bras de liaison, suspension de roue</b> AUDI A4 Avant (8K5, B8),A4 (8K2, B8),A5 Sportback (8TA),A5 (8T3),AUDI (FAW) A4L Stufenheck (B8)
52726	<b>Lenker, Radaufhängung, Track Control Arm, Bras de liaison, suspension de roue</b> AUDI A4 Avant (8K5, B8),A4 (8K2, B8),A5 Cabriolet (8F7),A5 Sportback (8TA),A5 (8T3)
52727	<b>Lenker, Radaufhängung, Track Control Arm, Bras de liaison, suspension de roue</b> AUDI A4 Avant (8K5, B8),A4 (8K2, B8),A5 Cabriolet (8F7),A5 Sportback (8TA),A5 (8T3)
52728	<b>Lenker, Radaufhängung, Track Control Arm, Bras de liaison, suspension de roue</b> AUDI A4 Avant (8K5, B8),A4 (8K2, B8),A5 Cabriolet (8F7),A5 Sportback (8TA),A5 (8T3)
52729	<b>Lenker, Radaufhängung, Track Control Arm, Bras de liaison, suspension de roue</b> AUDI A4 Avant (8K5, B8),A4 (8K2, B8),A5 Cabriolet (8F7),A5 Sportback (8TA),A5 (8T3)
52730	<b>Lenker, Radaufhängung, Track Control Arm, Bras de liaison, suspension de roue</b> AUDI A1 (8X1),SEAT IBIZA V SPORTCOUPE (6J1),IBIZA V (6J5),SKODA FABIA,FABIA Combi,VW POLO (6R_)
52731	<b>Lenker, Radaufhängung, Track Control Arm, Bras de liaison, suspension de roue</b> AUDI A1 (8X1),SEAT IBIZA V SPORTCOUPE (6J1),IBIZA V ST (6J8),IBIZA V (6J5),SKODA FABIA,FABIA Combi,VW POLO Stufenheck,POLO (6R_),POLO (9N_)
52732	<b>Stange/Strebe, Stabilisator, Rod/Strut, stabiliser, Entretoise/tige, stabilisateur</b> AUDI A6 Allroad (4FH, C6),A6 Avant (4F5, C6),A6 (4F2, C6)
52733	<b>Stange/Strebe, Stabilisator, Rod/Strut, stabiliser, Entretoise/tige, stabilisateur</b> AUDI A4 Avant (8E5, B6),A4 Cabriolet (8H7, B6, 8HE, B7),A4 (8E2, B6),SEAT EXEO ST (3R5),EXEO (3R2)
52734	<b>Lenker, Radaufhängung, Track Control Arm, Bras de liaison, suspension de roue</b> AUDI Q7 (4L),VW TOUAREG (7LA, 7L6, 7L7)
52735	<b>Lenker, Radaufhängung, Track Control Arm, Bras de liaison, suspension de roue</b> AUDI Q7 (4L),VW TOUAREG (7LA, 7L6, 7L7)
52736	<b>Lenker, Radaufhängung, Track Control Arm, Bras de liaison, suspension de roue</b> AUDI Q7 (4L),VW TOUAREG (7LA, 7L6, 7L7)
52737	<b>Stange/Strebe, Stabilisator, Rod/Strut, stabiliser, Entretoise/tige, stabilisateur</b> AUDI A4 Allroad (8KH, B8),A4 Avant (8K5, B8),A4 (8K2, B8),A5 Cabriolet (8F7),A5 Sportback (8TA),A5 (8T3),A8 (4H_),Q5 (8R),AUDI (FAW) A4L Stufenheck (B8)
52738	<b>Lenker, Radaufhängung, Track Control Arm, Bras de liaison, suspension de roue</b> AUDI A4 Avant (8K5, B8),A4 (8K2, B8),A5 Cabriolet (8F7),A5 Sportback (8TA),A5 (8T3)



52739	<b>Lenker, Radaufhängung, Track Control Arm, Bras de liaison, suspension de roue</b> AUDI A4 Avant (8K5, B8),A4 (8K2, B8),A5 Cabriolet (8F7),A5 Sportback (8TA),A5 (8T3)
52740	<b>Lenker, Radaufhängung, Track Control Arm, Bras de liaison, suspension de roue</b> PORSCHE CAYENNE (955),VW TOUAREG (7LA, 7L6, 7L7)
52741	<b>Lenker, Radaufhängung, Track Control Arm, Bras de liaison, suspension de roue</b> PORSCHE CAYENNE (955),VW TOUAREG (7LA, 7L6, 7L7)
52742	<b>Lenker, Radaufhängung, Track Control Arm, Bras de liaison, suspension de roue</b> AUDI A3 Cabriolet (8P7),A3 Sportback (8PA),A3 (8P1),Q3,TT Roadster (8J9),TT (8J3),SEAT ALTEA XL (5P5, 5P8),ALTEA (5P1),LEON (1P1),TOLEDO III (5P2),SKODA OCTAVIA Combi (1Z5),OCTAVIA (1Z3),SUPERB Kombi (3T5),SUPERB (3T4),YETI (5L),VW BEETLE (5C1),EOS (1F7, 1F8),GOLF PLUS (5M1, 521),GOLF V Variant (1K5),GOLF V (1K1),GOLF VI Cabriolet (517),GOLF VI Variant (AJ5),GOLF VI (5K1),JETTA III (1K2),JETTA IV (162),PASSAT CC (357),PASSAT Variant (3C5),PASSAT Variant (365),PASSAT (3C2),PASSAT (362),SCIROCCO (137),TIGUAN (5N_),TOURAN (1T1, 1T2),TOURAN (1T3)
52743	<b>Trag-/Führungsgelenk, Ball Joint, Rotule de suspension</b> AUDI A1 (8X1),SEAT CORDOBA (6L2),IBIZA IV (6L1),IBIZA V SPORTCOUPE (6J1),IBIZA V ST (6J8),IBIZA V (6J5),SKODA CITIGO,FABIA,FABIA Combi,ROOMSTER Praktik (5J),ROOMSTER (5J),VW POLO Stufenheck,POLO (6R_),POLO (9N_),UP
52744	<b>Trag-/Führungsgelenk, Ball Joint, Rotule de suspension</b> AUDI A1 Sportback (8XA),A1 (8X1),SEAT CORDOBA (6L2),IBIZA IV (6L1),IBIZA V SPORTCOUPE (6J1),IBIZA V ST (6J8),IBIZA V (6J5),SKODA FABIA,FABIA Combi,ROOMSTER Praktik (5J),ROOMSTER (5J),VW POLO Stufenheck,POLO (6R_),POLO (9N_),UP
52780	<b>Lenker, Radaufhängung, Track Control Arm, Bras de liaison, suspension de roue</b> PORSCHE BOXSTER (986),911 Cabriolet (996),911 Targa (996),911 (996)
52800HPS	<b>Stange/Strebe, Stabilisator, Rod/Strut, stabiliser, Entretoise/tige, stabilisateur</b> MERCEDES-BENZ VITO Bus (638),VITO Kasten (638),V-KLASSE (638/2)
52801HPS	<b>Stange/Strebe, Stabilisator, Rod/Strut, stabiliser, Entretoise/tige, stabilisateur</b> MERCEDES-BENZ VITO Bus (638),VITO Kasten (638),V-KLASSE (638/2)
52802	<b>Stange/Strebe, Stabilisator, Rod/Strut, stabiliser, Entretoise/tige, stabilisateur</b> MERCEDES-BENZ SPRINTER Kipper,SPRINTER 5t Pritsche/Fahrgestell (905)
52803	<b>Stange/Strebe, Stabilisator, Rod/Strut, stabiliser, Entretoise/tige, stabilisateur</b> MERCEDES-BENZ SPRINTER Kipper,SPRINTER 5t Pritsche/Fahrgestell (905)
52804HPS	<b>Stange/Strebe, Stabilisator, Rod/Strut, stabiliser, Entretoise/tige, stabilisateur</b> MERCEDES-BENZ VIANO (W639),VITO / MIXTO Kasten (W639),VITO Bus (W639)
52805HPS	<b>Stange/Strebe, Stabilisator, Rod/Strut, stabiliser, Entretoise/tige, stabilisateur</b> MERCEDES-BENZ VIANO (W639),VITO / MIXTO Kasten (W639),VITO Bus (W639)
52806HPS	<b>Stange/Strebe, Stabilisator, Rod/Strut, stabiliser, Entretoise/tige, stabilisateur</b> MERCEDES-BENZ A-KLASSE (W169),B-KLASSE (W245)
52807	<b>Lenker, Radaufhängung, Track Control Arm, Bras de liaison, suspension de roue</b> MERCEDES-BENZ GL-KLASSE (X164),M-KLASSE (W164),R-KLASSE (W251, V251)
52808	<b>Lenker, Radaufhängung, Track Control Arm, Bras de liaison, suspension de roue</b> MERCEDES-BENZ GL-KLASSE (X164),M-KLASSE (W164),R-KLASSE (W251, V251)
52809	<b>Spurstangenkopf, Tie Rod End, Rotule de barre de connexion</b> MERCEDES-BENZ SPRINTER 3-t Bus (906),SPRINTER 3-t Kasten (906),SPRINTER 3-t Pritsche/Fahrgestell (906),SPRINTER 3,5 Pritsche/Fahrgestell (906),SPRINTER 3,5-t Bus (906),SPRINTER 3,5-t Kasten (906),SPRINTER 5-t Kasten (906),SPRINTER 5-t Pritsche/Fahrgestell (906),VW CRAFTER 30-35 Bus (2E_),CRAFTER 30-50 Kasten (2E_),CRAFTER 30-50 Pritsche/Fahrgestell (2F_)
52810	<b>Axialgelenk, Spurstange, Tie Rod Axle Joint, Rotule de direction intérieure, barre de connexion</b> MERCEDES-BENZ SPRINTER 3-t Bus (906),SPRINTER 3-t Kasten (906),SPRINTER 3-t Pritsche/Fahrgestell (906),SPRINTER 3,5 Pritsche/Fahrgestell (906),SPRINTER 3,5-t Bus (906),SPRINTER 3,5-t Kasten (906),SPRINTER 5-t Kasten (906),SPRINTER 5-t Pritsche/Fahrgestell (906),VW CRAFTER 30-35 Bus (2E_),CRAFTER 30-50 Kasten (2E_),CRAFTER 30-50 Pritsche/Fahrgestell (2F_)
52811	<b>Spurstange, Rod Assembly, Barre de connexion</b> MERCEDES-BENZ SPRINTER 3-t Bus (906),SPRINTER 3-t Kasten (906),SPRINTER 3-t Pritsche/Fahrgestell (906),SPRINTER 3,5 Pritsche/Fahrgestell (906),SPRINTER 3,5-t Bus (906),SPRINTER 3,5-t Kasten (906),SPRINTER 5-t Kasten (906),SPRINTER 5-t Pritsche/Fahrgestell (906),VW CRAFTER 30-35 Bus (2E_),CRAFTER 30-50 Kasten (2E_),CRAFTER 30-50 Pritsche/Fahrgestell (2F_)
52812	<b>Trag-/Führungsgelenk, Ball Joint, Rotule de suspension</b> MERCEDES-BENZ SPRINTER 3-t Bus (906),SPRINTER 3-t Kasten (906),SPRINTER 3-t Pritsche/Fahrgestell (906),SPRINTER 3,5 Pritsche/Fahrgestell (906),SPRINTER 3,5-t Bus (906),SPRINTER 3,5-t Kasten (906),SPRINTER 5-t Kasten (906),SPRINTER 5-t Pritsche/Fahrgestell (906),VW CRAFTER 30-35 Bus (2E_),CRAFTER 30-50 Kasten (2E_),CRAFTER 30-50 Pritsche/Fahrgestell (2F_)
52813	<b>Stange/Strebe, Stabilisator, Rod/Strut, stabiliser, Entretoise/tige, stabilisateur</b> MERCEDES-BENZ SPRINTER 3-t Bus (906),SPRINTER 3-t Kasten (906),SPRINTER 3-t Pritsche/Fahrgestell (906),SPRINTER 3,5 Pritsche/Fahrgestell (906),SPRINTER 3,5-t Bus (906),SPRINTER 3,5-t Kasten (906),SPRINTER 5-t Kasten (906),SPRINTER 5-t Pritsche/Fahrgestell (906),VW CRAFTER 30-35 Bus (2E_),CRAFTER 30-50 Kasten (2E_),CRAFTER 30-50 Pritsche/Fahrgestell (2F_)
52814	<b>Stange/Strebe, Stabilisator, Rod/Strut, stabiliser, Entretoise/tige, stabilisateur</b> MERCEDES-BENZ SPRINTER 3-t Bus (906),SPRINTER 3-t Kasten (906),SPRINTER 3-t Pritsche/Fahrgestell (906),SPRINTER 3,5 Pritsche/Fahrgestell (906),SPRINTER 3,5-t Bus (906),SPRINTER 3,5-t Kasten (906),SPRINTER 5-t Kasten (906),SPRINTER 5-t Pritsche/Fahrgestell (906),VW CRAFTER 30-35 Bus (2E_),CRAFTER 30-50 Kasten (2E_),CRAFTER 30-50 Pritsche/Fahrgestell (2F_)
52815	<b>Stange/Strebe, Stabilisator, Rod/Strut, stabiliser, Entretoise/tige, stabilisateur</b> MERCEDES-BENZ SPRINTER 3-t Bus (906),SPRINTER 3-t Kasten (906),SPRINTER 3-t Pritsche/Fahrgestell (906),SPRINTER 3,5 Pritsche/Fahrgestell (906),SPRINTER 3,5-t Bus (906),SPRINTER 3,5-t Kasten (906),SPRINTER 5-t Kasten (906),SPRINTER 5-t Pritsche/Fahrgestell (906),VW CRAFTER 30-35 Bus (2E_),CRAFTER 30-50 Kasten (2E_),CRAFTER 30-50 Pritsche/Fahrgestell (2F_)

52816	<b>Lenker, Radaufhängung, Track Control Arm, Bras de liaison, suspension de roue</b> MERCEDES-BENZ SPRINTER 3-t Bus (906),SPRINTER 3-t Kasten (906),SPRINTER 3-t Pritsche/Fahrgestell (906),SPRINTER 3,5 Pritsche/Fahrgestell (906),SPRINTER 3,5-t Bus (906),SPRINTER 3,5-t Kasten (906),SPRINTER 5-t Kasten (906),SPRINTER 5-t Pritsche/Fahrgestell (906),VW CRAFTER 30-35 Bus (2E_),CRAFTER 30-50 Kasten (2E_),CRAFTER 30-50 Pritsche/Fahrgestell (2F_)
52817	<b>Lenker, Radaufhängung, Track Control Arm, Bras de liaison, suspension de roue</b> MERCEDES-BENZ SPRINTER 3-t Bus (906),SPRINTER 3-t Kasten (906),SPRINTER 3-t Pritsche/Fahrgestell (906),SPRINTER 3,5 Pritsche/Fahrgestell (906),SPRINTER 3,5-t Bus (906),SPRINTER 3,5-t Kasten (906),SPRINTER 5-t Kasten (906),SPRINTER 5-t Pritsche/Fahrgestell (906),VW CRAFTER 30-35 Bus (2E_),CRAFTER 30-50 Kasten (2E_),CRAFTER 30-50 Pritsche/Fahrgestell (2F_)
52818	<b>Stange/Strebe, Stabilisator, Rod/Strut, stabiliser, Entretoise/tige, stabilisateur</b> MERCEDES-BENZ CLS (C219),E-KLASSE Kombi (S211),E-KLASSE (W211),SL (R230)
52821	<b>Lenker, Radaufhängung, Track Control Arm, Bras de liaison, suspension de roue</b> MERCEDES-BENZ S-KLASSE (W221)
52822	<b>Lenker, Radaufhängung, Track Control Arm, Bras de liaison, suspension de roue</b> MERCEDES-BENZ S-KLASSE (W221)
52823	<b>Lenker, Radaufhängung, Track Control Arm, Bras de liaison, suspension de roue</b> MERCEDES-BENZ S-KLASSE Coupe (C216),S-KLASSE (W221)
52824	<b>Lenker, Radaufhängung, Track Control Arm, Bras de liaison, suspension de roue</b> MERCEDES-BENZ S-KLASSE Coupe (C216),S-KLASSE (W221)
52825	<b>Stange/Strebe, Stabilisator, Rod/Strut, stabiliser, Entretoise/tige, stabilisateur</b> MERCEDES-BENZ S-KLASSE (W220)
52826	<b>Stange/Strebe, Stabilisator, Rod/Strut, stabiliser, Entretoise/tige, stabilisateur</b> MERCEDES-BENZ S-KLASSE (W220)
52827	<b>Lenkstange, Centre Rod Assembly, Barre de direction</b> MERCEDES-BENZ S-KLASSE Coupe (C216),S-KLASSE (W221)
52828	<b>Lenkstange, Centre Rod Assembly, Barre de direction</b> MERCEDES-BENZ S-KLASSE Coupe (C216),S-KLASSE (W221)
52829	<b>Lenkstange, Centre Rod Assembly, Barre de direction</b> MERCEDES-BENZ S-KLASSE Coupe (C216),S-KLASSE (W221)
52830	<b>Lenkstange, Centre Rod Assembly, Barre de direction</b> MERCEDES-BENZ S-KLASSE Coupe (C216),S-KLASSE (W221)
52831	<b>Lenkstange, Centre Rod Assembly, Barre de direction</b> MERCEDES-BENZ CLS (C219),E-KLASSE Kombi (S211),E-KLASSE (W211),SL (R230)
52832	<b>Lenkstange, Centre Rod Assembly, Barre de direction</b> MERCEDES-BENZ CLS (C219),E-KLASSE Kombi (S211),E-KLASSE (W211),SL (R230),MERCEDES-BENZ (BBDC) E-CLASS (W211)
52833	<b>Lenker, Radaufhängung, Track Control Arm, Bras de liaison, suspension de roue</b> MERCEDES-BENZ S-KLASSE Coupe (C216),S-KLASSE (W221)
52834	<b>Lenker, Radaufhängung, Track Control Arm, Bras de liaison, suspension de roue</b> MERCEDES-BENZ S-KLASSE Coupe (C216),S-KLASSE (W221)
52835	<b>Lenker, Radaufhängung, Track Control Arm, Bras de liaison, suspension de roue</b> MERCEDES-BENZ C-KLASSE Coupe (C204),C-KLASSE Kombi (S204),C-KLASSE (W204),E-KLASSE Cabriolet (A207),E-KLASSE Coupe (C207),SLK (R172)
52836	<b>Lenker, Radaufhängung, Track Control Arm, Bras de liaison, suspension de roue</b> MERCEDES-BENZ C-KLASSE Coupe (C204),C-KLASSE Kombi (S204),C-KLASSE (W204),E-KLASSE Cabriolet (A207),E-KLASSE Coupe (C207),SLK (R172)
52837	<b>Lenker, Radaufhängung, Track Control Arm, Bras de liaison, suspension de roue</b> MERCEDES-BENZ C-KLASSE Kombi (S204),C-KLASSE (W204),E-KLASSE Cabriolet (A207),E-KLASSE Coupe (C207),E-KLASSE Kombi (S212),E-KLASSE (W212),GLK-KLASSE (X204)
52838	<b>Lenker, Radaufhängung, Track Control Arm, Bras de liaison, suspension de roue</b> MERCEDES-BENZ C-KLASSE Kombi (S204),C-KLASSE (W204),E-KLASSE Cabriolet (A207),E-KLASSE Coupe (C207),E-KLASSE Kombi (S212),E-KLASSE (W212),GLK-KLASSE (X204)
52839	<b>Lenker, Radaufhängung, Track Control Arm, Bras de liaison, suspension de roue</b> MERCEDES-BENZ C-KLASSE Kombi (S204),C-KLASSE (W204),E-KLASSE Cabriolet (A207),E-KLASSE Coupe (C207),E-KLASSE Kombi (S212),E-KLASSE (W212),GLK-KLASSE (X204)
52840	<b>Lenker, Radaufhängung, Track Control Arm, Bras de liaison, suspension de roue</b> MERCEDES-BENZ C-KLASSE Kombi (S204),C-KLASSE (W204),E-KLASSE Cabriolet (A207),E-KLASSE Coupe (C207),E-KLASSE Kombi (S212),E-KLASSE (W212),GLK-KLASSE (X204)
52841	<b>Lenker, Radaufhängung, Track Control Arm, Bras de liaison, suspension de roue</b> MERCEDES-BENZ C-KLASSE Kombi (S204),C-KLASSE (W204),E-KLASSE Cabriolet (A207),E-KLASSE Coupe (C207),E-KLASSE Kombi (S212),E-KLASSE (W212),GLK-KLASSE (X204)
52842	<b>Lenker, Radaufhängung, Track Control Arm, Bras de liaison, suspension de roue</b> MERCEDES-BENZ C-KLASSE Kombi (S204),C-KLASSE (W204),E-KLASSE Cabriolet (A207),E-KLASSE Coupe (C207),E-KLASSE Kombi (S212),E-KLASSE (W212),GLK-KLASSE (X204)
52843	<b>Lenker, Radaufhängung, Track Control Arm, Bras de liaison, suspension de roue</b> MERCEDES-BENZ C-KLASSE Kombi (S204),C-KLASSE (W204),E-KLASSE Cabriolet (A207),E-KLASSE Coupe (C207),E-KLASSE Kombi (S212),E-KLASSE (W212),GLK-KLASSE (X204)



<b>53026</b>	<b>Reparaturatz, Radaufhängung, Repair Kit, wheel suspension, Kit de réparation, suspension de roue</b> ALFA ROMEO GT (937),147 (937),156 Sportwagon (932),156 (932)
<b>53031</b>	<b>Reparaturatz, Radaufhängung, Repair Kit, wheel suspension, Kit de réparation, suspension de roue</b> ALFA ROMEO 166 (936)
<b>53080</b>	<b>Reparaturatz, Radaufhängung, Repair Kit, wheel suspension, Kit de réparation, suspension de roue</b> ALFA ROMEO 166 (936)
<b>53137</b>	<b>Reparaturatz, Radaufhängung, Repair Kit, wheel suspension, Kit de réparation, suspension de roue</b> RENAULT CLIO I (B/C57_, 5/357_)
<b>53346</b>	<b>Reparaturatz, Radaufhängung, Repair Kit, wheel suspension, Kit de réparation, suspension de roue</b> PEUGEOT 206 CC (2D),206 Schrägheck (2A/C),206 SW (2E/K)
<b>53431</b>	<b>Reparaturatz, Radaufhängung, Repair Kit, wheel suspension, Kit de réparation, suspension de roue</b> CITROËN EVASION (22, U6),JUMPY Kasten (BS_, BT_, BY_, BZ_),JUMPY Pritsche/Fahrgestell (BU_, BV_, BW_, BX_),JUMPY (U6U),FIAT SCUDO Combinato (220P),SCUDO Kasten (220L),ULYSSE (220),LANCIA ZETA (220),PEUGEOT EXPERT Kasten (222),EXPERT Pritsche/Fahrgestell (223),EXPERT (224),806 (221)
<b>53461</b>	<b>Reparaturatz, Radaufhängung, Repair Kit, wheel suspension, Kit de réparation, suspension de roue</b> CITROËN JUMPER Bus (230P),JUMPER Kasten (230L),JUMPER Pritsche/Fahrgestell (230),FIAT DUCATO Bus (230),DUCATO Kasten (230L),DUCATO Pritsche/Fahrgestell (230),PEUGEOT BOXER Bus (230P),BOXER Kasten (230L),BOXER Pritsche/Fahrgestell (ZCT_)
<b>53612</b>	<b>Reparaturatz, Radaufhängung, Repair Kit, wheel suspension, Kit de réparation, suspension de roue</b> FORD FOCUS C-MAX,FOCUS (DAW, DBW),FOCUS II Cabriolet,FOCUS II (DA_),FOCUS II Stufenheck (DA_),FOCUS Stufenheck (DFW)
<b>53612/1</b>	<b>Reparaturatz, Radaufhängung, Repair Kit, wheel suspension, Kit de réparation, suspension de roue</b> FORD FOCUS C-MAX,FOCUS (DAW, DBW),FOCUS II Cabriolet,FOCUS II (DA_),FOCUS II Stufenheck (DA_),FOCUS Stufenheck (DFW)
<b>53613</b>	<b>Reparaturatz, Radaufhängung, Repair Kit, wheel suspension, Kit de réparation, suspension de roue</b> FORD FOCUS Kombi (DNW)
<b>53613/1</b>	<b>Reparaturatz, Radaufhängung, Repair Kit, wheel suspension, Kit de réparation, suspension de roue</b> FORD FOCUS Kombi (DNW)
<b>53614</b>	<b>Reparaturatz, Radaufhängung, Repair Kit, wheel suspension, Kit de réparation, suspension de roue</b> FORD MONDEO III (B5Y),MONDEO III Stufenheck (B4Y)
<b>53615</b>	<b>Reparaturatz, Radaufhängung, Repair Kit, wheel suspension, Kit de réparation, suspension de roue</b> FORD MONDEO III Kombi (BWY)
<b>53619</b>	<b>Reparaturatz, Radaufhängung, Repair Kit, wheel suspension, Kit de réparation, suspension de roue</b> OPEL ASTRA F Cabriolet (53_B),ASTRA F Caravan (51_, 52_),ASTRA F CC (53_, 54_, 58_, 59_),ASTRA F CLASSIC CC,ASTRA F Van (55_),ASTRA F (56_, 57_),CALIBRA A (85_),VECTRA A CC (88_, 89_),VECTRA A (86_, 87_),VAUXHALL ASTRA Mk III (F),ASTRA Mk III (F) CC,ASTRA Mk III (F) Convertible,ASTRA Mk III (F) Estate,ASTRAVAN Mk III (F),CALIBRA,CAVALIER Mk III CC,CAVALIER Mk III (87)
<b>53629</b>	<b>Reparaturatz, Radaufhängung, Repair Kit, wheel suspension, Kit de réparation, suspension de roue</b> OPEL OMEGA B Caravan (21_, 22_, 23_),OMEGA B (25_, 26_, 27_)
<b>53633</b>	<b>Reparaturatz, Radaufhängung, Repair Kit, wheel suspension, Kit de réparation, suspension de roue</b> OPEL ASTRA G Cabriolet,ASTRA G Caravan (F35_),ASTRA G CC (F48_, F08_),ASTRA G Coupe (F07_),ASTRA G Kasten (F70),ASTRA G Stufenheck (F69_),ZAFIRA A (F75_),VAUXHALL ASTRA Mk IV (G) CC,ASTRA Mk IV (G) Convertible,ASTRA Mk IV (G) Coupe (F67),ASTRA Mk IV (G) Estate,ASTRA Mk IV (G) Sedan,ZAFIRA Mk I (A) (F75)
<b>53642/1</b>	<b>Reparaturatz, Radaufhängung, Repair Kit, wheel suspension, Kit de réparation, suspension de roue</b> FORD COURIER Kasten (J5_, J3_),FIESTA IV (JA_, JB_),FIESTA Kasten (JV_),PUMA (EC_),MAZDA 121 III (JASM, JB5M)
<b>53650</b>	<b>Reparaturatz, Radaufhängung, Repair Kit, wheel suspension, Kit de réparation, suspension de roue</b> BMW 7 (E38)
<b>53652</b>	<b>Reparaturatz, Radaufhängung, Repair Kit, wheel suspension, Kit de réparation, suspension de roue</b> BMW 5 (E39),5 Touring (E39)
<b>53655</b>	<b>Reparaturatz, Radaufhängung, Repair Kit, wheel suspension, Kit de réparation, suspension de roue</b> BMW 7 (E38)
<b>53670HPS</b>	<b>Reparaturatz, Radaufhängung, Repair Kit, wheel suspension, Kit de réparation, suspension de roue</b> BMW Z3 Coupe (E36),Z3 (E36),3 Cabriolet (E36),3 Compact (E36),3 Coupe (E36),3 (E36),3 Touring (E36)
<b>53670/1HPS</b>	<b>Reparaturatz, Radaufhängung, Repair Kit, wheel suspension, Kit de réparation, suspension de roue</b> BMW Z3 Coupe (E36),Z3 (E36),3 Cabriolet (E36),3 Compact (E36),3 Coupe (E36),3 (E36),3 Touring (E36)
<b>53676</b>	<b>Reparaturatz, Radaufhängung, Repair Kit, wheel suspension, Kit de réparation, suspension de roue</b> BMW Z4 Coupe (E86),Z4 (E85),3 Cabriolet (E46),3 Compact (E46),3 Coupe (E46),3 (E46),3 Touring (E46),BMW (BRILLIANCE) 3 SERIES (E46)
<b>53676HPS</b>	<b>Reparaturatz, Radaufhängung, Repair Kit, wheel suspension, Kit de réparation, suspension de roue</b> ALPINA B3 Coupe (E46),B3 (E46),B3 Kombi (E46),BMW Z4 Coupe (E86),Z4 (E85),3 Cabriolet (E46),3 Compact (E46),3 Coupe (E46),3 (E46),3 Touring (E46),BMW (BRILLIANCE) 3 SERIES (E46)
<b>53676/1</b>	<b>Reparaturatz, Radaufhängung, Repair Kit, wheel suspension, Kit de réparation, suspension de roue</b> ALPINA B3 Coupe (E46),B3 (E46),B3 Kombi (E46),BMW Z4 Coupe (E86),Z4 (E85),3 Cabriolet (E46),3 Compact (E46),3 Coupe (E46),3 (E46),3 Touring (E46),BMW (BRILLIANCE) 3 SERIES (E46)
<b>53676/1HPS</b>	<b>Reparaturatz, Radaufhängung, Repair Kit, wheel suspension, Kit de réparation, suspension de roue</b> ALPINA B3 Coupe (E46),B3 (E46),B3 Kombi (E46),BMW Z4 Coupe (E86),Z4 (E85),3 Cabriolet (E46),3 Compact (E46),3 Coupe (E46),3 (E46),3 Touring (E46),BMW (BRILLIANCE) 3 SERIES (E46)



53690	<b>Reparaturatz, Radaufhängung, Repair Kit, wheel suspension, Kit de réparation, suspension de roue</b> MG MG ZT, MG ZT- T, ROVER 75 (RJ), 75 Tourer (RJ)
53698	<b>Reparaturatz, Radaufhängung, Repair Kit, wheel suspension, Kit de réparation, suspension de roue</b> ALPINA B10 (E34), B10 Kombi (E34), BMW 5 (E34), 5 Touring (E34)
53704/1	<b>Reparaturatz, Radaufhängung, Repair Kit, wheel suspension, Kit de réparation, suspension de roue</b> AUDI A3 (8L1), SEAT LEON (1M1), TOLEDO II (1M2), SKODA OCTAVIA Combi (1U5), OCTAVIA (1U2), VW BORA Kombi (1J6), BORA (1J2), GOLF IV Variant (1J5), GOLF IV (1J1), NEW BEETLE Cabriolet (1Y7), NEW BEETLE (9C1, 1C1)
53705/1	<b>Reparaturatz, Radaufhängung, Repair Kit, wheel suspension, Kit de réparation, suspension de roue</b> AUDI CABRIOLET (8G7, B4), COUPE (89, 8B), 80 Avant (8C, B4), 80 (8C, B4)
53727	<b>Reparaturatz, Radaufhängung, Repair Kit, wheel suspension, Kit de réparation, suspension de roue</b> BMW 5 (E39), 5 Touring (E39)
53733	<b>Reparaturatz, Radaufhängung, Repair Kit, wheel suspension, Kit de réparation, suspension de roue</b> ALPINA B3 Cabriolet (E30), B3 (E30), B3 Kombi (E30), C1 (E30), C2 Cabriolet (E30), C2 (E30), BMW Z1, 3 Cabriolet (E30), 3 (E30), 3 Touring (E30)
53769	<b>Reparaturatz, Radaufhängung, Repair Kit, wheel suspension, Kit de réparation, suspension de roue</b> FORD MONDEO I (GBP), MONDEO I Kombi (BNP), MONDEO I Stufenheck (GBP), MONDEO II (BAP), MONDEO II Kombi (BNP), MONDEO II Stufenheck (BFP)
53769/1	<b>Reparaturatz, Radaufhängung, Repair Kit, wheel suspension, Kit de réparation, suspension de roue</b> FORD MONDEO I (GBP), MONDEO I Kombi (BNP), MONDEO I Stufenheck (GBP), MONDEO II (BAP), MONDEO II Kombi (BNP), MONDEO II Stufenheck (BFP)
53769/2	<b>Reparaturatz, Radaufhängung, Repair Kit, wheel suspension, Kit de réparation, suspension de roue</b> FORD MONDEO I (GBP), MONDEO I Kombi (BNP), MONDEO I Stufenheck (GBP)
53769/3	<b>Reparaturatz, Radaufhängung, Repair Kit, wheel suspension, Kit de réparation, suspension de roue</b> FORD MONDEO II (BAP), MONDEO II Kombi (BNP), MONDEO II Stufenheck (BFP)
53813	<b>Reparaturatz, Radaufhängung, Repair Kit, wheel suspension, Kit de réparation, suspension de roue</b> SEAT CORDOBA (6L2), IBIZA IV (6L1), SKODA FABIA, FABIA Combi (6Y5), FABIA Praktik, FABIA Stufenheck (6Y3), FABIA (6Y2), ROOMSTER Praktik (5J), ROOMSTER (5J), VW FOX (5Z1, 5Z3), POLO Stufenheck (9A4), POLO (9N_), VW (SVW) POLO JINQIN Schrägheck, POLO JINQU Stufenheck, POLO Schrägheck, POLO Stufenheck
53821	<b>Reparaturatz, Radaufhängung, Repair Kit, wheel suspension, Kit de réparation, suspension de roue</b> MERCEDES-BENZ C-KLASSE Kombi (S202), C-KLASSE (W202), SLK (R170)
53835	<b>Reparaturatz, Radaufhängung, Repair Kit, wheel suspension, Kit de réparation, suspension de roue</b> MERCEDES-BENZ CLS (C219), E-KLASSE Kombi (S211), E-KLASSE (W211), SL (R230), MERCEDES-BENZ (BBDC) E-CLASS (W211)
53835/1	<b>Reparaturatz, Radaufhängung, Repair Kit, wheel suspension, Kit de réparation, suspension de roue</b> MERCEDES-BENZ CLS (C219), E-KLASSE Kombi (S211), E-KLASSE (W211), SL (R230), MERCEDES-BENZ (BBDC) E-CLASS (W211)
53837	<b>Reparaturatz, Radaufhängung, Repair Kit, wheel suspension, Kit de réparation, suspension de roue</b> MERCEDES-BENZ CLS (C219), E-KLASSE Kombi (S211), E-KLASSE (W211), SL (R230), MERCEDES-BENZ (BBDC) E-CLASS (W211)
53837/1	<b>Reparaturatz, Radaufhängung, Repair Kit, wheel suspension, Kit de réparation, suspension de roue</b> MERCEDES-BENZ CLS (C219), E-KLASSE Kombi (S211), E-KLASSE (W211), SL (R230), MERCEDES-BENZ (BBDC) E-CLASS (W211)
53870	<b>Reparaturatz, Radaufhängung, Repair Kit, wheel suspension, Kit de réparation, suspension de roue</b> VW GOLF III Cabriolet (1E7), GOLF III Variant (1H5), GOLF III (1H1), GOLF IV Cabriolet (1E7), VENTO (1H2)
53881	<b>Reparaturatz, Radaufhängung, Repair Kit, wheel suspension, Kit de réparation, suspension de roue</b> MERCEDES-BENZ C-KLASSE Kombi (S203), C-KLASSE Sportcoupe (CL203), C-KLASSE (W203), CLK Cabriolet (A209), CLK (C209), SLK (R171)
53881/1	<b>Reparaturatz, Radaufhängung, Repair Kit, wheel suspension, Kit de réparation, suspension de roue</b> MERCEDES-BENZ C-KLASSE Kombi (S203), C-KLASSE Sportcoupe (CL203), C-KLASSE (W203), CLK Cabriolet (A209), CLK (C209), SLK (R171)
53930	<b>Reparaturatz, Radaufhängung, Repair Kit, wheel suspension, Kit de réparation, suspension de roue</b> CHRYSLER PT CRUISER Cabriolet, PT CRUISER (PT_)
53935	<b>Reparaturatz, Radaufhängung, Repair Kit, wheel suspension, Kit de réparation, suspension de roue</b> CHRYSLER 300 C, 300 C Touring
53941	<b>Reparaturatz, Radaufhängung, Repair Kit, wheel suspension, Kit de réparation, suspension de roue</b> CHRYSLER 300 C, 300 C Touring
59010	<b>Spurstangenkopf, Tie Rod End, Rotule de barre de connexion</b> LANCIA YPSILON (843)
59011	<b>Axialgelenk, Spurstange, Tie Rod Axle Joint, Rotule de direction intérieure, barre de connexion</b> LANCIA LYBRA SW (839BX), LYBRA (839AX)
59012	<b>Spurstangenkopf, Tie Rod End, Rotule de barre de connexion</b> ALFA ROMEO MITO (955), CITROËN NEMO Kasten (AA_), NEMO Kombi, FIAT FIORINO Kasten/Kombi (225), LINEA (323), PUNTO / GRANDE PUNTO (199), PUNTO EVO, 500 C Giardiniera, OPEL CORSA D, PEUGEOT BIPPER (AA_), BIPPER Tepee, VAUXHALL CORSA Mk III (D) (L_8)
59013	<b>Spurstangenkopf, Tie Rod End, Rotule de barre de connexion</b> ALFA ROMEO MITO (955), CITROËN NEMO Kasten (AA_), NEMO Kombi, FIAT FIORINO Kasten/Kombi (225), LINEA (323), PUNTO / GRANDE PUNTO (199), PUNTO EVO, 500 C Giardiniera, OPEL CORSA D, PEUGEOT BIPPER (AA_), BIPPER Tepee
59014	<b>Spurstangenkopf, Tie Rod End, Rotule de barre de connexion</b> ALFA ROMEO BRERA, SPIDER (939), 159 Sportwagon (939), 159 (939)





59015	<b>Spurstangenkopf, Tie Rod End, Rotule de barre de connexion</b> ALFA ROMEO BRERA, SPIDER (939), 159 Sportwagon (939), 159 (939)
59016	<b>Stange/Strebe, Stabilisator, Rod/Strut, stabiliser, Entretoise/tige, stabilisateur</b> ALFA ROMEO BRERA, SPIDER (939), 159 Sportwagon (939), 159 (939)
59017	<b>Stange/Strebe, Stabilisator, Rod/Strut, stabiliser, Entretoise/tige, stabilisateur</b> ALFA ROMEO BRERA, SPIDER (939), 159 Sportwagon (939), 159 (939)
59018	<b>Lenker, Radaufhängung, Track Control Arm, Bras de liaison, suspension de roue</b> ALFA ROMEO BRERA, SPIDER (939), 159 Sportwagon (939), 159 (939)
59019	<b>Lenker, Radaufhängung, Track Control Arm, Bras de liaison, suspension de roue</b> ALFA ROMEO BRERA, SPIDER (939), 159 Sportwagon (939), 159 (939)
59020	<b>Stange/Strebe, Stabilisator, Rod/Strut, stabiliser, Entretoise/tige, stabilisateur</b> ALFA ROMEO BRERA, SPIDER (939), 159 Sportwagon (939), 159 (939)
59021	<b>Stange/Strebe, Stabilisator, Rod/Strut, stabiliser, Entretoise/tige, stabilisateur</b> ALFA ROMEO BRERA, SPIDER (939), 159 Sportwagon (939), 159 (939)
59022	<b>Lenker, Radaufhängung, Track Control Arm, Bras de liaison, suspension de roue</b> ALFA ROMEO BRERA, SPIDER (939), 159 Sportwagon (939), 159 (939)
59023	<b>Lenker, Radaufhängung, Track Control Arm, Bras de liaison, suspension de roue</b> ALFA ROMEO BRERA, SPIDER (939), 159 Sportwagon (939), 159 (939)
59024HPS	<b>Stange/Strebe, Stabilisator, Rod/Strut, stabiliser, Entretoise/tige, stabilisateur</b> FIAT SEDICI, SUZUKI SX4 (GY), SX4 Stufenheck (GY)
59026HPS	<b>Stange/Strebe, Stabilisator, Rod/Strut, stabiliser, Entretoise/tige, stabilisateur</b> ALFA ROMEO MITO (955), FIAT PUNTO / GRANDE PUNTO (199), PUNTO EVO, OPEL CORSA D, VAUXHALL CORSA Mk III (D) (L_8), CORSAVAN Mk III (D)
59027	<b>Axialgelenk, Spurstange, Tie Rod Axle Joint, Rotule de direction intérieure, barre de connexion</b> FIAT DOBLO Cargo (223), DOBLO (119)
59028	<b>Lenker, Radaufhängung, Track Control Arm, Bras de liaison, suspension de roue</b> FIAT SEDICI, SUZUKI SX4 (GY), SX4 Stufenheck (GY)
59029	<b>Lenker, Radaufhängung, Track Control Arm, Bras de liaison, suspension de roue</b> FIAT SEDICI, SUZUKI SX4 (GY), SX4 Stufenheck (GY)
59090	<b>Trag-/Führungsgelenk, Ball Joint, Rotule de suspension</b> LADA NIVA II (2123)
59201	<b>Spurstangenkopf, Tie Rod End, Rotule de barre de connexion</b> GEO METRO, METRO Cabriolet, METRO Stufenheck, STORM Coupe, STORM Kombi Coupe, SUBARU JUSTY II (JMA, MS), SUZUKI BALENO (EG), BALENO Kombi (EG), BALENO Schrägheck (EG), CAPPUCINO (EA), IGNIS (FH), LIANA (ER), LIANA Kombi (ER), SWIFT Cabriolet (SF413), SWIFT I (AA), SWIFT II Schrägheck (EA, MA), SWIFT II Stufenheck (AH, AJ), WAGON R+ (EM), WAGON R+ (MM)
59202	<b>Spurstangenkopf, Tie Rod End, Rotule de barre de connexion</b> HYUNDAI LANTRA II Wagon (J-2)
59203	<b>Spurstangenkopf, Tie Rod End, Rotule de barre de connexion</b> HYUNDAI ATOS (MX), ATOS PRIME (MX)
59204	<b>Stange/Strebe, Stabilisator, Rod/Strut, stabiliser, Entretoise/tige, stabilisateur</b> HYUNDAI LANTRA I (J-1)
59205	<b>Spurstangenkopf, Tie Rod End, Rotule de barre de connexion</b> HYUNDAI H-1 / STAREX, H-1 Kasten, H100 Bus (P), H100 Kasten
59206	<b>Axialgelenk, Spurstange, Tie Rod Axle Joint, Rotule de direction intérieure, barre de connexion</b> PROTON PERSONA 300 (C9_M), PERSONA 400 (C9_S), PERSONA 400 Hatchback (C9_C, C9_S)
59207	- DAIHATSU ROCKY Hard Top (F7, F8), ROCKY Soft Top (F7, F8), WILDCAT/ROCKY (F70), WILDCAT/ROCKY (F75)
59208	- DAIHATSU FERROZA Hard Top (F300), FERROZA Soft Top (F300), ROCKY Hard Top (F7, F8), ROCKY Soft Top (F7, F8), WILDCAT/ROCKY (F70), WILDCAT/ROCKY (F75)
59209	<b>Spurstangenkopf, Tie Rod End, Rotule de barre de connexion</b> DAIHATSU ROCKY Hard Top (F7, F8), ROCKY Soft Top (F7, F8), WILDCAT/ROCKY (F70), WILDCAT/ROCKY (F75)
59210	<b>Trag-/Führungsgelenk, Ball Joint, Rotule de suspension</b> DAEWOO KORANDO (KJ), MUSSO (FJ)
59211	<b>Spurstangenkopf, Tie Rod End, Rotule de barre de connexion</b> CHEVROLET EVANDA, LACETTI (J200), NUBIRA Kombi, NUBIRA Stufenheck, DAEWOO EVANDA (KLAL), LACETTI Schrägheck (KLAN), LEGANZA (KLAV), NUBIRA (KLAJ), NUBIRA Stufenheck (KLAJ), NUBIRA Stufenheck (KLAN), NUBIRA Wagon (KLAJ), NUBIRA Wagon (KLAN)
59212	<b>Lenker, Radaufhängung, Track Control Arm, Bras de liaison, suspension de roue</b> DAIHATSU CHARADE II (G11, G30)
59213	<b>Lenker, Radaufhängung, Track Control Arm, Bras de liaison, suspension de roue</b> DAIHATSU CHARADE III (G100, G101, G102)

59214	<b>Axialgelenk, Spurstange, Tie Rod Axle Joint, Rotule de direction intérieure, barre de connexion</b> DAIHATSU CHARADE III (G100, G101, G102), CHARADE IV (G200, G202), CHARADE IV Stufenheck (G203)
59215	<b>Spurstangenkopf, Tie Rod End, Rotule de barre de connexion</b> DAIHATSU CHARADE I (G10), CHARADE II (G11, G30), CUORE I (L55, L60), CUORE II (L80, L81), CUORE III (L201), CUORE IV (L501), CUORE V (L5), MOVE (L6, L9)
59216	<b>Spurstangenkopf, Tie Rod End, Rotule de barre de connexion</b> DAIHATSU CHARADE I (G10), CHARADE II (G11, G30), CHARADE III (G100, G101, G102), CUORE I (L55, L60), CUORE II (L80, L81), CUORE III (L201), CUORE IV (L501), CUORE V (L5), MOVE (L6, L9)
59217	<b>Axialgelenk, Spurstange, Tie Rod Axle Joint, Rotule de direction intérieure, barre de connexion</b> DAEWOO NUBIRA (KLAJ), NUBIRA Stufenheck (KLAJ), NUBIRA Wagon (KLAJ)
59218	<b>Lenker, Radaufhängung, Track Control Arm, Bras de liaison, suspension de roue</b> DAIHATSU CHARADE III (G100, G101, G102)
59220	<b>Spurstangenkopf, Tie Rod End, Rotule de barre de connexion</b> MITSUBISHI L 200 (K3_T, K2_T, K1_T, K0_T), L 200 (K7_T, K6_T), L 300 Pritsche/Fahrgestell (L03_P)
59221	<b>Spurstangenkopf, Tie Rod End, Rotule de barre de connexion</b> MITSUBISHI L 200 (K3_T, K2_T, K1_T, K0_T), L 200 (K7_T, K6_T), L 300 Pritsche/Fahrgestell (L03_P)
59222	<b>Spurstangenkopf, Tie Rod End, Rotule de barre de connexion</b> MITSUBISHI L 200 (K3_T, K2_T, K1_T, K0_T)
59223	<b>Trag-/Führungsgelenk, Ball Joint, Rotule de suspension</b> MITSUBISHI L 300 Bus (L03_P/G, L0_2P), L 300 Kasten (L03_P)
59224	<b>Trag-/Führungsgelenk, Ball Joint, Rotule de suspension</b> MITSUBISHI L 300 Bus (L03_P/G, L0_2P), L 300 Kasten (L03_P)
59225	<b>Spurstangenkopf, Tie Rod End, Rotule de barre de connexion</b> NISSAN ALMERA I (N15), ALMERA II (N16), ALMERA TINO (V10), MAXIMA QX II (A33), MAXIMA QX III (A32), MAXIMA Station Wagon
59226HPS	<b>Stange/Strebe, Stabilisator, Rod/Strut, stabiliser, Entretoise/tige, stabilisateur</b> NISSAN ALMERA II Hatchback (N16), ALMERA II (N16)
59227	<b>Spurstangenkopf, Tie Rod End, Rotule de barre de connexion</b> NISSAN URVAN Bus (E24), URVAN Kasten (E24)
59228	<b>Spurstangenkopf, Tie Rod End, Rotule de barre de connexion</b> NISSAN URVAN Bus (E24), URVAN Kasten (E24)
59229	- NISSAN VANETTE Bus (C22), VANETTE Kasten (C22)
59230	<b>Spurstange, Rod Assembly, Barre de connexion</b> KIA RETONA (CE), SPORTAGE (K00)
59231	<b>Axialgelenk, Spurstange, Tie Rod Axle Joint, Rotule de direction intérieure, barre de connexion</b> MAZDA MX-3 (EC), 323 C IV (BG), 323 F IV (BG), 323 S IV (BG)
59232	<b>Axialgelenk, Spurstange, Tie Rod Axle Joint, Rotule de direction intérieure, barre de connexion</b> MAZDA 323 C V (BA), 323 F V (BA), 323 P V (BA), 323 S V (BA)
59234	<b>Trag-/Führungsgelenk, Ball Joint, Rotule de suspension</b> TOYOTA CELICA Cabriolet (AT18_, ST18_), CELICA Coupe (AT18_, ST18_)
59235	<b>Trag-/Führungsgelenk, Ball Joint, Rotule de suspension</b> TOYOTA HIACE III Kasten (H50), HIACE III Wagon (LH1_, RZH1_)
59236	<b>Trag-/Führungsgelenk, Ball Joint, Rotule de suspension</b> TOYOTA HILUX II Pick-up (RN6_, RN5_, LN6_, YN6_, YN5_, LN5_), VW TARO
59237	<b>Spurstangenkopf, Tie Rod End, Rotule de barre de connexion</b> TOYOTA LAND CRUISER Hardtop (_J7_), LAND CRUISER (_J7_), LAND CRUISER 80 (_J8_)
59238	<b>Spurstangenkopf, Tie Rod End, Rotule de barre de connexion</b> TOYOTA HIACE II Wagon (H20), HIACE III Kasten (H50), HIACE III Wagon (LH1_, RZH1_), HIACE IV Bus, HIACE IV Kasten (RCH2_, RCH1_, KLH2_, KLH1_)
59239	<b>Spurstangenkopf, Tie Rod End, Rotule de barre de connexion</b> TOYOTA PREVIA (TCR2_, TCR1_)
59240	<b>Lenkhebel, Steering Arm, Levier de commande de direction</b> TOYOTA 4 RUNNER (RN10_, VZN13_, VZN10_, RN13_)
59241	<b>Stange/Strebe, Stabilisator, Rod/Strut, stabiliser, Entretoise/tige, stabilisateur</b> HONDA CIVIC VII Coupe (EM2)
59242	<b>Stange/Strebe, Stabilisator, Rod/Strut, stabiliser, Entretoise/tige, stabilisateur</b> HONDA CIVIC VII Coupe (EM2)
59243HPS	<b>Stange/Strebe, Stabilisator, Rod/Strut, stabiliser, Entretoise/tige, stabilisateur</b> HONDA HR-V (GH)



59244HPS	<b>Stange/Strebe, Stabilisator, Rod/Strut, stabiliser, Entretoise/tige, stabilisateur</b> HONDA HR-V (GH)
59245	<b>Stange/Strebe, Stabilisator, Rod/Strut, stabiliser, Entretoise/tige, stabilisateur</b> HONDA PRELUDE V (BB)
59246	<b>Axialgelenk, Spurstange, Tie Rod Axle Joint, Rotule de direction intérieure, barre de connexion</b> HONDA ACCORD V Aerodeck (CE), ACCORD V Coupe (CD7, CD9), ACCORD VI (CE, CF), SHUTTLE (RA)
59247	<b>Axialgelenk, Spurstange, Tie Rod Axle Joint, Rotule de direction intérieure, barre de connexion</b> HONDA LEGEND I Coupe (KA3), LEGEND I (HS, KA)
59249	<b>Spurstangenkopf, Tie Rod End, Rotule de barre de connexion</b> HONDA LEGEND II Coupe (KA8), LEGEND II (KA7)
59250HPS	<b>Stange/Strebe, Stabilisator, Rod/Strut, stabiliser, Entretoise/tige, stabilisateur</b> NISSAN SERENA (C23M), VANETTE CARGO Bus (HC 23), VANETTE CARGO Kasten (HC 23)
59251	<b>Stange/Strebe, Stabilisator, Rod/Strut, stabiliser, Entretoise/tige, stabilisateur</b> NISSAN SERENA (C23M), VANETTE CARGO Bus (HC 23), VANETTE CARGO Kasten (HC 23)
59251HPS	<b>Stange/Strebe, Stabilisator, Rod/Strut, stabiliser, Entretoise/tige, stabilisateur</b> NISSAN SERENA (C23M), VANETTE CARGO Bus (HC 23), VANETTE CARGO Kasten (HC 23)
59253	<b>Axialgelenk, Spurstange, Tie Rod Axle Joint, Rotule de direction intérieure, barre de connexion</b> NISSAN ALMERA I Hatchback (N15), ALMERA I (N15)
59254	<b>Spurstangenkopf, Tie Rod End, Rotule de barre de connexion</b> NISSAN PICK UP (D21)
59255	<b>Spurstangenkopf, Tie Rod End, Rotule de barre de connexion</b> NISSAN BLUEBIRD Hatchback (T72, T12), BLUEBIRD Station Wagon (WU11), BLUEBIRD (T72, T12), BLUEBIRD (U11)
59256	<b>Spurstangenkopf, Tie Rod End, Rotule de barre de connexion</b> NISSAN MAXIMA II (J30)
59257	<b>Spurstangenkopf, Tie Rod End, Rotule de barre de connexion</b> NISSAN CHERRY III (N12), PRAIRIE (M10, NM10), PRIMERA Traveller (W10), STANZA Hatchback (T11), SUNNY I (B11), SUNNY I Coupe (B11), SUNNY I Traveller (B11), SUNNY II Hatchback (N13), SUNNY II (N13), SUNNY II Traveller (B12), SUNNY Kasten (Y10), 100 NX (B13)
59258	<b>Spurstangenkopf, Tie Rod End, Rotule de barre de connexion</b> NISSAN PICK UP (D21)
59259	<b>Spurstangenkopf, Tie Rod End, Rotule de barre de connexion</b> NISSAN PICK UP (D21), PICK UP (720)
59260	<b>Trag-/Führungsgelenk, Ball Joint, Rotule de suspension</b> TOYOTA HILUX II Pick-up (RN6_, RN5_, LN6_, YN6_, YN5_, LN5_), 4 RUNNER (RN10_, VZN13_, VZN10_, RN13_)
59261	<b>Trag-/Führungsgelenk, Ball Joint, Rotule de suspension</b> TOYOTA HILUX II Pick-up (RN6_, RN5_, LN6_, YN6_, YN5_, LN5_), 4 RUNNER (RN10_, VZN13_, VZN10_, RN13_), VW TARO
59262	<b>Spurstange, Rod Assembly, Barre de connexion</b> TOYOTA HILUX II Pick-up (RN6_, RN5_, LN6_, YN6_, YN5_, LN5_), VW TARO
59263	<b>Axialgelenk, Spurstange, Tie Rod Axle Joint, Rotule de direction intérieure, barre de connexion</b> TOYOTA STARLET (_P8_)
59264	<b>Axialgelenk, Spurstange, Tie Rod Axle Joint, Rotule de direction intérieure, barre de connexion</b> TOYOTA CARINA II Station Wagon (_T17_), CARINA II Stufenheck (_T17_), CARINA II (_T17_)
59265	<b>Axialgelenk, Spurstange, Tie Rod Axle Joint, Rotule de direction intérieure, barre de connexion</b> TOYOTA CARINA II Station Wagon (_T17_), CARINA II Stufenheck (_T17_), CARINA II (_T17_)
59266	<b>Axialgelenk, Spurstange, Tie Rod Axle Joint, Rotule de direction intérieure, barre de connexion</b> TOYOTA HIACE III Kasten (H50), HIACE III Wagon (LH1_, RZH1_), HIACE IV Kasten (RCH2_, RCH1_, KLH2_, KLH1_)
59267	<b>Axialgelenk, Spurstange, Tie Rod Axle Joint, Rotule de direction intérieure, barre de connexion</b> TOYOTA PREVIA (TCR2_, TCR1_)
59268	<b>Axialgelenk, Spurstange, Tie Rod Axle Joint, Rotule de direction intérieure, barre de connexion</b> TOYOTA CAMRY (_CV1_, _XV1_, _V1_), CAMRY (_CV2_, _XV2_), CAMRY Station Wagon (_XV1_, _CV1_, _V10)
59270	<b>Axialgelenk, Spurstange, Tie Rod Axle Joint, Rotule de direction intérieure, barre de connexion</b> TOYOTA CARINA E (_T19_)
59272	<b>Axialgelenk, Spurstange, Tie Rod Axle Joint, Rotule de direction intérieure, barre de connexion</b> TOYOTA CAMRY (_CV1_, _XV1_, _V1_), CAMRY (_CV2_, _XV2_), CAMRY Station Wagon (_XV1_, _CV1_, _V10)
59273	<b>Spurstangenkopf, Tie Rod End, Rotule de barre de connexion</b> TOYOTA MR 2 III (ZZW3_), PASEO Cabriolet (EL54), PASEO Coupe (EL54), STARLET (_P8_)
59274	<b>Spurstangenkopf, Tie Rod End, Rotule de barre de connexion</b> TOYOTA MR 2 III (ZZW3_), PASEO Cabriolet (EL54), PASEO Coupe (EL54), STARLET (_P8_)
59275	<b>Spurstangenkopf, Tie Rod End, Rotule de barre de connexion</b> TOYOTA CARINA II Stufenheck (_T17_), CARINA II (_T17_)



59276	<b>Spurstangenkopf, Tie Rod End, Rotule de barre de connexion</b> TOYOTA CAMRY (_CV1_, _XV1_, _V1_), CAMRY (_CV2_, _XV2_), CAMRY Station Wagon (_XV1_, _CV1_, _V10)
59277	<b>Spurstangenkopf, Tie Rod End, Rotule de barre de connexion</b> TOYOTA CARINA E Sportswagon (_T19_), CARINA E Stufenheck (_T19_), CARINA E (_T19_), CELICA (ST20_, AT20_), PICNIC (_XM10)
59278	<b>Spurstangenkopf, Tie Rod End, Rotule de barre de connexion</b> TOYOTA HIACE I Wagon (H10), HIACE II Wagon (H20), HILUX II Pick-up (RN6_, RN5_, LN6_, YN6_, YN5_, LN5_), 4 RUNNER (RN10_, VZN13_, VZN10_, RN13_), VW TARO
59279	<b>Spurstangenkopf, Tie Rod End, Rotule de barre de connexion</b> TOYOTA CARINA II Station Wagon (_T17_), CARINA II Stufenheck (_T17_), CARINA II (_T17_)
59280	<b>Spurstangenkopf, Tie Rod End, Rotule de barre de connexion</b> TOYOTA PREVIA (TCR2_, TCR1_)
59281	<b>Spurstangenkopf, Tie Rod End, Rotule de barre de connexion</b> TOYOTA CARINA E Sportswagon (_T19_), CARINA E Stufenheck (_T19_), CARINA E (_T19_), CELICA (ST20_, AT20_), PICNIC (_XM10)
59282	<b>Spurstangenkopf, Tie Rod End, Rotule de barre de connexion</b> TOYOTA HILUX II Pick-up (RN6_, RN5_, LN6_, YN6_, YN5_, LN5_), VW TARO
59283	<b>Lenker, Radaufhängung, Track Control Arm, Bras de liaison, suspension de roue</b> MITSUBISHI COLT V (CJ_, CP_), LANCER V (CB/D_A), LANCER V Station Wagon (CB_W, CD_W), LANCER VI (CJ-CP_)
59284	<b>Lenker, Radaufhängung, Track Control Arm, Bras de liaison, suspension de roue</b> MITSUBISHI COLT V (CJ_, CP_), LANCER V (CB/D_A), LANCER V Station Wagon (CB_W, CD_W), LANCER VI (CJ-CP_)
59285	<b>Lenker, Radaufhängung, Track Control Arm, Bras de liaison, suspension de roue</b> TOYOTA HIACE IV Bus, HIACE IV Kasten (RCH2_, RCH1_, KLH2_, KLH1_)
59286	<b>Lenker, Radaufhängung, Track Control Arm, Bras de liaison, suspension de roue</b> TOYOTA HIACE IV Bus, HIACE IV Kasten (RCH2_, RCH1_, KLH2_, KLH1_)
59287	<b>Lenker, Radaufhängung, Track Control Arm, Bras de liaison, suspension de roue</b> TOYOTA PASEO Cabriolet (EL54), PASEO Coupe (EL54)
59288	<b>Lenker, Radaufhängung, Track Control Arm, Bras de liaison, suspension de roue</b> TOYOTA PASEO Cabriolet (EL54), PASEO Coupe (EL54)
59289	<b>Lenker, Radaufhängung, Track Control Arm, Bras de liaison, suspension de roue</b> SUZUKI SUPER CARRY Bus (ED)
59290	<b>Trag-/Führungsgelenk, Ball Joint, Rotule de suspension</b> ISUZU CAMPO (KB), MIDI Van (94000, 98000), PICK UP, TROOPER Soft Top (UBS), TROOPER (UBS)
59291	<b>Lenker, Radaufhängung, Track Control Arm, Bras de liaison, suspension de roue</b> HYUNDAI ACCENT I (X-3), ACCENT Stufenheck (X-3)
59292	<b>Lenker, Radaufhängung, Track Control Arm, Bras de liaison, suspension de roue</b> HYUNDAI ACCENT I (X-3), ACCENT Stufenheck (X-3)
59293	<b>Axialgelenk, Spurstange, Tie Rod Axle Joint, Rotule de direction intérieure, barre de connexion</b> TOYOTA PREVIA (MCR3_, ACR3_, CLR3_)
59294	<b>Axialgelenk, Spurstange, Tie Rod Axle Joint, Rotule de direction intérieure, barre de connexion</b> TOYOTA YARIS (SCP1_, NLP1_, NCP1_), YARIS VERSO (_NLP2_, _NCP2_)
59295	<b>Axialgelenk, Spurstange, Tie Rod Axle Joint, Rotule de direction intérieure, barre de connexion</b> DAEWOO ESPERO (KLEJ), LANOS (KLAT), LANOS Stufenheck (KLAT), NEXIA (KLETN), NEXIA Stufenheck (KLETN), OPEL ASCONA C CC (84_, 89_), ASCONA C (81_, 86_, 87_, 88_), KADETT E Cabriolet (43B_), KADETT E Caravan (35_, 36_, 45_, 46_), KADETT E CC (33_, 34_, 43_, 44_), KADETT E Combo (38_, 48_), KADETT E Kasten (37_, 47_), KADETT E (39_, 49_), VAUXHALL ASTRA Mk II Belmont, ASTRA Mk II CC, ASTRA Mk II Convertible, ASTRA Mk II Estate, CAVALIER Mk II, CAVALIER Mk II CC, CAVALIER Mk II Convertible, CAVALIER Mk II Estate
59296	<b>Axialgelenk, Spurstange, Tie Rod Axle Joint, Rotule de direction intérieure, barre de connexion</b> DAEWOO ESPERO (KLEJ), LANOS (KLAT), LANOS Stufenheck (KLAT), NEXIA (KLETN), NEXIA Stufenheck (KLETN), OPEL ASCONA C CC (84_, 89_), ASCONA C (81_, 86_, 87_, 88_), KADETT E Cabriolet (43B_), KADETT E Caravan (35_, 36_, 45_, 46_), KADETT E CC (33_, 34_, 43_, 44_), KADETT E Combo (38_, 48_), KADETT E Kasten (37_, 47_), KADETT E (39_, 49_), VAUXHALL ASTRA Mk II Belmont, ASTRA Mk II CC, ASTRA Mk II Convertible, ASTRA Mk II Estate, CAVALIER Mk II, CAVALIER Mk II CC, CAVALIER Mk II Convertible, CAVALIER Mk II Estate
59297	<b>Trag-/Führungsgelenk, Ball Joint, Rotule de suspension</b> SUBARU LEONE I (AB), LEONE I Hatchback, LEONE I Station Wagon, LEONE II, LEONE II Station Wagon, XT Coupe (XT)
59298	<b>Axialgelenk, Spurstange, Tie Rod Axle Joint, Rotule de direction intérieure, barre de connexion</b> SUZUKI SWIFT Cabriolet (SF413), SWIFT II Schrägheck (EA, MA), SWIFT II Stufenheck (AH, AJ)
59299	<b>Stange/Strebe, Stabilisator, Rod/Strut, stabiliser, Entretoise/tige, stabilisateur</b> SUZUKI SWIFT I (AA), SWIFT II Stufenheck (AH, AJ)
59300	<b>Stange/Strebe, Stabilisator, Rod/Strut, stabiliser, Entretoise/tige, stabilisateur</b> SUZUKI VITARA (ET, TA)
59303	<b>Lenkhebel, Steering Arm, Levier de commande de direction</b> MITSUBISHI L 200 (K3_T, K2_T, K1_T, K0_T)
59304	<b>Lenkhebel, Steering Arm, Levier de commande de direction</b> MITSUBISHI L 200 (K3_T, K2_T, K1_T, K0_T)



59305	<b>Lenkhebel, Steering Arm, Levier de commande de direction</b> MITSUBISHI PAJERO CLASSIC (V2_W),PAJERO II Canvas Top (V2_W, V4_W),PAJERO II (V3_W, V2_W, V4_W),PAJERO SPORT (K90)
59306	<b>Axialgelenk, Spurstange, Tie Rod Axle Joint, Rotule de direction intérieure, barre de connexion</b> MITSUBISHI L 300 Bus (LO3_P/G, LO_2P),L 300 Bus (P0_W, P1_W, P2_W),L 300 Kasten (P0_W, P1_W),L 300 Pritsche/Fahrgestell (P1_T)
59307	<b>Axialgelenk, Spurstange, Tie Rod Axle Joint, Rotule de direction intérieure, barre de connexion</b> MITSUBISHI ECLIPSE I (D2_A),ECLIPSE II (D3_A),GALANT IV (E3_A),GALANT IV Stufenheck (E3_A),GALANT V (E5_A, E7_A, E8_A),GALANT V Stufenheck (E5_A, E7_A, E8_A),GALANT VI (EA_),GALANT VI Station Wagon (EA_)
59308	<b>Axialgelenk, Spurstange, Tie Rod Axle Joint, Rotule de direction intérieure, barre de connexion</b> MITSUBISHI COLT IV (CA_A),LANCER V (CB/D_A),LANCER V Station Wagon (CB_W, CD_W)
59309	<b>Stange/Strebe, Stabilisator, Rod/Strut, stabiliser, Entretoise/tige, stabilisateur</b> MITSUBISHI COLT IV (CA_A)
59310	<b>Spurstangenkopf, Tie Rod End, Rotule de barre de connexion</b> MITSUBISHI L 300 Bus (P0_W, P1_W, P2_W),L 300 Kasten (P0_W, P1_W),L 300 Pritsche/Fahrgestell (P1_T),3000 GT (Z16A)
59311	<b>Spurstangenkopf, Tie Rod End, Rotule de barre de connexion</b> HONDA PRELUDE IV (BB)
59312	<b>Spurstangenkopf, Tie Rod End, Rotule de barre de connexion</b> HONDA SHUTTLE (RA)
59313	<b>Spurstangenkopf, Tie Rod End, Rotule de barre de connexion</b> HONDA SHUTTLE (RA)
59314	<b>Spurstangenkopf, Tie Rod End, Rotule de barre de connexion</b> HONDA LEGEND II Coupe (KA8),LEGEND II (KA7)
59315	<b>Spurstangenkopf, Tie Rod End, Rotule de barre de connexion</b> HONDA PRELUDE IV (BB)
59317	<b>Axialgelenk, Spurstange, Tie Rod Axle Joint, Rotule de direction intérieure, barre de connexion</b> SUZUKI ALTO I (SS80),ALTO II (EC)
59318	<b>Trag-/Führungsgelenk, Ball Joint, Rotule de suspension</b> TOYOTA LITEACE Bus (CM30_G, KM30_G),LITEACE Kasten (CM3_V, KM3_V),LITEACE Kasten (KM2_),MODELL F Bus (_R2_, 31)
59319	<b>Spurstangenkopf, Tie Rod End, Rotule de barre de connexion</b> HONDA ACCORD I Hatchback (SJ, SY),ACCORD I (SJ, SY),ACCORD II (AC, AD),ACCORD II Hatchback (AC, AD),ACCORD III Aerodeck (CA5),ACCORD III (CA4, CA5),CIVIC I Hatchback (SB),CIVIC I Shuttle (AN, AR),CIVIC I Stufenheck (SF),CIVIC II Kombi (WC),CIVIC II Schrägheck (SS, SL),CIVIC III Hatchback (AL, AJ, AG, AH),CIVIC III Stufenheck (AM, AK, AU),CRX I (AF, AS),JAZZ I (AA),PRELUDE I Coupe (SN),PRELUDE II (AB),QUINTET (SU),ISUZU GEMINI (JT),GEMINI Stufenheck (JT),ROVER 200 (XH),2000-3500 Hatchback (SD1)
59320	<b>Spurstangenkopf, Tie Rod End, Rotule de barre de connexion</b> SUZUKI ALTO I (SS80),ALTO II (EC),ALTO III (EF),WAGON R+ (EM)
59321	<b>Lenker, Radaufhängung, Track Control Arm, Bras de liaison, suspension de roue</b> NISSAN SUNNY II Coupe (B12),SUNNY II Traveller (B12)
59322	<b>Lenker, Radaufhängung, Track Control Arm, Bras de liaison, suspension de roue</b> NISSAN SUNNY II Coupe (B12),SUNNY II Traveller (B12)
59323	<b>Trag-/Führungsgelenk, Ball Joint, Rotule de suspension</b> TOYOTA CARINA II Stufenheck (_T15_),CARINA II (_T15_),CELICA (ZZT23_),COROLLA Coupe (AE86),COROLLA (_E8_),COROLLA FX Compact (E8B),COROLLA Liftback (_E7_),COROLLA Liftback (_E8_)
59324	<b>Trag-/Führungsgelenk, Ball Joint, Rotule de suspension</b> SUZUKI VITARA Cabrio (ET, TA),VITARA (ET, TA)
59325	<b>Trag-/Führungsgelenk, Ball Joint, Rotule de suspension</b> NISSAN CHERRY III (N12),PRAIRIE (M10, NM10),SUNNY I (B11),SUNNY I Coupe (B11),SUNNY I Traveller (B11)
59326	<b>Trag-/Führungsgelenk, Ball Joint, Rotule de suspension</b> KIA SEPHIA (FA),SEPHIA Stufenheck (FA)
59327	<b>Trag-/Führungsgelenk, Ball Joint, Rotule de suspension</b> HYUNDAI H-1 / STAREX
59328	<b>Axialgelenk, Spurstange, Tie Rod Axle Joint, Rotule de direction intérieure, barre de connexion</b> TOYOTA CAMRY Station Wagon (_V2_),CAMRY (_V2_)
59329	<b>Trag-/Führungsgelenk, Ball Joint, Rotule de suspension</b> HYUNDAI H-1 / STAREX
59330	<b>Lenker, Radaufhängung, Track Control Arm, Bras de liaison, suspension de roue</b> HONDA CIVIC I Shuttle (AN, AR),CIVIC III Hatchback (AL, AJ, AG, AH),CIVIC III Stufenheck (AM, AK, AU),CRX I (AF, AS),ISUZU GEMINI (JT),GEMINI Stufenheck (JT),ROVER 200 (XH)
59331	<b>Lenker, Radaufhängung, Track Control Arm, Bras de liaison, suspension de roue</b> HONDA CIVIC I Shuttle (AN, AR),CIVIC III Hatchback (AL, AJ, AG, AH),CIVIC III Stufenheck (AM, AK, AU),CRX I (AF, AS),ISUZU GEMINI (JT),GEMINI Stufenheck (JT),ROVER 200 (XH)
59332	<b>Axialgelenk, Spurstange, Tie Rod Axle Joint, Rotule de direction intérieure, barre de connexion</b> TOYOTA CARINA II Stufenheck (_T15_),CARINA II (_T15_),CELICA Coupe (AT18_, ST18_),CELICA (ST20_, AT20_),COROLLA (_E8_),COROLLA FX Compact (E8B),COROLLA Liftback (_E8_)



59333	<b>Trag-/Führungsgelenk, Ball Joint, Rotule de suspension</b> HONDA LEGEND I Coupe (KA3),LEGEND I (HS, KA),LEGEND III (KA9),ROVER 800 Coupe,800 Hatchback (XS),800 (XS)
59334	<b>Trag-/Führungsgelenk, Ball Joint, Rotule de suspension</b> TOYOTA CAMRY Station Wagon (_V2_),MR 2 I (AW1_),MR 2 II (SW2_),TERCEL (AL2_),TERCEL (_L1_,_L2_)
59335	<b>Trag-/Führungsgelenk, Ball Joint, Rotule de suspension</b> TOYOTA HIACE II Kasten (H20),HIACE II Wagon (H20),HIACE III Kasten (H50),HIACE III Wagon (LH1_,RZH1_)
59336	<b>Axialgelenk, Spurstange, Tie Rod Axle Joint, Rotule de direction intérieure, barre de connexion</b> HYUNDAI LANTRA I (J-1),SONATA II (Y-2)
59337	<b>Trag-/Führungsgelenk, Ball Joint, Rotule de suspension</b> KIA SPORTAGE (K00)
59338	<b>Spurstangenkopf, Tie Rod End, Rotule de barre de connexion</b> MAZDA MPV I (LV),MPV II (LW)
59339	<b>Axialgelenk, Spurstange, Tie Rod Axle Joint, Rotule de direction intérieure, barre de connexion</b> HYUNDAI LANTRA I (J-1)
59340	<b>Lenkhebel, Steering Arm, Levier de commande de direction</b> MITSUBISHI PAJERO CLASSIC (V2_W),PAJERO II Canvas Top (V2_W, V4_W),PAJERO II (V3_W, V2_W, V4_W),PAJERO SPORT (K90)
59341	<b>Stange/Strebe, Stabilisator, Rod/Strut, stabiliser, Entretoise/tige, stabilisateur</b> KIA SEPHIA (FA),SHUMA (FB),SHUMA II (FB),SHUMA Stufenheck (FB)
59341HPS	<b>Stange/Strebe, Stabilisator, Rod/Strut, stabiliser, Entretoise/tige, stabilisateur</b> KIA CARENS I (FC),SEPHIA (FA),SHUMA (FB),SHUMA II (FB),SHUMA II Stufenheck (FB),SHUMA Stufenheck (FB)
59342	<b>Spurstangenkopf, Tie Rod End, Rotule de barre de connexion</b> KIA CARENS I (FC),CARENS II (FJ),CARENS III (UN),CLARUS Kombi (GC),CLARUS (K9A),SEPHIA (FA),SEPHIA Stufenheck (FA),SHUMA (FB),SHUMA II (FB),SHUMA II Stufenheck (FB),SHUMA Stufenheck (FB)
59343HPS	<b>Stange/Strebe, Stabilisator, Rod/Strut, stabiliser, Entretoise/tige, stabilisateur</b> KIA CARENS I (FC),CARENS II (FJ),CARENS III (UN),SHUMA (FB),SHUMA II (FB),SHUMA II Stufenheck (FB),SHUMA Stufenheck (FB)
59344	<b>Stange/Strebe, Stabilisator, Rod/Strut, stabiliser, Entretoise/tige, stabilisateur</b> KIA SEPHIA (FA),SHUMA (FB),SHUMA II (FB),SHUMA Stufenheck (FB)
59344HPS	<b>Stange/Strebe, Stabilisator, Rod/Strut, stabiliser, Entretoise/tige, stabilisateur</b> KIA CARENS I (FC),SEPHIA (FA),SHUMA (FB),SHUMA II (FB),SHUMA II Stufenheck (FB),SHUMA Stufenheck (FB)
59345	<b>Stange/Strebe, Stabilisator, Rod/Strut, stabiliser, Entretoise/tige, stabilisateur</b> KIA SPORTAGE (K00)
59346	<b>Trag-/Führungsgelenk, Ball Joint, Rotule de suspension</b> KIA CARENS I (FC),CARENS II (FJ),SHUMA (FB),SHUMA II (FB),SHUMA II Stufenheck (FB),SHUMA Stufenheck (FB)
59349	<b>Axialgelenk, Spurstange, Tie Rod Axle Joint, Rotule de direction intérieure, barre de connexion</b> MAZDA MPV I (LV)
59350	<b>Spurstangenkopf, Tie Rod End, Rotule de barre de connexion</b> FORD USA PROBE I,PROBE II (ECP),MAZDA MPV II (LW),MX-6 (GE),PREMACY (CP),XEDOS 6 (CA),323 F VI (BJ),323 S VI (BJ),626 III Coupe (GD),626 III (GD),626 III Hatchback (GD),626 III Station Wagon (GV),626 IV (GE),626 IV Hatchback (GE),626 V (GF),626 V Hatchback (GF),626 V Station Wagon (GW)
59351	<b>Stange/Strebe, Stabilisator, Rod/Strut, stabiliser, Entretoise/tige, stabilisateur</b> HYUNDAI GETZ (TB)
59351HPS	<b>Stange/Strebe, Stabilisator, Rod/Strut, stabiliser, Entretoise/tige, stabilisateur</b> HYUNDAI GETZ (TB)
59353	<b>Trag-/Führungsgelenk, Ball Joint, Rotule de suspension</b> TOYOTA LAND CRUISER 90 (_J9_)
59354	<b>Trag-/Führungsgelenk, Ball Joint, Rotule de suspension</b> TOYOTA LAND CRUISER 90 (_J9_)
59355	<b>Stange/Strebe, Stabilisator, Rod/Strut, stabiliser, Entretoise/tige, stabilisateur</b> HYUNDAI GETZ (TB)
59355HPS	<b>Stange/Strebe, Stabilisator, Rod/Strut, stabiliser, Entretoise/tige, stabilisateur</b> HYUNDAI GETZ (TB)
59356	<b>Lenker, Radaufhängung, Track Control Arm, Bras de liaison, suspension de roue</b> MITSUBISHI LANCER IV (C6_A, C7_A),LANCER IV Stufenheck (C6_A)
59357	<b>Lenker, Radaufhängung, Track Control Arm, Bras de liaison, suspension de roue</b> MITSUBISHI LANCER IV (C6_A, C7_A),LANCER IV Stufenheck (C6_A)
59358	<b>Lenker, Radaufhängung, Track Control Arm, Bras de liaison, suspension de roue</b> NISSAN MICRA C+C (K12),MICRA III (K12),NOTE (E11)
59359	<b>Lenker, Radaufhängung, Track Control Arm, Bras de liaison, suspension de roue</b> NISSAN MICRA C+C (K12),MICRA III (K12),NOTE (E11)



59360	<b>Axialgelenk, Spurstange, Tie Rod Axle Joint, Rotule de direction intérieure, barre de connexion</b> NISSAN ALMERA I Hatchback (N15),ALMERA I (N15)
59361	<b>Stange/Strebe, Stabilisator, Rod/Strut, stabiliser, Entretoise/tige, stabilisateur</b> TOYOTA PREVIA (TCR2_, TCR1_)
59361HPS	<b>Stange/Strebe, Stabilisator, Rod/Strut, stabiliser, Entretoise/tige, stabilisateur</b> TOYOTA PREVIA (TCR2_, TCR1_)
59362	<b>Stange/Strebe, Stabilisator, Rod/Strut, stabiliser, Entretoise/tige, stabilisateur</b> TOYOTA PREVIA (TCR2_, TCR1_)
59362HPS	<b>Stange/Strebe, Stabilisator, Rod/Strut, stabiliser, Entretoise/tige, stabilisateur</b> TOYOTA PREVIA (TCR2_, TCR1_)
59363	<b>Stange/Strebe, Stabilisator, Rod/Strut, stabiliser, Entretoise/tige, stabilisateur</b> TOYOTA PREVIA (MCR3_, ACR3_, CLR3_)
59363HPS	<b>Stange/Strebe, Stabilisator, Rod/Strut, stabiliser, Entretoise/tige, stabilisateur</b> TOYOTA PREVIA (MCR3_, ACR3_, CLR3_)
59364	<b>Axialgelenk, Spurstange, Tie Rod Axle Joint, Rotule de direction intérieure, barre de connexion</b> SUBARU IMPREZA Coupe (GFC),IMPREZA Station Wagon (GD, GG),IMPREZA Station Wagon (GF),IMPREZA Stufenheck (GC),IMPREZA Stufenheck (GD, GG),LEGACY II (BD, BG),LEGACY II Station Wagon (BD, BG)
59365	<b>Stange/Strebe, Stabilisator, Rod/Strut, stabiliser, Entretoise/tige, stabilisateur</b> HYUNDAI COUPE (GK),COUPE (RD)
59366	<b>Stange/Strebe, Stabilisator, Rod/Strut, stabiliser, Entretoise/tige, stabilisateur</b> HYUNDAI COUPE (GK),COUPE (RD)
59367	<b>Schraube, Spureinstellung, Bolt, wheel alignment, Boulon, alignement des roues</b> DAEWOO ESPERO (KLEJ),LANOS (KLAT),LANOS Stufenheck (KLAT),NEXIA (KLETN),NEXIA Stufenheck (KLETN),OPEL ASCONA C CC (84_, 89_),ASCONA C (81_, 86_, 87_, 88_),KADETT D Caravan (35_, 36_, 45_, 46_),KADETT D (31_,34_, 41_,44_),KADETT E Cabriolet (43B_),KADETT E Caravan (35_, 36_, 45_, 46_),KADETT E CC (33_, 34_, 43_, 44_),KADETT E Combo (38_, 48_),KADETT E Kasten (37_, 47_),KADETT E (39_, 49_),VAUXHALL ASTRA Mk II Belmont,ASTRA Mk II CC,ASTRA Mk II Convertible,ASTRA Mk II Estate,CAVALIER Mk II,CAVALIER Mk II CC,CAVALIER Mk II Convertible,CAVALIER Mk II Estate
59368	<b>Lenker, Radaufhängung, Track Control Arm, Bras de liaison, suspension de roue</b> MAZDA 6 (GG),6 Hatchback (GG),6 Station Wagon (GY)
59369	<b>Lenker, Radaufhängung, Track Control Arm, Bras de liaison, suspension de roue</b> MAZDA 6 (GG),6 Hatchback (GG),6 Station Wagon (GY)
59370	<b>Lenker, Radaufhängung, Track Control Arm, Bras de liaison, suspension de roue</b> MAZDA 6 (GG),6 Hatchback (GG),6 Station Wagon (GY)
59371	<b>Spurstangenkopf, Tie Rod End, Rotule de barre de connexion</b> HONDA LEGEND I Coupe (KA3),LEGEND I (HS, KA),ROVER 800 Coupe,800 Hatchback (XS),800 (XS)
59372	<b>Spurstangenkopf, Tie Rod End, Rotule de barre de connexion</b> HONDA LEGEND I Coupe (KA3),LEGEND I (HS, KA),ROVER 800 Coupe,800 Hatchback (XS),800 (XS)
59373	<b>Spurstangenkopf, Tie Rod End, Rotule de barre de connexion</b> MITSUBISHI L 200 (K3_T, K2_T, K1_T, K0_T)
59374	<b>Lenker, Radaufhängung, Track Control Arm, Bras de liaison, suspension de roue</b> TOYOTA CAMRY (_CV1_,_XV1_,_V1_),CAMRY Station Wagon (_XV1_,_CV1_,_V10)
59375	<b>Lenker, Radaufhängung, Track Control Arm, Bras de liaison, suspension de roue</b> TOYOTA CAMRY (_CV1_,_XV1_,_V1_),CAMRY Station Wagon (_XV1_,_CV1_,_V10)
59376	<b>Lenker, Radaufhängung, Track Control Arm, Bras de liaison, suspension de roue</b> HYUNDAI ACCENT II (LC),ACCENT Stufenheck (LC)
59377	<b>Lenker, Radaufhängung, Track Control Arm, Bras de liaison, suspension de roue</b> HYUNDAI ACCENT II (LC),ACCENT Stufenheck (LC)
59378	<b>Lenker, Radaufhängung, Track Control Arm, Bras de liaison, suspension de roue</b> HYUNDAI GETZ (TB)
59379	<b>Lenker, Radaufhängung, Track Control Arm, Bras de liaison, suspension de roue</b> HYUNDAI GETZ (TB)
59380	<b>Lenker, Radaufhängung, Track Control Arm, Bras de liaison, suspension de roue</b> TOYOTA RAV 4 II (CLA2_, XA2_, ZCA2_, ACA2_)
59380/1	<b>Lenker, Radaufhängung, Track Control Arm, Bras de liaison, suspension de roue</b> TOYOTA RAV 4 II (CLA2_, XA2_, ZCA2_, ACA2_)
59381	<b>Lenker, Radaufhängung, Track Control Arm, Bras de liaison, suspension de roue</b> TOYOTA RAV 4 II (CLA2_, XA2_, ZCA2_, ACA2_)
59381/1	<b>Lenker, Radaufhängung, Track Control Arm, Bras de liaison, suspension de roue</b> TOYOTA RAV 4 II (CLA2_, XA2_, ZCA2_, ACA2_)
59382	<b>Lenker, Radaufhängung, Track Control Arm, Bras de liaison, suspension de roue</b> HYUNDAI SONATA IV (EF)



59383	<b>Lenker, Radaufhängung, Track Control Arm, Bras de liaison, suspension de roue</b> HYUNDAI SONATA IV (EF)
59384	<b>Lenker, Radaufhängung, Track Control Arm, Bras de liaison, suspension de roue</b> HYUNDAI SONATA IV (EF)
59385	<b>Lenker, Radaufhängung, Track Control Arm, Bras de liaison, suspension de roue</b> HYUNDAI SONATA IV (EF)
59386	<b>Lenker, Radaufhängung, Track Control Arm, Bras de liaison, suspension de roue</b> HYUNDAI H-1 / STAREX
59387	<b>Lenker, Radaufhängung, Track Control Arm, Bras de liaison, suspension de roue</b> HYUNDAI H-1 / STAREX
59388HPS	<b>Stange/Strebe, Stabilisator, Rod/Strut, stabiliser, Entretoise/tige, stabilisateur</b> MAZDA MPV II (LW),PREMACY (CP),323 F VI (BJ),323 S VI (BJ)
59389	<b>Lenker, Radaufhängung, Track Control Arm, Bras de liaison, suspension de roue</b> MAZDA PREMACY (CP)
59390	<b>Lenker, Radaufhängung, Track Control Arm, Bras de liaison, suspension de roue</b> MAZDA PREMACY (CP)
59391	<b>Lenker, Radaufhängung, Track Control Arm, Bras de liaison, suspension de roue</b> TOYOTA LAND CRUISER 90 (_J9_)
59392	<b>Lenker, Radaufhängung, Track Control Arm, Bras de liaison, suspension de roue</b> TOYOTA LAND CRUISER 90 (_J9_)
59394	<b>Lenker, Radaufhängung, Track Control Arm, Bras de liaison, suspension de roue</b> MAZDA MPV II (LW)
59395	<b>Lenker, Radaufhängung, Track Control Arm, Bras de liaison, suspension de roue</b> MAZDA MPV II (LW)
59396	<b>Lenker, Radaufhängung, Track Control Arm, Bras de liaison, suspension de roue</b> MITSUBISHI COLT IV (CA_A),COLT V (CJ_, CP_),LANCER Stufenheck (CS_A),LANCER V (CB/D_A),LANCER V Station Wagon (CB_W, CD_W),LANCER VI (CJ-CP_),VOLVO S40 I (VS),V40 Kombi (VW)
59397	<b>Lenker, Radaufhängung, Track Control Arm, Bras de liaison, suspension de roue</b> MITSUBISHI COLT IV (CA_A),COLT V (CJ_, CP_),LANCER Stufenheck (CS_A),LANCER V (CB/D_A),LANCER V Station Wagon (CB_W, CD_W),LANCER VI (CJ-CP_),VOLVO S40 I (VS),V40 Kombi (VW)
59398	<b>Lenker, Radaufhängung, Track Control Arm, Bras de liaison, suspension de roue</b> MITSUBISHI ECLIPSE I (D2_A),GALANT V (E5_A, E7_A, E8_A),GALANT V Stufenheck (E5_A, E7_A, E8_A),GALANT VI (EA_),GALANT VI Station Wagon (EA_)
59399	<b>Lenker, Radaufhängung, Track Control Arm, Bras de liaison, suspension de roue</b> MITSUBISHI ECLIPSE I (D2_A),GALANT V (E5_A, E7_A, E8_A),GALANT V Stufenheck (E5_A, E7_A, E8_A),GALANT VI (EA_),GALANT VI Station Wagon (EA_)
59500	<b>Stange/Strebe, Stabilisator, Rod/Strut, stabiliser, Entretoise/tige, stabilisateur</b> HONDA ACCORD VII Aerodeck (CM_),ACCORD VII (CG, CK),ACCORD VII Coupe (CG),ACCORD VII Hatchback (CH)
59501	<b>Stange/Strebe, Stabilisator, Rod/Strut, stabiliser, Entretoise/tige, stabilisateur</b> HONDA ACCORD VII Aerodeck (CM_),ACCORD VII (CG, CK),ACCORD VII Coupe (CG),ACCORD VII Hatchback (CH)
59502	<b>Stange/Strebe, Stabilisator, Rod/Strut, stabiliser, Entretoise/tige, stabilisateur</b> HONDA ACCORD VII (CG, CK)
59502HPS	<b>Stange/Strebe, Stabilisator, Rod/Strut, stabiliser, Entretoise/tige, stabilisateur</b> HONDA ACCORD VII (CG, CK)
59503HPS	<b>Stange/Strebe, Stabilisator, Rod/Strut, stabiliser, Entretoise/tige, stabilisateur</b> HONDA ACCORD VII (CG, CK)
59506	<b>Lenker, Radaufhängung, Track Control Arm, Bras de liaison, suspension de roue</b> HONDA CIVIC IV Hatchback (EC, ED, EE),CIVIC IV Stufenheck (ED),CRX II (ED, EE)
59507	<b>Lenker, Radaufhängung, Track Control Arm, Bras de liaison, suspension de roue</b> HONDA CIVIC IV Hatchback (EC, ED, EE),CIVIC IV Stufenheck (ED),CRX II (ED, EE)
59508	<b>Lenker, Radaufhängung, Track Control Arm, Bras de liaison, suspension de roue</b> ROVER 400 Hatchback (RT),400 (RT),45 (RT),45 Stufenheck (RT)
59509	<b>Lenker, Radaufhängung, Track Control Arm, Bras de liaison, suspension de roue</b> ROVER 400 Hatchback (RT),400 (RT),45 Stufenheck (RT)
59510	<b>Stange/Strebe, Stabilisator, Rod/Strut, stabiliser, Entretoise/tige, stabilisateur</b> MITSUBISHI SPACE WAGON (N3_W, N4_W),SPACE WAGON (N9_W, N8_W)
59510HPS	<b>Stange/Strebe, Stabilisator, Rod/Strut, stabiliser, Entretoise/tige, stabilisateur</b> MITSUBISHI SPACE WAGON (N3_W, N4_W),SPACE WAGON (N9_W, N8_W)
59511HPS	<b>Stange/Strebe, Stabilisator, Rod/Strut, stabiliser, Entretoise/tige, stabilisateur</b> MITSUBISHI SPACE WAGON (N3_W, N4_W),SPACE WAGON (N9_W, N8_W)





59512	<b>Axialgelenk, Spurstange, Tie Rod Axle Joint, Rotule de direction intérieure, barre de connexion</b> HONDA CIVIC VI Aerodeck (MB, MC),CIVIC VI Fastback (MA, MB),CIVIC VI Hatchback (EJ, EK),CIVIC VI Stufenheck (EJ, EK)
59513	<b>Axialgelenk, Spurstange, Tie Rod Axle Joint, Rotule de direction intérieure, barre de connexion</b> HONDA CR-V I (RD),CR-V II (RD_)
59514	<b>Axialgelenk, Spurstange, Tie Rod Axle Joint, Rotule de direction intérieure, barre de connexion</b> HONDA ACCORD VII Aerodeck (CM_),ACCORD VII (CG, CK),ACCORD VII Coupe (CG),ACCORD VII Hatchback (CH)
59515	<b>Spurstangenkopf, Tie Rod End, Rotule de barre de connexion</b> HONDA HR-V (GH),LOGO (GA3)
59516HPS	<b>Stange/Strebe, Stabilisator, Rod/Strut, stabiliser, Entretoise/tige, stabilisateur</b> ROVER 75 (RJ),75 Tourer (RJ)
59517HPS	<b>Stange/Strebe, Stabilisator, Rod/Strut, stabiliser, Entretoise/tige, stabilisateur</b> MG MG ZT,MG ZT- T,ROVER 75 (RJ),75 Tourer (RJ)
59518HPS	<b>Stange/Strebe, Stabilisator, Rod/Strut, stabiliser, Entretoise/tige, stabilisateur</b> MG MG ZT,MG ZT- T,ROVER 75 (RJ),75 Tourer (RJ)
59520	<b>Trag-/Führungsgelenk, Ball Joint, Rotule de suspension</b> FORD MAVERICK (UDS, UNS),NISSAN PICK UP (D21),TERRANO I (WD21),TERRANO II (R20)
59521	<b>Trag-/Führungsgelenk, Ball Joint, Rotule de suspension</b> INFINITI I30,J30,M30 Convertible,M30 Coupe,NISSAN BLUEBIRD Hatchback (T72, T12),BLUEBIRD Station Wagon (WU11),BLUEBIRD (T72, T12),BLUEBIRD (U11),MAXIMA II (J30),MAXIMA QX III (A32),MAXIMA Station Wagon,PRAIRIE (M10, NM10),PRAIRIE PRO (M11),PRIMERA Traveller (W10)
59522	<b>Trag-/Führungsgelenk, Ball Joint, Rotule de suspension</b> NISSAN ALMERA I Hatchback (N15),ALMERA I (N15)
59523	<b>Trag-/Führungsgelenk, Ball Joint, Rotule de suspension</b> NISSAN VANETTE Bus (C22),VANETTE Bus (KC120),VANETTE Kasten (C22)
59524	<b>Spurstangenkopf, Tie Rod End, Rotule de barre de connexion</b> NISSAN ALMERA I Hatchback (N15),ALMERA I (N15),MAXIMA QX III (A32)
59525	<b>Axialgelenk, Spurstange, Tie Rod Axle Joint, Rotule de direction intérieure, barre de connexion</b> NISSAN MAXIMA QX III (A32)
59526	<b>Spurstangenkopf, Tie Rod End, Rotule de barre de connexion</b> NISSAN TERRANO I (WD21),TERRANO II (R20)
59527	- NISSAN VANETTE Bus (C22),VANETTE Kasten (C22)
59528	<b>Spurstangenkopf, Tie Rod End, Rotule de barre de connexion</b> NISSAN PICK UP (D21),TERRANO I (WD21),TERRANO II (R20)
59533	<b>Stange/Strebe, Stabilisator, Rod/Strut, stabiliser, Entretoise/tige, stabilisateur</b> MAZDA 121 III (JASM, JBSM)
59534	<b>Stange/Strebe, Stabilisator, Rod/Strut, stabiliser, Entretoise/tige, stabilisateur</b> MAZDA MX-3 (EC)
59535HPS	<b>Stange/Strebe, Stabilisator, Rod/Strut, stabiliser, Entretoise/tige, stabilisateur</b> MAZDA 626 V (GF),626 V Hatchback (GF),626 V Station Wagon (GW)
59536	<b>Axialgelenk, Spurstange, Tie Rod Axle Joint, Rotule de direction intérieure, barre de connexion</b> MITSUBISHI CARISMA (DA_),CARISMA Stufenheck (DA_)
59537	<b>Stange/Strebe, Stabilisator, Rod/Strut, stabiliser, Entretoise/tige, stabilisateur</b> MITSUBISHI SPACE RUNNER (N6_W),SPACE WAGON (N3_W, N4_W),SPACE WAGON (N9_W, N8_W)
59537HPS	<b>Stange/Strebe, Stabilisator, Rod/Strut, stabiliser, Entretoise/tige, stabilisateur</b> MITSUBISHI SPACE RUNNER (N6_W),SPACE WAGON (N3_W, N4_W),SPACE WAGON (N9_W, N8_W)
59538	<b>Stange/Strebe, Stabilisator, Rod/Strut, stabiliser, Entretoise/tige, stabilisateur</b> MITSUBISHI SPACE RUNNER (N6_W),SPACE WAGON (N3_W, N4_W),SPACE WAGON (N9_W, N8_W)
59538HPS	<b>Stange/Strebe, Stabilisator, Rod/Strut, stabiliser, Entretoise/tige, stabilisateur</b> MITSUBISHI SPACE RUNNER (N6_W),SPACE WAGON (N3_W, N4_W),SPACE WAGON (N9_W, N8_W)
59539	<b>Trag-/Führungsgelenk, Ball Joint, Rotule de suspension</b> MITSUBISHI L 200 (K3_T, K2_T, K1_T, K0_T)
59540HPS	<b>Stange/Strebe, Stabilisator, Rod/Strut, stabiliser, Entretoise/tige, stabilisateur</b> MITSUBISHI LANCER IV (C6_A, C7_A),LANCER IV Stufenheck (C6_A)
59541HPS	<b>Stange/Strebe, Stabilisator, Rod/Strut, stabiliser, Entretoise/tige, stabilisateur</b> MITSUBISHI GALANT V (E5_A, E7_A, E8_A),GALANT V Stufenheck (E5_A, E7_A, E8_A),GALANT VI (EA_),GALANT VI Station Wagon (EA_)
59542	<b>Stange/Strebe, Stabilisator, Rod/Strut, stabiliser, Entretoise/tige, stabilisateur</b> MITSUBISHI GALANT V (E5_A, E7_A, E8_A),GALANT V Stufenheck (E5_A, E7_A, E8_A)
59543HPS	<b>Stange/Strebe, Stabilisator, Rod/Strut, stabiliser, Entretoise/tige, stabilisateur</b> MITSUBISHI GALANT VI (EA_),GALANT VI Station Wagon (EA_)



59544	<b>Stange/Strebe, Stabilisator, Rod/Strut, stabiliser, Entretoise/tige, stabilisateur</b> MITSUBISHI L 400 / SPACE GEAR Bus (PD_W, PC_W, PA_V, PB_V)
59545HPS	<b>Stange/Strebe, Stabilisator, Rod/Strut, stabiliser, Entretoise/tige, stabilisateur</b> MITSUBISHI L 400 / SPACE GEAR Bus (PD_W, PC_W, PA_V, PB_V),L 400 Kasten (PD_W, PC_W, PB_V, PA_W, PA_V),SPACE WAGON (N3_W, N4_W)
59546	<b>Stange/Strebe, Stabilisator, Rod/Strut, stabiliser, Entretoise/tige, stabilisateur</b> MITSUBISHI PAJERO II Canvas Top (V2_W, V4_W),PAJERO II (V3_W, V2_W, V4_W)
59547	<b>Stange/Strebe, Stabilisator, Rod/Strut, stabiliser, Entretoise/tige, stabilisateur</b> MITSUBISHI PAJERO II Canvas Top (V2_W, V4_W),PAJERO II (V3_W, V2_W, V4_W)
59551	<b>Stange/Strebe, Stabilisator, Rod/Strut, stabiliser, Entretoise/tige, stabilisateur</b> HYUNDAI SONATA III (Y-3)
59552HPS	<b>Stange/Strebe, Stabilisator, Rod/Strut, stabiliser, Entretoise/tige, stabilisateur</b> HYUNDAI SONATA II (Y-2)
59553	<b>Axialgelenk, Spurstange, Tie Rod Axle Joint, Rotule de direction intérieure, barre de connexion</b> HYUNDAI ATOS (MX),ATOS PRIME (MX)
59554	<b>Axialgelenk, Spurstange, Tie Rod Axle Joint, Rotule de direction intérieure, barre de connexion</b> HYUNDAI COUPE (GK),COUPE (RD),ELANTRA Stufenheck (XD),ELANTRA (XD),KIA CERATO (LD),CERATO Stufenheck (LD)
59555	<b>Axialgelenk, Spurstange, Tie Rod Axle Joint, Rotule de direction intérieure, barre de connexion</b> HYUNDAI SONATA III (Y-3),TRAJET (FO)
59556	<b>Axialgelenk, Spurstange, Tie Rod Axle Joint, Rotule de direction intérieure, barre de connexion</b> HYUNDAI SONATA IV (EF),XG (XG),KIA MAGENTIS (GD)
59557	<b>Axialgelenk, Spurstange, Tie Rod Axle Joint, Rotule de direction intérieure, barre de connexion</b> HONDA CIVIC V Coupe (EJ),CIVIC V Hatchback (EG),CIVIC V Stufenheck (EG, EH),CIVIC VI Fastback (MA, MB),CRX III (EH, EG),INTEGRA Coupe (DC2, DC4)
59558	<b>Axialgelenk, Spurstange, Tie Rod Axle Joint, Rotule de direction intérieure, barre de connexion</b> HONDA HR-V (GH)
59560	<b>Spurstangenkopf, Tie Rod End, Rotule de barre de connexion</b> TOYOTA YARIS (SCP1_, NLP1_, NCP1_),YARIS VERSO (_NLP2_, _NCP2_)
59561	<b>Spurstangenkopf, Tie Rod End, Rotule de barre de connexion</b> TOYOTA YARIS (SCP1_, NLP1_, NCP1_),YARIS VERSO (_NLP2_, _NCP2_)
59562	<b>Trag-/Führungsgelenk, Ball Joint, Rotule de suspension</b> TOYOTA YARIS (SCP1_, NLP1_, NCP1_)
59563	<b>Trag-/Führungsgelenk, Ball Joint, Rotule de suspension</b> TOYOTA STARLET (_P7_),STARLET (_P8_)
59564	<b>Trag-/Führungsgelenk, Ball Joint, Rotule de suspension</b> TOYOTA PASEO Cabriolet (EL54),PASEO Coupe (EL54),STARLET (EP91),STARLET (_P8_)
59565	<b>Trag-/Führungsgelenk, Ball Joint, Rotule de suspension</b> TOYOTA CARINA II Station Wagon (_T17_),CARINA II Stufenheck (_T15_),CARINA II Stufenheck (_T17_),CARINA II (_T17_),CELICA (AT16_, ST16_),CELICA Cabriolet (ST16_, AT16_),CELICA Coupe (ST16_, AT16_),CELICA Liftback (ST16_, AT16_)
59566	<b>Trag-/Führungsgelenk, Ball Joint, Rotule de suspension</b> TOYOTA PREVIA (TCR2_, TCR1_)
59567	<b>Trag-/Führungsgelenk, Ball Joint, Rotule de suspension</b> TOYOTA CAMRY (_CV1_, _XV1_, _V1_),CAMRY Station Wagon (_XV1_, _CV1_, _V10)
59568	<b>Trag-/Führungsgelenk, Ball Joint, Rotule de suspension</b> TOYOTA PASEO Cabriolet (EL54),PASEO Coupe (EL54),STARLET (EP91),STARLET (_P8_)
59569	<b>Trag-/Führungsgelenk, Ball Joint, Rotule de suspension</b> TOYOTA HILUX II Pick-up (RN6_, RN5_, LN6_, YN6_, YN5_, LN5_),VW TARO
59570	<b>Axialgelenk, Spurstange, Tie Rod Axle Joint, Rotule de direction intérieure, barre de connexion</b> HYUNDAI ACCENT I (X-3),ACCENT Stufenheck (X-3)
59571	<b>Axialgelenk, Spurstange, Tie Rod Axle Joint, Rotule de direction intérieure, barre de connexion</b> HYUNDAI ACCENT II (LC),ACCENT Stufenheck (LC),H100 Bus (P),H100 Kasten
59572	<b>Axialgelenk, Spurstange, Tie Rod Axle Joint, Rotule de direction intérieure, barre de connexion</b> HYUNDAI ACCENT II (LC),ACCENT Stufenheck (LC),H100 Bus (P),H100 Kasten
59573	<b>Axialgelenk, Spurstange, Tie Rod Axle Joint, Rotule de direction intérieure, barre de connexion</b> HYUNDAI COUPE (GK),COUPE (RD),LANTRA II (J-2),LANTRA II Wagon (J-2)
59574	<b>Axialgelenk, Spurstange, Tie Rod Axle Joint, Rotule de direction intérieure, barre de connexion</b> HYUNDAI ACCENT I (X-3),ACCENT Stufenheck (X-3),S COUPE (SLC)
59575	<b>Axialgelenk, Spurstange, Tie Rod Axle Joint, Rotule de direction intérieure, barre de connexion</b> HYUNDAI PONY / EXCEL Stufenheck (X-2),PONY (X-2)



59576	<b>Lenker, Radaufhängung, Track Control Arm, Bras de liaison, suspension de roue</b> HYUNDAI PONY / EXCEL Stufenheck (X-2),S COUPE (SLC)
59576/1	<b>Lenker, Radaufhängung, Track Control Arm, Bras de liaison, suspension de roue</b> HYUNDAI PONY / EXCEL Stufenheck (X-2),S COUPE (SLC)
59577	<b>Lenker, Radaufhängung, Track Control Arm, Bras de liaison, suspension de roue</b> HYUNDAI PONY / EXCEL Stufenheck (X-2),S COUPE (SLC)
59577/1	<b>Lenker, Radaufhängung, Track Control Arm, Bras de liaison, suspension de roue</b> HYUNDAI PONY / EXCEL Stufenheck (X-2),S COUPE (SLC)
59578	<b>Stange/Strebe, Stabilisator, Rod/Strut, stabiliser, Entretoise/tige, stabilisateur</b> HYUNDAI H-1 / STAREX
59579HPS	<b>Stange/Strebe, Stabilisator, Rod/Strut, stabiliser, Entretoise/tige, stabilisateur</b> HYUNDAI H-1 / STAREX,H-1 Kasten,H-1 Pritsche/Fahrgestell
59580	<b>Trag-/Führungsgelenk, Ball Joint, Rotule de suspension</b> HYUNDAI ATOS (MX),ATOS PRIME (MX)
59581	<b>Stange/Strebe, Stabilisator, Rod/Strut, stabiliser, Entretoise/tige, stabilisateur</b> HYUNDAI SONATA III (Y-3)
59582HPS	<b>Stange/Strebe, Stabilisator, Rod/Strut, stabiliser, Entretoise/tige, stabilisateur</b> HYUNDAI SONATA IV (EF)
59583	<b>Stange/Strebe, Stabilisator, Rod/Strut, stabiliser, Entretoise/tige, stabilisateur</b> HYUNDAI SONATA IV (EF),XG (XG),KIA MAGENTIS (GD),OPIRUS (GH)
59584	<b>Stange/Strebe, Stabilisator, Rod/Strut, stabiliser, Entretoise/tige, stabilisateur</b> HYUNDAI SONATA IV (EF)
59585	<b>Trag-/Führungsgelenk, Ball Joint, Rotule de suspension</b> HYUNDAI SONATA III (Y-3)
59586	<b>Spurstangenkopf, Tie Rod End, Rotule de barre de connexion</b> HYUNDAI ACCENT I (X-3),ACCENT II (LC),ACCENT Stufenheck (LC),ACCENT Stufenheck (X-3),ATOS PRIME (MX),COUPE (GK),COUPE (RD),ELANTRA Stufenheck (XD),ELANTRA (XD),GETZ (TB),LANTRA I (J-1),LANTRA II (J-2),LANTRA II Wagon (J-2),MATRIX (FC),SONATA III (Y-3),TRAJET (FO),KIA CERATO (LD),CERATO Stufenheck (LD)
59589	<b>Stange/Strebe, Stabilisator, Rod/Strut, stabiliser, Entretoise/tige, stabilisateur</b> KIA SHUMA (FB),SHUMA Stufenheck (FB)
59590	<b>Stange/Strebe, Stabilisator, Rod/Strut, stabiliser, Entretoise/tige, stabilisateur</b> KIA CLARUS Kombi (GC),CLARUS (K9A)
59591	<b>Stange/Strebe, Stabilisator, Rod/Strut, stabiliser, Entretoise/tige, stabilisateur</b> KIA CLARUS Kombi (GC),CLARUS (K9A)
59592	<b>Stange/Strebe, Stabilisator, Rod/Strut, stabiliser, Entretoise/tige, stabilisateur</b> KIA CLARUS (K9A)
59593	<b>Axialgelenk, Spurstange, Tie Rod Axle Joint, Rotule de direction intérieure, barre de connexion</b> NISSAN SERENA (C23M),VANETTE CARGO Bus (HC 23),VANETTE CARGO Kasten (HC 23)
59594HPS	<b>Stange/Strebe, Stabilisator, Rod/Strut, stabiliser, Entretoise/tige, stabilisateur</b> KIA CARENS I (FC),CARENS II (FJ),CARENS III (UN),SHUMA (FB),SHUMA II (FB),SHUMA II Stufenheck (FB),SHUMA Stufenheck (FB)
59595	<b>Stange/Strebe, Stabilisator, Rod/Strut, stabiliser, Entretoise/tige, stabilisateur</b> SUBARU FORESTER (SF),FORESTER (SG),IMPREZA Coupe (GFC),IMPREZA Station Wagon (GD, GG),IMPREZA Station Wagon (GF),IMPREZA Stufenheck (GC),LEGACY I Station Wagon (BC, BJF),LEGACY II (BD, BG),LEGACY II Station Wagon (BD, BG),LEGACY III (BE, BH),LEGACY III Station Wagon (BE, BH),LIBERO Bus (E10, E12)
59596	<b>Stange/Strebe, Stabilisator, Rod/Strut, stabiliser, Entretoise/tige, stabilisateur</b> SUBARU IMPREZA Coupe (GFC),IMPREZA Station Wagon (GD, GG),IMPREZA Station Wagon (GF),IMPREZA Stufenheck (GC),IMPREZA Stufenheck (GD, GG),LEGACY I (BC),LEGACY I Station Wagon (BC, BJF),LEGACY II (BD, BG),LEGACY II Station Wagon (BD, BG)
59598	<b>Trag-/Führungsgelenk, Ball Joint, Rotule de suspension</b> NISSAN SERENA (C23M),VANETTE CARGO Bus (HC 23),VANETTE CARGO Kasten (HC 23)
59599	<b>Trag-/Führungsgelenk, Ball Joint, Rotule de suspension</b> NISSAN SERENA (C23M),VANETTE CARGO Bus (HC 23),VANETTE CARGO Kasten (HC 23)
59600	<b>Spurstangenkopf, Tie Rod End, Rotule de barre de connexion</b> BMW X5 (E53)
59601	<b>Spurstange, Rod Assembly, Barre de connexion</b> BMW X5 (E53)
59602	<b>Trag-/Führungsgelenk, Ball Joint, Rotule de suspension</b> BMW X5 (E53)
59603	<b>Stange/Strebe, Stabilisator, Rod/Strut, stabiliser, Entretoise/tige, stabilisateur</b> BMW X5 (E53)
59603HPS	<b>Stange/Strebe, Stabilisator, Rod/Strut, stabiliser, Entretoise/tige, stabilisateur</b> BMW X5 (E53)



<b>59604</b>	<b>Stange/Strebe, Stabilisator, Rod/Strut, stabiliser, Entretoise/tige, stabilisateur</b> BMW X5 (E53)
<b>59604HPS</b>	<b>Stange/Strebe, Stabilisator, Rod/Strut, stabiliser, Entretoise/tige, stabilisateur</b> BMW X5 (E53)
<b>59605HPS</b>	<b>Stange/Strebe, Stabilisator, Rod/Strut, stabiliser, Entretoise/tige, stabilisateur</b> BMW X5 (E53)
<b>59606</b>	<b>Lenker, Radaufhängung, Track Control Arm, Bras de liaison, suspension de roue</b> BMW X5 (E53)
<b>59607</b>	<b>Lenker, Radaufhängung, Track Control Arm, Bras de liaison, suspension de roue</b> BMW X5 (E53)
<b>59608</b>	<b>Lenker, Radaufhängung, Track Control Arm, Bras de liaison, suspension de roue</b> BMW X5 (E53)
<b>59609</b>	<b>Lenker, Radaufhängung, Track Control Arm, Bras de liaison, suspension de roue</b> BMW X5 (E53)
<b>59610</b>	<b>Axialgelenk, Spurstange, Tie Rod Axle Joint, Rotule de direction intérieure, barre de connexion</b> BMW X5 (E53)
<b>59611</b>	<b>Lenker, Radaufhängung, Track Control Arm, Bras de liaison, suspension de roue</b> BMW X5 (E53)
<b>59612</b>	<b>Lenker, Radaufhängung, Track Control Arm, Bras de liaison, suspension de roue</b> BMW X5 (E53)
<b>59613HPS</b>	<b>Stange/Strebe, Stabilisator, Rod/Strut, stabiliser, Entretoise/tige, stabilisateur</b> BMW Z3 Coupe (E36),Z3 (E36),3 Cabriolet (E36),3 Coupe (E36),3 (E36)
<b>59614HPS</b>	<b>Stange/Strebe, Stabilisator, Rod/Strut, stabiliser, Entretoise/tige, stabilisateur</b> MINI MINI Cabriolet (R52),MINI (R50, R53),MINI (R56)
<b>59615</b>	<b>Lenker, Radaufhängung, Track Control Arm, Bras de liaison, suspension de roue</b> BMW 5 (E39),5 Touring (E39)
<b>59616</b>	<b>Lenker, Radaufhängung, Track Control Arm, Bras de liaison, suspension de roue</b> BMW 5 (E39),5 Touring (E39)
<b>59617</b>	<b>Lenker, Radaufhängung, Track Control Arm, Bras de liaison, suspension de roue</b> BMW 5 (E39),5 Touring (E39)
<b>59618</b>	<b>Lenker, Radaufhängung, Track Control Arm, Bras de liaison, suspension de roue</b> BMW 5 (E39),5 Touring (E39)
<b>59619</b>	<b>Lenker, Radaufhängung, Track Control Arm, Bras de liaison, suspension de roue</b> BMW 5 (E39),5 Touring (E39)
<b>59620</b>	<b>Lenker, Radaufhängung, Track Control Arm, Bras de liaison, suspension de roue</b> BMW 5 (E39),5 Touring (E39)
<b>59621</b>	<b>Lagerung, Lenker, Control Arm-/Trailing Arm Bush, Suspension, bras de liaison</b> BMW Z4 (E85),3 Cabriolet (E36),3 Cabriolet (E46),3 Compact (E46),3 Coupe (E36),3 Coupe (E46),3 (E36),3 (E46),3 Touring (E36),3 Touring (E46)
<b>59622</b>	<b>Lagerung, Lenker, Control Arm-/Trailing Arm Bush, Suspension, bras de liaison</b> BMW X5 (E53),Z8 (E52),5 (E39),5 (E60),5 Touring (E39),5 Touring (E61),6 (E63),7 (E38),7 (E65, E66)
<b>59623HPS</b>	<b>Stange/Strebe, Stabilisator, Rod/Strut, stabiliser, Entretoise/tige, stabilisateur</b> BMW 7 (E65, E66)
<b>59624</b>	<b>Spurstange, Rod Assembly, Barre de connexion</b> ALPINA B10 (E39),B10 Kombi (E39),BMW 5 (E39),5 Touring (E39)
<b>59626</b>	<b>Spurstangenkopf, Tie Rod End, Rotule de barre de connexion</b> BMW 5 (E60),5 Touring (E61),6 Cabriolet (E64),6 (E63),7 (E65, E66)
<b>59627</b>	<b>Spurstangensatz, Track Rod Set, Kit de barres de connexion</b> BMW 5 (E34),5 Touring (E34)
<b>59628HPS</b>	<b>Stange/Strebe, Stabilisator, Rod/Strut, stabiliser, Entretoise/tige, stabilisateur</b> ALPINA B10 (E39),B10 Kombi (E39),BMW 5 (E39),5 Touring (E39)
<b>59629</b>	<b>Lenker, Radaufhängung, Track Control Arm, Bras de liaison, suspension de roue</b> BMW 6 Cabriolet (E64),6 (E63),7 (E65, E66)
<b>59630</b>	<b>Lenker, Radaufhängung, Track Control Arm, Bras de liaison, suspension de roue</b> BMW 6 Cabriolet (E64),6 (E63),7 (E65, E66)
<b>59631HPS</b>	<b>Stange/Strebe, Stabilisator, Rod/Strut, stabiliser, Entretoise/tige, stabilisateur</b> BMW 7 (E65, E66)
<b>59632</b>	<b>Stange/Strebe, Stabilisator, Rod/Strut, stabiliser, Entretoise/tige, stabilisateur</b> BMW 7 (E65, E66)



59633	<b>Lenker, Radaufhängung, Track Control Arm, Bras de liaison, suspension de roue</b> BMW 7 (E65, E66)
59634	<b>Lenker, Radaufhängung, Track Control Arm, Bras de liaison, suspension de roue</b> BMW 7 (E65, E66)
59635	<b>Lenker, Radaufhängung, Track Control Arm, Bras de liaison, suspension de roue</b> BMW 5 (E39),5 (E60),5 Touring (E39),5 Touring (E61),6 Cabriolet (E64),6 (E63),7 (E65, E66)
59636	<b>Lenker, Radaufhängung, Track Control Arm, Bras de liaison, suspension de roue</b> BMW 5 (E39),5 (E60),5 Touring (E39),5 Touring (E61),6 Cabriolet (E64),6 (E63),7 (E65, E66)
59637	<b>Lenker, Radaufhängung, Track Control Arm, Bras de liaison, suspension de roue</b> BMW 5 (E39),5 (E60),5 Touring (E39),5 Touring (E61),7 (E65, E66)
59638	<b>Lenker, Radaufhängung, Track Control Arm, Bras de liaison, suspension de roue</b> BMW Z1,3 Cabriolet (E36),3 Cabriolet (E46),3 Compact (E46),3 Coupe (E36),3 Coupe (E46),3 (E36),3 (E46),3 Touring (E36),3 Touring (E46)
59639	<b>Stange/Strebe, Stabilisator, Rod/Strut, stabiliser, Entretoise/tige, stabilisateur</b> BMW 7 (E65, E66)
59640	<b>Spurstangenkopf, Tie Rod End, Rotule de barre de connexion</b> FORD TRANSIT Bus,TRANSIT Bus (FD_ , FB_ , FS_ , FZ_ , FC_ ),TRANSIT Kasten,TRANSIT Kasten (FA_ ),TRANSIT Pritsche/Fahrgestell,TRANSIT Pritsche/Fahrgestell (FM_ , FN_ ),TRANSIT TOURNEO
59641	<b>Axialgelenk, Spurstange, Tie Rod Axle Joint, Rotule de direction intérieure, barre de connexion</b> FORD TRANSIT Bus (FD_ , FB_ , FS_ , FZ_ , FC_ ),TRANSIT Kasten (FA_ ),TRANSIT Pritsche/Fahrgestell (FM_ , FN_ )
59642	<b>Axialgelenk, Spurstange, Tie Rod Axle Joint, Rotule de direction intérieure, barre de connexion</b> FORD TRANSIT Bus (FD_ , FB_ , FS_ , FZ_ , FC_ ),TRANSIT Kasten (FA_ ),TRANSIT Pritsche/Fahrgestell (FM_ , FN_ )
59643	<b>Trag-/Führungsgelenk, Ball Joint, Rotule de suspension</b> FORD TOURNEO CONNECT,TRANSIT Bus (FD_ , FB_ , FS_ , FZ_ , FC_ ),TRANSIT CONNECT (P65_ , P70_ , P80_ ),TRANSIT Kasten (E_ ),TRANSIT Kasten (FA_ ),TRANSIT Pritsche/Fahrgestell (E_ ),TRANSIT Pritsche/Fahrgestell (FM_ , FN_ )
59644	<b>Lenker, Radaufhängung, Track Control Arm, Bras de liaison, suspension de roue</b> FORD MONDEO III (B5Y),MONDEO III Kombi (BWY),MONDEO III Stufenheck (B4Y),JAGUAR X-TYPE (CF1),X-TYPE Estate
59645	<b>Lenker, Radaufhängung, Track Control Arm, Bras de liaison, suspension de roue</b> FORD MONDEO III (B5Y),MONDEO III Kombi (BWY),MONDEO III Stufenheck (B4Y),JAGUAR X-TYPE (CF1),X-TYPE Estate
59646	<b>Lenker, Radaufhängung, Track Control Arm, Bras de liaison, suspension de roue</b> FORD C-MAX,FOCUS C-MAX,FOCUS (DAW, DBW),FOCUS II Cabriolet,FOCUS II (DA_ ),FOCUS II Stufenheck (DA_ ),FOCUS Stufenheck (DFW),FORD (CHANGAN) FOCUS Schrägheck (CD5),FOCUS Stufenheck (CD4),MAZDA 2 Stufenheck (DE),3 (BK),3 (BL),3 Stufenheck (BK),3 Stufenheck (BL),5 (CR19),5 (CW),VOLVO C30,S40 II (MS),V50 (MW)
59647	<b>Lenker, Radaufhängung, Track Control Arm, Bras de liaison, suspension de roue</b> FORD FOCUS C-MAX,FOCUS (DAW, DBW),FOCUS II (DA_ ),FOCUS II Stufenheck (DA_ ),FOCUS Kombi (DNW),FOCUS Stufenheck (DFW)
59648	<b>Stange/Strebe, Stabilisator, Rod/Strut, stabiliser, Entretoise/tige, stabilisateur</b> FORD FOCUS (DAW, DBW),FOCUS Kombi (DNW),FOCUS Stufenheck (DFW)
59650	<b>Lenker, Radaufhängung, Track Control Arm, Bras de liaison, suspension de roue</b> FORD FIESTA V (JH_ , JD_ ),FUSION (JU_ ),MAZDA 2 (DY)
59651	<b>Lenker, Radaufhängung, Track Control Arm, Bras de liaison, suspension de roue</b> FORD FIESTA V (JH_ , JD_ ),FUSION (JU_ ),MAZDA 2 (DY)
59654	<b>Lenker, Radaufhängung, Track Control Arm, Bras de liaison, suspension de roue</b> FORD TRANSIT Bus (E_ ),TRANSIT Kasten (E_ ),TRANSIT Pritsche/Fahrgestell (E_ )
59655	<b>Lenker, Radaufhängung, Track Control Arm, Bras de liaison, suspension de roue</b> FORD TRANSIT Bus (E_ ),TRANSIT Kasten (E_ ),TRANSIT Pritsche/Fahrgestell (E_ )
59657	<b>Spurstangenkopf, Tie Rod End, Rotule de barre de connexion</b> FORD SCORPIO II (GFR, GGR),SCORPIO II Kombi (GNR, GGR)
59658	<b>Spurstangenkopf, Tie Rod End, Rotule de barre de connexion</b> FORD TRANSIT Bus (T_ ),TRANSIT Bus (V_ ),TRANSIT Bus (72E, 73E),TRANSIT Kasten (T_ ),TRANSIT Kasten (V_ ),TRANSIT Kasten (72E, 71E),TRANSIT Kasten (81E),TRANSIT Pritsche/Fahrgestell (T_ ),TRANSIT Pritsche/Fahrgestell (V_ ),TRANSIT Pritsche/Fahrgestell (74E)
59661	<b>Lenker, Radaufhängung, Track Control Arm, Bras de liaison, suspension de roue</b> FORD TRANSIT Bus,TRANSIT Bus (FD_ , FB_ , FS_ , FZ_ , FC_ ),TRANSIT Kasten,TRANSIT Kasten (FA_ ),TRANSIT Pritsche/Fahrgestell,TRANSIT Pritsche/Fahrgestell (FM_ , FN_ ),TRANSIT TOURNEO
59662	<b>Lenker, Radaufhängung, Track Control Arm, Bras de liaison, suspension de roue</b> FORD TRANSIT Bus,TRANSIT Bus (FD_ , FB_ , FS_ , FZ_ , FC_ ),TRANSIT Kasten,TRANSIT Kasten (FA_ ),TRANSIT Pritsche/Fahrgestell,TRANSIT Pritsche/Fahrgestell (FM_ , FN_ ),TRANSIT TOURNEO
59663	<b>Axialgelenk, Spurstange, Tie Rod Axle Joint, Rotule de direction intérieure, barre de connexion</b> FORD FIESTA V (JH_ , JD_ ),FUSION (JU_ ),MAZDA 2 (DY)
59664HPS	<b>Stange/Strebe, Stabilisator, Rod/Strut, stabiliser, Entretoise/tige, stabilisateur</b> FORD C-MAX,FOCUS C-MAX,FOCUS II Cabriolet,FOCUS II (DA_ ),FOCUS II Kombi (DA_ ),FOCUS II Stufenheck (DA_ ),KUGA,FORD (CHANGAN) FOCUS Schrägheck (CD5),FOCUS Stufenheck (CD4),MAZDA 3 (BK),3 Stufenheck (BK),5 (CR19),MAZDA (CHANGAN) 3 Stufenheck,VOLVO C30,C70 II Cabriolet,S40 II (MS),V50 (MW)

59665	<b>Spurstangenkopf, Tie Rod End, Rotule de barre de connexion</b> FORD SCORPIO II (GFR, GGR),SCORPIO II Kombi (GNR, GGR)
59666	<b>Axialgelenk, Spurstange, Tie Rod Axle Joint, Rotule de direction intérieure, barre de connexion</b> FORD MONDEO III (B5Y),MONDEO III Kombi (BWY),MONDEO III Stufenheck (B4Y)
59667	<b>Stange/Strebe, Stabilisator, Rod/Strut, stabiliser, Entretoise/tige, stabilisateur</b> FORD TRANSIT Bus (T_ ),TRANSIT Kasten (T_ ),TRANSIT Pritsche/Fahrgestell (T_ )
59668	<b>Lenker, Radaufhängung, Track Control Arm, Bras de liaison, suspension de roue</b> FORD C-MAX,FOCUS C-MAX,FOCUS (DAW, DBW),FOCUS II Cabriolet,FOCUS II (DA_),FOCUS II Kombi (DA_),FOCUS II Stufenheck (DA_),FOCUS Kombi (DNW),FOCUS Stufenheck (DFW),KUGA,MAZDA 3 (BK),3 Stufenheck (BK),5 (CR19),VOLVO C30,C70 II Cabriolet,S40 II (MS),V50 (MW)
59669	<b>Spurstangenkopf, Tie Rod End, Rotule de barre de connexion</b> FORD FIESTA V (JH_ , JD_ ),FUSION (JU_ ),MAZDA 2 (DY)
59670	<b>Spurstangenkopf, Tie Rod End, Rotule de barre de connexion</b> FORD FIESTA V (JH_ , JD_ ),FUSION (JU_ ),MAZDA 2 (DY)
59671	<b>Trag-/Führungsgelenk, Ball Joint, Rotule de suspension</b> FORD FIESTA V (JH_ , JD_ ),FUSION (JU_ ),MAZDA 2 (DY)
59672	<b>Spurstangenkopf, Tie Rod End, Rotule de barre de connexion</b> FORD MONDEO III (B5Y),MONDEO III Kombi (BWY),MONDEO III Stufenheck (B4Y),JAGUAR X-TYPE (CF1),X-TYPE Estate
59674	<b>Lenker, Radaufhängung, Track Control Arm, Bras de liaison, suspension de roue</b> FORD TOURNEO CONNECT,TRANSIT CONNECT (P65_ , P70_ , P80_ )
59675	<b>Lenker, Radaufhängung, Track Control Arm, Bras de liaison, suspension de roue</b> FORD TRANSIT CONNECT (P65_ , P70_ , P80_ )
59676	<b>Spurstangenkopf, Tie Rod End, Rotule de barre de connexion</b> FORD TOURNEO CONNECT,TRANSIT CONNECT (P65_ , P70_ , P80_ )
59678	<b>Stange/Strebe, Stabilisator, Rod/Strut, stabiliser, Entretoise/tige, stabilisateur</b> LAND ROVER DEFENDER Cabrio (LD),DEFENDER Station Wagon (LD)
59679	<b>Stange/Strebe, Stabilisator, Rod/Strut, stabiliser, Entretoise/tige, stabilisateur</b> LAND ROVER RANGE ROVER II (LP)
59680	<b>Spurstangenkopf, Tie Rod End, Rotule de barre de connexion</b> LAND ROVER DEFENDER Cabrio (LD),DEFENDER Pick-up (LD_),DEFENDER Station Wagon (LD),DISCOVERY I (LJ, LG),DISCOVERY II (LJ, LT),RANGE ROVER I (AE, AN, HAA, HAB, HAM, HBM, RE, RN),90/110 (DHMC)
59681	<b>Spurstangenkopf, Tie Rod End, Rotule de barre de connexion</b> LAND ROVER DEFENDER Cabrio (LD),DEFENDER Pick-up (LD_),DEFENDER Station Wagon (LD),DISCOVERY I (LJ, LG),DISCOVERY II (LJ, LT),RANGE ROVER I (AE, AN, HAA, HAB, HAM, HBM, RE, RN),90/110 (DHMC)
59682	<b>Trag-/Führungsgelenk, Ball Joint, Rotule de suspension</b> LAND ROVER DEFENDER Cabrio (LD),DEFENDER Pick-up (LD_),DEFENDER Station Wagon (LD),DISCOVERY I (LJ, LG),DISCOVERY II (LJ, LT),RANGE ROVER I (AE, AN, HAA, HAB, HAM, HBM, RE, RN),90/110 (DHMC)
59683	- LAND ROVER DEFENDER Cabrio (LD),DEFENDER Pick-up (LD_),DEFENDER Station Wagon (LD),DISCOVERY I (LJ, LG),RANGE ROVER I (AE, AN, HAA, HAB, HAM, HBM, RE, RN),90/110 (DHMC)
59684	<b>Spurstangenkopf, Tie Rod End, Rotule de barre de connexion</b> LAND ROVER FREELANDER (LN),FREELANDER Soft Top
59685	<b>Spurstangenkopf, Tie Rod End, Rotule de barre de connexion</b> LAND ROVER FREELANDER (LN),FREELANDER Soft Top
59686	<b>Trag-/Führungsgelenk, Ball Joint, Rotule de suspension</b> LAND ROVER FREELANDER (LN),FREELANDER Soft Top
59687	<b>Stange/Strebe, Stabilisator, Rod/Strut, stabiliser, Entretoise/tige, stabilisateur</b> LAND ROVER FREELANDER (LN),FREELANDER Soft Top
59688	<b>Lenker, Radaufhängung, Track Control Arm, Bras de liaison, suspension de roue</b> LAND ROVER FREELANDER (LN),FREELANDER Soft Top
59689	<b>Lenker, Radaufhängung, Track Control Arm, Bras de liaison, suspension de roue</b> LAND ROVER FREELANDER (LN),FREELANDER Soft Top
59690	<b>Spurstangenkopf, Tie Rod End, Rotule de barre de connexion</b> MINI MINI (R50, R53)
59691	<b>Spurstangenkopf, Tie Rod End, Rotule de barre de connexion</b> MINI MINI (R50, R53)
59692	<b>Spurstange, Rod Assembly, Barre de connexion</b> MINI MINI (R50, R53)
59693	<b>Spurstange, Rod Assembly, Barre de connexion</b> MINI MINI (R50, R53)
59694	<b>Stange/Strebe, Stabilisator, Rod/Strut, stabiliser, Entretoise/tige, stabilisateur</b> MINI MINI (R50, R53)



59695	<b>Stange/Strebe, Stabilisator, Rod/Strut, stabiliser, Entretoise/tige, stabilisateur</b> MINI MINI (R50, R53)
59697HPS	<b>Stange/Strebe, Stabilisator, Rod/Strut, stabiliser, Entretoise/tige, stabilisateur</b> LAND ROVER DISCOVERY II (LJ, LT),DISCOVERY III (TAA)
59698	<b>Stange/Strebe, Stabilisator, Rod/Strut, stabiliser, Entretoise/tige, stabilisateur</b> LAND ROVER DISCOVERY II (LJ, LT),DISCOVERY III (TAA)
59711	<b>Axialgelenk, Spurstange, Tie Rod Axle Joint, Rotule de direction intérieure, barre de connexion</b> MAZDA 323 C V (BA),323 F V (BA),323 P V (BA),323 S V (BA)
59712	<b>Axialgelenk, Spurstange, Tie Rod Axle Joint, Rotule de direction intérieure, barre de connexion</b> MAZDA 626 V (GF),626 V Hatchback (GF),626 V Station Wagon (GW)
59713	<b>Axialgelenk, Spurstange, Tie Rod Axle Joint, Rotule de direction intérieure, barre de connexion</b> MAZDA MX-5 I (NA)
59714	<b>Axialgelenk, Spurstange, Tie Rod Axle Joint, Rotule de direction intérieure, barre de connexion</b> MAZDA PREMACY (CP)
59715	<b>Axialgelenk, Spurstange, Tie Rod Axle Joint, Rotule de direction intérieure, barre de connexion</b> MAZDA PREMACY (CP)
59716	<b>Axialgelenk, Spurstange, Tie Rod Axle Joint, Rotule de direction intérieure, barre de connexion</b> MAZDA XEDOS 9 (TA)
59717	<b>Axialgelenk, Spurstange, Tie Rod Axle Joint, Rotule de direction intérieure, barre de connexion</b> DAEWOO MATIZ (KLYA)
59718	<b>Axialgelenk, Spurstange, Tie Rod Axle Joint, Rotule de direction intérieure, barre de connexion</b> DAEWOO MATIZ (KLYA)
59719	<b>Axialgelenk, Spurstange, Tie Rod Axle Joint, Rotule de direction intérieure, barre de connexion</b> HYUNDAI ATOS (MX),ATOS PRIME (MX)
59770	<b>Axialgelenk, Spurstange, Tie Rod Axle Joint, Rotule de direction intérieure, barre de connexion</b> BUICK (SGM) REGAL II,PEL INSIGNIA,INSIGNIA Sports Tourer,INSIGNIA Stufenheck,SAAB 9-5 (YS3G),VAUXHALL INSIGNIA,INSIGNIA Sedan,INSIGNIA SPORTS TOURER
59771	<b>Axialgelenk, Spurstange, Tie Rod Axle Joint, Rotule de direction intérieure, barre de connexion</b> CHEVROLET CRUZE (J300),PEL ASTRA J
59772	<b>Lenker, Radaufhängung, Track Control Arm, Bras de liaison, suspension de roue</b> PEL INSIGNIA,INSIGNIA Sports Tourer,INSIGNIA Stufenheck,VAUXHALL INSIGNIA,INSIGNIA Sedan,INSIGNIA SPORTS TOURER
59773	<b>Lenker, Radaufhängung, Track Control Arm, Bras de liaison, suspension de roue</b> PEL INSIGNIA,INSIGNIA Sports Tourer,INSIGNIA Stufenheck,VAUXHALL INSIGNIA,INSIGNIA Sedan,INSIGNIA SPORTS TOURER
59774	<b>Spurstangenkopf, Tie Rod End, Rotule de barre de connexion</b> BUICK (SGM) REGAL II,PEL INSIGNIA,INSIGNIA Sports Tourer,INSIGNIA Stufenheck,VAUXHALL INSIGNIA,INSIGNIA Sedan,INSIGNIA SPORTS TOURER
59775	<b>Spurstangenkopf, Tie Rod End, Rotule de barre de connexion</b> CHEVROLET CRUZE (J300),PEL ASTRA J
59776	<b>Lenker, Radaufhängung, Track Control Arm, Bras de liaison, suspension de roue</b> FIAT CROMA (194),PEL SIGNUM,VECTRA C,VECTRA C Caravan,VECTRA C GTS,SAAB 9-3 Cabriolet (YS3F),9-3 Kombi,9-3 (YS3F),VAUXHALL SIGNUM,VECTRA Mk II (C),VECTRA Mk II (C) Estate,VECTRA Mk II (C) GTS
59777	<b>Lenker, Radaufhängung, Track Control Arm, Bras de liaison, suspension de roue</b> CHEVROLET CRUZE (J300),PEL ASTRA J,ASTRA Sports Tourer (J),VAUXHALL ASTRA Mk VI (J),ASTRA Mk VI (J) Sports Tourer
59778	<b>Lenker, Radaufhängung, Track Control Arm, Bras de liaison, suspension de roue</b> CHEVROLET CRUZE (J300),PEL ASTRA J,ASTRA Sports Tourer (J),VAUXHALL ASTRA Mk VI (J),ASTRA Mk VI (J) Sports Tourer
59780	<b>Lenker, Radaufhängung, Track Control Arm, Bras de liaison, suspension de roue</b> CHEVROLET CAPTIVA (C100, C140),PEL ANTARA,VAUXHALL ANTARA (J26, H26)
59781	<b>Lenker, Radaufhängung, Track Control Arm, Bras de liaison, suspension de roue</b> CHEVROLET CAPTIVA (C100, C140),PEL ANTARA,VAUXHALL ANTARA (J26, H26)
59782	<b>Stange/Strebe, Stabilisator, Rod/Strut, stabiliser, Entretoise/tige, stabilisateur</b> DAEWOO ESPERO (KLEJ),LANOS (KLAT),LANOS Stufenheck (KLAT),NEXIA (KLETN),NEXIA Stufenheck (KLETN),PEL ASCONA C CC (84_, 89_),ASCONA C (81_, 86_, 87_, 88_),ASTRA F Cabriolet (53_B),ASTRA F Caravan (51_, 52_),ASTRA F CC (53_, 54_, 58_, 59_),ASTRA F (56_, 57_),CALIBRA A (85_),COMMODORE C Caravan (61),COMMODORE C (14_, 19_),KADETT D Caravan (35_, 36_, 45_, 46_),KADETT D (31_-34_, 41_-44_),KADETT E Cabriolet (43B_),KADETT E Caravan (35_, 36_, 45_, 46_),KADETT E CC (33_, 34_, 43_, 44_),KADETT E (39_, 49_),VECTRA A CC (88_, 89_),VECTRA A (86_, 87_),SAAB 900 II,900 II Cabriolet,9-3 Cabriolet (YS3D),9-3 (YS3D)
59783	<b>Stange/Strebe, Stabilisator, Rod/Strut, stabiliser, Entretoise/tige, stabilisateur</b> PEL VECTRA B Caravan (31_),VECTRA B CC (38_),VECTRA B (36_),VAUXHALL VECTRA (B),VECTRA (B) CC,VECTRA (B) Estate
59784	<b>Lenker, Radaufhängung, Track Control Arm, Bras de liaison, suspension de roue</b> PEL AGILA (A) (H00),SUZUKI WAGON R+ (EM),WAGON R+ (MM)
59785	<b>Axialgelenk, Spurstange, Tie Rod Axle Joint, Rotule de direction intérieure, barre de connexion</b> FIAT CROMA (194),PEL SIGNUM,VECTRA C,VECTRA C Caravan,VECTRA C GTS,SAAB 9-3 Kombi,9-3 (YS3F),VAUXHALL SIGNUM,VECTRA Mk II (C),VECTRA Mk II (C) Estate,VECTRA Mk II (C) GTS



59786	<b>Spurstangenkopf, Tie Rod End, Rotule de barre de connexion</b> OPEL MERIVA,VAUXHALL MERIVA Mk I (A)
59787	<b>Axialgelenk, Spurstange, Tie Rod Axle Joint, Rotule de direction intérieure, barre de connexion</b> OPEL MERIVA,VAUXHALL MERIVA Mk I (A)
59788	<b>Spurstange, Rod Assembly, Barre de connexion</b> OPEL MERIVA,VAUXHALL MERIVA Mk I (A)
59789	<b>Trag-/Führungsgelenk, Ball Joint, Rotule de suspension</b> SAAB 9-5 Kombi (YS3E),9-5 (YS3E)
59790	<b>Trag-/Führungsgelenk, Ball Joint, Rotule de suspension</b> NISSAN PRIMASTAR Bus (X83),PRIMASTAR Kasten (X83),OPEL VIVARO Combi (J7),VIVARO Kasten (F7),VIVARO Pritsche/Fahrgestell (E7),RENAULT TRAFIC II Bus (JL),TRAFIC II Kasten (FL),TRAFIC II Pritsche/Fahrgestell (EL),VAUXHALL VIVARO Combi (J7),VIVARO Kasten (F7),VIVARO Pritsche/Fahrgestell (E7)
59800	<b>Spurstange, Rod Assembly, Barre de connexion</b> MERCEDES-BENZ E-KLASSE (W124),Stufenheck (W124)
59801	<b>Lenker, Radaufhängung, Track Control Arm, Bras de liaison, suspension de roue</b> MERCEDES-BENZ VITO Bus (638)
59802	<b>Lenker, Radaufhängung, Track Control Arm, Bras de liaison, suspension de roue</b> MERCEDES-BENZ VITO Bus (638)
59804	<b>Lenker, Radaufhängung, Track Control Arm, Bras de liaison, suspension de roue</b> VW TRANSPORTER T4 Bus (70XB, 70XC, 7DB, 7DW),TRANSPORTER T4 Kasten (70XA),TRANSPORTER T4 Pritsche/Fahrgestell (70XD)
59805	<b>Lenker, Radaufhängung, Track Control Arm, Bras de liaison, suspension de roue</b> VW TRANSPORTER T4 Bus (70XB, 70XC, 7DB, 7DW),TRANSPORTER T4 Kasten (70XA),TRANSPORTER T4 Pritsche/Fahrgestell (70XD)
59806	<b>Spurstangenkopf, Tie Rod End, Rotule de barre de connexion</b> SEAT CORDOBA (6L2),IBIZA IV (6L1),SKODA FABIA Combi (6Y5),FABIA Stufenheck (6Y3),FABIA (6Y2),VW POLO (9N_)
59807	<b>Spurstangenkopf, Tie Rod End, Rotule de barre de connexion</b> SEAT CORDOBA (6L2),IBIZA IV (6L1),SKODA FABIA Combi (6Y5),FABIA Stufenheck (6Y3),FABIA (6Y2),VW POLO (9N_)
59808	<b>Spurstange, Rod Assembly, Barre de connexion</b> SEAT CORDOBA (6L2),SKODA FABIA Combi (6Y5),FABIA Stufenheck (6Y3),FABIA (6Y2),VW POLO (9N_)
59808/1	<b>Axialgelenk, Spurstange, Tie Rod Axle Joint, Rotule de direction intérieure, barre de connexion</b> SEAT CORDOBA (6L2),IBIZA IV (6L1),SKODA FABIA,FABIA Combi (6Y5),FABIA Praktik,FABIA Stufenheck (6Y3),FABIA (6Y2),ROOMSTER Praktik (5J),ROOMSTER (5J),VW POLO (9N_)
59809	<b>Spurstange, Rod Assembly, Barre de connexion</b> SEAT CORDOBA (6L2),SKODA FABIA Combi (6Y5),FABIA Stufenheck (6Y3),FABIA (6Y2),VW POLO (9N_)
59810	<b>Trag-/Führungsgelenk, Ball Joint, Rotule de suspension</b> AUDI A2 (8Z0),SEAT CORDOBA (6L2),IBIZA IV (6L1),SKODA FABIA,FABIA Combi (6Y5),FABIA Praktik,FABIA Stufenheck (6Y3),FABIA (6Y2),ROOMSTER Praktik (5J),ROOMSTER (5J),VW FOX (5Z1, 5Z3),POLO Stufenheck (9A4),POLO (9N_),VW (SVW) POLO CROSS,POLO JINQIN Schrägheck,POLO JINQU Stufenheck,POLO Schrägheck,POLO Stufenheck
59811	<b>Trag-/Führungsgelenk, Ball Joint, Rotule de suspension</b> AUDI A2 (8Z0),SEAT CORDOBA (6L2),IBIZA IV (6L1),SKODA FABIA,FABIA Combi (6Y5),FABIA Praktik,FABIA Stufenheck (6Y3),FABIA (6Y2),ROOMSTER Praktik (5J),ROOMSTER (5J),VW FOX (5Z1, 5Z3),POLO Stufenheck (9A4),POLO (9N_),VW (SVW) POLO CROSS,POLO JINQIN Schrägheck,POLO JINQU Stufenheck,POLO Schrägheck,POLO Stufenheck
59812HPS	<b>Stange/Strebe, Stabilisator, Rod/Strut, stabiliser, Entretoise/tige, stabilisateur</b> AUDI A1 Sportback (8XA),A1 (8X1),A2 (8Z0),SEAT CORDOBA (6L2),IBIZA IV (6L1),IBIZA V SPORTCOUPE (6J1),IBIZA V ST (6J8),IBIZA V (6J5),Mii (KF1_),SKODA CITIGO,FABIA,FABIA Combi,FABIA Combi (6Y5),FABIA Praktik,FABIA Stufenheck (6Y3),FABIA (6Y2),ROOMSTER Praktik (5J),ROOMSTER (5J),SKODA (SVW ) FABIA,VW FOX (5Z1, 5Z3),POLO Stufenheck (9A4),POLO (6R_),POLO (9N_),UP,VW (SVW) POLO JINQIN Schrägheck,POLO JINQU Stufenheck,POLO Schrägheck,POLO Stufenheck
59813	<b>Lenker, Radaufhängung, Track Control Arm, Bras de liaison, suspension de roue</b> SEAT CORDOBA (6L2),IBIZA IV (6L1),SKODA FABIA,FABIA Combi (6Y5),FABIA Praktik,FABIA Stufenheck (6Y3),FABIA (6Y2),ROOMSTER Praktik (5J),ROOMSTER (5J),VW FOX (5Z1, 5Z3),POLO Stufenheck (9A4),POLO (9N_),VW (SVW) POLO JINQIN Schrägheck,POLO JINQU Stufenheck,POLO Schrägheck,POLO Stufenheck
59813/1	<b>Lenker, Radaufhängung, Track Control Arm, Bras de liaison, suspension de roue</b> SEAT CORDOBA (6L2),IBIZA IV (6L1),SKODA FABIA,FABIA Combi (6Y5),FABIA Praktik,FABIA Stufenheck (6Y3),FABIA (6Y2),ROOMSTER Praktik (5J),ROOMSTER (5J),VW FOX (5Z1, 5Z3),POLO Stufenheck (9A4),POLO (9N_),VW (SVW) POLO JINQIN Schrägheck,POLO JINQU Stufenheck,POLO Schrägheck,POLO Stufenheck
59813/2	<b>Lenker, Radaufhängung, Track Control Arm, Bras de liaison, suspension de roue</b> SEAT CORDOBA (6L2),IBIZA IV (6L1),SKODA FABIA Combi (6Y5),FABIA Praktik,FABIA Stufenheck (6Y3),FABIA (6Y2),ROOMSTER (5J),VW FOX (5Z1, 5Z3),POLO Stufenheck (9A4),POLO (9N_),VW (SVW) POLO Schrägheck,POLO Stufenheck
59813/3	<b>Lenker, Radaufhängung, Track Control Arm, Bras de liaison, suspension de roue</b> SEAT CORDOBA (6L2),IBIZA IV (6L1),SKODA FABIA Combi (6Y5),FABIA Praktik,FABIA Stufenheck (6Y3),FABIA (6Y2),ROOMSTER Praktik (5J),ROOMSTER (5J),VW FOX (5Z1, 5Z3),POLO Stufenheck (9A4),POLO (9N_),VW (SVW) POLO Schrägheck,POLO Stufenheck
59813/4	<b>Lenker, Radaufhängung, Track Control Arm, Bras de liaison, suspension de roue</b> SEAT CORDOBA (6L2),IBIZA IV (6L1),SKODA FABIA Combi (6Y5),FABIA Praktik,FABIA Stufenheck (6Y3),FABIA (6Y2),ROOMSTER Praktik (5J),ROOMSTER (5J),VW FOX (5Z1, 5Z3),POLO Stufenheck (9A4),POLO (9N_),VW (SVW) POLO Schrägheck,POLO Stufenheck
59814	<b>Spurstangenkopf, Tie Rod End, Rotule de barre de connexion</b> VW TRANSPORTER T4 Bus (70XB, 70XC, 7DB, 7DW),TRANSPORTER T4 Kasten (70XA),TRANSPORTER T4 Pritsche/Fahrgestell (70XD)





59815	<b>Spurstangenkopf, Tie Rod End, Rotule de barre de connexion</b> VW TRANSPORTER T4 Bus (70XB, 70XC, 7DB, 7DW),TRANSPORTER T4 Kasten (70XA),TRANSPORTER T4 Pritsche/Fahrgestell (70XD)
59816	<b>Spurstangenkopf, Tie Rod End, Rotule de barre de connexion</b> SEAT INCA (6K9),VW PASSAT Variant (3A5, 35I),PASSAT (3A2, 35I)
59817	<b>Spurstangenkopf, Tie Rod End, Rotule de barre de connexion</b> SEAT INCA (6K9),VW PASSAT Variant (3A5, 35I),PASSAT (3A2, 35I)
59818HPS	<b>Reparaturatz, Radaufhängung, Repair Kit, wheel suspension, Kit de réparation, suspension de roue</b> AUDI A4 Avant (8D5, B5),A4 (8D2, B5),A4 (8E2, B6),A6 (4B, C5),SKODA SUPERB (3U4),VW PASSAT Variant (3B5),PASSAT (3B2)
59818/1HPS	<b>Reparaturatz, Radaufhängung, Repair Kit, wheel suspension, Kit de réparation, suspension de roue</b> AUDI A4 Avant (8D5, B5),A4 (8D2, B5),A6 Avant (4B, C5),A6 (4B, C5),AUDI (FAW) A6L Stufenheck (C5),SKODA SUPERB (3U4),VW PASSAT Variant (3B5),PASSAT Variant (3B6),PASSAT (3B2),PASSAT (3B3),VW (SVW) PASSAT Stufenheck (B5)
59818/2	<b>Reparaturatz, Radaufhängung, Repair Kit, wheel suspension, Kit de réparation, suspension de roue</b> AUDI A4 Avant (8D5, B5),A4 (8D2, B5),A6 Avant (4B, C5),A6 (4B, C5),SKODA SUPERB (3U4),VW PASSAT Variant (3B5),PASSAT Variant (3B6),PASSAT (3B2),PASSAT (3B3)
59819	<b>Reparaturatz, Radaufhängung, Repair Kit, wheel suspension, Kit de réparation, suspension de roue</b> AUDI A4 Avant (8D5, B5),A4 (8D2, B5),A6 (4B, C5),SKODA SUPERB (3U4),VW PASSAT Variant (3B5),PASSAT (3B2)
59819/1	<b>Reparaturatz, Radaufhängung, Repair Kit, wheel suspension, Kit de réparation, suspension de roue</b> AUDI A4 Avant (8D5, B5),A4 (8D2, B5),A4 (8E2, B6),SKODA SUPERB (3U4),VW PASSAT Variant (3B5),PASSAT (3B2)
59819/2	<b>Reparaturatz, Radaufhängung, Repair Kit, wheel suspension, Kit de réparation, suspension de roue</b> AUDI A4 Avant (8D5, B5),A4 (8D2, B5),SKODA SUPERB (3U4),VW PASSAT Variant (3B5),PASSAT (3B2)
59820	<b>Stange/Strebe, Stabilisator, Rod/Strut, stabiliser, Entretoise/tige, stabilisateur</b> AUDI ALLROAD (4BH, C5),A6 Avant (4B, C5),A6 (4B, C5),VW PASSAT Variant (3B5),PASSAT (3B2)
59821	<b>Reparaturatz, Radaufhängung, Repair Kit, wheel suspension, Kit de réparation, suspension de roue</b> AUDI A8 (4D2, 4D8)
59821/1	<b>Reparaturatz, Radaufhängung, Repair Kit, wheel suspension, Kit de réparation, suspension de roue</b> AUDI A8 (4D2, 4D8)
59822	<b>Reparaturatz, Radaufhängung, Repair Kit, wheel suspension, Kit de réparation, suspension de roue</b> AUDI A8 (4D2, 4D8)
59822/1	<b>Reparaturatz, Radaufhängung, Repair Kit, wheel suspension, Kit de réparation, suspension de roue</b> AUDI A8 (4D2, 4D8)
59823	<b>Reparaturatz, Radaufhängung, Repair Kit, wheel suspension, Kit de réparation, suspension de roue</b> AUDI A4 Avant (8D5, B5),A4 (8D2, B5),SKODA SUPERB (3U4),VW PASSAT Variant (3B5),PASSAT (3B2)
59824/1HPS	<b>Reparaturatz, Radaufhängung, Repair Kit, wheel suspension, Kit de réparation, suspension de roue</b> AUDI A4 Avant (8D5, B5),A4 Cabriolet (8H7, B6, 8HE, B7),A4 (8D2, B5),A4 (8E2, B6),A6 Avant (4B, C5),A6 (4B, C5),VW PASSAT Variant (3B6),PASSAT (3B3)
59824/2	<b>Reparaturatz, Radaufhängung, Repair Kit, wheel suspension, Kit de réparation, suspension de roue</b> AUDI A4 Avant (8D5, B5),A4 Cabriolet (8H7, B6, 8HE, B7),A4 (8D2, B5),A4 (8E2, B6),A6 Avant (4B, C5),A6 (4B, C5),VW PASSAT Variant (3B6),PASSAT (3B3)
59826	<b>Reparaturatz, Radaufhängung, Repair Kit, wheel suspension, Kit de réparation, suspension de roue</b> AUDI A6 Avant (4B, C5),A6 (4B, C5),SKODA SUPERB (3U4),VW PASSAT Variant (3B5),PASSAT Variant (3B6),PASSAT (3B2),PASSAT (3B3)
59827	<b>Reparaturatz, Radaufhängung, Repair Kit, wheel suspension, Kit de réparation, suspension de roue</b> AUDI A4 Avant (8ED, B7),A4 Avant (8E5, B6),A4 Cabriolet (8H7, B6, 8HE, B7),A4 (8EC, B7),A4 (8E2, B6)
59828	<b>Reparaturatz, Radaufhängung, Repair Kit, wheel suspension, Kit de réparation, suspension de roue</b> AUDI A6 Allroad (4FH, C6),A6 Avant (4F5, C6),A6 (4F2, C6)
59830	<b>Reparaturatz, Radaufhängung, Repair Kit, wheel suspension, Kit de réparation, suspension de roue</b> MERCEDES-BENZ CABRIOLET (A124),C-KLASSE Kombi (S202),C-KLASSE (W202),CLK Cabriolet (A208),CLK (C208),COUPE (C124),E-KLASSE Cabriolet (A124),E-KLASSE Coupe (C124),E-KLASSE Kombi (S124),E-KLASSE Kombi (S210),E-KLASSE (W124),E-KLASSE (W210),KOMBI Kombi (S124),SL (R129),SLK (R170),Stufenheck (W124),190 (W201)
59830/1	<b>Reparaturatz, Radaufhängung, Repair Kit, wheel suspension, Kit de réparation, suspension de roue</b> MERCEDES-BENZ CABRIOLET (A124),C-KLASSE Kombi (S202),C-KLASSE (W202),CLK Cabriolet (A208),CLK (C208),COUPE (C124),E-KLASSE Cabriolet (A124),E-KLASSE Coupe (C124),E-KLASSE Kombi (S124),E-KLASSE Kombi (S210),E-KLASSE (W124),E-KLASSE (W210),KOMBI Kombi (S124),SL (R129),SLK (R170),Stufenheck (W124),190 (W201)
59831	<b>Lenkzwischenhebel, Idler Arm, Levier intermédiaire de direction</b> MERCEDES-BENZ COUPE (C123),E-KLASSE Cabriolet (A124),E-KLASSE Coupe (C124),E-KLASSE Kombi (S124),E-KLASSE (W124),KOMBI Kombi (S123),S-KLASSE Coupe (C126),S-KLASSE Stufenheck (W108, W109),S-KLASSE (W116),S-KLASSE (W126),SL Coupe (C107),SL (R107),Stufenheck (W123),/8 (W115)
59832	<b>Trag-/Führungsgelenk, Ball Joint, Rotule de suspension</b> MERCEDES-BENZ M-KLASSE (W163)
59833	<b>Stange/Strebe, Stabilisator, Rod/Strut, stabiliser, Entretoise/tige, stabilisateur</b> MERCEDES-BENZ CLS (C219),E-KLASSE Kombi (S211),E-KLASSE (W211)
59834	<b>Stange/Strebe, Stabilisator, Rod/Strut, stabiliser, Entretoise/tige, stabilisateur</b> MERCEDES-BENZ CLS (C219),E-KLASSE Kombi (S211),E-KLASSE (W211)

59836	<b>Lenker, Radaufhängung, Track Control Arm, Bras de liaison, suspension de roue</b> MERCEDES-BENZ S-KLASSE Coupe (C140),S-KLASSE (W140)
59837	<b>Lenker, Radaufhängung, Track Control Arm, Bras de liaison, suspension de roue</b> MERCEDES-BENZ S-KLASSE Coupe (C140),S-KLASSE (W140)
59838	<b>Trag-/Führungsgelenk, Ball Joint, Rotule de suspension</b> MERCEDES-BENZ M-KLASSE (W163)
59840	<b>Spurstangenkopf, Tie Rod End, Rotule de barre de connexion</b> MERCEDES-BENZ C-KLASSE Kombi (S203),C-KLASSE Kombi (S204),C-KLASSE Sportcoupe (CL203),C-KLASSE (W203),C-KLASSE (W204),CLK Cabriolet (A209),CLK (C209),E-KLASSE Cabriolet (A207),E-KLASSE Coupe (C207),SLK (R171)
59841	<b>Spurstangenkopf, Tie Rod End, Rotule de barre de connexion</b> MERCEDES-BENZ C-KLASSE Kombi (S203),C-KLASSE Kombi (S204),C-KLASSE Sportcoupe (CL203),C-KLASSE (W203),C-KLASSE (W204),CLK Cabriolet (A209),CLK (C209),E-KLASSE Cabriolet (A207),E-KLASSE Coupe (C207),SLK (R171)
59843	<b>Spurstangenkopf, Tie Rod End, Rotule de barre de connexion</b> MERCEDES-BENZ S-KLASSE Coupe (C215),S-KLASSE (W220),SL (R230)
59844	<b>Axialgelenk, Spurstange, Tie Rod Axle Joint, Rotule de direction intérieure, barre de connexion</b> MERCEDES-BENZ C-KLASSE Kombi (S203),C-KLASSE Sportcoupe (CL203),C-KLASSE (W203),CLK (C209),E-KLASSE Kombi (S211),E-KLASSE (W211),S-KLASSE Coupe (C215),S-KLASSE (W220),SL (R230)
59845	<b>Stange/Strebe, Stabilisator, Rod/Strut, stabiliser, Entretoise/tige, stabilisateur</b> MERCEDES-BENZ S-KLASSE Coupe (C140),S-KLASSE Coupe (C215),S-KLASSE (W140),S-KLASSE (W220),SL (R230)
59846	<b>Reparaturatz, Querlenker, Suspension Kit, Kit de réparation, bras triangulaire</b> MERCEDES-BENZ A-KLASSE (W168)
59847HPS	<b>Stange/Strebe, Stabilisator, Rod/Strut, stabiliser, Entretoise/tige, stabilisateur</b> MERCEDES-BENZ CABRIOLET (A124),C-KLASSE Kombi (S202),C-KLASSE (W202),CLK Cabriolet (A208),CLK (C208),COUPE (C124),E-KLASSE Cabriolet (A124),E-KLASSE Coupe (C124),E-KLASSE Kombi (S124),E-KLASSE Kombi (S210),E-KLASSE (W124),E-KLASSE (W210),KOMBI Kombi (S124),SL (R129),Stufenheck (W124),190 (W201)
59849HPS	<b>Stange/Strebe, Stabilisator, Rod/Strut, stabiliser, Entretoise/tige, stabilisateur</b> ISUZU TROOPER,TROOPER Soft Top,TROOPER Soft Top (UB),TROOPER (UB),VEHICROSS (_U_),OPEL FRONTERA A Sport (5_SUD2),FRONTERA A (5_MWL4),FRONTERA B (6B_),MONTEREY A (UBS_),MONTEREY B
59850	<b>Stange/Strebe, Stabilisator, Rod/Strut, stabiliser, Entretoise/tige, stabilisateur</b> SUBARU JUSTY II (JMA, MS),JUSTY III (G3X),SUZUKI BALENO (EG),BALENO Kombi (EG),BALENO Schrägheck (EG),IGNIS (FH),IGNIS II,LIANA (ER),LIANA Kombi (ER),SWIFT Cabriolet (SF413),SWIFT II Schrägheck (EA, MA),SWIFT II Stufenheck (AH, AJ)
59851	<b>Stange/Strebe, Stabilisator, Rod/Strut, stabiliser, Entretoise/tige, stabilisateur</b> NISSAN SUNNY III Hatchback (N14),SUNNY III Liftback (N14),SUNNY III (N14)
59852HPS	<b>Stange/Strebe, Stabilisator, Rod/Strut, stabiliser, Entretoise/tige, stabilisateur</b> VW GOLF IV Variant (1J5),GOLF IV (1J1)
59853HPS	<b>Stange/Strebe, Stabilisator, Rod/Strut, stabiliser, Entretoise/tige, stabilisateur</b> VW GOLF IV Variant (1J5),GOLF IV (1J1)
59854	<b>Stange/Strebe, Stabilisator, Rod/Strut, stabiliser, Entretoise/tige, stabilisateur</b> MERCEDES-BENZ SPRINTER 2-t Bus (901, 902),SPRINTER 2-t Kasten (901, 902),SPRINTER 2-t Pritsche/Fahrgestell (901, 902),SPRINTER 3-t Bus (903),SPRINTER 3-t Kasten (903),SPRINTER 3-t Pritsche/Fahrgestell (903),SPRINTER 4-t Bus (904),SPRINTER 4-t Kasten (904),SPRINTER 4-t Pritsche/Fahrgestell (904),VW LT 28-35 II Bus (2DM),LT 28-46 II Kasten (2DX0AE),LT 28-46 II Pritsche/Fahrgestell (2DX0FE)
59855	<b>Stange/Strebe, Stabilisator, Rod/Strut, stabiliser, Entretoise/tige, stabilisateur</b> MERCEDES-BENZ SPRINTER 2-t Bus (901, 902),SPRINTER 2-t Kasten (901, 902),SPRINTER 2-t Pritsche/Fahrgestell (901, 902),SPRINTER 3-t Bus (903),SPRINTER 3-t Kasten (903),SPRINTER 3-t Pritsche/Fahrgestell (903),SPRINTER 4-t Bus (904),SPRINTER 4-t Kasten (904),SPRINTER 4-t Pritsche/Fahrgestell (904),VW LT 28-35 II Bus (2DM),LT 28-46 II Kasten (2DX0AE),LT 28-46 II Pritsche/Fahrgestell (2DX0FE)
59856	<b>Stange/Strebe, Stabilisator, Rod/Strut, stabiliser, Entretoise/tige, stabilisateur</b> MERCEDES-BENZ S-KLASSE Coupe (C140),S-KLASSE (W140)
59857	<b>Stange/Strebe, Stabilisator, Rod/Strut, stabiliser, Entretoise/tige, stabilisateur</b> MERCEDES-BENZ C-KLASSE Kombi (S203),C-KLASSE Sportcoupe (CL203),C-KLASSE (W203),CLK Cabriolet (A209),CLK (C209)
59857HPS	<b>Stange/Strebe, Stabilisator, Rod/Strut, stabiliser, Entretoise/tige, stabilisateur</b> MERCEDES-BENZ C-KLASSE Kombi (S203),C-KLASSE Sportcoupe (CL203),C-KLASSE (W203),CLC-KLASSE (CL203),CLK Cabriolet (A209),CLK (C209)
59858HPS	<b>Stange/Strebe, Stabilisator, Rod/Strut, stabiliser, Entretoise/tige, stabilisateur</b> MERCEDES-BENZ CLS (C219),E-KLASSE Kombi (S211),E-KLASSE (W211),SL (R230)
59859	<b>Stange/Strebe, Stabilisator, Rod/Strut, stabiliser, Entretoise/tige, stabilisateur</b> MERCEDES-BENZ C-KLASSE Kombi (S203),C-KLASSE Sportcoupe (CL203),C-KLASSE (W203),CLK Cabriolet (A209),CLK (C209)
59860	<b>Stange/Strebe, Stabilisator, Rod/Strut, stabiliser, Entretoise/tige, stabilisateur</b> MERCEDES-BENZ C-KLASSE Kombi (S203),C-KLASSE Sportcoupe (CL203),C-KLASSE (W203),CLK Cabriolet (A209),CLK (C209)
59861	<b>Stange/Strebe, Stabilisator, Rod/Strut, stabiliser, Entretoise/tige, stabilisateur</b> MERCEDES-BENZ C-KLASSE Kombi (S203),C-KLASSE (W203)
59861HPS	<b>Stange/Strebe, Stabilisator, Rod/Strut, stabiliser, Entretoise/tige, stabilisateur</b> MERCEDES-BENZ C-KLASSE Kombi (S203),C-KLASSE (W203)
59862	<b>Lenkgestänge, Steering Linkage, Tringlerie de direction</b> MERCEDES-BENZ C-KLASSE Kombi (S202),C-KLASSE (W202),CLK Cabriolet (A208),CLK (C208)



59864	<b>Trag-/Führungsgelenk, Ball Joint, Rotule de suspension</b> MERCEDES-BENZ CABRIOLET (A124),C-KLASSE Kombi (S202),C-KLASSE Kombi (S203),C-KLASSE Sportcoupe (CL203),C-KLASSE (W202),C-KLASSE (W203),CLK Cabriolet (A208),CLK Cabriolet (A209),CLK (C208),CLK (C209),CLS (C219),COUPE (C124),E-KLASSE Cabriolet (A124),E-KLASSE Coupe (C124),E-KLASSE Kombi (S124),E-KLASSE Kombi (S210),E-KLASSE Kombi (S211),E-KLASSE (W124),E-KLASSE (W210),E-KLASSE (W211),KOMBI Kombi (S124),S-KLASSE Coupe (C140),S-KLASSE Coupe (C215),S-KLASSE (W140),S-KLASSE (W220),SL (R129),SLK (R170),Stufenheck (W124),170 (W170),190 (W201)
59865	<b>Spurstange, Rod Assembly, Barre de connexion</b> MERCEDES-BENZ SL (R129)
59866	<b>Spurstangenkopf, Tie Rod End, Rotule de barre de connexion</b> MERCEDES-BENZ E-KLASSE (W124),SL (R129),SPRINTER 4-t Pritsche/Fahrgestell (904),Stufenheck (W124)
59867	<b>Spurstangenkopf, Tie Rod End, Rotule de barre de connexion</b> MERCEDES-BENZ E-KLASSE (W124),SL (R129),Stufenheck (W124)
59869	<b>Stange/Strebe, Radaufhängung, Rod/Strut, wheel suspension, Biellette de barre stabilisatrice</b> MERCEDES-BENZ C-KLASSE Kombi (S202),C-KLASSE (W202)
59872	<b>Spurstangenkopf, Tie Rod End, Rotule de barre de connexion</b> MERCEDES-BENZ M-KLASSE (W163)
59873	<b>Spurstangenkopf, Tie Rod End, Rotule de barre de connexion</b> MERCEDES-BENZ M-KLASSE (W163)
59874	<b>Spurstange, Rod Assembly, Barre de connexion</b> MERCEDES-BENZ S-KLASSE Coupe (C215),S-KLASSE (W220)
59876	<b>Lenkstange, Centre Rod Assembly, Barre de direction</b> MERCEDES-BENZ S-KLASSE (W220)
59877	<b>Lenkstange, Centre Rod Assembly, Barre de direction</b> MERCEDES-BENZ S-KLASSE (W220)
59878	<b>Lenkstange, Centre Rod Assembly, Barre de direction</b> MERCEDES-BENZ S-KLASSE Coupe (C140),S-KLASSE Coupe (C215),S-KLASSE (W140),S-KLASSE (W220)
59879	<b>Lenker, Radaufhängung, Track Control Arm, Bras de liaison, suspension de roue</b> MERCEDES-BENZ S-KLASSE (W220)
59880	<b>Lenker, Radaufhängung, Track Control Arm, Bras de liaison, suspension de roue</b> MERCEDES-BENZ S-KLASSE (W220)
59881	<b>Lenker, Radaufhängung, Track Control Arm, Bras de liaison, suspension de roue</b> MERCEDES-BENZ C-KLASSE Kombi (S203),C-KLASSE Sportcoupe (CL203),C-KLASSE (W203),CLK Cabriolet (A209),CLK (C209),SLK (R171)
59882	<b>Lenker, Radaufhängung, Track Control Arm, Bras de liaison, suspension de roue</b> MERCEDES-BENZ C-KLASSE Kombi (S203),C-KLASSE Sportcoupe (CL203),C-KLASSE (W203),CLK Cabriolet (A209),CLK (C209),SLK (R171)
59884	<b>Lenker, Radaufhängung, Track Control Arm, Bras de liaison, suspension de roue</b> MERCEDES-BENZ C-KLASSE Kombi (S203),C-KLASSE Kombi (S204),C-KLASSE Sportcoupe (CL203),C-KLASSE (W203),C-KLASSE (W204),CLK Cabriolet (A209),CLK (C209),E-KLASSE Cabriolet (A207),E-KLASSE Coupe (C207),SLK (R171),MERCEDES-BENZ (BBDC) C-CLASS (W204)
59885	<b>Lenker, Radaufhängung, Track Control Arm, Bras de liaison, suspension de roue</b> MERCEDES-BENZ C-KLASSE Kombi (S203),C-KLASSE Kombi (S204),C-KLASSE Sportcoupe (CL203),C-KLASSE (W203),C-KLASSE (W204),CLK Cabriolet (A209),CLK (C209),E-KLASSE Cabriolet (A207),E-KLASSE Coupe (C207),SLK (R171),MERCEDES-BENZ (BBDC) C-CLASS (W204)
59889	<b>Spurstange, Rod Assembly, Barre de connexion</b> VW LUPO (6X1, 6E1)
59890	<b>Spurstange, Rod Assembly, Barre de connexion</b> VW LUPO (6X1, 6E1)
59890/1	<b>Axialgelenk, Spurstange, Tie Rod Axle Joint, Rotule de direction intérieure, barre de connexion</b> VW LUPO (6X1, 6E1)
59891	<b>Spurstange, Rod Assembly, Barre de connexion</b> AUDI A2 (8Z0)
59892	<b>Spurstange, Rod Assembly, Barre de connexion</b> AUDI A2 (8Z0)
59893	<b>Lenker, Radaufhängung, Track Control Arm, Bras de liaison, suspension de roue</b> AUDI A4 Avant (8D5, B5),A4 (8D2, B5),A4 (8E2, B6)
59894	<b>Stange/Strebe, Stabilisator, Rod/Strut, stabiliser, Entretoise/tige, stabilisateur</b> AUDI A2 (8Z0)
59895	<b>Spurstangenkopf, Tie Rod End, Rotule de barre de connexion</b> AUDI A3 (8L1),SKODA OCTAVIA (1U2),VW GOLF III Variant (1H5),GOLF III (1H1),GOLF IV (1J1),NEW BEETLE (9C1, 1C1)
59896	<b>Spurstangenkopf, Tie Rod End, Rotule de barre de connexion</b> AUDI A3 (8L1),SKODA OCTAVIA (1U2),VW GOLF III Variant (1H5),GOLF III (1H1),GOLF IV (1J1),NEW BEETLE (9C1, 1C1)
59897	<b>Spurstangenkopf, Tie Rod End, Rotule de barre de connexion</b>



MERCEDES-BENZ CABRIOLET (W111),COUPE (C123),COUPE (W111),HECKFLOSSE (W110),HECKFLOSSE (W111, W112),KOMBI Kombi (S123),PAGODE (W113),PONTON (W120),PONTON (W121),PONTON (W128),PONTON (W180),S-KLASSE Coupe (C126),S-KLASSE Stufenheck (W108, W109),S-KLASSE (W116),S-KLASSE (W126),SL Coupe (C107),SL (R107),SL (W121),Stufenheck (W123),/8 Coupe (W114),/8 (W114),/8 (W115)

59898	<b>Trag-/Führungsgelenk, Ball Joint, Rotule de suspension</b> MERCEDES-BENZ HENSCHEL 2-t,T1 Bus (601),100 Bus (631),100 Kasten (631),100 Pritsche/Fahrgestell (631)
59899	<b>Axialgelenk, Spurstange, Tie Rod Axle Joint, Rotule de direction intérieure, barre de connexion</b> MERCEDES-BENZ M-KLASSE (W163)
59900	<b>Lenker, Radaufhängung, Track Control Arm, Bras de liaison, suspension de roue</b> SMART CABRIO (450),CITY-COUPE (450)
59901HPS	<b>Stange/Strebe, Stabilisator, Rod/Strut, stabiliser, Entretoise/tige, stabilisateur</b> SMART CABRIO (450),CITY-COUPE (450),FORTWO Cabrio (450),FORTWO Coupe (450)
59902	<b>Trag-/Führungsgelenk, Ball Joint, Rotule de suspension</b> SMART CABRIO (450),CITY-COUPE (450),CROSSBLADE (450),FORTWO Cabrio (450),FORTWO Coupe (450),ROADSTER Coupe (452),ROADSTER (452)
59903	<b>Spurstangenkopf, Tie Rod End, Rotule de barre de connexion</b> SMART CABRIO (450),CITY-COUPE (450),CROSSBLADE (450),FORTWO Cabrio (450),FORTWO Coupe (450),ROADSTER Coupe (452),ROADSTER (452)
59904	<b>Stange/Strebe, Stabilisator, Rod/Strut, stabiliser, Entretoise/tige, stabilisateur</b> SMART FORTWO Cabrio (450),FORTWO Coupe (450)
59930	<b>Lenker, Radaufhängung, Track Control Arm, Bras de liaison, suspension de roue</b> CHRYSLER PT CRUISER Cabriolet,PT CRUISER (PT_)
59931	<b>Lenker, Radaufhängung, Track Control Arm, Bras de liaison, suspension de roue</b> CHRYSLER PT CRUISER Cabriolet,PT CRUISER (PT_)
59932	<b>Stange/Strebe, Stabilisator, Rod/Strut, stabiliser, Entretoise/tige, stabilisateur</b> CHRYSLER CIRRUS,SEBRING Cabriolet (JR),SEBRING (JR),STRATUS Cabriolet (JX),STRATUS (JA)
59933	<b>Stange/Strebe, Stabilisator, Rod/Strut, stabiliser, Entretoise/tige, stabilisateur</b> JEEP CHEROKEE (XJ)
59934	<b>Stange/Strebe, Stabilisator, Rod/Strut, stabiliser, Entretoise/tige, stabilisateur</b> JEEP GRAND CHEROKEE I (ZJ)
59935	<b>Stange/Strebe, Stabilisator, Rod/Strut, stabiliser, Entretoise/tige, stabilisateur</b> CHRYSLER 300 C,300 C Touring
59936	<b>Stange/Strebe, Stabilisator, Rod/Strut, stabiliser, Entretoise/tige, stabilisateur</b> CHRYSLER 300 C,300 C Touring
59937	<b>Stange/Strebe, Stabilisator, Rod/Strut, stabiliser, Entretoise/tige, stabilisateur</b> CHRYSLER 300 C,300 C Touring
59938	<b>Stange/Strebe, Stabilisator, Rod/Strut, stabiliser, Entretoise/tige, stabilisateur</b> CHRYSLER 300 C,300 C Touring
59939	<b>Lenker, Radaufhängung, Track Control Arm, Bras de liaison, suspension de roue</b> CHRYSLER 300 C,300 C Touring
59940	<b>Lenker, Radaufhängung, Track Control Arm, Bras de liaison, suspension de roue</b> CHRYSLER 300 C,300 C Touring
59941	<b>Lenker, Radaufhängung, Track Control Arm, Bras de liaison, suspension de roue</b> CHRYSLER 300 C,300 C Touring
59942	<b>Lenker, Radaufhängung, Track Control Arm, Bras de liaison, suspension de roue</b> CHRYSLER 300 C,300 C Touring
59943	<b>Lenker, Radaufhängung, Track Control Arm, Bras de liaison, suspension de roue</b> CHRYSLER 300 C,300 C Touring
59944	<b>Spurstangenkopf, Tie Rod End, Rotule de barre de connexion</b> CHRYSLER 300 C,300 C Touring
59945HPS	<b>Stange/Strebe, Stabilisator, Rod/Strut, stabiliser, Entretoise/tige, stabilisateur</b> CHRYSLER 300 C,300 C Touring
59946HPS	<b>Stange/Strebe, Stabilisator, Rod/Strut, stabiliser, Entretoise/tige, stabilisateur</b> CHRYSLER 300 C,300 C Touring
59947	<b>Spurstangenkopf, Tie Rod End, Rotule de barre de connexion</b> CHRYSLER NEON (PL),PT CRUISER Cabriolet,PT CRUISER (PT_)
59948	<b>Spurstangenkopf, Tie Rod End, Rotule de barre de connexion</b> CHRYSLER VOYAGER III (GS)
59949	<b>Trag-/Führungsgelenk, Ball Joint, Rotule de suspension</b> CHRYSLER PT CRUISER Cabriolet,PT CRUISER (PT_)

## Anwendungsliste

---

Application list - Liste d'affectation



<b>59950</b>	<b>Trag-/Führungsgelenk, Ball Joint, Rotule de suspension</b> <hr/> <p>CHRYSLER NEON (PL),VOYAGER II (ES),VOYAGER III (GS)</p>
<b>59951</b>	<b>Trag-/Führungsgelenk, Ball Joint, Rotule de suspension</b> <hr/> <p>CHRYSLER VOYAGER IV (RG)</p>
<b>59952</b>	<b>Stange/Strebe, Stabilisator, Rod/Strut, stabiliser, Entretoise/tige, stabilisateur</b> <hr/> <p>CHRYSLER PT CRUISER Cabriolet,PT CRUISER (PT_)</p>

ALFA ROMEO	MAPCO	ALFA ROMEO	MAPCO	ALFA ROMEO	MAPCO
164.0021.039.00	19020	46 462 627	19010	46 474 556	19009
46 474 557	19009	46 802 680	49068	46 802 682	49067
46 841498	49030HPS	46 843 389	49030HPS	50 704 306	59022
50 704 307	59023	50 704 361	59017	50 704 362	59016
50 704 680	59020	50 704 681	59021	50 704 947	59018
50 704 948	59019	50 705 311	59020	50 705 312	59021
50 705 702	59020	50 705 703	59021	50 706 004	59020
50 706 005	59021	50 706 474	59021	50 706 475	59021
50 706 595	59021	50 706 598	59021	50 706 858	59022
50 706 859	59023	50 706 954	33048	50 706 955	33049
50 706 990	59017	50 706 991	59016	50 707 029	59022
50 707 030	59023	50 707 316	59022	50 707 317	59023
50 707 480	59019	50 707 481	59018	50 708 721	33048
50 708 722	33049	51 749 713	49068	51 783 056	19098
51 783 057	19097	51 787 337	59018	51 795 446	59023
51 795 447	59022	51 795 454	59017	51 795 455	59016
51 795 703	59020	51 795 704	59021	51 795 705	59020
51 795 706	59021	51 801 137	59022	51 801 138	59023
51 817 623	59018	51 817 624	59019	51 895 366	19098
51 895 367	19097	55 700 751	33045	55 700 753	59026HPS
6 066 804	19031	60 507 918	19007	60 510 360	19008
60 510 362	19021	60 510 363	19020	60 511 622	19007
60 521 243	49050	60 564 478	19009	60 564 479	19010
60 566 661	19060	60 586 771	19009	60 586 772	19010
60 588 843	19020	60 588 844	19021	60 588 845	19020
60 588 846	19021	60 593 622	19010	60 593 623	19009
60 608 979	19013	60 608 980	19014	60 612 435	49047
60 612 436	49048	60 613 575	49031	60 614 514	49046
60 625 029	49030HPS	60 627 290	19031	60 627 291	19032
60 628 255	49033	60 628 284	49034	60 629 903	49067
60 652 167	49068	60 652 465	49028	60 652 466	49029
60 653 551	49080	60 653 552	49081	60 665 805	19032
60 666 020	49081	60 666 021	49080	60 678 134	49028
60 678 135	49029	60 686 891	49028	60 686 892	49029
60 695 895	19031	60 695 896	19032	60 801 425	19060
60 801 528	19020	60 801 529	19021	60 809 242	33009
60 809 494	19053	60 809 813	19009	60 809 814	19010
60 812 796	19009	60 812 797	19010	60 813 013	19009
60 813 014	19010	60 813 043	19009	60 813 044	19010
6063 0757	49032HPS	7 601 064	33019	7 601 065	33019
7 601 068	33035	71 749 327	59022	71 749 328	59023
77 363 706	59014	77 363 707	59015	77 363 829	59012
77 363 830	59013	82 398 170	19060	82 446 499	19060
9 939 557	19017	9 944 452	19016	9 947 361	19017
9 947 371	49053	9 947 437	19052	9 947 438	19053
9 947 718	49053	9 947 919	19029	9 947 920	19030
9 947 923	19018	9 983 325	19404	93 501 144	19009
93 501 145	19010	93 802 209	19407	93 802 242	19408

AUDI	MAPCO	AUDI	MAPCO	AUDI	MAPCO
------	-------	------	-------	------	-------

Die aufgeführten Vergleichsnummern dienen nur zur besseren Identifikation.

References are only specified for a better identification.

Les références mentionnées ne servent qu' à une meilleure identification.

AUDI	MAPCO	AUDI	MAPCO	AUDI	MAPCO
J4 504 639 355	59278	J4 504 639 375	59282	N 0111135	49732
N 01116415	49766	N 01116415	49767	N 01116415	49773
N 01116415	49774	N 01116417	49773	N 01116417	49774
N 01116417	49766	N 01116417	49767	N 01116418	49773
N 01116418	49767	N 01116418	49766	N 01116418	49774
N 0111843	49850	N 0111849	49850	N 0221442	19850
N 10218704	49732	N 10218708	59809	N 10218708	59808
N 10434501	49716	N 90596906	49868	N 90596906	49867
N 90654001	49732	WHT 000 226	51829HPS	WHT 000 785B	52729
WHT 000 785B	52728	WHT 001 655	49716	1J0 199 429	36852
1J0 407 151A	49704	1J0 407 151B	49704	1J0 407 151C	49704
1J0 407 181	33903	1J0 407 181A	33903	1J0 407 365 H	49702/1
1J0 407 365 H	49702	1J0 407 365A	49702	1J0 407 365A	49702/1
1J0 407 365C	49702	1J0 407 365C	49702/1	1J0 407 365D	49702/1
1J0 407 365D	49702	1J0 407 366 H	49703/1	1J0 407 366 H	49703
1J0 407 366A	49703	1J0 407 366A	49703/1	1J0 407 366C	49703
1J0 407 366C	49703/1	1J0 411 314	33927	1J0 411 314R	36787
1J0 411 314S	33927	1J0 411 315C	49868	1J0 411 315D	49793
1J0 411 315G	49867	1J0 411 315K	49867	1J0 411 316D	49794
1J0 422 803	49869	1J0 422 803A	49869	1J0 422 803B	49690
1J0 422 803H	49690	1J0 422 804	49870	1J0 422 804A	49870
1J0 422 804B	49691	1J0 422 804H	49691	1J0 422 811	59895
1J0 422 811A	59895	1J0 422 811B	49700	1J0 422 812A	59896
1J0 422 812B	49701	1J0 501 541C	33912	1J0 501 541C	33912/2
1J0411315K	49868	1K0 199 231G	36948	1K0 199 231J	36948
1K0 199 232G	36949	1K0 199 232J	36949	1K0 407 151 BC	51715
1K0 407 151AB	51715	1K0 407 151AC	51726	1K0 407 151AH	51715
1K0 407 151BC	51715	1K0 407 151M	51726	1K0 407 152AB	51716
1K0 407 152AC	51727	1K0 407 152AD	51727	1K0 407 152M	51727
1K0 407 182	36950	1K0 407 182A	36950	1K0 407 365 B	51724
1K0 407 365C	51724	1K0 407 365E	51724	1K0 407 366B	51725
1K0 407 366C	51725	1K0 407 366E	51725	1K0 411 315 K	51825HPS
1K0 411 315B	51825HPS	1K0 411 315D	51825HPS	1K0 411 315J	51825HPS
1K0 423 810A	51723	1K0 423 811A	51826	1K0 423 811E	51826
1K0 423 811J	51826	1K0 423 812E	51827	1K0 423 812J	51827
1K0 501 529E	52720	1K0 501 529F	52720	1K0 501 529J	52720
1K0 501 530B	52721	1K0 501 530C	52721	1K0 505 311AA	52742
1K0 505 311AB	37891	1K0 505 311AB	52742	1K0 505 323H	52718
1K0 505 323P	52718	1K0 505 465K	51829HPS	1K0 505 541C	36791
1K0 505 541D	36791	1K0 511 439E	36792	1K0 614 167C	52718
1K0 971 851J	52718	191 407 182	33819	191 411 331	49850
251 411 041C	33814	3C0 407 151G	52717	3C0 407 365B	51748
3C0 407 366A	51749	3C0 407 366B	51749	3C0 423 811B	51826
321 419 811A	19850	325/ 419801/1 /	49761	357 407 182	33819
377 501 541	33826	377 501 541	33826/4	4A0 399 413A	33878/9
4A0 407 151	19694	4A0 407 152	19695	4A0 407 181A	33892
4A0 407 183C	33878	4A0 407 183D	33878	4A0 411 327A	36904
4A0 419 801A	49789	4A0 419 802A	49790	4A0 419 811A	19692
4A0 419 812A	19693	4A0 505 389	49686	4A0 511 247	33899

Die aufgeführten Vergleichsnummern dienen nur zur besseren Identifikation.

References are only specified for a better identification.

Les références mentionnées ne servent qu' à une meilleure identification.

AUDI	MAPCO	AUDI	MAPCO	AUDI	MAPCO
4A0 511 247B	36941	4B0 407 151	51730	4B0 407 515	36915
4B0 419 801B	49732	4B0 419 801E	49732	4B0 419 801M	49732
4B0 419 811	49707OES	4B0 419 811	49707HPS	4B0 419 811A	49707HPS
4B0 419 811A	49707OES	4B0 419 811B	49707HPS	4B0 419 811B	49707OES
4B0 419 811C	49707OES	4B0 419 811C	49707HPS	4B0 419 811E	49707OES
4B0 419 811E	49707HPS	4B0 419 811F	49707HPS	4B0 419 811F	49707OES
4B0 422 875	49732	4B0 501 222D	36776	4B0 501 222E	36776
4B0 501 521D	36775	4B0 501 521E	36775	4B0 501 559	36775
4B0 501 559	36776	4B0 501 559A	36775	4B0 501 559A	36782
4B3 407 151C	51730	4B3 407 151F	51730	4B3 407 151K	51730
4D0 407 181F	33839	4D0 407 181H	33839	4D0 407 182E	33840
4D0 407 182G	33840	4D0 407 183AC	33932	4D0 407 183M	33932
4D0 407 183N	33932	4D0 407 183P	33932	4D0 407 183Q	33932
4D0 407 505B	49713OES	4D0 407 505D	49713OES	4D0 407 505F	49713OES
4D0 407 505H	49713OES	4D0 407 515C	33876	4D0 411 317G	49685OES
4D0 411 327E	33939	4D0 411 327F	33940	4D0 411 327G	33939
4D0 411 327H	33940	4D0 419 801B	49732	4D0 419 801C	49732
4D0 419 801D	49732	4D0 419 801L	49732	4D0 419 811 H	49707HPS
4D0 419 811 H	49707OES	4D0 419 811A	49707HPS	4D0 419 811A	49707OES
4D0 419 811B	49707HPS	4D0 419 811B	49707OES	4D0 422 821A	49738
4D0 501 529 J	49716	4D0 501 529F	49716	4D0 505 465D	49714
4D0 505 547C	49729	4D0 505 548C	49715	4D0 511 523A	33941
4D0 511 523B	33941	4D0 511 523C	33941	4E0 407 151K	51737
4E0 407 181B	36771	4E0 407 182B	36774	4E0 407 182C	36774
4E0 407 183A	33932	4E0 407 183B	33932	4E0 407 505B	51876
4E0 407 505E	51876	4E0 407 505F	51876	4E0 407 506B	51877
4E0 407 506E	51877	4E0 407 506F	51877	4E0 407 509B	51878
4E0 407 509E	51878	4E0 407 509F	51878	4E0 407 509G	51878
4E0 407 509H	51878	4E0 407 510B	51879	4E0 407 510E	51879
4E0 407 510F	51879	4E0 407 510G	51879	4E0 407 510H	51879
4E0 407 693N	51738	4E0 407 694N	51739	4E0 419 821C	51736
4E0 505 547A	49729	4E0 505 547L	49729	4E0 505 548A	49715
4E0 505 548L	49715	4F0 407 151	52710	4F0 407 151A	52710
4F0 407 183E	36777	4F0 407 693	51874	4F0 407 693B	51874
4F0 407 693C	51874	4F0 407 693G	51874	4F0 407 693H	51874
4F0 407 693J	51874	4F0 407 694	51875	4F0 407 694B	51875
4F0 407 694C	51875	4F0 407 694G	51875	4F0 407 694H	51875
4F0 407 694J	51875	4F0 419 811B	49707HPS	4F0 498 811	49732
4F0 498 811	49707OES	4F0 498 811	49707HPS	4F0 505 465N	52732
4F0 505 465Q	52732	431 407 181F	33891	431 407 183A	33901
431 505 172	33808	431 505 193A	49716	431 511 247C	33898
443 419 811B	49717	443 419 811D	49717	443 419 812B	49718
443 419 812D	49718	443 505 351P	51870	443 505 352P	51871
443 511 523B	33941	5Q0 505 323C	52718	5Z0 423 811	59806
5Z0 423 812	59807	6Q0 411 315C	59812HPS	6Q0 411 315E	59812HPS
6Q0 411 315F	59812HPS	6Q0 411 315G	59812HPS	6Q0 411 315J	59812HPS
6Q0 411 315M	59812HPS	6Q0 411 315P	59812HPS	6Q0 411 315Q	59812HPS
6Q0 423 803P	59808	6Q0 423 804P	59809	6Q0 423 811C	59808
6Q0 423 831D	59891	6Q0 423 831D	59809	6Q0 423 831D	59808

Die aufgeführten Vergleichsnummern dienen nur zur besseren Identifikation.

References are only specified for a better identification.

Les références mentionnées ne servent qu' à une meilleure identification.



AUDI	MAPCO	AUDI	MAPCO	AUDI	MAPCO
6Q0 423 933	59808	6Q0 423 933B	59808	6Q0 423 933B	59892
6Q0 423 933B	59891	6Q0 423 933B	59809	6R0 407 151B	52730
6R0 407 152 E	52731	6R0 407 152B	52731	6R0 407 152E	52731
6R0 407 365	52743	6R0 407 365 A	52743	6R0 407 366	52744
6R0 407 366 A	52744	6R0 411 315	59812HPS	6R0 411 315A	59812HPS
6R0 423 811	59806	6R0 501 541A	33912	6R0 501 541B	33912
6R0 505 41 B	33912	7H5 411 317B	51718HPS	7L0 407 021	52716
7L0 407 021A	52716	7L0 407 021B	52716	7L0 407 077	37880
7L0 407 182C	37869	7L0 407 182E	37869	7L0 407 183A	37863
7L0 407 183A	37868	7L0 422 803D	51745	7L0 422 804D	51746
7L0 422 817D	51742	7L0 422 818D	51743	7L0 422 821D part	51744
7L0 505 323A	52734	7L0 505 375A	52734	7L0 505 397	52735
7L0 505 398	52736	7L0 505 465 B	51733	7L0 505 465 C	51733
7L0 505 465 D	51733	7L0 505 466D	51734	7L0 505 553	37882
7L0 505 554	37881	7L8 407 151D	52714	7L8 407 151E	52714
7L8 407 151K	52714	7L8 407 152 K	52715	7L8 407 152D	52715
7L8 407 152E	52715	7L8 407 183	37868	7M3 407 365 A	49861
7M3 411 317A	49856HPS	7M3 411 317B	49856HPS	7M3 411 317D	49856HPS
7M3411317E	49856HPS	701 407 183	33914	701 419 810	49766
701 419 810	49773	701 419 810A	49767	701 419 810A	49774
8A0 407 365	19684	8A0 407 366	19685	8A0 501 541	33894
8A0 505 465C	49688	8A0 505 466C	49689	8D0 407 515A	36773
8D0 407 515B	36773	8D0 407 515C	36773	8D0 498 998B	59819
8D0 498 998B	59819/1	8D0 498 998B	59822	8D0 498 998B	59822/1
8D0 501 530	59893	8D0 501 541D	33902	8E0 407 151M	51710OES
8E0 407 151N	51710OES	8E0 407 181B	37865	8E0 407 181C	37865
8E0 407 181D	37865	8E0 407 693AA	51872	8E0 407 693AC	51872
8E0 407 693AJ	51872	8E0 407 693AK	51872	8E0 407 693AL	51872
8E0 407 693AM	51872	8E0 407 693N	51872	8E0 407 693T	51872
8E0 407 694AA	51873	8E0 407 694AC	51873	8E0 407 694AJ	51873
8E0 407 694AK	51873	8E0 407 694AL	51873	8E0 407 694AM	51873
8E0 407 694N	51873	8E0 407 694T	51873	8E0 411 317	52712
8E0 411 318	52713	8E0 419 811B	49707OES	8E0 419 811B	49707HPS
8E0 422 821	49738	8E0 422 821C	49738	8E0 501 521N	36775
8E0 501 522N	36776	8E0 505 465AC	52733	8E0 505 465AF	52733
8E0 505 465D	59820	8E0 505 465K	52733	8E0 505 465T	52733
8K0 407 151 D	52728	8K0 407 151B	52728	8K0 407 151C	52728
8K0 407 151D	52728	8K0 407 152B	52729	8K0 407 152C	52729
8K0 407 152D	52729	8K0 407 182A	37864	8K0 407 182B	37864
8K0 407 505A	52722	8K0 407 506A	52723	8K0 407 509A	52724
8K0 407 510A	52725	8K0 407 693F	52726	8K0 407 693K	52726
8K0 407 693N	52726	8K0 407 694N	52727	8K0 411 317A	52737
8K0 411 317C	52737	8K0 411 317D	52737	8K0 411 317E	52737
8K0 505 323F	52738	8K0 505 324F	52739	8N0 407 181B	36772
8N0 422 803C	51713	8N0 422 803C part of	51747	8N0 422 804C	51714
8N0 422 804C part of	51747	8N0 422 811A	51711	8N0 422 812A	51712
8Z0 407 183	36798	8Z0 407 365A	59810	8Z0 407 366A	59811
8Z0 419 811 A	51823	8Z0 419 812A	51822	8Z0 423 803F	59892
8Z0 423 803G	59892	8Z0 423 804F	59891	8Z0 423 804G	59891

Die aufgeführten Vergleichsnummern dienen nur zur besseren Identifikation.

References are only specified for a better identification.

Les références mentionnées ne servent qu' à une meilleure identification.

AUDI	MAPCO	AUDI	MAPCO	AUDI	MAPCO
811 199 415A	33830	811 199 419B	33827	811 199 419C	33827
811 407 147B	49768	811 407 181	33828	811 407 181A	33828
811 411 327A	33844	811 411 327B	33843	811 419 801C	49761
811 419 801E	49761	811 419 802J	49762	811 419 812	19850
811 419 812A	19890	811 419 812B	19890	811 511 247	33829
823 199 415B	33830	823 407 365A	19856	823 407 365C	19856
823 407 365E	19857	823 411 313A	33906	823 419 811	19850
855 407 365	19893	857 407 147A	49769	857 407 181	33842
857 407 474	33907	861 4 07 151B	19854	861 407 183	33893
861 419 812	19850	893 199 415	33830	893 199 419	33827
893 407 147C	49769	893 407 147E	49775	893 407 147G	49768
893 407 148A	49770	893 407 148C	49770	893 407 148D	49770/1
893 407 148D	49770	893 407 148E	49776	893 407 181	33846
893 407 365	19680	893 407 365A	19898	893 407 365B	19684
893 407 365F	19680	893 407 366	19681	893 407 366A	19897
893 407 366B	19685	893 407 366F	19681	893 411 327E	33843
893 419 802	49763	895 407 147A	49705	895 407 148A	49706
895 407 365	19684	895 407 366	19685		

AUDI (FAW)	MAPCO	AUDI (FAW)	MAPCO	AUDI (FAW)	MAPCO
4B0 407 515	33876	4D0 407 181H	33839	4D0 407 182E	33840
4D0 407 182G	33840	4D0 407 183AB	33932	4D0 407 183AC	33932
4D0 407 515C	33876	4D0 411 327G	33939	4D0 411 327H	33940
4D0 422 821A	49738	4F0 419 811C	49707OES	4F0 419 811C	49707HPS
8E0 407 151M	51710OES	8E0 407 151N	51710OES	8E0 407 151R	51710OES
8E0 407 181C	37865	8E0 419 811B	49707HPS	8E0 419 811B	49707OES
8E0 422 821	49738	8E0 422 821C	49738		

AUTOBIANCHI	MAPCO	AUTOBIANCHI	MAPCO	AUTOBIANCHI	MAPCO
4364095	19025	4402649	19044	5958246	19047
5960321	19452	5983404	19042		

BMW	MAPCO	BMW	MAPCO	BMW	MAPCO
N 10218708	49732	000 6482	36668/2	030 4308	36679/2
1 093 707	36668	109 0030	51647	109 0946	37662
109 1764	19667HPS	109 2237	59638	109 2247	37663
109 2248	36661	109 2609	59615	109 2610	59616
109 3433	49741	109 3769	49721	109 3770	49722
109 4209	59619	109 4210	59620	109 4673	49721
109 4674	49722	109 5532	49663HPS	109 5631	59622
109 5661	49725	109 5661	49725HPS	109 5662	49726HPS
109 5662	49726	109 5664	59628HPS	109 5695	49795HPS
109 5696	49796	109 6057	49741	109 6685	19666HPS
109 6797	59637	109 6897	19784	109 6898	19785
109 6982	36660	109 6982	33933/2	109 6983	36660
109 6984	36660	109 7009	33934	109 7264	49652
112 4232	49730	112 4375	49786	112 6302	33641/2
112 6302	33641	112 6426	33637	112 7136	49730
112 7194	19678HPS	112 7272	49730	112 7533	33695/2
112 8050	19678HPS	112 8670	33690/2	112 8670	33690
112 8737	19667HPS	112 9014	49730	112 9015	49730

Die aufgeführten Vergleichsnummern dienen nur zur besseren Identifikation.

References are only specified for a better identification.

Les références mentionnées ne servent qu' à une meilleure identification.

BMW	MAPCO	BMW	MAPCO	BMW	MAPCO
112 9017	49730	112 9020	19675	113 0001	19668
113 0004	19669	113 0075	19678HPS	113 0089	49678
113 0488	33695	113 0488	33695/2	113 1131	49787
113 1582	19674	113 1587	19673	113 1588	19674
113 2159	19698	113 2160	19699	113 3525	49658
113 3615	49660	113 5666	19675	113 5819	19668
113 5820	19669	113 6681	49658	113 6685	49660
113 8850	49658	113 8852	19786	113 8854	49660
113 8864	49660	113 9456	33638	113 9987	49661
113 9988	49662	113 9991	19673	113 9992	19674
113 9999	49678	1136 450	49657	114 0000	49679
114 0345	59621	114 1097	19698	114 1098	19699
114 1565	19663	114 1566	19664	114 1721	49650
114 1722	49651	3110 0363 477	51630	3110 0363 478	51631
3110 3412 137	51630	3110 3412 138	51631	3110 3443 127	51630
3110 3443 128	51631	3110 4026 719	51636	3110 4026 720	51637
3110 6779 437	51661	3110 6779 438	51662	3111 1096 982	33933/2
3111 1096 982	36660	3112 0006 482	36668/2	3112 0302 754	36679/2
3112 0304 308	36679/2	3112 0305 612	36679/2	3112 0307 882	37661
3112 0393 540	36679/2	3112 0398 350	36679/2	3112 1092 010	36669
3112 1092 019	36687/2	3112 1092 609	59615	3112 1092 610	59616
3112 1092 819	59615	3112 1092 820	59616	3112 1093 449	49723
3112 1093 450	49724	3112 1094 233	49723	3112 1094 234	49724
3112 1094 235	36687/2	3112 1094 465	49676/1HPS	3112 1094 466	49677/1HPS
3112 1095 277	36660	3112 1095 278	36660	3112 1096 169	59606
3112 1096 170	59607	3112 1096 221	52635	3112 1096 222	52636
3112 1096 372	37661	3112 1096 425	59602	3112 1096 685	19666/2
3112 1096 685	19666/1	3112 1096 685	19666HPS	3112 1096 982	33933/2
3112 1096 982	36660	3112 1096 983	36660	3112 1096 984	36660
3112 1096 985	49676/1HPS	3112 1096 986	49677/1HPS	3112 1124 401	19673
3112 1124 402	19674	3112 1124 622	33691	3112 1125 428	33641
3112 1125 428	33641/2	3112 1125 429	33637	3112 1126 110.1	33641
3112 1126 253	19662	3112 1126 254	19661	3112 1126 255	33847/3
3112 1126 256	33847/4	3112 1126 302	33641/2	3112 1126 302	33641
3112 1126 426	33637	3112 1127 378	33875	3112 1127 725	49733
3112 1127 726	49734	3112 1127 728	33847/4	3112 1128 470	33847/3
3112 1128 471	33847/4	3112 1128 773	33847/3	3112 1128 774	33847/4
3112 1128 775	33847/3	3112 1128 776	33847/4	3112 1130 089	49678
3112 1130 090	49679	3112 1130 123	33875/1	3112 1130 140	33875/1
3112 1130 597	49678	3112 1131 582	19674	3112 1131 587	19673
3112 1131 588	19674	3112 1132 159	19698	3112 1132 160	19699
3112 1133 236	36670	3112 1133 237	49661	3112 1133 238	49662
3112 1133 710	33638	3112 1133 711	19698	3112 1133 712	19699
3112 1136 111	33847/3	3112 1136 112	33847/4	3112 1136 529	19670HPS
3112 1136 530	19671HPS	3112 1136 531	33847/3	3112 1136 532	33847/4
3112 1136 605	33639	3112 1136 606	33638	3112 1136 607	33666
3112 1139 131	19665	3112 1139 456	33638	3112 1139 789	33847/3
3112 1139 790	33847/4	3112 1139 826	36670	3112 1139 987	49661
3112 1139 988	49662	3112 1139 991	19673	3112 1139 992	19674

Die aufgeführten Vergleichsnummern dienen nur zur besseren Identifikation.

References are only specified for a better identification.

Les références mentionnées ne servent qu' à une meilleure identification.

BMW	MAPCO	BMW	MAPCO	BMW	MAPCO
3112 1139 999	49678	3112 1140 000	49679	3112 1140 398	19666/2
3112 1140 398	19666/1	3112 1140 398	19666HPS	3112 1140 399	19670HPS
3112 1140 400	19671HPS	3112 1140 957	19670HPS	3112 1140 958	19671HPS
3112 1141 097	19698	3112 1141 098	19699	3112 1141 717	49727
3112 1141 718	49728	3112 1141 721	49650	3112 1141 722	49651
3112 1141 723	49650	3112 1141 724	49651	3112 1141 752	36668/2
3112 1141 961	59617	3112 1141 962	59618	3112 1142 087	49694
3112 1142 088	49695	3112 1492 143	51664	3112 1492 144	51663
3112 1733 490	49679	3112 1752 717	49676/1HPS	3112 2226 581	19698
3112 2226 582	19699	3112 2341 296	49724	3112 4000 612	33933/2
3112 4000 612	36660	3112 4004 359	36660	3112 4004 360	36660
3112 4015 707	51663	3112 4015 708	51664	3112 4026 453	59633
3112 4026 454	59634	3112 4046 437	51636	3112 4046 438	51637
3112 4046 441	59633	3112 4046 442	59634	3112 6 757 623	33933
3112 6 757 623	33933/2	3112 6 777 850	33933	3112 6 777 850	33933/2
3112 6 783 376	33933/2	3112 6 783 376	33933	3112 6750 057	36660
3112 6750 057	33933/2	3112 6750 057	33933	3112 6750 057S1	36660
3112 6750 221	36660	3112 6750 222	36660	3112 6750 223	49676/1HPS
3112 6750 224	49677/1HPS	3112 6750 519	59633	3112 6750 520	59634
3112 6751 317	49676/1HPS	3112 6751 318	49677/1HPS	3112 6751 372	33933/2
3112 6751 372	36660	3112 6751 435	36660	3112 6751 436	36660
3112 6752 717	49676/1HPS	3112 6752 718	49677/1HPS	3112 6753 058	36660
3112 6753 058	33933/2	3112 6753 059	36660	3112 6753 060	36660
3112 6753 989	51663	3112 6753 990	51664	3112 6753 991	51661
3112 6753 992	51662	3112 6754 547	36660	3112 6754 899	36660
3112 6754 900	36660	3112 6755 835	59629	3112 6755 836	59630
3112 6756 101	59633	3112 6756 102	59634	3112 6756 309	51660
3112 6756 491	59602	3112 6757 622	36660	3112 6757 623	36660
3112 6758 510	19666/1	3112 6758 510	19666HPS	3112 6758 510	19666/2
3112 6758 513	19670HPS	3112 6758 514	19671HPS	3112 6758 519	49676/1HPS
3112 6758 520	49677/1HPS	3112 6758 533	52635	3112 6758 534	52636
3112 6758 623	53676	3112 6760 181	51632	3112 6760 182	51633
3112 6760 183	51636	3112 6760 184	51637	3112 6760 275	59608
3112 6760 276	59609	3112 6760 519	59633	3112 6760 520	59634
3112 6761 409	51663	3112 6761 410	51664	3112 6763 699	51634
3112 6763 700	51635	3112 6763 719	36679/2	3112 6765 597	36678
3112 6765 991	36689	3112 6765 992	36679/2	3112 6765 993	59633
3112 6765 994	59634	3112 6765 995	51636	3112 6765 996	51637
3112 6767 992	36679/2	3112 6768 297	51632	3112 6768 298	51633
3112 6769 715	37661	3112 6769 717	59606	3112 6769 718	59607
3112 6769 793	51634	3112 6769 794	51635	3112 6770 121	59629
3112 6770 122	59630	3112 6770 247	49676/1HPS	3112 6770 248	49677/1HPS
3112 6770 771	59629	3112 6770 772	59630	3112 6770 849	51634
3112 6770 850	51635	3112 6771 893	52639	3112 6771 894	52640
3112 6773 949	52637	3112 6773 950	52638	3112 6774 819	49676/1HPS
3112 6774 820	49677/1HPS	3112 6774 820	49678	3112 6774 825	51636
3112 6774 826	51637	3112 6774 831	59633	3112 6774 832	59634
3112 6777 849	36660	3112 6777 850	36660	3112 6777 851	49676/1HPS
3112 6777 852	49677/1HPS	3112 6777 939	59629	3112 6777 940	59630

Die aufgeführten Vergleichsnummern dienen nur zur besseren Identifikation.

References are only specified for a better identification.

Les références mentionnées ne servent qu' à une meilleure identification.

BMW	MAPCO	BMW	MAPCO	BMW	MAPCO
3112 6783 375	36660	3112 6783 443	51660	3112 9058 814	33847
3112 9058 815	33875	3112 9058 816	33637	3112 9058 818	33641
3112 9058 818	33641/2	3112 9058 819	33637/2	3112 9058 931	33875/1
3112 9059 288	33847	3112 9068 734	36668/2	3112 9068 753	36669/2
3112 9069 568	49723	3112 9069 829	36668/2	3112 9071 085	36668/2
3112 9071 663	33933/2	3112 9071 663	36660	3112 9071 952	36660
3112 9071 952	33933/2	3112 9071 963	36660	3112 9754 900	36660
3113 6752 717	49676/1HPS	3113 9058 816	33637/2	3114 6752 718	49677/1HPS
3130 3413 201	51639HPS	3130 3413 201	51639	3130 3413 202	51640HPS
3130 3414 299	51639	3130 3414 299	51639HPS	3130 3414 300	51640HPS
3130 6781 545	59623HPS	3130 6781 546	59631HPS	3130 6781 547	51644HPS
3130 6781 548	51645HPS	3135 1091 496	49795HPS	3135 1091 764	19667HPS
3135 1091 855	49725	3135 1091 855	49725HPS	3135 1091 856	49726
3135 1091 856	49726HPS	3135 1092 304	59628HPS	3135 1095 661	49725
3135 1095 661	49725HPS	3135 1095 662	49726	3135 1095 662	49726HPS
3135 1095 664	59628HPS	3135 1095 694	19700HPS	3135 1095 695	49795HPS
3135 1097 179	37664	3135 1124 380	19678HPS	3135 1127 194	19678HPS
3135 1127 689	19667HPS	3135 1128 050	19678HPS	3135 1128 737	19667HPS
3135 1130 075	19678HPS	3135 1133 738	33697	3135 1134 582	19678HPS
3135 1507 989	59695	3135 2227 203	59613HPS	3135 4014 531	51644HPS
3135 4014 532	51645HPS	3135 6750 703	59603	3135 6750 703	59603HPS
3135 6750 704	59604HPS	3135 6750 704	59604	3135 6751 079	51642HPS
3135 6751 080	51643HPS	3135 6753 767	59623HPS	3135 6753 768	59631HPS
3135 6759 537	59614HPS	3135 6760 985	51644HPS	3135 6760 986	51645HPS
3135 6765 933	51657HPS	3135 6765 934	51658HPS	3135 6769 499	51644HPS
3135 6769 500	51645HPS	3135 6778 069	59623HPS	3135 6778 070	59631HPS
3135 6778 831	59614HPS	3135 6780 847	19700HPS	32 21 6 762 244	51653
3210 6765 089	51667	3210 6765 090	51668	3210 6765 235	51654
3210 6765 235	51665	3210 6765 236	51654	3210 6765 236	51666
3210 6767 781	51667	3210 6767 782	51668	3210 6774 220	49653
3210 6774 221	49654	3210 6774 223	19785	3210 6774 347	51638
3210 6774 361	59626	3210 6776 946	59626	3210 6777 479	51638
3210 6777 504	19785	3211 1091 767	49721	3211 1091 768	49722
3211 1091 769	19782	3211 1091 769	49746	3211 1091 770	19783
3211 1093 769	49721	3211 1093 770	49722	3211 1094 673	49721
3211 1094 674	49722	3211 1095 955	19676	3211 1096 897	19784
3211 1125 186	49781/1	3211 1125 186	49780	3211 1125 187	49781
3211 1126 620	49781/1	3211 1126 757	19660	3211 1139 313	19663
3211 1139 314	19664	3211 1139 315	49782	3211 1139 316	49783
3211 1139 317	49782	3211 1139 318	49785	3211 1140 489	19663
3211 1140 490	19664	3211 1141 565	19663	3211 1141 566	19664
3211 6754 563	59692	3211 6754 564	59693	3211 6761 560	59691
3211 6780 785	59692	3211 6780 786	59693	3213 6761 559	59690
3221 1091 723	49735	3221 1091 724	49736	3221 1091 913	49741
3221 1093 433	49741	3221 1095 955	19784	3221 1095 956	19785
3221 1095 957	49653	3221 1095 958	49654	3221 1096 057	49741
3221 1096 059	59624	3221 1096 300	59610	3221 1096 327	59600
3221 1096 720	59624	3221 1096 897	19784	3221 1096 898	19785
3221 1124 231	19675	3221 1124 232	49730	3221 1124 906	49730

Die aufgeführten Vergleichsnummern dienen nur zur besseren Identifikation.

References are only specified for a better identification.

Les références mentionnées ne servent qu' à une meilleure identification.

BMW	MAPCO	BMW	MAPCO	BMW	MAPCO
3221 1126 764	49730	3221 1127 136	49730	3221 1127 272	49730
3221 1127 273	49730	3221 1127 917	19669	3221 1127 918	19668
3221 1129 014	49730	3221 1129 015	49730	3221 1129 017	49731
3221 1129 020	19675	3221 1130 001	19668	3221 1130 004	19669
3221 1130 655	49658	3221 1130 661	49660	3221 1133 525	49658
3221 1133 615	49660	3221 1133 699	49657	3221 1135 666	19675
3221 1135 668	19675	3221 1135 819	19668	3221 1135 820	19669
3221 1136 450	49657	3221 1136 681	49658	3221 1136 683	19786
3221 1136 685	49660	3221 1138 850	49658	3221 1138 852	19786
3221 1138 854	49660	3221 1138 864	49660	3221 1141 345	49739
3221 1141 346	49740	3221 6751 277	59610	3221 6751 277	59601
3221 6754 565	59690	3221 6754 566	59691	3221 6756 369	59626
3221 6760 354	59600	3221 6760 470	59610	3221 6760 470	59601
3221 6762 243	51655	3221 6762 244	51656	3221 6762 403	51638
3317 1130 874	33694/2	3317 1130 874	33694	3317 1131 903	33694/2
3317 1131 903	33694	3317 1133 485	33694/2	3317 6760 287	37665
3317 6760 288	37666	3317 6770 866	37666	3330 6772 241	59635
3330 6772 242	59636	3331 1090 945	37662	3331 1090 946	37662
3331 1092 515	36665	3331 1092 516	36666	3331 1092 517	36664
3331 1121 041	33695/2	3331 1127 533	33695/2	3331 1127 533	33695
3331 1128 670	33690	3331 1128 760	33690/2	3331 1129 144	33689
3331 1129 760	33690	3331 1129 760	33690/2	3331 1130 487	33695/2
3331 1130 488	33695	3331 1130 488	33695/2	3331 1130 537	33689
3331 1134 320	33692	3331 1134 320	33692/2	3331 6757 393	36665
3331 6757 394	36666	3331 6758 259	37667	3331 6758 260	37668
3331 6770 781	36664	3331 6770 783	36665	3331 6770 784	36666
3331 9059 300	33692/2	3331 9059 300	33692	3331 9059 301	33693/2
3331 9059 301	33693	3332 1090 030	51647	3332 1090 102	36688
3332 1090 504	59622	3332 1090 745	49652	3332 1090 815	59619
3332 1090 816	59620	3332 1090 905	49655	3332 1090 906	49656
3332 1091 620	51647	3332 1092 237	59638	3332 1092 247	37663
3332 1092 248	36661	3332 1094 209	59619	3332 1094 210	59620
3332 1095 411	59611	3332 1095 412	59612	3332 1095 631	59622
3332 1096 797	59637	3332 1097 009	33934	3332 1097 264	49652
3332 1125 665	49788	3332 1126 476	49788	3332 1135 808	36663
3332 1136 311	36662	3332 1137 571	37663	3332 1137 806	33934
3332 1138 380	59638	3332 1138 383	36661	3332 1138 722	59621
3332 1140 345	59621	3332 2282 065	59637	3332 4046 917	52631
3332 4046 918	52632	3332 6758 141	59635	3332 6758 142	59636
3332 6763 471	51651	3332 6763 473	51650	3332 6765 425	51652
3332 6767 748	59622	3332 6767 759	59635	3332 6767 760	59636
3332 6767 831	59619	3332 6767 832	59620	3332 6768 268	59637
3332 6768 273	59611	3332 6768 274	59612	3332 6768 286	59637
3332 6768 791	49652	3332 6769 971	59635	3332 6769 972	59636
3332 6770 059	49655	3332 6770 060	49656	3332 6770 747	59611
3332 6770 748	59612	3332 6770 749	51647	3332 6770 753	59637
3332 6770 775	59635	3332 6770 776	59636	3332 6770 786	33934
3332 6770 813	59638	3332 6770 824	36661	3332 6770 859	59611
3332 6770 860	59612	3332 6770 963	52631	3332 6770 964	52632

Die aufgeführten Vergleichsnummern dienen nur zur besseren Identifikation.

References are only specified for a better identification.

Les références mentionnées ne servent qu' à une meilleure identification.

BMW	MAPCO	BMW	MAPCO	BMW	MAPCO
3332 6770 969	52633	3332 6770 970	52634	3332 6771 828	36662
3332 6772 242	59636	3332 6774 793	59635	3332 6774 794	59636
3332 6774 795	59637	3332 6775 083	59637	3332 6775 084	59637
3332 6775 551	59621	3332 6777 424	59637	3332 6777 980	51650
3332 6779 387	52631	3332 6779 388	52632	3332 6782 237	51652
3332 6782 238	51652	3335 6764 428	51659	3350 3413 197	51641HPS
3350 3414 297	51641HPS	3350 6772 789	59694	3350 6781 133	59694
3350 6781 538	59632	3350 6781 539	59639	3350 6781 540	51646
3355 1091 497	49796	3355 1092 292	49663HPS	3355 1094 619	49799
3355 1095 532	49663HPS	3355 1095 696	49796	3355 1096 735	59605HPS
3355 1124 375	49786	3355 1126 932	49786	3355 1131 131	49787
3355 1135 307	49787	3355 1507 999	59694	3355 6751 269	37664
3355 6753 770	59639	3355 6757 460	59632	3355 6761 000	51646
3355 6764 428	51659	3355 6771 937	52630	341 4297	51641HPS
341 4299	51639HPS	341 4299	51639	341 4300	51640HPS
344 3127	51630	344 3128	51631	400 0612	36660
400 0612	33933	400 0612	33933/2	400 4359	36660
400 4360	36660	401 4531	51644HPS	401 4532	51645HPS
401 5707	51663	401 5708	51664	402 6453	59633
402 6454	59634	402 6719	51636	402 6720	51637
404 6437	51636	404 6438	51637	404 6441	59633
404 6442	59634	404 6917	52631	404 6918	52632
675 0221	36660	675 0222	36660	675 0223	49676/1HPS
675 0224	49677/1HPS	675 2717	49676/1HPS	675 2718	49677/1HPS
675 3058	33933/2	675 3058	36660	675 3059	36660
675 3060	36660	675 3989	51663	675 3990	51664
675 4547	33933/2	675 4547	36660	675 4899	36660
675 4900	36660	675 6491	59602	675 7393	36665
675 7394	36666	675 8510	19666HPS	675 8510	19666/1
675 8510	19666/2	675 8513	19670HPS	675 8514	19671HPS
675 8519	49676/1HPS	675 8520	49677/1HPS	675 8533	52635
675 8534	52636	676 0354	59600	676 0470	59601
676 0519	59633	676 0520	59634	676 1409	51663
676 1410	51664	676 1557	59692	676 1558	59693
676 1559	59690	676 1560	59691	676 5993	59633
676 5994	59634	676 5995	51636	676 5996	51637
676 7748	59622	676 7759	59635	676 7760	59636
676 7831	59619	676 7832	59620	676 8268	59637
676 8273	59611	676 8274	59612	676 8791	49652
676 9499	51644HPS	676 9500	51645HPS	676 9715	37661
676 9717	59606	676 9718	59607	676 9971	59635
676 9972	59636	6760 470	59610	677 0059	49655
677 0060	49656	677 0121	59629	677 0122	59630
677 0247	49676/1HPS	677 0248	49677/1HPS	677 0747	59611
677 0748	59612	677 0749	51647	677 0753	59637
677 0771	59629	677 0772	59630	677 0775	59635
677 0776	59636	677 0781	36664	677 0783	36665
677 0784	36666	677 0786	33934	677 0813	59638
677 0824	36661	677 0849	51634	677 0850	51635

Die aufgeführten Vergleichsnummern dienen nur zur besseren Identifikation.

References are only specified for a better identification.

Les références mentionnées ne servent qu' à une meilleure identification.

<b>BMW</b>	<b>MAPCO</b>	<b>BMW</b>	<b>MAPCO</b>	<b>BMW</b>	<b>MAPCO</b>
677 0859	59611	677 0860	59612	677 0866	37666
677 1828	36662	677 2241	59635	677 2242	59636
677 2303	52690	677 2304	52691	677 4220	49653
677 4221	49654	677 4223	19785	677 4336	59601
677 4347	51638	677 4361	59626	677 4793	59635
677 4794	59636	677 4795	59637	677 4819	49676/1HPS
677 4820	49677/1HPS	677 4825	51636	677 4826	51637
677 4831	59633	677 4832	59634	677 5083	59637
677 5084	59637	677 5551	59621	677 6946	59626
677 7479	51638	677 7504	19785	677 7849	36660
677 7850	33933	677 7850	36660	677 7850	33933/2
677 7851	49676/1HPS	677 7852	49677/1HPS	677 7852	49678
677 7939	59629	677 7940	59630	677 7980	51650
677 8069	59623HPS	677 8070	59631HPS	677 8831	59614HPS
677 9387	52631	677 9388	52632	677 9437	51661
677 9438	51662	6774 336	59610	6777 521	51669
6777 522	51669	678 0785	59692	678 0786	59693
678 0847	19700HPS	678 1133	59694	678 1538	59632
678 1539	59639	678 1540	51646	678 1545	59623HPS
678 1546	59631HPS	678 1547	51644HPS	678 1548	51645HPS
678 2237	51652	678 2238	51652	678 3375	36660
678 3376	33933/2	678 3376	33933	678 3376	36660
678 3443	51660	6780 785	51669	905 8815	33875
905 8816	33637	905 8818	33641/2	905 8818	33641
905 8931	33875/1	906 8734	36668/2	906 9568	49723
907 1085	36668/2	907 1952	36660	907 1952	33933/2
<b>BUICK (SGM)</b>	<b>MAPCO</b>	<b>BUICK (SGM)</b>	<b>MAPCO</b>	<b>BUICK (SGM)</b>	<b>MAPCO</b>
13 272000	59774				
<b>CHEVROLET</b>	<b>MAPCO</b>	<b>CHEVROLET</b>	<b>MAPCO</b>	<b>CHEVROLET</b>	<b>MAPCO</b>
C96626248	51303HPS	02875013	59782	13 272 605	59777
13 272 606	59778	13 278359	59775	132 78358	59771
48810A78B00-000	19517	93 741 077	19517	9374-0622	51298
9374-0722	51298	9374-0723	51299	95479763	33574
95994977	19558HPS	96 626 667	51301	96185969	49756
96185970	49757	96205809	59211	96218397	49756
96218398	49757	96300222	49298HPS	96316765	19518
96378346	36551	96389491	51305	96389492	51304
96391850	51294	96391851	51295	96391856	36550
96391856	33579	96391876	49298HPS	96403099	51290HPS
96403100	51291HPS	96415063	51294	96415064	51295
9653 5081	51296	96535082	51297	96535087	33575
96535089	51300	96561754	51293HPS	96611265	19518
96626235	59780	96626247	51302HPS	96626248	51303HPS
9681 5893	51296	96815894	51297	96819161	59780
96819162	59781	9687 0465	51296	96870466	51297
<b>CHRYSLER</b>	<b>MAPCO</b>	<b>CHRYSLER</b>	<b>MAPCO</b>	<b>CHRYSLER</b>	<b>MAPCO</b>
DA782536AB	59936	DA782537AB	59937	DA782561AE	59941
DA782612AC	59940	DA782613AC	59939	DA782665AB	59943

Die aufgeführten Vergleichsnummern dienen nur zur besseren Identifikation.

References are only specified for a better identification.

Les références mentionnées ne servent qu' à une meilleure identification.



CHRYSLER	MAPCO	CHRYSLER	MAPCO	CHRYSLER	MAPCO
DA782666AB	59942	DA782745AB	59935	DA782836AB	59938
K04782716AA	59946HPS	K04895483AB	59946HPS	K04895483AB	59945HPS
K05272324AC	59952	00K04895482AC	59946HPS	00K04895483AC	59945HPS
04443405	59949	04656010AE	59949	04695626AC	59932
04895482AB	59946HPS	04895483AB	59945HPS	05272324AC	59952
4449553	59950	4509774	49937	4509775	49936
4656010	59949	4656010AE	59949	4656730AH	59931
4656731AH	59930	4694747	59950	4695626	59932
4743021AA	49938HPS	4743376AA	59951	4743454AA	49938HPS
4743454AB	49938HPS	4743454AC	49938HPS	4743669AA	49938HPS
4762861	59947	4782665AB	59943	4782665AC	59943
4782665AE	59943	4782666AB	59942	4782666AC	59942
4782666AE	59942	4782716AA	59946HPS	4782717AA	59945HPS
4797706	59948	489548AB	59945HPS	4895482AA	59946HPS
4895483AA	59945HPS	52013468AB	59944	52013468AC	59944
5272236AC	49931	5272237AC	49930		

CITROËN	MAPCO	CITROËN	MAPCO	CITROËN	MAPCO
A41 32	19416	ZF07 695 190	19442	ZF07 695 191	19441
0000 352 086	19453	0000 352 158	19454	3520 A2	19459
3520 C3	19433	3520 C3	19431	3520 C5	19431
3520 C5	19433	3520 F6	19437	3520 F8	19437
3520 G3	19459	3520 G4	19437	3520 G5	19459
3520 G6	19459	3520 G6	19474	3520 G6	19437
3520 G9	19431	3520 G9	19433	3520 H3	19331/1
3520 H5	19437	3520 H5	19474	3520 H9	19485
3520 J3	19485	3520 J4	19486	3520 J4	19485
3520 K3	19390	3520 L0	49084	3520 L1	49086
3520 L4	19385	3520 L9	19385	3520 N3	49084
3520 N4	49086	3520 N6	49320	3520 N9	19433
3520 N9	19431	3520 P3	19383	3520 P6	49082
3520 P8	19433	3520 Q2	49318	3520 Q3	19485
3520 R2	19385	3520 R5	19385	3520 R8	49408
3520 S0	19494	3520 S1	19494	3520 S2	19383
3520 V0	49410	3520 V3	19485	3520 51	19310
3520 54	19349	3520 76	19441	3520 77	19468
3520 78	19321	3520 79	19322	3520 80	19360
3520 81	19361	3520 92	19360	3520 93	19361
3520 94	19431	3520 94	19433	3520 95	19461
3520 96	19463	3521 A6	19438	3521 A8	19438
3521 C1	19460	3521 C2	19460	3521 C3	19460
3521 C5	19460	3521 C6	19438	3521 C6	19475
3521 C6	19475/1	3521 C9	19434	3521 C9	19432
3521 E3	19332/1	3521 E5	19438	3521 E5	19475/1
3521 E5	19475	3521 E9	19486	3521 F3	19486
3521 H0	49082	3521 H1	49083	3521 H2	49085
3521 H3	49087	3521 H6	19386	3521 J1	19386
3521 J3	49085	3521 J4	49087	3521 J9	19434
3521 J9	19432	3521 K3	19384	3521 K6	49083
3521 L0	19434	3521 L2	49321	3521 L3	49319

Die aufgeführten Vergleichsnummern dienen nur zur besseren Identifikation.

References are only specified for a better identification.

Les références mentionnées ne servent qu' à une meilleure identification.

CITROËN	MAPCO	CITROËN	MAPCO	CITROËN	MAPCO
3521 L4	19486	3521 N3	19386	3521 N8	49311
3521 N9	49408	3521 N9	49409	3521 P1	19495
3521 P2	19495	3521 P3	19384	3521 R1	49411
3521 R4	19486	3521 S0	49409	3521 33	19311
3521 34	19311	3521 37	19350	3521 52	19442
3521 53	19469	3521 64	19432	3521 64	19434
3521 65	19462	3521 66	19464	3521 71	19438
3521 83	19434	3521 83	19432	3521 85	19434
3521 85	19432	3521.F4	19486	3521.G3	19391
3523 AA	33334	3523 AQ	33485	3523 AV	33459
3523 CA	33459	3523 CC	33435	3523 CE	33436
3523 20	33307	3523 31	33343	3523 50	33314
3523 50	33414	3523 51	33415	3523 51	33313
3523 52	33414	3523 59	33417	3523 62	33417
3523 66	33414	3523 81	33425	3523 82	33426
3523 83	33431	3523 84	33427	3523 91	33434
3523 92	33336	3523 93	33006	3523 94	33001
3523 95	33428	3523 98	33335	3523.AR	33428
3523.49	33306	3525 05	33006/1	3640 17	19421
3640 21	19312	3640 21	19415	3640 26	19422
3640 32	19449	3640 33	19450	3640 34	19425
3640 36	19428	3640 38	19427	3640 38	19459
3640 39	19426	3640 42	19437	3640 42	19438
3640 43	19426	3640 43	19437	3640 50	19389
3640 51	19473	3640 51	19474	3640 51	19475
3640 54	19499	3640 55	19498	3640 56	19491
3640 57	19394	3640 58	49309	3640 59	19491
3640 60	19372	3640 61	19491	3640 62	19491
3640 65	19491	3640 66	19491	3640 67	49099
3640 69	49309	3640 71	19425	3640 72	49309
3640 76	49099	3812 A4	19023	3812 A9	19353
3812 C0	19443	3812 C0	19411	3812 C4	19374
3812 C6	19484	3812 C8	49400	3812 E0	19379
3812 E1	19479	3812 E2	19493	3812 F1	49415
3812 F4	49401	3812 25	19410	3812 32	19446
3812 77	19405	3812 99	19409	3812.00	19379
3817 53	19477	3817 54	19478	3817 11	19420
3817 14	19417	3817 16	19418	3817 18	19301
3817 30	19417	3817 31	19418	3817 32	19481
3817 33	19481	3817 34	19483	3817 35	19482
3817 37	19382	3817 38	19381	3817 41	19417
3817 42	19418	3817 43	19382	3817 44	19381
3817 50	19301	3817 55	19489	3817 56	19490
3817 59	19477	3817 60	19478	3817 63	49306
3817 64	49307	3817 65	19393	3817 66	19393
3817 69	19496	3817 70	19497	3817 77	19496
3817.86	59012	3817.87	59013	4006 24	19448
4018 A3	19447	4018 E0	19099	4018 H4	19447
4018 00	19099	4059 09	19430	4059 12	19492

Die aufgeführten Vergleichsnummern dienen nur zur besseren Identifikation.

References are only specified for a better identification.

Les références mentionnées ne servent qu' à une meilleure identification.

CITROËN	MAPCO	CITROËN	MAPCO	CITROËN	MAPCO
5081 N9	49402	5087 33	19476HPS	5087 34	19337HPS
5087 35	19363	5087 37	19366	5087 39	19337HPS
5087 40	19338HPS	5087 41	19451HPS	5087 42	19367
5087 43	19362HPS	5087 45	19348HPS	5087 46	19337HPS
5087 48	19362HPS	5087 49	19451HPS	5087 50	19375HPS
5087 51	19376HPS	5087 52	19396	5087 53	19397
5087 54	49304HPS	5087 55	49305HPS	5087 56	49407HPS
5087 57	19375HPS	5087 58	49404HPS	5087 59	19348HPS
5087 60	19362HPS	5087 61	19337HPS	5087 62	19375HPS
5087 64	19375HPS	5087 65	49412HPS	5087 68	49305HPS
5087 69	49304HPS	5087 77	19375HPS	5091 10	49308
5094 36	33311	5094 40	33311/1	5094 56	33420
5094 57	33323	5094 59	33324	5094 60	33325
5094 63	33342	5094 65	33424	5094 66	33422
5094 74	33457	5094 79	33341	5131 A4	33486
5131 71	33321	5131 72	33432	5131 73	33430
5152 62	33433	5170 F5	49403HPS	5170 F6	49403HPS
5178 46	49303	5178 48	49405HPS	5178 49	49406HPS
5178 52	49303	6939 51	19421	6946 16	19459
7 567 284	19422	75 792 433	19446	79 030 340 83	19459
91 515 653	33306	91 516 334	19311	91 516 335	19310
91 516 337	19311	91 519 409	19349	9404 059 080	19430
9458 084 180	19417	9458 084 280	19418	9471 000 565	19417
9471 000 665	19418	9471 007 565	19418	95 025 445	19427
95 028 039	19425	95 395 440	19412	95 493208	19301
95 494 204	19415	95 494 204	19312	95 494 205	19312
95 494 205	19415	95 495 439	19412	95 495 440	19412
95 496 044	19413	95 496 045	19414	95 560858	19355/1
95 597 955	19470	95 603 308	33414	95 603 309	19419
95 608 843	19419	95 609 129	19480	95 614 999	19472
95 615 000	19471	95 619 159	34413	95 658 978	19321
95 658 979	19322	9566 950 880	19023	96 032 460	19409
96 041 652	19415	96 041 652	19312	96 048 214	19443
96 048 214	19411	96 051 300	19459	96 064 481	33402
96 064 489	33400	96 064 491	33409	96 083 570	33437
96 087 507	19426	96 089 104	33403	96 093 233	19428
96 096 727	33307	96 103 696	19427	96 103 814	19339HPS
96 106 474	33415	96 110 483	33416	96 111 480	19435HPS
96 113 432	33414	96 133 608	19472	96 133 609	19471
96 136 394	19446/1	96 136 394	19410	96 145 457	19429HPS
96 147 027	33329	96 147 028	33330	96 147514	19476HPS
96 158 71780	33342	96 158 745	33421	96 158745	33337
96 177 836	19338HPS	96 233 739	19425	96 288 787	19348HPS
96 324 274	19362HPS	96051398	33423	9651565180	49303
9750 079 980	19420				

CITROEN (DF-PSA)	MAPCO	CITROEN (DF-PSA)	MAPCO	CITROEN (DF-PSA)	MAPCO
3640 60	19372	5087.61	19337HPS		

DACIA	MAPCO	DACIA	MAPCO	DACIA	MAPCO
-------	-------	-------	-------	-------	-------

Die aufgeführten Vergleichsnummern dienen nur zur besseren Identifikation.

References are only specified for a better identification.

Les références mentionnées ne servent qu' à une meilleure identification.

DACIA	MAPCO	DACIA	MAPCO	DACIA	MAPCO
401504793R	49151	6001547138	49160	6001547140	33127
6001547519	49151	6001547520	49151	6001547606	49194
6001547610	49192	6001547611	49193	6001549988	33173
6001549989	33173	6001550441	49194	6001550442	49192
6001550443	49193	6001550446	49190	6001550446	49151
6001550447	49191	6001550447	49151	6001550911	33124
6001550912	33124	6040002245	33124	7700571173	19113
7701468820	19111	7701468821	19112	8200216376	49190
8200216377	49191	8200287912	33173	8200298455	49151
8200744091	49151	8200744092	49151	8200814411	19914HPS

DAEWOO	MAPCO	DAEWOO	MAPCO	DAEWOO	MAPCO
KBJR45	59718	02875013	59782	07846696	59367
07848281	59295	07848282	59296	1603148	59782
26001806	19719	26001807	19718	26200639	59367
4443003011	59210	44750-05000	51277	44750-05001	51277
45200A70B00	19518	45200A78B00	19518	4666005500	19557
4666005501	19557	48810A78B00	19517	520672	59217
520808	59217	520838	59217	521136	19517
521250	59718	521255	51292	521257	59717
7846696	59367	7848281	59295	7848282	59296
90189050	33785	90235040	33757	90375505	19714
93 740 622	51298	93 740 722	51298	93 740 723	51299
94788122	19714	96 403 099	51290HPS	96 815 893	51296
96 815 894	51297	96129753	59211	96185969	49756
96185970	49757	96185973	33752	96205809	59211
96207628	49297	96218397	49756	96218398	49757
96225858	49295	96225859	49296	96268438	49598
96268439	49597	96268440	49598	96268454	49290
96268455	49291	96275018	19718	96275019	19719
96275798	19558HPS	96300222	49298	96300222	49298HPS
96300627	19559HPS	96300648	19519	96305974	49597
96305975	49598	96316765	19518	96335966	33752
96378346	36551	96391850	51294	96391851	51295
96391856	33579	96391856	36550	96391875	19558HPS
96391876	49298HPS	96391876	19558HPS	96403100	51291HPS
96415063	51294	96415064	51295	96446586	59211
96535087	33575	96535089	51300	96561754	51293HPS
96653381	33574				

DAIHATSU	MAPCO	DAIHATSU	MAPCO	DAIHATSU	MAPCO
45046-87280	59215	45046-87281	59215	45046-87282	59215
45046-87503	19532	45046-87504	19532	45046-87580	19532
45046-87680	59207	45046-87780	59215	45046-87781	19598
45046-87782	19598	45046-87783	19598	45046-87784	19598
45047-87280	59216	45047-87281	59216	45047-87503	19531
45047-87504	19531	45047-87580	19531	45047-87680	59208
45047-87682	59209	45047-87780	59216	45047-87781	19597
45047-87782	19597	45047-87783	19597	45047-87784	19597
45503-87708	59214	45503-87711	59214	48068-87705	59212

Die aufgeführten Vergleichsnummern dienen nur zur besseren Identifikation.

References are only specified for a better identification.

Les références mentionnées ne servent qu' à une meilleure identification.

DAIHATSU	MAPCO	DAIHATSU	MAPCO	DAIHATSU	MAPCO
48068-87706	59218	48069-87705	59213	48069-87706	59213
FIAT	MAPCO	FIAT	MAPCO	FIAT	MAPCO
0007 695 190	19442	05 958 244	19043	07 591 277	19071
07 601 057	19054	07 601 062	19055	07 633 721	19043
07 636 995	19072	07 636 996	19073	07 695 185	19469
07 750 977	19066	07 750 978	19067	07 777 239	19056
07 777 240	19057	07 780 443	19009	07 780 444	19010
09 945 562	19079	1 346 384 080	49082	1 346 385 080	49083
1 903 652	19406	13 5222 5080	19495	13 5222 6080	19495
13 5222 7080	19494	13 5222 8080	19494	13 55 449 080	49403HPS
1300 473 080	19450	1300 716 080	19366	1300720080	49402
1302 368 080	19449	1304 640 080	33432	1304 641 080	33430
1306 003 080	19430	1306 003 080	19078	1306 716 080	19447
1308 600 080	19461	1308 601 080	19462	1308 664 080	19363
1308 664 80	19363	1308 694 080	33001	1308 759 080	19463
1308 760 080	19464	131 3084 080	19432	131 6736 080	19432
131 7390 080	19432	1312 317 080	33017	1313 083 080	19431
1313 083 080	19433	1313 084 080	19434	1316 735 080	19433
1316 735 080	19431	1316 736 080	19434	1317 238 080	19463
1317 239 080	19464	1317 240 080	19461	1317 241 080	19462
1317 389 080	19431	1317 389 080	19433	1317 390 080	19434
1317 425 080	19363	132 2664 080	19432	1320 755 080	19463
1320 756 080	33006	1320 756 080	19464	1320 786 080	19461
1320 787 080	19462	1322 664 080	19434	133 3755 080	19432
1331 209 080	19376HPS	1331 640 080	19498	1331 641 080	19499
1331 937 080	49086	1331 938 080	49084	1331 939 080	49087
1331 940 080	49085	1333 754 080	19433	1333 755 080	19434
13383 73 080	33001	1339 464 080	49086	1339 465 080	49084
1339 466 080	49087	1339 467 080	49085	1357572080	49402
14000 99680	49407HPS	1471 654 080	19448	1497407080	49409
1497407080	49408	1497408080	49408	17 736 515	34053
4 332 457	19025	4 336 779	19420	4 362 467	19025
4 362 470	19025	4 364 095	19025	4 388 159	19421
4 402 360	19041	4 402 361	19041	4 402 649	19044
4 402 672	19045	4 408 138	19048	4 410 415	19040
4 643 7951	49021	4 643 7959	49021	4 645 4599	49021
4 679 9278	49039HPS	42 534 911	19423	46 402 681	19066
46 402 682	19067	46 407 372	19054	46 407 373	19055
46 413 122	19026HPS	46 42 1522	33018	46 423 822	19056
46 423 823	19057	46 430 002	19066	46 430 003	19067
46 454 061	33047	46 454 062	33046	46 454 595	49022
46 454 596	49023	46 454 597	49024	46 454 598	49052
46 454 598	49025	46 456 049	19009	46 456 050	19010
46 456 189	49017	46 456 660	49018	46 462 626	19009
46 462 627	19010	46 474 556	19009	46 474 557	19010
46 476 755	33005	46 522 142	49065	46 525 407	49064
46 539 278	49051	46 539 278	49024	46 539 279	49052
46 539 279	49025	46 543 045	49038	46 545 660	49044
46 545 661	49045	46 546 776	49052	46 546 777	49051

Die aufgeführten Vergleichsnummern dienen nur zur besseren Identifikation.

References are only specified for a better identification.

Les références mentionnées ne servent qu' à une meilleure identification.

FIAT	MAPCO	FIAT	MAPCO	FIAT	MAPCO
46 764 746	49064	46 764 747	49065	46 767 267	49039HPS
46 777 741	49037	46 777 742	49036	46 779 293	49069
46 813 841	49037	46 813 842	49036	46 842 581	49069
4645 4077	33234	4645 4078	33233	46551376	33232
46551377	33231	46748578	33233	46748579	33234
5 1727 863	49090	5 5703 232	33044	5 927 292	33002
5 927 293	33003	5 939 683	19050	5 939 685	19051
5 958 246	19047	5 960 036	19042	5 960 037	19042
5 960 321	19452	5 960 834	19046	5 960 835	19046
5 983 406	19047	5 995 503	19048	50 006 262	49010
50 700 464	19028HPS	50 700 779	49042	50 700 797	49041
50 700 941	19028HPS	50 703 128	49054	50 703 129	49055
50 703 231	49079	50 703 232	49078	50 703 296	49066
50 703 296	49066HPS	50 704 262	33057	50 705 083	49041
50 705 084	49042	50 705 464	49094	50 705 465	49095
50 705 629	49099	50 708 823	49096	50 708 824	49097
50 709 579	49096	50 709 580	49097	50 710 620	49097
50 710 620	49096	5070 0443	33238	5070 0778	33239
50703128 part of	33069	50703129 part of	33069	51 701 045	19026HPS
51 712 407	49037	51 712 408	49036	51 717 000	49039HPS
51 717 001	49039HPS	51 727 865	49089	51 741 130	49749HPS
51 748 652	49624	51 748 653	49623	51 748 740	59776
51 769 073	49037	51 769 074	49036	51 772 988	49037
51 772 992	49036	51 783 009	59776	51 783 056	19098
51 783 057	19097	51 795 260	49094	51 795 269	19028HPS
51 801 136	19028HPS	51 803 162	59776	51 803 183	49749HPS
51 805 269	19028HPS	51 827 736	49094	51 827 737	49095
51 827 738	49095	51 832 937	49064	51 832 938	49065
51 839 218	49045	51 839 219	49044	51 842 192	49044
51 842 193	49045	51 857 021	49096	51 857 022	49097
51 857 133	49054	51 857 134	49055	51 866 700	49037
51 866 701	49036	51 895 366	19098	51 895 367	19097
5170 4008	49412HPS	5181 5479	49412HPS	5181 5480	49412HPS
51848645	19337HPS	51898527	19337HPS	55 700 751	33045
55 700 753	59026HPS	55 703 627	19098	55 703 629	19097
60 570 627	33009	60 588 843	19020	60 588 844	19021
60 588 845	19020	60 588 846	19021	60 801 528	19021
60 801 529	19020	60 809 242	33009	60 809 494	19053
60 809 495	19052	60 811 769	19009	60 811 770	19010
7 079 382	49020	7 079 388	49019	7 081 835	49038
7 081 851	49070	7 082 812	49069	7 524 715	49073
7 543 028	19070	7 543 760	19071	7 558 962	19041
7 567 282	19469	7 567 283	19468	7 567 284	19422
7 576 731	19442	7 576 732	19441	7 584 628	19070
7 591 215	19053	7 591 216	19052	7 591 277	19071
7 601 057	19054	7 601 062	19055	7 601 064	33019
7 601 065	33019	7 601 068	33035	7 601 261	19045
7 633 721	19043	7 636 995	19072	7 636 996	19073
7 658 273	19069	7 663 114	49076	7 663 115	49077

Die aufgeführten Vergleichsnummern dienen nur zur besseren Identifikation.

References are only specified for a better identification.

Les références mentionnées ne servent qu' à une meilleure identification.

FIAT	MAPCO	FIAT	MAPCO	FIAT	MAPCO
7 669 756	19042	7 673 581	33002	7 673 582	33003
7 674 825	49012	7 690 960	49010	7 693 816	49011
7 695 185	19469	7 695 186	19468	7 695 190	19442
7 695 191	19441	7 701 491	19068	7 705 615	19050
7 705 616	19051	7 736 514	49060	7 736 515	49061
7 750 977	19066	7 750 978	19067	7 752 285	19065
7 755 671	33039	7 756 218	33040	7 769 900	49062
7 769 901	49063	7 777 239	19056	7 777 240	19057
708 1842	49091	71 737 047	19431	71 737 048	19432
71 738 31	19056	71 738 432	19057	71 742 688	59024HPS
71 747 915	19056	71 747 916	19057	7174 0107	36703
71742731	59029	71742732	59028	75 851 37	19048
76 010 372	19054	76 010 373	19055	77 362 279	19492
77 362 502	49071	77 362 503	49059	77 362 506	49072
77 362 507	49057	77 362 508	49058	77 363 830	59013
77 364 009	19497	77 364 253	19496	77 364 568	59012
77 364 569	59013	7736 2278	19099	7736 2280	19493
7736 3712	49621	7736 3713	49620	77363829	59012
777 5343	33227	777 5344	33228	78 2024 9135	19404
82 387 676	19059	82 392 503	19058	82 406 867	19020
82 446 499	19060	82 461 062	19057	82 461 081	19056
82 461 082	19057	82 480 038	19021	82 480 039	19020
9 8810 139	49090	9 939 556	19058	9 939 557	19017
9 939 675	19022	9 941 080	19405	9 941 625	19022
9 945 562	19079	9 945 836	19448	9 946 948	19068
9 946 949	19065	9 947 436	19053	9 947 438	19053
9 947 438	19052	9 947 713	19023	9 947 714	19015
9 948 288	19042	9 948 343	19024	9 949 143	19042
9 949 217	49043	9 949 218	49040	9 983 325	19404
93 500 972	19433	93 500 973	19432	93 500 973	19434
93 501 116	19009	93 501 116	19010	93 501 180	19054
93 501 181	19055	93 501 485	49041	93 501 486	49042
93 501 488	49083	93 501 837	49099	93 501487	49082
9404 059 080	19430	9566 950 880	19023	96 158 71880	33337
97 5007 9980	19420	9790 002 680	19405	98 810 140	49089
98 845 024	49093	98 845 025	49093	98 845 030	19015
98 845 031	49075	98 845 032	49074	9884 5026	59027
9947 926	49098				

FORD	MAPCO	FORD	MAPCO	FORD	MAPCO
EBG1	19727	EBG11	19748	EBG16	19741
EBG18	49645	EBG21	49646	EBG24	19757
EBG25	19758	EBG26	59657	EBG27	59665
EBG28	19646	EBG29	19753	EBG30	19752
EBG33	19646	EBG34	49641	EBG35	49640
EBG36	19750	EBG4	19736	EBG5	19735
EBG6	19745	EBJ1	19721	EBJ10	19749
EBJ2	19725	EBJ20	19744/1	EBJ21	19743/1
EBJ22	19738/1	EBJ23	19737/1	EBJ28	19747/1
EBJ29	19746/1	EBJ41	19751	EBJ45	19754

Die aufgeführten Vergleichsnummern dienen nur zur besseren Identifikation.

References are only specified for a better identification.

Les références mentionnées ne servent qu' à une meilleure identification.

FORD	MAPCO	FORD	MAPCO	FORD	MAPCO
EBJ46	19763	EBJ47	19765	F3 2Z 3280A	19599
F5 RC 3280AA	49642	F5 RC 3280BA	19647	F5 RC 3280EA	49643
KT YC 153468AE	59643	W1 2T 104042BG	59675	W1 2T 1043042BG	59675
W1 2T 104305BG	59674	W1 2T 1043051BG	59674	W1 2T 143289AA	59676
W12T 145C486AD	51601	XS 4J M1C230BA	19777	YC 1 3L519BB	59642
YC 15 2519AA	59641	YC 15 3L519AB	59641	YC 15 32519BA	59642
YC 15 3289AA	59640	YC 15 3395AB	59643	YC15 3A052AH	59662
YC15 3A052AL	59662	YC15 3A052AM	59662	YC15 3A053AH	59661
YC15 3A053AL	59661	YC15 3A053AM	59661	YS 71 3B438AA	19601
YS41 5K743AB	59668	YS413B438BA	19609HPS	Y1 25 613042AH	59651
Y1 25 613051AH	59650	0 622 170	59658	1 000 445	33614
1 001 395	49866/2	1 001 396	49866/2	1 001 397	49866/1
1 001 398	49866	1 001 398	49866/1	1 003 609	33670
1 004 018	19608HPS	1 004 018	19604HPS	1 007 602	49876
1 009 591	49856HPS	1 010 037	33636	1 011 857	19641
1 011 858	19640	1 012 632	49877	1 014 654	33635
1 015 260	19643/1	1 015 264	19642/1	1 015 265	19642
1 015 546	19753	1 015 547	19752	1 016 439	33683
1 020 174	19641	1 020 175	19640	1 020 214	19643
1 020 219	19657	1 020 220	19642	1 020 221	19656
1 020 496	49866/2	1 020 496	49866	1 020 497	49866/1
1 020 497	49866	1 021 219	19643/1	1 021 220	19642/1
1 023 058	33618	1 024 130	19724	1 024 130+1 015 546	19724/2
1 024 130+1 015 547	19724/1	1 028 441	19756/3	1 029 836	19762
1 030 025	19763	1 030 026	19765	1 030 277	19769
1 030 278	19768	1 032 099	19702	1 032 100	19702/1
1 032 101	19701	1 032 102	19701/1	1 032 567	19646
1 032 689	19645	1 033 616	19754	1 034 417	19646
1 034 417	19645	1 035 515	33670	1 035 690	49641
1 035 691	49640	1 035 929	33615	1 041 683	51618
1 041 979	33642	1 044 014	19644	1 044 571	33928
1 045 413	19659HPS	1 045 656	19642/1	1 046 039	19643
1 046 073	19642	1 046 444	19702	1 046 445	19702/1
1 046 455	19701	1 046 458	19701/1	1 047 145	19750
1 047 797	19763	1 047 798	19765	1 047 853	19754
1 054 209	33632	1 054 209	33632/1	1 054 980	19756/2
1 054 981	19755/2	1 054 982	19756/3	1 054 984	19756/5
1 054 985	19755/5	1 054 986	19756/4	1 054 987	19755/4
1 054 988	19756/1	1 054 989	19755/1	1 055 191	33636
1 058 279	19761	1 058 279	19754	1 058 280	19760
1 058 280	19754	1 058 378	49858	1 058 380	49857
1 061 570	33676	1 061 631	19608HPS	1 061 631	19604HPS
1 061 659	59646	1 061 662	59646	1 061 666	59647
1 061 668	59668	1 061 670	33678	1 061 702	59648
1 063 223	19657	1 063 226	19643	1 063 236	19643/1
1 063 246	19656	1 063 248	19642	1 063 255	19642/1
1 063 372	33635	1 063 985	19702	1 063 986	19701
1 063 987	19702/1	1 063 988	19701/1	1 064 128	59647
1 067 818	19604HPS	1 067 818	19608HPS	1 070 171	51606

Die aufgeführten Vergleichsnummern dienen nur zur besseren Identifikation.

References are only specified for a better identification.

Les références mentionnées ne servent qu' à une meilleure identification.



FORD	MAPCO	FORD	MAPCO	FORD	MAPCO
1 070 172	51605	1 070 337	19756/2	1 070 338	19755/2
1 071 336	19604HPS	1 071 336	19608HPS	1 071 338	51608
1 071 339	51609	1 071 683	19643	1 071 690	19657
1 071 694	19643/1	1 071 701	19642	1 071 702	19656
1 072 279	19642/1	1 072 453	51617	1 073 214	19652
1 073 215	19651	1 073 217	33644	1 073 249	33671
1 073 252	59646	1 074 282	33618	1 074 305	19649
1 074 306	19648	1 085 520	19650	1 090 730	19652
1 090 738	19651	1 092 376	49866/2	1 092 377	49858
1 092 380	49857	1 092 382	49866	1 092 382	49866/1
1 093 772	51618	1 097 316	49641	1 097 323	49640
1 100 977	59646	1 102 771	33670	1 105 524	59668
1 106 269	19601	1 107 013	19649	1 107 015	19648
1 107 068	19609HPS	1 111 156	49861	1 111 410	19756/3
1 111 411	19756/1	1 111 412	19755/3	1 111 413	19755/1
1 111 769	19609HPS	1 113 289	59646	1 114 803	59644
1 116 578	59645	1 116 579	59644	1 116 608	51618
1 117 698	19777	1 117 698	19773HPS	1 117 800	19775HPS
1 117 801	19776HPS	1 117 857	51615	1 117 859	51614
1 118 476	33646	1 118 920	51615	1 118 921	51614
1 121 508	49866/2	1 121 509	49866/1	1 122 566	51617
1 124 077	51606	1 124 078	51608	1 124 079	51605
1 124 242	51613	1 127 646	19773HPS	1 127 648	19775HPS
1 128 725	33629/2	1 130 273	19604HPS	1 130 273	19609HPS
1 130 273	19608HPS	1 130 452	19776HPS	1 135 077	19604HPS
1 135 077	19609HPS	1 136 072	59646	1 136 073	51607
1 138 160	19652	1 138 161	19651	1 138 275	59640
1 138 313	59672	1 138 314	59672	1 138 523	51608
1 138 525	51605	1 139 926	59645	1 139 928	59644
1 141 293	19769	1 141 294	19768	1 141 774	49856HPS
1 146 130	59651	1 146 131	59650	1 146 150	19774
1 146 150	19774HPS	1 149 802	59645	1 150 353	59647
1 202 548	59670	1 202 549	59669	1 203 093	59648
1 203 923	59645	1 203 924	59644	1 206 474	51613
1 207 447	59651	1 207 448	59650	1 207 973	19652
1 207 974	19651	1 207 974	19653	1 209 035	19609HPS
1 212 807	59651	1 212 807 part of	33681	1 212 807 S1	36630
1 212 807 S2	36629	1 212 808	59650	1 212 808 part of	33681
1 212 809	19653	1 212 809	19652	1 212 810	19651
1 212 810	19653	1 214 290	51617	1 214 911	59651
1 214 912	59650	1 217 036	19659HPS	1 219 697	19777
1 220 005	51616	1 223 792	59664HPS	1 230 619	51616
1 230 905	59664HPS	1 230 909	59664HPS	1 233 552	49866/1
1 233 553	49866/2	1 234 258	49858	1 234 259	49857
1 234 371	51603	1 234 375	51602	1 234 382	52607
1 304 124	33678	1 310 333	51610HPS	1 311 416	59645
1 311 416	33647	1 311 417	59644	1 317 609	59646
1 325 326	51618	1 328 380	51603	1 328 381	51602
1 329 730	59646	1 330 219	19643	1 330 235	19642

Die aufgeführten Vergleichsnummern dienen nur zur besseren Identifikation.

References are only specified for a better identification.

Les références mentionnées ne servent qu' à une meilleure identification.

FORD	MAPCO	FORD	MAPCO	FORD	MAPCO
1 330 236	19657	1 330 237	19656	1 330 238	19643/1
1 330 239	19642/1	1 332 074	51603	1 332 075	51602
1 332 453	51600HPS	1 332 455	59674	1 332 463	51601
1 335 548	51610HPS	1 344 966	19652	1 344 968	19651
1 355 048	59675	1 355 050	59674	1 357 317	59647
1 357 319	59647	1 361 653	49856HPS	1 362 650	51603
1 362 651	51602	1 377 416	51625	1 377 449	52602
1 377 846	51623	1 377 849	51621	1 381 443	52602
1 385 593	51623	1 387 628	52602	1 403 408	51623
1 419 814	51623	1 420 795	52609	1 420 858	52608
1 425 853	51625	1 426 770	52602	1 426 875	51623
1 433 273	51620	1 433 274	51619	1 435 745	51623
1 438 315	59662	1 438 316	59662	1 438 318	59661
1 438 350	59661	1 447 222	19727	1 448 127	51607
1 448 621	19702	1 448 622	19701	1 457 609	52601
1 458 773	51623	1 460 693	51622	1 466 186	51623
1 466 188	51622	1 469 026	51622	1 469 208	51610HPS
1 470 387	52606	1 477 858	36622	1 477 860	51602
1 484 033	59646	1 488 110	52609	1 488 111	52608
1 495 666	59662	1 495 667	59661	1 495 685	52603HPS
1 500 111	59668	1 502 440	51607	1 503 993	59646
1 507 181	51623	1 507 182	51622	1 513 343	52600
1 517 403	59646	1 518 904	51348	1 520 778	51348
1 521 773	51347	1 524 422	59646	1 532 421	51348
1 532 433	51347	1 540 281	19028HPS	1 540 724	51348
1 540 725	51347	1 545 457	51629	1 546 259	49057
1 546 260	49058	1 553 246	59662	1 553 251	59661
1 570 284	52609	1 570 285	52608	1 570 677	51603
1 570 678	51602	1 570 750	51603	1 571 221	19727
1 580 517	19028HPS	1 591 066	19721	1 613 106	19654
1 619 120	33609	1 632 769	33677	1 637 182	19744/1
1 637 184	19743/1	1 637 185	19743/1	1 652 910	33611
1 656 752	33627	1 659 374	19722	1 659 674+1 034 417	19722/2
1 659 674+5 021 410	19722/1	1 661 237	19608HPS	1 661 237	19604HPS
1 666 243	51604HPS	1 679 384	52607	1 679 388	52606
1 679 392	19754	1 700 809	51348	1 700 810	51347
1 710 790	19769	1 710 791	19643	1 710 792	19643/1
1 710 794	19768	1 710 795	19642	1 710 796	19642/1
1 734 686	51610HPS	1 735 889	59662	1 735 890	59661
1 736 669	59640	1 745 924	52600	1 756 395	49662
1 762 149	59664HPS	1 796 515	59658	1 954 430	19535
1 954 431	59520	1 954 778	49226HPS	1 954 821	49227HPS
1 961 668	19534	1 961 669	19533	1M21 5489AA	49856HPS
1M51 5500 AC	59646	1S 61 3B438AA	19608HPS	1S 7C 3280BB	59666
1S 71 3B438AB	19773HPS	1S 71 3B438AC	19773HPS	1S 71 3B438BA	19777
1S 71 3042AN	59645	1S 71 3051AN	59644	1S 71 5C486AC	19775HPS
1S 71 5C486AD	19775HPS	1S 71 5C486BC	19776HPS	1S 81 5C486BE	19776HPS
1011857+1044014	19644/2	1011858+1044014	19644/1	1790310	52600
1809988	19780	1809988	19781	2M513042BD	19652

Die aufgeführten Vergleichsnummern dienen nur zur besseren Identifikation.

References are only specified for a better identification.

Les références mentionnées ne servent qu' à une meilleure identification.

FORD	MAPCO	FORD	MAPCO	FORD	MAPCO
2S 6J 3289AC	59670	2S 6J 3290AC	59669	2S 61 3B438AC	19774
2S 61 3B438AC	19774HPS	2S 61 3042AH	59651	2S 61 3051AH	59650
2S 61 3395AB	59671	2T14 5C486 AE	51601	2T14 5C486 AG	51601
2T143B438BA	51600HPS	2T143B438BB	51600HPS	3 251 449	51581
3 252 249	51540	3 252 250	51537	3 410 592	19590HPS
3 702 281	49643	3 707 333	19650	3 707 533	19650
3 903 147	49642	3 903 148	49643	3 903 149	49643
3M 51 3B438AA	59664HPS	3M 51 3B438AB	59664HPS	3M 51 5K896AC	33678
3M513K209BA	52606	3M515C486BC	51610HPS	3M515C486BD	51610HPS
4 042 022	59662	4 042 023	59661	4 042 068	52605HPS
4 047 091	59640	4 048 739	19722	4 059 923	59642
4 059 923	59641	4 059 924	59641	4 059 924	59642
4 111 327	59666	4 118 933	59672	4 118 934	59672
4 120 734	59643	4 173 761	59643	4 342 539	59663
4 346 344	52604HPS	4 366 973	59675	4 366 974	59674
4 367 012	51600HPS	4 372 130	59662	4 372 131	59661
4 381 840	59676	4 381 927	59643	4 436 609	51601
4 440 885	52604HPS	4 472 940	59663	4 519 467	52603HPS
4 531 299	52604HPS	4 539 871	59675	4 540 774	59662
4 540 775	59661	4 577 976	59642	4 602 028	59641
4 616 978	59643	4 628 189	51606	4 628 835	51605
4 628 840	51608	4 628 841	51609	4 630 551	59643
4M51 5K652AD	59647	4M513A423AD	52609	4M513A423AE	52609
4M513A423AF	52609	4M513A424AD	52608	4M513A424AE	52608
4M513A424AF	52608	5 021 410	19727	5 021 413	19736
5 021 414	19735	5 021 415	19745	5 021 425	19721
5 021 426	19725	5 021 430	19749	5 021 442	19748
5 021 443	59658	5 021 445	49646	5 021 446	19742
5 021 447	19741	5 021 449	49646	5 021 458	19744/1
5 021 459	19743/1	5 021 460	19738/1	5 021 461	19737/1
5 021 464	19747/1	5 021 465	19746/1	5 021 661	33611
5 021 729	33627	5 024 332	19753	5 024 333	19752
5 025 557	49645	5 025 558	49646	5 025 676	19751
5 027 451	19757	5 027 452	19758	5 030 221	59657
5 030 222	59665	5 080 899	52600	5 106 995	19601
6 G9N 3B438BA	51621	6 042 743	33608	6 047 768	19721
6 081 391	19727	6 087 890	33610	6 107 025	33611
6 111 394	19721	6 114 616	19738/1	6 114 617	19737/1
6 120 231	19736	6 120 232	19735	6 127 716	19745
6 127 726	19723	6 128 814	19727	6 130 558	19725
6 130 559	19725	6 130 560	19725	6 131 083	19654
6 132 991	19655	6 135 757	19655	6 141 919	33645
6 141 944	59667	6 144 628	33627	6 149 939	19738/1
6 149 940	19737/1	6 150 970	19780	6 150 971	19781
6 154 161	19749	6 156 450	19748	6 156 463	19740
6 158 242	59667	6 160 988	19745	6 163 543	19742
6 168 182	59667	6 172 639	59658	6 172 643	19748
6 176 886	19655	6 180 350	19724	6 180 393	19724
6 185 334	19723	6 185 334+5 021 410	19723/1	6 185 336	19654

Die aufgeführten Vergleichsnummern dienen nur zur besseren Identifikation.

References are only specified for a better identification.

Les références mentionnées ne servent qu' à une meilleure identification.

FORD	MAPCO	FORD	MAPCO	FORD	MAPCO
6 185 338	19655	6 185 809	33628/2	6 185 809	33628
6 186 195	19655	6 192 705	33609	6 192 705	33677
6 193 085	19756/1	6 193 086	19755/1	6 197 238	49737
6 197 402	19740	6 422 979	19655	6 517 356	33675
6 517 364	19750	6 521 811	33673	6 521 812	33674
6 525 843	19761	6 525 844	19754	6 525 844	19760
6 555 936	19753	6 555 938	19752	6 589 456	49645
6 589 456	49646	6 589 457	49646	6 608 818	33672
6 608 830	59655	6 608 832	59654	6 615 742	19761
6 615 743	19760	6 639 188	19722	6 645 154	19756/1
6 645 155	19756/5	6 645 156	19755/1	6 645 157	19755/5
6 650 261	19751	6 687 191	19750	6 705 519	19756/4
6 714 195	33629/2	6 737 692	19647	6 770 224	19754
6 770 224	19761	6 770 225	19760	6 770 225	19754
6 790 115	33616	6 790 700	19722	6 792 900	19742
6 792 901	19741	6 829 045	33679	6 829 046	36627
6 829 058	51618	6 867 577	19658	6 869 951	19740
6 869 951	49644	6 870 115	33618	6 870 549	33617
6 870 549	33616/7	6 915 411	33634	6 924 365	19751
6 954 470	19769	6 954 471	19768	6 960 036	19605HPS
6 969 517	19645	6 969 517	19646	6 969 518	19646
6 969 518	19645	7 014 210	33633/1	7 014 210	33633
7 078 614	59657	7 102 392	33628	7 102 392	33628/2
7 102 644	19761	7 102 645	19760	7 144 202	33630
7 144 204	33631	7 152 269	19756/2	7 152 270	19756/3
7 152 271	19755/2	7 152 272	19755/3	7 152 276	19756/5
7 152 277	19756/4	7 152 278	19756/1	7 152 279	19755/5
7 152 280	19755/4	7 152 281	19755/1	7 200 944	49866/2
7 200 945	49866/1	7 200 946	49861	7 200 959	49856HPS
7 201 717	33908	7 243 564	19753	7 243 565	19752
7 257 202	29795	7 260 111	19659HPS	7 270 635	33864
7 292 944	59657	7 292 960	19762	7 294 415	19647
7 351 747	19754	7 351 747	19761	7 351 748	19754
7 351 748	19760	7 371 059	33643	7 396 830	33928
7 398 676	49866/2	7 398 678	49866/1	7 403 748	33864
77 FB 3432AB	33608	8 185 335	19654	8M51 5500 AA	59646
8M51 5500 AB	59646	8M51 5500 BA	59646	8M51 5500 BB	59646
8V41-5K743-AA	59668	8V513B438AB	52600	81 AB 3063AA	33610
81 AB 3063BB	33609	81 AB 5K897BB	33611	83 BB 3L519EA	19654
83 BB 5K817BA	33645	85 GB 3063AB	33677	85 GB 3063AC	33677
86 VB 3B438AA	19780	86 VB 3B439AA	19781	86 VB 5489BB	59667
86VB 3285 A2B	59658	86VB-3395A1C	19749	86VB-3395A1D	19749
86VB-3395A2C	19749	86VB-3395A2E	19749	87 AB 3L519BA	19723
87 BB 3L519DA	19654	87 BB 3L519EA	19654	87GB-3L519BA	19655
88 GB 5493AA	33627	88 OX 3270DA	19736	88 OX 3270EA	19735
88 VB 3285AB	19742	88 VB 3286AB	19741	88 VB 3286AD	19741
88 VB 3825AD	19742	88OX-3B3376CA	19744/1	88OX-3B37DA	19737/1
88OX-3B376DA	19738/1	88OX-3B377CA	19743/1	88OX-3K209BA	19721
88OX-3K209CA	19725	88OX-3K209GA	19749	88OX-327FA	19745

Die aufgeführten Vergleichsnummern dienen nur zur besseren Identifikation.

References are only specified for a better identification.

Les références mentionnées ne servent qu' à une meilleure identification.

FORD	MAPCO	FORD	MAPCO	FORD	MAPCO
88OX-3270AA	19727	88OX-3270LA	19748	89 FB 3B734A2D	29795
89 FB 3063AD	33614	89 FB 5484BA	33628	89FB 5484 BA	33628/2
89FB-3B438A1E	19604HPS	89FB-3B438A1F	19604HPS	89FB-3395AB	19754
9S513270BA	49058	90 VX 3270AA	49646	90 VX 3270AA	49645
91 AB 3A262 AA	33615	91 AB 3L519AA	19724	91 AB 3L519CB	49737
91AB-3051AD	19760	91AX-3270AA	19753	91AX-3270BA	19752
92 VB 3A052AC	59655	92 VB 3A053AC	59654	92 VB 3L519AA	19740
92 VB 3L519AB	49644	92 VB 3L519AB	19740	92 VB 3069AA	33675
92 VB 3395 A2C	19751	92 VB 3432AA	33672	92 VB 5484AA	33673
92 VB 5484BA	33674	92AB-3042BA	19761	92AB-3051BA	19760
92VX-3K209AA	19751	92VX-3270AA	19750	93 BB 3A262BA	33617
93 BB 3B438CA	19605HPS	93 BB 3063AA	33616	93 BB 4A037AC	33630
93 BB 4A037EA	33631	93 BB 5C493AC	33634	93 BB 5K566AC	33633/1
93 BB 5K566AC	33633	93 BB 5K566AH	33632	93 BB 5K652AC	19658
93 BB 5484AB	33629/2	93 BB5K653AB	33679	93 BX 3270AA	19757
93 BX 3270BA	19758	94 AB 5484AA	33628	94 AB 5484AA	33628/2
94 FB 3B376AA	19763	94 FB 3B376BA	19765	94 FB 3042AB	19756/2
94 FB 3042AD	19756/2	94 FB 3042BA	19756/3	94 FB 3042CA	19756/5
94 FB 3042CB	19756/5	94 FB 3042DA	19756/4	94 FB 3042DB	19756/4
94 FB 3042EB	19756/1	94 FB 305AD	19755/2	94 FB 305CB	19755/5
94 FB 305EB	19755/1	94 FB 3051BA	19755/3	94 FB 3051CA	19755/5
94 FB 3051DA	19755/4	94 FB 3051DB	19755/4	94 FB 3395B2A	19765
94 FX 3042BC	19756/3	94 FX 3042EB	19756/1	94 FX 305BC	19755/3
94FX-3270AA	19646	95 AB 5K 653CA	33643	95 BG 3A262 BA	33618
95 GB 3B438AC	19659HPS	95 GB 3B438AD	19659HPS	95 GB 3B438AF	19659HPS
95 GB 3L519BA	19762	95 GB 3L519BB	19762	95 GX 3270BA	59665
95 VW 3A262CA	33928	95 VW 3078AC	49877	95 VW 3079AC	49876
95 VW 3280BB	49858	95 VW 3280BC	49858	95 VW 3281 BB	49857
95 VW 3281 BC	49857	95 VW 3395AA	49861	95 VW 5A638CA	33908
95 VW 5K818BC	33864	95 VW 5489AB	49856HPS	95 VW 5489AC	49856HPS
95AB-3051AB	19760	95AB-3051AD	19760	95AB-3395A1A	19754
95AX-3270AA	19753	95AX-3270BA	19752	96 B3 289AD	19641
96 FB 3A262AD	33635	96 FB 3L519BA	19644	96 FB 3042 BF	19643/1
96 FB 3063AB	33636	96 FB 3290AC	19640	96 FB 3395AB	19653
96 FB 5484CA	33670	96 FB-3B438-AB	19608HPS	96 FX 3289AA	19641
96 FX 3290AA	19640	96FB-3B376AB	19754	96FB-3B438AB	19604HPS
96FB-3042AH	19657	96FB-3051AH	19656	96FB-3051BF	19642/1
96FB-3051CC	19642	97 AG 5K653AA	33642	97 BG 3042AA	19769
97 BG 3051AA	19768	97 BX 3289AA	49641	97 BX 3290AA	49640
97 KB 3042AD	19702	97 KB 3042BC	19702/1	97 KB 3042EB	19702
97 KB 3042FB	19702/1	97 KB 305BD	19701/1	97 KB 3051AD	19701
97 KB 3051BC	19701/1	97 KB 3051EB	19701	97 KB 3051FB	19701/1
97 KB 5484AA	33670	97 KX 3270AA	19645	97 X3-270AA	19750
97VX-3K 209AA	19751	98 AG 3L519AA	19650	98 AG 3051 AJ	19651
98 AG 3063AE	33676	98 AG 3289AA	19649	98 AG 3290AA	19648
98 AG 4A037BA	33671	98 AG 5K743AF	59668	98 AG 5K896AB	33678
98 AG 5484DA	33644	98 AG 5495AB	59648	98 AG 5500AG	59646
98 AG-3B438-AB	19608HPS	98 AG-3B438AB	19604HPS	98 AX 3270AA	19649
98 AX 3270BA	19648	98 BG 3A262AA	33618	98 FB 3A262AA	33635

Die aufgeführten Vergleichsnummern dienen nur zur besseren Identifikation.

References are only specified for a better identification.

Les références mentionnées ne servent qu' à une meilleure identification.

FORD	MAPCO	FORD	MAPCO	FORD	MAPCO
98 FB 3063AA	33636	98AG 5K067 AJ	59646	98AG 5K067 AK	59646
98AG-3042AJ	19652	98FB 3051 AC	19642	98FB-3042BD	19657
98FB-305DB	19656	98FB-3395AB	19754		

FORD USA	MAPCO	FORD USA	MAPCO	FORD USA	MAPCO
F02Z3A130A	59350	1 405 940	19599	1S715K652AB	51615
1S715K652AC	51615	1S715K652BC	51617	1S715K652CA	51617
1S715K743AB	51614	1S715K743AC	51614	1S715K743CA	51616
1S715K898AF	51613	1S715K898AG	51613	1S715500AA	51618
1S715500AC	51618	2M51 3A262AA	33680	2M51 3A262AB	33680
2S715K743BA	51616	3 405 915	59350	3 405 915	19589
3 405 940	19599	3 410 591	19591HPS	3 703 255	49582
3 707 090	49583	3 799 085	19592HPS	3C113B438AC	52603HPS
3C113B438AD	52603HPS	6G 9N3B438BA	51621	6G91 3289AA	51620
6G91 5500BA	52601	6G91 5500BAA	52601	6G913 290AA	51619
6G915C486XAA	51625	6G915C486XAB	51625	96FB5K653CA	33683
98 AG5K652BG	59647				

GENERAL MOTORS	MAPCO	GENERAL MOTORS	MAPCO	GENERAL MOTORS	MAPCO
0350260S1	33726	07840452	19800	07840453	19805
09118127	19637	09118127	19638	09161563	49138
09228477	19623	13 140039	49608	13 372000	59774
13125492	36764	13138151	33796	13140037	49608
13140038	49609	13140040	49609	13157518	33762
13169439	19639	13279533	49614	13279534	49615
1603163	19612	24 417251	49749HPS	24413015	49623
24413016	49624	24428977	49608	24428978	49609
26010028	19805	26011925	19800	26030411	49754
26032284	49755	26059293	49607	26059294	19638
26059294	19637	26065265	19631	26087867	19810
26087868	19800	55 700753	59026HPS	90 009367	59782
90 105 358	59367	90 140 007	19718	90 268 463	33714
90 335 966	33752	90 373 264	33714	90 495 046	33714
90 498181	19628	90094763	19711	90125567	59295
90125568	59296	90135359	33795	90140006	19719
90166390	19806	90166391	19807	90166394	19801
90170152	33793	90188593	19816	90189050	33785
90216318	33767	90217845	33737	90223456	33787
90235040	33757	90250709	33714/9	90250986	33879
90272194	19617	90272195	19618	90272683	19714
90278577	33727	90278624	33730	90279193	33716
90288387	19624	90289915	49604	90295324	19801
90297863	19802	90297863	19612	90299207	33848
90304625	49752	90304626	49753	90305431	33786
90334027	19803/1	90334028	19804/1	90334031	19613
90334032	19614	90334035	49600	90334035	19615
90334036	19616	90334036	49601	90334925	33895
90344207	33754	90369704	19610	90369705	19611
90373521	49752	90373522	49753	90373523	49604
90373771	33739	90373778	33725	90373854	33715

Die aufgeführten Vergleichsnummern dienen nur zur besseren Identifikation.

References are only specified for a better identification.

Les références mentionnées ne servent qu' à une meilleure identification.

GENERAL MOTORS	MAPCO	GENERAL MOTORS	MAPCO	GENERAL MOTORS	MAPCO
90375505	49756	90375506	49757	90392553	49760
90444294	19801	90445097	33733	90445098	33734
90445137	19606HPS	90445565	33849	90445571	33848
90445625	33791	90445644	19812	90445646	19813
90447156	33753	90447157	33766	90447867	33729
90447868	33755	90447869	33760	90447946	33735
90468567	33789	90468636	33732	90468638	33731
90468930	19606HPS	90473811	49758	90473812	49759
90487561	19621	90495045	19607	90495103	19619
90495104	19620	90495585	33720	90496014	49600
90496014	19615	90496015	19616	90496015	49601
90496039	19622	90496040	19623	90496116	19600HPS
90496681	33758	90496686	33736	90496700	33877
90496706	33792	90496721	33756	90498735	19633
90498736	19634	90498740	33794	90498745	19639
90510639	19615	90510639	49600	90510640	19616
90510640	49601	90510641	19803/1	90510642	19804/1
90510643	19613	90510644	19614	90510649	19812
90510650	19813	90510651	19615	90510651	49600
90510652	19616	90510652	49601	90510653	49758
90510654	49759	90511260	19808	90511261	19809
90512775	19626	90512982	19621	90538865	33761
90542572	19635	90542573	19636	90542574	19632
90556788	19629	90576775	33849	90576789	19630
9109852	49165	9109853	49166	9109940	49165
9109941	49166	9112047	49165	9112048	49166
91167000	49118HPS	9118127	19637	9118127	19638
9118128	49607	9156379	33762	9156605	33848
9156735	33762	9160392	49165	9160498	49109HPS
9160499	49108HPS	9161562	49137	9161563	49138
9191309	33720	9196394	49610	9228477	19623
93 171448	36703	93 192421	19810	93 193130	51253
93 193131	51252	93 194002	51251	93 194035	51250
93 195093	51255HPS	93192446	19631	93192689	49165
93192690	49166	93388568	49614	93388569	49615
94459453	49744	94459465	49745	94459480	49743
94459481	49742	95 488 871	51303HPS	97018125	51594HPS
97018125	51594	97020953	49743	97020954	49742
97184821	49626				

HONDA	MAPCO	HONDA	MAPCO	HONDA	MAPCO
51220-SD4-004	59333	51220-SD4-013	59333	51220-SD4-023	59333
51220-SH3-003	19503	51220-SK7-013	19503	51220-SM1-A01	19507
51220-SM1-A02	19507	51220-SM4-013	19507	51220-SR0-A01	49510
51220-SR3-003	49510	51220-S04-003	49510	51220-S84-A02	19507
51270-SR3-013	51504	51270-SR3-023	51504	51270-S0A-003	51504
51270-S01-013	51504	51270-S01-023	51504	51270-S04-013	51504
51270-S04-023	51504	51270-S84-A01	51504	51320-SAA-003	51557HPS
51320-SK-000	19957	51320-SMG-E01	51558HPS	51320-STK-A01	51517HPS
51320-ST7-003	51505	51320-S04-003	49200HPS	51320-S2H-003	59243HPS

Die aufgeführten Vergleichsnummern dienen nur zur besseren Identifikation.

References are only specified for a better identification.

Les références mentionnées ne servent qu' à une meilleure identification.

HONDA	MAPCO	HONDA	MAPCO	HONDA	MAPCO
51320-S84-A01	59500	51321-SAA-003	51556HPS	51321-S2H-003	59244HPS
51321-S84-A01	59501	51350-SAA-E01	51503	51350-SAA-E11	51503
51350-SDA-A01	51512	51350-SDA-A02	51512	51350-SDA-A03	51512
51350-SEL-T01	51503	51350-SNA-A03	51516	51350-SR3-A01	49216
51350-SR3-A02	49216	51350-SR3-010	49216	51350-SR3-020	49216
51350-ST3-G00	49216	51350-ST7-010	49216	51350-S01-000	49501
51350-S04-G00	49501	51350-S04-000	49501	51350-S10-A00	49218
51350-S10-G00	49218	51350-S5A-A03	51271	51350-S6D-G00	51271
51350-TA0-A00	51514	51351-SB2-013	59331	51355-SH3-010	59507
51355-SH3-020	59507	51355-SM4-040	49509	51355-SN7-010	49509
51355-SV4-000	49210	51355-SV7-A00	49210	51355-S84-A00	49214
51360-SAA-E01	51502	51360-SAA-E11	51502	51360-SAA-J01	51502
51360-SAE-T01	51502	51360-SDA-A01	51511	51360-SDA-A02	51511
51360-SDA-A03	51511	51360-SEL-T01	51502	51360-SNA-A03	51515
51360-SR3-A01	49215	51360-SR3-A02	49215	51360-SR3-020	49215
51360-ST3-E02	49215	51360-ST3-G00	49215	51360-ST7-010	49215
51360-S04-G00	49500	51360-S10-A00	49217	51360-S10-G00	49217
51360-S5A-A03	51270	51360-S5A-A20	51270	51360-S6D-G00	51270
51360-TA0-A00	51513	51361-SB2-013	59330	51365-SH3-010	59506
51365-SH3-020	59506	51365-SM4-040	49508	51365-SN7-010	49508
51365-SV4-000	49209	51365-SV7-A00	49209	51365-S84-A00	49213
51391-S5A-024	33226	51392-SR3-024	33527	51393-SE0-003	33522
51393-SH3-003	33521	51393-SN7-003	33222	51393-SV1-A01	33222
51395-SR3-N02	33526	51396-SR3-N02	33526	51396-SR3-N03	33526
51450-SDA-A01	51501	51450-SH3-000	49512	51450-SH3-023	49512
51450-SH3-030	49512	51450-SM4-013	49507	51450-SM4-023	49507
51450-SR0-A02	59509	51450-SR3-A02	49503	51450-SR3-013	49503
51450-SR3-013	59509	51450-SR3-023	49503	51450-SR3-023	59509
51450-ST3-305	49503	51450-ST3-305	59509	51450-ST7-020	59509
51450-SV4-A00	49206	51450-SV4-000	49206	51450-S01-023	49514
51450-S04-003	49514	51450-S04-013	49514	51450-S04-023	49514
5145-0S1-AE01	49212	51450-S10-020	49261	5145-0S8-4A01	49212
51459-SN7-003	49507	51460-SDA-A01	51500	51460-SH3-000	49511
51460-SH3-023	49511	51460-SH3-030	49512	51460-SH3-030	49511
51460-SM4-013	49506	51460-SM4-023	49506	51460-SR0-A02	59508
51460-SR3-A02	59508	51460-SR3-A02	49502	51460-SR3-013	59508
51460-SR3-013	49502	51460-SR3-023	49502	51460-SR3-023	59508
51460-ST7-020	59508	51460-SV4-A00	49205	51460-SV4-000	49205
51460-S01-023	49513	51460-S04-003	49513	51460-S04-013	49513
51460-S04-023	49513	51460-S1A-E01	49211	51460-S10-020	49260
51460-S84-A01	49211	51469-SN7-003	49506	51810-SH3-004	33521
51810-SV4-003	33221	52306-SE0-A00	51506	52306-SE0-030	49267
52320-SWA-A01	51519HPS	52320-S04-003	49201HPS	52320-S10-003	49268HPS
52320-S2H-003	51508HPS	52320-S30-003	59245	52320-S5A-013	59242
52320-S84-A01	59502	52320-S84-A01	59502HPS	52320-S9A-003	51542HPS
52320-S9A-305	51542HPS	52321-SWA-A01	51518HPS	52321-S04-003	49202HPS
52321-S10-003	49269HPS	52321-S2H-003	51507HPS	52321-S5A-013	59241
52321-S9A-003	51541HPS	52321-S9A-305	51541HPS	52325-S84-A01	59503HPS
52365-SH3-014	33525	52370-SH3-000	33520	52385-SR3-000	33520

Die aufgeführten Vergleichsnummern dienen nur zur besseren Identifikation.

References are only specified for a better identification.

Les références mentionnées ne servent qu' à une meilleure identification.



HONDA	MAPCO	HONDA	MAPCO	HONDA	MAPCO
52385-ST3-G01	33223	52390-SH3-000	33524	52390-SM1-A03	49204
52390-SM4-033	49204	52390-SM5-A03	49204	52390-SR0-A00	49505
52390-SR0-A00	49263	52390-SR3-A00	49263	52390-SR3-000	49505
52393-SM1-A02	33523	52393-SM4-003	33523	52393-SM4-004	33523
52393-SM4-013	33523	52393-SR0-004	33220	52393-SR3-004	33220
52395-SH3-004	33528	52395-SH3-005	33528	52395-SR0-A01	33528
52400-SM4-033	49203	52400-SR0-A00	49262	52400-SR0-A00	49504
52400-SR3-A00	49262	52400-SR3-A00	49504	52400-SR3-000	49504
52622-SH3-000	33224	52622-SH3-003	33224	52622-SH3-004	33224
52622-SH3-010	33225	52622-SH3-013	33224	53010-SNA-A01	51272
53010-SNE-A01	51272	53010-SR3-010	59557	53010-ST0-000	59557
53010-ST7-J61	59557	53010-SV4-000	59246	53010-S04-J51	19502
53010-S04-J51	59512	53010-S04-000	19502	53010-S04-000	59512
53010-S10-000	59513	53010-S2H-J01	59558	53010-S2H-J02	59558
53010-S84-A01	59514	53521-SD4-003	59247	53521-SD4-023	59247
53521-SH3-003	59512	53521-SH3-003	19502	53521-SM4-003	19506
53521-SM4-013	19506	53540-SAA003	51510	53540-SA0-002	59319
53540-SB2-003	59319	53540-SC2-004	59319	53540-SDA-A01	51274
53540-SD4-003	59372	53540-SH3-003	19501	53540-SH3-013	19501
53540-SH3-013	19509	53540-SK3-E01	19956	53540-SM4-003	19505
53540-SM4-004	19505	53540-SP0-013	59249	53540-SP0-023	59249
53540-SR0-A01	19509	53540-SR3-A01	19509	53540-SR3-003	19509
53540-SS0-003	59311	53540-SS0-004	59311	53540-ST7-003	19509
53540-SV4-013	59312	53540-SX0-003	59312	53540-SX8-T01	59515
53540-S04-003	19509	53540-S04-013	19509	53540-S1A-E01	49265
53540-S84-A01	59312	53540-TA0-A01	51276	53540-611-020	59319
53540-679-004	59319	53560-SAA003	51509	53560-SDA-A01	51273
53560-SD4-003	59371	53560-SH3-003	19508	53560-SH3-013	19508
53560-SM4-003	19504	53560-SM4-004	19504	53560-SP0-013	59314
53560-SP0-023	59314	53560-SR0-A01	19508	53560-SR3-003	19500
53560-SR3-003	19508	53560-SS0-003	59315	53560-SS0-004	59315
53560-ST7-003	19508	53560-SX0-003	59313	53560-S04-003	19508
53560-S04-013	19508	53560-S1A-E01	49264	53560-S84-A01	59313
53560-TA0-A01	51275	90112-SE0-000	49517		
HYUNDAI	MAPCO	HYUNDAI	MAPCO	HYUNDAI	MAPCO
MB24-1818	59224	MB527-38401	49248	51760-1G000	51311
51760-2G000	51239	51760-2H000	51239	54400-4A000	59386
54400-47000	59386	54401-4A000	59387	54410-38000	59382
54417-4AA00	59327	54417-4A000	49247	54417-43001	49247
54420-38000	59383	54500-02000	51211	54500-02050	51211
54500-02051	51211	54500-02052	51211	54500-1C000	59378
54500-1C010	59378	54500-1E000	51248	545001F000	51261
54500-17000	51218	54500-2D000	51220	54500-2D001	51220
54500-2D002	51220	54500-2D500	51220	54500-2D501	51220
54500-2E000	51261	54500-2E010	51261	54500-2E030	51261
54500-2H000	51232	54500-2H100	51232	54500-22100	59292
54500-22200	59292	54500-25000	59376	54500-27000	51234
54500-29000	51234	54500-29500	51234	54500-3K000	51224
54500-3K060	51224	54500-3K500	51224	54500-38011	59384

Die aufgeführten Vergleichsnummern dienen nur zur besseren Identifikation.

References are only specified for a better identification.

Les références mentionnées ne servent qu' à une meilleure identification.

HYUNDAI	MAPCO	HYUNDAI	MAPCO	HYUNDAI	MAPCO
54500-4A000	51216	54501-02000	51212	54501-02050	51212
54501-02051	51212	54501-02052	51212	54501-1C000	59379
54501-1C010	59379	54501-1E000	51249	54501-17000	51219
54501-2D000	51221	54501-2D001	51221	54501-2D002	51221
54501-2D500	51221	54501-2D501	51221	54501-2E000	51262
54501-2E001	51262	54501-2E010	51262	54501-2E030	51262
54501-2H000	51233	54501-2H100	51233	54501-22000	59291
54501-22100	59291	54501-22200	59291	54501-25000	59377
54501-25000	59376	54501-27000	51235	54501-29000	51235
54501-29500	51235	54501-3K000	51225	54501-3K060	51225
54501-3K500	51225	54501-38011	59385	54501-38620	59385
54501-4A000	51217	54502-24000	59576/1	54502-24001	59576
54502-24001	59576/1	54502-24101	59576/1	54503-2BA00	51306
54503-22A00	49255	54503-24000	59577/1	54503-24001	59577
54503-24001	59577/1	54503-24101	59577/1	54503-25A00	49255
54503-3BA00	51306	54503-3B000	51306	54503-31600	49255
54503-34A00	59585	54503-34A01	59585	54510-43150	49940
54510-43152	49940	54530 07000	51246	54530 3J000	51228
54530-0X000	51246	54530-02050	59580	54530-02500	59580
54530-2B000	51306	54530-24A00	19511	54530-24000	19511
54530-28A00	19513	54530-28000	19513	54530-3B000	51306
54530-31600	49255	54530-4AA00	59329	54530-4A000	59329
54530-47000	59329	54540-43150	49941	54540-43151	49941
54540-43152	49941	54551-07000	33589	54551-1E000	33583
54551-2B000	33587	54551-2D000	33586	54551-26000	33585
54555-02000	33591	54555-02001	33591	54555-02002	33591
54555-26000	33584	54556-02000	33592	54556-02001	33592
54556-02002	33592	54584-07000	33588	54584-1G000	33582
54820-02000	51209	54830 2S200	51307	54830-M2000	51201
54830-1C000	59351HPS	54830-1C000	59351	54830-1C100	59351HPS
54830-17010	49250HPS	54830-17020	49251HPS	54830-2B000	51226
54830-2B200	51227	54830-2B200	51226	54830-2C000	59365
54830-2D000	59551	54830-2E000	51258HPS	54830-2E100	51258HPS
54830-2H000	51241HPS	54830-2H001	51241HPS	54830-2H100	51241HPS
54830-2S000	51307	54830-25000	49252	54830-25010	49250HPS
54830-25020	49251HPS	54830-26000	51205HPS	54830-29000	49253
54830-29500	49253	54830-3A000	51203	54830-34000	59551
54830-34500	59551	54830-36000	59552HPS	54830-36100	59552HPS
54830-36101	59552HPS	54830-37010	59204	54830-38100	59583
54830-38110	59583	54830-39000	59583	54830-4A000	59578
54830-4A002	59578	548304-A003	59578	54840-M2000	51202
54840-1C000	59355	54840-1C000	59355HPS	54840-1C100	59355HPS
54840-2B000	51227	54840-2B200	51227	54840-2C000	59366
54840-26000	51206HPS	54840-3A000	51204	55210-38000	51215
55530-1H000	51242	55530-17000	49254HPS	55530-17010	49254HPS
55530-2B000	51247	55530-2E000	51259HPS	55530-2E100	51259HPS
55530-26600	51208	55530-29000	49254HPS	55530-29000	49254
55530-29300	49254HPS	55530-29500	49254	55530-29500	49254HPS
55530-38000	59582HPS	55530-38600	59584	55530-4A000	59579HPS

Die aufgeführten Vergleichsnummern dienen nur zur besseren Identifikation.

References are only specified for a better identification.

Les références mentionnées ne servent qu' à une meilleure identification.

HYUNDAI	MAPCO	HYUNDAI	MAPCO	HYUNDAI	MAPCO
55530-4A001	59579HPS	55530-4A800	59579HPS	55530-4A801	59579HPS
55540-26600	51207	55541-28310	33510	55580-37020	59581
55830-25000	49252	56540-02000	59719	56540-2H000	51238
56540-24000	59574	56540-24001	59574	56540-25000	59572
56540-28020	59336	56820 4H000	51222	56820 4H100	51223
56820-02500	59203	56820-2B000	51308	56820-2B900	51309
56820-2E000	51312	56820-2E900	51313	56820-2H000	51236
56820-2H090	51237	56820-21000	19510	56820-21100	19510
56820-21110	19510	56820-21120	19510	56820-22000	19512
56820-25000	59586	56820-28000	19540	56820-28500	19512
56820-28520	19512	56820-31000	19510	56820-36000	49256
56820-36000AT	49256	56850-28520	59202	56872-43000	59205
56872-43010	59205	577 242	59554	57705-56820	59205
57716-34000	59555	57724-2B000	51310	57724-2D000	59554
57724-2D020	59554	57724-3A000	59555	57724-38000	59556
57724-38010	59556	57729-4A000	51210	57730-24000	19515
57730-24100	59575	57730-28000	59339	57730-29000	59573
57730-29001	59573	57730-33100	59336	57730-43010	59571
57755-02000	59553	57755-22000	59570	57755-25000	59571
ISUZU	MAPCO	ISUZU	MAPCO	ISUZU	MAPCO
45201-72K01-000	51253	8-94224-550-0	59290	8-94224-550-1	59290
8-94224-550-2	59290	8-94224-550-3	59290	8-94224-550-4	59290
8-94224-550-5	59290	8-94243-234-0	59290	8-94419-408-0	49743
8-94419-408-1	49743	8-94419-409-0	49742	8-94419-409-1	49742
8-94452-102-0	49745	8-94452-102-1	49745	8-94459453-2	49744
8-94459453-3	49744	8-94459453-4	49744	8-94459-464-1	49616
8-94459-464-2	49616	8-94459-465-1	49745	8-94459-465-2	49745
8-94459-480-0	49743	8-94459-480-1	49743	8-94459-480-2	49743
8-94459-481-0	49742	8-94459-481-1	49742	8-94459-481-2	49742
8-94472-255-0	59290	8-94472-255-2	59290	8-97018-125-2	51594
8-97018-125-2	51594HPS	8-97018-227-2	59849HPS	8-97018-228-2	19811HPS
8-97018-228-2	19811	8-97020-953-0	49743	8-97020-953-1	49743
8-97020-954-0	49742	8-97020-954-1	49742	8-97020-954-2	49742
9445 94802	49743	9445 94810	49742		
IVECO	MAPCO	IVECO	MAPCO	IVECO	MAPCO
2992 593	19424	4253 4911	19423	504 212 584	19358
504 212 586	19358	93 800 662	19406	93 802 209	19407
93 802 242	19408	93 804 059	19406	93 804 060	19407
93 807 320	19408	93 807 545	19408	998 3325	19404
JAGUAR	MAPCO	JAGUAR	MAPCO	JAGUAR	MAPCO
CAC9937	49649	CAC9938	49648	C12803	49649
C15890	49648	C2S 26883	19777	C2S 3248	19773HPS
C2S 39661	59645	C2S 39662	59644	C2S 47357	59672
C23024	49648	1S 7C 3280BB	59666	5X43 3B438 AA	19777
JEEP	MAPCO	JEEP	MAPCO	JEEP	MAPCO
5200 3360	59933	5208 8437	59934	52087710	49932
52087711	49932	52088312	49933	52088520	49934
52088521	49935				

Die aufgeführten Vergleichsnummern dienen nur zur besseren Identifikation.

References are only specified for a better identification.

Les références mentionnées ne servent qu' à une meilleure identification.

KIA	MAPCO	KIA	MAPCO	KIA	MAPCO
KB092-32-280	19580	KGA2A-34-150A	59591	KGA2A-341-70A	59590
KGA2C-28-170A	51231	KKY01-32-280	19580	KKY01-34-310	51531
KKY01-34-390A	51531	KK150-32-240	51533	KK150-32-240A	51533
K7103-22-40Y	51581	K7103-45-40YT	51540	K9A3-28-170A	59592
MB092-32-280	19580	OK011-32-270A	59230	OK011-34-160A	59345
OK2A1-28-150B	59343HPS	OK2A1-34-300B	51583	OK2A1-34-350B	51582
OK2A1-34-550A	59346	OK201-34-550C	59326	OK201-34-550E	59326
S083-99-324	51581	S083-99-354	51540	S083-99-356	51537
OG0303-45-50B	19587	OK0A3-28-170A	59592	OK011-34-510B	59337
OK2A1-34-150A	59594HPS	OK2A134150A	59594HPS	OK2A1-34-150B	59594HPS
OK2A1-34-550A	59346	OK2A5-34-150	59589	OK2A5-34-150A	59589
OK2A5-34-150B	59589	OK2A5-34-150C	59589	OK2FA-34-550	59346
OK2M2-28-150	59594HPS	OK2M2-28-150	59343HPS	OK2N1-34-150A	59341HPS
OK2N1-34-150A	59341	OK2N1-34-170A	59344	OK2N1-34-170A	59344HPS
OK201-32-280	49518	OK552-34-160B	51230	OK9A2-32-280	59342
51760-1G000	51311	51760-2G000	51239	54500-07100	51256
54500-07150	51256	54500-07160	51256	54500-07161	51256
54500-1E000	51248	54500-2E000	51261	54500-2H000	51232
54500-2H100	51232	54501-07100	51257	54501-07150	51257
54501-07160	51257	54501-07161	51257	54501-1E000	51249
54501-2E000	51262	54501-2H000	51233	54501-2H100	51233
54530-07000	51246	54530-4D000	51260	54550-2P000	33587
54551-07000	33589	54551-1E000	33583	54551-2D000	33586
54584-07000	33588	54584-1G000	33582	54810-3E-000	51532
54830-07000	51243	54830-1F000	51258HPS	54830-2B000	51226
54830-2E000	51258HPS	54830-2E100	51258HPS	54830-38110	59583
54840-07000	51244	54840-2B000	51227	55530-1F000	51259HPS
55530-1H000	51242	55530-1H100	51242	55530-17000	49254HPS
55530-17010	49254HPS	55530-2E000	51259HPS	55530-2E100	51259HPS
56540-2H000	51238	56820-M2000	49256	56820-2E000	51312
56820-2E900	51313	56820-2H000	51236	56820-2H090	51237
56820-25000	59586	57724-07000	51245	57724-07100	51245
57724-3C010	59556	57724-38010	59556	8AB1-32-280	19580
LADA	MAPCO	LADA	MAPCO	LADA	MAPCO
2101 290 4063	19084	2101 290 4082	19084	2101 290 4185	19085
2101 290 4192	19085	2101 300 3050	19082	2101 300 3057	19080
2101 300 3064	19081	2108 290 4185	19091	2108 341 4056	19089
2108 341 4057	19090	2110 341 4056	19093	2110 341 4057	19092
2123-2904192	59090				
LANCIA	MAPCO	LANCIA	MAPCO	LANCIA	MAPCO
0595 8244	19043	07 601 057	19054	07 601 062	19055
07 701 491	19068	07 750 977	19066	07 750 978	19067
07 777 240	19057	0763 3721	19043	09 946 948	19068
0994 1625	19022	0994 5562	19079	1306 003 080	19430
1306 003 080	19078	1308 664 080	19363	1313 083 080	19433
1313 083 080	19076	1313 084 080	19077	1313 084 080	19434
1313 084 080	19432	1316 735 080	19076	1316 735 080	19433
1316 736 080	19432	1316 736 080	19077	1316 736 080	19434

Die aufgeführten Vergleichsnummern dienen nur zur besseren Identifikation.

References are only specified for a better identification.

Les références mentionnées ne servent qu' à une meilleure identification.

LANCIA	MAPCO	LANCIA	MAPCO	LANCIA	MAPCO
1317 425 080	19363	1331 209 080	19376HPS	4 402 644	19044
4 402 649	19044	46 402 681	19066	46 402 682	19067
46 407 372	19054	46 407 373	19055	46 423 822	19056
46 423 823	19057	46 430 002	19066	46 430 003	19067
4641 3122	19026HPS	4646 2049	49088	4647 6755	33005
4652 2142	49065	4652 5407	49064	50 705 464	49094
50 705 465	49095	50 705 544	49095	51 827 736	49094
51 827 737	49095	51 827 738	49095	5170 1045	19026HPS
595 8246	19047	6015 0360	19008	6080 9242	33009
6081 3377	19026HPS	7 591 215	19053	7 591 216	19052
7 601 261	19045	7 777 240	19057	75 851 37	19048
760 1065	33019	763 3721	19043	77 362 279	19492
77 362 380	49071	77 362 381	59010	77 362 502	49071
7736 2280	19493	777 5343	33227	777 5344	33228
82 461 062	19057	82 461 082	19057	8238 7676	19059
8246 0439	19059	8248 0099	49014	9 946 948	19068
9 946 949	19065	9 947 435	19052	9 947 436	19053
9 947 437	19052	9 947 438	19053	9404 059 080	19430
9404 059 080	19078	9566 950 880	19023	993 9557	19017
994 1625	19022	994 5562	19079	9947 926	49098
9948 296	59011				

LAND ROVER	MAPCO	LAND ROVER	MAPCO	LAND ROVER	MAPCO
ANR 1799	59683	ANR 3304	59679	ANR3825	51675
LR 028245	51674	LR 028249	51673	LR0 02609	51620
LR0 02610	51619	LR0 30047	51686	NRC 6007	59681
NRC145	51677	NRC4745	59680	NTC1886	59681
NTC1888	59678	QFK 500030	51692	QFK500010	52681
QFK500020	52680	QFS 000010	51678	QFS 100060	51678
QHG000050	51676	QHG000070	51675	QHG100010	51676
QJB 100220	59685	QJB 500040	51689	QJB100230	59684
QJB500010	51684	QJB500050	51683	RBJ 000061	51687
RBJ 000062	51687	RBJ 102450	59688	RBJ 500183	51674
RBJ 500193	51673	RBJ 500221	51671	RBJ 500222	51671
RBJ 500231	51670	RBJ 500232	51670	RBJ 500710	51687
RBJ 500920	51687	RBJ 501460	51674	RBJ 501470	51673
RBJ 501540	51674	RBJ 501550	51673	RBJ102440	59689
RBJ102920	59689	RBJ102930	59688	RBK 000010	51688
RBK 000011	51688	RBK 000012	51688	RBK 500030	51672
RBK 500040	51685	RBK 500150	51688	RBK 500180	51685
RBK 500210	51688	RBK 500230	51685	RBK 500240	51685
RBK 500280	51685	RBK 500300	51685	RBK500161	52682
RBK500170	52682	RBM 000011	51686	RBM 500140	51694
RBM 500150	51693	RBM 500200	51686	RBM100170	59687
RBM100171	59687	RBM100172	59687	RBM100223	59697HPS
RBM500190	51681	RBX101790	36962	RGD000311	51682
RGD000312	51682	RGD100682	59698	RHF000260	36690
RTC 5870	59680	RTC1800	59681	RTC5869	59681
STC1871	51678	TIQ000030	51683	575 882	59682

Die aufgeführten Vergleichsnummern dienen nur zur besseren Identifikation.

References are only specified for a better identification.

Les références mentionnées ne servent qu' à une meilleure identification.

LEXUS	MAPCO	LEXUS	MAPCO	LEXUS	MAPCO
48810-53010	51278	48820-53010	51279		
MAZDA	MAPCO	MAZDA	MAPCO	MAZDA	MAPCO
BA01-34-300E	49581	BA01-34-350E	49580	BBM2-28-C10	59646
BBP3-28-500A	59647	BC1D-28-170	19593HPS	BC1D-28-170A	19593HPS
BC1D-34-470	33535	BE7B-34-300A	49581	BE7B-34-350A	49580
BF62-32-240	19581	BF67-32-24X	19581	BF67-32-240	19581
BP4K 34 170D	59664HPS	BP4K-28-C10A	59646	BP4K-28-C10B	59646
BP4K-28-170C	51610HPS	BP4K-28-170D	51610HPS	BP4K-28-170E	51610HPS
BP4K-28-500A	59647	BP4K-28-500B	59647	BP4K-28-500C	59647
BP4K-28-500C	59668	BP4K-28-500D	59647	BP4K-28-500E	59647
BP4K-34-170C	59664HPS	BP4K-34-300E	51331	BP4K-34-350E	51330
BP4L-32-240	51344	BP4L-32-280	51343	BP4L-32-290	51342
BR70-34-300B	49231	BR70-34-350B	49230	BTDA-34-550	49589
B001-34-550	19582	B01A-34-300	49581	B01A-34-350	49580
B01A-34-550	49589	B01A-34-550A	49589	B02B-34-300E	49581
B02B-34-350E	49580	B037-99-324	19580	B092-32-240	19581
B092-34-550	19582	B093-32-240	19581	B094-32-240	19581
B097 34 470A	33541	B21H-32-25X	59711	B21H-32-280	19583
B25D-32-240	59715	B25D-32-250	59714	B25D-34-300A	49585
B25D-34-300B	49585	B25D-34-300C	49585	B25D-34-300D	49585
B25D-34-350A	49584	B25D-34-350B	49584	B25D-34-350C	49584
B25D-34-350D	49584	B25D-34-460	33538	B25D-34-470	33539
B26R-28-170	49591HPS	B26R-34-170	49590	B26R-34-170	49590HPS
B30H-28-170B	51332HPS	B32H-34-250E	36622	B32H-34-300	51331
B32H-34-300A	51331	B32H-34-300D	51331	B32H-34-350	51330
B32H-34-350A	51330	B32H-34-350D	51330	B455-32-24X	19584
B455-32-25X	19594	B455-32-280	19583	B455-34-300	49231
B455-34-300E	49231	B455-34-350	49230	B455-34-350E	49230
B455-34-550	19585	B456-32-24X	59231	B456-32-25X	19594
B459-34-470	33533	B530-34-300A	49231	B530-34-350A	49230
C002-34-300A	51346	C002-34-300B	51346	C002-34-300C	51346
C002-34-350A	51345	C002-34-350B	51345	C002-34-350C	51345
C100-34-300B	59390	C100-34-350B	59389	C2Y6-28-46X	33678
C236-28-500	59647	C236-28-500A	59647	C236-28-500A	59668
DD32-34-170	19774	DD32-34-170	19774HPS	DD32-34-300	59651
DD32-34-300 part of	33681	DD32-34-350	59650	DD32-34-350 part of	33681
DE90-32-240	59663	DE90-32-280	59670	DE90-32-290	59669
D001-32-24X	51533	D031-34-310A	51531	D031-34-320A	51531
D651-32-240	51629	D651-32-280	51628	D651-32-290	51627
D651-34-170	52600	D651-34-170A	52600	D651-34-300	51348
D651-34-300B	51348	D651-34-300C	51348	D651-34-300D	51348
D651-34-350	51347	D651-34-350B	51347	D651-34-350C	51347
D651-34-350D	51347	D651-34-350E	51347	D653-32-240	51629
D653-32-280	51628	D653-32-290	51627	D654-32-280	51628
EA01-28-170D	59534	EA03-34-170	19516	EA03-34-170A	19516
EC01-34-150	19593HPS	EC01-34-150A	19593HPS	E016-32-25X	49586
E016-32-250	59232	GA2A-32-240	19599	GA2A-32-250	19599
GA2A-32-280A	59350	GA2A-32-280A	19589	GA2A-34-150	19591HPS
GA2A-34-150A	19591HPS	GA2A-34-170	19590HPS	GA2A-34-170A	19590HPS

Die aufgeführten Vergleichsnummern dienen nur zur besseren Identifikation.

References are only specified for a better identification.

Les références mentionnées ne servent qu' à une meilleure identification.

MAZDA	MAPCO	MAZDA	MAPCO	MAZDA	MAPCO
GA2A-34-300	49583	GA2A-34-350	49582	GA2A-34-46XE	33531
GA2A-34-46YE	33530	GA2B-28-170	19592HPS	GA2B-28-170A	19592HPS
GA2B-28-170B	19592HPS	GA2B-34-470A	33534	GA2C-28-170A	19592HPS
GA2C-28-170B	19592HPS	GA6B-E34-300	49583	GA6B-E34-350	49582
GA6B-34-300A	49583	GA6B-34-300E	49583	GA6B-34-350A	49582
GA6B-34-350E	49582	GA6B-99-356	19587	GA6B-99-356A	19587
GD7A-34-300A	51346	GD7A-34-350A	51345	GD7A-34-46X	33536
GD7A-34-46Y	33537	GE4T-128-170	59535HPS	GE4T-28-170	59535HPS
GE4T-31-350C	51345	GE4T-32-240	59712	GE4T-32-240A	59712
GE4T-34-300B	51346	GE4T-34-300C	51346	GE4T-34-300D	51346
GE4T-34-300E	51346	GE4T-34-350A	51345	GE4T-34-350B	51345
GE4T-34-350C	51345	GE4T-34-350D	51345	GE4T-34-350E	51345
GF22-34-300A	51539	GF22-34-350A	51538	GF22-34-350B	51538
GG3P-34-200B	51314	GJ22-32-240	19588	GJ22-34-300A	51539
GJ22-34-300B	51539	GJ22-34-350A	51538	GJ22-34-350B	51538
GJ6A-28-C10A	59370	GJ6A-28-170	51336	GJ6A-28-170A	51336
GJ6A-28-170B	51336	GJ6A-30-170B	51336	GJ6A-34-J00B	59369
GJ6A-34-J00C	59369	GJ6A-34-J50B	59368	GJ6A-34-J50C	59368
GJ6A-34-150A	51335HPS	GJ6A-34-170A	51334HPS	GJ6A-34-200B	49234
GJ6A-34-250B	49235	GJ6A-34-300B	49233	GJ6A-34-300C	49233
GJ6A-34-300D	49233	GJ6A-34-300E	49233	GJ6A-34-540	51314
GJ6E-32-24X	51315	GJ6E-32-240	51315	GJ6E-32-280	51341
GJ6E-32-280A	51341	GJ6E-32-290	51340	GJ6E-32-290A	51340
GJ83-34-300A	51539	GJ83-34-300B	51539	GJ83-34-350A	51538
GJ83-34-350B	51538	GN98-34-350A	51538	G030-34-460C	33541
G030-99-356	19587	G26A-32-280	51341	G26A-32-290	51340
H001-99-324	19595	KKY01-34-310	51531	KKY01-34-390A	51531
LA01-32-115	59349	LB41-34-460	33540	LB82-34-300	49236
LB82-34-300C	49236	LC62-34-170	59388HPS	LC62-34-170A	59388HPS
LC62-34-170B	59388HPS	LC62-34-300C	59395	LC62-34-350C	59394
LC62-34-550	19587	LX62-34-170	59388HPS	M001-99-356A	19587
NA01-32-240	59713	NA01-34-170	49232	SO83-99-364	51540
S083-99-324	51581	S083-99-354	51540	S083-99-356	51537
T001-28-170A	51339HPS	T001-28-170B	51339HPS	T001-32-240A	59716
T001-32-240B	59716	T001-34-17XA	51337	T001-34-170A	51338
UB39-99-354	51534	UB39-99-356	51535	YL8Z-5K-483-AA	19593HPS
1E00-28-460B	33643	1E00-28-460C	33643	1E00-32-240	19644
1E00-32-280A	19641	1E00-34-153A	33636	1E00-34-156	33628
1E00-34-156	33628/2	1E00-34-170	19604HPS	1E00-34300A	19643
1E00-34300B	19643	1E00-34300D	19643	1E00-34300E	19643
1E00-34300F	19643	1E00-34300G	19643	1E00-34350A	19642
1E00-34350B	19642	1E00-34350D	19642	1E00-34350E	19642
1E00-34350F	19642	1E00-34-550	19763	1E01-32280A	19640
1E01-34-153A	33635	1E01-34-153B	33635	1E01-34-170	19604HPS
1E01-34-170A	59533	1E01-34-170A	19604HPS	1E01-34300A	19643/1
1E01-34300B	19643/1	1E01-34300D	19643/1	1E01-34300E	19643/1
1E01-34300F	19643/1	1E01-34300G	19643/1	1E01-34350A	19642/1
1E01-34350B	19642/1	1E01-34350D	19642/1	1E01-34350E	19642/1
1E01-34350F	19642/1	1E01-34350G	19642/1	8AB0-32-280	19583

Die aufgeführten Vergleichsnummern dienen nur zur besseren Identifikation.

References are only specified for a better identification.

Les références mentionnées ne servent qu' à une meilleure identification.

MAZDA	MAPCO	MAZDA	MAPCO	MAZDA	MAPCO
8AB1-32-280	19580	8AB2-32-280	19583	8AG3-32-280	59350
8AG3-32-280	19589	8AG4-32-280	19589	8AH1-32-280	19595
8AL1-32-280	59338	8AS2-34-510A	51537	8AU1-34-540	51534
8AU2-34-510	51535	8AU3-34-510	51536		
MERCEDES-BENZ	MAPCO	MERCEDES-BENZ	MAPCO	MERCEDES-BENZ	MAPCO
A203 333 021 427	36987	A211 333 2814	36988	A211 333 2914	36988
A220 330 5711	51832	A601 321 035 064	33946	A90-610-551003	52810
Y638 330 0110	49839	000 320 0028	59898	000 320 0128	59898
000 330 1007	51882	000 330 5035	49847	000 338 0710	51850
000 338 0810	19836	000 338 1910	51850	000 338 1910	59897
000 338 2010	19836	000 338 4210	19823	000 338 4310	19827
000 338 4310	19824	000 338 4410	19823	000 338 4510	19827
000 338 4510	19824	000 338 4610	59897	000 338 4710	19846
000 338 4810	19848	000 338 4910	19826	000 338 5010	19836
000 338 5110	19846	000 338 5210	51850	000 338 5210	59897
000 338 5310	19848	000 338 5410	19848	000 338 5510	59897
000 338 5610	19847	000 338 5910	19849	000 338 6010	19824
000 338 6010	19827	000 338 6110	19823	000 338 6210	19824
000 338 6210	19827	000 338 6310	19826	000 460 2148	49847
000 460 2248	49848	000 460 4148	49847	000 460 4248	49848
000 460 4548	49847	000 460 4648	49848	000 460 8548	49847
000 460 8648	49848	001 330 4835	49882	001 330 4835	19742
001 330 5235	59866	001 330 5335	59867	001 330 6235	19833
001 330 6335	19834	001 330 6935	59866	001 330 7035	59867
001 330 7435	49800	001 330 7735	49800	1 330 6235	19833
1 330 6335	19834	1 330 7735	49800	115 463 0650	59831
116 330 0203	49899	116 333 0927	19844	116 460 0605	19838
116 460 0905	19838	123 330 0403	19829	123 330 0703	19829
123 330 1503	19829	123 330 1803	19829	123 330 4607	19842
123 330 4707	19843	123 330 5207	19842	123 330 5307	19843
123 338 0110	19840	123 338 0210	19841	123 460 0050	33972
123 460 0605	19838	123 460 0905	19838	123 460 1505	19838
123 460 1605	19829	123 586 0046	33972	123 586 0246	33972
124 320 0147	36908	124 320 0289	19839	124 320 0289	59847HPS
124 320 0447	33889/4	124 320 1947	36913	124 323 1785	33889/3
124 323 2385	33889/2	124 323 3785	33845	124 330 0275	33841/4
124 330 0575	33841/4	124 330 0803	19830/1	124 330 0903	19831/1
124 330 3007	49817	124 330 3107	49818	124 330 3407	49828
124 330 3507	49829	124 330 3807	49815	124 330 3907	49816
124 333 0127	19828	124 333 0327	19828	124 350 0129	19819
124 350 0153	19832	124 350 0341	33910	124 350 0575	33836
124 350 6408	33910	124 350 7006	19818	124 350 7006	19817
124 350 7106	19817	124 350 7106	19818	124 350 7606	19817
124 350 7706	19818	124 350 8608	37876	124 351 0242	33942
124 351 1342	36899	124 351 2242	36899	124 352 0267	36899
124 352 3465	33836	124 352 3565	33838	124 352 4165	33865
124 352 7065	36972	124 352 7765	33865	124 352 8465	36972
124 352 8665	33837	124 352 9065	33836	124 460 0019	33972
124 460 0050	33972	124 460 0150	33972	124 460 0805	19845

Die aufgeführten Vergleichsnummern dienen nur zur besseren Identifikation.

References are only specified for a better identification.

Les références mentionnées ne servent qu' à une meilleure identification.



MERCEDES-BENZ	MAPCO	MERCEDES-BENZ	MAPCO	MERCEDES-BENZ	MAPCO
124 460 1205	49813	124 463 0066	59831	1244 601405	59800
126 330 0303	49898	126 330 0403	49899	126 330 0503	49898
126 330 0603	49899	126 330 0607	49896	126 330 0707	49897
126 333 3814	33970	126 460 0819	33972	126 463 0066	59831
129 330 0203	59865	129 350 0406	19817	129 350 0506	19818
140 320 0889	59845	140 320 1189	49826	140 320 1289	49827
140 320 1789	59856	140 320 3589	59845	140 330 0003	19837
140 330 2942	36919	140 330 3942	36919	140 330 4207	59836
140 330 4307	59837	140 330 5407	49819	140 330 5507	49820
140 330 5807	49819	140 330 5907	49820	140 330 6007	33867
140 330 6307	33867	140 330 6407	59836	140 330 6507	59837
140 330 7007	59836	140 330 7107	59837	140 330 7607	49819
140 330 7707	49820	140 330 8207	33867	140 333 0327	49891
140 333 1714	36980	140 333 1814	33971	140 333 1814 26	33971
140 350 1853	49893	140 350 2453	49893	140 350 3053	49893
140 350 3406	49888	140 350 3506	49889	140 350 3606	49890
140 350 8708	36920	140 351 7142	36921	140 351 8142	36922
140 352 4465	37833	140 352 4565	37832	140 352 4765	37833
140 352 4865	37832	140 352 8065	36923	140 352 8665	36923
140 460 0805	49892	140 460 0819	33922	163 320 0090	51845
163 320 0190	51844	163 330 0003	59873	163 330 0035	59832
163 330 0103	59872	163 330 0135	59832	163 330 0175	37834
163 330 0203	59873	163 330 0203	59872	163 330 0403	59873
163 333 0001	51854	163 333 0101	51855	163 338 0015	59872
163 338 0115	59873	163 338 0215	59899	163 350 0013	59838
163 350 0113	59838	163 352 0001	51842	163 352 0101	51843
163 352 0401	51842	163 352 0501	51843	168 320 0389	49834HPS
168 320 0589	49834HPS	168 320 0789	49834HPS	168 320 1089	49834HPS
168 320 1189	49834HPS	168 330 0807	49814/1	168 330 0827	49814/1
168 330 0907	49814/2	168 330 0927	49814/2	168 330 1107	49814/1
168 330 1135	49823	168 330 1207	49814/2	168 330 1235	49824
168 330 1335	49894	168 330 1535	49823	168 330 1635	49824
168 330 1707	49814/1	168 330 1807	49814/2	168 330 2307	49814/1
168 330 2407	49814/2	168 333 0127	49825	168 333 0227	49825
168 333 0614	33943	168 333 0714	33944	168 981 0318	59846
168 981 0518	59846	168 981 0518S1	59846	169 320 0989	52806HPS
169 333 0027	51848	169 333 0114	37845	169 333 0127	51848
170 330 0075	36917	170 330 0107	49821	170 330 0207	49822
180 330 1048	19836	201 320 0047	33868	201 320 0447	33889/4
201 330 0703	19822	201 330 1203	19825	201 330 1503	19822
201 330 1603	19825	201 330 3807	49815	201 330 3907	49816
201 333 4514	33936	201 333 5114	33841	201 350 1953	19832
201 350 2753	19832	201 350 2953	19832	201 350 3253	19832
201 350 4706	19820	201 350 5606	19820	201 351 2742	36924
201 352 0027	59864	201 352 0027	33870	201 352 3665	33874
201 352 8765	33973	201 352 8865	33973	201 460 1405	19821
201 460 1505	19821	202 330 0075	36916	202 330 2007	49804
202 330 2607	49821	202 330 2707	49822	202 330 3007	49803
202 330 3107	49804	202 330 3607	49803	202 330 4107	49821

Die aufgeführten Vergleichsnummern dienen nur zur besseren Identifikation.

References are only specified for a better identification.

Les références mentionnées ne servent qu' à une meilleure identification.

MERCEDES-BENZ	MAPCO	MERCEDES-BENZ	MAPCO	MERCEDES-BENZ	MAPCO
202 330 4207	49822	202 330 4807	49803	202 330 4907	49804
202 333 0027	49802	202 333 6214	33976	202 333 6414	36911
202 333 6714	36912	202 333 7714	33977	202 350 3408	36971
202 351 0842	33978	202 352 0065	36972	202 352 0165	36972
202 460 0219	59869	202 460 0319	33974	202 460 0405	49801
202 460 0505	59862	203 320 0489	49895HPS	203 320 0789	59859
203 320 0889	59860	203 320 1889	59861HPS	203 320 1889	59861
203 320 2189	59857HPS	203 320 2189	59857	203 320 2589	49895HPS
203 320 2689	59857HPS	203 320 2689	59857	203 320 2889	49895HPS
203 320 2989	59857HPS	203 320 2989	59857	203 330 0111	59885
203 330 0211	59884	203 330 1611	59884	203 330 1711	59885
203 330 1903	59840	203 330 1911	59881	203 330 2003	59841
203 330 2011	59882	203 330 2303	59840	203 330 2403	59841
203 330 3311	59881	203 330 3411	59882	203 330 3511	59885
203 330 3611	59884	203 330 3903	59840	203 330 3911	59885
203 330 4003	59841	203 330 4011	59884	203 333 0314	37874
203 333 0514	37844	203 333 0914	37874	203 333 1014	36987
203 350 0353	51851	203 350 0753	51851	204 330 0903	59840
204 330 1003	59841	204 330 1911	59881	204 330 2011	59882
204 330 3111	52835	204 330 3211	52836	204 330 4311	59885
204 330 4411	59884	204 330 6711	52835	204 330 6811	52836
204 350 0029	52843	204 350 0553	52837	204 350 0653	52838
204 350 1506	52839	204 350 1606	52840	204 350 2106	52841
204 350 2206	52842	204 350 2706	52843	204 350 3306	52841
204 350 3406	52842	208 330 0507	49804	208 330 1307	49803
208 330 1407	49804	210 320 2189	49812HPS	210 320 2289	49811HPS
210 320 3689	49812HPS	210 320 3789	49811HPS	210 330 0035	49802
210 330 0175	36909	210 330 0427	49802	210 330 0475	36909
210 330 2207	49803	210 330 2307	49804	210 330 2507	49803
210 330 2607	49804	210 330 3407	49808	210 330 3507	49809
210 330 4507	49809	210 330 5007	49803	210 330 5107	49804
210 330 6107	49808	210 330 6207	49809	210 330 7607	49808
210 330 7707	49809	210 330 8707	49803	210 330 8807	49804
210 330 9007	49808	210 330 9107	49809	210 333 5514	33979
210 333 6814	36910	210 338 0415	49807	210 338 0515	49805
210 338 0615	49806	210 350 0029	19819	210 350 0653	19832
210 350 0953	19832	210 350 1453	19832	210 350 1606	19817
210 350 1706	19818	210 350 1853	19832	210 350 2153	19832
210 350 2406	19818	210 350 2406	19817	210 350 2506	19817
210 350 2506	19818	210 350 3306	19820	210 350 3406	19817
210 350 3406	19818	210 350 3806	59830/1	210 350 3806	19819
210 350 3806 S1	59830/1	210 350 5808	36973	210 351 0842	36796
210 352 0665	37832	210 352 0965	33837	211 320 0889	59858HPS
211 320 0989	59833	211 320 1089	59834	211 320 3389	59858HPS
211 323 0068	51847	211 330 0103	51840	211 330 0203	51841
211 330 0235	51834	211 330 0335	49802	211 330 0435	51834
211 330 1111	51835	211 330 1211	51836	211 330 1511	51835
211 330 1611	51836	211 330 2303	51840	211 330 2403	51841
211 330 2503	51840	211 330 2603	51841	211 330 2911	51835

Die aufgeführten Vergleichsnummern dienen nur zur besseren Identifikation.

References are only specified for a better identification.

Les références mentionnées ne servent qu' à une meilleure identification.

MERCEDES-BENZ	MAPCO	MERCEDES-BENZ	MAPCO	MERCEDES-BENZ	MAPCO
211 330 3011	51836	211 330 4307	51852	211 330 4407	51853
211 330 4411	51836	211 330 6707	51852	211 330 6807	51853
211 330 8107	51837	211 330 8207	51838	211 330 8907	51852
211 330 9007	51853	211 330 9107	51837	211 330 9207	51838
211 330 9907	51882	211 331 0083	51882	211 333 1014	36988
211 333 1114	33883	211 333 1914	37875	211 333 2214	37889
211 333 2514	36988	211 333 2814	36988	211 333 2914	36988
211 338 0015	51839	211 352 0865	36989	220 320 1589	52826
220 320 1689	52825	220 320 3689	59845	220 323 0368	51847
220 330 1407	51830	220 330 1507	51831	220 330 4307	59879
220 330 4311	51832	220 330 44 07	59880	220 330 4411	51833
220 330 5811	51833	220 330 8307	51830	220 330 8407	51831
220 330 8607	37877	220 330 8707	37877	220 330 8907	59879
220 330 9007	59880	220 330 9107	37877	220 330 9307	51830
220 330 9407	51831	220 333 0127	51834	220 333 0227	51834
220 333 0327	51834	220 333 0427	51834	220 333 0727	51834
220 333 1814	36832	220 333 3114	37890	220 338 0203	59843
220 338 0515	59843	220 338 0715	59844	220 338 1015	59843
220 350 0453	59874	220 350 2206	59876	220 350 2406	59877
220 350 2606	59878	220 350 2706	59878	220 352 0027	59864
220 352 0227	59864	220 352 0227	33870	221 330 0307	52823
221 330 0407	52824	221 330 2311	51880	221 330 2411	51881
221 330 6311	51880	221 330 8207	52821	221 330 8207	52822
221 330 8907	52823	221 330 9007	52824	221 333 0814	37835
221 350 0206	51860/1	221 350 0406	52827	221 350 0606	52828
221 350 0706	52829	221 350 0806	52830	221 350 1006	51860
221 350 1153	52833	221 350 1253	52834	221 352 1165	37883
221 352 1265	37884	221 352 1365	37885	221 352 1465	37886
221 352 2165	37887	221 352 2265	37888	230 330 0203	59843
230 330 1711	51835	230 330 1811	51836	230 333 0114	37877
230 333 0314	36833	230 338 0015	59844	230 338 0115	59843
230 350 0329	52831	230 350 0429	52832	230 350 2006	52818
230 350 2706	51856	230 350 2806	51857	230 350 3506	51858
230 350 3606	51859	230 352 0027	33870	230 352 0027	59864
230 352 1465	37831	230 352 1565	36838	230 352 1665	37830
240 460 0419	33922	251 330 0707	52807	251 330 0807	52808
309 406 1605	49844	309 460 0805	49844	309 460 1305	49844
309 460 2905	49844	309 460 3105	49844	309 460 3205	49844
310 330 1335	49847	338 5210	51850	338 5310	19848
338 5410	19848	338 5510	59897	338 5610	19847
338 5910	19849	338 6010	19824	338 6110	19823
338 6310	19826	460 330 1235	49882	460 330 1235	19742
460 330 1335	49882	460 8748	49848	601 324 0050	36925
601 324 0150	36925	601 460 0005	49844	601 460 0105	49844
601 460 0905	49845	601 460 1005	49845	601 460 1105	49845
601 460 1205	49845	601 460 1305	49845	601 460 1405	49845
601 460 1505	49845	602 324 0050	36925	602 324 0150	36925
602 326 0282	36926	602 330 5435	49880	602 330 5535	49849
602 330 5735	49880	602 330 5835	49849	602 330 5935	49880

Die aufgeführten Vergleichsnummern dienen nur zur besseren Identifikation.

References are only specified for a better identification.

Les références mentionnées ne servent qu' à une meilleure identification.

MERCEDES-BENZ	MAPCO	MERCEDES-BENZ	MAPCO	MERCEDES-BENZ	MAPCO
602 330 6035	49849	602 624 0150	36925	608 320 0028	59898
608 320 0128	59898	608 330 5535	49880	631 320 0028	59898
631 320 0228	59898	631 330 0310	49884	631 330 0410	49883
631 330 0435	49881	631 330 0503	49886	631 330 0703	49886
631 338 0310	49884	631 338 0410	49883	631 338 0510	49882
638 323 0268	49841HPS	638 323 0285	37837	638 323 0368	49840HPS
638 323 0468	52800HPS	638 323 0568	52801HPS	638 326 0016	49843
638 326 0116	49843	638 330 0010	59801	638 330 0027	49839
638 330 0110	59802	638 333 0027	49839	638 333 0814	37836
638 460 0055	49837	638 460 0205	49838	638 460 0255	49837
639 320 0089	52804HPS	639 320 0189	52805HPS	639 320 0289	52804HPS
639 320 0389	52805HPS	639 320 0489	52804HPS	639 320 0589	52805HPS
680-137-20AA	52814	680-137-21AA	52813	901 320 0289	59854
901 320 0389	59855	901 323 0285	36947	901 326 0081	37838
901 333 0627	49831	901 333 0727	49831	901 333 1027	49831
901 333 1127	49831	901 333 1227	49831	901 460 0155	49833
901 460 0255	49833	901 460 0455	49833	904 323 0085	33947
905 320 0489	52802	905 320 0589	52803	906 320 1389	52815
906 320 1789	52813	906 330 4007	52816	906 330 4107	52817
906 460 0048	52809	906 460 0148	52809	906-105-51003	52810
906-320-1889	52814	906-460-0055	52810	906-460-0055	52811
MINI	MAPCO	MINI	MAPCO	MINI	MAPCO
31 12 6 753 991	51661	31 12 6 753 992	51662	31 12 6 756 309	51660
3112 4012 193	36691	3112 4048 629	52690	3112 4048 630	52691
3112 6757 551	36691	3112 6772 303	52690	3112 6772 304	52691
3135 1507 989	59695	3135 6759 537	59614HPS	3211 6754 563	51669
3211 6754 563	59692	3211 6754 564	51669	3211 6754 564	59693
3211 6761 557	51669	3211 6761 558	51669	3221 6754 565	59690
3221 6754 566	59691	3355 1507 999	59694		
MITSUBISHI	MAPCO	MITSUBISHI	MAPCO	MITSUBISHI	MAPCO
MA159984	59221	MA169614	59221	MB 809355	59309
MB001699	19542	MB001715	19542	MB002475	59223
MB002476	59223	MB006359	49249	MB076003	59220
MB076532	49249	MB109585	59223	MB109587	59224
MB109588	59224	MB112476	59223	MB122011	59222
MB122012	59222	MB122477	59223	MB122781	59221
MB122782	59221	MB130982	33552	MB166426	19510
MB166427	49249	MB166980	59220	MB166982	59221
MB175544	59224	MB176308	19552	MB176309	19551
MB192430	49256	MB241155	19551	MB241156	19551
MB241171	19546	MB241206	19545	MB241423	59304
MB241818	59224	MB241883	49578	MB241974	51598
MB267877	51543	MB303375	49578	MB315629	19510
MB315775	19546	MB315776	19545	MB347599	59310
MB347666	19541	MB349475	19551	MB349575	19551
MB378701	59220	MB378704	59221	MB430 112	49940
MB430113	49941	MB518283	59539	MB518806	59356
MB518807	59357	MB518892	19543HPS	MB518892	59542

Die aufgeführten Vergleichsnummern dienen nur zur besseren Identifikation.

References are only specified for a better identification.

Les références mentionnées ne servent qu' à une meilleure identification.

<b>MITSUBISHI</b>	<b>MAPCO</b>	<b>MITSUBISHI</b>	<b>MAPCO</b>	<b>MITSUBISHI</b>	<b>MAPCO</b>
MB527157-01	59539	MB527161-01	59539	MB527169	19547
MB527169	19540	MB527228	59303	MB527349	49247
MB527350	49247	MB527383	49940	MB527383-01	49248
MB527384	49941	MB527384-01	49248	MB527511-01	59539
MB527512-01	59539	MB527650	59310	MB532046	19541
MB532971	59306	MB553249	19550	MB564855	59373
MB564991	49256	MB573043	19543HPS	MB573540	59540HPS
MB584021	49240	MB598023	19540	MB598023	19547
MB633820	33553	MB633926	51549	MB672370	59510
MB672370	59510HPS	MB808076	59511HPS	MB808909	33551
MB808910	33550	MB809220	59397	MB809221	59396
MB809222	51550	MB809223	51551	MB809354	19544
MB83037	19554	MB831035	49546	MB831036	49547
MB831038	19555	MB831040	59340	MB831042	59305
MB831043	19549	MB831044	19548	MB831559	51240
MB860408-01	59539	MB860829	19553	MB860830	19553
MB864164	59310	MB891788	49541	MB892981	59541HPS
MB892982	19543HPS	MB907115	49540	MB907116	49541
MB907163	49540	MB907164	49541	MB910934	59308
MB910961	59308	MB912076	19540	MB912076	19547
MB912077	49540	MB912078	49541	MB912505	49243
MB912506	49244	MB912509	49241	MB912509	49242
MB912510	49241	MB912510	49242	MB912511	59398
MB912512	59399	MB912519	49256	MB949343	59307
MB981787	49540	MM E272116	49905HPS	MM E272118	49909
MN101368	49404HPS	MN101741	51316	MN101742	51317
MN133618	49908	MN133618	49545	MN184194	49406HPS
MN186217	51547	MN186218	51548	MR 131680	49905HPS
MR 272116	49905HPS	MR112394	59545HPS	MR124879	49546
MR124880	49547	MR130807	59308	MR130982	33552
MR131732	59543HPS	MR132551	59546	MR132552	59547
MR162579	49241	MR162580	49242	MR179479	49544
MR179479	49907	MR241341	49542	MR241342	49543
MR244901	59536	MR267873	59544	MR267875	59545HPS
MR267876	59546	MR267877	59547	MR272117	49245
MR272118	49909	MR296093	49546	MR296094	49547
MR296095	49546	MR296096	49547	MR296269	19554
MR296270	19555	MR296295	49241	MR296296	49242
MR297241	51265	MR297242	51266	MR297969	59308
MR297969	59536	MR316368	49250HPS	MR316369	49251HPS
MR316435	59537	MR316435	59537HPS	MR316436	59538HPS
MR316436	59538	MR325576	49242	MR325577	49241
MR333166	59307	MR374521	51543	MR374522	51544
MR392730	51598	MR403419	59283	MR403420	59284
MR403872	59307	MR418052	51545HPS	MR418053	51546HPS
MR439701	49542	MR439702	49543	MR476457	19547
MR491345	59397	MR491346	59396	MR491347	51550
MR491348	51551	MR592811	59340	MR594674	59307
MR911569	51266	MR911570	51265	MR915769	49907

Die aufgeführten Vergleichsnummern dienen nur zur besseren Identifikation.

References are only specified for a better identification.

Les références mentionnées ne servent qu' à une meilleure identification.

<b>MITSUBISHI</b>	<b>MAPCO</b>	<b>MITSUBISHI</b>	<b>MAPCO</b>	<b>MITSUBISHI</b>	<b>MAPCO</b>
MR915769	49544	MR916133	51265	MR916134	51266
MR954888	51598	MR961391	51316	MR961392	51317
M8 84359	49909	PW820083	51265	PW820084	51266
4013A009	49410	4013A010	49411	4013A131	51316
4013A132	51317	4013A135	51547	4013A136	51548
4013A150	51548	4013A255	59283	4013A256	59284
4013A273	59283	4013A274	59284	4013A281	49410
4013A282	49411	4013A404	59284	4056A034	59537HPS
4056A035	59538HPS	4056A038	59540HPS	4056A112	51546HPS
4156A014	49405HPS	4422A012	49415	546180F000	49226HPS

<b>NISSAN</b>	<b>MAPCO</b>	<b>NISSAN</b>	<b>MAPCO</b>	<b>NISSAN</b>	<b>MAPCO</b>
D8520-JY00A	51320	D8521-JD00B	51322	D8521-JG00A	51322
D8640-JY00A	51321	40100-G5110	19537	40110-B9500	19535
40110-G3700	19537	40110-G5100	19537	40110-G5110	19537
40110-T3060	19535	40110-T6000	19535	40110-T6025	19535
40110-00QAA	49156	40110-00QAB	49156	40110-01G25	19535
40110-01G26	19535	40160-AX000	51283	40160-A03G0	59325
40160-A06G0	59325	40160-CA010	51323	40160-CC40A	51323
40160-F4200	59522	40160-G2525	59523	40160-G4010	59523
40160-G5100	59523	40160-G5400	59523	40160-Y02G0	59522
40160-0F000	59520	40160-0M010	59522	40160-0M020	59522
40160-00QAB	49110	40160-00Q0A	59790	40160-000AC	49111
40160-000AD	49111	40160-00001	59522	40160-01A00	59325
40160-01A25	59325	40160-01B25	59521	40160-01E00	59521
40160-01G00	19536	40160-01G25	19536	40160-01G50	19536
40160-01G90	19536	40160-01N25	19536	40160-4F100	19526
40160-50A00	19524	40160-50J25	19524	40160-50W00	59520
40160-50W01	59520	40160-50W25	59520	40160-50Y0R	59522
40160-50Y00	59522	40160-50Y02	59522	40160-50Y10	59522
40160-50Y20	59522	40160-51E00	59521	40160-52Y00	59522
40160-52Y00	19522	40160-52Y10	59522	40160-52Y20	59522
40160-52Y60	59522	40160-60Y10	59522	40160-60Y20	19522
40160-60Y20	59522	40160-60Y60	19524	40160-69C00	19524
40160-69Y00	19522	40160-69Y10	59522	40160-70J00	19524
40160-85E00	59521	40160-86M00	19524	40160-9C500	59599
40160-9W200	51323	40160-9Y000	51323	40160-93G25	59520
40160-93G26	59520	40161-50W01	59520	40161-52Y10	59522
40161-9C500	59598	40161-93G26	59520	45261-90J11	49524
46630-60B00	51593	48510-50Y25	49532	48520-AX600	51319
48520-D0100	59257	48520-D0125	59257	48520-D0126	59257
48520-OM025	19528	48520-Q9000	19520	48520-0M025	19528
48520-0M025	19520	48520-0M085	59524	48520-0M085	59225
48520-00QAH	49137	48520-00QAJ	49138	48520-00QAM	49155
48520-00QAN	49135	48520-00QAP	49136	48520-00Q0G	49136
48520-00Q0H	49135	48520-01B25	19556	48520-01E00	19520
48520-01E25	19520	48520-01E26	59255	48520-01E26	19520
48520-01G25	59254	48520-01N25	59228	48520-01W00	59254
48520-02E00	19520	48520-02E25	19520	48520-15U25	59225
48520-15U26	59225	48520-17B25	19556	48520-31G25	19534

Die aufgeführten Vergleichsnummern dienen nur zur besseren Identifikation.

References are only specified for a better identification.

Les références mentionnées ne servent qu' à une meilleure identification.

NISSAN	MAPCO	NISSAN	MAPCO	NISSAN	MAPCO
48520-35F25	59257	48520-4F125	19525	48520-41W00	59254
48520-50A00	59255	48520-50A26	59255	48520-50Y25	59257
48520-50Y25	19520	48520-6F625	19525	48520-61G25	59526
48520-61G25	59254	48520-7F000	19534	48520-71L25	59225
48520-71L25	59524	48520-73J25	19523	48520-73J35	19523
48520-76J25	19523	48520-88E25	59256	48520-88E26	59256
48520-9C025	19523	48521-D0100	51267	48521-G5101	59527
48521-G5125	59527	48521-Y02G0	19521	48521-0C005	59525
48521-0C025	59525	48521-00QAA	19195	48521-00QAF	49125
48521-00QAG	49117/1	48521-00QAG	51117/1	48521-01G25	59258
48521-01G25	59259	48521-01N25	59227	48521-01W00	59259
48521-06R05	19530	48521-06R06	19530	48521-1M210	59253
48521-1M226	59360	48521-1M226	59253	48521-31G25	19533
48521-35F00	51267	48521-40D25	59525	48521-40U01	59525
48521-40U25	59525	48521-40U26	59525	48521-40U27	59525
48521-40426	59525	48521-50Y00	19521	48521-50Y25	19521
48521-50000	19521	48521-50400	19521	48521-70A00	51267
48521-70A06	51267	48521-72E00	19530	48521-72E06	19530
48521-72L00	19530	48521-72V06	19530	48570-31G25	19533
48570-61G25	59528	48640-AX600	51318	48640-01N25	59227
48641-G5101	59229	48641-G5125	59229	48641-01N25	59228
52525-2F010	49526	54423-00QAA	36705	54476-41B02	33501
54479-41B02	33501	54500-AV60A	51530	54500-AV600	51530
54500-AV606	51530	54500-AX600	59359	54500-BC41A	59359
54500-BM410	51528	54500-BN300	51528	54500-BU000	51289
54500-JD000	51269	54500-0M010	49529	54500-0M020	49529
54500-0M060	49529	54500-0M202	49529	54500-00QAH	19197
54500-00Q0M	19197	54500-00Q1A	19197	54500-2F500	49535
54500-2U711	49537	54500-2Y411	51287	54500-2Y412	51287
54500-2Y470	51287	54500-21B00	49539	54500-39U01	49221
54500-4B235	49221	54500-4F102	49521	54500-4F105	49521
54500-4F150	49521	54500-4M400	51528	54500-4M410	51528
54500-4M411	51528	54500-4U002	51289	54500-4U012	51289
54500-4U201	51289	54500-41U00	49221	54500-41U01	49221
54500-44B00	49521	54500-5M300	51528	54500-5U300	51289
54500-5Y720	51287	54500-50A00	59322	54500-52Y10	49531
54500-52Y15	49531	54500-52Y60	49531	54500-52Y70	49531
54500-6F600	49537	54500-69Y10	49531	54500-70A00	59322
54500-8H31A	51285	54500-8H310	51285	54500-86J00	49523
54501-AV60A	51529	54501-AV600	51529	54501-AV606	51529
54501-AX600	59358	54501-BC42A	59358	54501-BM410	51527
54501-BN300	51527	54501-BU000	51288	54501-JD000	51268
54501-0M010	49528	54501-0M020	49528	54501-0M060	49528
54501-00QAD	49165	54501-00QAE	49165	54501-00QAH	19109
54501-00QAH	19196	54501-00QQC	49165	54501-00Q0G	19196
54501-00Q0L	19196	54501-2F500	49534	54501-2U711	49536
54501-2Y411	51286	54501-2Y412	51286	54501-21B00	49538
54501-39U01	49220	54501-4F102	49520	54501-4F105	49520
54501-4F150	49520	54501-4M400	51527	54501-4M410	51527

Die aufgeführten Vergleichsnummern dienen nur zur besseren Identifikation.

References are only specified for a better identification.

Les références mentionnées ne servent qu' à une meilleure identification.

NISSAN	MAPCO	NISSAN	MAPCO	NISSAN	MAPCO
54501-4M411	51527	54501-4U012	51288	54501-4U201	51288
54501-41U00	49220	54501-41U01	49220	54501-44B00	49520
54501-5M300	51527	54501-5U300	51288	54501-5Y720	51286
54501-50A00	59321	54501-52Y10	49530	54501-52Y15	49530
54501-52Y60	49530	54501-52Y70	49530	54501-6F600	49536
54501-69Y10	49530	54501-8H31A	51284	54501-8H310	51284
54501-86J00	49522	54502-00QAA	33122	54502-00QAA	49140
54502-00QAA	49142	54502-00QAB	49142	54503-00QAA	33122
54503-00QAA	49141	54503-00QAA	49140	54503-00QAB	49141
54524-2F010	49527	54524-2J001	49527	54524-2010	49527
54524-50J00	49527	54524-86J10	49527	54525-2F010	49526
54525-2J001	49526	54525-2010	49526	54525-50J00	49526
54525-86J10	49526	54541-90J02	33504	54545-90J00	33505
54560-00QAB	33165	54560-00Q0A	33165	54560-17B01	33502
54560-50A00	33507	54560-50Y10	33507	54560-8H300	33581
54570-00QAA	36704	54570-50J00	33503	54570-50Y11	33500
54570-50Y11	33506	54590-01E00	33511	54590-85E00	33511
54616-00QAA	33164	54616-00QAC	49118HPS	54616-00Q0A	49118HPS
54616-00Q0C	49109HPS	54618-AX600	19120HPS	54618-BC40A	19120HPS
54618-BU70A	51282	54618-D5010	49525HPS	54618-VB000	49229
54618-0E000	49222HPS	54618-0F000	49226HPS	54618-0W000	49224HPS
54618-0W001	49224HPS	54618-0W001	49224	54618-00QAA	49108HPS
54618-00QAB	49109HPS	54618-00Q0C	49108HPS	54618-2F010	19529HPS
54618-2Y00A	19539	54618-2Y000	19539	54618-3W400	49224HPS
54618-4M400	59226HPS	54618-4U000	51282	54618-47B0A	49228
54618-47B00	49228	54618-47B01	49228	54618-50Y00	49525HPS
54618-54Y10	59851	54618-58Y10	59851	54618-58Y20	59851
54618-58Y21	59851	54618-58Y60	59851	54618-8H300	51521
54618-86J00	19529HPS	54618-86J25	19529HPS	54618-9C000	59250HPS
54618-9C002	59251	54618-9C002	59251HPS	54618-90J11	19529HPS
54630-28B00	49228	54668-BU70A	51281	54668-2Y00A	19538
54668-2Y000	19538	54668-4U000	51281	54668-8H300	51520
54668-9C000	59250HPS	56260-VB010	51522	56260-0F001	49227HPS
56260-0W001	49223	56260-0W001	49223HPS	56260-01J10	51526
56260-41G11	49223HPS	56260-41G11	49223	56260-51E15	49219
56261-AV611	51525HPS	56261-EQ000	49524	56261-0E000	51525HPS
56261-4F702	19527HPS	56261-4F725	19527HPS	56261-50J00	49524
56261-6F600	19527HPS	56261-86J00	49524	56261-86J25	49524
56261-90J01	49524	56620-VB010	51522	82007-39495	19197
82009-42417	19196				
OPEL	MAPCO	OPEL	MAPCO	OPEL	MAPCO
028 75013	59782	0310 821	49744	0322 078	19805
0322 079	49752	0322 080	49753	0322 125	59295
0322 126	59296	0322 140	49760	0322 142	19803/1
0322 143	19804/1	0322 146	49753	0322 146	49750
0322 147	49751	0322 147	49752	0322 148	49760
0322 149	19805	0322 150	19613	0322 151	49600
0322 151	19615	0322 152	19614	0322 154	49601
0322 154	19616	0322 155	49754	0322 158	49755

Die aufgeführten Vergleichsnummern dienen nur zur besseren Identifikation.

References are only specified for a better identification.

Les références mentionnées ne servent qu' à une meilleure identification.



OPEL	MAPCO	OPEL	MAPCO	OPEL	MAPCO
0322 159	19812	0322 160	19813	0322 168	19813
0322 169	19812	0322 171	19615	0322 171	49600
0322 172	19616	0322 172	49601	0322 173	19803/1
0322 174	19804/1	0322 175	19613	0322 176	19614
0322 177	19615	0322 177	49600	0322 178	49601
0322 178	19616	0322 179	49758	0322 180	49759
0322 575	59367	0322 576	49604	0322 577	49604
0324 038	19719	0324 039	19718	0324 042	19800
0324 050	19800	0324 053	19610	0324 054	19611
0324 055	19610	0324 056	19611	0324 057	49743
0324 058	49742	0324 059	49758	0324 060	49759
0324 061	49600	0324 061	19615	0324 062	49601
0324 062	19616	0324 063	19626	0324 066	19631
0324 186	19628	035 2349	33752	035 2871	59772
0350 078	33729	0350 116	33730	0350 123	33729
0350 127	33735	0350 130	33789	0350 138	33761
0350 147	33791	0350 260	33726	0350 261	33727
0350 263	19607/8HPS	0350 263	19607	0350 600	19606HPS
0350 603	49749HPS	0350 609	19606HPS	0350 610	19600HPS
0350 611	19639	0350 614	19639	0350 616	59026HPS
0352 002	19809	0352 003	19808	0352 028	19630
0352 029	19629	0352 030	19623	0352 041	49608
0352 042	49609	0352 043	19806	0352 044	19807
0352 050	59772	0352 051	49623	0352 052	49624
0352 061	49608	0352 063	49609	0352 065	49609
0352 071	59773	0352 072	59772	0352 087	49092
0352 123	49756	0352 124	49757	0352 132	19624
0352 135	19624	0352 144	19620	0352 147	49756
0352 148	49757	0352 169	49756	0352 172	49757
0352 181	19808	0352 182	19809	0352 193	19619
0352 196	19630	0352 197	19629	0352 300	33725
0352 301	33733	0352 302	33849	0352 303	33848
0352 309	33768	0352 310	33796	0352 319	36703
0352 320	33796	0352 327	33793	0352 334	33752
0352 335	33757	0352 341	33716	0352 342	33715
0352 343	33715	0352 346	33725	0352 347	33714
0352 348	33714	0352 352	33714	0352 355	33715
0352 356	33714/2	0352 356	33714	0352 357	33732
0352 358	33731	0352 365	33794	0352 378	33768
0352 457	33848	0352 458	33849	0352 800	19621
0352 803	49610	0352 821	19816	0352 822	19816
0352 823	19816	0352 826	19617	0352 827	19618
0352 828	49745	0352 829	19621	0352 864	36722
0352 870	59773	0353 460	33714/9	0353 560	33795
0353 561	33734	0402 642	33785	0402 643	33737
0402 645	33786	0402 649	33766	0402 935	33879
0402 942	33753	0423 121	33877	0423 302	33720
0423 313	33787	0423 315	33895	0423 316	33736
0423 318	33720	0444 153	33739	0444 199	33739

Die aufgeführten Vergleichsnummern dienen nur zur besseren Identifikation.

References are only specified for a better identification.

Les références mentionnées ne servent qu' à une meilleure identification.

OPEL	MAPCO	OPEL	MAPCO	OPEL	MAPCO
0444 200	33792	07 840 452	19800	08 946 791	33717
0910 9910	49156	0916 0390	49156	0916 0394	36704
09160395	36705	0920 373	49743	0920 374	49742
1 603 120	19714	1 603 164	19714	1 603 215	19638
116 09 282	19639	13 360 017	59772	1310 5744	59776
1316 7940	36722	1325 8052	49777HPS	1327 2605	59777
1327 2606	59778	13278359	59771	133 27 928	19639
13318885	59773	1333 4022	59777	13360018	59773
1342 6553	19098	1603 008	19810	1603 009	19800
1603 016	59787	1603 121	19802	1603 121	19612
1603 128	19801	1603 148	59782	1603 161	19801
1603 163	19802	1603 163	19612	1603 167	19802
1603 167	19612	1603 187	19801	1603 198	19628
1603 199	19627	1603 202	19632	1603 213	49607
1603 214	19637	1603 214	19638	1603 215	19637
1603 216	49607	1603 227	49620	1603 228	49621
1603 229	49622	1603 240	59786	1603 244	59785
1603 256	49607	1603 257	49619	1603 258	49618
1603 266	49618	1603 267	49619	1603 351	49622
1603 384	59785	1603 415	49622	1603 429	59787
1603 430	59786	1603 455	19631	1603 544	59012
1603 545	59013	1603 644	51302HPS	1603 845	19810
1609 034	49622	1609 457	59012	1609 458	59013
22 792 990	59772	2279 2991	59773	24 428 980	33768
260 30 411	49754	260 32 284	49755	2875 013	59782
3 50 175	59026HPS	3 506 18	49777HPS	310 821	49744
322 078	19805	322 079	49752	322 080	49753
322 125	59295	322 126	59296	322 139	49760
322 140	49760	322 142	19803/1	322 143	19804/1
322 146	49753	322 146	49751	322 146	49750
322 147	49751	322 147	49752	322 147	49750
322 148	49760	322 149	19805	322 150	19613
322 151	19615	322 152	19614	322 154	19616
322 155	49754	322 158	49755	322 159	19812
322 160	19813	322 168	19813	322 169	19812
322 171	49600	322 171	19615	322 172	49601
322 172	19616	322 173	19803/1	322 174	19804/1
322 175	19613	322 176	19614	322 177	49600
322 178	19616	322 178	49601	322 179	49758
322 180	49759	322 575	59367	322 576	49604
322 577	49604	324 036	19710	324 037	19711
324 038	19719	324 039	19718	324 042	19800
324 048	19613	324 049	19614	324 050	19800
324 053	19610	324 054	19611	324 055	19610
324 056	19611	324 057	49743	324 058	49742
324 059	49758	324 060	49759	324 061	49600
324 062	49601	324 063	19626	324 066	19631
350 078	33729	350 081	33755	350 109	33740
350 116	33730	350 122	33755	350 123	33729

Die aufgeführten Vergleichsnummern dienen nur zur besseren Identifikation.

References are only specified for a better identification.

Les références mentionnées ne servent qu' à une meilleure identification.

OPEL	MAPCO	OPEL	MAPCO	OPEL	MAPCO
350 125	33760	350 127	33735	350 130	33789
350 138	33761	350 147	33791	350 161	36764
350 260	33726	350 261	33727	350 263	19607
350 263	19607/8HPS	350 605	19602HPS	350 607	19811HPS
350 607	19811	350 608	59849HPS	350 610	19600HPS
350 611	19639	350 614	19639	350 615	49749HPS
350 616	59026HPS	352 002	19809	352 003	19808
352 007	19629	352 008	19630	352 011	19635
352 012	19636	352 028	19630	352 029	19629
352 030	19623	352 041	49608	352 042	49609
352 043	19806	352 044	19807	352 045	49608
352 051	49624	352 051	49623	352 052	49624
352 052	49623	352 061	49608	352 063	49609
352 067	49092	352 070	36725	352 076	19620
352 077	19619	352 085	49630	352 086	49631
352 087	49092	352 088	49614	352 090	49615
352 106	59777	352 109	36726	352 110	59777
352 115	59778	352 123	49756	352 124	49757
352 135	19624	352 147	49756	352 148	49757
352 169	49756	352 172	49757	352 192	19620
352 196	19630	352 197	19629	352 300	33725
352 301	33733	352 302	33849	352 303	33848
352 309	33768	352 310	33796	352 319	36703
352 320	33796	352 323	33788	352 327	33793
352 334	33752	352 335	33757	352 341	33716
352 342	33715	352 343	33715	352 346	33725
352 348	33714	352 349	33752	352 351	33725
352 352	33714	352 355	33715	352 357	33732
352 357	33788	352 358	33731	352 362	36725
352 363	36726	352 364	33788	352 365	33794
352 365	33731	352 380	33044	352 457	33848
352 458	33849	352 492	59777	352 493	59778
352 800	19621	352 803	49610	352 823	19816
352 826	19617	352 827	19618	352 828	49745
352 829	19621	352 830	19621	352 869	59772
352 947	33044	353 460	33714/9	353 560	33795
353 561	33734	4 566 899	33732	4 709 161	51251
4 803 429	51301	402 642	33785	402 643	33737
402 644	33767	402 645	33786	402 649	33766
402 935	33879	402 937	33754	402 942	33753
423 008	59776	423 017	49605	423 033	59776
423 035	59776	423 121	33877	423 302	33720
423 313	33787	423 315	33895	423 316	33736
423 318	33720	4302 209	49616	440 1852	49165
440 1853	49166	440 1940	49165	440 1941	49166
440 4047	49165	440 4048	49166	4401 909	49111
4401 910	49156	4403 641	19135	4403 661	19136
4403 806	19129	4408 474	49155	4408 904	49118HPS
4408 958	49141	4408 958	33122	4408 958	49140

Die aufgeführten Vergleichsnummern dienen nur zur besseren Identifikation.

References are only specified for a better identification.

Les références mentionnées ne servent qu' à une meilleure identification.

OPEL	MAPCO	OPEL	MAPCO	OPEL	MAPCO
4408 959	49142	4408 959	49140	4408 959	33122
441 8212	49165	441 8213	49166	4412 934	49140
4412 934	33122	4412 936	33122	4412 936	49140
4417 973	49118HPS	4418 192	49109HPS	4419 075	49140
4431 869	59790	444 065	51594HPS	444 065	51594
444 081	49778	444 087	49779	444 153	33739
444 199	33739	444 200	33792	444 291	59783
450 0092	49165	450 1261	49125	4500 090	49156
4500 094	36704	4500 198	49109HPS	4500 199	49108HPS
4500 254	49110	4500 255	49111	4501 262	49137
4501 263	49138	464 023	49628	4701 744	49611
4701 745	49602	4705 172	59784	4705 655	49611
4705 716	49627	4708 299	51254	4708 299	51253
4708 299	33576	4708 300	51252	4708 300	51254
4708 300	33576	4708 302	33577	4709 195	51250
4709 702	51255HPS	480 6301	59781	4806 300	59780
4806 304	51302HPS	4806 305	51303HPS	481 0831	59780
4817 515	51303HPS	53 52 000	19620	53 52 007	19629
5352 001	19619	5352 004	19623	5352 005	19622
5352 008	19630	5352 011	19635	5352 012	19636
5352 014	49756	5352 016	19633	5352 017	19634
5352 019	19811HPS	5352 020	59849HPS	5352 025	49630
5352 026	49631	5352 027	49614	5352 028	49615
5352 029	49612	5352 030	49613	5352 038	19098
5402 630	33758	5402 631	33756	5402 634	33762
5402 638	33762	6606 030	59770	6606 031	59774
90 094 762	19710	90 094 763	19711	90 125 567	59295
90 125 568	59296	90 168 602	33740	90 272 194	19617
90 272 195	19618	90 272 683	19714	90 295 324	19801
90 304 625	49752	90 334 027	19803/1	90 334 028	19804/1
90 334 031	19613	90 334 032	19614	90 334 035	19615
90 334 036	19616	90 373 519	19610	90 373 520	19611
90 373 521	49752	90 392 552	49760	90 392 553	49760
90 442 294	19801	90 445 137	19606HPS	90 445 644	19812
90 445 646	19813	90 468 044	49605	90 468 930	19606HPS
90 495 159	19619	90 496711	59783	90 498 191	19812
90 498 192	19813	90 510 639	19615	90 510 640	19616
90 510 641	19803/1	90 510 641	19804/1	90 510 643	19613
90 510 644	19614	90 510 649	19812	90 510 650	19813
90 511 260	19808	90 538 444	49628	900 905	49603
900 907	49626	902 89 915	49604	90297863	19612
903 73 523	49604	904 73 811	49758	904 73 812	49759
905 10 653	49758	905 10 654	49759	905 11261	19809
912 366	33717	9156 735	33767	92 0007	59771
920 008	59775	920 361	33717	920 373	49743
920 374	49742	9208987	59784	9210 351	49627
93 189 450	49607	93 189023	59012	93 189024	59013
93 191 526	49607	93 195093	51255HPS	93 196541	59013
93 196541	59012	93 196542	59013	93171448	36703

Die aufgeführten Vergleichsnummern dienen nur zur besseren Identifikation.

References are only specified for a better identification.

Les références mentionnées ne servent qu' à une meilleure identification.

OPEL	MAPCO	OPEL	MAPCO	OPEL	MAPCO
9318 8808	49092	9319 0907	49092	9319 1529	51302HPS
93191671	49622	95488871	51303HPS	9551 5571	51252
9551 5571	51254	9551 5571	33576	9551 5572	33576
9551 5572	51253	9551 5572	51254	9551 6404	49140
9681 9161	59780	96996451	51303HPS	9728 9820	19811HPS
9728 9820	19811	97289819	59849HPS		
PEUGEOT	MAPCO	PEUGEOT	MAPCO	PEUGEOT	MAPCO
1608078280	49403HPS	3520 J3	19485	3520 J4	19486
3520.A6	19329	3520.A7	19329	3520.A8	19331
3520.A8	19437	3520.A8	19474	3520.A9	19474
3520.A9	19437	3520.A9	19331	3520.C0	19344
3520.C3	19431	3520.C5	19431	3520.C5	19433
3520.C6	19437	3520.C6	19474	3520.C6	19331
3520.C7	19331	3520.C7	19437	3520.C7	19474
3520.E0	19331	3520.E0	19437	3520.E0	19474
3520.E1	19331	3520.E1	19474	3520.E1	19437
3520.E4	19437	3520.E4	19474	3520.E4	19331
3520.E6	19474	3520.E6	19437	3520.E6	19331
3520.E7	19474	3520.E7	19437	3520.E7	19331
3520.E8	19474	3520.E8	19437	3520.E8	19331
3520.E9	19437	3520.E9	19474	3520.E9	19331
3520.F1	19331	3520.F1	19437	3520.F1	19474
3520.F2	19437	3520.F2	19474	3520.F2	19331
3520.F3	19437	3520.F3	19474	3520.F3	19331
3520.F5	19474	3520.F5	19331	3520.F5	19437
3520.F6	19474	3520.F6	19437	3520.F6	19331
3520.F7	19331	3520.F7	19474	3520.F7	19437
3520.F8	19474	3520.F8	19437	3520.F8	19331
3520.G8	19346	3520.G9	19433	3520.G9	19431
3520.H1	19344	3520.H3	19331	3520.H3	19437
3520.H3	49322	3520.H3	19331/1	3520.H3	19474
3520.H3 + 3640.44	19331	3520.H4	19331	3520.H5	19474
3520.H5	19437	3520.H5	19331	3520.H5	19331/1
3520.H5 + 3640.42	19437	3520.H5 + 3640.51	19474	3520.H7	49301
3520.J4	19485	3520.K4	19329	3520.K6	19487
3520.K8	19383	3520.L0	49084	3520.L1	49086
3520.L7	19398	3520.N3	49084	3520.N4	49086
3520.N6	49320	3520.P1	19385	3520.P2	49301
3520.P4	19431	3520.P4	19433	3520.P6	49082
3520.P8	19431	3520.Q3	19485	3520.R6	19385
3520.R7	49310	3520.R8	49408	3520.S0	19494
3520.S1	19494	3520.S2	19383	3520.V0	49410
3520.V2	49316	3520.V6	49301	3520.V8	49408
3520.W0	19398	3520.W3	19097	3520.Y4	19097
3520.37	19351	3520.48	19310	3520.50	19310
3520.51	19310	3520.54	19349	3520.57	19313
3520.60	19313	3520.60	19317	3520.65	19327
3520.68	19327	3520.70	19487	3520.71	19488
3520.76	19441	3520.77	19468	3520.78	19321

Die aufgeführten Vergleichsnummern dienen nur zur besseren Identifikation.

References are only specified for a better identification.

Les références mentionnées ne servent qu' à une meilleure identification.

PEUGEOT	MAPCO	PEUGEOT	MAPCO	PEUGEOT	MAPCO
3520.79	19322	3520.80	19360	3520.81	19361
3520.92	19360	3520.93	19361	3520.95	19461
3520.96	19463	3520.98	19474	3520.98	19437
3520.98	19331	3520.99	19331	3520.99	19474
3520.99	19437	3521.A1	19475	3521.A1	19438
3521.A1	19332	3521.A1	19475/1	3521.A2	19475
3521.A2	19332	3521.A2	19475/1	3521.A2	19438
3521.A3	19475	3521.A3	19332	3521.A3	19438
3521.A3	19475/1	3521.A5	19438	3521.A5	19475/1
3521.A5	19332	3521.A5	19475	3521.A6	19475/1
3521.A6	19332	3521.A6	19438	3521.A6	19475
3521.A7	19438	3521.A7	19475/1	3521.A7	19475
3521.A7	19332	3521.A8	19475/1	3521.A8	19475
3521.A8	19332	3521.A8	19438	3521.C8	19347
3521.C9	19434	3521.C9	19432	3521.E1	19345
3521.E3	19332/1	3521.E3	19475	3521.E3	49323
3521.E3	19438	3521.E3	19474	3521.E3	19332
3521.E3	19475/1	3521.E3 + 3640.44	19332	3521.E5	19332
3521.E5	19475	3521.E5	19438	3521.E5	19475/1
3521.E5 + 3640.42	19438	3521.E5 + 3640.51	19475	3521.E7	49302
3521.F3	19486	3521.F4	19486	3521.G4	19330
3521.G5	19328	3521.G6	19488	3521.G8	19384
3521.H0	49082	3521.H1	49083	3521.H2	49085
3521.H3	49087	3521.H9	19399	3521.J3	49085
3521.J4	49087	3521.J6	49321	3521.K1	19386
3521.K2	49302	3521.K4	19434	3521.K4	19432
3521.K6	49083	3521.L0	19432	3521.L4	19486
3521.N7	19386	3521.N8	49311	3521.N9	49409
3521.N9	49408	3521.P1	19495	3521.P2	19495
3521.P3	19384	3521.R1	49411	3521.R3	49317
3521.R7	49302	3521.S0	49409	3521.S1	19399
3521.23	49756	3521.26	19352	3521.31	19311
3521.33	19311	3521.34	19311	3521.37	19350
3521.38	19314	3521.41	19314	3521.41	19318
3521.46	19328	3521.49	19328	3521.52	19442
3521.53	19469	3521.55	19475/1	3521.56	19475/1
3521.64	19432	3521.65	19462	3521.66	19464
3521.68	19438	3521.68	19475	3521.68	19332
3521.68	19475/1	3521.69	19475/1	3521.69	19438
3521.69	19332	3521.69	19475	3521.76	19330
3521.77	19330	3521.78	19438	3521.78	19475
3521.78	19475/1	3521.78	19332	3521.79	19475/1
3521.79	19475	3521.79	19438	3521.79	19332
3521.80	19345	3521.83	19432	3521.85	19434
3521.85	19432	3521.86	19438	3521.86	19332
3521.86	19475/1	3521.86	19475	3521.87	19475
3521.87	19332	3521.87	19475/1	3521.87	19438
3521.90	19438	3521.90	19475/1	3521.90	19332
3521.90	19475	3521.91	19332	3521.91	19475/1

Die aufgeführten Vergleichsnummern dienen nur zur besseren Identifikation.

References are only specified for a better identification.

Les références mentionnées ne servent qu' à une meilleure identification.

PEUGEOT	MAPCO	PEUGEOT	MAPCO	PEUGEOT	MAPCO
3521.91	19475	3521.91	19438	3521.94	19332
3521.94	19475	3521.94	19438	3521.94	19475/1
3521.95	19438	3521.95	19475	3521.95	19475/1
3521.95	19332	3521.96	19475/1	3521.96	19438
3521.96	19475	3521.96	19332	3521.97	19475/1
3521.97	19438	3521.97	19475	3521.97	19332
3521.98	19332	3521.98	19438	3521.98	19475
3521.98	19475/1	3521.99	19475/1	3521.99	19438
3521.99	19475	3521.99	19332	3523.AA	33334
3523.AG	33340	3523.AJ	33434	3523.AQ	33485
3523.AV	33459	3523.CA	33459	3523.CC	33435
3523.CE	33436	3523.16	33305	3523.20	33307
3523.27	33306	3523.31	33343	3523.34	33306
3523.35	33306	3523.40	33320	3523.42	33322
3523.49	33306	3523.50	33314	3523.51	33313
3523.52	33314	3523.54	33322	3523.58	33306
3523.59	33417	3523.60	33319	3523.61	33318
3523.66	33314	3523.75	33417	3523.76	33316
3523.77	33336	3523.77	33317	3523.80	33315
3523.83	33431	3523.89	33322	3523.91	33434
3523.92	33336	3523.93	33006	3523.94	33001
3523.98	33335	3525.05	33006/1	3608.28	19358
3622.15	19359	3640.15	19307	3640.17	19421
3640.18	19421	3640.20	19415	3640.20	19312
3640.21	19312	3640.21	19415	3640.25	19307
3640.26	19422	3640.27	19307	3640.28	19425
3640.30	19320	3640.31	19319	3640.32	19449
3640.33	19450	3640.34	19425	3640.35	33333
3640.36	19428	3640.37	19320	3640.38	19427
3640.39	19426	3640.42	19427	3640.43	19426
3640.44	19319	3640.48	19371	3640.49	19371
3640.50	19389	3640.50	19473	3640.51	19473
3640.53	19372	3640.54	19499	3640.55	19498
3640.57	19394	3640.58	49309	3640.60	19372
3640.61	19491	3640.62	19491	3640.65	19491
3640.66	19491	3640.67	49099	3640.68	19372
3640.69	49309	3640.71	19425	3640.72	49309
3640.76	49099	3812.A0	19480	3812.A4	19023
3812.A6	19353	3812.A9	19353	3812.A9	19374
3812.C0	19411	3812.C1	19374	3812.C3	19374
3812.C4	19374	3812.C5	19373	3812.C6	19484
3812.C6	19411	3812.C7	19380	3812.E0	19379
3812.E1	19479	3812.E2	19493	3812.E3	19395
3812.E4	19411	3812.E8	49314	3812.F2	49315
3812.F4	49401	3812.09	19325/1	3812.09	19324/1
3812.15	19354/1	3812.19	19355	3812.19	19323
3812.25	19410	3812.25	19355/1	3812.27	19405
3812.32	19335	3812.38	19335	3812.52	19340/1
3812.52	19340	3812.72	19325	3812.73	19326

Die aufgeführten Vergleichsnummern dienen nur zur besseren Identifikation.

References are only specified for a better identification.

Les références mentionnées ne servent qu' à une meilleure identification.

PEUGEOT	MAPCO	PEUGEOT	MAPCO	PEUGEOT	MAPCO
3812.92	19336	3812.92	19336/1	3812.94	19410
3812.95	19335	3812.97	19335	3812.98	19325
3812.98	19324	3812.98	19326	3812.99	19409
3817.B3	19395	3817.C7	19380	3817.10	19301
3817.11	19420	3817.14	19417	3817.15	19354
3817.16	19418	3817.18	19301	3817.21	19315
3817.22	19316	3817.26	19324/1	3817.26	19315
3817.27	19316	3817.27	19325/1	3817.30	19417
3817.31	19418	3817.32	19481	3817.33	19481
3817.34	19483	3817.35	19482	3817.36	19482
3817.37	19382	3817.38	19381	3817.39	19342
3817.40	19341	3817.41	19417	3817.42	19418
3817.43	19382	3817.44	19381	3817.48	19325
3817.48	19315	3817.49	19316	3817.50	19301
3817.50	19336	3817.55	19489	3817.56	19490
3817.57	19393	3817.58	19392	3817.64	49307
3817.69	19496	3817.70	19497	3817.77	19496
3817.86	59012	3817.87	59013	3874.30	19356
3874.31	19357	4006.24	19448	4018.A3	19447
4018.A4	19448	4018.E0	19099	4018.H4	19447
4059.09	19430	4059.12	19492	5081.N9	49402
5087.23	19339HPS	5087.27	19364	5087.30	19451HPS
5087.32	19339HPS	5087.33	19476HPS	5087.34	19337HPS
5087.35	19363	5087.37	19366	5087.39	19337HPS
5087.40	19338HPS	5087.41	19451HPS	5087.42	19367
5087.43	19362HPS	5087.45	19348HPS	5087.46	19337HPS
5087.48	19362HPS	5087.49	19451HPS	5087.50	19375HPS
5087.51	19376HPS	5087.52	19396	5087.53	19397
5087.54	49304HPS	5087.55	49305HPS	5087.56	49407HPS
5087.57	19375HPS	5087.58	49404HPS	5087.61	19337HPS
5087.62	19375HPS	5087.64	19375HPS	5087.65	49412HPS
5087.68	49305HPS	5087.69	49304HPS	5087.70	49412HPS
5087.77	19375HPS	5087.78	19375HPS	5087.79	49412HPS
5091.10	49308	5094.A7	49308	5094.36	33311
5094.37	33311/1	5094.40	33311/2	5094.56	33420
5094.57	33323	5094.59	33324	5094.60	33325
5094.63	33342	5094.64	33337	5094.65	33424
5094.74	33457	5094.79	33341	5094.82	33300
5094.87	33458	5131.A4	33486	5131.69	33329
5131.70	33330	5131.71	33321	5131.72	33432
5131.73	33430	5131.94	33303	5151.24	33326
5152.59	33338	5152.62	33433	5170.F5	49403HPS
5170.F6	49403HPS	5178.17	19370HPS	5178.18	19369HPS
5178.21	19369HPS	5178.21	19370HPS	5178.22	19369HPS
5178.30	19370HPS	5178.31	19369HPS	5178.38	19365
5178.39	19368HPS	5178.43	19370HPS	5178.44	19369HPS
5178.46	49303	5178.48	49405HPS	5178.49	49406HPS
5178.52	49303	6822.R9	49308	6822.S0	49308
97 507 980	19420	9804947480	19375HPS	9807130080	49303

Die aufgeführten Vergleichsnummern dienen nur zur besseren Identifikation.

References are only specified for a better identification.

Les références mentionnées ne servent qu' à une meilleure identification.



PEUGEOT (DF-PSA)	MAPCO	PEUGEOT (DF-PSA)	MAPCO	PEUGEOT (DF-PSA)	MAPCO
3812.C0	19411	5087.61	19337HPS		
PORSCHE	MAPCO	PORSCHE	MAPCO	PORSCHE	MAPCO
171 407 365C	19875	171 407 365D	19875	171 407 365F	19876
171 407 365G	19876	171 419 811	19874	477 419 815	19874
955 333 06910	51733	955 333 06911	51733	955 333 06921	51733
955 333 07010	51734	955 333 07011	51734	955 333 07021	51734
955 341 017 30	52740	955 341 017 31	52740	955 341 017 32	52740
955 341 017 33	52740	955 341 018 30	52741	955 341 018 31	52741
955 341 018 32	52741	955 341 018 33	52741	955 341 027 00	37880
955 341 027 00	52716	955 341 027 01	37880	955 341 027 01	52716
955 341 027 02	37880	955 341 027 02	52716	955 341 24203	37869
955 341 58810	37868	955 34158810	37863	955 347 031020	51745
955 347 031021	51745	955 347 03122	51745	955 347 03122 part	51744
955 347 032020	51746	955 347 032021	51746	955 347 03222	51746
955 347 13120	51742	955 347 13121	51742	955 347 13122	51742
955 347 13220	51743	955 347 13221	51743	955 347 13222	51743
996 341 053 06	52780	996 341 053 07	52780	996 341 053 14	52780
996 341 053 16	52780				
PROTON	MAPCO	PROTON	MAPCO	PROTON	MAPCO
PW521020	59309	PW530031	59206	PW530032	59206
RENAULT	MAPCO	RENAULT	MAPCO	RENAULT	MAPCO
D8521JG00A	51322	401504793R	49151	401604793R	49151
401606676R	49140	485200151R	49136	485202478R	49135
485215612R	49161	5000387023	49106	5000387653	49106
5000387654	49105	5055384809	49105	545002029R	49132
545004269R	49191	545011362R	49190	6000022714	19144
6000022715	19145	6000022720	19169	6000022720	49100
6000022721	19170	6000022721	49101	6000022721	19181
6000022730	19139	6000022731	19140	6000022736	19142
6000022737	19141	6000022752	19180	6000022752	49100
6000022752	19169	6000022753	49101	6000022753	19181
6000022753	19170	6000022819	19156/1	6000030047	19130
6000030048	19130/1	6000030064	19134	6000030065	19133
6001547138	49160	6001547140	33127	6001547519	49191
6001547520	49190	6001547606	49194	6001547610	49192
6001547611	49193	6001549988	33173	6001549989	33173
6001550441	49194	6001550442	49192	6001550443	49193
6001550446	49190	6001550447	49191	6001550910	49191
6001550910	49151	6025105409	33169	6025308155	49116
6025311529	33123	6025370229	49112	6025370230	49113
6025370493	49114	6025370494	49115	6040002105	49140
6040002245	33124	7700302114	49156	7700302122	36704
7700302123	36705	7700302165	49109HPS	7700302439	36704
7700302440	36705	7700307343	49108HPS	7700309070	49109HPS
7700309071	49108HPS	7700312851	49110	7700312852	49111
7700313944	19196	7700313945	19197	7700413493	19177
7700413494	19178	7700415488	33175	7700416271	33174
7700418693	19143	7700419236	33165	7700419249	33165

Die aufgeführten Vergleichsnummern dienen nur zur besseren Identifikation.

References are only specified for a better identification.

Les références mentionnées ne servent qu' à une meilleure identification.

RENAULT	MAPCO	RENAULT	MAPCO	RENAULT	MAPCO
7700421804	19143	7700424399	33165	7700424459	33165
7700425227	19196	7700425228	19197	7700429441	33128
7700430765	19147	7700430766	19148	7700430766	19109/2
7700430831	19167	7700430832	19168	7700436302	19147
7700436303	19148	7700437136	49146HPS	7700437136	49146
7700571172	19114	7700571173	19113	7700656318	19103
7700658272	19152	7700754515	33101	7700759418	19166/1
7700760130	33145	7700760264	33103	7700760265	33115
7700763934	33116	7700771562	33117	7700772687	33102
7700781034	19147	7700781035	19148	7700783449	19124
7700783450	19125	7700783454	19163	7700783455	19162
7700783456	19163	7700784170	33145	7700785788	33118
7700789478	33146	7700789815	33104	7700794386	19137
7700794387	19138	7700797821	33168	7700798053	33105
7700799064	33130	7700799065	33129	7700799404	33164
7700800976	33105	7700805494	19164	7700805494	19164HPS
7700806238	33170	7700806239	33171	7700807194	19143
7700807580	19186	7700807581	19187	7700818051	19147
7700818052	19148	7700818053	19167	7700818054	19168
7700819928	33143	7700819929	33144	7700820028	19157
7700820029	19158	7700822503	33148	7700823097	19177
7700823098	19178	7700823580	19186	7700823581	19187
7700824042	33147	7700828843	49139	7700829322	19143
7700829841	19167	7700829842	19168	7700831364	33143
7700831368	19147	7700831369	19148	7700834916	49129
7700834917	49130	7700835929	33167	7700839316	33128
7700840741	33146	7700847382	33172	7701041311	19180
7701041311	49100	7701041311	19169	7701041312	19170
7701041312	19181	7701041312	49101	7701047415	49135
7701047416	49136	7701047812	49135	7701047812	19169
7701047813	49136	7701049081	19170	7701049081	49101
7701056969	49111	7701056970	49156	7701302118	49165
7701302119	49166	7701450635	19122	7701450637	19123
7701451904	19102	7701453022	19112	7701455906	19111
7701460770	19136	7701460885	19111	7701460886	19112
7701460955	19105	7701461010	19103	7701461141	19108
7701461151	19108	7701461161	19122	7701461162	19123
7701461331	19115	7701461332	19116	7701461667	19135
7701461770	19136	7701461923	19107	7701462170	19121
7701462182	19109	7701462282	19122	7701462283	19123
7701462427	49104	7701462540	19106	7701462540	19121
7701462692	49105	7701462693	49106	7701463025	19107
7701463025	19107/1	7701463035	19129	7701463035	19129/1
7701463195	19126	7701463195	19198	7701463229	19127
7701463230	19128	7701463321	19108	7701463346	19166
7701463346	49107	7701463346	19166/1	7701463686	19122
7701463687	19123	7701464019	19131	7701464037	19132
7701464313	19198	7701464313	19126	7701464441	19131
7701465689	19128	7701465917	19150/1	7701466158	19155

Die aufgeführten Vergleichsnummern dienen nur zur besseren Identifikation.

References are only specified for a better identification.

Les références mentionnées ne servent qu' à une meilleure identification.

RENAULT	MAPCO	RENAULT	MAPCO	RENAULT	MAPCO
7701467218	19160	7701467219	19159	7701467235	19150
7701467235	19150/1	7701467237	19151	7701467271	19153
7701467271	19155	7701467271	19152	7701467272	19155
7701467272	19154	7701467272	19152	7701467273	19133
7701467274	19134	7701467501	19156	7701467501	19156/1
7701467502	19161	7701467539	19175	7701467540	19176
7701468411	19109	7701468820	19111	7701468821	19112
7701468883	19109	7701468952	19172	7701468953	19173
7701469228	19127	7701469229	19126	7701469229	19198
7701469230	19131	7701469231	19108	7701469280	19171
7701469464	49139	7701469502	19172	7701469502	19173
7701469502	49103	7701469517	19159	7701469517	19149
7701469517	19160	7701469569	19188	7701469665	19156/1
7701469665	19161	7701469665	19156	7701469777	19174
7701469778	49102	7701470362	49125	7701470363	49137
7701470364	49138	7701470763	19182	7701470764	19183
7701470765	49100	7701470765	19180	7701470765	19169
7701470766	19170	7701470766	49101	7701470766	19181
7701471125	19193	7701471126	19189	7701471127	19190
7701471143	19194	7701471145	19189	7701471146	19190
7701471844	49126	7701472038	19109	7701472087	49119
7701472113	19195	7701472120	49117/1	7701472143	19194
7701472734	51117/1	7701472735	51117/1	7701472766	49145
7701472843	49135	7701473333	49155	7701474448	49149
7701474492	49135	7701474493	49136	7701474641	49135
7701474642	49136	7701474795	49147	7701474796	49148
7701475841	49159	7701475842	49136	7701476576	49140
7701476760	19180	7701476760	19169	7701476761	49101
7701476761	19170	7701476762	19189	7701477385	59790
7701478029	49140	7701478406	49161	7701478407	49157
7701478408	49158	7701478551	49145	7701646313	19126
7701834570	19169	7701834570	49100	7701834571	19181
7701834571	19170	7701834571	49101	7702111932	33104
7704000681	33100	7711372850	19160	7711372850	19159
7711372850	19149	7711372852	49117/1	7711372853	49126
7711372862	49136	8200002868	33121	8200002869	33122
8200002870	49118HPS	8200026654	49131	8200026655	33121
8200026655	49132	8200040618	49120	8200040618	49120HPS
8200041166	33119	8200042594	33128	8200049626	33122
8200050191	49121	8200050191	49121HPS	8200054003	49141
8200054003	33122	8200054006	49140	8200054006	49142
8200127308	19120HPS	8200166159	49124HPS	8200166160	49154HPS
8200197179	19196	8200197187	19197	8200242025	33120
8200247898	49140	8200247898	49141	8200247898	33122
8200247900	33122	8200247900	49140	8200247900	49142
8200254163	49128	8200255760	49127	8200255761	49128
8200255761	49150	8200272594	36198	8200273728	33121
8200273728	49131	8200273729	49132	8200273729	33121
8200277960	49160	8200298454	49133	8200298455	49134

Die aufgeführten Vergleichsnummern dienen nur zur besseren Identifikation.

References are only specified for a better identification.

Les références mentionnées ne servent qu' à une meilleure identification.

RENAULT	MAPCO	RENAULT	MAPCO	RENAULT	MAPCO
8200298455	49151	8200346941	49152	8200346941	49151
8200346942	49153	8200346942	49151	8200389134	49131
8200389134	33121	8200389135	49132	8200389135	33121
8200427868	33174	8200427869	33175	8200452715	49131
8200452715	33121	8200452716	49132	8200452716	33121
8200457208	49133	8200457209	49134	8200457209	49151
8200458814	49140	8200565072	49141	8200565072	33122
8200565079	33122	8200565079	49142	8200586561	49162
8200586567	49163	8200602612	33121	8200602612	49131
8200602613	33121	8200602613	49132	8200605381	19120HPS
8200615057	49151	8200615057	49152	8200615058	49151
8200615058	49153	8200651161	33165	8200651163	33146
8200651164	33144	8200651168	33143	8200661217	49118HPS
8200669065	49124HPS	8200669066	49154HPS	8200679063	49133
8200679067	49151	8200679067	49134	8200711554	33165
8200713522	49109HPS	8200713523	49108HPS	8200714446	49120HPS
8200714446	49120	8200714448	49121HPS	8200714448	49121
8200714955	33174	8200714956	33175	8200737112	19167
8200737114	19168	8200737123	19196	8200737125	19157
8200737126	19158	8200737129	19197	8200737132	49129
8200737132	19147	8200737133	19148	8200737133	19109/2
8200737133	49130	8200737134	19147	8200737135	19148
8200737136	19196	8200737137	19197	8200744091	49151
8200744091	49152	8200744092	49153	8200744092	49151
8200755092	49153	8200820918	49191	8200820930	49190
8200942407	19196	8200942408	19197	8201079463	19120HPS
ROVER	MAPCO	ROVER	MAPCO	ROVER	MAPCO
EGP 1662SLP	19957	EGP1673	33960	GSJ 1002	19507
GSJ 207	19951	GSJ 227	59331	GSJ 228	59330
GSJ 268	19951	GSJ 279	59372	GSJ 280	59371
GSJ 288	19956	GSJ 404	19507	GSJ 407	19504
GSJ 408	19505	GSJ 423	49506	GSJ 424	49507
GSJ 729	19949	GSJ 729	19951	GSJ 730	19954
GSJ 731	19955	GSJ 826	19956	GSJ1000	51691
GSJ1001	51690	GSJ187	59319	GSJ274	59319
GSJ277	59319	GSJ278	59333	GSJ295	59333
GSJ415	49903	GSJ416	49904	GSJ485	49502
GSJ486	49503	GSJ495	19501	GSJ495	19508
GSJ496	19509	GSJ496	19500	GSJ499	49510
GSJ835	49216	GSJ836	49215	GSV1170	49911
GSV1211	19506	KHC10011	19958	RBJ 102120	59509
RBJ 102130	59508	RBJ000370	51691	RBJ100690	49509
RBJ100720	49508	RBJ102120	49503	RBJ102130	49502
RBJ102220	49216	RBJ102220SLP	49215	RBJ102230	49215
RBJ102500	51691	RBJ102510	51690	RBK100350	49510
RBM100240	59516HPS	RBX101760	36962	RBX101761	36961
RBX101770	36961	RBX101771	36962	RGD 100561	59518HPS
RGD 100571	59517HPS	RGG 102430	49203	RGG102390	49204
RGX 10007	33223	RGX 100240	33523	RGX 100980	33223

Die aufgeführten Vergleichsnummern dienen nur zur besseren Identifikation.

References are only specified for a better identification.

Les références mentionnées ne servent qu' à une meilleure identification.

SAAB	MAPCO	SAAB	MAPCO	SAAB	MAPCO
0350 263	19607	042 42749	19610	042 42756	19611
042 48 431	49983	042 48449	49984	045 44599	19607/8HPS
089 58365	49982	089 58373	49981	089 93453	19981
12 786 412	36703	127 65896	49620	127 65897	49621
1279 6013	49623	1279 6014	49624	1279 9199	49623
1279 9200	49624	13105 744	59776	132 37130	49749HPS
13230 274	59776	244 17251	49749HPS	42 48 449	49984
424 2673	49752	424 2673	49751	424 2681	49753
424 2681	49750	424 6062	33714/9	4242673	19611
4242681	19610	4242731	49604	4242749	19610
4242756	19611	454 3450	19984	454 3468	19985
454 4599	19607/8HPS	4545 711	36015	456 6899	33788
4645 974	36016	4686606	19600HPS	48 35 740	59789
48 36 557	19627	483 6557	19628	4836540	19626
5 236 674	49985	5 236 682	49986	52 31 683	59789
52 33 374	37981	523 3424	49606	523 5650	49620
523 5668	49621	523 9314	49620	523 9322	49621
5236823	19600HPS	737 2170	19983	890 5416	19983
892 4177	19982	895 7045	19980	895 7839	19981
895 8365	49982	895 8373	49981	895 8944	49980
896 1476	33016	896 2250	49606	896 5253	33015
897 2135	19980	898 5160	19982	898 5384	19983
898 5388	19983	899 3321	19983	899 3354	19982
899 3388	19983	899 3396	19982	899 3453	19981
899 3560	19982	899 4212	19980	899 4212S1	19980
93175520	59785				

SEAT	MAPCO	SEAT	MAPCO	SEAT	MAPCO
SE 1411 401 04A	19044	SE021 156 110B	19064	SE022 162 406A	19042
SE028 140 104A	19048	SE028 156 110A	19045	SE127 156 110A	19025
SE127 162 449A	19452	SE138 156 110A	19041	SE141 140 104A	19048
SE141 156 110A	19045	SE141 162 410A	19046	WHT 000 226	51829HPS
022 162 449A	19043	1H0 407 151A	49664	1H0 407 152	49665
1H0 407 365	19679	1H0 407 365	19679/1	1H0 411 314	33905
1H0 422 803A	49873	1H0 422 804A	49874	1H0 501 541	33858/2
1H0 501 541	33858	1H0 501 541A	33858/2	1H0 501 541A	33858
1J0 199 429	36852	1J0 407 151A	49704	1J0 407 151B	49704
1J0 407 151C	49704	1J0 407 181	33903	1J0 407 181A	33903
1J0 407 365 H	49702/1	1J0 407 365A	49702	1J0 407 365C	49702
1J0 407 365C	49702/1	1J0 407 365D	49702	1J0 407 366 H	49703
1J0 407 366 H	49703/1	1J0 407 366A	49703	1J0 407 366A	49703/1
1J0 407 366C	49703	1J0 407 366C	49703/1	1J0 411 314G	33824
1J0 411 314R	36787	1J0 411 314T	33824	1J0 411 315 J	49868
1J0 411 315C	49868	1J0 411 315G	49867	1J0 411 316D	49794
1J0 422 803 H	49690	1J0 422 803B	49690	1J0 422 804 H	49691
1J0 422 804B	49691	1J0 422 811B	49700	1J0 422 812B	49701
1J0 501 541C	33912	1J0 501 541C	33912/2	1K0 199 231G	36948
1K0 199 231J	36948	1K0 199 232G	36949	1K0 199 232J	36949
1K0 407 151 AD	51726	1K0 407 151 P	51715	1K0 407 151AC	51726

Die aufgeführten Vergleichsnummern dienen nur zur besseren Identifikation.

References are only specified for a better identification.

Les références mentionnées ne servent qu' à une meilleure identification.

SEAT	MAPCO	SEAT	MAPCO	SEAT	MAPCO
1K0 407 151M	51726	1K0 407 151N	51715	1K0 407 152 AA	51716
1K0 407 152AC	51727	1K0 407 152M	51727	1K0 407 152P	51716
1K0 407 182	36950	1K0 407 182 A	36950	1K0 407 183E	36939
1K0 407 365C	51724	1K0 407 365E	51724	1K0 407 366C	51725
1K0 411 315 K	51825HPS	1K0 411 315B	51825HPS	1K0 411 315D	51825HPS
1K0 411 315J	51825HPS	1K0 423 810A	51723	1K0 423 811A	51826
1K0 423 811E	51826	1K0 423 811J	51826	1K0 423 812A	51827
1K0 423 812E	51827	1K0 423 812J	51827	1K0 501 529F	52720
1K0 501 529J	52720	1K0 501 530B	52721	1K0 501 530C	52721
1K0 505 311AA	52742	1K0 505 311AB	52742	1K0 505 323 N	52718
1K0 505 323H	52718	1K0 505 465 J	51829HPS	1K0 505 465C	51829HPS
1K0 505 465D	51829HPS	1K0 505 465H	51829HPS	1K0 505 541D	36791
1K0 511 439E	36792	138 156 532A	33004	141 162 449A	19452
1487402	59648	191 407 151B	19858/2	191 407 151B	19858/1
191 407 151B	19858	191 407 153	33890	191 407 153A	19858
191 407 181A	33818	191 407 181B	33818	191 407 182	33819
191 407 190A	33818/9	191 411 314	33904	191 411 315	49850
191 411 315A	51862	191 411 315B	49850	191 411 329	49862/9
191 419 803	19892	191 419 803A	19892	191 419 804	19888
191 419 804A	19888	191 419 811	19877	191 419 812	19878
191 422 803	19860	191 422 803A	19860	191 422 804	19861
191 422 804A	19861	191 501 541	33833/2	191 501 541	33833
3C0 407 365A	51748	3C0 407 366A	51749	3C0 423 811B	51826
3C0 423 812B	51827	357 407 182	33819	357 407 365	19889
357 407 365	19889/1	357 407 365A	19889	4 402 360	19041
4 402 361	19041	4 410 415	19040	4E0 419 821C	51736
5 983 406	19047	535 411 315	19853HPS	6E0 419 811	51823
6E0 419 812	51822	6K0 411 315	51861	6K0 422 811	51822
6K0 422 812	51823	6N0 407 151	19686/1	6N0 407 151B	19686/1
6N0 407 175	19895/9	6N0 407 175A	19895/9	6N0 407 182	33834
6N0 407 365	19895	6N0 407 365	19895/1	6N0 407 365A	19896
6N0 407 365A	19896/1	6N0 411 315	49862/1	6N0 411 315	49862
6N0 411 315A	51821	6N0 411 315C	49862	6N0 411 315C	49862/1
6N0 411 315D	51821	6N0 411 329	49862/9	6N0 419 803	19688
6N0 419 804	19689	6N0 419 811	19885	6N0 419 812	19886
6N0 422 803A	19696	6N0 422 804A	19697	6N0 422 811	49871
6N0 422 812	49872	6N0 501 541D	33937	6Q0 407 151L	59813/4
6Q0 407 151L	59813	6Q0 407 182A	36938	6Q0 407 183	36939
6Q0 407 183A	36939	6Q0 407 365 M	59810	6Q0 407 365A	59810
6Q0 407 366 M	59811	6Q0 407 366A	59811	6Q0 411 314M	36789
6Q0 411 314N	36790	6Q0 411 314Q	36789	6Q0 411 314R	36790
6Q0 419 811C	59806	6Q0 419 812C	59807	6Q0 423 803 P	59808
6Q0 423 803B	59808/1	6Q0 423 803B	59808	6Q0 423 803E	59808/1
6Q0 423 803P	59808	6Q0 423 803P	59808/1	6Q0 423 804 P	59809
6Q0 423 804B	59809	6Q0 423 804B	59808/1	6Q0 423 804E	59809
6Q0 423 804E	59808/1	6Q0 423 804P	59808/1	6Q0 423 810B	59808/1
6Q0 423 810E	59808/1	6Q0 423 810P	59808/1	6Q0 423 831D	59809
6Q0 423 933B	59809	6R0 407 151	52730	6R0 407 151A	52730
6R0 407 151B	52730	6R0 407 151C	52730	6R0 407 151E	52730

Die aufgeführten Vergleichsnummern dienen nur zur besseren Identifikation.

References are only specified for a better identification.

Les références mentionnées ne servent qu' à une meilleure identification.



SEAT	MAPCO	SEAT	MAPCO	SEAT	MAPCO
6R0 407 151F	52730	6R0 407 152A	52731	6R0 407 152B	52731
6R0 407 152C	52731	6R0 407 152F	52731	6R0 407 365	52743
6R0 407 366	52744	6R0 501 541A	33912	6R0407365A	52743
6R0407366A	52744	6X0 407 151	51819/1	6X0 407 151A	51819/1
6X0 422 811	51822	6X0 422 812	51823	7M0 407 151B	49876
7M0 407 152B	49877	7M0 407 181A	33928	7M0 407 365A	49861
7M0 411 317C	49856HPS	7M0 411 317D	49856HPS	7M0 411 517C	49856HPS
7M0 422 803AF	49866	7M0 422 803G	49866	7M0 422 804G	49866/2
7M0 422 817 B	49857	7M0 422 817A	49857	7M0 422 818	49858
7M0 422 818A	49858	7M0 422 818B	49858	7M0 501 541	33908
7M0 505 221B	33864	7M0 505 221C	33864	7M3 407 365 A	49861
7M3 411 317	49856HPS	7M3 411 317 A	49856HPS	7M3 411 317C	49856HPS
7M3 411 317E	49856HPS	7M3 422 803	49866	7M3 422 803A	49866/1
7M3 422 804	49866/2	7M3 422 818	49858	8D0 407 515A	36773
8D0 407 515B	36773	8D0 407 515C	36773	8E0 407 181C	37865
8E0 411 317	52712	8E0 411 318	52713	8E0 422 821C	49738
8E0 505 465AF	52733				

SKODA	MAPCO	SKODA	MAPCO	SKODA	MAPCO
007 296 377	36781	007 296 379	36780	007 304 447	19971
007 304 448	19972	007 350 278 P	19961	007 350 278N	19968
1 J0 407 366A	49703	1J0 199 429	36852	1J0 407 151A	49704
1J0 407 151B	49704	1J0 407 151C	49704	1J0 407 181	33903
1J0 407 181A	33903	1J0 407 365 H	49702	1J0 407 365 H	49702/1
1J0 407 365A	49702/1	1J0 407 365A	49702	1J0 407 365C	49702
1J0 407 365C	49702/1	1J0 407 365D	49702	1J0 407 366 H	49703
1J0 407 366 H	49703/1	1J0 407 366A	49703/1	1J0 407 366C	49703/1
1J0 407 366C	49703	1J0 411 314R	36787	1J0 411 314S	33927
1J0 411 315D	49793	1J0 411 315G	49867	1J0 411 316D	49794
1J0 422 803	49869	1J0 422 803 H	49690	1J0 422 803A	49869
1J0 422 803B	49690	1J0 422 804	49870	1J0 422 804 H	49691
1J0 422 804A	49870	1J0 422 804B	49691	1J0 422 811A	59895
1J0 422 811B	49700	1J0 422 812A	59896	1J0 422 812B	49701
1J0 501 541C	33912	1J0 501 541C	33912/2	1K0 199 231G	36948
1K0 199 231J	36948	1K0 199 232G	36949	1K0 199 232H	36949
1K0 199 232J	36949	1K0 407 151AC	51726	1K0 407 151M	51726
1K0 407 151N	51715	1K0 407 152 AA	51716	1K0 407 152AC	51727
1K0 407 152M	51727	1K0 407 152P	51716	1K0 407 182	36950
1K0 407 182 A	36950	1K0 407 183E	36939	1K0 407 365C	51724
1K0 407 366C	51725	1K0 411 315 J	51825HPS	1K0 411 315B	51825HPS
1K0 411 315D	51825HPS	1K0 423 810A	51723	1K0 423 811A	51826
1K0 423 811J	51826	1K0 423 812E	51827	1K0 423 812J	51827
1K0 501 529F	52720	1K0 501 529J	52720	1K0 501 530B	52721
1K0 501 530C	52721	1K0 505 311AA	52742	1K0 505 311AB	52742
1K0 505 323 N	52718	1K0 505 323H	52718	1K0 505 465 K	51829HPS
1K0 505 465H	51829HPS	1K0 505 465J	51829HPS	1K0 505 541D	36791
1K0 511 439E	36792	114 508 060	33953	115 002 491	33952
115 420 240	19962	115 420 241	19962	115 422 291	19994
115 422 292	33950	115 500 440	19961	115 590 801	33954
115 590 802	33955	180 407 182	33819	191 407 182	33819

Die aufgeführten Vergleichsnummern dienen nur zur besseren Identifikation.

References are only specified for a better identification.

Les références mentionnées ne servent qu' à une meilleure identification.

SKODA	MAPCO	SKODA	MAPCO	SKODA	MAPCO
191 411 315A	51862	3C0 423 811B	51826	357 407 182	33819
4B0 407 151	51730	4B0 407 515	36915	4B0 419 801M	49738
4B0 419 801Q	49738	4B3 407 151A	51730	4B3 407 151C	51730
4B3 407 151K	51730	4D0 407 183 AB	33932	4D0 407 183P	33932
4D0 407 183Q	33932	4D0 419 821Q	49738	4D0 422 821	49738
4D0 422 821A	49738	4E0 407 183A	33932	4E0 419 821C	51736
4F0 407 151	52710	4F0 407 151A	52710	6N0 411 315	49862
6N0 411 315C	49862	6Q0 407 151L	59813	6Q0 407 151L	59813/4
6Q0 407 182A	36938	6Q0 407 183	36939	6Q0 407 183A	36939
6Q0 407 365A	59810	6Q0 407 366 M	59811	6Q0 407 366A	59811
6Q0 411 314F	36788	6Q0 411 314N	36790	6Q0 411 314Q	36789
6Q0 411 314R	36790	6Q0 411 315 B	59812HPS	6Q0 411 315 Q	59812HPS
6Q0 411 315A	59812HPS	6Q0 411 315C	59812HPS	6Q0 411 315E	59812HPS
6Q0 411 315F	59812HPS	6Q0 411 315G	59812HPS	6Q0 411 315J	59812HPS
6Q0 411 315M	59812HPS	6Q0 411 315N	59812HPS	6Q0 423 803B	59808/1
6Q0 423 803B	59808	6Q0 423 803E	59808/1	6Q0 423 803P	59808
6Q0 423 804 P	59809	6Q0 423 804B	59809	6Q0 423 804E	59809
6Q0 423 810P	59808/1	6Q0 423 811	59806	6Q0 423 812	59807
6Q0 423 831D	59809	6Q0 423 831D	59808	6Q0 423 933	59808
6Q0 423 933	59809	6Q0 423 933B	59809	6Q0 423 933B	59808
6R0 407 151F	52730	6R0 407 365	52743	6R0 407 366	52744
6R0 411 315	59812HPS	6R0 423 812	59807	6R0 501 541A	33912
6R0407365A	52743	6R0407366A	52744	6U0 407 151A	19971
6U0 407 151B	19971	6U0 407 152A	19972	6U0 407 152B	19972
6U0 407 182	19993	6U0 407 365	19962	6U0 407 503	36780
6U0 407 504	36781	6U0 407 807	19962	6U0 411 315	51821
6U0 422 807	19973	6U0 422 811	19961	6U0 512 333	33957
6U6 407 359A	36780	6U6 407 360A	36781	8E0 407 151R	51710OES
8E0 411 317	52712	8E0 419 801J	49738	8E0 422 821	49738
SMART	MAPCO	SMART	MAPCO	SMART	MAPCO
Q0005102V005000000	59901HPS	0001802V004	59904	0001802V004000000	59904
0002271V007000000	59902	0005102V005000000	59901HPS	0014141V001	59900
0015642V001	59902	0015642V001000000	59902	048 87 V002 000	59903
048 87 V004 000	59903	048 87 V005 000	59903	048 87 V006 000	59903
15642V001	59902	15642V001000000	59902	1802V004000000	59904
2271V007	59902	2271V007000005	59902	2271V009000000	59902
451 338 0037	19800	451 338 0137	19800	4543 3007 07	51547
4543300807	51548	4887V002000000	59903	4887V006000000	59903
5102V005	59901HPS	5102V005000000	59901HPS	7001V006000000	59900
SSANGYONG	MAPCO	SSANGYONG	MAPCO	SSANGYONG	MAPCO
44750-05001	51277				
SUBARU	MAPCO	SUBARU	MAPCO	SUBARU	MAPCO
20206-AJ000	49560	20420-AA000	59595	20420-AA001	59595
20420-AA002	59595	20420-AA003	59595	20420-AA004	59595
20481-AA001	59596	21067-GA050	49560	31310-GA152	49559
31320-GA190	49558	31320-GA200	49557	34140-AA030	49559
34140-AA040	59364	34140-FC000	59364	45530-50G00	33594
45530-70C00	33594	48810-60B00	59201	48810-83E02	49627

Die aufgeführten Vergleichsnummern dienen nur zur besseren Identifikation.

References are only specified for a better identification.

Les références mentionnées ne servent qu' à une meilleure identification.



SUBARU	MAPCO	SUBARU	MAPCO	SUBARU	MAPCO
7210-67000	59297	7210-67002	59297	7210-67003	59297
7210-67020	49556	7210-67021	49556	7313-10140	49555
7313-20020	49554				

SUZUKI	MAPCO	SUZUKI	MAPCO	SUZUKI	MAPCO
17400-69G02	51211	42311-60A00	59300	42311-85C00	59300
42420-60A00	59300	42420-62J00	51255HPS	42420-62J00000	51255HPS
4242065D00	59540HPS	42420-65D00000	59300	42420-80J00	59024HPS
42420-80J00000	59024HPS	45200M50E00	19518	45200M84000	19518
45200-50E00	19518	45200-50001	49565	45200-69DV1	19518
45200-75F00	59784	45200-75F20	59784	45200-75F21-000	59784
45200-77500	59289	45200-78002	19518	45200-82000	49595
45200-84000	19518	45200-85001	49565	45200-85002	49565
45200-85002	19518	45201-57KA0000	51253	45201-57K00000	51253
45201-60B01	49293	45201-60G00-000	51591	45201-62J00	51254
45201-62J00-000	51254	45201-63G01	51591	45201-63G01-000	51591
45201-63J00	51254	45201-65D01	51596	45201-67D01	51596
45201-72K00	51254	45201-72K00000	51253	45201-72K01	51254
45201-78K00	51264	45202-57KA0000	51252	45202-57K00000	51252
45202-60B01	49292	45202-60G00-000	51590	45202-63G01	51590
45202-63G01-000	51590	45202-63J00	51254	45202-65D01	51595
45202-65J00	51264	45202-65J00	51263	45202-67D01	51595
45202-72K00000	51252	45202-72K01-000	51252	45202-78K00	51263
45202-79J00	59029	45202-79J00	59028	45262-79J00000	33576
45530-50G00	33594	45530-62J00	33577	45530-62J000	33577
45530-63J00-000	33577	45530-70C00	33594	45540-60B02	33578
45540-60E00	33578	45540-62J00000	33576	45700-60A00	59324
46201-60B00	49548	46201-60B02	49548	46201-60B11	49548
46202-60B00	49549	46202-60B02	49549	46202-60B11	49549
46300-60B00	49519	46300-60B10	49594	46300-70C02	49599
46630-60B00	51593	46630-60B01	59850	46630-60B10	51592
46630-60B11	59299	46630-60G00	59850	48810M84030	59320
48810-60A00	49562	48810-60B00	59201	48810-60J00000	51250
48810-60810	51250	48810-60810000	51250	48810-63J00	51250
48810-63J00000	51250	48810-76G00	59201	48810-79000	49564
48810-80000	49562	48810-81A01	49562	48810-82000	59201
48810-83E01-000	49627	48810-83E02-000	49627	48810-83300	49562
48810-84000	59320	48810-84001	59320	48820-A60A00	49561
48820-60A00	49561	48820-60E00	49561	48820-77E00	49561
48820-79000	49563	48830-60B00	59298	48830-63J00	51251
48830-63J00000	51251	48830-82000	49596	48830-83E00	49602
48830-84000	59317	54618-50A00	59850		

TALBOT	MAPCO	TALBOT	MAPCO	TALBOT	MAPCO
0012861400	19204	12861400	19204	32364W	19204
381718	19301	94036401.50	19307		

TOYOTA	MAPCO	TOYOTA	MAPCO	TOYOTA	MAPCO
43308-59035	51565	43310-39016	51564	43330 29405	51389
43330 29615	51389	43330-09070	49552	43330-09210	51360
43330-09230	49552	43330-19025	59334	43330-19045	59563

Die aufgeführten Vergleichsnummern dienen nur zur besseren Identifikation.

References are only specified for a better identification.

Les références mentionnées ne servent qu' à une meilleure identification.

TOYOTA	MAPCO	TOYOTA	MAPCO	TOYOTA	MAPCO
43330-19065	19569	43330-19065	19562	43330-19066	19569
43330-19066	19562	43330-19075	59563	43330-19085	59564
43330-19095	19563	43330-19115	49552	43330-19115	19563
43330-29095	59318	43330-29105	59335	43330-29115	59318
43330-29125	59335	43330-29135	59323	43330-29136	59323
43330-29137	59323	43330-29138	59323	43330-29139	59323
43330-29145	59565	43330-29146	59565	43330-29155	59335
43330-29175	59318	43330-29185	59565	43330-29205	59323
43330-29225	59234	43330-29235	59566	43330-29245	59318
43330-29265	19563	43330-29265	19571	43330-29292	59335
43330-29315	19571	43330-29315	19563	43330-29325	59234
43330-29326	59234	43330-29375	19563	43330-29375	19571
43330-39135	59569	43330-39245	59569	43330-39265	59260
43330-39285	59567	43330-39295	59569	43330-39315	59260
43330-39415	59354	43330-39435	59567	43340 29175	51388
43340 29215	51388	43340-19015	19568	43340-19015	19561
43340-19016	19568	43340-19016	19561	43340-19025	59568
43340-29095	59318	43340-39225	59569	43340-39245	59260
43340-39325	59353	43350-29035	51383	43350-29036	51383
43350-29065	59235	43350-29076	51383	43350-29095	59235
43350-39035	59236	43350-39045	59261	43350-39075	59236
43350-39085	59261	43360-29055	51383	43360-29056	51383
43360-39075	59261	43360-39085	59261	45045-69065	59237
45046-09050	49567	45046-09100	49567	45046-09295	49307
45046-19175	19560	45046-19205	59273	45046-19206	59273
45046-19213	59274	45046-19213	59273	45046-19265	51381
45046-29115	59278	45046-29125	59278	45046-29125	59282
45046-29145	59274	45046-29165	59275	45046-29205	59274
45046-29215	59238	45046-29235	59239	45046-29255	59276
45046-29275	59277	45046-29305	19560	45046-29335	59277
45046-29365	49567	45046-39105	59278	45046-39106	59278
45046-39125	59278	45046-39165	59278	45046-39175	59278
45046-39215	59278	45046-39235	59278	45046-39385	59278
45046-49145	51362	45046-49195	51366	45046-49225	51364
45046-59026	59561	45047 09125	49306	45047-09010	49566
45047-09030	49566	45047-19115	51380	45047-29045	59279
45047-29065	59280	45047-29075	59281	45047-29105	59281
45047-29125	49566	45047-49075	51361	45047-49135	51365
45047-49165	51363	45047-59026	59560	45330-19095	19571
45406-29115	59282	45406-39085	59282	45406-39086	59282
45406-39095	59282	45406-39115	59282	45406-39125	59282
45406-39135	51567	45406-39155	59282	45406-39165	51567
45406-39175	51567	45460-29215	59262	45460-39155	59262
45460-39215	59262	45460-39225	59262	45490-39245	59240
45490-39325	59240	45490-39355	59240	45503 39225	51390
45503-05010	49289	45503-05020	49287	45503-05050	49287
45503-12130	51382	45503-12131	51382	45503-19036	59332
45503-19125	19564	45503-19135	19565	45503-19155	59263
45503-19195	59263	45503-19205	19566	45503-19215	19567

Die aufgeführten Vergleichsnummern dienen nur zur besseren Identifikation.

References are only specified for a better identification.

Les références mentionnées ne servent qu' à une meilleure identification.

TOYOTA	MAPCO	TOYOTA	MAPCO	TOYOTA	MAPCO
45503-29105	59328	45503-29155	59264	45503-29165	59265
45503-29255	59266	45503-29295	59267	45503-29355	59272
45503-29355	59268	45503-29365	19567	45503-29385	19566
45503-29435	49288	45503-29475	59270	45503-29615	49288
45503-29765	59293	45503-39055	59272	45503-39135	59272
45503-52010	59294	45503-59045	59294	45504-28030	59293
48061-05010	33566	48066-29075	59286	48067-29075	59285
48068-02010	49551	48068-02020	51561	48068-05041	49577
48068-05050	49577	48068-05050	49258/1	48068-05050	49258
48068-05070	51398	48068-06070	51553	48068-12110	49277
48068-12130	49571	48068-12140	49571	48068-12160	49551
48068-12170	49551	48068-12171	49551	48068-12180	49551
48068-12181	49573	48068-12181	49551	48068-12190	49551
48068-12191	49551	48068-12260	51561	48068-13010	51561
48068-16060	59287	48068-16100	59287	48068-16120	59287
48068-20260	49575	48068-33010	59375	48068-33030	51555
48068-33050	51553	48068-33070	51553	4806835080	59392
48068-42012	49273	48068-42022	49273	48068-42040	59381
48068-42040	59381/1	48068-42050	51396	48068-46011	59287
48068-59035	49569	48068-59035	33567	48068-59035part	59562
48068-59095	51394	48068-59135	51394	48068-59145	51394
48068-60010	51385	48069-02010	49550	48069-02020	51560
48069-05040	49576	48069-05040	49257	48069-05041	49576
48069-05050	49576	48069-05050	49257	48069-05050	49257/1
48069-05070	51397	48069-06070	51552	48069-10031	59288
48069-12110	49276	48069-12130	49570	48069-12140	49570
48069-12160	49550	48069-12170	49550	48069-12171	49550
48069-12180	49550	48069-12181	49572	48069-12181	49550
48069-12190	49550	48069-12191	49550	48069-12260	51560
48069-13010	51560	48069-16040	59288	48069-16060	59288
48069-16100	59288	48069-16120	59288	48069-16180	49550
48069-20260	49574	48069-20260	33563	48069-33010	59374
48069-33030	51554	48069-33050	51552	48069-33070	51552
48069-35081	59391	48069-42012	49272	48069-42022	49272
48069-42040	59380/1	48069-42040	59380	48069-42050	51395
48069-46011	59288	48069-59035	49568	48069-59035part	59562
48069-59095	51393	48069-59125	51393	48069-59135	51393
48069-60010	51384	48610-35040	51572	48610-39085	49951
48610-60050	51387	48610-60070	51387	48630-35020	51571
48630-39055	49950	48630-60020	51386	48650-20021	49259
48654-05040	33565	48654-12050	33560	48654-12070	33561
48654-12070-2	33561	48654-16110	33568	48654-20170	33564
48655-12120	33562	48655-20140	33566	48655-20140	33563
48655-52010	33567	48810-0L010	51378HPS	48810-05012	49270HPS
48810-20010	19576	48810-20020	19577	48810-26030	51588
48810-28010	59361HPS	48810-28010	49283	48810-28010	59361
48810-28010	49284HPS	48810-28010	49283HPS	48810-28020	49283
48810-28020	49283HPS	48810-28020	49284HPS	48810-30030	51585
48810-30030	51585HPS	48810-33010	49280HPS	48810-33010	49280

Die aufgeführten Vergleichsnummern dienen nur zur besseren Identifikation.

References are only specified for a better identification.

Les références mentionnées ne servent qu' à une meilleure identification.

TOYOTA	MAPCO	TOYOTA	MAPCO	TOYOTA	MAPCO
48810-53010	51278	48810-60010	51568	48810-60040	51378HPS
48819 52010	51391	48819-70010	49308	48820-AD010	51569
48820-0D010	51599HPS	48820-0D020	51599HPS	48820-0D080	51599HPS
48820-0L030	51379HPS	48820-02020	51597HPS	48820-02070	51392HPS
48820-05012	49271HPS	48820-20010	19574	48820-20021	19572
48820-20030	19575	48820-20040	19578	48820-26030	51589
48820-28010	59362HPS	48820-28010	49284	48820-28010	59362
48820-28030	49284	48820-28050	59363	48820-28050	59363HPS
48820-30010	51584	48820-30010	51584HPS	48820-30020	51585HPS
48820-30020	51585	48820-30050	51584HPS	48820-30050	51584
48820-32010	51597HPS	48820-32010	51597	48820-33010	19573
48820-33020	49281	48820-33020	49281HPS	48820-35010	51586
48820-35030	51569	48820-42010	49274HPS	48820-42020	49237HPS
48820-42030	51392HPS	48820-44020	51373HPS	48820-47010	51577HPS
48820-52030	51599HPS	48820-52070	51599HPS	48820-53010	51279
48820-60010	51573	48820-60032	51574	48820-60050	51379HPS
48830-05010	49579HPS	48830-05011	49579HPS	48830-05020	51377HPS
48830-06030	51575	48830-12060	49579HPS	48830-20010	49579HPS
48830-21020	51372	48830-32010	49579HPS	48830-32020	49579HPS
48830-32040	49282HPS	48830-33010	49285	48830-35010	51587
48830-35020	51570	48830-42010	49239	48830-42020	51367
48830-42021	51367	48830-48010	51575	48830-60010	51576
48830-60030	51374HPS	48840-21010	51371	48840-42010	49238
545002029R	33121				

VAG	MAPCO	VAG	MAPCO	VAG	MAPCO
JTC1054	19475	J43 3303 9295	59569	J433 503 9075	59236
J45 046 391 65	59282	J45 046 391 75	59278	J45 046 392 35	59278
J45 406 391 15	59282	1H0 407 151	19870	1H0 407 151A	49664
1H0 407 152	49665	1H0 407 365	19679/1	1H0 407 365	19679
1H0 411 314	33905	1H0 419 803	19862	1H0 419 804	19863
1H0 422 803	19864	1H0 422 803A	49873	1H0 422 803B	49672
1H0 422 803C	49672	1H0 422 804	19865	1H0 422 804A	49874
1H0 422 804B	49673	1H0 422 804C	49673	1H0 501 541	33858
1H0 501 541	33858/2	1H0 501 541A	33858	1H0 501 541A	33858/2
1H9 501 541	33909	1J0 199 429	36852	1J0 407 151A	49704
1J0 407 151A	49704/1	1J0 407 151A	49704/2	1J0 407 151B	49704/1
1J0 407 151B	49704	1J0 407 151B	49704/2	1J0 407 151C	49704
1J0 407 365A	49702	1J0 407 365A	49702/1	1J0 407 365C	49702
1J0 407 365C	49702/1	1J0 407 365D	49702	1J0 407 365D	49702/1
1J0 407 366A	49703/1	1J0 407 366A	49703	1J0 407 366B	49703
1J0 407 366C	49703/1	1J0 407 366C	49703	1J0 407 366D	49703
1J0 411 314G	33824	1J0 411 314T	33824	1J0 411 315B	49868
1J0 411 315B	49867	1J0 411 315C	49867	1J0 411 315C	49868
1J0 411 315D	49793	1J0 411 315G	49867	1J0 411 315J	49867
1J0 411 315J	49868	1J0 411 316D	49794	1J0 422 803	49869
1J0 422 803A	49869	1J0 422 803B	49690	1J0 422 804	49870
1J0 422 804A	49870	1J0 422 804B	49691	1J0 422 807B	49690/1
1J0 422 807E	49690/1	1J0 422 811A	59895	1J0 422 811B	49700
1J0 422 812A	59896	1J0 422 812B	49701	1J0 422 812E	59817

Die aufgeführten Vergleichsnummern dienen nur zur besseren Identifikation.

References are only specified for a better identification.

Les références mentionnées ne servent qu' à une meilleure identification.

VAG	MAPCO	VAG	MAPCO	VAG	MAPCO
1J0 501 541C	33912	1K0 407 151AA	51715	1K0 407 151AB	51715
1K0 407 151AC	51726	1K0 407 151AE	51715	1K0 407 151M	51726
1K0 407 151N	51715	1K0 407 151P	51715	1K0 407 151Q	51715
1K0 407 152AA	51716	1K0 407 152AB	51716	1K0 407 152AC	51727
1K0 407 152AE	51716	1K0 407 152AH	51716	1K0 407 152BC	51716
1K0 407 152M	51727	1K0 407 152N	51716	1K0 407 152P	51716
1K0 407 152Q	51716	1K0 407 365B	51724	1K0 407 365C	51724
1K0 407 365E	51724	1K0 407 366B	51725	1K0 407 366C	51725
1K0 407 366E	51725	1K0 505 323H	52718	1K0 505 465C	51829HPS
1K0 505 465D	51829HPS	1K0 505 465H	51829HPS	1K0 505 465J	51829HPS
1K0 505 465K	51829HPS	113 415 821	51810	115 500 440	19961
131 405 361E	51800	131 405 361F	51800	131 405 361G	51800
131 405 371G	51801	131 405 371H	51801	131 405 371J	51801
131 415 813D	51807	131 415 813E	51807	131 415 813F	51807
171 407 181	33820	171 407 181A	33820	171 407 365C	19875
171 407 365D	19875	171 407 365F	19876	171 407 365G	19876
171 419 804	19891	171 419 804A	19891	171 419 811	19874
171 419 811A	19874	171 419 812	19874	171 419 821	19891/1
171 419 821A	19891/1	175 419 804	19891	191 407 151B	19858
191 407 151B	19858/2	191 407 151B	19858/1	191 407 153	33890
191 407 153A	19858	191 407 181A	33818	191 407 181B	33818
191 407 181D	33818	191 407 181E	33818	191 407 182	33819
191 407 365	19879	191 407 365	19855/1	191 407 365	19855/2
191 407 365	19879/1	191 407 365A	19879/1	191 407 365A	19855/2
191 407 365A	19879	191 407 365A	19855/1	191 407 365B	19855/2
191 407 365B	19879	191 407 365B	19855/1	191 407 365B	19879/1
191 411 314	33904	191 411 315B	49850	191 411 329	49862/9
191 419 803	19892	191 419 803A	19892	191 419 804	19888
191 419 804A	19888	191 419 811	19877	191 419 812	19878
191 422 803	19860	191 422 803A	19860	191 422 804	19861
191 422 804A	19861	191 501 541	33833	191 501 541	33833/2
2D0 407 361A	49831	2D0 407 361B	49831	2D0 411 041A	36947
2D0 411 041B	33947	2D0 411 051	59854	2D0 411 052	59855
2D0 422 803	49833	2E0 411 317C	52813	2E0 411 318C	52814
2E0 511 051F	52815	2E0 713 491	52810	211 405 371A	19881
211 405 371B	19881	251 407 077	33859	251 407 077B	33859
251 407 175	33900	251 407 175A	33900	251 407 179	33897
251 407 183	33896	251 407 183B	33896	251 407 187	19884
251 407 187A	19884	251 407 187B	19884	251 407 187C	19884
251 407 361	19883	251 411 041C	33814	251 419 803	19887
251 419 811	19874	251 419 821	19887	281 407 077	33929
281 407 187	19852	281 407 187B	19852	281 407 361	19851
281 407 361B	19851	281 411 041	33815	281 411 045	33945
281 415 801	51806	281 415 801D	51806	281 415 801D	51803
281 415 801D	51802	281 415 802	51805	281 415 802A	51805
291 511 171C	36770	3A0 422 803C	49692	3A0 422 804C	49693
3A0 422 811	59816	3A0 422 812	59817	3A0 422 812A	59817
3A0 501 541	33871	3A0 501 541	33871/4	3C0 407 151E	52717
321 419 811A	19850	321 501 541	33826/4	321 501 541	33826

Die aufgeführten Vergleichsnummern dienen nur zur besseren Identifikation.

References are only specified for a better identification.

Les références mentionnées ne servent qu' à une meilleure identification.

VAG	MAPCO	VAG	MAPCO	VAG	MAPCO
333 501 541	33871	357 407 151	19690/1	357 407 153	19690/1
357 407 181	33818	357 407 182	33819	357 407 365	19889
357 407 365A	19889	357 411 313	33935	357 411 313A	33949
357 411 314	33948	357 411 314A	36914	357 411 315	49865/1
357 411 315	49865	357 411 315A	49860/1	357 411 315A	49860
357 411 315C	49865	357 411 315C	49865/1	357 411 315D	49860
357 411 315D	49860/1	357 411 329	49860/9	357 419 803	19871
357 419 803A	19871	357 419 804	19872	357 422 803	19682
357 422 803A	49674	357 422 804	19683	357 422 804A	49675
357 501 541	33871	357 501 541A	33871	357 501 541A	33871/4
4A0 407 151	19694	4A0 407 152	19695	4A0 407 181A	33892
4A0 407 183D	33878	4A0 411 327A	36904	4A0 411 327F	33938
4A0 419 801A	49789	4A0 419 802A	49790	4A0 419 811A	19692
4A0 419 812A	19693	4A0 505 389	49686	4A0 511 247	33899
4A0 511 247B	36941	4B0 407 151	51730	4B0 407 515	36915
4B0 419 801B	49732	4B0 419 801E	49732	4B0 419 801M	49732
4B0 419 811	49707HPS	4B0 419 811	49707OES	4B0 419 811A	49707HPS
4B0 419 811A	49707OES	4B0 419 811B	49707HPS	4B0 419 811B	49707OES
4B0 419 811C	49707HPS	4B0 419 811C	49707OES	4B0 419 811E	49707OES
4B0 419 811E	49707HPS	4B0 419 811F	49707OES	4B0 419 811F	49707HPS
4B0 419 811J	49707HPS	4B0 419 811J	49707OES	4B0 419 821G	49738
4B0 501 522D	36782	4B0 501 522E	36782	4B3 407 151A	51730
4B3 407 151C	51730	4B3 407 151K	51730	4B3 498 998	59826
4D0 407 181F	33839	4D0 407 181H	33839	4D0 407 182E	33840
4D0 407 183AA	33932	4D0 407 183AB	33932	4D0 407 183M	33932
4D0 407 183N	33932	4D0 407 183P	33932	4D0 407 183Q	33932
4D0 407 505B	49713OES	4D0 407 505D	49713OES	4D0 407 505F	49713OES
4D0 407 505H	49713OES	4D0 407 515C	33876	4D0 411 327E	33939
4D0 411 327F	33940	4D0 411 327G	33939	4D0 411 327H	33940
4D0 419 801B	49732	4D0 419 801D	49732	4D0 419 801L	49732
4D0 419 811A	49707HPS	4D0 419 811A	49707OES	4D0 419 811B	49707HPS
4D0 419 811B	49707OES	4D0 419 811G	49707OES	4D0 419 811G	49707HPS
4D0 419 821Q	49738	4D0 422 821	49738	4D0 498 998C	59821
4D0 498 998C	59822	4D0 498 998C	59821/1	4D0 501 529A	49716
4D0 501 529E	49716	4D0 501 529F	49716	4D0 505 465D	49714
4D0 505 547C	49729	4D0 505 548C	49715	4D0 511 523A	33941
4D0 511 523C	33941	4E0 407 151G	51737	4E0 407 151J	51737
4E0 407 151L	51737	4E0 407 181B	36771	4E0 407 183A	33932
4E0 407 693C	51738	4E0 407 693F	51738	4E0 407 694C	51739
4E0 407 694F	51739	4E0 407 694N	51739	4E0 407 695B	51738
4E0 419 811B	51735	4E0 419 811C	51735	4E0 419 811D	51735
4E0 419 811E	51735	4F0 407 151	52710	4F0 407 151A	52710
4F0 407 183A	36777	4F0 407 183B	33932	4F0 407 183C	36778
431 407 181F	33891	431 407 183A	33901	431 505 172	33808
431 511 247C	33898	437 407 155B	49698	443 407 151B	49698
443 407 152B	49699	443 419 811B	49717	443 419 811D	49717
443 419 812B	49718	443 419 812D	49718	443 505 351P	51870
443 505 352P	51871	443 511 523B	33941	535 411 315	19853HPS
6K0 411 315	51861	6N0 407 151	19686/1	6N0 407 151A	51819/1

Die aufgeführten Vergleichsnummern dienen nur zur besseren Identifikation.

References are only specified for a better identification.

Les références mentionnées ne servent qu' à une meilleure identification.

VAG	MAPCO	VAG	MAPCO	VAG	MAPCO
6N0 407 151B	19686/1	6N0 407 175	19895/9	6N0 407 175A	19895/9
6N0 407 181	33835	6N0 407 182	33834	6N0 407 365	19895
6N0 407 365	19895/1	6N0 407 365A	19896	6N0 407 365A	19896/1
6N0 411 315	49862	6N0 411 315	49862/1	6N0 411 315C	49862
6N0 411 315C	49862/1	6N0 411 329	49862/9	6N0 419 803	19688
6N0 419 804	19689	6N0 419 812	19886	6N0 422 803	19696
6N0 422 803A	19696	6N0 422 804	19697	6N0 422 804A	19697
6N0 422 811	49871	6N0 422 812	49872	6N0 422 821A	19696/1
6N0 501 541D	33937	6Q0 407 151D	59813/1	6Q0 407 151D	59813
6Q0 407 151D	59813/2	6Q0 407 151E	59813/1	6Q0 407 151E	59813
6Q0 407 151E	59813/2	6Q0 407 151L	59813/1	6Q0 407 151L	59813/2
6Q0 407 151L	59813	6Q0 411 315A	59812HPS	6Q0 411 315B	59812HPS
6Q0 411 315C	59812HPS	6Q0 411 315D	59812HPS	6Q0 411 315E	59812HPS
6Q0 411 315F	59812HPS	6Q0 411 315G	59812HPS	6Q0 411 315J	59812HPS
6Q0 419 811C	59806	6Q0 423 803B	59808	6Q0 423 803C	59808
6Q0 423 803E	59808	6Q0 423 803G	59808	6Q0 423 804B	59809
6Q0 423 804C	59809	6Q0 423 804E	59809	6Q0 423 804G	59809
6Q0 423 811	59806	6Q0 423 811A	59806	6Q0 423 811D	59806
6Q0 423 812A	59807	6Q0 423 812C	59807	6Q0 423 812D	59807
6R0 423 812	59807	6R0 501 541A	33912	6U0 422 811	19961
6U6 407 359A	36780	6U6 407 360A	36781	6X0 407 151	51819/1
6X0 407 151A	51819	6X0 407 151A	51819/1	6X0 407 151A	51820
6X0 422 803A	59890	6X0 422 803Apart	59890/1	6X0 422 804A	59889
6X0 422 804Apart	59890/1	685 10 017	59852HPS	685 10 018	59853HPS
7D0 407 140	36784	7D0 407 140	33872	7D0 407 140A	33872
7D0 407 140A	36784	7D0 407 140B	36784	7D0 407 140C	36784
7D0 407 152A	59805	7D0 407 183	33916	7D0 407 183C	33916
7D0 411 045	33926	7D0 411 049	49851	7E0 407 361	51721
7H0 407 361	51721	7H0 411 317	51718HPS	7H0 419 803C part	51722
7H0 419 804C part	51722	7H5 411 317	51718HPS	7H5 411 317A	51718HPS
7L0 407 021B	52716	7L0 411 317	51824	7L0 422 803B	51745
7L0 422 803C	51745	7L0 422 803D	51745	7L0 422 804B	51746
7L0 422 804C	51746	7L0 422 804D	51746	7L0 422 817B	51742
7L0 422 817C	51742	7L0 422 817D	51742	7L0 422 818B	51743
7L0 422 818C	51743	7L0 422 818D	51743	7L0 422 821D part	51744
7L0 505 465A	51733	7L0 505 465C	51733	7L0 505 465D	51733
7L0 505 466A	51734	7L0 505 466B	51734	7L0 505 466C	51734
7L0 505 466D	51734	7M0 407 151B	49876	7M0 407 152B	49877
7M0 407 181A	33928	7M0 407 365A	49861	7M0 411 317C	49856HPS
7M0 411 317D	49856HPS	7M0 411 517C	49856HPS	7M0 422 803F	49866
7M0 422 803F	49866/1	7M0 422 803G	49866/1	7M0 422 804F	49866/2
7M0 422 804G	49866/2	7M0 422 817A	49857	7M0 422 817B	49857
7M0 422 818	49858	7M0 422 818A	49858	7M0 422 818B	49858
7M0 501 541	33908	7M0 505 221B	33864	7M0 505 221C	33864
7M3 411 317	49856HPS	7M3 411 317C	49856HPS	7M3 422 803	49866/1
7M3 422 803A	49866/1	7M3 422 804	49866/2	7M3 422 804	49866
7M3 422 804 S1	49866	7M3 422 804A	49866/2	7M3 422 817	49857
7M3 422 818	49858	701 407 021B	49852	701 407 022B	49853
701 407 077	33913	701 407 077A	33913	701 407 087	33915

Die aufgeführten Vergleichsnummern dienen nur zur besseren Identifikation.

References are only specified for a better identification.

Les références mentionnées ne servent qu' à une meilleure identification.

VAG	MAPCO	VAG	MAPCO	VAG	MAPCO
701 407 140B	33872	701 407 140C	33872	701 407 151A	49854
701 407 183	33914	701 407 183C	33916	701 411 041	33925
701 411 041D	36940	701 411 049	49851	701 411 049B	49863
701 419 803D	49766	701 419 803E	49773	701 419 804D	49767
701 419 804E	49774	701 419 810B	49764	701 419 811	19866
701 419 811A	19859	701 419 811B	19866	701 419 811C	19873
701 419 811E	59814	701 419 812	19880	701 419 812A	19867
701 419 812B	19882	701 419 812D	59815	8A0 407 181	33842
8A0 407 365	19684	8A0 407 366	19685	8A0 407 465	19603HPS
8A0 501 541	33894	8A0 505 465C	49688	8A0 505 466C	49689
8D0 498 998	59819/1	8D0 498 998	59822	8D0 498 998	59819
8D0 498 998	59822/1	8D0 501 530	59893	8D0 501 541A	33988
8D0 501 541D	33902	8D0 505 465	49688	8D0 505 466	49689
8E0 407 151E	51710OES	8E0 407 151K	51710OES	8E0 407 151L	51710OES
8E0 407 151M	51710OES	8E0 407 151N	51710OES	8E0 407 151R	51710OES
8E0 407 693AA	51872	8E0 407 693AD	51872	8E0 407 693T	51872
8E0 411 317	52712	8E0 411 318	52713	8E0 419 811B	49707OES
8E0 419 811B	49707HPS	8E0 422 821	49738	8E0 498 998	59827
8E0 498 998S1	59827	8E0 505 465C	59820	8E0 505 465D	59820
8N0 422 803A	51713	8N0 422 803C	51713	8N0 422 804A	51714
8N0 422 804C	51714	8N0 422 811A	51711	8N0 422 812A	51712
8Z0 411 315B	59894	8Z0 411 315C	59894	8Z0 423 803A	59892
8Z0 423 803C	59892	8Z0 423 803D	59892	8Z0 423 803F	59892
8Z0 423 804A	59891	8Z0 423 804C	59891	8Z0 423 804D	59891
8Z0 423 804F	59891	811 199 415A	33830	811 199 419B	33827
811 199 419C	33827	811 40 7147B	49768	811 407 181	33828
811 407 181A	33828	811 411 327A	33844	811 411 327B	33843
811 419 801C	49761	811 419 801E	49761	811 419 802J	49762
811 419 812	19850	811 419 812A	19890	811 419 812B	19890
811 511 247	33829	823 199 415B	33830	823 407 365A	19856
823 407 365C	19856	823 407 365E	19857	823 411 313A	33906
823 419 811	19850	855 407 365A	19893	855 407 365B	19893
855 407 366A	19894	855 407 366B	19894	857 407 147A	49769
857 407 181	33842	857 407 474	33907	861 407 151B	19854
861 407 183	33893	861 419 812	19850	871 419 801A	19899
871 419 802	49878	893 199 415	33830	893 199 419	33827
893 407 147C	49769	893 407 147C	49769/1	893 407 147E	49775
893 407 147G	49768	893 407 148A	49770/1	893 407 148A	49770
893 407 148C	49770/1	893 407 148C	49770	893 407 148E	49776
893 407 181	33846	893 407 365A	19898	893 407 365F	19680
893 407 366A	19897	893 407 366F	19681	893 407 465	19603HPS
893 407 465A	19603HPS	893 419 802	49763	895 407 147A	49705
895 407 147D	49705/1	895 407 148A	49706/1	895 407 148A	49706
895 407 148D	49706/1	895 407 365	19684	895 407 366	19685
VAUXHALL	MAPCO	VAUXHALL	MAPCO	VAUXHALL	MAPCO
03 50603	49749HPS	102 55029	36725	102 60991	36726
102 64395	36726	103 93215	36725	13 105744	59776
13 167 940	36722	13 204115	59776	13 230274	59776
13 271996	59770	13 273604	59772	13 273605	59773

Die aufgeführten Vergleichsnummern dienen nur zur besseren Identifikation.

References are only specified for a better identification.

Les références mentionnées ne servent qu' à une meilleure identification.



VAUXHALL	MAPCO	VAUXHALL	MAPCO	VAUXHALL	MAPCO
13 280210	59772	13 318884	59772	13 318885	59773
13 318886	59772	13 321 280	59026HPS	13 321338	59777
13 321339	59778	13 334022	59777	13 334023	59778
1603 215	19637	24 408 179	33717	24 454 477	49612
24 454 478	49613	26 010 028	19805	26 055219	19627
26 102923	59786	26 110429	59787	322 171	19615
322 172	19616	322 175	19613	322 176	19614
352 335	33757	352 822	19816	44 01 852	49165
44 01 853	49166	44 01 940	49165	44 01 941	49166
44 04 047	49165	44 04 048	49166	44 08474	49155
44 18 212	49165	44 18 213	49166	45 00 092	49165
4500 094	36704	5352027	49614	5352028	49615
55 700 753	59026HPS	6606 031	59774	7840 452	19800
9 161 561	49125	9 161562	49137	9 161563	49138
9 210 351	49627	90 157 161	33788	90 495 045	19607/8HPS
90 495 585	33720	90 496 116	19600HPS	90 496 711	59783
90 498 738	33788	90250709	33714/9	90288082	33714
90288082	33714/2	90373264	33714	91 160037	49155
91 160498	49109HPS	91 160499	49108HPS	91 166461	49142
91 166462	49141	9191 165	33788	9191 309	33720
93 161884	59790	93 171448	36703	93 172 254	49620
93 172 255	49621	93 172 256	49622	93 174598	49630
93 174599	49631	93 179 558	49619	93 179 559	49618
93 181 233	49619	93 190905	49630	93 190906	49631
93 192416	59787	93 192417	59786	93 192673	49109HPS
93 193 134	33577	93 193130	51254	93 193130	51253
93 193131	51254	93 193131	51252	93 194002	51251
93 194035	51250	93 195093	51255HPS	93 196 623	49140
93175520	59785	93187434	59785	93188303	33768
94 459 464	49616	94 459453	49744	94 459465	49745
94 459480	49743	94 459481	49742	96 626 235	59780
96 626667	51301	96 819 161	59780	96626236	59781
96819162	59781	97 020954	49742		
VOLVO	MAPCO	VOLVO	MAPCO	VOLVO	MAPCO
1205 658	19906	1206 667	19915	1228 386	49952
1228 799	19902	1228 800	19901	1229 391	19913
1273 126	49900	1273 139	19902	1273 140	19901
1273 143	19902	1273 146	19901	1273 235	33994
1273 819	19907	1329 655	33917	1330 819	19902
1330 820	19901	1330 821	19902	1359 347	49900
1359 590	19907	138 7356	49943	1387 463	49942
1387 860	19914HPS	27 419 1	49965	27 419 2	49966
27 435 1	49965	27 435 2	49966	27 435 3	49964
27 449 8	49965	27 449 9	49966	27 457 6	49965
27 458 2	49966	270 477	19907	271 389	49943
271 591	19912	271 598	19910	271 599	19911
271 628	49912	271 629	49913	271 631	36975
271 901	49912	271 902	49913	272 273	49914
272 336	49914	272 337	49915	272 416	49967

Die aufgeführten Vergleichsnummern dienen nur zur besseren Identifikation.

References are only specified for a better identification.

Les références mentionnées ne servent qu' à une meilleure identification.

VOLVO	MAPCO	VOLVO	MAPCO	VOLVO	MAPCO
272 417	49968	272 428	49923	272 991	19937HPS
272 991	19937	274 118	19902	274 119	19901
274 175	49921	274 176	49922	274 179	49927
274 186	49924	274 193	49924	274 225	49969
274 226	49970	274 303	49906HPS	274 377	49955
274 456	49906HPS	274 496	49921	274 523	49955
274 548	49924	274 573	49955	274497	49922
2772 274	49915	30 648 461	51621	30 760 806	49965
30 760 807	49966	30 776 323	49965	30 776 324	49966
30 776 806	49965	30 870 695	19547	30 875 012	19547
306 397 80	49948	306 397 81	49949	306 458 45	49948
306 458 46	49949	306 66331	33678	306 66821	33678
306 816 15	49949	3063 5227	49958	3063 5228	49959
3063 5229	49962	3063 5230	49963	3063 5231	49960
3063 5232	49961	3064 7920	49916HPS	3064 7995	19914HPS
30666072	59668	30666105	59647	3067 8440	36628
3068 3232	51610HPS	30683067	59668	3071 4126	51602
3071 4127	51603	3071 4422	51602	3071 4423	51603
3071 4466	51610HPS	3071 4678	49916HPS	3071 4685	49906HPS
3071 4686	19914HPS	30714128	36622	3073 6387	49960
3073 6388	49961	3076 0279	52609	3076 0280	52608
3076 0678	51625	3076 1719	49921	30761718	49922
3077 6248	51620	3077 6249	51619	3081 8078	59396
3081 8091	49956	3081 8096	59396	3081 8097	59397
3081 8467	33924	3082 1650	49907	3082 1651	49908
3085 2103	49909	3086 4208	49907	3086 4208	49544
3086 4209	49908	3086 4209	49545	30863990	49578
3087 1770	49905HPS	3087 2510	33551/1	3087 2511	33550/1
3087 3100	49905HPS	30870695	19540	3088 3988	49544
3088 3988	49907	3088 3989	49908	3088 3989	49545
3088 4179	49947HPS	3088 4179	49947	3088 4358	49905HPS
3088 4359	49909	3088 7025	49544	3088 7025	49907
3088 7033	49545	3088 7033	49908	3088 7469	49544
3088 7469	49907	3088 7470	49545	3088 7470	49908
3088 7653	49919	3088 7654	49920	3088 9962	49907
3088 9963	49908	30883989	49578	30887033	49578
30887470	49578	30889962	49578	31 200 776	51622
31 201 180	52606	31 201 181	52606	31 201 228	49965
31 201 229	49966	31 277 343	51622	31 317 661	51622
31 317 662	51622	312 010 04	49948	312 010 05	49949
3120 0775	51623	3120 1180	52609	3120 1181	52608
3120 1602	49906HPS	3121 2548	51610HPS	3121 2730	19914HPS
3121 6292	49906HPS	3126 2037	52609	3126 2039	52608
3127 7344	51623	3127 7462	52609	3127 7463	52608
3127 7893	37980	31277584	59647	3128 0000	51619
3128 0001	51620	313 040 45	49948	313 60784	33996
3130 2344	51619	3130 2345	51620	3131 7661	51623
3131 7662	51623	31340273	59664HPS	31387922	49959
31387923	49962	31387924	49963	3211 955	19874

Die aufgeführten Vergleichsnummern dienen nur zur besseren Identifikation.

References are only specified for a better identification.

Les références mentionnées ne servent qu' à une meilleure identification.

<b>VOLVO</b>	<b>MAPCO</b>	<b>VOLVO</b>	<b>MAPCO</b>	<b>VOLVO</b>	<b>MAPCO</b>
3265 974	19874	3270 523	19909	334 2824	49944
3345 797	49910	341 0369	49928	341 0412	49944
3410 519	19909	3416 129	49901HPS	3416 130	49902HPS
3434 868	19903	344 3998	49925	344 3999	49926
3448 334	19908	3465 482	19909	3465 590	19909
3467 713	49901HPS	3467 714	49902HPS	3480 012	19908
3516 944	19906	3530 167	49952	3530 230	19913
3530 3049	19938	3530 388	33994	354 6266	49917
3546 267	19910	3546 268	19911	3546 524	19912
410 364	19908	410 369	49928	410 519	19909
6800 251	36976	6819 057	33923	6819 253	19937
6819 253	19937HPS	8416 130	49902HPS	862 3955	49958
862 3956	49959	862 8725	19914HPS	8623 957	49962
8623 958	49963	8623 960	49961	8623576	59664HPS
8626 031	19914HPS	8628 495	49912	8628 496	49913
8628 497	49914	8628 498	49915	8628 726	19914HPS
863 869	49916HPS	863 0604	33996	8634 736	49906HPS
864 9541	49958	864 9542	49959	8649 543	49962
8649 544	49963	8649 545	49960	8649 546	49961
8671921	59646	8672 445	49906HPS	8672 446	49916HPS
9140 504	49942	9140 767	19914HPS	9140 788	49918
9140 788F	49918	9140 995	19913	9157 725	19913
916 9204	37980	9169 080	49916HPS	917 3618	33995
919 1410	49954	944 3882	33995	946 1626	33996
946 5971	33995	949 2105	49958	949 2106	49959
9492 531	49913	9492 532	49914	9492 804	19914HPS
9492 837	19937HPS	9492 837	19937	9492 914	49912
9492 915	49913	9492 916	49914	9492 917	49915
<b>VW</b>	<b>MAPCO</b>	<b>VW</b>	<b>MAPCO</b>	<b>VW</b>	<b>MAPCO</b>
J4 504 639 355	59278	J4 504 639 375	59282	N 0111135	49732
N 01116415	49773	N 01116415	49766	N 01116415	49767
N 01116415	49774	N 01116417	49774	N 01116417	49773
N 01116417	49766	N 01116417	49767	N 01116418	49767
N 01116418	49773	N 01116418	49774	N 01116418	49766
N 0111843	49850	N 0111849	49850	N 0221442	19850
N 10218704	49732	N 10218708	49732	N 10218708	59808
N 10218708	59809	N 10434501	49716	N 90596906	49868
N 90596906	49867	WHT 000 226	51829HPS	WHT 000 785B	52728
WHT 000 785B	52729	WHT 001 655	49716	1H0 419 821	52719
1H0 419 821A	52719	1H9 501 541	33909/4	1J0 407 181	33903
1J0 407 181A	33903	1J0 407 365 H	49702/1	1J0 407 365 H	49702
1J0 407 366 H	49703/1	1J0 407 366 H	49703	1J0 411 314	33927
1J0 411 314R	36787	1J0 411 314S	33927	1J0 411 315K	49867
1J0 422 803H	49690	1J0 422 804H	49691	1J0 501 541C	33912/2
1J0411315K	49868	1K0 199 231G	36948	1K0 199 231J	36948
1K0 199 232G	36949	1K0 199 232J	36949	1K0 407 151 BC	51715
1K0 407 151AC	51726	1K0 407 151AH	51715	1K0 407 151BC	51715
1K0 407 151M	51726	1K0 407 152AC	51727	1K0 407 152AD	51727
1K0 407 182	36950	1K0 407 182 A	36950	1K0 407 183E	36939

Die aufgeführten Vergleichsnummern dienen nur zur besseren Identifikation.

References are only specified for a better identification.

Les références mentionnées ne servent qu' à une meilleure identification.

VW	MAPCO	VW	MAPCO	VW	MAPCO
1K0 407 365C	51724	1K0 407 365G	51724	1K0 407 366B	51725
1K0 407 366C	51725	1K0 407 366G	51725	1K0 411 315 K	51825HPS
1K0 411 315B	51825HPS	1K0 411 315D	51825HPS	1K0 411 315J	51825HPS
1K0 423 810A	51723	1K0 423 811A	51826	1K0 423 811C	51826
1K0 423 811E	51826	1K0 423 811G	51826	1K0 423 811J	51826
1K0 423 811K	51826	1K0 423 812A	51827	1K0 423 812C	51827
1K0 423 812E	51827	1K0 423 812G	51827	1K0 423 812J	51827
1K0 423 812K	51827	1K0 501 529E	52720	1K0 501 529F	52720
1K0 501 529J	52720	1K0 501 530B	52721	1K0 501 530C	52721
1K0 505 311AA	52742	1K0 505 311AA	37891	1K0 505 311AB	52742
1K0 505 311H	37891	1K0 505 311H	52742	1K0 505 311S	52742
1K0 505 311S	37891	1K0 505 323D	52718	1K0 505 323G	52718
1K0 505 323H	52718	1K0 505 323M	52718	1K0 505 323N	52718
1K0 505 323P	52718	1K0 505 541C	36791	1K0 505 541D	36791
1K0 511 439E	36792	1K0 614 167C	52718	1K0 971 851J	52718
191 407 190A	33818/9	191 411 315	49850	191 411 315A	51862
191 411 331	49850	2D0 511 413	33946	2E0 407 151M	52816
2E0 407 152M	52817	2E0 713 491	52811	2E0 713 491	52810
281 415 811	51808	281 419 811	51808	3C0 199 231A	33987
3C0 199 231B	33987	3C0 199 231D	33987	3C0 407 151A	52717
3C0 407 151B	52717	3C0 407 151E	52717	3C0 407 151G	52717
3C0 407 365A	51748	3C0 407 365B	51748	3C0 407 366A	51749
3C0 407 366B	51749	3C0 423 811B	51826	311 415 811B	19836
311 415 811C	19836	325/ 419801/1 /	49761	357 407 365	19889/1
377 501 541	33826/4	377 501 541	33826	4B0 407 151	51730
4B0 422 875	49732	4B0 501 222D	36776	4B0 501 521D	36775
4B0 501 521E	36775	4B0 501 522E	36776	4B0 501 559	36776
4B0 501 559	36775	4B0 501 559A	36782	4B0 501 559A	36775
4B3 407 151A	51730	4B3 407 151C	51730	4B3 407 151K	51730
4B3 407 155A	51710OES	4B3 407 155C	51710OES	4D0 407 182G	33840
4D0 411 317G	49685OES	4D0 419 811 H	49707HPS	4D0 419 811H	49707OES
4D0 422 821A	49738	4D0 501 529 J	49716	4E0 407 151K	51737
4E0 407 182B	36774	4E0 407 182C	36774	4E0 407 183B	33932
4E0 407 505B	51876	4E0 407 505E	51876	4E0 407 506B	51877
4E0 407 506E	51877	4E0 407 509B	51878	4E0 407 509E	51878
4E0 407 509G	51878	4E0 407 509K	51878	4E0 407 510B	51879
4E0 407 510E	51879	4E0 407 510G	51879	4E0 407 510K	51879
4E0 407 693N	51738	4E0 407 694N	51739	4E0 419 821C	51736
4E0 505 547A	49729	4E0 505 547L	49729	4E0 505 548A	49715
4E0 505 548L	49715	4F0 407 151	52710	4F0 407 151A	52710
4F0 407 693	51874	4F0 407 693B	51874	4F0 407 693C	51874
4F0 407 693G	51874	4F0 407 694	51875	4F0 407 694B	51875
4F0 407 694C	51875	4F0 407 694G	51875	4F0 419 811B	49707HPS
4F0 419 811E	49707HPS	4F0 498 811	49732	4F0 498 811	49707OES
4F0 498 811	49707HPS	431 505 193A	49716	5Q0 505 323C	52718
5U0 407 365A	52743	5U0 407 366A	52744	5Z0 423 811	59806
5Z0 423 812	59807	6E0 419 811	51823	6E0 419 812	51822
6K0 422 811	51822	6K0 422 812	51823	6N0 407 151A	51819/1
6N0 411 315A	51821	6N0 411 315D	51821	6N0 419 811	19885

Die aufgeführten Vergleichsnummern dienen nur zur besseren Identifikation.

References are only specified for a better identification.

Les références mentionnées ne servent qu' à une meilleure identification.

VW	MAPCO	VW	MAPCO	VW	MAPCO
6N0 422 812	19886	6Q0 407 151D	59813/3	6Q0 407 151D	59813/4
6Q0 407 151E	59813/3	6Q0 407 151E	59813/4	6Q0 407 151L	59813/4
6Q0 407 151L	59813/3	6Q0 407 182A	36938	6Q0 407 183	36939
6Q0 407 183A	36939	6Q0 407 365A	59810	6Q0 407 365B	59810
6Q0 407 365M	59810	6Q0 407 366A	59811	6Q0 407 366B	59811
6Q0 407 366M	59811	6Q0 411 314E	36790	6Q0 411 314F	36788
6Q0 411 314M	36789	6Q0 411 314N	36790	6Q0 411 314Q	36789
6Q0 411 314R	36790	6Q0 411 315 N	59812HPS	6Q0 411 315M	59812HPS
6Q0 411 315P	59812HPS	6Q0 411 315Q	59812HPS	6Q0 423 803B	59808/1
6Q0 423 803E	59808/1	6Q0 423 803P	59808	6Q0 423 804P	59809
6Q0 423 810P	59808/1	6Q0 423 811C	59808	6Q0 423 831D	59809
6Q0 423 831D	59808	6Q0 423 831D	59892	6Q0 423 831D	59891
6Q0 423 933	59808	6Q0 423 933B	59891	6Q0 423 933B	59808
6Q0 423 933B	59892	6Q0 423 933B	59809	6R0 407 151A	52730
6R0 407 151B	52730	6R0 407 151C	52730	6R0 407 151F	52730
6R0 407 152	52731	6R0 407 152A	52731	6R0 407 152B	52731
6R0 407 152C	52731	6R0 407 152E	52731	6R0 407 152F	52731
6R0 407 365	52743	6R0 407 365 A	52743	6R0 407 366	52744
6R0 407 366 A	52744	6R0 411 315	59812HPS	6R0 411 315A	59812HPS
6R0 423 811	59806	6R0 501 541B	33912	6R0 505 41 B	33912
6U0 422 807	19973	6X0 407 151	51819/1	6X0 407 151A	51819/1
6X0 422 811	51822	6X0 422 812	51823	7D0 407 151A	59804
7H0 407 151B	36786	7H0 407 151E	51731	7H0 407 151F	36786
7H0 407 151F	36785	7H0 407 151F	51731	7H0 407 151G	51731
7H0 407 152B	36786	7H0 407 152E	51732	7H0 407 152F	51732
7H0 407 152F	36786	7H0 407 152F	36785	7H0 407 152G	51732
7H0 407 182	36785	7H0 407 182A	36785	7H0 407 183	36786
7H0 407 361A	51721	7H0 501 132A	37862	7H5 411 317B	51718HPS
7L0 407 021	52716	7L0 407 021A	52716	7L0 407 021B	52716
7L0 407 077	37880	7L0 407 151C	52740	7L0 407 151E	52740
7L0 407 151H	52740	7L0 407 152C	52741	7L0 407 152E	52741
7L0 407 152H	52741	7L0 407 182C	37869	7L0 407 182E	37869
7L0 407 183A	37868	7L0 407 183A	37863	7L0 422 803D	51745
7L0 422 804D	51746	7L0 422 817D	51742	7L0 422 818D	51743
7L0 422 821D part	51744	7L0 505 323A	52734	7L0 505 375A	52734
7L0 505 397	52735	7L0 505 398	52736	7L0 505 553	37882
7L0 505 554	37881	7L8 407 183	37868	7M3 407 365 A	49861
7M3 411 317A	49856HPS	7M3 411 317B	49856HPS	7M3 411 317D	49856HPS
7M3411317E	49856HPS	701 407 152A	49855	701 407 187	19868
701 407 187A	19868	701 407 187B	19868	701 419 810	49773
701 419 810	49766	701 419 810A	49774	701 419 810A	49767
8A0 407 465C	19603HPS	8D0 407 515A	36773	8D0 407 515B	36773
8D0 407 515C	36773	8D0 498 998B	59819/1	8D0 498 998B	59822
8D0 498 998B	59819	8D0 498 998B	59822/1	8E0 407 693AA	51872
8E0 407 693AC	51872	8E0 407 693AJ	51872	8E0 407 693AK	51872
8E0 407 693AL	51872	8E0 407 693AM	51872	8E0 407 693N	51872
8E0 407 693T	51872	8E0 407 694AA	51873	8E0 407 694AC	51873
8E0 407 694AJ	51873	8E0 407 694AK	51873	8E0 407 694AL	51873
8E0 407 694AM	51873	8E0 407 694N	51873	8E0 407 694T	51873

Die aufgeführten Vergleichsnummern dienen nur zur besseren Identifikation.

References are only specified for a better identification.

Les références mentionnées ne servent qu' à une meilleure identification.

<b>VW</b>	<b>MAPCO</b>	<b>VW</b>	<b>MAPCO</b>	<b>VW</b>	<b>MAPCO</b>
8E0 411 317	52712	8E0 411 318	52713	8E0 422 821C	49738
8E0 501 521N	36775	8E0 501 522N	36776	8K0 407 151 D	52728
8K0 407 151D	52728	8K0 407 152C	52729	8K0 407 152D	52729
8K0 407 182B	37864	8N0 407 181B	36772	8N0 422 811A	51711
8Z0 423 803G	59892	8Z0 423 804G	59891	811 411 327B	33843
893 407 148D	49770	893 407 148D	49770/1	893 411 327E	33843
<b>VW (FAW)</b>	<b>MAPCO</b>	<b>VW (FAW)</b>	<b>MAPCO</b>	<b>VW (FAW)</b>	<b>MAPCO</b>
1J0 411 314R	36787	1KD 407 182	36950	1KD 407 365	51724
1KD 407 366	51725	1K0 199 231	36948	1K0 411 315 K	51825HPS
1K0 411 315D	51825HPS	1K0 411 315J	51825HPS	1K0 423 810A	51723
<b>VW (SVW)</b>	<b>MAPCO</b>	<b>VW (SVW)</b>	<b>MAPCO</b>	<b>VW (SVW)</b>	<b>MAPCO</b>
1KD 407 182	36950	1K0 407 182	36950	4B0 407 515	33876
4B0 419 811E	49707HPS	4B0 419 811E	49707OES	4D0 407 181H	33839
4D0 407 182E	33840	4D0 407 182G	33840	4D0 407 183AB	33932
4D0 407 183AC	33932	4D0 422 821A	49738	4F0 419 811C	49707HPS
4F0 419 811C	49707OES	6Q0 407 151L	59813	6Q0 411 314F	36788
6Q0 411 314M	36789	6Q0 411 314Q	36789	6Q0 411 315 G	59812HPS
6Q0 411 315 N	59812HPS	8E0 419 811	49707OES	8E0 419 811	49707HPS
8E0 419 811B	49707HPS	8E0 419 811B	49707OES		

Die aufgeführten Vergleichsnummern dienen nur zur besseren Identifikation.

References are only specified for a better identification.

Les références mentionnées ne servent qu' à une meilleure identification.

FEBI BILSTEIN	MAPCO	FEBI BILSTEIN	MAPCO	FEBI BILSTEIN	MAPCO
TC2052	59628HPS	01022	36661	01023	36662
01032	19699	01034	19698	01071	49662
01078	49661	01084	33889/3	01121	19862
01127	19863	01146	49672	01147	49673
01150	19876	01158	19879/1	01163	19860
01169	19861	01172	33858	01196	33826/4
01199	33833/2	01201	33871/4	01209	59898
01220	33858/2	01303	36972	01304	36923
01305	33836	01311	33616	01312	33616/7
01312	33617	01433	49802	01521	19893
01522	19894	01523	36904	01529	33896
01530	33897	01665	49801	01668	33666
01673	33697	01677	33692	01678	33693/2
01691	33693	01712	59897	01712	51850
01713	19836	01791	51800	01792	51801
01795	19881	01800	19870	01808	19756/2
01809	19756/3	01810	19755/2	01811	19755/3
01831	19813	01837	33714	01838	33725
01847	49657	01852	19812	01854	49759
01855	49758	01880	19686/1	01926	33901
01932	33846	01952	33974	01989	33922
01995	19624	02008	33733	02014	33793
02042	49754	02043	49755	02045	19808
02046	19809	02047	33879	02051	19801
02052	19680	02053	19681	02057	19684
02058	19685	02070	33732	02099	19819
02106	19883	02107	19884	02109	19818
02110	19817	02128	33731	02145	19888
02146	19892	02183	33848	02220	19852
02221	19851	02223	33715	02234	19850
02236	19899	02237	49878	02238	19878
02240	19891/1	02243	19856	02244	19857
02263	33849	02266	49761	02267	49762
02268	19890	02271	19621	02273	33737
02287	19887	02289	51806	02291	51808
02354	33870	02379	19847	02380	19828
02381	19845	02383	19849	02384	19848
02385	19831/1	02386	19830/1	02395	33913
02408	19875	02497	36971	02498	33978
02620	19714	02624	19805	02625	19800
02627	19710	02628	19711	02629	59367
02633	59295	02634	59296	02635	19718
02636	19719	02672	19806	02673	19807
02682	33691	02734	49844	02818	19858/2
02818	19858	02891	19839	02901	33841
02912	19620	02915	19619	02940	49896
02941	49897	02942	19889	02957	19721
02959	19727	03091	33716	03141	33752
03142	33757	03207	59782	03389	49845

Die aufgeführten Vergleichsnummern dienen nur zur besseren Identifikation.

References are only specified for a better identification.

Les références mentionnées ne servent qu' à une meilleure identification.

FEBI BILSTEIN	MAPCO	FEBI BILSTEIN	MAPCO	FEBI BILSTEIN	MAPCO
03461	33906	03544	33818/9	03548	19889/1
03551	19897	03553	19898	03583	19877
03607	19854	03664	33871	03665	33826
03668	19844	03670	19838	03671	33833
03822	19665	03825	19666/1	03825	19666HPS
03883	19606HPS	03885	33730	04011	19746/1
04037	33641/2	04038	33641	04094	19747/1
04181	33690	04220	19667HPS	04250	33729
04305	33785	04306	33786	04390	33787
04402	33895	04407	33736	04421	49717
04422	49718	04443	33739	04451	19891
04452	19874	04585	19678HPS	04786	19837
04874	19834	04882	49892	04888	33898
04911	33689	04913	33914	04919	19833
04936	19895	04942	19840	04943	19841
04944	19896	05021	49815	05022	49816
05023	49817	05027	33915	05040	49818
05052	33865	05053	33874	05059	33929
05115	59831	05162	19602HPS	05170	19612
05170	19802	05191	19803/1	05193	19804/1
05194	19618	05195	19617	05198	49752
05199	49753	05200	19611	05201	19610
05202	49604	05217	33917	05218	19832
05269	49821	05271	49822	05290	33916
05388	33867	05399	33971	05622	33645
05623	19743/1	05624	19744/1	05639	19755/1
05640	19756/1	05666	19768	05682	19654
05747	49788	05841	33972	05920	19761
05921	19760	05952	19842	05953	19843
06043	33639	06048	33695	06157	49756
06158	49757	06170	33611	06172	33627
06179	33677	06183	19725	06191	19614
06192	49601	06192	19616	06193	49600
06193	19615	06194	19613	06195	49760
06213	33638	06225	36770	06301	19736
06302	19735	06353	33936	06400	19816
06467	49813	06490	19701	06557	19656
06558	19657	06559	33820	06595	19829
06625	19663	06628	49782	06629	49783
06636	49785	06639	49786	06641	19664
06660	33875	06661	33875/1	06667	36899
06676	33910	06766	33900	06792	49733
06793	49734	06795	37663	06935	19108
06936	19130	06937	19130/1	06938	19137
06942	19138	06943	19147	06947	19148
06953	19150	06956	19151	06957	19153
06958	19154	06964	19133	06966	19134
06968	19131	07059	33835	07180	33830
07182	33827	07197	36926	07200	33946

Die aufgeführten Vergleichsnummern dienen nur zur besseren Identifikation.

References are only specified for a better identification.

Les références mentionnées ne servent qu' à une meilleure identification.



FEBI BILSTEIN	MAPCO	FEBI BILSTEIN	MAPCO	FEBI BILSTEIN	MAPCO
07222	33637/2	07224	33847	07238	19846
07248	49787	07258	49898	07259	49899
07512	19673	07513	19674	07538	33891
07557	33828	07558	33842	07590	33859
07601	36924	07620	33829	07622	33899
07623	33808	07629	33892	07701	33893
07729	33727	07778	19822	07779	19825
07780	19823	07781	19824	07781	19827
07782	19826	07837	33909	07843	33609
07847	33818	07855	19879	07856	33819
07861	33890	07863	49850	07954	19757
07965	19670HPS	07966	19671HPS	07973	19758
07977	19679	07979	19872	07984	19682
07989	19608HPS	07989	19604HPS	07990	19683
08030	19871	08038	19821	08051	49874
08052	49873	08053	19865	08054	19864
08078	49891	08084	19738/1	08095	19737/1
08096	19753	08097	19752	08107	19756/5
08144	33795	08156	33734	08167	19640
08169	19641	08204	49847	08212	49848
08322	49880	08323	49849	08428	36925
08561	33841/4	08570	19662	08571	19661
08572	49780	08574	19660	08575	49781
08580	49730	08581	19675	08582	19669
08583	19668	08683	33868	08761	19722
08767	19745	08768	19655	08780	19646
08818	33973	08828	49826	08842	33970
08858	33694	08863	49827	08905	36912
08920	49795HPS	08925	49660	08940	33942
08941	36908	08942	33889/4	08944	33889/2
09005	36669/2	09019	33306	09047	33937
09054	33894	09058	33307	09060	33834
09070	33343	09086	36941	09095	49862/9
09113	19626	09115	49800	09118	33615
09119	33614	09137	33618	09146	33100
09194	49889	09206	19600HPS	09209	33610
09315	19157	09316	19158	09317	19301
09373	33320	09380	33143	09381	33144
09386	33148	09387	33147	09395	33171
09396	33170	09398	33338	09474	33726
09484	19723	09519	33904	09523	49705
09524	49706	09525	49775	09526	49776
09527	49769	09528	49770	09529	19690/1
09530	49664	09531	49665	09679	19142
09680	19141	09681	19139	09682	19140
09683	19144	09684	19145	09685	19136
09691	19143	09741	33146	09808	49893
09816	33643	09886	19135	10018	33839
10019	33876	10020	33840	10021	33928

Die aufgeführten Vergleichsnummern dienen nur zur besseren Identifikation.

References are only specified for a better identification.

Les références mentionnées ne servent qu' à une meilleure identification.

FEBI BILSTEIN	MAPCO	FEBI BILSTEIN	MAPCO	FEBI BILSTEIN	MAPCO
10022	33939	10023	33940	10024	49674
10025	49675	10026	33864	10035	49725
10035	49725HPS	10036	49726HPS	10036	49726
10037	49796	10038	49663HPS	10110	59658
10123	19310	10127	19311	10150	33130
10151	33129	10154	37876	10159	19750
10160	49644	10161	19749	10162	19751
10163	19748	10165	19645	10167	19647
10168	49737	10169	19132	10170	19644
10210	19756/4	10211	19755/4	10268	49888
10269	49890	10277	33337	10303	33101
10304	33102	10307	33321	10324	19605HPS
10356	36911	10379	36916	10382	49641
10383	49640	10404	36917	10431	33714/9
10516	19607	10517	19607/8HPS	10521	33637
10569	19050	10570	19051	10571	19066
10572	19067	10573	19057	10574	19056
10577	19868	10579	59816	10582	19873
10583	19882	10584	19867	10585	19866
10586	19880	10587	19859	10590	59657
10591	59665	10640	19109	10657	19341
10658	19342	10659	19417	10660	19418
10662	19694	10663	19695	10790	19047
10791	19053	10792	19052	10793	19042
10796	49804	10797	49803	10800	33878
10814	33903	10852	33872	10876	19178
10877	19177	10883	49767	10884	49766
10885	49774	10886	49773	10887	59815
10888	59814	10890	19186	10891	19187
10894	19196	10895	19197	10900	19420
11022	49812HPS	11023	49811HPS	11091	49704
11136	33838	11152	33979	11153	36910
11155	36909	11192	33977	11277	19442
11278	19441	11279	19065	11280	19430
11280	19078	11281	19447	11282	19043
11283	19068	11284	19422	11353	49707HPS
11354	49732	11400	19160	11401	19159
11406	19156	11407	19161	11417	19312
11417	19415	11422	19339HPS	11423	19337HPS
11500	33675	11656	19623	11657	19622
11658	19635	11659	19636	11660	19633
11661	19634	11662	33788	11663	33794
11746	19632	11751	19330	11752	19329
11753	19345	11754	19344	11755	33318
11756	33314	11759	33319	11777	33415
11777	33313	11782	33330	11784	19421
11814	49739	11815	49740	11816	49741
11817	49721	11818	49722	11819	49650
11820	49651	11821	49694	11822	49695

Die aufgeführten Vergleichsnummern dienen nur zur besseren Identifikation.

References are only specified for a better identification.

Les références mentionnées ne servent qu' à une meilleure identification.

FEBI BILSTEIN	MAPCO	FEBI BILSTEIN	MAPCO	FEBI BILSTEIN	MAPCO
11829	19425	11831	19023	11847	19409
11850	19428	11851	19315	11853	19353
11854	19336/1	11855	19316	11856	19336
11864	37838	11873	49884	11874	49883
11933	33933	11958	49807	11959	49805
11960	49806	11977	19054	11978	19055
11996	49866/2	11997	49866/1	11998	49858
11999	49857	12001	49866	12002	49856HPS
12017	33103	12018	33115	12023	19450
12024	19449	12025	19448	12040	19022
12041	19079	12044	19076	12044	19431
12045	19077	12045	19432	12045	19434
12059	19072	12060	19073	12064	19363
12077	19906	12096	33009	12150	33105
12152	19469	12153	19468	12159	33168
12160	33172	12164	33164	12195	49837
12196	49831	12198	49833	12240	19166
12240	49107	12244	33005	12291	19071
12299	51647	12372	33167	12373	33118
12378	49723	12379	49724	12380	49658
12383	19463	12384	19464	12385	19461
12386	19462	12420	49129	12421	49130
12422	49101	12422	19181	12422	19170
12423	19169	12423	49100	12423	19180
12427	33329	12437	19108	12444	19164HPS
12444	19164	12472	33015	12473	49018
12474	49017	12528	49676/1HPS	12529	49677/1HPS
12530	49825	12537	49022	12538	49023
12539	49024	12540	49025	12546	19045
12547	19046	12555	19070	12556	19007
12557	19008	12558	19010	12559	19009
12560	19021	12561	19020	12565	49823
12566	49824	12567	19740	12571	19452
12574	19742	12575	19741	12576	36668/2
12577	36668	12580	49652	12581	59619
12582	59620	12621	49728	12622	49727
12626	36664	12627	36666	12628	36665
12638	19762	12658	49702	12660	49703
12677	49646	12678	49645	12683	49735
12684	49736	12696	49653	12697	49654
12699	19785	12700	59621	12718	19907
12719	49943	12720	19908	12723	49900
12725	49952	12726	49917	12727	49944
12728	49928	12729	49942	12730	19909
12747	19910	12748	19911	12758	19015
12759	19023	12763	33432	12764	33430
12768	19026HPS	12778	19631	12779	19637
12779	19638	12780	49607	12796	19556
12797	19525	12798	19523	12800	19649

Die aufgeführten Vergleichsnummern dienen nur zur besseren Identifikation.

References are only specified for a better identification.

Les références mentionnées ne servent qu' à une meilleure identification.

FEBI BILSTEIN	MAPCO	FEBI BILSTEIN	MAPCO	FEBI BILSTEIN	MAPCO
12801	19648	12835	19724	12840	19366
12904	19583	12905	19589	12906	19584
12907	19594	12908	49583	12909	49582
12911	19566	12912	59273	12913	19560
12914	19951	12923	19954	12924	19955
12927	33960	12931	49571	12932	49570
12933	19571	12933	19563	12935	59563
12937	59201	12938	49595	12940	49562
12941	49561	12944	19956	12945	19505
12946	19504	12949	59317	12950	59320
12951	19983	12952	19980	12957	49539
12958	49538	12959	49523	12960	49522
12961	49527	12962	49526	12963	19982
12969	49606	12970	19981	14106	49743
14107	49742	14117	49744	14118	49745
14122	59681	14123	59680	14124	51678
14134	49750	14135	49751	14137	59865
14139	59866	14140	59867	14146	33844
14147	19585	14148	49768	14149	49535
14150	49534	14151	49521	14152	49520
14152	49536	14154	33902	14167	49589
14168	49691	14170	49690	14172	49870
14174	49869	14180	49700	14182	49701
14184	59895	14186	59896	14226	49820
14227	49819	14230	19853HPS	14231	33635
14232	33636	14235	19048	14243	19643/1
14244	19642/1	14245	19643	14246	19642
14252	19895/9	14276	36852	14279	49866/2
14300	19914HPS	14301	19937	14301	19937HPS
14306	19885	14310	49713OES	14318	19688
14320	19689	14322	49871	14324	49872
14324	19886	14326	19696	14328	19697
14396	33909/4	14424	19895/1	14426	19896/1
14428	19679/1	14440	49702/1	14444	49703/1
14522	49808	14523	49809	14548	33766
14549	33753	14558	19639	14603	19406
14605	19408	14716	36787	14718	33824
14739	33672	14753	49980	14755	19902
14756	19901	14758	19912	14759	49912
14760	49913	14834	19407	14891	33923
14897	36796	14899	36973	14913	49918
14923	33934	14944	33845	14949	33165
14953	36913	15068	19554	15069	19555
15070	19553	15071	19552	15072	19551
15073	59224	15074	49256	15151	49914
15152	49915	15168	51267	15169	19521
15266	19534	15267	19533	15268	19524
15269	59520	15270	19535	15272	19549
15273	19548	15300	59310	15399	19629

Die aufgeführten Vergleichsnummern dienen nur zur besseren Identifikation.

References are only specified for a better identification.

Les références mentionnées ne servent qu' à une meilleure identification.

FEBI BILSTEIN	MAPCO	FEBI BILSTEIN	MAPCO	FEBI BILSTEIN	MAPCO
15400	19630	15401	33924	15402	19547
15403	49910	15410	49685OES	15411	19591HPS
15412	19590HPS	15413	19592HPS	15414	19543HPS
15415	49525HPS	15420	49524	15421	51526
15424	36976	15425	19527HPS	15426	36975
15455	49507	15465	49531	15467	49530
15471	49509	15477	49512	15478	49511
15488	49210	15489	49209	15495	19507
15500	19503	15501	19501	15535	49506
15539	19509	15541	19508	15553	49503
15553	59509	15555	49502	15555	59508
15563	49814/1	15564	49814/2	15568	49206
15569	49205	15620	33735	15677	49905HPS
15678	51819/1	15681	19652	15682	19651
15694	49828	15695	49829	15725	49901HPS
15726	49902HPS	15727	19915	15768	49044
15769	49045	15885	19044	15951	19347
15952	19346	15977	19321	15978	33935
15979	19322	15980	33948	15981	19320
15982	33949	15983	19319	15984	36914
15996	49865	15998	49860	17006	51822
17008	51823	17039	33016	17057	19520
17059	19580	17061	51539	17071	51538
17114	59854	17115	59855	17119	19754
17129	19338HPS	17201	49529	17203	49528
17207	49841HPS	17208	49840HPS	17265	19820
17300	59830/1	17318	49028	17319	49029
17376	33877	17377	19700HPS	17452	33758
17453	33756	17502	59211	17504	59217
17505	19519	17506	19518	17564	49882
17565	49881	17573	49886	17595	59667
17596	19913	17609	19324	17611	19335
17611	19340	17612	19476HPS	17618	33642
17621	49869	17622	49870	17631	19587
17676	49763	17702	19973	17703	36919
17704	19961	17713	19389	17715	19473
17722	19474	17722	19437	17722	19331/1
17722	19331	17723	19427	17724	19426
17725	19475	17725	19438	17725	19332
17725	19475/1	17725	19332/1	17729	33789
17730	33761	17751	19382	17753	19381
17766	19411	17768	19373	17777	19627
17778	19628	17779	49799	17781	33417
17786	19349	17787	19350	17790	33322
17817	33424	17837	33521	17839	33225
17923	19650	17968	19367	17969	19348HPS
17993	49065	17994	49064	18062	19763
18073	33943	18074	33944	18075	37837
18076	19780	18077	19781	18084	19603HPS

Die aufgeführten Vergleichsnummern dienen nur zur besseren Identifikation.

References are only specified for a better identification.

Les références mentionnées ne servent qu' à une meilleure identification.

FEBI BILSTEIN	MAPCO	FEBI BILSTEIN	MAPCO	FEBI BILSTEIN	MAPCO
18101	19575	18103	19576	18105	49579HPS
18107	19573	18109	19578	18110	19577
18123	49609	18125	49608	18129	19765
18130	19653	18133	19574	18134	49271HPS
18135	49270HPS	18143	59638	18165	49843
18177	33316	18179	33336	18179	33317
18183	33520	18214	19030	18215	19029
18216	49031	18264	49868	18266	49867
18268	49030HPS	18281	19405	18299	36947
18315	33303	18343	33333	18366	49862/1
18424	19485	18425	19486	18427	19451HPS
18492	33941	18495	33676	18501	49877
18503	49876	18539	29795	18548	33796
18552	33768	18654	49863	18686	36660
18751	33327	18830	33814	18842	33878/9
18874	33947	18876	33628	18901	59622
18984	49851	18985	19368HPS	19009	33416
19042	33945	19044	33815	19048	33326
19050	33905	19067	19370HPS	19071	19369HPS
19117	19365	19120	19454	19121	19453
19124	33437	19222	19470	19225	19362HPS
19235	19593HPS	19236	49591HPS	19237	49590HPS
19237	49590	19244	34053	19276	49861
19279	19609HPS	19296	49793	19298	49794
19299	19601	19333	49895HPS	19336	51711
19342	51712	19379	49906HPS	19383	19374
19387	49510	19397	19375HPS	19403	19376HPS
19406	59810	19408	59811	19449	33670
19452	33644	19468	19371	19469	19028HPS
19475	33227	19476	33228	19501	59784
19518	59812HPS	19525	19171	19541	49610
19545	19810	19562	49839	19604	49136
19605	49135	19649	49120	19649	49120HPS
19650	49121HPS	19650	49121	19651	19777
19664	49916HPS	19665	59623HPS	19666	59631HPS
19667	59603HPS	19667	59603	19668	59604HPS
19668	59604	19669	59628HPS	19670	59632
19671	59605HPS	19673	49907	19673	49544
19674	49908	19674	49545	19685	59857
19685	59857HPS	19686	49200HPS	19716	19429HPS
19720	19607/8HPS	19721	19659HPS	19729	33527
19731	19360	19733	19361	19760	51870
19762	51871	19812	59806	19814	59807
19816	59808	19818	59809	19820	49704/1
19822	49704/2	19825	19773HPS	19829	33683
19830	59648	19831	19313	19833	19314
19841	59847HPS	19849	19984	19850	19985
19857	51613	19858	51614	19859	51615
19861	59861HPS	19861	59861	19864	59859

Die aufgeführten Vergleichsnummern dienen nur zur besseren Identifikation.

References are only specified for a better identification.

Les références mentionnées ne servent qu' à une meilleure identification.

FEBI BILSTEIN	MAPCO	FEBI BILSTEIN	MAPCO	FEBI BILSTEIN	MAPCO
19865	59860	19866	49108HPS	19867	49109HPS
19873	59669	19874	59670	19875	49642
19877	49643	19879	59666	19926	36915
19927	19479	19932	51730	19935	19379
19937	49400	19939	19380	19959	49042
19961	49041	19963	49040	19965	49043
19980	19702	19987	49569	19989	49568
19991	49273	19993	49272	21015	49124HPS
21017	19776HPS	21019	19775HPS	21021	19774HPS
21021	19774	21044	49118HPS	21066	37662
21077	59613HPS	21124	33791	21174	59864
21182	59617	21183	59618	21194	33932
21204	49032HPS	21205	49033	21206	49034
21219	36987	21250	33324	21252	19769
21256	59856	21258	19031	21260	19032
21262	59845	21281	19701/1	21282	19702/1
21332	33720	21356	59858HPS	21357	59833
21358	59834	21402	59846	21408	37874
21410	33883	21414	49921	21415	49922
21425	59637	21439	59885	21440	59884
21441	59881	21442	59882	21443	51835
21444	51836	21445	51852	21446	51853
21450	49838	21453	49923	21455	59608
21456	59609	21463	33847/3	21464	33847/4
21483	51663	21484	51664	21485	51661
21486	51662	21487	51660	21488	59692
21489	59693	21490	19372	21491	19489
21492	19490	21493	49137	21494	49138
21495	59690	21496	59691	21500	59819
21513	59629	21514	59630	21517	37661
21530	36988	21540	37875	21563	49969
21564	49970	21566	49967	21567	49968
21611	33001	21613	33006	21620	59606
21621	59607	21635	49146	21635	49146HPS
21637	59832	21638	59899	21674	59645
21675	59644	21681	59650	21682	59651
21739	59633	21740	59634	21781	59671
21799	52801HPS	21801	52800HPS	21808	59226HPS
21810	19120HPS	21811	19538	21812	19539
21820	33422	21821	33457	21841	36689
21849	59672	21850	33434	21852	37836
21855	33629/2	21874	51336	21875	51334HPS
21876	51335HPS	21914	33420	21915	33323
21920	52712	21922	52713	21924	52712
21926	52713	21928	51710OES	21940	33925
21942	33926	21953	49037	21955	49036
21968	36838	21999	59643	22020	19477
22021	19478	22022	19491	22044	49707HPS
22046	37865	22075	59845	22083	49631

Die aufgeführten Vergleichsnummern dienen nur zur besseren Identifikation.

References are only specified for a better identification.

Les références mentionnées ne servent qu' à une meilleure identification.

FEBI BILSTEIN	MAPCO	FEBI BILSTEIN	MAPCO	FEBI BILSTEIN	MAPCO
22084	49630	22100	19433	22101	33443
22102	33442	22132	49132	22133	49131
22134	49128	22135	49127	22136	33646
22137	33647	22138	33681	22138	36630
22139	36629	22141	36989	22169	49104
22233	49105	22234	49106	22239	33996
22265	49140	22267	19498	22269	19499
22271	33425	22273	33426	22279	49116
22289	33128	22307	33433	22337	49841HPS
22367	59615	22368	59616	22371	19903
22379	49749HPS	22384	19384	22385	19383
22390	49947	22390	49947HPS	22406	59640
22408	59664HPS	22410	19109/2	22417	52802
22418	52803	22438	36691	22463	59388HPS
22465	51332HPS	22468	49111	22469	59641
22470	59642	22473	59694	22476	49119
22477	49103	22479	49126	22481	59614HPS
22482	59695	22491	49102	22506	19127
22507	19128	22509	19182	22511	19195
22513	19189	22514	19190	22517	49117/1
22519	19183	22531	19193	22587	59904
22588	59901HPS	22612	59873	22613	59872
22614	59841	22615	59840	22620	59844
22633	19385	22635	33335	22636	33334
22654	37889	22659	37833	22661	33837
22662	36921	22665	36920	22670	37832
22678	36922	22684	19419	22699	33678
22705	49084	22706	49085	22707	49086
22708	49087	22710	49110	22714	33458
22740	49919	22741	49920	22747	59358
22750	59359	22756	37980	22763	51117/1
22765	49145	22767	59663	22787	19390
22788	19391	22797	49954	22798	49954
22801	49597	22802	49598	22818	33120
22819	33119	22821	33121	22822	33122
22823	59376	22824	59377	22825	49141
22839	59862	22846	19396	22847	19397
22861	59661	22862	59662	22872	19472
22873	19471	22907	49057	22909	49058
22913	49289	22915	49287	22917	59801
22919	59802	22939	33994	22947	49551
22949	49550	22951	59789	22959	49072
22965	59375	22967	59374	22969	51555
22971	51554	22982	36776	22984	36775
22988	33908	22993	51597	22993	51597HPS
23001	49623	23002	49624	23003	36703
23019	49927	23023	19567	23030	51821
23033	59376	23033	59876	23034	59877
23035	59878	23047	59646	23051	33633/1

Die aufgeführten Vergleichsnummern dienen nur zur besseren Identifikation.

References are only specified for a better identification.

Les références mentionnées ne servent qu' à une meilleure identification.



FEBI BILSTEIN	MAPCO	FEBI BILSTEIN	MAPCO	FEBI BILSTEIN	MAPCO
23051	33633	23053	33632/1	23053	33632
23055	59535HPS	23087	59843	23107	59568
23109	59564	23125	33671	23131	49956
23133	33674	23135	33673	23143	49068
23145	49067	23148	59396	23149	59397
23154	59786	23167	49060	23169	49061
23171	49226HPS	23175	19572	23215	51833
23216	51832	23217	59874	23219	59874
23221	49894	23228	59787	23229	59602
23234	49274HPS	23235	52826	23236	52825
23243	49552	23244	19561	23245	19562
23246	59335	23247	59236	23257	51600HPS
23259	51601	23282	33567	23313	49233
23317	33174	23318	33175	23323	19392
23325	19393	23336	51721	23343	49924
23347	49958	23349	49959	23351	49962
23353	49963	23364	36784	23375	49232
23405	33431	23417	51834	23424	36940
23474	36782	23515	59251	23515	59251HPS
23516	59250HPS	23575	49280HPS	23577	49281HPS
23579	49285	23583	59268	23583	59272
23585	59276	23589	59567	23603	49566
23604	36792	23605	49567	23629	51380
23630	51381	23635	51577HPS	23636	59363HPS
23641	59560	23643	59561	23645	59294
23687	59849HPS	23688	19811HPS	23714	19516
23715	59534	23724	19529HPS	23731	59368
23732	59369	23753	19558HPS	23797	49614
23798	49615	23819	19957	23888	49655
23889	49656	23923	19784	23924	19785
23925	59624	23935	59601	23936	59600
23939	51854	23940	51855	23952	59611
23953	59612	23962	51856	23963	51857
23964	51858	23965	51859	23966	52818
23995	49150	23996	49151	24007	52832
24008	52831	24016	49227HPS	24023	51340
24024	51341	24083	49133	24084	49134
24122	51825HPS	24211	59668	24212	37834
24240	36679/2	24242	33995	24245	33762
24251	49152	24252	49153	24262	36704
24263	36705	24297	49678	24298	49679
24339	49258	24339	49258/1	24340	49257/1
24340	49257	24377	19658	24390	36950
24545	51837	24546	51838	24575	52805HPS
24577	52804HPS	24623	51644HPS	24625	51645HPS
24632	59902	24720	49149	24753	33792
24800	59827	24802	59824/2	24815	49147
24816	49148	24847	52607	24849	52607
24900	59826	24903	59379	24904	59378

Die aufgeführten Vergleichsnummern dienen nur zur besseren Identifikation.

References are only specified for a better identification.

Les références mentionnées ne servent qu' à une meilleure identification.

FEBI BILSTEIN	MAPCO	FEBI BILSTEIN	MAPCO	FEBI BILSTEIN	MAPCO
24905	59355	24905	59355HPS	24906	59351
24906	59351HPS	24907	49255	24909	19512
24910	59719	24911	59553	24912	59366
24913	59365	24914	59573	24915	49253
24916	33631	24918	33630	24922	49254HPS
24924	49251HPS	24925	49250HPS	24926	51204
24927	51203	24931	49264	24932	49265
24939	59500	24940	59501	24944	59502
24944	59502HPS	24945	59503HPS	24953	59242
24954	59241	24956	59515	24961	59243HPS
24962	59244HPS	24970	49214	24971	49213
25184	49862	25188	51805	25231	19307
25268	19692	25270	19693	25272	49714
25274	49790	25276	59893	25278	49686
25280	49715	25282	49729	25290	49789
25334	19962	26000	51837	26038	51843
26039	51842	26045	51723	26078	51659
26082	51724	26083	51725	26085	49237HPS
26096	51826	26097	51827	26098	59892
26099	59891	26119	59838	26127	33428
26128	33427	26130	51646	26132	59639
26152	49620	26153	49621	26186	59203
26192	33427	26208	51652	26277	51527
26278	51528	26301	51306	26304	33124
26344	33927	26432	49622	26439	37665
26453	49165	26454	49166	26507	37668
26508	37667	26519	59586	26520	51575
26535	36772	26573	36786	26588	59582HPS
26589	51209	26597	51561	26598	51560
26601	59574	26633	51642HPS	26634	51643HPS
26635	49618	26636	49619	26645	49082
26646	49083	26662	49290	26663	49291
26736	51568	26737	51573	26754	49062
26755	49063	26758	51841	26759	51840
26792	51300	26794	51298	26795	51299
26796	51292	26841	59580	26862	33551/1
26863	33550/1	26867	49909	26917	59292
26918	59291	26919	59361HPS	26920	59362HPS
26926	51313	26927	51312	26932	33459
26999	59715	27000	59714	27010	51874
27012	51875	27015	33485	27066	51847
27069	36948	27071	36949	27073	49612
27074	49613	27076	51726	27078	51727
27097	59776	27150	19510	27158	51667
27159	51668	27193	51650	27195	51639HPS
27195	51639	27196	51640HPS	27198	51641HPS
27199	51657HPS	27200	51658HPS	27204	59626
27210	51638	27212	51630	27213	51631
27232	51531	27240	19513	27260	51567

Die aufgeführten Vergleichsnummern dienen nur zur besseren Identifikation.

References are only specified for a better identification.

Les références mentionnées ne servent qu' à une meilleure identification.

FEBI BILSTEIN	MAPCO	FEBI BILSTEIN	MAPCO	FEBI BILSTEIN	MAPCO
27262	51391	27264	51879	27265	51878
27286	51377HPS	27287	51374HPS	27299	51610HPS
27301	49155	27324	36788	27331	51371
27332	51372	27333	51588	27334	51589
27335	51379HPS	27336	51378HPS	27337	49259
27338	51373HPS	27359	51520	27360	51521
27411	52732	27414	59026HPS	27421	59021
27422	59020	27424	19395	27427	19493
27428	49314	27432	19484	27433	49066HPS
27434	49304HPS	27435	49305HPS	27438	49308
27441	49295	27442	49296	27446	33127
27447	49160	27453	33123	27462	51522
27463	51281	27463	51582	27464	51282
27477	51259HPS	27484	36771	27489	49303
27502	51877	27503	51876	27513	49297
27514	51290HPS	27515	51291HPS	27524	52603HPS
27530	59813	27539	33173	27640	36789
27642	36790	27716	51654	27718	51665
27719	51666	27725	49194	27749	51655
27750	51656	27805	51382	27808	59267
27810	59293	27811	59572	27813	59556
27834	51718HPS	27864	59820	27897	51621
27912	36622	27913	36628	27926	19550
27928	59307	27967	59214	27981	59540HPS
27982	51861	27983	19544	27984	51861
27985	59546	27986	59547	27989	51543
27990	51544	28000	51255HPS	28044	19559HPS
28045	49298HPS	28046	49268HPS	28047	49269HPS
28048	49201HPS	28049	49202HPS	28052	51541HPS
28056	51251	28058	49602	28059	49282HPS
28093	59570	28095	51602	28096	51603
28109	49574	28110	49575	28111	59555
28112	49941	28113	49940	28121	51258HPS
28122	19543HPS	28123	51207	28124	51208
28158	59300	28200	49578	28220	49245
28237	49276	28238	49277	28266	49252
28268	59584	28281	36198	28293	59635
28294	59636	28318	49306	28319	49307
28335	36785	28351	19099	28355	49309
28356	19394	28368	52807	28369	52808
28403	33486	28420	49092	28466	49159
28467	59698	28468	59697HPS	28469	59679
28470	51686	28475	33044	28480	52813
28481	52814	28488	37890	28494	59884
28511	51882	28512	59581	28514	51247
28575	51226	28576	51227	28591	51569
28601	49407HPS	28606	49039HPS	28619	59013
28628	49238	28629	49239	28638	59024HPS
28659	59552HPS	28671	51302HPS	28672	51303HPS

Die aufgeführten Vergleichsnummern dienen nur zur besseren Identifikation.

References are only specified for a better identification.

Les références mentionnées ne servent qu' à une meilleure identification.

FEBI BILSTEIN	MAPCO	FEBI BILSTEIN	MAPCO	FEBI BILSTEIN	MAPCO
28696	49291	28704	51360	28733	33045
29142	49310	29143	49311	29144	19097
29145	19098	29185	33561	29235	49607
29238	59785	29242	51632	29243	51633
29253	51636	29254	51637	29280	36722
29283	51245	29287	51273	29288	51274
29324	49618	29325	49619	29346	36778
29352	51390	29376	49594	29385	49099
29399	59017	29400	59016	29419	59014
29420	59015	29422	19398	29423	19399
29424	49301	29425	49302	29450	36774
29459	51829HPS	29461	51829HPS	29527	51518HPS
29528	51519HPS	29529	51517HPS	29540	37844
29568	36791	29604	49965	29605	49966
29612	52630	29623	49192	29624	49193
29637	49190	29638	49191	29644	19993
29651	59674	29652	59675	29665	33584
29666	33585	29671	33563	29672	59266
29679	49112	29680	49113	29683	49114
29684	49115	29685	59596	29686	59595
29690	37891	29692	49288	29704	51311
29705	51246	29826	51254	29827	33576
29830	51250	29846	33539	29855	52806HPS
29944	37864	30054	37981	30091	51310
30126	59344HPS	30127	59341HPS	30151	52812
30194	51880	30195	51881	30256	59880
30379	52606	30380	52606	30398	49405HPS
30399	49406HPS	30401	49404HPS	30514	51634
30527	51318	30528	51319	30605	51296
30606	51297	30653	59790	30654	51736
30691	33987	30696	36773	30706	52810
30723	51619	30724	51620	30830	51625
30907	52716	30916	33574	30917	33575
30924	51558HPS	30982	37881	30983	37882
31092	33444	31106	33566	31106	33563
31248 01	51542HPS	31250	51243	31251	51244
31253	36939	31273	52809	31277	51872
31285	49948	31286	49949	31297	19494
31298	19495	31299	37835	31325	51738
31326	51739	31365	33591	31366	33592
31429	52815	31485	51748	31486	51749
31540	36678	31547	33912	31559	51545HPS
31560	51546HPS	31561	49777HPS	31714	51392HPS
31718	49318	31719	49319	31722	33912/2
31731	52835	31732	52836	31764	51241HPS
31765	51242	31791	37862	31845	52608
31846	52609	31970	49315	32019	51629
32077	52829	32078	52830	32105	52833
32106	52834	32116	49320	32116	49321

Die aufgeführten Vergleichsnummern dienen nur zur besseren Identifikation.

References are only specified for a better identification.

Les références mentionnées ne servent qu' à une meilleure identification.



FEBI BILSTEIN	MAPCO	FEBI BILSTEIN	MAPCO	FEBI BILSTEIN	MAPCO
32131	52827	32132	52828	32140	51252
32141	51253	32163	51623	32163	51624
32194	49412HPS	32231	52823	32232	52824
32430	51651	32473	59808/1	32490	52733
32492	36551	32511	49960	32512	49961
32551	49415	32582	59647	32597	51747
32699	49154HPS	32757	33579	32757	36550
32767	59012	32956	52720	32957	52721
33130	51315	33131	59770	33379	37664
33495	49254HPS	33523	52740	33524	52741
33610	51547	33611	51548	34091	51509
34092	51510	34283	33069	34283	33241
34284	33007	34296	59783	34315	59945HPS
34316	59946HPS	34614	51322	34755	51320
34756	51321	34884	52742	36049	52728
36051	52743	36052	52744	36054	52729
36159	33060	36162	33061	36243	37877
36281	33238	36282	33239	36376	37666
36837	52637	36838	52638	36875	52690
36877	52691	36889	49402	37793	52839
37794	52840	37795	52841	37796	52842
37798	52837	37799	52838	87-417-A	33342

HERTH+BUSS JAKOPARTS	MAPCO	HERTH+BUSS JAKOPARTS	MAPCO	HERTH+BUSS JAKOPARTS	MAPCO
J4805030	59305	J4820302	49518	J4820501	19510
J4820502	19512	J4820502	59586	J4820505	59205
J4820522	51312	J4820526	51236	J4820527	51308
J4820900	59211	J4820914	59775	J4821000	59257
J4821000	19520	J4821012	19523	J4821021	59225
J4821021	59524	J4821092	49137	J4821101	51318
J4822001	19560	J4822015	59273	J4822017	49566
J4822028	59281	J4822063	51380	J4822082	51567
J4822099	51361	J4822102	51363	J4823000	51581
J4823005	19580	J4823011	59350	J4823024	51340
J4823033	51342	J4824000	59319	J4824005	19508
J4824016	59515	J4824025	51509	J4824026	51273
J4825007	19547	J4828004	59201	J4828016	51250
J4830500	51313	J4830503	51309	J4830900	19719
J4831012	49138	J4831017	51319	J4832002	49567
J4832008	59277	J4832063	51381	J4832099	51362
J4832102	51364	J4833001	51341	J4833003	51343
J4834003	19509	J4834018	51274	J4834025	51510
J4840302	51533	J4840318	51245	J4840500	59574
J4840502	59575	J4840503	59336	J4840506	59573
J4840507	51210	J4840514	59554	J4840521	59572
J4840522	59556	J4840528	51238	J4840529	51310
J4840900	59217	J4840904	51292	J4840910	59771
J4841000	51267	J4841004	59258	J4841005	19530
J4841020	59525	J4842015	49287	J4842018	59328
J4842019	59268	J4842035	59332	J4842040	51382

Die aufgeführten Vergleichsnummern dienen nur zur besseren Identifikation.

References are only specified for a better identification.

Les références mentionnées ne servent qu' à une meilleure identification.

HERTH+BUSS JAKOPARTS/PCO		HERTH+BUSS JAKOPARTS/PCO		HERTH+BUSS JAKOPARTS/PCO	
J4843010	49586	J4843011	19599	J4843024	19584
J4843051	59711	J4843052	59232	J4843053	51344
J4844000	59246	J4844005	59557	J4844006	19502
J4844006	59512	J4845036	49415	J4848015	51251
J4860300	59346	J4860314	51260	J4860509	59585
J4860511	51306	J4860521	51311	J4860523	51239
J4860904	51300	J4861000	59521	J4861020	19524
J4861023	19536	J4861024	59522	J4861039	51323
J4862033	51388	J4862039	51565	J4862040	51360
J4863001	19585	J4863004	51537	J4863005	51540
J4863007	49589	J4863014	51536	J4863018	51535
J4864000	19503	J4864002	19503	J4865007	49940
J4872004	51389	J4882009	51564	J4883000	51534
J4890300	59594HPS	J4890300	59343HPS	J4890302	51231
J4890515	51259HPS	J4890522	51247	J4890906	51293HPS
J4891003	51526	J4891009	19527HPS	J4891013	49227HPS
J4891015	51522	J4891018	51525HPS	J4891027	59851
J4892001	49579HPS	J4892015	51374HPS	J4892016	51377HPS
J4892023	51570	J4892025	51575	J4892042	51576
J4892043	51371	J4892044	51372	J4892061	51367
J4893000	19592HPS	J4893006	49591HPS	J4893008	59535HPS
J4893011	51332HPS	J4893014	51336	J4893023	51339HPS
J4894004	59503HPS	J4894005	59502	J4894005	59502HPS
J4894009	49269HPS	J4894010	49268HPS	J4894013	49202HPS
J4894014	49201HPS	J4894019	51507HPS	J4894020	51508HPS
J4894034	51518HPS	J4894035	51519HPS	J4895004	59543HPS
J4895011	59545HPS	J4895012	51545HPS	J4895013	51546HPS
J4895015	49909	J4900500	59576/1	J4900504	59292
J4900507	51211	J4900514	51234	J4900521	51248
J4900903	49597	J4900905	51296	J4900910	59777
J4900913	51304	J4901000	49528	J4901007	49530
J4901017	49220	J4901022	51284	J4901031	59358
J4902004	49550	J4902028	49576	J4902028	49257
J4902044	51397	J4903003	49584	J4903004	49230
J4903006	51538	J4903008	51345	J4903025	59368
J4903034	51330	J4904006	49508	J4904014	49215
J4904019	51270	J4905000	49241	J4905012	49544
J4905013	51265	J4905028	51316	J4905029	51547
J4908002	49565	J4908005	51590	J4908009	59784
J4908011	51252	J4908017	51263	J4908017	51264
J4910500	59577/1	J4910504	59291	J4910507	51212
J4910511	49941	J4910514	51235	J4910521	51249
J4910905	51297	J4910910	59778	J4910913	51305
J4911007	49531	J4911017	49221	J4911022	51285
J4912004	49551	J4912028	49577	J4912028	49258/1
J4912028	49258	J4912044	51398	J4913003	49585
J4913004	49231	J4913006	51539	J4913008	51346
J4913025	59369	J4913033	51531	J4913034	51331
J4914014	49216	J4914019	51271	J4915000	49242

Die aufgeführten Vergleichsnummern dienen nur zur besseren Identifikation.

References are only specified for a better identification.

Les références mentionnées ne servent qu' à une meilleure identification.

HERTH+BUSS JAKOPARTS		MAPCO		HERTH+BUSS JAKOPARTS		MAPCO	
J4915012	49545	J4915013	51266	J4915028	51317		
J4918005	51591	J4918011	51253	J4920500	59386		
J4921001	49526	J4923002	49235	J4924005	49502		
J4924005	59508	J4924006	49513	J4924008	49260		
J4924014	51500	J4930500	59387	J4931001	49527		
J4933002	49234	J4934005	59509	J4934006	49514		
J4934008	49261	J4934014	51501	J4940310	51215		
J4943000	59370	J4943032	59647	J4943032	59668		
J4943504	59646	J4944502	49504	J4954502	49505		
J4960300	59344HPS	J4960302	51230	J4960303	59345		
J4960308	59589	J4960310	59583	J4960311	51532		
J4960316	51243	J4960504	51201	J4960505	51202		
J4960512	49250HPS	J4960515	51206HPS	J4960516	51205HPS		
J4960517	51203	J4960518	59351HPS	J4960519	49253		
J4960526	51241HPS	J4960527	51258HPS	J4960529	51226		
J4960700	51598	J4960904	51290HPS	J4961000	49525HPS		
J4961000	59226HPS	J4961010	51520	J4961012	49226HPS		
J4961014	49229	J4961019	49224HPS	J4961020	49228		
J4961022	19529HPS	J4961028	49222HPS	J4961029	19120HPS		
J4962003	19573	J4962006	49270HPS	J4962022	51569		
J4962026	51597HPS	J4962033	49274HPS	J4962034	51577HPS		
J4962046	51378HPS	J4962055	51392HPS	J4962062	51391		
J4962066	51278	J4962068	51599HPS	J4963001	19590HPS		
J4963004	19516	J4963005	49590HPS	J4963009	59388HPS		
J4963010	19604HPS	J4963012	19593HPS	J4963015	51334HPS		
J4963022	59664HPS	J4963023	49232	J4963028	19774HPS		
J4964000	51505	J4964001	49200HPS	J4964020	59244HPS		
J4964026	49517	J4964031	51558HPS	J4964033	51517HPS		
J4965000	19543HPS	J4965003	59540HPS	J4965005	59546		
J4965008	59510HPS	J4965010	59541HPS	J4965011	59537		
J4965011	59537HPS	J4965014	49905HPS	J4967001	59595		
J4968001	59850	J4968004	59024HPS	J4968008	51255HPS		
J4970300	59341HPS	J4970316	51244	J4970512	49251HPS		
J4970517	51204	J4970518	59355HPS	J4970529	51227		
J4970904	51291HPS	J4971011	51521	J4971030	59251		
J4971030	59251HPS	J4972007	49271HPS	J4972044	51573		
J4972044	51568	J4972045	49284	J4972046	51379HPS		
J4972066	51279	J4973001	19591HPS	J4973015	51335HPS		
J4973018	51338	J4974020	59243HPS	J4975005	59547		
J4975008	59511HPS	J4975011	59538	J4975011	59538HPS		
J4982008	51383	J4984011	51504	31774 01	51390		
LEMFÖRDER	MAPCO	LEMFÖRDER	MAPCO	LEMFÖRDER	MAPCO		
10020 04	19898	10022 02	49789	10023 02	49790		
10026 02	19692	10028 03	19680	10029 02	19693		
10031 01	33899	10035 04	19897	10041 02	19681		
10050 02	49763	10053 02	19684	10054 02	19685		
10055 02	19603HPS	10060 02	51870	10061 02	51871		
10063 01	33829	10064 01	33891	10069 01	49699		
10072 01	33898	10073 02	49718	10074 02	49717		

Die aufgeführten Vergleichsnummern dienen nur zur besseren Identifikation.

References are only specified for a better identification.

Les références mentionnées ne servent qu' à une meilleure identification.

LEMFÖRDER	MAPCO	LEMFÖRDER	MAPCO	LEMFÖRDER	MAPCO
10077 01	19694	10079 01	33892	10080 01	33878
10084 01	33894	10085 01	33901	10096 01	49698
10101 01	19695	10125 02	33828	10126 03	33842
10127 01	33846	10132 03	33827	10134 02	33830
10142 03	49762	10143 02	19890	10144 03	19899
10145 03	49761	10146 02	19850	10148 05	19893
10149 03	19854	10151 05	19894	10152 03	19856
10153 04	19857	10155 03	19868	10156 04	19881
10157 01	19852	10158 03	51801	10159 03	19884
10160 04	19876	10161 06	19889	10161 07	19889/1
10162 02	19883	10163 03	19851	10167 04	51800
10169 05	19879/1	10169 05	19879	10171 02	19679/1
10171 02	19679	10172 01	19858	10172 01	33890
10174 01	33859	10175 01	33929	10176 01	33913
10193 02	33826/4	10193 02	33826	10194 02	33871
10194 02	33871/4	10196 01	33833	10196 01	33833/2
10201 01	33897	10203 02	33819	10205 02	33818
10206 01	33893	10209 01	33896	10222 01	33858
10248 02	19892	10249 02	19878	10250 02	19877
10251 02	19874	10253 03	19861	10254 03	19860
10255 01	19682	10256 02	19683	10257 02	19864
10258 02	19865	10262 03	49873	10263 03	49874
10264 02	19871	10265 02	51807	10266 01	19891
10268 02	49672	10269 02	49673	10271 02	19888
10272 01	19887	10273 02	51805	10274 02	19866
10275 02	19882	10276 02	51806	10278 02	49767
10280 02	51802	10280 02	51803	10282 01	19891/1
10284 01	19880	10285 02	49764	10286 01	19859
10288 02	19872	10289 02	49766	10292 01	49674
10293 02	49675	10294 02	19862	10295 02	19863
10497 01	49661	10498 01	49662	10499 01	19673
10500 01	19674	10517 02	33691	10518 02	19662
10519 03	19661	10521 01	33637/2	10521 01	33637
10523 01	49733	10524 01	49734	10530 01	33639
10531 01	33638	10532 01	33666	10533 01	19665
10536 01	19666HPS	10536 01	19666/1	10542 01	19699
10546 01	33875	10553 01	33875/1	10556 01	33641
10556 01	33641/2	10559 01	33847	10575 02	19667HPS
10576 02	19678HPS	10582 01	49780	10583 01	49781
10584 01	19660	10586 01	49781/1	10589 01	19663
10590 01	19664	10591 01	49782	10592 01	49783
10593 01	49785	10615 01	49730	10616 01	49731
10617 01	19675	10618 01	19668	10619 01	19669
10620 01	49657	10623 01	49658	10625 01	49660
10639 01	33689	10640 01	33690/2	10640 01	33690
10641 01	33695	10643 02	49788	10670 02	49786
10671 01	49787	10693 03	49741	10694 03	49740
10697 01	19786	10703 03	19848	10704 01	19849
10705 02	19847	10706 03	19824	10706 03	19827

Die aufgeführten Vergleichsnummern dienen nur zur besseren Identifikation.

References are only specified for a better identification.

Les références mentionnées ne servent qu' à une meilleure identification.



LEMFÖRDER	MAPCO	LEMFÖRDER	MAPCO	LEMFÖRDER	MAPCO
10707 03	19823	10708 01	19826	10709 03	19836
10710 03	51850	10710 03	59897	10711 02	19846
10717 02	19829	10718 02	19842	10719 02	19843
10720 01	19840	10721 02	19841	10722 02	19838
10724 02	19830/1	10725 02	19831/1	10726 02	19828
10729 01	49898	10730 02	49899	10731 01	49896
10732 01	49897	10735 01	19845	10735 01	59865
10738 03	49826	10739 03	49827	10740 01	19837
10741 02	49891	10742 01	49893	10743 01	49892
10744 01	19822	10745 01	19825	10746 03	19820
10747 01	33870	10748 03	19821	10749 01	49801
10750 01	19832	10762 04	19844	10764 03	19839
10767 01	49813	10970 01	33841/4	10973 02	49817
10974 02	49818	10975 02	49815	10976 02	49816
10977 04	19819	10977 04	59830/1	10979 01	33910
10982 01	33942	10983 02	36899	10984 01	36924
10985 01	33865	10994 01	33970	11004 01	49819
11005 01	49820	11006 01	33867	11008 01	36920
11016 01	33874	11017 01	33973	11019 01	36916
11020 01	36971	11021 01	36972	11078 01	33972
11087 02	33922	11117 01	36913	11117 01	36908
11118 01	33889/4	11149 02	33936	11150 01	33841
11213 02	33889/3	11214 02	33889/2	11233 01	33837
11244 01	59831	11287 01	36980	11290 01	33971
11297 01	36922	11299 02	36921	11308 01	33868
11322 01	36911	11323 01	36912	11355 01	33978
11391 01	49847	11395 01	49848	11448 01	49845
11451 01	49880	11452 01	49849	11462 01	59898
11478 02	59213	11478 02	59212	11580 01	19451HPS
11582 02	19412	11583 01	19413	11584 01	19414
11585 03	19470	11586 02	19312	11586 02	19415
11588 01	19339HPS	11589 02	19337HPS	11590 01	33321
11591 02	19422	11592 02	19425	11596 02	19419
11600 01	19435HPS	11601 02	19429HPS	11602 03	33717
11603 02	19420	11631 02	19044	11634 01	19047
11635 02	19080	11636 04	19041	11637 02	19406
11638 02	19407	11641 02	19744/1	11642 02	19743/1
11645 01	19721	11646 03	19727	11650 03	19725
11651 01	49644	11651 01	19740	11655 01	19761
11656 01	19760	11657 02	19754	11658 01	19446/1
11658 02	19410	11658 02	19340	11659 01	19748
11663 01	33611	11665 03	19736	11666 03	19735
11667 02	19654	11668 02	19738/1	11669 02	19737/1
11670 02	19745	11671 01	19747/1	11672 01	19746/1
11673 01	33627	11680 01	33677	11688 04	19503
11689 01	59333	11690 01	19507	11693 03	59331
11694 03	59330	11698 02	59557	11699 01	59512
11699 01	19502	11700 03	59319	11705 03	59290
11708 03	49616	11709 03	49745	11711 02	49743

Die aufgeführten Vergleichsnummern dienen nur zur besseren Identifikation.

References are only specified for a better identification.

Les références mentionnées ne servent qu' à une meilleure identification.

LEMFÖRDER	MAPCO	LEMFÖRDER	MAPCO	LEMFÖRDER	MAPCO
11712 02	49742	11733 01	19084	11793 01	49648
11794 01	49649	11805 01	19580	11806 02	51535
11807 03	19582	11809 01	49589	11810 02	59231
11814 02	19587	11815 02	19588	11816 01	19595
11826 02	59221	11835 02	19542	11836 01	59220
11837 01	59222	11839 01	19546	11840 03	19545
11841 01	49256	11842 02	59310	11843 01	19547
11846 01	59223	11847 01	59224	11848 01	19552
11849 03	19551	11851 01	49578	11852 01	49247
11852 01	59327	11853 03	49248	11856 02	19541
11857 03	59536	11857 03	59308	11858 02	59303
11859 01	19544	11860 02	19535	11861 02	59325
11862 01	59521	11863 02	19536	11866 03	59520
11868 03	59523	11874 03	59522	11874 03	19522
11880 02	51267	11882 01	19520	11883 01	59526
11883 01	59254	11884 02	59259	11884 02	59258
11885 01	19534	11887 03	59255	11888 01	59257
11891 01	19533	11891 01	59528	11892 02	59297
11895 02	59334	11896 01	59335	11897 01	59323
11898 02	59318	11901 03	19561	11901 03	19568
11902 02	59569	11903 02	59235	11904 01	51383
11906 02	19560	11907 02	59278	11908 02	59282
11914 02	59332	11915 02	19564	11916 02	59264
11917 01	59266	11918 02	19566	11919 03	49288
11920 02	59270	11921 01	19574	11922 02	19573
11980 01	19980	11981 01	19981	11988 01	19983
12008 02	49900	12012 01	19907	12015 01	19902
12016 01	19901	12019 02	19908	12020 01	19909
12023 03	19906	12024 02	49952	12025 01	49928
12031 02	19912	12037 01	33923	12062 03	19307
12064 01	19310	12065 01	19311	12066 01	19352
12067 01	19355	12067 01	19354	12070 04	19301
12073 01	19315	12073 01	19324/1	12074 01	19316
12100 02	19139	12101 02	19140	12102 01	19102
12108 03	19111	12109 03	19112	12116 01	19105
12117 04	19108	12118 01	19135	12119 03	19109
12125 01	19129	12126 01	19127	12127 02	19128
12128 01	49107	12128 01	19166	12128 01	19150
12129 01	19166/1	12129 01	19150/1	12131 01	19122
12132 01	19123	12135 02	19132	12148 02	19801
12149 02	49802	12152 03	19714	12153 04	19802
12153 04	19612	12156 01	59295	12157 01	59296
12162 01	49760	12163 01	19804/1	12164 01	19803/1
12165 01	19613	12166 01	19614	12167 02	49753
12167 02	49751	12168 02	49752	12168 02	49750
12170 01	49754	12171 01	49755	12172 02	19719
12173 02	19718	12179 02	19610	12180 02	19611
12191 01	33716	12192 01	33715	12202 02	33726
12203 04	19607	12203 04	19607/8HPS	12204 02	33727

Die aufgeführten Vergleichsnummern dienen nur zur besseren Identifikation.

References are only specified for a better identification.

Les références mentionnées ne servent qu' à une meilleure identification.

LEMFÖRDER	MAPCO	LEMFÖRDER	MAPCO	LEMFÖRDER	MAPCO
12206 02	19602HPS	12207 01	19624	12209 03	19617
12210 03	19618	12214 01	49756	12215 01	49757
12219 01	33752	12220 02	33757	12227 01	33714
12228 01	33725	12229 01	19816	12236 02	19136
12237 01	33879	12239 01	19620	12240 01	19619
12282 01	19354/1	12282 01	19323	12296 01	36662
12316 01	19198	12316 01	19126	12321 01	33714/2
12337 01	19833	12399 01	36909	12400 01	36910
12401 01	33979	12422 01	33692	12422 01	33692/2
12443 01	19085	12546 01	19834	12547 01	49800
12566 02	59847HPS	12582 02	59845	12644 01	59800
12650 01	36923	12661 02	49807	12662 02	49805
12663 02	49806	12831 01	49882	12831 01	19742
12838 01	49881	12839 01	49884	12840 01	49883
12841 01	49886	12871 01	33946	12872 01	36925
12873	36926	13084 01	49727	13085 01	49728
13086 02	49723	13087 02	49724	13098 01	49650
13099 01	49651	13127 02	49694	13128 02	49695
13132 02	49795HPS	13137 01	49721	13138 01	49722
13202 02	59619	13203 02	59620	13205 02	37663
13208 01	59621	13282 01	36669/2	13282 02	36669
13283 02	49725HPS	13283 02	49725	13284 02	49726
13284 02	49726HPS	13287 01	49746	13297 03	49739
13307 01	59622	13308 02	49652	13309 01	36663
13311 03	49663HPS	13317 02	49796	13341 01	19782
13342 01	19783	13450 01	59837	13451 01	59836
13474 01	49050	13478 01	49821	13479 01	49822
13487 01	49808	13488 01	49809	13501 01	33974
13668 02	49686	13678 01	49732	13760 01	33906
13779 03	19875	13786 02	51808	13790 01	19896/1
13790 02	19896	13791 02	19895	13791 02	19895/1
13792 02	49871	13792 02	19885	13793 02	19886
13793 02	49872	13794 02	19867	13798 02	49878
13830 01	33697	14131 01	49759	14133 02	59617
14134 02	59618	14278 03	49866/1	14278 03	49866
14279 03	49866/2	14341 01	33904	14378 01	33900
14466 01	19870	14466 01	19870/2	14466 01	19870/1
14503 01	33808	14524 01	36904	14530 01	36941
14540 01	33839	14541 01	33840	14545 02	19688
14546 02	19689	14547 02	49773	14548 02	49774
14549 02	19873	14554 01	33915	14555 03	36784
14555 03	33872	14556 01	33914	14595 01	49688
14596 01	49689	14597 02	59893	14599 01	49758
14604 01	33988	14639 01	19805	14640 01	19615
14641 01	19616	14642 01	59367	14643 01	49604
14644 01	19710	14645 01	19711	14654 02	19813
14657 02	19812	14703 01	49600	14704 01	49601
14705 01	19626	14706 02	19628	14707 01	19621
14707 01	59789	14711 01	33877	14722 01	59782

Die aufgeführten Vergleichsnummern dienen nur zur besseren Identifikation.

References are only specified for a better identification.

Les références mentionnées ne servent qu' à une meilleure identification.

LEMFÖRDER	MAPCO	LEMFÖRDER	MAPCO	LEMFÖRDER	MAPCO
14723 01	19606HPS	14724 02	19600HPS	14726 01	33786
14767 04	19459	14767 04	19427	14773 02	19421
14791 01	19409	14792 01	19411	14792 01	19443
14793 01	19472	14794 01	19471	14798 01	33320
14799 01	19417	14800 01	19418	14849 01	19806
14850 01	19807	14903 01	49511	14903 01	49512
14914 03	51581	14915 03	51540	14916 03	51537
14943 01	19576	14944 01	19575	14947 02	19513
14950 01	59574	14954 01	59339	14956 01	59570
14956 01	19515	14977 02	19320	14978 02	19319
15007 01	19340/1	15013 01	59866	15175 01	19532
15176 01	19531	15177 01	19598	15178 02	19597
15197 01	59215	15198 01	59216	15200 01	59372
15201 01	59371	15202 02	59247	15230 02	49744
15233 01	59849HPS	15234 01	19811HPS	15234 01	19811
15252 02	19584	15266 02	51536	15280 01	19554
15281 02	19555	15282 01	19553	15284 01	59540HPS
15334 03	19428	15339 01	49579HPS	15357 01	19082
15358 01	19081	15369 02	19042	15377 02	19405
15378 03	49735	15386 03	49736	15407 02	19646
15407 02	19645	15436 02	19506	15438 03	19501
15438 03	19509	15439 02	19505	15440 03	19508
15440 03	19500	15441 01	19504	15445 01	19511
15450 01	19510	15451 01	59336	15456 02	19091
15457 01	19089	15458 01	19090	15468 02	19741
15478 01	19583	15480 02	51534	15483 02	19581
15488 03	19585	15489 02	19594	15551 03	49249
15560 01	19540	15566 02	59306	15567 02	19550
15568 03	19549	15569 03	19548	15577 01	19537
15589 03	19556	15595 01	59229	15599 01	59322
15600 01	49531	15601 01	59321	15602 01	49530
15642 01	19164HPS	15642 01	19164	15657 01	19116
15669 02	19962	15670 02	19961	15672 02	49560
15679 02	49556	15683 01	49554	15690 01	59289
15692 01	49595	15697 03	59201	15698 01	59320
15700 01	59298	15702 01	49596	15703 02	59317
15714 03	19562	15714 03	19569	15715 02	59234
15717 02	59261	15720 01	59274	15721 02	59238
15722 02	59279	15739 02	59328	15741 02	19567
15789 01	59624	15890 01	19106	15890 01	19121
15932 02	59613HPS	16056 02	33733	16057 02	33788
16057 02	33732	16058 01	33731	16061 01	33766
16062 01	33754	16063 01	33753	16200 01	49561
16201 02	49562	16204 01	59324	16206 01	19518
16263 02	49525HPS	16297 02	19521	16298 03	19530
16307 02	59227	16308 02	59228	16312 02	59524
16312 02	59225	16315 02	59527	16376 02	59273
16378 02	59275	16379 01	59277	16380 01	59281
16381 01	51567	16388 03	59276	16394 02	19565

Die aufgeführten Vergleichsnummern dienen nur zur besseren Identifikation.

References are only specified for a better identification.

Les références mentionnées ne servent qu' à une meilleure identification.

LEMFÖRDER	MAPCO	LEMFÖRDER	MAPCO	LEMFÖRDER	MAPCO
16395 03	59265	16396 02	59263	16400 02	59272
16400 02	59268	16401 02	59267	16410 01	59262
16426 03	59236	16429 02	59565	16430 02	59563
16431 01	59260	16432 02	19571	16432 03	19563
16439 01	19578	16439 01	49271HPS	16440 01	19577
16440 01	49270HPS	16503 03	19107	16503 03	19107/1
16610 01	49861	16611 01	49713OES	16620 01	51810
16638 02	49857	16652 01	49716	16653 02	49714
16654 01	49729	16655 01	49715	16784 02	49858
16819 01	59237	17355 01	33835	17400 02	51862
17400 02	49850	17433 02	19321	17434 02	19322
17435 01	19474	17435 01	19437	17436 01	19475
17436 01	19475/1	17436 01	19438	17464 02	19338HPS
17501 01	19351	17502 02	19313	17502 02	19317
17511 02	19318	17511 02	19314	17513 01	19356
17515 01	19336/1	17619 02	49702/1	17619 02	49702
17620 02	49703/1	17620 02	49703	17621 01	49869
17622 01	49870	17623 02	59895	17624 02	59896
17635 01	49860/9	17642 04	59817	17661 01	33876
17663 01	33941	17674 02	59814	17675 02	59815
17681 01	33916	17682 02	33926	17683 01	33928
17705 01	33902	17739 02	19632	17785 02	19765
17786 03	19763	17787 02	19758	17788 02	19757
17795 01	19640	17796 01	19641	17842 01	59658
17843 02	19752	17844 02	19753	17857 01	33609
17861 02	49646	17863 01	19769	17864 01	19768
17865 01	19756/2	17866 01	19755/2	17875 01	49676/1HPS
17919 01	49677/1HPS	17978 01	33933	17978 03	36660
17981 02	19700HPS	17988 02	19784	17996 02	19785
18003 02	49653	18004 02	49654	18034 01	59867
18047 02	49856HPS	18048 02	19608HPS	18113 01	19144
18114 01	19145	18116 01	19154	18116 01	19155
18116 01	19153	18126 01	19114	18127 01	19113
18136 01	19137	18137 01	19138	18140 01	19124
18141 01	19125	18142 01	19163	18143 01	19147
18144 01	19148	18178 01	49104	18179 01	49105
18180 01	49106	18208 01	19103	18211 02	19133
18212 02	19134	18373 04	59816	18491 02	19131
18875 03	49831	18876 02	49833	19107 01	19951
19129 01	33925	19130 01	49645	19137 01	19605HPS
19139 03	19750	19247 01	33307	19248 01	33415
19248 01	33313	19249 01	19324	19251 03	19078
19251 03	19430	19256 02	19367	19257 01	33330
19304 01	19325/1	19306 01	19476HPS	19307 01	33329
19308 01	59615	19309 01	59616	19347 01	19158
19358 01	19357	19373 01	19162	19387 02	59628HPS
19499 02	19053	19722 01	49837	19722 01	49838
19740 04	19956	19941 01	33616	19945 01	36796
19946 01	36973	19956 01	49894	19957 02	49823

Die aufgeführten Vergleichsnummern dienen nur zur besseren Identifikation.

References are only specified for a better identification.

Les références mentionnées ne servent qu' à une meilleure identification.

LEMFÖRDER	MAPCO	LEMFÖRDER	MAPCO	LEMFÖRDER	MAPCO
19958 01	49825	19981 02	49824	20002 02	19064
20015 01	19048	20016 01	19040	20028 01	19051
20029 01	19050	20030 01	19452	20031 02	19046
20041 02	19052	20049 01	19058	20050 02	19008
20097 01	19115	20128 01	33917	20133 03	49942
20136 02	19910	20137 02	19911	20172 01	49917
20188 01	59657	20227 02	59599	20228 02	59598
20246 02	59250HPS	20284 02	19982	20325 01	59665
20338 03	19045	20341 02	19025	20342 01	19043
20346 03	19007	20346 03	19059	20371 02	19130
20372 02	19130/1	20373 02	19152	20375 01	33146
20387 01	33932	20498 01	59862	20730 01	36919
20731 03	19817	20731 03	19818	20908 02	19937HPS
20908 02	19937	20962 01	49692	20963 01	49693
20967 01	19676	20982 04	19853HPS	20992 02	51830
20993 02	51831	20994 02	59864	21023 02	49100
21024 02	49101	21044 01	49863	21051 01	19623
21057 01	19622	21058 01	19633	21059 01	19634
21074 01	33977	21085 01	33976	21113 01	33903
21153 02	59844	21154 02	59843	21188 01	49641
21189 01	49640	21190 01	19181	21190 01	19170
21191 01	19180	21191 01	19169	21193 01	19141
21194 01	19142	21195 01	19065	21236 01	33912
21304 01	33939	21379 02	36665	21380 02	36666
21381 01	36664	21383 01	36661	21395 01	51539
21396 01	51538	21413 01	33834	21419 01	33909/4
21419 01	33909	21486 01	33720	21525 02	19143
21549 01	33937	21607 03	51713	21608 03	51714
21609 01	49738	21610 02	51711	21611 02	51712
21667 02	51847	21678 02	19914HPS	21697 01	51747
21699 01	49867	21699 01	49868	21749 02	49803
21750 01	49804	21776 02	33849	21855 02	49690
21856 02	49691	22001 01	19648	22002 02	19649
22003 02	19604HPS	22003 03	19609HPS	22004 02	19653
22068 01	33943	22072 01	33895	22088 02	49841HPS
22089 02	49840HPS	22116 01	33848	22214 01	37837
22250 02	49690/1	22251 03	49701	22252 03	49700
22272 01	49605	22304 01	33940	22314 01	19599
22323 01	49943	22324 01	49606	22339 04	19426
22342 02	49139	22349 01	49655	22350 01	49656
22394 02	49839	22397 01	49113	22398 01	49112
22399 01	36852	22408 01	59205	22409 01	59571
22409 01	59575	22410 01	59573	22412 01	59555
22423 01	33944	22475 01	49704	22475 01	49704/2
22475 01	49704/1	22477 01	33100	22480 01	33148
22483 01	33171	22489 01	33306	22494 01	33143
22496 01	33144	22498 01	33343	22513 01	33437
22569 01	19686/1	22651 02	19348HPS	22652 01	36975
22670 02	49558	22671 02	49557	22674 02	19526

Die aufgeführten Vergleichsnummern dienen nur zur besseren Identifikation.

References are only specified for a better identification.

Les références mentionnées ne servent qu' à une meilleure identification.

LEMFÖRDER	MAPCO	LEMFÖRDER	MAPCO	LEMFÖRDER	MAPCO
22676 02	19524	22677 02	59564	22678 02	59568
22679 01	19525	22684 02	59214	22686 02	59256
22687 01	59360	22687 01	59253	22688 02	49510
22690 01	51505	22696 02	59350	22696 02	19589
22698 01	19592HPS	22700 02	59307	22724 01	19362HPS
22726 02	19129/1	22752 02	49799	22755 01	36917
22773 01	19635	22774 01	19636	22775 01	19652
22776 01	19651	22777 01	19643/1	22778 01	19642/1
22779 01	19702/1	22780 01	19701/1	22781 01	19756/3
22782 01	19755/3	22783 01	49705	22784 01	49706
22784 01	49706/1	22785 01	19442	22786 01	19441
22787 01	19157	22805 01	33632/1	22815 01	51710OES
22816 02	51730	22817 01	19423	22818 01	19424
22862 01	49506	22863 01	49507	22869 01	49242
22882 01	59240	22893 01	49508	23010 02	49834HPS
23039 01	19590HPS	23565 01	33785	23711 01	33735
24502 01	33170	24512 01	33314	24512 01	33414
24516 01	33101	24529 02	19365	24534 02	19447
24538 02	19449	24539 01	19450	24548 01	33614
24602 02	49915	24603 02	49914	24604 02	49913
24605 02	49912	24637 02	59820	24648 01	49231
24649 01	49230	24650 01	49583	24651 01	49582
24652 01	51346	24653 01	51345	24656 01	49241
24658 01	59398	24662 01	49940	24663 01	49941
24666 02	49527	24667 02	49526	24668 01	49293
24669 01	49292	24674 01	49277	24675 01	49276
24676 01	49571	24677 01	49551	24678 01	49570
24679 01	49550	24683 01	59326	24684 01	49518
24685 02	51234	24686 02	51235	24687 01	59204
24688 01	49253	24689 01	49254	24689 01	49254HPS
24692 01	59585	24693 01	59551	24694 01	59552HPS
24696 01	59543HPS	24696 01	59581	24699 02	49205
24700 01	49204	24701 01	49203	24705 01	59509
24705 01	49503	24705 01	59508	24707 01	49502
24708 01	49505	24709 01	49504	24710 01	49206
24722 01	19342	24723 01	19341	24724 01	49843
24726 02	19368HPS	24729 01	49566	24730 01	49567
24802 02	19696	24803 02	19697	24810 01	19755/1
24811 01	19756/1	24913 01	37833	24914 01	37832
24930 01	33333	24938 01	19591HPS	25017 02	19639
25039 02	49812HPS	25040 02	49811HPS	25084 01	49607
25087 03	19637	25087 03	19638	25094 02	49888
25094 02	59878	25095 01	49889	25108 02	19448
25114 01	59638	25115 01	49890	25147 01	19631
25170 02	59840	25171 02	59841	25172 02	49895HPS
25173 02	51851	25176 01	33615	25177 02	19346
25177 02	19398	25178 02	19399	25178 02	19347
25186 01	59294	25187 01	59560	25188 01	59561
25190 01	19527HPS	25196 01	33563	25196 01	49574

Die aufgeführten Vergleichsnummern dienen nur zur besseren Identifikation.

References are only specified for a better identification.

Les références mentionnées ne servent qu' à une meilleure identification.

LEMFÖRDER	MAPCO	LEMFÖRDER	MAPCO	LEMFÖRDER	MAPCO
25197 01	49575	25198 01	49287	25202 01	49524
25204 01	19523	25216 01	33147	25244 01	19335
25244 01	19446	25247 01	33818/9	25248 01	33714/9
25260 01	19092	25261 01	19093	25291 01	33908
25320 01	36691	25323 02	49620	25324 02	49621
25326 02	51827	25329 02	51723	25336 01	51735
25341 01	51742	25342 01	51743	25343 02	51744
25344 02	52800HPS	25345 02	52801HPS	25377 01	36668
25377 02	36668/2	25383 01	51660	25384 02	51661
25385 02	51662	25386 01	59695	25387 02	59694
25399 01	19701	25400 01	19702	25403 01	36987
25404 01	37874	25443 01	59846	25446 02	49135
25453 01	19723	25454 01	19722	25456 01	19724
25461 02	51840	25462 02	51841	25463 02	59812HPS
25466 01	49737	25475 01	19183	25476 01	19182
25481 01	49119	25482 01	19171	25483 01	49126
25484 02	49136	25485 01	19172	25485 01	49103
25485 01	19173	25486 02	19156/1	25487 01	49910
25489 01	49019	25490 01	19024	25491 01	19650
25492 01	19017	25493 01	19353	25493 01	19374
25494 01	19627	25497 02	19777	25502 01	19373
25505 01	19489	25506 01	19490	25507 01	19479
25508 01	19477	25509 01	19478	25512 01	49145
25513 02	49118HPS	25517 01	49040	25518 01	49043
25519 01	19028HPS	25522 02	59614HPS	25524 02	59810
25525 02	59811	25534 02	19473	25536 01	33633
25536 01	33633/1	25537 01	33632	25538 01	19780
25539 01	19781	25540 02	19751	25550 02	49924
25553 02	49906HPS	25773 01	59692	25774 01	59693
25775 01	49642	25775 01	19647	25792 02	19659HPS
25800 01	59854	25801 01	59855	25808 02	33647
25809 01	19773HPS	25810 02	19775HPS	25811 02	19776HPS
25812 01	59672	25813 01	33617	25813 01	33616/7
25814 02	49109HPS	25815 02	49108HPS	25850 02	59601
25855 02	59637	25857 01	52712	25858 01	52713
25863 01	49707HPS	25868 02	59600	25869 01	59610
25870 02	59603HPS	25870 02	59603	25871 02	59604HPS
25871 02	59604	25885 01	49793	25886 01	49794
25896 02	59626	25898 02	59633	25899 02	59634
25900 02	59623HPS	25901 02	59631HPS	25902 02	59635
25903 02	59636	25904 02	59632	25905 02	59639
25909 01	36915	25924 01	19670HPS	25924 01	19670/1
25925 01	19671HPS	25925 01	19671/1	25941 02	59629
25942 02	59630	25947 01	36775	25948 01	36776
25950 01	37865	25972 01	49707OES	25979 02	59892
25980 02	59891	25985 02	51642HPS	25986 02	51643HPS
25990 01	51647	25993 01	33618	25997 01	33924
25999 01	33342	26000 02	59669	26001 02	59670
26002 01	59663	26003 02	59671	26004 02	19774

Die aufgeführten Vergleichsnummern dienen nur zur besseren Identifikation.

References are only specified for a better identification.

Les références mentionnées ne servent qu' à une meilleure identification.





LEMFÖRDER	MAPCO	LEMFÖRDER	MAPCO	LEMFÖRDER	MAPCO
26004 02	19774HPS	26043 01	33883	26044 01	37875
26047 02	19389	26048 01	19491	26050 02	51733
26059 01	19379	26091 01	33864	26096 01	33787
26097 01	33938	26099 01	36670	26102 01	33679
26103 01	36627	26501 02	49610	26563 01	33337
26571 01	33422	26574 01	37836	26577 01	33424
26580 01	33796	26581 02	33768	26582 01	33762
26582 01	33767	26590 01	36015	26591 01	37981
26594 01	36016	26605 01	33676	26609 01	33642
26609 01	33643	26653 02	19375HPS	26662 02	19601
26667 01	19498	26668 01	19499	26669 02	59806
26670 02	59807	26674 02	49967	26675 02	49968
26676 02	49921	26677 02	49922	26696 01	59681
26701 02	49965	26702 02	49966	26705 02	49069
26706 01	49125	26707 01	59690	26708 01	59691
26709 01	49061	26710 01	51117/1	26711 01	49117/1
26712 02	49137	26713 02	49138	26714 02	19485
26715 02	19486	26716 01	19167	26717 01	19168
26720 01	19194	26721 01	19195	26723 01	19022
26724 01	19328	26725 01	19327	26729 01	19454
26730 01	19453	26731 01	19178	26732 01	19177
26735 02	19360	26735 02	19361	26737 01	19344
26738 01	19345	26741 01	49116	26742 02	49014
26743 02	19055	26744 02	19054	26745 02	19057
26746 02	19056	26747 01	19073	26748 01	19072
26749 02	19010	26750 01	19382	26753 03	19029
26754 02	19030	26755 01	49098	26758 01	49020
26759 01	19026HPS	26761 02	19009	26762 01	19021
26763 01	19020	26766 01	19067	26767 01	19066
26773 02	51725	26774 01	51825HPS	26775 02	51829HPS
26782 01	36703	26791 01	49030HPS	26792 01	33680
26793 01	49916HPS	26795 02	49955	26818 01	49964
26846 02	19749	26881 02	19371	26926 01	59680
26936 01	36785	26937 01	36786	26938 01	33122
26938 01	49142	26938 01	49141	26981 02	59683
26984 01	59678	26987 01	51676	26990 01	51675
26996 01	59687	26997 01	59679	27018 01	49678
27019 01	49679	27020 01	19698	27027 01	51876
27028 01	51877	27029 01	51878	27030 01	51879
27050 01	19329	27051 01	19330	27052 01	49022
27053 01	49023	27054 01	49024	27055 01	49025
27055 01	49052	27056 01	19196	27057 01	19197
27058 01	19186	27059 01	19187	27060 01	49028
27061 01	49029	27063 01	19109/2	27064 01	59894
27065 02	19433	27065 02	19431	27065 02	19076
27066 02	19434	27066 02	19077	27066 02	19432
27075 02	49075	27075 02	49018	27076 02	49074
27076 02	49017	27080 01	19376HPS	27083 02	59605HPS
27086 02	51669	27087 02	36689	27090 02	51638

Die aufgeführten Vergleichsnummern dienen nur zur besseren Identifikation.

References are only specified for a better identification.

Les références mentionnées ne servent qu' à une meilleure identification.

LEMFÖRDER	MAPCO	LEMFÖRDER	MAPCO	LEMFÖRDER	MAPCO
27094 01	51630	27095 01	51631	27096 02	51636
27097 02	51637	27099 02	51646	27104 02	51632
27105 02	51633	27119 01	37662	27126 01	36771
27132 01	36772	27134 01	36798	27145 01	51737
27146 01	51738	27147 01	51739	27148 01	36774
27149 02	51644HPS	27150 02	51645HPS	27155 01	52710
27156 01	51874	27157 01	51875	27168 02	51639HPS
27168 02	51639	27169 02	51640HPS	27171 02	51641HPS
27191 01	33934	27205 01	51678	27212 01	51690
27213 01	51691	27219 02	49140	27280 01	59876
27281 01	59877	27299 02	19372	27303 02	59251
27303 02	59251HPS	27308 01	33635	27318 01	51839
27408 01	33636	27421 01	59819	27421 01	59822/1
27421 01	59822	27421 01	59819/1	27438 01	33949
27439 01	37838	27461 01	33905	27593 03	59640
27596 01	51722	27597 02	51721	27599 01	59641
27600 01	59642	27612 01	49969	27613 01	49970
27627 01	33912/2	27641 01	59808	27642 01	59809
27660 02	49226HPS	27661 02	59861HPS	27661 02	59861
27667 02	49618	27668 02	49619	27681 01	33858/2
27702 01	19023	27707 01	49876	27708 01	49877
27710 01	59643	27711 01	49322	27711 01	19331/1
27712 01	19332/1	27712 01	49323	27719 02	49110
27720 02	49111	27722 01	33121	27726 01	49622
27727 01	59785	27730 02	49749HPS	27734 02	19629
27735 02	19630	27745 01	51819/1	27745 01	51820
27745 01	51819	27746 01	19690/1	27748 01	19895/9
27760 01	37889	27869 01	33683	27911 01	49010
27912 01	49073	27924 01	33417	27964 01	19949
27965 01	19954	27966 01	19955	27979 01	19480
27982 01	19482	27983 01	19481	27984 01	19483
27988 01	49227HPS	27989 01	49032HPS	27990 02	49034
27991 02	49033	27992 01	49048	27993 01	49047
28028 01	19018	28034 01	59553	28036 02	19068
28037 02	19079	28038 01	19644	28039 01	19016
28041 01	19655	28042 01	19069	28045 01	19071
28046 01	49012	28058 02	49608	28059 02	49609
28076 01	19350	28077 01	19349	28081 02	19808
28082 02	19809	28087 01	19756/5	28088 01	19755/5
28089 01	19756/4	28090 01	19755/4	28094 01	49775
28103 01	49769	28103 01	49769/1	28104 01	49770
28104 01	49770/1	28105 01	49776	28106 01	49521
28107 01	49520	28108 01	49904	28109 01	49903
28110 01	49768	28111 01	19643	28112 01	19642
28113 01	19657	28114 01	49523	28115 01	49522
28121 01	19971	28122 01	49215	28123 01	49514
28124 01	49513	28127 01	49536	28128 01	49537
28129 01	49534	28131 01	49216	28132 01	49210
28132 01	49509	28137 01	49044	28138 01	59645

Die aufgeführten Vergleichsnummern dienen nur zur besseren Identifikation.

References are only specified for a better identification.

Les références mentionnées ne servent qu' à une meilleure identification.

LEMFÖRDER	MAPCO	LEMFÖRDER	MAPCO	LEMFÖRDER	MAPCO
28139 01	59644	28143 01	49081	28144 01	49080
28146 01	49045	28147 01	49129	28148 01	49130
28152 01	19462	28153 01	19461	28155 01	19463
28156 01	19032	28157 01	19031	28158 01	19469
28163 01	49064	28164 01	19656	28165 01	49060
28166 01	49062	28171 01	19468	28242 01	49814/2
28243 01	49814/1	28272 01	49901HPS	28273 01	49902HPS
28324 01	19492	28325 02	59676	28326 02	49021
28333 01	49066	28333 01	49066HPS	28334 02	49124HPS
28335 02	19394	28358 01	19193	28366 01	59786
28499 02	19099	28616 01	49065	28644 01	59813
28647 01	59813/4	28647 01	59813/1	28647 01	59813/3
28647 01	59813/2	28675 01	19529HPS	28727 01	49938HPS
28729 01	37877	28734 01	59698	28739 01	49936
28740 01	49937	28744 01	37890	28767 02	49611
28768 02	49627	28869 01	19060	28878 01	33120
28879 01	33119	28881 01	36690	28884 01	19189
28885 01	19190	28891 02	49154HPS	28893 01	33123
28896 01	33428	28897 01	33427	28898 01	33434
28899 01	33317	28899 01	33336	28960 01	49923
28961 01	49927	28964 02	59666	29198 01	49031
29308 01	59833	29309 01	59834	29310 01	52826
29311 01	52825	29315 01	36777	29317 02	59832
29318 01	36773	29374 01	33319	29375 01	33318
29377 01	33340	29377 01	33316	29413 01	49131
29414 01	49132	29415 01	52806HPS	29416 01	49039HPS
29417 01	49084	29418 01	49085	29419 01	49086
29420 01	19464	29420 01	33006	29420 01	49087
29421 01	51665	29422 01	51666	29429 01	49133
29430 01	49134	29465 01	49159	29468 01	19120HPS
29469 01	49191	29469 01	49151	29469 01	49190
29490 01	33836	29490 01	33838	29499 01	59664HPS
29505 01	37980	29514 01	33164	29515 01	33172
29516 01	33165	29529 01	33335	29530 01	33334
29531 02	51600HPS	29532 01	51601	29555 01	49301
29556 01	49302	29562 01	59688	29563 01	59689
29564 01	59686	29574 01	19396	29575 01	19397
29576 01	49303	29579 01	51683	29581 01	51687
29582 01	51688	29585 01	51686	29589 01	51672
29590 01	51685	29591 01	51681	29592 01	51682
29593 01	59881	29594 01	59882	29595 01	52636
29596 01	19385	29597 01	19386	29611 01	19973
29632 01	49102	29632 01	19174	29633 02	59885
29634 02	59884	29636 01	59801	29637 01	59802
29638 01	51837	29639 01	51838	29640 01	49905HPS
29641 02	49200HPS	29656 01	51274	29657 01	51273
29658 01	49590	29658 01	49590HPS	29659 01	59510
29659 01	59510HPS	29660 01	59541HPS	29661 01	59211
29662 01	59203	29663 01	59542	29663 01	19543HPS

Die aufgeführten Vergleichsnummern dienen nur zur besseren Identifikation.

References are only specified for a better identification.

Les références mentionnées ne servent qu' à une meilleure identification.

LEMFÖRDER	MAPCO	LEMFÖRDER	MAPCO	LEMFÖRDER	MAPCO
29664 01	59305	29665 01	19519	29666 02	49255
29699 01	49152	29699 01	59358	29700 01	49153
29700 01	59359	29708 01	36778	29709 01	36938
29710 01	36939	29726 01	37830	29728 02	49120
29728 02	49120HPS	29729 02	49121	29729 02	49121HPS
29731 01	52823	29732 01	52824	29740 01	52716
29741 01	52714	29741 02	52740	29742 01	52715
29742 02	52741	29744 01	51745	29745 01	51746
29750 01	37831	29751 01	36838	29753 02	49947HPS
29753 02	49947	29794 01	33678	29795 01	59501
29796 01	59500	29797 01	51577HPS	29812 01	37667
29813 01	37668	29838 02	51655	29839 02	51656
29855 01	51872	29856 01	51873	29859 01	52831
29860 01	52832	29904 01	49568	29904 01	49318
29904 01	49569	29907 01	19013	29908 01	19014
29909 01	49038	29914 01	37845	29915 01	36832
29916 01	36950	29920 01	36791	29924 01	19015
29925 01	59901HPS	29926 01	59904	29930 02	51667
29932 02	51668	29933 01	51654	29934 01	51659
29938 01	19810	29944 01	59674	29948 01	52635
29969 01	19517	29991 01	33960	29998 02	51724
29998 02	51748	29999 02	51749	30338 01	51634
30339 01	33995	30340 01	51635	30346 01	36679/2
30353 01	59217	30357 01	59586	30357 01	19512
30358 01	59580	30359 01	51306	30360 01	51531
30361 01	51206HPS	30364 01	37844	30366 01	19159
30366 01	19160	30366 01	19149	30372 01	52804HPS
30373 01	52805HPS	30374 01	19380	30375 01	19493
30376 01	49400	30428 01	51858	30429 01	51859
30430 01	52818	30431 01	51856	30432 01	51857
30433 02	59858HPS	30454 01	59582HPS	30455 01	59584
30456 01	19156	30457 01	19161	30461 03	52607
30472 01	59017	30473 01	59016	30474 01	59020
30475 01	59021	30476 01	49631	30477 01	49630
30479 01	59014	30480 01	59015	30482 01	59872
30483 01	59873	30484 01	59838	30485 01	59602
30486 01	59608	30487 01	59609	30488 01	59606
30489 01	59607	30549 01	52732	30565 01	51652
30567 01	51822	30568 01	51823	30583 01	51824
30604 01	49314	30606 01	19383	30607 01	19384
30608 01	33322	30612 01	49623	30613 01	49624
30614 01	59351HPS	30614 01	59351	30615 01	49250HPS
30616 01	49251HPS	30617 01	51205HPS	30618 01	59583
30619 01	59355HPS	30619 01	59355	30620 02	49147
30621 02	49148	30624 01	51692	30625 01	19370HPS
30626 01	19369HPS	30627 01	49614	30628 01	49615
30629 01	51715	30630 01	51716	30640 01	19395
30645 01	59503HPS	30646 01	59502HPS	30646 01	59502
30647 01	59226HPS	30648 01	59511HPS	30665 01	52813

Die aufgeführten Vergleichsnummern dienen nur zur besseren Identifikation.

References are only specified for a better identification.

Les références mentionnées ne servent qu' à une meilleure identification.

LEMFÖRDER	MAPCO	LEMFÖRDER	MAPCO	LEMFÖRDER	MAPCO
30666 01	52814	30667 02	49304HPS	30668 02	49305HPS
30670 01	49149	30671 01	49114	30671 01	49115
30673 01	51651	30682 01	49155	30691 01	49552
30692 01	51381	30695 01	51380	30697 01	51382
30699 01	49265	30699 01	59312	30700 01	19559HPS
30701 01	19558HPS	30702 01	19593HPS	30703 01	59340
30704 01	59346	30721 01	36704	30722 01	36705
30724 01	37868	30724 01	37863	30725 01	33174
30726 01	33175	30735 01	49954	30738 01	51575
30754 01	49041	30755 01	49042	30773 01	59790
30774 01	59572	30775 01	59554	30827 01	59851
30833 01	59808/1	30836 01	36988	30891 01	37869
30908 01	49844	30933 01	51882	30936 01	49192
30937 01	49193	30967 01	51718HPS	30991 01	49093
31007 01	51624	31012 01	52733	31088 01	51298
31089 01	51299	31090 01	51300	31096 01	59719
31100 01	49295	31101 01	49296	31108 01	59859
31109 01	59860	31110 01	51835	31111 01	51836
31147 01	52810	31148 01	52809	31155 01	49082
31156 01	49083	31169 01	59292	31170 01	59291
31176 02	59787	31181 01	49918	31189 01	49057
31192 01	49072	31193 01	49088	31196 01	49099
31207 01	49289	31212 01	49909	31213 01	49058
31235 01	51832	31236 01	51833	31237 01	59246
31238 01	49201HPS	31239 01	49202HPS	31240 01	59242
31241 01	59241	31242 01	33124	31243 01	49160
31246 01	49252	31247 01	51360	31248 01	51542HPS
31249 01	51541HPS	31250 01	59329	31285 01	33173
31291 01	49071	31294 01	59012	31295 01	59013
31301 01	59027	31302 01	59011	31350 01	52606
31351 01	49403HPS	31360 01	59857	31360 01	59857HPS
31361 01	59899	31385 01	33040	31508 01	49264
31508 01	59313	31736 01	49092	31774 01	51390
31892 01	59902	31897 01	51734	31898 01	49407HPS
31939 01	59668	31940 01	51607	31940 01	59646
31942 01	51619	31943 01	51620	31945 01	49194
31949 01	51852	31950 01	51853	31953 01	49156
31992 01	59026HPS	31994 01	59024HPS	31995 01	49036
31996 01	49037	31997 01	49862	31997 01	49862/1
31998 01	49851	32000 01	37862	32002 01	37835
32005 01	51500	32006 01	51501	32009 01	51336
32010 01	51610HPS	32011 01	49157	32012 01	49158
32013 01	49161	32017 01	59650	32018 01	59651
33271 01	51332HPS	33272 01	59535HPS	33273 01	51334HPS
33274 01	51335HPS	33307 01	33315	33311 01	19392
33320 01	33303	33361 01	59343HPS	33361 01	59594HPS
33362 01	59341	33362 01	59341HPS	33363 01	59344HPS
33363 01	59344	33364 01	51532	33394 01	49412HPS
33407 01	51848	33410 01	49602	33412 01	52609

Die aufgeführten Vergleichsnummern dienen nur zur besseren Identifikation.

References are only specified for a better identification.

Les références mentionnées ne servent qu' à une meilleure identification.

LEMFÖRDER	MAPCO	LEMFÖRDER	MAPCO	LEMFÖRDER	MAPCO
33412 01	52608	33412 01	36622	33413 01	36628
33418 01	51663	33419 01	51664	33442 01	49261
33443 01	49260	33444 01	19516	33446 01	59850
33447 01	51318	33448 01	51319	33454 01	51291HPS
33455 01	51290HPS	33456 01	51293HPS	33457 01	51302HPS
33458 02	51303HPS	33462 01	49165	33463 01	49166
33465 01	19366	33482 01	59648	33483 01	51344
33484 01	19496	33485 01	19497	33518 01	51650
33636 01	59675	33637 01	19097	33638 01	19098
33640 01	19390	33641 01	19391	33697 01	52812
33697 01	52817	33705 01	51602	33706 01	51603
33707 01	49162	33713 01	51621	33714 01	37883
33715 01	37884	33716 01	37885	33717 01	37886
33718 01	37887	33719 01	37888	33726 01	49315
33763 01	49054	33764 01	49055	33765 01	49078
33766 01	49079	33769 01	49094	33770 01	49095
33773 01	51834	33816 01	49163	33823 01	19800
33826 01	51860/1	33827 01	51860	33828 01	52827
33829 01	52828	33830 01	52829	33831 01	52830
33832 01	52833	33833 01	52834	33834 01	51726
33835 01	51727	33836 01	59900	33887 01	37666
33892 01	52722	33893 01	52723	33894 01	52724
33895 01	52725	33905 01	52743	33906 01	52744
33909 01	49319	33911 01	49612	33912 01	49613
33913 01	49046	33914 01	51511	33915 01	51512
33927 01	51689	33944 01	33577	33952 01	59770
33972 01	51226	33973 01	51227	33974 01	51247
34052 01	33824	34053 01	36787	34054 01	33671
34055 01	33644	34075 01	59781	34075 01	59780
34080 01	59776	34087 01	59784	34092 01	51629
34094 01	33736	34133 01	59507	34134 01	59506
34138 01	49063	34141 01	49528	34142 01	49529
34143 01	51527	34144 01	51528	34287 01	49298
34287 01	49298HPS	34289 01	49306	34290 01	49307
34311 01	51854	34312 01	51855	34313 01	51842
34314 01	51843	34319 01	51510	34320 01	51509
34325 01	51313	34326 01	51312	34329 01	51341
34330 01	51340	34344 01	33045	34345 01	33044
34355 01	59944	34356 01	59943	34359 01	59942
34380 01	49320	34381 01	49321	34394 01	51301
34401 01	49603	34412 01	51348	34412 01	51347
34415 01	33459	34421 01	59879	34422 01	59880
34432 01	49213	34433 01	49214	34434 01	49211
34435 01	49212	34477 01	51243	34478 01	51244
34481 01	51258HPS	34482 01	51259HPS	34483 01	51208
34484 01	51207	34487 01	51556HPS	34488 01	51557HPS
34491 01	51520	34492 01	51521	34496 01	49274HPS
34497 01	49237HPS	34505 01	51246	34514 01	51315
34516 01	59715	34517 01	59714	34519 01	59556

Die aufgeführten Vergleichsnummern dienen nur zur besseren Identifikation.

References are only specified for a better identification.

Les références mentionnées ne servent qu' à une meilleure identification.

LEMFÖRDER	MAPCO	LEMFÖRDER	MAPCO	LEMFÖRDER	MAPCO
34524 01	51310	34535 01	51308	34536 01	51309
34539 01	52737	34541 01	49777HPS	34553 01	49919
34553 01	49920	34555 01	59611	34556 01	59612
34571 01	33127	34602 01	59775	34602 01	59774
34643 01	37665	34647 01	52717	34663 01	51343
34664 01	51342	34670 01	59537	34670 01	59537HPS
34671 01	59538	34671 01	59538HPS	34674 01	49591HPS
34675 01	51371	34676 01	51372	34677 01	59365
34678 01	59366	34679 01	59514	34691 01	49070
34706 01	51388	34707 01	51389	34711 01	33987
34729 01	51560	34730 01	51561	34749 01	36788
34751 01	59783	34762 01	36948	34763 01	36949
34786 01	59022	34787 01	59023	34821 01	49096
34822 01	49097	34823 01	49408	34824 01	49409
34833 01	19494	34834 01	19495	34911 01	49404HPS
34941 01	59018	34942 01	59019	34975 01	49962
34976 01	49963	34994 01	59388HPS	34997 01	51237
34998 01	51236	34999 01	51239	35000 01	51238
35001 01	51241HPS	35002 01	51242	35003 01	51392HPS
35004 01	51599HPS	35016 01	19358	35016 01	19408
35028 01	33996	35033 01	37880	35043 01	59090
35044 01	59777	35045 01	59778	35046 01	59516HPS
35059 01	52835	35060 01	52836	35061 01	36962
35265 01	49958	35266 01	49959	35275 01	52603HPS
35278 01	49956	35279 01	51826	35286 01	49308
35296 01	49238	35297 01	49239	35298 01	49597
35299 01	49598	35302 01	49401	35303 01	19364
35304 01	59684	35305 01	59685	35307 01	33009
35308 01	59517HPS	35309 01	59518HPS	35321 01	33130
35322 01	33129	35324 01	33681	35324 01	36630
35326 01	33416	35327 01	49309	35328 01	19393
35330 01	37661	35349 01	33435	35350 01	33436
35364 01	51657HPS	35365 01	51658HPS	35366 01	19363
35377 01	36722	35381 01	37864	35395 01	19487
35396 01	19488	35397 01	51731	35401 01	51732
35406 01	59376	35407 01	59377	35408 01	59378
35409 01	59379	35410 01	51397	35411 01	51398
35412 01	59546	35413 01	59547	35414 01	51558HPS
35417 01	51517HPS	35421 01	49628	35427 01	52690
35428 01	52691	35430 01	51625	35472 01	52630
35476 01	51269	35476 01	51268	35491 01	49310
35492 01	49311	35539 01	52601	35540 01	52602
35548 01	51617	35551 01	51618	35551 01	51616
35561 01	49316	35562 01	49317	35569 01	59945HPS
35570 01	59946HPS	35700 01	49778	35710 01	52734
35710 01	37882	35711 01	52738	35711 01	52739
35712 01	37881	35848 01	51209	35849 01	51507HPS
35850 01	51508HPS	35883 01	52604HPS	35887 01	36789
35901 01	51518HPS	35902 01	51519HPS	35903 01	51255HPS

Die aufgeführten Vergleichsnummern dienen nur zur besseren Identifikation.

References are only specified for a better identification.

Les références mentionnées ne servent qu' à une meilleure identification.

LEMFÖRDER	MAPCO	LEMFÖRDER	MAPCO	LEMFÖRDER	MAPCO
35906 01	51330	35907 01	51331	35934 01	33927
35996 01	52639	35997 01	52640	36021 01	52720
36022 01	51391	36038 01	49779	36154 01	51377HPS
36167 01	49402				

METZGER	MAPCO	METZGER	MAPCO	METZGER	MAPCO
CI-306	19443	CI-503	19429HPS	CI-504	19451HPS
CI-84	19413	CI-85	19414	CI-903	19472
CI-904	19437	CI-907	19459	CI-913	19453
CI-919	19385	DW-0222	49298HPS	DW-0222	49298
DW-0627	19559HPS	DW-1876	51293HPS	DW-500	19558HPS
DW-503	51290HPS	D-118	19528	D-122	19520
D-122	59255	D-501	59226HPS	D-502	19527HPS
D-620	59522	D-622	59522	D-624	59522
D-902	49523	D-903	49522	F-KBP1	34054
F-KBP2	34053	FO-SB12	33677	FO-SB18	33646
FO-SB19	33647	FO-107	51624	FO-114	59665
FO-115	59657	FO-118	49882	FO-313	59642
FO-4209	33632/1	FO-4210K	33633/1	FO-501	19605HPS
FO-501	19773HPS	FO-504	19774HPS	FO-505P	19777
FO-508	19775HPS	FO-7036	19659HPS	FO-902	19756/4
FO-903	19755/4	FO-907	19701/1	F-SB10	33014
F-SB12	33013	F-109	19078	F-122	49011
F-300	19022	F-318	49019	F-331	49070
F-356	19655	F-361K	49644	F-364	19647
F-461	19722/1	F-500	19026HPS	F-502	49039HPS
F-503	19028HPS	F-508	49066HPS	F-62	19059
F-914	19077	F-914	19434	F-915	19433
F-915	19076	F-922	49025	F-923	49024
F-955	19760	HO-0002	49269HPS	HO-0003	49268HPS
HO-1000	49203	HO-1002	49262	HO-1003	49263
HO-104	19505	HO-108	19501	HO-109	19508
HO-112	49265	HO-113	49264	HO-114	59312
HO-510	59502HPS	HO-511	59503HPS	HO-528	51542HPS
HO-529	51541HPS	HO-900	59331	HO-901	59330
HO-905	49506	HO-909	49508	HO-911	49209
HO-912	49512	HO-913	49511	HO-914	59509
HO-915	59508	HO-918	59507	HO-924	49501
HO-925	49500	HO-928	49214	HO-929	49213
HY-2205	59378	HY-500	49251HPS	HY-5000	49254HPS
HY-501	49250HPS	HY-7020	59581	HY-8000	59582HPS
J4918011	51253	K-4151	59594HPS	K-6152	59341HPS
K-8150	59343HPS	MA-108	19595	MA-4160	51332HPS
MA-507	49590HPS	MA-8100	59535HPS	MA-8170	49591HPS
ME-SB26	36988	ME-0116	49843	ME-0319	33974
ME-0489	59847HPS	ME-0889	59858HPS	ME-117	59872
ME-1889	59861HPS	ME-252	49898	ME-2689	59857HPS
ME-506K	49834HPS	ME-508	49840HPS	ME-509	49841HPS
ME-512	49895HPS	ME-538	49811HPS	ME-539	49812HPS
ME-605	59864	ME-817	59878	MI-2981	59541HPS

Die aufgeführten Vergleichsnummern dienen nur zur besseren Identifikation.

References are only specified for a better identification.

Les références mentionnées ne servent qu' à une meilleure identification.



<b>METZGER</b>	<b>MAPCO</b>	<b>METZGER</b>	<b>MAPCO</b>	<b>METZGER</b>	<b>MAPCO</b>
MI-3419	59283	MI-3420	59284	MI-3926	51549
MI-502	19543HPS	MI-502	59542	MI-7876	59546
MI-8076	59511HPS	MI-8077	59510HPS	MI-8780	59540HPS
M-13	19838	M-25	19817	M-262	19831/1
M-306	19846	M-311	19849	M-315	19827
M-78	19407	P-SB19	33336	P-SB5	33314
P-28	19415	P-314	19324	P-316	19336/1
P-326	19380	P-38	19318	P-39	19317
P-402K	19335	P-402K	19354	P-402K	19446/1
P-406K	19340/1	P-44K	19325/1	P-500	19337HPS
P-501	19348HPS	P-502	19339HPS	P-503	19338HPS
P-504	19476HPS	P-505	19375HPS	P-506	19362HPS
P-506	19376HPS	P-508	19369HPS	P-509	19370HPS
P-7839	19368HPS	P-916	19345	P-917	19344
P-920	19488	P-921	19487	R-SB13	33171
R-SB20	33120	R-SB22	33121	R-SB23	33122
RV-0230	59684	RV-2441	59688	RV-3304	59679
RV-4000	59698	RV-501	59516HPS	R0-191	49121HPS
R0-192	49120HPS	R-1051K	19122	R-118K	19116
R130	19131	R-138	19181	R-138	49101
R-139	19180	R-139	49100	R-28	19145
R-302	49107	R-318	19153	R-324	19159
R-330	49103	R-332	49102	R-342	49115/1
R-411	19198	R-419	19174	R-419	19154
R-425	19160	R-427	19156/1	R-500	19164HPS
R-501	49124HPS	R-502	49118HPS	R-7136	49146HPS
R-927	19196	R-940	19168	R-941	19167
R-942	49130	R-943	49129	R-958	49190
R-959	49191	SZ-100	59320	SZ-200	49561
SZ-6201	51252	T-1003K	49258/1	T-1003K	49258
T-136	59380/1	T-2010	49274HPS	T-2080	51560
T-2081	51561	T-3201	51597HPS	T-500	49271HPS
T-5001	59361HPS	T-5001	59361	T-5001	49284HPS
T-5001	49283HPS	T-5002	59362HPS	T-5002	59362
T-501	49270HPS	T-501	19577	T-508	49237HPS
T-614	19569	T-620	19571	T-622	49552
T-624	59562	WM-G 005	33005	WM-G 058	33988
WM-G 059	33902	WM-G 100	33690	WM-G 100	33690/2
WM-G 101	33692	WM-G 101	33692/2	WM-G 102	33693
WM-G 102	33693/2	WM-G 109	36664	WM-G 110	36666
WM-G 111	36665	WM-G 121	36662	WM-G 122	33638
WM-G 126	33689	WM-G 136	33694/2	WM-G 136	33694
WM-G 201	33321	WM-G 203	33329	WM-G 204	33330
WM-G 205	33101	WM-G 212	33326	WM-G 220	33337
WM-G 227	33403	WM-G 236	33338	WM-G 239	33424
WM-G 301	33628	WM-G 302	33645	WM-G 307	33674
WM-G 308	33629/2	WM-G 311	33671	WM-G 314	33675
WM-G 318	33643	WM-G 319	33670	WM-G 320	33670
WM-G 321	33631	WM-G 322	33630	WM-G 327	33644

Die aufgeführten Vergleichsnummern dienen nur zur besseren Identifikation.

References are only specified for a better identification.

Les références mentionnées ne servent qu' à une meilleure identification.

<b>METZGER</b>	<b>MAPCO</b>	<b>METZGER</b>	<b>MAPCO</b>	<b>METZGER</b>	<b>MAPCO</b>
WM-G 333	33673	WM-G 335	33678	WM-G 3500	33889/4
WM-G 3506	36926	WM-G 3507	36796	WM-G 352	49888
WM-G 353	33867	WM-G 358	36924	WM-G 3609	33103
WM-G 3617	37837	WM-G 362	36947	WM-G 363	33946
WM-G 3638	33423	WM-G 365	37838	WM-G 3657	36764
WM-G 367	33972	WM-G 3674	33792	WM-G 368	36899
WM-G 371	33942	WM-G 372	33865	WM-G 374	33838
WM-G 374	33837	WM-G 375	33841/4	WM-G 377	33845
WM-G 387	36909	WM-G 388	33947	WM-G 396	36916
WM-G 397	59831	WM-G 400	33223	WM-G 430	33922
WM-G 445	36908	WM-G 449	33910	WM-G 450	36971
WM-G 463	37833	WM-G 464	36923	WM-G 467	33889/2
WM-G 486	33868	WM-G 575	33501	WM-G 600	33737
WM-G 603	33734	WM-G 609	33879	WM-G 612	33739
WM-G 613	33730	WM-G 616	33736	WM-G 618	33729
WM-G 623	33786	WM-G 625	33740	WM-G 626	33735
WM-G 628	33758	WM-G 629	33756	WM-G 633	33785
WM-G 641	33895	WM-G 642	33795	WM-G 643	33767
WM-G 643	33762	WM-G 645	33753	WM-G 649	33766
WM-G 655	33755	WM-G 667	33789	WM-G 669	33760
WM-G 679	33761	WM-G 680	33791	WM-G 701	33118
WM-G 703	33172	WM-G 704	33104	WM-G 705	33128
WM-G 718	33145	WM-G 750	49160	WM-G 8001	33829
WM-G 8002	33906	WM-G 8004	33830	WM-G 8005	33827
WM-G 8006	33844	WM-G 8009	33935	WM-G 8010	36776
WM-G 8010	36775	WM-G 805	33909	WM-G 808	33833
WM-G 825	36904	WM-G 826	33871	WM-G 828	33858
WM-G 834	33833/2	WM-G 835	33858	WM-G 835	33858/2
WM-G 842	33899	WM-G 847	33871/4	WM-G 847	33871
WM-G 848	33909/4	WM-G 860	36852	WM-G 862	33864
WM-G 863	33843	WM-G 864	33824	WM-G 865	33905
WM-G 871	33904	WM-G 884	33814	WM-G 885	33925
WM-G 886	33926	WM-G 887	33948	WM-G 888	33949
WM-G 889	33939	WM-G 890	33940	WM-G 891	49862/9
WM-G 893	33937	WM-G 894	33808	WM-G 906	33894
WM-G 907	33912/2	WM-G 922	33815	WM-G 927	36940
WM-G 940	36914	WM-G 947	36775	WM-G 948	36782
WM-G703	33164	1-SB5	33007	1-SB7	33010
1-SB9	33008	18-201	49034	1-97	19836
5-SB3460	33714/9	5-SB7	33732	5-SB8	33794
5-0147	49751	5-0781	49753	51000208	19016
51000308	49053	51000418	19018	51000602	19014
51000701	19013	51000818	59014	51001001	49752
51001102	49750	51001208	19805	51001308	49754
51001408	49755	51001518	19627	51001618	49607
51001718	49602	51001818	19810	51002018	49603
51002118	49125	51002248	49125	51002318	49155
51002448	49155	51003018	59787	51003108	49622
51003418	59770	51003508	51251	51003618	19892

Die aufgeführten Vergleichsnummern dienen nur zur besseren Identifikation.

References are only specified for a better identification.

Les références mentionnées ne servent qu' à une meilleure identification.

<b>METZGER</b>	<b>MAPCO</b>	<b>METZGER</b>	<b>MAPCO</b>	<b>METZGER</b>	<b>MAPCO</b>
51003708	19871	51003818	19862	51003818	52719
51004018	19861	51004018	19860	51004118	49674
51004118	19682	51004202	49774	51004301	49773
51004418	49673	51004518	49874	51004618	49691
51004718	49870	51004808	49738	51005008	49866
51005108	19688	51005208	19696	51005208	19696/1
51005318	49764	51005518	51747	51005518	51713
51005718	59892	51005918	59808	51006018	51723
51006118	51722	51006318	51746	51006318	51744
51006518	52810	51006618	49722	51006618	49746
51006718	49783	51006818	19785	51006918	19785
51006918	19676	51007018	51669	51007018	59692
51007118	59601	51007218	51638	51007518	51655
51007618	51654	51007818	59785	51007908	49928
51008008	49944	51008118	49900	51008218	49942
51008308	49917	51008418	49954	51008508	49910
51008508	59536	51008718	49964	51008718	49927
51008818	19412	51008918	19409	51009018	19411
51009018	19443	51009108	49400	51009218	19484
51009318	19479	51009508	19043	51009508	19022
51009608	19069	51009708	19068	51009818	19493
51009908	19017	51010008	19079	51010108	19024
51010208	19023	51010508	49020	51010608	59011
51010708	49043	51010808	49072	51010918	49093
51011018	59027	51011118	49071	51011218	49071
51011508	19723	51011618	19654	51011808	49737
51011908	19722	51012018	49644	51012018	19740
51012118	19724	51012208	49642	51012208	19647
51012418	49643	51012508	19644	51012608	19650
51012708	59663	51012808	59666	51013412	59641
51013511	59641	51013618	51629	51013708	49807
51013908	19973	51014008	19405	51014108	19448
51014418	49894	51014518	49837	51014618	49833
51014718	59899	51014818	59844	51015718	19410
51015818	19340	51015918	19336	51015918	19336/1
51016018	19353	51016108	19373	51016208	19379
51016308	19395	51016518	49314	51016708	49401
51016818	49315	51017018	51117/1	51017148	51117/1
51017318	19166	51017318	49107	51017418	19126
51017418	19126	51017548	19126	51017618	19152
51017618	19153	51017748	19152	51017848	19152
51017918	19150/1	51018048	19150/1	51018148	19150/1
51018318	19149	51018448	19149	51018548	19149
51018618	19156	51018748	19156	51018848	19172
51018918	19176	51018918	49102	51019048	19176
51019148	19176	51019308	19193	51019408	19194
51019548	19193	51019618	19195	51019748	19195
51019818	19182	51019908	19183	51020048	19183
51020118	19172	51020118	49115/1	51020218	51117/1

Die aufgeführten Vergleichsnummern dienen nur zur besseren Identifikation.

References are only specified for a better identification.

Les références mentionnées ne servent qu' à une meilleure identification.

<b>METZGER</b>	<b>MAPCO</b>	<b>METZGER</b>	<b>MAPCO</b>	<b>METZGER</b>	<b>MAPCO</b>
51020348	51117/1	51020508	49119	51020648	49119
51020708	49126	51020848	49126	51020918	49149
51021048	49149	51021118	49145	51021448	49145
51021518	49159	51021618	49194	51021748	49194
51021818	49161	51021918	19171	51022048	19171
51022118	51301	51022718	49415	5-108	19816
5-110	19638	52000108	33007	52000302	33010
52000501	33008	52000708	33062	52001002	33049
52001101	33048	52001309	33877	52001408	33731
52001508	33716	52001608	33715	52001708	33848
52001808	33849	52002018	33768	52002108	33796
52002308	33733	52002418	36703	52002508	33752
52002608	33757	52002708	33725	52002818	33714
52002908	33732	52002908	33788	52003008	33731
52003008	33794	52003108	33044	52003208	33045
52003208	36722	52003308	33893	52003408	33835
52003518	33818	52003608	33908	52003708	33928
52003808	33891	52004008	33892	52004108	33878
52004408	36938	52004508	36939	52004608	33842
52004708	37865	52004808	36950	52004908	33819
52005002	36949	52005101	36948	52005308	33987
52005408	33903	52005508	33876	52005608	33839
52005708	33840	52005808	36785	52005908	36786
52006008	33932	52006108	36777	52006108	36778
52006208	36771	52006308	36774	52006408	33834
52006508	37880	52006708	37863	52006808	37869
52006909	59621	52007208	33691	52007308	36691
52007508	33875/1	52007508	33875	52007608	33847
52007712	33933	52007811	36660	52007811	33933
52007908	36687/2	52007908	36670	52008008	33641
52008008	33637	52008108	37661	52008408	33639
52008408	33666	52008508	36669/2	52008508	36669
52008808	36668/2	52008908	36679/2	52009702	33550
52009801	33551	52009908	33995	52010018	33428
52010108	33437	52010202	33426	52010301	33425
52010408	33431	52010508	33335	52010608	33334
52010718	33427	52010808	33614	52010908	33618
52011008	33627	52011108	33610	52011108	33677
52011208	33681	52011408	33646	52011508	33647
52011608	33615	52011708	36622	52011908	33636
52012008	33635	52012108	33611	52012208	33676
52012308	19651	52012408	33616	52012908	33616/7
52013008	33002	52013102	33014	52013202	33035
52013301	33013	52013401	33019	52013708	33017
52013708	19431	52013802	33443	52013802	19432
52013901	19431	52014108	33003	52014408	33018
52014502	33231	52014502	33232	52015108	33238
52015208	33057	52015308	33239	52015702	19067
52015702	33228	52015801	33227	52015801	19066

Die aufgeführten Vergleichsnummern dienen nur zur besseren Identifikation.

References are only specified for a better identification.

Les références mentionnées ne servent qu' à une meilleure identification.

<b>METZGER</b>	<b>MAPCO</b>	<b>METZGER</b>	<b>MAPCO</b>	<b>METZGER</b>	<b>MAPCO</b>
52015908	33019	52016509	33870	52016509	59864
52016608	36987	52016708	59900	52016808	37874
52016908	33979	52017008	36910	52017409	33973
52017508	37836	52017808	36833	52017908	37875
52018008	33883	52018108	36832	52018308	37890
52018408	33944	52018508	33943	52018608	33841
52018708	33936	52018808	36912	52019108	37835
52019208	36911	52020018	33006	52020108	33001
52020208	33444	52020508	33950	52020808	33416
52021008	33316	52021108	33320	52021208	33322
52021308	33319	52021408	33318	52021508	33434
52021608	33317	52021608	33336	52021708	33417
52021808	33485	52022008	33307	52022108	33414
52022208	33313	52022308	33306	52022608	33436
52022708	33435	52022808	33148	52022908	33147
52023008	33123	52023108	49134	52023108	33120
52023208	33119	52023308	49132	52023308	33121
52023408	49142	52023408	33122	52023508	33144
52023608	33143	52023708	33130	52023808	33129
52023908	33165	52024008	33146	52024108	36704
52024208	36705	52024508	33124	52024702	36962
52024801	36961	52024908	33527	52025008	33521
52025108	33897	52025409	36661	52025509	33934
52025609	33934	52025709	37663	52025909	33333
52026208	33996	52026808	33672	52027008	52807
52027108	33976	52027409	36627	52027809	36791
52027909	33223	52027909	33520	52028108	33526
52028208	33563	52028509	36972	52028609	36838
52028709	33836	52028808	33977	52028908	33588
52029008	33589	52029108	33567	52029108	49569
52029208	49569	52029208	33568	52029708	33511
52029802	49535	52029901	49534	52030008	49521
52030008	33502	52030108	33501	52030108	49520
52030208	33507	52030308	33576	52030408	33577
52030509	33787	52030609	33720	52031008	33913
52031108	33915	52031208	33872	52031308	33914
52031408	33916	52031509	33941	52031708	33896
52031808	33859	52031908	33828	52032108	33846
52032208	33929	52032308	36941	52032408	36975
52032719	59622	52032909	37891	52035209	33005
52035308	36788	52035408	36789	52035509	33988
52035609	33902	52035709	33690	52035809	33692
52035909	33693	52036209	36664	52036304	36666
52036403	36665	52036509	37662	52036709	36662
52036809	33689	52036909	33321	52037003	33329
52037104	33330	52037309	33326	52037408	33337
52037808	33457	52038009	33338	52038108	33424
52038408	36790	52038508	33628	52038609	33645
52038708	33674	52038808	33629/2	52038909	33671

Die aufgeführten Vergleichsnummern dienen nur zur besseren Identifikation.

References are only specified for a better identification.

Les références mentionnées ne servent qu' à une meilleure identification.

<b>METZGER</b>	<b>MAPCO</b>	<b>METZGER</b>	<b>MAPCO</b>	<b>METZGER</b>	<b>MAPCO</b>
52039109	33643	52039308	33670	52039409	33631
52039509	33630	52039608	33644	52039708	33673
52039809	33678	52040009	33683	52040108	36926
52040209	36796	52040309	36924	52040708	33103
52040808	37837	52040908	36947	52041708	33946
52042008	33423	52042309	37838	52042508	36764
52043609	33792	52043808	36198	52044009	33942
52044108	33845	52044308	33947	52044509	37833
52044609	36923	52044708	33889/2	52045709	33737
52045808	33734	52046009	33879	52046209	33739
52046308	33730	52046409	33736	52046508	33729
52046709	33786	52046808	33740	52046908	33735
52047009	33758	52047109	33756	52047409	33785
52047508	33795	52047609	33762	52047709	33753
52047908	33755	52048008	33789	52048108	33760
52048308	33761	52048408	33791	52048508	33118
52048618	33172	52048709	33128	52048808	33145
52048903	33174	52049004	33175	52049118	49160
52049209	33829	52049308	33906	52049508	33844
52049601	33935	52049709	33909	52049908	36904
52050209	33899	52050608	36852	52050709	33864
52050808	33843	52050908	33824	52051008	33905
52051108	33904	52051208	33814	52051308	33925
52051408	33926	52051502	33948	52051601	33949
52051708	33939	52051808	33940	52051908	49862/9
52052009	33937	52052109	33808	52052209	33894
52052608	33815	52052708	36940	52052808	36787
52052902	36914	52053203	36775	52053304	36782
52053608	33830	52053708	33827	52054048	33889/4
52054248	33972	52054348	33841/4	52054518	37877
52054648	36909	52054748	36916	52054848	36908
52055249	33910	52055548	33868	52055849	36776
52055949	33833/2	52056049	33858	52056249	33909/4
52056349	33912/2	52056609	33912	52056848	33974
52057008	59831	53000114	49047	53000213	49048
53000318	49046	53000418	49030HPS	53000518	49032HPS
53000619	49031	53000712	59016	53000811	59017
53000914	59021	53001013	59020	53001114	49033
53001619	49088	53001718	33726	53001818	33727
53001918	49777HPS	53002019	51594	53002019	51594HPS
53002119	49778	53002219	49779	53002718	19600HPS
53002828	19639	53002938	19639	53003018	19606HPS
53003118	19607	53003118	19607/8HPS	53003212	59849HPS
53003311	19811	53003311	19811HPS	53003412	49108HPS
53003511	49109HPS	53003718	49749HPS	53003818	59026HPS
53003911	51302HPS	53004012	51303HPS	53004211	59852HPS
53004312	59853HPS	53004608	52737	53004718	51862
53004718	51861	53004918	49865	53005118	59782
53005219	49686	53005318	19603HPS	53005418	49685OES

Die aufgeführten Vergleichsnummern dienen nur zur besseren Identifikation.

References are only specified for a better identification.

Les références mentionnées ne servent qu' à une meilleure identification.

<b>METZGER</b>	<b>MAPCO</b>	<b>METZGER</b>	<b>MAPCO</b>	<b>METZGER</b>	<b>MAPCO</b>
53005528	49867	53005638	49867	53005638	49868
53005712	49794	53005811	49793	53005918	49856HPS
53006218	59894	53006318	59812HPS	53006414	49689
53006513	49688	53006618	51821	53006718	49862
53006818	49850	53006918	19853HPS	53007029	59820
53007139	59820	53007218	49860	53007319	51829HPS
53007412	52713	53007511	52712	53007618	51825HPS
53007718	51718HPS	53007808	49851	53007918	49863
53008218	49714	53008308	51824	53008719	52732
53008903	49729	53009004	49715	53009214	51734
53009313	51733	53009411	51642HPS	53009512	51643HPS
53009718	19678HPS	53009818	19667HPS	53009918	19700HPS
53010012	49726HPS	53010012	49726	53010111	49725
53010111	49725HPS	53010218	49795HPS	53010318	59628HPS
53010418	59695	53010519	59694	53010609	49786
53010709	49787	53010809	49799	53010919	51659
53011009	49788	53011159	49663HPS	53011229	49663HPS
53011319	49796	53011412	59604	53011412	59604HPS
53011511	59603	53011511	59603HPS	53011618	59614HPS
53011811	51644HPS	53011919	51646	53012112	59631HPS
53012211	59623HPS	53012319	59632	53012419	59639
53012512	51640HPS	53012611	51639HPS	53012611	51639
53012719	51641HPS	53012819	59605HPS	53012912	51658HPS
53013011	51657HPS	53013719	52630	53013818	59613HPS
53013909	19938	53014019	49909	53014219	19903
53014312	49902HPS	53014411	49901HPS	53014518	49905HPS
53014618	19914HPS	53014718	19913	53014818	49906HPS
53014918	49947	53014918	49947HPS	53015019	49916HPS
53015118	19937	53015118	19937HPS	53015212	59946HPS
53015311	59945HPS	53015518	19429HPS	53015618	19451HPS
53015719	49227HPS	53015812	51282	53015911	51281
53016019	51522	53016212	59251	53016212	59251HPS
53016311	59250HPS	53016419	59851	53016518	19529HPS
53016518	51526	53016618	49229	53016718	49525HPS
53016919	19527HPS	53017019	49524	53017118	19120HPS
53017219	51525HPS	53017512	51521	53017611	51520
53017719	49524	53018118	59850	53018519	49298
53018618	19559HPS	53018718	19558HPS	53018818	51277
53018912	51291HPS	53019011	51290HPS	53019111	49296
53019218	19026HPS	53019318	19366	53019419	49039HPS
53019518	19028HPS	53019618	33009	53019818	19376HPS
53019918	49066	53019918	49066HPS	53020018	59024HPS
53020119	49403HPS	53020219	19776HPS	53020309	59668
53020419	59648	53020509	52605HPS	53020719	33632
53020719	33632/1	53020819	33633	53020819	33633/1
53020912	19780	53021011	19781	53021158	19609HPS
53021228	19608HPS	53021228	19604HPS	53021318	19605HPS
53021418	51621	53021518	19774	53021518	19774HPS
53021738	19773HPS	53021818	59664HPS	53021919	51625

Die aufgeführten Vergleichsnummern dienen nur zur besseren Identifikation.

References are only specified for a better identification.

Les références mentionnées ne servent qu' à une meilleure identification.

<b>METZGER</b>	<b>MAPCO</b>	<b>METZGER</b>	<b>MAPCO</b>	<b>METZGER</b>	<b>MAPCO</b>
53022019	19775HPS	53022118	51600HPS	53022219	51601
53022318	52603HPS	53022419	51610HPS	53022518	19601
53022609	51613	53022718	19659HPS	53022809	51615
53022909	51614	53023013	49269HPS	53023114	49268HPS
53023412	59500	53023518	59245	53023611	59501
53023718	49200HPS	53023814	49201HPS	53024414	59502
53024414	59502HPS	53024513	59503HPS	53024814	59242
53024913	59241	53025212	51557HPS	53025311	51556HPS
53025718	51558HPS	53025814	51542HPS	53025913	51541HPS
53026018	51517HPS	53026114	51519HPS	53026213	51518HPS
53026512	59243HPS	53026611	59244HPS	53026714	51508HPS
53026813	51507HPS	53026908	51505	53027018	49517
53027108	51209	53027211	51203	53027312	51204
53027818	59583	53027912	49251HPS	53028019	49254
53028019	49254HPS	53028118	59578	53028219	49252
53028318	51241HPS	53028419	51242	53028711	49250HPS
53029018	49253	53029118	59551	53029212	59355HPS
53029212	59355	53029311	59351	53029311	59351HPS
53029412	51206HPS	53029511	51205HPS	53029612	51227
53029711	51226	53029819	51247	53029918	51258HPS
53030019	51259HPS	53030114	51208	53030213	51207
53030319	49254HPS	53030419	59582HPS	53030519	59584
53030918	59933	53031018	49938HPS	53031618	51532
53032318	59589	53032419	59594HPS	53032518	59345
53032618	51230	53032912	59341HPS	53032912	59341
53033011	59344	53033011	59344HPS	53033512	51244
53033611	51243	53033819	59592	53033919	19832
53034019	19820	53034119	19818	53034219	49893
53034319	49889	53034419	49890	53034519	59534
53034612	51335HPS	53034711	51334HPS	53034818	19593HPS
53035019	51332HPS	53035518	49232	53035812	19591HPS
53035911	19590HPS	53036019	19592HPS	53036118	19516
53036218	49590	53036218	49590HPS	53036318	59388HPS
53036519	49591HPS	53036819	51336	53037109	49843
53037218	59869	53037301	59854	53037414	52832
53037513	52831	53037619	51851	53037702	59855
53037809	59847HPS	53038114	59860	53038213	59859
53038309	59858HPS	53038402	59834	53038501	59833
53038709	52815	53038801	52825	53038902	52826
53039018	59856	53039118	59861	53039118	59861HPS
53039209	52818	53039318	59857HPS	53039318	59857
53039404	51857	53039503	51856	53039604	51859
53039703	51858	53039909	19839	53040018	59901HPS
53040112	49827	53040211	49826	53040328	49834HPS
53040519	59904	53040612	49840HPS	53040711	49841HPS
53040939	59845	53041118	49895HPS	53041212	52805HPS
53041311	52804HPS	53041618	52806HPS	53043012	52801HPS
53043111	52800HPS	53043212	52814	53043311	52813
53043402	49811HPS	53043501	49812HPS	53043612	52803

Die aufgeführten Vergleichsnummern dienen nur zur besseren Identifikation.

References are only specified for a better identification.

Les références mentionnées ne servent qu' à une meilleure identification.



<b>METZGER</b>	<b>MAPCO</b>	<b>METZGER</b>	<b>MAPCO</b>	<b>METZGER</b>	<b>MAPCO</b>
53043711	52802	53043809	59876	53043909	59877
53044004	51860	53044103	51860/1	53044204	52830
53044303	52829	53044519	59543HPS	53044619	49245
53044718	59541HPS	53044814	51546HPS	53044913	51545HPS
53045211	51543	53045312	51544	53045419	19544
53045518	59204	53045812	59547	53045918	49226HPS
53046012	59511HPS	53046111	59510	53046111	59510HPS
53046318	59540HPS	53046418	59309	53046518	19337HPS
53046618	19363	53046718	49308	53046818	19348HPS
53046914	49405HPS	53047013	49406HPS	53047118	19339HPS
53047218	19338HPS	53047318	19476HPS	53047418	19375HPS
53047518	19362HPS	53047613	19370HPS	53047719	19365
53047819	49303	53047912	19397	53048011	19396
53048112	49305HPS	53048211	49304HPS	53048319	19368HPS
53048518	19367	53048618	49404HPS	53048718	49412HPS
53049518	19164	53049518	19164HPS	53049618	49124HPS
53049718	49118HPS	53049812	49121	53049812	49121HPS
53049911	49120	53050218	49146	53050218	49146HPS
53050318	59687	53050418	59678	53050518	59679
53050718	59697HPS	53050808	19957	53050918	59516HPS
53051014	59518HPS	53051113	59517HPS	53051209	59596
53051308	59595	53051618	59299	53051718	51255HPS
53052108	49259	53052218	19572	53052312	51379HPS
53052411	51378HPS	53052519	51374HPS	53052612	51589
53052711	51588	53052818	49274HPS	53052919	51367
53053018	51391	53053118	51373HPS	53053218	51597HPS
53053218	51597	53053311	19576	53053412	19575
53053512	19578	53053611	49273	53053611	49283
53053611	49283HPS	53053712	49284	53053712	49284HPS
53053911	49270HPS	53054018	19574	53054119	51377HPS
53054218	19573	53054318	51569	53054419	51570
53054519	49579HPS	53054618	51577HPS	53054714	51372
53054813	51371	53054918	49237HPS	53055014	49239
53055113	49238	53055218	51392HPS	53055418	59363HPS
53055418	59363	53055618	49407HPS	53055918	52600
53058948	49402	5-308	19628	54000102	19030
54000201	19029	54000302	59015	54000401	59014
54000702	19014	54000801	19013	54000908	19848
54001008	59897	54001008	51850	54001208	19626
54001308	19637	54001308	19638	54001408	19631
54001502	49759	54001601	49758	54001708	49611
54001808	49627	54001908	49742	54002008	49743
54002108	49626	54002202	49138	54002301	49137
54002602	49619	54002701	49618	54002808	59786
54002902	49621	54003001	49620	54003102	59013
54003201	59012	54003308	19800	54003401	19718
54003502	19719	54003601	19610	54003702	19611
54003801	19613	54003902	19614	54004001	19615
54004102	19616	54004308	51250	54004402	19882

Die aufgeführten Vergleichsnummern dienen nur zur besseren Identifikation.

References are only specified for a better identification.

Les références mentionnées ne servent qu' à une meilleure identification.

<b>METZGER</b>	<b>MAPCO</b>	<b>METZGER</b>	<b>MAPCO</b>	<b>METZGER</b>	<b>MAPCO</b>
54004501	19873	54004602	49701	54004702	59896
54004801	49700	54004901	59895	54005002	49718
54005102	19693	54005201	49717	54005301	19692
54005418	49707HPS	54005602	49866/2	54005602	49858
54005701	49857	54005701	49866	54005802	19886
54005802	49872	54005901	19885	54005901	49871
54006002	59817	54006101	59816	54006202	51823
54006301	51822	54006402	19880	54006501	19859
54006602	51712	54006701	51711	54007002	59815
54007101	59814	54007402	59807	54007501	59806
54007701	51826	54008002	51823	54008101	51822
54008202	51743	54008301	51742	54008608	51735
54008902	19867	54009001	19866	54009302	19878
54009408	19874	54009501	19877	54009608	19890
54009708	19850	54009802	49722	54009802	19783
54009901	49721	54009901	19782	54010002	49740
54010101	49739	54010202	49654	54010301	49653
54010402	49736	54010501	49735	54010602	59691
54010701	59690	54010808	59600	54010908	59626
54011402	51668	54011501	51667	54012108	19660
54012201	19663	54012302	19664	54012408	19668
54012508	19727	54012708	19981	54012802	49970
54012901	49969	54013002	49922	54013101	49921
54013208	19547	54013208	59203	54013208	19540
54013302	49966	54013401	49965	54013508	19906
54013608	19908	54013702	19911	54013801	19910
54013908	59947	54014002	19478	54014101	19477
54014202	19490	54014301	19489	54014408	19556
54014508	19525	54014608	19523	54014608	19528
54014708	59257	54014708	19520	54014808	59225
54014902	51319	54015001	51318	54015708	19517
54015808	59211	54015902	51299	54016001	51298
54016408	19080	54016508	19047	54016608	19070
54016708	19046	54016808	19065	54016908	19430
54016908	19078	54017008	19042	54017102	49018
54017201	49017	54017308	19015	54017408	49098
54017502	19736	54017608	49010	54017708	49040
54017801	19735	54017908	19492	54018002	49058
54018101	49057	54018202	49075	54018301	49074
54018408	49059	54018508	59010	54018808	19745
54019108	19748	54019208	19750	54019302	19753
54019401	19752	54019502	19758	54019601	19757
54019708	19007	54019708	19059	54019802	19053
54019901	19052	54020102	19641	54020201	19640
54020308	19645	54020402	19649	54020501	19648
54020602	49641	54020701	49640	54020802	19742
54020802	49882	54020901	19741	54021002	49645
54021101	49646	54021202	59670	54021301	59669
54021408	59672	54021508	59640	54021602	51343

Die aufgeführten Vergleichsnummern dienen nur zur besseren Identifikation.

References are only specified for a better identification.

Les références mentionnées ne servent qu' à une meilleure identification.

<b>METZGER</b>	<b>MAPCO</b>	<b>METZGER</b>	<b>MAPCO</b>	<b>METZGER</b>	<b>MAPCO</b>
54021701	51342	54021802	51620	54021901	51619
54022008	59676	54022208	59319	54022301	19504
54022408	19956	54022502	19509	54022502	19501
54022601	19500	54022601	19508	54022708	59515
54022901	59313	54022901	49264	54023002	59312
54023101	59313	54023202	51274	54023301	51273
54023502	51510	54023601	51509	54024108	19510
54024208	19512	54024308	59586	54024502	51309
54024601	51308	54024702	51313	54024801	51312
54025008	59948	54025108	49800	54025202	49806
54025301	49805	54025708	19669	54025708	19846
54025802	19847	54025802	19489	54025908	19824
54025908	19827	54026208	19961	54026408	19420
54026508	19406	54026608	19407	54026708	19447
54026808	19099	54026902	19497	54027001	19496
54027108	19589	54027208	19580	54027308	19583
54027408	19589	54027502	51341	54027601	51340
54027702	49824	54027848	59903	54027901	49823
54028402	59873	54028501	59873	54028501	59872
54028602	59841	54028701	59840	54029202	51841
54029308	59843	54029401	51840	54030608	52809
54030808	49256	54030902	19342	54031001	19341
54031102	19381	54031201	19382	54031302	19393
54031401	19392	54031502	59013	54031601	59012
54031708	19301	54031802	49307	54031901	49306
54032408	19417	54032508	19418	54032601	19315
54032611	19315	54032702	19316	54032712	19325/1
54032818	19108	54032908	19105	54032918	19105
54033008	19136	54033018	19136	54033102	19170
54033102	19181	54033201	19169	54033201	19180
54033302	19190	54033401	19189	54033502	49113
54033601	49112	54033708	49104	54033802	49136
54033901	49135	54034002	49148	54034101	49147
54034202	49193	54034301	49192	54034401	19133
54034411	19133	54034502	19134	54034512	19134
54034601	19130	54034611	19130	54034702	19130/1
54034712	19130/1	54034802	19140	54034901	19139
54035002	19142	54035101	19141	54035201	19144
54035401	59684	54035908	59201	54036008	49562
54036108	19560	54036202	49567	54036301	49566
54036501	59281	54036602	59561	54036701	59560
54037002	51381	54037101	51380	54037202	59380/1
54037602	51366	54037701	51365	54039501	51236
54039602	51237	54040308	59774	54040402	49158
54040501	49157	54041402	51628	5-4065	51594HPS
5-500	19600HPS	55000618	33715	55002948	37834
55003308	33818/9	55003508	33878/9	55004949	34413
55005049	59846	5-503	19606HPS	5-503	19602HPS
5-504K	19607/8HPS	5-507	19811HPS	5-589	49601

Die aufgeführten Vergleichsnummern dienen nur zur besseren Identifikation.

References are only specified for a better identification.

Les références mentionnées ne servent qu' à une meilleure identification.

<b>METZGER</b>	<b>MAPCO</b>	<b>METZGER</b>	<b>MAPCO</b>	<b>METZGER</b>	<b>MAPCO</b>
56000101	49752	56000202	49750	56000202	49753
56000301	19803/1	56000402	19804/1	56000502	19813
56000601	19812	56000808	49607	56000902	49762
56001001	49761	56001102	49763	56001201	49873
56001302	49874	56001408	19891	56001501	19892
56001602	19888	56001701	19871	56001802	19872
56001908	19887	56002001	19862	56002102	19863
56002501	49674	56002602	49767	56002802	49774
56002901	49766	56003101	49773	56003201	19864
56003301	49672	56003402	19865	56003502	49673
56003602	49691	56003702	49870	56003801	49690
56003901	49869	56004018	49732	56004302	49866/2
56004401	49866/1	56004502	19689	56004601	19688
56004702	19697	56004801	19696	56004902	49693
56005001	49692	56005702	51714	56005801	51713
56006102	59891	56006201	59892	56006302	59809
56006402	59809	56006501	59808	56006501	59808/1
56006601	59808	56006708	49833	56006802	51723
56006901	51723	56007602	51746	56007701	51745
56008401	49789	56008502	49790	56008608	19675
56008702	49722	56008801	49721	56008902	49781
56009008	49780	56009102	49783	56009201	49782
56009302	19785	56009402	19785	56009501	19784
56009601	19784	56009702	59693	56009801	59692
56009908	59610	56009908	59601	56010008	51638
56010502	51656	56010605	49730	56010702	51654
56010702	51666	56010801	51655	56010901	51665
56011105	49658	56011205	49660	56011305	49741
56011405	59624	56011518	19411	56011602	49400
56011701	49400	56011818	19484	56011902	19479
56012001	19479	56012108	19722	56012208	19722/1
56012408	19837	56012508	49899	56012608	19829
56012708	19830/1	56012708	19831/1	56013005	19821
56013205	49813	56013308	19405	56013405	59862
56013608	49838	56013748	19410	56013748	19335
56013811	19325	56013811	19324/1	56013912	19326
56014018	19336	56014112	19353	56014211	19353
56014301	19373	56014402	19373	56014502	19379
56014601	19379	56014702	19395	56014801	19395
56014948	19166	56015018	19107	56015118	19126
56015118	19198	56015211	19152	56015312	19152
56015312	19154	56015441	19150	56015542	19151
56015612	19149	56015612	19159	56015711	19149
56015711	19160	56015812	19161	56015911	19156
56016002	19173	56016101	19172	56016212	19176
56016311	19175	56016412	19182	56016511	19182
56016812	49115	56016911	49114	56017202	49149
56017301	49149	56017402	49145	56017601	49145
56017808	19013	56017908	49604	56018005	49801

Die aufgeführten Vergleichsnummern dienen nur zur besseren Identifikation.

References are only specified for a better identification.

Les références mentionnées ne servent qu' à une meilleure identification.

<b>METZGER</b>	<b>MAPCO</b>	<b>METZGER</b>	<b>MAPCO</b>	<b>METZGER</b>	<b>MAPCO</b>
5-610	49092	57000108	49050	57000408	49014
57000508	49156	57000618	59789	57000618	19621
57000718	19632	57000818	49610	57000918	49744
57001008	49745	57001208	49111	57001312	49631
57001411	49630	57001518	19097	57001618	19714
57001718	19801	57001818	19612	57001818	19802
57002018	59790	57002112	19618	57002211	19617
57002608	19868	57002908	51721	57003211	19898
57003312	19897	57003418	19883	57003508	19884
57003611	19680	57003712	19681	57003811	19684
57003912	19685	57004012	49703	57004111	49702
57004218	49861	57004318	19896	57004318	19896/1
57004418	19895	57004418	19895/1	57004518	19851
57004618	19852	57004818	19857	57004912	59811
57005011	59810	57005112	51725	57005211	51724
57005512	51749	57005611	51748	57005711	19893
57005812	19894	57006108	19679	57006418	19855/1
57006418	19879	57006518	19855/1	57006618	19876
57006718	19889	57006818	19889	57006902	51662
57007001	51661	57007118	59602	57007208	51660
57007412	52691	57007511	52690	57007708	19661
57007808	19662	57008008	19666/2	57008008	19666HPS
57008108	19665	57008218	19983	57008318	19980
57008418	49255	57008418	49578	57008518	49924
57008608	49955	57008708	19909	57008812	19901
57008911	19902	57009018	19907	57009108	19912
57009308	59949	57009418	19389	57009518	19426
57009618	19473	57009718	19427	57009818	19491
57009908	19419	57010018	59325	57010118	19526
57010208	19524	57010308	49529	57010418	19522
57010418	59522	57010708	51530	57010908	19519
57011018	51300	57011318	19085	57011418	49021
57011508	49038	57011718	49069	57011818	19725
57011918	19749	57012018	19754	57012118	19754
57012318	19751	57012418	19060	57012518	19008
57012618	19044	57012718	19044	57012818	52606
57012918	19765	57013018	19765	57013118	19763
57013318	51624	57013318	51623	57013418	59650
57013418	59671	57013518	59645	57013608	59643
57013618	59643	57013718	51331	57013718	52607
57014218	19503	57014318	19507	57014408	49510
57014708	59580	57014818	51306	57015018	59950
57015108	19844	57015208	19828	57015308	49891
57015418	49802	57015518	19962	57015618	19421
57015718	19422	57015818	19498	57015918	19449
57016018	19499	57016118	19450	57016208	49099
57016408	51314	57016508	19587	57016618	19585
57016718	49589	57017218	49825	57017318	49839
57017408	59898	57017508	49831	57017718	59832

Die aufgeführten Vergleichsnummern dienen nur zur besseren Identifikation.

References are only specified for a better identification.

Les références mentionnées ne servent qu' à une meilleure identification.

<b>METZGER</b>	<b>MAPCO</b>	<b>METZGER</b>	<b>MAPCO</b>	<b>METZGER</b>	<b>MAPCO</b>
57017819	59838	57018008	51834	57018208	51847
57018308	51848	57018318	51848	57018618	51882
57018718	19553	57018811	19554	57018912	19555
57019018	19551	57019208	19428	57019318	19307
57019408	19312	57019408	19415	57019518	19371
57019618	19319	57019718	19371	57019818	19320
57019908	19425	57020108	19372	57020208	19394
57020308	49309	57020408	49151	57020518	19102
57020612	19123	57020818	19109	57020918	19148
57021108	49127	57021218	49142	57021218	49140
57021308	49139	57021408	19143	57021508	49116
57021618	19132	57021718	19127	57021818	19128
57021918	19135	57022008	49110	57022308	49556
57022508	49293	57022608	59324	57022808	33576
57022912	19562	57022912	19569	57023018	59565
57023118	19563	57023118	19571	57023208	19563
57023208	49552	57023318	49568	57023418	51360
57023748	59902	57024108	51239	57024201	51246
57025412	52744	57025511	52743	5-79K	19802
58000109	49067	58000209	49068	58000302	19010
58000401	19009	58000502	19010	58000601	19009
58000702	49029	58000801	49028	58001102	19032
58001201	19031	58001302	49081	58001401	49080
58001502	59019	58001601	59018	58001702	59023
58001801	59022	58002109	59776	58002201	59780
58002408	59784	58002612	19620	58002711	19619
58003002	19809	58003101	19808	58003202	49757
58003301	49756	58003402	19634	58003501	19622
58003501	19633	58003602	19623	58003701	19622
58003901	19624	58004002	19630	58004101	19629
58004202	19636	58004301	19635	58004402	49609
58004501	49608	58004612	49624	58004711	49623
58004802	49615	58004901	49614	58005002	49613
58005101	49612	58005202	19098	58005301	19097
58005402	49142	58005501	49141	58006102	51732
58006201	51731	58006304	52721	58006403	52720
58006509	59893	58006609	52718	58006703	51870
58006804	51871	58006901	49854	58007002	49855
58007302	52816	58007302	52817	58007501	52726
58007602	52727	58007702	52729	58007801	52728
58007902	52725	58008001	52724	58008101	52723
58008202	52722	58008302	19695	58008402	49697/1
58008601	19694	58008701	49696/1	58009418	51710OES
58009708	49713OES	58009818	51730	58009912	51877
58010011	51876	58010112	51879	58010211	51878
58010312	51875	58010412	51873	58010511	51874
58010611	51872	58010708	51737	58010818	52710
58010912	51739	58011011	51738	58011112	19870
58011211	19870	58011302	49770/1	58011302	49770

Die aufgeführten Vergleichsnummern dienen nur zur besseren Identifikation.

References are only specified for a better identification.

Les références mentionnées ne servent qu' à une meilleure identification.

<b>METZGER</b>	<b>MAPCO</b>	<b>METZGER</b>	<b>MAPCO</b>	<b>METZGER</b>	<b>MAPCO</b>
58011401	49769/1	58011401	49769	58011502	49776
58011601	49775	58011702	49706/1	58011702	49706
58011801	49705	58011902	49704/1	58011902	49704
58012001	49704	58012001	49704/2	58012102	51819/1
58012201	51819/1	58012302	19686/1	58012401	19686/1
58012502	19690/1	58012502	19690	58012601	19690/1
58012702	49877	58012801	49876	58012912	49665
58013011	49664	58013102	59813	58013102	59813/4
58013201	59813	58013201	59813/1	58013201	59813/3
58013302	51716	58013401	51715	58013502	51727
58013601	51726	58013908	52716	58014002	52715
58014102	52741	58014201	52714	58014301	52740
58014608	19854	58014702	52717	58014801	52717
58014902	51819	58015001	51819	58015102	19686/1
58015201	19686/1	58015201	19686	58015318	19858
58015408	51819	58015508	19686/1	58015603	49655
58015704	49656	58015809	51647	58015909	59638
58016003	59611	58016104	59612	58016302	19674
58016401	19673	58016502	49724	58016601	49723
58016702	49695	58016801	49694	58016902	49662
58017001	49661	58017302	19699	58017401	19698
58017502	49728	58017601	49727	58017702	49651
58017801	49650	58017902	59618	58018001	59617
58018102	59616	58018201	59615	58018302	49679
58018401	49678	58018504	59620	58018603	59619
58018709	49652	58018802	59609	58018901	59608
58019002	59607	58019101	59606	58019302	51637
58019401	51636	58019502	59634	58019601	59633
58019702	51633	58019801	51632	58019902	59630
58020001	59629	58020302	51631	58020401	51630
58020504	59636	58020603	59635	58020709	59637
58021002	51635	58021101	51634	58021209	51652
58021309	51650	58021409	51651	58021702	52640
58021801	52639	58021902	52638	58022001	52637
58022102	49734	58022201	49733	58022422	19671HPS
58022501	19670HPS	58022621	19670HPS	58022922	49677/1HPS
58023221	49676/1HPS	58023302	51664	58023401	51663
58023902	19985	58024001	19984	58024109	49956
58024402	49545	58024402	49908	58024501	49544
58024501	49907	58024602	49913	58024702	49915
58024801	49912	58024901	49914	58025002	49920
58025101	49919	58025201	49958	58025302	49959
58025401	49962	58025502	49963	58025602	59931
58025701	59930	58025802	19471	58025902	19438
58025902	19437	58026002	19475	58026002	19438
58026101	19331	58026201	19474	58026402	19475
58026501	19459	58026601	19474	58026702	19454
58026902	19391	58027001	19390	58027102	19486
58027201	19485	58027302	19386	58027401	19385

Die aufgeführten Vergleichsnummern dienen nur zur besseren Identifikation.

References are only specified for a better identification.

Les références mentionnées ne servent qu' à une meilleure identification.

<b>METZGER</b>	<b>MAPCO</b>	<b>METZGER</b>	<b>MAPCO</b>	<b>METZGER</b>	<b>MAPCO</b>
58027502	19332/1	58027601	19331/1	58027702	49537
58027801	49536	58027902	51285	58028001	51284
58028202	49535	58028202	49523	58028301	49534
58028301	49522	58028402	49527	58028501	49526
58028602	49521	58028701	49520	58028802	49529
58028901	49528	58029002	51528	58029101	51527
58029202	59359	58029301	59358	58029402	51530
58029501	51529	58029602	51269	58029701	51268
58029801	51296	58029902	51297	58030002	49291
58030101	49290	58030208	19041	58030308	19041
58030408	19071	58030508	49012	58030708	19064
58030812	19744/1	58030911	19743/1	58031012	19747/1
58031112	19738/1	58031211	19746/1	58031311	19737/1
58031402	19021	58031501	19020	58031602	19021
58031713	49060	58031814	49061	58031902	19055
58032001	19054	58032102	19057	58032202	19057
58032301	19056	58032401	19056	58032508	19045
58032608	19048	58032701	19050	58032802	19051
58032902	19073	58033001	19072	58033102	19067
58033201	19066	58033302	19432	58033302	19077
58033401	19431	58033401	19076	58033502	49023
58033601	49022	58033702	49052	58033702	49025
58033801	49051	58033801	49024	58033902	49045
58034001	49044	58034102	49065	58034201	49064
58034302	49037	58034401	49036	58034502	49042
58034602	49042	58034701	49041	58034801	49041
58034902	49083	58035001	49082	58035102	49055
58035201	49054	58035302	49037	58035401	49036
58035502	49079	58035601	49078	58035702	49095
58035801	49094	58036102	59029	58036201	59028
58036302	19756/1	58036412	19756/1	58036501	19755/1
58036611	19755/1	58036702	19761	58036812	19754
58036901	19754	58036901	19760	58037011	19754
58037102	49097	58037201	49096	58037302	49409
58037401	49408	58037513	49062	58037614	49063
58037701	59661	58037802	59662	58037909	59646
58038002	19769	58038101	19768	58038201	59675
58038302	59674	58038409	59647	58038509	51617
58038609	19658	58038702	52609	58038801	52608
58038902	19756/1	58039012	19756/1	58039101	19755/1
58039211	19755/1	58039302	19756/3	58039302	19756/4
58039412	19756/3	58039502	19756/2	58039612	19756/2
58039701	19755/2	58039811	19755/2	58039902	19702/1
58040012	19702/1	58040101	19755/3	58040101	19701/1
58040211	19755/3	58040302	19769	58040401	19768
58040502	19643	58040612	19643	58040811	19642
58041012	19643/1	58041211	19642/1	58041302	19702
58041412	19702	58041501	19701	58041611	19701
58041702	19652	58041801	19651	58041902	19657

Die aufgeführten Vergleichsnummern dienen nur zur besseren Identifikation.

References are only specified for a better identification.

Les références mentionnées ne servent qu' à une meilleure identification.



<b>METZGER</b>	<b>MAPCO</b>	<b>METZGER</b>	<b>MAPCO</b>	<b>METZGER</b>	<b>MAPCO</b>
58042012	19657	58042101	19656	58042211	19656
58042302	59651	58042401	59650	58042502	59645
58042801	59644	58042902	51603	58043001	51602
58043102	51622	58043201	51622	58043404	49204
58043503	49504	58043503	49262	58043604	49505
58043604	49263	58043701	49260	58043802	49261
58043901	49217	58044002	49218	58044102	51271
58044201	51270	58044302	51501	58044401	51500
58044502	51512	58044601	51511	58044702	51503
58044801	51502	58045301	49205	58045402	49509
58045502	49210	58045802	49503	58045802	59509
58045901	49502	58045901	59508	58046002	49514
58046101	49513	58046201	59506	58046302	49216
58046401	49215	58046602	49212	58046701	49211
58046802	49214	58046901	49213	58047001	51211
58047102	51212	58047202	51233	58047301	51232
58047402	59291	58047501	59292	58047601	59376
58047702	59377	58047802	59379	58048501	19842
58048602	19843	58048719	19819	58048802	19462
58048902	49085	58049001	19461	58049101	49084
58049202	19464	58049302	49087	58049401	19463
58049501	49086	58049802	19469	58049802	19442
58049901	19441	58049901	19468	58050102	19495
58050201	19494	58050502	19972	58050602	19972
58050701	19971	58050801	19971	58051002	49234
58051101	49235	58051202	51331	58051301	51330
58051408	49233	58051502	59369	58051601	59368
58051702	51855	58051801	51854	58052101	52807
58052202	52808	58052404	51843	58052503	51842
58052608	59900	58052702	59884	58052801	59885
58052902	59882	58053001	59881	58053102	51838
58053201	51837	58053302	51836	58053401	51835
58053502	51833	58053601	51832	58053902	52836
58054001	52835	58054109	59874	58054402	51881
58054501	51880	58054601	59879	58054702	59880
58054802	49816	58054901	49815	58055202	49804
58055301	49803	58055402	49822	58055501	49821
58055602	49809	58055701	49808	58056002	49814/2
58056101	49814/1	58056202	49820	58056301	49819
58056602	59802	58056701	59801	58057002	51852
58057101	51853	58057202	51831	58057301	51830
58057502	51548	58057902	52824	58058001	52823
58058101	49540	58058202	49541	58058601	19310
58058702	19311	58058802	19314	58058802	19318
58058901	19313	58058901	19317	58059002	19322
58059101	19321	58059202	19347	58059302	49317
58059401	49316	58059501	19346	58059602	19332
58059602	19475/1	58059801	19331	58059901	19331
58060002	19475/1	58060301	19331	58060402	49302

Die aufgeführten Vergleichsnummern dienen nur zur besseren Identifikation.

References are only specified for a better identification.

Les références mentionnées ne servent qu' à une meilleure identification.

<b>METZGER</b>	<b>MAPCO</b>	<b>METZGER</b>	<b>MAPCO</b>	<b>METZGER</b>	<b>MAPCO</b>
58060501	49301	58060602	19330	58060701	19329
58060802	19384	58060901	19383	58061002	49321
58061101	49320	58061202	49319	58061301	49318
58061402	49311	58061501	49310	58061601	49151
58061601	49152	58061702	49151	58061702	49153
58061802	19163	58061901	19162	58062002	19125
58062101	19124	58062202	19148	58062301	19147
58062402	19138	58062501	19137	58062602	19158
58062701	19157	58062802	19197	58062901	19109
58062901	19196	58063002	19178	58063101	19177
58063202	19187	58063301	19186	58063602	49166
58063701	49165	58063802	49134	58063902	49128
58064001	49133	58064101	49127	58064202	49132
58064301	49131	58064402	19148	58064501	19147
58064801	49151	58064801	49190	58064902	49151
58064902	49191	58065202	51691	58065301	51690
58065501	59688	58065601	49292	58065808	49595
58065908	19518	58066001	51595	58066102	51596
58066202	51254	58066301	51254	58066301	51252
58066511	49574	58066611	49257	58066712	49577
58066712	49258	58066801	49550	58066902	49551
58067201	51397	58067302	51398	58067402	49569
58067501	49568	58067802	51295	58067901	51294
58068404	51606	58068503	51605	58068604	51608
58068703	51609	58068901	51515	58069002	51516
58069301	51256	58069402	51257	58069501	51261
58069602	51262	58069701	49410	58069802	49411
58070101	59773	58070202	59772	58070301	49162
58070402	49163	58071202	51264	58071301	51263
58071802	59381	58071901	59380	58072002	59805
58072101	59804	58072604	52838	58072703	52837
58072804	52840	58072903	52839	58073004	52842
58073103	52841	5-88	49600	59000148	59818/1HPS
59000248	59827	59000348	59826	59000448	59828
5-902	19807	5-903	19806	5-909	19633
6-SB26	33842	6-SB818	36778	6-0017	59852HPS
6-0018	59853HPS	6-114K-3	49707HPS	6-114K-3	49707OES
6-116	49858	6-117	49857	6-118	49872
6-119	49871	6-1529	49716	6-1541	33912
6-308K	52719	6-312K	19860	6-314A	19682
6-328	19696/1	6-352	51722	6-356	51744
6-415A	49675	6-415A	19683	6-503P	49868
6-511	59812HPS	6-516	19853HPS	6-522	51825HPS
6-523	51718HPS	6-600K	49703/1	6-601K	49702/1
6-604K	19896/1	6-605K	19895/1	6-8VAG4	59827
6-8VAG5	59826	6-8VAG6	59828	6-83K	19879
6-83K3	19879/1	6-89K3	19889/1	6-906	49770/1
6-907	49769/1	6-912	49706/1	6-914	49704/1
6-915	49704/2	6-920	19690	6-937	59813/1

Die aufgeführten Vergleichsnummern dienen nur zur besseren Identifikation.

References are only specified for a better identification.

Les références mentionnées ne servent qu' à une meilleure identification.

<b>METZGER</b>	<b>MAPCO</b>	<b>METZGER</b>	<b>MAPCO</b>	<b>METZGER</b>	<b>MAPCO</b>
7-SB1A	36687/2	7-SB14	33875/1	7-SB17K	36660
7-SB2	33641	7-SB2	33641/2	7-SB4	33666
7-SB6	36669	7-100	19783	7-101	19782
7-300	49746	7-308A	19676	7-412	59610
7-422A	51666	7-500	19678HPS	7-502	19700HPS
7-503	49726HPS	7-504	49725HPS	7-505	49795HPS
7-507	59628HPS	7-510	49786	7-518	59604HPS
7-519	59603HPS	7-520	59614HPS	7-526	59631HPS
7-527	59623HPS	7-530	51640HPS	7-531	51639HPS
7-533	59605HPS	7-7203	59613HPS	7-75	19666HPS
7-75M	19666/1	7756 218	33040	8050205	33101
8050368	36899	8086002	34413	8110100	19637
8110101	49802	8110102	19800	8110103	19109
8110104	19639	8110106	19889	8110107	19621
8110109	19828	8110110	19631	8110111	49831
8110112	49701	8110113	49700	8110114	19868
8110115	59816	8110116	59817	8110117	19417
8110118	19418	8110119	19447	8110125	59881
8110126	59882	8110129	19854	8110147	19819
8110154	49042	8110155	49041	8110161	51730
8110163	49652	8110171	51710OES	8110181	49803
8110182	49804	8110213	49713OES	8110230	49704
8110231	49704	8110232	51836	8110233	51835
8110234	59884	8110235	59885	8110236	19347
8110237	19346	8110238	19630	8110239	19629
8110242	19010	8110243	19009	8110244	49706
8110245	49705	8110246	19643/1	8110247	19642/1
8110249	19431	8110250	19432	8110251	19321
8110252	19322	8110253	19670HPS	8110254	19671HPS
8110255	19622	8110256	19634	8110257	49301
8110258	49302	8110260	49065	8110261	49064
8110262	49083	8110263	49082	8110266	49734
8110267	49733	8110268	49527	8110269	49526
8110270	19695	8110271	19694	8110272	49662
8110273	49661	8110274	19702/1	8110275	19755/3
8110276	19652	8110277	19651	8110278	49609
8110279	49608	8110280	19067	8110281	19066
8110282	19158	8110283	19157	8110285	49292
8110286	19384	8110287	19383	8110288	49535
8110289	49534	8110290	19690/1	8110291	19690/1
8110292	49877	8110293	49876	8110294	19699
8110295	19698	8110296	19010	8110297	19009
8110299	19701	8110300	19702	8110301	19622
8110302	19623	8110303	59608	8110304	59609
8110305	19642	8110306	19643	8110309	59619
8110310	59620	8110311	49914	8110312	49915
8110313	49655	8110314	49656	8-304	49606
83046818	19348HPS	87008008	19666/2	87009818	19491
8-81	19982	8-8944	49980	9-114	19540

Die aufgeführten Vergleichsnummern dienen nur zur besseren Identifikation.

References are only specified for a better identification.

Les références mentionnées ne servent qu' à une meilleure identification.

<b>METZGER</b>	<b>MAPCO</b>	<b>METZGER</b>	<b>MAPCO</b>	<b>METZGER</b>	<b>MAPCO</b>
9-115K	49578	9-320	49910	9-326	49927
9-500	49902HPS	9-501	49901HPS	9-503	19914HPS
9-505	49906HPS	9-506	49947HPS	9-900	49908
9-901	49907	9-9253	19937HPS		

<b>MEYLE</b>	<b>MAPCO</b>	<b>MEYLE</b>	<b>MAPCO</b>	<b>MEYLE</b>	<b>MAPCO</b>
014 032 0067	49812HPS	014 032 0068	49811HPS	014 032 0104	36913
014 032 0104	36908	014 032 0105	33889/4	014 032 0106	33868
014 032 0120	33845	014 032 0120	33889/3	014 032 0121	33889/2
014 033 0004	33841/4	014 033 0015/HD	33867	014 033 0016/HD	36916
014 033 0024/HD	33971	014 033 0034	37877	014 033 0043	36919
014 033 0053/HD	36910	014 033 0061/HD	36909	014 033 0085	33841
014 033 0086/HD	33977	014 033 0086/HD	33976	014 033 0088	33943
014 033 0089	33944	014 033 0090	33883	014 033 0091	37875
014 033 0094	37834	014 033 0115/HD	36987	014 033 0148	37844
014 033 0149	37874	014 033 0157	36988	014 033 0160	37890
014 033 0200	33970	014 035 0001/HD	33865	014 035 0009	33942
014 035 0010	36899	014 035 0011/HD	36924	014 035 0014	33838
014 035 0017	59830	014 035 0017	59830/1	014 035 0018	33836
014 035 0021	37876	014 035 0026	36973	014 035 0032	33874
014 035 0035	36971	014 035 0043	36972	014 035 0046	36923
014 035 0061	36920	014 035 0073/HD	33910	014 035 0084	36989
014 035 0085	36838	014 035 6301	33973	014 610 0003	37889
014 610 0012	37835	016 010 0000	49825	016 010 0002/HD	51834
016 010 0004/HD	59832	016 010 0005/HD	59902	016 010 0006/HD	59838
016 010 0009	51882	016 010 0010	51847	016 010 0011	51848
016 010 0234	19844	016 010 6301	19828	016 010 6313	59864
016 010 6313	33870	016 010 6327/HD	49891	016 010 6331/HD	49802
016 020 0000	59903	016 020 0002	59843	016 020 0003	49823
016 020 0004	49824	016 020 0026	59873	016 020 0026	59872
016 020 0038	52809	016 020 0212	59897	016 020 0212	51850
016 020 0213	19836	016 020 3082	19840	016 020 3083	19841
016 020 3095	19823	016 020 3096	19824	016 020 3096	19827
016 020 3098	19826	016 020 6129	19848	016 020 6129	19846
016 020 6310	19847	016 020 6310	19849	016 020 6322	19833
016 020 6323	19834	016 020 6330	49800	016 020 6339	49805
016 020 6340	49806	016 030 0000	59840	016 030 0002	59841
016 030 0006	51840	016 030 0007	51841	016 030 0011	52831
016 030 0012	52832	016 030 3094	19822	016 030 3097	19825
016 030 6126	49898	016 030 6128	19829	016 030 6309	19830/1
016 030 6309	19831/1	016 030 6314	49899	016 030 6320	19837
016 030 6332	59865	016 030 6338	49807	016 031 0001	49894
016 031 0002	59844	016 035 0000/HD	59901HPS	016 035 0001	52837
016 035 0002	52838	016 035 0003	52841	016 035 0004	52842
016 035 0005	52839	016 035 0006	52840	016 035 0008	51832
016 035 0009	51833	016 035 0010	51856	016 035 0012	51858
016 035 0013	51859	016 035 0016	52818	016 035 0020	59877
016 035 0021	59876	016 035 0022	51851	016 035 0024	51857
016 035 0038	19818	016 035 0038	19817	016 035 0039	19819
016 035 0040	19820	016 035 0042	52827	016 035 0043	52828

Die aufgeführten Vergleichsnummern dienen nur zur besseren Identifikation.

References are only specified for a better identification.

Les références mentionnées ne servent qu' à une meilleure identification.

MEYLE	MAPCO	MEYLE	MAPCO	MEYLE	MAPCO
016 035 0044	51860/1	016 035 0045	51860	016 035 0046	52833
016 035 0047	52834	016 035 0048	52829	016 035 0049	52830
016 039 1401	49888	016 039 1401	59878	016 039 1402	49889
016 039 1403	49890	016 039 6301	19832	016 039 6401	49893
016 040 0001	59862	016 040 3100	19821	016 040 6061	19838
016 040 6306	19845	016 040 6317	49813	016 040 6321	49892
016 040 6329	49801	016 050 0004/HD	49821	016 050 0005/HD	49822
016 050 0006	59900	016 050 0010	49817	016 050 0011	49818
016 050 0012	49815	016 050 0013	49816	016 050 0017	51837
016 050 0018	51838	016 050 0019	51854	016 050 0020	51855
016 050 0021	49814/1	016 050 0022	49814/2	016 050 0023	51880
016 050 0024	51881	016 050 0025	52823	016 050 0026	52824
016 050 0029	59881	016 050 0030	59882	016 050 0031/HD	59885
016 050 0032/HD	59884	016 050 0033	51836	016 050 0034	51835
016 050 0037	59879	016 050 0038	59880	016 050 0043	51547
016 050 0044	51548	016 050 0046	51830	016 050 0047	51831
016 050 0062	51843	016 050 0063	51842	016 050 0066	52835
016 050 0067	52836	016 050 0068	52821	016 050 0069	52822
016 050 0070	51853	016 050 0070	51852	016 050 2101/HD	49808
016 050 2102/HD	49809	016 050 2103/HD	49803	016 050 2104/HD	49804
016 050 3077	19842	016 050 3078	19843	016 050 6068	49896
016 050 6069	49897	016 050 6336	49819	016 050 6337	49820
016 060 0001/HD	49834HPS	016 060 0002/HD	49895HPS	016 060 0005/HD	59857
016 060 0005/HD	59857HPS	016 060 0007	59858HPS	016 060 0008	59833
016 060 0009	59834	016 060 0010	52826	016 060 0011	52825
016 060 0021/HD	59904	016 060 0022	59859	016 060 0023	59860
016 060 0024	59861	016 060 0024	59861HPS	016 060 0025	52806HPS
016 060 0030/HD	52804HPS	016 060 0031/HD	52805HPS	016 060 0038	52813
016 060 0039	52814	016 060 0041/HD	52803	016 060 0042/HD	52802
016 060 0052	51845	016 060 0053	51844	016 060 0223	59847HPS
016 060 0223	19839	016 060 0224	59845	016 060 6318	49826
016 060 6319/HD	49827	034 010 0003	49839	034 032 0008	36926
034 032 0046	37837	034 032 0048	49843	034 032 0049	33946
034 032 0053	36947	034 032 0066	36925	034 032 0067	37838
034 032 0092	33947	036 010 0001	59898	036 010 0113/HD	49831
036 020 0011	49880	036 020 0012	49849	036 020 0013	49847
036 020 0014	49848	036 030 0017	49837	036 030 0018	49886
036 030 0021	49833	036 040 0011	49845	036 040 0012	49844
036 040 0019	49838	036 050 0000	59801	036 050 0004	59802
036 060 0000/HD	52800HPS	036 060 0001/HD	52801HPS	036 060 0018	52815
036 060 0268/HD	49841HPS	036 060 0289	59854	036 060 0368/HD	49840HPS
036 060 0389	59855	100 199 0022	33830	100 199 0023	33827
100 199 0063	36852	100 199 0085	36948	100 199 0086/S	36949
100 399 0020	33878/9	100 407 0001	33891	100 407 0002	33859
100 407 0003/S	33890	100 407 0014	33901	100 407 0015	33819
100 407 0017/HD	33878	100 407 0020	33820	100 407 0022/HD	33840
100 407 0024/HD	33876	100 407 0024/HD	36915	100 407 0026/HD	33842
100 407 0030	33929	100 407 0039	33896	100 407 0040	33828
100 407 0041	33835	100 407 0042/HD	33846	100 407 0043	33903

Die aufgeführten Vergleichsnummern dienen nur zur besseren Identifikation.

References are only specified for a better identification.

Les références mentionnées ne servent qu' à une meilleure identification.

MEYLE	MAPCO	MEYLE	MAPCO	MEYLE	MAPCO
100 407 0047/HD	33839	100 407 0049	33818	100 407 0051	33914
100 407 0052	33872	100 407 0052	36784	100 407 0053	33916
100 407 0054	33913	100 407 0057	33897	100 407 0060/HD	36777
100 407 0060/HD	33932	100 407 0061	33834	100 407 0070/HD	36773
100 407 0073/HD	36772	100 407 0082	37865	100 407 0083	33915
100 407 0084/HD	33928	100 407 0085	33818/9	100 407 0086	36950
100 407 0093	33893	100 407 0094	36938	100 407 0095/HD	36778
100 411 0000	33904	100 411 0001	49850	100 411 0004	36904
100 411 0005	51862	100 411 0006	49868	100 411 0007	49867
100 411 0008	49862/1	100 411 0008	49862	100 411 0009	51821
100 411 0010	49862/9	100 411 0011	33844	100 411 0012	33906
100 411 0014	33815	100 411 0016	36914	100 411 0018	33843
100 411 0019	33949	100 411 0021	33939	100 411 0022	33926
100 411 0026	33940	100 411 0030	33925	100 411 0032	33905
100 411 0033	36787	100 411 0036	33814	100 411 0040	33824
100 411 0042/S	51861	100 411 0048	33927	100 411 0049	36788
100 411 0051	36789	100 411 0052	36790	100 422 1191	19994
100 501 0001	33826	100 501 0002	33871	100 501 0002/S	33871/4
100 501 0003	33858	100 501 0003/S	33858/2	100 501 0006	33833
100 501 0007	33894	100 501 0014	33909	100 501 0014/S	33909/4
100 501 0016	33908	100 501 0018	33988	100 501 0019	33902
100 501 0025	33937	100 505 0001	33808	100 505 0003	33864
100 505 0014	36791	100 505 0016	37891	100 511 0001	33829
100 511 0002	33898	100 511 0005	33899	100 511 0007	33941
100 511 0009	36941	100 511 0016	36792	100 610 0000/HD	33892
100 610 0001	33900	100 610 0003/HD	36771	100 610 0004/HD	36774
100 610 0007	33950	100 610 0008	36786	100 610 0010/HD	37869
100 610 0011	37863	100 610 0011	37868	100 610 0014	33987
100 610 0021	37864	100 610 0023	36785	100 710 0000/S	36775
100 710 0000/S	36776	100 710 0000/S	36782	100 710 0005/HD	36939
100 710 0011	37862	111 602 05721	19324/1	111 602 05722	19325/1
111 603 06294	19335	111 603 06902	19326	111 603 06903	19325
111 603 06907	19336	11-14 035 0000	33318	11-14 035 2320	33307
11-14 035 2331	33343	11-14 035 2376	33315	11-14 035 2376	33316
11-14 035 2377	33317	11-14 051 0001	33321	11-14 051 5124	33326
11-14 352 0002	33313	11-14 352 0002	33415	11-14 352 0005	33306
11-14 352 0006	33320	11-14 352 0008	33319	11-14 352 0010	33334
11-14 610 0001	33335	11-14 610 0003	33333	11-14 610 0004	33425
11-14 610 0005	33426	11-14 610 0006	33431	11-14 610 0009	33006
11-14 610 0010	33428	11-14 610 0011	33427	11-14 610 0012/HD	33417
11-14 610 0013/HD	33336	11-14 610 0014/HD	33322	11-14 610 0015/HD	33416
11-14 610 0016/HD	33434	11-14 610 0018	33485	11-14 610 0020	33435
11-14 610 0021	33436	11-14 610 0027	33001	11-14 610 0030	33459
11-14 615 0003	33424	11-14 615 0004	33337	11-14 615 0004	33421
11-14 615 0006	33342	11-14 615 0008	33457	11-14 700 0001	33329
11-14 700 0002	33330	11-14 710 0001	33432	11-14 710 0011	33303
11-16 010 0000	19372	11-16 010 0002	19368HPS	11-16 010 0004	19450
11-16 010 0005/HD	19449	11-16 010 0007	19371	11-16 010 0008	19389
11-16 010 0008	19473	11-16 010 0011	19499	11-16 010 0013	19491

Die aufgeführten Vergleichsnummern dienen nur zur besseren Identifikation.

References are only specified for a better identification.

Les références mentionnées ne servent qu' à une meilleure identification.

MEYLE	MAPCO	MEYLE	MAPCO	MEYLE	MAPCO
11-16 010 0014	49099	11-16 010 0018	49309	11-16 010 3195	19307
11-16 010 3347	19425	11-16 010 3356	19428	11-16 010 4077	19421
11-16 010 4087/HD	19422	11-16 010 4249	19415	11-16 010 4249	19312
11-16 010 6909	19320	11-16 010 6909	19319	11-16 020 0003	19342
11-16 020 0004	19341	11-16 020 0005	19381	11-16 020 0006	19382
11-16 020 0008	19490	11-16 020 0011	19477	11-16 020 0012	19478
11-16 020 0014	19393	11-16 020 0015/HD	19496	11-16 020 0016/HD	19497
11-16 020 0017	49306	11-16 020 0018	49307	11-16 020 0020	19392
11-16 020 4078	19420	11-16 020 5042	19430	11-16 020 5042	19078
11-16 020 5703	19301	11-16 020 5721	19315	11-16 020 5722	19316
11-16 020 7529	19447	11-16 030 0001	19484	11-16 030 0001	19411
11-16 030 0001	19443	11-16 030 5747	19324	11-16 030 5749	19355/1
11-16 030 5749	19446/1	11-16 030 5749	19410	11-16 030 6907	19336/1
11-16 030 7528	19448	11-16 031 0000	19374	11-16 031 0001	19373
11-16 031 0006	49400	11-16 031 0007	49314	11-16 031 0009	19479
11-16 031 0010	19380	11-16 031 0015	19379	11-16 031 0017	19353
11-16 031 0021	49315	11-16 050 0000	19345	11-16 050 0003/HD	19475/1
11-16 050 0003/HD	49323	11-16 050 0003/HD	19475	11-16 050 0004/HD	19474
11-16 050 0004/HD	49322	11-16 050 0004/HD	19331	11-16 050 0007/HD	19399
11-16 050 0007/HD	49302	11-16 050 0007/HD	19347	11-16 050 0008/HD	19398
11-16 050 0008/HD	49301	11-16 050 0008/HD	19346	11-16 050 0009/HD	19384
11-16 050 0010/HD	19383	11-16 050 0013	19432	11-16 050 0013	19077
11-16 050 0013	19434	11-16 050 0014	19462	11-16 050 0014	49085
11-16 050 0016	19344	11-16 050 0017/HD	19332	11-16 050 0019	19385
11-16 050 0020	19386	11-16 050 0023	19433	11-16 050 0023	19431
11-16 050 0023	19076	11-16 050 0024/HD	19330	11-16 050 0025/HD	19329
11-16 050 0026/HD	19328	11-16 050 0027/HD	19327	11-16 050 0030	49321
11-16 050 0031	49320	11-16 050 0032	19463	11-16 050 0032	49086
11-16 050 0033	19464	11-16 050 0033	49087	11-16 050 0035	19394
11-16 050 0038	49082	11-16 050 0039	49083	11-16 050 0040	19390
11-16 050 0041	19391	11-16 050 0047	19461	11-16 050 0047	49084
11-16 050 0048/HD	19485	11-16 050 0049/HD	19486	11-16 050 0052	49311
11-16 050 0053	49310	11-16 050 0063	19360	11-16 050 0064	19361
11-16 050 0065	19495	11-16 050 0066	19494	11-16 050 0067	49409
11-16 050 0068	49408	11-16 050 3196	19318	11-16 050 3196	19314
11-16 050 3197	19313	11-16 050 3197	19317	11-16 050 3198	19310
11-16 050 3199	19311	11-16 050 6979	19322	11-16 050 6980	19321
11-16 060 0000/HD	19375HPS	11-16 060 0001/HD	19348HPS	11-16 060 0003	19451HPS
11-16 060 0005/S	19363	11-16 060 0006/S	19366	11-16 060 0007	19364
11-16 060 0009/HD	19365	11-16 060 0010	19476HPS	11-16 060 0013/HD	19376HPS
11-16 060 0014	19397	11-16 060 0015	19396	11-16 060 0016/HD	49303
11-16 060 0016/HD	51377HPS	11-16 060 0017/HD	49304HPS	11-16 060 0018/HD	49305HPS
11-16 060 0019	49308	11-16 060 0020/HD	49407HPS	11-16 060 0021/HD	49404HPS
11-16 060 0022/S	49402	11-16 060 5041/HD	19338HPS	11-16 060 5046/HD	19362HPS
11-16 060 5046/HD	19337HPS	11-16 060 5046/HD	19367	11-16 060 5707	19339HPS
11-16 615 0001	33104	11-16 615 0001	33105	11-16 615 0002	36198
114 653 0000	52816	114 710 0009	33912	114 710 0009/S	33912/2
116 010 0007	59810	116 010 0008	59811	116 010 0009	49861
116 010 0012/HD	51721	116 010 0015	51724	116 010 0016	51725

Die aufgeführten Vergleichsnummern dienen nur zur besseren Identifikation.

References are only specified for a better identification.

Les références mentionnées ne servent qu' à une meilleure identification.

MEYLE	MAPCO	MEYLE	MAPCO	MEYLE	MAPCO
116 010 0017	51748	116 010 0018	51749	116 010 0657/HD	19881
116 010 3030	19857	116 010 3245	19852	116 010 3246	19851
116 010 3254	19876	116 010 3269/HD	19884	116 010 3270/HD	19883
116 010 3917	19893	116 010 3918	19894	116 010 7108	19879
116 010 7108	19879/1	116 010 7154	19889/1	116 010 7154	19889
116 010 7168	19898	116 010 7170	19680	116 010 7172	19897
116 010 7174	19681	116 010 7175	19684	116 010 7177	19685
116 010 7184	19679	116 010 7184	19679/1	116 010 7192/HD	19868
116 010 8223	19962	116 010 8248	19896/1	116 010 8248	19896
116 010 8249	19895	116 010 8249	19895/1	116 010 8287	49702
116 010 8287	49702/1	116 010 8288	49703/1	116 010 8288	49703
116 010 9001	51800	116 010 9002	51801	116 020 0000	59806
116 020 0002	51711	116 020 0003	51712	116 020 0004	59807
116 020 0005	51742	116 020 0006	51743	116 020 0008/HD	49707HPS
116 020 0008/HD	49707OES	116 020 0020/HD	51735	116 020 0025	51826
116 020 0026	51827	116 020 0618	51807	116 020 3026	19850
116 020 3226	19874	116 020 3916	19890	116 020 7106	59817
116 020 7106	19886	116 020 7106	49872	116 020 7106	19878
116 020 7139	59816	116 020 7139	19885	116 020 7139	49871
116 020 7139	19877	116 020 7149	49717	116 020 7150	49718
116 020 8122	51822	116 020 8123	51823	116 020 8203/HD	19882
116 020 8203/HD	59815	116 020 8204/HD	19873	116 020 8204/HD	59814
116 020 8206	19692	116 020 8207	19693	116 020 8215	19859
116 020 8216	19866	116 020 8217	19880	116 020 8218	19867
116 020 8222	19961	116 020 8260/HD	49858	116 020 8261/HD	49857
116 020 8283	59895	116 020 8285	59896	116 020 8502	49700
116 020 8503	49701	116 020 9029	51810	116 030 0003	51714
116 030 0004	51713	116 030 0010	59808	116 030 0011	59809
116 030 0013	51745	116 030 0014	51746	116 030 0033	52811
116 030 3224	19891	116 030 3238	51806	116 030 3268	19887
116 030 3924	49761	116 030 4680	49738	116 030 7105	19888
116 030 7137	19860	116 030 7140	19861	116 030 7142	19892
116 030 7155	19871	116 030 7156	19872	116 030 7158	19682
116 030 7160	19683	116 030 7180	19862	116 030 7182	19863
116 030 7197	49763	116 030 8200	49764	116 030 8202	19864
116 030 8202	49873	116 030 8203	19865	116 030 8203	49874
116 030 8204	49672	116 030 8205	49673	116 030 8227/HD	49732
116 030 8231	49789	116 030 8232	49790	116 030 8244	19689
116 030 8245	19688	116 030 8251	49773	116 030 8254	49866
116 030 8260/HD	49866/2	116 030 8261/HD	49866/1	116 030 8263	49674/1
116 030 8264	49674	116 030 8265	49675	116 030 8271	19696
116 030 8272	19697	116 030 8275	19696/1	116 030 8281	49869
116 030 8284	49870	116 030 8289	49692	116 030 8290	49693
116 030 8311	49766	116 030 8312	49767	116 030 8314/HD	49774
116 030 8500	49690	116 030 8501	49691	116 031 0000	51723
116 031 0002	19973	116 031 0003	19968	116 031 0004	51722
116 031 0006	59808/1	116 031 0009	51736	116 031 0013	52810
116 031 0016	51744	116 031 0022	51747	116 031 0024	59899
116 031 0025	49729	116 031 0026	49715	116 035 0002	52720

Die aufgeführten Vergleichsnummern dienen nur zur besseren Identifikation.

References are only specified for a better identification.

Les références mentionnées ne servent qu' à une meilleure identification.



MEYLE	MAPCO	MEYLE	MAPCO	MEYLE	MAPCO
116 035 0003	52721	116 035 0008	52734	116 039 8243	49716
116 039 8294	59893	116 040 3253	51805	116 040 3925	49762
116 050 0000/HD	51710OES	116 050 0005	19971	116 050 0006	19972
116 050 0007/HD	49877	116 050 0008/HD	49876	116 050 0009	49704
116 050 0012	51819	116 050 0012	51820	116 050 0012	51819/1
116 050 0013	19854	116 050 0015/HD	51878	116 050 0016/HD	51879
116 050 0017	37880	116 050 0017	52716	116 050 0018	59813/3
116 050 0019	59813/4	116 050 0020/HD	59819/2	116 050 0020/HD	59818/2
116 050 0020/HD	59819	116 050 0020/HD	59822/1	116 050 0020/HD	59819/1
116 050 0020/HD	59822	116 050 0021/HD	59821	116 050 0021/HD	59821/1
116 050 0023	51870	116 050 0024	51871	116 050 0027	52718
116 050 0028	59813/2	116 050 0028	59813/1	116 050 0028	59813
116 050 0029/HD	59818/1HPS	116 050 0031/HD	51730	116 050 0032	51726
116 050 0033	51727	116 050 0034	51715	116 050 0035	51716
116 050 0042/HD	51876	116 050 0043/HD	52710	116 050 0044/HD	51874
116 050 0048/HD	51872	116 050 0049	52740	116 050 0059	52735
116 050 0060	52736	116 050 0063/HD	51877	116 050 0064/HD	51875
116 050 0065/HD	51738	116 050 0066/HD	51739	116 050 0067/HD	51737
116 050 0071	52741	116 050 0072	52717	116 050 0073/HD	51873
116 050 0076	51731	116 050 0077	51732	116 050 0079	52742
116 050 0088	52714	116 050 0089	52715	116 050 0090	52817
116 050 0100	49854	116 050 0102	49855	116 050 0131/HD	49770
116 050 0131/HD	49770/1	116 050 0132/HD	49769/1	116 050 0132/HD	49769
116 050 0133/HD	49775	116 050 0134/HD	49776	116 050 0154/HD	49705
116 050 0155/HD	49706/1	116 050 0155/HD	49706	116 050 0156	49704/2
116 050 0156	49704/1	116 050 0165/HD	52725	116 050 0166/HD	52724
116 050 0167/HD	52723	116 050 0168/HD	52722	116 050 0169/HD	52729
116 050 0170/HD	52728	116 050 0171/HD	52727	116 050 0172/HD	52726
116 050 0232	19690/1	116 050 0235	19686/1	116 050 1911	19858
116 050 3910	49698	116 050 3911	49699	116 050 8200/HD	19694
116 050 8201/HD	19695	116 050 8239/HD	49713OES	116 050 8254	19870
116 060 0000/HD	59812HPS	116 060 0001	49860/1	116 060 0001	49860
116 060 0004	49865	116 060 0004	49865/1	116 060 0004/S	49860/9
116 060 0009	19853HPS	116 060 0010	49863	116 060 0011/HD	49793
116 060 0012/HD	49794	116 060 0016	52712	116 060 0017	52713
116 060 0020/HD	51825HPS	116 060 0021	51733	116 060 0022	51734
116 060 0023	51829HPS	116 060 0024/HD	51718HPS	116 060 0025/HD	49856HPS
116 060 0026	52732	116 060 0027	52733	116 060 0029	51824
116 060 0031	59894	116 060 0034	52737	116 060 0102	49851
116 060 7179	19603HPS	116 060 8240/HD	49714	116 060 8295/HD	49688
116 060 8296/HD	49689	116 069 8003/HD	49686	1160600035	59820
15-14 610 0004	33049	15-14 610 0005	33048	15-14 610 0006	33062
15-16 020 0001	19030	15-16 020 0002	19029	15-16 020 0003	19007
15-16 020 0003	19059	15-16 020 0004	59014	15-16 020 0005	59015
15-16 020 0006	19015	15-16 030 0000	49068	15-16 030 0001	49067
15-16 030 0003	19016	15-16 031 0001	19018	15-16 031 0003	49053
15-16 050 0004	49028	15-16 050 0005	49029	15-16 050 0009	19032
15-16 050 0010	59023	15-16 050 0011	59022	15-16 050 0012	59019
15-16 050 0013	59018	15-16 060 0001/HD	49030HPS	15-16 060 0002/HD	49032HPS

Die aufgeführten Vergleichsnummern dienen nur zur besseren Identifikation.

References are only specified for a better identification.

Les références mentionnées ne servent qu' à une meilleure identification.

MEYLE	MAPCO	MEYLE	MAPCO	MEYLE	MAPCO
15-16 060 0007/HD	49031	15-16 060 0008/HD	49034	15-16 060 0009/HD	49033
15-16 060 0010/HD	59017	15-16 060 0011/HD	59016	15-16 060 0012/HD	59020
15-16 060 0013/HD	59021	160 500 014	59836	160 500 015	59837
161 601 04261	19123	161 601 04266	19116	161 601 05745	19132
161 603 04278	19121	161 603 04280	19198	161 605 07035	19167
16-14 054 0001	33127	16-14 079 9064	33129	16-14 079 9064	33130
16-14 079 9404/S	33164	16-14 079 9404/S	33172	16-14 081 9929	33144
16-14 083 1364	33143	16-14 610 0000	33124	16-14 610 0006	33119
16-14 610 0007	33120	16-14 610 0008	33147	16-14 610 0009	33414
16-14 610 0009	33314	16-14 610 0010	33100	16-14 610 0011	33148
16-14 610 0013/HD	33165	16-14 610 0014/HD	33146	16-14 610 0016	33171
16-14 610 0017	33170	16-14 610 0018	33123	16-14 610 0019	33175
16-14 610 0019	33174	16-14 615 0001	49160	16-14 615 0004	33118
16-14 615 0007	33167	16-14 710 0000	33128	16-14 710 0002	33173
16-16 010 0001	19143	16-16 010 0003	49139	16-16 010 0004	49151
16-16 010 0005/HD	49140	16-16 010 0006	49150	16-16 010 0007	19109/2
16-16 010 0008	49116	16-16 010 0009	49111	16-16 010 0526	19102
16-16 010 4264	19109	16-16 010 4271/HD	19135	16-16 010 4281	19128
16-16 010 4295	19127	16-16 020 0000	49136	16-16 020 0003	19131
16-16 020 0004	49100	16-16 020 0006	49135	16-16 020 0007	19144
16-16 020 0010	19145	16-16 020 0011	49192	16-16 020 0012	49193
16-16 020 0013	49147	16-16 020 0015	49148	16-16 020 0017	19189
16-16 020 0018	19190	16-16 020 0021	49158	16-16 020 0022	49157
16-16 020 4252	19105	16-16 020 4256	19108	16-16 020 4273	19136
16-16 020 4287	19133	16-16 020 4288	19134	16-16 020 7014	19130
16-16 020 7015	19130/1	16-16 020 7026	19139	16-16 020 7027	19140
16-16 020 7053	19180	16-16 020 7053	19169	16-16 020 7054	19170
16-16 020 7054	19181	16-16 020 7054	49101	16-16 020 7060	19142
16-16 020 7061	19141	16-16 030 0000	49145	16-16 030 0002	19172
16-16 030 0003	19173	16-16 030 0004	19182	16-16 030 0005	19183
16-16 030 0006	19166/1	16-16 030 0009	19171	16-16 030 0016	19176
16-16 030 0017	19175	16-16 030 0021/HD	49114	16-16 030 0022/HD	49115
16-16 030 4280	19126	16-16 030 4298	19150/1	16-16 030 7002	19153
16-16 030 7003	19154	16-16 030 7009	19107	16-16 030 7013	19151
16-16 030 7018	19150	16-16 030 7022	49107	16-16 030 7022	19166
16-16 030 7046	19149	16-16 030 7056	19156/1	16-16 030 7058	19161
16-16 030 7059	19156	16-16 031 0000	19193	16-16 031 0001	49126
16-16 031 0002	49103	16-16 031 0003	49194	16-16 031 0004	49155
16-16 031 0006	49149	16-16 031 0007	49159	16-16 031 0008	51117/1
16-16 031 0008	49117/1	16-16 031 0009	49119	16-16 031 0011	19195
16-16 031 0012	19188	16-16 031 0014	49161	16-16 031 0015	19174
16-16 050 0003	19163	16-16 050 0005	19158	16-16 050 0006	19157
16-16 050 0007/HD	19197	16-16 050 0008/HD	19196	16-16 050 0013	19177
16-16 050 0014	19178	16-16 050 0015	49190	16-16 050 0016	49191
16-16 050 0017/HD	49141	16-16 050 0018/HD	49142	16-16 050 0018/HD	33122
16-16 050 0019/HD	49131	16-16 050 0020/HD	49132	16-16 050 0020/HD	33121
16-16 050 0021	49133	16-16 050 0022	49152	16-16 050 0023	49134
16-16 050 0024	49153	16-16 050 0027	49165	16-16 050 0028	49166
16-16 050 0029	49127	16-16 050 0030	49128	16-16 050 0039	19186

Die aufgeführten Vergleichsnummern dienen nur zur besseren Identifikation.

References are only specified for a better identification.

Les références mentionnées ne servent qu'à une meilleure identification.

MEYLE	MAPCO	MEYLE	MAPCO	MEYLE	MAPCO
16-16 050 0040	19187	16-16 050 0041/HD	49129	16-16 050 0042/HD	49130
16-16 050 7030	19137	16-16 050 7031	19138	16-16 050 7032/HD	19148
16-16 050 7033/HD	19147	16-16 060 0000/HD	49120	16-16 060 0000/HD	49120HPS
16-16 060 0001/HD	49121HPS	16-16 060 0001/HD	49121	16-16 060 0003/HD	49118HPS
16-16 060 0004/HD	49124HPS	16-16 060 0006/HD	49146HPS	16-16 060 0006/HD	49146
16-16 060 7057/HD	19164	16-16 060 7057/HD	19164HPS	16160200019HD	49112
16160200020HD	49113	181 601 00001	49649	181 601 03469	49648
214 030 4686	19079	214 077 0000/S	49061	214 077 0000/S	34053
214 077 0000/S	49060	214 077 0000/S	49062	214 077 0000/S	49063
214 464 0001	33005	214 610 0000	33017	214 610 0001	33018
214 610 0003	33035	214 610 0004	33232	214 610 0006	33047
214 610 0007	33046	214 610 0008	33019	214 610 0011	33228
214 610 0012	33227	214 610 0013	33442	214 610 0014	33443
214 610 0016	33229	214 610 0020	33241	214 610 0023	33231
214 767 3581	33002	214 767 3582	33003	216 010 0000	19008
216 010 0000	19060	216 010 0001	19046	216 010 0002	49021
216 010 0004	49069	216 010 0063	19091	216 010 0391	19084
216 010 0392	19085	216 010 3118	19044	216 020 0000	49098
216 020 0002	19053	216 020 0003	19052	216 020 0004	19093
216 020 0005	19092	216 020 0007	49040	216 020 0008	49018
216 020 0009	49017	216 020 0011	49057	216 020 0012	49058
216 020 0015	59012	216 020 0016	59013	216 020 0017	49059
216 020 0018	49074	216 020 0019	49075	216 020 0021	19423
216 020 0022	59010	216 020 0061	19090	216 020 0062	19492
216 020 0388	19082	216 020 0390	19081	216 020 3121	19042
216 020 4080	19047	216 020 4684	19065	216 030 0001	19022
216 030 3100	19068	216 030 3100	19024	216 030 3120	19043
216 031 0000	49043	216 031 0001	19069	216 031 0003	59011
216 031 0004	19023	216 031 0005	19493	216 031 0006	49071
216 031 0008	49072	216 031 0009	49019	216 031 0010	49020
216 031 0011	19452	216 031 0012	59027	216 031 0013	49093
216 031 0014	19424	216 031 0015	49070	216 031 3101	19404
216 050 0001	19066	216 050 0002	19067	216 050 0003	49023
216 050 0004	49022	216 050 0005	49045	216 050 0006	19009
216 050 0007	19010	216 050 0010	49044	216 050 0011	49025
216 050 0011	49052	216 050 0012	49024	216 050 0012	49051
216 050 0015	19073	216 050 0016	19072	216 050 0017	49042
216 050 0018	49041	216 050 0019	49065	216 050 0020	49064
216 050 0021	49036	216 050 0022	49037	216 050 0026	49054
216 050 0027	49055	216 050 0029	19045	216 050 0034	49078
216 050 0035	49079	216 050 0040	19020	216 050 0041	19021
216 050 0044	49096	216 050 0045	49097	216 050 0253	19025
216 050 3118	19057	216 050 4063	19041	216 050 4671	19050
216 050 4672	19051	216 050 7504	19056	216 060 0000/HD	19028HPS
216 060 0000/HD	49412HPS	216 060 0001/HD	19026HPS	216 060 0003	33009
216 060 0005/HD	49066	216 060 0005/HD	49066HPS	216 060 0006/HD	49039HPS
216 060 0007	19099	216 060 0012/HD	49088	216 060 0015/HD	59024HPS
216 610 0000	33239	216 610 0001	33238	236 020 0028	19406
236 020 0034	19407	26-16 010 0000	51300	28-14 610 0004	33588

Die aufgeführten Vergleichsnummern dienen nur zur besseren Identifikation.

References are only specified for a better identification.

Les références mentionnées ne servent qu' à une meilleure identification.

MEYLE	MAPCO	MEYLE	MAPCO	MEYLE	MAPCO
28-16 010 0000	51246	28-16 010 0002	59337	28-16 010 0003	59346
28-16 020 0010	51236	28-16 020 0011	51237	28-16 031 0002	51533
28-16 031 0009	51245	28-16 031 0011	51238	28-16 050 0020	51256
28-16 050 0021	51257	28-16 060 0009	59343HPS	28-16 060 0009	59594HPS
28-16 060 0012	59583	28-16 060 0013	51532	28-16 060 0014	59344
28-16 060 0014	59344HPS	28-16 060 0019/HD	51230	28-16 060 0020	59341HPS
28-16 060 0020	59341	28-16 060 0023/HD	51243	28-16 060 0025/HD	51244
28-16 060 0028	51241HPS	28-16 060 0029	51242	29-14 610 0001	36551
29-16 010 0001	19519	29-16 020 0000	19517	29-16 020 0001	59211
29-16 020 0006	51298	29-16 020 0007	51299	29-16 031 0001	59217
29-16 031 0005	51292	29-16 050 0001	49598	29-16 050 0002	49597
29-16 050 0003	49756	29-16 050 0004	49757	29-16 050 0008	51296
29-16 050 0009	51297	29-16 050 0010	51294	29-16 050 0011	51295
29-16 050 0012	19518	29-16 060 0003	49295	29-16 060 0003	49406HPS
29-16 060 0004	49296	29-16 060 0004	49405HPS	29-16 060 0005/HD	49298HPS
29-16 060 0005/HD	49298	29-16 060 0005/HD	19558HPS	29-16 060 0007/HD	51291HPS
29-16 060 0008/HD	51290HPS	300 311 0002	33847/3	300 311 0003	33847/4
300 311 2001/HD	36689	300 311 2103/HD	33666	300 311 2103/HD	33638
300 311 2103/HD	33639	300 311 2104/HD	37661	300 311 2107	36670
300 311 2107	36687/2	300 311 2107	33691	300 311 2604/HD	36660
300 311 2604/HD	33933/2	300 311 2604/HD	33933	300 311 2903	33847
300 311 2906/HD	33637	300 311 2906/HD	33641	300 311 2909/HD	36668
300 311 2914/HD	36669	300 311 2914/HD	36669/2	300 311 2918	33875/1
300 311 2918	33875	300 313 5111	33697	300 331 7102	33694/2
300 331 7102	33694	300 333 1001	37662	300 333 1101/HD	33690
300 333 1102	33689	300 333 1103/HD	33695	300 333 1108	36664
300 333 1109/HD	36665	300 333 1110/HD	36666	300 333 1905	33692
300 333 1905	33692/2	300 333 1906	33693/2	300 333 1906	33693
300 333 2102	36661	300 333 2103	36662	300 333 2104/HD	33934
300 333 2105	37663	300 335 5101	49787	300 335 5102	49786
300 335 5105	49663HPS	301 601 00003	59318	301 601 00010	59566
301 601 00013	59563	301 602 00009	59274	301 603 00039	59266
301 603 00041	59272	301 603 00041	59268	30-14 610 0010	33567
30-16 010 0001	59569	30-16 010 0005	59261	30-16 010 0006	19562
30-16 010 0006	19568	30-16 010 0006	19569	30-16 010 0006	19561
30-16 010 0006	59565	30-16 010 0007	59323	30-16 010 0014	59334
30-16 010 0017	59260	30-16 010 0029	59335	30-16 010 0034	19571
30-16 010 0041	19563	30-16 010 0041	49552	30-16 010 0042	51360
30-16 010 0043	51388	30-16 010 0044	51389	30-16 010 0045	59353
30-16 010 0049	59564	30-16 010 0049	59568	30-16 010 0050	59354
30-16 020 0000	59560	30-16 020 0004	59278	30-16 020 0004	59282
30-16 020 0006	51380	30-16 020 0007	19560	30-16 020 0018	51381
30-16 020 0020	51366	30-16 020 0024	59239	30-16 020 0094	51567
30-16 020 0097	59276	30-16 020 0098	59273	30-16 020 0105	59277
30-16 020 0106	59281	30-16 020 0111	49567	30-16 020 0112	49566
30-16 020 0115	59561	30-16 020 0116	59280	30-16 030 0005	59263
30-16 030 0006	59267	30-16 030 0009	49289	30-16 030 0011	19567
30-16 030 0015	59328	30-16 030 0017	59270	30-16 030 0055	59332
30-16 030 0058	49288	30-16 030 0062	19566	30-16 030 0071	19564

Die aufgeführten Vergleichsnummern dienen nur zur besseren Identifikation.

References are only specified for a better identification.

Les références mentionnées ne servent qu' à une meilleure identification.

MEYLE	MAPCO	MEYLE	MAPCO	MEYLE	MAPCO
30-16 030 0072	19565	30-16 031 0000	51390	30-16 031 0003	51382
30-16 031 0073	49287	30-16 031 0075	59294	30-16 050 0000	49568
30-16 050 0008	49571	30-16 050 0009	49573	30-16 050 0009	49551
30-16 050 0010	49570	30-16 050 0011	49550	30-16 050 0011	49572
30-16 050 0012	51396	30-16 050 0014	33563	30-16 050 0014	49574
30-16 050 0015	49575	30-16 050 0016	49569	30-16 050 0022	51394
30-16 050 0023	51393	30-16 050 0029	51552	30-16 050 0030	51553
30-16 050 0031	49258	30-16 050 0031	49258/1	30-16 050 0032	49257
30-16 050 0032	49257/1	30-16 050 0037	51398	30-16 050 0037	51561
30-16 050 0038	51560	30-16 050 0038	51397	30-16 050 0063	59285
30-16 050 0082	59381/1	30-16 050 0082	59381	30-16 050 0087	59380/1
30-16 050 0087	59380	30-16 050 0090	59286	30-16 060 0000/HD	51599HPS
30-16 060 0001/HD	49579HPS	30-16 060 0002/HD	19578	30-16 060 0002/HD	49271HPS
30-16 060 0003/HD	49270HPS	30-16 060 0003/HD	19577	30-16 060 0006/HD	19574
30-16 060 0008	51575	30-16 060 0009/HD	19573	30-16 060 0009/HD	19572
30-16 060 0017/HD	51577HPS	30-16 060 0020/HD	49280	30-16 060 0020/HD	49280HPS
30-16 060 0021/HD	49281	30-16 060 0021/HD	49281HPS	30-16 060 0023	51570
30-16 060 0024/HD	59361	30-16 060 0024/HD	59361HPS	30-16 060 0024/HD	49283
30-16 060 0024/HD	49283HPS	30-16 060 0024/HD	49284HPS	30-16 060 0025/HD	59362HPS
30-16 060 0025/HD	49284	30-16 060 0025/HD	59362	30-16 060 0026/HD	49274HPS
30-16 060 0028	51586	30-16 060 0029/HD	51372	30-16 060 0030	51374HPS
30-16 060 0031	51569	30-16 060 0032/HD	51379HPS	30-16 060 0033/HD	51585HPS
30-16 060 0033/HD	51585	30-16 060 0034	51588	30-16 060 0036	49239
30-16 060 0038	51391	30-16 060 0039	51568	30-16 060 0040	51573
30-16 060 0041	51576	30-16 060 0043/HD	59363	30-16 060 0043/HD	59363HPS
30-16 060 0044	51589	30-16 060 0045/HD	51371	30-16 060 0046/HD	51373HPS
30-16 060 0047/HD	51597	30-16 060 0047/HD	51597HPS	30-16 060 0047/HD	49237HPS
30-16 060 0048	49238	30-16 060 0052/HD	51378HPS	30-16 060 0053/HD	51392HPS
30160200021	51365	30160500020	51395	30160600010	49285
31-14 300 0001	33521	31-14 300 0003	33223	31-14 300 0003	33520
31-14 300 0004	33225	31-14 300 0006	33523	31-14 300 0007	33222
31-14 513 0004	33527	31-14 523 0007	33528	31-14 610 0001	33226
31-16 010 0001	19503	31-16 010 0002	19507	31-16 010 0002	51504
31-16 010 0005	49510	31-16 020 0000	59515	31-16 020 0001	59319
31-16 020 0006	19500	31-16 020 0006	19508	31-16 020 0007	19504
31-16 020 0009	59371	31-16 020 0009	59372	31-16 020 0010	59312
31-16 020 0010	19505	31-16 020 0010	19509	31-16 020 0011	19501
31-16 020 0015	51273	31-16 020 0016	51274	31-16 020 0020	19956
31-16 020 0025	51509	31-16 020 0026	51510	31-16 030 0004	59557
31-16 030 0010	19506	31-16 030 0018	59246	31-16 031 0019	59513
31-16 031 0020	59514	31-16 031 0021	19502	31-16 031 0021	59512
31-16 031 0026	59558	31-16 035 0002	49203	31-16 035 0010	49262
31-16 035 0010	49504	31-16 035 0011	49204	31-16 035 0012	49505
31-16 035 0012	49263	31-16 050 0000	51500	31-16 050 0005	51511
31-16 050 0011	49506	31-16 050 0012	49507	31-16 050 0012	49509
31-16 050 0015	49215	31-16 050 0016	49216	31-16 050 0027	49512
31-16 050 0028	49511	31-16 050 0029	59509	31-16 050 0029	49503
31-16 050 0030	49502	31-16 050 0030	59508	31-16 050 0031	49513
31-16 050 0036	49514	31-16 050 0043	49212	31-16 050 0044	49211

Die aufgeführten Vergleichsnummern dienen nur zur besseren Identifikation.

References are only specified for a better identification.

Les références mentionnées ne servent qu' à une meilleure identification.

MEYLE	MAPCO	MEYLE	MAPCO	MEYLE	MAPCO
31-16 050 0045	49214	31-16 050 0046	49213	31-16 050 0056	49261
31-16 050 0058	49260	31-16 050 0072	49218	31-16 050 0073	49217
31-16 050 0080	51271	31-16 050 0081	51270	31-16 050 0082	51501
31-16 050 0083	51512	31-16 050 0090	51503	31-16 050 0091	51502
31-16 060 0002/HD	51558HPS	31-16 060 0003/HD	59243HPS	31-16 060 0004/HD	59244HPS
31-16 060 0007/HD	49201HPS	31-16 060 0008/HD	49202HPS	31-16 060 0009/HD	59500
31-16 060 0010/HD	59501	31-16 060 0011/HD	49200HPS	31-16 060 0011/HD	19516
31-16 060 0012	51505	31-16 060 0014	49267	31-16 060 0015/HD	59502HPS
31-16 060 0015/HD	59502	31-16 060 0016	49269HPS	31-16 060 0017/HD	59503HPS
31-16 060 0018	49268HPS	31-16 060 0023/HD	51557HPS	31-16 060 0024/HD	51556HPS
31-16 060 0025/HD	59242	31-16 060 0026/HD	59241	31-16 060 0027	49517
314 311 0000/HD	36691	314 610 0000/HD	36679/2	314 610 0001	36678
314 615 0003	37664	314 710 0000	37667	314 710 0001	37668
314 710 0002	37665	314 710 0003	37666	316 010 0002	59602
316 010 0003/HD	19666/1	316 010 0003/HD	19666/2	316 010 0003/HD	19666HPS
316 010 0005	51661	316 010 0006	51662	316 010 0007	51660
316 010 0009	52691	316 010 0010	52690	316 010 4307	19661
316 010 4347	59622	316 020 0000	59691	316 020 0004	59690
316 020 0005/HD	59600	316 020 0007/HD	51667	316 020 0008/HD	51668
316 020 4215	19669	316 020 4216	19668	316 020 4302	19660
316 020 4341	19663	316 020 4344	19664	316 020 4350	49739
316 020 4351	49740	316 020 4374	49736	316 020 4374	19783
316 020 4375	49735	316 020 4603	49653	316 020 4604	49654
316 030 0000	49746	316 030 0002	59626	316 030 0004	19784
316 030 0005	19785	316 030 0007	59693	316 030 0008	59692
316 030 0010/HD	59601	316 030 0011	51638	316 030 0012/HD	51655
316 030 0013/HD	51656	316 030 0018/HD	51666	316 030 0018/HD	51665
316 030 3044	59610	316 030 4214	19675	316 030 4301	49780
316 030 4303	49781/1	316 030 4304	49781	316 030 4339	49782
316 030 4340	49783	316 030 4354	49722	316 030 4355	49721
316 030 4600	19676	316 031 0000	51669	316 031 0004	51653
316 031 0005	51654	316 035 0001	59637	316 035 0007	59612
316 035 0008	59611	316 039 3807	49652	316 040 4226	49730
316 040 4228	49731	316 040 4315	49658	316 040 4331	49660
316 040 4349	49741	316 040 4372	59624	316 050 0000/HD	53676
316 050 0001	59617	316 050 0002	59618	316 050 0003/HD	49676/1HPS
316 050 0004/HD	49677/1HPS	316 050 0005	51663	316 050 0006	51664
316 050 0007/HD	59606	316 050 0008/HD	59607	316 050 0009	59608
316 050 0010	59609	316 050 0011/HD	59633	316 050 0012/HD	59634
316 050 0013	59629	316 050 0014	59630	316 050 0017	51632
316 050 0018	51633	316 050 0019/HD	51636	316 050 0020/HD	51637
316 050 0021	51635	316 050 0022	51634	316 050 0024	51652
316 050 0025	51650	316 050 0026	51651	316 050 0027/HD	51630
316 050 0028/HD	51631	316 050 0029/HD	59615	316 050 0030/HD	59616
316 050 0035	52640	316 050 0036	52639	316 050 0037	52638
316 050 0038	52637	316 050 0039	52631	316 050 0040	52632
316 050 0041	52633	316 050 0042	52634	316 050 2100	59638
316 050 3601/HD	19671HPS	316 050 3602/HD	19670HPS	316 050 3807	49655
316 050 3808	49656	316 050 3901	49723	316 050 3902	49724

Die aufgeführten Vergleichsnummern dienen nur zur besseren Identifikation.

References are only specified for a better identification.

Les références mentionnées ne servent qu'à une meilleure identification.

MEYLE	MAPCO	MEYLE	MAPCO	MEYLE	MAPCO
316 050 3903/HD	49727	316 050 3904/HD	49728	316 050 3905	59635
316 050 3905	59619	316 050 3906	59636	316 050 3906	59620
316 050 4217	19673	316 050 4218	19674	316 050 4317/HD	49678
316 050 4318/HD	49679	316 050 4332/HD	19698	316 050 4333/HD	19699
316 050 4360	49695	316 050 4361	49694	316 050 4362/HD	49651
316 050 4363/HD	49650	316 050 4366	49734	316 050 4367	49733
316 050 4370	49662	316 050 4371	49661	316 060 0000/HD	59632
316 060 0001/HD	59613HPS	316 060 0002/HD	59628HPS	316 060 0003/HD	59623HPS
316 060 0004/HD	59631HPS	316 060 0005/HD	59603	316 060 0005/HD	59603HPS
316 060 0006/HD	59604	316 060 0006/HD	59604HPS	316 060 0008/HD	59605HPS
316 060 0009/HD	51642HPS	316 060 0010/HD	51643HPS	316 060 0011/HD	51641HPS
316 060 0012/HD	51646	316 060 0013/HD	51644HPS	316 060 0014/HD	51645HPS
316 060 0016/HD	51657HPS	316 060 0017/HD	51658HPS	316 060 0018/HD	51639
316 060 0018/HD	51639HPS	316 060 0019/HD	51640HPS	316 060 0020/HD	51659
316 060 0021/HD	59695	316 060 0022/HD	59614HPS	316 060 0023/HD	59694
316 060 0024/HD	59639	316 060 0029/HD	52630	316 060 4225	49788
316 060 4311/HD	19667HPS	316 060 4322/HD	19678HPS	316 060 4358/HD	49726HPS
316 060 4358/HD	49726	316 060 4359/HD	49725HPS	316 060 4359/HD	49725
316 060 4364/HD	49795HPS	316 060 4365/HD	49796	316 060 4607/HD	19700HPS
316 060 4610	49799	316 322 1101	49657	316 333 2101	51647
321 603 00002	19550	321 605 00009	59357	321 605 00010	59356
32-16 010 0009	19551	32-16 010 0021	19553	32-16 010 0022	19555
32-16 010 0023	19554	32-16 020 0003	19545	32-16 020 0004	59307
32-16 020 0017	19546	32-16 020 0022	59310	32-16 020 0022	59205
32-16 020 0027	19549	32-16 020 0028	19548	32-16 031 0014	59308
32-16 031 0014	59536	32-16 050 0000	59283	32-16 050 0003	49410
32-16 050 0004	49411	32-16 050 0011	49541	32-16 050 0012	49540
32-16 050 0023	49242	32-16 050 0023	49241	32-16 050 0026	59399
32-16 050 0027	59398	32-16 050 0032	59396	32-16 050 0033	59397
32-16 050 0034	51551	32-16 050 0035	51550	32-16 050 0038	49244
32-16 050 0039	49243	32-16 050 0043	49242	32-16 050 0044	49940
32-16 050 0045	49941	32-16 050 0051	59284	32-16 050 0059	51317
32-16 050 0060	51316	32-16 050 0073	51265	32-16 050 0074	51266
32-16 060 0000	59541HPS	32-16 060 0002	19544	32-16 060 0005	59542
32-16 060 0005	19543HPS	32-16 060 0008	59511HPS	32-16 060 0009	59510HPS
32-16 060 0009	59510	32-16 060 0011	59547	32-16 060 0012	59546
32-16 060 0015/HD	59544	32-16 060 0019/HD	59538HPS	32-16 060 0019/HD	59538
32-16 060 0020/HD	59537	32-16 060 0020/HD	59537HPS	32-16 060 0021	59579HPS
32-16 060 0021	59545HPS	331 602 00015	49561	33-14 455 0002	33594
33-16 010 0002	59324	33-16 020 0006	59201	33-16 020 0014	59320
33-16 020 0016	49562	33-16 030 0002	49596	33-16 030 0003	59317
33-16 030 0004	59298	33-16 050 0000	51590	33-16 050 0002	51591
33-16 050 0012	49519	33-16 050 0012	49594	33-16 050 0014	49292
33-16 060 0001	59850	33-16 060 0003	59300	33-16 060 0003	59540HPS
33-16 060 0006/HD	51255HPS	341 601 00001	59297	34-14 610 0001	33566
34-16 010 0002	49560	34-16 010 0003	49556	34-16 020 0006	49558
34-16 020 0007	49557	34-16 020 0008	49554	34-16 030 0000	49559
34-16 030 0000	59364	34-16 030 0004	49555	34-16 050 0010	51595
34-16 050 0011	51596	34-16 050 0018	51264	34-16 050 0019	51263

Die aufgeführten Vergleichsnummern dienen nur zur besseren Identifikation.

References are only specified for a better identification.

Les références mentionnées ne servent qu' à une meilleure identification.

MEYLE	MAPCO	MEYLE	MAPCO	MEYLE	MAPCO
34-16 060 0000	59596	34-16 060 0001	59595	351 601 00002	19582
35-14 010 0001	33535	35-14 014 0000	33533	35-14 610 0001	33534
35-14 610 0005	33539	35-14 610 0006	33538	35-14 610 0007	33530
35-14 610 0008	33531	35-16 010 0001	19587	35-16 010 0018	51540
35-16 010 0019	51537	35-16 010 0020	51534	35-16 010 0023	19585
35-16 010 0024	49589	35-16 010 0026	51314	35-16 010 0031	51536
35-16 020 0001	19510	35-16 020 0001	49518	35-16 020 0001	19595
35-16 020 0027	59350	35-16 020 0027	19589	35-16 020 0029	51342
35-16 020 0031	51343	35-16 020 0032	51340	35-16 020 0033	51341
35-16 030 0001	19599	35-16 030 0017	49586	35-16 030 0021	19594
35-16 030 0021	19588	35-16 030 0026	59349	35-16 031 0001	51344
35-16 031 0002	51315	35-16 031 0005	59715	35-16 031 0006	59714
35-16 031 0008	59712	35-16 031 0022	19584	35-16 050 0031	49231
35-16 050 0032	49230	35-16 050 0033	49583	35-16 050 0034	49582
35-16 050 0035	51346	35-16 050 0036	51345	35-16 050 0038	49581
35-16 050 0039	49580	35-16 050 0042	49585	35-16 050 0043	49584
35-16 050 0048	51539	35-16 050 0049	51538	35-16 050 0054	59368
35-16 050 0055	59369	35-16 050 0060	51331	35-16 050 0061	51330
35-16 050 0077	49233	35-16 060 0000/HD	49591HPS	35-16 060 0001	59591
35-16 060 0001	19590HPS	35-16 060 0002	19591HPS	35-16 060 0002	59590
35-16 060 0003	59592	35-16 060 0003	19592HPS	35-16 060 0005/HD	49590
35-16 060 0005/HD	49590HPS	35-16 060 0011/HD	59535HPS	35-16 060 0014/HD	59534
35-16 060 0015/HD	59388HPS	35-16 060 0015/HD	19559HPS	35-16 060 0018/HD	51334HPS
35-16 060 0019/HD	51336	35-16 060 0020/HD	51335HPS	35-16 060 0021/HD	19120HPS
35-16 060 0021/HD	19593HPS	35-16 060 0021/HD	52600	35-16 060 0025/HD	51332HPS
360 200 019	49884	360 200 020	49883	361 601 00002	59325
36-14 050 0001	33501	36-14 050 0002	33502	36-14 545 0004	33511
36146100003	33503	36-16 010 0001	19535	36-16 010 0003	59520
36-16 010 0006	19524	36-16 010 0008	19536	36-16 010 0010	59521
36-16 010 0039	59522	36-16 010 0039	19522	36-16 010 0040	19526
36-16 010 0044	51283	36-16 010 0047	59598	36-16 010 0048	59599
36-16 020 0008	59526	36-16 020 0008	59254	36-16 020 0008	19534
36-16 020 0009	19533	36-16 020 0009	59528	36-16 020 0011	59258
36-16 020 0053	19528	36-16 020 0053	59257	36-16 020 0053	19520
36-16 020 0054	59255	36-16 020 0070	19525	36-16 020 0077	19523
36-16 020 0078	19556	36-16 020 0081/HD	51318	36-16 020 0086	59524
36-16 020 0086	59225	36-16 020 0090/HD	51319	36-16 030 0001	19530
36-16 030 0009	19521	36-16 031 0004	59525	36-16 031 0010	51322
36-16 050 0007	51268	36-16 050 0008	51269	36-16 050 0029	49531
36-16 050 0030	49530	36-16 050 0045	49520	36-16 050 0046	49521
36-16 050 0047	49529	36-16 050 0048	49528	36-16 050 0049	49523
36-16 050 0050	49522	36-16 050 0053	49221	36-16 050 0054	49220
36-16 050 0055	49535	36-16 050 0056	49534	36-16 050 0061	49527
36-16 050 0062	49526	36-16 050 0063	49539	36-16 050 0064	49538
36-16 050 0068	51528	36-16 050 0069	51527	36-16 050 0073	51288
36-16 050 0074	51289	36-16 050 0075	51530	36-16 050 0078	51529
36-16 050 0081	51284	36-16 050 0082	51285	36-16 050 0083	49536
36-16 050 0084	49537	36-16 050 0085	59358	36-16 050 0086	59359
36-16 060 0000	49227HPS	36-16 060 0001/HD	19527HPS	36-16 060 0006	49229

Die aufgeführten Vergleichsnummern dienen nur zur besseren Identifikation.

References are only specified for a better identification.

Les références mentionnées ne servent qu' à une meilleure identification.



MEYLE	MAPCO	MEYLE	MAPCO	MEYLE	MAPCO
36-16 060 0007/S	49525HPS	36-16 060 0007/S	59226HPS	36-16 060 0011	51526
36-16 060 0011	19529HPS	36-16 060 0014	49228	36-16 060 0019	59851
36-16 060 0022	49226HPS	36-16 060 0026/HD	51525HPS	36-16 060 0027/HD	59250HPS
36-16 060 0028/HD	59251HPS	36-16 060 0028/HD	59251	36-16 060 0030/HD	51521
36-16 060 0031/HD	51520	36-16 060 0032/HD	49524	36-16 060 0034	49222HPS
36-16 060 0035	49219	36-16 060 0037/HD	51282	36-16 060 0038/HD	19538
36-16 060 0039/HD	19539	36-16 060 0040/HD	51281	37-14 610 0015	33589
37-14 610 0018	33583	37-16 010 0001	19511	37-16 010 0002	49578
37-16 010 0002	49255	37-16 010 0003	19513	37-16 010 0005	59580
37-16 010 0006	51306	37-16 010 0008	59585	37-16 010 0013	59329
37-16 010 0014	59327	37-16 010 0019	51239	37-16 010 0020	51311
37-16 020 0001	59586	37-16 020 0003	19512	37-16 020 0003	49256
37-16 020 0005	51313	37-16 020 0006	51312	37-16 020 0018	51308
37-16 020 0019	51309	37-16 030 0000	59574	37-16 030 0000	59570
37-16 030 0000	19515	37-16 031 0000	59556	37-16 031 0005	59554
37-16 031 0007	59572	37-16 031 0007	59571	37-16 031 0008	51210
37-16 031 0010	59573	37-16 031 0011	59719	37-16 031 0014	59555
37-16 031 0015	59553	37-16 050 0000	59376	37-16 050 0001	59377
37-16 050 0002	59291	37-16 050 0003	59292	37-16 050 0004	51220
37-16 050 0005	51221	37-16 050 0006	59378	37-16 050 0007	59379
37-16 050 0010	51217	37-16 050 0011	51216	37-16 050 0043	51211
37-16 050 0044	51212	37-16 050 0045	51232	37-16 050 0046	51233
37-16 050 0047	51248	37-16 050 0048	51249	37-16 060 0000/HD	49251HPS
37-16 060 0001/HD	59204	37-16 060 0003/HD	49253	37-16 060 0009/HD	49250HPS
37-16 060 0010/HD	51259HPS	37-16 060 0012/HD	59551	37-16 060 0013/HD	51205HPS
37-16 060 0014/HD	51206HPS	37-16 060 0015	59366	37-16 060 0016	59365
37-16 060 0017/HD	51208	37-16 060 0018/HD	59578	37-16 060 0021/HD	59355HPS
37-16 060 0021/HD	59355	37-16 060 0022/HD	49254HPS	37-16 060 0022/HD	49403HPS
37-16 060 0022/HD	49254	37-16 060 0023/HD	59351	37-16 060 0023/HD	59351HPS
37-16 060 0025	51209	37-16 060 0026	51203	37-16 060 0027	51204
37-16 060 0028/HD	51258HPS	37-16 060 0029	49252	37-16 060 0030/HD	51207
37-16 060 0031/HD	51227	37-16 060 0032/HD	51226	37-16 060 0033/HD	51247
37-16 060 0041/HD	51307	39-16 020 0008	59215	39-16 020 0009	59216
39-16 020 0012	19598	39-16 020 0013	19597	40-16 010 0002	19427
40-16 010 0002	19426	40-16 010 0004/HD	19498	40-16 010 3357	19419
40-16 020 0002	19489	40-16 020 5723	19417	40-16 020 5724	19418
40-16 030 4246	19412	40-16 030 4250	19470	40-16 030 6901	19409
40-16 050 0002/HD	19459	40-16 050 0002/HD	19437	40-16 050 0004/HD	19438
40-16 050 0005	19453	40-16 060 0003/HD	19429HPS	416 050 0000	52780
421 602 00003	49743	421 602 00025	49742	42-16 010 0010	49745
44-16 010 0001	59949	44-16 020 0000	59948	44-16 050 0000	59930
44-16 050 0001	59931	44-16 060 0000/HD	49938HPS	44-16 060 0002	59952
45-14 035 0001	36962	45-14 035 0001	36961	45-16 031 0003	49911
45-16 050 0002	51690	45-16 050 0003	51691	514 050 0009/HD	36975
514 080 0002/S	19915	514 080 0003/S	19913	514 127 3235	33994
514 132 9644	33917	514 308 0001	33552	514 308 0001	33924
514 308 0002	33551/1	514 308 0002	33551	514 308 0003	33550/1
514 308 0003	33550	514 610 0005/HD	33996	514 610 0006/HD	33995
514 681 9057	33923	514 710 0004	37980	516 010 0001	19909

Die aufgeführten Vergleichsnummern dienen nur zur besseren Identifikation.

References are only specified for a better identification.

Les références mentionnées ne servent qu'à une meilleure identification.

MEYLE	MAPCO	MEYLE	MAPCO	MEYLE	MAPCO
516 010 0002	49924	516 010 0003/HD	49955	516 010 3284	19907
516 010 5292	19902	516 010 5293	19901	516 010 5554	19912
516 020 0002	19583	516 020 0002	19908	516 020 0003	49967
516 020 0004	49968	516 020 0005	49969	516 020 0006	49970
516 020 0008/HD	49965	516 020 0009/HD	49966	516 020 0018	49921
516 020 0019	49922	516 020 0020	59203	516 020 0020	19547
516 020 0020	19540	516 020 3283	19906	516 020 5548	19911
516 020 5549	19910	516 030 0003	49954	516 030 0004	49923
516 030 0027	49910	516 030 3280	49952	516 030 5511	49928
516 030 5531	49900	516 030 5539	49942	516 030 5540	49943
516 030 5551	49917	516 030 5556	49944	516 031 0002	49964
516 031 0006	49927	516 031 9950	49918	516 035 0000	49956
516 050 0000	49920	516 050 0001	49907	516 050 0001	49544
516 050 0002	49545	516 050 0002	49908	516 050 0007/HD	49958
516 050 0008/HD	49959	516 050 0009	49919	516 050 0010	49925
516 050 0011	49926	516 050 0015/HD	49912	516 050 0016/HD	49913
516 050 0017/HD	49962	516 050 0018/HD	49963	516 050 0024/HD	49961
516 050 0025/HD	49960	516 050 0026/HD	49949	516 050 0027/HD	49948
516 050 7003	49914	516 050 7004	49915	516 060 0000/HD	19914HPS
516 060 0003	49901HPS	516 060 0004	49902HPS	516 060 0005	19938
516 060 0009/HD	49947HPS	516 060 0009/HD	49947	516 060 0012/HD	49916HPS
516 060 0014/HD	49905HPS	516 060 0015/HD	49906HPS	516 060 1432/S	49909
516 060 9600/HD	19937HPS	516 060 9600/HD	19937	53-16 020 0000	59684
53-16 020 0001	59685	53-16 060 0004/HD	59679	53-16 060 0005/HD	59697HPS
53-16 060 0006/HD	59698	614 032 0001	59367	614 032 0002	49604
614 035 0002/HD	33714	614 035 0003	33725	614 035 0004	33733
614 035 0005	33716	614 035 0006/HD	33715	614 035 0009	59782
614 035 0010	33848	614 035 0012	33757	614 035 0013	33752
614 035 0016	33849	614 035 0017	33734	614 035 0018	33788
614 035 0020	33730	614 035 0021	33735	614 035 0022	33791
614 035 0023	33760	614 035 0026	33789	614 035 0027	33796
614 035 0032	36764	614 035 0033	33768	614 035 0034	33714/9
614 035 0035	33729	614 035 0036	33761	614 035 0037	36703
614 040 0001	33786	614 040 0002	33879	614 040 0003	33737
614 040 0004	33785	614 040 0005	33766	614 040 0007	33753
614 042 0001	33736	614 042 0002	33720	614 042 0004	33895
614 044 0001	33792	614 044 0003	33739	614 352 0000	33731
614 352 0000	33794	614 540 0001	33758	614 540 0002	33756
614 540 0005	33767	614 540 0005	33762	614 610 0005	36704
614 610 0006	36705	614 610 0007	33044	614 610 0008	36722
616 010 0001	49610	616 010 0003	49631	616 010 0004	49630
616 010 0005/HD	49110	616 010 0006	49092	616 010 0100	33877
616 010 5352	19816	616 010 5375	19714	616 010 5382	19612
616 010 5382	19802	616 010 5393	19801	616 010 5559	19617
616 010 5560	19618	616 010 5583	59789	616 010 5583	19621
616 010 6005	19632	616 020 0001	19800	616 020 0002	59786
616 020 0005	49618	616 020 0006	49137	616 020 0007	49626
616 020 0008	49138	616 020 0009	51250	616 020 0009	49627
616 020 0010	49611	616 020 0011	49619	616 020 0015/HD	59774

Die aufgeführten Vergleichsnummern dienen nur zur besseren Identifikation.

References are only specified for a better identification.

Les références mentionnées ne servent qu' à une meilleure identification.

MEYLE	MAPCO	MEYLE	MAPCO	MEYLE	MAPCO
616 020 0015/HD	59775	616 020 5377	19718	616 020 5380	19719
616 020 5554	19613	616 020 5555	19615	616 020 5555	49600
616 020 5556	19614	616 020 5557	49601	616 020 5557	19616
616 020 5562	19610	616 020 5565	19611	616 020 5570	19631
616 020 5579	19626	616 020 5588	49759	616 020 5589	49758
616 020 6002/HD	19637	616 020 6002/HD	19638	616 030 5392	19805
616 030 5402	19803/1	616 030 5406	19804/1	616 030 5563	49752
616 030 5564	49751	616 030 5564	49750	616 030 5566	49753
616 030 5576	49754	616 030 5577	49755	616 030 5580	19627
616 030 5581	19628	616 030 5586	19813	616 030 5587	19812
616 031 0001	19810	616 031 0002	49622	616 031 0004	59785
616 031 0006	49125	616 031 0007	49603	616 031 0009	49602
616 031 0014	49607	616 031 0015	59787	616 031 0017	59770
616 031 0018	51251	616 031 0020	59771	616 050 0001	49623
616 050 0002	49624	616 050 0003	19808	616 050 0004	19809
616 050 0006/HD	19624	616 050 0007	19634	616 050 0008	19633
616 050 0009/HD	19619	616 050 0010/HD	19620	616 050 0011	49609
616 050 0012	49608	616 050 0015	59772	616 050 0016	59773
616 050 0017	19629	616 050 0018	19630	616 050 0019	49612
616 050 0019	19633	616 050 0020	49613	616 050 0020	19634
616 050 0021	49614	616 050 0022	49615	616 050 0025	59784
616 050 0028	19098	616 050 0029	19097	616 050 0030	59776
616 050 0210	19622	616 050 0211	19623	616 050 5572	19807
616 050 5573	19806	616 050 6006	19636	616 050 6007	19635
616 060 0001	33726	616 060 0002	33727	616 060 0003/HD	19639
616 060 0003/HD	49777HPS	616 060 0004/HD	49749HPS	616 060 0007/HD	49109HPS
616 060 0008/HD	49108HPS	616 060 0009	19811	616 060 0009	19811HPS
616 060 0010	59849HPS	616 060 0012/HD	59026HPS	616 060 0013	51302HPS
616 060 0014	51303HPS	616 060 5574	19607	616 060 5574/S	19607/8HPS
616 060 5575/HD	19602HPS	616 060 5575/HD	19606HPS	616 060 5582/HD	19600HPS
714 006 0001	33676	714 069 0001	33634	714 100 0001/HD	33614
714 101 0001	33636	714 101 0002	33635	714 101 0011	33683
714 102 0001	33617	714 102 0001	33616/7	714 103 0001/HD	33615
714 110 0001	33670	714 165 0001	33627	714 502 0001	33611
714 610 0001	33672	714 610 0004	36630	714 610 0005	36629
714 610 0009/HD	36628	714 610 0014	33647	714 614 0001	33645
714 615 0002	33644	714 615 0003	33671	714 619 0002	33609
714 619 0002	33677	714 651 0003	33675	714 671 0000	33629/2
714 679 0002	33616	714 687 0001/HD	33618	714 710 0000	33628
714 710 0000	33628/2	714 710 0001	33678	714 711 0001	36627
714 715 0000	33631	714 725 0001/HD	29795	714 737 0001	33643
714 737 0001	33642	716 010 0001	19754	716 010 0004	19749
716 010 0005	19751	716 010 0006	19763	716 010 0007	19765
716 010 0012/HD	59643	716 010 0013	59671	716 010 0014	52607
716 010 0017	52606	716 010 3135	19721	716 010 3372	19725
716 020 0004	59669	716 020 0005	19580	716 020 0006	19645
716 020 0006	19646	716 020 0007	19648	716 020 0008	19649
716 020 0010	49640	716 020 0011	49641	716 020 0012	59665
716 020 0013	59657	716 020 0014	59672	716 020 0015	59640

Die aufgeführten Vergleichsnummern dienen nur zur besseren Identifikation.

References are only specified for a better identification.

Les références mentionnées ne servent qu' à une meilleure identification.

MEYLE	MAPCO	MEYLE	MAPCO	MEYLE	MAPCO
716 020 0016	59670	716 020 0019	59676	716 020 0020	51619
716 020 0021	51620	716 020 0331	19727	716 020 0874	59658
716 020 3368	19735	716 020 3369	19736	716 020 3379	19745
716 020 3387	19748	716 020 4098	49645	716 020 4098	49646
716 020 4100	19742	716 020 4100	49882	716 020 4101	49881
716 020 4101	19741	716 020 4105	19753	716 020 4106	19752
716 020 4107	19750	716 020 4112	19758	716 020 4113	19757
716 020 4147	19640	716 020 4148	19641	716 030 0001	49644
716 030 0007	19724	716 030 0026	49737	716 030 3365	19655
716 030 3388	19740	716 030 4120	19723	716 030 4121	19654
716 030 4145	19647	716 030 4145	49642	716 030 4153	19644
716 031 0001	59641	716 031 0001	59642	716 031 0003	19722
716 031 0004	49643	716 031 0005	19650	716 031 0006	19762
716 031 0008	59663	716 031 0009	59666	716 031 0013	51629
716 035 0000	51607	716 035 0001	19658	716 035 0002	51615
716 035 0003	51614	716 035 0004	51613	716 035 0005	59668
716 035 0006	59646	716 050 0003/HD	19702/1	716 050 0004/HD	19701/1
716 050 0005/HD	19702	716 050 0006/HD	19701	716 050 0007	19652
716 050 0008	19651	716 050 0009/HD	19769	716 050 0010/HD	19768
716 050 0013	59644	716 050 0014	59645	716 050 0021	59662
716 050 0022	59661	716 050 0027	59651	716 050 0028	59650
716 050 0029	59675	716 050 0030	59674	716 050 0031/HD	52608
716 050 0032/HD	52609	716 050 0033	51622	716 050 0034	51623
716 050 0035/HD	51603	716 050 0036/HD	51602	716 050 0039/S	53612/1
716 050 0039/S	53612	716 050 0039/SK	51612	716 050 0041	59647
716 050 0042/S	53613	716 050 0042/S	53613/1	716 050 0043	51347
716 050 0044	51348	716 050 3301/HD	19761	716 050 3302/HD	19760
716 050 3370	19737/1	716 050 3371	19738/1	716 050 3375	19746/1
716 050 3376	19747/1	716 050 3380	19743/1	716 050 3381	19744/1
716 050 4131/HD	19755/1	716 050 4132/HD	19756/3	716 050 4132/HD	19756/1
716 050 4135/HD	19756/2	716 050 4136/HD	19755/3	716 050 4137/HD	19755/2
716 050 4141	19643	716 050 4142	19642	716 050 4150	19643/1
716 050 4150	19657	716 050 4159	19642/1	716 050 4159	19656
716 060 0000	33632/1	716 060 0000	33632	716 060 0003	19781
716 060 0005	19780	716 060 0006	59667	716 060 0007/HD	19777
716 060 0007/HD	19773HPS	716 060 0008/HD	19775HPS	716 060 0009	33633
716 060 0009	33633/1	716 060 0012	19659HPS	716 060 0013	19776HPS
716 060 0014/HD	59664HPS	716 060 0015	51610HPS	716 060 0016/HD	52603HPS
716 060 0017/HD	19774HPS	716 060 0017/HD	19774	716 060 0018/HD	51600HPS
716 060 0019	59648	716 060 0020	52604HPS	716 060 0021	52605HPS
716 060 0022/HD	51621	716 060 0023/HD	51601	716 060 0090/HD	19601
716 060 0090/HD	19608HPS	716 060 0090/HD	19609HPS	716 060 0090/HD	59533
716 060 0090/HD	19605HPS	716 060 0090/HD	19604HPS	716 060 0091/S	51625
7160500035HD	36622	814 454 0001/HD	36015	814 454 0003	36016
814 610 0003	37981	814 896 1476	33016	814 896 5253/HD	33015
816 010 0556	19983	816 010 4903	19980	816 020 0001	49621
816 020 0020	49620	816 020 4902	19982	816 020 4904	19981
816 031 0002	49606	816 050 0003	49986	816 050 9003	49983
816 050 9004	49984	816 050 9005/HD	19984	816 050 9006/HD	19985

Die aufgeführten Vergleichsnummern dienen nur zur besseren Identifikation.

References are only specified for a better identification.

Les références mentionnées ne servent qu' à une meilleure identification.

MEYLE	MAPCO	MEYLE	MAPCO	MEYLE	MAPCO
816 060 0001	49980				
MOOG	MAPCO	MOOG	MAPCO	MOOG	MAPCO
AL-AX-1223	19018	AL-AX-1681	19016	AL-BJ-1633	49050
AL-BJ-7521	19008	AL-DS-7511	19013	AL-DS-7512	19014
AL-ES-0050	19029	AL-ES-0051	19030	AL-ES-5418	59015
AL-LS-0043	49046	AL-LS-0052	49030HPS	AL-LS-0263	49047
AL-LS-0266	49048	AL-LS-3296	49033	AL-LS-3297	49034
AL-LS-5093	59017	AL-LS-5094	59016	AL-LS-5095	59020
AL-LS-5096	59021	AL-LS-7542	49031	AL-SB-0499	33008
AL-SB-0500	33010	AL-SB-0501	33013	AL-SB-0502	33014
AL-SB-1720	33007	AL-SB-1721	33237	AL-SB-5102	33063
AL-SB-5103	33061	AL-SB-5106	33060	AL-TC-0056	49028
AL-TC-0057	49029	AL-TC-3623	49068	AL-TC-3624	49067
AL-TC-5097	59018	AL-TC-5098	59019	AL-WP-1436	19032
AL-WP-1437	19031	AL-WP-1612	19020	AL-WP-1621	19021
AL-WP-1708	49080	AL-WP-1987	49081	AL-WP-7526	19010
AL-WP-7527	19009	AMGES3306	59276	AMGES3401RLNC	59948
AMGK7147	59949	AMGK7306	59932	AMGK7399NC	59951
AMGK80230	51597	AMGK90417	33521	AMGK90659	49224HPS
AU-BJ-7168	19898	AU-BJ-7169	19680	AU-BJ-7172	19897
AU-BJ-7174	19681	AU-BJ-7175	19684	AU-BJ-7177	19685
AU-DS-0717	51714	AU-DS-0718	51713	AU-DS-7197	49763
AU-DS-8231	49789	AU-DS-8232	49790	AU-DS-8294	59893
AU-ES-3721	59806	AU-ES-3723	59807	AU-ES-3890	59820
AU-ES-3916	19890	AU-ES-7149	49717	AU-ES-7150	49718
AU-ES-8206	19692	AU-ES-8207	19693	AU-LS-3717	52712
AU-LS-3718	52713	AU-LS-5421	52732	AU-LS-7179	19603HPS
AU-LS-8241	49729	AU-LS-8242	49715	AU-LS-8295	49688
AU-LS-8296	49689	AU-SB-1037	33892	AU-SB-1097	33878
AU-SB-1120	33891	AU-SB-1126	33901	AU-SB-1136	33829
AU-SB-1149	33808	AU-SB-1602	33843	AU-SB-1602	33906
AU-SB-1671	33846	AU-SB-3200	33938	AU-SB-4448	33894
AU-SB-4455	33902	AU-SB-4458	33830	AU-SB-4461	33827
AU-SB-4470	33844	AU-SB-4479	33941	AU-SB-4484	33899
AU-SB-4508	36941	AU-SB-4843	36777	AU-SB-4844	36774
AU-SB-4845	36771	AU-SB-4847	36787	AU-SB-8106	37865
AU-TC-3035P	19854	AU-TC-3908	49698	AU-TC-3909	49699
AU-TC-4696	51872	AU-TC-4697	51873	AU-TC-4937	52710
AU-TC-4945	51874	AU-TC-4946	51875	AU-TC-5062	51737
AU-TC-8200	19694	AU-TC-8201	19695	AU-TC-8239	49713OES
AU-TC-8355	52714	AU-TC-8356	52715	AU-WP-0154	49705/1
AU-WP-0155	49706/1	AU-WP-3141	49775	AU-WP-3142	49776
BM-AX-3683	51638	BM-AX-3731	51654	BM-AX-4342	19676
BM-BJ-0899	59602	BM-BJ-1880	51662	BM-BJ-1881	51661
BM-BJ-1882	51660	BM-BJ-4306	19662	BM-BJ-4307	19661
BM-BJ-4345	19665	BM-BJ-4346	19666HPS	BM-BJ-4346	19666/1
BM-BJ-5604	52690	BM-BJ-5605	52691	BM-DS-1788	19785
BM-DS-2114	59601	BM-DS-4214	19675	BM-DS-4225	49788
BM-DS-4226	49730	BM-DS-4228	49731	BM-DS-4301	49780

Die aufgeführten Vergleichsnummern dienen nur zur besseren Identifikation.

References are only specified for a better identification.

Les références mentionnées ne servent qu' à une meilleure identification.

MOOG	MAPCO	MOOG	MAPCO	MOOG	MAPCO
BM-DS-4304	49781	BM-DS-4315	49658	BM-DS-4331	49660
BM-DS-4332	19698	BM-DS-4333	19699	BM-DS-4334	19786
BM-DS-4339	49782	BM-DS-4340	49783	BM-DS-4343	49785
BM-DS-4349	49741	BM-DS-4354	49722	BM-DS-4355	49721
BM-DS-4358	49726HPS	BM-DS-4358	49726	BM-DS-4359	49725
BM-DS-4359	49725HPS	BM-DS-4364	49795HPS	BM-DS-4365	49796
BM-ES-0490	49653	BM-ES-0491	49654	BM-ES-1871	59691
BM-ES-1874	59690	BM-ES-2113	59600	BM-ES-2439	59626
BM-ES-3728	51667	BM-ES-3729	51668	BM-ES-4215	19669
BM-ES-4216	19668	BM-ES-4270	19782	BM-ES-4279	19783
BM-ES-4302	19660	BM-ES-4341	19663	BM-ES-4344	19664
BM-ES-4350	49739	BM-ES-4351	49740	BM-ES-4374	49736
BM-ES-4375	49735	BM-LS-0420	59628HPS	BM-LS-0433	49799
BM-LS-1151	49786	BM-LS-1787	49787	BM-LS-1886	59695
BM-LS-1887	59614HPS	BM-LS-1890	59694	BM-LS-2115	59603
BM-LS-2116	59604HPS	BM-LS-2434	59631HPS	BM-LS-2435	59623HPS
BM-LS-3690	51646	BM-LS-3725	51657HPS	BM-LS-3727	51658HPS
BM-LS-3743	51659	BM-LS-3858	51641HPS	BM-LS-3859	51639HPS
BM-LS-3859	51639	BM-LS-3860	51640HPS	BM-LS-3967	59639
BM-LS-4195	51642HPS	BM-LS-4196	51643HPS	BM-LS-4311	19667HPS
BM-LS-4322	19678HPS	BM-LS-5198	59613HPS	BM-LS-7313	52630
BM-SB-0054	33934	BM-SB-1122	33639	BM-SB-1124	33638
BM-SB-1128	33847	BM-SB-1133	33666	BM-SB-1135	33875/1
BM-SB-1750	33694	BM-SB-1775	33641/2	BM-SB-2200	36688
BM-SB-2202	36660	BM-SB-2213	36669	BM-SB-2433	36668
BM-SB-3688	33691	BM-SB-3694	59622	BM-SB-3734	36679/2
BM-SB-3966	33692	BM-SB-3978	37663	BM-SB-4194	33690
BM-SB-4382	33847/4	BM-SB-4447	33689	BM-SB-4453	37662
BM-SB-4480	33695	BM-SB-4483	36662	BM-SB-4495	36661
BM-SB-4842	59621	BM-SB-5013	33847/3	BM-TC-0448	59620
BM-TC-0449	59619	BM-TC-0476	49728	BM-TC-0477	49727
BM-TC-0486	49652	BM-TC-0897	59609	BM-TC-0898	59608
BM-TC-0918	59607	BM-TC-0920	59606	BM-TC-0923	59618
BM-TC-0924	59617	BM-TC-1752	49655	BM-TC-2122	59611
BM-TC-2125	59612	BM-TC-3152	49656	BM-TC-3684	51632
BM-TC-3685	51633	BM-TC-3686	51636	BM-TC-3687	51637
BM-TC-3691	59637	BM-TC-3738	51634	BM-TC-3739	51635
BM-TC-3740	51652	BM-TC-3742	51651	BM-TC-3862	51630
BM-TC-3863	51631	BM-TC-3864	59635	BM-TC-3865	59636
BM-TC-3936	59638	BM-TC-4217	19673	BM-TC-4218	19674
BM-TC-4317	49678	BM-TC-4318	49679	BM-TC-4356	49724
BM-TC-4357	49723	BM-TC-4360	49695	BM-TC-4361	49694
BM-TC-4362	49651	BM-TC-4363	49650	BM-TC-4366	49734
BM-TC-4367	49733	BM-TC-4368P	19671HPS	BM-TC-4369	19670HPS
BM-TC-4370	49662	BM-TC-4371	49661	BM-TC-7389	52639
BM-TC-7390	52640	BM-TC-7398	52637	BM-TC-7399	52638
BM-WP-1883	51664	BM-WP-1885	51663	BM-WP-2430	59615
BM-WP-2431	59616	BM-WP-2437	59629	BM-WP-2438	59630
BM-WP-2443	59633	BM-WP-2444	59634	BM-WP-4738	49676/1HPS

Die aufgeführten Vergleichsnummern dienen nur zur besseren Identifikation.

References are only specified for a better identification.

Les références mentionnées ne servent qu' à une meilleure identification.

MOOG	MAPCO	MOOG	MAPCO	MOOG	MAPCO
BM-WP-4739	49677/1HPS	CH-BJ-0315	59950	CH-ES-0313	59947
CH-TC-10134	59942	CH-TC-10135	59943	CH-WP-2458	59930
CH-WP-2459	59931	CH-WP-3298	49936	CH-WP-3299	49937
CI-AX-0537	19483	CI-AX-0863	49400	CI-AX-1707	19484
CI-AX-2467	19493	CI-AX-3350	19409	CI-AX-3361	19411
CI-AX-4246	19412	CI-BJ-0523	19473	CI-BJ-0523	19389
CI-BJ-0868	19491	CI-BJ-3354	19426	CI-BJ-3355	19427
CI-DS-3348	19451HPS	CI-DS-3366	19443	CI-DS-4244	19413
CI-DS-4247	19414	CI-DS-4250	19470	CI-ES-0011	19482
CI-ES-0864	19490	CI-ES-0865	19489	CI-ES-0930	19478
CI-ES-0931	19477	CI-ES-2460	19099	CI-ES-2466	19492
CI-ES-3964	49307	CI-ES-3965	49306	CI-ES-5119	19496
CI-ES-5120	19497	CI-LS-1727	19480	CI-LS-1728	19435HPS
CI-LS-2468	19376HPS	CI-LS-3267	19366	CI-LS-7259	49407HPS
CI-LS-7297	49412HPS	CI-LS-7322	49403HPS	CI-SB-0224	33431
CI-SB-0934	33335	CI-SB-0935	33334	CI-SB-1262	33343
CI-SB-1262	33306	CI-SB-1302	33414	CI-SB-1308	33437
CI-SB-1309	33426	CI-SB-2209	33427	CI-SB-2210	33428
CI-SB-4058	33329	CI-SB-4059	33330	CI-SB-4459	33321
CI-SB-4737	33424	CI-SB-5126	33445	CI-SB-5633	33235
CI-SB-5634	33236	CI-TC-0160	19453	CI-TC-0161	19454
CI-TC-2055	19391	CI-TC-2056	19390	CI-TC-5121	19494
CI-TC-5124	19495	CI-TC-7298	49408	CI-TC-8419	49408
CI-WP-0158	19459	CI-WP-0159	19332	CI-WP-0159	19460
CI-WP-0330	19474	CI-WP-0337	19475	CI-WP-0381	19437
CI-WP-0382	19438	CI-WP-0601	19331	CI-WP-0713	19485
CI-WP-0714	19486	CI-WP-2464	49082	CI-WP-2465	49083
CI-WP-3876	49086	CI-WP-3877	49087	CI-WP-5027	19471
CI-WP-5028	19472	DB-DL-6134	49844	DE-AX-0207	59296
DE-AX-1773	59717	DE-AX-1821	59217	DE-AX-1822	51292
DE-BJ-0633	19519	DE-ES-0126	19517	DE-ES-0126	19557
DE-ES-0634	59211	DE-ES-0639	49611	DE-ES-3893	51298
DE-ES-3894	51299	DE-LS-3271	49298HPS	DE-LS-3896	51291HPS
DE-LS-3897	51290HPS	DE-LS-3971	51293HPS	DE-SB-5775	36551
DE-SB-7241	36550	DE-SB-7241	33579	DE-TC-0125	59784
DE-WP-0630	49598	DE-WP-0631	49597	DE-WP-2478	51297
DE-WP-4419	51294	DE-WP-4420	51295	DI-AX-2295	59214
DI-ES-0637	59208	DI-ES-0638	59207	DI-ES-1450	19532
DI-ES-1451	19531	DI-ES-1606	19597	DI-ES-2559	59215
DI-ES-2620	59216	DI-TC-10462	59212	DI-TC-1290	59213
DI-TC-1642	59218	FD-AX-0007	19724	FD-AX-0026	49737
FD-AX-0270	19722	FD-AX-0470	59666	FD-AX-1537	19650
FD-AX-2197	49643	FD-AX-2258	59663	FD-AX-2382	19762
FD-AX-2526	59642	FD-AX-2527	59641	FD-AX-3140	19654
FD-AX-3388	49644	FD-AX-3388	19740	FD-AX-4138	19723
FD-AX-4145	19647	FD-AX-4146	49642	FD-AX-4153	19644
FD-AX-4154	19655	FD-AX-7388	51629	FD-BJ-0425	19653
FD-BJ-0814	59643	FD-BJ-10065	51540	FD-BJ-10066	51537
FD-BJ-3135	19721	FD-BJ-3372	19725	FD-BJ-3389	19749

Die aufgeführten Vergleichsnummern dienen nur zur besseren Identifikation.

References are only specified for a better identification.

Les références mentionnées ne servent qu' à une meilleure identification.

MOOG	MAPCO	MOOG	MAPCO	MOOG	MAPCO
FD-BJ-4122	19754	FD-BJ-4130	19751	FD-BJ-4133	19765
FD-BJ-4133	19756/1	FD-BJ-4134	19763	FD-DS-0842	59667
FD-DS-4151	19644/1	FD-DS-4152	19644/2	FD-ES-0269	19645
FD-ES-0331	19727	FD-ES-0604	59665	FD-ES-0605	59657
FD-ES-0841	59672	FD-ES-0874	59658	FD-ES-0957	59640
FD-ES-1535	19649	FD-ES-1536	19648	FD-ES-2050	59676
FD-ES-2261	59669	FD-ES-2262	59670	FD-ES-2481	51581
FD-ES-3368	19735	FD-ES-3369	19736	FD-ES-3379	19745
FD-ES-3387	19748	FD-ES-4098	49646	FD-ES-4099	49645
FD-ES-4100	19742	FD-ES-4101	19741	FD-ES-4105	19753
FD-ES-4106	19752	FD-ES-4107	19750	FD-ES-4112	19758
FD-ES-4113	19757	FD-ES-4125	19646	FD-ES-4147	19640
FD-ES-4148	19641	FD-ES-4155	49640	FD-ES-4156	49641
FD-ES-5108	51619	FD-ES-5109	51620	FD-LS-0090	19608HPS
FD-LS-0090	19604HPS	FD-LS-0122	59648	FD-LS-0469	19775HPS
FD-LS-0808	19773HPS	FD-LS-0950	19601	FD-LS-0962	19780
FD-LS-0963	19781	FD-LS-2016	33632/1	FD-LS-2016	33633
FD-LS-2016	33632	FD-LS-2049	51600HPS	FD-LS-2259	19774HPS
FD-LS-2269	33633/1	FD-LS-3274	19776HPS	FD-LS-3286	19777
FD-LS-3662	51610HPS	FD-LS-3667	59664HPS	FD-LS-4064	49227HPS
FD-LS-4114	19605HPS	FD-LS-5111	51621	FD-LS-5444	51615
FD-LS-5445	51613	FD-LS-5446	51614	FD-LS-5613	52604HPS
FD-LS-5699	51625	FD-LS-6620	52605HPS	FD-LS-7924	52603HPS
FD-LS-8093	52600	FD-SB-0190	33644	FD-SB-0191	33678
FD-SB-0492	33647	FD-SB-0497	33646	FD-SB-1113	33627
FD-SB-1134	33609	FD-SB-1344	33615	FD-SB-1345	33614
FD-SB-1346	33616/7	FD-SB-1346	33617	FD-SB-1346	19259
FD-SB-1347	33618	FD-SB-1348	33616	FD-SB-1349	33635
FD-SB-1350	33636	FD-SB-1353	33676	FD-SB-2247	33864
FD-SB-2378	33677	FD-SB-3161	33628	FD-SB-3659	33671
FD-SB-4060	33683	FD-SB-4464	33645	FD-SB-4467	33642
FD-SB-4467	33643	FD-SB-4509	33675	FD-SB-7952	36627
FD-TC-0951	59646	FD-TC-0952	59668	FD-TC-0954	19658
FD-TC-3370	19737/1	FD-TC-3371	19738/1	FD-TC-3375	19746/1
FD-TC-3376	19747/1	FD-TC-3380	19743/1	FD-TC-3381	19744/1
FD-WP-0162P	19701	FD-WP-0163P	19702	FD-WP-0403P	19652
FD-WP-0404P	19651	FD-WP-0496	19656	FD-WP-0557	49582
FD-WP-0558	49583	FD-WP-0564	19756/4	FD-WP-0565	19755/4
FD-WP-0587	19756/5	FD-WP-0588	19755/5	FD-WP-0715P	59644
FD-WP-0716P	59645	FD-WP-0721	19702/1	FD-WP-0722	19701/1
FD-WP-0738	59651	FD-WP-0739	59650	FD-WP-0843	19657
FD-WP-2047	59675	FD-WP-2048	59674	FD-WP-2524	59661
FD-WP-2525	59662	FD-WP-3313	59655	FD-WP-3314	59654
FD-WP-4126P	19761	FD-WP-4127P	19760	FD-WP-4131P	19755/1
FD-WP-4135P	19756/2	FD-WP-4136P	19755/2	FD-WP-4139P	19756/3
FD-WP-4140P	19755/3	FD-WP-4141P	19643	FD-WP-4142P	19642
FD-WP-4143P	19768	FD-WP-4144P	19769	FD-WP-4149P	19642/1
FD-WP-4150P	19643/1	FD-WP-7997	51347	FD-WP-7998	51348
FI-AX-0086	19079	FI-AX-0087	19068	FI-AX-1232	19022

Die aufgeführten Vergleichsnummern dienen nur zur besseren Identifikation.

References are only specified for a better identification.

Les références mentionnées ne servent qu' à une meilleure identification.



MOOG	MAPCO	MOOG	MAPCO	MOOG	MAPCO
FI-AX-1461	19023	FI-AX-1558	19404	FI-AX-1751	49020
FI-AX-1839	19024	FI-AX-2503	49043	FI-AX-2518	49019
FI-AX-3120	19043	FI-AX-3826	49072	FI-AX-3974	59027
FI-AX-4080	19452	FI-AX-4197	49091	FI-AX-4198	49070
FI-AX-4971	19424	FI-AX-7508	19069	FI-AX-7528	19448
FI-BJ-0049	49021	FI-BJ-0512	19498	FI-BJ-0513	19499
FI-BJ-0936	49038	FI-BJ-3118	19044	FI-BJ-3157	19060
FI-BJ-4072	19408	FI-BJ-4077	19421	FI-BJ-4174	49069
FI-BJ-4958	49099	FI-BJ-7530	19449	FI-BJ-7531	19450
FI-ES-0241	49017	FI-ES-0242	49018	FI-ES-0261	19080
FI-ES-0444	19070	FI-ES-0446	49010	FI-ES-0937	49040
FI-ES-1460	19015	FI-ES-2516	49057	FI-ES-2517	49058
FI-ES-3155	19058	FI-ES-3156	19007	FI-ES-3156	19059
FI-ES-3525	49098	FI-ES-4061	19040	FI-ES-4070	19406
FI-ES-4071	19407	FI-ES-4078	19420	FI-ES-4079	19047
FI-ES-4082	19042	FI-ES-4085	19046	FI-ES-4675	19052
FI-ES-4676	19053	FI-ES-4684	19065	FI-ES-4970	19423
FI-ES-7529	19447	FI-LS-0048	19026HPS	FI-LS-0441	33009
FI-LS-2111	49039HPS	FI-LS-2371	19028HPS	FI-LS-3830	49066HPS
FI-LS-4548	59026HPS	FI-LS-5159	59024HPS	FI-SB-1323	33003
FI-SB-1324	33002	FI-SB-1396	33035	FI-SB-1587	33019
FI-SB-1590	33228	FI-SB-1590	33227	FI-SB-2207	49044
FI-SB-2208	49045	FI-SB-2505	33018	FI-SB-2510	33238
FI-SB-2511	33239	FI-SB-2522	33231	FI-SB-2523	33232
FI-SB-5435	33044	FI-SB-5439	33045	FI-TC-0249	49012
FI-TC-0253	19025	FI-TC-1963	49055	FI-TC-1964	49054
FI-TC-2042	49060	FI-TC-2045	49061	FI-TC-2052	49062
FI-TC-2053	49063	FI-TC-4063	19041	FI-TC-4666	19071
FI-TC-4673	19048	FI-TC-4674	19045	FI-TC-7412	49096
FI-TC-7413	49097	FI-TC-7522	19073	FI-TC-7523	19072
FI-WP-0108	19462	FI-WP-0108	19077	FI-WP-0109	19461
FI-WP-0109	19076	FI-WP-0110	19464	FI-WP-0111	19463
FI-WP-0118	49085	FI-WP-0239	49024	FI-WP-0240	49025
FI-WP-0354P	19431	FI-WP-0355P	19432	FI-WP-0939	49041
FI-WP-1462	49065	FI-WP-1463	49064	FI-WP-2109	49036
FI-WP-2110	49037	FI-WP-2509	49023	FI-WP-2519	49022
FI-WP-3840	49084	FI-WP-3958	19098	FI-WP-3959	19097
FI-WP-4671	19050	FI-WP-4672	19051	FI-WP-5693	49042
FI-WP-7501	19055	FI-WP-7502	19054	FI-WP-7503P	19057
FI-WP-7504P	19056	FI-WP-7524	19067	FI-WP-7525	19066
HO-AX-1625	59557	HO-AX-1781	19506	HO-AX-2538	59246
HO-AX-2569	59513	HO-AX-2589	59558	HO-AX-2938	19502
HO-BJ-0167	49510	HO-BJ-10427	19503	HO-BJ-1649	59333
HO-ES-0170	19500	HO-ES-0171	19509	HO-ES-0964	59314
HO-ES-2554	49264	HO-ES-2555	49265	HO-ES-2575	59515
HO-ES-2582	51509	HO-ES-2583	51510	HO-ES-2585	59315
HO-ES-2586	59311	HO-ES-2944	19501	HO-ES-2947	19508
HO-ES-3664	59249	HO-ES-5073	51273	HO-LS-1605	49517
HO-LS-1710	49200HPS	HO-LS-1742	49201HPS	HO-LS-1840	59502HPS

Die aufgeführten Vergleichsnummern dienen nur zur besseren Identifikation.

References are only specified for a better identification.

Les références mentionnées ne servent qu' à une meilleure identification.

MOOG	MAPCO	MOOG	MAPCO	MOOG	MAPCO
HO-LS-1840	59502	HO-LS-1842	59503HPS	HO-LS-2568	49269HPS
HO-LS-2587	59244HPS	HO-LS-2588	59243HPS	HO-LS-2603	59245
HO-LS-3824	59501	HO-LS-3825	59500	HO-LS-4192	49268HPS
HO-LS-4549	51541HPS	HO-LS-4550	51542HPS	HO-LS-5727	51558HPS
HO-LS-7942	51518HPS	HO-LS-7943	51519HPS	HO-SB-1858	33520
HO-SB-2553	33226	HO-TC-10867	59331	HO-TC-10870	59330
HO-TC-1225	59506	HO-TC-1801	49508	HO-TC-1803	49509
HO-TC-3334	49204	HO-WP-0165	49502	HO-WP-0166	59508
HO-WP-0166	49503	HO-WP-0322	49507	HO-WP-0323	49506
HO-WP-0439	49205	HO-WP-0440	49206	HO-WP-0596	49512
HO-WP-0597	49511	HO-WP-0823	49211	HO-WP-0824	49212
HO-WP-0965	49501	HO-WP-0966	49500	HO-WP-1804	49513
HO-WP-1805	49514	HO-WP-2536	49504	HO-WP-2536	49262
HO-WP-2537	49263	HO-WP-2564	49209	HO-WP-2565	49210
HO-WP-2566	49260	HO-WP-2567	49261	HO-WP-2570	49217
HO-WP-2571	49218	HO-WP-2577	51503	HY-AX-0009	59553
HY-AX-0969	59572	HY-AX-0971	59719	HY-AX-1653	59336
HY-AX-1669	59339	HY-AX-1718	59573	HY-AX-1733	59575
HY-AX-1818	59555	HY-AX-1819	59556	HY-AX-1820	59570
HY-AX-2432	51310	HY-AX-2615	59571	HY-AX-2620	59554
HY-BJ-0344	19513	HY-BJ-0393	19511	HY-BJ-1214	59327
HY-BJ-1607	59329	HY-BJ-1614	59580	HY-BJ-2642	51306
HY-BJ-4749	51311	HY-ES-0172	19512	HY-ES-0172	59586
HY-ES-1163	59205	HY-ES-1637	59203	HY-ES-3886	51313
HY-ES-3887	51312	HY-ES-4938	51308	HY-ES-4939	51309
HY-ES-7092	51236	HY-ES-7093	51237	HY-LS-0971	51209
HY-LS-1833	49250HPS	HY-LS-1845	49253	HY-LS-1910	59355HPS
HY-LS-1910	59355	HY-LS-1911	59351	HY-LS-1911	59351HPS
HY-LS-2233	49251HPS	HY-LS-2380	49254HPS	HY-LS-2610	59551
HY-LS-2616	59581	HY-LS-2625	51205HPS	HY-LS-2626	51206HPS
HY-LS-2638	51203	HY-LS-2639	51204	HY-LS-2652	59583
HY-LS-2667	59582HPS	HY-LS-3940	51259HPS	HY-LS-3941	51258HPS
HY-LS-3999	59579HPS	HY-LS-4688	51208	HY-LS-4689	51207
HY-LS-4690	59365	HY-LS-4691	59366	HY-LS-4942	51226
HY-LS-4943	51227	HY-LS-4944	51247	HY-SB-7088	33583
HY-WP-2622	51235	HY-WP-2623	51211	HY-WP-2624	51212
HY-WP-2630	59376	HY-WP-2631	59377	HY-WP-2647	59378
HY-WP-2648	59379	HY-WP-2650	51220	HY-WP-2651	51221
HY-WP-2658	59382	HY-WP-2659	59383	HY-WP-2663	59384
HY-WP-2664	59385	HY-WP-3148	59292	HY-WP-3149	59291
HY-WP-7085	51248	HY-WP-7086	51249	JA-BJ-0561	49649
J4840318	51245	KI-AX-7089	51238	KI-BJ-7094	51239
KI-LS-2384	59589	KI-LS-2673	59592	KI-LS-2674	59590
KI-LS-2676	59591	KI-LS-4883	51243	KI-LS-4884	51244
KI-LS-7090	51241HPS	KI-LS-7099	51242	KI-SB-5148	33588
KI-SB-5149	33589	KI-WP-7095	51232	KI-WP-7096	51233
LA-BJ-0063	19091	LA-BJ-0391	19084	LA-BJ-0392	19085
LA-ES-0060	19089	LA-ES-0061	19090	LA-ES-0388	19082
LA-ES-0390	19081	LA-ES-0649	19093	LA-ES-0650	19092

Die aufgeführten Vergleichsnummern dienen nur zur besseren Identifikation.

References are only specified for a better identification.

Les références mentionnées ne servent qu' à une meilleure identification.

MOOG	MAPCO	MOOG	MAPCO	MOOG	MAPCO
LN-AX-2677	59011	LN-BJ-0220	49014	LN-ES-4771	59010
LN-LS-2678	49088	LN-SB-4864	33229	LN-TC-4800	49078
LN-TC-4835	49079	LR-AX-3661	51692	LR-AX-5020	52680
LR-AX-5021	52681	LR-BJ-1928	59686	LR-BJ-4057	51688
LR-BJ-4838	51672	LR-BJ-7928	52682	LR-DS-5016	51676
LR-DS-5054	51675	LR-ES-1921	59684	LR-ES-1923	59685
LR-ES-3528	51683	LR-ES-7043	51689	LR-LS-1866	59687
LR-LS-2681	59678	LR-LS-2682	59697HPS	LR-LS-2683	59698
LR-LS-3310	59679	LR-LS-4045	51682	LR-LS-4189	51681
LR-SB-5059	36690	LR-TC-1924	59688	LR-TC-1927	59689
LR-TC-5055	51687	MD-AX-0010	51315	MD-AX-1298	19599
MD-AX-1716	51533	MD-AX-1808	19581	MD-AX-2216	59715
MD-AX-2218	59714	MD-AX-2348	59712	MD-AX-2702	59713
MD-AX-2962	19588	MD-AX-3071	19594	MD-AX-3072	19584
MD-AX-3888	51344	MD-AX-3973	59349	MD-BJ-0747	59346
MD-BJ-10002	19582	MD-BJ-104144	19587	MD-BJ-104147	19585
MD-BJ-104185	49589	MD-BJ-1171	59326	MD-BJ-1618	59337
MD-BJ-2291	51314	MD-DS-1772	59342	MD-DS-1816	59230
MD-ES-0621	59350	MD-ES-0621	19589	MD-ES-1665	59338
MD-ES-2281	19595	MD-ES-2362	51341	MD-ES-2827	19580
MD-ES-3251	19583	MD-ES-4717	51342	MD-ES-4718	51343
MD-LS-0972	19593HPS	MD-LS-1127	19591HPS	MD-LS-2017	19592HPS
MD-LS-2636	49591HPS	MD-LS-2689	19516	MD-LS-3627	51332HPS
MD-LS-3881	59388HPS	MD-LS-3895	59345	MD-LS-3942	51532
MD-LS-3946	49232	MD-LS-4026	51334HPS	MD-LS-4395	51336
MD-LS-4396	51335HPS	MD-LS-4434	51339HPS	MD-LS-4435	51337
MD-LS-4436	51338	MD-SB-0582	33533	MD-SB-4846	33534
MD-SB-4859	33539	MD-SB-4917	33538	MD-TC-0813	51531
MD-TC-4866	49236	MD-WP-0454	49230	MD-WP-0745	51583
MD-WP-0746	51582	MD-WP-0973	49581	MD-WP-0974	49580
MD-WP-1666	51538	MD-WP-1667	51539	MD-WP-2324	49584
MD-WP-2325	49585	MD-WP-2356	59368	MD-WP-2357	59369
MD-WP-2358	49235	MD-WP-2359	49234	MD-WP-2360	49233
MD-WP-2708	59394	MD-WP-2709	59395	MD-WP-4426	51330
MD-WP-4427	51331	ME-AX-0979	59899	ME-AX-1530	49894
ME-AX-2266	59844	ME-AX-2735	49886	ME-AX-6338	49807
ME-AX-6341	49837	ME-AX-6343	49833	ME-BJ-0234	19844
ME-BJ-0366	49839	ME-BJ-0980	59832	ME-BJ-0981	59838
ME-BJ-1531	49825	ME-BJ-2075	51848	ME-BJ-2099	59902
ME-BJ-2725	51847	ME-BJ-3697	51834	ME-BJ-6287	59898
ME-BJ-6301	19828	ME-BJ-6313	33870	ME-BJ-6313	59864
ME-BJ-6327	49891	ME-BJ-6331	49802	ME-BJ-6345	49831
ME-DL-6061	19838	ME-DS-0803	19839	ME-DS-3094	19822
ME-DS-3097	19825	ME-DS-3100	19821	ME-DS-4178	59862
ME-DS-6126	49898	ME-DS-6128	19829	ME-DS-6231	49845
ME-DS-6300	19832	ME-DS-6306	19845	ME-DS-6308	19830/1
ME-DS-6308	19831/1	ME-DS-6317	49813	ME-DS-6318	49826
ME-DS-6319	49827	ME-DS-6320	19837	ME-DS-6321	49892
ME-DS-6328	59800	ME-DS-6329	49801	ME-ES-0212	59897

Die aufgeführten Vergleichsnummern dienen nur zur besseren Identifikation.

References are only specified for a better identification.

Les références mentionnées ne servent qu' à une meilleure identification.

MOOG	MAPCO	MOOG	MAPCO	MOOG	MAPCO
ME-ES-0212	51850	ME-ES-0213	19836	ME-ES-0643	49847
ME-ES-0977	59873	ME-ES-0978	59872	ME-ES-1528	49824
ME-ES-1529	49823	ME-ES-1760	49884	ME-ES-2041	49848
ME-ES-2284	59840	ME-ES-2285	59841	ME-ES-2728	51840
ME-ES-2729	51841	ME-ES-2744	19833	ME-ES-2745	19834
ME-ES-2853	59903	ME-ES-3082	19840	ME-ES-3083	19841
ME-ES-3095	19823	ME-ES-3096	19824	ME-ES-3098	19826
ME-ES-3099	19827	ME-ES-4181	59843	ME-ES-4953	52809
ME-ES-6129	19846	ME-ES-6129	19848	ME-ES-6310	19847
ME-ES-6310	19849	ME-ES-6330	49800	ME-ES-6339	49805
ME-ES-6340	49806	ME-LS-0435	49840HPS	ME-LS-0436	49841HPS
ME-LS-0489	49834HPS	ME-LS-0726	49812HPS	ME-LS-1654	59847HPS
ME-LS-1759	49895HPS	ME-LS-1977	59854	ME-LS-1978	59855
ME-LS-2060	52806HPS	ME-LS-2252	52800HPS	ME-LS-2254	52801HPS
ME-LS-2386	59901HPS	ME-LS-2714	59845	ME-LS-2726	59833
ME-LS-2727	59834	ME-LS-2857	59904	ME-LS-3316	59858HPS
ME-LS-3542	52804HPS	ME-LS-3819	52805HPS	ME-LS-3907	59856
ME-LS-4179	52826	ME-LS-4180	52825	ME-LS-4890	52813
ME-LS-4891	52814	ME-LS-5618	52815	ME-SB-1121	36924
ME-SB-1194	33936	ME-SB-1277	36910	ME-SB-1354	33841
ME-SB-1357	33979	ME-SB-1593	36911	ME-SB-1594	33943
ME-SB-1595	33944	ME-SB-1623	33838	ME-SB-1623	33836
ME-SB-1631	33942	ME-SB-1645	33973	ME-SB-2256	37836
ME-SB-2275	36947	ME-SB-2730	37875	ME-SB-2732	33883
ME-SB-2733	36988	ME-SB-2743	36922	ME-SB-3650	33946
ME-SB-3716	36838	ME-SB-3996	37834	ME-SB-4187	36832
ME-SB-4188	37890	ME-SB-4437	33970	ME-SB-4472	33865
ME-SB-4476	36972	ME-SB-4494	33977	ME-SB-4496	36899
ME-SB-4498	36923	ME-SB-4512	33874	ME-SB-4518	36925
ME-SB-5626	37874	ME-SB-5685	37845	ME-TC-0129	49803
ME-TC-0130	49804	ME-TC-0728	19820	ME-TC-0731	19819
ME-TC-0732	19817	ME-TC-0987	59881	ME-TC-0988	59882
ME-TC-1959	59885	ME-TC-1960	59884	ME-TC-1961	51852
ME-TC-1962	51853	ME-TC-1968	51837	ME-TC-1969	51838
ME-TC-1970	51835	ME-TC-1971	51836	ME-TC-1972	51856
ME-TC-1973	51857	ME-TC-1974	51858	ME-TC-1975	51859
ME-TC-1976	52818	ME-TC-2746	49893	ME-TC-3077	19842
ME-TC-3078	19843	ME-TC-3699	52832	ME-TC-3704	52831
ME-TC-3870	51832	ME-TC-3871	51833	ME-TC-3872	51830
ME-TC-3873	51831	ME-TC-3874	59879	ME-TC-3875	59880
ME-TC-3994	51842	ME-TC-3995	51843	ME-TC-4182	59876
ME-TC-4183	59877	ME-TC-4184	59878	ME-TC-4185	59874
ME-TC-5180	51880	ME-TC-5181	51881	ME-TC-5183	52827
ME-TC-5184	52828	ME-TC-5187	52829	ME-TC-5188	52830
ME-TC-5189	52833	ME-TC-5190	52834	ME-TC-5676	52836
ME-TC-6068	49896	ME-TC-6069	49897	ME-TC-6336	49819
ME-TC-6337	49820	ME-WP-0606	49821	ME-WP-0607	49822
ME-WP-0684	49809	ME-WP-0685	49808	ME-WP-0733	49815
ME-WP-0734	49816	ME-WP-0735	49817	ME-WP-0736	49818

Die aufgeführten Vergleichsnummern dienen nur zur besseren Identifikation.

References are only specified for a better identification.

Les références mentionnées ne servent qu' à une meilleure identification.

MOOG	MAPCO	MOOG	MAPCO	MOOG	MAPCO
ME-WP-0839	49828	ME-WP-0840	49829	ME-WP-1532	49814/2
ME-WP-1533	49814/1	ME-WP-2250	59801	ME-WP-2251	59802
ME-WP-2716	51855	ME-WP-2741	59836	ME-WP-2742	59837
ME-WP-4950	52816	ME-WP-4951	52817	MI-AX-1299	59307
MI-AX-1732	59306	MI-AX-2915	19541	MI-AX-2936	19550
MI-AX-3325	59308	MI-AX-4438	59206	MI-BJ-0350	49248
MI-BJ-0351	49247	MI-BJ-10012	59223	MI-BJ-10013	59224
MI-BJ-10348	19542	MI-BJ-10371	49578	MI-BJ-10371	49255
MI-BJ-10377	19551	MI-BJ-10384	19552	MI-BJ-104247	19555
MI-BJ-104248	19554	MI-BJ-104249	19553	MI-BJ-4865	59539
MI-ES-0176	19549	MI-ES-0682	19548	MI-ES-1629	19598
MI-ES-2171	49249	MI-ES-2171	19510	MI-ES-2194	59221
MI-ES-2197	59220	MI-ES-2245	19545	MI-ES-2246	19546
MI-ES-2347	49256	MI-ES-2937	19540	MI-ES-2937	19547
MI-ES-3044	59310	MI-LS-1615	59541HPS	MI-LS-2237	49909
MI-LS-2268	49245	MI-LS-2376	59540HPS	MI-LS-2385	59510HPS
MI-LS-2765	59511HPS	MI-LS-2768	59542	MI-LS-2776	49226HPS
MI-LS-3317	19543HPS	MI-LS-4702	51543	MI-LS-4703	51544
MI-LS-5076	51545HPS	MI-LS-5077	51546HPS	MI-PA-0479	59305
MI-PA-190160	59340	MI-PA-4402	59304	MI-TC-1628	49940
MI-TC-1677	49941	MI-WP-0407	49541	MI-WP-0408	49540
MI-WP-1261	49244	MI-WP-1269	49243	MI-WP-1766	59356
MI-WP-1767	59357	MI-WP-2763	49241	MI-WP-2764	49242
MI-WP-2766	59398	MI-WP-2767	59399	MI-WP-2772	51265
MI-WP-2775	51266	NI ES 2276	59257	NI-AX-1268	19521
NI-AX-1603	59360	NI-AX-1689	51267	NI-AX-1701	19530
NI-AX-1795	59528	NI-AX-2809	59525	NI-BJ-0182	59523
NI-BJ-0183	19537	NI-BJ-0311	59522	NI-BJ-10015	59325
NI-BJ-10389	19535	NI-BJ-104139	19536	NI-BJ-10418	19524
NI-BJ-10423	59520	NI-BJ-1256	19526	NI-DS-1253	49524
NI-ES-0200	59229	NI-ES-0201	59527	NI-ES-0310	19528
NI-ES-0757	59228	NI-ES-1254	19523	NI-ES-1258	19525
NI-ES-2276	19520	NI-ES-2472	59254	NI-ES-2473	59259
NI-ES-2608	19556	NI-ES-2777	59225	NI-ES-2780	59524
NI-ES-2790	51318	NI-ES-2791	51319	NI-ES-2814	59255
NI-ES-3002	19534	NI-ES-3051	19533	NI-LS-0766	19527HPS
NI-LS-1155	59851	NI-LS-1168	49525HPS	NI-LS-1168	59850
NI-LS-1169	19529HPS	NI-LS-1674	49222HPS	NI-LS-2307	51281
NI-LS-2308	51282	NI-LS-2778	59226HPS	NI-LS-2804	51520
NI-LS-2805	51521	NI-LS-4714	51526	NI-LS-5735	51525HPS
NI-LS-7247	59251HPS	NI-SB-0776	33501	NI-SB-1826	33507
NI-SB-4692	33504	NI-SB-4693	33505	NI-TC-0566	49527
NI-TC-0567	49526	NI-WP-0180	49523	NI-WP-0181	49522
NI-WP-0326	49521	NI-WP-0327	49520	NI-WP-0554	49538
NI-WP-0555	49539	NI-WP-0559	49531	NI-WP-0560	49530
NI-WP-0989	49535	NI-WP-0990	49534	NI-WP-1206	59322
NI-WP-1207	59321	NI-WP-1790	49220	NI-WP-1791	49221
NI-WP-2224	49141	NI-WP-2226	49142	NI-WP-2244	49528
NI-WP-2245	49529	NI-WP-2781	51527	NI-WP-2788	59358

Die aufgeführten Vergleichsnummern dienen nur zur besseren Identifikation.

References are only specified for a better identification.

Les références mentionnées ne servent qu' à une meilleure identification.

MOOG	MAPCO	MOOG	MAPCO	MOOG	MAPCO
NI-WP-2789	59359	NI-WP-2795	51529	NI-WP-2796	51530
NI-WP-2802	51284	NI-WP-2803	51285	NI-WP-3229	51528
OP-AX-0611	49604	OP-AX-0659	59367	OP-AX-1230	49607
OP-AX-2083	49622	OP-AX-2194	49602	OP-AX-3537	49603
OP-AX-3814	59785	OP-AX-5392	19805	OP-AX-5576	49754
OP-AX-5577	49755	OP-AX-5581	19627	OP-AX-5581	19628
OP-AX-7768	59770	OP-BJ-0177	49744	OP-BJ-0312	19632
OP-BJ-0812	49610	OP-BJ-1504	49616	OP-BJ-1504	49745
OP-BJ-1895	49631	OP-BJ-1899	49630	OP-BJ-4870	49092
OP-BJ-5352	19816	OP-BJ-5375	19714	OP-BJ-5393	19801
OP-BJ-5559	19617	OP-BJ-5560	19618	OP-BJ-5567	19612
OP-BJ-5567	19802	OP-BJ-5583	19621	OP-BJ-5583	59789
OP-DS-0750	19559HPS	OP-DS-5376	59295	OP-DS-5398	49760
OP-DS-5402	19803/1	OP-DS-5406	19804/1	OP-DS-5409	19602HPS
OP-DS-5561	49750	OP-DS-5564	49751	OP-DS-5574	19607
OP-DS-5586	19813	OP-DS-5587	19812	OP-ES-0480	19631
OP-ES-0514	19638	OP-ES-0514	19637	OP-ES-1501	49743
OP-ES-1501	49742	OP-ES-2081	49620	OP-ES-2082	49621
OP-ES-2814	49626	OP-ES-2818	49618	OP-ES-2819	49619
OP-ES-3620	49627	OP-ES-4921	59012	OP-ES-5363	19710
OP-ES-5366	19711	OP-ES-5377	19718	OP-ES-5380	19719
OP-ES-5554	19613	OP-ES-5555	49600	OP-ES-5555	19615
OP-ES-5556	19614	OP-ES-5557	49601	OP-ES-5557	19616
OP-ES-5562	19610	OP-ES-5565	19611	OP-ES-5569	19800
OP-ES-5579	19626	OP-ES-5588	49759	OP-ES-5589	49758
OP-ES-7415	59774	OP-LS-0993	33727	OP-LS-1786	59849HPS
OP-LS-1994	33726	OP-LS-2080	49749HPS	OP-LS-2811	19811HPS
OP-LS-4706	51303HPS	OP-LS-4707	51302HPS	OP-LS-4850	19639
OP-LS-5575	19606HPS	OP-LS-5582	19600HPS	OP-LS-7446	49777HPS
OP-SB-0203	33768	OP-SB-0443	33796	OP-SB-1331	33793
OP-SB-1376	33725	OP-SB-1377	33714	OP-SB-1378	33733
OP-SB-1379	33715	OP-SB-1380	33849	OP-SB-1381	33716
OP-SB-1382	33848	OP-SB-1383	33731	OP-SB-1384	33732
OP-SB-1385	33794	OP-SB-1624	33786	OP-SB-1644	33757
OP-SB-2812	36703	OP-SB-3621	33877	OP-SB-3779	33787
OP-SB-3811	33737	OP-SB-3813	33895	OP-SB-3816	33720
OP-SB-4068	33785	OP-SB-4083	33758	OP-SB-4088	33756
OP-SB-4089	33792	OP-SB-4094	33739	OP-SB-4450	33879
OP-SB-4451	33753	OP-SB-4456	33736	OP-SB-4497	33766
OP-SB-4545	33734	OP-TC-0084	19809	OP-TC-0085	19808
OP-TC-0488	19636	OP-TC-0489	19635	OP-TC-1955	49623
OP-TC-1956	49624	OP-TC-4081	59776	OP-WP-0068P	19620
OP-WP-0069P	19619	OP-WP-0210P	19622	OP-WP-0211P	19623
OP-WP-0343	19624	OP-WP-0568P	19630	OP-WP-0569P	19629
OP-WP-0670	19633	OP-WP-0671	19634	OP-WP-0833	49291
OP-WP-0836	49290	OP-WP-0995	49609	OP-WP-0996	49608
OP-WP-1902	49615	OP-WP-1903	49614	OP-WP-2822	49612
OP-WP-2823	49613	OP-WP-5570	49756	OP-WP-5571	49757
OP-WP-5572	19807	OP-WP-5573	19806	OP-WP-7222	59780

Die aufgeführten Vergleichsnummern dienen nur zur besseren Identifikation.

References are only specified for a better identification.

Les références mentionnées ne servent qu' à une meilleure identification.

MOOG	MAPCO	MOOG	MAPCO	MOOG	MAPCO
OP-WP-7223	59781	OP-WP-8347	59772	PE-AX-0847	19374
PE-AX-0860	19379	PE-AX-0862	19380	PE-AX-1570	19373
PE-AX-2059	19479	PE-AX-3327	19395	PE-AX-3696	19405
PE-AX-3915	19353	PE-AX-4740	49314	PE-AX-5704	19355/1
PE-AX-5706	19354/1	PE-AX-5717	19323	PE-AX-5746	19340
PE-AX-5746	19410	PE-AX-5747	19324	PE-AX-6906	19446/1
PE-AX-6907	19336/1	PE-AX-7067	49315	PE-BJ-0409	19371
PE-BJ-0837	19372	PE-BJ-3187	19358	PE-BJ-3188	19359
PE-BJ-3195	19307	PE-BJ-3322	49309	PE-BJ-3323	19394
PE-BJ-3347	19425	PE-BJ-3356	19428	PE-BJ-3357	19419
PE-BJ-4087	19422	PE-BJ-4249	19415	PE-BJ-4281	19312
PE-BJ-6908	19319	PE-BJ-6909	19320	PE-DS-5041	19338HPS
PE-DS-5043	19365	PE-DS-5702	19354	PE-DS-5707	19339HPS
PE-DS-6294	19335	PE-DS-6294	19446	PE-DS-6902	19325
PE-DS-6903	19326	PE-DS-6904	19370HPS	PE-DS-6923	19336
PE-DS-6924	19340/1	PE-DS-6970	19367	PE-DS-6973	19482/1
PE-ES-0088	19342	PE-ES-0089	19341	PE-ES-0664	19481
PE-ES-1656	19381	PE-ES-1668	19382	PE-ES-3330	19393
PE-ES-3331	19392	PE-ES-5042	19430	PE-ES-5042	19078
PE-ES-5703	19301	PE-ES-5721	19315	PE-ES-5722	19316
PE-ES-5723	19417	PE-ES-5724	19418	PE-LS-0592	19362HPS
PE-LS-0595	19429HPS	PE-LS-0785	19368HPS	PE-LS-0799	19375HPS
PE-LS-1048	19363	PE-LS-1118	19364	PE-LS-1573	19348HPS
PE-LS-1626	19476HPS	PE-LS-3324	19396	PE-LS-3325	19397
PE-LS-3326	49303	PE-LS-3989	49305HPS	PE-LS-3990	49304HPS
PE-LS-5046	19337HPS	PE-LS-7423	49405HPS	PE-LS-7424	49406HPS
PE-LS-7425	49404HPS	PE-SB-0251	33317	PE-SB-1137	33001
PE-SB-1138	33006	PE-SB-1301	33415	PE-SB-1301	33313
PE-SB-1303	33416	PE-SB-1304	33417	PE-SB-1310	33314
PE-SB-1311	33442	PE-SB-1313	33443	PE-SB-1314	33307
PE-SB-1316	33322	PE-SB-1317	33320	PE-SB-1318	33318
PE-SB-1319	33319	PE-SB-1320	33336	PE-SB-1321	33316
PE-SB-1828	33305	PE-SB-3492	33485	PE-SB-3866	33333
PE-SB-4743	33436	PE-SB-4744	33435	PE-SB-4963	33315
PE-SB-6703	33457	PE-SB-6777	33342	PE-SB-6780	33458
PE-TC-0076	19327	PE-TC-0078	19329	PE-TC-0079	19330
PE-TC-0079	19328	PE-TC-0218	19344	PE-TC-0219	19345
PE-TC-0999	19384	PE-TC-1032	19383	PE-TC-1033	49301
PE-TC-1034	49302	PE-TC-1035	19487	PE-TC-1036	19488
PE-TC-1571	19347	PE-TC-1572P	19346	PE-TC-3196	19318
PE-TC-3196	19314	PE-TC-3197	19313	PE-TC-3197	19317
PE-TC-3198P	19310	PE-TC-3199P	19311	PE-TC-3538	19398
PE-TC-3539	19399	PE-TC-5033	19350	PE-TC-5034	19349
PE-TC-5037	19442	PE-TC-5038	19441	PE-TC-5039	19469
PE-TC-5040	19468	PE-TC-5711	19351	PE-TC-5712	19352
PE-WP-0329P	19475/1	PE-WP-0330	19331/1	PE-WP-0337	49323
PE-WP-0626P	19360	PE-WP-0627P	19361	PE-WP-3320	49320
PE-WP-3321	49321	PE-WP-4027	49318	PE-WP-4028	49319
PE-WP-4741	49310	PE-WP-4742	49311	PE-WP-6979P	19322

Die aufgeführten Vergleichsnummern dienen nur zur besseren Identifikation.

References are only specified for a better identification.

Les références mentionnées ne servent qu' à une meilleure identification.

MOOG	MAPCO	MOOG	MAPCO	MOOG	MAPCO
PE-WP-6980P	19321	RE-AX-0380	19188	RE-AX-0589	49117/1
RE-AX-0602	19174	RE-AX-0675	49103	RE-AX-0676	19171
RE-AX-0855	19194	RE-AX-0858	49119	RE-AX-0859	49126
RE-AX-1060	49145	RE-AX-1564	19193	RE-AX-1616	19183
RE-AX-2087	19182	RE-AX-2091	49149	RE-AX-2097	49125
RE-AX-2103	49159	RE-AX-3851	19195	RE-AX-4014	51117/1
RE-AX-4253	19103	RE-AX-4265	19121	RE-AX-4280	19129/1
RE-AX-4298	19166/1	RE-AX-7001	19152	RE-AX-7006	19198
RE-AX-7046	19149	RE-AX-7056	19156/1	RE-BJ-0471	49116
RE-BJ-0526	19102	RE-BJ-0531	19112	RE-BJ-0532	19111
RE-BJ-0811	19109	RE-BJ-0811	49139	RE-BJ-1040	49111
RE-BJ-2098	49110	RE-BJ-2302	49140	RE-BJ-2832	49151
RE-BJ-4260	19122	RE-BJ-4261	19123	RE-BJ-4266	19116
RE-BJ-4267	19115	RE-BJ-4271	19135	RE-BJ-4275	49106
RE-BJ-4276	49105	RE-BJ-4281	19128	RE-BJ-4295	19127
RE-BJ-5745	19132	RE-BJ-7025	19143	RE-BJ-7762	59790
RE-DS-0856	19172	RE-DS-0857	19173	RE-DS-2827	49114
RE-DS-2828	49115	RE-DS-7002	19153	RE-DS-7003	19154
RE-DS-7004	19106	RE-DS-7009	19107	RE-DS-7013	19151
RE-DS-7017	19126	RE-DS-7018	19150/1	RE-DS-7018	19150
RE-DS-7022	19166	RE-DS-7022	49107	RE-DS-7044	19159
RE-DS-7045	19160	RE-DS-7057	19164HPS	RE-DS-7057	19164
RE-DS-7058	19161	RE-DS-7059	19156	RE-ES-0426	49112
RE-ES-0427	49113	RE-ES-0672	49135	RE-ES-0673	49136
RE-ES-0809	49137	RE-ES-0810	49138	RE-ES-1562	19190
RE-ES-1563	19189	RE-ES-2092	49147	RE-ES-2093	49148
RE-ES-3755	49192	RE-ES-3756	49193	RE-ES-4252	19105
RE-ES-4256	19108	RE-ES-4273	19136	RE-ES-4277	49104
RE-ES-4287	19133	RE-ES-4288	19134	RE-ES-4289	19114
RE-ES-4290	19113	RE-ES-7014	19130	RE-ES-7015	19130/1
RE-ES-7016	19131	RE-ES-7023	19144	RE-ES-7024	19145
RE-ES-7026	19139	RE-ES-7027	19140	RE-ES-7053	19180
RE-ES-7053	49100	RE-ES-7053	19169	RE-ES-7054	19170
RE-ES-7054	19181	RE-ES-7054	49101	RE-ES-7060	19142
RE-ES-7061	19141	RE-LS-1072	49121HPS	RE-LS-2088	49124HPS
RE-LS-2095	49118HPS	RE-LS-2100	19120HPS	RE-LS-3072	49120HPS
RE-LS-4008	33172	RE-LS-5740	49160	RE-LS-7407	49154HPS
RE-SB-1166	33118	RE-SB-1167	33164	RE-SB-1264	33117
RE-SB-1333	33100	RE-SB-1334	33146	RE-SB-1335	33130
RE-SB-1336	33129	RE-SB-1337	33143	RE-SB-1338	33144
RE-SB-1339	33147	RE-SB-1340	33148	RE-SB-1341	33170
RE-SB-1342	33171	RE-SB-1343	33165	RE-SB-1659	33102
RE-SB-1660	33101	RE-SB-1719	33145	RE-SB-2834	33167
RE-SB-3167	33116	RE-SB-3168	33115	RE-SB-3746	33127
RE-SB-3846	36704	RE-SB-4095	33174	RE-SB-4108	33175
RE-SB-4191	33173	RE-SB-4713	33123	RE-SB-6850	36198
RE-WP-0226	19177	RE-WP-0227	19178	RE-WP-0228	19157
RE-WP-0229	19158	RE-WP-0338	19197	RE-WP-0339	19196
RE-WP-0340	19186	RE-WP-0341	19187	RE-WP-0850	49129

Die aufgeführten Vergleichsnummern dienen nur zur besseren Identifikation.

References are only specified for a better identification.

Les références mentionnées ne servent qu' à une meilleure identification.



MOOG	MAPCO	MOOG	MAPCO	MOOG	MAPCO
RE-WP-0851	49130	RE-WP-1052	49165	RE-WP-1053	49166
RE-WP-2089	49133	RE-WP-2090	49134	RE-WP-2101	49152
RE-WP-2300	49132	RE-WP-2301P	49131	RE-WP-3489	49127
RE-WP-3490	49128	RE-WP-3744	49190	RE-WP-3745	49191
RE-WP-7030	19137	RE-WP-7031	19138	RE-WP-7032	19168
RE-WP-7032	19148	RE-WP-7033	19167	RE-WP-7033	19147
RE-WP-7036	19162	RE-WP-7037	19163	RE-WP-7040	19125
RE-WP-7041	19124	RO-AX-2843	49911	RO-BJ-104170	19507
RO-BJ-1496	59683	RO-BJ-2022	49648	RO-BJ-3409	19951
RO-BJ-3545	19949	RO-BJ-3552	19955	RO-ES-0777	51678
RO-ES-1492	59680	RO-ES-1494	59681	RO-ES-2095	59319
RO-ES-3153	19504	RO-ES-3154	19505	RO-ES-3446	59371
RO-ES-3446	59372	RO-ES-3547	19956	RO-LS-1831	19957
RO-LS-1984	59517HPS	RO-LS-1985	59518HPS	RO-LS-1986	59516HPS
RO-SB-2840	33960	RO-WP-0504	49216	RO-WP-0505	49215
RO-WP-1980	51690	RO-WP-1981	51691	RO-WP-2008	49903
RO-WP-2009	49904	SA-AX-1810	49606	SA-BJ-0556	19983
SA-BJ-4903	19980	SA-ES-4902	19982	SA-ES-4904	19981
SA-ES-4907	49752	SA-ES-4910	49753	SA-LS-2846	49980
SA-SB-2849	33015	SA-SB-4533	33016	SA-SB-4533	49981
SA-WP-2844	19984	SA-WP-2845	19985	SA-WP-3339	49982
SE-LS-2850	51862	SE-TC-7509	19064	SK-BJ-0413	59810
SK-BJ-0414	59811	SK-BJ-8223	19962	SK-DS-0415	59808
SK-DS-0416	59809	SK-ES-8222	19961	SK-SB-4031	19993
SK-SB-4719	33950	SK-WP-0662	19971	SK-WP-0663	19972
SU-AX-2866	59364	SU-AX-2869	49559	SU-BJ-0373	59297
SU-BJ-104141	49560	SU-BJ-104197	49556	SU-DS-3075	49555
SU-ES-2031	49558	SU-ES-2032	49557	SU-ES-3076	49554
SU-LS-4118	59596	SY-LS-2862	51277	SZ-AX-1182	59317
SZ-AX-1271	59298	SZ-AX-1693	49596	SZ-AX-5082	51251
SZ-BJ-0608	59324	SZ-ES-0103	49562	SZ-ES-0613	49561
SZ-ES-0765	59320	SZ-ES-2562	49564	SZ-ES-2563	49563
SZ-ES-2610	59201	SZ-LS-5081	51255HPS	SZ-SB-5085	33577
SZ-SB-7346	33594	SZ-TC-1156	49595	SZ-TC-1188	49293
SZ-TC-1238	49292	SZ-TC-2029P	19518	SZ-TC-4440	49519
SZ-WP-2896	51590	SZ-WP-2897	51591	TO-AX-0619	49288
TO-AX-1280	49287	TO-AX-1297	49289	TO-AX-1297	59270
TO-AX-1636	19566	TO-AX-1637	59263	TO-AX-1640	19567
TO-AX-1696	59266	TO-AX-1730	59264	TO-AX-1740	59294
TO-AX-1784	19574	TO-AX-2383	59332	TO-AX-2833	59328
TO-AX-2975	51382	TO-AX-2976	19564	TO-AX-2977	19565
TO-AX-2979	51382	TO-AX-3008	59293	TO-AX-3015	51390
TO-AX-3018	59267	TO-AX-3321	59268	TO-AX-3397	59265
TO-BJ-0204	19563	TO-BJ-0352	19571	TO-BJ-0508	59563
TO-BJ-0538	49552	TO-BJ-0790	59235	TO-BJ-10006	59323
TO-BJ-10028	59236	TO-BJ-10032	59335	TO-BJ-104110	19568
TO-BJ-104111	19561	TO-BJ-104111	19562	TO-BJ-104111	19569
TO-BJ-104188	59260	TO-BJ-10435	59261	TO-BJ-10443	59334
TO-BJ-10444	59318	TO-BJ-1635	59566	TO-BJ-1734	59567

Die aufgeführten Vergleichsnummern dienen nur zur besseren Identifikation.

References are only specified for a better identification.

Les références mentionnées ne servent qu' à une meilleure identification.

MOOG	MAPCO	MOOG	MAPCO	MOOG	MAPCO
TO-BJ-3001	51388	TO-BJ-3002	51389	TO-BJ-3009	59353
TO-BJ-3010	59354	TO-BJ-3011	51564	TO-BJ-4227	59568
TO-BJ-4237	59564	TO-BJ-4974	51360	TO-ES-0230	59281
TO-ES-0231	59277	TO-ES-0374	49567	TO-ES-0375	49566
TO-ES-0509	59274	TO-ES-0683	59273	TO-ES-0740	59561
TO-ES-0741	59560	TO-ES-1664	59238	TO-ES-2382	19560
TO-ES-2508	59278	TO-ES-2509	59282	TO-ES-2977	51380
TO-ES-2978	51381	TO-ES-3003	51567	TO-ES-3024	59280
TO-ES-3034	59239	TO-ES-3395	59279	TO-ES-3396	59275
TO-ES-4979	59237	TO-ES-6582	51365	TO-ES-6583	51366
TO-LS-0376	19573	TO-LS-1146	49579HPS	TO-LS-1191	49271HPS
TO-LS-1191	49270HPS	TO-LS-1648	19576	TO-LS-1662	19575
TO-LS-1663	49283	TO-LS-1663	49284HPS	TO-LS-1663	49283HPS
TO-LS-1676	49284	TO-LS-1676	59362HPS	TO-LS-2976	51597HPS
TO-LS-2980	51577HPS	TO-LS-2983	51373HPS	TO-LS-2993	49237HPS
TO-LS-3000	59363HPS	TO-LS-3367	51377HPS	TO-LS-3984	51378HPS
TO-LS-4120	51371	TO-LS-4128	51372	TO-LS-4157	51575
TO-LS-4167	49238	TO-LS-4168	49239	TO-LS-4709	49280HPS
TO-LS-4710	49281HPS	TO-LS-4733	51391	TO-LS-4981	51568
TO-LS-4982	51573	TO-LS-4997	51374HPS	TO-LS-5141	49274HPS
TO-LS-6580	51392HPS	TO-LS-6581	51367	TO-PA-190101	59240
TO-SB-1936	33561	TO-WP-0804	49569	TO-WP-0807	49568
TO-WP-1074	49272	TO-WP-1075	49273	TO-WP-1076	49575
TO-WP-1082	49574	TO-WP-1683	49571	TO-WP-1709	49551
TO-WP-1729	49570	TO-WP-1797	51554	TO-WP-1799	51555
TO-WP-1951	59285	TO-WP-2230	49258	TO-WP-2231	49257
TO-WP-2234	51560	TO-WP-2235	51561	TO-WP-3867	49550
TO-WP-4320	49276	TO-WP-4330	49277	TO-WP-4975	51397
TO-WP-4976	51398	VO DL 3253	51805	VO ES 8285	59896
VO-AX-0358	49866	VO-AX-0383	49672/1	VO-AX-1867	51723
VO-AX-2313	51722	VO-AX-3225	19891/1	VO-AX-7159	49674/1
VO-AX-7181	52719	VO-AX-8275	19696/1	VO-AX-8291	49738
VO-BJ-0319	49861	VO-BJ-0609	51800	VO-BJ-0610	51801
VO-BJ-0657	19881	VO-BJ-1859	51725	VO-BJ-1860	51724
VO-BJ-1990	51721	VO-BJ-3030	19857	VO-BJ-3227	19875
VO-BJ-3245	19852	VO-BJ-3246	19851	VO-BJ-3254	19876
VO-BJ-3269	19884	VO-BJ-3270	19883	VO-BJ-3917	19893
VO-BJ-3918	19894	VO-BJ-5011	51748	VO-BJ-5012	51749
VO-BJ-7108	19879/1	VO-BJ-7108	19879	VO-BJ-7154	19889/1
VO-BJ-7154	19889	VO-BJ-7184	19679	VO-BJ-7184	19679/1
VO-BJ-7192	19868	VO-BJ-7926	52744	VO-BJ-7927	52743
VO-BJ-8248	19896	VO-BJ-8248	19896/1	VO-BJ-8249	19895/1
VO-BJ-8249	19895	VO-BJ-8287	49702/1	VO-BJ-8287	49702
VO-BJ-8288	49703	VO-BJ-8288	49703/1	VO-BJ-9003	19856
VO-DS-0796	51806	VO-DS-1548	49691	VO-DS-1549	49690
VO-DS-1622	49767	VO-DS-2183	49766	VO-DS-3055	51745
VO-DS-3224	19891	VO-DS-3266	19887	VO-DS-3924	49761
VO-DS-3925	49762	VO-DS-7105	19888	VO-DS-7121	19899
VO-DS-7123	49878	VO-DS-7137	19860	VO-DS-7140	19861

Die aufgeführten Vergleichsnummern dienen nur zur besseren Identifikation.

References are only specified for a better identification.

Les références mentionnées ne servent qu' à une meilleure identification.

MOOG	MAPCO	MOOG	MAPCO	MOOG	MAPCO
VO-DS-7142	19892	VO-DS-7155	19871	VO-DS-7156	19872
VO-DS-7180	19862	VO-DS-7182	19863	VO-DS-7187	19853HPS
VO-DS-7190	49873	VO-DS-7191	49874	VO-DS-8204	49672
VO-DS-8205	49673	VO-DS-8226	49732	VO-DS-8244	19689
VO-DS-8245	19688	VO-DS-8250	49774	VO-DS-8251	49773
VO-DS-8256	49866/2	VO-DS-8257	49866/1	VO-DS-8264	49674
VO-DS-8265	49675	VO-DS-8281	49869	VO-DS-8284	49870
VO-ES-0368	59814	VO-ES-0369	59815	VO-ES-0510	51823
VO-ES-0511	51822	VO-ES-0615	51810	VO-ES-0618	51807
VO-ES-1506	49701	VO-ES-1507	49700	VO-ES-1835	51803
VO-ES-1868	51826	VO-ES-1869	51827	VO-ES-2404	51712
VO-ES-2405	51711	VO-ES-3026	19850	VO-ES-3058	51742
VO-ES-3059	51743	VO-ES-3226	19874	VO-ES-3239	51808
VO-ES-7106	19878	VO-ES-7139	19877	VO-ES-7139	59816
VO-ES-8000	19882	VO-ES-8215	19859	VO-ES-8216	19866
VO-ES-8217	19880	VO-ES-8218	19867	VO-ES-8227	49707HPS
VO-ES-8227	49707OES	VO-ES-8246	49872	VO-ES-8246	19886
VO-ES-8247	49871	VO-ES-8247	19885	VO-ES-8255	19873
VO-ES-8258	49858	VO-ES-8259	49857	VO-ES-8283	59895
VO-LS-0318	49856HPS	VO-LS-0418	51829HPS	VO-LS-0456	49794
VO-LS-0463	49862/1	VO-LS-0463	49862	VO-LS-0475	49867
VO-LS-0494	59812HPS	VO-LS-0584	52720	VO-LS-1087	49851
VO-LS-1088	49865	VO-LS-1089	49863	VO-LS-1165	49860
VO-LS-1516	49850	VO-LS-1870	51825HPS	VO-LS-2205	52721
VO-LS-2311	51718HPS	VO-LS-2406	49793	VO-LS-2419	49716
VO-LS-2421	49686	VO-LS-2422	59894	VO-LS-3053	51824
VO-LS-3353	51821	VO-LS-4398	51734	VO-LS-4916	49868
VO-LS-8240	49714	VO-RK-4858	37880	VO-RK-5000	59818/1HPS
VO-SB-0042	33912	VO-SB-0428	36950	VO-SB-0430	36948
VO-SB-1177	33893	VO-SB-1189	33833	VO-SB-1195	33928
VO-SB-1212	33908	VO-SB-1325	33820	VO-SB-1329	33819
VO-SB-1358	33818	VO-SB-1359	33828	VO-SB-1360	33907
VO-SB-1361	33842	VO-SB-1362	33876	VO-SB-1364	33932
VO-SB-1365	33840	VO-SB-1366	33839	VO-SB-1367	33834
VO-SB-1368	33835	VO-SB-1369	33903	VO-SB-2318	36786
VO-SB-2319	36785	VO-SB-2337	36949	VO-SB-3052	33871
VO-SB-3076	33929	VO-SB-3223	33859	VO-SB-4169	33858
VO-SB-4445	33909	VO-SB-4446	33926	VO-SB-4449	33872
VO-SB-4452	33916	VO-SB-4463	33914	VO-SB-4466	33897
VO-SB-4471	33900	VO-SB-4475	33896	VO-SB-4478	33826
VO-SB-4482	33937	VO-SB-4492	33915	VO-SB-4493	33913
VO-SB-4523	36852	VO-SB-4535	33945	VO-SB-4857	33912/2
VO-SB-4930	36791	VO-SB-5010	33987	VO-SB-5623	37863
VO-SB-7161	36788	VO-SB-7171	36792	VO-SB-7419	36790
VO-SB-7895	36789	VO-TC-0586	52718	VO-TC-0892	51710OES
VO-TC-4932	51876	VO-TC-4933	51877	VO-TC-4935	51878
VO-TC-4936	51879	VO-WP-0131	49770	VO-WP-0132	49769
VO-WP-0232	19691	VO-WP-0232	19690/1	VO-WP-0233	19690
VO-WP-0235P	19686/1	VO-WP-0236	19686	VO-WP-0450	49876

Die aufgeführten Vergleichsnummern dienen nur zur besseren Identifikation.

References are only specified for a better identification.

Les références mentionnées ne servent qu' à une meilleure identification.

MOOG	MAPCO	MOOG	MAPCO	MOOG	MAPCO
VO-WP-0451	49877	VO-WP-0529	49665	VO-WP-0529	49667
VO-WP-0530	49664	VO-WP-0530	49666	VO-WP-0737	49768
VO-WP-1116	59813	VO-WP-1519P	51820	VO-WP-1520P	51819
VO-WP-1552	49704/2	VO-WP-1552	49704	VO-WP-1553	49704/1
VO-WP-1861	51716	VO-WP-1862	51715	VO-WP-1864	51727
VO-WP-1989	59813/2	VO-WP-2316	51731	VO-WP-2317	51732
VO-WP-235	19687	VO-WP-3060	52740	VO-WP-3061	52741
VO-WP-8209	19855/2	VO-WP-8209	19855/1	VO-WP-8210	19858/2
VO-WP-8210	19858/1	VO-WP-8210	19858	VO-WP-8221P	19870
VO-WP-8254	19870/2	VO-WP-8254	19870/1	VV-AX-0027	49910
VV-AX-0398	49964	VV-AX-3147	49923	VV-AX-3280	49952
VV-AX-3518	49954	VV-AX-5511	49928	VV-AX-5530	49943
VV-AX-5531	49900	VV-AX-5539	49942	VV-AX-5551	49917
VV-AX-5556	49944	VV-AX-9950	49918	VV-BJ-0893	49924
VV-BJ-3284	19907	VV-BJ-3653	52607	VV-BJ-4399	49955
VV-BJ-5292	19902	VV-BJ-5293	19901	VV-BJ-5513	19909
VV-BJ-5554	19912	VV-DS-0019	19914HPS	VV-ES-0367	19908
VV-ES-1090	49921	VV-ES-1091	49922	VV-ES-2239	49969
VV-ES-2240	49970	VV-ES-2858	49967	VV-ES-3146	49968
VV-ES-3283	19906	VV-ES-4019	49966	VV-ES-4021	49965
VV-ES-5548	19911	VV-ES-5549	19910	VV-LS-0014	49905HPS
VV-LS-0482	19937HPS	VV-LS-0482	19937	VV-LS-1096	49916HPS
VV-LS-1099	19913	VV-LS-1119	49906HPS	VV-LS-2112	49947HPS
VV-LS-2381	19915	VV-LS-4170	19903	VV-LS-4171	19938
VV-LS-5514	49901HPS	VV-LS-5515	49902HPS	VV-LS-6592	49956
VV-SB-2321	36975	VV-SB-2351	33917	VV-SB-3086	36963
VV-SB-3630	33550/1	VV-SB-3632	33551/1	VV-SB-3633	33924
VV-SB-3648	36628	VV-SB-4519	33923	VV-TC-4400	49948
VV-TC-4401	49949	VV-WP-0360	49962	VV-WP-0379	49963
VV-WP-1093	49544	VV-WP-1093	49907	VV-WP-1094	49545
VV-WP-1094	49908	VV-WP-1525	49913	VV-WP-1526	49912
VV-WP-3638	49919	VV-WP-3639	49920	VV-WP-3640	51602
VV-WP-3645	51603	VV-WP-3657	49914	VV-WP-3658	49915
VV-WP-3950	49958	VV-WP-3951	49959		
NIPPARTS	MAPCO	NIPPARTS	MAPCO	NIPPARTS	MAPCO
J4805001	59303	J4805002	59304	J4805013	59340
J4820302	59342	J4820302	49518	J4820303	19580
J4820400	19557	J4820501	19510	J4820502	19512
J4820502	59586	J4820507	59203	J4820522	51312
J4820900	59211	J4820901	19718	J4820905	19517
J4821000	19528	J4821000	59257	J4821000	19520
J4821008	19556	J4821009	59254	J4821010	19534
J4821012	19523	J4821014	59255	J4821017	59256
J4821021	59524	J4821024	19525	J4821033	19533
J4821034	59528	J4821069	59227	J4821070	59228
J4821082	59225	J4821091	51318	J4821092	49137
J4821097	59258	J4821099	59229	J4822001	19560
J4822004	59279	J4822005	59274	J4822009	59278
J4822010	59238	J4822015	59273	J4822017	49566

Die aufgeführten Vergleichsnummern dienen nur zur besseren Identifikation.

References are only specified for a better identification.

Les références mentionnées ne servent qu' à une meilleure identification.

NIPPARTS	MAPCO	NIPPARTS	MAPCO	NIPPARTS	MAPCO
J4822027	59276	J4822028	59281	J4822036	59280
J4822048	59560	J4822049	59561	J4822063	51380
J4822076	59237	J4822080	59282	J4823001	19583
J4823007	19589	J4823007	19595	J4823010	59338
J4823011	59350	J4823011	19589	J4823024	51340
J4823033	51342	J4824000	59319	J4824001	19504
J4824003	59371	J4824005	19500	J4824005	19508
J4824009	59313	J4824010	59315	J4824011	59314
J4824016	59515	J4824019	49264	J4824025	51509
J4824026	51273	J4825000	19546	J4825001	59221
J4825002	49256	J4825003	59205	J4825003	59310
J4825007	19540	J4825007	19547	J4825011	19549
J4825026	19545	J4825027	49249	J4825028	59220
J4825029	19548	J4826000	19531	J4826001	59216
J4826004	59207	J4826007	19597	J4827001	49554
J4827002	49557	J4828001	59320	J4828002	49563
J4828004	59201	J4828005	49562	J4828014	49561
J4829002	49742	J4830500	51313	J4830900	19719
J4831003	59526	J4831011	51319	J4831012	49138
J4831014	59527	J4832000	59275	J4832002	49567
J4832008	59277	J4832010	59239	J4833001	51341
J4833003	51343	J4834000	19505	J4834002	59372
J4834003	19509	J4834010	59311	J4834011	59312
J4834011	59249	J4834015	49265	J4834018	51274
J4834025	51510	J4835005	59222	J4836000	19532
J4836001	59215	J4836005	19598	J4836008	59209
J4837000	49558	J4838001	49564	J4839003	49743
J4840302	51533	J4840318	51245	J4840500	59574
J4840500	59570	J4840501	59571	J4840501	19515
J4840502	59575	J4840503	59336	J4840504	59555
J4840505	59339	J4840506	59573	J4840509	59719
J4840510	59553	J4840514	59554	J4840521	59572
J4840522	59556	J4840700	59206	J4840900	59217
J4840902	59295	J4840905	59717	J4840907	59718
J4841000	51267	J4841005	19530	J4841006	19521
J4841012	59360	J4841012	59253	J4841020	59525
J4841036	49155	J4841037	49125	J4842005	59263
J4842011	59266	J4842014	49288	J4842015	49287
J4842016	59294	J4842018	59328	J4842019	59272
J4842019	59268	J4842020	59265	J4842021	59264
J4842024	19564	J4842025	19565	J4842026	19567
J4842034	59267	J4842035	59332	J4842040	51382
J4842049	59293	J4842053	49289	J4842054	51390
J4843003	19588	J4843010	59232	J4843010	49586
J4843011	19599	J4843023	19594	J4843024	19584
J4843030	19581	J4843032	59349	J4843038	59715
J4843039	19644	J4843042	51315	J4843053	51344
J4844000	59246	J4844003	59247	J4844005	59557
J4844006	59512	J4844007	19506	J4844012	59513

Die aufgeführten Vergleichsnummern dienen nur zur besseren Identifikation.

References are only specified for a better identification.

Les références mentionnées ne servent qu' à une meilleure identification.

NIPPARTS	MAPCO	NIPPARTS	MAPCO	NIPPARTS	MAPCO
J4844018	59558	J4844019	19502	J4844020	59514
J4845008	59308	J4845008	59535HPS	J4845008	59536
J4845009	19550	J4845012	19541	J4845017	59307
J4845019	59306	J4846002	59214	J4847002	49555
J4847006	59362HPS	J4847006	59364	J4848004	59298
J4848005	49596	J4848006	59317	J4848006	59313
J4850900	59296	J4853008	59231	J4853038	59714
J4857000	49559	J4860304	59337	J4860305	59346
J4860501	19511	J4860502	19513	J4860503	59580
J4860504	59329	J4860507	49255	J4860509	59585
J4860511	51306	J4860521	51311	J4860902	19519
J4860904	51300	J4861000	59521	J4861006	59520
J4861007	59325	J4861020	19524	J4861023	19536
J4861024	19522	J4861024	59522	J4861026	59523
J4861030	19526	J4861033	59598	J4861039	51323
J4862000	59569	J4862001	59567	J4862002	59565
J4862005	59335	J4862007	59334	J4862008	59563
J4862010	59260	J4862012	19568	J4862012	19561
J4862013	59323	J4862015	59318	J4862018	59566
J4862019	59568	J4862022	59234	J4862024	19571
J4862028	19563	J4862028	49552	J4862032	59353
J4862033	51388	J4862040	51360	J4863000	59326
J4863000	19582	J4863001	19585	J4863007	49589
J4863010	19587	J4864000	19503	J4864001	19507
J4864002	49510	J4864004	59333	J4865000	19552
J4865003	19542	J4865004	49578	J4865005	19554
J4865007	49248	J4865010	59224	J4867000	49556
J4867001	49560	J4867003	59297	J4868000	59324
J4869000	49616	J4869004	49745	J4871003	59599
J4872000	19569	J4872000	19562	J4872001	59564
J4872004	51389	J4875003	19555	J4881000	19537
J4881001	19535	J4882000	59236	J4882003	59261
J4882006	59235	J4882008	51383	J4884011	51504
J4885000	19553	J4885001	59327	J4885001	49247
J4885002	19551	J4889000	49744	J4889001	59290
J4890501	59581	J4890503	59204	J4890514	49252
J4890515	51259HPS	J4890904	49297	J4891002	49524
J4891003	51526	J4891009	19527HPS	J4891013	49227HPS
J4891018	51525HPS	J4891027	59851	J4891028	49219
J4892016	51377HPS	J4892017	49238	J4892018	49239
J4892020	49579HPS	J4892025	51575	J4892030	49285
J4892042	51576	J4892043	51371	J4892044	51372
J4893003	19592HPS	J4893014	51336	J4893016	59534
J4894005	59502	J4894005	49502	J4894013	49202HPS
J4894014	49201HPS	J4894019	51507HPS	J4894020	51508HPS
J4894021	59241	J4894022	59242	J4895002	19544
J4895012	51545HPS	J4895013	51546HPS	J4895014	49245
J4895015	49905HPS	J4895015	49909	J4897000	59596
J4900306	51582	J4900311	59385	J4900311	59384

Die aufgeführten Vergleichsnummern dienen nur zur besseren Identifikation.

References are only specified for a better identification.

Les références mentionnées ne servent qu' à une meilleure identification.



NIPPARTS	MAPCO	NIPPARTS	MAPCO	NIPPARTS	MAPCO
J4900316	51256	J4900504	59292	J4900506	51216
J4900508	59576	J4900508	59576/1	J4900510	59376
J4900511	49940	J4900512	51220	J4900514	51234
J4900515	59378	J4900516	51218	J4900700	51265
J4900903	49290	J4900903	49597	J4900905	51296
J4900906	49756	J4900906	49757	J4900909	51294
J4901000	49528	J4901003	49534	J4901004	49522
J4901007	49530	J4901016	49520	J4901017	49220
J4901018	51288	J4901020	51286	J4901022	51284
J4901024	49538	J4901025	49536	J4901027	51527
J4901030	51529	J4901031	59358	J4902001	59374
J4902003	49574	J4902004	49572	J4902004	49550
J4902005	49570	J4902011	59288	J4902015	49272
J4902021	51554	J4902022	49276	J4902025	49568
J4902028	49576	J4902028	49257	J4902030	59380/1
J4902030	59380	J4902032	59391	J4902035	51552
J4902039	51560	J4902039	51561	J4902039	51398
J4903002	49580	J4903003	49584	J4903004	49230
J4903007	49582	J4903008	51345	J4903015	49236
J4903016	51531	J4903020	59389	J4903022	59394
J4903024	49233	J4903025	59368	J4904003	59330
J4904005	49213	J4904006	49508	J4904007	49209
J4904010	59502HPS	J4904010	59506	J4904011	49500
J4904014	49215	J4904014	49216	J4904015	49217
J4904019	51270	J4904024	51511	J4905000	49241
J4905001	59356	J4905002	59398	J4905007	49540
J4905008	49542	J4905012	49544	J4905012	49545
J4905020	59283	J4906001	59213	J4908000	19518
J4908002	49565	J4908003	59289	J4908004	49292
J4908006	49595	J4908009	59784	J4910306	51583
J4910316	51257	J4910504	59291	J4910506	51217
J4910508	59577/1	J4910508	59577	J4910510	59377
J4910511	49941	J4910512	51221	J4910514	51235
J4910515	59379	J4910516	51219	J4910700	51266
J4910903	49598	J4910903	49291	J4910905	51297
J4910909	51295	J4911000	49529	J4911003	49535
J4911004	49523	J4911007	49531	J4911009	59321
J4911009	59322	J4911016	49521	J4911017	49221
J4911018	51289	J4911020	51287	J4911022	51285
J4911024	49539	J4911025	49537	J4911027	51528
J4911030	51530	J4911031	59359	J4912001	59375
J4912003	49575	J4912004	49551	J4912004	49573
J4912005	49571	J4912011	59287	J4912015	49273
J4912021	51555	J4912022	49277	J4912025	49569
J4912026	49577	J4912028	49258	J4912030	59381/1
J4912030	59381	J4912032	59392	J4912035	51553
J4913002	49581	J4913003	49585	J4913004	49231
J4913007	49583	J4913008	51346	J4913020	59390
J4913022	59395	J4913025	59369	J4914003	59331

Die aufgeführten Vergleichsnummern dienen nur zur besseren Identifikation.

References are only specified for a better identification.

Les références mentionnées ne servent qu' à une meilleure identification.

NIPPARTS	MAPCO	NIPPARTS	MAPCO	NIPPARTS	MAPCO
J4914005	49214	J4914006	49509	J4914007	49210
J4914010	59507	J4914011	49501	J4914015	49218
J4914019	51271	J4914024	51512	J4915000	49242
J4915001	59357	J4915002	59399	J4915007	49541
J4915008	49543	J4915020	59284	J4916003	59212
J4918004	49293	J4920302	59382	J4920500	59386
J4921001	49526	J4922002	59285	J4922003	51571
J4923002	49235	J4924001	49506	J4924002	49205
J4924003	49211	J4924004	49511	J4924005	59508
J4924006	49513	J4924008	49260	J4924014	51500
J4925000	49546	J4925003	49243	J4930302	59383
J4930500	59387	J4931001	49527	J4932002	59286
J4932003	51572	J4932008	49951	J4933002	49234
J4934001	49507	J4934002	49206	J4934003	49212
J4934004	49512	J4934005	49503	J4934005	59509
J4934006	49514	J4934008	49261	J4934014	51501
J4935000	49547	J4935003	49244	J4940310	51215
J4943000	59370	J4944001	49203	J4944002	49504
J4945002	49956	J4945003	59396	J4948000	49549
J4948002	49599	J4954001	49204	J4954002	49263
J4954002	49505	J4955003	59397	J4958000	49548
J4960300	59344HPS	J4960300	59344	J4960301	59341
J4960301	59341HPS	J4960302	51230	J4960303	59343HPS
J4960303	59345	J4960308	59589	J4960310	59582HPS
J4960310	59583	J4960311	51532	J4960316	51243
J4960408	51277	J4960500	19543HPS	J4960500	59551
J4960506	59578	J4960513	49250HPS	J4960518	59351HPS
J4960518	59351	J4960519	49253	J4960520	51258HPS
J4960900	19559HPS	J4960902	49295	J4960904	51290HPS
J4960915	19558HPS	J4960916	59782	J4961000	59226HPS
J4961004	51281	J4961007	19538	J4961019	49224HPS
J4961022	19529HPS	J4961028	49222HPS	J4961029	19120HPS
J4961030	59250HPS	J4962000	19574	J4962003	19573
J4962005	19576	J4962006	19577	J4962019	49237HPS
J4962021	51373HPS	J4962022	51569	J4962026	51597
J4962026	51597HPS	J4962031	51588	J4962033	49274HPS
J4962034	51577HPS	J4962044	51573	J4962045	49283
J4962045	49283HPS	J4962046	51584HPS	J4962046	51584
J4962047	49259	J4962050	51391	J4962052	51599HPS
J4963001	19590HPS	J4963004	19516	J4963009	59388HPS
J4963010	19604HPS	J4963010	59533	J4963012	19593HPS
J4963015	51334HPS	J4963016	19774HPS	J4963016	19774
J4964000	51505	J4964007	59501	J4964020	59244HPS
J4964022	51556HPS	J4964026	49517	J4965000	59542
J4965001	59309	J4965003	59540HPS	J4965005	59546
J4965006	59544	J4965012	51543	J4967001	59595
J4968000	59300	J4968001	51593	J4968001	59850
J4970316	51244	J4970512	49251HPS	J4970518	59355
J4970518	59355HPS	J4970903	49296	J4971005	51282

Die aufgeführten Vergleichsnummern dienen nur zur besseren Identifikation.

References are only specified for a better identification.

Les références mentionnées ne servent qu' à une meilleure identification.





<b>NIPPARTS</b>	<b>MAPCO</b>	<b>NIPPARTS</b>	<b>MAPCO</b>	<b>NIPPARTS</b>	<b>MAPCO</b>
J4971008	19539	J4971020	49228	J4971030	59251HPS
J4971030	59251	J4972004	19575	J4972007	19578
J4972032	51589	J4972046	51585	J4972046	51585HPS
J4973002	19591HPS	J4973015	51335HPS	J4974008	59500
J4974020	59243HPS	J4974022	51557HPS	J4975007	59547
J4975012	51544	J4979001	19811	J4979001	19811HPS
N4820525	51308	N4824028	51275	N4830503	51309
N4832096	51366	N4834027	51276	N4840525	51310
N4843055	51629	N4844027	51272	N4845028	49415
N4848013	51251	N4860314	51260	N4890521	51247
N4892046	51367	N4894025	51519HPS	N4894026	51518HPS
N4900317	51232	N4901034	51268	N4905023	49410
N4908016	51264	N4908016	51263	N4910317	51233
N4915022	51548	N4915023	49411	N4960522	51226
N4962054	51392HPS	N4964027	51517HPS	N4964031	51558HPS
N4968004	51255HPS	N4970519	51227	49590HPS	49590HPS

<b>QUINTON HAZELL</b>	<b>MAPCO</b>	<b>QUINTON HAZELL</b>	<b>MAPCO</b>	<b>QUINTON HAZELL</b>	<b>MAPCO</b>
EMBK2057	36138	EMBK2061	36124	EMBK2062	36129
EMBK2063	36131	EMBK2064	36128	EMBK2065	36305
EMBK2066	36403	EMBK2067	36304	EMBK2070	36139
EMBK2071	36140	EMBK2073	36401	EMBK2074	36400
EMBK2075	36300	EMBK2076	36120	EMBK2077	36126
EMBK2078	36127	EMBK2079	36130	EMBK2080	36143
EMBK2081	36144	EMBK2082	36145	EMBK2084	36700
EMBK2087	36306	EMBK2250	36123	EMBK2252	36122
EMBK2253	36121	EMBK2254	36404	EMBK2255	36402
EMBK2256	36301	EMBK2257	36302	EMBK2258	36303
EMBK2259	36125	EMBK2400	36405	EMBK2401	36600
EMBK2402	36601	EMBK2405	36701	EMBK2406	36310
EMBK2407	36307	EMBK2408	36137	EMBK2409	36407
EMBK2410	36406	EMBK2411	36408	EMBK2412	36308
EMBK2413	36132	EMBK2414	36133	EMBK2415	36136
EMBK2416	36309	EMBK2417	36134	EMBK2418	36135
EMBK2601	19206	EMBK2641	33730	EMB1857	33629/2
EMB1862	33628	EMB1984	33734	EMB2031	33103
EMB2032	33104	EMB2107	33740	EMB2122	33145
EMB2138	33311/1	EMB2138	33311/2	EMB2139	33311
EMB2144	33844	EMB2157	33843	EMB2159	33906
EMB2214	33117	EMB2419	36904	EMB2510	33889/2
EMB2607	33670	EMB2608	33673	EMB2609	33674
EMB2614	33105	EMB2615	33118	EMB2619	33167
EMB2620	33168	EMB2621	33169	EMB2623	33115
EMB2635	33735	EMB2642	33760	EMB2643	33729
EMB2644	33755	EMB3037	33403	EMB3041	33409
EMB3042	33420	EMB3042	33323	EMB3046	33400
EMB3060	33457	EMB7011	33904	EMB7020	33324
EMB7021	33325	EMB7022	33164	EMB7025	33644
EMB7026	33791	EMB7027	36914	EMB7028	33907
EMB7034	33116	EMB7036	33889/3	EMB7036	33845

Die aufgeführten Vergleichsnummern dienen nur zur besseren Identifikation.

References are only specified for a better identification.

Les références mentionnées ne servent qu' à une meilleure identification.

QUINTON HAZELL	MAPCO	QUINTON HAZELL	MAPCO	QUINTON HAZELL	MAPCO
EMB7041	36787	EMB7043	33939	EMB7044	33940
EMB7054	33697	EMB7063	33671	EMB7065	33631
EMB7073	33337	EMB7074	33422	EMB7079	33424
EMB7080	33342	EMB7083	33458	EMB7090	33630
EMB7092	33905	EMB7100	33824	EMB7101	33935
EMB7102	33949	EMB7103	33948	EMB7105	33739
EMB7110	33789	EMB7112	33761	EMB7114	36764
EMB7121	33792	EMB7122	33927	EMB7123	37837
EMB7153	33172	EMB7155	36198	EMB7177	33300
EMB7222	49160	EMD9001	29795	EMS1711	33828
EMS1850	33818	EMS1851	33616	EMS1852	33617
EMS1855	33223	EMS1855	33520	EMS1858	33417
EMS1858	33423	EMS1859	33416	EMS1864	33725
EMS1865	33714	EMS1867	33842	EMS1869	33785
EMS1893	33820	EMS1950	33917	EMS1961	33714/9
EMS1962	33877	EMS1985	33733	EMS1987	33757
EMS1988	33848	EMS1989	33414	EMS1989	33314
EMS1992	33343	EMS1993	33322	EMS1994	33320
EMS1997	33819	EMS1999	33002	EMS2094	33003
EMS2109	33793	EMS2113	33102	EMS2125	33146
EMS2136	33306	EMS2176	33129	EMS2177	33130
EMS2186	33100	EMS2207	33307	EMS2209	33305
EMS2235	33610	EMS2423	33858/2	EMS2423	33858
EMS2430	33896	EMS2431	33898	EMS2433	33826/4
EMS2433	33826	EMS2434	33833/2	EMS2434	33833
EMS2440	33901	EMS2442	33891	EMS2445	33829
EMS2447	33892	EMS2448	33894	EMS2454	33893
EMS2469	33695	EMS2469	33695/2	EMS2472	33690
EMS2472	33690/2	EMS2492	36971	EMS2499	33874
EMS2513	33689	EMS2523	33609	EMS2523	33677
EMS2524	33035	EMS2534	33319	EMS2540	33994
EMS2603	33326	EMS2634	33752	EMS2645	33715
EMS2646	33618	EMS2647	33716	EMS2651	33835
EMS2657	33636	EMS2658	33635	EMS2659	33903
EMS2660	33017	EMS2663	33808	EMS2663	33834
EMS2664	33228	EMS2666	33015	EMS2668	33143
EMS2671	33691	EMS2672	33639	EMS2673	33638
EMS2675	36670	EMS2691	33839	EMS2692	33840
EMS2693	33932	EMS2694	33876	EMS2694	36915
EMS2697	33001	EMS2698	33732	EMS2698	33788
EMS2699	33794	EMS2699	33731	EMS2720	33614
EMS2721	33615	EMS3021	33019	EMS3022	33437
EMS3023	33426	EMS3024	33425	EMS3025	33147
EMS3026	33148	EMS3027	33170	EMS3028	33171
EMS3029	33318	EMS3030	33144	EMS3075	33227
EMS3085	33786	EMS3186	33415	EMS3186	33313
EMS3196	33316	EMS3197	33317	EMS3418	33899
EMS4045	33912	EMS4047	33902	EMS4082	33937
EMS4103	33683	EMS4104	33643	EMS4107	33909

Die aufgeführten Vergleichsnummern dienen nur zur besseren Identifikation.

References are only specified for a better identification.

Les références mentionnées ne servent qu' à une meilleure identification.

QUINTON HAZELL	MAPCO	QUINTON HAZELL	MAPCO	QUINTON HAZELL	MAPCO
EMS8003	33960	EMS8004	33521	EMS8004	33524
EMS8004	33221	EMS8005	33527	EMS8006	33220
EMS8014	33533	EMS8023	33550	EMS8023	33550/1
EMS8024	33551	EMS8024	33551/1	EMS8031	33678
EMS8032	33333	EMS8033	33849	EMS8036	33232
EMS8037	33231	EMS8039	33007	EMS8040	33676
EMS8045	33908	EMS8046	33928	EMS8048	33950
EMS8049	33570	EMS8050	33571	EMS8053	33878
EMS8054	33846	EMS8055	19994	EMS8057	33165
EMS8058	33530	EMS8059	33531	EMS8060	33534
EMS8061	33500	EMS8062	19993	EMS8065	33011
EMS8066	33012	EMS8067	33101	EMS8069	33504
EMS8070	33506	EMS8070	33505	EMS8071	33315
EMS8072	33944	EMS8073	33943	EMS8074	33501
EMS8075	33502	EMS8078	33768	EMS8079	33796
EMS8081	33014	EMS8082	33008	EMS8083	33013
EMS8084	33010	EMS8085	33503	EMS8088	33923
EMS8091	36975	EMS8093	36015	EMS8095	33222
EMS8097	33859	EMS8098	33929	EMS8105	33838
EMS8108	33507	EMS8114	33936	EMS8115	33841
EMS8117	33973	EMS8122	33637	EMS8124	33637/2
EMS8124	33641	EMS8125	33970	EMS8127	33787
EMS8128	33720	EMS8133	59621	EMS8136	36668/2
EMS8137	36911	EMS8140	37663	EMS8141	36662
EMS8142	36661	EMS8145	33934	EMS8150	36669/2
EMS8151	33675	EMS8153	33646	EMS8154	33647
EMS8155	33238	EMS8156	33239	EMS8158	37836
EMS8167	33541	EMS8173	33522	EMS8174	33528
EMS8184	33511	EMS8188	36691	EMS8189	33431
EMS8190	33335	EMS8191	33334	EMS8192	33434
EMS8193	33336	EMS8196	36704	EMS8197	36705
EMS8202	33681	EMS8208	36703	EMS8210	36939
EMS8221	36961	EMS8225	36798	EMS8227	36772
EMS8228	36950	EMS8229	36948	EMS8230	36949
EMS8231	37865	EMS8234	36774	EMS8235	36771
EMS8238	33123	EMS8240	37661	EMS8243	33427
EMS8244	33428	EMS8250	36622	EMS8254	36962
EMS8256	33539	EMS8257	33538	EMS8262	33979
EMS8263	36910	EMS8275	33526	EMS8279	33913
EMS8280	33915	EMS8290	33303	EMS8291	33895
EMS8292	33766	EMS8294	33753	EMS8296	33767
EMS8296	33762	EMS8297	59622	EMS8298	33737
EMS8299	33120	EMS8300	33119	EMS8302	33229
EMS8308	33736	EMS8316	33523	EMS8338	36786
EMS8339	36785	EMS8340	36679/2	EMS8349	36722
EMS8350	33436	EMS8351	33435	EMS8354	33584
EMS8356	33987	EMS8357	33995	EMS8366	33016
EMS8367	33666	EMS8368	33996	EMS8373	33340
EMS8374	33588	EMS8375	33589	EMS8434	36791

Die aufgeführten Vergleichsnummern dienen nur zur besseren Identifikation.

References are only specified for a better identification.

Les références mentionnées ne servent qu' à une meilleure identification.

QUINTON HAZELL	MAPCO	QUINTON HAZELL	MAPCO	QUINTON HAZELL	MAPCO
EMS8444	33445	EMS8479	36628	EMS8484	37877
EMS8489	33235	EMS8490	33236	EMS8491	33432
EMS8498	33048	EMS8499	33049	EMS8502	33124
EM1896	33321	EM1914	33330	EM2420	33871
EM2420	33871/4	EM2438	33827	EM2441	33830
EM2491	36899	EM2497	33942	EM2498	33865
EM2517	33329	EM4102	33693	EM4106	36852
EM4110	33692	EM4112	36665	EM4113	36666
EM4114	36664	EM4231	33433	QDL1712S	19325/1
QDL1776S	19323	QDL1776S	19354/1	QDL1776S	19355
QDL1776S	19354	QDL2049S	49730	QDL2056S	19821
QDL2073S	51805	QDL2079S	19892	QDL2107S	19340/1
QDL2143S	19804/1	QDL2143S	19803/1	QDL2152S	19405
QDL2172S	19107	QDL2173S	19150	QDL2173S	19150/1
QDL2174S	19151	QDL2175S	19129	QDL2175S	19129/1
QDL2181S	19126	QDL2181S	19198	QDL2194S	19335
QDL2194S	19446	QDL2217S	19899	QDL2236S	49878
QDL2243S	19166	QDL2243S	49107	QDL2243S	19166/1
QDL2245S	49761	QDL2246S	49762	QDL2247S	19860
QDL2248S	19861	QDL2378S	19106	QDL2427S	49660
QDL2428S	49731	QDL2429S	49658	QDL2449S	19444
QDL2450S	19445	QDL2510S	19831/1	QDL2510S	19830/1
QDL2521S	49844	QDL2527S	49845	QDL2570S	49760
QDL2604S	19871	QDL2605S	19872	QDL2612S	51803
QDL2612S	51802	QDL2612S	51806	QDL2694S	19822
QDL2695S	19825	QDL2696S	49898	QDL2696S	49899
QDL2698S	19829	QDL2699S	19891	QDL2701S	19675
QDL2713S	59865	QDL2714S	19837	QDL2728S	19682
QDL2729S	19683	QDL2738S	19482/1	QDL2745S	19154
QDL2746S	19153	QDL2752S	19862	QDL2753S	19865
QDL2753S	49874	QDL2754S	19863	QDL2755S	49873
QDL2755S	19864	QDL2786S	49780	QDL2787S	49781
QDL2793S	19887	QDL2850S	49763	QDL2851S	49782
QDL2852S	49783	QDL2853S	49785	QDL2873S	49801
QDL2878S	49672	QDL2879S	49673	QDL2882S	49674
QDL2883S	49675	QDL2886S	49766	QDL2887S	49767
QDL2926S	19820	QDL2937S	49813	QDL2950S	51870
QDL2951S	51871	QDL2955S	49789	QDL2956S	49790
QDL2958S	49741	QDL2962S	49721	QDL2963S	49722
QDL2966S	49732	QDL2976S	19161	QDL2977S	19156
QDL3018S	19688	QDL3019S	19689	QDL3021S	49886
QDL3029S	19813	QDL3030S	19812	QDL3038S	49866/2
QDL3039S	49866/1	QDL3039S	49866	QDL3045S	49870
QDL3047S	49869	QDL3165S	19786	QDL3170S	49716
QDL3180S	59893	QDL3185S	59800	QDL3188S	49888
QDL3189S	49889	QDL3190S	49890	QDL3191S	49892
QDL3210S	49692	QDL3211S	49693	QDL3212S	49773
QDL3213S	49774	QDL3227S	19784	QDL3228S	19785
QDL3244S	19696	QDL3245S	19697	QDL3257S	49690

Die aufgeführten Vergleichsnummern dienen nur zur besseren Identifikation.

References are only specified for a better identification.

Les références mentionnées ne servent qu' à une meilleure identification.

QUINTON HAZELL	MAPCO	QUINTON HAZELL	MAPCO	QUINTON HAZELL	MAPCO
QDL3258S	49691	QDL3271S	59692	QDL3272S	59693
QDL3273S	59601	QDL3273S	59610	QDL3274S	59892
QDL3275S	59891	QDL3276S	49738	QDL3280S	51669
QDL3288S	51638	QDL3297S	51745	QDL3298S	51746
QDL4032S	19838	QDL5017S	19845	QDL5019S	19888
QDL5222S	59624	QDL5229S	19013	QDL5232S	19144/1
QDL5233S	19172	QDL5236S	19014	QDL5238S	19145/1
QDL5238S	19188	QDL5239S	19173	QDL5252S	49114
QDL5255S	19644/1	QDL5256S	19644/2	QDL5258S	59305
QDL5260S	59230	QDL5262S	49115	QDL5276S	51675
QDL5278S	51676	QDL5282S	59862	QDL5290S	49067
QDL5291S	49068	QDL5292S	51655	QDL5293S	51654
QDL5293S	51665	QDL5294S	51656	QDL5295S	51666
QDL5298S	59809	QDL5300S	59808	QDL9546S	49838
QD2399S	49645	QD2399S	49646	QD2765S	19748
QD2818S	59340	QD3156S	19407	QLS1522S	19164HPS
QLS1522S	19164	QLS1550S	19026HPS	QLS1551S	49046
QLS1607S	19602HPS	QLS1607S	19606HPS	QLS1613S	49856HPS
QLS1617S	49297	QLS1618S	59204	QLS1619S	59552HPS
QLS1625S	19590HPS	QLS1626S	19591HPS	QLS1627S	19853HPS
QLS1652S	59667	QLS1699S	59782	QLS1711S	19780
QLS1712S	19781	QLS1747S	49032HPS	QLS1752S	49030HPS
QLS1754S	49652	QLS1755S	49796	QLS1757S	49031
QLS1758S	19527HPS	QLS1759S	49048	QLS1760S	49047
QLS1761S	19369HPS	QLS1810S	51505	QLS1811S	49200HPS
QLS1813S	19558HPS	QLS1813S	49298	QLS1813S	49298HPS
QLS1814S	19559HPS	QLS1815S	49295	QLS1816S	49296
QLS1817S	19957	QLS1820S	59551	QLS1821S	59581
QLS1821S	59543HPS	QLS1822S	49254	QLS1822S	49254HPS
QLS1823S	49253	QLS1824S	19592HPS	QLS1827S	59343HPS
QLS1829S	59345	QLS1830S	51277	QLS1831S	19543HPS
QLS1831S	59542	QLS1832S	59309	QLS1833S	19544
QLS1835S	49525HPS	QLS1837S	49524	QLS1838S	59851
QLS1840S	51526	QLS1841S	19574	QLS1842S	49579HPS
QLS1843S	19573	QLS1844S	19575	QLS1845S	19576
QLS1846S	19577	QLS1846S	49270HPS	QLS1847S	49271HPS
QLS1847S	19578	QLS1849S	49240	QLS1885S	19363
QLS1956S	33727	QLS1957S	33726	QLS1961S	19370HPS
QLS1970S	33009	QLS2146S	19339HPS	QLS2359S	49902HPS
QLS2533S	19915	QLS2541S	19913	QLS2541S	19937
QLS2541S	19937HPS	QLS2556S	49980	QLS2764S	19678HPS
QLS2854S	19667HPS	QLS2910S	19605HPS	QLS2915S	19476HPS
QLS2922S	59847HPS	QLS2922S	19839	QLS2923S	19819
QLS2923S	59830/1	QLS2924S	19817	QLS2924S	19818
QLS2967S	19603HPS	QLS2968S	49795HPS	QLS2997S	49663HPS
QLS3002S	49788	QLS3004S	49686	QLS3009S	59845
QLS3010S	49893	QLS3054S	49868	QLS3060S	49862/1
QLS3060S	49862	QLS3062S	51862	QLS3063S	19337HPS
QLS3066S	49850	QLS3069S	19435HPS	QLS3072S	19451HPS

Die aufgeführten Vergleichsnummern dienen nur zur besseren Identifikation.

References are only specified for a better identification.

Les références mentionnées ne servent qu' à une meilleure identification.

QUINTON HAZELL	MAPCO	QUINTON HAZELL	MAPCO	QUINTON HAZELL	MAPCO
QLS3073S	19470	QLS3075S	19608HPS	QLS3075S	19604HPS
QLS3076S	19429HPS	QLS3077S	19338HPS	QLS3080S	33633
QLS3080S	33633/1	QLS3081S	33632	QLS3081S	33632/1
QLS3082S	19658	QLS3171S	49714	QLS3172S	49729
QLS3173S	49715	QLS3178S	49688	QLS3179S	49689
QLS3186S	49826	QLS3187S	49827	QLS3192S	49834HPS
QLS3198S	19607/8HPS	QLS3198S	19607	QLS3200S	19600HPS
QLS3221S	49725	QLS3221S	49725HPS	QLS3222S	49726HPS
QLS3222S	49726	QLS3223S	59628HPS	QLS3224S	19700HPS
QLS3235S	49685OES	QLS3239S	19639	QLS3240S	19367
QLS3241S	59678	QLS3242S	59698	QLS3243S	59697HPS
QLS3244S	59687	QLS3245S	59516HPS	QLS3248S	59679
QLS3249S	49860	QLS3249S	49860/1	QLS3250S	49867
QLS3251S	49905HPS	QLS3255S	49787	QLS3256S	19362HPS
QLS3257S	59501	QLS3258S	59500	QLS3259S	19368HPS
QLS3260S	49033	QLS3261S	49034	QLS3262S	49786
QLS3263S	49840HPS	QLS3264S	49841HPS	QLS3265S	49843
QLS3266S	49108HPS	QLS3267S	49109HPS	QLS3268S	49865
QLS3268S	49865/1	QLS3269S	49851	QLS3270S	49863
QLS3271S	19364	QLS3272S	52712	QLS3273S	52713
QLS3275S	51593	QLS3276S	49799	QLS3277S	19028HPS
QLS3280S	51821	QLS3281S	19609HPS	QLS3282S	59648
QLS3283S	49226HPS	QLS3284S	19659HPS	QLS3286S	49250HPS
QLS3287S	49251HPS	QLS3288S	49252	QLS3290S	59251HPS
QLS3290S	59251	QLS3292S	49228	QLS3293S	19529HPS
QLS3295S	59517HPS	QLS3296S	59518HPS	QLS3299S	59812HPS
QLS3302S	19938	QLS3304S	51600HPS	QLS3305S	51601
QLS3306S	19774HPS	QLS3306S	19774	QLS3307S	59695
QLS3308S	59694	QLS3309S	59614HPS	QLS3310S	49906HPS
QLS3311S	49749HPS	QLS3313S	19775HPS	QLS3314S	19773HPS
QLS3315S	19777	QLS3316S	59854	QLS3317S	59855
QLS3318S	59546	QLS3319S	59547	QLS3320S	51377HPS
QLS3321S	49274HPS	QLS3322S	59894	QLS3323S	59901HPS
QLS3324S	59904	QLS3325S	49039HPS	QLS3326S	59637
QLS3328S	51825HPS	QLS3329S	51829HPS	QLS3330S	49118HPS
QLS3331S	49124HPS	QLS3332S	49793	QLS3333S	49794
QLS3334S	19376HPS	QLS3336S	49895HPS	QLS3337S	49812HPS
QLS3338S	49811HPS	QLS3339S	59859	QLS3340S	59860
QLS3341S	59833	QLS3342S	59834	QLS3343S	59858HPS
QLS3344S	52825	QLS3345S	52826	QLS3347S	52800HPS
QLS3348S	52801HPS	QLS3349S	49909	QLS3350S	59613HPS
QLS3351S	59603	QLS3351S	59603HPS	QLS3352S	59604HPS
QLS3352S	59604	QLS3355S	49202HPS	QLS3356S	49201HPS
QLS3357S	49269HPS	QLS3358S	49268HPS	QLS3359S	59849HPS
QLS3360S	19811HPS	QLS3360S	19811	QLS3361S	51594
QLS3361S	51594HPS	QLS3362S	59535HPS	QLS3363S	59510HPS
QLS3363S	59510	QLS3364S	59511HPS	QLS3365S	59541HPS
QLS3367S	59595	QLS3369S	51230	QLS3370S	49280
QLS3370S	49280HPS	QLS3371S	19776HPS	QLS3372S	49281HPS

Die aufgeführten Vergleichsnummern dienen nur zur besseren Identifikation.

References are only specified for a better identification.

Les références mentionnées ne servent qu' à une meilleure identification.

QUINTON HAZELL	MAPCO	QUINTON HAZELL	MAPCO	QUINTON HAZELL	MAPCO
QLS3372S	49281	QLS3373S	49066	QLS3373S	49066HPS
QLS3374S	59623HPS	QLS3375S	59631HPS	QLS3376S	51334HPS
QLS3377S	51335HPS	QLS3378S	51336	QLS3379S	19516
QLS3383S	59363HPS	QLS3383S	59363	QLS3385S	59534
QLS3386S	19396	QLS3387S	19397	QLS3389S	59664HPS
QLS3390S	51610HPS	QLS3391S	49947	QLS3391S	49947HPS
QLS3392S	19903	QLS3395S	49916HPS	QLS3396S	49237HPS
QLS3397S	49238	QLS3398S	49239	QLS3401S	49120HPS
QLS3401S	49120	QLS3402S	49121	QLS3402S	49121HPS
QLS3405S	51532	QLS3406S	59605HPS	QLS3407S	51371
QLS3408S	51372	QLS3409S	51575	QLS3410S	49285
QLS3412S	52732	QLS3414S	51642HPS	QLS3415S	51643HPS
QLS3416S	51644HPS	QLS3417S	51645HPS	QLS3418S	51646
QLS3419S	49303	QLS3422S	59952	QLS3424S	51556HPS
QLS3425S	51557HPS	QLS3426S	51255HPS	QLS3427S	19593HPS
QLS3428S	51258HPS	QLS3429S	51259HPS	QLS3430S	51844
QLS3431S	51588	QLS3432S	51589	QLS3433S	51332HPS
QLS3434S	52605HPS	QLS3435S	52604HPS	QLS3437S	51391
QLS3438S	51718HPS	QLS3439S	59820	QLS3441S	59632
QLS3442S	51639	QLS3442S	51639HPS	QLS3443S	51640HPS
QLS3444S	51641HPS	QLS3446S	51290HPS	QLS3447S	51291HPS
QLS3448S	51293HPS	QLS3451S	59503HPS	QLS3452S	59502HPS
QLS3452S	59502	QLS3453S	59241	QLS3454S	59242
QLS3455S	51541HPS	QLS3456S	51542HPS	QLS3457S	59244HPS
QLS3458S	59243HPS	QLS3459S	51205HPS	QLS3460S	51206HPS
QLS3461S	51208	QLS3463S	59351	QLS3463S	59351HPS
QLS3464S	59355	QLS3464S	59355HPS	QLS3465S	59583
QLS3466S	59584	QLS3471S	59344	QLS3471S	59344HPS
QLS3472S	59341HPS	QLS3472S	59341	QLS3473S	51243
QLS3474S	51244	QLS3476S	59388HPS	QLS3477S	49590
QLS3477S	49590HPS	QLS3478S	49591HPS	QLS3479S	49232
QLS3480S	51543	QLS3481S	51544	QLS3482S	51545HPS
QLS3483S	51546HPS	QLS3486S	59226HPS	QLS3487S	51281
QLS3488S	51282	QLS3489S	19120HPS	QLS3490S	51520
QLS3491S	51521	QLS3493S	59540HPS	QLS3495S	59300
QLS3496S	51373HPS	QLS3498S	51597HPS	QLS3498S	51597
QLS3499S	51577HPS	QLS3502S	49283HPS	QLS3502S	49283
QLS3502S	49284HPS	QLS3503S	49284	QLS3506S	52733
QLS3507S	51657HPS	QLS3508S	51658HPS	QLS3509S	51659
QLS3510S	51209	QLS3515S	51681	QLS3516S	51682
QLS3517S	51686	QLS3520S	51693	QLS3521S	51694
QLS3523S	52806HPS	QLS3527S	59026HPS	QLS3528S	49227HPS
QLS3532S	49146HPS	QLS3532S	49146	QLS3533S	52802
QLS3534S	52803	QLS3535S	49304HPS	QLS3536S	49305HPS
QLS3539S	51625	QLS3540S	19572	QLS3543S	49308
QLS3544S	51845	QLS3547S	52804HPS	QLS3548S	52805HPS
QLS3549S	19375HPS	QLS3555S	49405HPS	QLS3556S	49406HPS
QLS3557S	49404HPS	QLS3560S	52815	QLS3562S	51507HPS
QLS3563S	51508HPS	QLS3566S	51733	QLS3567S	51734

Die aufgeführten Vergleichsnummern dienen nur zur besseren Identifikation.

References are only specified for a better identification.

Les références mentionnées ne servent qu' à une meilleure identification.

QUINTON HAZELL	MAPCO	QUINTON HAZELL	MAPCO	QUINTON HAZELL	MAPCO
QLS3572S	52813	QLS3573S	52814	QLS3574S	59020
QLS3575S	59021	QLS3576S	59017	QLS3577S	59016
QLS3582S	51374HPS	QLS3583S	51378HPS	QLS3586S	19366
QLS3595S	51824	QLS3596S	59945HPS	QLS3597S	59946HPS
QLS3598S	49938HPS	QLS3609S	51599HPS	QLS3611S	51861
QLS3615S	49412HPS	QLS3617S	51302HPS	QLS3618S	51303HPS
QLS3623S	52630	QLS3630S	51367	QLS3633S	52737
QLS3635S	49778	QLS3636S	52600	QLS3637S	51558HPS
QLS3643S	52603HPS	QLS3645S	59365	QLS3646S	59366
QLS3647S	59639	QLS3648S	51392HPS	QLS3649S	51525HPS
QLS3650S	59024HPS	QLS3651S	49407HPS	QLS3652S	51203
QLS3653S	51204	QLS3666S	51584	QLS3666S	51584HPS
QLS3667S	51585	QLS3667S	51585HPS	QLS3676S	59857HPS
QLS3676S	59857	QLS3685S	49517	QLS3696S	59934
QLS3699S	51518HPS	QLS3700S	51519HPS	QLS3701S	51517HPS
QLS3702S	51247	QLS3711S	59594HPS	QLS3723S	51569
QLS3724S	51242	QLS3733S	51226	QLS3734S	51227
QLS3747S	49777HPS	QLS3763S	51307	QLS5266S	19348HPS
QLS9237S	19365	QP631T	19416	QR1118S	19080
QR1360LHT	51807	QR1415LH	19114	QR1415RH	19113
QR1555S	19906	QR1676S	19982	QR1707S	19105
QR1717S	19850	QR1718S	19040	QR1741S	19301
QR1752S	19710	QR1753S	19711	QR1768S	19108
QR1785S	19874	QR1828S	19719	QR1829S	19718
QR1833S	19736	QR1834S	19735	QR1835S	19890
QR1836S	19046	QR1837S	19042	QR1841S	19800
QR1843S	19136	QR1849S	51267	QR1856S	59222
QR1988S	19510	QR1990S	59221	QR2012S	59328
QR2025S	19452	QR2026S	19047	QR2034S	19406
QR2035S	19404	QR2046S	19660	QR2058S	19414
QR2059S	19413	QR2061S	49104	QR2064S	19420
QR2065S	49718	QR2066S	49717	QR2069S	19878
QR2071S	51808	QR2084S	59320	QR2085S	59317
QR2086S	49564	QR2087S	49563	QR2105S	19316
QR2106S	19325	QR2106S	19324/1	QR2106S	19315
QR2119S	19355/1	QR2119S	19446/1	QR2119S	19410
QR2121S	19121	QR2132S	19131	QR2134S	19723
QR2135S	19654	QR2136S	19805	QR2141S	19412
QR2157S	59319	QR2212S	19745	QR2218S	49952
QR2220S	19417	QR2221S	19556	QR2224S	59371
QR2225S	59372	QR2226S	59658	QR2229S	59681
QR2230S	59680	QR2233S	19668	QR2234S	19669
QR2254S	19043	QR2256S	19059	QR2263S	19501
QR2264S	19508	QR2265S	19502	QR2265S	59512
QR2273S	59247	QR2274S	19093	QR2274S	19089
QR2275S	19090	QR2275S	19092	QR2287S	19580
QR2289S	19827	QR2289S	19824	QR2290S	19823
QR2291S	19826	QR2298S	19846	QR2298S	19848
QR2299S	19847	QR2299S	19849	QR2304S	19547

Die aufgeführten Vergleichsnummern dienen nur zur besseren Identifikation.

References are only specified for a better identification.

Les références mentionnées ne servent qu' à une meilleure identification.



QUINTON HAZELL	MAPCO	QUINTON HAZELL	MAPCO	QUINTON HAZELL	MAPCO
QR2304S	19540	QR2308S	19546	QR2309S	19545
QR2324S	19560	QR2327S	19565	QR2328S	19614
QR2329S	19613	QR2330S	19616	QR2330S	49601
QR2334S	49753	QR2334S	49750	QR2334S	49751
QR2335S	49752	QR2356S	19908	QR2357S	49928
QR2358S	49944	QR2366S	19981	QR2371S	19058
QR2377S	19727	QR2379S	19053	QR2380S	19052
QR2383S	19610	QR2384S	19611	QR2396S	49518
QR2396S	19595	QR2397S	19742	QR2397S	49882
QR2398S	19741	QR2401S	19130/1	QR2402S	19418
QR2402S	19130	QR2405S	19007	QR2450S	49256
QR2453S	59216	QR2454S	59214	QR2455S	59215
QR2459S	19531	QR2460S	19532	QR2463S	19022
QR2464S	19022/1	QR2464S	19022/2	QR2467S	19724
QR2471S	19722	QR2473S	19740	QR2475S	19070
QR2486S	19081	QR2488S	19082	QR2495S	19581
QR2502S	19588	QR2517S	49847	QR2523S	49849
QR2524S	49880	QR2544S	19541	QR2546S	19550
QR2547S	59220	QR2574S	51343	QR2574S	19956
QR2579S	59332	QR2585S	59279	QR2586S	59275
QR2587S	59265	QR2588S	59264	QR2597S	59282
QR2597S	59278	QR2629S	19324	QR2629S	19326
QR2647S	19961	QR2650S	49606	QR2684S	49554
QR2685S	49555	QR2687S	19753	QR2688S	19752
QR2689S	19134	QR2690S	19133	QR2705S	19750
QR2748S	59866	QR2749S	59867	QR2767S	19877
QR2769S	59296	QR2770S	59295	QR2773S	59367
QR2774S	49604	QR2775S	19859	QR2776S	19880
QR2777S	19866	QR2780S	49742	QR2781S	49743
QR2782S	19867	QR2783S	49848	QR2798S	59208
QR2799S	59207	QR2800S	19597	QR2801S	19598
QR2821S	19523	QR2822S	19521	QR2823S	19520
QR2823S	49532	QR2823S	59257	QR2823S	59255
QR2826S	59228	QR2827S	59227	QR2829S	59229
QR2830S	59527	QR2832S	49754	QR2833S	49755
QR2834S	19336/1	QR2834S	19336	QR2835S	19141
QR2836S	19156/1	QR2837S	19142	QR2839S	19140
QR2840S	19139	QR2841S	19149	QR2841S	19159
QR2841S	19160	QR2842S	19567	QR2843S	19566
QR2844S	19017	QR2844S	19016	QR2848S	19692
QR2849S	19693	QR2856S	19078	QR2856S	19430
QR2857S	19023	QR2858S	19447	QR2859S	19448
QR2860S	19065	QR2861S	19068	QR2862S	19079
QR2863S	19647	QR2865S	19757	QR2866S	19758
QR2867S	19504	QR2868S	19506	QR2869S	19505
QR2871S	19512	QR2874S	49800	QR2875S	59310
QR2889S	49764	QR2890S	49900	QR2890S	49942
QR2891S	19910	QR2892S	19911	QR2893S	49917
QR2894S	19144	QR2895S	19145	QR2904S	59201

Die aufgeführten Vergleichsnummern dienen nur zur besseren Identifikation.

References are only specified for a better identification.

Les références mentionnées ne servent qu' à une meilleure identification.

QUINTON HAZELL	MAPCO	QUINTON HAZELL	MAPCO	QUINTON HAZELL	MAPCO
QR2904S	59281	QR2904S	49562	QR2926S	19646
QR2926S	19645	QR2928S	19628	QR2935S	19886
QR2935S	49872	QR2936S	49871	QR2936S	19885
QR2948S	59665	QR2949S	59657	QR2964S	19664
QR2965S	19663	QR2972S	19170	QR2972S	19181
QR2972S	49101	QR2973S	49100	QR2973S	19169
QR2973S	19180	QR2985S	19627	QR2988S	49858
QR2989S	49857	QR2992S	19583	QR2993S	49707HPS
QR2993S	49707OES	QR2995S	19782	QR2996S	19783
QR2998S	49739	QR2999S	49740	QR3007S	49881
QR3011S	49807	QR3012S	49805	QR3013S	49806
QR3014S	19833	QR3015S	19834	QR3017S	49884
QR3023S	19882	QR3024S	19873	QR3025S	49600
QR3025S	19615	QR3027S	49759	QR3028S	49758
QR3037S	49644	QR3040S	59896	QR3041S	59895
QR3055S	49641	QR3056S	49640	QR3057S	49824
QR3058S	49823	QR3073S	49894	QR3076S	19443
QR3076S	19411	QR3081S	19480	QR3083S	19525
QR3088S	49642	QR3089S	49643	QR3116S	49883
QR3158S	19174	QR3161S	19655	QR3162S	49737
QR3167S	19626	QR3196S	19637	QR3196S	19638
QR3201S	59816	QR3202S	59817	QR3219S	59814
QR3220S	59815	QR3229S	49653	QR3230S	49654
QR3231S	19649	QR3232S	19648	QR3233S	19650
QR3240S	19631	QR3250S	51822	QR3251S	51823
QR3259S	49700	QR3260S	49701	QR3265S	19644
QR3268S	59672	QR3269S	59666	QR3272S	59586
QR3273S	59571	QR3274S	59572	QR3275S	19379
QR3276S	59806	QR3277S	59807	QR3279S	59294
QR3281S	19810	QR3284S	59640	QR3286S	59641
QR3286S	59642	QR3287S	59676	QR3289S	59669
QR3290S	59670	QR3292S	59663	QR3293S	59690
QR3294S	59691	QR3296S	49620	QR3297S	49621
QR3298S	49622	QR3299S	19479	QR3300S	19489
QR3301S	19490	QR3302S	49921	QR3303S	49922
QR3304S	49093	QR3305S	49964	QR3306S	19762
QR3307S	59553	QR3310S	59307	QR3316S	19968
QR3317S	19973	QR3320S	49611	QR3321S	49627
QR3322S	59600	QR3325S	49969	QR3326S	49970
QR3328S	49135	QR3329S	49136	QR3332S	19189
QR3335S	49147	QR3336S	49148	QR3337S	49149
QR3340S	19195	QR3341S	19194	QR3343S	49117/1
QR3343S	51117/1	QR3346S	49103	QR3347S	49119
QR3348S	49126	QR3350S	19492	QR3351S	19493
QR3352S	49074	QR3353S	49075	QR3354S	59027
QR3355S	49098	QR3356S	59011	QR3357S	59873
QR3357S	59872	QR3361S	59840	QR3362S	59841
QR3363S	59844	QR3364S	59843	QR3365S	49155
QR3375S	59513	QR3378S	49287	QR3380S	19392

Die aufgeführten Vergleichsnummern dienen nur zur besseren Identifikation.

References are only specified for a better identification.

Les références mentionnées ne servent qu' à une meilleure identification.

QUINTON HAZELL	MAPCO	QUINTON HAZELL	MAPCO	QUINTON HAZELL	MAPCO
QR3382S	19395	QR3383S	51342	QR3385S	51344
QR3386S	51340	QR3387S	51341	QR3388S	51315
QR3389S	49618	QR3390S	49619	QR3391S	59786
QR3396S	51318	QR3398S	49735	QR3399S	49736
QR3400S	49059	QR3401S	49071	QR3402S	49057
QR3403S	49058	QR3404S	49072	QR3409S	19099
QR3423S	49192	QR3424S	49193	QR3425S	49194
QR3426S	49927	QR3427S	59626	QR3428S	59947
QR3432S	51509	QR3433S	51510	QR3436S	51250
QR3437S	51251	QR3439S	51313	QR3440S	51312
QR3442S	49965	QR3443S	49966	QR3444S	49918
QR3445S	51273	QR3446S	51274	QR3451S	51722
QR3457S	51298	QR3458S	51299	QR3462S	59515
QR3465S	59556	QR3470S	59712	QR3472S	59714
QR3473S	59715	QR3480S	59253	QR3488S	49159
QR3489S	49559	QR3501S	51382	QR3502S	51380
QR3503S	51381	QR3517S	59293	QR3518S	59267
QR3521S	49626	QR3522S	49603	QR3523S	49954
QR3524S	49967	QR3525S	49968	QR3532S	51653
QR3533S	51667	QR3534S	51668	QR3536S	51245
QR3539S	51684	QR3548S	49314	QR3557S	59013
QR3558S	51619	QR3559S	51620	QR3567S	59785
QR3568S	51742	QR3569S	51743	QR3573S	49306
QR3574S	49307	QR3578S	49923	QR3583S	51840
QR3584S	51841	QR3596S	49020	QR3597S	59554
QR3599S	19423	QR3610S	51744	QR3617S	49315
QR3618S	52809	QR3619S	52810	QR3619S	52811
QR3621S	59514	QR3623S	49602	QR3624S	51390
QR3627S	19496	QR3628S	19497	QR3630S	51236
QR3631S	51237	QR3632S	51238	QR3634S	51689
QR3648S	59014	QR3649S	59015	QR3660S	59012
QR3662S	49157	QR3663S	49158	QR3664S	49161
QR3665S	51301	QR3666S	59944	QR3672S	19393
QR3679S	51366	QR3681S	59774	QR3682S	59770
QR3687S	51629	QR3696S	51683	QR3706S	52680
QR3707S	52681	QR3714S	51735	QR3727S	59903
QR3737S	49415	QR3739S	51361	QR3740S	51362
QR3784S	51310	QR3795S	59558	QR3801S	51308
QR3802S	51309	QR3807S	49401	QR3850S	51628
QR3851S	51627	QR3861S	51222	QR3862S	51223
QR4082S	19891/1	QR4110LHT	19356	QR4110RHT	19357
QR4164S	19840	QR4165S	19841	QR4192S	19103
QR4193S	19107/1	QR4193S	19152	QR5012S	49781/1
QR5014S	19409	QR5086S	19483	QR5087S	19482
QR5088S	19481	QR5091S	19564	QR5212S	49746
QR5213S	49053	QR5216S	19182	QR5222S	49674/1
QR5224S	19534	QR5231S	59314	QR5232S	59249
QR5237S	19517	QR5239S	59203	QR5240S	59205
QR5243S	19557	QR5248S	59254	QR5249S	59259

Die aufgeführten Vergleichsnummern dienen nur zur besseren Identifikation.

References are only specified for a better identification.

Les références mentionnées ne servent qu' à une meilleure identification.

QUINTON HAZELL	MAPCO	QUINTON HAZELL	MAPCO	QUINTON HAZELL	MAPCO
QR5249S	59258	QR5250S	19533	QR5251S	59524
QR5251S	59225	QR5256S	59239	QR5257S	59280
QR5258S	49911	QR5263S	51292	QR5264S	59717
QR5265S	59573	QR5267S	59719	QR5270S	59336
QR5276S	19584	QR5277S	19599	QR5283S	49137
QR5284S	49138	QR5285S	49125	QR5288S	49586
QR5289S	59560	QR5290S	59561	QR5292S	59684
QR5293S	59685	QR5303S	51678	QR5306S	49690/1
QR5318S	49607	QR5320S	49010	QR5323S	51723
QR5324S	51826	QR5325S	51827	QR5328S	19484
QR5329S	19477	QR5330S	19478	QR5331S	49400
QR5332S	49145	QR6001S	49672/1	QR6003S	19594
QR6004S	59231	QR900LHT	19836	QR900RHT	59897
QR900RHT	51850	QR9052S	19171	QR9053S	49112
QR9054S	49113	QR9066S	19193	QR9068S	19190
QR9074S	19183	QR9128S	19530	QR9131S	59256
QR9159S	59526	QR9160S	59528	QR9161S	59263
QR9163S	49288	QR9164S	59277	QR9165S	59273
QR9165S	59274	QR9171S	59266	QR9178S	59237
QR9185S	51567	QR9192S	59246	QR9193S	59313
QR9193S	49264	QR9194S	59312	QR9194S	49265
QR9195S	59557	QR9199S	19500	QR9216S	51581
QR9231S	19341	QR9232S	19342	QR9233S	19353
QR9233S	19374	QR9278S	49910	QR9278S	59536
QR9282S	59308	QR9283S	59306	QR9284S	19549
QR9285S	19548	QR9311S	59298	QR9313S	49561
QR9317S	51533	QR9331S	59339	QR9332S	59570
QR9334S	59574	QR9335S	59575	QR9336S	59555
QR9343S	59217	QR9368S	59238	QR9370S	19509
QR9378S	49596	QR9531S	19373	QR9537S	49102
QR9539S	49115/1	QR9543S	49557	QR9544S	49558
QR9546S	49566	QR9547S	49567	QR9548S	59276
QR9549S	59268	QR9549S	59272	QR9901S	19029
QR9902S	19030	QR9903S	19018	QR9925S	19015
QR9926S	49017	QR9927S	49018	QR9933S	19589
QR9934S	19528	QR9936S	19382	QR9937S	19381
QR9961S	19641	QR9963S	19069	QR9964S	19640
QR9970S	49833	QR9971S	49837	QR9975S	19024
QR9976S	51711	QR9977S	51712	QR9978S	49040
QR9979S	49043	QR9980S	59899	QR9982S	19380
QSA1001S	49706	QSA1001S	49706/1	QSA1004S	19168
QSA1006S	49705/1	QSA1006S	49705	QSA1009S	19167
QSA1014S	19687	QSA1015S	19686	QSA1038S	19350
QSA1039S	19349	QSA1044S	19328	QSA1045S	19327
QSA1062S	19050	QSA1063S	19051	QSA1083S	19055
QSA1084S	19054	QSA1295S	19670HPS	QSA1296S	19671HPS
QSA1348S	19066	QSA1349S	19067	QSA1355S	19760
QSA1356S	19761	QSA1359S	19471	QSA1360S	19472
QSA1373S	19454	QSA1374S	19453	QSA1375S	19322

Die aufgeführten Vergleichsnummern dienen nur zur besseren Identifikation.

References are only specified for a better identification.

Les références mentionnées ne servent qu' à une meilleure identification.

QUINTON HAZELL	MAPCO	QUINTON HAZELL	MAPCO	QUINTON HAZELL	MAPCO
QSA1376S	19321	QSA1385S	19330	QSA1386S	19329
QSA1393S	19178	QSA1394S	19177	QSA1395S	19187
QSA1396S	19186	QSA1397S	49734	QSA1398S	49733
QSA1424S	19769	QSA1425S	19768	QSA1426S	19620
QSA1427S	19619	QSA1428S	19756/2	QSA1429S	19755/2
QSA1431S	19756/4	QSA1432S	19755/4	QSA1444S	49769
QSA1444S	49769/1	QSA1445S	49770/1	QSA1445S	49770
QSA1446S	19858/1	QSA1447S	19858/2	QSA1448S	19870/1
QSA1449S	19870/2	QSA1450S	19690	QSA1451S	19691
QSA1452S	19686/1	QSA1469S	49757	QSA1470S	49756
QSA1471S	19702/1	QSA1471S	19756/3	QSA1471S	19755/3
QSA1473S	19756/1	QSA1474S	19755/1	QSA1499S	19344
QSA1500S	19345	QSA1515S	49877	QSA1516S	49876
QSA1519S	19870	QSA1530S	49775	QSA1531S	49776
QSA1538S	49507	QSA1539S	49506	QSA1540S	49503
QSA1540S	59509	QSA1541S	49502	QSA1541S	59508
QSA1544S	49521	QSA1546S	49523	QSA1547S	49522
QSA1548S	19197	QSA1549S	19196	QSA1549S	19109
QSA1550S	49904	QSA1551S	49903	QSA1556S	19972
QSA1557S	19971	QSA1563S	49819	QSA1564S	49820
QSA1567S	49815	QSA1568S	49816	QSA1569S	49817
QSA1570S	49818	QSA1648S	19629	QSA1649S	19630
QSA1650S	19756/5	QSA1651S	19755/5	QSA1659S	19623
QSA1660S	19622	QSA1661S	19634	QSA1662S	19633
QSA1667S	49665	QSA1668S	49664	QSA1672S	49704/2
QSA1672S	49704	QSA1672S	49704/1	QSA1673S	19690/1
QSA1675S	49768	QSA1688S	59836	QSA1689S	59837
QSA1690S	49814/1	QSA1691S	49814/2	QSA1694S	49821
QSA1695S	49822	QSA1696S	49803	QSA1697S	49804
QSA1698S	49808	QSA1699S	49809	QSA1702S	49666
QSA1703S	49667	QSA1707S	49676/1HPS	QSA1708S	49677/1HPS
QSA1709S	19653	QSA1709S	19652	QSA1710S	19651
QSA1715S	51819/1	QSA1715S	51820	QSA1715S	51819
QSA1722S	49211	QSA1723S	49212	QSA1724S	49205
QSA1725S	49206	QSA1726S	49508	QSA1727S	49509
QSA1728S	49209	QSA1729S	49210	QSA1730S	49213
QSA1731S	49214	QSA1734S	49500	QSA1735S	49501
QSA1736S	49215	QSA1737S	49216	QSA1738S	49513
QSA1739S	49514	QSA1742S	49534	QSA1743S	49535
QSA1763S	49544	QSA1763S	49907	QSA1765S	19360
QSA1767S	49912	QSA1768S	49022	QSA1769S	49024
QSA1769S	49051	QSA1771S	49530	QSA1773S	49582
QSA1774S	49913	QSA1775S	49023	QSA1776S	49052
QSA1776S	49025	QSA1778S	49531	QSA1783S	49545
QSA1783S	49908	QSA1784S	49080	QSA1784S	49081
QSA1790S	49583	QSA1857S	49290	QSA1858S	49291
QSA1861S	49940	QSA1862S	49941	QSA1865S	51211
QSA1866S	51212	QSA1867S	51234	QSA1868S	51235
QSA1871S	51582	QSA1872S	51583	QSA1876S	49165

Die aufgeführten Vergleichsnummern dienen nur zur besseren Identifikation.

References are only specified for a better identification.

Les références mentionnées ne servent qu' à une meilleure identification.

QUINTON HAZELL	MAPCO	QUINTON HAZELL	MAPCO	QUINTON HAZELL	MAPCO
QSA1877S	49166	QSA1889S	59688	QSA1890S	59689
QSA1891S	51690	QSA1892S	51691	QSA1895S	19642
QSA1896S	19643	QSA1897S	19656	QSA1897S	19642/1
QSA1898S	19657	QSA1898S	19643/1	QSA1899S	19701/1
QSA1901S	19701	QSA1902S	19702	QSA1903S	19474
QSA1903S	19437	QSA1904S	19438	QSA1904S	19475
QSA1904S	19475/1	QSA1907S	49914	QSA1908S	49915
QSA1912S	49528	QSA1913S	49529	QSA1918S	49540
QSA1919S	49541	QSA1920S	49293	QSA1921S	49292
QSA1922S	49044	QSA1923S	49045	QSA1924S	49064
QSA1925S	49065	QSA1926S	49041	QSA1927S	49042
QSA1930S	49301	QSA1931S	49302	QSA1932S	49919
QSA1933S	49920	QSA1936S	59644	QSA1937S	59645
QSA1938S	59291	QSA1939S	59292	QSA1940S	49580
QSA1941S	49581	QSA1944S	59321	QSA1945S	59322
QSA1948S	19383	QSA1949S	19384	QSA1956S	51590
QSA1957S	51591	QSA1958S	49576	QSA1959S	49577
QSA1962S	33563	QSA1962S	49574	QSA1963S	49575
QSA1964S	49570	QSA1965S	49571	QSA1966S	49572
QSA1966S	49550	QSA1967S	49551	QSA1967S	49573
QSA1968S	49272	QSA1969S	49273	QSA1972S	49568
QSA1973S	49569	QSA1974S	49608	QSA1975S	49609
QSA1976S	19486	QSA1976S	19485	QSA1978S	59661
QSA1979S	59662	QSA1980S	59674	QSA1981S	59675
QSA1982S	19385	QSA1983S	19386	QSA1984S	59650
QSA1985S	59651	QSA1986S	51663	QSA1987S	51664
QSA1992S	49958	QSA1993S	49959	QSA1994S	49036
QSA1995S	49037	QSA1996S	49962	QSA1997S	49963
QSA1998S	49536	QSA1999S	49537	QSA2000S	49623
QSA2000S	49624	QSA2002S	49936	QSA2003S	49937
QSA2006S	49217	QSA2007S	49218	QSA2008S	49260
QSA2009S	49261	QSA2012S	49131	QSA2013S	49132
QSA2013S	33121	QSA2016S	51726	QSA2017S	51727
QSA2018S	51715	QSA2019S	51716	QSA2020S	19390
QSA2021S	19391	QSA2026S	49133	QSA2027S	49134
QSA2027S	49151	QSA2028S	49127	QSA2029S	49128
QSA2029S	49150	QSA2031S	19148	QSA2031S	19109/2
QSA2048S	59801	QSA2049S	59802	QSA2052S	51854
QSA2053S	51855	QSA2058S	51852	QSA2059S	51853
QSA2066S	51270	QSA2067S	51271	QSA2068S	51345
QSA2069S	51346	QSA2074S	59900	QSA2075S	49597
QSA2076S	49598	QSA2077S	49612	QSA2078S	49613
QSA2079S	59654	QSA2080S	59655	QSA2085S	59930
QSA2086S	59931	QSA2087S	51602	QSA2087S	52608
QSA2088S	51603	QSA2091S	59376	QSA2092S	59377
QSA2093S	51330	QSA2094S	51331	QSA2095S	59358
QSA2096S	59359	QSA2097S	51529	QSA2098S	51530
QSA2099S	51284	QSA2100S	51285	QSA2101S	49614
QSA2102S	49615	QSA2103S	59380	QSA2103S	59380/1

Die aufgeführten Vergleichsnummern dienen nur zur besseren Identifikation.

References are only specified for a better identification.

Les références mentionnées ne servent qu' à une meilleure identification.

QUINTON HAZELL	MAPCO	QUINTON HAZELL	MAPCO	QUINTON HAZELL	MAPCO
QSA2104S	59381	QSA2104S	59381/1	QSA2105S	49320
QSA2107S	49084	QSA2109S	49078	QSA2110S	49079
QSA2111S	49054	QSA2112S	49055	QSA2113S	59378
QSA2114S	59379	QSA2115S	49086	QSA2117S	19331
QSA2117S	19331/1	QSA2117S	49322	QSA2118S	49323
QSA2118S	19332/1	QSA2220S	49141	QSA2221S	33122
QSA2221S	49140	QSA2221S	49142	QSA2222S	51248
QSA2223S	51249	QSA2225S	49090	QSA2226S	51502
QSA2227S	51503	QSA2229S	51254	QSA2230S	51842
QSA2231S	51843	QSA2235S	52609	QSA2238S	51511
QSA2239S	51512	QSA2240S	51500	QSA2241S	51501
QSA2246S	51286	QSA2249S	49951	QSA2252S	52717
QSA2254S	51731	QSA2255S	51732	QSA2256S	19398
QSA2257S	19399	QSA2262S	51296	QSA2263S	51297
QSA2264S	51294	QSA2265S	51295	QSA2270S	51220
QSA2271S	51221	QSA2276S	59384	QSA2277S	59385
QSA2279S	51257	QSA2282S	49584	QSA2283S	49585
QSA2284S	49235	QSA2285S	49234	QSA2286S	59394
QSA2287S	59395	QSA2290S	49542	QSA2291S	49543
QSA2292S	51265	QSA2293S	51266	QSA2298S	51397
QSA2299S	51398	QSA230S	19162	QSA2300S	51554
QSA2301S	51555	QSA2306S	59285	QSA231S	19163
QSA2318S	49948	QSA2319S	49949	QSA2324S	49985
QSA2325S	49986	QSA2326S	19097	QSA2327S	19098
QSA2330S	49310	QSA2331S	49311	QSA2332S	49190
QSA2333S	49191	QSA2337S	51674	QSA2337S	51673
QSA2341S	51622	QSA2342S	51623	QSA2351S	37880
QSA2351S	52716	QSA2352S	52740	QSA2353S	52741
QSA2360S	49318	QSA2361S	49319	QSA2364S	49152
QSA2365S	49153	QSA2370S	52816	QSA2371S	52817
QSA2378S	51304	QSA2379S	51305	QSA2384S	59022
QSA2385S	59023	QSA2390S	51232	QSA2391S	51233
QSA2396S	49316	QSA2397S	49317	QSA2398S	51595
QSA2399S	51596	QSA240S	19124	QSA2400S	49096
QSA2401S	49097	QSA241S	19125	QSA2413S	49162
QSA2414S	49163	QSA2415S	49094	QSA2416S	49095
QSA2417S	51547	QSA2418S	51548	QSA2425S	59772
QSA2426S	59773	QSA2427S	51347	QSA2428S	51348
QSA2439S	59029	QSA2440S	59028	QSA2441S	49408
QSA2442S	49409	QSA2444S	49321	QSA2445S	52823
QSA2446S	52824	QSA2453S	51830	QSA2454S	51831
QSA2455S	59018	QSA2456S	59019	QSA2467S	19494
QSA2469S	19495	QSA2473S	52714	QSA2474S	52715
QSA2475S	59382	QSA2476S	59383	QSA2494S	59780
QSA2495S	59781	QSA2507S	51386	QSA2508S	51387
QSA2509S	51384	QSA2510S	51385	QSA2513S	51395
QSA2514S	51396	QSA2523S	49410	QSA2524S	49411
QSA2531S	49082	QSA2532S	49083	QSA2549S	52807
QSA2550S	52808	QSA267S	19147	QSA268S	19138

Die aufgeführten Vergleichsnummern dienen nur zur besseren Identifikation.

References are only specified for a better identification.

Les références mentionnées ne servent qu' à une meilleure identification.

QUINTON HAZELL	MAPCO	QUINTON HAZELL	MAPCO	QUINTON HAZELL	MAPCO
QSA269S	19137	QSA7002S	19073	QSA7002S	49077
QSA7003S	19072	QSA7003S	49076	QSA7005S	19624
QSA9000S	49982	QSA9010S	49981	QSA906S	19021
QSA907S	19020	QSA9113S	19076	QSA9113S	19431
QSA9113S	19433	QSA9114S	19432	QSA9114S	19434
QSA9114S	19077	QSA9137S	49539	QSA9138S	49538
QSA914S	19057	QSA915S	19056	QSA9246S	19461
QSA9247S	49085	QSA9247S	19462	QSA9248S	19463
QSA9249S	49087	QSA9249S	33006	QSA9249S	19464
QSA9375S	49511	QSA9380S	49512	QSA9403S	19361
QSA9426S	49130	QSA9427S	49129	QSA9430S	19488
QSA9440S	19487	QSA950S	19158	QSA951S	19157
QSA9532S	19347	QSA9533S	19346	QSA9650S	33890
QSA9650S	19858	QSA9904S	49028	QSA9905S	49029
QSA9908S	19031	QSA9909S	19032	QSA992S	19460
QSA993S	19459	QSA996S	19332	QSA998S	19010
QSA999S	19009	QSJ1000S	19851	QSJ1001S	19852
QSJ1004S	19983	QSJ1009S	19352	QSJ1010S	19351
QSJ1012S	19743/1	QSJ1013S	19744/1	QSJ1018S	19045
QSJ1030S	19419	QSJ1033S	19422	QSJ1040S	19314
QSJ1040S	19318	QSJ1041S	19317	QSJ1041S	19313
QSJ1046S	19307	QSJ1049S	19132	QSJ1055S	19618
QSJ1056S	19617	QSJ1057S	59333	QSJ1058S	19749
QSJ1085S	19060	QSJ1089S	59331	QSJ1090S	59330
QSJ1099S	19503	QSJ1111S	19091	QSJ1116S	19582
QSJ1124S	49578	QSJ1125S	19551	QSJ1126S	19552
QSJ1131S	59323	QSJ1134S	19568	QSJ1134S	19561
QSJ1135S	19569	QSJ1135S	19562	QSJ1141S	19889
QSJ1141S	19889/1	QSJ1142S	19909	QSJ1143S	19907
QSJ1146S	19955	QSJ1147S	19951	QSJ1147S	19949
QSJ1148S	19954	QSJ1155S	19747/1	QSJ1156S	19746/1
QSJ1157S	19754	QSJ1158S	49050	QSJ1159S	19008
QSJ1162S	19898	QSJ1163S	19897	QSJ1164S	19680
QSJ1165S	19681	QSJ1179S	49661	QSJ1180S	49662
QSJ1181S	49678	QSJ1182S	49679	QSJ1184S	19425
QSJ1186S	59212	QSJ1201S	19071	QSJ1206S	59290
QSJ1214S	19832	QSJ1216S	49896	QSJ1217S	49897
QSJ1219S	59223	QSJ1227S	19587	QSJ1228S	19428
QSJ1232S	19041	QSJ1232S	19064	QSJ1233S	59297
QSJ1235S	49565	QSJ1237S	59565	QSJ1238S	59563
QSJ1241S	59236	QSJ1243S	59318	QSJ1251S	19698
QSJ1252S	19699	QSJ1264S	49556	QSJ1265S	59521
QSJ1266S	19737/1	QSJ1267S	19738/1	QSJ1269S	19679/1
QSJ1269S	19679	QSJ1281S	19442	QSJ1282S	19441
QSJ1283S	19469	QSJ1284S	19468	QSJ1294S	19426
QSJ1298S	19319	QSJ1299S	19320	QSJ1300S	19751
QSJ1303S	19868	QSJ1305S	19962	QSJ1306S	49745
QSJ1307S	49744	QSJ1308S	49649	QSJ1313S	19513
QSJ1314S	59213	QSJ1315S	59218	QSJ1316S	19511

Die aufgeführten Vergleichsnummern dienen nur zur besseren Identifikation.

References are only specified for a better identification.

Les références mentionnées ne servent qu' à une meilleure identification.



QUINTON HAZELL	MAPCO	QUINTON HAZELL	MAPCO	QUINTON HAZELL	MAPCO
QSJ1317S	49012	QSJ1321S	49616	QSJ1328S	19980
QSJ1330S	19765	QSJ1332S	59327	QSJ1332S	49247
QSJ1334S	19524	QSJ1335S	19522	QSJ1335S	59522
QSJ1336S	19537	QSJ1337S	59523	QSJ1338S	19143
QSJ1343S	19694	QSJ1344S	19695	QSJ1345S	19684
QSJ1346S	19685	QSJ1351S	19507	QSJ1352S	49802
QSJ1353S	19912	QSJ1354S	19801	QSJ1413S	19896
QSJ1413S	19896/1	QSJ1414S	19895/1	QSJ1414S	19895
QSJ1416S	19585	QSJ1418S	19807	QSJ1419S	19806
QSJ1420S	19809	QSJ1421S	19808	QSJ1475S	49694
QSJ1476S	49695	QSJ1477S	49650	QSJ1478S	49651
QSJ1479S	59619	QSJ1480S	59620	QSJ1481S	49723
QSJ1482S	49724	QSJ1490S	19763	QSJ1495S	19449
QSJ1496S	19450	QSJ1506S	49139	QSJ1517S	49861
QSJ1518S	19621	QSJ1520S	19571	QSJ1520S	19563
QSJ1560S	49891	QSJ1597S	49825	QSJ1600S	19427
QSJ1603S	49703	QSJ1603S	49703/1	QSJ1604S	49702
QSJ1604S	49702/1	QSJ1657S	19636	QSJ1658S	19635
QSJ1664S	19632	QSJ1674S	49713OES	QSJ1682S	49727
QSJ1683S	49728	QSJ1684S	59617	QSJ1685S	59618
QSJ1720S	49526	QSJ1721S	49527	QSJ1766S	51531
QSJ1796S	59346	QSJ1799S	59210	QSJ1802S	59598
QSJ1803S	59599	QSJ1807S	59234	QSJ1808S	59566
QSJ1809S	49552	QSJ1850S	49203	QSJ1851S	49204
QSJ1875S	49156	QSJ1878S	59520	QSJ1903S	59580
QSJ1912S	59260	QSJ1913S	49060	QSJ1914S	49061
QSJ1919S	51710OES	QSJ1921S	49111	QSJ2013S	19844
QSJ2042S	19358	QSJ2043S	19359	QSJ2054S	51835
QSJ2055S	51836	QSJ2056S	51837	QSJ2057S	51838
QSJ2086S	19842	QSJ2087S	19843	QSJ2095S	49839
QSJ2099S	59646	QSJ2100S	19518	QSJ2106S	51832
QSJ2107S	51833	QSJ2108S	59879	QSJ2109S	59880
QSJ2110S	51834	QSJ2111S	59878	QSJ2112S	59874
QSJ2113S	59876	QSJ2114S	59877	QSJ2115S	59949
QSJ2117S	51748	QSJ2118S	51749	QSJ2122S	49955
QSJ236S	51800	QSJ237S	51801	QSJ263S	19204
QSJ264S	19881	QSJ3009S	59898	QSJ3237S	49924
QSJ3238S	59832	QSJ3239S	59784	QSJ3241S	51730
QSJ3242S	59668	QSJ3247S	49242	QSJ3247S	49241
QSJ3248S	59398	QSJ3249S	59399	QSJ3250S	49243
QSJ3251S	49244	QSJ3254S	49546	QSJ3255S	49547
QSJ3256S	19372	QSJ3258S	49983	QSJ3259S	49984
QSJ3260S	19984	QSJ3261S	19985	QSJ3268S	59810
QSJ3269S	59811	QSJ3270S	59562	QSJ3271S	49610
QSJ3272S	49110	QSJ3273S	59643	QSJ3276S	51661
QSJ3277S	51662	QSJ3278S	51660	QSJ3279S	19491
QSJ3281S	49069	QSJ3289S	59606	QSJ3290S	59607
QSJ3291S	59608	QSJ3292S	59609	QSJ3293S	59602
QSJ3295S	51724	QSJ3296S	51725	QSJ3297S	59885

Die aufgeführten Vergleichsnummern dienen nur zur besseren Identifikation.

References are only specified for a better identification.

Les références mentionnées ne servent qu' à une meilleure identification.

QUINTON HAZELL	MAPCO	QUINTON HAZELL	MAPCO	QUINTON HAZELL	MAPCO
QSJ3298S	59884	QSJ3299S	59881	QSJ3300S	59882
QSJ3301S	59902	QSJ3304S	49630	QSJ3305S	49631
QSJ3306S	51721	QSJ3307S	59611	QSJ3308S	59612
QSJ3310S	49655	QSJ3311S	49656	QSJ3314S	59368
QSJ3315S	59369	QSJ3316S	49309	QSJ3318S	49062
QSJ3319S	49063	QSJ3320S	59629	QSJ3321S	59630
QSJ3324S	19498	QSJ3325S	19499	QSJ3326S	52607
QSJ3329S	19394	QSJ3331S	59776	QSJ3332S	52606
QSJ3333S	49038	QSJ3338S	51636	QSJ3339S	51637
QSJ3340S	51632	QSJ3341S	51633	QSJ3344S	59615
QSJ3345S	59616	QSJ3346S	59635	QSJ3347S	59636
QSJ3349S	51630	QSJ3350S	51631	QSJ3354S	51300
QSJ3362S	51246	QSJ3367S	51851	QSJ3368S	59396
QSJ3369S	59397	QSJ3371S	51360	QSJ3372S	51388
QSJ3373S	51389	QSJ3377S	51564	QSJ3378S	59353
QSJ3379S	59354	QSJ3388S	51634	QSJ3389S	51635
QSJ3390S	51685	QSJ3391S	51672	QSJ3392S	51688
QSJ3393S	49092	QSJ3396S	52720	QSJ3397S	52721
QSJ3398S	52718	QSJ3399S	51652	QSJ3400S	51650
QSJ3401S	51651	QSJ3403S	51306	QSJ3416S	49099
QSJ3419S	51848	QSJ3420S	59647	QSJ3428S	59633
QSJ3429S	59634	QSJ3432S	59838	QSJ3436S	52710
QSJ3437S	51311	QSJ3440S	51738	QSJ3441S	51739
QSJ3442S	51737	QSJ3443S	52682	QSJ3445S	51878
QSJ3446S	51879	QSJ3447S	51876	QSJ3448S	51877
QSJ3449S	51874	QSJ3450S	51875	QSJ3451S	51647
QSJ3454S	51239	QSJ3461S	51872	QSJ3462S	51873
QSJ3464S	52835	QSJ3465S	52836	QSJ3468S	51323
QSJ3478S	52738	QSJ3479S	52739	QSJ3480S	52724
QSJ3481S	52725	QSJ3482S	52722	QSJ3483S	52723
QSJ3485S	52728	QSJ3486S	52729	QSJ3489S	59790
QSJ3490S	51847	QSJ3496S	51613	QSJ3497S	51614
QSJ3498S	51615	QSJ3501S	52690	QSJ3502S	52691
QSJ3510S	59950	QSJ3528S	59638	QSJ3532S	49932
QSJ3533S	51880	QSJ3535S	52602	QSJ3537S	51860/1
QSJ3538S	51860	QSJ3539S	52829	QSJ3540S	52830
QSJ3543S	52734	QSJ3545S	52639	QSJ3546S	52640
QSJ3547S	52637	QSJ3548S	52638	QSJ3564S	52726
QSJ3565S	52727	QSJ3580S	49520	QSJ3581S	52831
QSJ3582S	52832	QSJ3583S	51858	QSJ3584S	51859
QSJ3585S	51856	QSJ3586S	51857	QSJ3602S	51228
QSJ527S	49648	QSJ651S	19102	QSJ7000S	19666HPS
QSJ7000S	19666/2	QSJ7000S	19666/1	QSJ7001S	19665
QSJ706S	19856	QSJ719S	19875	QSJ767S	19085
QSJ768S	19084	QSJ773S	19025	QSJ792S	19111
QSJ793S	19876	QSJ794S	19721	QSJ798S	19854
QSJ812S	19816	QSJ813S	19112	QSJ814S	19857
QSJ839AS	19048	QSJ839S	19044	QSJ858S	19901
QSJ859S	19902	QSJ874S	19802	QSJ874S	19612

Die aufgeführten Vergleichsnummern dienen nur zur besseren Identifikation.

References are only specified for a better identification.

Les références mentionnées ne servent qu' à une meilleure identification.

QUINTON HAZELL	MAPCO	QUINTON HAZELL	MAPCO	QUINTON HAZELL	MAPCO
QSJ876S	59682	QSJ877S	19714	QSJ881S	59683
QSJ886S	19115	QSJ887S	19116	QSJ888S	19123
QSJ889S	19122	QSJ897S	19725	QSJ908S	59224
QSJ911S	19535	QSJ9136S	19526	QSJ9146S	19536
QSJ9166S	59568	QSJ9167S	59564	QSJ9181S	59235
QSJ9188S	59569	QSJ9189S	59261	QSJ9198S	49510
QSJ9209S	49589	QSJ9214S	51534	QSJ9215S	51535
QSJ9217S	51540	QSJ9218S	51537	QSJ9287S	19554
QSJ9288S	19553	QSJ9288S	19555	QSJ9309S	49014
QSJ9315S	49595	QSJ9321S	59326	QSJ9324S	49560
QSJ9342S	59585	QSJ9347S	19519	QSJ9348S	59211
QSJ9357S	49116	QSJ940S	59325	QSJ950S	19542
QSJ952S	59334	QSJ9535S	19371	QSJ9536S	19389
QSJ9537S	19473	QSJ9542S	59789	QSJ965S	19408
QSJ967S	51383	QSJ971S	19828	QSJ972S	19415
QSJ972S	19312	QSJ973S	19311	QSJ974S	19310
QSJ975S	19135	QSJ976S	19127	QSJ977S	19128
QSJ978S	49105	QSJ979S	49106	QSJ980S	19883
QSJ985S	19421	QSJ986S	19893	QSJ987S	19894
QSJ988S	49698	QSJ989S	49699	QSJ9928S	49021
QSJ9931S	49255	QSJ994S	19673	QSJ995S	19674
QSJ996S	19879	QSJ996S	19879/1	QSJ9968S	49831
QSJ997S	19662	QSJ998S	19661	QSJ999S	19884
QSK214S	33611	QSK220S	33627	QSK227S	59864
QSK227S	33870	QSK232S	33909/4	QSK233S	33912/2
QSK237S	33875	QSK238S	33875/1	QSK239S	33847
QSK240S	33933/2	QSK240S	33933	QSK240S	36660
QSK243S	33841/4	QSK249S	37834	QSK250S	36917
QSK254S	36916	QSK256S	36909	QWB9008	34053
QWB9010	59846	TSA208RK	33818/9		
RUVILLE	MAPCO	RUVILLE	MAPCO	RUVILLE	MAPCO
965112	33972	965113	33922	965114	33974
965800	34053	966601	34413	985002	37663
985003	33691	985004	33638	985005	33639
985007	33875	985010	33875/1	985011	33689
985012	33695/2	985012	33695	985013	33690/2
985013	33690	985014	33847	985015	36669/2
985019S	36660	985020	33666	985029	33847/4
985030	36665	985031	36666	985032	36664
985033	36662	985034	36661	985040	33934
985041	36668/2	985042	33692/2	985042	33692
985043	33693/2	985043	33693	985044S	33933
985051	37664	985103	33841/4	985108	33970
985112	33841	985114	33889/3	985117	33874
985120	33870	985121	33865	985122	33910
985123	37876	985126	36899	985131	33836
985133	36972	985138	33868	985139	33889/4
985140	33889/4	985141	36908	985144	33867
985145	33936	985148	36916	985149	36909

Die aufgeführten Vergleichsnummern dienen nur zur besseren Identifikation.

References are only specified for a better identification.

Les références mentionnées ne servent qu' à une meilleure identification.

<b>RUVILLE</b>	<b>MAPCO</b>	<b>RUVILLE</b>	<b>MAPCO</b>	<b>RUVILLE</b>	<b>MAPCO</b>
985150	33973	985154	37838	985157	37890
985160	33943	985161	33944	985162	33838
985162	33837	985165	36911	985173	36910
985175	33946	985201	33611	985202	33616
985203	33617	985204	33618	985205	33615
985206	33677	985207	33609	985208	33628/2
985208	33628	985209	33627	985210	33645
985212	33670	985214	33614	985215	33635
985216	33636	985217	33678	985221	33908
985222	33676	985225	33643	985226	33644
985232	33675	985245	36627	985301	33785
985302	33786	985303	33714/9	985304	33730
985305	33729	985306	33736	985307	33734
985308	33732	985310	33715	985312	33757
985313	33714	985314	33740	985315	33716
985316	33879	985321	33739	985322	33725
985323	33733	985324	33752	985329	33848
985330	33731	985331	33735	985332	33877
985334	33794	985335	33849	985337	33895
985352	33737	985353	33787	985354	33758
985355	33756	985355	33753	985357	33766
985359	33789	985361	33761	985363	33755
985364	33760	985365	33762	985372	33795
985400	33818/9	985401	33929	985402	33859
985404	33871	985405	33858	985406	33900
985407	33896	985408	33897	985410	33828
985411	33818	985412	33818	985412	33820
985414	33906	985415	33826	985415S	33826/4
985416	33904	985417	33844	985421	33827
985422	33830	985423	33819	985424	33833
985424S	33833/2	985425	33903	985426	33912
985427	33876	985429	33932	985430	33840
985431	33839	985432	33907	985438	33835
985439	33834	985440	33937	985441	33909
985443	33872	985444	33916	985446	36852
985447	33935	985448	33948	985449	33949
985450	36914	985451	36786	985455	33893
985456	36785	985460	36950	985461	36948
985462	36949	985464	33987	985501	33146
985503	33129	985504	33130	985508	33170
985509	33171	985510	33148	985511	33100
985512	33144	985513	33143	985514	33145
985515	33118	985517	33105	985520	33147
985521	33167	985526	33174	985701	33892
985702	33899	985703	33898	985704	33891
985705	33901	985706	33878	985707	36941
985710	33842	985711	36904	985712	33938
985714	33829	985715	33939	985716	33940
985717	33902	985718	33894	985719	36798

Die aufgeführten Vergleichsnummern dienen nur zur besseren Identifikation.

References are only specified for a better identification.

Les références mentionnées ne servent qu' à une meilleure identification.

<b>RUVILLE</b>	<b>MAPCO</b>	<b>RUVILLE</b>	<b>MAPCO</b>	<b>RUVILLE</b>	<b>MAPCO</b>
985720	33808	985806	33002	985807	33003
985808	33227	985811	33019	985814	33035
985821	33017	985825	33018	985826	33047
985828	33232	985829	33231	985845	33005
985854	33040	985855	33039	985861	33069
985889	33239	985890	33238	985903	33338
985904	33321	985905	33307	985906	33306
985907	33320	985909	33788	985910	33322
985911	33420	985912	33313	985913	33323
985921	33416	985921	33417	985923	33424
985928	33319	985929	33318	985930	33457
985935	33316	985936	33317	986017	33010
986101	33960	986505	33923	986601	33314
986601	33414	986606	33486	986609	33403
986611	33423	986622	33445	986623	33444
986806	33505	986808	33501	986809	33502
986811	33500	986811	33506	986901	33564
986911	33563	987001	33535	987301	33510
987701	33578	987702	33594	987800	33950
987802	19994	987803	36780	987804	36781
987806	36789	987807	36788		

<b>TRW</b>	<b>MAPCO</b>	<b>TRW</b>	<b>MAPCO</b>	<b>TRW</b>	<b>MAPCO</b>
JTS552	59021	ES 2827	19580	ES 3071	19594
JAR1000	59307	JAR1001	49287	JAR1008	59787
JAR1010	49072	JAR1011	49911	JAR1014	49161
JAR1023	51629	JAR1027	59770	JAR1030	49161
JAR1031	49194	JAR1036	52681	JAR1037	52680
JAR104	59217	JAR1046	49603	JAR1048	49602
JAR1052	59642	JAR1053	59641	JAR106	49837
JAR1061	59808/1	JAR107	49833	JAR1074	51629
JAR1075	49314	JAR108	19068	JAR109	19079
JAR111	19452	JAR112	19069	JAR113	19022/1
JAR113	19022	JAR114	19644	JAR115	19722
JAR116	19650	JAR117	49642	JAR118	49643
JAR121	19647	JAR122	49642	JAR123	19805
JAR124	49754	JAR125	49755	JAR126	49607
JAR127	49607	JAR128	19627	JAR129	19628
JAR131	59246	JAR134	19506	JAR137	49894
JAR140	19541	JAR142	19550	JAR144	51267
JAR146	19521	JAR153	49866	JAR158	49944
JAR159	49900	JAR160	49917	JAR161	19043
JAR162	19740	JAR163	19723	JAR164	19724
JAR170	19588	JAR172	19353	JAR173	19373
JAR174	19152	JAR177	19149	JAR178	19156/1
JAR179	19193	JAR183	59265	JAR184	49288
JAR188	19564	JAR189	19565	JAR190	59263
JAR191	49942	JAR192	19891/1	JAR193	19887
JAR196	49952	JAR205	19654	JAR207	19183
JAR210	59266	JAR213	19740	JAR213	49644

Die aufgeführten Vergleichsnummern dienen nur zur besseren Identifikation.

References are only specified for a better identification.

Les références mentionnées ne servent qu' à une meilleure identification.

TRW	MAPCO	TRW	MAPCO	TRW	MAPCO
JAR218	49807	JAR219	49781/1	JAR223	19412
JAR224	19324/1	JAR224	19325/1	JAR225	19324
JAR226	19409	JAR227	19323	JAR228	19103
JAR233	49918	JAR235	19166/1	JAR311	19022
JAR407	19566	JAR450	59307	JAR465	59267
JAR495	19410	JAR495	19446/1	JAR498	19482
JAR499	19448	JAR501	19023	JAR501	19023/1
JAR503	19150/1	JAR507	19696/1	JAR509	19336/1
JAR511	19443	JAR511	19411	JAR544	19016
JAR544	19017	JAR547	19722	JAR551	49910
JAR560	19502	JAR561	19018	JAR562	59570
JAR564	59536	JAR565	49102	JAR565	19174
JAR640	49053	JAR641	19018	JAR642	49750
JAR642	49752	JAR643	49753	JAR643	49751
JAR644	49043	JAR645	19024	JAR646	19479
JAR647	49400	JAR648	19484	JAR649	59844
JAR650	19379	JAR652	49126	JAR654	19171
JAR655	49119	JAR662	49145	JAR7527	59294
JAR7528	51382	JAR7529	51390	JAR7544	51344
JAR7551	51245	JAR7564	59572	JAR7569	51251
JAR7600	59555	JAR915	19973	JAR916	19968
JAR921	49954	JAR924	49738	JAR927	49622
JAR928	49690/1	JAR929	49159	JAR930	49737
JAR932	19594	JAR933	59231	JAR934	19584
JAR935	59899	JAR936	49125	JAR937	52719
JAR938	51117/1	JAR939	51723	JAR940	49019
JAR942	59641	JAR943	59642	JAR950	49117/1
JAR951	19182	JAR952	49103	JAR953	49964
JAR957	49607	JAR958	59785	JAR964	19194
JAR965	51653	JAR970	59027	JAR971	49149
JAR973	52810	JAR974	19676	JAR978	59663
JAR980	19195	JAR981	51722	JAR982	49746
JAR983	19493	JAR984	51117/1	JAR985	49764
JAR989	19380	JAR990	49155	JAR991	19810
JAR994	51744	JAR998	59557	JB100	59789
JB100	19621	JB109	19060	JB113	49703/1
JB113	49703	JB114	19893	JB115	19681
JB117	19684	JB118	19685	JB119	19662
JB120	19661	JB121	19665	JB122	19666HPS
JB125	19425	JB126	19427	JB127	19426
JB129	19428	JB130	19419	JB131	19312
JB131	19415	JB135	19408	JB137	19085
JB138	19721	JB141	19725	JB142	49861
JB143	19754	JB145	19763	JB146	19714
JB149	19801	JB150	19612	JB150	19802
JB151	19632	JB152	19507	JB153	19503
JB153	49510	JB154	49255	JB155	19513
JB156	19091	JB159	19044	JB160	49014
JB163	19587	JB164	19844	JB165	19828

Die aufgeführten Vergleichsnummern dienen nur zur besseren Identifikation.

References are only specified for a better identification.

Les références mentionnées ne servent qu' à une meilleure identification.

TRW	MAPCO	TRW	MAPCO	TRW	MAPCO
JB166	49891	JB167	49825	JB173	59224
JB174	49578	JB175	19554	JB176	19555
JB177	19526	JB178	59325	JB181	59522
JB182	19524	JB186	19421	JB187	19422
JB188	19307	JB189	19320	JB190	19319
JB191	19135	JB192	49106	JB194	19143
JB195	19112	JB196	19115	JB197	19109
JB198	19128	JB199	19122	JB200	19123
JB202	19132	JB204	59333	JB205	19949
JB206	19954	JB207	19955	JB210	19690
JB210	19889	JB211	19962	JB212	49560
JB215	59565	JB218	59563	JB219	19569
JB219	19562	JB221	59323	JB223	19568
JB223	19561	JB226	19907	JB227	19902
JB228	19901	JB230	19909	JB231	19912
JB232	19884	JB234	19875	JB235	19876
JB236	19879	JB237	19679/1	JB237	19679
JB243	19895	JB244	19896/1	JB248	19857
JB249	19894	JB250	19084	JB251	19980
JB252	19983	JB255	49050	JB259	19102
JB260	49105	JB261	19111	JB262	19116
JB263	19127	JB265	19883	JB266	19851
JB267	19881	JB268	19868	JB269	19951
JB275	49744	JB276	19359	JB277	19449
JB278	19450	JB281	49021	JB287	49255
JB289	59297	JB290	49556	JB298	19902
JB303	19751	JB308	49802	JB317	59324
JB320	49745	JB324	19749	JB325	19749
JB327	59520	JB328	59335	JB332	59569
JB339	49248	JB358	59235	JB359	59236
JB360	49247	JB368	49831	JB369	19535
JB374	19511	JB377	49702/1	JB377	49702
JB382	19008	JB436	51540	JB437	51537
JB452	51383	JB453	59318	JB456	59261
JB457	59260	JB552	59329	JB600	19680
JB604	19204	JB609	19358	JB649	19897
JB650	19816	JB651	19617	JB652	19618
JB653	51800	JB654	51801	JB655	19852
JB659	19893	JB660	19585	JB662	59898
JB663	19898	JB666	19582	JB680	19551
JB682	19571	JB682	19563	JB687	19553
JB697	51834	JB701	19372	JB702	59810
JB703	59811	JB704	19491	JB705	49610
JB706	19389	JB707	19473	JB708	49038
JB709	19371	JB711	59671	JB712	59622
JB713	59602	JB717	19499	JB718	19498
JB719	49140	JB720	49924	JB721	49151
JB722	52607	JB723	51283	JB724	59523
JB725	49110	JB726	49111	JB729	49069

Die aufgeführten Vergleichsnummern dienen nur zur besseren Identifikation.

References are only specified for a better identification.

Les références mentionnées ne servent qu' à une meilleure identification.

TRW	MAPCO	TRW	MAPCO	TRW	MAPCO
JB729	49070	JB731	19371	JB732	49116
JB738	19491	JB740	52606	JB741	49099
JB745	51660	JB748	19394	JB749	51721
JB7501	59580	JB7504	59566	JB751	51724
JB752	51725	JB7524	59234	JB753	19765
JB7532	51388	JB7533	51389	JB754	49955
JB7553	51306	JB7561	51300	JB758	59864
JB759	49839	JB760	49156	JB761	19109
JB775	49649	JB776	59648	JB779	51624
JB781	49631	JB782	49630	JB783	51882
JB785	59902	JB786	51848	JB794	51748
JB795	51749	JB804	52812	JB813	49162
JB814	49163	JB815	52743	JB816	52744
JBU101	33425	JBU102	33426	JBU106	33035
JBU107	33019	JBU109	33322	JBU111	33752
JBU114	33313	JBU116	33417	JBU118	33228
JBU119	33227	JBU120	33840	JBU123	33019
JBU124	33794	JBU125	33960	JBU126	33615
JBU128	33146	JBU129	33903	JBU130	33314
JBU131	33731	JBU132	33616/7	JBU133	33725
JBU134	33165	JBU135	33636	JBU136	33616
JBU137	33788	JBU138	36915	JBU139	33839
JBU140	33828	JBU141	33842	JBU142	33437
JBU143	33511	JBU144	33414	JBU146	33101
JBU147	33320	JBU148	33818	JBU149	33102
JBU150	33130	JBU151	33129	JBU152	33416
JBU153	33733	JBU156	33003	JBU157	33793
JBU158	33609	JBU159	33002	JBU160	33100
JBU161	33819	JBU162	33907	JBU166	33611
JBU167	33870	JBU167	59864	JBU180	33307
JBU250	33343	JBU257	33877	JBU261	33820
JBU390	36663	JBU392	37663	JBU453	33001
JBU454	33006	JBU456	33018	JBU461	33011
JBU464	19433	JBU464	33442	JBU465	33017
JBU466	33443	JBU479	33646	JBU503	36938
JBU505	33768	JBU514	36832	JBU517	33635
JBU526	36910	JBU527	36911	JBU528	36975
JBU530	36016	JBU531	36015	JBU534	33944
JBU535	33924	JBU537	33842	JBU541	36627
JBU542	33679	JBU544	33847	JBU545	33923
JBU546	33787	JBU605	33236	JBU608	33836
JBU610	33837	JBU611	36980	JBU614	33977
JBU615	33976	JBU616	37833	JBU617	37832
JBU619	36987	JBU620	37874	JBU621	37865
JBU623	37836	JBU626	36703	JBU627	36689
JBU629	36774	JBU630	33434	JBU631	36988
JBU640	37869	JBU642	33840	JBU643	36778
JBU645	36679/2	JBU647	33062	JBU647	59018
JBU650	33049	JBU651	33048	JBU653	33069

Die aufgeführten Vergleichsnummern dienen nur zur besseren Identifikation.

References are only specified for a better identification.

Les références mentionnées ne servent qu' à une meilleure identification.



TRW	MAPCO	TRW	MAPCO	TRW	MAPCO
JBU654	33973	JBU658	37875	JBU659	33883
JBU661	36628	JBU664	33315	JBU666	37835
JBU668	37885	JBU669	37886	JBU670	37887
JBU671	37883	JBU672	37884	JBU673	37888
JBU679	36771	JBU688	59621	JBU690	36949
JBU691	36948	JBU692	36950	JBU701	33431
JBU702	33428	JBU703	33427	JBU704	33334
JBU705	33335	JBU707	33435	JBU708	33436
JBU709	33485	JBU710	33123	JBU711	33119
JBU713	36629	JBU714	33681	JBU714	36630
JBU719	33936	JBU724	33987	JBU729	36704
JBU730	36705	JBU731	33122	JBU732	33122
JBU734	36722	JBU735	36725	JBU736	36726
JBU737	33234	JBU738	33233	JBU740	33560
JBU742	33561	JBU744	33239	JBU745	33044
JBU748	33235	JBU751	33124	JBU752	33714
JBU761	33336	JBU767	33121	JBU768	33122
JBU779	36988	JBU789	33818	JBU790	37889
JCY104	59624	JCY106	49801	JCY108	59862
JLS100	19481	JRA125	19013	JRA129	49869
JRA130	49870	JRA131	49789	JRA132	49790
JRA137	49721	JRA138	49722	JRA141	49781
JRA142	49785	JRA151	49898	JRA152	49899
JRA154	19813	JRA155	19812	JRA156	49783
JRA157	19675	JRA158	49780	JRA159	49782
JRA166	49750	JRA167	19829	JRA168	19837
JRA169	19825	JRA181	19340/1	JRA183	19325
JRA184	19326	JRA194	19121	JRA194	19106
JRA198	19107	JRA199	49107	JRA199	19166
JRA200	19198	JRA200	19126	JRA203	19160
JRA204	19159	JRA205	19150	JRA206	19151
JRA207	19175	JRA208	19176	JRA209	19156
JRA210	19161	JRA211	19153	JRA212	19154
JRA214	19804/1	JRA215	19892	JRA217	49878
JRA218	49763	JRA219	19860	JRA220	19861
JRA221	49873	JRA222	49672	JRA224	19865
JRA225	49874	JRA226	49673	JRA230	49692
JRA231	49693	JRA236	19688	JRA237	19689
JRA238	19697	JRA241	49766	JRA242	49773
JRA245	49767	JRA246	49774	JRA251	19899
JRA252	19872	JRA253	19682	JRA254	19683
JRA255	49674	JRA258	49675	JRA263	49761
JRA264	49762	JRA272	19863	JRA275	19803/1
JRA292	49866/2	JRA293	19888	JRA296	49869
JRA297	49870	JRA298	19696	JRA301	19822
JRA328	19784	JRA329	19785	JRA330	19784
JRA331	19785	JRA355	19405	JRA360	19129/1
JRA360	19129	JRA364	49866/1	JRA365	49750
JRA366	19871	JRA367	19830/1	JRA367	19831/1

Die aufgeführten Vergleichsnummern dienen nur zur besseren Identifikation.

References are only specified for a better identification.

Les références mentionnées ne servent qu' à une meilleure identification.

TRW	MAPCO	TRW	MAPCO	TRW	MAPCO
JRA368	19862	JRA372	19864	JRA386	49532
JRA444	51805	JRA447	51806	JRA500	49732
JRA511	49690	JRA512	49691	JRA518	59601
JRA529	51655	JRA530	51656	JRA536	19169
JRA537	19170	JRA538	19189	JRA539	19190
JRA540	19833	JRA541	52811	JRA548	49674/1
JRA549	49838	JRA560	51665	JRA561	51666
JRA562	59692	JRA563	59693	JRA566	51745
JRA567	51746	JRA592	51638	JRR7001	33676
JTC 974	19383	JTC 975	19384	JTC100	19048
JTC1000	49624	JTC1001	49623	JTC1002	49544
JTC1003	49545	JTC1004	59618	JTC1005	59617
JTC1006	49893	JTC1007	49535	JTC1008	49534
JTC101	19021	JTC1012	49085	JTC1013	49084
JTC1014	49087	JTC1015	49086	JTC1016	49132
JTC1017	49131	JTC1018	59616	JTC1019	59615
JTC1022	59638	JTC1023	51871	JTC1024	51870
JTC1026	49655	JTC1027	49656	JTC1030	51634
JTC1031	51635	JTC1036	51737	JTC1037	19643/1
JTC1038	19642/1	JTC1039	51738	JTC104	49028
JTC1040	51739	JTC105	49029	JTC1054	49323
JTC1054	19475	JTC1055	49322	JTC1055	19474
JTC1058	52741	JTC1059	52716	JTC1060	52740
JTC1064	49915	JTC1065	49914	JTC1066	59637
JTC1067	59633	JTC1068	59634	JTC1071	51647
JTC1073	51636	JTC1074	51637	JTC1079	19361
JTC1080	19360	JTC1083	19057	JTC1084	19056
JTC1089	52710	JTC1090	51874	JTC1091	51875
JTC1092	49165	JTC1093	49166	JTC110	59292
JTC110	59291	JTC1100	51830	JTC1101	51831
JTC1102	51833	JTC1103	51832	JTC1104	59880
JTC1105	59879	JTC1106	49083	JTC1107	49082
JTC1113	19147	JTC1114	19148	JTC1117	51836
JTC1118	51835	JTC1119	59802	JTC112	49713OES
JTC1120	59801	JTC1121	59636	JTC1122	59635
JTC1123	51851	JTC1128	51630	JTC1129	51631
JTC1131	49605	JTC1136	51876	JTC1137	51877
JTC1138	51878	JTC1139	51879	JTC1143	51632
JTC1144	51633	JTC1149	49037	JTC1150	49036
JTC1151	59609	JTC1152	59608	JTC1153	59607
JTC1154	59606	JTC1157	51838	JTC1158	51837
JTC1162	59877	JTC1163	59359	JTC1164	59358
JTC1164	49152	JTC1168	19432	JTC1169	19431
JTC117	49705	JTC1170	52780	JTC1179	52722
JTC118	49706/1	JTC118	49706	JTC1180	52723
JTC1181	52724	JTC1182	52725	JTC1203	19698
JTC1204	19699	JTC1209	51652	JTC1210	51651
JTC1211	51650	JTC1214	52823	JTC1215	52824
JTC1222	49134	JTC1223	49133	JTC1226	19360

Die aufgeführten Vergleichsnummern dienen nur zur besseren Identifikation.

References are only specified for a better identification.

Les références mentionnées ne servent qu' à une meilleure identification.

TRW	MAPCO	TRW	MAPCO	TRW	MAPCO
JTC1227	19360	JTC1228	49318	JTC1229	49319
JTC1232	19329	JTC1233	19330	JTC1234	49310
JTC1235	49311	JTC1236	49320	JTC1237	49321
JTC124	49678	JTC1240	49190	JTC1241	49191
JTC1242	19657	JTC1243	19656	JTC1244	51603
JTC1245	51602	JTC1246	49828	JTC1247	49829
JTC1248	51727	JTC1249	51726	JTC125	49679
JTC126	49650	JTC1262	49904	JTC1263	49903
JTC1266	51691	JTC1267	51690	JTC1268	59784
JTC1268	19518	JTC1269	49615	JTC127	49651
JTC1270	49614	JTC1271	49612	JTC1272	49613
JTC1277	49551	JTC1278	49550	JTC128	49694
JTC129	49695	JTC1290	59668	JTC130	49723
JTC1302	59019	JTC1303	59018	JTC1308	49055
JTC1309	49054	JTC131	49724	JTC1313	51872
JTC1314	51873	JTC1318	51663	JTC1319	51664
JTC1325	19097	JTC1326	19098	JTC1331	59674
JTC1332	59675	JTC1333	59661	JTC1334	59662
JTC1342	49409	JTC1343	49408	JTC1349	51860/1
JTC1350	51860	JTC1351	52830	JTC1352	52828
JTC1353	52827	JTC1354	52833	JTC1356	52829
JTC1359	51881	JTC1360	51880	JTC1363	52636
JTC1364	52635	JTC1367	51843	JTC1368	51842
JTC138	49733	JTC139	49734	JTC1392	59611
JTC1393	59612	JTC1398	52717	JTC1404	59900
JTC1408	51257	JTC1409	51256	JTC1416	49079
JTC1417	49078	JTC142	49661	JTC143	49662
JTC1435	49141	JTC1436	49142	JTC144	19670HPS
JTC1446	59646	JTC145	19671HPS	JTC1450	51630
JTC1451	52836	JTC1452	52835	JTC1453	52640
JTC1454	52639	JTC1455	52638	JTC1456	52637
JTC147	19025	JTC150	19054	JTC151	19055
JTC152	19056	JTC153	19057	JTC160	19643
JTC161	19642	JTC162	19643/1	JTC163	19642/1
JTC164	19769	JTC165	19768	JTC166	19702
JTC167	19702/1	JTC168	19701	JTC169	19701/1
JTC177	19756/1	JTC178	19755/1	JTC181	19756/2
JTC182	19756/3	JTC183	19755/2	JTC184	19755/3
JTC185	19756/1	JTC186	19755/1	JTC187	19761
JTC188	19760	JTC189	19809	JTC190	19808
JTC191	19806	JTC192	19807	JTC193	19623
JTC194	19622	JTC195	19635	JTC196	19636
JTC197	19634	JTC198	49756	JTC199	49757
JTC200	19619	JTC201	19620	JTC212	49817
JTC213	49818	JTC214	49819	JTC215	49820
JTC216	49814/1	JTC217	49814/2	JTC218	49821
JTC219	49822	JTC222	49815	JTC223	49816
JTC224	49539	JTC225	49521	JTC226	49520
JTC227	49522	JTC228	49523	JTC231	59331

Die aufgeführten Vergleichsnummern dienen nur zur besseren Identifikation.

References are only specified for a better identification.

Les références mentionnées ne servent qu' à une meilleure identification.

TRW	MAPCO	TRW	MAPCO	TRW	MAPCO
JTC232	59330	JTC239	19041	JTC242	19064
JTC247	19971	JTC249	49595	JTC252	49698
JTC253	49699	JTC254	19694	JTC255	19695
JTC258	19673	JTC259	19674	JTC260	19349
JTC261	19438	JTC262	19454	JTC264	19310
JTC265	19311	JTC266	19350	JTC268	19331/1
JTC269	19459	JTC271	19321	JTC272	19322
JTC275	19472	JTC276	19471	JTC277	19073
JTC278	19066	JTC279	19067	JTC280	19045
JTC281	19072	JTC282	19050	JTC283	19051
JTC284	19738/1	JTC285	19737/1	JTC287	19747/1
JTC288	19746/1	JTC289	19842	JTC290	19843
JTC291	49896	JTC292	49897	JTC294	19351
JTC296	19317	JTC296	19313	JTC303	19352
JTC305	19318	JTC305	19314	JTC308	19475/1
JTC309	19344	JTC310	19346	JTC311	19345
JTC312	19347	JTC320	19124	JTC321	19125
JTC322	19163	JTC323	19162	JTC324	19137
JTC325	19138	JTC326	19186	JTC327	19187
JTC328	19157	JTC329	19158	JTC330	19167
JTC331	19168	JTC332	19147	JTC333	19148
JTC334	49129	JTC335	49130	JTC340	19870
JTC340	19870/1	JTC340	19870/2	JTC342	49704/1
JTC342	49704	JTC342	49704/2	JTC352	19686/1
JTC354	19854	JTC357	49769	JTC357	49769/1
JTC358	49768	JTC359	49770/1	JTC359	49770
JTC369	19858/8	JTC370	19442	JTC371	19469
JTC374	19071	JTC375	19009	JTC376	19010
JTC377	49022	JTC378	49023	JTC379	49024
JTC380	49025	JTC383	49065	JTC384	49064
JTC389	19031	JTC390	19032	JTC395	19461
JTC396	19462	JTC397	19463	JTC398	19464
JTC401	19431	JTC401	19076	JTC402	19432
JTC402	19077	JTC402	19434	JTC404	19196
JTC405	19197	JTC412	19518	JTC413	59212
JTC420	49538	JTC443	19020	JTC445	19327
JTC447	19330	JTC476	49277	JTC477	49571
JTC479	49551	JTC490	49575	JTC502	49276
JTC503	49570	JTC505	49550	JTC517	49574
JTC565	49529	JTC581	49528	JTC596	49527
JTC600	49526	JTC619	49581	JTC620	49580
JTC625	49261	JTC626	49260	JTC663	49501
JTC665	59507	JTC666	49509	JTC668	49500
JTC671	59506	JTC672	49508	JTC678	49514
JTC689	49513	JTC694	49212	JTC699	49204
JTC700	49505	JTC704	49203	JTC705	49504
JTC717	51550	JTC721	49243	JTC722	49244
JTC725	59398	JTC726	59399	JTC7517	49214
JTC7518	49210	JTC7519	49213	JTC7520	49209

Die aufgeführten Vergleichsnummern dienen nur zur besseren Identifikation.

References are only specified for a better identification.

Les références mentionnées ne servent qu' à une meilleure identification.

TRW	MAPCO	TRW	MAPCO	TRW	MAPCO
JTC7526	59286	JTC7527	59285	JTC7533	49940
JTC7536	49218	JTC7537	49217	JTC7541	51287
JTC7542	51286	JTC7545	49958	JTC7546	49959
JTC7562	51331	JTC7563	51330	JTC7569	51285
JTC7570	51284	JTC7573	51528	JTC7574	51527
JTC7575	51511	JTC7576	51512	JTC7599	51254
JTC7600	51254	JTC7686	51221	JTC7687	51220
JTC775	49211	JTC803	59357	JTC817	19441
JTC819	19468	JTC823	19633	JTC824	19453
JTC850	51531	JTC851	49547	JTC852	49546
JTC898	19652	JTC899	19651	JTC911	19177
JTC912	19178	JTC913	19690/1	JTC913	19691
JTC914	49502	JTC915	49503	JTC916	49913
JTC917	49912	JTC918	49012	JTC922	19820
JTC923	19832	JTC924	49728	JTC925	49727
JTC926	19630	JTC927	19629	JTC930	19743/1
JTC931	19744/1	JTC932	49067	JTC933	49068
JTC934	49080	JTC935	49081	JTC936	51710OES
JTC938	49775	JTC939	49776	JTC940	59813
JTC942	49876	JTC943	49877	JTC944	51819/1
JTC945	19971	JTC946	19972	JTC947	49664
JTC948	49665	JTC949	49301	JTC950	49302
JTC951	49041	JTC952	49042	JTC953	49044
JTC954	49045	JTC957	19390	JTC958	19391
JTC959	19485	JTC960	19486	JTC961	49676/1HPS
JTC962	49677/1HPS	JTC963	49652	JTC964	59619
JTC965	59620	JTC966	59644	JTC967	59645
JTC968	59884	JTC969	59885	JTC972	49608
JTC973	49609	JTC975	19384	JTC980	51730
JTC982	49804	JTC983	49803	JTC984	49804
JTC985	49803	JTC986	49507	JTC987	49506
JTC988	59651	JTC989	59650	JTC990	49569
JTC991	49568	JTC994	49808	JTC995	49809
JTC996	49713OES	JTC997	49889	JTC998	59878
JTC998	49888	JTC999	49890	JTE0121	49881
JTE1000	49967	JTE1001	49968	JTE1002	49921
JTE1003	49922	JTE1004	51840	JTE1005	51841
JTE1006	59600	JTE1007	59669	JTE1008	59670
JTE1009	49620	JTE101	19668	JTE1010	49621
JTE1011	49136	JTE1013	59872	JTE1014	59872
JTE1015	59866	JTE1028	49618	JTE1029	49619
JTE1030	59560	JTE1031	59561	JTE1032	49138
JTE1033	49137	JTE1034	19099	JTE1035	59676
JTE1036	49098	JTE1037	49884	JTE1038	49883
JTE1041	59786	JTE1041	59788	JTE1042	49113
JTE1043	49112	JTE1044	59640	JTE1045	19492
JTE1050	51667	JTE1051	51668	JTE1051	51668
JTE1052	51826	JTE1053	51827	JTE1056	49075
JTE1057	49074	JTE1060	49147	JTE1061	49148

Die aufgeführten Vergleichsnummern dienen nur zur besseren Identifikation.

References are only specified for a better identification.

Les références mentionnées ne servent qu' à une meilleure identification.

TRW	MAPCO	TRW	MAPCO	TRW	MAPCO
JTE1062	52809	JTE1063	59626	JTE1067	49611
JTE1068	49627	JTE1071	49965	JTE1072	49966
JTE1073	49969	JTE1074	49970	JTE1086	59012
JTE1087	59013	JTE109	19840	JTE1090	51742
JTE1091	51743	JTE1095	51735	JTE1099	59690
JTE110	51850	JTE1100	59691	JTE1101	51667
JTE1102	51668	JTE1105	49010	JTE1111	51319
JTE1112	51318	JTE1113	49157	JTE1114	49158
JTE1115	59012	JTE1116	59013	JTE112	19545
JTE1120	49057	JTE1121	49058	JTE1135	49193
JTE1136	49192	JTE1139	19423	JTE1140	19497
JTE1141	19496	JTE1142	51684	JTE1143	51684
JTE1152	19392	JTE1153	19393	JTE1160	51619
JTE1161	51620	JTE1172	51683	JTE1179	51627
JTE1180	51628	JTE1185	49965	JTE1186	49966
JTE119	19610	JTE1198	49306	JTE1199	49307
JTE1201	49618	JTE1202	49619	JTE1206	59817
JTE125	49882	JTE126	49883	JTE126	19741
JTE126	19742	JTE128	49646	JTE128	49645
JTE129	59296	JTE132	19824	JTE132	19827
JTE134	19030	JTE135	19007	JTE135	19059
JTE137	19692	JTE138	19693	JTE139	19850
JTE141	49717	JTE142	49718	JTE143	49707HPS
JTE143	49707OES	JTE144	19890	JTE145	49739
JTE146	49740	JTE147	19782	JTE148	19783
JTE150	19660	JTE151	19663	JTE152	19664
JTE153	49735	JTE154	49736	JTE156	19669
JTE161	19301	JTE162	19417	JTE163	19418
JTE164	19413	JTE165	19414	JTE166	19336
JTE166	19301	JTE170	19065	JTE175	19013
JTE177	19040	JTE180	19070	JTE182	19052
JTE183	19058	JTE184	19406	JTE185	19420
JTE186	19014	JTE187	19053	JTE188	19750
JTE189	19641	JTE190	19640	JTE191	19645
JTE191	19646	JTE192	49641	JTE193	49640
JTE194	19649	JTE195	19648	JTE198	19736
JTE199	19735	JTE200	19745	JTE201	19753
JTE202	19752	JTE203	19757	JTE204	19758
JTE205	59657	JTE206	59665	JTE207	19727
JTE209	19613	JTE211	19800	JTE213	19638
JTE216	19710	JTE217	19711	JTE219	19719
JTE220	19718	JTE222	19610	JTE223	19626
JTE224	59319	JTE225	59372	JTE226	19501
JTE227	59371	JTE228	19508	JTE228	19500
JTE229	19512	JTE231	19089	JTE232	19090
JTE234	19042	JTE237	19047	JTE237	19042
JTE238	59681	JTE239	59680	JTE241	19583
JTE244	49800	JTE245	19841	JTE246	49823
JTE247	49824	JTE248	49805	JTE249	49806

Die aufgeführten Vergleichsnummern dienen nur zur besseren Identifikation.

References are only specified for a better identification.

Les références mentionnées ne servent qu' à une meilleure identification.

TRW	MAPCO	TRW	MAPCO	TRW	MAPCO
JTE252	19846	JTE255	19826	JTE260	19540
JTE260	19547	JTE261	19546	JTE262	19556
JTE263	19525	JTE266	59255	JTE267	19520
JTE267	59257	JTE268	19523	JTE274	19315
JTE275	19316	JTE276	19342	JTE277	19341
JTE278	49104	JTE279	19144	JTE280	19145
JTE281	49100	JTE282	49101	JTE283	19139
JTE284	19140	JTE285	19142	JTE286	19141
JTE287	19130	JTE288	19130/1	JTE292	19169
JTE292	19180	JTE293	19181	JTE293	19170
JTE294	19105	JTE295	19131	JTE296	19133
JTE297	19134	JTE300	19108	JTE305	19956
JTE306	19504	JTE307	19505	JTE309	19626
JTE310	19611	JTE314	19961	JTE315	49558
JTE316	49557	JTE317	59201	JTE319	19560
JTE322	59275	JTE323	59279	JTE324	59281
JTE325	59277	JTE330	59274	JTE335	19614
JTE336	49758	JTE337	49759	JTE338	19874
JTE339	19911	JTE341	19910	JTE343	19874
JTE344	19877	JTE345	19878	JTE346	19880
JTE349	59895	JTE350	59896	JTE352	59816
JTE353	59817	JTE356	49871	JTE357	49872
JTE358	19859	JTE359	19866	JTE360	19873
JTE361	19867	JTE362	19882	JTE365	49857
JTE366	49858	JTE371	19849	JTE387	51808
JTE388	19834	JTE390	19533	JTE392	19833
JTE393	19534	JTE394	19874	JTE397	19848
JTE406	19615	JTE411	19616	JTE418	49743
JTE419	49742	JTE426	19906	JTE427	19908
JTE433	19046	JTE436	49017	JTE437	49018
JTE447	19136	JTE450	19430	JTE451	19080
JTE457	49700	JTE458	49701	JTE461	19356
JTE462	19357	JTE463	19447	JTE469	59278
JTE469	59282	JTE470	59238	JTE490	49562
JTE492	59320	JTE496	19748	JTE497	49646
JTE502	19510	JTE503	49256	JTE507	49554
JTE508	51711	JTE509	51712	JTE515	19510
JTE517	59310	JTE523	19847	JTE527	19981
JTE535	19982	JTE541	59816	JTE542	19598
JTE545	19597	JTE551	19509	JTE562	19029
JTE572	59225	JTE590	19836	JTE647	19580
JTE700	19190	JTE701	19189	JTE703	49600
JTE707	19549	JTE716	59254	JTE718	59527
JTE721	19631	JTE722	59221	JTE724	51581
JTE728	49601	JTE752	51822	JTE753	51823
JTE7552	51381	JTE7553	51380	JTE756	59806
JTE7569	59560	JTE7570	59561	JTE758	19093
JTE7581	51510	JTE7582	51509	JTE7583	51343
JTE7584	51342	JTE7585	51341	JTE7586	51340

Die aufgeführten Vergleichsnummern dienen nur zur besseren Identifikation.

References are only specified for a better identification.

Les références mentionnées ne servent qu' à une meilleure identification.

TRW	MAPCO	TRW	MAPCO	TRW	MAPCO
JTE759	19092	JTE761	49040	JTE7614	51298
JTE7615	51299	JTE762	19489	JTE7621	51250
JTE763	19490	JTE764	19477	JTE765	19478
JTE766	49653	JTE767	49654	JTE768	59672
JTE769	59840	JTE770	59841	JTE771	19637
JTE772	19169	JTE774	49135	JTE775	49136
JTE779	19885	JTE780	19886	JTE925	59211
JTE996	59295	JTE999	19407	JTF199	59806
JTF201	59807	JTF203	51823	JTF204	51822
JTF207	19015	JTF210	59815	JTF211	59814
JTR2702	49844	JTS 147	19603HPS	JTS100	49047
JTS101	49048	JTS104	49030HPS	JTS105	49688
JTS106	49689	JTS109	49795HPS	JTS111	49725
JTS111	49725HPS	JTS112	49726HPS	JTS112	49726
JTS114	19600HPS	JTS115	19607	JTS116	19818
JTS116	19817	JTS118	19527HPS	JTS121	19914HPS
JTS122	49714	JTS124	19667HPS	JTS125	19337HPS
JTS126	19339HPS	JTS128	19470	JTS129	19451HPS
JTS130	19605HPS	JTS131	19602HPS	JTS132	19606HPS
JTS133	49826	JTS134	49827	JTS136	19367
JTS137	19338HPS	JTS139	19365	JTS140	19164HPS
JTS140	19164	JTS141	19698	JTS142	19699
JTS143	19678HPS	JTS146	49524	JTS147	19603HPS
JTS155	19573	JTS157	49525HPS	JTS157	59226HPS
JTS159	19544	JTS165	59361HPS	JTS181	51569
JTS185	49579HPS	JTS193	19591HPS	JTS194	19590HPS
JTS195	19592HPS	JTS202	19529HPS	JTS205	59851
JTS218	19516	JTS222	51598	JTS227	59510HPS
JTS228	59511HPS	JTS237	19593HPS	JTS240	59547
JTS243	59850	JTS251	49517	JTS259	19608HPS
JTS260	19853HPS	JTS276	19832	JTS277	33727
JTS278	33726	JTS279	49787	JTS281	19839
JTS282	19364	JTS283	19348HPS	JTS284	59893
JTS286	49788	JTS287	59847HPS	JTS288	49863
JTS289	19370HPS	JTS290	19369HPS	JTS296	59540HPS
JTS350	49909	JTS352	19026HPS	JTS353	49796
JTS355	49901HPS	JTS356	49902HPS	JTS358	49729
JTS359	49715	JTS360	49850	JTS363	19819
JTS364	49856HPS	JTS365	19700HPS	JTS370	19639
JTS380	49716	JTS381	49834HPS	JTS382	33009
JTS384	49033	JTS385	49034	JTS386	49031
JTS387	49868	JTS388	52733	JTS389	59820
JTS390	49686	JTS391	51862	JTS392	51861
JTS393	59812HPS	JTS394	49793	JTS395	49794
JTS397	49862	JTS398	51821	JTS401	19028HPS
JTS402	49786	JTS403	19362HPS	JTS404	49799
JTS405	19604HPS	JTS405	19609HPS	JTS406	19777
JTS406	19773HPS	JTS407	49895HPS	JTS408	19375HPS
JTS409	49120	JTS409	49120HPS	JTS410	49121HPS

Die aufgeführten Vergleichsnummern dienen nur zur besseren Identifikation.

References are only specified for a better identification.

Les références mentionnées ne servent qu' à une meilleure identification.



TRW	MAPCO	TRW	MAPCO	TRW	MAPCO
JTS410	49121	JTS413	59695	JTS414	59694
JTS415	59614HPS	JTS416	49906HPS	JTS419	59623HPS
JTS420	59631HPS	JTS421	52713	JTS422	52712
JTS424	59857HPS	JTS426	59628HPS	JTS427	19376HPS
JTS428	19774HPS	JTS429	49591HPS	JTS430	59901HPS
JTS431	59904	JTS432	49118HPS	JTS433	19120HPS
JTS434	49039HPS	JTS435	51718HPS	JTS436	49146HPS
JTS437	59603HPS	JTS438	49916HPS	JTS439	49812HPS
JTS440	49811HPS	JTS442	19574	JTS443	19578
JTS444	19577	JTS445	19573	JTS446	49843
JTS448	49840HPS	JTS449	52801HPS	JTS450	52800HPS
JTS451	59605HPS	JTS452	19476HPS	JTS453	19659HPS
JTS455	49108HPS	JTS456	49109HPS	JTS457	19775HPS
JTS458	59894	JTS459	49066HPS	JTS462	49749HPS
JTS463	49124HPS	JTS465	19368HPS	JTS467	49303
JTS468	19397	JTS469	19396	JTS471	49305HPS
JTS472	49304HPS	JTS477	59016	JTS478	59017
JTS479	59632	JTS480	51644HPS	JTS481	51645HPS
JTS482	19429HPS	JTS483	51825HPS	JTS484	51829HPS
JTS486	51641HPS	JTS487	52805HPS	JTS488	52804HPS
JTS489	59502	JTS490	59503HPS	JTS490	59664HPS
JTS491	49947HPS	JTS492	49251HPS	JTS496	49905HPS
JTS497	59854	JTS498	59855	JTS500	19776HPS
JTS501	33632	JTS502	52813	JTS503	52814
JTS508	51639HPS	JTS508	51639	JTS509	51640HPS
JTS510	51659	JTS513	51646	JTS515	51600HPS
JTS516	49851	JTS517	59250HPS	JTS519	49253
JTS521	51733	JTS522	51734	JTS526	59251HPS
JTS526	59251	JTS527	49226HPS	JTS528	59861HPS
JTS530	49154HPS	JTS531	19543HPS	JTS533	49250HPS
JTS534	49860/1	JTS536	51621	JTS543	51824
JTS547	59026HPS	JTS551	49046	JTS552	59021
JTS553	59020	JTS556	49305HPS	JTS557	49304HPS
JTS560	51227	JTS561	51226	JTS562	51247
JTS566	49412HPS	JTS569	59594HPS	JTS570	59341HPS
JTS571	59344HPS	JTS578	51302HPS	JTS579	51303HPS
JTS581	59648	JTS582	51601	JTS583	52604HPS
JTS584	52603HPS	JTS588	51332HPS	JTS607	52732
JTS610	49160	JTS616	49407HPS	JTS621	52825
JTS622	52826	JTS625	59694	JTS627	59834
JTS628	59833	JTS631	49938HPS	JTS7505	49200HPS
JTS7513	51521	JTS7516	49228	JTS7525	49590HPS
JTS7526	59596	JTS7527	59595	JTS7528	51542HPS
JTS7529	51541HPS	JTS7530	49202HPS	JTS7532	49201HPS
JTS7538	59363HPS	JTS7543	59241	JTS7544	59242
JTS7545	19913	JTS7547	59546	JTS7556	59388HPS
JTS7564	51378HPS	JTS7565	51379HPS	JTS7573	51335HPS
JTS7574	51334HPS	JTS7578	51290HPS	JTS7579	51291HPS
JTS7580	51293HPS	JTS7581	51243	JTS7582	51244

Die aufgeführten Vergleichsnummern dienen nur zur besseren Identifikation.

References are only specified for a better identification.

Les références mentionnées ne servent qu' à une meilleure identification.

TRW	MAPCO	TRW	MAPCO	TRW	MAPCO
JTS7595	51206HPS	JTS7596	51205HPS	JTS7597	51208
JTS7598	51207	JTS7599	59366	JTS7600	59365
JTS7601	51532	JTS7611	19593HPS	JTS7618	19558HPS
JTS7622	51255HPS	JTY105	49731	JTY106	19786
JTY109	19838	JTY112	49658	JTY113	49730
JTY114	49660	JTY118	19845	JTY120	49813
JTY121	49892	JTY122	19821	JTY125	59800
JTY130	49741	JTY194	49760	09 DS 4236	19446
10362	19552	11 ES 3095	19823	13 ES 4070	19406
13 ES 4071	19407	14 DS 4151	19644/2	14 DS 4152	19644/1
21385	19666/1	30 BJ 6909	19320	30 DS 6294	19335
44 BJ 7154	19889/1	44 BJ 8248	19896	44 BJ 8249	19895
44 DS 8244	19689	44 DS 8245	19688	44 DS 8271	19696
44 DS 8272	19697	44 ES 7139	19877	44 ES7106	19878
44 WP8209F	19858	44 WP8209F	19858/2	49 ES0388	19082
49 ES0390	19081				

Die aufgeführten Vergleichsnummern dienen nur zur besseren Identifikation.  
References are only specified for a better identification.  
Les références mentionnées ne servent qu' à une meilleure identification.

**Vergleichsnummern dürfen nicht auf Rechnungen  
aufgeführt werden!**

**Alle Bild Darstellungen in diesem Katalog sind  
schematische Darstellungen!**

**Die Einbaulage ist in Fahrtrichtung gesehen  
dargestellt.**

**Beachten Sie unbedingt die Einbauvorschriften der  
Fahrzeughersteller!**

**Einbau der Teile ist nur durch geschultes  
Fachpersonal vorzunehmen!**

**Irrtümer und Änderungen sind nicht auszuschließen  
und bitten wir zu entschuldigen.**

**Wir übernehmen keine Haftung für Irrtümer oder  
Druckfehler im Katalog!**

**Es gelten die allgemeinen Geschäftsbedingungen  
der  
MAPCO Autotechnik GmbH**



MAPCO Autotechnik GmbH  
Moosweg 1  
14822 Borkheide · Germany

HRB 3965

Deutschland:

Telefon: 033845/6 00 30  
Telefax: 033845/4 10 32

E-Mail: [info@mapco.de](mailto:info@mapco.de)  
<http://www.mapco.eu>

Export:

phone: +49 33844/75 82-12/-17  
fax: +49 33844/75 82-59

e-mail: [export@mapco.de](mailto:export@mapco.de)  
<http://www.mapco.eu>



MAPCO FRANCE  
23 rue Arsène d'Arsonval  
69680 Chassieu

FRANCE:

Tel.: +33 4 37 25 85 97  
Fax: +33 4 72 90 13 73

E-Mail: [info.france@mapco.eu](mailto:info.france@mapco.eu)  
<http://www.mapco.eu>