

# Saab

Spare parts for passenger cars



DRIVER'S BEST FRIEND

MEYLE

## Sophisticated technology - considerably longer service life.



The MEYLE range of products features a wide variety of components. Spare parts from A to Z, from Alfa Romeo to Volvo, from minicars to top-of-the-range luxury models.



### Steering & suspension

Control arms, Stabilizer links, Tie rod assemblies, and many more



### Brakes

Brake discs, MEYLE PD, Brake pad sets, Brake drums, and many more



### Drive components

C.V. joint kits, Wheel bearings, Belt drives, and many more



### Damping parts

Shock absorbers, Strut mounts, Coil springs, and many more



### Filters

Oil filters, Air filters, Cabin air filters, Fuel filters, and many more



### Cooling components

Water pumps, Expansion tanks, Radiator hoses, and many more



### Rubber-to-metal parts

Flex discs, Cardan shaft bearings, Engine mounts, and many more



### Electrics and sensors

Crank position sensor, Control units, Glow plugs, and many more



### Engine and transmission parts

Oil change kits, V-ribbed belts, Idlers/guide pulleys, and many more



### Fluids

Coolant additives, Hydraulic oil, Engine oil, and many more



### Complementary product range

Wiper blades, Gas springs, Window lifters, and many more

# ORIGINAL, PD and HD – The MEYLE product lines



## **MEYLE-ORIGINAL: Fit as snugly as the original.**

More than 21,000 spare parts for passenger cars, vans and trucks, quality-tested, robust, durable and tried and tested a thousand times over on the roads across the world – that's MEYLE-ORIGINAL. Relying on our comprehensive product portfolio – offering everything from A for axial joint to Z for zinc-coated screw – customers can be sure that they will always have safety on their side.

## **MEYLE-PD: Safety to the power of two.**

Thinking outside the box to make our products better: MEYLE-PD stands for brake discs and pads delivering maximum braking performance and setting new standards in terms of durability, comfort, aesthetics, and ease of installation. Look for the „/PD“ part number extension.

## **MEYLE-HD: Better than originals.**

MEYLE-HD parts simply last longer. Their technically optimised and reinforced designs make them more durable and reliable than OE components. So it is only natural for us to offer extended warranty protection for our MEYLE-HD parts: All parts of the HD range come with a full four-year guarantee. Look for the „/HD“ part number extension.





**4-year guarantee on all MEYLE-HD parts!**

Robust, high mileage, reliable and better than the original. MEYLE-HD parts simply last longer!

## Our three success factors.

### **The success of the MEYLE brand is based on competence, quality and service.**

The development of quality-approved automotive spare parts for the independent aftermarket is our trademark. And MEYLE-HD parts are our specialty: improved parts, developed by our team of engineers at our headquarters in Hamburg. We give a 4-year guarantee on our MEYLE-HD parts which have a far longer service life. Based on information from TÜV (Technical control board), from recall statistics as well as media and market information from workshops and other technical partners, MEYLE engineers identify parts in vehicles which become conspicuous on account of frequent, early wear. On the basis of their findings, they develop technical improvements for the respective weakness. In the end, this work is a

large benefit for all MEYLE parts. Something all reputable automotive manufacturers highly appreciate: MEYLE also develops customized products, for example for Morgan, the legendary sports car manufacturer.

Passing on our know-how to staff and customers is just as much a part of our service as high parts availability and swift delivery. Modern warehouse logistics with space covering 29,000 m<sup>2</sup> and 56,000 pallet places ensure the reliable supply of our partners.

We have now won the "Top Job Employer" award for the fifth time which confirms our outstanding internal business approach and excellent Human Resources policy. We have been one of Germany's leading SME employers for many years.



# MEYLE

## Guarantee certificate



A distinguishing feature of MEYLE is our high level of precision, achieved by the application of the most modern manufacturing methods. Our MEYLE articles meet highest quality standards and our supply plants are certified in accordance with ISO 9001:2008 and ISO/TS 16949.

We guarantee perfect material and faultless processing of all our MEYLE articles for a period of 24 months as of the date of installation. For MEYLE-HD articles, this guarantee applies for 48 months as of the date of installation.

Complementing this guarantee, we give an additional 100,000 miles (160,934 kilometres) performance guarantee against defects of material and workmanship for MEYLE passenger car water pumps purchased from 01 May 2016. The guarantee given for MEYLE passenger car water pumps terminates upon expiration of the guarantee period or the guaranteed mileage, whichever occurs later: if the guaranteed mileage has not been reached at the end of the guarantee period of 24 or 48 months respectively, the performance guarantee continues to be valid. Respectively, the guarantee period of 24 or 48 months continues to be valid also in any case where the guaranteed mileage was already exceeded.

During the guarantee period, we perform repair work on claimed MEYLE articles or provide a replacement. The MEYLE guarantee does not apply for normal wear and damage caused by inappropriate handling or inappropriate installation. The guarantee expires if the respective part is modified by third parties or via installation of parts from third parties, or if the part, or vehicle, is used in excess of the appropriate use and purpose. The MEYLE guarantee also expires if MEYLE instructions or vehicle manufacturer instructions, e.g. concerning maintenance and replacement intervals, are not observed. The guarantee only applies for MEYLE water pumps, if the cooling circuit has been flushed prior to installation of the MEYLE water pump. Rights granted by law continue to apply unrestrictedly, irrespective of this guarantee.

The customer must submit a written guarantee claim immediately, or at the latest 30 days after identifying an error in material or processing. This claim is to be submitted to the dealer from which he acquired the MEYLE article part. The customer should return the article, carefully packed. He must enclose the original sales receipt and a description of the error. The customer must also verify the date of installation and the mileage of the vehicle by means of respective documents.

Last amended January 2017

A handwritten signature in white ink, appearing to read 'M. Wunder', set against a dark blue background.

Director Quality Assurance  
Manfred Wunder



## Body/Cabin 1

### Body, Interior fittings

Cabin air filter	Hood shock	Windshield washer pump
Heater valve	Trunk-/tailgate shock	Wiper Blade

## Brakes 9

### Disc brake, Drum brake, Hydraulics

Brake disc	Brake pad set	Guide bolt, brake caliper
Brake hose	Brake shoe set, parking brake	Guide sleeve kit, brake caliper

## Drive train/Transmission 32

### Drive shafts, Joints

Boot kit, C.V. joint	Tripod hub, propshaft
C.V. joint kit	

## Electrics 36

### Brakes, Engine, Interiors, Lighting

Back up light switch	Ignition control unit	Temperature switch, radiator fan
Crank position sensor	Lambda probe	Voltage regulator
Glow plug	Relay, hazard lights	Wear sensor
Ignition coil	Sender unit, coolant temperature	Wiper intermittent relay

## Engine/Cooling/Clutch 43

### Belt drive / Engine control, Cooling system, Fuel system, Lubrication system, Mounts

Air filter	Idle control valve, air supply	Radiator hose
Cap, oil filler	Mount, alternator	Timing belt roller
Engine mount	Oil filter	V-ribbed belt
Fuel filter	Oil pressure switch	Water pump

## Steering 68

### Hydraulics, Tie rod assemblies

Axial rod	Hydraulic pump, P/S	Tie rod assembly
Bolt, wheel alignment	P/S hose	Tie rod end

## Suspension 75

### Control arms, Stabilizer, Suspension / damping, Wheel hubs / Wheel bearings

Ball joint	Mount, control arm	Stabilizer link
Bracket, control arm	Mount, rod/strut stabilizer	Strut mount
Bracket, stabilizer bushing	Mount, stabilizer	Strut mount bearing
Coil spring	Repair kit, stabilizer bushing	Wheel bearing
Control arm	Repair kit, strut mount	Wheel bearing kit
Control arm bushing	Shock absorber	Wheel hub
Dust cover/boot, strut	Sleeve, control arm mount	







## Hood shock

840 910 0002 | MHS0094

### Notes

Length [mm] 763  
Force output F [N] 200

### References

48 51 275 53 60 821  
48 55 128



### Application info

9-5 [YS3E] [09/97-08/05]

## Hood shock

840 160 3556 | MHS0093

### Notes

Length [mm] 544  
Force output F [N] 225

### References

92 70 240 30 52 1738



### Application info

9000 [09/84-12/98]

## Trunk-/tailgate shock

840 910 0003 | MTS0423

### Notes

Length [mm] 568  
Force output F [N] 500  
with spoiler  
for vehicles with rear wind-  
screen wiper

### References

48 54 717 48 54 733



### Application info

9-3 [YS3D] [02/98-08/03]

9-3 [YS3F] [09/02--]

840 910 0001 | MTS0422

Trunk-/tailgate shock



Notes

Length [mm]	280
Force output F [N]	550

References

48 55 094	53 60 839
51 17 015	

Application info

9-5 [YS3E] [09/97-08/05]

840 910 0000 | MTS0421

Trunk-/tailgate shock



Notes

Length [mm]	396
Force output F [N]	1550

References

46 99 260	12768264
-----------	----------

Application info

9-5 [YS3E] [09/97-08/05]

614 870 9001 | MWI0028

Windshield washer pump



Notes

Voltage [V]	Dual Pump
	12
	Front and Rear

References

44 80 646

Application info

900 II [07/93-02/98]



**Windshield washer pump**

**100 955 0005 | MWI0005**

**Notes**

Voltage [V]

Rectangular  
Dual Pump  
12  
Front and Rear

**References**

48 32 903



**Application info**

9-5 [YS3E] [09/97-08/05]

**Wiper Blade**

**029 290 1111 | MBL0062**

**Notes**

Length [in]  
Length [mm]

Beam wiper blade  
Bracket wiper blade  
11.5  
290  
Rear



**Application info**

9-3 [YS3F] [09/02--]

**Wiper Blade**

**029 300 1210 | MBL0003**

**Notes**

Length [in]  
Length [mm]

Bracket wiper blade  
Beam wiper blade  
12  
300  
Rear



**Application info**

9-3 [YS3F] [09/02--]

029 400 1600 | MBL0021

Wiper Blade



Notes

Observe service information  
Length [in]  
Length [mm]

Flat bar wiper blade  
Flat wiper blade  
16  
400  
Front

Application info

900 I [06/78-06/94]

029 500 2000 | MBL0029

Wiper Blade



Notes

Observe service information  
Length [in]  
Length [mm]

Flat bar wiper blade  
Flat wiper blade  
20  
500  
Front

Application info

900 II [07/93-02/98]

9-3 [YS3D] [02/98-08/03]

029 530 2100 | MBL0030

Wiper Blade



Notes

Observe service information  
Length [in]  
Length [mm]

Flat bar wiper blade  
Flat wiper blade  
21  
530  
Front

Application info

900 II [07/93-02/98]  
9-3 [YS3D] [02/98-08/03]

9-5 [YS3G] [05/10--]

**Wiper Blade**

**029 550 2200 | MBL0032**

**Notes**

Observe service information  
Length [in]  
Length [mm]

Flat bar wiper blade  
Flat wiper blade  
22  
550  
Front



**Application info**

9-3 [YS3F] [09/02--]

9-5 [YS3E] [09/97-08/05]

**Wiper Blade**

**029 580 2300 | MBL0033**

**Notes**

Observe service information  
Length [in]  
Length [mm]

Flat bar wiper blade  
Flat wiper blade  
23  
580  
Front



**Application info**

9-3 [YS3F] [09/02--]

9-5 [YS3E] [09/97-08/05]

**Wiper Blade**

**029 600 2400 | MBL0034**

**Notes**

Observe service information  
Length [in]  
Length [mm]

Flat bar wiper blade  
Flat wiper blade  
24  
600  
Front



**Application info**

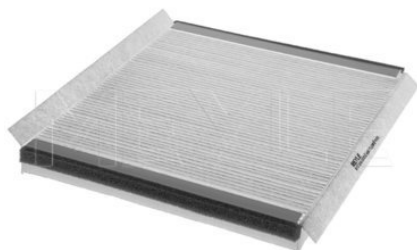
9-3 [YS3F] [09/02--]  
9-5 [YS3E] [09/97-08/05]

9-5 [YS3G] [05/10--]



812 319 0000 | MCF0429

Cabin air filter



Notes

Height [mm] 27  
Width [mm] 244  
Length [mm] 282  
Filter Insert  
Particulate Filter

References

40 72 393

Application info

9000 [09/84-12/98]

812 319 0001 | MCF0430

Cabin air filter



Notes

Height [mm] 30  
Width [mm] 126  
Length [mm] 441  
Filter Insert  
Particulate Filter

References

42 30 322 46 32 493  
43 64 790 50 47 113

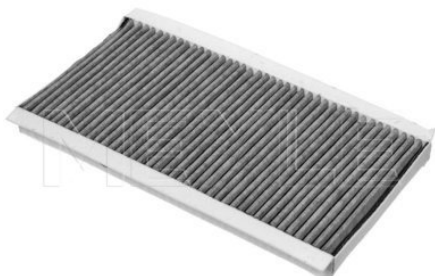
Application info

900 I [06/78-06/94]  
900 II [07/93-02/98]

9-3 [YS3D] [02/98-08/03]

612 320 0005 | MCF0404

Cabin air filter



Notes

Height [mm] 30  
Width [mm] 164  
Length [mm] 328  
Filter Insert  
Activated Carbon Filter

References

91 79 904

Application info

9-3 [YS3F] [09/02--]

**Cabin air filter**

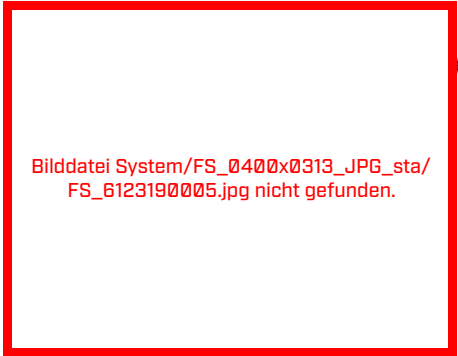
**612 319 0005 | MCF0390**

**Notes**

Height [mm] 30  
 Width [mm] 164  
 Length [mm] 329  
 Filter Insert  
 Particulate Filter

**References**

91 79 905



**Application info**

9-3 [YS3F] [09/02--]

**Cabin air filter**

**812 320 0006 | MCF0434**

**Notes**

Height [mm] 50  
 Width 2 [mm] 221  
 Width 1 [mm] 186  
 Length [mm] 319  
 Filter Insert  
 Activated Carbon Filter

**References**

45 41 538 53 35 948  
 45 41 545 53 35 955  
 45 41 546 12 75 8727  
 50 47 238 12 75 8728  
 50 47 303 12 75 8729



**Application info**

9-5 [YS3E] [09/97-08/05]

**Cabin air filter**

**612 320 0010 | MCF0407**

**Notes**

Height [mm] 35  
 Width [mm] 204  
 Length [mm] 240  
 Filter Insert  
 Activated Carbon Filter

**References**

52420930



**Application info**

9-5 [YS3G] [05/10--]

612 319 0013 | MCF0395

Cabin air filter



Notes

Height [mm] 35  
Width [mm] 204  
Length [mm] 240  
Filter Insert  
Particulate Filter

References

52425938

Application info

9-5 [YS3G] [05/10--]

614 238 0009 | MIX0208

Heater valve



Notes

for vehicles with air conditioning

References

90 56 6947

Application info

9-5 [YS3E] [09/97-08/05]

### Brake disc

815 521 5001 | MBD1399

#### Notes

Wheel Bolt Bore Ø [mm]	15
	Vented
Centering Diameter [mm]	68
Minimum thickness [mm]	23
Outer diameter [mm]	280
Height [mm]	44
Bolt Hole Circle Ø [mm]	108
Brake Disc Thickness [mm]	25
Required quantity	2
Number of Holes	4
	Front Axle



#### References

40 02 143	89 65 980
-----------	-----------

#### Application info

9000 [09/84-12/98]

### Brake disc

815 521 5021 | MBD1402

#### Notes

Wheel Bolt Bore Ø [mm]	14
	Vented
Centering Diameter [mm]	70
Minimum thickness [mm]	21
Outer diameter [mm]	284
Height [mm]	41
Bolt Hole Circle Ø [mm]	110
Brake Disc Thickness [mm]	24
Required quantity	2
Number of Holes	5
	Front Axle



#### References

42 41 428
-----------

#### Application info

900 II [07/93-02/98]

815 523 5020 | MBD1407

Brake disc



Notes

Wheel Bolt Bore Ø [mm]	14.3
	Solid
Centering Diameter [mm]	65.5
Minimum thickness [mm]	8
Outer diameter [mm]	260
Height [mm]	69.2
Bolt Hole Circle Ø [mm]	110
Brake Disc Thickness [mm]	10
Required quantity	2
Number of Holes	5
	Rear Axle

References

42 41 477

Application info

900 II (07/93-02/98)

615 521 6012 | MBD1281

Brake disc



Notes

Wheel Bolt Bore Ø [mm]	14
	Vented
Centering Diameter [mm]	70
Minimum thickness [mm]	22
Outer diameter [mm]	288
Height [mm]	42.3
Bolt Hole Circle Ø [mm]	110
Brake Disc Thickness [mm]	25
Required quantity	2
Number of Holes	5

References

48-37-019	53-90-786
48-39-007	32-02-5723
48 39 320	

Application info

900 II (07/93-02/98)  
9-3 (YS30) (02/98-08/03)

9-5 (YS3E) (09/97-08/05)

**Brake disc**
**615 523 0021 | MBD2054**
**Notes**

Wheel Bolt Bore Ø [mm]	14
	Solid
Centering Diameter [mm]	65.5
Minimum thickness [mm]	8
Outer diameter [mm]	286
Height [mm]	69.3
Bolt Hole Circle Ø [mm]	110
Brake Disc Thickness [mm]	10
Required quantity	2
Number of Holes	5
	Rear Axle

**References**

45 65 693	50-24-260
48-37-027	50-84-751
48 39 015	539 15 78
48 39 338	


**Application info**

900 II [07/93-02/98]  
9-3 [YS30] [02/98-08/03]

9-5 [YS3E] [09/97-08/05]

**Brake disc**
**815 523 5026 | MBD1408**
**Notes**

Wheel Bolt Bore Ø [mm]	14.2
	Vented
Centering Diameter [mm]	65.5
Minimum thickness [mm]	18
Outer diameter [mm]	300
Height [mm]	69.1
Bolt Hole Circle Ø [mm]	110
Brake Disc Thickness [mm]	20
Required quantity	2
Number of Holes	5
	Rear Axle

**References**

52 32 698	12-76-3593
52 32 756	


**Application info**

9-5 [YS3E] [09/97-08/05]

815 521 5025 | MBD1404

Brake disc



Notes

Wheel Bolt Bore Ø [mm]	14
	Solid
Centering Diameter [mm]	65.5
Minimum thickness [mm]	8
Outer diameter [mm]	286
Height [mm]	69
Bolt Hole Circle Ø [mm]	110
Brake Disc Thickness [mm]	10
Required quantity	2
Number of Holes	5
	Rear Axle

References

49 07 523	53 61 537
50 57 476	53 91 537

Application info

9-5 [YS3E] (09/97-08/05)

615 523 0025 | MBD2057

Brake disc



Notes

Wheel Bolt Bore Ø [mm]	14
	Solid
Centering Diameter [mm]	65.5
Minimum thickness [mm]	10
Outer diameter [mm]	278
Height [mm]	41.4
Bolt Hole Circle Ø [mm]	110
Brake Disc Thickness [mm]	12
Required quantity	2
Number of Holes	5
	Rear Axle

References

91 56 785	12 76 2290
-----------	------------

Application info

9-3 [YS3F] (09/02--)

9-5 [YS3E] (09/97-08/05)



**Brake disc**
**615 523 0025/PD | MBD2057PD**
**Notes**

Wheel Bolt Bore Ø [mm]	14
	Zink flake coated
	Solid
Centering Diameter [mm]	65.5
Minimum thickness [mm]	10
Outer diameter [mm]	278
Height [mm]	41.4
Bolt Hole Circle Ø [mm]	110
	with screws
Brake Disc Thickness [mm]	12
Required quantity	2
Number of Holes	5
	Rear Axle


**References**

91 56 785	12 76 2290
-----------	------------

**Application info**

9-3 [YS3F] [09/02--]

9-5 [YS3E] [09/97-08/05]

**Brake disc**
**615 521 0010 | MBD2041**
**Notes**

Wheel Bolt Bore Ø [mm]	15.3
	Vented
Centering Diameter [mm]	70
Minimum thickness [mm]	22
Outer diameter [mm]	285
Height [mm]	42.1
Bolt Hole Circle Ø [mm]	110
Brake Disc Thickness [mm]	24.9
Required quantity	2
Number of Holes	5
	Front Axle


**References**

91 56 807	93-17-1497
-----------	------------

**Application info**

9-3 [YS3F] [09/02--]

615 521 0010/PD | MBD2041PD

Brake disc



Notes

Wheel Bolt Bore Ø [mm]	15.3
	Zink flake coated
	Vented
Centering Diameter [mm]	70
Minimum thickness [mm]	22
Outer diameter [mm]	285
Height [mm]	42.1
Bolt Hole Circle Ø [mm]	110
	with screws
Brake Disc Thickness [mm]	24.9
Required quantity	2
Number of Holes	5
	Front Axle

References

91 56 807	93-17-1497
-----------	------------

Application info

9-3 [YS3F] [09/02--]

615 521 0013 | MBD2044

Brake disc



Notes

Wheel Bolt Bore Ø [mm]	14
	Vented
Centering Diameter [mm]	70
Minimum thickness [mm]	23
Outer diameter [mm]	308
Height [mm]	42
Bolt Hole Circle Ø [mm]	110
Brake Disc Thickness [mm]	25
Required quantity	2
Number of Holes	5
	Front Axle

References

45 67 798	51 22 833
50 55 389	53 91 560
50-84-769	91 84 405

Application info

9-5 [YS3E] [09/97-08/05]

**Brake disc**
**615 521 0013/PD | MBD2044PD**
**Notes**

Wheel Bolt Bore Ø [mm]	14
	Zink flake coated
	Vented
Centering Diameter [mm]	70
Minimum thickness [mm]	23
Outer diameter [mm]	308
Height [mm]	42
Bolt Hole Circle Ø [mm]	110
	with screws
Brake Disc Thickness [mm]	25
Required quantity	2
Number of Holes	5
	Front Axle


**References**

45 67 798	51 22 833
50 55 389	53 91 560
50-84-769	91 84 405

**Application info**

9-5 [YS3E] [09/97-08/05]

**Brake disc**
**615 521 6022 | MBD1288**
**Notes**

Wheel Bolt Bore Ø [mm]	14
	Vented
Centering Diameter [mm]	70
Minimum thickness [mm]	25
Outer diameter [mm]	302
Height [mm]	45
Bolt Hole Circle Ø [mm]	110
Brake Disc Thickness [mm]	28
Required quantity	2
Number of Holes	5
	Front Axle


**References**

91 91 247	93-17-1500
-----------	------------

**Application info**

9-3 [YS3F] [09/02--]

615 523 6027 | MBD1324

Brake disc



Notes

Wheel Bolt Bore Ø [mm]	14
	Vented
Centering Diameter [mm]	65.5
Minimum thickness [mm]	18
Outer diameter [mm]	292
Height [mm]	41.5
Bolt Hole Circle Ø [mm]	110
Brake Disc Thickness [mm]	20
Required quantity	2
Number of Holes	5
	Rear Axle

References

91 91 336	12 76 2291
-----------	------------

Application info

9-3 [YS3F] [09/02--]

9-5 [YS3E] [09/97-08/05]

615 523 0011/PD | MBD2051PD

Brake disc



Notes

Wheel Bolt Bore Ø [mm]	16.3
	Zink flake coated
	Solid
Centering Diameter [mm]	67.3
Minimum thickness [mm]	10.5
Outer diameter [mm]	292
Height [mm]	48
Bolt Hole Circle Ø [mm]	120
Brake Disc Thickness [mm]	12
Required quantity	2
Number of Holes	5
	Rear Axle

References

13502198
----------

Application info

9-5 [YS3G] [05/10--]



### Brake disc

615 523 0019/PD | MBD2052PD

#### Notes

Wheel Bolt Bore Ø [mm]	16.3
	Zink flake coated
	Vented
Centering Diameter [mm]	67.3
Minimum thickness [mm]	21.5
Outer diameter [mm]	315
Height [mm]	48
Bolt Hole Circle Ø [mm]	120
Brake Disc Thickness [mm]	23
Required quantity	2
Number of Holes	5
	Rear Axle

#### References

13502199



#### Application info

9-5 [YS3G] (05/10--)

### Brake disc

683 521 0025/PD | MBD2058PD

#### Notes

Wheel Bolt Bore Ø [mm]	16.3
	Zink flake coated
	High-carbon
	Vented
Centering Diameter [mm]	67.3
Minimum thickness [mm]	27
Outer diameter [mm]	296
Height [mm]	51
Bolt Hole Circle Ø [mm]	120
Brake Disc Thickness [mm]	30
Required quantity	2
Number of Holes	5
	Front Axle

#### References

13 50 2213



#### Application info

9-5 [YS3G] (05/10--)

2

683 521 0026/PD | MBD2059PD

Brake disc



Notes

Wheel Bolt Bore Ø [mm]	16.3
	Zink flake coated
	High-carbon
	Vented
Centering Diameter [mm]	67.3
Minimum thickness [mm]	27
Outer diameter [mm]	321
Height [mm]	51
Bolt Hole Circle Ø [mm]	120
Brake Disc Thickness [mm]	30
Required quantity	2
Number of Holes	5
	Front Axle

References

13 50 1308	13 50 2214
------------	------------

Application info

9-5 [YS3G] [05/10--]

683 521 0027/PD | MBD2060PD

Brake disc



Notes

Wheel Bolt Bore Ø [mm]	16.3
	Zink flake coated
	High-carbon
	Vented
Centering Diameter [mm]	67.3
Minimum thickness [mm]	27
Outer diameter [mm]	337
Height [mm]	51
Bolt Hole Circle Ø [mm]	120
Brake Disc Thickness [mm]	30
Required quantity	2
Number of Holes	5
	Front Axle

References

13576781
----------

Application info

9-5 [YS3G] [05/10--]

**Brake disc**
**615 521 0008/PD | MBD2039PD**
**Notes**

Wheel Bolt Bore Ø [mm]	14
	Zink flake coated
	Vented
Centering Diameter [mm]	70
Minimum thickness [mm]	25
Outer diameter [mm]	314
Height [mm]	44.9
Bolt Hole Circle Ø [mm]	110
	with screws
Brake Disc Thickness [mm]	28
Required quantity	2
Number of Holes	5
	Front Axle


**References**

24 43 5132	93 17 5606
------------	------------

**Application info**

9-3 [YS3F] [09/02--]

**Brake disc**
**615 521 0016/PD | MBD2047PD**
**Notes**

Wheel Bolt Bore Ø [mm]	14.2
	Zink flake coated
	Vented
Centering Diameter [mm]	70
Minimum thickness [mm]	27.5
Outer diameter [mm]	345
Height [mm]	45.2
Bolt Hole Circle Ø [mm]	110
Brake Disc Thickness [mm]	29.9
Required quantity	2
Number of Holes	5
	Front Axle


**References**

93 18 8445
------------

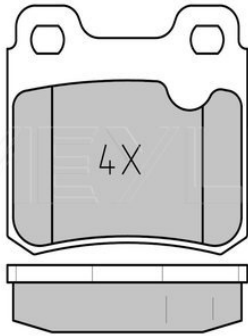
**Application info**

9-3 [YS3F] [09/02--]



025 211 4015 | MBP0079

Brake pad set



Notes

Thickness [mm]  
Height [mm]  
Width [mm]  
Brake System

excl. wear warning contact  
15.7  
57.5  
61.7  
ATE  
with anti-squeak plate  
Rear Axle

References

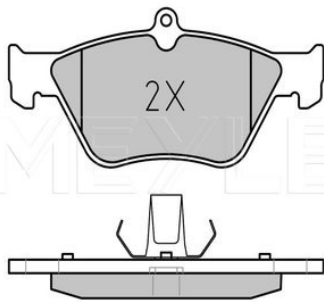
44 67 072

Application info

900 II [07/93-02/98]

025 214 1117 | MBP0125

Brake pad set



Notes

Thickness [mm]  
Height 2 [mm]  
Height 1 [mm]  
Width 2 [mm]  
Width 1 [mm]  
Brake System

prepared for wear indicator  
17.5  
60.8  
70.6  
156.4  
155.2  
ATE  
with anti-squeak plate  
Front Axle

References

44 83 723  
46 46 899

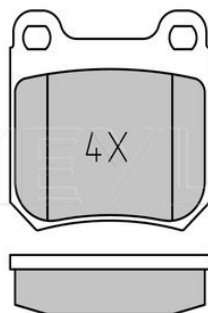
46 48 457

Application info

900 II [07/93-02/98]

025 210 5015 | MBP0068

Brake pad set



Notes

Thickness [mm]  
Height [mm]  
Width [mm]  
Brake System

excl. wear warning contact  
15.7  
61  
61.5  
ATE  
with anti-squeak plate  
Rear Axle

References

48 36 987  
48 37 241

50 57 336

**Brake pad set**
**025 210 5015 | MBP0068**
**Application info**

 900 II (07/93-02/98)  
 9-3 (YS30) (02/98-08/03)

9-5 (YS3E) (09/97-08/05)

**Brake pad set**
**025 210 5015/PD | MBP0068PD**
**Notes**

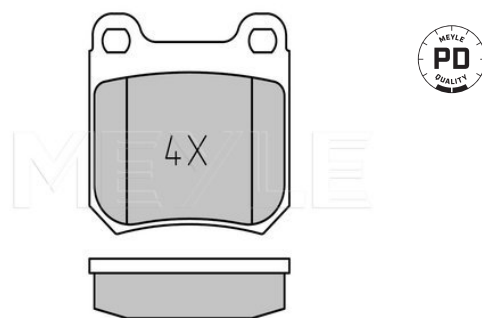
 Quality  
 Thickness [mm]  
 Height [mm]  
 Width [mm]  
 Brake System

 excl. wear warning contact  
 PREMIUM  
 15.7  
 61  
 61.5  
 ATE  
 with anti-squeak plate  
 Rear Axle

**References**

 48 36 987  
 48 37 241

50 57 336


**Application info**

 900 II (07/93-02/98)  
 9-3 (YS30) (02/98-08/03)

9-5 (YS3E) (09/97-08/05)

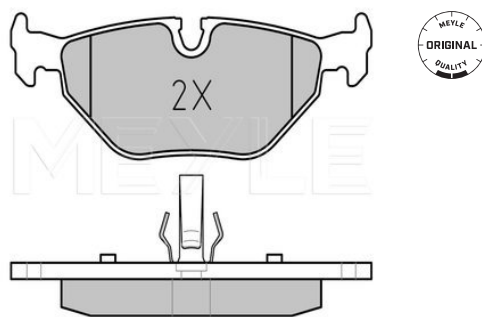
**Brake pad set**
**025 219 3417 | MBP0231**
**Notes**

 Thickness [mm]  
 Height [mm]  
 Width [mm]  
 Brake System

 prepared for wear indicator  
 17  
 44.8  
 123.2  
 ATE  
 with anti-squeak plate  
 Rear Axle

**References**

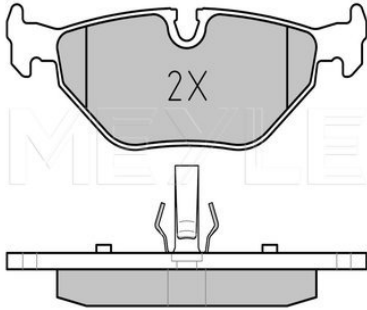
50 58 110


**Application info**

9-5 (YS3E) (09/97-08/05)

025 219 3417/PD | MBP0231PD

Brake pad set



Notes

Quality  
Thickness [mm]  
Height [mm]  
Width [mm]  
Brake System

prepared for wear indicator  
PREMIUM  
17  
44.8  
123.2  
ATE  
with anti-squeak plate  
Rear Axle

References

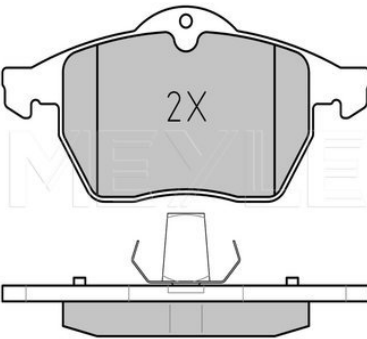
50 58 110

Application info

9-5 [YS3E] [09/97-08/05]

025 231 1619/W | MBP0265

Brake pad set



Notes

Thickness [mm]  
Height [mm]  
Width 2 [mm]  
Width 1 [mm]  
Number of wear indicators [per axle]  
Brake System

with acoustic wear warning  
19.6  
74  
156.3  
155.2  
2  
ATE  
with anti-squeak plate  
Front Axle

References

48 39 924	50-64-795
49 07 739	52 32 350
50-55-371	53-92-485
50 62 203	55-32-544
50-62-211	93-19-2749

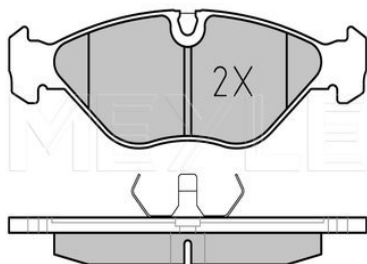
Application info

900 II [07/93-02/98]  
9-3 [YS3D] [02/98-08/03]

9-5 [YS3E] [09/97-08/05]

025 211 5419 | MBP0085

Brake pad set



Notes

Thickness [mm]  
Height [mm]  
Width [mm]  
Brake System

prepared for wear indicator  
19.2  
54.4  
156.4  
ATE  
with anti-squeak plate  
Front Axle

References

48 39 700	89 68 976
50 55 769	89 93 768

**Brake pad set**

**025 211 5419 | MBP0085**

**Application info**

9000 (09/84-12/98)

**Brake pad set**

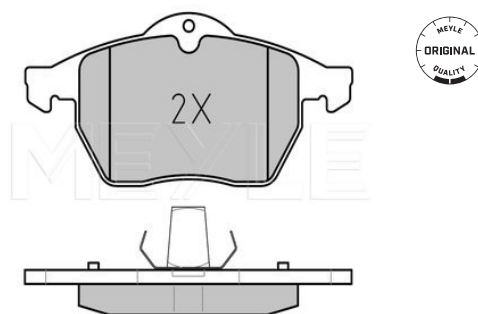
**025 218 2919 | MBP0200**

**Notes**

Thickness [mm]	19.6
Height [mm]	74
Width 2 [mm]	156.4
Width 1 [mm]	155.2
Brake System	ATE with anti-squeak plate Front Axle

**References**

44-78-254	12 75 9808
49 07 739	



**Application info**

9-5 (YS3E) (09/97-08/05)

**Brake pad set**

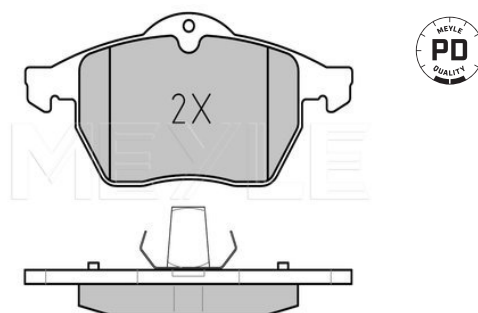
**025 218 2919/PD | MBP0200PD**

**Notes**

Quality	prepared for wear indicator PREMIUM
Thickness [mm]	19.6
Height [mm]	74
Width 2 [mm]	156.4
Width 1 [mm]	155.2
Brake System	ATE with anti-squeak plate Front Axle

**References**

44-78-254	12 75 9808
49 07 739	

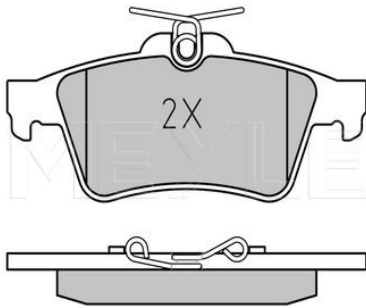


**Application info**

9-5 (YS3E) (09/97-08/05)

025 241 3716 | MBP0531

Brake pad set



Notes

Thickness [mm]  
Height [mm]  
Width [mm]  
Brake System

with spring  
not prepared for wear indicator  
16.1  
51.9  
123  
ATE  
with anti-squeak plate  
Rear Axle

References

12799240

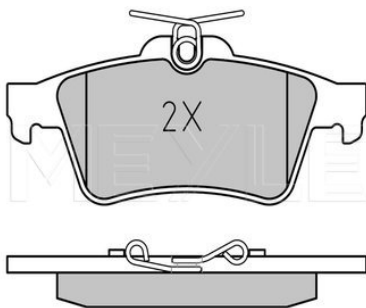
93183140

Application info

9-3 [YS3F] [09/02--]

025 241 3716/PD | MBP0531PD

Brake pad set



Notes

Quality  
Thickness [mm]  
Height [mm]  
Width [mm]  
Brake System

with spring  
not prepared for wear indicator  
PREMIUM  
16.1  
51.9  
123  
ATE  
with anti-squeak plate  
Rear Axle

References

12799240

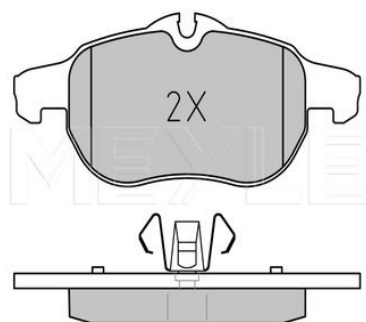
93183140

Application info

9-3 [YS3F] [09/02--]

025 234 0220 | MBP0335

Brake pad set



Notes

Thickness [mm]  
Height 2 [mm]  
Height 1 [mm]  
Width 2 [mm]  
Width 1 [mm]  
Brake System

prepared for wear indicator  
20.6  
70.7  
69.9  
156.4  
155.1  
ATE  
with anti-squeak plate  
Front Axle

References

12 76 5397  
12 80 0120

12 80 3551  
93 16 6943

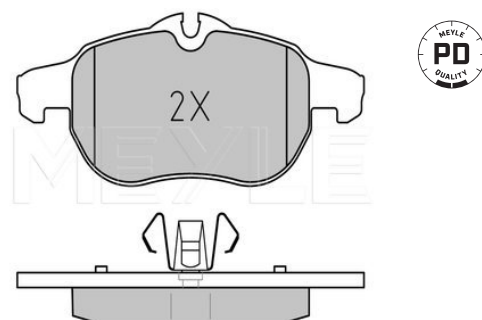
**Brake pad set**
**025 234 0220 | MBP0335**
**Application info**

9-3 [YS3D] [02/98-08/03]

9-3 [YS3F] [09/02--]

**Brake pad set**
**025 234 0220/PD | MBP0335PD**
**Notes**

 Quality  
 Thickness [mm]  
 Height 2 [mm]  
 Height 1 [mm]  
 Width 2 [mm]  
 Width 1 [mm]  
 Brake System

 prepared for wear indicator  
 PREMIUM  
 20.6  
 70.7  
 69.9  
 156.4  
 155.1  
 ATE  
 with anti-squeak plate  
 Front Axle

**References**

 12 76 5397  
 12 80 0120

 12 80 3551  
 93 16 6943

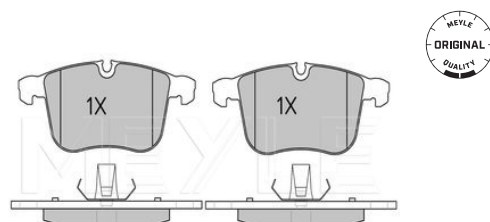
**Application info**

9-3 [YS3D] [02/98-08/03]

9-3 [YS3F] [09/02--]

**Brake pad set**
**025 234 0419 | MBP0336**
**Notes**

 Thickness [mm]  
 Height 2 [mm]  
 Height 1 [mm]  
 Width 2 [mm]  
 Width 1 [mm]  
 Brake System

 prepared for wear indicator  
 19.9  
 77.7  
 72.8  
 156.4  
 155.2  
 ATE  
 with anti-squeak plate  
 Front Axle

**References**

12 80 2167

93 18 8113

**Application info**

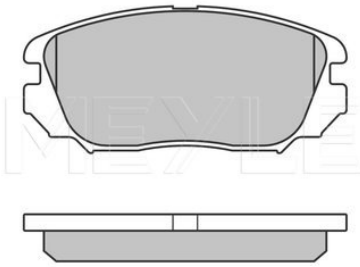
9-3 [YS3F] [09/02--]

9-5 [YS3E] [09/97-08/05]

**2**

025 244 1519/W | MBP0592

Brake pad set



Notes

Thickness [mm]  
Height [mm]  
Width [mm]  
Number of wear indicators [per axle]  
Brake System

with acoustic wear warning  
19.1  
59.7  
131.4  
2  
MANDO  
with anti-squeak plate  
Front Axle

References

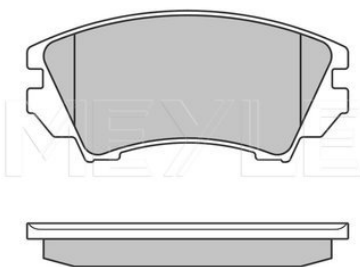
13 23 7750

Application info

9-5 [YS3G] [05/10--]

025 244 1219/W | MBP0591

Brake pad set



Notes

Thickness [mm]  
Height [mm]  
Width [mm]  
Number of wear indicators [per axle]  
Brake System

with acoustic wear warning  
19.1  
66.7  
142  
2  
Mando  
with anti-squeak plate  
Front Axle

References

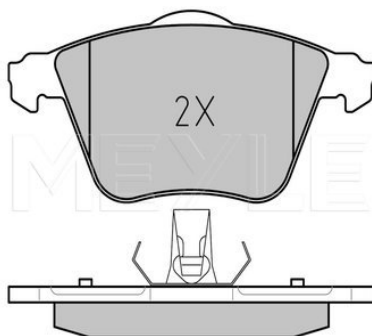
13 23 7751

Application info

9-5 [YS3G] [05/10--]

025 239 1218 | MBP0469

Brake pad set



Notes

Thickness [mm]  
Height 2 [mm]  
Height 1 [mm]  
Width 2 [mm]  
Width 1 [mm]  
Brake System

excl. wear warning contact  
18.5  
72.9  
72.9  
156.4  
155.1  
ATE  
with anti-squeak plate  
Front Axle

References

93 19 5754



**Brake pad set**

**025 239 1218 | MBP0469**

**Application info**

9-3 [YS3F] [09/02--]

9-5 [YS3E] [09/97-08/05]

**Guide bolt, brake caliper**

**100 698 0008 | MBX0156**

**Notes**

Brake System ATE  
Front Axle

**References**

89 55 486 89 69 651



**Application info**

900 I [06/78-06/94]

9000 [09/84-12/98]

**Guide sleeve kit, brake caliper**

**014 698 0006 | MBX0010**

**Notes**

Brake System without guide bolts  
ATE  
Front Axle

**References**

44 67 064 89 69 107  
89 55 445



**Application info**

900 I [06/78-06/94]  
900 II [07/93-02/98]  
9000 [09/84-12/98]

9-3 [YS3D] [02/98-08/03]  
9-3 [YS3F] [09/02--]  
9-5 [YS3E] [09/97-08/05]

2

014 698 0006/S | MBX0011

Guide sleeve kit, brake caliper



Notes

Brake System

with guide pin  
ATE  
Front Axle

References

44 67 064  
89 55 445

89 69 107

Parts list

014 698 0006 | MBX0010  
100 698 0008 | MBX0156

Guide sleeve kit, brake caliper  
Guide bolt, brake caliper

Application info

900 I [06/78-06/94]  
900 II [07/93-02/98]  
9000 [09/84-12/98]

9-3 [YS3D] [02/98-08/03]  
9-3 [YS3F] [09/02--]  
9-5 [YS3E] [09/97-08/05]

614 042 1009 | MPB0046

Brake shoe set, parking brake



Notes

Diameter [mm]  
Width [mm]

without spring  
160  
25  
Rear Axle

References

45 43 419  
45 44 326

48 36 441  
48 38 660

Application info

900 II [07/93-02/98]  
9-3 [YS3D] [02/98-08/03]

9-5 [YS3E] [09/97-08/05]

614 562 0003 | MBH0468

Brake hose



Notes

Inner thread [mm]  
Connector type  
Length [mm]

M10x1  
Banjo fitting  
350

References

42 41 444

Application info

900 II [07/93-02/98]

9-3 [YS3D] [02/98-08/03]



### Brake hose

614 562 0029 | MBH0479

#### Notes

Inner thread [mm]	M10x1
Outer thread [mm]	M10x1
Length [mm]	195

#### References

44 67 262	44 83 285
-----------	-----------



#### Application info

900 II (07/93-02/98)

9-3 (YS3D) (02/98-08/03)

### Brake hose

814 525 0001 | MBH0532

#### Notes

Inner thread [mm]	M10x1
Outer thread [mm]	M10x1
Length [mm]	205
Required quantity	1
	Left Rear

#### References

45 43 427



#### Application info

900 II (07/93-02/98)

9-3 (YS3D) (02/98-08/03)

### Brake hose

614 562 0002 | MBH0467

#### Notes

Inner thread 2 [mm]	M10x1
Inner thread 1 [mm]	M10x1
Length [mm]	235
Required quantity	2
	Rear Axle

#### References

45 65 719



#### Application info

9-5 (YS3E) (09/97-08/05)

814 525 0003 | MBH0533

Brake hose



Notes

Inner thread [mm]  
Outer thread [mm]  
Length [mm]  
Required quantity

M10x1  
M10x1  
180  
2  
Rear Axle

References

49 08 695

Application info

9-5 [YS3E] [09/97-08/05]

814 894 0819 | MBH0534

Brake hose



Notes

Outer thread 2 [mm]  
Outer thread 1 [mm]  
Length [mm]  
Required quantity

M10x1  
M10x1  
320  
2  
Front Axle

References

89 40 819

Application info

900 I [06/78-06/94]

614 525 0033/S | MBH0545

Brake hose



Notes

Inner thread [mm]  
Connector type  
Length [mm]  
Required quantity

with add-on material  
M10x1  
Banjo fitting  
402  
2  
Rear Axle

References

13327446

Application info

9-5 [YS3G] [05/10--]



### Brake hose

614 525 0004 | MBH0444

#### Notes

Inner thread [mm]  
Connector type  
Length [mm]  
Required quantity

M10x1  
Banjo fitting  
436  
2  
Front Axle

#### References

24 43 6541



#### Application info

9-3 [YS3F] [09/02--]

### Brake hose

614 525 0005 | MBH0445

#### Notes

Inner thread [mm]  
Connector type  
Length [mm]  
Required quantity

M10x1  
Banjo fitting  
338  
2  
Rear Axle

#### References

24 43 6542



#### Application info

9-3 [YS3F] [09/02--]

16-14 495 0000 | MBK0123

Boot kit, C.V. joint



Notes

Inner diameter 2 [mm]  
Inner diameter 1 [mm]  
Length [mm]

Thermoplast  
88  
28  
140  
Wheel Side  
Front Axle

References

43 99 333

44 83 517

Application info

900 II [07/93-02/98]

9-3 [YS3D] [02/98-08/03]

614 037 0009 | MBK0236

Boot kit, C.V. joint



Notes

Inner diameter 2 [mm]  
Inner diameter 1 [mm]  
Length [mm]

Elastomer  
87  
26  
110  
Wheel Side  
Front Axle

References

90 512 357

Application info

9-3 [YS3F] [09/02--]

614 160 0012 | MBK0241

Boot kit, C.V. joint



Notes

Inner diameter 2 [mm]  
Inner diameter 1 [mm]  
Length [mm]

Thermoplast  
87  
26  
110  
Wheel Side  
Front Axle

References

90 512 357

Application info

9-3 [YS3F] [09/02--]

**Tripod hub, propshaft**

**814 498 0004 | MTX0083**

**Notes**

Diameter [mm] 37  
 Int.teeth, diff.side, conn.to  
 conn.shaft 25  
 Transmission End

**References**

89 50 628



**Application info**

900 I (06/78-06/94)  
 900 II (07/93-02/98)

9000 (09/84-12/98)  
 9-3 (YS3D) (02/98-08/03)

**C.V. joint kit**

**614 498 0017 | MCV0346**

**Notes**

CV Joint  
 without ABS ring  
 Seal Diameter [mm] 35  
 Outer diameter [mm] 94.5  
 Length [mm] 101  
 Int. teeth, diff.side, conn.to  
 transm. 34  
 Int.teeth, diff.side, conn.to  
 conn.shaft 25  
 Transmission End  
 Front Axle Right

**References**

03 74 130



**Application info**

900 II (07/93-02/98)

**C.V. joint kit**

**614 498 0016 | MCV0345**

**Notes**

CV Joint  
 without ABS ring  
 Seal Diameter [mm] 35  
 Outer diameter [mm] 101  
 Length [mm] 141.8  
 Outer teething differential side 34  
 Int.teeth, diff.side, conn.to  
 conn.shaft 25

**References**

03 74 118 16 03 237  
 03 74 195





**614 498 0016 | MCV0345**

**C.V. joint kit**

**Application info**  
900 II [07/93-02/98]

**814 498 0001 | MCV0391**

**C.V. joint kit**



**Notes**

Number of Teeth, ABS ring	CV Joint 46 with ABS ring
Seal Diameter [mm]	56
Outer diameter [mm]	90
Length [mm]	145
Internal Teeth, wheel side	25
Outer gearing wheel side	26
	Wheel Side

**References**

40 00 642

**Application info**  
9000 [09/84-12/98]

**814 498 0005 | MCV0393**

**C.V. joint kit**



**Notes**

Seal Diameter [mm]	CV Joint without ABS ring
Outer diameter [mm]	55.4
Length [mm]	92.1
Internal Teeth, wheel side	161
Outer gearing wheel side	28
	30
	Wheel Side

**References**

12 79 3840

**Application info**  
9-3 [YS3F] [09/02--]



## C.V. joint kit

814 498 0003 | MCV0392

### Notes

Number of Teeth, ABS ring	CV Joint 29 with ABS ring
Seal Diameter [mm]	52
Outer diameter [mm]	90
Length [mm]	160
Internal Teeth, wheel side	33
Outer gearing wheel side	25 Wheel Side

### References

42 42 236	30 583 376
43 99 325	



### Application info

900 I [06/78-06/94]  
900 II [07/93-02/98]

9-3 [YS3D] [02/98-08/03]

3

614 238 0007 | MWS0105

Wear sensor



Notes

Warning Contact Length [mm]  
Required quantity

Disc Brake  
720  
2  
Front Axle

References

90 49 8321

Application info

900 II [07/93-02/98]  
9-3 [YS3D] [02/98-08/03]

9-5 [YS3E] [09/97-08/05]

814 899 0002 | MPS0044

Crank position sensor



Notes

Cable Length [mm]  
Fitting Depth [mm]  
Operating voltage [V]  
Number of Poles

Passive sensor  
520  
24  
12  
3  
with seal  
900

Resistance [Ohm]

References

91 77 221  
30 56 1772

55 55 7326

Application info

900 II [07/93-02/98]  
9-3 [YS3D] [02/98-08/03]

9-5 [YS3E] [09/97-08/05]

614 860 0004 | MGP0079

Glow plug



Notes

Rated current [A]

10  
after-glow capable  
Pencil-type Glow Plug

Spanner Size  
Diameter [mm]  
Thread Size  
Overall Length [mm]  
Cone Pitch  
Fitting Depth [mm]  
Connector type  
Voltage [V]

9  
4.1  
M9 x 1  
151.5  
93°  
30  
Ø 4 mm  
11

References

93 17 8411



### Glow plug

614 860 0004 | MGP0079

#### Application info

9-3 [YS3F] (09/02--)

9-5 [YS3E] (09/97-08/05)

### Glow plug

214 860 0000 | MGP0035

#### Notes

	Pencil-type Glow Plug
Spanner Size	10
Diameter [mm]	5.1
Thread Size	M10 x 1
Overall Length [mm]	103
Cone Pitch	63°
Fitting Depth [mm]	25
Connector type	Ø 4 mm
Voltage [V]	11

#### References

93 18 0295



#### Application info

9-3 [YS3F] (09/02--)

### Glow plug

614 860 0003 | MGP0078

#### Notes

Rated current [A]	10 after-glow capable Pencil-type Glow Plug
Spanner Size	12
Diameter [mm]	5
Thread Size	M10 x 1,25
Overall Length [mm]	132
Cone Pitch	93°
Fitting Depth [mm]	28
Connector type	M4
Voltage [V]	11

#### References

05954839  
95508492

97357290



#### Application info

9-5 [YS3E] (09/97-08/05)

4

614 885 0004 | MIC0087

Ignition coil



Notes

Operating voltage [V]  
Number of Poles  
Required quantity

for fully electronic ignition (FI)  
incl. spark plug connector  
Coupling Type SAE  
12  
5  
1  
for vehicles without distributor

References

91 19 567

Application info

9-3 [YS3F] (09/02--)

100 905 0009 | MEX0270

Ignition control unit



Notes

Operating voltage [V]  
Number of Poles

Transistor Ignition (TI)  
12  
7  
without back plate  
without fastening material

References

85 73 826

93 90 220

Application info

90 [08/84-08/87]  
900 I [06/78-06/94]

9000 [09/84-12/98]  
99 [08/68-12/84]

100 905 0005 | MEX0268

Ignition control unit



Notes

Operating voltage [V]  
Number of Poles

Transistor Ignition (TI)  
12  
7  
without fastening material  
with back plate

References

89 80 534

Application info

900 I [06/78-06/94]

**Lambda probe**

**100 900 0000 | MEX0265**

**Notes**

Regulating Probe  
Unheated  
Cable Length [mm] 890  
Number of Poles 1

**References**

75 34 795



**Application info**

900 I [06/78-06/94]

**Sender unit, coolant temperature**

**614 899 0038 | MEX0453**

**Notes**

Grey  
NTC Sensor  
Spanner Size 19  
Thread Size M12 x 1,5  
Operating voltage [V] 12  
Switch Point [°C] 150  
Switch Point [°C] -40  
Number of Poles 2

**References**

46 60 585 59 59 283  
47 72 208 12 56 6778  
47 72 307 15 39 3755  
47 73 586 24 43 6779  
53 41 391 90 54 1937



**Application info**

900 II [07/93-02/98]  
9000 [09/84-12/98]  
9-3 [YS3D] [02/98-08/03]

9-3 [YS3F] [09/02--]  
9-5 [YS3E] [09/97-08/05]

**Sender unit, coolant temperature**

**314 136 2102 | MEX0382**

**Notes**

Black  
NTC Sensor  
Spanner Size 19  
Thread Size M12 x 1,5  
Operating voltage [V] 12  
Number of Poles 2

**References**

93 57 021



4

+

314 136 2102 | MEX0382

Sender unit, coolant temperature

Application info

900 I [06/78-06/94]

9000 [09/84-12/98]

100 959 0002 | MEX0323

Temperature switch, radiator fan



Notes

Switch point from [°C]	87
Switch point to [°C]	92
	Black
Spanner Size	29
Thread Size	M22 x 1,5
Operating voltage [V]	12
Number of Poles	2 with seal

References

95 26 518

Application info

900 I [06/78-06/94]

900 II [07/93-02/98]

9000 [09/84-12/98]

014 731 1213 | MEX0042

Voltage regulator



Notes

Support plate diameter [mm]	14 with resistance
Voltage [V]	14.5

References

44 09 983

Application info

900 II [07/93-02/98]

9000 [09/84-12/98]

014 731 1090 | MEX0041

Voltage regulator



Notes

Support plate diameter [mm]	32
Voltage [V]	14.1

References

85 58 306

**Voltage regulator**

**014 731 1090 | MEX0041**

**Application info**

99 [08/68-12/84]

**Voltage regulator**

**014 731 1023 | MEX0040**

**Notes**

Support plate diameter [mm] 28  
with resistance  
Voltage [V] 14.1

**References**

85 71 846



**Application info**

90 [08/84-08/87]  
900 I [06/78-06/94]

900 II [07/93-02/98]  
9000 [09/84-12/98]

**Wiper intermittent relay**

**100 830 0014 | MEX0196**

**Notes**

Rated current [A] 10  
Lock  
Rated Power [W] 120  
Height [mm] 42  
Width [mm] 30  
Operating voltage [V] 12  
Connector type 5x 6,3 mm  
Connector type 1x 2,8 mm  
Length [mm] 30  
Number of Poles 6

**References**

85 53 463



**Application info**

90 [08/84-08/87]  
900 I [06/78-06/94]

9000 [09/84-12/98]

4



614 123 0001 | MEX0438

Back up light switch



Notes

Thread Size	Lock
Number of Poles	M12 x 1,5 2

References

42 36 666	46 17 668
-----------	-----------

Application info

900 II [07/93-02/98]  
9000 [09/84-12/98]

9-3 [YS3D] [02/98-08/03]

100 953 0012 | MEX0319

Relay, hazard lights



Notes

Rated current [A]	2
Rated Power [W]	Lock
Height [mm]	2x21; 5
Width [mm]	30
Operating voltage [V]	30
Connector type	12
Length [mm]	3x 6,3 mm
Number of Poles	30
	3
	for vehicles without towbar

References

4069985	8583627
---------	---------

Application info

9000 [09/84-12/98]



## Timing belt roller

**651 902 2000 | MMX1651**

### Notes

Outer diameter [mm] 63  
Width [mm] 25



### References

9128739 55 35 0580

### Application info

9-3 [YS3F] [09/02--]

## Timing belt roller

**651 902 2001 | MMX1652**

### Notes

Outer diameter [mm] 53  
Width [mm] 25



### References

9240033 55 35 2713

### Application info

9-3 [YS3F] [09/02--]

## Timing belt roller

**651 902 2003 | MMX1654**

### Notes

Inner diameter [mm] 8  
Outer diameter [mm] 61  
Width [mm] 27.5



### References

24436052

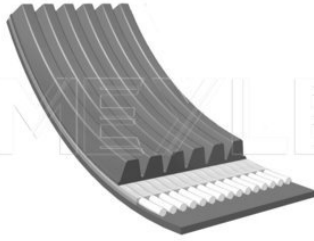
### Application info

9-5 [YS3G] [05/10--]

5

**050 006 2390 | MRB0553**

**V-ribbed belt**



**Notes**

Number of Ribs	6
Length [mm]	2390

**References**

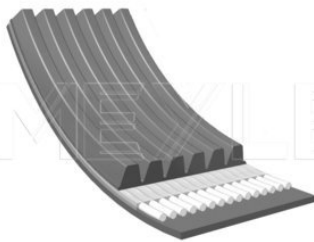
13 40 283

**Application info**

9-5 [YS3G] [05/10--]

**050 006 2013 | MRB0503**

**V-ribbed belt**



**Notes**

Number of Ribs	6
Length [mm]	2013

**References**

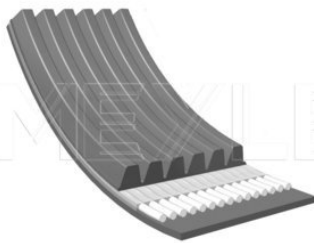
43 59 071	43 95 406
-----------	-----------

**Application info**

900 II [07/93-02/98]

**050 006 2300 | MRB0544**

**V-ribbed belt**



**Notes**

Number of Ribs	6
Length [mm]	2300

**References**

43 95 422

**Application info**

900 II [07/93-02/98]



### V-ribbed belt

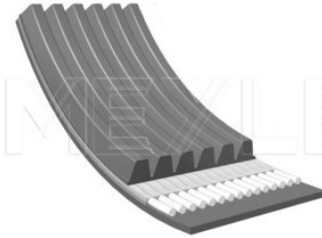
050 006 2310 | MRB0545

#### Notes

Number of Ribs 6  
Length [mm] 2310

#### References

43 60 111 43 95 422  
43 60 467 93 18 5058



#### Application info

900 II [07/93-02/98]

### V-ribbed belt

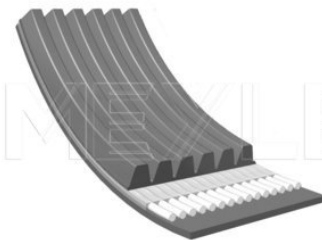
050 006 1890 | MRB0487

#### Notes

Number of Ribs 6  
Length [mm] 1890

#### References

43 954 30



#### Application info

900 II [07/93-02/98]  
9000 [09/84-12/98]

9-3 [YS30] [02/98-08/03]

### V-ribbed belt

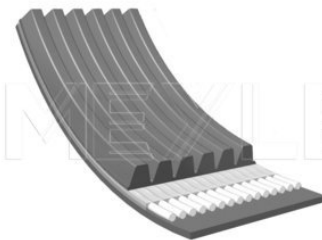
050 006 1893 | MRB0488

#### Notes

Number of Ribs 6  
Length [mm] 1893

#### References

43 95 430



#### Application info

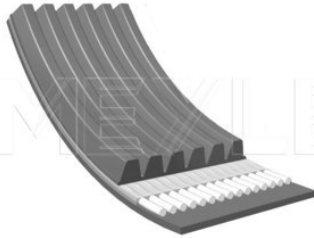
900 II [07/93-02/98]  
9000 [09/84-12/98]

9-3 [YS30] [02/98-08/03]

5

**050 006 2330 | MRB0547**

**V-ribbed belt**



**Notes**

Number of Ribs 6  
Length [mm] 2330

**References**

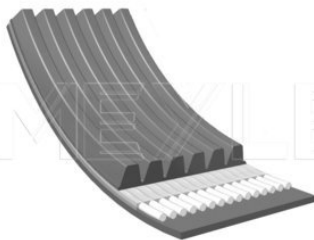
40 29 195 43 95 448  
43 56 895 93 18 5055

**Application info**

9000 [09/84-12/98]

**050 006 2225 | MRB0532**

**V-ribbed belt**



**Notes**

Number of Ribs 6  
Length [mm] 2225

**References**

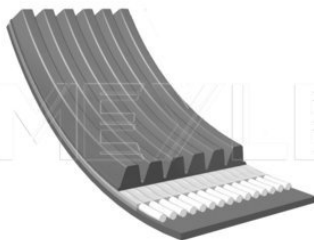
43 95 463

**Application info**

9000 [09/84-12/98]

**050 006 1900 | MRB0489**

**V-ribbed belt**



**Notes**

Number of Ribs 6  
Length [mm] 1900

**References**

45 75 528 53 40 534

**Application info**

9-3 [YS3D] [02/98-08/03]  
9-3 [YS3F] [09/02--]

9-5 [YS3E] [09/97-08/05]  
9-5 [YS3G] [05/10--]



## V-ribbed belt

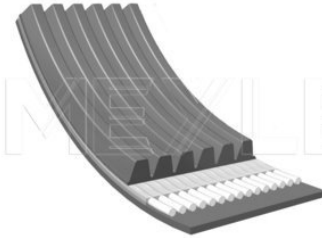
050 006 2000 | MRB0502

### Notes

Number of Ribs 6  
Length [mm] 2000

### References

48 96 312



### Application info

9-5 [YS3E] [09/97-08/05]

## V-ribbed belt

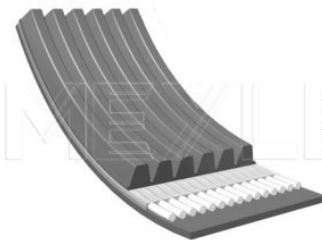
050 006 2612 | MRB0571

### Notes

Number of Ribs 6  
Length [mm] 2612

### References

48 99 548



### Application info

9-5 [YS3E] [09/97-08/05]

## V-ribbed belt

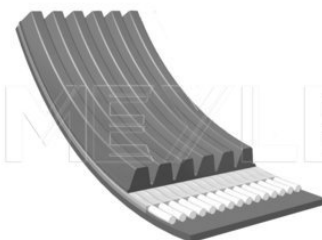
050 006 2020 | MRB0504

### Notes

Number of Ribs 6  
Length [mm] 2020

### References

45 52 648 48 99 555  
47 52 861



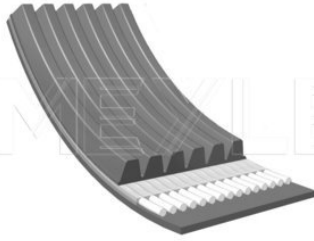
### Application info

9-5 [YS3E] [09/97-08/05]

5

**050 006 2550 | MRB0568**

**V-ribbed belt**



**Notes**

Number of Ribs	6
Length [mm]	2550

**References**

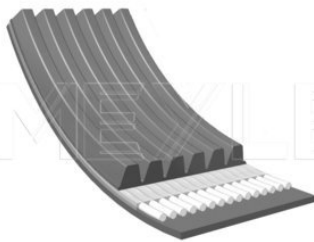
40 29 203	43 95 455
43 56 903	49 04 116

**Application info**

9000 [09/84-12/98]

**050 006 2625 | MRB0572**

**V-ribbed belt**



**Notes**

Number of Ribs	6
Length [mm]	2625

**References**

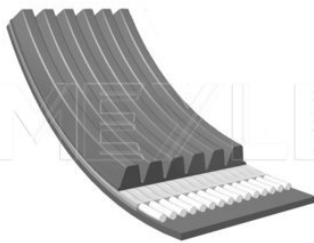
43 59 063	49 04 728
-----------	-----------

**Application info**

900 II [07/93-02/98]

**050 006 1800 | MRB0467**

**V-ribbed belt**



**Notes**

Number of Ribs	6
Length [mm]	1800

**References**

45 75 486	53 40 526
49 61 058	

**Application info**

9-3 [YS30] [02/98-08/03]



### V-ribbed belt

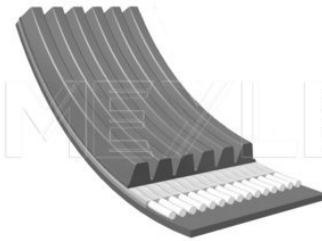
050 006 2345 | MRB0548

#### Notes

Number of Ribs	6
Length [mm]	2345

#### References

49 61 066	93 18 5050
-----------	------------



#### Application info

9-3 [YS3D] [02/98-08/03]

### V-ribbed belt

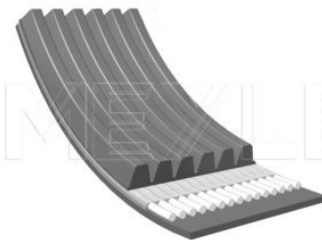
050 006 2425 | MRB0556

#### Notes

Number of Ribs	6
Length [mm]	2425

#### References

55 90 344	55 56 3222
-----------	------------



#### Application info

9-5 [YS3E] [09/97-08/05]

### V-ribbed belt

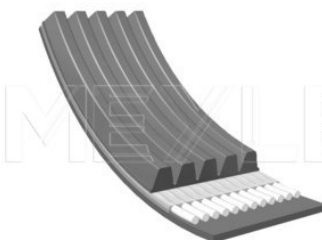
050 005 1610 | MRB0282

#### Notes

Number of Ribs	5
Length [mm]	1610

#### References

75 51 674	93185056
75 79 881	



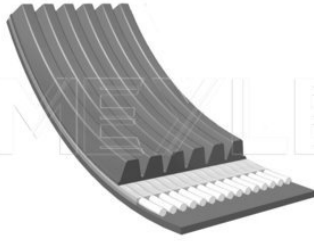
#### Application info

9000 [09/84-12/98]



**050 006 1920 | MRB0493**

**V-ribbed belt**



**Notes**

Number of Ribs	6
Length [mm]	1920

**References**

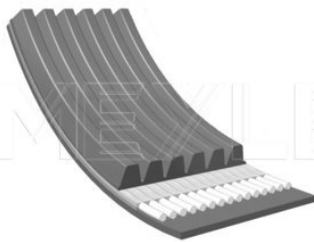
53 42 464	53 43 0443
-----------	------------

**Application info**

9-5 [YS3E] [09/97-08/05]

**050 006 2415 | MRB0555**

**V-ribbed belt**



**Notes**

Number of Ribs	6
Length [mm]	2415

**References**

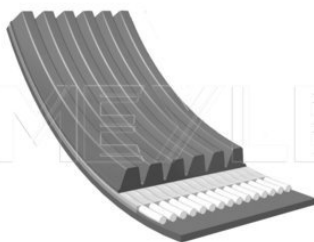
55 56 3222

**Application info**

9-5 [YS3E] [09/97-08/05]

**050 006 1555 | MRB0426**

**V-ribbed belt**



**Notes**

Number of Ribs	6
Length [mm]	1555

**References**

55563925

**Application info**

9-5 [YS3G] [05/10--]



## V-ribbed belt

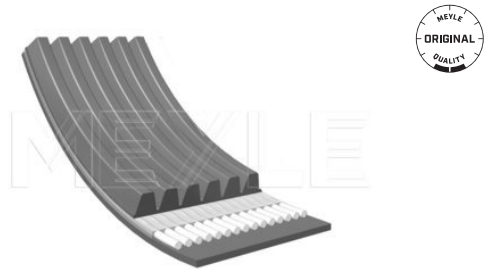
**050 006 1725 | MRB0456**

### Notes

Number of Ribs 6  
Length [mm] 1725

### References

55564662



### Application info

9-5 [YS3E] [09/97-08/05]

## V-ribbed belt

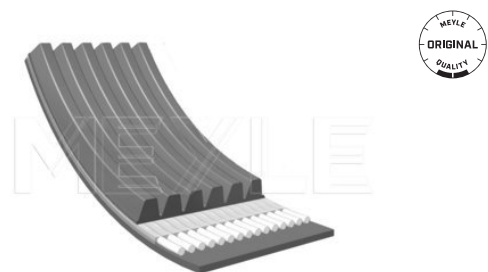
**050 006 2270 | MRB0539**

### Notes

Number of Ribs 6  
Length [mm] 2270

### References

90 40 9781



### Application info

900 II [07/93-02/98]

## V-ribbed belt

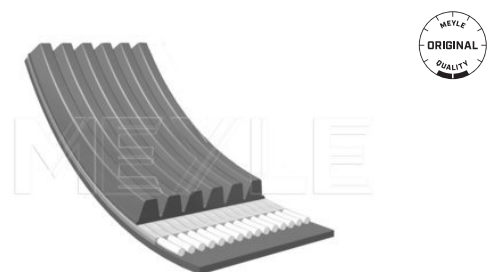
**050 006 2120 | MRB0518**

### Notes

Number of Ribs 6  
Length [mm] 2120

### References

93 18 5756



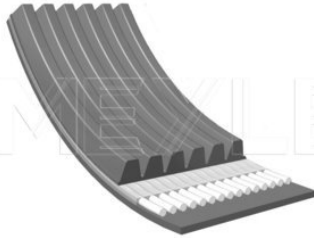
### Application info

9-3 [YS3F] [09/02--]

5

**050 006 1415 | MRB0411**

**V-ribbed belt**



**Notes**

Number of Ribs 6  
Length [mm] 1415

**References**

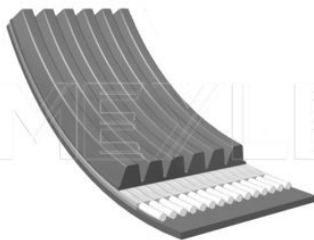
93190310 55564655KA  
55561328JU

**Application info**

9-3 [YS3F] [09/02--]

**050 006 1400 | MRB0410**

**V-ribbed belt**



**Notes**

Number of Ribs 6  
Length [mm] 1400

**References**

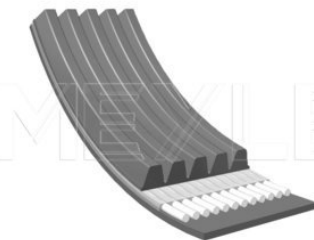
93185379 93190810

**Application info**

9-3 [YS3F] [09/02--]

**050 005 1238 | MRB0253**

**V-ribbed belt**



**Notes**

Number of Ribs 5  
Length [mm] 1238

**Application info**

9-3 [YS3F] [09/02--]

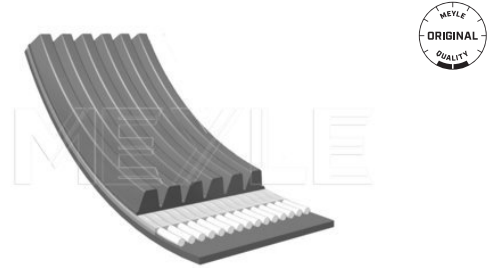


### V-ribbed belt

050 006 1450 | MRB0416

#### Notes

Number of Ribs 6  
Length [mm] 1450



#### Application info

9-5 [YS3G] [05/10--]

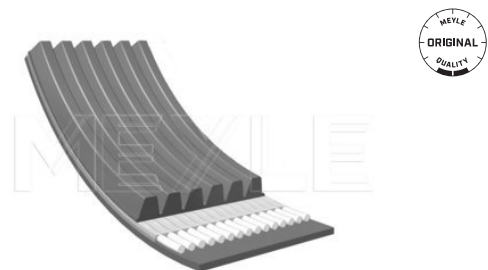
### V-ribbed belt

050 006 1980 | MRB0500

#### Notes

Width [mm] 21  
Number of Ribs 6  
Length [mm] 1980  
One-sided

EPDM (ethylene propylene diene Monomer [M-class] rubber)



#### References

12605208

#### Application info

9-5 [YS3E] [09/97-08/05]

### Radiator hose

819 222 0001 | MRH0295

#### Notes

for fore- / backflow

#### References

49 61 074



#### Application info

900 II [07/93-02/98]

9-3 [YS3D] [02/98-08/03]

5

**813 883 1944 | MWP0506**

**Water pump**



**Notes**

Quality

with seal  
Sealed with SiC/SiC

**References**

47 70 970  
59 58 061

88 21 944

**Application info**

900 II [07/93-02/98]  
9000 [09/84-12/98]

9-5 [YS3E] [09/97-08/05]

**813 477 2711 | MWP0504**

**Water pump**



**Notes**

Quality

with seal  
Sealed with SiC/SiC

**References**

47 72 711

**Application info**

9-3 [YS3D] [02/98-08/03]  
9-3 [YS3F] [09/02--]

9-5 [YS3E] [09/97-08/05]

**613 220 0005 | MWP0446**

**Water pump**



**Notes**

for gear drive  
with seal

**References**

59 51 835

59 58 107

**Application info**

9-5 [YS3E] [09/97-08/05]



### Water pump

613 220 0001 | MWP0442

#### Notes

Quality  
Belt Pulley Ø [mm]  
Height [mm]

for toothed belt drive  
with seal  
Sealed with SiC/SiC  
48  
41

#### References

63 34 003

93 17 8713



#### Application info

9-3 [YS3F] [09/02--]

### Water pump

613 220 0010 | MWP0450

#### Notes

with seal

#### References

12566029



#### Application info

9-3 [YS3F] [09/02--]

### Water pump

613 600 4135 | MWP0477

#### Notes

Quality  
Number of Teeth

for toothed belt drive  
with seal  
Sealed with SiC/SiC  
23

#### References

90 54 3935



#### Application info

9-3 [YS3F] [09/02--]

**813 932 1951 | MWP0509**

**Water pump**



**Notes**

Quality

with seal  
Sealed with SiC/SiC

**References**

59 60 414  
88 22 652  
88 22 710  
88 22 744

88 22 793  
93 21 951  
93 16 6829

**Application info**

900 II [07/93-02/98]  
9-3 [YS3D] [02/98-08/03]

9-5 [YS3E] [09/97-08/05]

**613 220 0006 | MWP0447**

**Water pump**



**Notes**

Belt Pulley Ø [mm]

for toothed belt drive  
with seal  
48

**References**

93 17 9114

**Application info**

9-3 [YS3F] [09/02--]

9-5 [YS3E] [09/97-08/05]

**613 600 0004 | MWP0457**

**Water pump**



**Notes**

with seal

**References**

93 17 8602  
93 18 1118

24 46 73001

**Application info**

9-3 [YS3F] [09/02--]

**Air filter**

**112 129 0012 | MAF0138**

**Notes**

Inner diameter [mm] 97  
Outer diameter [mm] 181  
Height [mm] 103  
Filter Insert

**References**

4023420



**Application info**

900 I [06/78-06/94]

**Air filter**

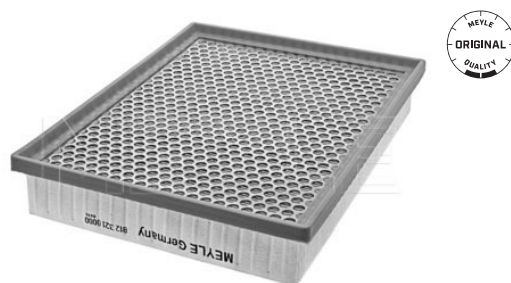
**812 321 0000 | MAF0648**

**Notes**

Height [mm] 50.5  
Width [mm] 234.5  
Length [mm] 297  
Filter Insert

**References**

12 78 6800 40 80 32 0801  
12 80 4494



**Application info**

9-3 [YS3F] [09/02--]

**Air filter**

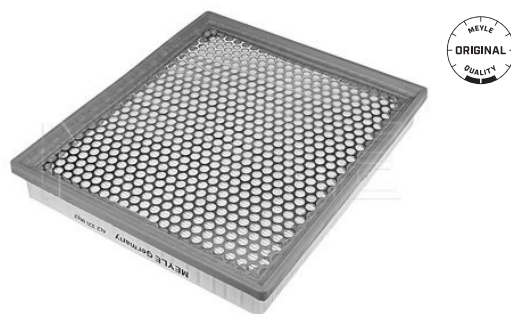
**612 321 0012 | MAF0610**

**Notes**

Height [mm] 42.5  
Width [mm] 258  
Length [mm] 291  
Filter Insert

**References**

55560894



**Application info**

9-5 [YS3G] [05/10--]

5



**614 818 0000 | MFF0212**

**Fuel filter**



**Notes**

Diameter [mm] 71  
Height [mm] 92  
Filter Insert

**References**

51 95 516 54 64 656

**Application info**

9-3 [YS3D] [02/98-08/03]  
9-3 [YS3F] [09/02--]

9-5 [YS3E] [09/97-08/05]

**29-14 323 0004 | MFF0122**

**Fuel filter**



**Notes**

Diameter [mm] 88.5  
Diameter 1 [mm] 78  
Diameter 2 [mm] 25  
Height [mm] 90.5  
Filter Insert

**References**

58 18 085

**Application info**

9-3 [YS3F] [09/02--]

9-5 [YS3G] [05/10--]

**100 133 0006 | MFF0038**

**Fuel filter**



**Notes**

Diameter [mm] 86  
Height [mm] 155  
Thread Size M14x1,5  
Connecting thread M12x1,5  
Screw-on Filter

**References**

89 78 561

**Application info**

900 I [06/78-06/94]



### Fuel filter

### 514 323 0003 | MFF0201

#### Notes

	Zinc-coated
	Steel
Diameter [mm]	82.5
Height [mm]	151
Thread Size	M12x1,5
Connecting thread	M14x1,5
	Screw-on Filter

#### References

93 33 790



#### Application info

900 I [06/78-06/94]  
 900 II [07/93-02/98]  
 9000 [09/84-12/98]

9-3 [YS3D] [02/98-08/03]  
 9-3 [YS3F] [09/02--]  
 9-5 [YS3E] [09/97-08/05]

### Fuel filter

### 100 201 0000 | MFF0043

#### Notes

	Steel
Diameter [mm]	60
Height [mm]	160
	In-Line Filter

#### References

25 31 3359



#### Application info

9-3 [YS3F] [09/02--]

### Fuel filter

### 100 201 0013 | MFF0050

#### Notes

	Steel
Diameter [mm]	55
Height [mm]	163
	In-Line Filter

#### References

25 31 3359



#### Application info

9-3 [YS3F] [09/02--]

**614 323 0004 | MFF0210**

**Fuel filter**



**Notes**

Diameter 1 [mm]  
Outer diameter [mm]  
Height [mm]

with seal  
24.5  
68  
100.5  
Filter Insert

**References**

93181377

**Application info**

9-3 [YS3F] [09/02--]

**614 036 0012 | MMX1199**

**Idle control valve, air supply**



**Notes**

Electric

**References**

75 86 019

**Application info**

900 I [06/78-06/94]  
900 II [07/93-02/98]

9000 [09/84-12/98]

**614 038 0001 | MMX1200**

**Cap, oil filler**



**Notes**

Round  
Plastic

**References**

90 536 291

**Application info**

9-3 [YS3F] [09/02--]

**Oil filter**

**614 322 0017 | MOF0193**

**Notes**

Inner diameter 2 [mm] 41  
 Inner diameter [mm] 26  
 Outer diameter [mm] 66  
 Height [mm] 105  
 Filter Insert

**References**

6 50 061



**Application info**

9-5 [YS3G] [05/10--]

**Oil filter**

**614 322 0016 | MOF0192**

**Notes**

Diameter [mm] with seal 66  
 Inner diameter [mm] 41  
 Height [mm] 105  
 Filter Insert

**References**

8 60 134



**Application info**

9-3 [YS3F] [09/02--]

**Oil filter**

**614 065 0004 | MOF0175**

**Notes**

Diameter [mm] 77  
 Height [mm] 79.5  
 Thread Size M18x1,5  
 Screw-on Filter

**References**

45 02 696



**Application info**

900 II [07/93-02/98]

9000 [09/84-12/98]

**614 322 0001 | MOF0179**

**Oil filter**



**Notes**

Inner diameter [mm]	with seal
Outer diameter [mm]	31.5
Height [mm]	65
	115
	Filter Insert

**References**

47 72 166	95 43 679
91 17 321	

**Application info**

9-3 [YS3D] (02/98-08/03)  
9-3 [YS3F] (09/02--)

9-5 [YS3E] (09/97-08/05)

**614 322 0003 | MOF0180**

**Oil filter**



**Notes**

Inner diameter [mm]	with seal
Outer diameter [mm]	30.5
Height [mm]	62
	79.5
	Filter Insert

**References**

56 50 316

**Application info**

9-3 [YS3F] (09/02--)

**614 322 0010 | MOF0187**

**Oil filter**



**Notes**

Inner diameter [mm]	with seal
Outer diameter [mm]	20.8
Height [mm]	57.5
	106
	Filter Insert

**References**

56 50 359

**Application info**

9-5 [YS3G] (05/10--)

**Oil filter**
**614 322 0008 | MOF0185**
**Notes**

Inner diameter [mm]	with seal
Outer diameter [mm]	35
Height [mm]	61.5
	92.5
	Filter Insert

**References**

12 57 5810	24 46 0713
------------	------------


**Application info**

9-3 [YS3F] [09/02--]

**Oil filter**
**614 322 0009 | MOF0186**
**Notes**

Diameter [mm]	76
Inner diameter 1 [mm]	62.5
Inner diameter [mm]	71.5
Height [mm]	77
Thread Size	M18x1,5
	Screw-on Filter

**References**

93 17 8952


**Application info**

9-3 [YS3F] [09/02--]

**Oil filter**
**614 322 0011 | MOF0188**
**Notes**

Inner diameter [mm]	with seal
Outer diameter [mm]	31.5
Height [mm]	65
	74
	Filter Insert

**References**

93183412


**Application info**

9-3 [YS3F] [09/02--]

9-5 [YS3E] [09/97-08/05]

**614 820 0002 | MMX1331**

**Oil pressure switch**



**Notes**

Pressure to [bar]  
Pressure from [bar]  
Spanner Size  
Thread Size  
Number of Poles

Black  
Opener  
0.55  
0.3  
24  
M14 x 1,5  
1

**References**

45 04 585  
47 70 186  
55 35 4378

**Application info**

9-3 [YS3F] [09/02--]

9-5 [YS3E] [09/97-08/05]

**614 684 0016 | MEM0551**

**Engine mount**



**Notes**

Rubber-metal Bearing  
Left

**References**

43 56 176

**Application info**

900 II [07/93-02/98]

9-3 [YS3D] [02/98-08/03]

**814 435 0001 | MEM0584**

**Engine mount**



**Notes**

Rubber-metal Bearing  
Left

**References**

43 56 184

**Application info**

900 II [07/93-02/98]

9-3 [YS3D] [02/98-08/03]

**Engine mount**

**814 757 0001 | MEM0585**

**Notes**

Outer diameter [mm]

Rubber-metal Bearing  
60  
Right Rear

**References**

75 76 333



**Application info**

9000 [09/84-12/98]

**Engine mount**

**614 030 0026 | MEM0587**

**Notes**

**References**

9156932

Rubber-metal Bearing  
Rear



**Application info**

9-3 [YS3F] [09/02--]

**Engine mount**

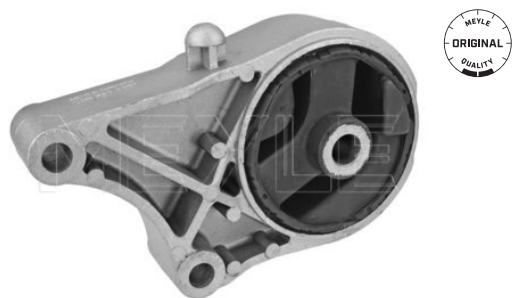
**614 030 0024 | MEM0501**

**Notes**

**References**

13112026

Rubber-metal Bearing  
Manual Transmission, 6-  
speed  
Right



**Application info**

9-3 [YS3F] [09/02--]

5



**614 030 0027 | MEM0502**

**Engine mount**



**Notes**

Hydro Bearing  
for manual transmission  
Left

**References**

9156922

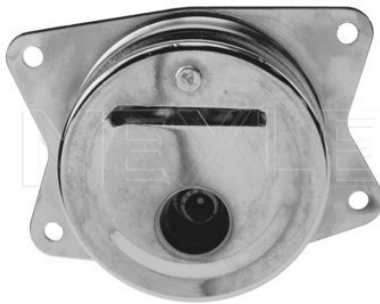
13207577

**Application info**

9-3 [YS3F] [09/02--]

**614 030 0023 | MEM0500**

**Engine mount**



**Notes**

Hydro Bearing  
for manual transmission  
Left

**References**

13166642  
13191586

13207585

**Application info**

9-3 [YS3F] [09/02--]

**614 030 0010 | MEM0491**

**Engine mount**



**Notes**

Rubber Bush  
Plastic  
Front

**References**

13126584

13220095

**Application info**

9-3 [YS3F] [09/02--]



## Mount, alternator

814 754 1451 | MMX1294

### Notes

for alternator  
Engine Bay

### References

75 41 451



### Application info

90 [08/84-08/87]  
900 I [06/78-06/94]  
900 II [07/93-02/98]  
9000 [09/84-12/98]

9-3 [YS3D] [02/98-08/03]  
9-5 [YS3E] [09/97-08/05]  
99 [08/68-12/84]

814 631 0001 | MHP0101

Hydraulic pump, P/S



Notes

Number of Ribs  
Operating Pressure [bar]

Hydraulic  
Aluminium  
6  
100

References

44 00 370

46 47 491

Application info

900 II [07/93-02/98]

814 631 0009 | MHP0104

Hydraulic pump, P/S



Notes

Operating Pressure [bar]

Hydraulic  
Aluminium  
100

References

50 61 841

Application info

9-3 [YS30] [02/98-08/03]

814 631 0010 | MHP0105

Hydraulic pump, P/S



Notes

Number of Ribs  
Operating Pressure [bar]

Hydraulic  
Aluminium  
6  
100

References

51 70 675

Application info

9-3 [YS30] [02/98-08/03]



### Hydraulic pump, P/S

814 631 0007 | MHP0102

#### Notes

	Hydraulic Aluminium
Number of Ribs	6
Operating Pressure [bar]	110

#### References

48 38 447	52 30 750
-----------	-----------



#### Application info

9-5 [YS3E] [09/97-08/05]

### P/S hose

859 202 0000 | MHH0066

#### Notes

for foreflow

#### References

4838801	5061833
---------	---------



#### Application info

9-3 [YS3D] [02/98-08/03]

9-3 [YS3F] [09/02--]

### Axial rod

616 030 5563 | MAR0305

#### Notes

Thread Measurement 2	with left-hand thread
Length [mm]	M16x2
	434
	Front Axle Left

#### References

42 42 673

#### Counterpart

616 030 5566 | MAR0306



#### Application info

900 II [07/93-02/98]

9-3 [YS3D] [02/98-08/03]

616 030 5566 | MAR0306

Axial rod



Notes

Thread Measurement 2  
Length [mm]

with right-hand thread  
M16x2  
434  
Front Axle Right

References

42 42 681

Counterpart

616 030 5563 | MAR0305

Application info

900 II [07/93-02/98]

9-3 [YS3D] [02/98-08/03]

616 030 5581 | MAR0310

Axial rod



Notes

Thread Measurement 2  
Thread Measurement 1  
Length [mm]

M14x1,5  
M16x1,5  
344  
Front Axle Right  
Front Axle Left

References

48 36 557

52-33-424

Application info

9-5 [YS3E] [09/97-08/05]

816 031 0001 | MAR0474

Axial rod



Notes

Thread Measurement 2  
Thread Measurement 1  
Length [mm]

M14x1,5  
M16x1,5  
286  
Front Axle Right  
Front Axle Left

References

52-35-585  
52-39-330

93194335

Application info

9-5 [YS3E] [09/97-08/05]

9-5 [YS3G] [05/10--]

**Bolt, wheel alignment**

**614 032 0002 | MSX0096**

**Notes**

Thread Measurement 2  
Thread Measurement 1  
Length [mm]

with left-hand thread  
with right-hand thread  
M16x2,0  
M16x2,0  
106  
Centre  
Front Axle Right  
Front Axle Left



**References**

42 42 731

**Application info**

900 II (07/93-02/98)

9-3 (YS3D) (02/98-08/03)

**Tie rod assembly**

**616 030 0002 | MTA0183**

**Notes**

Thread Measurement 1

with left-hand thread  
M12x1,5  
Front Axle Left



**References**

42 42 673

**Parts list**

614 032 0002 | MSX0096  
616 030 5563 | MAR0305  
616 020 5562 | MTE0494

Bolt, wheel alignment  
Axial rod  
Tie rod end

**Counterpart**

616 030 5564 | MTA0186

**Application info**

900 II (07/93-02/98)

9-3 (YS3D) (02/98-08/03)

**Tie rod assembly**

**616 030 5564 | MTA0186**

**Notes**

Thread Measurement 1

with right-hand thread  
M12x1,5  
Front Axle Right



**References**

42 42 681

**Parts list**

614 032 0002 | MSX0096  
616 030 5566 | MAR0306  
616 020 5565 | MTE0495

Bolt, wheel alignment  
Axial rod  
Tie rod end

**Counterpart**

616 030 0002 | MTA0183

6

+

616 030 5564 | MTA0186

Tie rod assembly

Application info

900 II [07/93-02/98]

9-3 [YS3D] [02/98-08/03]

616 020 5562 | MTE0494

Tie rod end



Notes

Thread Measurement 2  
Thread Measurement 1  
Length [mm]

with right-hand thread  
M16x2,0  
M12x1,5  
66  
Front Axle Left

References

42 42 749

Counterpart

616 020 5565 | MTE0495

Application info

900 II [07/93-02/98]

9-3 [YS3D] [02/98-08/03]

616 020 5565 | MTE0495

Tie rod end



Notes

Thread Measurement 2  
Thread Measurement 1  
Length [mm]

with left-hand thread  
M16x2,0  
M12x1,5  
66  
Front Axle Right

References

42 42 756

Counterpart

616 020 5562 | MTE0494

Application info

900 II [07/93-02/98]

9-3 [YS3D] [02/98-08/03]

616 020 5579 | MTE0497

Tie rod end



Notes

Thread Measurement 2  
Thread Measurement 1  
Length [mm]

M14x1,5  
M12x1,5  
75  
Front Axle Right  
Front Axle Left

References

48 36 540

49-05-949



## Tie rod end

616 020 5579 | MTE0497

### Application info

9-5 [YS3E] [09/97-08/05]

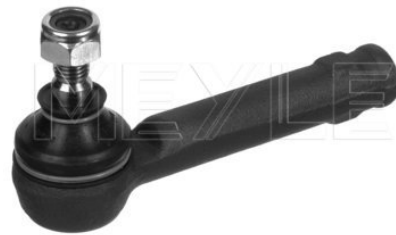
## Tie rod end

816 020 4904 | MTE0539

### Notes

Thread Measurement 2  
Thread Measurement 1  
Length [mm]

with right-hand thread  
M14x1,5  
M12x1,5  
125  
for vehicles with power steering  
Front Axle Right  
Front Axle Left



### References

89 57 839

89 93 453

### Application info

9000 [09/84-12/98]

## Tie rod end

816 020 4902 | MTE0538

### Notes

Thread Measurement 2  
Thread Measurement 1  
Length [mm]

with right-hand thread  
M14x2,0  
M12x1,5  
71  
Front Axle Right  
Front Axle Left



### References

89 24 177  
89 85 160

89 93 354  
89 93 560

### Application info

90 [08/84-08/87]  
900 I [06/78-06/94]

99 [08/68-12/84]



816 020 0020 | MTE0537

Tie rod end



Notes

Thread Measurement 2  
Thread Measurement 1  
Length [mm]

with right-hand thread  
M14x1,5  
M12x1,5  
136  
Front Axle Left

References

52 35 650  
52 39 314  
12 80 1423

93 17 2254  
93-19-4328

Counterpart

816 020 0001 | MTE0536

Application info

9-3 [YS3F] [09/02--]  
9-5 [YS3E] [09/97-08/05]

9-5 [YS3G] [05/10--]

816 020 0001 | MTE0536

Tie rod end



Notes

Thread Measurement 2  
Thread Measurement 1  
Length [mm]

with right-hand thread  
M14x1,5  
M12x1,5  
136  
Front Axle Right

References

52 35 668  
52 39 322  
12-76-5897

12 80 1424  
93 17 2255  
93-19-4329

Counterpart

816 020 0020 | MTE0537

Application info

9-3 [YS3F] [09/02--]  
9-5 [YS3E] [09/97-08/05]

9-5 [YS3G] [05/10--]



### Ball joint

616 010 5583 | MBJ0282

#### Notes

Length [mm]

with accessories  
77  
Lower  
Front Axle Right  
Front Axle Left

#### References

48 35 740  
52 31 683

93-18-5278



#### Application info

9-5 [YS3E] [09/97-08/05]

### Ball joint

816 010 0002 | MBJ0299

#### Notes

Cone Size [mm]

with accessories  
20  
Lower  
Front Axle Right  
Front Axle Left

#### References

52 37 516



#### Application info

9-5 [YS3E] [09/97-08/05]

9-5 [YS3G] [05/10--]

### Ball joint

816 010 4903 | MBJ0301

#### Notes

Thread Size  
Length [mm]  
Cone Size [mm]

with accessories  
M14x1,5  
13  
20  
Lower  
Front Axle Right  
Front Axle Left

#### References

89 57 045  
89 72 135

89 94 212



#### Application info

9000 [09/84-12/98]

7

816 010 0556 | MBJ0300

Ball joint



Notes

Thread Size  
Length [mm]

with accessories  
1/2"-20 UNF  
31.2  
Lower  
Front Axle Right  
Front Axle Left

References

89 85 384  
89 93 321

89 93 388

Application info

90 [08/84-08/87]  
900 I [06/78-06/94]

99 [08/68-12/84]

614 035 0037 | MBC0005

Bracket, control arm



Notes

Inner diameter [mm]

with accessories  
19  
with rubber mounting  
Lower  
Rear  
Front Axle Right  
Front Axle Left

References

12 78 6412

Application info

9-3 [YS3F] [09/02--]

816 050 9005/HD | MCA0760HD

Control arm



Notes

Length [mm]

Aluminium  
354  
with rubber mounting  
Control Arm  
Lower  
Front  
Front Axle Left

Reinforced Version

References

45 43 450

Parts list

814 454 0001/HD | MCB0344HD

Control arm bushing

Counterpart

816 050 9006/HD | MCA0761HD



### Control arm

816 050 9005/HD | MCA0760HD

#### Application info

900 II (07/93-02/98)

9-3 (YS3D) (02/98-08/03)

### Control arm

816 050 9006/HD | MCA0761HD

#### Notes

Length [mm]

Aluminium  
354  
with rubber mounting  
Control Arm  
Lower  
Front  
Front Axle Right

Reinforced Version

#### References

45 43 468

#### Parts list

814 454 0001/HD | MCB0344HD Control arm bushing

#### Counterpart

816 050 9005/HD | MCA0760HD



#### Application info

900 II (07/93-02/98)

9-3 (YS3D) (02/98-08/03)

### Control arm

816 050 0008 | MCA0805

#### Notes

Thread Size  
Length [mm]

Aluminium  
M14x1,5  
228  
with rubber mounting  
Control Arm  
Rear Axle Right  
Rear Axle Left

#### References

12 79 3813

#### Parts list

814 710 0000 | MCB0361 Control arm bushing



#### Application info

9-3 (YS3F) (09/02--)

7

616 050 0001 | MCA0680

Control arm



Notes

Aluminium  
with rubber mounting  
Control Arm  
Lower  
Front Axle Left

References

12 79 6013

12 79 9199

Parts list

614 035 0037 | MBC0005  
614 035 0018 | MCB0300

Bracket, control arm  
Control arm bushing

Counterpart

616 050 0002 | MCA0681

Application info

9-3 [YS3F] [09/02--]

616 050 0002 | MCA0681

Control arm



Notes

Aluminium  
with rubber mounting  
Control Arm  
Lower  
Front Axle Right

References

12 79 6014

12 79 9200

Parts list

614 035 0037 | MBC0005  
614 035 0018 | MCB0300

Bracket, control arm  
Control arm bushing

Counterpart

616 050 0001 | MCA0680

Application info

9-3 [YS3F] [09/02--]

616 050 0030 | MCA0702

Control arm



Notes

Sheet Steel  
with rubber mounting  
Control Arm  
Rear Axle Right  
Rear Axle Left

References

13 10 5744  
13 20 4115

13 23 0274



### Control arm

616 050 0030 | MCA0702

#### Application info

9-3 [YS3F] [09/02--]

### Control arm

616 050 0015 | MCA0690

#### Notes

Aluminium  
with rubber mounting  
Control Arm  
Front Axle Left



#### References

13 318 886

#### Parts list

614 610 0021 | MCM0170

614 610 0010 | MCB0312

Mount, control arm  
Control arm bushing

#### Counterpart

616 050 0016 | MCA0691

#### Application info

9-5 [YS3G] [05/10--]

### Control arm

616 050 0016 | MCA0691

#### Notes

Aluminium  
with rubber mounting  
Control Arm  
Front Axle Right



#### References

13 318 887

#### Parts list

614 610 0021 | MCM0170

614 610 0010 | MCB0312

Mount, control arm  
Control arm bushing

#### Counterpart

616 050 0015 | MCA0690

#### Application info

9-5 [YS3G] [05/10--]

816 050 0002 | MCA0756

Control arm



Notes

Sheet Steel  
with ball joint  
with rubber mounting  
Control Arm  
Lower  
Front Axle Left

References

48 35 708

93 185 279

Parts list

616 010 5583 | MBJ0282  
814 610 0003 | MCM0113  
614 035 0018 | MCB0300

Ball joint  
Mount, control arm  
Control arm bushing

Counterpart

816 050 0003 | MCA0757

Application info

9-5 [YS3E] [09/97-08/05]

816 050 0003 | MCA0757

Control arm



Notes

Sheet Steel  
with ball joint  
with rubber mounting  
Control Arm  
Lower  
Front Axle Right

References

48 35 716

93 185 280

Parts list

616 010 5583 | MBJ0282  
814 610 0003 | MCM0113  
614 035 0018 | MCB0300

Ball joint  
Mount, control arm  
Control arm bushing

Counterpart

816 050 0002 | MCA0756

Application info

9-5 [YS3E] [09/97-08/05]

7

**Control arm bushing**
**814 448 0001 | MCB0343**
**Notes**

for OE number	4647012
for OE number	4647004
Inner diameter [mm]	16
Outer diameter [mm]	50
Height [mm]	56
	Lower
	Rear
	Front Axle Right
	Front Axle Left

**References**

44 82 402


**Application info**

900 II (07/93-02/98)

9-3 (YS3D) (02/98-08/03)

**Control arm bushing**
**814 454 0001/HD | MCB0344HD**
**Notes**

Inner diameter [mm]	12
Outer diameter [mm]	58
Height [mm]	58
	Outer
	Lower
	Front Axle Right
	Front Axle Left

Reinforced Version

**References**

45 45 711


**Application info**

900 II (07/93-02/98)

9-3 (YS3D) (02/98-08/03)

**Control arm bushing**
**614 035 0018 | MCB0300**
**Notes**

Inner diameter [mm]	12
Outer diameter [mm]	36
Height [mm]	60
	Lower
	Front
	Front Axle Right
	Front Axle Left

**References**

45 66 899


**Application info**

9-3 (YS3F) (09/02--)

9-5 (YS3E) (09/97-08/05)

9-5 (YS3G) (05/10--)



814 896 1476 | MCB0346

Control arm bushing



Notes

Outer diameter [mm]	34
	inner
	Lower
	Front Axle Right
	Front Axle Left

References

89 61 476

Application info

9000 [09/84-12/98]

814 710 0000 | MCB0361

Control arm bushing



Notes

Inner diameter [mm]	12
Outer diameter [mm]	45
Height [mm]	47
	Rear Axle Right
	Rear Axle Left

References

12 79 3813\*

Application info

9-3 [YS3F] [09/02--]

614 042 0005 | MCB0304

Control arm bushing



Notes

Inner diameter [mm]	12
Outer diameter [mm]	45
Height [mm]	52
	Rear Axle Right
	Rear Axle Left

References

24 46 9643

Application info

9-3 [YS3F] [09/02--]

7



### Mount, control arm

616 010 0100 | MCM0107

#### Notes

Inner diameter [mm]	12
Outer diameter [mm]	45
Height [mm]	52
	Rear Axle Right
	Rear Axle Left

#### References

45 67 244



#### Application info

9-5 [YS3E] [09/97-08/05]

9-5 [YS3G] [05/10--]

### Mount, control arm

814 610 0003 | MCM0113

#### Notes

Inner diameter [mm]	19
	Lower
	Rear
	Front Axle Right
	Front Axle Left

#### References

49 08 109  
50 63 391

52 33 374



#### Application info

9-5 [YS3E] [09/97-08/05]

9-5 [YS3G] [05/10--]

### Mount, control arm

814 896 5253/HD | MCM0115HD

#### Notes

Inner diameter [mm]	19
	Outer
	Lower
	Front Axle Right
	Front Axle Left

Reinforced Version

#### References

89 65 253



#### Application info

9000 [09/84-12/98]

7

**614 610 0021 | MCM0170**

**Mount, control arm**



**Notes**

Inner diameter [mm]  
Height [mm]

with accessories  
Hydro Bearing  
22  
60  
Rear  
Front Axle Right  
Front Axle Left

**References**

13280216

**Application info**

9-5 [YS3G] [05/10--]

**814 442 6003 | MCX0334**

**Sleeve, control arm mount**



**Notes**

Front Axle Right  
Front Axle Left

**References**

44 26 003

**Application info**

9000 [09/84-12/98]

**814 896 2656 | MCX0335**

**Bracket, stabilizer bushing**



**Notes**

Front Axle Left

**References**

89 62 656

**Counterpart**

814 896 2664 | MCX0336

**Application info**

900 I [06/78-06/94]

7



### Bracket, stabilizer bushing

814 896 2664 | MCX0336

#### Notes

Front Axle Right

#### References

89 62 664

30519423

#### Counterpart

814 896 2656 | MCX0335



#### Application info

900 I [06/78-06/94]

### Mount, rod/strut stabilizer

614 035 0009 | MCX0315

#### Notes

Inner diameter [mm]

8.5

Front Axle Right

Front Axle Left

#### References

42 46 112



#### Application info

900 II [07/93-02/98]

9-3 [YS3D] [02/98-08/03]

### Mount, stabilizer

614 715 0004 | MSB0479

#### Notes

Inner diameter [mm]

18

Required quantity

2

Rear Axle Left

Rear Axle Right

#### References

24 45 7386



#### Application info

9-3 [YS3F] [09/02--]

7

814 715 0000 | MSB0490

Mount, stabilizer



Notes

Inner diameter [mm]  
Required quantity

19  
2  
Rear Axle Left  
Rear Axle Right

References

24 45 7843

Application info

9-3 [YS3F] [09/02--]

614 615 0008 | MSB0271

Repair kit, stabilizer bushing



Notes

Set  
Front Axle Right  
Front Axle Left

References

13204070

13204071

Application info

9-3 [YS3F] [09/02--]

616 060 5574 | MSL0536

Stabilizer link



Notes

Thread Measurement 2  
Thread Measurement 1  
Length [mm]

Coupling Rod  
M8x1,25  
M12x1,5  
84  
without fastening material  
Front Axle Right  
Front Axle Left

References

45 44 599

Application info

900 II [07/93-02/98]

9-3 [YS3D] [02/98-08/03]



### Stabilizer link

616 060 5574/S | MSL0537

#### Notes

Thread Measurement 2  
Thread Measurement 1  
Length [mm]

Kit  
with accessories  
Coupling Rod  
M8x1,25  
M12x1,5  
84  
Front Axle Right  
Front Axle Left

#### References

45 44 599

#### Parts list

614 035 0009 | MCX0315  
616 060 5574 | MSL0536

Mount, rod/strut stabilizer  
Stabilizer link



#### Application info

900 II (07/93-02/98)

9-3 (YS3D) (02/98-08/03)

### Stabilizer link

614 715 0001 | MSL0923

#### Notes

Inner diameter 2 [mm]  
Inner diameter 1 [mm]  
Length [mm]  
Required quantity

Coupling Rod  
10  
8,5  
80  
2  
Rear Axle Left  
Rear Axle Right

#### References

45 65 859

49 06 111



#### Application info

9-5 (YS3E) (09/97-08/05)

### Stabilizer link

616 060 5582 | MSL0539

#### Notes

Thread Measurement 2  
Thread Measurement 1  
Length [mm]

Coupling Rod  
M12x1,5  
M12x1,5  
243  
Front Axle Right  
Front Axle Left

#### References

46 86 606

52 36 823



#### Application info

9-5 (YS3E) (09/97-08/05)

7

616 060 5582/HD | MSL0539HD

Stabilizer link



Notes

Thread Measurement 2  
Thread Measurement 1  
Length [mm]

Reinforced Version

with spanner attachment  
Coupling Rod  
M12X1,5  
M12X1,5  
243  
Front Axle Right  
Front Axle Left

References

46 86 606

52 36 823

Application info

9-5 [YS3E] [09/97-08/05]

9-5 [YS3G] [05/10--]

816 060 0001 | MSL0563

Stabilizer link



Notes

Inner diameter 1 [mm]  
Thread Measurement 1  
Length [mm]

References

89 58 944

Coupling Rod  
12  
M10x1,5  
110  
Front Axle Right  
Front Axle Left

Application info

9000 [09/84-12/98]

614 044 0007 | MSL0515

Stabilizer link



Notes

Inner diameter 2 [mm]  
Inner diameter 1 [mm]  
Length [mm]

References

13 10 4120

Coupling Rod  
7  
10  
86  
Rear Axle Right  
Rear Axle Left

Application info

9-3 [YS3F] [09/02--]

7



### Stabilizer link

### 616 060 0003/HD | MSL0518HD

#### Notes

Thread Measurement 2  
Thread Measurement 1  
Length [mm]

Reinforced Version

#### References

13 21 9141

with spanner attachment  
Coupling Rod  
Steel  
M12X1,5  
M12X1,5  
300  
Front Axle Right  
Front Axle Left



#### Application info

9-5 [YS3G] [05/10--]

### Stabilizer link

### 616 060 0032 | MSL0882

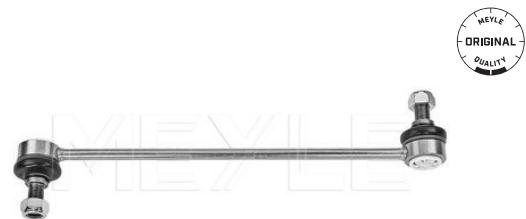
#### Notes

Thread Measurement 2  
Thread Measurement 1  
Length [mm]

#### References

13 21 9141

with spanner attachment  
Coupling Rod  
Steel  
M12X1,5  
M12X1,5  
300  
Front Axle Right  
Front Axle Left



#### Application info

9-5 [YS3G] [05/10--]

### Stabilizer link

### 616 060 0004/HD | MSL0519HD

#### Notes

Thread Measurement 2  
Thread Measurement 1  
Length [mm]

Reinforced Version

#### References

13-23-7130

24 41 7251

with spanner attachment  
Coupling Rod  
Steel  
M12X1,5  
M12X1,5  
354  
Front Axle Right  
Front Axle Left



#### Application info

9-3 [YS3F] [09/02--]

7



616 060 0029 | MSL0880

Stabilizer link



Notes

Thread Measurement 2  
Thread Measurement 1  
Length [mm]

with spanner attachment  
Coupling Rod  
M12X1,5  
M12X1,5  
354  
Front Axle Right  
Front Axle Left

References

13-23-7130

24 41 7251

Application info

9-3 [YS3F] [09/02--]

616 060 1001/S | MSL0533

Stabilizer link



Notes

Inner diameter 1 [mm]  
Thread Measurement 1  
Length [mm]

Kit  
with accessories  
Coupling Rod  
for vehicles with heavy duty  
suspension  
21  
M8x1,25  
85  
Front Axle Right  
Front Axle Left

References

30 54 0743

Parts list

614 035 0009 | MCX0315

Mount, rod/strut stabilizer

Application info

900 II [07/93-02/98]

814 639 0002 | MCS0458

Coil spring



Notes

Required quantity  
Replace in pairs only

2  
Front Axle

References

44 83 186

44 83 194



### Coil spring

814 639 0002 | MCS0458

#### Application info

900 II (07/93-02/98)

### Coil spring

814 739 0000 | MCS0460

#### Notes

Required quantity 2  
Rear Axle  
Replace in pairs only



#### References

44 83 368

#### Application info

900 II (07/93-02/98)

### Coil spring

814 639 0003 | MCS0459

#### Notes

Required quantity 2  
Front Axle  
Replace in pairs only



#### References

47 78 783

#### Application info

9-3 (YS30) (02/98-08/03)

### Coil spring

814 639 0000 | MCS0456

#### Notes

Required quantity 2  
Front Axle  
Replace in pairs only



#### References

12 78 6059 93 19 0594

7

814 639 0000 | MCS0456

Coil spring

**Application info**  
9-3 [YS3F] [09/02--]

814 639 0001 | MCS0457

Coil spring



**Notes**

Required quantity 2  
Front Axle  
Replace in pairs only

**References**

93 19 0614

**Application info**  
9-3 [YS3F] [09/02--]

614 643 0000 | MCX0322

Dust cover/boot, strut



**Notes**

Diameter [mm] 80  
Diameter [mm] 66  
Height [mm] 205  
Required quantity 2  
Front Axle

**References**

55700767

**Application info**  
9-3 [YS3F] [09/02--]

614 034 0017/S | MCX0313

Repair kit, strut mount



**Notes**

with ball bearing  
Front Axle

**References**

24 43 5884

**Parts list**

614 034 0017 | MSM0166 Strut mount  
614 641 0004 | MMB0016 Strut mount bearing

**Repair kit, strut mount**

**614 034 0017/S | MCX0313**

**Application info**

9-3 [YS3F] [09/02--]

**Shock absorber**

**826 624 0001 | MSA0567**

**Notes**

Suspension Strut Insert  
Gas Pressure  
Twin-Tube  
Front Axle

**References**

47 78 817

50 56 650



**Application info**

9-3 [YS3D] [02/98-08/03]

**Shock absorber**

**826 725 0003 | MSA0570**

**Notes**

Top pin  
Bottom eye  
Gas Pressure  
Twin-Tube  
Rear Axle

**References**

49 06 475  
49 06 517

50 56 668



**Application info**

9-3 [YS3D] [02/98-08/03]

**Shock absorber**

**826 623 0001 | MSA0565**

**Notes**

Suspension Strut  
Gas Pressure  
Twin-Tube  
Front Axle

**References**

45 65 214  
46 89 311  
46 89 329  
49 05 014

50 58 417  
50 58 425  
50 63 458  
50 63 466



826 623 0001 | MSA0565

Shock absorber

Application info

9-5 [YS3E] (09/97-08/05)

826 725 0002 | MSA0569

Shock absorber



Notes

Top pin  
Bottom eye  
Gas Pressure  
Twin-Tube  
Rear Axle

References

45 66 824  
50 64 290  
52 34 265  
52 34 281  
52 38 506  
52 38 514

52 39 090  
53 24 265  
12 75 9466  
12 75 9467  
12 76 5951  
12 76 5952

Application info

9-5 [YS3E] (09/97-08/05)

826 623 0000 | MSA0564

Shock absorber



Notes

Suspension Strut  
Gas Pressure  
Twin-Tube  
Front Axle

References

52 34 174  
52 34 182  
53 36 920

53 36 938  
12 760 161  
12 760 162

Application info

9-5 [YS3E] (09/97-08/05)

**Strut mount**

**814 506 0001 | MSM0197**

**Notes**

without ball bearing  
Front Axle

**References**

49 08 562

50 60 892



**Application info**

9-3 [YS3D] [02/98-08/03]

**Strut mount**

**814 641 0000 | MSM0208**

**Notes**

without ball bearing  
Front Axle

**References**

52 33 366

52 39 843



**Application info**

9-5 [YS3E] [09/97-08/05]

**Strut mount**

**614 034 0017 | MSM0166**

**Notes**

without ball bearing  
Front Axle

**References**

24 43 5884



**Application info**

9-3 [YS3F] [09/02--]

7

614 641 0004 | MMB0016

Strut mount bearing



Notes

Inner diameter [mm]	75
Outer diameter [mm]	109.5
Height [mm]	33
	Front Axle

References

9191181

Application info

9-3 [YS3F] [09/02--]

614 160 0105 | MWB0047

Wheel bearing



Notes

Alternative Repair Kit	614 160 0005
Inner diameter [mm]	39
Outer diameter [mm]	74
Height [mm]	39
	Front Axle

References

42 42 202	46 89 923
-----------	-----------

Application info

900 II [07/93-02/98]  
9-3 [YS3D] [02/98-08/03]

9-3 [YS3F] [09/02--]

614 160 0005 | MWK0175

Wheel bearing kit



Notes

	with accessories
Inner diameter [mm]	39
Outer diameter [mm]	74
Height [mm]	39
	Front Axle left and right

References

46 89 923

Parts list

614 160 0105   MWB0047	Wheel bearing
------------------------	---------------

Application info

900 II [07/93-02/98]  
9-3 [YS3D] [02/98-08/03]

9-3 [YS3F] [09/02--]



### Wheel bearing kit

614 650 0005 | MWK0221

#### Notes

Inner diameter [mm]	33	with add-on material
Outer diameter [mm]	137	
Width [mm]	130	
Bolt Hole Circle Ø [mm]	105	
Number of Holes	5	with wheel hub
		Front Axle left and right

#### References

12 799 815	93 175 327
93 171 495	93 186 387



#### Application info

9-3 [YS3F] [09/02--]

### Wheel hub

614 752 0003 | MWH0195

#### Notes

Inner diameter [mm]	65	without add-on material
Outer diameter [mm]	139	for vehicles with ABS
Bolt Hole Circle Ø [mm]	110	
Rim Hole Number	5	
		Four-point mounting
		with wheel studs
		with integrated ABS sensor
		for brake disc
		with integrated wheel bearing
		Rear Axle left and right

#### References

43 98 046	48 39 122
47 78 494	



#### Application info

900 I [06/78-06/94]  
900 II [07/93-02/98]

9-3 [YS3D] [02/98-08/03]  
9-5 [YS3E] [09/97-08/05]

### Wheel hub

814 752 0002 | MWH0217

#### Notes

Outer diameter [mm]	137	with add-on material
Bolt Hole Circle Ø [mm]	110	
Rim Hole Number	5	
		with integrated wheel bearing
		Front Axle left and right

#### References

53 92 493



7





814 752 0002 | MWH0217

Wheel hub

Application info

9-5 [YS3E] (09/97-08/05)

614 752 0013 | MWH0200

Wheel hub



Notes

Outer diameter [mm]  
Bolt Hole Circle Ø [mm]  
Rim Hole Number

with add-on material

140

110

5

with integrated wheel bearing  
with integrated ABS sensor  
Rear Axle left and right

References

24421906

93170611

Application info

9-3 [YS3F] (09/02--)

614 652 0015 | MWH0226

Wheel hub



Notes

Number of Teeth, ABS ring  
Outer diameter [mm]  
Bolt Hole Circle Ø [mm]  
Rim Hole Number

with add-on material

30

157

120

5

Three-point mounting  
with integrated sensor ring  
with wheel studs  
with integrated wheel bearing  
Rear Axle left and right  
Front Axle left and right

Application info

9-5 [YS3G] (05/10--)

MEYLE no.	Ref. no.	Page
<b>Saab</b>		
014 698 0006	44 67 064	27
	89 55 445	
	89 69 107	
014 698 0006/S	44 67 064	28
	89 55 445	
	89 69 107	
014 731 1023	85 71 846	41
014 731 1090	85 58 306	40
014 731 1213	44 09 983	40
025 210 5015	48 36 987	20
	48 37 241	
	50 57 336	
025 210 5015/PD	48 36 987	21
	48 37 241	
	50 57 336	
025 211 4015	44 67 072	20
025 211 5419	48 39 700	22
	50 55 769	
	89 68 976	
	89 93 768	
025 214 1117	44 83 723	20
	46 46 899	
	46 48 457	
025 218 2919	44-78-254	23
	49 07 739	
	12 75 9808	
025 218 2919/PD	44-78-254	23
	49 07 739	
	12 75 9808	
025 219 3417	50 58 110	21
025 219 3417/PD	50 58 110	22
025 231 1619/W	48 39 924	22
	49 07 739	
	50-55-371	
	50 62 203	
	50-62-211	
	50-64-795	
	52 32 350	
	53-92-485	
	55-32-544	
	93-19-2749	
025 234 0220	12 76 5397	24
	12 80 0120	
	12 80 3551	
	93 16 6943	
025 234 0220/PD	12 76 5397	25

MEYLE no.	Ref. no.	Page
<b>Saab</b>		
	12 80 0120	
	12 80 3551	
	93 16 6943	
025 234 0419	12 80 2167	25
	93 18 8113	
025 239 1218	93 19 5754	26
025 241 3716	12799240	24
	93183140	
025 241 3716/PD	12799240	24
	93183140	
025 244 1219/W	13 23 7751	26
025 244 1519/W	13 23 7750	26
029 290 1111	-	3
029 300 1210	-	3
029 400 1600	-	4
029 500 2000	-	4
029 530 2100	-	4
029 550 2200	-	5
029 580 2300	-	5
029 600 2400	-	5
050 005 1238	-	52
050 005 1610	75 51 674	49
	75 79 881	
	93185056	
050 006 1400	93185379	52
	93190810	
050 006 1415	93190310	52
	55561328JU	
	55564655KA	
050 006 1450	-	53
050 006 1555	55563925	50
050 006 1725	55564662	51
050 006 1800	45 75 486	48
	49 61 058	
	53 40 526	
050 006 1890	43 954 30	45
050 006 1893	43 95 430	45
050 006 1900	45 75 528	46
	53 40 534	
050 006 1920	53 42 464	50
	53 43 0443	
050 006 1980	12605208	53
050 006 2000	48 96 312	47
050 006 2013	43 59 071	44
	43 95 406	
050 006 2020	45 52 648	47

MEYLE no.	Ref. no.	Page
<b>Saab</b>		
	47 52 861 48 99 555	
050 006 2120	93 18 5756	51
050 006 2225	43 95 463	46
050 006 2270	90 40 9781	51
050 006 2300	43 95 422	44
050 006 2310	43 60 111 43 60 467 43 95 422 93 18 5058	45
050 006 2330	40 29 195 43 56 895 43 95 448 93 18 5055	46
050 006 2345	49 61 066 93 18 5050	49
050 006 2390	13 40 283	44
050 006 2415	55 56 3222	50
050 006 2425	55 90 344 55 56 3222	49
050 006 2550	40 29 203 43 56 903 43 95 455 49 04 116	48
050 006 2612	48 99 548	47
050 006 2625	43 59 063 49 04 728	48
100 133 0006	89 78 561	58
100 201 0000	25 31 3359	59
100 201 0013	25 31 3359	59
100 698 0008	89 55 486 89 69 651	27
100 830 0014	85 53 463	41
100 900 0000	75 34 795	39
100 905 0005	89 80 534	38
100 905 0009	85 73 826 93 90 220	38
100 953 0012	4069985 8583627	42
100 955 0005	48 32 903	3
100 959 0002	95 26 518	40
112 129 0012	4023420	57
16-14 495 0000	43 99 333 44 83 517	32
214 860 0000	93 18 0295	37
29-14 323 0004	58 18 085	58

MEYLE no.	Ref. no.	Page
<b>Saab</b>		
314 136 2102	93 57 021	39
514 323 0003	93 33 790	59
612 319 0005	91 79 905	7
612 319 0013	52425938	8
612 320 0005	91 79 904	6
612 320 0010	52420930	7
612 321 0012	55560894	57
613 220 0001	63 34 003 93 17 8713	55
613 220 0005	59 51 835 59 56 107	54
613 220 0006	93 17 9114	56
613 220 0010	12566029	55
613 600 0004	93 17 8602 93 18 1118 24 46 73001	56
613 600 4135	90 54 3935	55
614 030 0010	13126584 13220095	66
614 030 0023	13166642 13191586 13207585	66
614 030 0024	13112026	65
614 030 0026	9156932	65
614 030 0027	9156922 13207577	66
614 032 0002	42 42 731	71
614 034 0017	24 43 5884	95
614 034 0017/S	24 43 5884	92
614 035 0009	42 46 112	85
614 035 0018	45 66 899	81
614 035 0037	12 78 6412	76
614 036 0012	75 86 019	60
614 037 0009	90 512 357	32
614 038 0001	90 536 291	60
614 042 0005	24 46 9643	82
614 042 1009	45 43 419 45 44 326 48 36 441 48 38 660	28
614 044 0007	13 10 4120	88
614 065 0004	45 02 696	61
614 123 0001	42 36 666 46 17 668	42
614 160 0005	46 89 923	96
614 160 0012	90 512 357	32

MEYLE no.	Ref. no.	Page
<b>Saab</b>		
614 160 0105	42 42 202 46 89 923	96
614 238 0007	90 49 8321	36
614 238 0009	90 56 6947	8
614 322 0001	47 72 166 91 17 321 95 43 679	62
614 322 0003	56 50 316	62
614 322 0008	12 57 5810 24 46 0713	63
614 322 0009	93 17 8952	63
614 322 0010	56 50 359	62
614 322 0011	93183412	63
614 322 0016	8 60 134	61
614 322 0017	6 50 061	61
614 323 0004	93181377	60
614 498 0016	03 74 118 03 74 195 16 03 237	33
614 498 0017	03 74 130	33
614 525 0004	24 43 6541	31
614 525 0005	24 43 6542	31
614 525 0033/S	13327446	30
614 562 0002	45 65 719	29
614 562 0003	42 41 444	28
614 562 0029	44 67 262 44 83 285	29
614 610 0021	13280216	84
614 615 0008	13204070 13204071	86
614 641 0004	9191181	96
614 643 0000	55700767	92
614 650 0005	12 799 815 93 171 495 93 175 327 93 186 387	97
614 652 0015	-	98
614 684 0016	43 56 176	64
614 715 0001	45 65 859 49 06 111	87
614 715 0004	24 45 7386	85
614 752 0003	43 98 046 47 78 494 48 39 122	97
614 752 0013	24421906 93170611	98

MEYLE no.	Ref. no.	Page
<b>Saab</b>		
614 818 0000	51 95 516 54 64 656	58
614 820 0002	45 04 585 47 70 186 55 35 4378	64
614 860 0003	05954839 95508492 97357290	37
614 860 0004	93 17 8411	36
614 870 9001	44 80 646	2
614 885 0004	91 19 567	38
614 899 0038	46 60 585 47 72 208 47 72 307 47 73 586 53 41 391 59 59 283 12 56 6778 15 39 3755 24 43 6779 90 54 1937	39
615 521 0008/PD	24 43 5132 93 17 5606	19
615 521 0010	91 56 807 93-17-1497	13
615 521 0010/PD	91 56 807 93-17-1497	14
615 521 0013	45 67 798 50 55 389 50-84-769 51 22 833 53 91 560 91 84 405	14
615 521 0013/PD	45 67 798 50 55 389 50-84-769 51 22 833 53 91 560 91 84 405	15
615 521 0016/PD	93 18 8445	19
615 521 6012	48-37-019 48-39-007 48 39 320 53-90-786 32-02-5723	10
615 521 6022	91 91 247	15

MEYLE no.	Ref. no.	Page
<b>Saab</b>		
	93-17-1500	
615 523 0011/PD	13502198	16
615 523 0019/PD	13502199	17
615 523 0021	45 65 693 48-37-027 48 39 015 48 39 338 50-24-260 50-84-751 539 15 78	11
615 523 0025	91 56 785 12 76 2290	12
615 523 0025/PD	91 56 785 12 76 2290	13
615 523 6027	91 91 336 12 76 2291	16
616 010 0100	45 67 244	83
616 010 5583	48 35 740 52 31 683 93-18-5278	75
616 020 5562	42 42 749	72
616 020 5565	42 42 756	72
616 020 5579	48 36 540 49-05-949	72
616 030 0002	42 42 673	71
616 030 5563	42 42 673	69
616 030 5564	42 42 681	71
616 030 5566	42 42 681	70
616 030 5581	48 36 557 52-33-424	70
616 050 0001	12 79 6013 12 79 9199	78
616 050 0002	12 79 6014 12 79 9200	78
616 050 0015	13 318 886	79
616 050 0016	13 318 887	79
616 050 0030	13 10 5744 13 20 4115 13 23 0274	78
616 060 0003/HD	13 21 9141	89
616 060 0004/HD	13-23-7130 24 41 7251	89
616 060 0029	13-23-7130 24 41 7251	90
616 060 0032	13 21 9141	89
616 060 1001/S	30 54 0743	90

MEYLE no.	Ref. no.	Page
<b>Saab</b>		
616 060 5574	45 44 599	86
616 060 5574/S	45 44 599	87
616 060 5582	46 86 606 52 36 823	87
616 060 5582/HD	46 86 606 52 36 823	88
651 902 2000	9128739 55 35 0580	43
651 902 2001	9240033 55 35 2713	43
651 902 2003	24436052	43
683 521 0025/PD	13 50 2213	17
683 521 0026/PD	13 50 1308 13 50 2214	18
683 521 0027/PD	13576781	18
812 319 0000	40 72 393	6
812 319 0001	42 30 322 43 64 790 46 32 493 50 47 113	6
812 320 0006	45 41 538 45 41 545 45 41 546 50 47 238 50 47 303 53 35 948 53 35 955 12 75 8727 12 75 8728 12 75 8729	7
812 321 0000	12 78 6800 12 80 4494 40 80 32 0801	57
813 477 2711	47 72 711	54
813 883 1944	47 70 970 59 58 061 88 21 944	54
813 932 1951	59 60 414 88 22 652 88 22 710 88 22 744 88 22 793 93 21 951 93 16 6829	56
814 435 0001	43 56 184	64
814 442 6003	44 26 003	84

MEYLE no.	Ref. no.	Page
<b>Saab</b>		
814 448 0001	44 82 402	81
814 454 0001/HD	45 45 711	81
814 498 0001	40 00 642	34
814 498 0003	42 42 236 43 99 325 30 583 376	35
814 498 0004	89 50 628	33
814 498 0005	12 79 3840	34
814 506 0001	49 08 562 50 60 892	95
814 525 0001	45 43 427	29
814 525 0003	49 08 695	30
814 610 0003	49 08 109 50 63 391 52 33 374	83
814 631 0001	44 00 370 46 47 491	68
814 631 0007	48 38 447 52 30 750	69
814 631 0009	50 61 841	68
814 631 0010	51 70 675	68
814 639 0000	12 78 6059 93 19 0594	91
814 639 0001	93 19 0614	92
814 639 0002	44 83 186 44 83 194	90
814 639 0003	47 78 783	91
814 641 0000	52 33 366 52 39 843	95
814 710 0000	12 79 3813*	82
814 715 0000	24 45 7843	86
814 739 0000	44 83 368	91
814 752 0002	53 92 493	97
814 754 1451	75 41 451	67
814 757 0001	75 76 333	65
814 894 0819	89 40 819	30
814 896 1476	89 61 476	82
814 896 2656	89 62 656	84
814 896 2664	89 62 664 30519423	85
814 896 5253/HD	89 65 253	83
814 899 0002	91 77 221 30 56 1772 55 55 7326	36
815 521 5001	40 02 143 89 65 980	9

MEYLE no.	Ref. no.	Page
<b>Saab</b>		
815 521 5021	42 41 428	9
815 521 5025	49 07 523 50 57 476 53 61 537 53 91 537	12
815 523 5020	42 41 477	10
815 523 5026	52 32 698 52 32 756 12-76-3593	11
816 010 0002	52 37 516	75
816 010 0556	89 85 384 89 93 321 89 93 388	76
816 010 4903	89 57 045 89 72 135 89 94 212	75
816 020 0001	52 35 668 52 39 322 12-76-5897 12 80 1424 93 17 2255 93-19-4329	74
816 020 0020	52 35 650 52 39 314 12 80 1423 93 17 2254 93-19-4328	74
816 020 4902	89 24 177 89 85 160 89 93 354 89 93 560	73
816 020 4904	89 57 839 89 93 453	73
816 031 0001	52-35-585 52-39-330 93194335	70
816 050 0002	48 35 708 93 185 279	80
816 050 0003	48 35 716 93 185 280	80
816 050 0008	12 79 3813	77
816 050 9005/HD	45 43 450	76
816 050 9006/HD	45 43 468	77
816 060 0001	89 58 944	88
819 222 0001	49 61 074	53
826 623 0000	52 34 174	94

MEYLE no.	Ref. no.	Page
<b>Saab</b>		
	52 34 182 53 36 920 53 36 938 12 760 161 12 760 162	
826 623 0001	45 65 214 46 89 311 46 89 329 49 05 014 50 58 417 50 58 425 50 63 458 50 63 466	93
826 624 0001	47 78 817 50 56 650	93
826 725 0002	45 66 824 50 64 290 52 34 265 52 34 281 52 38 506 52 38 514 52 39 090 53 24 265 12 75 9466 12 75 9467 12 76 5951 12 76 5952	94
826 725 0003	49 06 475 49 06 517 50 56 668	93
840 160 3556	92 70 240 30 52 1738	1
840 910 0000	46 99 260 12768264	2
840 910 0001	48 55 094 51 17 015 53 60 839	2
840 910 0002	48 51 275 48 55 128 53 60 821	1
840 910 0003	48 54 717 48 54 733	1
859 202 0000	4838801 5061833	69

Ref. no.	MEYLE no.	Page
<b>Saab</b>		
03 74 118	614 498 0016	33
03 74 130	614 498 0017	33
03 74 195	614 498 0016	33
6 50 061	614 322 0017	61
8 60 134	614 322 0016	61
13 40 283	050 006 2390	44
16 03 237	614 498 0016	33
40 00 642	814 498 0001	34
40 02 143	815 521 5001	9
4023420	112 129 0012	57
40 29 195	050 006 2330	46
40 29 203	050 006 2550	48
4069985	100 953 0012	42
40 72 393	812 319 0000	6
42 30 322	812 319 0001	6
42 36 666	614 123 0001	42
42 41 428	815 521 5021	9
42 41 444	614 562 0003	28
42 41 477	815 523 5020	10
42 42 202	614 160 0105	96
42 42 236	814 498 0003	35
42 42 673	616 030 0002 616 030 5563	69, 71
42 42 681	616 030 5564 616 030 5566	70-71
42 42 731	614 032 0002	71
42 42 749	616 020 5562	72
42 42 756	616 020 5565	72
42 46 112	614 035 0009	85
43 56 176	614 684 0016	64
43 56 184	814 435 0001	64
43 56 895	050 006 2330	46
43 56 903	050 006 2550	48
43 59 063	050 006 2625	48
43 59 071	050 006 2013	44
43 60 111	050 006 2310	45
43 60 467	050 006 2310	45
43 64 790	812 319 0001	6
43 95 406	050 006 2013	44
43 95 422	050 006 2300 050 006 2310	44-45
43 95 430	050 006 1893	45
43 954 30	050 006 1890	45
43 95 448	050 006 2330	46
43 95 455	050 006 2550	48
43 95 463	050 006 2225	46

Ref. no.	MEYLE no.	Page
<b>Saab</b>		
43 98 046	614 752 0003	97
43 99 325	814 498 0003	35
43 99 333	16-14 495 0000	32
44 00 370	814 631 0001	68
44 09 983	014 731 1213	40
44 26 003	814 442 6003	84
44 67 064	014 698 0006 014 698 0006/S	27-28
44 67 072	025 211 4015	20
44 67 262	614 562 0029	29
44-78-254	025 218 2919 025 218 2919/PD	23
44 80 646	614 870 9001	2
44 82 402	814 448 0001	81
44 83 186	814 639 0002	90
44 83 194	814 639 0002	90
44 83 285	614 562 0029	29
44 83 368	814 739 0000	91
44 83 517	16-14 495 0000	32
44 83 723	025 214 1117	20
45 02 696	614 065 0004	61
45 04 585	614 820 0002	64
45 41 538	812 320 0006	7
45 41 545	812 320 0006	7
45 41 546	812 320 0006	7
45 43 419	614 042 1009	28
45 43 427	814 525 0001	29
45 43 450	816 050 9005/HD	76
45 43 468	816 050 9006/HD	77
45 44 326	614 042 1009	28
45 44 599	616 060 5574 616 060 5574/S	86-87
45 45 711	814 454 0001/HD	81
45 52 648	050 006 2020	47
45 65 214	826 623 0001	93
45 65 693	615 523 0021	11
45 65 719	614 562 0002	29
45 65 859	614 715 0001	87
45 66 824	826 725 0002	94
45 66 899	614 035 0018	81
45 67 244	616 010 0100	83
45 67 798	615 521 0013 615 521 0013/PD	14-15
45 75 486	050 006 1800	48
45 75 528	050 006 1900	46
46 17 668	614 123 0001	42



Ref. no.	MEYLE no.	Page
<b>Saab</b>		
46 32 493	812 319 0001	6
46 46 899	025 214 1117	20
46 47 491	814 631 0001	68
46 48 457	025 214 1117	20
46 60 585	614 899 0038	39
46 86 606	616 060 5582 616 060 5582/HD	87-88
46 89 311	826 623 0001	93
46 89 329	826 623 0001	93
46 89 923	614 160 0005 614 160 0105	96
46 99 260	840 910 0000	2
47 52 861	050 006 2020	47
47 70 186	614 820 0002	64
47 70 970	813 883 1944	54
47 72 166	614 322 0001	62
47 72 208	614 899 0038	39
47 72 307	614 899 0038	39
47 72 711	813 477 2711	54
47 73 586	614 899 0038	39
47 78 494	614 752 0003	97
47 78 783	814 639 0003	91
47 78 817	826 624 0001	93
48 32 903	100 955 0005	3
48 35 708	816 050 0002	80
48 35 716	816 050 0003	80
48 35 740	616 010 5583	75
48 36 441	614 042 1009	28
48 36 540	616 020 5579	72
48 36 557	616 030 5581	70
48 36 987	025 210 5015 025 210 5015/PD	20-21
48-37-019	615 521 6012	10
48-37-027	615 523 0021	11
48 37 241	025 210 5015 025 210 5015/PD	20-21
48 38 447	814 631 0007	69
48 38 660	614 042 1009	28
4838801	859 202 0000	69
48-39-007	615 521 6012	10
48 39 015	615 523 0021	11
48 39 122	614 752 0003	97
48 39 320	615 521 6012	10
48 39 338	615 523 0021	11
48 39 700	025 211 5419	22
48 39 924	025 231 1619/W	22

Ref. no.	MEYLE no.	Page
<b>Saab</b>		
48 51 275	840 910 0002	1
48 54 717	840 910 0003	1
48 54 733	840 910 0003	1
48 55 094	840 910 0001	2
48 55 128	840 910 0002	1
48 96 312	050 006 2000	47
48 99 548	050 006 2612	47
48 99 555	050 006 2020	47
49 04 116	050 006 2550	48
49 04 728	050 006 2625	48
49 05 014	826 623 0001	93
49-05-949	616 020 5579	72
49 06 111	614 715 0001	87
49 06 475	826 725 0003	93
49 06 517	826 725 0003	93
49 07 523	815 521 5025	12
49 07 739	025 218 2919 025 218 2919/PD 025 231 1619/W	22-23
49 08 109	814 610 0003	83
49 08 562	814 506 0001	95
49 08 695	814 525 0003	30
49 61 058	050 006 1800	48
49 61 066	050 006 2345	49
49 61 074	819 222 0001	53
50-24-260	615 523 0021	11
50 47 113	812 319 0001	6
50 47 238	812 320 0006	7
50 47 303	812 320 0006	7
50-55-371	025 231 1619/W	22
50 55 389	615 521 0013 615 521 0013/PD	14-15
50 55 769	025 211 5419	22
50 56 650	826 624 0001	93
50 56 668	826 725 0003	93
50 57 336	025 210 5015 025 210 5015/PD	20-21
50 57 476	815 521 5025	12
50 58 110	025 219 3417 025 219 3417/PD	21-22
50 58 417	826 623 0001	93
50 58 425	826 623 0001	93
50 60 892	814 506 0001	95
5061833	859 202 0000	69
50 61 841	814 631 0009	68
50 62 203	025 231 1619/W	22

Ref. no.	MEYLE no.	Page
<b>Saab</b>		
50-62-211	025 231 1619/W	22
50 63 391	814 610 0003	83
50 63 458	826 623 0001	93
50 63 466	826 623 0001	93
50 64 290	826 725 0002	94
50-64-795	025 231 1619/W	22
50-84-751	615 523 0021	11
50-84-769	615 521 0013 615 521 0013/PD	14-15
51 17 015	840 910 0001	2
51 22 833	615 521 0013 615 521 0013/PD	14-15
51 70 675	814 631 0010	68
51 95 516	614 818 0000	58
52 30 750	814 631 0007	69
52 31 683	616 010 5583	75
52 32 350	025 231 1619/W	22
52 32 698	815 523 5026	11
52 32 756	815 523 5026	11
52 33 366	814 641 0000	95
52 33 374	814 610 0003	83
52-33-424	616 030 5581	70
52 34 174	826 623 0000	94
52 34 182	826 623 0000	94
52 34 265	826 725 0002	94
52 34 281	826 725 0002	94
52-35-585	816 031 0001	70
52 35 650	816 020 0020	74
52 35 668	816 020 0001	74
52 36 823	616 060 5582 616 060 5582/HD	87-88
52 37 516	816 010 0002	75
52 38 506	826 725 0002	94
52 38 514	826 725 0002	94
52 39 090	826 725 0002	94
52 39 314	816 020 0020	74
52 39 322	816 020 0001	74
52-39-330	816 031 0001	70
52 39 843	814 641 0000	95
53 24 265	826 725 0002	94
53 35 948	812 320 0006	7
53 35 955	812 320 0006	7
53 36 920	826 623 0000	94
53 36 938	826 623 0000	94
53 40 526	050 006 1800	48
53 40 534	050 006 1900	46

Ref. no.	MEYLE no.	Page
<b>Saab</b>		
53 41 391	614 899 0038	39
53 42 464	050 006 1920	50
53 60 821	840 910 0002	1
53 60 839	840 910 0001	2
53 61 537	815 521 5025	12
53-90-786	615 521 6012	10
53 91 537	815 521 5025	12
53 91 560	615 521 0013 615 521 0013/PD	14-15
539 15 78	615 523 0021	11
53-92-485	025 231 1619/W	22
53 92 493	814 752 0002	97
54 64 656	614 818 0000	58
55-32-544	025 231 1619/W	22
55 90 344	050 006 2425	49
56 50 316	614 322 0003	62
56 50 359	614 322 0010	62
58 18 085	29-14 323 0004	58
59 51 835	613 220 0005	54
05954839	614 860 0003	37
59 56 107	613 220 0005	54
59 58 061	813 883 1944	54
59 59 283	614 899 0038	39
59 60 414	813 932 1951	56
63 34 003	613 220 0001	55
75 34 795	100 900 0000	39
75 41 451	814 754 1451	67
75 51 674	050 005 1610	49
75 76 333	814 757 0001	65
75 79 881	050 005 1610	49
75 86 019	614 036 0012	60
85 53 463	100 830 0014	41
85 58 306	014 731 1090	40
85 71 846	014 731 1023	41
85 73 826	100 905 0009	38
8583627	100 953 0012	42
88 21 944	813 883 1944	54
88 22 652	813 932 1951	56
88 22 710	813 932 1951	56
88 22 744	813 932 1951	56
88 22 793	813 932 1951	56
89 24 177	816 020 4902	73
89 40 819	814 894 0819	30
89 50 628	814 498 0004	33
89 55 445	014 698 0006 014 698 0006/S	27-28

Ref. no.	MEYLE no.	Page
<b>Saab</b>		
89 55 486	100 698 0008	27
89 57 045	816 010 4903	75
89 57 839	816 020 4904	73
89 58 944	816 060 0001	88
89 61 476	814 896 1476	82
89 62 656	814 896 2656	84
89 62 664	814 896 2664	85
89 65 253	814 896 5253/HD	83
89 65 980	815 521 5001	9
89 68 976	025 211 5419	22
89 69 107	014 698 0006 014 698 0006/S	27-28
89 69 651	100 698 0008	27
89 72 135	816 010 4903	75
89 78 561	100 133 0006	58
89 80 534	100 905 0005	38
89 85 160	816 020 4902	73
89 85 384	816 010 0556	76
89 93 321	816 010 0556	76
89 93 354	816 020 4902	73
89 93 388	816 010 0556	76
89 93 453	816 020 4904	73
89 93 560	816 020 4902	73
89 93 768	025 211 5419	22
89 94 212	816 010 4903	75
91 17 321	614 322 0001	62
91 19 567	614 885 0004	38
9128739	651 902 2000	43
91 56 785	615 523 0025 615 523 0025/PD	12-13
91 56 807	615 521 0010 615 521 0010/PD	13-14
9156922	614 030 0027	66
9156932	614 030 0026	65
91 77 221	814 899 0002	36
91 79 904	612 320 0005	6
91 79 905	612 319 0005	7
91 84 405	615 521 0013 615 521 0013/PD	14-15
9191181	614 641 0004	96
91 91 247	615 521 6022	15
91 91 336	615 523 6027	16
9240033	651 902 2001	43
92 70 240	840 160 3556	1
93 21 951	813 932 1951	56
93 33 790	514 323 0003	59

Ref. no.	MEYLE no.	Page
<b>Saab</b>		
93 57 021	314 136 2102	39
93 90 220	100 905 0009	38
95 26 518	100 959 0002	40
95 43 679	614 322 0001	62
12566029	613 220 0010	55
12 56 6778	614 899 0038	39
12 57 5810	614 322 0008	63
12605208	050 006 1980	53
12 75 8727	812 320 0006	7
12 75 8728	812 320 0006	7
12 75 8729	812 320 0006	7
12 75 9466	826 725 0002	94
12 75 9467	826 725 0002	94
12 75 9808	025 218 2919 025 218 2919/PD	23
12 760 161	826 623 0000	94
12 760 162	826 623 0000	94
12 76 2290	615 523 0025 615 523 0025/PD	12-13
12 76 2291	615 523 6027	16
12-76-3593	815 523 5026	11
12 76 5397	025 234 0220 025 234 0220/PD	24-25
12-76-5897	816 020 0001	74
12 76 5951	826 725 0002	94
12 76 5952	826 725 0002	94
12768264	840 910 0000	2
12 78 6059	814 639 0000	91
12 78 6412	614 035 0037	76
12 78 6800	812 321 0000	57
12 79 3813	816 050 0008	77, 82
12 79 3813*	814 710 0000	77, 82
12 79 3840	814 498 0005	34
12 79 6013	616 050 0001	78
12 79 6014	616 050 0002	78
12 79 9199	616 050 0001	78
12 79 9200	616 050 0002	78
12799240	025 241 3716 025 241 3716/PD	24
12 799 815	614 650 0005	97
12 80 0120	025 234 0220 025 234 0220/PD	24-25
12 80 1423	816 020 0020	74
12 80 1424	816 020 0001	74
12 80 2167	025 234 0419	25
12 80 3551	025 234 0220	24-25

Ref. no.	MEYLE no.	Page
<b>Saab</b>		
	025 234 0220/PD	
12 80 4494	812 321 0000	57
13 10 4120	614 044 0007	88
13 10 5744	616 050 0030	78
13112026	614 030 0024	65
13126584	614 030 0010	66
13166642	614 030 0023	66
13191586	614 030 0023	66
13204070	614 615 0008	86
13204071	614 615 0008	86
13 20 4115	616 050 0030	78
13207577	614 030 0027	66
13207585	614 030 0023	66
13 21 9141	616 060 0003/HD 616 060 0032	89
13220095	614 030 0010	66
13 23 0274	616 050 0030	78
13-23-7130	616 060 0004/HD 616 060 0029	89-90
13 23 7750	025 244 1519/W	26
13 23 7751	025 244 1219/W	26
13280216	614 610 0021	84
13 318 886	616 050 0015	79
13 318 887	616 050 0016	79
13327446	614 525 0033/S	30
13 50 1308	683 521 0026/PD	18
13502198	615 523 0011/PD	16
13502199	615 523 0019/PD	17
13 50 2213	683 521 0025/PD	17
13 50 2214	683 521 0026/PD	18
13576781	683 521 0027/PD	18
15 39 3755	614 899 0038	39
24 41 7251	616 060 0004/HD 616 060 0029	89-90
24421906	614 752 0013	98
24 43 5132	615 521 0008/PD	19
24 43 5884	614 034 0017 614 034 0017/S	92, 95
24436052	651 902 2003	43
24 43 6541	614 525 0004	31
24 43 6542	614 525 0005	31
24 43 6779	614 899 0038	39
24 45 7386	614 715 0004	85
24 45 7843	814 715 0000	86
24 46 0713	614 322 0008	63
24 46 9643	614 042 0005	82

Ref. no.	MEYLE no.	Page
<b>Saab</b>		
25 31 3359	100 201 0000 100 201 0013	59
30519423	814 896 2664	85
30 52 1738	840 160 3556	1
30 54 0743	616 060 1001/S	90
30 56 1772	814 899 0002	36
30 583 376	814 498 0003	35
32-02-5723	615 521 6012	10
52420930	612 320 0010	7
52425938	612 319 0013	8
53 43 0443	050 006 1920	50
55 35 0580	651 902 2000	43
55 35 2713	651 902 2001	43
55 35 4378	614 820 0002	64
55 55 7326	814 899 0002	36
55560894	612 321 0012	57
55 56 3222	050 006 2415 050 006 2425	49-50
55563925	050 006 1555	50
55564662	050 006 1725	51
55700767	614 643 0000	92
90 40 9781	050 006 2270	51
90 49 8321	614 238 0007	36
90 512 357	614 037 0009 614 160 0012	32
90 536 291	614 038 0001	60
90 54 1937	614 899 0038	39
90 54 3935	613 600 4135	55
90 56 6947	614 238 0009	8
93 16 6829	813 932 1951	56
93 16 6943	025 234 0220 025 234 0220/PD	24-25
93170611	614 752 0013	98
93 171 495	614 650 0005	97
93-17-1497	615 521 0010 615 521 0010/PD	13-14
93-17-1500	615 521 6022	15
93 17 2254	816 020 0020	74
93 17 2255	816 020 0001	74
93 175 327	614 650 0005	97
93 17 5606	615 521 0008/PD	19
93 17 8411	614 860 0004	36
93 17 8602	613 600 0004	56
93 17 8713	613 220 0001	55
93 17 8952	614 322 0009	63
93 17 9114	613 220 0006	56

Ref. no.	MEYLE no.	Page
<b>Saab</b>		
93 18 0295	214 860 0000	37
93 18 1118	613 600 0004	56
93181377	614 323 0004	60
93183140	025 241 3716 025 241 3716/PD	24
93183412	614 322 0011	63
93 18 5050	050 006 2345	49
93 18 5055	050 006 2330	46
93185056	050 005 1610	49
93 18 5058	050 006 2310	45
93-18-5278	616 010 5583	75
93 185 279	816 050 0002	80
93 185 280	816 050 0003	80
93185379	050 006 1400	52
93 18 5756	050 006 2120	51
93 186 387	614 650 0005	97
93 18 8113	025 234 0419	25
93 18 8445	615 521 0016/PD	19
93190310	050 006 1415	52
93 19 0594	814 639 0000	91
93 19 0614	814 639 0001	92
93190810	050 006 1400	52
93-19-2749	025 231 1619/W	22
93-19-4328	816 020 0020	74
93-19-4329	816 020 0001	74
93194335	816 031 0001	70
93 19 5754	025 239 1218	26
95508492	614 860 0003	37
97357290	614 860 0003	37
24 46 73001	613 600 0004	56
40 80 32 0801	812 321 0000	57
55561328JU	050 006 1415	52
55564655KA	050 006 1415	52

Short no.	MEYLE no.	Page
<b>Saab</b>		
MAF0138	112 129 0012	57
MAF0610	612 321 0012	57
MAF0648	812 321 0000	57
MAR0305	616 030 5563	69
MAR0306	616 030 5566	70
MAR0310	616 030 5581	70
MAR0474	816 031 0001	70
MBC0005	614 035 0037	76
MBD1281	615 521 6012	10
MBD1288	615 521 6022	15
MBD1324	615 523 6027	16
MBD1399	815 521 5001	9
MBD1402	815 521 5021	9
MBD1404	815 521 5025	12
MBD1407	815 523 5020	10
MBD1408	815 523 5026	11
MBD2039PD	615 521 0008/PD	19
MBD2041	615 521 0010	13
MBD2041PD	615 521 0010/PD	14
MBD2044	615 521 0013	14
MBD2044PD	615 521 0013/PD	15
MBD2047PD	615 521 0016/PD	19
MBD2051PD	615 523 0011/PD	16
MBD2052PD	615 523 0019/PD	17
MBD2054	615 523 0021	11
MBD2057	615 523 0025	12
MBD2057PD	615 523 0025/PD	13
MBD2058PD	683 521 0025/PD	17
MBD2059PD	683 521 0026/PD	18
MBD2060PD	683 521 0027/PD	18
MBH0444	614 525 0004	31
MBH0445	614 525 0005	31
MBH0467	614 562 0002	29
MBH0468	614 562 0003	28
MBH0479	614 562 0029	29
MBH0532	814 525 0001	29
MBH0533	814 525 0003	30
MBH0534	814 894 0819	30
MBH0545	614 525 0033/S	30
MBJ0282	616 010 5583	75
MBJ0299	816 010 0002	75
MBJ0300	816 010 0556	76
MBJ0301	816 010 4903	75
MBK0123	16-14 495 0000	32
MBK0236	614 037 0009	32
MBK0241	614 160 0012	32

Short no.	MEYLE no.	Page
<b>Saab</b>		
MBL0003	029 300 1210	3
MBL0021	029 400 1600	4
MBL0029	029 500 2000	4
MBL0030	029 530 2100	4
MBL0032	029 550 2200	5
MBL0033	029 580 2300	5
MBL0034	029 600 2400	5
MBL0062	029 290 1111	3
MBP0068	025 210 5015	20
MBP0068PD	025 210 5015/PD	21
MBP0079	025 211 4015	20
MBP0085	025 211 5419	22
MBP0125	025 214 1117	20
MBP0200	025 218 2919	23
MBP0200PD	025 218 2919/PD	23
MBP0231	025 219 3417	21
MBP0231PD	025 219 3417/PD	22
MBP0265	025 231 1619/W	22
MBP0335	025 234 0220	24
MBP0335PD	025 234 0220/PD	25
MBP0336	025 234 0419	25
MBP0469	025 239 1218	26
MBP0531	025 241 3716	24
MBP0531PD	025 241 3716/PD	24
MBP0591	025 244 1219/W	26
MBP0592	025 244 1519/W	26
MBX0010	014 698 0006	27
MBX0011	014 698 0006/S	28
MBX0156	100 698 0008	27
MCA0680	616 050 0001	78
MCA0681	616 050 0002	78
MCA0690	616 050 0015	79
MCA0691	616 050 0016	79
MCA0702	616 050 0030	78
MCA0756	816 050 0002	80
MCA0757	816 050 0003	80
MCA0760HD	816 050 9005/HD	76
MCA0761HD	816 050 9006/HD	77
MCA0805	816 050 0008	77
MCB0300	614 035 0018	81
MCB0304	614 042 0005	82
MCB0343	814 448 0001	81
MCB0344HD	814 454 0001/HD	81
MCB0346	814 896 1476	82
MCB0361	814 710 0000	82
MCF0390	612 319 0005	7

Short no.	MEYLE no.	Page
<b>Saab</b>		
MCF0395	612 319 0013	8
MCF0404	612 320 0005	6
MCF0407	612 320 0010	7
MCF0429	812 319 0000	6
MCF0430	812 319 0001	6
MCF0434	812 320 0006	7
MCM0107	616 010 0100	83
MCM0113	814 610 0003	83
MCM0115HD	814 896 5253/HD	83
MCM0170	614 610 0021	84
MCS0456	814 639 0000	91
MCS0457	814 639 0001	92
MCS0458	814 639 0002	90
MCS0459	814 639 0003	91
MCS0460	814 739 0000	91
MCV0345	614 498 0016	33
MCV0346	614 498 0017	33
MCV0391	814 498 0001	34
MCV0392	814 498 0003	35
MCV0393	814 498 0005	34
MCX0313	614 034 0017/S	92
MCX0315	614 035 0009	85
MCX0322	614 643 0000	92
MCX0334	814 442 6003	84
MCX0335	814 896 2656	84
MCX0336	814 896 2664	85
MEM0491	614 030 0010	66
MEM0500	614 030 0023	66
MEM0501	614 030 0024	65
MEM0502	614 030 0027	66
MEM0551	614 684 0016	64
MEM0584	814 435 0001	64
MEM0585	814 757 0001	65
MEM0587	614 030 0026	65
MEX0040	014 731 1023	41
MEX0041	014 731 1090	40
MEX0042	014 731 1213	40
MEX0196	100 830 0014	41
MEX0265	100 900 0000	39
MEX0268	100 905 0005	38
MEX0270	100 905 0009	38
MEX0319	100 953 0012	42
MEX0323	100 959 0002	40
MEX0382	314 136 2102	39
MEX0438	614 123 0001	42
MEX0453	614 899 0038	39

Short no.	MEYLE no.	Page
<b>Saab</b>		
MFF0038	100 133 0006	58
MFF0043	100 201 0000	59
MFF0050	100 201 0013	59
MFF0122	29-14 323 0004	58
MFF0201	514 323 0003	59
MFF0210	614 323 0004	60
MFF0212	614 818 0000	58
MGP0035	214 860 0000	37
MGP0078	614 860 0003	37
MGP0079	614 860 0004	36
MHH0066	859 202 0000	69
MHP0101	814 631 0001	68
MHP0102	814 631 0007	69
MHP0104	814 631 0009	68
MHP0105	814 631 0010	68
MHS0093	840 160 3556	1
MHS0094	840 910 0002	1
MIC0087	614 885 0004	38
MIX0208	614 238 0009	8
MMB0016	614 641 0004	96
MMX1199	614 036 0012	60
MMX1200	614 038 0001	60
MMX1294	814 754 1451	67
MMX1331	614 820 0002	64
MMX1651	651 902 2000	43
MMX1652	651 902 2001	43
MMX1654	651 902 2003	43
MOF0175	614 065 0004	61
MOF0179	614 322 0001	62
MOF0180	614 322 0003	62
MOF0185	614 322 0008	63
MOF0186	614 322 0009	63
MOF0187	614 322 0010	62
MOF0188	614 322 0011	63
MOF0192	614 322 0016	61
MOF0193	614 322 0017	61
MPB0046	614 042 1009	28
MPS0044	814 899 0002	36
MRB0253	050 005 1238	52
MRB0282	050 005 1610	49
MRB0410	050 006 1400	52
MRB0411	050 006 1415	52
MRB0416	050 006 1450	53
MRB0426	050 006 1555	50
MRB0456	050 006 1725	51
MRB0467	050 006 1800	48

Short no.	MEYLE no.	Page
<b>Saab</b>		
MRB0487	050 006 1890	45
MRB0488	050 006 1893	45
MRB0489	050 006 1900	46
MRB0493	050 006 1920	50
MRB0500	050 006 1980	53
MRB0502	050 006 2000	47
MRB0503	050 006 2013	44
MRB0504	050 006 2020	47
MRB0518	050 006 2120	51
MRB0532	050 006 2225	46
MRB0539	050 006 2270	51
MRB0544	050 006 2300	44
MRB0545	050 006 2310	45
MRB0547	050 006 2330	46
MRB0548	050 006 2345	49
MRB0553	050 006 2390	44
MRB0555	050 006 2415	50
MRB0556	050 006 2425	49
MRB0568	050 006 2550	48
MRB0571	050 006 2612	47
MRB0572	050 006 2625	48
MRH0295	819 222 0001	53
MSA0564	826 623 0000	94
MSA0565	826 623 0001	93
MSA0567	826 624 0001	93
MSA0569	826 725 0002	94
MSA0570	826 725 0003	93
MSB0271	614 615 0008	86
MSB0479	614 715 0004	85
MSB0490	814 715 0000	86
MSL0515	614 044 0007	88
MSL0518HD	616 060 0003/HD	89
MSL0519HD	616 060 0004/HD	89
MSL0533	616 060 1001/S	90
MSL0536	616 060 5574	86
MSL0537	616 060 5574/S	87
MSL0539	616 060 5582	87
MSL0539HD	616 060 5582/HD	88
MSL0563	816 060 0001	88
MSL0880	616 060 0029	90
MSL0882	616 060 0032	89
MSL0923	614 715 0001	87
MSM0166	614 034 0017	95
MSM0197	814 506 0001	95
MSM0208	814 641 0000	95
MSX0096	614 032 0002	71

Short no.	MEYLE no.	Page
<b>Saab</b>		
MTA0183	616 030 0002	71
MTA0186	616 030 5564	71
MTE0494	616 020 5562	72
MTE0495	616 020 5565	72
MTE0497	616 020 5579	72
MTE0536	816 020 0001	74
MTE0537	816 020 0020	74
MTE0538	816 020 4902	73
MTE0539	816 020 4904	73
MTS0421	840 910 0000	2
MTS0422	840 910 0001	2
MTS0423	840 910 0003	1
MTX0083	814 498 0004	33
MWB0047	614 160 0105	96
MWH0195	614 752 0003	97
MWH0200	614 752 0013	98
MWH0217	814 752 0002	97
MWH0226	614 652 0015	98
MWI0005	100 955 0005	3
MWI0028	614 870 9001	2
MWK0175	614 160 0005	96
MWK0221	614 650 0005	97
MWP0442	613 220 0001	55
MWP0446	613 220 0005	54
MWP0447	613 220 0006	56
MWP0450	613 220 0010	55
MWP0457	613 600 0004	56
MWP0477	613 600 4135	55
MWP0504	813 477 2711	54
MWP0506	813 883 1944	54
MWP0509	813 932 1951	56
MWS0105	614 238 0007	36







# MEYLE

You see the pretty  
curves, underneath  
is what counts.



**The MEYLE brand supplies its customers with more than 21,000 extremely reliable and durable spare parts manufactured at our own production facilities or by trusted production partners. MEYLE boasts a highly diversified product range.**

Whether steering and suspension components, rubber-to-metal parts, brakes, damping components, cooling systems, filters, drive components, electric and sensors MEYLE is synonymous with top-grade quality-tested spare parts.

#### **Notes**

This catalogue is protected by copyright. Reproduction of text, graphic elements, photographs and/or data, even in part, is prohibited. MEYLE, **MEYLE**, or parts thereof, are registered trademarks of MEYLE AG.

All supplies and services are subject to our General Terms and Conditions. The original spare part numbers shown in this catalogue are for cross-reference purposes only and shall not be disclosed to third parties on invoices and delivery notes. While the information in this catalogue was compiled and edited with utmost care we do not assume responsibility or accept claims arising from errors or inconsistencies. Subject to technical and/or design changes.

This issue of the catalogue supersedes all previous issues.  
All rights reserved. © 2017 MEYLE AG



MEYLE parts are available through:

**MEYLE AG**

Merkurring 111, 22143 Hamburg, Germany  
Tel. +49 40 67506 510, Fax +49 40 67506 506  
[contact@meyle.com](mailto:contact@meyle.com)

[www.meyle.com](http://www.meyle.com)

**MEYLE**