

# Lexus

Spare parts for passenger cars



DRIVER'S BEST FRIEND

MEYLE

## Sophisticated technology - considerably longer service life.



The MEYLE range of products features a wide variety of components. Spare parts from A to Z, from Alfa Romeo to Volvo, from minicars to top-of-the-range luxury models.



### Steering & suspension

Control arms, Stabilizer links, Tie rod assemblies, and many more



### Brakes

Brake discs, MEYLE PD, Brake pad sets, Brake drums, and many more



### Drive components

C.V. joint kits, Wheel bearings, Belt drives, and many more



### Damping parts

Shock absorbers, Strut mounts, Coil springs, and many more



### Filters

Oil filters, Air filters, Cabin air filters, Fuel filters, and many more



### Cooling components

Water pumps, Expansion tanks, Radiator hoses, and many more



### Rubber-to-metal parts

Flex discs, Cardan shaft bearings, Engine mounts, and many more



### Electrics and sensors

Crank position sensor, Control units, Glow plugs, and many more



### Engine and transmission parts

Oil change kits, V-ribbed belts, Idlers/guide pulleys, and many more



### Fluids

Coolant additives, Hydraulic oil, Engine oil, and many more



### Complementary product range

Wiper blades, Gas springs, Window lifters, and many more

# ORIGINAL, PD and HD – The MEYLE product lines



## **MEYLE-ORIGINAL: Fit as snugly as the original.**

More than 21,000 spare parts for passenger cars, vans and trucks, quality-tested, robust, durable and tried and tested a thousand times over on the roads across the world – that's MEYLE-ORIGINAL. Relying on our comprehensive product portfolio – offering everything from A for axial joint to Z for zinc-coated screw – customers can be sure that they will always have safety on their side.

## **MEYLE-PD: Safety to the power of two.**

Thinking outside the box to make our products better: MEYLE-PD stands for brake discs and pads delivering maximum braking performance and setting new standards in terms of durability, comfort, aesthetics, and ease of installation. Look for the „/PD“ part number extension.

## **MEYLE-HD: Better than originals.**

MEYLE-HD parts simply last longer. Their technically optimised and reinforced designs make them more durable and reliable than OE components. So it is only natural for us to offer extended warranty protection for our MEYLE-HD parts: All parts of the HD range come with a full four-year guarantee. Look for the „/HD“ part number extension.



**4-year guarantee on all MEYLE-HD parts!**

Robust, high mileage, reliable and better than the original. MEYLE-HD parts simply last longer!

## Our three success factors.

### **The success of the MEYLE brand is based on competence, quality and service.**

The development of quality-approved automotive spare parts for the independent aftermarket is our trademark. And MEYLE-HD parts are our specialty: improved parts, developed by our team of engineers at our headquarters in Hamburg. We give a 4-year guarantee on our MEYLE-HD parts which have a far longer service life. Based on information from TÜV (Technical control board), from recall statistics as well as media and market information from workshops and other technical partners, MEYLE engineers identify parts in vehicles which become conspicuous on account of frequent, early wear. On the basis of their findings, they develop technical improvements for the respective weakness. In the end, this work is a

large benefit for all MEYLE parts. Something all reputable automotive manufacturers highly appreciate: MEYLE also develops customized products, for example for Morgan, the legendary sports car manufacturer.

Passing on our know-how to staff and customers is just as much a part of our service as high parts availability and swift delivery. Modern warehouse logistics with space covering 29,000 m<sup>2</sup> and 56,000 pallet places ensure the reliable supply of our partners.

We have now won the "Top Job Employer" award for the fifth time which confirms our outstanding internal business approach and excellent Human Resources policy. We have been one of Germany's leading SME employers for many years.

# MEYLE

## Guarantee certificate



A distinguishing feature of MEYLE is our high level of precision, achieved by the application of the most modern manufacturing methods. Our MEYLE articles meet highest quality standards and our supply plants are certified in accordance with ISO 9001:2008 and ISO/TS 16949.

We guarantee perfect material and faultless processing of all our MEYLE articles for a period of 24 months as of the date of installation. For MEYLE-HD articles, this guarantee applies for 48 months as of the date of installation.

Complementing this guarantee, we give an additional 100,000 miles (160,934 kilometres) performance guarantee against defects of material and workmanship for MEYLE passenger car water pumps purchased from 01 May 2016. The guarantee given for MEYLE passenger car water pumps terminates upon expiration of the guarantee period or the guaranteed mileage, whichever occurs later: if the guaranteed mileage has not been reached at the end of the guarantee period of 24 or 48 months respectively, the performance guarantee continues to be valid. Respectively, the guarantee period of 24 or 48 months continues to be valid also in any case where the guaranteed mileage was already exceeded.

During the guarantee period, we perform repair work on claimed MEYLE articles or provide a replacement. The MEYLE guarantee does not apply for normal wear and damage caused by inappropriate handling or inappropriate installation. The guarantee expires if the respective part is modified by third parties or via installation of parts from third parties, or if the part, or vehicle, is used in excess of the appropriate use and purpose. The MEYLE guarantee also expires if MEYLE instructions or vehicle manufacturer instructions, e.g. concerning maintenance and replacement intervals, are not observed. The guarantee only applies for MEYLE water pumps, if the cooling circuit has been flushed prior to installation of the MEYLE water pump. Rights granted by law continue to apply unrestrictedly, irrespective of this guarantee.

The customer must submit a written guarantee claim immediately, or at the latest 30 days after identifying an error in material or processing. This claim is to be submitted to the dealer from which he acquired the MEYLE article part. The customer should return the article, carefully packed. He must enclose the original sales receipt and a description of the error. The customer must also verify the date of installation and the mileage of the vehicle by means of respective documents.

Last amended January 2017

A handwritten signature in white ink, appearing to read 'M. Wunder', is positioned above the name of the Director of Quality Assurance.

Director Quality Assurance  
Manfred Wunder



## Body/Cabin

1

### Body, Interior fittings

Cabin air filter  
Wiper Blade

## Brakes

6

### Disc brake, Drum brake

Brake disc  
Brake pad set

Brake shoe set, parking brake

## Engine/Cooling/Clutch

25

### Belt drive / Engine control, Cooling system, Fuel system, Lubrication system

Air filter  
Fuel filter

Oil filter  
Thermostat

V-ribbed belt  
Water pump

## Steering

36

### Tie rod assemblies

Axial rod  
Tie rod end

## Suspension

38

### Control arms, Stabilizer, Wheel hubs / Wheel bearings

Ball joint  
Control arm

Stabilizer link  
Wheel bearing kit





**Wiper Blade**

**029 350 1413 | MBL0017**

**Notes**

Length [in]  
Length [mm]

Beam wiper blade  
Bracket wiper blade  
14  
350  
Rear



**Application info**

IS I [04/99-10/05]

RX [MCU] II [04/03-12/08]

**Wiper Blade**

**029 475 1900 | MBL0028**

**Notes**

Observe service information  
Length [in]  
Length [mm]

Flat bar wiper blade  
Flat wiper blade  
19  
475  
Front



**Application info**

GS III [04/05-11/11]  
IS I [04/99-10/05]

SC [08/91-07/10]

**Wiper Blade**

**029 500 2000 | MBL0029**

**Notes**

Observe service information  
Length [in]  
Length [mm]

Flat bar wiper blade  
Flat wiper blade  
20  
500  
Front



**Application info**

IS II [10/05--]

029 530 2100 | MBL0030

Wiper Blade



Notes

Observe service information  
Length [in]  
Length [mm]

Flat bar wiper blade  
Flat wiper blade  
21  
530  
Front

Application info

RX (XU1) I [07/00-05/03]

029 550 2200 | MBL0032

Wiper Blade



Notes

Observe service information  
Length [in]  
Length [mm]

Flat bar wiper blade  
Flat wiper blade  
22  
550  
Front

Application info

IS I [04/99-10/05]  
IS II [10/05--]

RX (MCU) II [04/03-12/08]

029 600 2400 | MBL0034

Wiper Blade



Notes

Observe service information  
Length [in]  
Length [mm]

Flat bar wiper blade  
Flat wiper blade  
24  
600  
Front

Application info

GS III [04/05-11/11]  
RX (XU1) I [07/00-05/03]

SC [08/91-07/10]



## Wiper Blade

029 650 2600 | MBL0036

### Notes

Observe service information  
Length [in]  
Length [mm]

Flat wiper blade  
Flat bar wiper blade  
26  
650  
Front



### Application info

RX (MCU) II (04/03-12/08)

## Cabin air filter

30-12 319 0001 | MCF0200

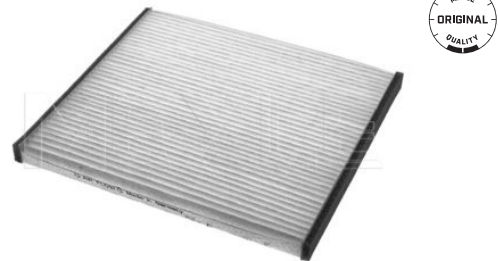
### Notes

Height [mm]  
Width [mm]  
Length [mm]

17  
196  
216  
Filter Insert  
Particulate Filter

### References

87139-28010



### Application info

RX (MCU) II (04/03-12/08)

## Cabin air filter

36-12 319 0000 | MCF0307

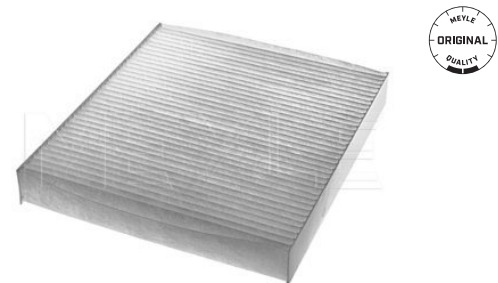
### Notes

Height [mm]  
Width [mm]  
Length [mm]

30  
200  
222  
Filter Insert  
Particulate Filter

### References

87139-30100



### Application info

GS (GRL1,GWL1) IV (01/12--)

30-12 320 0005 | MCF0215

Cabin air filter



Notes

Height [mm] 19  
Width [mm] 214  
Length [mm] 215  
Filter Insert  
Activated Carbon Filter

References

87139-33010

Application info

RX [MCU] II [04/03-12/08]

30-12 319 0005 | MCF0204

Cabin air filter



Notes

Height [mm] 17.5  
Width [mm] 218  
Length [mm] 218  
Filter Insert  
Particulate Filter

References

87139-47010

Application info

ES [F1, F2] [12/89-12/97]

RX [MCU] II [04/03-12/08]

30-12 319 0000 | MCF0199

Cabin air filter



Notes

Height [mm] 18  
Width [mm] 217  
Length [mm] 234  
Filter Insert  
Particulate Filter

References

87139-48020  
87139-48020-83

87139-YZZ04

Application info

GS [JZS160] II [08/97-03/05]  
IS I [04/99-10/05]

RX [MCU] II [04/03-12/08]

**Cabin air filter**

**30-12 319 0006 | MCF0205**

**Notes**

Height [mm] 30  
Width [mm] 195  
Length [mm] 213  
Filter Insert  
Particulate Filter

**References**

87139-YZZ08



**Application info**

GS III (04/05-11/11)  
IS II (10/05--)  
LS (USF40) IV (04/06--)

RX (GYL) III (12/08-12/10)  
RX (MCU) II (04/03-12/08)

**Cabin air filter**

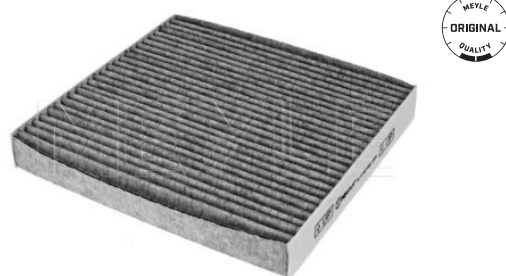
**30-12 320 0006 | MCF0216**

**Notes**

Height [mm] 30  
Width [mm] 194  
Length [mm] 215  
Filter Insert  
Activated Carbon Filter

**References**

87139-YZZ08



**Application info**

GS III (04/05-11/11)  
IS II (10/05--)  
LS (USF40) IV (04/06--)

RX (GYL) III (12/08-12/10)  
RX (MCU) II (04/03-12/08)

**Cabin air filter**

**30-12 319 0013 | MCF0211**

**Notes**

Height [mm] 19  
Width [mm] 196  
Length [mm] 219  
Filter Insert  
Particulate Filter  
without frame

**References**

88568-13010



**Application info**

IS II (10/05--)

30-15 523 0107/PD | MBD1874PD

Brake disc



Notes

Wheel Bolt Bore Ø [mm]	14.5
	Zink flake coated
	Solid
Centering Diameter [mm]	55.3
Minimum thickness [mm]	7.5
Outer diameter [mm]	259
Height [mm]	30.4
Bolt Hole Circle Ø [mm]	100
	without wheel hub
Brake Disc Thickness [mm]	9
Required quantity	2
Number of Holes	5
	Rear Axle

References

42431-12310

Application info

CT [ZWA1] [12/10--]

30-15 523 0036 | MBD0591

Brake disc



Notes

Wheel Bolt Bore Ø [mm]	14.5
	Vented
Centering Diameter [mm]	62
Minimum thickness [mm]	16.5
Outer diameter [mm]	310
Height [mm]	67.3
Bolt Hole Circle Ø [mm]	114.3
Brake Disc Thickness [mm]	18
Required quantity	2
Number of Holes	5
	Rear Axle

References

42431-30290

Application info

GS III [04/05-11/11]

IS II [10/05--]

### Brake disc

30-15 523 0057 | MBD0599

#### Notes

Wheel Bolt Bore Ø [mm]	14.5
	Solid
Centering Diameter [mm]	62
Minimum thickness [mm]	8.5
Outer diameter [mm]	288
Height [mm]	60
Bolt Hole Circle Ø [mm]	114.3
Brake Disc Thickness [mm]	10
Required quantity	2
Number of Holes	5
	Rear Axle



#### References

42431-33080	42431-48010
42431-33140	42431-48020

#### Application info

RX [XU1] I [07/00-05/03]

### Brake disc

37-15 523 0037/PD | MBD2004PD

#### Notes

Wheel Bolt Bore Ø [mm]	14.5
	Zink flake coated
	Solid
Centering Diameter [mm]	62
Minimum thickness [mm]	8.5
Outer diameter [mm]	288
Height [mm]	69.8
Bolt Hole Circle Ø [mm]	114.3
Brake Disc Thickness [mm]	10
Required quantity	2
Number of Holes	5
	Rear Axle



#### References

42431-48040	42431-48041
-------------	-------------

#### Application info

RX [GYL] III [12/08-12/10]

RX [MCU] II [04/03-12/08]

30-15 523 0029 | MBD0586

Brake disc



Notes

Wheel Bolt Bore Ø [mm]	14.5
	Solid
Centering Diameter [mm]	62
Minimum thickness [mm]	10.5
Outer diameter [mm]	306.6
Height [mm]	63.2
Bolt Hole Circle Ø [mm]	114.3
Brake Disc Thickness [mm]	12
Required quantity	2
Number of Holes	5
	Rear Axle

References

42431-30260	42431-53011
42431-53010	

Application info

GS (JZS160) II (08/97-03/05)  
IS I (04/99-10/05)

SC (08/91-07/10)

30-15 523 0110/PD | MBD1877PD

Brake disc



Notes

Wheel Bolt Bore Ø [mm]	16.6
	Zink flake coated
	Vented
Centering Diameter [mm]	112
Minimum thickness [mm]	16
Outer diameter [mm]	345
Height [mm]	76.4
Bolt Hole Circle Ø [mm]	150
Brake Disc Thickness [mm]	18
Required quantity	2
Number of Holes	5
	Rear Axle

References

42431-60290
-------------

Application info

LX III (11/07--)



### Brake disc

30-15 521 0128/PD | MBD1866PD

#### Notes

Wheel Bolt Bore Ø [mm]	14.5
	Zink flake coated
	Vented
Centering Diameter [mm]	62
Minimum thickness [mm]	26
Outer diameter [mm]	296
Height [mm]	49.2
Bolt Hole Circle Ø [mm]	114.3
Brake Disc Thickness [mm]	28
Required quantity	2
Number of Holes	5
	Front Axle

#### References

43512-30310



#### Application info

IS II [10/05--]

IS III [04/13--]

### Brake disc

30-15 521 0120/PD | MBD1858PD

#### Notes

Wheel Bolt Bore Ø [mm]	14.5
	Zink flake coated
	Vented
Centering Diameter [mm]	62
Minimum thickness [mm]	25
Outer diameter [mm]	296
Height [mm]	49.2
Bolt Hole Circle Ø [mm]	114.3
Brake Disc Thickness [mm]	28
Required quantity	2
Number of Holes	5
	Front Axle

#### References

43512-33130

43512-33140



#### Application info

ES [AVV6, GSV6, ASV6] [06/12--]

ES [MCV, VZV] III, IV [10/96-06/12]

30-15 521 0109 | MBD0566

Brake disc



Notes

Wheel Bolt Bore Ø [mm]	14.5
	Vented
Centering Diameter [mm]	55
Minimum thickness [mm]	22
Outer diameter [mm]	255
Height [mm]	49.2
Bolt Hole Circle Ø [mm]	100
Brake Disc Thickness [mm]	25
Required quantity	2
Number of Holes	5
	Front Axle

References

43512-47040

Application info

CT [ZWA1] (12/10--)

30-15 521 0091 | MBD0551

Brake disc



Notes

Wheel Bolt Bore Ø [mm]	14.7
	Vented
Centering Diameter [mm]	62
Minimum thickness [mm]	26
Outer diameter [mm]	296
Height [mm]	49.3
Bolt Hole Circle Ø [mm]	114.3
Brake Disc Thickness [mm]	28
Required quantity	2
Number of Holes	5
	Front Axle

References

43512-48020

43512-48050

Application info

RX [XU1] (07/00-05/03)

### Brake disc

30-15 521 0122/PD | MBD1860PD

#### Notes

Wheel Bolt Bore Ø [mm]	14.7
	Zink flake coated
	Vented
Centering Diameter [mm]	62
Minimum thickness [mm]	26
Outer diameter [mm]	318.5
Height [mm]	49.6
Bolt Hole Circle Ø [mm]	114.3
Brake Disc Thickness [mm]	28
Required quantity	2
Number of Holes	5
	Front Axle



#### References

43512-48080	43512-48100
43512-48081	

#### Application info

RX (GYL) III [12/08-12/10]

RX (MCU) II [04/03-12/08]

### Brake disc

30-15 521 0031 | MBD0496

#### Notes

Wheel Bolt Bore Ø [mm]	14.8
	Vented
Centering Diameter [mm]	62
Minimum thickness [mm]	26
Outer diameter [mm]	275
Height [mm]	50
Bolt Hole Circle Ø [mm]	114.3
Brake Disc Thickness [mm]	28
Required quantity	2
Number of Holes	5
	Front Axle



#### References

43512-33040	43512-33060
-------------	-------------

#### Application info

ES (F1, F2) [12/89-12/97]

30-15 521 0125/PD | MBD1863PD

Brake disc



Notes

Centering Diameter [mm]	112
Minimum thickness [mm]	29
Outer diameter [mm]	340
Height [mm]	84
Bolt Hole Circle Ø [mm]	132
Brake Disc Thickness [mm]	32
Required quantity	2
Number of Holes	5
	Front Axle

References

43512-60180

Application info

LX III (11/07--)

30-15 521 0129 | MBD1867

Brake disc



Notes

Wheel Bolt Bore Ø [mm]	14.5
	Vented
Centering Diameter [mm]	108
Minimum thickness [mm]	26
Outer diameter [mm]	338
Height [mm]	67.5
Bolt Hole Circle Ø [mm]	139.7
Brake Disc Thickness [mm]	28
Required quantity	2
Number of Holes	6
	Front Axle

References

43512-60151

43512-60180

Application info

GX I (11/01-11/09)



### Brake disc

30-15 521 0129/PD | MBD1867PD

#### Notes

	Zink flake coated
	Vented
Centering Diameter [mm]	108
Minimum thickness [mm]	26
Outer diameter [mm]	338
Height [mm]	67.5
Bolt Hole Circle Ø [mm]	139.7
Brake Disc Thickness [mm]	28
Required quantity	2
Number of Holes	6
	Front Axle



#### References

43512-60151	43512-60160
-------------	-------------

#### Application info

GX I (11/01-11/09)

### Brake disc

30-15 523 0021 | MBD0578

#### Notes

Wheel Bolt Bore Ø [mm]	14.5
	Solid
Centering Diameter [mm]	62
Minimum thickness [mm]	9
Outer diameter [mm]	288
Height [mm]	64.7
Bolt Hole Circle Ø [mm]	114.3
Brake Disc Thickness [mm]	10
Required quantity	2
Number of Holes	5
	Rear Axle



#### References

42431-33030	42431-33050
-------------	-------------

#### Application info

ES (F1, F2) (12/89-12/97)

2

30-15 523 0030 | MBD0587

Brake disc



Notes

Wheel Bolt Bore Ø [mm]	16.7
	Vented
Centering Diameter [mm]	110
Minimum thickness [mm]	16
Outer diameter [mm]	329.2
Height [mm]	102.6
Bolt Hole Circle Ø [mm]	150
Brake Disc Thickness [mm]	18
Required quantity	2
Number of Holes	5
	Rear Axle

References

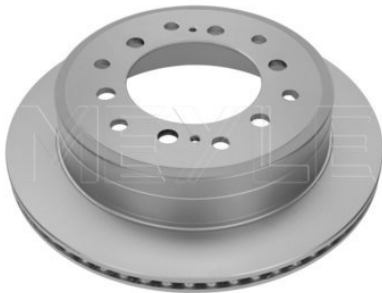
42431-60221	42431-60281
42431-60280	

Application info

LX II [05/98-03/08]

30-15 523 0109/PD | MBD1876PD

Brake disc



Notes

Wheel Bolt Bore Ø [mm]	14.5
	Zink flake coated
	Vented
Centering Diameter [mm]	106
Minimum thickness [mm]	16
Outer diameter [mm]	312
Height [mm]	68
Bolt Hole Circle Ø [mm]	139.7
Brake Disc Thickness [mm]	18
Required quantity	2
Number of Holes	6
	Rear Axle

References

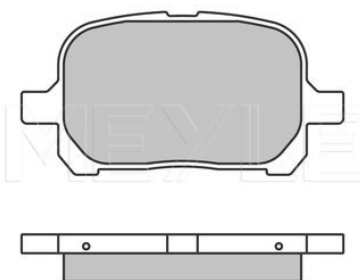
42431-60201	42431-60270
-------------	-------------

Application info

GX I [11/01-11/09]

025 235 1317 | MBP0367

Brake pad set



Notes

Thickness [mm]	17
Height [mm]	59
Width [mm]	116.6
Brake System	Akebono
	with anti-squeak plate
	Front Axle

References

04465-28460

### Brake pad set

025 235 1317 | MBP0367

#### Application info

RX [GYL] III [12/08-12/10]

RX [XU1] I [07/00-05/03]

### Brake pad set

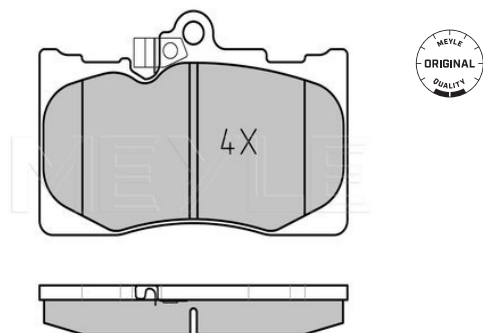
025 203 2517/W | MBP0015

#### Notes

Thickness [mm]	with acoustic wear warning
Height [mm]	17.5
Width [mm]	77.7
Number of wear indicators [per axle]	118.5
Brake System	2
	Advics
	with anti-squeak plate
	Front Axle

#### References

04465-22340	04465-30410
04465-30400	04465-30450



#### Application info

GS III [04/05-11/11]

### Brake pad set

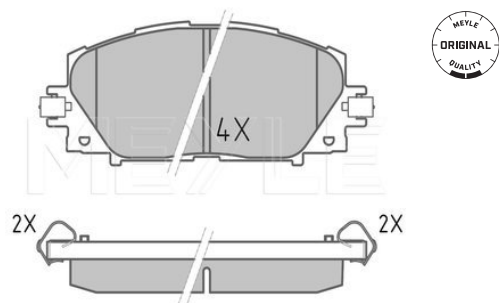
025 244 5116 | MBP1601

#### Notes

Thickness [mm]	not prepared for wear indicator
Height [mm]	15.5
Width [mm]	49.6
Brake System	122.7
	AKEBONO
	with anti-squeak plate
	Front Axle

#### References

04465-47060



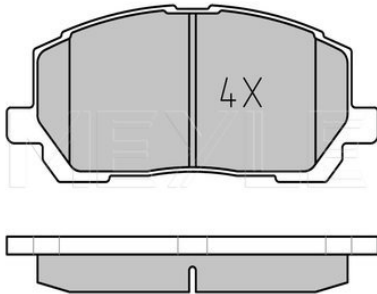
#### Application info

CT [ZWA1] [12/10--]

2

025 237 0317/W | MBP0421

Brake pad set



Notes

Thickness [mm]  
Height [mm]  
Width [mm]  
Number of wear indicators [per axle]

with acoustic wear warning  
17.9  
59.6  
138.7  
2  
with anti-squeak plate  
Front Axle

References

04465-48020  
04465-48040

04465-48090

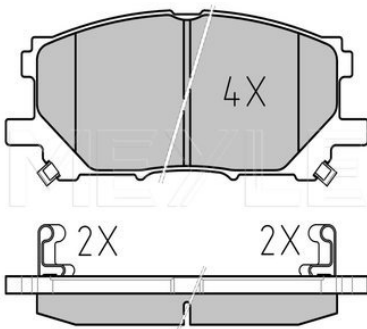
Application info

RX (MCU) II [04/03-12/08]

RX (XU1) I [07/00-05/03]

025 239 8916 | MBP0496

Brake pad set



Notes

Thickness [mm]  
Height [mm]  
Width [mm]  
Number of wear indicators [per axle]  
Brake System

with acoustic wear warning  
16.8  
59.5  
140.8  
4  
Sumitomo  
with anti-squeak plate  
Front Axle

References

04465-48080  
04465-48100  
04465-48110

04774-60W05  
04774-60W07

Application info

RX (GYL) III [12/08-12/10]

RX (MCU) II [04/03-12/08]



### Brake pad set

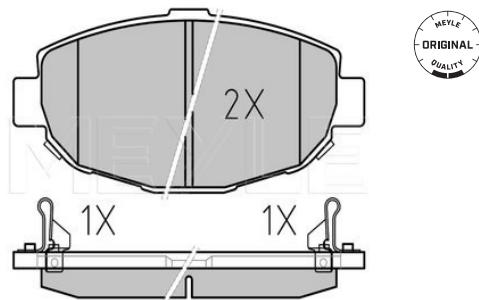
025 217 9117/W | MBP0194

#### Notes

Thickness [mm]	with acoustic wear warning
Height [mm]	17
Width [mm]	62.5
Number of wear indicators [per axle]	141
Brake System	2
	Sumitomo
	with anti-squeak plate
	Front Axle

#### References

04465-30080	04465-50080
04465-33010	04465-50151
04465-33060	04491-33020
04465-33070	04491-33021
04465-33170	04491-33100
04465-33220	04491-50011



#### Application info

ES [F1, F2] [12/89-12/97]

LS [UCF10] I [12/89-12/94]

### Brake pad set

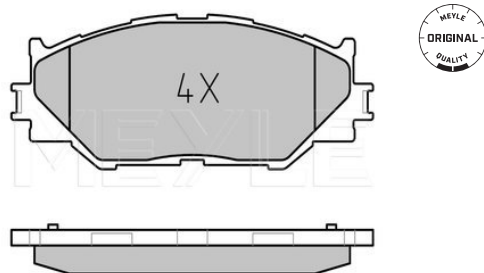
025 239 8317 | MBP0494

#### Notes

Thickness [mm]	excl. wear warning contact
Height [mm]	17
Width [mm]	59.5
Brake System	154.6
	Advics
	with anti-squeak plate
	Front Axle

#### References

04465-53020	04465-53040
-------------	-------------



#### Application info

IS II [10/05--]

IS III [04/13--]

### Brake pad set

025 243 2317 | MBP1717

#### Notes

Thickness [mm]	with acoustic wear warning
Height [mm]	16.2
Width [mm]	58.2
Number of wear indicators [per axle]	88
Brake System	2
	BREMBO
	with anti-squeak plate
	Rear Axle

#### References

04466-22190	04466-53010
-------------	-------------



025 243 2317 | MBP1717

Brake pad set

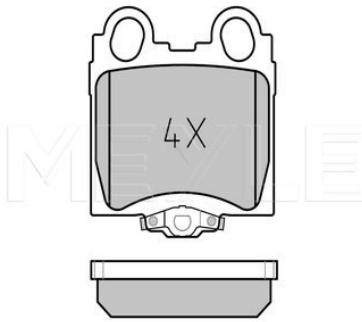
Application info

GS III (04/05-11/11)

IS II (10/05--)

025 234 2915/W | MBP0344

Brake pad set



Notes

Thickness [mm]	with acoustic wear warning
Height [mm]	15.5
Width [mm]	63.8
Number of wear indicators [per axle]	57.2
Brake System	2
	Sumitomo
	with anti-squeak plate
	Rear Axle

References

04466-30120	04466-30161
04466-30121	04466-30170
04466-30122	04466-30190

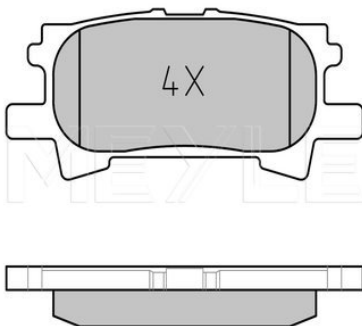
Application info

GS (JZS160) II (08/97-03/05)  
IS I (04/99-10/05)

SC (08/91-07/10)

025 239 6715 | MBP0487

Brake pad set



Notes

Thickness [mm]	excl. wear warning contact
Height [mm]	15.1
Width [mm]	44
Brake System	101.8
	Sumitomo
	with anti-squeak plate
	Rear Axle

References

0446648030	0446648060
04466-48040	04466-48090

Application info

RX (MCU) II (04/03-12/08)

### Brake pad set

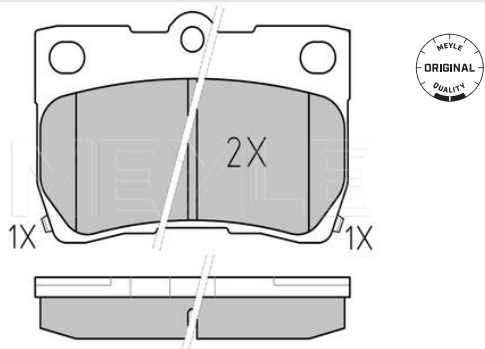
025 243 2315/W | MBP0571

#### Notes

Thickness [mm]	15.5
Height [mm]	58.2
Width [mm]	88
Number of wear indicators [per axle]	2
Brake System	NBK with anti-squeak plate Rear Axle

#### References

04466-22190	04466-53010
04466-30240	



#### Application info

GS III (04/05-11/11)

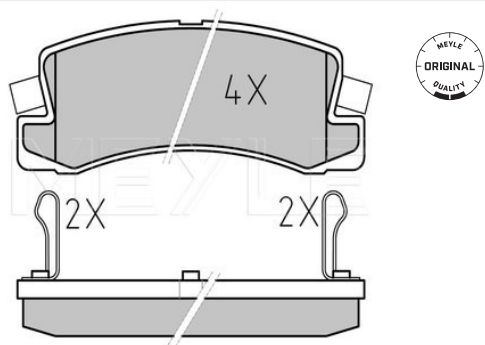
IS II (10/05--)

### Brake pad set

025 200 7615/W | MBP0004

#### Notes

Thickness [mm]	15.5
Height [mm]	42.5
Width [mm]	107.6
Number of wear indicators [per axle]	4
Brake System	Akebono with anti-squeak plate Rear Axle



#### Application info

ES (F1, F2) (12/89-12/97)

RX (XU1) I (07/00-05/03)

### Brake pad set

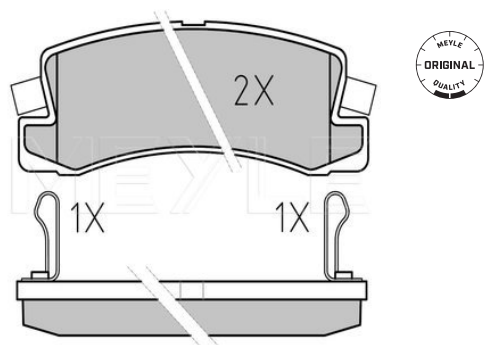
025 218 3315/W | MBP0202

#### Notes

Thickness [mm]	15
Height [mm]	42.5
Width [mm]	107.6
Number of wear indicators [per axle]	2
Brake System	Akebono with anti-squeak plate Rear Axle

#### References

04466-48010



025 218 3315/W | MBP0202

Brake pad set

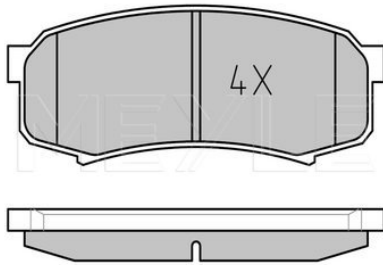
Application info

ES [F1, F2] [12/89-12/97]

RX [XU1] I [07/00-05/03]

025 219 4715/PD | MBP1582PD

Brake pad set



Notes

Thickness [mm]  
Height [mm]  
Width [mm]  
Brake System

not prepared for wear indicator  
15.2  
44  
116.2  
Sumitomo  
with anti-squeak plate  
Rear Axle

References

04466-60020  
04466-60080

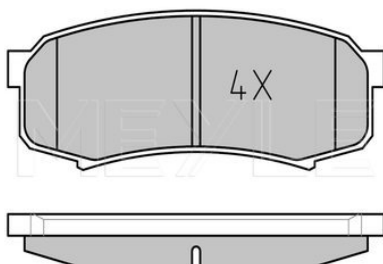
04466-60090

Application info

GX I [11/01-11/09]

025 219 4715/W | MBP0235

Brake pad set



Notes

Thickness [mm]  
Height [mm]  
Width [mm]  
Brake System

not prepared for wear indicator  
15.2  
44  
116.2  
Sumitomo  
with anti-squeak plate  
Rear Axle

References

04466-60020  
04466-60080

04466-60090

Application info

GX I [11/01-11/09]

### Brake pad set

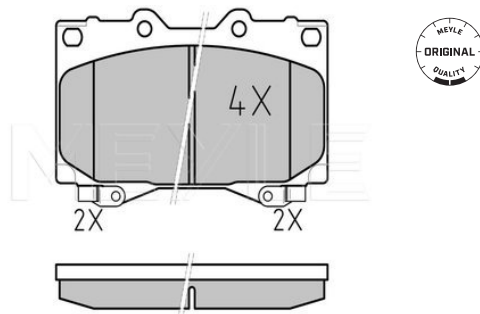
025 235 2415/W | MBP0372

#### Notes

Thickness [mm]	with acoustic wear warning
Height [mm]	17.3
Width [mm]	78
Number of wear indicators [per axle]	119.6
Brake System	4
	Sumitomo
	with anti-squeak plate
	Front Axle

#### References

04465-60230



#### Application info

LX II (05/98-03/08)

### Brake pad set

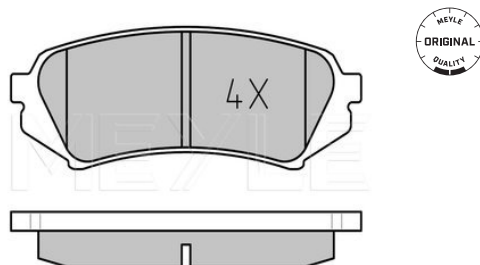
025 235 3917 | MBP0376

#### Notes

Thickness [mm]	not prepared for wear indicator
Height [mm]	17.5
Width [mm]	45.1
Brake System	123.1
	Sumitomo
	with anti-squeak plate
	Rear Axle

#### References

04466-60070                      04466-60110



#### Application info

LX II (05/98-03/08)

### Brake pad set

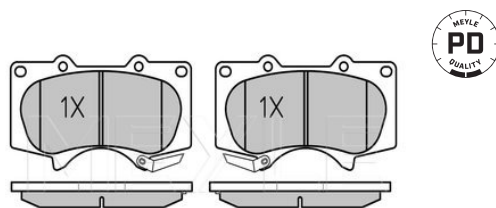
025 240 2417/PD | MBP1592PD

#### Notes

Thickness [mm]	with acoustic wear warning
Height [mm]	17
Width [mm]	77.1
Number of wear indicators [per axle]	134.6
Brake System	2
	Sumitomo
	with anti-squeak plate
	Front Axle

#### References

04465-35290



**025 240 2417/PD | MBP1592PD**

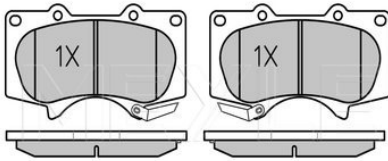
**Brake pad set**

**Application info**

GX I (11/01-11/09)

**025 240 2417/W | MBP0505**

**Brake pad set**



**Notes**

Thickness [mm]  
Height [mm]  
Width [mm]  
Number of wear indicators [per axle]  
Brake System

with acoustic wear warning  
17  
77.1  
134.6  
2  
Sumitomo  
with anti-squeak plate  
Front Axle

**References**

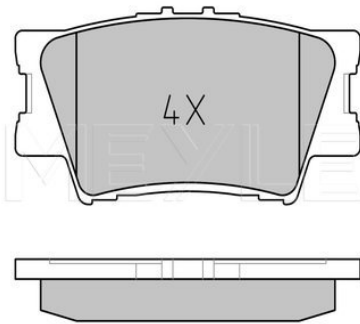
04465-35290

**Application info**

GX I (11/01-11/09)

**025 243 3815 | MBP0576**

**Brake pad set**



**Notes**

Thickness [mm]  
Height [mm]  
Width [mm]  
Brake System

not prepared for wear indicator  
excl. wear warning contact  
15.5  
49.2  
96.6  
Akebono  
with anti-squeak plate  
Rear Axle

**References**

04466-33160  
04466-42060

04466-YZZE8

**Application info**

ES [MCV, VZV] III, IV (10/96-06/12)

HS (07/09--)

**Brake pad set**

**025 243 3815/PD | MBP0576PD**

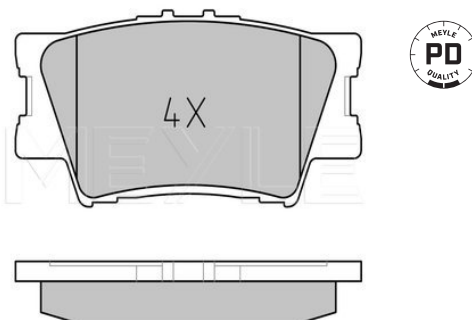
**Notes**

not prepared for wear indicator  
excl. wear warning contact

Thickness [mm] 15.5  
Height [mm] 49.2  
Width [mm] 96.6  
Brake System Akebono  
with anti-squeak plate  
Rear Axle

**References**

04466-33160 04466-YZZE8  
04466-42060



**Application info**

ES (MCV, VZV) III, IV (10/96-06/12)

HS (07/09--)

**Brake pad set**

**025 243 8618/W | MBP0587**

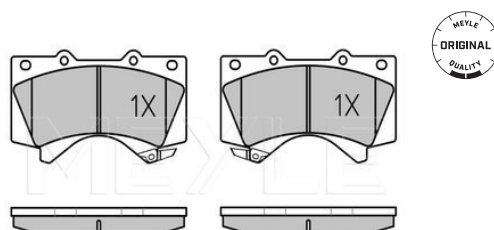
**Notes**

with acoustic wear warning

Thickness [mm] 18.5  
Height [mm] 83.3  
Width [mm] 143.7  
Number of wear indicators [per axle] 2  
Brake System Advics  
with anti-squeak plate  
Front Axle

**References**

04465-60280



**Application info**

LX III (11/07--)

**Brake pad set**

**025 246 5317 | MBP0647**

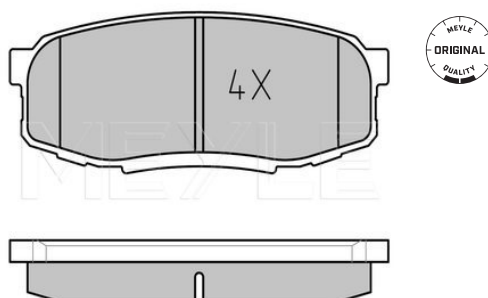
**Notes**

not prepared for wear indicator

Thickness [mm] 17.9  
Height [mm] 44.6  
Width [mm] 116.3  
Brake System Advics  
with anti-squeak plate  
Rear Axle

**References**

04466-60120



025 246 5317 | MBP0647

Brake pad set

Application info

LX III (11/07--)

30-14 533 0020 | MPB0028

Brake shoe set, parking brake



Notes

Diameter [mm] without spring  
170  
Width [mm] 40  
Rear Axle

References

46540-20060	46550-33020
46540-20070	46590-20060
46550-20060	46590-33020

Application info

RX (XU1) I (07/00-05/03)

30-14 533 0012 | MPB0026

Brake shoe set, parking brake



Notes

Diameter [mm] without spring  
190  
Width [mm] 45  
Rear Axle

References

46540-28010	46550-50010
46540-44010	46590-28010
46540-50010	46590-44010
46550-28010	46590-50010
46550-44010	

Application info

GS (JZS147) I (03/93-08/97)  
GS (JZS160) II (08/97-03/05)  
GS III (04/05-11/11)  
IS I (04/99-10/05)

IS II (10/05--)  
RX (MCU) II (04/03-12/08)  
RX (XU1) I (07/00-05/03)





### V-ribbed belt

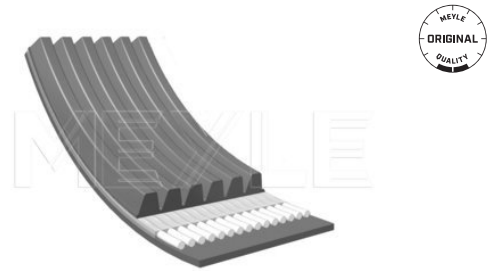
050 006 1038 | MRB0346

#### Notes

Number of Ribs 6  
Length [mm] 1038

#### References

90080-91147



#### Application info

RX [MCU] II [04/03-12/08]

RX [XU1] I [07/00-05/03]

### V-ribbed belt

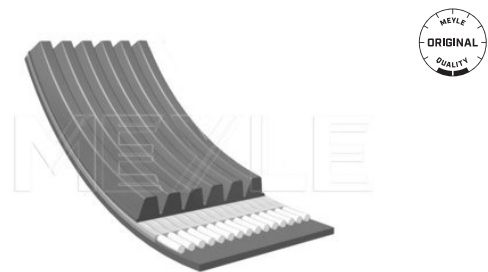
050 006 1938 | MRB0495

#### Notes

Number of Ribs 6  
Length [mm] 1938

#### References

90916-02309 90916-02310



#### Application info

GS [JZS147] I [03/93-08/97]

### V-ribbed belt

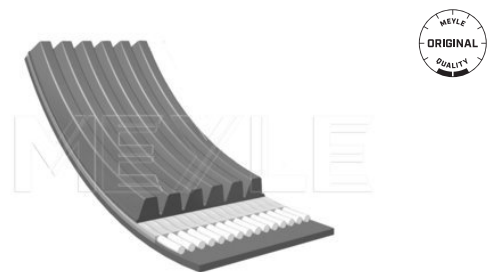
050 006 2238 | MRB0533

#### Notes

Number of Ribs 6  
Length [mm] 2238

#### References

90916-02360



#### Application info

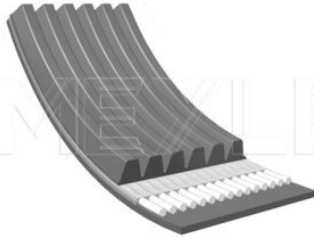
GS [JZS160] II [08/97-03/05]  
LS [FE] III [10/00-08/06]

LS [UCF10] I [12/89-12/94]

3

**050 006 1050 | MRB0348**

**V-ribbed belt**



**Notes**

Number of Ribs	6
Length [mm]	1050

**References**

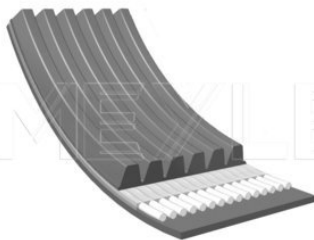
90916-02373

**Application info**

ES (F1, F2) (12/89-12/97)

**050 006 1930 | MRB0494**

**V-ribbed belt**



**Notes**

Number of Ribs	6
Length [mm]	1930

**References**

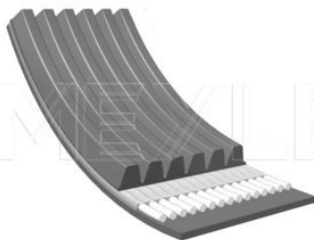
90916-02412	99366-D1930
-------------	-------------

**Application info**

GS III (04/05-11/11)

**050 006 2260 | MRB0537**

**V-ribbed belt**



**Notes**

Number of Ribs	6
Length [mm]	2260

**References**

90916-02462	90916-02584
90916-02583	

**Application info**

SC (08/91-07/10)



### V-ribbed belt

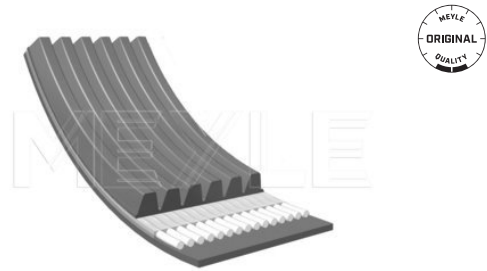
050 006 2245 | MRB0534

#### Notes

Width [mm]	21
Number of Ribs	6
Length [mm]	2245

#### References

90916-02230	90916-02586
-------------	-------------



#### Application info

LS [UCF20] II [12/94-10/00]

### V-ribbed belt

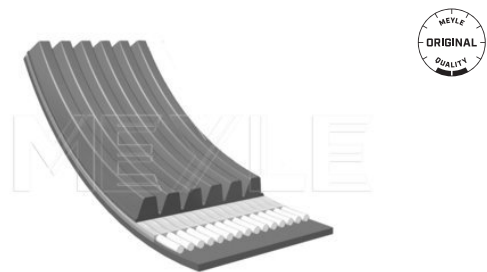
050 006 2120 | MRB0518

#### Notes

Number of Ribs	6
Length [mm]	2120

#### References

90916-02592



#### Application info

GS III [04/05-11/11]

### V-ribbed belt

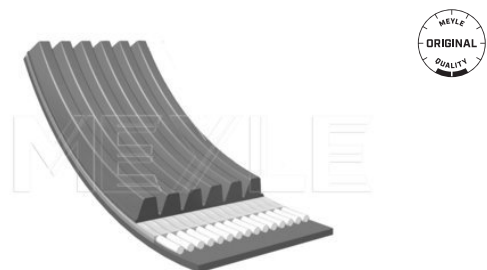
050 006 2055 | MRB0510

#### Notes

Number of Ribs	6
Length [mm]	2055

#### References

90916-02632



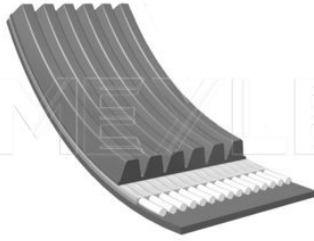
#### Application info

IS II [10/05--]

3

**050 006 2100 | MRB0516**

**V-ribbed belt**



**Notes**

Number of Ribs	6
Length [mm]	2100

**References**

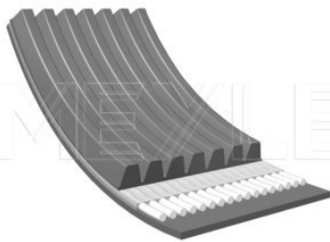
90916-02637	90916-02658
-------------	-------------

**Application info**

LS [USF40] IV [04/06--]

**050 007 1870 | MRB0619**

**V-ribbed belt**



**Notes**

Number of Ribs	7
Length [mm]	1870

**References**

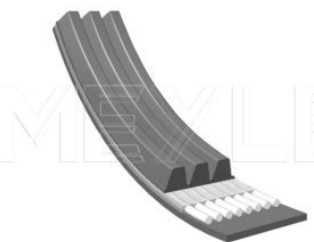
90916-W2014

**Application info**

IS II [10/05--]

**050 003 0890 | MRB0037**

**V-ribbed belt**



**Notes**

Number of Ribs	3
Length [mm]	890

**References**

99363-00890

**Application info**

IS I [04/99-10/05]

**Thermostat**

**028 282 0004 | MTH0024**

**Notes**

Opening Temperature [°C]      with seal  
82

**References**

90916-03075                      90916-03125  
90916-03084                      90916-03129



**Application info**

LS [UCF10] I [12/89-12/94]

LS [UCF20] II [12/94-10/00]

**Water pump**

**30-13 220 0015 | MWP0283**

**Notes**

for v-ribbed belt use  
with seal

**References**

16100-09340                      16100-29495



**Application info**

IS II [10/05--]

**Air filter**

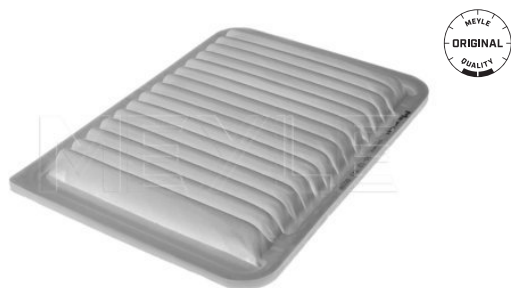
**30-12 321 0035 | MAF0366**

**Notes**

Height [mm]                      42  
Width [mm]                      201  
Length [mm]                      293  
Filter Insert

**References**

17801-0H050                      17801-28030



**Application info**

RX [GYL] III [12/08-12/10]

RX [MCU] II [04/03-12/08]

3

**30-12 321 0026 | MAF0357**

**Air filter**



**Notes**

Height [mm]	42
Width [mm]	192
Length [mm]	318
	Filter Insert

**References**

17801-20040	17801-28030
-------------	-------------

**Application info**

ES (F1, F2) [12/89-12/97]  
RX (GYL) III [12/08-12/10]

RX (MCU) II [04/03-12/08]

**30-12 321 0040 | MAF0371**

**Air filter**



**Notes**

Height [mm]	50
Width [mm]	156
Length [mm]	365
	Filter Insert

**References**

17801-20050

**Application info**

RX (MCU) II [04/03-12/08]

**30-12 321 0032 | MAF0363**

**Air filter**



**Notes**

Height [mm]	82
Width [mm]	239
Length [mm]	242
	Filter Insert

**References**

17801-26010

**Application info**

IS II [10/05--]

### Air filter

30-12 321 0044 | MAF0374

#### Notes

Height [mm]	52
Width [mm]	237
Length 1 [mm]	145
Width 1 [mm]	178
Length [mm]	240
	Filter Insert

#### References

17801-31110



#### Application info

GS III (04/05-11/11)

IS II (10/05--)

### Air filter

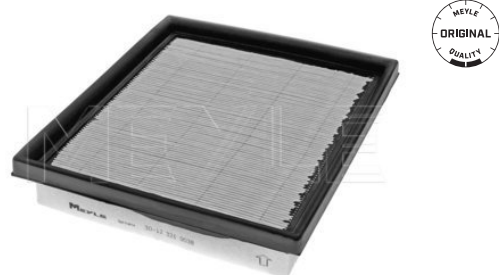
30-12 321 0038 | MAF0369

#### Notes

Height [mm]	39
Width [mm]	187
Length [mm]	221
	Filter Insert

#### References

17801-37021



#### Application info

CT (ZWA1) (12/10--)

NX (09/14--)

### Air filter

30-12 321 0027 | MAF0358

#### Notes

Height [mm]	52.5
Width [mm]	234
Length [mm]	281
	Filter Insert

#### References

17801-50060

17801-51083



#### Application info

GS (JZS160) II (08/97-03/05)  
GS III (04/05-11/11)

RX (GYL) III (12/08-12/10)

3

**30-12 321 0024 | MAF0355**

**Air filter**



**Notes**

Height [mm]	53
Width [mm]	174
Length [mm]	335
	Filter Insert

**References**

17801-70050

**Application info**

IS I (04/99-10/05)

**30-12 321 0001 | MAF0333**

**Air filter**



**Notes**

Height [mm]	42
Width [mm]	155
Length [mm]	310
	Filter Insert

**References**

17801-74020

**Application info**

ES (F1, F2) (12/89-12/97)

**30-12 321 0031 | MAF0362**

**Air filter**



**Notes**

Height [mm]	60
Width [mm]	239
Length [mm]	254
	Filter Insert

**References**

17801-A0010

**Application info**

ES (F1, F2) (12/89-12/97)





### Fuel filter

30-14 323 0013 | MFF0133

#### Notes

Diameter [mm]  
Height [mm]

Plastic  
95  
136  
in fuel tank

#### References

23300-21010



#### Application info

LS [FE] III [10/00-08/06]  
RX [MCU] II [04/03-12/08]

SC [08/91-07/10]

### Fuel filter

30-14 323 0006 | MFF0127

#### Notes

Diameter [mm]  
Height [mm]  
Connecting thread

Metal  
70  
114.5  
M14x1,5  
Screw-on Filter

#### References

23300-65010



#### Application info

GS [JZS147] I [03/93-08/97]

GS [JZS160] II [08/97-03/05]

### Fuel filter

30-14 323 0018 | MFF0136

#### Notes

Diameter [mm]  
Height 1 [mm]  
Height [mm]

with seal  
82  
73.5  
77.2  
Filter Insert

#### References

23390-0L011



#### Application info

IS II [10/05--]

**30-14 322 0008 | MOF0105**

**Oil filter**



**Notes**

Inner diameter 1 [mm]	with seal
Inner diameter [mm]	28
Outer diameter [mm]	28
Outer diameter [mm]	70
Height [mm]	67
	Filter Insert

**References**

Ø4152-31090

**Application info**

RX (GYL) III (12/08-12/10)

RX (MCU) II (04/03-12/08)

**30-14 322 0005 | MOF0102**

**Oil filter**



**Notes**

Inner diameter [mm]	with seal
Outer diameter [mm]	28
Outer diameter [mm]	60
Height [mm]	56.5
	Filter Insert

**References**

Ø4152-37010

**Application info**

CT (ZWA1) (12/10--)

**30-14 322 0006 | MOF0103**

**Oil filter**



**Notes**

Inner diameter [mm]	with seal
Outer diameter [mm]	28
Outer diameter [mm]	70
Height [mm]	82
	Filter Insert

**References**

Ø4152-38010

**Application info**

GS (GRL1,GWL1) IV (01/12--)  
GS III (04/05-11/11)

IS II (10/05--)  
LS (USF40) IV (04/06--)



### Oil filter

### 30-14 322 0004 | MOF0101

#### Notes

Bypass Valve Opening Pressure [bar]	1
Diameter 1 [mm]	74
Diameter [mm]	76.7
Height 1 [mm]	84.5
Height [mm]	86
Thread Size	3/4"-16 UNF Screw-on Filter with one anti-return valve

#### References

90915-TB001



#### Application info

ES (F1, F2) (12/89-12/97)  
 GS (JZS147) I (03/93-08/97)  
 GS (JZS160) II (08/97-03/05)  
 IS I (04/99-10/05)  
 LS (FE) III (10/00-08/06)

LS (UCF20) II (12/94-10/00)  
 RX (GYL) III (12/08-12/10)  
 RX (MCU) II (04/03-12/08)  
 RX (XU1) I (07/00-05/03)  
 SC (08/91-07/10)

# 3

30-16 031 0030/HD | MAR0515HD

Axial rod



Notes

Thread Measurement 2  
Thread Measurement 1  
Length [mm]

15x1,5  
14x1,5  
247  
Front Axle Left  
Front Axle Right

References

45503 39275

Application info

ES (MCV, VZV) III, IV (10/96-06/12)

30-16 030 0012 | MAR0166

Axial rod



Notes

Thread Measurement 2  
Thread Measurement 1  
Length [mm]

M15x1,5  
M14x1,5  
225  
Front Axle Right  
Front Axle Left

References

45503-49125

Application info

RX (MCU) II (04/03-12/08)

30-16 031 0065 | MAR0180

Axial rod



Notes

Thread Measurement 2  
Thread Measurement 1  
Length [mm]

M23x1,5  
M28x1,5  
233  
Front Axle Right  
Front Axle Left

References

45503-60030

Application info

LX III (11/07--)



### Axial rod

30-16 031 0002 | MAR0171

#### Notes

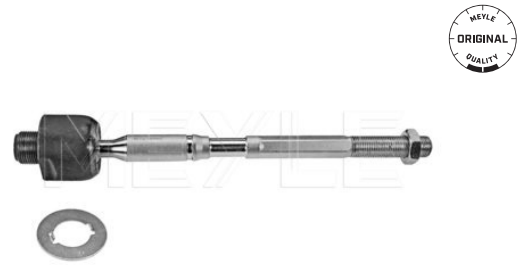
Thread Measurement 2  
Thread Measurement 1  
Length [mm]

M15x1,5  
M22x1,5  
260  
Front Axle Right  
Front Axle Left

#### References

45503-39235

45503-39265



#### Application info

GX I (11/01-11/09)

### Tie rod end

30-16 020 0007 | MTE0277

#### Notes

Thread Measurement 2  
Thread Measurement 1  
Length [mm]

M14x1,5  
M12x1,25  
85  
Front Axle Right  
Front Axle Left

#### References

45046-19175



#### Application info

ES (F1, F2) (12/89-12/97)

### Tie rod end

30-16 020 0019 | MTE0284

#### Notes

Thread Measurement 2  
Thread Measurement 1  
Length [mm]

M15x1,5  
M12x1,25  
171  
Front Axle Right  
Front Axle Left

#### References

45460-29435



#### Application info

RX (MCU) II (04/03-12/08)

4

30-16 010 0044 | MBJ0163

Ball joint



Notes

Thread Size

with accessories  
M14x1,5  
Lower  
Front Axle Right

References

43330-29405

43330-29615

Counterpart

30-16 010 0043 | MBJ0162

Application info

RX (MCU) II [04/03-12/08]

RX (XU1) I [07/00-05/03]

30-16 010 0043 | MBJ0162

Ball joint



Notes

Thread Size

with accessories  
M14x1,5  
Lower  
Front Axle Left

References

43340-29175

43340-29215

Counterpart

30-16 010 0044 | MBJ0163

Application info

RX (MCU) II [04/03-12/08]

RX (XU1) I [07/00-05/03]

30-16 010 0077 | MBJ0168

Ball joint



Notes

Thread Size

with accessories  
M14x1,5  
Lower  
Front Axle Right  
Front Axle Left

References

43330-49095

Application info

NX [09/14--]



### Control arm

30-16 050 0109 | MCA0387

#### Notes

Sheet Steel  
without ball joint  
with rubber mounting  
Control Arm  
Front Axle Right

#### References

48068-12300

#### Counterpart

30-16 050 0110 | MCA0388



#### Application info

HS (07/09--)

### Control arm

30-16 050 0110 | MCA0388

#### Notes

Sheet Steel  
without ball joint  
with rubber mounting  
Control Arm  
Front Axle Left

#### References

48069-12300

#### Counterpart

30-16 050 0109 | MCA0387



#### Application info

HS (07/09--)

### Stabilizer link

30-16 060 0052/HD | MSL0266HD

#### Notes

Thread Measurement 2  
Thread Measurement 1  
Length [mm]

Reinforced Version

#### References

48810-60040

#### Counterpart

30-16 060 0032/HD | MSL0252HD

Coupling Rod  
M12x1,75  
M12x1,75  
140  
Front Axle Left



#### Application info

GX I (11/01-11/09)

30-16 060 0008 | MSL0239

Stabilizer link



Notes

Thread Measurement 2  
Thread Measurement 1  
Length [mm]

Coupling Rod  
M10x1,25  
M10x1,25  
238  
Rear Axle Right  
Rear Axle Left

References

48830-48010

Application info

RX (GYL) III [12/08-12/10]

RX (MCU) II [04/03-12/08]

30-16 060 0019 | MSL0568

Stabilizer link



Notes

Thread Measurement 1  
Length [mm]

Coupling Rod  
M10x1,25  
107  
with rubber mounting  
Rear Axle Right  
Rear Axle Left

References

48830-51010

Application info

IS I [04/99-10/05]

30-16 060 0009/HD | MSL0240HD

Stabilizer link



Notes

Thread Measurement 2  
Thread Measurement 1  
Length [mm]

with spanner attachment  
Coupling Rod  
M10x1,5  
M10x1,5  
63  
Front Axle Right  
Front Axle Left

Reinforced Version

References

48820-33010

Application info

ES (F1, F2) [12/89-12/97]





### Stabilizer link

### 30-16 060 0020/HD | MSL0245HD

#### Notes

Thread Measurement 2  
Thread Measurement 1  
Length [mm]

Reinforced Version

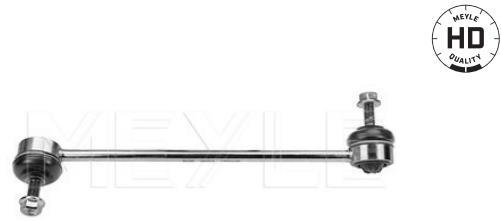
#### References

48810-33010

#### Counterpart

30-16 060 0021/HD | MSL0246HD

with spanner attachment  
Coupling Rod  
M10x1,5  
M10x1,5  
285  
Front Axle Left



#### Application info

RX (XU1) | (07/00-05/03)

### Stabilizer link

### 30-16 060 0021/HD | MSL0246HD

#### Notes

Thread Measurement 2  
Thread Measurement 1  
Length [mm]

Reinforced Version

#### References

48820-33020

#### Counterpart

30-16 060 0020/HD | MSL0245HD

with spanner attachment  
Coupling Rod  
M10x1,5  
M10x1,5  
285  
Front Axle Right



#### Application info

RX (XU1) | (07/00-05/03)

### Stabilizer link

### 30-16 060 0030 | MSL0250

#### Notes

Thread Measurement 2  
Thread Measurement 1  
Length [mm]

#### References

48830-60030

Coupling Rod  
M8x1,25  
M12x1,25  
175  
Rear Axle Right  
Rear Axle Left



5



30-16 060 0030 | MSL0250

Stabilizer link

Application info

GX I [11/01-11/09]

30-16 060 0032/HD | MSL0252HD

Stabilizer link



Notes

Thread Measurement 2  
Thread Measurement 1  
Length [mm]

Reinforced Version

References

48820-60050

Counterpart

30-16 060 0052/HD | MSL0266HD

Coupling Rod  
M12x1,75  
M12x1,75  
140  
Front Axle Right

Application info

GX I [11/01-11/09]

30-16 060 0043/HD | MSL0260HD

Stabilizer link



Notes

Thread Measurement 2  
Thread Measurement 1  
Length [mm]

Reinforced Version

References

48820-06040

with spanner attachment  
Coupling Rod  
M12X1,5  
M12X1,5  
260  
Front Axle Right  
Front Axle Left

48820-28050

Application info

RX (GYL) III [12/08-12/10]

RX (MCU) II [04/03-12/08]



### Stabilizer link

30-16 060 0053/HD | MSL0267HD

#### Notes

Thread Measurement 2  
Thread Measurement 1  
Length [mm]

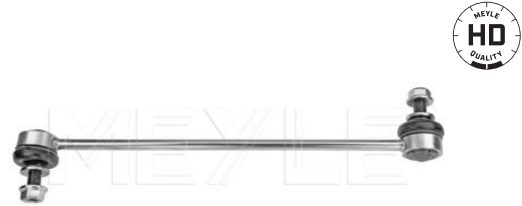
with spanner attachment  
Coupling Rod  
M12x1,75  
M12x1,75  
360  
Front Axle Right  
Front Axle Left

Reinforced Version

#### References

48820-02070

48820-42030



#### Application info

HS [07/09--]

NX [09/14--]

### Stabilizer link

30-16 060 0079 | MSL0789

#### Notes

Thread Measurement 2  
Thread Measurement 1  
Length [mm]

with spanner attachment  
Coupling Rod  
M10x1,5  
M10x1,5  
63  
Front Axle Right  
Front Axle Left

#### References

48820-33010



#### Application info

ES [F1, F2] [12/89-12/97]

### Stabilizer link

30-16 060 0083 | MSL0793

#### Notes

Thread Measurement 2  
Thread Measurement 1  
Length [mm]

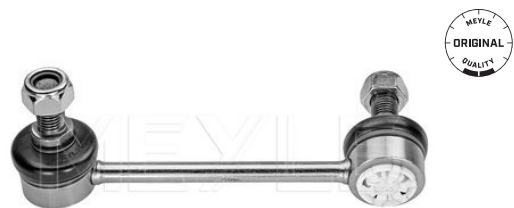
Coupling Rod  
M12x1,75  
M12x1,75  
140  
Front Axle Left

#### References

48810-60040

#### Counterpart

30-16 060 0084 | MSL0794



#### Application info

GX I [11/01-11/09]

30-16 060 0084 | MSL0794

Stabilizer link



Notes

Thread Measurement 2  
Thread Measurement 1  
Length [mm]

Coupling Rod  
M12x1,75  
M12x1,75  
140  
Front Axle Right

References

48820-60050

Counterpart

30-16 060 0083 | MSL0793

Application info

GX I [11/01-11/09]

30-16 060 0085 | MSL0795

Stabilizer link



Notes

Thread Measurement 2  
Thread Measurement 1  
Length [mm]

with spanner attachment  
Coupling Rod  
M12X1,5  
M12X1,5  
260  
Front Axle Right  
Front Axle Left

References

48820-06040

48820-28050

Application info

RX [GYL] III [12/08-12/10]

RX [MCU] II [04/03-12/08]

30-14 650 0009 | MWK0139

Wheel bearing kit



Notes

Inner diameter [mm]  
Outer diameter [mm]  
Height [mm]

with add-on material  
45  
84  
45  
Front Axle left and right

References

90369-45003

Application info

RX [MCU] II [04/03-12/08]

MEYLE no.	Ref. no.	Page
<b>Lexus</b>		
025 200 7615/W	-	19
025 203 2517/W	04465-22340 04465-30400 04465-30410 04465-30450	15
025 217 9117/W	04465-30080 04465-33010 04465-33060 04465-33070 04465-33170 04465-33220 04465-50080 04465-50151 04491-33020 04491-33021 04491-33100 04491-50011	17
025 218 3315/W	04466-48010	19
025 219 4715/PD	04466-60020 04466-60080 04466-60090	20
025 219 4715/W	04466-60020 04466-60080 04466-60090	20
025 234 2915/W	04466-30120 04466-30121 04466-30122 04466-30161 04466-30170 04466-30190	18
025 235 1317	04465-28460	14
025 235 2415/W	04465-60230	21
025 235 3917	04466-60070 04466-60110	21
025 237 0317/W	04465-48020 04465-48040 04465-48090	16
025 239 6715	0446648030 04466-48040 0446648060 04466-48090	18
025 239 8317	04465-53020 04465-53040	17
025 239 8916	04465-48080 04465-48100 04465-48110	16

MEYLE no.	Ref. no.	Page
<b>Lexus</b>		
	04774-60W05 04774-60W07	
025 240 2417/PD	04465-35290	21
025 240 2417/W	04465-35290	22
025 243 2315/W	04466-22190 04466-30240 04466-53010	19
025 243 2317	04466-22190 04466-53010	17
025 243 3815	04466-33160 04466-42060 04466-YZZE8	22
025 243 3815/PD	04466-33160 04466-42060 04466-YZZE8	23
025 243 8618/W	04465-60280	23
025 244 5116	04465-47060	15
025 246 5317	04466-60120	23
028 282 0004	90916-03075 90916-03084 90916-03125 90916-03129	29
029 350 1413	-	1
029 475 1900	-	1
029 500 2000	-	1
029 530 2100	-	2
029 550 2200	-	2
029 600 2400	-	2
029 650 2600	-	3
050 003 0890	99363-00890	28
050 006 1038	90080-91147	25
050 006 1050	90916-02373	26
050 006 1930	90916-02412 99366-01930	26
050 006 1938	90916-02309 90916-02310	25
050 006 2055	90916-02632	27
050 006 2100	90916-02637 90916-02658	28
050 006 2120	90916-02592	27
050 006 2238	90916-02360	25
050 006 2245	90916-02230 90916-02586	27
050 006 2260	90916-02462 90916-02583 90916-02584	26

MEYLE no.	Ref. no.	Page
<b>Lexus</b>		
050 007 1870	90916-W2014	28
30-12 319 0000	87139-48020 87139-48020-83 87139-YZZ04	4
30-12 319 0001	87139-28010	3
30-12 319 0005	87139-47010	4
30-12 319 0006	87139-YZZ08	5
30-12 319 0013	88568-13010	5
30-12 320 0005	87139-33010	4
30-12 320 0006	87139-YZZ08	5
30-12 321 0001	17801-74020	32
30-12 321 0024	17801-70050	32
30-12 321 0026	17801-20040 17801-28030	30
30-12 321 0027	17801-50060 17801-51083	31
30-12 321 0031	17801-A0010	32
30-12 321 0032	17801-26010	30
30-12 321 0035	17801-0H050 17801-28030	29
30-12 321 0038	17801-37021	31
30-12 321 0040	17801-20050	30
30-12 321 0044	17801-31110	31
30-13 220 0015	16100-09340 16100-29495	29
30-14 322 0004	90915-TB001	35
30-14 322 0005	04152-37010	34
30-14 322 0006	04152-38010	34
30-14 322 0008	04152-31090	34
30-14 323 0006	23300-65010	33
30-14 323 0013	23300-21010	33
30-14 323 0018	23390-0L011	33
30-14 533 0012	46540-28010 46540-44010 46540-50010 46550-28010 46550-44010 46550-50010 46590-28010 46590-44010 46590-50010	24
30-14 533 0020	46540-20060 46540-20070 46550-20060 46550-33020 46590-20060	24

MEYLE no.	Ref. no.	Page
<b>Lexus</b>		
	46590-33020	
30-14 650 0009	90369-45003	44
30-15 521 0031	43512-33040 43512-33060	11
30-15 521 0091	43512-48020 43512-48050	10
30-15 521 0109	43512-47040	10
30-15 521 0120/PD	43512-33130 43512-33140	9
30-15 521 0122/PD	43512-48080 43512-48081 43512-48100	11
30-15 521 0125/PD	43512-60180	12
30-15 521 0128/PD	43512-30310	9
30-15 521 0129	43512-60151 43512-60160	12
30-15 521 0129/PD	43512-60151 43512-60160	13
30-15 523 0021	42431-33030 42431-33050	13
30-15 523 0029	42431-30260 42431-53010 42431-53011	8
30-15 523 0030	42431-60221 42431-60280 42431-60281	14
30-15 523 0036	42431-30290	6
30-15 523 0057	42431-33080 42431-33140 42431-48010 42431-48020	7
30-15 523 0107/PD	42431-12310	6
30-15 523 0109/PD	42431-60201 42431-60270	14
30-15 523 0110/PD	42431-60290	8
30-16 010 0043	43340-29175 43340-29215	38
30-16 010 0044	43330-29405 43330-29615	38
30-16 010 0077	43330-49095	38
30-16 020 0007	45046-19175	37
30-16 020 0019	45460-29435	37
30-16 030 0012	45503-49125	36
30-16 031 0002	45503-39235 45503-39265	37
30-16 031 0030/HD	45503 39275	36

MEYLE no.	Ref. no.	Page
<b>Lexus</b>		
30-16 031 0065	45503-60030	36
30-16 050 0109	48068-12300	39
30-16 050 0110	48069-12300	39
30-16 060 0008	48830-48010	40
30-16 060 0009/HD	48820-33010	40
30-16 060 0019	48830-51010	40
30-16 060 0020/HD	48810-33010	41
30-16 060 0021/HD	48820-33020	41
30-16 060 0030	48830-60030	41
30-16 060 0032/HD	48820-60050	42
30-16 060 0043/HD	48820-06040 48820-28050	42
30-16 060 0052/HD	48810-60040	39
30-16 060 0053/HD	48820-02070 48820-42030	43
30-16 060 0079	48820-33010	43
30-16 060 0083	48810-60040	43
30-16 060 0084	48820-60050	44
30-16 060 0085	48820-06040 48820-28050	44
36-12 319 0000	87139-30100	3
37-15 523 0037/PD	42431-48040 42431-48041	7



Ref. no.	MEYLE no.	Page
<b>Lexus</b>		
04152-31090	30-14 322 0008	34
04152-37010	30-14 322 0005	34
04152-38010	30-14 322 0006	34
04465-22340	025 203 2517/W	15
04465-28460	025 235 1317	14
04465-30080	025 217 9117/W	17
04465-30400	025 203 2517/W	15
04465-30410	025 203 2517/W	15
04465-30450	025 203 2517/W	15
04465-33010	025 217 9117/W	17
04465-33060	025 217 9117/W	17
04465-33070	025 217 9117/W	17
04465-33170	025 217 9117/W	17
04465-33220	025 217 9117/W	17
04465-35290	025 240 2417/PD 025 240 2417/W	21-22
04465-47060	025 244 5116	15
04465-48020	025 237 0317/W	16
04465-48040	025 237 0317/W	16
04465-48080	025 239 8916	16
04465-48090	025 237 0317/W	16
04465-48100	025 239 8916	16
04465-48110	025 239 8916	16
04465-50080	025 217 9117/W	17
04465-50151	025 217 9117/W	17
04465-53020	025 239 8317	17
04465-53040	025 239 8317	17
04465-60230	025 235 2415/W	21
04465-60280	025 243 8618/W	23
04466-22190	025 243 2315/W 025 243 2317	17, 19
04466-30120	025 234 2915/W	18
04466-30121	025 234 2915/W	18
04466-30122	025 234 2915/W	18
04466-30161	025 234 2915/W	18
04466-30170	025 234 2915/W	18
04466-30190	025 234 2915/W	18
04466-30240	025 243 2315/W	19
04466-33160	025 243 3815 025 243 3815/PD	22-23
04466-42060	025 243 3815 025 243 3815/PD	22-23
04466-48010	025 218 3315/W	19
0446648030	025 239 6715	18
04466-48040	025 239 6715	18
0446648060	025 239 6715	18

Ref. no.	MEYLE no.	Page
<b>Lexus</b>		
04466-48090	025 239 6715	18
04466-53010	025 243 2315/W 025 243 2317	17, 19
04466-60020	025 219 4715/PD 025 219 4715/W	20
04466-60070	025 235 3917	21
04466-60080	025 219 4715/PD 025 219 4715/W	20
04466-60090	025 219 4715/PD 025 219 4715/W	20
04466-60110	025 235 3917	21
04466-60120	025 246 5317	23
04466-YZZE8	025 243 3815 025 243 3815/PD	22-23
04491-33020	025 217 9117/W	17
04491-33021	025 217 9117/W	17
04491-33100	025 217 9117/W	17
04491-50011	025 217 9117/W	17
04774-60W05	025 239 8916	16
04774-60W07	025 239 8916	16
16100-09340	30-13 220 0015	29
16100-29495	30-13 220 0015	29
17801-0H050	30-12 321 0035	29
17801-20040	30-12 321 0026	30
17801-20050	30-12 321 0040	30
17801-26010	30-12 321 0032	30
17801-28030	30-12 321 0026 30-12 321 0035	29-30
17801-31110	30-12 321 0044	31
17801-37021	30-12 321 0038	31
17801-50060	30-12 321 0027	31
17801-51083	30-12 321 0027	31
17801-70050	30-12 321 0024	32
17801-74020	30-12 321 0001	32
17801-AD010	30-12 321 0031	32
23300-21010	30-14 323 0013	33
23300-65010	30-14 323 0006	33
23390-0L011	30-14 323 0018	33
42431-12310	30-15 523 0107/PD	6
42431-30260	30-15 523 0029	8
42431-30290	30-15 523 0036	6
42431-33030	30-15 523 0021	13
42431-33050	30-15 523 0021	13
42431-33080	30-15 523 0057	7
42431-33140	30-15 523 0057	7
42431-48010	30-15 523 0057	7



Ref. no.	MEYLE no.	Page
<b>Lexus</b>		
42431-48020	30-15 523 0057	7
42431-48040	37-15 523 0037/PD	7
42431-48041	37-15 523 0037/PD	7
42431-53010	30-15 523 0029	8
42431-53011	30-15 523 0029	8
42431-60201	30-15 523 0109/PD	14
42431-60221	30-15 523 0030	14
42431-60270	30-15 523 0109/PD	14
42431-60280	30-15 523 0030	14
42431-60281	30-15 523 0030	14
42431-60290	30-15 523 0110/PD	8
43330-29405	30-16 010 0044	38
43330-29615	30-16 010 0044	38
43330-49095	30-16 010 0077	38
43340-29175	30-16 010 0043	38
43340-29215	30-16 010 0043	38
43512-30310	30-15 521 0128/PD	9
43512-33040	30-15 521 0031	11
43512-33060	30-15 521 0031	11
43512-33130	30-15 521 0120/PD	9
43512-33140	30-15 521 0120/PD	9
43512-47040	30-15 521 0109	10
43512-48020	30-15 521 0091	10
43512-48050	30-15 521 0091	10
43512-48080	30-15 521 0122/PD	11
43512-48081	30-15 521 0122/PD	11
43512-48100	30-15 521 0122/PD	11
43512-60151	30-15 521 0129 30-15 521 0129/PD	12-13
43512-60160	30-15 521 0129 30-15 521 0129/PD	12-13
43512-60180	30-15 521 0125/PD	12
45046-19175	30-16 020 0007	37
45460-29435	30-16 020 0019	37
45503-39235	30-16 031 0002	37
45503-39265	30-16 031 0002	37
45503 39275	30-16 031 0030/HD	36
45503-49125	30-16 030 0012	36
45503-60030	30-16 031 0065	36
46540-20060	30-14 533 0020	24
46540-20070	30-14 533 0020	24
46540-28010	30-14 533 0012	24
46540-44010	30-14 533 0012	24
46540-50010	30-14 533 0012	24
46550-20060	30-14 533 0020	24
46550-28010	30-14 533 0012	24

Ref. no.	MEYLE no.	Page
<b>Lexus</b>		
46550-33020	30-14 533 0020	24
46550-44010	30-14 533 0012	24
46550-50010	30-14 533 0012	24
46590-20060	30-14 533 0020	24
46590-28010	30-14 533 0012	24
46590-33020	30-14 533 0020	24
46590-44010	30-14 533 0012	24
46590-50010	30-14 533 0012	24
48068-12300	30-16 050 0109	39
48069-12300	30-16 050 0110	39
48810-33010	30-16 060 0020/HD	41
48810-60040	30-16 060 0052/HD 30-16 060 0083	39, 43
48820-02070	30-16 060 0053/HD	43
48820-06040	30-16 060 0043/HD 30-16 060 0085	42, 44
48820-28050	30-16 060 0043/HD 30-16 060 0085	42, 44
48820-33010	30-16 060 0009/HD 30-16 060 0079	40, 43
48820-33020	30-16 060 0021/HD	41
48820-42030	30-16 060 0053/HD	43
48820-60050	30-16 060 0032/HD 30-16 060 0084	42, 44
48830-48010	30-16 060 0008	40
48830-51010	30-16 060 0019	40
48830-60030	30-16 060 0030	41
87139-28010	30-12 319 0001	3
87139-30100	36-12 319 0000	3
87139-33010	30-12 320 0005	4
87139-47010	30-12 319 0005	4
87139-48020	30-12 319 0000	4
87139-48020-83	30-12 319 0000	4
87139-YZZ04	30-12 319 0000	4
87139-YZZ08	30-12 319 0006 30-12 320 0006	5
88568-13010	30-12 319 0013	5
90080-91147	050 006 1038	25
90369-45003	30-14 650 0009	44
90915-TB001	30-14 322 0004	35
90916-02230	050 006 2245	27
90916-02309	050 006 1938	25
90916-02310	050 006 1938	25
90916-02360	050 006 2238	25
90916-02373	050 006 1050	26
90916-02412	050 006 1930	26



Ref. no.	MEYLE no.	Page
<b>Lexus</b>		
90916-02462	050 006 2260	26
90916-02583	050 006 2260	26
90916-02584	050 006 2260	26
90916-02586	050 006 2245	27
90916-02592	050 006 2120	27
90916-02632	050 006 2055	27
90916-02637	050 006 2100	28
90916-02658	050 006 2100	28
90916-03075	028 282 0004	29
90916-03084	028 282 0004	29
90916-03125	028 282 0004	29
90916-03129	028 282 0004	29
90916-W2014	050 007 1870	28
99363-00890	050 003 0890	28
99366-01930	050 006 1930	26



Short no.	MEYLE no.	Page
<b>Lexus</b>		
MAF0333	30-12 321 0001	32
MAF0355	30-12 321 0024	32
MAF0357	30-12 321 0026	30
MAF0358	30-12 321 0027	31
MAF0362	30-12 321 0031	32
MAF0363	30-12 321 0032	30
MAF0366	30-12 321 0035	29
MAF0369	30-12 321 0038	31
MAF0371	30-12 321 0040	30
MAF0374	30-12 321 0044	31
MAR0166	30-16 030 0012	36
MAR0171	30-16 031 0002	37
MAR0180	30-16 031 0065	36
MAR0515HD	30-16 031 0030/HD	36
MBD0496	30-15 521 0031	11
MBD0551	30-15 521 0091	10
MBD0566	30-15 521 0109	10
MBD0578	30-15 523 0021	13
MBD0586	30-15 523 0029	8
MBD0587	30-15 523 0030	14
MBD0591	30-15 523 0036	6
MBD0599	30-15 523 0057	7
MBD1858PD	30-15 521 0120/PD	9
MBD1860PD	30-15 521 0122/PD	11
MBD1863PD	30-15 521 0125/PD	12
MBD1866PD	30-15 521 0128/PD	9
MBD1867	30-15 521 0129	12
MBD1867PD	30-15 521 0129/PD	13
MBD1874PD	30-15 523 0107/PD	6
MBD1876PD	30-15 523 0109/PD	14
MBD1877PD	30-15 523 0110/PD	8
MBD2004PD	37-15 523 0037/PD	7
MBJ0162	30-16 010 0043	38
MBJ0163	30-16 010 0044	38
MBJ0168	30-16 010 0077	38
MBL0017	029 350 1413	1
MBL0028	029 475 1900	1
MBL0029	029 500 2000	1
MBL0030	029 530 2100	2
MBL0032	029 550 2200	2
MBL0034	029 600 2400	2
MBL0036	029 650 2600	3
MBP0004	025 200 7615/W	19
MBP0015	025 203 2517/W	15
MBP0194	025 217 9117/W	17
MBP0202	025 218 3315/W	19

Short no.	MEYLE no.	Page
<b>Lexus</b>		
MBP0235	025 219 4715/W	20
MBP0344	025 234 2915/W	18
MBP0367	025 235 1317	14
MBP0372	025 235 2415/W	21
MBP0376	025 235 3917	21
MBP0421	025 237 0317/W	16
MBP0487	025 239 6715	18
MBP0494	025 239 8317	17
MBP0496	025 239 8916	16
MBP0505	025 240 2417/W	22
MBP0571	025 243 2315/W	19
MBP0576	025 243 3815	22
MBP0576PD	025 243 3815/PD	23
MBP0587	025 243 8618/W	23
MBP0647	025 246 5317	23
MBP1582PD	025 219 4715/PD	20
MBP1592PD	025 240 2417/PD	21
MBP1601	025 244 5116	15
MBP1717	025 243 2317	17
MCA0387	30-16 050 0109	39
MCA0388	30-16 050 0110	39
MCF0199	30-12 319 0000	4
MCF0200	30-12 319 0001	3
MCF0204	30-12 319 0005	4
MCF0205	30-12 319 0006	5
MCF0211	30-12 319 0013	5
MCF0215	30-12 320 0005	4
MCF0216	30-12 320 0006	5
MCF0307	36-12 319 0000	3
MFF0127	30-14 323 0006	33
MFF0133	30-14 323 0013	33
MFF0136	30-14 323 0018	33
MOF0101	30-14 322 0004	35
MOF0102	30-14 322 0005	34
MOF0103	30-14 322 0006	34
MOF0105	30-14 322 0008	34
MPB0026	30-14 533 0012	24
MPB0028	30-14 533 0020	24
MRB0037	050 003 0890	28
MRB0346	050 006 1038	25
MRB0348	050 006 1050	26
MRB0494	050 006 1930	26
MRB0495	050 006 1938	25
MRB0510	050 006 2055	27
MRB0516	050 006 2100	28
MRB0518	050 006 2120	27

Short no.	MEYLE no.	Page
<b>Lexus</b>		
MRB0533	050 006 2238	25
MRB0534	050 006 2245	27
MRB0537	050 006 2260	26
MRB0619	050 007 1870	28
MSL0239	30-16 060 0008	40
MSL0240HD	30-16 060 0009/HD	40
MSL0245HD	30-16 060 0020/HD	41
MSL0246HD	30-16 060 0021/HD	41
MSL0250	30-16 060 0030	41
MSL0252HD	30-16 060 0032/HD	42
MSL0260HD	30-16 060 0043/HD	42
MSL0266HD	30-16 060 0052/HD	39
MSL0267HD	30-16 060 0053/HD	43
MSL0568	30-16 060 0019	40
MSL0789	30-16 060 0079	43
MSL0793	30-16 060 0083	43
MSL0794	30-16 060 0084	44
MSL0795	30-16 060 0085	44
MTE0277	30-16 020 0007	37
MTE0284	30-16 020 0019	37
MTH0024	028 282 0004	29
MWK0139	30-14 650 0009	44
MWP0283	30-13 220 0015	29



# MEYLE

**You see the pretty  
curves, underneath  
is what counts.**



**The MEYLE brand supplies its customers with more than 21,000 extremely reliable and durable spare parts manufactured at our own production facilities or by trusted production partners. MEYLE boasts a highly diversified product range.**

Whether steering and suspension components, rubber-to-metal parts, brakes, damping components, cooling systems, filters, drive components, electric and sensors MEYLE is synonymous with top-grade quality-tested spare parts.

#### **Notes**

This catalogue is protected by copyright. Reproduction of text, graphic elements, photographs and/or data, even in part, is prohibited. MEYLE, **MEYLE**, or parts thereof, are registered trademarks of MEYLE AG.

All supplies and services are subject to our General Terms and Conditions. The original spare part numbers shown in this catalogue are for cross-reference purposes only and shall not be disclosed to third parties on invoices and delivery notes. While the information in this catalogue was compiled and edited with utmost care we do not assume responsibility or accept claims arising from errors or inconsistencies. Subject to technical and/or design changes.

This issue of the catalogue supersedes all previous issues.  
All rights reserved. © 2017 MEYLE AG



MEYLE parts are available through:

**MEYLE AG**

Merkurring 111, 22143 Hamburg, Germany  
Tel. +49 40 67506 510, Fax +49 40 67506 506  
[contact@meyle.com](mailto:contact@meyle.com)

[www.meyle.com](http://www.meyle.com)

**MEYLE**