

Integration module dimmer 0-10V 1000W RF

5738 66 3573

Description

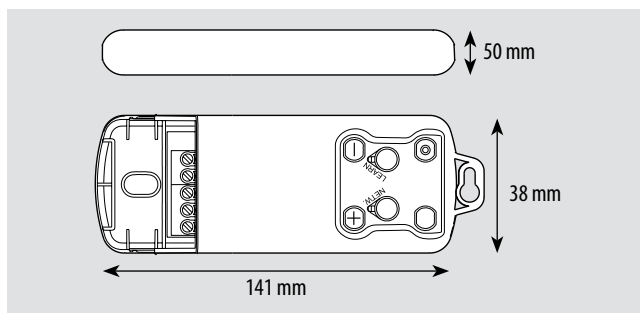
Actuator for the control of Ballasts for 0-10V type Fluorescent tube lamps with power up to 1000 W max. The device has pushbuttons for ON/OFF control and for the adjustment of the power to the load for system testing. In enclosure suitable for installation inside false ceilings.

Technical data

Power supply:	100 – 240 Vac 50/60 Hz
Operating temperature:	5 – 45 °C
Technology:	2.4 GHz Radiofrequency ZigBee® standard
Capacity:	150 m free field, 15 m in rooms with concrete walls
Power/absorption of the loads driven:	see following table

Voltage	Ballast 0 – 10V
230 Vac	1000 VA
110 Vac	500 VA

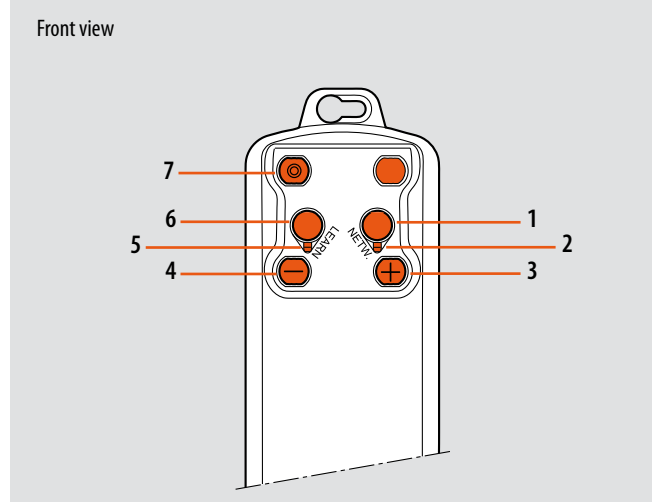
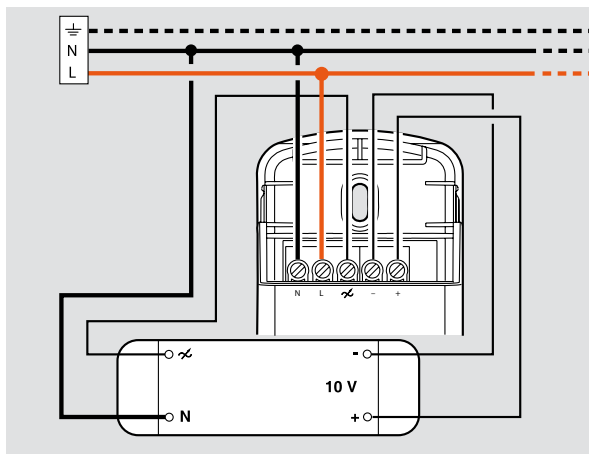
Dimensional data



Configuration

"Push and Learn" self-learning type.

Wiring diagram



Legend

1. NETWORK key
2. NETWORK LED
3. + key: press and release to switch the load ON at 66% of its power, press and hold down to increase the power to the maximum value
4. - key: press and release to switch the load ON at 33% of its power, press and hold down to decrease the power to the minimum value
5. LEARNING LED
6. LEARNING key
7. ON/OFF key

Important:

- Connect a load before performing any "scenario" learning procedure.
- For conventional type transformers, a load with power 60% higher than their rated power must be connected.
- For the calculation of the controllable power take into account the efficiency of standard transformers (e.g.: transformer for a 50 W lamp with an efficiency of 0.78 => power actually absorbed by the transformer = 64 VA)