

Remote control 5 pushbuttons

0882 32 3527N

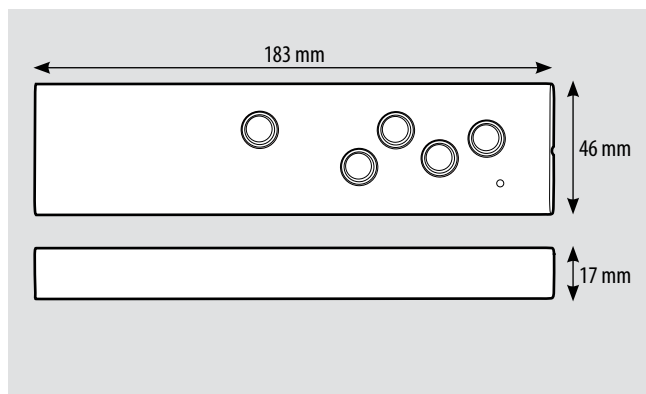
Description

Remote control with 5 scenario control pushbuttons.
The device can be set to operate as an IR remote control (mode not possible for ZigBee® Radio automation devices).

Technical data

Power supply:	No. 2 batteries, 1.5 V LR03
Duration of the batteries:	2 years
Operating temperature:	5 – 45 °C
Technology:	2.4 GHz Radiofrequency ZigBee® standard
Radio frequency capacity:	100 m free field, 10 m in rooms with concrete walls
Infrared capacity:	10 m free field

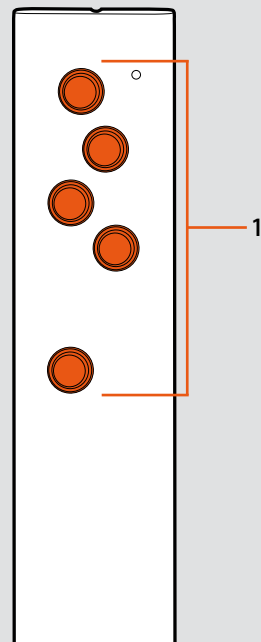
Dimensional data



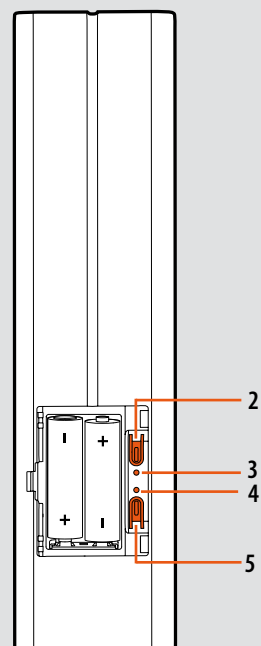
Configuration

“Push and Learn” self-learning type.

Front view



Rear view



Legend

1. Scenario activation pushbutton
2. NETWORK key
3. NETWORK LED
4. LEARNING LED
5. LEARNING key