

NOTICE

The information contained is for **DEALER REFERENCE PURPOSES ONLY**.
MANUALS ARE MODEL AND SERIAL NUMBER SPECIFIC.

If additional printed manuals are required for your shop/office location, order by part number through the factory's Parts Center.

If a retail customer needs replacement manual(s) for a specific unit, contact the factory's Customer Data Center at: 800-829-0051 or
customerdata@vermeermfg.com

This page intentionally left blank.

Vermeer®

*D6X6 Navigator®
Horizontal Directional Drill*



Parts Manual

P1.10
SERIAL NO. 225 -
ORDER NO. 105400ZFS

HOW TO USE THE MANUAL

This manual contains illustrations and parts lists of components and assemblies which make up the machine. Each page consists of the name of the assembly or component, a figure number, reference numbers, part numbers, part names, and the quantities of the parts used.

Assembly or component name helps identify the illustration and parts list for each figure. This name also helps locate the general area of the machine where the assembly or component can be located.

Figure numbers are used to identify each assembly or component and to group these assemblies or components into major categories.

Reference numbers shown in a column refer to the numbered parts in the illustration. This ties the part in the illustration to the part number and description in the parts list.

An asterisk indicates information about the item has changed since the previous release of the parts manual. A note in the Remarks column often explains the change.

Part numbers are used to identify individual parts or part assemblies.

Part descriptions provide the name of the part, plus additional information such as dimensional specifications and what parts are grouped together to form part assemblies, which helps you identify the part(s).

Quantities listed for each figure are only for that assembly or component and not the total used per machine.

This parts manual is not intended to be a complete guide for machine service or repairs. Contact your Vermeer dealer for any of your service or technical requirements.

ORDERING PARTS

Parts for repair or replacement are available through our network of authorized dealers located throughout the world.

Use only authorized Vermeer parts for repair or replacement. Always give the serial number and

model number of the machine for which parts are being ordered. When ordering parts for component(s), which are not manufactured by Vermeer Manufacturing, also give the serial number of that component(s). Order all parts by part number, part name, and quantity needed.

UPDATING AND REORDERING MANUALS

The parts lists, illustrations, and specifications in this manual are based on the latest information available at time of publication. Your machine may have product improvements and options not yet contained in this manual.

Vermeer Manufacturing Company reserves the right to make changes at any time without notice or obligation to you.

Your dealer will receive notice of these changes and can assist you with accurate parts identification when ordering.

A copy of this manual is supplied with each machine. Additional copies are available through your dealer. When ordering additional manuals, use the reorder number listed on the front cover and the quantity needed.

No part of this manual may be reproduced in any form or by any means, electronic or mechanical, including photocopying, recording, or by any information storage and retrieval systems, without the express written consent of Vermeer Manufacturing Company.

Copyright © 2005-2007 Vermeer Mfg. Co.
All rights reserved.
Vermeer Manufacturing Company
1210 Vermeer Road East, P.O. Box 200
Pella, Iowa 50219-0200, USA+

Decal/Resource Assemblies-Section 1

Decal-Cosmetic (S/N 223-) Fig 1-1r01
 Decal-Cosmetic Fig 1-1
 Decal-Control Fig 1-2
 Decal-Safety Fig 1-3r01
 Decal-Safety Fig 1-3
 Decal-Safety Fig 1-4
 Decal-Safety Fig 1-5
 Decal-Safety Fig 1-6
 Decal-Miscellaneous Fig 1-7r01
 Decal-Miscellaneous Fig 1-7
 Resource Library (S/N 124-) Fig 1-8r01
 Resource Library Fig 1-8

Frame Assemblies-Section 2

Rack (S/N 223-) Fig 2-1r04
 Rack Fig 2-1r03
 Rack Fig 2-1r02
 Rack Fig 2-1r01
 Rack Fig 2-1
 Rubber Track (S/N 223-) Fig 2-2r01
 Rubber Track Fig 2-2
 Undercarriage Fig 2-3r04
 Undercarriage Fig 2-3r03
 Undercarriage Fig 2-3r02
 Undercarriage Fig 2-3r01
 Undercarriage Fig 2-3
 Gearbox Fig 2-4r02
 Gearbox Fig 2-4r01
 Gearbox Fig 2-4
 Seat Platform Fig 2-5r03
 Seat Platform Fig 2-5r02
 Seat Platform Fig 2-5r01
 Seat Platform Fig 2-5
 Outrigger Fig 2-6r01
 Outrigger Fig 2-6
 Rod Box Fig 2-7r01
 Rod Box Fig 2-7
 Track Rail Fig 2-8r02
 Track Rail Fig 2-8r01
 Track Rail Fig 2-8
 Green Track Fig 2-9
 Green Track Rail Fig 2-10
 Drive Cage Fig 2-11
 Outrigger Stake Fig 2-12

Engine Assemblies-Section 3

Engine Components Fig 3-1
 Engine Components Fig 3-2
 Engine Components Fig 3-3r01
 Engine Components Fig 3-3
 Drive Pump Assy Fig 3-4
 Air Cleaner Fig 3-5
 Fuel Tank Fig 3-6r02
 Fuel Tank Fig 3-6r01
 Fuel Tank Fig 3-6
 Muffler (S/N 225-) Fig 3-7r03
 Muffler (S/N 223-224) Fig 3-7r02
 Muffler Fig 3-7r01
 Muffler Fig 3-7
 Rear Shields Fig 3-8r02
 Rear Shields Fig 3-8r01
 Rear Shields Fig 3-8
 Engine Bay Doors Fig 3-9r03
 Engine Bay Doors Fig 3-9r02
 Engine Bay Doors Fig 3-9r01
 Engine Bay Doors Fig 3-9
 Front Shields Fig 3-10r03
 Front Shields Fig 3-10r02
 Front Shields Fig 3-10r01
 Front Shields Fig 3-10
 Coolent Overflow Bottle Fig 3-11r01
 Coolent Overflow Bottle Fig 3-11
 Radiator Isolator Fig 3-12

Hydraulic Assemblies-Section 4

Outrigger cylinder Fig 4-1
 Rotation Hyd. Motor Fig 4-2
 Thrust/Pullback Hyd. Motor Fig 4-3r01
 Thrust/Pullback Hyd. Motor Fig 4-3
 Track Drive Hyd. Motor Fig 4-4
 Oil Cooler Fig 4-5
 Oil Tank (S/N 228-) Fig 4-6r03
 Oil Tank Fig 4-6r02
 Oil Tank Fig 4-6r01
 Oil Tank Fig 4-6
 Auto Greaser Fig 4-7
 Hyd. Pump Fig 4-8
 Water Control Valve (S/N 223-) Fig 4-9r03
 Water Control Valve Fig 4-9r02
 Water Control Valve Fig 4-9r01
 Water Control Valve Fig 4-9
 Rotation Valve Fig 4-10
 Thrust Valve Fig 4-11r01
 Thrust Valve Fig 4-11
 Rear Control Valve Fig 4-12r01
 Rear Control Valve Fig 4-12
 Hose Carrier Fig 4-13r01
 Hose Carrier Fig 4-13

Check Valve Bank Fig 4-14
 Rotation/Pullback Hyd. Flow Diagram Fig 4-15
 Drive Track Hyd. Flow Diagram Fig 4-16
 Hyd. Pump Flow Diagram Fig 4-17r01
 Hyd. Pump Flow Diagram Fig 4-17
 Standard Stakedown/Vise Hyd. Flow Diagram Fig 4-18
 Power Stakedown Hyd. Flow Diagram Fig 4-19
 Ball Valve Hyd. Flow Diagram Fig 4-19x01
 Miscellaneous Supplies Fig 4-20

Control Electrical Assemblies-Section 5

Electrical Harness Fig 5-1
 DT Series Connectors Fig 5-2
 Control Electrical Panel Fig 5-3
 Seat Assy. Fig 5-4r02
 Seat Assy. Fig 5-4r01
 Seat Assy. Fig 5-4
 Throttle Cable Fig 5-5
 Battery Fig 5-6r01
 Battery Fig 5-6
 Remote Lockout Fig 5-7
 Voltage Stake Fig 5-8
 Stake Voltage Components Fig 5-9
 Safety Features Gloves-Boots-Cones. Fig 5-10r01
 Safety Features Gloves-Boots-Cones. Fig 5-10

Water Pump Assemblies-Section 6

Water Pump Fig 6-1r01
 Water Pump Fig 6-1
 Water Pump Flow Diagram Fig 6-2
 Ball Valve Fig 6-3

Vise Assemblies-Section 7

Clamp Fig 7-1r02
 Clamp Fig 7-1r01
 Clamp Fig 7-1
 Clamp Hyd. Fig 7-2r01
 Clamp Hyd. Fig 7-2
 Zap Alert Coil (S/N 223-) Fig 7-3r01
 Zap Alert Coil Fig 7-3

Stakedown Assemblies-Section 8

Standard Stakedown Fig 8-1r01
 Standard Stakedown Fig 8-1
 Power Stakedown Fig 8-2r02
 Power Stakedown Fig 8-2r01

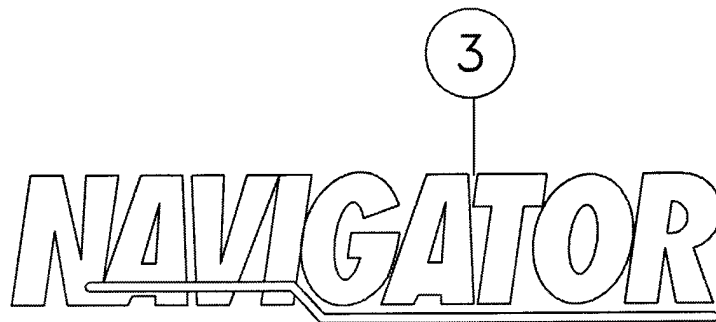
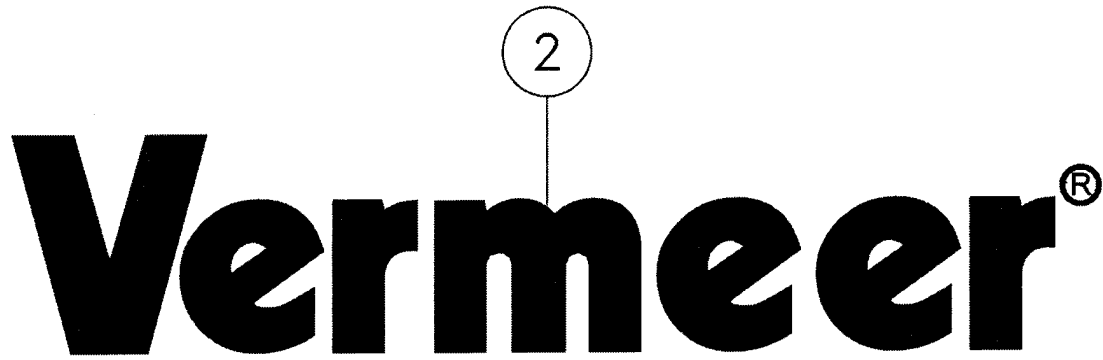
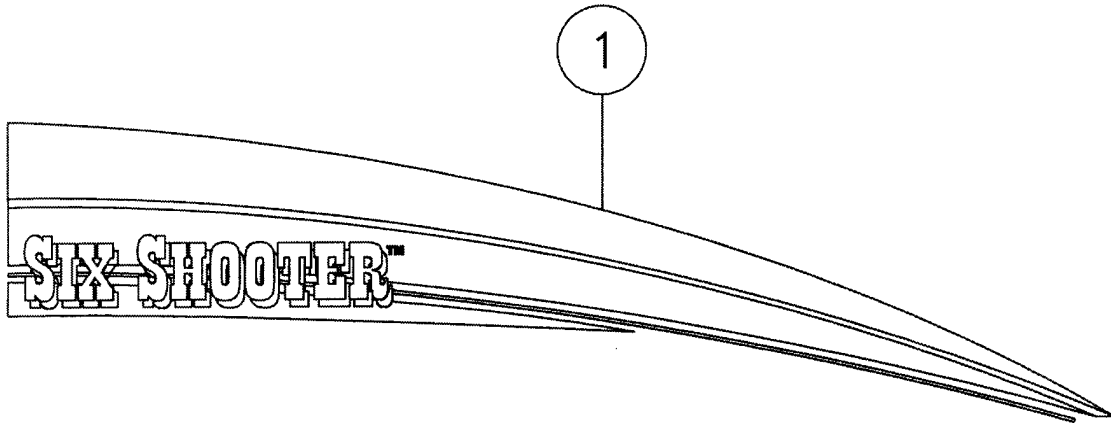
Power Stakedown Fig 8-2

Component Breakdowns-Section 9

Rotation Motor Fig 9-1
 Water Pump Motor Fig 9-2
 Track Drive Motor Fig 9-3
 Thrust/Pullback Motor Fig 9-4
 Outrigger Cylinder Fig 9-5
 Vise Rotation Cylinder Fig 9-6
 Stakedown Cylinder Fig 9-7
 Vise Cylinder Fig 9-8
 Relief Valve Fig 9-9
 LOA Valve Fig 9-10
 Check Valve Fig 9-11
 Water Valve (S/N 223-) Fig 9-12r03
 Water Valve Fig 9-12r02
 Water Valve Fig 9-12r01
 Water Valve Fig 9-12
 Rotation Valve Fig 9-13
 Rear Control Valve Fig 9-14r01
 Rear Control Valve Fig 9-14
 Thrust Valve Fig 9-15r01
 Thrust Valve Fig 9-15
 Pump Valve Fig 9-16
 Valve Work Section (SVW) Fig 9-17
 Valve Work Section (SVL) Fig 9-18
 Valve Inlet Section (SVI) Fig 9-19
 Valve Outlet Section (SVE) Fig 9-20
 Valve Inlet Section (SVI) Fig 9-21
 Spring Center Kit Fig 9-22
 Joystick Sub-Assy Kit Fig 9-23
 Clevis Sub-Assy Kit/Handle Fig 9-24
 Hydraulic Pump Fig 9-25
 Water Pump (Continue On Next Page) Fig 9-26r02
 Water Pump Fig 9-26r02
 Water Pump (Continue On Next Page) Fig 9-26r01
 Water Pump Fig 9-26r01
 Water Pump (Continue On Next Page) Fig 9-26
 Water Pump Fig 9-26
 Hose Carrier Fig 9-27
 Oil Filter (S/N 228-) Fig 9-28r01
 Oil Filter Fig 9-28
 Stakedown Motor Fig 9-29
 Valve-Selector Fig 9-30
 Valve Work Section (SVM) Fig 9-31
 Chain Tensioner (S/N 223-) Fig 9-32r01
 Chain Tensioner Fig 9-32
 Cylinder-Water Shut-Off Fig 9-33
 Valve-Ball Fig 9-34
 Valve-2 Way, Water Shut-off Fig 9-35

This page intentionally left blank.

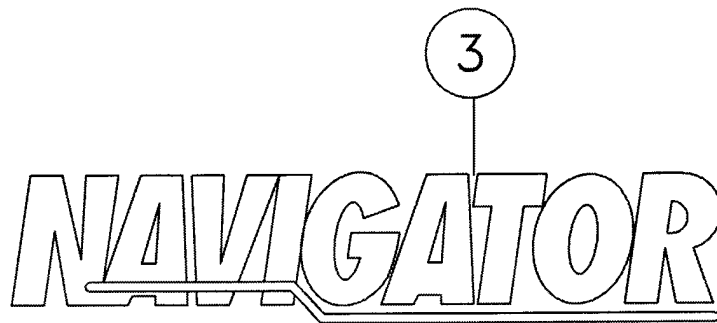
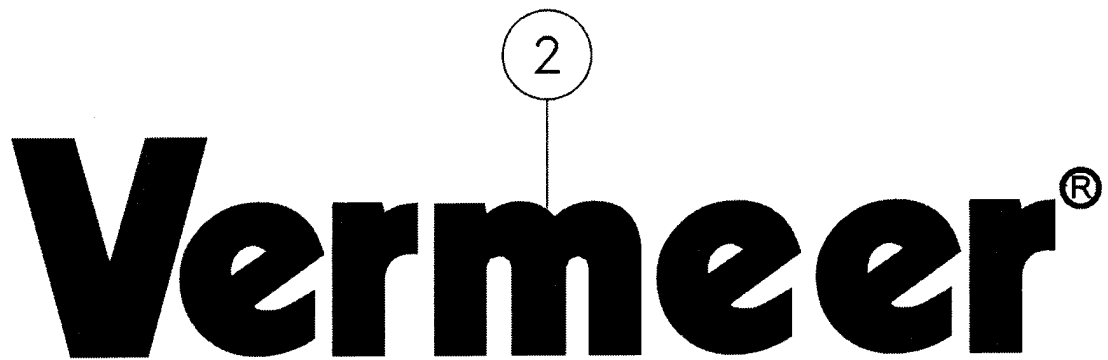
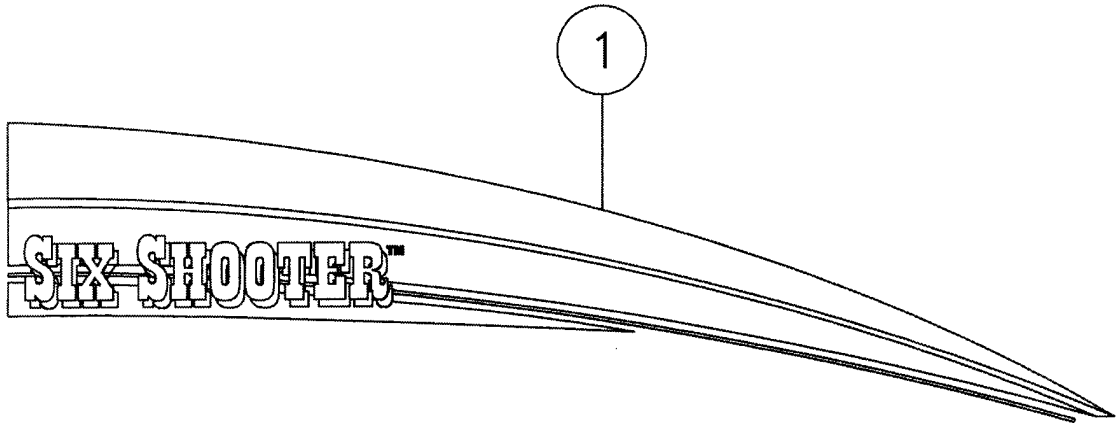
Decal-Cosmetic (S/N 223-) Fig 1-1r01



Decal-Cosmetic (S/N 223-) Fig 1-1r01

REF. NO.	*	PART NO.	DESCRIPTION	QTY.	REMARKS
		Revision Date	March, 2007		Change Decal
1	*	7000D030	DECAL-D6X6 STRIPE	1	(S/N 223-)
2		2326595	DECAL VERMEER- 4 1/2 X 24	1	
3		70000615	DECAL-MODEL NAVIGATOR (SMALL)	1	

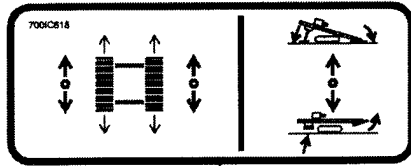
Decal-Cosmetic Fig 1-1



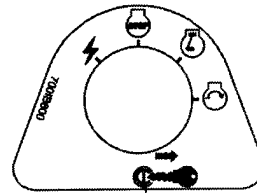
Decal-Cosmetic Fig 1-1

REF. NO.	*	PART NO.	DESCRIPTION	QTY.	REMARKS
1		7000C647	DECAL - D6X6 STRIPE	1	
2		2326595	DECAL VERMEER- 4 1/2 X 24	1	
3		70000615	DECAL-MODEL NAVIGATOR (SMALL)	1	

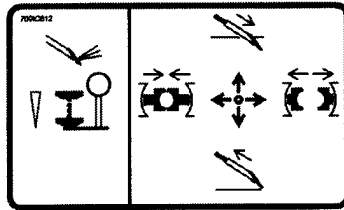
Decal-Control Fig 1-2



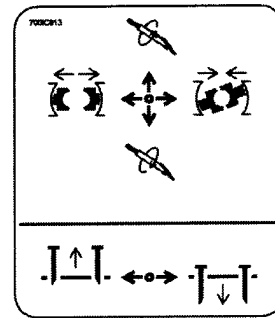
1



2



3

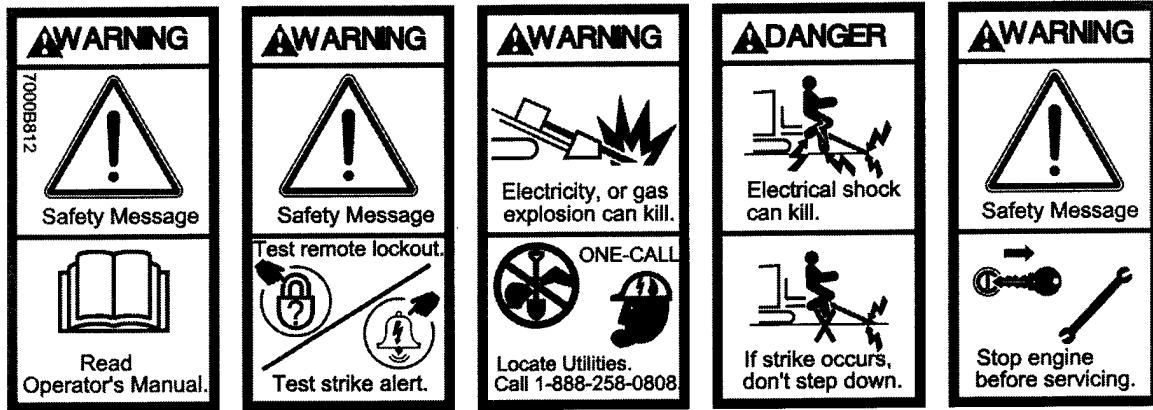


4

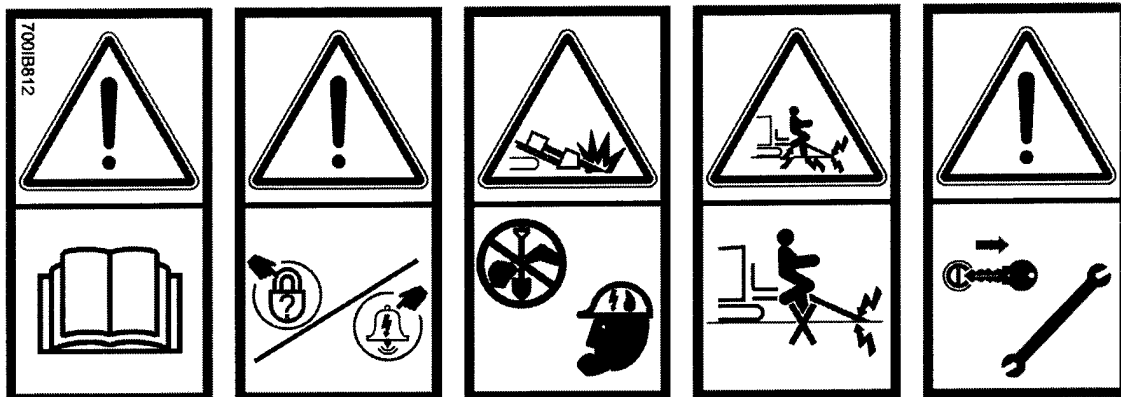
Decal-Control Fig 1-2

REF. NO.	*	PART NO.	DESCRIPTION	QTY.	REMARKS
1		700IC615	DECAL - REAR CONTROL	1	
2		700IB600	DECAL - IGNITION SWITCH	1	
3		700IC612	DECAL - RIGHT OPERATOR'S CONTROL	1	
4		700IC613	DECAL - LEFT OPERATOR'S CONTROL	1	

Decal-Safety Fig 1-3r01



1

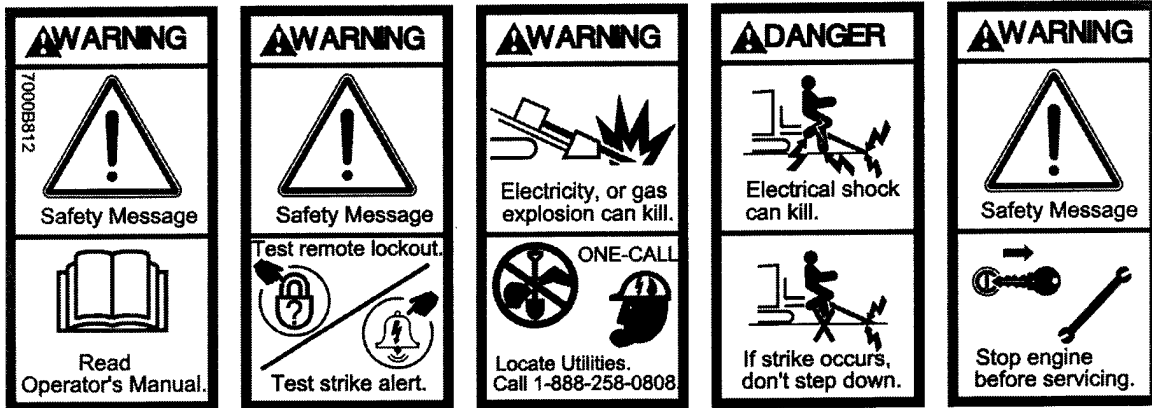


2

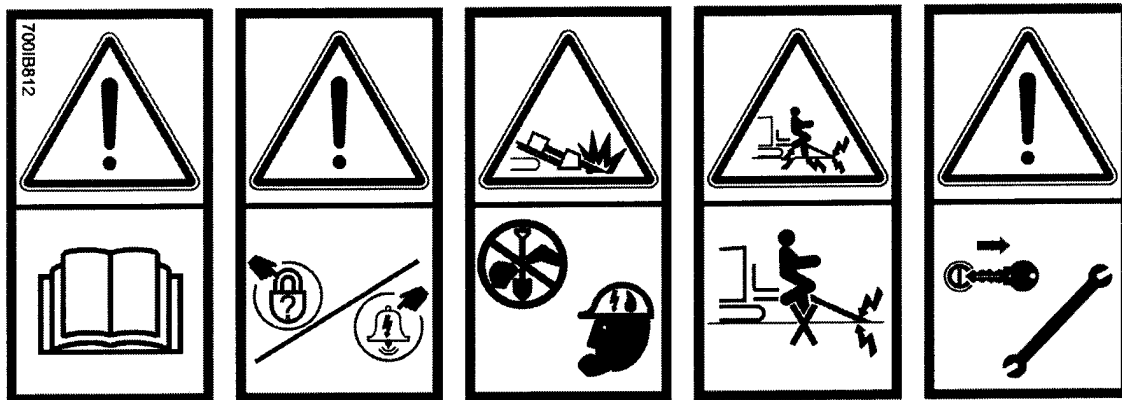
Decal-Safety Fig 1-3r01

REF. NO.	*	PART NO.	DESCRIPTION	QTY.	REMARKS
		Revision Date	November, 2005		Update In Illustration.
1		7000B812	DECAL - WARNING	1	Domestic
2		7001B812	DECAL - WARNING	1	International

Decal-Safety Fig 1-3



1

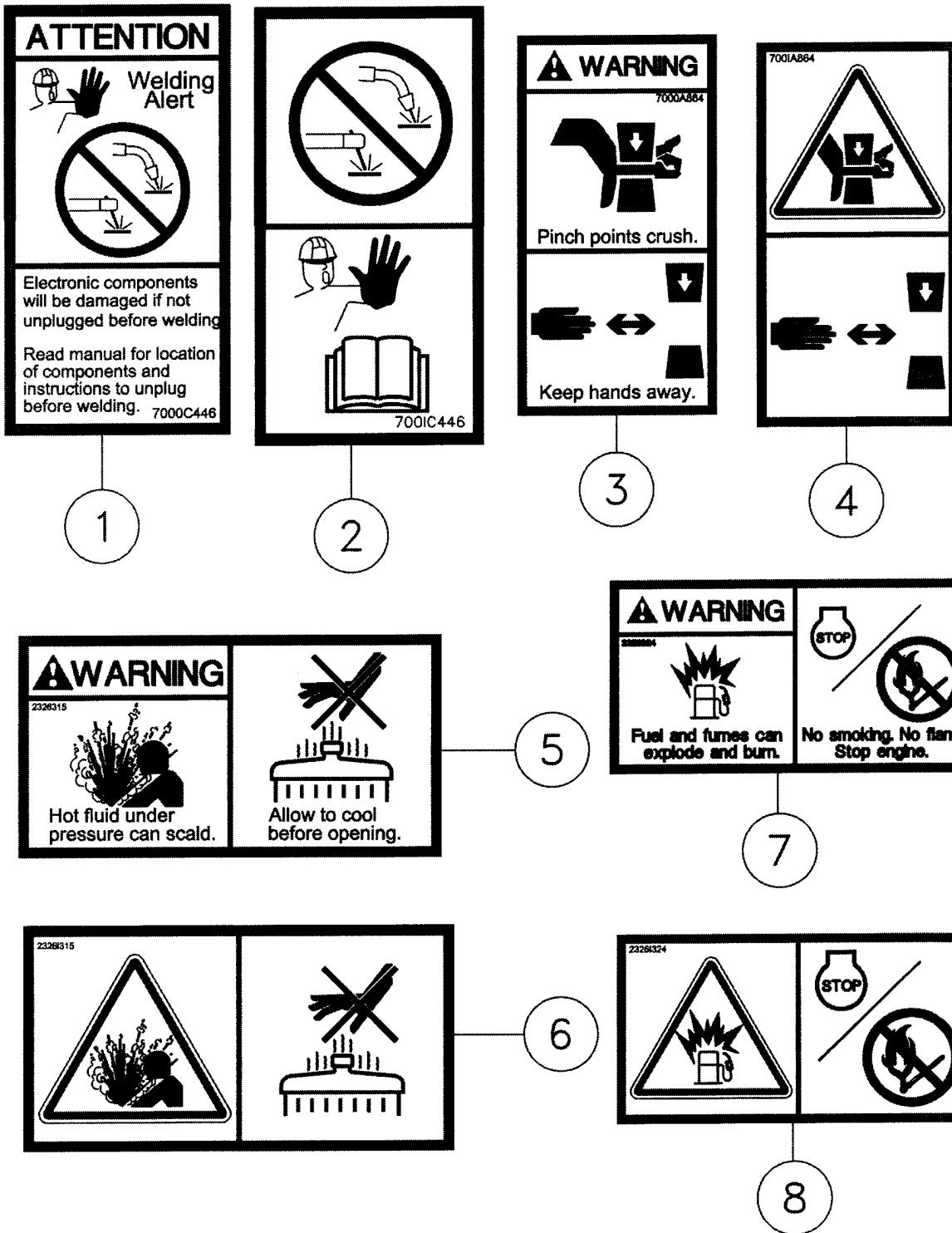


2

Decal-Safety Fig 1-3

REF. NO.	*	PART NO.	DESCRIPTION	QTY.	REMARKS
1		7000B812	DECAL - WARNING	1	
2		700IB812	DECAL - WARNING	1	

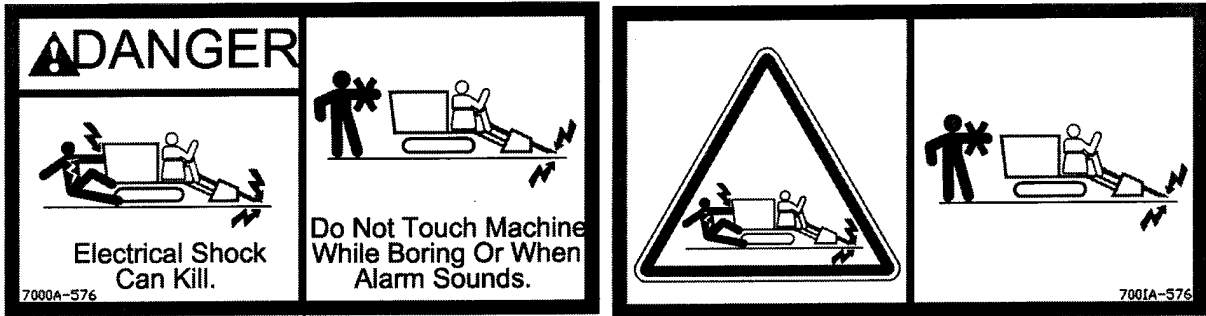
Decal-Safety Fig 1-4



Decal-Safety Fig 1-4

REF. NO.	*	PART NO.	DESCRIPTION	QTY.	REMARKS
1		7000C446	DECAL - NO WELD	1	Domestic
2		700IC446	DECAL - NO WELD	1	International
3		7000A864	DECAL-WARNING DOMESTIC	1	Domestic
4		700IA864	DECAL-WARNING INTERNATIONAL	1	International
5		2326315	DECAL-WARNING	1	Domestic
6		2326I315	DECAL-WARNING	1	International
7		2326324	DECAL-WARNING/REFUEL	1	Domestic
8		2326I324	DECAL - WARNING EXPLOSION	1	International

Decal-Safety Fig 1-5

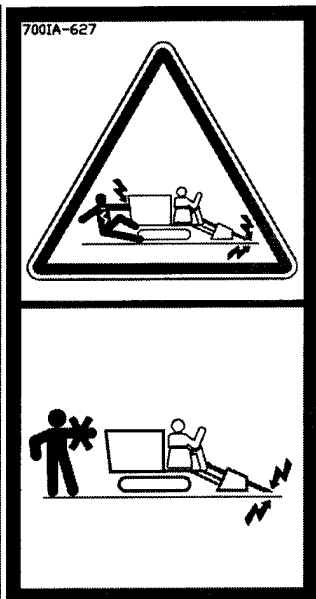
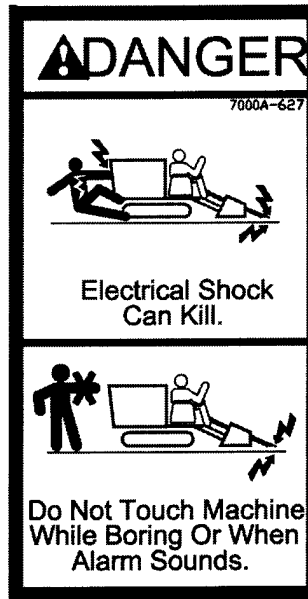
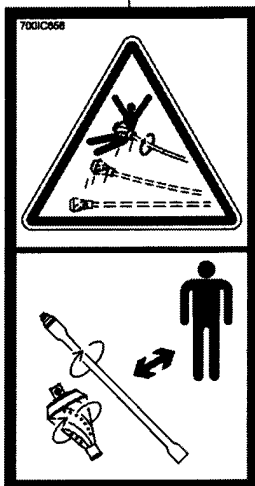
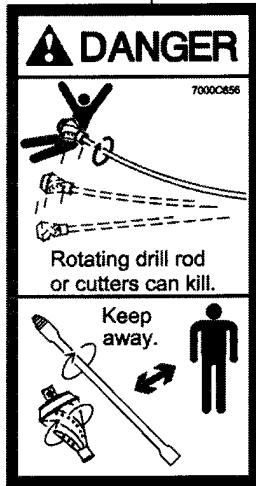


3

1

4

2



5

6



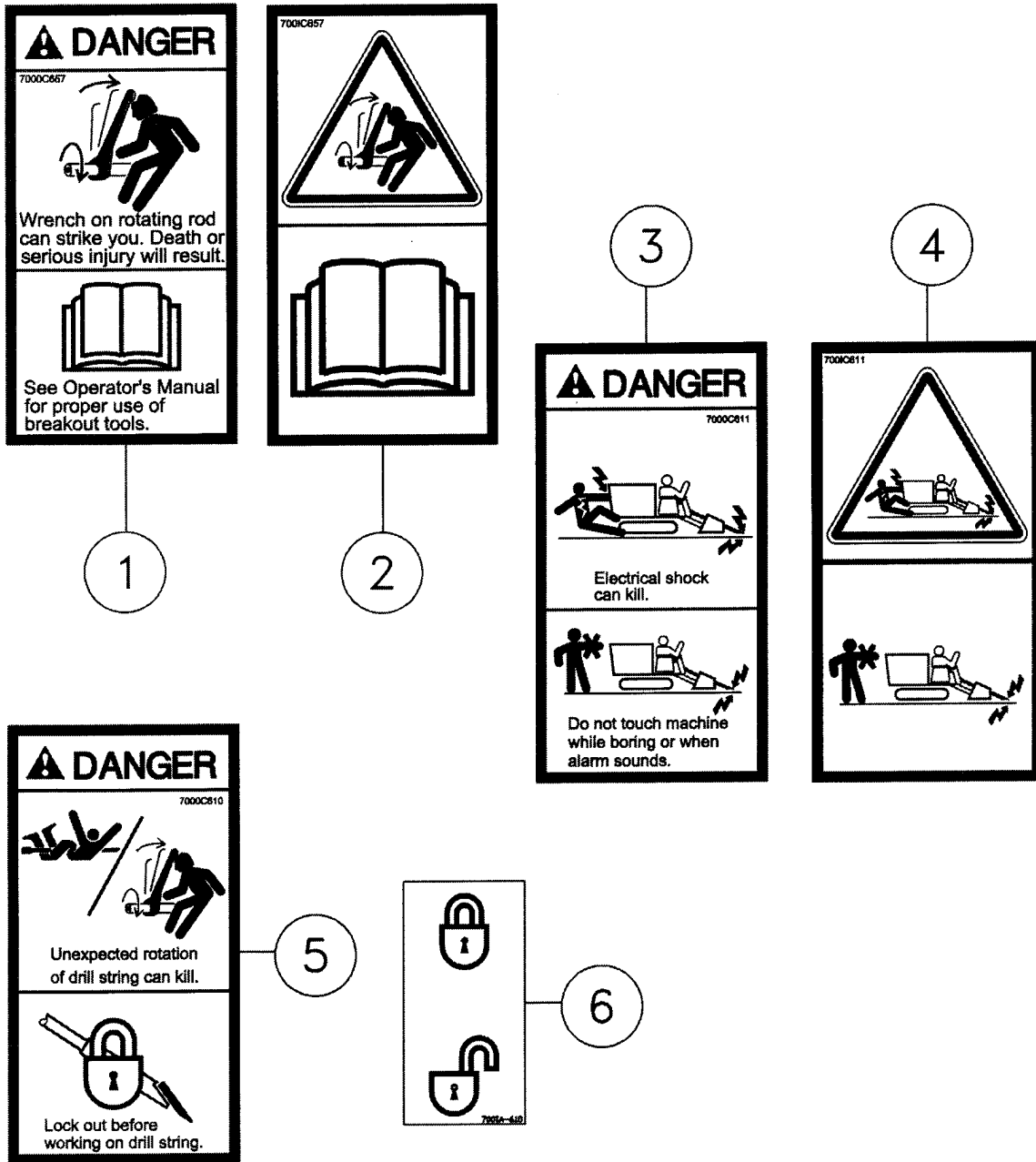
7

8

Decal-Safety Fig 1-5

REF. NO.	*	PART NO.	DESCRIPTION	QTY.	REMARKS
1		7000A576	DECAL-DANGER	2	Domestic
2		700IA576	DECAL-DANGER	2	International
3		7000C656	DECAL - DANGER	1	Domestic
4		700IC656	DECAL - WARNING	1	International
5		7000A627	DECAL-DANGER	1	Domestic
6		700IA627	DECAL-DANGER	1	International
7		70000044	DECAL-WARNING(AT/UND)	1	Domestic
8		7000I044	DECAL-WARNING	1	International

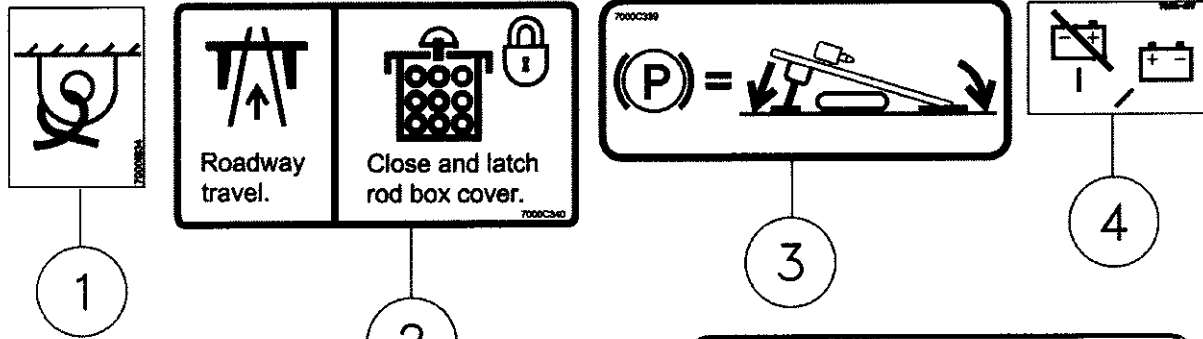
Decal-Safety Fig 1-6



Decal-Safety Fig 1-6

REF. NO.	*	PART NO.	DESCRIPTION	QTY.	REMARKS
1		7000C657	DECAL - DANGER	1	Domestic
2		700IC657	DECAL - WARNING	1	International
3		7000C611	DECAL - DANGER	1	Domestic
4		700IC611	DECAL - WARNING	1	International
5		7000C610	DECAL - DANGER	1	Domestic
6		700IC610	DECAL - WARNING	1	International

Decal-Miscellaneous Fig 1-7r01



VERMEER HY POWER
 This hydraulic oil was installed at the factory.
 Refer to service manual for other equivalent oils.
7000C340

**USE GRADE 2
 DIESEL FUEL
 OR BETTER**

Notice-Avis-Hinweis-Aviso-Aviso

If you purchased this product as used equipment, you can receive a FREE Operator's Manual by contacting:
 Si vous avez acheté cet équipement d'occasion, vous pouvez recevoir un manuel de l'opérateur GRATUIT en contactant le:
 Wenn Sie diese Maschine gebraucht erworben haben, können Sie eine KOSTENLOSE Betriebsanleitung wie folgt anfordern:
 Se el é comprado la presente máquina usada, al por favor una copia del manual del operador IN CALZADORA, contactando:
 Si este producto que ha comprado es un equipo usado, puede recibir un manual del operador GRATUITO llamando a:

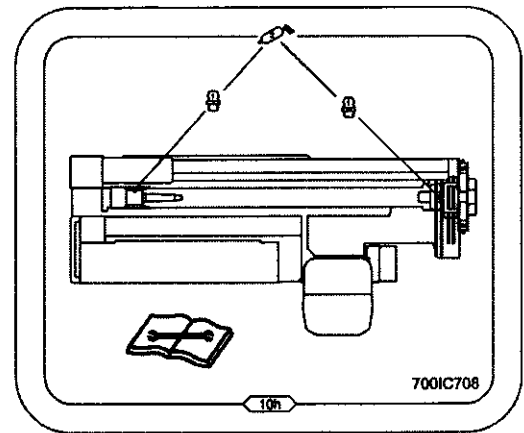
Vermeer Manufacturing Company
 ATTN: Customer Data Department
 1210 Vermeer Road East, PO BOX 200
 Pella, IA 50219 USA
 800-828-0081 or 641-428-2141
 Telephone: English speaking only
 Téléphone: en anglais uniquement
 Telefon: Nur in Englischer Sprache
 Telefon: sólo la comunicación en inglés
 Telefon: en inglés solamente

OR by completing and mailing the Used Equipment Registration Form enclosed in the Operator's Manual.
 OU en remplissant et en envoyant le formulaire d'enregistrement de l'équipement d'occasion inclus dans le manuel de l'opérateur.
 ODER das in der Betriebsanleitung enthaltene Formular zur Registrierung gebrauchter Ausrüstung ausfüllen und versenden.
 OPPURE compilando e spedendo il modulo di registrazione per macchine usate, incluso al manuale dell'operatore.
 O rellenando y enviando por correo el impreso de registro de equipos usados incluido en el manual del operador.

This product may be covered by one or more of the following patents:

AU 756,936	US 5,590,041	US 6,195,922	US 6,477,795
CA D 79,593	US 5,607,280	US 6,247,544	US 6,484,818
DE 696 11 846	US 5,611,496	US 6,289,997	US 6,491,115
DE 202 14 959.5	US 5,657,803	US 6,308,787	US 6,497,296
DE Des. 96 006 85.4	US 5,659,985	US 6,315,062	US 6,511,260
EP 772,543	US 5,687,807	US 6,332,502	US 6,516,899
EP 830,522	US 5,692,548	US 6,357,537	US 6,517,733
EP 885,343	US 5,692,549	US 6,360,830	US 6,533,046
EP 1,153,194	US 5,704,142	US 6,367,564	US 6,533,052
GB 2,053,636	US 5,720,354	US 6,374,928	US 6,554,082
HK 1015859	US 5,746,278	US 6,382,330	US 6,557,651
RU 2,158,952	US 5,768,811	US 6,389,360	US 6,577,954
US Des. 308,682	US 5,778,991	US 6,390,207	US 6,585,062
US Des. 396,837	US 5,819,859	US 6,408,952	US 6,588,516
US 4,848,423	US 5,845,689	US 6,408,954	US 6,651,755
US 5,205,181	US 5,904,210	US 6,412,715	US 6,659,202
US 5,219,380	US 5,944,121	US 6,422,495	US 6,668,946
US 5,237,888	US 5,950,942	US 6,435,286	US 6,684,538
US 5,291,964	US 6,014,996	US 6,439,319	US 6,701,647
US 5,509,220	US 6,050,350	US 6,446,365	US 6,719,069
US 5,544,055	US 6,109,367	US 6,446,889	US 6,725,579
US 5,553,407	US 6,119,376	US 6,454,025	US 6,729,050
US 5,556,253	US 6,138,932	US 6,470,976	
US 5,574,642	US 6,154,987	US 6,474,931	
US 5,588,474	US 6,161,630	US 6,474,932	

This product may be covered by one or more of the following licensed patents:
 US 4,694,913 US 4,867,255 US 5,148,880
 US 4,858,704 US 4,953,638 US 5,799,740
 (OTHER U.S. AND FOREIGN PATENTS PENDING)



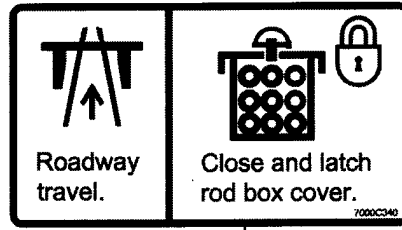
Decal-Miscellaneous Fig 1-7r01

REF. NO.	*	PART NO.	DESCRIPTION	QTY.	REMARKS
		Revision Date	September, 2007		Updated B.O.M.
1		7000I834	DECAL - TIE DOWN POINT	4	
2		7000C340	DECAL - ROD BOX	1	
3		7000C339	DECAL - PARKING	1	
4		700IA477	DECAL_BATTERY SWITCH (UG)	1	
5		70000394	DECAL-VERMEER HY POWER	1	
6		7000B119	DECAL - PATENT INDUSTRIAL	1	
7	*	2326940	DECAL-NOTICE TO OWNERS	1	
8		70000098	DECAL-DIESEL (AT/UND)	1	
9		700IC708	DECAL-D6X6 GREASE CHART	1	

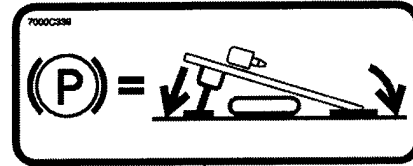
Decal-Miscellaneous Fig 1-7



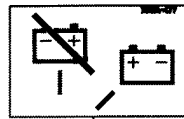
1



2



3



4



5

This product may be covered by one or more of the following patents:

AU 756,936	US 5,590,041	US 6,195,922	US 6,477,795
CAD 79,593	US 5,607,280	US 6,247,544	US 6,484,818
DE 896 11 846	US 5,611,496	US 6,289,997	US 6,491,115
DE 202 14 959.5	US 5,657,803	US 6,308,787	US 6,497,296
DE Des. 96 006 85.4	US 5,659,985	US 6,315,062	US 6,511,260
EP 772,543	US 5,687,807	US 6,332,502	US 6,516,899
EP 830,522	US 5,692,548	US 6,357,537	US 6,517,733
EP 885,343	US 5,692,549	US 6,360,830	US 6,533,046
EP 1,153,194	US 5,704,142	US 6,367,564	US 6,533,052
GB 2,053,636	US 5,720,354	US 6,374,928	US 6,554,082
HK 1015859	US 5,746,278	US 6,382,330	US 6,557,651
RU 2,158,952	US 5,768,811	US 6,389,360	US 6,577,954
US Des. 308,682	US 5,778,991	US 6,390,207	US 6,585,062
US Des. 396,837	US 5,819,859	US 6,408,952	US 6,588,516
US 4,848,423	US 5,845,689	US 6,408,954	US 6,651,755
US 5,205,181	US 5,904,210	US 6,412,715	US 6,659,202
US 5,219,380	US 5,944,121	US 6,422,495	US 6,668,946
US 5,237,888	US 5,950,942	US 6,435,286	US 6,684,538
US 5,291,964	US 6,014,996	US 6,439,319	US 6,701,647
US 5,509,220	US 6,050,350	US 6,446,365	US 6,719,069
US 5,544,055	US 6,109,367	US 6,446,889	US 6,725,579
US 5,553,407	US 6,119,376	US 6,454,025	US 6,729,050
US 5,556,253	US 6,138,932	US 6,470,976	
US 5,574,642	US 6,154,987	US 6,474,931	
US 5,588,474	US 6,161,630	US 6,474,932	

This product may be covered by one or more of the following licensed patents:

US 4,694,913	US 4,867,255	US 5,148,880
US 4,858,704	US 4,953,638	US 5,799,740

(OTHER U.S. AND FOREIGN PATENTS PENDING)

6

Notice • Avis • Hinweis • Avviso • Aviso

If you purchased this product as used equipment, you can receive a FREE Operator's Manual by consulting:

Si vous avez acheté cet équipement d'occasion, vous pouvez recevoir un manuel de l'opérateur GRATUIT en consultant le:

Wenn Sie diese Maschine gebraucht erworben haben, können Sie eine KOSTENLOSE Betriebsanleitung wie folgt anfordern:

Se si è comprata la presente macchina usata, si può ricevere una copia del manuale dell'operatore IN OMAGGIO, contattando:

Si este producto que ha comprado es un equipo usado, puede recibir un manual del operador GRATUITO llamando a:

.....

Vermeer Manufacturing Company
 ATTN: Customer Data Department
 1210 Vermeer Road East, PO BOX 200
 Pella, IA 50218 USA
 800-829-0051 or 641-628-3141
 Telephone: English speaking only
 Téléphone: en anglais uniquement
 Telefon: Nur in Englischer Sprache
 Teléfono: sólo la conversación en inglés
 Telefoni: en inglés solamente

.....

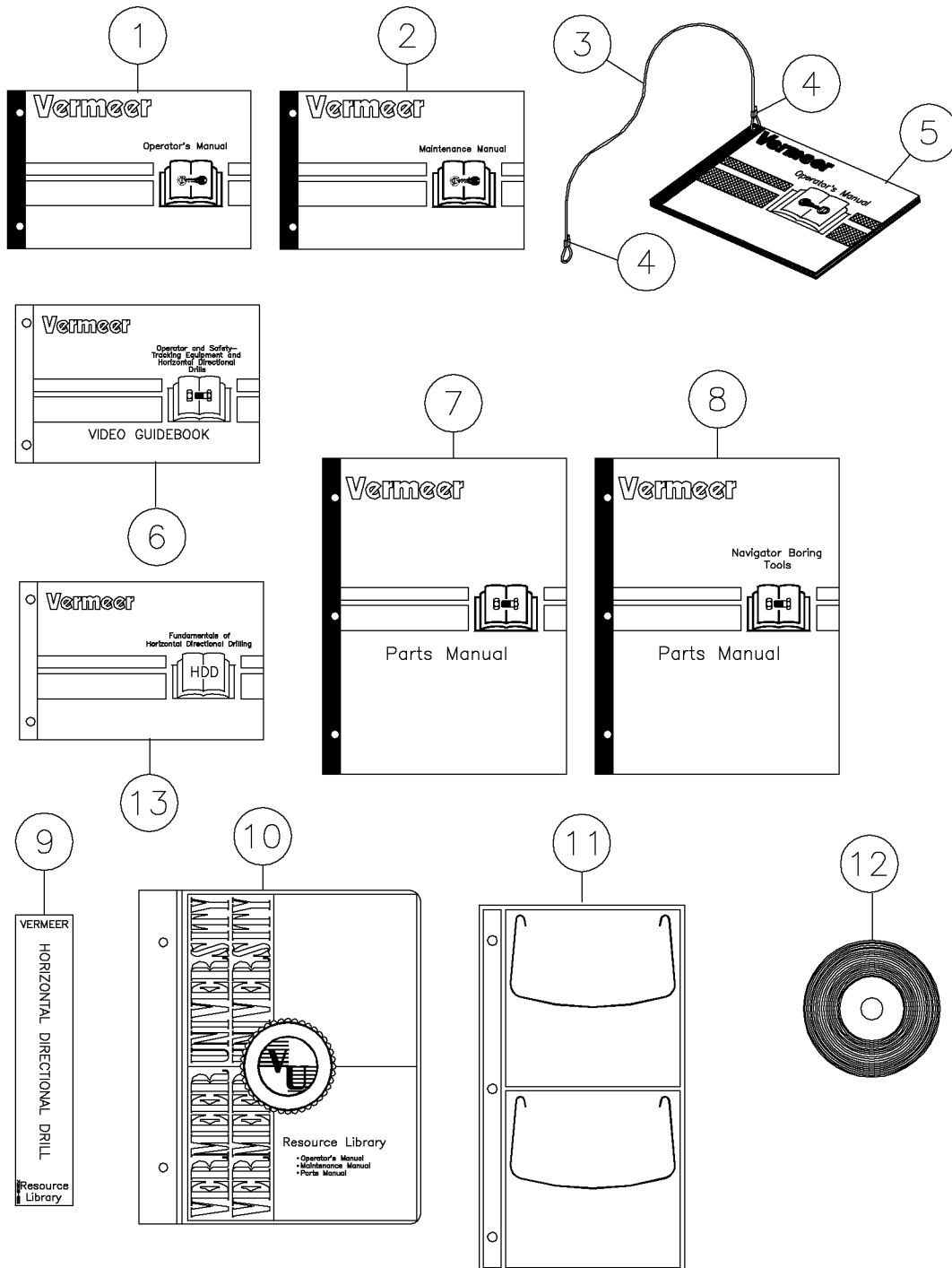
OR by completing and mailing the Used Equipment Registration Form enclosed in the Operator's Manual.
 OU en remplissant et en envoyant le formulaire d'enregistrement de l'équipement d'occasion inclus dans le manuel de l'opérateur.
 ODER das in der Betriebsanleitung enthaltene Formular zur Registrierung gebrauchter Ausrüstung ausfüllen und einreichen.
 OPPURE compilando e spedendo il modulo di registrazione per macchine usate, incluso al manuale dell'operatore.
 O rellenando y enviando por correo el impreso de registro de equipos usados incluido en el manual del operador.

7

Decal-Miscellaneous Fig 1-7

REF. NO.	*	PART NO.	DESCRIPTION	QTY.	REMARKS
1		7000I834	DECAL - TIE DOWN POINT	4	
2		7000C340	DECAL - ROD BOX	1	
3		7000C339	DECAL - PARKING	1	
4		700IA477	DECAL_BATTERY SWITCH (UG)	1	
5		70000394	DECAL-VERMEER HY POWER	1	
6		7000B119	DECAL - PATENT INDUSTRIAL	1	

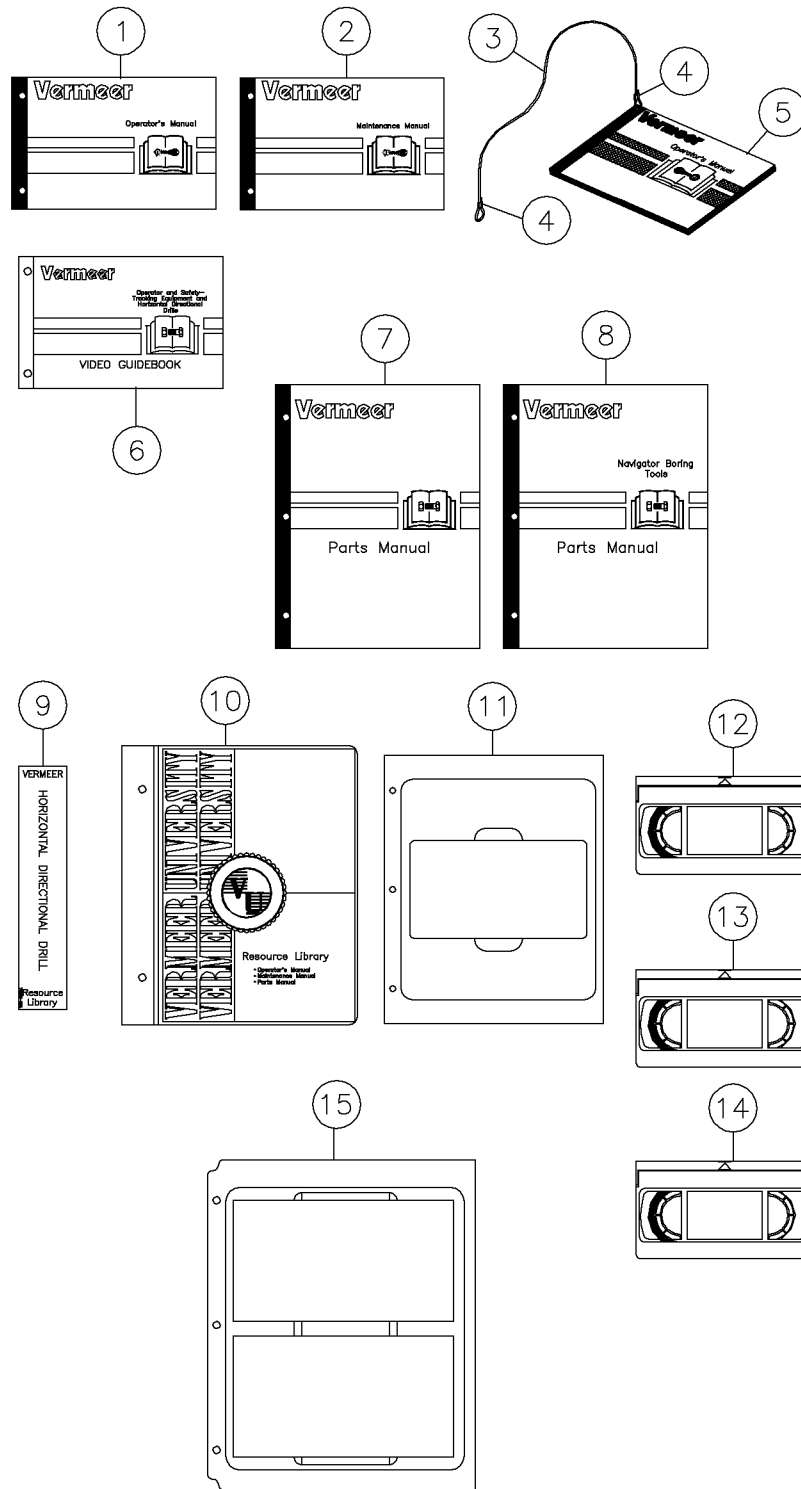
Resource Library (S/N 124-) Fig 1-8r01



Resource Library (S/N 124-) Fig 1-8r01

REF. NO.	*	PART NO.	DESCRIPTION	QTY.	REMARKS
		Revision Date	August, 2007		Added Book
1		105400X76	OM - D6X6 (EN) o1.00	1	
		117000V00	OM - D6X6 (SP) o1.00		Spanish
2		105400X78	MM - D6X6 (EN) m1.00	1	
		117000V02	MM - D6X6 (SP) m1.00		Spanish
3		142954001	CABLE-.068DIA.NYLON CT.-36.00	1	
4		142423001	CRIMP-CABLE (FOR.068DIA.CABLE)	2	
5		296260899	ASSEMBLY-OM-D6X6 CABLED o1.00	1	Inc Ref 3&4
		296285466	MANUAL ASSY - D6X6 (SP) CABLED 1.01		Spanish - Inc Ref 3&4
6		105400T90	HDD OPERATIONS & SAFETY VIDEO GUIDEBOOK	1	
7		105400ZFS	PM-D6X6 (EN) p1.00	1	
8		105400T09	PM - NAVIGATOR BORING TOOLS p4.00	1	
9		7000B222	DECAL -HORIZONTAL DRILL - RESOURCE LIB.	1	
10		144144001	NOTEBOOK BINDER - 2"-3 XCX	1	
11		180010788	DVD-HOLDER	1	(S/N 124-)
12		296296910	DVD-NTSC VIDEO HDD OPERATIONS&FIRESTICK(INCL SPAN)	1	(S/N 124-)
13	*	105400W26	FUNDAMENTALS OF HDD UP o1.00	1	

Resource Library Fig 1-8



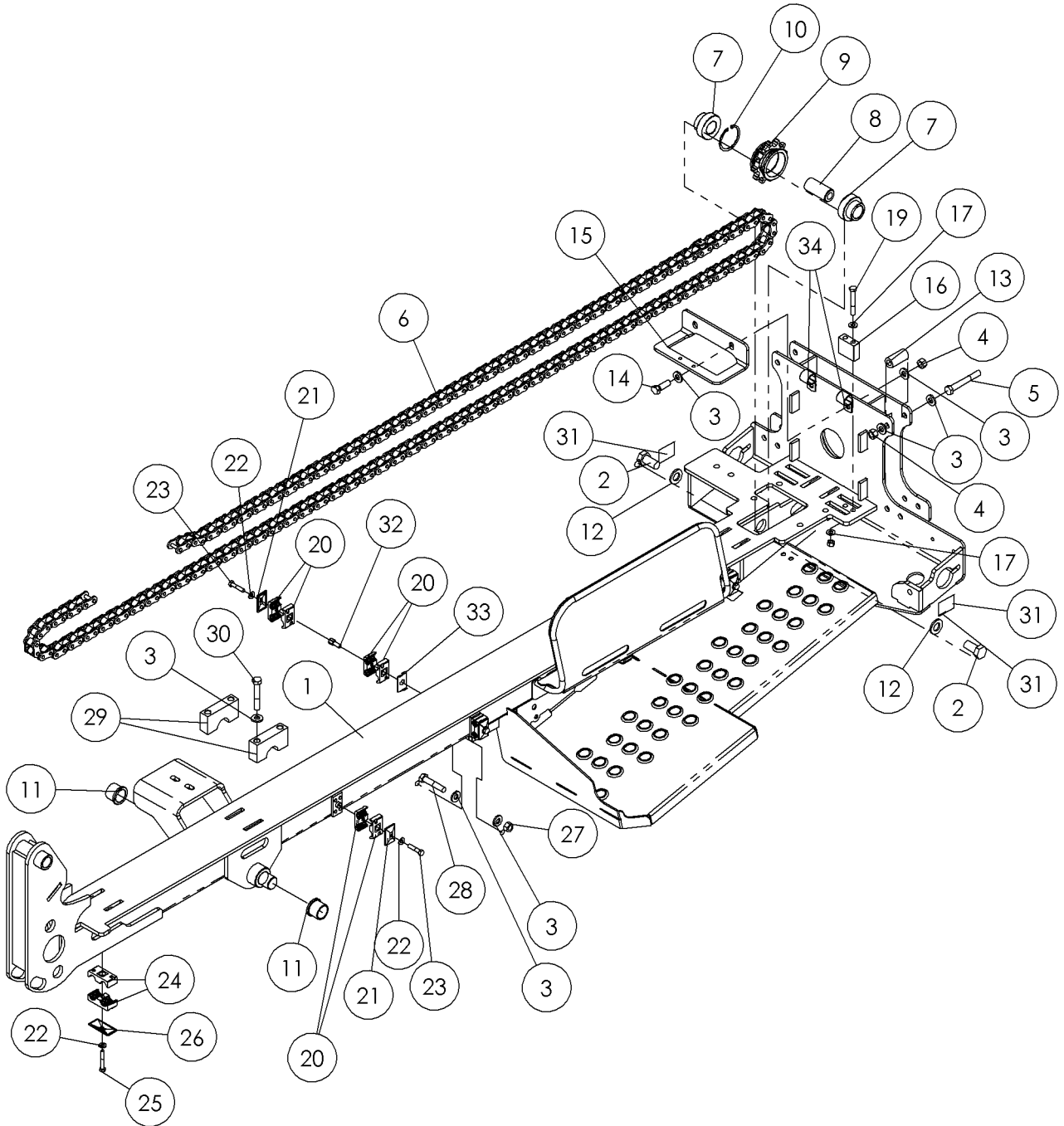
Resource Library Fig 1-8

REF. NO.	*	PART NO.	DESCRIPTION	QTY.	REMARKS
		Revision Date	December, 2006		Added Spanish Manuals
1		105400X76	OM - D6X6 (EN) o1.00	1	
	*	117000V00	OM - D6X6 (SP) o1.00		Spanish
2		105400X78	MM - D6X6 (EN) m1.00	1	
	*	117000V02	MM - D6X6 (SP) m1.00		Spanish
3		142954001	CABLE-.068DIA.NYLON CT.-36.00	1	
4		142423001	CRIMP-CABLE (FOR.068DIA.CABLE)	2	
5		296260899	ASSEMBLY-OM-D6X6 CABLED o1.00	1	Inc Ref 3&4
	*	296285466	MANUAL ASSY - D6X6 (SP) CABLED 1.01		Spanish - Inc Ref 3&4
6		105400T90	HDD OPERATIONS & SAFETY VIDEO GUIDEBOOK	1	
7		105400ZFS	PM-D6X6 (EN) p1.00	1	
8		105400T09	PM - NAVIGATOR BORING TOOLS p4.00	1	
9		7000B222	DECAL -HORIZONTAL DRILL - RESOURCE LIB.	1	
10		144144001	NOTEBOOK BINDER - 2"-3 XCX	1	
11		144145001	VHS - HOLDER	1	
12		251803001	VIDEO - DRILL ROD OPERATION AND MAINTENANCE	1	
13		296264887	VIDEO-OPERATIONS/SAFETY HDD&TRKNG EQUIP	1	
14		296264888	VIDEO - REMOTE LOCKOUT	1	
15		151815001	VHS HOLDER DOUBLE	1	

Rack (S/N 223-) Fig 2-1r04

REF. NO.	*	PART NO.	DESCRIPTION	QTY.	REMARKS
		Revision Date	February, 2007		Change Chain
1		296280552	RACK	1	
2		238217001	BOLT-3/4-10X1 1/2 GR8 HEX ZYC	2	
3		127362001	WASHER-1/2 HARD.FLAT/PLATED	18	
4		235731001	NUT-1/2-13 GR8 ZYC	6	
5		238213001	BOLT-1/2-13X3 3/4 GR8 HEX ZYC	4	
6	*	296285726	CHAIN - 80H -W/2 CONN. & 1 BENT LINK	1	(S/N 223-)
7		4051001	BRG-1 1/4 CYL-RA103RR2 W/COL	2	
8		296271491	PIN - LOWER ROLLER	1	
9		296271489	SPROCKET - D80B 12H WITH 2-7/16 BORE	1	
10		502468001	SNAP RING N5000-244	1	
11		296271490	BUSHING-FLANGE-1.50 ODX1.25 IDX1.25	2	
12		235717001	WASHER - 3/4" HARDENED FLAT YZ	2	
13		296280581	BAR - STAKEDOWN SUPPORT	4	
14		235721001	BOLT-1/2-13X1 1/2 GR8 ZINC PLT	2	
15		296271456	SUPPORT - STAKE MOUNT	1	
16		296280600	BLOCK - VISE STOP	1	
17		235713001	WASHER - FLATSTRL - .38 - .41 X .81 - .06-YA-A325	4	
18		235725001	NUT - HEX - .38 - 16 - GR8 - YZ	2	
19		250640001	BOLT-3/8-16 X2 3/4 GR 8 Y/ZINC	2	
20		900035005	CLAMP-HALF 3/8" DOUBLE (PAIR)	20	
21		67846003	PLATE-TWIN COVER	7	
22		235714001	WASHER - FLATSTRL - .31 - .34 X .69 - .06-YZ-A325	8	
23		279376001	BOLT - 5/16-18X1 1/2 GR8 HEX ZYC	7	
24		900036001	CLAMP - DOUBLE HOSE .75" OD	2	
25		238211001	BOLT 5/16-18 X 2 Gr8 TL ZINC YC	1	
26		72062005	PLATE-TOP CLAMP	1	
27		250512001	NUT- 1/2 NC Gr8 TOP LOCK Y/ ZINC	1	
28		250573001	BOLT-1/2-13 X 2 1/2 GR8 HX Y/Z	1	
29		296277403	CAP - PIVOT BEARING	2	
30		235724001	BOLT-1/2-13X3 GR8 HEX ZINC PLT	4	
31		7000i834	DECAL - TIE DOWN POINT	2	
32		231757001	BOLT-CLAMP STACKING 5/16THREAD	3	
33		231758001	WASHER-SAFETY(1/2" HEX ID)	3	
34		296280669	CLAMP-1-1/4 HOSE-17/32 HOLE	2	

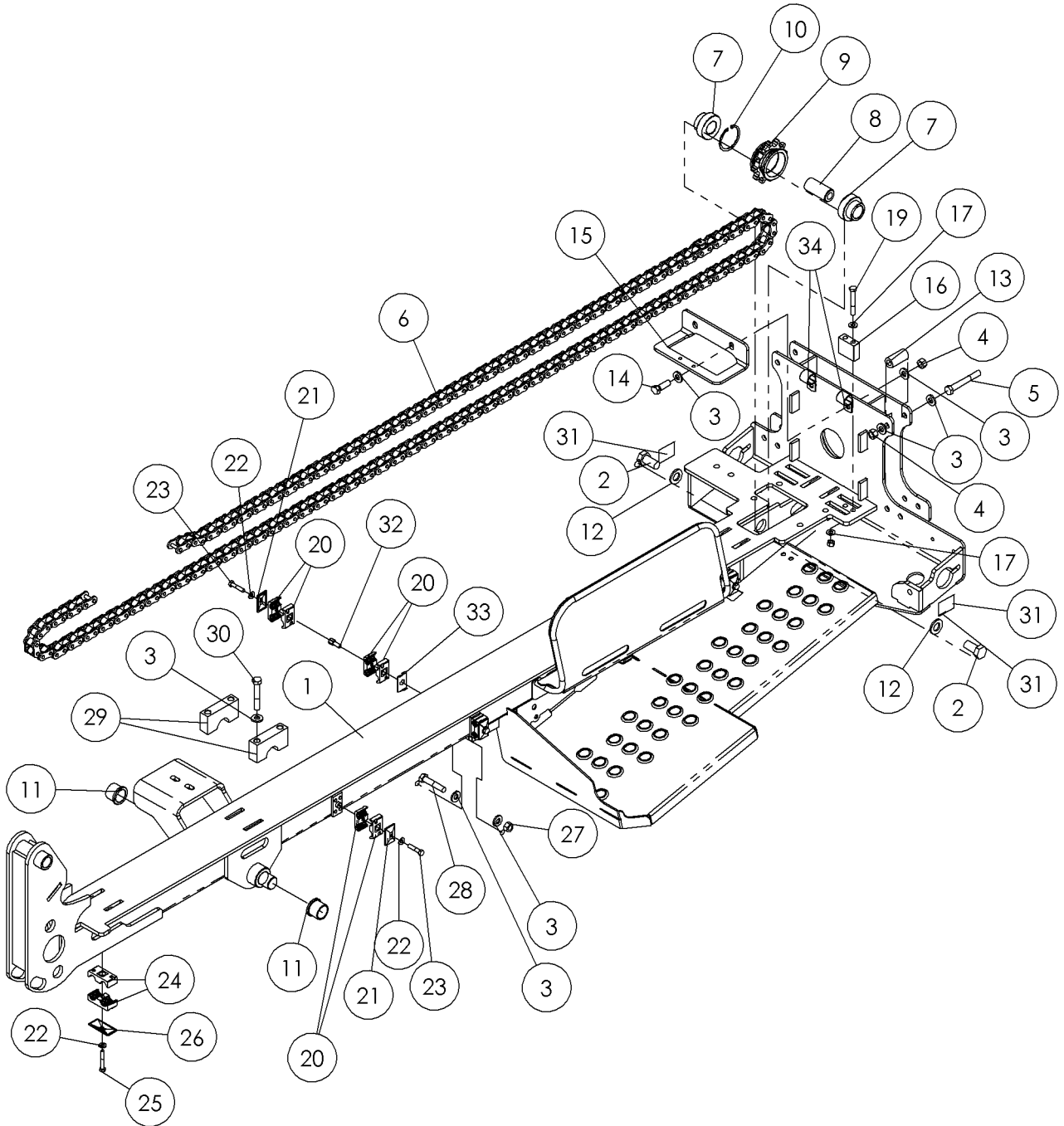
Rack Fig 2-1r03



Rack Fig 2-1r03

REF. NO.	*	PART NO.	DESCRIPTION	QTY.	REMARKS
		Revision Date	January, 2006		Update In Illustration & Parts List.
1		296280552	RACK	1	
2		238217001	BOLT-3/4-10X1 1/2 GR8 HEX ZYC	2	
3		127362001	WASHER-1/2 HARD.FLAT/PLATED	18	
4		235731001	NUT-1/2-13 GR8 ZINC PLTD	6	
5		238213001	BOLT-1/2-13X3 3/4 GR8 HEX ZYC	4	
6		296280670	CHAIN - 80H - W/2 CONNECTORS & 1 BENT LUG	1	
		296285193	LINK- 80H CONNECTOR	1	
7		4051001	BRG-1 1/4 CYL-RA103RR2 W/COL	2	
8		296271491	PIN - LOWER ROLLER	1	
9		296271489	SPROCKET - D80B 12H WITH 2-7/16 BORE	1	
10		502468001	SNAP RING N5000-244	1	
11		296271490	BUSHING-FLANGE-1.50 ODX1.25 IDX1.25	2	
12		235717001	WASHER - 3/4" HARDENED FLAT YZ	2	
13		296280581	BAR - STAKEDOWN SUPPORT	4	
14		235721001	BOLT-1/2-13X1 1/2 GR8 ZINC PLT	2	
15		296271456	SUPPORT - STAKE MOUNT	1	
16		296280600	BLOCK - VISE STOP	1	
17		235713001	WASHER - FLATSTRL - .38 - .41 X .81 - .06-YA-A325	4	
18		235725001	NUT - HEX - .38 - 16 - GR8 - YZ	2	
19		250640001	BOLT-3/8-16 X2 3/4 GR 8 Y/ZINC	2	
20		900035005	CLAMP-3/8"DOUBLE HOSE(COMplete)	20	
21		67846003	PLATE-TWIN COVER	7	
22		235714001	WASHER - FLATSTRL - .31 - .34 X .69 - .06-YZ-A325	8	
23		279376001	BOLT - 5/16-18X1 1/2 GR8 HEX ZNC PLT	7	
24		900036001	CLAMP - DOUBLE HOSE .75" OD	2	
25		238211001	BOLT 5/16-18 X 2 Gr8 TL ZINC YC	1	
26		72062005	PLATE-TOP CLAMP	1	
27		250512001	NUT- 1/2 NC Gr8 TOP LOCK Y/ ZINC	1	
28		250573001	BOLT-1/2-13 X 2 1/2 GR8 HX Y/Z	1	
29		296277403	CAP - PIVOT BEARING	2	
30		235724001	BOLT-1/2-13X3 GR8 HEX ZINC PLT	4	
31		7000i834	DECAL - TIE DOWN POINT	2	
32		231757001	BOLT-CLAMP STACKING 5/16THREAD	3	
33		231758001	WASHER-SAFETY(1/2" HEX ID)	3	
34		296280669	CLAMP - 1-1/4 HOSE - 17/32 HOLE	2	

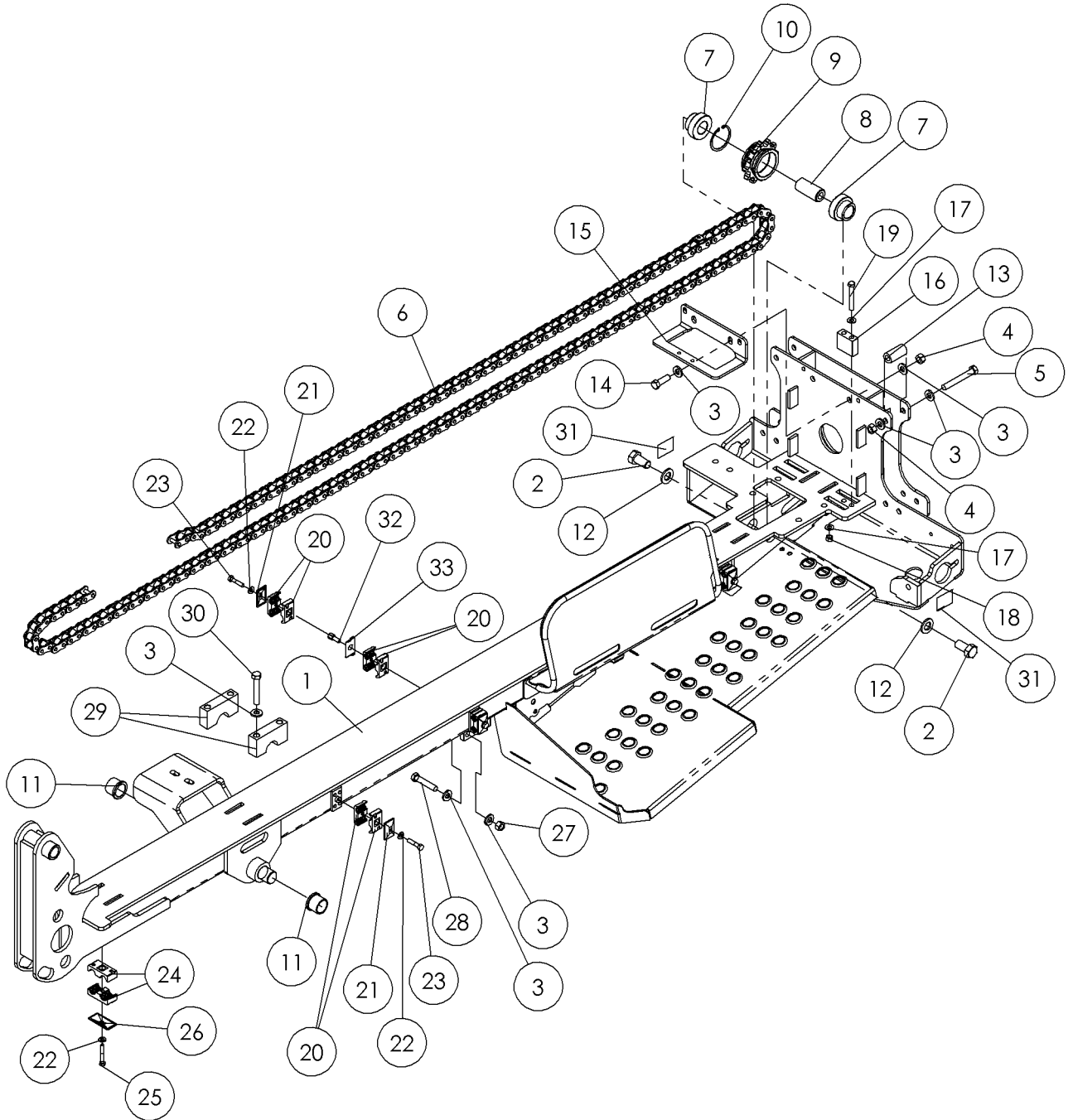
Rack Fig 2-1r02



Rack Fig 2-1r02

REF. NO.	*	PART NO.	DESCRIPTION	QTY.	REMARKS
		Revision Date	January, 2006		Update In Illustration & Parts List.
1		296280552	RACK	1	
2		238217001	BOLT-3/4-10X1 1/2 GR8 HEX ZYC	2	
3		127362001	WASHER-1/2 HARD.FLAT/PLATED	18	
4		235731001	NUT-1/2-13 GR8 ZINC PLTD	6	
5		238213001	BOLT-1/2-13X3 3/4 GR8 HEX ZYC	4	
6		296280670	CHAIN - 80H - W/2 CONNECTORS & 1 BENT LUG	1	
7		4051001	BRG-1 1/4 CYL-RA103RR2 W/COL	2	
8		296271491	PIN - LOWER ROLLER	1	
9		296271489	SPROCKET - D80B 12H WITH 2-7/16 BORE	1	
10		502468001	SNAP RING N5000-244	1	
11		296271490	BUSHING-FLANGE-1.50 ODX1.25 IDX1.25	2	
12		235717001	WASHER - 3/4" HARDENED FLAT YZ	2	
13		296280581	BAR - STAKEDOWN SUPPORT	4	
14		235721001	BOLT-1/2-13X1 1/2 GR8 ZINC PLT	2	
15		296271456	SUPPORT - STAKE MOUNT	1	
16		296280600	BLOCK - VISE STOP	1	
17		235713001	WASHER - FLATSTRL - .38 - .41 X .81 - .06-YA-A325	4	
18		235725001	NUT - HEX - .38 - 16 - GR8 - YZ	2	
19		250640001	BOLT-3/8-16 X2 3/4 GR 8 Y/ZINC	2	
20		900035005	CLAMP-3/8"DOUBLE HOSE(COMPLETE)	20	
21		67846003	PLATE-TWIN COVER	7	
22		235714001	WASHER - FLATSTRL - .31 - .34 X .69 - .06-YZ-A325	8	
23		279376001	BOLT - 5/16-18X1 1/2 GR8 HEX ZNC PLT	7	
24		900036001	CLAMP - DOUBLE HOSE .75" OD	2	
25		238211001	BOLT 5/16-18 X 2 Gr8 TL ZINC YC	1	
26		72062005	PLATE-TOP CLAMP	1	
27		250512001	NUT- 1/2 NC Gr8 TOP LOCK Y/ ZINC	1	
28		250573001	BOLT-1/2-13 X 2 1/2 GR8 HX Y/Z	1	
29		296277403	CAP - PIVOT BEARING	2	
30		235724001	BOLT-1/2-13X3 GR8 HEX ZINC PLT	4	
31		7000i834	DECAL - TIE DOWN POINT	2	
32		231757001	BOLT-CLAMP STACKING 5/16THREAD	3	
33		231758001	WASHER-SAFETY(1/2" HEX ID)	3	
34		296280669	CLAMP - 1-1/4 HOSE - 17/32 HOLE	2	

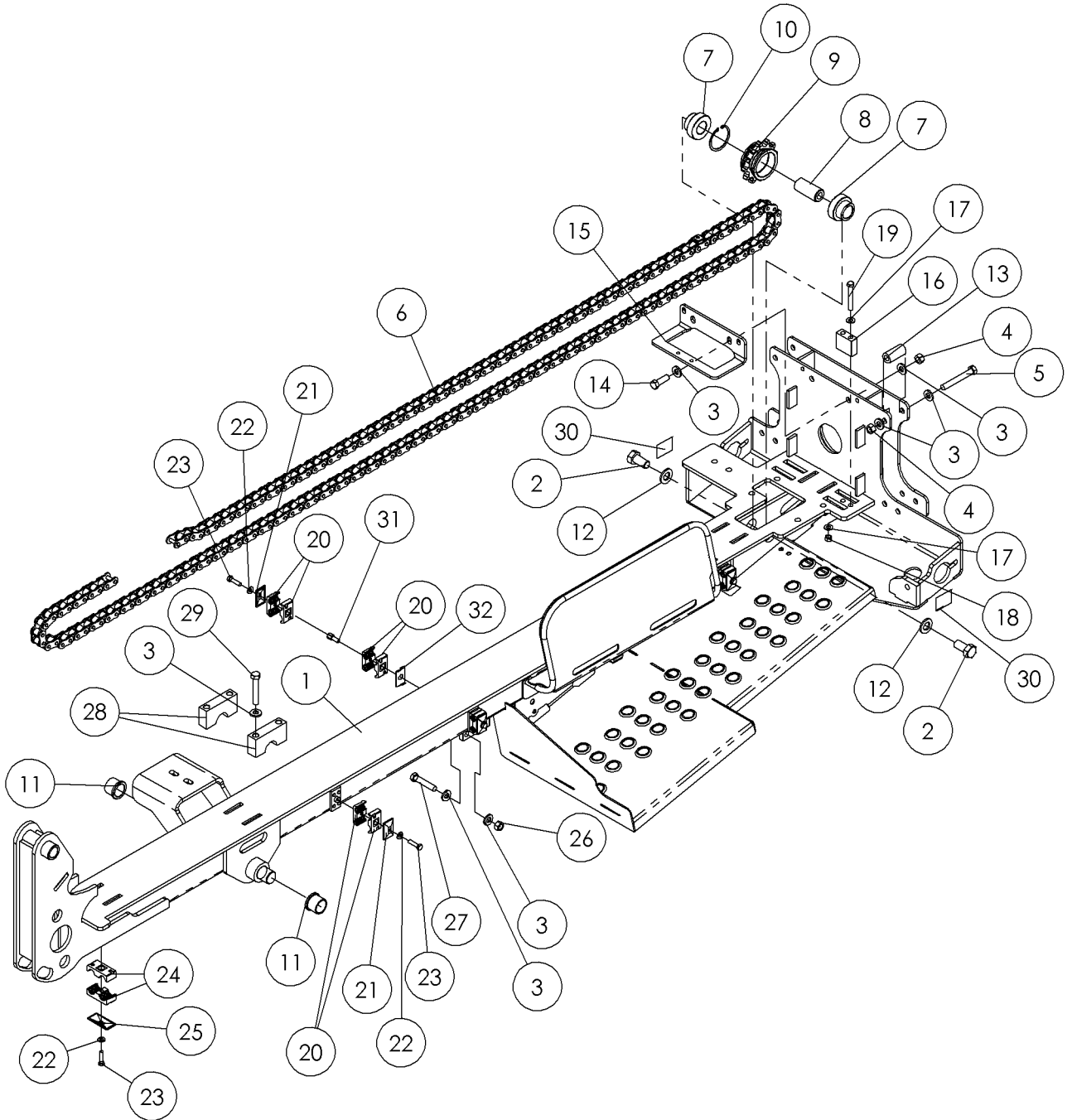
Rack Fig 2-1r01



Rack Fig 2-1r01

REF. NO.	*	PART NO.	DESCRIPTION	QTY.	REMARKS
		Revision Date	November, 2005		Update In Illustration & Parts List.
1		296280552	RACK	1	
2		238217001	BOLT-3/4-10X1 1/2 GR8 HEX ZYC	2	
3		127362001	WASHER-1/2 HARD.FLAT/PLATED	18	
4		235731001	NUT, 1/2-13 GR 8 ZINC PLATED	6	
5		238213001	BOLT-1/2-13X3.75 GR8 HEX ZINC PLT	4	
6		296280512	CHAIN - 80 - W/2 CONNECTORS & 1 BENT LUG	1	
7		4051001	BRG-1 1/4 CYL-RA103RR2 W/COL	2	
8		296271491	PIN - LOWER ROLLER	1	
9		296271489	SPRKT - 80C - 12T W/ 2-7/16 BORE	1	
10		502468001	SNAPRING - N5000 - 244	1	
11		296271490	BUSHING - FLANGE, 1.50 OD X 1.25 ID	2	
12		235717001	WASHER-FLATSTRL-.75-.81X1.47-.15-YZ-A325	2	
13		296280581	BAR - STAKEDOWN SUPPORT	4	
14		235721001	BOLT, 1/2-13 X 1.5" GR8 YZ	2	
15		296271456	SUPPORT - STAKE MOUNT	1	
16		296280600	BLOCK - VISE STOP	1	
17		235713001	WASHER-FLATSTRL-.38-.41X.81-.06-YZ-A325	4	
18		235725001	NUT - HEX - .38 - 16 - GR8 - YZ	2	
19		250640001	SCREW-HCS-.38-16 X 2.75-GR8-YZ	2	
20		900035005	CLAMP - 3/8" DOUBLE HOSE	20	
21		67846003	PLATE - TOP CLAMP	7	
22		235714001	WASHER-5/16 SAE HARD ZINC PLTD	8	
23		279376001	SCREW-HCS-.31-18X1.50-GR8-YZ	7	
24		900036001	CLAMP - DOUBLE HOSE .75" OD	2	
25		238211001	SCREW-HCS-.31-18X2.00-GR8-YZ	1	
26		72062005	PLATE - TOP CLAMP	1	
27		250512001	NUT-TLHEX-.50-13-C-YZ	1	
28		250573001	SCREW-HCS-.50-13X2.50-GR8-YZ	1	
29		296277403	CAP-PIVOT BEARING	2	
30		235724001	SCREW-HCS-.50-13 X 3.00-GR8-YZ	4	
31		7000i834	DECAL - TIE DOWN POINT	2	
32		231757001	BOLT - CLAMP STACKING 5/16 THREAD	3	
33		231758001	WASHER-SAFETY (1/2" HEX ID)	3	

Rack Fig 2-1



Rack Fig 2-1

REF. NO.	*	PART NO.	DESCRIPTION	QTY.	REMARKS
1		296280552	RACK	1	
2		238217001	BOLT-3/4-10X1 1/2 GR8 HEX ZYC	2	
3		127362001	WASHER-1/2 HARD.FLAT/PLATED	18	
4		235731001	NUT-1/2-13 GR8 ZINC PLTD	6	
5		238213001	BOLT-1/2-13X3 3/4 GR8 HEX ZYC	4	
6		296280512	CHAIN - 80- W/2 CONNECTORS & 1 BENT LUG	1	
7		4051001	BRG-1 1/4 CYL-RA103RR2 W/COL	2	
8		296271491	PIN - LOWER ROLLER	1	
9		296271489	SPROCKET - D80B 12H WITH 2-7/16 BORE	1	
10		502468001	SNAP RING N5000-244	1	
11		296271490	BUSHING-FLANGE-1.50 ODX1.25 IDX1.25	2	
12		235717001	WASHER - 3/4" HARDENED FLAT YZ	2	
13		296280581	BAR - STAKEDOWN SUPPORT	4	
14		235721001	BOLT-1/2-13X1 1/2 GR8 ZINC PLT	2	
15		296271456	SUPPORT - STAKE MOUNT	1	
16		296280600	BLOCK - VISE STOP	1	
17		235713001	WASHER - FLATSTRL - .38 - .41 X .81 - .06-YA-A325	4	
18		235725001	NUT - HEX - .38 - 16 - GR8 - YZ	2	
19		250640001	BOLT-3/8-16 X2 3/4 GR 8 Y/ZINC	2	
20		900035005	CLAMP-3/8"DOUBLE HOSE(COMPLETE)	20	
21		67846003	PLATE-TWIN COVER	7	
22		235714001	WASHER - FLATSTRL - .31 - .34 X .69 - .06-YZ-A325	8	
23		248031001	BOLT-5/16-18X1 1/4 GR8 ZINC PL	8	
24		900036001	CLAMP - DOUBLE HOSE .75" OD	2	
25		72062005	PLATE-TOP CLAMP	1	
26		250512001	NUT- 1/2 NC Gr8 TOP LOCK Y/ ZINC	1	
27		250573001	BOLT-1/2-13 X 2 1/2 GR8 HX Y/Z	1	
28		296277403	CAP - PIVOT BEARING	2	
29		235724001	BOLT-1/2-13X3 GR8 HEX ZINC PLT	4	
30		70001834	DECAL - TIE DOWN POINT	2	
31		231757001	BOLT-CLAMP STACKING 5/16THREAD	3	
32		231758001	WASHER-SAFETY(1/2" HEX ID)	3	

Rubber Track (S/N 223-) Fig 2-2r01

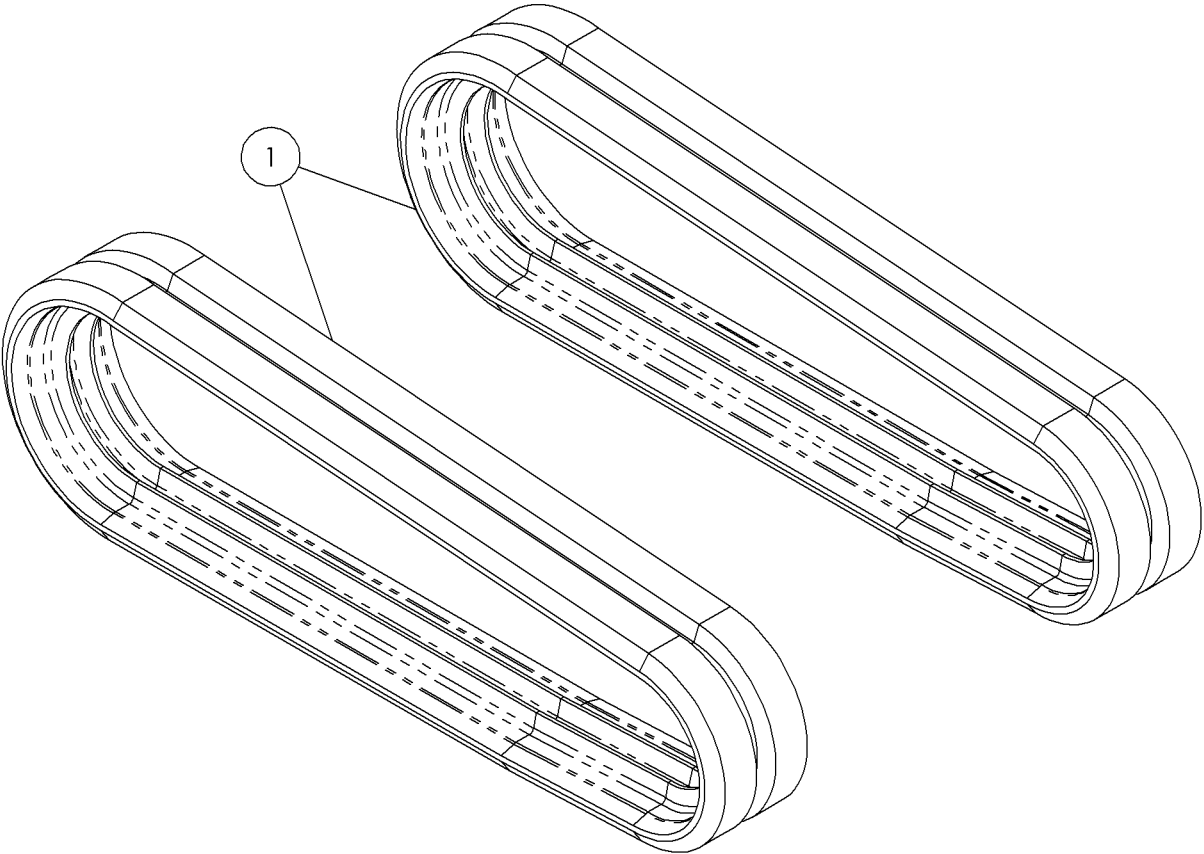
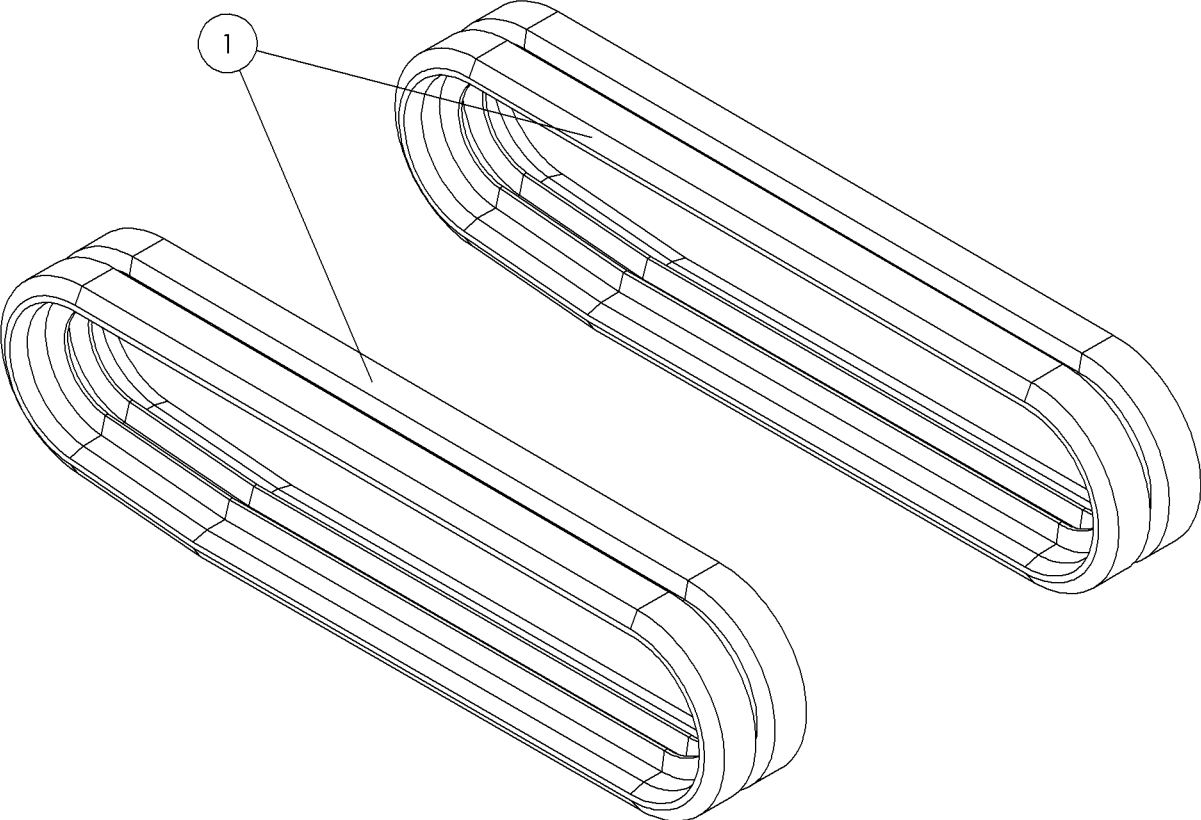


Illustration No. 296278573

Rubber Track (S/N 223-) Fig 2-2r01

REF. NO.	*	PART NO.	DESCRIPTION	QTY.	REMARKS
		Revision Date	August, 2007		Revised BOM
1		296288315	RUBBER TRACK - 180 X 39 X 72SWT TURF FRIENDLY	2	(S/N 223-)

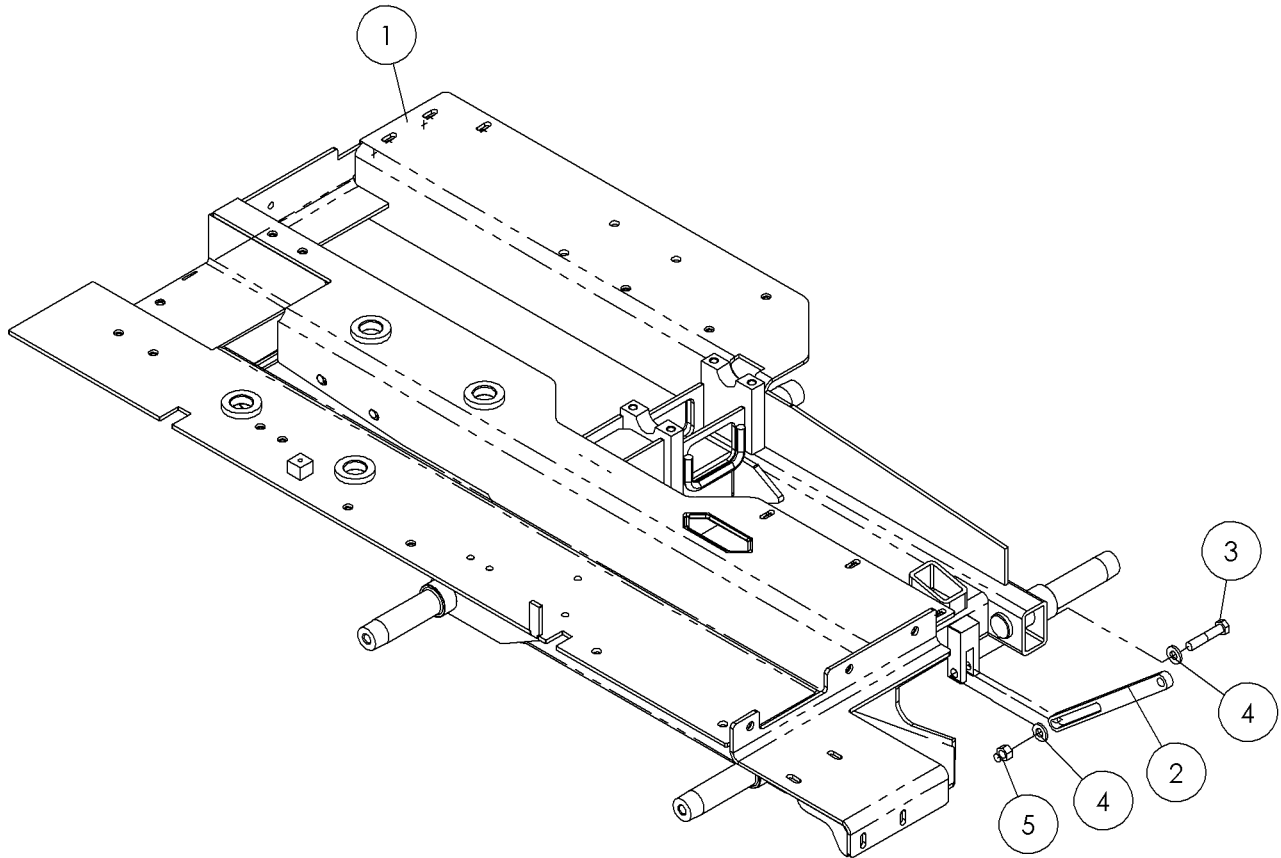
Rubber Track Fig 2-2



Rubber Track Fig 2-2

REF. NO.	*	PART NO.	DESCRIPTION	QTY.	REMARKS
1		267277001	RUBBER TRACK	2	

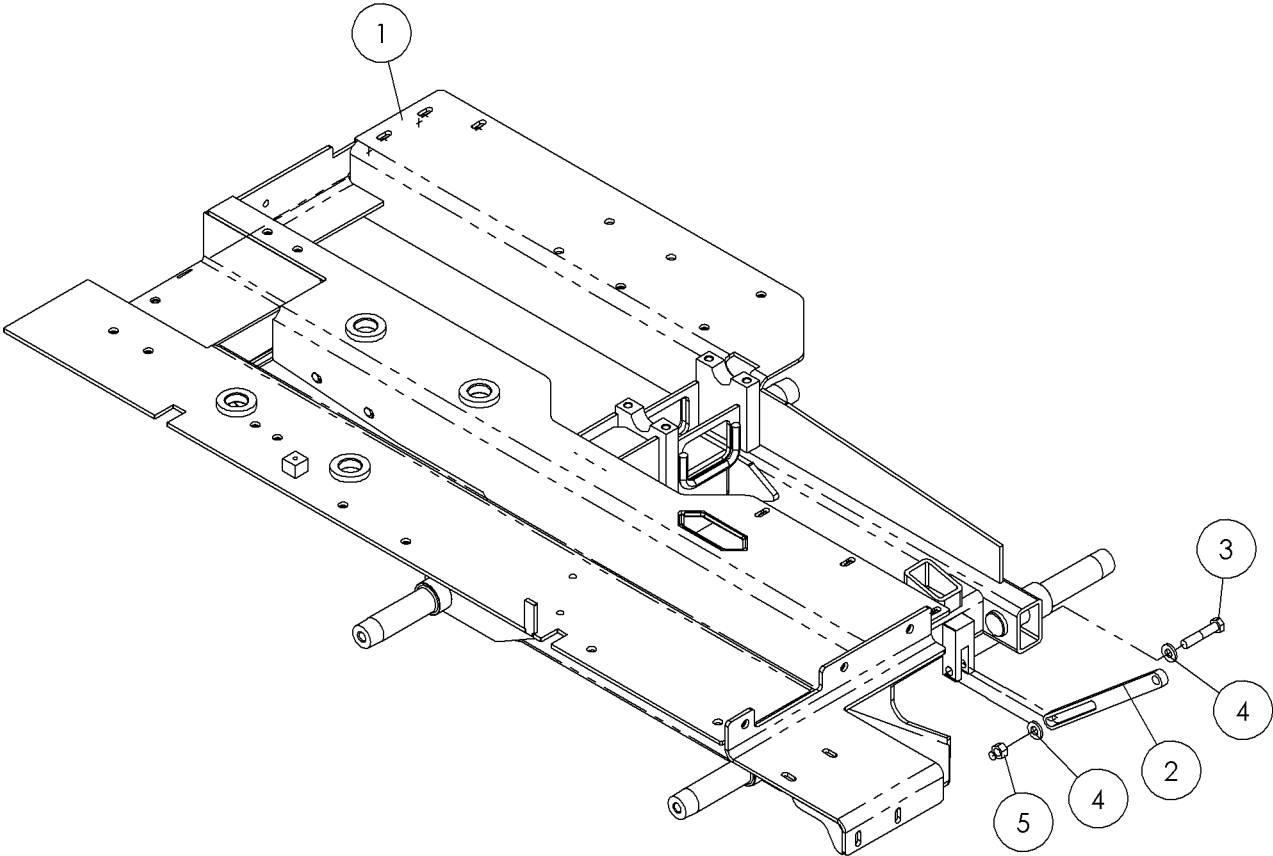
Undercarriage Fig 2-3r04



Undercarriage Fig 2-3r04

REF. NO.	*	PART NO.	DESCRIPTION	QTY.	REMARKS
		Revision Date	April, 2006		Update In Illustration & Parts List.
1		296277424	WELDMENT-MAINFRAME	1	S/N 210-
2		296280619	BAR - RACK STOP	1	
3		250573001	SCREW-HCS-.50-13X2.50-GR8-YZ	1	
4		127362001	WASHER-FLATSTRL-.50-.53X1.06-.14-YZ-A325	2	
5		250512001	NUT-TLHEX-.50-13-C-YZ	1	

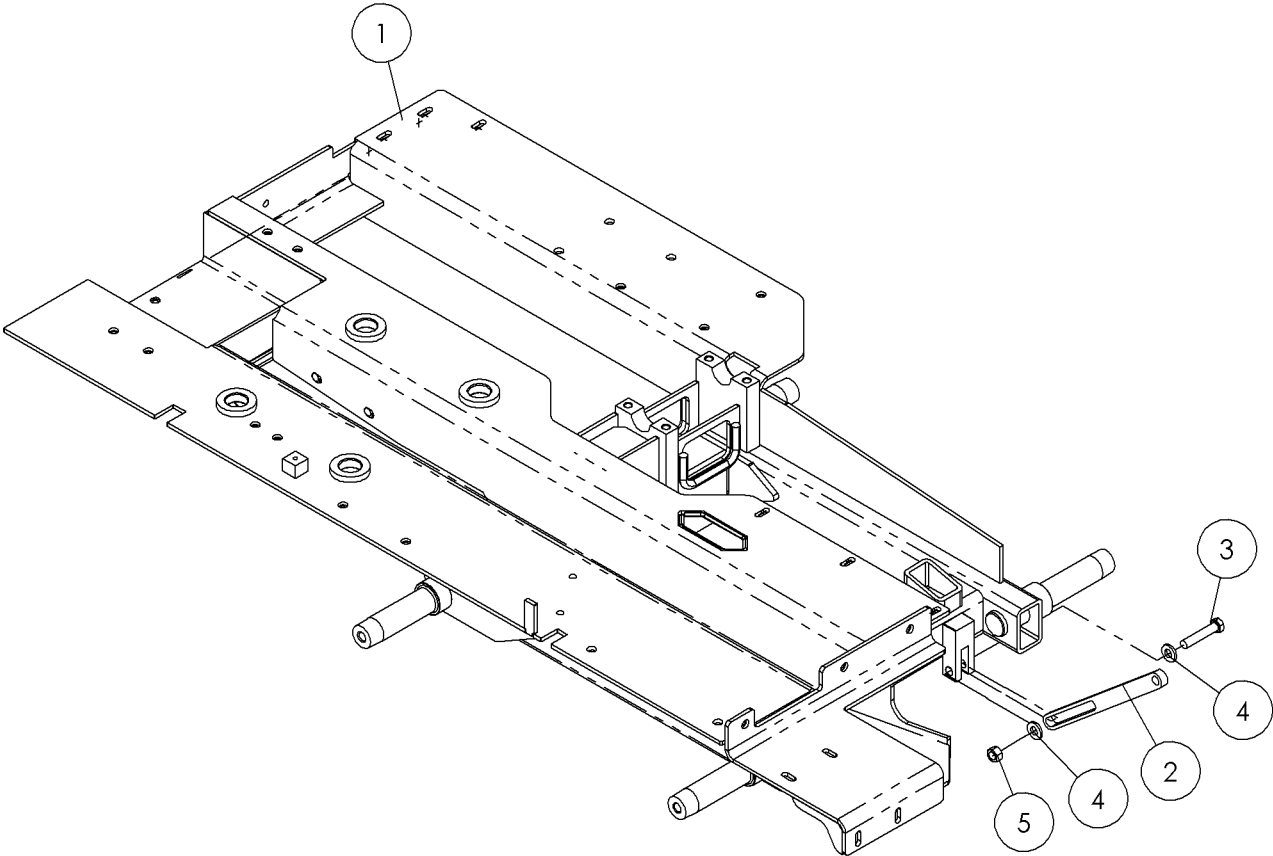
Undercarriage Fig 2-3r03



Undercarriage Fig 2-3r03

REF. NO.	*	PART NO.	DESCRIPTION	QTY.	REMARKS
		Revision Date	March, 2006		Update In Illustration & Parts List.
1		296277424	WELDMENT-MAINFRAME	1	S/N 210-
2		296280619	BAR - RACK STOP	1	
3		250573001	SCREW-HCS-.50-13X2.50-GR8-YZ	1	
4		127362001	WASHER-FLATSTRL-.50-.53X1.06-.14-YZ-A325	2	
5		250512001	NUT-TLHEX-.50-13-C-YZ	1	

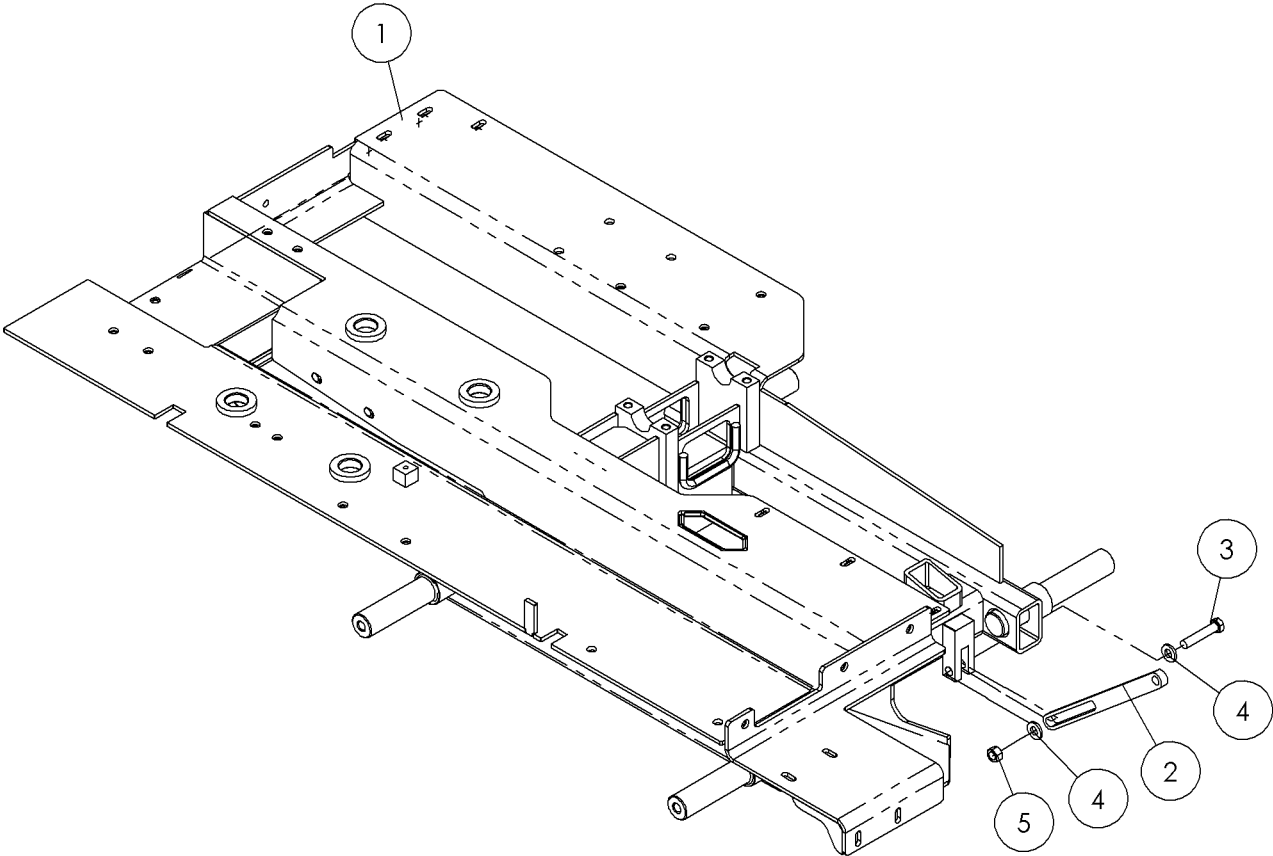
Undercarriage Fig 2-3r02



Undercarriage Fig 2-3r02

REF. NO.	*	PART NO.	DESCRIPTION	QTY.	REMARKS
		Revision Date	January, 2006		Update In Illustration.
1		296277424	WELDMENT - MAINTFRAME	1	S/N 103-
2		296280619	BAR - RACK STOP	1	
3		250573001	BOLT-1/2-13 X 2 1/2 GR8 HX Y/Z	1	
4		127362001	WASHER-1/2 HARD.FLAT/PLATED	2	
5		250512001	NUT- 1/2 NC Gr8 TOP LOCK Y/ ZINC	1	

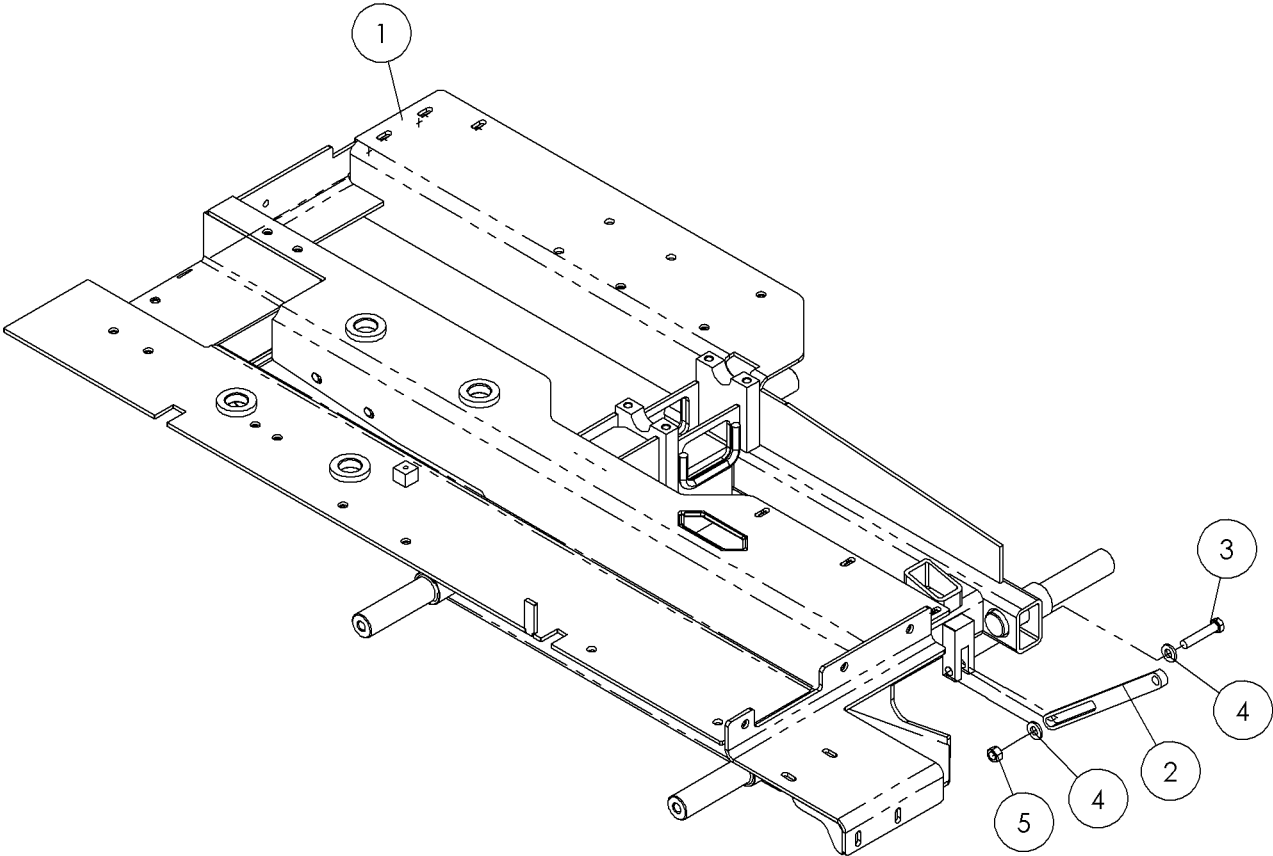
Undercarriage Fig 2-3r01



Undercarriage Fig 2-3r01

REF. NO.	*	PART NO.	DESCRIPTION	QTY.	REMARKS
		Revision Date	November, 2005		Update In Parts List.
1		296277424	WELDMENT - MAINTFRAME	1	S/N 103-
2		296280619	BAR - RACK STOP	1	
3		250573001	BOLT-1/2-13 X 2 1/2 GR8 HX Y/Z	1	
4		127362001	WASHER-1/2 HARD.FLAT/PLATED	2	
5		250512001	NUT- 1/2 NC Gr8 TOP LOCK Y/ ZINC	1	

Undercarriage Fig 2-3



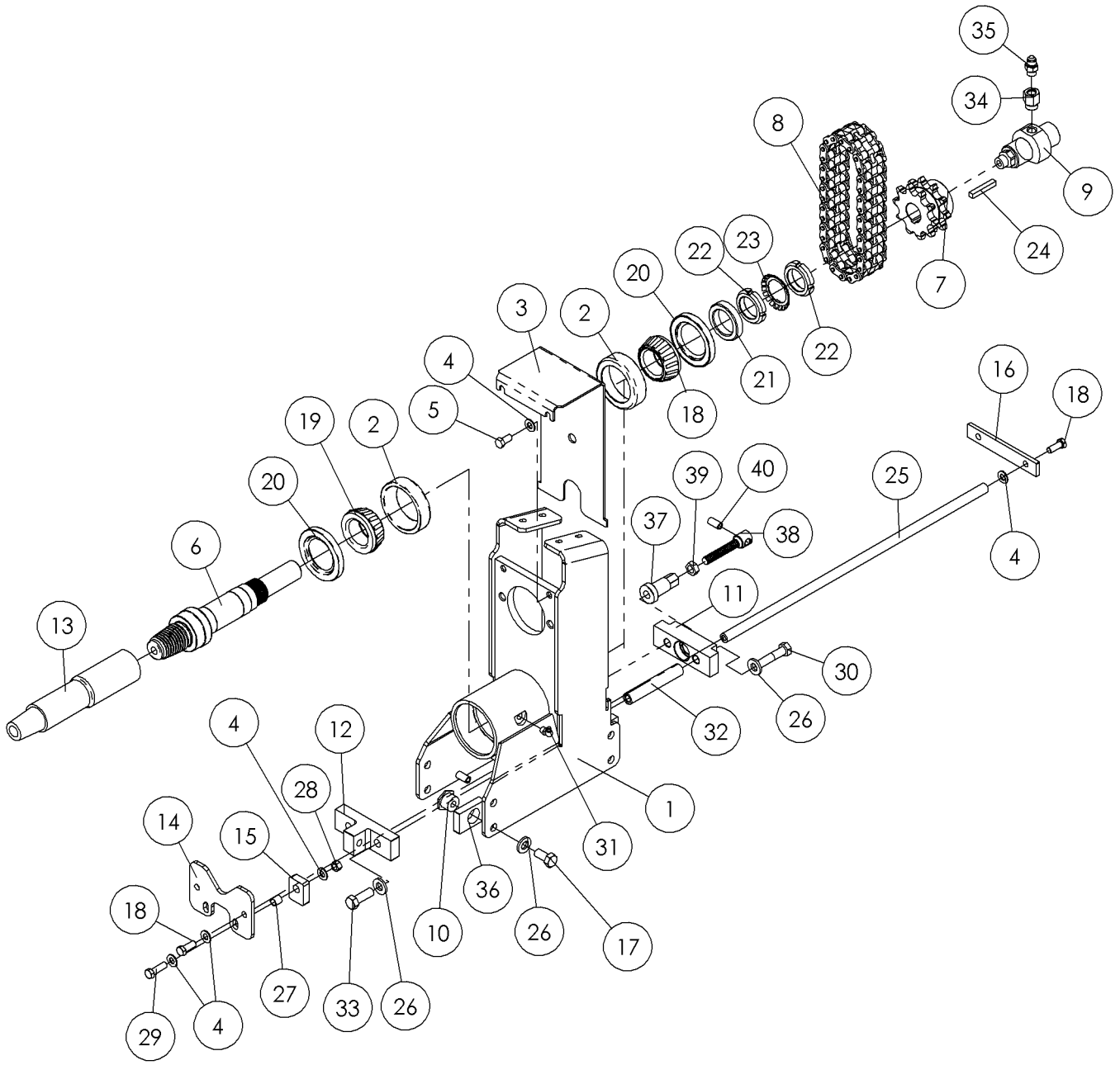
Undercarriage Fig 2-3

REF. NO.	*	PART NO.	DESCRIPTION	QTY.	REMARKS
1		296277424	WELDMENT - MAINTFRAME	1	
2		296280619	BAR - RACK STOP	1	
3		250573001	BOLT-1/2-13 X 2 1/2 GR8 HX Y/Z	1	
4		127362001	WASHER-1/2 HARD.FLAT/PLATED	2	
5		250512001	NUT- 1/2 NC Gr8 TOP LOCK Y/ ZINC	1	

Gearbox Fig 2-4r02

REF. NO.	*	PART NO.	DESCRIPTION	QTY.	REMARKS
		Revision Date	September, 2007		Add Breakdown Remark
1		296280547	MOUNT - BEARING AND MOTOR	1	
2		904673001	CUP-BEARING #HM803110	2	
3		296280504	SHIELD - GEAR BOX	1	
4		235713001	WASHER - FLATSTRL - .38 - .41 X .81 - .06-YA-A325	10	
5		235726001	BOLT-3/8-16X3/4 GR8 HEX ZNCPLT	2	
6		296280506	SHAFT - CHAIN BOX ROTATION	1	
7		234685001	SPRKT-D60B 14H W/1 1/4 BORE	1	
8		231766032	CHAIN-RC60-2H 32 PITCH W/C	1	
9		234744001	FITTING-8M X 8F 90 DEG SWIVEL - NICKEL PLATED	1	
10		296271338	BAR - MOUNT	8	
11		296281091	BAR - ADJUSTABLE ANCHOR BLOCK	1	
12		296285672	ANCHOR - CHAIN BLOCK	1	
13		296276507	SUB SAVER	1	
14		296280531	MOUNT - CRADLE	1	
15		296280529	PAD - WEAR	2	
16		296285669	BAR - STOP	1	
17		235729001	SCREW-HCS-.50-13X1.00-GR8-YZ	8	
18		235727001	SCREW-HCS-.38-16X1.00-GR8-YZ	4	
19		904672001	CONE-BEARING #HM803149	2	
20		296280548	SEAL - 3.50 OD X 2.50 ID X .438	2	
21		215703001	SPACER - BEARING	1	
22		904674001	NUT-LOCK #TN08	2	
23		904675001	WASHER-LOCK #WH08	1	
24		218253001	HKEY-5/16X5/16-2.00	1	
25		296280549	SLIDE - CRADLE MOUNT	2	
26		127362001	WASHER-1/2 HARD.FLAT/PLATED	12	
27		296280530	SPACER - CRADLE	2	
28		235725001	NUT - HEX - .38 - 16 - GR8 - YZ	2	
29		235736001	BOLT-3/8-16X1 1/4 ZYC	2	
30		240335001	SCREW-HCS-.50-13X2.25-GR8-YZ	2	
31		590001	ZERK-1/8" NPT 90 DEG GREASE	1	
32		296280603	BAR - SLIDE	2	
33		235721001	BOLT-1/2-13X1 1/2 GR8 ZINC PLT	2	
34		81925001	FITTING-8MX6F STRAIGHT	1	
35		296280607	FITTING - #6MORB - #6MJIC - 25 PSI	1	
36		296271372	SLIDE - GEARBOX	8	
37	*	296280671	TENSIONER - CHAIN	1	Breakdown Fig. 9-32

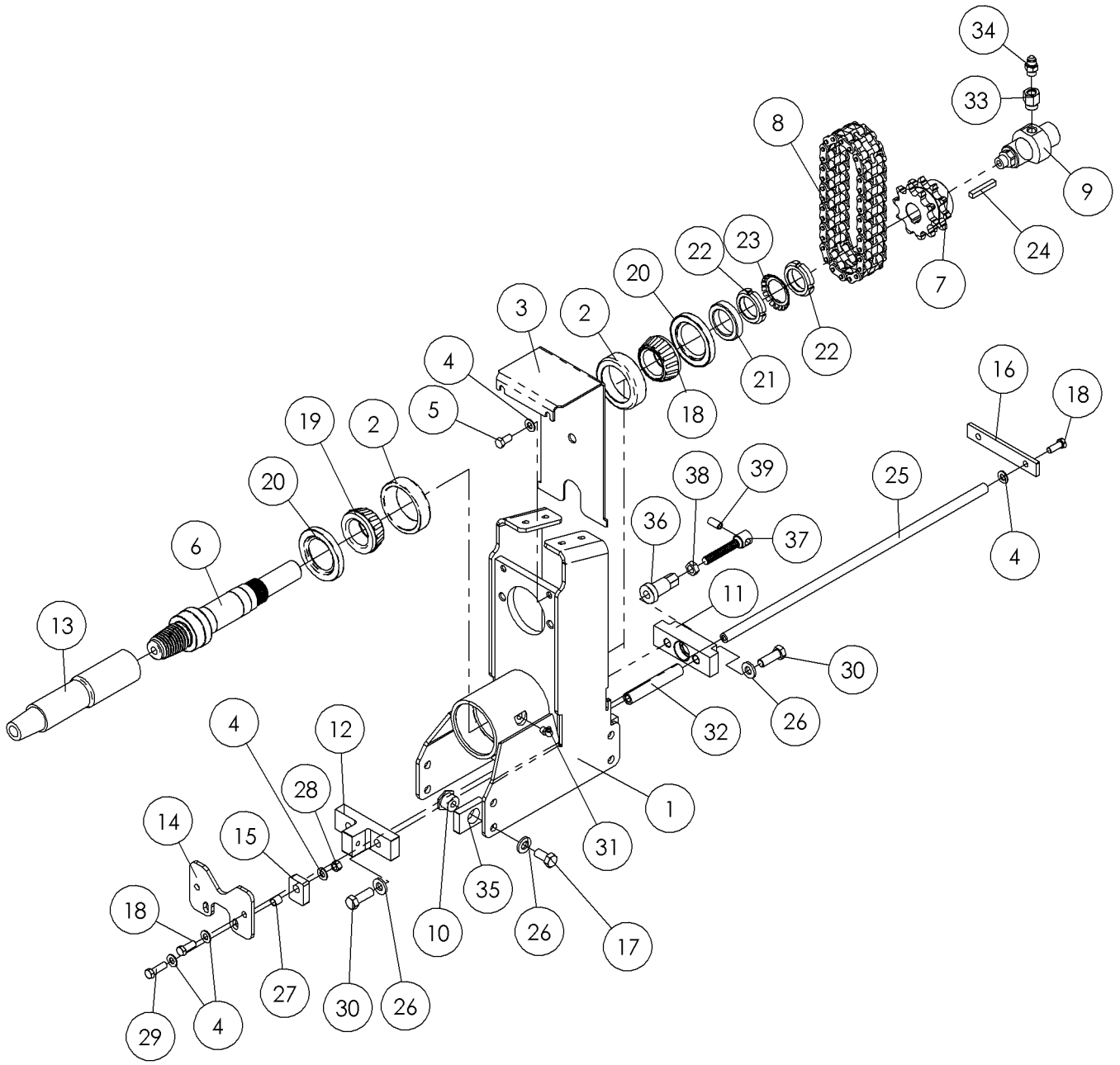
Gearbox Fig 2-4r01



Gearbox Fig 2-4r01

REF. NO.	*	PART NO.	DESCRIPTION	QTY.	REMARKS
		Revision Date	November, 2005		Update In Illustration & Parts List.
1		296280547	MOUNT - BEARING AND MOTOR	1	
2		904673001	CUP-BEARING #HM803110	2	
3		296280504	SHIELD - GEAR BOX	1	
4		235713001	WASHER - FLATSTRL - .38 - .41 X .81 - .06-YA-A325	10	
5		235726001	BOLT-3/8-16X3/4 GR8 HEX ZNCPLT	2	
6		296280506	SHAFT - CHAIN BOX ROTATION	1	
7		234685001	SPRKT-D60B 14H W/1 1/4 BORE	1	
8		231766032	CHAIN-RC60-2H 32 PITCH W/C	1	
9		234744001	FITTING-8M X 8F 90 DEG SWIVEL - NICKEL PLATED	1	
10		296271338	BAR - MOUNT	8	
11		296281091	BAR - ADJUSTABLE ANCHOR BLOCK	1	
12		296280509	ANCHOR - CHAIN BLOCK	1	
13		296276507	SUB SAVER	1	
14		296280531	MOUNT - CRADLE	1	
15		296280529	PAD - WEAR	2	
16		296280533	BAR - STOP	1	
17		235729001	SCREW-HCS-.50-13X1.00-GR8-YZ	8	
18		235727001	BOLT-3/8-16X1 GR8 HEX ZINC PLT	4	
19		904672001	CONE-BEARING #HM803149	2	
20		296280548	SEAL - 3.50 OD X 2.50 ID X .438	2	
21		215703001	SPACER - BEARING	1	
22		904674001	NUT-LOCK #TN08	2	
23		904675001	WASHER-LOCK #WH08	1	
24		218253001	HKEY-5/16X5/16-2.00	1	
25		296280549	SLIDE - CRADLE MOUNT	2	
26		127362001	WASHER-1/2 HARD.FLAT/PLATED	12	
27		296280530	SPACER - CRADLE	2	
28		235725001	NUT - HEX - .38 - 16 - GR8 - YZ	2	
29		235736001	BOLT-3/8-16X1 1/4 ZINC PLTD	2	
30		240335001	BOLT-1/2-13X2 1/4 GR8 ZINC PLT	2	
31		590001	ZERK-1/8" NPT 90 DEG GREASE REF T00838	1	
32		296280603	BAR - SLIDE	2	
33		235721001	BOLT-1/2-13X1 1/2 GR8 ZINC PLT	2	
34		81925001	FITTING-8MX6F STRAIGHT	1	
35		296280607	FITTING - #6MORB - #6MJIC - 25 PSI	1	
36		296271372	SLIDE - GEARBOX	8	
37		296281092	RD/BAR - CHAIN ADJUSTER NUT	1	
38		296281093	RD/BAR - CHAIN ANCHOR BOLT	1	
39		75383001	NUT-1/2-UNC GR.8 JAM HEX	1	
40		904608001	BUSHING 81-M	2	

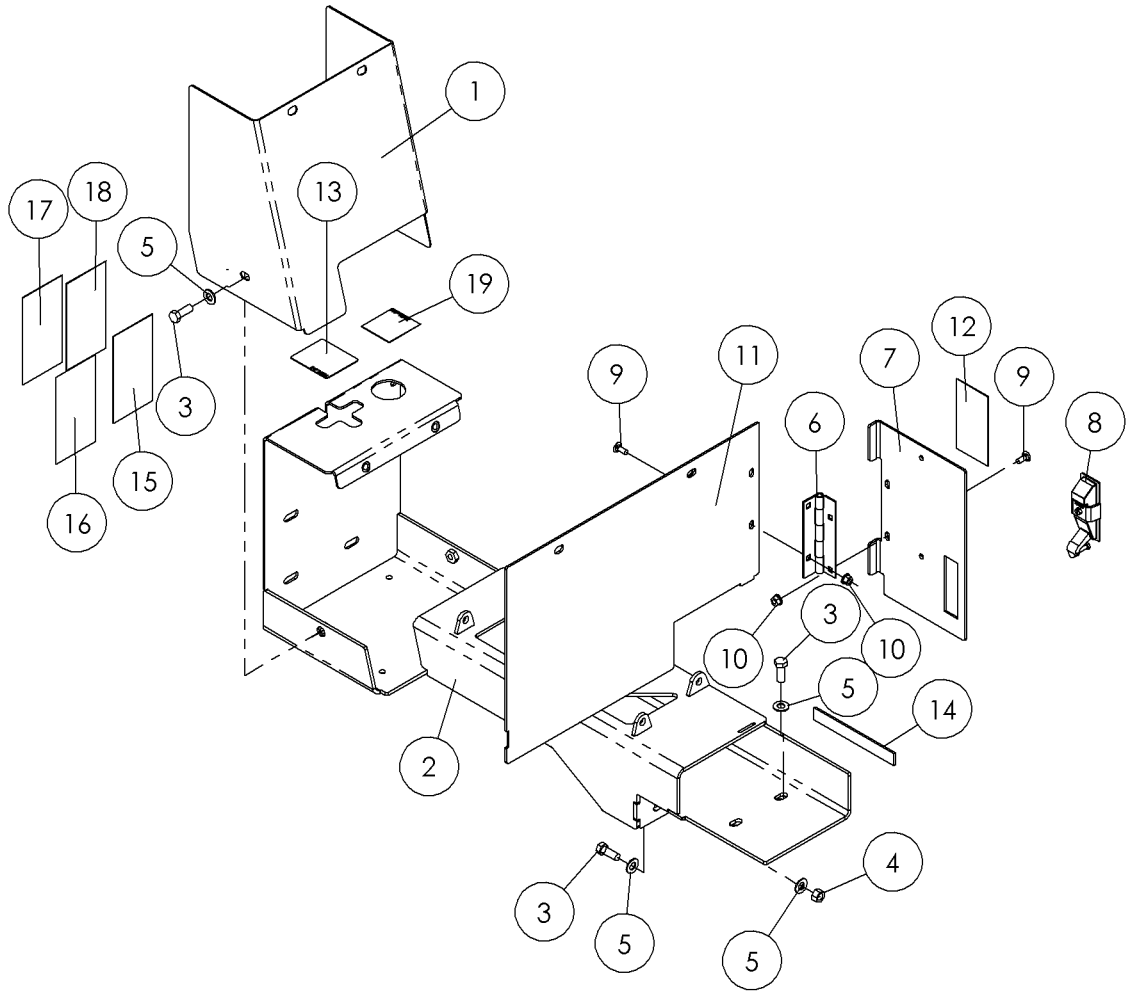
Gearbox Fig 2-4



Gearbox Fig 2-4

REF. NO.	*	PART NO.	DESCRIPTION	QTY.	REMARKS
1		296280547	MOUNT - BEARING AND MOTOR	1	
2		904673001	CUP-BEARING #HM803110	2	
3		296280504	SHIELD - GEAR BOX	1	
4		235713001	WASHER - FLATSTRL - .38 - .41 X .81 - .06-YA-A325	10	
5		235726001	BOLT-3/8-16X3/4 GR8 HEX ZNCPLT	2	
6		296280506	SHAFT - CHAIN BOX ROTATION	1	
7		234685001	SPRKT-D60B 14H W/1 1/4 BORE	1	
8		231766032	CHAIN-RC60-2H 32 PITCH W/C	1	
9		234744001	FITTING-8M X 8F 90 DEG SWIVEL - NICKEL PLATED	1	
10		296271338	BAR - MOUNT	8	
11		296281091	BAR - ADJUSTABLE ANCHOR BLOCK	1	
12		296280509	ANCHOR - CHAIN BLOCK	1	
13		296276507	SUB SAVER	1	
14		296280531	MOUNT - CRADLE	1	
15		296280529	PAD - WEAR	2	
16		296280533	BAR - STOP	1	
17		235729001	SCREW-HCS-.50-13X1.00-GR8-YZ	8	
18		235727001	BOLT-3/8-16X1 GR8 HEX ZINC PLT	4	
19		904672001	CONE-BEARING #HM803149	2	
20		296280548	SEAL - 3.50 OD X 2.50 ID X .438	2	
21		215703001	SPACER - BEARING	1	
22		904674001	NUT-LOCK #TN08	2	
23		904675001	WASHER-LOCK #WH08	1	
24		218253001	HKEY-5/16X5/16-2.00	1	
25		296280549	SLIDE - CRADLE MOUNT	2	
26		127362001	WASHER-1/2 HARD.FLAT/PLATED	12	
27		296280530	SPACER - CRADLE	2	
28		235725001	NUT - HEX - .38 - 16 - GR8 - YZ	2	
29		235736001	BOLT-3/8-16X1 1/4 ZINC PLTD	2	
30		235721001	BOLT-1/2-13X1 1/2 GR8 ZINC PLT	4	
31		590001	ZERK-1/8" NPT 90 DEG GREASE REF T00838	1	
32		296280603	BAR - SLIDE	2	
33		81925001	FITTING-8MX6F STRAIGHT	1	
34		296280607	FITTING - #6MORB - #6MJIC - 25 PSI	1	
35		296271372	SLIDE - GEARBOX	8	
36		296281092	RD/BAR - CHAIN ADJUSTER NUT	1	
37		296281093	RD/BAR - CHAIN ANCHOR BOLT	1	
38		75383001	NUT-1/2-UNC GR.8 JAM HEX	1	
39		904608001	BUSHING 81-M	1	

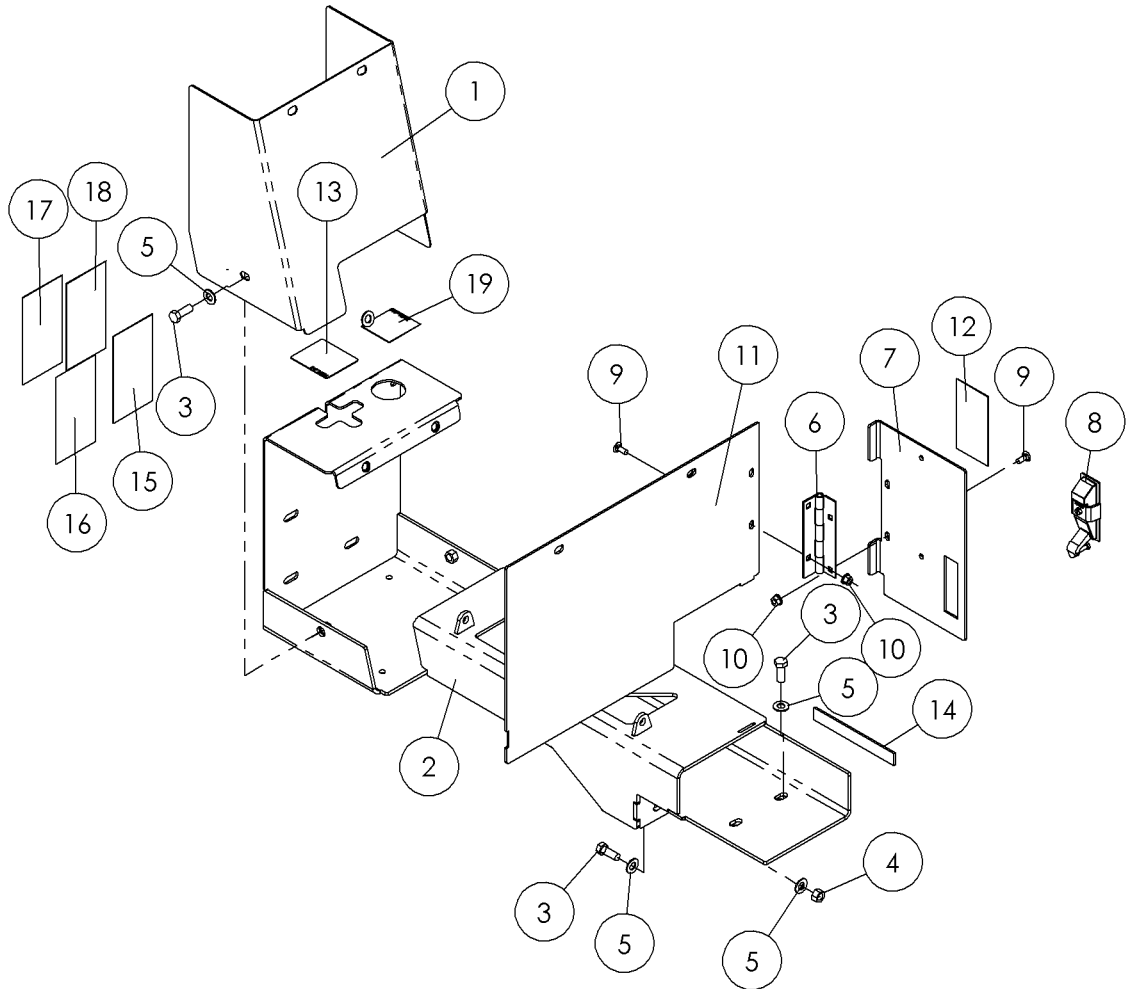
Seat Platform Fig 2-5r03



Seat Platform Fig 2-5r03

REF. NO.	*	PART NO.	DESCRIPTION	QTY.	REMARKS
		Revision Date	April, 2006		Update In Illustration & Parts List.
1		296277719	PLATE - OPERATOR STATION FRONT	1	
2		296277721	OPERATOR STATION WELDMENT	1	
3		235727001	BOLT-3/8-16X1 GR8 HEX ZYC	9	
4		250508001	NUT - 3/8-NC Gr8 TOP LOCK Y/ZINC	4	
5		235713001	WASHER - FLATSTRL - .38 - .41 X .81 - .06-YA-A325	13	
6		251524001	HINGE - DOOR	1	
7		296281033	PLATE - DOOR/ACCESS REMOTE	1	
8		218080001	LATCH-ADJ.LEVER W/RAISED BUTTN(INC KEYS)	1	
9		373005	BOLT-1/4-20X5/8 GR5 CARRIAGE	4	
10		405001	NUT-1/4 NC FLG WHIZ LOCK REF T16734	4	
11		296277723	PLATE - OP STATION SHEILD	1	
12		7000C446	DECAL - NO WELD	1	
13		700IC612	DECAL - RIGHT OPERATOR'S CONTROL	1	
14		282764001	WEATHER STRIP	1	
15		7000C610	DECAL - DANGER	1	Domestic
		700IC610	DECAL - WARNING	1	International
16		7000C611	DECAL - DANGER	1	Domestic
		700IC611	DECAL - WARNING	1	International
17		7000C656	DECAL - DANGER	1	Domestic
		700IC656	DECAL - WARNING	1	International
18		7000C657	DECAL - DANGER	1	Domestic
		700IC657	DECAL - WARNING	1	International
19		700IA355	DECAL-DRILLING FLUIDSPEED(UND)	1	

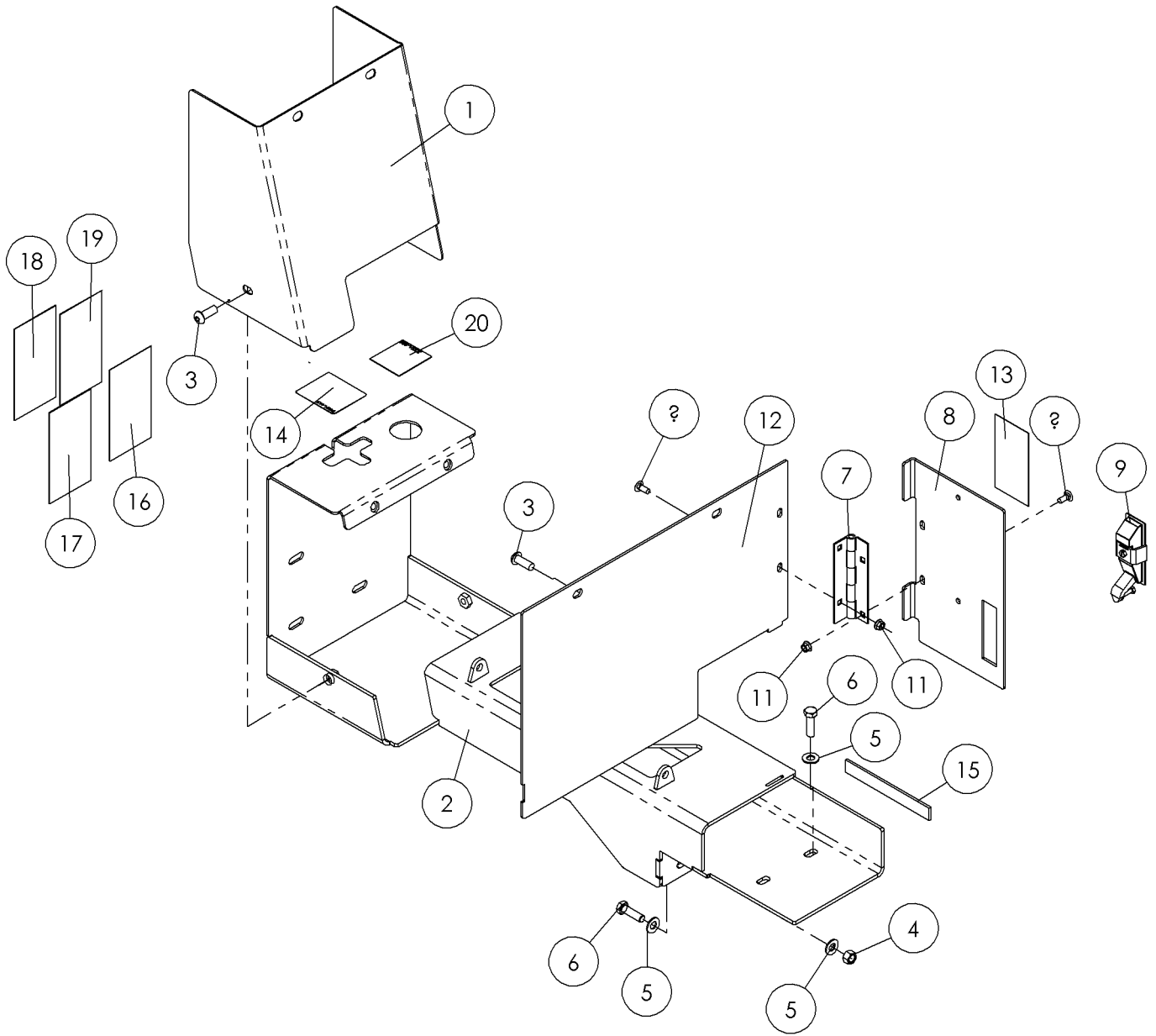
Seat Platform Fig 2-5r02



Seat Platform Fig 2-5r02

REF. NO.	*	PART NO.	DESCRIPTION	QTY.	REMARKS
		Revision Date	January, 2006		Update In Illustration & Parts List.
1		296277719	PLATE-OPERATOR STATION FRONT	1	
2		296277721	OPERATOR STATION WELDMENT	1	
3		235727001	SCREW-HCS-.38-16X1.00-GR8-YZ	9	
4		250508001	NUT-TLHEX-.38-16-C-YZ	4	
5		235713001	WASHER-FLATSTRL-.38-.41X.81-.06-YZ-A325	13	
6		251524001	HINGE - LOWER ENGINE	1	
7		296281033	PLATE-DOOR/ACCESS REMOTE	1	
8		218080001	LATCH - COMPRESSION W/LOCK	1	
9		373005	BOLT-CARG-.25-20X.63-GR5-CZ	4	
10		405001	NUT-HEXFLGL-.25-20-GR2-CZ	4	
11		296277723	PLATE-OP STATION SHIELD	1	
12		7000c446	DECAL - NO WELD	1	
13		700ic612	DECAL - RIGHT OPERATOR'S CONTROL	1	
14		282764001	WEATHER STRIP	1	
15		7000C610	DECAL - DANGER	1	Domestic
		700IC610	DECAL - WARNING	1	International
16		7000C611	DECAL - DANGER	1	Domestic
		700IC611	DECAL - WARNING	1	International
17		7000C656	DECAL - DANGER	1	Domestic
		700IC656	DECAL - WARNING	1	International
18		7000C657	DECAL - DANGER	1	Domestic
		700IC657	DECAL - WARNING	1	International
19		700IA355	DECAL - DRILLING	1	

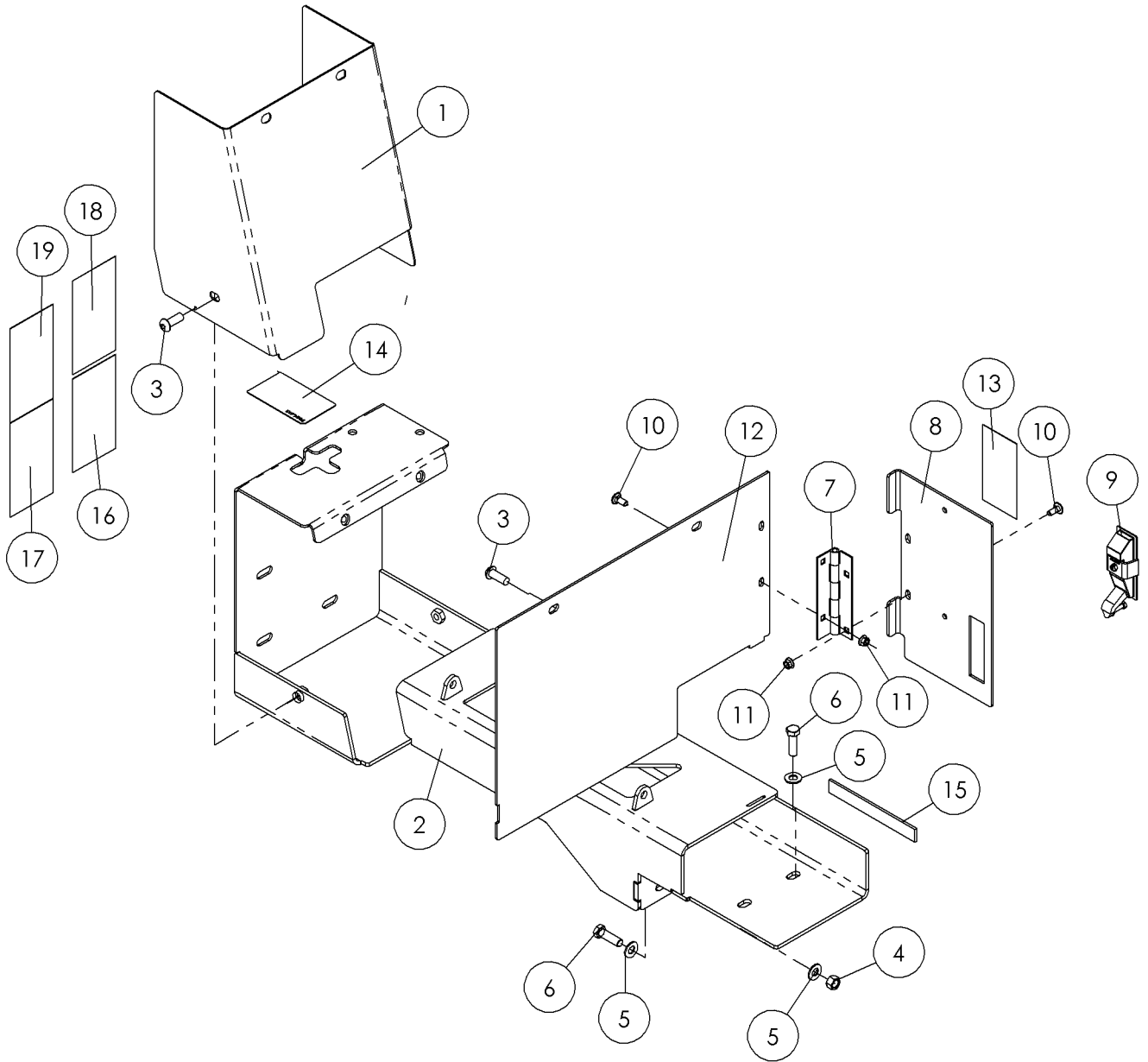
Seat Platform Fig 2-5r01



Seat Platform Fig 2-5r01

REF. NO.	*	PART NO.	DESCRIPTION	QTY.	REMARKS
		Revision Date	November, 2005		Update In Illustration & Parts List.
1		296277719	PLATE - OPERATOR STATION FRONT	1	
2		296277721	OPERATOR STATION WELDMENT	1	
3		103978010	BOLT-3/8NCX1 BUT.HD.SOCKET	6	
4		250508001	NUT - 3/8-NC Gr8 TOP LOCK Y/ZINC	4	
5		235713001	WASHER - FLATSTRL - .38 - .41 X .81 - .06-YA-A325	8	
6		235736001	BOLT-3/8-16X1 1/4 ZINC PLTD	4	
7		251524001	HINGE - DOOR	1	
8		296281033	PLATE - DOOR/ACCESS REMOTE	1	
9		218080001	LATCH-ADJ.LEVER W/RAISED BUTTN(INC KEYS)	1	
10		373005	BOLT-1/4-20X5/8 GR5 CARRIAGE	4	
11		405001	NUT-1/4 NC FLG WHIZ LOCK REF T16734	4	
12		296277723	PLATE - OP STATION SHEILD	1	
13		7000C446	DECAL - NO WELD	1	
14		700IC612	DECAL - RIGHT OPERATOR'S CONTROL	1	
15		282764001	WEATHER STRIP	1	
16		7000C610	DECAL - DANGER	1	Domestic
		700IC610	DECAL - WARNING	1	International
17		7000C611	DECAL - DANGER	1	Domestic
		700IC611	DECAL - WARNING	1	International
18		7000C656	DECAL - DANGER	1	Domestic
		700IC656	DECAL - WARNING	1	International
19		7000C657	DECAL - DANGER	1	Domestic
		700IC657	DECAL - WARNING	1	International
20		700IA355	DECAL-DRILLING FLUIDSPEED(UND)	1	

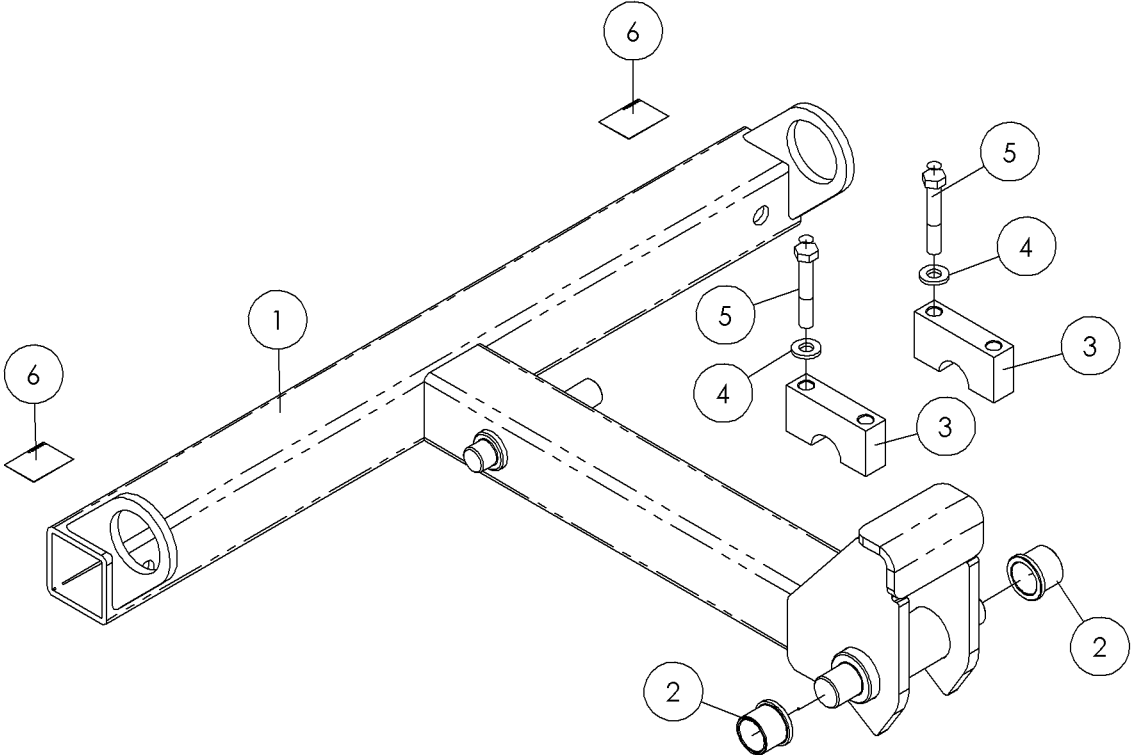
Seat Platform Fig 2-5



Seat Platform Fig 2-5

REF. NO.	*	PART NO.	DESCRIPTION	QTY.	REMARKS
1		296277719	PLATE - OPERATOR STATION FRONT	1	
2		296277721	OPERATOR STATION WELDMENT	1	
3		103978010	BOLT-3/8NCX1 BUT.HD.SOCKET	6	
4		250508001	NUT - 3/8-NC Gr8 TOP LOCK Y/ZINC	4	
5		235713001	WASHER - FLATSTRL - .38 - .41 X .81 - .06-YA-A325	8	
6		235736001	BOLT-3/8-16X1 1/4 ZINC PLTD	4	
7		251524001	HINGE - DOOR	1	
8		296281033	PLATE - DOOR/ACCESS REMOTE	1	
9		218080001	LATCH-ADJ.LEVER W/RAISED BUTTN(INC KEYS)	1	
10		373005	BOLT-1/4-20X5/8 GR5 CARRIAGE	4	
11		405001	NUT-1/4 NC FLG WHIZ LOCK REF T16734	4	
12		296277723	PLATE - OP STATION SHEILD	1	
13		7000C446	DECAL - NO WELD	1	Domestic
		700IC446	DECAL - NO WELD		International
14		700IC612	DECAL - RIGHT OPERATOR'S CONTROL	1	
15		282764001	WEATHER STRIP	1	
16		7000C610	DECAL - DANGER	1	Domestic
		700IC610	DECAL - WARNING	1	International
17		7000C611	DECAL - DANGER	1	Domestic
		700IC611	DECAL - WARNING	1	International
18		7000C656	DECAL - DANGER	1	Domestic
		700IC656	DECAL - WARNING	1	International
19		7000C657	DECAL - DANGER	1	Domestic
		700IC657	DECAL - WARNING	1	International

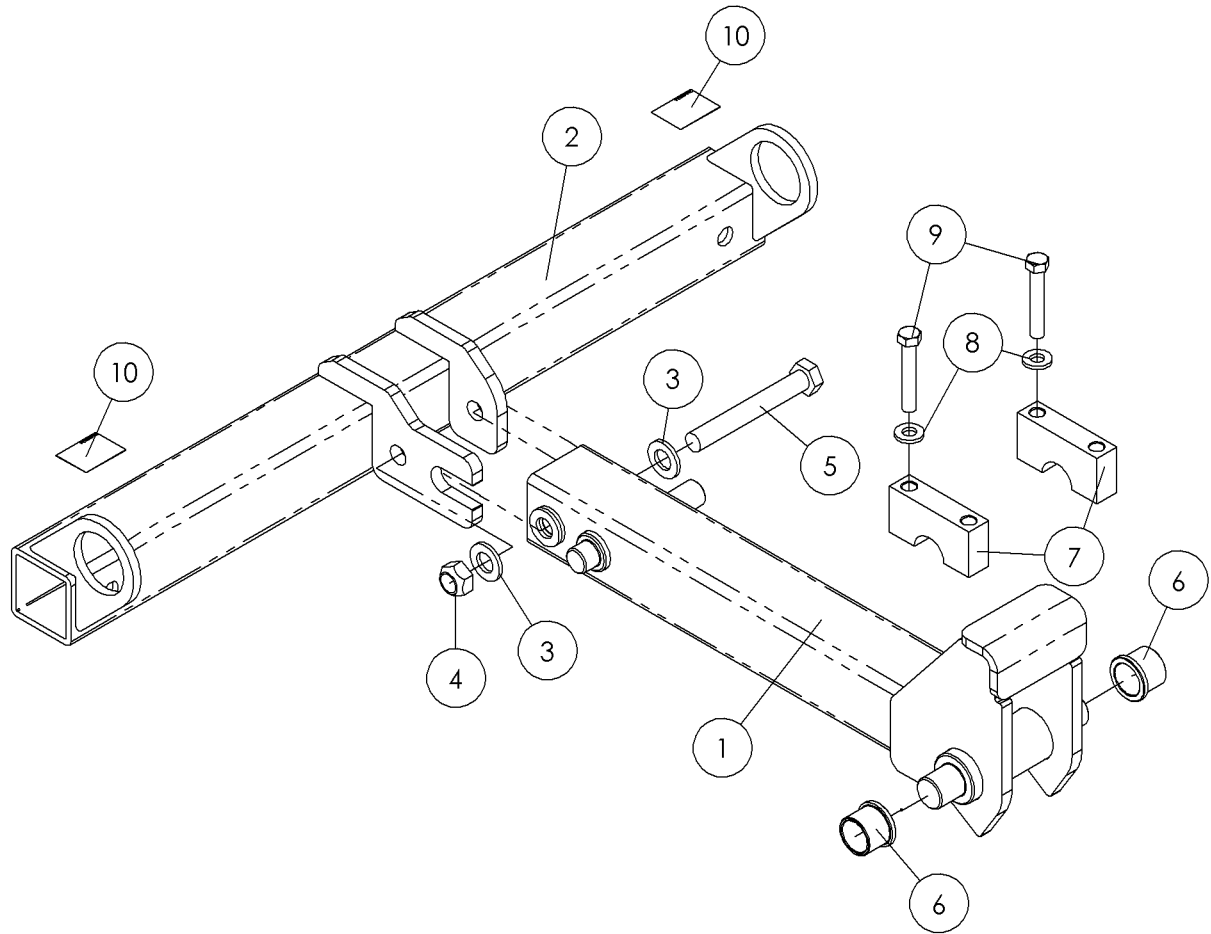
Outrigger Fig 2-6r01



Outrigger Fig 2-6r01

REF. NO.	*	PART NO.	DESCRIPTION	QTY.	REMARKS
		Revision Date	December, 2006		Revised Weldment
1	*	296271464	ARM - OUTRIGGER	1	
2		296271490	BUSHING-FLANGE-1.50 ODX1.25 IDX1.25	2	
3		296277403	CAP - PIVOT BEARING	2	
4		127362001	WASHER-1/2 HARD.FLAT/PLATED	4	
5		235724001	BOLT-1/2-13X3 GR8 HEX ZINC PLT	4	
6		70001834	DECAL - TIE DOWN POINT	2	

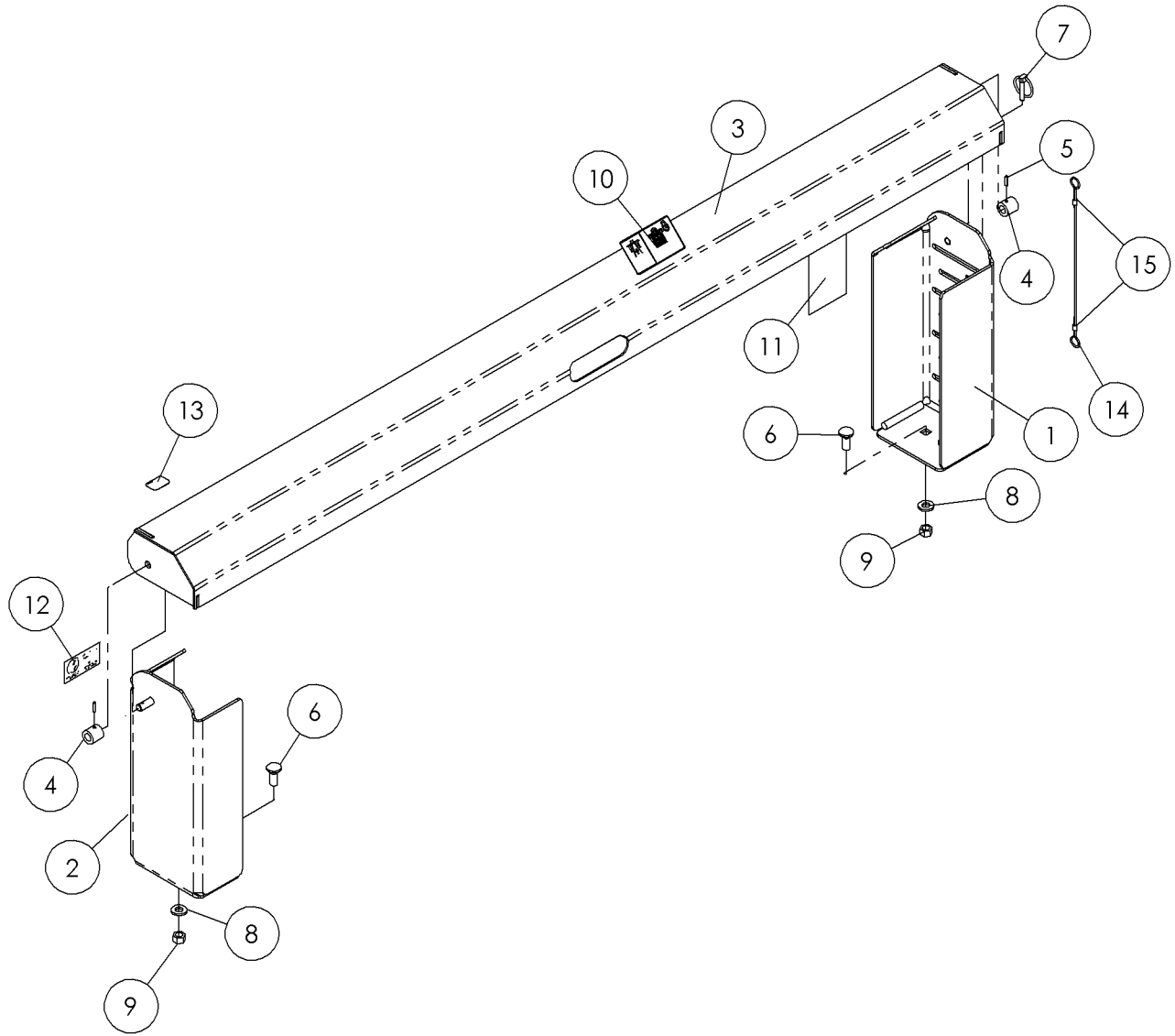
Outrigger Fig 2-6



Outrigger Fig 2-6

REF. NO.	*	PART NO.	DESCRIPTION	QTY.	REMARKS
1		296271464	ARM - OUTRIGGER	1	
2		296280570	BASE - OUTRIGGER	1	
3		235717001	WASHER - 3/4" HARDENED FLAT YZ	2	
4		250510001	NUT 3/4 NC Gr8 SLTL Y/ZINC	1	
5		242884001	BOLT-3/4-10X5 1/2 GR8 ZINC	1	
6		296271490	BUSHING - FLANGE, 1.50 OD X 1.25 ID	2	
7		296277403	CAP - PIVOT BEARING	2	
8		127362001	WASHER-1/2 HARD.FLAT/PLATED	4	
9		235724001	BOLT-1/2-13X3 GR8 HEX ZINC PLT	4	
10		70001834	DECAL - TIE DOWN POINT	2	International
		70000834	DECAL-TIE DOWN POINT	2	Domestic

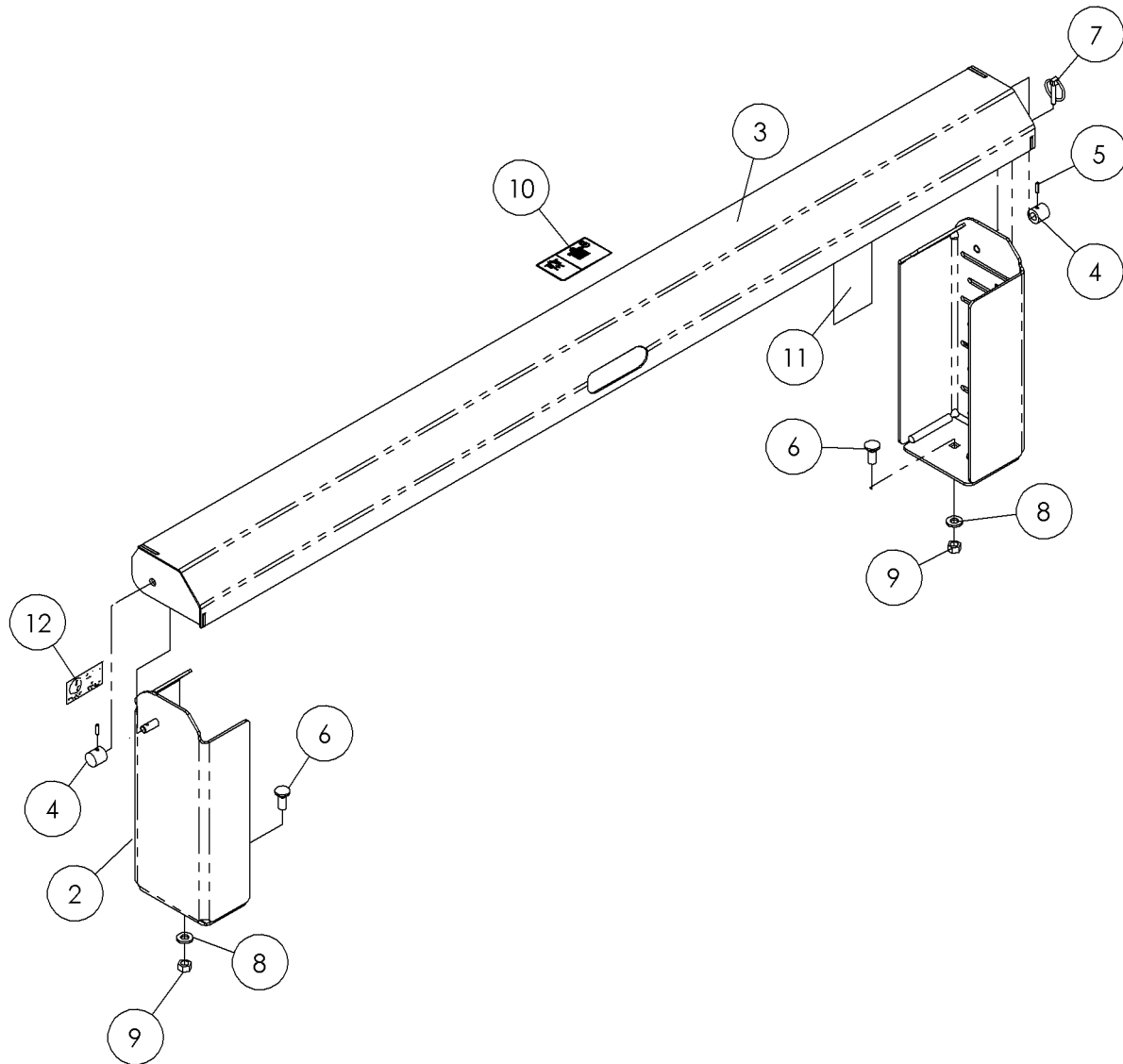
Rod Box Fig 2-7r01



Rod Box Fig 2-7r01

REF. NO.	*	PART NO.	DESCRIPTION	QTY.	REMARKS
1		296280542	CAP - ROD BOX FRONT	1	
2		296280543	CAP - ROD BOX REAR	1	
3		296280545	COVER - ROD BOX	1	
4		296276595	CAP - PIN RETAINER	2	
5		1788041	PIN-SPRING-.19X.75-CZ	2	
6		377012	BOLT-CARG-.50 X 1.25-GR5-CZ	4	
7		1797003	PIN-ATTACHMENT LATCH 1/4"-6M DIA	1	
8		127362001	WASHER-1/2 HARD.FLAT/PLATED	4	
9		235731001	NUT, 1/2-13 GR 8 ZINC PLATED	4	
10		7000C340	DECAL - ROD BOX	1	Domestic
		700IC340	DECAL - ROD BOX	1	International
11		7000A627	DECAL - DANGER	1	Domestic
		700IA627	DECAL-DANGER	1	International
12		2326324	DECAL - WARNING/REFUEL(DOMESTIC)	1	Domestic
		2326I324	DECAL - WARNING EXPLOSION	1	International
13		70000098	DECAL-DIESEL (AT/UND)	1	
14		1830005	CABLE-3/32"NYLON COATED 20"	1	
15		1838001	CONNECTOR -	2	

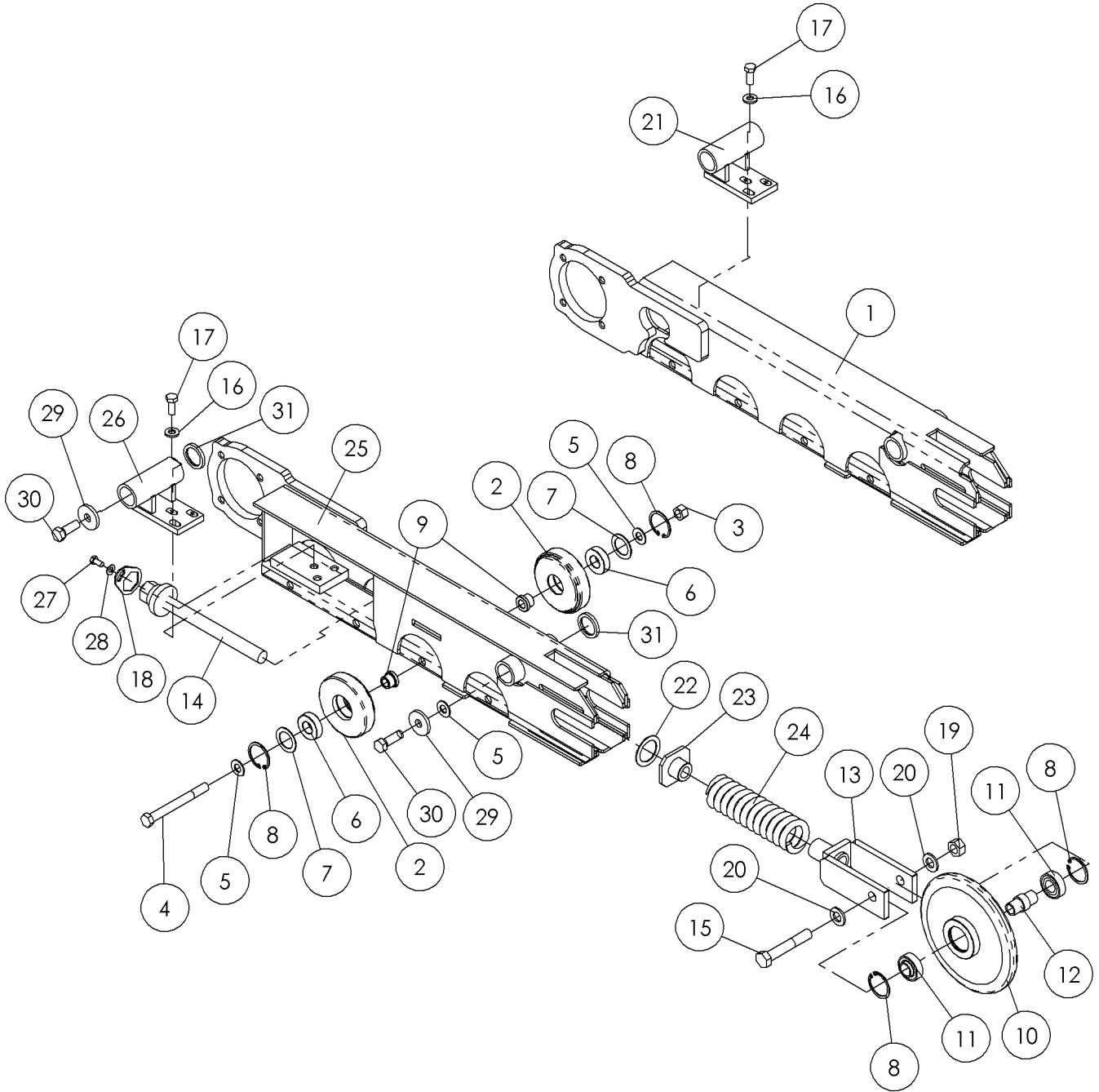
Rod Box Fig 2-7



Rod Box Fig 2-7

REF. NO.	*	PART NO.	DESCRIPTION	QTY.	REMARKS
1		296280542	CAP - ROD BOX FRONT	1	
2		296280543	CAP - ROD BOX REAR	1	
3		296280545	COVER - ROD BOX	1	
4		296276595	CAP - PIN RETAINER	2	
5		1788041	PIN EXPANSION 3/16 X 3/4 ZINC	2	
6		377012	BOLT-1/2-13X1 1/4"GD#5CARRIAGE REF T11731	4	
7		1797003	PIN-QUICK ATTACHMENT LATCH 1/4"-XCX 6M DIA"	1	
8		127362001	WASHER-1/2 HARD.FLAT/PLATED	4	
9		235731001	NUT-1/2-13 GR8 ZINC PLTD	4	
10		7000C340	DECAL - ROD BOX	1	Domestic
		700IC340	DECAL - ROD BOX	1	International
11		7000A627	DECAL-DANGER	1	Domestic
		700IA627	DECAL-DANGER	1	International
12		2326324	DECAL-WARNING/REFUEL	1	Domestic
		2326I324	DECAL - WARNING EXPLOSION	1	International

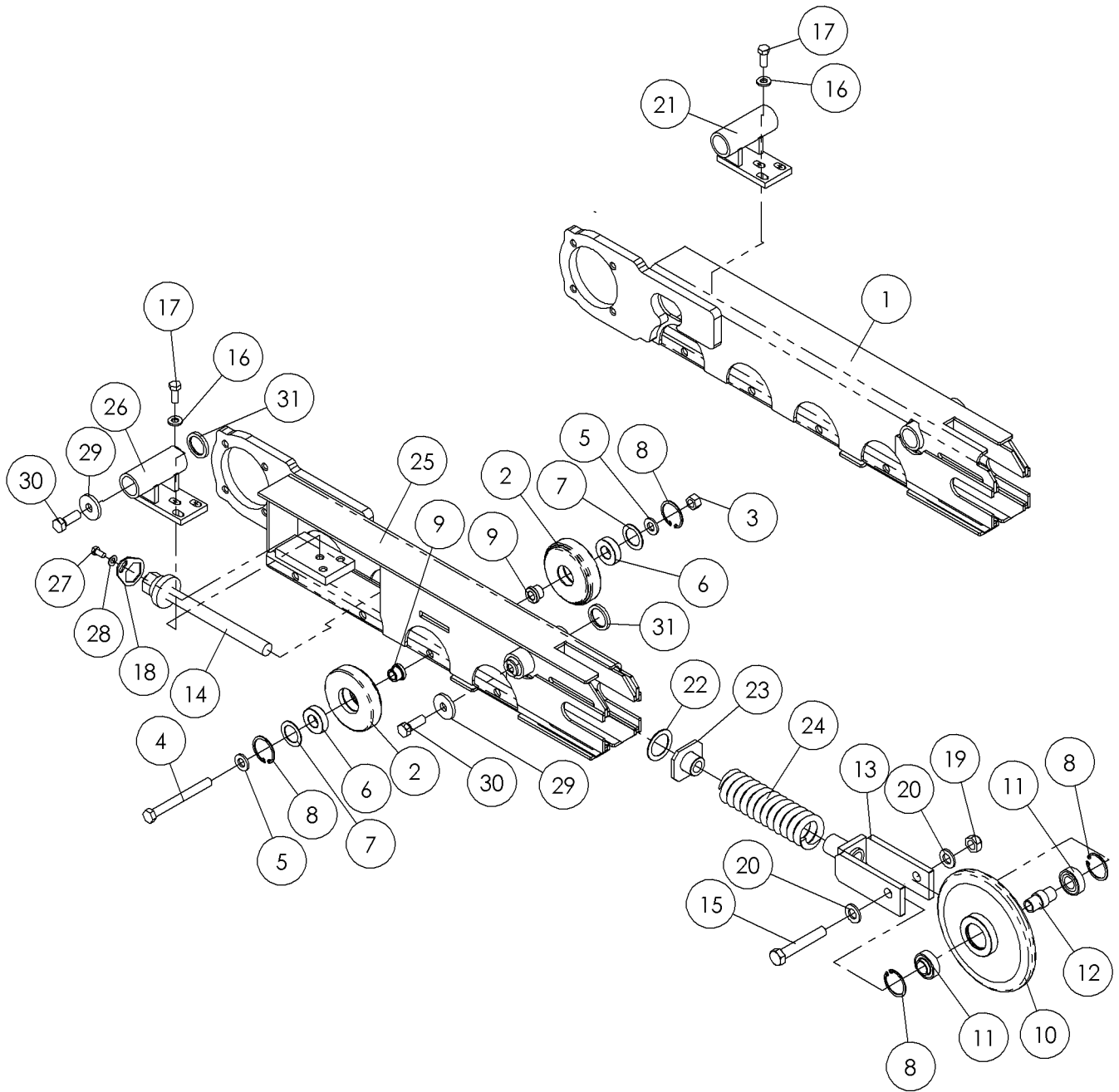
Track Rail Fig 2-8r02



Track Rail Fig 2-8r02

REF. NO.	*	PART NO.	DESCRIPTION	QTY.	REMARKS
		Revision Date	May, 2006		Update In Illustration & Parts List.
1		296277456	WELDMENT-TRACK RAIL	1	
2		296280622	ROLLER-RUBBER TRACK	16	
3		250513001	NUT-TLHEX-.63-11-C-YZ	8	
4		160763001	SCREW-HCS-.63-11X6.00-GR8-YZ	8	
5		235715001	WASHER-FLATSTRL-.63-.66X1.31-.09-YZ-A325	20	
6		296291787	BEARING 6205 2RS CHINA	16	
7		296277404	WASHER-DIRT	16	
8		602206	SNAPRING - N5000 - 206	20	
9		296277471	INSERT-BEARING	16	
10		296282273	WELDMENT-FRONT IDLER	2	
11		57904001	BEARING - 1" CYLRICAL WO/COLLAR	4	
12		151903001	SPACER-IDLER	2	
13		296277449	WELDMENT-SLIDER	2	
14		296276540	SCREW-TIGHTENER	2	
15		235738001	SCREW-HCS-.75-10X4.50-GR8-YZ	2	
16		127362001	WASHER-FLATSTRL-.50-.53X1.06-.14-YZ-A325	6	
17		235737001	SCREW-HCS-.50-13X1.25-GR8-YZ	6	
18		296277392	PLATE-NUT LOCK	2	
19		250510001	NUT-TLHEX-.75-10-C-YZ	2	
20		235717001	WASHER-FLATSTRL-.75-.81X1.47-.15-YZ-A325	4	
21		296277452	BOSS-LEFT TRACK ADJUSTABLE	1	
22		510336676	WASHER-MCHBSHG-1.75-1.78X2.50-14G-YZ	2	
23		296277476	TIGHTENER-SPRING	2	
24		267298001	SPRING - S600TX	2	
25		296277477	WELDMENT-RIGHT TRACK RAIL	1	
26		296277486	BOSS-RIGHT TRACK ADJUSTABLE	1	
27		235726001	SCREW-HCS-.38-16X.75-GR8-YZ	2	
28		235713001	WASHER-FLATSTRL-.38-.41X.81-.06-YZ-A325	2	
29		296282257	WASHER-	4	
30		230728001	SCREW-HCS-.63-11X1.75-GR8-YZ	4	
31		296277481	WASHER-SPACER	4	

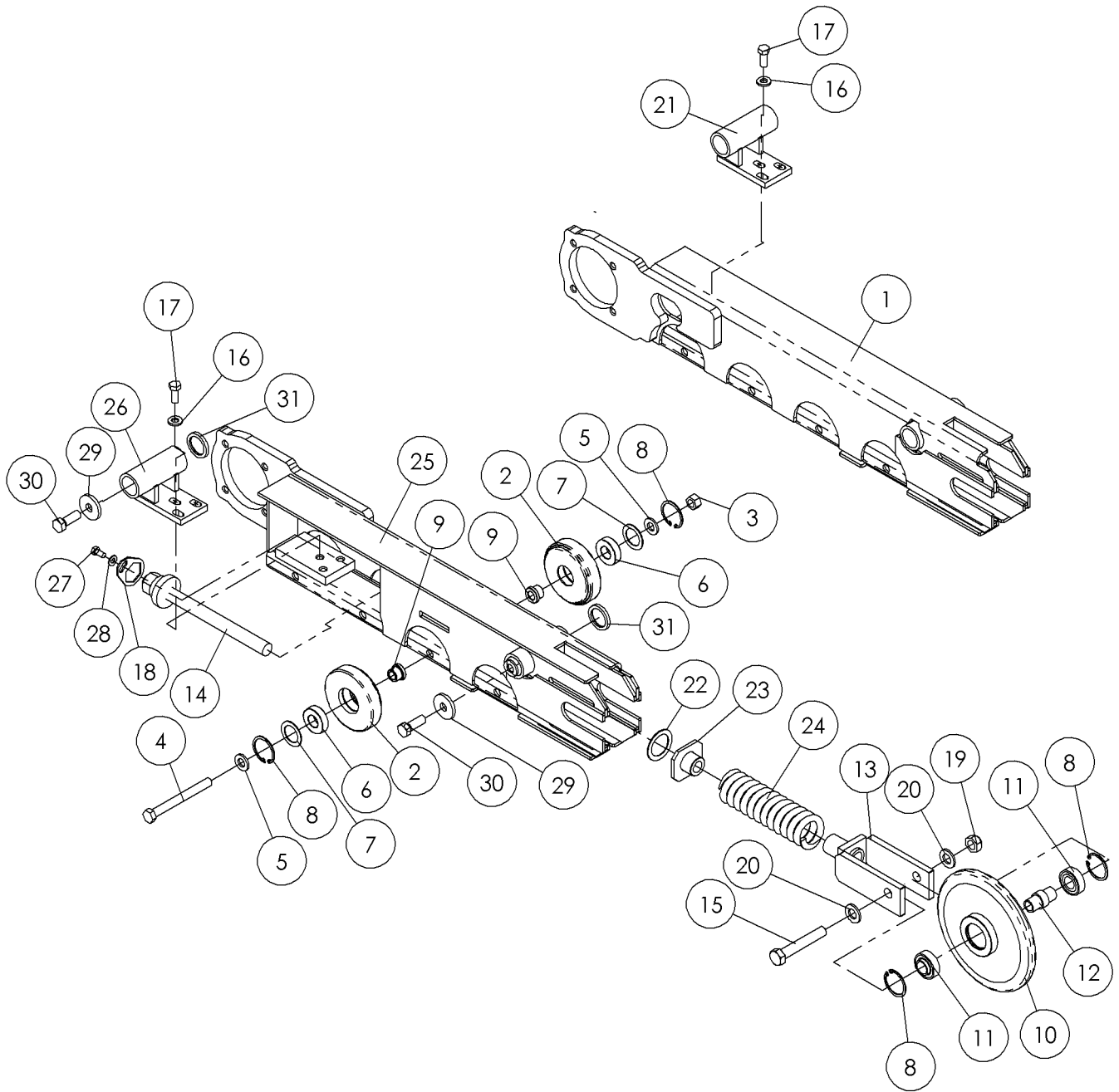
Track Rail Fig 2-8r01



Track Rail Fig 2-8r01

REF. NO.	*	PART NO.	DESCRIPTION	QTY.	REMARKS
		Revision Date	January, 2006		Update In Illustration.
1		296277456	TRACK RAIL - WELDMENT	1	
2		296280622	ROLLER - RUBBER TRACK	16	
3		250513001	NUT - 5/8NC Gr8 TOP LOCK Y/ZINC	8	
4		160763001	BOLT- 5/8 - 11 X 6 HHCS GR.8 ZY	8	
5		235715001	WASHER-5/8 SAE HARD ZINC PLTD	20	
6		1730001	BRG. N/D 6205 2RS1/HT51	16	
7		296277404	WASHER - DIRT	16	
8		602206	SNAP RING-INT. 2 1/16 INCH	20	
9		296277471	INSERT - BEARING	16	
10		296282273	WELDMENT - FRONT IDLER	2	
11		57904001	BEARING-1"CYLINDER WO/COLLAR	4	
12		151903001	SPACER, IDLER	2	
13		296277449	WELDMENT-SLIDER	2	
14		296276540	SCREW - TIGHTENER	2	
15		235738001	BOLT-HCS-3/4-10X4 1/2 GR8 ZY	2	
16		127362001	WASHER-1/2 HARD.FLAT/PLATED	6	
17		235737001	BOLT-1/2-13X1 1/4 GR8 ZYC	6	
18		296277392	PLATE - NUT LOCK	2	
19		250510001	NUT 3/4 NC Gr8 SLTL Y/ZINC	2	
20		235717001	WASHER - 3/4" HARDENED FLAT YZ	4	
21		296277452	BOSS-LEFT TRACK ADJUSTABLE	1	
22		510336676	WASHER-MCHBSHG-1.75-1.78X2.50-14G-YZ	2	
23		296277476	TIGHTENER-SPRING	2	
24		267298001	TRACK SPRING	2	
25		296277477	RIGHT TRACK RAIL - WELDMENT	1	
26		296277486	BOSS-RIGHT TRACK ADJUSTABLE	1	
27		235726001	BOLT-3/8-16X3/4 GR8 HEX ZNCPLT	2	
28		235713001	WASHER - FLATSTRL - .38 - .41 X .81 - .06-YA-A325	2	
29		296282257	WASHER	4	
30		230728001	BOLT-5/8-11X1 3/4GR 8 PLATED	4	
31		296277481	WASHER - SPACER	4	

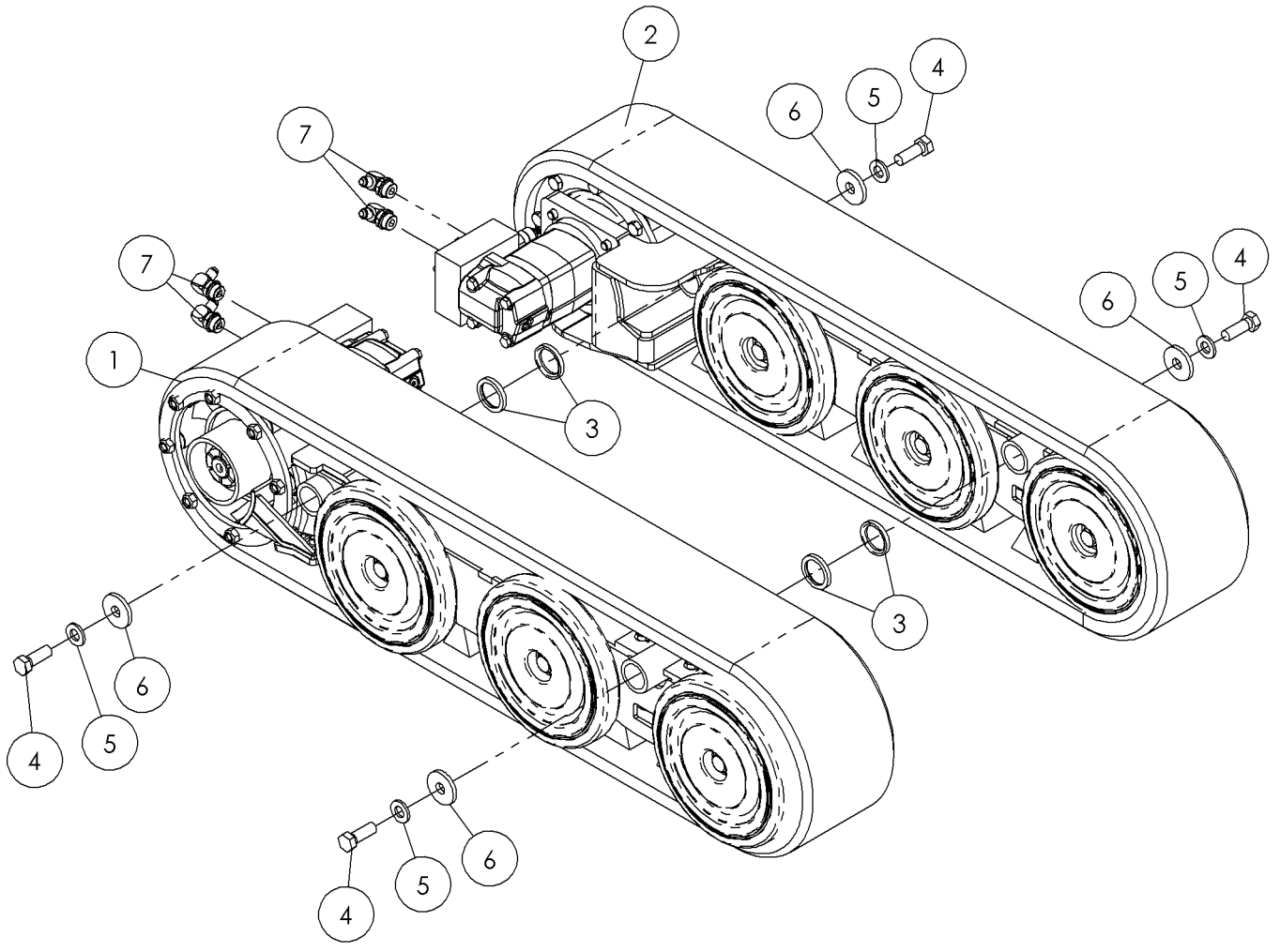
Track Rail Fig 2-8



Track Rail Fig 2-8

REF. NO.	*	PART NO.	DESCRIPTION	QTY.	REMARKS
1		296277456	TRACK RAIL - WELDMENT	1	
2		296280622	ROLLER - RUBBER TRACK	16	
3		250513001	NUT - 5/8NC Gr8 TOP LOCK Y/ZINC	8	
4		160763001	BOLT- 5/8 - 11 X 6 HHCS GR.8 ZY	8	
5		235715001	WASHER-5/8 SAE HARD ZINC PLTD	20	
6		1730001	BRG. N/D 6205 2RS1/HT51	16	
7		296277404	WASHER - DIRT	16	
8		602206	SNAP RING-INT. 2 1/16 INCH REF T16591	20	
9		296277471	INSERT - BEARING	16	
10		296282273	WELDMENT - FRONT IDLER	2	
11		57904001	BEARING-1"CYLINDER WO/COLLAR	4	
12		151903001	SPACER, IDLER	2	
13		296277449	WELDMENT-SLIDER	2	
14		296276540	SCREW - TIGHTENER	2	
15		235738001	BOLT-3/4-10X4 1/2 GR8 ZNC PLT	2	
16		127362001	WASHER-1/2 HARD.FLAT/PLATED	6	
17		235737001	BOLT-1/2-13X1 1/4 GR8 ZINC PLT	6	
18		296277392	PLATE - NUT LOCK	2	
19		250510001	NUT 3/4 NC Gr8 SLTL Y/ZINC	2	
20		235717001	WASHER - 3/4" HARDENED FLAT YZ	4	
21		296277452	BOSS-LEFT TRACK ADJUSTABLE	1	
22		510336676	WASHER-MCHBSHG-1.75-1.78X2.50-14G-YZ	2	
23		296277476	TIGHTENER-SPRING	2	
24		267298001	TRACK SPRING	2	
25		296277477	RIGHT TRACK RAIL - WELDMENT	1	
26		296277486	BOSS-RIGHT TRACK ADJUSTABLE	1	
27		235726001	BOLT-3/8-16X3/4 GR8 HEX ZNCPLT	2	
28		235713001	WASHER - FLATSTRL - .38 - .41 X .81 - .06-YA-A325	2	
29		296282257	WASHER	4	
30		230728001	BOLT-5/8-11X1 3/4GR 8 PLATED	4	
31		296277481	WASHER - SPACER	4	

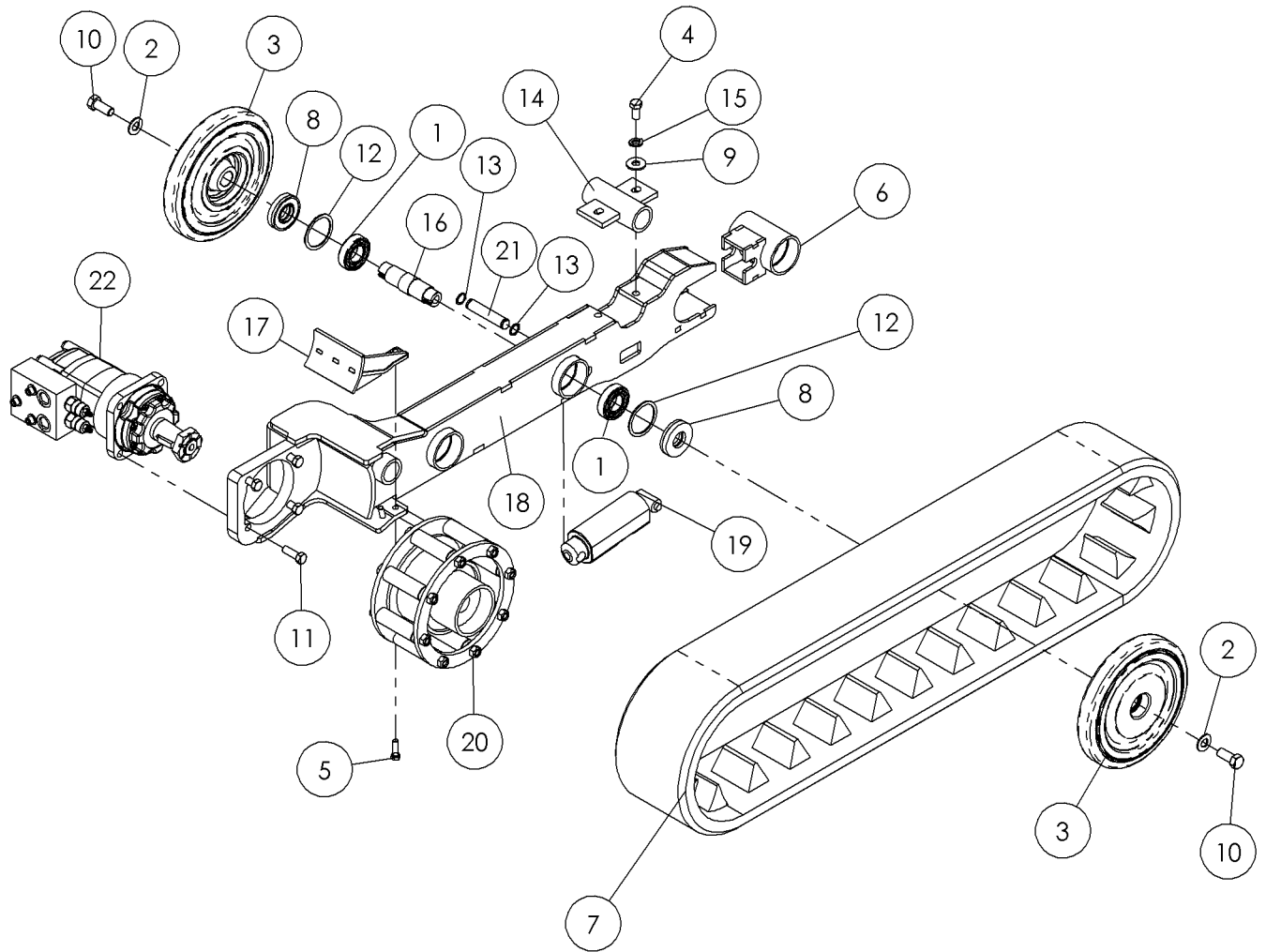
Green Track Fig 2-9



Green Track Fig 2-9

REF. NO.	*	PART NO.	DESCRIPTION	QTY.	REMARKS
		Revision Date	January, 2006		Addition To Manual
1		296282259	ASSY-RH GREEN TRACK	1	Breakdown Fig. 2-10
2		296282258	ASSY-LH GREEN TRACK	1	Breakdown Fig. 2-10
3		296277481	WASHER-SPACER	4	
4		230728001	SCREW-HCS-.63-11X1.75-GR8-YZ	4	
5		235715001	WASHER- 5/8 SAE HARD ZINC PLTD.	4	
6		296282257	WASHER-	4	
7		59401001	6M JICX10M ADJ. 90 DEG.ELBOW FITTING	4	

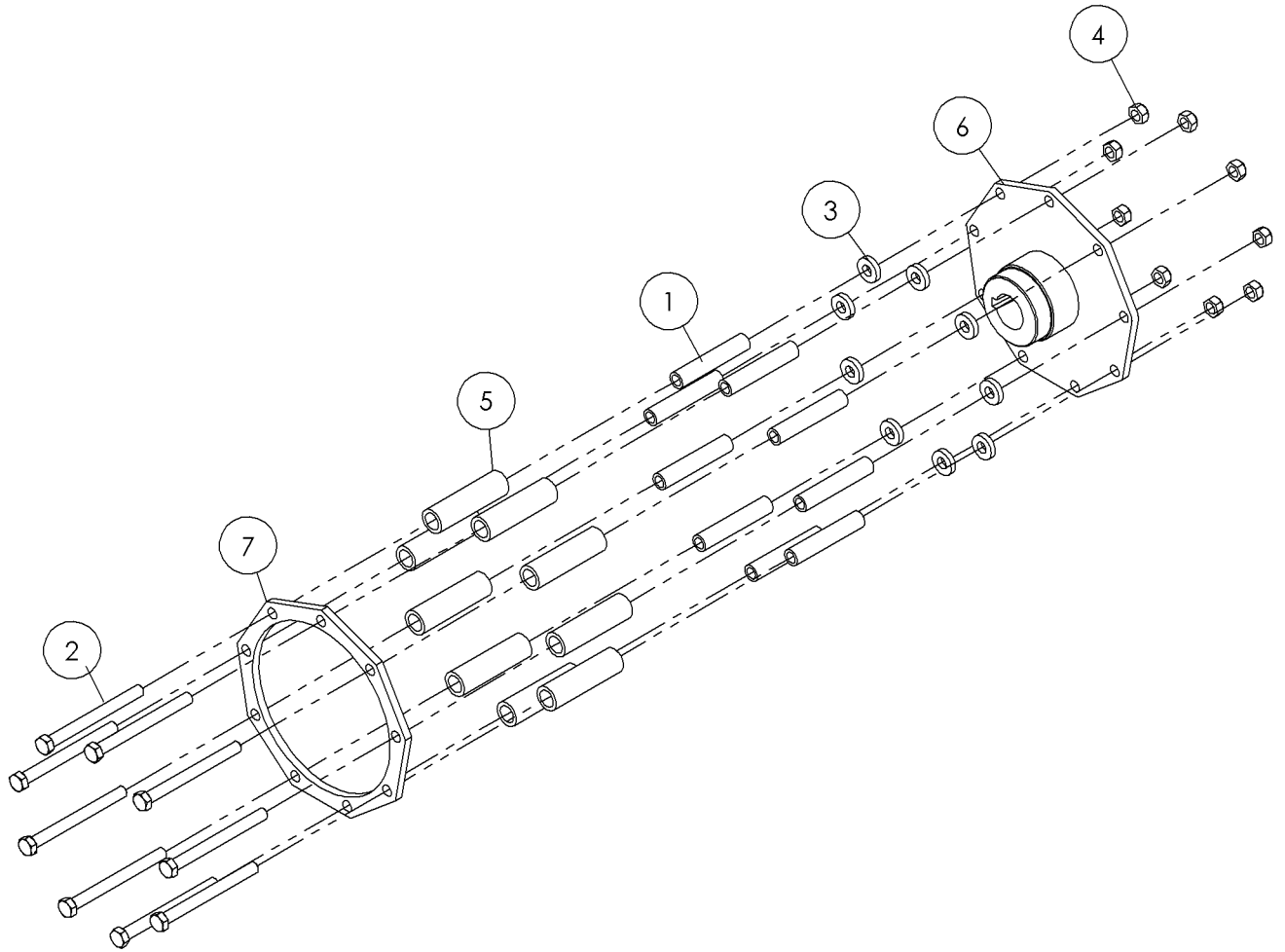
Green Track Rail Fig 2-10



Green Track Rail Fig 2-10

REF. NO.	*	PART NO.	DESCRIPTION	QTY.	REMARKS
		Revision Date	January, 2006		Addition To Manual
1		296285137	BEARING BALL 6232	6	
2		296285147	WASHER WROUGHT 5/8 STD ZD	6	
3		296285131	WHEEL 10" THIN	6	
4		296285150	CAPSCREW HH 1/2-13 UNC X 1 GD 8	2	
5		296285149	CAPSCREW HH 3/8-16 UNC X 1.25 GD 8	2	
6		296285132	WELDMENT-FRONT MOUNT	1	
7		296285135	TRACK 7 X 110 GREEN	1	
8		296285136	SEAL 1.25 X 2.635 X .591	6	
9		296285146	WASHER WROUGHT 1/2 STD ZN	2	
10		296285152	CAPSCREW HH 5/8-11 UNC X 1.5 GD 8	6	
11		296285151	CAPSCREW HH 1/2-13 UNC X 1.5 GD 8	4	
12		296285138	RING-SNAP 2.733 X .093	6	
13		296285161	RING-SNAP .740 X .046	2	
14		296285134	WELDMENT-AXLE MOUNT	1	
15		296285148	WASHER SPRING LOCK 1/2 ZN	2	
16		296285133	AXLE SHAFT	3	
17		296285144	WELDMENT-SCRAPER RIGHT	1	Right Shown
		296285145	WELDMENT-SCRAPER LEFT	1	Left Not Shown
18		296285142	WELDMENT-FRAME RIGHT	1	Right Frame Shown
		296285143	WELDMENT-FRAME LEFT	1	Left Frame Not Shown
19		296285139	TENSION GREASE CYL	1	
		296285153	SEAL KIT	1	
20		296285140	DRIVE CAGE	1	Breakdown Fig. 2-11
21		296285141	PIN-CYL REAR	1	
22		296282266	MOTOR - WHEEL - 30.0 CU.IN.	1	Breakdown Fig. 9-3

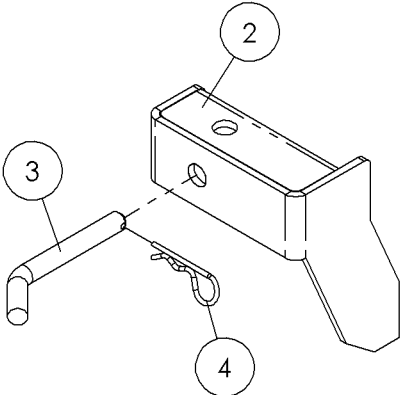
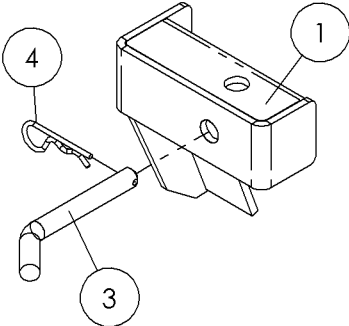
Drive Cage Fig 2-11



Drive Cage Fig 2-11

REF. NO.	*	PART NO.	DESCRIPTION	QTY.	REMARKS
		Revision Date	January, 2006		Addition To Manual
1		296285157	TOOTH DRIVE SPROCKET	9	
2		296285159	CAPSCREW HH 1/2-13 X 5 GD 8	9	
3		296285160	WASHER	9	
4		296285154	NUT TOPLOCK 1/2-13 UNC ZN GD 8	9	
5		296285158	TOOTH DRIVE SPROCKET OUTER	9	
6		296285155	WELDMENT-SPROCKET DRIVE	1	
7		296285156	RING SPROCKET 8.625"	1	
		296285140	DRIVE CAGE		Inc. All Items In Figure

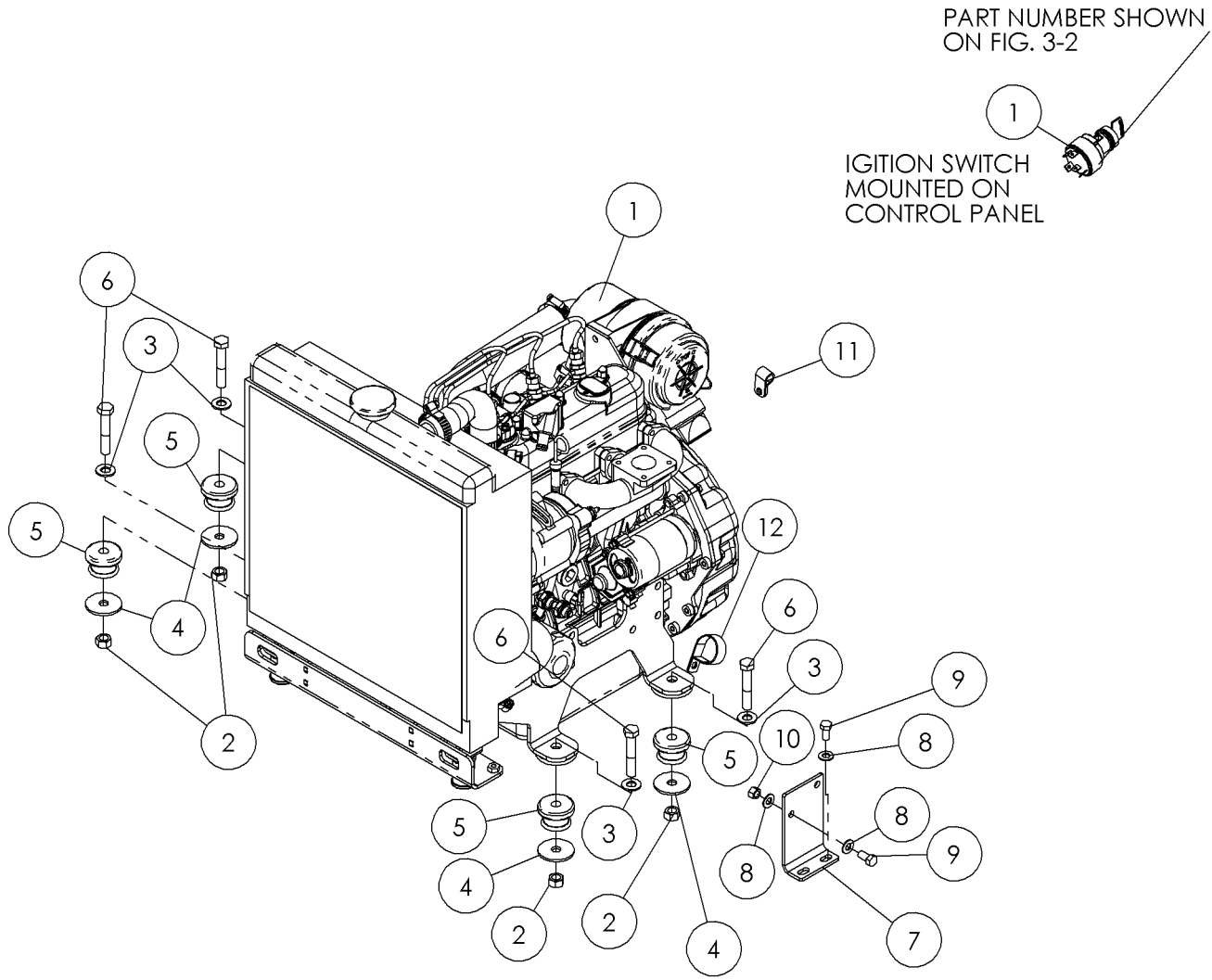
Outrigger Stake Fig 2-12



Outrigger Stake Fig 2-12

REF. NO.	*	PART NO.	DESCRIPTION	QTY.	REMARKS
		Revision Date	January, 2006		Addition To Manual
1		296261415	RIGHT-STAKE	1	
2		296261418	LEFT STAKE	1	
3		278124001	ROD - FOOT PIN	2	
4		1794003	HAIR PIN COTTER - .148 WIRE REF TR00152	2	

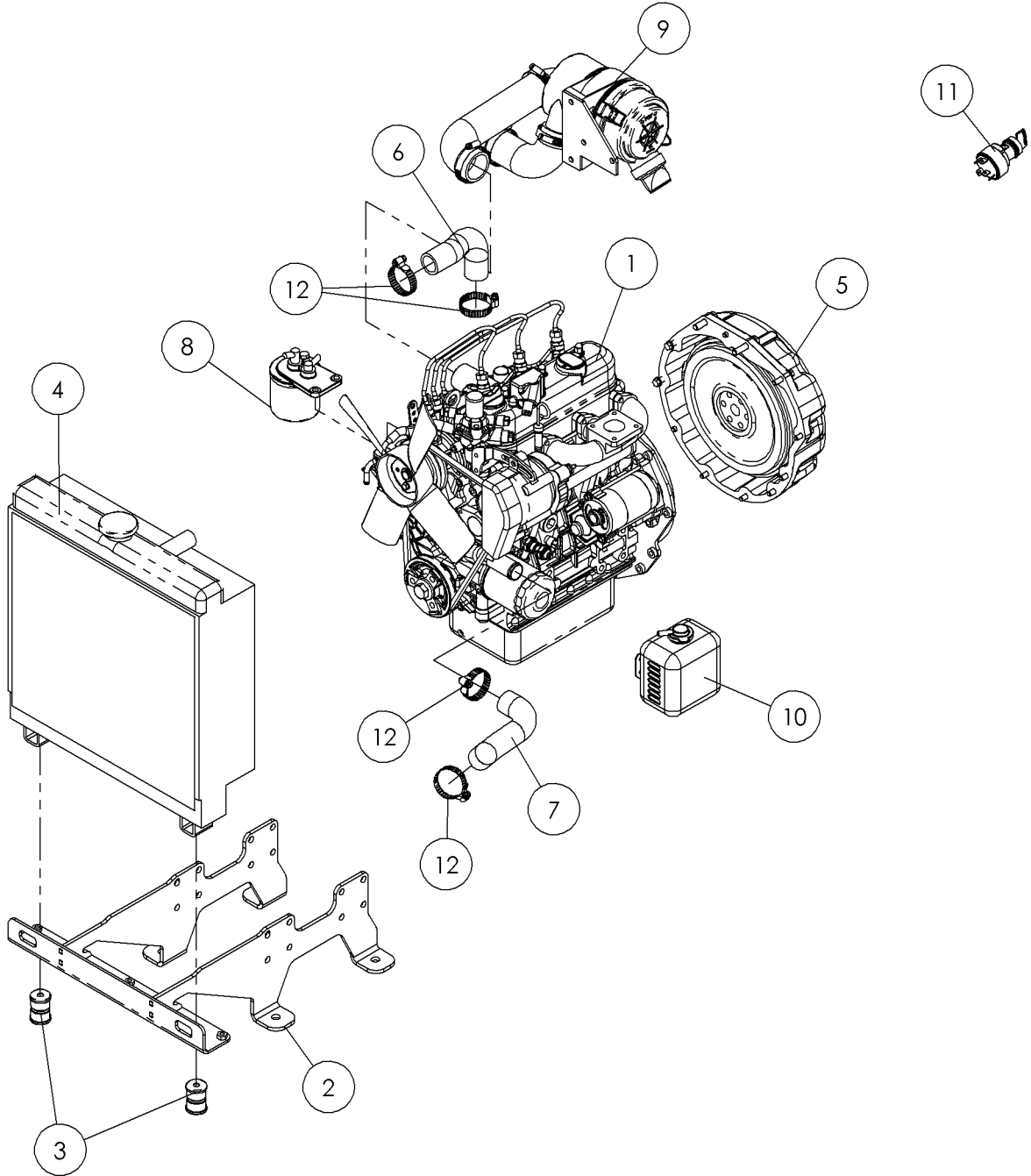
Engine Components Fig 3-1



Engine Components Fig 3-1

REF. NO.	*	PART NO.	DESCRIPTION	QTY.	REMARKS
1		296277729	ASSEMBLY-KUBOTA ENGINE MODEL D1105	1	Breakdown Fig. 3-2 And 3-3
2		250512001	NUT- 1/2 NC Gr8 TOP LOCK Y/ ZINC	4	
3		485025	WASHER-1/2 FLAT-HARDENED-YZ	4	
4		265133001	WASHER-FLATSTRL-.52.53X2.00-.13-YZ	4	
5		265205001	ISOLATOR - (3601I-650	4	
6		243913001	BOLT - 1/2-20X2 3/4 HEX GR8 ZP	4	
7		296281063	PLATE - MOUNT OVERFLOW BOTTLE	1	
8		235713001	WASHER - FLATSTRL - .38 - .41 X .81 - .06-YA-A325	6	
9		235726001	BOLT-3/8-16X3/4 GR8 HEX ZNCPLT	4	
10		235725001	NUT - HEX - .38 - 16 - GR8 - YZ	2	
11		2595001	HOSE CLAMP - TS7FR 1/2" REF T15802	1	
12		2595013	CLAMP-1 1/2" I.D. W/VINYL COAT W/ 13/32	1	
13		510359621	WASHER-FLATWRT-.50-.53X2.25-.25-YZ	4	

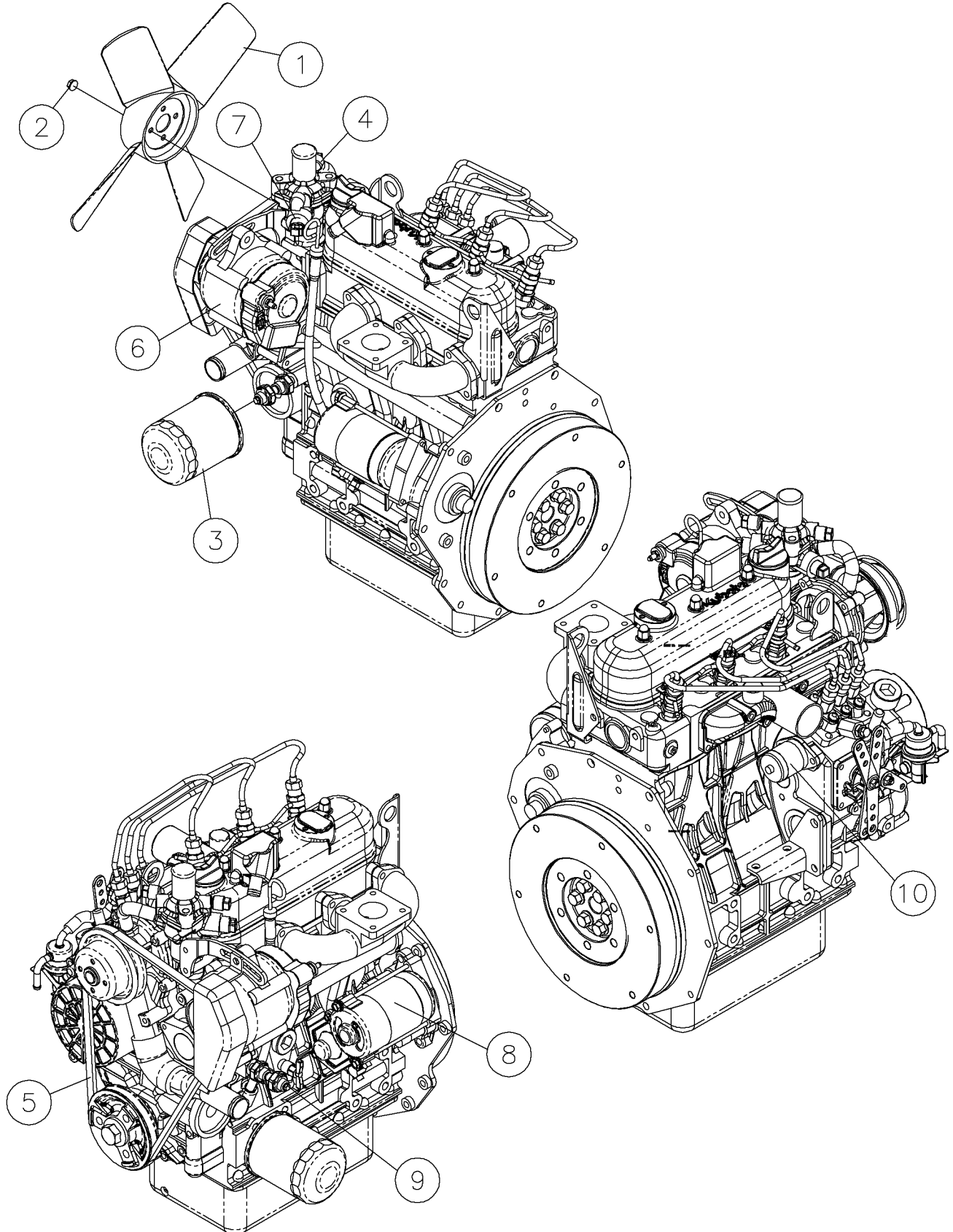
Engine Components Fig 3-2



Engine Components Fig 3-2

REF. NO.	*	PART NO.	DESCRIPTION	QTY.	REMARKS
1		296277730	ENGINE- 25 HP KUBOTA	1	Breakdown Fig. 3-1 Thru 3-3
2		265097001	WELDMENT-ENGINE MNT- KUBOTA	1	
3		265165001	ASSY-RADIATOR ISOLATOR	2	Breakdown Fig. 3-12
4		265157001	RADIATOR- KUBOTA	1	
5		296281062	ASSY- PUMP DRIVE	1	Breakdown Fig. 3-4
6		218420069	HOSE-RADIATOR	1	
7		218420071	HOSE-RADIATOR	1	
8		218420073	FUEL FILTER	1	
9		296281046	AIR CLEANER ASSY.	1	Breakdown Fig. 3-5
10		296281019	COOLANT OVERFLOW BOTTLE	1	Breakdown Fig. 3-11
11		296271130	KEY - SWITCH	1	
		296271129	KEY - SET	1	Pair Of Two
12		1580007	HOSE CLAMP - 1 1/2"	4	

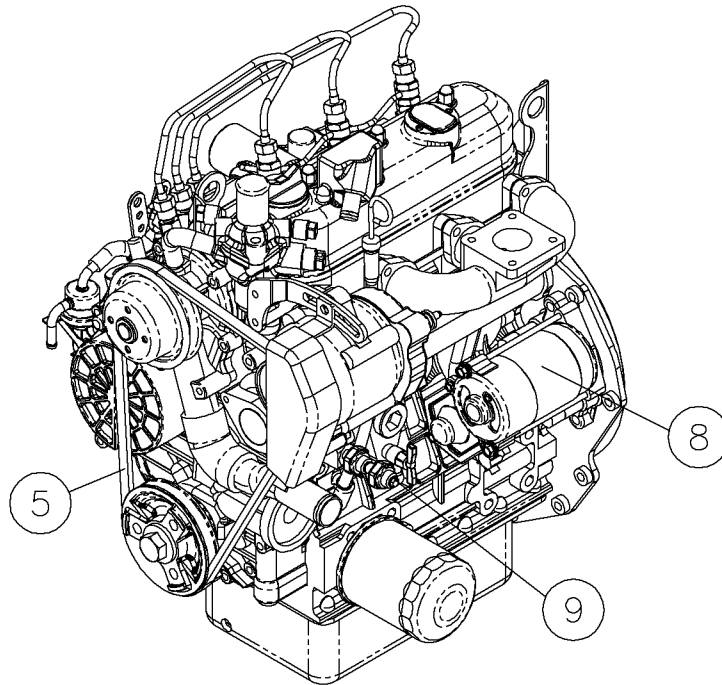
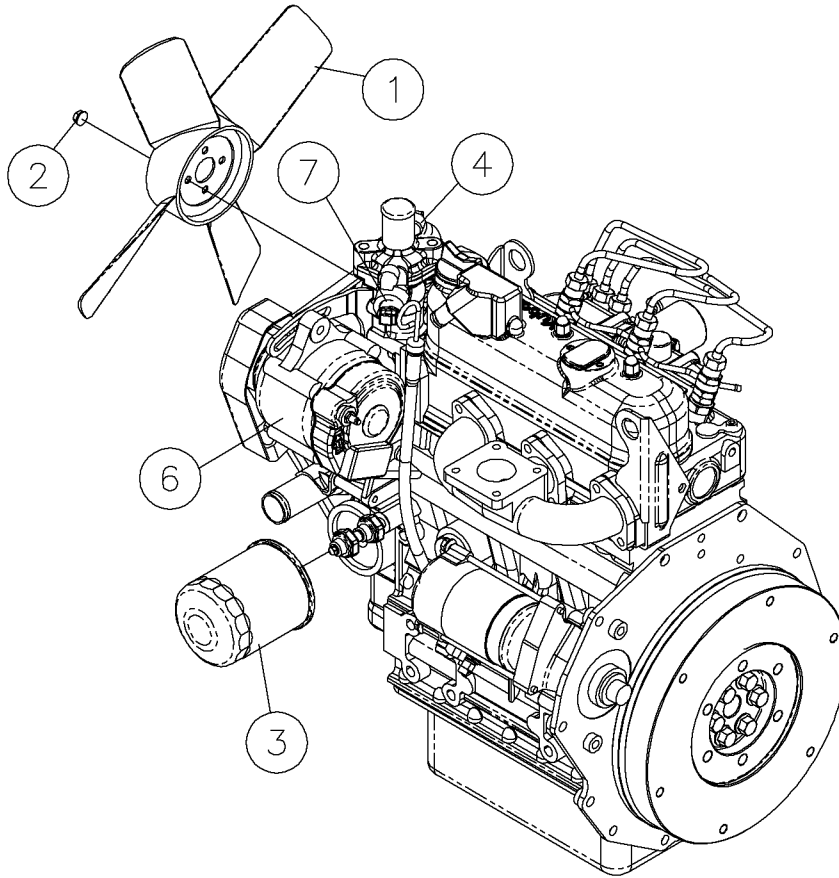
Engine Components Fig 3-3r01



Engine Components Fig 3-3r01

REF. NO.	*	PART NO.	DESCRIPTION	QTY.	REMARKS
		Revision Date	August, 2006		Added Part
1		296271193	FAN	1	
2		296271194	BOLT-FAN	4	
3		8E66320781	OIL FILTER KUBOTA D1005/V1505	1	
4		296271195	WATER PUMP	1	
5		267502001	BELT - FAN	1	
6		296271095	ALTERNATOR-40 AMP	1	
7		296271196	WATER TEMP SWITCH	1	
8		218420027	STARTER ASSEMBLY	1	
9		268843001	SWITCH - OIL	1	
10	*	161657001	SOLENOID ASSY	1	

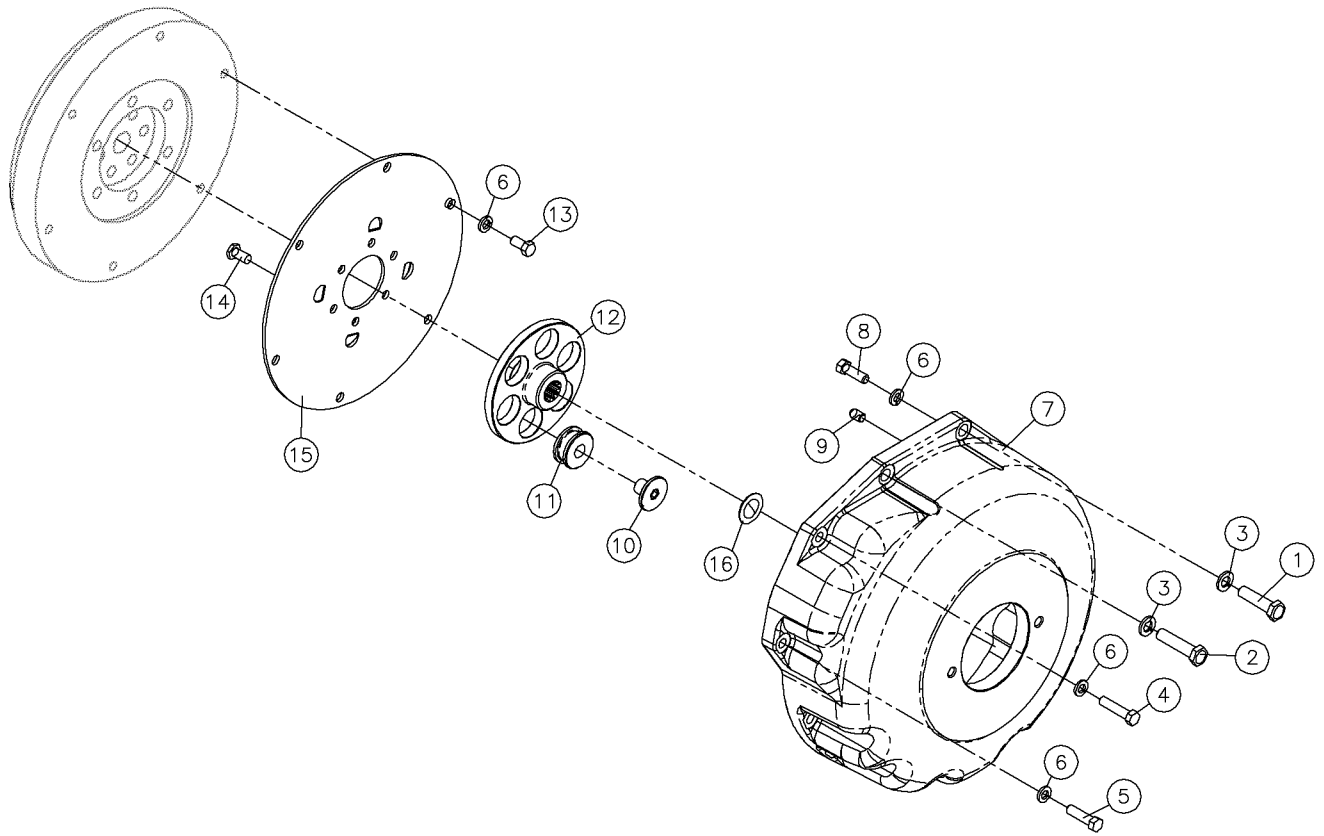
Engine Components Fig 3-3



Engine Components Fig 3-3

REF. NO.	*	PART NO.	DESCRIPTION	QTY.	REMARKS
1		296271193	FAN	1	
2		296271194	BOLT-FAN	4	
3		8E66320781	OIL FILTER KUBOTA D1005/V1505	1	
4		296271195	WATER PUMP	1	
5		267502001	BELT - FAN	1	
6		296271095	ALTERNATOR-40 AMP	1	
7		296271196	WATER TEMP SWITCH	1	
8		218420027	STARTER ASSEMBLY	1	
9		268843001	SWITCH - OIL	1	

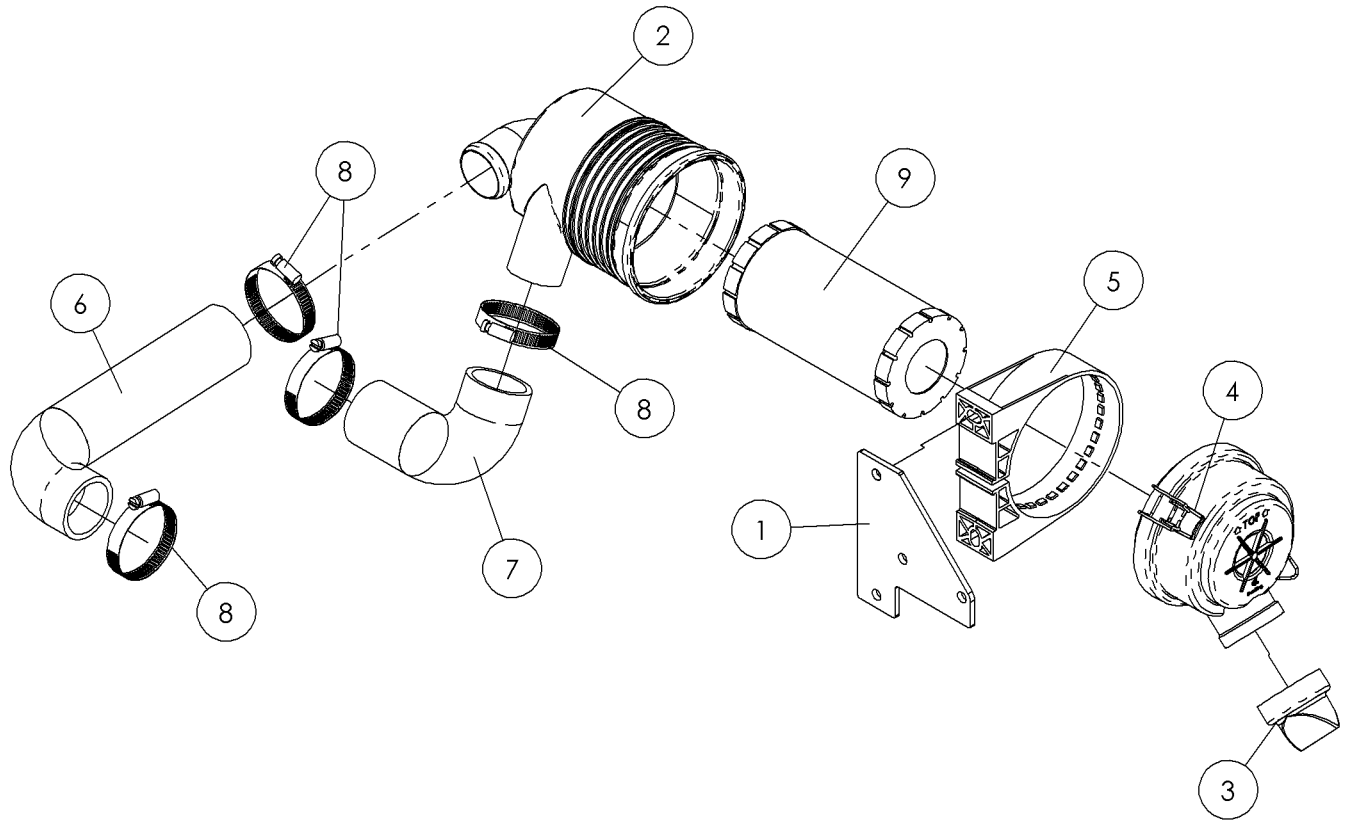
Drive Pump Assy Fig 3-4



Drive Pump Assy Fig 3-4

REF. NO.	*	PART NO.	DESCRIPTION	QTY.	REMARKS
1		NSS	BOLT-M10X1.5X40MM	1	
2		NSS	BOLT-M10X1.5X45MM	1	
3		NSS	WASHER-LOCKWASHER 10MM	2	
4		NSS	BOLT-M8X1.25X35MM	1	
5		NSS	BOLT-M8X1.25X30MM	5	
6		NSS	WASHER-LOCKWAHER 8MM	12	
7		NSS	HOUSING	1	
8		NSS	BOLT-8MX1.25X25MM	2	
9		NSS	DOWEL-.3125X.500	2	
10		NSS	THREADED BUSHING	6	
11		NSS	NEOPRENE INSERT	6	
12		NSS	COUPLING HUB	1	
13		NSS	BOLT-8MX1.25X16MM	6	
14		NSS	BOLT	6	
15		NSS	FLYWHEEL PLATE	1	
16		NSS	GREASE PLUG	1	
		296285083	BOLT KIT		
		296281062	PUMP DRIVE ASSEMBLY		Inc. Ref. 7 And 12

Air Cleaner Fig 3-5



Air Cleaner Fig 3-5

REF. NO.	*	PART NO.	DESCRIPTION	QTY.	REMARKS
1		296281051	MOUNT-AIR CLEANER	1	
2		296281048	BODY ASSEMBLY	1	
3		224285011	VALVE	1	
4		296281047	LATCH ASSEMBLY	1	
5		296281049	CLAMP	1	
6		296281050	HOSE - AIR CLEANER	1	
7		296281065	HOSE- 1.75 ID X 90DEG.	1	
8		1580013	HOSE CLAMP - 2 1/2"	4	
9		296271197	AIR CLEANER ELEMENT	1	

Fuel Tank Fig 3-6r02

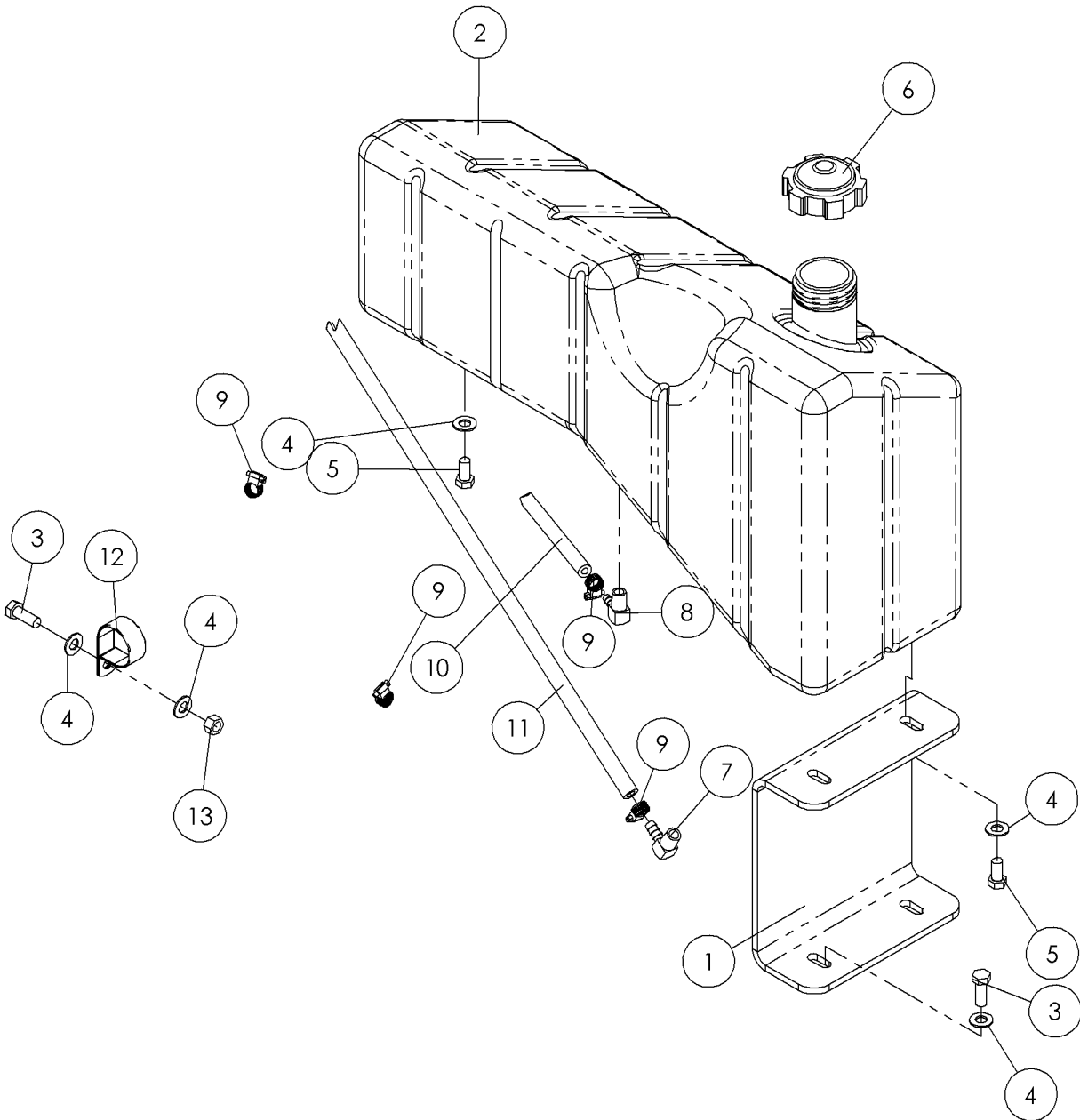
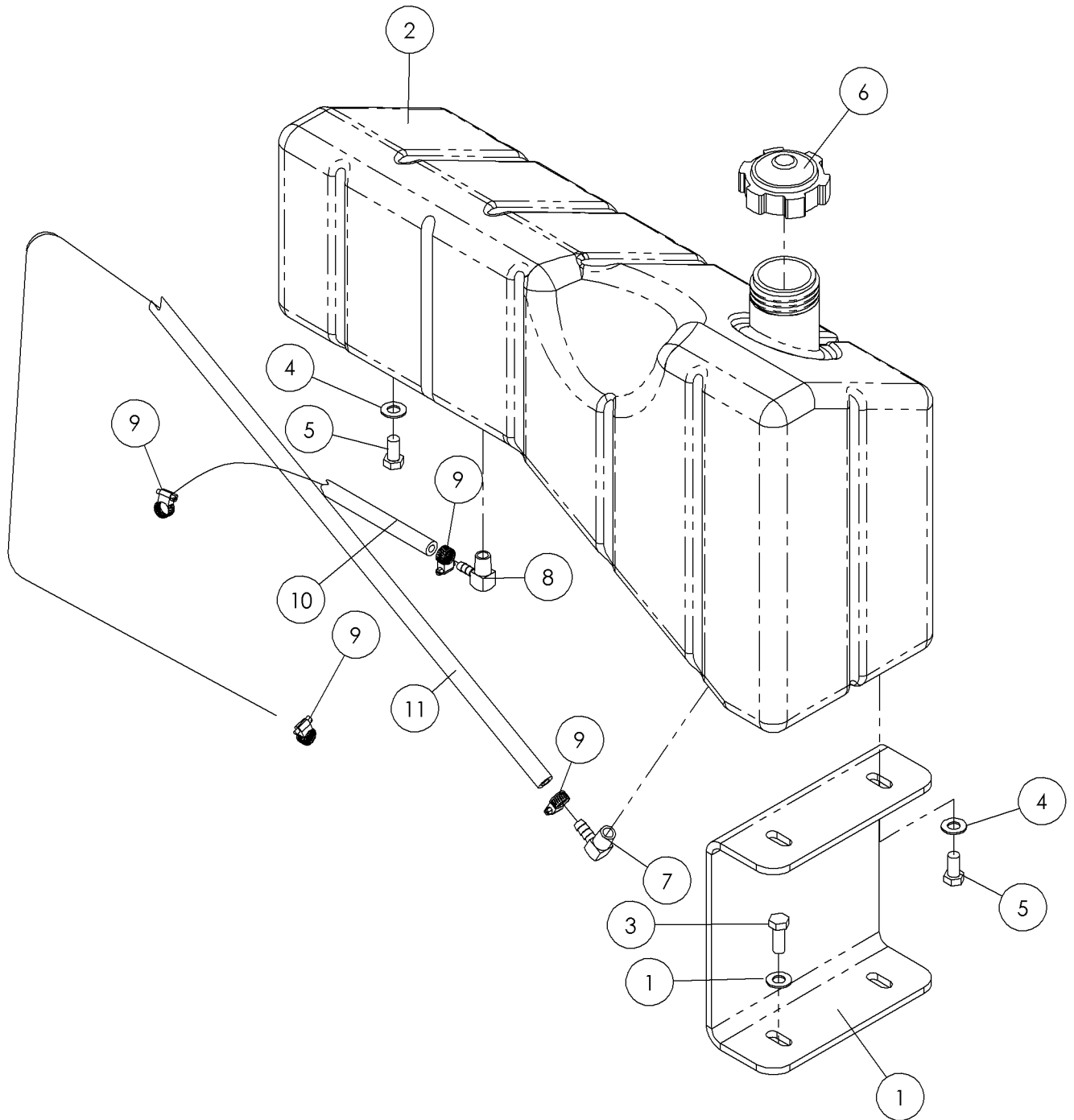


Illustration No. 296278582

Fuel Tank Fig 3-6r02

REF. NO.	*	PART NO.	DESCRIPTION	QTY.	REMARKS
		Revision Date	September, 2007		Updated Drawing
1		296277382	MOUNT - FUEL TANK	1	
2		296282260	TANK - FUEL (POLYETHELENE)	1	
3		235727001	SCREW-HCS-.38-16X1.00-GR8-YZ	3	
4		235713001	WASHER - FLATSTRL - .38 - .41 X .81 - .06-YA-A325	8	
5		235726001	BOLT-3/8-16X3/4 GR8 HEX ZNCPLT	4	
6		153892001	CAP - FUEL	1	
7		11384001	FITTING-1557 WTHR-HD	1	
8		608118001	FITTING-1/4NPTX1/4HOSE BARB90	1	
9		1578001	HOSE CLAMP - 1/4"	4	
10		296280623	HOSE - FUEL - 1/4"	1	
11		296280624	HOSE - FUEL 5/16"	1	
12		2595013	CLAMP-1 1/2" I.D. W/VINYL COAT W/ 13/32	1	
13		235725001	NUT - HEX - .38 - 16 - GR8 - YZ	1	

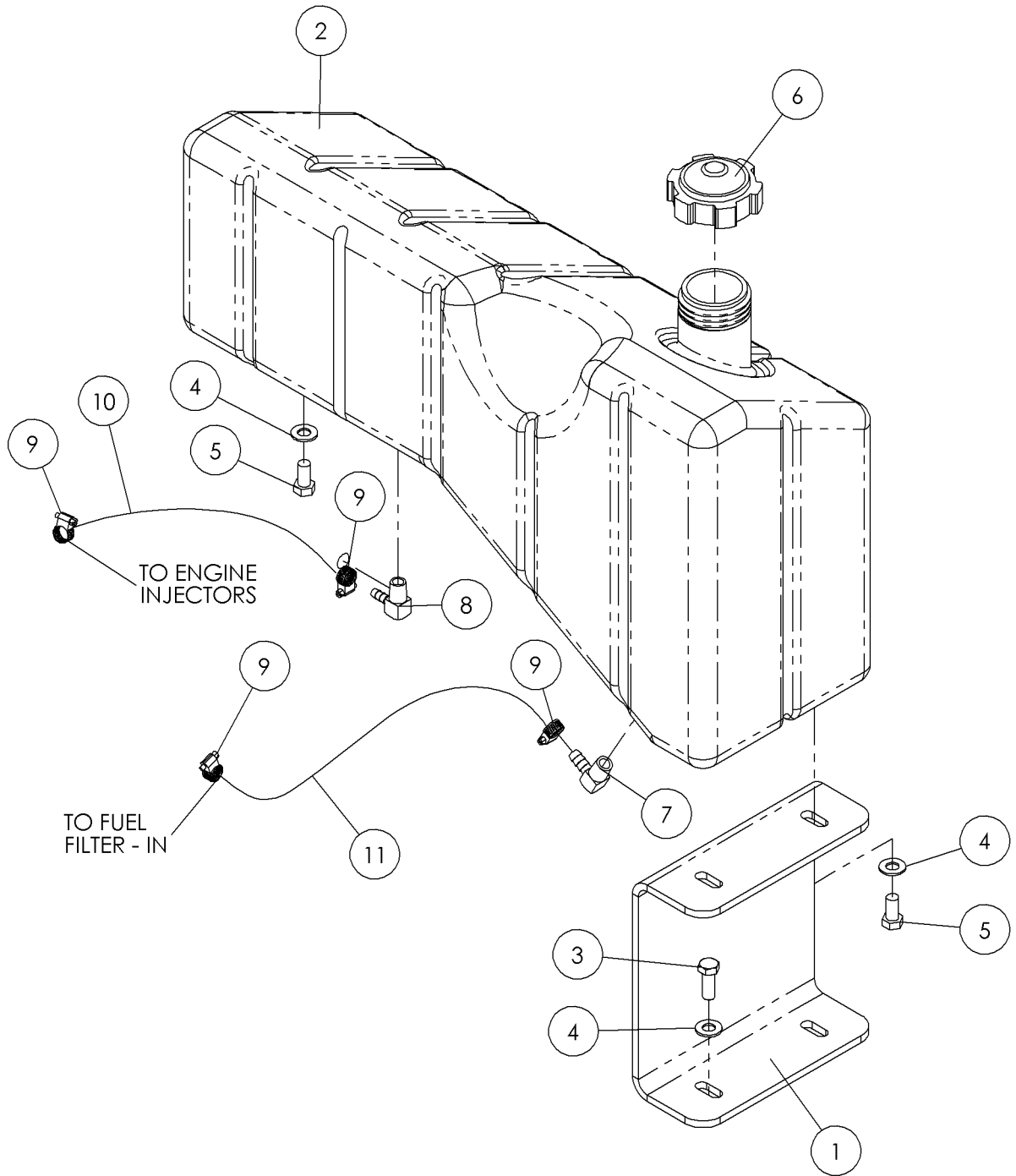
Fuel Tank Fig 3-6r01



Fuel Tank Fig 3-6r01

REF. NO.	*	PART NO.	DESCRIPTION	QTY.	REMARKS
		Revision Date	January, 2006		Update In Illustration & Parts List.
1		296277382	MOUNT-FUEL TANK	1	
2		296282260	TANK-FUEL	1	
3		235727001	SCREW-HCS-.38-16X1.00-GR8-YZ	2	
4		235713001	WASHER-FLATSTRL-.38-.41X.81-.06-YZ-A325	6	
5		235726001	SCREW-HCS-.38-16X.75-GR8-YZ	4	
6		153892001	CAP - FUEL	1	
7		11384001	FITTING-1557 WTHR-HD	1	
8		608118001	FITTING-1/4NPTX1/4HOSE BARB90	1	
9		1578001	HOSE-CLAMP	4	
10		296280623	HOSE - FUEL - 1/4"	1	
11		296280624	HOSE - FUEL - 5/16"	1	

Fuel Tank Fig 3-6



Fuel Tank Fig 3-6

REF. NO.	*	PART NO.	DESCRIPTION	QTY.	REMARKS
1		296277382	MOUNT-FUEL TANK	1	
2		296282260	TANK-FUEL	1	
3		235727001	BOLT - 3/8-16x1 GR.8 HEX	2	
4		235713001	WASHER-FLATSTRL-.38-.41X.81-.06-YZ-A325	6	
5		235726001	BOLT-3/8-16X3/4 GR8 HEX ZNCPLT	4	
6		153892001	CAP - FUEL	1	
7		11384001	FITTING-1557 WTHR-HD	1	
8		608118001	FITTING-1/4NPTX1/4HOSE BARB90	1	
9		1578001	HOSE-CLAMP	4	
10		296280623	HOSE - FUEL - 1/4"	1	
11		296280624	HOSE - FUEL - 5/16"	1	

Muffler (S/N 225-) Fig 3-7r03

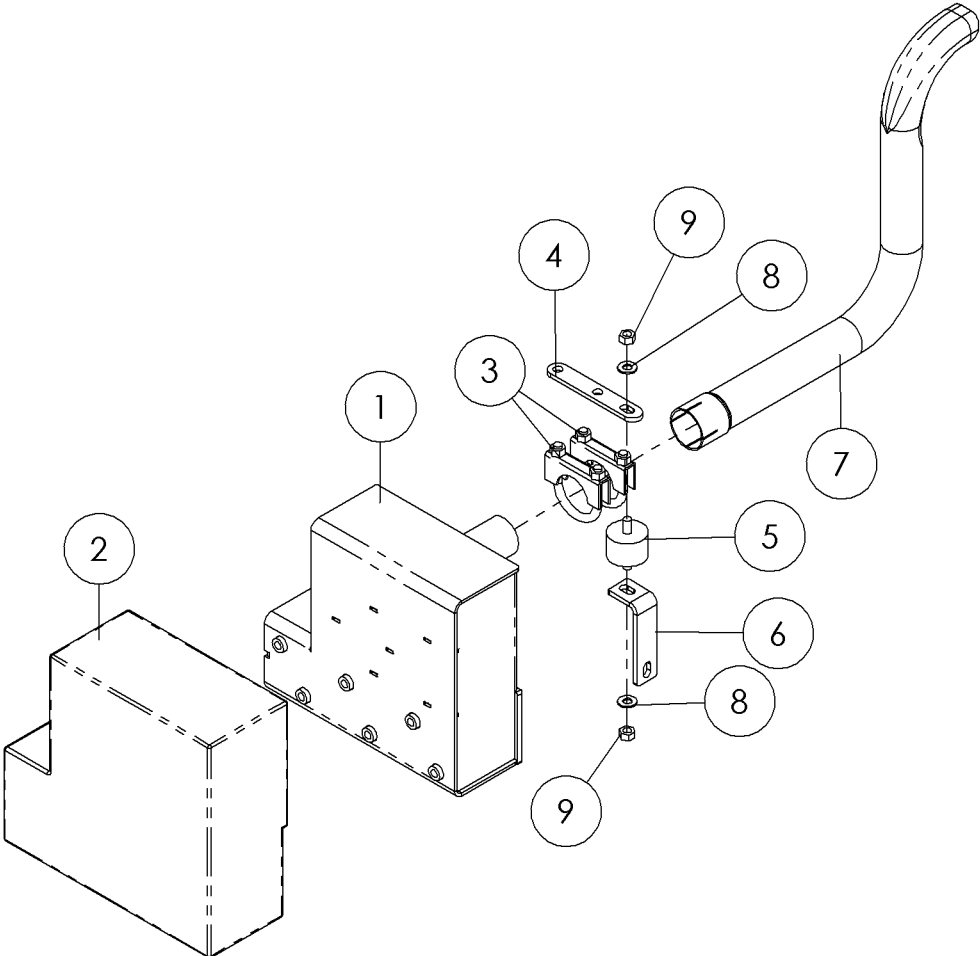


Illustration No. 296297263

Muffler (S/N 225-) Fig 3-7r03

REF. NO.	*	PART NO.	DESCRIPTION	QTY.	REMARKS
		Revision Date	September, 2007		Added Ref. 4 And 6
1		296282448	MUFFLER-BOX	1	
2		296297264	COVER-INSULATED MUFFLER	1	
3		2609019	CLAMP-1 1/2 MUFFLER	2	
4	*	296297447	BAR-CLAMP MOUNT ISOLATOR	1	(S/N 225-)
5		296275235	MOUNT - ISOLATOR	1	
6	*	296297448	BRACKET-EXHAUST TUBE	1	(S/N 225-)
7		296297259	TUBE - EXHAUST	1	
8		235714001	WASHER-FLATSTRL-.31-.34X.69-.06-YZ-A325	2	
9		510314501	NUT-TLHEX-.31-18-A-YZ	2	

Muffler (S/N 223-224) Fig 3-7r02

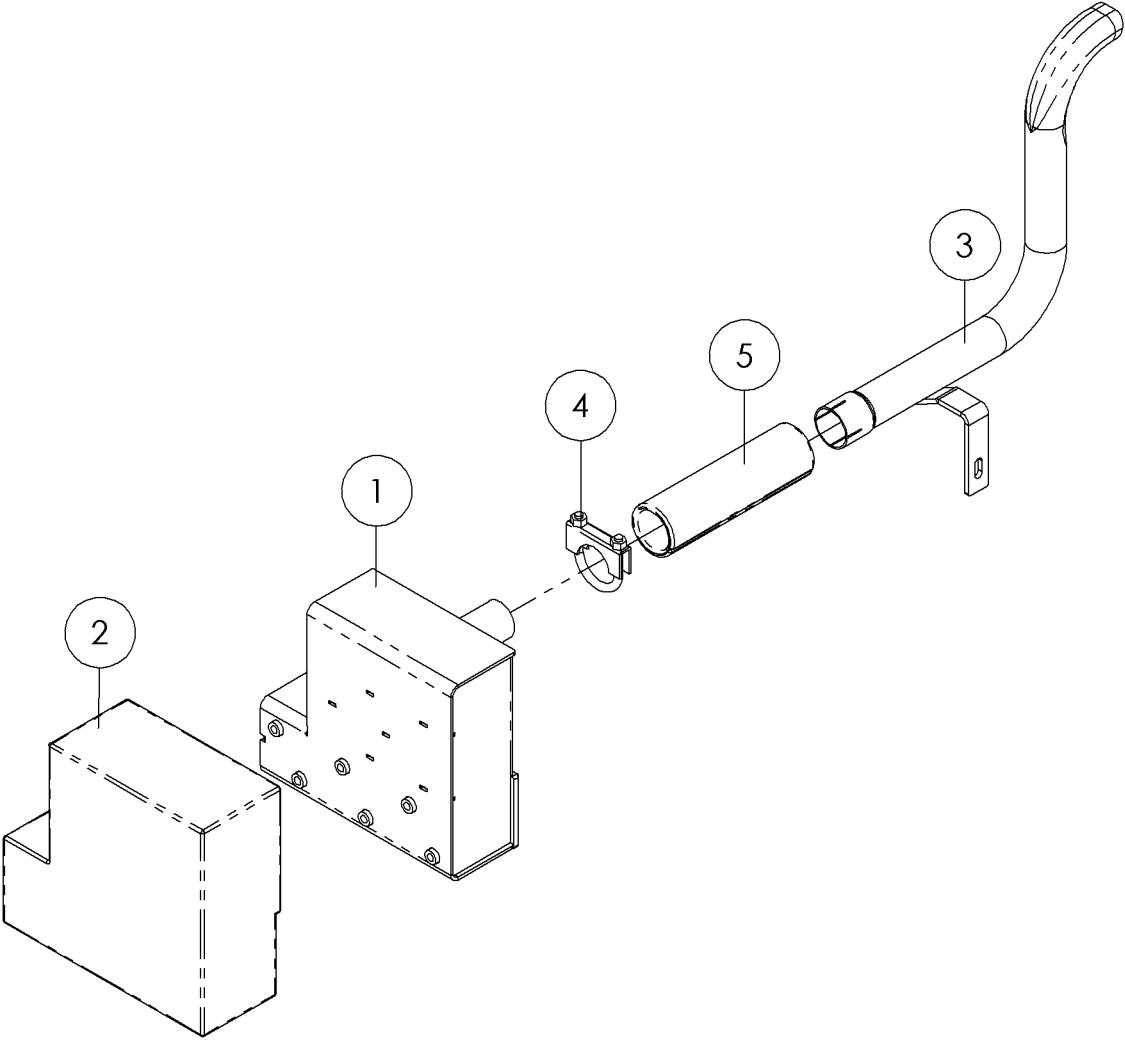
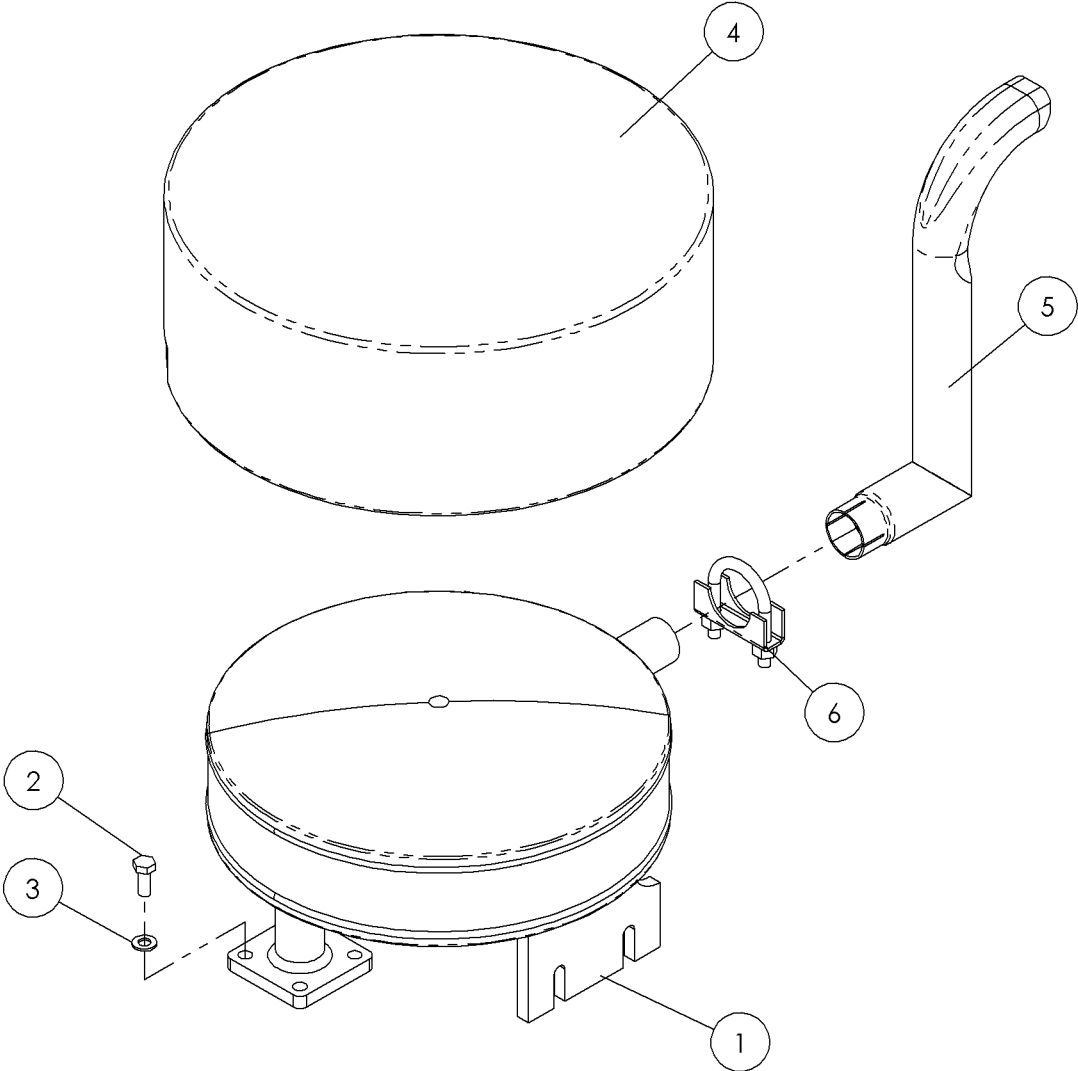


Illustration No. 296297263

Muffler (S/N 223-224) Fig 3-7r02

REF. NO.	*	PART NO.	DESCRIPTION	QTY.	REMARKS
		Revision Date	August, 2007		Change Assy
1		296282448	MUFFLER - BOX	1	
2		296297264	COVER - MUFFLER D6X6	1	
3		296297321	WELDMENT - EXHAUST TUBE	1	
4		2609019	CLAMP-1 1/2 MUFFLER	1	
5		296297368	COVER-INSULATED EXHAUST PIPE	1	

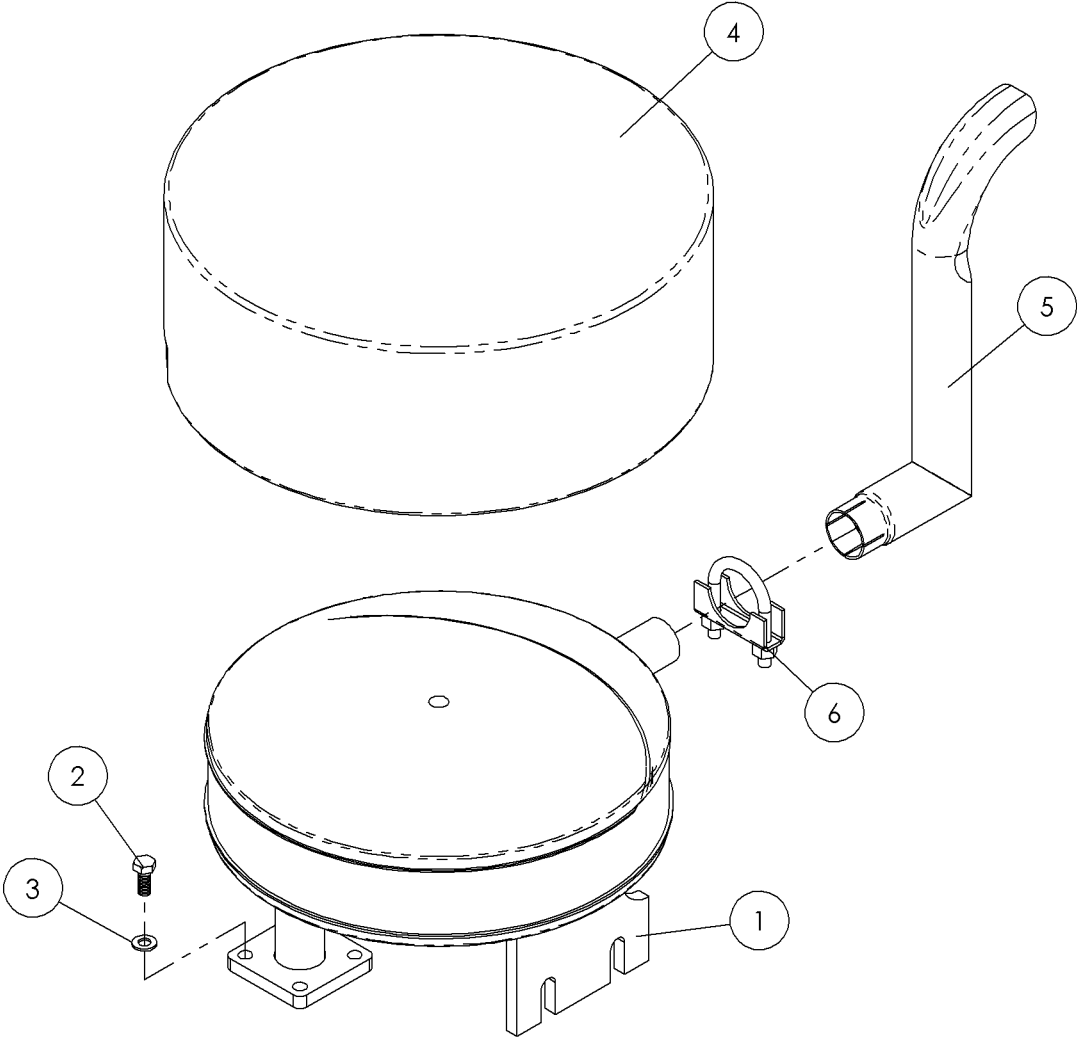
Muffler Fig 3-7r01



Muffler Fig 3-7r01

REF. NO.	*	PART NO.	DESCRIPTION	QTY.	REMARKS
		Revision Date	January, 2006		Update In Illustration & Parts List.
1		296280628	MUFFLER - EXHAUST	1	
2		506032020	SCREW-HCS,M8-1.25X20,8.8,YZ,D933,FT	4	
3		506046008	WASHER-FLAT,M8,YZ,D125A	4	
4		296280629	INSULATION - EXHAUST BLANKET	1	
5		296280649	EXHAUST TUBE	1	
6		2609021	CLAMP-1 3/8"MUFLER	1	

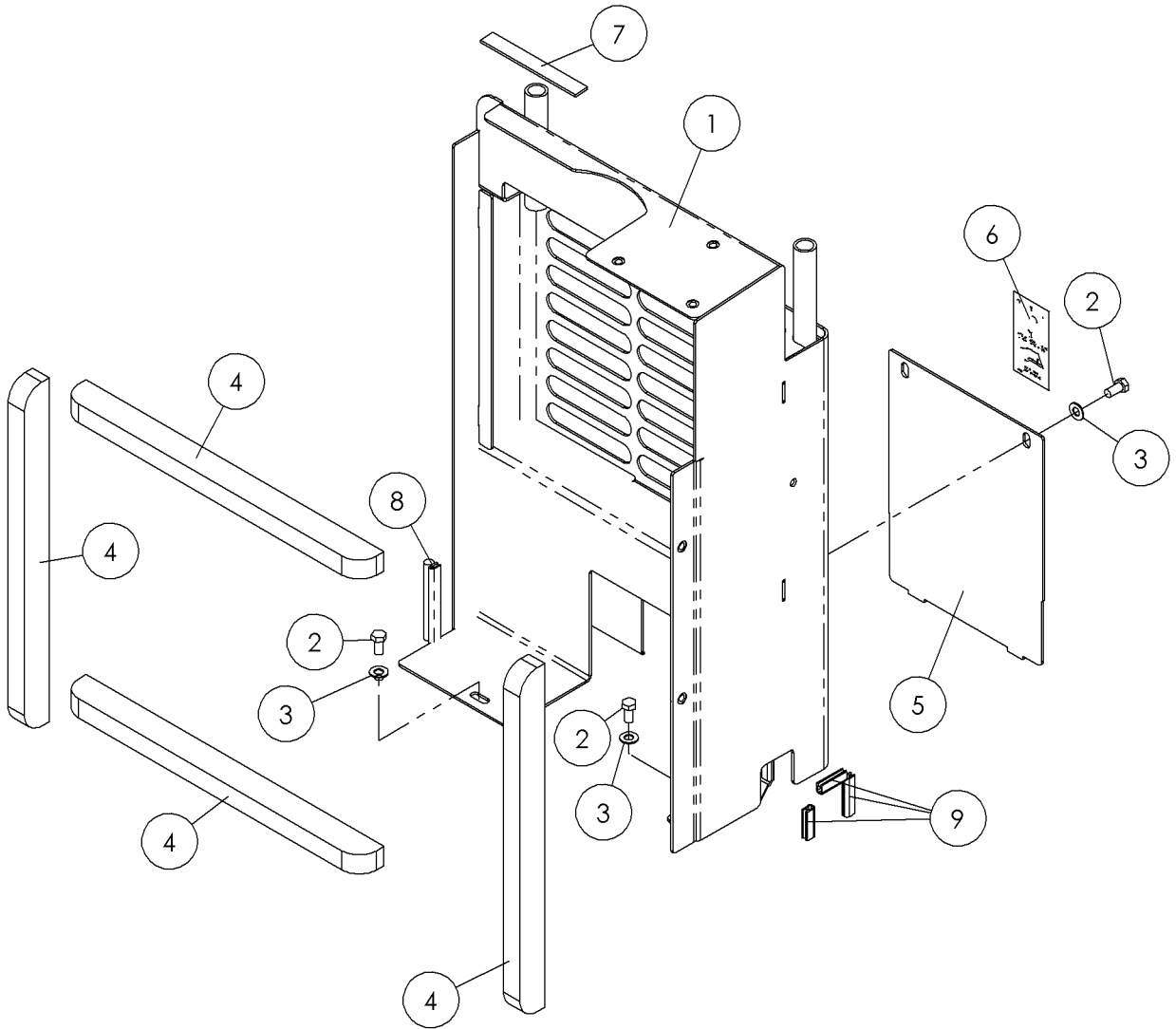
Muffler Fig 3-7



Muffler Fig 3-7

REF. NO.	*	PART NO.	DESCRIPTION	QTY.	REMARKS
1		296280628	MUFFLER - EXHAUST	1	
2		506032020	SCREW-HCS,M8-1.25X20,8.8,YZ,D933,FT	4	
3		506046008	WASHER-FLAT,M8,YZ,D125A	4	
4		296280629	INSULATION - EXHAUST BLANKET	1	
5		296280649	EXHAUST TUBE	1	
6		2609021	CLAMP-1 3/8"MUFLER	1	

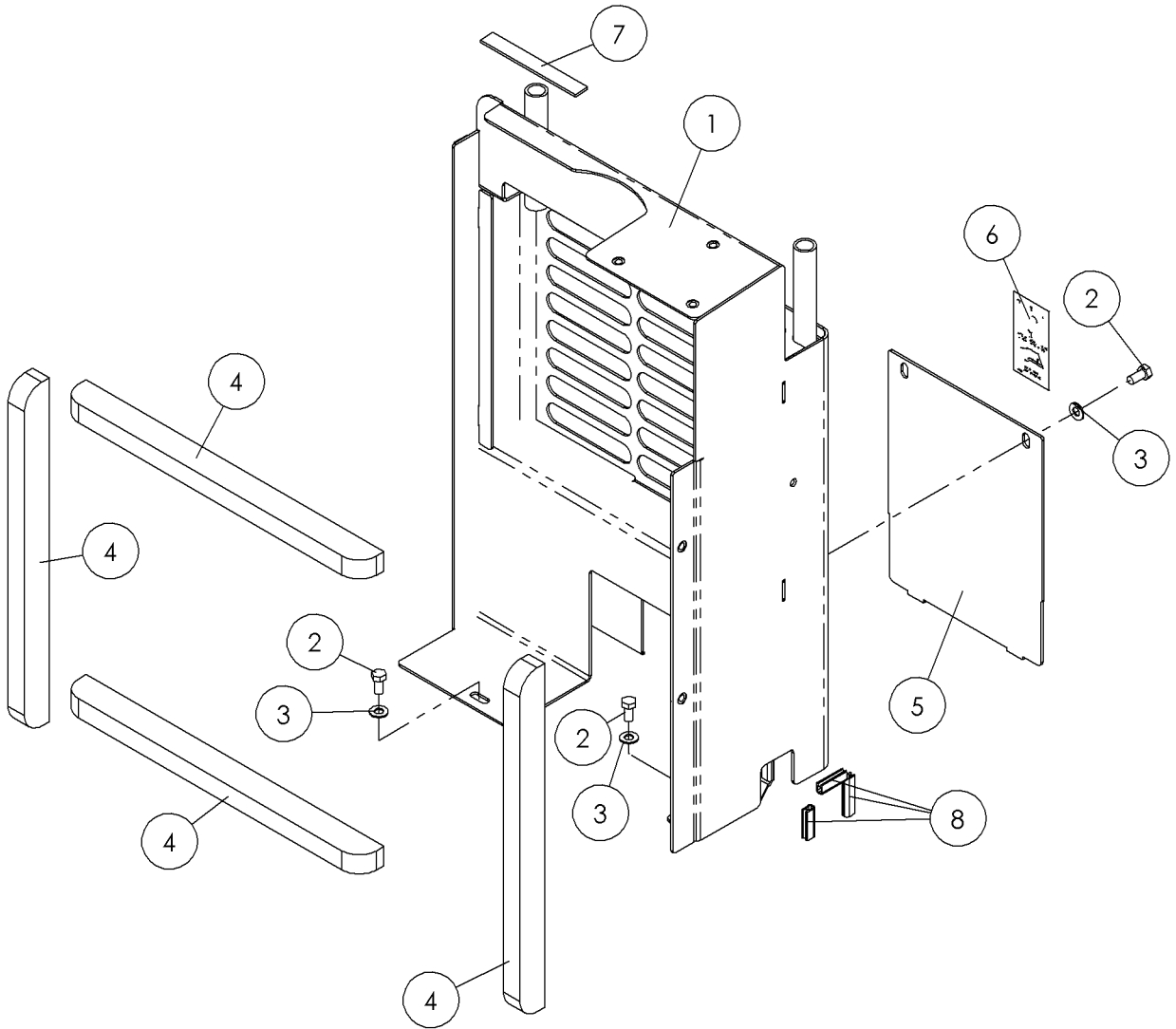
Rear Shields Fig 3-8r02



Rear Shields Fig 3-8r02

REF. NO.	*	PART NO.	DESCRIPTION	QTY.	REMARKS
		Revision Date	January, 2006		Update In Illustration & Parts List.
1		296278624	REAR SHIELD WELDMENT	1	
2		235726001	SCREW-HCS-.38-16X.75-GR8-YZ	6	
3		235713001	WASHER-FLATSTRL-.38-.41X.81-.06-YZ-A325	6	
4		235630001	FOAM - TOP RADIATOR	4	
5		296281061	PLATE - COVER BATTERY	1	
6		70000044	DECAL - WARNING (AT/UND)(DOMESTIC)	1	Domestic
		7000I044	DECAL-WARNING	1	International
7		282764001	WEATHER STRIP	1	
8		153893001	TRIM - SEAL	A/R	Specify Length
9		212522001	TRIM 1/4" EDGE	A/R	Specify Length

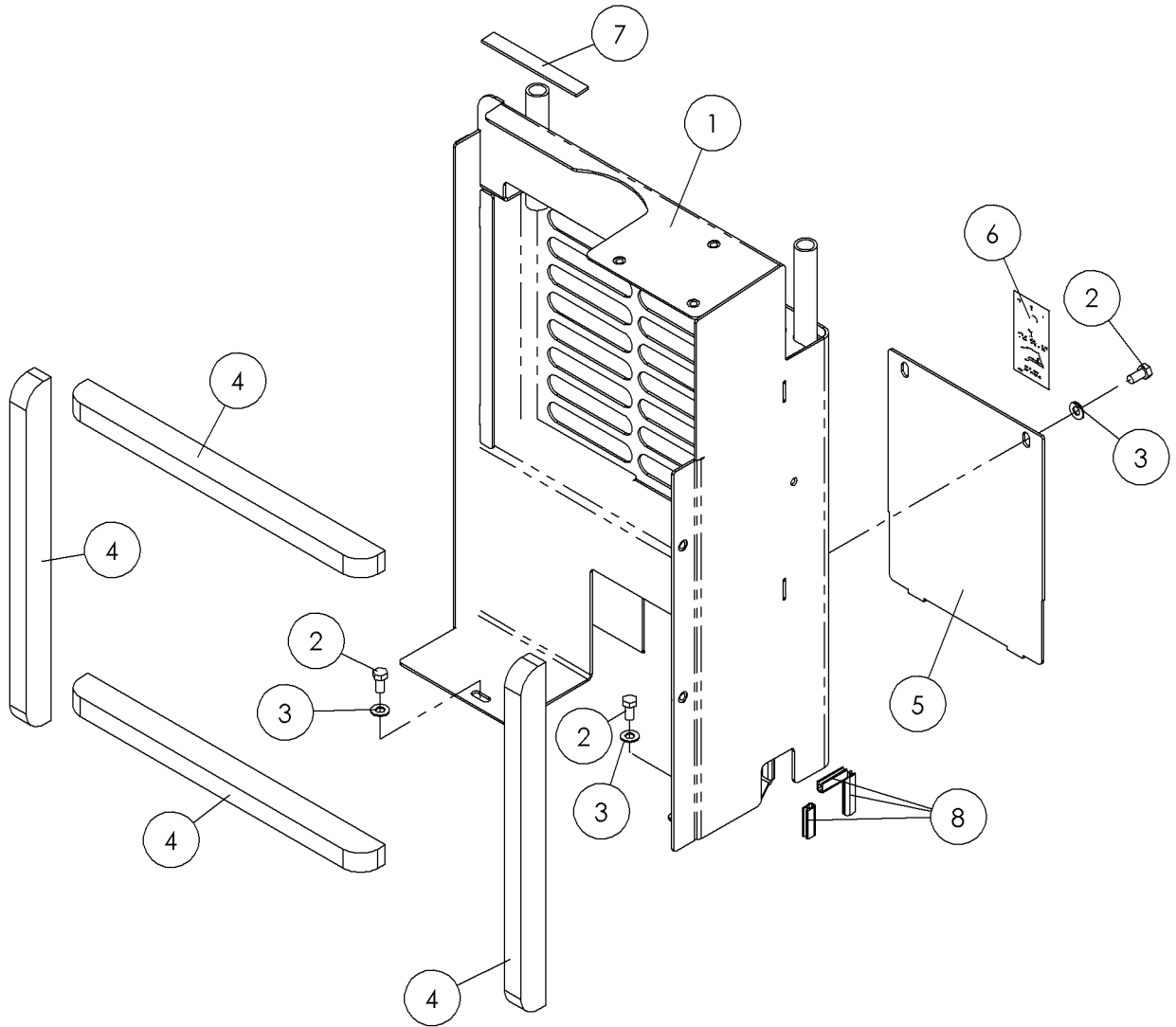
Rear Shields Fig 3-8r01



Rear Shields Fig 3-8r01

REF. NO.	*	PART NO.	DESCRIPTION	QTY.	REMARKS
		Revision Date	November, 2005		Update In Illustration & Parts List.
1		296278624	REAR SHIELD WELDMENT	1	
2		235726001	BOLT-3/8-16X3/4 GR8 HEX ZNCPLT	6	
3		235713001	WASHER-FLATSTRL-.38-.41X.81-.06-YZ-A325	6	
4		235630001	FOAM - TOP RADIATOR	4	
5		296281061	PLATE - COVER BATTERY	1	
6		70000044	DECAL - WARNING (AT/UND)(DOMESTIC)	1	Domestic
		7000I044	DECAL-WARNING	1	International
7		282764001	WEATHER STRIP	2	
8		212522001	TRIM 1/4" EDGE	4	

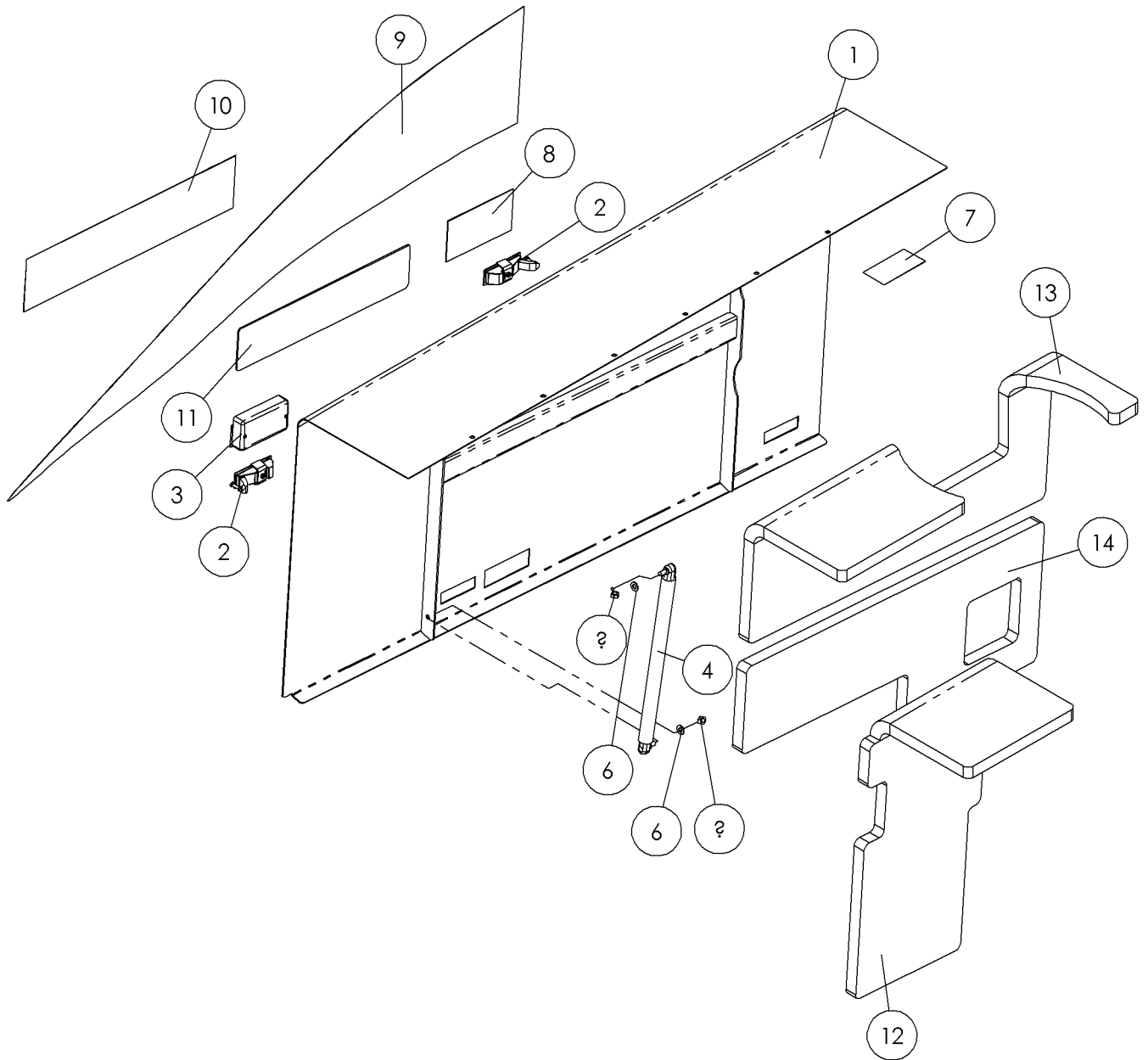
Rear Shields Fig 3-8



Rear Shields Fig 3-8

REF. NO.	*	PART NO.	DESCRIPTION	QTY.	REMARKS
1		296278624	REAR SHIELD WELDMENT	1	
2		235726001	BOLT-3/8-16X3/4 GR8 HEX ZNCPLT	6	
3		235713001	WASHER - FLATSTRL - .38 - .41 X .81 - .06-YA-A325	6	
4		235630001	FOAM-TOP RADIATOR	4	
5		296281061	PLATE - COVER BATTERY	1	
6		70000044	DECAL-WARNING(AT/UND)	1	Domestic
		7000I044	DECAL-WARNING	1	International
7		282764001	WEATHER STRIP	2	
8		212522001	TRIM-1/4 EDGE	4	

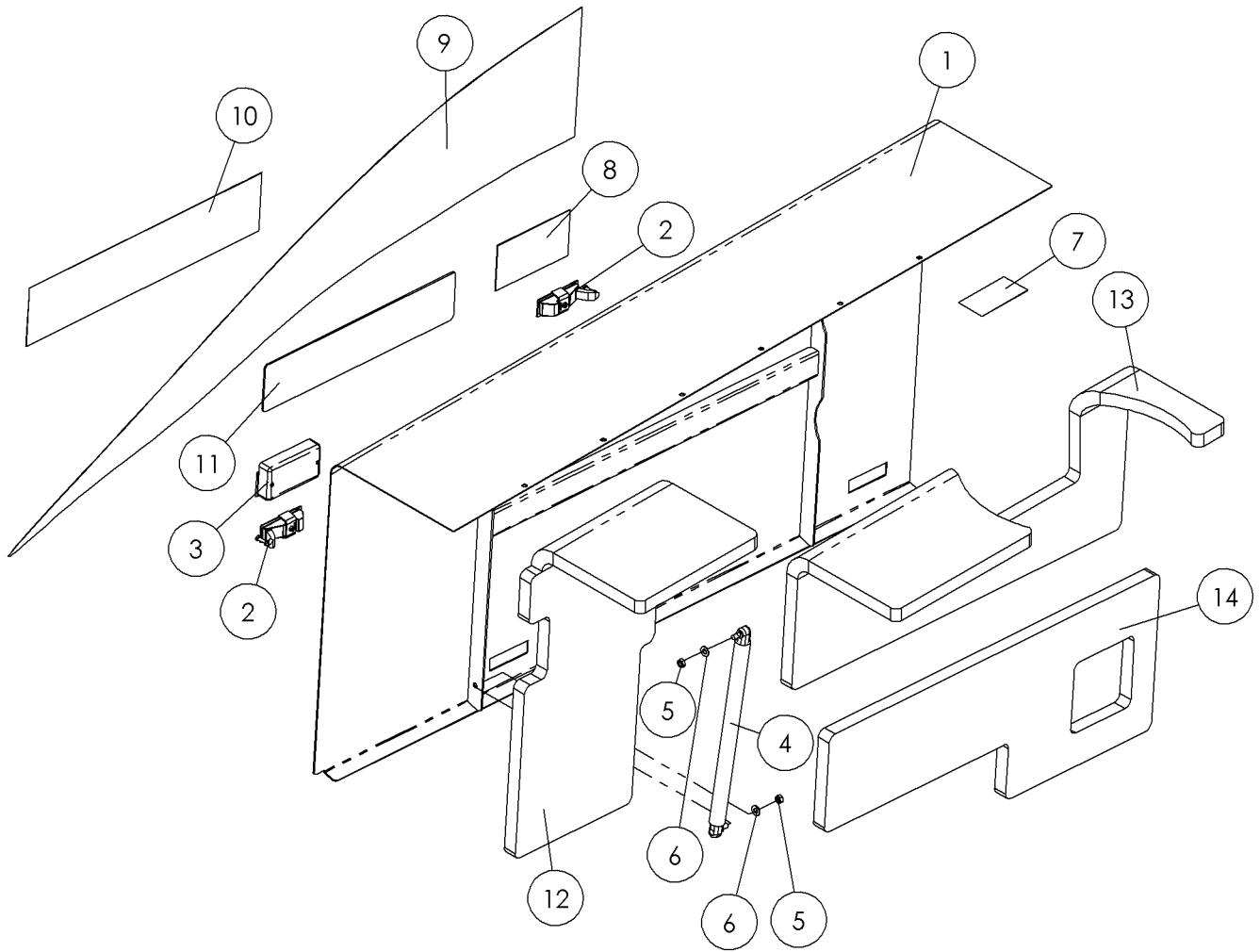
Engine Bay Doors Fig 3-9r03



Engine Bay Doors Fig 3-9r03

REF. NO.	*	PART NO.	DESCRIPTION	QTY.	REMARKS
		Revision Date	March, 2007		Change Decal
1		296278650	DOOR - ENGINE BAY	1	
2		218080001	LATCH-ADJ.LEVER W/RAISED BUTTN(INC KEYS)	2	
3		158814001	HANDLE - HOOD	1	
4		294029001	SPRING - GAS LATCHING, 26.3 EXT LENGTH	1	
5		510314501	NUT-TLHEX-.31-18-A-YZ	2	
6		235714001	WASHER - FLATSTRL - .31 - .34 X .69 - .06-YZ-A325	3	
7		2326315	DECAL-WARNING	1	Domestic
		2326I315	DECAL-WARNING	1	International
8		7000a576	DECAL-DANGER	1	Domestic
		700IA576	DECAL-DANGER	1	International
9	*	7000D030	DECAL-D6X6 STRIPE	1	(S/N 223-)
10		2326595	DECAL VERMEER- 4 1/2 X 24	1	
11		70000615	DECAL-MODEL NAVIGATOR (SMALL)	1	
12		296281103	FOAM-FRONT DOOR	1	
13		296281096	FOAM-MIDDLE UPPER	1	
14		296281102	FOAM-MIDDLE BOTTOM DOOR	1	

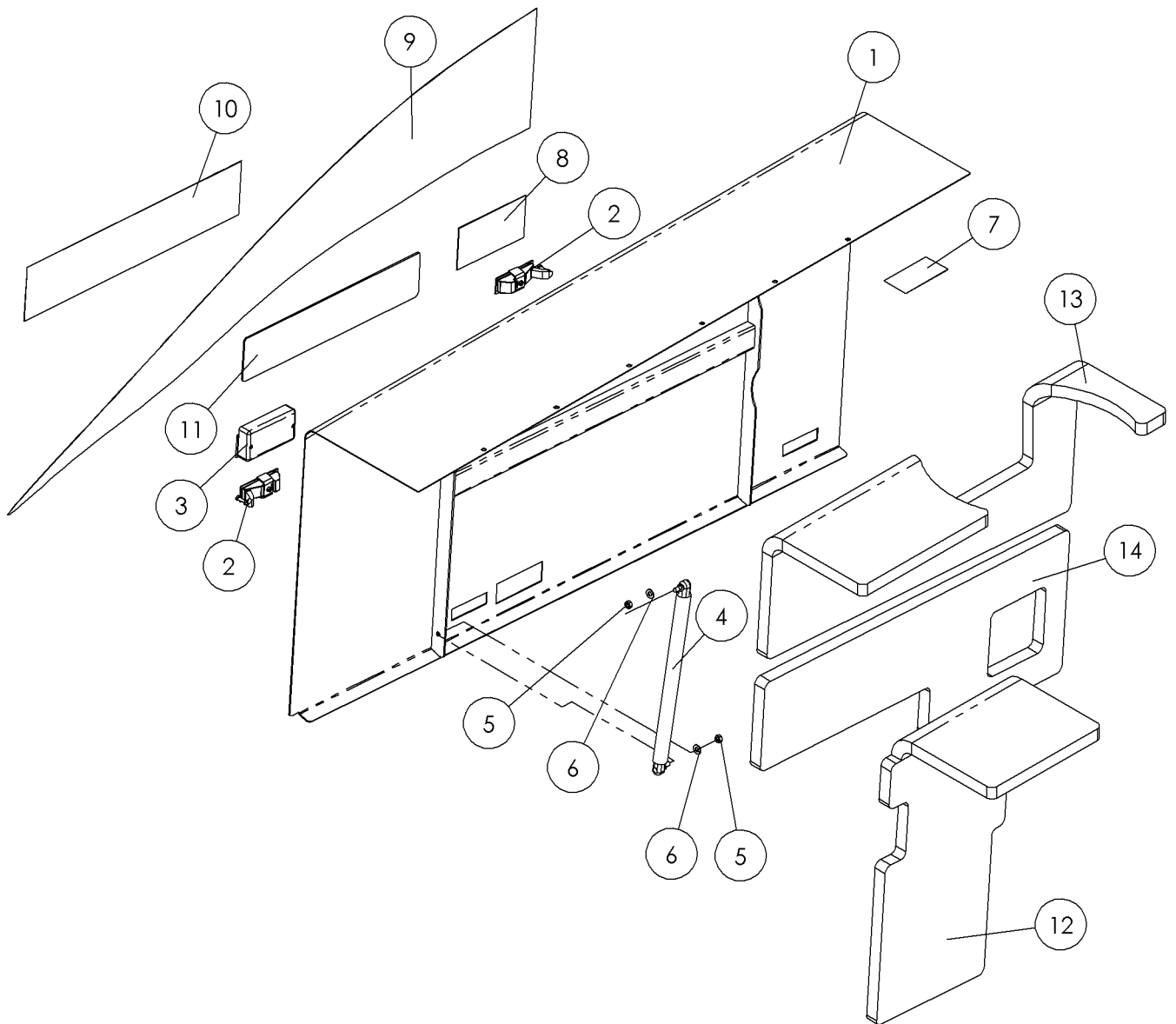
Engine Bay Doors Fig 3-9r02



Engine Bay Doors Fig 3-9r02

REF. NO.	*	PART NO.	DESCRIPTION	QTY.	REMARKS
		Revision Date	January, 2006		Update In Illustration & Parts List.
1		296278650	DOOR - ENGINE BAY	1	
2		218080001	LATCH-ADJ.LEVER W/RAISED BUTTN(INC KEYS)	2	
3		158814001	HANDLE - HOOD	1	
4		294029001	SPRING - GAS LATCHING, 26.3 EXT LENGTH	1	
5		510314501	NUT-TLHEX-.31-18-A-YZ	2	
6		235714001	WASHER - FLATSTRL - .31 - .34 X .69 - .06-YZ-A325	3	
7		2326315	DECAL-WARNING	1	Domestic
		2326I315	DECAL-WARNING	1	International
8		7000A576	DECAL-DANGER	1	Domestic
		700IA576	DECAL-DANGER	1	International
9		7000C647	DECAL - D6X6 STRIPE	1	
10		2326595	DECAL VERMEER- 4 1/2 X 24	1	
11		70000615	DECAL-MODEL NAVIGATOR (SMALL)	1	
12		296281103	FOAM-FRONT DOOR	1	
13		296281096	FOAM-MIDDLE UPPER	1	
14		296281102	FOAM-MIDDLE BOTTOM DOOR	1	

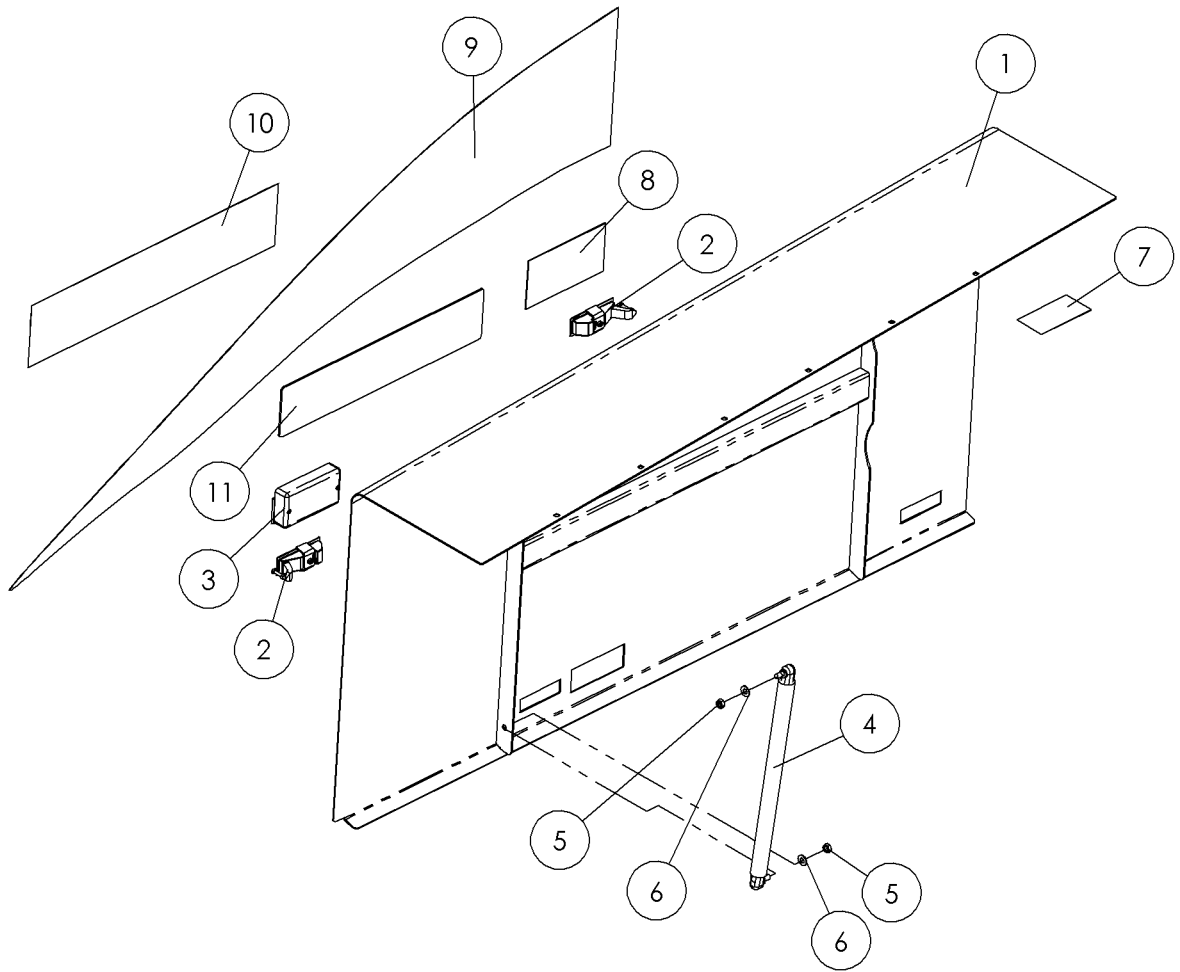
Engine Bay Doors Fig 3-9r01



Engine Bay Doors Fig 3-9r01

REF. NO.	*	PART NO.	DESCRIPTION	QTY.	REMARKS
		Revision Date	November, 2005		Update In Illustration & Parts List.
1		296278650	DOOR - ENGINE BAY	1	
2		218080001	LATCH-ADJ.LEVER W/RAISED BUTTN(INC KEYS)	2	
3		158814001	HANDLE - HOOD	1	
4		294029001	SPRING - GAS LATCHING, 26.3 EXT LENGTH	1	
5		510314501	NUT-TLHEX-.31-18-A-YZ	2	
6		235714001	WASHER - FLATSTRL - .31 - .34 X .69 - .06-YZ-A325	3	
7		2326315	DECAL-WARNING	1	Domestic
		2326I315	DECAL-WARNING	1	International
8		7000A576	DECAL-DANGER	1	Domestic
		700IA576	DECAL-DANGER	1	International
9		7000C647	DECAL - D6X6 STRIPE	1	
10		2326595	DECAL VERMEER- 4 1/2 X 24	1	
11		70000615	DECAL-MODEL NAVIGATOR (SMALL)	1	
12		296281103	FOAM - FRONT DOOR	1	
13		296281096	FOAM - MIDDEL UPPER DOOR	1	
14		296281102	FOAM - MIDDLE BOTTOM DOOR	1	

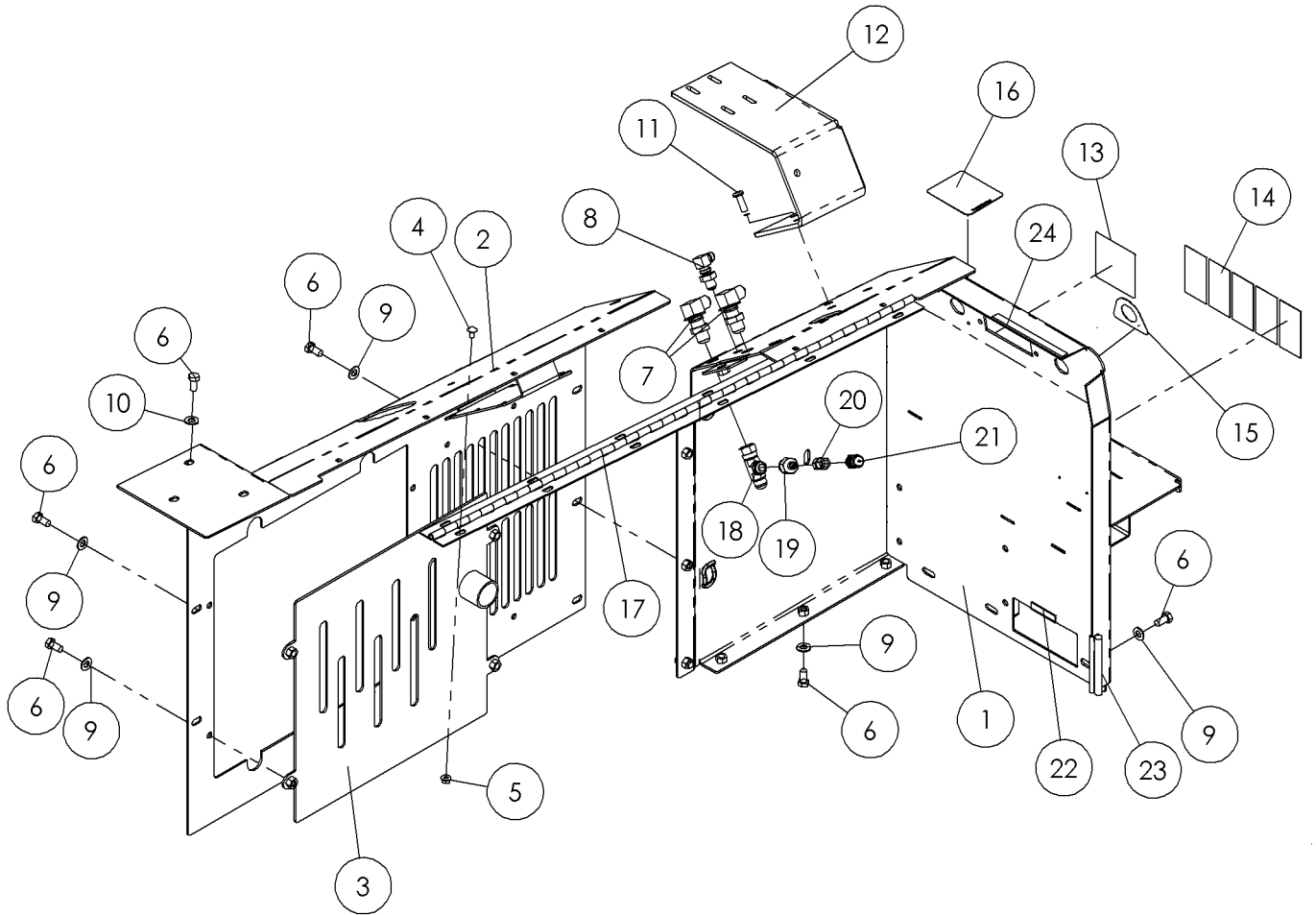
Engine Bay Doors Fig 3-9



Engine Bay Doors Fig 3-9

REF. NO.	*	PART NO.	DESCRIPTION	QTY.	REMARKS
1		296278650	DOOR - ENGINE BAY	1	
2		218080001	LATCH-ADJ.LEVER W/RAISED BUTTN(INC KEYS)	2	
3		158814001	HANDLE - HOOD	1	
4		294029001	SPRING - GAS LATCHING, 26.3 EXT LENGTH	1	
5		510314501	NUT-TLHEX-.31-18-A-YZ	2	
6		235714001	WASHER - FLATSTRL - .31 - .34 X .69 - .06-YZ-A325	2	
7		2326315	DECAL-WARNING	1	Domestic
		2326I315	DECAL-WARNING	1	International
8		7000A576	DECAL-DANGER	1	Domestic
		700IA576	DECAL-DANGER	1	International
9		7000C647	DECAL - D6X6 STRIPE	1	
10		2326595	DECAL VERMEER- 4 1/2 X 24	1	
11		70000615	DECAL-MODEL NAVIGATOR (SMALL)	1	

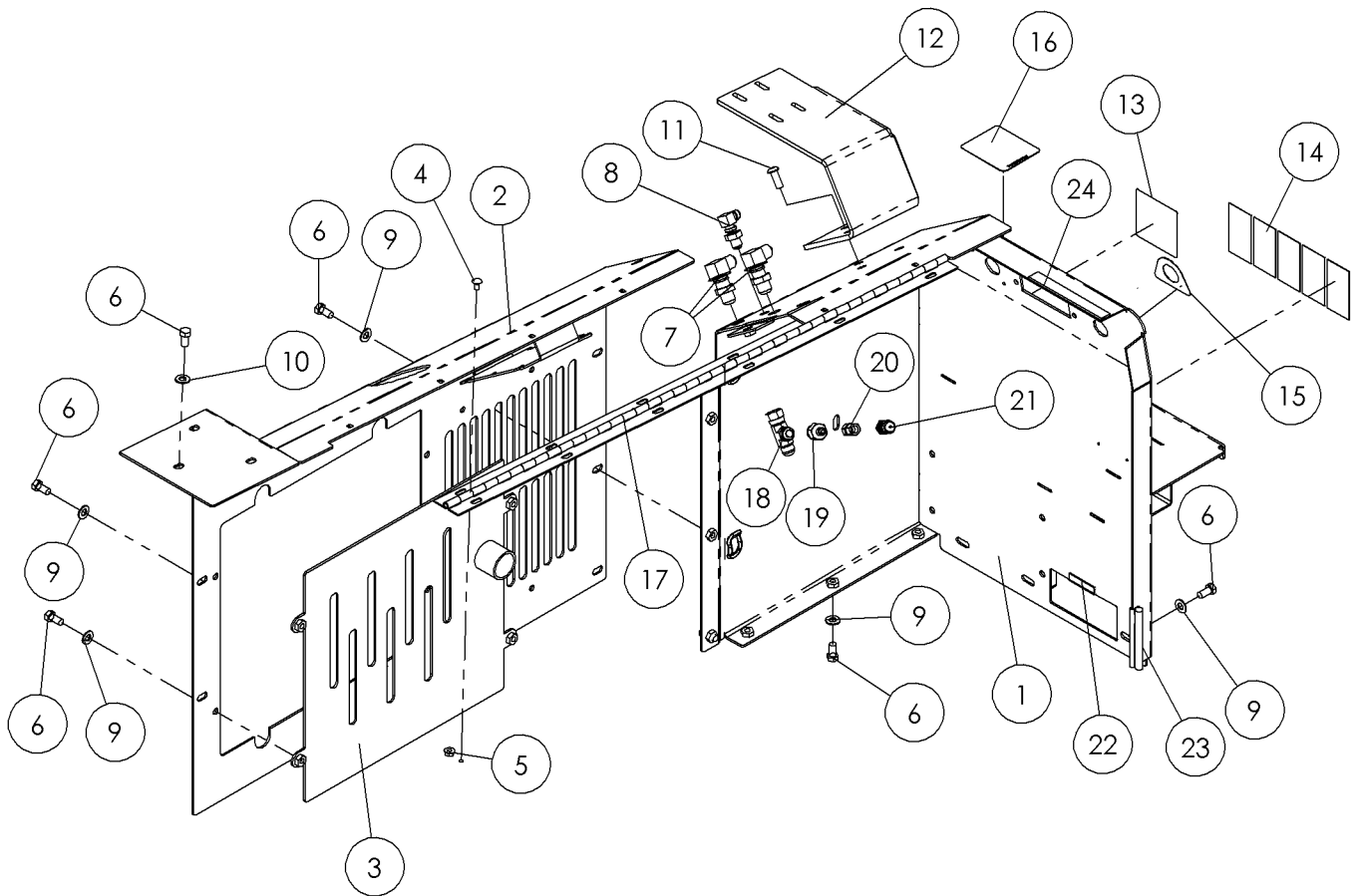
Front Shields Fig 3-10r03



Front Shields Fig 3-10r03

REF. NO.	*	PART NO.	DESCRIPTION	QTY.	REMARKS
		Revision Date	October, 2007		Remove Plug
1		296277742	FRONT SHIELD WELDMENT	1	
2		296281013	LEFT SHIELD WELDMENT	1	
3		296281002	DOOR/ACCESS WELDMENT	1	
4		373004	1/4-20X1/2 GD5 CARRIAGE BOLT	12	
5		1809005	NUT-1/4 SM FLGE T.L.	12	
6		235726001	BOLT-3/8-16X3/4 GR8 HEX ZNCPLT	19	
7		87043001	FITTING 8MJIC BUK X 8MJIC 90	2	
8		60727001	FITTING-6MJICX90BULKHEAD ELBOW	1	
9		510337635	WASHER-FLATSAE-.38-.41X.81-16G-YZ	16	
10		235713001	WASHER - FLATSTRL - .38 - .41 X .81 - .06-YA-A325	3	
11		103978010	BOLT-3/8NCX1 BUT.HD.SOCKET	3	
12		296281034	HOSE CARRIER MOUNT WELDMENT	1	
13		7000B119	DECAL - PATENT INDUSTRIAL	1	
14		7000B812	DECAL - WARNING	1	Domestic
		700IB812	DECAL - WARNING	1	International
15		700IB600	DECAL - IGNITION SWITCH	1	
16		700IC613	DECAL - LEFT OPERATOR'S CONTROL	1	
17		296277748	HINGE - DOOR/HOOD	1	
18		59461001	8 JIC SW RUN TEE	1	
19		54385001	FITTING-8F JICX4MJIC REDUCER	1	
20		287514001	FITTING - 4 FJIC X 1/8 FNPT ST	1	
21		75491001	COUPER-MALE TCM20-1/8"NPT-V	1	
22		212522001	TRIM-1/4 EDGE	A/R	Specify length
23		153893001	TRIM - SEAL (SOLD BY FOOT)	A/R	Specify length
24		282764001	WEATHER STRIP	1	

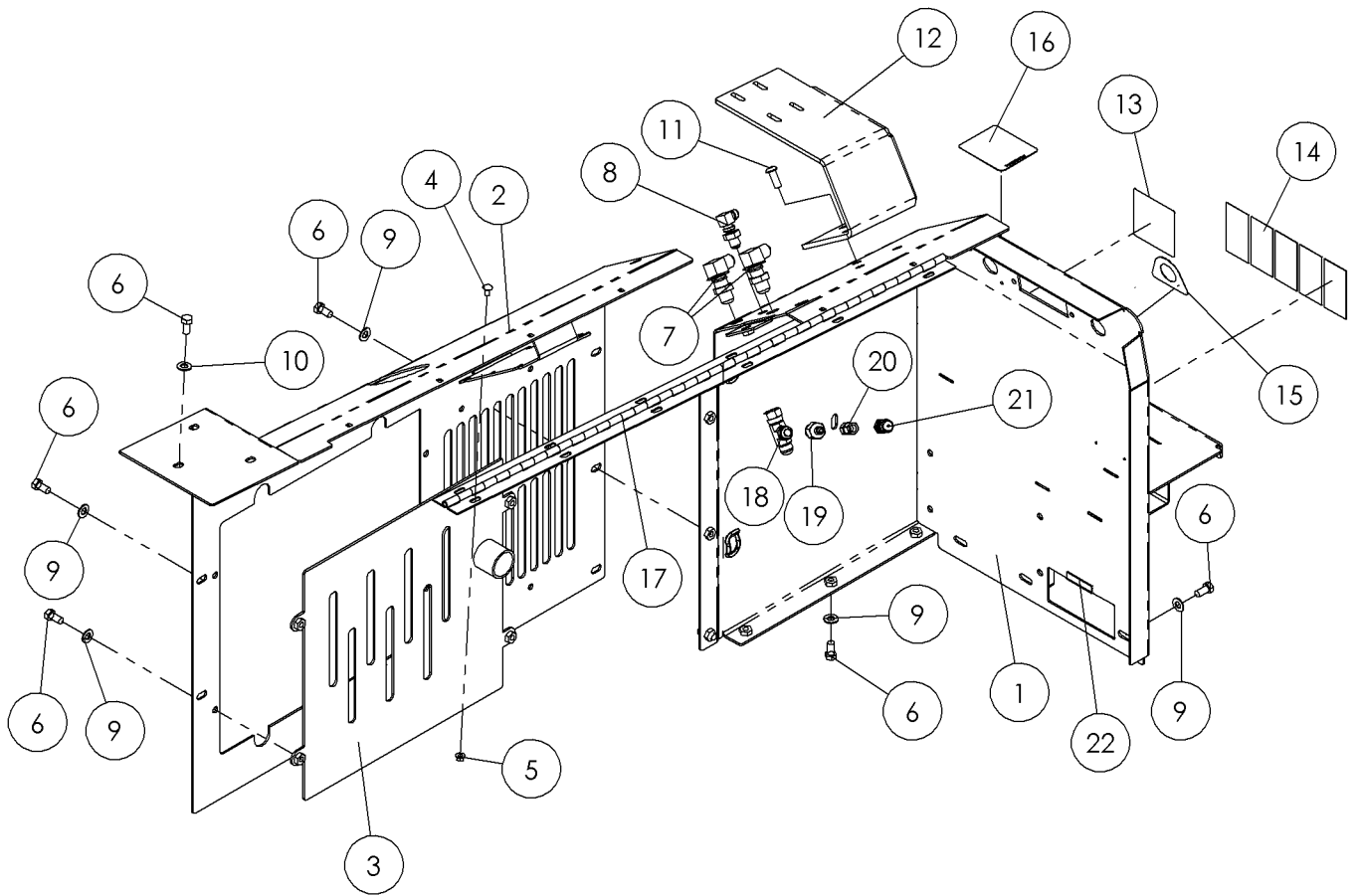
Front Shields Fig 3-10r02



Front Shields Fig 3-10r02

REF. NO.	*	PART NO.	DESCRIPTION	QTY.	REMARKS
		Revision Date	January, 2006		Update In Illustration & Parts List.
1		296277742	FRONT SHIELD WELDMENT	1	
2		296281013	LEFT SHIELD WELDMENT	1	
3		296281002	DOOR/ACCESS WELDMENT	1	
4		373004	1/4-20X1/2 GD5 CARRIAGE BOLT	12	
5		1809005	NUT-1/4 SM FLGE T.L.	12	
6		235726001	BOLT-3/8-16X3/4 GR8 HEX ZNCPLT	19	
7		87043001	FITTING 8MJIC BUK X 8MJIC 90	2	
8		60727001	FITTING-6MJICX90BULKHEAD ELBOW	1	
9		510337635	WASHER-FLATSAE-.38-.41X.81-16G-YZ	16	
10		235713001	WASHER - FLATSTRL - .38 - .41 X .81 - .06-YA-A325	3	
11		103978010	BOLT-3/8NCX1 BUT.HD.SOCKET	3	
12		296281034	HOSE CARRIER MOUNT WELDMENT	1	
13		7000b119	DECAL - PATENT INDUSTRIAL	1	
14		7000B812	DECAL - WARNING	1	Domestic
		700IB812	DECAL - WARNING	1	International
15		700IB600	DECAL - IGNITION SWITCH	1	
16		700IC613	DECAL - LEFT OPERATOR'S CONTROL	1	
17		296277748	HINGE - DOOR/HOOD	1	
18		59461001	8 JIC SW RUN TEE	1	
19		54385001	FITTING-8F JICX4MJIC REDUCER	1	
20		287514001	FITTING - 4 FJIC X 1/8 FNPT ST	1	
21		75491001	COUPER-MALE TCM20-1/8"NPT-V	1	
22		212522001	TRIM-1/4 EDGE	A/R	Specify Length
23		153893001	TRIM - SEAL	A/R	Specify Length
24		282764001	WEATHER STRIP	1	

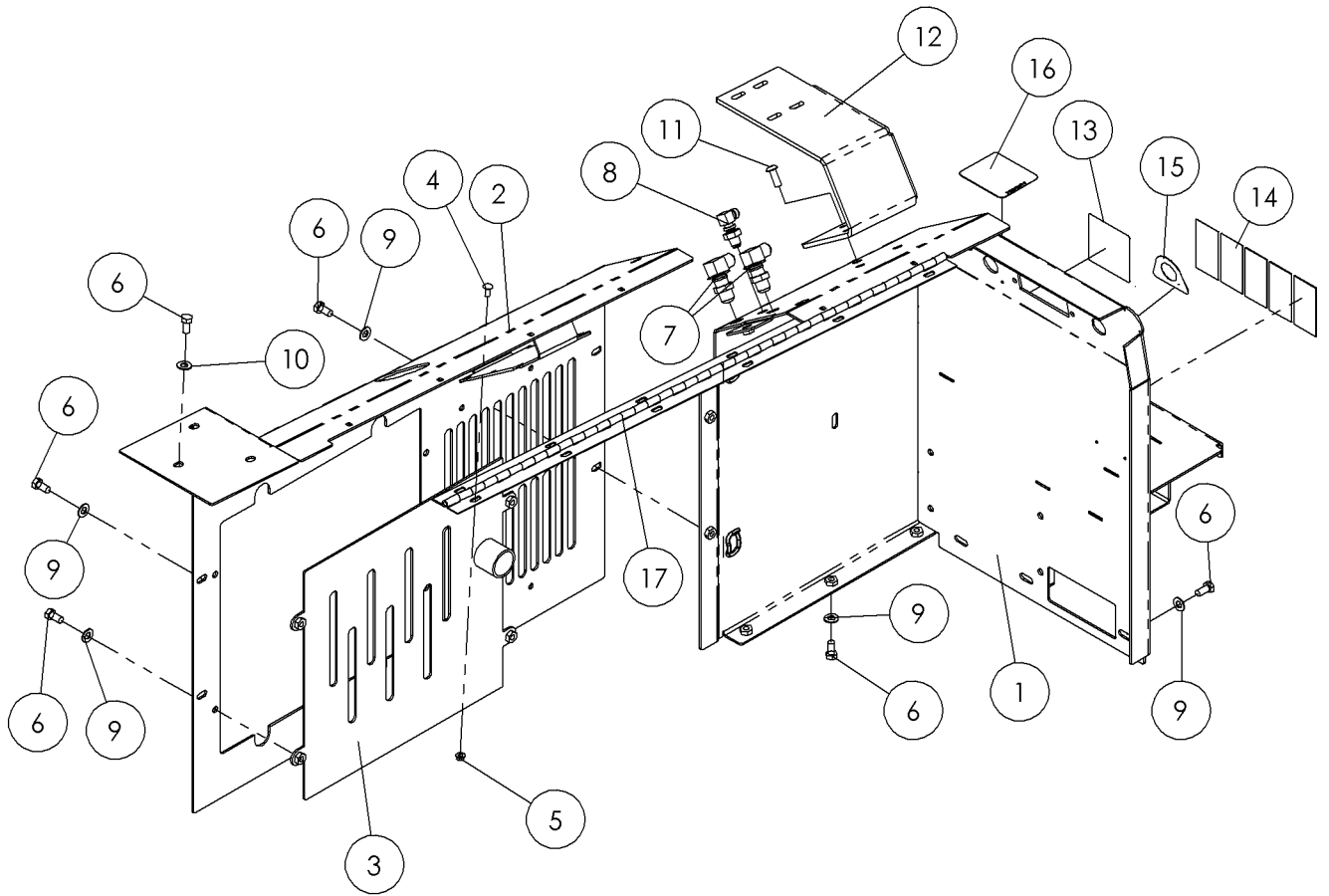
Front Shields Fig 3-10r01



Front Shields Fig 3-10r01

REF. NO.	*	PART NO.	DESCRIPTION	QTY.	REMARKS
		Revision Date	November, 2005		Update In Illustration & Parts List.
1		296277742	FRONT SHIELD WELDMENT	1	
2		296281013	LEFT SHIELD WELDMENT	1	
3		296281002	DOOR/ACCESS WELDMENT	1	
4		373004	BOLT-CARG-.25-20X.50-GR5-CZ	12	
5		1809005	NUT-SMFLGTL-.25-20-G-CZ	12	
6		235726001	BOLT-3/8-16X3/4 GR8 HEX ZNCPLT	19	
7		87043001	FITTING-8MJIC/8MJIC-90-BLK	2	
8		60727001	FITTING-6MJICX90BULKHEAD ELBOW	1	
9		510337635	WASHER-FLATSAE-.38-.41 X .81-16G-YZ	16	
10		235713001	WASHER-FLATSTRL-.38-.41X.81-.06-YZ-A325	3	
11		103978010	SCREW-SBHCS-.38-16X1.00-GR8-CZ	3	
12		296281034	HOSE CARRIER MOUNT WELDMENT	1	
13		7000b119	DECAL - PATENT INDUSTRIAL	1	
14		7000B812	DECAL - WARNING	1	Domestic
		700IB812	DECAL - WARNING	1	International
15		700IB600	DECAL - IGNITION SWITCH	1	
16		700IC613	DECAL-LEFT	1	
17		296277748	HINGE - DOOR/HOOD	1	
18		59461001	8 JIC SW RUN TEE	1	
19		54385001	FITTING-STR-4MJ-8FJ	1	
20		287514001	FITTING-STR-4FSJ-2FNPT	1	
21		75491001	FITTING-TEST-16MTP-2MNPT	1	
22		212522001	TRIM 1/4" EDGE	1	

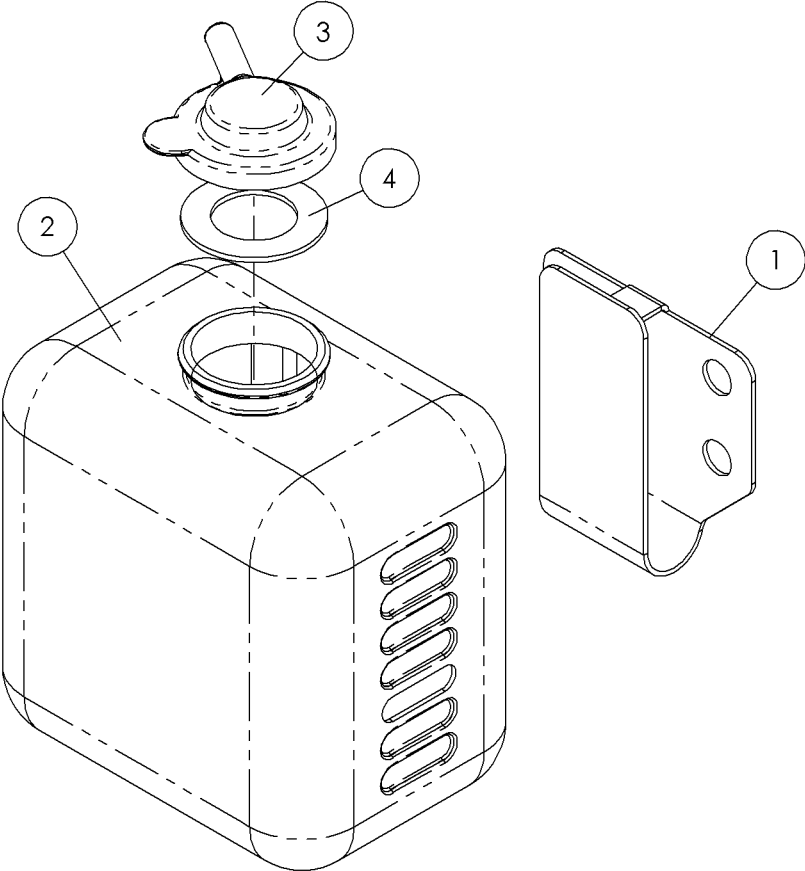
Front Shields Fig 3-10



Front Shields Fig 3-10

REF. NO.	*	PART NO.	DESCRIPTION	QTY.	REMARKS
1		296277742	FRONT SHIELD WELDMENT	1	
2		296281013	LEFT SHIELD WELDMENT	1	
3		296281002	DOOR/ACCESS WELDMENT	1	
4		373005	BOLT-1/4-20X5/8 GR5 CARRIAGE	12	
5		405001	NUT-1/4 NC FLG WHIZ LOCK REF T16734	12	
6		235726001	BOLT-3/8-16X3/4 GR8 HEX ZNCPLT	18	
7		87043001	FITTING 8MJIC BUK X 8MJIC 90	2	
8		60727001	FITTING-6MJICX90BULKHEAD ELBOW	1	
9		510337635	WASHER-FLATSAE-.38-.41X.81-16G-YZ	15	
10		235713001	WASHER - FLATSTRL - .38 - .41 X .81 - .06-YA-A325	3	
11		103978010	BOLT-3/8NCX1 BUT.HD.SOCKET	3	
12		296281034	HOSE CARRIER MOUNT WELDMENT	1	
13		7000B119	DECAL - PATENT INDUSTRIAL	1	
14		7000B812	DECAL - WARNING	1	Domestic
		700IB812	DECAL - WARNING	1	International
15		700IB600	DECAL - IGNITION SWITCH	1	
16		700IC613	DECAL - LEFT OPERATOR'S CONTROL	1	
17		296277748	HINGE - DOOR/HOOD	1	

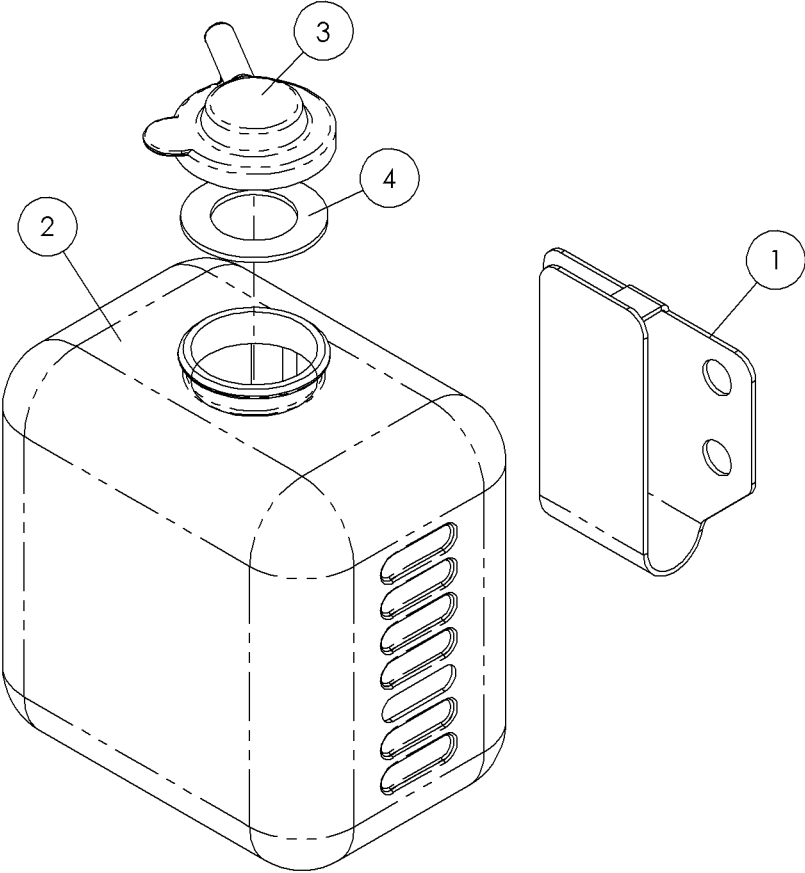
Coolant Overflow Bottle Fig 3-11r01



Coolant Overflow Bottle Fig 3-11r01

REF. NO.	*	PART NO.	DESCRIPTION	QTY.	REMARKS
		Revision Date	January, 2006		Update In Illustration & Parts List.
1		NSS	MOUNT OVERFLOW BOTTLE	1	
2		NSS	BOTTLE OVERFLOW	1	
3		NSS	CAP OVERFLOW BOTTLE	1	
4		NSS	GASKET OVERFLOW BOTTLE	1	
		296281019	COOLANT OVERFLOW BOTTLE ASSY		Inc. All Items In Figure

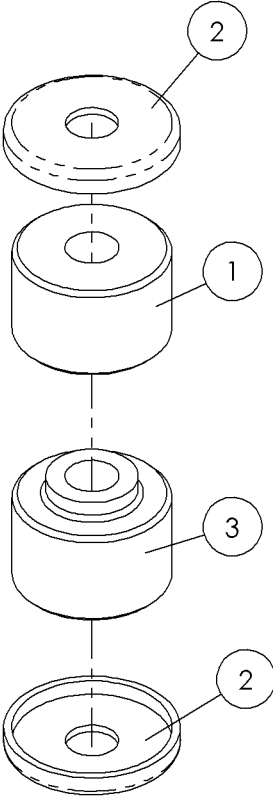
Coolant Overflow Bottle Fig 3-11



Coolent Overflow Bottle Fig 3-11

REF. NO.	*	PART NO.	DESCRIPTION	QTY.	REMARKS
1		296281020	MOUNT OVERFLOW BOTTLE	1	
2		296281022	BOTTLE OVERFLOW	1	
3		296281021	CAP OVERFLOW BOTTLE	1	
4		296281023	GASKET OVERFLOW BOTTLE	1	

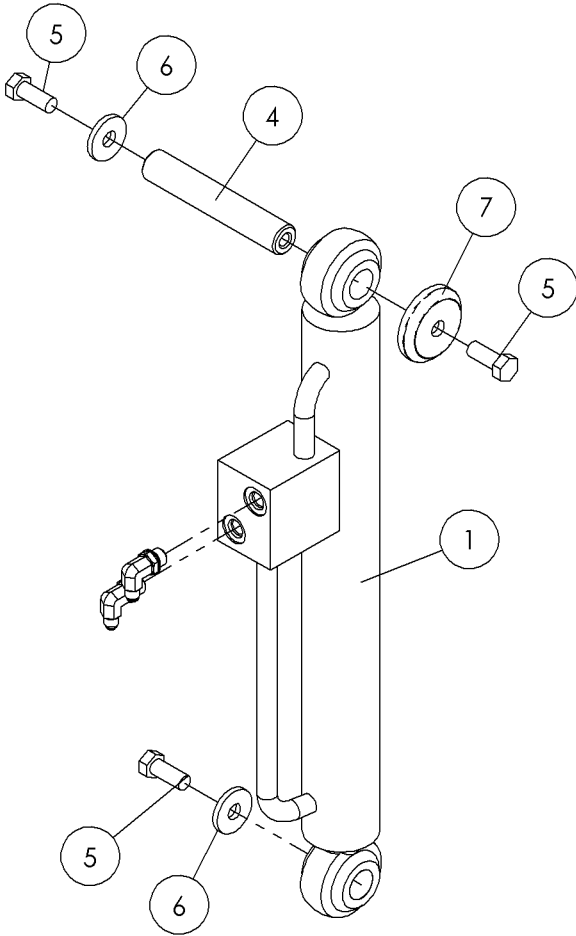
Radiator Isolator Fig 3-12



Radiator Isolator Fig 3-12

REF. NO.	*	PART NO.	DESCRIPTION	QTY.	REMARKS
1		265162001	ISOLATOR-RADIATOR-TOP	1	
2		265164001	WASHER- FORMED	2	
3		265163001	ISOLATOR-RADIATOR-BOTTOM	1	

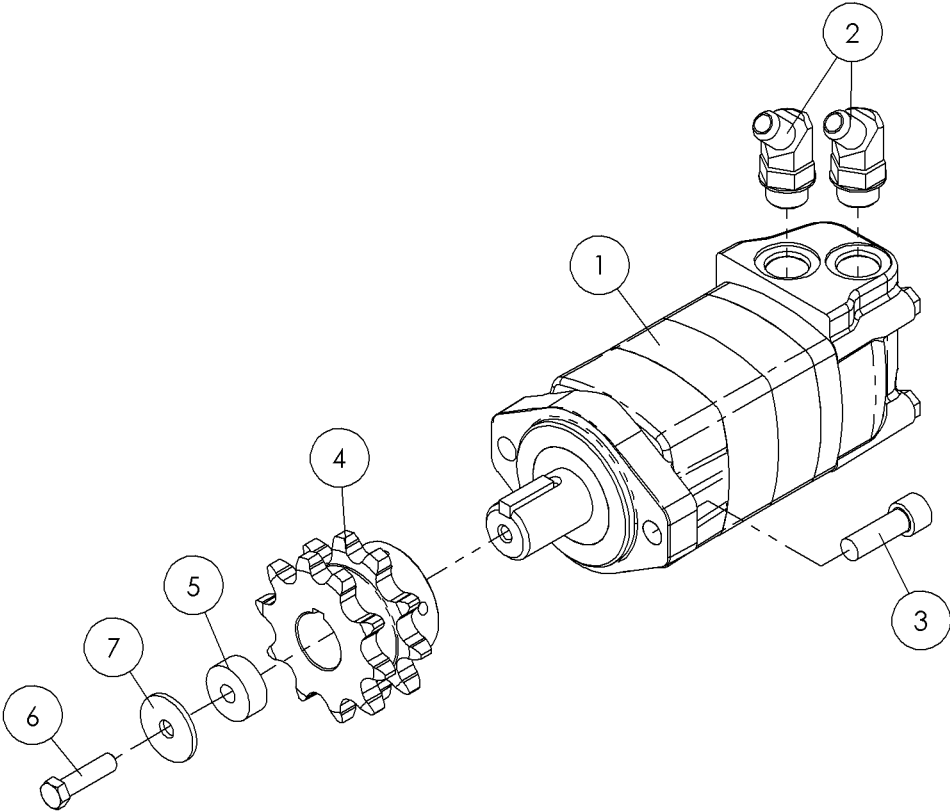
Outrigger cylinder Fig 4-1



Outrigger cylinder Fig 4-1

REF. NO.	*	PART NO.	DESCRIPTION	QTY.	REMARKS
1		296280591	CYLINDER - 2" BORE X 15" STROKE	1	Breakdown Fig. 9-5
2		57950001	FITTING-90-4MJ-6MORBA	1	
3		70054001	FITTING-90-4MJ-6MORBA-R.060	1	
4		296280616	PIN - RACK CYLINDER MOUNT	1	
5		235737001	SCREW-HCS-.50-13 X 1.25-GR 8 - YZ	3	
6		510360637	WASHER-FLATSTRL-.50-.53X1.50-.19-YZ	2	
7		296280652	CAP - DANUSER BALL	1	

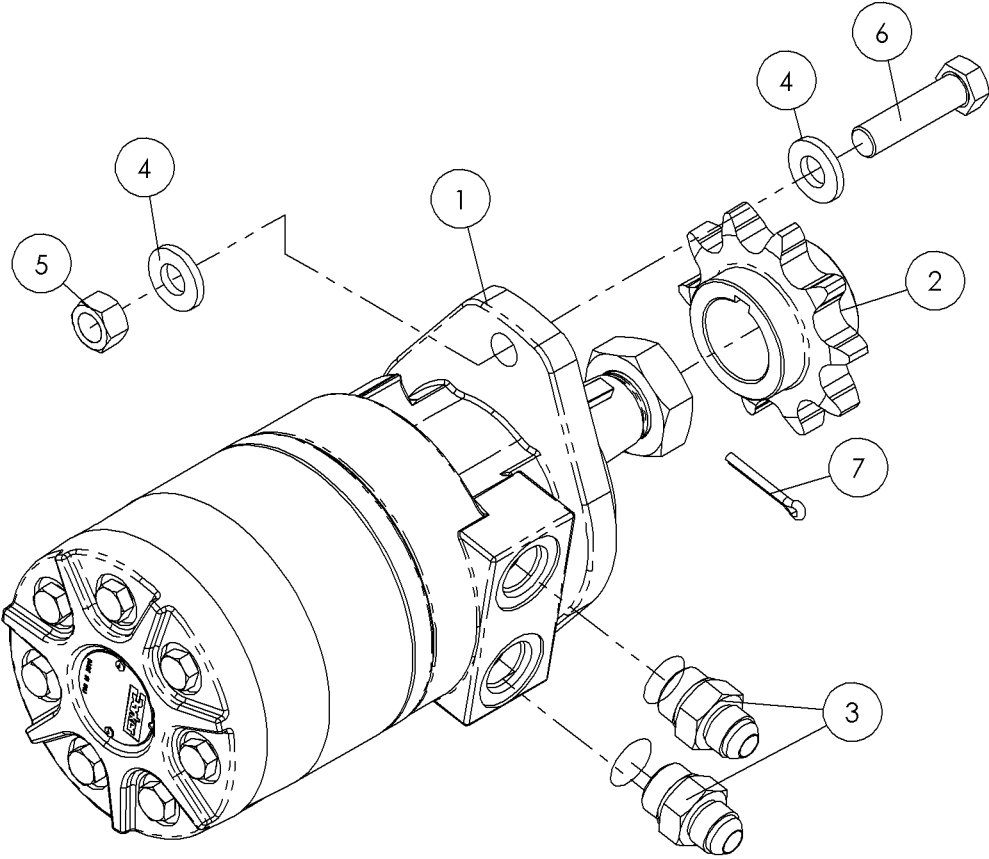
Rotation Hyd. Motor Fig 4-2



Rotation Hyd. Motor Fig 4-2

REF. NO.	*	PART NO.	DESCRIPTION	QTY.	REMARKS
1		104005001	MOTOR-HYD 2BOLT FLG 2000 SERIES	1	Breakdown Fig. 9-1
2		59400001	FITTING-45-8MJ-10MORBA	2	
3		276402001	SCREW-1/2-13X1 1/2 SHC Y ZINC	2	
4		234685001	SPRKT - D60B 14H W/1-1/4 BORE	1	
5		296280620	SPACER - DRIVE HEAD SPROCKET	1	
6		235723001	SCREW-HCS-.38-16 x 1.5 GR 8-YZ	1	
7		901406001	BRAKE SLUG	1	

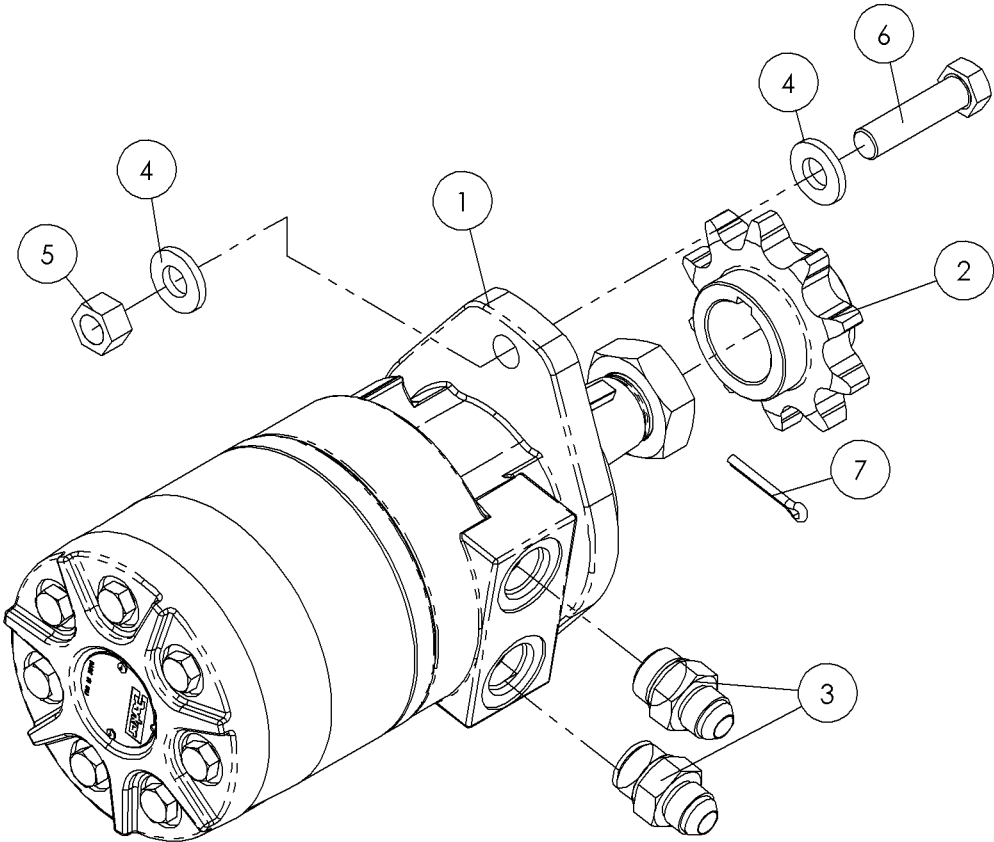
Thrust/Pullback Hyd. Motor Fig 4-3r01



Thrust/Pullback Hyd. Motor Fig 4-3r01

REF. NO.	*	PART NO.	DESCRIPTION	QTY.	REMARKS
		Revision Date	November, 2005		Update In Illustration & Parts List.
1		296271485	MOTOR - HYDRAULIC	1	Breakdown Fig. 9-4
2		296280606	SPROCKET - D80X 10T WITH TAPERED BORE	1	
3		53826001	#10M O-RING-#8M JIC ST.	2	
4		127362001	WASHER-1/2 HARD.FLAT/PLATED	4	
5		250512001	NUT- 1/2 NC Gr8 TOP LOCK Y/ ZINC	2	
6		235718001	BOLT-1/2-13X2 GR8 HEX ZINC PLT	2	
7		510019	COTTER PIN-5/32" X 2" REF TR00354	1	

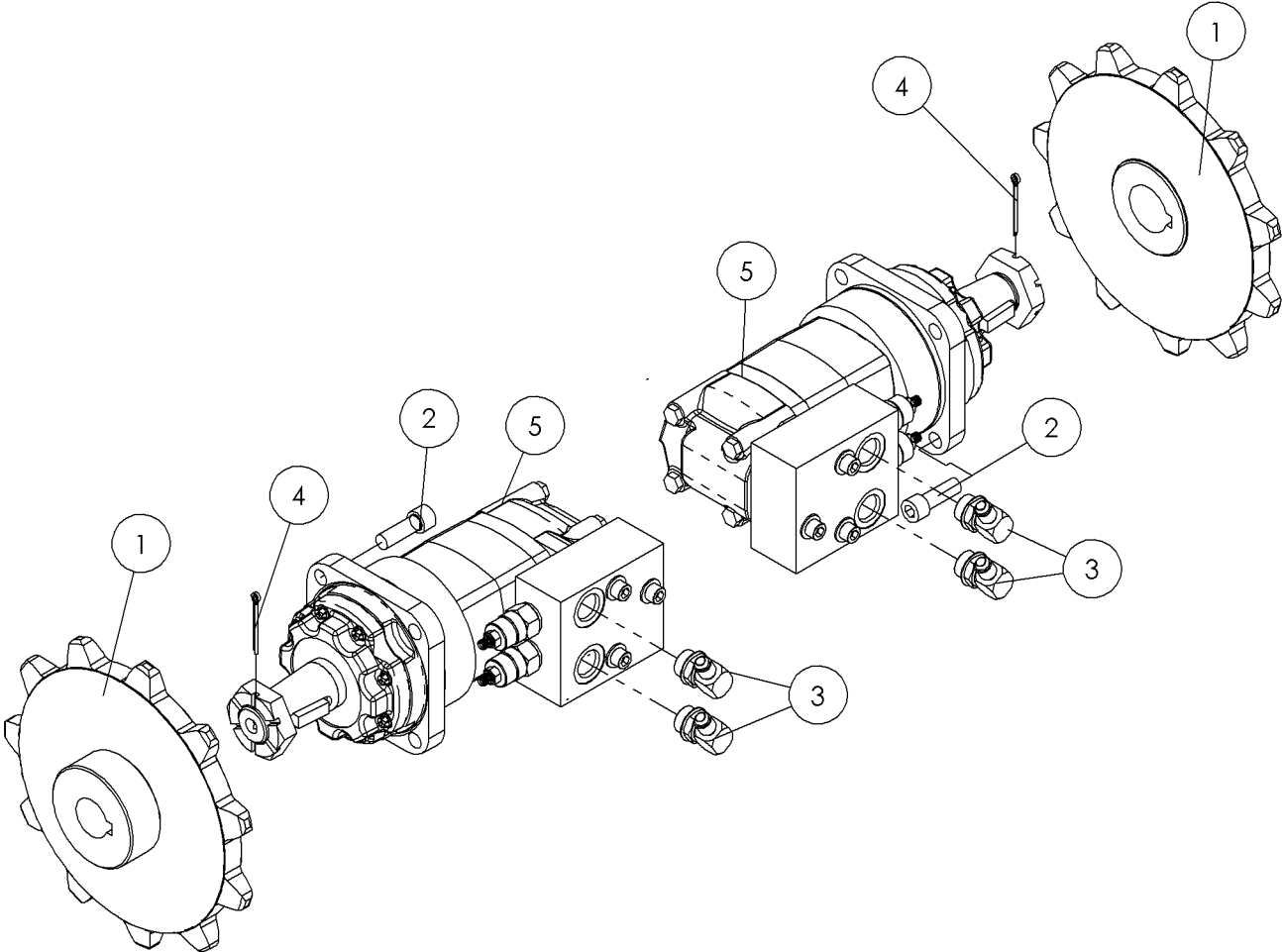
Thrust/Pullback Hyd. Motor Fig 4-3



Thrust/Pullback Hyd. Motor Fig 4-3

REF. NO.	*	PART NO.	DESCRIPTION	QTY.	REMARKS
1		296271485	MOTOR - HYDRAULIC	1	Breakdown Fig. 9-4
2		296280606	SPROCKET - 80C 10T TAPERED BORE	1	
3		53826001	FITTING-STR-8MJ-10MORB	2	
4		127362001	WASHER-1/2 HARD.FLAT/PLATED	4	
5		235731001	NUT, 1/2-13 GR 8 ZINC PLATED	2	
6		235718001	SCREW-HCS-.50-13 X 2.00-GR8-YZ	2	
7		510019	COTTER PIN - .156 x 2.000	1	

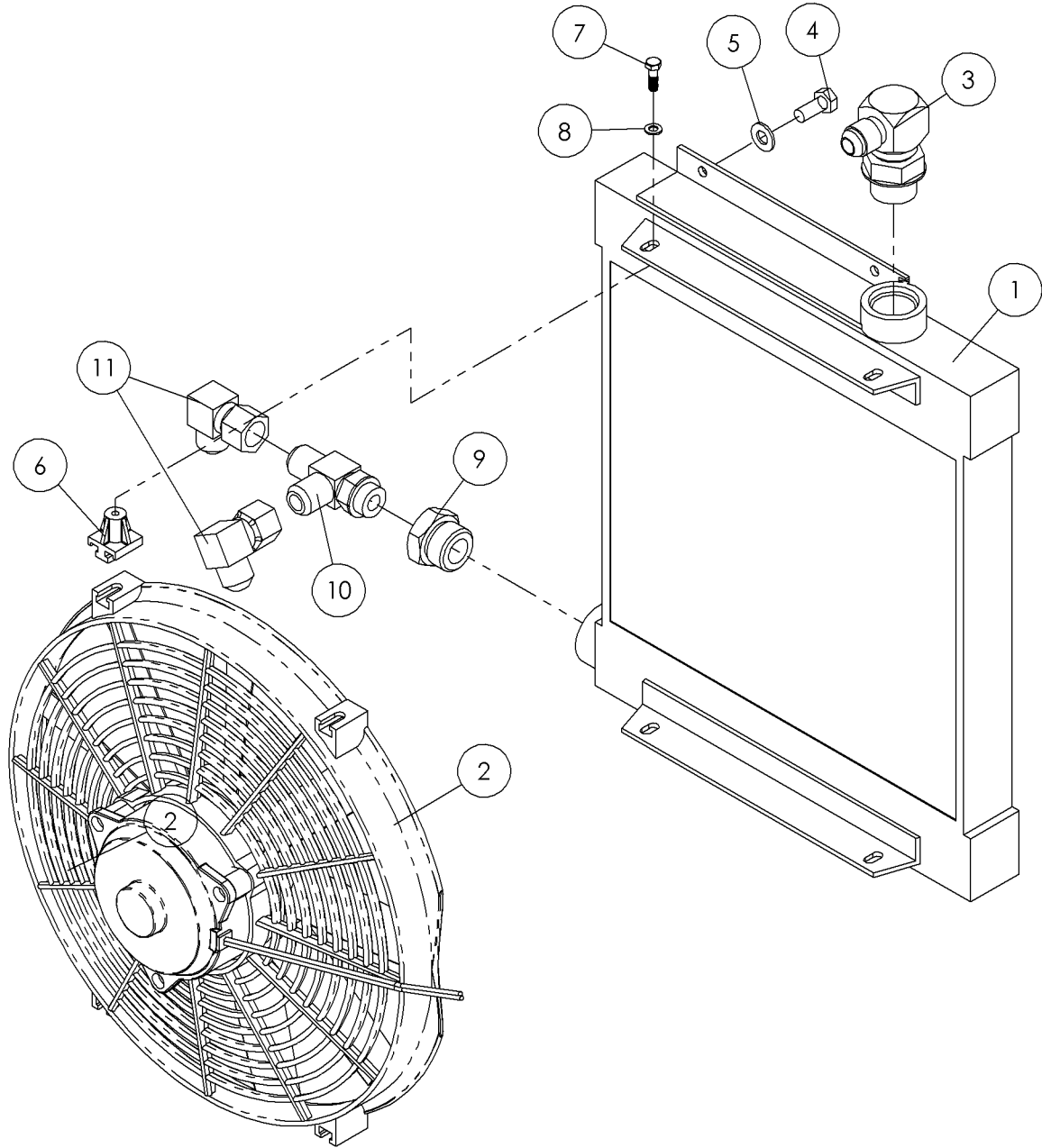
Track Drive Hyd. Motor Fig 4-4



Track Drive Hyd. Motor Fig 4-4

REF. NO.	*	PART NO.	DESCRIPTION	QTY.	REMARKS
1		296277488	SPROCKET-DRIVE	2	
2		276402001	SCREW-1/2-13X1 1/2 SHC Y ZINC	8	
3		59401001	6M JICX10M ADJ. 90 DEG.ELBOW FITTING	4	
4		510043	COTTER PIN - 1/8" x 2"	2	
5		296282266	MOTOR - WHEEL - 30.0 CU.IN.	2	Breakdown Fig. 9-3

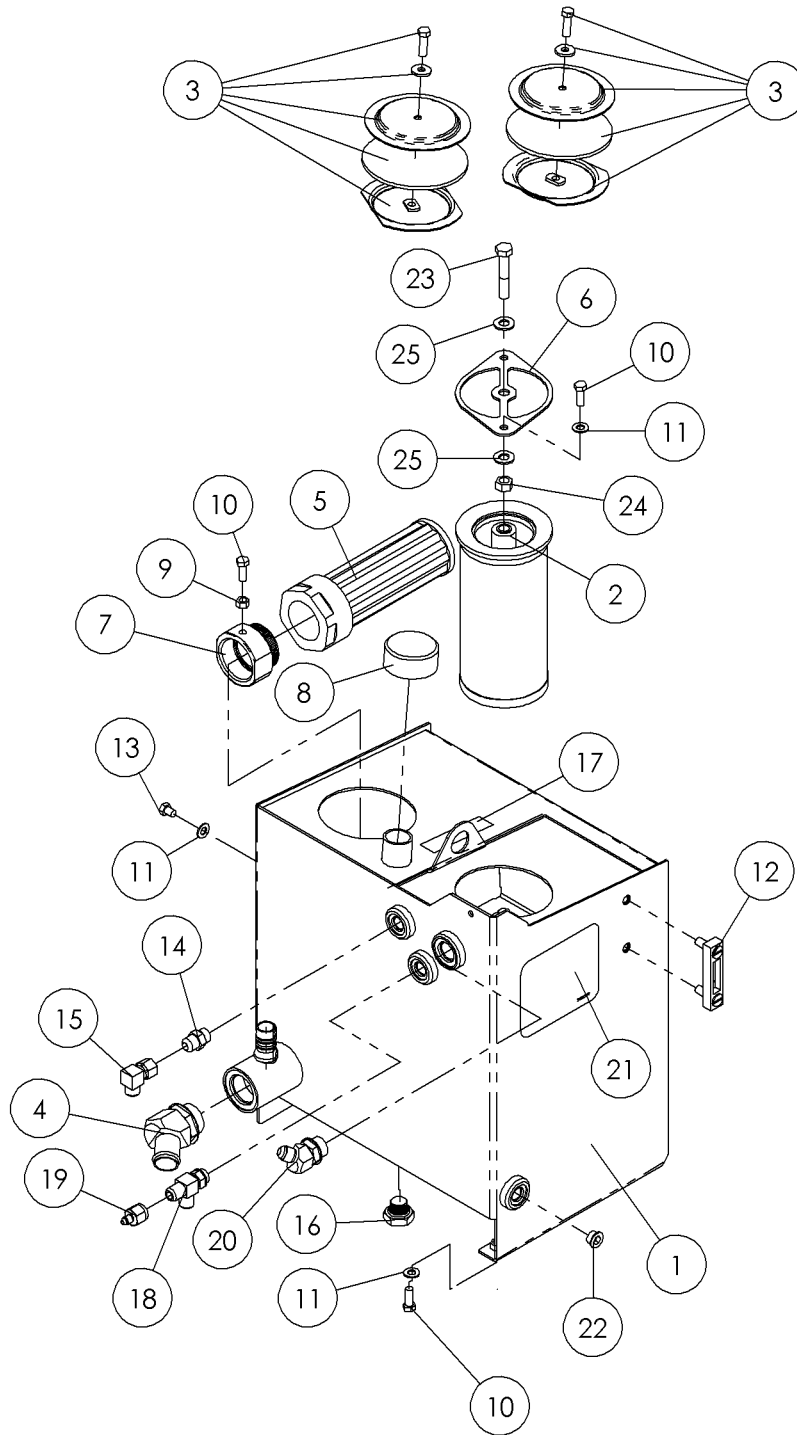
Oil Cooler Fig 4-5



Oil Cooler Fig 4-5

REF. NO.	*	PART NO.	DESCRIPTION	QTY.	REMARKS
1		254765001	COOLER-OIL	1	
2		241895001	FAN-12" SEALED ELECTRIC	1	
3		57949001	FITTING-12MX8M JIC 90 DEG. EL.	1	
4		235742001	BOLT-5/16-18X3/4 GR8 ZINC PLTD	4	
5		235714001	WASHER - FLATSTRL - .31 - .34 X .69 - .06-YZ-A325	4	
6		226971001	MOUNT-FAN(5MM) (SET OF 4)	4	
7		506030016	SCREW-HCS,M5-.80X16,8.8,YZ,D933,FT	4	
8		506046005	WASHER-FLAT,M5,YZ,D125A	4	
9		81702001	FITTING - STR - 12MORB - 8FORB	1	
10		81705001	FITTING-8MX8M JIC(RUN)X8M JIC	1	
11		59405001	8M JICX8FS JIC 90 DEG.ELBOW	2	

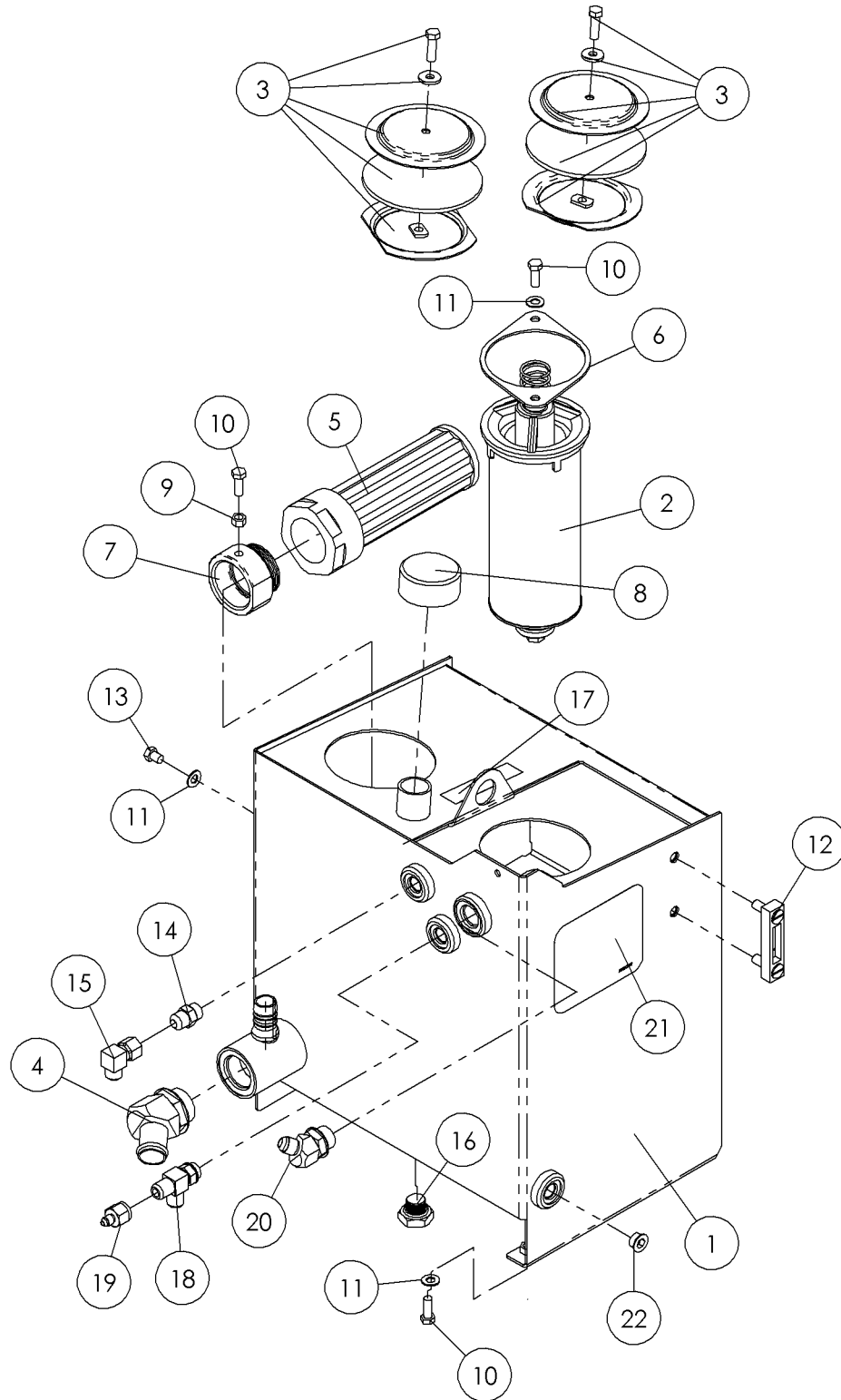
Oil Tank (S/N 228-) Fig 4-6r03



Oil Tank (S/N 228-) Fig 4-6r03

REF. NO.	*	PART NO.	DESCRIPTION	QTY.	REMARKS
1		296281041	HYD TANK WELDMENT	1	
2	*	624362001	FILTER ASSY. HYDRAULIC	1	Breakdown Fig. 9-28
3		296257231	COVER - 6" RESERVOIR END	2	
4		76184001	20MX1 1/4 HOSE INSERT 45 DEG.	1	
5		157930001	STRAINER - PLATED TFS - 2030-0-0	1	
6	*	296293751	PLATE - FILTER HOLD DOWN	1	
7		296277699	RD BAR - NIPPLE HYD. TANK FILTER	1	
8		157601001	CAP OIL BREATHER	1	
9		235725001	NUT - HEX - .38 - 16 - GR8 - YZ	1	
10		235727001	SCREW-HCS-.38-16X1.00-GR8-YZ	5	
11		235713001	WASHER - FLATSTRL - .38 - .41 X .81 - .06-YA-A325	5	
12		158158001	SIGHT GAUGE LGZ3 3"	1	
13		240310001	SCREW - HCS - .38 - 16 X .50 - GR8 - YZ	1	
14		296278689	VALVE-85PSI PSI INLINE CK FITTING-ST-8MJ	1	
15		59405001	8M JICX8FS JIC 90 DEG.ELBOW	1	
16		613818001	PLUG - 12M ORING HEX MAGNETIC	1	
17		70000394	DECAL-VERMEER HY POWER	1	
18		81705001	FITTING-8MX8M JIC(RUN)X8M JIC	1	
19		54385001	FITTING-8F JICX4MJIC REDUCER	1	
20		111487001	FITTING-12MX8M JIC 45 EL	1	
21		700IC708	DECAL-D6X6 GREASE CHART	1	
22		289767001	PLUG, #8 ORB HHP	1	
23	*	235744001	BOLT-1/2-13X2 3/4 GR8 ZNC PLTD	1	
24	*	250512001	NUT- 1/2 NC Gr8 TOP LOCK Y/ ZINC	1	
25	*	485025	WASHER-1/2 FLAT-HARDENED-YZ	2	

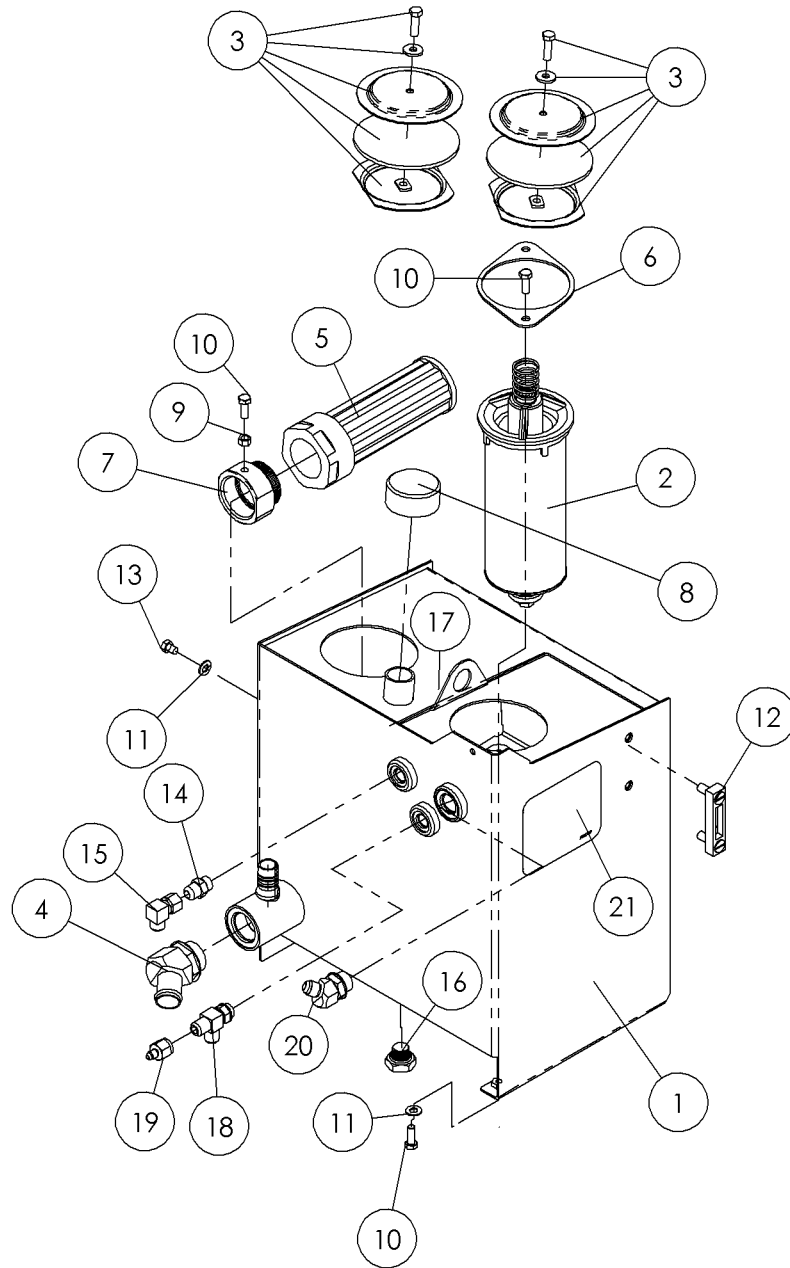
Oil Tank Fig 4-6r02



Oil Tank Fig 4-6r02

REF. NO.	*	PART NO.	DESCRIPTION	QTY.	REMARKS
		Revision Date	March, 2006		Update In Illustration & Parts List.
1		296281041	HYD TANK WELDMENT	1	
2		609133001	FILTER ASSEMBLY - HYDRAULIC	1	Breakdown Fig. 9-28
3		296257231	COVER - 6" RESERVOIR END	2	
4		76184001	FITTING-45-20BHI-20MORBA	1	
5		157930001	STRAINER - PLATED TFS - 2030-0-0	1	
6		296278684	PLATE - FILTER HOLD DOWN	1	
7		296277699	RD BAR - NIPPLE HYD. TANK FILTER	1	
8		157601001	CAP - OIL BREATHER	1	
9		235725001	NUT-HEX-.38-16-GR8-YZ	1	
10		235727001	SCREW-HCS-.38-16X1.00-GR8-YZ	5	
11		235713001	WASHER-FLATSTRL-.38-.41X.81-.06-YZ-A325	5	
12		158158001	GAUGE-SIGHT	1	
13		240310001	SCREW-HCS-.38-16X.50-GR8-YZ	1	
14		296278689	VALVE-85 PSI INLINE CHECK	1	
15		59405001	FITTING-90-8MJ-8FSJ	1	
16		613818001	PLUG - 12M ORING HEX MAGNETIC	1	
17		70000394	DECAL-VERMEER HY POWER	1	
18		81705001	FITTING-RTEE-8MJ-8MORBA-8MJ	1	
19		54385001	FITTING-STR-4MJ-8FJ	1	
20		111487001	FITTING-45-10MJ-12MORBA	1	
21		700ic708	DECAL - D6X6 GREASE CHART	1	
22		289767001-1	#8 ORB HHP	1	

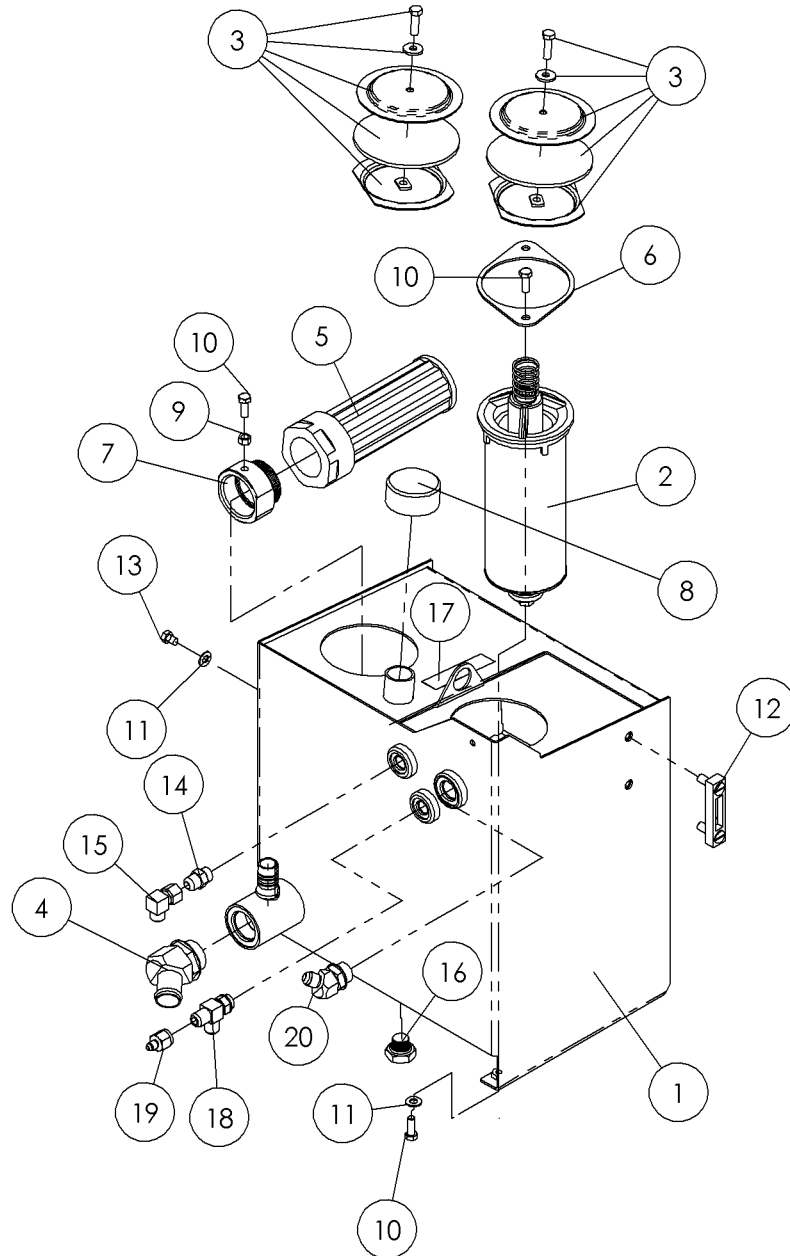
Oil Tank Fig 4-6r01



Oil Tank Fig 4-6r01

REF. NO.	*	PART NO.	DESCRIPTION	QTY.	REMARKS
		Revision Date	November, 2005		Update In Illustration & Parts List.
1		296281041	HYD TANK WELDMENT	1	
2		609133001	FILTER ASSEMBLY-HYDRAULIC	1	Breakdown Fig. 9-28
3		296257231	COVER - 6" RESERVOIR END	2	
4		76184001	20MX1 1/4 HOSE INSERT 45 DEG.	1	
5		157930001	STRAINER - PLATED TFS - 2030-0-0	1	
6		296278684	PLATE - FILTER HOLD DOWN	1	
7		296277699	RD BAR - NIPPLE HYD. TANK FILTER	1	
8		157601001	CAP OIL BREATHER	1	
9		235725001	NUT - HEX - .38 - 16 - GR8 - YZ	1	
10		235727001	BOLT-3/8-16X1 GR8 HEX ZINC PLT	5	
11		235713001	WASHER - FLATSTRL - .38 - .41 X .81 - .06-YA-A325	5	
12		158158001	SIGHT GAUGE LGZ3 3"	1	
13		240310001	SCREW - HCS - .38 - 16 X .50 - GR8 - YZ	1	
14		296278689	VALVE-85PSI PSI INLINE CK FITTING-ST-8MJ	1	
15		59405001	8M JICX8FS JIC 90 DEG.ELBOW	1	
16		613818001	PLUG - 12M ORING HEX MAGNETIC	1	
17		70000394	DECAL-VERMEER HY POWER	1	
18		81705001	FITTING-8MX8M JIC(RUN)X8M JIC	1	
19		54385001	FITTING-8F JICX4MJIC REDUCER	1	
20		111487001	FITTING-12MX8M JIC 45 EL	1	
21		700IC708	DECAL-D6X6 GREASE CHART	1	

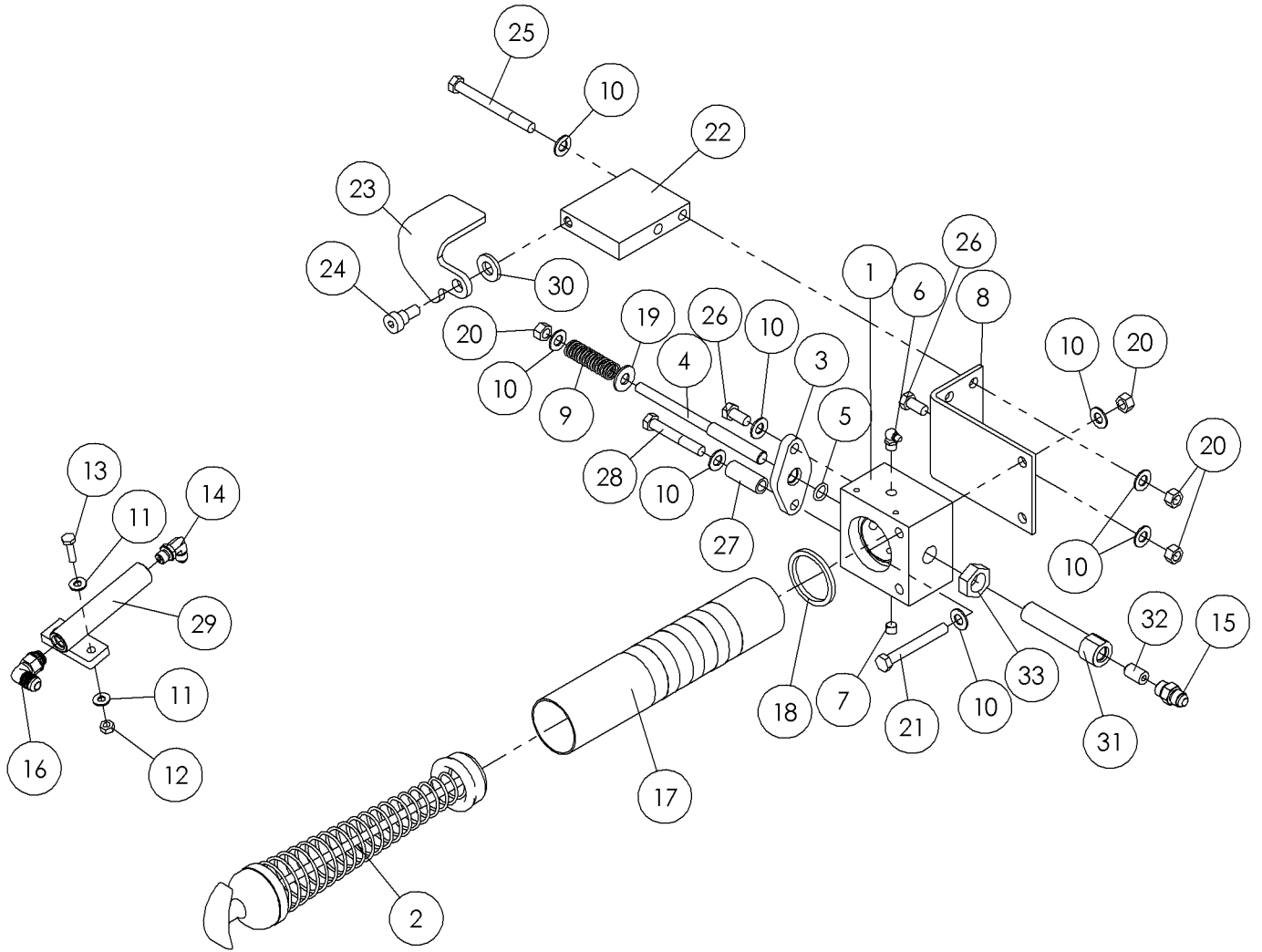
Oil Tank Fig 4-6



Oil Tank Fig 4-6

REF. NO.	*	PART NO.	DESCRIPTION	QTY.	REMARKS
1		296281041	HYD TANK WELDMENT	1	
2		609133001	FILTER ASSEMBLY - HYDRAULIC	1	Breakdown Fig. 9-28
3		296257231	COVER - 6" RESERVOIR END	2	
4		76184001	FITTING-45-20BHI-20MORBA	1	
5		157930001	STRAINER - PLATED TFS - 2030-0-0	1	
6		296278684	PLATE - FILTER HOLD DOWN	1	
7		296277699	RD BAR - NIPPLE HYD. TANK FILTER	1	
8		157601001	CAP - OIL BREATHER	1	
9		235725001	NUT - HEX - .38 - 16 - GR8 - YZ	1	
10		235727001	BOLT - 3/8-16x1 GR.8 HEX	5	
11		235713001	WASHER-FLATSTRL-.38-.41X.81-.06-YZ-A325	5	
12		158158001	GAUGE-SIGHT	1	
13		240310001	SCREW - HCS - .38 - 16 X .50 - GR8 - YZ	1	
14		296278689	VALVE-85 PSI INLINE CHECK	1	
15		59405001	FITTING-90-8MJ-8FSJ	1	
16		613818001	PLUG - 12M ORING HEX MAGNETIC	1	
17		70000394	DECAL-VERMEER HY POWER	1	
18		81705001	FITTING-RTEE-8MJ-8MORBA-8MJ	1	
19		54385001	FITTING-STR-4MJ-8FJ	1	
20		111487001	FITTING-45-10MJ-12MORBA	1	

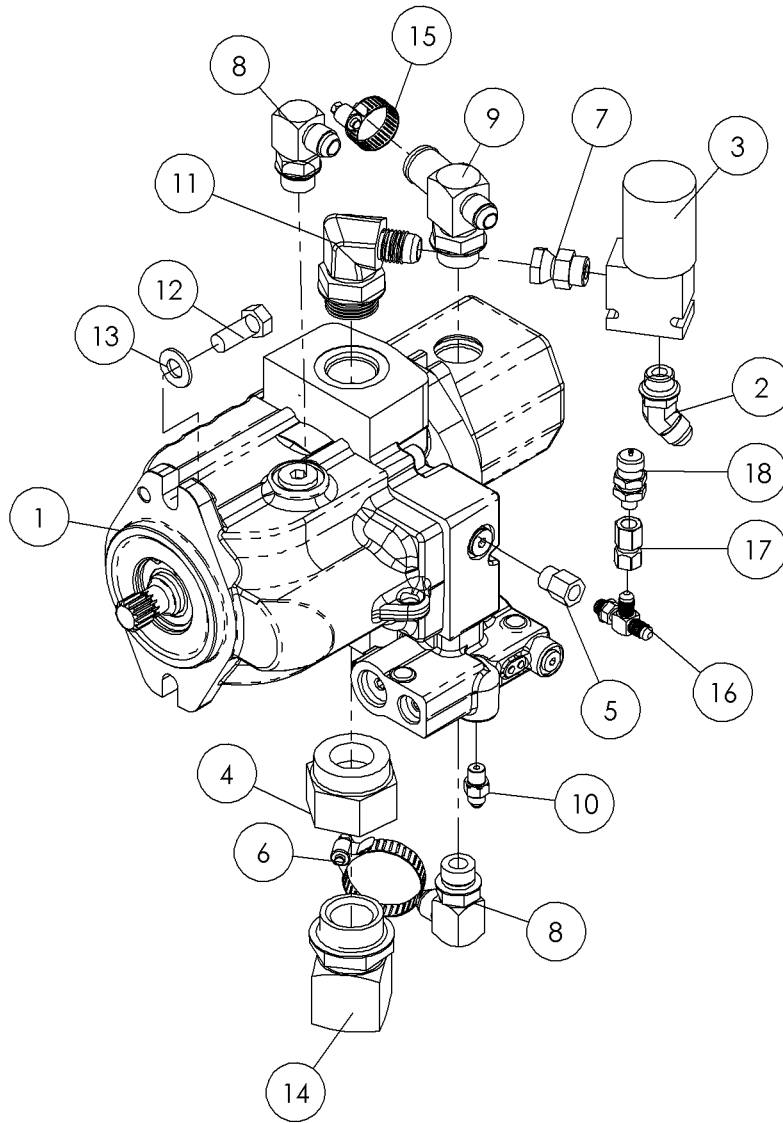
Auto Greaser Fig 4-7



Auto Greaser Fig 4-7

REF. NO.	*	PART NO.	DESCRIPTION	QTY.	REMARKS
		Revision Date	October, 2007		Correct Drawing
1		294895001	HOUSING - GREASE PUMP	1	
2		294903001	FOLLOWER - GREASE TUBE AY	1	
3		296280640	PLATE - PLUNGER BASE	1	
4		296280639	PIN - GREASER PLUNGER	1	
5		51121001	O-RING #112	1	
6		590001	ZERK-1/8" NPT 90 DEG GREASE	1	
7		115222001	FITTING-1/8 NPT HEX SOCKET	1	
8		296280635	PLATE - GREASER MOUNT	1	
9		1803125	SPRING-COMP .067WIRE 0.5313ID 7.5LB/IN	1	
10		235713001	WASHER - FLATSTRL - .38 - .41 X .81 - .06-YA-A325	15	
11		235716001	WASHER - FLATSTRL - .25 -.28 X .63 - .06 - CZ	4	
12		235732001	NUT - HEX - .25 - 20 - GR8 - YZ	2	
13		235735001	BOLT-1/4-20X1 GR8 HEX ZYC	2	
14		59423001	FIT-4M JICX4M ADJ.90 DEG.ELBOW	1	
15		65565001	FITTING - 6M O-RING X 6M JIC ST.	1	
16		59426001	FITTING - 90-6MJ-6MORBA	1	
17		294910001	TUBE - GREASE	1	
18		294902001	GASKET - GREASE TUBE	1	
19		485007	WASHER-FLATSTD-.38-.44X1.00-.08-CZ	1	
20		235725001	NUT - HEX - .38 - 16 - GR8 - YZ	7	
21		235743001	SCREW - HCS - .38 - 16 X 3.00 - GR8-YZ	2	
22		296280654	BAR - PEDAL MOUNT	1	
23		296280653	PLATE - PEDAL	1	
24		296256038	SCREW - SHSS - .50X.38-.38-16 THD-CZ	1	
25		250583001	3/8-16X3 3/4 GR8 HEX BOLT PLTD	2	
26		235726001	BOLT-3/8-16X3/4 GR8 HEX ZNCPLT	3	
27		296280655	TUBE - SPACER	1	
28		250529001	BOLT 3/8-16X2 1/2"GR.8 HEX	1	
29		296280646	NOZZEL - GREASER	1	
30		127362001	WASHER-1/2 HARD.FLAT/PLATED	1	
31		294896001	SLEEVE - GREASE PUMP	1	
32		294905001	VALVE - INSERT CHECK, 1/2"	1	
33		456001	NUT-3/4 N.F. HEX JAM	1	
			THREAD COMPOUND		
		296262012	THRD CMPND-PLUSCO 135-SINGLE CARTRIDGE		
		275927982	THRD CMPND - PLUSCO 135 - 10 PACK		
		275928982	THRD CMPND - CASE OF 4 / 10 PACKS		

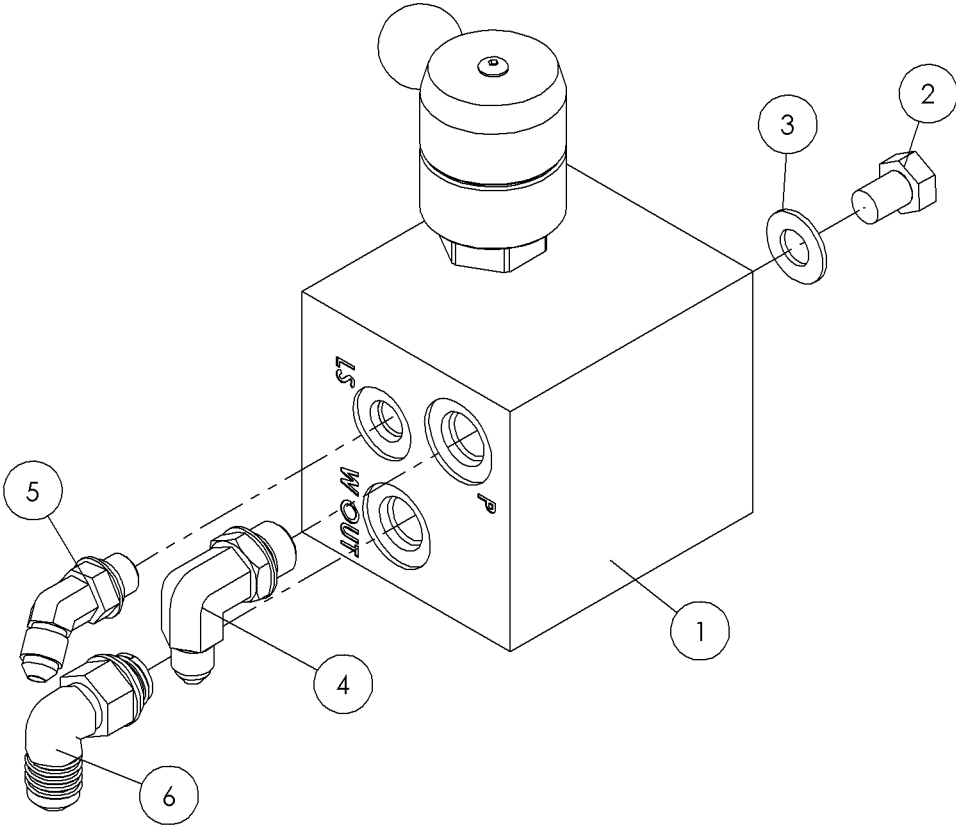
Hyd. Pump Fig 4-8



Hyd. Pump Fig 4-8

REF. NO.	*	PART NO.	DESCRIPTION	QTY.	REMARKS
1		296281068	TANDEM PUMP STACK	1	Breakdown Fig. 9-25
2		53834001	FITTING - 45 MJ-8MORBA	1	
3		296266539	VALVE - STAKEDOWN ENABLE	1	Breakdown Fig. 9-16
4		85659001	FITTING-24M ORINGX20F ORINGSTR	1	
5		67291001	4F X 6M OR REDUCER	1	
6		1580009	HOSE CLAMP-1 3/4"	1	
7		104156001	FITTING-STR-8MORB-8FSJ	1	
8		59407001	FITTING 10 MB - 8 MJ 90	2	
9		296281038	FITTING-90-12HB-16MORBA-8MJ	1	
10		60908001	1/4 M x 4 M JIC ST	1	
11		235615001	FITTING-16MX8M JIC 90 DEG	1	
12		235737001	SCREW-HCS-.50-13 X 1.25-GR 8 - YZ	2	
13		485025	WASHER-FLATSAEHARD-.50-.53 X 1.06-.09-YZ	2	
14		99999001	FITTING-90-20BHI-20MORBA	1	
15		1580005	HOSE CLAMP-1"	1	
16		81342001	FITTING-RTEE-4MJ-4MORBA-4MJ	1	
17		287514001	FITTING-STR-4FSJ-2FNPT	1	
18		75491001	FITTING-TEST-16MTP-2MNPT	1	

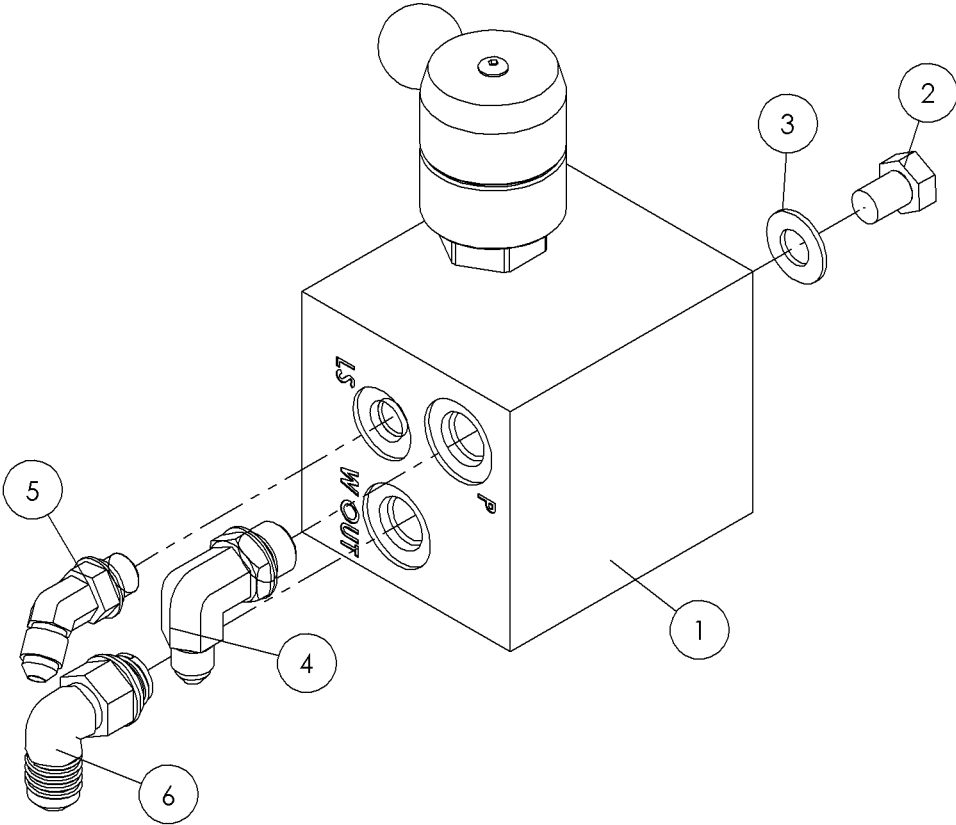
Water Control Valve (S/N 223-) Fig 4-9r03



Water Control Valve (S/N 223-) Fig 4-9r03

REF. NO.	*	PART NO.	DESCRIPTION	QTY.	REMARKS
		Revision Date	September, 2006		Change Valve
1	*	296291827	VALVE-WATER	1	Breakdown Fig. 9-12
2		240310001	SCREW - HCS - .38 - 16 X .50 - GR8 - YZ	2	
3		235713001	WASHER - FLATSTRL - .38 - .41 X .81 - .06-YA-A325	2	
4		57950001	FITTING-90-4MJ-6MORBA	1	
5		58295001	FITTING-4M OR X 4M JIC 45 DEG.	1	
6		59426001	FITTING - 90-6MJ-6MORBA	1	

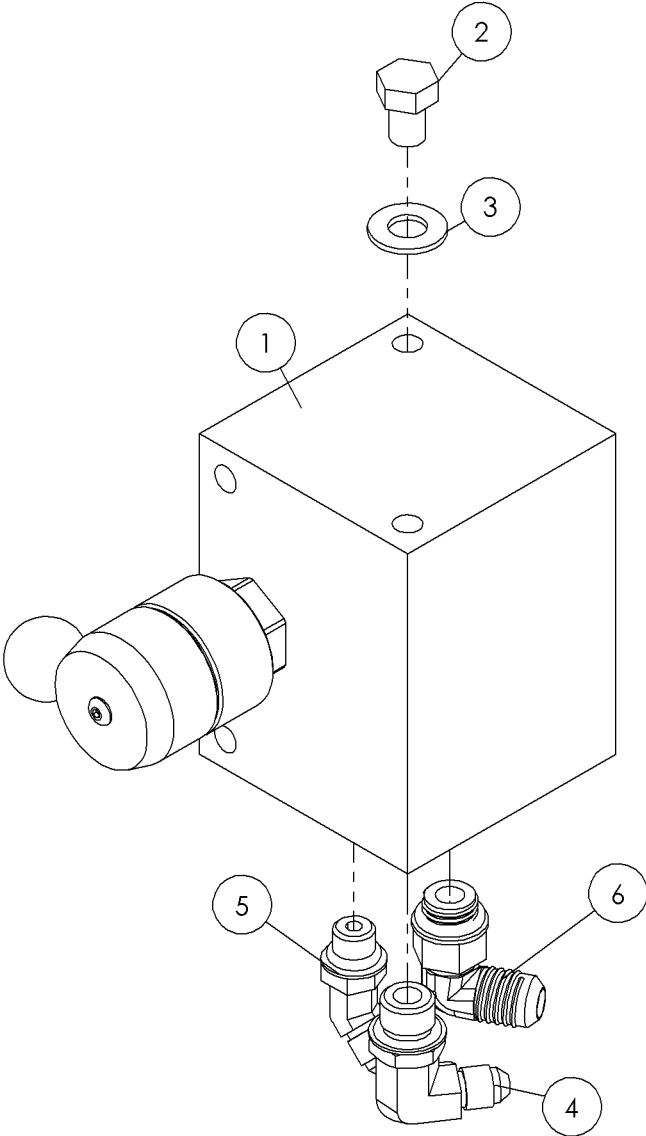
Water Control Valve Fig 4-9r02



Water Control Valve Fig 4-9r02

REF. NO.	*	PART NO.	DESCRIPTION	QTY.	REMARKS
		Revision Date	March, 2006		Update In Illustration & Parts List.
1		296281072	VALVE - WATER	1	(S/N-) Breakdown Fig. 9-12
2		240310001	SCREW-HCS-.38-16X.50-GR8-YZ	2	
3		235713001	WASHER-FLATSTRL-.38-.41X.81-.06-YZ-A325	2	
4		70054001	FITTING-90-4MJ-6MORBA-R.060	1	
5		58295001	FITTING-45-4MJ-4MORBA	1	
6		59426001	FITTING - 90-6MJ-6MORBA	1	

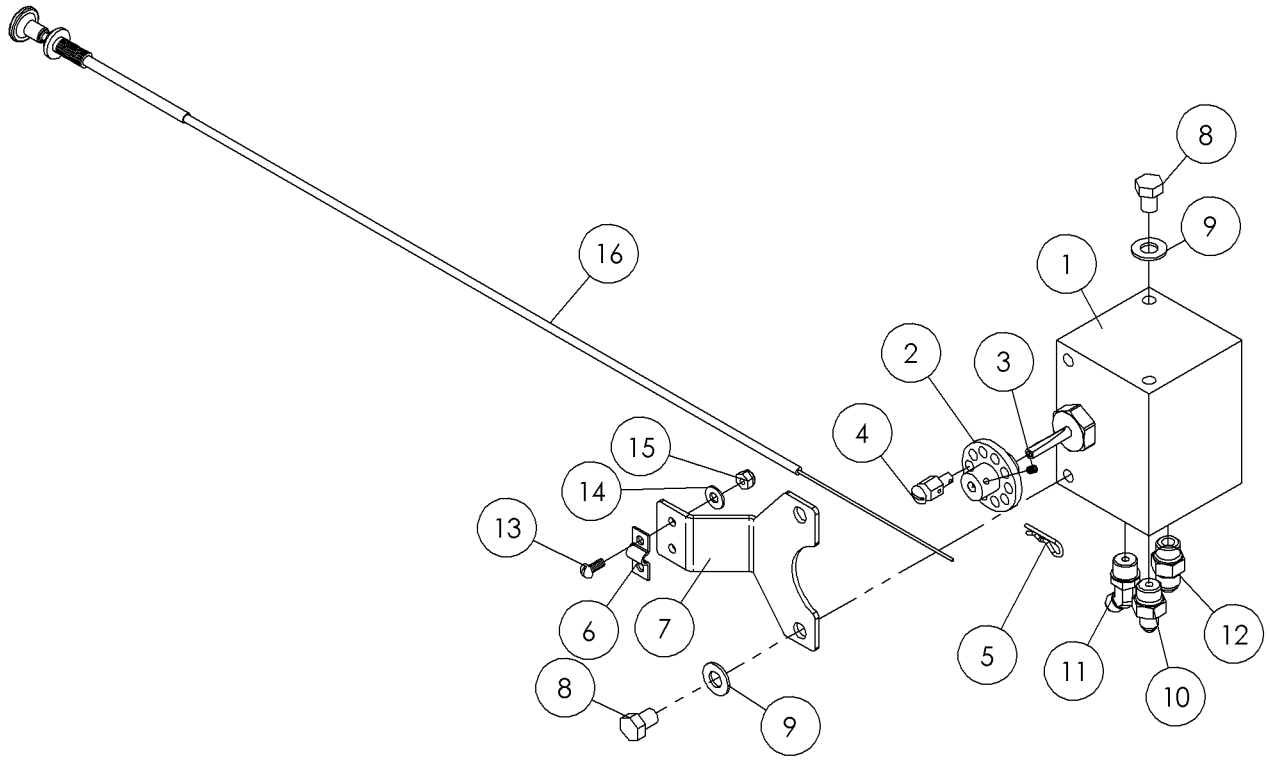
Water Control Valve Fig 4-9r01



Water Control Valve Fig 4-9r01

REF. NO.	*	PART NO.	DESCRIPTION	QTY.	REMARKS
		Revision Date	November, 2005		Update In Illustration & Parts List.
1		296281072	VALVE - WATER	1	(S/N 111-) Breakdown Fig. 9-12
2		240310001	SCREW - HCS - .38 - 16 X .50 - GR8 - YZ	2	
3		235713001	WASHER - FLATSTRL - .38 - .41 X .81 - .06-YA-A325	2	
4		70054001	FITTING-6MX4 M JIC 90 W/.060	1	
5		58295001	FITTING-4M OR X 4M JIC 45 DEG.	1	
6		59426001	FITTING - 90-6MJ-6MORBA	1	

Water Control Valve Fig 4-9



Water Control Valve Fig 4-9

REF. NO.	*	PART NO.	DESCRIPTION	QTY.	REMARKS
1		296281072	VALVE - WATER	1	Breakdown Fig. 9-12
2		296284266	BAR - WATER CONTROL	1	
3		94207001	SSS- 8-32X1/4 REF 94207-001-1	1	
4		2809001	PIVOT AO47641 REF C03068	1	
5		1794007	HAIR PIN COTTER - .080 WIRE REF T05985	1	
6		4119001	CLAMP - AO 45202 REF C03069	1	
7		296281073	PLATE - MOUNT CABLE	1	
8		240310001	SCREW - HCS - .38 - 16 X .50 - GR8 - YZ	4	
9		235713001	WASHER - FLATSTRL - .38 - .41 X .81 - .06-YA-A325	4	
10		57968001	FITTING-STR-4MJ-6MORB	1	
11		82931001	FITTING-45-4MJX6MORBA	1	
12		65565001	FITTING - 6M O-RING X 6M JIC ST.	1	
13		533004	BOLT-10-24X1/2 RND.HD.SLTMACH	2	
14		485001	WASHER - FLATSTD - .19 - .22 X .56 - .05 - CZ	2	
15		99042001	NUT - NYLOCK - 10 - 24 - GR2 - CZ	2	
16		296281074	CABLE - 3/16 X 24" NYLON CONDUIT	1	

Rotation Valve Fig 4-10

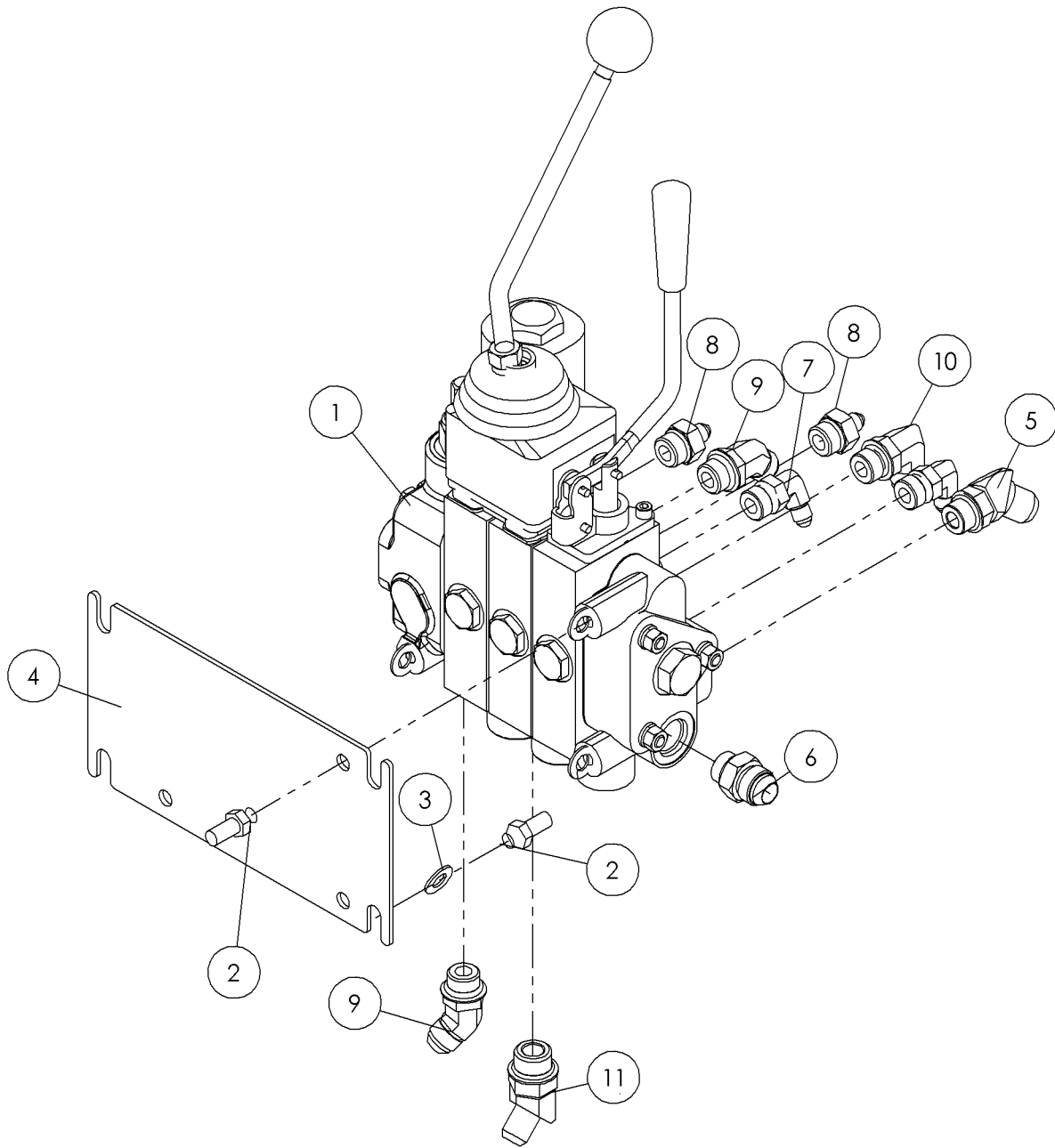
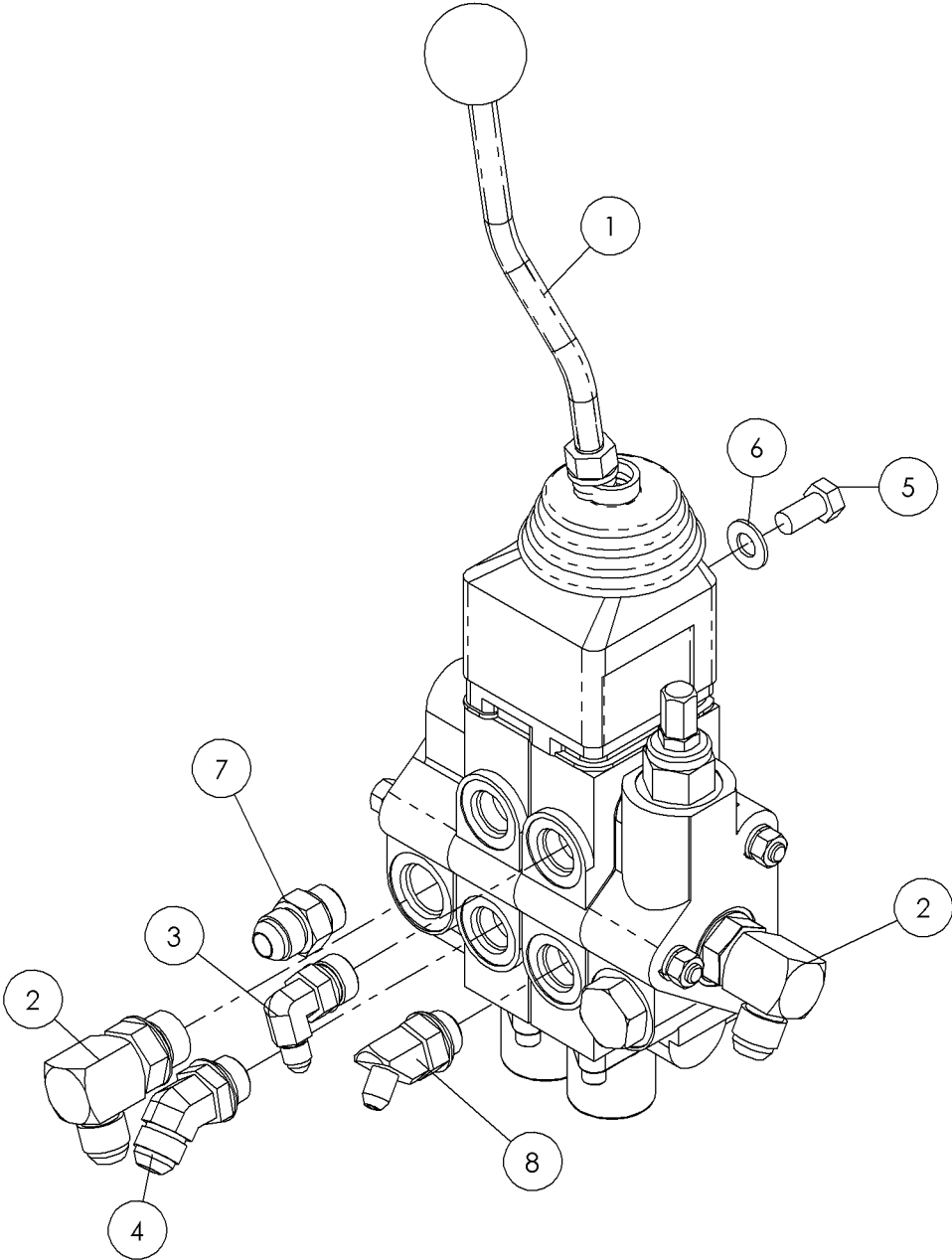


Illustration No. 296278597

Rotation Valve Fig 4-10

REF. NO.	*	PART NO.	DESCRIPTION	QTY.	REMARKS
		Revision Date	September, 2007		Updated Drawing
1		296278636	VALVE-3 BANK HYD.	1	Breakdown Fig. 9-13
2		235726001	BOLT-3/8-16X3/4 GR8 HEX ZNCPLT	7	
3		510337635	WASHER-FLATSAE-.38-.41X.81-16G-YZ	7	
4		296281069	PLATE - VALVE MOUNT ROTATION	1	
5		68287001	FITTING-8 M X 10M JIC 45	1	
6		67850001	8M X 10MJIC STR	1	
7	*	86671001	FITTING-8M ORING X4M JIC 90 EL	2	
8		53657001	FITTING-8M OR X 4M JIC ST.	2	
9		53834001	#8M O-RING-#8M JIC 45 DEG.	2	
10		53837001	FITTING - 8M O-RING X 8M JIC 90 DEGREE	1	
11		59400001	8M JICX10M ADJ. 45 DEG.ELBOW	1	

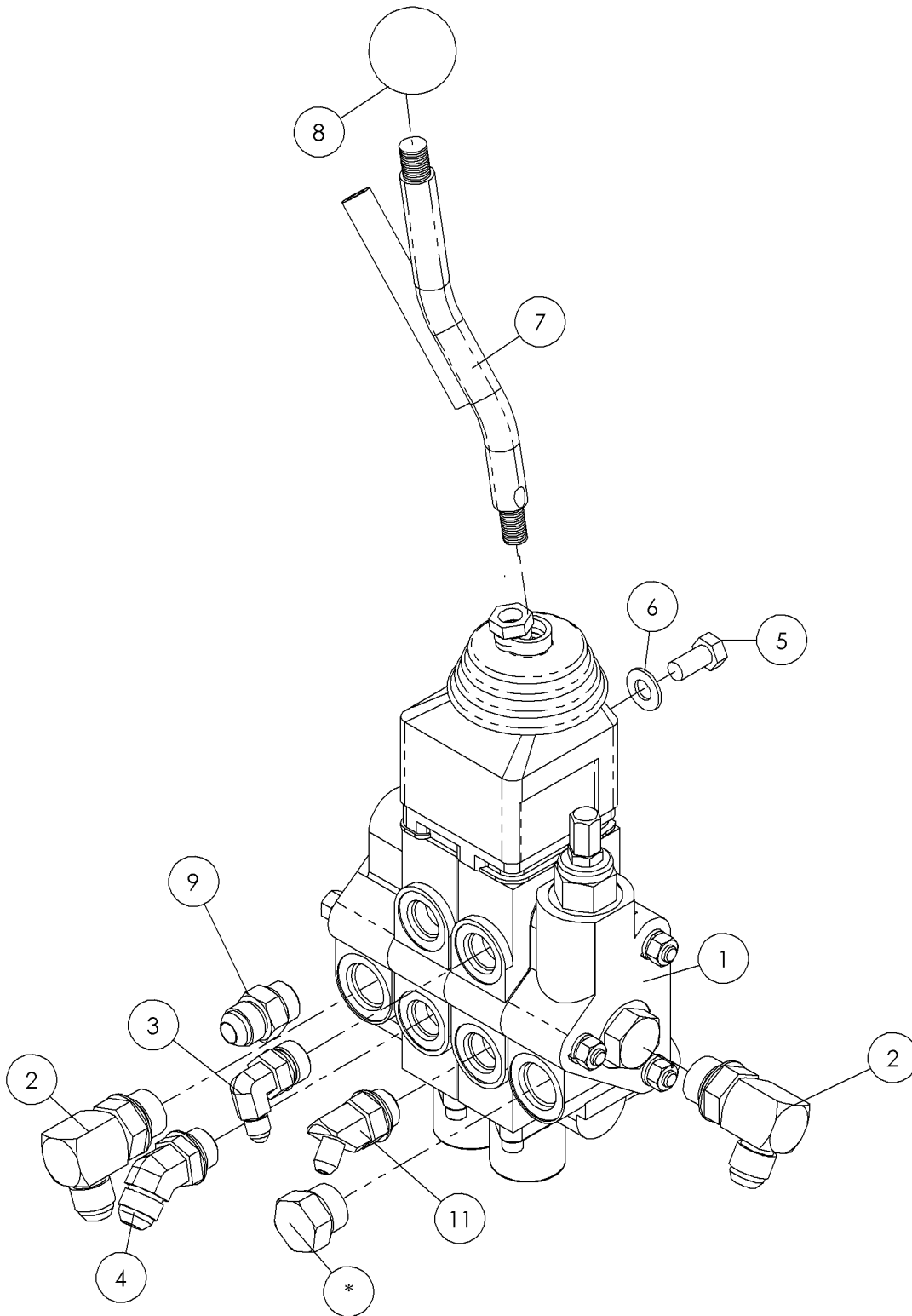
Thrust Valve Fig 4-11r01



Thrust Valve Fig 4-11r01

REF. NO.	*	PART NO.	DESCRIPTION	QTY.	REMARKS
		Revision Date	November, 2005		Update In Illustration & Parts List.
1		296278635	VALVE - 2 BANK HYD.	1	Breakdown Fig. 9-15
2		59407001	8M JICX10M ADJ. 90 DEG.ELBOW REF 59648-001-1	2	
3		86671001	FITTING-8M ORING X4M JIC 90 EL	1	
4		53834001	#8M O-RING-#8M JIC 45 DEG.	1	
5		235726001	BOLT-3/8-16X3/4 GR8 HEX ZNCPLT	3	
6		235713001	WASHER - FLATSTRL - .38 - .41 X .81 - .06-YA-A325	3	
7		53824001	FITTING-#8M O-RING-#8M JIC ST.	1	
8		82932001	FITTING-8MX4M JIC 45DEG ELBOW	1	

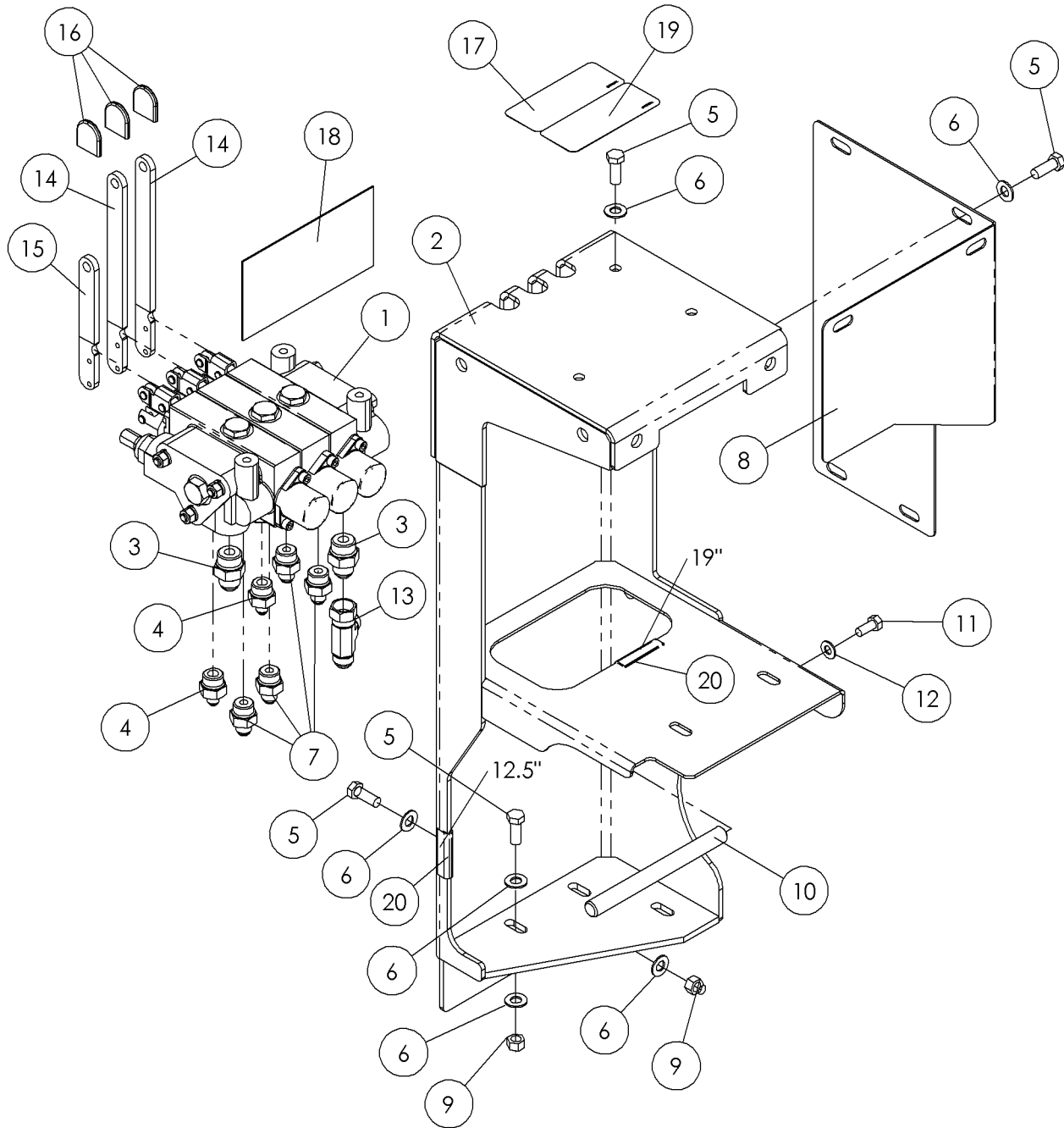
Thrust Valve Fig 4-11



Thrust Valve Fig 4-11

REF. NO.	*	PART NO.	DESCRIPTION	QTY.	REMARKS
1		296278635	VALVE - 2 BANK HYD.	1	Breakdown Fig. 9-15
2		59407001	8M JICX10M ADJ. 90 DEG. ELBOW REF 59648-001-1	2	
3		86671001	FITTING-8M ORING X4M JIC 90 EL	1	
4		53834001	#8M O-RING-#8M JIC 45 DEG.	1	
5		235726001	BOLT-3/8-16X3/4 GR8 HEX ZNCPLT	3	
6		235713001	WASHER - FLATSTRL - .38 - .41 X .81 - .06-YA-A325	3	
7		296281071	HANDLE - THRUST VALVE	1	
8		296271119	KNOB - BLACK	1	
9		53824001	FITTING-#8M O-RING-#8M JIC ST.	1	
10		4235001	FITTING - PLUG - 10MORB - HEX	1	
11		82932001	FITTING-8MX4M JIC 45DEG ELBOW	1	
12		92996001	NUT-HEXJAM-.44-20-GR2-PLN	1	

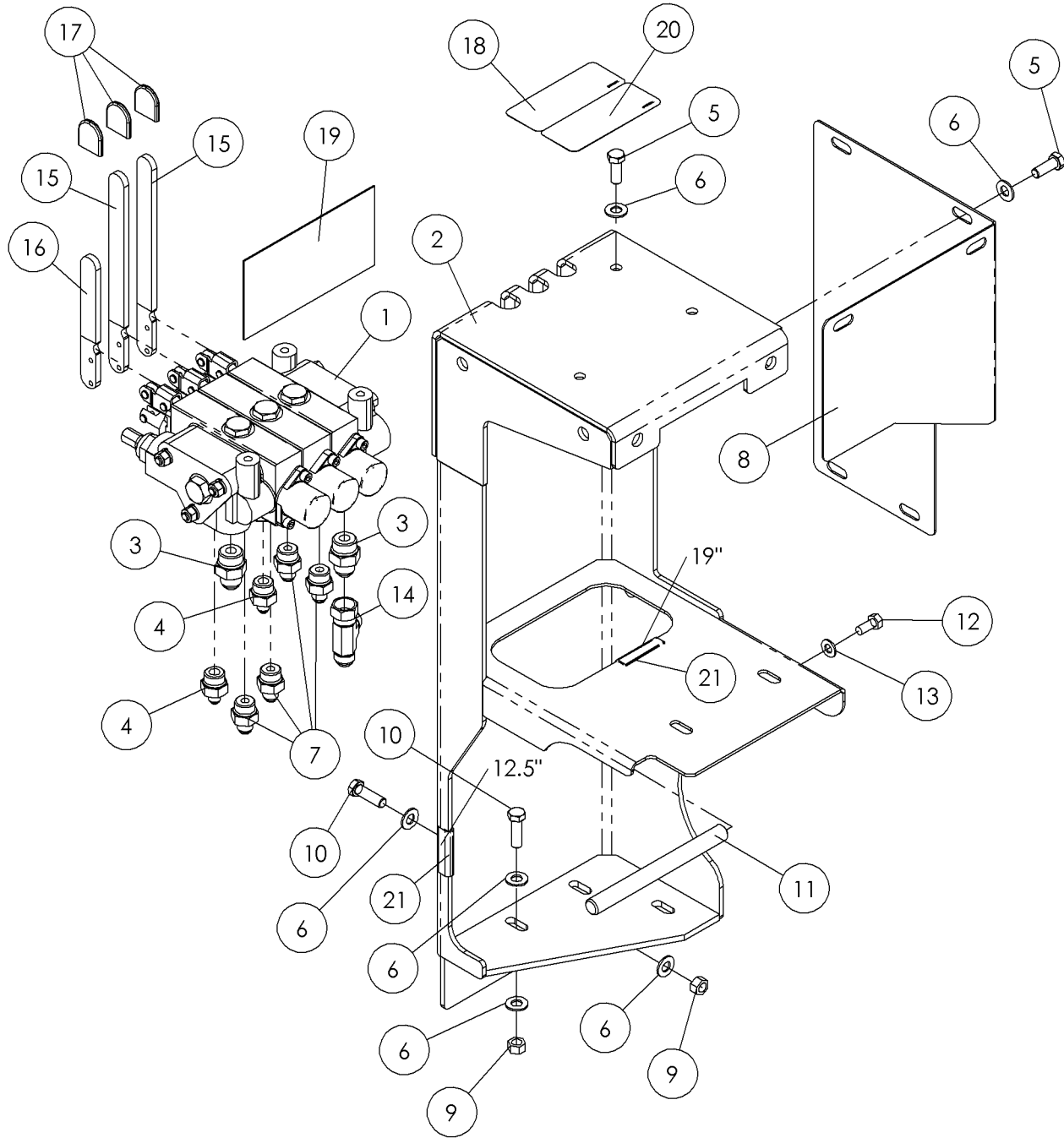
Rear Control Valve Fig 4-12r01



Rear Control Valve Fig 4-12r01

REF. NO.	*	PART NO.	DESCRIPTION	QTY.	REMARKS
		Revision Date	January, 2006		Update In Illustration & Parts List.
1		296278634	VALVE - STACK ASSEMBLY	1	Breakdown Fig. 9-14
2		296277379	MOUNT - VALVE	1	
3		53826001	#10M O-RING-#8M JIC ST.	2	
4		53657001	FITTING-8M OR X 4M JIC ST.	2	
5		235727001	BOLT-3/8-16X1 GR8 HEX ZYC	14	
6		235713001	WASHER - FLATSTRL - .38 - .41 X .81 - .06-YA-A325	19	
7		60247001	FITTING - 8M O-RING X 6M JIC ST.	4	
8		296277384	SHIELD - VALVE	1	
9		235725001	NUT - HEX - .38 - 16 - GR8 - YZ	5	
10		296282263	ROD - HOSE GUIDE	1	
11		235742001	BOLT-5/16-18X3/4 GR8 ZYC	1	
12		235714001	WASHER - FLATSTRL - .31 - .34 X .69 - .06-YZ-A325	1	
13		59461001	8 JIC SW RUN TEE	1	
14		296280625	BAR - HANDLE	2	
15		296280626	BAR - HANDLE	1	
16		201482001	HANDLE-BLACK PLASTIC 2 1/2"	3	
17		700IC615	DECAL - REAR CONTROL	1	
18		7000A576	DECAL-DANGER	1	Domestic
		700IA576	DECAL-DANGER		International
19		7000C339	DECAL - PARKING	1	
20		212522001	TRIM-1/4 EDGE	2	

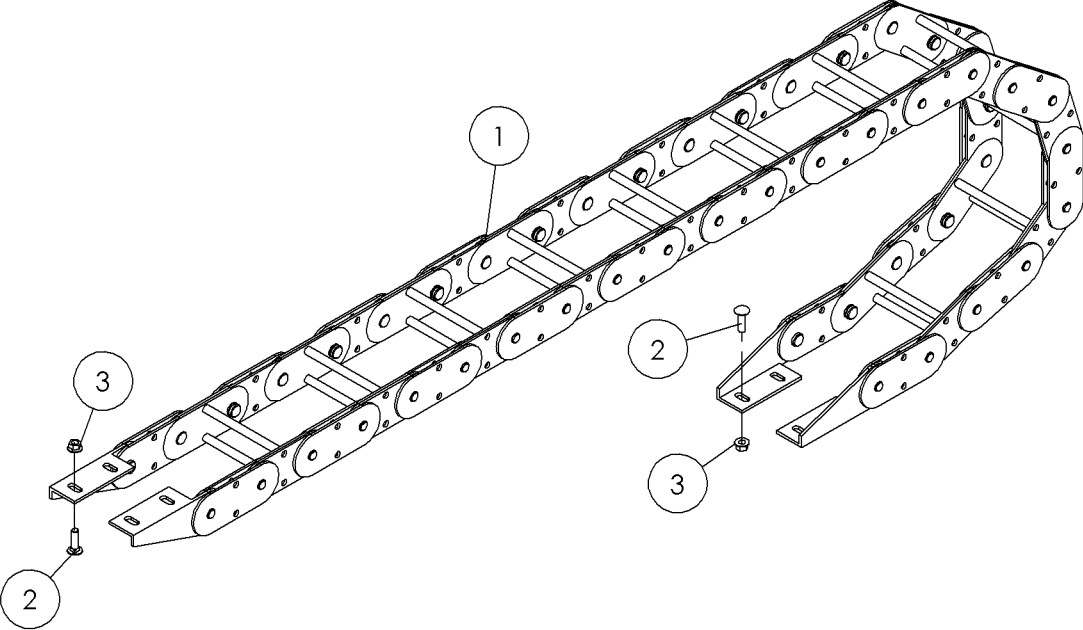
Rear Control Valve Fig 4-12



Rear Control Valve Fig 4-12

REF. NO.	*	PART NO.	DESCRIPTION	QTY.	REMARKS
1		296278634	VALVE - STACK ASSEMBLY	1	Breakdown Fig. 9-14
2		296277379	MOUNT-VALVE	1	
3		53826001	FITTING-STR-8MJ-10MORB	2	
4		53657001	FITTING-STR-4MJ-8MORB	2	
5		235727001	BOLT - 3/8-16x1 GR.8 HEX	9	
6		235713001	WASHER-FLATSTRL-.38-.41X.81-.06-YZ-A325	19	
7		60247001	FITTING-STR-6MJ-8MORB	4	
8		296277384	SHIELD-VALVE	1	
9		235725001	NUT - HEX - .38 - 16 - GR8 - YZ	5	
10		235736001	BOLT 3/8-16x1 1/4 GR.8 HEX ZINC PLTD	5	
11		296282263	ROD-HOSE GUIDE	1	
12		235742001	BOLT-5/16-18X3/4 GR8 ZINC PLTD	1	
13		235714001	WASHER-5/16 SAE HARD ZINC PLTD	1	
14		59461001	8 JIC SW RUN TEE	1	
15		296280625	BAR - HANDLE	2	
16		296280626	BAR - HANDLE	1	
17		201482001	HANDLE-BLACK PLASTIC 2 1/2"	3	
18		700IC615	DECAL - REAR CONTROL	1	
19		7000A576	DECAL - DANGER	1	Domestic
		700IA576	DECAL-DANGER	1	International
20		7000C339	DECAL - PARKING	1	
21		212522001	TRIM 1/4" EDGE	2	

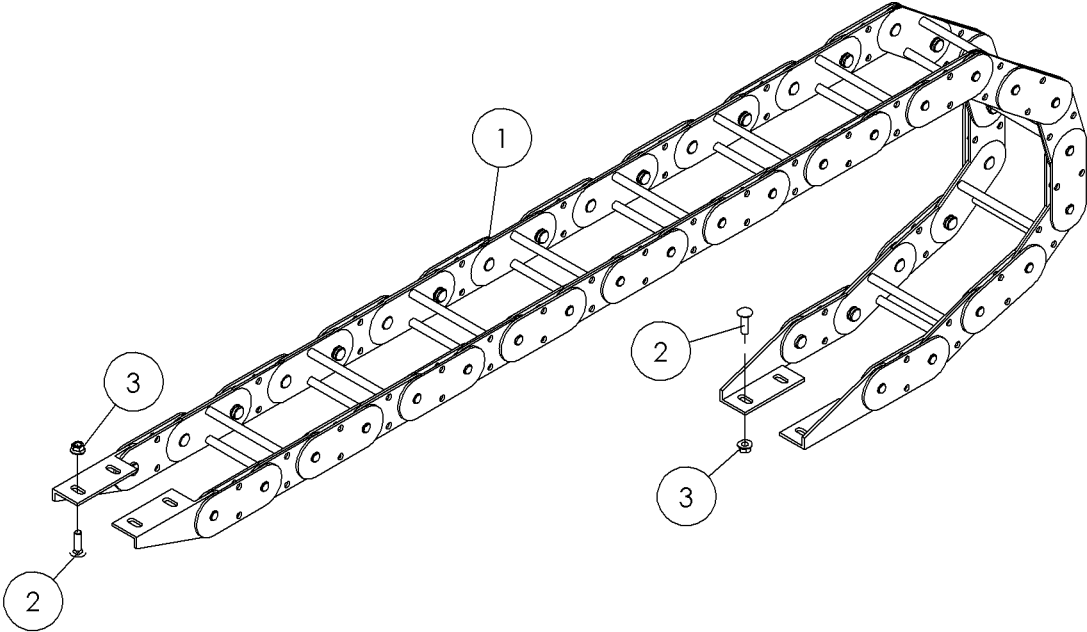
Hose Carrier Fig 4-13r01



Hose Carrier Fig 4-13r01

REF. NO.	*	PART NO.	DESCRIPTION	QTY.	REMARKS
		Revision Date	November, 2005		Update In Illustration & Parts List.
1		296278631	HOSE CARRIER	1	Breakdown Fig. 9-27
2		373006	1/4"-20X3/4"GD#5CARRIAGE BOLT REF T11988	8	
3		1809005	NUT-1/4 SM FLGE T.L.	8	

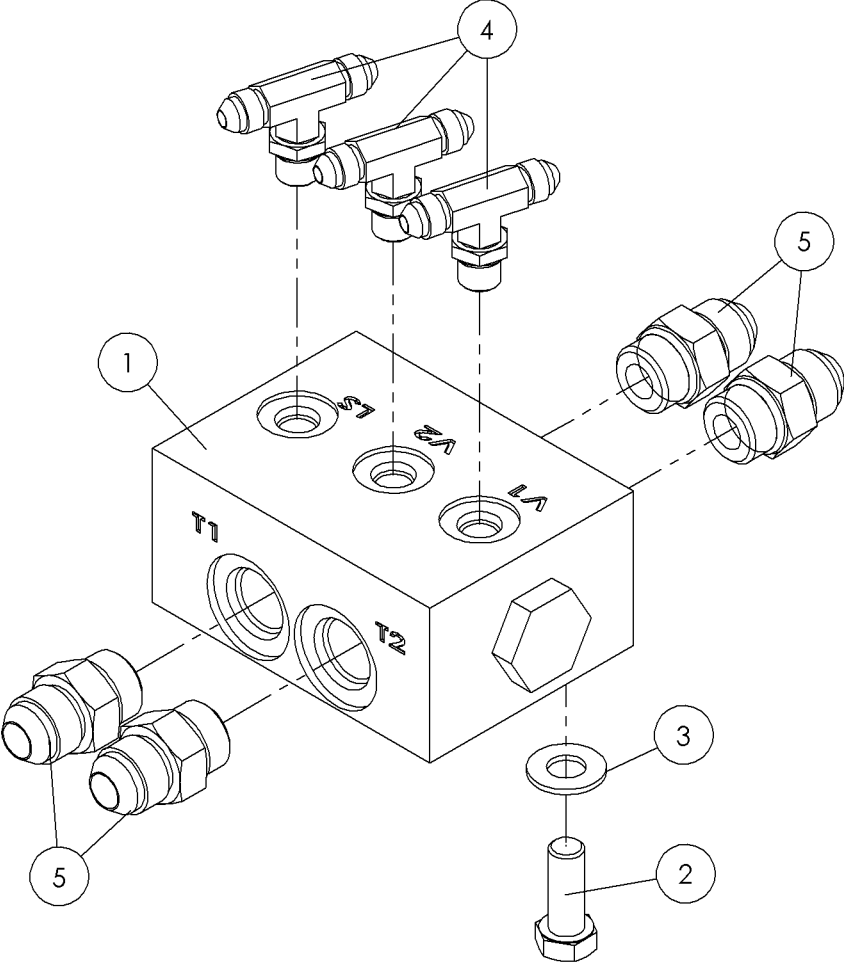
Hose Carrier Fig 4-13



Hose Carrier Fig 4-13

REF. NO.	*	PART NO.	DESCRIPTION	QTY.	REMARKS
1		296278631	HOSE CARRIER	1	Breakdown Fig. 9-27
2		373006	1/4"-20X3/4"GD#5CARRIAGE BOLT REF T11988	8	
3		405001	NUT-1/4 NC FLG WHIZ LOCK REF T16734	8	

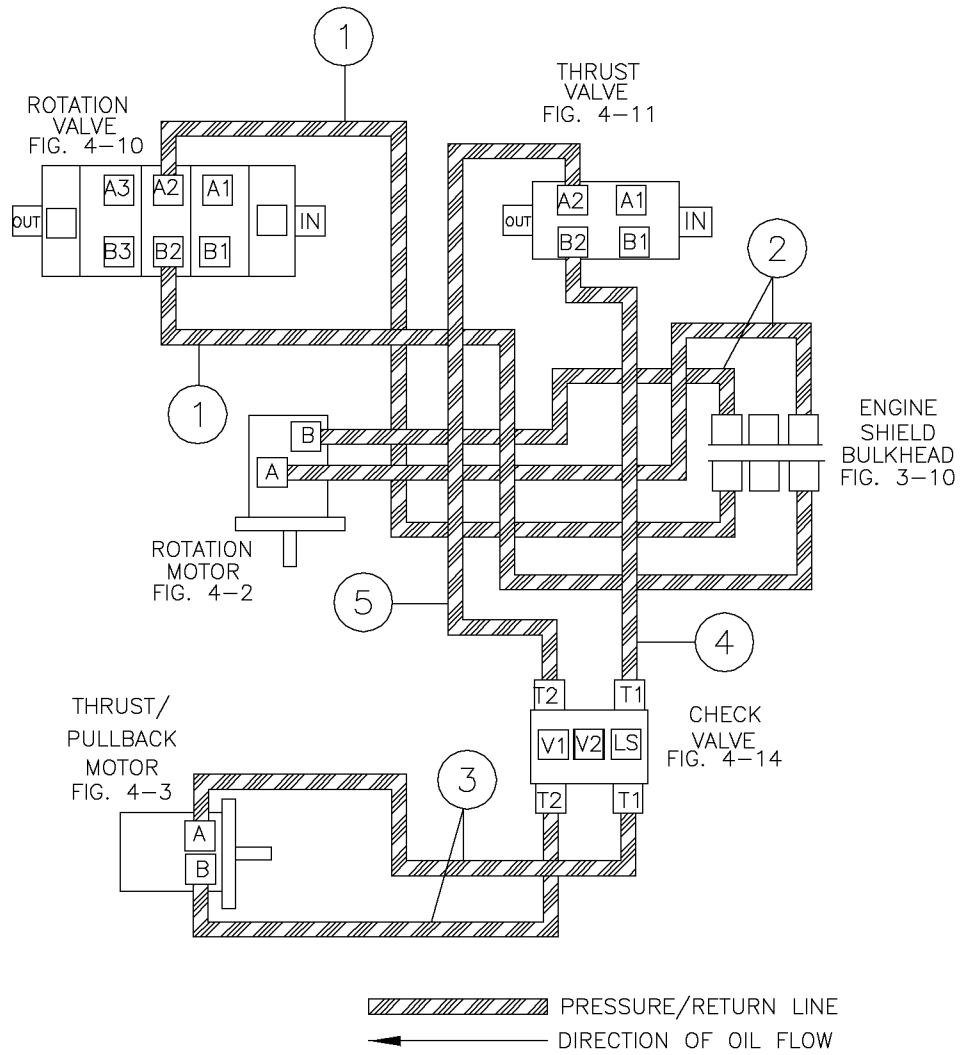
Check Valve Bank Fig 4-14



Check Valve Bank Fig 4-14

REF. NO.	*	PART NO.	DESCRIPTION	QTY.	REMARKS
1		296278678	VALVE - CHECK BANK	1	Breakdown Fig. 9-11
2		235727001	BOLT - 3/8-16x1 GR.8 HEX	2	
3		235713001	WASHER-FLATSTRL-.38-.41X.81-.06-YZ-A325	2	
4		81343001	4M (BCH)X4M JICX4M JIC TEE	3	
5		53824001	FITTING-STR-8MJ-8MORB	4	

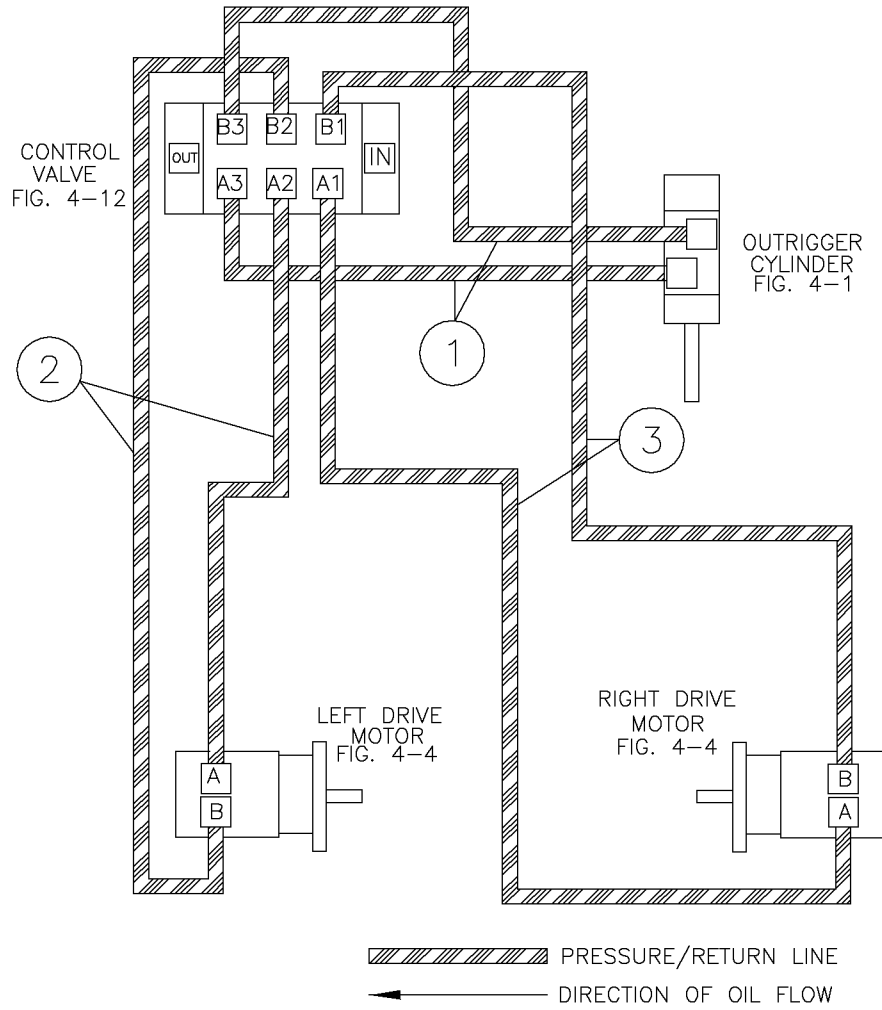
Rotation/Pullback Hyd. Flow Diagram Fig 4-15



Rotation/Pullback Hyd. Flow Diagram Fig 4-15

REF. NO.	*	PART NO.	DESCRIPTION	QTY.	REMARKS
1		296280610	HOSE-HYD-.50X54-8FSJ-ST/45-3500PSI-100R2	2	
2		53844041	HOSE-1/2X100 JIC (100R2)	2	
3		53844661	HOSE 1/2X68 8FSJICST/90D 3000#	2	
4		275131001	HOSE-1/2X48 8FSJIC ST/90 M3K	1	
5		53844171	HOSE-1/2X44 8FS JIC 3000 PSI	1	

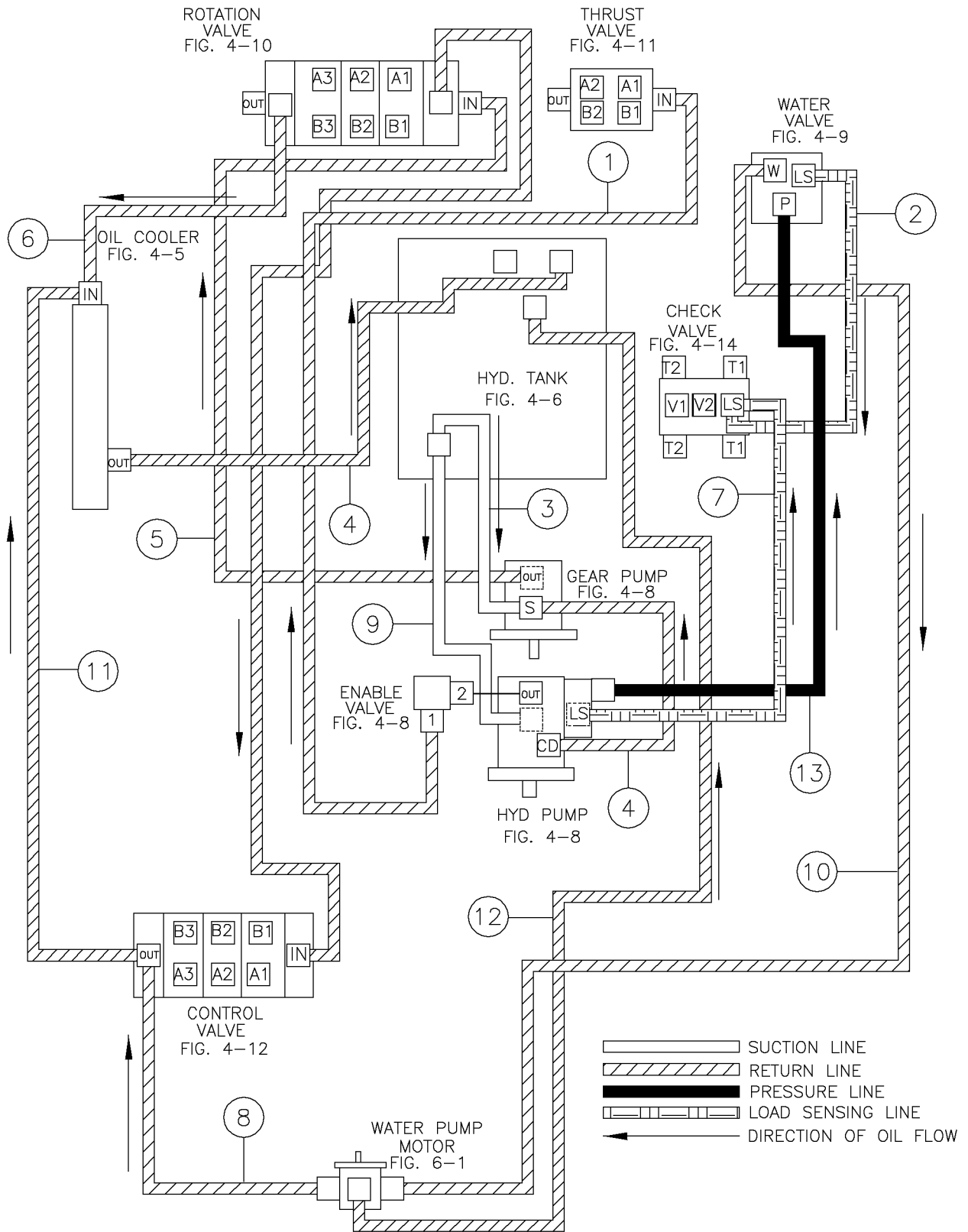
Drive Track Hyd. Flow Diagram Fig 4-16



Drive Track Hyd. Flow Diagram Fig 4-16

REF. NO.	*	PART NO.	DESCRIPTION	QTY.	REMARKS
1		53843209	HOSE-1/4X56 4FS JIC 3000PSI	2	
2		159749001	HOSE - 3/8 X 46 6FS JIC 3000# M3K	2	
3		257529001	HOSE-HYD 3/8 X 54 6FS JIC ST	2	

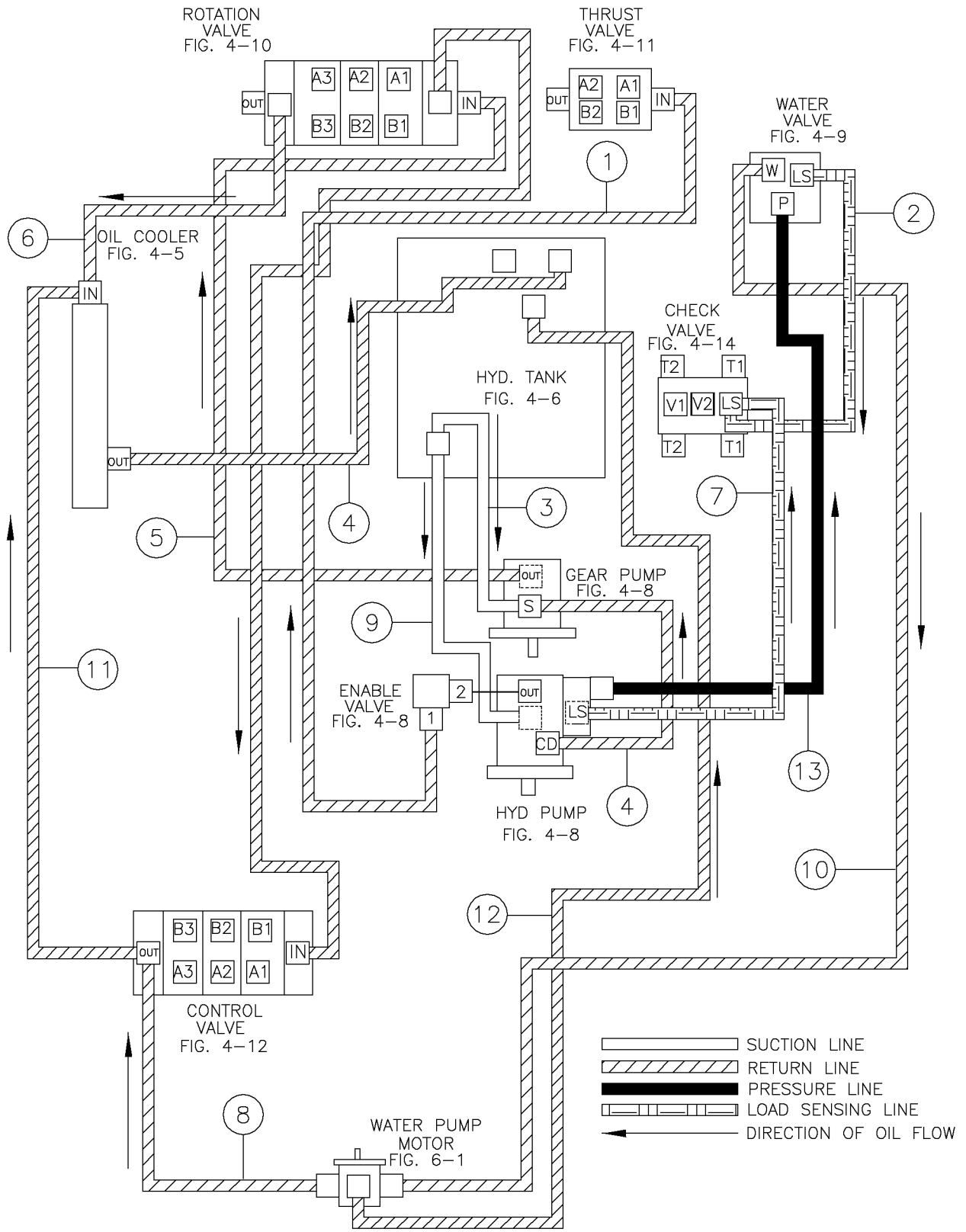
Hyd. Pump Flow Diagram Fig 4-17r01



Hyd. Pump Flow Diagram Fig 4-17r01

REF. NO.	*	PART NO.	DESCRIPTION	QTY.	REMARKS
		Revision Date	November, 2005		Update In Illustration & Parts List.
1		53844399	HOSE-1/2X60 8FS JIC 3000 PSI	1	
2		236449001	HOSE-1/4X52 4FSJIC ST/90 3000	1	
3		296280609	HOSE-HYD-1.25X8-NONE-200PSI-100R4-G4H	1	
4		53844157	HOSE-1/2X16 8FS JIC 3000 PSI	2	
5		296280658	HOSE-HYD-.50X32-8FSJ-ST/45-3000PSI-100R17-M3K	1	
6		275131001	HOSE-1/2X48 8FSJIC ST/90 M3K	1	
7		53843577	HOSE-1/4X16 4FSJICST/4FSJIC90D	1	
8		53844327	HOSE-HYD-.50X32-8FSJ-ST/90-3000PSI-100R1	1	
9		625095	HOSE-1" LP-10"	1	
10		257521001	HOSE-HYD 3/8 X 100" 6FS JIC ST/90	1	
11		291647001	HOSE-HYD-.50X76 8FS JIC ST/90 - 3000PSI	1	
12		294592001	HOSE - HYD- .25 X 63 - 4FSJ - ST/90 - 3000PSI	1	
13		53843711	HOSE-1/4X62 4FS JIC 3000 PSI	1	

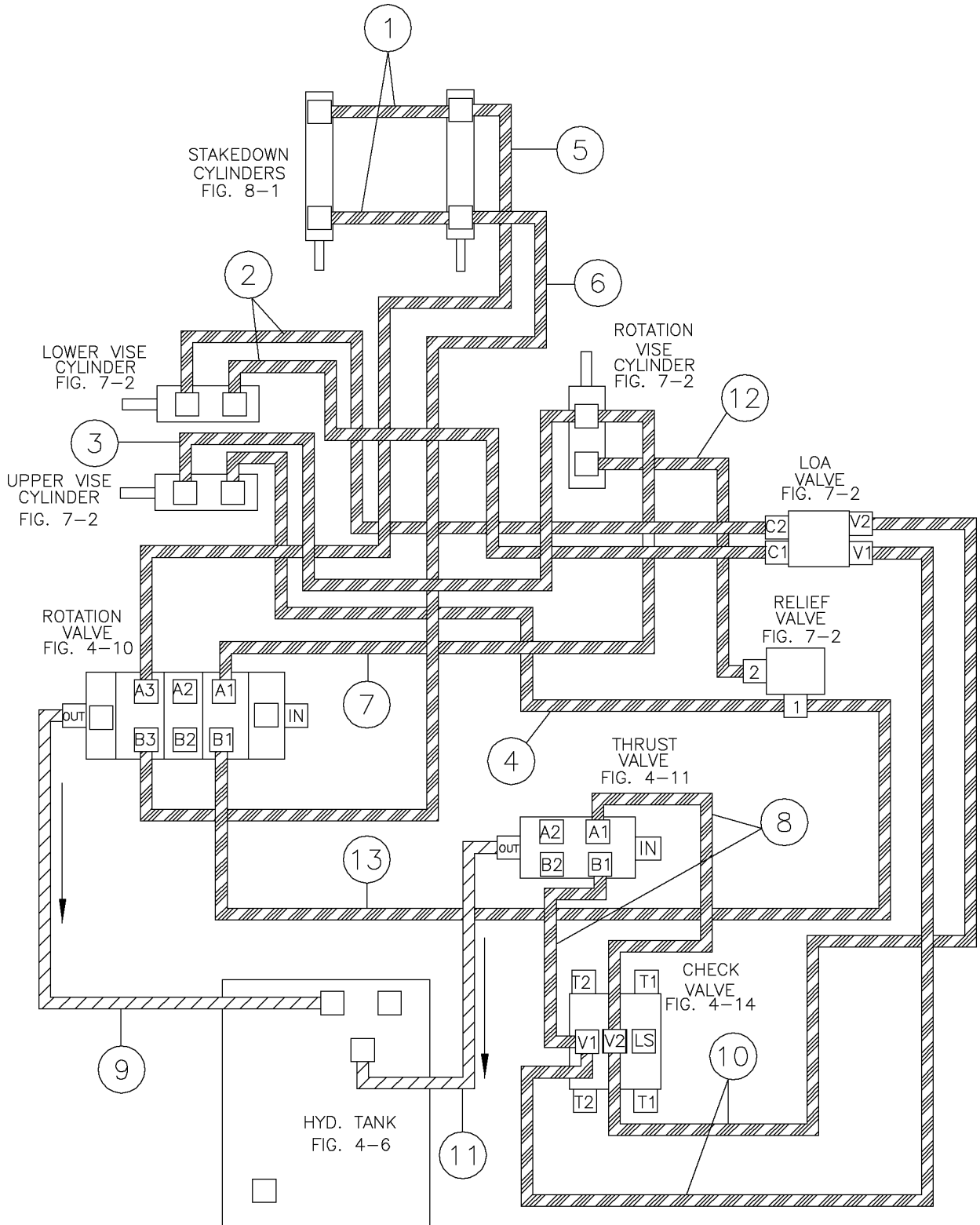
Hyd. Pump Flow Diagram Fig 4-17



Hyd. Pump Flow Diagram Fig 4-17

REF. NO.	*	PART NO.	DESCRIPTION	QTY.	REMARKS
1		53844399	HOSE-1/2X60 8FS JIC 3000 PSI	1	
2		53843591	HOSE-HYD-.25X52-4FSJ-ST/ST-3000PSI-100R1	1	
3		296280609	HOSE-HYD-1.25X8-NONE-200PSI-100R4-G4H	1	
4		53844157	HOSE-1/2X16 8FS JIC 3000 PSI	2	
5		158038001	HOSE - 1/2 X 32 8FFORS45 8FFORS 3000PSI	1	
6		275131001	HOSE-1/2X48 8FSJIC ST/90 M3K	1	
7		53843577	HOSE-1/4X16 4FSJICST/4FSJIC90D	1	
8		53844327	HOSE-HYD-.50X32-8FSJ-ST/90-3000PSI-100R1	1	
9		625095	HOSE-1" LP-10"	1	
10		257521001	HOSE-HYD 3/8 X 100" 6FS JIC ST/90	1	
11		291647001	HOSE-HYD-.50X76 8FS JIC ST/90 - 3000PSI	1	
12		294592001	HOSE - HYD- .25 X 63 - 4FSJ - ST/90 - 3000PSI	1	
13		53843711	HOSE-1/4X62 4FS JIC 3000 PSI	1	

Standard Stakedown/Visc Hyd. Flow Diagram Fig 4-18

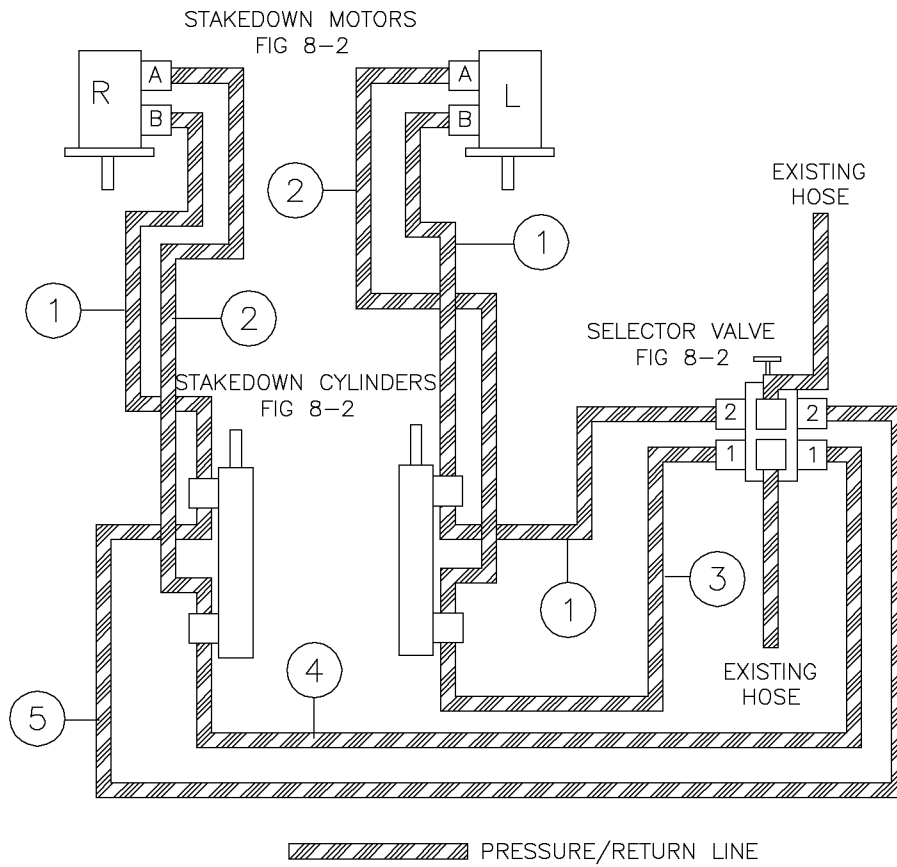


 RETURN LINE
 PRESSURE/RETURN LINE
 DIRECTION OF OIL FLOW

Standard Stakedown/Vise Hyd. Flow Diagram Fig 4-18

REF. NO.	*	PART NO.	DESCRIPTION	QTY.	REMARKS
1		53843659	HOSE-1/4X35 4FS JIC 3000 PSI	2	
2		148968001	HOSE - 1/4 X 46 4FSJIC ST/90 3000 #	2	
3		53843183	HOSE-1/4X18 4FS JIC 3000 PSI	1	
4		148968001	HOSE - 1/4 X 46 4FSJIC ST/90 3000 #	1	
5		53843243	HOSE-1/4X130 4FS JIC 3000 PSI	1	
6		53843215	HOSE-1/4X134 4FS JIC 3000 PSI	1	
7		53843417	HOSE-1/4X142 4FSJICST/4FSJIC90	1	
8		53843447	HOSE-1/4X50 4FS JIC 3000 PSI	2	
9		148966001	HOSE-HYD-.50X34-8FSJ-ST/ST-3000PSI-100R	1	
10		239134001	HOSE - 1/4X86 4FS JIC 3000 PSI	2	
11		275133001	HOSE-1/2X64 8FSJIC ST/90 M3K	1	
12		53843659	HOSE-1/4X35 4FS JIC 3000 PSI	1	
13		296280657	HOSE-1/4X124 4FSJ-ST/90-3000PSI	1	

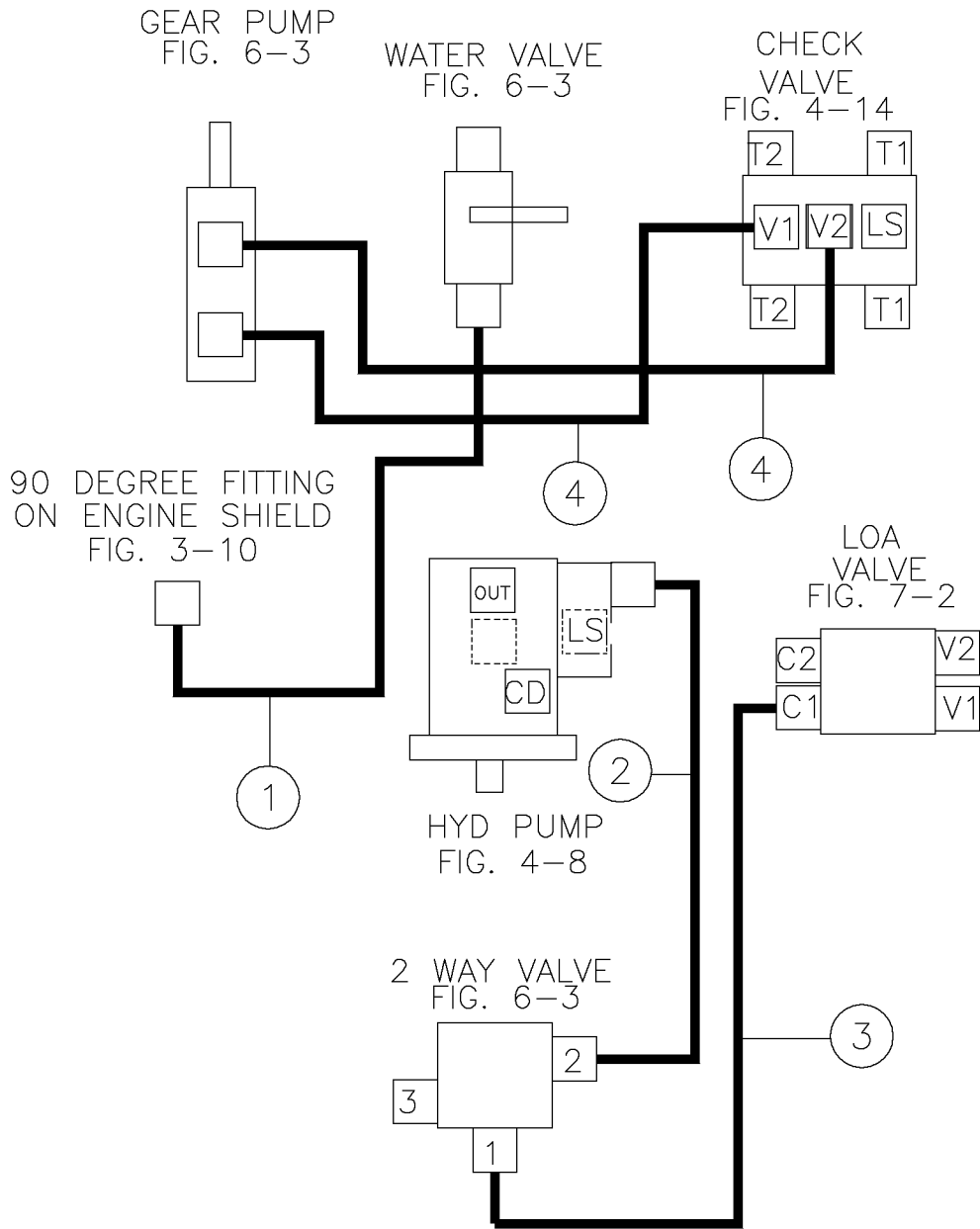
Power Stakedown Hyd. Flow Diagram Fig 4-19



Power Stakedown Hyd. Flow Diagram Fig 4-19

REF. NO.	*	PART NO.	DESCRIPTION	QTY.	REMARKS
1		159745001	HOSE - 1/4 X 29 4FSJIC ST/90 3000#	3	
2		53843543	HOSE-1/4X38 4FSJICST/4FSJIC90	2	
3		238710001	HOSE-1/4X32 4FSJIC ST/90 3000	1	
4		53843681	HOSE-1/4X11 4FSJIC-4FSJIC 90	1	
5		53843577	HOSE-1/4X16 4FSJICST/4FSJIC90D	1	

Ball Valve Hyd. Flow Diagram Fig 4-19x01

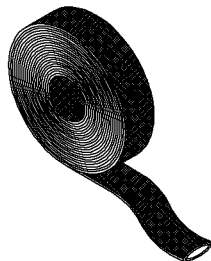


Ball Valve Hyd. Flow Diagram Fig 4-19x01

REF. NO.	*	PART NO.	DESCRIPTION	QTY.	REMARKS
		Revision Date	October, 2007		New Addition To Book
1		57940209	HOSE-3/8X30 6FS JIC (3000PSI)	1	
2		53843741	HOSE-1/4X18 4FSJICST/90 3000#	1	
3		53843521	HOSE-1/4X100 4FS JICST/4FSJC90	1	
4		148968001	HOSE - 1/4 X 46 4FSJIC ST/90 3000 #	2	

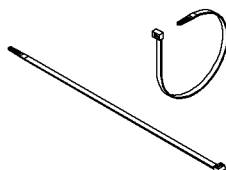
Miscellaneous Supplies Fig 4-20

CORDURA SLEEVES

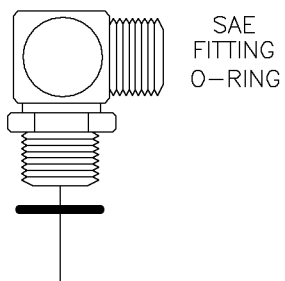


NOTE: SPECIFY LENGTH WHEN ORDERING

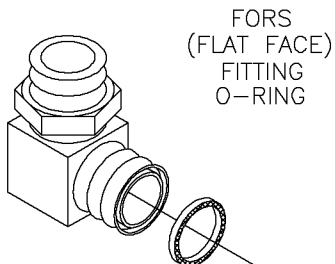
TIE STRAPS



O-RINGS



SAE
FITTING
O-RING



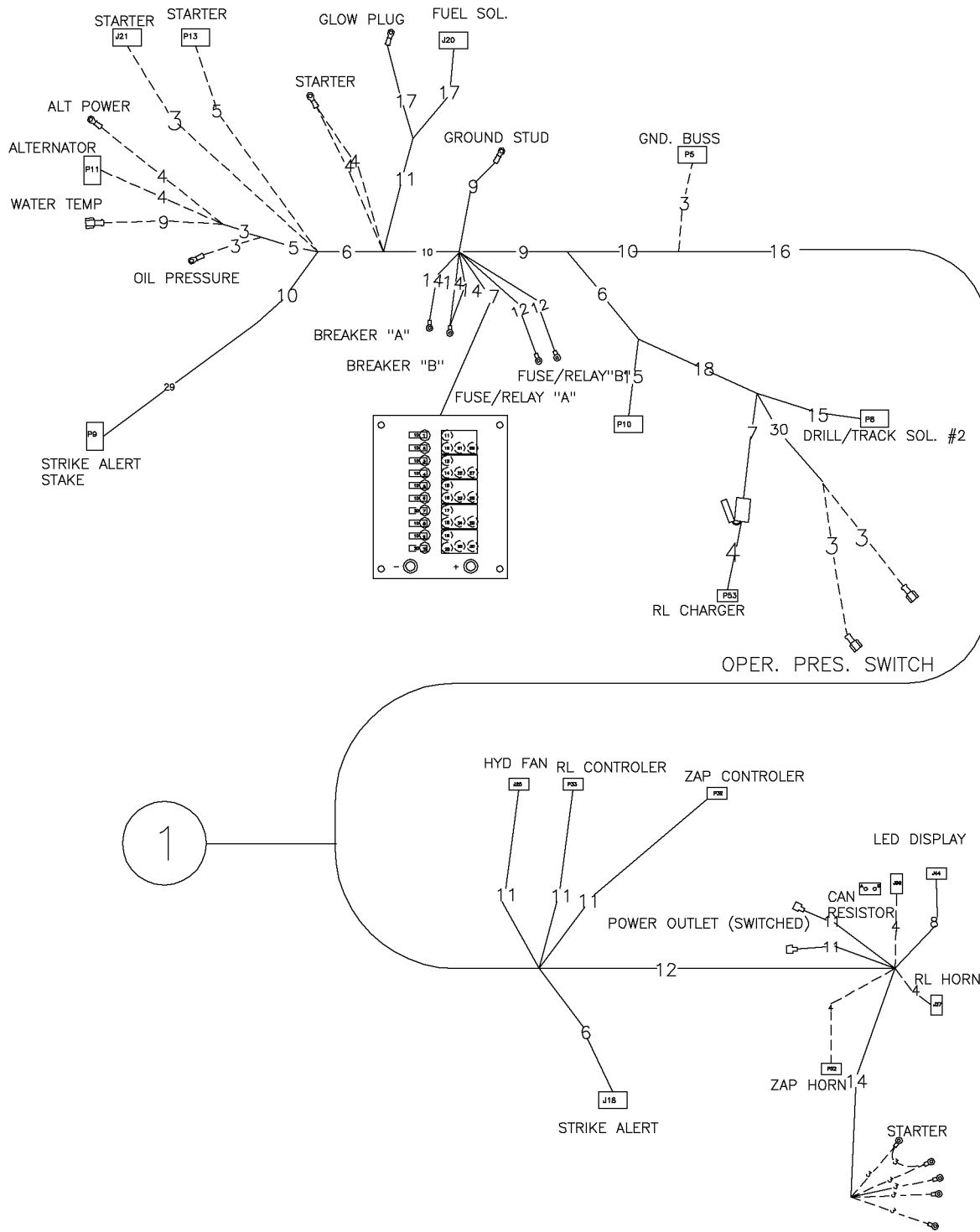
FORS
(FLAT FACE)
FITTING
O-RING

NOTE: O-RINGS LISTED ARE 90 DUROMETER

Miscellaneous Supplies Fig 4-20

REF. NO.	*	PART NO.	DESCRIPTION	QTY.	REMARKS
			CORDURA SLEEVES		
		83726001	INSIDE DIAMETER .71		
		66094001	INSIDE DIAMETER 1.22		
		67264001	INSIDE DIAMETER 1.42		
		69129001	INSIDE DIAMETER 1.59		
		53840001	INSIDE DIAMETER 1.81		
		53841001	INSIDE DIAMETER 2.37		
		235824001	INSIDE DIAMETER 2.66		
			NOTE: SPECIFY LENGTH WHEN ORDERING		
			TIE STRAPS		
		78657001	4 IN. LENGTH		
		59634001	8 IN. LENGTH		
		58151001	15 IN. LENGTH		
			O-RINGS		
			SAE FITTING REPLACEMENT O-RING		
		78185027	4M SAE FITTING SIZE		
		53649081	5M SAE FITTING SIZE		
		59088057	6M SAE FITTING SIZE		
		59088053	8M SAE FITTING SIZE		
		792029	10M SAE FITTING SIZE		
		3152013	12M SAE FITTING SIZE		
		3155015	14M SAE FITTING SIZE		
		81580001	16M SAE FITTING SIZE		
		93316001	20M SAE FITTING SIZE		
			O-RINGS		
			FORS FITTING REPLACEMENT O-RING		
		93843001	ORING-AS-011-C90 FOR#4ORS FIT		
		93844001	ORING-AS-012-C90 FOR #6ORS FIT		
		93845001	ORING-AS-014-C90 FOR#8ORS FIT.		
		93846001	O-RING-AS-016-C90 FOR#10ORS FIT		
		93847001	O-RING-AS-018-C90 FOR#12ORS FIT		
		93848001	ORING-AS-021-C90 FOR#16ORS FIT		
		93849001	O-RING-AS-025-C90 FOR#20ORS FIT		
		93850001	O-RING-AS-029-C90 FOR#24ORS FIT		
			NOTE: O-RINGS LISTED ARE 90 DUROMETER		

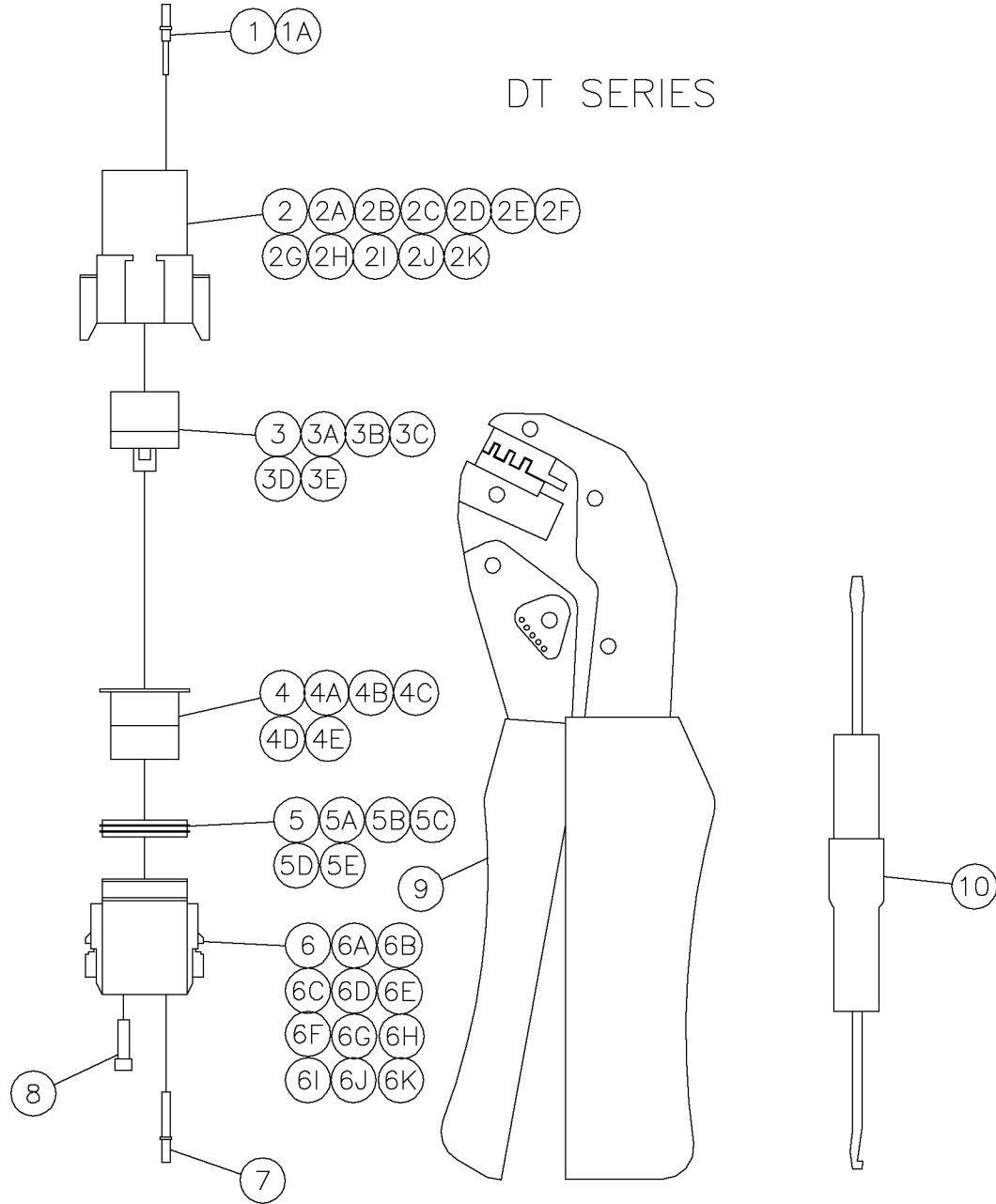
Electrical Harness Fig 5-1



Electrical Harness Fig 5-1

REF. NO.	*	PART NO.	DESCRIPTION	QTY.	REMARKS
1		296278745	HARNESS-MAIN	1	

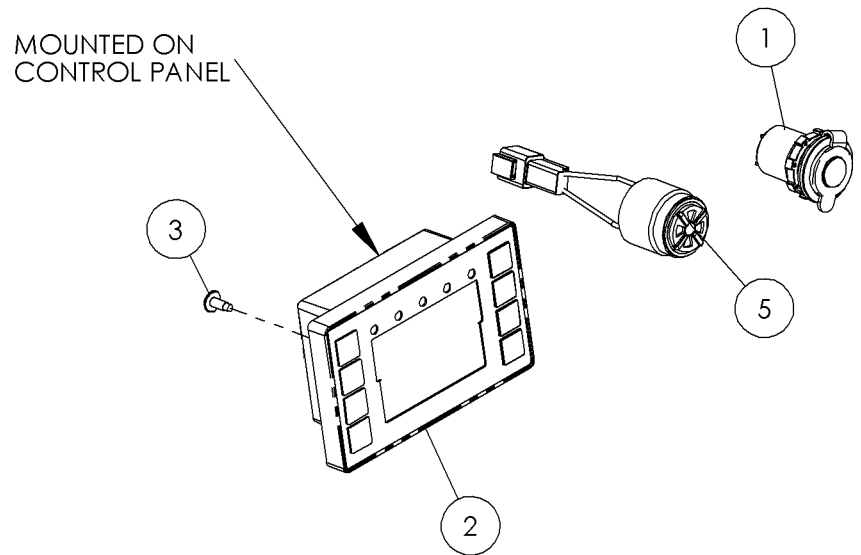
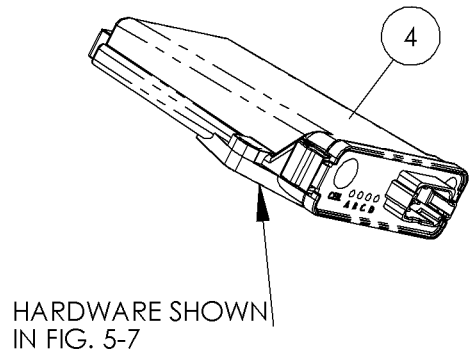
DT Series Connectors Fig 5-2



DT Series Connectors Fig 5-2

REF. NO.	*	PART NO.	DESCRIPTION	QTY.	REMARKS
1		276866001	PIN - 14/16 GA.		
1A		87696001	PIN-16/18 GA.		
2		276867001	RECEPTACLE - 2 PIN		
2A		276868001	RECEPTACLE - 3 PIN		
2B		276869001	RECEPTACLE - 4 PIN		
2C		276890001	RECEPTACLE - 6 PIN		
2D		276943001	RECEPTACLE - 8 PIN (A)		
2E		276944001	RECEPTACLE - 8 PIN (B)		
2F		276945001	RECEPTACLE - 8 PIN (C)		
2G		276946001	RECEPTACLE - 8 PIN (D)		
2H		276947001	RECEPTACLE - 12 PIN (A)		
2I		276948001	RECEPTACLE - 12 PIN (B)		
2J		276949001	RECEPTACLE - 12 PIN (C)		
2K		276950001	RECEPTACLE - 12 PIN (D)		
3		276870001	WEDGE - 2 PIN RECEPTACLE		
3A		276871001	WEDGE - 3 PIN RECEPTACLE		
3B		276872001	WEDGE - 4 PIN RECEPTACLE		
3C		276873001	WEDGE - 6 PIN RECEPTACLE		
3D		94200001	WEDGE - 8 PIN RECEPTACLE		
3E		103213001	WEDGE - 12 PIN RECEPTACLE		
4		276874001	WEDGE - 2 PIN PLUG		
4A		276875001	WEDGE - 3 PIN PLUG		
4B		276876001	WEDGE - 4 PIN PLUG		
4C		276877001	WEDGE - 6 PIN PLUG		
4D		98106001	WEDGE - 8 PIN PLUG		
4E		103214001	WEDGE - 12 PIN PLUG		
5		276878001	GASKET - INTERFACE 2 PIN		
5A		276879001	GASKET - INTERFACE 3 PIN		
5B		276880001	GASLET - INTERFACE 4 PIN		
5C		276881001	GASKET - INTERFACE 6 PIN		
5D		276882001	GASKET - INTERFACE 8 PIN		
5E		276883001	GASKET - INTERFACE 12 PIN		
6		276884001	PLUG - 2 PIN		
6A		276885001	PLUG - 3 PIN		
6B		276886001	PLUG - 4 PIN		
6C		276887001	PLUG - 6 PIN		
6D		98107001	PLUG - 8 PIN (A)		
6E		276985001	PLUG - 8 PIN (B)		
6F		276986001	PLUG - 8 PIN (C)		
6G		276987001	PLUG - 8 PIN (D)		
6H		103211001	PLUG - 12 PIN (A)		
6I		276988001	PLUG - 12 PIN (B)		
6J		276989001	PLUG - 12 PIN (C)		
6K		276990001	PLUG - 12 PIN (D)		
7		91354001	SOCKET - 16/18 GA.		
8		94201001	PLUG - SEALING (12-16)		
9		286553001	TOOL - DEUTSCH CRIMPING (FIELD)		
10		286553003	TOOL - DEUTSCH (FIELD)		

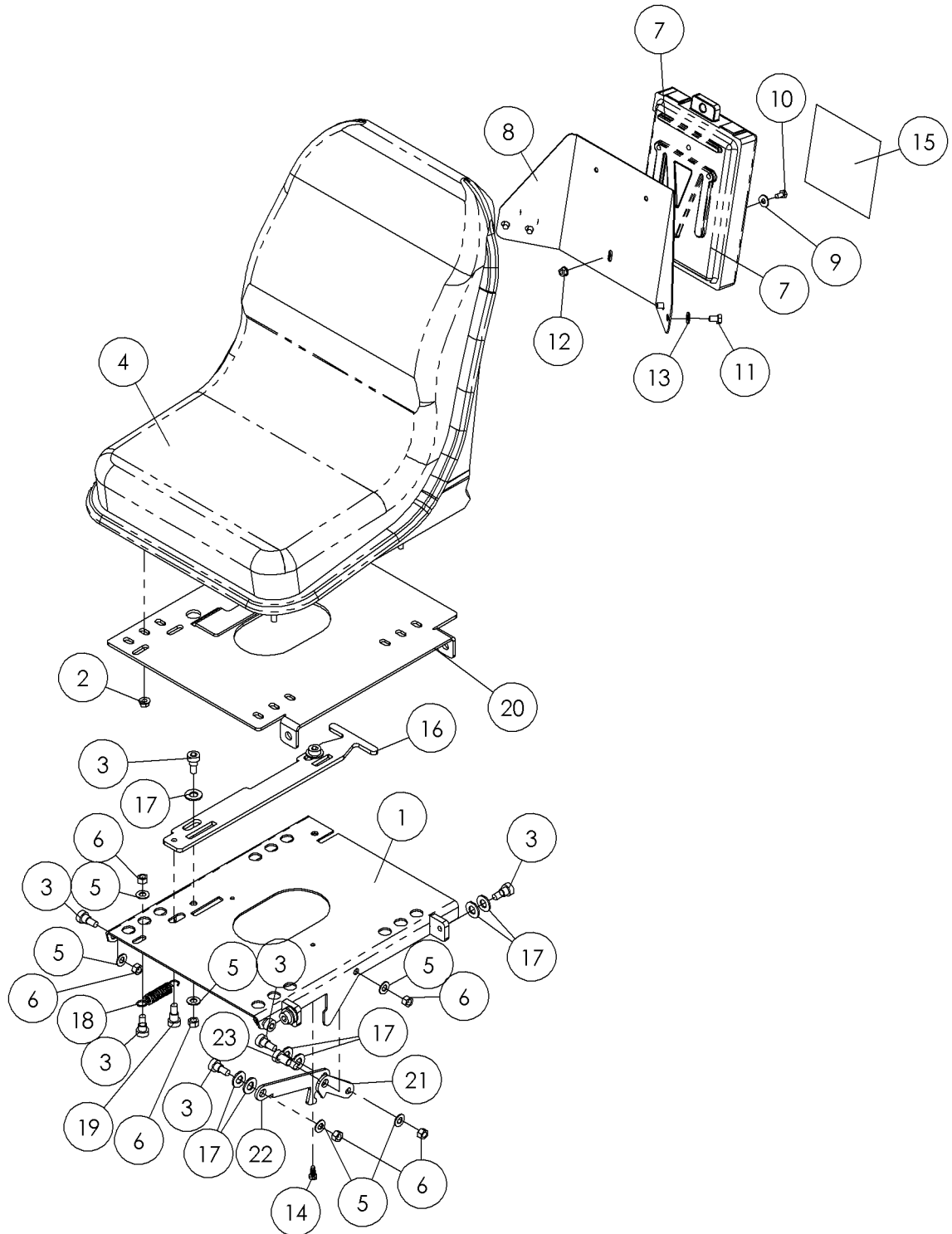
Control Electrical Panel Fig 5-3



Control Electrical Panel Fig 5-3

REF. NO.	*	PART NO.	DESCRIPTION	QTY.	REMARKS
		Revision Date	November, 2006		Change Zap Alert Horn
1		154677001	OUTLET - 12 VOLT	1	
2		296252603	ASM - LOW END DESIPLAY	1	
3		296252560	SCREW, #10-14 X 3/8 PLASTITE PH,HD	4	
4		296270163	ASM, STRIKEALERT BLANK	1	
5	*	296292078	HORN - ZAP ALERT DEUTSCH 2 PIN	1	(S/N 223-)

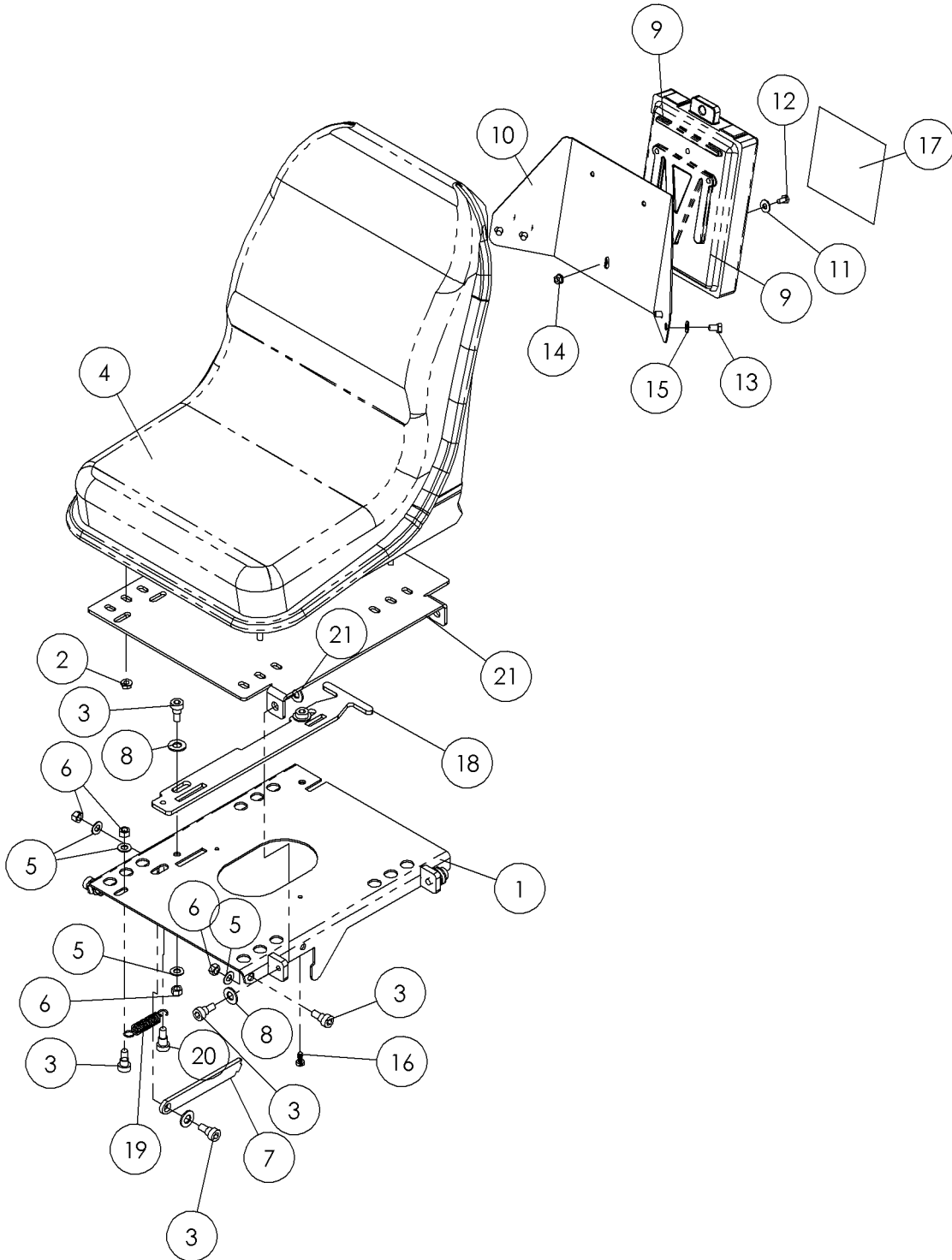
Seat Assy Fig 5-4r02



Seat Assy Fig 5-4r02

REF. NO.	*	PART NO.	DESCRIPTION	QTY.	REMARKS
		Revision Date	April, 2006		Update In Illustration & Parts List.
1		296281120	SEAT TILT BASE	1	
2		510352507	NUT-SMFLGTL-.31-18-G-YZ	4	
3		296256038	SCREW-SHSS-.50X.38-.38-16THD-CZ	9	
4		296274289	SEAT - MILSCO	1	
		219186003	SWITCH-SAFETY	1	Not Shown
		4473004	1/4-20X1/2 FLGE WHIZ BOLT	2	Not Shown
5		235713001	WASHER-FLATSTRL-.38-.41X.81-.06-YZ-A325	8	
6		250508001	NUT-TLHEX-.38-16-C-YZ	8	
7		142410001	CASE - OPERATOR MANUAL	1	
8		235683001	MOUNT- MANUAL BOX	1	
9		510337603	WASHER-FLATSTD-.25-.31X.75-.07-YZ	3	
10		235733001	SCREW-HCS-.25-20X.50-GR8-YZ	3	
11		235740001	SCREW-HCS-.31-18X.50-GR8-YZ	4	
12		405001	NUT-HEXFLGL-.25-20-GR2-CZ	3	
13		235714001	WASHER-FLATSTRL-.31-.34X.69-.06-YZ-A325	4	
14		278953001	ANCHOR - CABLE TIE	1	
15		2326940	DECAL - NOTICE TO OWNERS	1	
16		296281118	PLATE - SEAT LATCH	1	
17		252253001	WASHER-FLATSAE-.50-.53X1.06-.09-CZ	10	
18		235869001	SPRING-EXT. 3/4 OD X .085-3.00	1	
19		240056001	SCREW-1/2X1/2 SOCKET SHOULDER	1	
20		296281131	SEAT TILT WELDMENT	1	
21		296281173	PLATE - SEAT LATCH TOP LINK	1	
22		296281172	PLATE - SEAT LATCH BOTTOM LINK	1	
23		292146001	SCREW-1/2X1/2 SOCKET SHOULDER	1	

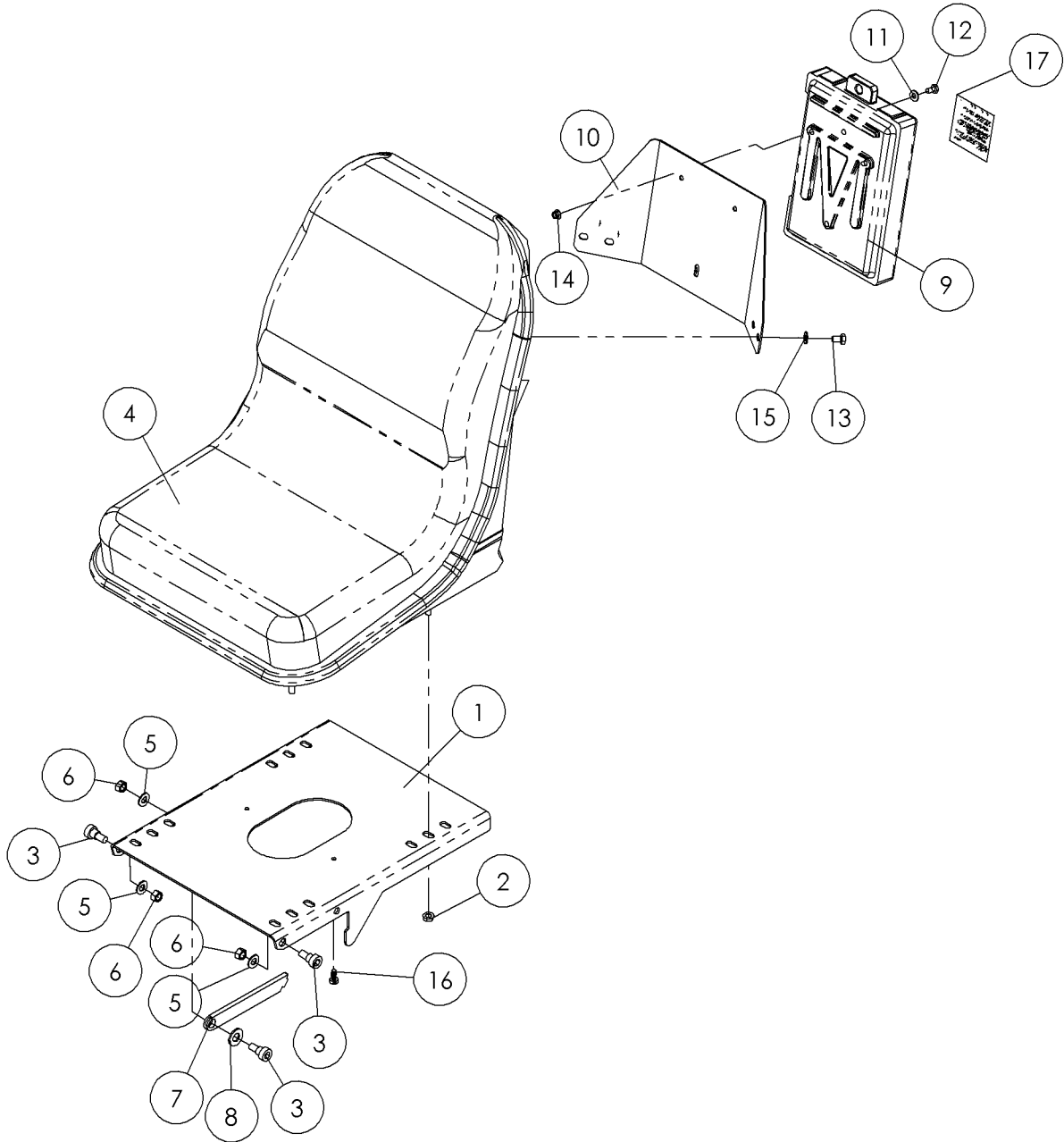
Seat Assy Fig 5-4r01



Seat Assy Fig 5-4r01

REF. NO.	*	PART NO.	DESCRIPTION	QTY.	REMARKS
		Revision Date	January, 2006		Update In Illustration & Parts List.
1		296281120	SEAT TILT BASE	1	
2		510352507	NUT-SMFLGTL-.31-18-G-YZ	4	
3		296256038	SCREW-SHSS-.50X.38-.38-16THD-CZ	8	
4		296274289	SEAT - MILSCO	1	
		219186003	SWITCH-SAFETY	1	Not Shown
		4473004	1/4-20X1/2 FLGE WHIZ BOLT	2	Not Shown
5		235713001	WASHER-FLATSTRL-.38-.41X.81-.06-YZ-A325	6	
6		250508001	NUT-TLHEX-.38-16-C-YZ	6	
7		296281027	PLATE-SEAT STOP/LATCH	1	
8		252253001	WASHER-FLATSAE-.50-.53X1.06-.09-CZ	7	
9		142410001	CASE - OPERATOR MANUAL	1	
10		235683001	MOUNT- MANUAL BOX	1	
11		510337603	WASHER-FLATSTD-.25-.31X.75-.07-YZ	3	
12		235733001	SCREW-HCS-.25-20X.50-GR8-YZ	3	
13		235740001	SCREW-HCS-.31-18X.50-GR8-YZ	4	
14		405001	NUT-HEXFLGL-.25-20-GR2-CZ	3	
15		235714001	WASHER-FLATSTRL-.31-.34X.69-.06-YZ-A325	4	
16		278953001	ANCHOR - CABLE TIE	1	
17		2326940	DECAL - NOTICE TO OWNERS	1	
18		296281118	PLATE - SEAT LATCH	1	
19		235869001	SPRING-EXT. 3/4 OD X .085-3.00	1	
20		240056001	SCREW-1/2X1/2 SOCKET SHOULDER	1	
21		296281131	SEAT TILT WELDMENT	1	

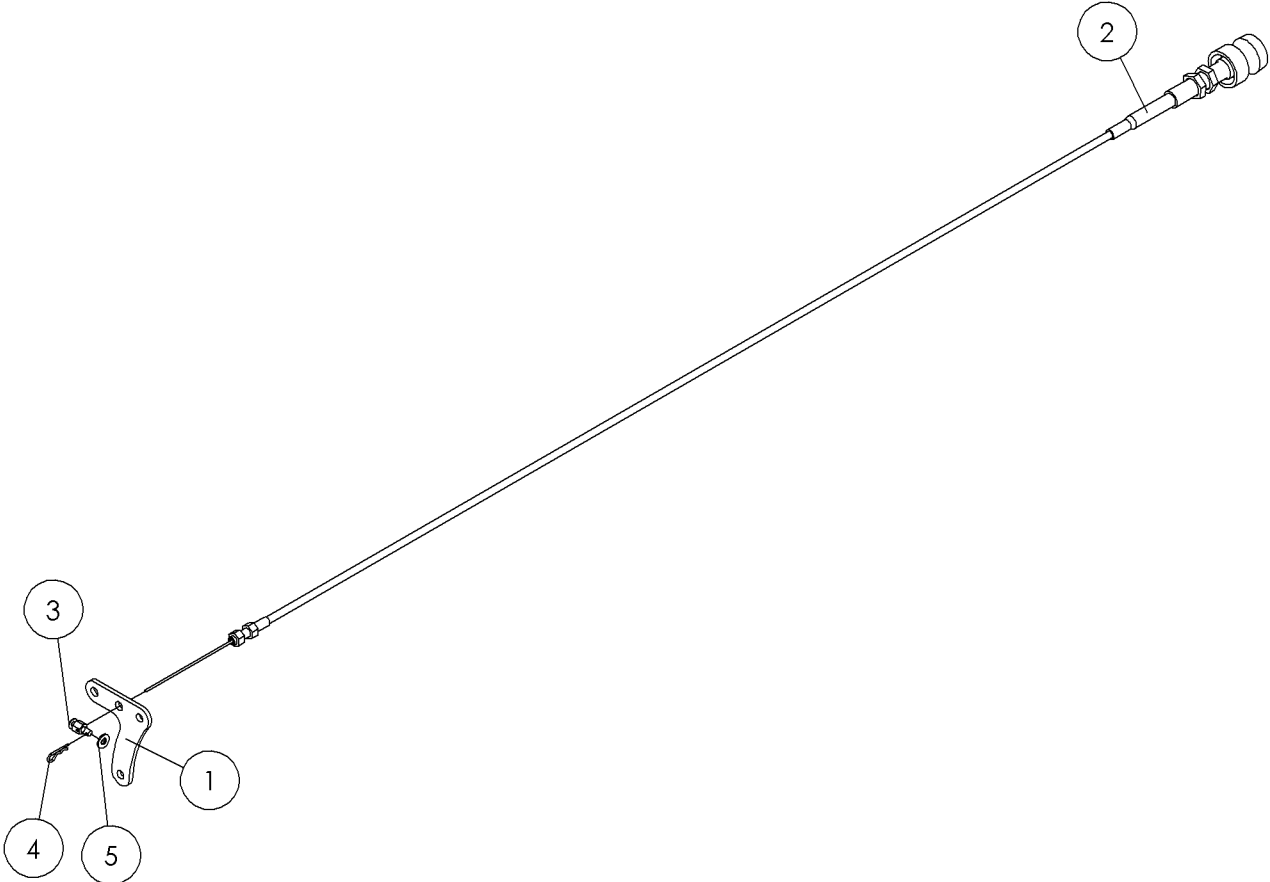
Seat Assy Fig 5-4



Seat Assy Fig 5-4

REF. NO.	*	PART NO.	DESCRIPTION	QTY.	REMARKS
1		296277726	PLATE - SEAT MOUNT	1	
2		510352507	NUT-SMFLGTL-.31-18-G-YZ	4	
3		296256038	SCREW - SHSS - .50X.38-.38-16 THD-CZ	3	
4		296274289	SEAT - MILSCO XR210 GRAY	1	
		219186003	SWITCH-SAFETY	1	Not Shown
		4473004	1/4-20X1/2 FLGE WHIZ BOLT	2	Not Shown
5		235713001	WASHER - FLATSTRL - .38 - .41 X .81 - .06-YA-A325	3	
6		250508001	NUT - 3/8-NC Gr8 TOP LOCK Y/ZINC	3	
7		296281027	PLATE - SEAT STOP/LATCH	1	
8		252253001	WASHER-1/2 SAE FLAT ZP	1	
9		142410001	CASE-6"X9 XCX X1" OPERATOR MANUAL	1	
10		235683001	MOUNT-MANUAL BOX	1	
11		510337603	WASHER-FLATSTD-.25-.31X.75-.07-YZ	3	
12		235733001	BOLT-1/4-20X1/2 GR8 ZINC PLTD	3	
13		235740001	BOLT-5/16-18X1/2 GR8 ZINC PLT	4	
14		405001	NUT-1/4 NC FLG WHIZ LOCK	3	
15		235714001	WASHER - FLATSTRL - .31 - .34 X .69 - .06-YZ-A325	4	
16		278953001	ANCHOR - CABLE TIE	1	
17		2326940	DECAL-NOTICE TO OWNERS	1	

Throttle Cable Fig 5-5



Throttle Cable Fig 5-5

REF. NO.	*	PART NO.	DESCRIPTION	QTY.	REMARKS
1		265153001	MOUNT - THROTTLE CABLE - KUBOTA	1	
2		84541001	THROTTLE CABLE 56"	1	
3		2809001	PIVOT AO47641	1	
4		1794007	HAIR PIN COTTER - .080 WIRE	1	
5		235716001	WASHER - FLATSTRL - .25 -.28 X .63 - .06 - CZ	1	

Battery Fig 5-6r01

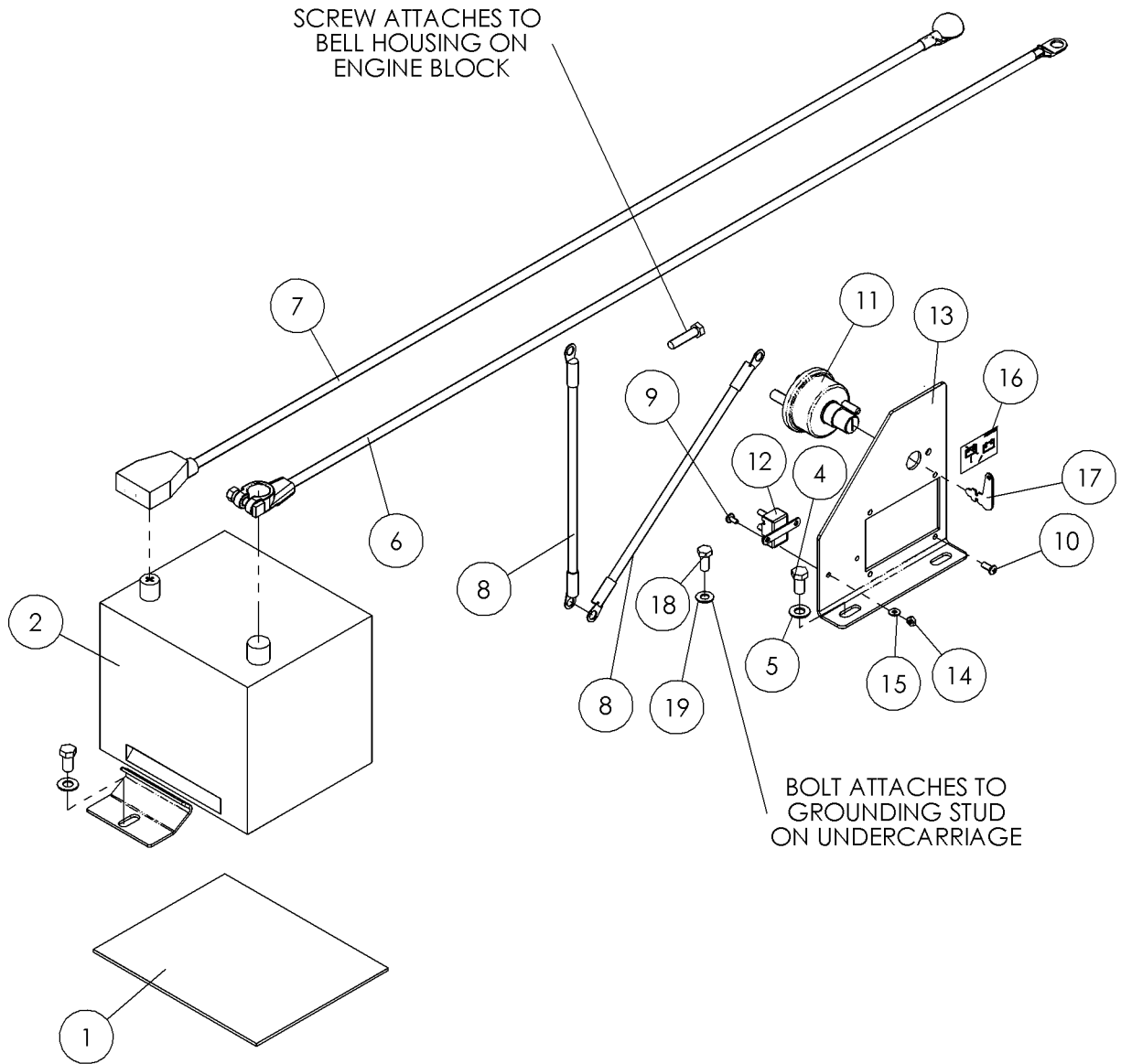
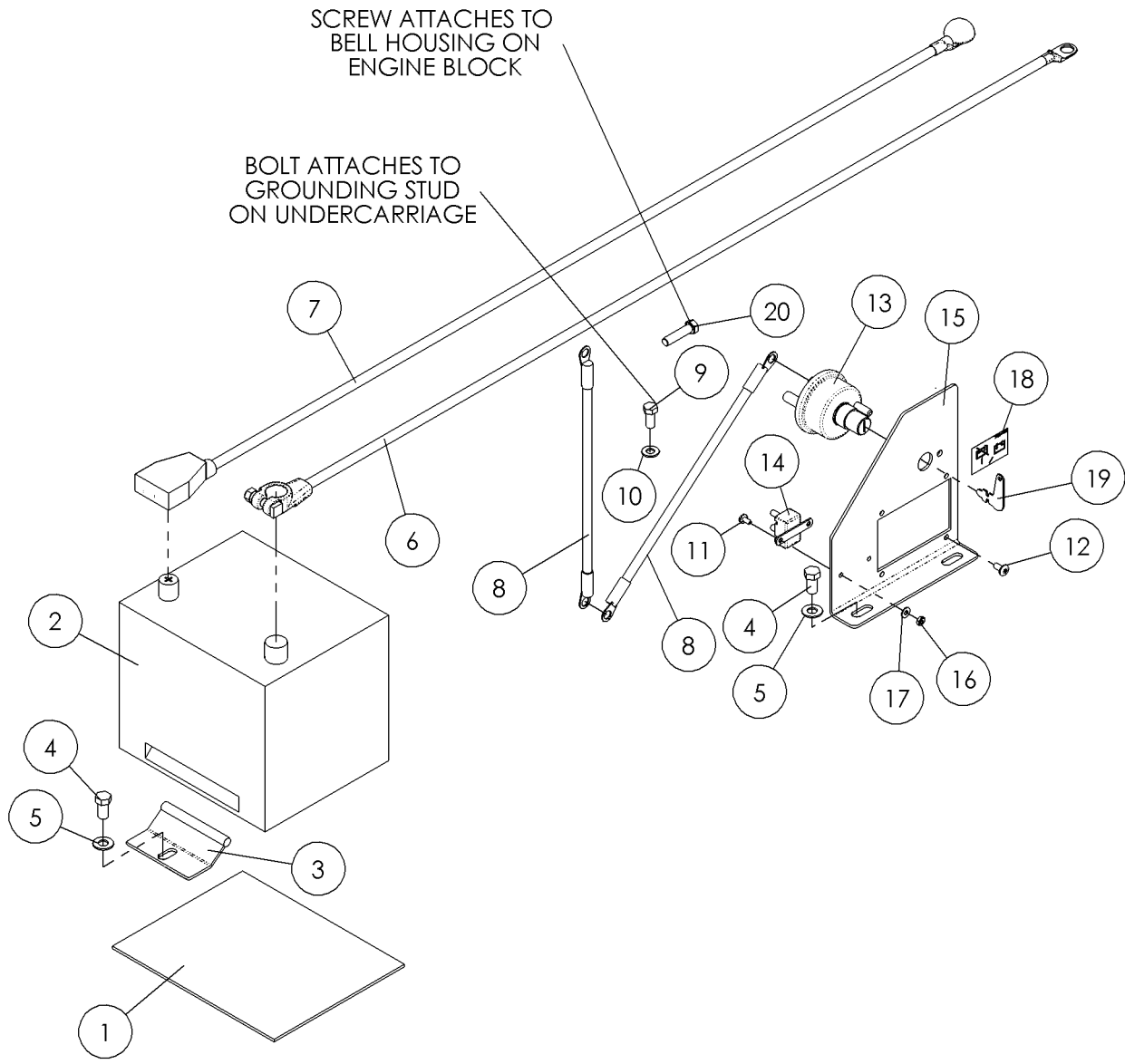


Illustration No. 296278604

Battery Fig 5-6r01

REF. NO.	*	PART NO.	DESCRIPTION	QTY.	REMARKS
		Revision Date	September, 2007		Updated Drawing
1		229373001	PAD-BATTERY	1	
2		264353001	BATTERY-26 SERIES (525 CCA)	1	
3		296281121	PLATE - BATTERY HOLD DOWN	1	
4		235726001	BOLT-3/8-16X3/4 GR8 HEX ZNCPLT	3	
5		235713001	WASHER - FLATSTRL - .38 - .41 X .81 - .06-YA-A325	3	
6		296282264	CABLE - BATTERY (NEG) X 44	1	
7		296282265	CABLE - BATTERY (POS) X 44	1	
8		219380001	STRAP-GROUND 4 GA.X12" E-E	2	
9		10530003	SCREW-MCH-8-32X.38-GR2-CZ-PAN-SLTD	2	
10		141364001	SCREW-10-32 X 1/2 CRPHM	4	
11		904365001	DISCONNECT SWITCH	1	
12		285634001	BREAKER - 50 AMP	1	
13		296281016	PLATE - FUSE/DISCONNECT ASSY	1	
14		399001	NUT-8-32 HEX	2	
15		224769001	WASHER-#8 FLAT	2	
16		700IA477	DECAL_BATTERY SWITCH (UG)	1	
17		87356003	KEY	1	
18		235742001	BOLT-5/16-18X3/4 GR8 ZYC	1	
19		235714001	WASHER - FLATSTRL - .31 - .34 X .69 - .06-YZ-A325	1	
20		568001	8 X 35MM DIN933 FULLY THRD.	1	

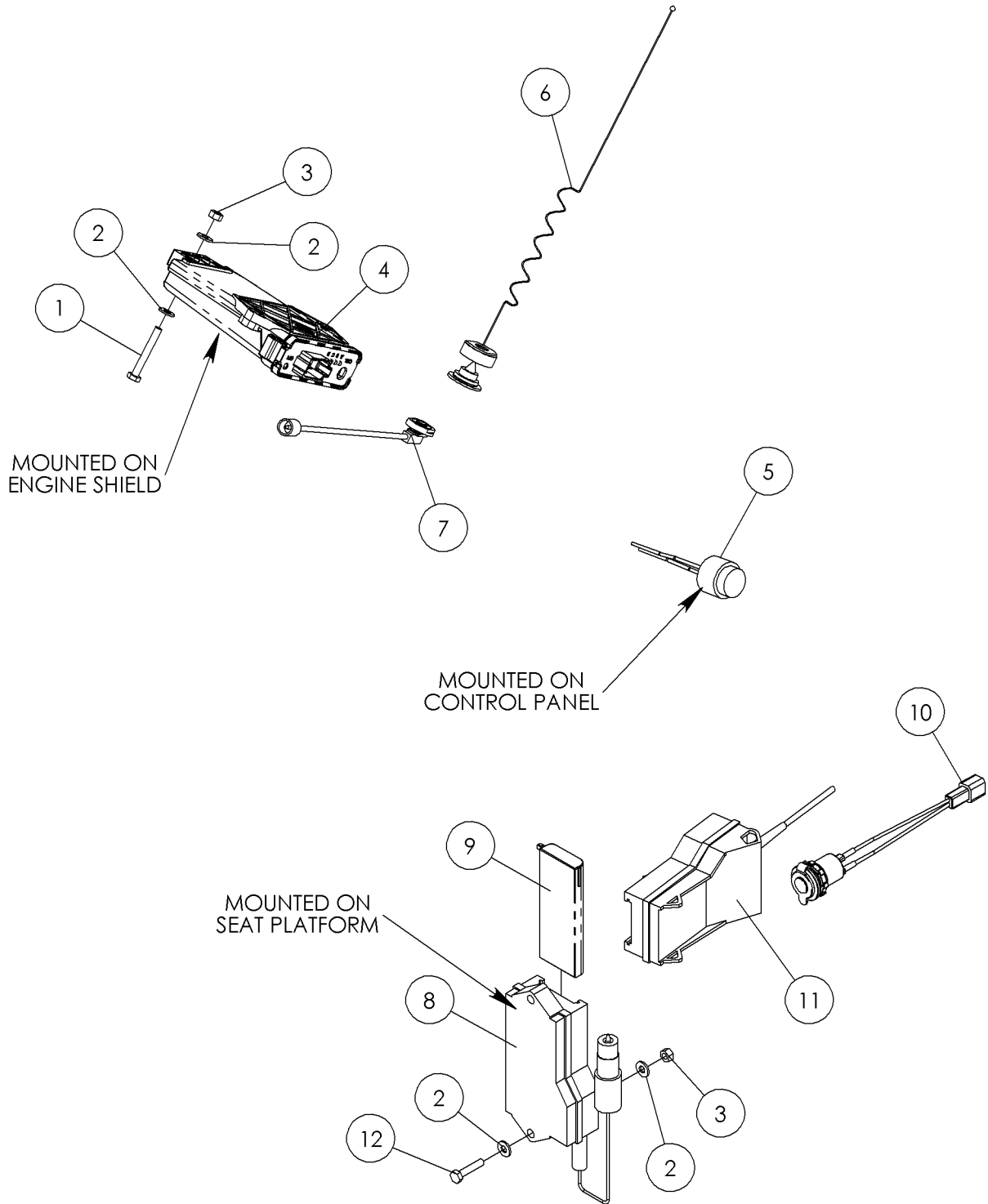
Battery Fig 5-6



Battery Fig 5-6

REF. NO.	*	PART NO.	DESCRIPTION	QTY.	REMARKS
1		229373001	PAD-BATTERY	1	
2		264353001	BATTERY- 26 SERIES- 525 CCA	1	
3		296277500	BRACKET - BATTERY HOLD DOWN	1	
4		235726001	BOLT-3/8-16X3/4 GR8 HEX ZNCPLT	3	
5		235713001	WASHER - FLATSTRL - .38 - .41 X .81 - .06-YA-A325	3	
6		296282264	CABLE-BATT. (NEG) X 44	1	
7		296282265	CABLE-BATT. (POS) X 44	1	
8		219380001	STRAP-GROUND 4 GA.X12" E-E	2	
9		235742001	BOLT-5/16-18X3/4 GR8 ZINC PLTD	1	
10		235714001	WASHER - FLATSTRL - .31 - .34 X .69 - .06-YZ-A325	1	
11		10530003	SCREW-MCH-8-32X.38-GR2-CZ-PAN-SLTD	2	
12		141364001	SCREW-10-32 X 1/2 CRPHM	4	
13		904365001	DISCONNECT SWITCH	1	
14		285634001	BREAKER - 50 AMP	1	
15		296281016	PLATE - FUSE/DISCONNECT ASSY	1	
16		399001	NUT-8-32 HEX	2	
17		224769001	WASHER-#8 FLAT	2	
18		700IA477	DECAL_BATTERY SWITCH (UG)	1	
19		87356003	KEY	1	
20		568001	8 X 35MM DIN933 FULLY THRD.	1	

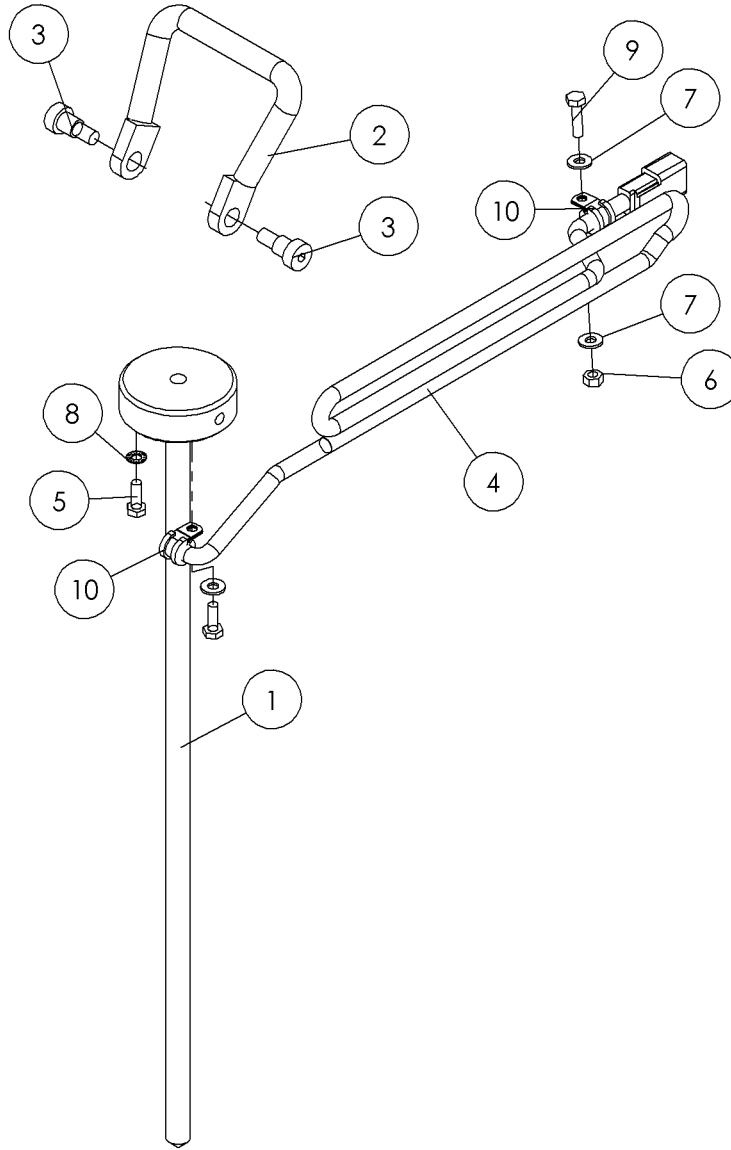
Remote Lockout Fig 5-7



Remote Lockout Fig 5-7

REF. NO.	*	PART NO.	DESCRIPTION	QTY.	REMARKS
1		248197001	BOLT-1/4-20X2 GR.8 ZINC PLTD	3	
2		252251001	WASHER-1/4 SAE FLAT ZP	9	
3		235732001	NUT - HEX - .25 - 20 - GR8 - YZ	5	
4		296272661	B324LK5, SMALL NAVIGATORS UNIT	1	
5		286920001	REMOTE LOCKOUT BUZZER	1	
6		296272364	ANTENNA -915 MHZ, 3 dBI, 1/4 WAVE	1	
7		296272607	MOUNT-ANTENNA MOTOROLA TYPE RG-58-4'	1	
8		296272392	CHARGER, 12-VOLT NBB	1	
9		296272400	BATTERY - 1000MA NBB	1	
10		154677001	OUTLET - 12 VOLT	1	
11		296272513	R324LK, REMOTE LOCKOUT INT	1	
12		250008001	BOLT 1/4-20 X 1 1/4 ZINC PL	2	

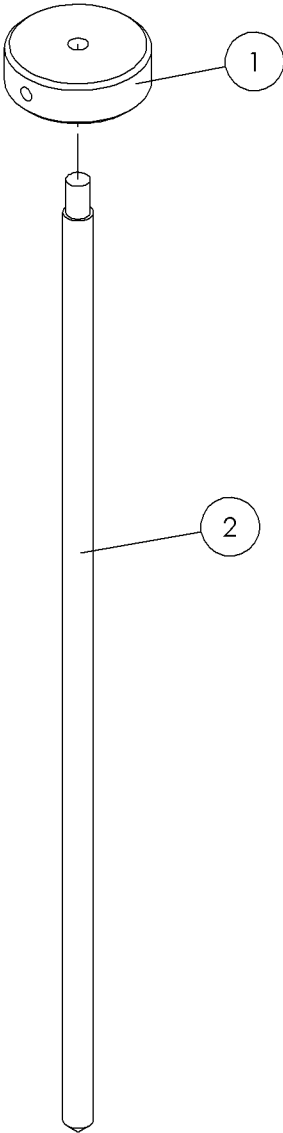
Voltage Stake Fig 5-8



Voltage Stake Fig 5-8

REF. NO.	*	PART NO.	DESCRIPTION	QTY.	REMARKS
1		296275119	STAKE-VOLTAGE	1	Breakdown Fig. 5-9
2		234164001	HANDLE-VOLTAGE STAKE	1	
3		240056001	SCREW-SHSS-.50X.50-.38-16THD-CZ	2	
4		296275117	HARNESS-VOLTAGE STAKE	1	
5		235734001	BOLT-1/4-20X3/4 GR8 ZINC PLTD	3	
6		235732001	NUT - HEX - .25 - 20 - GR8 - YZ	1	
7		510337603	WASHER-FLATSTD-.25-.31X.75-.07-YZ	3	
8		481013	WASHER-1/4 EST. STAR	2	
9		235735001	BOLT-1/4-20X1 GR8 HEX ZNC PLTD	1	
10		296275118	CLAMP - #8	2	

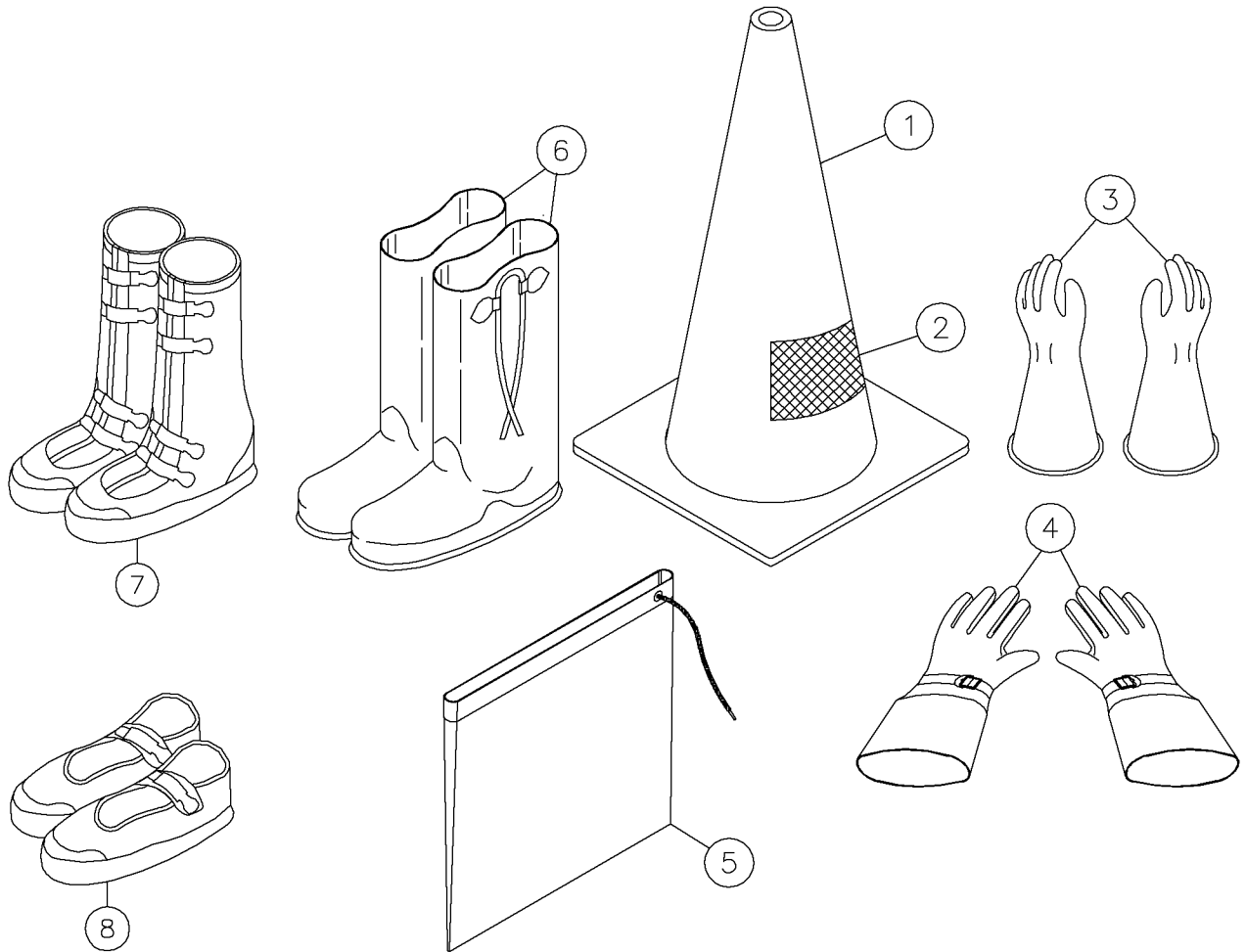
Stake Voltage Components Fig 5-9



Stake Voltage Components Fig 5-9

REF. NO.	*	PART NO.	DESCRIPTION	QTY.	REMARKS
1		296275107	HEAD - VOLTAGE STAKE	1	
2		904155001	VOLTAGE STAKE	1	

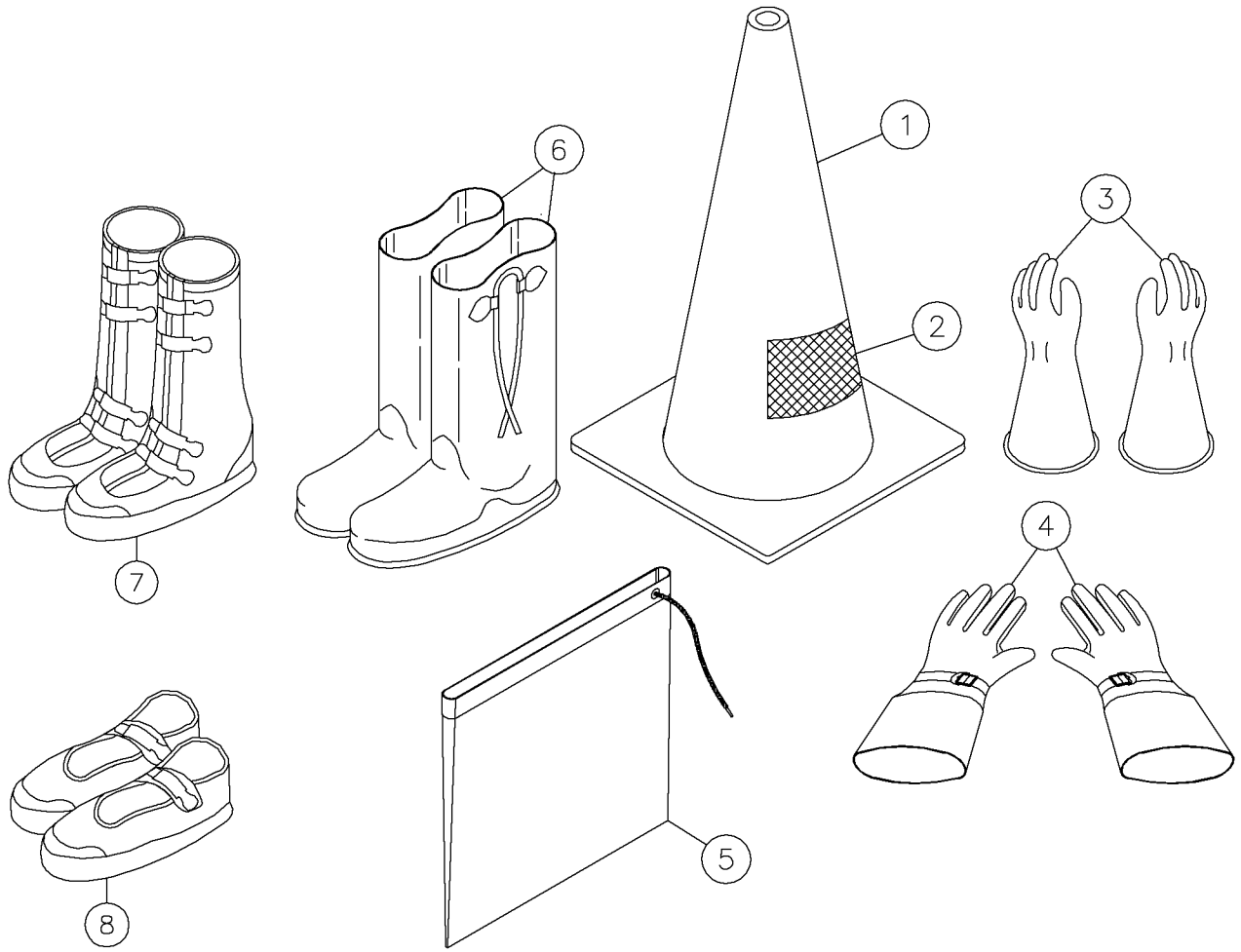
Safety Features Gloves-Boots-Cones Fig 5-10r01



Safety Features Gloves-Boots-Cones Fig 5-10r01

REF. NO.	*	PART NO.	DESCRIPTION	QTY.	REMARKS
		Revision Date	March, 2006		Update In Illustration & Parts List.
1		904541001	CONES-ORANGE PVC	4	
2		70000530	DECAL-DANGER	4	
		7000I530	DECAL-WARNING (INTERNATIONAL)	4	International
3		210782001	GLOVES-SIZE 9 RUBBER INSULATE	1 PAIR	
		210782005	GLOVES-SIZE 9 1/2 RUBBER INSUL	1 PAIR	
		210782003	GLOVES-SIZE 10 RUBBER INSULATE	1 PAIR	
		210782007	GLOVE-SIZE 11 RUBBER INSULATED	1 PAIR	
		210782009	GLOVE-SIZE 12 RUBBER INSULATED	1 PAIR	
4		210783001	GLOVES-SIZE 9 LEATHER PROTECT	1 PAIR	
		210783005	GLOVES SIZE 9 1/2 LEATHER PROT	1 PAIR	
		210783003	GLOVES-SIZE 10 LEATHER PROTECT	1 PAIR	
		210783007	GLOVE-SIZE 11 LEATHER PROTECT	1 PAIR	
		210783009	GLOVE-SIZE 12 LEATHER PROTECT	1 PAIR	
		210781001	GLOVE KIT-SIZE 9	1	Inc 1 Pair Of Rubber Gloves, 1Pair Of Leather Gloves & 1 Gove bag
		224979001	GLOVE KIT-SIZE 9 1/2	1	Inc 1 Pair Of Rubber Gloves, 1Pair Of Leather Gloves & 1 Gove bag
		210785001	GLOVE KIT-SIZE 10	1	Inc 1 Pair Of Rubber Gloves, 1Pair Of Leather Gloves & 1 Gove bag
		224990001	GLOVE KIT-SIZE 11	1	Inc 1 Pair Of Rubber Gloves, 1Pair Of Leather Gloves & 1 Gove bag
		224991001	GLOVE KIT-SIZE 12	1	Inc 1 Pair Of Rubber Gloves, 1Pair Of Leather Gloves & 1 Gove bag
5		210784001	BAG-GLOVE	1	
6		210780009	BOOTS-SIZE 9 OVER-THE-SHOE	1 PAIR	
		210780001	BOOTS-SIZE 10 OVER-THE-SHOE	1 PAIR	
		210780003	BOOTS-SIZE 11 OVER-THE-SHOE	1 PAIR	
		210780005	BOOTS-SIZE 12 OVER-THE-SHOE	1 PAIR	
		210780007	BOOTS-SIZE 13 OVER-THE-SHOE	1 PAIR	
		210780011	BOOTS-SIZE 14 OVER-THE-SHOE	1 PAIR	
		210780013	BOOTS-SIZE 15 OVER-THE-SHOE	1 PAIR	
		210780015	*BOOTS SIZE 16 OVER-THE-SHOE	1 PAIR	
7		279118001	*BOOT-4 BUCKLE SIZE 9	1 PAIR	
		279118002	*BOOT-4 BUCKLE SIZE 10	1 PAIR	
		279118003	*BOOT-4 BUCKLE SIZE 11	1 PAIR	
		279118004	*BOOT-4 BUCKLE SIZE 12	1 PAIR	
		279118005	*BOOT-4 BUCKLE SIZE 13	1 PAIR	
		279118006	*BOOT-4 BUCKLE SIZE 14	1 PAIR	
		279118007	*BOOT-4 BUCKLE SIZE 15	1 PAIR	
		279118008	*BOOT-4 BUCKLE SIZE 16	1 PAIR	
8		279119001	*BOOT-ANKLE RUBBER SIZE 9	1 PAIR	
		279119002	*BOOT-ANKLE RUBBER SIZE 10	1 PAIR	
		279119003	*BOOT-ANKLE RUBBER SIZE 11	1 PAIR	
		279119004	*BOOT-ANKLE RUBBER SIZE 12	1 PAIR	
		279119005	*BOOT-ANKLE RUBBER SIZE 13	1 PAIR	
		279119006	*BOOT-ANKLE RUBBER SIZE 14	1 PAIR	
		279119007	*BOOT-ANKLE RUBBER SIZE 15	1 PAIR	
		279119008	*BOOT-ANKLE RUBBER SIZE 16	1 PAIR	

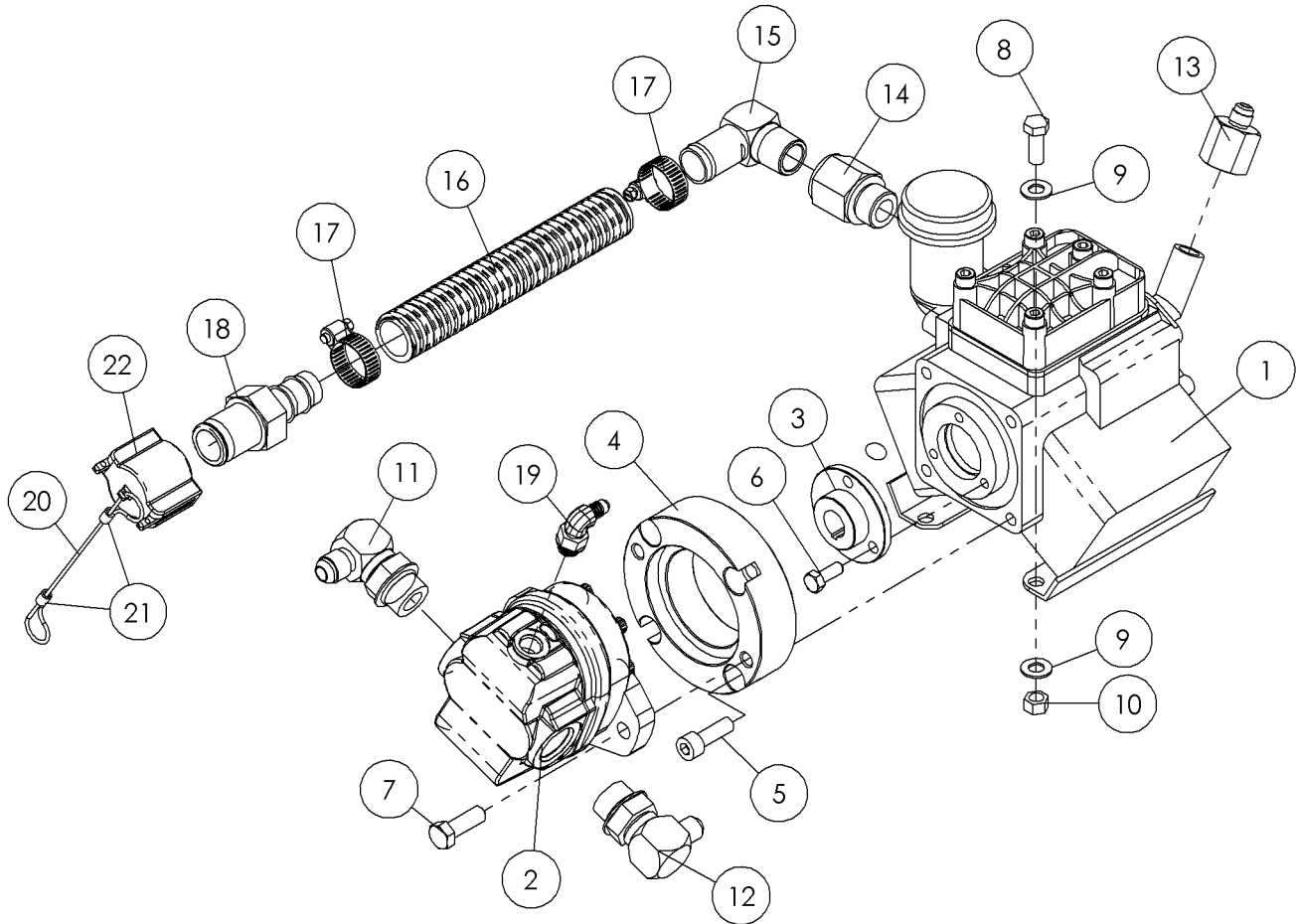
Safety Features Gloves-Boots-Cones Fig 5-10



Safety Features Gloves-Boots-Cones Fig 5-10

REF. NO.	*	PART NO.	DESCRIPTION	QTY.	REMARKS
1		904541001	CONES-ORANGE PVC	4	
2		70000530	DECAL-DANGER	4	
		70001530	DECAL-WARNING (INTERNATIONAL)	4	International
3		210782001	GLOVES-SIZE 9 RUBBER INSULATE	1 PAIR	
		210782005	GLOVES-SIZE 9 1/2 RUBBER INSUL	1 PAIR	
		210782003	GLOVES-SIZE 10 RUBBER INSULATE	1 PAIR	
		210782007	GLOVE-SIZE 11 RUBBER INSULATED	1 PAIR	
		210782009	GLOVE-SIZE 12 RUBBER INSULATED	1 PAIR	
4		210783001	GLOVES-SIZE 9 LEATHER PROTECT	1 PAIR	
		210783005	GLOVES SIZE 9 1/2 LEATHER PROT	1 PAIR	
		210783003	GLOVES-SIZE 10 LEATHER PROTECT	1 PAIR	
		210783007	GLOVE-SIZE 11 LEATHER PROTECT	1 PAIR	
		210783009	GLOVE-SIZE 12 LEATHER PROTECT	1 PAIR	
		210781001	GLOVE KIT-SIZE 9	1	Inc 1 Pair Of Rubber Gloves, 1Pair Of Leather Gloves & 1 Gove bag
		224979001	GLOVE KIT-SIZE 9 1/2	1	Inc 1 Pair Of Rubber Gloves, 1Pair Of Leather Gloves & 1 Gove bag
		210785001	GLOVE KIT-SIZE 10	1	Inc 1 Pair Of Rubber Gloves, 1Pair Of Leather Gloves & 1 Gove bag
		554990001	GLOVE KIT-SIZE 11	1	Inc 1 Pair Of Rubber Gloves, 1Pair Of Leather Gloves & 1 Gove bag
		224991001	GLOVE KIT-SIZE 12	1	Inc 1 Pair Of Rubber Gloves, 1Pair Of Leather Gloves & 1 Gove bag
5		210784001	BAG-GLOVE	1	
6		210780009	BOOTS-SIZE 9 OVER-THE-SHOE	1 PAIR	
		210780001	BOOTS-SIZE 10 OVER-THE-SHOE	1 PAIR	
		210780003	BOOTS-SIZE 11 OVER-THE-SHOE	1 PAIR	
		210780005	BOOTS-SIZE 12 OVER-THE-SHOE	1 PAIR	
		210780007	BOOTS-SIZE 13 OVER-THE-SHOE	1 PAIR	
		210780011	BOOTS-SIZE 14 OVER-THE-SHOE	1 PAIR	
		210780013	BOOTS-SIZE 15 OVER-THE-SHOE	1 PAIR	
		210780015	*BOOTS SIZE 16 OVER-THE-SHOE	1 PAIR	
7		279118001	*BOOT-4 BUCKLE SIZE 9	1 PAIR	
		279118002	*BOOT-4 BUCKLE SIZE 10	1 PAIR	
		279118003	*BOOT-4 BUCKLE SIZE 11	1 PAIR	
		279118004	*BOOT-4 BUCKLE SIZE 12	1 PAIR	
		279118005	*BOOT-4 BUCKLE SIZE 13	1 PAIR	
		279118006	*BOOT-4 BUCKLE SIZE 14	1 PAIR	
		279118007	*BOOT-4 BUCKLE SIZE 15	1 PAIR	
		279118008	*BOOT-4 BUCKLE SIZE 16	1 PAIR	
8		279119001	*BOOT-ANKLE RUBBER SIZE 9	1 PAIR	
		279119002	*BOOT-ANKLE RUBBER SIZE 10	1 PAIR	
		279119003	*BOOT-ANKLE RUBBER SIZE 11	1 PAIR	
		279119004	*BOOT-ANKLE RUBBER SIZE 12	1 PAIR	
		8279119005	*BOOT-ANKLE RUBBER SIZE 13	1 PAIR	
		279119006	*BOOT-ANKLE RUBBER SIZE 14	1 PAIR	
		279119007	*BOOT-ANKLE RUBBER SIZE 15	1 PAIR	
		279119008	*BOOT-ANKLE RUBBER SIZE 16	1 PAIR	

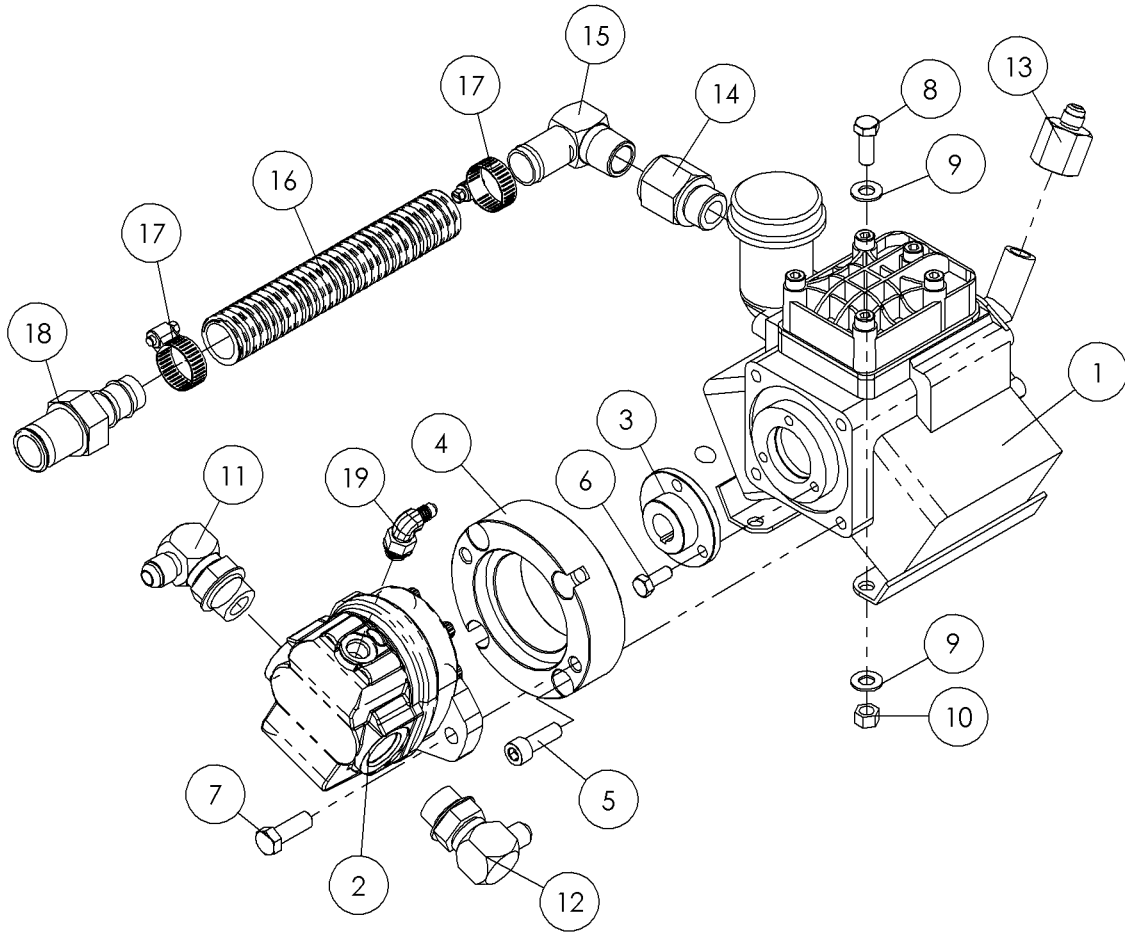
Water Pump Fig 6-1r01



Water Pump Fig 6-1r01

REF. NO.	*	PART NO.	DESCRIPTION	QTY.	REMARKS
		Revision Date	January, 2006		Update In Illustration & Parts List.
1		296277357	PUMP - DIAPHRAM WATER	1	Breakdown Fig. 9-26
2		296278632	MOTOR - .71 CU. IN. HYD 26 SERIES	1	Breakdown Fig. 9-2
3		296277362	COUPLER - MOTOR TO PUMP	1	
4		296277405	ADAPTER	1	
5		24411001	BOLT-10MX30MM METRIC SHCS	4	
6		508475020	SCREW-HCS,M8-1,25X20,10.9,YZ,ISO4017,FT.	3	
7		250584001	7/16-14X1 1/4 GR8 HEX BOLT PL	2	
8		235727001	BOLT-3/8-16X1 GR8 HEX ZYC	4	
9		235713001	WASHER - FLATSTRL - .38 - .41 X .81 - .06-YA-A325	7	
10		235725001	NUT - HEX - .38 - 16 - GR8 - YZ	3	
11		57949001	FITTING-12MX8M JIC 90 DEG. EL.	1	
12		102115001	FITTING - 90 - 6MJ - 12MORBA	1	
13		296282268	FITTING - 8F NPT X 6M JIC ST	1	
14		296282269	FITTING - 12M BSPP X 12F NPT	1	
15		901888001	1 X 3/4 90 INSERT	1	
16		296280621	HOSE - SUCTION - 1.00" ID X 8"	1	
17		1580005	HOSE CLAMP - 1"	2	
18		244063001	COUPLING-1"M CAM LOC X 1" BARB	1	
19		600118001	FITTING-6MORINGX4MJIC90PARKER	1	
20		1830007	CABLE - 3/32" NYLON COATED (FT)	1	
21		1838001	CONNECTOR-WIRE (ETC)	2	
22		231152001	CAP - 1" CAM LOCK	1	

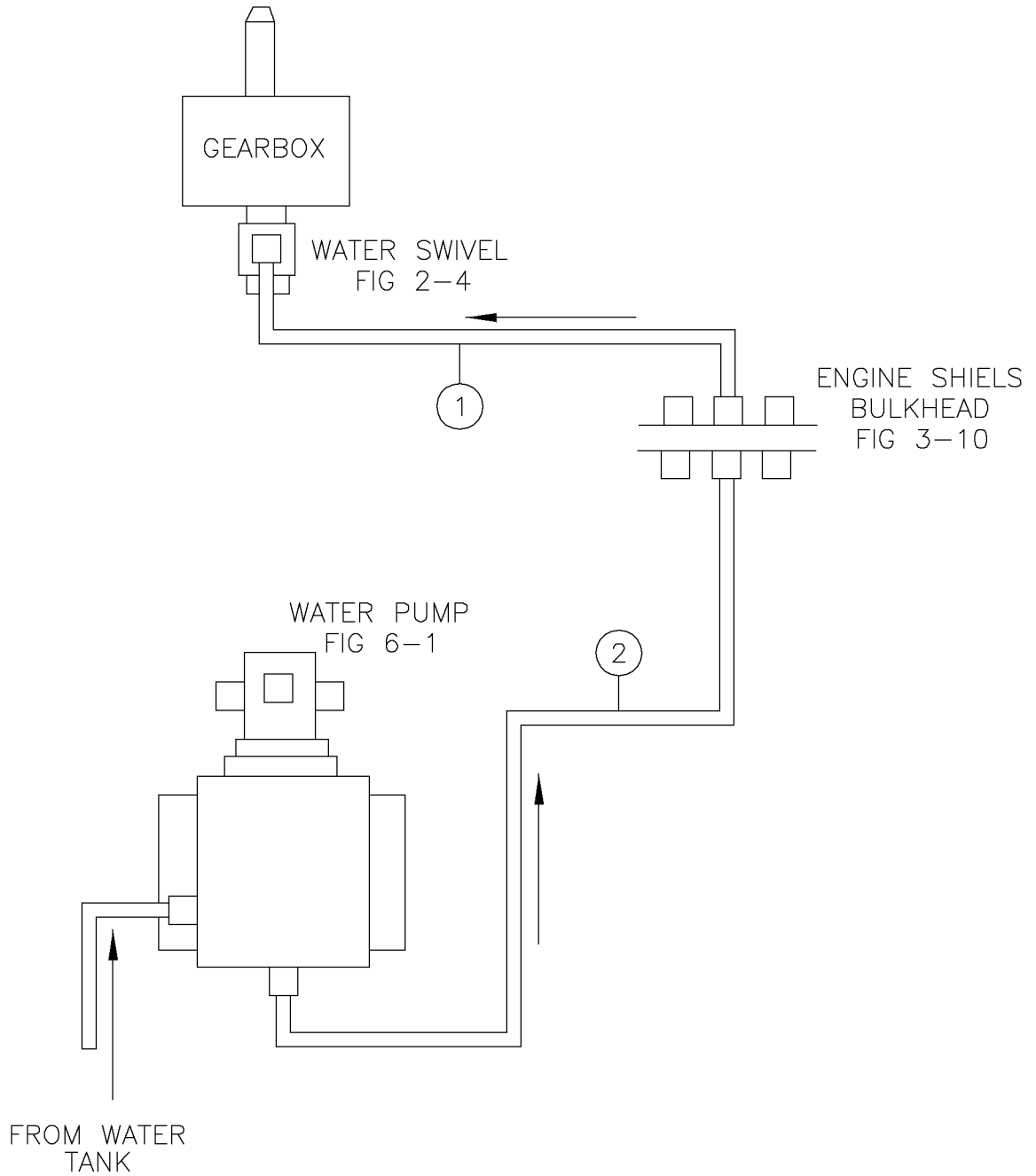
Water Pump Fig 6-1



Water Pump Fig 6-1

REF. NO.	*	PART NO.	DESCRIPTION	QTY.	REMARKS
1		296277357	PUMP-DIAPHRAM WATER	1	Breakdown Fig. 9-26
2		296278632	MOTOR-.71 CU. IN. HYD.	1	Breakdown Fig. 9-2
3		296277362	COUPLER-MOTOR TO PUMP	1	
4		296277405	ADAPTER-	1	
5		24411001	SCREW-SHCS-M10-1.50X30-12.9-PLN-D912	4	
6		508475020	SCREW-HCS,M8-1.25X20,10.9,YZ,ISO4017,FT	3	
7		250584001	SCREW-HCS-.44-14X1.25-GR8-YZ	2	
8		235727001	BOLT - 3/8-16x1 GR.8 HEX	4	
9		235713001	WASHER-FLATSTRL-.38-.41X.81-.06-YZ-A325	7	
10		235725001	NUT - HEX - .38 - 16 - GR8 - YZ	3	
11		57949001	FITTING - 12MB - 8MJ 90 EL	1	
12		102115001	FITTING - 12MB - 6MJ 90 EL	1	
13		296282268	FITTING-8F NPT X 6M JIC ST.	1	
14		296282269	FITTING - 12M BSPP X 12F NPT	1	
15		901888001	FITTING-1X3/4 90 DEG. INSERT	1	
16		296280621	HOSE - SUCTION - 1.00" ID X 8"	1	
17		1580005	HOSE CLAMP-1"	2	
18		244063001	COUPLING-1"M CAM LOC X 1" BARB	1	
19		600118001	FITTING-90-4MJ-6MORB	1	

Water Pump Flow Diagram Fig 6-2



Water Pump Flow Diagram Fig 6-2

REF. NO.	*	PART NO.	DESCRIPTION	QTY.	REMARKS
1		57940567	HOSE-3/8X85 6FS JIC 3000PSI	1	
2		57940703	HOSE-3/8X56 6FSJICST.3000 PSI	1	

Ball Valve Fig 6-3

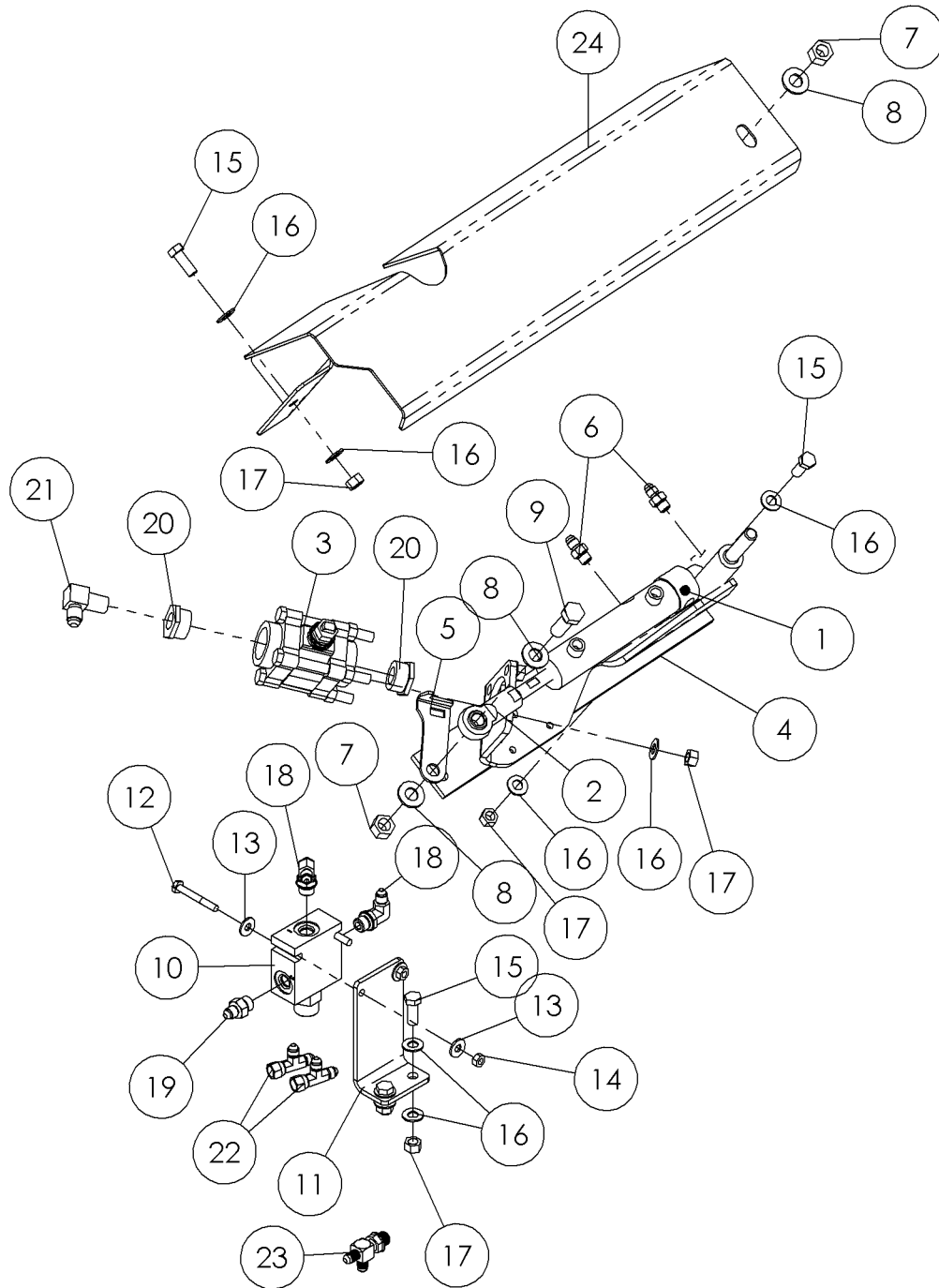
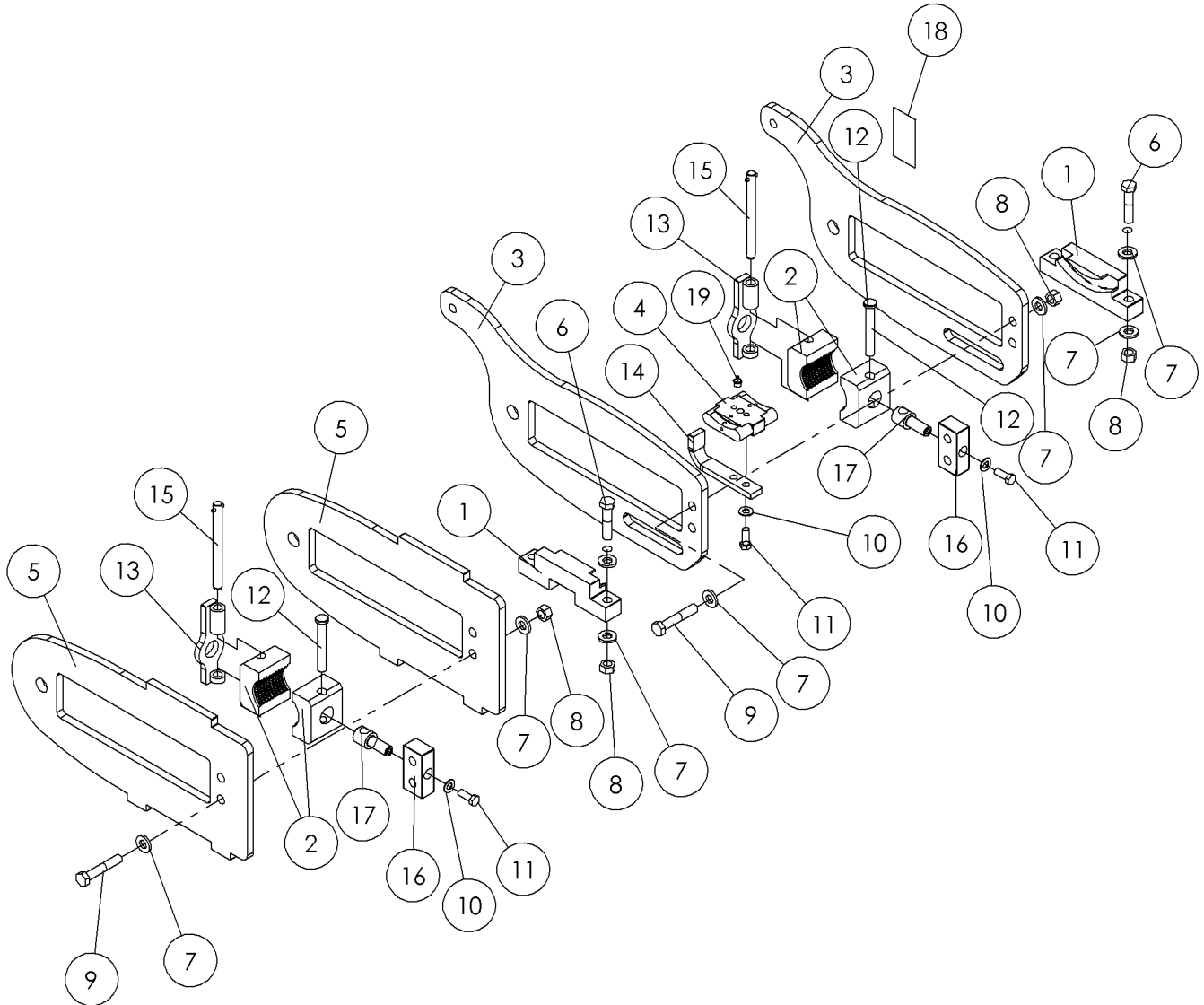


Illustration No. 296281189

Ball Valve Fig 6-3

REF. NO.	*	PART NO.	DESCRIPTION	QTY.	REMARKS
1		296285658	CYLINDER 1 X 3 1/2	1	Breakdown Fig. 9-33
2		224291001	BALL JOINT	1	
3		278003001	VALVE - 1" 1500 PSI BRASS BALL	1	Breakdown Fig. 9-34
4		296284373	WELDMENT - BALL VALVE MOUNT	1	
5		278002001	ARM-LEVER	1	
6		60908001	FITTING-STR-4MJ-4MORB	2	
7		250512001	NUT-TLHEX-.50-13-C-YZ	2	
8		485025	WASHER-FLATSTRL-.50-.53X1.06-.09-YZ	3	
9		235721001	SCREW-HCS-.50-13X1.50-GR8-YZ	1	
10		296284353	VALVE - PILOTED 2WAY SPOOL, NORMALLY OPEN	1	Breakdown Fig. 9-35
11		296281178	PLATE - MOUNT VALVE BLOCK	1	
12		248197001	SCREW-HCS-.25-20X2.00-GR8-YZ	2	
13		510337603	WASHER-FLATSTD-.25-.31X.75-.07-YZ	4	
14		235732001	NUT-HEX-.25-20-GR8-YZ	2	
15		235727001	SCREW-HCS-.38-16X1.00-GR8-YZ	4	
16		235713001	WASHER-FLATSTRL-.38-.41X.81-.06-YZ- A325	12	
17		235725001	NUT-HEX-.38-16-GR8-YZ	8	
18		57950001	FITTING-90-4MJ-6MORBA	2	
19		57968001	FITTING-STR-4MJ-6MORB	1	
20		730013	1" X 3/8" HEX BUSHING STEEL	2	
21		57952001	3/8"M X 6JIC 90 DEG	1	
22		60248001	TEE-4M JIC X4M JIC X 4FS JIC	2	
23		82930001	FIT-6MX4M JICX4M JIC (BCH) TEE	1	
24		296284385	SHIELD - BALL VALVE	1	

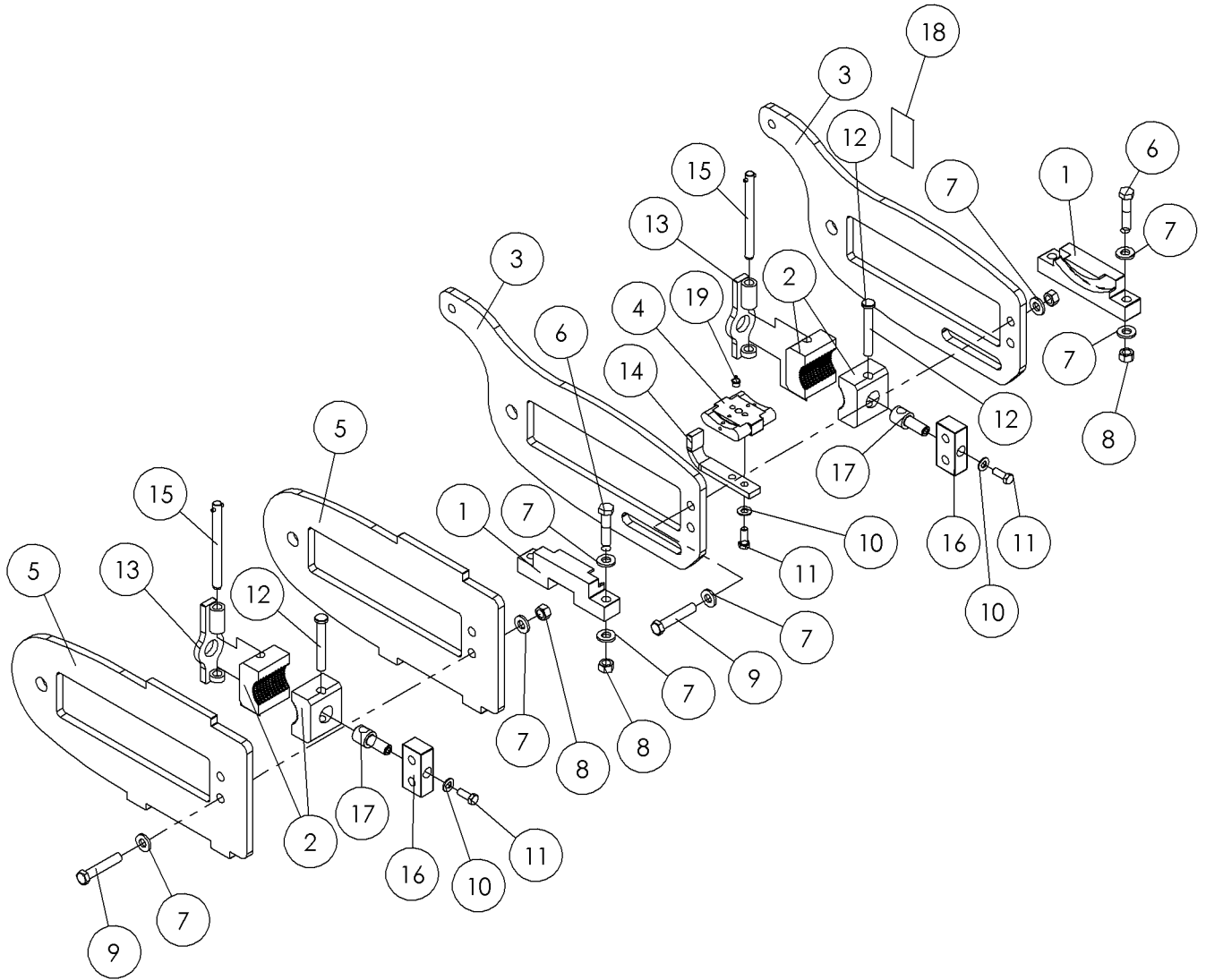
Clamp Fig 7-1r02



Clamp Fig 7-1r02

REF. NO.	*	PART NO.	DESCRIPTION	QTY.	REMARKS
		Revision Date	January, 2006		Update In Illustration & Parts List.
1		296271422	MOUNT - PIVOT	2	
2		296271432	JAW - VISE	4	
3		296271419	MOUNT - CLAMP	2	
4		296271421	SLIDE - CLAMP ROTATION	1	
5		296280574	MOUNT - CLAMP	2	
6		240335001	SCREW-HCS-.50-13X2.25-GR8-YZ	4	
7		127362001	WASHER-1/2 HARD.FLAT/PLATED	16	
8		250512001	NUT- 1/2 NC Gr8 TOP LOCK Y/ ZINC	8	
9		235744001	BOLT-1/2-13X2 3/4 GR8 ZNC PLTD	4	
10		235713001	WASHER - FLATSTRL - .38 - .41 X .81 - .06-YA-A325	4	
11		235727001	BOLT-3/8-16X1 GR8 HEX ZYC	4	
12		275478001	PIN-1/2X3 1/4 BALL LOCK CLEVIS	2	
13		296280578	CARRIER - VISE JAW	2	
14		296280518	GUIDE - STOP	1	
15		296280577	PIN - 1/2 X 5 BALL LOCK	2	
16		296271431	MOUNT - VISE JAW	2	
17		296280520	MOUNT - VISE JAW	2	
18		7000A864	DECAL-WARNING DOMESTIC	1	Domestic
		700IA864	DECAL-WARNING INTERNATIONAL	1	International
19		586001	ZERK-1/8" ST NPT GREASE ZYC	1	

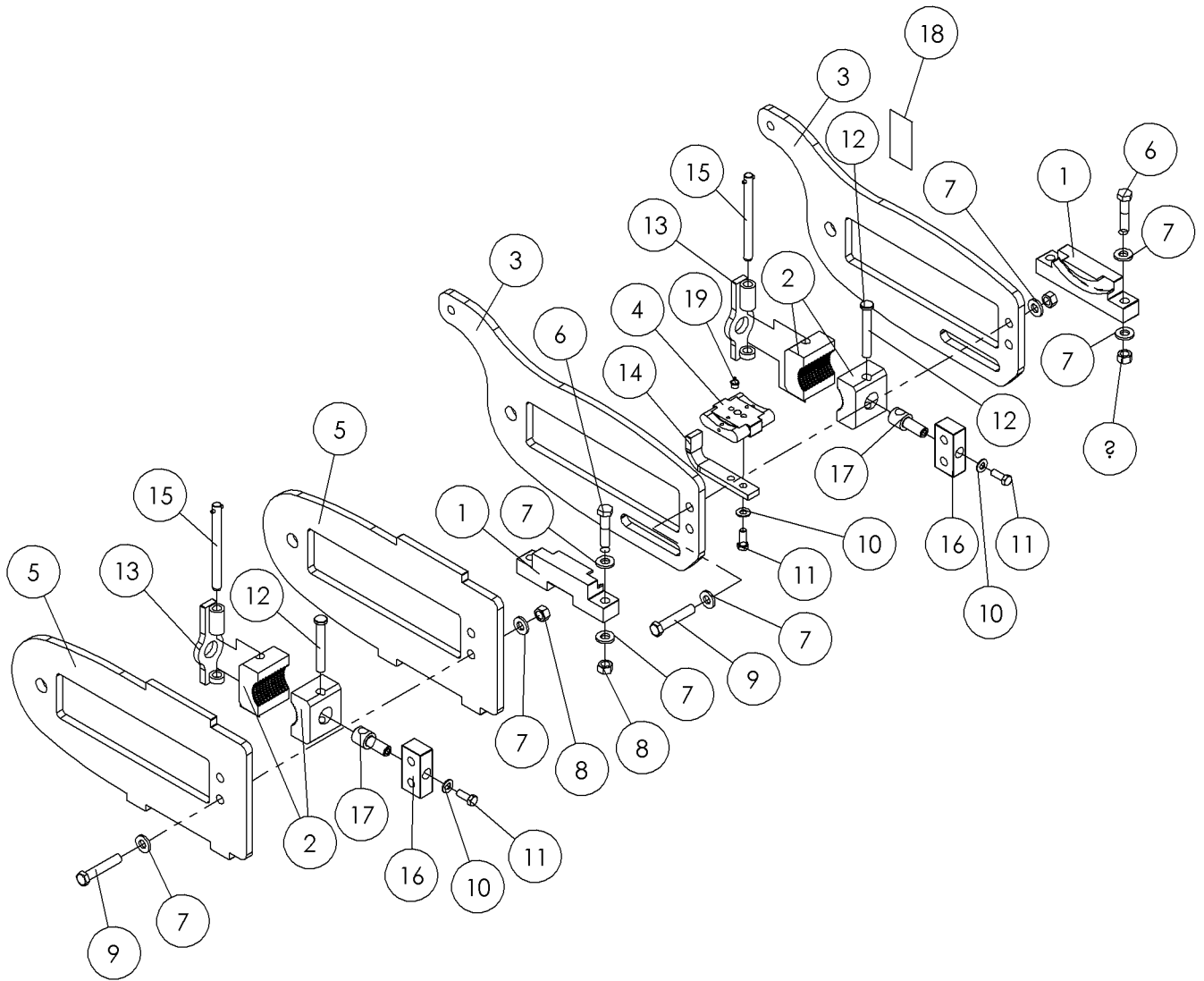
Clamp Fig 7-1r01



Clamp Fig 7-1r01

REF. NO.	*	PART NO.	DESCRIPTION	QTY.	REMARKS
		Revision Date	November, 2005		Update In Illustration & Parts List.
1		296271422	MOUNT - PIVOT	2	
2		296271432	JAW - VISE	4	
3		296271419	MOUNT - CLAMP	2	
4		296271421	SLIDE - CLAMP ROTATION	1	
5		296280574	MOUNT - CLAMP	2	
6		240335001	BOLT-1/2-13X2 1/4 GR8 ZINC PLT	4	
7		127362001	WASHER-1/2 HARD.FLAT/PLATED	16	
8		250512001	NUT- 1/2 NC Gr8 TOP LOCK Y/ ZINC	8	
9		235744001	BOLT-1/2-13X2 3/4 GR8 ZNC PLTD	4	
10		235713001	WASHER - FLATSTRL - .38 - .41 X .81 - .06-YA-A325	4	
11		235727001	BOLT-3/8-16X1 GR8 HEX ZINC PLT	4	
12		275478001	PIN-1/2X3 1/4 BALL LOCK CLEVIS	2	
13		296280578	CARRIER - VISE JAW	2	
14		296280518	GUIDE - STOP	1	
15		296280577	PIN - 1/2 X 5 BALL LOCK	2	
16		296271431	MOUNT - VISE JAW	2	
17		296280520	MOUNT - VISE JAW	2	
18		7000A864	DECAL-WARNING DOMESTIC	1	Domestic
		700IA864	DECAL-WARNING INTERNATIONAL	1	International
19		586001	ZERK-1/8" ST NPT GREASE REF TR00484	1	

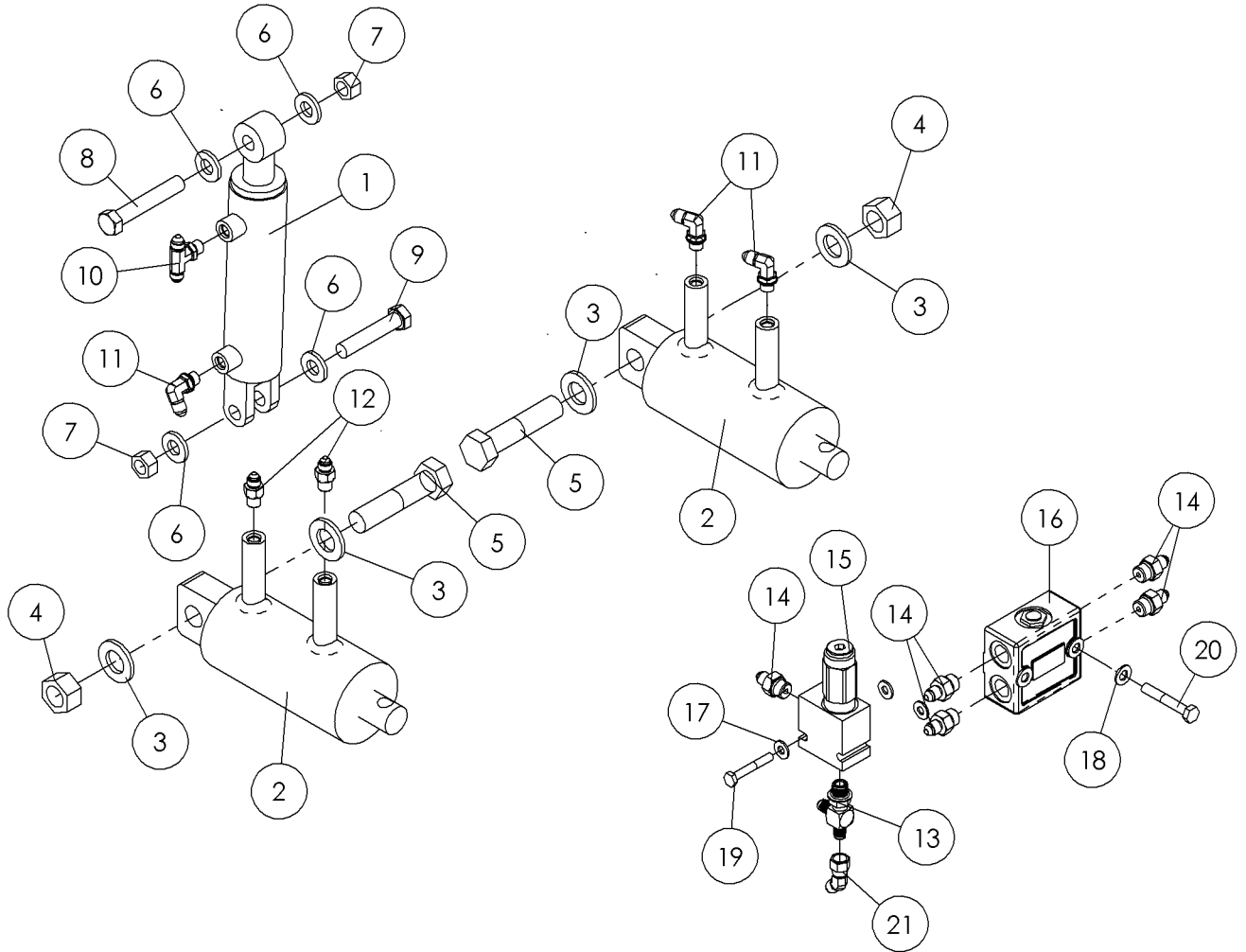
Clamp Fig 7-1



Clamp Fig 7-1

REF. NO.	*	PART NO.	DESCRIPTION	QTY.	REMARKS
1		296271422	MOUNT - PIVOT	2	
2		296271432	JAW - VISE	4	
3		296271419	MOUNT - CLAMP	2	
4		296271421	SLIDE - CLAMP ROTATION	1	
5		296280574	MOUNT - CLAMP	2	
6		240335001	BOLT-1/2-13X2 1/4 GR8 ZINC PLT	4	
7		127362001	WASHER-1/2 HARD.FLAT/PLATED	16	
8		250512001	NUT- 1/2 NC Gr8 TOP LOCK Y/ ZINC	8	
9		235744001	BOLT-1/2-13X2 3/4 GR8 ZNC PLTD	4	
10		235713001	WASHER - FLATSTRL - .38 - .41 X .81 - .06-YA-A325	4	
11		235727001	BOLT-3/8-16X1 GR8 HEX ZINC PLT	4	
12		275478001	PIN-1/2X3 1/4 BALL LOCK CLEVIS	2	
13		296280578	CARRIER - VISE JAW	2	
14		296280518	GUIDE - STOP	1	
15		296280577	PIN - 1/2 X 5 BALL LOCK	2	
16		296271431	MOUNT - VISE JAW	2	
17		296280520	MOUNT - VISE JAW	2	
18		7000A864	DECAL-WARNING DOMESTIC	1	Domestic
		700IA864	DECAL-WARNING INTERNATIONAL	1	International
19		586001	ZERK-1/8" ST NPT GREASE REF TR00484	1	

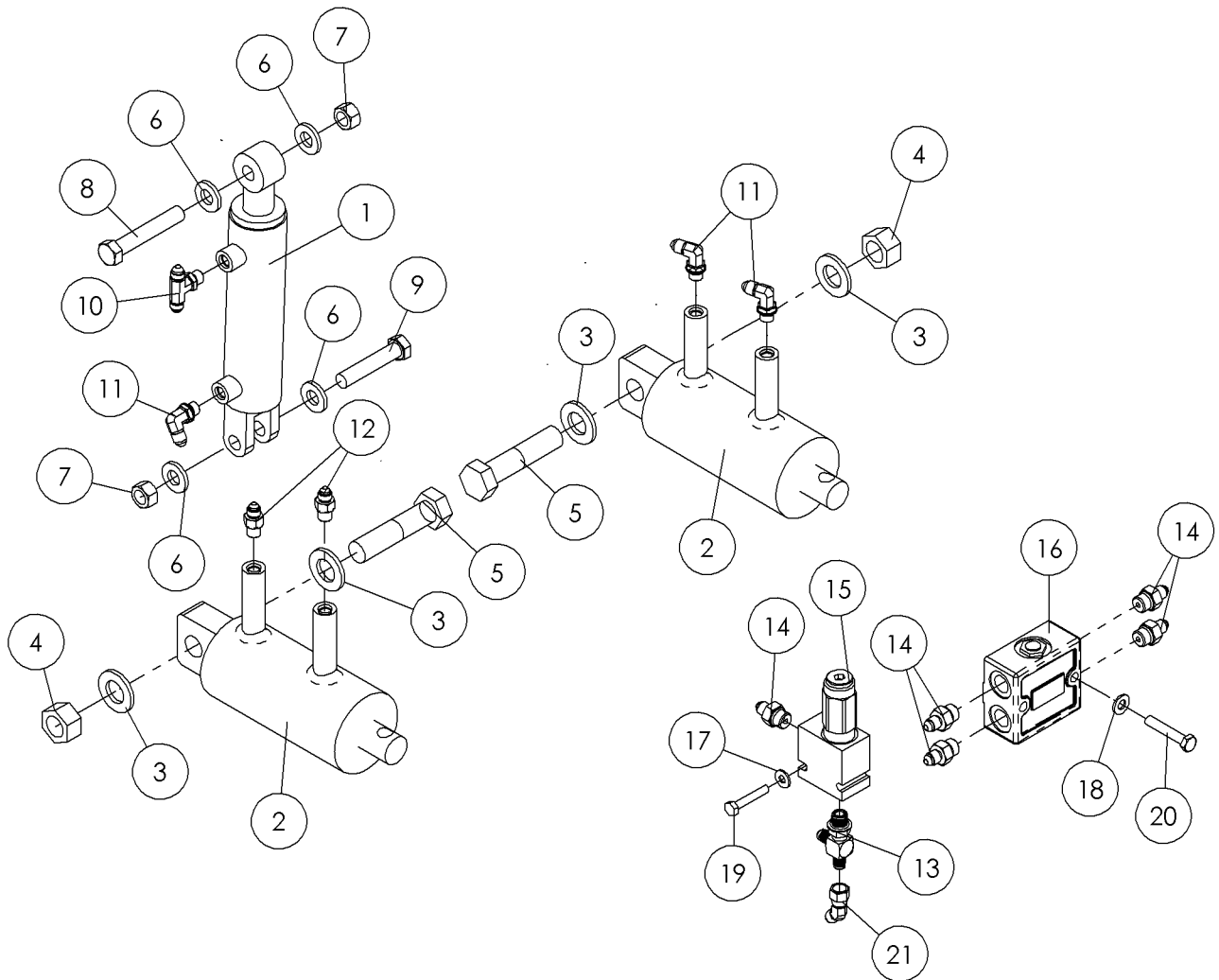
Clamp Hyd. Fig 7-2r01



Clamp Hyd. Fig 7-2r01

REF. NO.	*	PART NO.	DESCRIPTION	QTY.	REMARKS
1		296280562	CYLINDER-1.50 BORE X4.50 STROKEX1.00 ROD	1	Breakdown Fig. 9-6
2		296271450	CYLINDER-2.50 STROKEX2.00STROKEX1.00ROD	2	Breakdown Fig. 9-8
3		235717001	WASHER - 3/4" HARDENED FLAT YZ	4	
4		250510001	NUT 3/4 NC Gr8 SLTL Y/ZINC	2	
5		250604001	BOLT-3/4-10X3 1/4 GR8 HX Y/ZNC	2	
6		127362001	WASHER-1/2 HARD.FLAT/PLATED	4	
7		250512001	NUT- 1/2 NC Gr8 TOP LOCK Y/ ZINC	2	
8		235724001	BOLT-1/2-13X3 GR8 HEX ZINC PLT	1	
9		250573001	BOLT-1/2-13 X 2 1/2 GR8 HX Y/Z	1	
10		81343001	4M (BCH)X4M JICX4M JIC TEE	1	
11		59423001	FIT-4M JICX4M ADJ.90 DEG.ELBOW	3	
12		60908001	FITTING-4MX4M JIC STR ADAPTER	2	
13		82930001	FIT-6MX4M JICX4M JIC (RUN) TEE	1	
14		57968001	FITTING-STR-4MJ-6MORB	5	
15		296278672	VALVE - RELIEF - 2200 PSI	1	Breakdown Fig. 9-9
16		86668001	VALVE-LOA-6-D	1	Breakdown Fig. 9-10
17		235716001	WASHER - FLATSTRL - .25 - .28 X .63 - .06 - CZ	4	
18		235714001	WASHER - FLATSTRL - .31 - .34 X .69 - .06-YZ-A325	4	
19		248107001	BOLT-1/4-20X1 3/4 GR 8 ZINC PL	2	
20		238211001	BOLT 5/16-18 X 2 Gr8 TL ZINC YC	2	
21		61498001	FITTING-4 JIC M X 4 JIC FS 45	1	

Clamp Hyd. Fig 7-2



Clamp Hyd. Fig 7-2

REF. NO.	*	PART NO.	DESCRIPTION	QTY.	REMARKS
1		296280562	CYLINDER - 1 1/2 X 4.5	1	Breakdown Fig. 9-6
2		296271450	CYLINDER - 2-1/2 X 2	2	Breakdown Fig. 9-8
3		235717001	WASHER-FLATSTRL-.75-.81X1.47-.15-YZ-A325	4	
4		250510001	NUT-TLHEX-.75-10-C-YZ	2	
5		250604001	SCREW-HCS-.75-10X3.25-GR8-YZ	2	
6		127362001	WASHER-1/2 HARD.FLAT/PLATED	4	
7		250512001	NUT-TLHEX-.5-13-C-YZ	2	
8		235724001	SCREW-HCS-.50-13 X 3.00-GR8-YZ	1	
9		250573001	SCREW-HCS-.50-13X2.50-GR8-YZ	1	
10		81343001	4M (BCH)X4M JICX4M JIC TEE	1	
11		59423001	FITTING-90-4MJ-4MORBA	3	
12		60908001	1/4 M x 4 M JIC ST	2	
13		82930001	FIT-6MX4M JICX4M JIC (BCH) TEE	1	
14		57968001	FITTING-STR-4MJ-6MORB	5	
15		296278672	VALVE - 2200 RELIEF	1	Breakdown Fig. 9-9
16		86668001	VALVE, LOA-6-D	1	Breakdown Fig. 9-10
17		235716001	WASHER-FLAT SAE HARD-.25-.28 X .63-.06-CZ	2	
18		235714001	WASHER-5/16 SAE HARD ZINC PLTD	2	
19		238210001	BOLT - 1/4-20X1 1/2 GR8 HEX ZYC	2	
20		248030001	BOLT-5/16-18X1.75 GR8 HEX ZINC YC	2	
21		61498001	FITTING-4 JIC M X 4 JIC FS 45	1	

Zap Alert Coil (S/N 223-) Fig 7-3r01

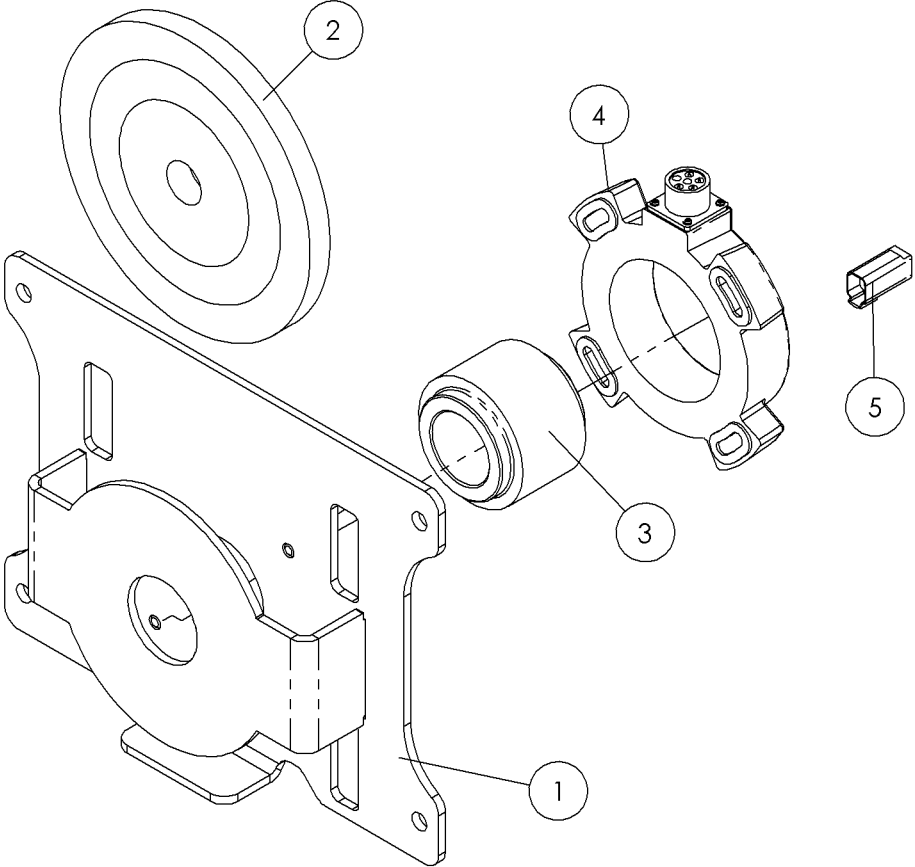
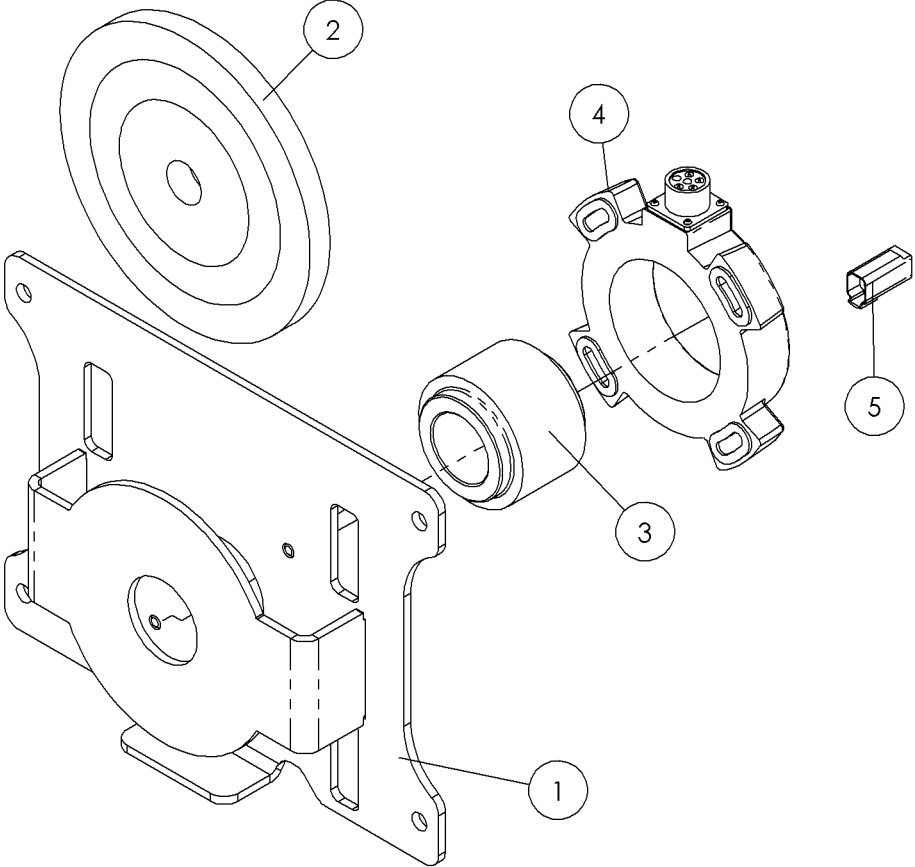


Illustration No. 296278610

Zap Alert Coil (S/N 223-) Fig 7-3r01

REF. NO.	*	PART NO.	DESCRIPTION	QTY.	REMARKS
		Revision Date	July, 2007		Change Strike Alert
1		296271459	MOUNT - ZAP ALERT/ROD WIPER	1	
2		235921001	WIPER-1.66 OD ROD	1	
3		296280582	PLASTIC - ROD GUIDE	1	
4	*	296252772	STRIKE ALERT - 4" COIL ASSEMBLY 2000 TURNS	1	(S/N 223-)
5		296280272	HARNESS - STRIKE ALERT COIL D7X11II	1	

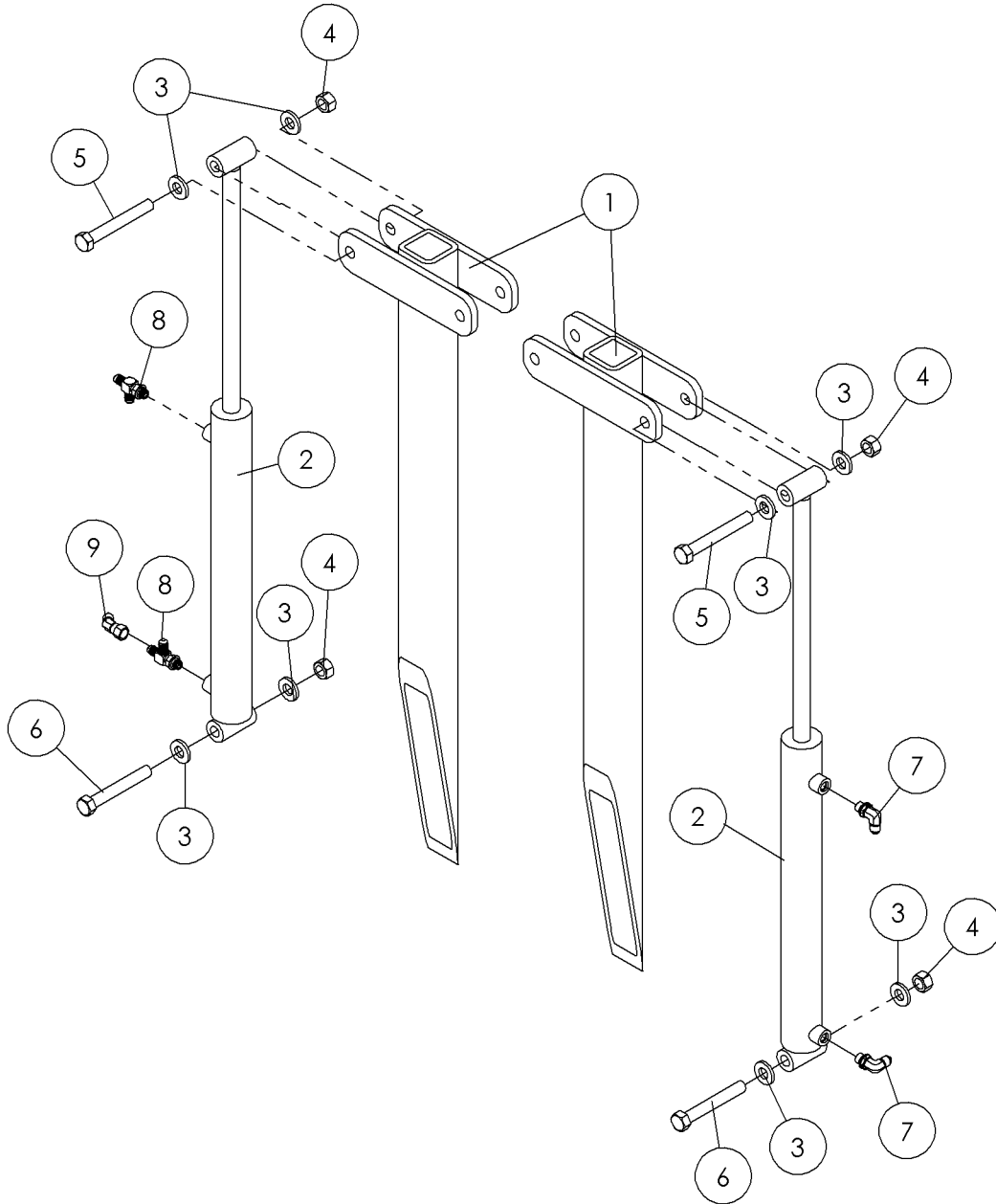
Zap Alert Coil Fig 7-3



Zap Alert Coil Fig 7-3

REF. NO.	*	PART NO.	DESCRIPTION	QTY.	REMARKS
1		296271459	MOUNT - ZAP ALERT / ROD WIPER	1	
2		235921001	WIPER - 1.66 DRILL STEM	1	
3		296280582	PLASTIC - ROD GUIDE	1	
4		296272742	STRIKEALERT	1	
5		296280272	STRIKE ALERT COIL - WIRE HARNESS	1	

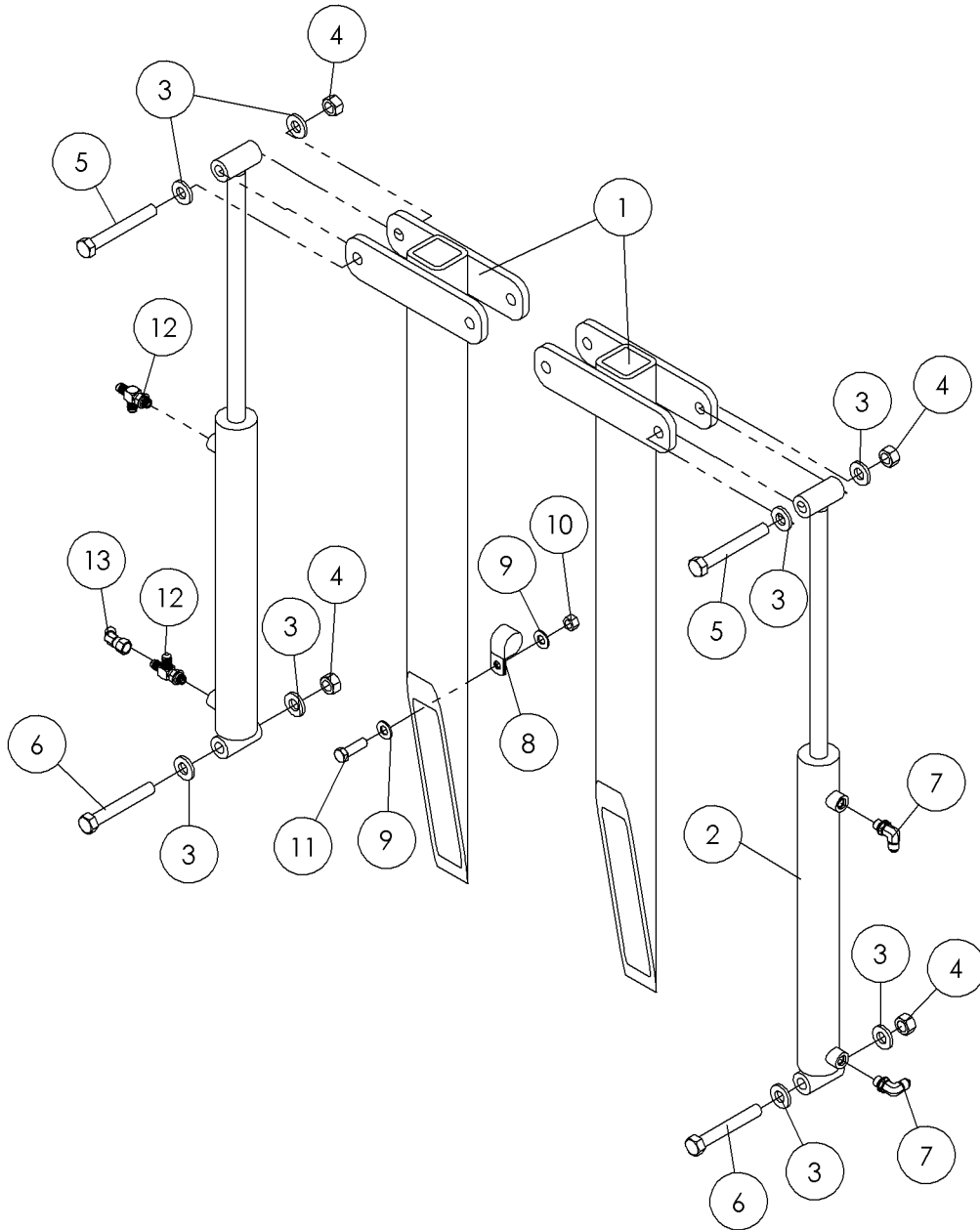
Standard Stakedown Fig 8-1r01



Standard Stakedown Fig 8-1r01

REF. NO.	*	PART NO.	DESCRIPTION	QTY.	REMARKS
		Revision Date	January, 2006		
1		296271455	STAKEDOWN - RIGHT	2	
2		296271451	CYLINDER-1.50 BORE X 12.00 STROKE X .75 ROD	2	Breakdown Fig. 9-7
3		127362001	WASHER-1/2 HARD.FLAT/PLATED	8	
4		250512001	NUT- 1/2 NC Gr8 TOP LOCK Y/ ZINC	4	
5		238213001	BOLT-1/2-13X3 3/4 GR8 HEX ZYC	2	
6		238241001	BOLT 1/2"-13X 3 1/2" GR8 HEX	2	
7		59423001	FIT-4M JICX4M ADJ.90 DEG.ELBOW	2	
8		81342001	FITTING-RTEE-4MJ-4MORBA-4MJ	2	
9		61498001	FITTING-4 JIC M X 4 JIC FS 45	1	

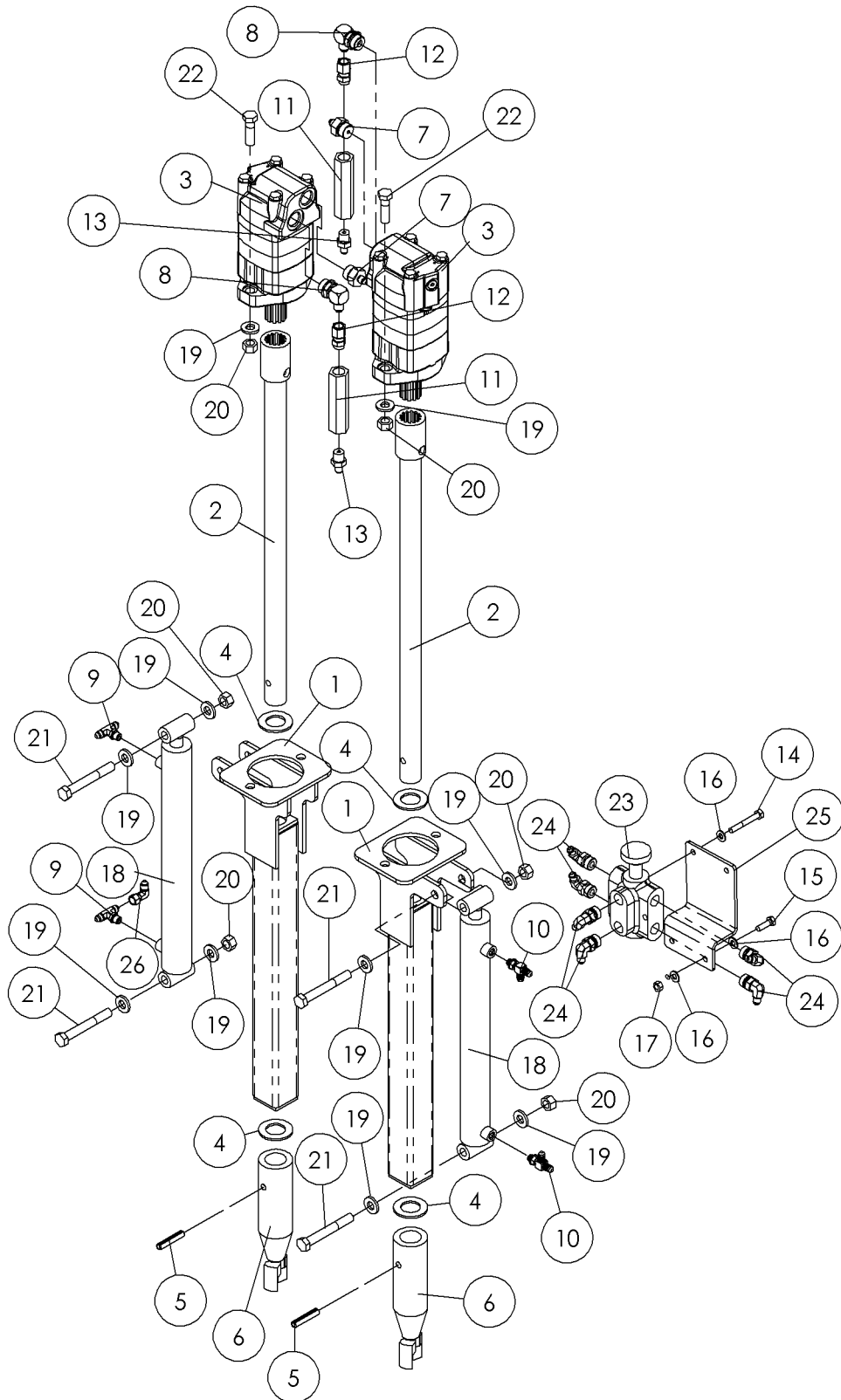
Standard Stakedown Fig 8-1



Standard Stakedown Fig 8-1

REF. NO.	*	PART NO.	DESCRIPTION	QTY.	REMARKS
1		296271455	STAKEDOWN - RIGHT	2	
2		296271451	CYLINDER-1.50 BORE X 12.00 STROKE X .75 ROD	2	Breakdown Fig. 9-7
3		127362001	WASHER-1/2 HARD.FLAT/PLATED	8	
4		250512001	NUT- 1/2 NC Gr8 TOP LOCK Y/ ZINC	4	
5		238213001	BOLT-1/2-13X3 3/4 GR8 HEX ZYC	2	
6		238241001	BOLT 1/2"-13X 3 1/2" GR8 HEX	2	
7		59423001	FIT-4M JICX4M ADJ.90 DEG.ELBOW	2	
8		2595009	CLAMP-1 1/4 HOSE #7701164	2	
9		235713001	WASHER - FLATSTRL - .38 - .41 X .81 - .06-YA-A325	4	
10		235725001	NUT - HEX - .38 - 16 - GR8 - YZ	2	
11		235736001	BOLT-3/8-16X1 1/4 ZINC PLTD	2	
12		81342001	FITTING-RTEE-4MJ-4MORBA-4MJ	2	
13		61498001	FITTING-4 JIC M X 4 JIC FS 45	1	

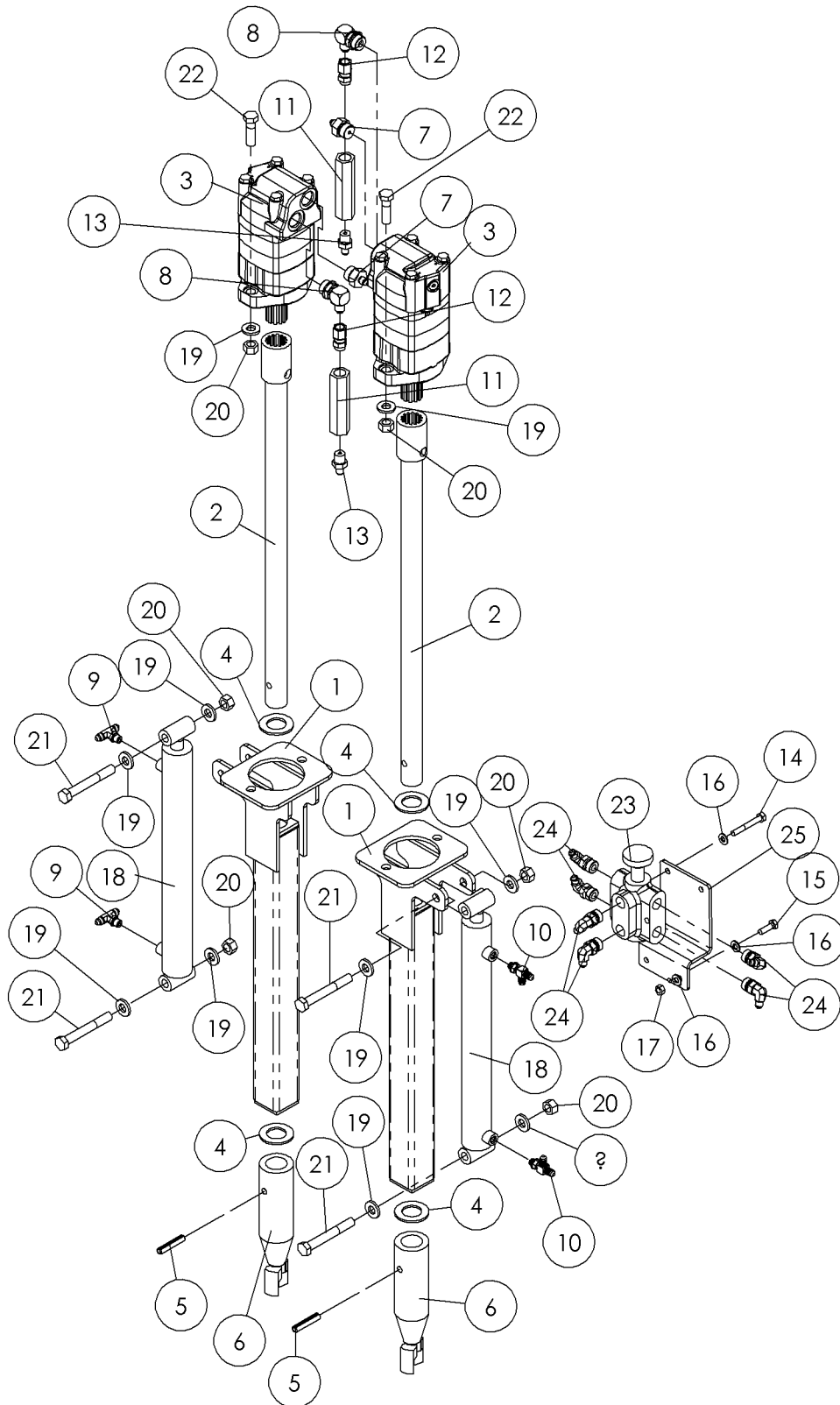
Power Stakedown Fig 8-2r02



Power Stakedown Fig 8-2r02

REF. NO.	*	PART NO.	DESCRIPTION	QTY.	REMARKS
		Revision Date	March, 2006		Update In Illustration & Parts List.
1		296261383	STAKE TUBE	2	
2		296261385	STAKE SHAFT	2	
3		240140001	MOTOR-11.9 CU.IN. 1 1/4 SPLINE	2	Breakdown Fig. 9-29
4		123177001	WASHER-1.25 ID BRONZE OILITE	4	
5		260775001	PIN-SPRING-.38X2.0-HD-PLN-COIL	2	
6		296261410	CUTTER POINT	2	
7		101507001	FITTING-10MORX4MJIC STR.	2	
8		59401001	6M JICX10M ADJ. 90 DEG.ELBOW FITTING	2	
9		81343001	4M (BCH)X4M JICX4M JIC TEE	2	
10		81342001	FITTING-RTEE-4MJ-4MORBA-4MJ	2	
11		232498001	VALVE- RELIEF(750 PSI)	2	
12		117444001	FITTING-6FS JIC X 3/8 NPT STR	2	
13		93707001	FITTING-4M JICX 3/8M NPT STR.	2	
14		244147001	BOLT-5/16-18X2 1/4 GR8 ZYC	2	
15		238209001	BOLT-5/16-18X1 GR8 HEX ZINC YC	2	
16		235714001	WASHER - FLATSTRL - .31 - .34 X .69 - .06-YZ-A325	8	
17		235741001	NUT - HEX - .31 - 18 - GR8 -YZ	4	
18		296271451	CYLINDER-1.50 BORE X 12.00 STROKEX.75ROD	2	Breakdown Fig. 9-7
19		127362001	WASHER-1/2 HARD.FLAT/PLATED	12	
20		250512001	NUT- 1/2 NC Gr8 TOP LOCK Y/ ZINC	8	
21		238213001	BOLT-1/2-13X3 3/4 GR8 HEX ZYC	4	
22		240334001	SCREW-HCS-.50-13X1.75-GR8-YZ	4	
23		203185001	VALVE-DS08-20 SELECTOR	1	Breakdown Fig. 9-30
24		86671001	FITTING-8M ORING X4M JIC 90 EL	6	
25		296261406	PLATE - VALVE MOUNT	1	
26		53658001	FITTING-4M JICX4 FS JIC 90 DEG	1	

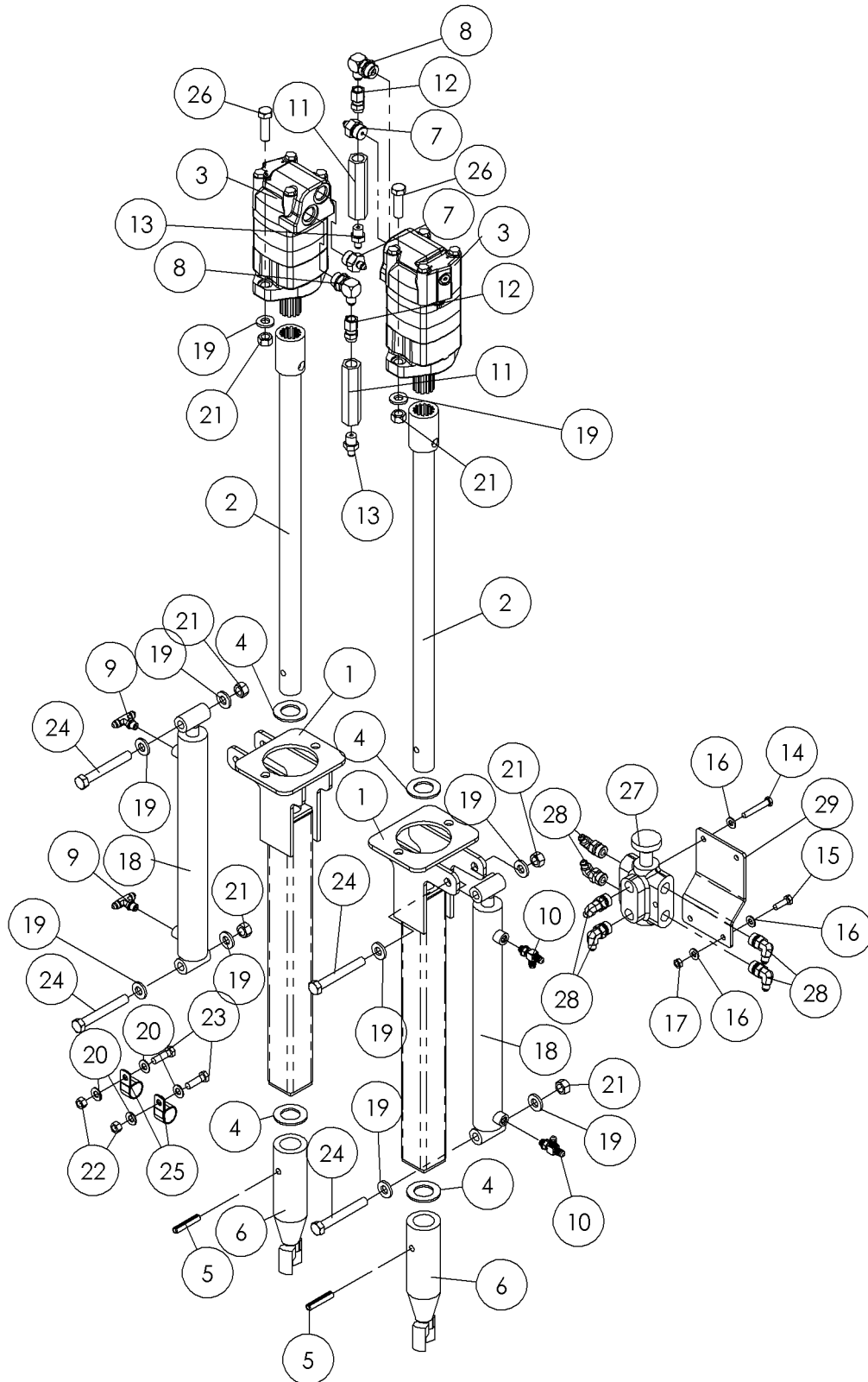
Power Stakedown Fig 8-2r01



Power Stakedown Fig 8-2r01

REF. NO.	*	PART NO.	DESCRIPTION	QTY.	REMARKS
		Revision Date	January, 2006		Update In Illustration & Parts List.
1		296261383	STAKE TUBE	2	
2		296261385	STAKE SHAFT	2	
3		240140001	MOTOR-11.9 CU.IN. 1 1/4 SPLINE	2	Breakdown Fig. 9-29
4		123177001	WASHER-1.25 ID BRONZE OILITE	4	
5		260775001	PIN-SPRING-.38X2.0-HD-PLN-COIL	2	
6		296261410	CUTTER POINT	2	
7		101507001	FITTING-10MORX4MJIC STR.	2	
8		59401001	6M JICX10M ADJ. 90 DEG.ELBOW FITTING	2	
9		81343001	4M (BCH)X4M JICX4M JIC TEE	2	
10		81342001	FITTING-RTEE-4MJ-4MORBA-4MJ	2	
11		232498001	VALVE- RELIEF(750 PSI)	2	
12		117444001	FITTING-6FS JIC X 3/8 NPT STR	2	
13		93707001	FITTING-4M JICX 3/8M NPT STR.	2	
14		244147001	BOLT-5/16-18X2 1/4 GR8 ZYC	2	
15		238209001	BOLT-5/16-18X1 GR8 HEX ZINC YC	2	
16		235714001	WASHER - FLATSTRL - .31 - .34 X .69 - .06-YZ-A325	8	
17		235741001	NUT - HEX - .31 - 18 - GR8 -YZ	4	
18		296271451	CYLINDER-1.50 BORE X 12.00 STROKE X .75 ROD	2	Breakdown Fig. 9-7
19		127362001	WASHER-1/2 HARD.FLAT/PLATED	12	
20		250512001	NUT- 1/2 NC Gr8 TOP LOCK Y/ ZINC	8	
21		238213001	BOLT-1/2-13X3 3/4 GR8 HEX ZYC	4	
22		240334001	SCREW-HCS-.50-13X1.75-GR8-YZ	4	
23		203185001	VALVE-DS08-20 SELECTOR	1	Breakdown Fig. 9-30
24		86671001	FITTING-8M ORING X4M JIC 90 EL	6	
25		296261406	PLATE - VALVE MOUNT	1	

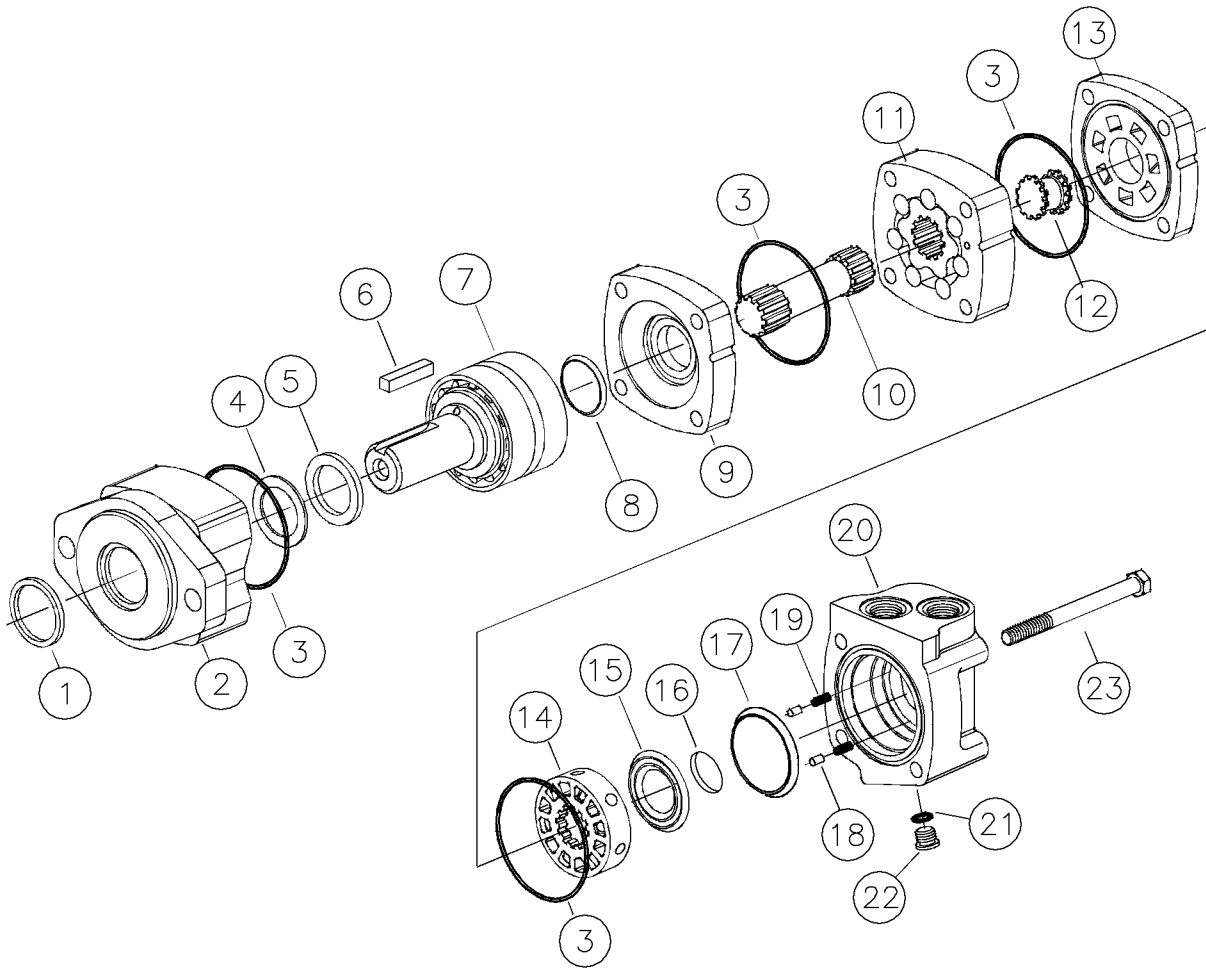
Power Stakedown Fig 8-2



Power Stakedown Fig 8-2

REF. NO.	*	PART NO.	DESCRIPTION	QTY.	REMARKS
		Revision Date	November, 2005		Addition To Manual
1		296261383	STAKE TUBE	2	
2		296261385	STAKE SHAFT	2	
3		240140001	MOTOR-11.9 CU.IN. 1 1/4 SPLINE	2	Breakdown Fig. 9-29
4		123177001	WASHER-1.25 ID BRONZE OILITE	4	
5		260775001	PIN-SPRING-.38X2.0-HD-PLN-COIL	2	
6		296261410	CUTTER POINT	2	
7		101507001	FITTING-10MORX4MJIC STR.	2	
8		59401001	6M JICX10M ADJ. 90 DEG.ELBOW FITTING	2	
9		81343001	4M (BCH)X4M JICX4M JIC TEE	2	
10		81342001	FITTING-RTEE-4MJ-4MORBA-4MJ	2	
11		232498001	VALVE- RELIEF(750 PSI)	2	
12		117444001	FITTING-6FS JIC X 3/8 NPT STR	2	
13		93707001	FITTING-4M JICX 3/8M NPT STR.	2	
14		244147001	BOLT-5/16-18X2 1/4 GR8 ZINC PL	2	
15		238209001	BOLT-5/16-18X1 GR8 HEX ZINC YC	2	
16		235714001	WASHER - FLATSTRL - .31 - .34 X .69 - .06-YZ-A325	8	
17		235741001	NUT - HEX - .31 - 18 - GR8 -YZ	4	
18		296271451	CYLINDER-1.50 BORE X 12.00 STROKE X .75ROD	2	Breakdown Fig. 9-7
19		127362001	WASHER-1/2 HARD.FLAT/PLATED	12	
20		235713001	WASHER - FLATSTRL - .38 - .41 X .81 - .06-YA-A325	4	
21		250512001	NUT- 1/2 NC Gr8 TOP LOCK Y/ ZINC	8	
22		235725001	NUT - HEX - .38 - 16 - GR8 - YZ	2	
23		235736001	BOLT-3/8-16X1 1/4 ZINC PLTD	2	
24		238213001	BOLT-1/2-13X3 3/4 GR8 HEX ZYC	4	
25		2595009	CLAMP-1 1/4 HOSE #7701164	2	
26		240334001	BOLT-1/2-13X1 3/4 GR8 ZINC PLT	4	
27		203185001	VALVE-DS08-20 SELECTOR	1	Breakdown Fig. 9-30
28		86671001	FITTING-8M ORING X4M JIC 90 EL	6	
29		296261406	PLATE - VALVE MOUNT	1	

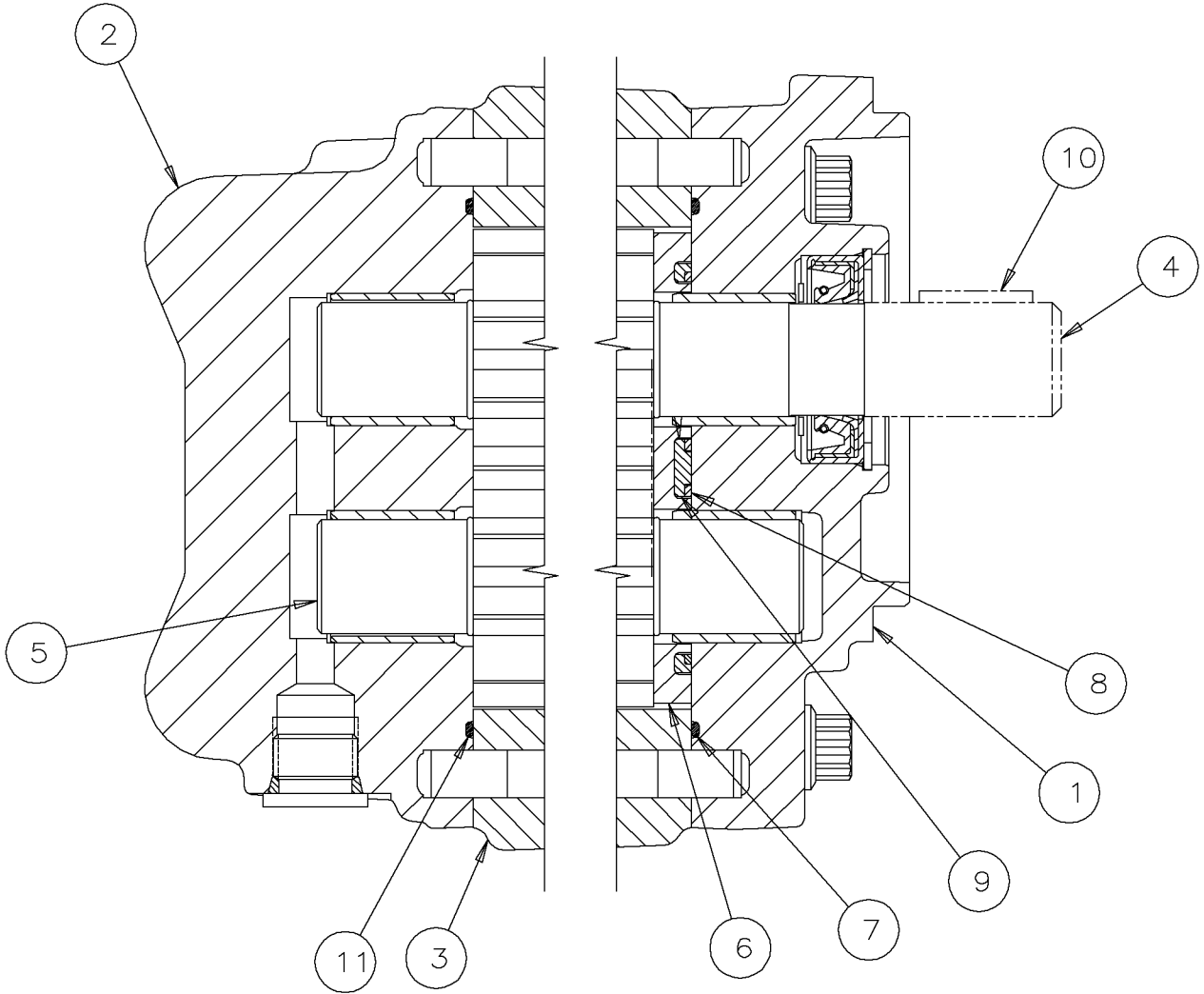
Rotation Motor Fig 9-1



Rotation Motor Fig 9-1

REF. NO.	*	PART NO.	DESCRIPTION	QTY.	REMARKS
1		770071	SEAL-DUST # 9121-1	1	
2		770073	HOUSING-BEARING # 21578-4	1	
3		770007	SEAL-O RING 9022-6	4	
4		770009	WASHER-BACKUP 7382	1	
5		770075	SEAL-SHAFT # 9057-9	1	
6		772003	KEY-5/16X5/16X1 1/4 14352	1	
7		770099	SHAFT&BEARING KIT- #21618-2	1	
8		770017	SEAL-SHAFT FACE 9050	1	
9		770079	PLATE-WEAR # 21623	1	
10		771013	DRIVE- # 21371-6	1	
11		NSS	GEROLER ASSY	1	
12		774011	DRIVE-VALVE 8433	1	
13		770085	PLATE-VALVE # 21622	1	
14		770087	VALVE- # 21466	1	
15		770089	PLATE-BALANCE #8915	1	
16		770057	SEAL-FACE INNER 9049-1	1	
17		770091	SEAL-FACE OUTER #9135-2	1	
18		770037	PIN-14351	2	
19		770039	SPRING-7383	2	
20		770093	HOUSING-(SAE 10 PORTS)#21564-1	1	Inc Ref. 21-22
21		4485023	O-RING-250003-904	1	
22		4485021	PLUG ASSY-9072-3	1	Inc Ref. 21-22
23		771017	BOLT	4	
		104005001	MOTOR-HYD.2BOLT FLG.2000SERIES		Inc All Items In Figure
		770097	REPAIR KIT- #61258		Inc Ref. 1, 3-5, 8, 16, 17, And 21
			NOTE: WHEN ORDERING REPLACEMENT PARTS INCLUDE PRODUCT #104-1027-006 WITH ODER.		

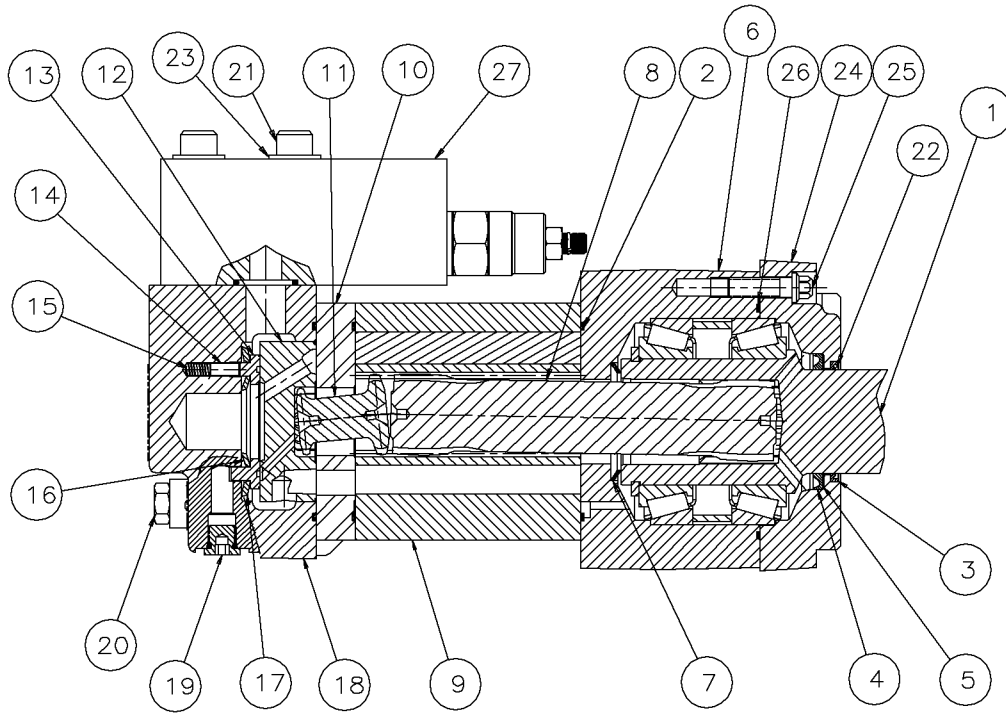
Water Pump Motor Fig 9-2



Water Pump Motor Fig 9-2

REF. NO.	*	PART NO.	DESCRIPTION	QTY.	REMARKS
1		NSS	FRONTPLATE	1	
2		NSS	BACKPLATE	1	
3		NSS	BODY	1	
4		NSS	DRIVE GEAR	1	
5		NSS	IDLER GEAR	1	
6		NSS	WEAR PLATE	1	
7		NSS	O-RING	2	
8		NSS	GASKET-BACKUP(PRESSURE BALANCE)	1	
9		NSS	SEAL(PRESSURE BALANCE)	1	
10		77878011	KEY- # 15511-568	1	
11		NSS	O-RING	1	
		296285006	REPAIR KIT		
		296278632	MOTOR - .71 CU. IN. HYD 26 SERIES		Inc All Items In Figure

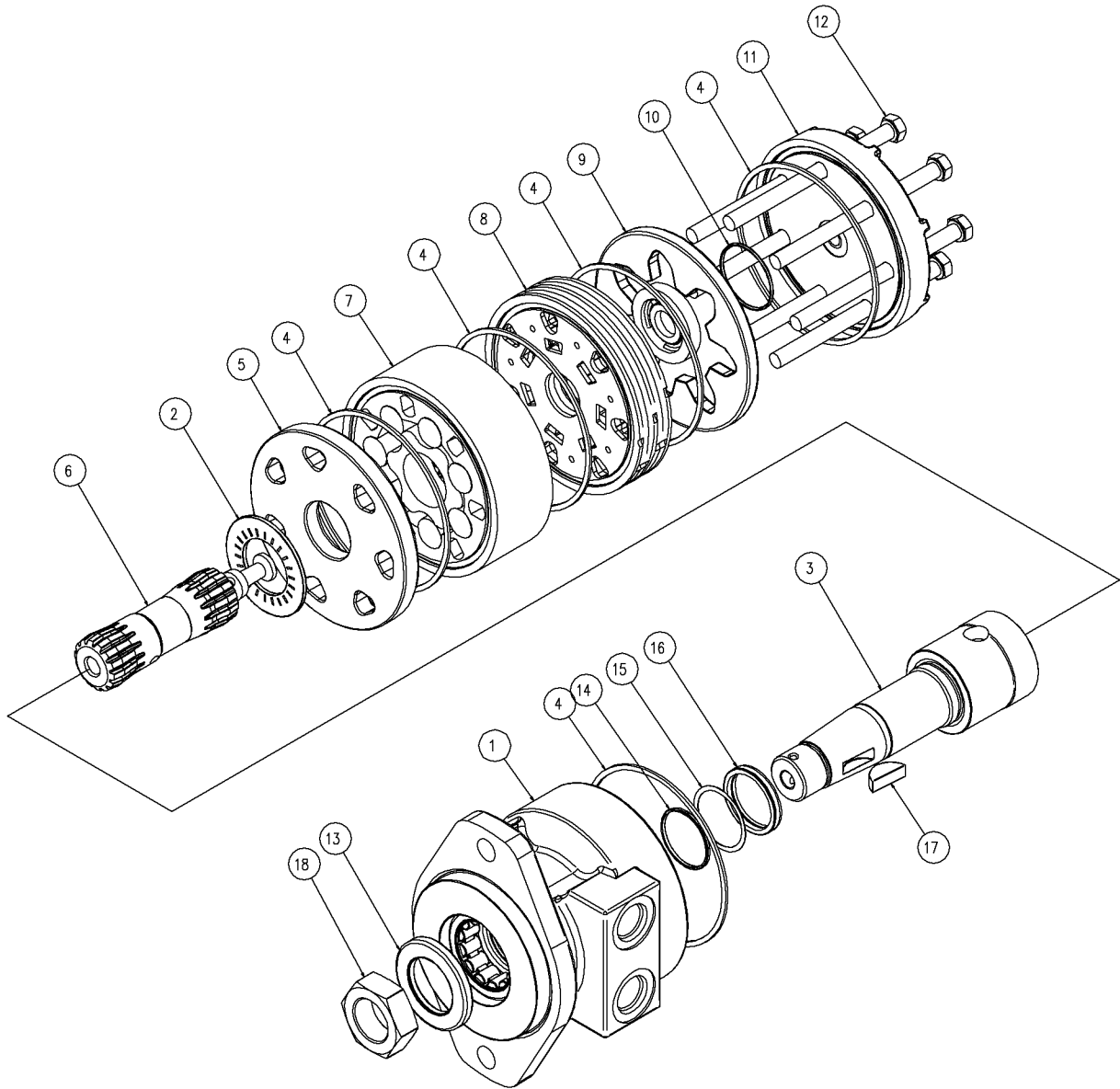
Track Drive Motor Fig 9-3



Track Drive Motor Fig 9-3

REF. NO.	*	PART NO.	DESCRIPTION	QTY.	REMARKS
1		296271179	SHAFT SUB ASSEMBLY	1	
2		296271200	O-RING	3	
3		296271180	SEAL - SHAFT EXCLUSION	1	
4		296272895	SEAL-SHAFT	1	
5		296271181	BACK UP RING	1	
6		296271182	HOUSING - BEARING	1	
7		296271183	SHAFT - SHAFT FACE	1	
8		296271201	DRIVE	1	
9		296271202	GEROLER SUB-ASSY	1	
10		180005757	PLATE - VALVE	1	
11		180005758	DRIVE - VALVE	1	
12		243316017	VALVE	1	
13		770089	PLATE-BALANCE #8915	1	
14		243316023	PIN	2	
15		243316025	SPRING	2	
16		243316019	SEAL-INNER FACE	1	
17		243316021	SEAL-OUTER FACE	1	
18		296271203	HOUSING-VALVE	1	
19		180005760	PLUG - SUB ASSY	1	
20		296274858	BOLT	4	
21		296271204	SCREW-HEX SOCKET HEAD CAP	3	
22		296271205	SEAL-SLINGER	1	
23		296271206	WASHER	3	
24		296271188	RETAINER - FRONT	1	
25		13514029	SCREW-CAP	8	
26		13514033	SEAL 3 1/2" (O-RING)	1	
27		296271207	VALVE-COUNTER BALANCE S/A (MCD-8779)	1	
		296271189	NUT	1	Not Shown
		296271208	KEY	1	Not Shown
		296271209	SEAL KIT		
		296282266	MOTOR - WHEEL - 30 CU. IN		Inc All Items In Figure

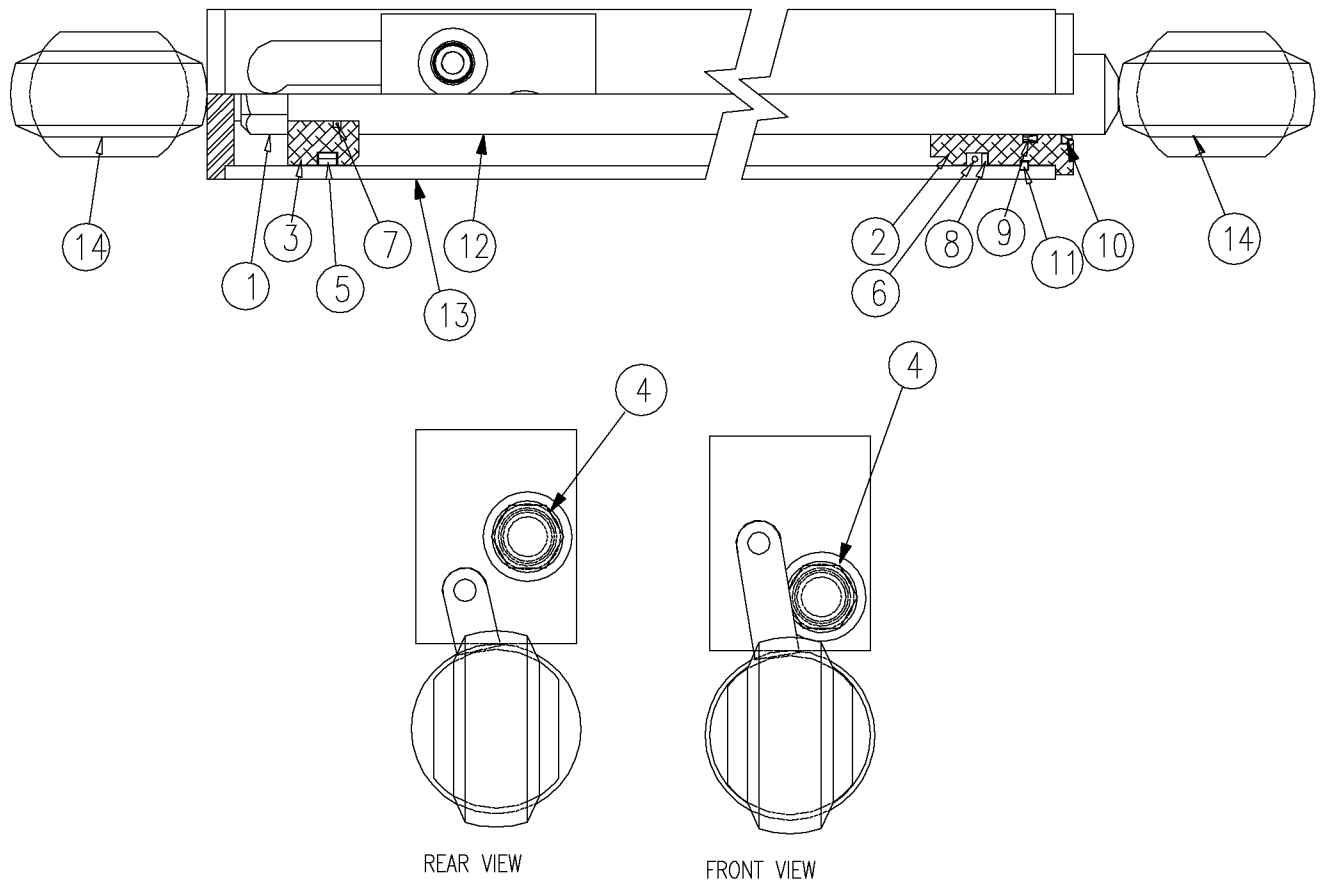
Thrust/Pullback Motor Fig 9-4



Thrust/Pullback Motor Fig 9-4

REF. NO.	*	PART NO.	DESCRIPTION	QTY.	REMARKS
1		296271210	HOUSING ASSEMBLY	1	
2		88759021	BEARING-THRUST	1	
3		296271211	COUPLING SHAFT	1	
4		296265565	SEAL RING	5	
5		296265566	WEAR PLATE	1	
6		296271212	DRIVE LINK	1	
7		296271213	ROTOR SET	1	
8		93297009	MANIFOLD	1	
9		296271214	COMMUTATOR ASSEMBLY	1	
10		296265571	SEAL - COMMUTATOR	1	
11		296271215	END COVER	1	
12		296271216	BOLT	7	
13		88759041	SEAL-DIRT & WATER	1	
14		88759035	WASHER-BACKUP	1	
15		296271217	BACKUP WASHER	1	
16		88759033	SEAL-INNER	1	
17		296271218	5/15" X 1.00" WOODRUFF	1	
18		296271219	1 1/8"-18 NEF NUT	1	
		296271485	MOTOR - HYDRAULIC		Inc All Items In Figure

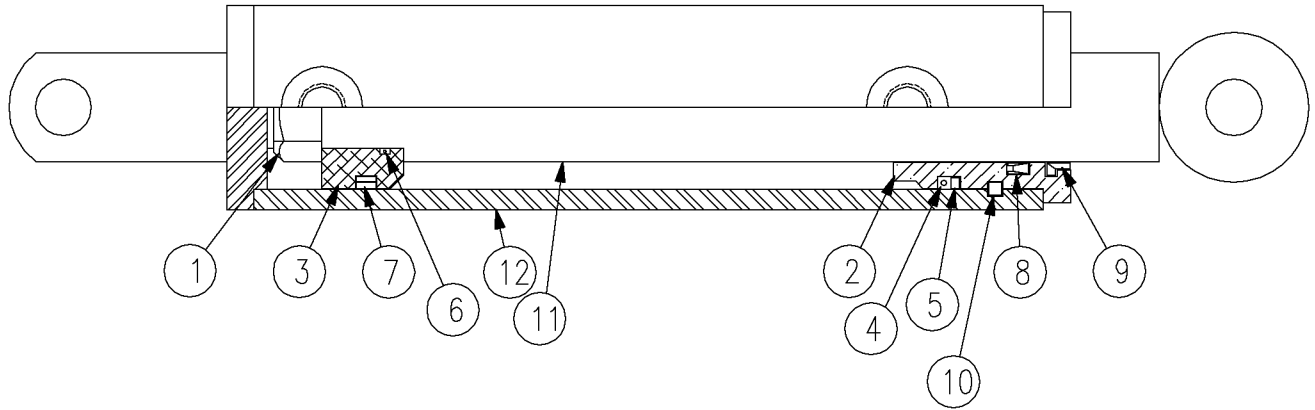
Outrigger Cylinder Fig 9-5



Outrigger Cylinder Fig 9-5

REF. NO.	*	PART NO.	DESCRIPTION	QTY.	REMARKS
1		296271164	NUT	1	
2		296271165	HEAD	1	
3		296271166	PISTON	1	
4		296271167	VALVE	2	
5		NSS	PSP SEAL	1	
6		NSS	O-RING	1	
7		NSS	O-RING	1	
8		NSS	BACKUP	1	
9		NSS	ROD SEAL	1	
10		NSS	DUST SEAL	1	
11		296271171	RETAINING RING	1	
12		296271168	SHAFT WITH CLEVIS	1	
13		296271169	BARREL WITH CLEVIS & PORTS	1	
14		1499001	BALL JOINT-5526 1" DANUSER	2	
		296280591	CYLINDER-2" X 15"		Inc. All Items In Figure
		296271170	SEAL KIT		Inc. Ref. 5-10

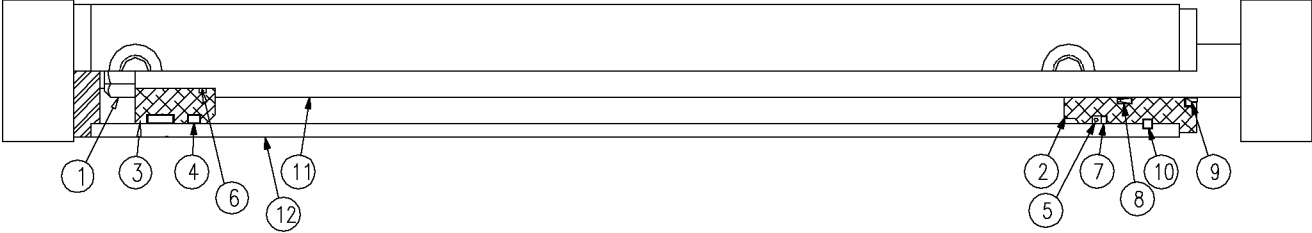
Vise Rotation Cylinder Fig 9-6



Vise Rotation Cylinder Fig 9-6

REF. NO.	*	PART NO.	DESCRIPTION	QTY.	REMARKS
1		296271158	NUT	1	
2		296271159	HEAD	1	
3		296271160	PISTON	1	
4		NSS	O-RING	1	
5		NSS	BACKUP	1	
6		NSS	O-RING	1	
7		NSS	PSP SEAL	1	
8		NSS	ROD SEAL	1	
9		NSS	DUST SEAL	1	
10		296271154	KEY STOCK	1	
11		296271161	SHAFT WITH CLEVIS	1	
12		296271162	BARREL WITH CLEVIS & PORTS	1	
		296280562	CYLINDER-1 1/2" X 4.5		Inc. All Items In Figure
		296271163	SEAL KIT		Inc. Ref. 4-9

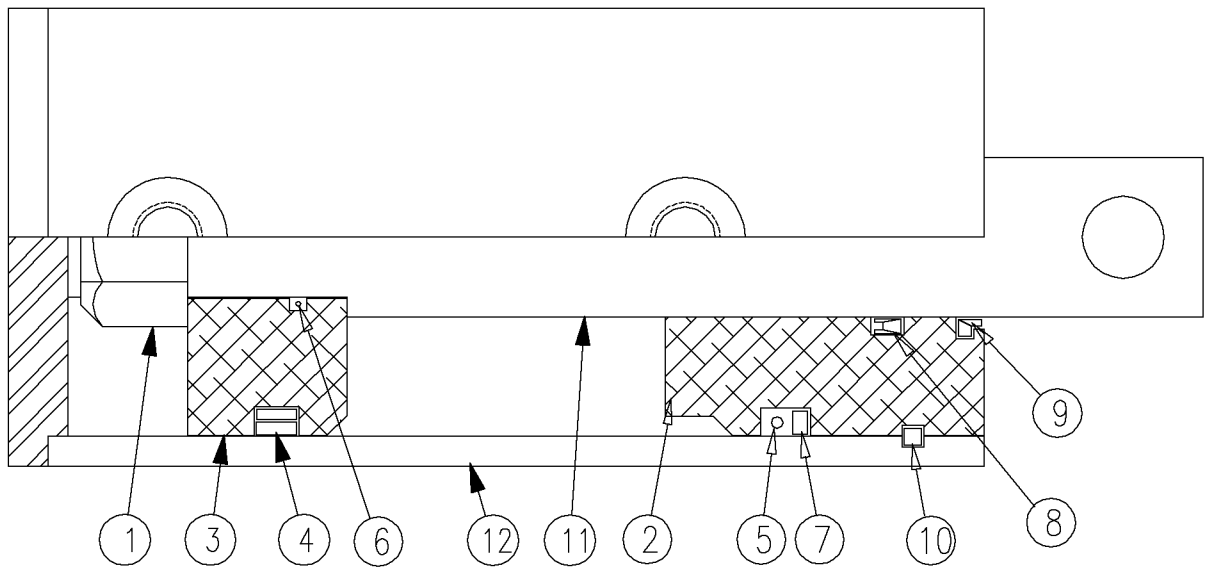
Stakedown Cylinder Fig 9-7



Stakedown Cylinder Fig 9-7

REF. NO.	*	PART NO.	DESCRIPTION	QTY.	REMARKS
1		296271151	NUT	1	
2		296271152	HEAD	1	
3		296271153	PISTON	1	
4		NSS	PSP SEAL	1	
5		NSS	O-RING	1	
6		NSS	O-RING	1	
7		NSS	BACKUP	1	
8		NSS	ROD SEAL	1	
9		NSS	DUST SEAL	1	
10		296271154	KEY STOCK	1	
11		296271155	SHAFT WITH CLEVIS	1	
12		296271156	BARREL WITH CLEVIS & PORTS	1	
		296271451	CYLINDER-1 1/2" X 12" STROKE		Inc. All Items In Figure
		296271157	REPAIR KIT		Inc. Ref. 4-9

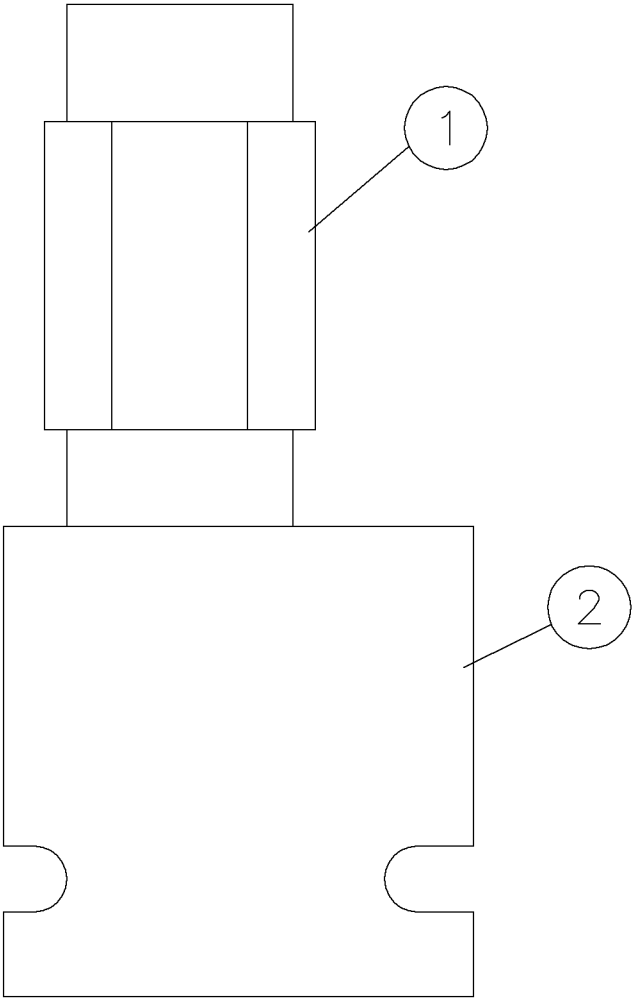
Vise Cylinder Fig 9-8



Vise Cylinder Fig 9-8

REF. NO.	*	PART NO.	DESCRIPTION	QTY.	REMARKS
1		296271164	NUT	1	
2		296271173	HEAD	1	
3		296271174	PISTON	1	
4		NSS	PSP SEAL	1	
5		NSS	O-RING	1	
6		NSS	O-RING	1	
7		NSS	BACKUP	1	
8		NSS	ROD SEAL	1	
9		NSS	DUST SEAL	1	
10		296271175	RETAINING RING	1	
11		296271176	SHAFT	1	
12		296271177	BARREL WITH CLEVIS AND PORTS	1	
		296271450	CYLINDER-2 1/2" X 2"		Inc All Items In Figure
		296271178	REPAIR KIT		Inc Ref 4-9

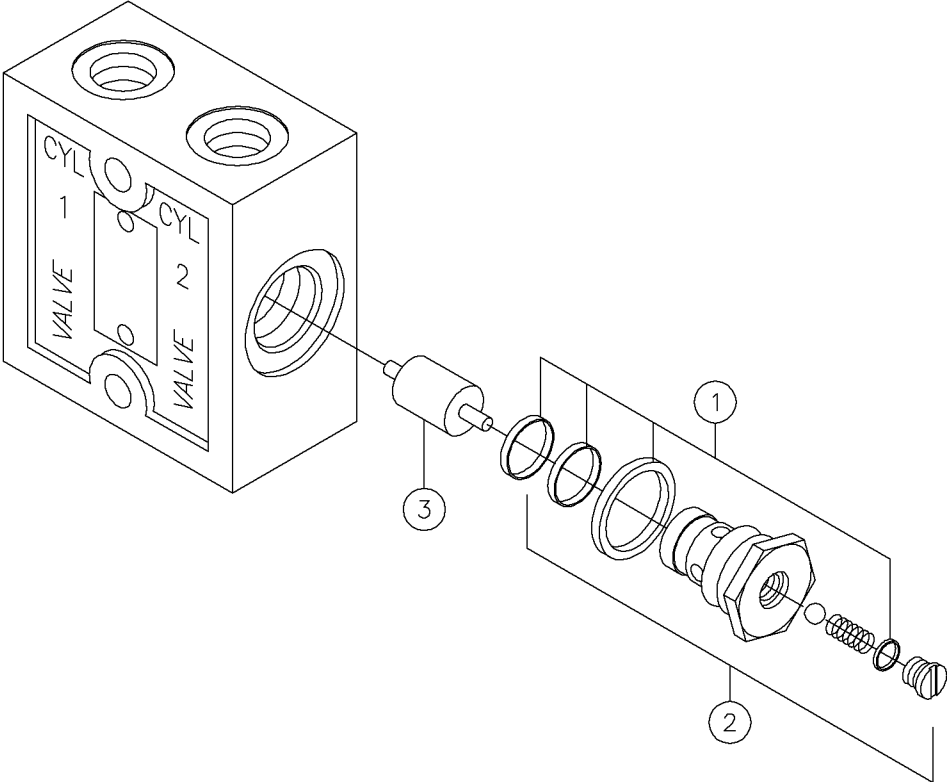
Relief Valve Fig 9-9



Relief Valve Fig 9-9

REF. NO.	*	PART NO.	DESCRIPTION	QTY.	REMARKS
1		296271192	VALVE	1	
2		NSS	BODY	1	
		296278672	VALVE-2000 RELIEF		Inc All Items In Figure
		500659019	SEAL KIT-SOLENOID,SPOOL,2-WAY		
			NSS-NOT SOLD SEPARATELY		

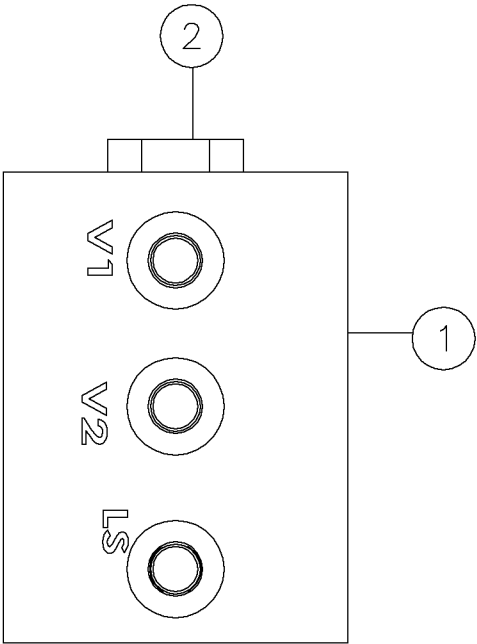
LOA Valve Fig 9-10



LOA Valve Fig 9-10

REF. NO.	*	PART NO.	DESCRIPTION	QTY.	REMARKS
1		3216003	REPAIR KIT GRESEN K-26004		Inc Two Of Ref 2
2		3216005	REBUILDING KIT-D GRSN K-26002		Inc Two Of Ref 2 & One Of 3
3		NSS	PISTON-D	1	
		86668001	VALVE-LOA-6-D		Inc All Items In Figure
			NSS-NOT SOLD SEPARATEY		

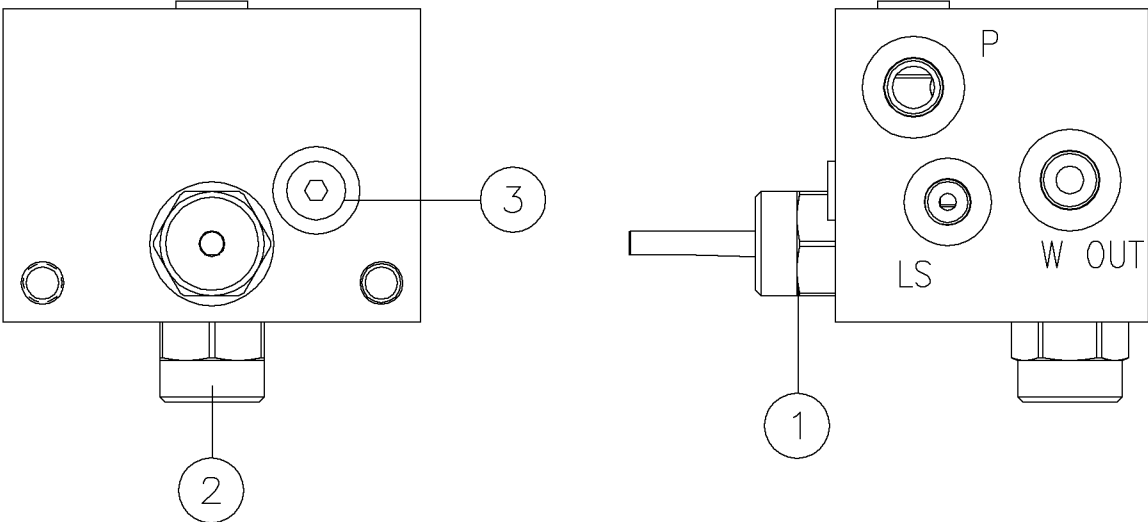
Check Valve Fig 9-11



Check Valve Fig 9-11

REF. NO.	*	PART NO.	DESCRIPTION	QTY.	REMARKS
1		NSS	BLOCK	1	
2		296271220	LOAD SENSE VALVE	1	
		296271221	SEAL KIT		
		296278678	VALVE CHECK BANK		Inc All Items In Figure
			NSS-NOT SOLD SEPARATELY		

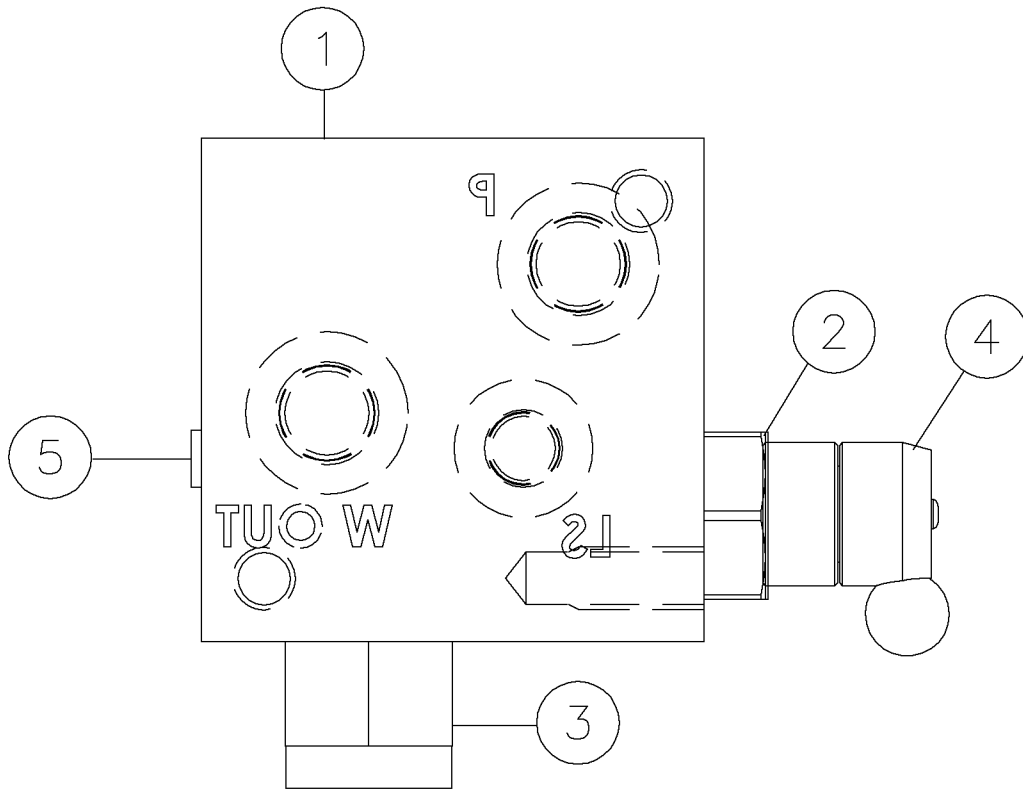
Water Valve (S/N 223-) Fig 9-12r03



Water Valve (S/N 223-) Fig 9-12r03

REF. NO.	*	PART NO.	DESCRIPTION	QTY.	REMARKS
		Revision Date	January, 2007		Corrected Number
1		296285209	VALVE MANUAL RELEASE	1	
		296251078	SEAL KIT	1	
2		296271223	CARTRIDGE - PRESSURE COMPENSATOR	1	
		296271224	SEAL KIT	1	
3		296285207	CHECK VALVE	1	
		296285208	SEAL KIT	1	
	*	296265646	Knob Kit	1	Not Shown
		296291827	VALVE-WATER		Inc. All Items In Figure

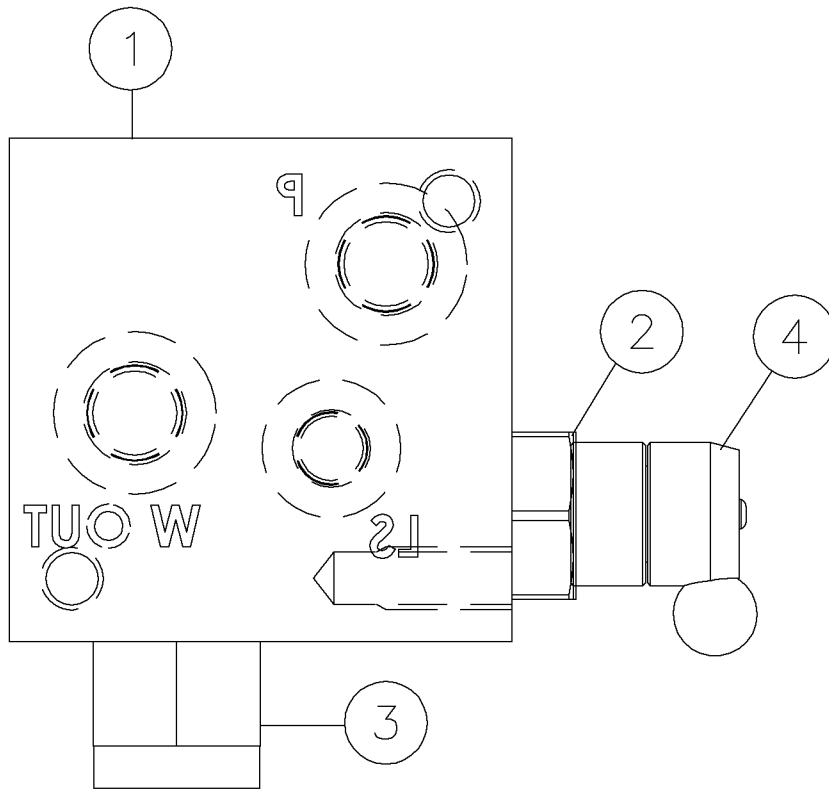
Water Valve Fig 9-12r02



Water Valve Fig 9-12r02

REF. NO.	*	PART NO.	DESCRIPTION	QTY.	REMARKS
		Revision Date	March, 2006		Update In Illustration & Parts List.
1		NSS	BLOCK	1	
2		296271222	VALVE MANUAL RELEASE	1	
		296251078	SEAL KIT	1	
3		296285162	CARTRIDGE-PRESSURE COMPENSATOR	1	
		296271224	SEAL KIT	1	
4		296265464	KNOB KIT	1	
5		296285163	CHECK VALVE	1	
		296285164	SEAL KIT	1	
		296281072	VALVE - WATER		Inc All Items In Figure
			NSS-NOT SOLD SEPARATELY		

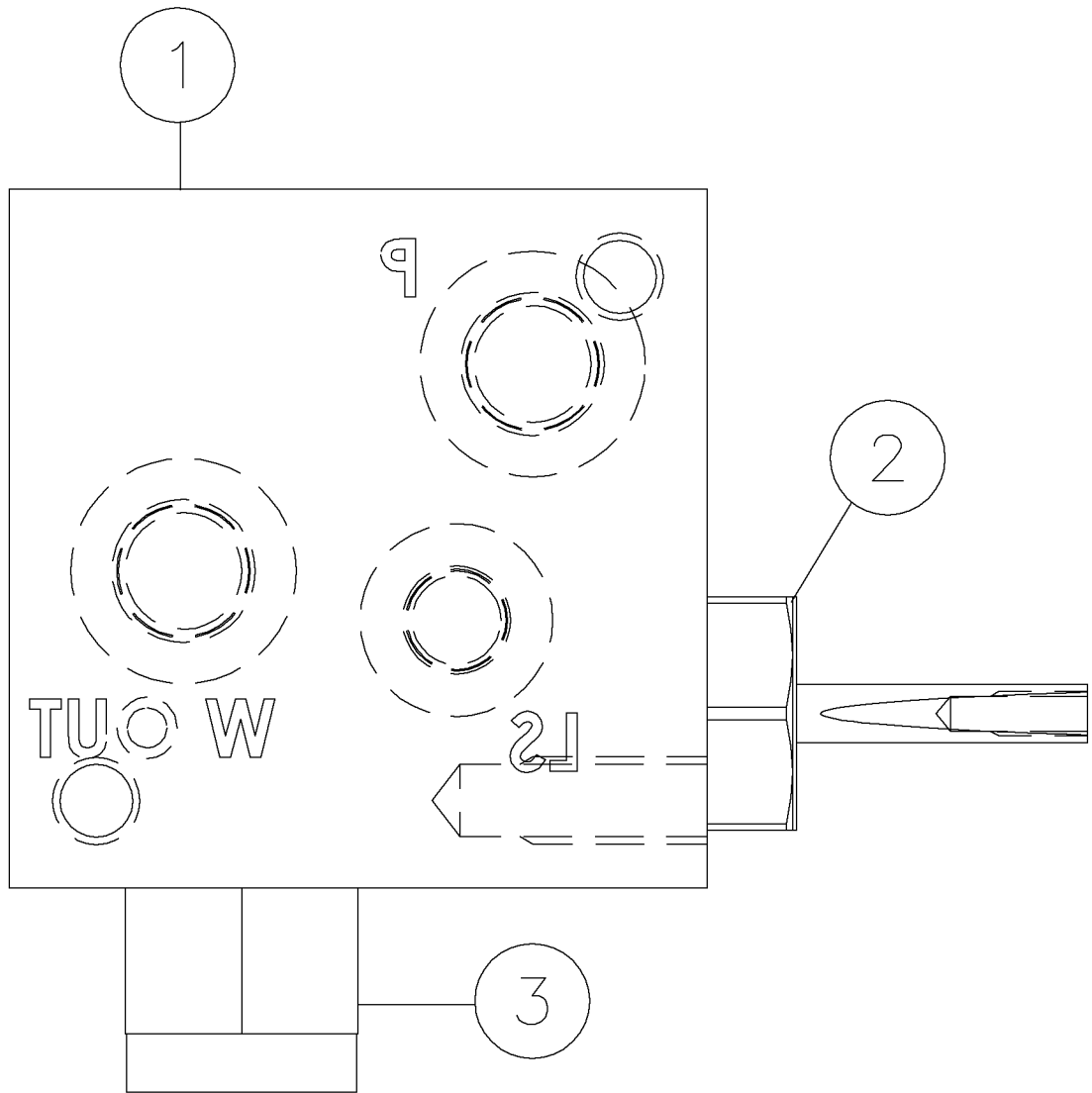
Water Valve Fig 9-12r01



Water Valve Fig 9-12r01

REF. NO.	*	PART NO.	DESCRIPTION	QTY.	REMARKS
		Revision Date	January, 2006		Update In Illustration & Parts List.
1		NSS	BLOCK	1	
2		296271222	VALVE MANUAL RELEASE	1	
		296251078	SEAL KIT	1	
3		296271223	CARTRIDGE-PRESSURE COMPENSATOR	1	
		296271224	SEAL KIT	1	
4		296272916	KNOB KIT	1	
		296281072	VALVE - WATER		Inc All Items In Figure
			NSS-NOT SOLD SEPARATELY		

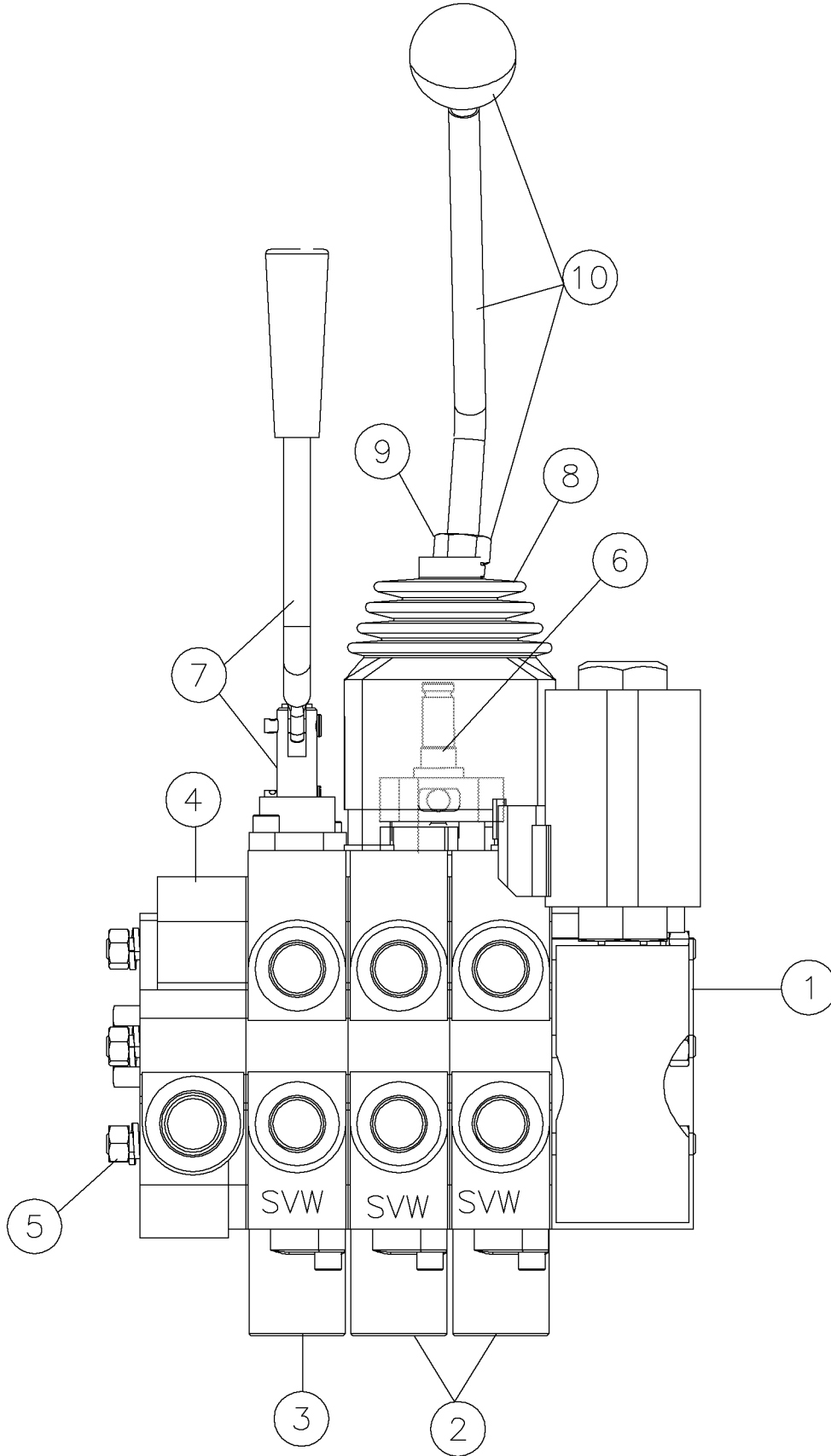
Water Valve Fig 9-12



Water Valve Fig 9-12

REF. NO.	*	PART NO.	DESCRIPTION	QTY.	REMARKS
1		NSS	BLOCK	1	
2		296271222	VALVE MANUAL RELEASE	1	
		296251078	SEAL KIT	1	
3		296271223	CARTRIDGE-PRESSURE COMPENSATOR	1	
		296271224	SEAL KIT	1	
		296281072	VALVE - WATER		Inc All Items In Figure
			NSS-NOT SOLD SEPARATELY		

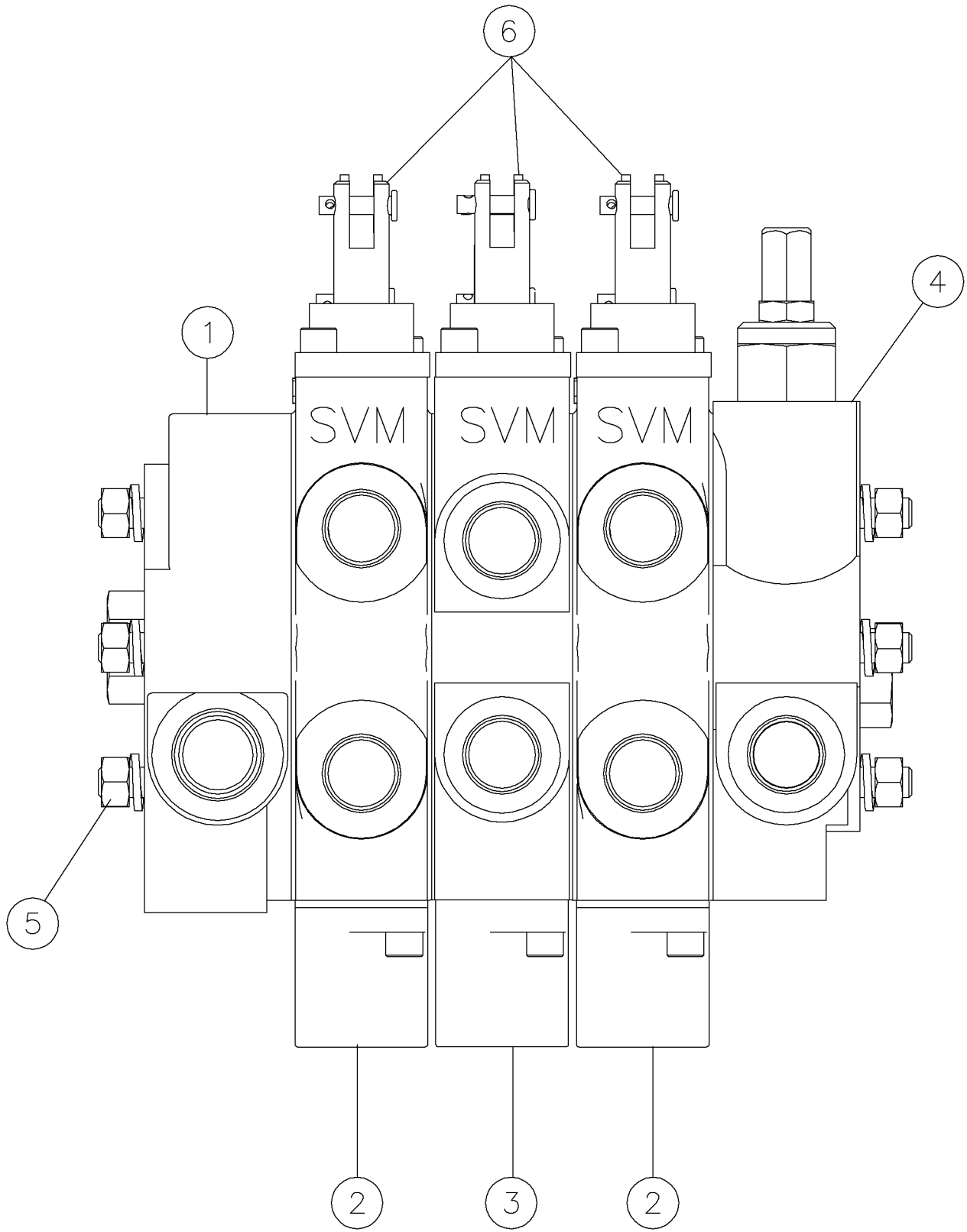
Rotation Valve Fig 9-13



Rotation Valve Fig 9-13

REF. NO.	*	PART NO.	DESCRIPTION	QTY.	REMARKS
1		296271225	INLET SECTION-FLOW CONTROL, SOLENOIL UNLOADING	1	Breakdown Fig. 9-21
2		218544007	WORK SECTION	2	Breakdown Fig. 9-17
3		275058003	WORK SECTION STANDARD	1	Breakdown Fig. 9-17
4		296271226	OUTLET SECTION-OPEN CENTER W/ CONVERSION PLUG	1	Breakdown Fig. 9-20
5		902299079	KIT-3 SECTION TIE ROD	1	
6		296271227	JOYSTICK SUB-ASSY KIT	1	Breakdown Fig. 9-23
7		902299083	CLEVIS	1	Breakdown Fig. 9-24
8		210498033	BOOT	1	
9		235731001	NUT-1/2-13 GR8 ZINC PLTD	1	
10		296285010	HANDLE KIT-SINGLE BEND	1	Inc. Ball, Rod, And Nut
		296278636	VALVE-3 BANK HYD. PRINCE SVA-BG03		Inc All Items In Figure

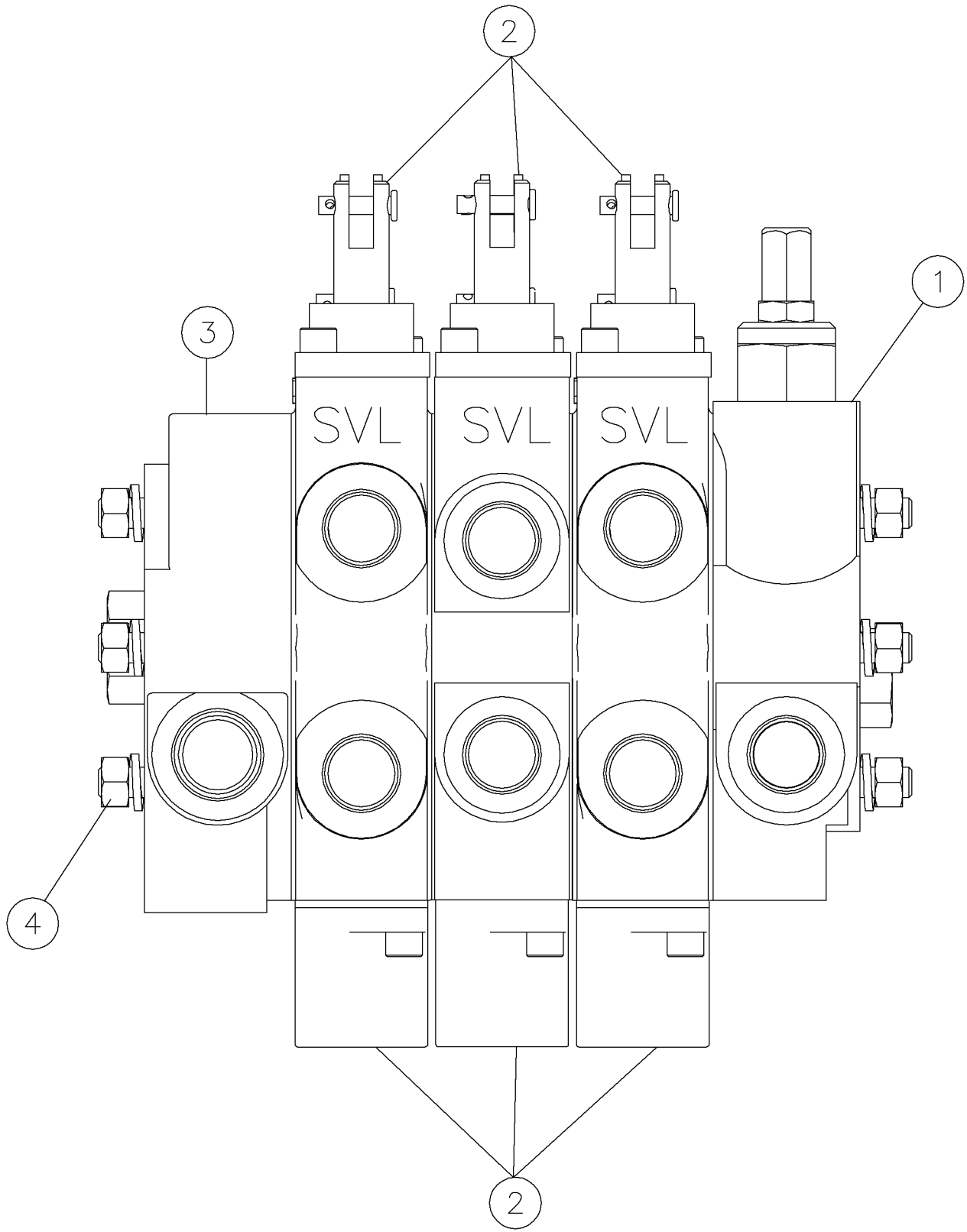
Rear Control Valve Fig 9-14r01



Rear Control Valve Fig 9-14r01

REF. NO.	*	PART NO.	DESCRIPTION	QTY.	REMARKS
		Revision Date	November, 2005		Update In Illustration & Parts List.
1		296271228	INLET SECTION-HIGH PRESSURE ADJUSTABLE RELIEF	1	Breakdown Fig. 9-19
2		296285101	WORK SECTION-4 WAY, 3 POSITION, SPRING CENTER	2	Breakdown Fig. 9-31
3		210456003	WORK SECTION-STANDARD	1	Breakdown Fig. 9-17
4		296271226	OUTLET SECTION	1	Breakdown Fig. 9-20
5		902299079	KIT-3 SECTION TIE ROD	1	
6		902299083	CLEVIS	3	Breakdown Fig. 9-24
		296278634	VALVE - STACK ASSEMBLY		Inc All Items In Figure

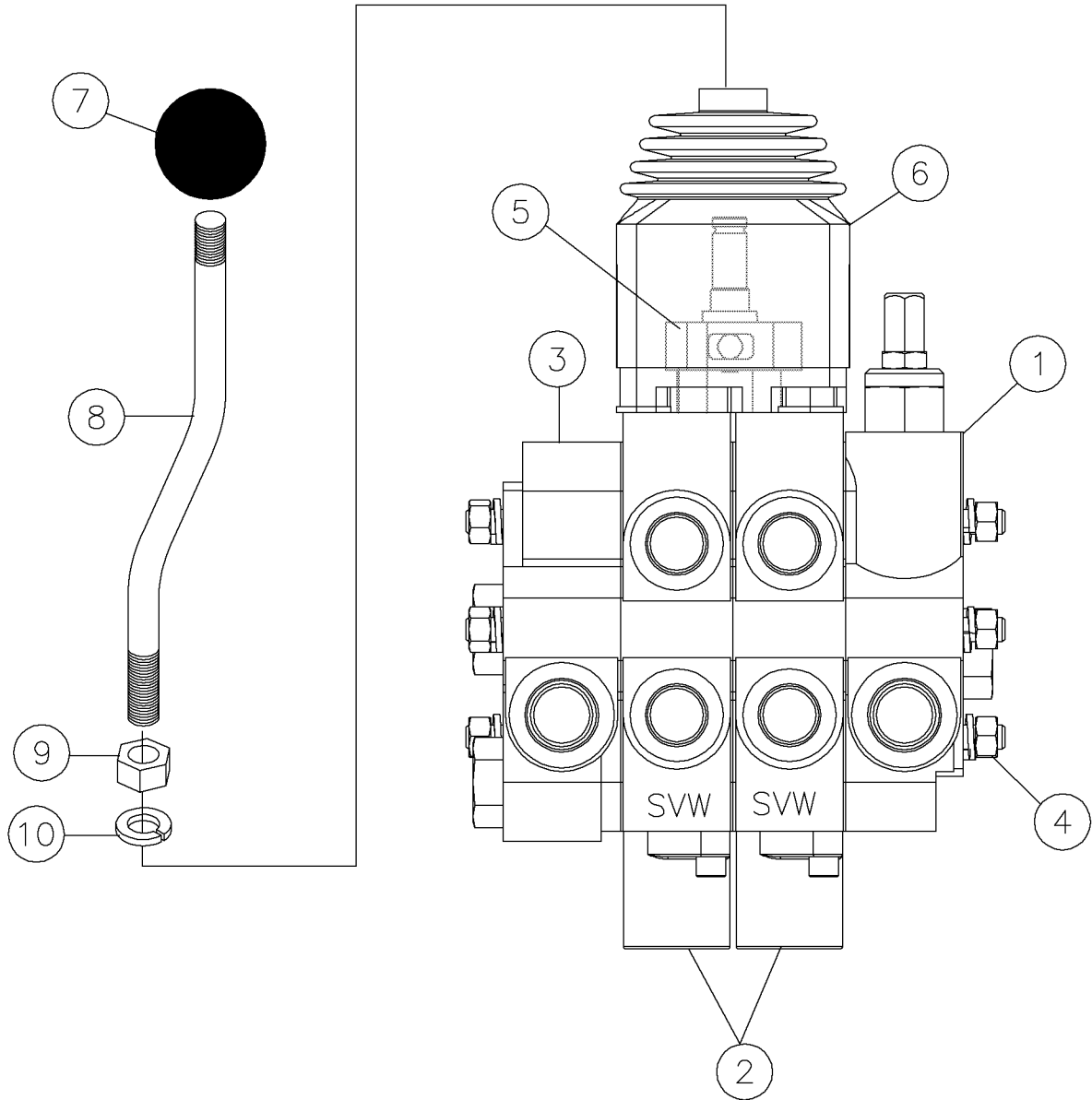
Rear Control Valve Fig 9-14



Rear Control Valve Fig 9-14

REF. NO.	*	PART NO.	DESCRIPTION	QTY.	REMARKS
1		296271228	INLET SECTION-HIGH PRESSURE ADJUSTABLE RELIEF	1	Breakdown Fig. 9-19
2		275058007	WORK SECTION -LOCK OUT	1	Breakdown Fig. 9-18
3		296271229	OUTLET SECTION-CLOSED CENTER	1	Breakdown Fig. 9-20
4		902299079	KIT-3 SECTION TIE ROD	1	
5		902299083	CLEVIS	3	Breakdown Fig. 9-24
		296278634	VALVE - STACK ASSEMBLY		Inc All Items In Figure

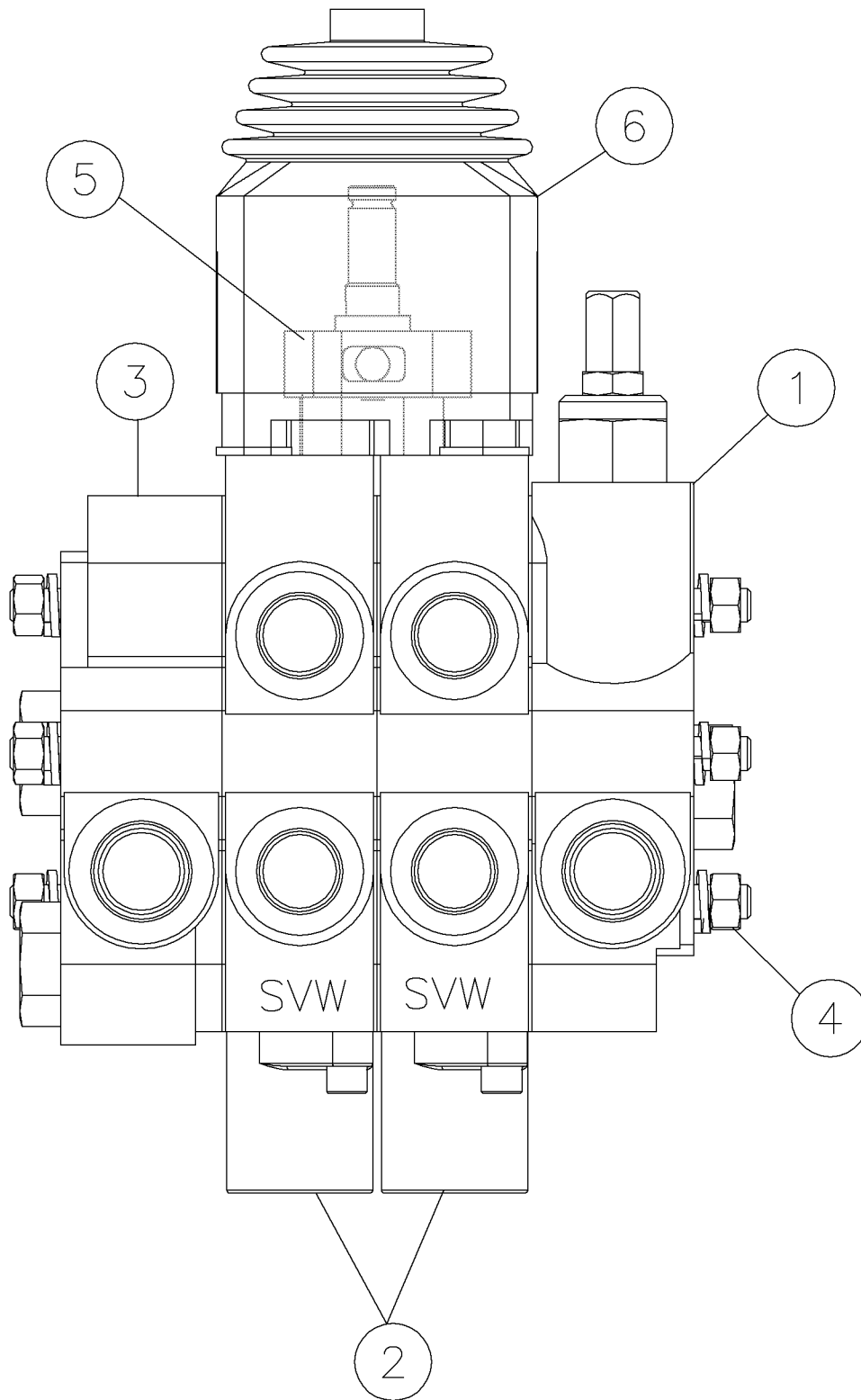
Thrust Valve Fig 9-15r01



Thrust Valve Fig 9-15r01

REF. NO.	*	PART NO.	DESCRIPTION	QTY.	REMARKS
		Revision Date	September, 2007		Updated B.O.M
1		221477003	INLET SECTION	1	Breakdown Fig. 9-19
2		218544007	WORK SECTION	2	Breakdown Fig. 9-17
3		296271229	OUTLET SECTION	1	Breakdown Fig. 9-20
4		102431001	KIT-TIE ROD	1	Inc Bolts And Nuts
5	*	296271227	JOYSTICK SUB - ASSY	1	Breakdown Fig. 9-23
6		210498033	BOOT	1	
7		120079021	KNOB	1	
8		210498037	HANDLE-OFFSET	1	
9		296285102	HEX NUT	1	
10		296285103	LOCK WASHER	1	
		296281100	HANDLE KIT		Inc. ref. 7-10
		296278635	VALVE - 2 BANK HYD.		Inc All Items In Figure

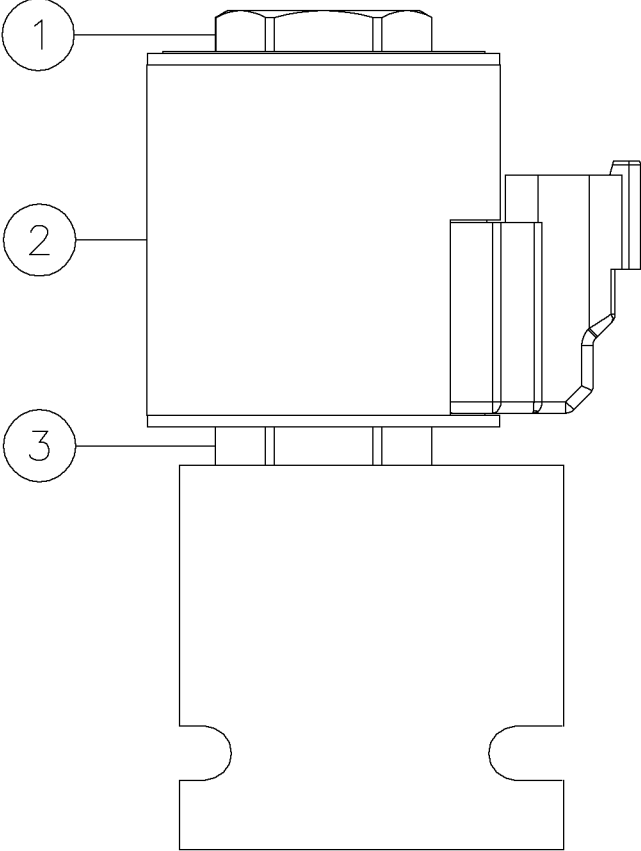
Thrust Valve Fig 9-15



Thrust Valve Fig 9-15

REF. NO.	*	PART NO.	DESCRIPTION	QTY.	REMARKS
1		221477003	INLET SECTION	1	Breakdown Fig. 9-19
2		218544007	WORK SECTION	2	Breakdown Fig. 9-17
3		296271229	OUTLET SECTION	1	Breakdown Fig. 9-20
4		102431001	KIT-TIE ROD	1	Inc Bolts And Nuts
5		296271226	JOYSTICK SUB-ASSY KIT	1	Breakdown Fig. 9-23
6		210498033	BOOT	1	
		296278635	VALVE - 2 BANK HYD.		Inc All Items In Figure

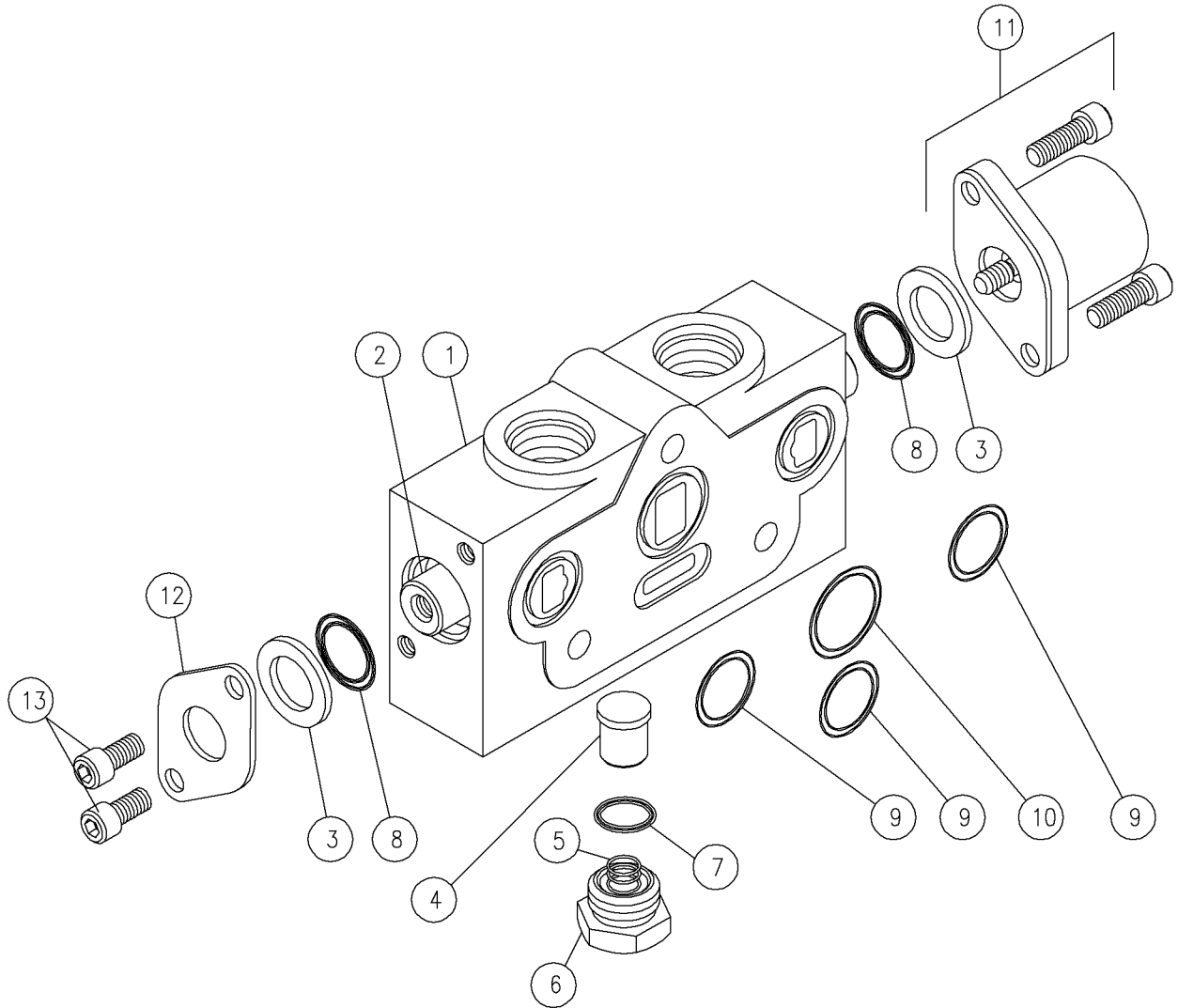
Pump Valve Fig 9-16



Pump Valve Fig 9-16

REF. NO.	*	PART NO.	DESCRIPTION	QTY.	REMARKS
1		296265598	NUT - COIL	1	
2		296265644	COIL	1	
3		218499005	CARTRIDGE-SOLENOID	1	Inc Nut & Seal Kit
		240324005	SEAL KIT	1	
		296266539	VALVE - STAKEDOWN ENABLE		Inc All Items In Figure

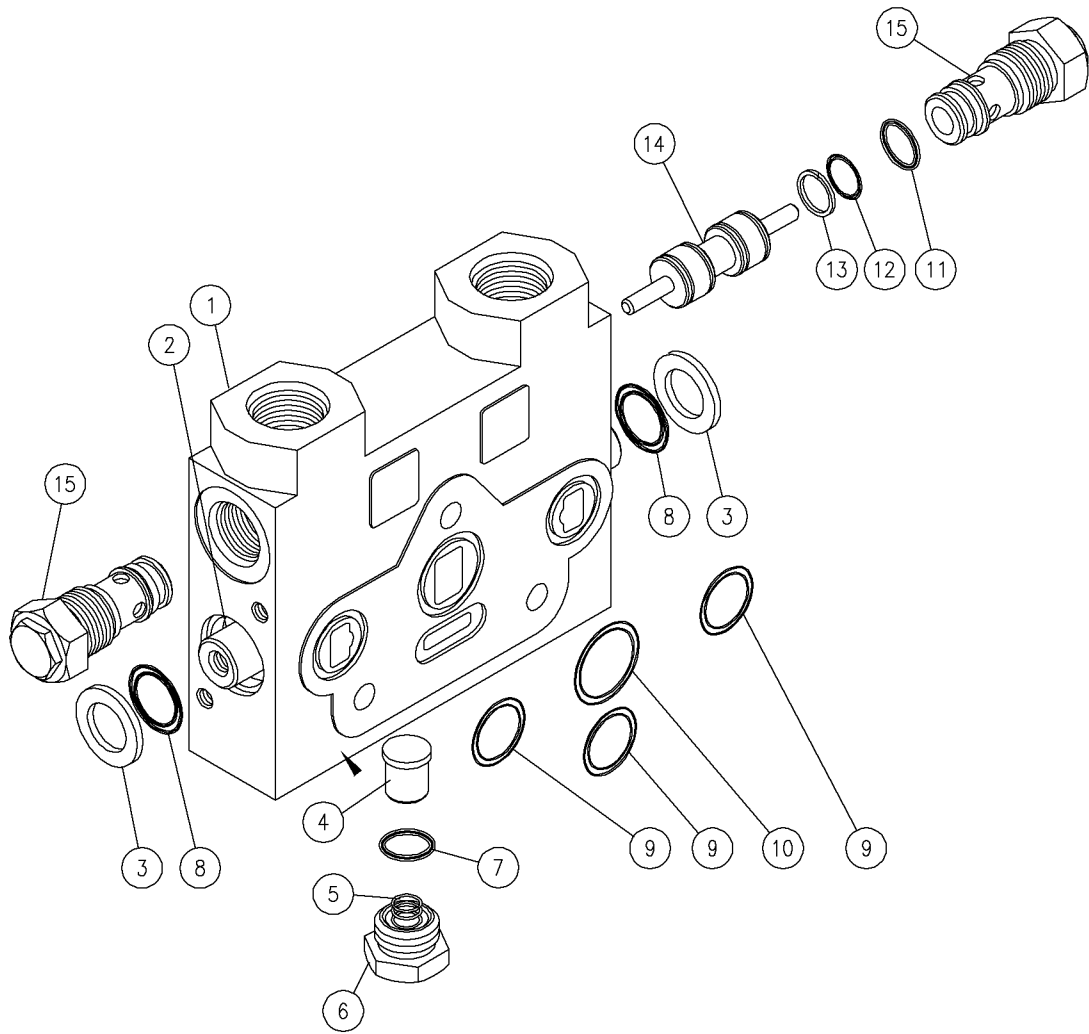
Valve Work Section (SVW) Fig 9-17



Valve Work Section (SVW) Fig 9-17

REF. NO.	*	PART NO.	DESCRIPTION	QTY.	REMARKS
1		NSS	VALVE BODY	1	
2		NSS	SPOOL	1	
3		210455009	SPOOL BACKUP RING	2	
4		902299069	POPPET	1	
5		902299071	SPRING	1	
6		902299073	PLUG	1	
7		NSS	O-RING	1	
8		NSS	O-RING	2	
9		NSS	O-RING	3	
10		NSS	O-RING	1	
11		296271230	CENTER SPRING KIT	1	Breakdown Fig. 9-22
12		902299009	PLATE-SPACER	2	
13		226904065	CAP SCREW	2	
		210455013	LOAD CHECK KIT		Inc Ref. 4-5
		902299007	REPAIR KIT-VALVE SECTION		Inc Ref. 9-10
		902299011	REPAIR KIT-SPOOL		Inc Ref. 7-10

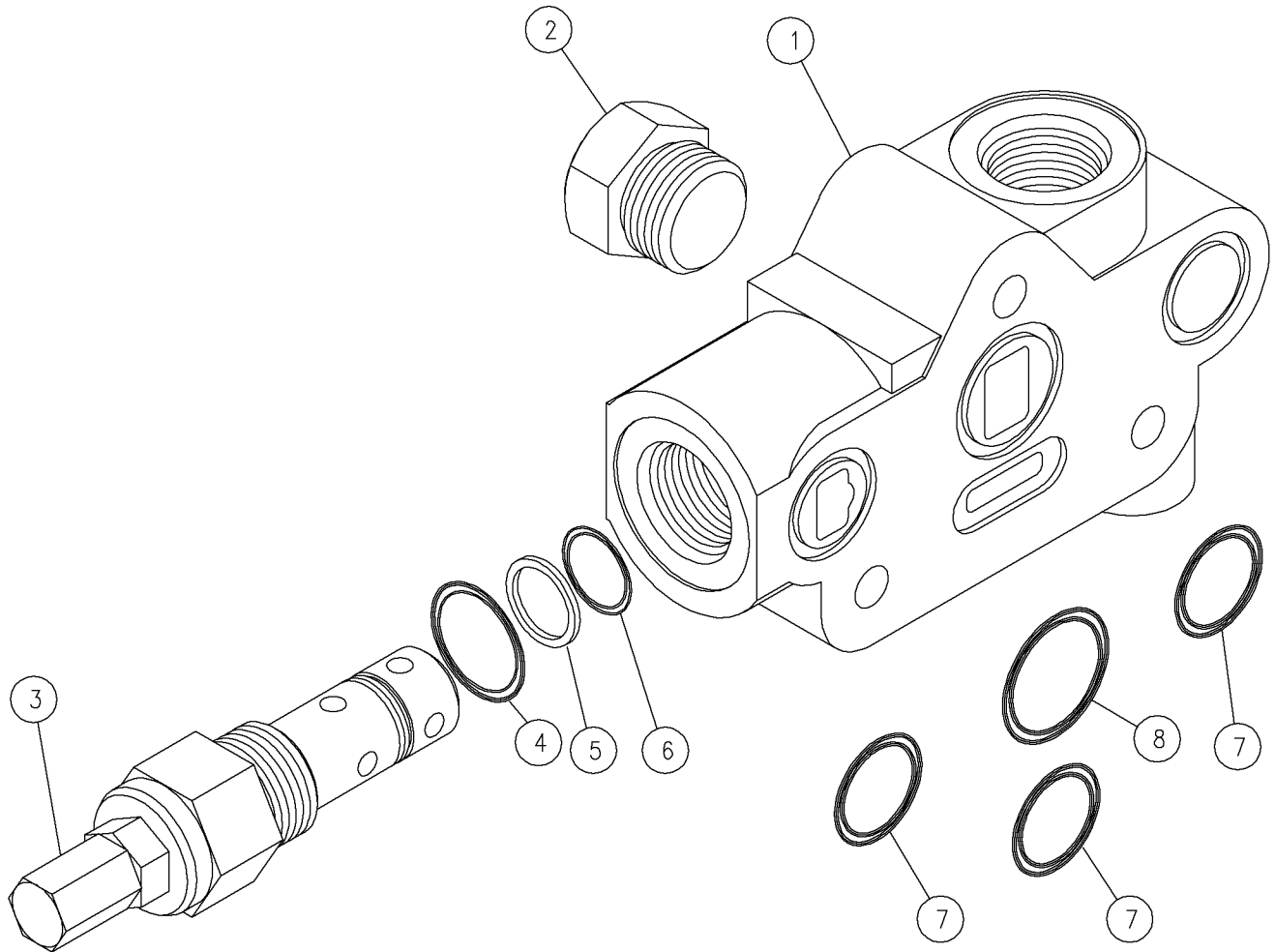
Valve Work Section (SVL) Fig 9-18



Valve Work Section (SVL) Fig 9-18

REF. NO.	*	PART NO.	DESCRIPTION	QTY.	REMARKS
1		NSS	VALVE BODY	1	
2		NSS	SPOOL	1	
3		210455009	SPOOL BACKUP RING	2	
4		902299069	POPPET	1	
5		902299071	SPRING	1	
6		902299073	PLUG	1	
7		NSS	O-RING	1	
8		NSS	O-RING	2	
9		NSS	O-RING	3	
10		NSS	O-RING	1	
11		NSS	O-RING	2	
12		NSS	O-RING	2	
13		NSS	BACK-UP WASHER	2	
14		NSS	SHUTTLE SPOOL	1	
15		217224013	CARTRIDGE-LOCK VALVE	2	
		210455013	LOAD CHECK KIT		Inc. Ref. 4-7
		902299007	REPAIR KIT-VALVE SECTION		Inc. Ref. 9-10
		155077001	SVL REPLACEMENT SEAL KIT		Inc. Ref. 8-13
			NSS-NOT SOLD SEPARATELY		

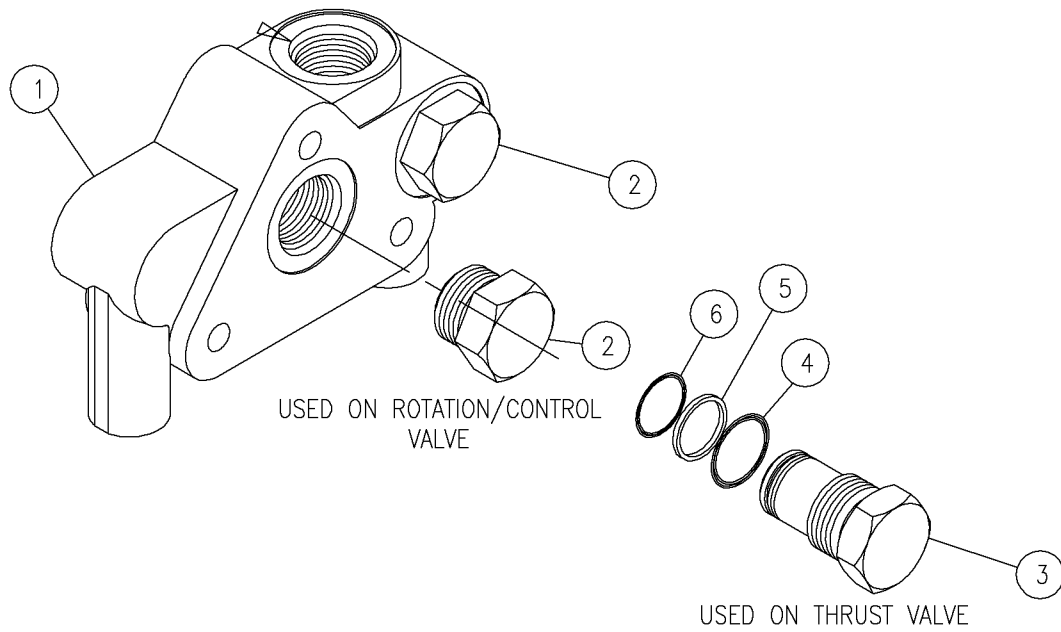
Valve Inlet Section (SVI) Fig 9-19



Valve Inlet Section (SVI) Fig 9-19

REF. NO.	*	PART NO.	DESCRIPTION	QTY.	REMARKS
1		NSS	INLET BODY	1	
2		902299077	PLUG-OPEN CENTER CONVERSION	1	
3		296271236	RELIEF CARTRIDGE	1	
4		NSS	O-RING	1	
5		NSS	BACK-UP WASHER	1	
6		NSS	O-RING	1	
7		NSS	O-RING	3	
8		NSS	O-RING	1	
		296271237	SEAL KIT		Inc Ref. 4-8
		902299007	REPAIR KIT-VALVE SECTION		Inc Ref. 7-8
			NSS-NOT SOLD SEPARATELY		

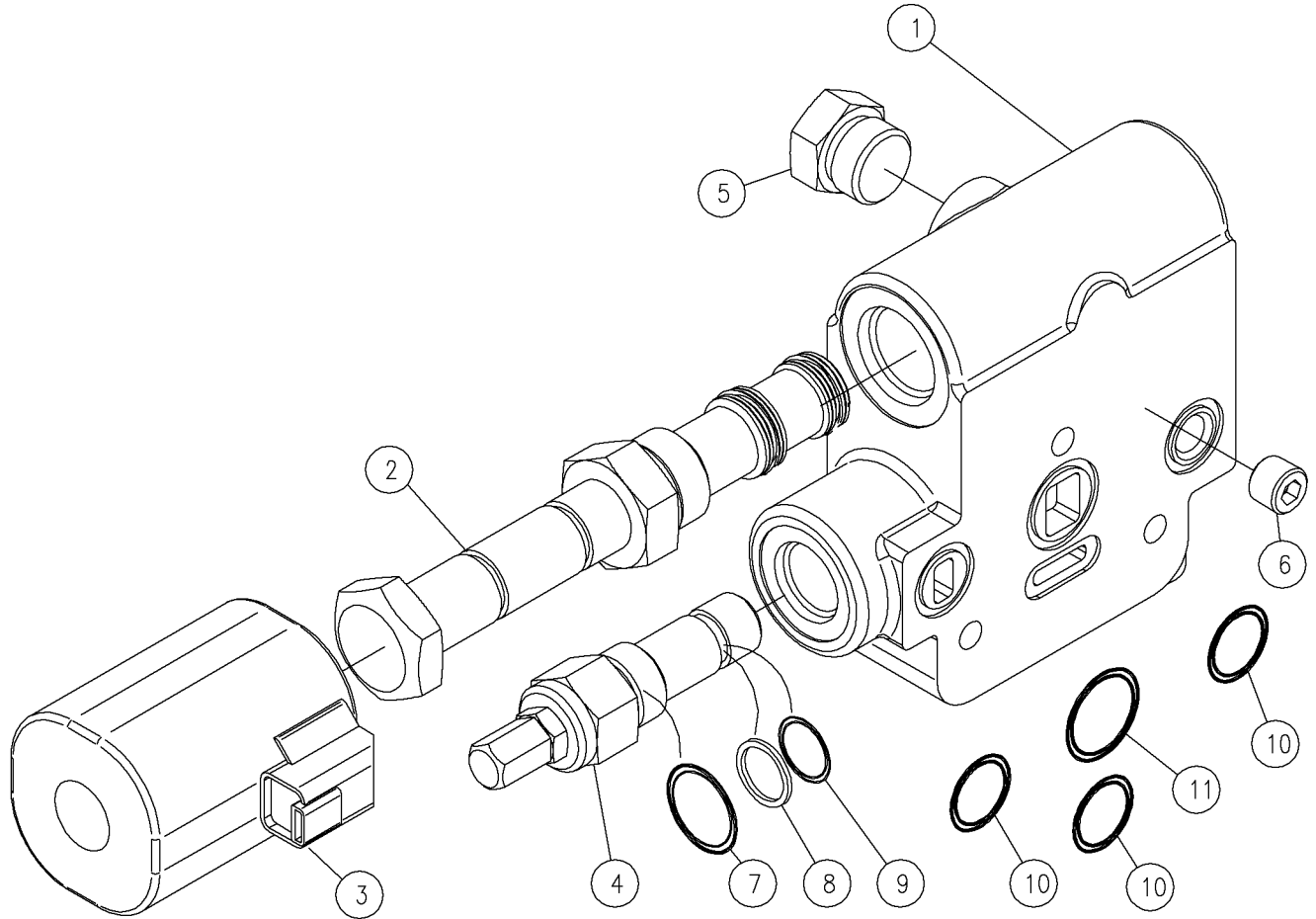
Valve Outlet Section (SVE) Fig 9-20



Valve Outlet Section (SVE) Fig 9-20

REF. NO.	*	PART NO.	DESCRIPTION	QTY.	REMARKS
1		NSS	OUTLET BODY	1	
2		902299077	PLUG-OPEN CENTER CONVERSION	1	Used On Rotatio/Control Valve
3		296271238	RELIEF PLUG	1	Used On Thrust Valve
4		NSS	O-RING	1	
5		NSS	O-RING	1	
6		NSS	O-RING	1	
		154515001	SEAL KIT		Inc Ref 4-6
			NSS-NOT SOLD SEPARATELY		

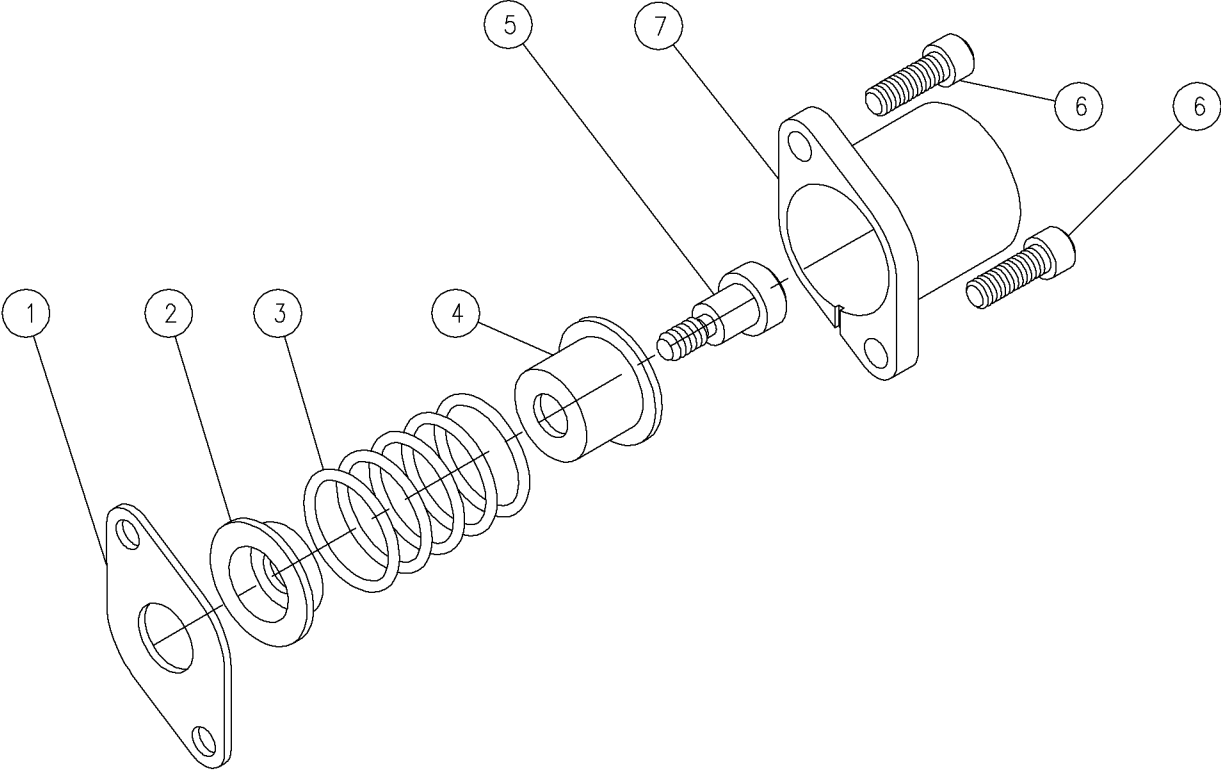
Valve Inlet Section (SVI) Fig 9-21



Valve Inlet Section (SVI) Fig 9-21

REF. NO.	*	PART NO.	DESCRIPTION	QTY.	REMARKS
1		296285007	INLET BODY	1	
2		296285008	INLET UNLOADING CARTRIDGE ASSY W/NUT	1	
3		296278009	SOLENOID COIL, 12VDC DEUTSCH CONNECTOR W/DIODE	1	
4		296271236	RELIEF CARTRIDGE	1	
5		902299077	PLUG-OPEN CENTER CONVERSION	1	
6		221625019	1/4" PIPE PLUG	1	
7		NSS	O-RING	1	
8		NSS	BACKUP WASHER	1	
9		NSS	O-RING	1	
10		NSS	O-RING	3	
11		NSS	O-RING	1	
		902299007	REPAIR KIT-VALVE SECTION		Inc Ref. 10-11
		296271237	REPAIR KIT		Inc Ref. 7-11
			NSS-NOT SOLD SEPARATELY		

Spring Center Kit Fig 9-22



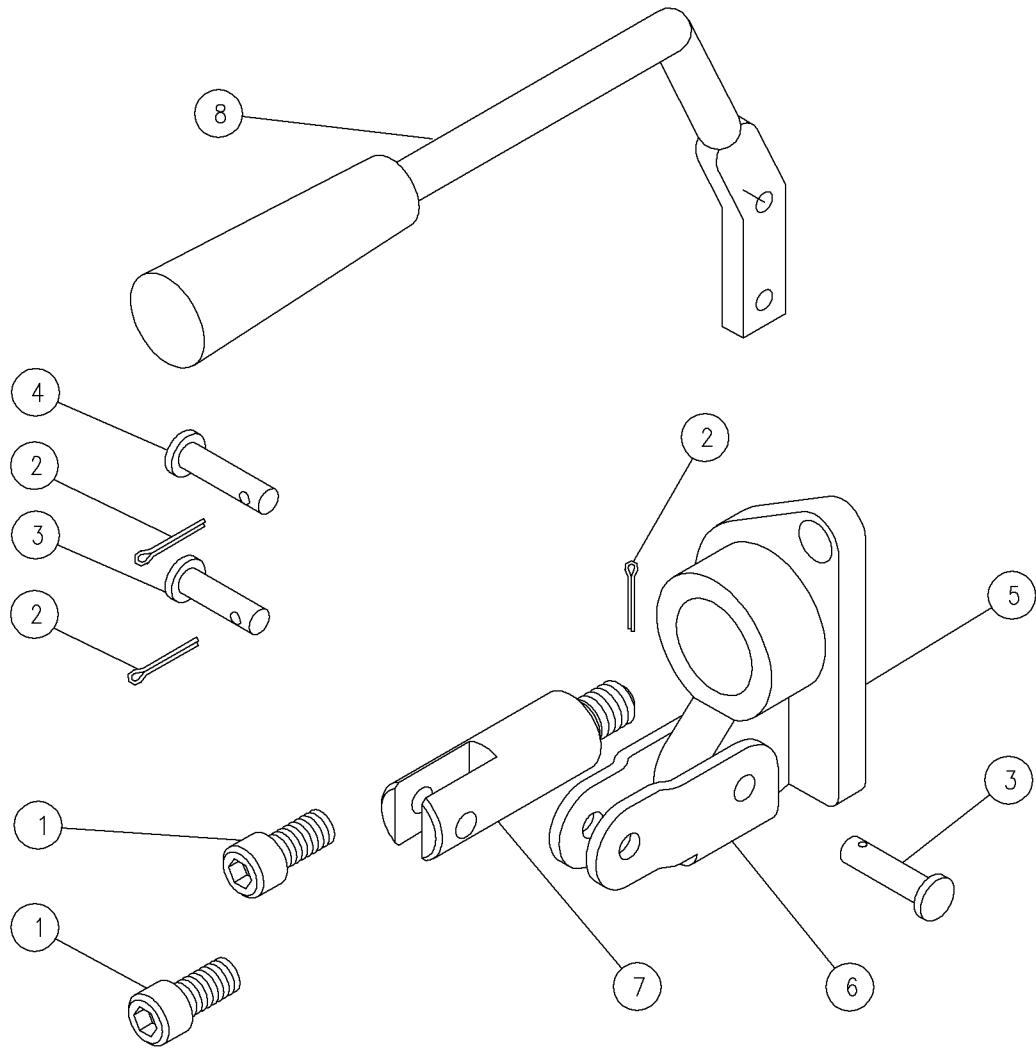
Spring Center Kit Fig 9-22

REF. NO.	*	PART NO.	DESCRIPTION	QTY.	REMARKS
1		902299009	PLATE-SPACER	1	
2		296271231	INNER STOP CUP	1	
3		296271232	SPRING	1	
4		296271233	OUTER STOP CUP	1	
5		296271234	ADAPTER	1	
6		902299057	BOLT-BRACKET MOUNT	2	
7		296271235	END CAP	1	
		296271230	SPRING CENTER KIT		Inc All Items In Figure

Joystick Sub-Assy Kit Fig 9-23

REF. NO.	*	PART NO.	DESCRIPTION	QTY.	REMARKS
1		210498003	END PLATE	1	
2		210498005	SLIDE BLOCK	1	
3		210498007	SLIDE BLOCK	1	
4		210498009	PIVOT	1	
5		210498011	BALL CENTER	1	
6		210498013	HANDLE ADAPTER	1	
7		296271239	JAM NUT	1	
8		210498015	SPOOL ADAPTER	2	
9		210498017	HEX PLUG	1	
10		210498019	STABILIZER	1	
11		296271240	HEX SOCKET CAP SCREW	1	
12		296271241	HEX NUT	1	
13		210498023	WASHER	1	
14		296271242	JAM NUT	1	
15		210498025	HEX SOCKET CAP SCREW	2	
16		210498027	LOCK WASHER-5/16(HIGH COLLAR)	2	
17		210498029	HEX SOCKET CAPSCREW	3	

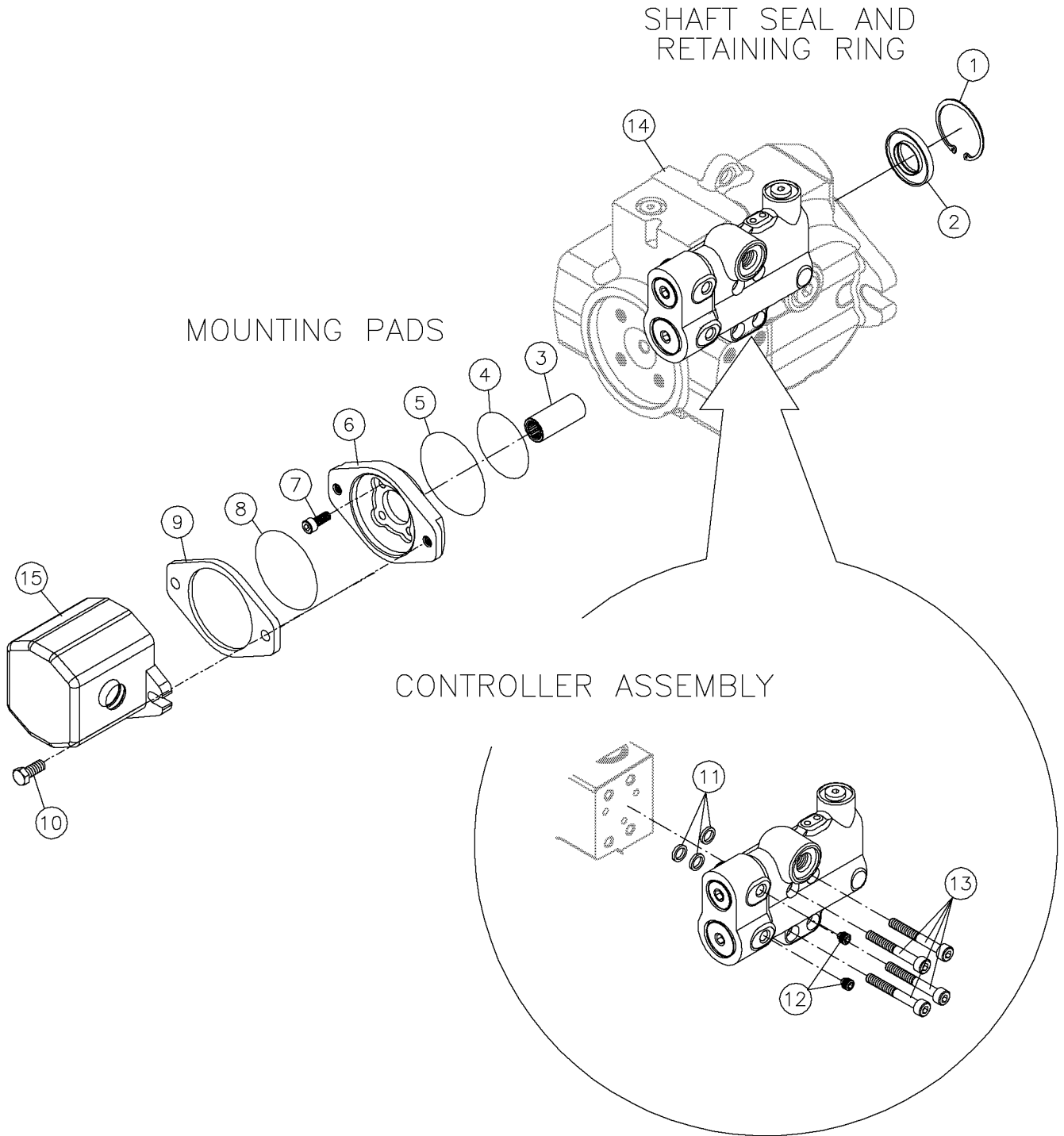
Clevis Sub-Assy Kit/Handle Fig 9-24



Clevis Sub-Assy Kit/Handle Fig 9-24

REF. NO.	*	PART NO.	DESCRIPTION	QTY.	REMARKS
		Revision Date	June, 2007		Corrected Number
1		226904065	CAP SCREW	2	
2		902299063	PIN-COTTER	3	
3	*	903305001	PIN	1	
4		903305001	PIN	1	
5		902299059	BRACKET-HANDLE MOUNT	1	
6		902299065	CLEVIS	1	
7		100980009	ADAPTER-SPOOL END	1	
8		275058005	HANDLE KIT	1	Inc Ref 2, 3 And 4

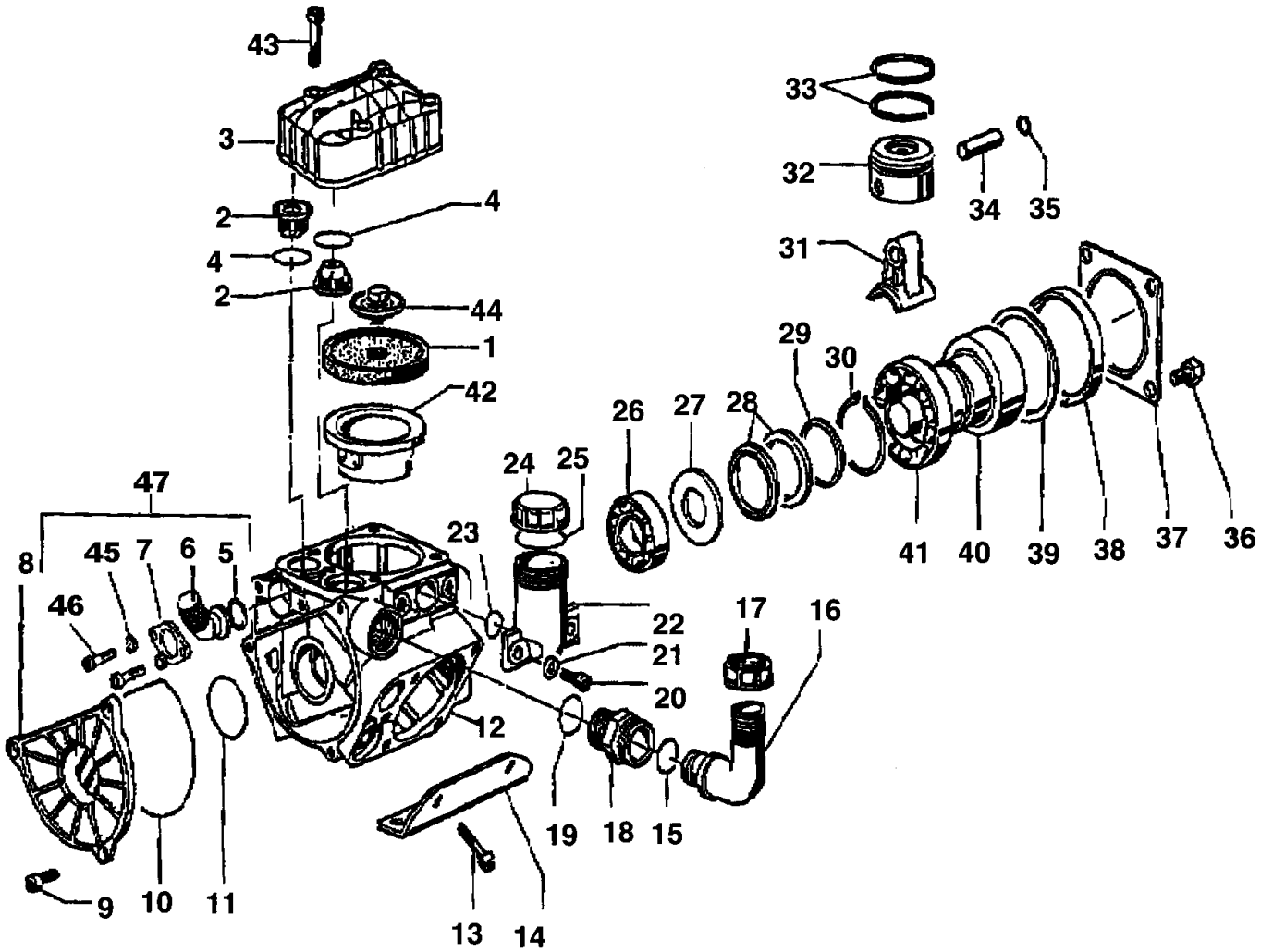
Hydraulic Pump Fig 9-25



Hydraulic Pump Fig 9-25

REF. NO.	*	PART NO.	DESCRIPTION	QTY.	REMARKS
1		278885009	RETAINING RING	1	
2		296265590	SEAL - SHAFT	1	
3		296271243	DRIVE COUPLING	1	
4		85627047	O-RING	1	
5		210493009	O-RING	1	
6		296271248	PAD ADAPTER	1	
7		296271247	SCREW-8MM	2	
8		296271246	O-RING	1	
9		296271245	COVER PLATE	1	
10		296271244	SCREW-9/16"	2	
11		296265589	O - RING	3	
12		296285005	SET SCREW	2	
13		254674047	SCREW	4	
14		296281055	PUMP-VAR-21.25CC	1	
		296285027	REPAIR KIT	1	
15		296281067	GEAR PUMP-14CC	1	
		210493017	REPAIR KIT	1	

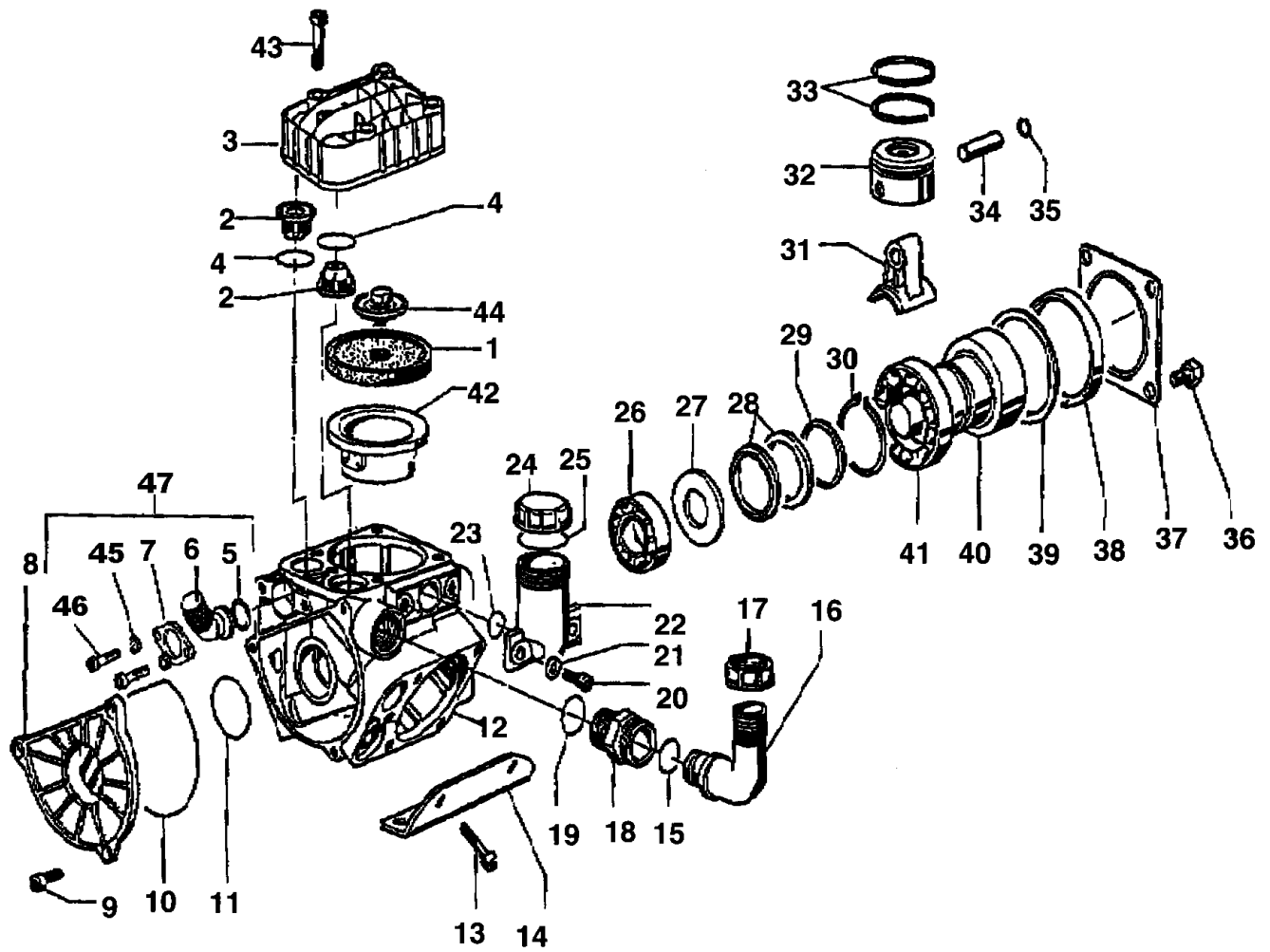
Water Pump (Continue On Next Page) Fig 9-26r02



Water Pump (Continue On Next Page) Fig 9-26r02

REF. NO.	*	PART NO.	DESCRIPTION	QTY.	REMARKS
		Revision Date	March, 2006		Update In Illustration & Parts List.
1		296285049	PISTON DIAPHRAGM	3	
2		296285169	VALVE ASSY	6	
3		296285170	HEAD	3	
4		296285171	VALVE SEAL	6	
5		296285015	O RING DIA. 3X22	1	
6		296285172	OUTLET FLANGE G.1/2	1	
7		296285173	FLANGE	1	
8		296285018	SUCTION COVER	1	
9		296285019	SCREW M6X18	3	
10		296285020	O-RING 2-62X101-27	1	
11		296285174	O-RING 2-62X36-14	1	
12		NSS	CRANKCASE	1	
13		296285167	SCREW-M8X55	4	
14		296285022	MOUNTING RAIL	2	
15		296285023	O-RING DIA. 2-62X22-22	1	
16		296285024	ELBOW TAIL	1	
17		296285025	WING NUT M34	1	
18		296285026	NIPPLE	1	
19		296285014	O-RING 2-62X25-07	1	
20		296285028	SCREW M8X30	2	
			NSS-NOT SOLD SEPARATELY		
			Continued On Next Page		

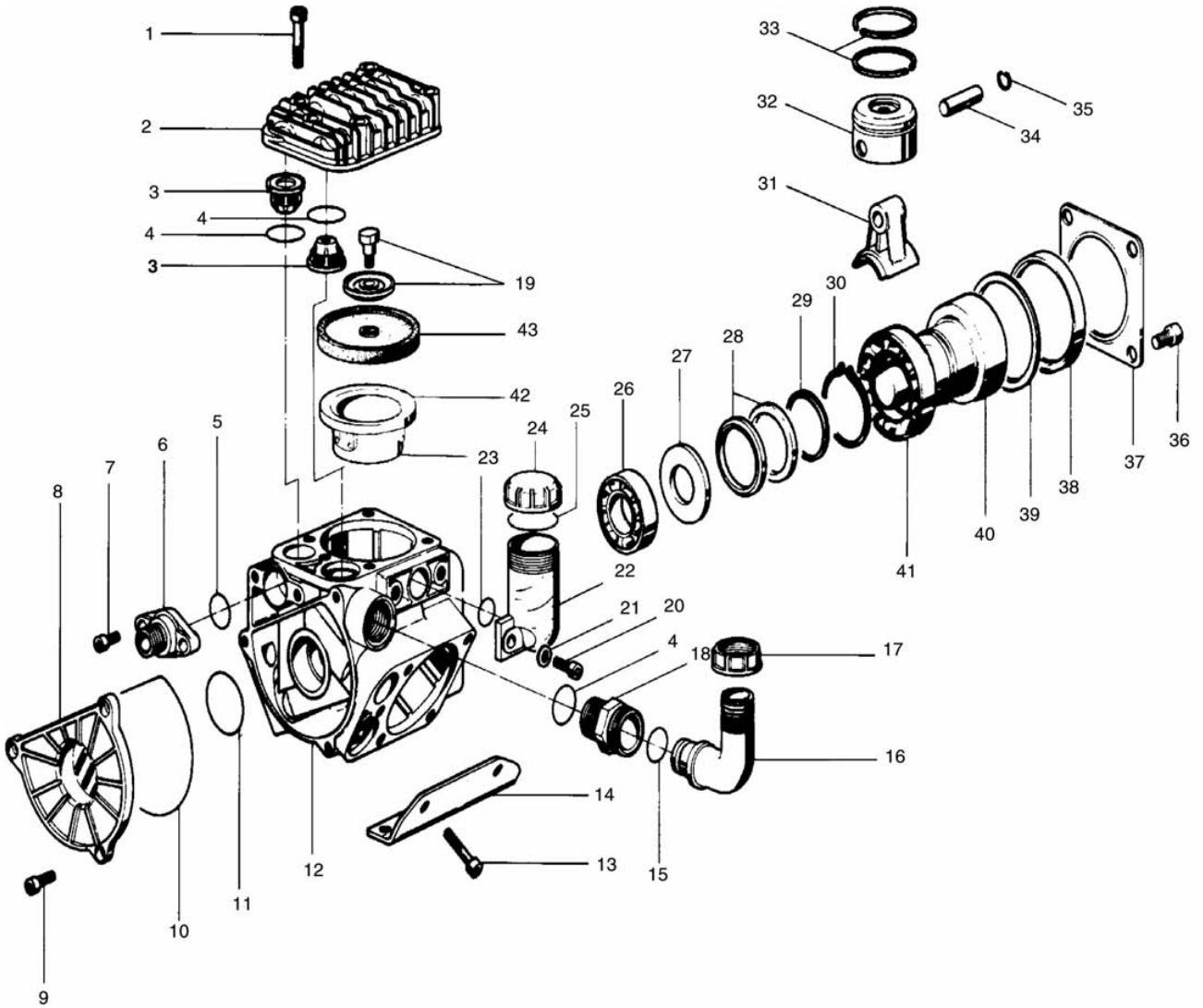
Water Pump Fig 9-26r02



Water Pump Fig 9-26r02

REF. NO.	*	PART NO.	DESCRIPTION	QTY.	REMARKS
		Revision Date	March, 2006		Update In Illustration & Parts List.
21		296285029	WASHER DIA 10	2	
22		296285030	OIL FILTER	1	
23		296285031	O-RING 2-62X15-07	1	
24		296285168	OIL FILLER CAP	1	
25		296285032	GASKET-45X19X1-5	1	
26		296285033	BALL BEARING	1	
27		296285034	SPACER	1	
28		296285035	CONNECTING ROD RING	2	
29		296285036	SPACER	1	
30		296285037	SHAFT RING DIA. 45	1	
31		296285038	CONNECTING ROD	3	
32		296285039	PISTON DIA. 48	3	
33		296285040	PISTON RING	6	
34		296285041	CONNECTING ROD PIN	3	
35		296285042	RETAINING RING	6	
36		296285043	GALVANIZED SCREW M10X13	4	
37		296285044	CAP	1	
38		296285045	O-RING DIA M-68X90X10	1	
39		296285046	SPACER	1	
40		NSS	CRANKSHAFT	1	
41		296285047	BEARING	1	
42		296285048	CAST IRON PISTON SLEEVE	3	
43		296285021	SCREW M8X50	11	
44		296285050	SS DIAPHRAGM WASHER/BOLT KIT	3	
45		296285177	WASHER	2	
46		296285178	SCREW-M6X16	2	
47		296285179	KIT	1	Inc. Ref. 5, 6, 7, 45, And 46
		296277357	PUMP - DIAPHRAM WATER		Inc. All Items In Figure
		296285180	PUMP KIT		Inc. Ref. 4, 10, 11, And 38
		296285181	VALVE KIT		Inc. Ref. 2 And 4
			NSS-NOT SOLD SEPARATELY		

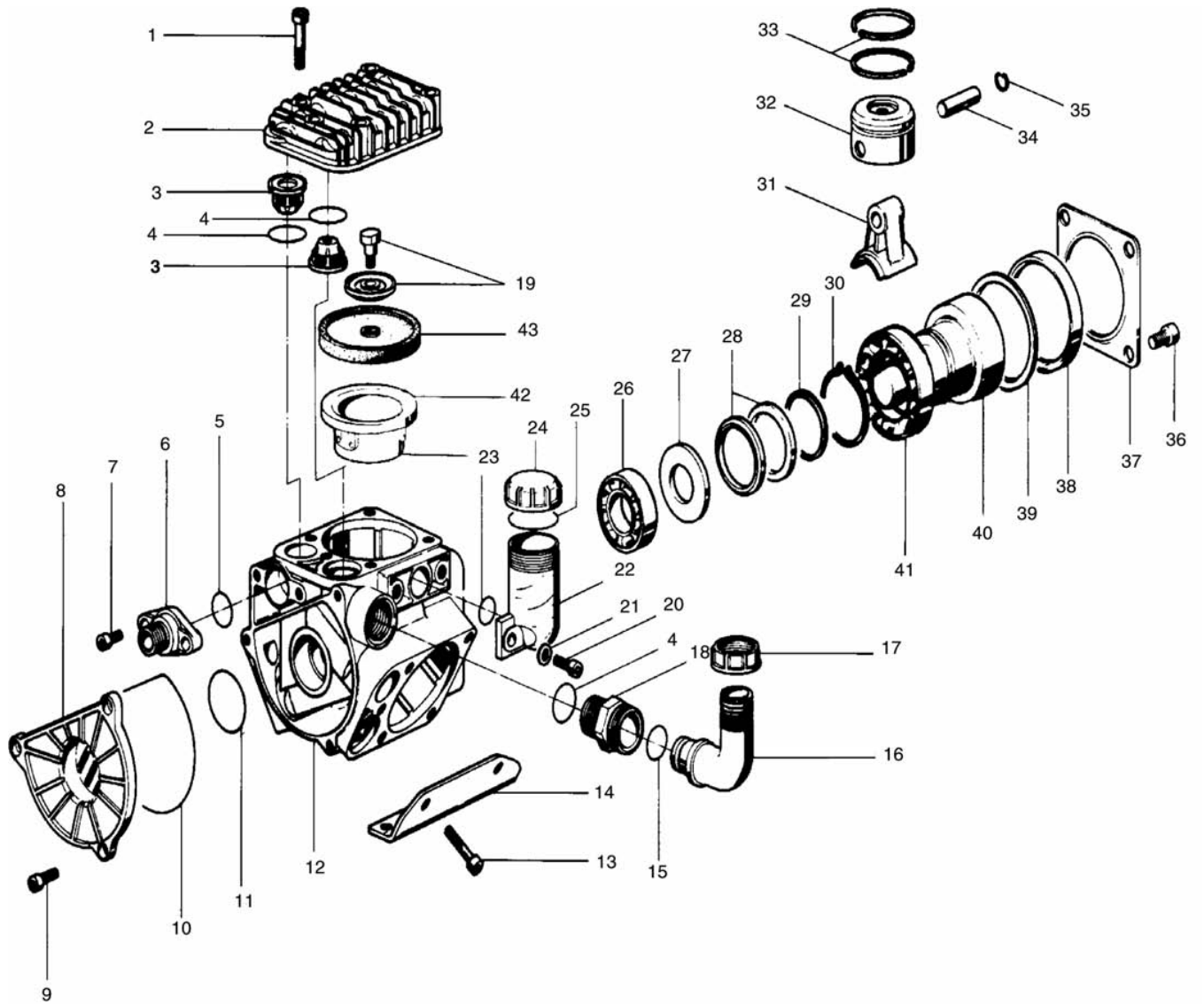
Water Pump (Continue On Next Page) Fig 9-26r01



Water Pump (Continue On Next Page) Fig 9-26r01

REF. NO.	*	PART NO.	DESCRIPTION	QTY.	REMARKS
		Revision Date	November, 2005		Update In Illustration & Parts List.
1		296285011	SCREW M8X45	11	
2		296285012	HEAD	3	
3		296285013	VALVE ASSY	6	
4		296285014	O-RING 2-62X25-07	7	
5		296285015	O-RING DIA. 3X22	1	
6		296285016	PIPE FITTING G 1/2	1	
7		296285017	GALVANIZED SCREW M6X22	2	
8		296285018	SUCTION COVER	1	
9		296285019	SCREW M6X18	3	
10		296285020	O-RING 2-62X101-27	1	
11		N/A	O-RING D-2-62X36-14	1	
12		N/A	CRANKCASE	1	
13		296285021	SCREW M8X50	4	
14		296285022	MOUNTING RAIL	2	
15		296285023	O-RING DIA. 2-62X22-22	1	
16		296285024	ELBOW TAIL	1	
17		296285025	WING NUT M34	1	
18		296285026	NIPPLES	1	
19		296285050	SS DIAPHRAGM WASHER/BOLT KIT	2	
20		296285028	SCREW M8X30	2	
			Continued On Next Page		

Water Pump Fig 9-26r01



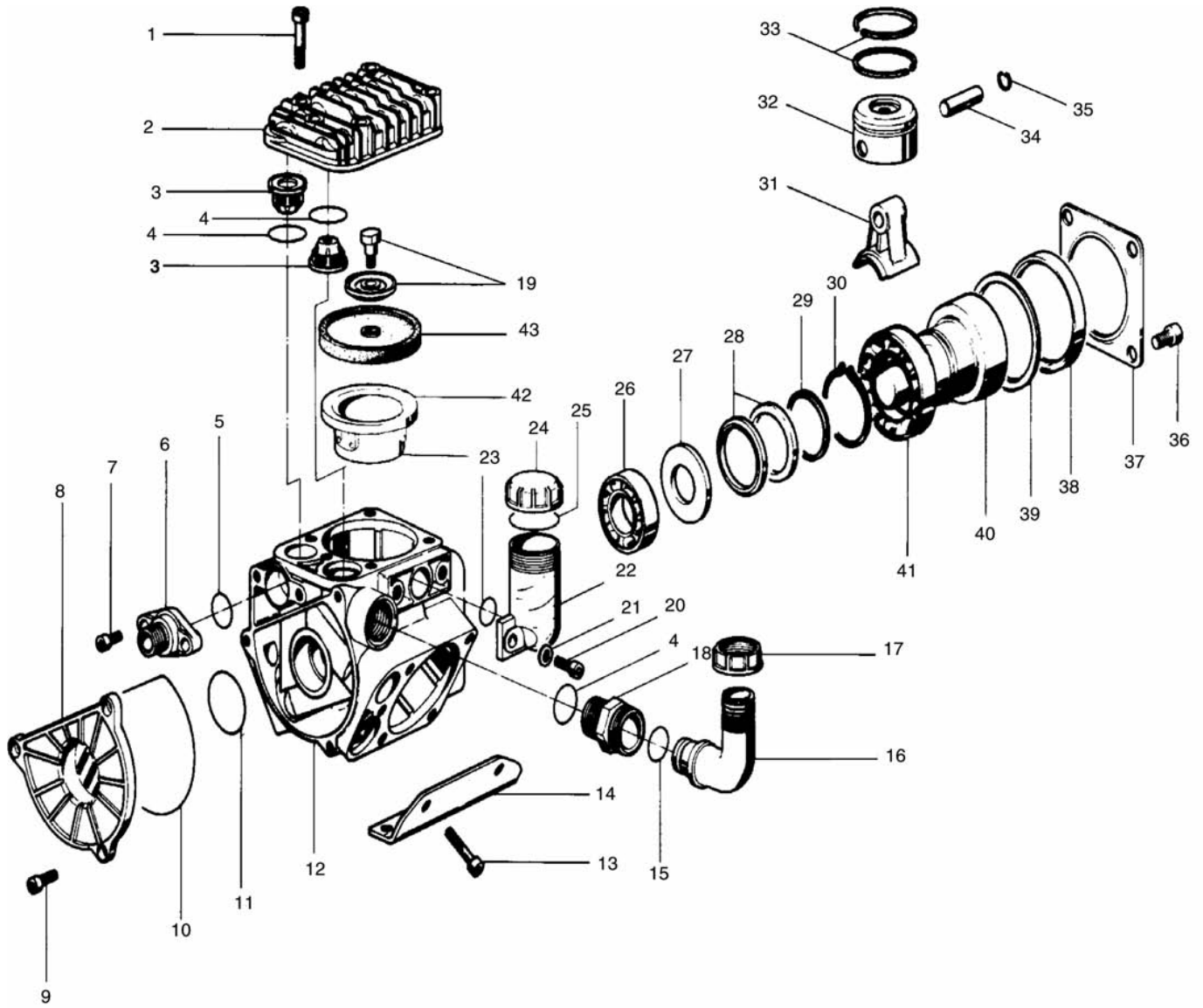
Water Pump Fig 9-26r01

REF. NO.	*	PART NO.	DESCRIPTION	QTY.	REMARKS
		Revision Date	November, 2005		Update In Illustration & Parts List.
21		296285029	WASHER DIA 10	2	
22		296285030	OIL FILTER	1	
23		296285031	O-RING 2-62X15-07	1	
24		N/A	PLUG-101/2"	1	
25		296285032	GASKET-45X19X1-5	1	
26		296285033	BALL BEARING	1	
27		296285034	SPACER	1	
28		296285035	CONNECTING ROD RING	2	
29		296285036	SPACER	1	
30		296285037	SHAFT RING DIA. 45	1	
31		296285038	CONNECTING ROD	3	
32		296285039	PISTON DIA. 48	3	
33		296285040	PISTON RING	6	
34		296285041	CONNECTING ROD PIN	3	
35		296285042	RETAINING RING	6	
36		296285043	GALVANIZED SCREW M10X13	4	
37		296285044	CAP	1	
38		296285045	O-RING DIA M-68X90X10	1	
39		296285046	SPACER	1	
40		N/A	CRANKSHAFT	1	
41		296285047	BEARING	1	
42		296285048	CAST IRON PISTON SLEEVE	3	
43		296285049	PISTON DIAPHRAGM	3	
		296285051	PUMP REPAIR KIT		Inc. Ref 4, Ref. 5, 10, 11, 15, 23, 38, and Ref. 43.
		296285052	VALVE KIT		Inc. Ref. 3 And 4
		296277357	PUMP - DIAPHRAM WATER		Inc. All Items In Figure

Water Pump (Continue On Next Page) Fig 9-26

REF. NO.	*	PART NO.	DESCRIPTION	QTY.	REMARKS
1		296285011	SCREW M8X45	11	
2		296285012	HEAD	3	
3		296285013	VALVE ASSY	6	
4		296285014	O-RING 2-62X25-07	7	
5		296285015	O-RING DIA. 3X22	1	
6		296285016	PIPE FITTING G 1/2	1	
7		296285017	GALVANIZED SCREW M6X22	2	
8		296285018	SUCTION COVER	1	
9		296285019	SCREW M6X18	3	
10		296285020	O-RING 2-62X101-27	1	
11		N/A	O-RING D-2-62X36-14	1	
12		N/A	CRANKCASE	1	
13		296285021	SCREW M8X50	4	
14		296285022	MOUNTING RAIL	2	
15		296285023	O-RING DIA. 2-62X22-22	1	
16		296285024	ELBOW TAIL	1	
17		296285025	WING NUT M34	1	
18		296285026	NIPPLES	1	
19		296285028	SCREW M8X30	2	
20		296285029	WASHER DIA 10	2	
			Continued On Next Page		

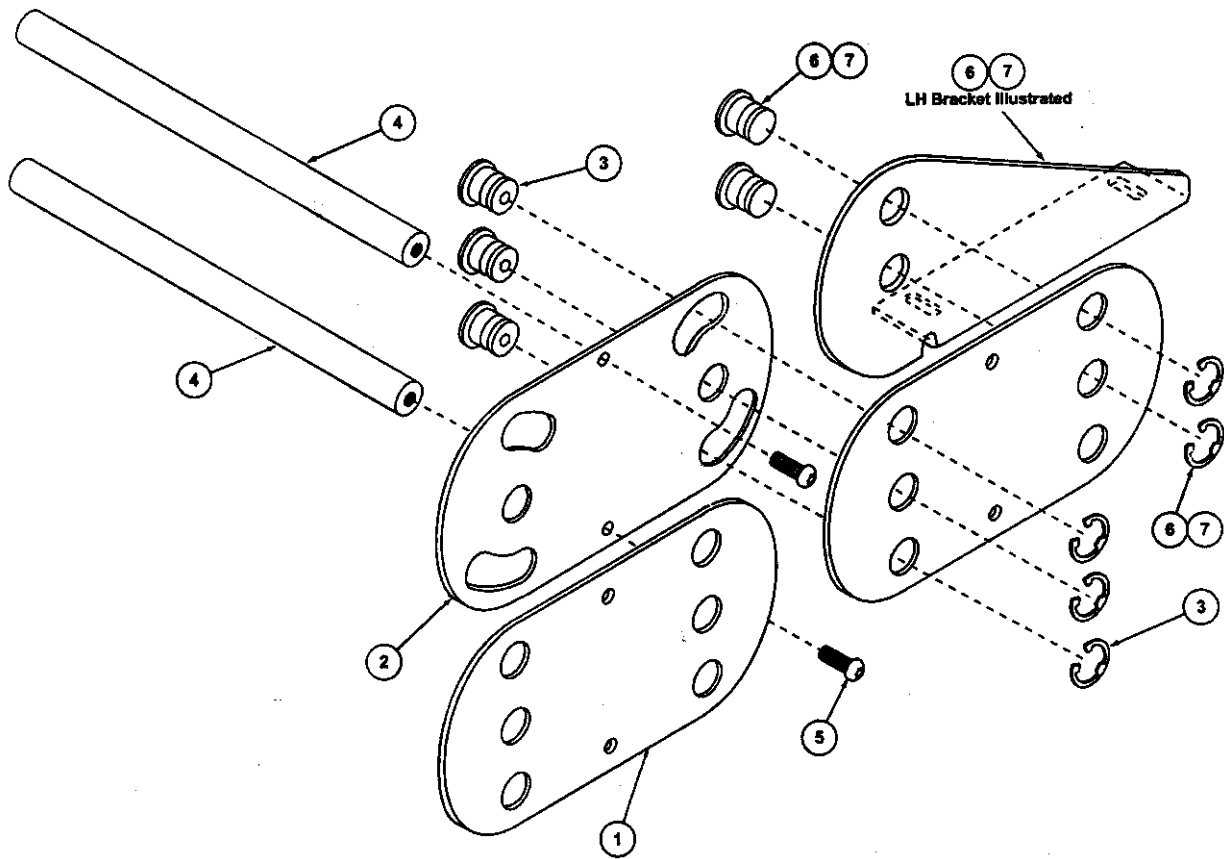
Water Pump Fig 9-26



Water Pump Fig 9-26

REF. NO.	*	PART NO.	DESCRIPTION	QTY.	REMARKS
21		296285030	OIL FILTER	1	
22		296285031	O-RING 2- 62X15-08	1	
23		N/A	PLUG 1 1/2"	1	
24		296285032	GASKET-DIA. 45X19X1-5	1	
25		296285033	BALL BEARING	1	
26		296285034	SPACER	1	
27		296285035	CONNECTING ROD RING	2	
28		296285036	SPACER	1	
29		296285037	SHAFT RING DIA. 45	1	
30		296285038	CONNECTING ROD	3	
31		296285039	PISTON DIA 48	3	
32		296285040	PISTON RING	6	
33		296285041	CONNECTING ROD PIN	3	
34		296285042	RETAINING RING	6	
35		296285043	GALVANIZED SCREW M10X16	4	
36		296285044	CAP	1	
37		296285045	O-RING DSIA M-68X90X10	1	
38		296285046	SPACER	1	
39		N/A	CRANKSHAFT	1	
40		296285047	BEARING	1	
41		296285048	CAST IRON PISTON SLEEVE	3	
42		296285049	PISTON DIAPHRAGM	3	
43		N/A	DIAPHRAGM-DESMOPAN	3	
44		296285050	SS DIAPHRAGM WASHER/BOLT KIT	3	
		296285051	PUMP REPAIR KIT		Inc. Ref 4, Ref. 5, 10, 11, 15, 23, 38, and Ref. 43.
		296285052	VALVE KIT		Inc. Ref. 3 And 4
		296277357	PUMP - DIAPHRAM WATER		Inc. All Items In Figure

Hose Carrier Fig 9-27



Hose Carrier Fig 9-27

REF. NO.	*	PART NO.	DESCRIPTION	QTY.	REMARKS
1		296285054	OUTER LINK	26	
2		296285055	INNER LINK	24	
3		296285056	PT26L SPLICE KIT	24	Inc. 6 pins and 6 E-Rings
4		296285057	ALUMINUM ROD-4.00"	24	
5		296285058	SCREW-PAN HEAD LOCKING	44	
6		296285059	L.H. MOUNTING BRACKET KIT	1	Inc. Pins and E-Rings
7		296285060	R.H. MOUNTING BRACKET KIT	1	Inc. Pins and E-Rings
		296285061	SIDE CHAIN ASSY		Inc. Ref. 1 And 2 Riveted Together.
		296278631	HOSE CARRIER		Inc. All Items In Figure.

Oil Filter (S/N 228-) Fig 9-28r01

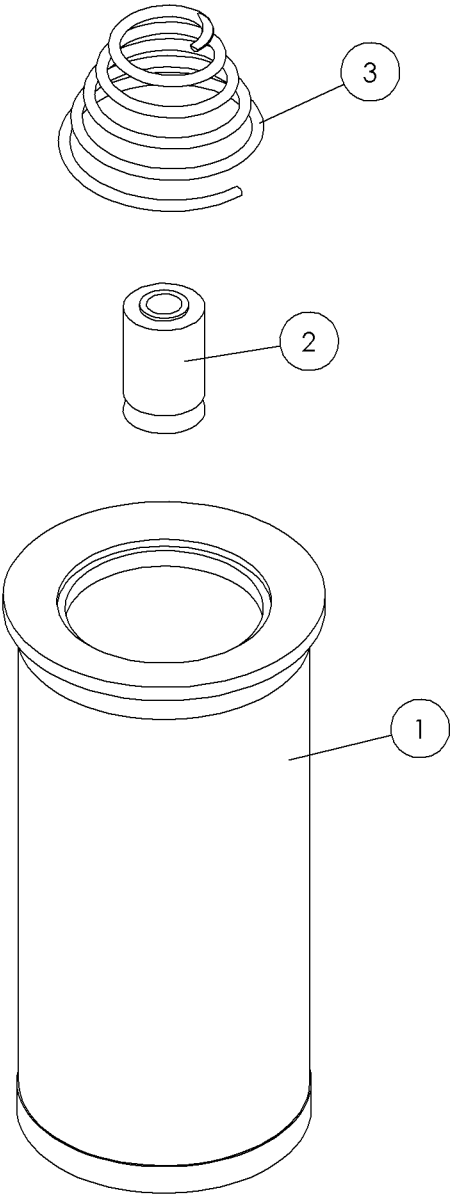
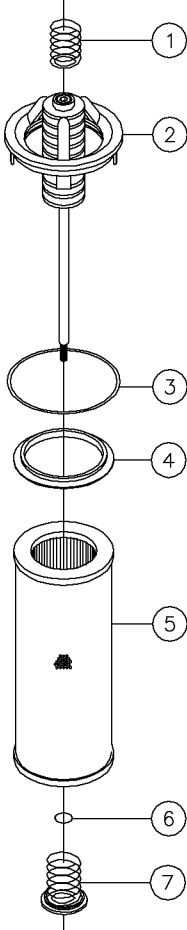


Illustration No. 624362001AC

Oil Filter (S/N 228-) Fig 9-28r01

REF. NO.	*	PART NO.	DESCRIPTION	QTY.	REMARKS
		Revision Date	August, 2006		New P/N for Filter Assy
1	*	624362001	FILTER ASSEMBLY-HYDRAULIC	1	
2	*	163632911	COLUMN-MAGNET	1	
3	*	163632913	SPRING- FILTER BYPASS	1	

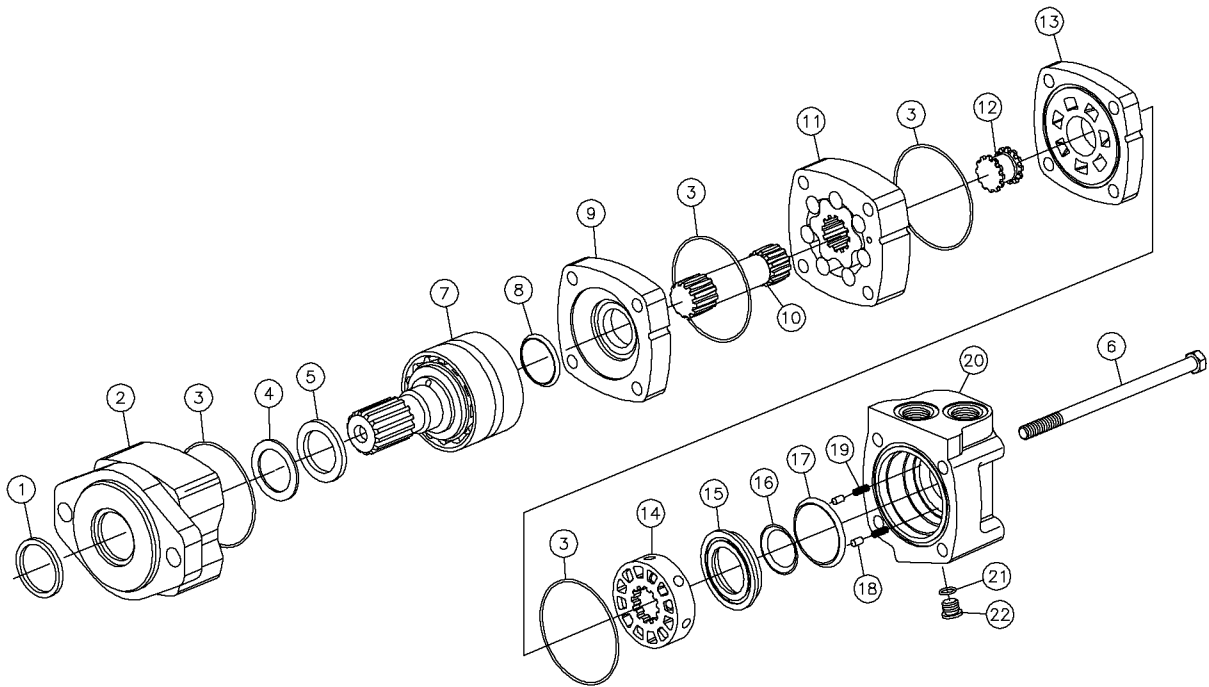
Oil Filter Fig 9-28



Oil Filter Fig 9-28

REF. NO.	*	PART NO.	DESCRIPTION	QTY.	REMARKS
1		89671005	SPRING	1	
2		244486005	INSERT ASSEMBLY	1	
3		89671007	SEAL	1	
4		89671011	BYPASS GASKET	1	
5		244486003	ELEMENT - FILTER	1	
6		89671013	ELEMENT-O-RING	1	
7		89671015	BYPASS ASSEMBLY	1	
		609133001	FILTER ASSEMBLY-HYDRAULIC		Inc. All Items In Figure
		244486001	FILTER-HYDRAULIC RETURN		Inc. Ref. No's 1, 3, 4 & 5-6

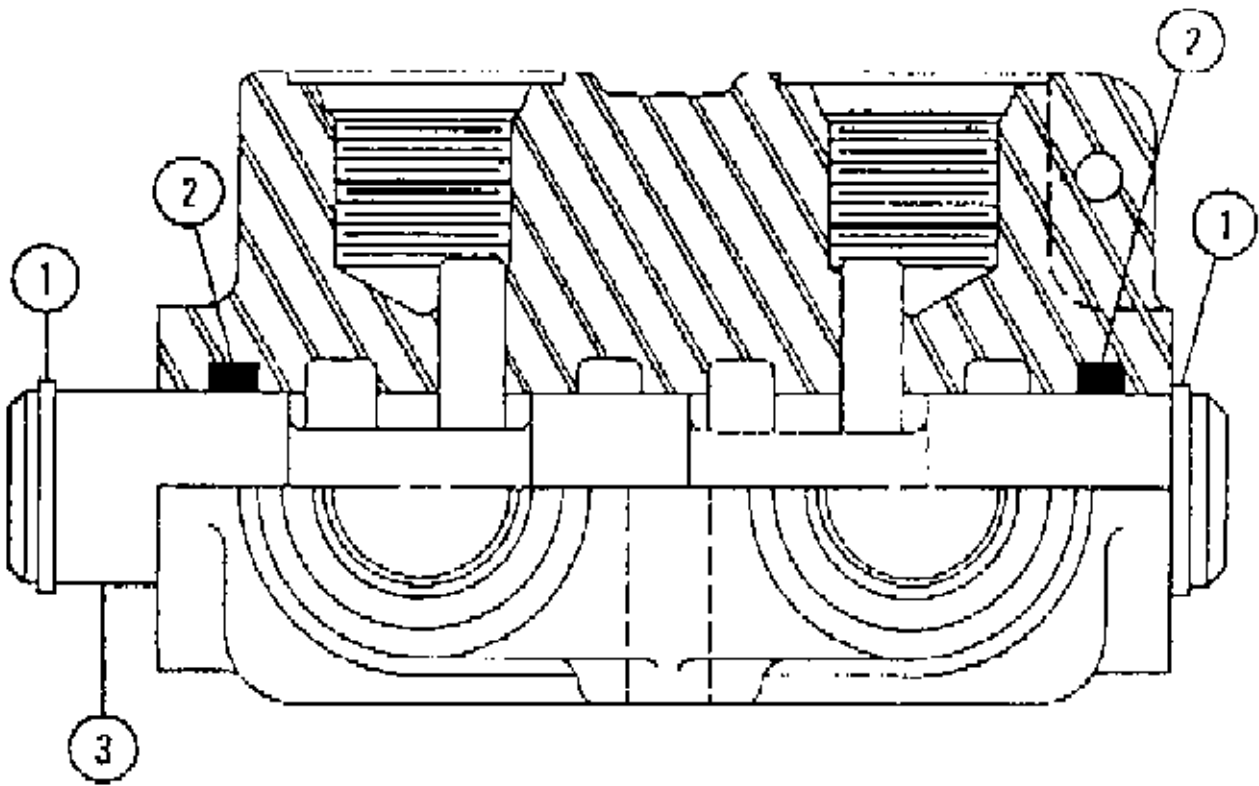
Stakedown Motor Fig 9-29



Stakedown Motor Fig 9-29

REF. NO.	*	PART NO.	DESCRIPTION	QTY.	REMARKS
		Revision Date	November, 2005		Addition To Manual
1		770071	SEAL-DUST # 9121-1	1	
2		770073	HOUSING-BEARING # 21578-4	1	
3		770007	SEAL-O RING 9022-6	4	
4		770009	WASHER-BACKUP 7382	1	
5		770075	SEAL-SHAFT # 9057-9	1	
6		770095	BOLT #14384-008	4	
7		206469001	SHAFT&BEARING KIT/1 1/4SPLINED	1	
8		770017	SEAL-SHAFT FACE 9050	1	
9		770079	PLATE-WEAR # 21623	1	
10		770081	DRIVE- # 21371-5	1	
11		NSS	GEROLER	1	
12		774011	DRIVE-VALVE 8433	1	
13		770085	PLATE-VALVE # 21622	1	
14		770087	VALVE- # 21466	1	
15		770089	PLATE-BALANCE #8915	1	
16		770057	SEAL-FACE INNER 9049-1	1	
17		770091	SEAL-FACE OUTER #9135-2	1	
18		770037	PIN-14351	2	
19		770039	SPRING-7383	2	
20		770093	HOUSING-(SAE 10 PORTS)#21564-1	1	
21		4485023	O-RING-250003-904	1	
22		4485019	PLUG-9071-3	1	
		4485021	PLUG ASSY-9072-3	1	
		240140001	MOTOR-11.9 CU.IN. 1 1/4 SPLINE		
		770097	REPAIR KIT- #61258		Inc. Ref. 1, 3-5, 8, 16, 17 &21
			NSS-NOT SOLD SEPARATELY		

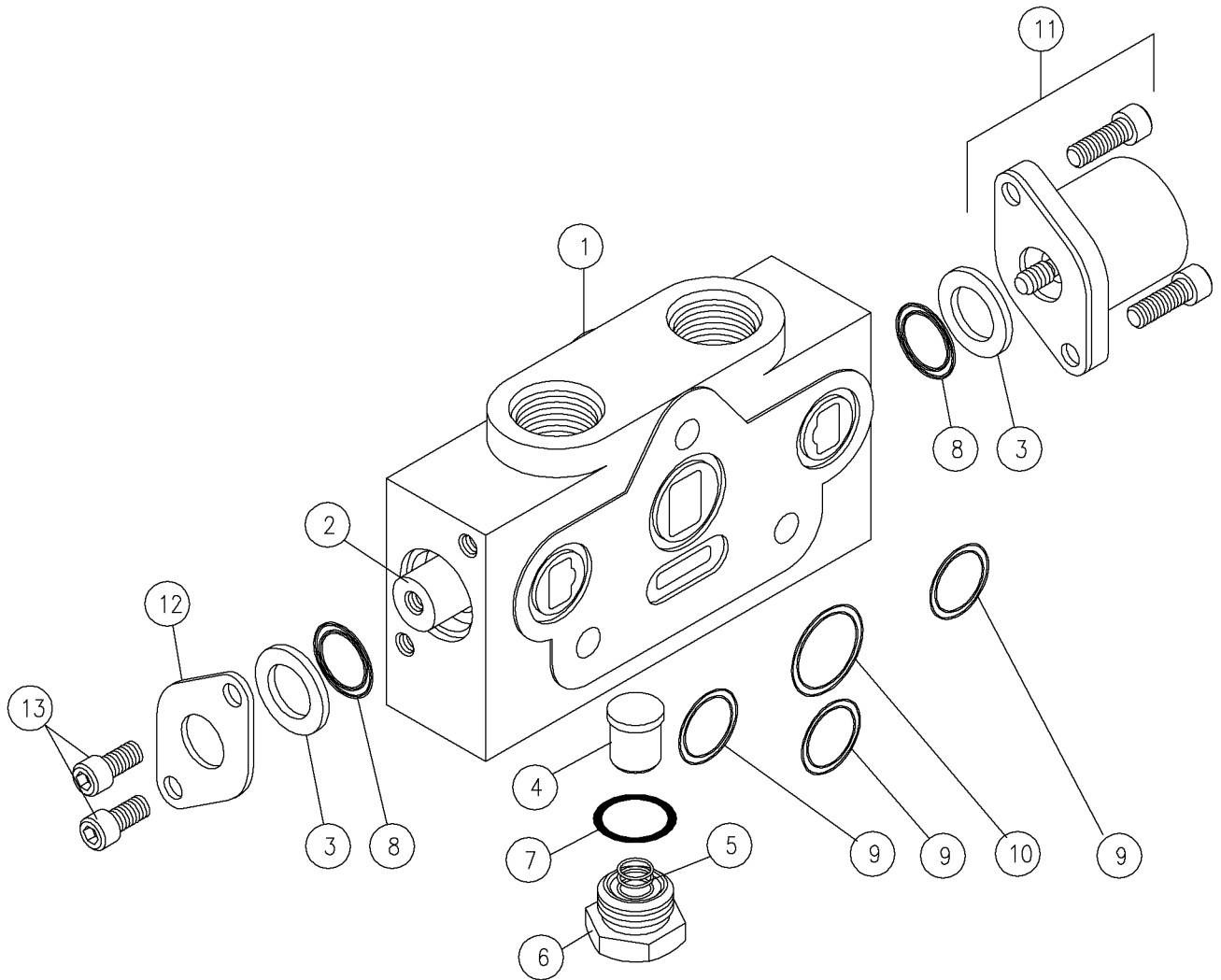
Valve-Selector Fig 9-30



Valve-Selector Fig 9-30

REF. NO.	*	PART NO.	DESCRIPTION	QTY.	REMARKS
		Revision Date	November, 2005		Addition To Manual
1		79970009	RING-SNAP	2	
2		79970013	SEAL-QUAD	2	
3		79970011	SPOOL	1	
		203185001	VALVE-DS08-20 SELECTOR		Inc. ref. No.'s 1-3
		118629003	KNOB -5/16 THRD	1	Not Shown

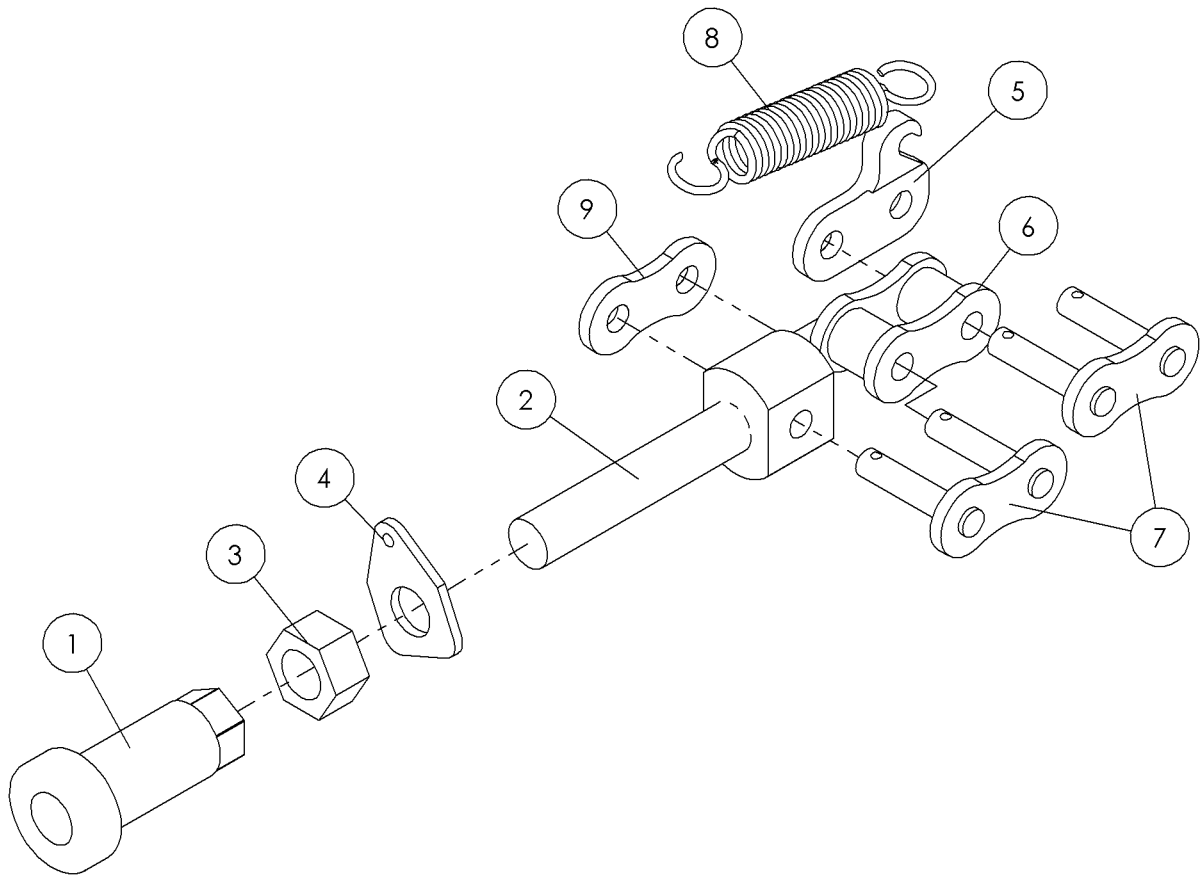
Valve Work Section (SVM) Fig 9-31



Valve Work Section (SVM) Fig 9-31

REF. NO.	*	PART NO.	DESCRIPTION	QTY.	REMARKS
		Revision Date	November, 2005		Addition To Manual
1		NSS	VALVE BODY	1	
2		NSS	SPOOL	1	
3		210455009	SPOOL BACKUP RING	2	
4		902299069	POPPET	1	
5		902299071	SPRING	1	
6		902299073	PLUG	1	
7		NSS	O-RING	1	
8		NSS	O-RING	2	
9		NSS	O-RING	3	
10		NSS	O-RING	1	
11		296271230	SPRING CENTER KIT	1	Breakdown Fig. 9-22
12		902299009	PLATE-SPACER	2	
13		226904065	CAP SCREW	2	
		210455013	LOAD CHECK KIT		Inc. Ref. 4-5
		902299007	REPAIR KIT-VALVE SECTION		Inc. Ref. 9-10
		902299011	REPAIR KIT-SPOOL		Inc. Ref. 7-10

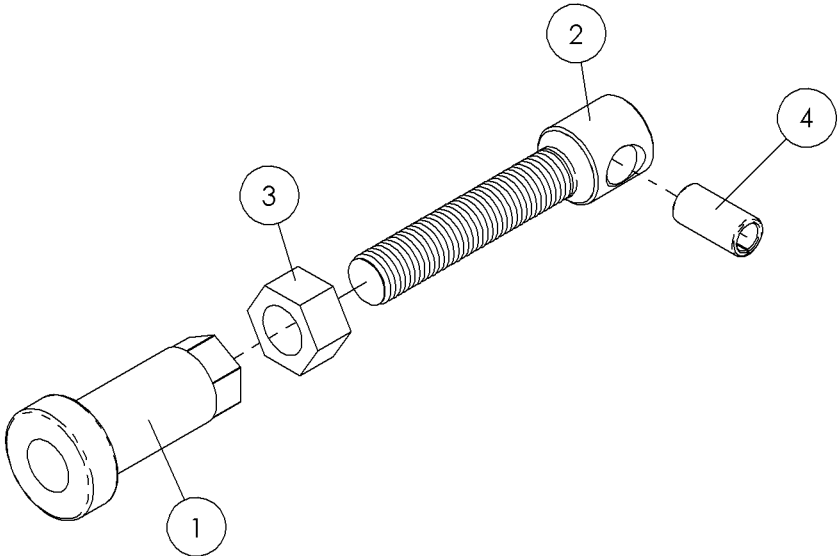
Chain Tensioner (S/N 223-) Fig 9-32r01



Chain Tensioner (S/N 223-) Fig 9-32r01

REF. NO.	*	PART NO.	DESCRIPTION	QTY.	REMARKS
		Revision Date	February, 2007		Addition To Manual
1		296285509	CHAIN ADJUSTER NUT	1	1
2		296285671	BOLT - CHAIN ANCHOR	1	
3		426001	NUT-HEX-.56-12-GR2-CZ	1	1
4		296285670	PLATE - SPRING MT.	1	1
5		296285675	PLATE SPRING LINK	1	1
6		1769021	ROLLER LINK - 80	1	1
7		1773021	CONN. LINL - 80H	2	2
8		235869001	SPRING-EXT. 3/4 OD X .085-3.00	1	1
9		1773021	LINK-CONNECTOR RS80 HT SF PKGD	1	1

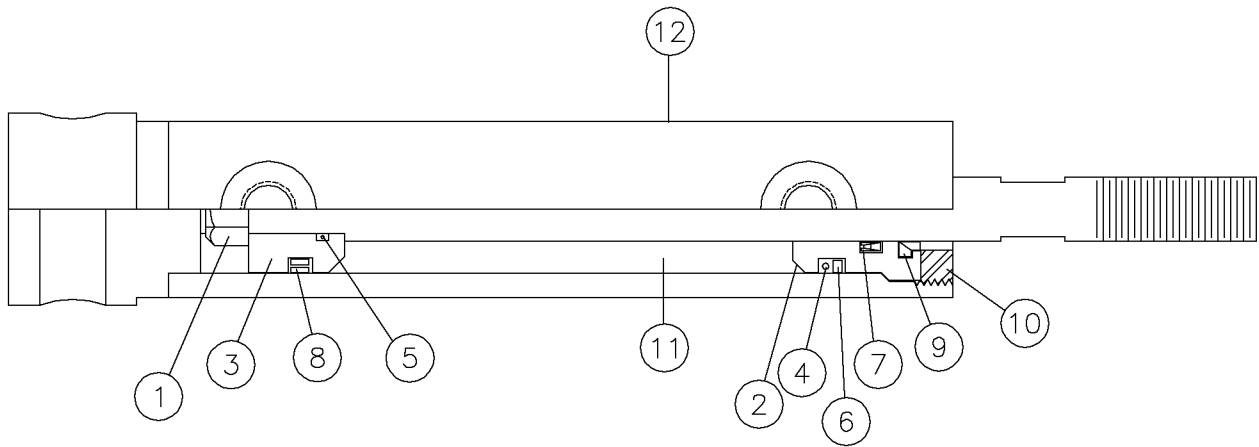
Chain Tensioner Fig 9-32



Chain Tensioner Fig 9-32

REF. NO.	*	PART NO.	DESCRIPTION	QTY.	REMARKS
		Revision Date	January, 2006		Addition To Manual
1		296285509	CHAIN ADJUSTER NUT	1	
2		296285508	BOLT - CHAIN ANCHOR	1	
3		426001	NUT-HEX-.56-12-GR2-CZ	1	
4		904608001	BUSHING 81-M	1	
		296280671	TENSIONER-CHAIN		Inc. All Items In Figure

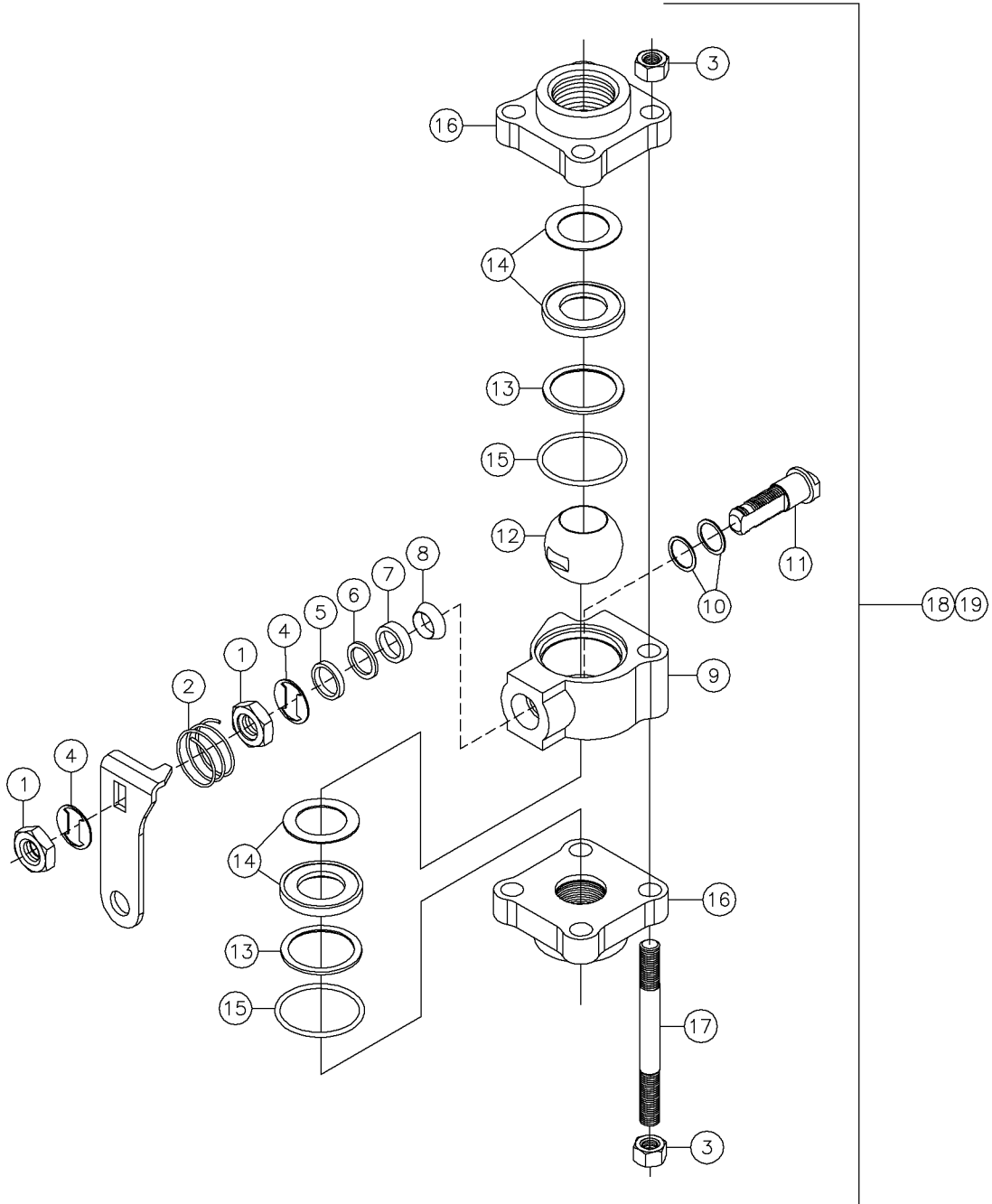
Cylinder-Water Shut-Off Fig 9-33



Cylinder-Water Shut-Off Fig 9-33

REF. NO.	*	PART NO.	DESCRIPTION	QTY.	REMARKS
		Revision Date	October, 2007		New Assy
1		NSS	NUT	1	
2		NSS	HEAD	1	
3		NSS	PISTON	1	
4		NSS	O-RING	1	
5		NSS	O-RING	1	
6		NSS	BACKUPS	3	
7		NSS	BS SEAL	1	
8		NSS	PSP SEAL	1	
9		NSS	DUST SEAL	1	
10		NSS	COLLAR	1	
11		296285210	SHAFT	1	
12		NSS	BARREL WITH CLEVIS AND PORTS	1	
		296285658	CYLINDER 1 X 3 1/2		Inc. All Items In Figure
		296285211	SEAL KIT		Inc Items 4 thru 9
		NSS	NOT SOLD SEPARATELY		

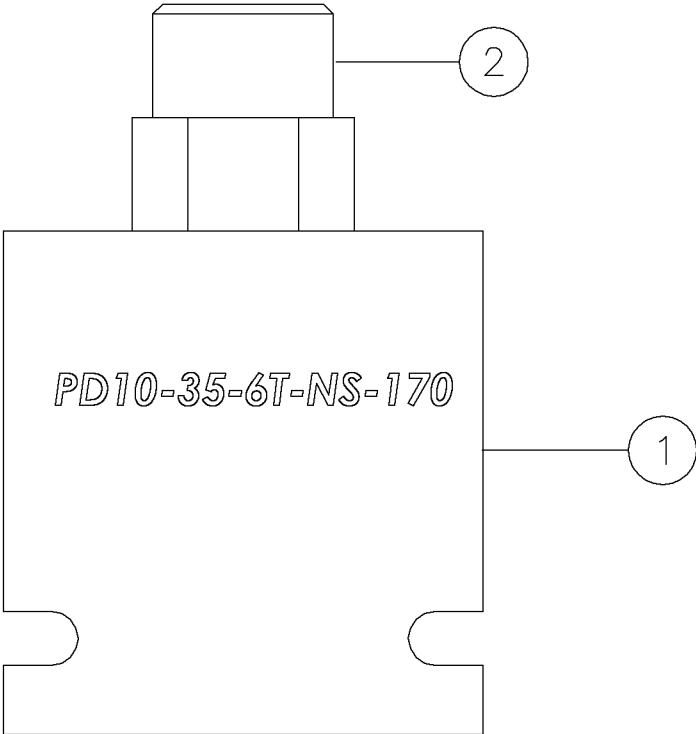
Valve-Ball Fig 9-34



Valve-Ball Fig 9-34

REF. NO.	*	PART NO.	DESCRIPTION	QTY.	REMARKS
		Revision Date	October, 2007		New Assy
1		245079003	STEM NUT	2	
2		245079005	GROUNDING SPRING	1	
3		245079037	BODY NUT	8	
4		245079009	STEM SPRING	2	
5		278003003	GLAND	1	
6		245079013	PACKING SUPPORT	1	
7		245079015	TOP PACKING	1	
8		245079017	BOTTOM PACKING	1	
9		278003004	BODY CENTER	1	
10		278003005	BEARING - STEM	2	
11		245079023	STEM	1	
12		245079025	BALL	1	
13		245079027	SUPPORT RING	2	
14		245079029	SEAT/SEAT SPRING	2	
15		245079031	O-RING	2	
16		278003006	FLANGE	2	
17		245079035	BODY STUD	4	
18		245079039	KIT-MAINTENANCE	1	Inc Ref 4-6, 10 & 15
19		278003001	VALVE - 1" 1500 PSI BRASS BALL	1	Inc All Items In Figure

Valve-2 Way, Water Shut-off Fig 9-35



Valve-2 Way, Water Shut-off Fig 9-35

REF. NO.	*	PART NO.	DESCRIPTION	QTY.	REMARKS
1		NSS	BLOCK	1	Not Sold Separately
2		296302394	SPOOL-2 WAY	1	
		235500005	SEAL KIT	1	
		296284353	VALVE-PILOTED 2 WAY SPL,NORMALLY OPEN PD10-35-6T-N		Inc. All Items In Figure

This page intentionally left blank.

Revision History

REVISION	DATE	PAGE(S)	DESCRIPTION
P1.00	October, 2005	All	1st Edition
P1.01	November, 2005	Revised: TOC, 1-3, 1-7, 2-1, 2-3, 2-4, 2-5, 2-7, 3-8, 3-9, 3-10, 4-3, 4-6, 4-9, 4-11, 4-13, 4-17, 7-1, 9-14, 9-26. New: 8-2, 9-29, 9-30, and 9-31	1st Edition, 1st Revision
P1.02	January, 2006	Revised: TOC, 2-1, 2-3, 2-4, 2-5, 2-6, 2-8, 3-6, 3-7, 3-8, 3-9, 3-10, 3-11, 4-12, 5-4, 5-6, 6-1, 7-1, 8-1, 8-2, 9-12, 9-15. New: 2-9, 2-10, 2-11, 2-12, 9-32	1st Edition, 2nd Revision
P1.03	March, 2006	Revised: TOC, 2-3, 3-6, 4-6 4-9, 5-10, 8-2, 9-12, 9-26	1st Edition, 3rd Revision
P1.04	Sept, 2006	Revised: TOC, 2-1, 2-3, 2-5, 2-8, 3-3, 3-10, 4-6, 4-9, 5-4, 9-12, 9-28. New: 4-20	1st Edition, 4th Revision
P1.05	January, 2007	Revised: TOC, 1-8, 2-6, 5-3, 9-12	1st Edition, 5th Revision
P1.06	April, 2007	Revised: TOC, 1-1,1-8, 2-1, 2-4, 3-9, 9-32	1st Edition, 6th Revision
P1.07	June, 2007	Revised: TOC, 1-8, 9-24	1st Edition, 7th Revision
P1.08	Aug, 2007	Revised: TOC, 2-2, 7-3,	1st Edition, 8th Revision
P1.09	Sept, 2007	Revised: TOC, 1-7, 1-8, 3-6, 3-7, 4-10, 5-6	1st Edition, 9th Revision
P1.10	Oct, 2007	Revised: TOC, 2-4, 3-7, 3-10, 4-7, 5-6, 9-15, New: 4-19x01, 6-3, 9-34, 9-35	1st Edition, 10th Revision

