

# NOTICE

The information contained is for **DEALER REFERENCE PURPOSES ONLY**.  
MANUALS ARE MODEL AND SERIAL NUMBER SPECIFIC.

If additional printed manuals are required for your shop/office location, order by part number through the factory's Parts Center.

If a retail customer needs replacement manual(s) for a specific unit, contact the factory's Customer Data Center at: 800-829-0051 or  
[customerdata@vermeermfg.com](mailto:customerdata@vermeermfg.com)

This page intentionally left blank.

# Vermeer®

## *D24X40 Series II Navigator® Horizontal Directional Drill*



# Parts Manual

P1.03  
SERIAL NO. 101 -  
ORDER NO. 105400ZEG

## HOW TO USE THE MANUAL

This manual contains illustrations and parts lists of components and assemblies which make up the machine. Each page consists of the name of the assembly or component, a figure number, reference numbers, part numbers, part names, and the quantities of the parts used.

Assembly or component name helps identify the illustration and parts list for each figure. This name also helps locate the general area of the machine where the assembly or component can be located.

Figure numbers are used to identify each assembly or component and to group these assemblies or components into major categories.

Reference numbers shown in a column refer to the numbered parts in the illustration. This ties the part in the illustration to the part number and description in the parts list.

An asterisk indicates information about the item has changed since the previous release of the parts manual. A note in the Remarks column often explains the change.

Part numbers are used to identify individual parts or part assemblies.

Part descriptions provide the name of the part, plus additional information such as dimensional specifications and what parts are grouped together to form part assemblies, which helps you identify the part(s).

Quantities listed for each figure are only for that assembly or component and not the total used per machine.

This parts manual is not intended to be a complete guide for machine service or repairs. Contact your Vermeer dealer for any of your service or technical requirements.

## ORDERING PARTS

Parts for repair or replacement are available through our network of authorized dealers located throughout the world.

Use only authorized Vermeer parts for repair or replacement. Always give the serial number and

model number of the machine for which parts are being ordered. When ordering parts for component(s), which are not manufactured by Vermeer Manufacturing, also give the serial number of that component(s). Order all parts by part number, part name, and quantity needed.

## UPDATING AND REORDERING MANUALS

The parts lists, illustrations, and specifications in this manual are based on the latest information available at time of publication. Your machine may have product improvements and options not yet contained in this manual.

Vermeer Manufacturing Company reserves the right to make changes at any time without notice or obligation to you.

Your dealer will receive notice of these changes and can assist you with accurate parts identification when ordering.

A copy of this manual is supplied with each machine. Additional copies are available through your dealer. When ordering additional manuals, use the reorder number listed on the front cover and the quantity needed.

No part of this manual may be reproduced in any form or by any means, electronic or mechanical, including photocopying, recording, or by any information storage and retrieval systems, without the express written consent of Vermeer Manufacturing Company.

**Copyright © 2005 Vermeer Mfg. Co.**  
**All rights reserved.**  
**Vermeer Manufacturing Company**  
**1210 Vermeer Road East, P.O. Box 200**  
**Pella, Iowa 50219-0200, USA+**



**Decal/Resource Library Assembly-Section 1**

Decal-Domestic . . . . . Fig 1-1  
 Decal-Domestic-Continued. . . . . Fig 1-2r02  
 Decal-Domestic-Continued. . . . . Fig 1-2r01  
 Decal-Domestic-Continued. . . . . Fig 1-2  
 Decal-Domestic-Continued. . . . . Fig 1-3  
 Decal-Domestic-Continued. . . . . Fig 1-4  
 Decal-Domestic-Continued. . . . . Fig 1-5r02  
 Decal-Domestic-Continued. . . . . Fig 1-5r01  
 Decal-Domestic-Continued. . . . . Fig 1-5  
 Decal-Domestic-Continued. . . . . Fig 1-6  
 Decal-Domestic-Continued. . . . . Fig 1-7  
 Decal-Domestic-Continued. . . . . Fig 1-8  
 Decal-International . . . . . Fig 1-9  
 Decal-International-Continued . . . . . Fig 1-10r01  
 Decal-International-Continued . . . . . Fig 1-10  
 Decal-International-Continued . . . . . Fig 1-11  
 Decal-International-Continued . . . . . Fig 1-12  
 Decal-International-Continued . . . . . Fig 1-13r02  
 Decal-International-Continued . . . . . Fig 1-13r01  
 Decal-International-Continued . . . . . Fig 1-13  
 Decal-International-Continued . . . . . Fig 1-14r01  
 Decal-International-Continued . . . . . Fig 1-14  
 Decal-International-Continued . . . . . Fig 1-15  
 Decal-International-Continued . . . . . Fig 1-16  
 Resource Library . . . . . Fig 1-17r01  
 Resource Library . . . . . Fig 1-17

**Frame Assemblies-Section 2**

Rack Frame Assy . . . . . Fig 2-1r03  
 Rack Frame Assy . . . . . Fig 2-1r02  
 Rack Frame Assy . . . . . Fig 2-1r01  
 Rack Frame Assy . . . . . Fig 2-1  
 Undercarriage/Track . . . . . Fig 2-2r02  
 Undercarriage/Track Assy . . . . . Fig 2-2r01  
 Undercarriage/Track Assy . . . . . Fig 2-2  
 Track Tightener . . . . . Fig 2-3r01  
 Track Tightener Assy . . . . . Fig 2-3  
 Outrigger Assy . . . . . Fig 2-4  
 Thrust Carriage Frame Assy . . . . . Fig 2-5  
 Gearbox Assy . . . . . Fig 2-6r01  
 Gearbox Assy . . . . . Fig 2-6  
 Drive Chuck Assy . . . . . Fig 2-7  
 Fuel Tank/Anti-Freeze Mounting Frame Assy . . . . . Fig 2-8r01  
 Fuel Tank/Anti-Freeze Mounting Frame Assy . . . . . Fig 2-8  
 Seat Assy . . . . . Fig 2-9  
 Arm Rest Assy . . . . . Fig 2-10  
 Control Console. . . . . Fig 2-11r02  
 Control Console Assy . . . . . Fig 2-11r01  
 Control Console Assy . . . . . Fig 2-11

Operation Platform . . . . . Fig 2-12r03  
 Operation Platform Assy . . . . . Fig 2-12r02  
 Operation Platform Assy . . . . . Fig 2-12r01  
 Operation Platform Assy . . . . . Fig 2-12  
 Seat Lock Assy . . . . . Fig 2-13  
 Umbrella . . . . . Fig 2-14

**Engine Assemblies-Section 3**

Engine Assy . . . . . Fig 3-1r01  
 Engine Assy . . . . . Fig 3-1  
 Engine . . . . . Fig 3-2r01  
 Engine Assy . . . . . Fig 3-2  
 Pump Drive Assy . . . . . Fig 3-3  
 Engine Mount . . . . . Fig 3-4r02  
 Engine Mount Assy . . . . . Fig 3-4r01  
 Engine Mount Assy . . . . . Fig 3-4  
 Radiator/Mount Assy . . . . . Fig 3-5r01  
 Radiator/Mount Assy . . . . . Fig 3-5  
 Exhaust . . . . . Fig 3-6r02  
 Exhaust Assy . . . . . Fig 3-6r01  
 Exhaust Assy . . . . . Fig 3-6  
 Air Intake . . . . . Fig 3-7r01  
 Air Intake Assy . . . . . Fig 3-7  
 Ether Start System Assy . . . . . Fig 3-8  
 Fuel Tank . . . . . Fig 3-9r01  
 Fuel Tank Assy . . . . . Fig 3-9  
 Cooler Shroud Assy . . . . . Fig 3-10r02  
 Cooler Shroud Assy . . . . . Fig 3-10r01  
 Cooler Shroud Assy . . . . . Fig 3-10  
 Engine Shield . . . . . Fig 3-11r02  
 Engine Shield Assy . . . . . Fig 3-11r01  
 Engine Shield Assy . . . . . Fig 3-11  
 Hood Pivot Assy . . . . . Fig 3-12  
 Engine Hood Latch . . . . . Fig 3-13r02  
 Engine Hood Latch Assy . . . . . Fig 3-13r01  
 Engine Hood Latch Assy . . . . . Fig 3-13

**Hydraulic Assemblies-Section 4**

Rotation Pump Hyd. Diagram . . . . . Fig 4-1r02  
 Rotation Pump Hyd. Diagram . . . . . Fig 4-1r01  
 Rotation Pump Hyd. Diagram . . . . . Fig 4-1  
 Thrust/Pullback Pump Hyd. Diagram . . . . . Fig 4-2r01  
 Thrust/Pullback Pump Hyd. Diagram . . . . . Fig 4-2  
 PFC Pump Hyd. Diagram . . . . . Fig 4-3r02  
 PFC Pump Hyd. Diagram . . . . . Fig 4-3r01  
 PFC Pump Hyd. Diagram . . . . . Fig 4-3  
 Thrust/Rotation Hyd. Motor Diagram . . . . . Fig 4-4  
 Track Drive Hyd. Motor Diagram . . . . . Fig 4-5r02  
 Track Drive Hyd. Motor Diagram . . . . . Fig 4-5r01  
 Track Drive Hyd. Motor Diagram . . . . . Fig 4-5  
 Vise Clamp Hyd. Diagram . . . . . Fig 4-6r01

Vise Clamp Hyd. Diagram . . . . .	Fig 4-6
Stakedown Hyd. Diagram . . . . .	Fig 4-7
Outrigger Hyd. Diagram . . . . .	Fig 4-8r01
Outrigger Hyd. Diagram . . . . .	Fig 4-8
Rod Loader Hyd. Diagram . . . . .	Fig 4-9r02
Rod Loader Hyd. Diagram . . . . .	Fig 4-9r01
Rod Loader Hyd. Diagram . . . . .	Fig 4-9
Water System Hyd. Diagram . . . . .	Fig 4-10r02
Water System Hyd. Diagram . . . . .	Fig 4-10r01
Water System Hyd. Diagram . . . . .	Fig 4-10
Oil Tank . . . . .	Fig 4-11r02
Oil Tank . . . . .	Fig 4-11r01
Oil Tank . . . . .	Fig 4-11
Oil Filter . . . . .	Fig 4-12r02
Oil Filter . . . . .	Fig 4-12r01
Oil Filter . . . . .	Fig 4-12
Oil Cooler . . . . .	Fig 4-13
Rotation Hyd. Motor . . . . .	Fig 4-14r01
Rotation Hyd. Motor . . . . .	Fig 4-14
Thrust Hyd. Motor . . . . .	Fig 4-15
Track Drive Hyd. Motor . . . . .	Fig 4-16
Rod Loader Hyd. Motor . . . . .	Fig 4-17r01
Rod Loader Hyd. Motor . . . . .	Fig 4-17
Hyd. Pump Motor -(Aplex) . . . . .	Fig 4-18r01
Hyd. Pump Motor Assy-(Aplex) . . . . .	Fig 4-18
Hyd Pump Motor -(FMC) . . . . .	Fig 4-19r02
Hyd Pump Motor Assy-(FMC) . . . . .	Fig 4-19r01
Hyd Pump Motor Assy-(FMC) . . . . .	Fig 4-19
Rotation Pump . . . . .	Fig 4-20r02
Rotation Pump . . . . .	Fig 4-20r01
Rotation Pump . . . . .	Fig 4-20
Thrust Pullback Pump . . . . .	Fig 4-21r03
Thrust Pullback Pump . . . . .	Fig 4-21r02
Thrust Pullback Pump . . . . .	Fig 4-21r01
Thrust Pullback Pump . . . . .	Fig 4-21
PFC Pump . . . . .	Fig 4-22r02
PFC Pump . . . . .	Fig 4-22r01
PFC Pump . . . . .	Fig 4-22
Vise Valve . . . . .	Fig 4-23r01
Vise Valve . . . . .	Fig 4-23
Diverter Valve . . . . .	Fig 4-24r01
Diverter Valve . . . . .	Fig 4-24
Shuttle Valve . . . . .	Fig 4-25
Outrigger Valve . . . . .	Fig 4-26
Remote Lockout Valve . . . . .	Fig 4-27
Thrust Torque Limiter Valve . . . . .	Fig 4-28
Return Valve . . . . .	Fig 4-29
Water Control Valve . . . . .	Fig 4-30r01
Water Control Valve . . . . .	Fig 4-30
Rotation Shuttle Valve . . . . .	Fig 4-31
Load Sense Shuttle Valve . . . . .	Fig 4-32
Stakedown Valve . . . . .	Fig 4-33r01
Stakedown Valve . . . . .	Fig 4-33
Rod loader Valve . . . . .	Fig 4-34r01
Rod loader Valve . . . . .	Fig 4-34
Shuttle Valve-(Track Brake) . . . . .	Fig 4-35r01
Shuttle Valve-(Track Brake) . . . . .	Fig 4-35

Brake Valve . . . . . Fig 4-36

Outrigger Hyd. Cylinder . . . . . Fig 4-37r01

Outrigger Hyd. Cylinder . . . . . Fig 4-37

Vise Hyd. Cylinder . . . . . Fig 4-38

Vise Jaw Hyd. Cylinder . . . . . Fig 4-39

Rack Lift Hyd. Cylinder . . . . . Fig 4-40

Water Shut-Off Hyd. Cylinder . . . . . Fig 4-41r01

Water Shut-Off Hyd. Cylinder . . . . . Fig 4-41

Transport Hyd. Valve . . . . . Fig 4-42

Water On/Off Hyd. Valve(Aplex) . . . . . Fig 4-43r01

Water On/Off Hyd. Valve(FMC)) . . . . . Fig 4-43x01

Water On/Off Hyd. Valve(Aplex) . . . . . Fig 4-43

Stakedown . . . . . Fig 4-44r02

Stakedown . . . . . Fig 4-44r01

Stakedown . . . . . Fig 4-44

Hose Track Bulkhead . . . . . Fig 4-45r01

Hose Track Bulkhead . . . . . Fig 4-45

Carriage Bulkhead . . . . . Fig 4-46

Auto Greaser . . . . . Fig 4-47r01

Auto Greaser . . . . . Fig 4-47

Hose Track . . . . . Fig 4-48

Miscellaneous Supplies . . . . . Fig 4-49

**Electrical Assemblies-Section 5**

Wire Harness-(Remote Lockout/Hose Track) . . . . . Fig 5-1r01

Wire Harness-(Remote Lockout/Hose Track) . . . . . Fig 5-1

Wire Harness-(Rotation Gearbox) . . . . . Fig 5-2

Wire Harness-(Rear/Stop/Anti-Crash) . . . . . Fig 5-3r01

Wire Harness-(Rear/Stop/Anti-Crash) . . . . . Fig 5-3

Wire Harness-(Zap Alert) . . . . . Fig 5-4r01

Wire Harness-(Zap Alert) . . . . . Fig 5-4

Wire Harness-(Pump Control) . . . . . Fig 5-4x01r01

Wire Harness-(Pump Control) . . . . . Fig 5-4x01

Wire Harness-(Main Power) . . . . . Fig 5-4x02

Wire Harness-(Ground Lead) . . . . . Fig 5-4x03

Main Wire Harness . . . . . Fig 5-5r01

Main Wire Harness Assy . . . . . Fig 5-5

Electrical . . . . . Fig 5-6r03

Electrical Assy . . . . . Fig 5-6r02

Electrical Assy . . . . . Fig 5-6r01

Electrical Assy . . . . . Fig 5-6

Rack Switch Assy (S/N 391-) . . . . . Fig 5-7r01

Rack Switch Assy . . . . . Fig 5-7

Rod Loader Switch Assy (Deleted) . . . . . Fig 5-8r01

Rod Loader Switch Assy . . . . . Fig 5-8

Transport Electrical Assy . . . . . Fig 5-9r03

Transport Electrical Assy . . . . . Fig 5-9r02

Transport Electrical Assy . . . . . Fig 5-9r01

Transport Electrical Assy . . . . . Fig 5-9

Left Operator Electrical Panel Assy . . . . . Fig 5-10r01

Left Operator Electrical Panel Assy . . . . . Fig 5-10

Right Upper Electrical Panel . . . . . Fig 5-11r01

Right Upper Electrical Panel Assy . . . . . Fig 5-11

Right Lower Electrical Panel . . . . . Fig 5-12r02

Right Lower Electrical Panel Assy . . . . . Fig 5-12r01  
 Right Lower Electrical Panel Assy . . . . . Fig 5-12  
 Left Joystick . . . . . Fig 5-13r02  
 Left Joystick Assy. . . . . Fig 5-13r01  
 Left Joystick Assy. . . . . Fig 5-13  
 Right Joystick . . . . . Fig 5-14r01  
 Right Joystick Assy . . . . . Fig 5-14  
 Work Light Assy . . . . . Fig 5-15  
 Battery Assy . . . . . Fig 5-16r02  
 Battery Assy . . . . . Fig 5-16  
 Remote Lockout Electrical . . . . . Fig 5-17r02  
 Remote Lockout Electrical Assy . . . . . Fig 5-17r01  
 Remote Lockout Electrical Assy . . . . . Fig 5-17  
 DT Series Diode/Buss Blocks . . . . . Fig 5-18  
 DTHD Series/HDFB Modules . . . . . Fig 5-19r01  
 DTHD Series/HDFB Modules . . . . . Fig 5-19  
 DT Series Connectors . . . . . Fig 5-20  
 DT Series Connectors (Continued) . . . . . Fig 5-20  
 DRC Series Connectors . . . . . Fig 5-21  
 DRC Series Connectors (Continued) . . . . . Fig 5-21

**Rod Loader Assemblies-Section 6**

Rod Box - 10' (500 FT.) (S/N 291-) . . . . . Fig 6-1r02  
 Rod Loader Box Assy . . . . . Fig 6-1r01  
 Rod Loader Box Assy . . . . . Fig 6-1  
 Rod Loader Guard Assy (S/N 291-) . . . . . Fig 6-2r01  
 Rod Loader Guard Assy . . . . . Fig 6-2  
 Rod Loader Arm Assy (S/N 291-) . . . . . Fig 6-3r02  
 Rod Loader Arm Assy . . . . . Fig 6-3r01  
 Rod Loader Arm Assy . . . . . Fig 6-3  
 Rod Selector Assy (S/N 291-) . . . . . Fig 6-4r02  
 Rod Selector Assy . . . . . Fig 6-4r01  
 Rod Selector Assy . . . . . Fig 6-4  
 Rod Loader Wire Harness Carrier Assy . . . . . Fig 6-5  
 Rod Lift Assy (S/N 291-) . . . . . Fig 6-6r01  
 Rod Lift Assy . . . . . Fig 6-6  
 Rod Box - 10' (250 FT.) (S/N 291-) . . . . . Fig 6-7

**Vise Assemblies-Section 7**

Clamp Assy . . . . . Fig 7-1r02  
 Clamp Assy . . . . . Fig 7-1r01  
 Clamp Assy . . . . . Fig 7-1  
 Zap Alert Coil Assy (S/N 152-) . . . . . Fig 7-2r03  
 Zap Alert Coil Assy (S/N 152-) . . . . . Fig 7-2r02  
 Zap Alert Coil Assy . . . . . Fig 7-2r01  
 Zap Alert Coil Assy . . . . . Fig 7-2  
 Tubing Tong Assy . . . . . Fig 7-3

**Safety Assemblies-Section 8**

Voltage Stake . . . . . Fig 8-1r02  
 Voltage Stakedown Assy . . . . . Fig 8-1r01  
 Voltage Stakedown Assy . . . . . Fig 8-1  
 Safety Features-Gloves Boots Cones . . . . . Fig 8-2

**Water System Assemblies-Section 9**

Water Pump (Aplex) S/N 290 . . . . . Fig 9-1r02  
 Water Pump Assy(Aplex) . . . . . Fig 9-1r01  
 Water Pump Assy(Aplex) . . . . . Fig 9-1  
 Water Pump (FMC) S/N 290 . . . . . Fig 9-2r02  
 Water Pump Assy(FMC) . . . . . Fig 9-2r01  
 Water Pump Assy(FMC) . . . . . Fig 9-2  
 Anti-Freeze Tank Assy . . . . . Fig 9-3  
 Wash Wand Assy . . . . . Fig 9-4  
 Rockfire assy . . . . . Fig 9-5

**Component Breakdowns-Section 10**

Transport Valve . . . . . Fig 10-1r01  
 Transport Valve . . . . . Fig 10-1  
 Load Check Plug . . . . . Fig 10-2  
 Std Spool Pos. . . . . Fig 10-3  
 Stakedown Valve . . . . . Fig 10-4  
 Remote Lockout Valve . . . . . Fig 10-5  
 Return Manifold . . . . . Fig 10-6  
 Vise Manifold . . . . . Fig 10-7  
 Thrust Limiter Valve . . . . . Fig 10-8  
 Torque Limiter Valve . . . . . Fig 10-9  
 Rod Loader Manifold . . . . . Fig 10-10r01  
 Rod Loader Manifold . . . . . Fig 10-10  
 Outrigger Valve . . . . . Fig 10-11  
 Thrust Valve . . . . . Fig 10-12  
 Water Control Valve(Aplex) . . . . . Fig 10-13r01  
 Water Control Valve(FMC) . . . . . Fig 10-13x01  
 Water Control Valve . . . . . Fig 10-13  
 Water On/Off Valve . . . . . Fig 10-14  
 Load Sense Valve . . . . . Fig 10-15  
 Diverter Valve . . . . . Fig 10-16  
 Rotation Shuttle Valve . . . . . Fig 10-17  
 Auto Grease Valve . . . . . Fig 10-18  
 Vise Rotation Cylinder . . . . . Fig 10-19  
 Vise Jaw Cylinder . . . . . Fig 10-20  
 Rack Lift Cylinder . . . . . Fig 10-21r01  
 Rack Lift Cylinder . . . . . Fig 10-21  
 Outrigger Cylinder . . . . . Fig 10-22r02  
 Outrigger Cylinder . . . . . Fig 10-22r01  
 Outrigger Cylinder . . . . . Fig 10-22  
 Rod Loader Lift Cylinder . . . . . Fig 10-23  
 Water Shut Off Cylinder . . . . . Fig 10-24  
 Rotation Hyd Motor . . . . . Fig 10-25

Rotation Hyd Motor . . . . . Fig 10-26

Thrust Pullback Hyd Motor W/Brake . . . . . Fig 10-27

Thrust Pullback Hyd Motor . . . . . Fig 10-28

Track Drive Motor . . . . . Fig 10-29r01

Track Drive Motor . . . . . Fig 10-29

Planetary Gearbox . . . . . Fig 10-30

Park Brake Gearbox . . . . . Fig 10-31

Rod Loader Hyd Motor . . . . . Fig 10-32r01

Rod Loader Hyd Motor . . . . . Fig 10-32x01

Rod Loader Hyd Motor . . . . . Fig 10-32

Hyd Motor(Aplex) . . . . . Fig 10-33

Hyd Motor(FMC) . . . . . Fig 10-34

Aplex Power Frame . . . . . Fig 10-35

Aplex Crankshaft . . . . . Fig 10-36

Aplex Fluid End . . . . . Fig 10-37

Aplex Suction/Discharge Valve . . . . . Fig 10-38

Aplex Piston . . . . . Fig 10-39

FMC Pump(Deleted). . . . . Fig 10-40r01

FMC Pump . . . . . Fig 10-40

FMC Power End(Deleted) . . . . . Fig 10-41r01

FMC Power End . . . . . Fig 10-41

FMC A/R Valve(Deleted) . . . . . Fig 10-42r02

FMC Pump . . . . . Fig 10-42x01

FMC Pump(Continued) . . . . . Fig 10-42x01

FMC A/R Valve . . . . . Fig 10-42r01

FMC A/R Valve . . . . . Fig 10-42

Water Ball Valve . . . . . Fig 10-43

Water Pressure Manifold . . . . . Fig 10-44r01

Water Pressure Manifold . . . . . Fig 10-44

Hyd Oil Filter . . . . . Fig 10-45

Hose Track . . . . . Fig 10-46

Stakedown Hyd Motor . . . . . Fig 10-47

Stakedown Hyd Cylinder . . . . . Fig 10-48

Left Joystick . . . . . Fig 10-49

Right Joystick . . . . . Fig 10-50r01

Right Joystick . . . . . Fig 10-50

Auto Greaser . . . . . Fig 10-51

Auto Greaser Cylinder . . . . . Fig 10-52

Tubing Tong . . . . . Fig 10-53

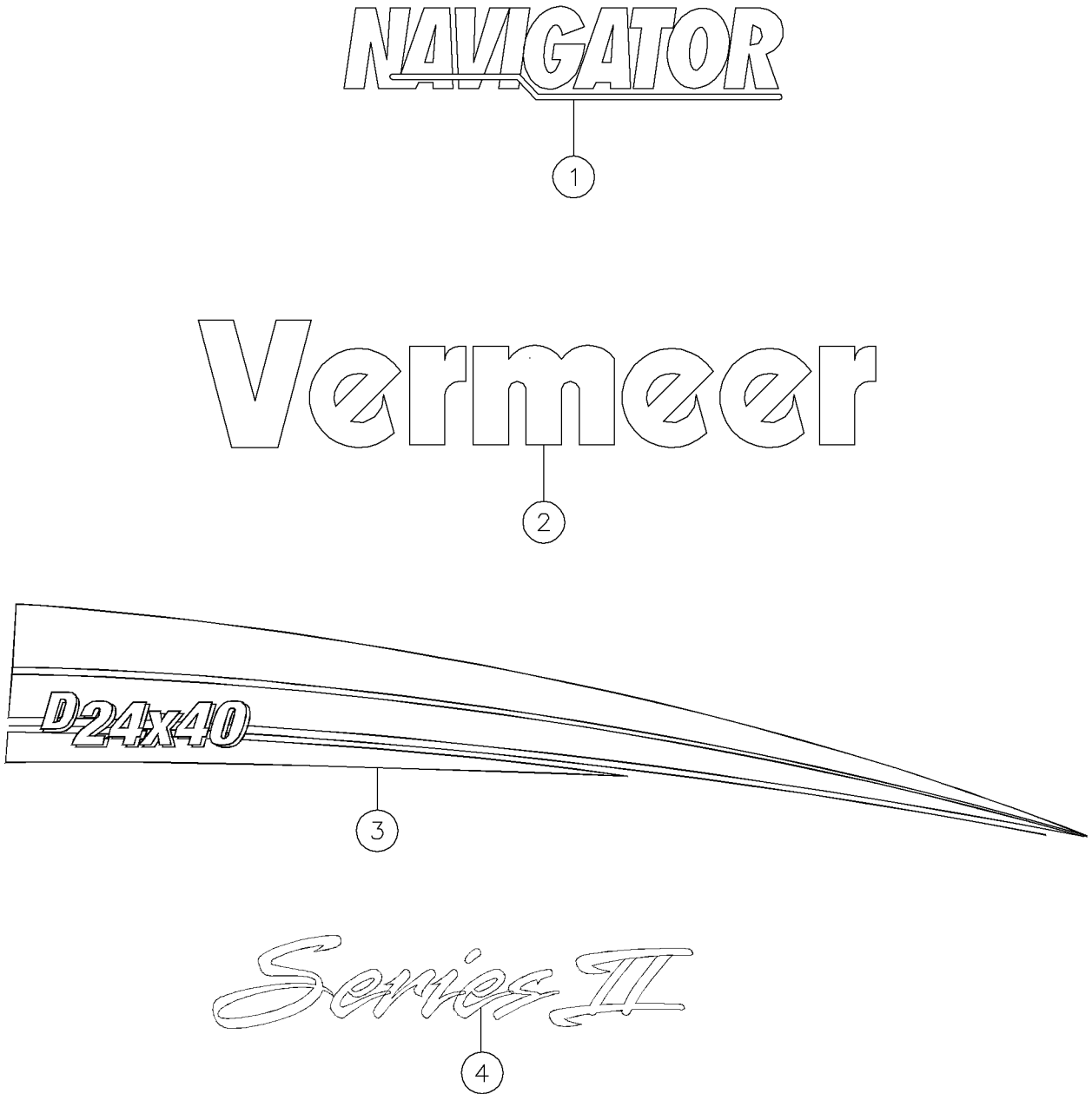
Tubing Tong Hyd Cylinder . . . . . Fig 10-54

PFC Pump . . . . . Fig 10-55

Rotation Pump . . . . . Fig 10-56

Thrust/Pullback Pump . . . . . Fig 10-57

Decal-Domestic Fig 1-1

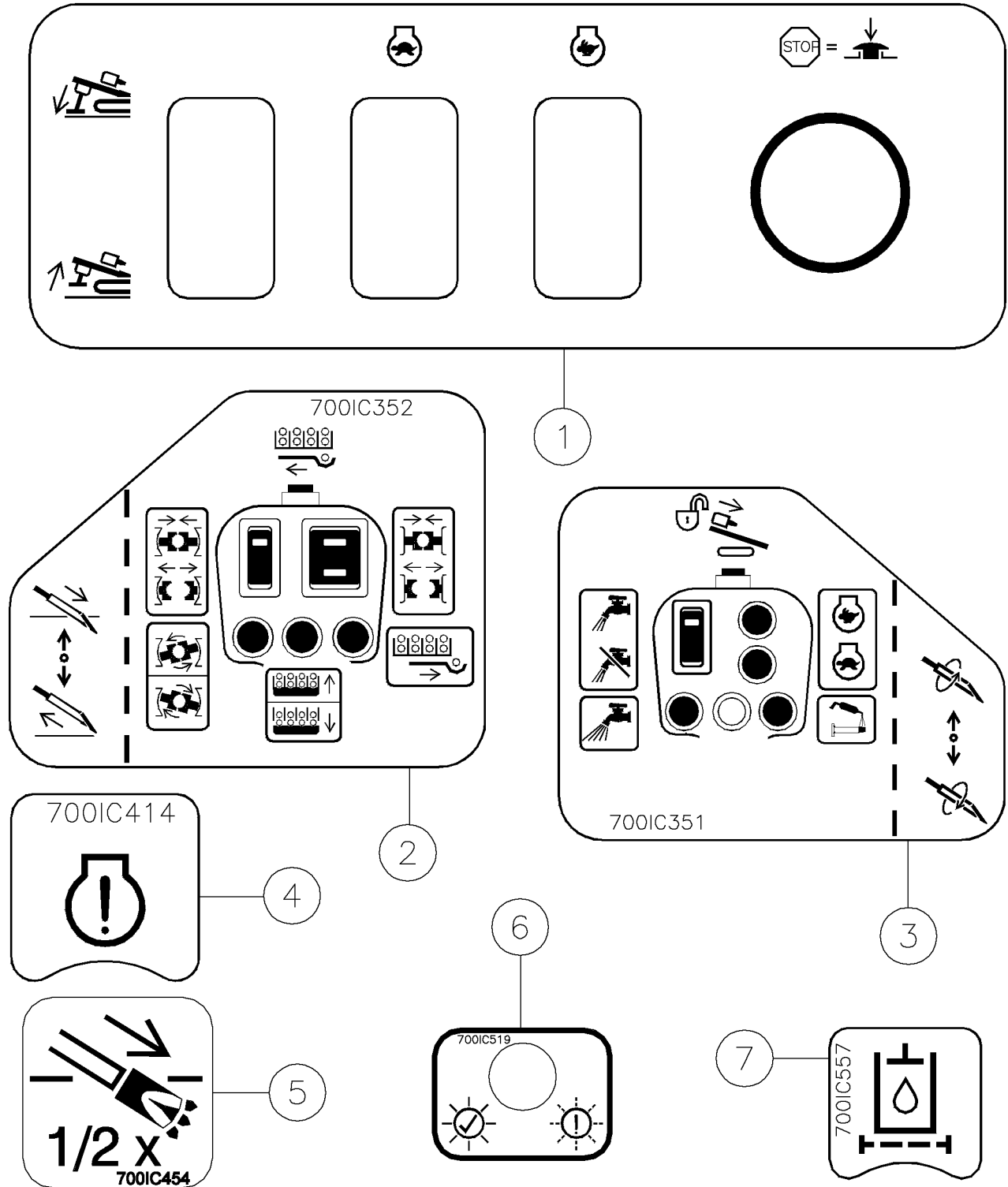




## Decal-Domestic Fig 1-1

REF. NO.	*	PART NO.	DESCRIPTION	QTY.	REMARKS
1		70000614	DECAL-MODEL NAVIGATOR (BIG)	1	
2		2326619	DECAL- VERMEER 3 X 15	1	
3		7000C462	DECAL - D24X40 II RIGHT STRIPE	1	
4		7000C463	DECAL - SERIES II MEDIUM	1	

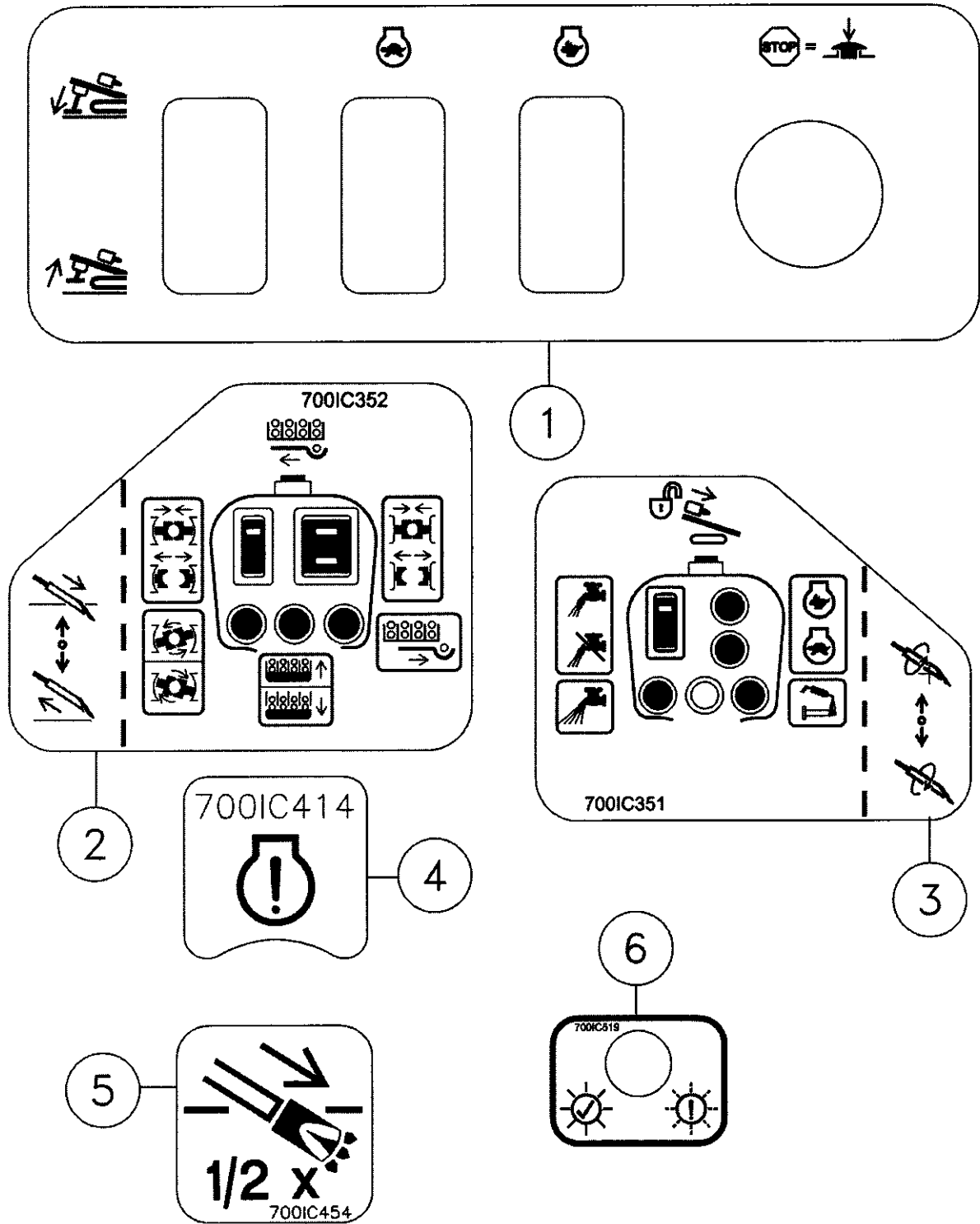
Decal-Domestic-Continued Fig 1-2r02



## Decal-Domestic-Continued Fig 1-2r02

REF. NO.	*	PART NO.	DESCRIPTION	QTY.	REMARKS
		Revision Date	March, 2006		Update In Illustration & Parts List.
1		700IC476	DECAL - CONTROL	1	
2		700IC352	DECAL - CONTROL RIGHT HAND JOYSTICK	1	
3		700IC351	DECAL - CONTROL LEFT HAND JOYSTICK	1	
4		700IC414	DECAL- ENGINE WARNING	1	
5		700IC454	DECAL - CONTROL	1	
6		700IC519	DECAL - STRIKE ALERT GREEN LIGHT	1	
7		700IC557	DECAL - HYD. FILTER WARNING LIGHT	1	

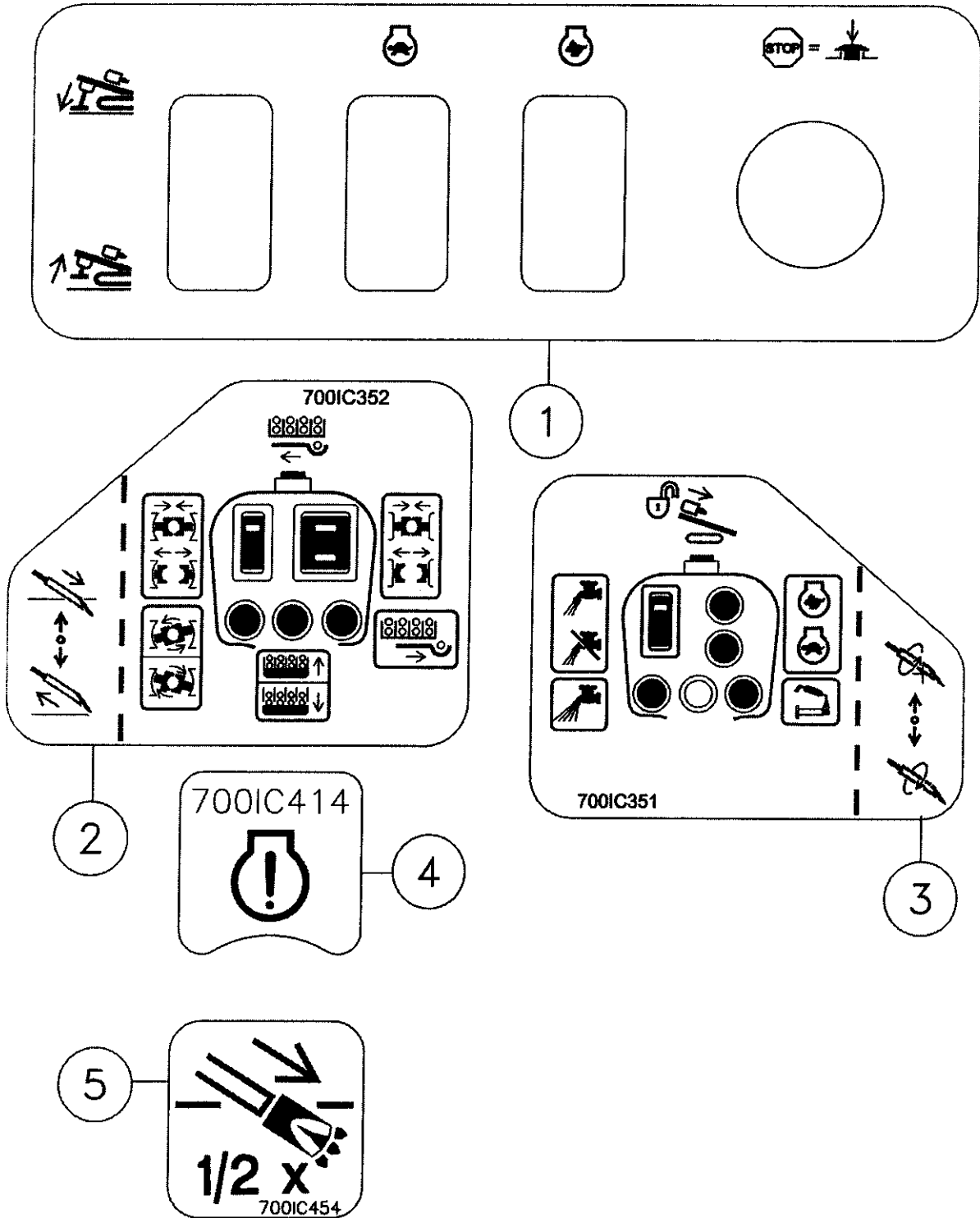
Decal-Domestic-Continued Fig 1-2r01



## Decal-Domestic-Continued Fig 1-2r01

REF. NO.	*	PART NO.	DESCRIPTION	QTY.	REMARKS
		Revision Date	July, 2005		Update In Illustration & Parts List.
1		700IC476	DECAL - CONTROL	1	
2		700IC352	DECAL - CONTROL RIGHT HAND JOYSTICK	1	
3		700IC351	DECAL - CONTROL LEFT HAND JOYSTICK	1	
4		700IC414	DECAL- ENGINE WARNING	1	
5		700IC454	DECAL - CONTROL	1	
6		700IC519	DECAL - STRIKE ALERT GREEN LIGHT	1	

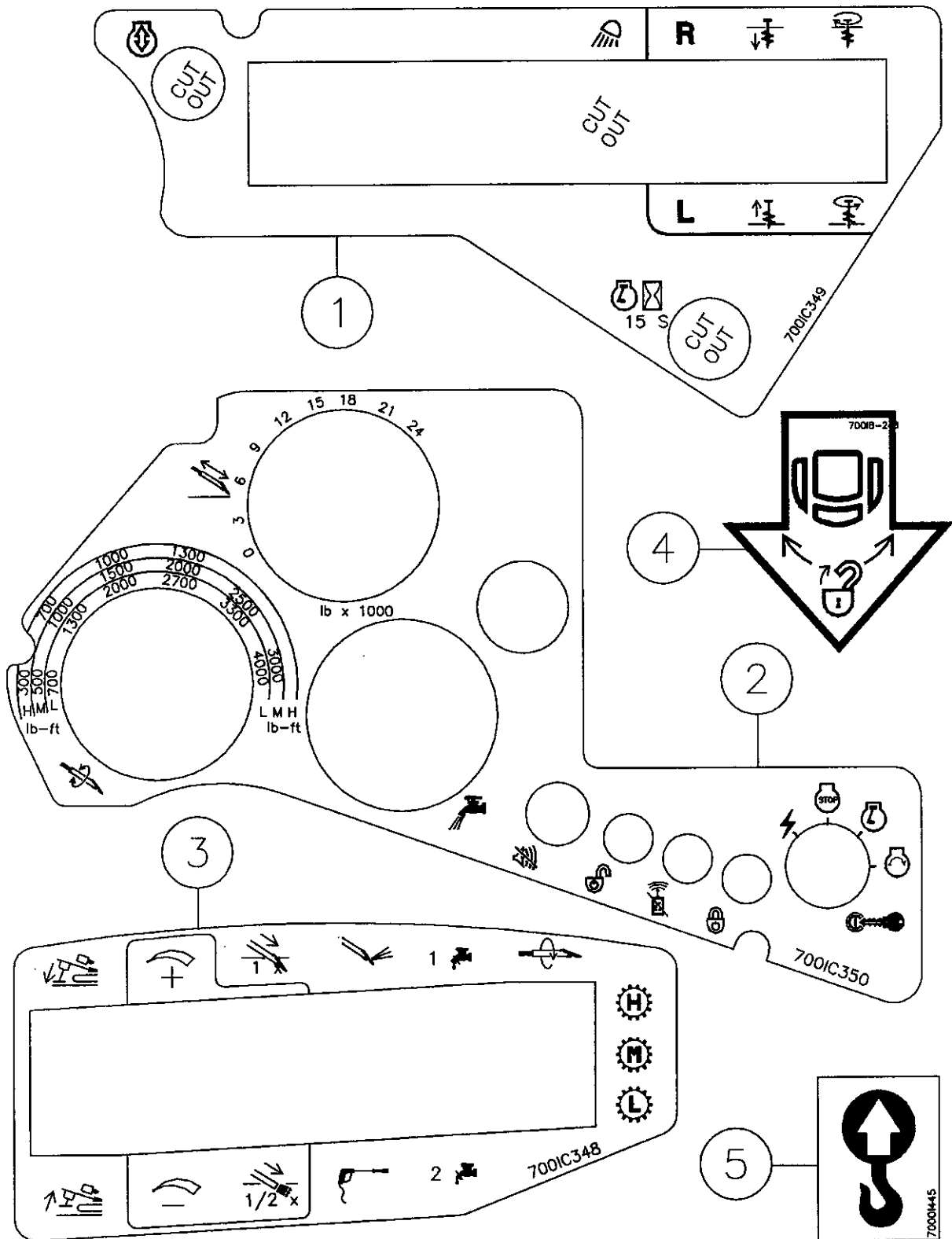
Decal-Domestic-Continued Fig 1-2



## Decal-Domestic-Continued Fig 1-2

REF. NO.	*	PART NO.	DESCRIPTION	QTY.	REMARKS
1		700IC476	DECAL - CONTROL	1	
2		700IC352	DECAL - CONTROL RIGHT HAND JOYSTICK	1	
3		700IC351	DECAL - CONTROL LEFT HAND JOYSTICK	1	
4		700IC414	DECAL- ENGINE WARNING	1	
5		700IC454	DECAL - CONTROL	1	

Decal-Domestic-Continued Fig 1-3

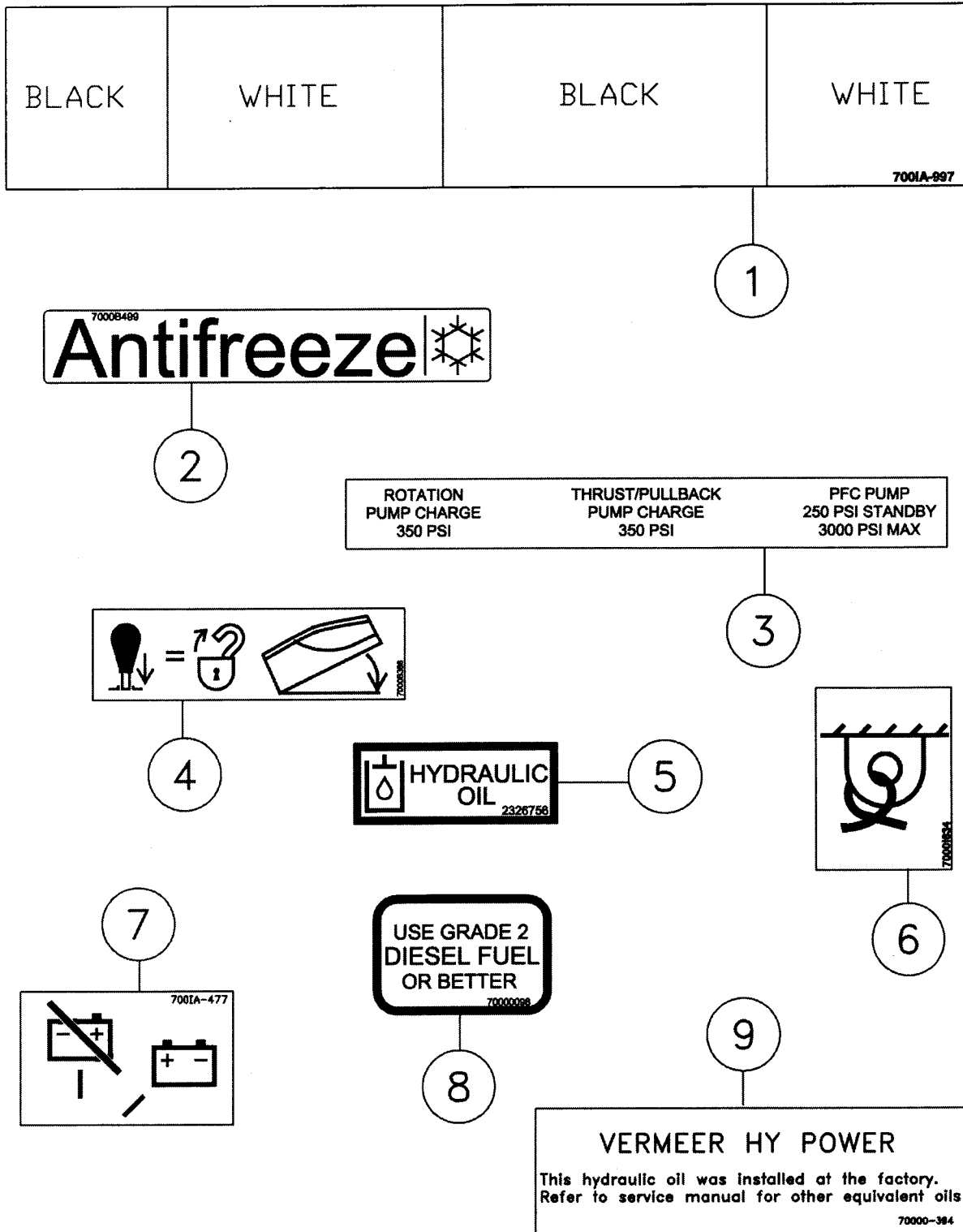




## Decal-Domestic-Continued Fig 1-3

REF. NO.	*	PART NO.	DESCRIPTION	QTY.	REMARKS
1		700IC349	DECAL - CONTROL RIGHT HAND LOWER	1	
2		700IC350	DECAL - CONTROL RIGHT HAND UPPER	1	
3		700IC348	DECAL - CONTROL LEFT HAND	1	
4		700IB248	DECAL - PUSH	2	
5		7000I445	DECAL-LIFT POINT	1	

Decal-Domestic-Continued Fig 1-4



## Decal-Domestic-Continued Fig 1-4

REF. NO.	*	PART NO.	DESCRIPTION	QTY.	REMARKS
1		700IA997	DECAL - GEARBOX POSITION	1	
2		7000B499	DECAL - ANTIFREEZE	1	
3		7000B300	DECAL - TEST POINT	1	
4		7000B388	DECAL - HOOD LATCH	1	
5		2326756	DECAL-HYDRAULIC FLUID	1	
6		7000I834	DECAL - TIE DOWN POINT	3	
7		700IA477	DECAL_BATTERY SWITCH (UG)	1	
8		70000098	DECAL-DIESEL FUEL	1	
9		70000394	DECAL-VERMEER HY POWER	1	

Decal-Domestic-Continued Fig 1-5r02

**1** **DANGER** 7000A393  
Rotating drill string or cutters can kill.  
Keep Away

**2** **DANGER** 7000A394  
Wrench on rotating rod can strike you. Death or serious injury will result.  
See Operator's Manual for proper use of breakout tools.

**3** **DANGER** 2000A-627  
Can Kill.  
Do Not Touch Machine While Boring Or When Alarm Sounds.

**4** **WARNING** 7000A85-4  
Pinch points crush.  
Keep hands away.

**5** **WARNING** 70000044  
Battery explosion can blind. Acid can blind and burn.  
Read manual before service.

**6** **WARNING** 2324634  
Fuel and fumes can explode and burn.  
No smoking. No flame. Stop engine.

**7** **DANGER** 7000B811  
Unexpected rotation of drill string can kill.  
Lock out before working on drill string.

**8** **ATTENTION**  
Welding Alert  
Electronic components will be damaged if not unplugged before welding.  
Read manual for location of components and instructions to unplug before welding. 7000C446

**9** **WARNING** 70000563  
Falling load can crush.  
Do not stand or work under raised load.

**10** **WARNING** 7000B812  
Safety Message  
Read Operator's Manual.

**WARNING**  
Safety Message  
Test remote lockout.  
Test strike alert.

**WARNING**  
Electricity, or gas explosion can kill.  
ONE-CALL  
Locate Utilities. Call 1-888-258-0808.

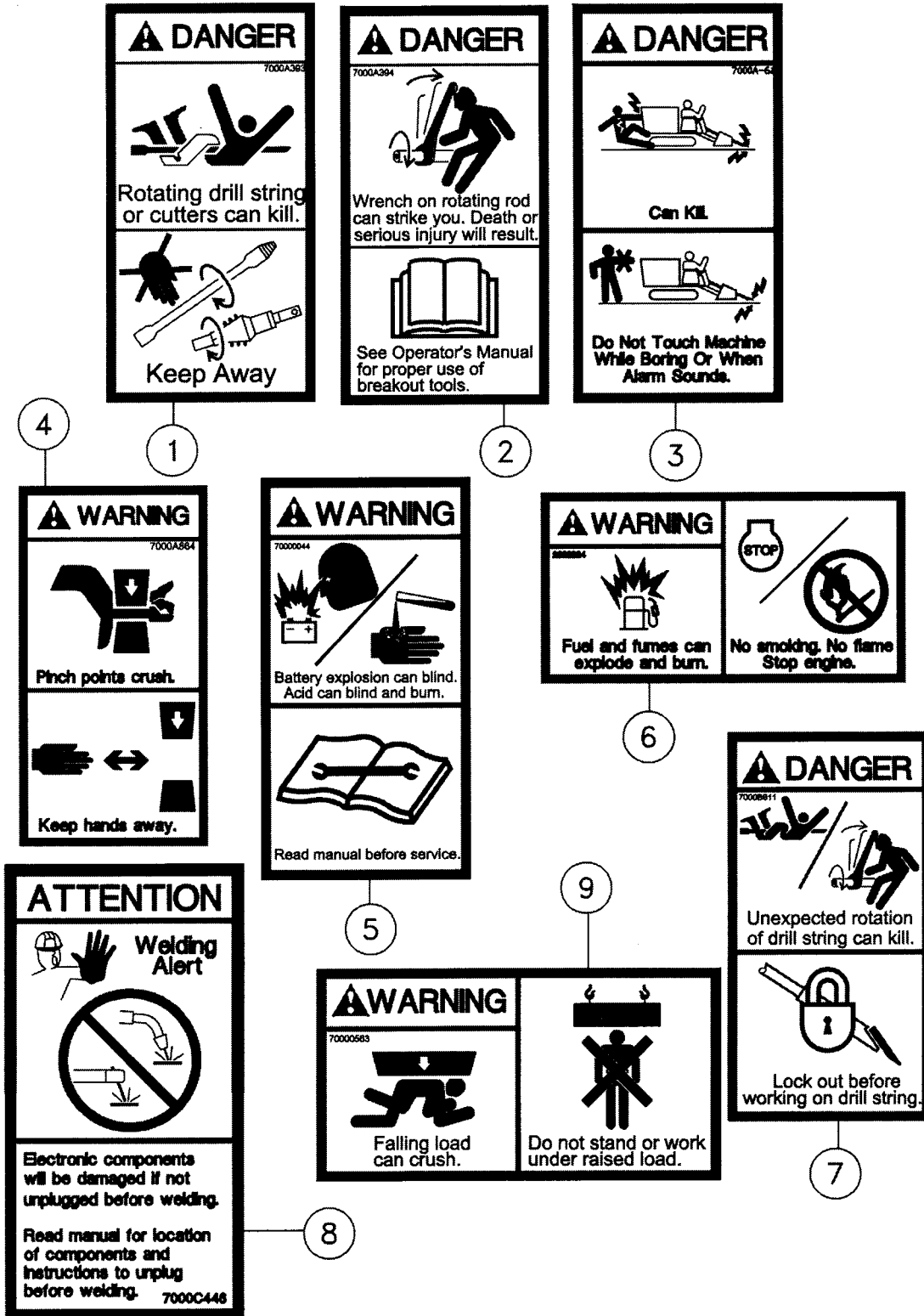
**DANGER**  
Electrical shock can kill.  
If strike occurs, don't step down.

**WARNING**  
Safety Message  
Stop engine before servicing.

## Decal-Domestic-Continued Fig 1-5r02

REF. NO.	*	PART NO.	DESCRIPTION	QTY.	REMARKS
		Revision Date	March, 2006		Update In Illustration & Parts List.
1		7000A393	DECAL - DANGER	1	
2		7000A394	DECAL - WARNING	5	
3		7000A627	DECAL-DANGER	5	
4		7000A864	DECAL-WARNING DOMESTIC	6	
5		70000044	DECAL-WARNING(AT/UND)	1	
6		2326324	DECAL-WARNING/REFUEL	1	
7		7000B811	DECAL - DANGER - REMOTE LOCK OUT	1	
8		7000C446	DECAL - NO WELD	1	
9		70000563	DECAL-WARNING (UND)	2	
10		7000B812	DECAL-WARNING	1	

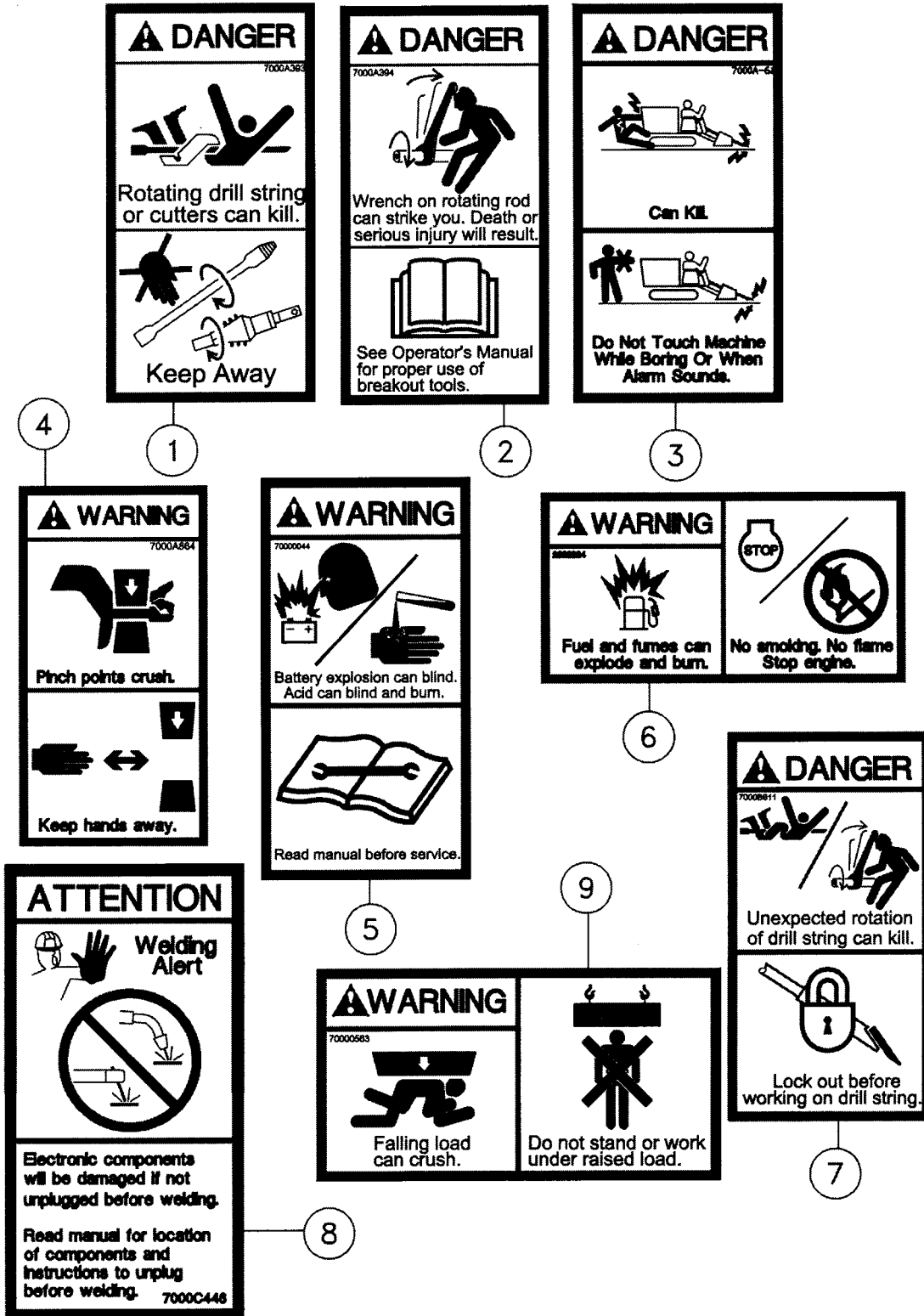
Decal-Domestic-Continued Fig 1-5r01



## Decal-Domestic-Continued Fig 1-5r01

REF. NO.	*	PART NO.	DESCRIPTION	QTY.	REMARKS
		Revision Date	May, 2005		Update In Illustration & Parts List.
1		7000A393	DECAL - DANGER	1	
2		7000A394	DECAL - WARNING	5	
3		7000A627	DECAL-DANGER	5	
4		7000A864	DECAL-WARNING DOMESTIC	6	
5		70000044	DECAL-WARNING(AT/UND)	1	
6		2326324	DECAL-WARNING/REFUEL	1	
7		7000B811	DECAL - DANGER - REMOTE LOCK OUT	1	
8		7000C446	DECAL - NO WELD	1	
9		70000563	DECAL-WARNING (UND)	2	

Decal-Domestic-Continued Fig 1-5





## Decal-Domestic-Continued Fig 1-5

REF. NO.	*	PART NO.	DESCRIPTION	QTY.	REMARKS
1		7000A393	DECAL - DANGER	1	
2		7000A394	DECAL - WARNING	5	
3		7000A627	DECAL-DANGER	1	
4		7000A864	DECAL-WARNING DOMESTIC	6	
5		70000044	DECAL-WARNING(AT/UND)	1	
6		2326324	DECAL-WARNING/REFUEL	1	
7		7000B811	DECAL - DANGER - REMOTE LOCK OUT	1	
8		7000C446	DECAL - NO WELD	1	
9		70000563	DECAL-WARNING (UND)	2	

Decal-Domestic-Continued Fig 1-6

### LUBRICANT CHART

LOCATION	CAPACITY	TYPE
ENGINE OIL	WITH FILTER 15.5 QT (14.7L) W/O FILTER 14.0 QT (13.3L)	15W-40 HD -ROTELLA T MULTIGRADE -JOHN DEERE PLUS 50
HYDRAULIC OIL TANK	55 GAL (208L)	-VERMEER HYPower 46 -VERMEER HYPower 68 -VERMEER HYPower 100
DRILL FLUID PUMP CRANKCASE	4.5 QT (4.3L)	SAE-40 -VERMEER XTRAGOLD 40
ENGINE RADIATOR	8.0 GAL (30.3L)	MIX 50% WATER AND 50% ETHYLENE GLYCOL BASE ANTIFREEZE TO -34° F (-37°C) PROTECTION
SYSTEM ANTIFREEZE TANK	5 GAL (18.9L)	RV ANTIFREEZE
TRACK PLANETARIES	HALF FULL	ALL PURPOSE GEAR LUBE 80W-90

See Operator's Manual for detailed instructions. 7000C481

### GREASE CHART

7000B-296

REFERENCE NUMBER	DESCRIPTION	NUMBER SHOTS	INTERVALS HOURS
1	RACK GUIDE	1	DAILY
2	GEARBOX SLIDE	1	10
3	STABILIZER CYLINDER (8 PLACES)	2	50
4	RACK PIVOT (OPPOSITE SIDE)	1	50
5	TRACK IDLER ROLLERS	2	50
6	RACK PIVOT (OPPOSITE SIDE)	2	50
7	SEAT PIVOT	2	50
8	VISE JAWS (25 PLACES)	2	50
9	GUIDE ROLLERS	4	DAILY

See Operator's Manual for detailed lubrication instructions.

1

2

Decal-Domestic-Continued Fig 1-6

REF. NO.	*	PART NO.	DESCRIPTION	QTY.	REMARKS
1		7000C451	DECAL - FLUID CAPACITIES	1	
2		7000B295	DECAL - GREASE CHART	1	

## Decal-Domestic-Continued Fig 1-7

## Notice • Avis • Hinweis • Avviso • Aviso •

If you purchased this product as used equipment, you can receive a FREE Operator's Manual by contacting:

Si vous avez acheté cet équipement d'occasion, vous pouvez recevoir un manuel de l'opérateur GRATUIT en composant le:

Wenn Sie diese Maschine gebraucht erworben haben, können Sie eine KOSTENLOSE Betriebsanleitung wie folgt anfordern:

Se si è comprata la presente macchina usata, si può ricevere una copia del manuale dell'operatore IN OMAGGIO, contattando:

Si este producto que ha comprado es un equipo usado, puede recibir un manual del operador GRATUITO llamando al:

Vermeer Manufacturing Company  
ATTN: Customer Data Department  
1210 Vermeer Road East, PO BOX 200  
Pella, IA 50219 USA

800-829-0051 or 641-628-3141

Telephone: English speaking only

Téléphone: en anglais uniquement

Telefon: Nur in Englischer Sprache

Telefono: tutte le comunicazioni saranno in inglese

Teléfono: en inglés solamente

OR by completing and mailing the Used Equipment Registration Form enclosed in the Operator's Manual.

OU en remplissant et en envoyant le formulaire d'enregistrement de l'équipement d'occasion inclus dans le manuel de l'opérateur.

ODER das in der Betriebsanleitung enthaltene Formular zur Registrierung gebrauchter Ausrüstung ausfüllen und einsenden.

OPPURE compilando e spedendo il modulo di registrazione per macchinari usati, accluso al manuale dell'operatore.

O rellenando y enviando por correo el impreso de registro de equipos usados incluido en el manual del operador.

This product may be covered by one or more  
of the following patents:

CA D 79,593	US 5,237,888	US 5,746,278	US 6,290,155
CC 95 914 404.5	US 5,291,964	US 5,768,811	US 6,308,787
CC ZL96195734.4	US 5,507,441	US 5,778,991	US 6,315,062
DE 696 11 846	US 5,509,220	US 5,819,859	US 6,332,502
DE Des. 96 006 85.4	US 5,544,055	US 5,845,689	US 6,357,537
EP 772,543	US 5,553,407	US 5,904,210	US 6,360,830
EP 885,343	US 5,556,253	US 5,941,320	US 6,367,564
GB 2,053,636	US 5,574,642	US 5,944,121	US 6,374,928
HK 1015859	US 5,588,474	US 5,950,942	US 6,382,330
RU 2,141,907	US 5,590,041	US 6,014,996	US 6,389,360
RU 2,158,952	US 5,607,280	US 6,050,350	US 6,390,207
RU 2,175,368	US 5,611,496	US 6,109,367	US 6,408,952
US Des. 308,682	US 5,657,803	US 6,119,376	US 6,408,954
US Des. 396,837	US 5,659,985	US 6,138,932	US 6,412,715
US 4,848,423	US 5,687,807	US 6,154,987	US 6,422,495
US 5,074,063	US 5,692,548	US 6,161,630	
US 5,088,532	US 5,692,549	US 6,195,922	
US 5,205,181	US 5,704,142	US 6,247,544	
US 5,219,380	US 5,720,354	US 6,289,997	

This product may be covered by one or more of the  
following licensed patents:

US 4,694,913	US 4,867,255	US 5,148,880
US 4,858,704	US 4,953,638	US 5,799,740

(OTHER U.S. AND FOREIGN PATENTS PENDING)

1

2

Decal-Domestic-Continued Fig 1-7

REF. NO.	*	PART NO.	DESCRIPTION	QTY.	REMARKS
1		2326940	DECAL-NOTICE TO OWNERS	1	
2		7000B119	DECAL - PATENT INDUSTRIAL	1	

Decal-Domestic-Continued Fig 1-8

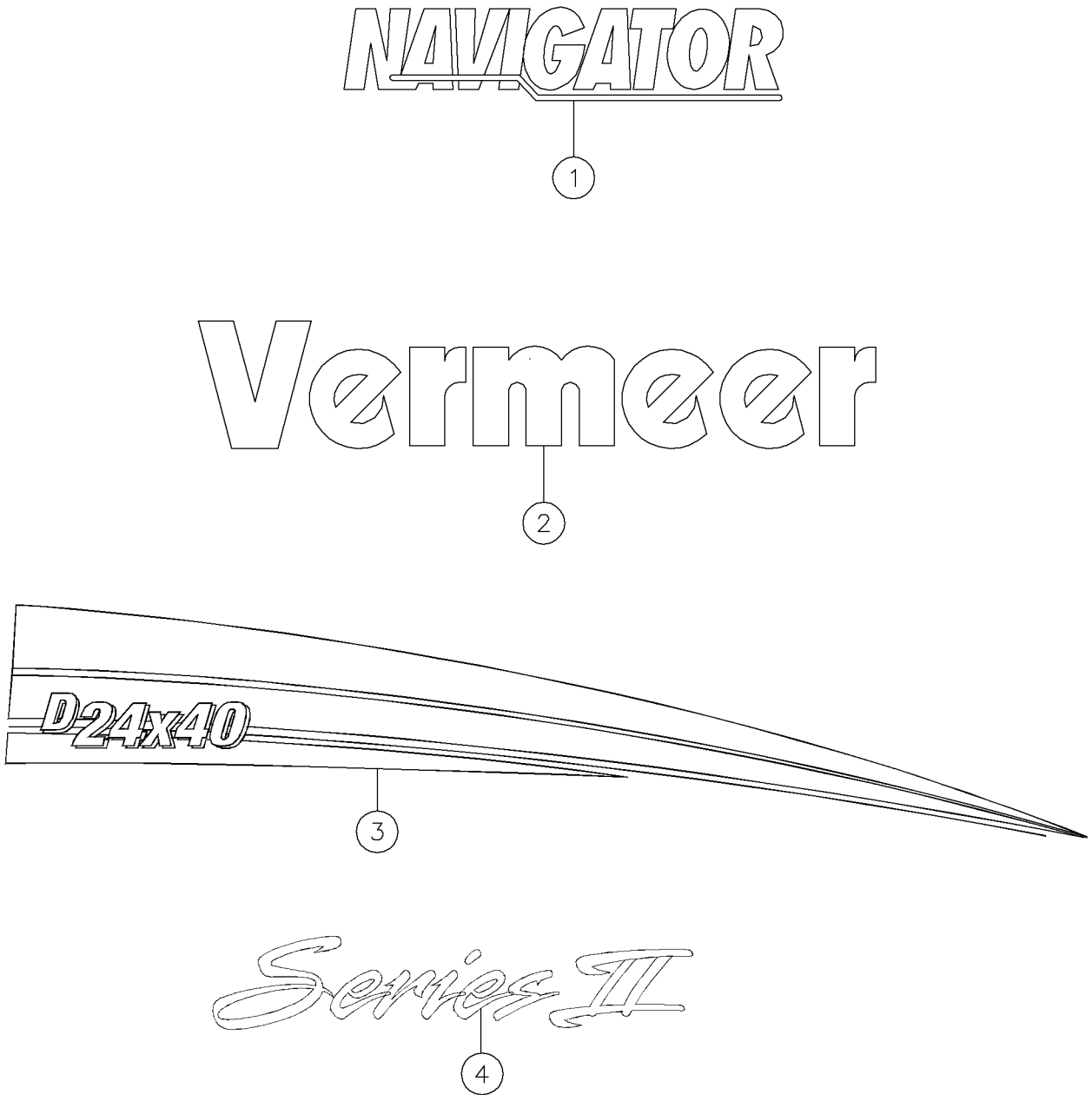
<p>Freeze-proofs entire HDD water system</p>	<p><b>5 U.S. GAL</b></p>
<p><b>Vermeer<sup>®</sup></b></p>	<p><b>Health Hazard Data:</b> <b>Eyes:</b> May cause minor eye irritation. Flush with fresh water for approximately 20 minutes. If irritation persists, call a physician. <b>Skin Contact:</b> Not expected to present a significant skin hazard under anticipated conditions of normal use. <b>Ingestion:</b> Not expected to present a significant ingestion hazard under anticipated conditions of normal use. <b>Vermeer Manufacturing Company Pella IA 50219 70000-875</b></p>
<p><b>Navigator Freeze Guard</b></p>	
<p><b>Antifreeze and Lubricant</b></p>	

1

Decal-Domestic-Continued Fig 1-8

REF. NO.	*	PART NO.	DESCRIPTION	QTY.	REMARKS
1		70000675	DECAL-NAVIGATOR FREEZE GUARD	1	

Decal-International Fig 1-9

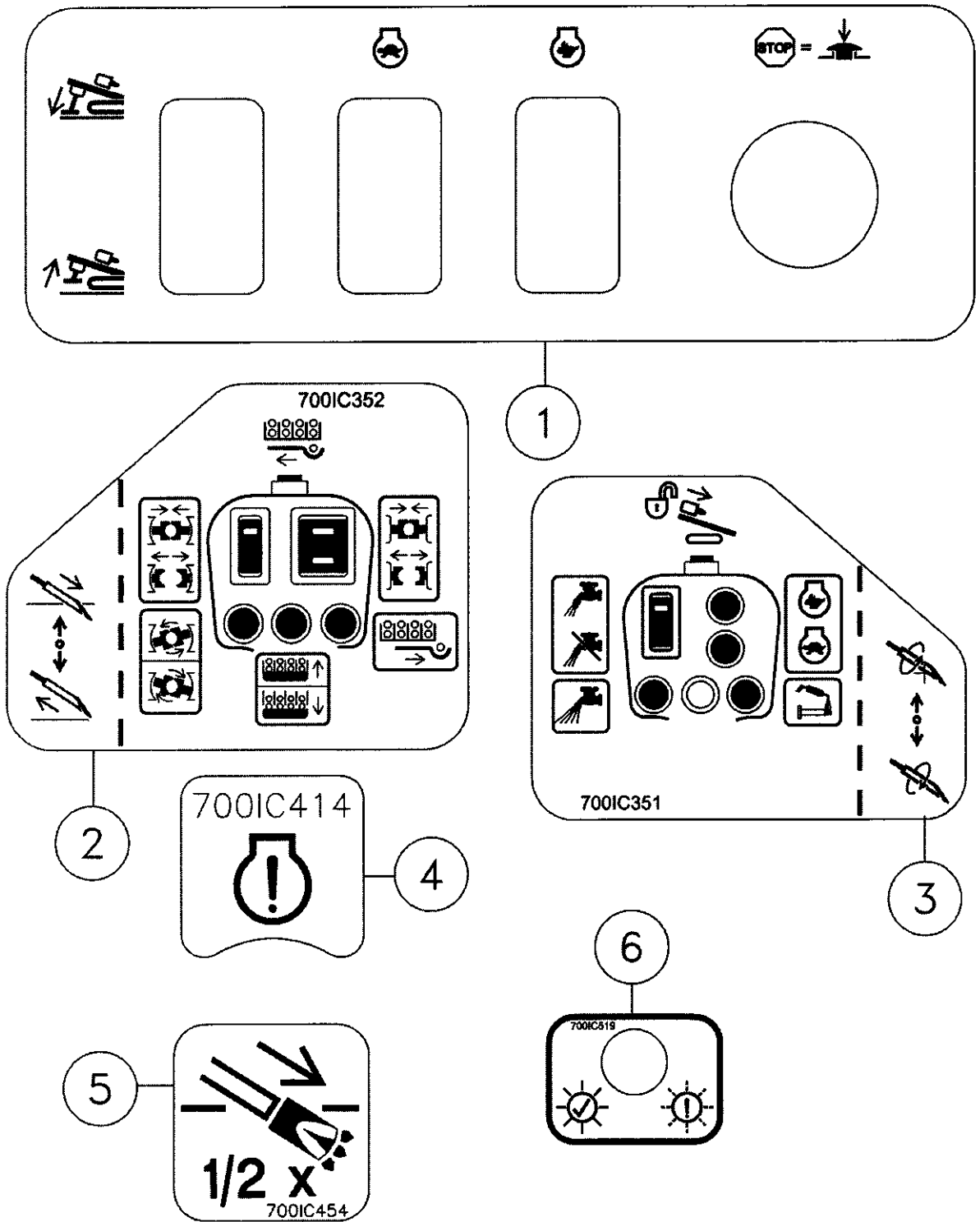




## Decal-International Fig 1-9

REF. NO.	*	PART NO.	DESCRIPTION	QTY.	REMARKS
1		70000614	DECAL-MODEL NAVIGATOR (BIG)	1	
2		2326619	DECAL- VERMEER 3 X 15	1	
3		7000C462	DECAL - D24X40 II RIGHT STRIPE	1	
4		7000C463	DECAL - SERIES II MEDIUM	1	

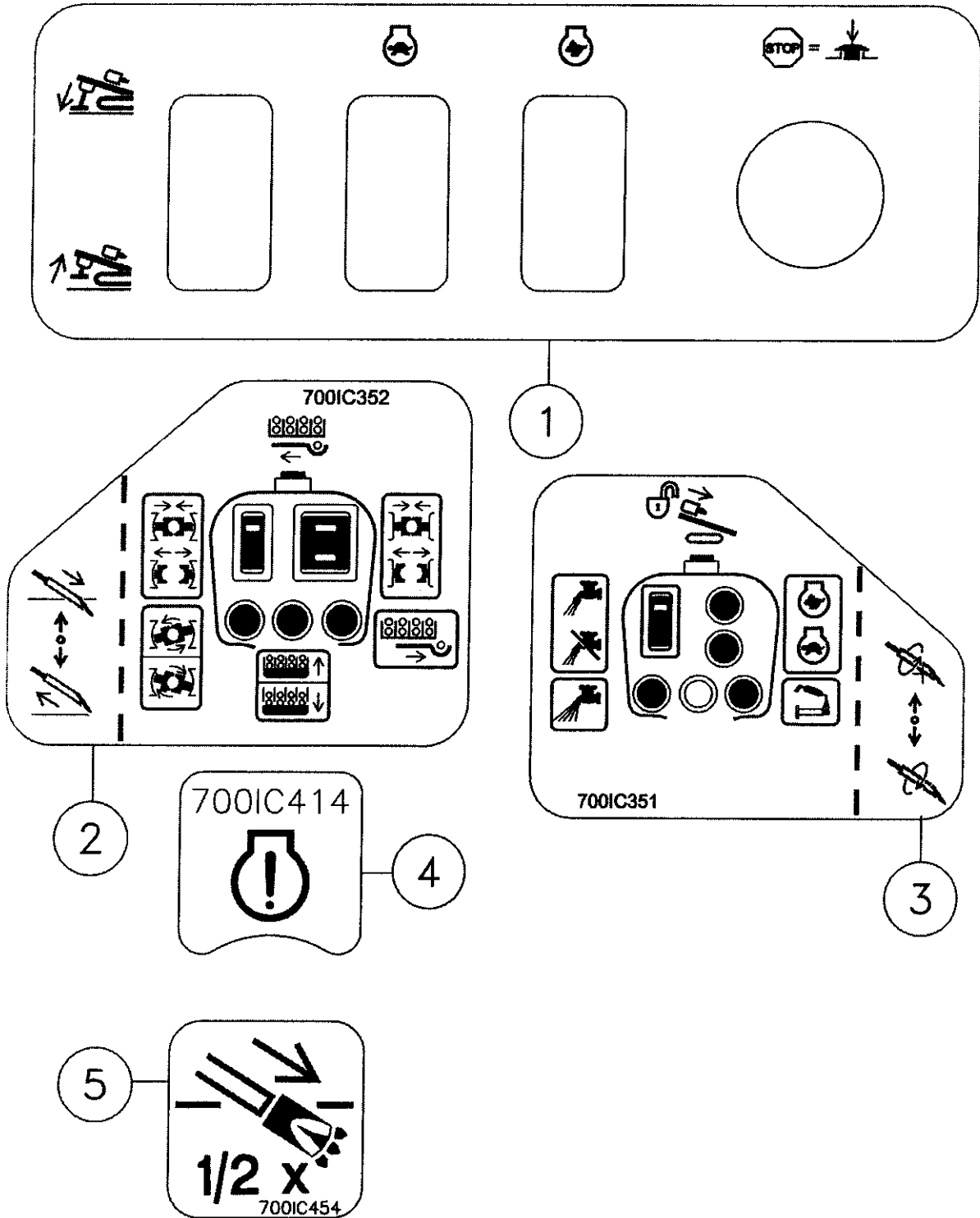
Decal-International-Continued Fig 1-10r01



## Decal-International-Continued Fig 1-10r01

REF. NO.	*	PART NO.	DESCRIPTION	QTY.	REMARKS
1		700IC476	DECAL - CONTROL	1	
2		700IC352	DECAL - CONTROL RIGHT HAND JOYSTICK	1	
3		700IC351	DECAL - CONTROL LEFT HAND JOYSTICK	1	
4		700IC414	DECAL- ENGINE WARNING	1	
5		700IC454	DECAL - CONTROL	1	
6		700IC519	DECAL - STRIKE ALERT GREEN LIGHT	1	

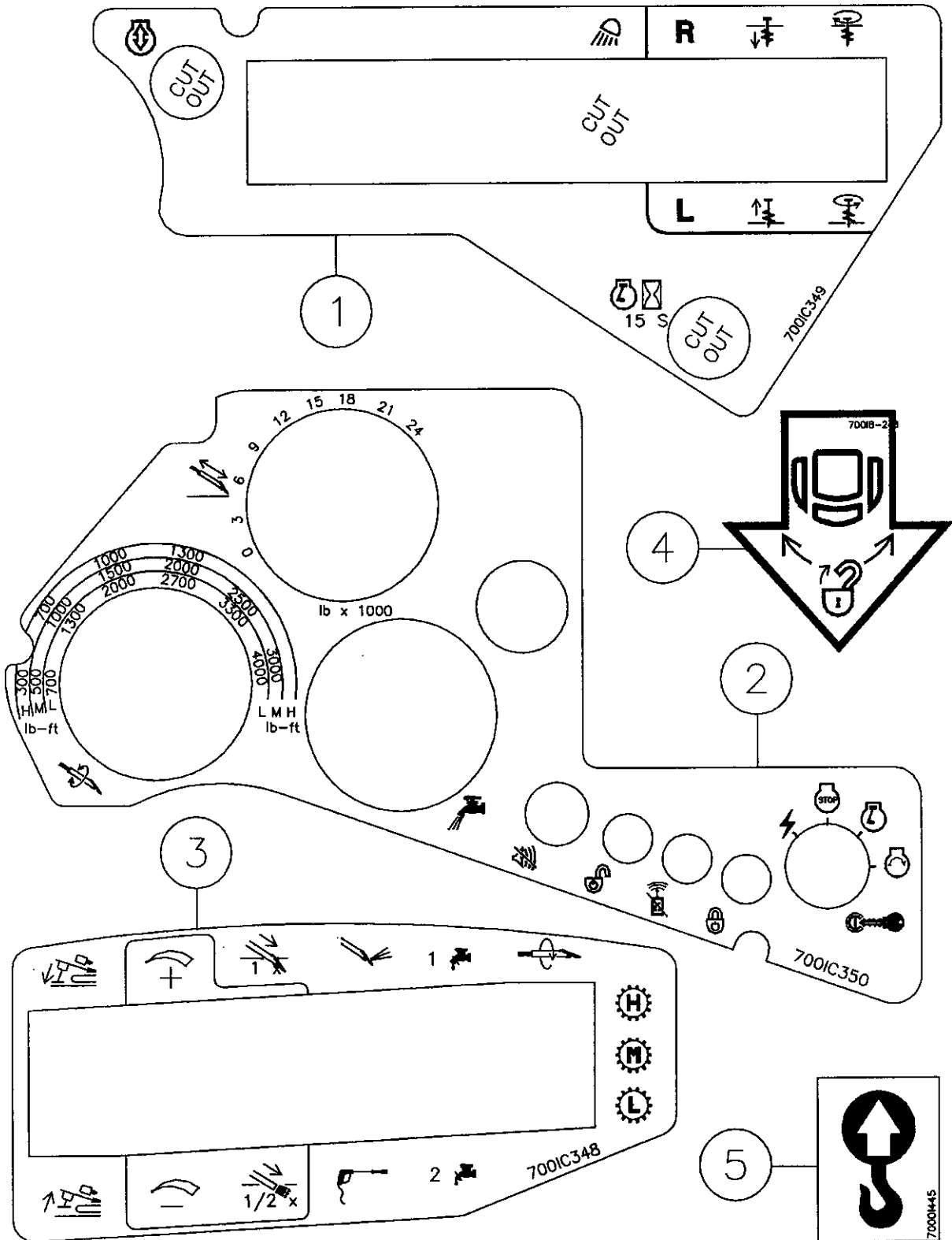
Decal-International-Continued Fig 1-10



## Decal-International-Continued Fig 1-10

REF. NO.	*	PART NO.	DESCRIPTION	QTY.	REMARKS
1		700IC476	DECAL - CONTROL	1	
2		700IC352	DECAL - CONTROL RIGHT HAND JOYSTICK	1	
3		700IC351	DECAL - CONTROL LEFT HAND JOYSTICK	1	
4		700IC414	DECAL- ENGINE WARNING	1	
5		700IC454	DECAL - CONTROL	1	

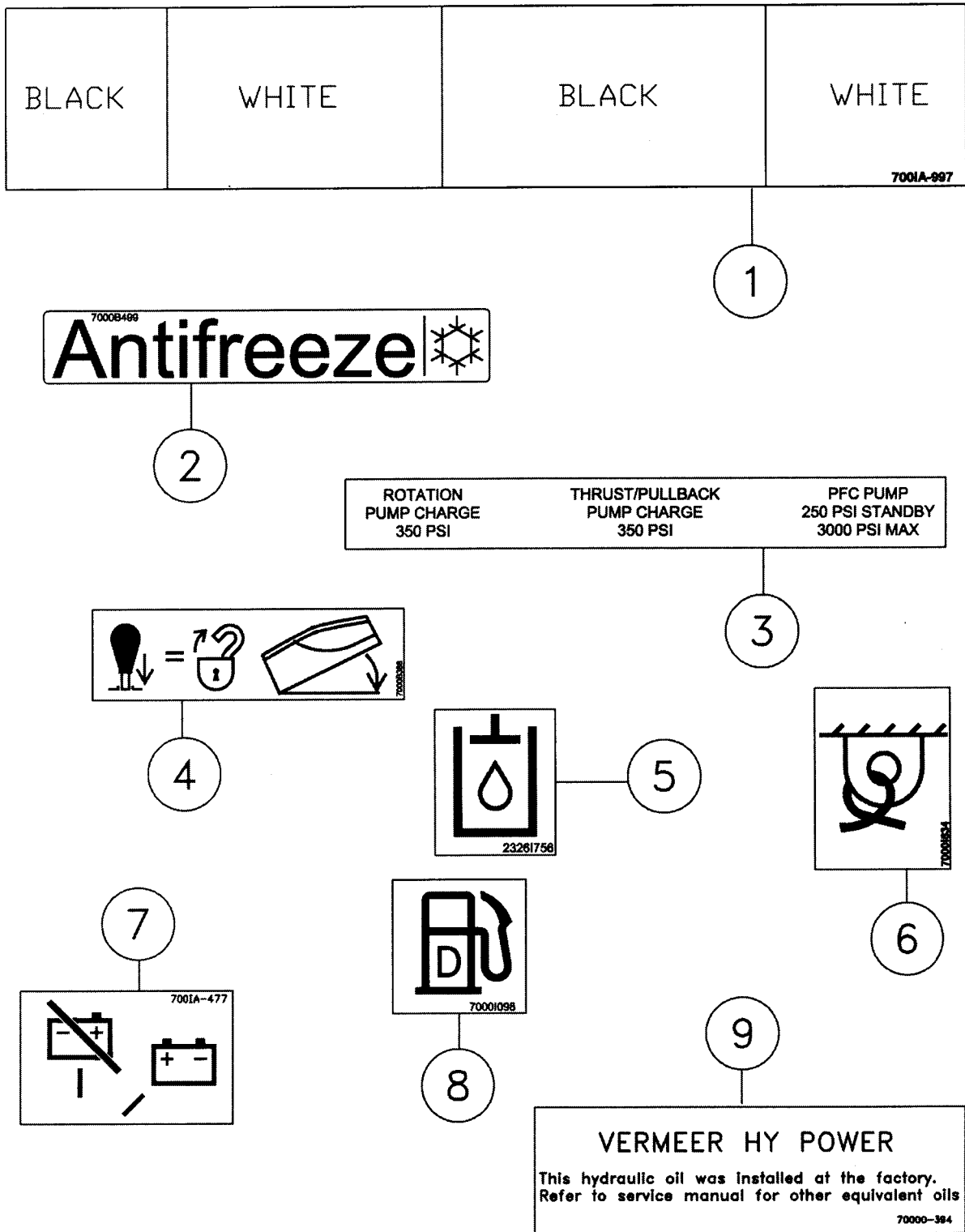
Decal-International-Continued Fig 1-11



## Decal-International-Continued Fig 1-11

REF. NO.	*	PART NO.	DESCRIPTION	QTY.	REMARKS
1		700IC349	DECAL - CONTROL RIGHT HAND LOWER	1	
2		700IC350	DECAL - CONTROL RIGHT HAND UPPER	1	
3		700IC348	DECAL - CONTROL LEFT HAND	1	
4		700IB248	DECAL - PUSH	2	
5		700OI445	DECAL-LIFT POINT	1	

Decal-International-Continued Fig 1-12

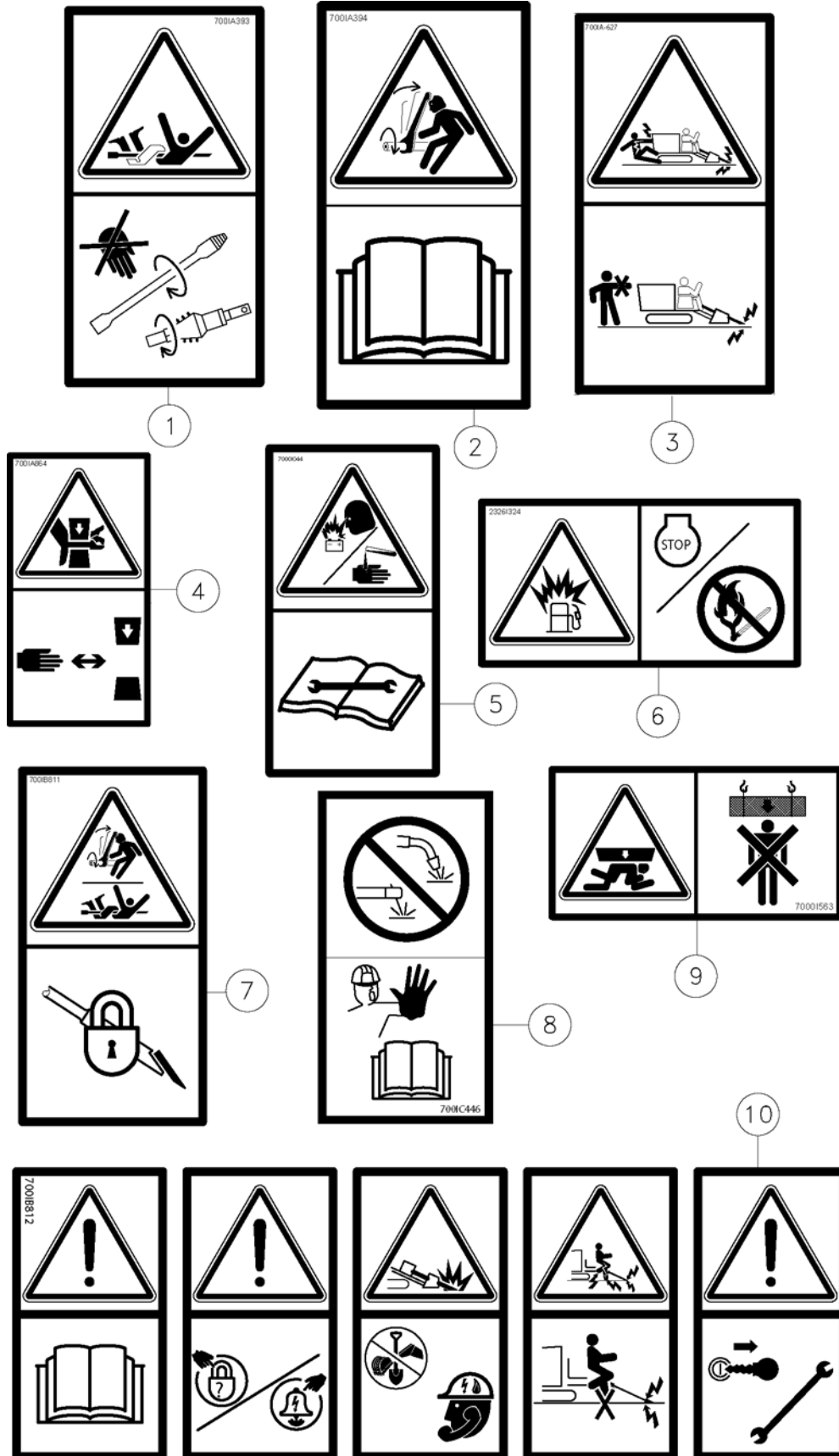




## Decal-International-Continued Fig 1-12

REF. NO.	*	PART NO.	DESCRIPTION	QTY.	REMARKS
1		700IA997	DECAL - GEARBOX POSITION	1	
2		7000B499	DECAL - ANTIFREEZE	1	
3		7000B300	DECAL - TEST POINT	1	
4		7000B388	DECAL - HOOD LATCH	1	
5		2326I756	DECAL-HYDRAULIC FLUID	1	
6		7000I834	DECAL - TIE DOWN POINT	3	
7		700IA477	DECAL_BATTERY SWITCH (UG)	1	
8		7000I098	DECAL-DIESEL FUEL	1	
9		70000394	DECAL-VERMEER HY POWER	1	

Decal-International-Continued Fig 1-13r02



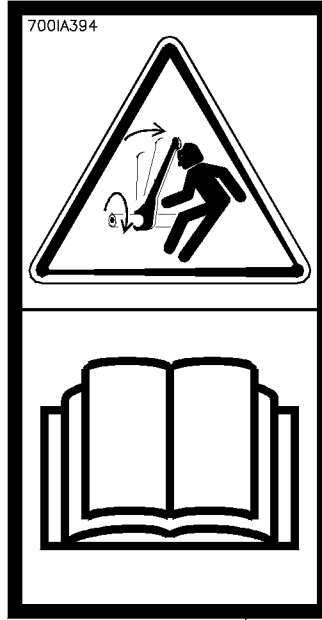
## Decal-International-Continued Fig 1-13r02

REF. NO.	*	PART NO.	DESCRIPTION	QTY.	REMARKS
		Revision Date	March, 2006		Update In Illustration & Parts List.
1		700IA393	DECAL - DANGER	1	
2		700IA394	DECAL - WARNING	5	
3		700IA627	DECAL-DANGER	5	
4		700IA864	DECAL-WARNING INTERNATIONAL	6	
5		700I044	DECAL-WARNING	1	
6		2326I324	DECAL - WARNING EXPLOSION	1	
7		700IB811	DECAL - DANGER - REMOTE LOCK OUT	1	
8		700IC446	DECAL - NO WELD	1	
9		700I563	DECAL-WARNING (UND)	2	
10		700IB812	DECAL-WARNING	1	

Decal-International-Continued Fig 1-13r01



1



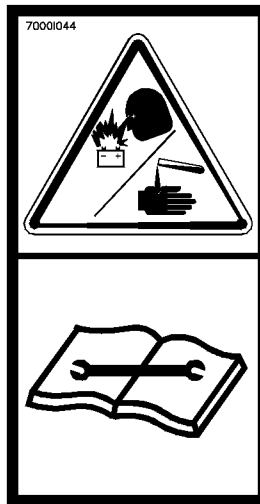
2



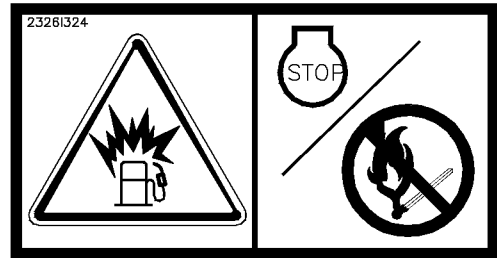
3



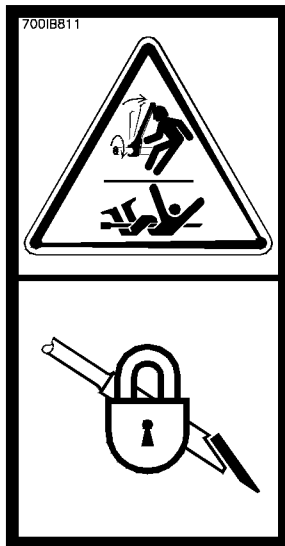
4



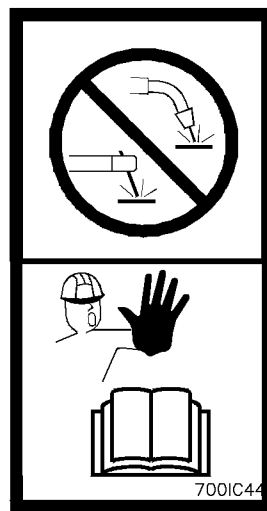
5



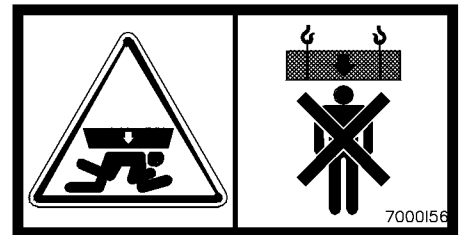
6



7



8



9

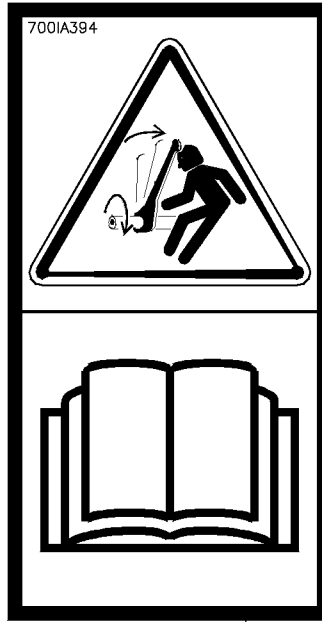
## Decal-International-Continued Fig 1-13r01

REF. NO.	*	PART NO.	DESCRIPTION	QTY.	REMARKS
		Revision Date	May, 2005		Update In Illustration & Parts List.
1		700IA393	DECAL - DANGER	1	
2		700IA394	DECAL - WARNING	5	
3		700IA627	DECAL-DANGER	5	
4		700IA864	DECAL-WARNING INTERNATIONAL	6	
5		700I044	DECAL-WARNING	1	
6		2326I324	DECAL - WARNING EXPLOSION	1	
7		700IB811	DECAL - DANGER - REMOTE LOCK OUT	1	
8		700IC446	DECAL - NO WELD	1	
9		700I563	DECAL-WARNING (UND)	2	

Decal-International-Continued Fig 1-13



1



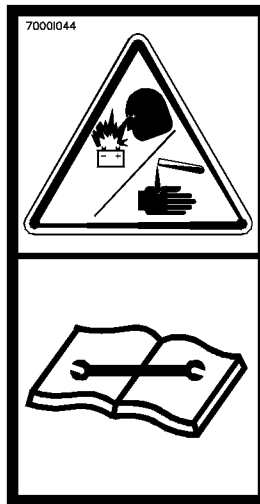
2



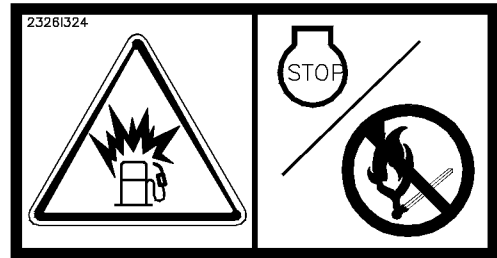
3



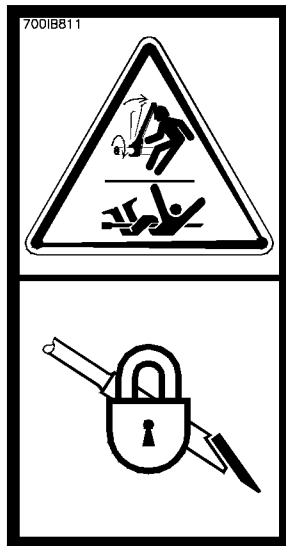
4



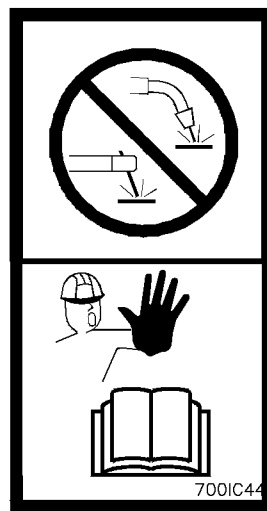
5



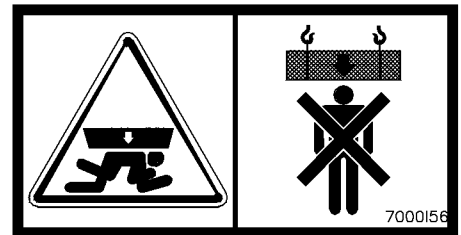
6



7



8



9

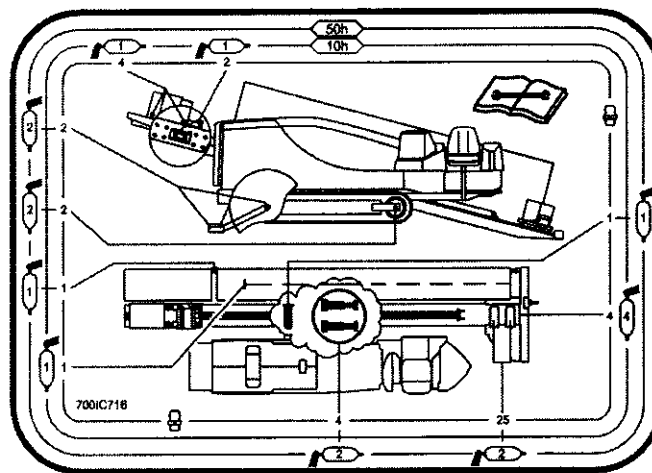
## Decal-International-Continued Fig 1-13

REF. NO.	*	PART NO.	DESCRIPTION	QTY.	REMARKS
1		700IA393	DECAL - DANGER	1	
2		700IA394	DECAL - WARNING	5	
3		700IA627	DECAL-DANGER	1	
4		700IA864	DECAL-WARNING INTERNATIONAL	6	
5		700I044	DECAL-WARNING	1	
6		2326I324	DECAL - WARNING EXPLOSION	1	
7		700IB811	DECAL - DANGER - REMOTE LOCK OUT	1	
8		700IC446	DECAL - NO WELD	1	
9		700I563	DECAL-WARNING (UND)	2	

Decal-International-Continued Fig 1-14r01

<b>LUBRICANT CHART</b>		
LOCATION	CAPACITY	TYPE
ENGINE OIL	WITH FILTER 15.5 QT (14.7L) W/O FILTER 14.0 QT (13.3L)	15W-40 HD -ROTELLA T MULTIGRADE -JOHN DEERE PLUS 50
HYDRAULIC OIL TANK	55 GAL (208L)	-VERMEER HYPOWER 48 -VERMEER HYPOWER 68 -VERMEER HYPOWER 100
DRILL FLUID PUMP CRANKCASE	4.5 QT (4.3L)	SAE-40 -VERMEER XTRAGOLD 40
ENGINE RADIATOR	8.0 GAL (30.3L)	MIX 50% WATER AND 50% ETHYLENE GLYCOL BASE ANTIFREEZE TO -34° F (-37°C) PROTECTION
SYSTEM ANTIFREEZE TANK	5 GAL (18.9L)	RV ANTIFREEZE
TRACK PLANETARIES	HALF FULL	ALL PURPOSE GEAR LUBE 80W-90

See Operator's Manual for detailed instructions. 7000C461



1

2



## Decal-International-Continued Fig 1-14r01

REF. NO.	*	PART NO.	DESCRIPTION	QTY.	REMARKS
		Revision Date	March, 2006		Update In Illustration & Parts List.
1		7000C451	DECAL - FLUID CAPACITIES	1	
2		700IC716	DECAL-D24X40II GREASE CHART	1	

Decal-International-Continued Fig 1-14

### LUBRICANT CHART

LOCATION	CAPACITY	TYPE
ENGINE OIL	WITH FILTER 16.5 QT (14.7L) W/O FILTER 14.0 QT (13.3L)	15W-40 HD -ROTELLA T MULTIGRADE -JOHN DEERE PLUS 50
HYDRAULIC OIL TANK	55 GAL (208L)	-VERMEER HYPower 46 -VERMEER HYPower 68 -VERMEER HYPower 100
DRILL FLUID PUMP CRANKCASE	4.5 QT (4.3L)	SAE-40 -VERMEER XTRAGOLD 40
ENGINE RADIATOR	8.0 GAL (30.3L)	MIX 50% WATER AND 50% ETHYLENE GLYCOL BASE ANTIFREEZE TO -34° F (-37°C) PROTECTION
SYSTEM ANTIFREEZE TANK	5 GAL (18.9L)	RV ANTIFREEZE
TRACK PLANETARIES	HALF FULL	ALL PURPOSE GEAR LUBE 80W-90

See Operator's Manual for detailed instructions. 7000C461

### GREASE CHART

7000B-295

REFERENCE NUMBER	DESCRIPTION	NUMBER SHOTS	INTERVALS HOURS
1	RACK GUIDE	1	DAILY
2	GEARBOX SLIDE	1	10
3	STABILIZER CYLINDER (8 PLACES)	2	50
4	RACK PIVOT (OPPOSITE SIDE)	1	50
6	TRACK IDLER ROLLERS	2	50
6	RACK PIVOT (OPPOSITE SIDE)	2	50
7	SEAT PIVOT	2	50
8	VISE JAWS (25 PLACES)	2	50
9	GUIDE ROLLERS	4	DAILY

See Operator's Manual for detailed lubrication instructions.

1

2

Decal-International-Continued Fig 1-14

REF. NO.	*	PART NO.	DESCRIPTION	QTY.	REMARKS
1		7000C451	DECAL - FLUID CAPACITIES	1	
2		7000B295	DECAL - GREASE CHART	1	

Decal-International-Continued Fig 1-15

Notice • Avis • Hinweis • Avviso • Aviso •

If you purchased this product as used equipment, you can receive a FREE Operator's Manual by contacting:

Si vous avez acheté cet équipement d'occasion, vous pouvez recevoir un manuel de l'opérateur GRATUIT en composant le:

Wenn Sie diese Maschine gebraucht erworben haben, können Sie eine KOSTENLOSE Betriebsanleitung wie folgt anfordern:

Se si è comprata la presente macchina usata, si può ricevere una copia del manuale dell'operatore IN OMAGGIO, contattando:

Si este producto que ha comprado es un equipo usado, puede recibir un manual del operador GRATUITO llamando al:

Vermeer Manufacturing Company  
 ATTN: Customer Data Department  
 1210 Vermeer Road East, PO BOX 200  
 Pella, IA 50219 USA

800-829-0051 or 641-628-3141  
 Telephone: English speaking only  
 Téléphone: en anglais uniquement  
 Telefon: Nur in Englischer Sprache  
 Telefono: tutte le comunicazioni saranno in inglese  
 Teléfono: en inglés solamente

OR by completing and mailing the Used Equipment Registration Form enclosed in the Operator's Manual.  
 OU en remplissant et en envoyant le formulaire d'enregistrement de l'équipement d'occasion inclus dans le manuel de l'opérateur.  
 ODER das in der Betriebsanleitung enthaltene Formular zur Registrierung gebrauchter Ausrüstung ausfüllen und einsenden.  
 OPPURE compilando e spedendo il modulo di registrazione per macchinari usati, accluso al manuale dell'operatore.  
 O rellenando y enviando por correo el impreso de registro de equipos usados incluido en el manual del operador.

This product may be covered by one or more of the following patents:

CA D 79,593	US 5,237,888	US 5,746,278	US 6,290,155
CC 95 914 404.5	US 5,291,964	US 5,768,811	US 6,308,787
CC ZL96195734.4	US 5,507,441	US 5,778,991	US 6,315,062
DE 696 11 846	US 5,509,220	US 5,819,859	US 6,332,502
DE Des. 96 006 85.4	US 5,544,055	US 5,845,689	US 6,357,537
EP 772,543	US 5,553,407	US 5,904,210	US 6,360,830
EP 885,343	US 5,556,253	US 5,941,320	US 6,367,564
GB 2,053,636	US 5,574,642	US 5,944,121	US 6,374,928
HK 1015859	US 5,588,474	US 5,950,942	US 6,382,330
RU 2,141,907	US 5,590,041	US 6,014,996	US 6,389,360
RU 2,158,952	US 5,607,280	US 6,050,350	US 6,390,207
RU 2,175,368	US 5,611,496	US 6,109,367	US 6,408,952
US Des. 308,682	US 5,657,803	US 6,119,376	US 6,408,954
US Des. 396,837	US 5,659,985	US 6,138,932	US 6,412,715
US 4,848,423	US 5,687,807	US 6,154,987	US 6,422,495
US 5,074,063	US 5,692,548	US 6,161,630	
US 5,088,532	US 5,692,549	US 6,195,922	
US 5,205,181	US 5,704,142	US 6,247,544	
US 5,219,380	US 5,720,354	US 6,289,997	

This product may be covered by one or more of the following licensed patents:

US 4,694,913	US 4,867,255	US 5,148,880
US 4,858,704	US 4,953,638	US 5,799,740

(OTHER U.S. AND FOREIGN PATENTS PENDING)

1

2

Decal-International-Continued Fig 1-15

REF. NO.	*	PART NO.	DESCRIPTION	QTY.	REMARKS
1		2326940	DECAL-NOTICE TO OWNERS	1	
2		7000B119	DECAL - PATENT INDUSTRIAL	1	

Decal-International-Continued Fig 1-16

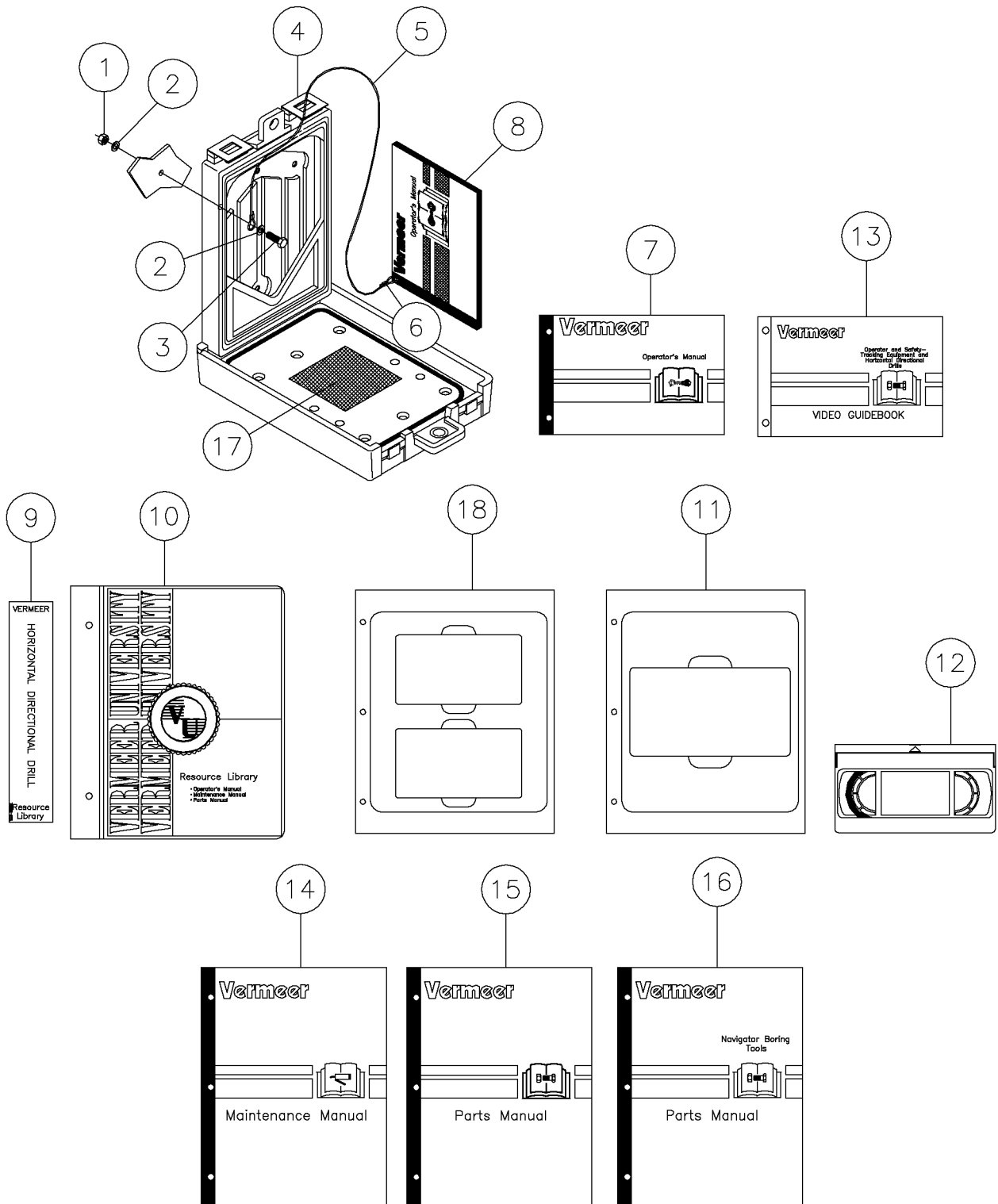
<p>Freeze-proofs entire HDD water system</p>	<p><b>5 U.S. GAL</b></p>
<p><b>Vermeer<sup>®</sup></b></p>	<p><b>Health Hazard Data:</b> <b>Eyes:</b> May cause minor eye irritation. Flush with fresh water for approximately 20 minutes. If irritation persists, call a physician. <b>Skin Contact:</b> Not expected to present a significant skin hazard under anticipated conditions of normal use. <b>Ingestion:</b> Not expected to present a significant ingestion hazard under anticipated conditions of normal use. <b>Vermeer Manufacturing Company</b> Pella IA 50219 70000-875</p>
<p><b>Navigator Freeze Guard</b></p>	
<p><b>Antifreeze and Lubricant</b></p>	

1

Decal-International-Continued Fig 1-16

REF. NO.	*	PART NO.	DESCRIPTION	QTY.	REMARKS
1		70000675	DECAL-NAVIGATOR FREEZE GUARD	1	

Resource Library Fig 1-17r01

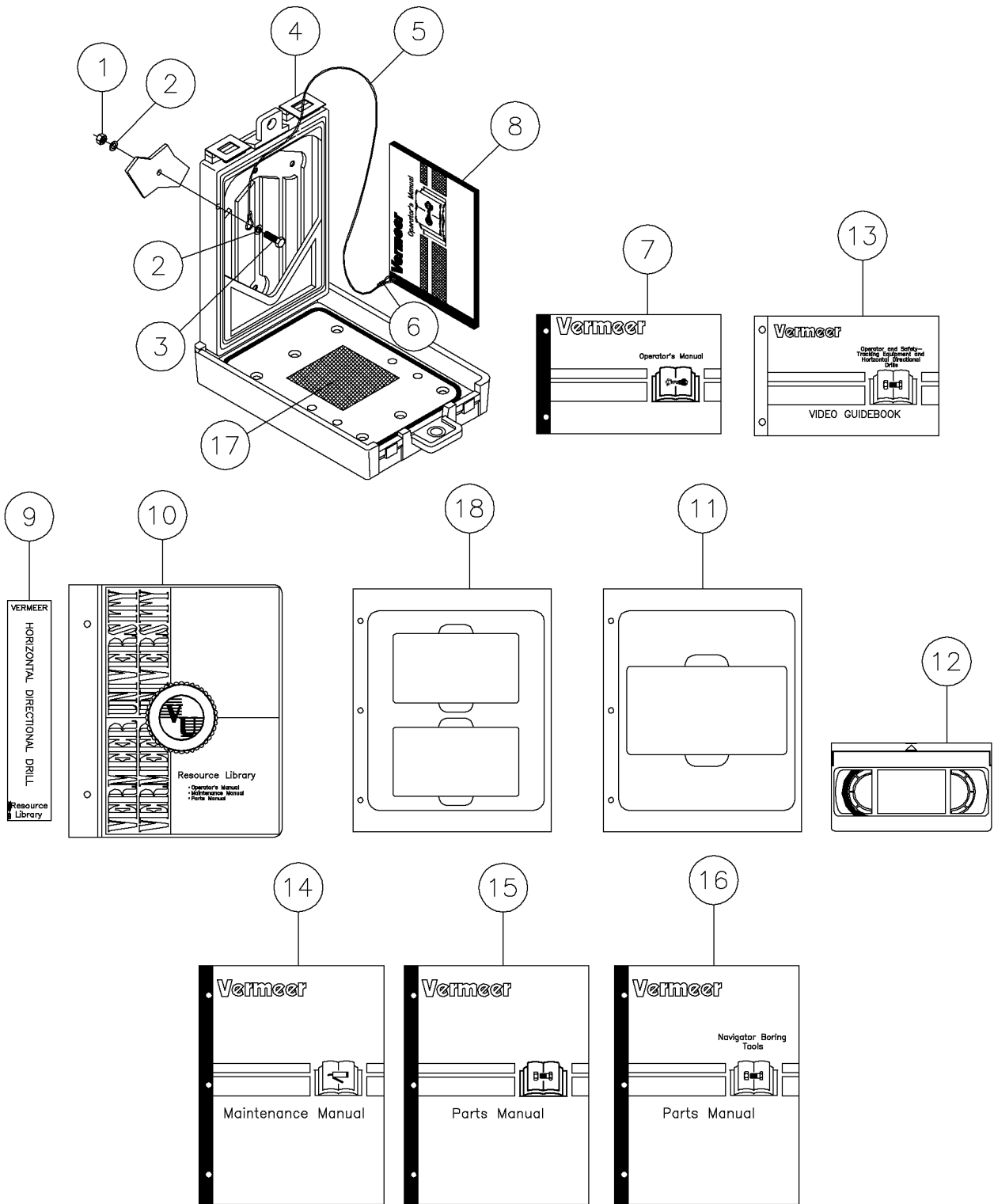




## Resource Library Fig 1-17r01

REF. NO.	*	PART NO.	DESCRIPTION	QTY.	REMARKS
		Revision Date	March, 2006		Update In Illustration & Parts List.
1		248198001	NUT-1/4 - 20 GR8 TOP LOCK ZINC	3	
2		235716001	WASHER - FLATSTRL - .25 -.28 X .63 - .06 - CZ	3	
3		235733001	BOLT-1/4-20X1/2 GR8 ZINC PLTD	3	
4		142410001	CASE-6"X9 XCX X1" OPERATOR MANUAL-ENGLISH	1	
5		142954001	CABLE-.068DIA.NYLON CT.-36.00	1	
6		142423001	CRIMP-CABLE (FOR.068DIA.CABLE)	2	
7		117000T87	OM-D24X40 ii CABLED (GERMAN) o2.00		INC. REF. 5&6
		117000T86	OM-D24X40ii (GERMAN) o2.00		
		117000U02	OM-D24X40II CABLED (POLISH) o2.00		INC. REF. 5&6
		117000U01	OM-D24X40II (POLISH) o2.00		
		105400X06	OM-D24X40II(ENGLISH) o1.00		
		105400X52	OM-D24X40II(ENGLISH) o2.00		
		296260807	OM-D24X40II(ENGLISH) CABLED o1.00		INC. REF. 5&6
		105400X53	OM-D24X40II(ENGLISH) CABLED o2.00		INC. REF. 5&6
8		296269619	D24X40II CABLED MINI MANUAL ASSEMBLY -ENGLISH	1	INC. REF. 5&6
9		7000B222	DECAL -HORIZONTAL DRILL - RESOURCE LIB.	1	
10		144144001	NOTEBOOK BINDER - 2"-3 XCX	1	
11		144145001	VHS - HOLDER	1	
12		251803001	VIDEO - DRILL ROD OPERATION AND MAINTENANCE	1	
		296264887	VIDEO-OPERATIONS/SAFETY HDD&TRKNG EQUIP	1	
		296264888	VIDEO - REMOTE LOCKOUT	1	
		296266044	VIDEO ASSEMBLY - PAL VERSION FOR HDD		International
13		105400T90	HDD OPERATIONS & SAFETY VIDEO GUIDEBOOK	1	
14		117000T88	MM-D24X40II (GERMAN) m2.00		
		117000U03	MM-D24X40II (POLISH) m2.00		
		105400X08	MM-D24X40II (ENGLISH) m1.00		
		105400X54	MM-D24X40II (ENGLISH) m2.00		
15		105400ZEG	PM-D24X40II NAVIGATOR -ENGLISH	1	
16		105400T09	PM - NAVIGATOR BORING TOOLS p4.00 - ENGLISH	1	
17		2326940	DECAL-NOTICE TO OWNERS	1	
18		151815001	VHS HOLDER DOUBLE	1	
		296279130	D24X40II OPERATIONAL LIBRARY		Inc. Ref. 7, 9 - 12, 13 & 18
		296279131	D24X40II TECHNICAL LIBRARY		Inc. Ref. 9, 10 & 14-16

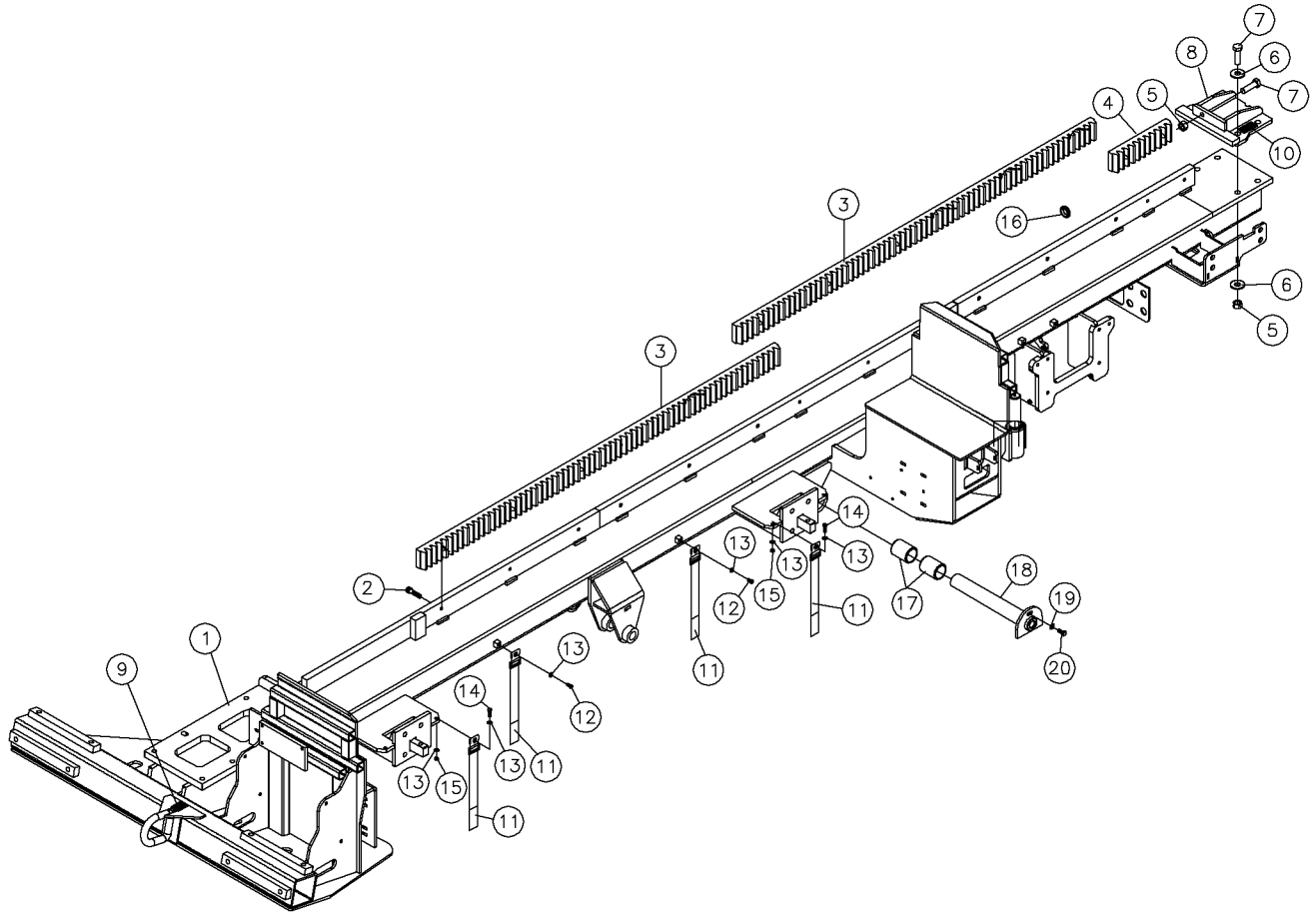
Resource Library Fig 1-17



Resource Library Fig 1-17

REF. NO.	*	PART NO.	DESCRIPTION	QTY.	REMARKS
1		248198001	NUT-1/4 - 20 GR8 TOP LOCK ZINC	3	
2		235716001	WASHER - FLATSTRL - .25 -.28 X .63 - .06 - CZ	3	
3		235733001	BOLT-1/4-20X1/2 GR8 ZINC PLTD	3	
4		142410001	CASE-6"X9 XCX X1" OPERATOR MANUAL	1	
5		142954001	CABLE-.068DIA.NYLON CT.-36.00	1	
6		142423001	CRIMP-CABLE (FOR.068DIA.CABLE)	2	
7		105400X06	OM-D24X40II (EN) o1.00	1	
8		296269619	D24X40II CABLED MINI MANUAL ASSEMBLY	1	INC. REF. 5&6
9		7000B222	DECAL -HORIZONTAL DRILL - RESOURCE LIB.	1	
10		144144001	NOTEBOOK BINDER - 2"-3 XCX	1	
11		144145001	VHS - HOLDER	1	
12		251803001	VIDEO - DRILL ROD OPERATION AND MAINTENANCE	1	
		296264887	VIDEO-OPERATIONS/SAFETY HDD&TRKNG EQUIP	1	
		296264888	VIDEO - REMOTE LOCKOUT	1	
13		105400T90	HDD OPERATIONS & SAFETY VIDEO GUIDEBOOK	1	
14		105400X08	MM-D24X40II (EN) m1.00	1	
15		105400ZEG	PM-D24X40II NAVIGATOR	1	
16		105400T09	PM - NAVIGATOR BORING TOOLS p4.00	1	
17		2326940	DECAL-NOTICE TO OWNERS	1	
18		151815001	VHS HOLDER DOUBLE	1	
		296279130	D24X40II OPERATIONAL LIBRARY		Inc. Ref. 7, 9 - 12, 13 & 18
		296279131	D24X40II TECHNICAL LIBRARY		Inc. Ref. 9, 10 & 14-16

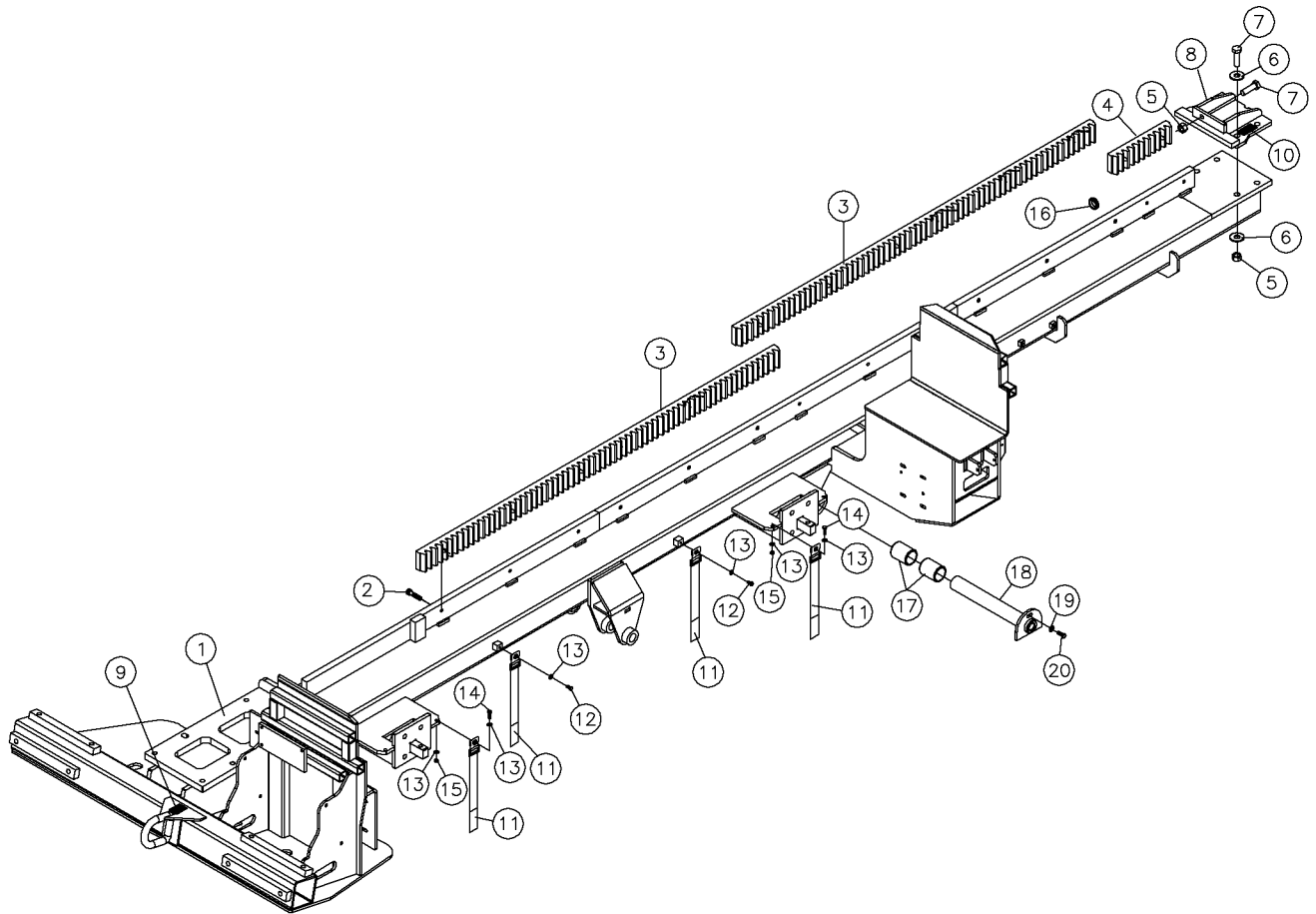
Rack Frame Assy Fig 2-1r03



## Rack Frame Assy Fig 2-1r03

REF. NO.	*	PART NO.	DESCRIPTION	QTY.	REMARKS
		Revision Date	May, 2006		Update In Illustration & Parts List.
1		296287789	WELDMENT - RACK	1	S/N 290-
2		129667010	CAPSCREW-1/2-13X1 SOCKET HEAD	14	
3		276318001	RACK - SIDE	2	
4		296277050	GEAR - SHORT RACK	1	
5		235739001	NUT-3/4-10 GR8 ZINC PLTD	5	
6		510337617	WASHER-FLATSTD-.75-.81X2.00-.15-YZ	8	
7		238880001	BOLT-3/4-10X2 1/2 HHCS GR8 ZY	5	
8		296273630	WELDMENT - REAR STOP	1	
9		7000I834	DECAL - TIE DOWN POINT	1	
10		7000A864	DECAL-WARNING DOMESTIC	1	Domestic
		700IA864	DECAL-WARNING INTERNATIONAL	1	International
11		278901001	STRAP - HOSE SLEEVE HANGER	4	
12		235742001	BOLT-5/16-18X3/4 GR8 ZINC PLTD	2	
13		235714001	WASHER - FLATSTRL - .31 - .34 X .69 - .06-YZ-A325	6	
14		248031001	BOLT-5/16-18X1 1/4 GR8 ZINC PL	2	
15		235741001	NUT - HEX - .31 - 18 - GR8 -YZ	2	
16		1865055	GROMMET-1 1/2 IDX1 3/4 OD 1/4G	2	
17		276336001	BSHNG-2 3/8ODX2.00ID-3.00 CNNX	2	
18		296275355	PIN - RACK PIVOT	1	
19		235727001	BOLT-3/8-16X1 GR8 HEX ZINC PLT	1	
20		235713001	WASHER - FLATSTRL - .38 - .41 X .81 - .06-YA-A325	1	

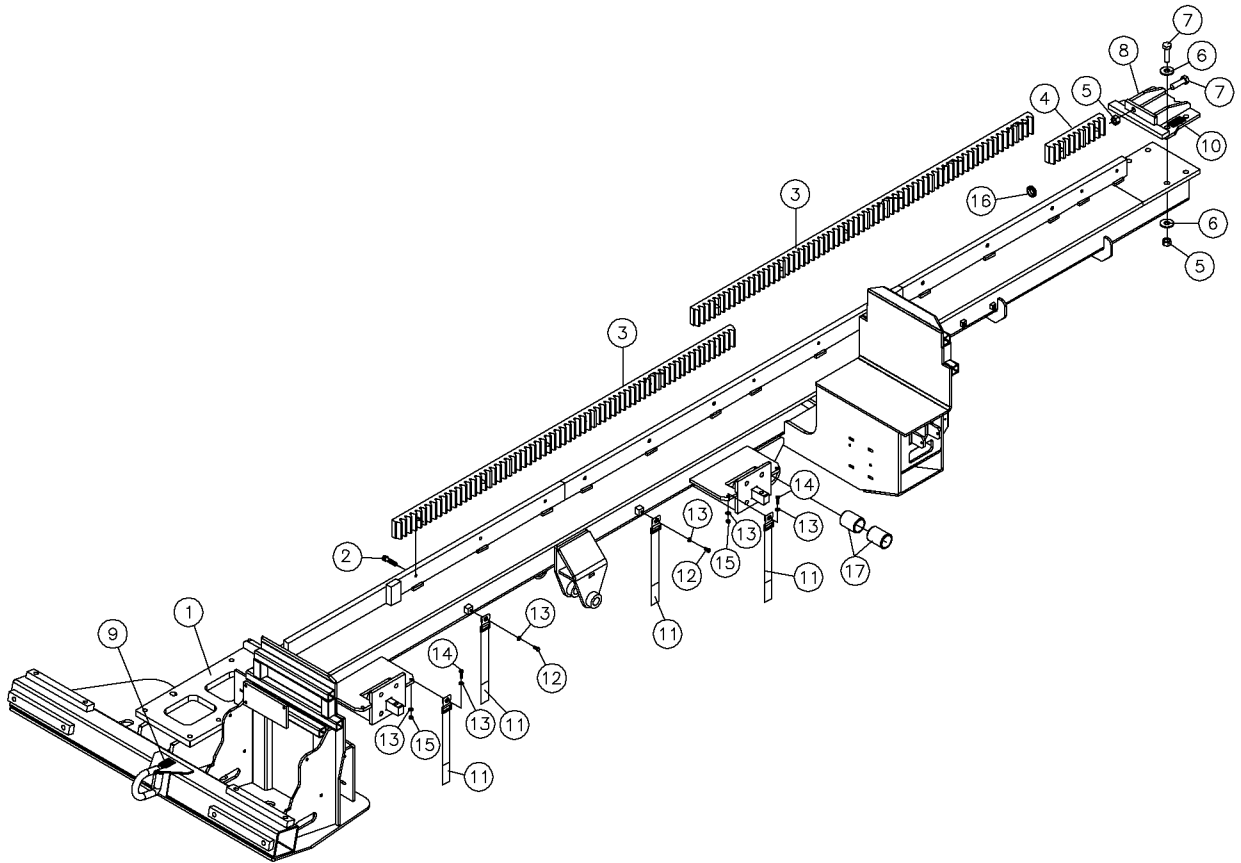
Rack Frame Assy Fig 2-1r02



## Rack Frame Assy Fig 2-1r02

REF. NO.	*	PART NO.	DESCRIPTION	QTY.	REMARKS
		Revision Date	July, 2005		Update In Illustration & Parts List.
1		296275252	WELDMENT - RACK	1	
2		129667010	CAPSCREW-1/2-13X1 SOCKET HEAD	14	
3		276318001	RACK - SIDE	2	
4		296277050	GEAR - SHORT RACK	1	
5		235739001	NUT-3/4-10 GR8 ZINC PLTD	5	
6		510337617	WASHER-FLATSTD-.75-.81X2.00-.15-YZ	8	
7		238880001	BOLT-3/4-10X2 1/2 HHCS GR8 ZY	5	
8		296273630	WELDMENT - REAR STOP	1	
9		7000I834	DECAL - TIE DOWN POINT	1	
10		7000A864	DECAL-WARNING DOMESTIC	1	Domestic
		700IA864	DECAL-WARNING INTERNATIONAL	1	International
11		278901001	STRAP - HOSE SLEEVE HANGER	4	
12		235742001	BOLT-5/16-18X3/4 GR8 ZINC PLTD	2	
13		235714001	WASHER - FLATSTRL - .31 - .34 X .69 - .06-YZ-A325	6	
14		248031001	BOLT-5/16-18X1 1/4 GR8 ZINC PL	2	
15		235741001	NUT - HEX - .31 - 18 - GR8 -YZ	2	
16		1865055	GROMMET-1 1/2 IDX1 3/4 OD 1/4G	2	
17		276336001	BSHNG-2 3/8ODX2.00ID-3.00 CNNX	2	
18		296275355	PIN - RACK PIVOT	1	
19		235727001	BOLT-3/8-16X1 GR8 HEX ZINC PLT	1	
20		235713001	WASHER - FLATSTRL - .38 - .41 X .81 - .06-YA-A325	1	

Rack Frame Assy Fig 2-1r01

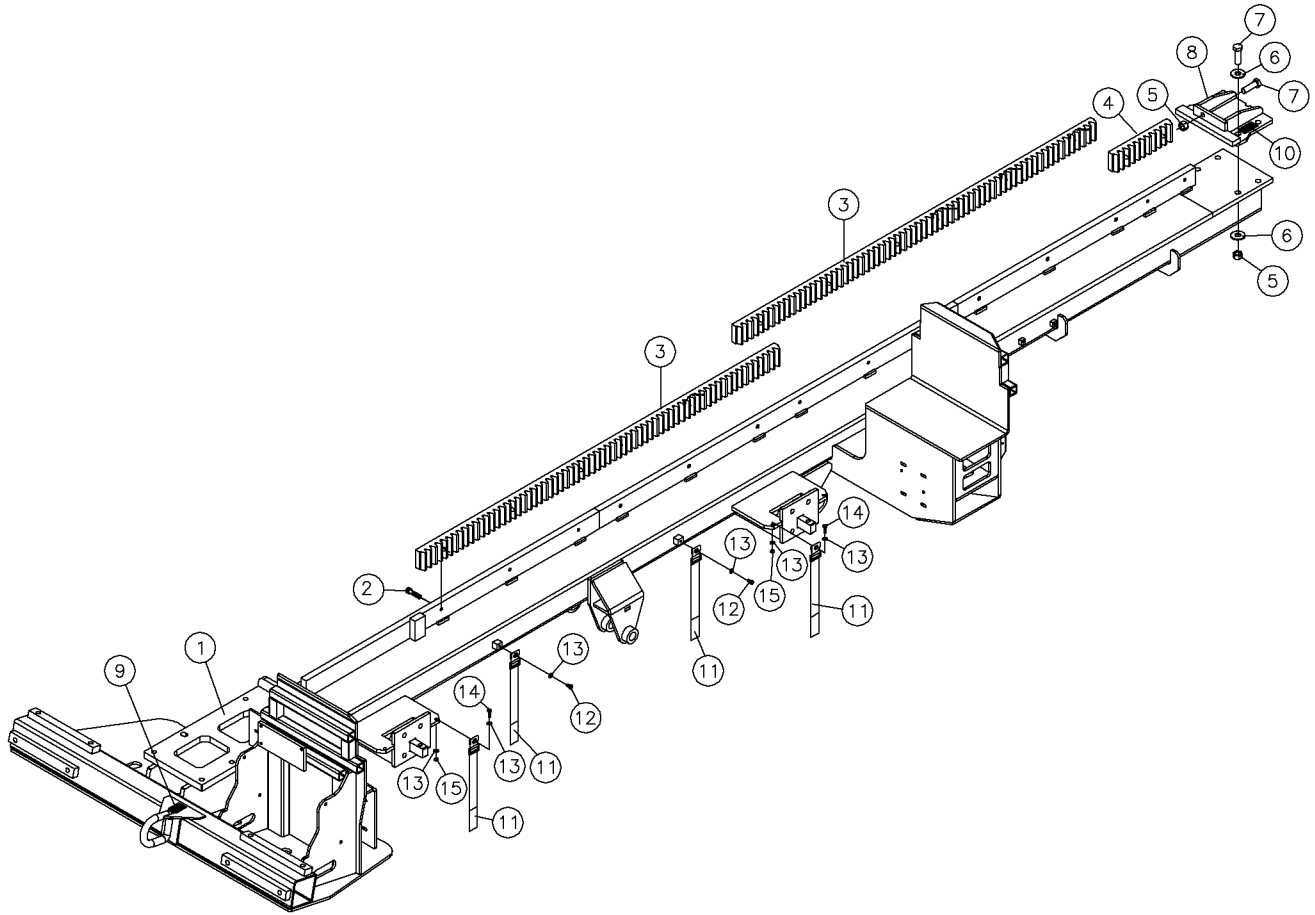




## Rack Frame Assy Fig 2-1r01

REF. NO.	*	PART NO.	DESCRIPTION	QTY.	REMARKS
		Revision Date	May, 2005		Update In Illustration & Parts List.
1		296275252	WELDMENT - RACK	1	
2		129667010	CAPSCREW-1/2-13X1 SOCKET HEAD	14	
3		276318001	RACK - SIDE	2	
4		296277050	GEAR - SHORT RACK	1	
5		235739001	NUT-3/4-10 GR8 ZINC PLTD	5	
6		510337617	WASHER-FLATSTD-.75-.81X2.00-.15-YZ	8	
7		238880001	BOLT-3/4-10X2 1/2 HHCS GR8 ZY	5	
8		296273630	WELDMENT - REAR STOP	1	
9		7000I834	DECAL - TIE DOWN POINT	1	
10		7000A864	DECAL-WARNING DOMESTIC	1	Domestic
		700IA864	DECAL-WARNING INTERNATIONAL	1	International
11		278901001	STRAP - HOSE SLEEVE HANGER	4	
12		235742001	BOLT-5/16-18X3/4 GR8 ZINC PLTD	2	
13		235714001	WASHER - FLATSTRL - .31 - .34 X .69 - .06-YZ-A325	6	
14		248031001	BOLT-5/16-18X1 1/4 GR8 ZINC PL	2	
15		235741001	NUT - HEX - .31 - 18 - GR8 -YZ	2	
16		1865055	GROMMET-1 1/2 IDX1 3/4 OD 1/4G	3	
17		276336001	BSHNG-2 3/8ODX2.00ID-3.00 CNNX	2	

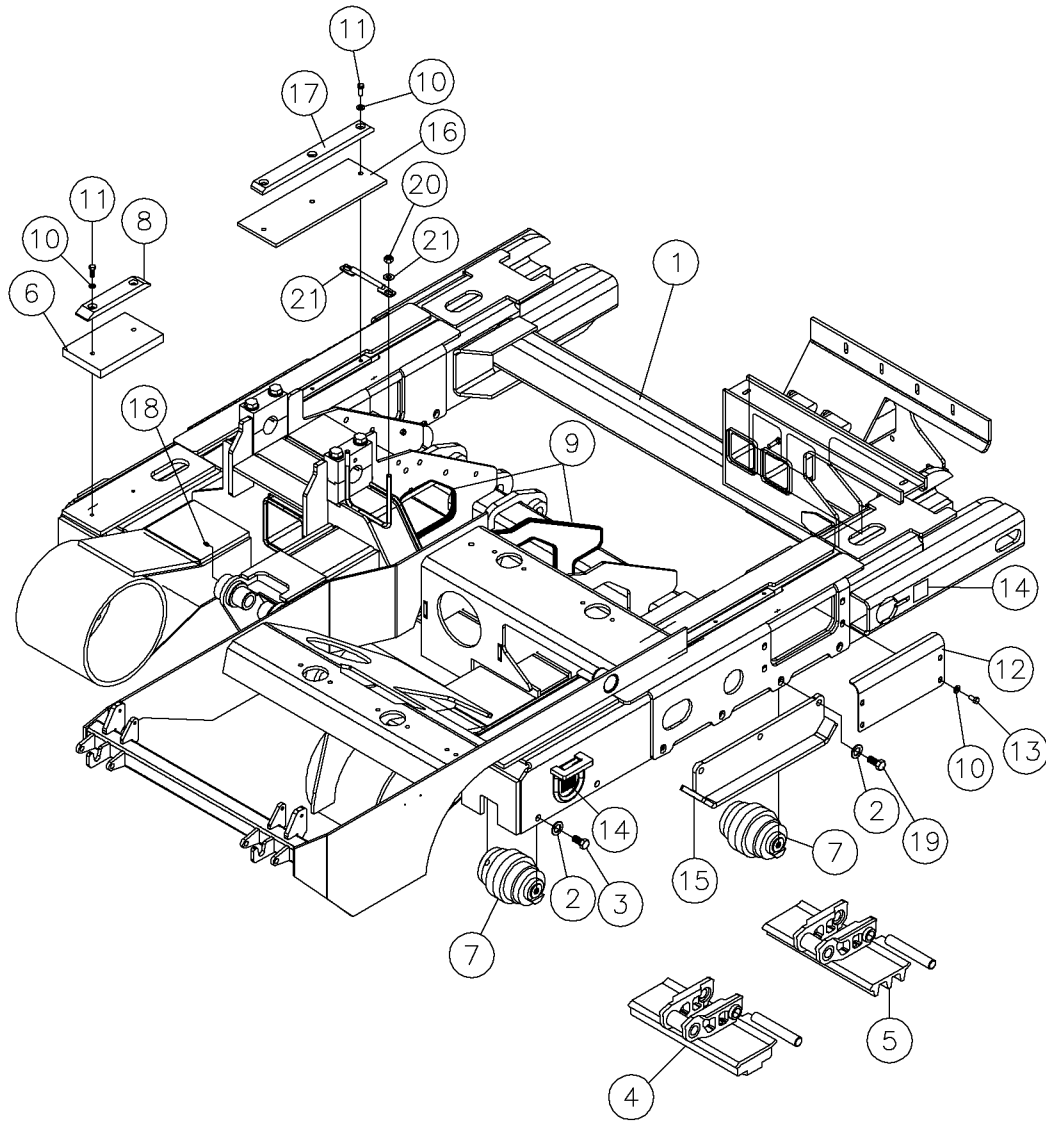
Rack Frame Assy Fig 2-1



## Rack Frame Assy Fig 2-1

REF. NO.	*	PART NO.	DESCRIPTION	QTY.	REMARKS
1		296275252	WELDMENT - RACK	1	
2		129667010	CAPSCREW-1/2-13X1 SOCKET HEAD	14	
3		276318001	RACK - SIDE	2	
4		296277050	GEAR - SHORT RACK	1	
5		235739001	NUT-3/4-10 GR8 ZINC PLTD	5	
6		510337617	WASHER-FLATSTD-.75-.81X2.00-.15-YZ	8	
7		238880001	BOLT-3/4-10X2 1/2 HHCS GR8 ZY	5	
8		296273630	WELDMENT - REAR STOP	1	
9		7000I834	DECAL - TIE DOWN POINT	1	
10		7000A864	DECAL-WARNING DOMESTIC	1	Domestic
		700IA864	DECAL-WARNING INTERNATIONAL	1	International
11		278901001	STRAP - HOSE SLEEVE HANGER	4	
12		235742001	BOLT-5/16-18X3/4 GR8 ZINC PLTD	2	
13		235714001	WASHER - FLATSTRL - .31 - .34 X .69 - .06-YZ-A325	6	
14		248031001	BOLT-5/16-18X1 1/4 GR8 ZINC PL	2	
15		235741001	NUT - HEX - .31 - 18 - GR8 -YZ	2	

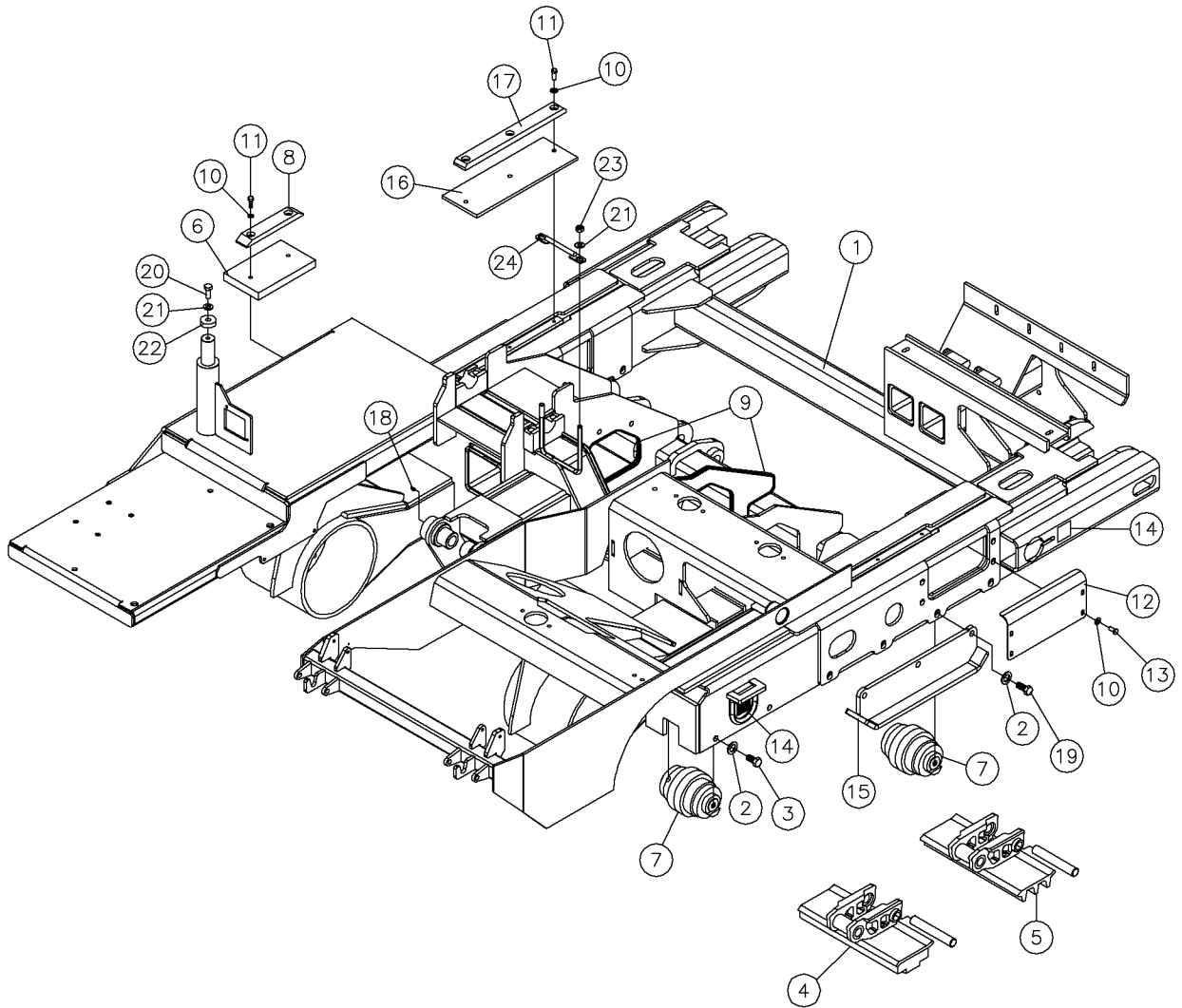
Undercarriage/Track Fig 2-2r02



## Undercarriage/Track Fig 2-2r02

REF. NO.	*	PART NO.	DESCRIPTION	QTY.	REMARKS
		Revision Date	March, 2006		Update In Illustration.
1		296286505	FRAME - UNDERCARRIAGE	1	S/N 290-
2		603946001	WASHER M16	28	
3		251100001	BOLT-M16X2.0X30 GR10.9 HEX YZN	16	
4		251102001	TRACK - 36 SECTION RUBBER	2	
		230841001	RUBBER TRACK-25MMX400M CHAIN	36	
		230840005	PIN-MASTER	1	
		230840007	PIN-TRACK	35	
5		251103001	TRACK - 36 SECTION STEEL	2	
		230840003	SECTION-TRACK (STEEL)	36	
		230840005	PIN-MASTER	1	
		230840007	PIN-TRACK	35	
6		296280079	BAR - LOWER TRACK WEAR	2	
7		251099001	ROLLER - LOWER TRACK	14	
8		285777001	BAR - UPPER TRACK WEAR	2	
9		278773001	SEAL - EDGE 3/8" STYLE	A/R	P/N Qty. Of 1 = 1 Foot
10		235713001	WASHER - FLATSTRL - .38 - .41 X .81 - .06-YA-A325	14	
11		235727001	BOLT-3/8-16X1 GR8 HEX ZINC PLT	10	
12		296279758	COVER - REINFORCED TRACK RAIL	2	
13		235726001	BOLT-3/8-16X3/4 GR8 HEX ZNCPLT	8	
14		70001834	DECAL - TIE DOWN POINT	4	
15		296275353	ROCK GUARD	2	
16		244456001	BAR - LOWER TRACK WEAR	2	
17		244455001	BAR -UPPER TRACK WEAR	2	
18		598001	FITTING-1/4" NF ST GREASE ZERK	1	
19		508478050	SCREW-HCS,M16-2.00X50,10.9,YZ,ISO4017,FT	12	
20		250512001	NUT- 1/2 NC Gr8 TOP LOCK Y/ ZINC	2	
21		285532001	ROD - HOSE LOOP COVER	1	

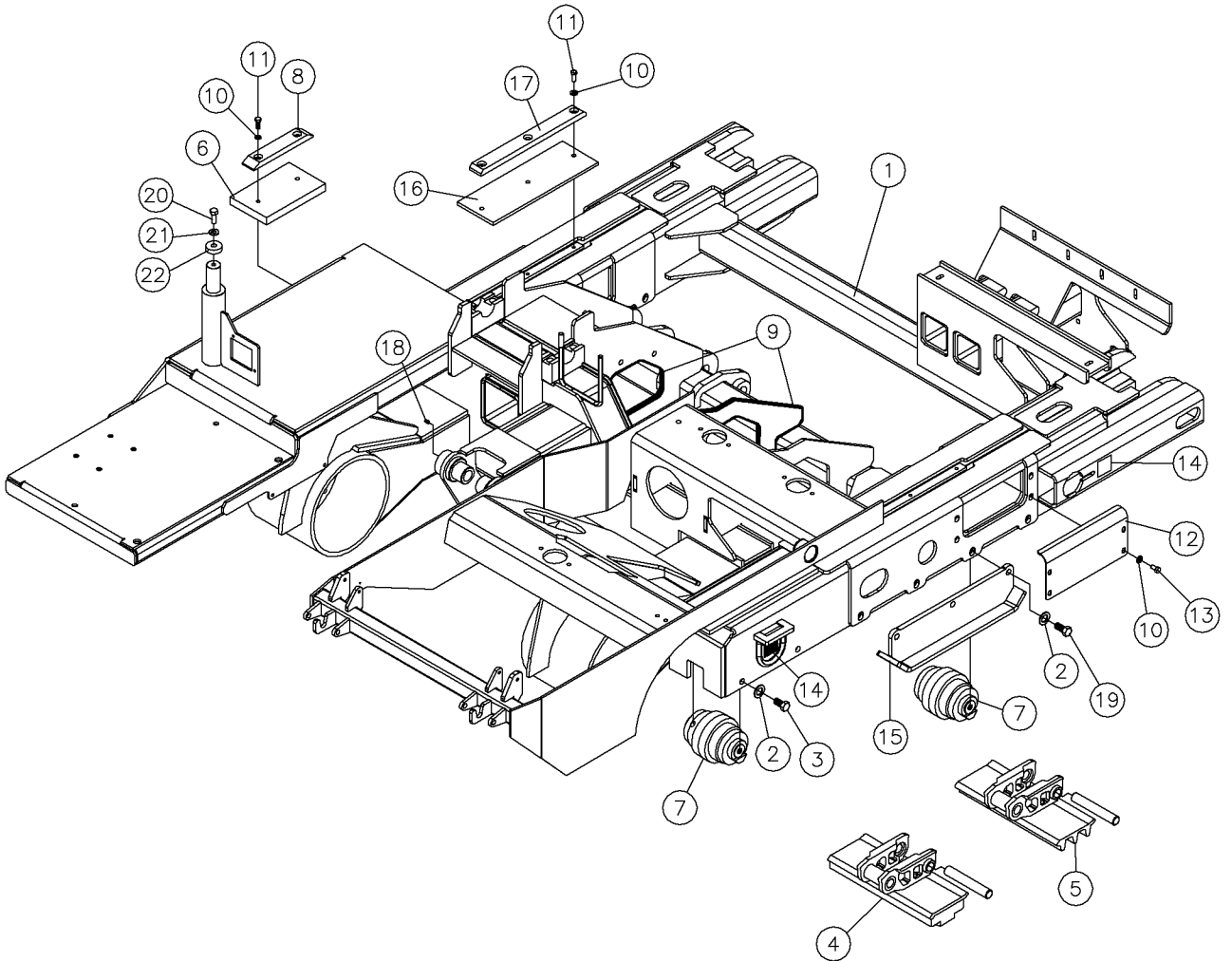
Undercarriage/Track Assy Fig 2-2r01



## Undercarriage/Track Assy Fig 2-2r01

REF. NO.	*	PART NO.	DESCRIPTION	QTY.	REMARKS
		Revision Date	May, 2005		Update In Illustration & Parts List.
1		296275287	FRAME - UNDERCARRIAGE	1	
2		603946001	WASHER M16	28	
3		251100001	BOLT-M16X2.0X30 GR10.9 HEX YZN	16	
4		251102001	TRACK - 36 SECTION RUBBER	2	
		230841001	RUBBER TRACK-25MMX400M CHAIN	36	
		230840005	PIN-MASTER	1	
		230840007	PIN-TRACK	35	
5		251103001	TRACK - 36 SECTION STEEL	2	
		230840003	SECTION-TRACK (STEEL)	36	
		230840005	PIN-MASTER	1	
		230840007	PIN-TRACK	35	
6		296280079	BAR - LOWER TRACK WEAR	2	
7		251099001	ROLLER - LOWER TRACK	14	
8		285777001	BAR - UPPER TRACK WEAR	2	
9		278773001	SEAL - EDGE 3/8" STYLE	A/R	P/N Qty. Of 1 = 1 Foot
10		235713001	WASHER - FLATSTRL - .38 - .41 X .81 - .06-YA-A325	14	
11		235727001	BOLT-3/8-16X1 GR8 HEX ZINC PLT	10	
12		296279758	COVER - REINFORCED TRACK RAIL	2	
13		235726001	BOLT-3/8-16X3/4 GR8 HEX ZNCPLT	8	
14		70001834	DECAL - TIE DOWN POINT	4	
15		296275353	ROCK GUARD	2	
16		244456001	BAR - LOWER TRACK WEAR	2	
17		244455001	BAR -UPPER TRACK WEAR	2	
18		598001	FITTING-1/4" NF ST GREASE ZERK	1	
19		508478050	SCREW-HCS,M16-2.00X50,10.9,YZ,ISO4017,FT	12	
20		235737001	BOLT-1/2-13X1 1/4 GR8 ZINC PLT	1	
21		485025	WASHER-1/2 FLAT-HARDENED-YZ	3	
22		296280080	SHAFT - FUEL TANK MOUNT CAP	1	
23		250512001	NUT- 1/2 NC Gr8 TOP LOCK Y/ ZINC	2	
24		285532001	ROD - HOSE LOOP COVER	1	

Undercarriage/Track Assy Fig 2-2

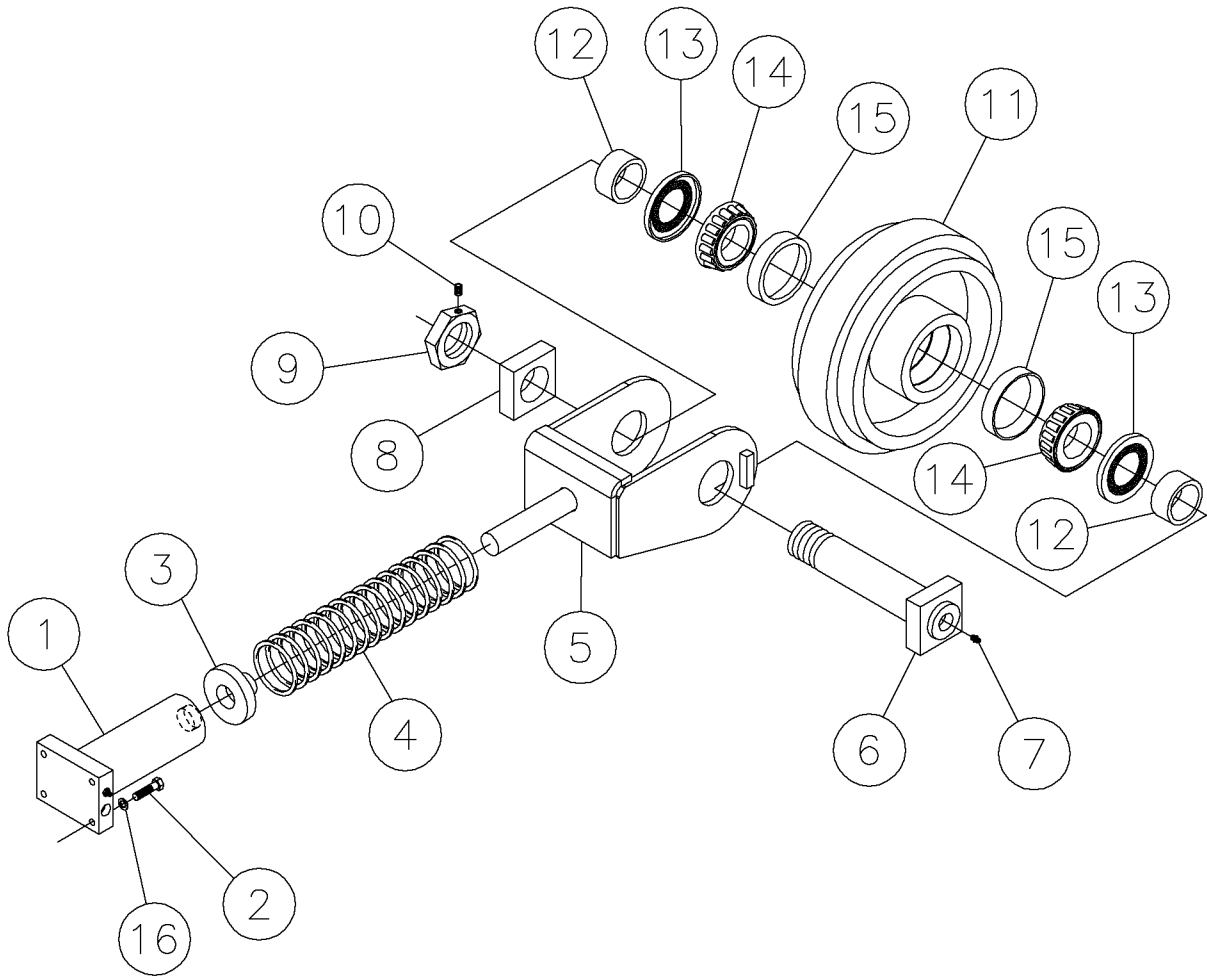




## Undercarriage/Track Assy Fig 2-2

REF. NO.	*	PART NO.	DESCRIPTION	QTY.	REMARKS
1		296275287	FRAME - UNDERCARRIAGE	1	
2		603946001	WASHER M16	28	
3		251100001	BOLT-M16X2.0X30 GR10.9 HEX YZN	16	
4		251102001	TRACK - 36 SECTION RUBBER	2	
		230841001	RUBBER TRACK-25MMX400M CHAIN	36	
		230840005	PIN-MASTER	1	
		230840007	PIN-TRACK	35	
5		251103001	TRACK - 36 SECTION STEEL	2	
		230840003	SECTION-TRACK (STEEL)	36	
		230840005	PIN-MASTER	1	
		230840007	PIN-TRACK	35	
6		296280079	BAR - LOWER TRACK WEAR	2	
7		251099001	ROLLER - LOWER TRACK	14	
8		285777001	BAR - UPPER TRACK WEAR	2	
9		278773001	SEAL - EDGE 3/8" STYLE	A/R	P/N Qty. Of 1 = 1 Foot
10		235713001	WASHER - FLATSTRL - .38 - .41 X .81 - .06-YA-A325	14	
11		235727001	BOLT-3/8-16X1 GR8 HEX ZINC PLT	10	
12		296279758	COVER - REINFORCED TRACK RAIL	2	
13		235726001	BOLT-3/8-16X3/4 GR8 HEX ZNCPLT	8	
14		70001834	DECAL - TIE DOWN POINT	4	
15		296275353	ROCK GUARD	2	
16		244456001	BAR - LOWER TRACK WEAR	2	
17		244455001	BAR -UPPER TRACK WEAR	2	
18		598001	FITTING-1/4" NF ST GREASE ZERK	1	
19		508478050	SCREW-HCS,M16-2.00X50,10.9,YZ,ISO4017,FT	12	
20		235737001	BOLT-1/2-13X1 1/4 GR8 ZINC PLT	1	
21		485025	WASHER-1/2 FLAT-HARDENED-YZ	1	
22		296280080	SHAFT - FUEL TANK MOUNT CAP	1	

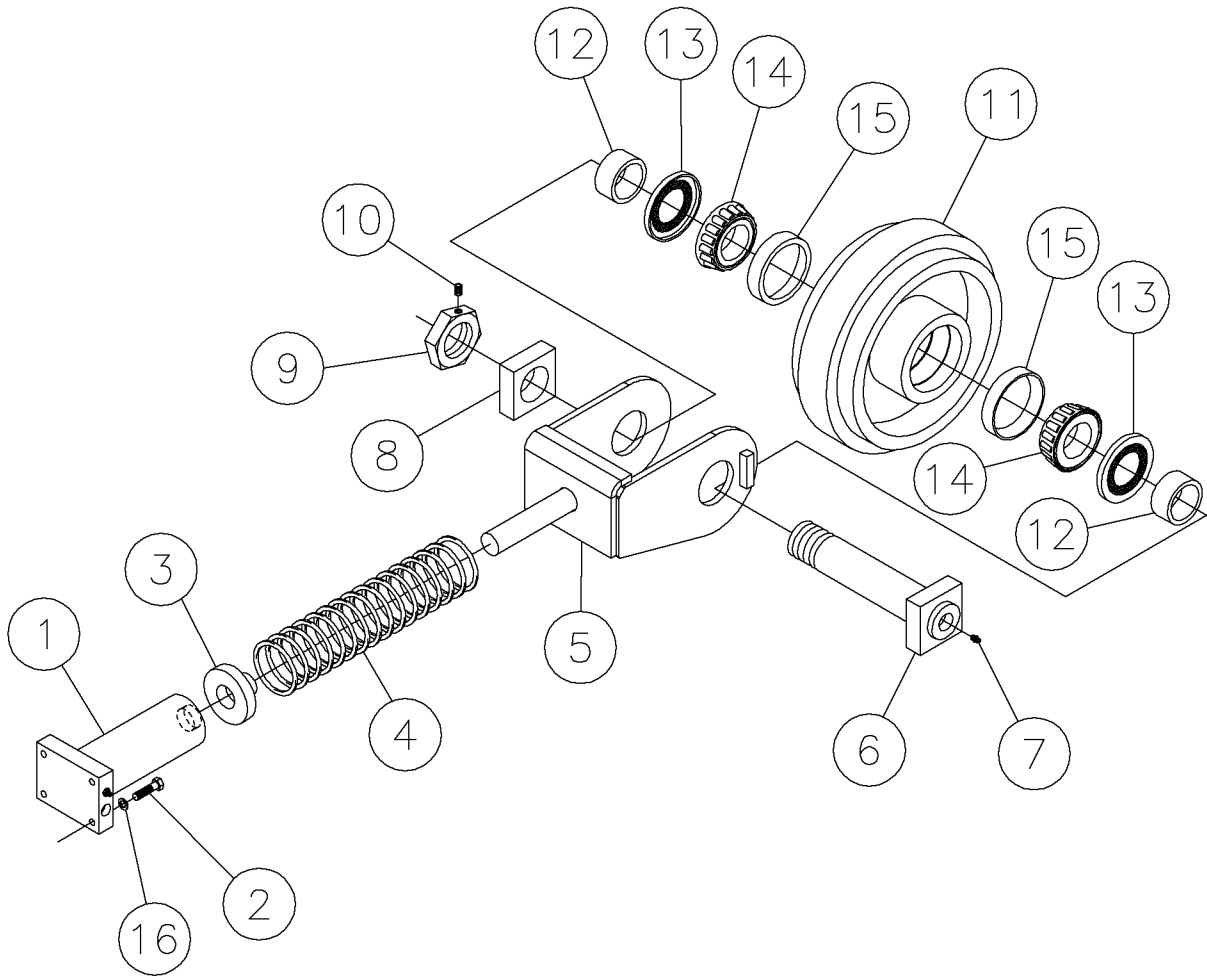
Track Tightener Fig 2-3r01



## Track Tightener Fig 2-3r01

REF NO.	*	PART NO.	DESCRIPTION	QTY.	REMARKS
		Revision Date	March, 2006		Update In Illustration & Parts List.
1		296275159	CYLINDER - 2.50 X 4.50 GREASE	2	
		296275160	CHECK VALVE - CYLINDER	1	Not Shown
2		235723001	SCREW - HCS -.38 - 16 X 1.50 - GR8 - YZ	4	
3		251432001	CAP-ROD	2	
4		251101001	SPRING-3.0 OD X25/32W X 13 1/2	2	
5		294562001	BRACKET - TRACK END ROLLER	2	
6		251129003	PIN-ASSEMBLY-FRONT IDLER	2	Inc. Ref. No. 7
7		586001	ZERK-1/8" ST NPT GREASE	2	
8		251423001	BLOCK-IDLER ROLLER BOLT	2	
9		251131003	NUT ASSEMBLY-FRONT IDLER	2	Inc. Ref. No. 10
10		530001	SSS-3/8-16X1/2	2	
11		251203003	ROLLER ASSEMBLY-FRONT TRACK	2	Inc. Ref. No. 15
12		280532001	SPACER-IDLER ROLLER	4	
13		3967001	SEAL -#25091 C/R	4	
14		1716011	TIMKEN CONE 2" #3775	4	
15		1715011	TIMKEN CUP 2" #3730	4	
16		235713001	WASHER - FLATSTRL - .38 - .41 X .81 - .06-YA-A325	4	

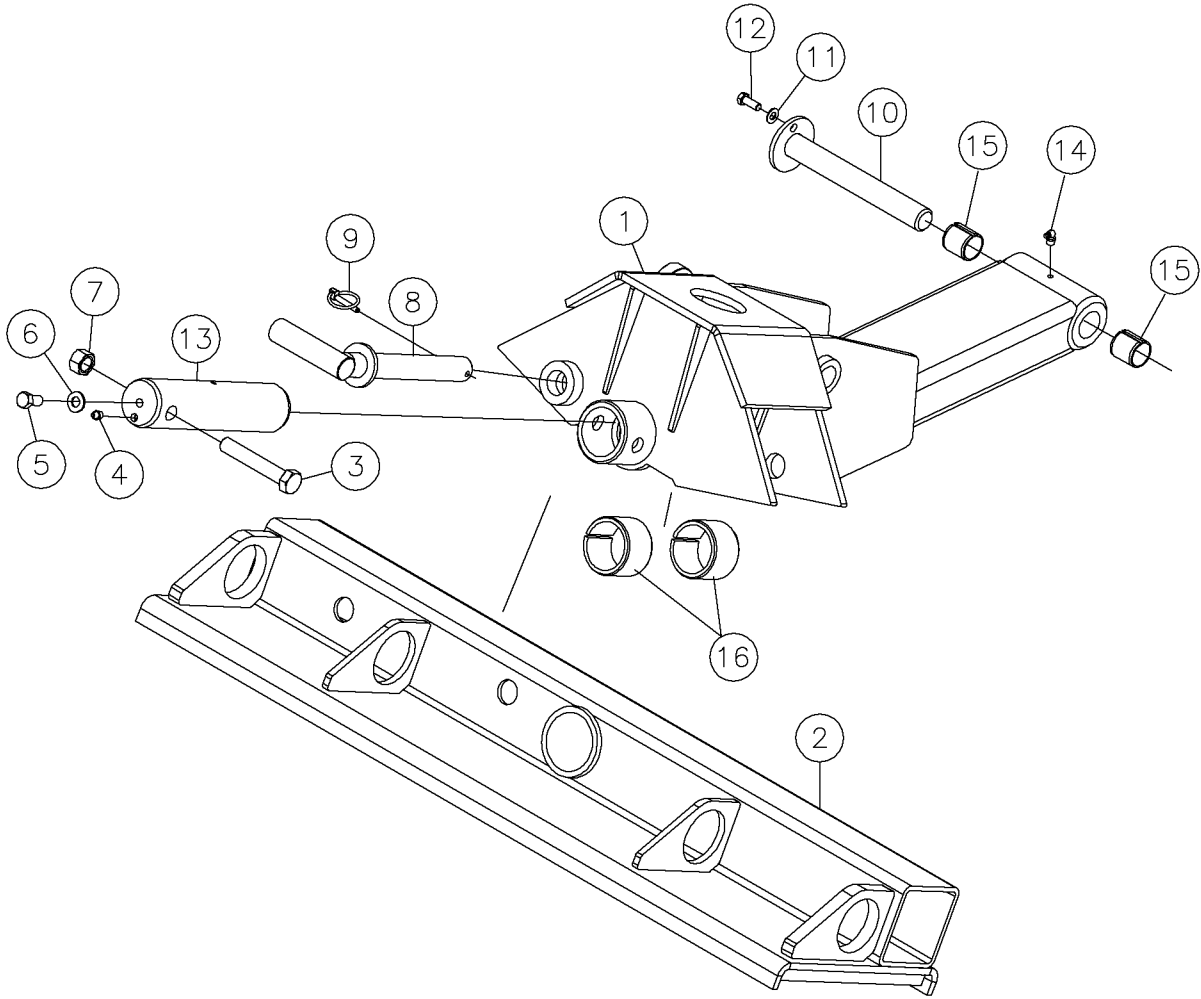
Track Tightener Assy Fig 2-3



## Track Tightener Assy Fig 2-3

REF. NO.	*	PART NO.	DESCRIPTION	QTY.	REMARKS
1		251097001	CYLINDER - 2.50 X 4.50 GREASE	2	
2		235723001	SCREW - HCS -.38 - 16 X 1.50 - GR8 - YZ	4	
3		251432001	CAP-ROD	2	
4		251101001	SPRING-3.0 OD X25/32W X 13 1/2	2	
5		294562001	BRACKET - TRACK END ROLLER	2	
6		251129003	PIN-ASSEMBLY-FRONT IDLER	2	Inc. Ref. No. 7
7		586001	ZERK-1/8" ST NPT GREASE	2	
8		251423001	BLOCK-IDLER ROLLER BOLT	2	
9		251131003	NUT ASSEMBLY-FRONT IDLER	2	Inc. Ref. No. 10
10		530001	SSS-3/8-16X1/2	2	
11		251203003	ROLLER ASSEMBLY-FRONT TRACK	2	Inc. Ref. No. 15
12		280532001	SPACER-IDLER ROLLER	4	
13		3967001	SEAL -#25091 C/R	4	
14		1716011	TIMKEN CONE 2" #3775	4	
15		1715011	TIMKEN CUP 2" #3730	4	
16		235713001	WASHER - FLATSTRL - .38 - .41 X .81 - .06-YA-A325	4	

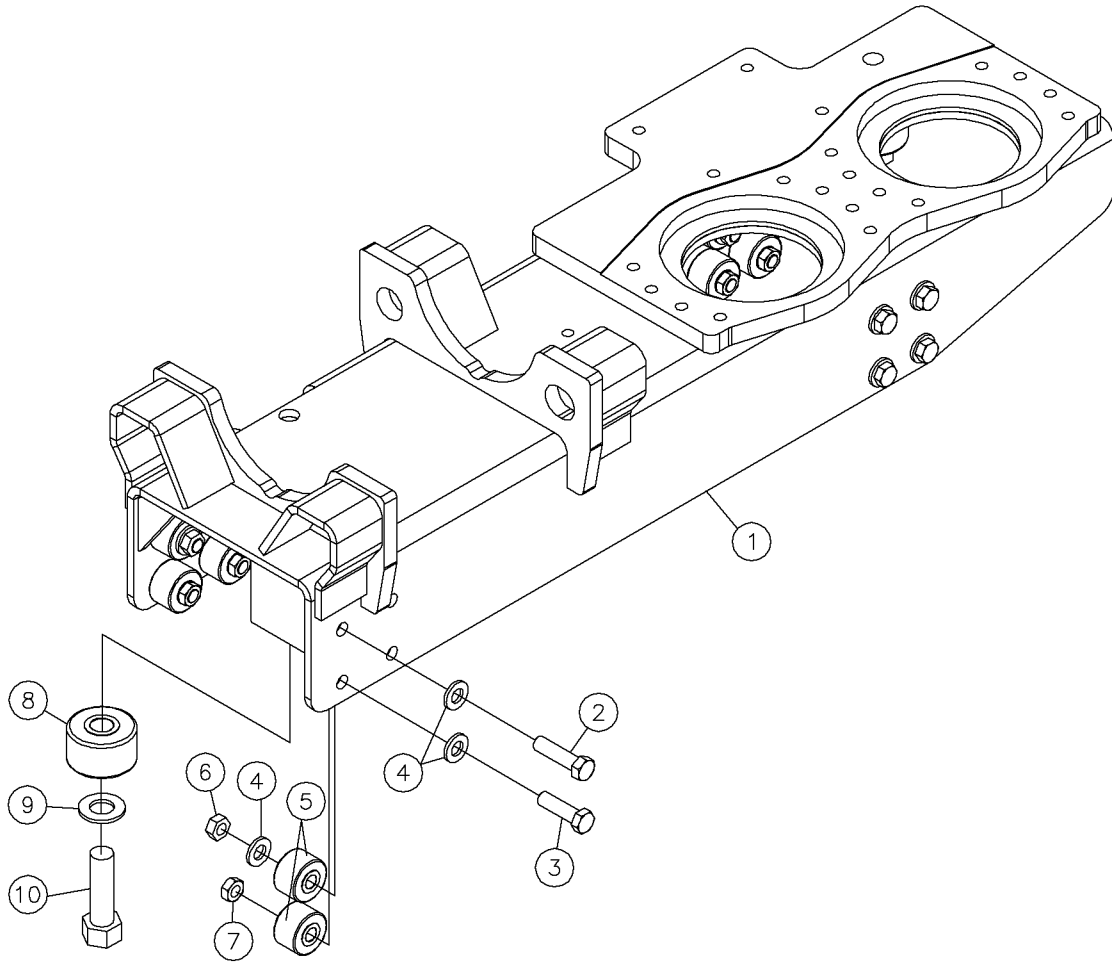
Outrigger Assy Fig 2-4



## Outrigger Assy Fig 2-4

REF. NO.	*	PART NO.	DESCRIPTION	QTY.	REMARKS
1		296275429	SUB - ARM OUTRIGGER	1	
2		296275423	PAD - OUTRIGGER	1	
3		235738001	BOLT-3/4-10X4 1/2 GR8 ZNC PLT	1	
4		586001	ZERK-1/8" ST NPT GREASE	1	
5		235729001	SCREW-HCS-.50-13X1.00-GR8-YZ	1	
6		485025	WASHER-1/2 FLAT-HARDENED-YZ	1	
7		235739001	NUT-3/4-10 GR8 ZINC PLTD	1	
8		296275446	ASSEMBLY - OUTRIGGER PIN	1	
9		1797003	PIN-QUICK ATTACHMENT LATCH 1/4"-XCX 6M DIA"	1	
10		230858001	PIN-OUTRIGGER	1	
11		235713001	WASHER - FLATSTRL - .38 - .41 X .81 - .06-YA-A325	1	
12		235727001	BOLT-3/8-16X1 GR8 HEX ZINC PLT	1	
13		235849001	PIN-PIVOT 125@26184	1	
14		590001	ZERK-1/8" NPT 90 DEG GREASE	1	
15		1835027	BSHG.-STL.-1 1/2X1 1/4X1 1/2	2	
16		1835099	BSHG-STL.3 X 2 1/2-2 1/2	2	

Thrust Carriage Frame Assy Fig 2-5

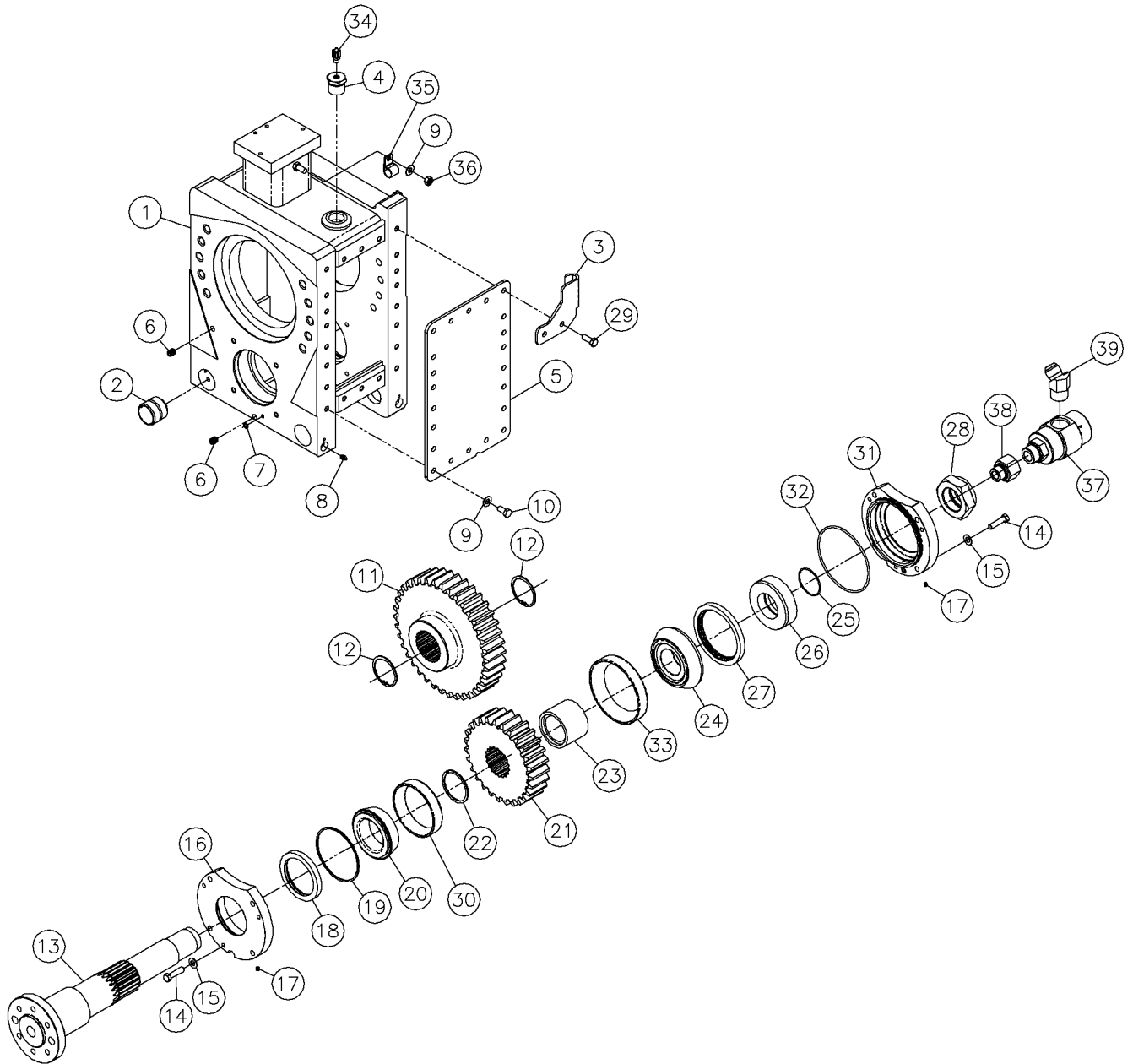




## Thrust Carriage Frame Assy Fig 2-5

REF. NO.	*	PART NO.	DESCRIPTION	QTY.	REMARKS
1		296264239	PLATE - CARRIAGE	1	
2		280647001	BOLT-5/8-11 X 2-1/2 GR 8 Y/ZINC PLTD.	8	
3		238245001	BOLT 5/8" - 11 X 2 1/4 Gr 8 HEX	8	
4		235715001	WASHER-5/8 SAE HARD ZINC PLTD	24	
5		278378001	BEARING - 2" ROLLER	16	
6		238221001	NUT - HEX -.63 - 11 - GR8 - YZ	8	
7		250514001	NUT -5/8NC JAM Y/ZINC	8	
8		288513001	BEARING - 3" ROLLER	2	
9		238892001	WASHER-1" HARDENED FLAT ZY	2	
10		388034	BOLT-1-UNCX3 1/2 GR.8 HEX	2	

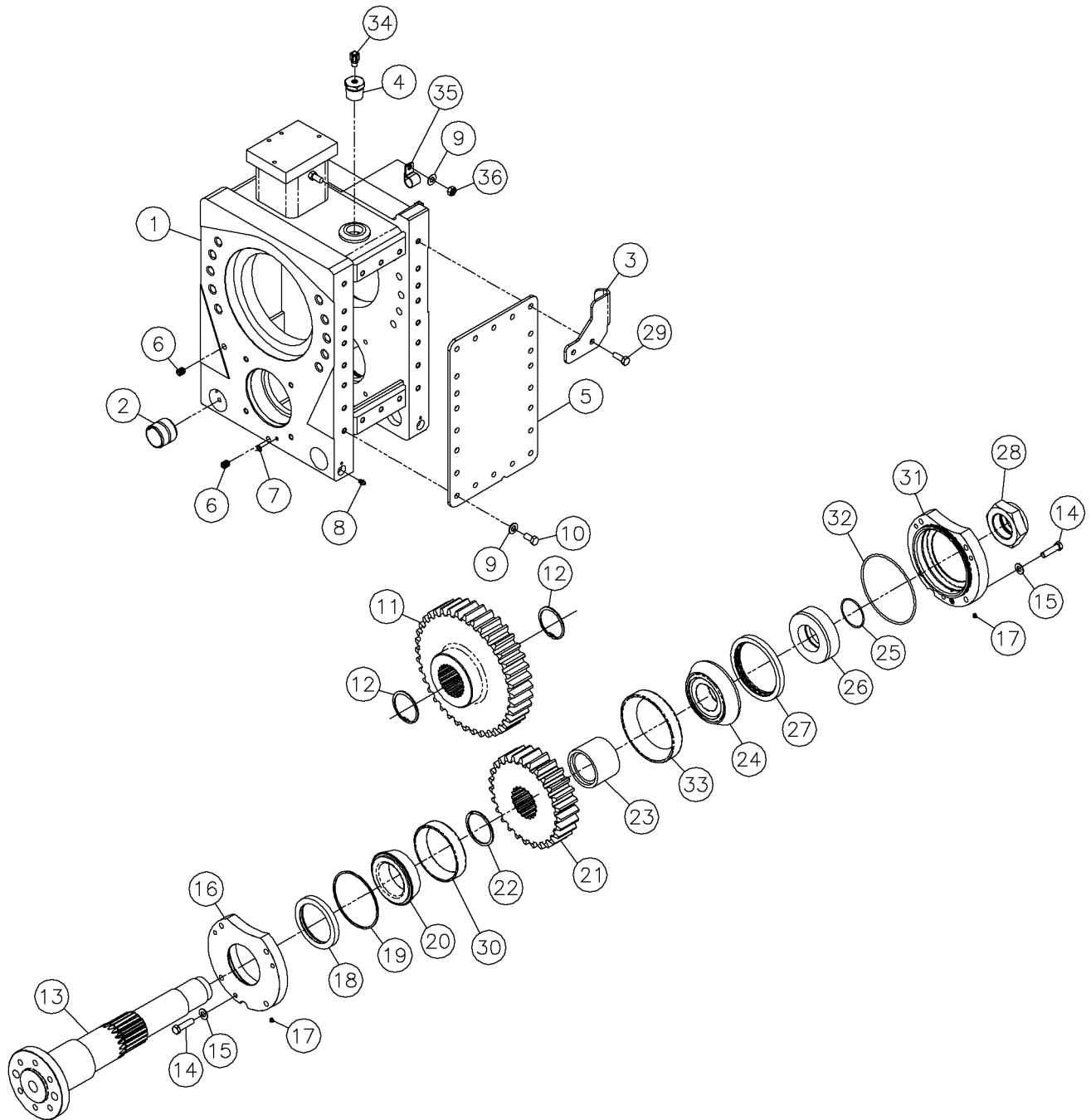
Gearbox Assy Fig 2-6r01



## Gearbox Assy Fig 2-6r01

REF. NO.	*	PART NO.	DESCRIPTION	QTY.	REMARKS
		Revision Date	May, 2006		Update In Illustration & Parts List.
1		296264224	MACHINE - ROTATION - G.B.	1	
2		296264153	BUSHING- 1.75 X 1.50 X 1.5 W/EXT GREASE	4	
3		296280122	PLATE - POSITION MARKER STOP	1	
4		296273639	FITTING - 16MNPT - 2FNPT - HEX -YZ	1	
5		296264244	COVER	1	
6		78202001	PLUG-1/4NPT SOCKET HEAD PIPE	2	
7		78185027	O-RING # 407228	2	
8		598001	FITTING-1/4" NF ST GREASE ZERK	4	
9		235713001	WASHER - FLATSTRL - .38 - .41 X .81 - .06-YA-A325	23	
10		235726001	BOLT-3/8-16X3/4 GR8 HEX ZNCPLT	22	
11		296264238	GEAR - 38T - 4 D.P.	1	
12		296273519	SNAP RING (HO-237)	2	
13		243031001	SHAFT-GEARBOX ROTATION 22@78002	1	
14		238245001	BOLT 5/8" - 11 X 2 1/4 Gr 8 HEX	14	
15		235715001	WASHER-5/8 SAE HARD ZINC PLTD	14	
16		296264246	GLAND - FRONT SEAL	1	
17		523005	SCREW-1/4-20X1/4 SOCKET HD.SET	2	
18		296273548	SEAL-3. 125"-LIP	1	
19		228181001	O-RING -#243 7OD BUNA-N	1	
20		4771061	BRG. CONE 3994	1	
21		296264247	GEAR - 27T - 4 D.P.	1	
22		224896250	SNAP RING-2 1/2" EXTERNAL	1	
23		228223001	TUBE - GEAR SPACER	1	
24		1716099	CONE-2 1/8" BRG.	1	
25		214202001	O-RING #138	1	
26		215350001	SLEEVE-SEAL	1	
27		1715085	CUP-BEARING	1	
28		278767001	NUT - 50X18-4000# SPEITH-LOCK	1	
29		235727001	BOLT-3/8-16X1 GR8 HEX ZINC PLT	2	
30		1715013	TIMKEN CUP-2 1/2" #3920 REF T06586	1	
31		296264245	GLAND - REAR - SEAL	1	
32		228180001	O-RING -#252 7OD BUNA-N	1	
33		1715085	CUP-BEARING	1	
34		599001	BREATHER VENT-1/8 NPT 131000	1	
35		2595007	HOSE CLAMP - TS7J 3/4" REF T15457	1	
36		235725001	NUT - HEX - .38 - 16 - GR8 - YZ	1	
37		296269258	SWIVEL - 16MORB WATER	1	S/N 161-
		296267178	REPAIR KIT	1	
		296267179	SEAL INSTALLATION CONE	1	
		296267180	RESIZING TOOL	1	
38		96076001	FIT.-12MX16F O-RING	1	
39		60904001	1M NPT X 16M JIC 45 DEG ELBOW	1	

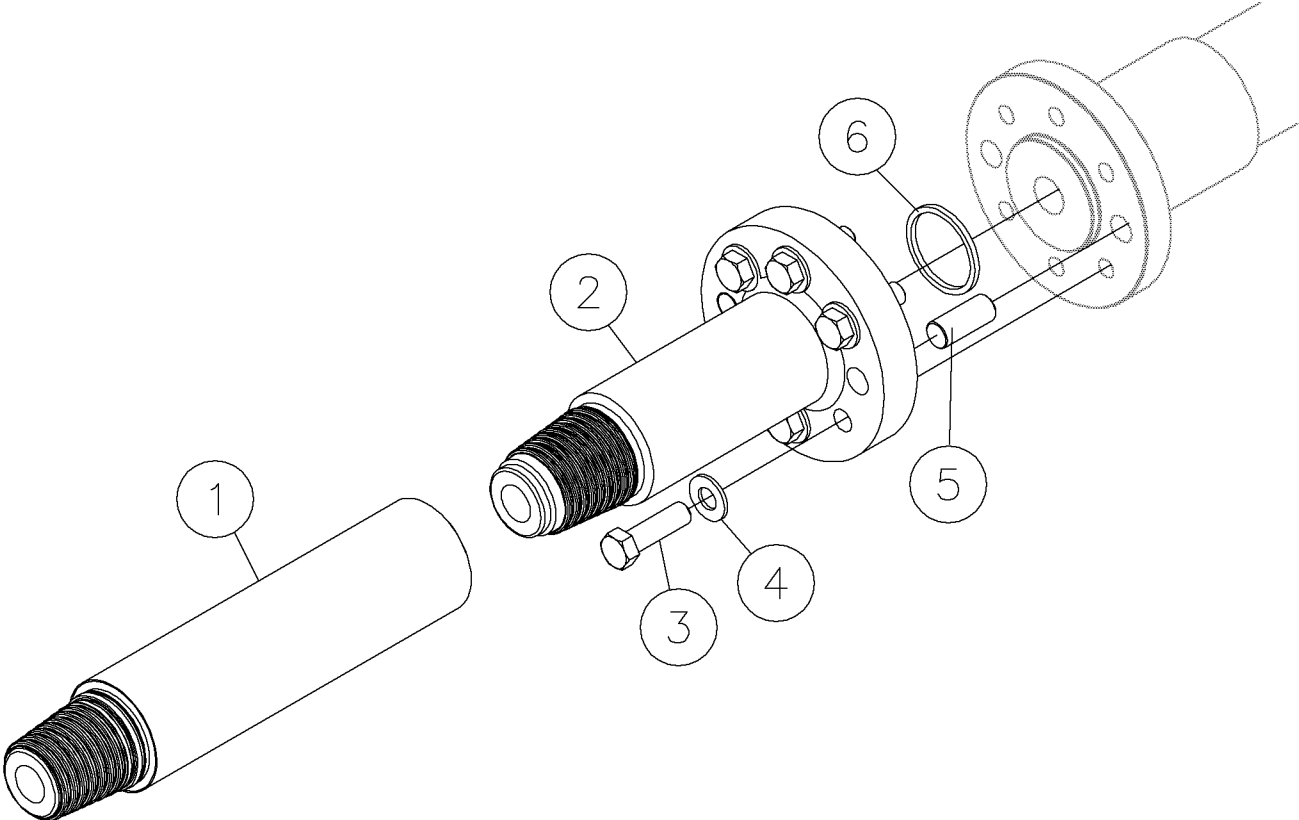
Gearbox Assy Fig 2-6



## Gearbox Assy Fig 2-6

REF. NO.	*	PART NO.	DESCRIPTION	QTY.	REMARKS
1		296264224	MACHINE - ROTATION - G.B.	1	
2		296264153	BUSHING- 1.75 X 1.50 X 1.5 W/EXT GREASE	4	
3		296280122	PLATE - POSITION MARKER STOP	1	
4		296273639	FITTING - 16MNPT - 2FNPT - HEX -YZ	1	
5		296264244	COVER	1	
6		78202001	PLUG-1/4NPT SOCKET HEAD PIPE	2	
7		78185027	O-RING # 407228	2	
8		598001	FITTING-1/4" NF ST GREASE ZERK	4	
9		235713001	WASHER - FLATSTRL - .38 - .41 X .81 - .06-YA-A325	23	
10		235726001	BOLT-3/8-16X3/4 GR8 HEX ZNCPLT	22	
11		296264238	GEAR - 38T - 4 D.P.	1	
12		296273519	SNAP RING (HO-237)	2	
13		243031001	SHAFT-GEARBOX ROTATION 22@78002	1	
14		238245001	BOLT 5/8" - 11 X 2 1/4 Gr 8 HEX	14	
15		235715001	WASHER-5/8 SAE HARD ZINC PLTD	14	
16		296264246	GLAND - FRONT SEAL	1	
17		523005	SCREW-1/4-20X1/4 SOCKET HD.SET	2	
18		296273548	SEAL-3. 125"-LIP	1	
19		228181001	O-RING -#243 7OD BUNA-N	1	
20		4771061	BRG. CONE 3994	1	
21		296264247	GEAR - 27T - 4 D.P.	1	
22		224896250	SNAP RING-2 1/2" EXTERNAL	1	
23		228223001	TUBE - GEAR SPACER	1	
24		1716099	CONE-2 1/8" BRG.	1	
25		214202001	O-RING #138	1	
26		215350001	SLEEVE-SEAL	1	
27		1715085	CUP-BEARING	1	
28		278767001	NUT - 50X18-4000# SPEITH-LOCK	1	
29		235727001	BOLT-3/8-16X1 GR8 HEX ZINC PLT	2	
30		1715013	TIMKEN CUP-2 1/2" #3920 REF T06586	1	
31		296264245	GLAND - REAR - SEAL	1	
32		228180001	O-RING -#252 7OD BUNA-N	1	
33		1715085	CUP-BEARING	1	
34		599001	BREATHER VENT-1/8 NPT 131000	1	
35		2595007	HOSE CLAMP - TS7J 3/4" REF T15457	1	
36		235725001	NUT - HEX - .38 - 16 - GR8 - YZ	1	

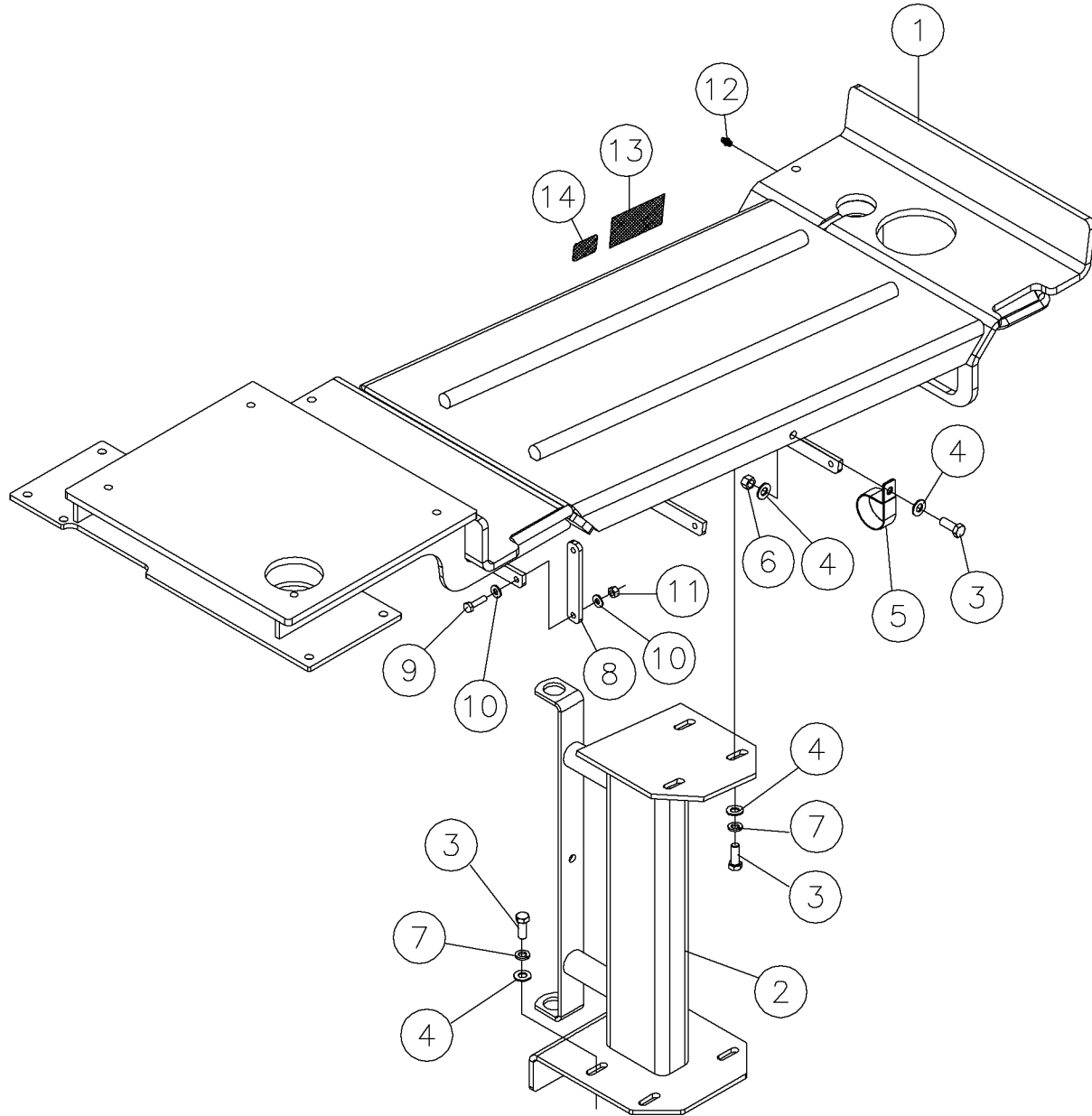
Drive Chuck Assy Fig 2-7



## Drive Chuck Assy Fig 2-7

REF. NO.	*	PART NO.	DESCRIPTION	QTY.	REMARKS
1		276323001	SUB - 2 3/8 VERMEER THREAD LONG	1	
2		230806001	DRIVE CHUCK 2 5/8 OD	1	
3		240334001	BOLT-1/2-13X1 3/4 GR8 ZINC PLT	6	
4		485025	WASHER-1/2 FLAT-HARDENED-YZ	6	
5		70096001	PIN-DOWEL 5/8DIA.-1 1/2	2	
6		72897001	O RING-SQ. #24 FLANGE	1	

Fuel Tank/Anti-Freeze Mounting Frame Assy Fig 2-8r01

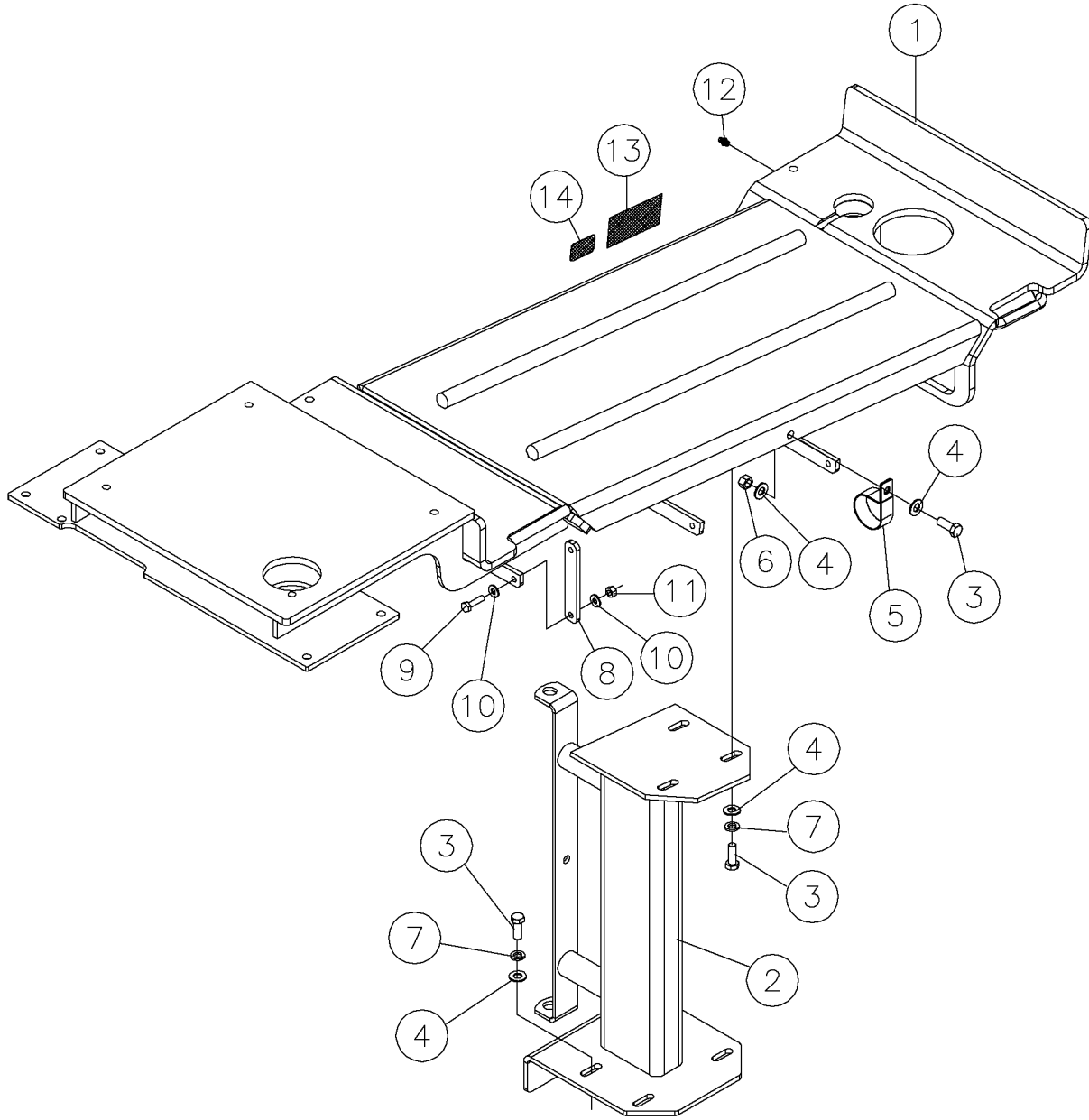




## Fuel Tank/Anti-Freeze Mounting Frame Assy Fig 2-8r01

REF. NO.	*	PART NO.	DESCRIPTION	QTY.	REMARKS
1		296275418	MOUNT FUEL TANK	1	
2		296280103	WELDMENT - FUEL TANK SUPPORT MOUNT	1	
3		235727001	BOLT-3/8-16X1 GR8 HEX ZINC PLT	8	
4		235713001	WASHER - FLATSTRL - .38 - .41 X .81 - .06-YA-A325	9	
5		204721001	HOSE CLAMP-CCV2913 1 3/4"	1	
6		235725001	NUT - HEX - .38 - 16 - GR8 - YZ	1	
7		510335707	WASHER-LOCK-.38-.39X.68-.09-YZ	7	
8		296280101	PLATE - HOSE CLAMP	3	
9		235735001	BOLT-1/4-20X1 GR8 HEX ZNC PLTD	6	
10		510337603	WASHER-FLATSTD-.25-.31X.75-.07-YZ	12	
11		248198001	NUT-1/4 - 20 GR8 TOP LOCK ZINC	6	
12		598001	FITTING-1/4" NF ST GREASE ZERK	1	
13		2326324	DECAL-WARNING/REFUEL	1	Domestic
		23261324	DECAL - WARNING EXPLOSION	1	International
14		70000098	DECAL-DIESEL (AT/UND)	1	Domestic
		70001098	DECAL-DIESEL FUEL	1	International

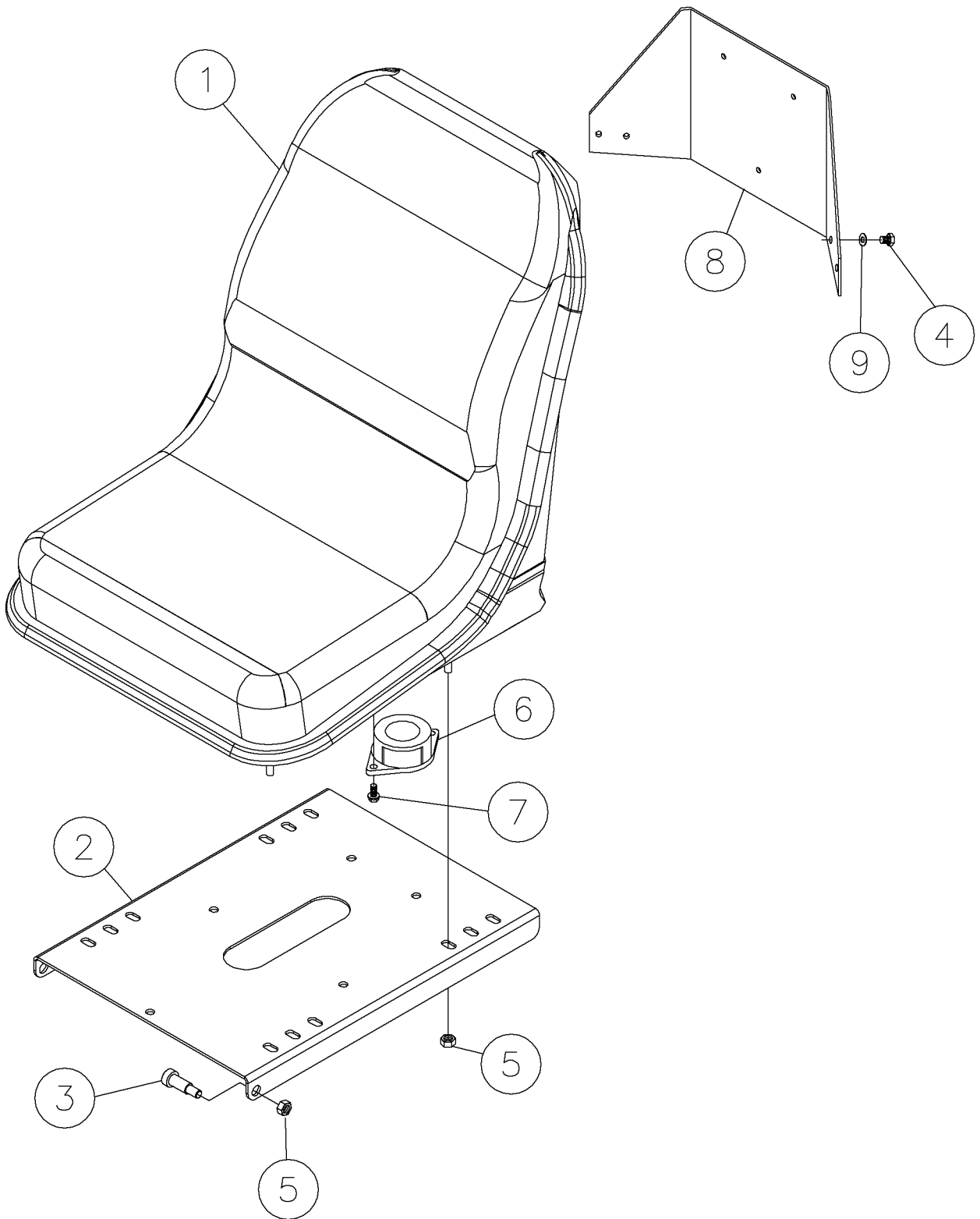
Fuel Tank/Anti-Freeze Mounting Frame Assy Fig 2-8



## Fuel Tank/Anti-Freeze Mounting Frame Assy Fig 2-8

REF. NO.	*	PART NO.	DESCRIPTION	QTY.	REMARKS
1		296275418	MOUNT FUEL TANK	1	
2		296280103	WELDMENT - FUEL TANK SUPPORT MOUNT	1	
3		235727001	BOLT-3/8-16X1 GR8 HEX ZINC PLT	8	
4		235713001	WASHER - FLATSTRL - .38 - .41 X .81 - .06-YA-A325	9	
5		204721001	HOSE CLAMP-CCV2913 1 3/4"	1	
6		235725001	NUT - HEX - .38 - 16 - GR8 - YZ	1	
7		510335707	WASHER-LOCK-.38-.39X.68-.09-YZ	7	
8		296280101	PLATE - HOSE CLAMP	3	
9		235735001	BOLT-1/4-20X1 GR8 HEX ZNC PLTD	6	
10		510337603	WASHER-FLATSTD-.25-.31X.75-.07-YZ	12	
11		248198001	NUT-1/4 - 20 GR8 TOP LOCK ZINC	6	
12		598001	FITTING-1/4" NF ST GREASE ZERK	1	
13		2326324	DECAL-WARNING/REFUEL	1	Domestic
		23261324	DECAL - WARNING EXPLOSION	1	International
14		70000098	DECAL-DIESEL (AT/UND)	1	Domestic
		70001098	DECAL-DIESEL FUEL	1	International

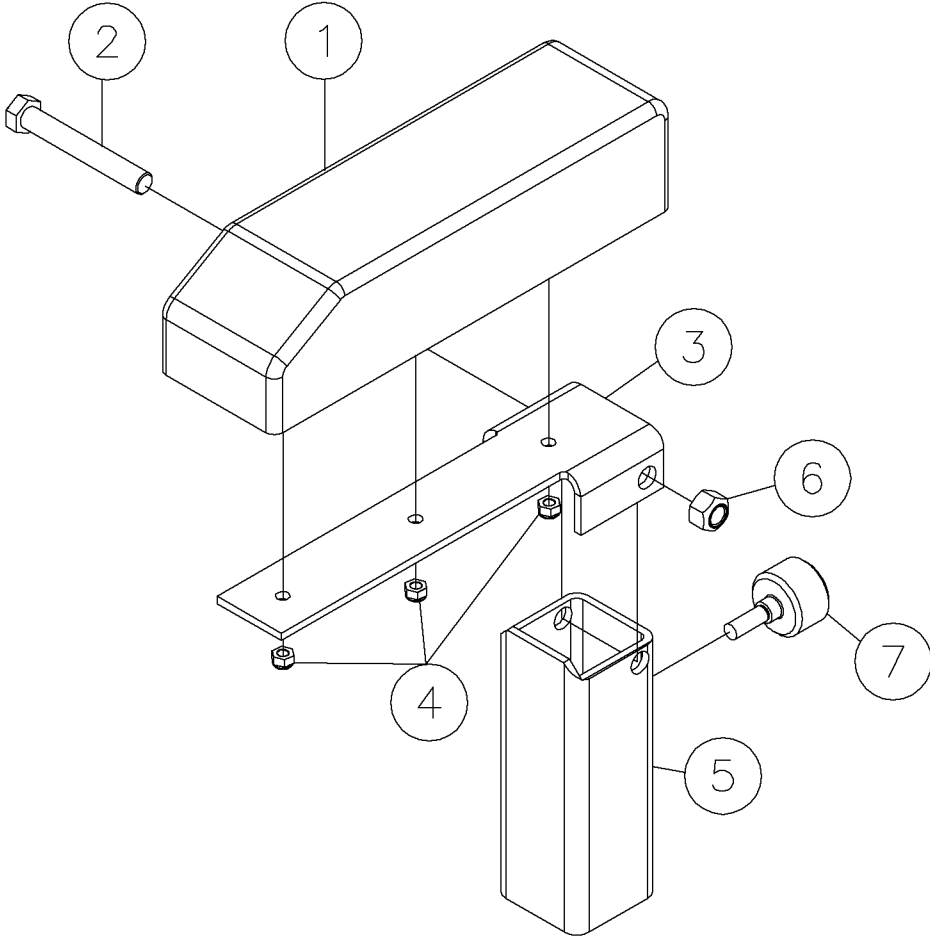
Seat Assy Fig 2-9



## Seat Assy Fig 2-9

REF. NO.	*	PART NO.	DESCRIPTION	QTY.	REMARKS
1		296274289	SEAT - MILSCO XR210 GRAY	1	
2		296274174	PLATE-SEAT MOUNT	1	
3		129671001	SCREW-1/2X1 SOCKET SHOULDER	2	
4		235740001	BOLT-5/16-18X1/2 GR8 ZINC PLT	4	
5		235725001	NUT - HEX - .38 - 16 - GR8 - YZ	5	
6		279361003	SWITCH - SAFETY (SEALED)	1	
7		240419001	BOLT-1/4-20X3/4 BUTTON HEAD	2	
8		235683001	MOUNT-MANUAL BOX	1	
9		235714001	WASHER - FLATSTRL - .31 - .34 X .69 - .06-YZ-A325	8	

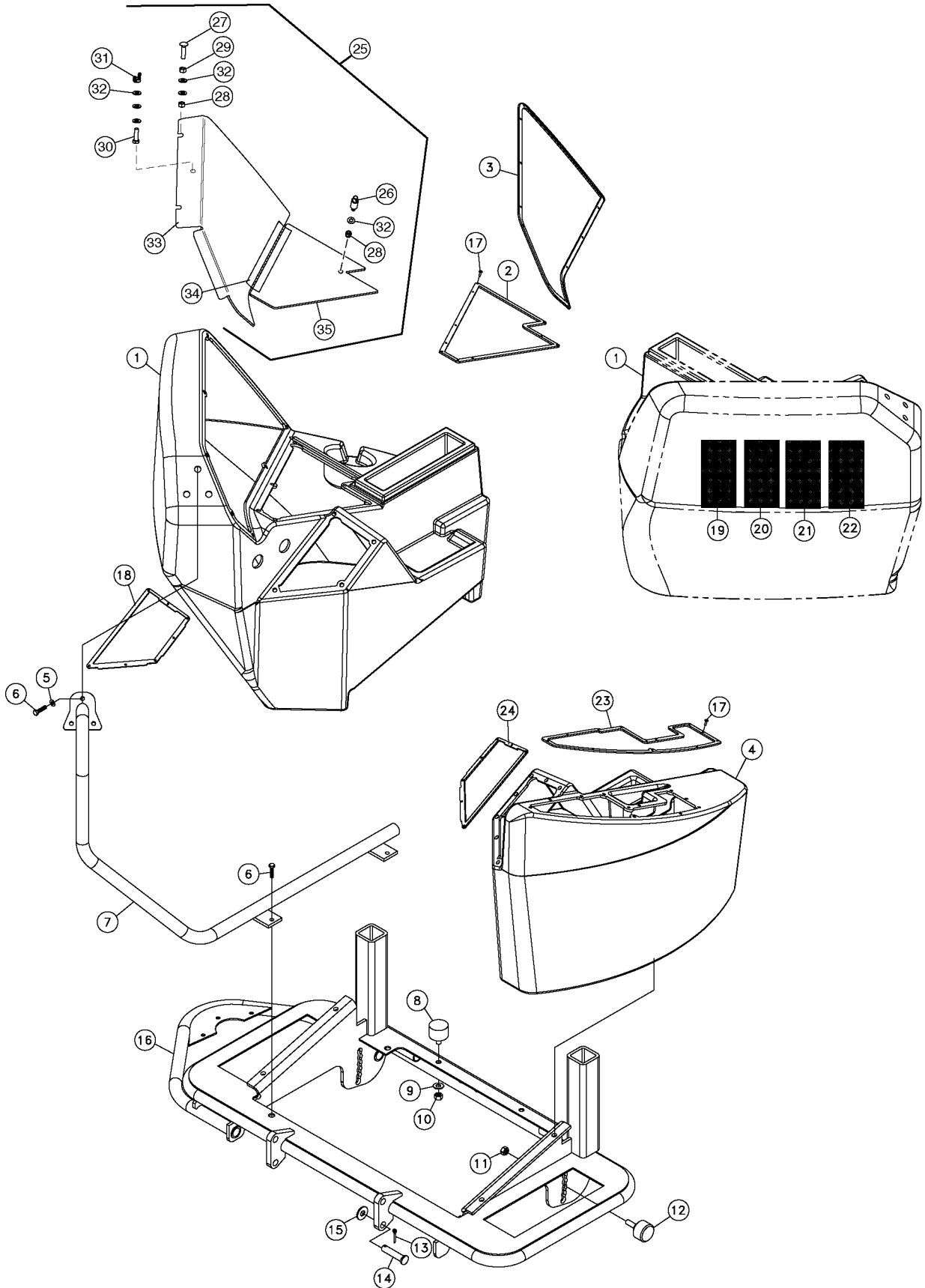
Arm Rest Assy Fig 2-10



## Arm Rest Assy Fig 2-10

REF. NO.	*	PART NO.	DESCRIPTION	QTY.	REMARKS
1		296274120	ARM REST - VINYL	2	
2		358034	BOLT 1/2-13X3 1/2"GRADE#5 HEX	2	
3		296274122	ARM - REST HINGE PLATE	2	
4		103201001	NUT-1/4-20NC NYLON INSERT LOCK	6	
5		296274121	ARM - REST SUPPORT UPPER	2	
6		423001	NUT-1/2 NC SLTL UTB	2	
7		296274127	HANDLE - SEAT ADJUSTMENT	2	

Control Console Fig 2-11r02

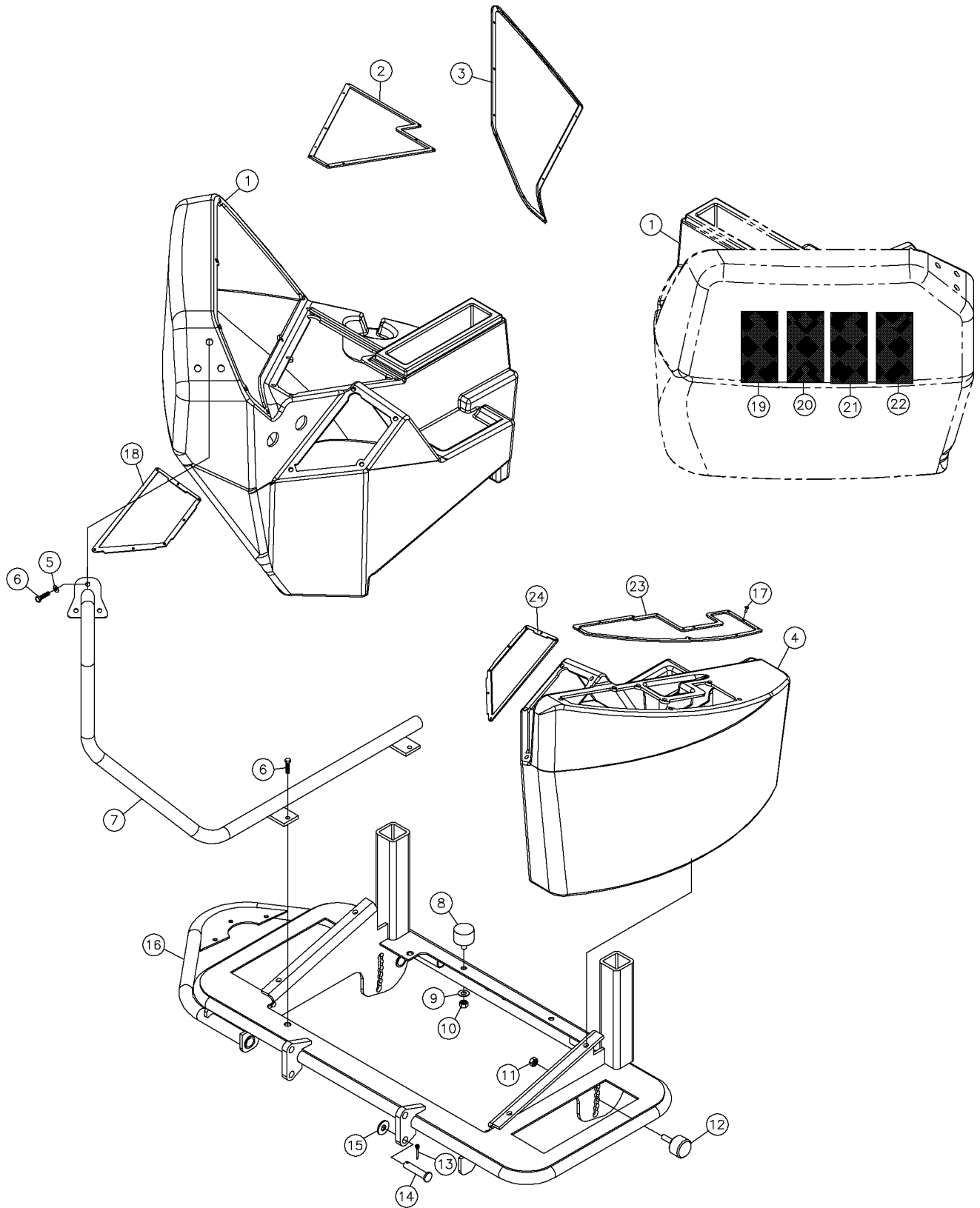




## Control Console Fig 2-11r02

REF NO.	*	PART NO.	DESCRIPTION	QTY.	REMARKS
		Revision Date	March, 2006		Update In Illustration & Parts List.
1		296274251	CONSOLE - OPERATOR RH	1	
2		296274188	BACKING - PLATE RIGHT HAND LOWER	1	
3		296274187	PLATE - BACKING GAUGE RIGHT UPPER	1	
4		296274252	CONSOLE - OPERATOR LH	1	
5		485003	WASHER-1/4 FLAT	3	
6		350010	1/4-20 X 1" GRADE #5 HEX BOLT	5	
7		296274172	WELD - HAND RAIL	1	
8		122474001	MOUNT-SANDWICH SINGLE STUD	2	
9		235713001	WASHER - FLATSTRL - .38 - .41 X .81 - .06-YA-A325	2	
10		235725001	NUT - HEX - .38 - 16 - GR8 - YZ	2	
11		416001	NUT-3/8 NC SLTL	2	
12		296274127	HANDLE - SEAT ADJUSTMENT	2	
13		510009	COTTER PIN-1/8" X 1"	2	
14		289662001	PIN - CLEVIS 1/2" X 2 1/4"	2	
15		485011	WASHER-1/2 FLAT	2	
16		296274141	FRAME-SEAT WELDMENT STANDARD OPER.CONSOLE	1	
17		296280370	POP RIVET-SS44D	19	
18		296274182	BACKING - PLATE - JOYSTICK	1	
19		7000A393	DECAL - DANGER	1	Domestic
		700IA393	DECAL - DANGER	1	International
20		7000A394	DECAL - WARNING	1	Domestic
		700IA394	DECAL - WARNING	1	International
21		7000A627	DECAL-DANGER	1	Domestic
		700IA627	DECAL-DANGER	1	International
22		7000B811	DECAL - DANGER - RLE - DOMESTIC	1	Domestic
		700IB811	DECAL - DANGER - RLE INTERNATIONAL	1	International
23		296274190	PLATE - BACKING LEFT HAND	1	
24		296274182	BACKING - PLATE - JOYSTICK	1	
25		296280402	ASSEMBLY-VANDAL SHIELD-CONSOLE	1	Includes 26 to 35
26		296280401	STUD-3/8-16 UNC BOLT	1	
27		510308114	BOLT-CARG-.38-16X1.50-GR5-YZ	2	
28		250508001	NUT - 3/8-NC Gr8 TOP LOCK Y/ZINC	3	
29		235725001	NUT - HEX - .38 - 16 - GR8 - YZ	3	
30		235736001	BOLT-3/8-16X1 1/4 ZINC PLTD	1	
31		20115001	NUT-WING-.38-16-GR2-CZ	1	
32		235713001	WASHER - FLATSTRL - .38 - .41 X .81 - .06-YA-A325	7	
33		296280400	PLATE-UPPER-VANDAL SHIELD-CONSOLE	1	
34		296280407	HINGE-17"-VANDAL SHIELD-CONSOLE	1	
35		296280405	PLATE-LOWER-VANDAL SHIELD-CONSOLE	1	

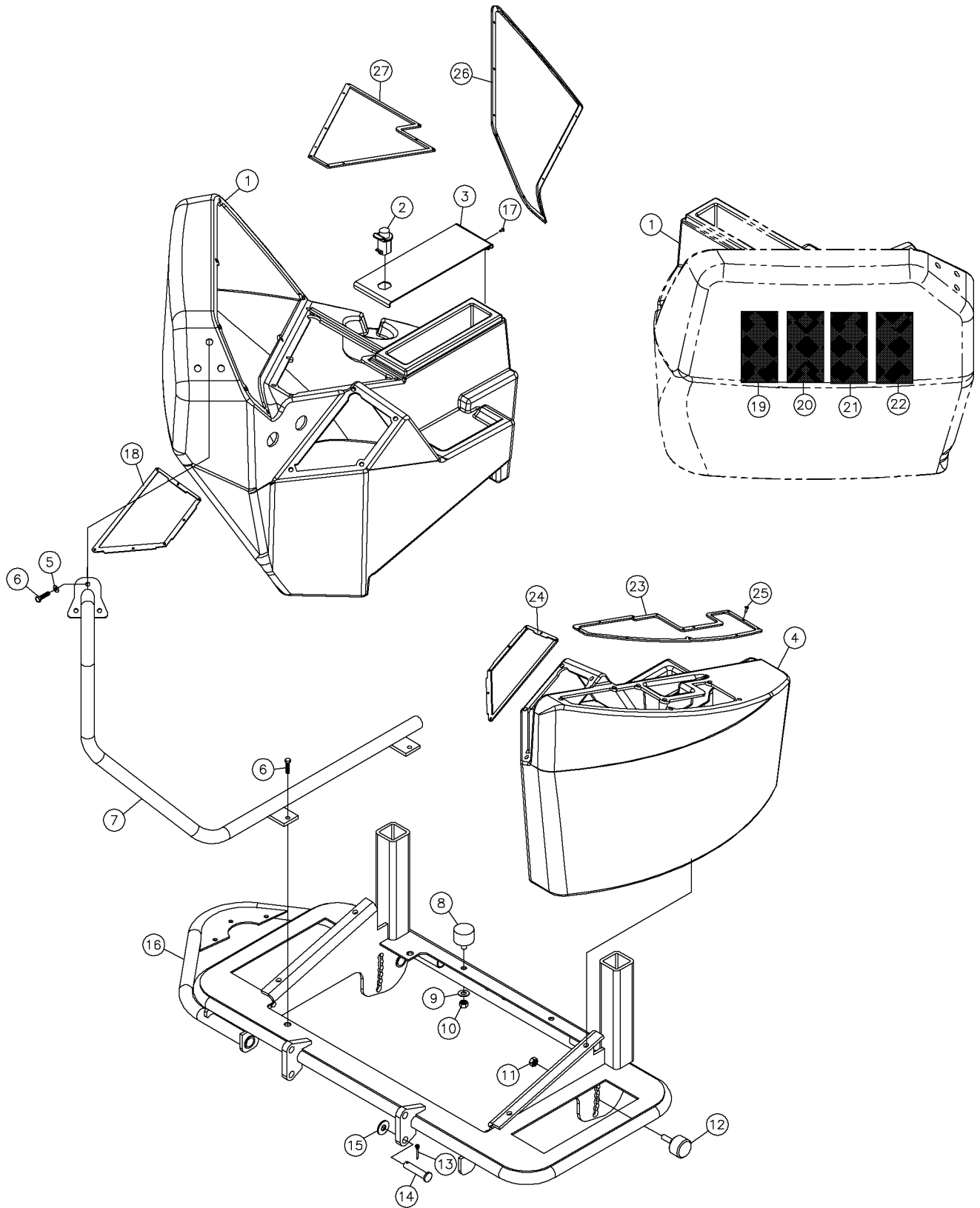
Control Console Assy Fig 2-11r01



## Control Console Assy Fig 2-11r01

REF. NO.	*	PART NO.	DESCRIPTION	QTY.	REMARKS
		Revision Date	April, 2005		Update In Illustration & Parts List.
1		296274251	CONSOLE - OPERATOR RH	1	
2		296274188	BACKING - PLATE RIGHT HAND LOWER	1	
3		296274187	PLATE - BACKING GAUGE RIGHT UPPER	1	
4		296274252	CONSOLE - OPERATOR LH	1	
5		485003	WASHER-1/4 FLAT	3	
6		350010	1/4-20 X 1" GRADE #5 HEX BOLT	5	
7		296274172	WELD - HAND RAIL	1	
8		122474001	MOUNT-SANDWICH SINGLE STUD	2	
9		235713001	WASHER - FLATSTRL - .38 - .41 X .81 - .06-YA-A325	2	
10		235725001	NUT - HEX - .38 - 16 - GR8 - YZ	2	
11		416001	NUT-3/8 NC SLTL	2	
12		296274127	HANDLE - SEAT ADJUSTMENT	2	
13		510009	COTTER PIN-1/8" X 1"	2	
14		289662001	PIN - CLEVIS 1/2" X 2 1/4"	2	
15		485011	WASHER-1/2 FLAT	2	
16		296274141	FRAME-SEAT WELDMENT STANDARD OPER.CONSOLE	1	
17		547001	POP RIVET-SS44D	2	
18		296274182	BACKING - PLATE - JOYSTICK	1	
19		7000A393	DECAL - DANGER	1	
		700IA393	DECAL - DANGER	1	
20		7000A394	DECAL - WARNING	1	
		700IA394	DECAL - WARNING	1	
21		7000A627	DECAL-DANGER	1	
		700IA627	DECAL-DANGER	1	
22		7000B811	DECAL - DANGER - RLE - DOMESTIC	1	
		700IB811	DECAL - DANGER - RLE INTERNATIONAL	1	
23		296274190	PLATE - BACKING LEFT HAND	1	
24		296274182	BACKING - PLATE - JOYSTICK	1	

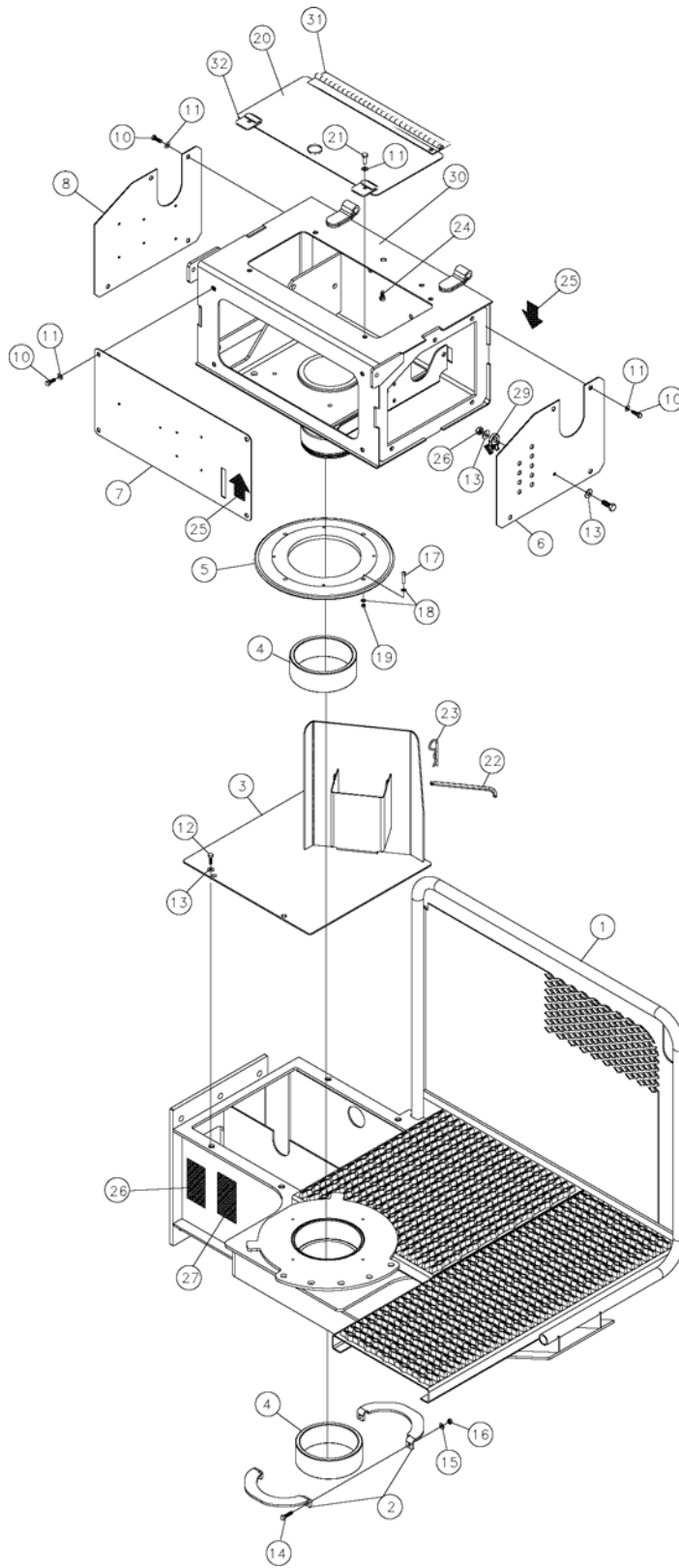
Control Console Assy Fig 2-11



## Control Console Assy Fig 2-11

REF. NO.	*	PART NO.	DESCRIPTION	QTY.	REMARKS
1		296274251	CONSOLE - OPERATOR RH	1	
2		296274113	LATCH - LID CONSOLE/OPERATOR STATION	1	
3		296274117	WELDMENT - CONSOLE LID	1	
4		296274252	CONSOLE - OPERATOR LH	1	
5		485003	WASHER-1/4 FLAT	3	
6		350010	1/4-20 X 1" GRADE #5 HEX BOLT	5	
7		296274172	WELD - HAND RAIL	1	
8		122474001	MOUNT-SANDWICH SINGLE STUD	2	
9		235713001	WASHER - FLATSTRL - .38 - .41 X .81 - .06-YA-A325	2	
10		235725001	NUT - HEX - .38 - 16 - GR8 - YZ	2	
11		416001	NUT-3/8 NC SLTL	2	
12		296274127	HANDLE - SEAT ADJUSTMENT	2	
13		510009	COTTER PIN-1/8" X 1"	2	
14		289662001	PIN - CLEVIS 1/2" X 2 1/4"	2	
15		485011	WASHER-1/2 FLAT	2	
16		296274141	FRAME-SEAT WELDMENT STANDARD OPER.CONSOLE	1	
17		510357010	SCREW-MCH-10-24X.75-GR2-YZ-HWH-SLOTTED	2	
18		296274182	BACKING - PLATE - JOYSTICK	1	
19		7000A393	DECAL - DANGER	1	
		700IA393	DECAL - DANGER	1	
20		7000A394	DECAL - WARNING	1	
		700IA394	DECAL - WARNING	1	
21		7000A627	DECAL-DANGER	1	
		700IA627	DECAL-DANGER	1	
22		7000B811	DECAL - DANGER - RLE - DOMESTIC	1	
		700IB811	DECAL - DANGER - RLE INTERNATIONAL	1	
23		296274190	PLATE - BACKING LEFT HAND	1	
24		296274182	BACKING - PLATE - JOYSTICK	1	
25		547001	POP RIVET-SS44D	19	
26		296274187	PLATE - BACKING GAUGE RIGHT UPPER	1	
27		296274188	BACKING - PLATE RIGHT HAND LOWER	1	

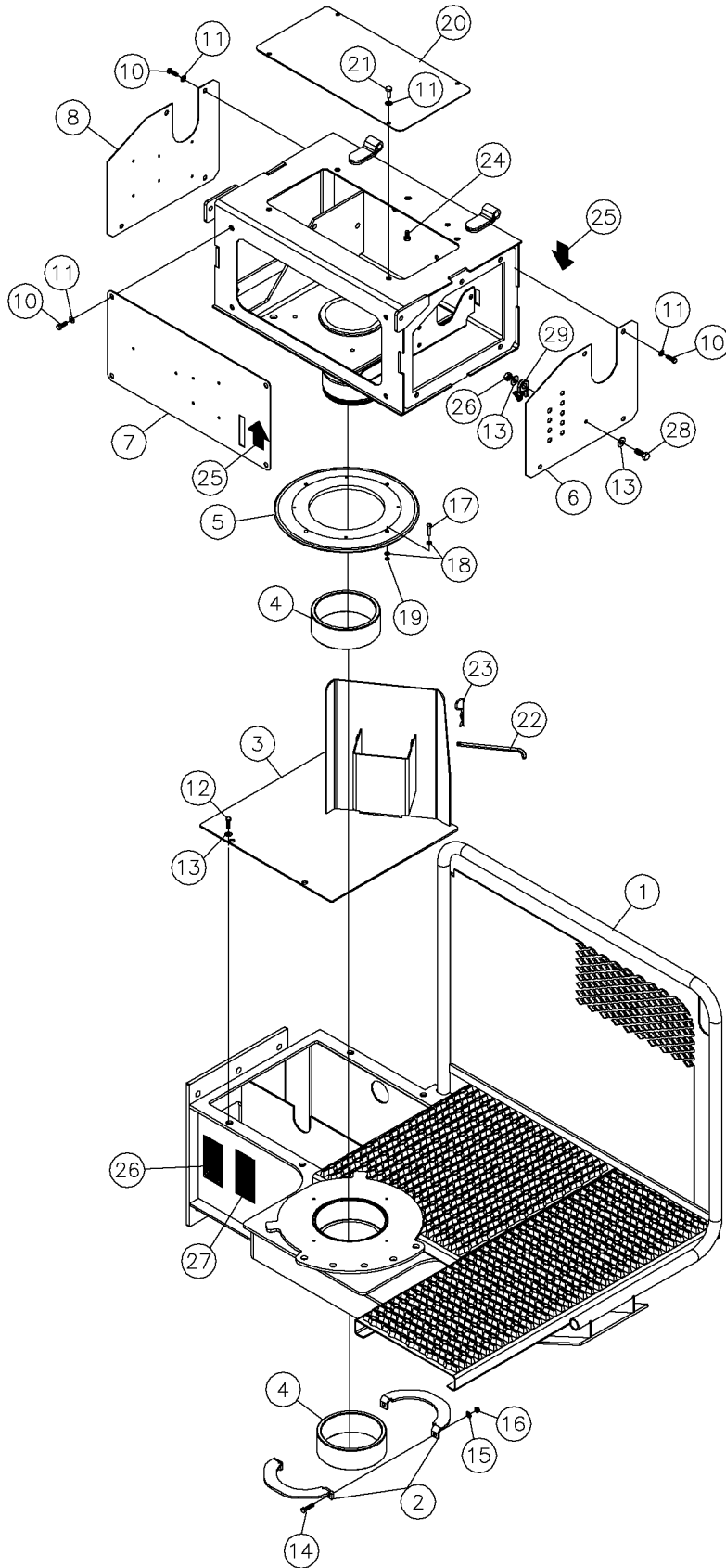
Operation Platform Fig 2-12r03



## Operation Platform Fig 2-12r03

REF NO.	*	PART NO.	DESCRIPTION	QTY.	REMARKS
		Revision Date	March, 2006		Update In Illustration & Parts List.
1		296274106	OPERATOR PLATFORM WELDMENT-D24X40 II	1	
2		296274303	CLAMP - SHAFT CLAMP CONSOLE LOWER BASE	2	
3		296280433	PLATE - BATTERY COVER	1	
4		296274302	BUSHING - PIVOT	2	
5		296256466	BEARING-LAZY SUSAN #12C	1	
6		296274105	PLATE - SIDE CONSOLE FRAME RH	1	
7		296274144	COVER - PLATE SEAT BASE	1	
8		296274143	PLATE - END SEAT BASE	1	
9		296274128	CONSOLE - LOWER FRAME	1	
10		350006	BOLT-1/4-20X3/4"GRADE #5 HEX	12	
11		485003	WASHER-1/4 FLAT	16	
12		354006	BOLT-3/8"-16X3/4"GRADE#5 HEX	4	
13		235713001	WASHER - FLATSTRL - .38 - .41 X .81 - .06-YA-A325	6	
14		350010	1/4-20 X 1" GRADE #5 HEX BOLT	2	
15		240420001	WELDNUT-1/4-20 PREV. TORQ.	2	
16		248198001	NUT-1/4 - 20 GR8 TOP LOCK ZINC	2	
17		1802010	BOLT - 3/16" X 1" NC STOVE	4	
18		400001	NUT-3/16 NC HEX	8	
19		510337601	WASHER-FLATSTD-.19-.22X.56-.05-YZ	4	
20		296280367	PLATE-HINGED DOOR CONSOLE	1	
21		235734001	BOLT-1/4-20X3/4 GR8 ZINC PLTD	4	
22		296274192	PIN - REMOTE BOX	1	
23		1793005	HAIR PIN COTTER - .125 WIRE	1	
24		278953001	ANCHOR - CABLE TIE	3	
25		700IB248	DECAL - PUSH	2	
26		70000044	DECAL-WARNING(AT/UND)	1	Domestic
		7000I044	DECAL-WARNING	1	International
27		7000C446	DECAL - NO WELD	1	Domestic
		7000I446	DECAL - NO WELD	1	International
28		235727001	BOLT-3/8-16X1 GR8 HEX ZINC PLT	1	
29		296276018	MOUNT HELLER MANN TITON	1	
30		296280368	PLATE-TOP CONSOLE FRAME	1	
31		296280369	HINGE- DOOR CONSOLE	1	
32		296273472	TAB LATCH	2	

Operation Platform Assy Fig 2-12r02

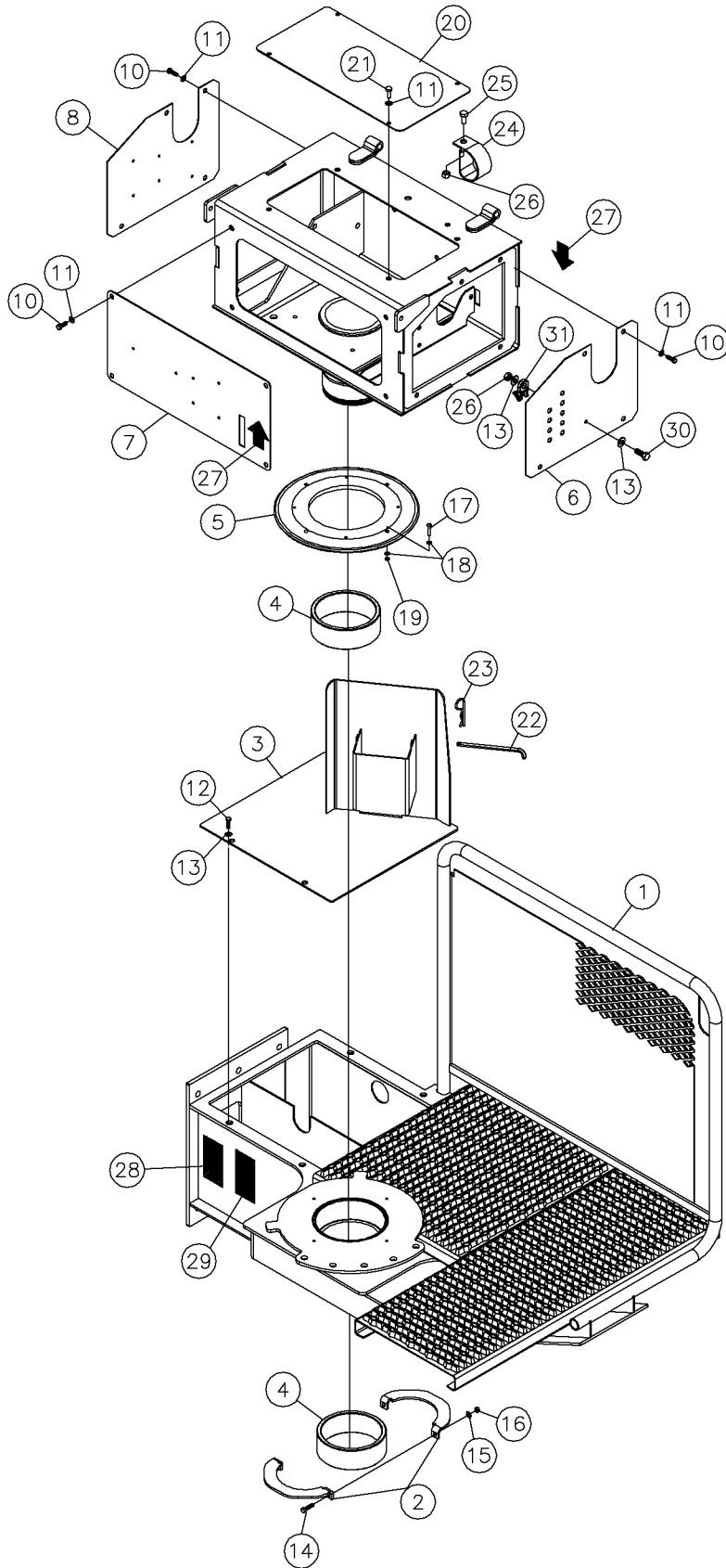




## Operation Platform Assy Fig 2-12r02

REF. NO.	*	PART NO.	DESCRIPTION	QTY.	REMARKS
		Revision Date	July, 2005		Update In Illustration & Parts List.
1		296274106	OPERATOR PLATFORM WELDMENT-D24X40 II	1	
2		296274303	CLAMP - SHAFT CLAMP CONSOLE LOWER BASE	2	
3		296274036	WELDMENT - BATTERY COVER	1	
4		296274302	BUSHING - PIVOT	2	
5		296256466	BEARING-LAZY SUSAN #12C	1	
6		296274105	PLATE - SIDE CONSOLE FRAME RH	1	
7		296274144	COVER - PLATE SEAT BASE	1	
8		296274143	PLATE - END SEAT BASE	1	
9		296274128	CONSOLE - LOWER FRAME	1	
10		350006	BOLT-1/4-20X3/4"GRADE #5 HEX	12	
11		485003	WASHER-1/4 FLAT	16	
12		354006	BOLT-3/8"-16X3/4"GRADE#5 HEX	4	
13		235713001	WASHER - FLATSTRL - .38 - .41 X .81 - .06-YA-A325	6	
14		350010	1/4-20 X 1" GRADE #5 HEX BOLT	2	
15		240420001	WELDNUT-1/4-20 PREV. TORQ.	2	
16		248198001	NUT-1/4 - 20 GR8 TOP LOCK ZINC	2	
17		1802010	BOLT - 3/16" X 1" NC STOVE	4	
18		400001	NUT-3/16 NC HEX	8	
19		510337601	WASHER-FLATSTD-.19-.22X.56-.05-YZ	4	
20		296274196	PLATE - COVER CONSOLE FRAME	1	
21		235734001	BOLT-1/4-20X3/4 GR8 ZINC PLTD	4	
22		296274192	PIN - REMOTE BOX	1	
23		1793005	HAIR PIN COTTER - .125 WIRE REF F01551	1	
24		278953001	ANCHOR - CABLE TIE	3	
25		700IB248	DECAL - PUSH	2	
26		70000044	DECAL-WARNING(AT/UND)	1	
		7000I044	DECAL-WARNING	1	International
27		7000C446	DECAL - NO WELD	1	
		700IC446	DECAL - NO WELD	1	International
28		235727001	BOLT-3/8-16X1 GR8 HEX ZINC PLT	1	
29		296276018	MOUNT HELLER MANN TITON	1	

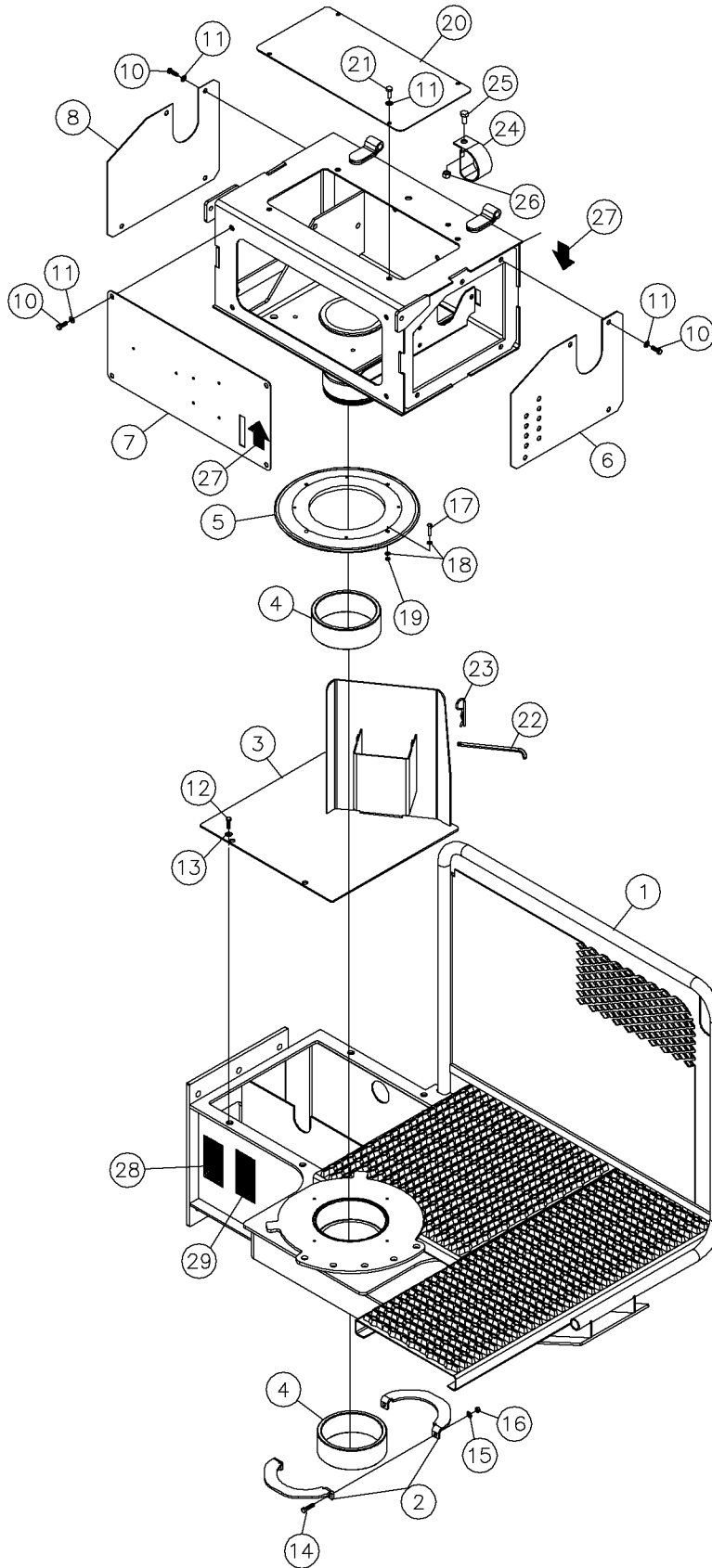
Operation Platform Assy Fig 2-12r01



## Operation Platform Assy Fig 2-12r01

REF. NO.	*	PART NO.	DESCRIPTION	QTY.	REMARKS
		Revision Date	May, 2005		Update In Illustration & Parts List.
1		296274106	OPERATOR PLATFORM WELDMENT-D24X40 II	1	
2		296274303	CLAMP - SHAFT CLAMP CONSOLE LOWER BASE	2	
3		296274036	WELDMENT - BATTERY COVER	1	
4		296274302	BUSHING - PIVOT	2	
5		296256466	BEARING-LAZY SUSAN #12C	1	
6		296274105	PLATE - SIDE CONSOLE FRAME RH	1	
7		296274144	COVER - PLATE SEAT BASE	1	
8		296274143	PLATE - END SEAT BASE	1	
9		296274128	CONSOLE - LOWER FRAME	1	
10		350006	BOLT-1/4-20X3/4"GRADE #5 HEX	12	
11		485003	WASHER-1/4 FLAT	16	
12		354006	BOLT-3/8"-16X3/4"GRADE#5 HEX	4	
13		235713001	WASHER - FLATSTRL - .38 - .41 X .81 - .06-YA-A325	6	
14		350010	1/4-20 X 1" GRADE #5 HEX BOLT	2	
15		240420001	WELDNUT-1/4-20 PREV. TORQ.	2	
16		248198001	NUT-1/4 - 20 GR8 TOP LOCK ZINC	2	
17		1802010	BOLT - 3/16" X 1" NC STOVE	4	
18		400001	NUT-3/16 NC HEX	8	
19		510337601	WASHER-FLATSTD-.19-.22X.56-.05-YZ	4	
20		296274196	PLATE - COVER CONSOLE FRAME	1	
21		235734001	BOLT-1/4-20X3/4 GR8 ZINC PLTD	4	
22		296274192	PIN - REMOTE BOX	1	
23		1793005	HAIR PIN COTTER - .125 WIRE REF F01551	1	
24		278901001	STRAP - HOSE SLEEVE HANGER	1	
25		235726001	BOLT-3/8-16X3/4 GR8 HEX ZNCPLT	2	
26		235725001	NUT - HEX - .38 - 16 - GR8 - YZ	1	
27		700IB248	DECAL - PUSH	2	
28		70000044	DECAL-WARNING(AT/UND)	1	
		7000I044	DECAL-WARNING	1	International
29		7000C446	DECAL - NO WELD	1	
		700IC446	DECAL - NO WELD	1	International
30		235727001	BOLT-3/8-16X1 GR8 HEX ZINC PLT	1	
31		296276018	MOUNT HELLER MANN TITON	1	

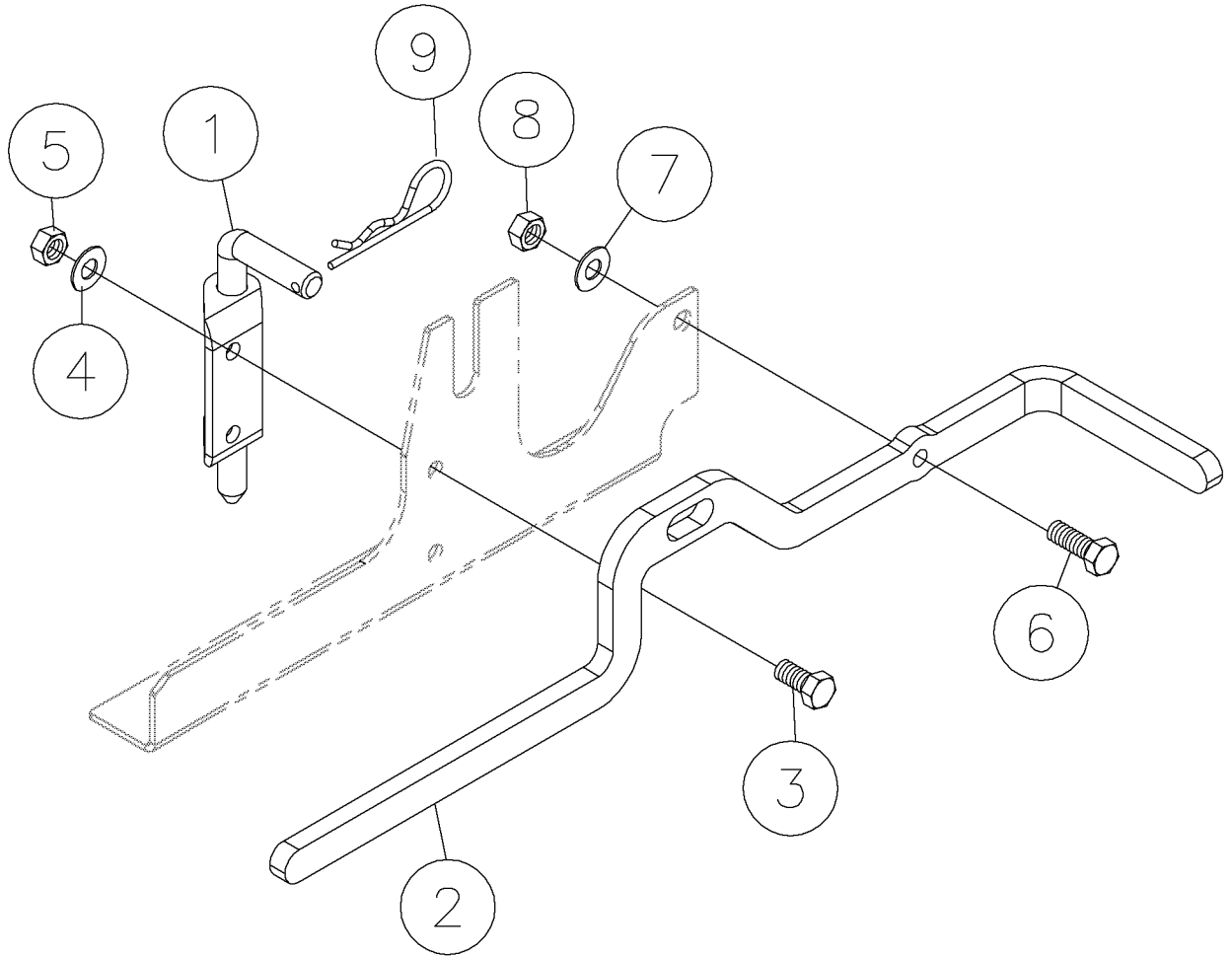
Operation Platform Assy Fig 2-12



## Operation Platform Assy Fig 2-12

REF. NO.	*	PART NO.	DESCRIPTION	QTY.	REMARKS
1		296274106	OPERATOR PLATFORM WELDMENT-D24X40 II	1	
2		296274303	CLAMP - SHAFT CLAMP CONSOLE LOWER BASE	2	
3		296274036	WELDMENT - BATTERY COVER	1	
4		296274302	BUSHING - PIVOT	2	
5		296256466	BEARING-LAZY SUSAN #12C	1	
6		296274105	PLATE - SIDE CONSOLE FRAME RH	1	
7		296274144	COVER - PLATE SEAT BASE	1	
8		296274143	PLATE - END SEAT BASE	1	
9		296274128	CONSOLE - LOWER FRAME	1	
10		350006	BOLT-1/4-20X3/4"GRADE #5 HEX	12	
11		485003	WASHER-1/4 FLAT	16	
12		354006	BOLT-3/8"-16X3/4"GRADE#5 HEX	4	
13		235713001	WASHER - FLATSTRL - .38 - .41 X .81 - .06-YA-A325	4	
14		350010	1/4-20 X 1" GRADE #5 HEX BOLT	2	
15		240420001	WELDNUT-1/4-20 PREV. TORQ.	2	
16		248198001	NUT-1/4 - 20 GR8 TOP LOCK ZINC	2	
17		1802010	BOLT - 3/16" X 1" NC STOVE	4	
18		400001	NUT-3/16 NC HEX	8	
19		510337601	WASHER-FLATSTD-.19-.22X.56-.05-YZ	4	
20		296274196	PLATE - COVER CONSOLE FRAME	1	
21		235734001	BOLT-1/4-20X3/4 GR8 ZINC PLTD	4	
22		296274192	PIN - REMOTE BOX	1	
23		1793005	HAIR PIN COTTER - .125 WIRE REF F01551	1	
24		278901001	STRAP - HOSE SLEEVE HANGER	1	
25		235726001	BOLT-3/8-16X3/4 GR8 HEX ZNCPLT	1	
26		235725001	NUT - HEX - .38 - 16 - GR8 - YZ	1	
27		700IB248	DECAL - PUSH	2	
28		70000044	DECAL-WARNING(AT/UND)	1	
		7000I044	DECAL-WARNING	1	International
29		7000C446	DECAL - NO WELD	1	
		700IC446	DECAL - NO WELD	1	International

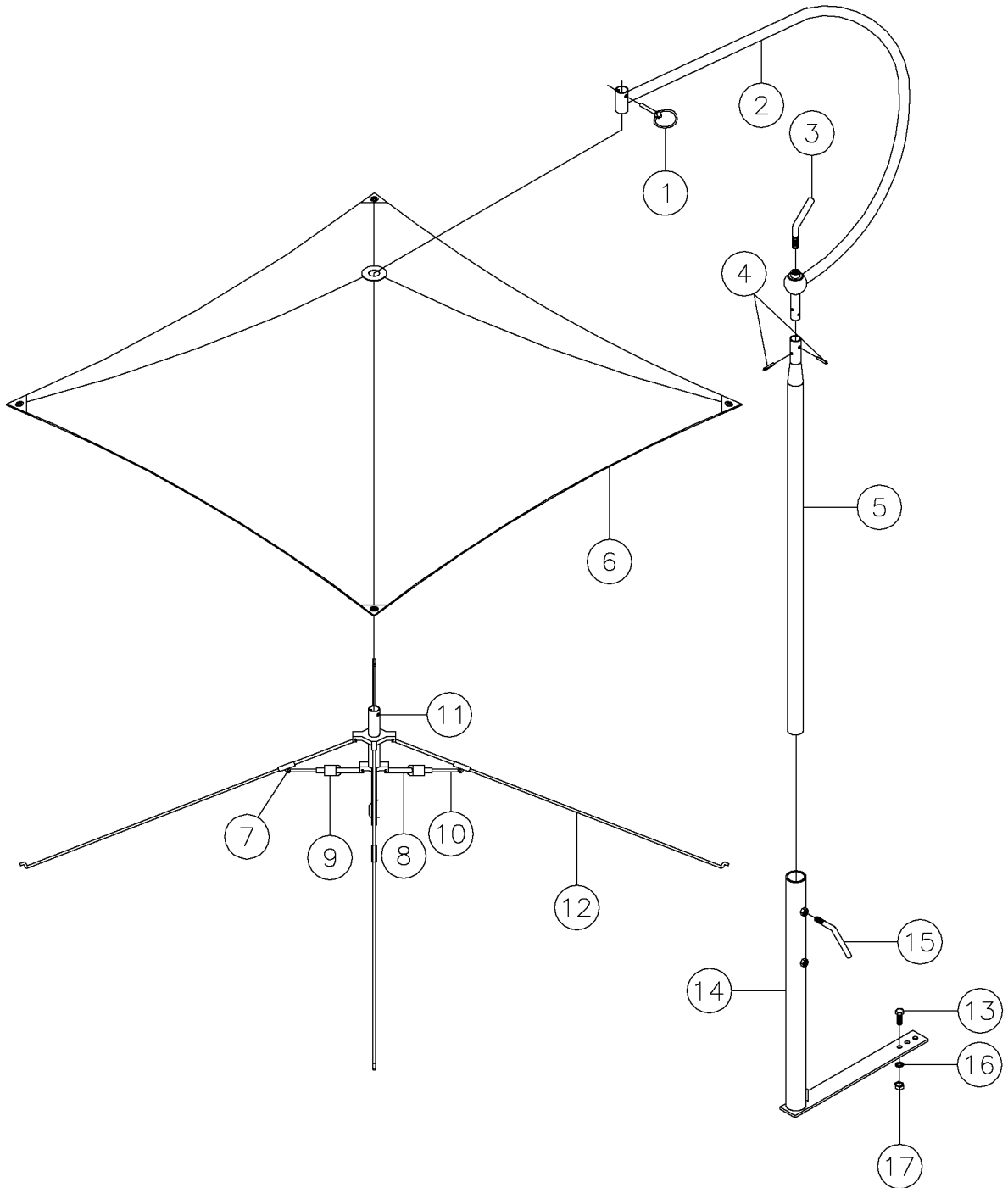
Seat Lock Assy Fig 2-13



## Seat Lock Assy Fig 2-13

REF. NO.	*	PART NO.	DESCRIPTION	QTY.	REMARKS
1		296274337	SPRING LATCH 720-S-L-ZINC	1	
2		296274287	LEVER - SEAT LOCK RELEASE	1	
3		351006	BOLT - 5/16 - 18 X 3/4" GR5 HEX	2	
4		235714001	WASHER - FLATSTRL - .31 - .34 X .69 - .06-YZ-A325	2	
5		235741001	NUT - HEX - .31 - 18 - GR8 -YZ	2	
6		235727001	BOLT-3/8-16X1 GR8 HEX ZINC PLT	1	
7		235713001	WASHER - FLATSTRL - .38 - .41 X .81 - .06-YA-A325	1	
8		416001	NUT-3/8 NC SLTL	1	
9		1793005	HAIR PIN COTTER - .125 WIRE REF F01551	1	

Umbrella Fig 2-14

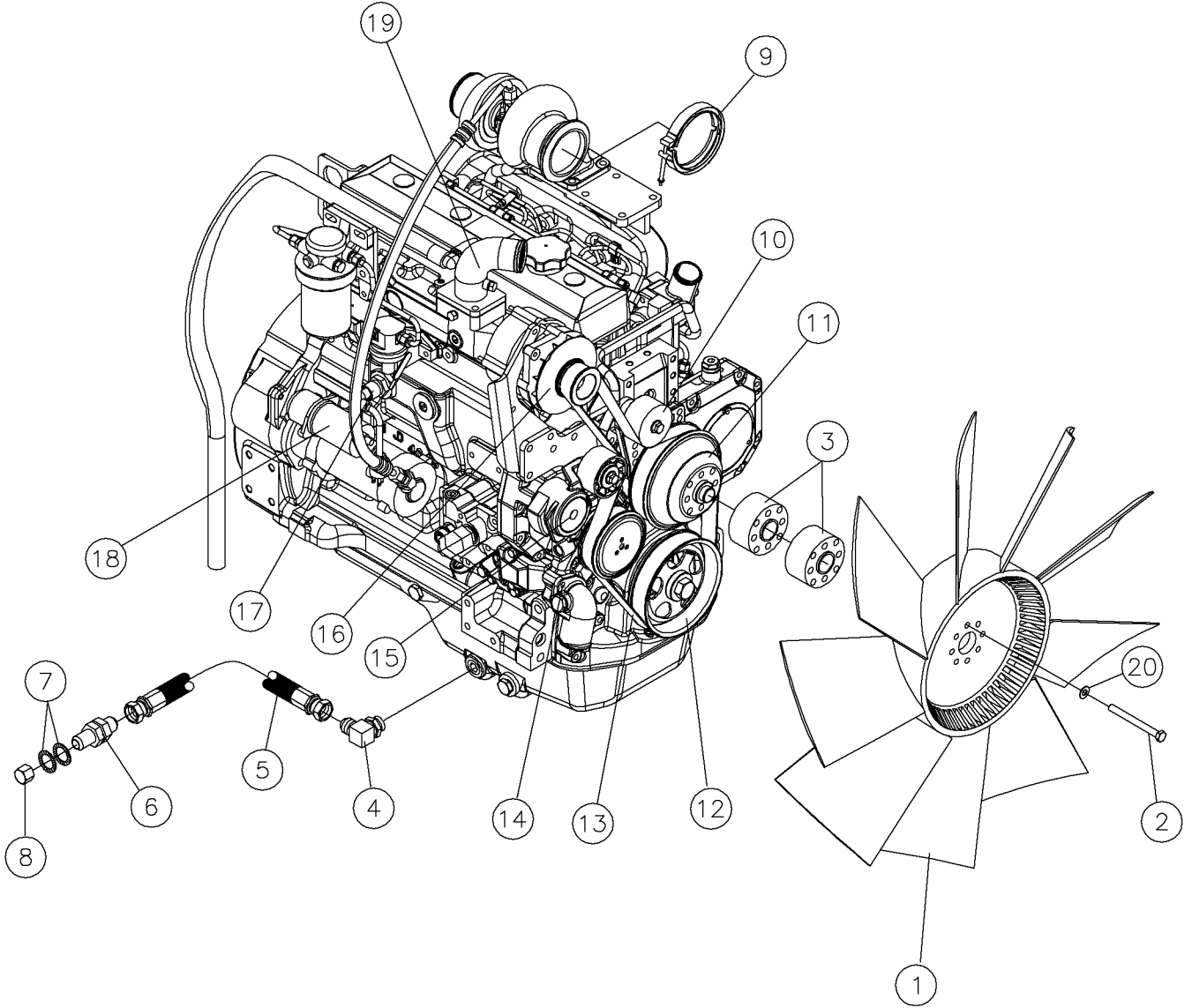




## Umbrella Fig 2-14

REF. NO.	*	PART NO.	DESCRIPTION	QTY.	REMARKS
		Revision Date	March, 2006		Addition To Manual
1		1797003	PIN-QUICK LATCH 1/4"- XCX 6M DIA ZYC	1	
2		238181003	CURVED SHAFT	1	
3		238181005	LOCKING HANDLE	1	
4		1978011	PIN ROLL 3/16 X 1 ZINC	2	
5		238181007	SUPPORT SHAFT-UMBRELLA	1	
6		240103001	SHEATH-UMBRELLA	1	
7		238181011	RIVET-PUSH PIN	12	
8		238181013	TUBE-PUSH ROD	4	
9		238181015	CLIP-PUSH ROD LOCKING SPRING	4	
10		238181017	PUSH ROD	4	
11		238181019	CENTER TUBE W/ SPIDERS	1	
12		238181021	BOW W/ CLEVIS	4	
13		235723001	SCREW - HCS -.38 - 16 X 1.50 - GR8 - YZ	3	
14		296280397	WELDMENT-UMBRELLA MOUNT D24X40II	1	
15		240038001	BOLT-TIGHTENING 3/8"	2	
16		235713001	WASHER - FLATSTRL - .38 - .41 X .81 - .06-YA-A325	3	
17		235725001	NUT - HEX - .38 - 16 - GR8 - YZ	3	
		238181001	UMBRELLA-ASSY (PARTS REPAIR)		Inc. Ref. 1-12
		240102001	FRAME-UMBRELLA		Inc. Ref. 2-5 & 7-12
		296280396	ASSEMBLY-UMBRELLA D36X50II		Inc. Ref. 1-17

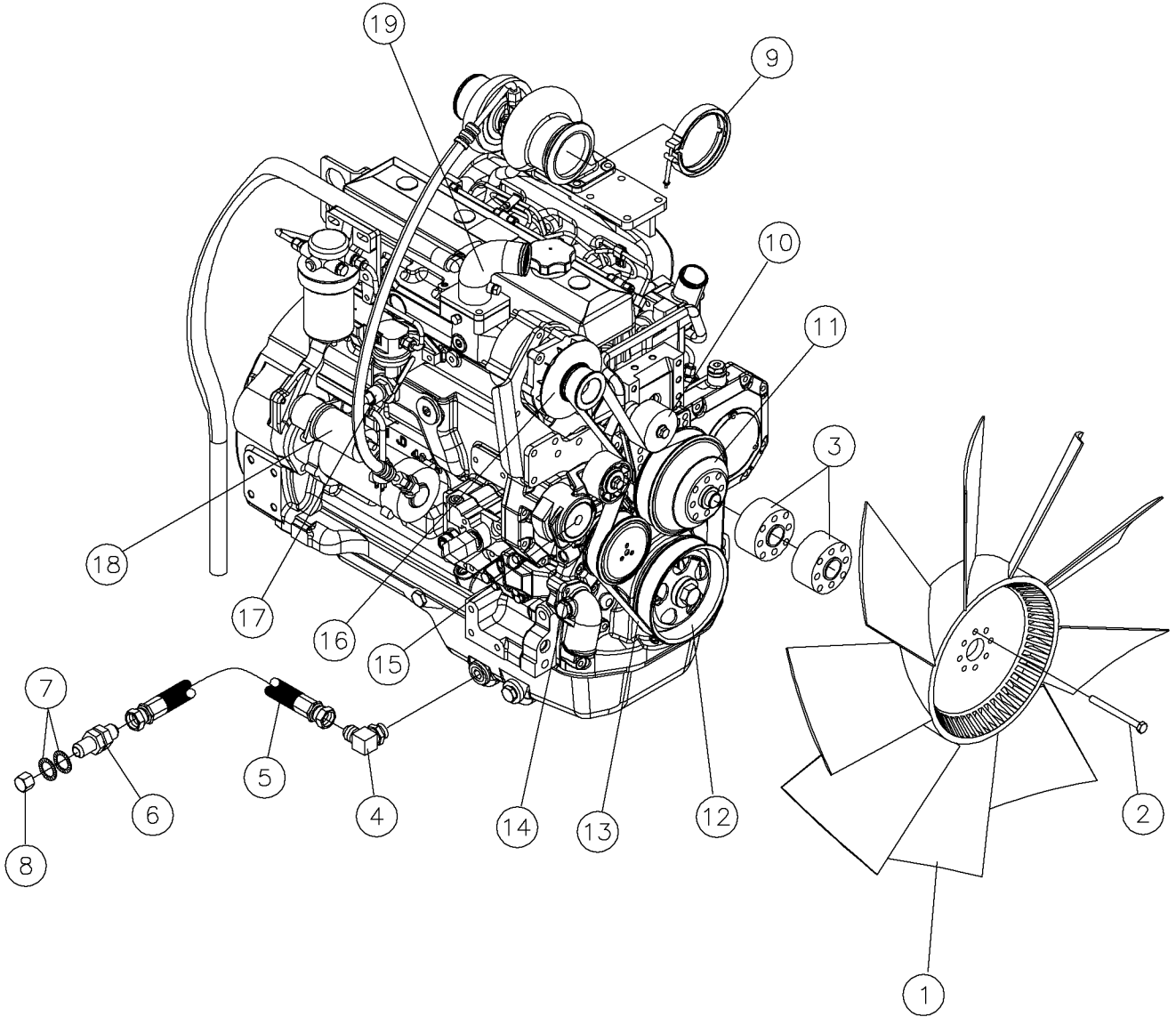
Engine Assy Fig 3-1r01



## Engine Assy Fig 3-1r01

REF. NO.	*	PART NO.	DESCRIPTION	QTY.	REMARKS
		Revision Date	July, 2005		Update In Illustration & Parts List.
1		296274681	COOLING FAN - 28" BLOWER	1	
2		508476110	SCREW-HCS,M10-1.50X110,10.9,YZ,ISO4014,PT	4	
3		280971001	SPACER - 1 3/4" ENGINE FAN	2	
4		100351001	FITTING-90-10MJ-M18X1.5MORBA	1	
5		296277978	HOSE - 5/8 X 26" 10FS JIC ST/ST 3000PSI	1	
6		77734001	FITTING-10M JIC BULKHEAD STR.	1	
7		240756001	WASHER-SERRAID 1 3/8 ODX7/8ID	2	
8		78062001	FITTING - CAP - 10FJ	1	
9		285687001	CLAMP - MUFFLER/TURBO	1	
10		296251849	PULLEY	1	
11		131959047	SHEAVE	1	
12		296272987	PULLEY	1	
13		296272990	V-BELT	1	
14		180005697	PUMP-WATER	1	
15		296254516	SHEAVE - BELT TENSIONER	1	
16		180006301	ALTERNATOR-12V, 65 Amp	1	
17		296272991	TEMP. SENSOR - ENGINE HEAD	1	
18		66712001	MOTOR ASSY-STARTING RE62916	1	
19		296272989	AIR INTAKE	1	
		180005693	GASKET-AIR INLET	1	
		296251840	GASKET	1	
20		235713001	WASHER - FLATSTRL - .38 - .41 X .81 - .06-YA-A325	4	
		296274640	ENGINE - 125 HP DEERE		

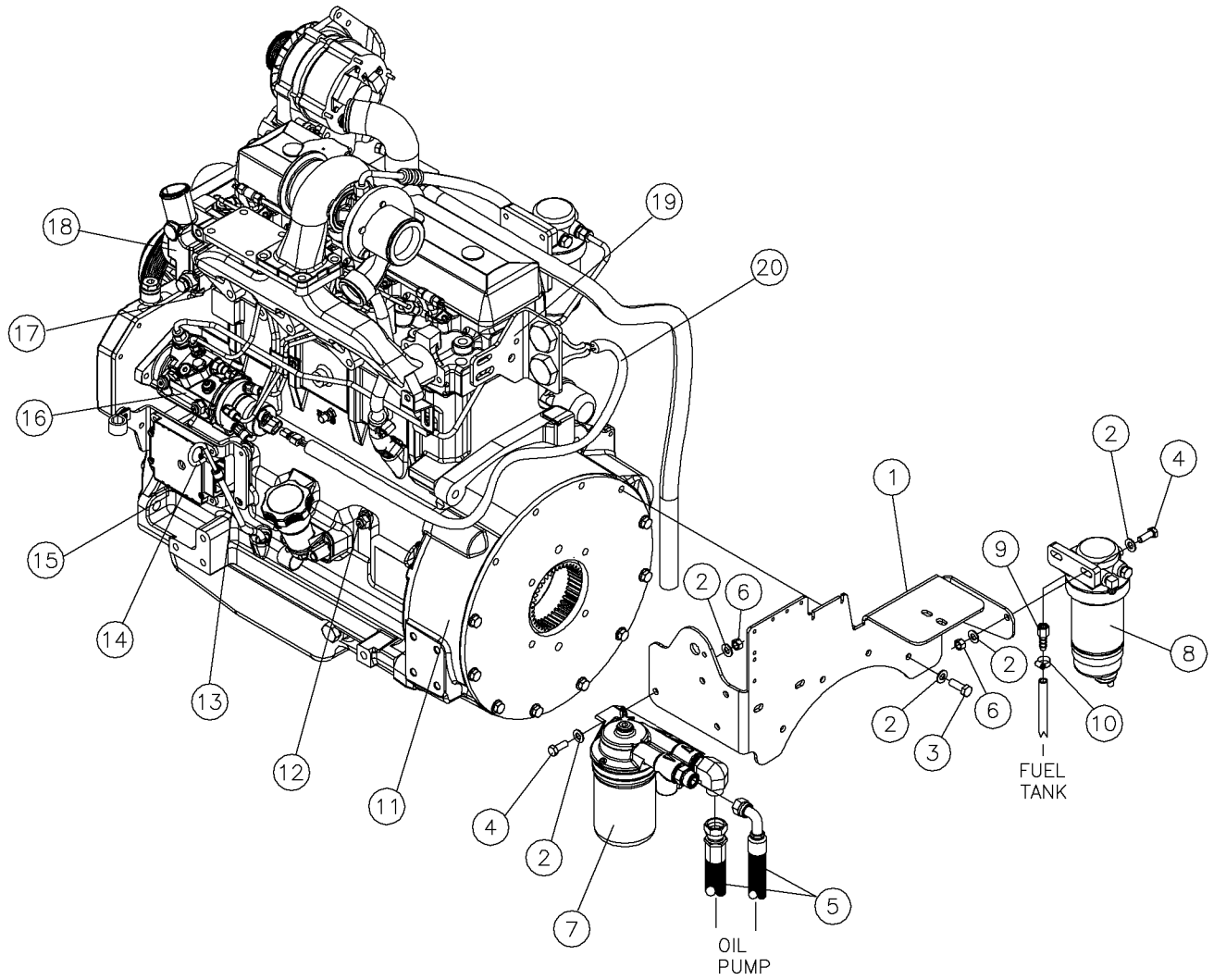
Engine Assy Fig 3-1



## Engine Assy Fig 3-1

REF. NO.	*	PART NO.	DESCRIPTION	QTY.	REMARKS
1		296274681	COOLING FAN - 28" BLOWER	1	
2		508476110	SCREW-HCS,M10-1.50X110,10.9,YZ,ISO4014,PT	4	
3		280971001	SPACER - 1 3/4" ENGINE FAN	2	
4		100351001	FITTING-90-10MJ-M18X1.5MORBA	1	
5		296277978	HOSE - 5/8 X 26" 10FS JIC ST/ST 3000PSI	1	
6		77734001	FITTING-10M JIC BULKHEAD STR.	1	
7		240756001	WASHER-SERRAID 1 3/8 ODX7/8ID	2	
8		78062001	FITTING - CAP - 10FJ	1	
9		285687001	CLAMP - MUFFLER/TURBO	1	
10		296251849	PULLEY	1	
11		131959047	SHEAVE	1	
12		296272987	PULLEY	1	
13		296272990	V-BELT	1	
14		180005697	PUMP-WATER	1	
15		296254516	SHEAVE - BELT TENSIONER	1	
16		180006301	ALTERNATOR-12V, 65 Amp	1	
17		296272991	TEMP. SENSOR - ENGINE HEAD	1	
18		66712001	MOTOR ASSY-STARTING RE62916	1	
19		296272989	AIR INTAKE	1	
		180005693	GASKET-AIR INLET	1	
		296251840	GASKET	1	
		296274640	ENGINE - 125 HP DEERE		

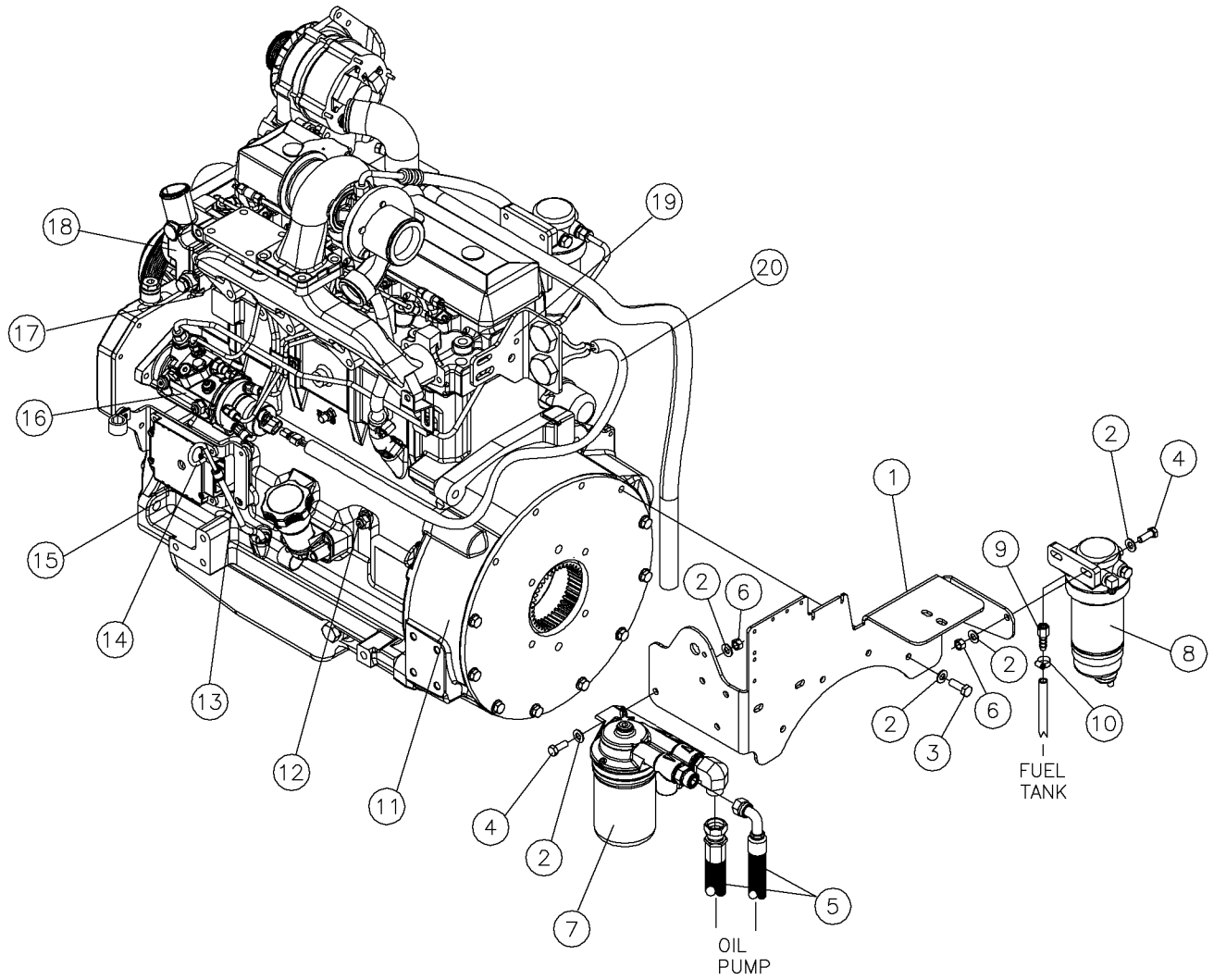
Engine Fig 3-2r01



## Engine Fig 3-2r01

REF NO.	*	PART NO.	DESCRIPTION	QTY.	REMARKS
		Revision Date	March, 2006		Update In Illustration & Parts List.
1		296274626	BRACKET - OIL FILTER	1	
2		235713001	WASHER - FLATSTRL - .38 - .41 X .81 - .06-YA-A325	12	
3		508476030	SCREW-HCS,M10-1.50X30,10.9,YZ,ISO4017,FT	4	
4		235736001	BOLT-3/8-16X1 1/4 ZINC PLTD	4	
5		296272996	HYDRAULIC HOSE	2	
6		235725001	NUT - HEX - .38 - 16 - GR8 - YZ	4	
7		618429001	REMOTE OIL FILTER - 500 HR	1	
8		618430001	PRIMARY FUEL FILTER	1	
		296285053	FUEL FILTER	1	
		296272994	FILTER HEAD	1	
		296272995	SEDIMENT BOWL	1	
		180006306	ELEMENT - FUEL FILTER	1	
9		141906001	FITTING-5FS JIC X 1/4 BARB	1	
10		1578001	HOSE CLAMP - 1/4"	1	
11		296272988	HOUSING	1	
12		180005696	SENSOR-OIL PRESSURE	1	
13		152008001	DIPSTICK - TUBE	1	
14		152009001	DIPSTICK	1	
15		180005687	SWITCH-TEMP	1	
16		180005695	PUMP-FUEL TRANSFER	1	
17		180005687	SWITCH-TEMP	1	
18		180005647	THERMOSTAT	1	
		180005685	GASKET-THERMOSTAT	1	
19		296272993	BRACKET	1	
20		296272992	WIRING HARNESS	1	
		296274640	ENGINE - 125 HP DEERE		

Engine Assy Fig 3-2

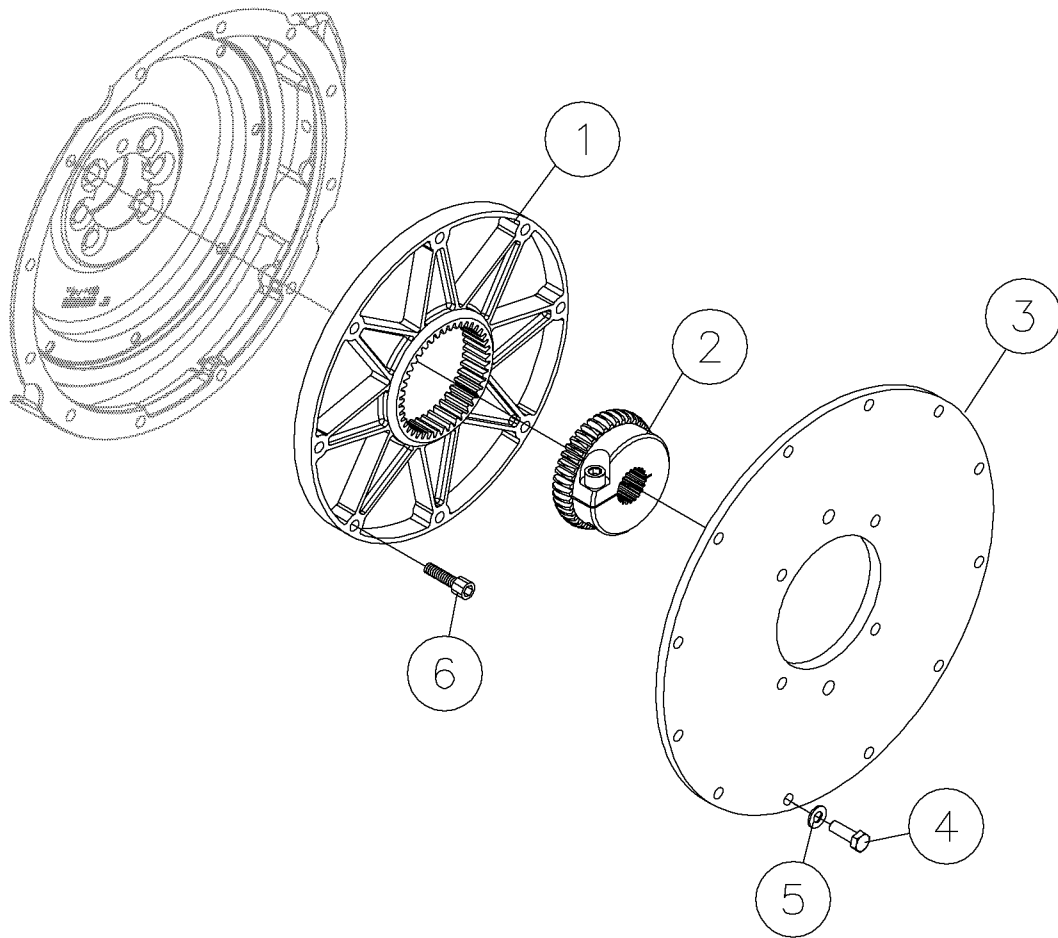




## Engine Assy Fig 3-2

REF. NO.	*	PART NO.	DESCRIPTION	QTY.	REMARKS
1		296274626	BRACKET - OIL FILTER	1	
2		235713001	WASHER - FLATSTRL - .38 - .41 X .81 - .06-YA-A325	12	
3		508476030	SCREW-HCS,M10-1.50X30,10.9,YZ,ISO4017,FT	4	
4		235736001	BOLT-3/8-16X1 1/4 ZINC PLTD	4	
5		296272996	HYDRAULIC HOSE	2	
6		235725001	NUT - HEX - .38 - 16 - GR8 - YZ	4	
7		618429001	REMOTE OIL FILTER - 500 HR	1	
8		618430001	PRIMARY FUEL FILTER	1	
		296272994	FILTER HEAD	1	
		296272995	SEDIMENT BOWL	1	
9		141906001	FITTING-5FS JIC X 1/4 BARB	1	
10		1578001	HOSE CLAMP - 1/4"	1	
11		296272988	HOUSING	1	
12		180005696	SENSOR-OIL PRESSURE	1	
13		152008001	DIPSTICK - TUBE	1	
14		152009001	DIPSTICK	1	
15		180005687	SWITCH-TEMP	1	
16		180005695	PUMP-FUEL TRANSFER	1	
17		180005687	SWITCH-TEMP	1	
18		180005647	THERMOSTAT	1	
		180005685	GASKET-THERMOSTAT	1	
19		296272993	BRACKET	1	
20		296272992	WIRING HARNESS	1	
		296274640	ENGINE - 125 HP DEERE		

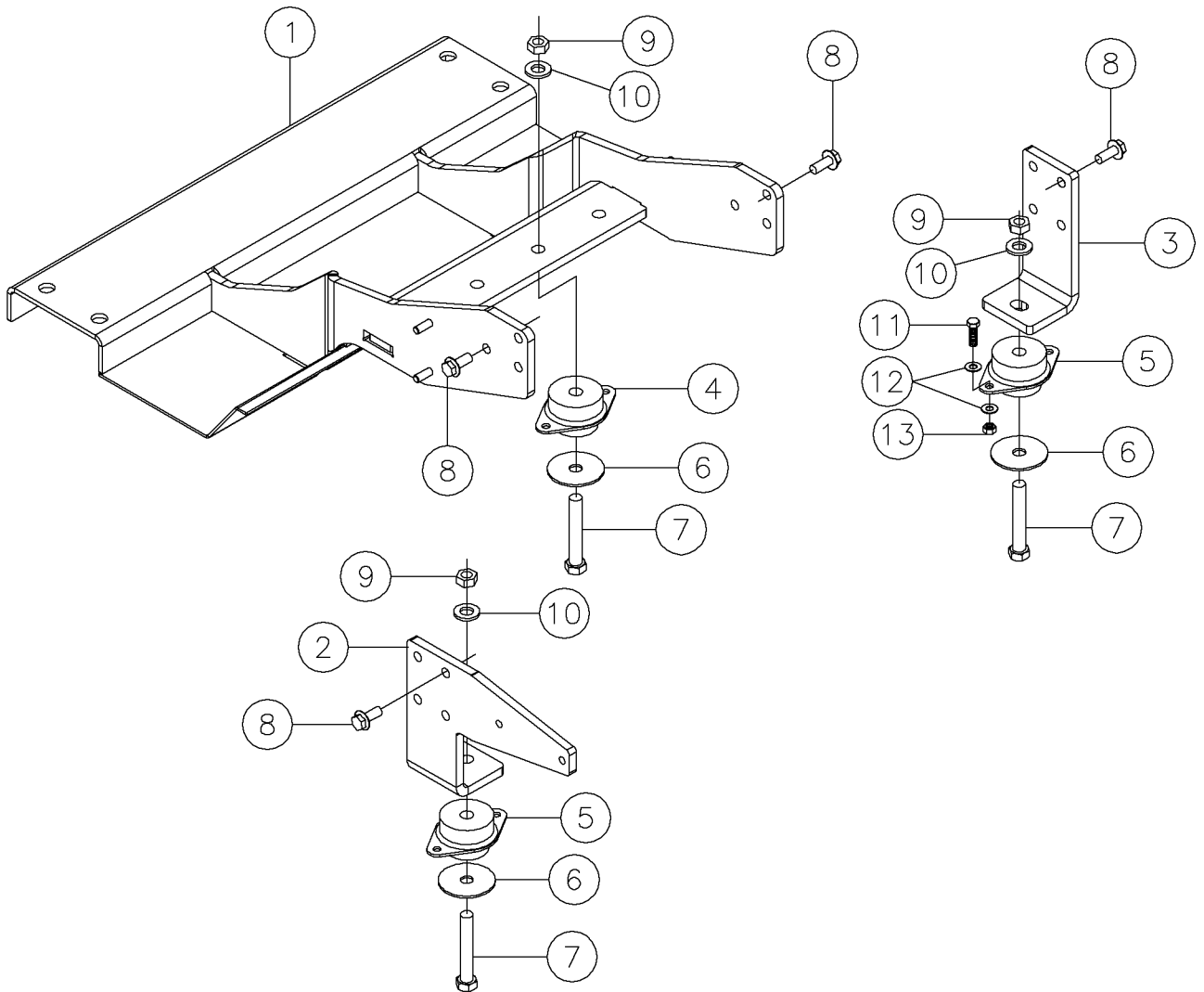
Pump Drive Assy Fig 3-3



Pump Drive Assy Fig 3-3

REF. NO.	*	PART NO.	DESCRIPTION	QTY.	REMARKS
1		220075001	FLANGE-65 FLE-PA 10"FLYWHEEL	1	
2		282304001	SPLINED HUB	1	
3		609531001	MOUNTING PLATE-#4SAE C PUMP	1	
4		250574001	BOLT-10M X 50M 10.9 HEX Y/ZINC	8	
5		141350001	WASHER-M10 HARDEN PLATED FLAT	8	
6		4478014	CAPSCREW-3/8-16X1 1/2 SOCHD G8	8	

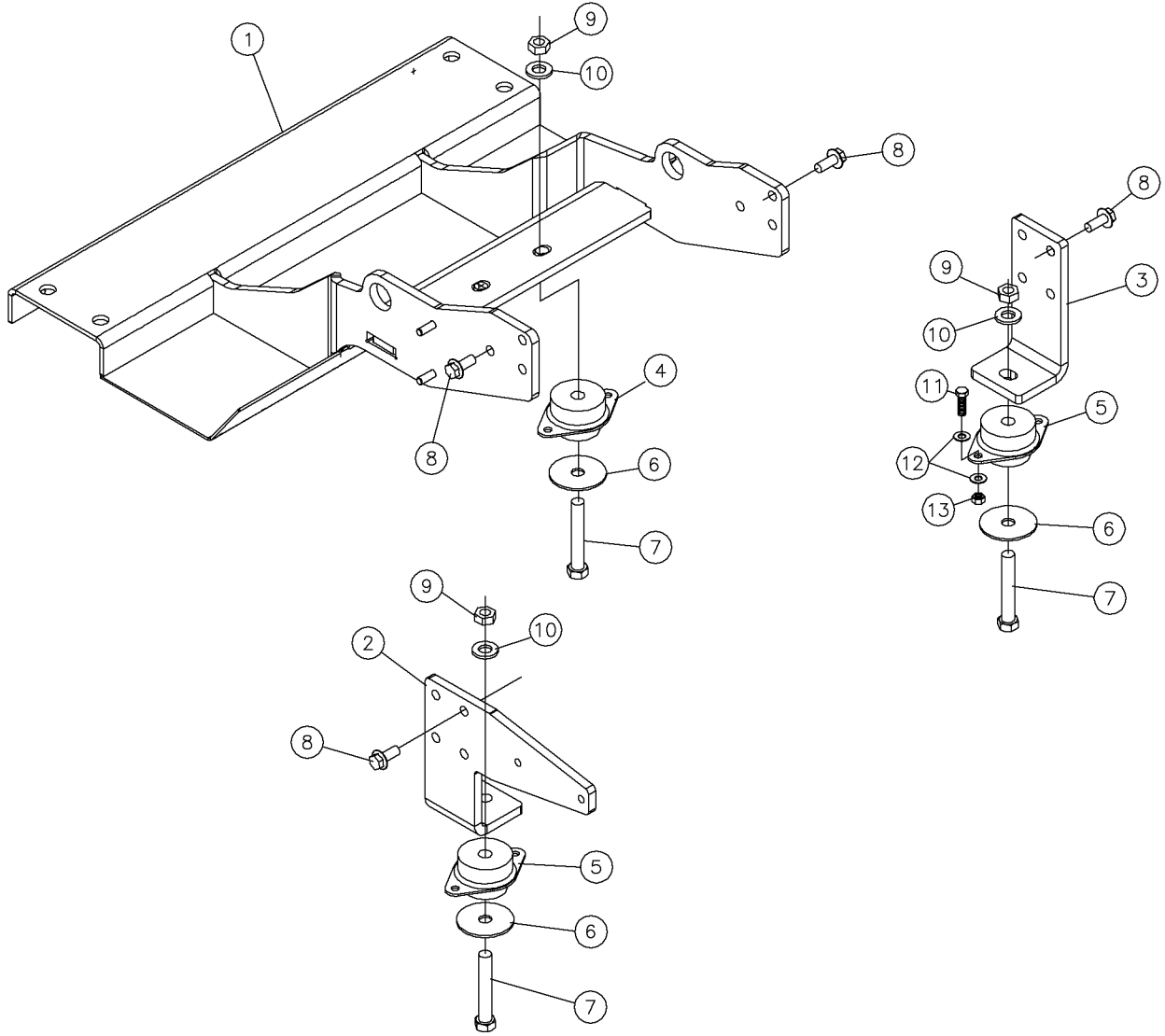
Engine Mount Fig 3-4r02



## Engine Mount Fig 3-4r02

REF. NO.	*	PART NO.	DESCRIPTION	QTY.	REMARKS
		Revision Date	March, 2006		Update In Illustration & Parts List.
1		296280416	MOUNT - FRONT ENGINE	1	
2		296280409	PLATE - ANGLE - ENGINE MOUNT	1	
3		296274655	PLATE - ENGINE SUPPORT	1	
4		296274660	ISOLATOR - ENGINE WHITE	1	
5		296274659	ISOLATOR - ENGINE RED	2	
6		220203001	SLUG-ENGINE MOUNT	3	
7		27169040	BOLT-5/8-11UNCX4 GR.8 HEX	3	
8		507613030	SCREW-HFS,M12- 1.75X30,10.9,YZ,ANSI,B18.2.3.9M,PT	14	
9		238221001	NUT - HEX -.63 - 11 - GR8 - YZ	3	
10		235715001	WASHER-FLATSTRL-5/8" YZ A325	3	
11		235736001	BOLT-3/8-16X1 1/4 ZYC	6	
12		235713001	WASHER - FLATSTRL - .38 - .41 X .81 - .06-YA-A325	12	
13		235725001	NUT - HEX - .38 - 16 - GR8 - YZ	6	

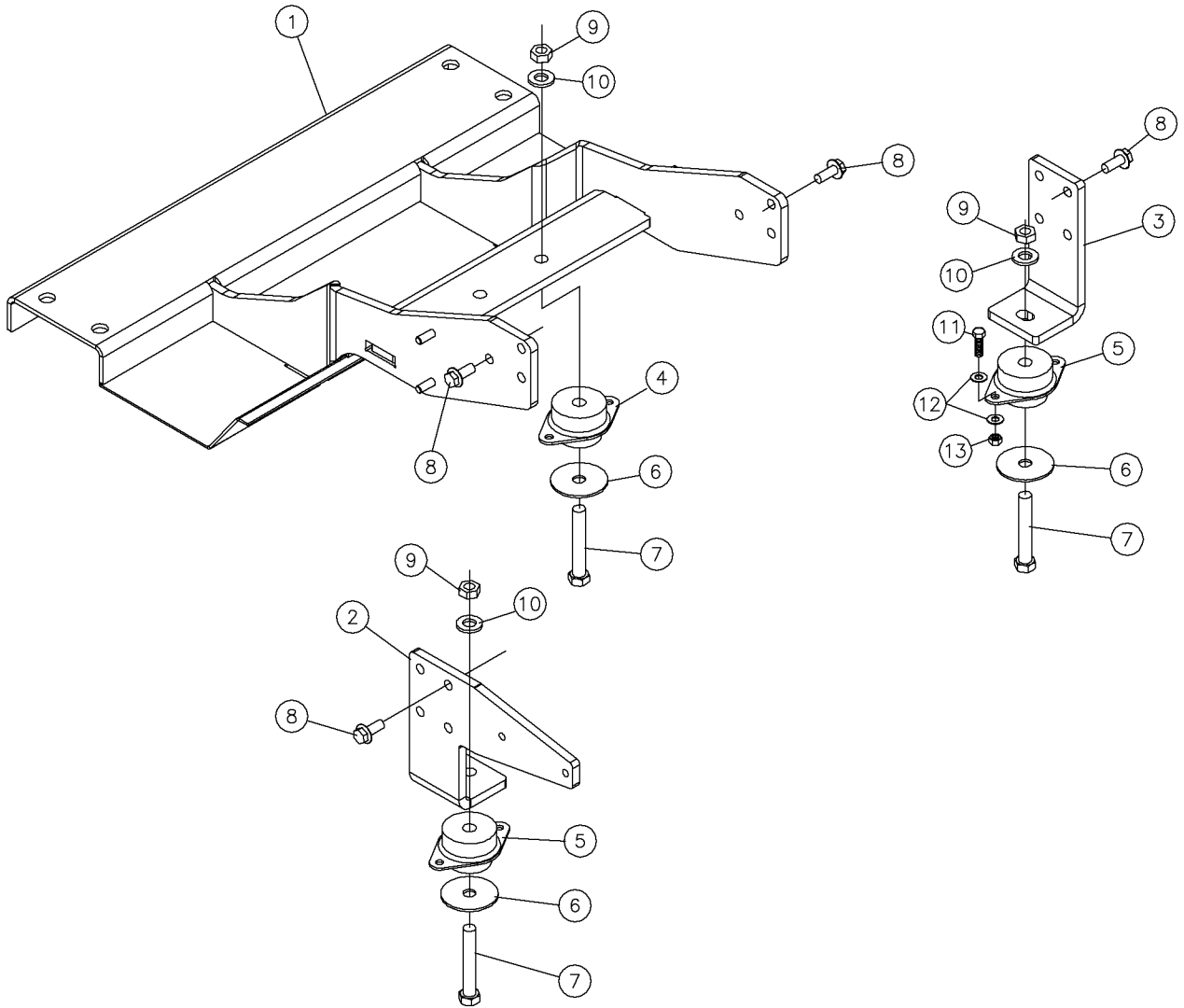
Engine Mount Assy Fig 3-4r01



## Engine Mount Assy Fig 3-4r01

REF. NO.	*	PART NO.	DESCRIPTION	QTY.	REMARKS
		Revision Date	July, 2005		Update In Illustration.
1		296274644	MOUNT - FRONT ENGINE	1	
2		296274730	ANGLE - ENGINE MOUNT	1	
3		296274655	PLATE - ENGINE SUPPORT	1	
4		296274660	ISOLATOR - ENGINE WHITE	1	
5		296274659	ISOLATOR - ENGINE RED	2	
6		220203001	SLUG-ENGINE MOUNT	3	
7		27169040	BOLT-5/8-11UNCX4 GR.8 HEX	3	
8		507613030	SCREW-HFS,M12- 1.75X30,10.9,YZ,ANSI,B18.2.3.9M,PT	14	
9		238221001	NUT - HEX -.63 - 11 - GR8 - YZ	3	
10		235715001	WASHER-5/8 SAE HARD ZINC PLTD	3	
11		235736001	BOLT-3/8-16X1 1/4 ZINC PLTD	6	
12		235713001	WASHER - FLATSTRL - .38 - .41 X .81 - .06-YA-A325	12	
13		235725001	NUT - HEX - .38 - 16 - GR8 - YZ	6	

Engine Mount Assy Fig 3-4

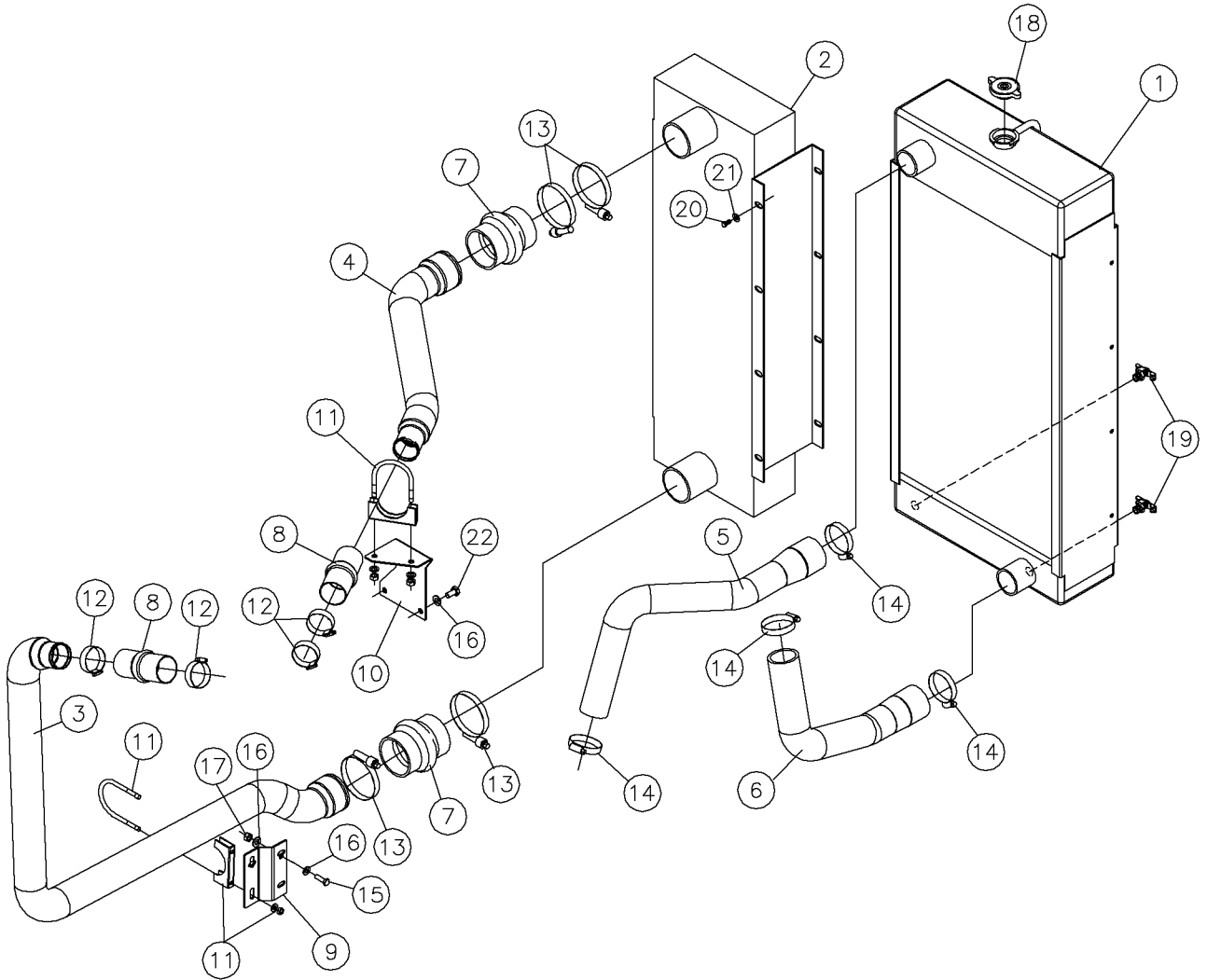




## Engine Mount Assy Fig 3-4

REF. NO.	*	PART NO.	DESCRIPTION	QTY.	REMARKS
1		296274644	MOUNT - FRONT ENGINE	1	
2		296274730	ANGLE - ENGINE MOUNT	1	
3		296274655	PLATE - ENGINE SUPPORT	1	
4		296274660	ISOLATOR - ENGINE WHITE	1	
5		296274659	ISOLATOR - ENGINE RED	2	
6		220203001	SLUG-ENGINE MOUNT	3	
7		27169040	BOLT-5/8-11UNCX4 GR.8 HEX	3	
8		507613030	SCREW-HFS,M12- 1.75X30,10.9,YZ,ANSI,B18.2.3.9M,PT	14	
9		238221001	NUT - HEX -.63 - 11 - GR8 - YZ	3	
10		235715001	WASHER-5/8 SAE HARD ZINC PLTD	3	
11		235736001	BOLT-3/8-16X1 1/4 ZINC PLTD	6	
12		235713001	WASHER - FLATSTRL - .38 - .41 X .81 - .06-YA-A325	12	
13		235725001	NUT - HEX - .38 - 16 - GR8 - YZ	6	

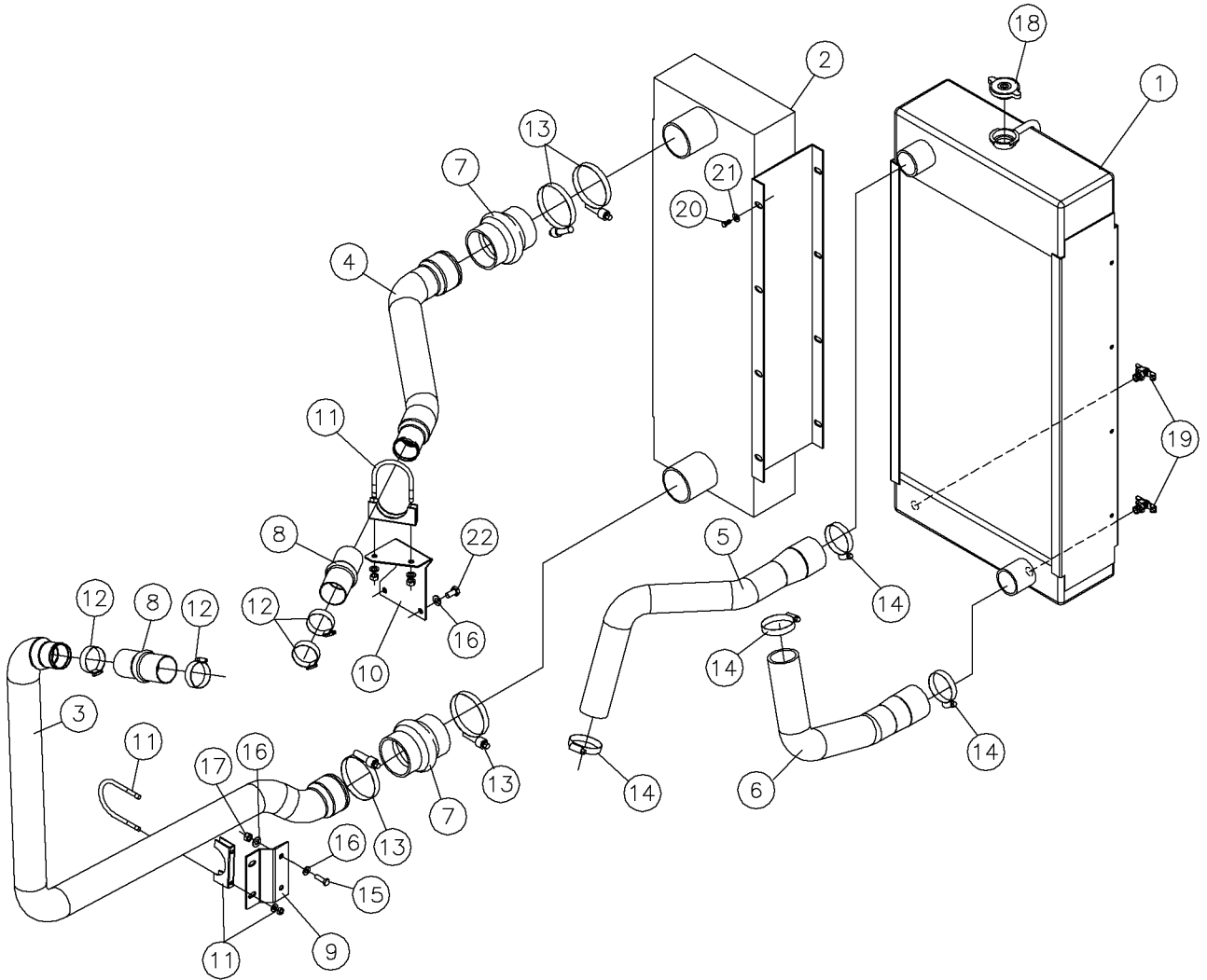
Radiator/Mount Assy Fig 3-5r01



## Radiator/Mount Assy Fig 3-5r01

REF. NO.	*	PART NO.	DESCRIPTION	QTY.	REMARKS
		Revision Date	May, 2005		Update In Illustration.
1		296274671	RADIATOR ASSEMBLY	1	
2		296274672	CHARGE AIR COOLER	1	
3		296274680	TUBE - CHARGE AIR LOWER	1	
4		296274679	TUBE - CHARGE AIR UPPER	1	
5		296274677	HOSE - RADIATOR UPPER	1	
6		296274678	HOSE - RADIATOR LOWER	1	
7		617884001	HOSE- HUMP CAC 3.00 X 3.00 - 4.38	2	
8		280917001	CONNECTOR - CAC HUMP HOSE	2	
9		296274587	BRACKET - LOWER CAC	1	
10		296274588	BRACKET - UPPER CAC	1	
11		2609007	MUFFLER CLAMP-2 1/2"	2	
12		116769001	CLAMP - CON TORQUE 1 3/4 - 2 5/8	4	
13		113095001	HOSE CLAMP-CONST.TRQ. CT350L	4	
14		1580013	HOSE CLAMP - 2 1/2"	4	
15		235727001	BOLT-3/8-16X1 GR8 HEX ZINC PLT	4	
16		235713001	WASHER - FLATSTRL - .38 - .41 X .81 - .06-YA-A325	6	
17		250508001	NUT - 3/8-NC Gr8 TOP LOCK Y/ZINC	2	
18		251136003	CAP - RADIATOR (7 LB)	1	
19		225532005	DRAIN COCK-1/4"	2	
20		238209001	BOLT-5/16-18X1 GR8 HEX ZINC YC	4	
21		510337605	WASHER-FLATSTD-.31-.38X.88-.08-YZ	4	
22		508476020	SCREW-HCS,M10-1.50X20,10.9,YZ,ISO4017,FT	2	

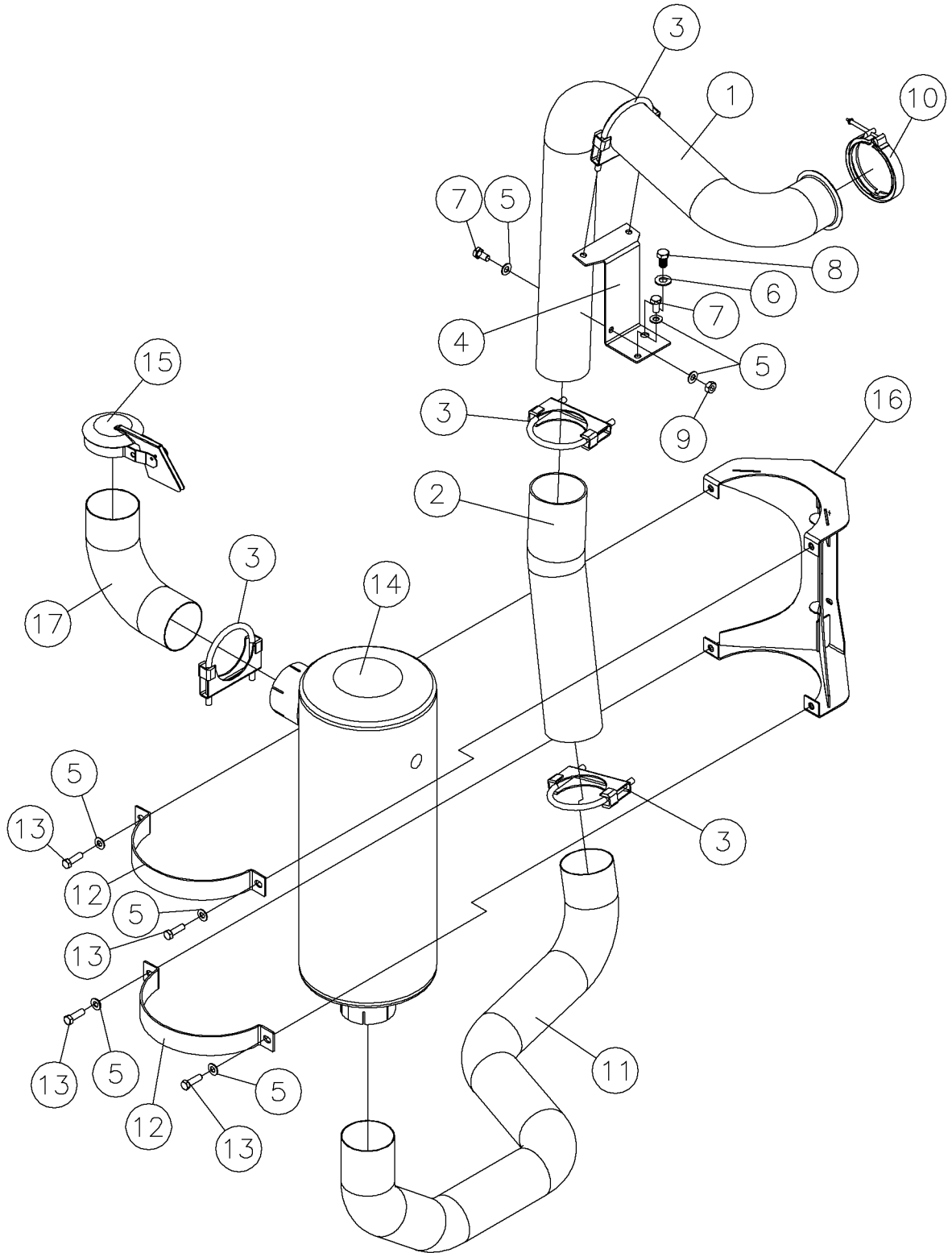
Radiator/Mount Assy Fig 3-5



## Radiator/Mount Assy Fig 3-5

REF. NO.	*	PART NO.	DESCRIPTION	QTY.	REMARKS
1		296274671	RADIATOR ASSEMBLY	1	
2		296274672	CHARGE AIR COOLER	1	
3		296274680	TUBE - CHARGE AIR LOWER	1	
4		296274679	TUBE - CHARGE AIR UPPER	1	
5		296274677	HOSE - RADIATOR UPPER	1	
6		296274678	HOSE - RADIATOR LOWER	1	
7		617884001	HOSE- HUMP CAC 3.00 X 3.00 - 4.38	2	
8		280917001	CONNECTOR - CAC HUMP HOSE	2	
9		296274587	BRACKET - LOWER CAC	1	
10		296274588	BRACKET - UPPER CAC	1	
11		2609007	MUFFLER CLAMP-2 1/2"	2	
12		116769001	CLAMP - CON TORQUE 1 3/4 - 2 5/8	4	
13		113095001	HOSE CLAMP-CONST.TRQ. CT350L	4	
14		1580013	HOSE CLAMP - 2 1/2"	4	
15		235727001	BOLT-3/8-16X1 GR8 HEX ZINC PLT	4	
16		235713001	WASHER - FLATSTRL - .38 - .41 X .81 - .06-YA-A325	6	
17		250508001	NUT - 3/8-NC Gr8 TOP LOCK Y/ZINC	2	
18		251136003	CAP - RADIATOR (7 LB)	1	
19		225532005	DRAIN COCK-1/4"	2	
20		238209001	BOLT-5/16-18X1 GR8 HEX ZINC YC	4	
21		510337605	WASHER-FLATSTD-.31-.38X.88-.08-YZ	4	
22		508476020	SCREW-HCS,M10-1.50X20,10.9,YZ,ISO4017,FT	2	

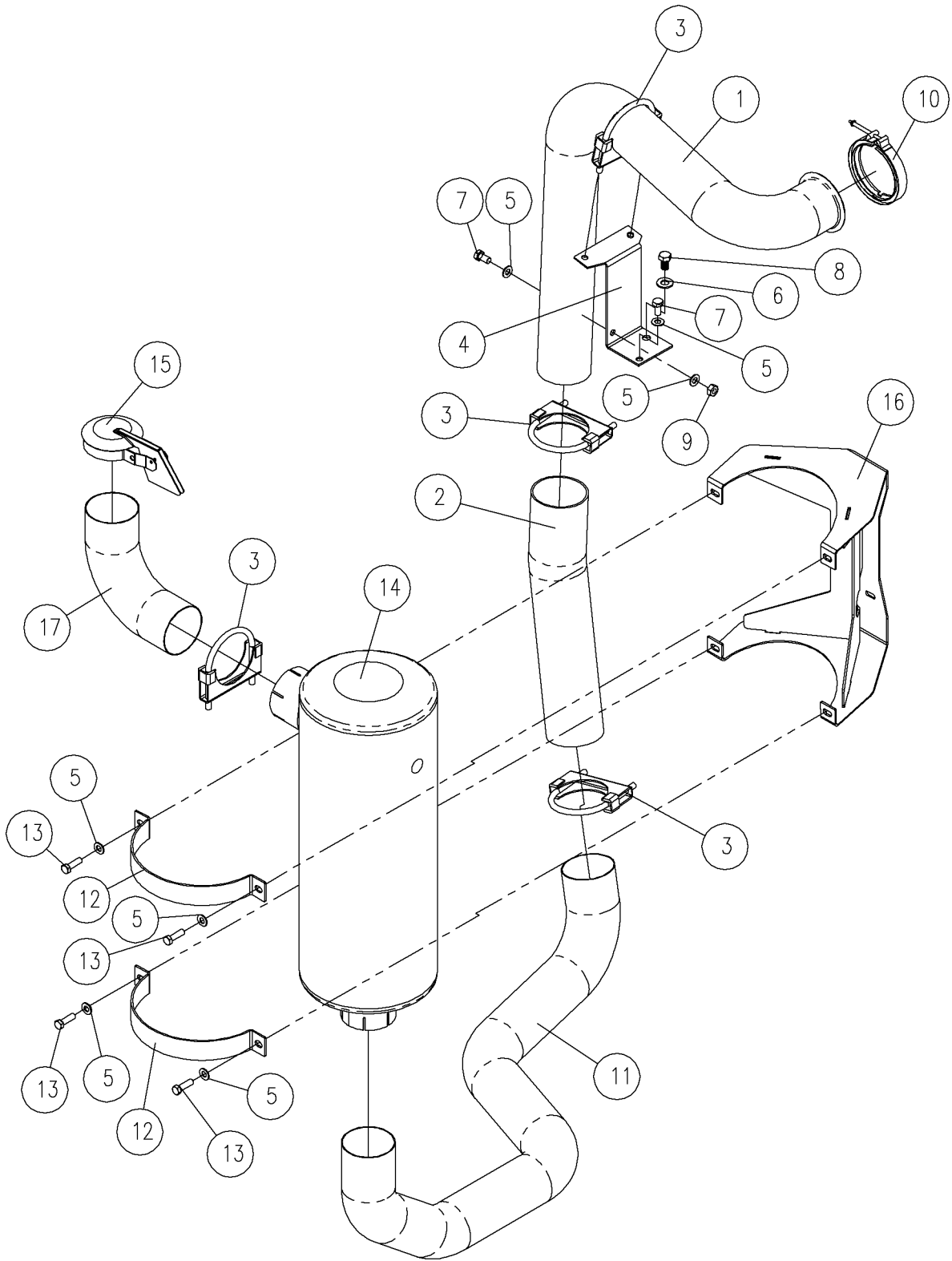
Exhaust Fig 3-6r02



## Exhaust Fig 3-6r02

REF. NO.	*	PART NO.	DESCRIPTION	QTY.	REMARKS
		Revision Date	March, 2006		Update In Illustration & Parts List.
1		296274687	TUBE- 3.5" EXHAUST	1	
2		296274722	TUBE - 3.5" X 18" FLEX EXHAUST	1	
3		2609013	CLAMP-MUFFLER 3 1/2	5	
4		296274586	BRACKET EXHAUST	1	
5		235713001	WASHER - FLATSTRL - .38 - .41 X .81 - .06-YA-A325	7	
6		485025	WASHER-1/2 FLAT-HARDENED-YZ	1	
7		508476020	SCREW-HCS,M10-1.50X20,10.9,YZ,ISO4017,FT	2	
8		507407020	SCREW-HCS,M12-1.75X20,10.9,YZ,ISO4017,FT	1	
9		61656001	NUT-HEX M10-1.50 CL8 YZ D934	1	
10		285687001	CLAMP - MUFFLER/TURBO	1	
11		296279822	TUBE - LOWER EXHAUST WRAPPED	1	
12		296274676	STRAP - MUFFLER CLAMP	2	
13		235736001	BOLT-3/8-16X1 1/4 ZINC PLTD	4	
14		296280907	MUFFLER - 3.5" SIDE OUTLET	1	
15		287964001	CAP-RAIN	1	
16		296277860	BRACKET ASSEMBLY - MUFFLER SUPPORT	1	
17		296280908	ELBOW - 90 DEG 3.5"	1	

Exhaust Assy Fig 3-6r01

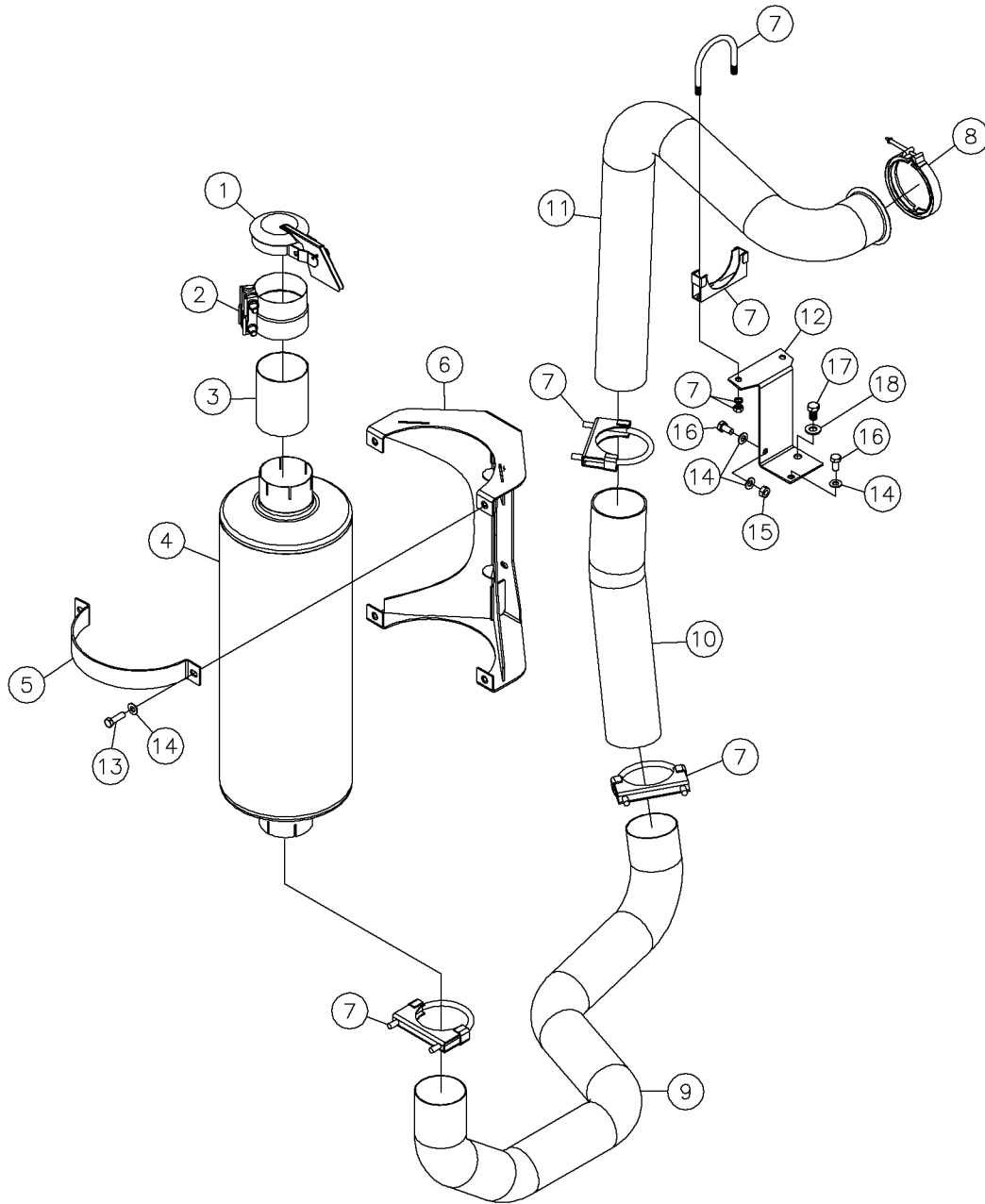




## Exhaust Assy Fig 3-6r01

REF. NO.	*	PART NO.	DESCRIPTION	QTY.	REMARKS
		Revision Date	July, 2005		Update In Illustration & Parts List.
1		296274687	TUBE- 3.5" EXHAUST	1	
2		296274722	TUBE - 3.5" X 18" FLEX EXHAUST	1	
3		2609013	CLAMP-MUFFLER 3 1/2	5	
4		296274586	BRACKET EXHAUST	1	
5		235713001	WASHER - FLATSTRL - .38 - .41 X .81 - .06-YA-A325	7	
6		485025	WASHER-1/2 FLAT-HARDENED-YZ	1	
7		508476020	SCREW-HCS,M10-1.50X20,10.9,YZ,ISO4017,FT	2	
8		507407020	SCREW-HCS,M12-1.75X20,10.9,YZ,ISO4017,FT	1	
9		61656001	NUT-HEX M10-1.50 CL8 YZ D934	1	
10		285687001	CLAMP - MUFFLER/TURBO	1	
11		296279822	TUBE - LOWER EXHAUST WRAPPED	1	
12		296274676	STRAP - MUFFLER CLAMP	2	
13		235736001	BOLT-3/8-16X1 1/4 ZINC PLTD	4	
14		296280907	MUFFLER - 3.5" SIDE OUTLET	1	
15		287964001	CAP-RAIN	1	
16		296280764	BRACKET ASSY - MUFFLER SUPPORT	1	
17		296280908	ELBOW - 90 DEG 3.5"	1	

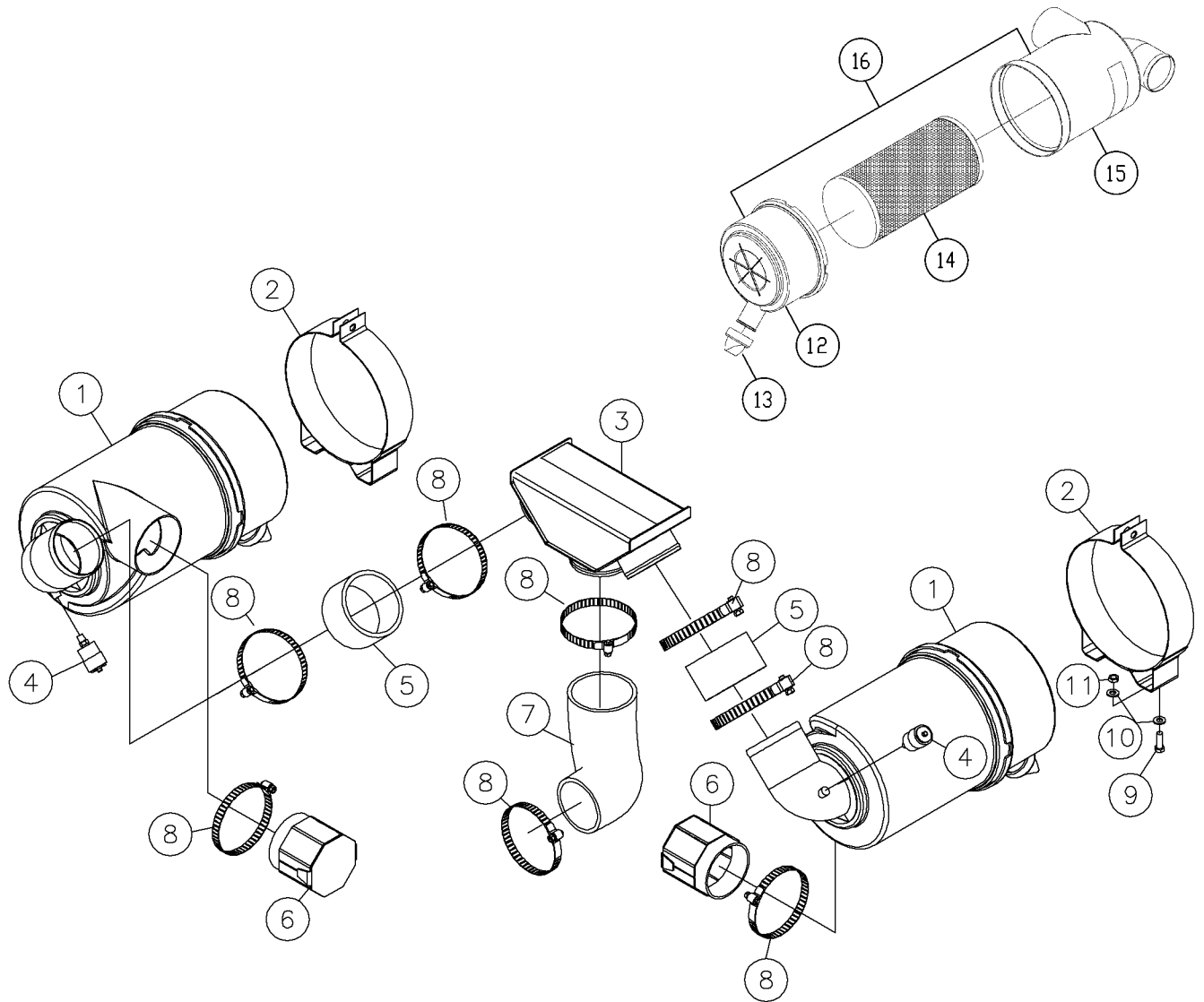
Exhaust Assy Fig 3-6



## Exhaust Assy Fig 3-6

REF. NO.	*	PART NO.	DESCRIPTION	QTY.	REMARKS
1		287964001	CAP-RAIN	1	
2		296277910	SEAL - 3.5" EXHAUST SEAL	1	
3		296277848	PIPE - EXHAUST EXTENSION	1	
4		296277847	MUFFLER - 3.5" STRAIGHT	1	
5		296274676	STRAP - MUFFLER CLAMP	2	
6		296277860	BRACKET ASSEMBLY - MUFFLER SUPPORT	1	
7		2609013	CLAMP-MUFFLER 3 1/2	4	
8		285687001	CLAMP - MUFFLER/TURBO	1	
9		296279822	TUBE - LOWER EXHAUST WRAPPED	1	
10		296274722	TUBE - 3.5" X 18" FLEX EXHAUST	1	
11		296274687	TUBE- 3.5" EXHAUST	1	
12		296274586	BRACKET EXHAUST	1	
13		235736001	BOLT-3/8-16X1 1/4 ZINC PLTD	4	
14		235713001	WASHER - FLATSTRL - .38 - .41 X .81 - .06-YA-A325	7	
15		61656001	NUT-HEX M10-1.50 CL8 YZ D934	1	
16		508476020	SCREW-HCS,M10-1.50X20,10.9,YZ,ISO4017,FT	2	
17		507407020	SCREW-HCS,M12-1.75X20,10.9,YZ,ISO4017,FT	1	
18		485025	WASHER-1/2 FLAT-HARDENED-YZ	1	

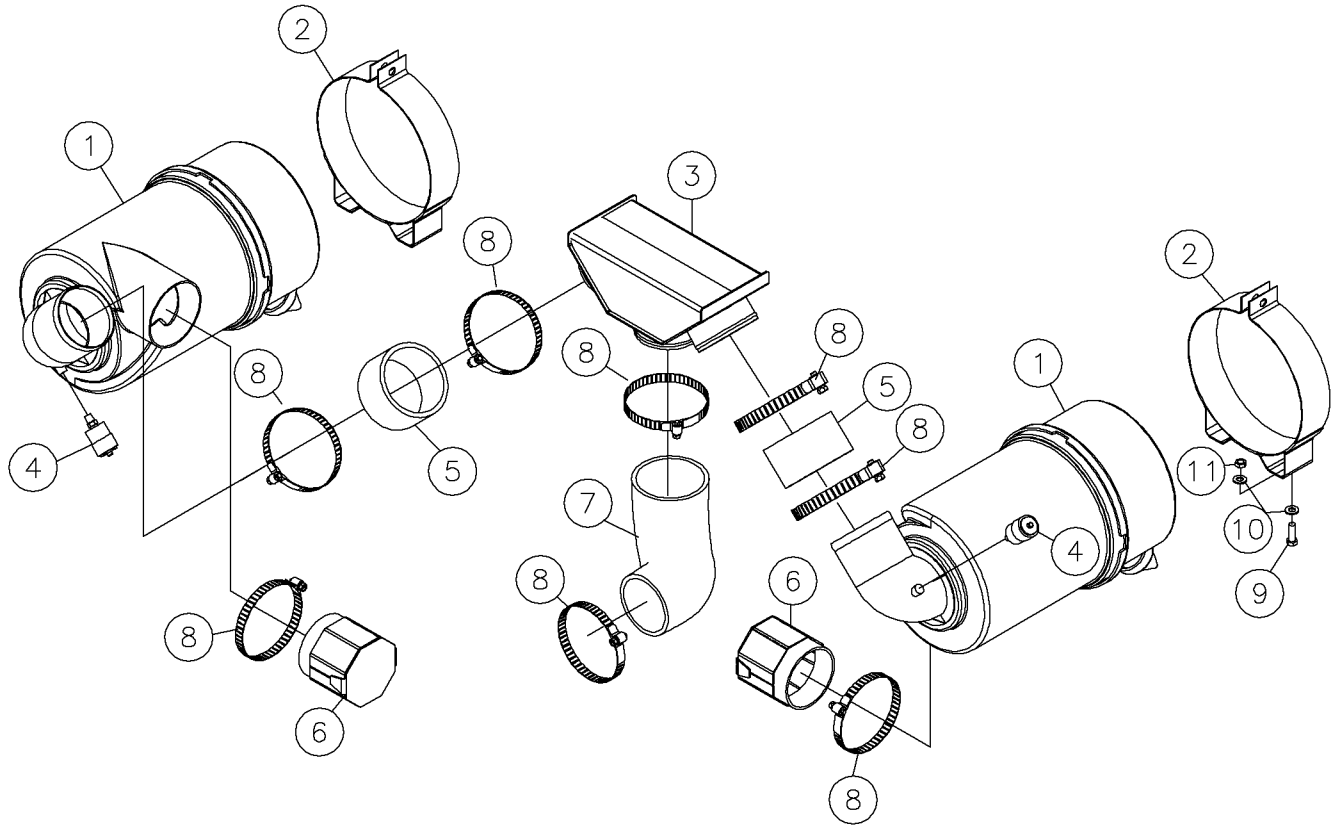
Air Intake Fig 3-7r01



## Air Intake Fig 3-7r01

REF. NO.	*	PART NO.	DESCRIPTION	QTY.	REMARKS
		Revision Date	March, 2006		Update In Illustration & Parts List.
1		224847001	AIR CLEANER	2	Includes Items 12 to 16
2		220167001	CLAMP-AIR CLEANER H00-2023	2	
3		296280371	WELDMENT - MANIFOLD - INTAKE AIR	1	
4		2164001	INDICATOR - RAX00-2351	1	
5		296274582	HOSE - 3.5" CONNECTOR	2	
6		296277941	COVER - INLET AIR	2	
7		296274693	HOSE- 3.5" -3 XCX INLET AIR	1	
8		1580019	HOSE CLAMP - 4 1/2"	8	
9		238209001	BOLT-5/16-18X1 GR8 HEX ZINC YC	4	
10		235714001	WASHER - FLATSTRL - .31 - .34 X .69 - .06-YZ-A325	8	
11		235741001	NUT - HEX - .31 - 18 - GR8 -YZ	4	
12		220166007	COVER ASSEMBLY	1	
13		220166009	VALVE	1	
14		220166005	ELEMENT ASSEMBLY	1	
15		224847005	DECAL - INSTRUCTION	1	
16		224847003	BODY ASSEMBLY	1	

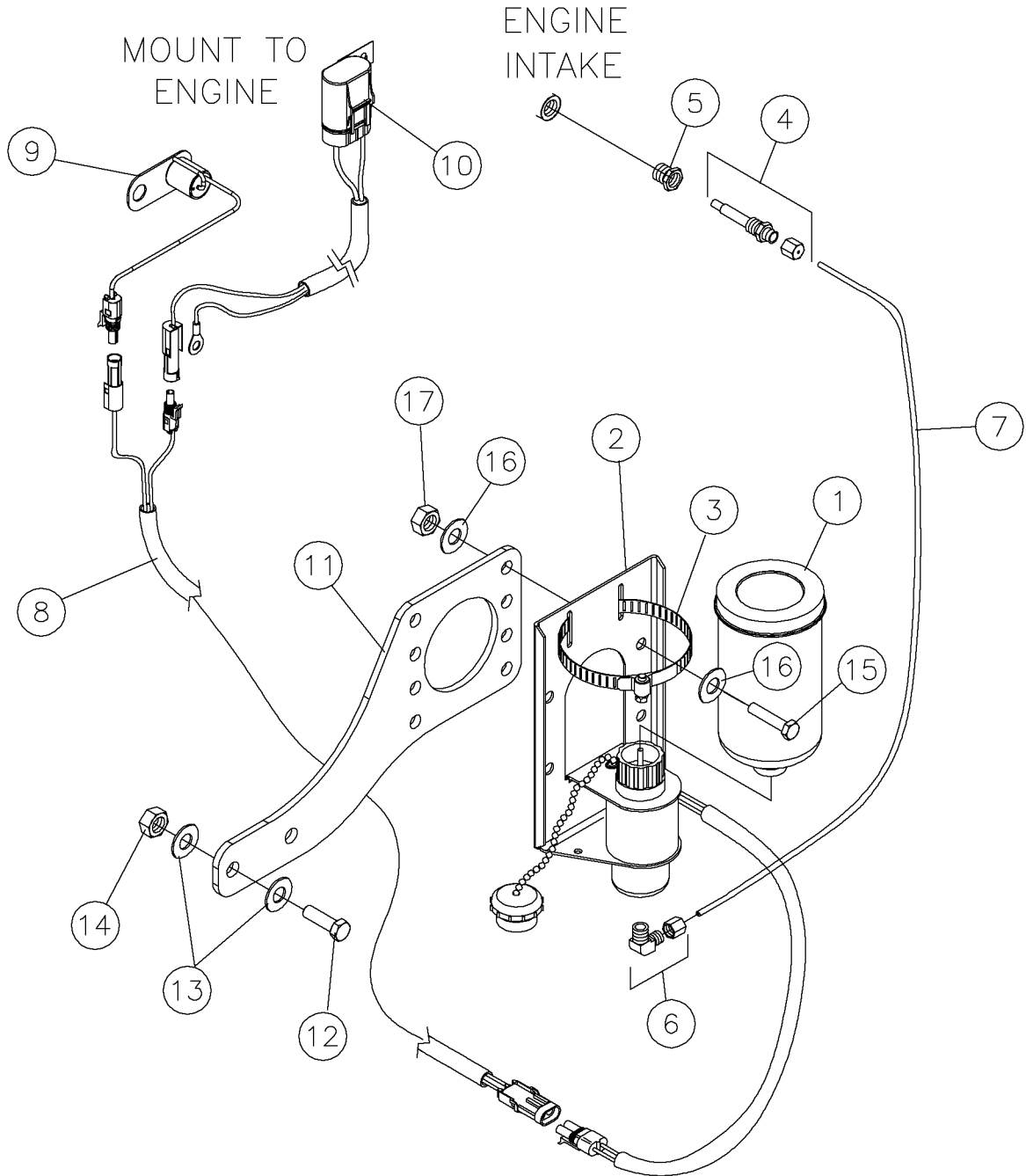
Air Intake Assy Fig 3-7



## Air Intake Assy Fig 3-7

REF. NO.	*	PART NO.	DESCRIPTION	QTY.	REMARKS
1		224847001	AIR CLEANER	2	
2		220167001	CLAMP-AIR CLEANER H00-2023	2	
3		296274711	MANIFOLD - INTAKE AIR	1	
4		2164001	INDICATOR - RAX00-2351	1	
5		296274582	HOSE - 3.5" CONNECTOR	2	
6		296277941	COVER - INLET AIR	2	
7		296274693	HOSE- 3.5" -3 XCX INLET AIR	1	
8		1580019	HOSE CLAMP - 4 1/2"	8	
9		238209001	BOLT-5/16-18X1 GR8 HEX ZINC YC	4	
10		235714001	WASHER - FLATSTRL - .31 - .34 X .69 - .06-YZ-A325	8	
11		235741001	NUT - HEX - .31 - 18 - GR8 -YZ	4	

Ether Start System Assy Fig 3-8

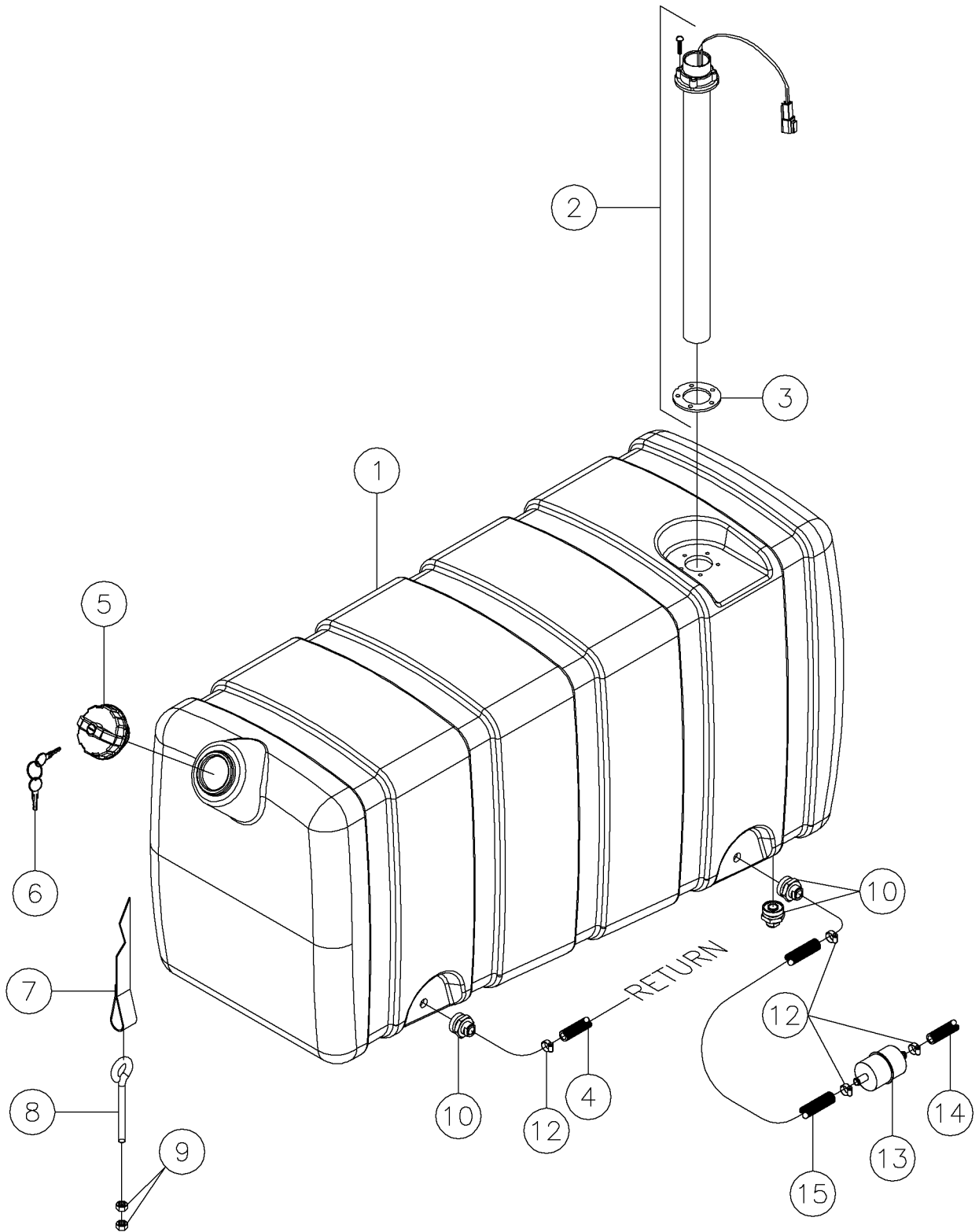




## Ether Start System Assy Fig 3-8

REF. NO.	*	PART NO.	DESCRIPTION	QTY.	REMARKS
1		296279823	CYLINDER - 8 OZ ETHER 3" DIA X 6" TALL	1	
2		296281251	ETHER 12V SOLENOID VALVE	1	
3		1580015	HOSE CLAMP - 3"	1	
4		296281253	NOZZLE ASSEMBLY	1	
5		296281252	ADAPTER	1	
6		296281254	BLOCKOR FITTING ASSEMBLY	1	
7		202831001	TUBING-NYLON 1/8OD	A/R	Specify Length
8			ETHER WIRING HARNESS	1	Not Sold Separately
9		296281255	SWITCH-ENGINE TEMP. SENSOR	1	Not Sold Separately
10			FUSE BLOCK HARNESS	1	
11		296277798	BRACKET - ETHER MOUNT	1	
12		235736001	BOLT-3/8-16X1 1/4 ZINC PLTD	2	
13		235713001	WASHER - FLATSTRL - .38 - .41 X .81 - .06-YA-A325	4	
14		235725001	NUT - HEX - .38 - 16 - GR8 - YZ	4	
15		279376001	BOLT - 5/16-18X1 1/2 GR8 HEX ZNC PLT	4	
16		235714001	WASHER - FLATSTRL - .31 - .34 X .69 - .06-YZ-A325	8	
17		235741001	NUT - HEX - .31 - 18 - GR8 -YZ	4	
		296277799	KIT - DEERE ETHER PARTS		Inc. Ref. No.'s 2-10

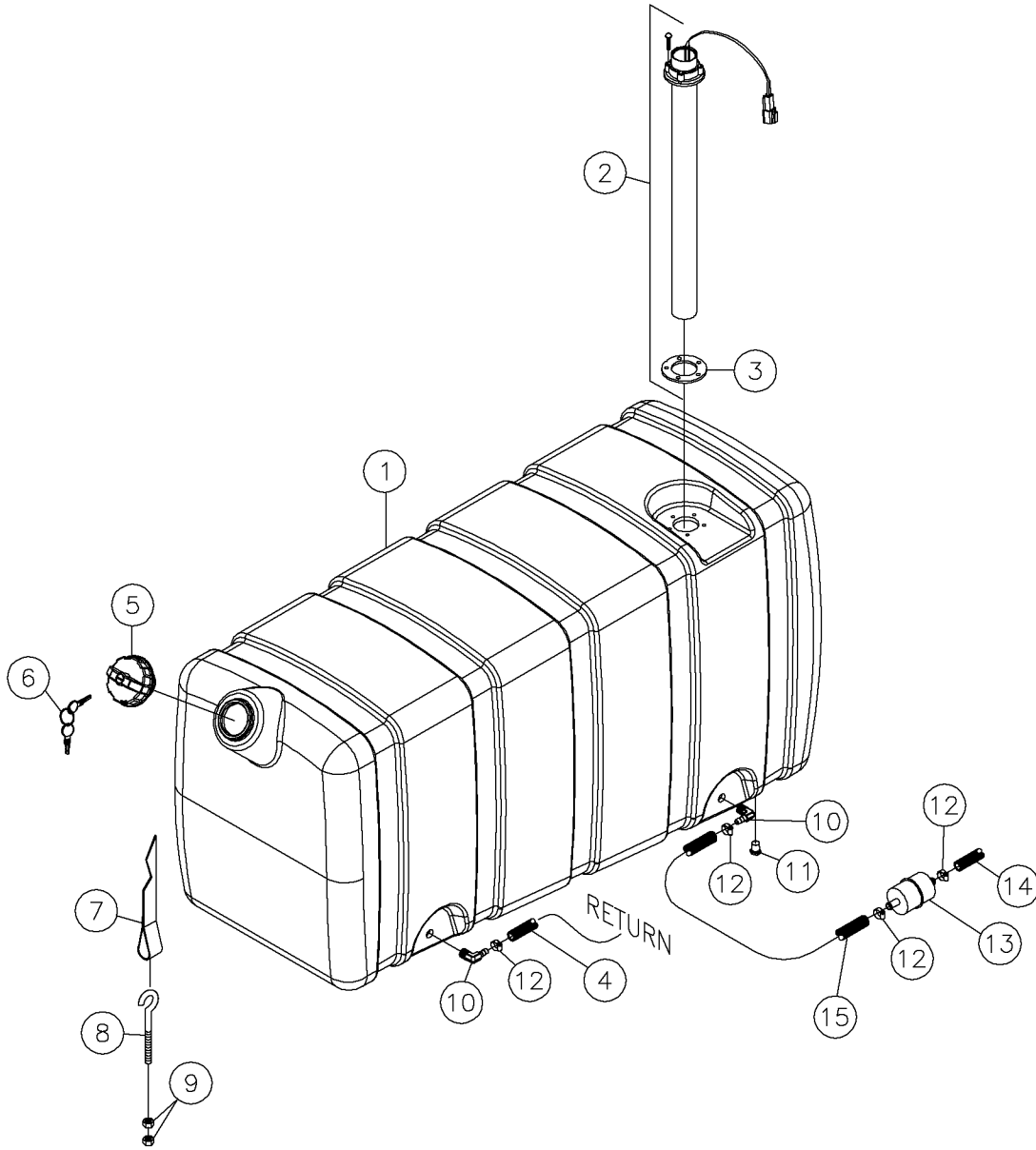
Fuel Tank Fig 3-9r01



## Fuel Tank Fig 3-9r01

REF. NO.	*	PART NO.	DESCRIPTION	QTY.	REMARKS
		Revision Date	March, 2006		Update In Illustration & Parts List.
1		289602001	FUEL TANK	1	
2		292038001	SENDER - FUEL LEVEL	1	
3		251538003	GASKET - FUEL SENDER	1	
4		296277783	HOSE - FUEL RETURN 5/16 X 132"	1	
5		279326001	CAP - DIESEL FUEL W/LOCK	1	
6		279326003	KEY - FUEL CAP (PAIR)	1	
7		287698001	STRAP - FUEL TANK	1	
8		279374001	BOLT - 3/8-16 X 5 1/2 EYE	2	
9		235725001	NUT - HEX - .38 - 16 - GR8 - YZ	4	
10		296280408	FITTING - FUEL TANK RETURN	3	
11		282126001	FITTING - 1/4 BRASS HEX PLUG	1	
12		1578001	HOSE CLAMP - 1/4"	4	
13		102995001	STRAINER	1	
14		296277821	PLATE - SUPPORT	1	
15		296277784	HOSE - FUEL SUPPLY 5/16 X 24"	1	

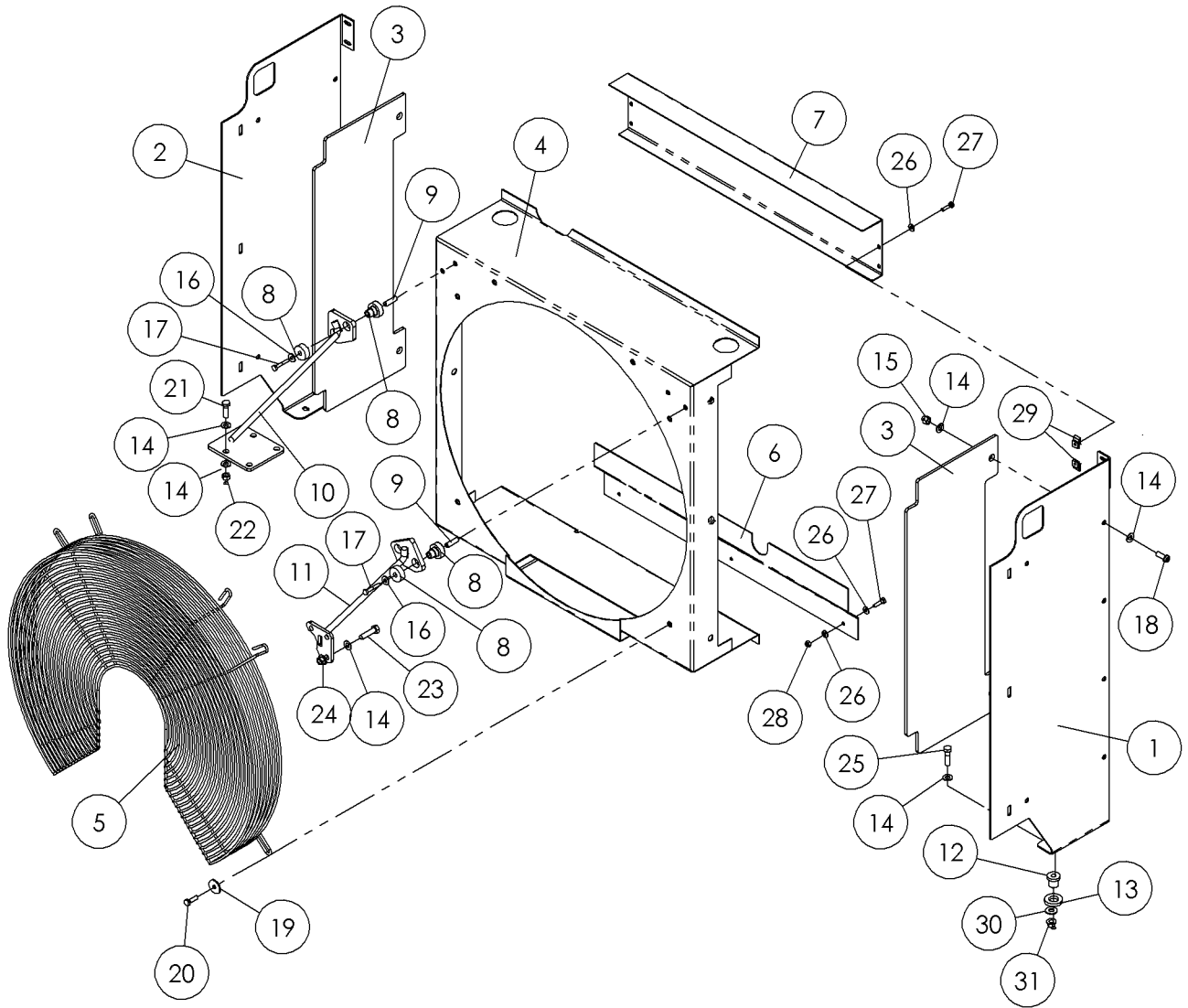
Fuel Tank Assy Fig 3-9



## Fuel Tank Assy Fig 3-9

REF. NO.	*	PART NO.	DESCRIPTION	QTY.	REMARKS
1		289602001	FUEL TANK	1	
2		292038001	SENDER - FUEL LEVEL	1	
3		251538003	GASKET - FUEL SENDER	1	
4		296277783	HOSE - FUEL RETURN 5/16 X 132"	1	
5		279326001	CAP - DIESEL FUEL W/LOCK	1	
6		279326003	KEY - FUEL CAP (PAIR)	1	
7		287698001	STRAP - FUEL TANK	1	
8		279374001	BOLT - 3/8-16 X 5 1/2 EYE	2	
9		235725001	NUT - HEX - .38 - 16 - GR8 - YZ	4	
10		602037001	FITTING - 1/4 PIPE 5/16 BARB 90	2	
11		282126001	FITTING - 1/4 BRASS HEX PLUG	1	
12		1578001	HOSE CLAMP - 1/4"	4	
13		102995001	STRAINER	1	
14		296277821	PLATE - SUPPORT	1	
15		296277784	HOSE - FUEL SUPPLY 5/16 X 24"	1	

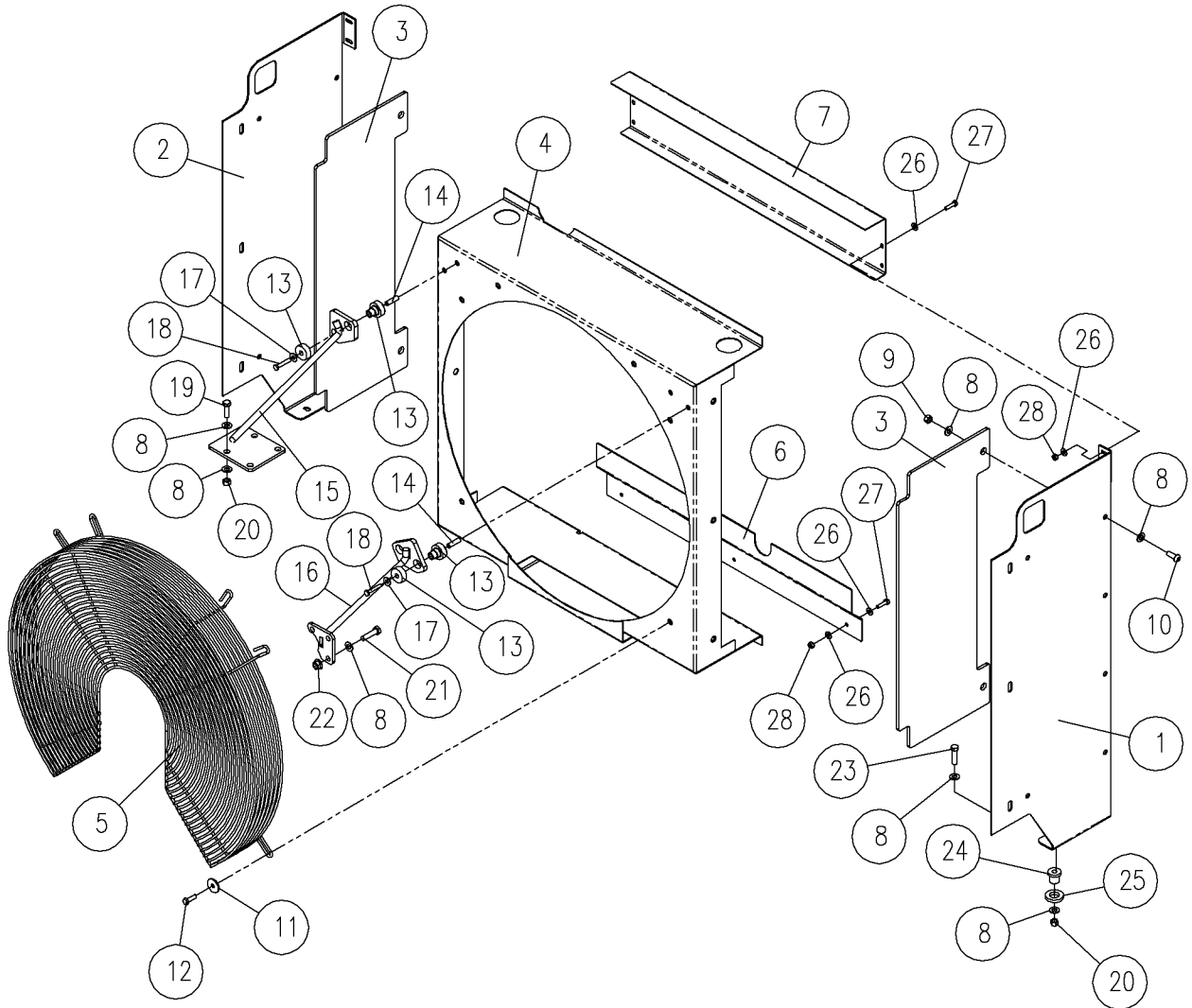
Cooler Shroud Assy Fig 3-10r02



## Cooler Shroud Assy Fig 3-10r02

REF. NO.	*	PART NO.	DESCRIPTION	QTY.	REMARKS
1		296279967	SUPPORT - RH RADIATOR	1	
2		296279968	SUPPORT - LH RADIATOR	1	
3		296274583	FOAM - RADIATOR SIDE	2	
4		296279974	SHROUD ASSY - FAN	1	
5		180005303	GUARD	1	
6		296280872	PANEL - RECIRCULATION BLOCK	1	
7		296280873	PANEL - RECIRCULATION BLOCK	1	
8		294553001	MOUNT - UPPER RADIATOR ISOLATOR	4	
9		291550001	SPACER	4	
10		296274632	BRACKET - LH RADIATOR	1	
11		296274631	BRACKET - RH RADIATOR	1	
12		294552001	MOUNT - LOWER RADIATOR ISOLATOR	4	
13		291549001	SPACER	4	
14		235713001	WASHER-FLATSTRL-.38-.41X.81-.06-YZ-A325	41	
15		250508001	NUT-TLHEX-.38-16-C-YZ	8	
16		485003	WASHER-FLATSTD-.25-.31X.75-.07-CZ	4	
17		238210001	SCREW-HCS-.25-20X1.50-GR8-YZ	4	
18		103978010	SCREW-SBHCS-.38-16X1.00-GR8-CZ	18	
19		287758001	WASHER-FLATWRT-.31-.34X1.25	6	
20		238209001	SCREW-HCS-.31-18X1.00-GR8-YZ	6	
21		235736001	SCREW-HCS-.38-16X1.25-GR8-YZ	4	
22		235725001	NUT-HEX-.38-16-GR8-YZ	4	
23		508476040	SCREW-HCS-M10-1.50X40-10.9-YZ-ISO4017-FT	3	
24		506986010	NUT-HEXFLG-M10-1.50-10-YZ-ISO4161	3	
25		235723001	SCREW-HCS-.38-16X1.50-GR8-YZ	4	
26		252251001	WASHER-FLATSAE-.25-.28X.63-.06-CZ	10	
27		235735001	SCREW-HCS-.25-20X1.00-GR8-YZ	7	
28		235732001	NUT-HEX-.25-20-GR8-YZ	3	
29		5549001	NUT-U-CLIP 1/4 NC	4	
30		485007	WASHER-FLATSTD-.38-.44X1.00-.08-CZ	4	
31		4536001	NUT-HEXFLGL-.38-16-GR2-CZ	4	

Cooler Shroud Assy Fig 3-10r01

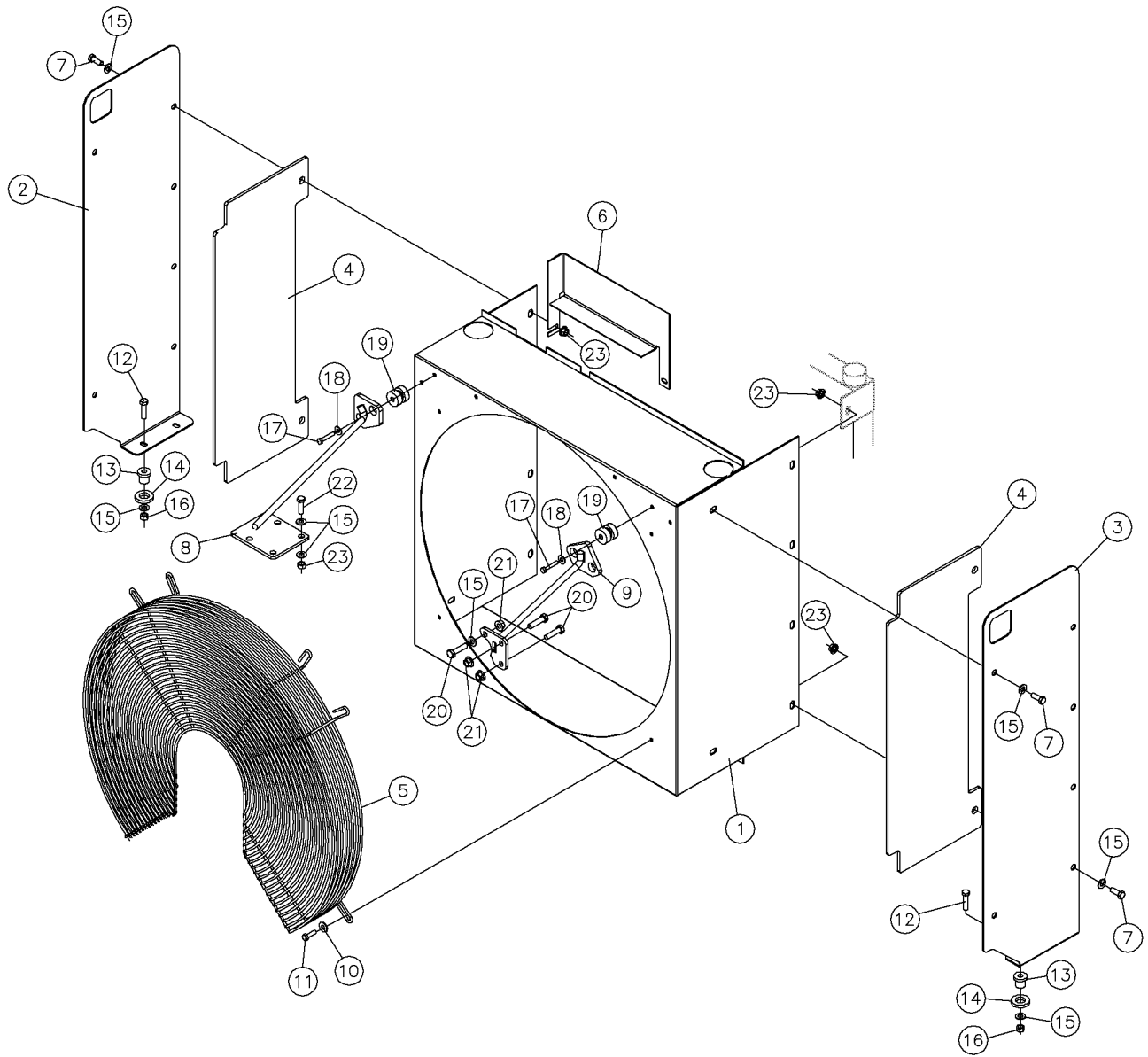




## Cooler Shroud Assy Fig 3-10r01

REF. NO.	*	PART NO.	DESCRIPTION	QTY.	REMARKS
		Revision Date	July, 2005		Update In Illustration & Parts List.
1		296279967	SUPPORT - RH RADIATOR	1	
2		296279968	SUPPORT - LH RADIATOR	1	
3		296274583	FOAM- RADIATOR SIDE	2	
4		296279974	SHROUD ASSY - FAN	1	
5		180005303	GUARD FAN 28 INCH	1	
6		296280872	PANEL - RECIRCULATION BLOCK	1	
7		296280873	PANEL - RECIRCULATION BLOCK	1	
8		235713001	WASHER - FLATSTRL - .38 - .41 X .81 - .06-YA-A325	45	
9		250508001	NUT - 3/8-NC Gr8 TOP LOCK Y/ZINC	8	
10		103978010	BOLT-3/8NCX1 BUT.HD.SOCKET	6	
11		287758001	WASHER - VAC SYSTEM	6	
12		238209001	BOLT-5/16-18X1 GR8 HEX ZINC YC	6	
13		294553001	MOUNT-UPPER RADIATOR ISOLATOR	4	
14		291550001	SPACER-RADIATOR ISOLATOR	4	
15		296274632	STRUT - LH RADIATOR	1	
16		296274631	STRUT - RH RADIATOR	1	
17		485003	WASHER-1/4 FLAT REF TR00295	4	
18		238210001	BOLT - 1/4-20X1 1/2 GR8 HEX ZYC	4	
19		235736001	BOLT-3/8-16X1 1/4 ZINC PLTD	4	
20		235725001	NUT - HEX - .38 - 16 - GR8 - YZ	8	
21		508476040	SCREW-HCS,M10- 1.50X40,10.9,YZ,ISO4017,FT	3	
22		506986010	NUT-HEXFLNG,M10- 1.50,CL10,YZ,ISO4161	3	
23		235723001	SCREW - HCS - .38 - 16 X 1.50 - GR8 - YZ	4	
24		294552001	MOUNT-LOWER RADIATOR ISOLATOR	4	
25		291549001	SPACER-LOWER ISOLATOR	4	
26		252251001	WASHER-1/4 SAE FLAT ZP	14	
27		235735001	BOLT-1/4-20X1 GR8 HEX ZNC PLTD	7	
28		235732001	NUT - HEX - .25 - 20 - GR8 - YZ	7	

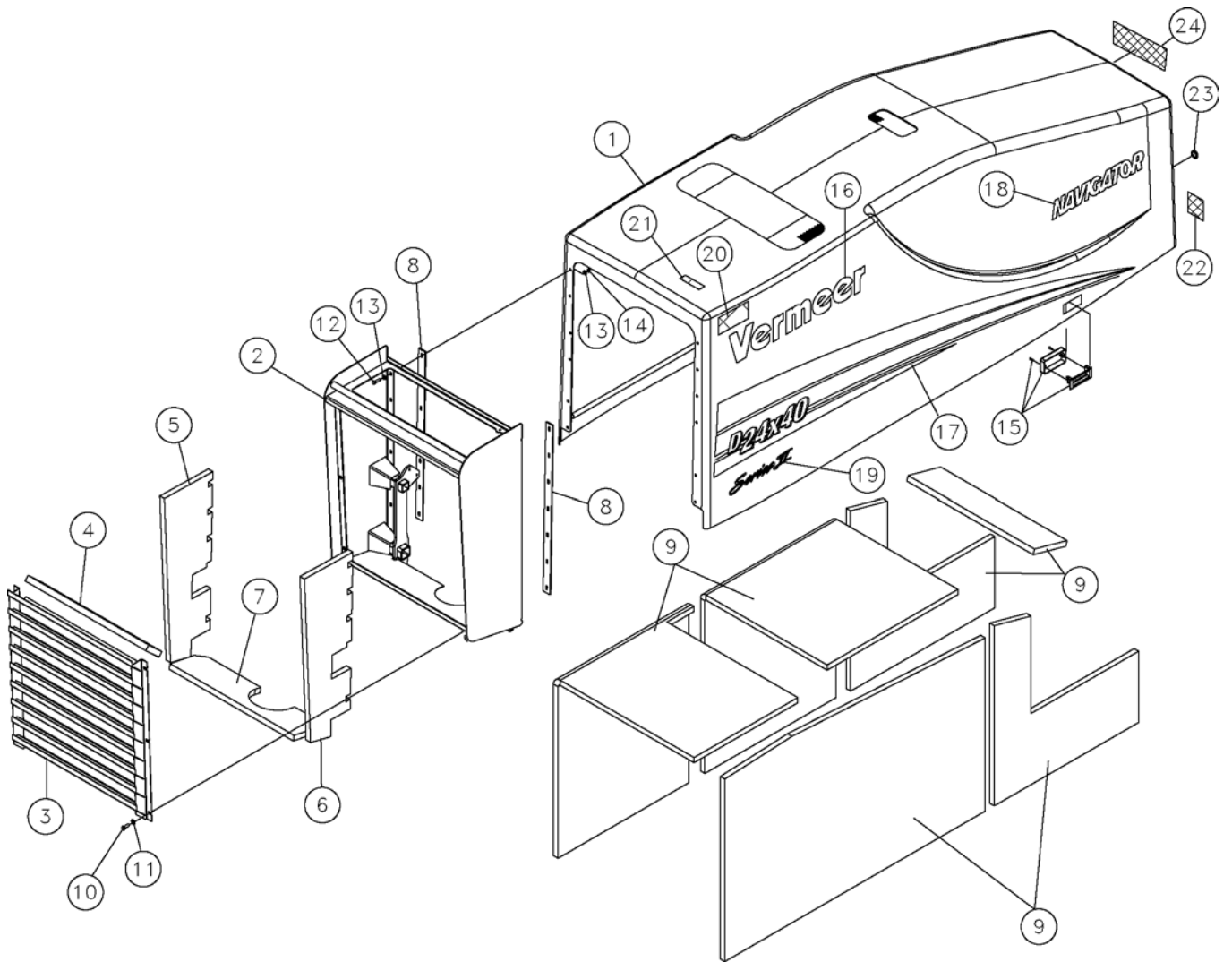
Cooler Shroud Assy Fig 3-10



## Cooler Shroud Assy Fig 3-10

REF. NO.	*	PART NO.	DESCRIPTION	QTY.	REMARKS
1		296274674	SHROUD ASSEMBLY	1	
2		296274665	SUPPORT - LH RADIATOR	1	
3		296274664	SUPPORT - RH RADIATOR	1	
4		296274583	FOAM- RADIATOR SIDE	2	
5		180005303	GUARD FAN 28 INCH	1	
6		296277949	PANEL RECIRCULATION	1	
7		235742001	BOLT-5/16-18X3/4 GR8 ZINC PLTD	12	
8		296274632	STRUT - LH RADIATOR	1	
9		296274631	STRUT - RH RADIATOR	1	
10		510337605	WASHER-FLATSTD-.31-.38X.88-.08-YZ	6	
11		238209001	BOLT-5/16-18X1 GR8 HEX ZINC YC	10	
12		235723001	SCREW - HCS -.38 - 16 X 1.50 - GR8 - YZ	4	
13		294552001	MOUNT-LOWER RADIATOR ISOLATOR	4	
14		291549001	SPACER-LOWER ISOLATOR	4	
15		235713001	WASHER - FLATSTRL - .38 - .41 X .81 - .06-YA-A325	25	
16		235725001	NUT - HEX - .38 - 16 - GR8 - YZ	4	
17		238210001	BOLT - 1/4-20X1 1/2 GR8 HEX ZYC	4	
18		485003	WASHER-1/4 FLAT	4	
19		294553001	MOUNT-UPPER RADIATOR ISOLATOR	4	
20		508476040	SCREW-HCS,M10-1.50X40,10.9,YZ,ISO4017,FT	3	
21		506986010	NUT-HEXFLNG,M10-1.50,CL10,YZ,ISO4161	3	
22		235736001	BOLT-3/8-16X1 1/4 ZINC PLTD	4	
23		408001	NUT-5/16-18 FLG WHIZ LOCK	12	

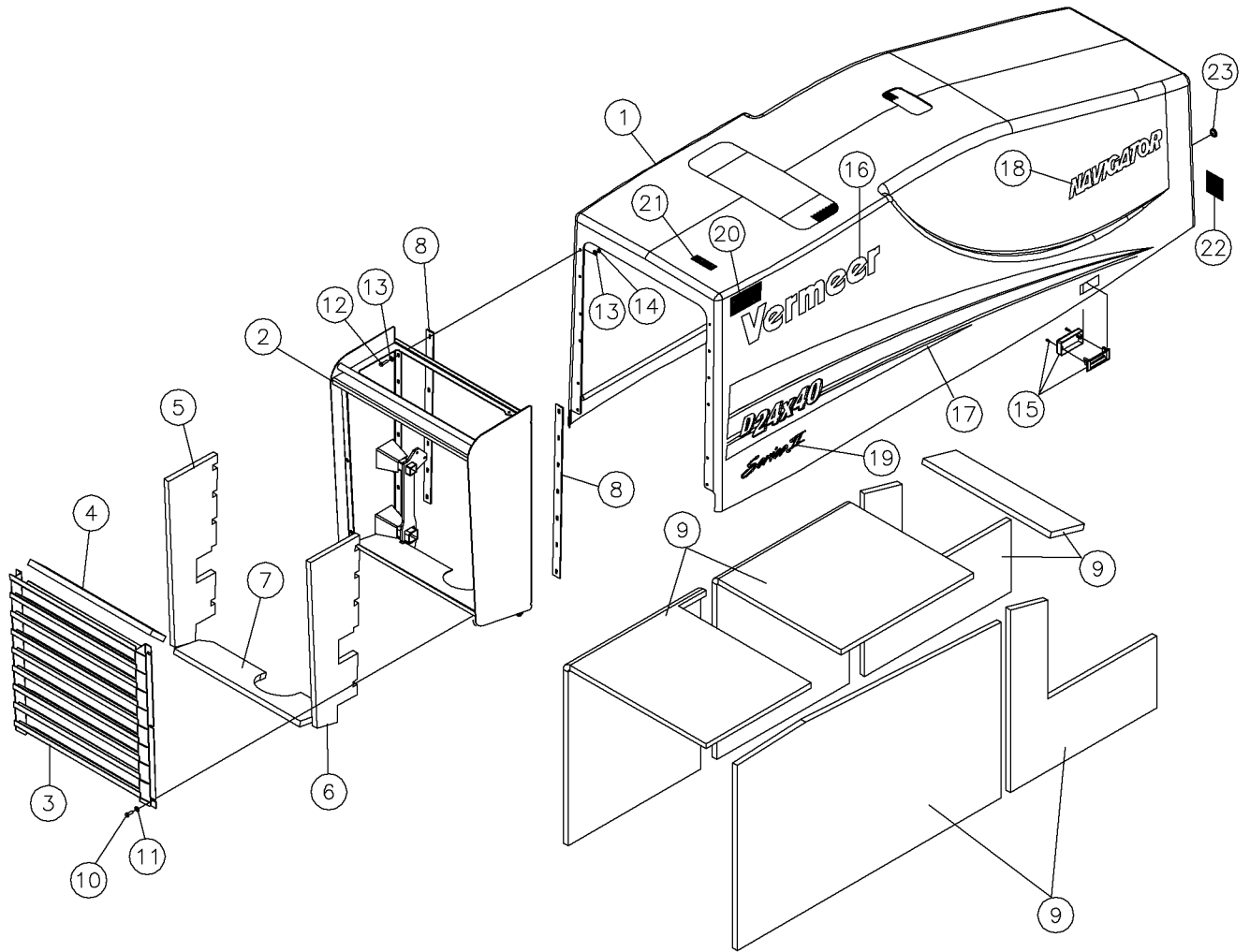
Engine Shield Fig 3-11r02



## Engine Shield Fig 3-11r02

REF NO.	*	PART NO.	DESCRIPTION	QTY.	REMARKS
		Revision Date	March, 2006		Update In Illustration & Parts List.
1		296280983	HOOD ASSY - ENGINE COVER	1	
2		296277849	FRAME - HOOD PIVOT	1	
3		296277894	GRILL - RADIATOR DISCHARGE	1	
4		296277867	FOAM - ACOUSTIC GRILL	9	
5		296277871	FOAM- ACOUSTICAL RACK SIDE GRILL	1	
6		296277872	FOAM- ACOUSTICAL OPERATOR SIDE GRILL	1	
7		296277873	FOAM- ACOUSTICAL LOWER GRILL	1	
8		278829001	BAR - GRILLE MOUNT	4	
9		296277993	KIT - FOAM ENGINE HOOD	1	
10		235727001	BOLT-3/8-16X1 GR8 HEX ZINC PLT	6	
11		235713001	WASHER - FLATSTRL - .38 - .41 X .81 - .06-YA-A325	6	
12		248031001	BOLT-5/16-18X1 1/4 GR8 ZINC PL	12	
13		235714001	WASHER - FLATSTRL - .31 - .34 X .69 - .06-YZ-A325	24	
14		235741001	NUT - HEX - .31 - 18 - GR8 -YZ	12	
15		292053001	POCKET PULL	1	
16		7000B059	DECAL - VERMEER 6"	1	
17		7000C462	DECAL - D24X40 II RIGHT STRIPE	1	
18		70000614	DECAL-MODEL NAVIGATOR (BIG)	1	
19		7000C463	DECAL - SERIES II MEDIUM	1	
20		7000A576	DECAL-DANGER	1	Domestic
		700IA576	DECAL-DANGER	1	International
21		7000B388	DECAL - HOOD LATCH	1	
22		7000B119	DECAL - PATENT INDUSTRIAL	1	
23		296280859	PLUG - 1.125"	1	
24		7000B812	DECAL-WARNING	1	Domestic
		700IB812	DECAL-WARNING	1	International

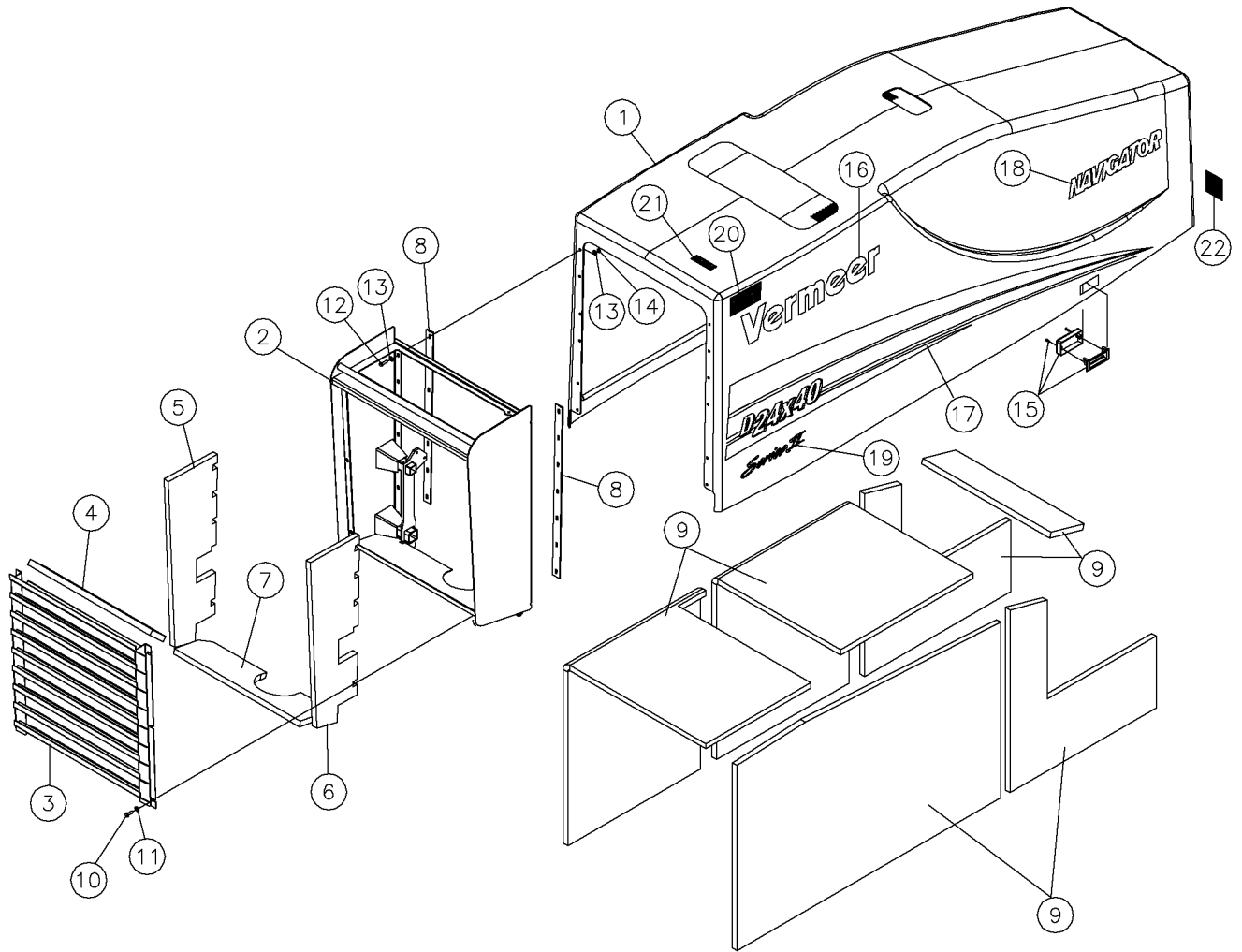
Engine Shield Assy Fig 3-11r01



## Engine Shield Assy Fig 3-11r01

REF. NO.	*	PART NO.	DESCRIPTION	QTY.	REMARKS
		Revision Date	May, 2005		Update In Illustration & Parts List.
1		296277992	HOOD ASSY - ENGINE COVER	1	
2		296277849	FRAME - HOOD PIVOT	1	
3		296277894	GRILL - RADIATOR DISCHARGE	1	
4		296277867	FOAM - ACOUSTIC GRILL	9	
5		296277871	FOAM- ACOUSTICAL RACK SIDE GRILL	1	
6		296277872	FOAM- ACOUSTICAL OPERATOR SIDE GRILL	1	
7		296277873	FOAM- ACOUSTICAL LOWER GRILL	1	
8		278829001	BAR - GRILLE MOUNT	2	
9		296277993	KIT - FOAM ENGINE HOOD	1	
10		235727001	BOLT-3/8-16X1 GR8 HEX ZINC PLT	6	
11		235713001	WASHER - FLATSTRL - .38 - .41 X .81 - .06-YA-A325	6	
12		248031001	BOLT-5/16-18X1 1/4 GR8 ZINC PL	12	
13		235714001	WASHER - FLATSTRL - .31 - .34 X .69 - .06-YZ-A325	24	
14		235741001	NUT - HEX - .31 - 18 - GR8 -YZ	12	
15		292053001	POCKET PULL	1	
16		7000B059	DECAL - VERMEER 6"	1	
17		7000C462	DECAL - D24X40 II RIGHT STRIPE	1	
18		70000614	DECAL-MODEL NAVIGATOR (BIG)	1	
19		7000C463	DECAL - SERIES II MEDIUM	1	
20		7000A576	DECAL-DANGER	1	
		700IA576	DECAL-DANGER	1	International
21		7000B388	DECAL - HOOD LATCH	1	
22		7000B119	DECAL - PATENT INDUSTRIAL	1	
23		296280859	PLUG - 1.125"	1	

Engine Shield Assy Fig 3-11

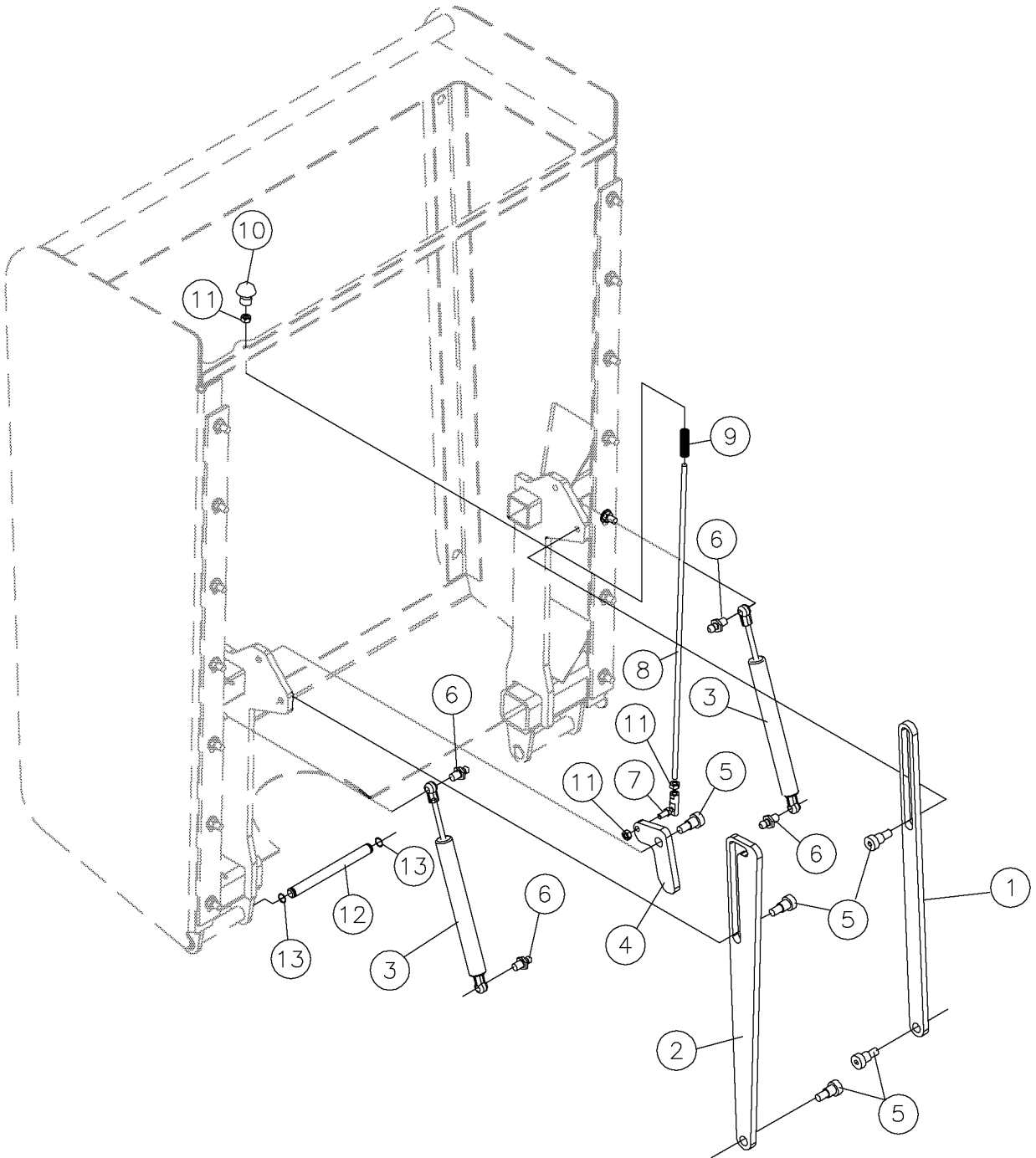




## Engine Shield Assy Fig 3-11

REF. NO.	*	PART NO.	DESCRIPTION	QTY.	REMARKS
1		296277992	HOOD ASSY - ENGINE COVER	1	
2		296277849	FRAME - HOOD PIVOT	1	
3		296277894	GRILL - RADIATOR DISCHARGE	1	
4		296277867	FOAM - ACOUSTIC GRILL	9	
5		296277871	FOAM- ACOUSTICAL RACK SIDE GRILL	1	
6		296277872	FOAM- ACOUSTICAL OPERATOR SIDE GRILL	1	
7		296277873	FOAM- ACOUSTICAL LOWER GRILL	1	
8		278829001	BAR - GRILLE MOUNT	2	
9		296277993	KIT - FOAM ENGINE HOOD	1	
10		235727001	BOLT-3/8-16X1 GR8 HEX ZINC PLT	6	
11		235713001	WASHER - FLATSTRL - .38 - .41 X .81 - .06-YA-A325	6	
12		248031001	BOLT-5/16-18X1 1/4 GR8 ZINC PL	12	
13		235714001	WASHER - FLATSTRL - .31 - .34 X .69 - .06-YZ-A325	24	
14		235741001	NUT - HEX - .31 - 18 - GR8 -YZ	12	
15		292053001	POCKET PULL	1	
16		7000B059	DECAL - VERMEER 6"	1	
17		7000C462	DECAL - D24X40 II RIGHT STRIPE	1	
18		70000614	DECAL-MODEL NAVIGATOR (BIG)	1	
19		7000C463	DECAL - SERIES II MEDIUM	1	
20		7000A576	DECAL-DANGER	1	
		700IA576	DECAL-DANGER	1	International
21		7000B388	DECAL - HOOD LATCH	1	
22		7000B119	DECAL - PATENT INDUSTRIAL	1	

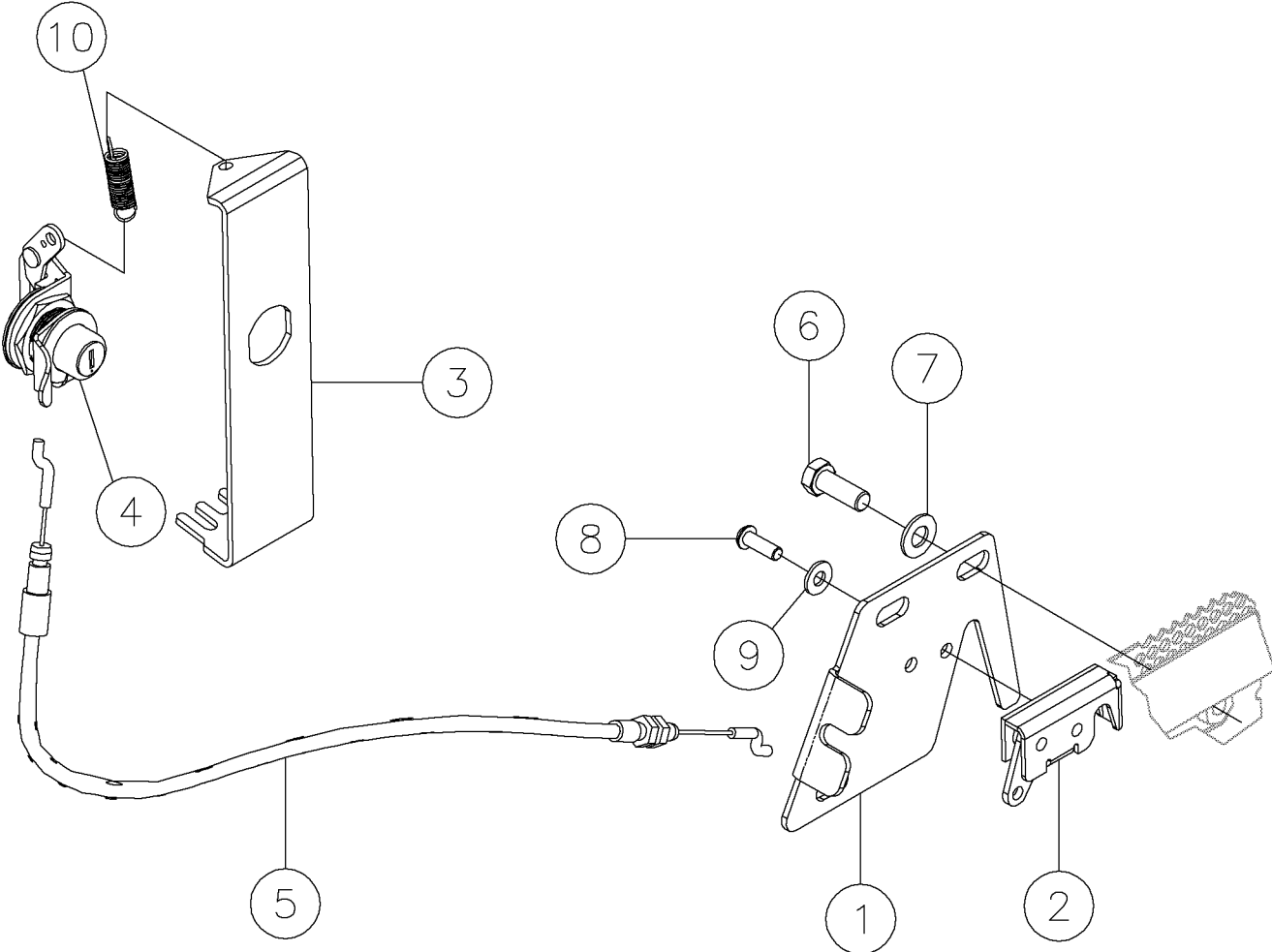
Hood Pivot Assy Fig 3-12



## Hood Pivot Assy Fig 3-12

REF. NO.	*	PART NO.	DESCRIPTION	QTY.	REMARKS
1		296274624	SLIDE - HOOD CATCH	1	
2		296274625	SLIDE - HOOD LOCK	1	
3		251144001	SPRING - GAS ASSIST	2	
4		296274628	PIVOT -UNLATCH	1	
5		240056001	SCREW-SHSS-.50X.50-.38-16THD-CZ	5	
6		285784001	BALL - STUD	4	
7		1489001	BALL JOINT - 1/4" SP1002 CP	1	
8		296274629	ROD - HOOD LATCH	1	
9		1803089	SPRING-COMP.#30 3/8ODX5/16ID.	1	
10		279113001	KNOB - WEATHERHEAD PUSH-PULL	1	
11		4734001	NUT-1/4-28 NF HEX	2	
12		291616001	PIN - 1/2" X 5.75	2	
13		294761001	SNAP RING - .50 SHR-50	4	

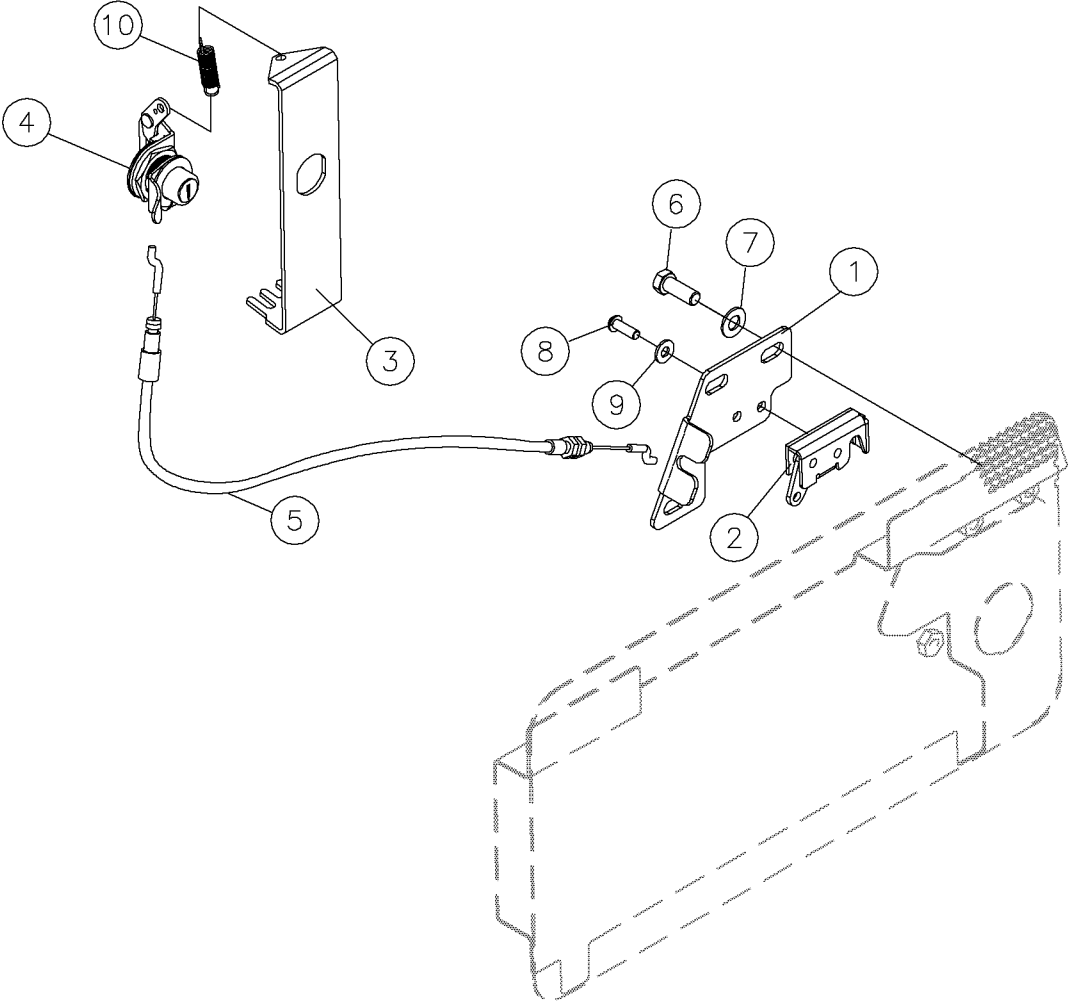
Engine Hood Latch Fig 3-13r02



## Engine Hood Latch Fig 3-13r02

REF NO.	*	PART NO.	DESCRIPTION	QTY.	REMARKS
		Revision Date	March, 2006		Update In Illustration & Parts List.
1		296280434	BRACKET - CABLE END	1	
2		159973001	LATCH - MINI ROTARY, RIGHT	1	
3		296279848	BRACKET - HOOD CABLE	1	
4		155985001	LATCH - PUSHBUTTON	1	
5		159972001	CABLE - HOOD RELEASE	1	
6		235727001	BOLT-3/8-16X1 GR8 HEX ZINC PLT	3	
7		235713001	WASHER - FLATSTRL - .38 - .41 X .81 - .06-YA-A325	3	
8		278986001	SCREW - 1/4 - 20 X 3/4 GR8 SBHCS CZ	2	
9		235716001	WASHER - FLATSTRL - .25 -.28 X .63 - .06 - CZ	2	
10		282052001	SPRING -2084 EXTENSION 1.50"	1	

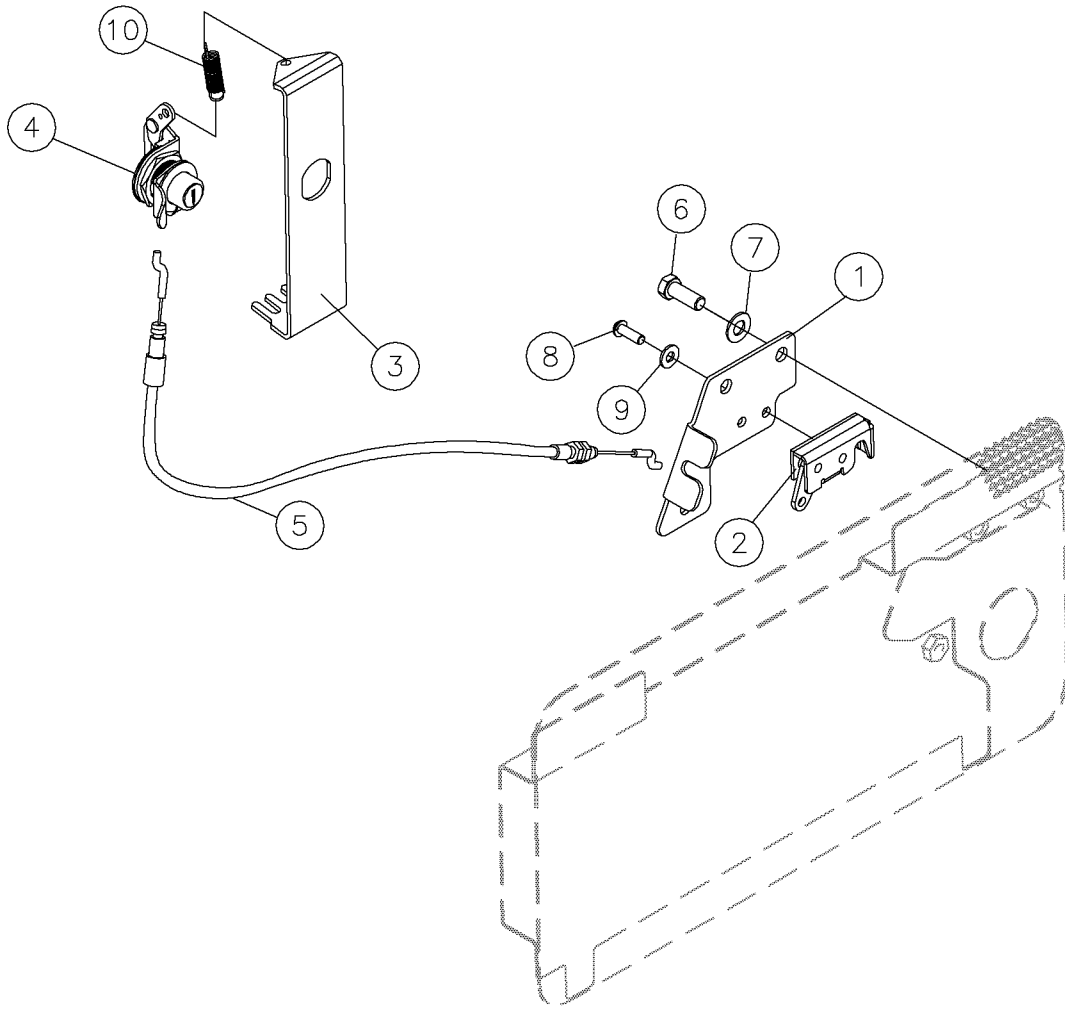
Engine Hood Latch Assy Fig 3-13r01



## Engine Hood Latch Assy Fig 3-13r01

REF. NO.	*	PART NO.	DESCRIPTION	QTY.	REMARKS
		Revision Date	May, 2005		Update In Illustration.
1		296277878	BRACKET - CABLE END	1	
2		159973001	LATCH - MINI ROTARY, RIGHT	1	
3		296279848	BRACKET - HOOD CABLE	1	
4		155985001	LATCH - PUSHBUTTON	1	
5		159972001	CABLE - HOOD RELEASE	1	
6		235727001	BOLT-3/8-16X1 GR8 HEX ZINC PLT	3	
7		235713001	WASHER - FLATSTRL - .38 - .41 X .81 - .06-YA-A325	3	
8		278986001	SCREW - 1/4 - 20 X 3/4 GR8 SBHCS CZ	2	
9		235716001	WASHER - FLATSTRL - .25 -.28 X .63 - .06 - CZ	2	
10		282052001	SPRING -2084 EXTENSION 1.50"	1	

Engine Hood Latch Assy Fig 3-13

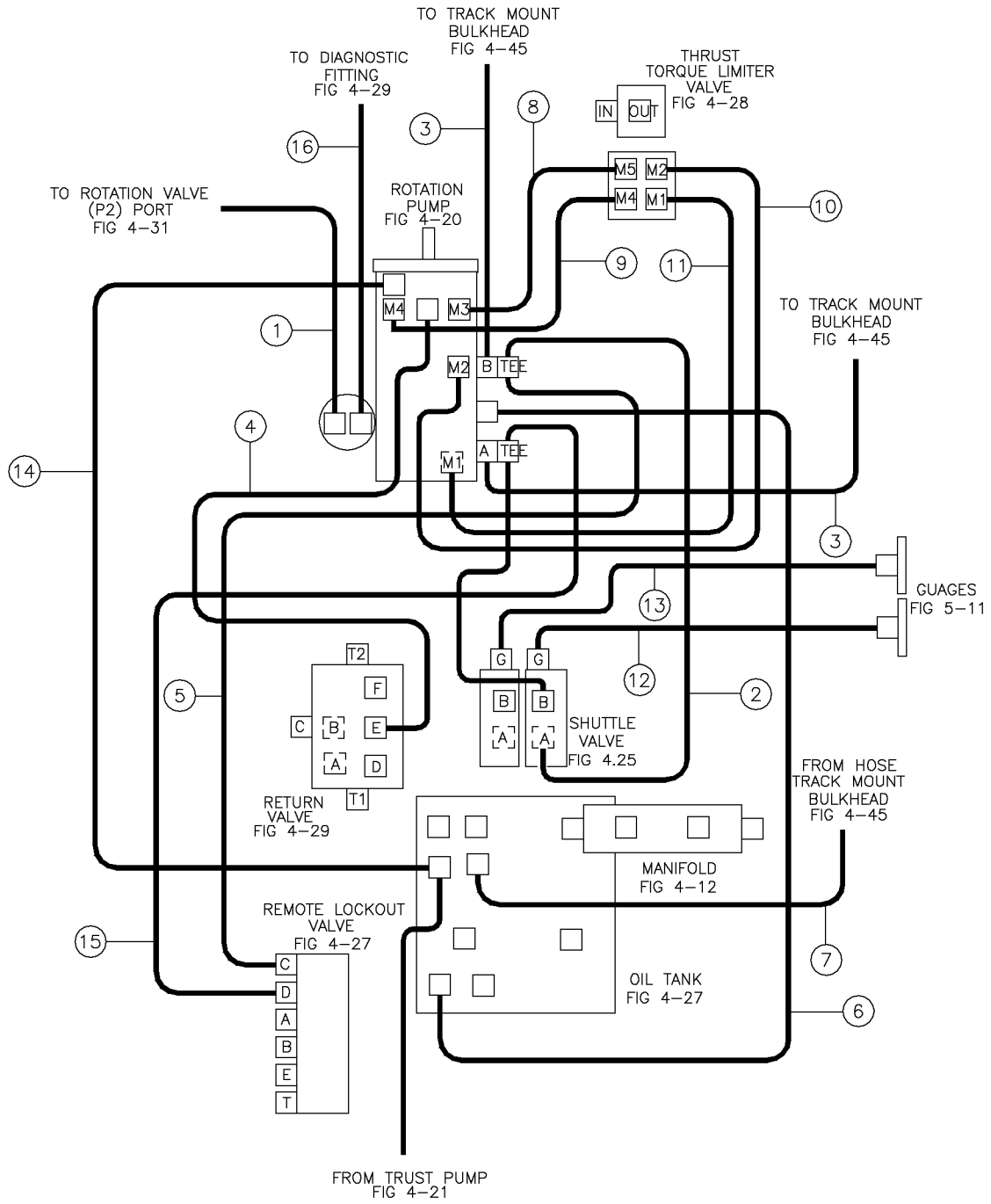




## Engine Hood Latch Assy Fig 3-13

REF. NO.	*	PART NO.	DESCRIPTION	QTY.	REMARKS
1		296277878	BRACKET - CABLE END	1	
2		159973001	LATCH - MINI ROTARY, RIGHT	1	
3		296279848	BRACKET - HOOD CABLE	1	
4		155985001	LATCH - PUSHBUTTON	1	
5		159972001	CABLE - HOOD RELEASE	1	
6		235727001	BOLT-3/8-16X1 GR8 HEX ZINC PLT	3	
7		235713001	WASHER - FLATSTRL - .38 - .41 X .81 - .06-YA-A325	3	
8		278986001	SCREW - 1/4 - 20 X 3/4 GR8 SBHCS CZ	2	
9		235716001	WASHER - FLATSTRL - .25 -.28 X .63 - .06 - CZ	2	
10		282052001	SPRING -2084 EXTENSION 1.50"	1	

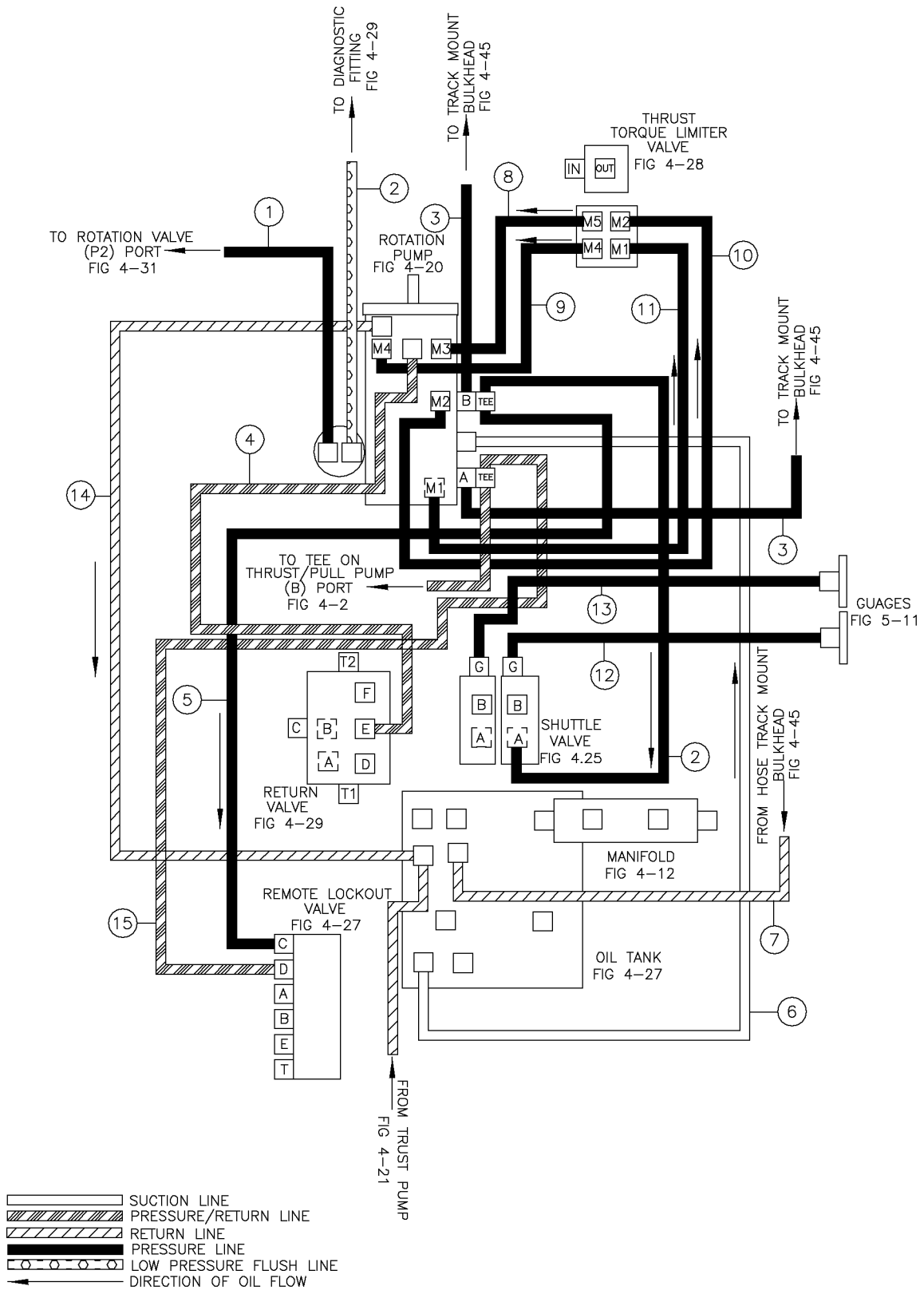
Rotation Pump Hyd. Diagram Fig 4-1r02



## Rotation Pump Hyd. Diagram Fig 4-1r02

REF NO.	*	PART NO.	DESCRIPTION	QTY.	REMARKS
		Revision Date	March, 2006		Update In Illustration & Parts List.
1		296273689	HOSE-.25X176-4FSJ STR/45-M3K-BNS	1	
2		285556001	HOSE - .078 X 18 4 FS JIC ST/ST 6900 PSI	1	
3		296273618	HOSE-1.0X160-16FSORFF/16CD6260-G6K-BNS	2	
4		296273675	HOSE- 1.0 X 15.5 - GMV	1	
5		53843559	HOSE-1/4X32 4FS JIC 3000 PSI	1	
6		296273712	HOSE-1.0X30-16FSJST/90M-GMV	1	
7		296273699	HOSE - .75 X 162-12FSJ STR/STR-M3K - BNS	1	
8		278941001	HOSE - 1/4 X 11 FFOR ST/ST 6000 PSI	1	
9		278942001	HOSE - 1/4 X 11 FFOR ST/90 6000 PSI	1	
10		278943001	HOSE - 1/4 X 13 FFOR ST/ST 6000 PSI	1	
11		278945001	HOSE - 1/4 X 20 FFOR ST/90 6000 PSI	1	
12		278923001	HOSE - .078X168 4FSJIC ST/ST MICRO 6900 PSI	1	
13		278922001	HOSE - .078X88 4FSJIC ST/ST MICRO 6900 PSI	1	
14		53843683	HOSE-1/4X21 4FSJIC-4FSJIC 90	1	
15		296273670	HOSE-.25X32 - 4FSJ STR/90M - M3K	1	
16		296256903	HOSE - .08 X 34 4FS JIC ST/ST MICRO	1	

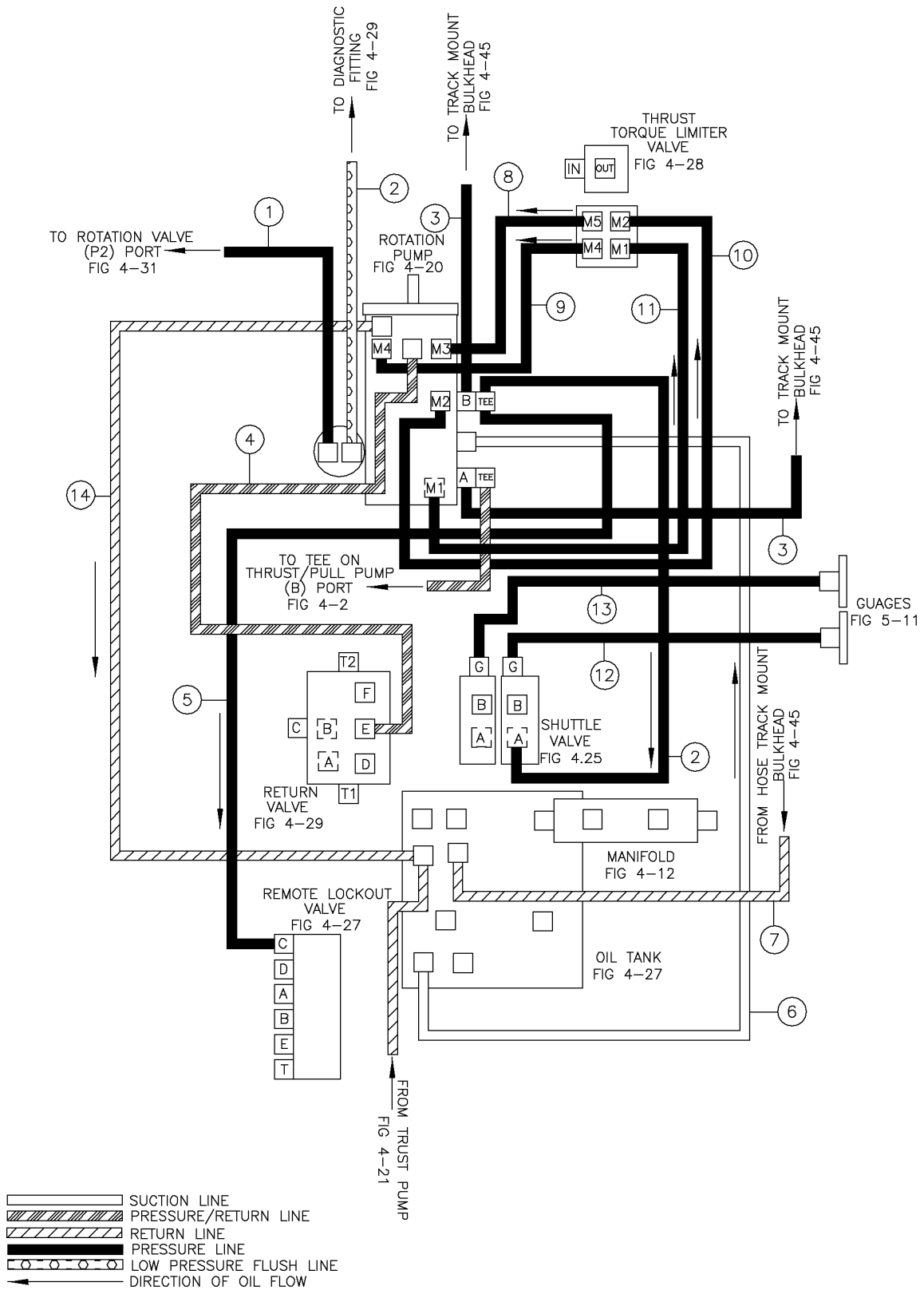
Rotation Pump Hyd. Diagram Fig 4-1r01



## Rotation Pump Hyd. Diagram Fig 4-1r01

REF. NO.	*	PART NO.	DESCRIPTION	QTY.	REMARKS
		Revision Date	May, 2005		Update In Illustration & Parts List.
1		296273689	HOSE-.25X176-4FSJ STR/45-M3K-BNS	1	
2		285556001	HOSE - .078 X 18 4 FS JIC ST/ST 6900 PSI	2	
3		296273618	HOSE-1.0X160-16FSORFF/16CD6260-G6K-BNS	2	
4		296273675	HOSE- 1.0 X 15.5 - GMV	1	
5		53843559	HOSE-1/4X32 4FS JIC 3000 PSI	1	
6		296273712	HOSE-1.0X30-16FSJST/90M-GMV	1	
7		296273699	HOSE - .75 X 162-12FSJ STR/STR-M3K - BNS	1	
8		278941001	HOSE - 1/4 X 11 FFOR ST/ST 6000 PSI	1	
9		278942001	HOSE - 1/4 X 11 FFOR ST/90 6000 PSI	1	
10		278943001	HOSE - 1/4 X 13 FFOR ST/ST 6000 PSI	1	
11		278945001	HOSE - 1/4 X 20 FFOR ST/90 6000 PSI	1	
12		278923001	HOSE - .078X168 4FSJIC ST/ST MICRO 6900 PSI	1	
13		278922001	HOSE - .078X88 4FSJIC ST/ST MICRO 6900 PSI	1	
14		53843683	HOSE-1/4X21 4FSJIC-4FSJIC 90	1	
15		296273670	HOSE-.25X32 - 4FSJ STR/90M - M3K	1	

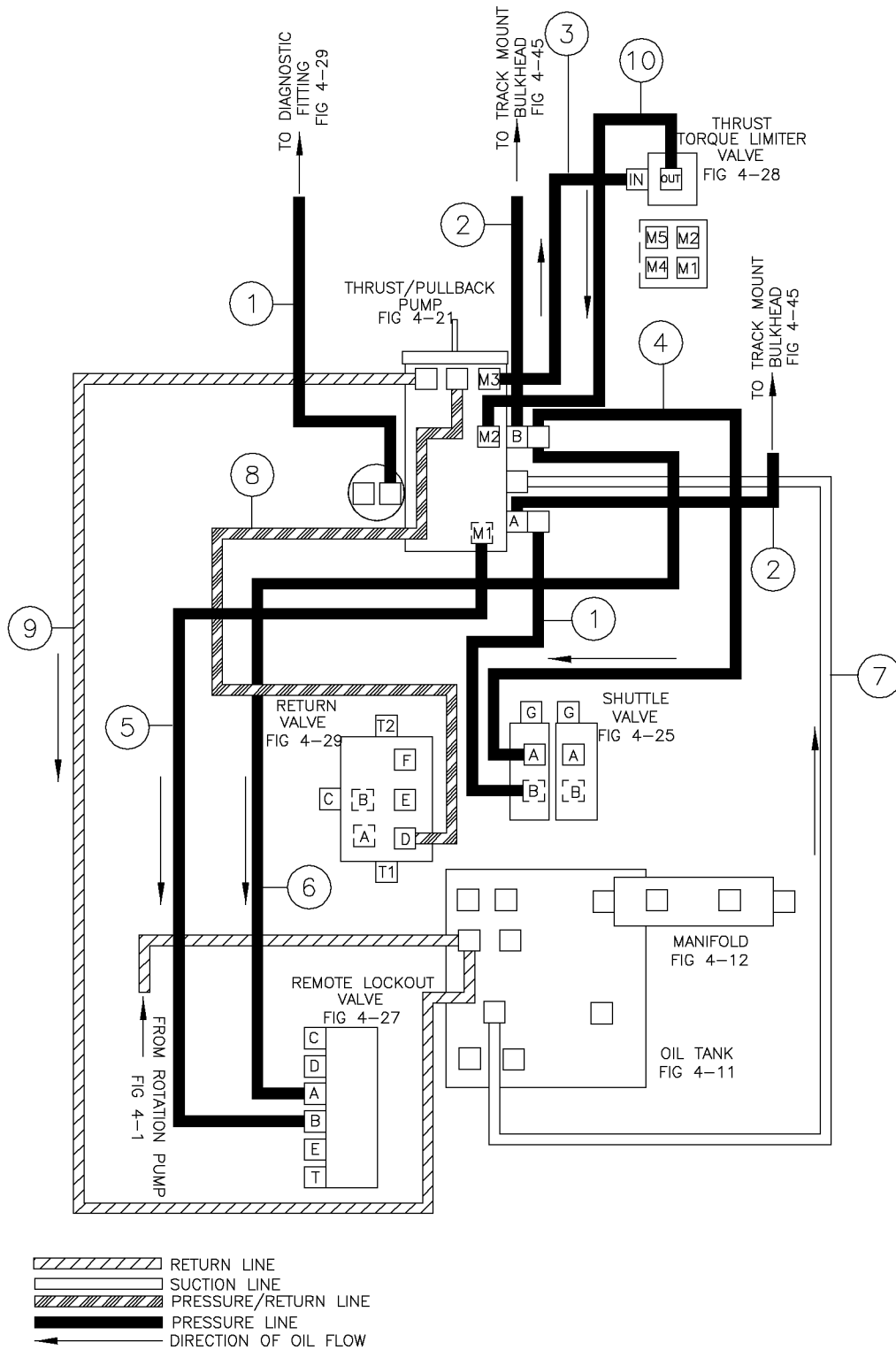
Rotation Pump Hyd. Diagram Fig 4-1



## Rotation Pump Hyd. Diagram Fig 4-1

REF. NO.	*	PART NO.	DESCRIPTION	QTY.	REMARKS
1		296273689	HOSE-.25X176-4FSJ STR/45-M3K-BNS	1	
2		285556001	HOSE - .078 X 18 4 FS JIC ST/ST 6900 PSI	2	
3		296273618	HOSE-1.0X160-16FSORFF/16CD6260-G6K-BNS	2	
4		296273675	HOSE- 1.0 X 15.5 - GMV	1	
5		296273670	HOSE-.25X32 - 4FSJ STR/90M - M3K	1	
6		296273712	HOSE-1.0X30-16FSJST/90M-GMV	1	
7		296273699	HOSE - .75 X 162-12FSJ STR/STR-M3K - BNS	1	
8		278941001	HOSE - 1/4 X 11 FFOR ST/ST 6000 PSI	1	
9		278942001	HOSE - 1/4 X 11 FFOR ST/90 6000 PSI	1	
10		278943001	HOSE - 1/4 X 13 FFOR ST/ST 6000 PSI	1	
11		278944001	HOSE - 1/4 X 26 FFOR ST/90 6000 PSI	1	
12		278923001	HOSE - .078X168 4FSJIC ST/ST MICRO 6900 PSI	1	
13		278922001	HOSE - .078X88 4FSJIC ST/ST MICRO 6900 PSI	1	
14		53843683	HOSE-1/4X21 4FSJIC-4FSJIC 90	1	

Thrust/Pullback Pump Hyd. Diagram Fig 4-2r01

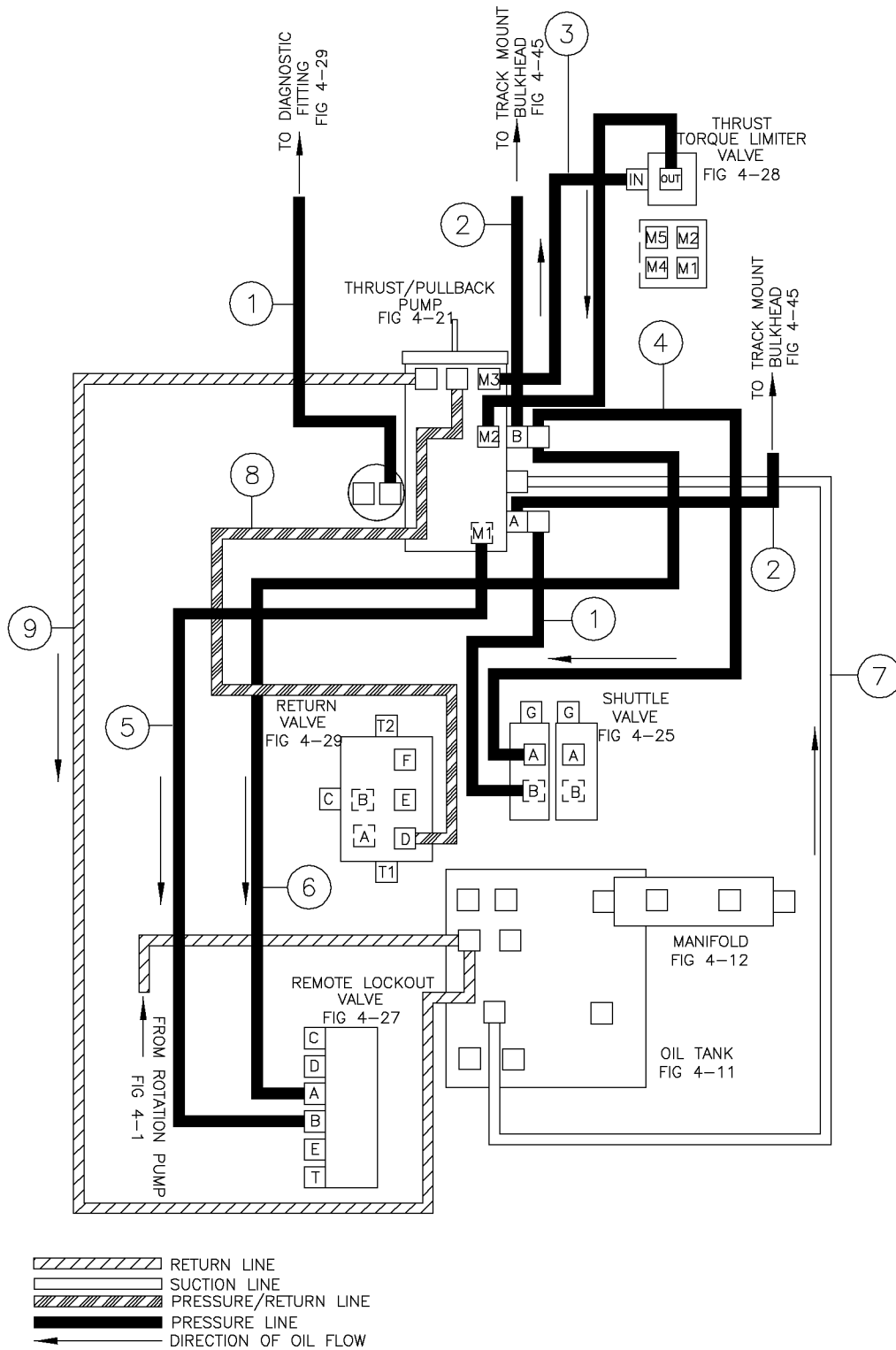




## Thrust/Pullback Pump Hyd. Diagram Fig 4-2r01

REF. NO.	*	PART NO.	DESCRIPTION	QTY.	REMARKS
		Revision Date	May, 2005		Update In Illustration & Parts List.
1		285557001	HOSE - .078 X 12 4 FS JIC ST/ST 6900 PSI	2	
2		296273686	HOSE-.75X160-12FSORFF/16CD6290-G6K-BNS	2	
3		278944001	HOSE - 1/4 X 26 FFOR ST/90 6000 PSI	1	
4		285556001	HOSE - .078 X 18 4 FS JIC ST/ST 6900 PSI	1	
5		53843183	HOSE-1/4X18 4FS JIC 3000 PSI	1	
6		296273705	HOSE - .25 X20 - 4FSJ STR/90M - M3K	1	
7		296273711	HOSE-1.0X16-16FJX STR/90M-GMV	1	
8		296273675	HOSE- 1.0 X 15.5 - GMV	1	
9		53843683	HOSE-1/4X21 4FSJIC-4FSJIC 90	1	
10		278949001	HOSE - 1/4 X 24 FFOR ST/90 6000 PSI	1	

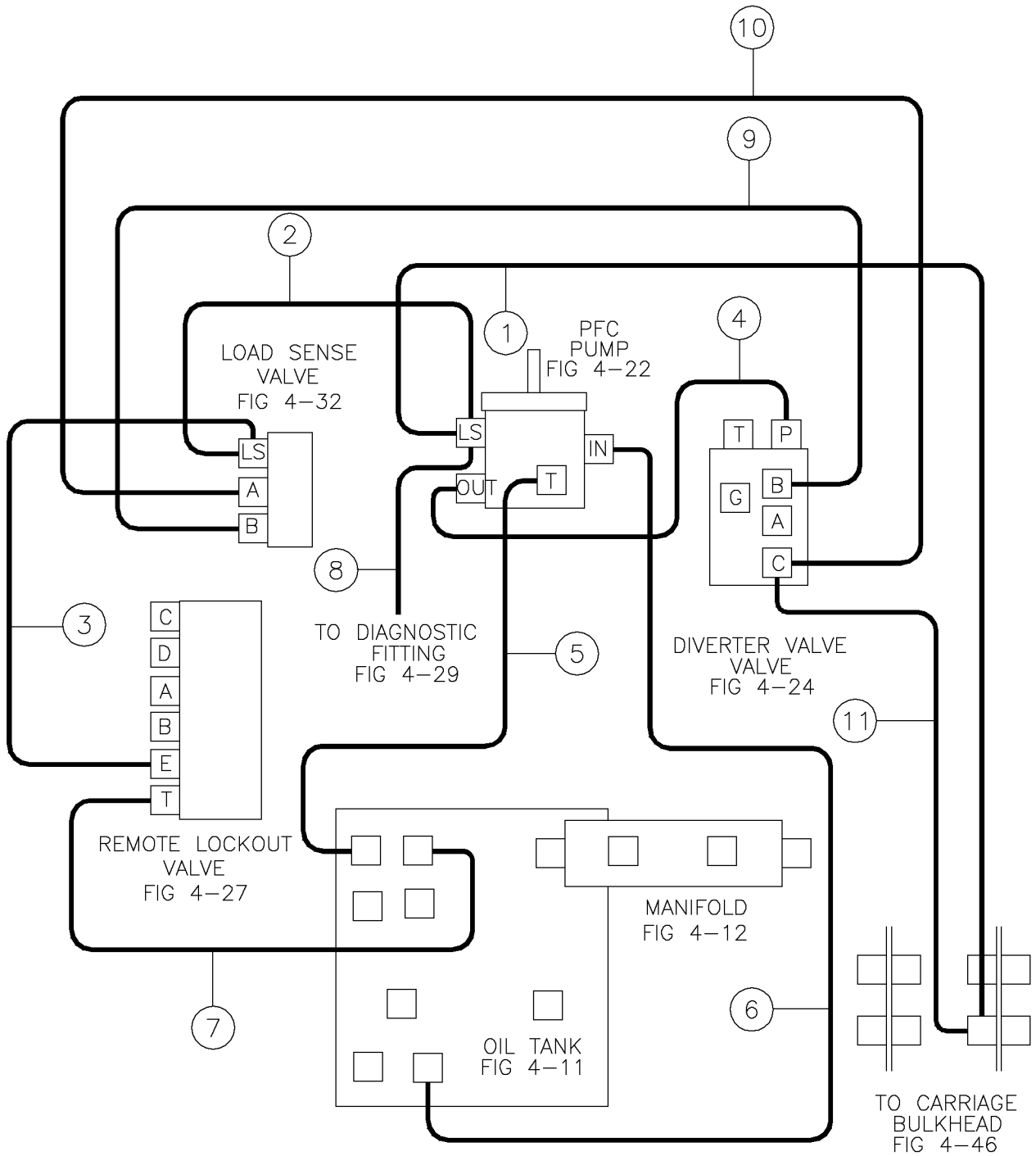
Thrust/Pullback Pump Hyd. Diagram Fig 4-2



## Thrust/Pullback Pump Hyd. Diagram Fig 4-2

REF. NO.	*	PART NO.	DESCRIPTION	QTY.	REMARKS
1		285557001	HOSE - .078 X 12 4 FS JIC ST/ST 6900 PSI	2	
2		296273686	HOSE-.75X160-12FSORFF/16CD6290-G6K-BNS	2	
3		278945001	HOSE - 1/4 X 20 FFOR ST/90 6000 PSI	1	
4		285556001	HOSE - .078 X 18 4 FS JIC ST/ST 6900 PSI	1	
5		53843183	HOSE-1/4X18 4FS JIC 3000 PSI	1	
6		296273705	HOSE - .25 X20 - 4FSJ STR/90M - M3K	1	
7		296273711	HOSE-1.0X16-16FJX STR/90M-GMV	1	
8		296273675	HOSE- 1.0 X 15.5 - GMV	1	
9		53843683	HOSE-1/4X21 4FSJIC-4FSJIC 90	1	

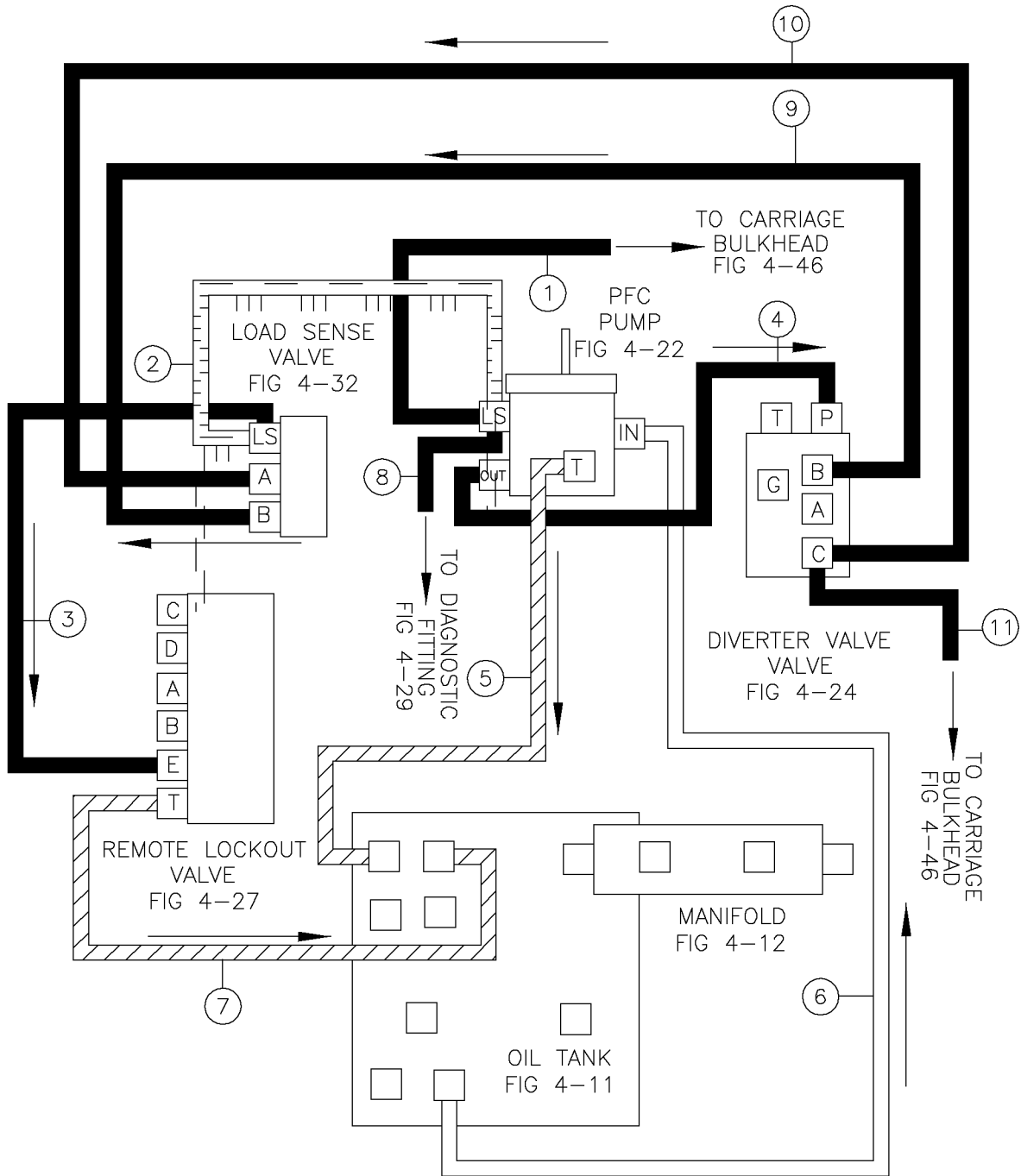
PFC Pump Hyd. Diagram Fig 4-3r02

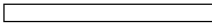
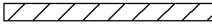

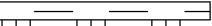
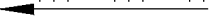


## PFC Pump Hyd. Diagram Fig 4-3r02

REF. NO.	*	PART NO.	DESCRIPTION	QTY.	REMARKS
		Revision Date	March, 2006		Update In Illustration & Parts List.
1		57940511	HOSE - 3/8 X 52 6FSJIC ST/ST M3K	1	
2		53843381	HOSE-1/4X14 4FSJIC/4FSJIC 90	1	
3		296273706	HOSE - .25 X 13 - 4FSJ ST/90M - M3K	1	
4		294594001	HOSE - HYD - .75 X 20 - 12FSJ - ST/90 - 3000PSI	1	
5		296256885	HOSE - .50 X 30 8FS JIC ST/90 M3K	1	
6		251243001	HOSE - PUMP SUCTION	1	
7		57940293	HOSE-3/8 X 46 6FS JIC 3000 PSI	1	
8		285556001	HOSE - .078 X 18 4 FS JIC ST/ST 6900 PSI	1	
9		296273666	HOSE - .25 X 28 - 4FSJ 90M/90M-M3K-(180)	1	
10		296273665	HOSE - .25 X 22 - 4FSJ 90M/90M-M3K-(90)	1	
11		296269642	HOSE - HYD - 3/8 X 58 6FSJIC ST/90 3KPSI	1	

PFC Pump Hyd. Diagram Fig 4-3r01

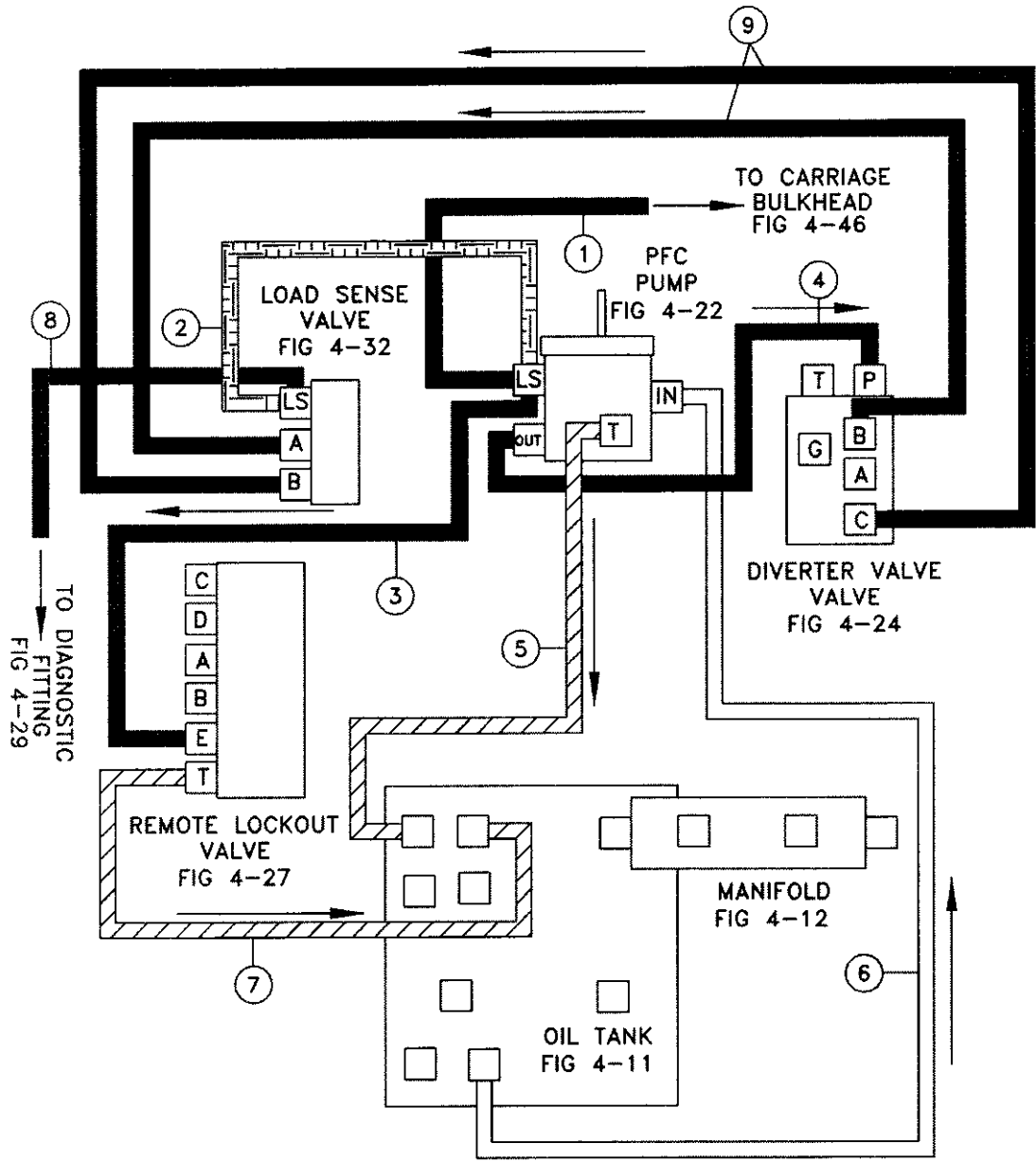





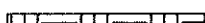

-  SUCTION LINE
-  RETURN LINE
-  PRESSURE LINE
-  LOAD SENSING LINE
-  DIRECTION OF OIL FLOW

## PFC Pump Hyd. Diagram Fig 4-3r01

REF. NO.	*	PART NO.	DESCRIPTION	QTY.	REMARKS
		Revision Date	May, 2005		Update In Illustration & Parts List.
1		57940511	HOSE - 3/8 X 52 6FSJIC ST/ST M3K	1	
2		53843381	HOSE-1/4X14 4FSJIC/4FSJIC 90	1	
3		296273706	HOSE - .25 X 13 - 4FSJ ST/90M - M3K	1	
4		296273708	HOSE - .75 X 18.5 - 12FSJ-90M/45-M3K-(90)	1	
5		296256885	HOSE - .50 X 30 8FS JIC ST/90 M3K	1	
6		251243001	HOSE - PUMP SUCTION	1	
7		57940293	HOSE-3/8 X 46 6FS JIC 3000 PSI	1	
8		285556001	HOSE - .078 X 18 4 FS JIC ST/ST 6900 PSI	1	
9		296273666	HOSE - .25 X 28 - 4FSJ 90M/90M-M3K-(180)	1	
10		296273665	HOSE - .25 X 22 - 4FSJ 90M/90M-M3K-(90)	1	
11		296269642	HOSE - HYD - 3/8 X 58 6FSJIC ST/90 3KPSI	1	

PFC Pump Hyd. Diagram Fig 4-3



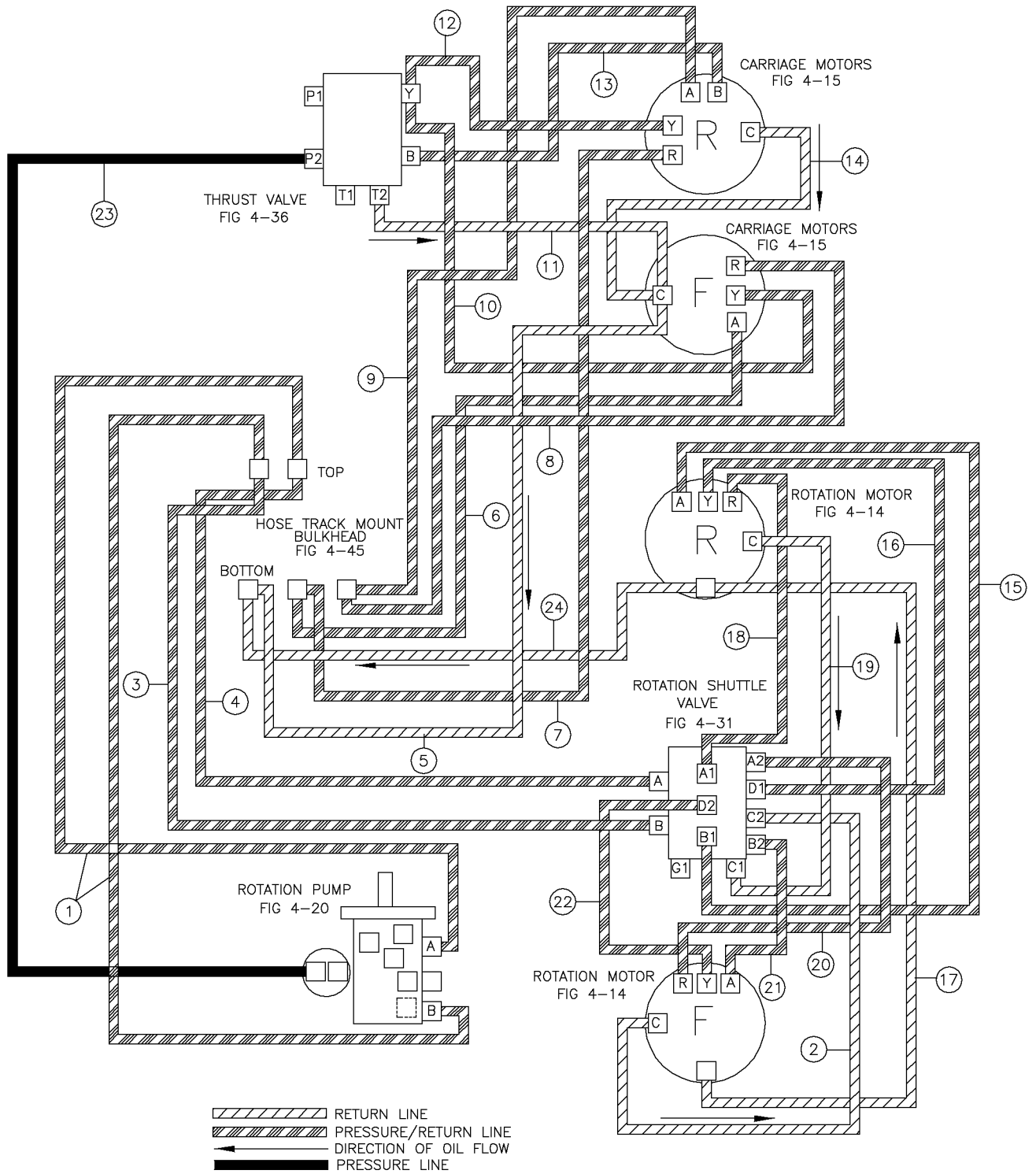
-  SUCTION LINE
-  RETURN LINE
-  PRESSURE LINE
-  LOAD SENSING LINE
-  DIRECTION OF OIL FLOW



## PFC Pump Hyd. Diagram Fig 4-3

REF. NO.	*	PART NO.	DESCRIPTION	QTY.	REMARKS
1		57940511	HOSE - 3/8 X 52 6FSJIC ST/ST M3K	1	
2		53843381	HOSE-1/4X14 4FSJIC/4FSJIC 90	1	
3		296273706	HOSE - .25 X 13 - 4FSJ ST/90M - M3K	1	
4		296273708	HOSE - .75 X 18.5 - 12FSJ-90M/45-M3K-(90)	1	
5		296256885	HOSE - .50 X 30 8FS JIC ST/90 M3K	1	
6		251243001	HOSE - PUMP SUCTION	1	
7		57940293	HOSE-3/8 X 46 6FS JIC 3000 PSI	1	
8		285556001	HOSE - .078 X 18 4 FS JIC ST/ST 6900 PSI	1	
9		296273710	HOSE-.25X30-4FSJ-90M/90M-M3K-(90)	2	

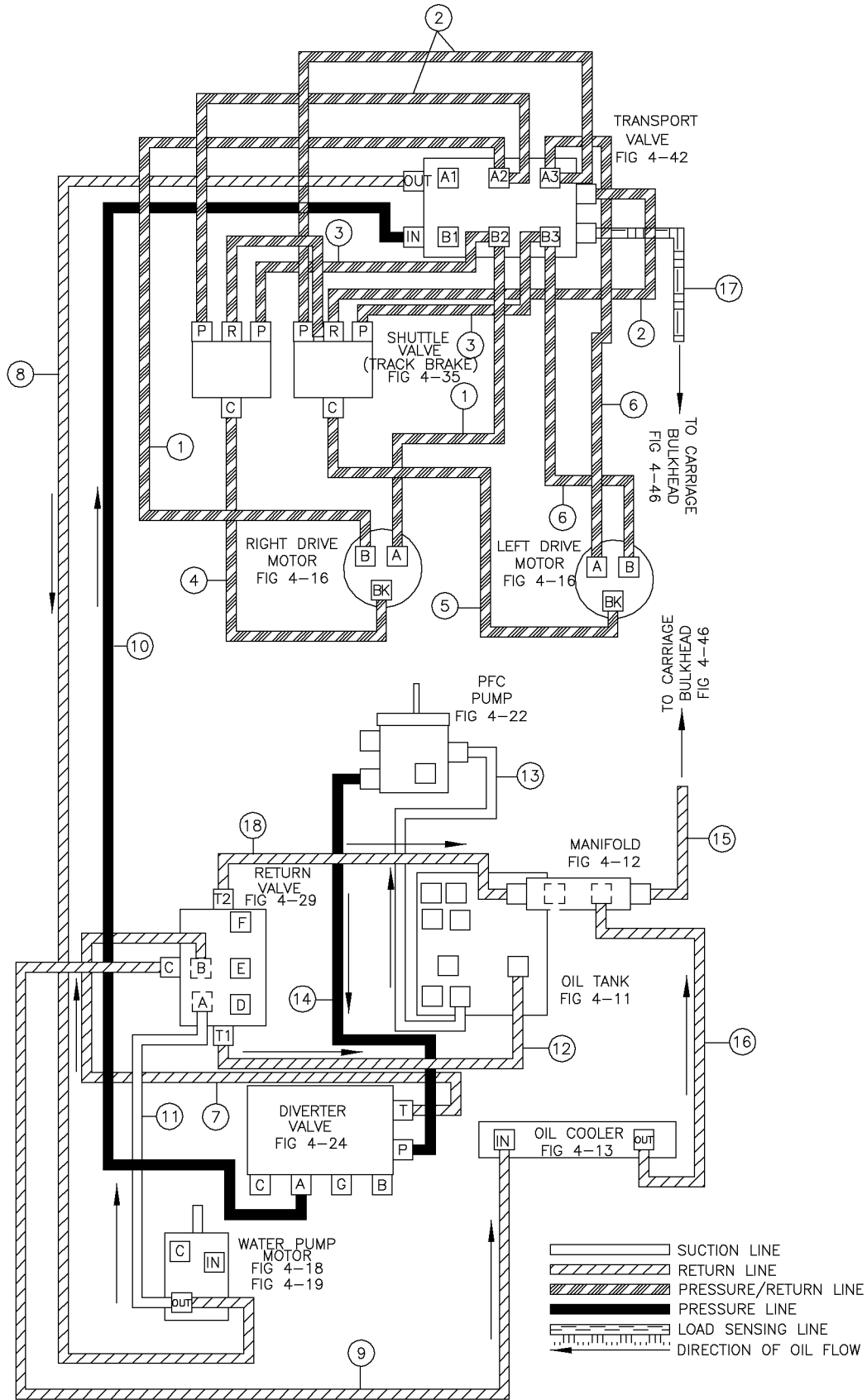
Thrust/Rotation Hyd. Motor Diagram Fig 4-4



## Thrust/Rotation Hyd. Motor Diagram Fig 4-4

REF. NO.	*	PART NO.	DESCRIPTION	QTY.	REMARKS
1		296273618	HOSE-1.0X160-16FSORFF/16CD6260-G6K-BNS	2	
2		296273591	HOSE-.50X18-8FSJ STR/90-M3K-BNS	1	
3		296273572	HOSE - 1 X 36 - 16FSORFF STR/90L-G6K-BNS	1	
4		296273571	HOSE - 1 X 34 - 16FSORFF STR/90S-G6K-BNS	1	
5		296273714	HOSE-.50X10-8FSJ 90M/45-M3K-BNS-(180)	1	
6		296273595	HOSE-.75X15.5-12FSORFF 90L/90M-G6K-(90)B	1	
7		296273578	HOSE -.75X11.5-12FSORFF 90M/90L-G6K-(270	1	
8		296273575	HOSE-.75X15.5-12FSORFF 90M/90S-G6K-(90)B	1	
9		296273576	HOSE-.75X19-12FSORFF STR/90L-G6K-BNS	1	
10		296273583	HOSE-.38X21.5-6FSJ STR/45-M3K-BNS	1	
11		296273579	HOSE-.38X11-6FSJ STR/90M-M3K-BNS	1	
12		296273582	HOSE-.38X10-6FSJ STR/90M-M3K-BNS	1	
13		296273584	HOSE-.38X12-6FSJ STR/90M-M3K-BNS	1	
14		296273697	HOSE-.50X7.5-8FSJ STR/90-M3K-BNS	1	
15		296273587	HOSE-.75X25 -12FSORFF STR/90S-G6K-BNS	1	
16		296273592	HOSE-.38X17 -6FSJ STR/90-M3K-BNS	1	
17		296273698	HOSE-.50X45-8FSJ 45/90M-M3K-BNS(315)	1	
18		296273586	HOSE-.75X23-12FSORFF STR/90S-G6K-BNS	1	
19		296273590	HOSE-.50X25-8FSJ STR/45-M3K-BNS	1	
20		296273588	HOSE-.75X22.5 -12FSORFF STR/90M-G6K-BNS	1	
21		296273589	HOSE-.75X12.25-12FSORFF STR/90M-G6K-BNS	1	
22		296273593	HOSE-.38X18-6FSJ STR/90M-M3K-BNS	1	
23		296273689	HOSE-.25X176-4FSJ STR/45-M3K-BNS	1	
24		296273696	HOSE-.75X20-10FSJ STR/12FSJ STR-M3K-BNS	1	

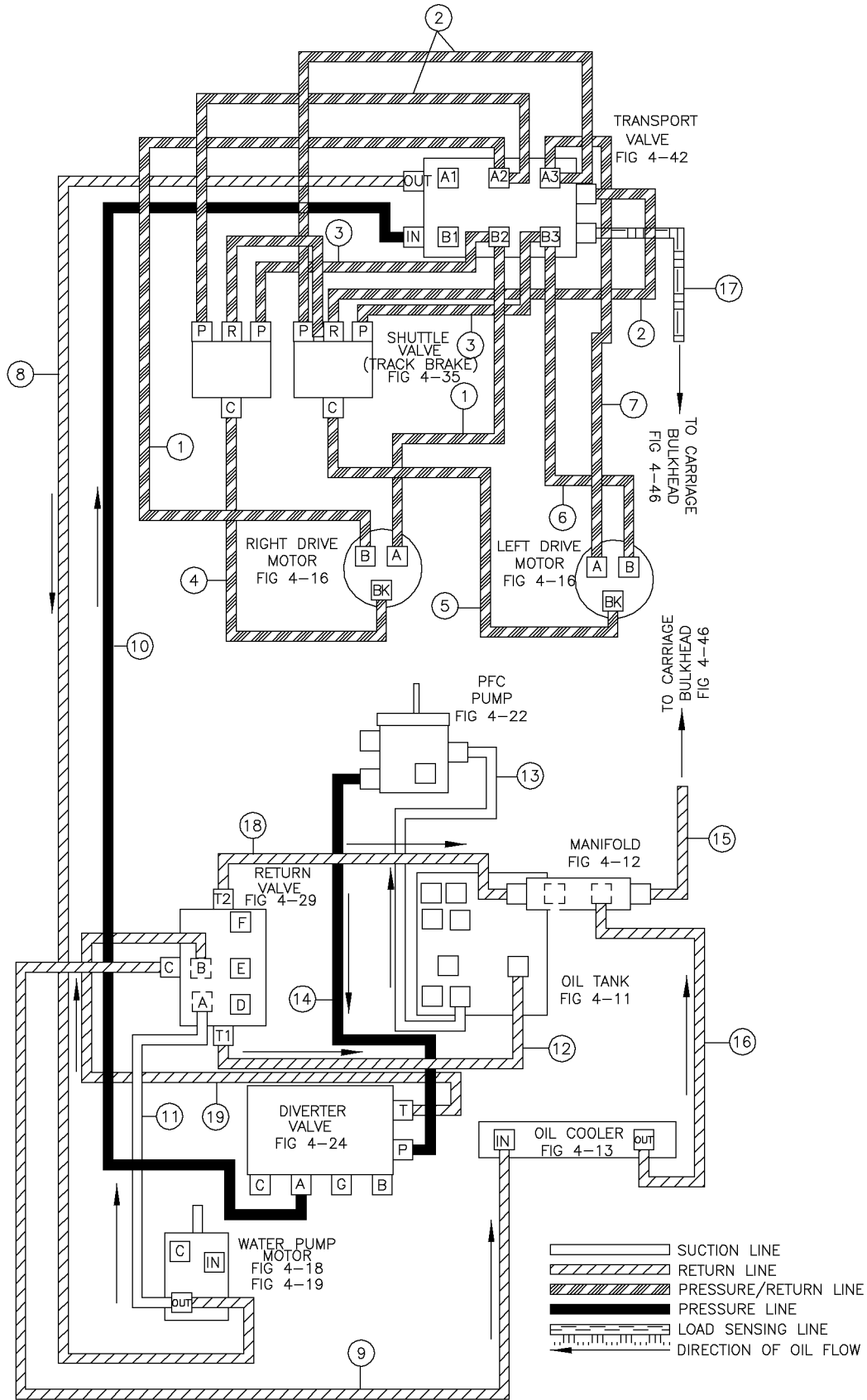
Track Drive Hyd. Motor Diagram Fig 4-5r02



## Track Drive Hyd. Motor Diagram Fig 4-5r02

REF. NO.	*	PART NO.	DESCRIPTION	QTY.	REMARKS
		Revision Date	May, 2006		Update In Illustration & Parts List.
1		53845475	HOSE-3/4X94 12 FS JIC 3000 PSI	2	
2		296269591	HOSE - 1/4 X 19 4FSJIC ST/90 M3K	3	
3		296269592	HOSE - 1/4 X 17 4FSJIC ST/90 M3K	2	
4		296286520	HOSE-1/4 X 133 4FS ST/90 JIC 3000 PSI	1	
5		296286519	HOSE - 1/4 X 114 4FS ST/90 JIC 3000 PSI	1	
6		53845597	HOSE-3/4X68 12FS JIC 3000 PSI	2	
7		296273709	HOSE-.75X27-12FSJ 45/45-M3K-(90)	1	
8		296287795	HOSE-3/4 X 90 12FS JIC ST/90 3000 PSI	1	
9		296279831	HOSE - 1.25" X 67" 20FSJIC ST/ST 250PSI	1	
10		296287793	HOSE-3/4 X 154 12FS JIC 25/25 3000 PSI	1	
11		296287799	HOSE- 3/4 X 121 12FS ST/90 JIC 3000 PSI	1	
12		296273675	HOSE- 1.0 X 15.5 - GMV	1	
13		296273682	HOSE - 1.0 X 30 - 16FSJ STR/90M-M3K	1	
14		296273708	HOSE-.75 X 18.5-12FSJ-90M/45 M3K-(90)	1	
15		278841001	HOSE-3/8X63 6FSJIC ST/90 M3K	1	
16		296279958	HOSE-1-1/4 X 70 20FSJIC ST/45 GMV	1	
17		296286571	HOSE - 1/4 X 122 4FS ST/90 JIC 3000 PSI	1	
18		278794001	HOSE-1X12 W/ NO ENDS 250 PSI	1	

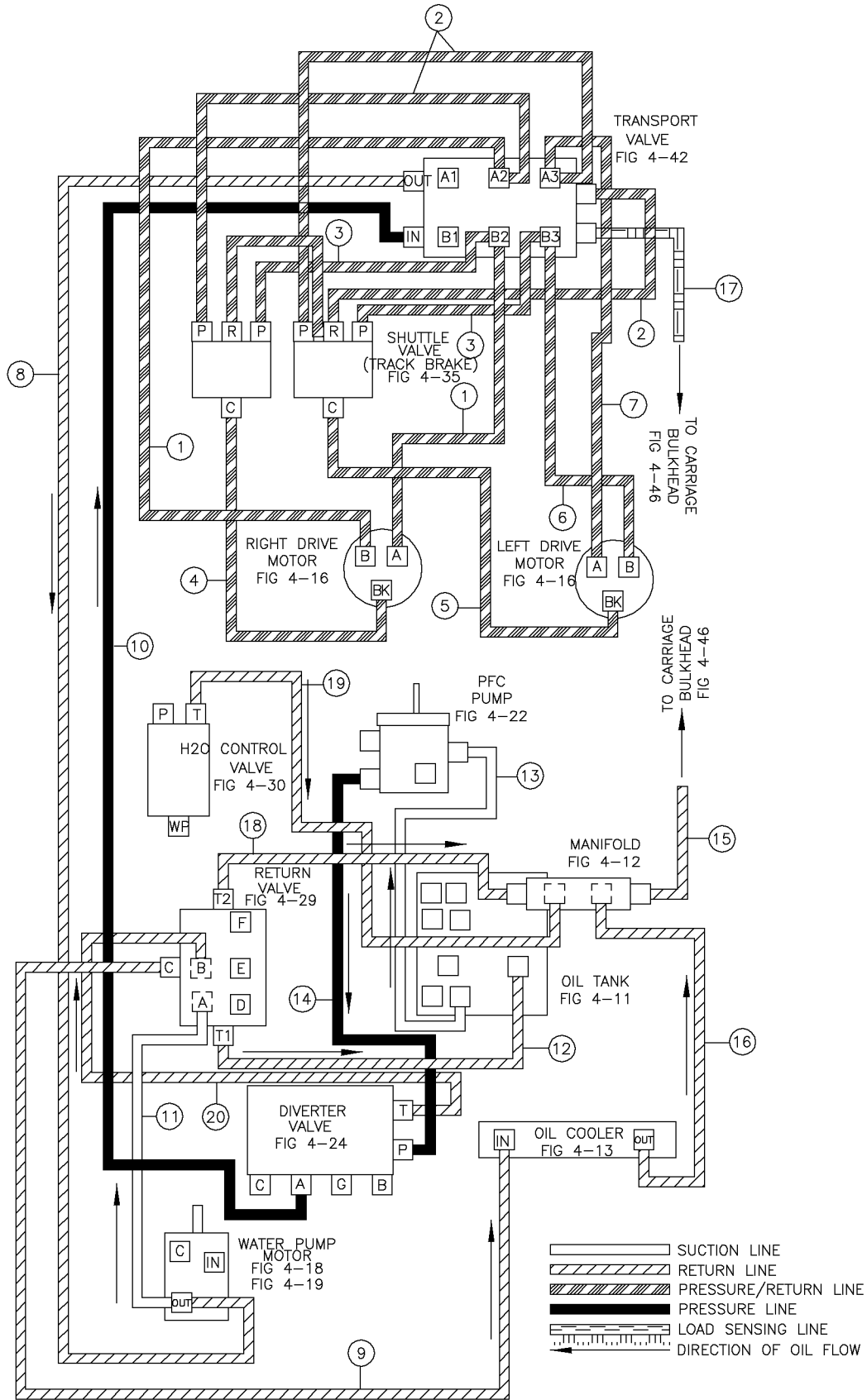
Track Drive Hyd. Motor Diagram Fig 4-5r01



## Track Drive Hyd. Motor Diagram Fig 4-5r01

REF. NO.	*	PART NO.	DESCRIPTION	QTY.	REMARKS
		Revision Date	May, 2005		Update In Parts List.
1		53845845	HOSE-3/4X145 12FSJICST/90 3K	2	
2		296269591	HOSE - 1/4 X 19 4FSJIC ST/90 M3K	3	
3		296269592	HOSE - 1/4 X 17 4FSJIC ST/90 M3K	2	
4		296269625	HOSE-1/4 X 167 4FS ST/90 JIC 3000 PSI	1	
5		296269627	HOSE-1/4 X 104 4FS ST/90 JIC 3000 PSI	1	
6		53845523	HOSE-3/4 X 90 JIC 3100 PSI	1	
7		296269626	HOSE-3/4 X 87 12FS ST/90 JIC 3000 PSI	1	
8		296269596	HOSE - 3/8 X 161 6 FSJIC ST/45 M3K	1	
9		296279831	HOSE - 1.25" X 67" 20FSJIC ST/ST 250PSI	1	
10		296269643	HOSE - HYD - 3/4 X 154 12FSJIC ST/56 3KP	1	
11		296269603	HOSE - 3/4 X 114 12FSJIC ST/90 M3K	1	
12		296273675	HOSE- 1.0 X 15.5 - GMV	1	
13		296273682	HOSE - 1.0 X 30 - 16FSJ STR/90M-M3K	1	
14		296273708	HOSE-.75 X 18.5-12FSJ-90M/45 M3K-(90)	1	
15		278841001	HOSE-3/8X63 6FSJIC ST/90 M3K	1	
16		296279958	HOSE-1-1/4 X 70 20FSJIC ST/45 GMV	1	
17		275159001	HOSE-1/4X108 4FSJIC ST/90 M3K	1	
18		278794001	HOSE-1X12 W/ NO ENDS 250 PSI	1	
19		296273709	HOSE-.75X27-12FSJ 45/45-M3K-(90)	1	

Track Drive Hyd. Motor Diagram Fig 4-5

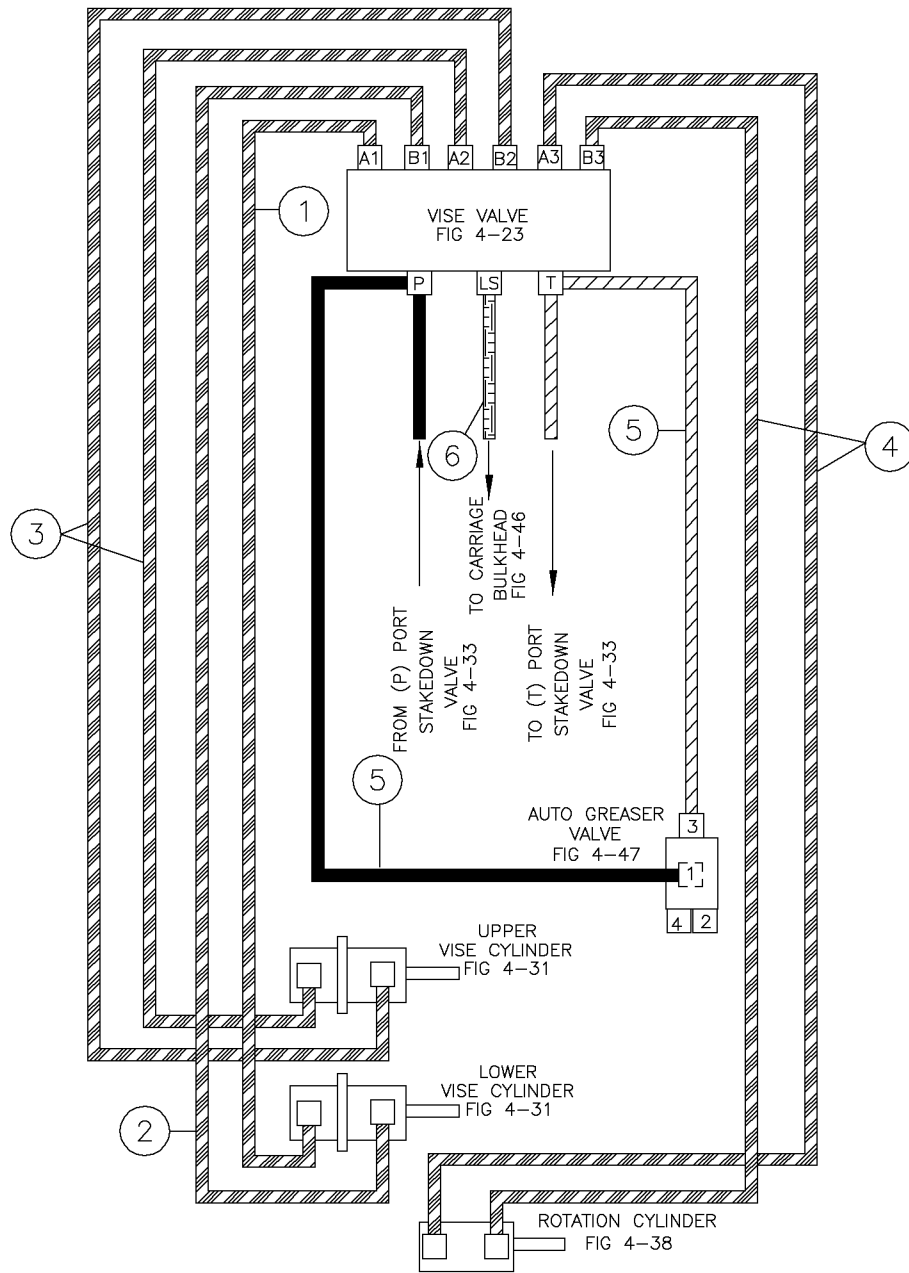






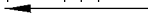


## Track Drive Hyd. Motor Diagram Fig 4-5

REF. NO.	*	PART NO.	DESCRIPTION	QTY.	REMARKS
1		53845845	HOSE-3/4X145 12FSJICST/90 3K	2	
2		296269591	HOSE - 1/4 X 19 4FSJIC ST/90 M3K	3	
3		296269592	HOSE - 1/4 X 17 4FSJIC ST/90 M3K	2	
4		296269625	HOSE-1/4 X 167 4FS ST/90 JIC 3000 PSI	1	
5		296269627	HOSE-1/4 X 104 4FS ST/90 JIC 3000 PSI	1	
6		53845523	HOSE-3/4 X 90 JIC 3100 PSI	1	
7		296269626	HOSE-3/4 X 87 12FS ST/90 JIC 3000 PSI	1	
8		296269596	HOSE - 3/8 X 161 6 FSJIC ST/45 M3K	1	
9		296279831	HOSE - 1.25" X 67" 20FSJIC ST/ST 250PSI	1	
10		296269624	HOSE-3/4 X 159 12FS ST/90 JIC 3000 PSI	1	
11		296269603	HOSE - 3/4 X 114 12FSJIC ST/90 M3K	1	
12		296273675	HOSE- 1.0 X 15.5 - GMV	1	
13		296273682	HOSE - 1.0 X 30 - 16FSJ STR/90M-M3K	1	
14		296273708	HOSE-.75 X 18.5-12FSJ-90M/45 M3K-(90)	1	
15		278841001	HOSE-3/8X63 6FSJIC ST/90 M3K	1	
16		296269602	HOSE - 1 1/4 X 72 20FSJIC ST/ST GMV	1	
17		275159001	HOSE-1/4X108 4FSJIC ST/90 M3K	1	
18		278794001	HOSE-1X12 W/ NO ENDS 250 PSI	1	
19		296269598	HOSE - 3/4 X 23 12 FSJIC ST/45 M3K	1	
20		296273675	HOSE- 1.0 X 15.5 - GMV	1	

Vise Clamp Hyd. Diagram Fig 4-6r01

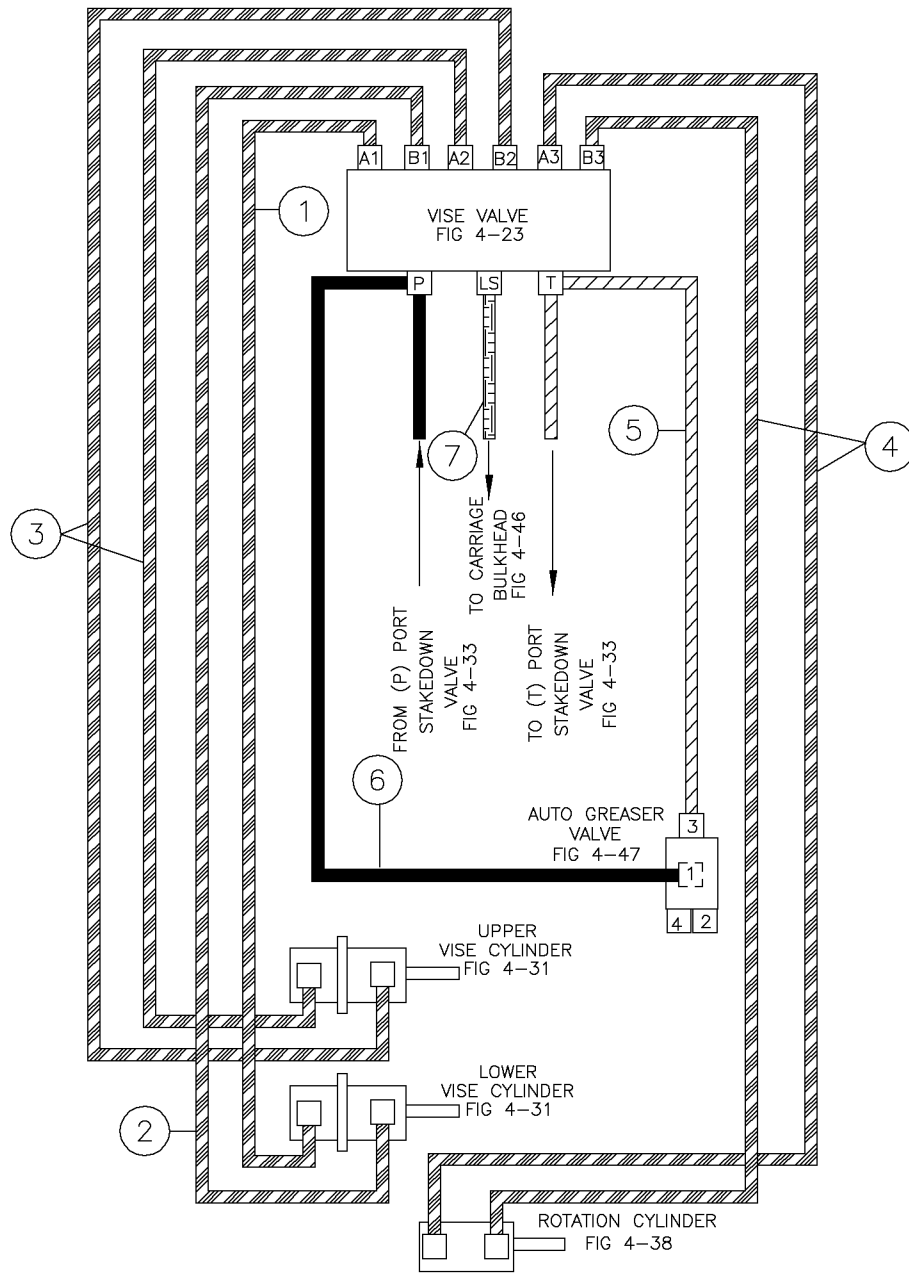


-  RETURN LINE
-  PRESSURE/RETURN LINE
-  PRESSURE LINE
-  LOAD SENSING LINE
-  DIRECTION OF OIL FLOW

## Vise Clamp Hyd. Diagram Fig 4-6r01

REF. NO.	*	PART NO.	DESCRIPTION	QTY.	REMARKS
		Revision Date	July, 2005		Update In Illustration & Parts List.
1		53843183	HOSE-1/4X18 4FS JIC 3000 PSI	1	
2		53843547	HOSE-1/4X21 4FS JIC 3000 PSI	1	
3		53843601	HOSE-1/4X17 4FS JIC 3000 PSI	2	
4		53843715	HOSE-1/4X23 4FS JIC 3000 PSI	2	
5		159999001	HOSE-HYD-.38X59-6FSJ-ST/90-3000PSI	2	
6		296269587	HOSE - 3/8 X 159 6FSJIC ST/45 3000PSI	1	

Vise Clamp Hyd. Diagram Fig 4-6

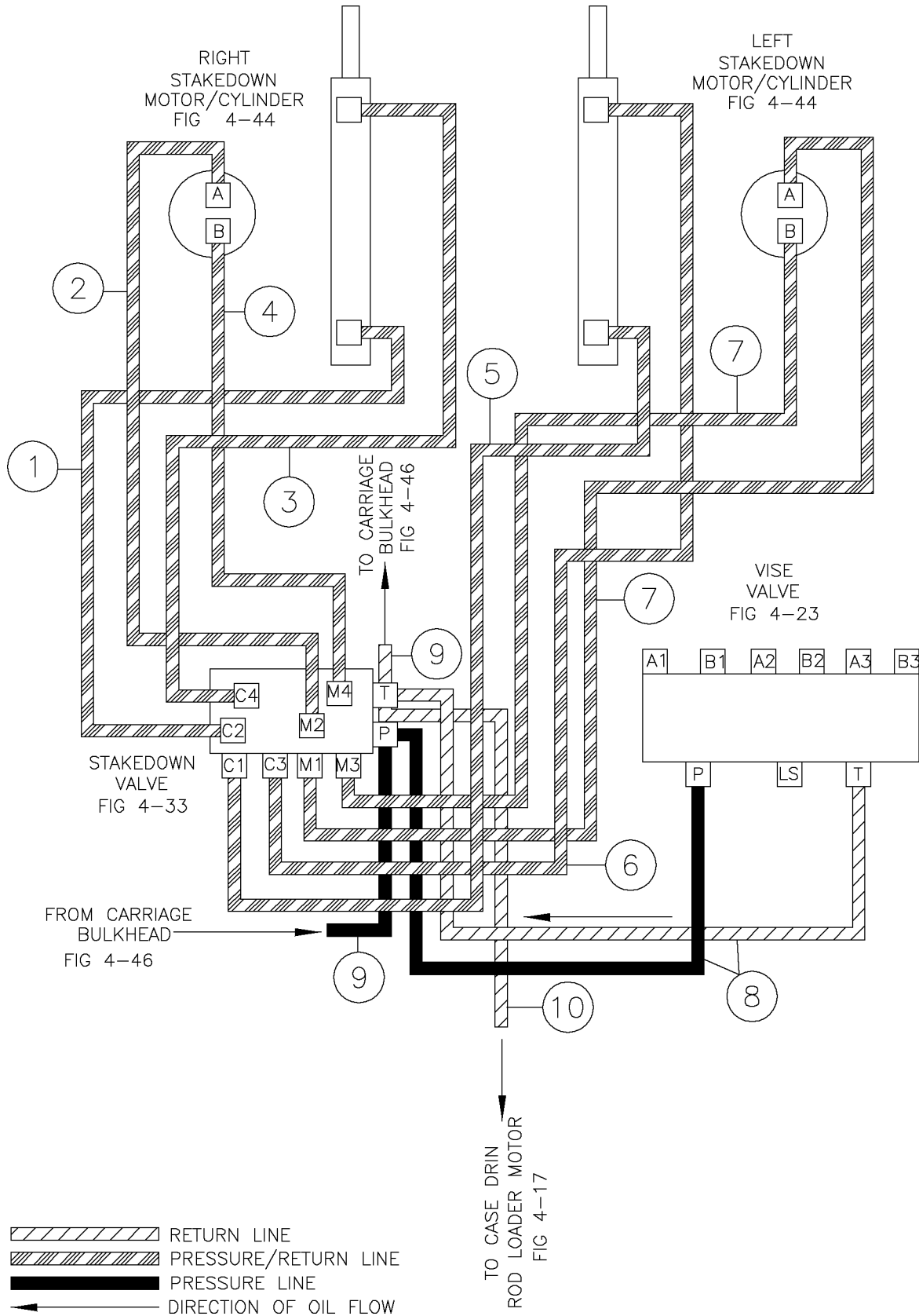


- RETURN LINE
- PRESSURE/RETURN LINE
- PRESSURE LINE
- LOAD SENSING LINE
- DIRECTION OF OIL FLOW

## Vise Clamp Hyd. Diagram Fig 4-6

REF. NO.	*	PART NO.	DESCRIPTION	QTY.	REMARKS
1		53843183	HOSE-1/4X18 4FS JIC 3000 PSI	1	
2		53843547	HOSE-1/4X21 4FS JIC 3000 PSI	1	
3		53843601	HOSE-1/4X17 4FS JIC 3000 PSI	2	
4		53843715	HOSE-1/4X23 4FS JIC 3000 PSI	2	
5		57940237	HOSE-3/8X18 6FS JIC 3000 PSI	1	
6		57940397	HOSE-3/8X20 6FS JIC 3000 PSI	1	
7		296269587	HOSE - 3/8 X 159 6FSJIC ST/45 3000PSI	1	

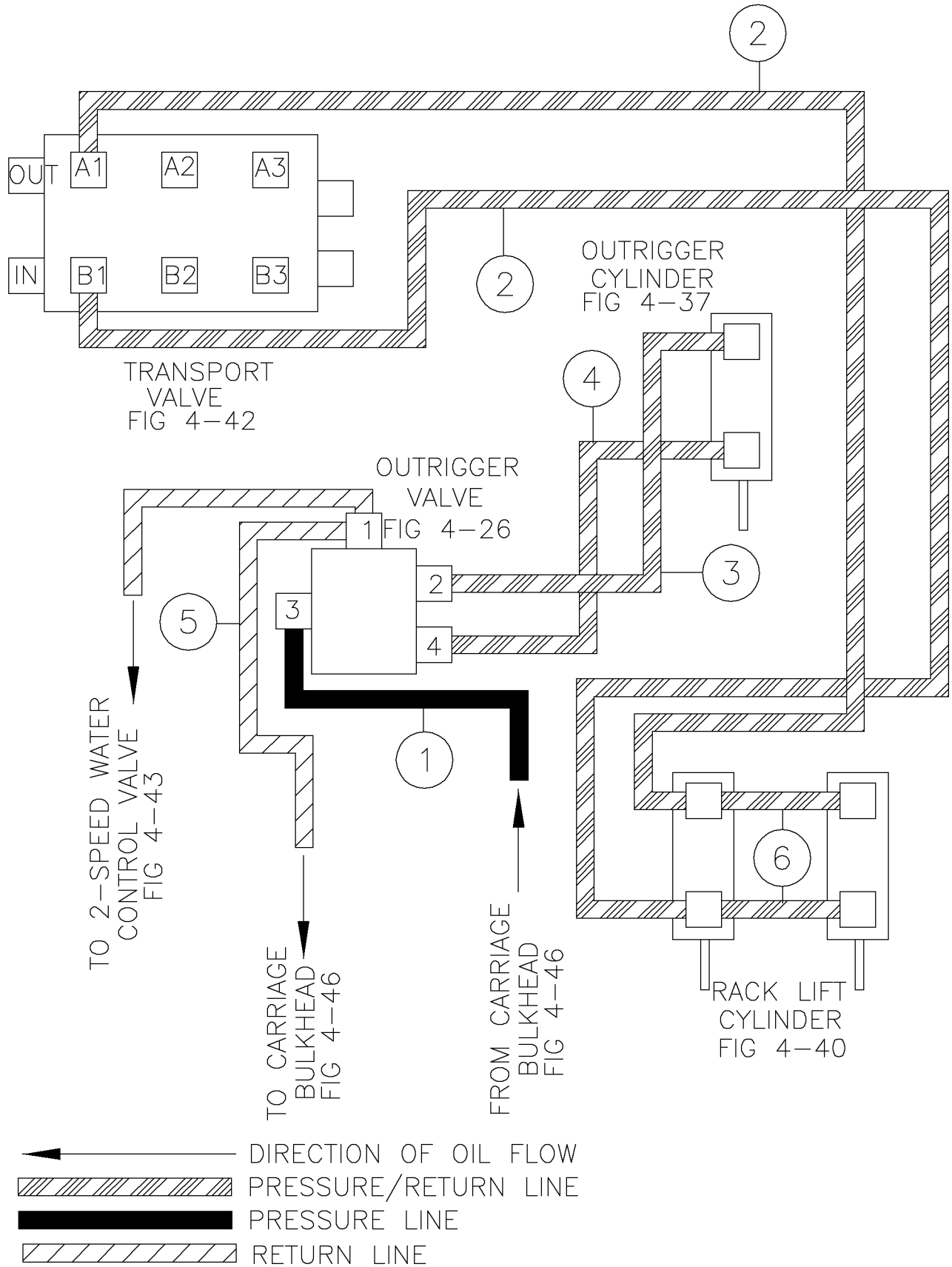
Stakedown Hyd. Diagram Fig 4-7



## Stakedown Hyd. Diagram Fig 4-7

REF. NO.	*	PART NO.	DESCRIPTION	QTY.	REMARKS
1		57940259	HOSE-3/8X42 6FS JIC 3000 PSI	1	
2		278840001	HOSE-3/8X90 6FSJIC ST/90 M3K	1	
3		57940619	HOSE-3/8X49 6FS JIC ST/90	1	
4		278843001	HOSE-3/8X92 6FSJIC ST/90 M3K	1	
5		278271001	HOSE-3/8X17 6 FSJIC ST-90 M2T	1	
6		232125001	HOSE - HYD - 3/8 X 22 6FS JIC ST/ST	1	
7		278841001	HOSE-3/8X63 6FSJIC ST/90 M3K	2	
8		279052001	HOSE-3/8 X 54 FSJIC X FSJIC 90	2	
9		296269590	HOSE - 3/8 X 138 6FSJIC ST/90 M3K	2	
10		53843689	HOSE-1/4X70 4FS JIC 3000 PSI	1	

Outrigger Hyd. Diagram Fig 4-8r01

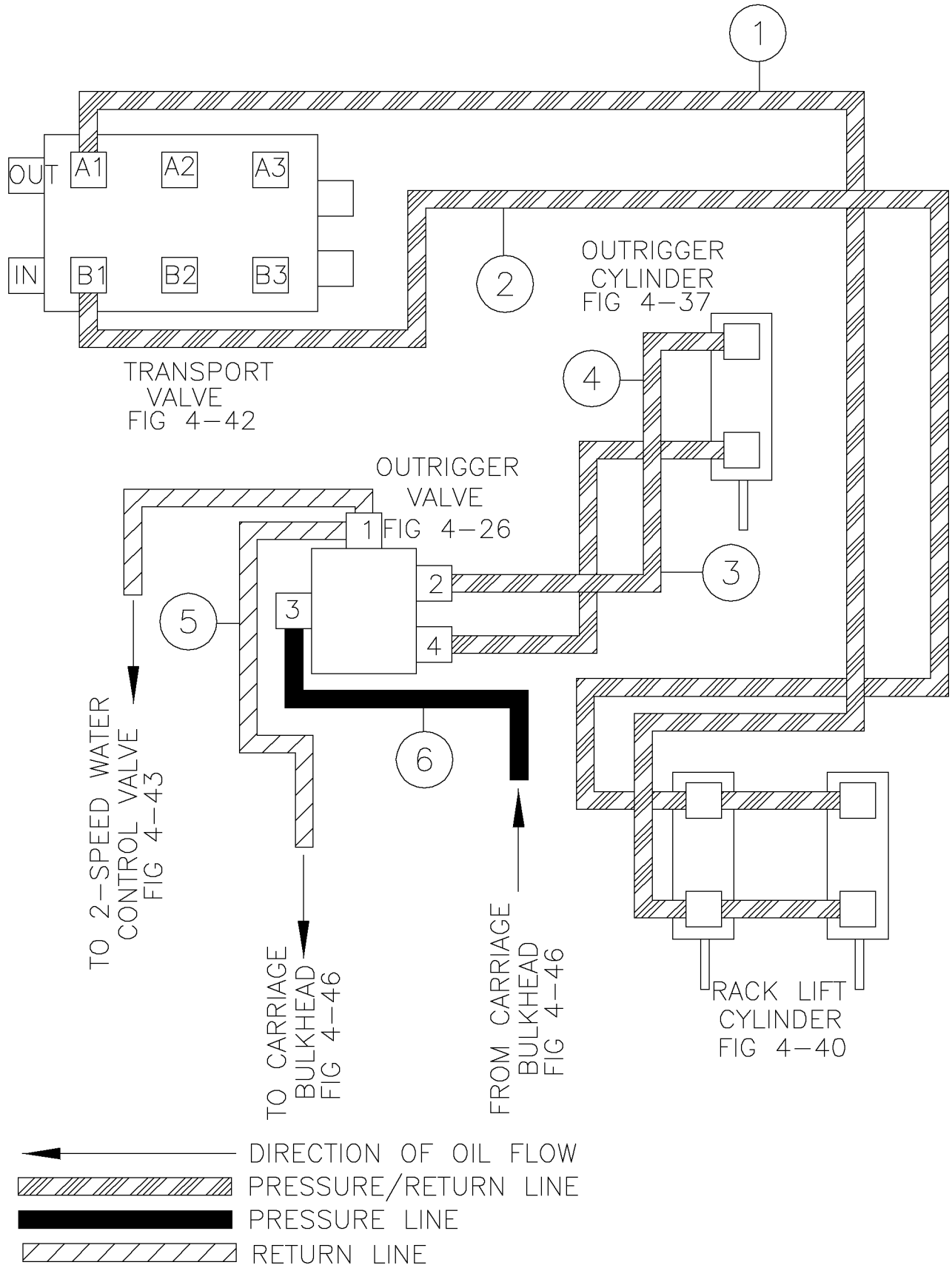




## Outrigger Hyd. Diagram Fig 4-8r01

REF. NO.	*	PART NO.	DESCRIPTION	QTY.	REMARKS
		Revision Date	May, 2006		Update In Illustration & Parts List.
1		262934001	HOSE-HYD-.38X77-6FSJ-ST/45-3000PSI-100R1	1	
2		57940395	HOSE - 3/8 X 130 6FSJIC ST/90 M3K	2	
3		257531001	HOSE-HYD 3/8 X 20 6FS JIC ST/45	1	
4		57940719	HOSE-3/8X21 6FSJICST/45D3000#	1	
5		289119001	HOSE - 3/8 X 24 FSJIC ST/45 3000 PSI	1	
6		278804001	HOSE-3/8X12 6FSJIC ST/90 M3K	2	

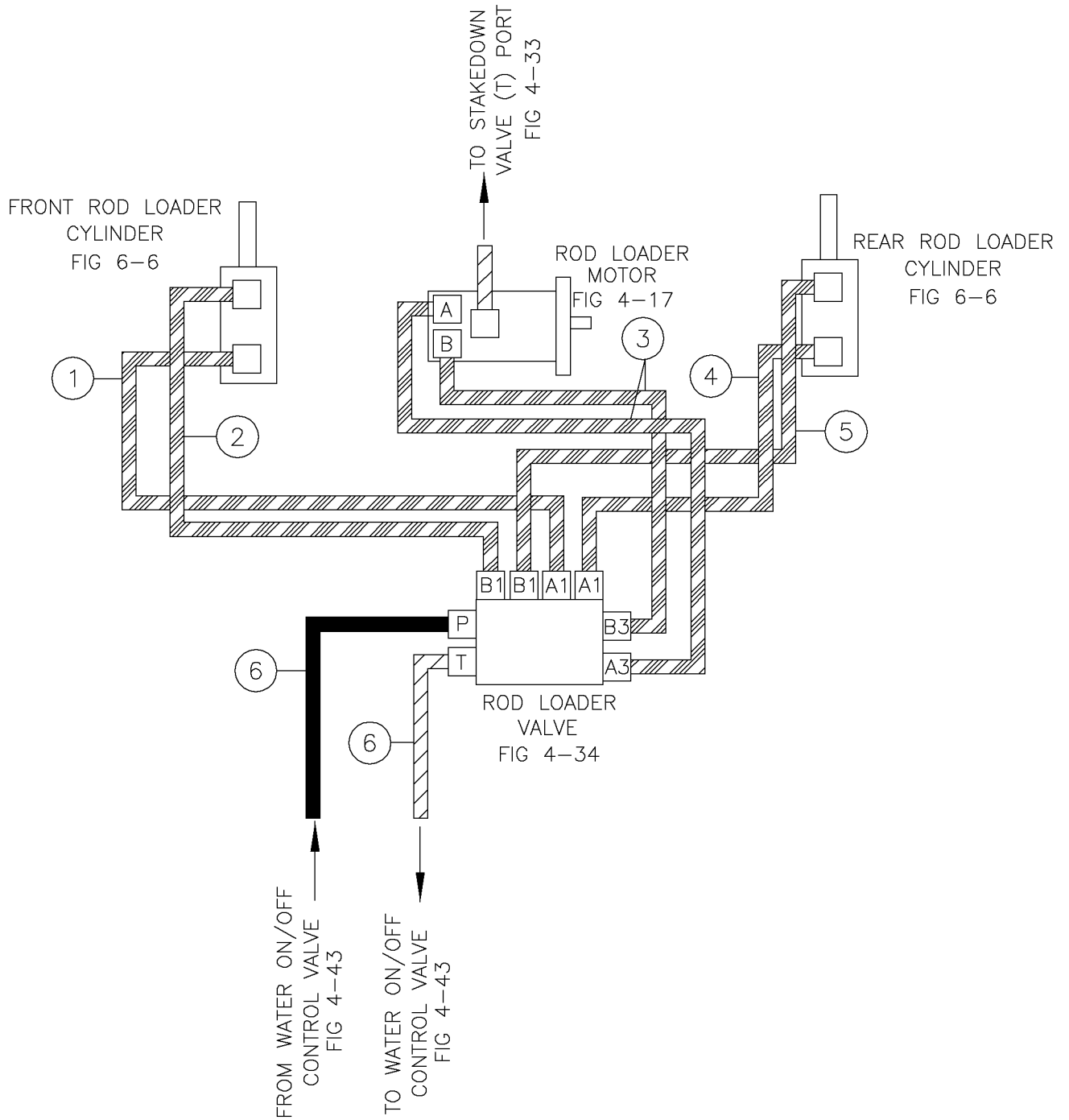
Outrigger Hyd. Diagram Fig 4-8



## Outrigger Hyd. Diagram Fig 4-8

REF. NO.	*	PART NO.	DESCRIPTION	QTY.	REMARKS
1		296269589	HOSE - 3/8 X 135 6FSJIC ST/90 M3K	1	
2		57940395	HOSE - 3/8 X 130 6FSJIC ST/90 M3K	1	
3		257531001	HOSE-HYD 3/8 X 20 6FS JIC ST/45	1	
4		57940719	HOSE-3/8X21 6FSJICST/45D3000#	1	
5		289119001	HOSE - 3/8 X 24 FSJIC ST/45 3000 PSI	1	
6		262934001	HOSE-HYD-.38X77-6FSJ-ST/45-3000PSI-100R1	1	

Rod Loader Hyd. Diagram Fig 4-9r02

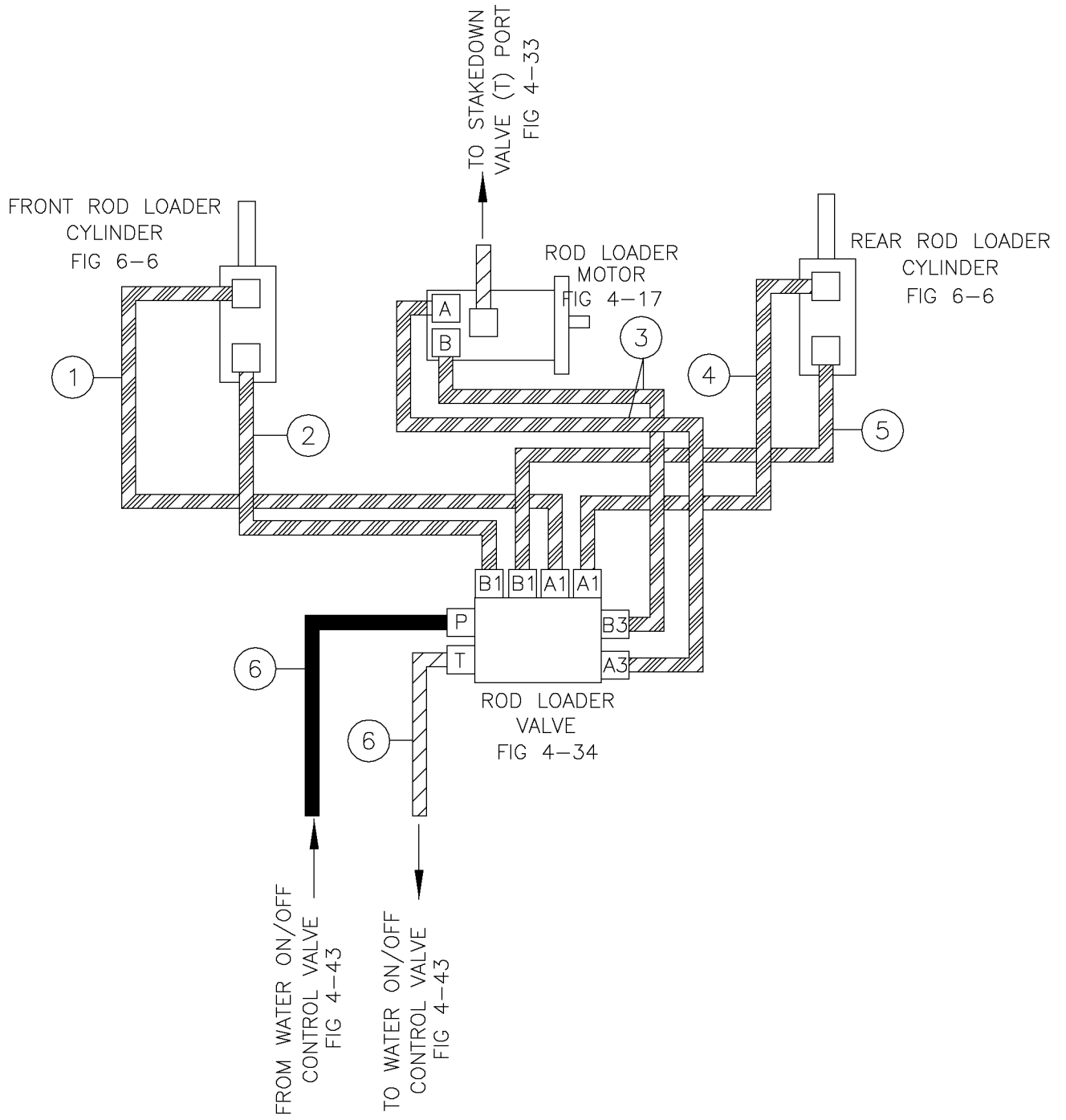


- RETURN LINE
- PRESSURE/RETURN LINE
- PRESSURE LINE
- DIRECTION OF OIL FLOW

## Rod Loader Hyd. Diagram Fig 4-9r02

REF. NO.	*	PART NO.	DESCRIPTION	QTY.	REMARKS
		Revision Date	May, 2006		Update In Illustration & Parts List.
1		296269588	HOSE - 3/8 X 137 6FSJIC ST/90 M3K	1	
2		57940179	HOSE-3/8X140 6FS JIC (100R2)	1	
3		57940563	HOSE-3/8X146 6FS JIC 3000 PSI	2	
4		57940739	HOSE-3/8X27 6FS JIC 3000 PSI	1	
5		296256906	HOSE - .375 X 23 6FS JIC ST/45 M3K	1	
6		57940397	HOSE-3/8X20 6FS JIC 3000 PSI	2	

Rod Loader Hyd. Diagram Fig 4-9r01

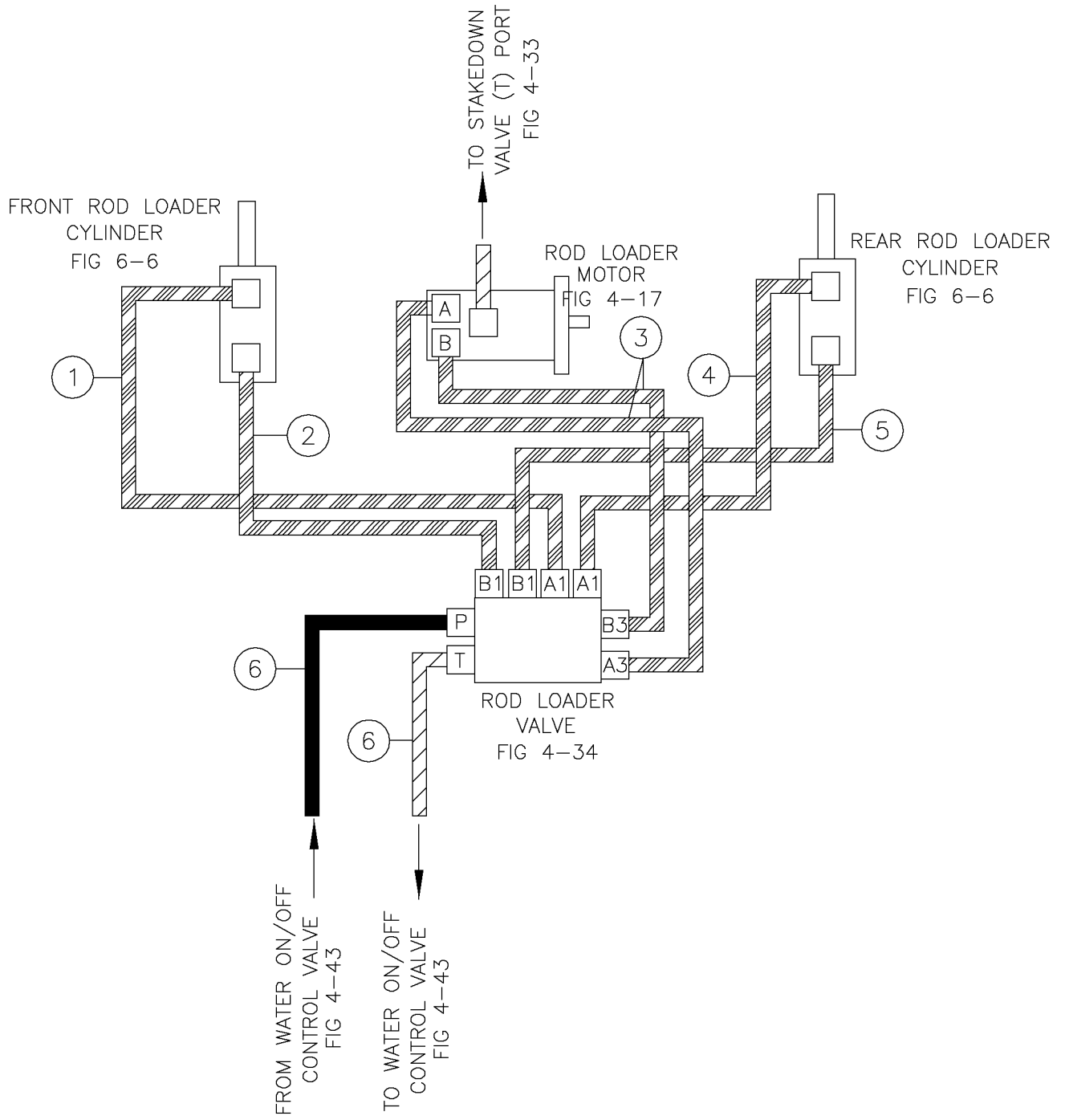


- RETURN LINE
- PRESSURE/RETURN LINE
- PRESSURE LINE
- DIRECTION OF OIL FLOW

## Rod Loader Hyd. Diagram Fig 4-9r01

REF. NO.	*	PART NO.	DESCRIPTION	QTY.	REMARKS
		Revision Date	May, 2005		Update In Illustration & Parts List.
1		296269588	HOSE - 3/8 X 137 6FSJIC ST/90 M3K	1	
2		57940179	HOSE-3/8X140 6FS JIC (100R2)	1	
3		57940563	HOSE-3/8X146 6FS JIC 3000 PSI	2	
4		57940655	HOSE-3/8X30 6FSJIC 45/ST 3000#	1	
5		57940649	HOSE-3/8X25 6FS JIC 3000 PSI	1	
6		57940397	HOSE-3/8X20 6FS JIC 3000 PSI	2	

Rod Loader Hyd. Diagram Fig 4-9



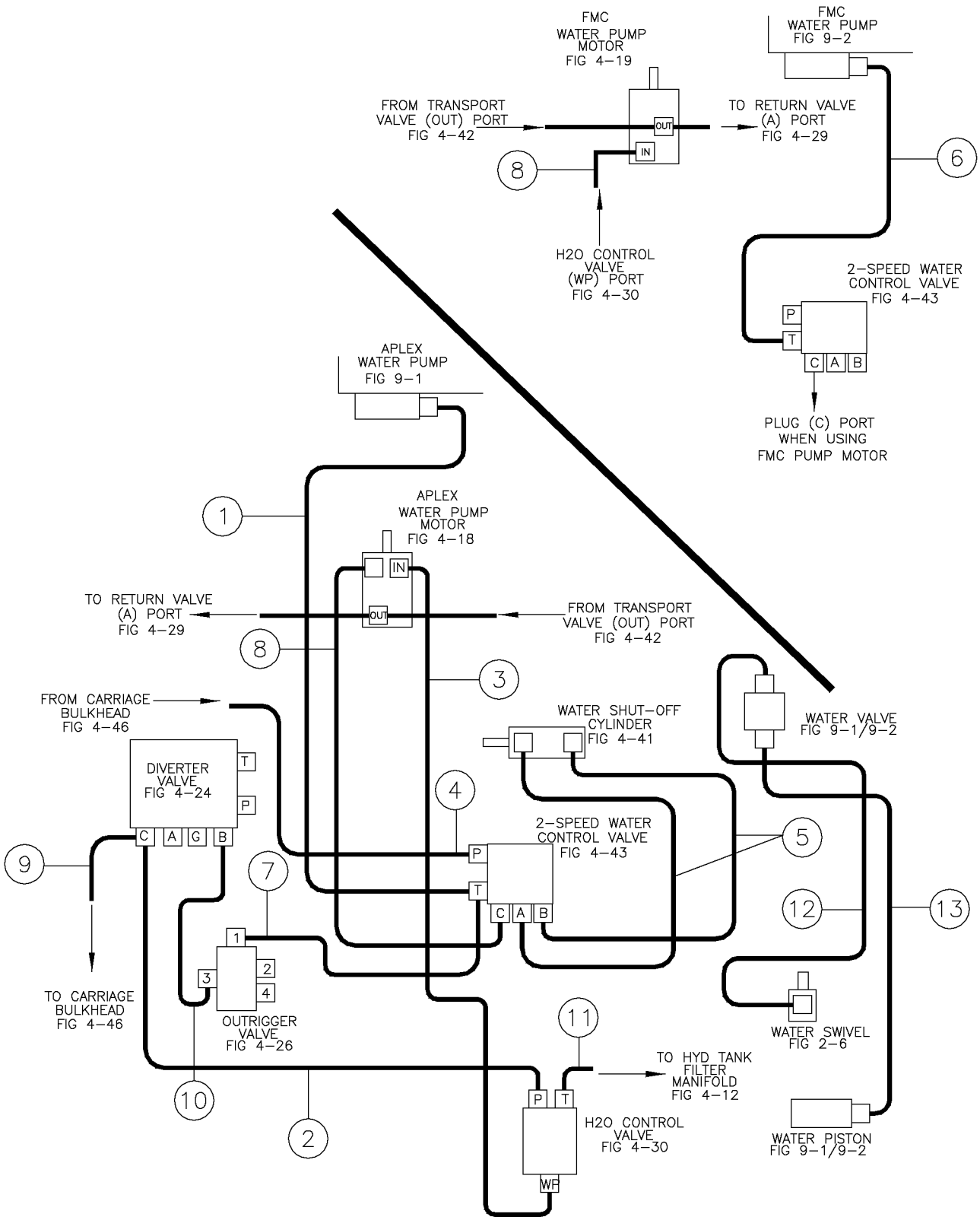
- RETURN LINE
- PRESSURE/RETURN LINE
- PRESSURE LINE
- DIRECTION OF OIL FLOW



## Rod Loader Hyd. Diagram Fig 4-9

REF. NO.	*	PART NO.	DESCRIPTION	QTY.	REMARKS
1		296269588	HOSE - 3/8 X 137 6FSJIC ST/90 M3K	1	
2		57940179	HOSE-3/8X140 6FS JIC (100R2)	1	
3		57940563	HOSE-3/8X146 6FS JIC 3000 PSI	2	
4		57940553	HOSE-3/8X23 6FS JIC 3000 PSI	1	
5		262824001	HOSE-HYD-.38X28-6FSJ-ST/45-3000PSI-M3KMT	1	
6		57940397	HOSE-3/8X20 6FS JIC 3000 PSI	2	

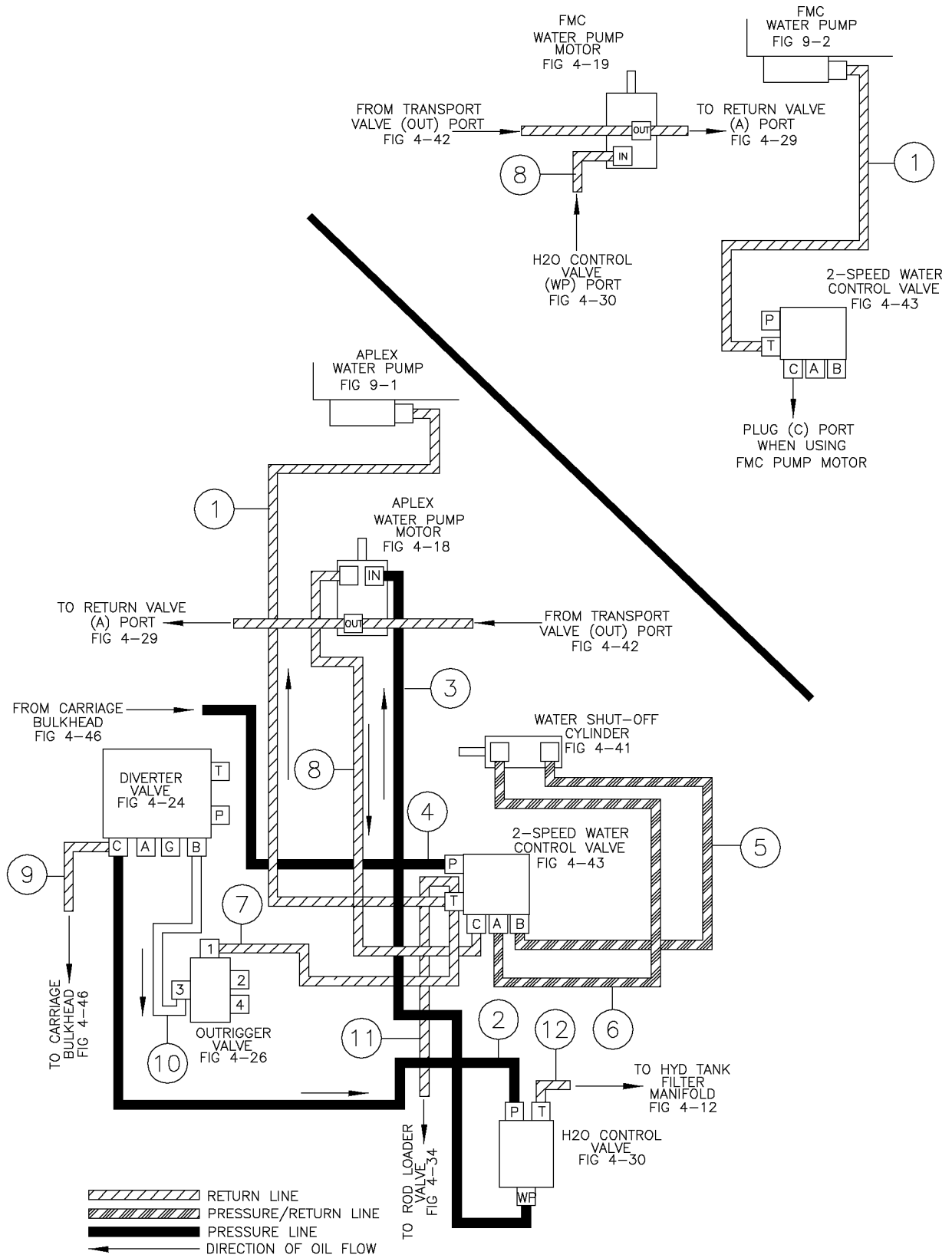
Water System Hyd. Diagram Fig 4-10r02



## Water System Hyd. Diagram Fig 4-10r02

REF NO.	*	PART NO.	DESCRIPTION	QTY.	REMARKS
		Revision Date	March, 2006		Update In Illustration.
1		159745001	HOSE - 1/4 X 29 4FSJIC ST/90 3000#	1	
2		296273671	HOSE-.75 X 45 - 12FSJ STR/90M-M3K-BNS	1	
3		296287800	HOSE-3/4 X 115 12FS ST/ST JIC 3000 PSI	1	
4		57940663	HOSE-3/8X62 6FSJICST/90 3000#	1	
5		53843577	HOSE-1/4X16 4FSJICST/4FSJIC90D	2	
6		53843547	HOSE-1/4X21 4FS JIC 3000 PSI	1	
7		296269628	HOSE - 3/8 X 38 6FS ST/90 JIC 3KPSI	1	
8		53843715	HOSE-1/4X23 4FS JIC 3000 PSI	2	
9		278801001	HOSE-3/8X52 6FSJIC ST/90 M3K	1	
10		262934001	HOSE-HYD-.38X77-6FSJ-ST/45-3000PSI-100R1	1	
11		296269598	HOSE - 3/4 X 23 12 FSJIC ST/45 M3K	1	
12		296287794	HOSE-1.00 X 236 16FS JIC ST/ST 3000 PSI	1	
13		53846081	HOSE-1.00 X 42 16FS JIC ST/ST (2500 PSI)	1	

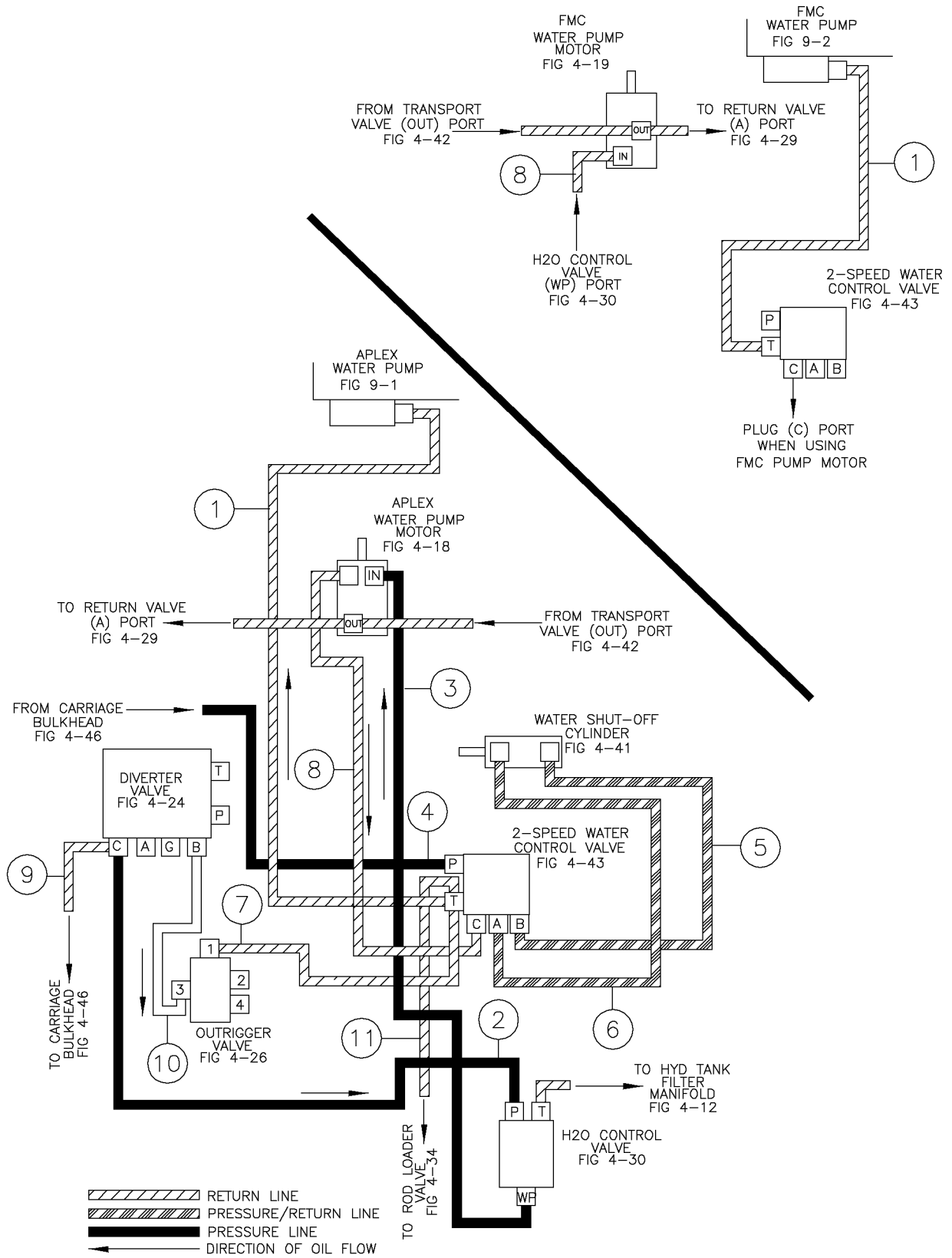
Water System Hyd. Diagram Fig 4-10r01



## Water System Hyd. Diagram Fig 4-10r01

REF. NO.	*	PART NO.	DESCRIPTION	QTY.	REMARKS
		Revision Date	May, 2005		Update In Illustration & Parts List.
1		159745001	HOSE - 1/4 X 29 4FSJIC ST/90 3000#	2	
2		296273671	HOSE-.75 X 45 - 12FSJ STR/90M-M3K-BNS	1	
3		53845863	HOSE-3/4 X 108" 12FS JIC 3000 PSI	1	
4		57940663	HOSE-3/8X62 6FSJICST/90 3000#	1	
5		257531001	HOSE-HYD 3/8 X 20 6FS JIC ST/45	1	
6		57940719	HOSE-3/8X21 6FSJICST/45D3000#	1	
7		296269628	HOSE - 3/8 X 38 6FS ST/90 JIC 3KPSI	1	
8		53843715	HOSE-1/4X23 4FS JIC 3000 PSI	2	
9		278801001	HOSE-3/8X52 6FSJIC ST/90 M3K	1	
10		262934001	HOSE-HYD-.38X77-6FSJ-ST/45-3000PSI-100R1	1	
11		57940379	HOSE-3/8X14 8FS 3000PSI 451AR	1	
12		296269598	HOSE - 3/4 X 23 12 FSJIC ST/45 M3K	1	

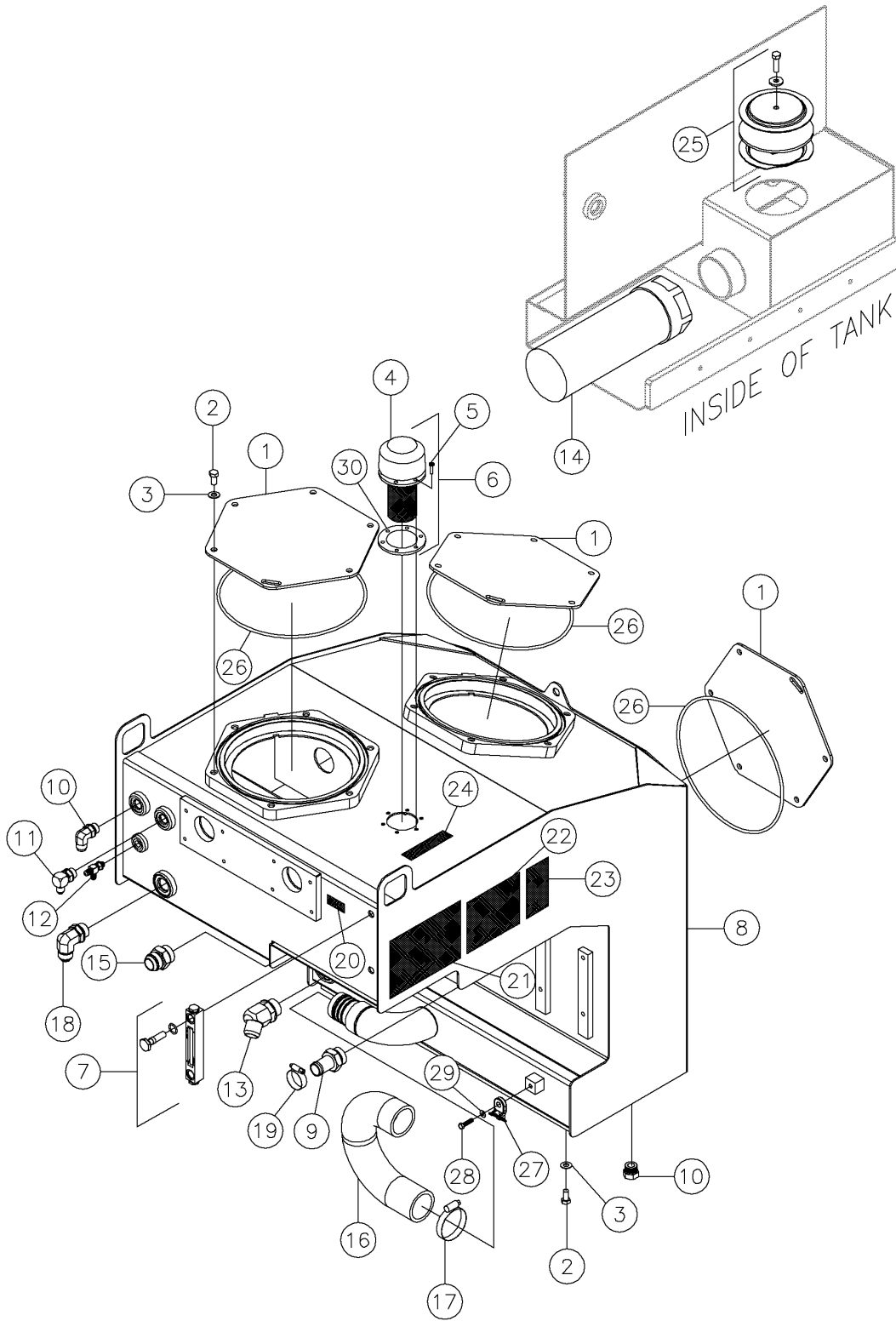
Water System Hyd. Diagram Fig 4-10



## Water System Hyd. Diagram Fig 4-10

REF. NO.	*	PART NO.	DESCRIPTION	QTY.	REMARKS
1		159745001	HOSE - 1/4 X 29 4FSJIC ST/90 3000#	2	
2		296273671	HOSE-.75 X 45 - 12FSJ STR/90M-M3K-BNS	1	
3		53845863	HOSE-3/4 X 108" 12FS JIC 3000 PSI	1	
4		57940663	HOSE-3/8X62 6FSJICST/90 3000#	1	
5		257531001	HOSE-HYD 3/8 X 20 6FS JIC ST/45	1	
6		57940719	HOSE-3/8X21 6FSJICST/45D3000#	1	
7		296269628	HOSE - 3/8 X 38 6FS ST/90 JIC 3KPSI	1	
8		53843715	HOSE-1/4X23 4FS JIC 3000 PSI	2	
9		278801001	HOSE-3/8X52 6FSJIC ST/90 M3K	1	
10		262934001	HOSE-HYD-.38X77-6FSJ-ST/45-3000PSI-100R1	1	
11		57940379	HOSE-3/8X14 8FS 3000PSI 451AR	1	

Oil Tank Fig 4-11r02

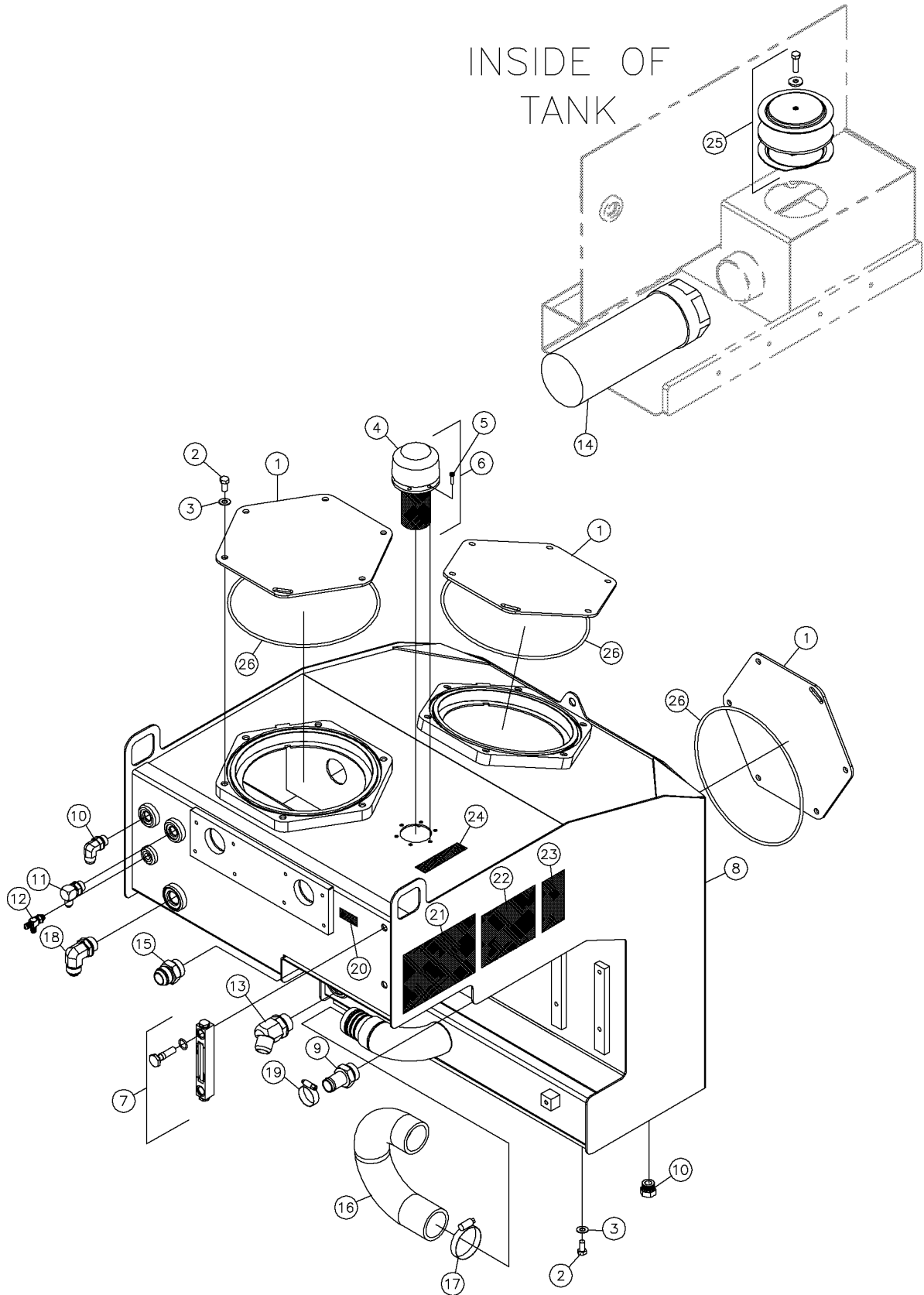




## Oil Tank Fig 4-11r02

REF NO.	*	PART NO.	DESCRIPTION	QTY.	REMARKS
		Revision Date	March, 2006		Update In Illustration & Parts List.
1		96291001	PLATE-CLEANOUT PORT	3	
2		235726001	BOLT-3/8-16X3/4 GR8 HEX ZNCPLT	24	
3		235713001	WASHER - FLATSTRL - .38 - .41 X .81 - .06-YA-A325	24	
4		235808001	CAP-FILLER/BREATHER W/O RELIEF	1	
5		1802006	BOLT-10-24 X 3/4 RND HD STOVE	6	
6		296273658	ASSY-BREATHER CAP	1	(Inc Ref 4, 5, & 30)
7		81590001	GAUGE-SIGHT	1	
8		296277998	TANK - 55 GALLON OIL	1	
9		96709001	HOSE INSERT-16MX1 BEAD STR.	1	
10		53837001	FITTING - 8M O-RING X 8M JIC 90 DEGREE	1	
11		57954001	FITTING-8M O-RING X 6M JIC 90 DEGS	1	
12		67263001	FITTING-RTEE-4MJ-4MORBA-4MJ	1	
13		53835001	#16M O-RING-#16M JIC 45 DEG.	1	
14		98681001	FILTER-TANK 3 NPT OUTLET PORT	1	
15		60907001	FITTING-16M JICX16M STR ADAPT	1	
16		251243001	HOSE - PUMP SUCTION	1	
17		1580013	HOSE CLAMP - 2 1/2"	2	
18		59410001	FITTING-90-12MJ-12MORBA	1	
19		238094001	CLAMP-3/4X1 3/4 BAND W/SCREW	1	
20		2326756	DECAL-HYDRAULIC OIL	1	Domestic
		23261756	DECAL-HYDRAULIC FLUID	1	International
21		7000C451	DECAL - FLUID CAPACITIES	1	
22		700IC716	DECAL-D24X40II GREASE CHART	1	(S/N 266 AND UP)
23		7000C446	DECAL - NO WELD	1	Domestic
		700IC446	DECAL - NO WELD	1	International
24		70000394	DECAL-VERMEER HY POWER	1	
25		296257231	COVER - 6" RESERVOIR END	1	
26		78544001	O-RING AS-378 B46	3	
27		296276018	MOUNT HELLER MANN TITON	2	
28		235735001	BOLT-1/4-20X1 GR8 HEX ZYC	2	
29		510337603	WASHER-FLATSTD-.25-.31X.75-.07-YZ	2	
30		296284761	GASKET	1	

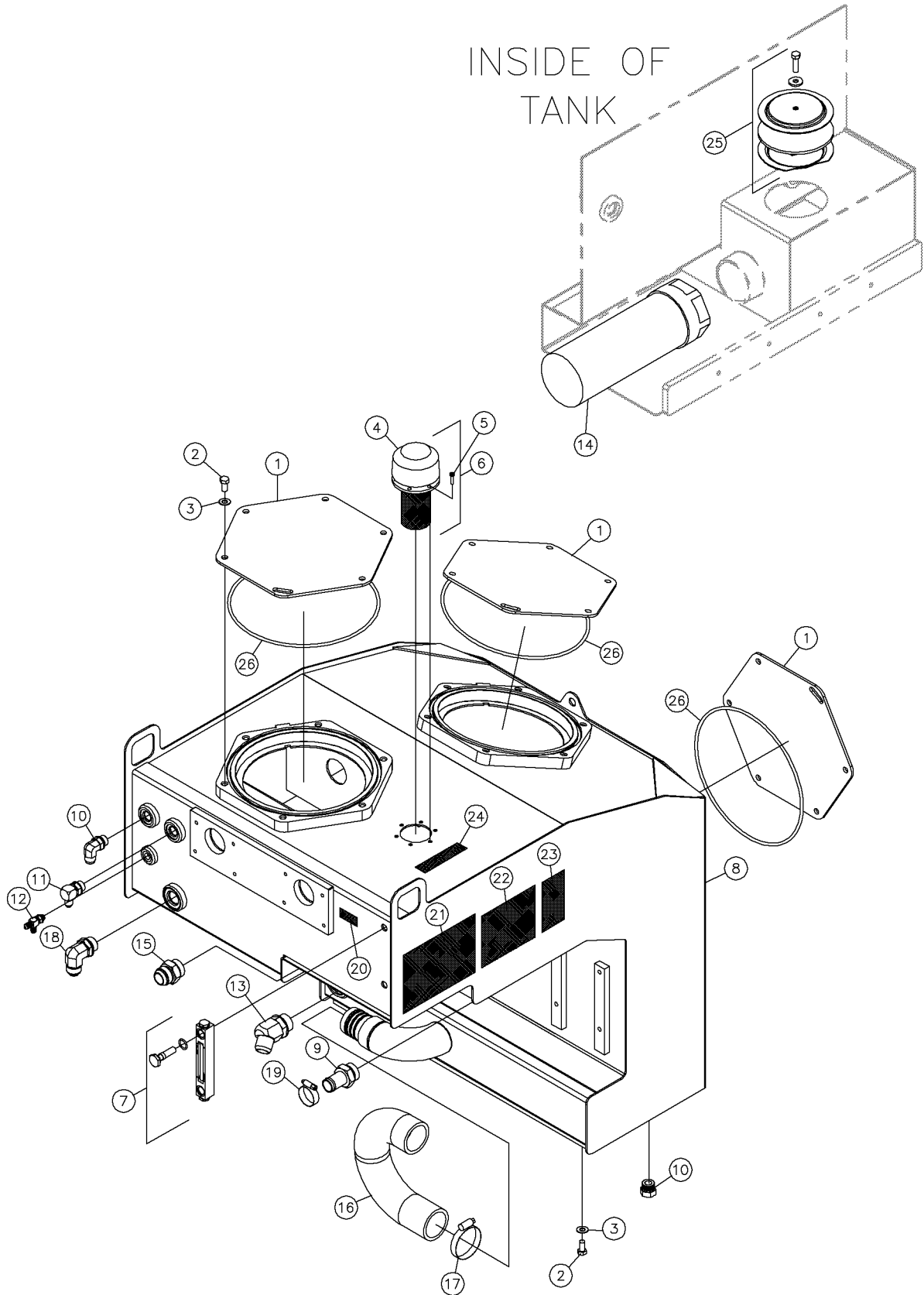
Oil Tank Fig 4-11r01



## Oil Tank Fig 4-11r01

REF. NO.	*	PART NO.	DESCRIPTION	QTY.	REMARKS
		Revision Date	April, 2005		Update In Illustration.
1		96291001	PLATE-CLEANOUT PORT	3	
2		235726001	BOLT-3/8-16X3/4 GR8 HEX ZNCPLT	24	
3		235713001	WASHER - FLATSTRL - .38 - .41 X .81 - .06-YA-A325	24	
4		235808001	CAP-FILLER/BREATHER W/O RELIEF	1	
5		1802006	BOLT-10-24 X 3/4 RND HD STOVE	6	
6		296273658	ASSY-BREATHER CAP	1	Inc Ref 4-5
7		81590001	GAUGE-SIGHT	1	
8		296277998	TANK - 55 GALLON OIL	1	
9		96709001	HOSE INSERT-16MX1 BEAD STR.	1	
10		53837001	FITTING - 8M O-RING X 8M JIC 90 DEGREE	1	
11		57954001	FITTING-8M O-RING X 6M JIC 90 DEGS	1	
12		81342001	FITTING-RTEE-4MJ-4MORBA-4MJ	1	
13		53835001	#16M O-RING-#16M JIC 45 DEG.	1	
14		98681001	FILTER-TANK 3 NPT OUTLET PORT	1	
15		60907001	FITTING-16M JICX16M STR ADAPT	1	
16		251243001	HOSE - PUMP SUCTION	1	
17		1580013	HOSE CLAMP - 2 1/2" REF T08735	2	
18		59410001	FITTING-90-12MJ-12MORBA	1	
19		238094001	CLAMP-3/4X1 3/4 BAND W/SCREW	1	
20		2326756	DECAL-HYDRAULIC OIL	1	
		2326I756	DECAL-HYDRAULIC FLUID	1	International
21		7000C451	DECAL - FLUID CAPACITIES	1	
22		7000B709	DECAL - GREASE CHART	1	
23		7000C446	DECAL - NO WELD	1	
		700IC446	DECAL - NO WELD	1	International
24		70000394	DECAL-VERMEER HY POWER	1	
25		296257231	COVER - 6" RESERVOIR END	1	
26		78544001	O-RING AS-378 B46	3	

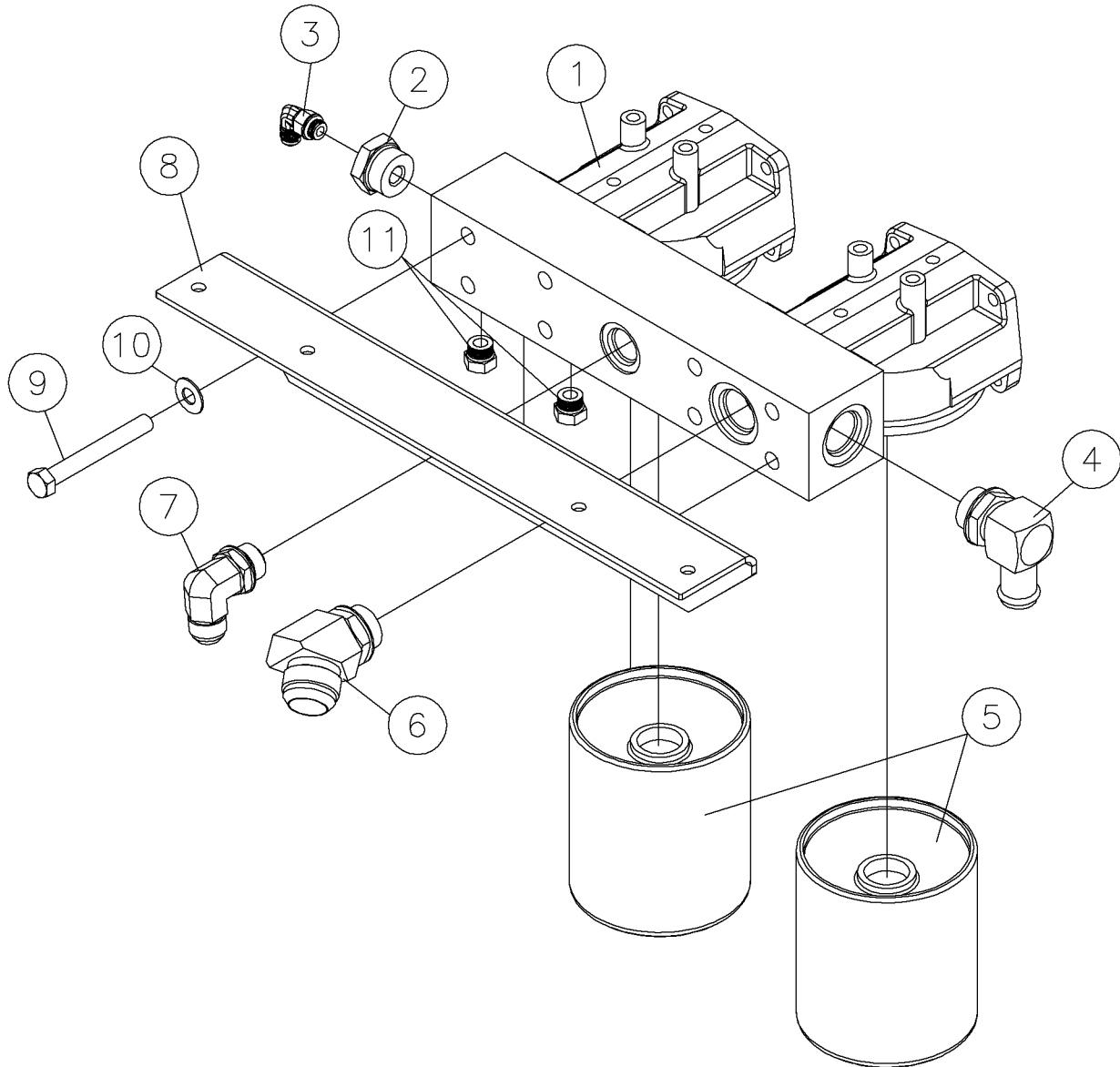
Oil Tank Fig 4-11



## Oil Tank Fig 4-11

REF. NO.	*	PART NO.	DESCRIPTION	QTY.	REMARKS
1		96291001	PLATE-CLEANOUT PORT	3	
2		235726001	BOLT-3/8-16X3/4 GR8 HEX ZNCPLT	24	
3		235713001	WASHER - FLATSTRL - .38 - .41 X .81 - .06-YA-A325	24	
4		235808001	CAP-FILLER/BREATHER W/O RELIEF	1	
5		1802006	BOLT-10-24 X 3/4 RND HD STOVE	6	
6		296273658	ASSY-BREATHER CAP	1	Inc Ref 4-5
7		81590001	GAUGE-SIGHT	1	
8		296277998	TANK - 55 GALLON OIL	1	
9		96709001	HOSE INSERT-16MX1 BEAD STR.	1	
10		53837001	FITTING - 8M O-RING X 8M JIC 90 DEGREE	1	
11		57954001	FITTING-8M O-RING X 6M JIC 90 DEGS	1	
12		81342001	FITTING-RTEE-4MJ-4MORBA-4MJ	1	
13		53835001	#16M O-RING-#16M JIC 45 DEG.	1	
14		98681001	FILTER-TANK 3 NPT OUTLET PORT	1	
15		60907001	FITTING-16M JICX16M STR ADAPT	1	
16		251243001	HOSE - PUMP SUCTION	1	
17		1580013	HOSE CLAMP - 2 1/2" REF T08735	2	
18		59410001	FITTING-90-12MJ-12MORBA	1	
19		238094001	CLAMP-3/4X1 3/4 BAND W/SCREW	1	
20		2326756	DECAL-HYDRAULIC OIL	1	
		2326I756	DECAL-HYDRAULIC FLUID	1	International
21		7000C451	DECAL - FLUID CAPACITIES	1	
22		7000B709	DECAL - GREASE CHART	1	
23		7000C446	DECAL - NO WELD	1	
		700IC446	DECAL - NO WELD	1	International
24		70000394	DECAL-VERMEER HY POWER	1	
25		296257231	COVER - 6" RESERVOIR END	1	
26		78544001	O-RING AS-378 B46	3	

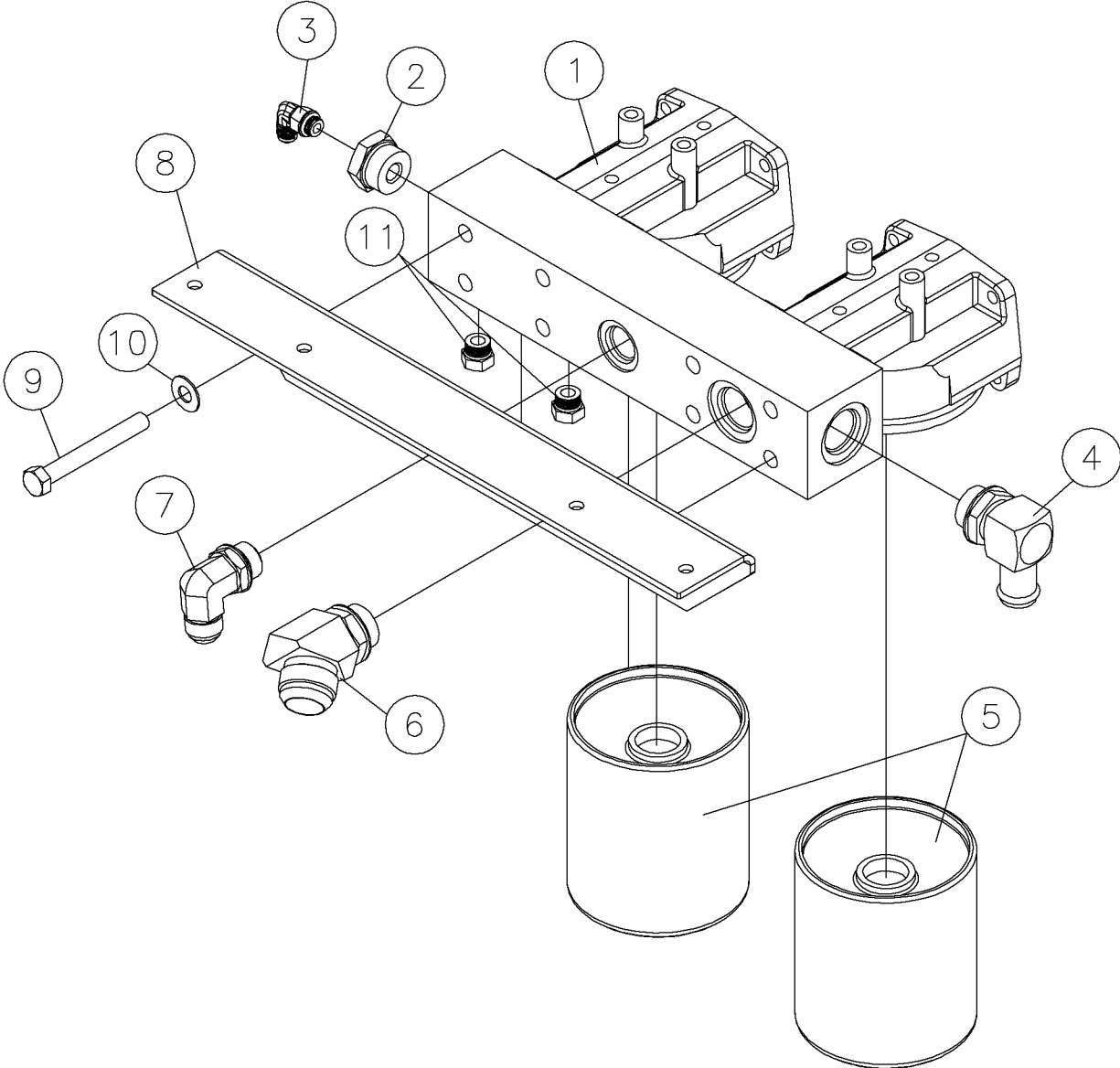
Oil Filter Fig 4-12r02



## Oil Filter Fig 4-12r02

REF. NO.	*	PART NO.	DESCRIPTION	QTY.	REMARKS
		Revision Date	May, 2006		Update In Parts List.
1		296273660	ASSEMBLY - FILTER HEAD	1	Breakdown Fig. 10-45
2		279128001	FITTING - STR - 16MORB -6FORB	1	
3		59426001	FITTING - 90-6MJ-6MORBA	1	
4		100000001	FITTING-16MORINGX1"BEADED90DEG	1	
5		296269657	FILTER - 5 MICRON HYDRAULIC	2	S/N 251-
6		86234001	16M ORING X 20M JIC 45DEG.	1	
7		59410001	FITTING-90-12MJ-12MORBA	1	
8		296274715	SUPPORT - AIR CLEANER	1	
9		238244001	BOLT 1/2"-13 X 4"GR8 HEX Y/ZIN	8	
10		485025	WASHER-1/2 FLAT-HARDENED-YZ	8	
11		56218001	FITTING - PLUG - 8MORB - HEX	2	

Oil Filter Fig 4-12r01

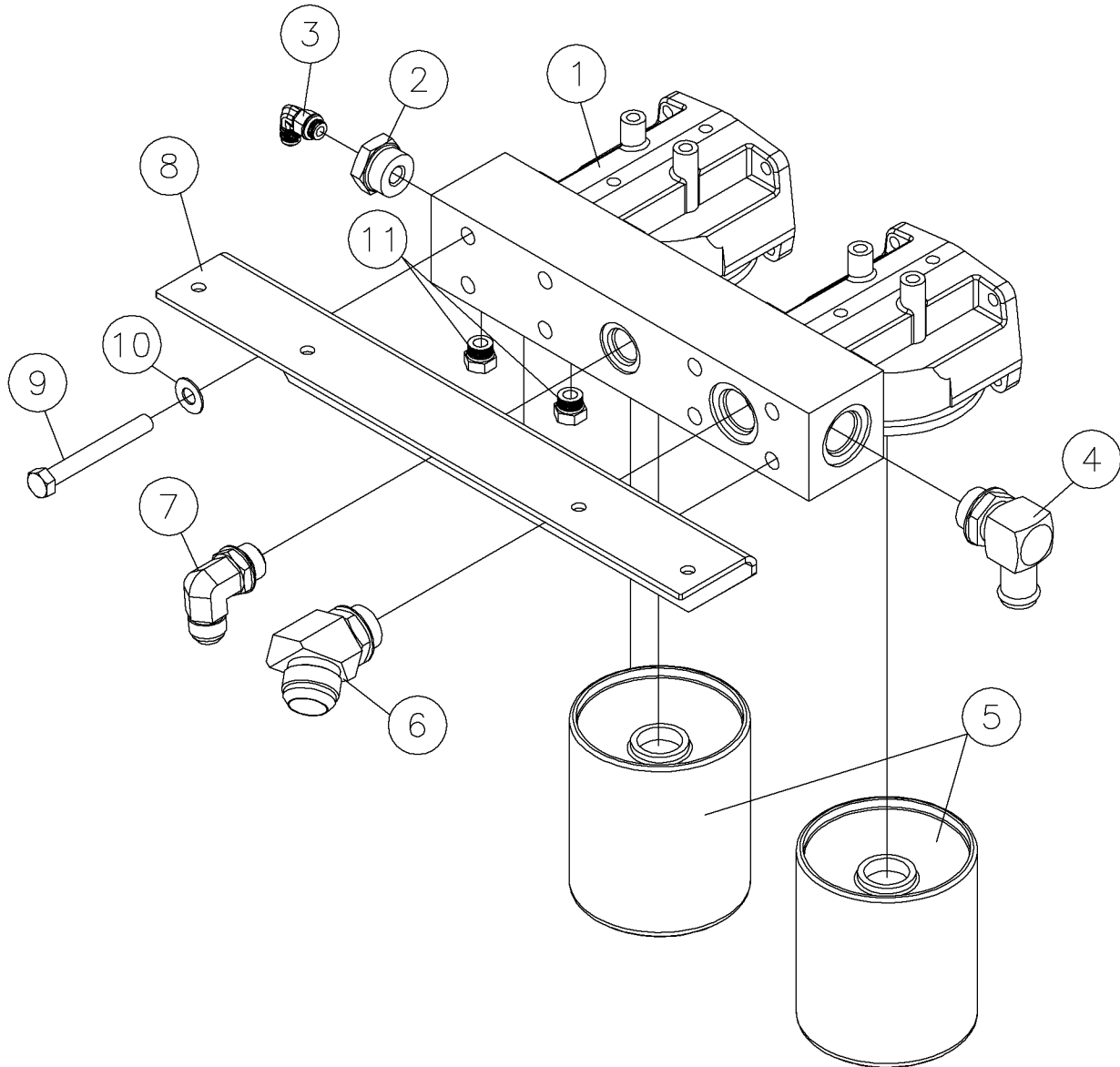




## Oil Filter Fig 4-12r01

REF. NO.	*	PART NO.	DESCRIPTION	QTY.	REMARKS
1		296273660	ASSEMBLY - FILTER HEAD	1	Breakdown Fig. 10-45
2		279128001	FITTING - STR - 16MORB -6FORB	1	
3		59426001	FITTING - 90-6MJ-6MORBA	1	
4		100000001	FITTING-16MORINGX1"BEADED90DEG	1	
5		296269657	FILTER - 5 MICRON HYDRAULIC	2	
6		86234001	16M ORING X 20M JIC 45DEG.	1	
7		59410001	FITTING-90-12MJ-12MORBA	1	
8		296274715	SUPPORT - AIR CLEANER	1	
9		238244001	BOLT 1/2"-13 X 4"GR8 HEX Y/ZIN	8	
10		485025	WASHER-1/2 FLAT-HARDENED-YZ	8	
11		56218001	FITTING - PLUG - 8MORB - HEX	2	

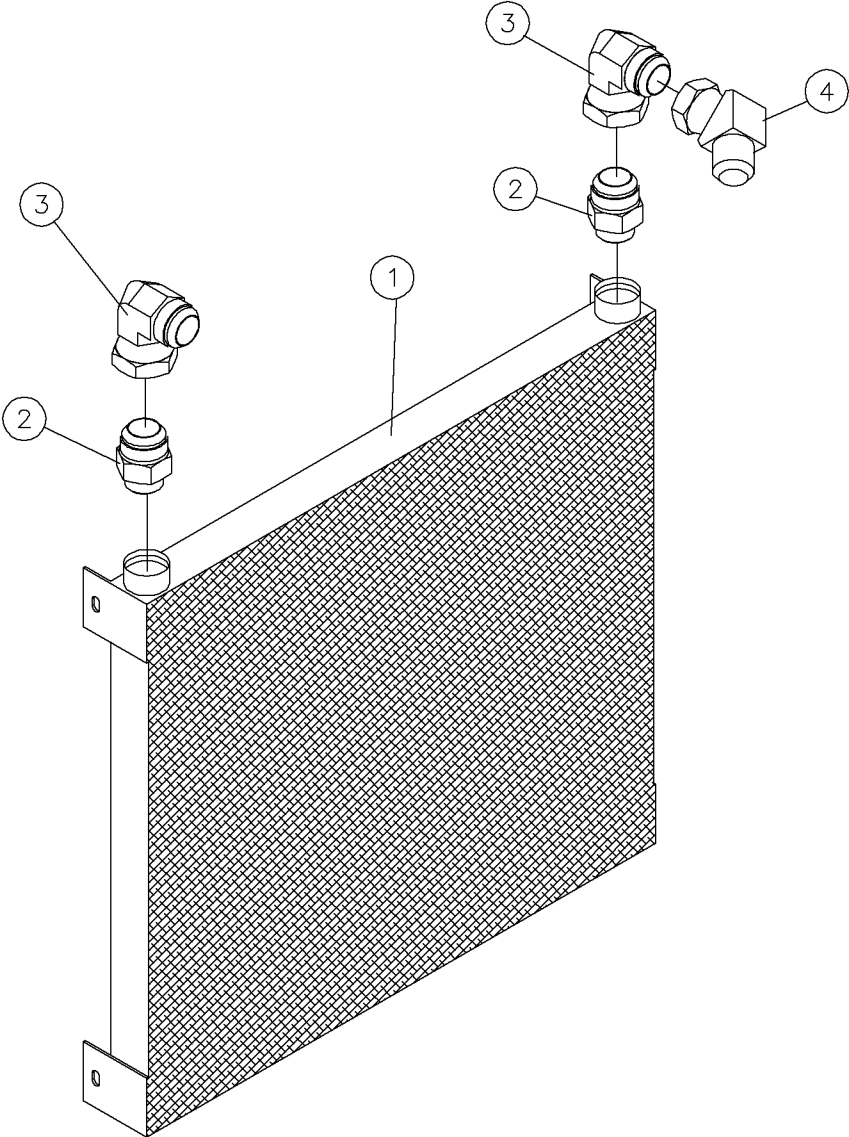
Oil Filter Fig 4-12



## Oil Filter Fig 4-12

REF. NO.	*	PART NO.	DESCRIPTION	QTY.	REMARKS
1		296273660	ASSEMBLY - FILTER HEAD	1	Breakdown Fig. 10-45
2		279128001	FITTING - STR - 16MORB -6FORB	1	
3		59426001	FITTING - 90-6MJ-6MORBA	1	
4		100000001	FITTING-16MORINGX1"BEADED90DEG	1	
5		251137001	FILTER -10 MICRON HYDRAULIC	2	
6		86234001	16M ORING X 20M JIC 45DEG.	1	
7		59410001	FITTING-90-12MJ-12MORBA	1	
8		296274715	SUPPORT - AIR CLEANER	1	
9		238244001	BOLT 1/2"-13 X 4"GR8 HEX Y/ZIN	8	
10		485025	WASHER-1/2 FLAT-HARDENED-YZ	8	
11		56218001	FITTING - PLUG - 8MORB - HEX	2	

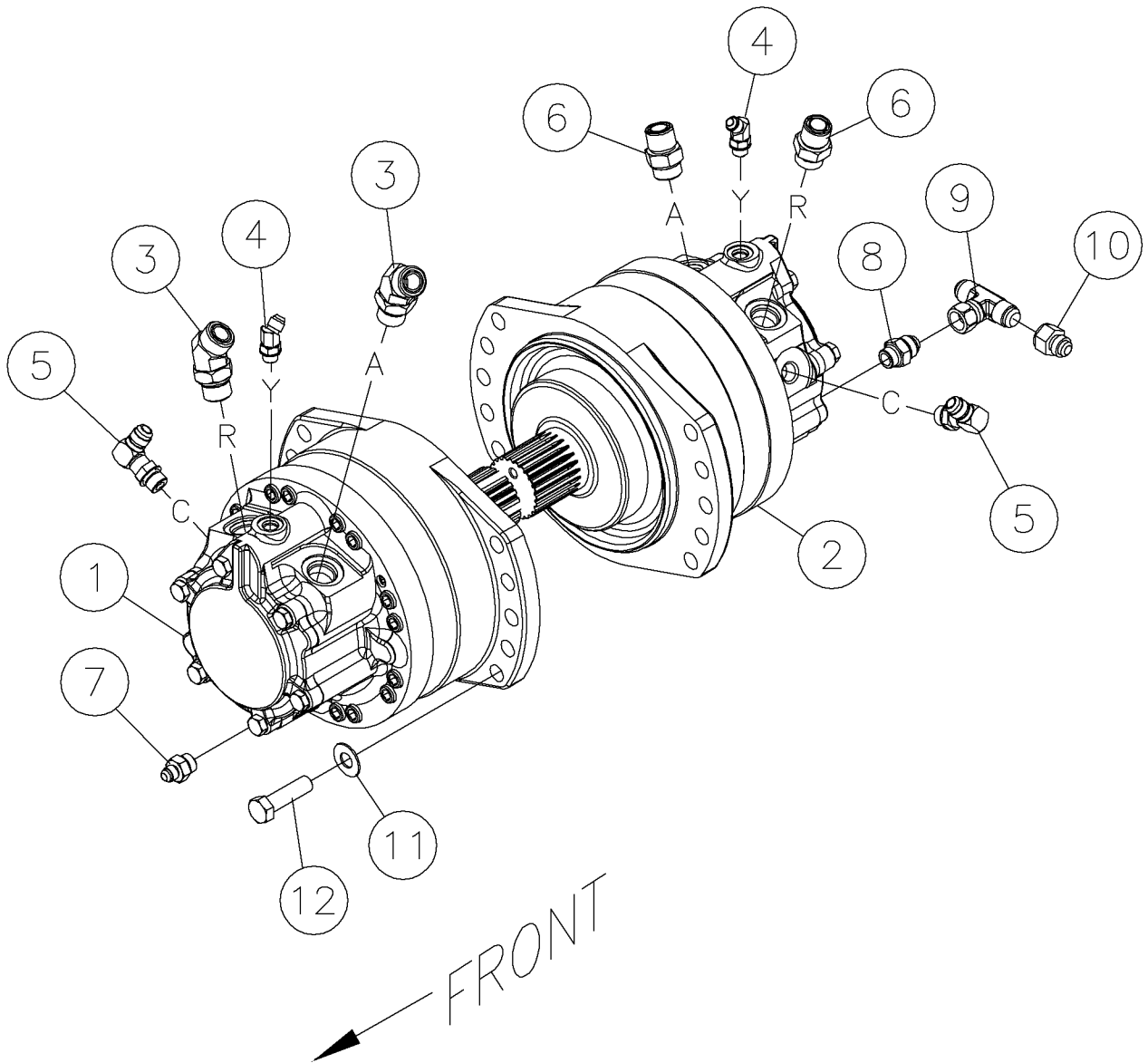
Oil Cooler Fig 4-13



## Oil Cooler Fig 4-13

REF. NO.	*	PART NO.	DESCRIPTION	QTY.	REMARKS
1		296274673	OIL COOLER	1	
2		86320001	FIT-ADAPT 16M ORINGX20MJIC STR	2	
3		65574001	20FS JICX20M JIC 90 DEGREE	2	
4		70007001	FITTING-20 M JICX20FS JIC 45	1	

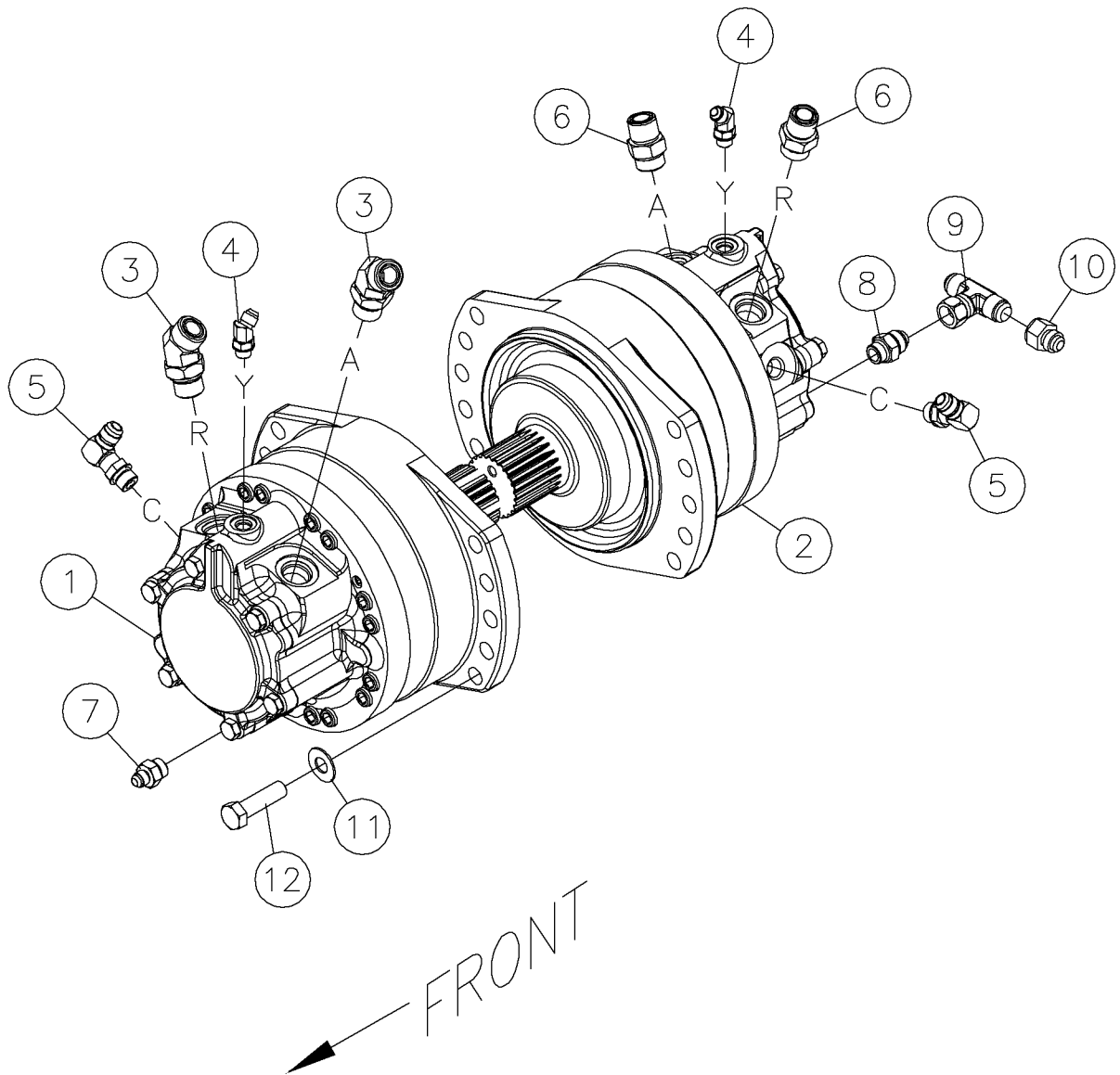
Rotation Hyd. Motor Fig 4-14r01



## Rotation Hyd. Motor Fig 4-14r01

REF. NO.	*	PART NO.	DESCRIPTION	QTY.	REMARKS
		Revision Date	March, 2006		Update In Parts List.
1		296273602	MOTOR - HYD 38/19 (MS08)('G')	1	Breakdown Fig. 10-25
2		296273528	MOTOR - HYD - 38/19 (MS08) ('D')	1	Breakdown Fig. 10-26
3		72418001	FITTING - 45 - 12MORFF - 12MORBA	2	
4		65563001	FITTING - 6M O-RING X 6M JIC 45 DEGREE	2	
5		278044001	FITTING -8MJ X 8MOR 90 - LONG	2	
6		279784001	FITTING-STR-12MORFF-12MORB	2	
7		53824001	FITTING-#8M O-RING-#8M JIC ST.	1	
8		67850001	8M X 10MJIC STR	1	
9		65566001	10FS JIC BCHX10MJICX10MJIC TEE	1	
10		86670001	FITTING-ADAPT 10FJICX8MJIC RED	1	
11		235715001	WASHER-FLATSTRL-5/8" YZ A325	20	
12		280647001	BOLT-5/8-11 X 2-1/2 GR 8 Y/ZINC PLTD.	20	

Rotation Hyd. Motor Fig 4-14

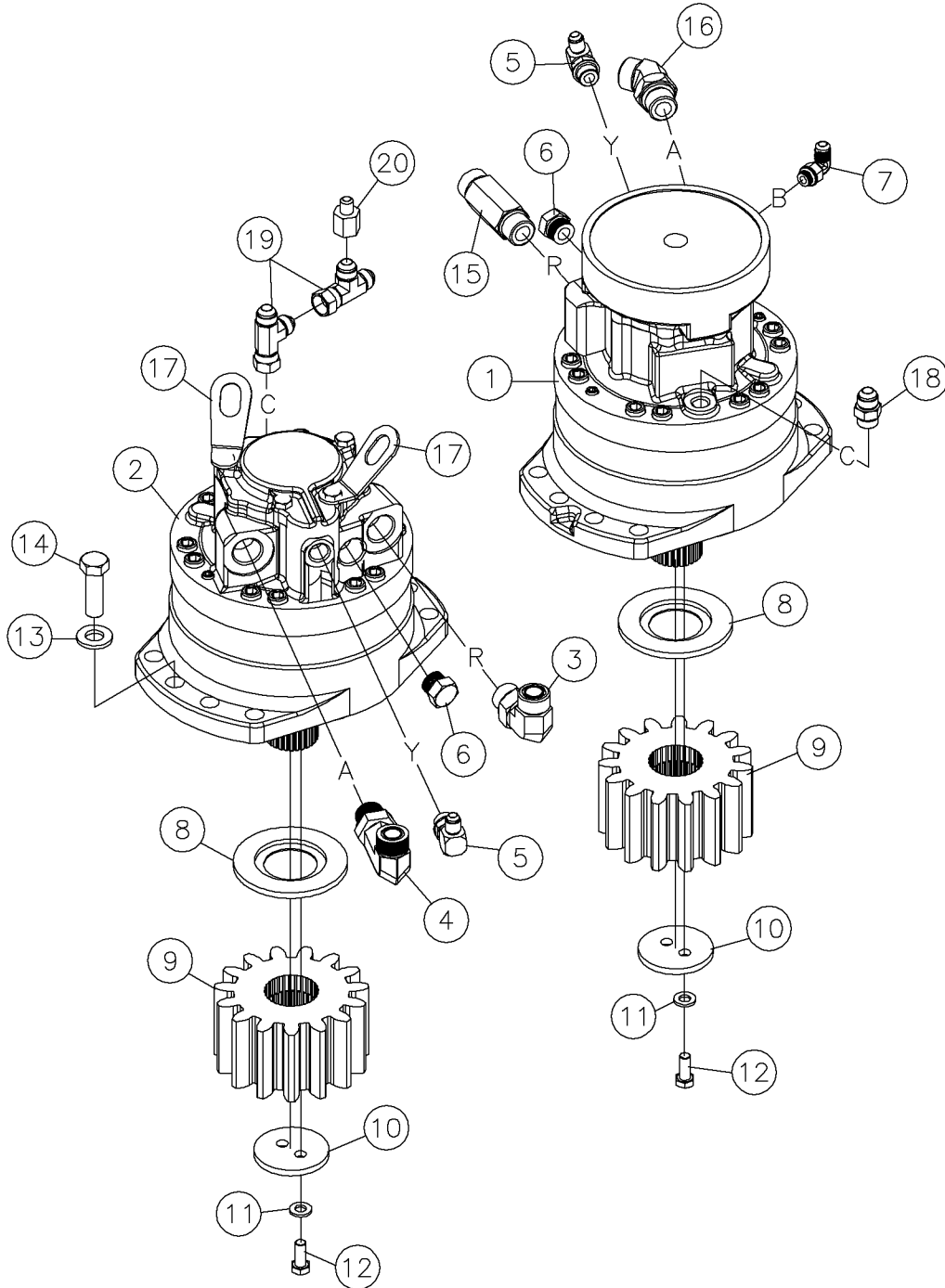




## Rotation Hyd. Motor Fig 4-14

REF. NO.	*	PART NO.	DESCRIPTION	QTY.	REMARKS
1		296273602	MOTOR - HYD 38/19 (MS08)('G')	1	Breakdown Fig. 10-25
2		296273528	MOTOR - HYD - 38/19 (MS08) ('D')	1	Breakdown Fig. 10-26
3		72418001	FITTING - 45 - 12MORFF - 12MORBA	2	
4		65563001	FITTING - 6M O-RING X 6M JIC 45 DEGREE	2	
5		278044001	FITTING -8MJ X 8MOR 90 - LONG	2	
6		279784001	FITTING-STR-12MORFF-12MORB	2	
7		53824001	FITTING-#8M O-RING-#8M JIC ST.	1	
8		67850001	8M X 10MJIC STR	1	
9		65566001	10FS JIC BCHX10MJICX10MJIC TEE	1	
10		86670001	FITTING-ADAPT 10FJICX8MJIC RED	1	

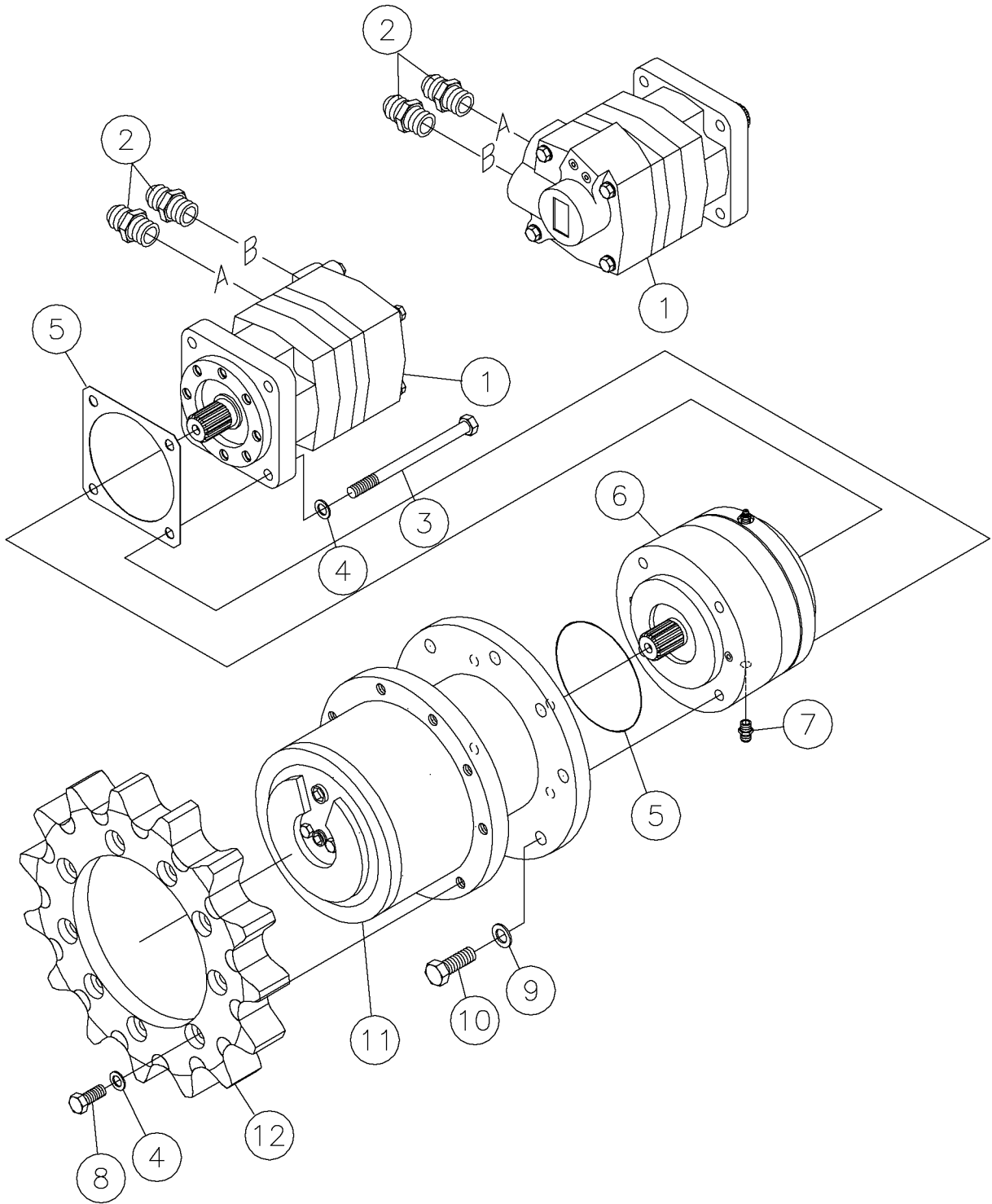
Thrust Hyd. Motor Fig 4-15



## Thrust Hyd. Motor Fig 4-15

REF. NO.	*	PART NO.	DESCRIPTION	QTY.	REMARKS
1		296273526	MOTOR - HYD 38/19 (MS05) W/BRAKE	1	Breakdown Fig. 10-27
2		296273527	MOTOR - HYD 38/19 (MS05)	1	Breakdown Fig. 10-28
3		72419001	FITTING - 90 - 12MORFF - 12MORBA	1	
4		296273567	FITTING - 90 - 12MORFF-12MORBA-LL	1	
5		57954001	FITTING-8M O-RING X 6M JIC 90 DEGS	2	
6		56218001	FITTING - PLUG - 8MORB - HEX	2	
7		59426001	FITTING - 90-6MJ-6MORBA	1	
8		296273547	WASHER-FOAM	2	
9		278310001	GEAR-PINION-15T	2	
10		282044001	CAP - PINION GEAR	2	
11		141350001	WASHER-M10 HARDEN PLATED FLAT	4	
12		238888001	BOLT-M10X1.50X25 HHCS CL-10.9 ZY	4	
13		235715001	WASHER-5/8 SAE HARD ZINC PLTD	16	
14		145645001	BOLT - 5/8 - 11 X 2 GR.8 PLATED	16	
15		279786001	FITTING - FLTF - L - 12MORS X 12M	1	
16		72418001	FITTING - 45 - 12MORFF - 12MORBA	1	
17		278926001	PLATE - LIFT POINT	2	
18		53824001	FITTING-#8M O-RING-#8M JIC ST.	2	
19		59461001	8 JIC SW RUN TEE	2	
20		61500001	8 JIC F X 6 JIC M STR.	1	

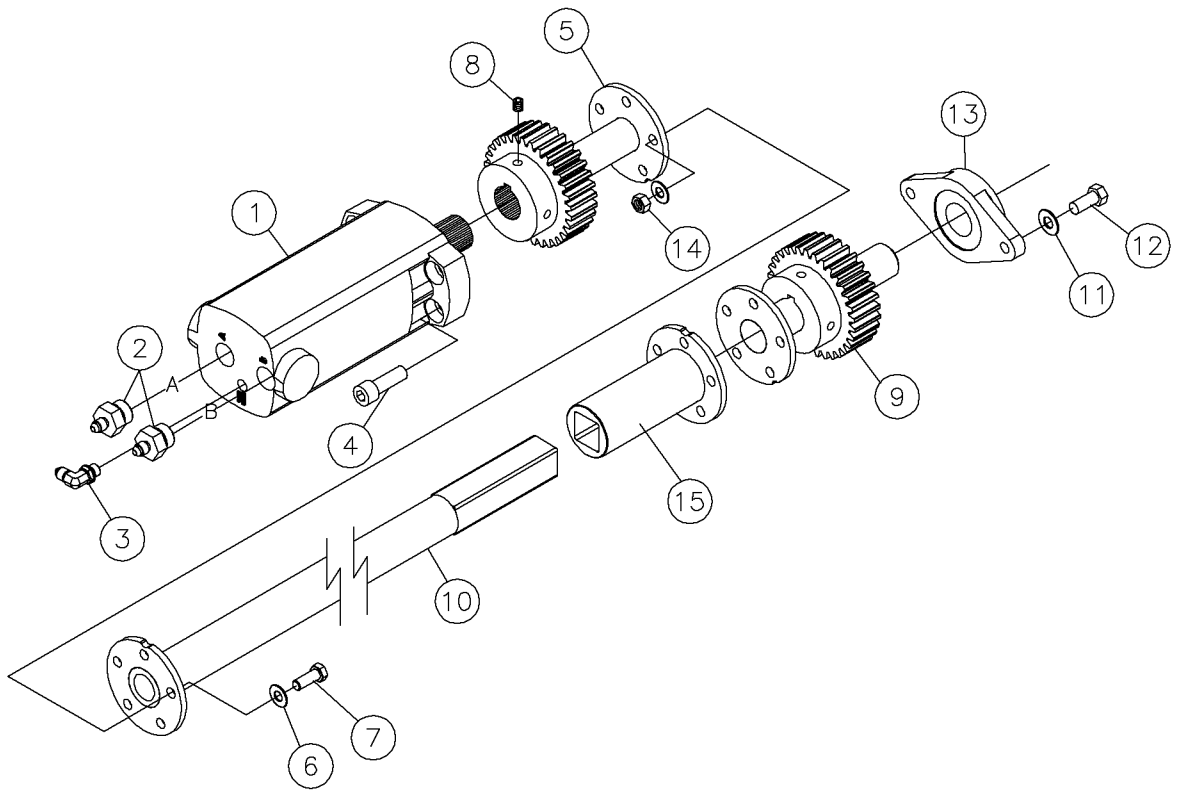
Track Drive Hyd. Motor Fig 4-16



## Track Drive Hyd. Motor Fig 4-16

REF. NO.	*	PART NO.	DESCRIPTION	QTY.	REMARKS
1		251105001	MOTOR-7.9 CID 4000 SERIES HYD.	2	Breakdown Fig 10-29
2		53828001	#12M O-RING-#12M JIC ST.	4	
3		251046001	BOLT-1/2-13X6 3/4 GR8 HEX ZINC	8	
4		485025	WASHER-1/2 FLAT-HARDENED-YZ	26	
5		278785003	O-RING & BACK UP RING KIT	2	
6		278785001	BRAKE-TRACK DRIVE PARK	2	Breakdown Fig 10-31
7		60908001	FITTING-4MX4M JIC STR ADAPTER	2	
8		508347001	BOLT-1/2 X 20-1 1/4 GR8 HE ZY	18	
9		235715001	WASHER-5/8 SAE HARD ZINC PLTD	16	
10		238220001	BOLT-5/8-11X1 3/4 Gr 8 HX YZC - Rplcd By 230728001	16	
11		244405001	GEARBOX - PLANETARY 7WC14150ZX	2	Breakdown Fig 10-30
12		244467001	SPROCKET - 15T TRACK DRIVE	2	

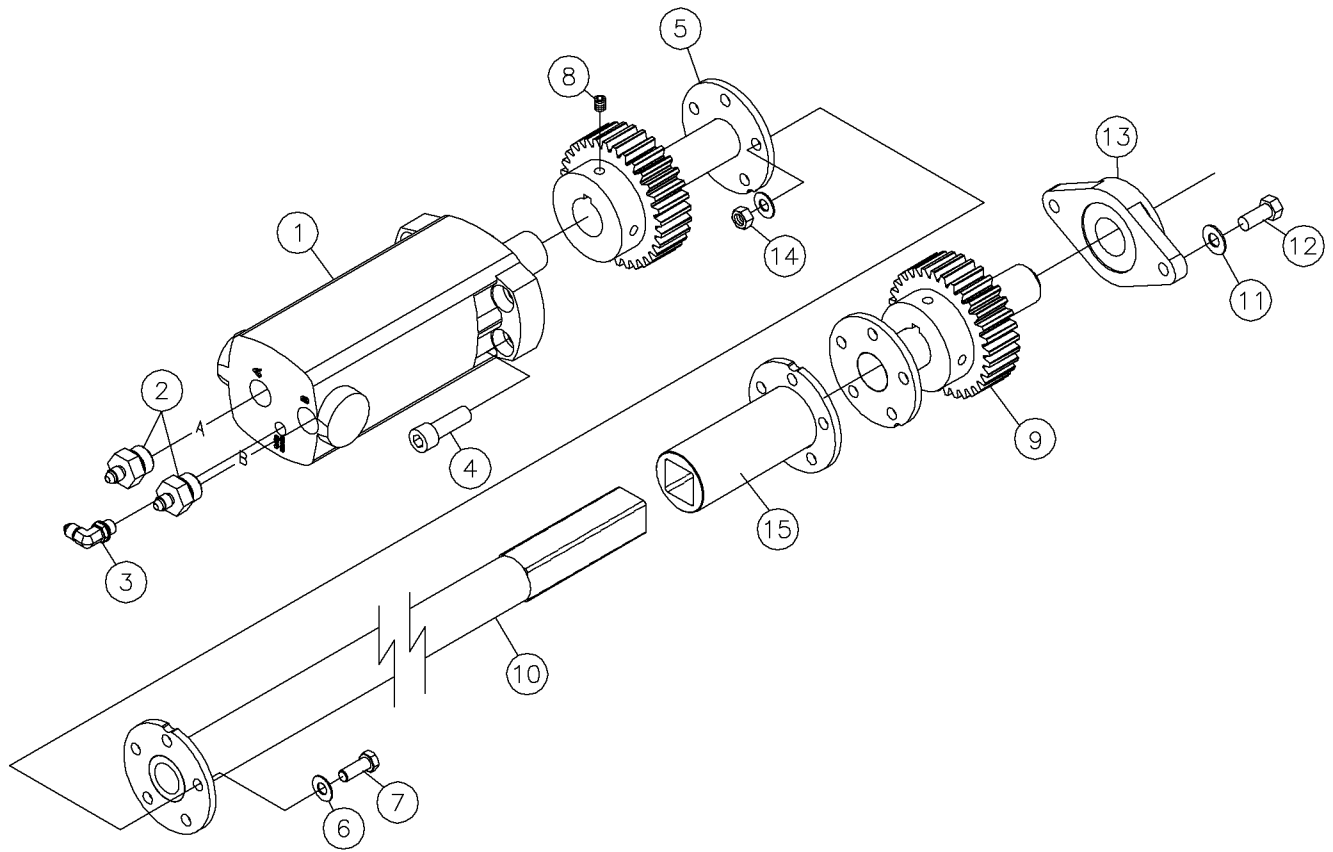
Rod Loader Hyd. Motor Fig 4-17r01



## Rod Loader Hyd. Motor Fig 4-17r01

REF. NO.	*	PART NO.	DESCRIPTION	QTY.	REMARKS
		Revision Date	March, 2006		Update In Illustration & Parts List.
1		296287807	MOTOR-HYD. 4K COMPACK (S/N 340-)	1	Breakdown Fig. 10-32x01
		296275142	MOTOR - HYD 2000 SPLINE (S/N 245-339)	1	Breakdown Fig. 10-32
2		101507001	FITTING-10MORX4MJIC STR.	2	
3		59423001	FIT-4M JICX4M ADJ.90 DEG.ELBOW	1	
4		276402001	SCREW-1/2-13X1 1/2 SHC Y ZINC	4	
5		296275143	WELDMENT - FRONT ROD LOADER GEAR	1	
6		235713001	WASHER - FLATSTRL - .38 - .41 X .81 - .06-YA-A325	20	
7		235727001	BOLT-3/8-16X1 GR8 HEX ZYC	10	
8		526003	SSS-3/8-16X3/4	2	
9		296277008	WELDMENT - REAR ROD LOADER GEAR	1	
10		296277005	WELDMENT - SYNCHRO TUBE	1	
11		250515001	7/16 HARD WASHER SAE Y/ZINC	1	
12		250539001	BOLT-7/16-14 X 1 GR8 HEX Y/ZI	2	
13		246416001	BEARING- 2 BOLT FLANGE	1	
14		250508001	NUT - 3/8-NC Gr8 TOP LOCK Y/ZINC	10	
15		296280118	WELDMENT - SYNCHRO TUBE MOUNT	1	

Rod Loader Hyd. Motor Fig 4-17

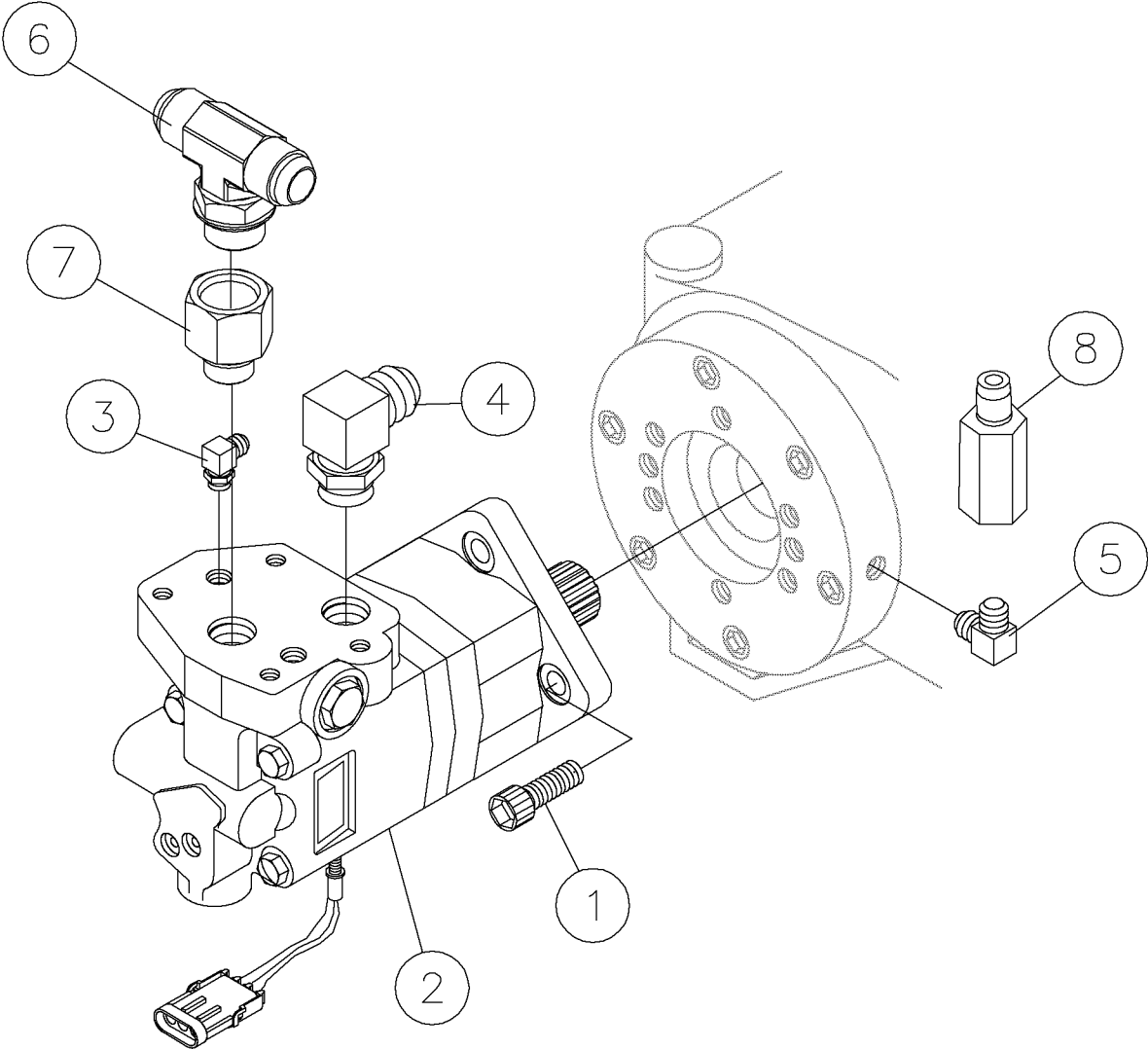




## Rod Loader Hyd. Motor Fig 4-17

REF. NO.	*	PART NO.	DESCRIPTION	QTY.	REMARKS
1		246413001	MOTOR- HYD 2000	1	Breakdown Fig. 10-32
2		101507001	FITTING-10MORX4MJIC STR.	2	
3		59423001	FIT-4M JICX4M ADJ.90 DEG.ELBOW	1	
4		276402001	SCREW-1/2-13X1 1/2 SHC Y ZINC	4	
5		296277010	WELDMENT - FRONT ROD LOADER GEAR	1	
6		235713001	WASHER - FLATSTRL - .38 - .41 X .81 - .06-YA-A325	20	
7		235727001	BOLT-3/8-16X1 GR8 HEX ZINC PLT	10	
8		526003	SSS-3/8-16X3/4 REF T04015	2	
9		296277008	WELDMENT - REAR ROD LOADER GEAR	1	
10		296277005	WELDMENT - SYNCHRO TUBE	1	
11		250515001	7/16 HARD WASHER SAE Y/ZINC	1	
12		250539001	BOLT-7/16-14 X 1 GR8 HEX Y/ZI	2	
13		246416001	BEARING- 2 BOLT FLANGE	1	
14		250508001	NUT - 3/8-NC Gr8 TOP LOCK Y/ZINC	10	
15		296280118	WELDMENT - SYNCHRO TUBE MOUNT	1	

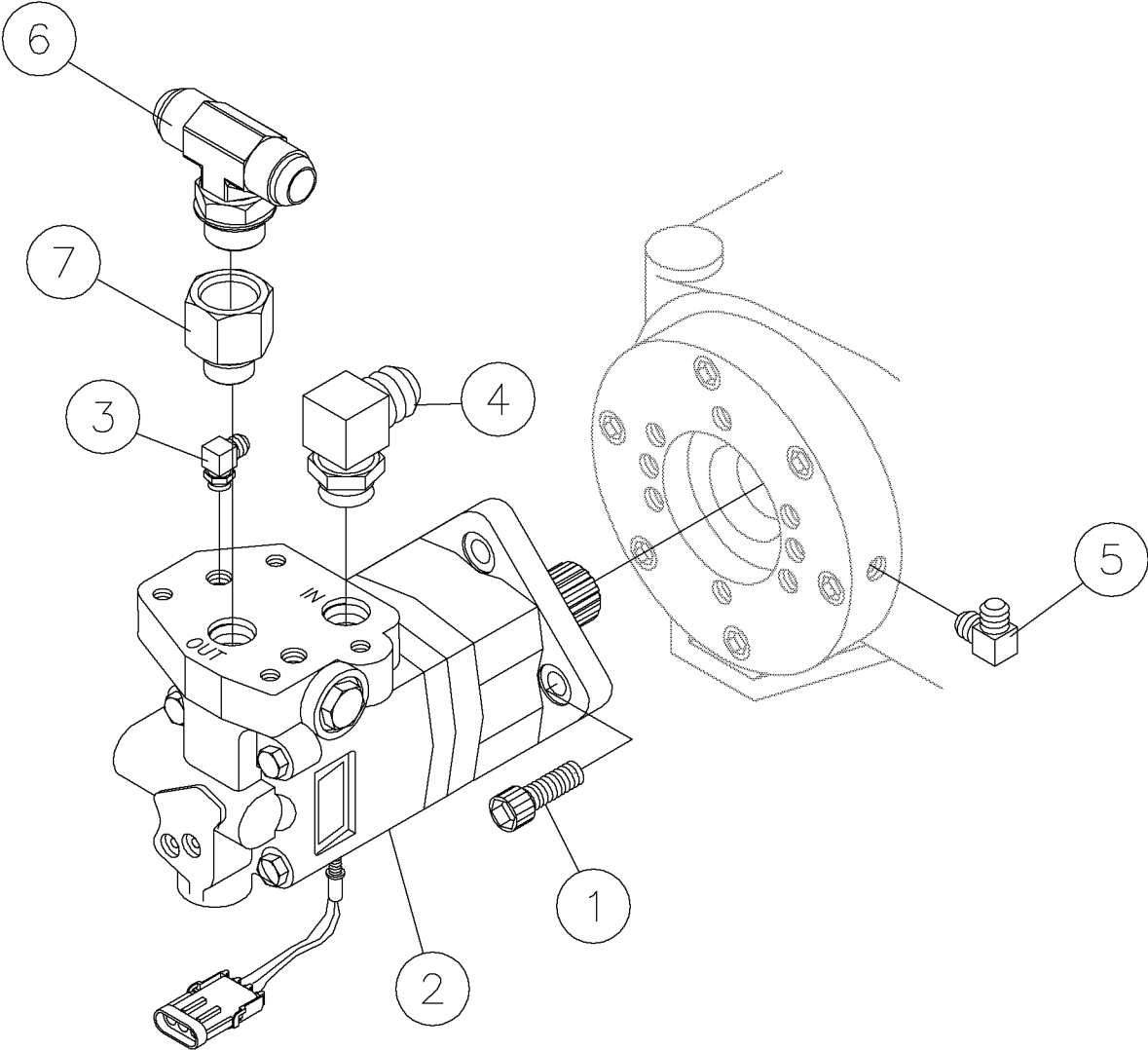
Hyd. Pump Motor -(Aplex) Fig 4-18r01



## Hyd. Pump Motor -(Aplex) Fig 4-18r01

REF. NO.	*	PART NO.	DESCRIPTION	QTY.	REMARKS
		Revision Date	March, 2006		Update In Illustration & Parts List.
1		514014	1/2-13X1 1/2" SOCKET HEAD BOLT	4	
2		275996001	MOTOR - HYD. (EATON) 2 SP.	1	Breakdown Fig. 10-33
3		59423001	FIT-4M JICX4M ADJ.90 DEG.ELBOW	1	
4		53871001	#10M O-RING X 12M JIC 90	1	
5		68707001	FITTING-1/4MX6M JIC 90 DEG.	1	
6		70032001	12M BCH X 12M JICX12M JIC TEE	1	
7		119167001	FITTING-10M X 12F ST. ADAPTER	1	
8		296257246	VALVE- 4MJICX4FJIC CHECK	1	

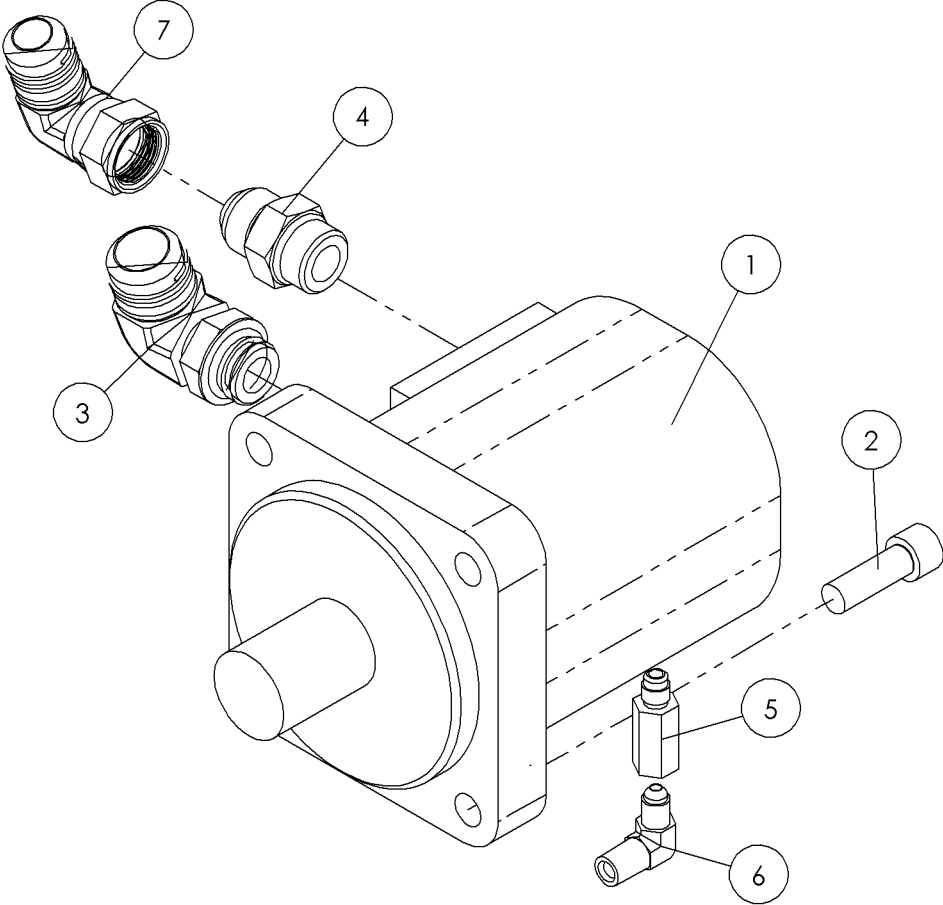
Hyd. Pump Motor Assy-(Aplex) Fig 4-18



## Hyd. Pump Motor Assy-(Aplex) Fig 4-18

REF. NO.	*	PART NO.	DESCRIPTION	QTY.	REMARKS
1		514014	1/2-13X1 1/2" SOCKET HEAD BOLT	4	
2		275996001	MOTOR - HYD. (EATON) 2 SP.	1	Breakdown Fig. 10-33
3		59423001	FIT-4M JICX4M ADJ.90 DEG.ELBOW	1	
4		53871001	#10M O-RING X 12M JIC 90	1	
5		68707001	FITTING-1/4MX6M JIC 90 DEG.	1	
6		70032001	12M BCH X 12M JICX12M JIC TEE	1	
7		119167001	FITTING-10M X 12F ST. ADAPTER	1	

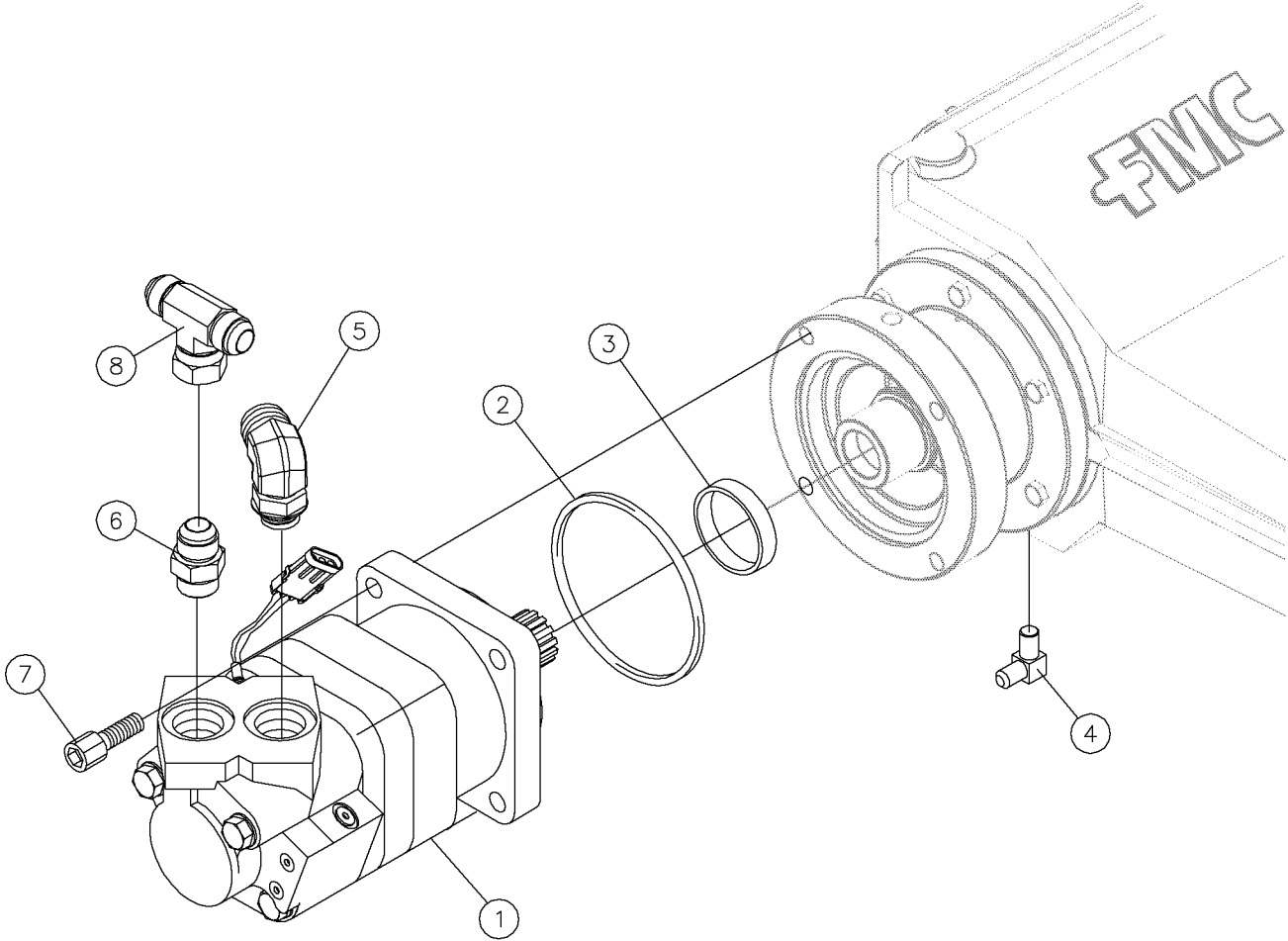
Hyd Pump Motor -(FMC) Fig 4-19r02



## Hyd Pump Motor -(FMC) Fig 4-19r02

REF. NO.	*	PART NO.	DESCRIPTION	QTY.	REMARKS
1		251106001	MOTOR - 12.5 CID	1	Breakdown Fig. 10-29
2		276402001	SCREW-SHCS-.50-13X1.50-GR8-CZ	4	
3		65571001	16M JICX12M ADJ. 90 DEG.ELBOW	1	
4		53828001	FITTING-STR-12MJ-12MORB-YZ	1	
5		296257246	VALVE - 4MJIC X 4FJIC CHECK	1	
6		56647001	FITTING-90-4MJ-4MNPT	1	
7		59422001	12M JICX12FS JIC 90 DEG.ELBOW	1	

Hyd Pump Motor Assy-(FMC) Fig 4-19r01

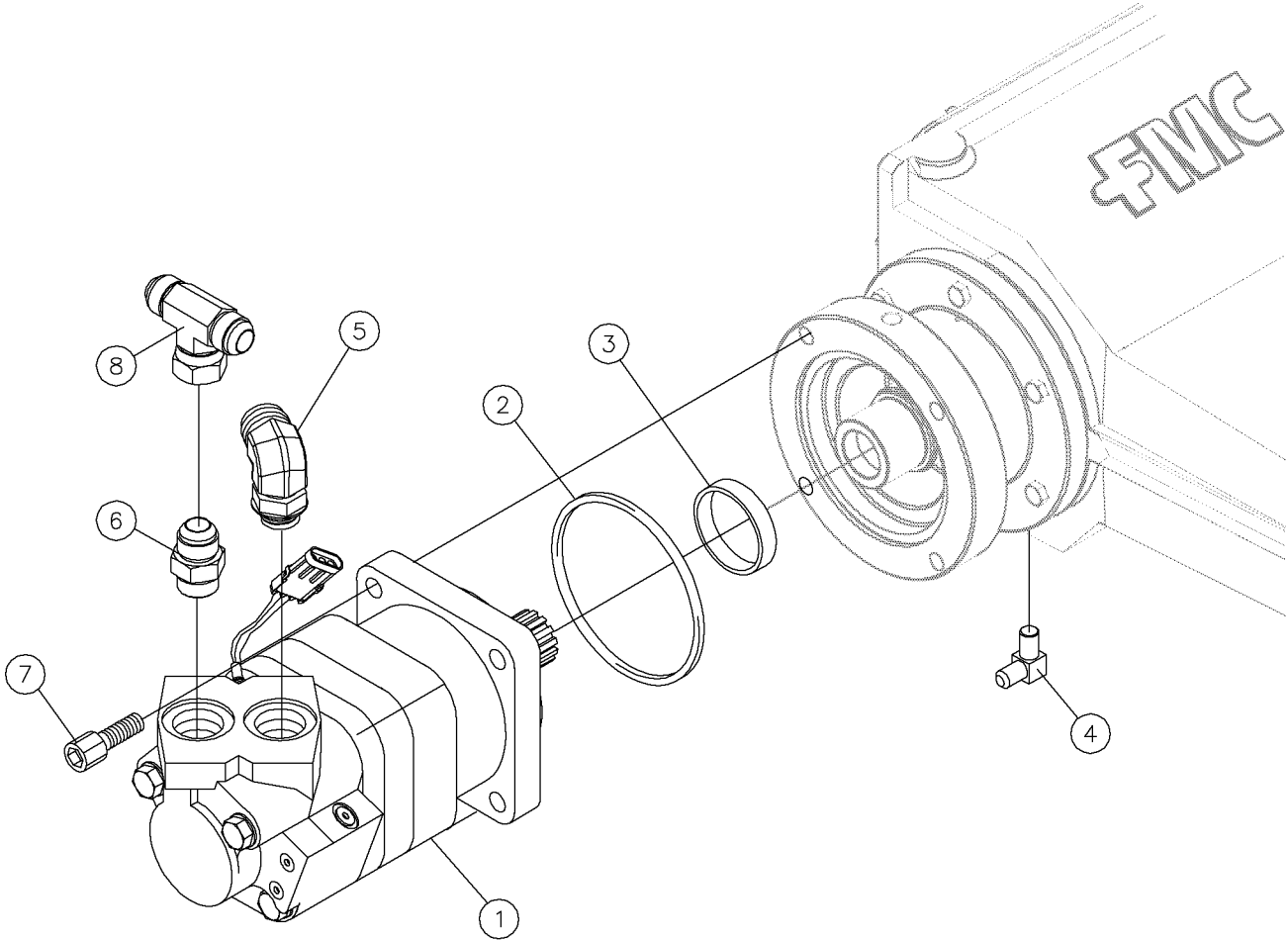




## Hyd Pump Motor Assy-(FMC) Fig 4-19r01

REF. NO.	*	PART NO.	DESCRIPTION	QTY.	REMARKS
		Revision Date	July, 2005		Update In Parts List.
1		251106001	MOTOR -12.5 CID 4000 SERIES HY	1	Breakdown Fig. 10-29
2		278882025	O-RING	1	
3		278882026	BEARING SLEEVE	1	
4		276402001	SCREW-1/2-13X1 1/2 SHC Y ZINC	4	
5		65571001	12M X 16M JIC 90 DEGREE	1	
6		53828001	#12M O-RING-#12M JIC ST.	1	
7		276402001	SCREW-1/2-13X1 1/2 SHC Y ZINC	4	
8		61456001	FITTING-BTEE-12MJ-12MJ-12FSJ	1	

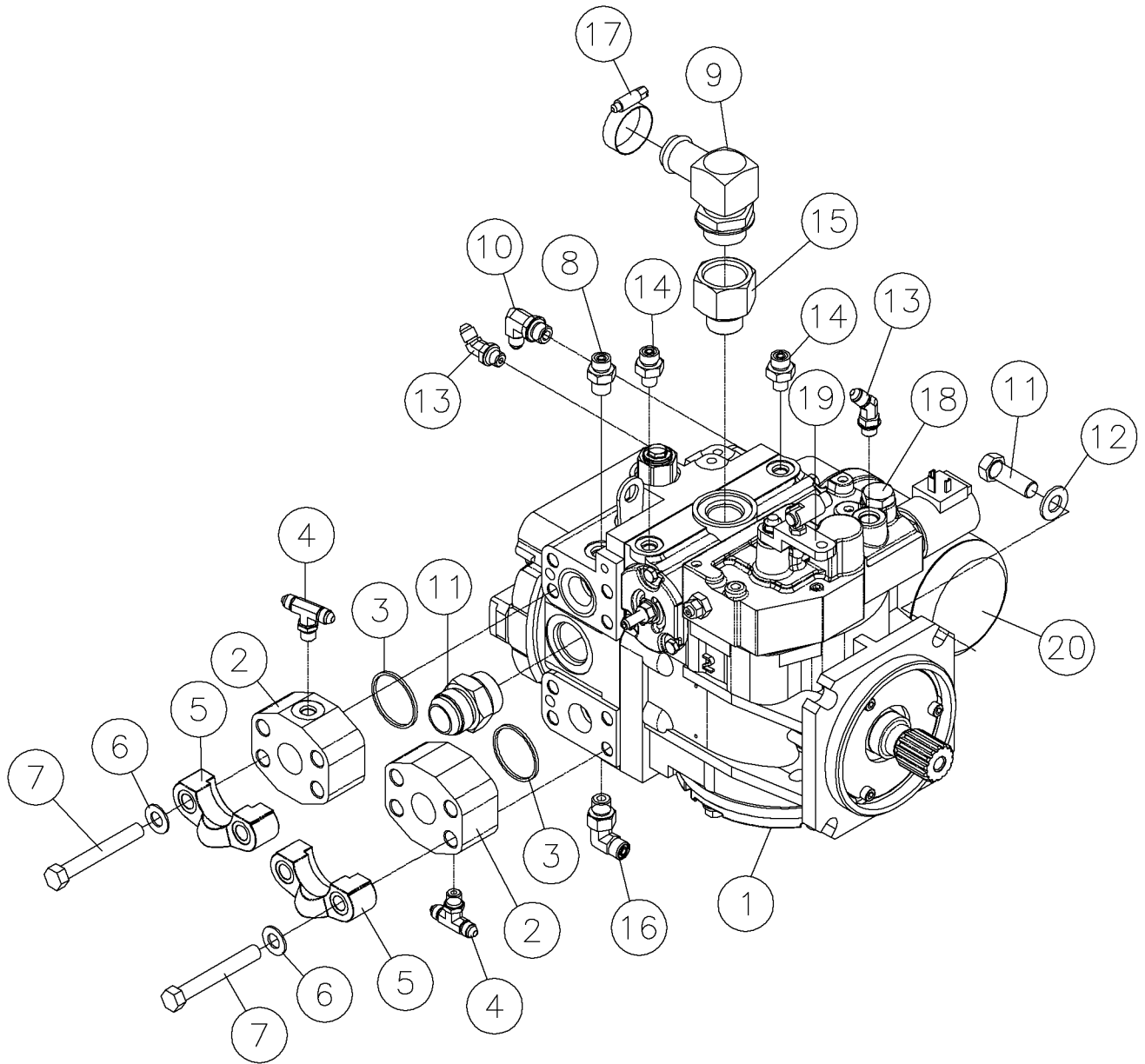
Hyd Pump Motor Assy-(FMC) Fig 4-19



## Hyd Pump Motor Assy-(FMC) Fig 4-19

REF. NO.	*	PART NO.	DESCRIPTION	QTY.	REMARKS
1		251106001	MOTOR -12.5 CID 4000 SERIES HY	1	Breakdown Not Available
2		278882025	O-RING	1	
3		278882026	BEARING SLEEVE	1	
4		276402001	SCREW-1/2-13X1 1/2 SHC Y ZINC	4	
5		65571001	12M X 16M JIC 90 DEGREE	1	
6		53828001	#12M O-RING-#12M JIC ST.	1	
7		276402001	SCREW-1/2-13X1 1/2 SHC Y ZINC	4	
8		61456001	FITTING-BTEE-12MJ-12MJ-12FSJ	1	

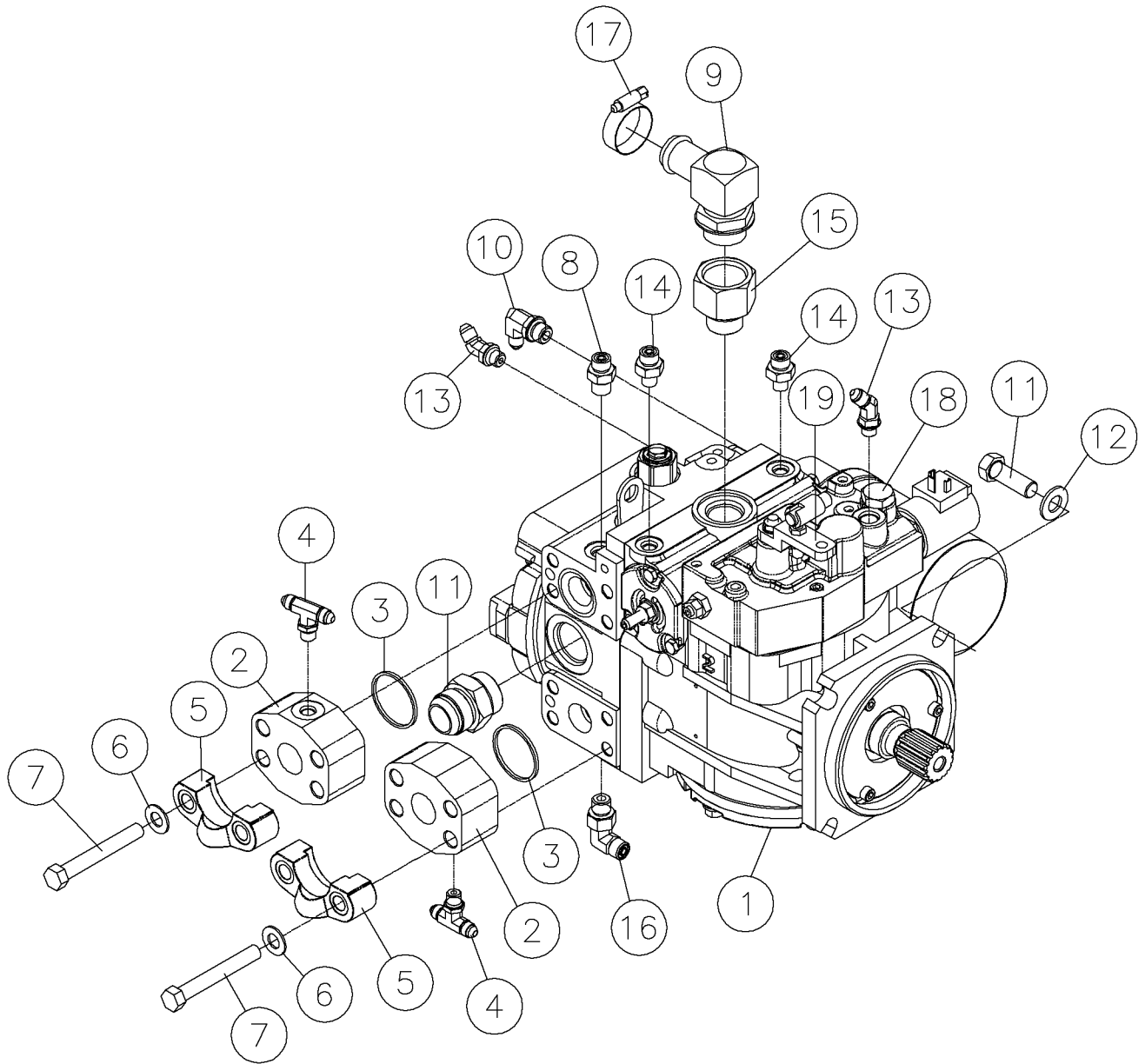
Rotation Pump Fig 4-20r02



## Rotation Pump Fig 4-20r02

REF. NO.	*	PART NO.	DESCRIPTION	QTY.	REMARKS
		Revision Date	July, 2005		Update In Illustration & Parts List.
1		296274690	ROTATION PUMP	1	Breakdown Fig. 10-56
2		296273640	FLANGE - 4 BOLT W/-4 PORT	2	
3		72895001	O RING-SQ. #16 FLANGE	2	
4		81343001	4M (BCH)X4M JICX4M JIC TEE	2	
5		67745001	FITTING - FLGH - 16CD62	2	
6		250515001	7/16 HARD WASHER SAE Y/ZINC	8	
7		296273645	SCREW - HHCS - .44-14X3.25-GR8-YZ	8	
8		294561001	FITTING - STR- 4MORFF - 4MORB - R.063	1	
9		100000001	FITTING-16MORINGX1"BEADED90DEG	1	
10		57950001	FITTING-90-4MJ-6MORBA	1	
11		235721001	BOLT-1/2-13X1 1/2 GR8 ZINC PLT	4	
12		252253001	WASHER-1/2 SAE FLAT ZP	4	
13		82931001	FITTING-45-4MJX6MORBA	1	
14		294561001	FITTING - STR- 4MORFF - 4MORB - R.063	2	
15		96076001	FIT.-12MX16F O-RING	1	
16		278948001	FITTING - 90 - 4MORFF - 6MORBA	1	
17		238094001	CLAMP-3/4X1 3/4 BAND W/SCREW	1	
18		5553001	FITTING - PLUG - 6MORB - HEX	1	
19		296273718	LEVER - 90 SERIES - MODIFIED	1	
20		605215001	FILTER	1	

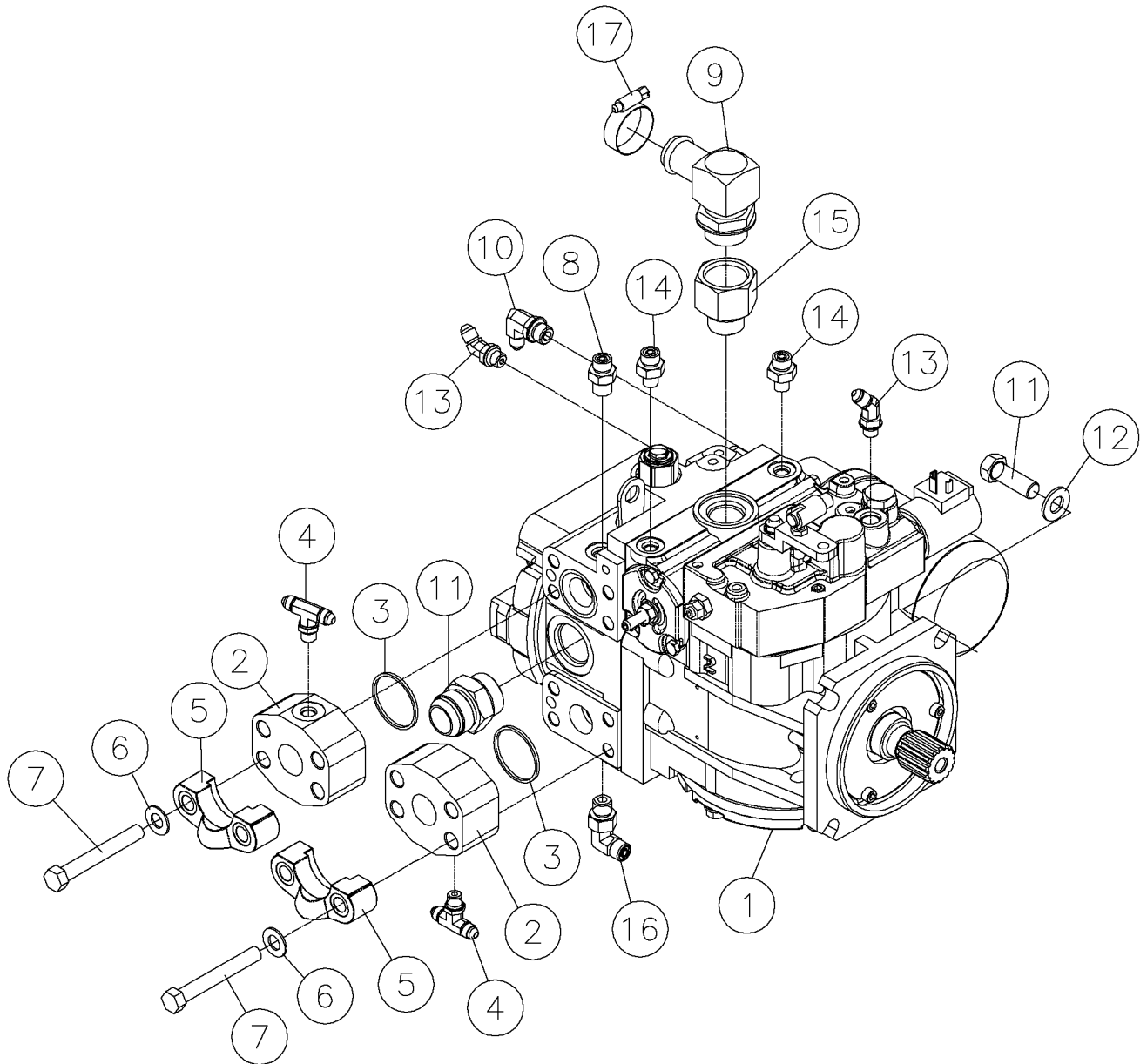
Rotation Pump Fig 4-20r01



## Rotation Pump Fig 4-20r01

REF. NO.	*	PART NO.	DESCRIPTION	QTY.	REMARKS
1		296274690	ROTATION PUMP	1	Breakdown Fig. 10-56
2		296273640	FLANGE - 4 BOLT W/-4 PORT	2	
3		72895001	O RING-SQ. #16 FLANGE	2	
4		81343001	4M (BCH)X4M JICX4M JIC TEE	2	
5		67745001	FITTING - FLGH - 16CD62	2	
6		250515001	7/16 HARD WASHER SAE Y/ZINC	8	
7		296273645	SCREW - HHCS - .44-14X3.25-GR8-YZ	8	
8		294561001	FITTING - STR- 4MORFF - 4MORB - R.063	1	
9		100000001	FITTING-16MORINGX1"BEADED90DEG	1	
10		57950001	FITTING-90-4MJ-6MORBA	1	
11		235721001	BOLT-1/2-13X1 1/2 GR8 ZINC PLT	4	
12		252253001	WASHER-1/2 SAE FLAT ZP	4	
13		82931001	FITTING-45-4MJX6MORBA	1	
14		294561001	FITTING - STR- 4MORFF - 4MORB - R.063	2	
15		96076001	FIT.-12MX16F O-RING	1	
16		278948001	FITTING - 90 - 4MORFF - 6MORBA	1	
17		238094001	CLAMP-3/4X1 3/4 BAND W/SCREW	1	
18		5553001	FITTING - PLUG - 6MORB - HEX	1	
19		296272922	CONTROL HANDLE -PUMP	1	

Rotation Pump Fig 4-20

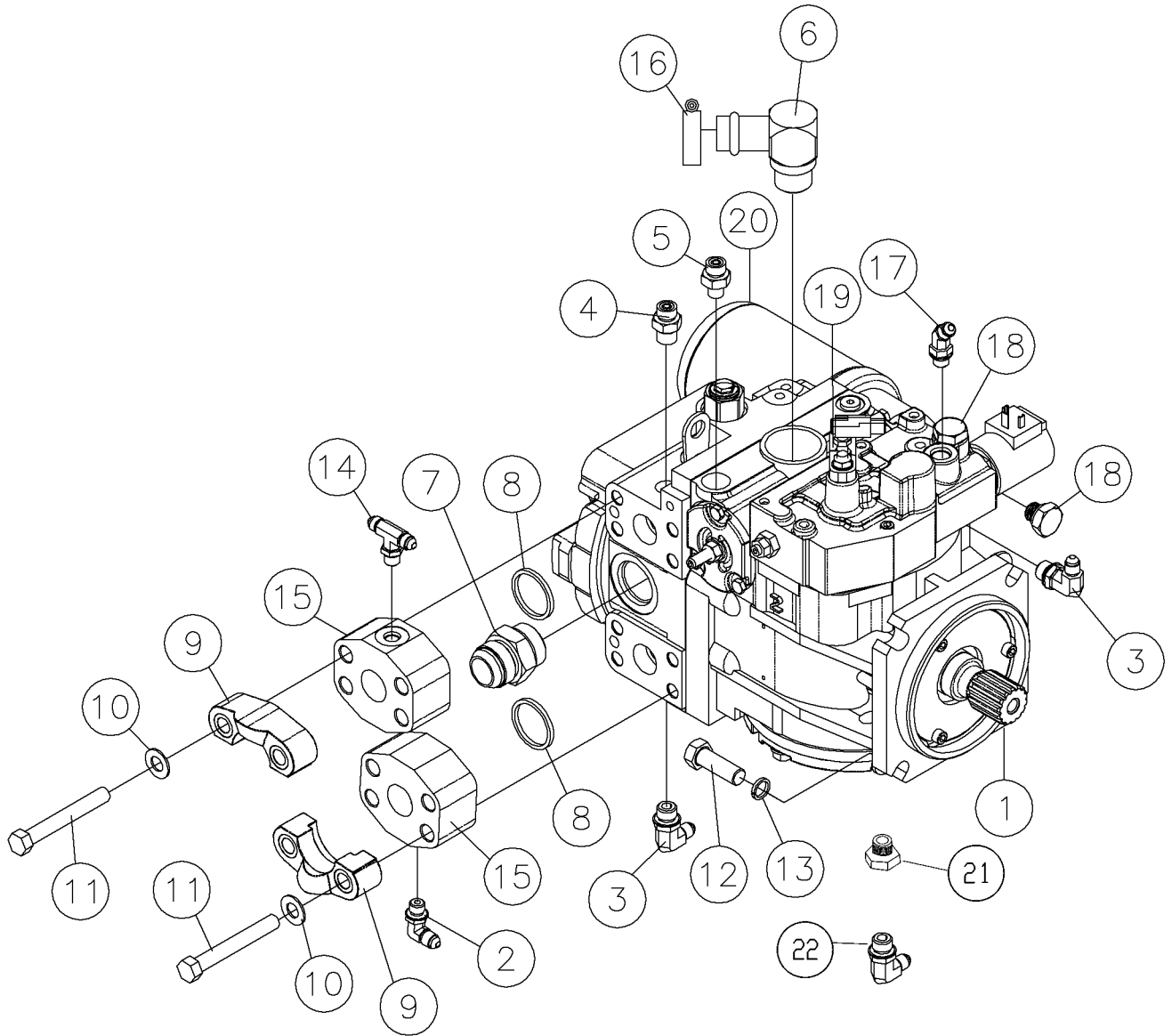




## Rotation Pump Fig 4-20

REF. NO.	*	PART NO.	DESCRIPTION	QTY.	REMARKS
1		296274690	ROTATION PUMP	1	Breakdown Not Available
2		296273640	FLANGE - 4 BOLT W/-4 PORT	2	
3		72895001	O RING-SQ. #16 FLANGE	2	
4		81343001	4M (BCH)X4M JICX4M JIC TEE	2	
5		67745001	FITTING - FLGH - 16CD62	2	
6		250515001	7/16 HARD WASHER SAE Y/ZINC	8	
7		296273645	SCREW - HHCS - .44-14X3.25-GR8-YZ	8	
8		294561001	FITTING - STR- 4MORFF - 4MORB - R.063	1	
9		100000001	FITTING-16MORINGX1"BEADED90DEG	1	
10		57950001	FITTING-90-4MJ-6MORBA	1	
11		235721001	BOLT-1/2-13X1 1/2 GR8 ZINC PLT	4	
12		252253001	WASHER-1/2 SAE FLAT ZP	4	
13		82931001	FITTING-45-4MJX6MORBA	1	
14		294561001	FITTING - STR- 4MORFF - 4MORB - R.063	2	
15		96076001	FIT.-12MX16F O-RING	1	
16		278948001	FITTING - 90 - 4MORFF - 6MORBA	1	
17		238094001	CLAMP-3/4X1 3/4 BAND W/SCREW	1	

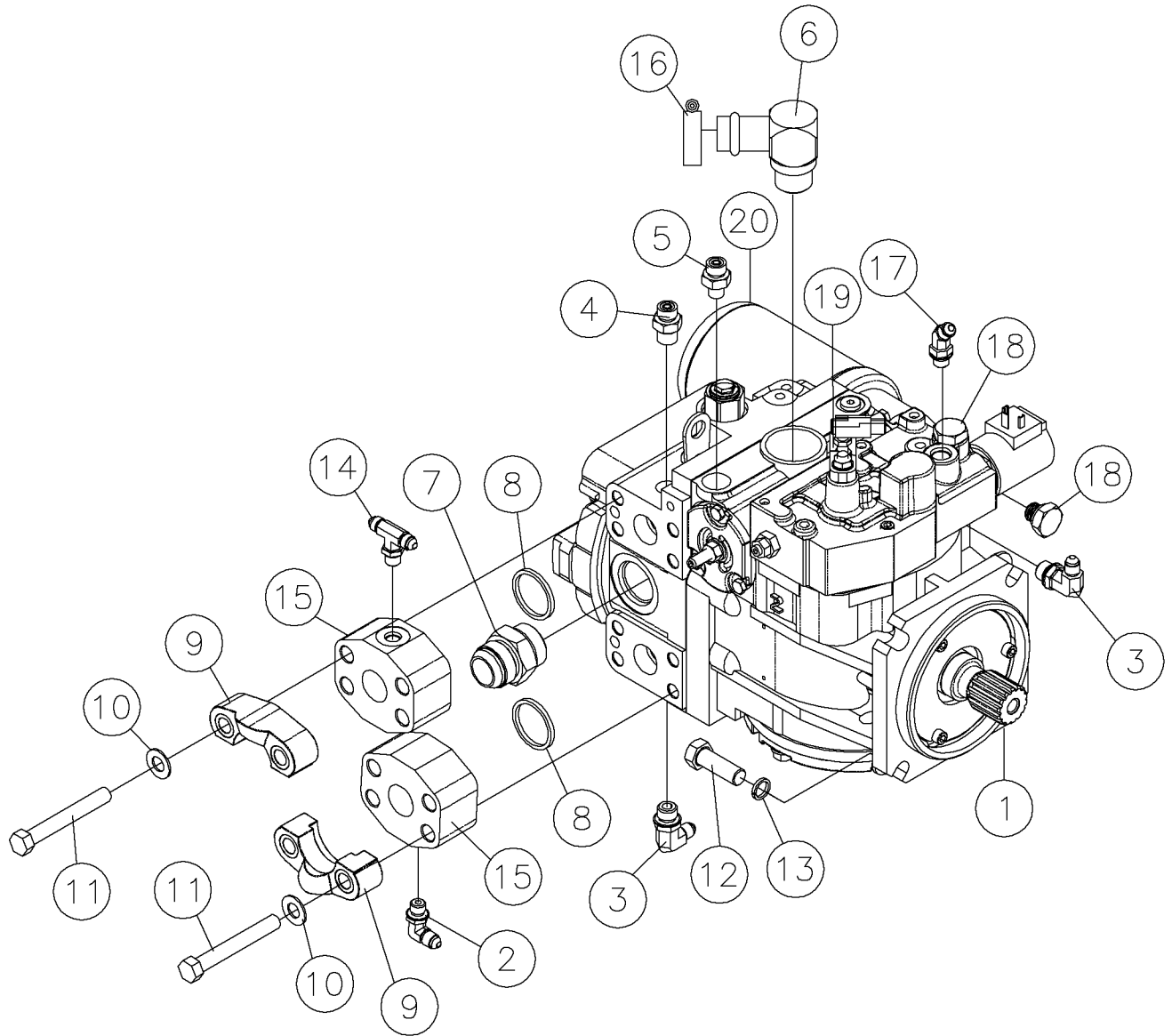
Thrust Pullback Pump Fig 4-21r03



## Thrust Pullback Pump Fig 4-21r03

REF NO.	*	PART NO.	DESCRIPTION	QTY.	REMARKS
		Revision Date	March, 2006		Update In Illustration & Parts List.
1		296274691	THRUST/PULLBACK PUMP	1	Breakdown Fig. 10-57
2		59423001	FIT-4M JICX4M ADJ.90 DEG.ELBOW	1	
3		57950001	FITTING-90-4MJ-6MORBA	2	
4		294561001	FITTING - STR- 4MORFF - 4MORB - R.063	1	
5		278947001	FITTING-STR-4MORFF-6MORB	1	
6		99706001	FITTING-12MORX1"HOSEBEAD 90DEG	1	
7		60907001	FITTING-16M JICX16M STR ADAPT	1	
8		72895001	O RING-SQ. #16 FLANGE	2	
9		67745001	FITTING - FLGH - 16CD62	4	
10		250515001	7/16 HARD WASHER SAE Y/ZINC	8	
11		296273645	SCREW - HHCS - .44-14X3.25-GR8-YZ	8	
12		235721001	BOLT-1/2-13X1 1/2 GR8 ZINC PLT	4	
13		510335711	WASHER-LOCK-.50-.52X.87-.13-YZ	4	
14		81343001	4M (BCH)X4M JICX4M JIC TEE	1	
15		296273640	FLANGE - 4 BOLT W/-4 PORT	2	
16		238094001	CLAMP-3/4X1 3/4 BAND W/SCREW	1	
17		82931001	FITTING-45-4MJX6MORBA	1	
18		5553001	FITTING - PLUG - 6MORB - HEX	2	
19		296273718	LEVER - 90 SERIES - MODIFIED	1	
20		605215001	FILTER	1	
21		120890001	FITTING-STR-12MORB-4FORB	2	
22		59423001	FITTING-4M_JICX\$M ADJ 90 DEG ELBOW	2	

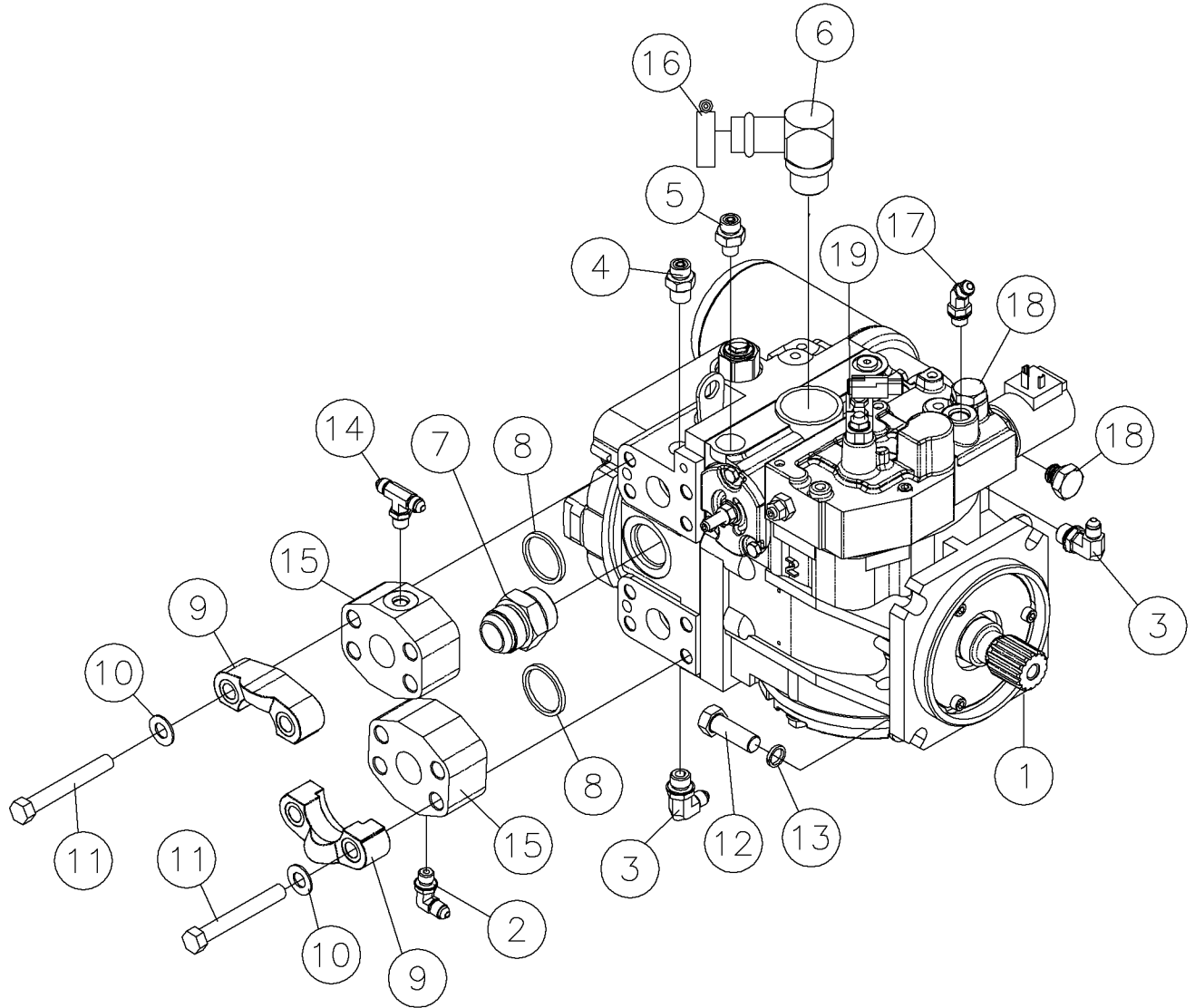
Thrust Pullback Pump Fig 4-21r02



## Thrust Pullback Pump Fig 4-21r02

REF. NO.	*	PART NO.	DESCRIPTION	QTY.	REMARKS
		Revision Date	July, 2005		Update In Illustration & Parts List.
1		296274691	THRUST/PULLBACK PUMP	1	Breakdown Fig. 10-57
2		59423001	FIT-4M JICX4M ADJ.90 DEG.ELBOW	1	
3		57950001	FITTING-90-4MJ-6MORBA	2	
4		294561001	FITTING - STR- 4MORFF - 4MORB - R.063	1	
5		278947001	FITTING-STR-4MORFF-6MORB	1	
6		99706001	FITTING-12MORX1"HOSEBEAD 90DEG	1	
7		60907001	FITTING-16M JICX16M STR ADAPT	1	
8		72895001	O RING-SQ. #16 FLANGE	2	
9		67745001	FITTING - FLGH - 16CD62	4	
10		250515001	7/16 HARD WASHER SAE Y/ZINC	8	
11		296273645	SCREW - HHCS - .44-14X3.25-GR8-YZ	8	
12		235721001	BOLT-1/2-13X1 1/2 GR8 ZINC PLT	4	
13		510335711	WASHER-LOCK-.50-.52X.87-.13-YZ	4	
14		81343001	4M (BCH)X4M JICX4M JIC TEE	1	
15		296273640	FLANGE - 4 BOLT W/-4 PORT	2	
16		238094001	CLAMP-3/4X1 3/4 BAND W/SCREW	1	
17		82931001	FITTING-45-4MJX6MORBA	1	
18		5553001	FITTING - PLUG - 6MORB - HEX	2	
19		296273718	LEVER - 90 SERIES - MODIFIED	1	
20		605215001	FILTER	1	

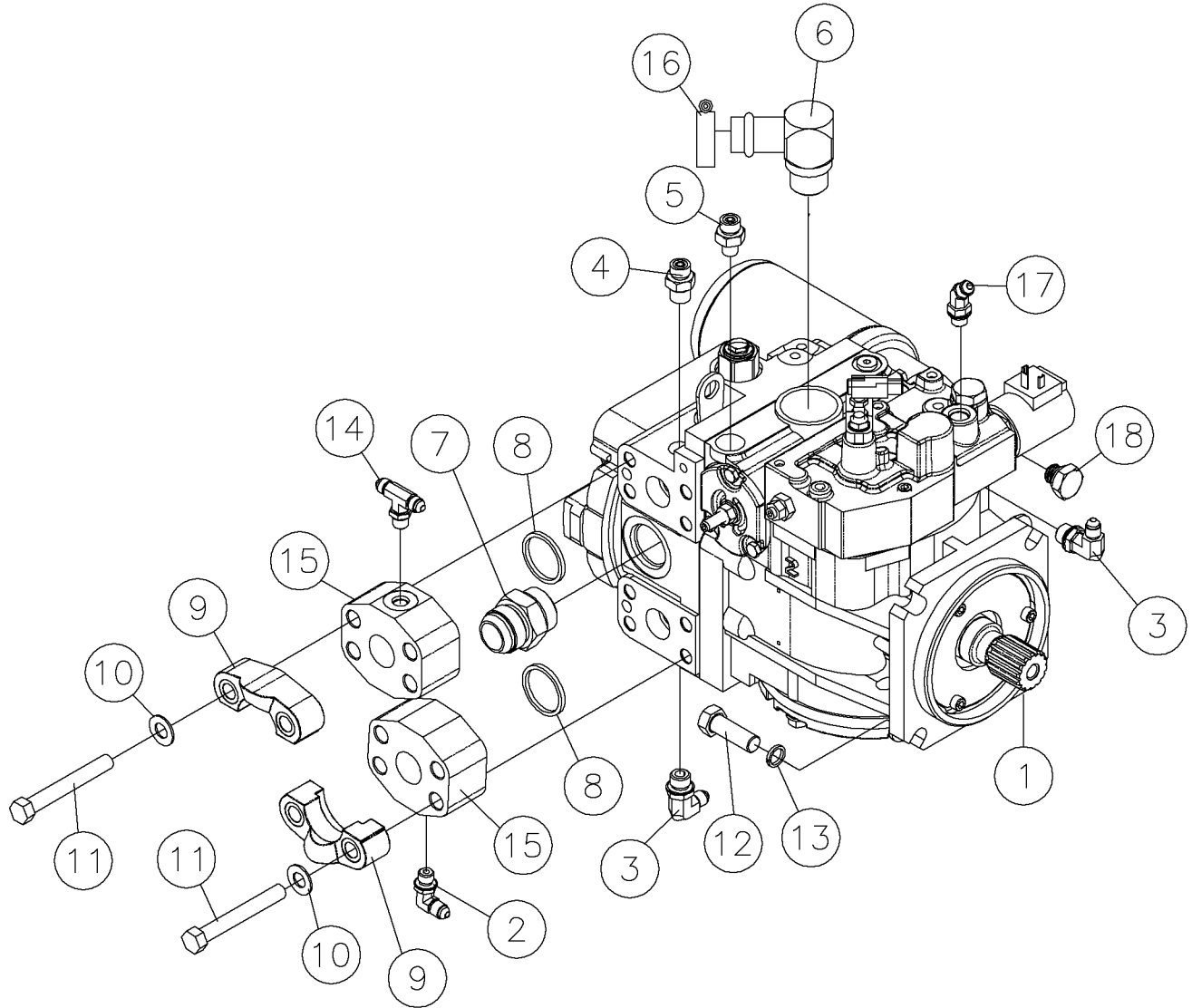
Thrust Pullback Pump Fig 4-21r01



## Thrust Pullback Pump Fig 4-21r01

REF. NO.	*	PART NO.	DESCRIPTION	QTY.	REMARKS
		Revision Date	May, 2005		Update In Illustration & Parts List.
1		296274691	THRUST/PULLBACK PUMP	1	Breakdown Fig. 10-57
2		59423001	FIT-4M JICX4M ADJ.90 DEG.ELBOW	1	
3		57950001	FITTING-90-4MJ-6MORBA	2	
4		294561001	FITTING - STR- 4MORFF - 4MORB - R.063	1	
5		278947001	FITTING-STR-4MORFF-6MORB	1	
6		99706001	FITTING-12MORX1"HOSEBEAD 90DEG	1	
7		60907001	FITTING-16M JICX16M STR ADAPT	1	
8		72895001	O RING-SQ. #16 FLANGE	2	
9		67745001	FITTING - FLGH - 16CD62	4	
10		250515001	7/16 HARD WASHER SAE Y/ZINC	8	
11		296273645	SCREW - HHCS - .44-14X3.25-GR8-YZ	8	
12		235721001	BOLT-1/2-13X1 1/2 GR8 ZINC PLT	4	
13		510335711	WASHER-LOCK-.50-.52X.87-.13-YZ	4	
14		81343001	4M (BCH)X4M JICX4M JIC TEE	1	
15		296273640	FLANGE - 4 BOLT W/-4 PORT	2	
16		238094001	CLAMP-3/4X1 3/4 BAND W/SCREW	1	
17		82931001	FITTING-45-4MJX6MORBA	1	
18		5553001	FITTING - PLUG - 6MORB - HEX	2	
19		296273718	LEVER - 90 SERIES - MODIFIED	1	

Thrust Pullback Pump Fig 4-21

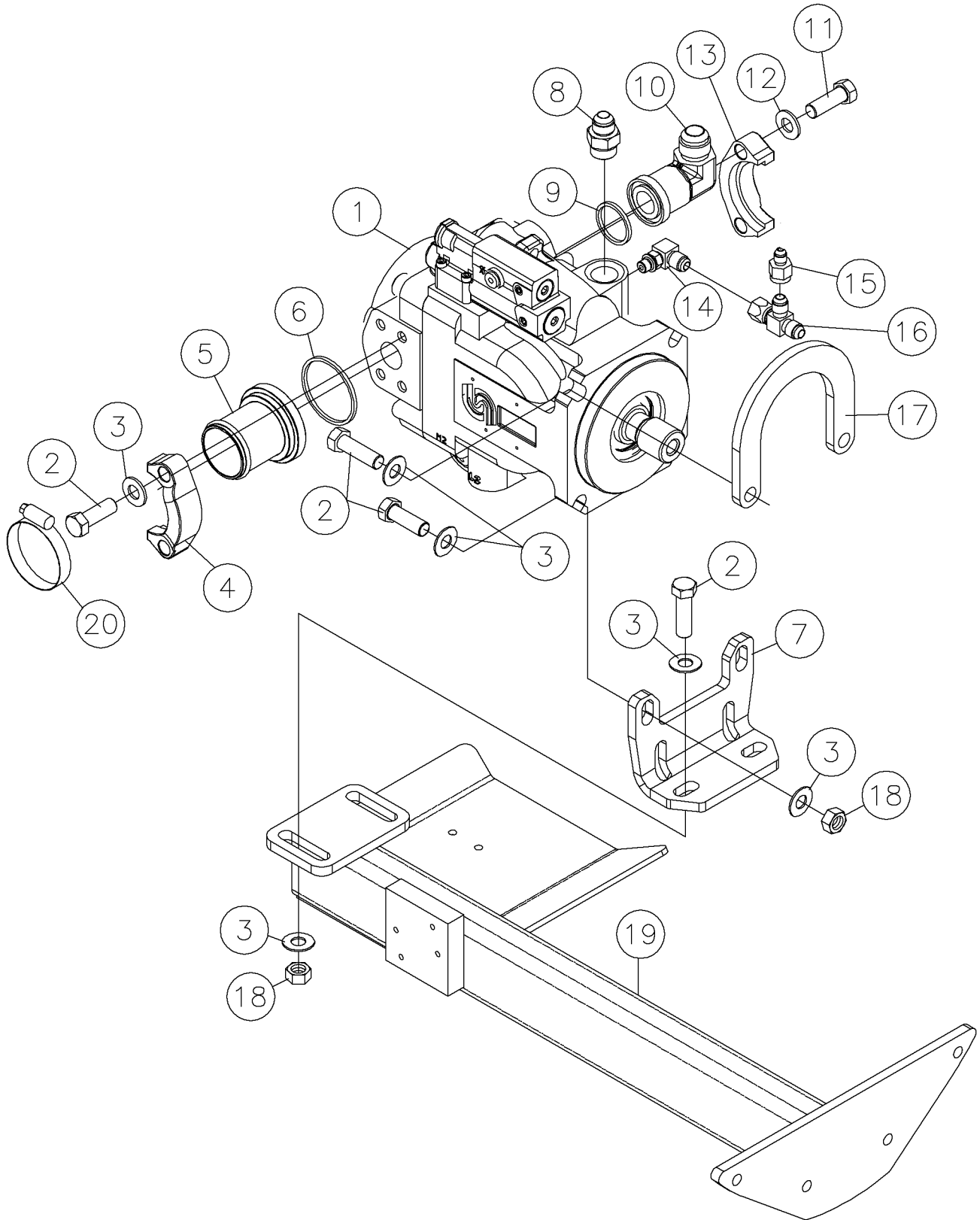




## Thrust Pullback Pump Fig 4-21

REF. NO.	*	PART NO.	DESCRIPTION	QTY.	REMARKS
1		296274691	THRUST/PULLBACK PUMP	1	Breakdown Not Available
2		59423001	FIT-4M JICX4M ADJ.90 DEG.ELBOW	1	
3		57950001	FITTING-90-4MJ-6MORBA	2	
4		294561001	FITTING - STR- 4MORFF - 4MORB - R.063	1	
5		278947001	FITTING-STR-4MORFF-6MORB	1	
6		99706001	FITTING-12MORX1"HOSEBEAD 90DEG	1	
7		60907001	FITTING-16M JICX16M STR ADAPT	1	
8		72895001	O RING-SQ. #16 FLANGE	2	
9		67745001	FITTING - FLGH - 16CD62	4	
10		250515001	7/16 HARD WASHER SAE Y/ZINC	8	
11		296273645	SCREW - HHCS - .44-14X3.25-GR8-YZ	8	
12		235721001	BOLT-1/2-13X1 1/2 GR8 ZINC PLT	4	
13		510335711	WASHER-LOCK-.50-.52X.87-.13-YZ	4	
14		81343001	4M (BCH)X4M JICX4M JIC TEE	1	
15		296273640	FLANGE - 4 BOLT W/-4 PORT	2	
16		238094001	CLAMP-3/4X1 3/4 BAND W/SCREW	1	

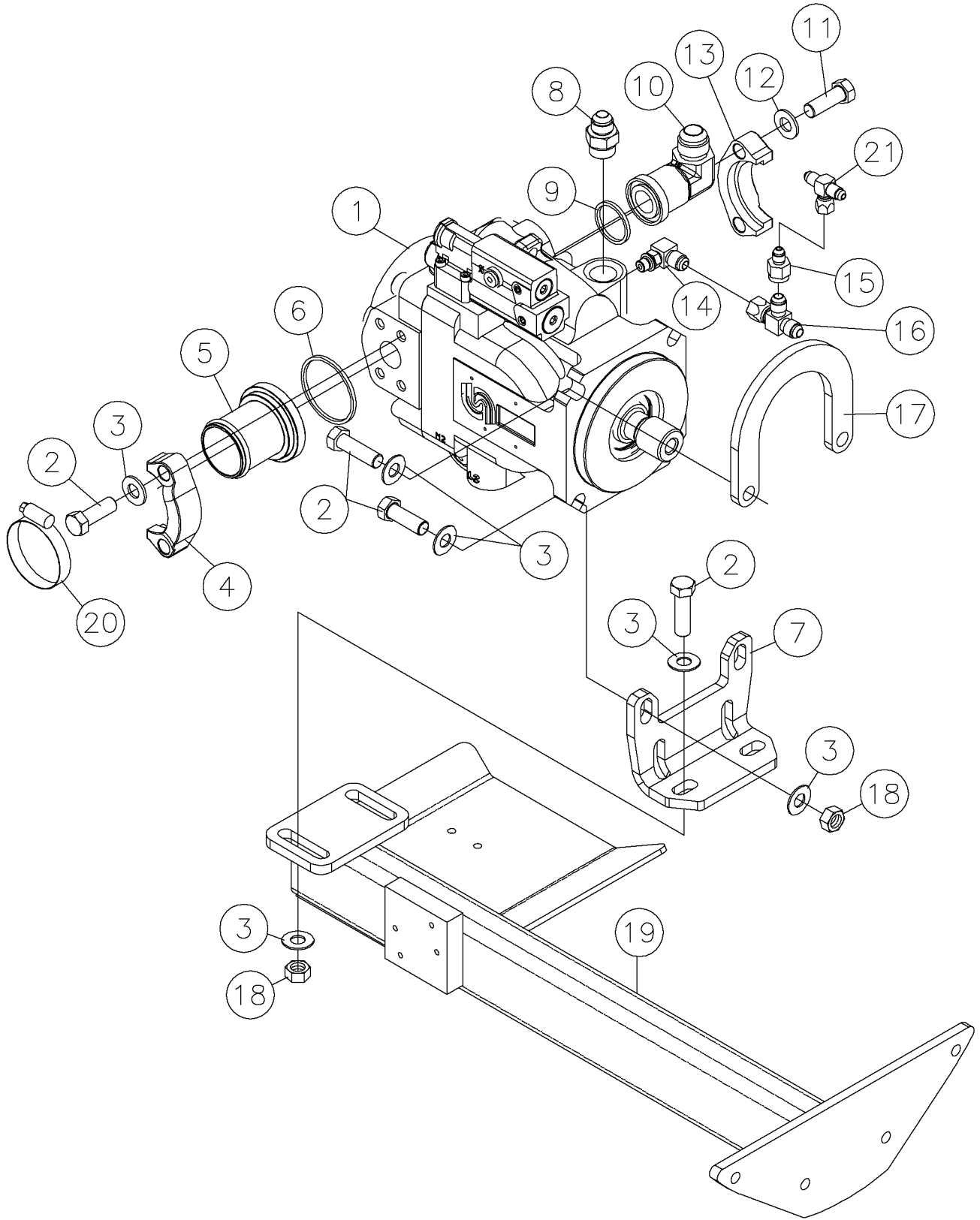
PFC Pump Fig 4-22r02



## PFC Pump Fig 4-22r02

REF. NO.	*	PART NO.	DESCRIPTION	QTY.	REMARKS
		Revision Date	March, 2006		Update In Illustration & Parts List.
1		296254607	PUMP - HYD 45 SERIES 74CC	1	Breakdown Fig. 10-55
2		240334001	SCREW-HCS-.50-13X1.75-GR8-YZ	4	
3		485025	WASHER-1/2 FLAT-HARDENED-YZ	10	
4		73114001	FITTING-CODE 61 #32 FLANGE	2	
5		278765001	FITTING-#32 FLANGE X 2" HB ST.	1	
6		72898001	O RING-SQ. #32 FLANGE	1	
7		278842001	PLATE - PUMP SUPPORT	1	
8		53826001	#10M O-RING-#8M JIC ST.	1	
9		72895001	O RING-SQ. #16 FLANGE	1	
10		296273649	FITTING -BT90-12MJ-16CD61	1	
11		235736001	BOLT-3/8-16X1 1/4 ZYC	4	
12		235713001	WASHER - FLATSTRL - .38 - .41 X .81 - .06-YA-A325	4	
13		249155001	FLANGE-SPLIT (HALF) CODE 61/16	2	
14		296273661	FITTING - 90 - 4MOR-6MJIC-100 MICRON	1	
15		59928001	6F JICX4M JIC ST REDUCER	1	
16		59427001	TEE-6MJ-6FSJ-6MJ	1	
17		251238001	PLATE - LIFT POINT	1	
18		250512001	NUT- 1/2 NC Gr8 TOP LOCK Y/ ZINC	4	
19		296274580	SUPPORT - PUMP	1	
20		1580013	HOSE CLAMP - 2 1/2"	1	

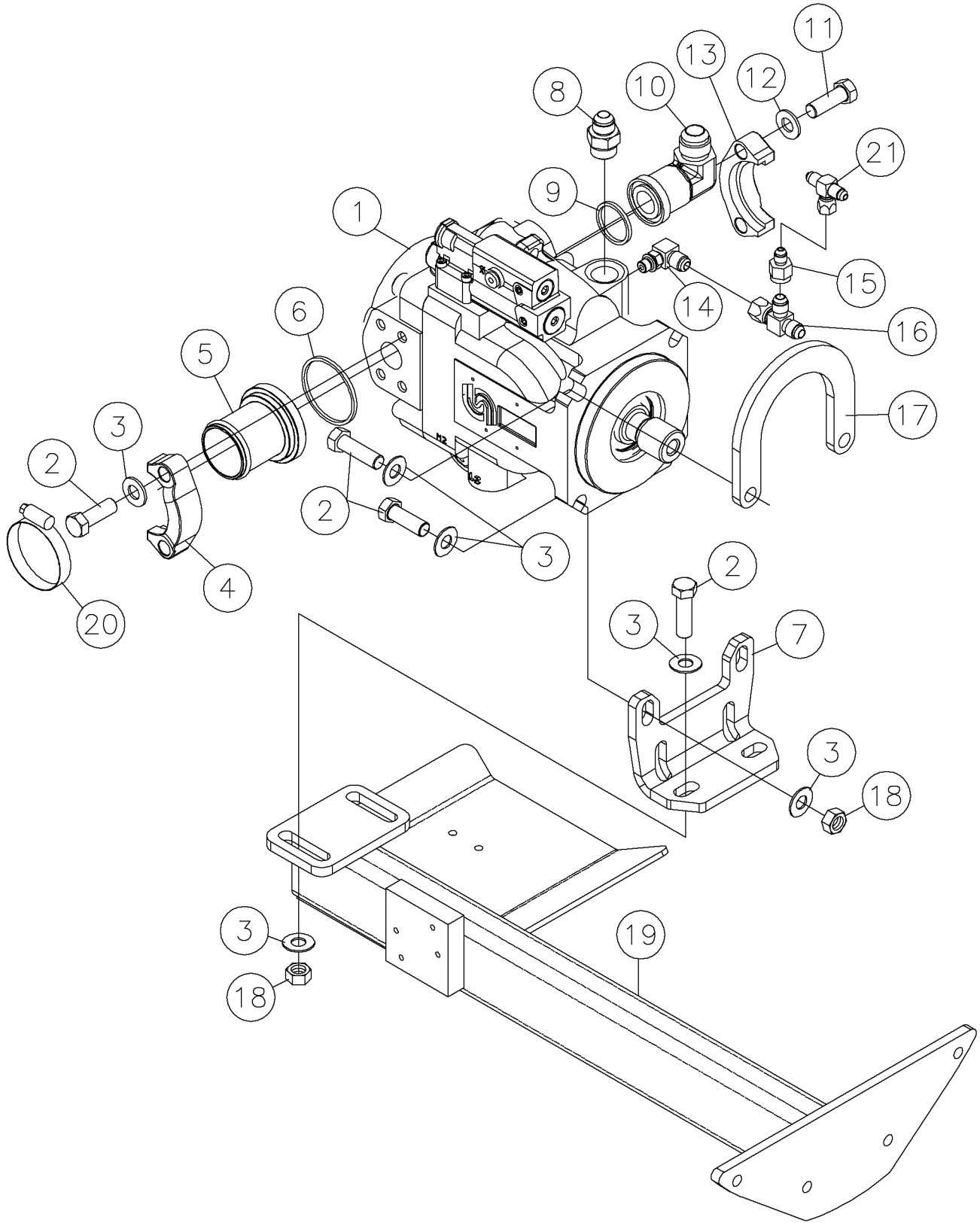
PFC Pump Fig 4-22r01



## PFC Pump Fig 4-22r01

REF. NO.	*	PART NO.	DESCRIPTION	QTY.	REMARKS
		Revision Date	May, 2005		Update In Illustration & Parts List.
1		296254607	PUMP-HYD 4.52CC-17 BAR	1	Breakdown Fig. 10-55
2		240334001	BOLT-1/2-13X1 3/4 GR8 ZINC PLT	4	
3		485025	WASHER-1/2 FLAT-HARDENED-YZ	10	
4		73114001	FITTING-CODE 61 #32 FLANGE	2	
5		278765001	FITTING-#32 FLANGE X 2" HB ST.	1	
6		72898001	O RING-SQ. #32 FLANGE	1	
7		278842001	PLATE - PUMP SUPPORT	1	
8		53826001	#10M O-RING-#8M JIC ST.	1	
9		72895001	O RING-SQ. #16 FLANGE	1	
10		296273649	FITTING -BT90-12MJ-16CD61	1	
11		235736001	BOLT-3/8-16X1 1/4 ZINC PLTD	4	
12		235713001	WASHER - FLATSTRL - .38 - .41 X .81 - .06-YA-A325	4	
13		249155001	FLANGE-SPLIT (HALF) CODE 61/16	2	
14		296273661	FITTING - 90 - 4MOR-6MJIC-100 MICRON	1	
15		59928001	6F JICX4M JIC ST REDUCER	1	
16		59427001	TEE-6MJ-6FSJ-6MJ	1	
17		251238001	PLATE - LIFT POINT	1	
18		250512001	NUT- 1/2 NC Gr8 TOP LOCK Y/ ZINC	4	
19		296274580	SUPPORT - PUMP	1	
20		1580013	HOSE CLAMP - 2 1/2" REF T08735	1	
21		66996001	TEE-4FS JIC BCHX4M JICX4M JIC	1	

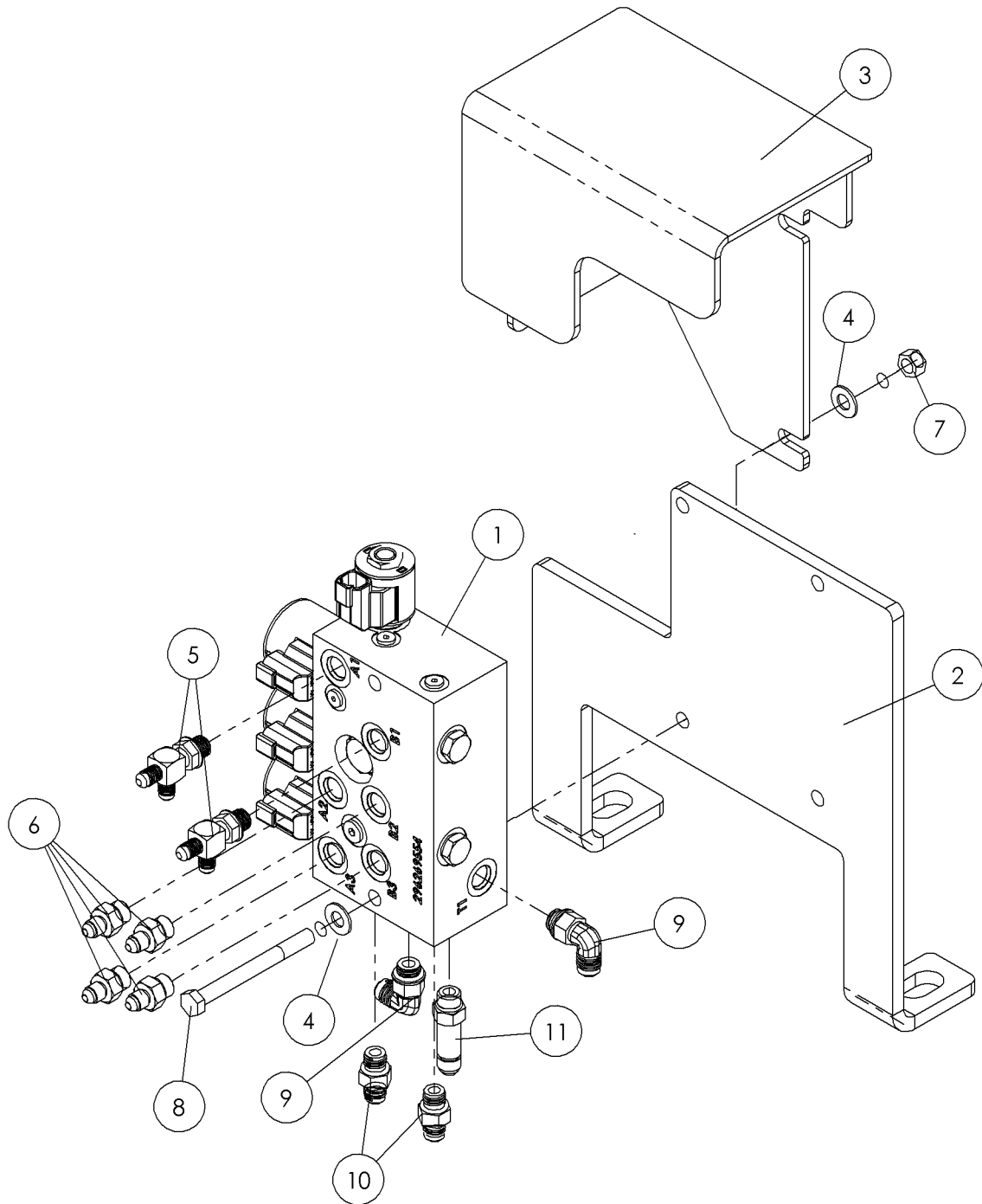
PFC Pump Fig 4-22



## PFC Pump Fig 4-22

REF. NO.	*	PART NO.	DESCRIPTION	QTY.	REMARKS
1		296274692	PUMP-HYD 4.52CC-17 BAR	1	Breakdown Not Available
2		240334001	BOLT-1/2-13X1 3/4 GR8 ZINC PLT	4	
3		485025	WASHER-1/2 FLAT-HARDENED-YZ	10	
4		73114001	FITTING-CODE 61 #32 FLANGE	2	
5		278765001	FITTING-#32 FLANGE X 2" HB ST.	1	
6		72898001	O RING-SQ. #32 FLANGE	1	
7		278842001	PLATE - PUMP SUPPORT	1	
8		53826001	#10M O-RING-#8M JIC ST.	1	
9		72895001	O RING-SQ. #16 FLANGE	1	
10		296273649	FITTING -BT90-12MJ-16CD61	1	
11		235736001	BOLT-3/8-16X1 1/4 ZINC PLTD	4	
12		235713001	WASHER - FLATSTRL - .38 - .41 X .81 - .06-YA-A325	4	
13		249155001	FLANGE-SPLIT (HALF) CODE 61/16	2	
14		296273661	FITTING - 90 - 4MOR-6MJIC-100 MICRON	1	
15		59928001	6F JICX4M JIC ST REDUCER	1	
16		59427001	TEE-6MJ-6FSJ-6MJ	1	
17		251238001	PLATE - LIFT POINT	1	
18		250512001	NUT- 1/2 NC Gr8 TOP LOCK Y/ ZINC	4	
19		296274580	SUPPORT - PUMP	1	
20		1580013	HOSE CLAMP - 2 1/2" REF T08735	1	
21		66996001	TEE-4FS JIC BCHX4M JICX4M JIC	1	

Vise Valve Fig 4-23r01

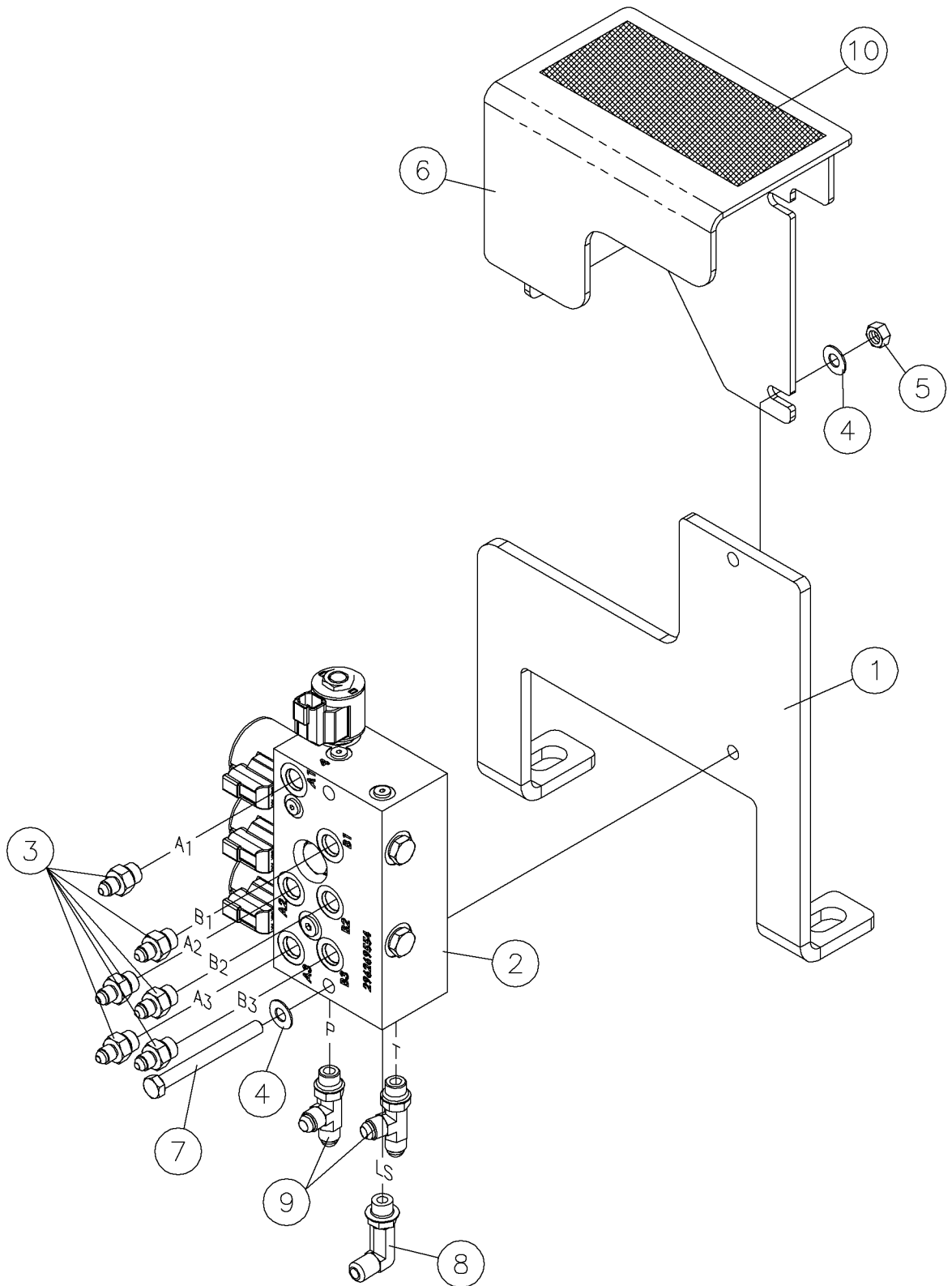




## Vise Valve Fig 4-23r01

REF. NO.	*	PART NO.	DESCRIPTION	QTY.	REMARKS
		Revision Date	May, 2006		Update In Illustration & Parts List.
1		296269554	VALVE-VISE	1	Breakdown Fig. 10-7
2		296280916	ANGLE - VISE VALVE MOUNT	1	
3		296280084	WELDMENT - VICE VALVE COVER	1	
4		235713001	WASHER-FLATSTRL-.38-.41X.81-.06-YZ-A325	4	
5		82930001	FIT-6MX4M JICX4M JIC (BCH) TEE	2	
6		57968001	FITTING-STR-4MJ-6MORB	4	
7		250508001	NUT-TLHEX-.38-16-C-YZ	2	
8		250583001	SCREW-HCS-.38-16X3.75-GR8-YZ	2	
9		59426001	FITTING - 90-6MJ-6MORBA	2	
10		65565001	FITTING - 6M O-RING X 6M JIC ST.	2	
11		103047001	FITTING-STR-6MJ-6MORB-L	1	

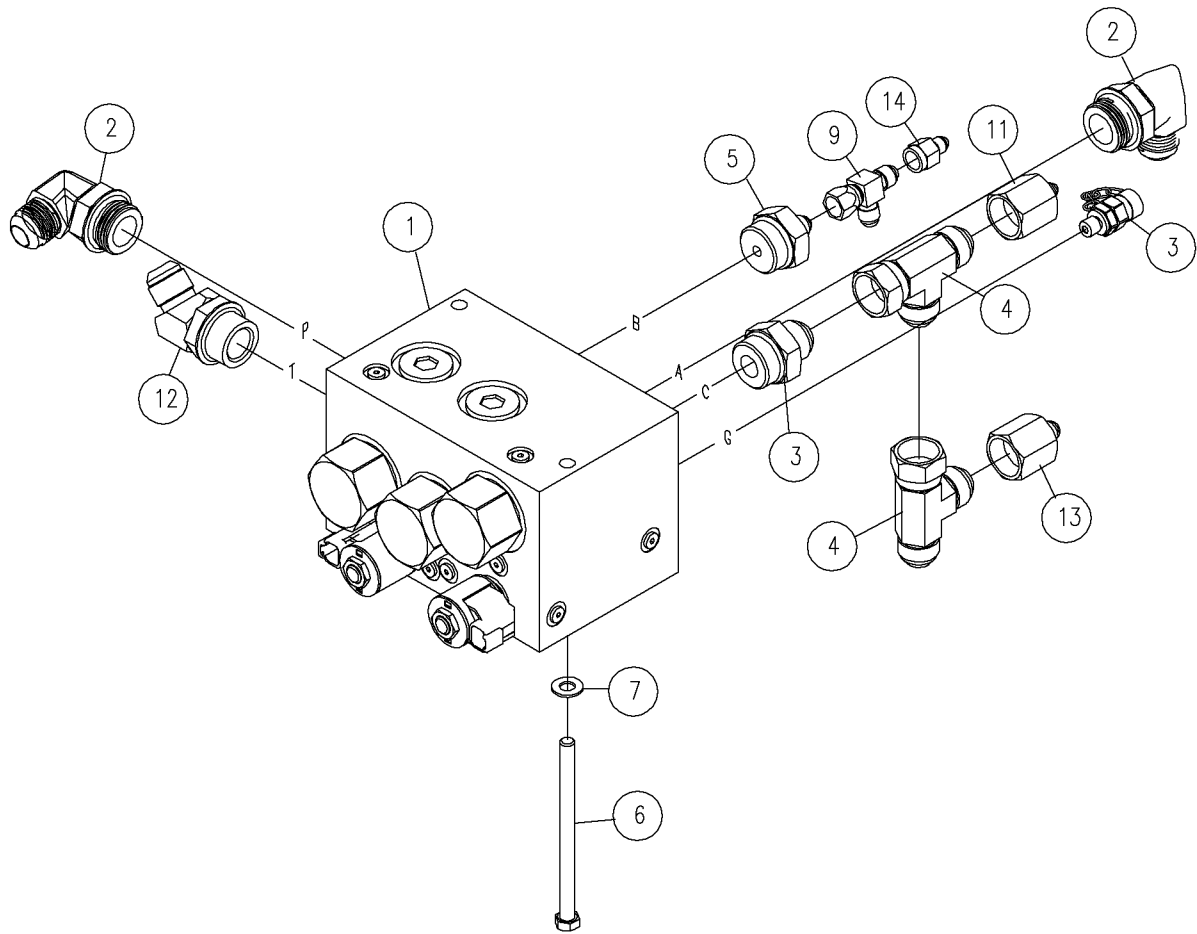
Vise Valve Fig 4-23



## Vise Valve Fig 4-23

REF. NO.	*	PART NO.	DESCRIPTION	QTY.	REMARKS
1		296277068	PLATE - VISE VALVE MOUNT	1	
2		296269554	VISE - MANIFOLD	1	Breakdown Fig. 10-7
3		57968001	FITTING-STR-4MJ-6MORB	6	
4		235713001	WASHER - FLATSTRL - .38 - .41 X .81 - .06-YA-A325	4	
5		250508001	NUT - 3/8-NC Gr8 TOP LOCK Y/ZINC	2	
6		296280084	WELDMENT-VICE VALVE COVER	1	
7		250583001	3/8-16X3 3/4 GR8 HEX BOLT PLTD	2	
8		65570001	6M X 6M JIC 90 DEGREE LONG	1	
9		68774001	FITTING-6MX6M JIC (RUN)X6M JIC	2	
10		5776001	TAPE-SAFETY WALK 4 WIDE	A/R	P/N Qty. Of 1 = 1 Foot

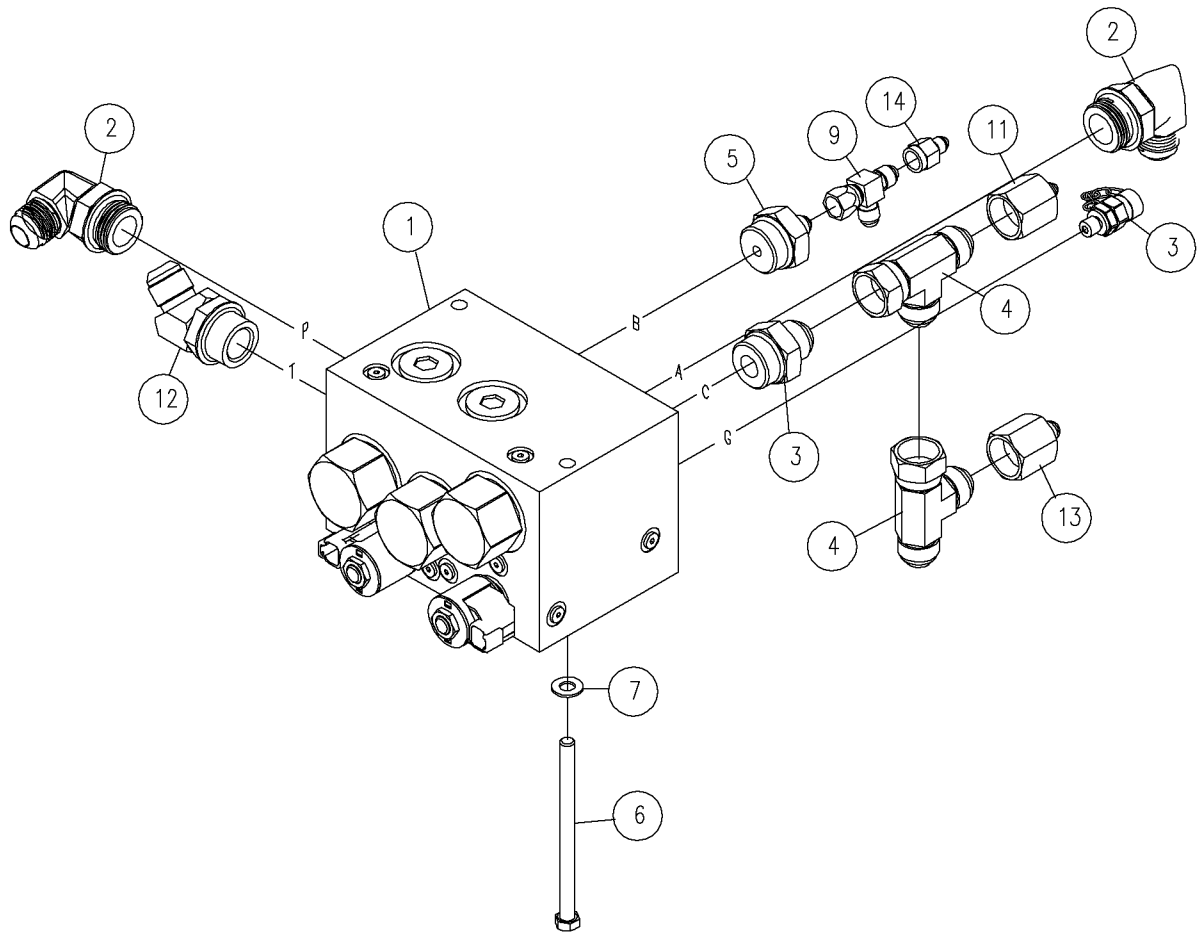
Diverter Valve Fig 4-24r01



## Diverter Valve Fig 4-24r01

REF. NO.	*	PART NO.	DESCRIPTION	QTY.	REMARKS
		Revision Date	March, 2006		Update In Illustration & Parts List.
1		296269550	DIVERTER MANIFOLD	1	Breakdown Fig. 10-16
2		78057001	FITTING-90-12MJ-16MORBA	2	
3		70008001	FITTING-16M X 12M JIC STR.	1	
4		59417001	12 JIC SW RUN TEE	2	
5		276382001	FITTING-16 O-RING X 6 JIC CONN	1	
6		244066001	BOLT-3/8-16X5 1/2 GD 8 ZYC	2	
7		235713001	WASHER - FLATSTRL - .38 - .41 X .81 - .06-YA-A325	2	
8		60908001	FITTING-4MX4M JIC STR ADAPTER	1	
9		59427001	TEE-6MJ-6FSJ-6MJ	1	
10		59928001	6F JICX4M JIC ST REDUCER	1	
11		81345001	FITTING-12F JICX4M JIC STR.	1	
12		81212001	FITTING-16MX12M JIC 45 ELBOW	1	
13		60909001	6M JICX12F JIC ST.ADAPTER	1	
14		59928001	6F JICX4M JIC ST REDUCER	1	

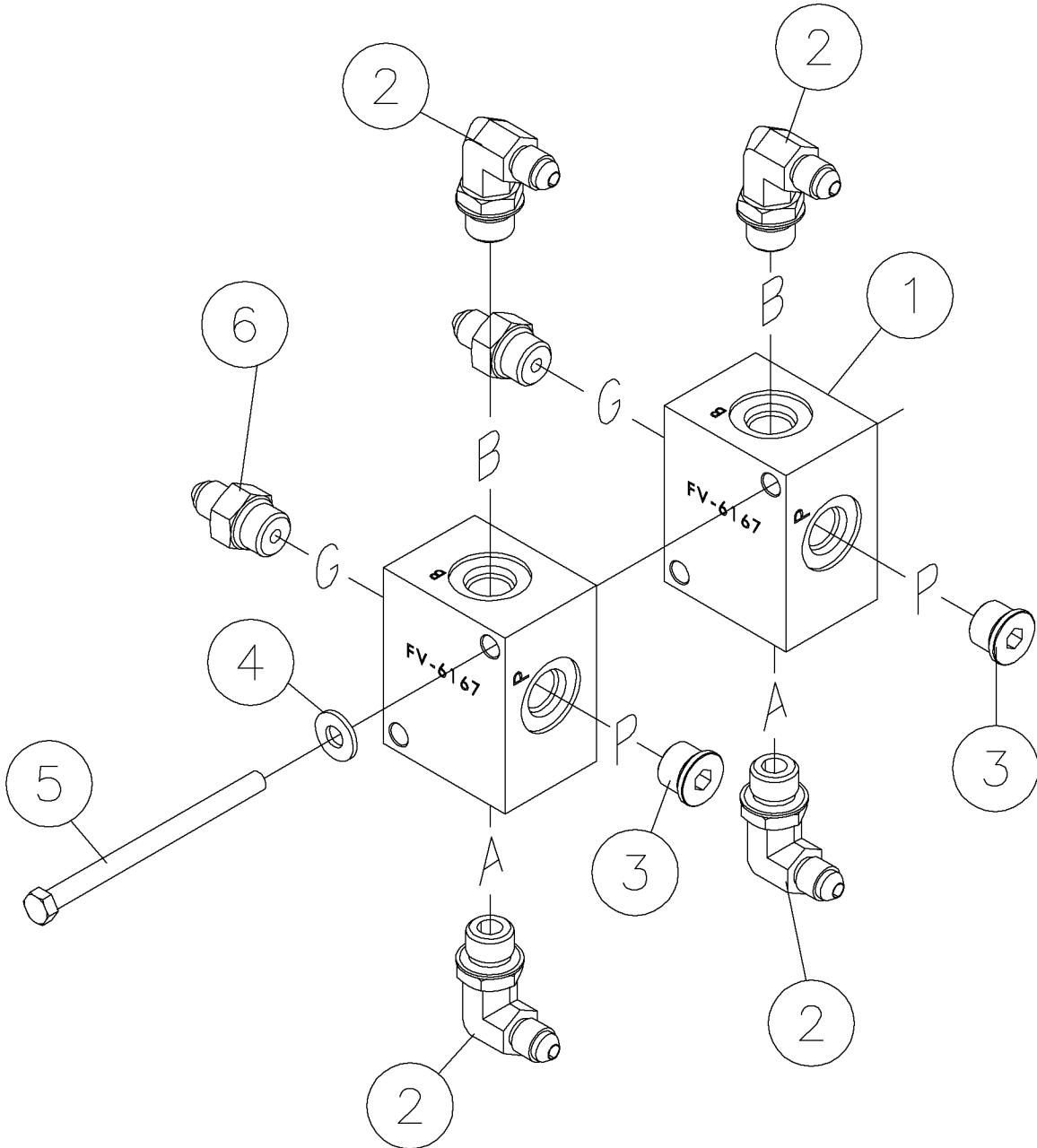
Diverter Valve Fig 4-24



## Diverter Valve Fig 4-24

REF. NO.	*	PART NO.	DESCRIPTION	QTY.	REMARKS
1		296269550	DIVERTER MANIFOLD	1	Breakdown Fig. 10-16
2		78057001	FITTING-90-12MJ-16MORBA	2	
3		70008001	FITTING-16M X 12M JIC STR.	1	
4		59417001	12 JIC SW RUN TEE	2	
5		276382001	FITTING-16 O-RING X 6 JIC CONN	1	
6		244066001	BOLT-3/8-16X5 1/2 GD 8 ZNC PL	2	
7		235713001	WASHER - FLATSTRL - .38 - .41 X .81 - .06-YA-A325	2	
8		75493001	FITTING - TEST - 4MORB - 16MTP	1	
9		59427001	TEE-6MJ-6FSJ-6MJ	1	
10		59928001	6F JICX4M JIC ST REDUCER	1	
11		81345001	FITTING-12F JICX4M JIC STR.	1	
12		81212001	FITTING-16MX12M JIC 45 ELBOW	1	
13		60909001	6M JICX12F JIC ST.ADAPTER	1	
14		59928001	6F JICX4M JIC ST REDUCER	1	

Shuttle Valve Fig 4-25

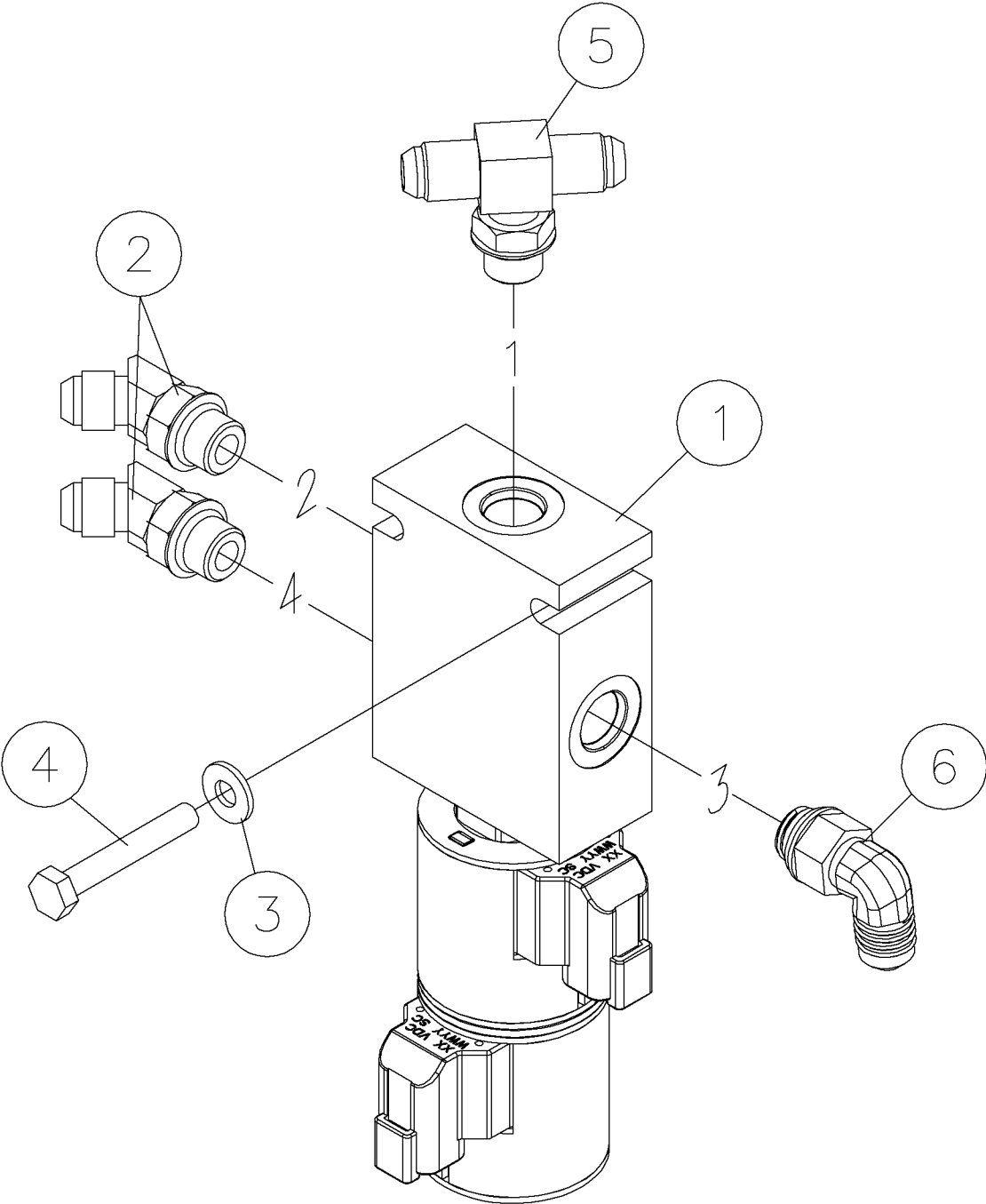




## Shuttle Valve Fig 4-25

REF. NO.	*	PART NO.	DESCRIPTION	QTY.	REMARKS
1		296260411	VALVE - SHUTTLE	2	
		296267116	SHUTTLE VALVE	1	
		260040007	SEAL KIT	1	
2		57950001	FITTING-90-4MJ-6MORBA	4	
3		86678001	PLUG-6M ORING HOLLOW HEX	2	
4		252251001	WASHER-1/4 SAE FLAT ZP	2	
5		244204001	BOLT-1/4-20X3 1/2 GR8 ZNC PLTD	2	
6		57968001	FITTING-STR-4MJ-6MORB	2	

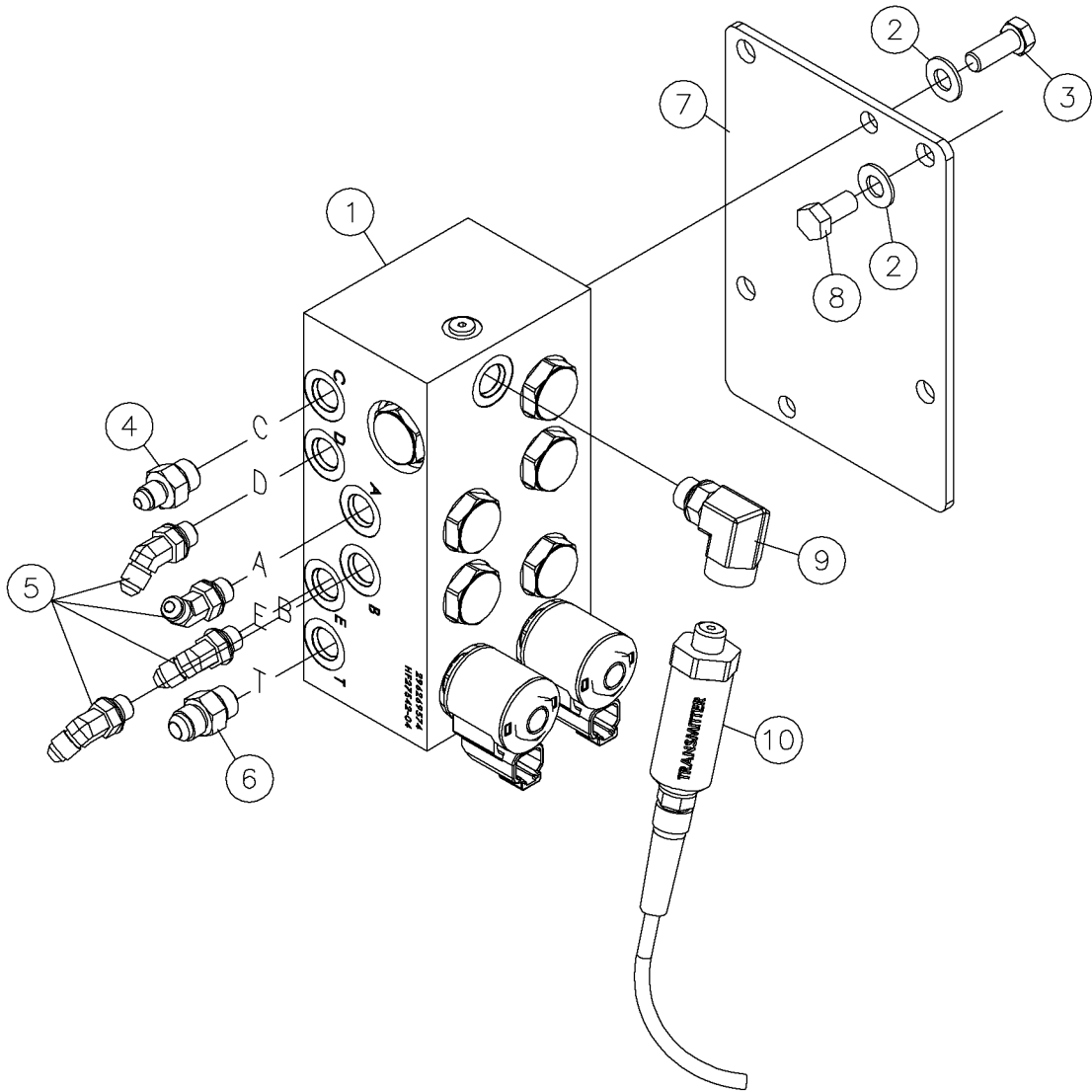
Outrigger Valve Fig 4-26



## Outrigger Valve Fig 4-26

REF. NO.	*	PART NO.	DESCRIPTION	QTY.	REMARKS
1		296269565	VALVE - 3 POSITION, 4 WAY DUAL SOL.	1	Breakdown Fig. 10-11
2		65563001	FITTING - 6M O-RING X 6M JIC 45 DEGREE	2	
3		510337603	WASHER-FLATSTD-.25-.31X.75-.07-YZ	2	
4		248107001	BOLT-1/4-20X1 3/4 GR 8 ZINC PL	2	
5		68787001	FITTING-6M (BCH)X6M JICX6M JIC	1	
6		59426001	FITTING - 90-6MJ-6MORBA	1	

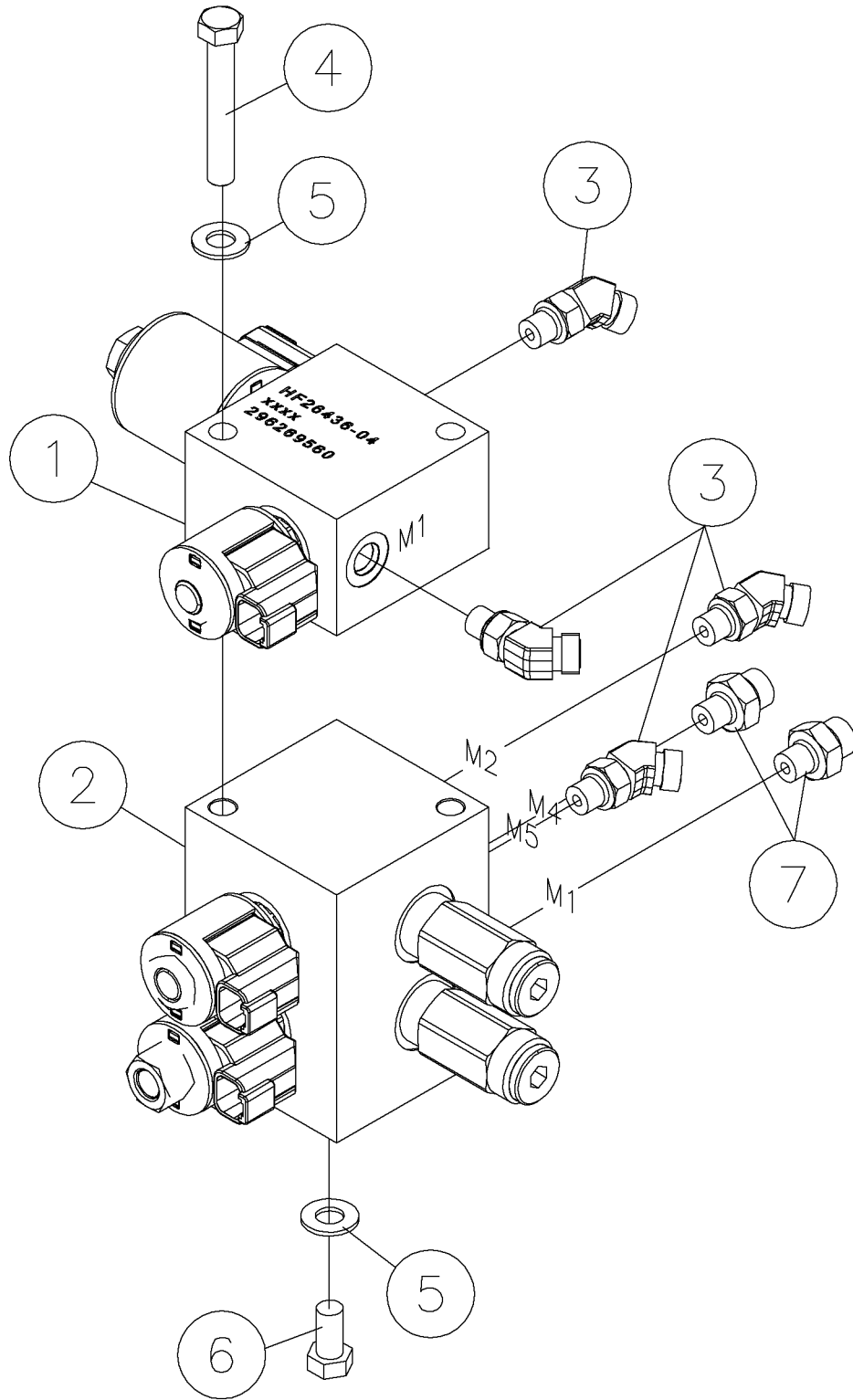
Remote Lockout Valve Fig 4-27



## Remote Lockout Valve Fig 4-27

REF. NO.	*	PART NO.	DESCRIPTION	QTY.	REMARKS
1		296269574	VALVE - COMBO DUMP	1	Breakdown Fig. 10-5
2		235713001	WASHER - FLATSTRL - .38 - .41 X .81 - .06-YA-A325	10	
3		235727001	BOLT-3/8-16X1 GR8 HEX ZINC PLT	2	
4		57968001	FITTING-STR-4MJ-6MORB	1	
5		82931001	FITTING-45-4MJX6MORBA	4	
6		65565001	FITTING - 6M O-RING X 6M JIC ST.	1	
7		296273702	PLATE - VALVE MOUNT	1	
8		235726001	BOLT-3/8-16X3/4 GR8 HEX ZNCPLT	4	
9		296259050	FITTING - 6FOR X 6MOR FORGED ELBOW	1	
10		291892001	TRANSDUCER- PRESSURE	1	

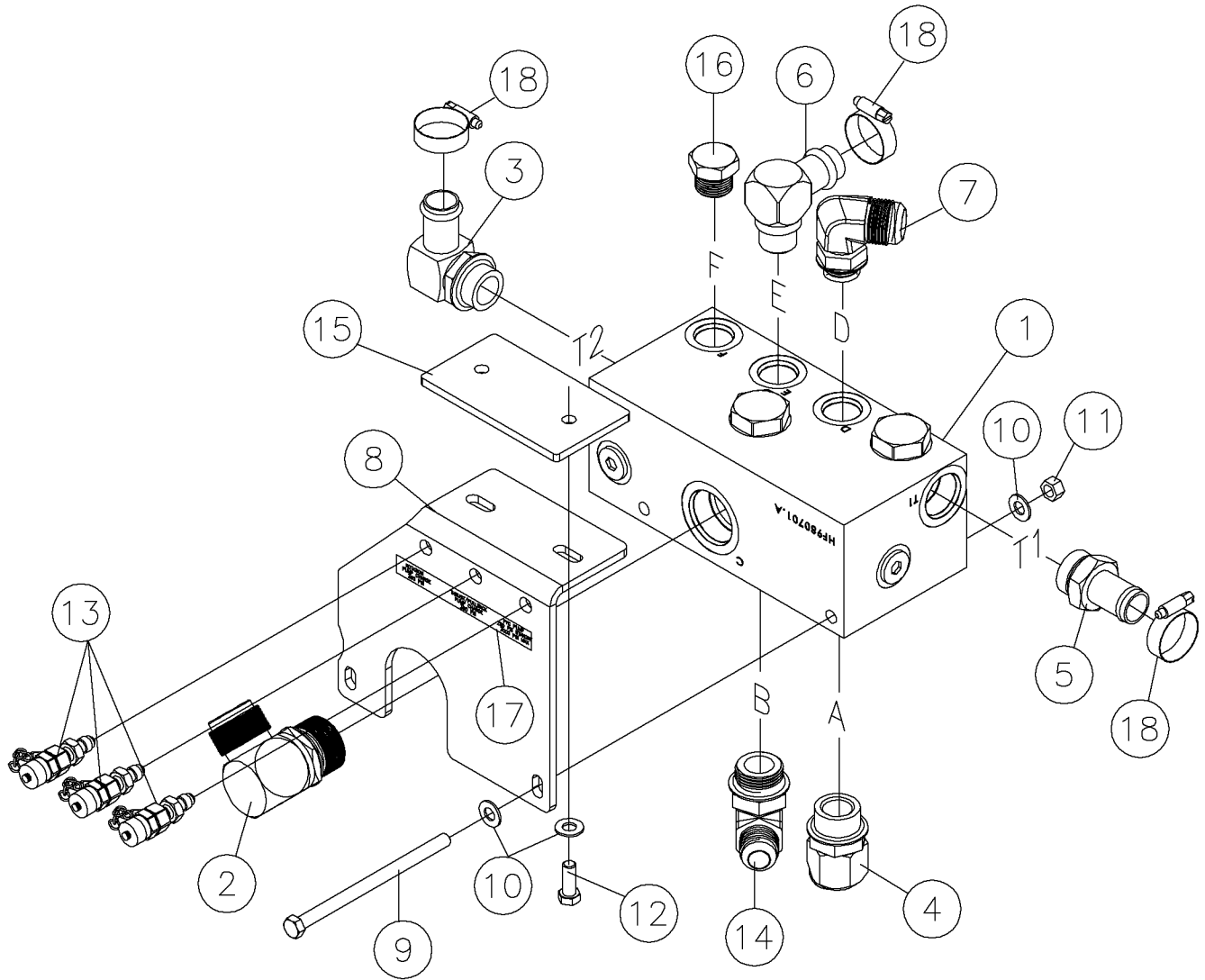
Thrust Torque Limiter Valve Fig 4-28



## Thrust Torque Limiter Valve Fig 4-28

REF. NO.	*	PART NO.	DESCRIPTION	QTY.	REMARKS
1		296269560	VALVE - THRUST LIMITER	1	Breakdown Fig. 10-8
2		296269561	VALVE - TORQUE LIMITER	1	Breakdown Fig. 10-9
3		72450001	FITTING - 45 - 4MORFF - 4MORBA - FRG	4	
4		250529001	BOLT 3/8-16X2 1/2"GR.8 HEX	2	
5		235713001	WASHER - FLATSTRL - .38 - .41 X .81 - .06-YA-A325	4	
6		235726001	BOLT-3/8-16X3/4 GR8 HEX ZNCPLT	2	
7		72449001	FITTING - STR - 4MORFF - 4MORB	2	

Return Valve Fig 4-29

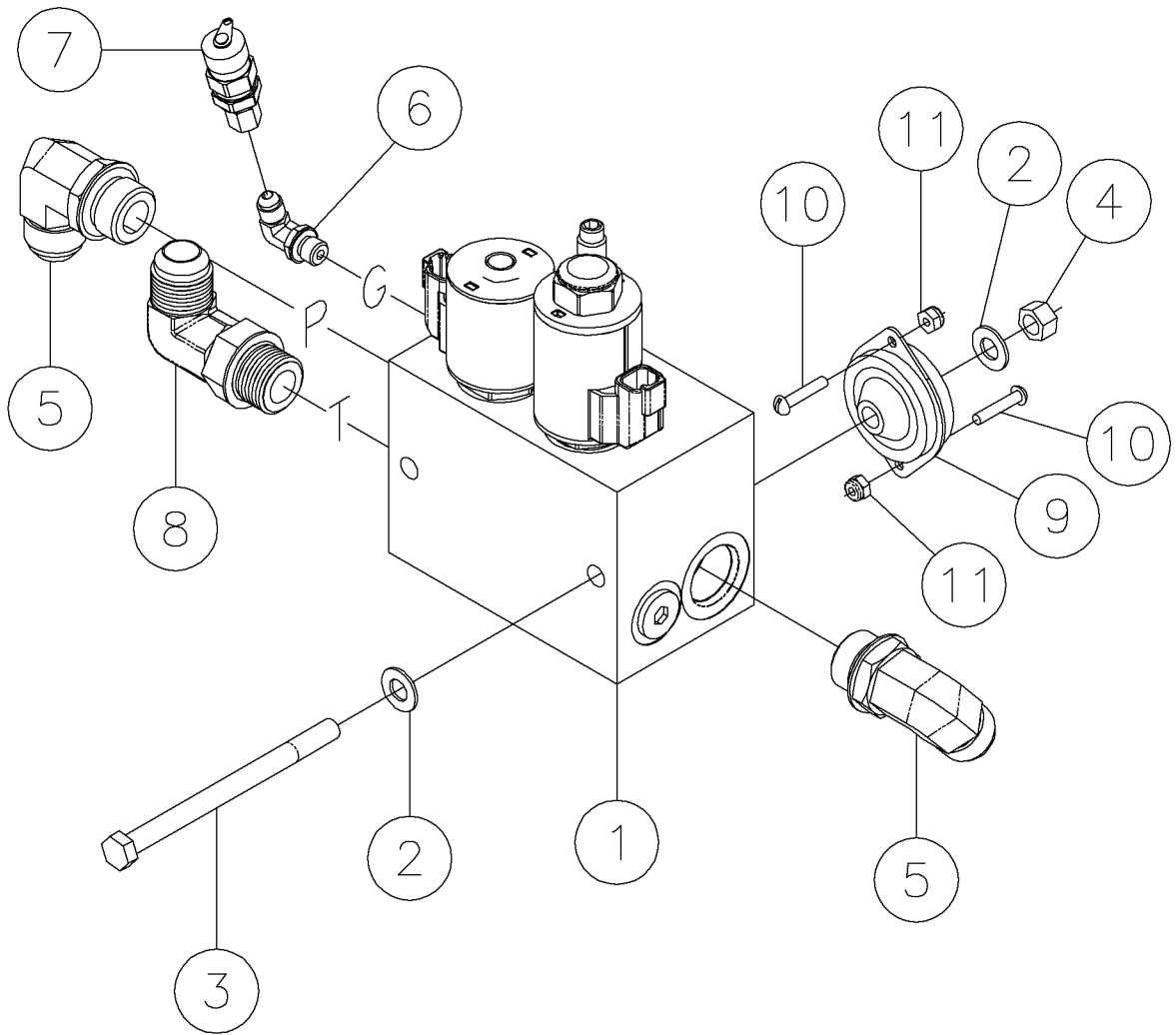




## Return Valve Fig 4-29

REF. NO.	*	PART NO.	DESCRIPTION	QTY.	REMARKS
1		296273651	MANIFOLD - RETURN	1	Breakdown Fig. 10-6
2		77137001	FITTING-20MX20M JIC 90 DEG.	1	
3		100000001	FITTING-16MORINGX1"BEADED90DEG	1	
4		81212001	FITTING-16MX12M JIC 45 ELBOW	1	
5		96709001	HOSE INSERT-16MX1 BEAD STR.	1	
6		99706001	FITTING-12MORX1"HOSEBEAD 90DEG	1	
7		65571001	12M X 16M JIC 90 DEGREE	1	
8		278752001	PLATE-RETURN VALVE MOUNT	1	
9		238214001	BOLT 3/8-16 X 6" Gr8 HEX Y\ZINC	2	
10		235713001	WASHER - FLATSTRL - .38 - .41 X .81 - .06-YA-A325	6	
11		235725001	NUT - HEX - .38 - 16 - GR8 - YZ	2	
12		235727001	BOLT-3/8-16X1 GR8 HEX ZINC PLT	2	
13		86230001	FITTING-MALE BLKHD CPLG7/16JIC	3	
14		78057001	FITTING-90-12MJ-16MORBA	1	
15		296273683	PLATE - GEARBOX - REAR	1	
16		67570001	FITTING - PLUG - 12MORB - HEX	1	
17		7000B300	DECAL - TEST POINT	1	
18		238094001	CLAMP-3/4X1 3/4 BAND W/SCREW	3	

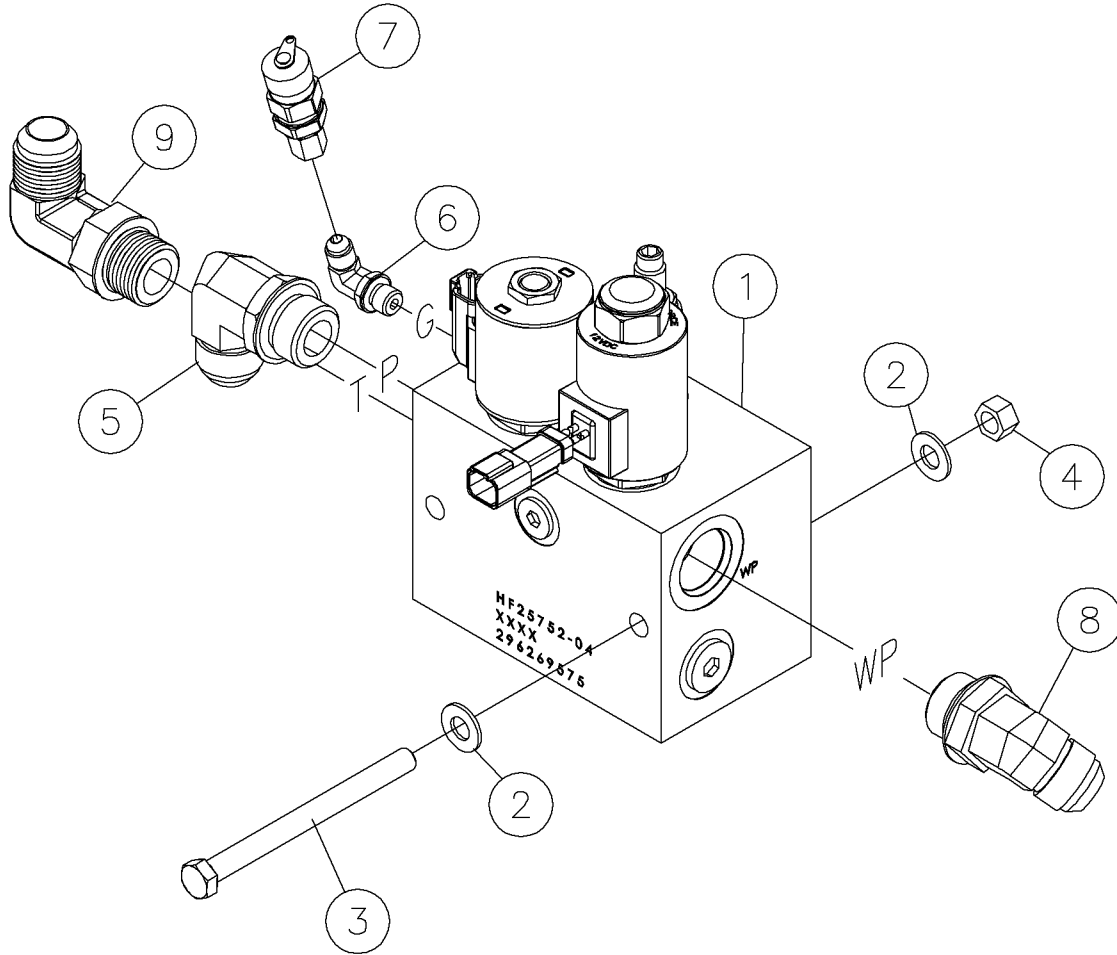
Water Control Valve Fig 4-30r01



## Water Control Valve Fig 4-30r01

REF. NO.	*	PART NO.	DESCRIPTION	QTY.	REMARKS
		Revision Date	March, 2006		Update In Illustration & Parts List.
1		296269664	VALVE-H2O CONTROL	1	Breakdown Fig. 10-13
2		235713001	WASHER - FLATSTRL - .38 - .41 X .81 - .06-YA-A325	4	
3		275231001	BOLT-3/8-16X5 GR8 HEX ZINC PLT	2	
4		235725001	NUT - HEX - .38 - 16 - GR8 - YZ	2	
5		59410001	FITTING-90-12MJ-12MORBA	2	
6		59423001	FIT-4M JICX4M ADJ.90 DEG.ELBOW	1	
7		83015001	FITTING-4F JIC DIAGNOSTIC	1	
8		278867001	FITTING-12M X 12M JIC LONG 90	1	
9		296280411	MOUNT - PLATE - RUBBER	2	S/N 254-
10		1802010	BOLT - 3/16" X 1" NC STOVE	4	
11		99042001	NUT - NYLOCK - 10 - 24 - GR2 - CZ	4	

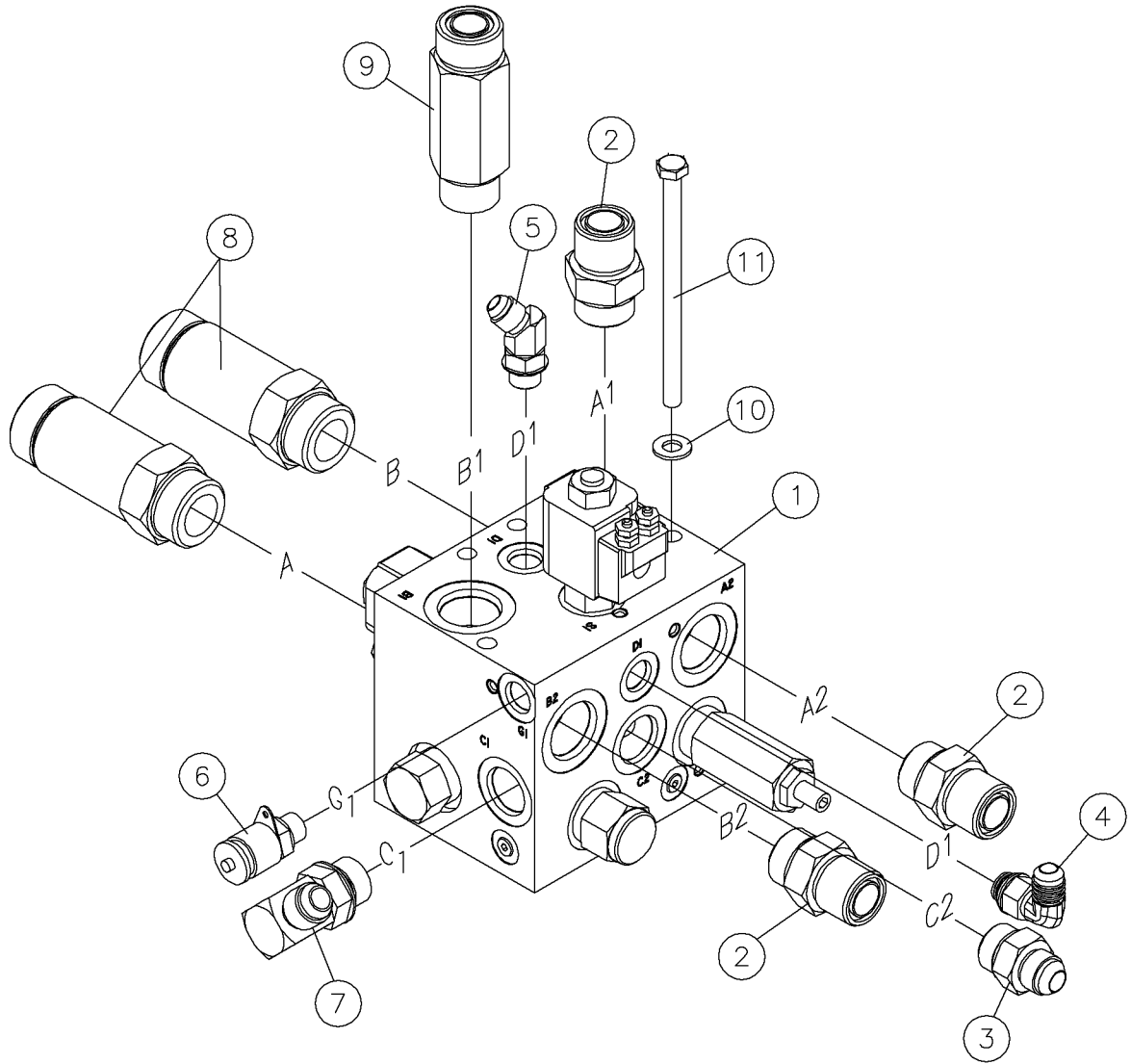
Water Control Valve Fig 4-30



## Water Control Valve Fig 4-30

REF. NO.	*	PART NO.	DESCRIPTION	QTY.	REMARKS
1		296269575	VALVE - H2O CONTROL	1	Breakdown Fig. 10-13
2		235713001	WASHER - FLATSTRL - .38 - .41 X .81 - .06-YA-A325	4	
3		238246001	BOLT 3/8"-16 X 4 1/2" GR8 HEX	2	
4		235725001	NUT - HEX - .38 - 16 - GR8 - YZ	2	
5		59410001	FITTING-90-12MJ-12MORBA	1	
6		59423001	FIT-4M JICX4M ADJ.90 DEG.ELBOW	1	
7		83015001	FITTING-4F JIC DIAGNOSTIC	1	
8		60718001	FITTING-45-12MJ-12MORBA	1	
9		278867001	FITTING-12M X 12M JIC LONG 90	1	

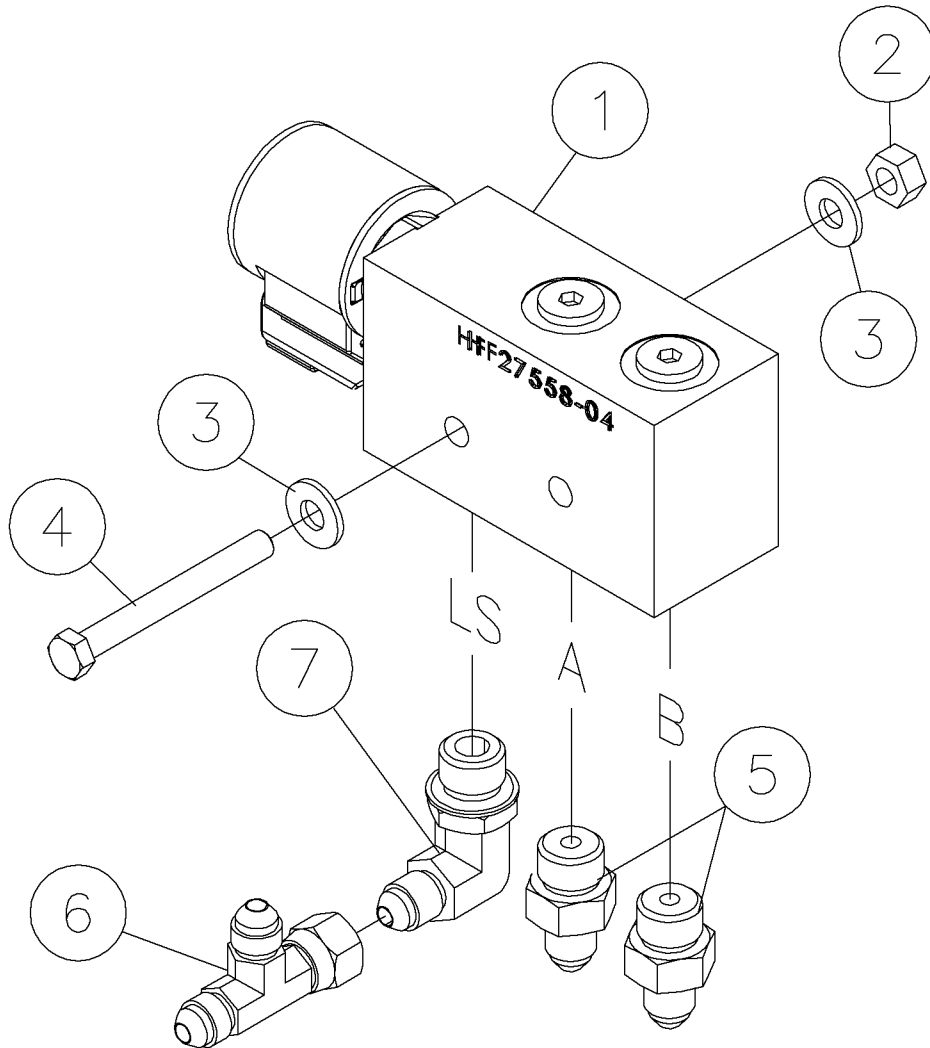
Rotation Shuttle Valve Fig 4-31



## Rotation Shuttle Valve Fig 4-31

REF. NO.	*	PART NO.	DESCRIPTION	QTY.	REMARKS
1		277838001	VALVE-3 SPEED SHUTTLE	1	Breakdown Fig. 10-17
2		279784001	FITTING-STR-12MORFF-12MORB	3	
3		53826001	#10M O-RING-#8M JIC ST.	1	
4		59426001	FITTING - 90-6MJ-6MORBA	1	
5		65563001	FITTING - 6M O-RING X 6M JIC 45 DEGREE	1	
6		72056001	FITTING-TEST-6MORB-16MTP	1	
7		59407001	8M JICX10M ADJ. 90 DEG.ELBOW REF 59648-001-1	1	
8		296273564	FITTING-STR-16MORFF-16MORB-L	2	
9		279786001	FITTING - FLTF - L - 12MORS X 12M	1	
10		235714001	WASHER - FLATSTRL - .31 - .34 X .69 - .06-YZ-A325	4	
11		248069001	BOLT-5/16-18X5 GR 8 ZINC PLTD	4	

Load Sense Shuttle Valve Fig 4-32

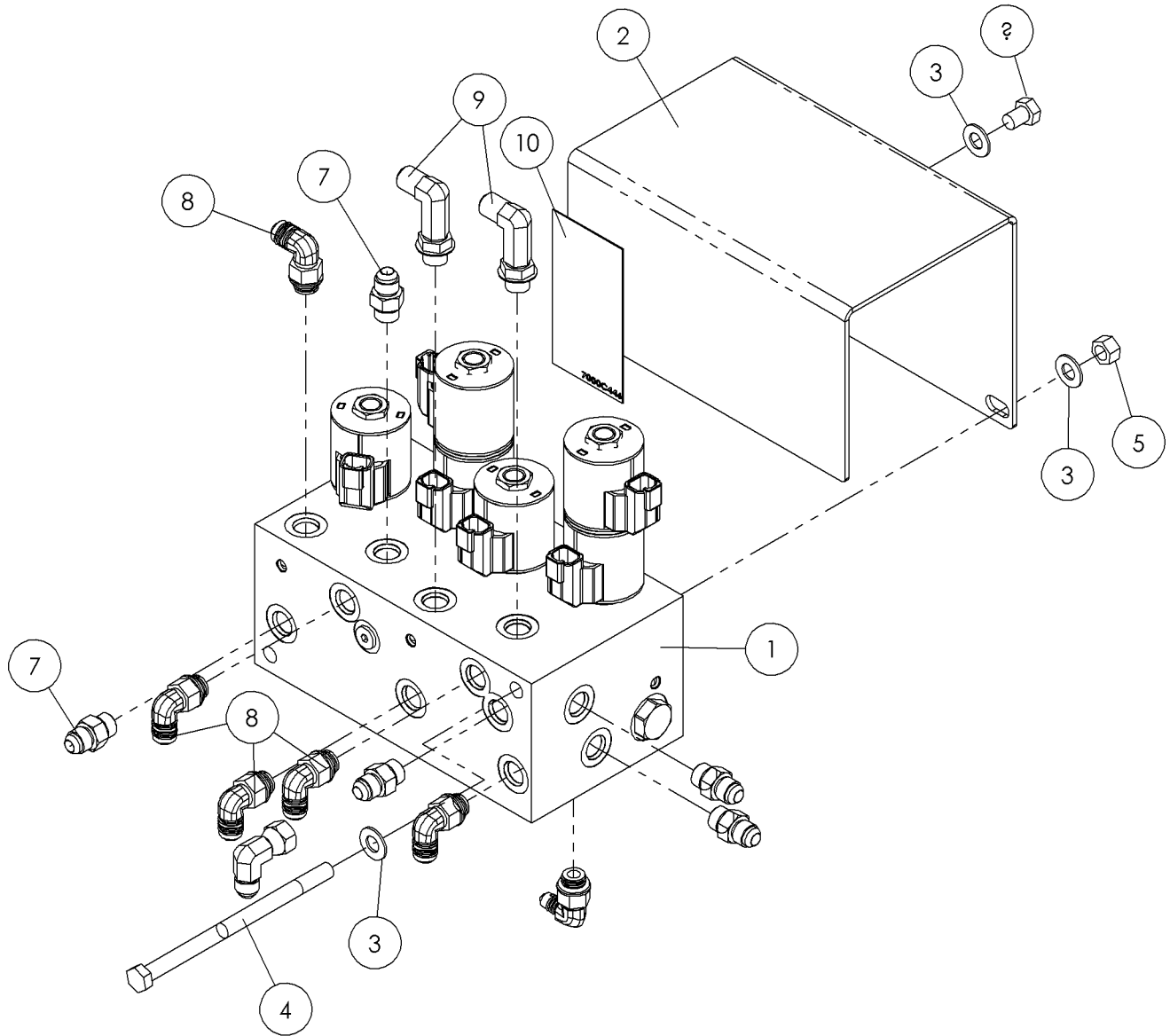




## Load Sense Shuttle Valve Fig 4-32

REF. NO.	*	PART NO.	DESCRIPTION	QTY.	REMARKS
1		296269608	VALVE LS SHUTTLE ON/OFF	1	Breakdown Fig. 10-15
2		235732001	NUT - HEX - .25 - 20 - GR8 - YZ	2	
3		235716001	WASHER - FLATSTRL - .25 -.28 X .63 - .06 - CZ	4	
4		250644001	BOLT-1/4-20 X2 1/4 GR 8 Y/ZINC	2	
5		57968001	FITTING-STR-4MJ-6MORB	2	
6		60248001	TEE-4M JICX4M JICX4FS JIC	1	
7		57950001	FITTING-90-4MJ-6MORBA	1	

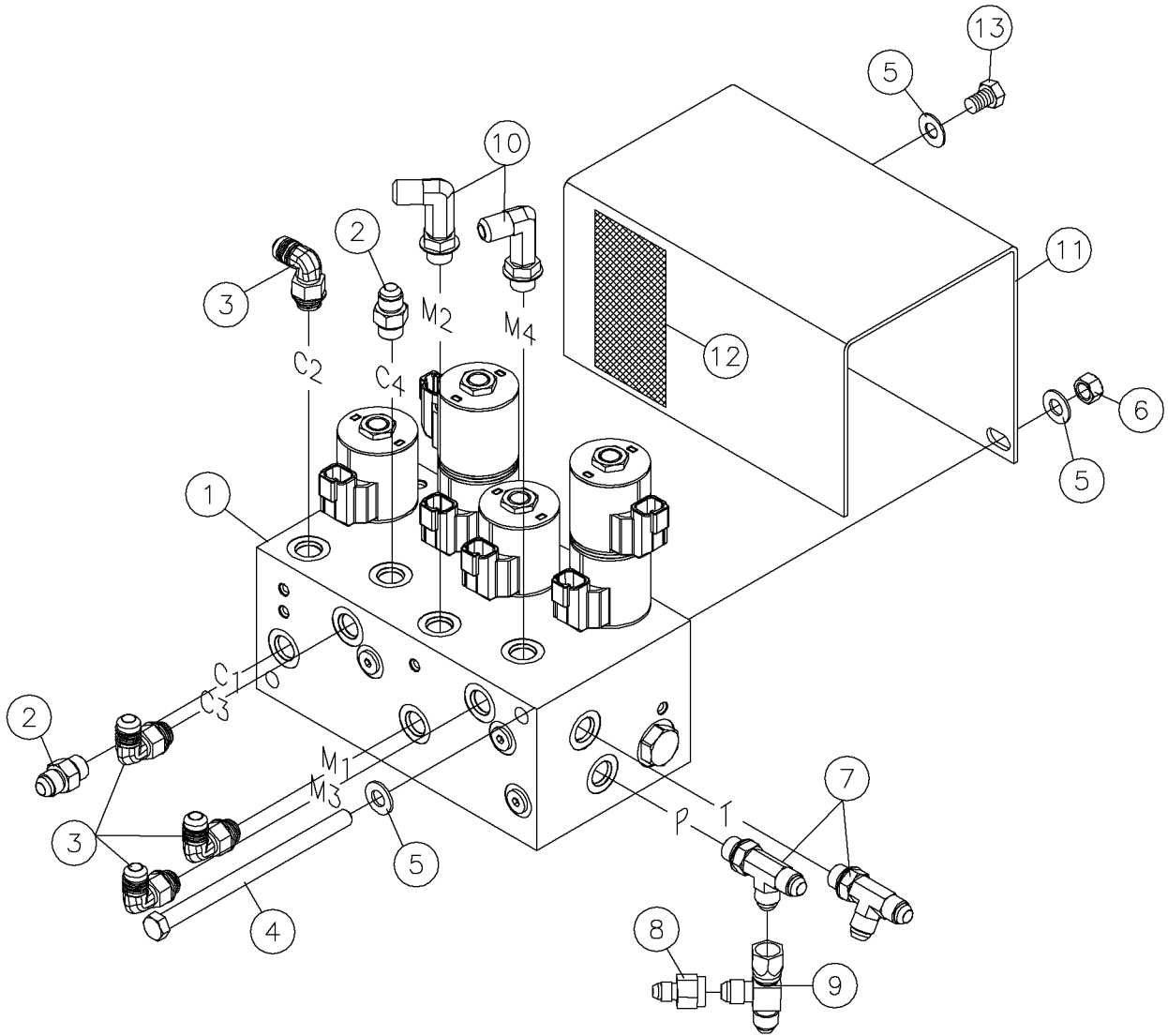
Stakedown Valve Fig 4-33r01



## Stakedown Valve Fig 4-33r01

REF. NO.	*	PART NO.	DESCRIPTION	QTY.	REMARKS
		Revision Date	May, 2006		Update In Illustration & Parts List.
1		296269562	VALVE - STAKEDOWN	1	Breakdown Fig 10-4
2		279093001	PLATE - SHIELD VALVE	1	
3		235713001	WASHER-FLATSTRL-.38-.41X.81-.06-YZ-A325	5	
4		238214001	SCREW-HCS-.38-16X6.00-GR8-YZ	2	
5		250508001	NUT-TLHEX-.38-16-C-YZ	2	
6		240310001	SCREW-HCS-.38-16X.50-GR8-YZ	1	
7		65565001	FITTING-6M O-RING X 6M JIC ST	5	
8		59426001	FITTING - 90-6MJ-6MORBA	5	
9		65570001	FITTING - 6MB - 6MJ 90 L	2	
10		7000c446	DECAL - NO WELD	1	Domestic
		700IC446	DECAL - NO WELD	1	International
11		600118001	FITTING-90-4MJ-6MORB	1	
12		60851001	FITTNG - 6M JIC X 6FS JIC 90	1	

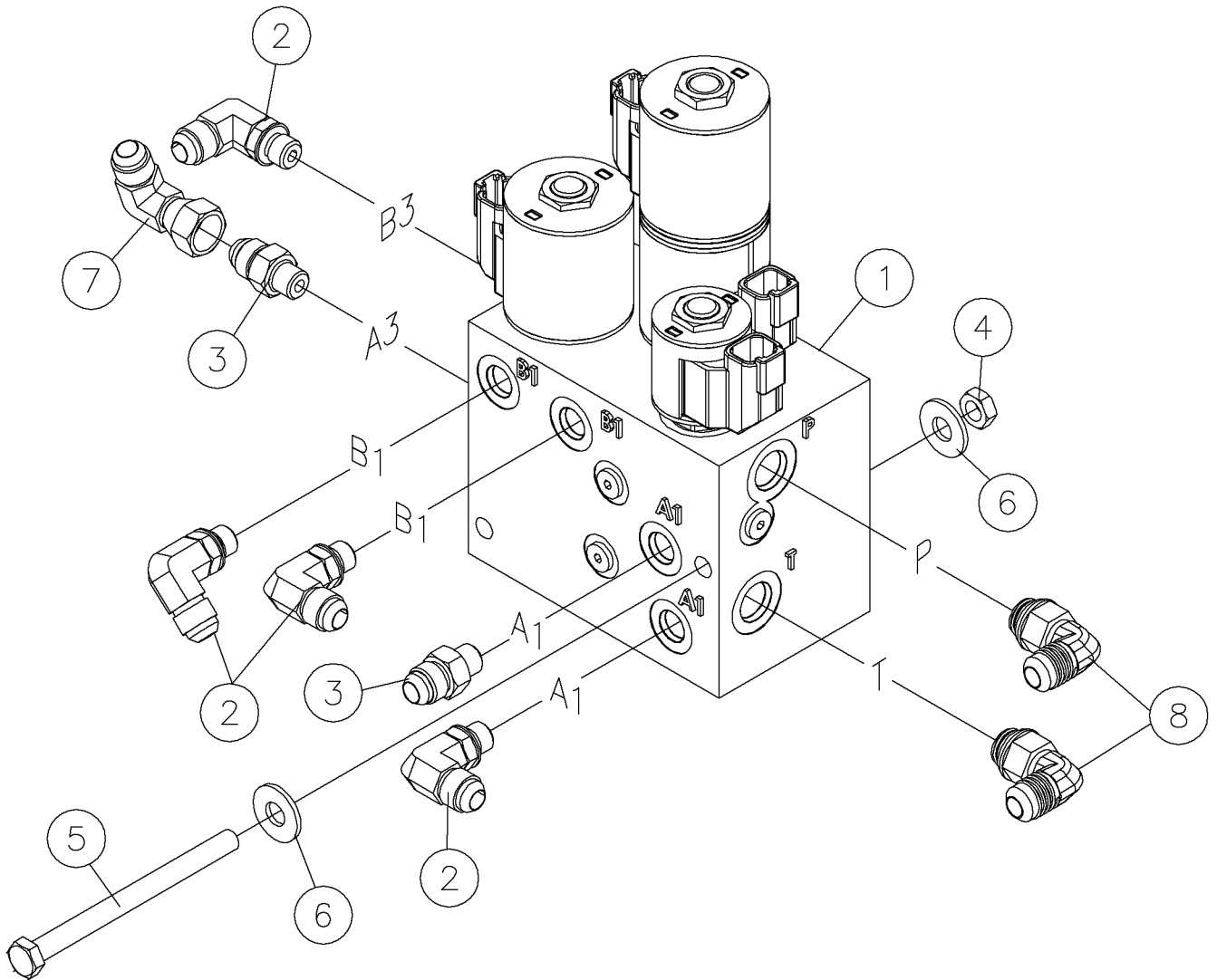
Stakedown Valve Fig 4-33



## Stakedown Valve Fig 4-33

REF. NO.	*	PART NO.	DESCRIPTION	QTY.	REMARKS
1		296269562	VALVE - STAKE DOWN	1	Breakdown Fig. 10-4
2		65565001	FITTING - 6M O-RING X 6M JIC ST.	2	
3		59426001	FITTING - 90-6MJ-6MORBA	4	
4		238214001	BOLT 3/8-16 X 6" Gr8 HEX Y\ZINC	2	
5		235713001	WASHER - FLATSTRL - .38 - .41 X .81 - .06-YA-A325	5	
6		250508001	NUT - 3/8-NC Gr8 TOP LOCK Y/ZINC	2	
7		68774001	FITTING-6MX6M JIC (RUN)X6M JIC	2	
8		59928001	6F JICX4M JIC ST REDUCER	1	
9		59427001	TEE-6MJ-6FSJ-6MJ	1	
10		65570001	6M X 6M JIC 90 DEGREE LONG	2	
11		279093001	SHIELD-VALVE	1	
12		7000C446	DECAL - NO WELD	1	
		700IC446	DECAL - NO WELD	1	International
13		240310001	SCREW - HCS - .38 - 16 X .50 - GR8 - YZ	1	

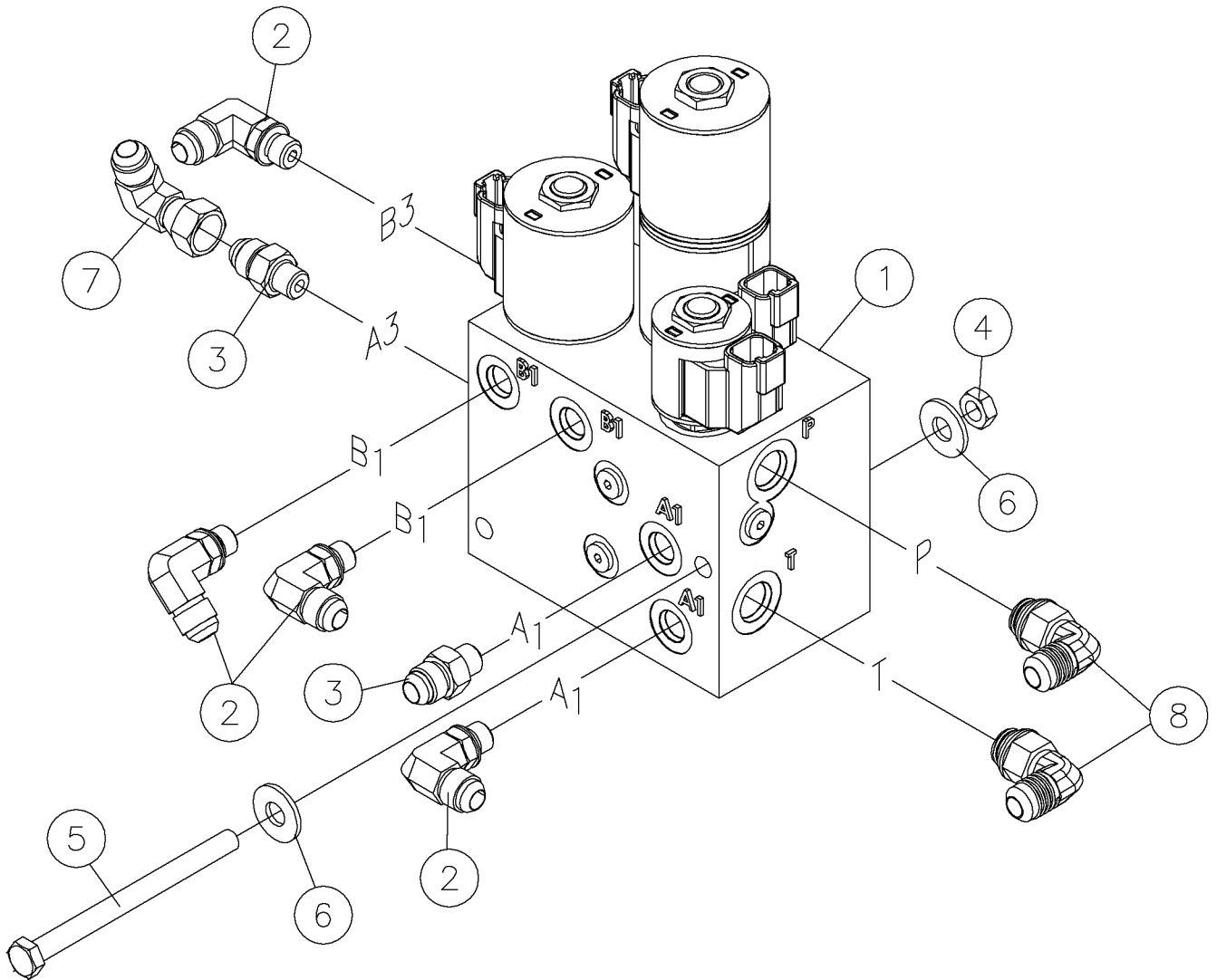
Rod loader Valve Fig 4-34r01



## Rod loader Valve Fig 4-34r01

REF. NO.	*	PART NO.	DESCRIPTION	QTY.	REMARKS
		Revision Date	March, 2006		Update In Illustration & Parts List.
1		296269662	MANIFOLD - ROD LOADER	1	Breakdown Fig. 10-10
2		60906001	4MX6M JIC 90 DEG ELBOW	4	
3		65569001	4M X 6M JIC ST.	2	
4		235741001	NUT - HEX - .31 - 18 - GR8 -YZ	2	
5		240332001	SCREW - HCS - .31 - 18 X 4.00 - GR8 -YZ	2	
6		510337605	WASHER-FLATSTD-.31-.38X.88-.08-YZ	4	
7		60851001	FITTING-6M JICX6FS JIC 90ELBOW	1	
8		59426001	FITTING - 90-6MJ-6MORBA	2	

Rod loader Valve Fig 4-34

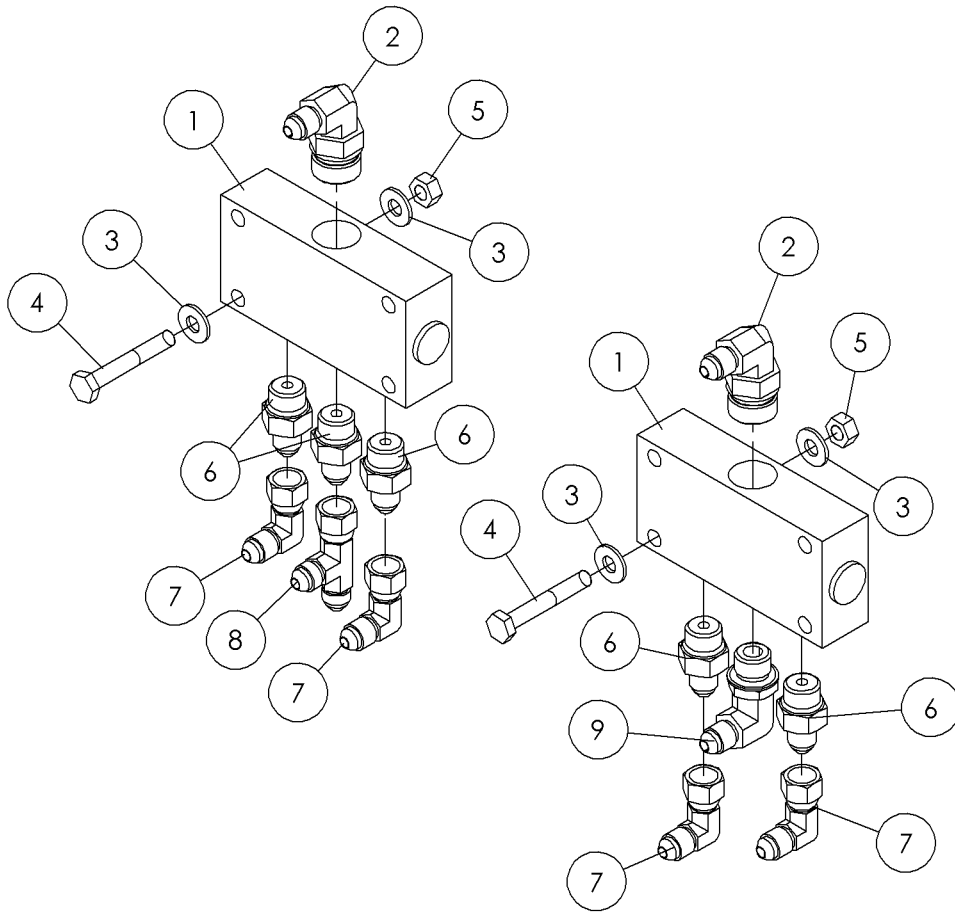




## Rod loader Valve Fig 4-34

REF. NO.	*	PART NO.	DESCRIPTION	QTY.	REMARKS
1		296269555	MANIFOLD - ROD LOADER	1	Breakdown Fig. 10-10
2		60906001	4MX6M JIC 90 DEG ELBOW	4	
3		65569001	4M X 6M JIC ST.	2	
4		235741001	NUT - HEX - .31 - 18 - GR8 -YZ	2	
5		240332001	SCREW - HCS - .31 - 18 X 4.00 - GR8 -YZ	2	
6		510337605	WASHER-FLATSTD-.31-.38X.88-.08-YZ	4	
7		60851001	FITTING-6M JICX6FS JIC 90ELBOW	1	
8		59426001	FITTING - 90-6MJ-6MORBA	2	

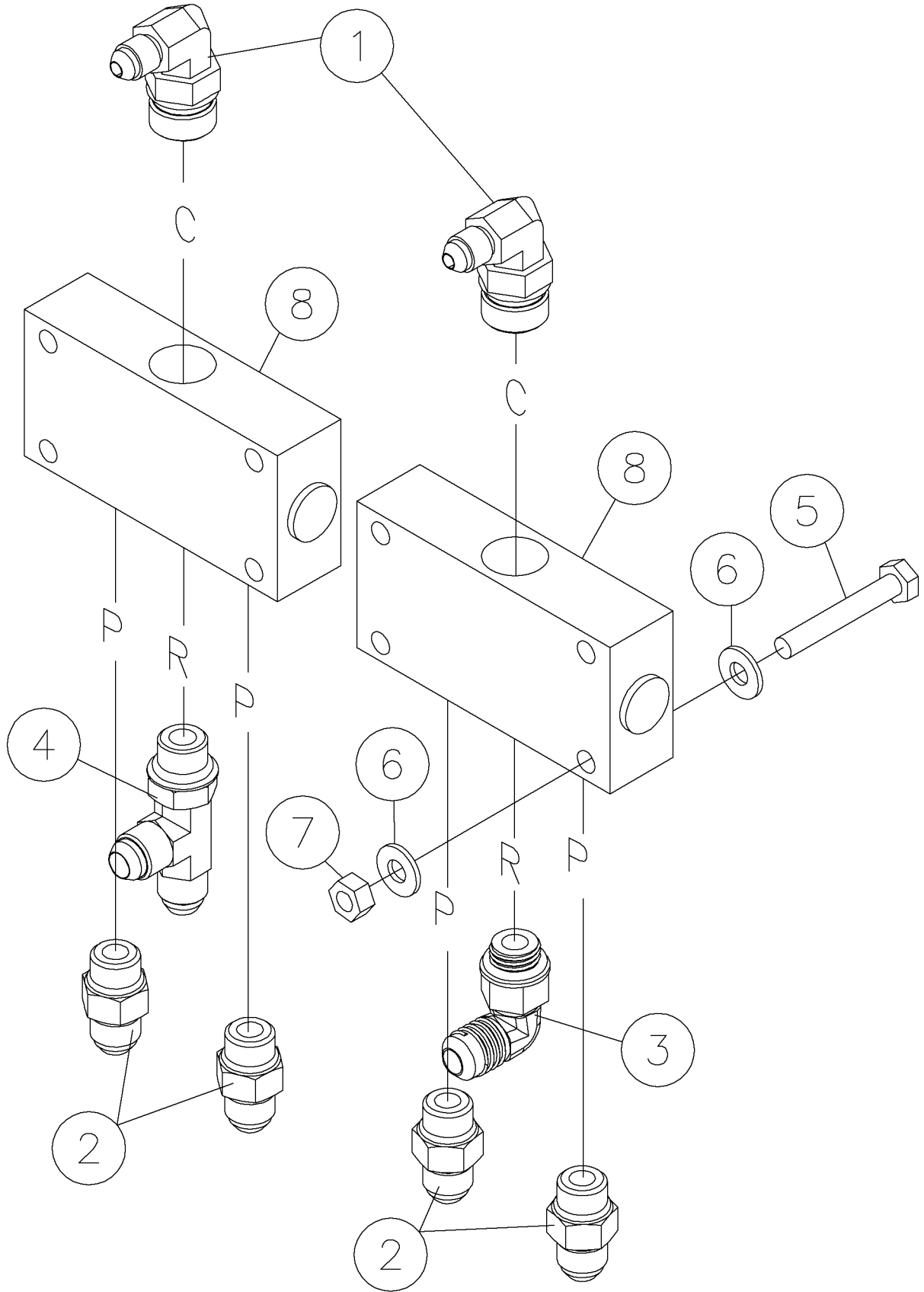
Shuttle Valve-(Track Brake) Fig 4-35r01



## Shuttle Valve-(Track Brake) Fig 4-35r01

REF. NO.	*	PART NO.	DESCRIPTION	QTY.	REMARKS
		Revision Date	May, 2006		Update In Illustration & Parts List.
1		225190001	VALVE - SHUTTLE	2	
2		86671001	FITTING-90-4MJ-8MORBA	2	
3		235716001	WASHER-FLATSTRL-.25-.28X.63-.06-CZ	8	
4		248107001	SCREW-HCS-.25-20X1.75-GR8-YZ	4	
5		235732001	NUT-HEX-.25-20-GR8-YZ	4	
6		57968001	FITTING-STR-4MJ-6MORB	5	
7		53658001	FITTING-90-4MJ-4FSJ	4	
8		60248001	TEE-4M JIC X4M JIC X 4FS JIC	1	
9		57950001	FITTING-90-4MJ-6MORBA	1	

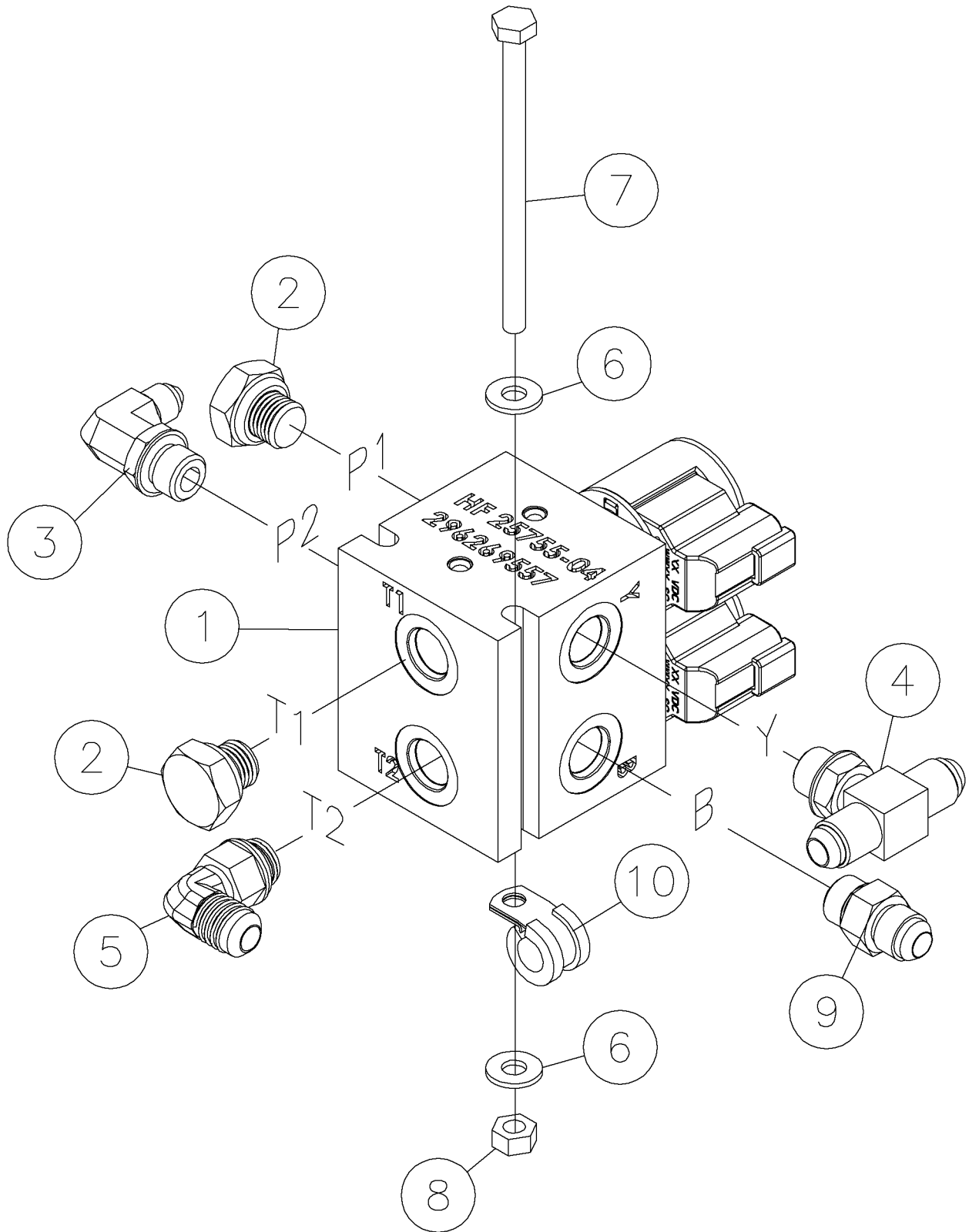
Shuttle Valve-(Track Brake) Fig 4-35



## Shuttle Valve-(Track Brake) Fig 4-35

REF. NO.	*	PART NO.	DESCRIPTION	QTY.	REMARKS
1		86671001	FITTING-8M ORING X4M JIC 90 EL	2	
2		65565001	FITTING - 6M O-RING X 6M JIC ST.	4	
3		59426001	FITTING - 90-6MJ-6MORBA	1	
4		68774001	FITTING-6MX6M JIC (RUN)X6M JIC	1	
5		248107001	BOLT-1/4-20X1 3/4 GR 8 ZINC PL	8	
6		235716001	WASHER - FLATSTRL - .25 -.28 X .63 - .06 - CZ	16	
7		235732001	NUT - HEX - .25 - 20 - GR8 - YZ	8	
8		225190001	VALVE - SHUTTLE	2	

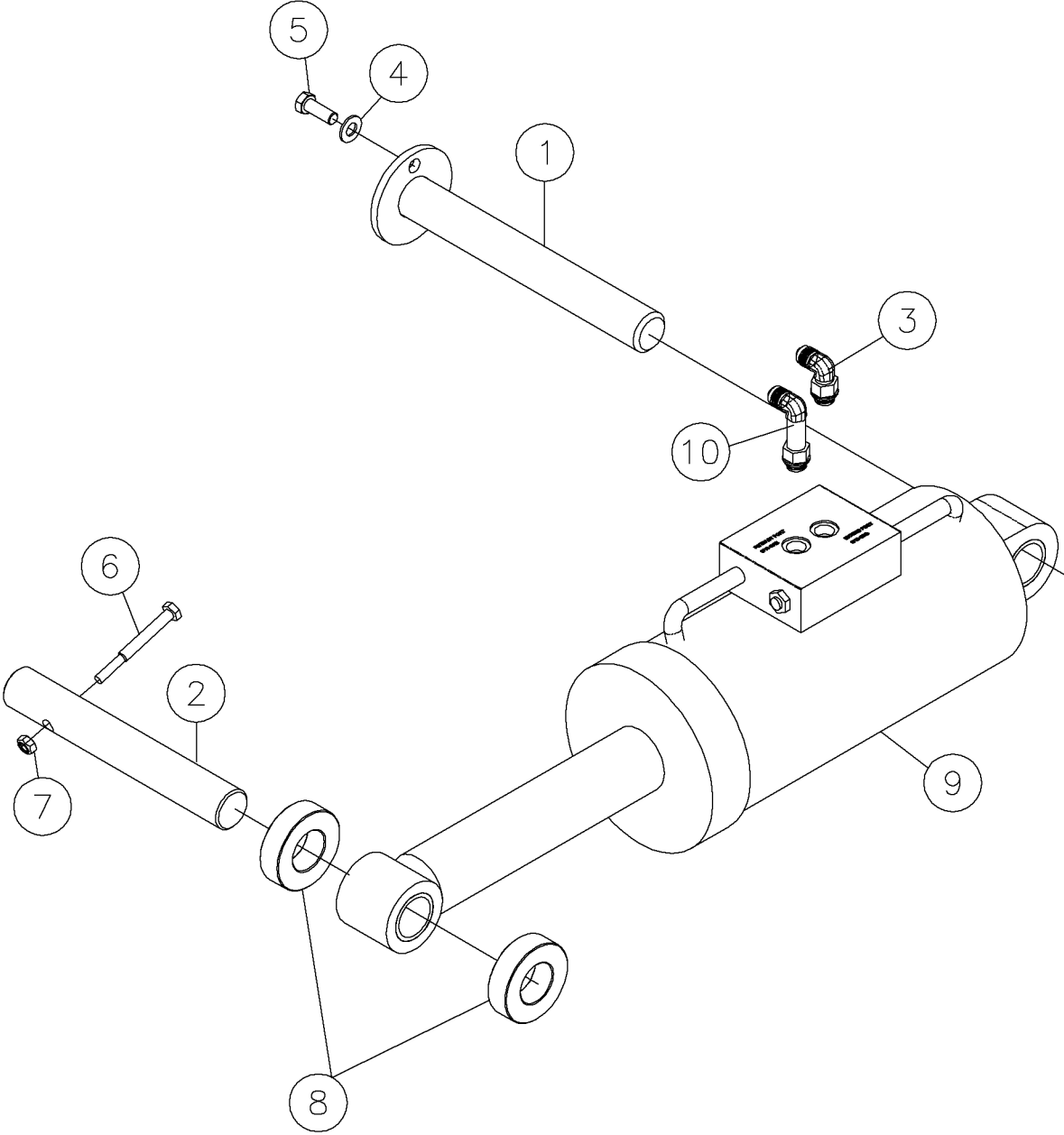
Brake Valve Fig 4-36



## Brake Valve Fig 4-36

REF. NO.	*	PART NO.	DESCRIPTION	QTY.	REMARKS
1		296269557	VALVE- TWO SPEED W/BRAKE	1	Breakdown Fig. 10-12
2		5553001	FITTING - PLUG - 6MORB - HEX	2	
3		57950001	FITTING-90-4MJ-6MORBA	1	
4		68787001	FITTING-6M (BCH)X6M JICX6M JIC	1	
5		59426001	FITTING - 90-6MJ-6MORBA	1	
6		235716001	WASHER - FLATSTRL - .25 -.28 X .63 - .06 - CZ	4	
7		238243001	SCREW - HCS- .25 - 20 X 4.00 - GR8 -YZ	2	
8		235732001	NUT - HEX - .25 - 20 - GR8 - YZ	2	
9		65565001	FITTING - 6M O-RING X 6M JIC ST.	1	
10		296275118	CLAMP - #8	1	

Outrigger Hyd. Cylinder Fig 4-37r01

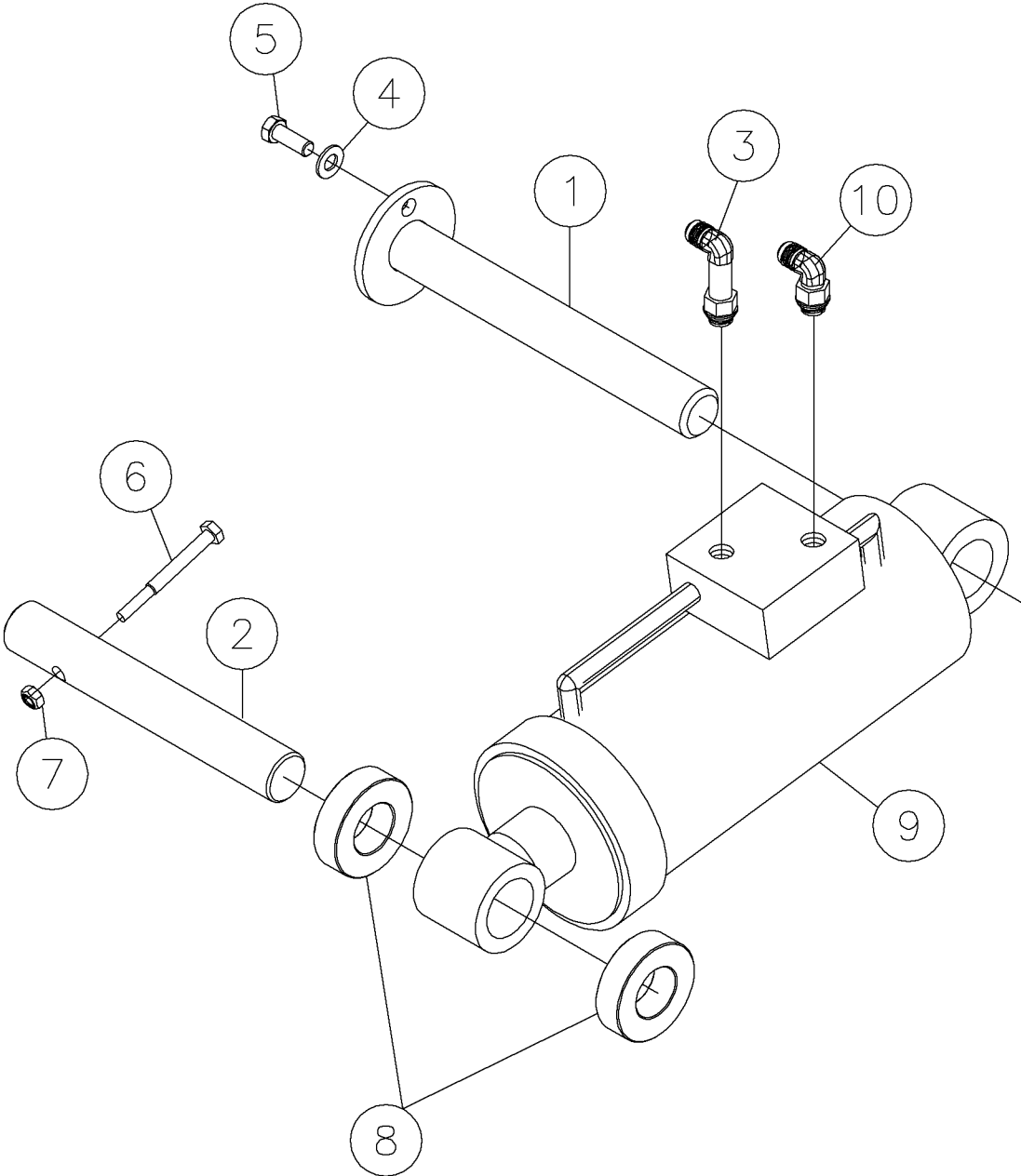




## Outrigger Hyd. Cylinder Fig 4-37r01

REF. NO.	*	PART NO.	DESCRIPTION	QTY.	REMARKS
		Revision Date	May, 2005		Update In Illustration & Parts List.
1		230858001	PIN-OUTRIGGER	1	
2		213586001	PIN-FOOT CYL. TOP	1	
3		122606001	FITTING-6MX6M JIC90 DEG/ RSTS .062	2	
4		235713001	WASHER - FLATSTRL - .38 - .41 X .81 - .06-YA-A325	1	
5		235727001	BOLT-3/8-16X1 GR8 HEX ZINC PLT	1	
6		238212001	BOLT - 5/16-18 X 3 HEX GRADE 8	1	
7		240333001	NUT-5/16-18 GR8 TL ZINC PLTD	1	
8		296275290	SPACER - CYLINDER	2	
9		296280124	CYLINDER - 5 X 8 3000PSI	1	Breakdown Fig. 10-22r01
10		157172001	FITTING - 6M X 6M JIC LL 90 DEG/R.062	1	

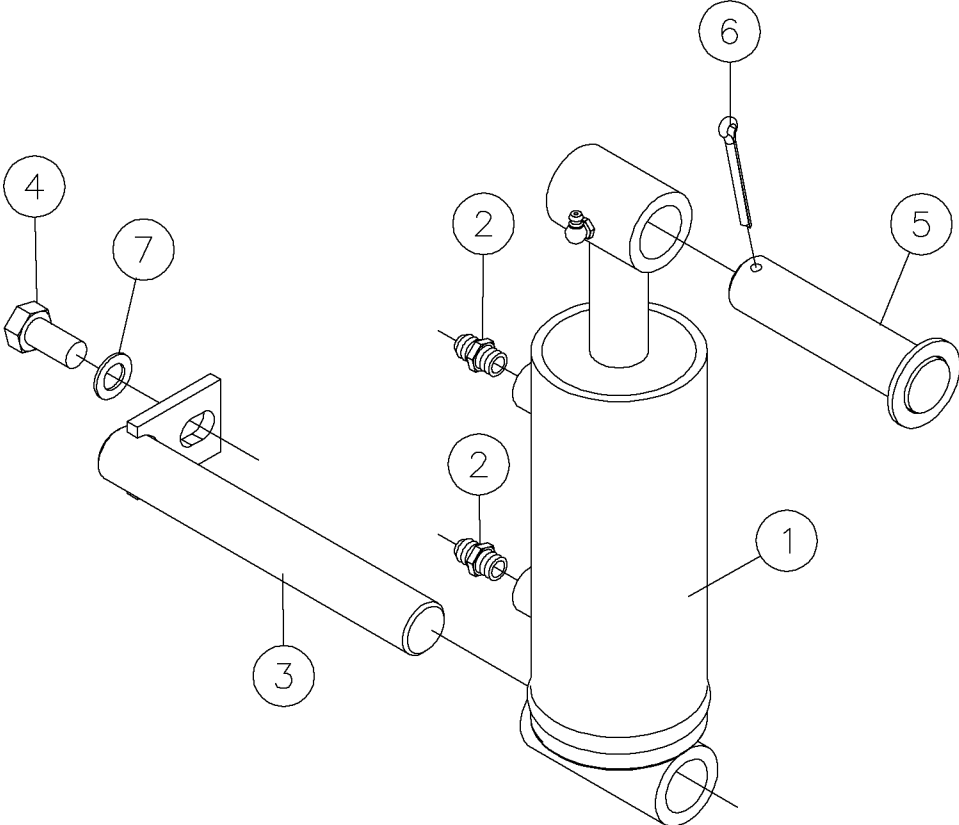
Outrigger Hyd. Cylinder Fig 4-37



## Outrigger Hyd. Cylinder Fig 4-37

REF. NO.	*	PART NO.	DESCRIPTION	QTY.	REMARKS
1		230858001	PIN-OUTRIGGER	1	
2		213586001	PIN-FOOT CYL. TOP	1	
3		122606001	FITTING-6MX6M JIC90 DEG/ RSTS .062	2	
4		235713001	WASHER - FLATSTRL - .38 - .41 X .81 - .06-YA-A325	1	
5		235727001	BOLT-3/8-16X1 GR8 HEX ZINC PLT	1	
6		238212001	BOLT - 5/16-18 X 3 HEX GRADE 8	1	
7		240333001	NUT-5/16-18 GR8 TL ZINC PLTD	1	
8		296275290	SPACER - CYLINDER	2	
9		282196001	CYLINDER - 4 X 7 HYD	1	Breakdown Fig. 10-22
10		157172001	FITTING - 6M X 6M JIC LL 90 DEG/R.062	1	

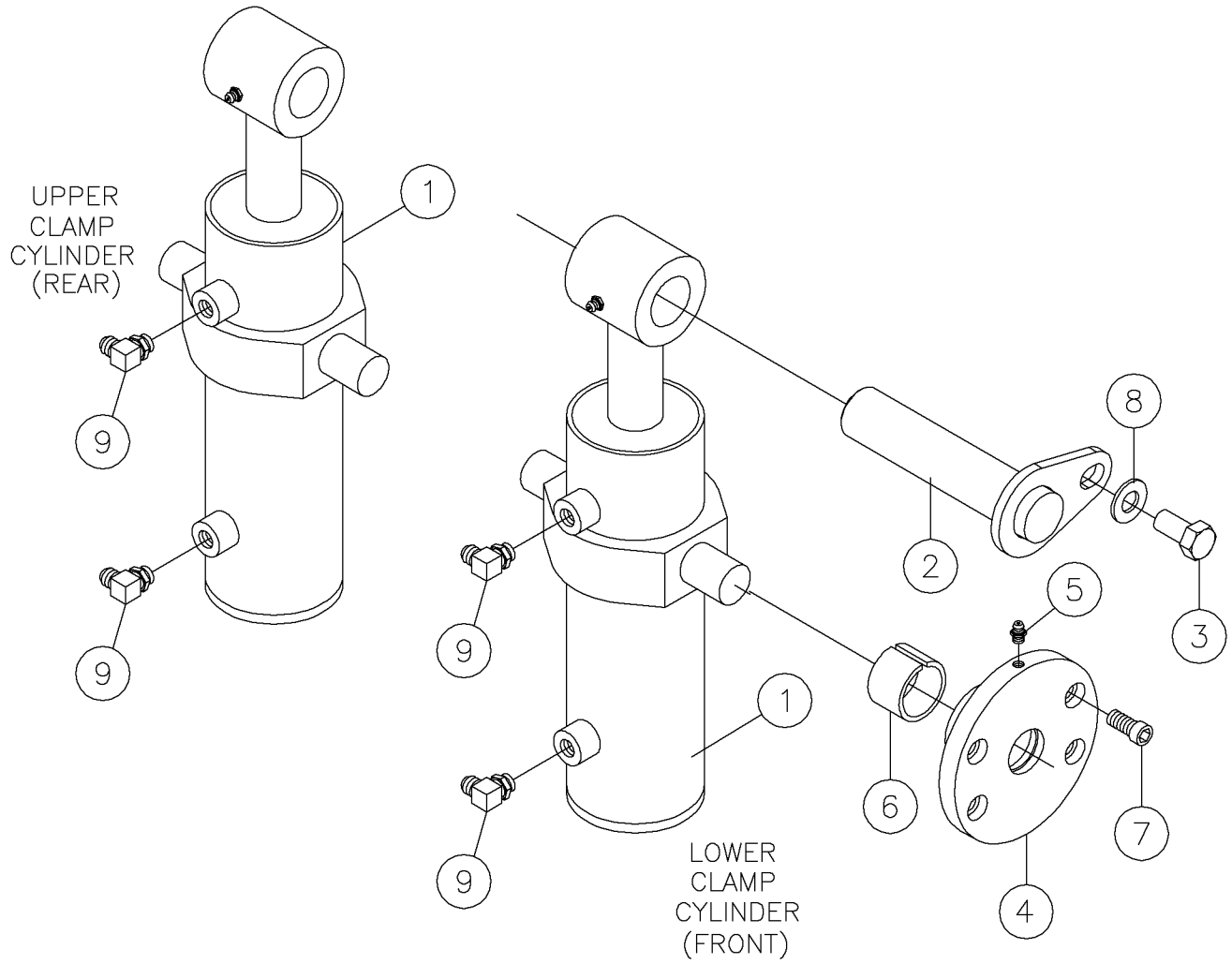
Vise Hyd. Cylinder Fig 4-38



Vise Hyd. Cylinder Fig 4-38

REF. NO.	*	PART NO.	DESCRIPTION	QTY.	REMARKS
1		228021001	CYLINDER-2 1/2 X 3 HYD	1	Breakdown Fig. 10-18
2		60908001	FITTING-4MX4M JIC STR ADAPTER	2	
3		228037001	PIN-STATIONARY	1	
4		235729001	SCREW-HCS-.50-13X1.00-GR8-YZ	1	
5		228061001	PIN-TILT	1	
6		510025	COTTER PIN-3/16" X 2" REF T10997	1	
7		485025	WASHER-1/2 FLAT-HARDENED-YZ	1	

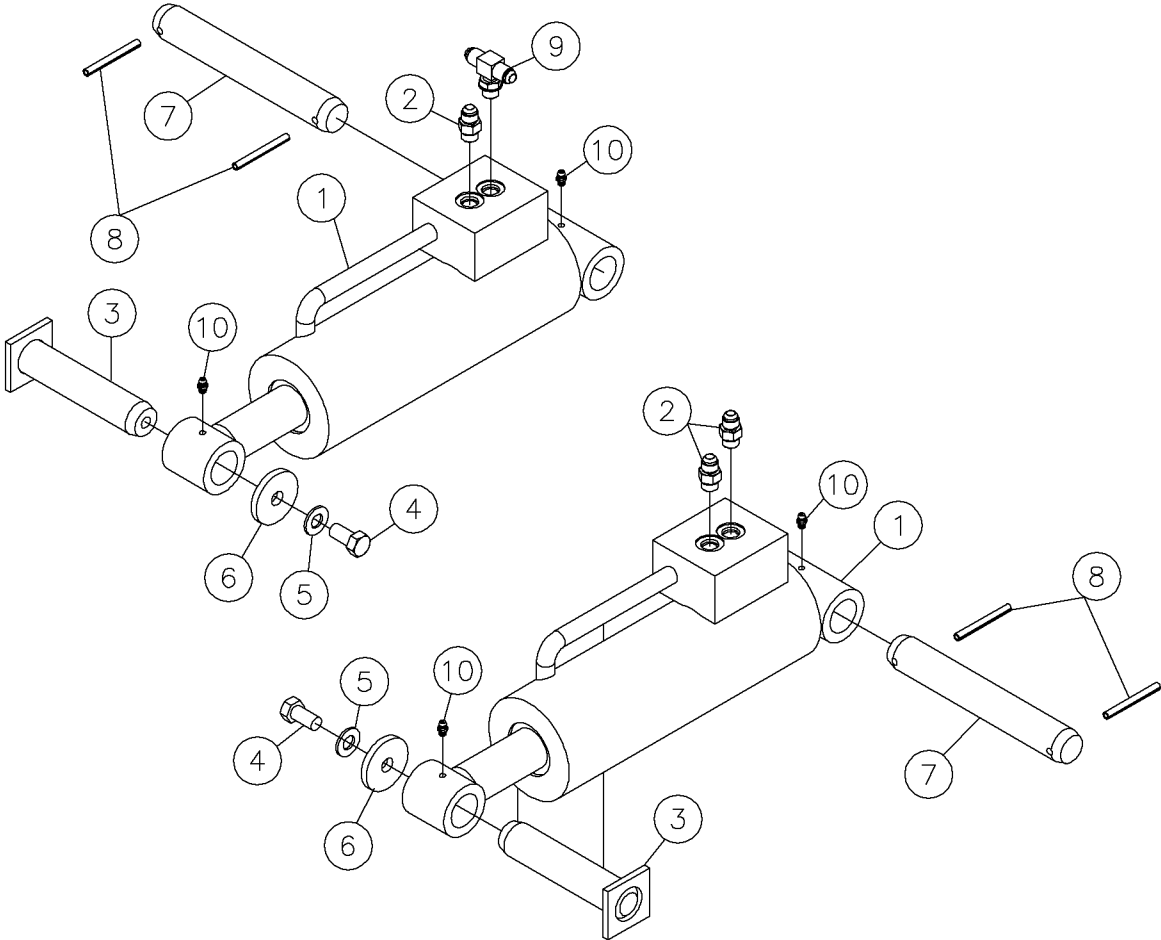
Vise Jaw Hyd. Cylinder Fig 4-39



## Vise Jaw Hyd. Cylinder Fig 4-39

REF. NO.	*	PART NO.	DESCRIPTION	QTY.	REMARKS
1		287590001	CYLINDER - 2-1/2 X 6-5/8	2	Breakdown Fig. 10-20
2		228058001	PIN-CLAMP	2	
3		235729001	SCREW-HCS-.50-13X1.00-GR8-YZ	2	
4		240907001	BUSHING-TRUNNION	4	
5		598001	FITTING-1/4" NF ST GREASE ZERK	2	
6		1835025	BSHG.-STL.- 1 1/2 X 1 1/4 X 1 REF T06413	4	
7		601696010	SOCKET HD CAP SCREW 3/8-16X1 Z	16	
8		485025	WASHER-1/2 FLAT-HARDENED-YZ	2	
9		59423001	FIT-4M JICX4M ADJ.90 DEG.ELBOW	4	

Rack Lift Hyd. Cylinder Fig 4-40

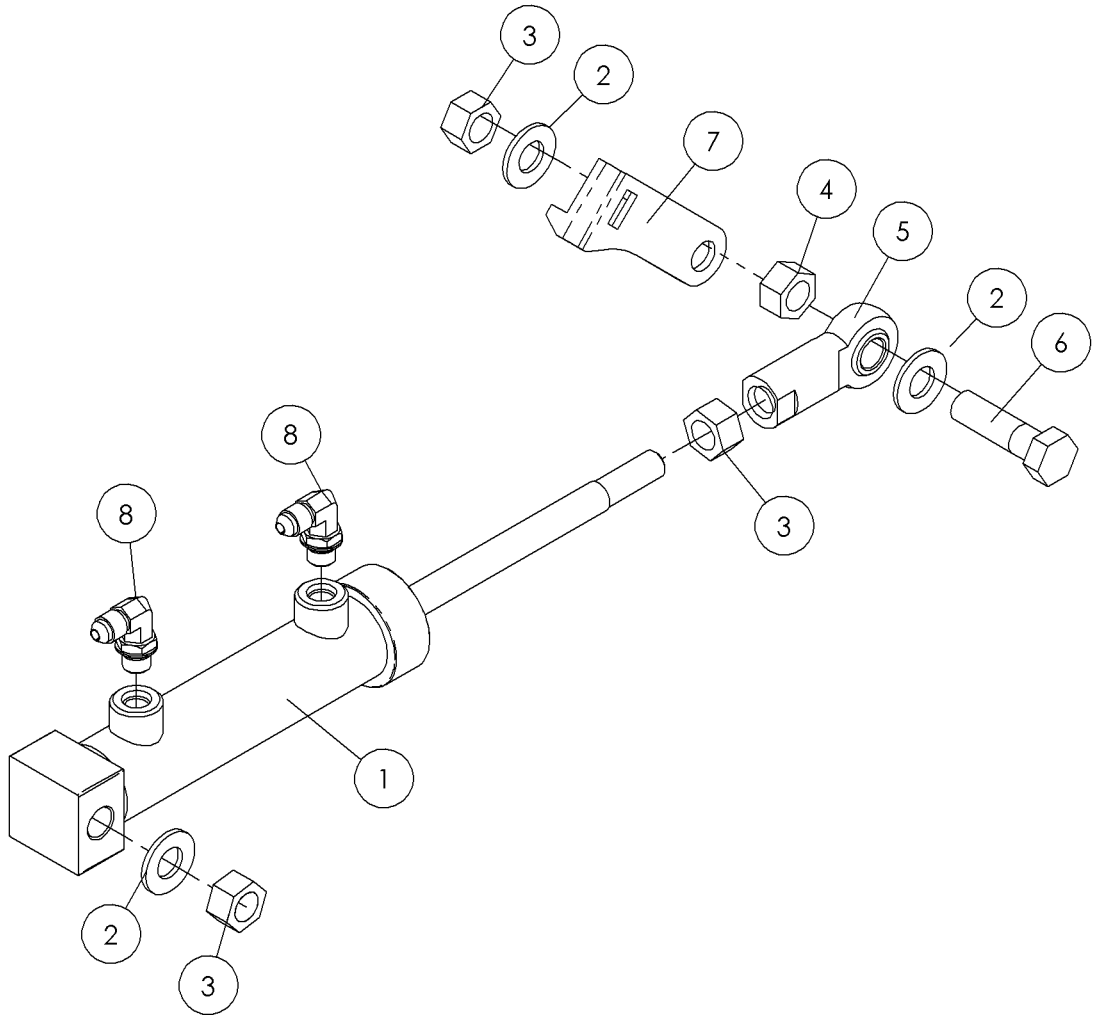




## Rack Lift Hyd. Cylinder Fig 4-40

REF. NO.	*	PART NO.	DESCRIPTION	QTY.	REMARKS
1		278769001	CYLINDER-3 1/2"BORE X 7"STROKE	2	Breakdown Fig. 10-21
2		65565001	FITTING - 6M O-RING X 6M JIC ST.	3	
3		277202001	PIN-CYLINDER RACK	2	
4		235729001	SCREW-HCS-.50-13X1.00-GR8-YZ	2	
5		485025	WASHER-1/2 FLAT-HARDENED-YZ	2	
6		281787001	SLUG -.53 ID X 2.00 OD - 1/4"	2	
7		296277267	PIN - RACK CYLINDER PIN	2	
8		1788035	PIN-EXPANSION 1/4X2 1/2	4	
9		68787001	FITTING-6M (BCH)X6M JICX6M JIC	1	
10		598001	FITTING-1/4" NF ST GREASE ZERK	4	

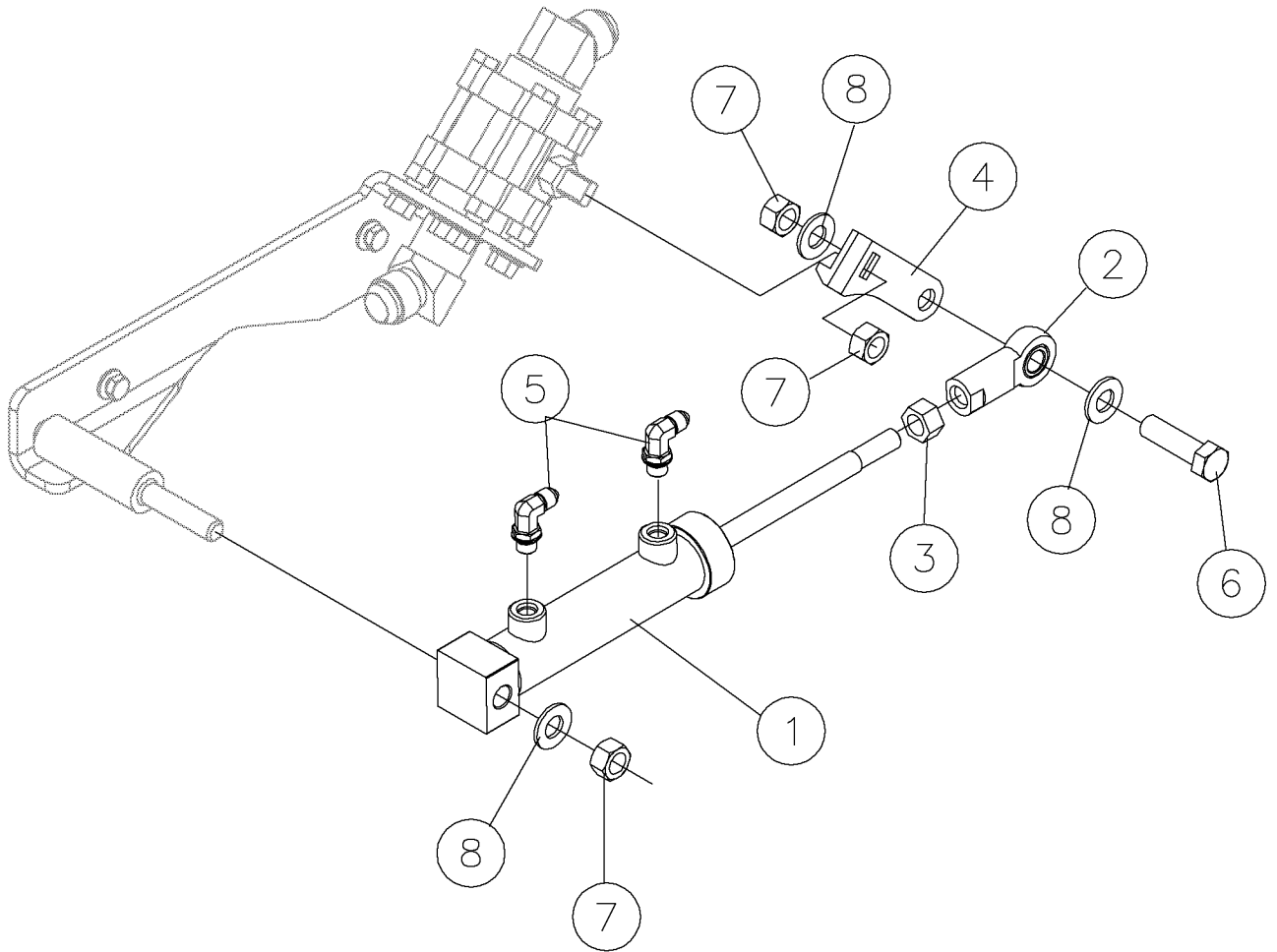
Water Shut-Off Hyd. Cylinder Fig 4-41r01



## Water Shut-Off Hyd. Cylinder Fig 4-41r01

REF. NO.	*	PART NO.	DESCRIPTION	QTY.	REMARKS
1		287591001	CYLINDER - 1 X 3-1/2	1	Breakdown Fig. 10-24
2		485025	WASHER-FLATSTRL-.50-.53X1.06-.09-YZ	3	
3		250512001	NUT-TLHEX-.50-13-C-YZ	3	
4		451001	NUT-HEX-.50-20-GR2-YZ	1	
5		224291001	BALL JOINT	1	Breakdown Fig. 10-43
6		240334001	SCREW-HCS-.50-13X1.75-GR8-YZ	1	
7		296275324	ARM - LEVER	1	
8		59423001	FITTING-90-4MJ-4MORBA	2	

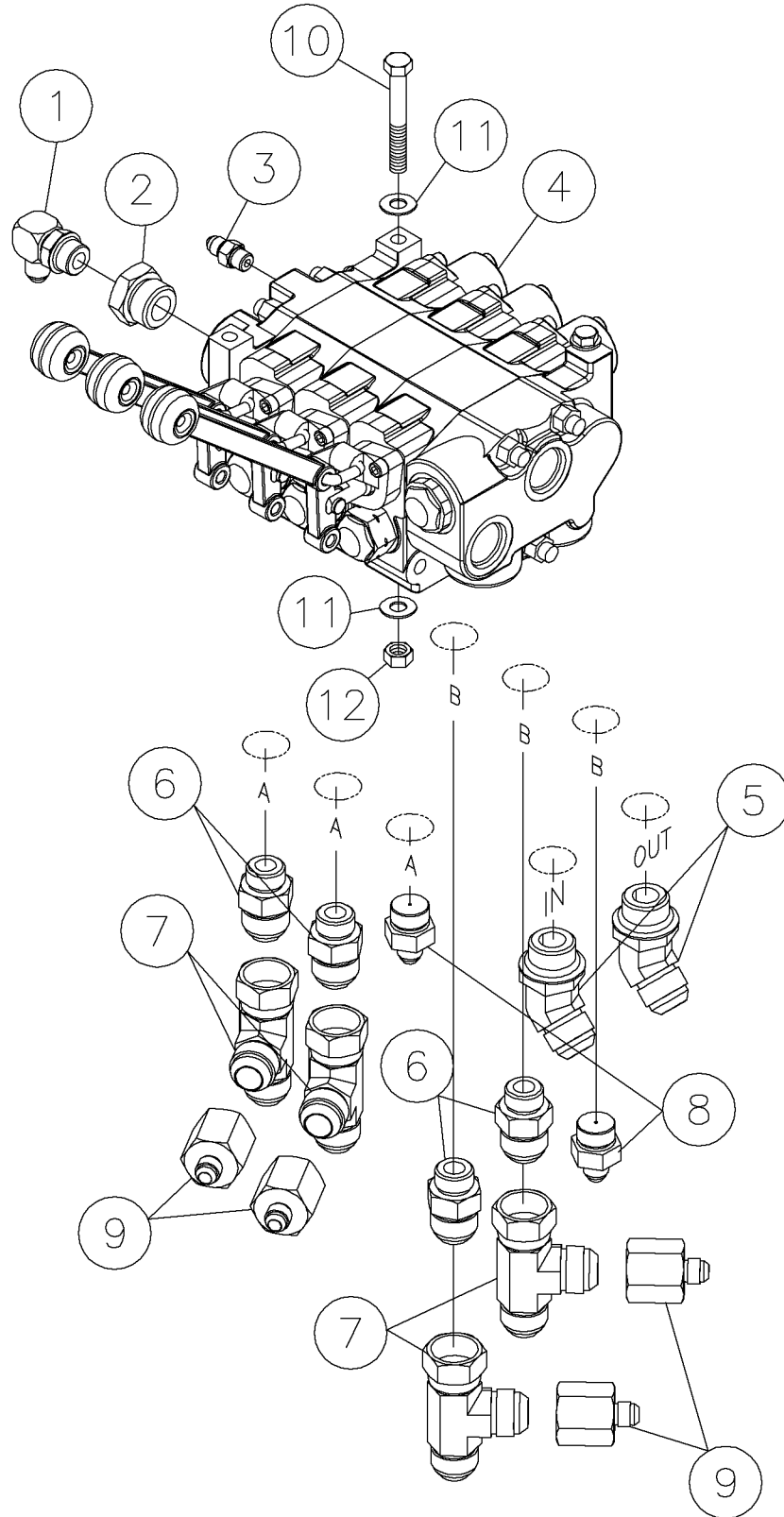
Water Shut-Off Hyd. Cylinder Fig 4-41



## Water Shut-Off Hyd. Cylinder Fig 4-41

REF. NO.	*	PART NO.	DESCRIPTION	QTY.	REMARKS
1		287591001	CYLINDER - 1 X 3-1/2	1	Breakdown Fig. 10-24
2		224291001	BALL JOINT-1/2-20 FEMALE THDS.	1	
3		451001	NUT-1/2 N.F. HEX	1	
4		296275324	ARM - LEVER	1	
5		59423001	FIT-4M JICX4M ADJ.90 DEG.ELBOW	2	
6		240334001	BOLT-1/2-13X1 3/4 GR8 ZINC PLT	1	
7		250512001	NUT- 1/2 NC Gr8 TOP LOCK Y/ ZINC	3	
8		485025	WASHER-1/2 FLAT-HARDENED-YZ	3	

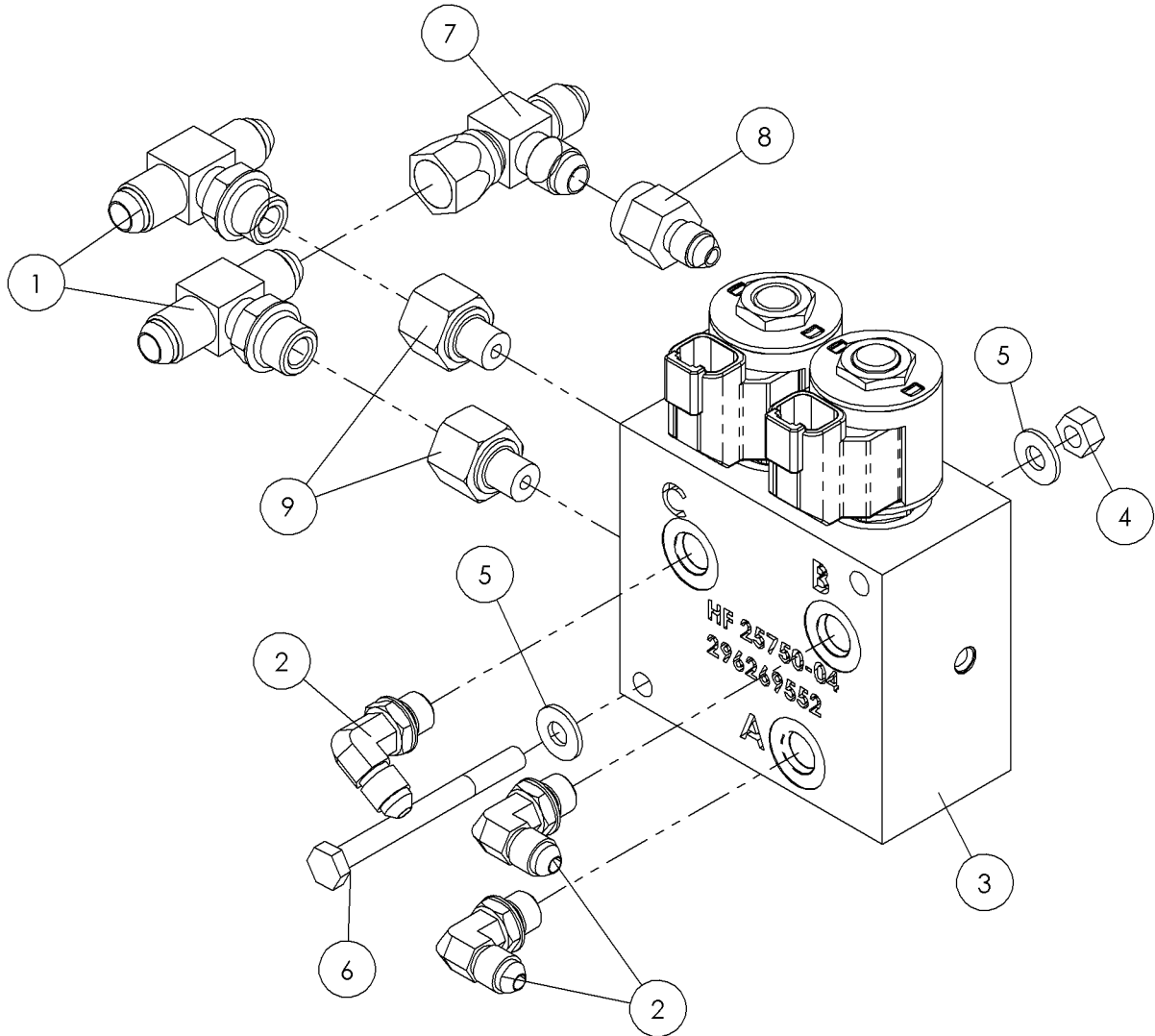
Transport Hyd. Valve Fig 4-42



## Transport Hyd. Valve Fig 4-42

REF. NO.	*	PART NO.	DESCRIPTION	QTY.	REMARKS
1		57954001	FITTING-8M O-RING X 6M JIC 90 DEGS	1	
2		81702001	FITTING - STR - 12MORB - 8FORB	1	
3		60908001	FITTING-4MX4M JIC STR ADAPTER	1	
4		236457001	VALVE-3 SPOOL CONTROL	1	Breakdown Fig. 10-1 Thru 10-3
5		60718001	FITTING-45-12MJ-12MORBA	2	
6		60910001	10MX12M JIC ST.ADAPTER	4	
7		59417001	12 JIC SW RUN TEE	4	
8		296269633	FITTING - 10MB - 6MJ ST/R.062	2	
9		60909001	6M JICX12F JIC ST.ADAPTER	4	
10		250502001	BOLT 5/16-18 X 2 3/4"GR8 HEX Y	3	
11		235714001	WASHER - FLATSTRL - .31 - .34 X .69 - .06-YZ-A325	6	
12		235741001	NUT - HEX - .31 - 18 - GR8 -YZ	3	

Water On/Off Hyd. Valve(Aplex) Fig 4-43r01

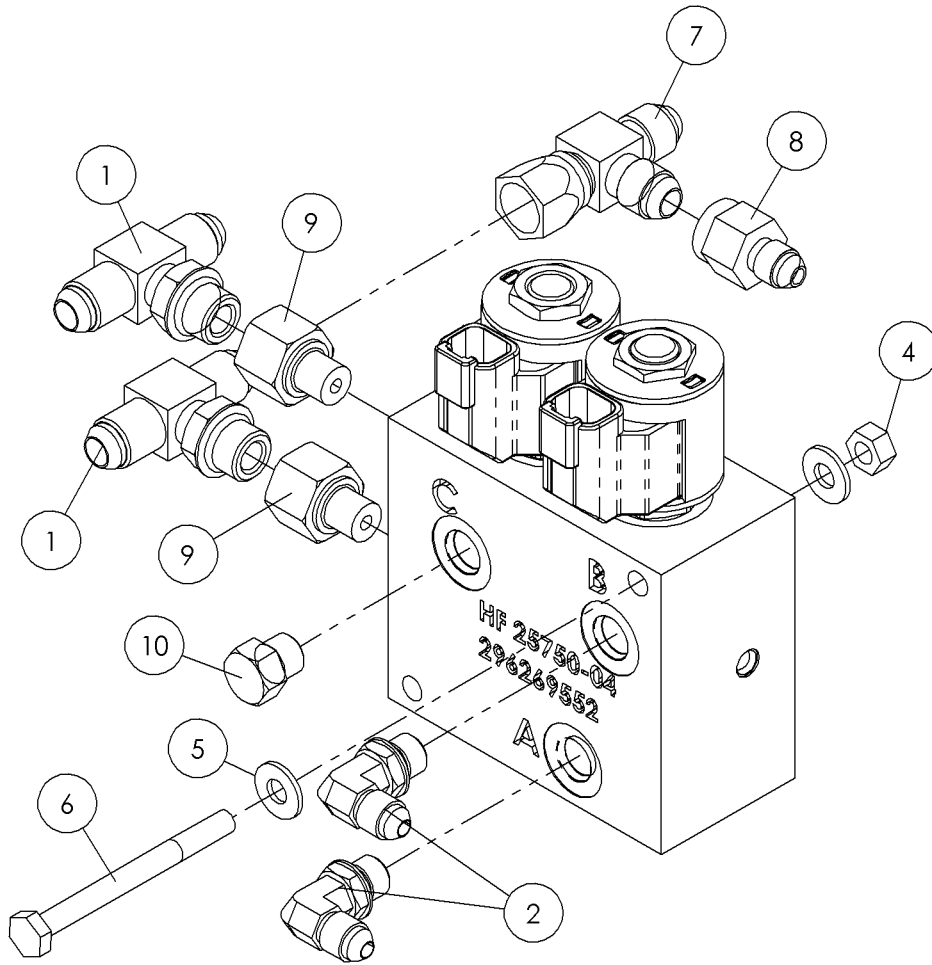




## Water On/Off Hyd. Valve(Aplex) Fig 4-43r01

REF. NO.	*	PART NO.	DESCRIPTION	QTY.	REMARKS
1		68787001	FITTING-BTEE-6MJ-6MJ-6MORBA	2	
2		59423001	FITTING-90-4MJ-4MORBA	3	
3		296269552	VALVE-WATER ON/OFF	1	Breakdown Fig. 10-14
4		235732001	NUT-HEX-.25-20-GR8-YZ	2	
5		235716001	WASHER-FLATSTRL-.25-.28X.63-.06-CZ	4	
6		124631026	SCREW-HCS-.25-20X2.75-GR8-YZ	2	
7		59427001	FITTING-RTEE-6MJ-6FSJ-6MJ	1	
8		59928001	FITTING-STR-4MJ-6FJ	1	
9		88530001	FITTING-STR-4MORB-6FORB	2	

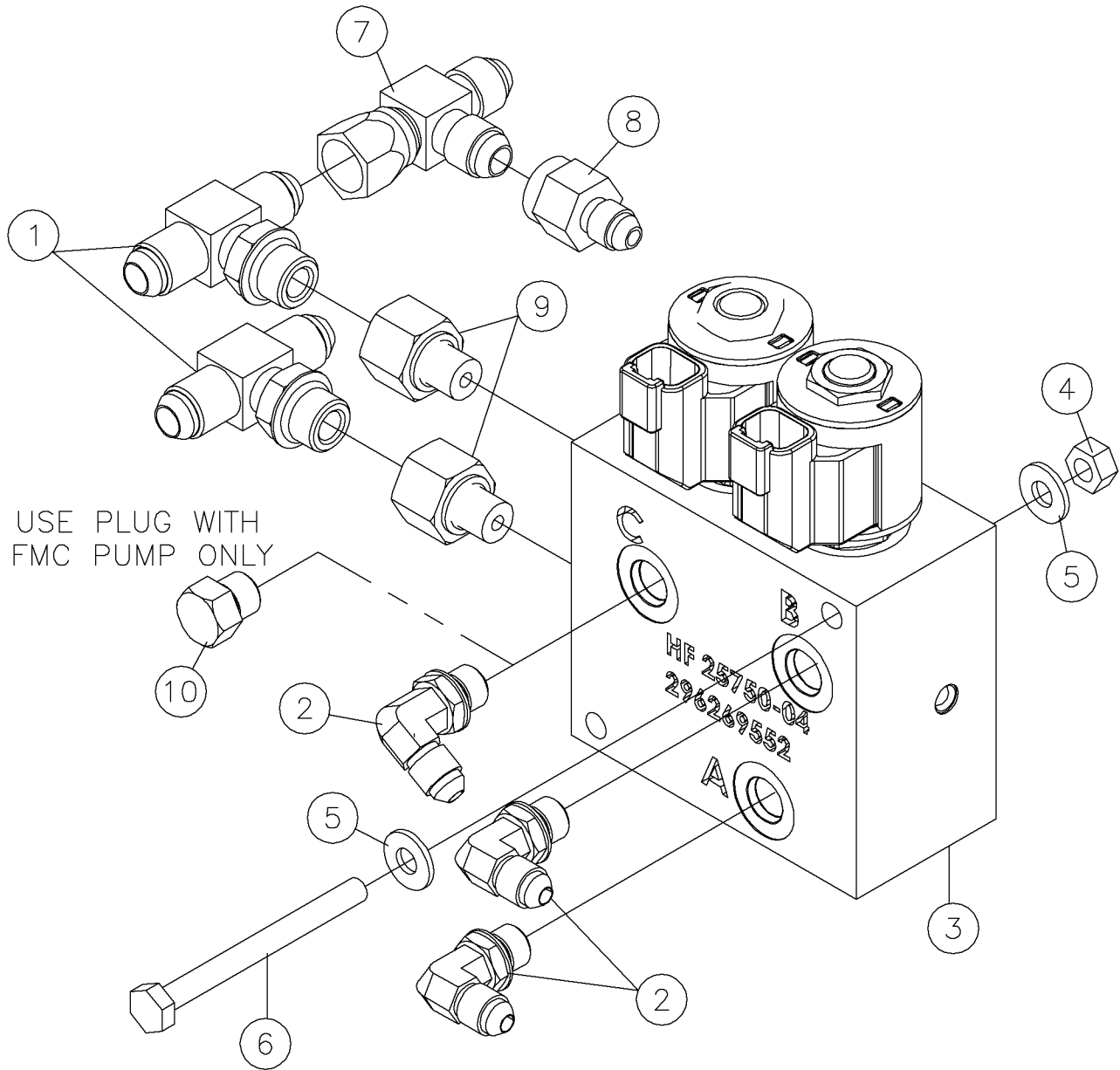
Water On/Off Hyd. Valve(FMC)) Fig 4-43x01



## Water On/Off Hyd. Valve(FMC)) Fig 4-43x01

REF. NO.	*	PART NO.	DESCRIPTION	QTY.	REMARKS
1		68787001	FITTING-BTEE-6MJ-6MJ-6MORBA	2	
2		59423001	FITTING-90-4MJ-4MORBA	2	
3		296269552	VALVE-WATER ON/OFF	1	Breakdown Fig. 10-14
4		235732001	NUT-HEX-.25-20-GR8-YZ	2	
5		235716001	WASHER-FLATSTRL-.25-.28X.63-.06-CZ	4	
6		124631026	SCREW-HCS-.25-20X2.75-GR8-YZ	2	
7		59427001	FITTING-RTEE-6MJ-6FSJ-6MJ	1	
8		59928001	FITTING-STR-4MJ-6FJ	1	
9		88530001	FITTING-STR-4MORB-6FORB	2	
10		67263001	PLUG - #4 ORB	1	

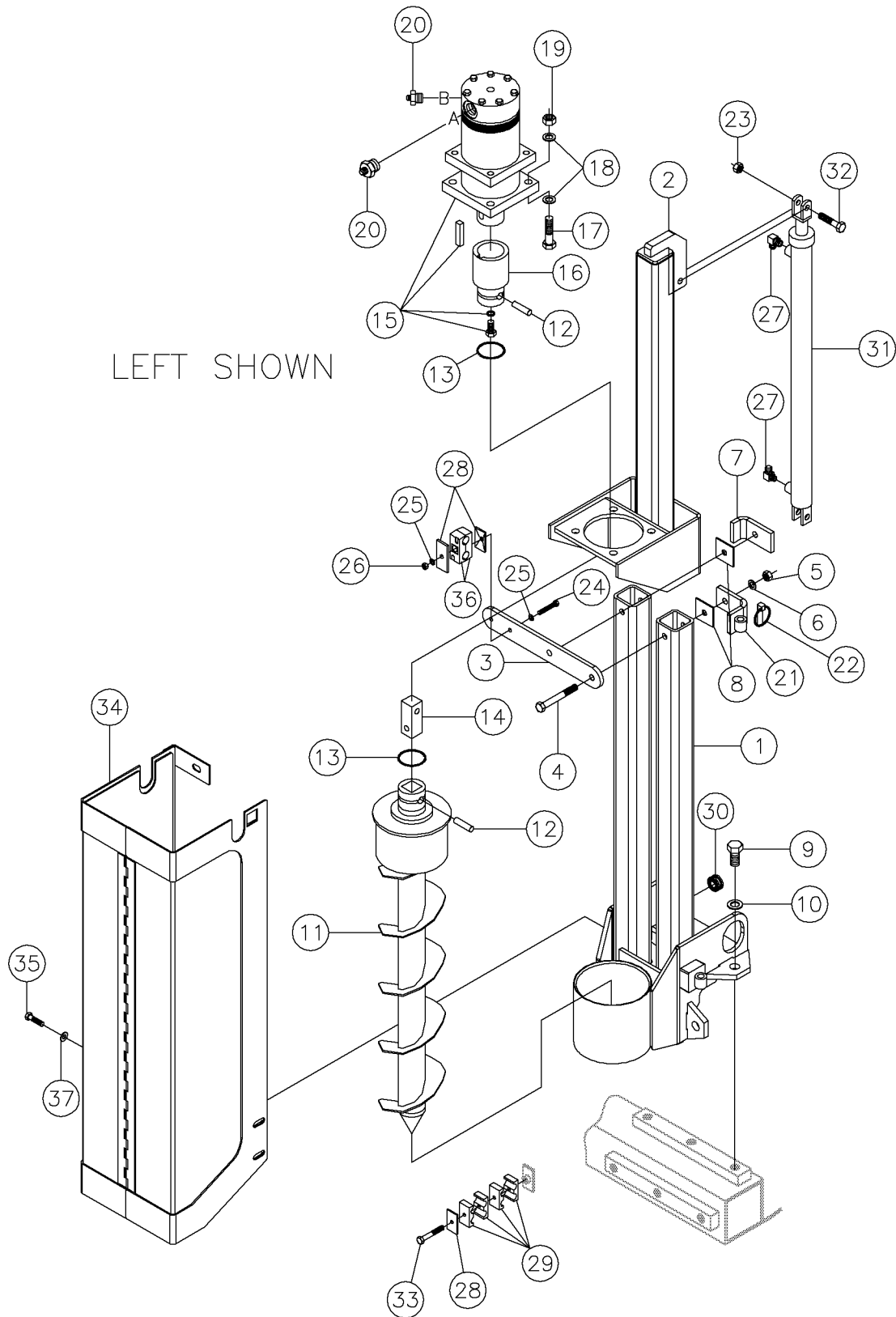
Water On/Off Hyd. Valve(Aplex) Fig 4-43



## Water On/Off Hyd. Valve(Aplex) Fig 4-43

REF. NO.	*	PART NO.	DESCRIPTION	QTY.	REMARKS
1		68787001	FITTING-6M (BCH)X6M JICX6M JIC	2	
2		59423001	FIT-4M JICX4M ADJ.90 DEG.ELBOW	3	Breakdown Fig 10-14
3		296269552	CONTROL - 2 SPEED/ON-OFF WATER PUMP	1	
4		235732001	NUT - HEX - .25 - 20 - GR8 - YZ	2	
5		235716001	WASHER - FLATSTRL - .25 -.28 X .63 - .06 - CZ	4	
6		124631026	BOLT-1/4-20X2 3/4 GR8 HEX ZINC	2	
7		59427001	TEE-6MJ-6FSJ-6MJ	1	
8		59928001	6F JICX4M JIC ST REDUCER	1	
9		88530001	FITTING-4MX6F JIC SOLID REDUCE	2	
10		67263001	FITTING - PLUG - 4MORB - HEX	1	FMC Only

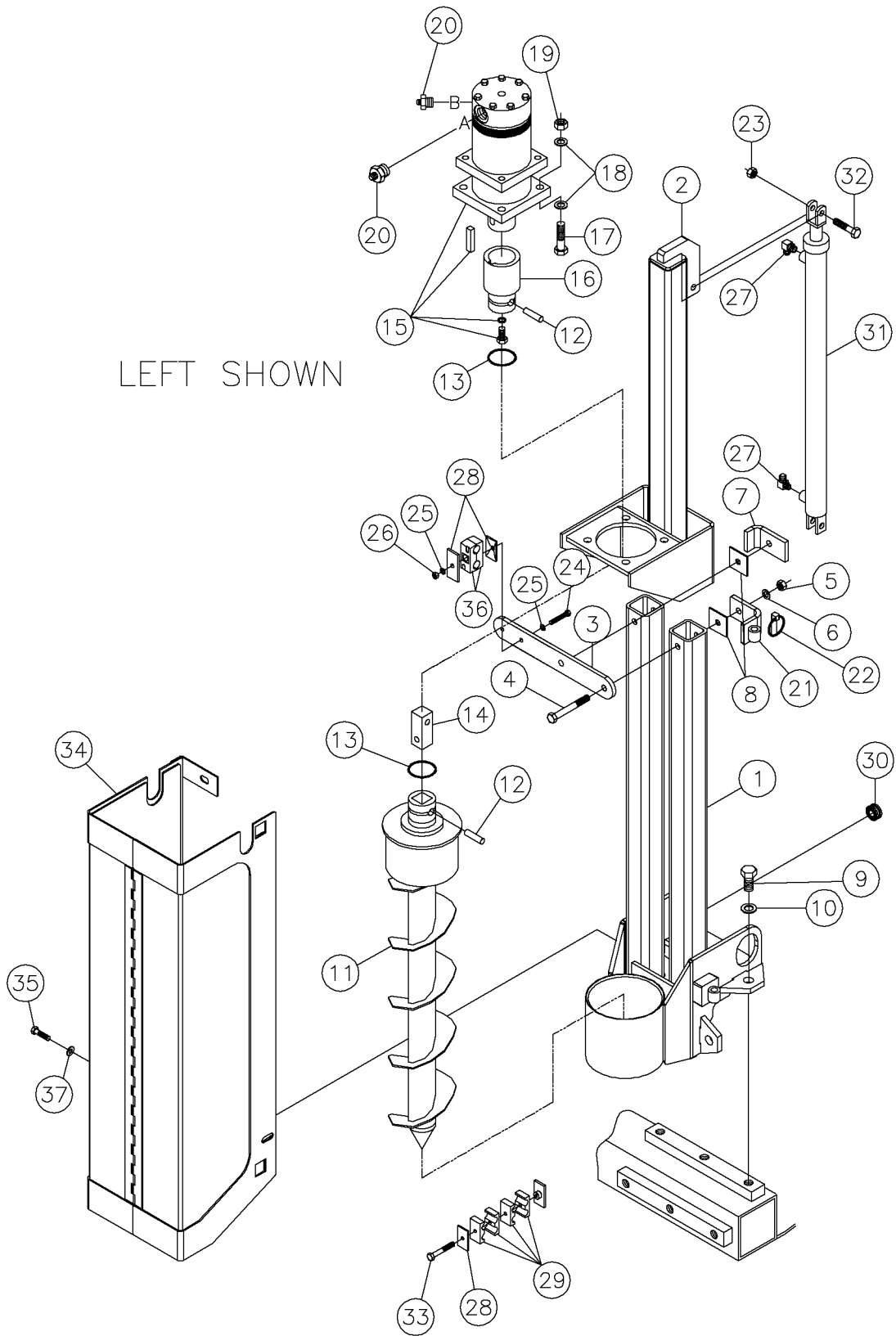
Stakedown Fig 4-44r02



## Stakedown Fig 4-44r02

REF. NO.	*	PART NO.	DESCRIPTION	QTY.	REMARKS
		Revision Date	March, 2006		Update In Illustration.
1		296275488	WELDMENT - TOWER STAKEDOWN LEFT	1	
		296275489	WELDMENT-TOWER STAKEDOWN RIGHT	1	
2		296265765	MOUNT - SLIDE MOTOR	2	
3		279150001	BAR-LIGHT REINFORCEMENT	2	
4		296275065	SCREW - 1/2-13 X 4.25 GR.8 Y/ZINC	4	
5		235731001	NUT-1/2-13 GR8 ZINC PLTD	4	
6		485025	WASHER-1/2 FLAT-HARDENED-YZ	4	
7		236232001	BAR-GUIDE	4	
8		236233001	PLATE-SPACER	4	
9		385014	BOLT-3/4"-10X1 1/2 GR.8 HEX	8	
10		235717001	WASHER-3/4 FLAT HARDENED YELLOW ZINC	8	
11		232484001	STAKE-6" FLIGHT	2	
12		236200001	PIN-STAKE KEEPER	4	
13		236229001	O-RING - 329	4	
14		236230001	BAR-STAKE DRIVE	2	
15		236219001	HYD MOTOR-66CI	2	Breakdown Fig. 10-47
16		236205001	HUB-STAKE DRIVE	2	
17		238245001	BOLT 5/8" - 11 X 2 1/4 Gr 8 HEX	8	
18		235715001	WASHER-5/8 SAE HARD ZINC PLTD	16	
19		250513001	NUT - 5/8NC Gr8 TOP LOCK Y/ZINC	8	
20		64168001	12MX6 JIC M STR.	4	
21		296280264	WELDMENT-MOUNT STAKEDOWN GUARD-UPPER	2	
22		1797001	PIN-QUICK TACH. 7/16X1 3/4	4	
23		75382001	NUT-1/2-UNC GRADE 8 SLTL	4	
24		244147001	BOLT-5/16-18X2 1/4 GR8 ZINC PL	2	
25		235714001	WASHER - FLATSTRL - .31 - .34 X .69 - .06-YZ-A325	4	
26		235741001	NUT - HEX - .31 - 18 - GR8 -YZ	2	
27		60906001	4MX6M JIC 90 DEG ELBOW	4	
28		67846003	PLATE-TWIN COVER	3	
29		900035005	CLAMP-3/8"DOUBLE HOSE	4	
30		1865017	GROMMET-7/8IDX1.25OD 1/4GROOVE	2	
31		287588001	CYLINDER - 1-1/2 X 24	2	Breakdown Fig. 10-48
32		235718001	BOLT-1/2-13X2 GR8 HEX ZINC PLT	4	
33		248029001	BOLT-5/16-18X2 1/2 GR8 ZINC PL	1	
34		296275486	WELDMENT - STAKE DOWN SHIELD LEFT	1	S/N 101-
		296275438	WELDMENT - STAKEDOWN SHIELD	1	S/N 101-
35		235723001	SCREW - HCS - .38 - 16 X 1.50 - GR8 - YZ	4	
36		900035005	CLAMP-3/8"DOUBLE HOSE	4	
37		235713001	WASHER - FLATSTRL - .38 - .41 X .81 - .06-YA-A325	4	

Stakedown Fig 4-44r01

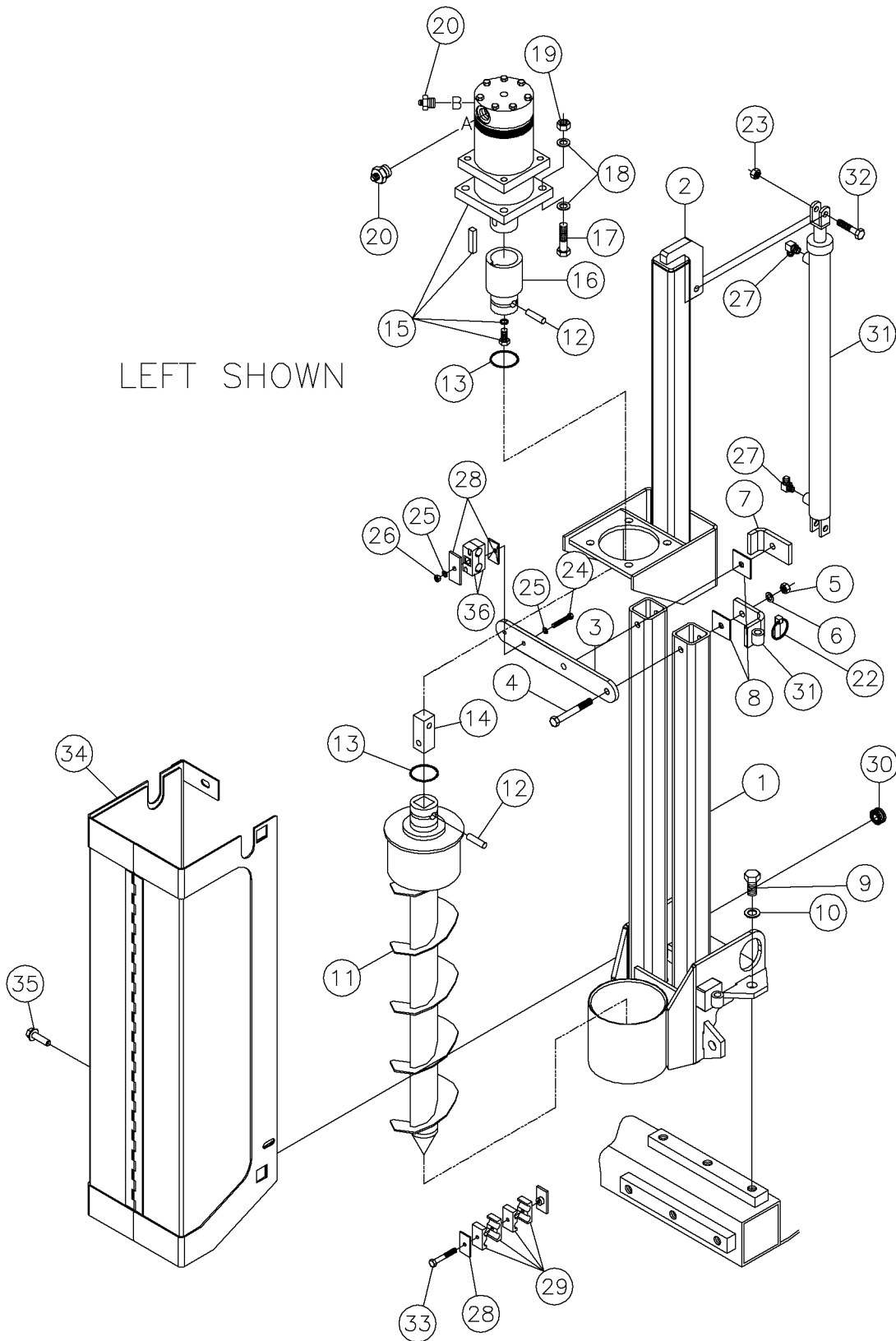




## Stakedown Fig 4-44r01

REF. NO.	*	PART NO.	DESCRIPTION	QTY.	REMARKS
		Revision Date	July, 2005		Update In Illustration & Parts List.
1		296275488	WELDMENT - TOWER STAKEDOWN LEFT	1	
		296275489	WELDMENT-TOWER STAKEDOWN RIGHT	1	
2		296265765	MOUNT - SLIDE MOTOR	2	
3		279150001	BAR-LIGHT REINFORCEMENT	2	
4		296275065	SCREW - 1/2-13 X 4.25 GR.8 Y/ZINC	4	
5		235731001	NUT-1/2-13 GR8 ZINC PLTD	4	
6		485025	WASHER-1/2 FLAT-HARDENED-YZ	4	
7		236232001	BAR-GUIDE	4	
8		236233001	PLATE-SPACER	4	
9		385014	BOLT-3/4"-10X1 1/2 GR.8 HEX	8	
10		235717001	WASHER-3/4 FLAT HARDENED YELLOW ZINC	8	
11		232484001	STAKE-6" FLIGHT	2	
12		236200001	PIN-STAKE KEEPER	4	
13		236229001	O-RING - 329	4	
14		236230001	BAR-STAKE DRIVE	2	
15		236219001	HYD MOTOR-66CI	2	Breakdown Fig. 10-47
16		236205001	HUB-STAKE DRIVE	2	
17		238245001	BOLT 5/8" - 11 X 2 1/4 Gr 8 HEX	8	
18		235715001	WASHER-5/8 SAE HARD ZINC PLTD	16	
19		250513001	NUT - 5/8NC Gr8 TOP LOCK Y/ZINC	8	
20		64168001	12MX6 JIC M STR.	4	
21		296280264	WELDMENT-MOUNT STAKEDOWN GUARD-UPPER	2	
22		1797001	PIN-QUICK TACH. 7/16X1 3/4	4	
23		75382001	NUT-1/2-UNC GRADE 8 SLTL	4	
24		244147001	BOLT-5/16-18X2 1/4 GR8 ZINC PL	2	
25		235714001	WASHER - FLATSTRL - .31 - .34 X .69 - .06-YZ-A325	4	
26		235741001	NUT - HEX - .31 - 18 - GR8 -YZ	2	
27		60906001	4MX6M JIC 90 DEG ELBOW	4	
28		67846003	PLATE-TWIN COVER	3	
29		900035005	CLAMP-3/8"DOUBLE HOSE	4	
30		1865017	GROMMET-7/8IDX1.25OD 1/4GROOVE	2	
31		287588001	CYLINDER - 1-1/2 X 24	2	Breakdown Fig. 10-48
32		235718001	BOLT-1/2-13X2 GR8 HEX ZINC PLT	4	
33		248029001	BOLT-5/16-18X2 1/2 GR8 ZINC PL	1	
34		296275486	WELDMENT - STAKE DOWN SHIELD LEFT	1	
		296275438	WELDMENT - STAKEDOWN SHIELD	1	
35		235723001	SCREW - HCS - .38 - 16 X 1.50 - GR8 - YZ	4	
36		900035005	CLAMP-3/8"DOUBLE HOSE	4	
37		235713001	WASHER - FLATSTRL - .38 - .41 X .81 - .06-YA-A325	4	

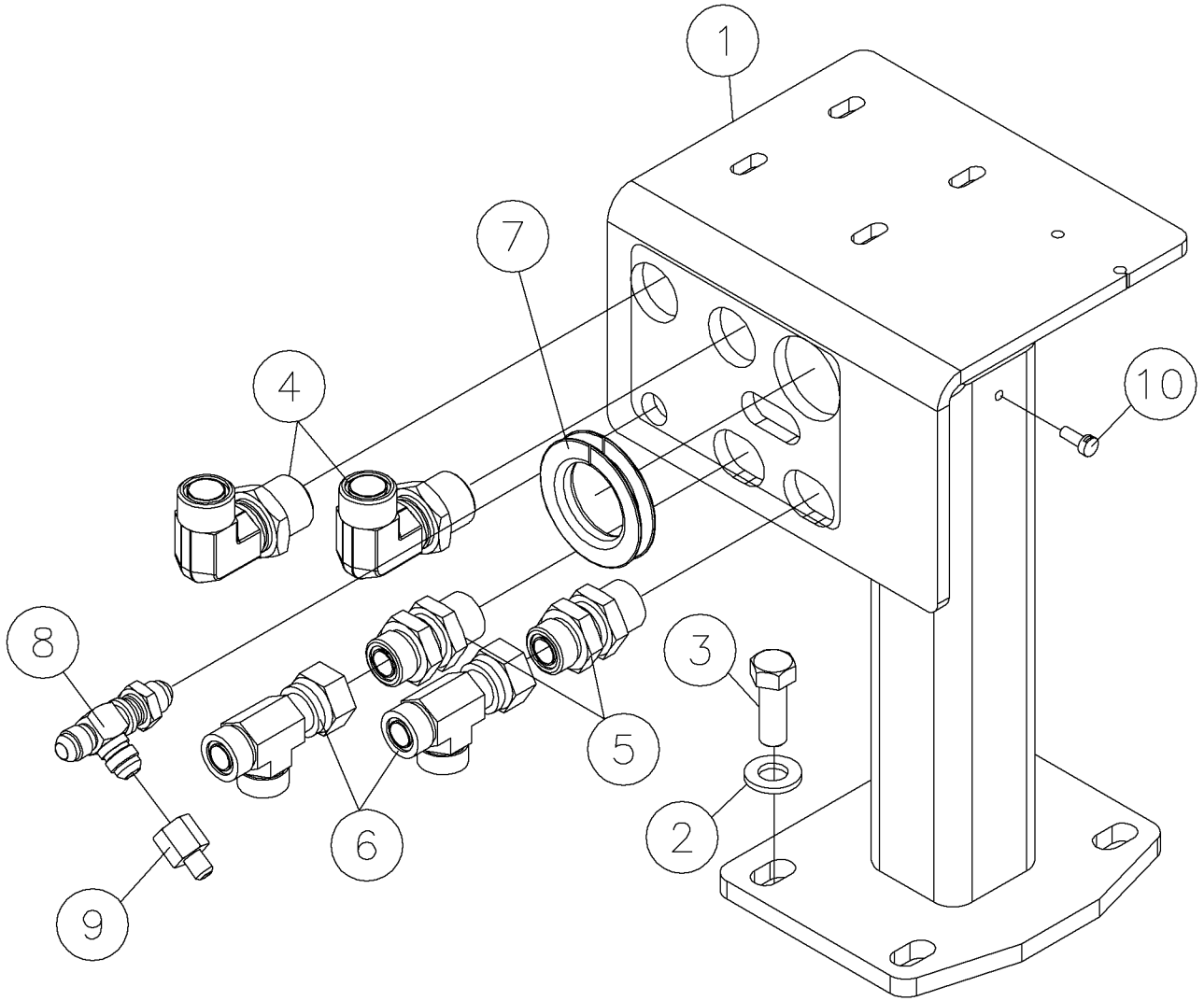
Stakedown Fig 4-44



## Stakedown Fig 4-44

REF. NO.	*	PART NO.	DESCRIPTION	QTY.	REMARKS
1		296275488	WELDMENT - TOWER STAKEDOWN LEFT	1	
		296275489	WELDMENT-TOWER STAKEDOWN RIGHT	1	
2		296265765	MOUNT - SLIDE MOTOR	2	
3		279150001	BAR-LIGHT REINFORCEMENT	2	
4		296275065	SCREW - 1/2-13 X 4.25 GR.8 Y/ZINC	4	
5		235731001	NUT-1/2-13 GR8 ZINC PLTD	4	
6		485025	WASHER-1/2 FLAT-HARDENED-YZ	4	
7		236232001	BAR-GUIDE	4	
8		236233001	PLATE-SPACER	4	
9		385014	BOLT-3/4"-10X1 1/2 GR.8 HEX	8	
10		235717001	WASHER-3/4 FLAT HARDENED YELLOW ZINC	8	
11		232484001	STAKE-6" FLIGHT	2	
12		236200001	PIN-STAKE KEEPER	4	
13		236229001	O-RING - 329	4	
14		236230001	BAR-STAKE DRIVE	2	
15		236219001	HYD MOTOR-66CI	2	Breakdown Fig. 10-47
16		236205001	HUB-STAKE DRIVE	2	
17		238245001	BOLT 5/8" - 11 X 2 1/4 Gr 8 HEX	8	
18		235715001	WASHER-5/8 SAE HARD ZINC PLTD	16	
19		250513001	NUT - 5/8NC Gr8 TOP LOCK Y/ZINC	8	
20		64168001	12MX6 JIC M STR.	4	
21		296280264	WELDMENT-MOUNT STAKEDOWN GUARD-UPPER	2	
22		1797001	PIN-QUICK TACH. 7/16X1 3/4	4	
23		75382001	NUT-1/2-UNC GRADE 8 SLTL	4	
24		244147001	BOLT-5/16-18X2 1/4 GR8 ZINC PL	2	
25		235714001	WASHER - FLATSTRL - .31 - .34 X .69 - .06-YZ-A325	4	
26		235741001	NUT - HEX - .31 - 18 - GR8 -YZ	2	
27		60906001	4MX6M JIC 90 DEG ELBOW	4	
28		67846003	PLATE-TWIN COVER	3	
29		900035005	CLAMP-3/8"DOUBLE HOSE	4	
30		1865017	GROMMET-7/8IDX1.25OD 1/4GROOVE	2	
31		287588001	CYLINDER - 1-1/2 X 24	2	Breakdown Fig. 10-48
32		235718001	BOLT-1/2-13X2 GR8 HEX ZINC PLT	4	
33		248029001	BOLT-5/16-18X2 1/2 GR8 ZINC PL	1	
34		296275486	WELDMENT - STAKE DOWN SHIELD LEFT	1	
		296275438	WELDMENT - STAKEDOWN SHIELD	1	
35		606148001	BOLT-1/2-13X1 3/4GR.5FLG.WHIZ	4	
36		900035005	CLAMP-3/8"DOUBLE HOSE	4	

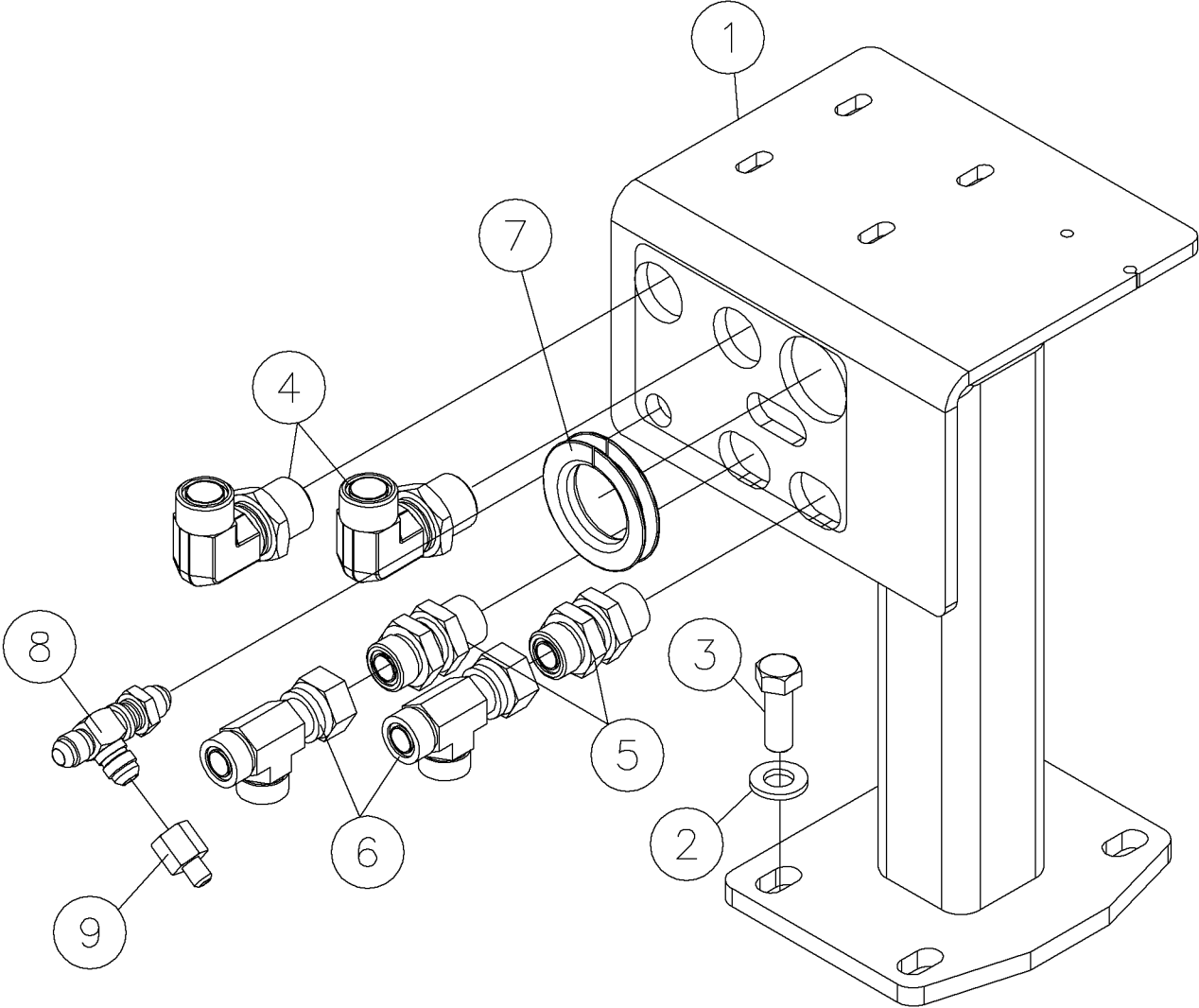
Hose Track Bulkhead Fig 4-45r01



## Hose Track Bulkhead Fig 4-45r01

REF. NO.	*	PART NO.	DESCRIPTION	QTY.	REMARKS
		Revision Date	May, 2005		Update In Illustration.
1		296273529	WELDMENT - HOSE CARRIER	1	
2		235715001	WASHER-5/8 SAE HARD ZINC PLTD	1	
3		230728001	BOLT-5/8-11X1 3/4GR 8 PLATED	1	
4		256690001	FITTING-BH90-16MORFF-16MORFF	2	
5		296254814	FITTING - BHSTR - 12MORFF - 12MORFF	2	
6		292583001	FITTING - RTEE - 12MORFF - 12FSORFF - 12MORFF	2	
7		296273597	SEAL - EDGE - 3/8" X 7"	1	
8		96075001	FITTING-12MJIC BLKHD RUN TEE	1	
9		59421001	12F JICX8M JIC ST REDUCER FITTING	1	
10		10530006	SCREW-#8-32X3/4 SLOT RD.HD.	1	

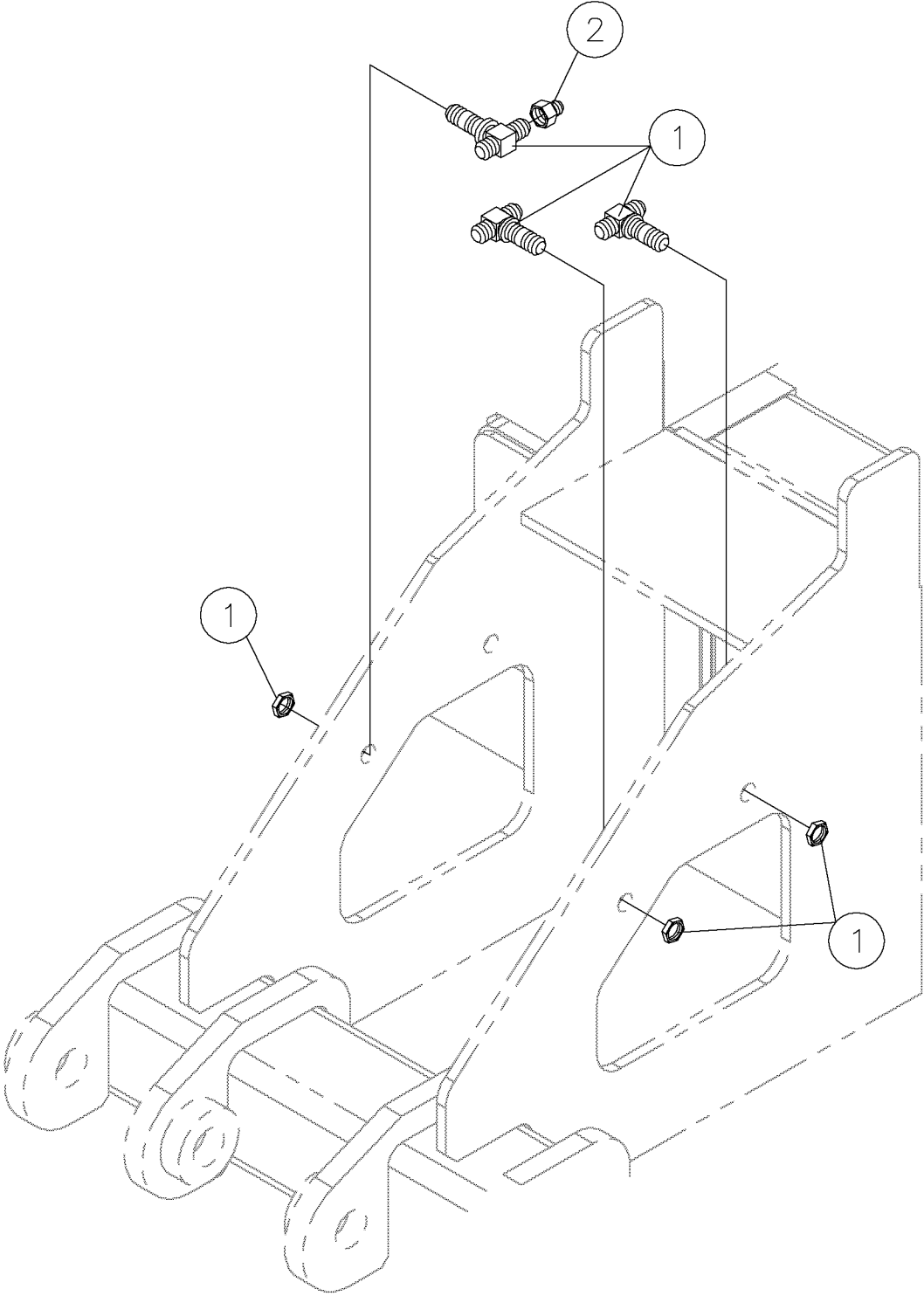
Hose Track Bulkhead Fig 4-45



## Hose Track Bulkhead Fig 4-45

REF. NO.	*	PART NO.	DESCRIPTION	QTY.	REMARKS
1		296273529	WELDMENT - HOSE CARRIER	1	
2		235715001	WASHER-5/8 SAE HARD ZINC PLTD	1	
3		230728001	BOLT-5/8-11X1 3/4GR 8 PLATED	1	
4		256690001	FITTING-BH90-16MORFF-16MORFF	2	
5		296254814	FITTING - BHSTR - 12MORFF - 12MORFF	2	
6		292583001	FITTING - RTEE - 12MORFF - 12FSORFF - 12MORFF	2	
7		296273597	SEAL - EDGE - 3/8" X 7"	1	
8		96075001	FITTING-12MJIC BLKHD RUN TEE	1	
9		59421001	12F JICX8M JIC ST REDUCER FITTING	1	

Carriage Bulkhead Fig 4-46

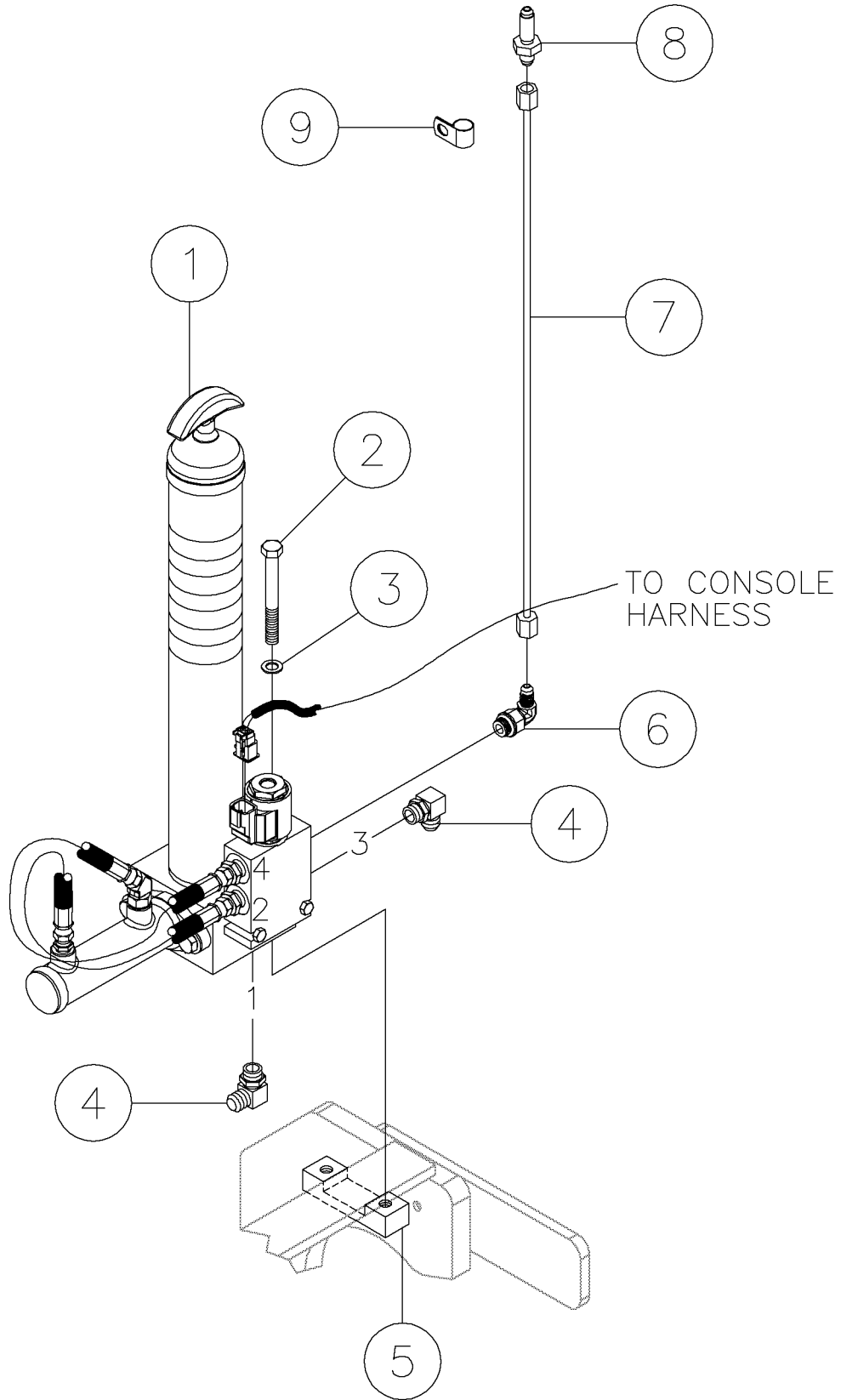




Carriage Bulkhead Fig 4-46

REF. NO.	*	PART NO.	DESCRIPTION	QTY.	REMARKS
1		60726001	6M JIC BULKHEAD TEE	3	
2		59928001	6F JICX4M JIC ST REDUCER	1	

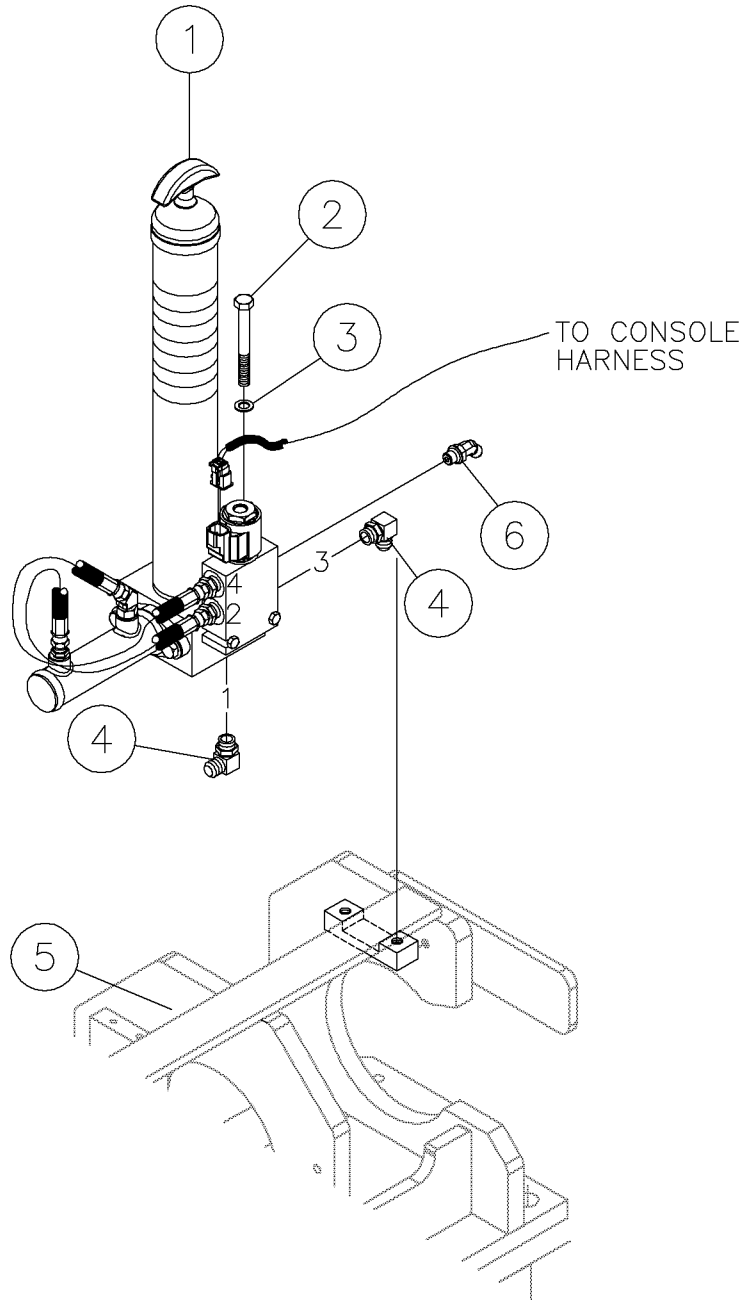
Auto Greaser Fig 4-47r01



## Auto Greaser Fig 4-47r01

REF. NO.	*	PART NO.	DESCRIPTION	QTY.	REMARKS
		Revision Date	March, 2006		Update In Illustration & Parts List.
1		294900001	GREASE PUMP AY - VAR DISP	1	Breakdown Fig. 10-51
2		240377001	BOLT-3/8-16X3 1/4 GR8 ZINC PLT	2	
3		235713001	WASHER - FLATSTRL - .38 - .41 X .81 - .06-YA-A325	4	
4		59426001	FITTING - 90-6MJ-6MORBA	2	
5		294908001	BAR - BLOCK MOUNT	1	
6		600118001	FITTING-6MORINGX4MJIC90PARKER	1	
7		285556001	HOSE - .078 X 18 4 FS JIC ST/ST 6900 PSI	1	
8		56648001	FITTING-4M JICX4M JIC STR.	1	
9		279015001	HOSE CLAMP - 9/16 W/13/32 HOLE	1	

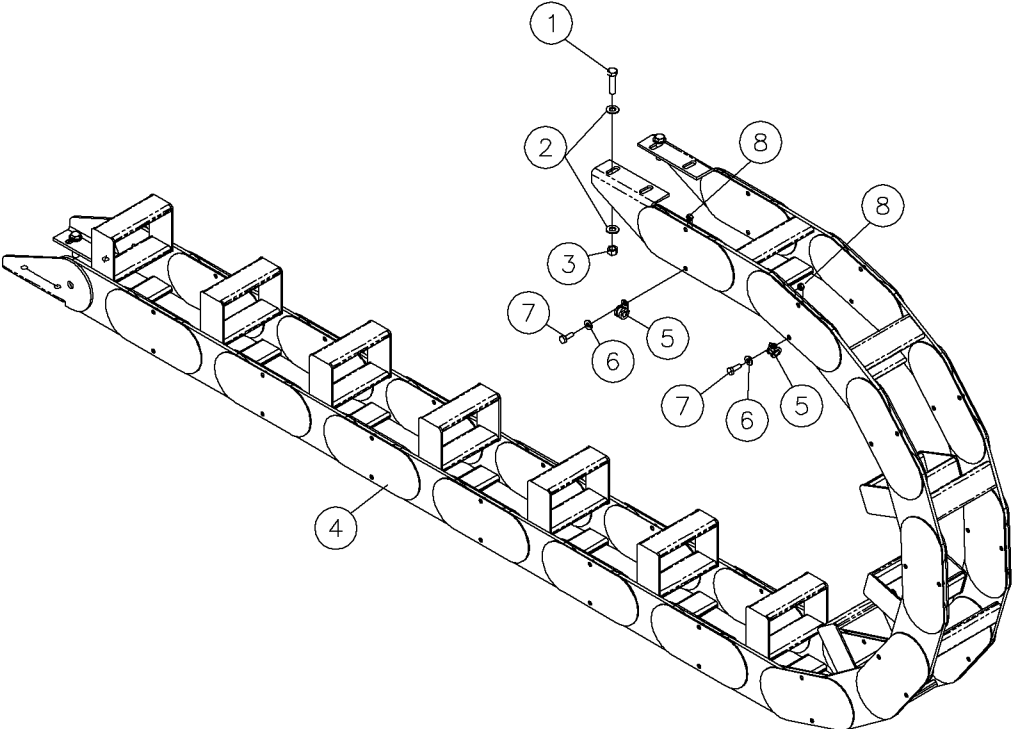
Auto Greaser Fig 4-47



## Auto Greaser Fig 4-47

REF. NO.	*	PART NO.	DESCRIPTION	QTY.	REMARKS
1		294900001	GREASE PUMP AY - VAR DISP	1	Breakdown Fig. 10-18
2		240377001	BOLT-3/8-16X3 1/4 GR8 ZINC PLT	2	
3		235713001	WASHER - FLATSTRL - .38 - .41 X .81 - .06-YA-A325	4	
4		59426001	FITTING - 90-6MJ-6MORBA	2	
5		294908001	BAR - BLOCK MOUNT	1	
6		82931001	FITTING-45-4MJX6MORBA	1	

Hose Track Fig 4-48

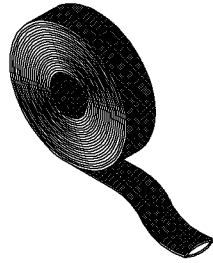


## Hose Track Fig 4-48

REF. NO.	*	PART NO.	DESCRIPTION	QTY.	REMARKS
1		235723001	SCREW - HCS -.38 - 16 X 1.50 - GR8 - YZ	4	
2		235713001	WASHER - FLATSTRL - .38 - .41 X .81 - .06-YA-A325	8	
3		235725001	NUT - HEX - .38 - 16 - GR8 - YZ	4	
4		296273692	HOSE TRACK - D24X40 II	1	Breakdown Fig. 10-46
5		296275118	CLAMP - #8	2	
6		235716001	WASHER - FLATSTRL - .25 -.28 X .63 - .06 - CZ	2	
7		235734001	BOLT-1/4-20X3/4 GR8 ZINC PLTD	2	
8		248198001	NUT-1/4 - 20 GR8 TOP LOCK ZINC	2	

Miscellaneous Supplies Fig 4-49

CORDURA SLEEVES



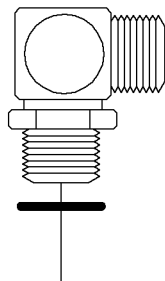
INSIDE DIAMETER	PART NUMBER
.71	83726001
1.22	66094001
1.42	67264001
1.59	69129001
1.81	53840001
2.37	53841001

NOTE: SPECIFY LENGTH WHEN ORDERING

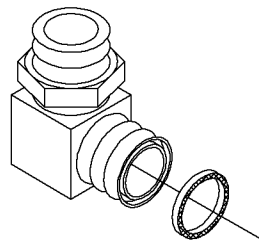
TIE STRAPS

LENGTH	PART NUMBER
4 IN.	78657001
8 IN.	59634001
15 IN.	58151001

O-RINGS



SAE FITTING SIZE	REPLACEMENT O-RING PART NO.
4M	78185027
5M	53649081
6M	59088057
8M	59088053
10M	792029
12M	78518037
14M	64082019
16M	81580001
20M	93316001



ORS (FLAT FACE) FITTING SIZE	REPLACEMENT O-RING PART NO.
4	93843001
6	93844001
8	93845001
10	93846001
12	93847001
16	93848001
20	93849001
24	93850001

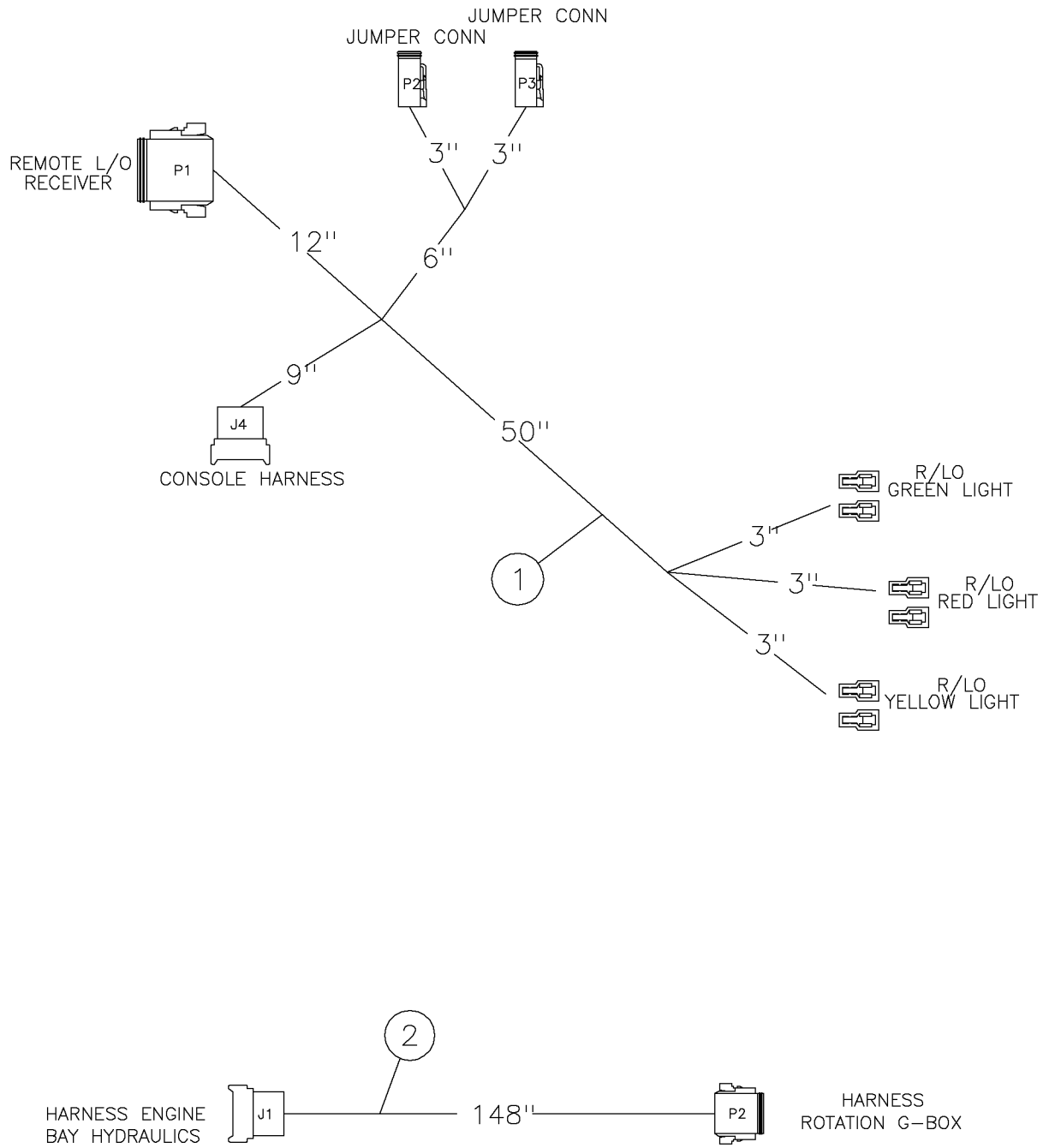
NOTE: O-RINGS LISTED ARE 90 DUROMETER



Miscellaneous Supplies Fig 4-49

REF. NO.	*	PART NO.	DESCRIPTION	QTY.	REMARKS

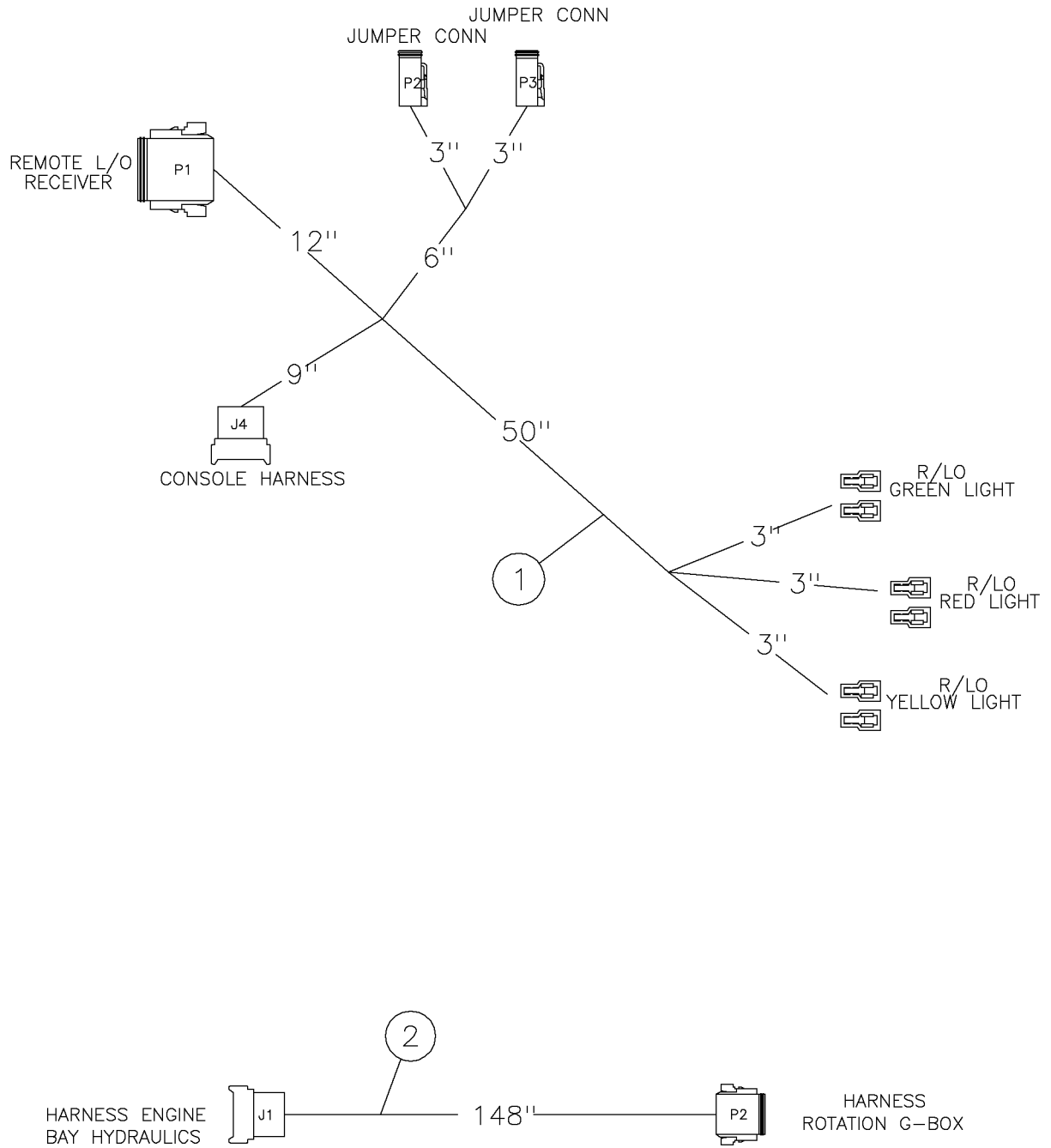
Wire Harness-(Remote Lockout/Hose Track) Fig 5-1r01



## Wire Harness-(Remote Lockout/Hose Track) Fig 5-1r01

REF. NO.	*	PART NO.	DESCRIPTION	QTY.	REMARKS
		Revision Date	March, 2006		Update In Illustration & Parts List.
1		296269609	WIRE HARNESS - REMOTE LOCKOUT	1	
2		296269660	WIRE HARNESS - HOSE TRACK D24X40 II	1	

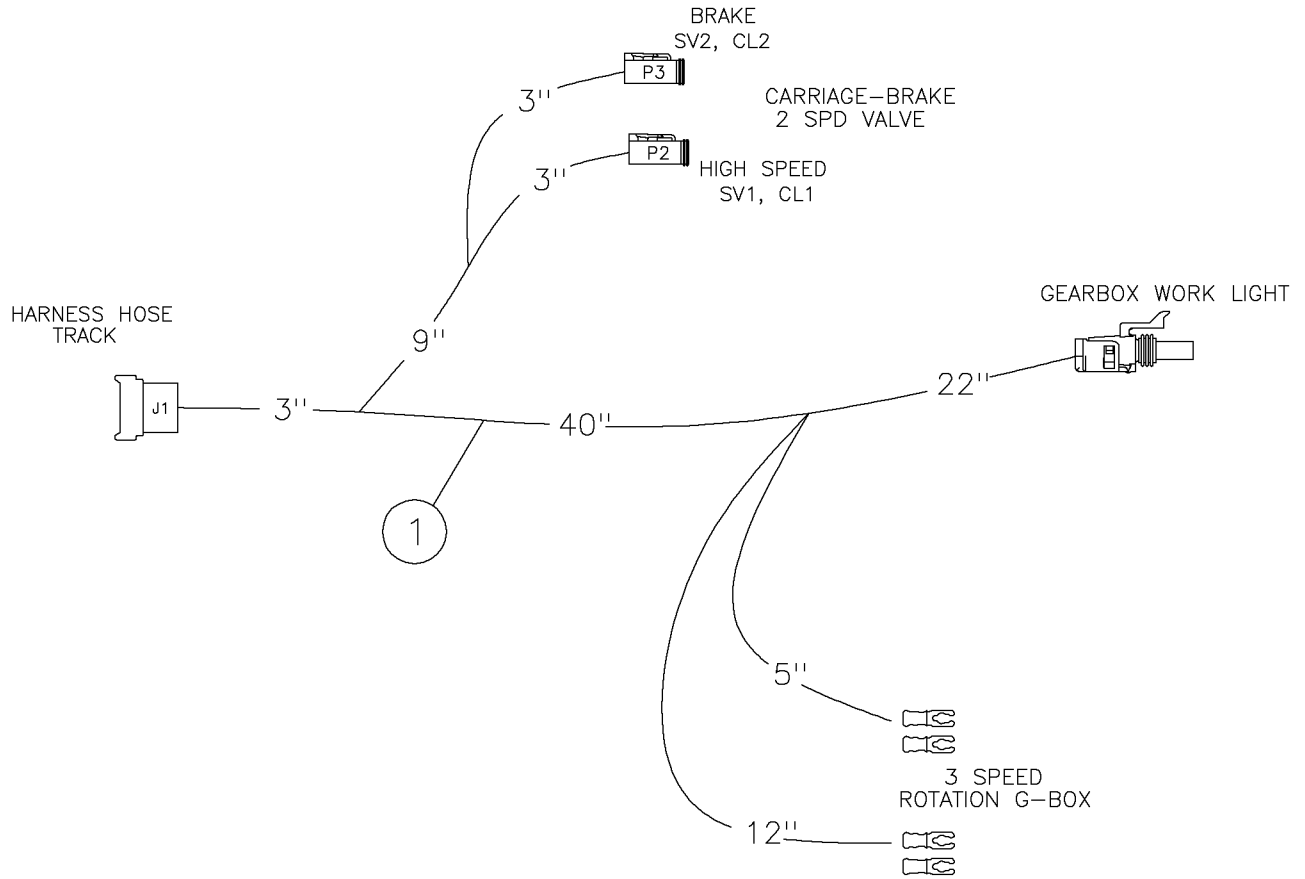
Wire Harness-(Remote Lockout/Hose Track) Fig 5-1



Wire Harness-(Remote Lockout/Hose Track) Fig 5-1

REF. NO.	*	PART NO.	DESCRIPTION	QTY.	REMARKS
1		296269609	WIRE HARNESS - REMOTE LOCKOUT	1	
2		296269612	WIRE HARNESS - HOSE TRACK	1	

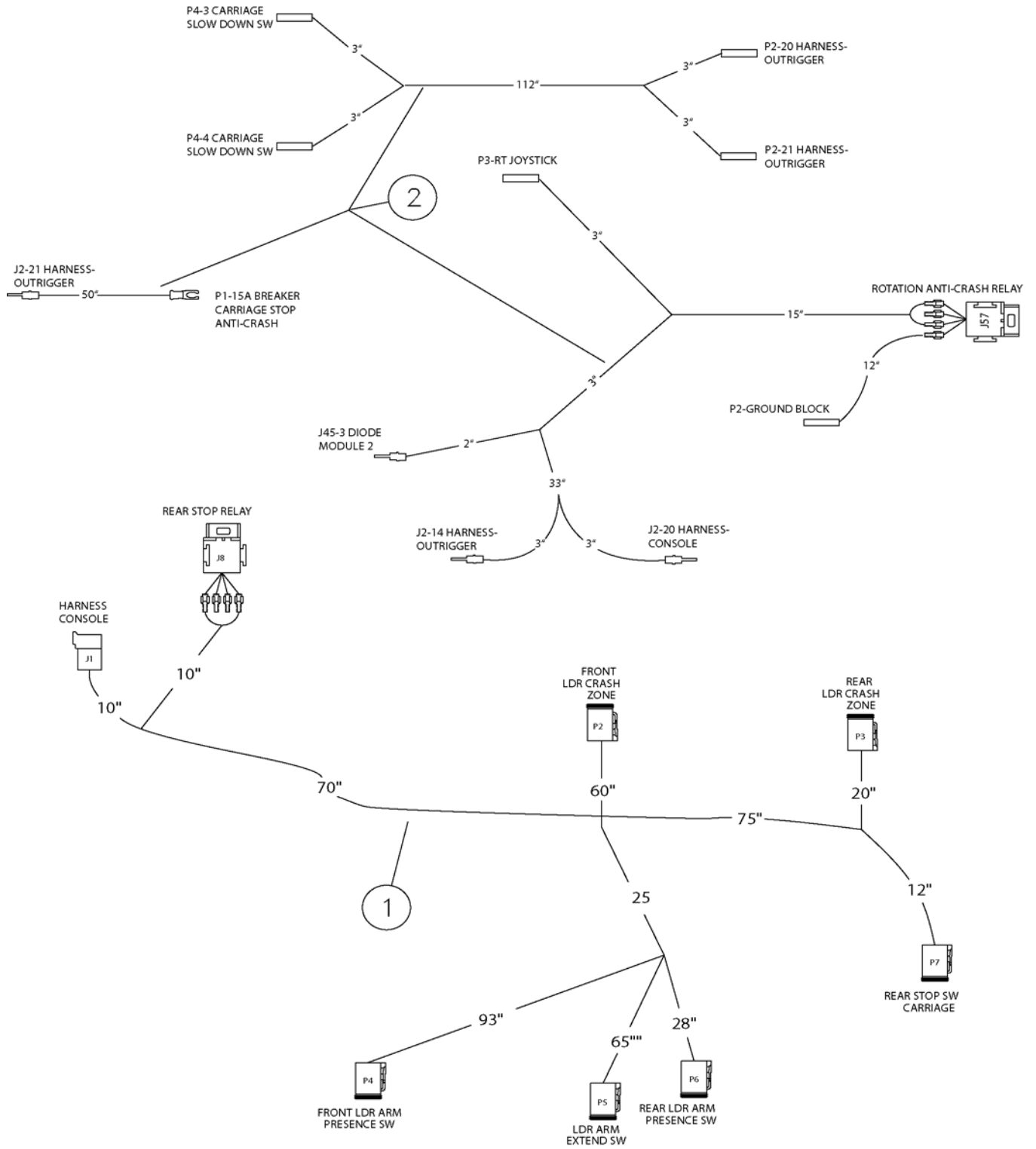
Wire Harness-(Rotation Gearbox) Fig 5-2



Wire Harness-(Rotation Gearbox) Fig 5-2

REF. NO.	*	PART NO.	DESCRIPTION	QTY.	REMARKS
1		296269613	WIRE HARNESS - ROTATION GEARBOX	1	

Wire Harness-(Rear/Stop/Anti-Crash) Fig 5-3r01

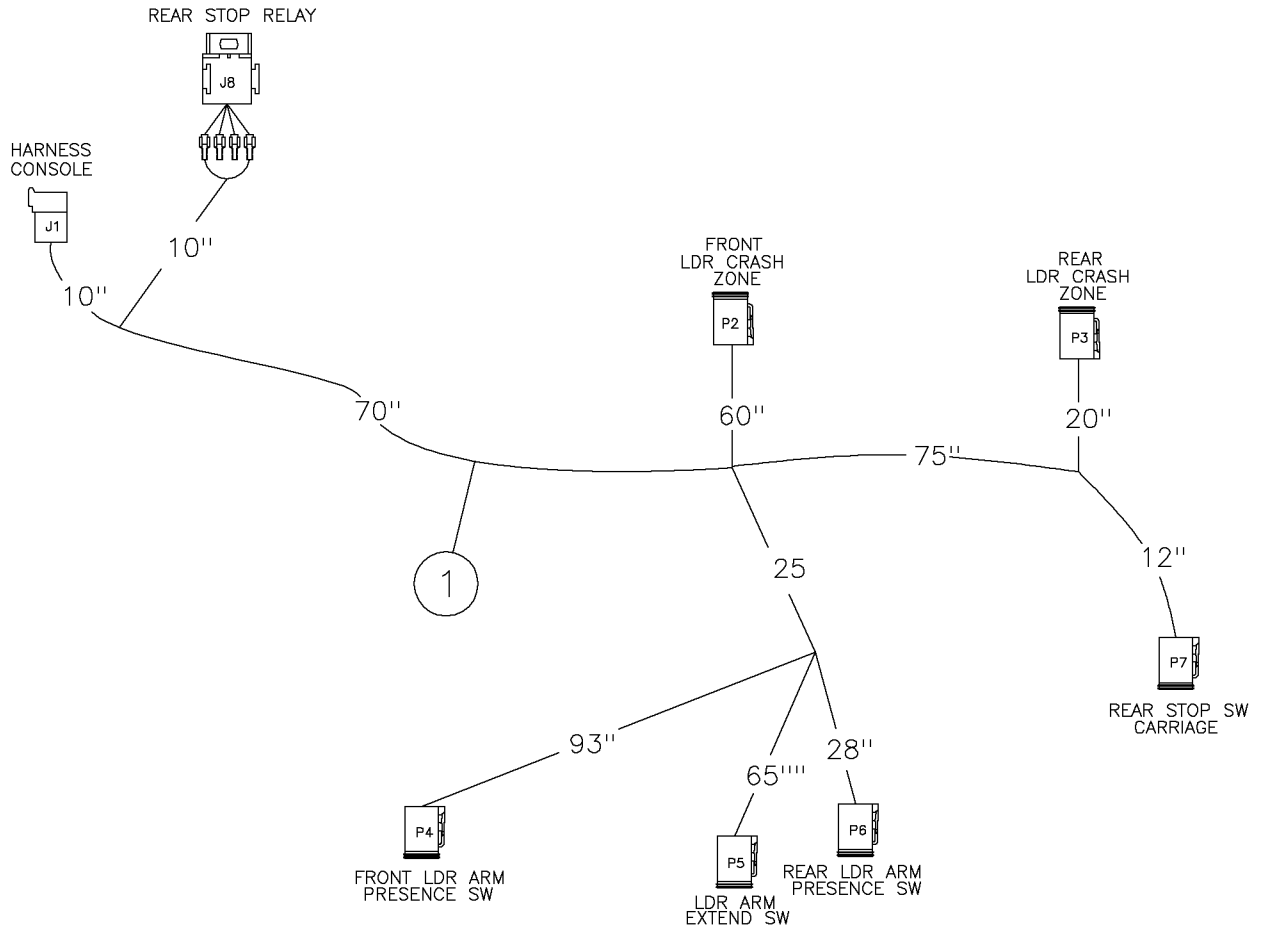




Wire Harness-(Rear/Stop/Anti-Crash) Fig 5-3r01

REF. NO.	*	PART NO.	DESCRIPTION	QTY.	REMARKS
		Revision Date	March, 2006		Update In Illustration & Parts List.
1		296269607	WIRE HARNESS - REAR STOP, ANTICRASH	1	
2		296280404	HARNESS - ANTI-CRASH JUMPER	1	

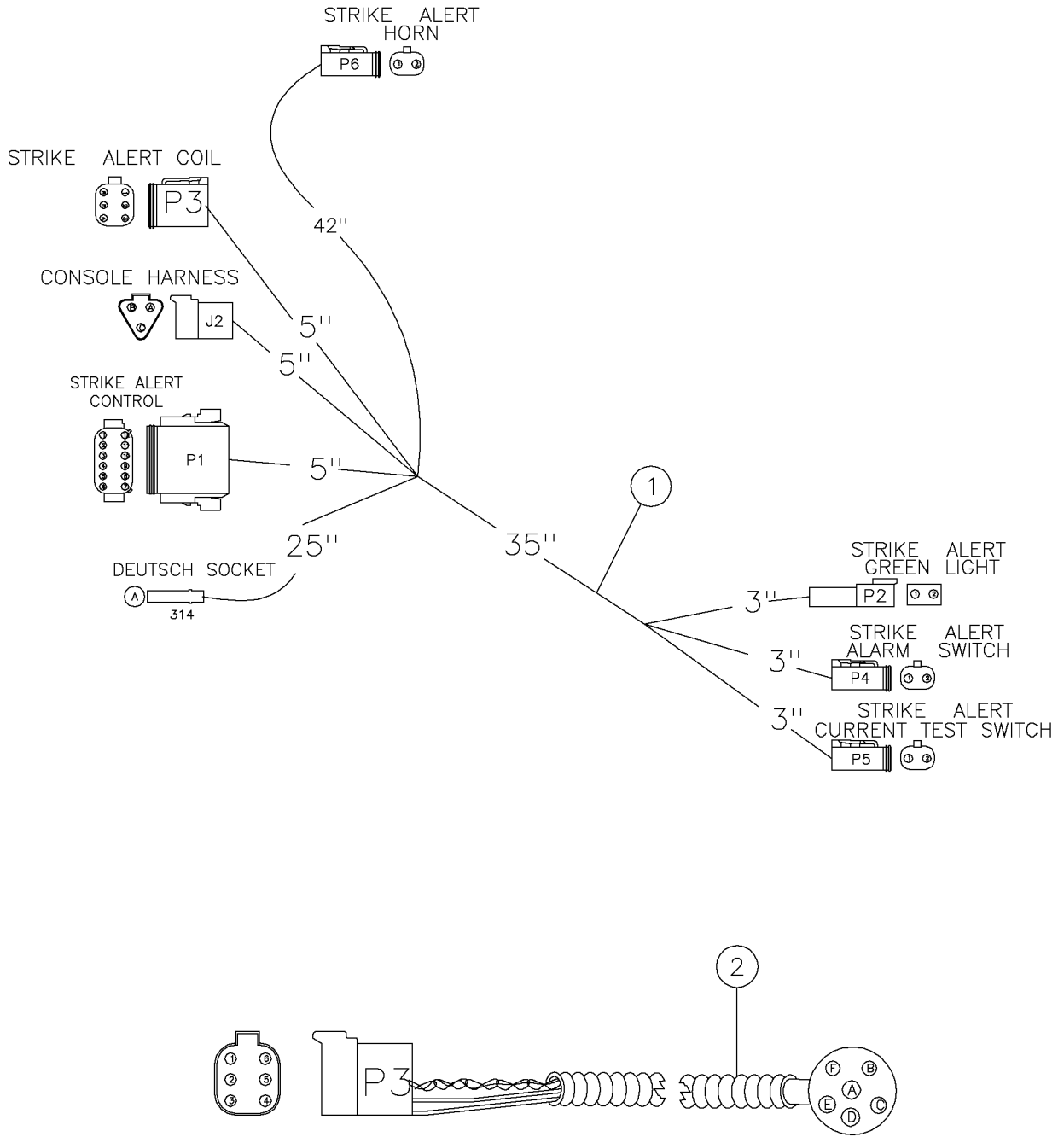
Wire Harness-(Rear/Stop/Anti-Crash) Fig 5-3



Wire Harness-(Rear/Stop/Anti-Crash) Fig 5-3

REF. NO.	*	PART NO.	DESCRIPTION	QTY.	REMARKS
1		296269607	WIRE HARNESS - REAR STOP, ANTICRASH	1	

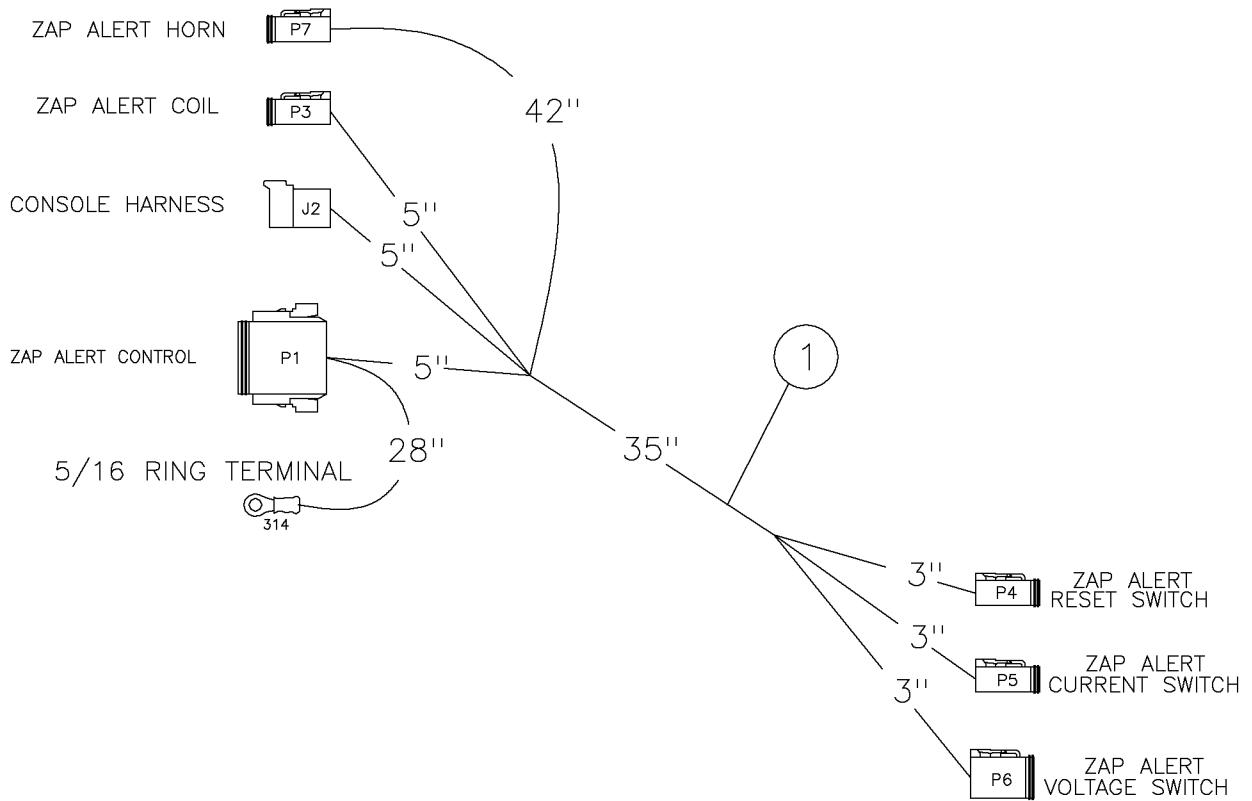
Wire Harness-(Zap Alert) Fig 5-4r01



## Wire Harness-(Zap Alert) Fig 5-4r01

REF. NO.	*	PART NO.	DESCRIPTION	QTY.	REMARKS
1		296280267	WIRE HARNESS - ZAP ALERT	1	
2		296280266	WIRE HARNESS-STRIKE ALERT COIL	1	

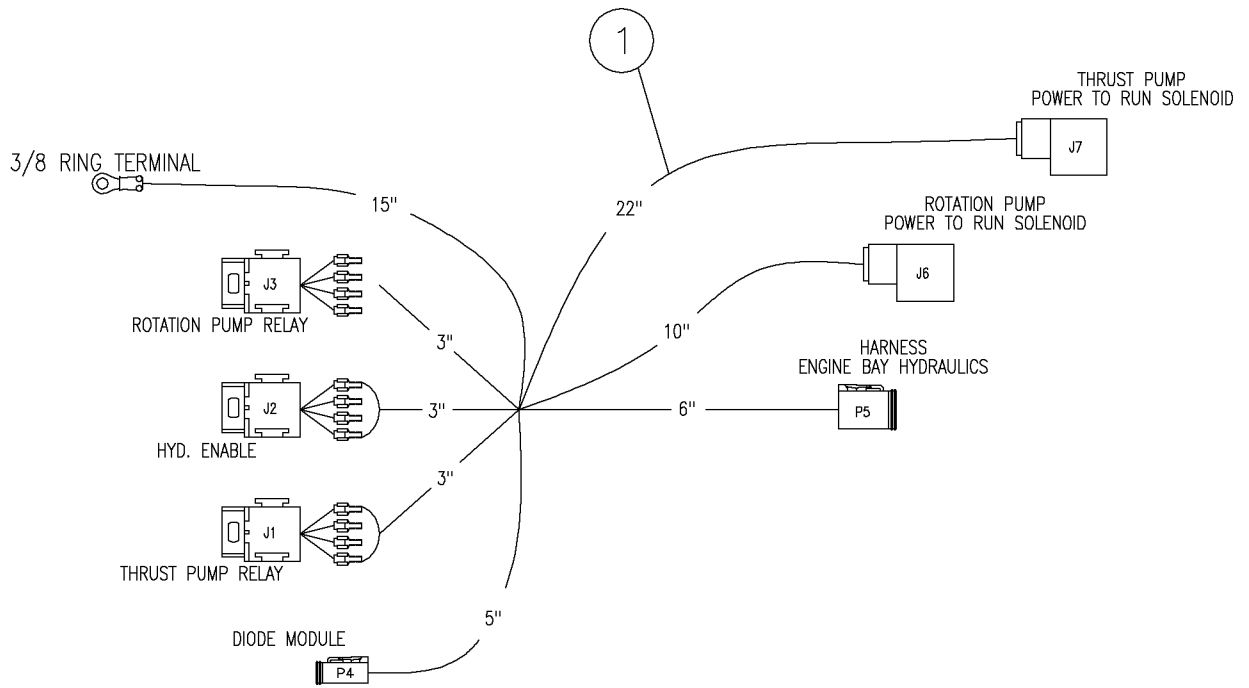
Wire Harness-(Zap Alert) Fig 5-4



Wire Harness-(Zap Alert) Fig 5-4

REF. NO.	*	PART NO.	DESCRIPTION	QTY.	REMARKS
1		296269572	WIRE HARNESS - ZAP ALERT	1	

Wire Harness-(Pump Control) Fig 5-4x01r01

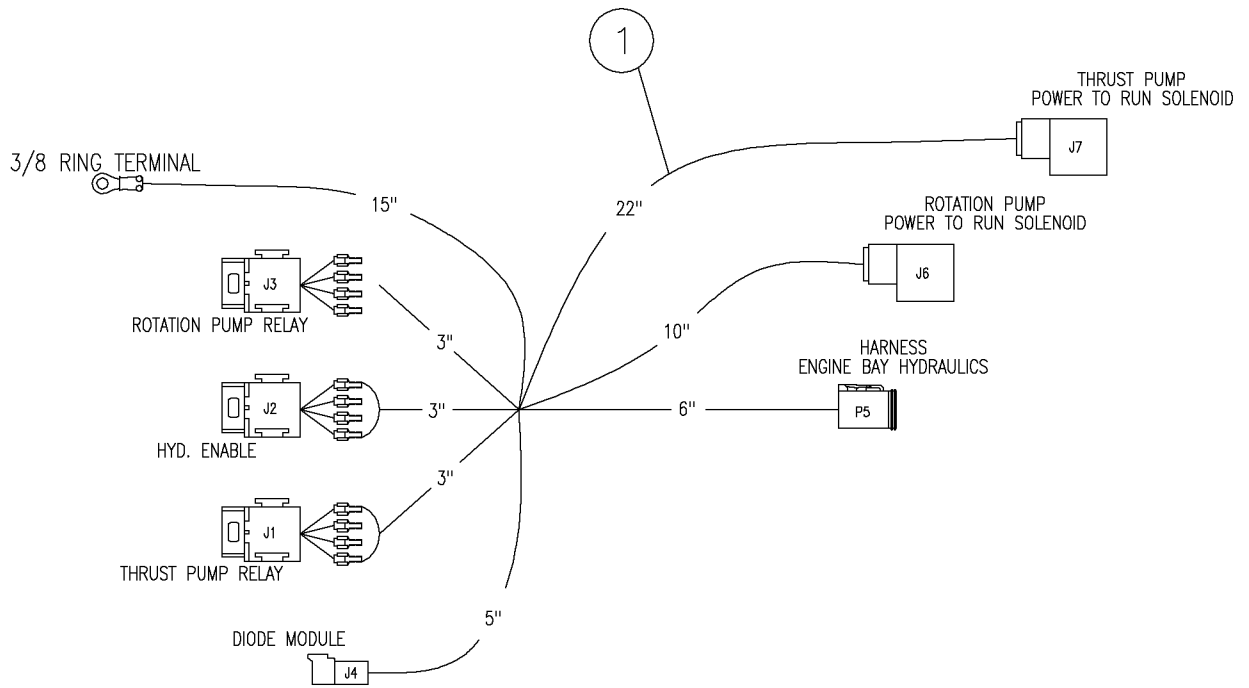




## Wire Harness-(Pump Control) Fig 5-4x01r01

REF. NO.	*	PART NO.	DESCRIPTION	QTY.	REMARKS
		Revision Date	July, 2005		Update In Illustration & Parts List.
1		296269636	HARNES-PUMP CONTROL	1	

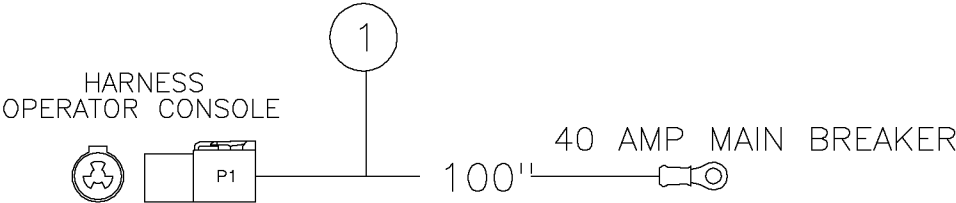
Wire Harness-(Pump Control) Fig 5-4x01



## Wire Harness-(Pump Control) Fig 5-4x01

REF. NO.	*	PART NO.	DESCRIPTION	QTY.	REMARKS
		Revision Date	May, 2005		Addition To Manual
1		296269636	HARNES-PUMP CONTROL	1	

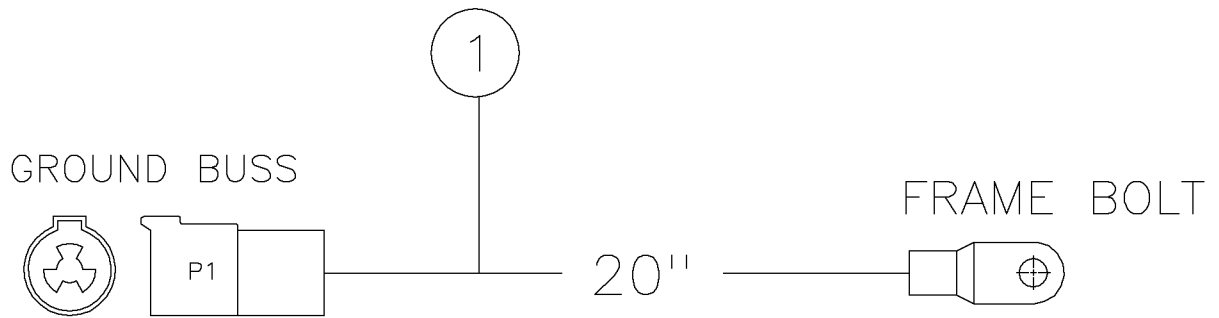
Wire Harness-(Main Power) Fig 5-4x02



Wire Harness-(Main Power) Fig 5-4x02

REF. NO.	*	PART NO.	DESCRIPTION	QTY.	REMARKS
		Revision Date	April, 2005		Addition To Manual
1		296269637	WIRE HARNESS - MAIN POWER	1	

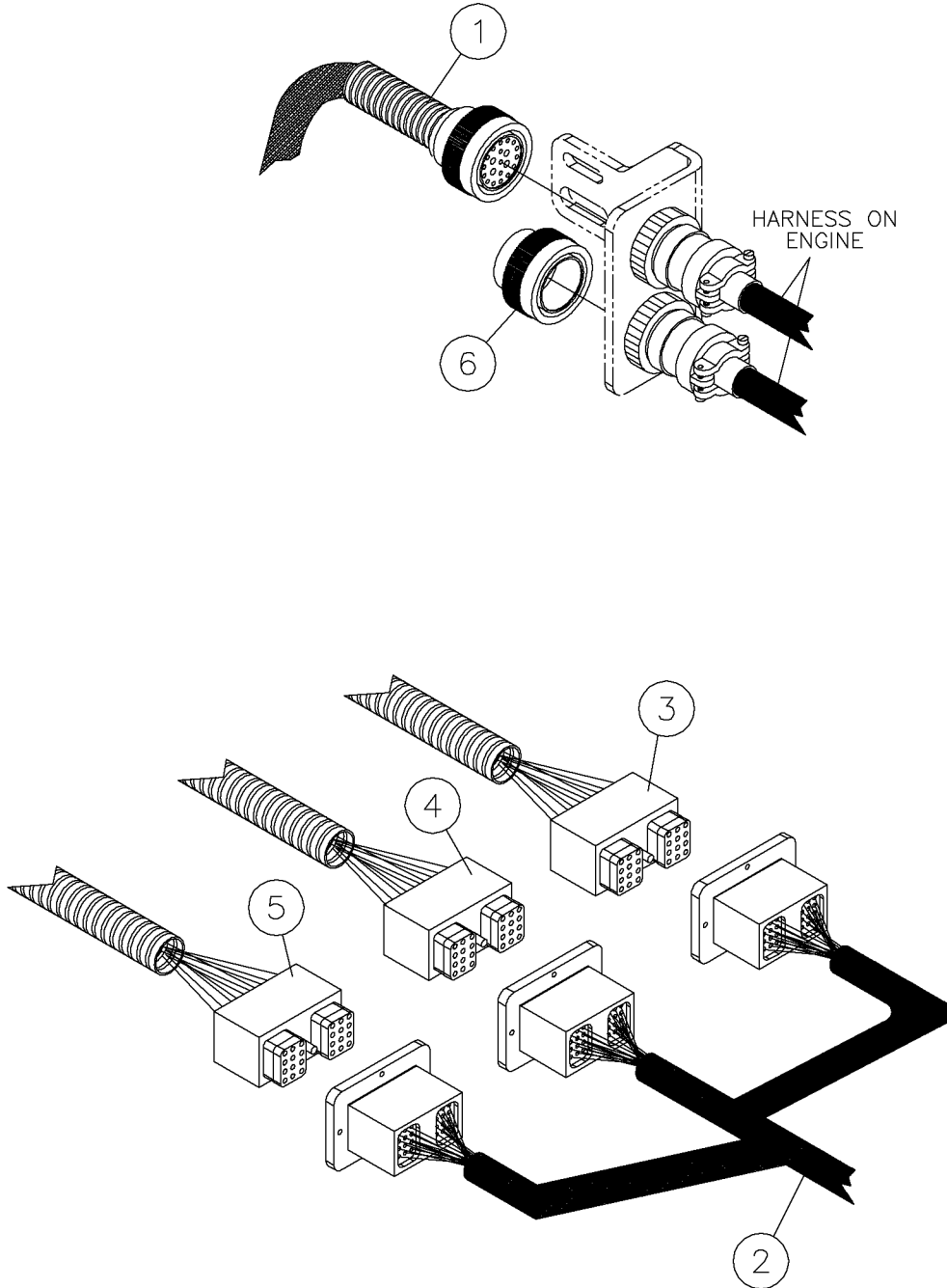
Wire Harness-(Ground Lead) Fig 5-4x03



## Wire Harness-(Ground Lead) Fig 5-4x03

REF. NO.	*	PART NO.	DESCRIPTION	QTY.	REMARKS
		Revision Date	May, 2005		Addition To Manual
1		296269638	WIRE HARNESS - GROUND LEAD	1	

Main Wire Harness Fig 5-5r01

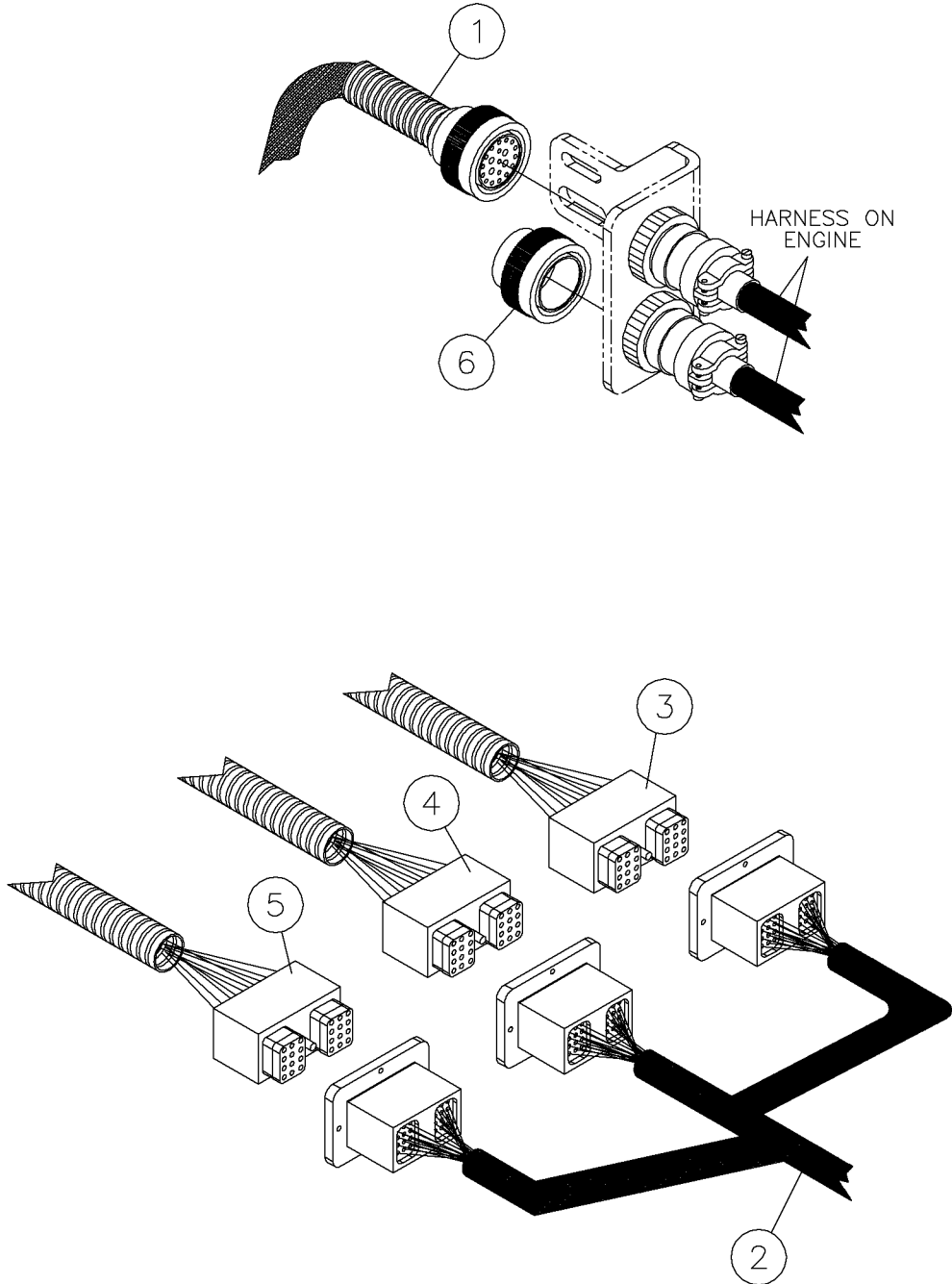




## Main Wire Harness Fig 5-5r01

REF NO.	*	PART NO.	DESCRIPTION	QTY.	REMARKS
		Revision Date	March, 2006		Update In Illustration & Parts List.
1		296269568	WIRE HARNESS - JD 4045 ENGINE	1	
2		296280393	WIRE HARNESS - OPERATOR CONSOLE	1	
3		296269569	WIRE HARNESS - ENGINE BAY HYDRAULICS	1	
4		296280394	WIRE HARNESS - OUTRIGGER, FUEL, H2O, LDR	1	
5		296269571	WIRE HARNESS- STKDWN,VSIE,GREASER,LIGHTS	1	
6		296272923	CONNECTOR CAP	1	
7		296269658	WIRE HARNESS - ZAP ALERT	1	Not Shown

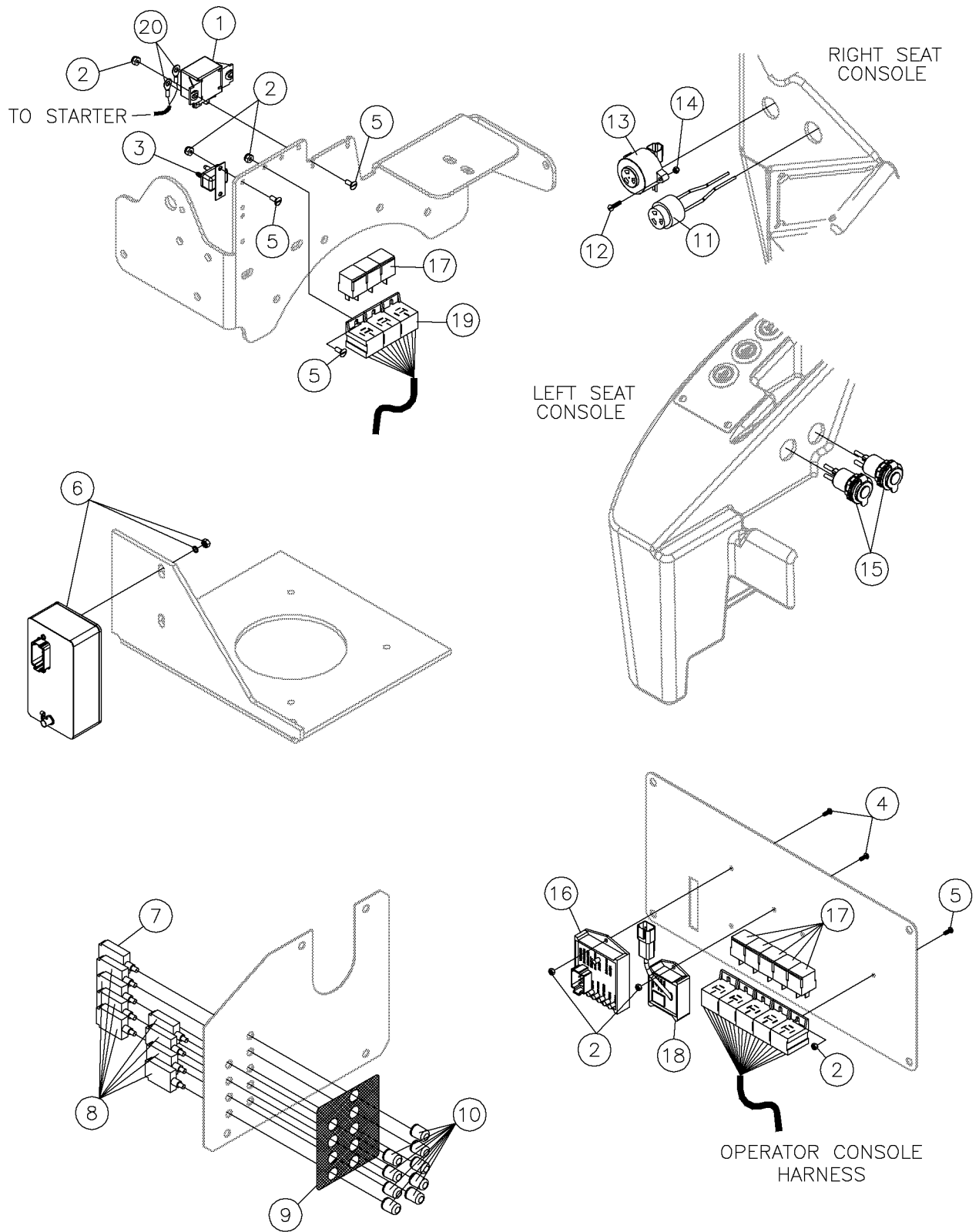
Main Wire Harness Assy Fig 5-5



## Main Wire Harness Assy Fig 5-5

REF. NO.	*	PART NO.	DESCRIPTION	QTY.	REMARKS
1		296269568	WIRE HARNESS - JD 4045 ENGINE	1	
2		296269573	WIRE HARNESS - OPERATOR CONSOLE	1	
3		296269569	WIRE HARNESS - ENGINE BAY HYDRAULICS	1	
4		296269570	WIRE HARNESS - OUTRIGGER, FUEL, H2O, LDR	1	
5		296269571	WIRE HARNESS- STKDWN,VSIE,GREASER,LIGHTS	1	
6		296272923	CONNECTOR CAP	1	

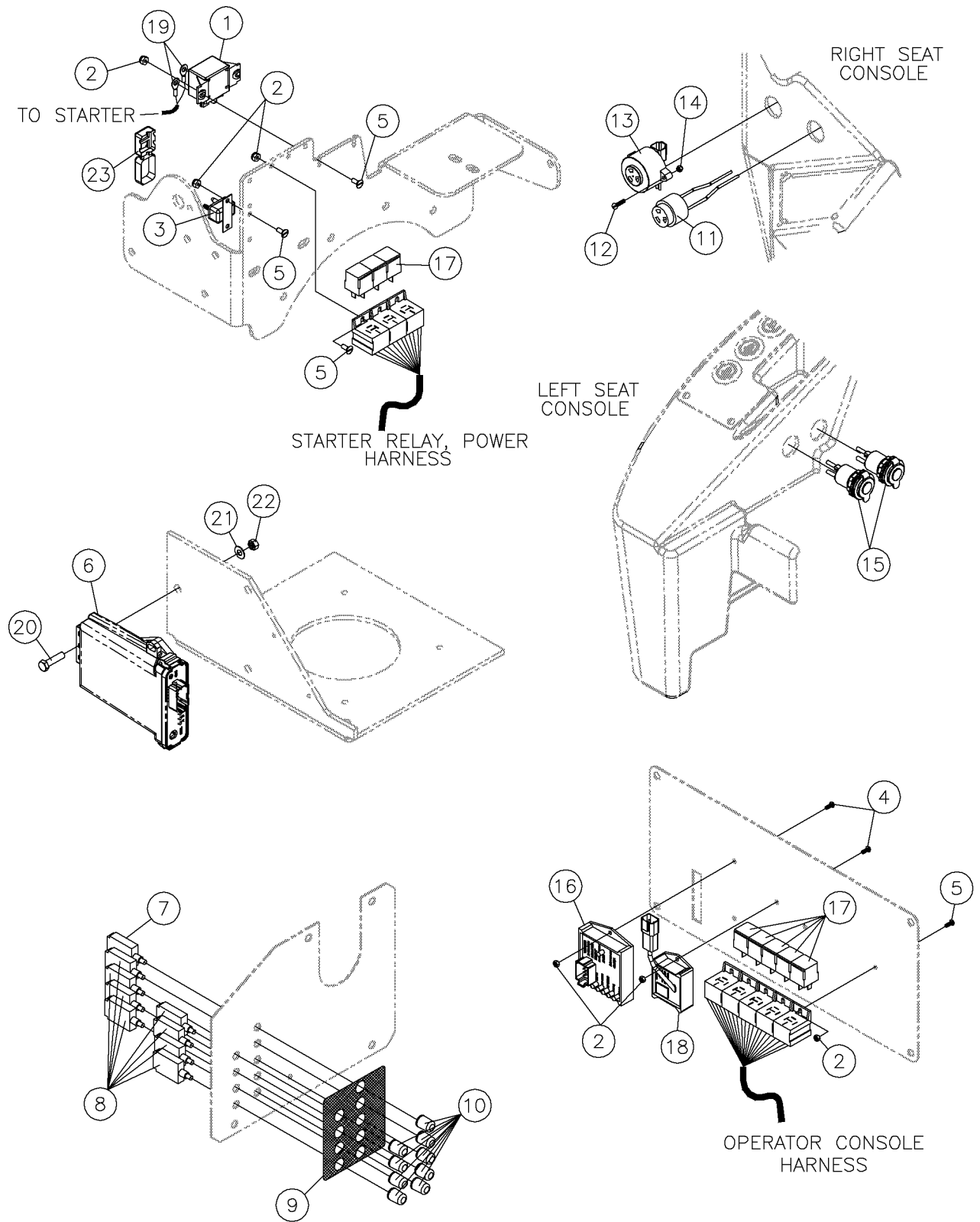
Electrical Fig 5-6r03



## Electrical Fig 5-6r03

REF. NO.	*	PART NO.	DESCRIPTION	QTY.	REMARKS
		Revision Date	March, 2006		Update In Illustration & Parts List.
1		86217001	RELAY-BOSCH SPST 75 AMP SEALED	1	
2		99042001	NUT - NYLOCK - 10 - 24 - GR2 - CZ	12	
3		86582001	BREAKER-40A TYPE 1 W/METALCASE	1	
4		1802001	REPLACED BY 1802006	4	
5		79525001	SCREW-#10-24X1/2 FLHD MACHINE	12	
6		296270163	ASM, STRIKEALERT BLANK	1	
7		72079001	BREAKER 2-5700-514-DD 5 AMP	1	
8		72081001	BREAKER 2-5700-514 DD 15 AMP	8	
9		7000C422	DECAL - BREAKER ID	1	
10		89597001	COVER-BREAKER SWITCH	9	
11		286920001	REMOTE LOCKOUT BUZZER	1	
12		287562001	SCREW - MCH-6-32X1.75-GR2-CZ-ROUND-SLOTTED	2	
13		904346001	BUZZER	1	
14		69757001	LOCKNUT-#6-32 NYLON INSERT PLT	2	
15		154677001	OUTLET - 12 VOLT	2	
16		278952001	MODULE - PWM CONTROL	1	
17		251681001	RELAY - SEALED 40 AMP	6	
18		251672001	ELECTRONICS MODULE-DSR CONTROL	1	
19		296269644	WIRE HARNESS STARTER RELAY, POWER	1	
20		248031001	BOLT-5/16-18X1 1/4 GR8 ZYC	3	
21		235714001	WASHER - FLATSTRL - .31 - .34 X .69 - .06-YZ-A325	3	
22		235741001	NUT - HEX - .31 - 18 - GR8 -YZ	3	
23		296269640	BOOT - RED COVER CIRCUIT BREAKER	1	

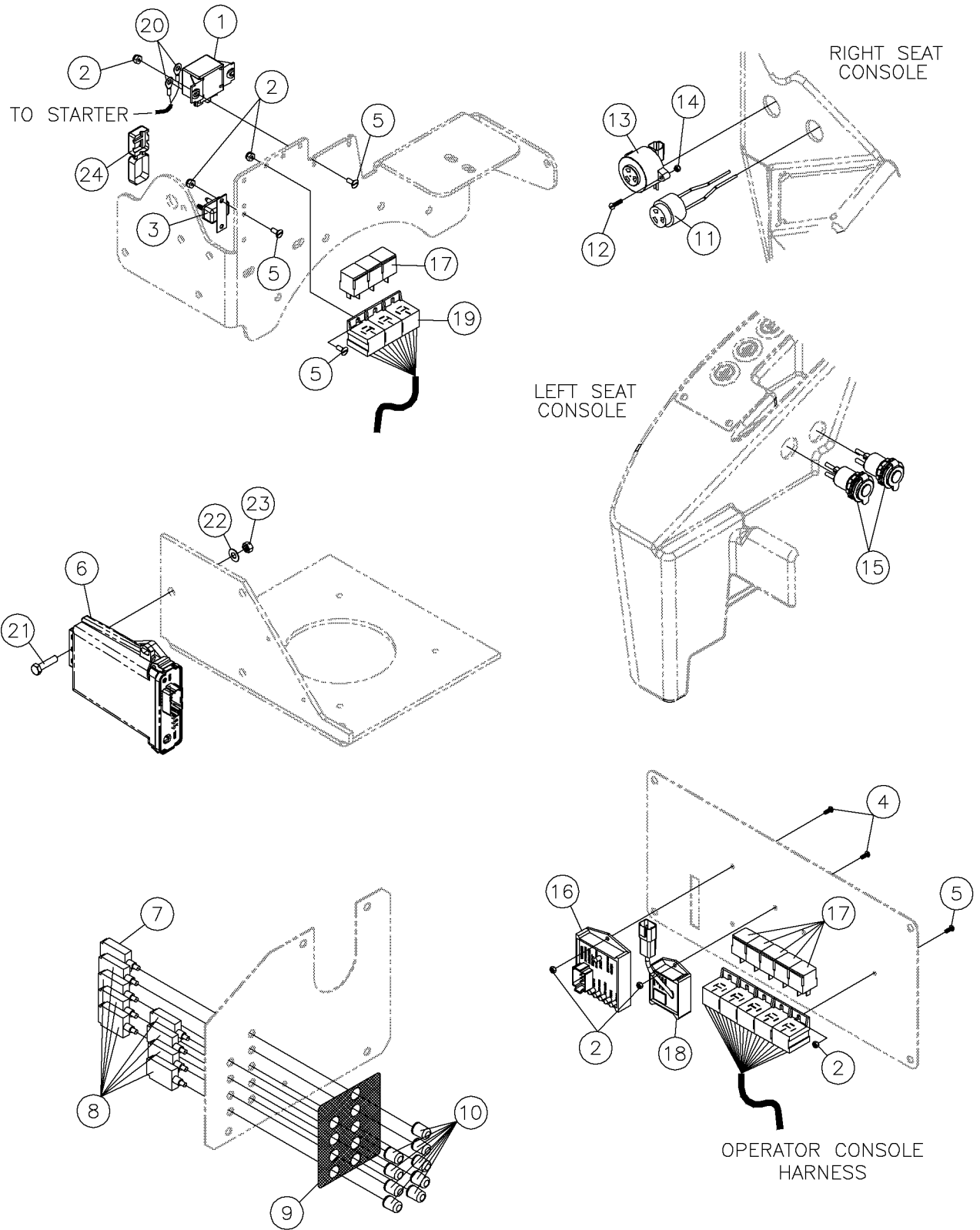
Electrical Assy Fig 5-6r02



## Electrical Assy Fig 5-6r02

REF. NO.	*	PART NO.	DESCRIPTION	QTY.	REMARKS
		Revision Date	July, 2005		Update In Illustration & Parts List.
1		86217001	RELAY-BOSCH SPST 75 AMP SEALED	1	
2		99042001	NUT - NYLOCK - 10 - 24 - GR2 - CZ	12	
3		86582001	BREAKER-40A TYPE 1 W/METALCASE	1	
4		1802001	REPLACED BY 1802006	4	
5		79525001	SCREW-#10-24X1/2 FLHD MACHINE	12	
6		296270163	ASM, STRIKEALERT BLANK	1	
7		72079001	BREAKER 2-5700-514-DD 5 AMP	1	
8		72081001	BREAKER 2-5700-514 DD 15 AMP	8	
9		7000C422	DECAL - BREAKER ID	1	
10		89597001	COVER-BREAKER SWITCH	9	
11		286920001	REMOTE LOCKOUT BUZZER	1	
12		287562001	SCREW - MCH-6-32X1.75-GR2-CZ-ROUND-SLOTTED	2	
13		904346001	BUZZER	1	
14		69757001	LOCKNUT-#6-32 NYLON INSERT PLT	2	
15		154677001	OUTLET - 12 VOLT	2	
16		278952001	MODULE - PWM CONTROL	1	
17		251681001	RELAY - SEALED 40 AMP	8	
18		251672001	ELECTRONICS MODULE-DSR CONTROL	1	
19		296269644	WIRE HARNESS STARTER RELAY, POWER	1	
20		248031001	BOLT-5/16-18X1 1/4 GR8 ZINC PL	3	
21		235714001	WASHER - FLATSTRL - .31 - .34 X .69 - .06-YZ-A325	3	
22		235741001	NUT - HEX - .31 - 18 - GR8 -YZ	3	
23		296269640	BOOT - RED COVER CIRCUIT BREAKER	1	

Electrical Assy Fig 5-6r01

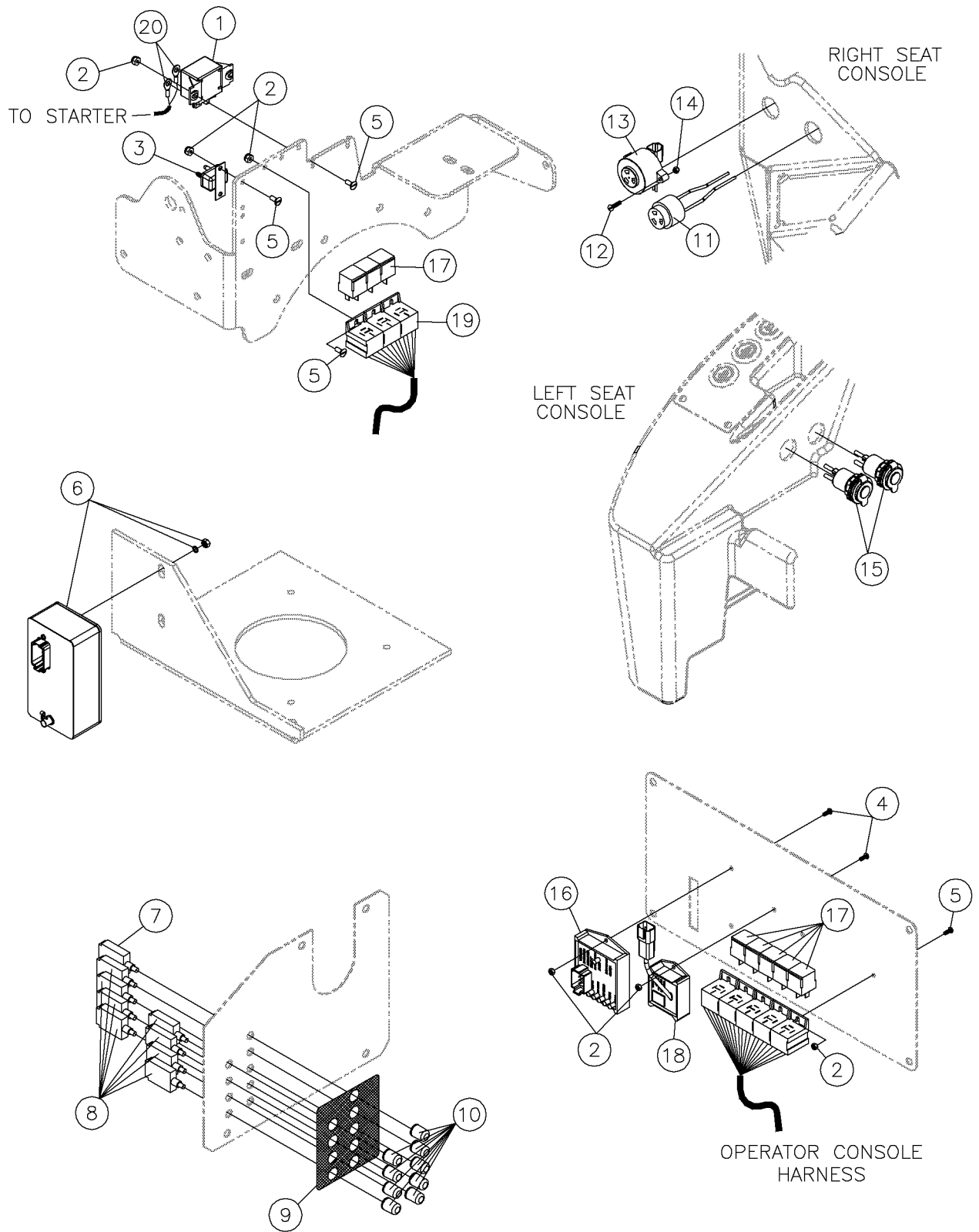




## Electrical Assy Fig 5-6r01

REF. NO.	*	PART NO.	DESCRIPTION	QTY.	REMARKS
		Revision Date	May, 2005		Update In Illustration & Parts List.
1		86217001	RELAY-BOSCH SPST 75 AMP SEALED	1	
2		99042001	NUT - NYLOCK - 10 - 24 - GR2 - CZ	12	
3		86582001	BREAKER-40A TYPE 1 W/METALCASE	1	
4		1802001	REPLACED BY 1802006	4	
5		79525001	SCREW-#10-24X1/2 FLHD MACHINE	12	
6		296270163	ASM, STRIKEALERT BLANK	1	
7		72079001	BREAKER 2-5700-514-DD 5 AMP	1	
8		72081001	BREAKER 2-5700-514 DD 15 AMP	8	
9		7000C422	DECAL - BREAKER ID	1	
10		89597001	COVER-BREAKER SWITCH	9	
11		286920001	REMOTE LOCKOUT BUZZER	1	
12		287562001	SCREW - MCH-6-32X1.75-GR2-CZ-ROUND-SLOTTED	2	
13		904346001	BUZZER	1	
14		69757001	LOCKNUT-#6-32 NYLON INSERT PLT	2	
15		154677001	OUTLET - 12 VOLT	2	
16		278952001	MODULE - PWM CONTROL	1	
17		251681001	RELAY - SEALED 40 AMP	8	
18		251672001	ELECTRONICS MODULE-DSR CONTROL	1	
19		296269637	HARNESS-PUMP POWER CONTROL	1	
20		296277802	WIRE HARNESS - STARTER RELAY	1	
21		248031001	BOLT-5/16-18X1 1/4 GR8 ZINC PL	3	
22		235714001	WASHER - FLATSTRL - .31 - .34 X .69 - .06-YZ-A325	3	
23		235741001	NUT - HEX - .31 - 18 - GR8 - YZ	3	
24		296269640	BOOT - RED COVER CIRCUIT BREAKER	1	

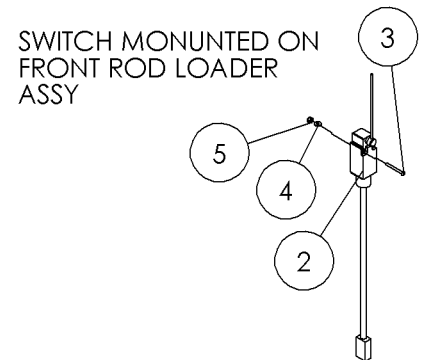
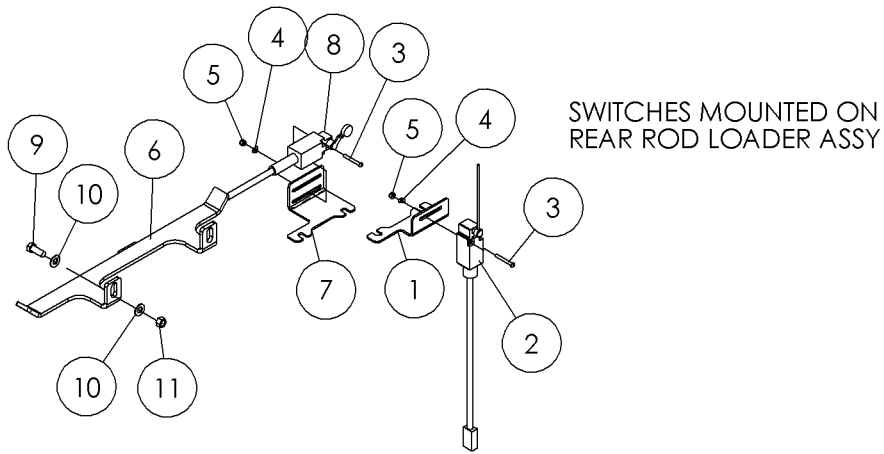
Electrical Assy Fig 5-6



## Electrical Assy Fig 5-6

REF. NO.	*	PART NO.	DESCRIPTION	QTY.	REMARKS
1		86217001	RELAY-BOSCH SPST 75 AMP SEALED	1	
2		99042001	NUT - NYLOCK - 10 - 24 - GR2 - CZ	12	
3		86582001	BREAKER-40A TYPE 1 W/METALCASE	1	
4		1802001	REPLACED BY 1802006	4	
5		79525001	SCREW-#10-24X1/2 FLHD MACHINE	12	
6		281523001	ZAP ALERT - CURRENT SENSE	1	
7		72079001	BREAKER 2-5700-514-DD 5 AMP	1	
8		72081001	BREAKER 2-5700-514 DD 15 AMP	8	
9		7000C422	DECAL - BREAKER ID	1	
10		89597001	COVER-BREAKER SWITCH	9	
11		286920001	REMOTE LOCKOUT BUZZER	1	
12		287562001	SCREW - MCH-6-32X1.75-GR2-CZ- ROUND-SLOTTED	2	
13		904346001	BUZZER	1	
14		69757001	LOCKNUT-#6-32 NYLON INSERT PLT	2	
15		154677001	OUTLET - 12 VOLT	2	
16		278952001	MODULE - PWM CONTROL	1	
17		251681001	RELAY - SEALED 40 AMP	8	
18		251672001	ELECTRONICS MODULE-DSR CONTROL	1	
19		296269637	HARNESS-PUMP POWER CONTROL	1	
20		296277802	WIRE HARNESS - STARTER RELAY	1	

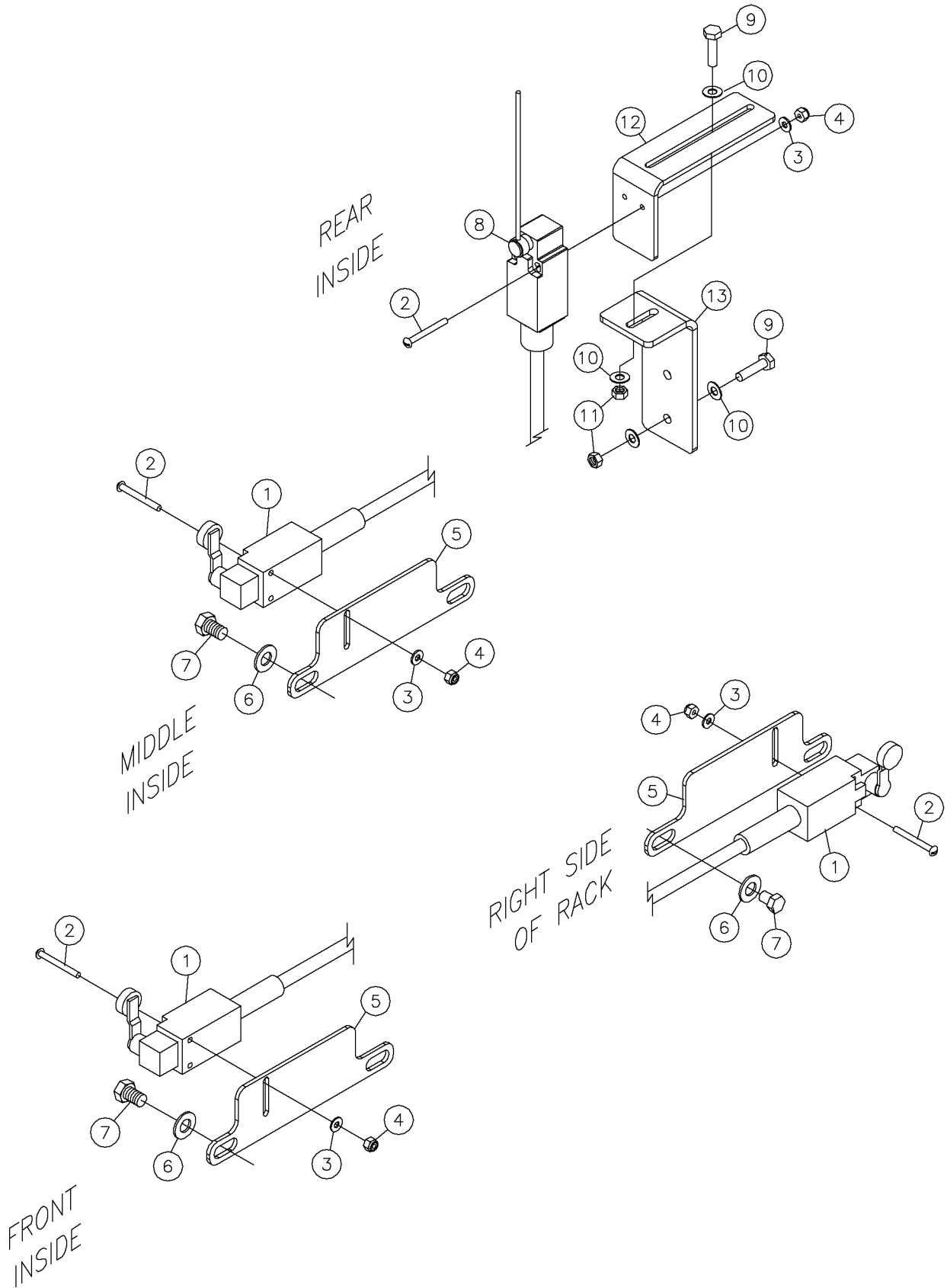
Rack Switch Assy (S/N 391-) Fig 5-7r01



## Rack Switch Assy (S/N 391-) Fig 5-7r01

REF. NO.	*	PART NO.	DESCRIPTION	QTY.	REMARKS
		Revision Date	May, 2006		Change Assy To Match D36x50II
1		296277042	PLATE - SWITCH MOUNT	1	
2		281844001	SWITCH - LIMIT NO/NC LEVER	2	
3		144654001	SCREW-#8-32 X 1 1/2 STOVE	6	
4		224769001	WASHER-FLATSAE-#8-.19X.44-.05-CZ	6	
5		69759001	NUT-TLHEX-8-32-GR2-CZ	6	
6		296280174	PLATE - SWITCH MOUNT INDICATOR	1	
7		296280175	PLATE - SWITCH MOUNT	1	
8		276467001	SWITCH - LIMIT NO/NC LEVER/ROLLER	1	
9		235727001	SCREW-HCS-.38-16X1.00-GR8-YZ	2	
10		235713001	WASHER-FLATSTRL-.38-.41X.81-.06-YZ-A325	4	
11		250508001	NUT-TLHEX-.38-16-C-YZ	2	

Rack Switch Assy Fig 5-7



## Rack Switch Assy Fig 5-7

REF. NO.	*	PART NO.	DESCRIPTION	QTY.	REMARKS
1		276467001	SWITCH - LIMIT NO/NC LEVER/ROLLER	3	
2		144654001	SCREW-#8-32 X 1 1/2 STOVE	8	
3		224769001	WASHER-#8 FLAT	8	
4		69759001	LOCK NUT-#8-32 NYLON INSERT PL	8	
5		296280006	PLATE - MOUNT	3	
6		510337635	WASHER-FLATSAE-.38-.41X.81-16G-YZ	6	
7		240310001	SCREW - HCS - .38 - 16 X .50 - GR8 - YZ	6	
8		276448001	SWITCH - LIMIT NO/NC	1	
9		235735001	BOLT-1/4-20X1 GR8 HEX ZNC PLTD	3	
10		235716001	WASHER - FLATSTRL - .25 -.28 X .63 - .06 - CZ	6	
11		235732001	NUT - HEX - .25 - 20 - GR8 - YZ	3	
12		296273685	BRACKET - SENSOR MOUNT - ADJ	1	
13		296273691	BRACKET - SENSOR MOUNT - FIXED	1	

Rod Loader Switch Assy (Deleted) Fig 5-8r01

DELETED DUE TO UPDATE

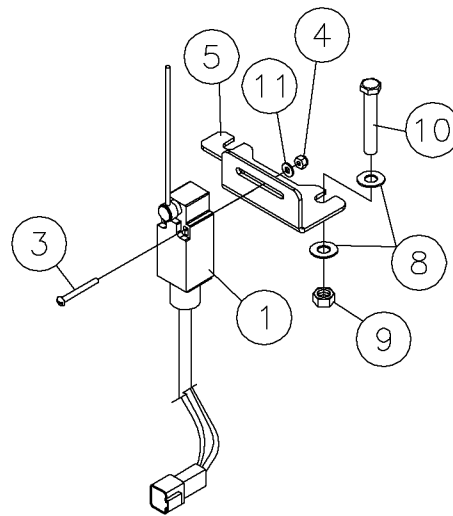
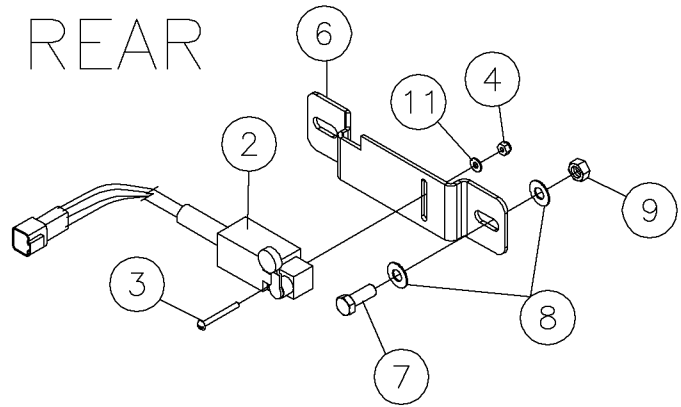


Rod Loader Switch Assy (Deleted) Fig 5-8r01

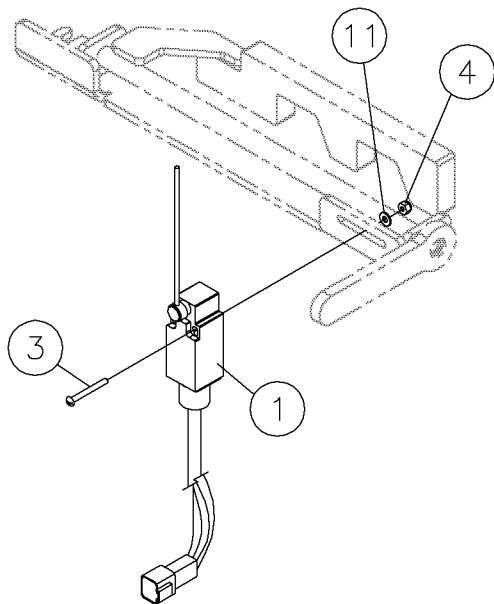
REF. NO.	*	PART NO.	DESCRIPTION	QTY.	REMARKS
		Revision Date	May, 2006		Deleted Due To Update

Rod Loader Switch Assy Fig 5-8

REAR



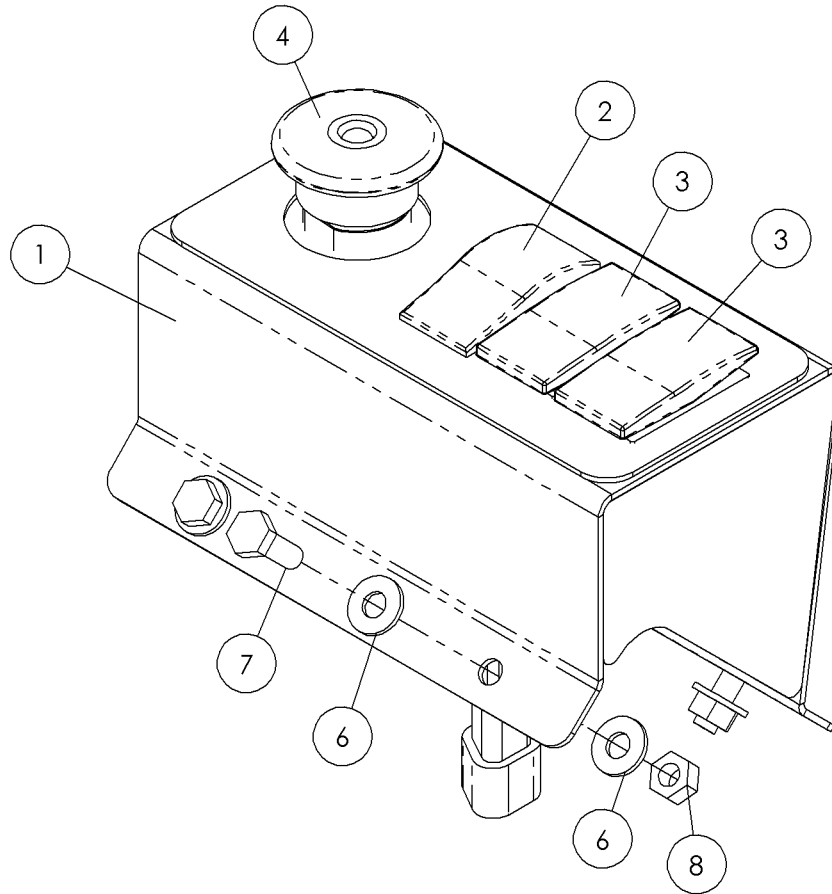
FRONT



## Rod Loader Switch Assy Fig 5-8

REF. NO.	*	PART NO.	DESCRIPTION	QTY.	REMARKS
1		281844001	SWITCH - LIMIT NO/NC LEVER	2	
2		276467001	SWITCH - LIMIT NO/NC LEVER/ROLLER	1	
3		144654001	SCREW-#8-32 X 1 1/2 STOVE	6	
4		69759001	LOCK NUT-#8-32 NYLON INSERT PL	6	
5		296277042	PLATE - SWITCH MOUNT	1	
6		276468001	PLATE - SWITCH BRACKET	1	
7		235727001	BOLT-3/8-16X1 GR8 HEX ZINC PLT	2	
8		235713001	WASHER - FLATSTRL - .38 - .41 X .81 - .06-YA-A325	4	
9		250508001	NUT - 3/8-NC Gr8 TOP LOCK Y/ZINC	4	
10		250504001	BOLT 3/8-16 X 2 1/4"GR8 HEX Y	4	
11		224769001	WASHER-#8 FLAT	6	

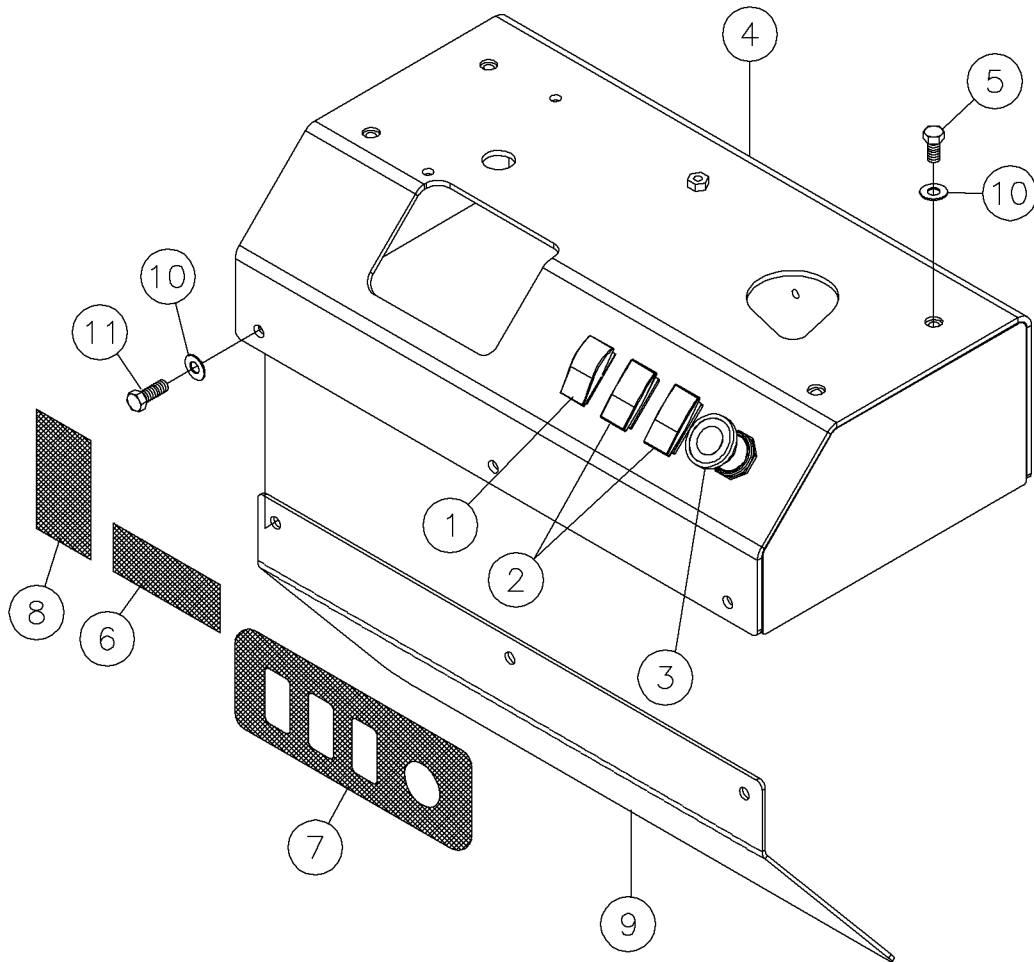
Transport Electrical Assy Fig 5-9r03



## Transport Electrical Assy Fig 5-9r03

REF. NO.	*	PART NO.	DESCRIPTION	QTY.	REMARKS
		Revision Date	May, 2006		Update In Illustration & Parts List.
1		296269696	WELDMENT	1	
2		257541001	SWITCH -1 POLE MOM-OFF-MOM	1	
3		700000187	ROCKER SWITCH BODY -1 POLE ON/ON	2	
4		296259684	BUTTON, RED PUSH/PULL	1	
5		700IC904	DECAL - CONTROL	1	
6		235716001	WASHER-FLATSTRL-.25-.28X.63-.06-CZ	8	
7		235734001	SCREW-HCS-.25-20X.75-GR8-YZ	4	
8		235732001	NUT-HEX-.25-20-GR8-YZ	4	

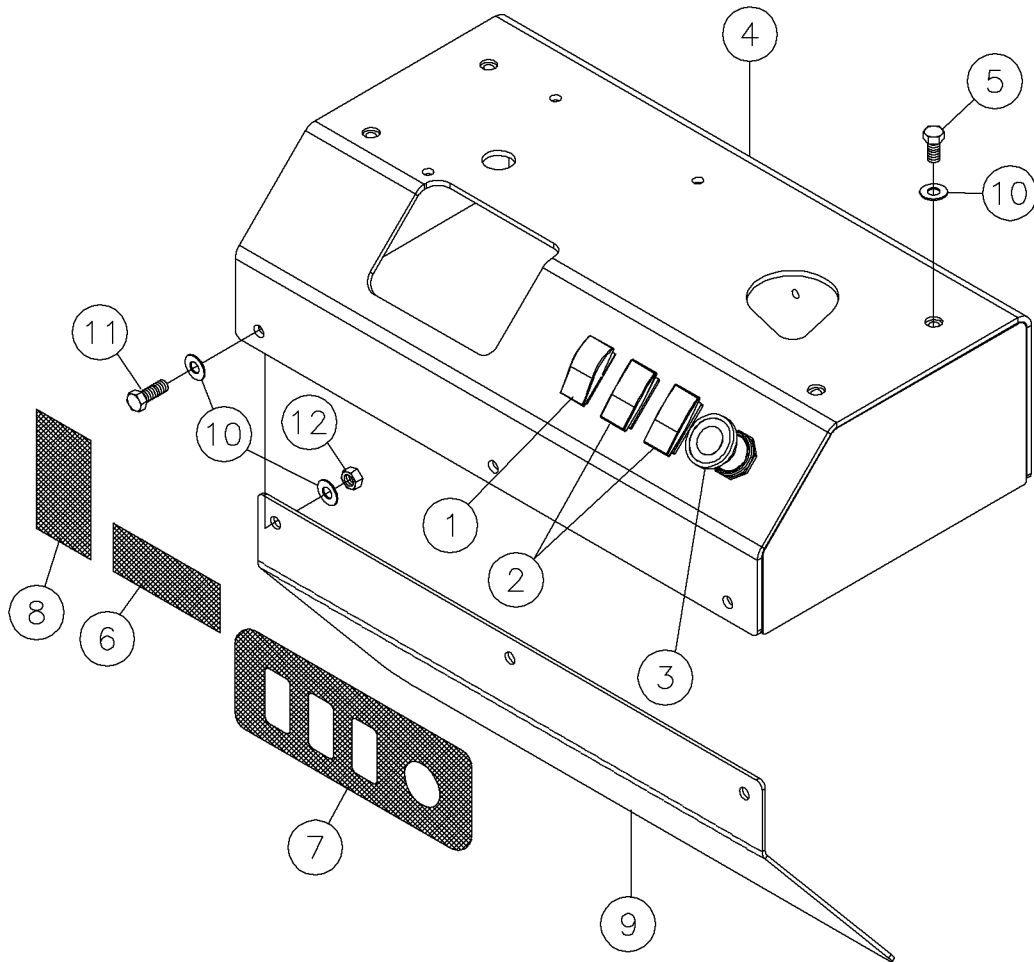
Transport Electrical Assy Fig 5-9r02



## Transport Electrical Assy Fig 5-9r02

REF. NO.	*	PART NO.	DESCRIPTION	QTY.	REMARKS
		Revision Date	July, 2005		Update In Illustration & Parts List.
1		257541001	SWITCH-SPDT 3 POSITION MOM	1	Rear Stabilizer Switch
2		700000187	ROCKER SWITCH BODY - 1 POLE ON\ON	2	Throttle Up/Down Switch
3		296259684	BUTTON - RED PUSH/PULL	1	
		215998001	BLOCK-N.C. CONTACT	1	
4		296275412	WELDMENT - TRANSPORT STATION	1	
5		235726001	BOLT-3/8-16X3/4 GR8 HEX ZNCPLT	4	
6		700IA472	DECAL-CTRL. TRACK & RACK (UG)	1	
7		700IC476	DECAL-CONTROL	1	
8		7000C446	DECAL - NO WELD	1	
		700IC446	DECAL - NO WELD	1	International
9		296280146	WELDMENT - TRANSPORT HOSE GUARD	1	
10		235713001	WASHER - FLATSTRL - .38 - .41 X .81 - .06-YA-A325	7	
11		235727001	BOLT-3/8-16X1 GR8 HEX ZINC PLT	3	

Transport Electrical Assy Fig 5-9r01

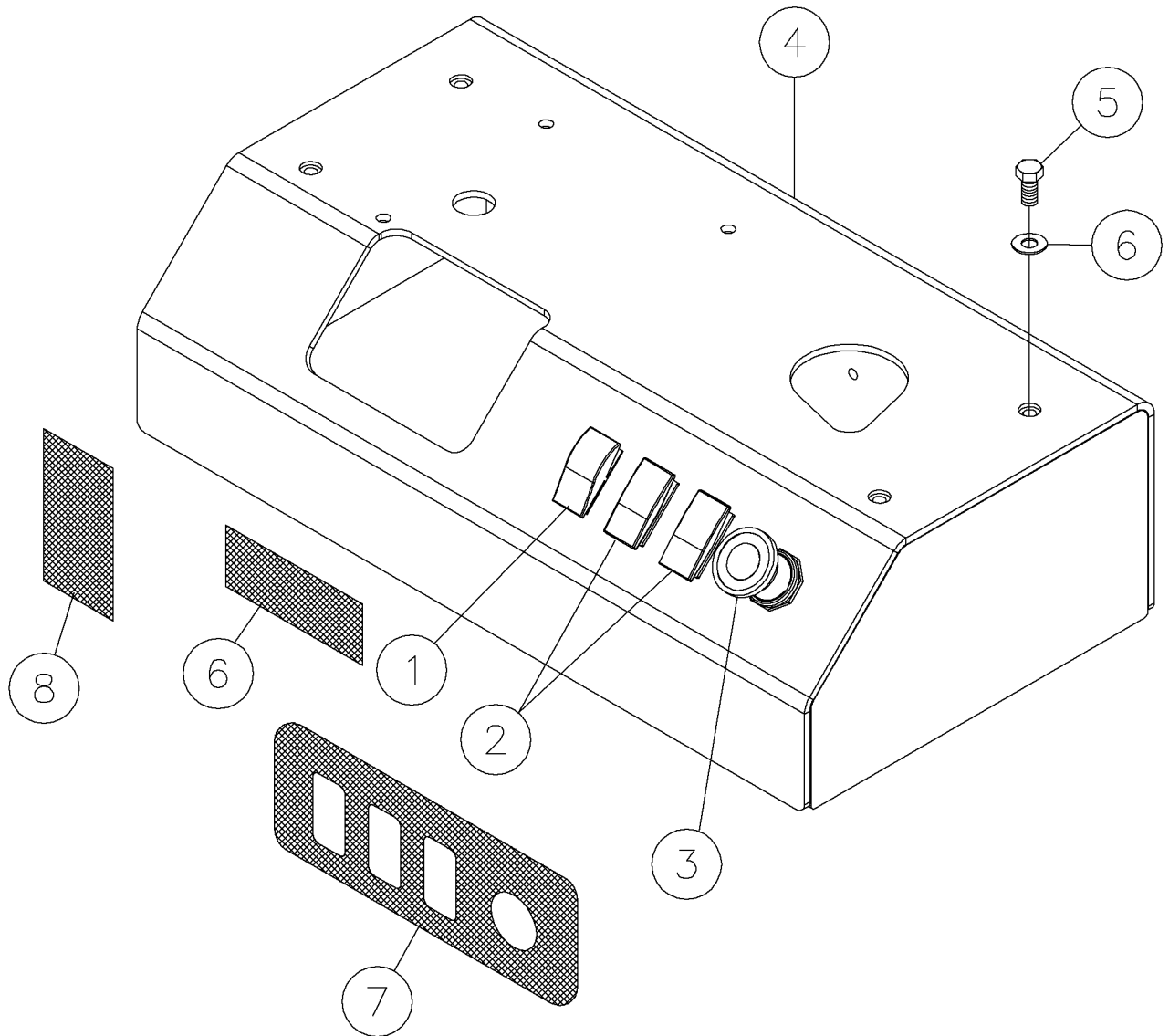




## Transport Electrical Assy Fig 5-9r01

REF. NO.	*	PART NO.	DESCRIPTION	QTY.	REMARKS
		Revision Date	May, 2005		Update In Illustration & Parts List.
1		257541001	SWITCH-SPDT 3 POSITION MOM	1	Rear Stabilizer Switch
2		700000187	ROCKER SWITCH BODY - 1 POLE ON\ON	2	Throttle Up/Down Switch
3		296259684	BUTTON - RED PUSH/PULL	1	
		215998001	BLOCK-N.C. CONTACT	1	
4		296275412	WELDMENT - TRANSPORT STATION	1	
5		235726001	BOLT-3/8-16X3/4 GR8 HEX ZNCPLT	4	
6		700IA472	DECAL-CTRL. TRACK & RACK (UG)	1	
7		700IC476	DECAL-CONTROL	1	
8		7000C446	DECAL - NO WELD	1	
		700IC446	DECAL - NO WELD	1	International
9		296280081	PLATE - TRANSPORT HOSE GUARD	1	
10		235713001	WASHER - FLATSTRL - .38 - .41 X .81 - .06-YA-A325	10	
11		235727001	BOLT-3/8-16X1 GR8 HEX ZINC PLT	3	
12		250508001	NUT - 3/8-NC Gr8 TOP LOCK Y/ZINC	3	

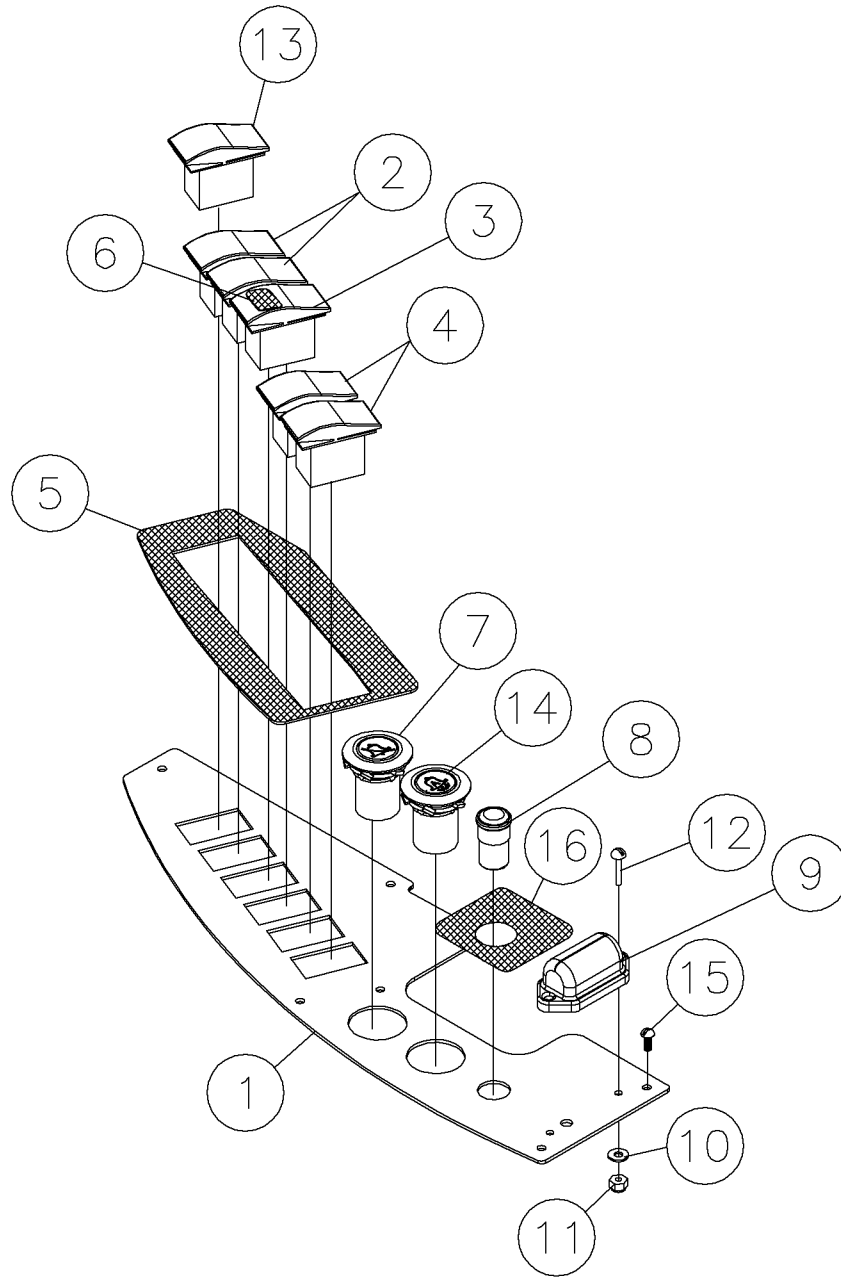
Transport Electrical Assy Fig 5-9



## Transport Electrical Assy Fig 5-9

REF. NO.	*	PART NO.	DESCRIPTION	QTY.	REMARKS
1		257543001	SWITCH-DPDT 3 POSITION MOM	1	
2		700000187	ROCKER SWITCH BODY - 1 POLE ON\ON	2	
3		296259684	BUTTON - RED PUSH/PULL	1	
		215998001	BLOCK-N.C. CONTACT	1	
4		296275412	WELDMENT - TRANSPORT STATION	1	
5		235726001	BOLT-3/8-16X3/4 GR8 HEX ZNCPLT	4	
6		700IA472	DECAL-CTRL. TRACK & RACK (UG)	1	
7		700IC476	DECAL-CONTROL	1	
8		7000C446	DECAL - NO WELD	1	
		700IC446	DECAL - NO WELD	1	International

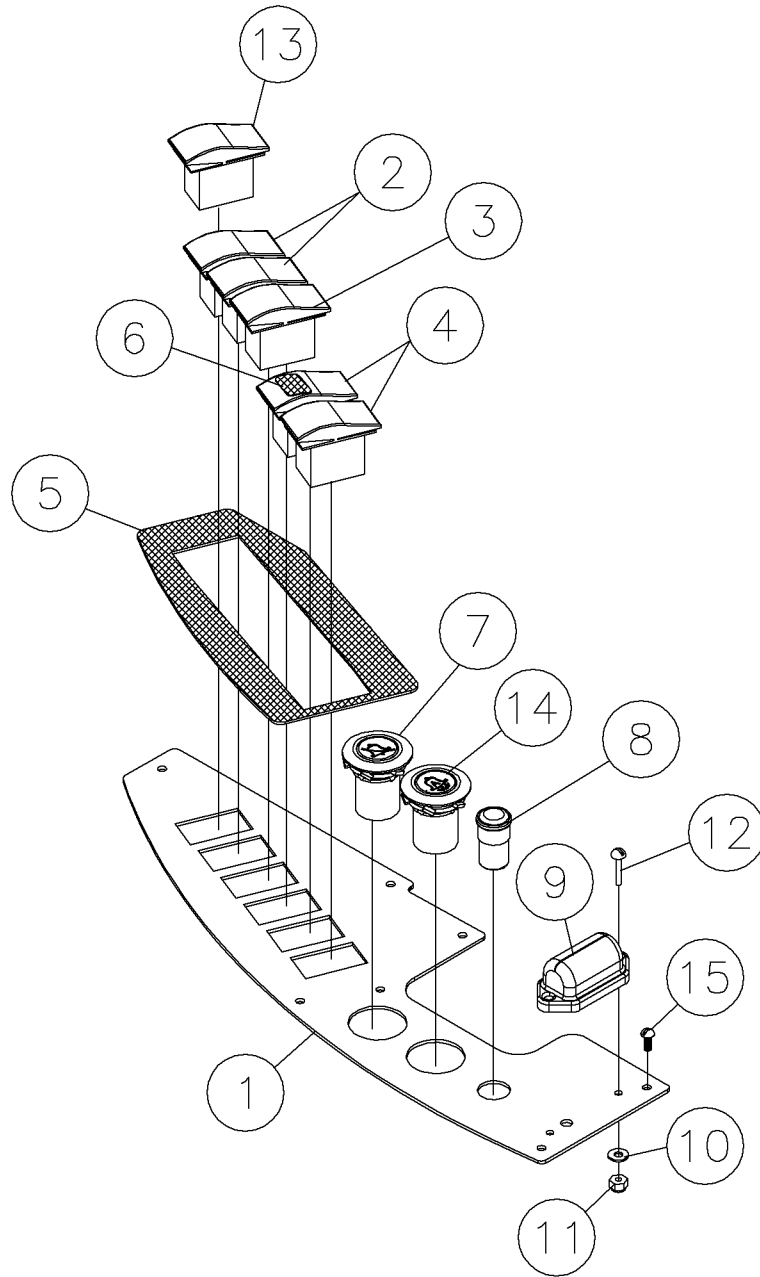
Left Operator Electrical Panel Assy Fig 5-10r01



## Left Operator Electrical Panel Assy Fig 5-10r01

REF. NO.	*	PART NO.	DESCRIPTION	QTY.	REMARKS
		Revision Date	May, 2005		Update In Illustration & Parts List.
1		296274139	PLATE - SWITCH LEFT	1	
2		257205001	SWITCH-SP 2 POSITION	2	Wash Wand/H2O Low Switch
3		296269576	SWITCH - ON/ON/ON	1	Rockfire Switch
4		257541001	SWITCH-SPDT 3 POSITION MOM	2	Increase And Decrease/Rear Stabilizer Switch
5		700IC348	DECAL - CONTROL LEFT HAND	1	
6		700IC454	DECAL - CONTROL	1	
7		296280268	SWITCH-PUSH BUTTON STRK ALERT ALARM OFF	1	
8		296275581	LIGHT - REMOTE LOCKOUT-GREEN	1	
9		296256067	LIGHT - CONSOLE, M434	1	
10		224769001	WASHER-#8 FLAT	2	
11		69759001	LOCK NUT-#8-32 NYLON INSERT PL	2	
12		510357010	SCREW-MCH-10-24X.75-GR2-YZ-HWH-SLOTTED	2	
13		296274146	SWITCH - SP 3 POSITION	1	3 Speed Gearbox Switch
14		296280273	PUSHBUTTON-STRIKE ALERT TEST	1	
15		533004	BOLT-10-24X1/2 RND.HD.SLTMACH	7	
16		700IC519	DECAL - STRIKE ALERT GREEN LIGHT	1	

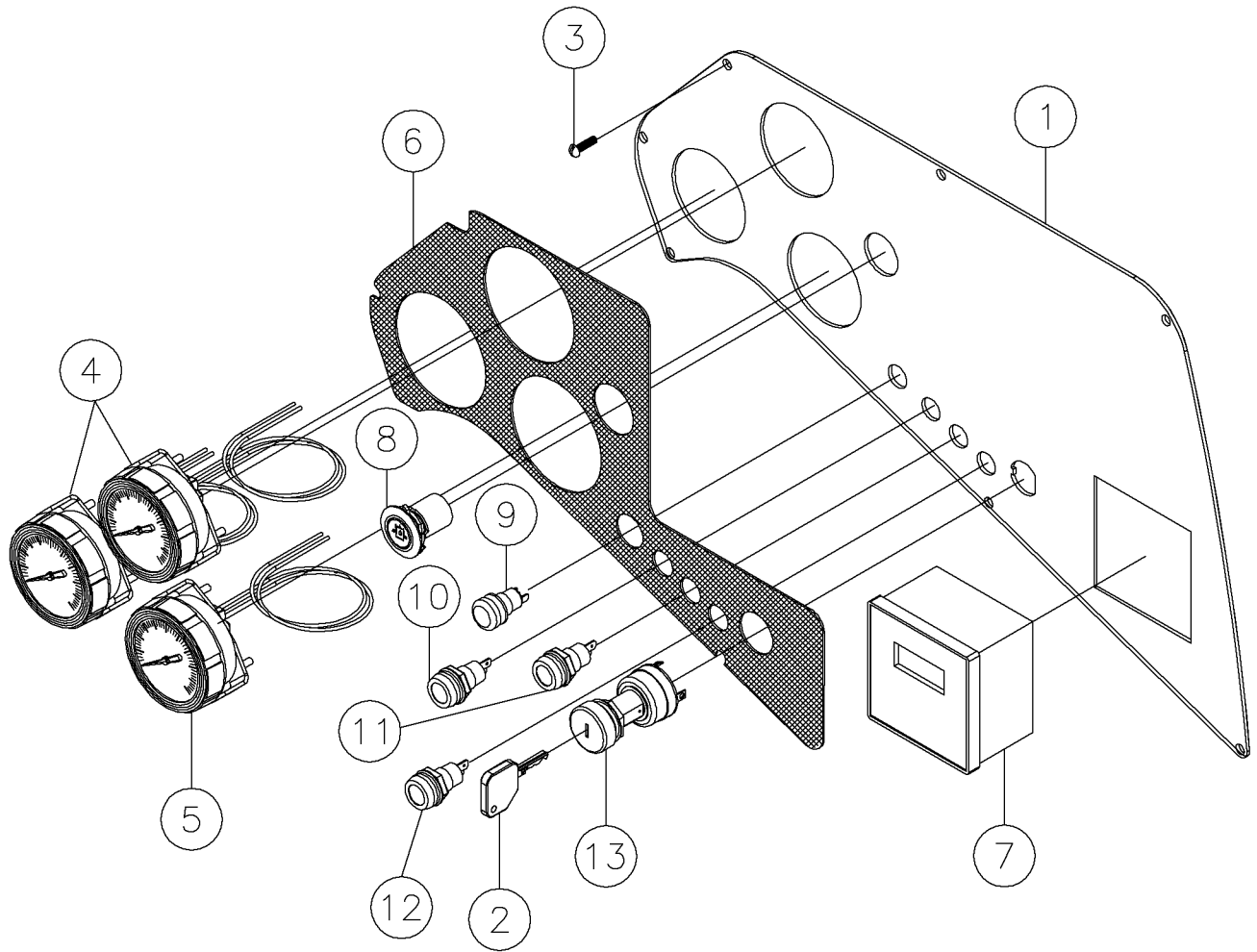
Left Operator Electrical Panel Assy Fig 5-10



## Left Operator Electrical Panel Assy Fig 5-10

REF. NO.	*	PART NO.	DESCRIPTION	QTY.	REMARKS
1		296274139	PLATE - SWITCH LEFT	1	
2		257205001	SWITCH-SP 2 POSITION	2	
3		296269576	SWITCH - ON/ON/ON	1	
4		257541001	SWITCH-SPDT 3 POSITION MOM	2	
5		700IC348	DECAL - CONTROL LEFT HAND	1	
6		700IC454	DECAL - CONTROL	1	
7		296280268	SWITCH-PUSH BUTTON STRK ALERT ALARM OFF	1	
8		296275581	LIGHT - REMOTE LOCKOUT-GREEN	1	
9		296256067	LIGHT - CONSOLE, M434	1	
10		224769001	WASHER-#8 FLAT	2	
11		69759001	LOCK NUT-#8-32 NYLON INSERT PL	2	
12		510357010	SCREW-MCH-10-24X.75-GR2-YZ-HWH- SLOTTED	2	
13		296274146	SWITCH - SP 3 POSITION	1	
14		296280273	PUSHBUTTON-STRIKE ALERT TEST	1	
15		533004	BOLT-10-24X1/2 RND.HD.SLTMACH	7	

Right Upper Electrical Panel Fig 5-11r01

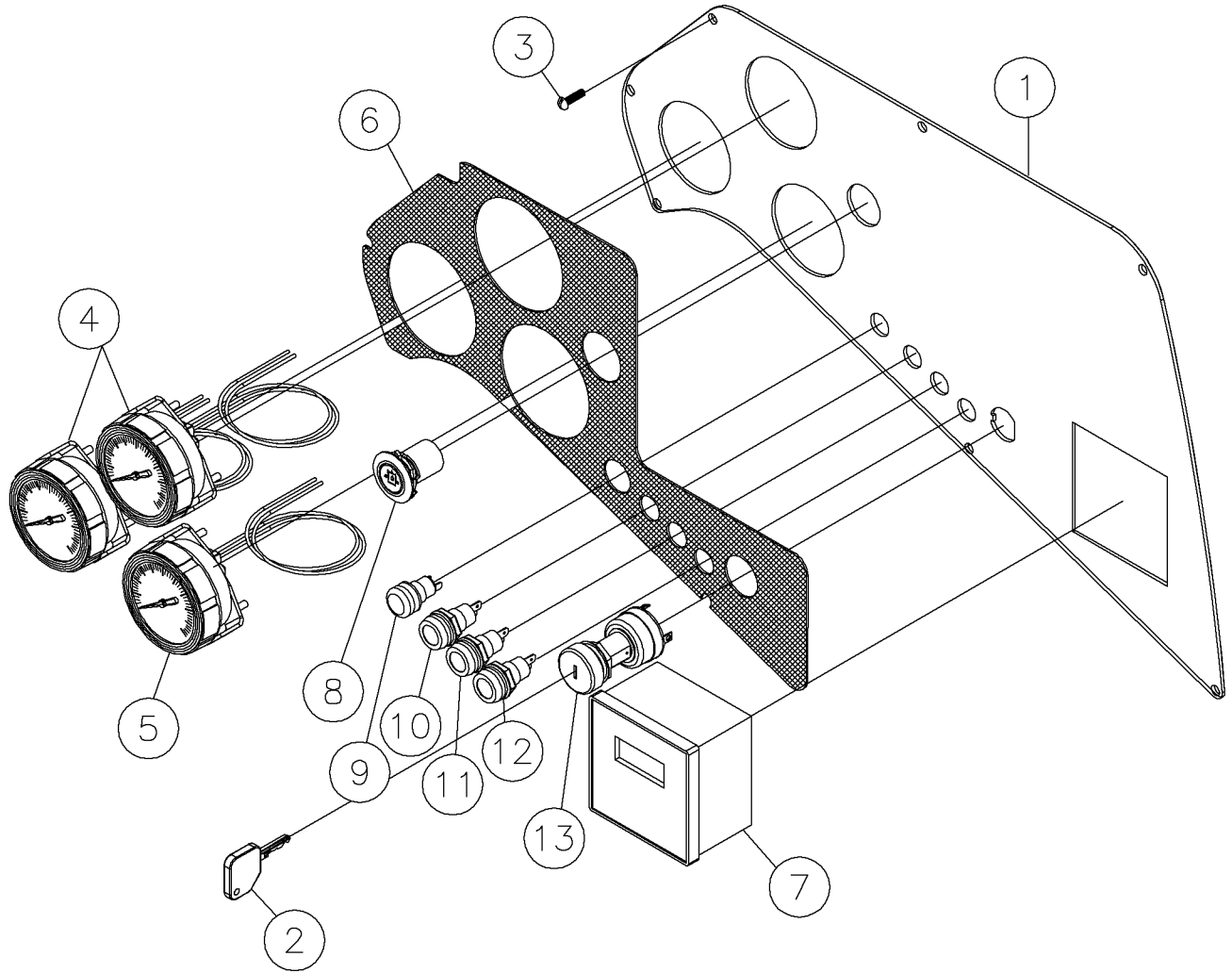




## Right Upper Electrical Panel Fig 5-11r01

REF. NO.	*	PART NO.	DESCRIPTION	QTY.	REMARKS
		Revision Date	March, 2006		Update In Illustration & Parts List.
1		296274136	PLATE - GUAGE RIGHT UPPER-D24X40	1	
2		285597002	KEYS - IGNITION SWITCH (MATCHED PAIR)	1	
3		533004	BOLT-10-24X1/2 RND.HD.SLTMACH	7	
4		289651001	GAUGE - 7500 PSI - SPAN - JIC - LIGHT	2	
5		289650001	GAUGE - 2000 PSI - SPAN - JIC - LIGHT	1	
6		700IC350	DECAL - CONTROL RIGHT HAND UPPER	1	
7		296286503	MODULE - M1114B WATER CONTROL	1	
8		277699001	SWITCH - PUSH BUTTON HYDRAULIC ENABLE	1	
9		260766001	SWITCH-MOM BUTTON NO	1	
10		81374001	LIGHT-GREEN WARNING #338-8049	1	
		70889001	BULB. #112-1418	1	Not Shown
11		86581001	LIGHT-WARNING (AMBER)	1	
		70889001	BULB. #112-1418	1	Not Shown
12		27148001	LIGHT-RED WARNING	1	
		70889001	BULB. #112-1418	1	Not Shown
13		285597001	SWITCH - IGNITION	1	

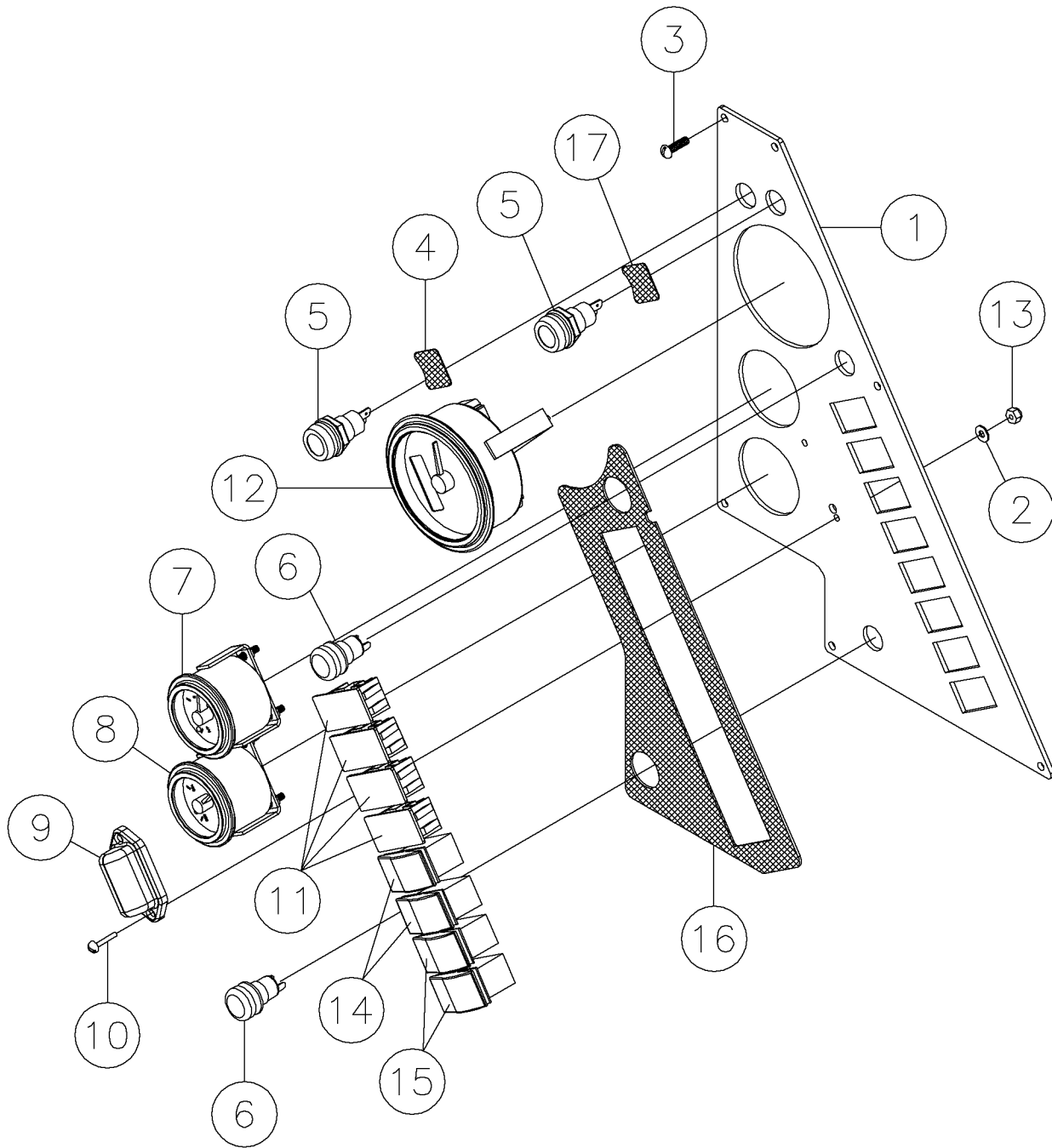
Right Upper Electrical Panel Assy Fig 5-11



## Right Upper Electrical Panel Assy Fig 5-11

REF. NO.	*	PART NO.	DESCRIPTION	QTY.	REMARKS
1		296274136	PLATE - GUAGE RIGHT UPPER-D24X40	1	
2		285597002	KEYS - IGNITION SWITCH (MATCHED PAIR)	1	
3		533004	BOLT-10-24X1/2 RND.HD.SLTMACH	7	
4		289651001	GAUGE - 7500 PSI - SPAN - JIC - LIGHT	2	
5		289650001	GAUGE - 2000 PSI - SPAN - JIC - LIGHT	1	
6		700IC350	DECAL - CONTROL RIGHT HAND UPPER	1	
7		296262032	MODULE - M1114 WATER CONTROL	1	
8		277699001	SWITCH - PUSH BUTTON HYDRAULIC ENABLE	1	
9		260766001	SWITCH-MOM BUTTON NO	1	
10		81374001	LIGHT-GREEN WARNING #338-8049	1	
11		86581001	LIGHT-WARNING (AMBER)	1	
12		27148001	LIGHT-RED WARNING	1	
13		285597001	SWITCH - IGNITION	1	

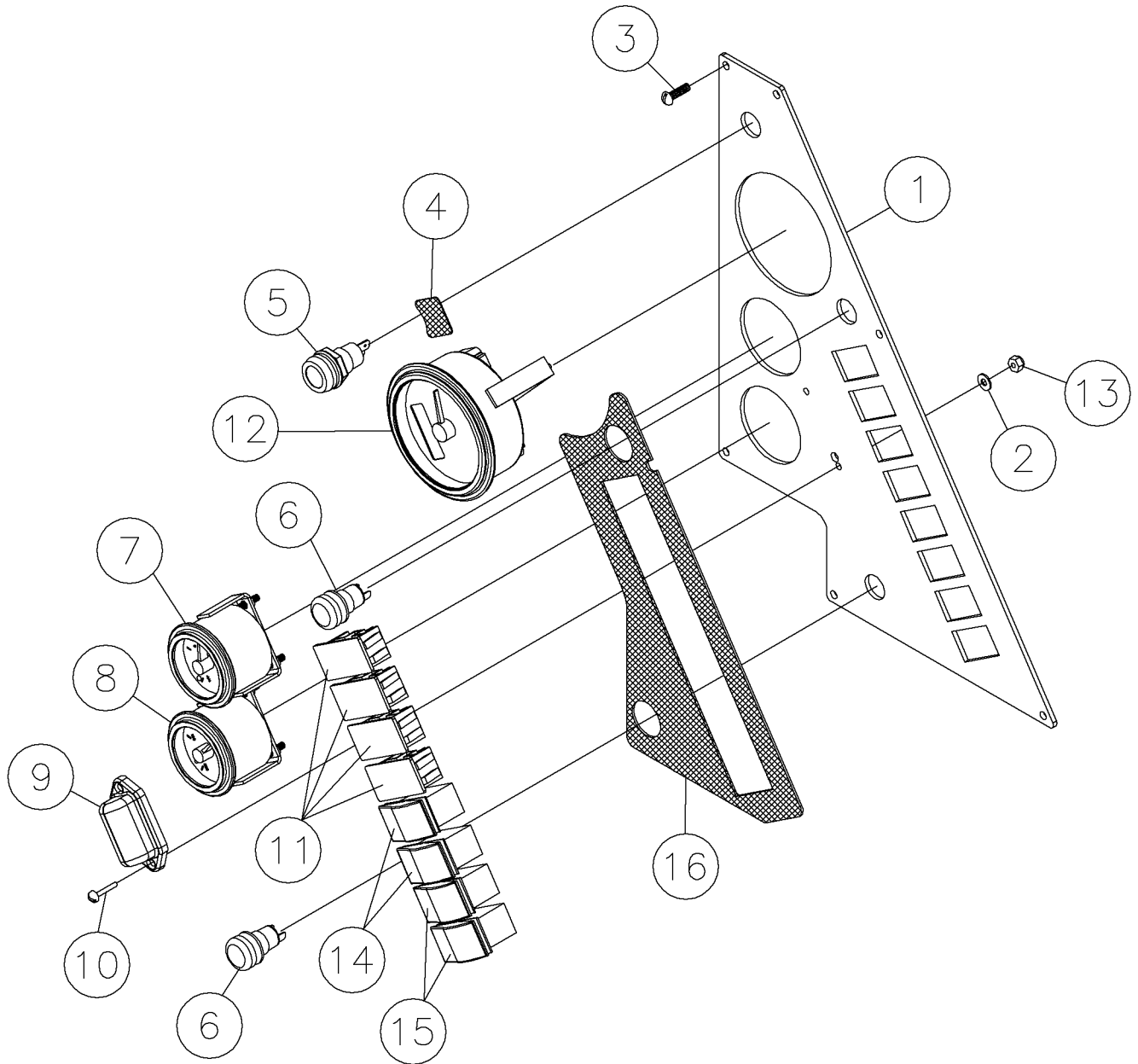
Right Lower Electrical Panel Fig 5-12r02



## Right Lower Electrical Panel Fig 5-12r02

REF. NO.	*	PART NO.	DESCRIPTION	QTY.	REMARKS
		Revision Date	March, 2006		Update In Illustration & Parts List.
1		296269646	PLATE - GAUGE PANEL - LOWER RIGHT	1	
2		224769001	WASHER-#8 FLAT	2	
3		510357010	SCREW-MCH-10-24X.75-GR2-YZ-HWH-SLOTTED	6	
4		700IC414	DECAL- ENGINE WARNING	1	
5		27148001	LIGHT-RED WARNING	2	
6		260766001	SWITCH-MOM BUTTON NO	2	
7		296274330	GAUGE - FUEL	1	
8		296274329	GAUGE-TEMP DATCON 12V W/ DEUTSCH CONNECTR	1	
9		296256067	LIGHT - CONSOLE, M434	1	
10		10530006	SCREW-#8-32X3/4 SLOT RD.HD.	2	
11		156720001	PLUG - ROCKER SWITCH	4	
12		163627173	TACHOMETER CANBUS	5	
13		69759001	LOCK NUT-#8-32 NYLON INSERT PL	2	
14		257205001	SWITCH-SP 2 POSITION	2	Stakedown Selector/Lights Switch
15		257541001	SWITCH-SPDT 3 POSITION MOM	2	Stakedown Motor/Cylinder Switch
16		700IC349	DECAL - CONTROL RIGHT HAND LOWER	1	
17		700IC557	DECAL - HYD. FILTER WARNING LIGHT	1	

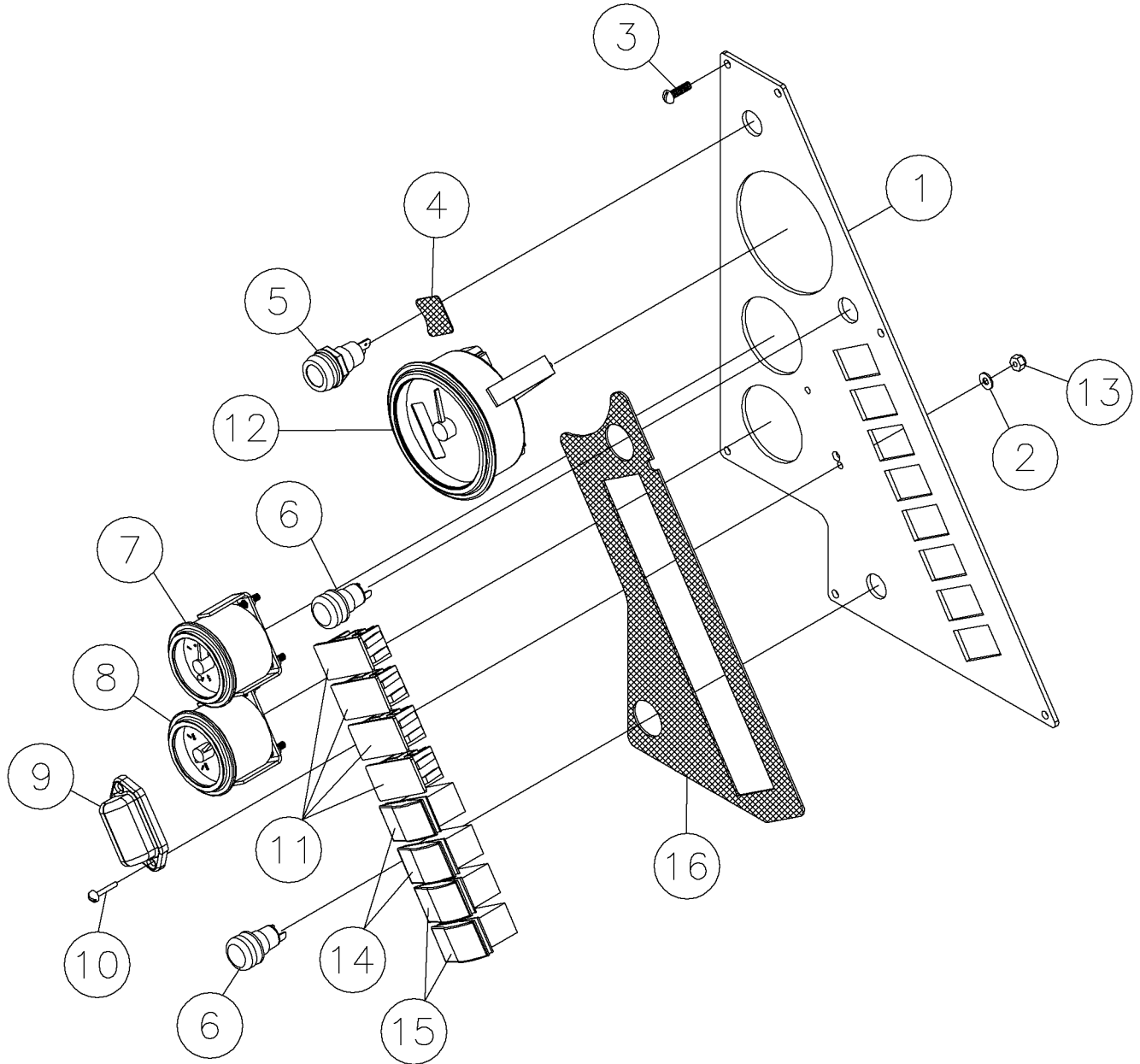
Right Lower Electrical Panel Assy Fig 5-12r01



## Right Lower Electrical Panel Assy Fig 5-12r01

REF. NO.	*	PART NO.	DESCRIPTION	QTY.	REMARKS
1		296274137	PLATE - GUAGE RIGHT LOWER D100X120	1	
2		224769001	WASHER-#8 FLAT	2	
3		510357010	SCREW-MCH-10-24X.75-GR2-YZ-HWH- SLOTTED	6	
4		700IC414	DECAL- ENGINE WARNING	1	
5		27148001	LIGHT-RED WARNING	1	
6		260766001	SWITCH-MOM BUTTON NO	2	
7		296274330	GAUGE - FUEL	1	
8		296274329	GAUGE-TEMP DATCON 12V W/ DEUTSCH CONNECTR	1	
9		296256067	LIGHT - CONSOLE, M434	1	
10		10530006	SCREW-#8-32X3/4 SLOT RD.HD.	2	
11		156720001	PLUG - ROCKER SWITCH	4	
12		163627173	TACHOMETER CANBUS	5	
13		69759001	LOCK NUT-#8-32 NYLON INSERT PL	2	
14		257205001	SWITCH-SP 2 POSITION	2	Stakedown Selector/Lights Switch
15		257541001	SWITCH-SPDT 3 POSITION MOM	2	Stakedown Motor/Cylinder Switch
16		700IC349	DECAL - CONTROL RIGHT HAND LOWER	1	

Right Lower Electrical Panel Assy Fig 5-12

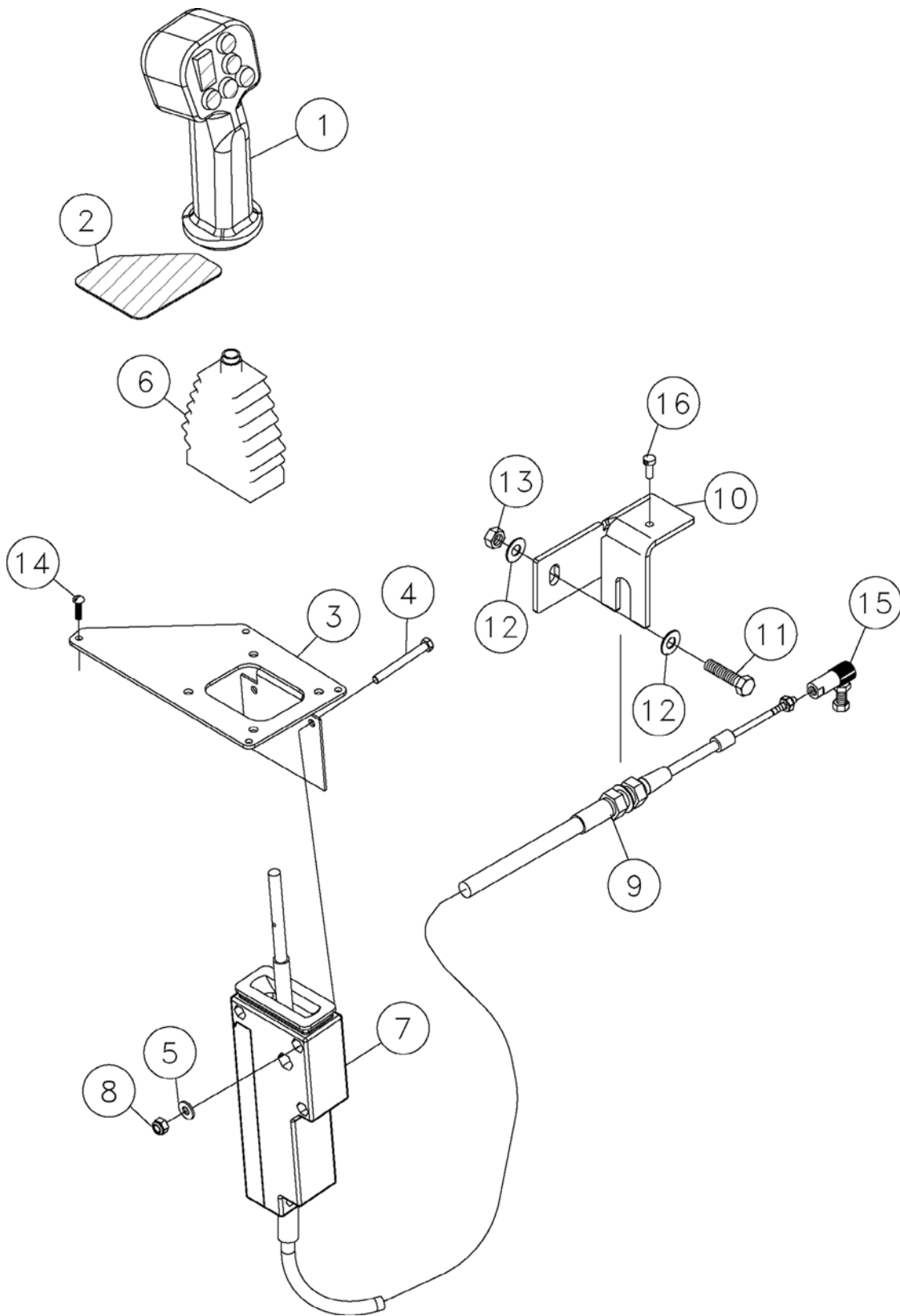




## Right Lower Electrical Panel Assy Fig 5-12

REF. NO.	*	PART NO.	DESCRIPTION	QTY.	REMARKS
1		296274137	PLATE - GUAGE RIGHT LOWER D100X120	1	
2		224769001	WASHER-#8 FLAT	2	
3		510357010	SCREW-MCH-10-24X.75-GR2-YZ-HWH- SLOTTED	6	
4		700IC414	DECAL- ENGINE WARNING	1	
5		27148001	LIGHT-RED WARNING	1	
6		260766001	SWITCH-MOM BUTTON NO	2	
7		296274330	GAUGE - FUEL	1	
8		296274329	GAUGE-TEMP DATCON 12V W/ DEUTSCH CONNECTR	1	
9		296256067	LIGHT - CONSOLE, M434	1	
10		10530006	SCREW-#8-32X3/4 SLOT RD.HD.	2	
11		156720001	PLUG - ROCKER SWITCH	4	
12		163627173	TACHOMETER CANBUS	5	
13		69759001	LOCK NUT-#8-32 NYLON INSERT PL	2	
14		257205001	SWITCH-SP 2 POSITION	2	
15		257541001	SWITCH-SPDT 3 POSITION MOM	2	
16		700IC349	DECAL - CONTROL RIGHT HAND LOWER	1	

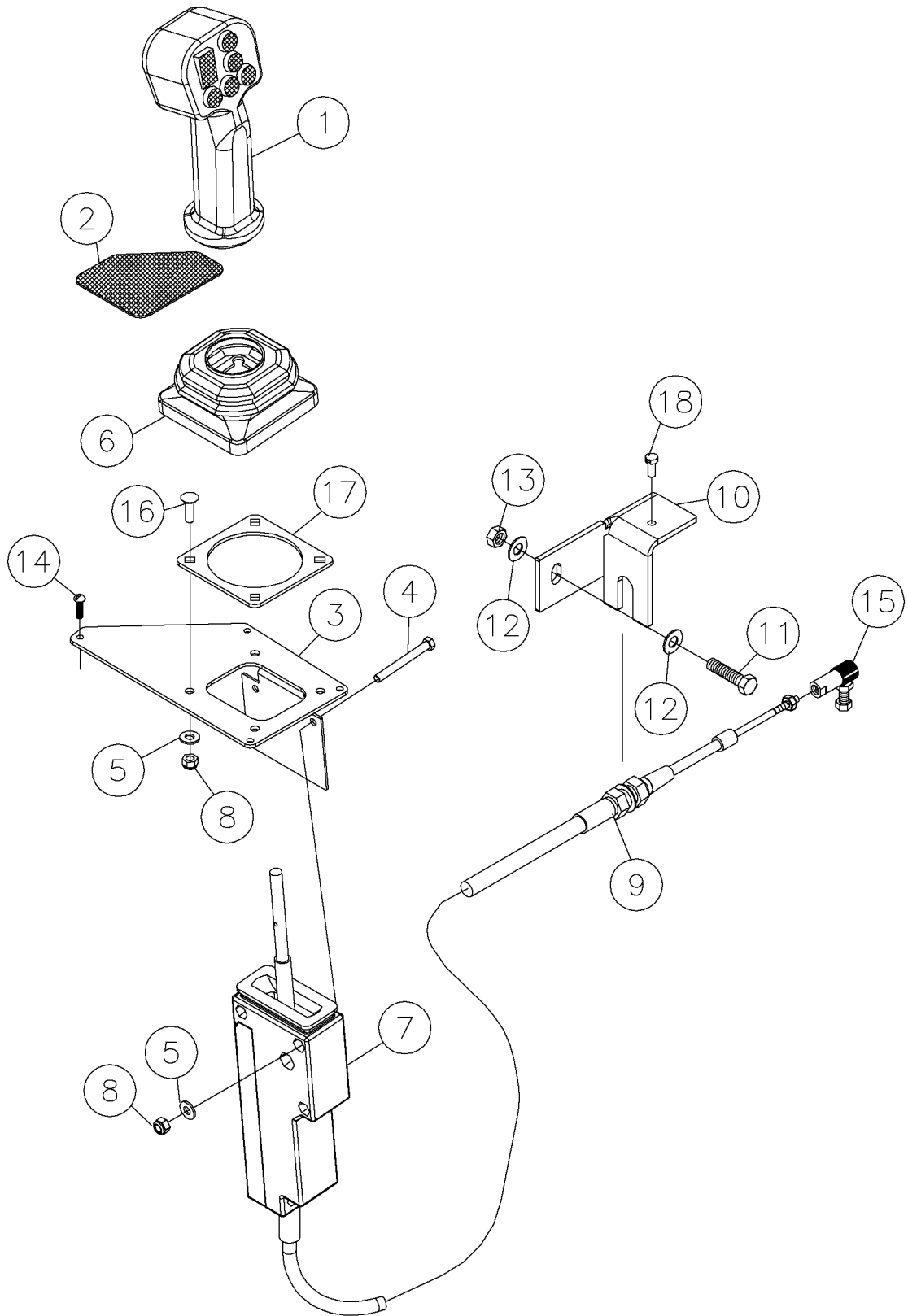
Left Joystick Fig 5-13r02



## Left Joystick Fig 5-13r02

REF NO.	*	PART NO.	DESCRIPTION	QTY.	REMARKS
		Revision Date	March, 2006		Update In Illustration & Parts List.
1		296273907	HANDLE GRIP ASSEMBLY - LEFT JOYSTICK	1	Breakdown Fig. 10-49
2		700IC351	DECAL - CONTROL LEFT HAND JOYSTICK	1	
3		296280366	WELDMENT - MOUNT LEFT JOY STICK	1	
4		250644001	BOLT-1/4-20 X2 1/4 GR 8 Y/ZINC	2	
5		235716001	WASHER - FLATSTRL - .25 -.28 X .63 - .06 - CZ	2	
6		296280420	BOOT - JOY STICK	1	
7		296274336	CONTROL - CABLE C85	1	
8		103201001	NUT-1/4-20NC NYLON INSERT LOCK	2	
9		296274335	CABLE - 313 - LTG-2-162	1	
10		296277991	BRACKET - FRONT CABLE	1	
11		235736001	BOLT-3/8-16X1 1/4 ZINC PLTD	2	
12		235713001	WASHER - FLATSTRL - .38 - .41 X .81 - .06-YA-A325	4	
13		235725001	NUT - HEX - .38 - 16 - GR8 - YZ	2	
14		510357010	SCREW-MCH-10-24X.75-GR2-YZ-HWH-SLOTTED	5	
15		78653001	BALL JOINT 1/4FX5/16M A032267	1	
16		10530006	SCREW-#8-32X3/4 SLOT RD.HD.	1	

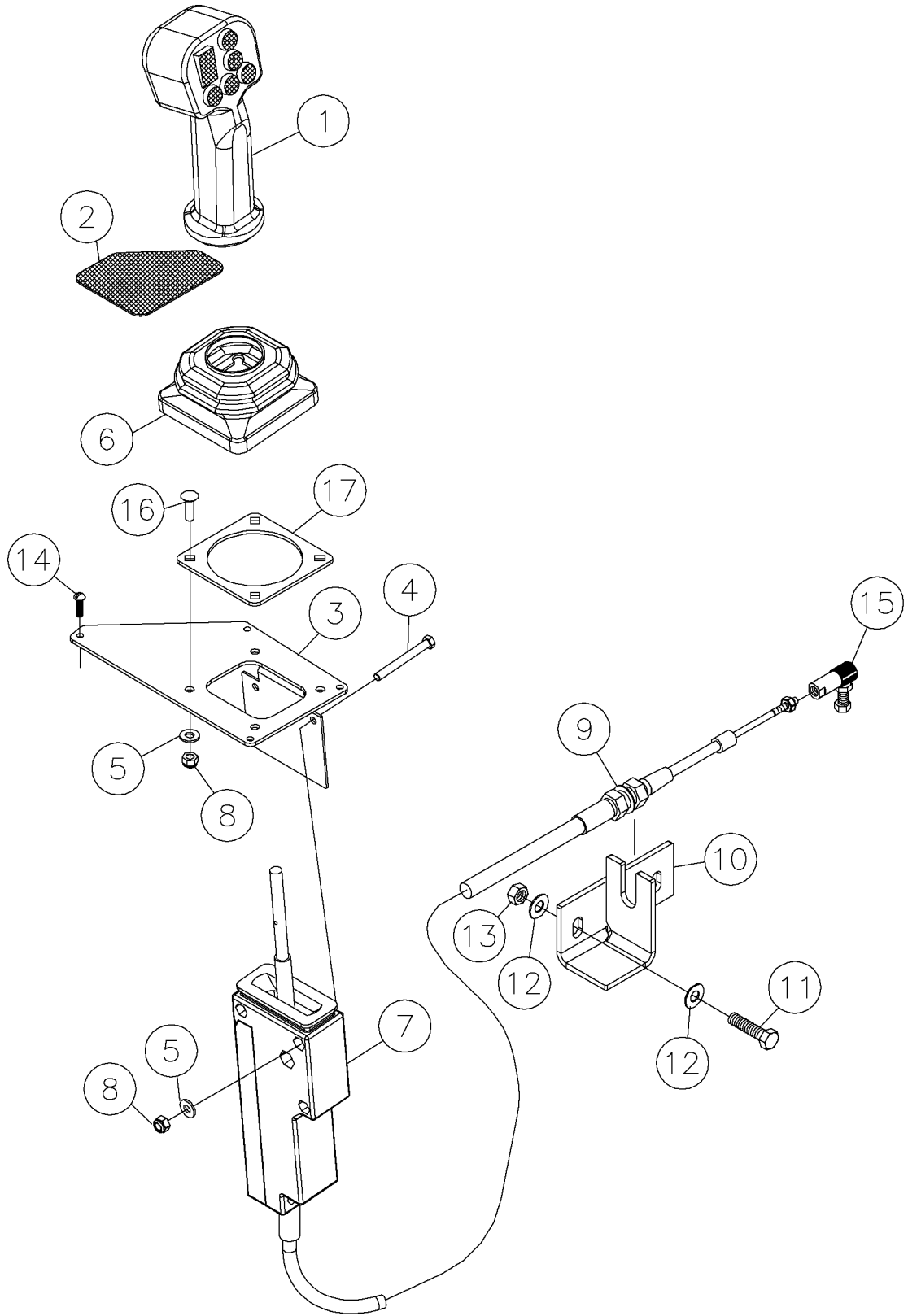
Left Joystick Assy Fig 5-13r01



## Left Joystick Assy Fig 5-13r01

REF. NO.	*	PART NO.	DESCRIPTION	QTY.	REMARKS
		Revision Date	May, 2005		Update In Illustration & Parts List.
1		296273907	HANDLE GRIP ASSEMBLY - LEFT JOYSTICK	1	Breakdown Fig. 10-49
2		700IC351	DECAL - CONTROL LEFT HAND JOYSTICK	1	
3		296274162	WELDMENT - MOUNT LEFT JOY STICK	1	
4		250644001	BOLT-1/4-20 X2 1/4 GR 8 Y/ZINC	2	
5		235716001	WASHER - FLATSTRL - .25 -.28 X .63 - .06 - CZ	6	
6		296274059	BOOT - JOY STICK	1	
7		296274336	CONTROL - CABLE C85	1	
8		103201001	NUT-1/4-20NC NYLON INSERT LOCK	6	
9		296274335	CABLE - 313 - LTG-2-162	1	
10		296277991	BRACKET - FRONT CABLE	1	
11		235736001	BOLT-3/8-16X1 1/4 ZINC PLTD	2	
12		235713001	WASHER - FLATSTRL - .38 - .41 X .81 - .06-YA-A325	4	
13		235725001	NUT - HEX - .38 - 16 - GR8 - YZ	2	
14		510357010	SCREW-MCH-10-24X.75-GR2-YZ-HWH-SLOTTED	5	
15		78653001	BALL JOINT 1/4FX5/16M A032267	1	
16		373006	1/4"-20X3/4"GD#5CARRIAGE BOLT	4	
17		296274058	PLATE - BOOT MOUNT	1	
18		10530006	SCREW-#8-32X3/4 SLOT RD.HD.	1	

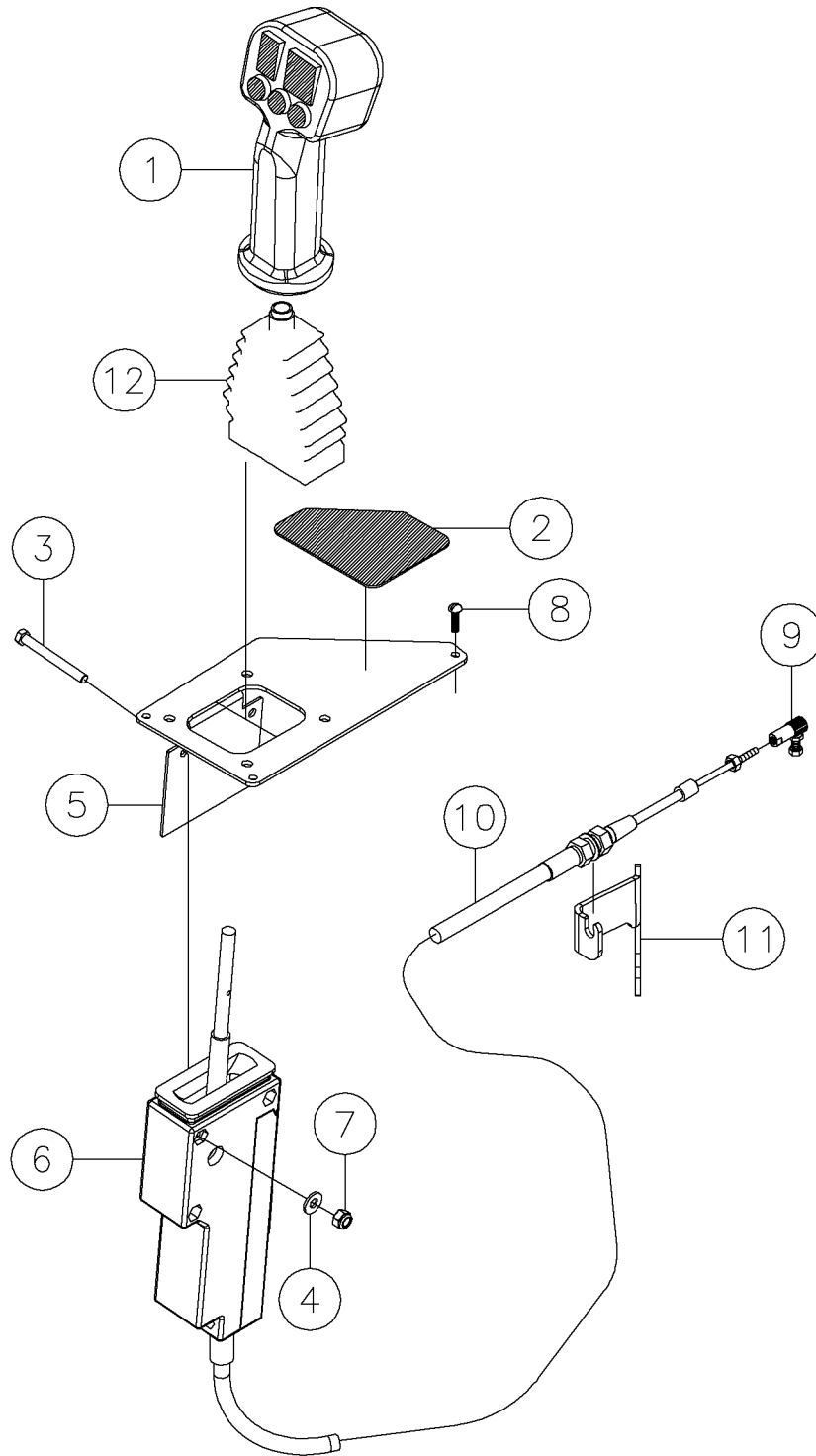
Left Joystick Assy Fig 5-13



## Left Joystick Assy Fig 5-13

REF. NO.	*	PART NO.	DESCRIPTION	QTY.	REMARKS
1		296273907	HANDLE GRIP ASSEMBLY - LEFT JOYSTICK	1	Breakdown Fig. 10-49
2		700IC351	DECAL - CONTROL LEFT HAND JOYSTICK	1	
3		296274162	WELDMENT - MOUNT LEFT JOY STICK	1	
4		250644001	BOLT-1/4-20 X2 1/4 GR 8 Y/ZINC	2	
5		235716001	WASHER - FLATSTRL - .25 -.28 X .63 - .06 - CZ	6	
6		296274059	BOOT - JOY STICK	1	
7		296274336	CONTROL - CABLE C85	1	
8		103201001	NUT-1/4-20NC NYLON INSERT LOCK	6	
9		296274335	CABLE - 313 - LTG-2-162	1	
10		296277796	BRACKET - FRONT CABLE	1	
11		235736001	BOLT-3/8-16X1 1/4 ZINC PLTD	2	
12		235713001	WASHER - FLATSTRL - .38 - .41 X .81 - .06-YA-A325	4	
13		235725001	NUT - HEX - .38 - 16 - GR8 - YZ	2	
14		510357010	SCREW-MCH-10-24X.75-GR2-YZ-HWH-SLOTTED	5	
15		78653001	BALL JOINT 1/4FX5/16M A032267	1	
16		373006	1/4"-20X3/4"GD#5CARRIAGE BOLT	4	
17		296274058	PLATE - BOOT MOUNT	1	

Right Joystick Fig 5-14r01

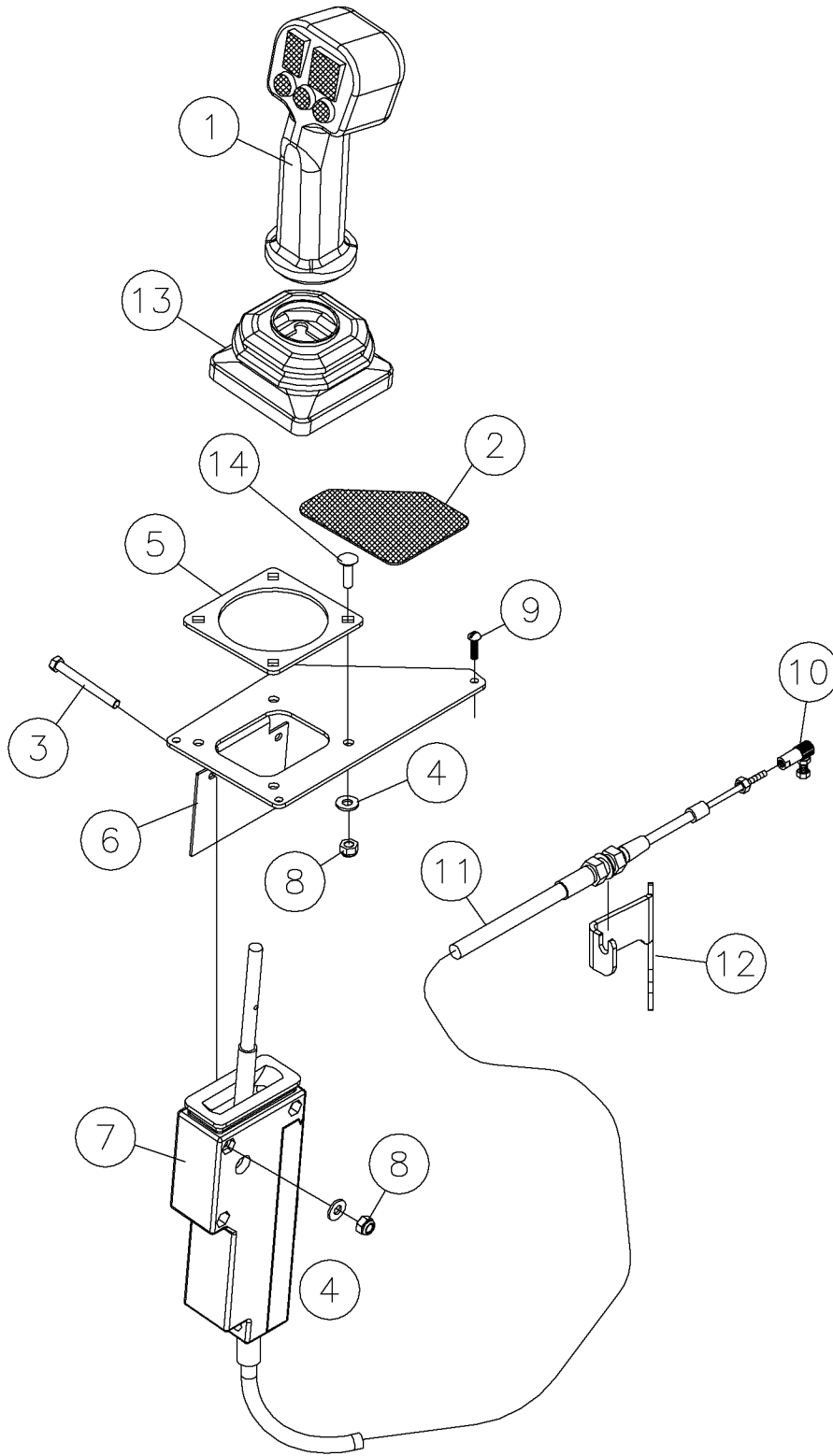




## Right Joystick Fig 5-14r01

REF NO.	*	PART NO.	DESCRIPTION	QTY.	REMARKS
		Revision Date	March, 2006		Update In Illustration & Parts List.
1		296273908	HANDLE GRIP ASSEMBLY - RIGHT JOYSTICK	1	Breakdown Fig. 10-50
2		700IC352	DECAL - CONTROL RIGHT HAND JOYSTICK	1	
3		250644001	BOLT-1/4-20 X2 1/4 GR 8 Y/ZINC	2	
4		235716001	WASHER - FLATSTRL - .25 -.28 X .63 - .06 - CZ	2	
5		296280365	WELDMENT - MOUNT RIGHT JOY STICK	1	
6		296274336	CONTROL - CABLE C85	1	
7		103201001	NUT-1/4-20NC NYLON INSERT LOCK	2	
8		510357010	SCREW-MCH-10-24X.75-GR2-YZ-HWH-SLOTTED	3	
9		78653001	BALL JOINT 1/4FX5/16M A032267	1	
10		296274335	CABLE - 313 - LTG-2-162	1	
11		296273664	MOUNT-THROTTLE-THRUST	1	
12		296280420	BOOT - JOY STICK	1	

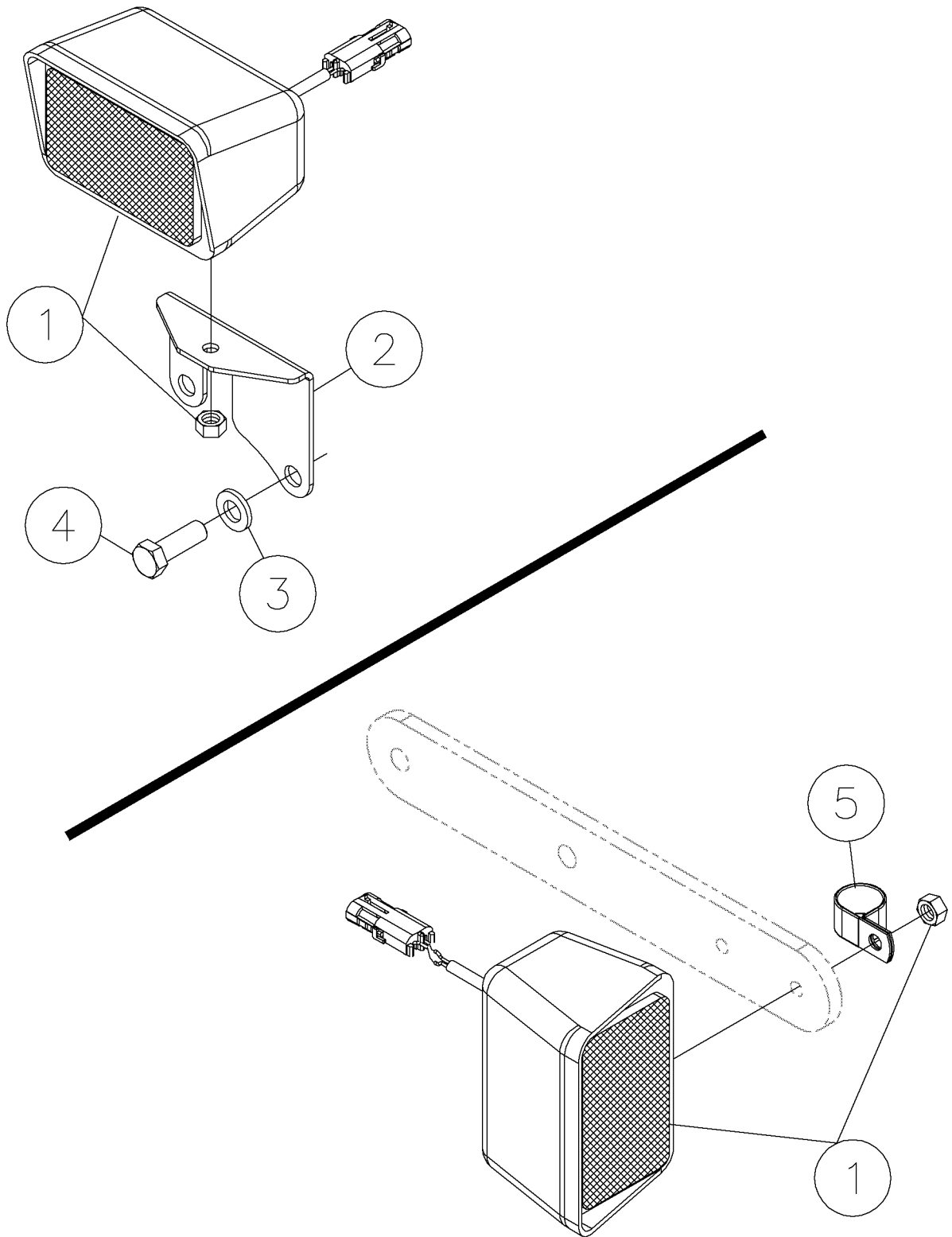
Right Joystick Assy Fig 5-14



## Right Joystick Assy Fig 5-14

REF. NO.	*	PART NO.	DESCRIPTION	QTY.	REMARKS
1		296273908	HANDLE GRIP ASSEMBLY - RIGHT JOYSTICK	1	Breakdown Fig. 10-50
2		700IC352	DECAL - CONTROL RIGHT HAND JOYSTICK	1	
3		250644001	BOLT-1/4-20 X2 1/4 GR 8 Y/ZINC	2	
4		235716001	WASHER - FLATSTRL - .25 -.28 X .63 - .06 - CZ	6	
5		296274058	PLATE - BOOT MOUNT	1	
6		296274164	WELDMENT - MOUNT RIGHT JOY STICK	1	
7		250644001	BOLT-1/4-20 X2 1/4 GR 8 Y/ZINC	1	
8		103201001	NUT-1/4-20NC NYLON INSERT LOCK	6	
9		510357010	SCREW-MCH-10-24X.75-GR2-YZ-HWH-SLOTTED	3	
10		78653001	BALL JOINT 1/4FX5/16M A032267	1	
11		296274335	CABLE - 313 - LTG-2-162	1	
12		296273664	MOUNT-THROTTLE-THRUST	1	
13		296274059	BOOT - JOY STICK	1	
14		373006	1/4"-20X3/4"GD#5CARRIAGE BOLT REF T11988	4	

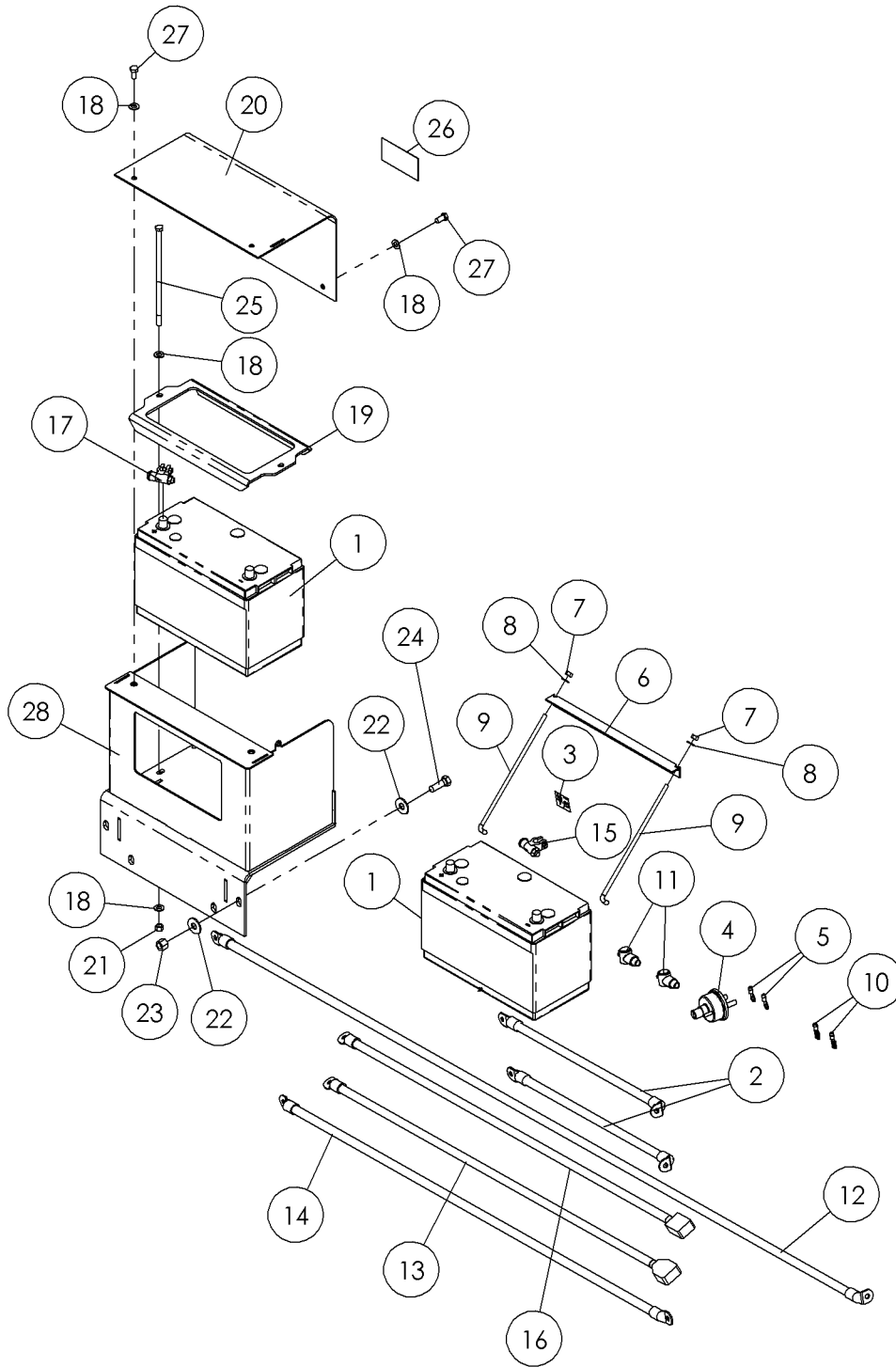
Work Light Assy Fig 5-15



## Work Light Assy Fig 5-15

REF. NO.	*	PART NO.	DESCRIPTION	QTY.	REMARKS
1		245006001	ASSEMBLY-3X5 FLOOD LIGHT	3	
2		296273638	BRACKET - LIGHT MOUNT	1	
3		508486012	WASHER-FLAT, HARDENED,M12, YZ, DIN6916	2	
4		507407035	SCREW - HCS, M12-1.75X35, 10.9, YZ, ISO4017, FT	2	
5		2595009	CLAMP-1 1/4 HOSE #7701164	2	

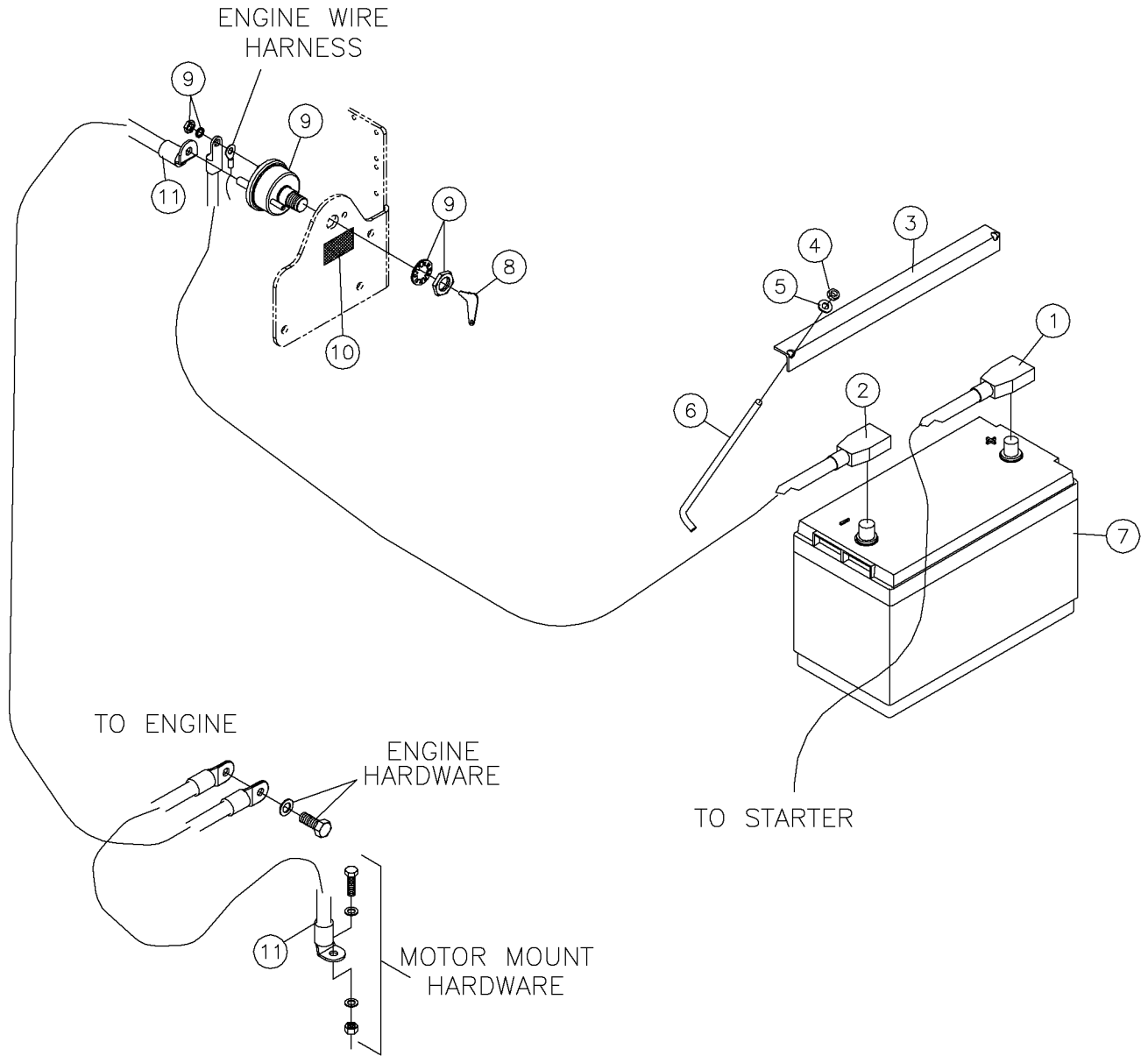
Battery Assy Fig 5-16r02



## Battery Assy Fig 5-16r02

REF. NO.	*	PART NO.	DESCRIPTION	QTY.	REMARKS
		Revision Date	May, 2006		Update In Illustration & Parts List.
1		91547001	BATTERY - GROUP 31 950CCA	2	
2		296279963	CABLE - BATTERY 24" BLACK E - E	2	
3		700ia477	DECAL - BATTERY SWITCH	1	
4		904365001	DISCONNECT SWITCH	1	
5		4716001	TERMINAL, CRIMP-ON 3/8" 10-12 GA YELLOW	2	
6		214360001	HOLDDOWN - BATTERY	1	
7		235741001	NUT-HEX-.31-18-GR8-YZ	2	
8		235714001	WASHER-FLATSTRL-.31-.34X.69-.06-YZ- A325	2	
9		296274173	CLAMP - BATTERY	2	
10		14591001	TERM - .250 REM. SLIDE 10-12 GA.	2	
11		296269641	BOOT - BATTERY	2	
12		296286564	CABLE - BATTERY 4/0 97" BLACK E - E	1	
13		296286566	CABLE - BATTERY 4/0 51" RED P - E	1	
14		296286567	CABLE - BATTERY 4/0 58" RED E - E	1	
15		296286568	LUG - BATTERY, MILITARY TERMINAL- NEGATIVE	1	
16		296286565	CABLE - BATTERY 4/0 51" BLACK N - E	1	
17		296286569	LUG - BATTERY, MILITARY TERMINAL- POSITIVE	1	
18		235713001	WASHER-FLATSTRL-.38-.41X.81-.06-YZ- A325	12	
19		243853001	HOLD DOWN - BATTERY	1	
20		296286551	PLATE - BATTERY BOX LID	1	
21		510315501	NUT-TLHEX-.38-16-B-YZ	2	
22		510337611	WASHER-FLATSTD-.50-.56X1.38-.11-YZ	8	
23		510317501	NUT-TLHEX-.50-13-B-YZ	4	
24		510304014	SCREW-HCS-.50-13X1.50-GR5-YZ	4	
25		243901001	BOLT-3/8-16X9 1/2 GR5 HHC ZP	2	
26		7000B024	DECAL - WARNING	1	Domestic
		7001B024	DECAL - WARNING	1	International
27		235726001	SCREW-HCS-.38-16X.75-GR8-YZ	4	
28		296286553	WELDMENT - BATTERY BOX	1	

Battery Assy Fig 5-16

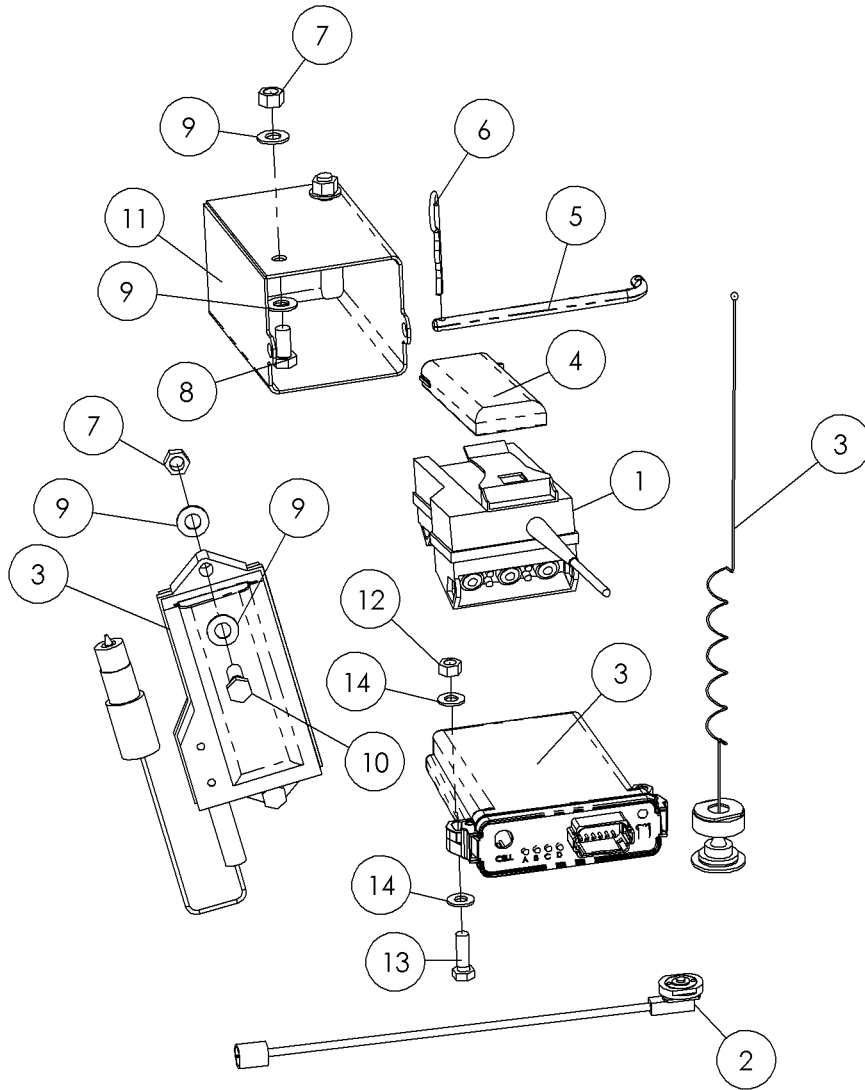




## Battery Assy Fig 5-16

REF. NO.	*	PART NO.	DESCRIPTION	QTY.	REMARKS
1		296279962	CABLE - BATTERY 3/0 97" RED P-E	1	
2		296279961	CABLE - BATTERY 3/0 97" BLACK P-E	1	
3		214360001	HOLDDOWN-BATTERY	1	
4		235741001	NUT - HEX - .31 - 18 - GR8 -YZ	2	
5		235714001	WASHER - FLATSTRL - .31 - .34 X .69 - .06-YZ-A325	2	
6		296274173	CLAMP - BATTERY	2	
7		NSS	BATTERY	1	
8		87356003	KEY	1	
9		904365001	DISCONNECT SWITCH	1	
10		700IA477	DECAL_BATTERY SWITCH (UG)	1	
11		296279963	CABLE - BATTERY 3/0-24" BLACK E-E-	2	

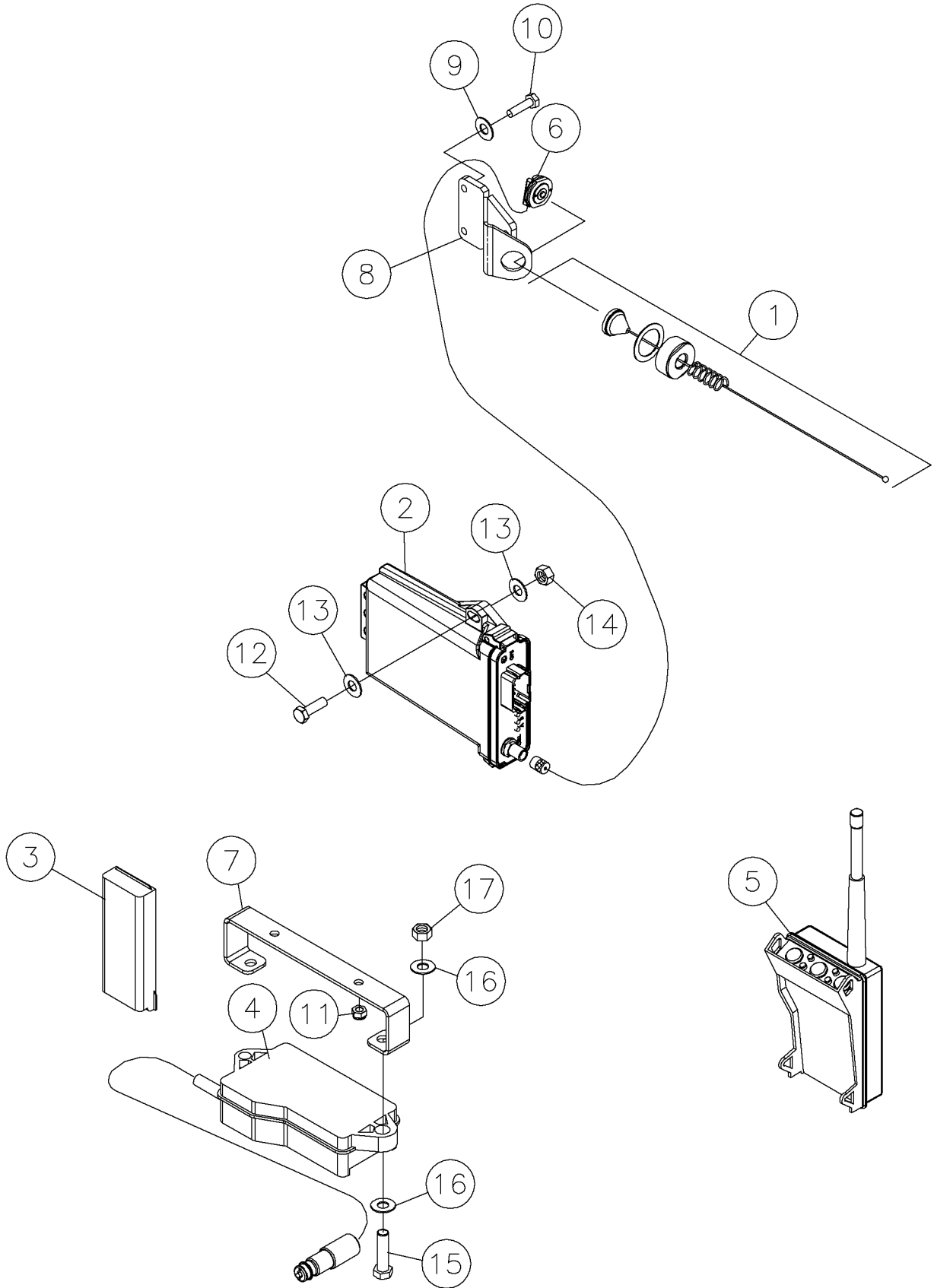
Remote Lockout Electrical Fig 5-17r02



## Remote Lockout Electrical Fig 5-17r02

REF. NO.	*	PART NO.	DESCRIPTION	QTY.	REMARKS
1		296272303	ASM - R309LK FOR HDD	1	
2		296272607	MOUNT-ANTENNA MOTOROLA TYPE RG-58-4'	1	
3		296280372	KIT-REMOTE LOCKOUT-LK1DOMESTIC	1	
4		296272400	BATTERY - 1000MA NBB	1	
5		296274192	PIN - REMOTE BOX	1	
6		1793005	HAIR PIN COTTER - .125 WIRE REF F01551	1	
7		235725001	NUT - HEX - .38 - 16 - GR8 - YZ	4	
8		235726001	BOLT-3/8-16X3/4 GR8 HEX ZNCPLT	2	
9		235713001	WASHER - FLATSTRL - .38 - .41 X .81 - .06-YA-A325	8	
10		235723001	SCREW - HCS -.38 - 16 X 1.50 - GR8 - YZ	2	
11		296289030	WELD - REMOTE BOX	1	
12		235741001	NUT - HEX - .31 - 18 - GR8 -YZ	2	
13		238209001	BOLT-5/16-18X1 GR8 HEX ZINC YC	2	
14		235714001	WASHER - FLATSTRL - .31 - .34 X .69 - .06-YZ-A325	4	
		296280372	KIT-REMOTE LOCKOUT-LK1DOMESTIC		Inc. All Items In Figure

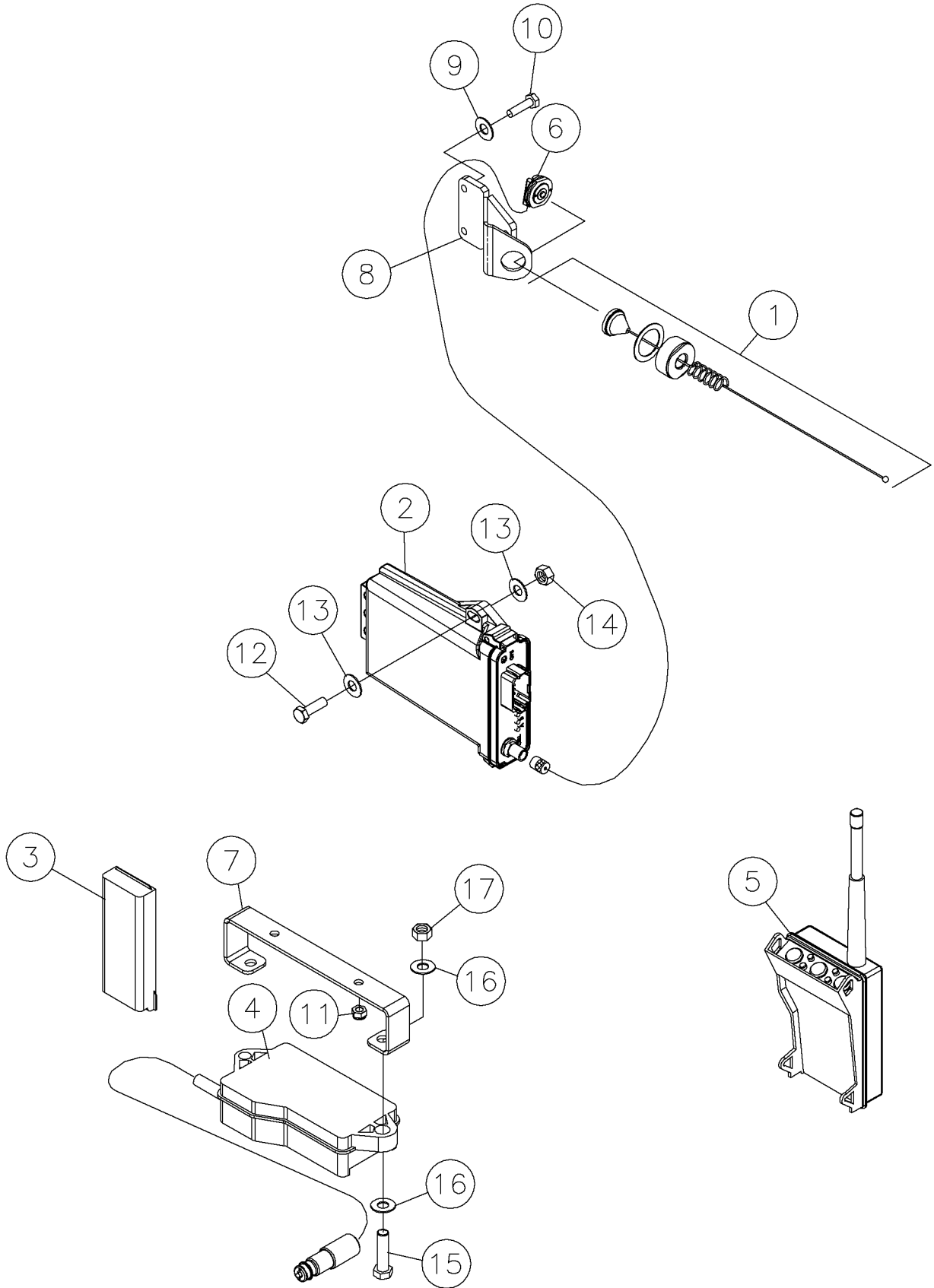
Remote Lockout Electrical Assy Fig 5-17r01



## Remote Lockout Electrical Assy Fig 5-17r01

REF. NO.	*	PART NO.	DESCRIPTION	QTY.	REMARKS
		Revision Date	May, 2005		Update In Illustration & Parts List.
1		296272364	ANTENNA -915 MHZ, 3 dBI, 1/4 WAVE	1	
2		296272304	ASM - B309 BASE UNIT	1	
3		296272400	BATTERY - 1000MA NBB	1	
4		296272392	CHARGER, 12-VOLT NBB	1	
5		296272303	ASM - R309LK FOR HDD	1	
6		296272607	MOUNT-ANTENNA MOTOROLA TYPE RG-58-4'	1	
7		296275585	BRACKET - REMOTE LOCKOUT	1	
8		296274185	WELDMENT-MOUNT-ANTENNA/HANDLE	1	
9		235716001	WASHER - FLATSTRL - .25 - .28 X .63 - .06 - CZ	3	
10		235735001	BOLT-1/4-20X1 GR8 HEX ZNC PLTD	3	
11		103201001	NUT-1/4-20NC NYLON INSERT LOCK	2	
12		238209001	BOLT-5/16-18X1 GR8 HEX ZINC YC	3	
13		235714001	WASHER - FLATSTRL - .31 - .34 X .69 - .06-YZ-A325	6	
14		235741001	NUT - HEX - .31 - 18 - GR8 -YZ	3	
15		235723001	SCREW - HCS -.38 - 16 X 1.50 - GR8 - YZ	2	
16		235713001	WASHER - FLATSTRL - .38 - .41 X .81 - .06-YA-A325	4	
17		235725001	NUT - HEX - .38 - 16 - GR8 - YZ	2	

Remote Lockout Electrical Assy Fig 5-17

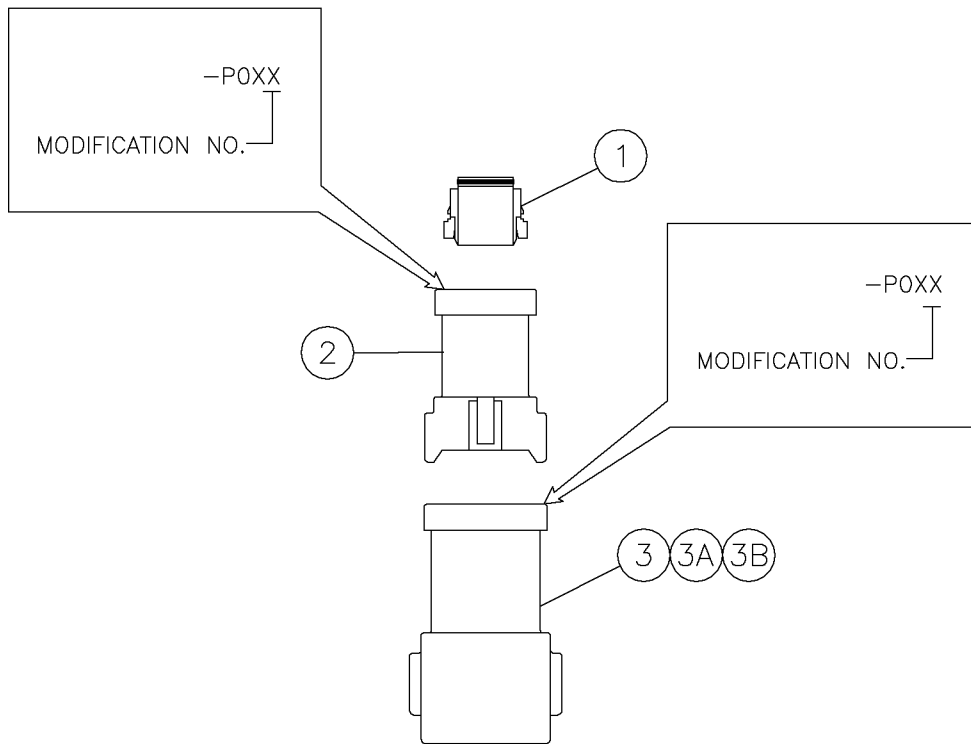


## Remote Lockout Electrical Assy Fig 5-17

REF. NO.	*	PART NO.	DESCRIPTION	QTY.	REMARKS
1		296272364	ANTENNA -915 MHZ, 3 dBI, 1/4 WAVE	1	
2		296272304	ASM - B309 BASE UNIT	1	
3		296272400	BATTERY - 1000MA NBB	1	
4		296272392	CHARGER, 12-VOLT NBB	1	
5		296272303	ASM - R309LK FOR HDD	1	
6		296272366	MOUTN - ANTENNA MOTOROLA TYPE RG-58	1	
7		296275585	BRACKET - REMOTE LOCKOUT	1	
8		296274185	WELDMENT-MOUNT-ANTENNA/HANDLE	1	
9		235716001	WASHER - FLATSTRL - .25 - .28 X .63 - .06 - CZ	3	
10		235735001	BOLT-1/4-20X1 GR8 HEX ZNC PLTD	3	
11		103201001	NUT-1/4-20NC NYLON INSERT LOCK	2	
12		238209001	BOLT-5/16-18X1 GR8 HEX ZINC YC	3	
13		235714001	WASHER - FLATSTRL - .31 - .34 X .69 - .06-YZ-A325	6	
14		235741001	NUT - HEX - .31 - 18 - GR8 -YZ	3	
15		235723001	SCREW - HCS -.38 - 16 X 1.50 - GR8 - YZ	2	
16		235713001	WASHER - FLATSTRL - .38 - .41 X .81 - .06-YA-A325	4	
17		235725001	NUT - HEX - .38 - 16 - GR8 - YZ	2	

DT Series Diode/Buss Blocks Fig 5-18

DT SERIES DIODE/BUSS BLOCKS



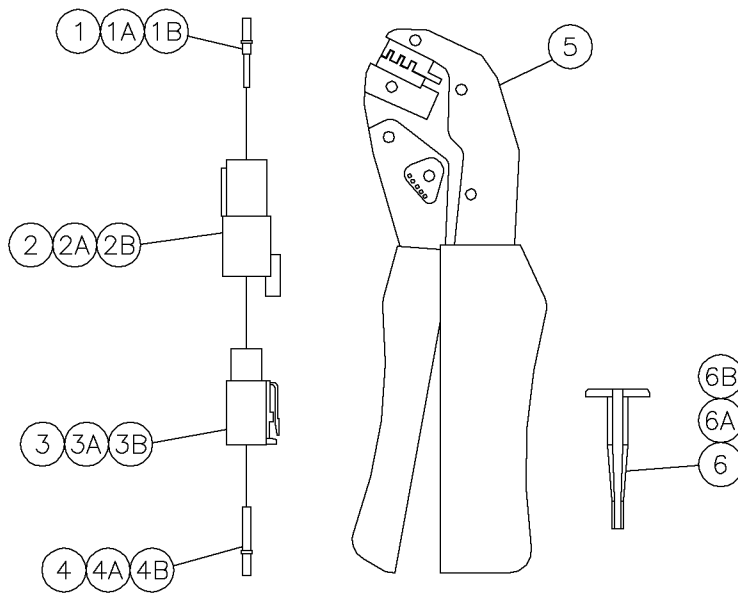


## DT Series Diode/Buss Blocks Fig 5-18

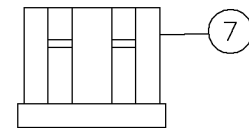
REF. NO.	*	PART NO.	DESCRIPTION	QTY.	REMARKS
1		282531001	MODULE - DEUTSCH DT06-6S 3AMP DIODE	1	
2		70000096	DECAL-DANGER (UND)	1	
3		700000102	BUSS - 1 - 12PIN - B - NICKEL	1	
3A		700000104	BUSS - 2 - 12PIN - B - 6/6	1	
3B		700000106	BUSS - 4 - 12PIN - B - 3/3/3/3	1	

DTHD Series/HDFB Modules Fig 5-19r01

DTHD SERIES



HDFB MODULES

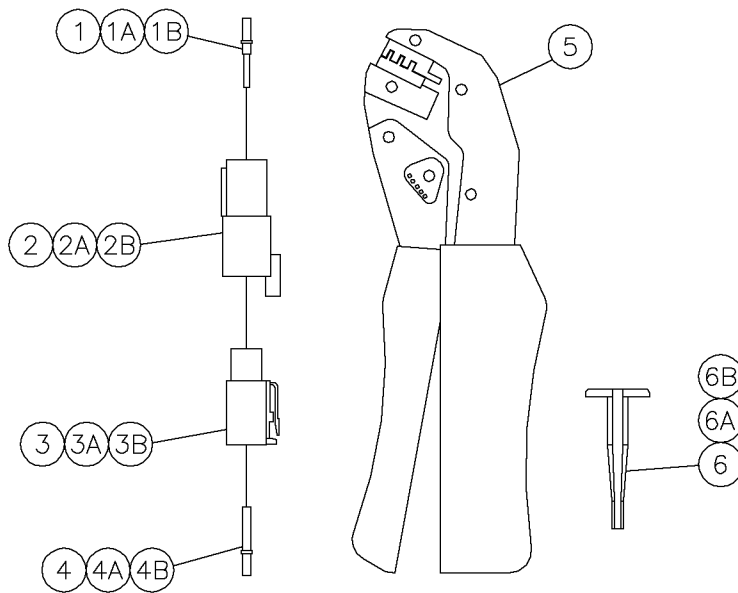


## DTHD Series/HDFB Modules Fig 5-19r01

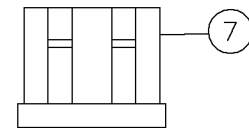
REF. NO.	*	PART NO.	DESCRIPTION	QTY.	REMARKS
		Revision Date	March, 2006		Update In Parts List.
1		231988001	PIN-12 GA		
1A		276953001	PIN - 8/10 GA.		
1B		276954001	PIN - 6 GA.		
2		279423001	RECEPTACLE - SIZE 4 CONTACT		
2A		279424001	RECEPTACLE - SIZE 8 CONTACT		
2B		279425001	RECEPTACLE - SIZE 12 CONTACT		
3		279426001	PLUG - SIZE 4 CONTACT		
3A		279427001	PLUG - SIZE 8 CONTACT		
3B		279428001	PLUG - SIZE 12 CONTACT		
4		276982001	SOCKET - 12/14 GA. DEUTSCH		
4A		276984001	SOCKET - 8/12 GA.		
4B		276952001	SOCKET - 6 GA.		
5		286553001	TOOL - DEUTSCH CRIMPING (FIELD)		
6		276891001	TOOL - 12/14 GA. EXTRACTOR (YELLOW)		
6A		276889001	TOOL - 8/10 GA. EXTRACTOR (GREEN)		
6B		276888001	TOOL - 6 GA. EXTRACTOR (WHITE)		
7		279430001	MODULE - FEEDBACK (10 PIN)		

DTHD Series/HDFB Modules Fig 5-19

DTHD SERIES



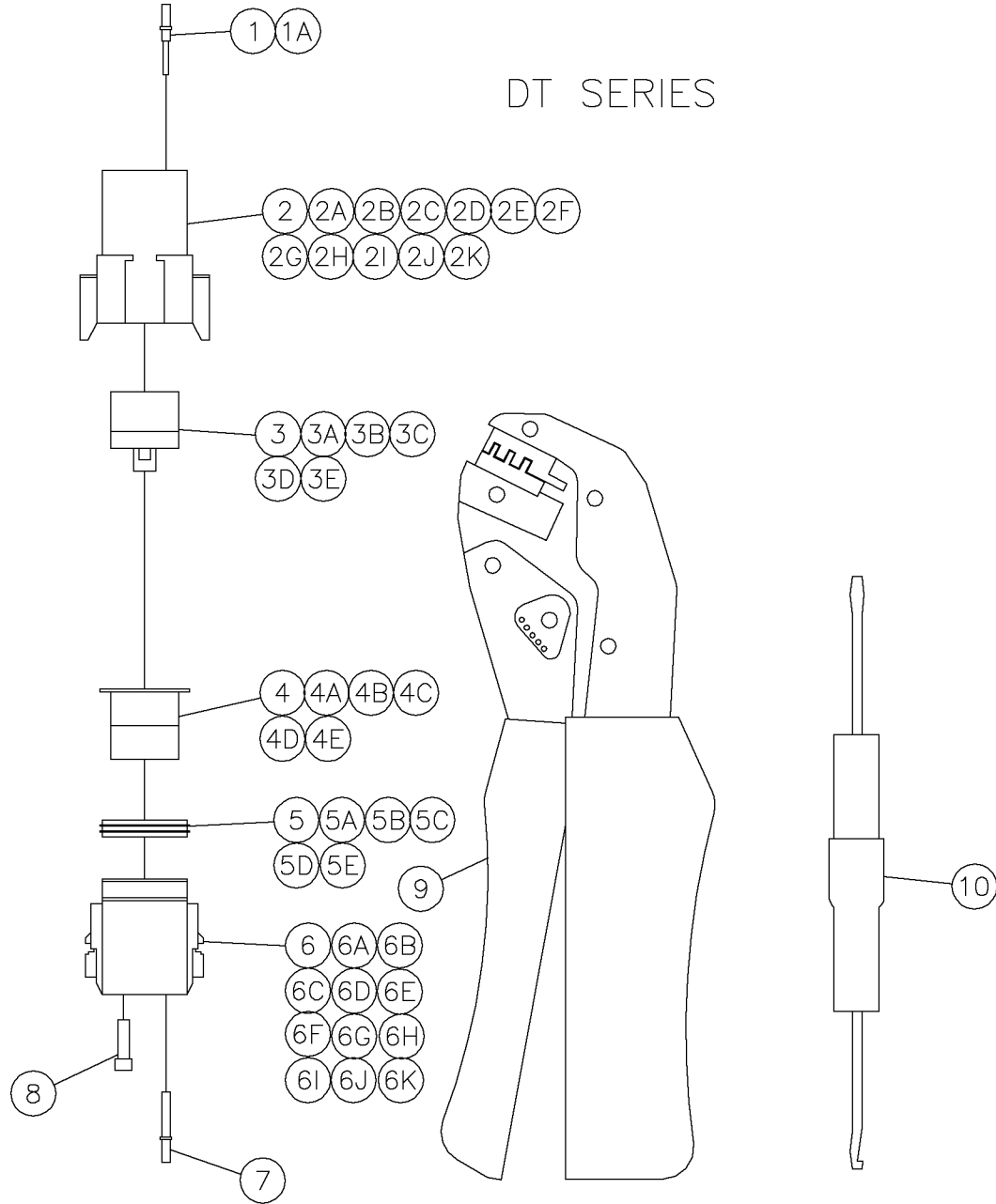
HDFB MODULES



## DTHD Series/HDFB Modules Fig 5-19

REF. NO.	*	PART NO.	DESCRIPTION	QTY.	REMARKS
1		231988001	PIN-12 GA		
1A		276953001	PIN - 8/10 GA.		
1B		276954001	PIN - 6 GA.		
2		279423001	RECEPTACLE - SIZE 4 CONTACT		
2A		279424001	RECEPTACLE - SIZE 8 CONTACT		
2B		279425001	RECEPTACLE - SIZE 12 CONTACT		
3		279426001	PLUG - SIZE 4 CONTACT		
3A		279427001	PLUG - SIZE 8 CONTACT		
3B		279428001	PLUG - SIZE 12 CONTACT		
4		276982001	SOCKET - 12/14 GA. DEUTSCH		
4A		276984001	SOCKET - 8/12 GA.		
4B		276952001	SOCKET - 6 GA.		
5		286553001	TOOL - DEUTSCH CRIMPING (FIELD)		
6		276891001	TOOL - 12/14 GA. EXTRACTOR (YELLOW)		
6A		276889001	TOOL - 8/10 GA. EXTRACTOR (GREEN)		
6B		276888001	TOOL - 6 GA. EXTRACTOR (WHITE)		

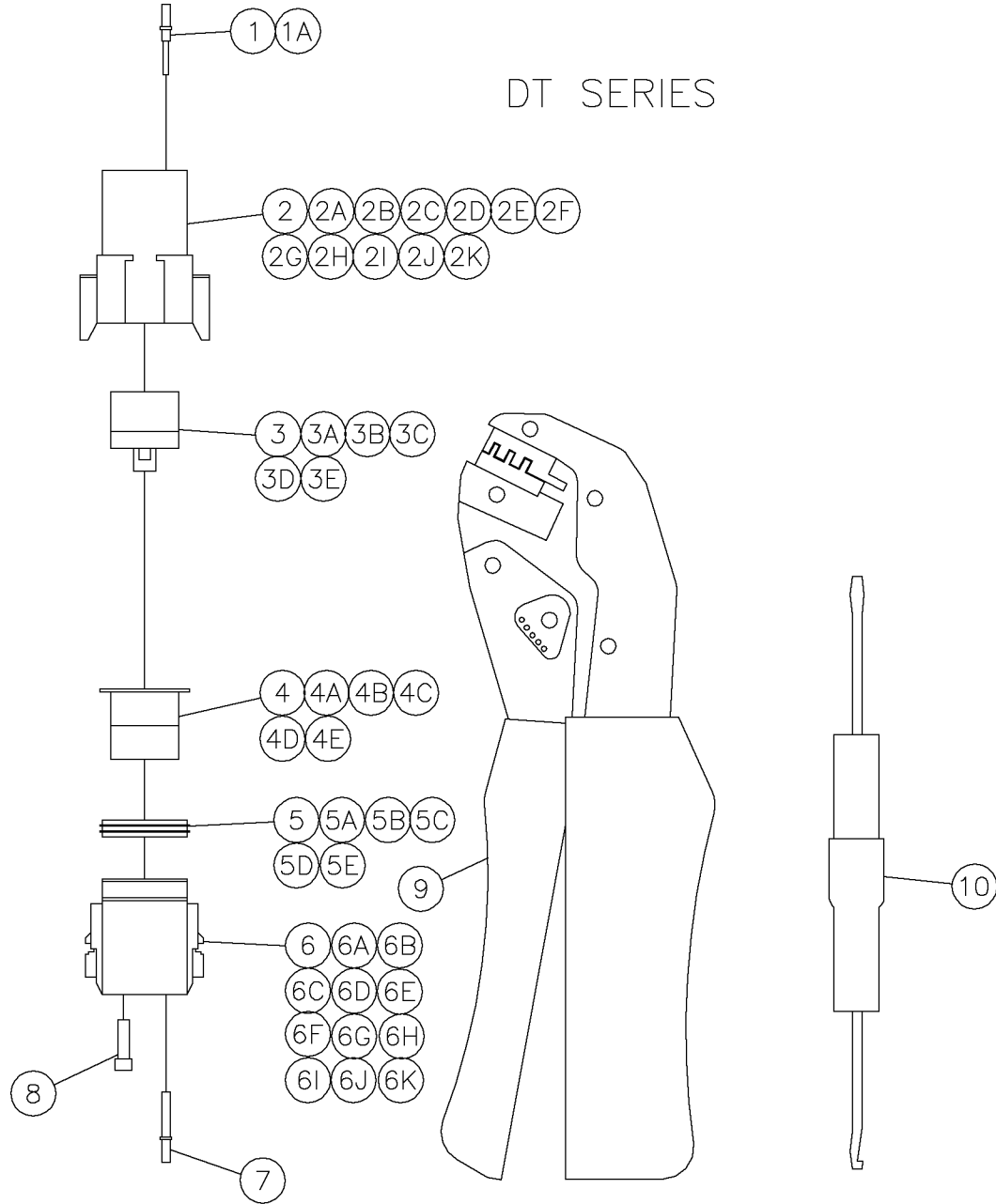
DT Series Connectors Fig 5-20



## DT Series Connectors Fig 5-20

REF. NO.	*	PART NO.	DESCRIPTION	QTY.	REMARKS
1		276866001	PIN - 14/16 GA.		
1A		87696001	PIN-16/18 GA.		
2		276867001	RECEPTACLE - 2 PIN		
2A		276868001	RECEPTACLE - 3 PIN		
2B		276869001	RECEPTACLE - 4 PIN		
2C		276890001	RECEPTACLE - 6 PIN		
2D		276943001	RECEPTACLE - 8 PIN (A)		
2E		276944001	RECEPTACLE - 8 PIN (B)		
2F		276945001	RECEPTACLE - 8 PIN (C)		
2G		276946001	RECEPTACLE - 8 PIN (D)		
2H		276947001	RECEPTACLE - 12 PIN (A)		
2I		276948001	RECEPTACLE - 12 PIN (B)		
2J		276949001	RECEPTACLE - 12 PIN (C)		
2K		276950001	RECEPTACLE - 12 PIN (D)		
3		276870001	WEDGE - 2 PIN RECEPTACLE		
3A		276871001	WEDGE - 3 PIN RECEPTACLE		
3B		276872001	WEDGE - 4 PIN RECEPTACLE		
3C		276873001	WEDGE - 6 PIN RECEPTACLE		
3D		94200001	WEDGE - 8 PIN RECEPTACLE		
3E		103213001	WEDGE - 12 PIN RECEPTACLE		
4		276874001	WEDGE - 2 PIN PLUG		
4A		276875001	WEDGE - 3 PIN PLUG		
4B		276876001	WEDGE - 4 PIN PLUG		
4C		276877001	WEDGE - 6 PIN PLUG		
4D		98106001	WEDGE - 8 PIN PLUG		
4E		103214001	WEDGE - 12 PIN PLUG		
5		276878001	GASKET - INTERFACE 2 PIN		
5A		276879001	GASKET - INTERFACE 3 PIN		
5B		276880001	GASKET - INTERFACE 4 PIN		
5C		276881001	GASKET - INTERFACE 6 PIN		
5D		276882001	GASKET - INTERFACE 8 PIN		
5E		276883001	GASKET - INTERFACE 12 PIN		
			(Continued Next Page)		

DT Series Connectors (Continued) Fig 5-20

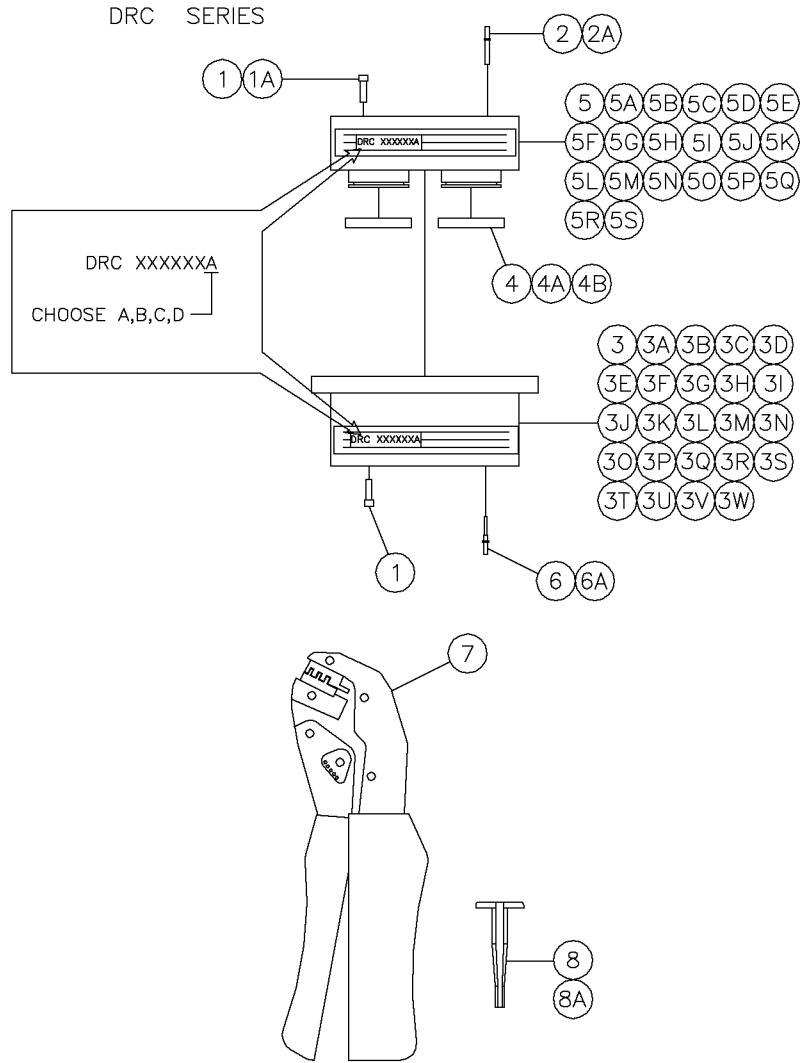




## DT Series Connectors (Continued) Fig 5-20

REF. NO.	*	PART NO.	DESCRIPTION	QTY.	REMARKS
6		276884001	PLUG - 2 PIN		
6A		276885001	PLUG - 3 PIN		
6B		276886001	PLUG - 4 PIN		
6C		276887001	PLUG - 6 PIN		
6D		98107001	PLUG - 8 PIN (A)		
6E		276985001	PLUG - 8 PIN (B)		
6F		276986001	PLUG - 8 PIN (C)		
6G		276987001	PLUG - 8 PIN (D)		
6H		103211001	PLUG - 12 PIN (A)		
6I		276988001	PLUG - 12 PIN (B)		
6J		276989001	PLUG - 12 PIN (C)		
6K		276990001	PLUG - 12 PIN (D)		
7		91354001	SOCKET - 16/18 GA.		
8		94201001	PLUG - SEALING (12-16)		
9		286553001	TOOL - DEUTSCH CRIMPING (FIELD)		
10		286553003	TOOL - DEUTSCH (FIELD)		

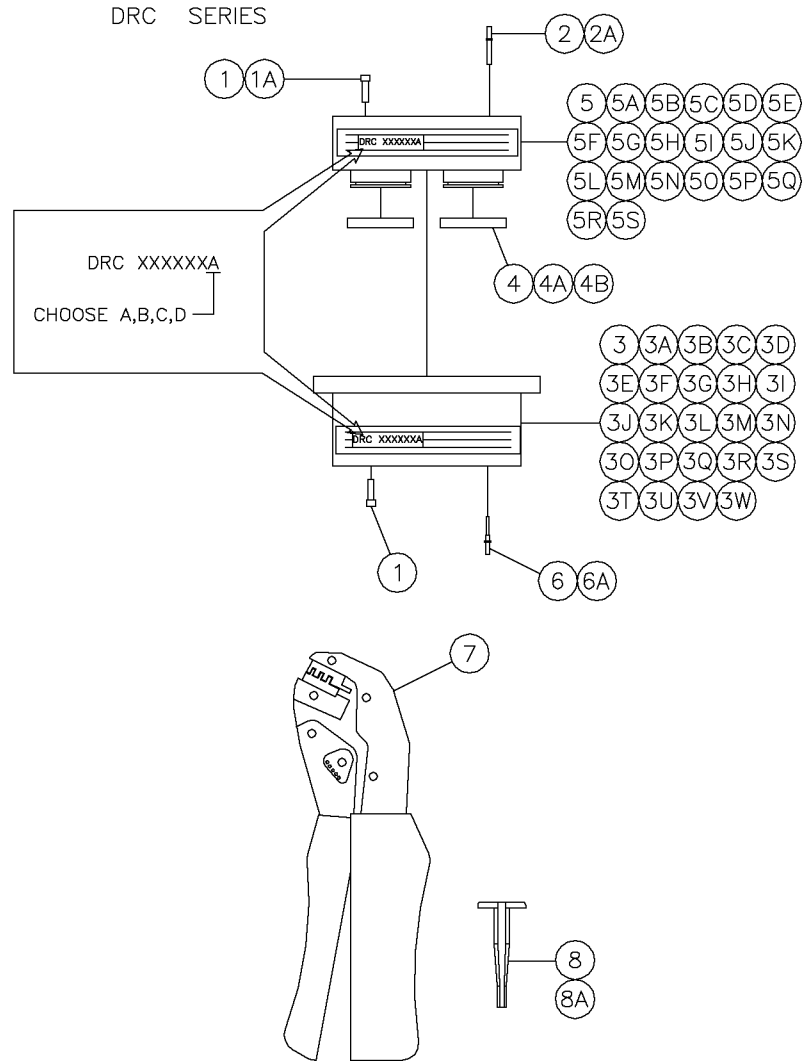
DRC Series Connectors Fig 5-21



## DRC Series Connectors Fig 5-21

REF. NO.	*	PART NO.	DESCRIPTION	QTY.	REMARKS
1		276906001	PLUG - SEALING (20)		
1A		94201001	PLUG - SEALING (12-16)		
2		91354001	SOCKET - 16/18 GA.		
2A		276916001	SOCKET - 20 GA.		
3		276894001	RECEPTACLE - 24 PIN INLINE (A)		
3A		276907001	RECEPTACLE - 24 PIN INLINE (B)		
3B		276917001	RECEPTACLE - 24 PIN INLINE (C)		
3C		276918001	RECEPTACLE - 24 PIN INLINE (D)		
3D		276895001	RECEPTACLE - 24 IN FLNG MNT (A)		
3E		276908001	RECEPTACLE - 24 PIN FLNG MNT (B)		
3F		276919001	RECEPTACLE - 24 PIN FLNG MNT (C)		
3G		276920001	RECEPTACLE - 24 PIN FLNG MNT (D)		
3H		276896001	RECEPTACLE - 40 PIN INLINE (A)		
3I		276909001	RECEPTACLE - 40 PIN INLINE (B)		
3J		276921001	RECEPTACLE - 40 PIN INLINE (C)		
3K		276922001	RECEPTACLE - 40 PIN INLINE (D)		
3L		276897001	RECEPTACLE - 40 PIN FLNG MNT (A)		
3M		276910001	RECEPTACLE - 40 PIN FLNG MNT (B)		
3N		276923001	RECEPTACLE - 40 PIN FLNG MNT (C)		
3O		276924001	RECEPTACLE - 40 PIN FLNG MNT (D)		
3P		276898001	RECEPTACLE - 70 PIN INLINE (A)		
3Q		276911001	RECEPTACLE - 70 PIN INLINE (B)		
3R		276925001	RECEPTACLE - 70 PIN INLINE (C)		
3S		276926001	RECEPTACLE - 70 PIN INLINE (D)		
3T		276899001	RECEPTACLE - 70 PIN FLNG MNT (A)		
3U		276912001	RECEPTACLE - 70 PIN FLNG MNT (B)		
3V		276927001	RECEPTACLE - 70 PIN FLNG MNT (C)		
3W		276928001	RECEPTACLE - 70 PIN FLNG MNT (D)		
4		276900001	GASKET - 24 PIN INTERFACE		
4A		276901001	GASKET - 40 PIN INTERFACE		
4B		276902001	GASKET - 70 PIN INTERFACE		
			(Continued Next Page)		

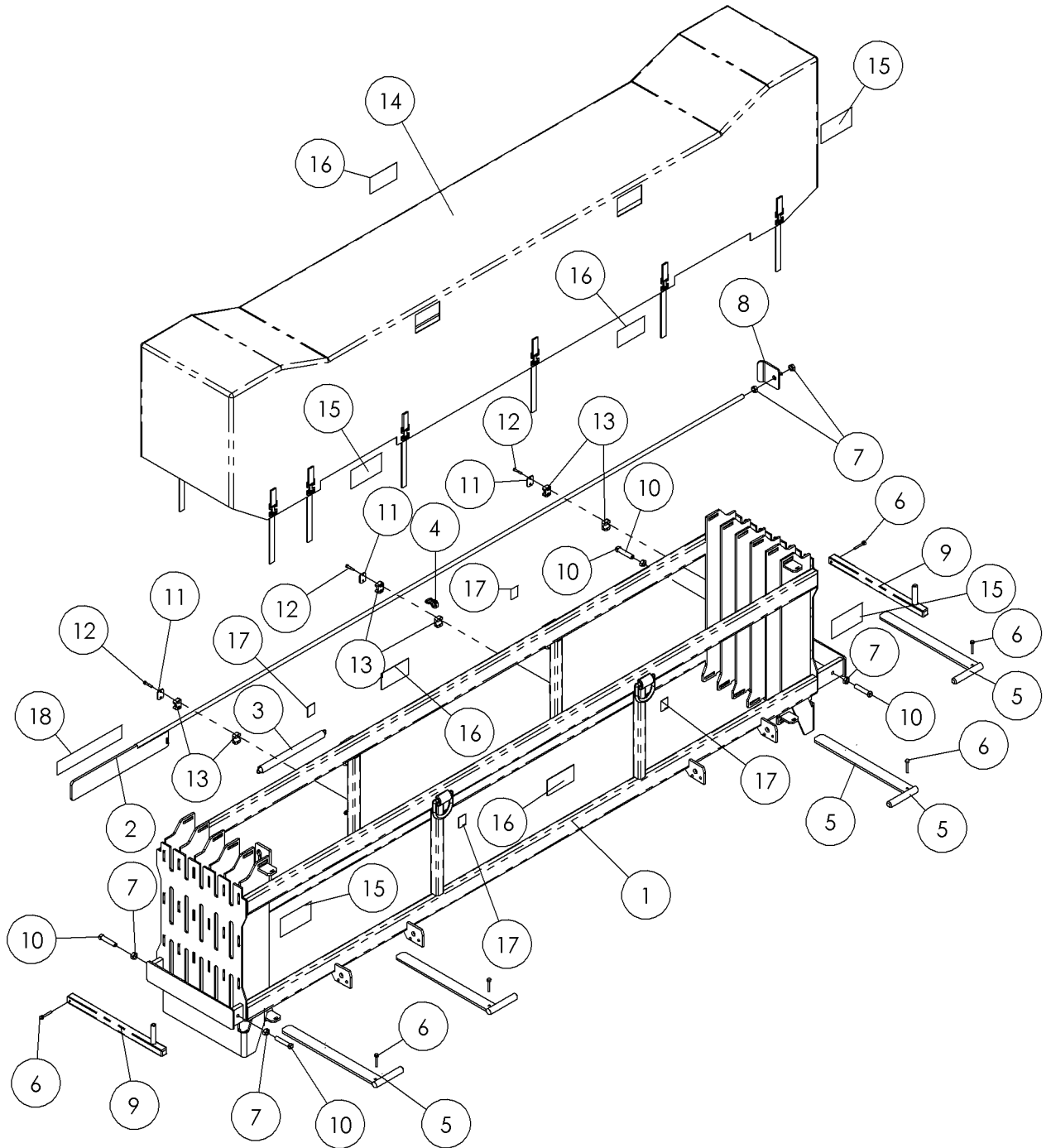
DRC Series Connectors (Continued) Fig 5-21



## DRC Series Connectors (Continued) Fig 5-21

REF. NO.	*	PART NO.	DESCRIPTION	QTY.	REMARKS
5		276931001	PLUG - 24 PIN (SIZE 20 CONTACTS) (A)		
5A		276932001	PLUG - 24 PIN (SIZE 20 CONTACTS)		
5B		276933001	PLUG - 24 PIN (SIZE 20 CONTACTS) (C)		
5C		276934001	PLUG - 24 PIN (SIZE 20 CONTACTS) (D)		
5D		276939001	PLUG - 40 PIN (SIZE 20 CONTACTS) (A)		
5E		276940001	PLUG - 40 PIN (SIZE 20 CONTACTS) (B)		
5F		276941001	PLUG - 40 PIN (SIZE 20 CONTACTS) (C)		
5G		276942001	PLUG - 40 PIN (SIZE 20 CONTACTS) (D)		
5H		276903001	PLUG - 24 PIN (A)		
5I		276913001	PLUG - 24 PIN (B)		
5J		276929001	PLUG - 24 PIN (C)		
5K		276930001	PLUG - 24 PIN (D)		
5L		276904001	PLUG - 40 PIN (A)		
5M		276914001	PLUG - 40 PIN (B)		
5N		276935001	PLUG - 40 PIN (C)		
5O		276936001	PLUG - 40 PIN (D)		
5P		276905001	PLUG - 70 PIN (A)		
5Q		276915001	PLUG - 70 PIN (B)		
5R		276937001	PLUG - 70 PIN (C)		
5S		276938001	PLUG - 70 PIN (D)		
6		276866001	PIN - 14/16 GA.		
6A		87696001	PIN-16/18 GA.		
7		286553001	TOOL - DEUTSCH CRIMPING (FIELD)		
8		276892001	TOOL - 16/18 GA. EXTRACTOR (BLUE)		
8A		276893001	TOOL - 20/24 GA. EXTRACTOR (RED)		

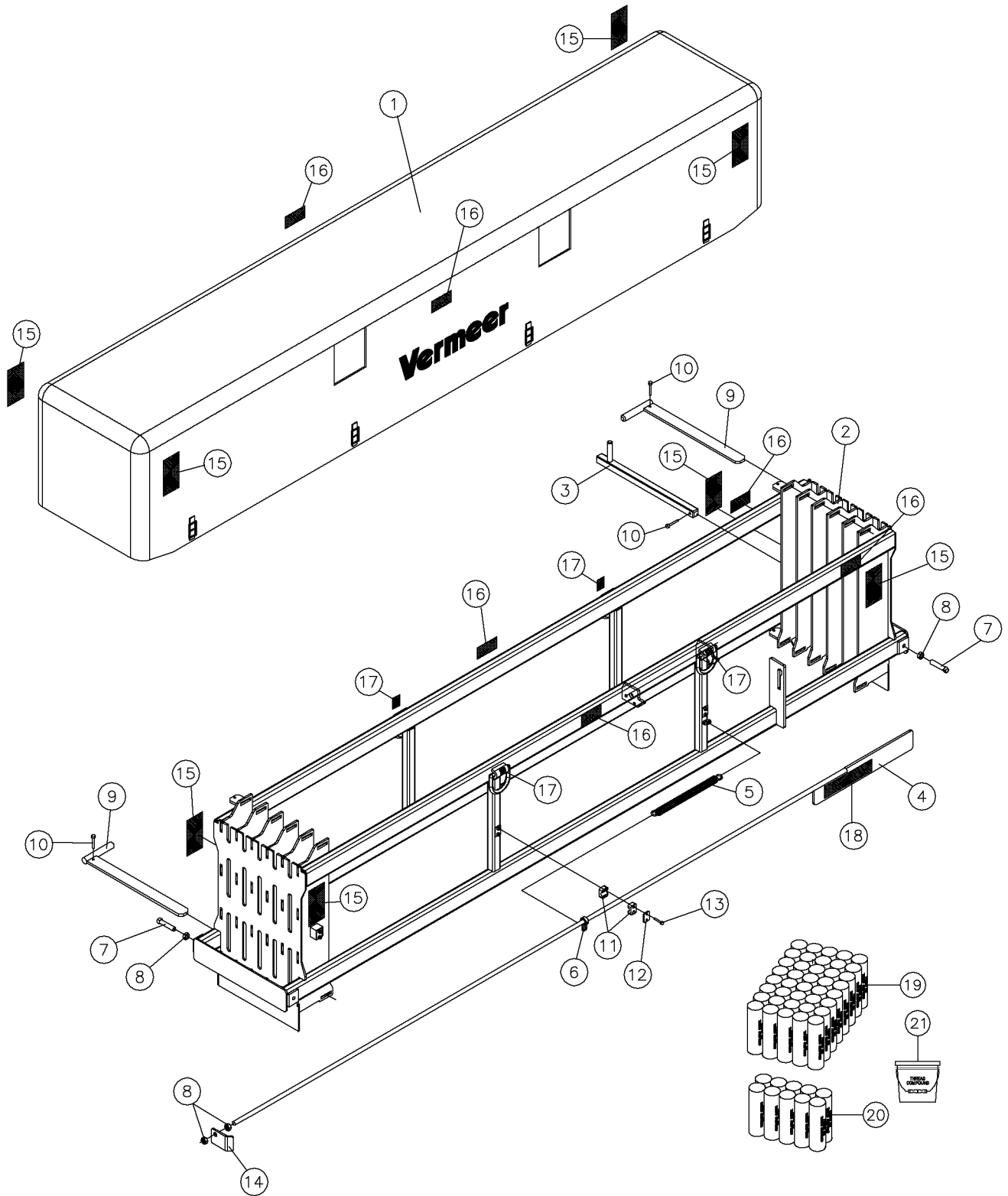
Rod Box - 10' (500 FT.) (S/N 291-) Fig 6-1r02



## Rod Box - 10' (500 FT.) (S/N 291-) Fig 6-1r02

REF. NO.	*	PART NO.	DESCRIPTION	QTY.	REMARKS
		Revision Date	May, 2006		Change Assy To Match D36x50II
1		296280485	WELDMENT - ROD BOX, 500FT	1	
2		296280100	WELDMENT - ROD POSITION MARKER	1	
3		1789001	SPRING - 1.125" OD X .9375" ID X 15"	1	
4		295529001	WELDMENT - MOUNT ROD INDICATOR SPRING	1	
5		296275471	WELDMENT - FLAT BAR RETAINER	4	
6		2108001	LYNCH PIN - 1/4X2	6	
7		250514001	NUT-HEXJAM-.63-11-GR8-YZ	6	
8		296279747	PLATE - FLAG STOP	1	
9		296280023	PIN - ROD BOX	2	
10		551030	SQ HSS-5/8-11X3	4	
11		903135005	PLATE - COVER COP-2	3	
12		238210001	SCREW-HCS-.25-20X1.50-GR8-YZ	6	
13		279817001	CLAMP HOSE 2180PP	6	
14		296280173	COVER - ROD BOX, 10FT, 5 ROW	1	
15		7000a627	DECAL - DANGER	4	Domestic
		700IA627	DECAL-DANGER	4	International
16		70000563	DECAL-WARNING	4	Domestic
		7000I563	DECAL-WARNING (UND)	4	International
17		7000i445	DECAL-LIFT POINT	4	
18		700IA997	DECAL - INDICATOR	1	
		296260958	10' LONG ROD BOX ASSEMBLY		Inc. Ref. 1, 15, 16, 17, And 18
		296287072	10' LONG ROD BOX ASSY-INT'L		Inc. Ref. 1, 15, 16, 17, And 18

Rod Loader Box Assy Fig 6-1r01

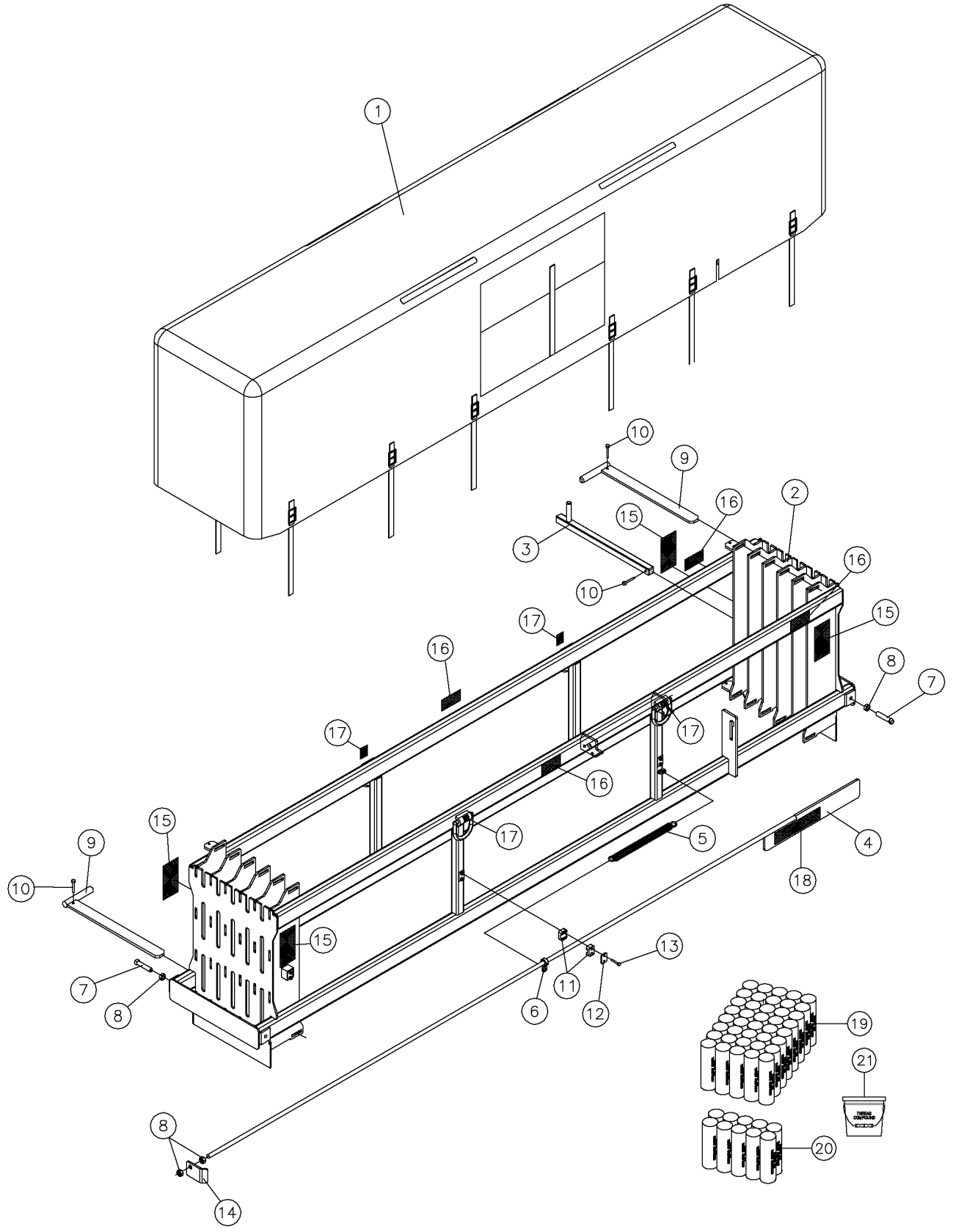




## Rod Loader Box Assy Fig 6-1r01

REF. NO.	*	PART NO.	DESCRIPTION	QTY.	REMARKS
		Revision Date	May, 2005		Update In Illustration & Parts List.
1		296280115	COVER - ROD BOX	1	
2		296280010	WELDMENT - ROD BOX, 500FT	1	
3		296280023	PIN - ROD BOX	2	
4		296280100	WELDMENT - ROD POSITION MARKER	1	
5		1789001	SPRING-1 1/8ODX15/16ID X 15 EXT REF	1	
6		227979001	MOUNT-ROD INDICATOR SPRING	1	
7		551030	SQ HSS-5/8-11X3	4	
8		250514001	NUT -5/8NC JAM Y/ZINC	6	
9		296275471	WELDMENT - FLAT BAR RETAINER	4	
10		2108001	LYNCH PIN - 1/4 X 2	6	
11		903135003	CLAMP HOSE HALF 20675-PP (TAKES 2 PER 1)	3	
12		903135005	PLATE-COVER COP-2	3	
13		238210001	BOLT - 1/4-20X1 1/2 GR8 HEX ZYC	6	
14		296280123	PLATE - FLAG STOP	1	
15		7000A627	DECAL-DANGER	8	Domestic
		700IA627	DECAL-DANGER	8	International
16		70000563	DECAL-WARNING (UND)	6	Domestic
		7000I563	DECAL-WARNING (UND)	6	International
17		7000I445	DECAL-LIFT POINT	4	
18		700IA997	DECAL - GEARBOX POSITION	1	
19		296274031	THREAD - COMPOUND CARTRIDGE 30 PACK	A/R	
20		296274030	THREAD - COMPOUND 3/10PACKS - CARTRIDGES	A/R	
21		235983001	LUBRICANT - THREAD 1 GALLON	A/R	

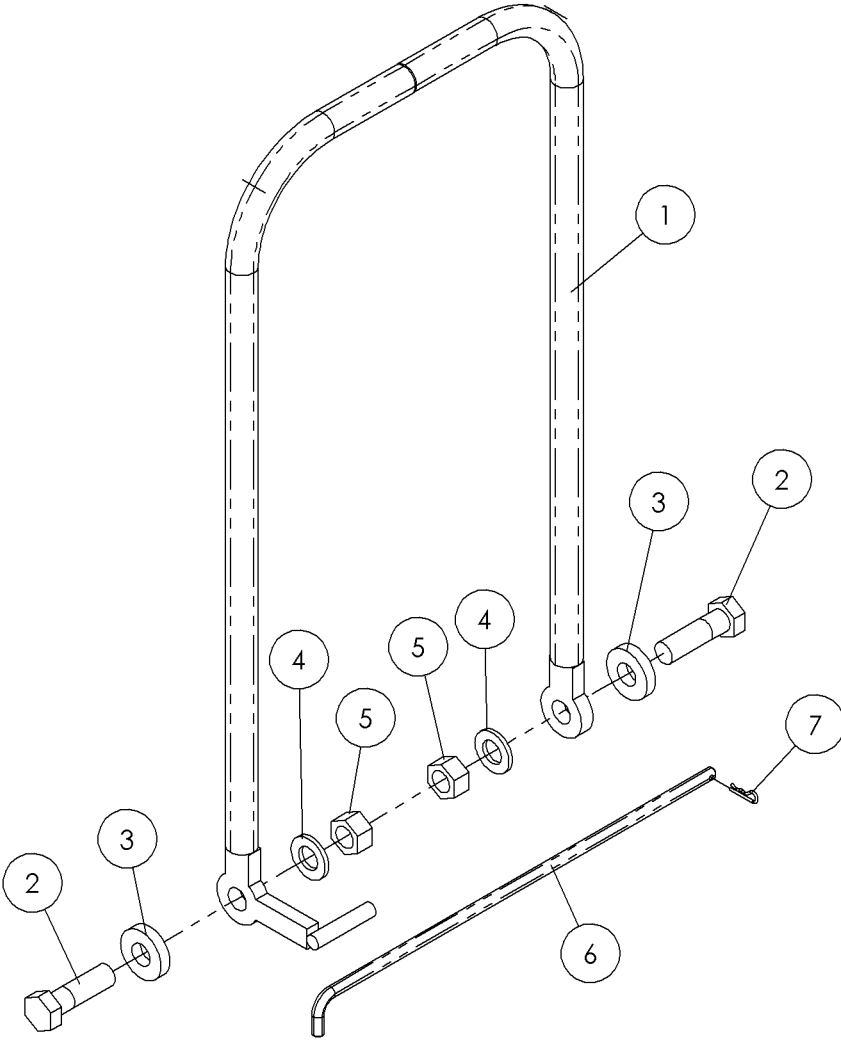
Rod Loader Box Assy Fig 6-1



## Rod Loader Box Assy Fig 6-1

REF. NO.	*	PART NO.	DESCRIPTION	QTY.	REMARKS
1		296280115	COVER - ROD BOX	1	
2		296280010	WELDMENT - ROD BOX, 500FT	1	
3		296280023	PIN - ROD BOX	2	
4		296280100	WELDMENT - ROD POSITION MARKER	1	
5		1789001	SPRING-1 1/8ODX15/16ID X 15 EXT REF	1	
6		227979001	MOUNT-ROD INDICATOR SPRING	1	
7		551030	SQ HSS-5/8-11X3	4	
8		250514001	NUT -5/8NC JAM Y/ZINC	6	
9		296275471	WELDMENT - FLAT BAR RETAINER	4	
10		2108001	LYNCH PIN - 1/4 X 2	6	
11		903135003	CLAMP HOSE HALF 20675-PP (TAKES 2 PER 1)	3	
12		903135005	PLATE-COVER COP-2	3	
13		238210001	BOLT - 1/4-20X1 1/2 GR8 HEX ZYC	6	
14		296280123	PLATE - FLAG STOP	1	
15		7000A627	DECAL-DANGER	4	Domestic
		700IA627	DECAL-DANGER	4	International
16		70000563	DECAL-WARNING (UND)	4	Domestic
		7000I563	DECAL-WARNING (UND)	4	International
17		7000I445	DECAL-LIFT POINT	4	
18		700IA997	DECAL - GEARBOX POSITION	1	
19		296274031	THREAD - COMPOUND CARTRIDGE 30 PACK	A/R	
20		296274030	THREAD - COMPOUND 3/10PACKS - CARTRIDGES	A/R	
21		235983001	LUBRICANT - THREAD 1 GALLON	A/R	

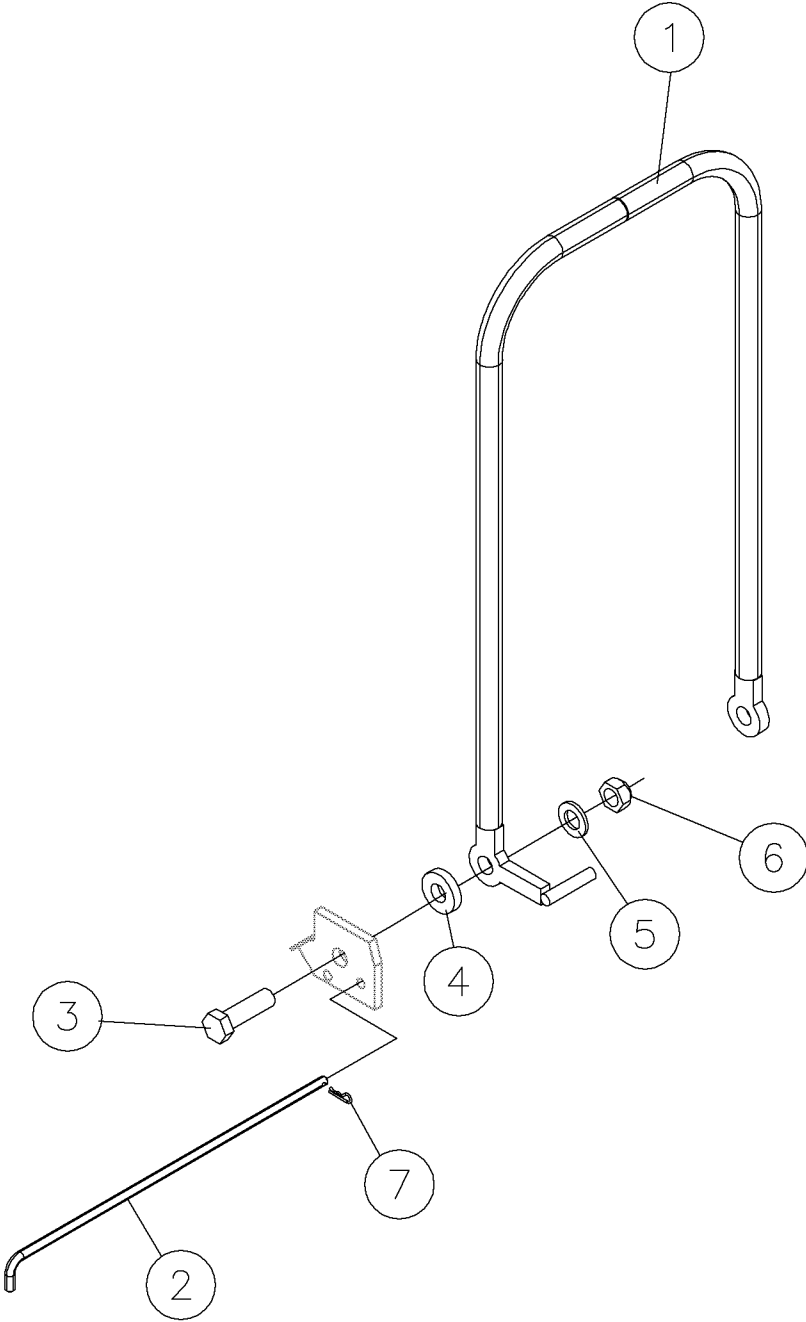
Rod Loader Guard Assy (S/N 291-) Fig 6-2r01



## Rod Loader Guard Assy (S/N 291-) Fig 6-2r01

REF. NO.	*	PART NO.	DESCRIPTION	QTY.	REMARKS
		Revision Date	May, 2006		Change Assy To Match D36x50II
1		296275478	WELDMENT - ARM SAFETY GUARD	1	
2		238880001	SCREW-HCS-.75-10X2.50-GR8-YZ	2	
3		276465001	TUBE - ARM SPACER	2	
4		235717001	WASHER-FLATSTRL-.75-.81X1.47-.15-YZ-A325	2	
5		250510001	NUT-TLHEX-.75-10-C-YZ	2	
6		276466001	BAR - ARM PIN	1	
7		1794007	PIN-HAIR-.08-.38-.080WIRE-CZ	1	

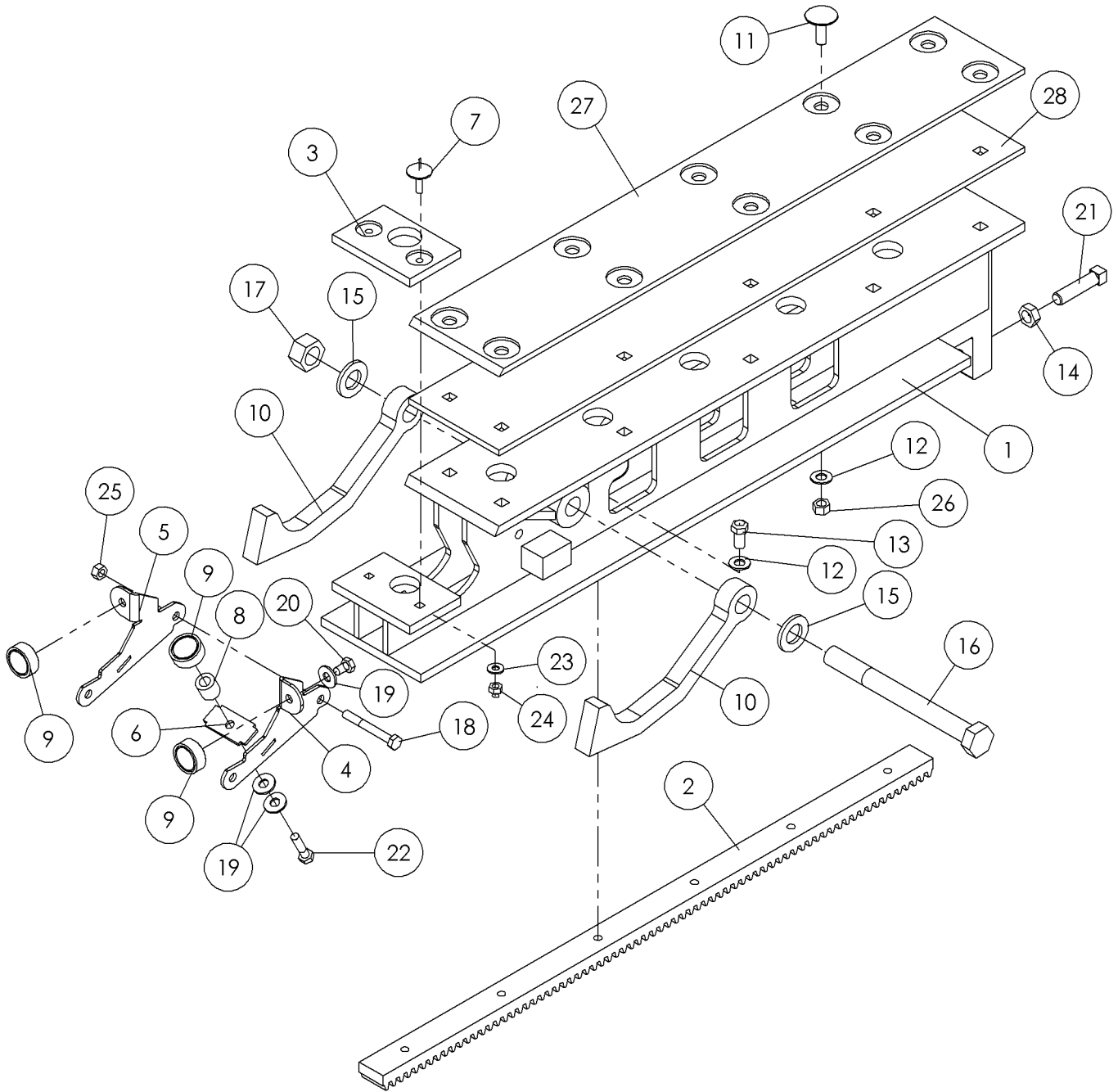
Rod Loader Guard Assy Fig 6-2



## Rod Loader Guard Assy Fig 6-2

REF. NO.	*	PART NO.	DESCRIPTION	QTY.	REMARKS
1		296275478	WELDMENT - ARM SAFETY GUARD	2	
2		276466001	BAR - ARM PIN	2	
3		238880001	BOLT-3/4-10X2 1/2 HHCS GR8 ZY	4	
4		276465001	TUBE - ARM SPACER	4	
5		235717001	WASHER-3/4 FLAT HARDENED YELLOW ZINC	4	
6		250510001	NUT 3/4 NC Gr8 SLTL Y/ZINC	4	
7		1794007	HAIR PIN COTTER - .080 WIRE	2	

Rod Loader Arm Assy (S/N 291-) Fig 6-3r02

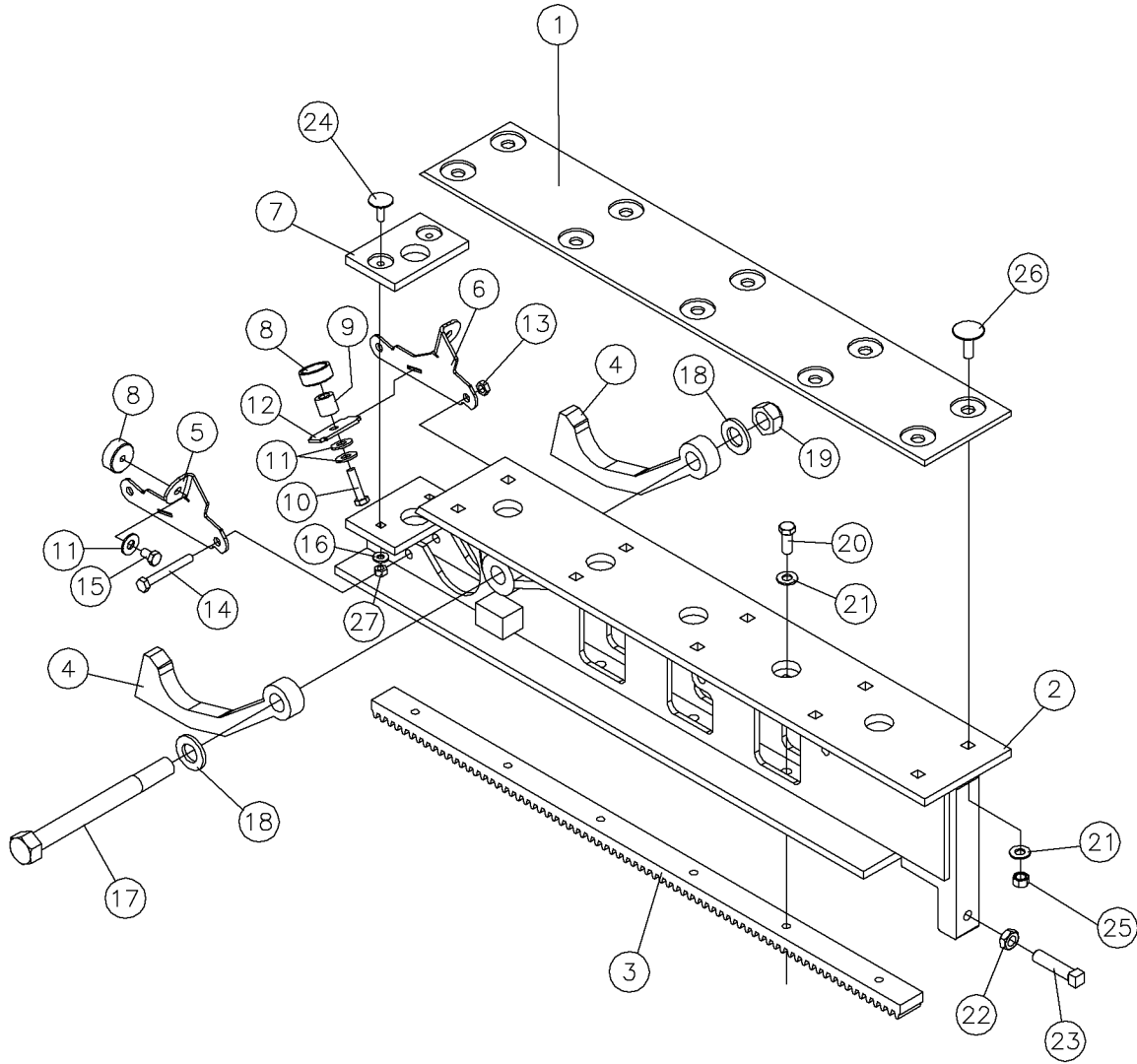




## Rod Loader Arm Assy (S/N 291-) Fig 6-3r02

REF. NO.	*	PART NO.	DESCRIPTION	QTY.	REMARKS
		Revision Date	May, 2006		Change Assy To Match D36x50II
1		296280085	WELDMNT - SLIDE ROD EXTEND/ RETRACT	1	
2		296280050	GEAR - ROD LOADER SLIDER	1	
3		277154001	BAR - WEAR	1	
4		296277002	PLATE - MAGNET MOUNT LH	1	
5		296277001	PLATE - MAGNET MOUNT RH	1	
6		296277003	PLATE - MAGNET MOUNT SPACER	1	
7		276477001	BOLT-ELEV-.25-20X1.00-GR5-CZ	2	
8		296277004	TUBE - MAGNET SPACER	1	
9		282642001	MAGNET - 1.25"	3	
10		277147001	ARM -LOADER	2	
11		601699012	BOLT-ELEV .38-16X1.25-GR5-CZ	10	
12		235713001	WASHER-FLATSTRL-.38-.41X.81-.06-YZ- A325	16	
13		235726001	SCREW-HCS-.38-16X.75-GR8-YZ	6	
14		75383001	NUT-HEXJAM-.50-13-GR8-YZ	1	
15		235717001	WASHER-FLATSTRL-.75-.81X1.47-.15- YZ-A325	2	
16		240344001	SCREW-HCS-.75-10X7.50-GR8-YZ	1	
17		250510001	NUT-TLHEX-.75-10-C-YZ	1	
18		248029001	SCREW-HCS-.31-18X2.50-GR8-YZ	2	
19		510337605	WASHER-FLATSTD-.31-.38X.88-.08-YZ	4	
20		235740001	SCREW-HCS-.31-18X.50-GR8-YZ	2	
21		153752001	SQ HSS-1/2-13X2 PLATED	1	
22		248031001	SCREW-HCS-.31-18X1.25-GR8-CZ	1	
23		235716001	WASHER-FLATSTRL-.25-.28X.63-.06-CZ	2	
24		235732001	NUT-HEX-.25-20-GR8-YZ	2	
25		235741001	NUT-HEX-.31-18-GR8-YZ	2	
26		250508001	NUT-TLHEX-.38-16-C-YZ	10	
27		296280090	PLATE - STRIP WEAR	1	
28		296286543	PLATE - SHIM (2 5/8" ROD ONLY)	1	

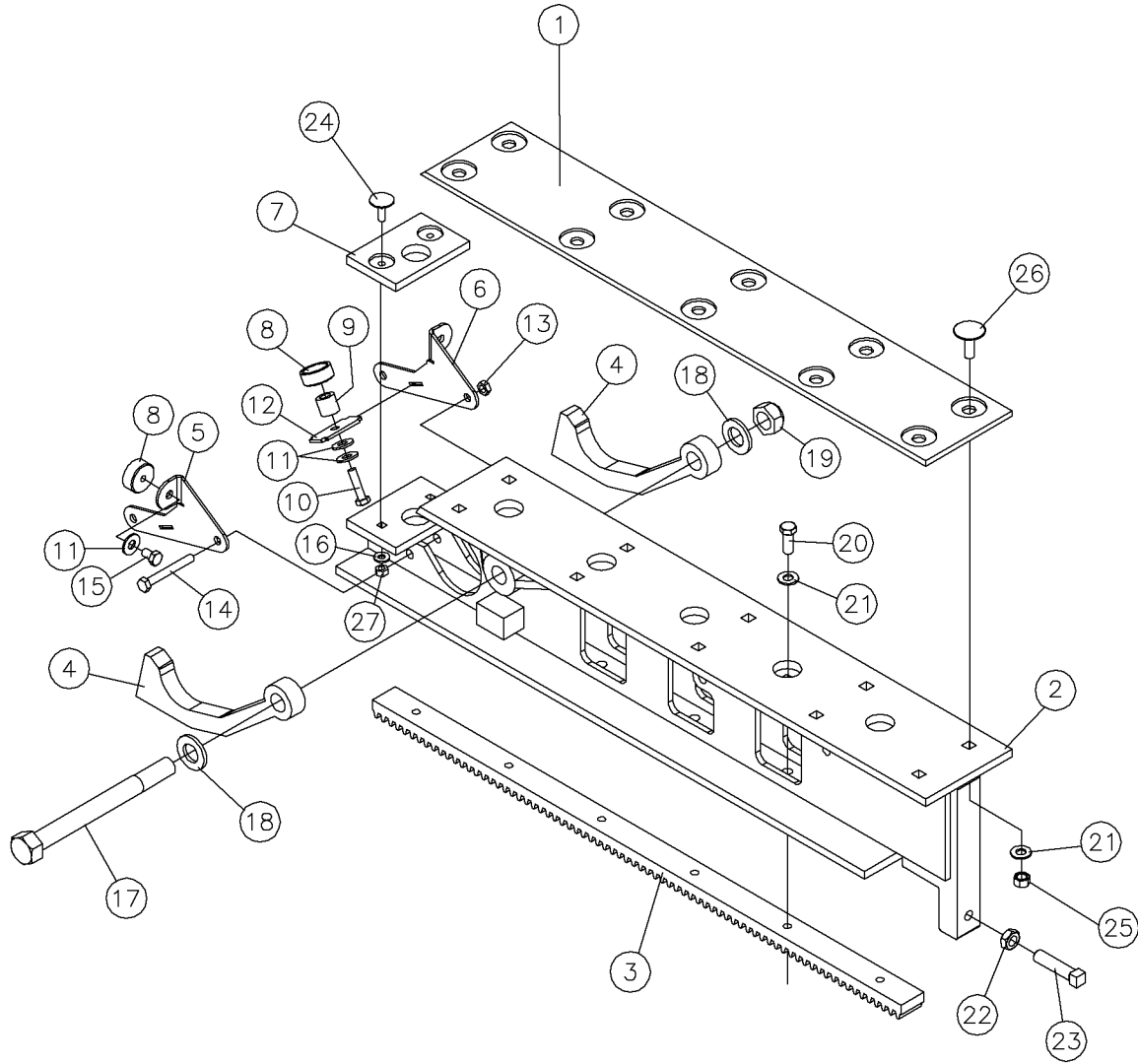
Rod Loader Arm Assy Fig 6-3r01



## Rod Loader Arm Assy Fig 6-3r01

REF. NO.	*	PART NO.	DESCRIPTION	QTY.	REMARKS
		Revision Date	May, 2005		Update In Illustration.
1		296280090	PLATE - STRIP WEAR	2	
2		296280085	WELDMENT - ROD LOADER EXTEND/ RETRACT	2	
3		296280050	GEAR - ROD LOADER SLIDER	2	
4		277147001	ARM -LOADER	4	
5		296277002	PLATE - MAGNET MOUNT LH	2	
6		296277001	PLATE - MAGNET MOUNT RH	2	
7		277154001	BAR - WEAR	2	
8		282642001	MAGNET - 1.25" ROD HOLDER	6	
9		296277004	TUBE - MAGNET SPACER	2	
10		248031001	BOLT-5/16-18X1 1/4 GR8 ZINC PL	2	
11		510337605	WASHER-FLATSTD-.31-.38X.88-.08-YZ	8	
12		296277003	PLATE - MAGNET MOUNT SPACER	2	
13		235741001	NUT - HEX - .31 - 18 - GR8 -YZ	4	
14		248029001	BOLT-5/16-18X2 1/2 GR8 ZINC PL	4	
15		235740001	BOLT-5/16-18X1/2 GR8 ZINC PLT	4	
16		235716001	WASHER - FLATSTRL - .25 -.28 X .63 - .06 - CZ	4	
17		240344001	BOLT-3/4-10X7 1/2 GR#8 ZINC PL	2	
18		235717001	WASHER-3/4 FLAT HARDENED YELLOW ZINC	4	
19		250510001	NUT 3/4 NC Gr8 SLTL Y/ZINC	2	
20		235726001	BOLT-3/8-16X3/4 GR8 HEX ZNCPLT	12	
21		235713001	WASHER - FLATSTRL - .38 - .41 X .81 - .06-YA-A325	32	
22		75383001	NUT-1/2-UNC GR.8 JAM HEX	2	
23		153752001	SQ HSS-1/2-13X2 PLATED	2	
24		276477001	BOLT - 1/4-20 X 1 ELEVATOR ZN PLT	4	
25		250508001	NUT - 3/8-NC Gr8 TOP LOCK Y/ZINC	20	
26		601699012	BOLT- 3/8-16X1 1/4 ELEVATOR ZNC	20	
27		235732001	NUT - HEX - .25 - 20 - GR8 - YZ	4	

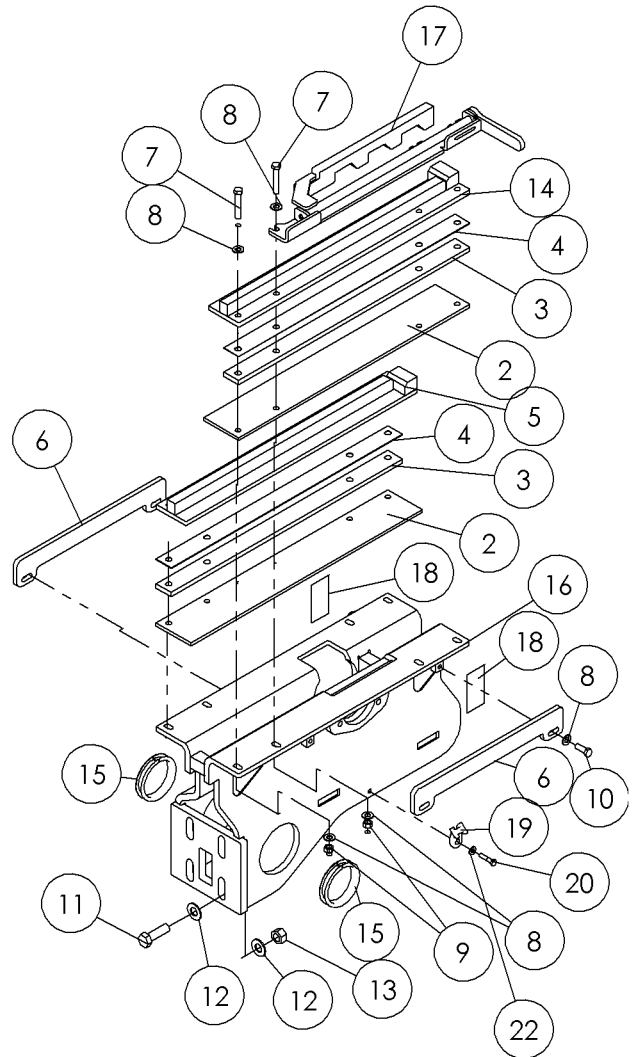
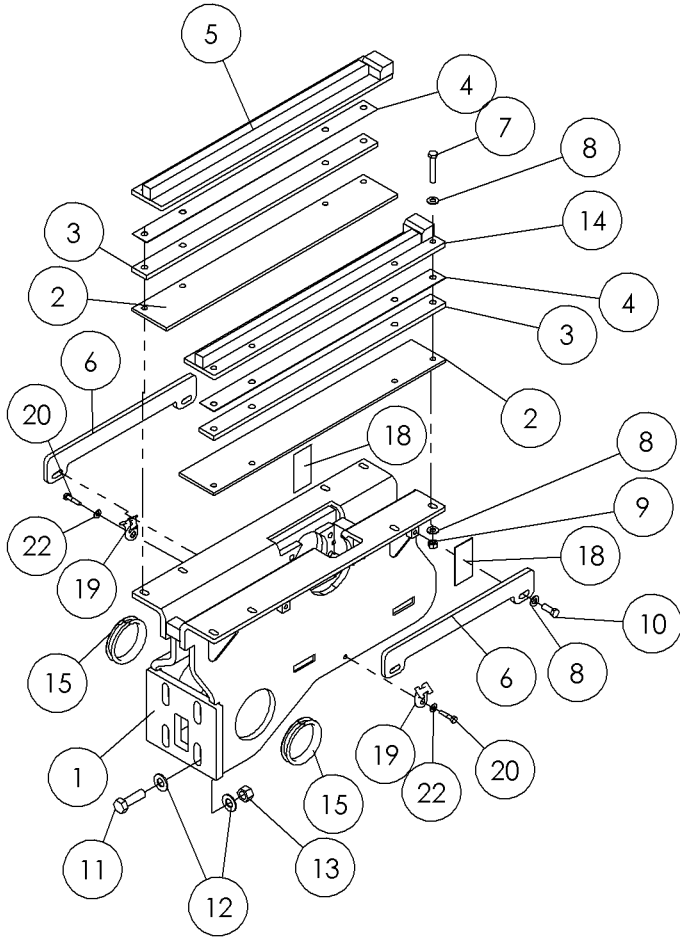
Rod Loader Arm Assy Fig 6-3



## Rod Loader Arm Assy Fig 6-3

REF. NO.	*	PART NO.	DESCRIPTION	QTY.	REMARKS
1		296280090	PLATE - STRIP WEAR	2	
2		296280085	WELDMENT - ROD LOADER EXTEND/ RETRACT	2	
3		296280050	GEAR - ROD LOADER SLIDER	2	
4		277147001	ARM -LOADER	4	
5		296277002	PLATE - MAGNET MOUNT LH	2	
6		296277001	PLATE - MAGNET MOUNT RH	2	
7		277154001	BAR - WEAR	2	
8		282642001	MAGNET - 1.25" ROD HOLDER	6	
9		296277004	TUBE - MAGNET SPACER	2	
10		248031001	BOLT-5/16-18X1 1/4 GR8 ZINC PL	2	
11		510337605	WASHER-FLATSTD-.31-.38X.88-.08-YZ	8	
12		296277003	PLATE - MAGNET MOUNT SPACER	2	
13		235741001	NUT - HEX - .31 - 18 - GR8 -YZ	4	
14		248029001	BOLT-5/16-18X2 1/2 GR8 ZINC PL	4	
15		235740001	BOLT-5/16-18X1/2 GR8 ZINC PLT	4	
16		235716001	WASHER - FLATSTRL - .25 - .28 X .63 - .06 - CZ	4	
17		240344001	BOLT-3/4-10X7 1/2 GR#8 ZINC PL	2	
18		235717001	WASHER-3/4 FLAT HARDENED YELLOW ZINC	4	
19		250510001	NUT 3/4 NC Gr8 SLTL Y/ZINC	2	
20		235726001	BOLT-3/8-16X3/4 GR8 HEX ZNCPLT	12	
21		235713001	WASHER - FLATSTRL - .38 - .41 X .81 - .06-YA-A325	32	
22		75383001	NUT-1/2-UNC GR.8 JAM HEX	2	
23		153752001	SQ HSS-1/2-13X2 PLATED	2	
24		276477001	BOLT - 1/4-20 X 1 ELEVATOR ZN PLT	4	
25		250508001	NUT - 3/8-NC Gr8 TOP LOCK Y/ZINC	20	
26		601699012	BOLT- 3/8-16X1 1/4 ELEVATOR ZNC	20	
27		235732001	NUT - HEX - .25 - 20 - GR8 - YZ	4	

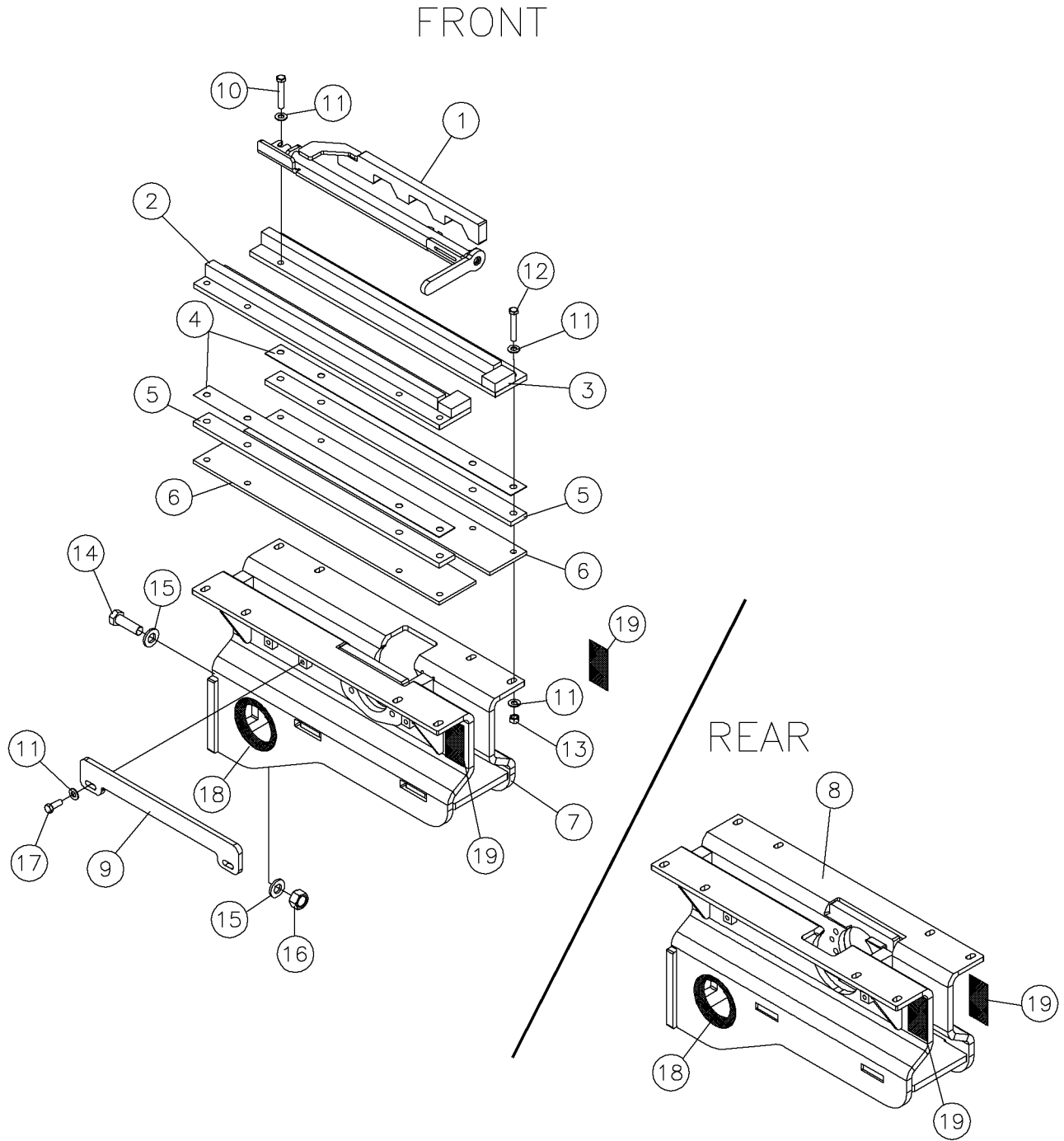
Rod Selector Assy (S/N 291-) Fig 6-4r02



## Rod Selector Assy (S/N 291-) Fig 6-4r02

REF. NO.	*	PART NO.	DESCRIPTION	QTY.	REMARKS
		Revision Date	May, 2006		Change Assy To Match D36x50II
1		296280039	WELDMENT - ROD LOADER MOUNT, REAR	1	
2		296280063	STRIP - PLASTIC WEAR	4	
3		296280061	PLATE - SPACER HOLD DOWN	4	
4		296280062	PLATE - SHIM HOLD DOWN	4	
5		296280058	WELDMENT - COVER PLATE RIGHT	2	
6		296280064	PLATE - BAR CLAMP	4	
7		250504001	SCREW-HCS-.38-16X2.25-GR8-YZ	16	
8		235713001	WASHER-FLATSTRL-.38-.41X.81-.06-YZ-A325	40	
9		250508001	NUT-TLHEX-.38-16-C-YZ	16	
10		235727001	SCREW-HCS-.38-16X1.00-GR8-YZ	8	
11		145645001	SCREW-HCS-.63-11X2.00-GR8-YZ	8	
12		235715001	WASHER-FLATSTRL-.63-.66X1.31-.09-YZ-A325	16	
13		238221001	NUT-HEX-.63-11-GR8-YZ	8	
14		296280057	WELDMENT - COVER PLATE LEFT	2	
15		278774001	SEAL - EDGE 1/2" STYLE	4	P/N Qty. Of 1 = 1 Foot
16		296280040	WELDMENT - ROD LOADER MOUNT, FRONT	1	
17		296280052	WELDMENT - STOP FRONT ROW	1	
18		7000a864	DECAL - WARNING	4	Domestic
		700IA864	DECAL-WARNING INTERNATIONAL	4	International
19		296276018	MOUNT - HEAVY DUTY CABLE TIE	3	
20		250008001	SCREW-HCS-.25-20X1.25-GR8-YZ	3	
21		248198001	NUT-TLHEX-.25-20-C-CD&W	3	
22		235716001	WASHER-FLATSTRL-.25-.28X.63-.06-CZ	6	

Rod Selector Assy Fig 6-4r01



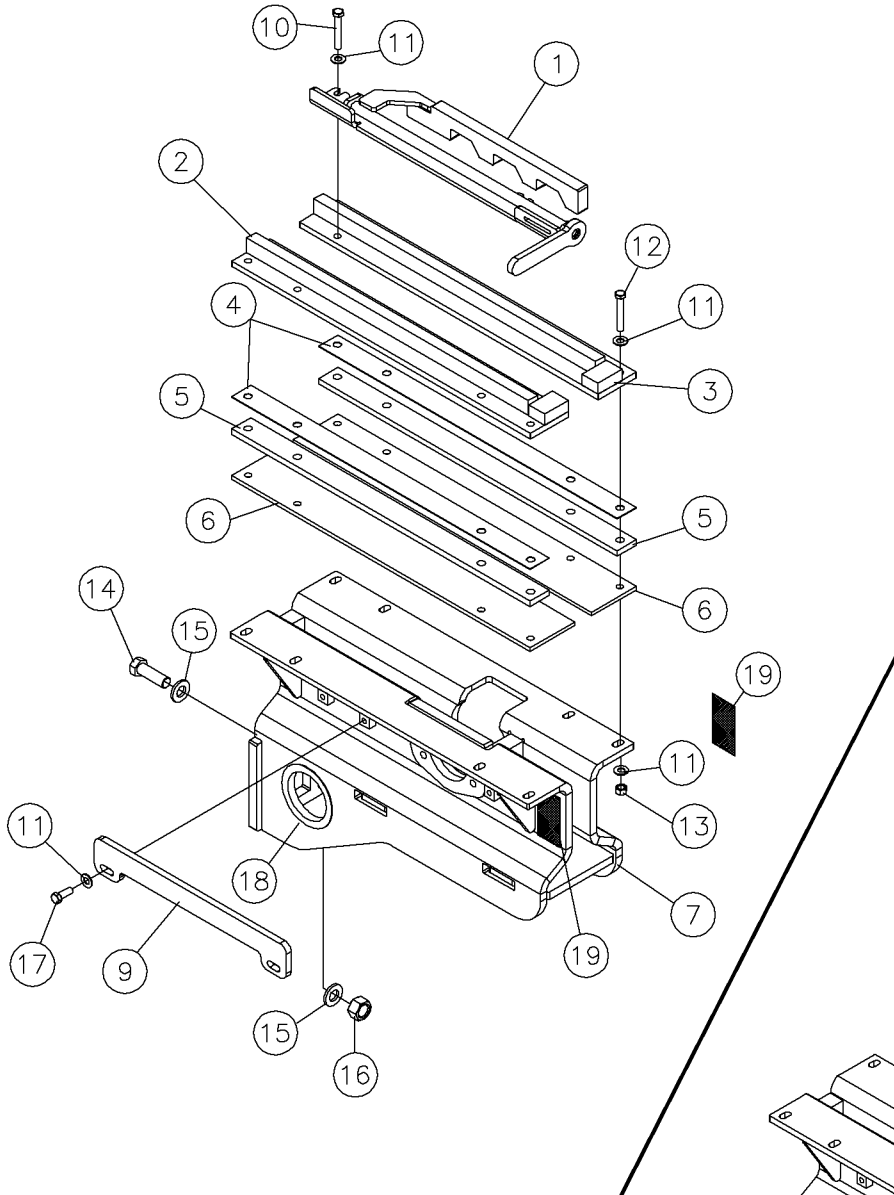


## Rod Selector Assy Fig 6-4r01

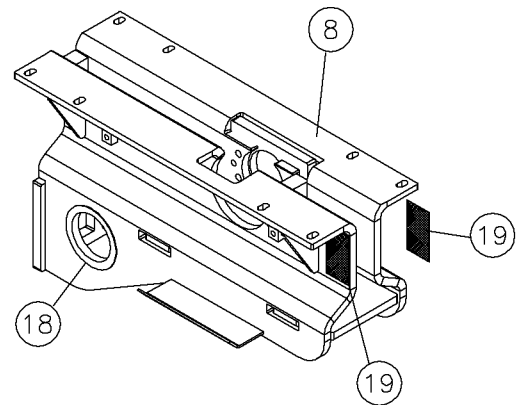
REF. NO.	*	PART NO.	DESCRIPTION	QTY.	REMARKS
		Revision Date	May, 2005		Update In Illustration.
1		296280052	WELDMENT - STOP FRONT ROW	1	Front Only
2		296280057	WELDMENT - COVER PLATE LEFT	2	
3		296280058	WELDMENT - COVER PLATE RIGHT	2	
4		296280062	PLATE - SHIM HOLD DOWN	4	
5		296280061	PLAT E- SPACER HOLD DOWN	4	
6		296280063	STRIP - PLASTIC WEAR	4	
7		296280040	WELDMENT - ROD LOADER MOUNT, FRONT	1	
8		296280039	WELDMENT - ROD LOADER MOUNT, REAR	1	
9		296280064	PLATE - BAR CLAMP	4	
10		250529001	BOLT 3/8-16X2 1/2"GR.8 HEX	1	
11		235713001	WASHER - FLATSTRL - .38 - .41 X .81 - .06-YA-A325	41	
12		250504001	BOLT 3/8-16 X 2 1/4"GR8 HEX Y	16	
13		250508001	NUT - 3/8-NC Gr8 TOP LOCK Y/ZINC	16	
14		145645001	BOLT - 5/8 - 11 X 2 GR.8 PLATED	8	
15		235715001	WASHER-5/8 SAE HARD ZINC PLTD	16	
16		238221001	NUT - HEX -.63 - 11 - GR8 - YZ	8	
17		235727001	BOLT-3/8-16X1 GR8 HEX ZINC PLT	8	
18		278774001	SEAL - EDGE 1/2" STYLE	A/R	P/N Qty. Of 1 = 1 Foot
19		7000A864	DECAL-WARNING DOMESTIC	4	Domestic
		700IA864	DECAL-WARNING INTERNATIONAL	4	International

Rod Selector Assy Fig 6-4

FRONT



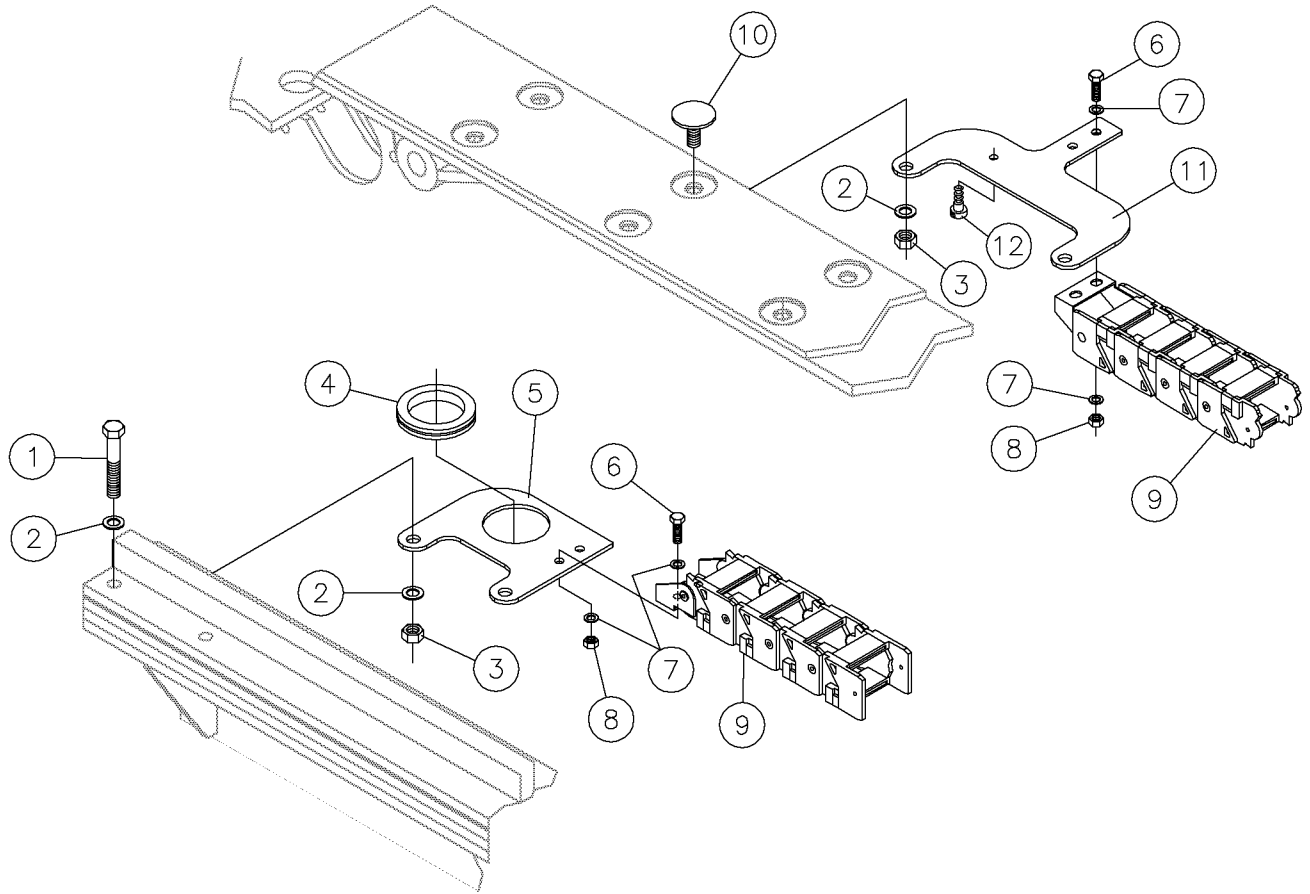
REAR



## Rod Selector Assy Fig 6-4

REF. NO.	*	PART NO.	DESCRIPTION	QTY.	REMARKS
1		296280052	WELDMENT - STOP FRONT ROW	1	Front Only
2		296280057	WELDMENT - COVER PLATE LEFT	2	
3		296280058	WELDMENT - COVER PLATE RIGHT	2	
4		296280062	PLATE - SHIM HOLD DOWN	4	
5		296280061	PLAT E- SPACER HOLD DOWN	4	
6		296280063	STRIP - PLASTIC WEAR	4	
7		296280040	WELDMENT - ROD LOADER MOUNT, FRONT	1	
8		296280039	WELDMENT - ROD LOADER MOUNT, REAR	1	
9		296280064	PLATE - BAR CLAMP	4	
10		250529001	BOLT 3/8-16X2 1/2"GR.8 HEX	1	
11		235713001	WASHER - FLATSTRL - .38 - .41 X .81 - .06-YA-A325	41	
12		250504001	BOLT 3/8-16 X 2 1/4"GR8 HEX Y	16	
13		250508001	NUT - 3/8-NC Gr8 TOP LOCK Y/ZINC	16	
14		145645001	BOLT - 5/8 - 11 X 2 GR.8 PLATED	8	
15		235715001	WASHER-5/8 SAE HARD ZINC PLTD	16	
16		238221001	NUT - HEX -.63 - 11 - GR8 - YZ	8	
17		235727001	BOLT-3/8-16X1 GR8 HEX ZINC PLT	8	
18		278774001	SEAL - EDGE 1/2" STYLE	A/R	P/N Qty. Of 1 = 1 Foot
19		7000A864	DECAL-WARNING DOMESTIC	4	Domestic
		700IA864	DECAL-WARNING INTERNATIONAL	4	International

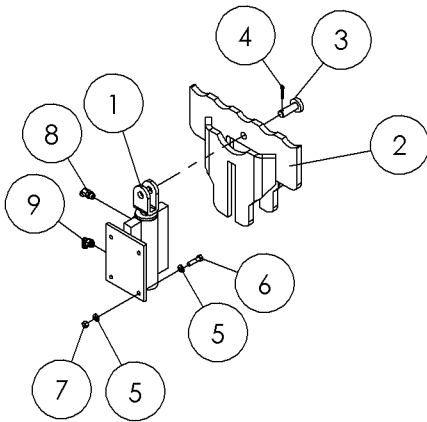
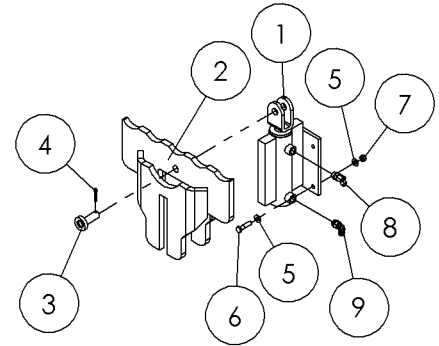
Rod Loader Wire Harness Carrier Assy Fig 6-5



## Rod Loader Wire Harness Carrier Assy Fig 6-5

REF. NO.	*	PART NO.	DESCRIPTION	QTY.	REMARKS
1		250504001	BOLT 3/8-16 X 2 1/4"GR8 HEX Y	2	
2		235713001	WASHER - FLATSTRL - .38 - .41 X .81 - .06-YA-A325	12	
3		250508001	NUT - 3/8-NC Gr8 TOP LOCK Y/ZINC	4	
4		902401001	GROMMET-1 45/64"RUBBER	1	
5		281809001	BRACKET - WIRE TRACK	2	
6		235734001	BOLT-1/4-20X3/4 GR8 ZINC PLTD	8	
7		235716001	WASHER-FLATSTRL-.25-.28X.63-.06-CZ	16	
8		235732001	NUT - HEX - .25 - 20 - GR8 - YZ	8	
9		281811001	POWERTRAK - NYLON	1	
10		601699012	3/8-16X1 1/4 ELEVATOR BOLT ZNC	4	
11		296280094	BRACKET - WIRE TRACK	1	
12		278953001	ANCHOR - CABLE TIE	2	

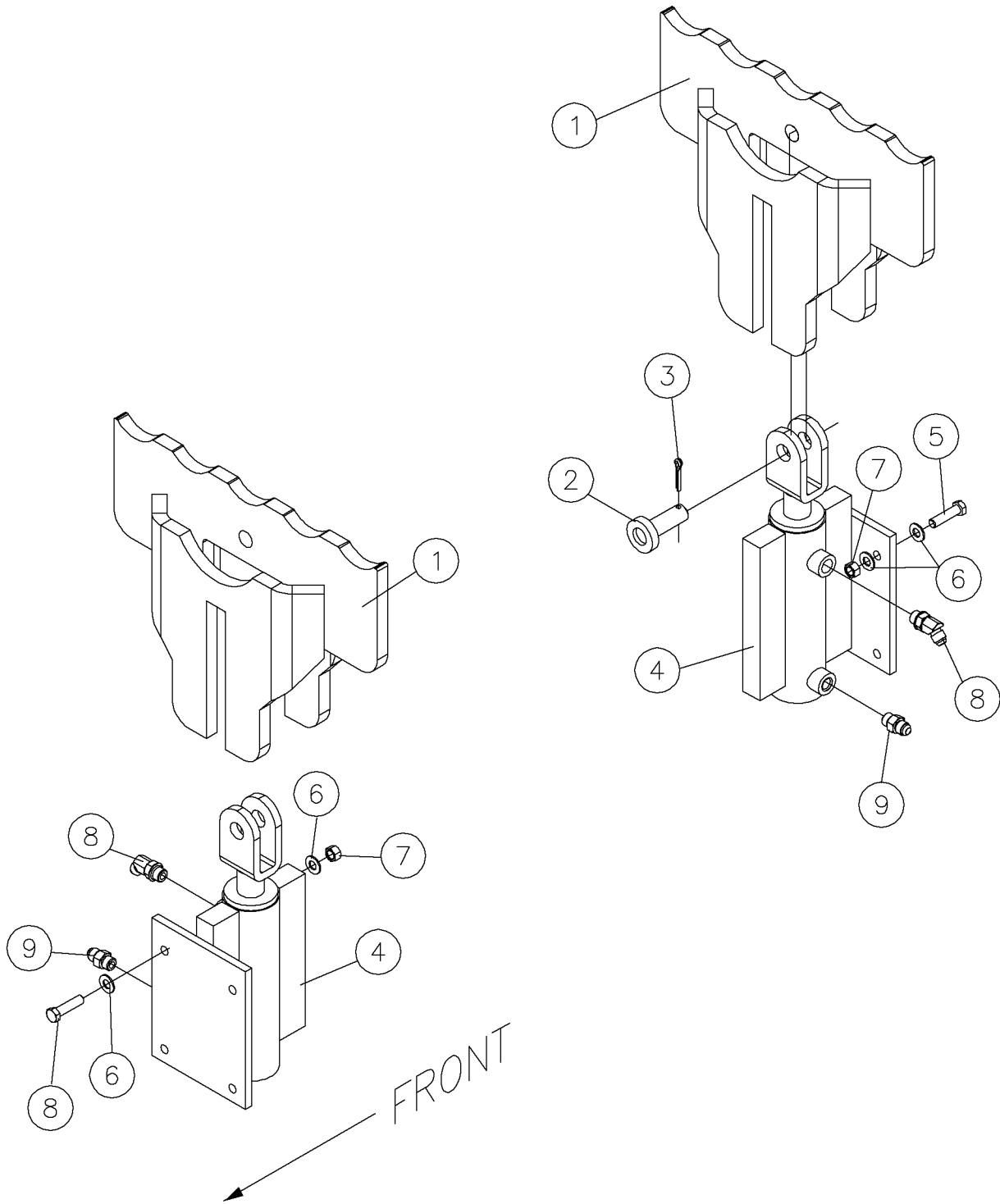
Rod Lift Assy (S/N 291-) Fig 6-6r01



## Rod Lift Assy (S/N 291-) Fig 6-6r01

REF. NO.	*	PART NO.	DESCRIPTION	QTY.	REMARKS
		Revision Date	May, 2006		Change Assy To Be Like D36x50II
1		250494001	CYLINDER - 2 X 5"	2	Breakdown Fig. 10-23
2		296280022	WELDMENT - ROD LIFT	2	
3		222815001	PIN-STEER CYLINDER	2	
4		510047	PIN - 3/16 X 1 1/4 COTTER REF T16726	2	
5		235713001	WASHER - FLATSTRL - .38 - .41 X .81 - .06-YA-A325	16	
6		235723001	SCREW - HCS -.38 - 16 X 1.50 - GR8 - YZ	8	
7		250508001	NUT - 3/8-NC Gr8 TOP LOCK Y/ZINC	8	
8		65563001	FITTING - 6M O-RING X 6M JIC 45 DEGREE	2	
9		59426001	FITTING - 90-6MJ-6MORBA	2	

Rod Lift Assy Fig 6-6

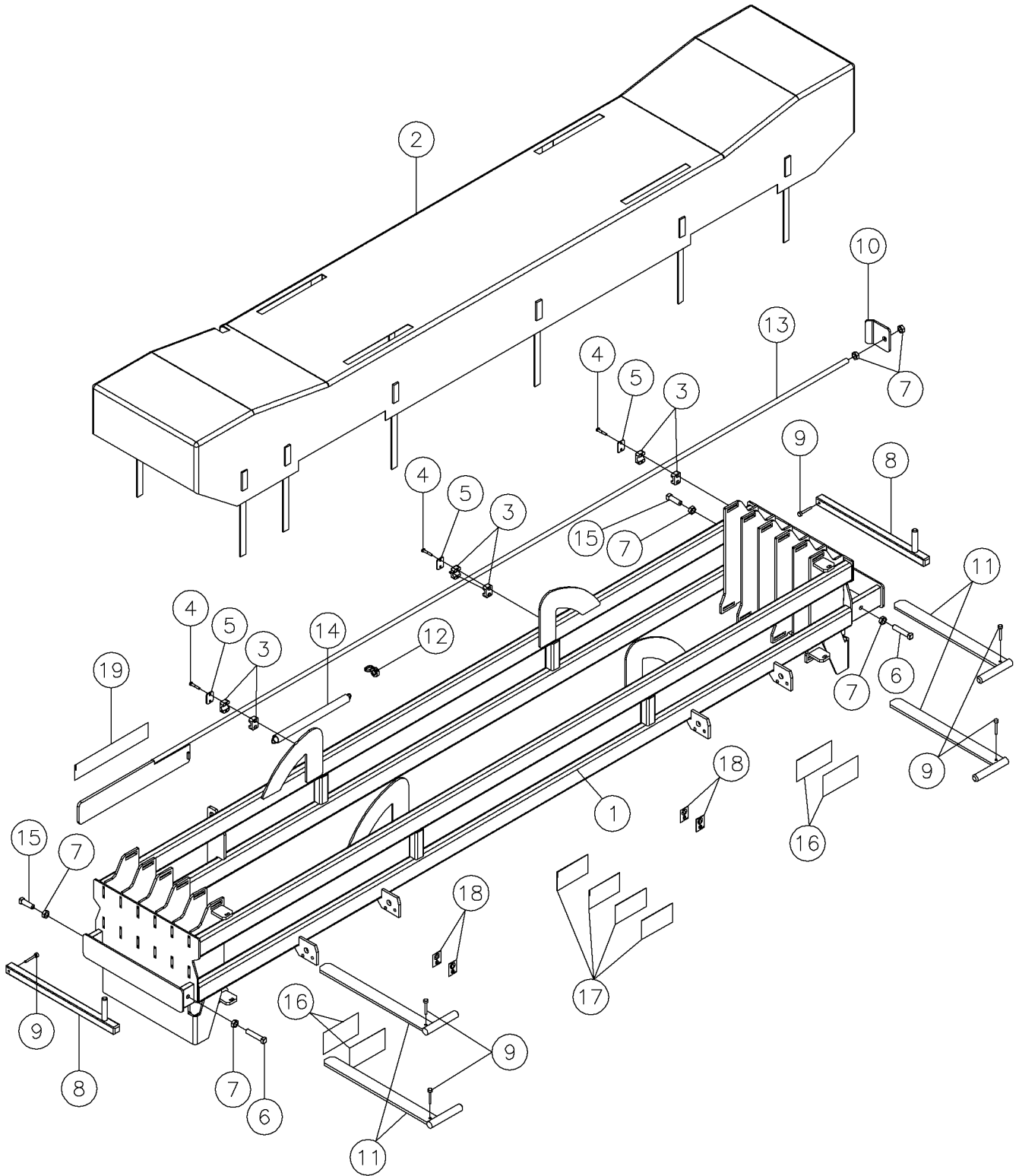




## Rod Lift Assy Fig 6-6

REF. NO.	*	PART NO.	DESCRIPTION	QTY.	REMARKS
1		296280022	WELDMENT - ROD LIFT	2	
2		222815001	PIN-STEER CYLINDER	2	
3		510047	PIN - 3/16 X 1 1/4 COTTER	2	
4		250494001	CYLINDER - 2 X 5"	2	Breakdown Fig. 10-23
5		235723001	SCREW - HCS -.38 - 16 X 1.50 - GR8 - YZ	8	
6		235713001	WASHER - FLATSTRL - .38 - .41 X .81 - .06-YA-A325	16	
7		250508001	NUT - 3/8-NC Gr8 TOP LOCK Y/ZINC	8	
8		65563001	FITTING - 6M O-RING X 6M JIC 45 DEGREE	2	
9		65565001	FITTING - 6M O-RING X 6M JIC ST.	2	

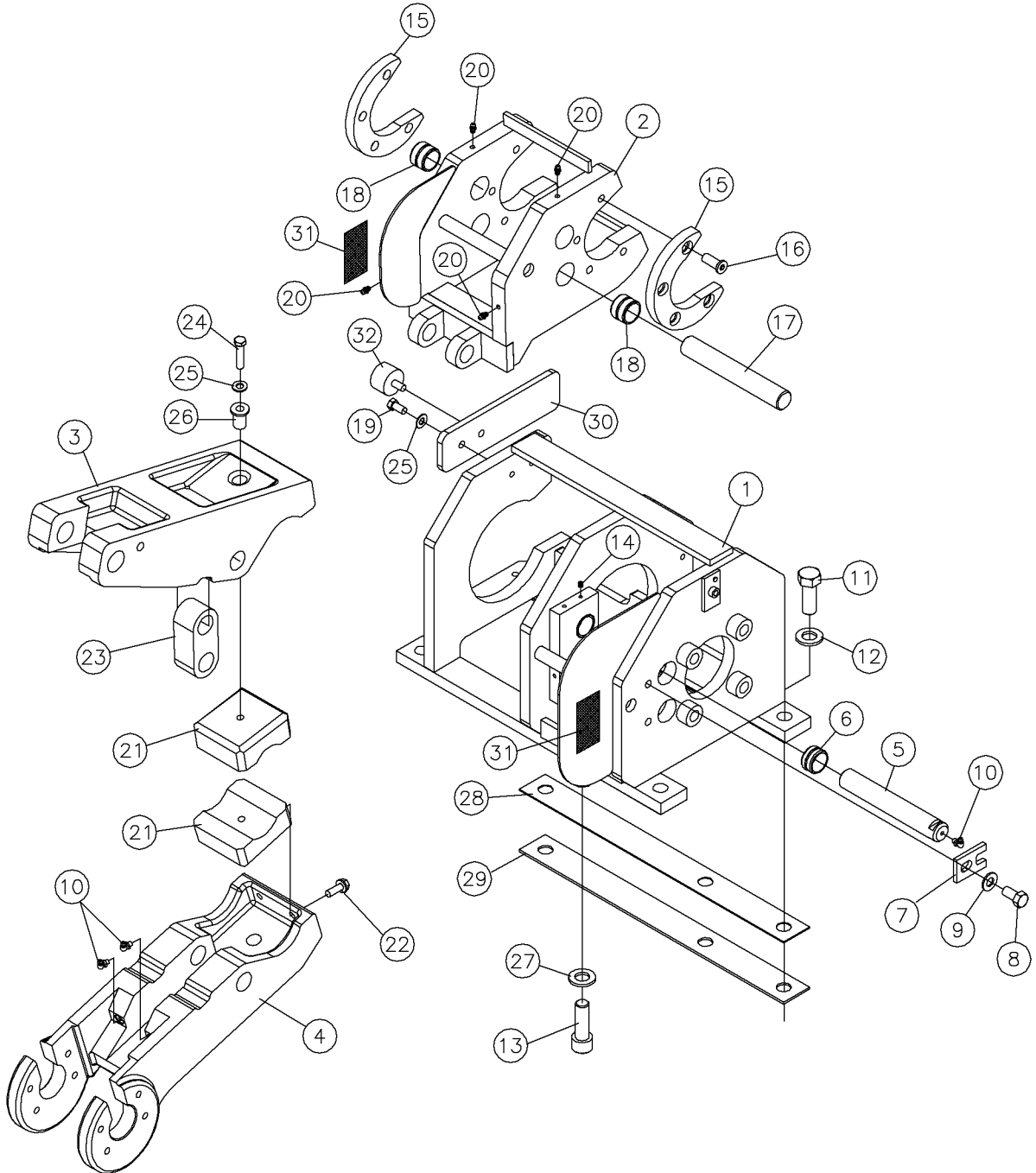
Rod Box - 10' (250 FT.) (S/N 291-) Fig 6-7



## Rod Box - 10' (250 FT.) (S/N 291-) Fig 6-7

REF. NO.	*	PART NO.	DESCRIPTION	QTY.	REMARKS
		Revision Date	March, 2006		Addition To Manual
1		296280498	WELDMENT-SHORT ROD BOX, 10'	1	
2		296287778	COVER - 250FT. ROD BOX 10'	1	
3		279817001	CLAMP HOSE 2180PP	6	
4		238210001	SCREW-HCS-.25-20X1.50-GR8-YZ	6	
5		903135005	PLATE - COVER COP-2	3	
6		601697030	SQ HSS-5/8-11X3	2	
7		250514001	NUT-HEXJAM-.63-11-GR8-YZ	6	
8		296280023	PIN - ROD BOX	2	
9		2108001	LYNCH PIN - 1/4X2	6	
10		296279747	PLATE - FLAG STOP	1	
11		296275471	WELDMENT - FLAT BAR RETAINER	4	
12		295529001	MOUNT-ROD INDICATOR SPRING	1	
13		296280100	WELDMENT - ROD POSITION MARKER	1	
14		1789001	SPRING - 1.125" OD X .9375" ID X 15"	1	
15		510365820	SCREW-SQSET-.63-11X2.00-YZ-CUP	2	
16		7000A627	DECAL - DANGER	4	Domestic
		700IA627	DECAL-DANGER	4	International
17		70000563	DECAL-WARNING (UND)	4	Domestic
		7000I563	DECAL-WARNING (UND)	4	International
18		7000i445	DECAL-LIFT POINT	4	
19		700ia997	DECAL - INDICATOR	1	
		296260960	10' SHORT ROD BOX ASSEMBLY		Inc. Rod Box And Domestic decals
		296287074	10' SHORT ROD BOX ASSY - INT'L		Inc. Rod Box And International Decals

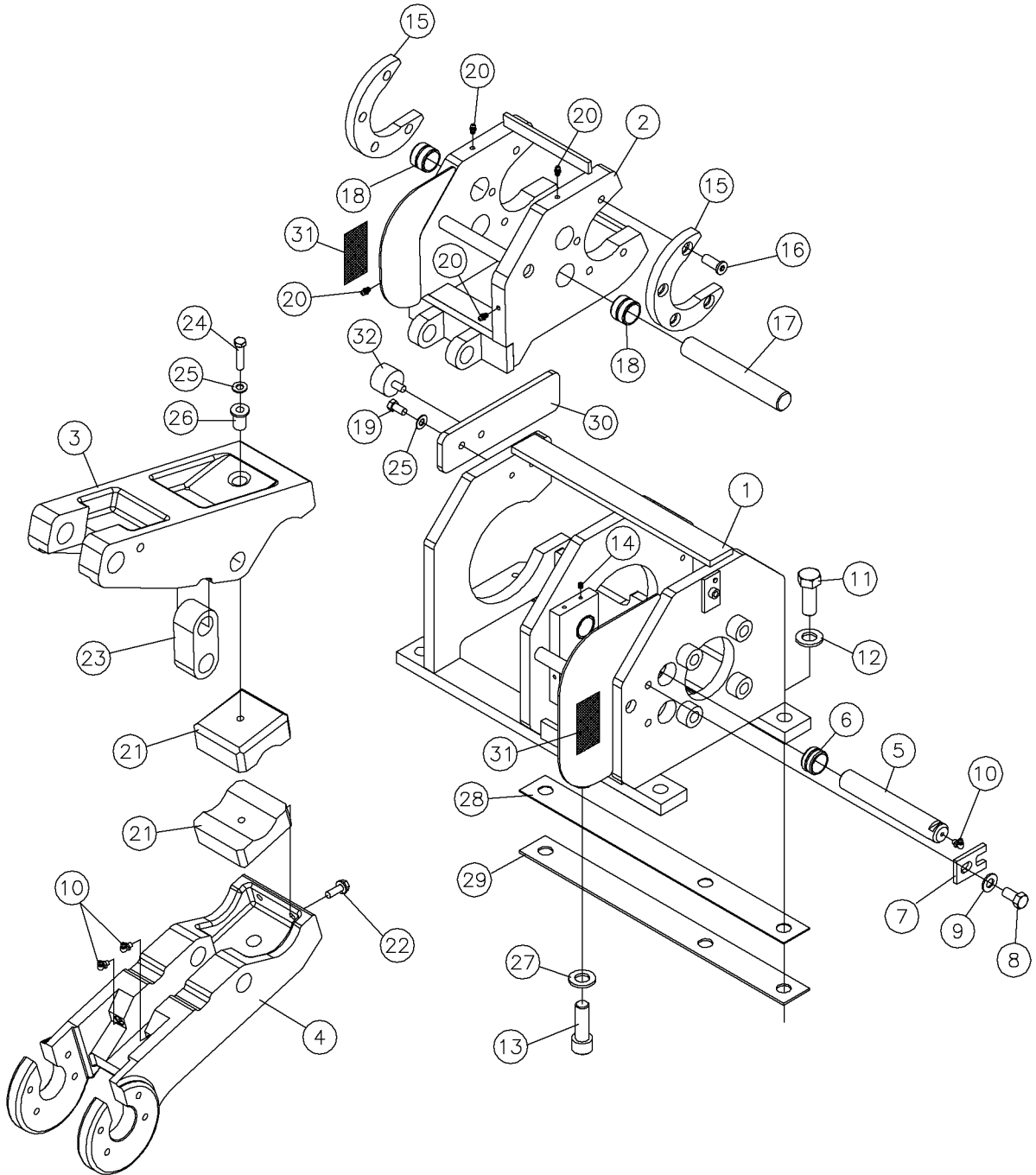
Clamp Assy Fig 7-1r02



## Clamp Assy Fig 7-1r02

REF. NO.	*	PART NO.	DESCRIPTION	QTY.	REMARKS
		Revision Date	July, 2005		Update In Parts List.
1		243025003	FRAME ASSEMBLY-VISE	1	Inc Ref. 1, 2, 3, And 5
2		240885003	PIVOT ASSEMBLY-VISE	1	Inc 4 Of Ref. 18 And 20
3		282811003	ARM ASSY - UPPER VISE	1	Inc 2 Of Ref. 20
4		282810003	ARM ASSEMBLY - LOWER VISE ARM	1	Inc. 2 of Ref. 10
5		240909003	PIN ASSEMBLY-VISE	2	Inc 1 Of Ref 10
6		240878001	BSHG-STL 1 3/8 ODX1 1/8 ID-.75	2	
7		235929001	PLATE-TAB	2	
8		235729001	SCREW-HCS-.50-13X1.00-GR8-YZ	2	
9		485025	WASHER-1/2 FLAT-HARDENED-YZ	2	
10		597001	ZERK-1/4" NF 90 DEG GREASE	3	
11		235746001	BOLT-3/4-10X2 GR8 HEX ZNC PLTD	4	
12		235717001	WASHER-3/4 FLAT HARDENED YELLOW ZINC	4	
13		249153001	SCREW-3/4-10X2 1/4 GR8 Y/ZINC	1	
14		522001	SSS-1/4-28X1/4	1	
15		240908001	PLATE-INSERT	2	
16		240854001	SCREW-1/2-13 UNCX1 1/4 LOW SH	4	
17		240918001	PIN-PIVOT	2	
18		240877001	BSHG-STL 1 3/8 ODX1 1/8 ID-1.0	6	
19		235726001	BOLT-3/8-16X3/4 GR8 HEX ZNCPLT	1	
20		598001	FITTING-1/4" NF ST GREASE ZERK	4	
21		230831001	DIE-CONTOUR VERMEER 2 5/8	2	
22		249161001	BOLT-JAW PIN 3/8-16 X 1 SPEC	4	
23		240917001	PLATE-LINK	2	
24		235720001	BOLT-3/8-16X1 3/4 6R8 ZINC PLT	1	
25		235713001	WASHER - FLATSTRL - .38 - .41 X .81 - .06-YA-A325	2	
26		228064001	INSERT-FASTENER	1	
27		249154001	WASHER-LOCK-.75-.78X1.27-.19-YZ	1	
28		228030001	SHIM-MOUNTING 1/16	A/R	
29		228036001	SHIM-MOUNTING 1/8 21@22852	2	
30		291534001	BAR - ROD GUARD	1	
31		7000A864	DECAL-WARNING DOMESTIC	2	
		700IA864	DECAL-WARNING INTERNATIONAL	2	International
32		122474001	MOUNT-SANDWICH SINGLE STUD	1	

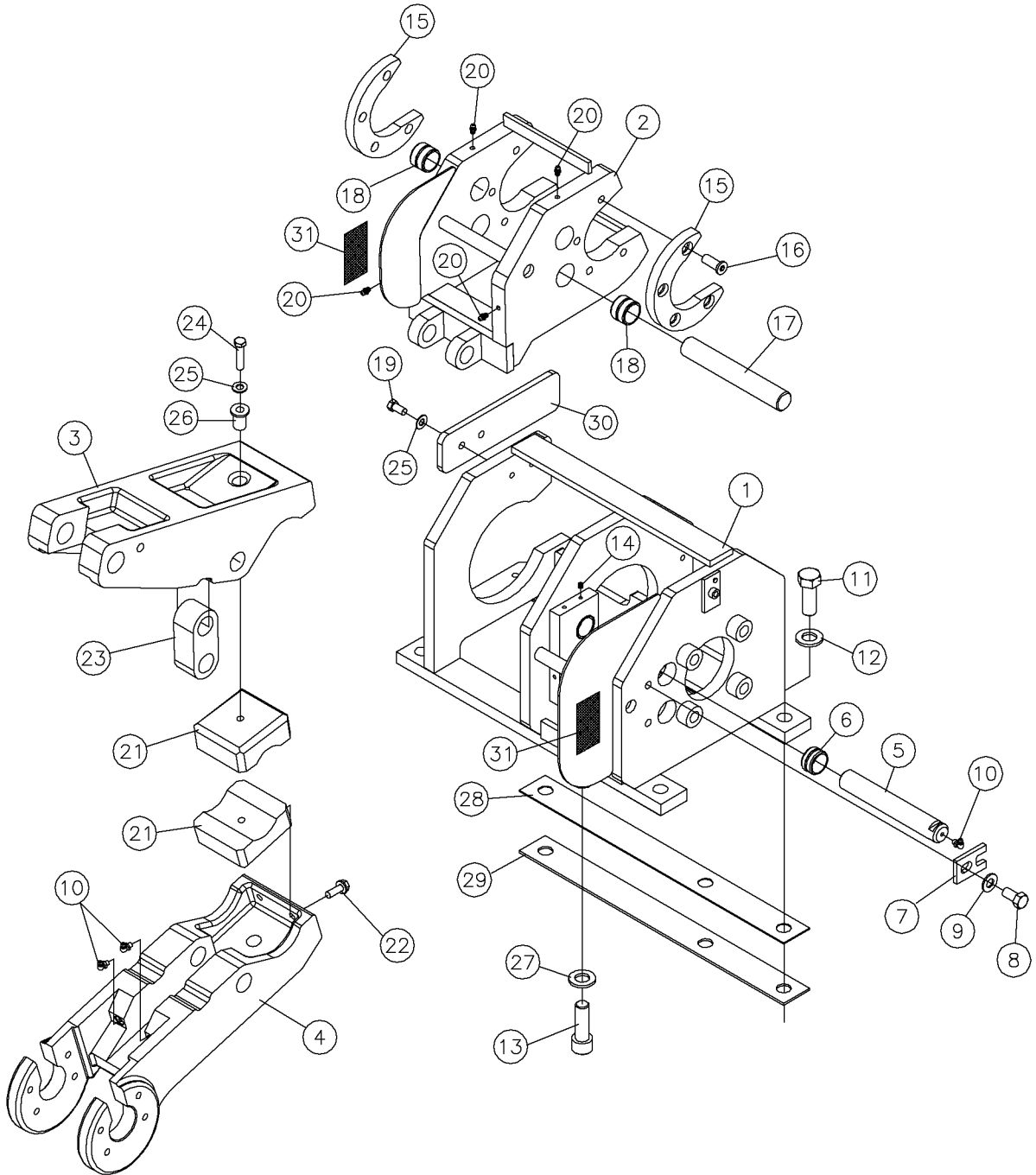
Clamp Assy Fig 7-1r01



## Clamp Assy Fig 7-1r01

REF. NO.	*	PART NO.	DESCRIPTION	QTY.	REMARKS
		Revision Date	May, 2005		Update In Illustration & Parts List.
1		243025001	FRAME-VISE	1	
2		240885001	PIVOT VISE - DUPLICATE FIXTURE	1	
3		282811001	ARM - JAW UPPER VISE	1	
4		282810003	ARM ASSEMBLY - LOWER VISE ARM	1	Inc. Two of Ref.
5		240909001	PIN-VISE	2	
6		240878001	BSHG-STL 1 3/8 ODX1 1/8 ID-.75	2	
7		235929001	PLATE-TAB	2	
8		235729001	SCREW-HCS-.50-13X1.00-GR8-YZ	2	
9		485025	WASHER-1/2 FLAT-HARDENED-YZ	2	
10		597001	ZERK-1/4" NF 90 DEG GREASE REF T03633	4	
11		235746001	BOLT-3/4-10X2 GR8 HEX ZNC PLTD	4	
12		235717001	WASHER-3/4 FLAT HARDENED YELLOW ZINC	4	
13		249153001	SCREW-3/4-10X2 1/4 GR8 Y/ZINC	1	
14		522001	SSS-1/4-28X1/4	1	
15		240908001	PLATE-INSERT	2	
16		240854001	SCREW-1/2-13 UNCX1 1/4 LOW SH	8	
17		240918001	PIN-PIVOT	2	
18		240877001	BSHG-STL 1 3/8 ODX1 1/8 ID-1.0	2	
19		235726001	BOLT-3/8-16X3/4 GR8 HEX ZNCPLT	1	
20		598001	FITTING-1/4" NF ST GREASE ZERK	4	
21		230831001	DIE-CONTOUR VERMEER 2 5/8	2	
22		249161001	BOLT-JAW PIN 3/8-16 X 1 SPEC	4	
23		240917001	PLATE-LINK	2	
24		235720001	BOLT-3/8-16X1 3/4 6R8 ZINC PLT	1	
25		235713001	WASHER - FLATSTRL - .38 - .41 X .81 - .06-YA-A325	2	
26		228064001	INSERT-FASTENER	1	
27		249154001	WASHER-LOCK-.75-.78X1.27-.19-YZ	1	
28		228030001	SHIM-MOUNTING 1/16	A/R	
29		228036001	SHIM-MOUNTING 1/8 21@22852	2	
30		291534001	BAR - ROD GUARD	1	
31		7000A864	DECAL-WARNING DOMESTIC	2	
		700IA864	DECAL-WARNING INTERNATIONAL	2	International
32		122474001	MOUNT-SANDWICH SINGLE STUD	1	

Clamp Assy Fig 7-1

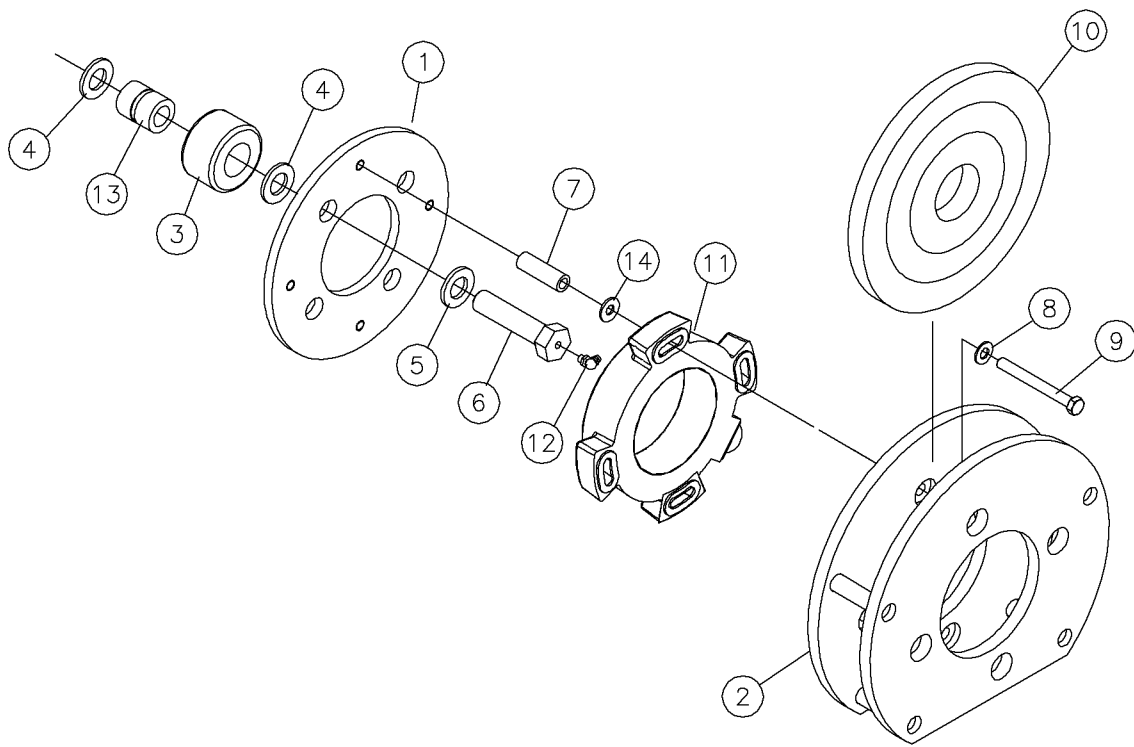




## Clamp Assy Fig 7-1

REF. NO.	*	PART NO.	DESCRIPTION	QTY.	REMARKS
1		243025001	FRAME-VISE	1	
2		240885001	PIVOT VISE - DUPLICATE FIXTURE	1	
3		282811001	ARM - JAW UPPER VISE	1	
4		282810003	ARM ASSEMBLY - LOWER VISE ARM	1	Inc. Two of Ref.
5		240909001	PIN-VISE	2	
6		240878001	BSHG-STL 1 3/8 ODX1 1/8 ID-.75	2	
7		235929001	PLATE-TAB	2	
8		235729001	SCREW-HCS-.50-13X1.00-GR8-YZ	2	
9		485025	WASHER-1/2 FLAT-HARDENED-YZ	2	
10		597001	ZERK-1/4" NF 90 DEG GREASE REF T03633	4	
11		235746001	BOLT-3/4-10X2 GR8 HEX ZNC PLTD	4	
12		235717001	WASHER-3/4 FLAT HARDENED YELLOW ZINC	4	
13		249153001	SCREW-3/4-10X2 1/4 GR8 Y/ZINC	1	
14		522001	SSS-1/4-28X1/4	1	
15		240908001	PLATE-INSERT	2	
16		240854001	SCREW-1/2-13 UNCX1 1/4 LOW SH	8	
17		240918001	PIN-PIVOT	2	
18		240877001	BSHG-STL 1 3/8 ODX1 1/8 ID-1.0	2	
19		235726001	BOLT-3/8-16X3/4 GR8 HEX ZNCPLT	2	
20		598001	FITTING-1/4" NF ST GREASE ZERK	4	
21		230831001	DIE-CONTOUR VERMEER 2 5/8	2	
22		249161001	BOLT-JAW PIN 3/8-16 X 1 SPEC	4	
23		240917001	PLATE-LINK	2	
24		235720001	BOLT-3/8-16X1 3/4 6R8 ZINC PLT	1	
25		235713001	WASHER - FLATSTRL - .38 - .41 X .81 - .06-YA-A325	3	
26		228064001	INSERT-FASTENER	1	
27		249154001	WASHER-LOCK-.75-.78X1.27-.19-YZ	1	
28		228030001	SHIM-MOUNTING 1/16	A/R	
29		228036001	SHIM-MOUNTING 1/8 21@22852	2	
30		291534001	BAR - ROD GUARD	1	
31		7000A864	DECAL-WARNING DOMESTIC	2	
		700IA864	DECAL-WARNING INTERNATIONAL	2	International

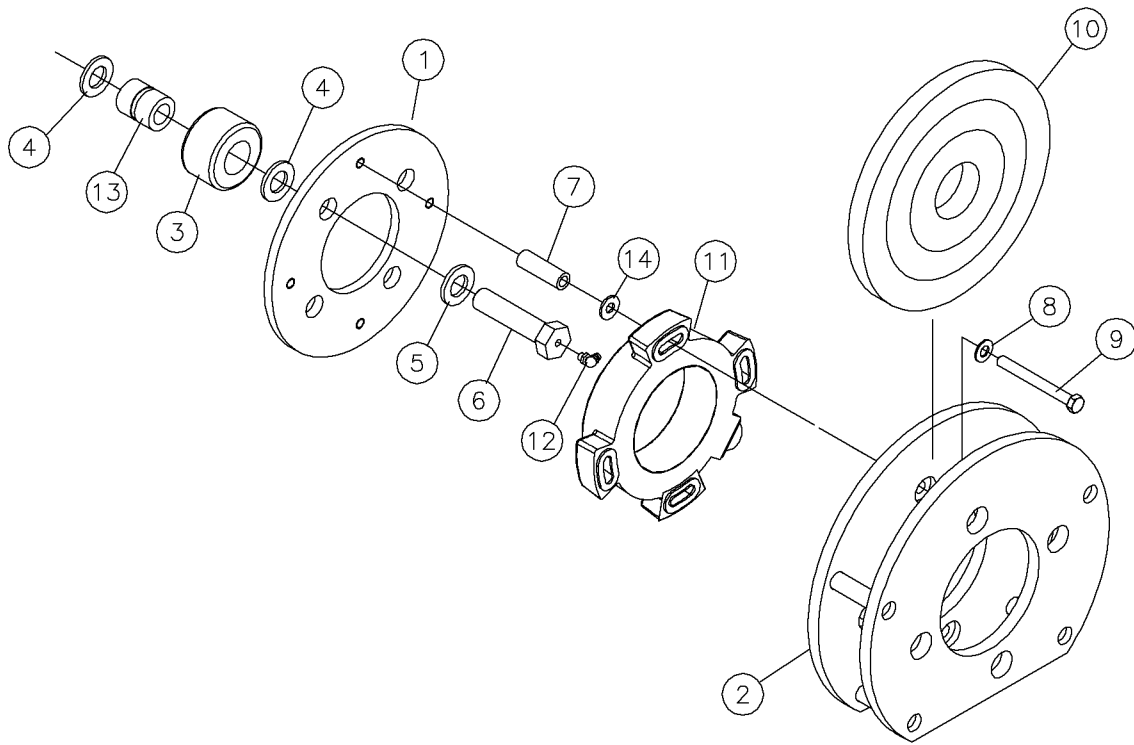
Zap Alert Coil Assy (S/N 152-) Fig 7-2r03



## Zap Alert Coil Assy (S/N 152-) Fig 7-2r03

REF. NO.	*	PART NO.	DESCRIPTION	QTY.	REMARKS
		Revision Date	May, 2006		Update In Parts List.
1		228049001	PLATE-ROLLER SUPPORT	1	
2		235313001	HOLDER-ROD WIPER	1	
3		244679001	ROLLER-GUIDE	4	
4		485017	WASHER-3/4 FLAT REF T10967	8	
5		235717001	WASHER-3/4 FLAT HARDENED YELLOW ZINC	4	
6		235915003	BOLT ASSEMBLY-GREASE	4	Inc One Of Ref 12
7		296280269	TUBE-5/8 ODX11GA.-1.32"	4	
8		235713001	WASHER - FLATSTRL - .38 - .41 X .81 - .06-YA-A325	4	
9		250541001	BOLT-3/8-16 X 4" GR8 HEX Y/ZI	4	
10		235924001	WIPER-2 3/8 OD ROD	1	
11		296272742	STRIKE ALERT - 4" COIL ASSEMBLY	1	S/N 152 And Up
12		597001	ZERK-1/4" NF 90 DEG GREASE REF T03633	4	
13		244678001	BUSHING GUIDE ROLLER	4	
14		510337605	WASHER-FLATSTD-.31-.38X.88-.08-YZ	4	

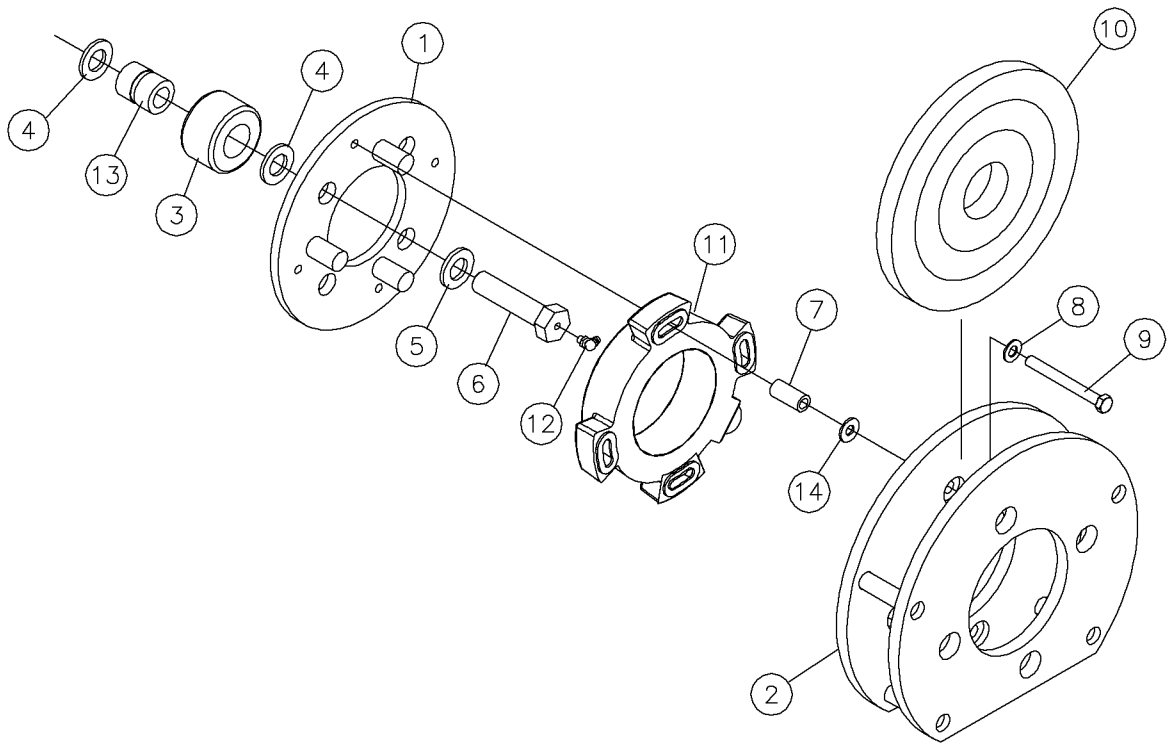
Zap Alert Coil Assy (S/N 152-) Fig 7-2r02



## Zap Alert Coil Assy (S/N 152-) Fig 7-2r02

REF. NO.	*	PART NO.	DESCRIPTION	QTY.	REMARKS
		Revision Date	July, 2005		Update In Illustration & Parts List.
1		228049001	PLATE-ROLLER SUPPORT	1	
2		235313001	HOLDER-ROD WIPER	1	
3		244679001	ROLLER-GUIDE	4	
4		485017	WASHER-3/4 FLAT REF T10967	8	
5		235717001	WASHER-3/4 FLAT HARDENED YELLOW ZINC	4	
6		235915003	BOLT ASSEMBLY-GREASE	4	Inc One Of Ref 12
7		296280269	TUBE-5/8 ODX11GA.-1.32"	4	
8		235713001	WASHER - FLATSTRL - .38 - .41 X .81 - .06-YA-A325	4	
9		250541001	BOLT-3/8-16 X 4" GR8 HEX Y/ZI	4	
10		235924001	WIPER-2 3/8 OD ROD	1	
11		296272742	STRIKE ALERT - 4" COIL ASSEMBLY	1	S/N 154 And Up
12		597001	ZERK-1/4" NF 90 DEG GREASE REF T03633	4	
13		244678001	BUSHING GUIDE ROLLER	4	
14		510337605	WASHER-FLATSTD-.31-.38X.88-.08-YZ	4	

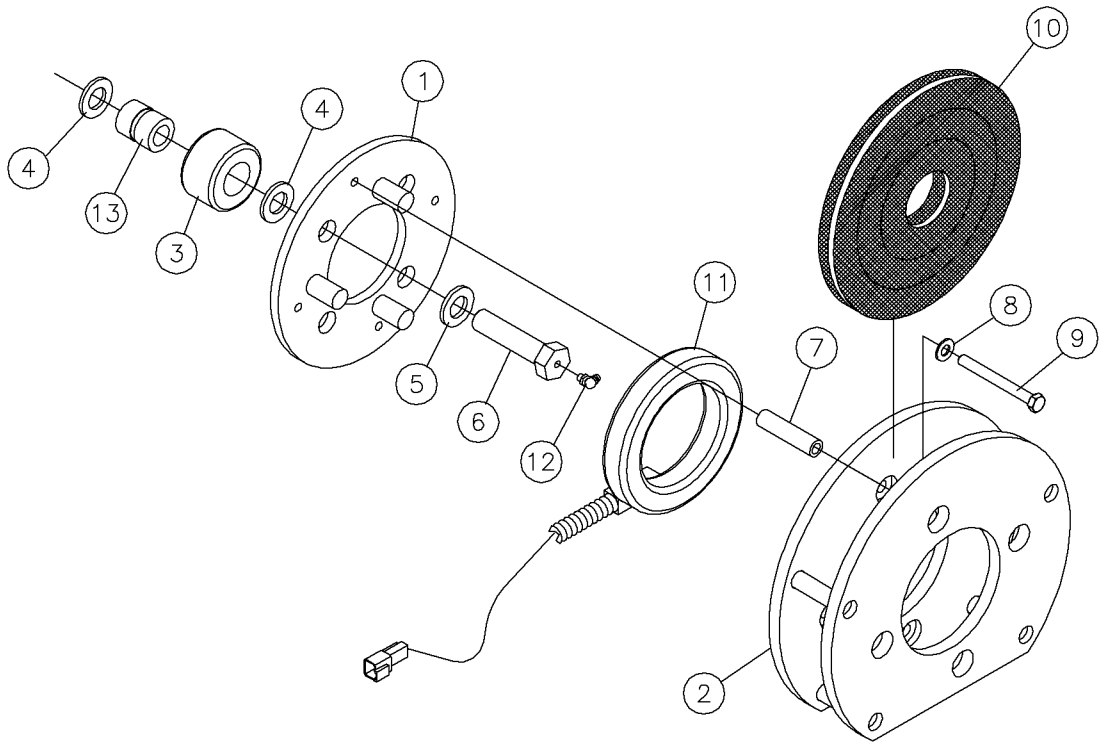
Zap Alert Coil Assy Fig 7-2r01



## Zap Alert Coil Assy Fig 7-2r01

REF. NO.	*	PART NO.	DESCRIPTION	QTY.	REMARKS
		Revision Date	May, 2005		Update In Illustration & Parts List.
1		228051001	SUPPORT-ROLLER	1	
2		235313001	HOLDER-ROD WIPER	1	
3		244679001	ROLLER-GUIDE	4	
4		485017	WASHER-3/4 FLAT REF T10967	8	
5		235717001	WASHER-3/4 FLAT HARDENED YELLOW ZINC	4	
6		235915001	BOLT-GREASABLE ROLLER 26184	4	Inc One Of Ref 12
7		296280269	TUBE-5/8 ODX11GA.-1.32"	4	
8		235713001	WASHER - FLATSTRL - .38 - .41 X .81 - .06-YA-A325	4	
9		16114034	BOLT-3/8-16X3 1/2 HEX HD. GR8	4	
10		235924001	WIPER-2 3/8 OD ROD	1	
11		296272742	STRIKE ALERT - 4" COIL ASSEMBLY	1	
12		597001	ZERK-1/4" NF 90 DEG GREASE REF T03633	4	
13		244678001	BUSHING GUIDE ROLLER	4	
14		510337605	WASHER-FLATSTD-.31-.38X.88-.08-YZ	4	

Zap Alert Coil Assy Fig 7-2

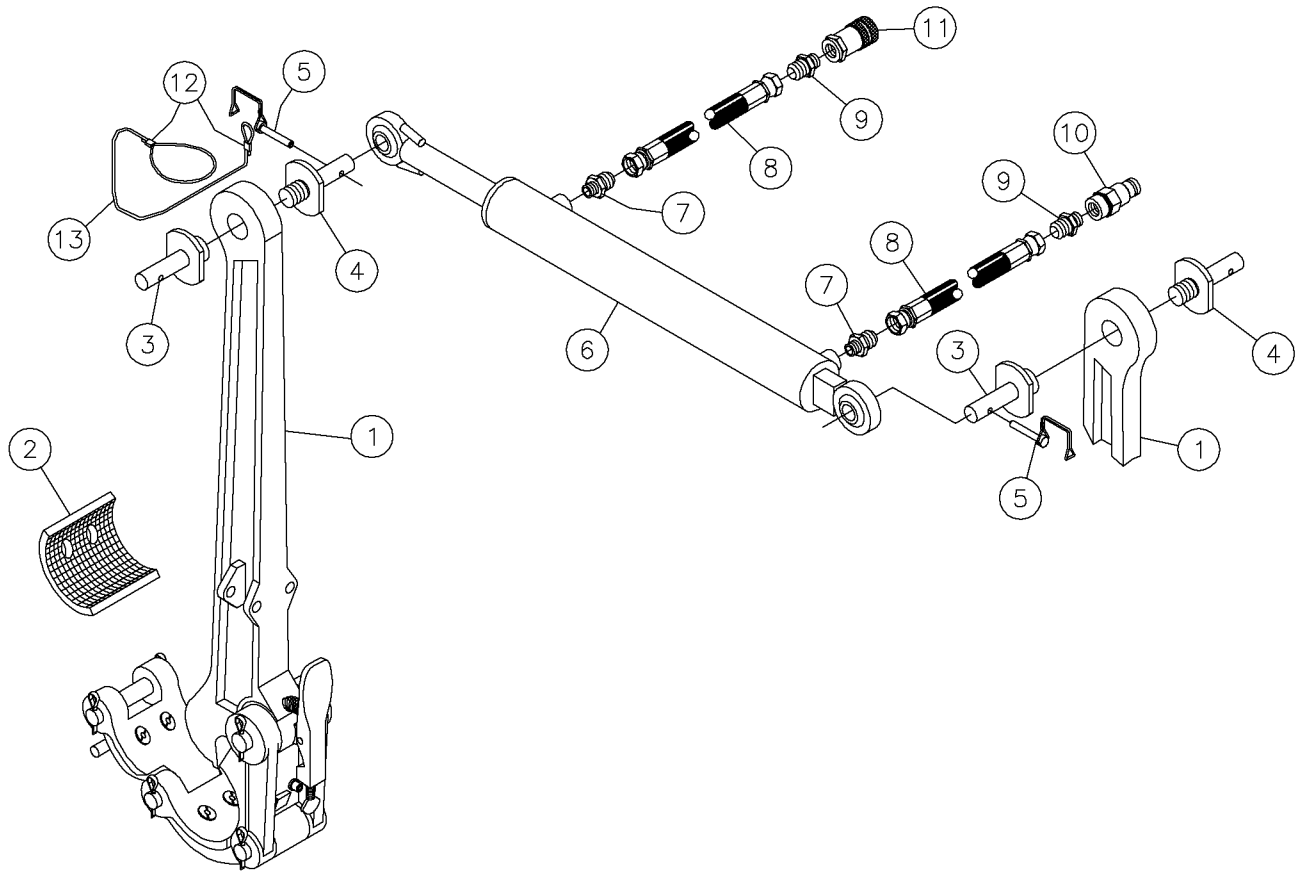




## Zap Alert Coil Assy Fig 7-2

REF. NO.	*	PART NO.	DESCRIPTION	QTY.	REMARKS
1		228051001	SUPPORT-ROLLER	1	
2		235313001	HOLDER-ROD WIPER	1	
3		244679001	ROLLER-GUIDE	4	
4		485017	WASHER-3/4 FLAT REF T10967	8	
5		235717001	WASHER-3/4 FLAT HARDENED YELLOW ZINC	4	
6		235915001	BOLT-GREASABLE ROLLER 26184	4	Inc One Of Ref 12
7		1070049	TUBE-5/8ODX11GA.-2 9/16"	4	
8		235713001	WASHER - FLATSTRL - .38 - .41 X .81 - .06-YA-A325	4	
9		16114034	BOLT-3/8-16X3 1/2 HEX HD. GR8	4	
10		235924001	WIPER-2 3/8 OD ROD	1	
11		285510001	COIL - ZAP ALERT	1	
12		597001	ZERK-1/4" NF 90 DEG GREASE REF T03633	4	
13		244678001	BUSHING GUIDE ROLLER	4	

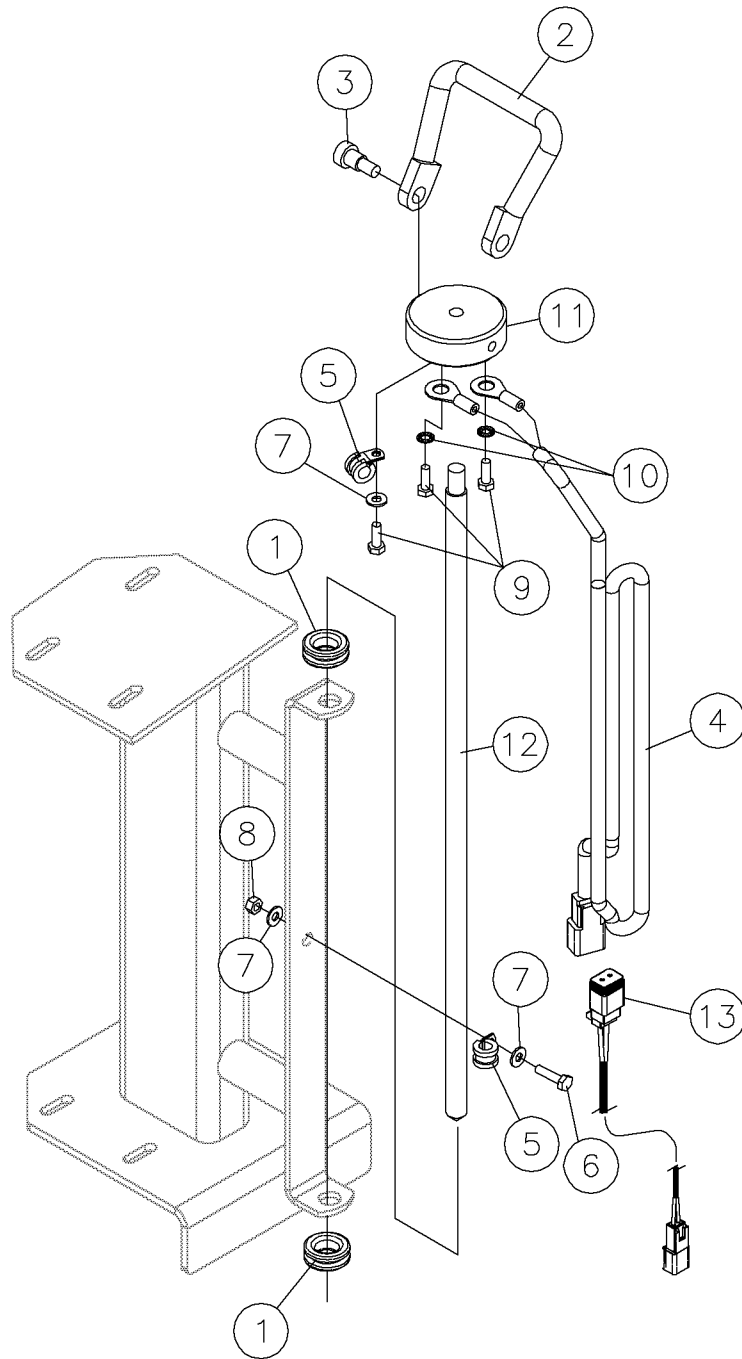
Tubing Tong Assy Fig 7-3



## Tubing Tong Assy Fig 7-3

REF. NO.	*	PART NO.	DESCRIPTION	QTY.	REMARKS
1		230970001	TONG-K30 LIGHT WEIGHT TUBING	2	Breakdown Fig. 10-53
2		291546001	K-30 2-3/4" DIE SET (3/SET)	1	
3		234967001	PIN-FEMALE CYLINDER	2	
4		234966001	PIN-MALE CYLINDER	2	
5		2108001	LYNCH PIN - 1/4 X 2 REF T11609	2	
6		230977001	CYLINDER 2"X15 XCX	1	Breakdown Fig. 10-54
7		86235001	6M ORING X 8M JIC STR.	2	
8		53844167	HOSE-1/2X240 8FS JIC 3000 PSI	2	
9		68634001	FITTING-3/8MX8M JIC (STR)	2	
10		221503001	COUPLER-3/8 NPT QUICK (MALE)	1	
11		221504001	COUPLER-3/8 NPT QUICK (FEM)	1	
12		1838001	CONNECTOR-WIRE (ETC)	4	
13		240546001	CABLE-3/32 NYLON-18.00	2	

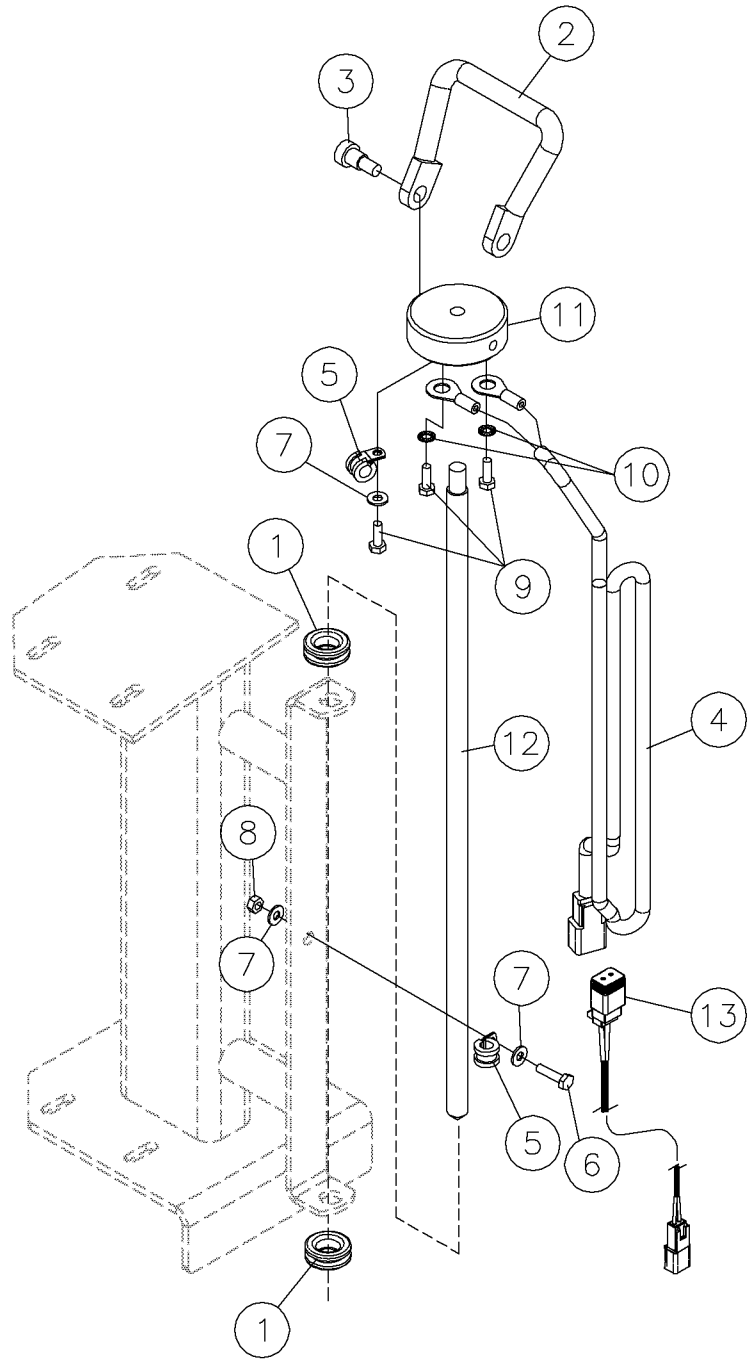
Voltage Stake Fig 8-1r02



## Voltage Stake Fig 8-1r02

REF. NO.	*	PART NO.	DESCRIPTION	QTY.	REMARKS
		Revision Date	March, 2006		Update In Heading.
1		1865043	GROMMET-.75IDX1.38OD-.19GROOVE	2	
2		234164001	HANDLE-VOLTAGE STAKE	1	
3		240056001	SCREW-SHSS-.50X.50-.38-16THD-CZ	2	
4		296275117	HARNESS-VOLTAGE STAKE	1	
5		296275118	CLAMP - #8	2	
6		235735001	BOLT-1/4-20X1 GR8 HEX ZYC	1	
7		510337603	WASHER-FLATSTD-.25-.31X.75-.07-YZ	3	
8		235732001	NUT - HEX - .25 - 20 - GR8 - YZ	1	
9		235734001	BOLT-1/4-20X3/4 GR8 ZYC	3	
10		481013	WASHER-1/4 EST. STAR	2	
11		296275107	HEAD - VOLTAGE STAKE	1	
12		904155001	VOLTAGE STAKE	1	
13		296275120	HARNESS-ADAPTOR VOLTAGE STAKE	1	

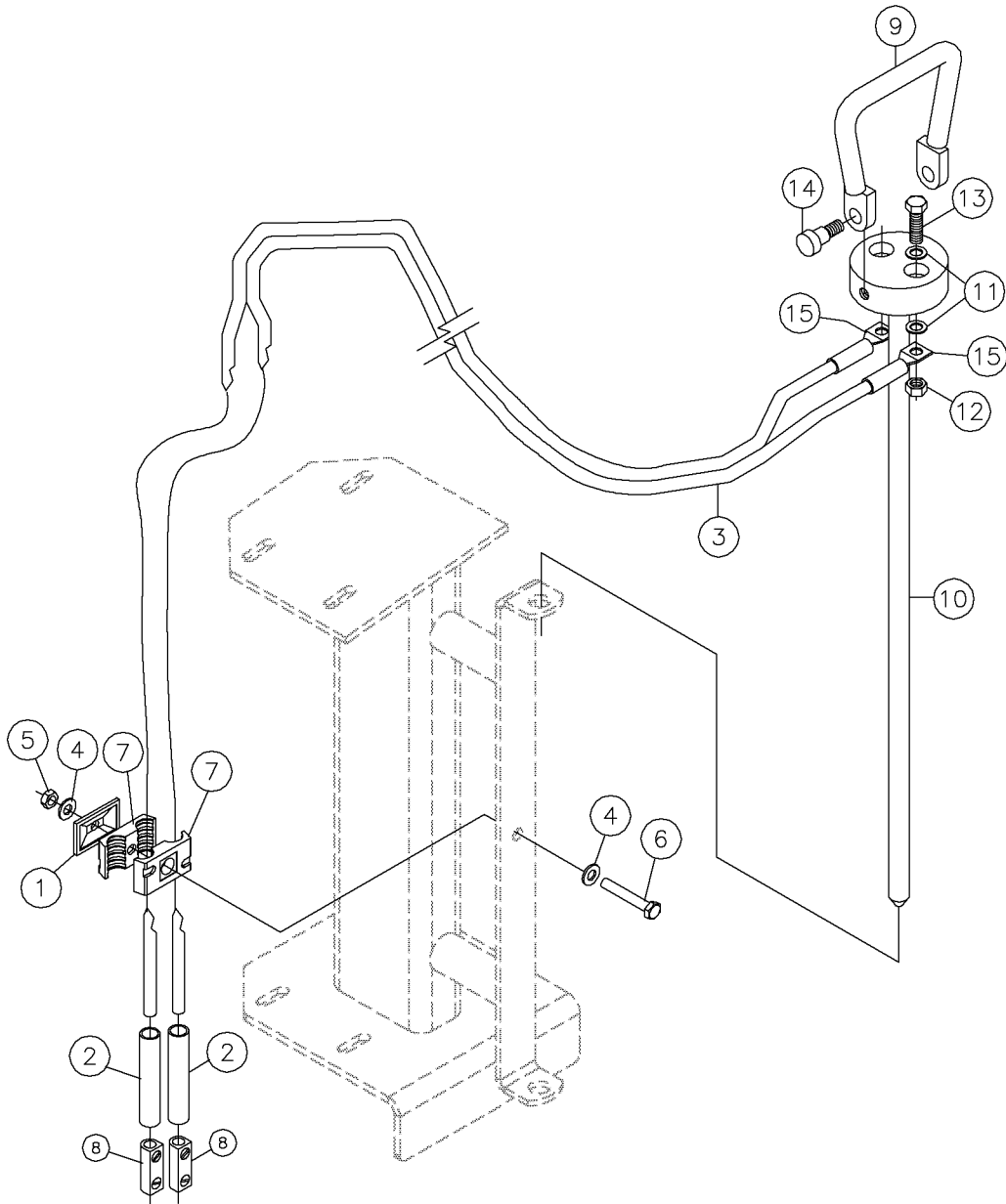
Voltage Stakedown Assy Fig 8-1r01



## Voltage Stakedown Assy Fig 8-1r01

REF. NO.	*	PART NO.	DESCRIPTION	QTY.	REMARKS
		Revision Date	May, 2005		Update In Illustration & Parts List.
1		1865043	GROMMET-.75IDX1.38OD-.19GROOVE	2	
2		234164001	HANDLE-VOLTAGE STAKE	1	
3		240056001	SCREW-SHSS-.50X.50-.38-16THD-CZ	2	
4		296275117	HARNESS-VOLTAGE STAKE	1	
5		296275118	CLAMP - #8	2	
6		235735001	BOLT-1/4-20X1 GR8 HEX ZNC PLTD	1	
7		510337603	WASHER-FLATSTD-.25-.31X.75-.07-YZ	3	
8		235732001	NUT - HEX - .25 - 20 - GR8 - YZ	1	
9		235734001	BOLT-1/4-20X3/4 GR8 ZINC PLTD	3	
10		481013	WASHER-1/4 EST. STAR	2	
11		296275107	HEAD - VOLTAGE STAKE	1	
12		904155001	VOLTAGE STAKE	1	
13		296275120	HARNESS-ADAPTOR VOLTAGE STAKE	1	

Voltage Stakedown Assy Fig 8-1

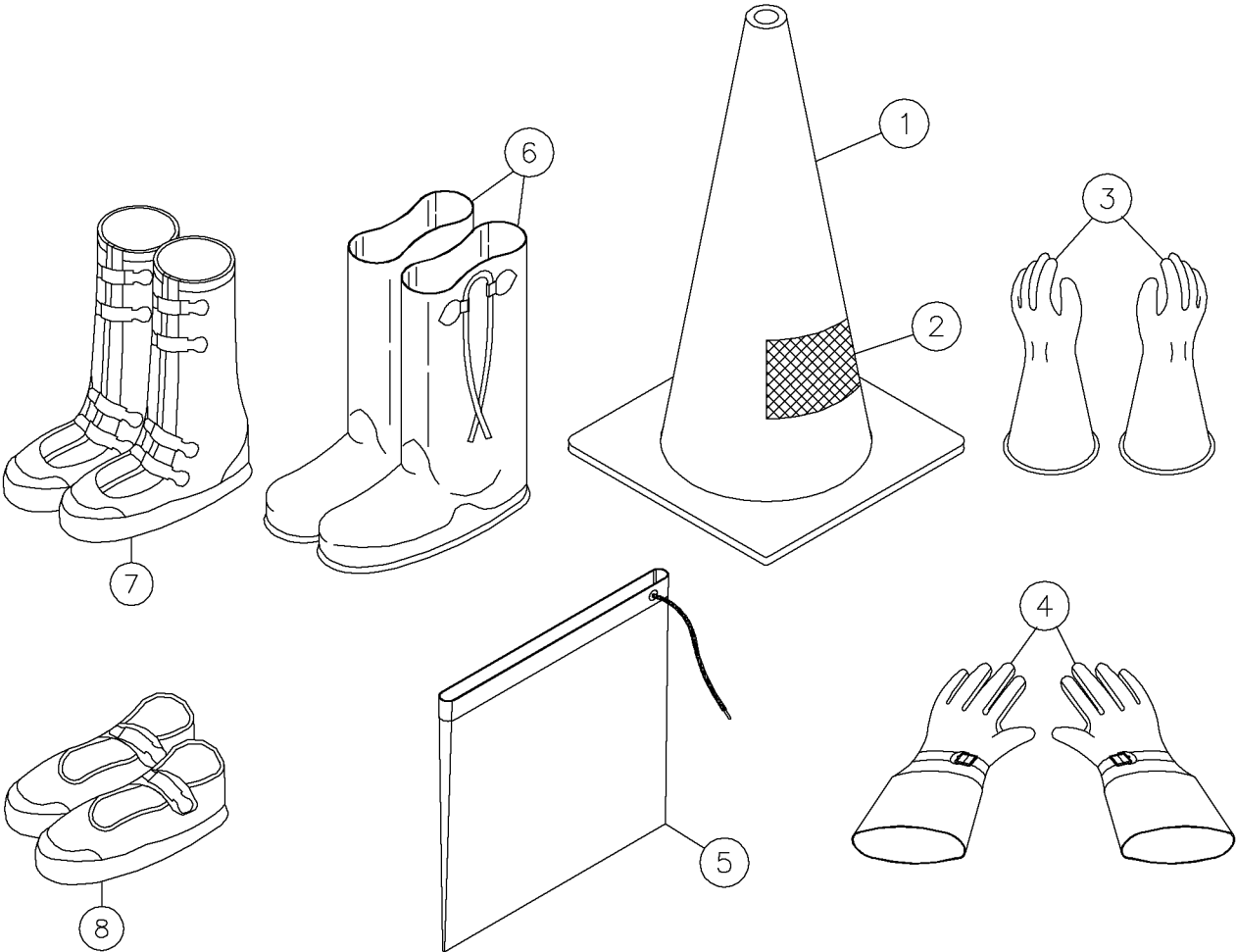




## Voltage Stakedown Assy Fig 8-1

REF. NO.	*	PART NO.	DESCRIPTION	QTY.	REMARKS
1		67846003	PLATE-TWIN COVER	1	
2		208065001	SHRINK TUBE-3/4ID COMMERCL GRD	A/R	P/N Qty. Of 1 = 1 Foot
3		282078001	CABLE - 6/2GA - 23 FT W/ LUGS	1	Inc. Ref. No. 15
4		235714001	WASHER-5/16 SAE HARD ZINC PLTD	2	
5		235741001	NUT-5/16-18 GR8 ZINC PLTD	1	
6		244147001	BOLT-5/16-18X2 1/4 GR8 ZINC PL	1	
7		900035005	CLAMP-3/8"DOUBLE HOSE	2	
8		904355001	CONNECTOR	2	
9		234164001	HANDLE-VOLTAGE STAKE	1	
10		234167001	STAKE-VOLTAGE	1	
11		235713001	WASHER-3/8 SAE HARD ZINC PLTD	4	
12		235725001	NUT-3/8-16 GR8 ZINC PLTD	2	
13		235736001	BOLT-3/8-16X1 1/4 ZINC PLTD	2	
14		240056001	SCREW-1/2-13X1/2 NCSOC HD ZNC	2	
15		904543001	LUG-4GA.#54140	2	

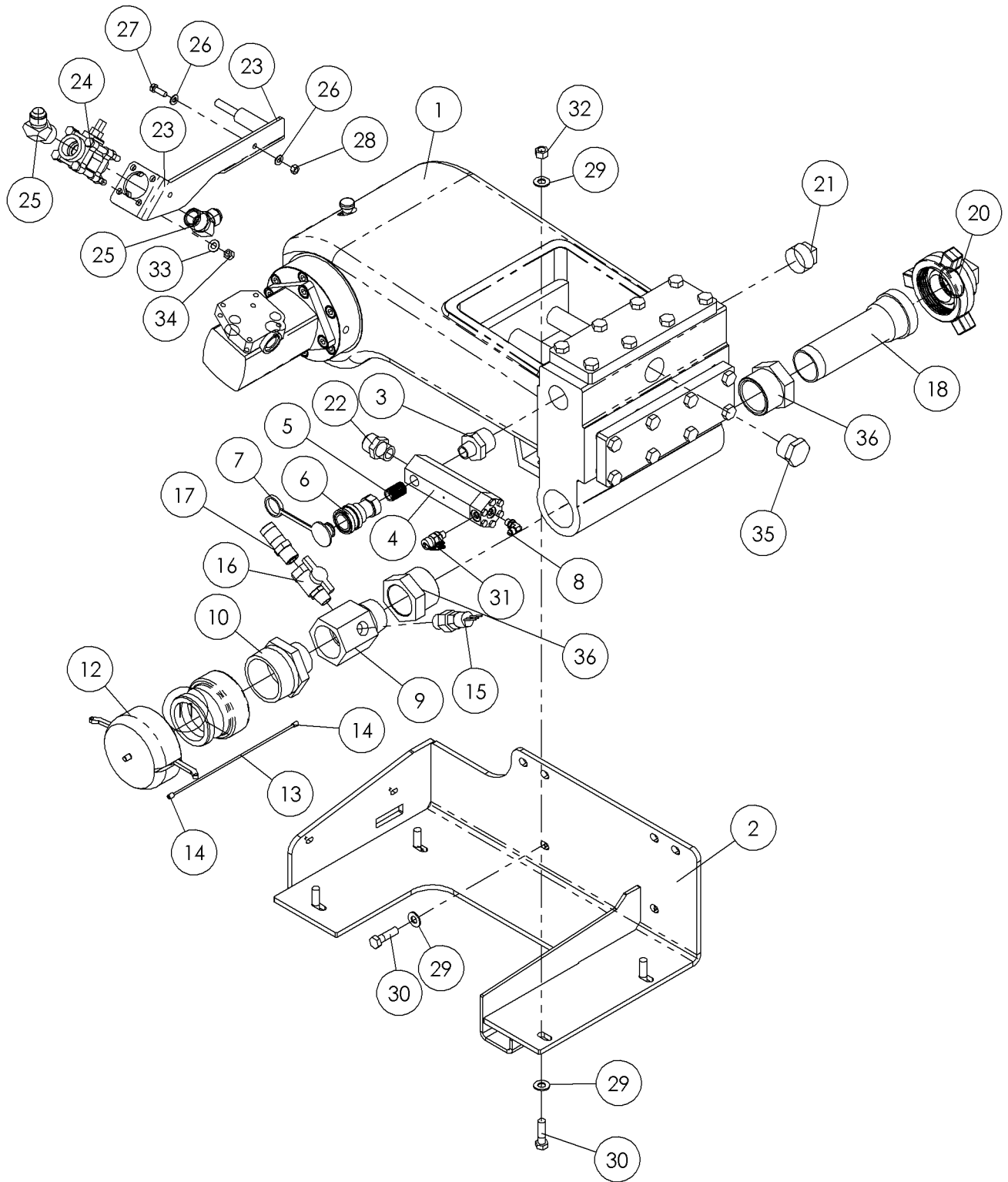
Safety Features-Gloves Boots Cones Fig 8-2



## Safety Features-Gloves Boots Cones Fig 8-2

REF. NO.	*	PART NO.	DESCRIPTION	QTY.	REMARKS
1		904541001	CONES-ORANGE PVC	4	
2		70000530	DECAL-DANGER	4	
		70001530	DECAL-WARNING (NAVIGATORS)	4	
3		210782001	GLOVES-SIZE 9 RUBBER INSULATE	1PR	
		210782005	GLOVES-SIZE 9 1/2 RUBBER INSUL	1PR	
		210782003	GLOVES-SIZE 10 RUBBER INSULATE	1PR	
		210782007	GLOVE-SIZE 11 RUBBER INSULATED	1PR	
		210782009	GLOVE-SIZE 12 RUBBER INSULATED	1PR	
4		210783001	GLOVES-SIZE 9 LEATHER PROTECT	1PR	
		210783005	GLOVES SIZE 9 1/2 LEATHER PROT	1PR	
		210783003	GLOVES-SIZE 10 LEATHER PROTECT	1PR	
		210783007	GLOVE-SIZE 11 LEATHER PROTECT	1PR	
		210783009	GLOVE-SIZE 12 LEATHER PROTECT	1PR	
		210781001	GLOVE KIT-SIZE 9	1	INC 1PR OF RUBBER GLOVES & 1PR OF LEATHER GLOVES & 1 GLOVE BAG, REF 5
		224979001	GLOVE KIT-SIZE 9 1/2	1	INC 1PR OF RUBBER GLOVES & 1PR OF LEATHER GLOVES & 1 GLOVE BAG, REF 5
		210785001	GLOVE KIT-SIZE 10	1	INC 1PR OF RUBBER GLOVES & 1PR OF LEATHER GLOVES & 1 GLOVE BAG, REF 5
		224990001	GLOVE KIT-SIZE 11	1	INC 1PR OF RUBBER GLOVES & 1PR OF LEATHER GLOVES & 1 GLOVE BAG, REF 5
		224991001	GLOVE KIT-SIZE 12		INC 1PR OF RUBBER GLOVES & 1PR OF LEATHER GLOVES & 1 GLOVE BAG, REF 5
5		210784001	BAG-GLOVE	1	
6		210780009	BOOTS-SIZE 9 OVER-THE-SHOE	1PR	
		210780001	BOOTS-SIZE 10 OVER-THE-SHOE	1PR	
		210780003	BOOTS-SIZE 11 OVER-THE-SHOE	1PR	
		210780005	BOOTS-SIZE 12 OVER-THE-SHOE	1PR	
		210780007	BOOTS-SIZE 13 OVER-THE-SHOE	1PR	
		210780011	BOOTS-SIZE 14 OVER-THE-SHOE	1PR	
		210780013	BOOTS-SIZE 15 OVER-THE-SHOE	1PR	
		210780015	BOOTS-SIZE 16 OVER-THE-SHOE	1PR	
7		279118001	BOOT - 4 BUCKLE SIZE 9	1PR	
		279118002	BOOT - 4 BUCKLE SIZE 10	1PR	
		279118003	BOOT 4 BUCKLE SIZE 11	1PR	
		279118004	BOOT - 4 BUCKLE SIZE 12	1PR	
		279118005	BOOT - 4 BUCKLE SIZE 13	1PR	
		279118006	BOOT - 4 BUCKLE SIZE 14	1PR	
		279118007	BOOT - 4 BUCKLE SIZE 15	1PR	
		279118008	BOOT - 4 BUCKLE SIZE 16	1PR	
8		279119001	BOOT - ANKLE RUBBER SIZE9	1PR	
		279119002	BOOT - ANKLE RUBBER SIZE 10	1PR	
		279119003	BOOT - ANKLE RUBBER SIZE 11	1PR	
		279119004	BOOT - ANKLE RUBBER SIZE 12	1PR	
		279119005	BOOT - ANKLE RUBBER SIZE 13	1PR	
		279119006	BOOT - ANKLE RUBBER SIZE 14	1PR	
		279119007	BOOT - ANKLE RUBBER SIZE 15	1PR	
		279119008	BOOT - ANKLE RUBBER SIZE 16	1PR	

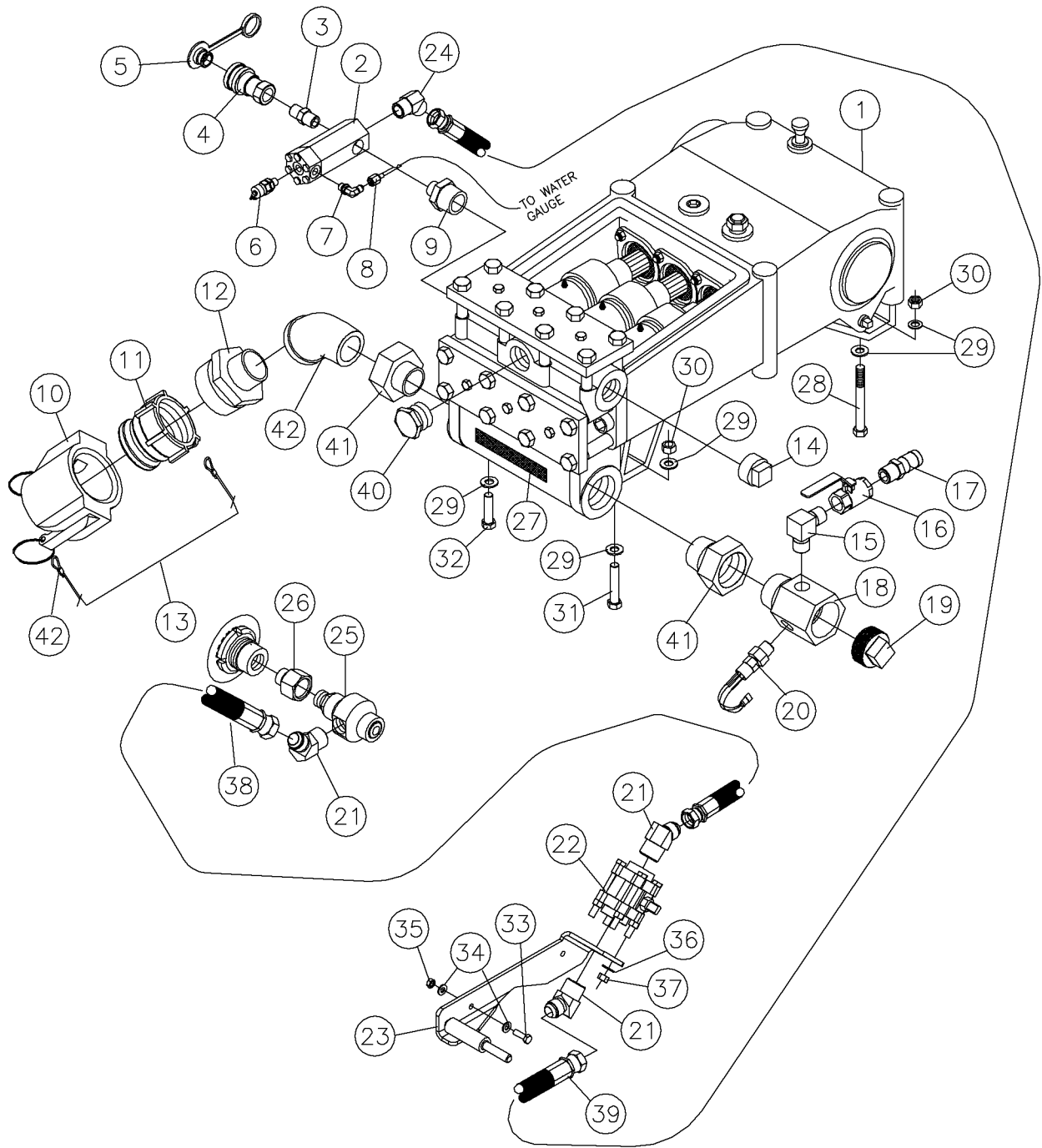
Water Pump (Aplex) S/N 290 Fig 9-1r02



## Water Pump (Aplex) S/N 290 Fig 9-1r02

REF. NO.	*	PART NO.	DESCRIPTION	QTY.	REMARKS
1		296269559	APLEX 50 GPM MUD PUMP	1	Breakdown Fig. 10-35Thru 10-39
2		296280862	PUMP SUPPORT ASSY	1	
3		278827001	FITTING - 1 1/2MNPT X 3/4 MNPT	1	
4		296265854	ASSEMBLY - WATER PRESSURE DUMBELL PISTON	1	Breakdown Fig. 10-44
5		707003	FITTING-NIPPLE-8MNPT-8MNPT-HEX	1	
6		227235001	COUPLER - 1/2" NPT QUICK(FEMALE)	1	
7		234679001	CAP - DUST	1	
8		59423001	FITTING-90-4MJ-4MORBA	1	
9		236472001	FITTING - 2M X 3/4F X 2FNPT TEE	1	
10		221506001	NIPPLE - REDUCING	1	
11		275759001	COUPLING - 3" MTPT X 3" FPT (POLY)	1	
12		215429001	CAP - 3" CAMLOCK	1	
13		244069001	CABLE - 3/32" X 12" NYLON COATED	1	
14		1838001	CONNECTOR -	2	
15		287554001	SWITCH - 10 PSI NO/NC	1	
16		275770001	VALVE - 3/4 MXF BALL W/T-HNDL	1	
17		905437001	FITTING - 3/4X1" BARB ST. NYLON	1	
18		296280919	FITTING - NIPPLE 2" NPT	1	
19		296259780	UNION - MALE	1	
20		296259782	ASSEMBLY-CAP-2"	1	
21		732015	1 1/2" PIPE PLUG BLACK STEEL	1	
22		81692001	FITTING-3/4M NPT X 16M JIC ST	1	
23		296275328	SUPPORT - BALL VALVE	1	
24		278003001	VALVE - 1" 1500 PSI BRASS BALL	1	Breakdown Fig. 10-43
25		60904001	FITTING - 1MNPT X 16 MJIC 45 DEG.	2	
26		235714001	WASHER-FLATSTRL-.31-.34X.69-.06-YZ-A325	4	
27		238209001	BOLT-5/16-18X1 GR8 HEX ZINC YC	2	
28		240333001	NUT-5/16-18 GR8 TL ZINC PLTD	2	
29		485025	WASHER-FLATSTRL-.50-.53X1.06-.09-YZ	14	
30		240334001	SCREW-HCS-.50-13X1.75-GR8-YZ	10	
31		75493001	COUPLER - MALE TCM20 - 7/16"UNF-V	1	
32		250512001	NUT-TLHEX-.50-13-C-YZ	4	
33		235713001	WASHER-FLATSTRL-.38-.41X.81-.06-YZ-A325	4	
34		235725001	NUT-HEX-.38-16-GR8-YZ	4	
35		120885001	FITTING-PLUG-20MNPT-HEX	1	
36		236015001	FITTING - HEX BUSHING 40MNPT X 32FNPT	2	

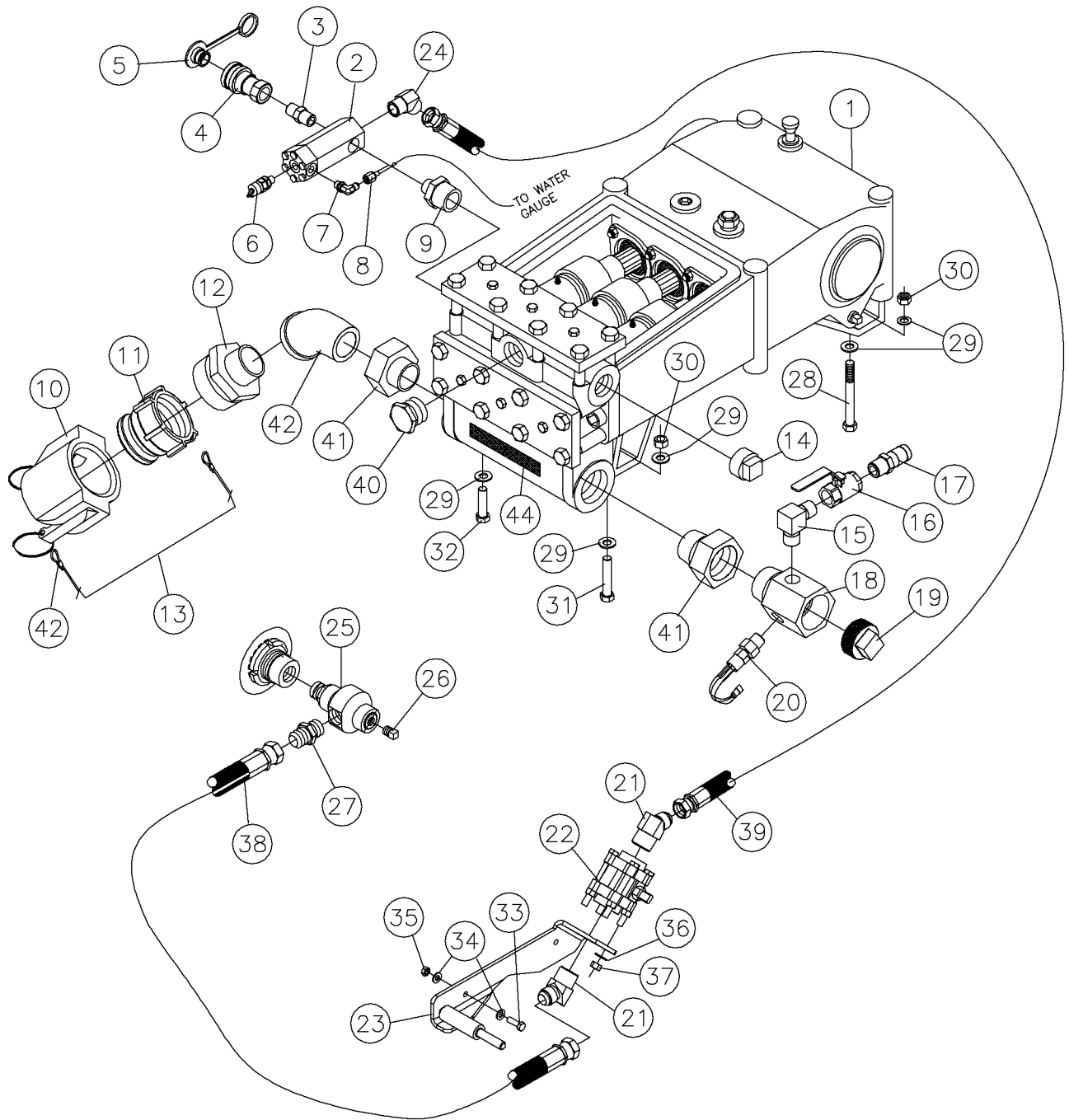
Water Pump Assy(Aplex) Fig 9-1r01



## Water Pump Assy(Aplex) Fig 9-1r01

REF. NO.	*	PART NO.	DESCRIPTION	QTY.	REMARKS
		Revision Date	May, 2005		Update In Illustration & Parts List.
1		296269559	APLEX 50 GPM MUD PUMP W/CHARLYN HYD/DR M	1	Breakdown Fig. 10-35 Thru 10-39
2		296265854	WATER PRESSURE DUMBELL PISTON MAN.ASSY	1	Breakdown Fig. 10-44
3		707003	1/2" NPT HEX NIPPLE	1	
4		227235001	COUPLER-1/2"NPT QUICK(FEMALE)	1	
5		234679001	CAP-DUST	1	
6		75493001	FITTING - TEST - 4MORB - 16MTP	1	
7		59423001	FIT-4M JICX4M ADJ.90 DEG.ELBOW	1	
8		244521001	HOSE-.078X230 4FS JIC ST	1	
9		278827001	FITTING-1 1/2MNPT X 3/4 MNPT	1	
10		215429001	CAP-3" CAM LOCK	1	
11		275759001	COUPLINE-3"MTPT X3" FPT (POLY)	1	
12		221506001	NIPPLE-REDUCING 3X2 MPT (POLY)	1	
13		1830007	CABLE - 3/32" NYLON COATED (FT)	1	
14		732015	1 1/2" PIPE PLUG BLACK STEEL	1	
15		123645001	FITTING-3/4NPT M ELBOW 5500-12	1	
16		3379001	VALVE - 3/4" BALL - #101R NPT	1	
17		905437001	FITTING-3/4X1 BARB ST.NYLON	1	
18		236472001	FITTING-2"MX3/4"FX2 XCX M NPT TEE	1	
19		296258568	FITTING - PLUG - 32MNPT - SQ - GALV	1	
20		287554001	SWITCH - 10 PSI NO/NC	1	
21		60904001	1M NPT X 16M JIC 45 DEG ELBOW	3	
22		278003001	VALVE - 1" 1500 PSI BRASS BALL	1	Breakdown Fig. 10-43
23		296275328	SUPPORT - BALL VALVE	1	
24		92067001	FITTING-3/4MX16M JIC 45 DEG.	1	
25		296269258	SWIVEL - 16MORB WATER	1	
		296267178	REPAIR KIT	1	
		296267179	SEAL INSTALLATION CONE	1	
		296267180	RESIZING TOOL	1	
26		96076001	FIT.-12MX16F O-RING	1	
27		7000B499	DECAL - ANTIFREEZE	1	
28		238213001	BOLT-1/2-13X3 3/4 GR8 HEX ZYC	1	
29		485025	WASHER-1/2 FLAT-HARDENED-YZ	8	
30		250512001	NUT- 1/2 NC Gr8 TOP LOCK Y/ ZINC	4	
31		240336001	BOLT-1/2-13X3 1/4 GR8 ZINC PLT	1	
32		235718001	BOLT-1/2-13X2 GR8 HEX ZINC PLT	2	
33		238209001	BOLT-5/16-18X1 GR8 HEX ZINC YC	2	
34		235714001	WASHER - FLATSTRL - .31 - .34 X .69 - .06-YZ-A325	4	
35		240333001	NUT-5/16-18 GR8 TL ZINC PLTD	2	
36		235713001	WASHER - FLATSTRL - .38 - .41 X .81 - .06-YA-A325	4	
37		235725001	NUT - HEX - .38 - 16 - GR8 - YZ	4	
38		53846221	HOSE-1X165 16FS JIC 2500 PSI	1	
39		53846081	HOSE-1X42 16FS JIC (2500 PSI)	1	
40		120885001	FITTING-1 1/4 NPT PIPE PLUG	1	
41		236015001	HEX BUSHING-40MPT X 32FPT	2	
42		244118001	FITTING-45-32FNPT-32FNPT-CAST-GALV	1	
43		1838001	CONNECTOR-WIRE (ETC)	2	

Water Pump Assy(Aplex) Fig 9-1

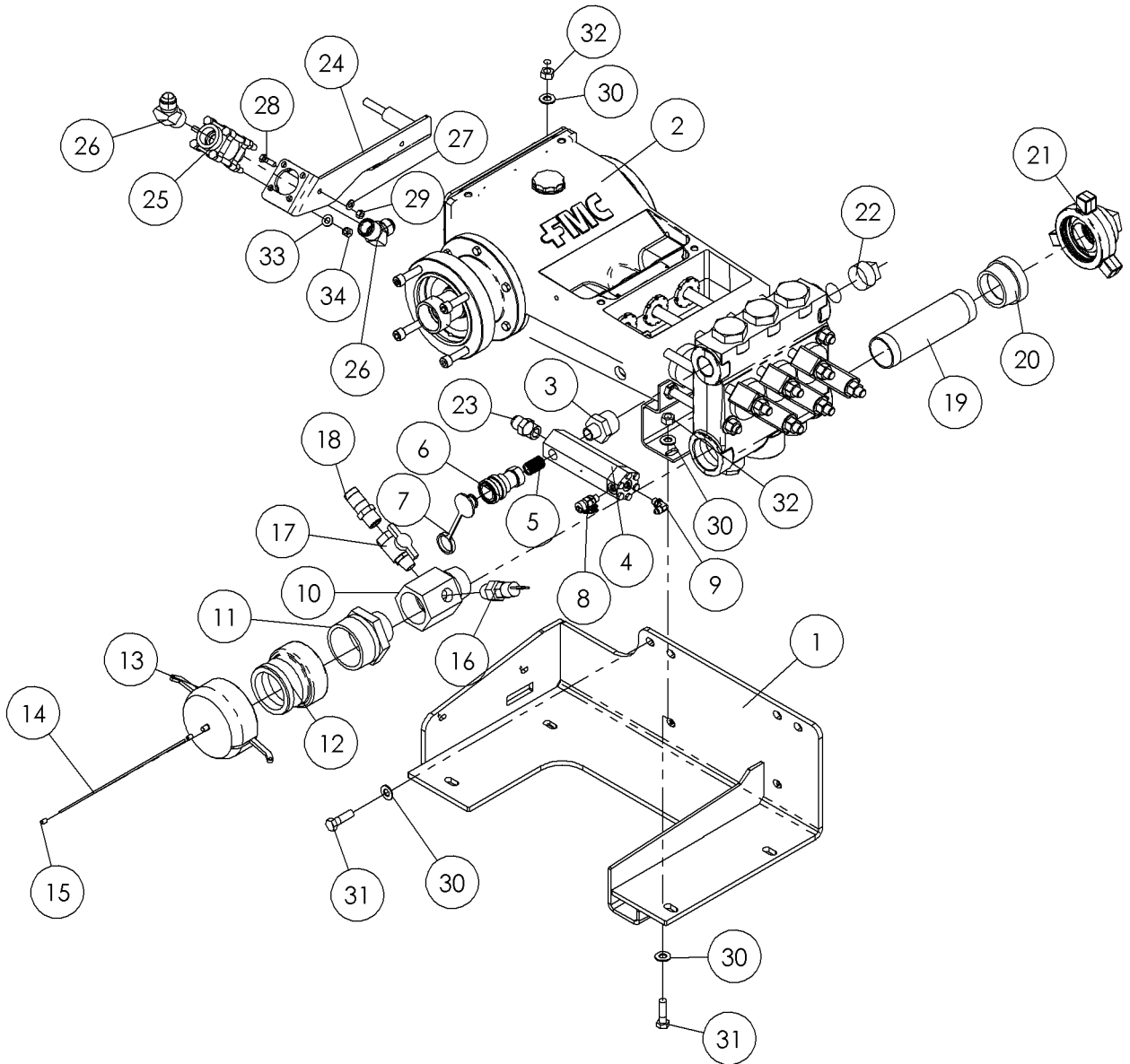




## Water Pump Assy(Aplex) Fig 9-1

REF. NO.	*	PART NO.	DESCRIPTION	QTY.	REMARKS
1		296269559	APLEX 50 GPM MUD PUMP W/CHARLYN HYD/DR M	1	Breakdown Fig. 10-35 Thru 10-39
2		296265854	WATER PRESSURE DUMBELL PISTON MAN.ASSY	1	Breakdown Fig. 10-44
3		707003	1/2" NPT HEX NIPPLE	1	
4		227235001	COUPLER-1/2"NPT QUICK(FEMALE)	1	
5		234679001	CAP-DUST	1	
6		75493001	FITTING - TEST - 4MORB - 16MTP	1	
7		59423001	FIT-4M JICX4M ADJ.90 DEG.ELBOW	1	
8		244521001	HOSE-.078X230 4FS JIC ST	1	
9		278827001	FITTING-1 1/2MNPT X 3/4 MNPT	1	
10		215429001	CAP-3" CAM LOCK	1	
11		275759001	COUPLINE-3"MTPT X3" FPT (POLY)	1	
12		221506001	NIPPLE-REDUCING 3X2 MPT (POLY)	1	
13		1830007	CABLE - 3/32" NYLON COATED (FT)	1	
14		732015	1 1/2" PIPE PLUG BLACK STEEL	1	
15		123645001	FITTING-3/4NPT M ELBOW 5500-12	1	
16		3379001	VALVE - 3/4" BALL - #101R NPT	1	
17		905437001	FITTING-3/4X1 BARB ST.NYLON	1	
18		236472001	FITTING-2"MX3/4"FX2 XCX M NPT TEE	1	
19		296258568	FITTING - PLUG - 32MNPT - SQ - GALV	1	
20		287554001	SWITCH - 10 PSI NO/NC	1	
21		60904001	1M NPT X 16M JIC 45 DEG ELBOW	2	
22		278003001	VALVE - 1" 1500 PSI BRASS BALL	1	Breakdown Fig. 10-43
23		296275328	SUPPORT - BALL VALVE	1	
24		53666001	3/4M PIPE-#12M JIC 45 DEG.	1	
25		230813001	SWIVEL-12M X 12F - NICKEL PLATED	1	
		224904007	REPAIR KIT	1	
26		732005	3/8" PIPE PLUG BLACK STEEL	1	
27		53828001	#12M O-RING-#12M JIC ST.	1	
28		238213001	BOLT-1/2-13X3 3/4 GR8 HEX ZYC	1	
29		485025	WASHER-1/2 FLAT-HARDENED-YZ	8	
30		250512001	NUT- 1/2 NC Gr8 TOP LOCK Y/ ZINC	4	
31		240336001	BOLT-1/2-13X3 1/4 GR8 ZINC PLT	1	
32		235718001	BOLT-1/2-13X2 GR8 HEX ZINC PLT	2	
33		238209001	BOLT-5/16-18X1 GR8 HEX ZINC YC	2	
34		235714001	WASHER - FLATSTRL - .31 - .34 X .69 - .06-YZ-A325	4	
35		240333001	NUT-5/16-18 GR8 TL ZINC PLTD	2	
36		235713001	WASHER - FLATSTRL - .38 - .41 X .81 - .06-YA-A325	4	
37		235725001	NUT - HEX - .38 - 16 - GR8 - YZ	4	
38		296273687	HOSE-.75X203-12FSJ STR/STR-M3K-BNS	1	
39		53845153	HOSE-HYD-.75X42-12FSJ-ST/ST-3000PSI	1	
40		120885001	FITTING-1 1/4 NPT PIPE PLUG	1	
41		236015001	HEX BUSHING-40MPT X 32FPT	2	
42		244118001	FITTING - 45 - 32FNPT - 32FNPT - CAST - GALV	1	
43		1838001	CONNECTOR-WIRE (ETC)	2	
44		7000B499	DECAL - ANTIFREEZE	1	

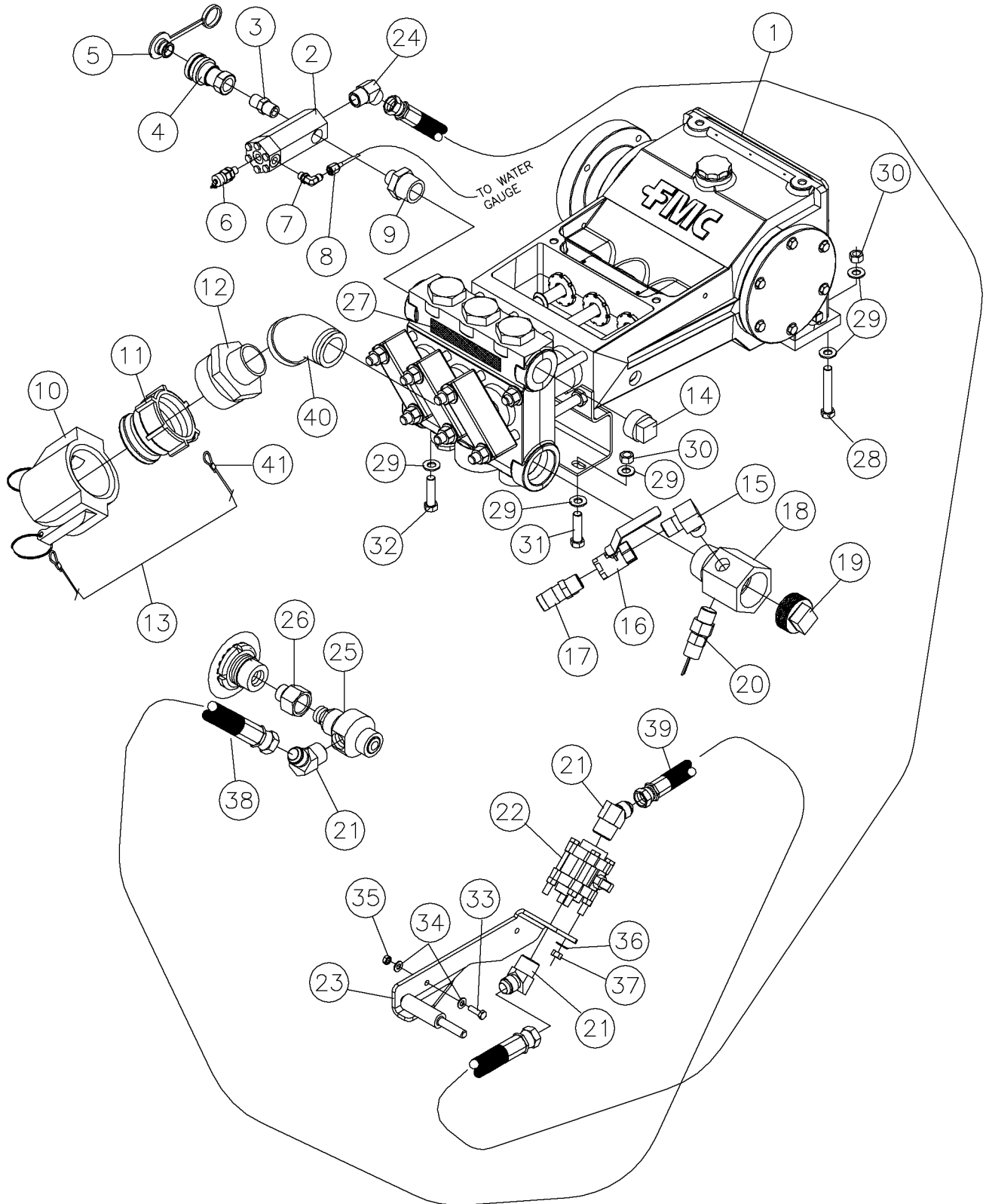
Water Pump (FMC) S/N 290 Fig 9-2r02



## Water Pump (FMC) S/N 290 Fig 9-2r02

REF. NO.	*	PART NO.	DESCRIPTION	QTY.	REMARKS
1		296280862	PUMP SUPPORT ASSY	1	
2		278951001	PUMP - WATER	1	Breakdown Fig. 11-42x01
3		278827001	FITTING - 1 1/2MNPT X 3/4 MNPT	1	
4		296265854	ASSEMBLY - WATER PRESSURE DUMBELL PISTON	1	
5		707003	FITTING-NIPPLE-8MNPT-8MNPT-HEX	1	
6		227235001	COUPLER - 1/2" NPT QUICK(FEMALE)	1	
7		234679001	CAP - DUST	1	
8		75493001	COUPLER - MALE TCM20 - 7/16"UNF-V	1	
9		59423001	FITTING-90-4MJ-4MORBA	1	
10		236472001	FITTING - 2M X 3/4F X 2FNPT TEE	1	
11		221506001	NIPPLE - REDUCING	1	
12		275759001	COUPLING - 3" MTPT X 3" FPT (POLY)	1	
13		215429001	CAP - 3" CAMLOCK	1	
14		244069001	CABLE - 3/32" X 12" NYLON COATED	1	
15		1838001	CONNECTOR -	2	
16		287554001	SWITCH - 10 PSI NO/NC	1	
17		275770001	VALVE - 3/4 MXF BALL W/T-HNDL	1	
18		905437001	FITTING - 3/4X1" BARB ST. NYLON	1	
19		296280919	FITTING - NIPPLE 2" NPT	1	
20		296259780	UNION - MALE	1	
21		296259782	ASSEMBLY-CAP-2"	1	
22		732015	1 1/2" PIPE PLUG BLACK STEEL	1	
23		53836001	FITTING-STR-12MJ-12MNPT	1	
24		296275328	SUPPORT - BALL VALVE	1	
25		278003001	VALVE - 1" 1500 PSI BRASS BALL	1	
26		60904001	FITTING - 1MNPT X 16 MJIC 45 DEG.	2	
27		235714001	WASHER-FLATSTRL-.31-.34X.69-.06-YZ-A325	4	
28		238209001	SCREW-HCS-.31-18X1.00-GR8-YZ	2	
29		240333001	NUT-TLHEX-.31-18-C-CZ	2	
30		485025	WASHER-FLATSTRL-.50-.53X1.06-.09-YZ	14	
31		240334001	SCREW-HCS-.50-13X1.75-GR8-YZ	10	
32		250512001	NUT-TLHEX-.50-13-C-YZ	4	
33		235713001	WASHER-FLATSTRL-.38-.41X.81-.06-YZ-A325	4	
34		235725001	NUT-HEX-.38-16-GR8-YZ	4	

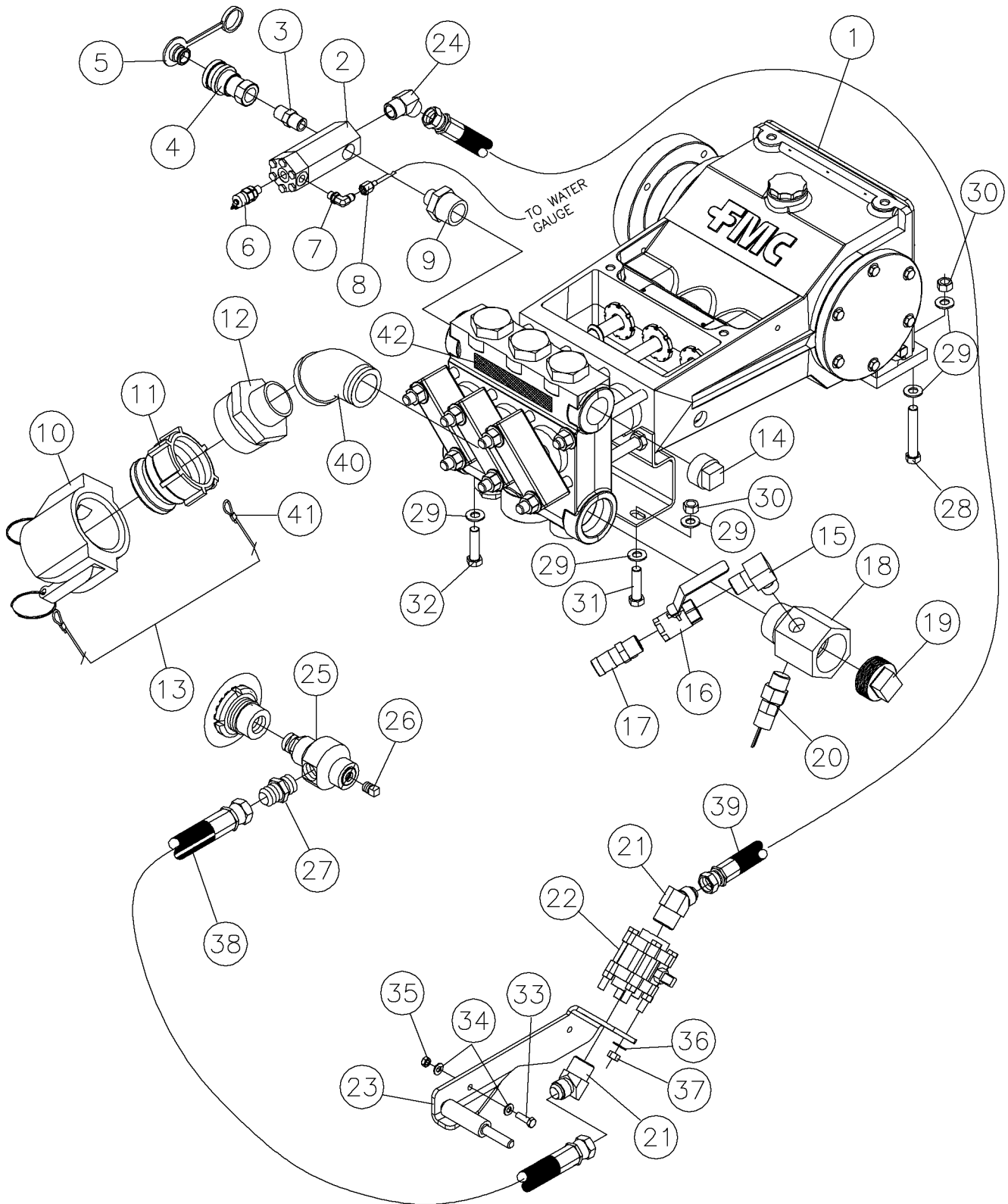
Water Pump Assy(FMC) Fig 9-2r01



## Water Pump Assy(FMC) Fig 9-2r01

REF. NO.	*	PART NO.	DESCRIPTION	QTY.	REMARKS
		Revision Date	May, 2005		
1		296269558	FMC MUD PUMP 26.8 CID	1	Breakdown Fig. 10-40 Tru 10-42
2		296265854	WATER PRESSURE DUMBELL PISTON MAN.ASSY	1	Breakdown Fig. 10-44
3		707003	1/2" NPT HEX NIPPLE	1	
4		227235001	COUPLER-1/2"NPT QUICK(FEMALE)	1	
5		234679001	CAP-DUST	1	
6		75493001	FITTING - TEST - 4MORB - 16MTP	1	
7		59423001	FIT-4M JICX4M ADJ.90 DEG.ELBOW	1	
8		244521001	HOSE-.078X230 4FS JIC ST	1	
9		278827001	FITTING-1 1/2MNPT X 3/4 MNPT	1	
10		215429001	CAP-3" CAM LOCK *	1	
11		275759001	COUPLINE-3"MTPT X3" FPT (POLY)	1	
12		221506001	NIPPLE-REDUCING 3X2 MPT (POLY)	1	
13		244069001	CABLE-3/32"X12 XCX NYLON COATED	1	
14		732015	1 1/2" PIPE PLUG BLACK STEEL	1	
15		123645001	FITTING-3/4NPT M ELBOW 5500-12	1	
16		3379001	VALVE - 3/4" BALL - #101R NPT	1	
17		905437001	FITTING-3/4X1 BARB ST.NYLON	1	
18		236472001	FITTING-2"MX3/4"FX2 XCX M NPT TEE	1	
19		296258568	FITTING - PLUG - 32MNPT - SQ - GALV	1	
20		287554001	SWITCH - 10 PSI NO/NC	1	
21		60904001	1M NPT X 16M JIC 45 DEG ELBOW	3	
22		278003001	VALVE - 1" 1500 PSI BRASS BALL	1	Breakdown Fig. 10-43
23		296275328	SUPPORT - BALL VALVE	1	
24		92067001	FITTING-3/4MX16M JIC 45 DEG.	1	
25		296269258	SWIVEL - 16MORB WATER	1	
		296267178	REPAIR KIT	1	
		296267179	SEAL INSTALLATION CONE	1	
		296267180	RESIZING TOOL	1	
26		96076001	FIT.-12MX16F O-RING	1	
27		7000B499	DECAL - ANTIFREEZE	1	
28		238213001	BOLT-1/2-13X3 3/4 GR8 HEX ZYC	1	
29		485025	WASHER-1/2 FLAT-HARDENED-YZ	8	
30		250512001	NUT- 1/2 NC Gr8 TOP LOCK Y/ ZINC	4	
31		240336001	BOLT-1/2-13X3 1/4 GR8 ZINC PLT	1	
32		235718001	BOLT-1/2-13X2 GR8 HEX ZINC PLT	2	
33		238209001	BOLT-5/16-18X1 GR8 HEX ZINC YC	2	
34		235714001	WASHER - FLATSTRL - .31 - .34 X .69 - .06-YZ-A325	4	
35		240333001	NUT-5/16-18 GR8 TL ZINC PLTD	2	
36		235713001	WASHER - FLATSTRL - .38 - .41 X .81 - .06-YA-A325	4	
37		235725001	NUT - HEX - .38 - 16 - GR8 - YZ	4	
38		53846221	HOSE-1X165 16FS JIC 2500 PSI	1	
39		53846081	HOSE-1X42 16FS JIC (2500 PSI)	1	
40		244118001	FITTING - 45 - 32FNPT - 32FNPT - CAST - GALV	1	
41		1838001	CONNECTOR-WIRE (ETC)	2	

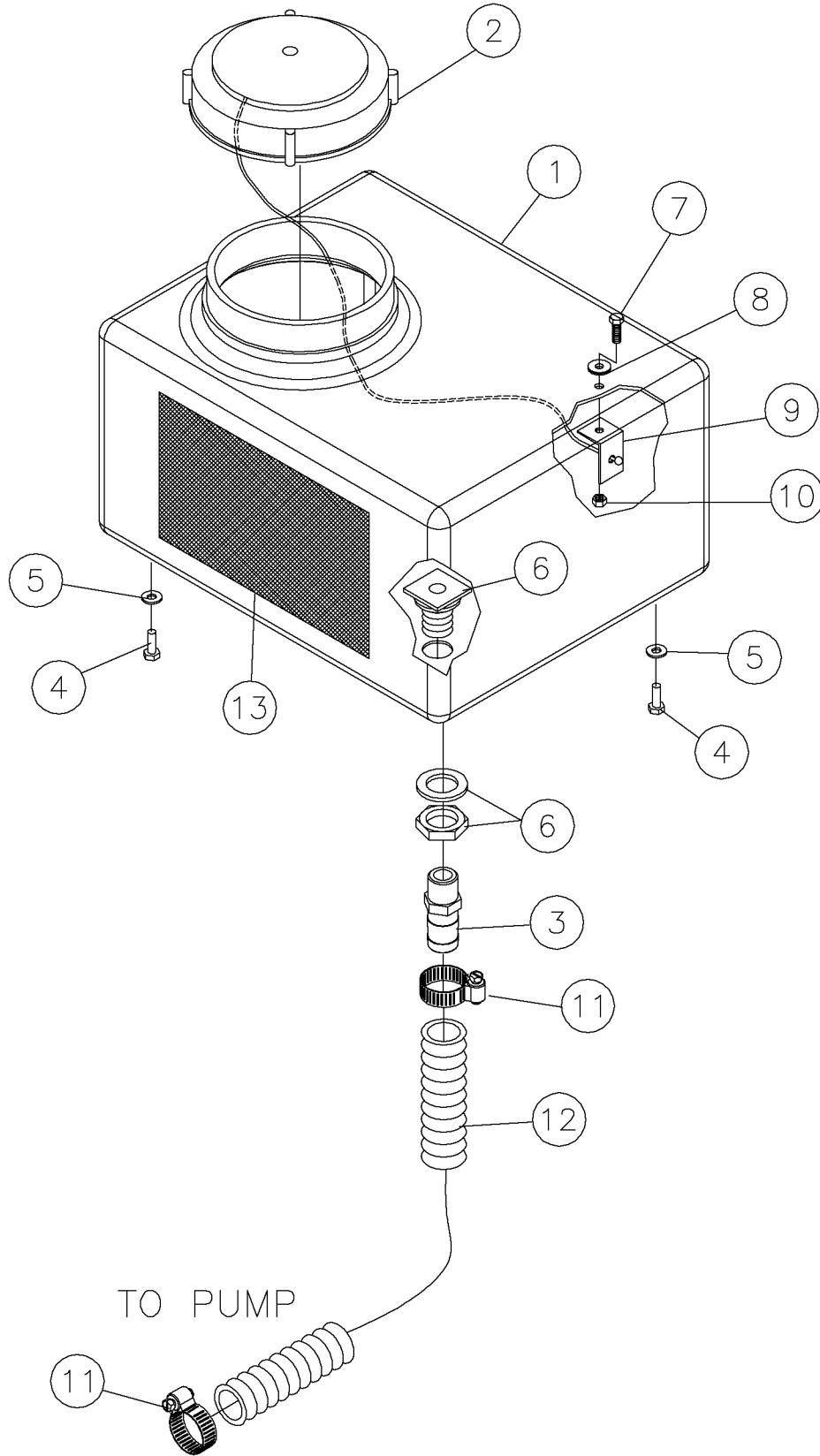
Water Pump Assy(FMC) Fig 9-2



## Water Pump Assy(FMC) Fig 9-2

REF. NO.	*	PART NO.	DESCRIPTION	QTY.	REMARKS
1		296269558	FMC MUD PUMP 26.8 CID	1	Breakdown Fig. 10-40 Tru 10-42
2		296265854	WATER PRESSURE DUMBELL PISTON MAN.ASSY	1	Breakdown Fig. 10-44
3		707003	1/2" NPT HEX NIPPLE	1	
4		227235001	COUPLER-1/2"NPT QUICK(FEMALE)	1	
5		234679001	CAP-DUST	1	
6		75493001	FITTING - TEST - 4MORB - 16MTP	1	
7		59423001	FIT-4M JICX4M ADJ.90 DEG.ELBOW	1	
8		244521001	HOSE-.078X230 4FS JIC ST	1	
9		278827001	FITTING-1 1/2MNPT X 3/4 MNPT	1	
10		215429001	CAP-3" CAM LOCK *	1	
11		275759001	COUPLINE-3"MTPT X3" FPT (POLY)	1	
12		221506001	NIPPLE-REDUCING 3X2 MPT (POLY)	1	
13		244069001	CABLE-3/32"X12 XCX NYLON COATED	1	
14		732015	1 1/2" PIPE PLUG BLACK STEEL	1	
15		123645001	FITTING-3/4NPT M ELBOW 5500-12	1	
16		3379001	VALVE - 3/4" BALL - #101R NPT	1	
17		905437001	FITTING-3/4X1 BARB ST.NYLON	1	
18		236472001	FITTING-2"MX3/4"FX2 XCX M NPT TEE	1	
19		296258568	FITTING - PLUG - 3/2MNPT - SQ - GALV	1	
20		287554001	SWITCH - 10 PSI NO/NC	1	
21		60904001	1M NPT X 16M JIC 45 DEG ELBOW	2	
22		278003001	VALVE - 1" 1500 PSI BRASS BALL	1	Breakdown Fig. 10-43
23		296275328	SUPPORT - BALL VALVE	1	
24		53666001	3/4M PIPE-#12M JIC 45 DEG.	1	
25		230813001	SWIVEL-12M X 12F - NICKEL PLATED	1	
		224904007	REPAIR KIT	1	
26		732005	3/8" PIPE PLUG BLACK STEEL	1	
27		53828001	#12M O-RING-#12M JIC ST.	1	
28		238213001	BOLT-1/2-13X3 3/4 GR8 HEX ZYC	1	
29		485025	WASHER-1/2 FLAT-HARDENED-YZ	8	
30		250512001	NUT- 1/2 NC Gr8 TOP LOCK Y/ ZINC	4	
31		240336001	BOLT-1/2-13X3 1/4 GR8 ZINC PLT	1	
32		235718001	BOLT-1/2-13X2 GR8 HEX ZINC PLT	2	
33		238209001	BOLT-5/16-18X1 GR8 HEX ZINC YC	2	
34		235714001	WASHER - FLATSTRL - .31 - .34 X .69 - .06-YZ-A325	4	
35		240333001	NUT-5/16-18 GR8 TL ZINC PLTD	2	
36		235713001	WASHER - FLATSTRL - .38 - .41 X .81 - .06-YA-A325	4	
37		235725001	NUT - HEX - .38 - 16 - GR8 - YZ	4	
38		296273687	HOSE-.75X203-12FSJ STR/STR-M3K-BNS	1	
39		53845153	HOSE-HYD-.75X42-12FSJ-ST/ST-3000PSI	1	
40		244118001	FITTING - 45 - 3/2FNPT - 3/2FNPT - CAST - GALV	1	
41		1838001	CONNECTOR-WIRE (ETC)	2	
42		7000B499	DECAL - ANTIFREEZE	1	

Anti-Freeze Tank Assy Fig 9-3

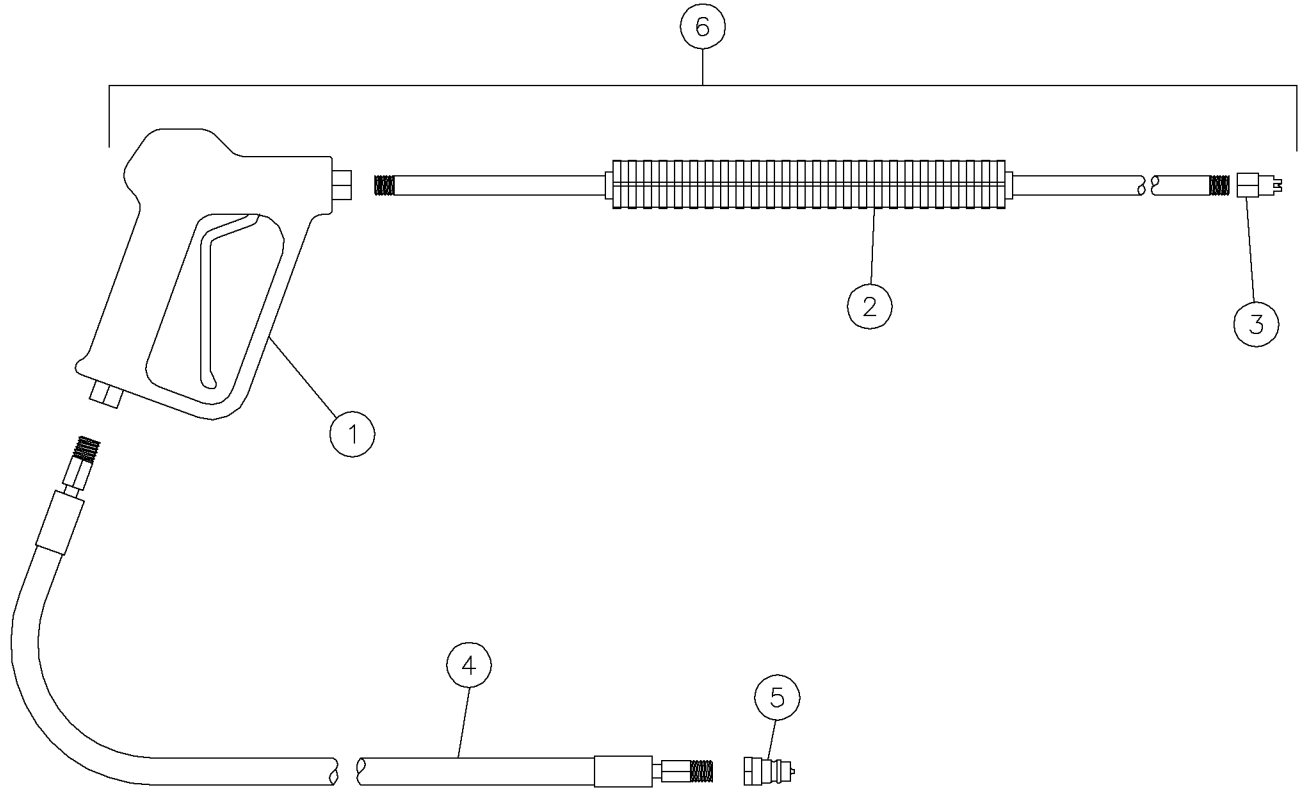




## Anti-Freeze Tank Assy Fig 9-3

REF. NO.	*	PART NO.	DESCRIPTION	QTY.	REMARKS
1		236466001	TANK-6 GALLON POLY	1	
2		236466003	LID-TANK W/ STRING	1	
3		905437001	FITTING-3/4X1 BARB ST.NYLON	1	
4		235734001	BOLT-1/4-20X3/4 GR8 ZINC PLTD	4	
5		235716001	WASHER - FLATSTRL - .25 - .28 X .63 - .06 - CZ	4	
6		904062005	3/4" BUNG	1	
7		235734001	BOLT-1/4-20X3/4 GR8 ZINC PLTD	1	
8		236466005	WASHER-1/4" SEAL	1	
9		236466007	CLIP	1	
10		235732001	NUT - HEX - .25 - 20 - GR8 - YZ	1	
11		1580005	HOSE CLAMP - 1"	2	
12		244288001	HOSE-SUCTION	1	P/N Qty. Of 1 = 1 Foot
13		70000675	DECAL-NAVIGATOR FREEZE GUARD		

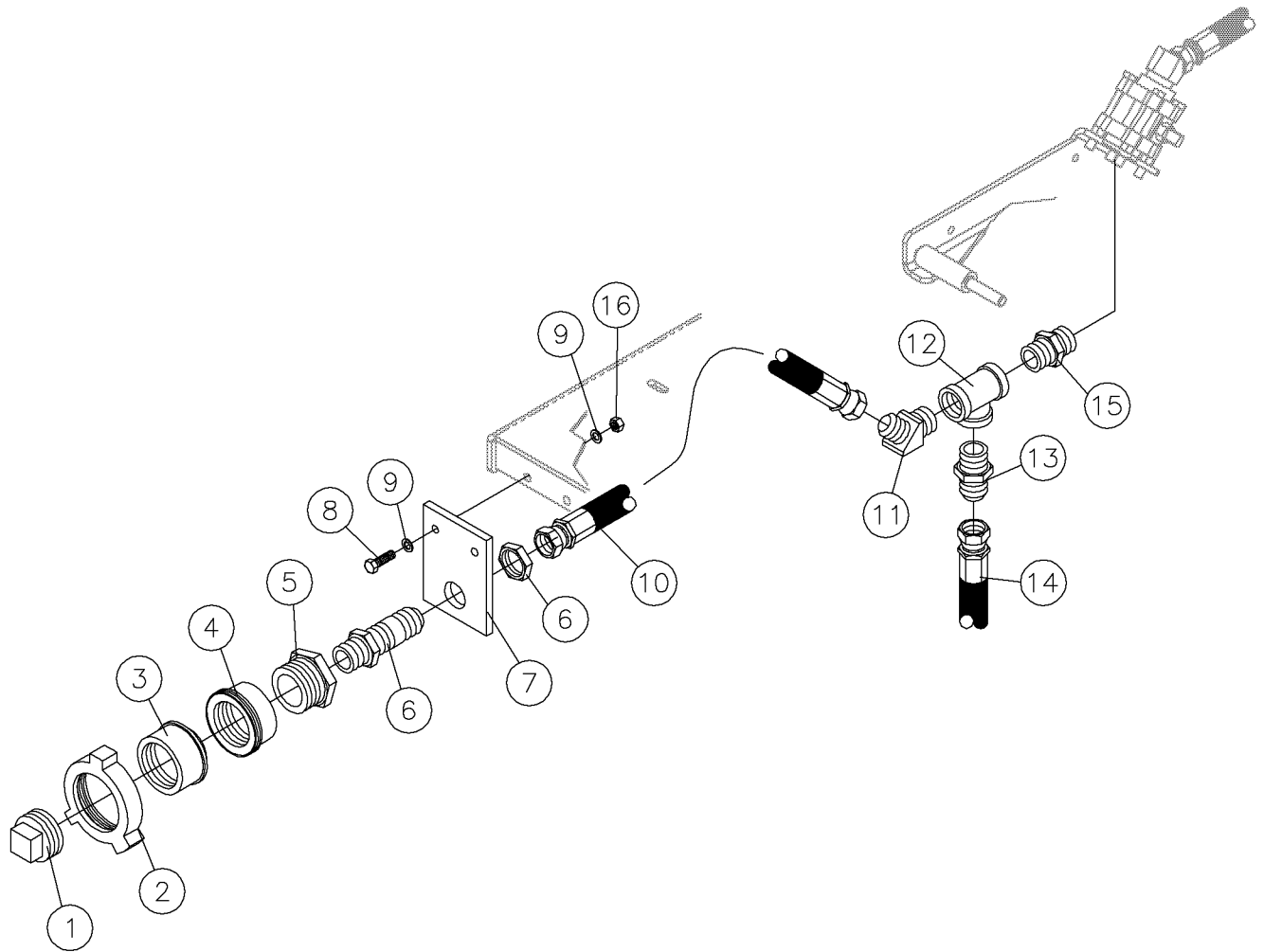
Wash Wand Assy Fig 9-4



Wash Wand Assy Fig 9-4

REF. NO.	*	PART NO.	DESCRIPTION	QTY.	REMARKS
1		904578001	GUN HANDLE	1	
2		904577001	MOLDED LANCE	1	
3		904576001	SPRAY NOZZLE	1	
4		282761001	HOSE-3/8X500 3/8MSNPT/1/2MNPT 100R2	1	
5		227236001	COUPLER-1/2" NPT QUICK(MALE)	1	
6		285927001	GUN ASSY	1	
		240264001	WAND ASSY	1	Inc. All Items in Figure

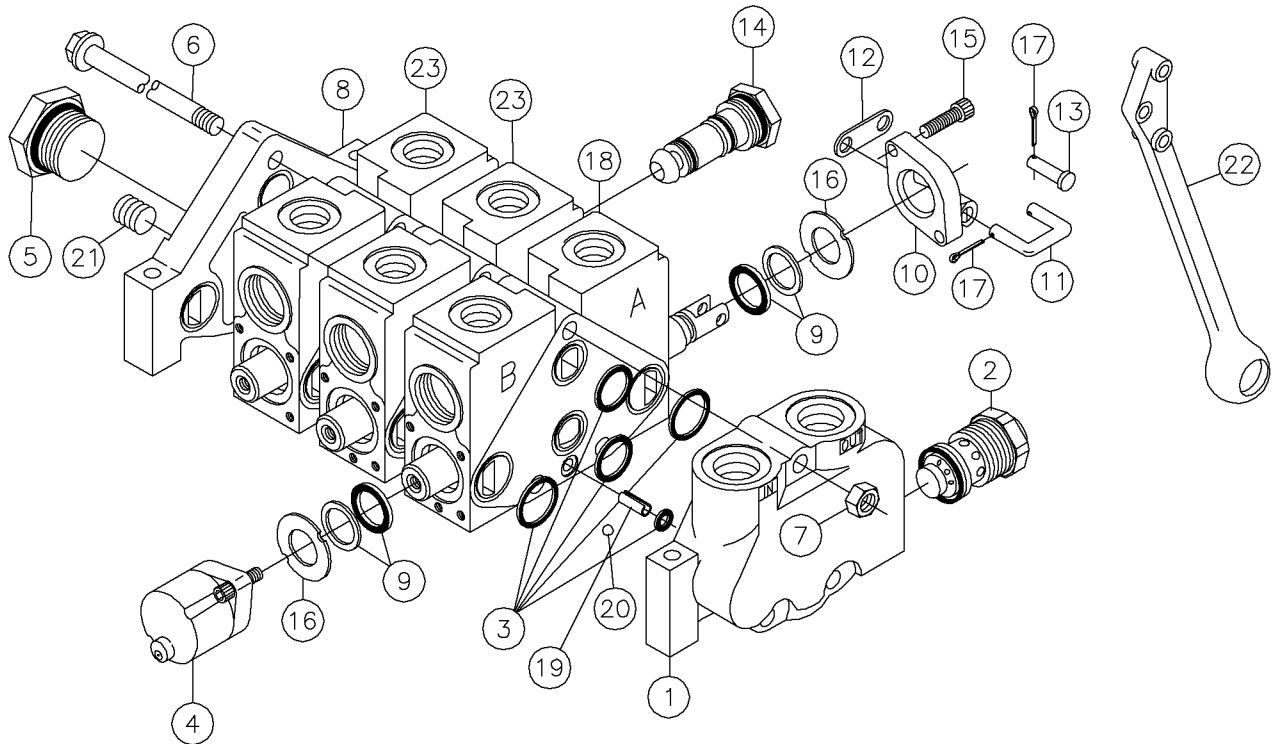
Rockfire assy Fig 9-5



## Rockfire assy Fig 9-5

REF. NO.	*	PART NO.	DESCRIPTION	QTY.	REMARKS
		Revision Date	May, 2005		Addition To Manual
1		732019	FITTING 2" PIPE PLUG BLACK	1	
2		296259779	NUT-WING-32HU-3000PSI	1	
3		296259781	FITTING-STR-32FNPT-3000PSI	1	
4		296259780	UNION - MALE	1	
5		289227001	HEX REDUCER BUSHING - 2" NPT X 1" NPT	1	
6		296256637	FITTING 16M JIC X 1" NPT BLKHD	1	
7		289226001	PLATE - AIR INLET	1	
8		235736001	BOLT-3/8-16X1 1/4 ZINC PLTD	2	
9		235713001	WASHER - FLATSTRL - .38 - .41 X .81 - .06-YA-A325	4	
10		53846081	HOSE-1X42 16FS JIC (2500 PSI)	1	
11		60904001	1M NPT X 16M JIC 45 DEG ELBOW	1	
12		503271001	TEE-1" STEEL FEMALE PIPE	1	
13		59269001	1 NPTX16 JIC ST ADAPTER	1	
14		53846081	HOSE-1X42 16FS JIC (2500 PSI)	1	
15		59264001	1"NPT HEX NIPPLE	1	
16		235725001	NUT - HEX - .38 - 16 - GR8 - YZ	2	

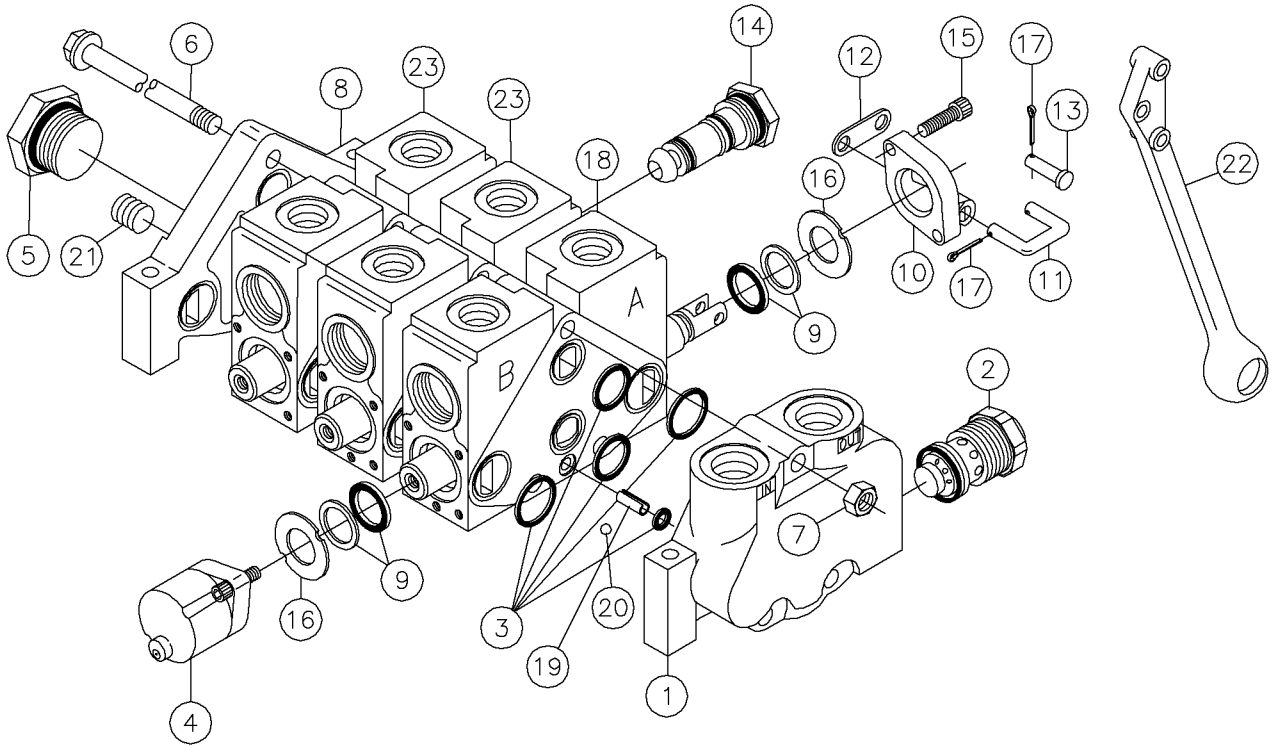
Transport Valve Fig 10-1r01



## Transport Valve Fig 10-1r01

REF. NO.	*	PART NO.	DESCRIPTION	QTY.	REMARKS
1		228113003	LEFT COVER PLATE COMPLETE	1	Inc Ref No 2
2		228113005	WH MAIN RELIEF (3500 PSI)	1	
3		87390001	REPAIR KIT-LOAD SENSING SECT.	4	
4		6149005	POSITIONER-STD. GRESEN K-6125	3	Breakdown Fig. 10-3
5		3152011	PLUG SAE 12 GRESEN 1726-001	1	Include O-Ring
		3152013	SEAL-O-RING GRESEN 2708-001	1	
6		16358005	STUD KIT-3 SPOOL K-6106	1	Inc Ref No 7
7		446001	NUT-3/8 NF HEX	3	
8		102976001	COVER ASSY-RIGHT LOAD SEN.	1	Inc One Of Ref No's 3, 5 & 21
9		3147077	REPAIR KIT GRESEN K-6035	3	
10		3147029	BRACKET GRESEN 1801-001	3	
11		4333003	LINK-	3	
12		4333005	PLATE-LINK	3	
13		2110003	PIN - CLEVIS 1/4 X 7/8 - 47/64 UL ZINC	3	
14		3147035	PLUG-LOAD CHECK STEEL K-6030	6	Breakdown Fig. 10-2
15		79704001	SCREW-1/4-20X7/8 SOC HD SELFLK	6	
16		3147081	RETAIN-PLT WASH GRN 6752-001	6	
17		510035	PIN-3/32 X 1/2 COTTER	9	
18		224397003	BODY ASSEMBLY-CENTER SECTION	1	Inc One Of Ref No's 3, 4, 9-11, 13, 19, 20 & 22, Inc Two Of Ref No's 14-16 & IncThree Ref No 17
19		87397001	PIN-SPRING	1	
20		87398001	BALL	1	
21		3213017	PLUG-RELIEF 3/8" GRESEN 73-001	1	
22	*	280625001	HANDLE-W/ ZINC PLATE & BLACK PLASTIC COAT	3	
23		236457003	BODY ASSY-CNTR SEC W/FREE FLOW	2	Inc One Of Ref No's 3, 4, 9-11, 13, 19, 20 & 22, Inc Two Of Ref No's 14-16 & IncThree Ref No 17
		236457001	VALVE-3 SPOOL CONTROL		Includes All Items In Figure

Transport Valve Fig 10-1

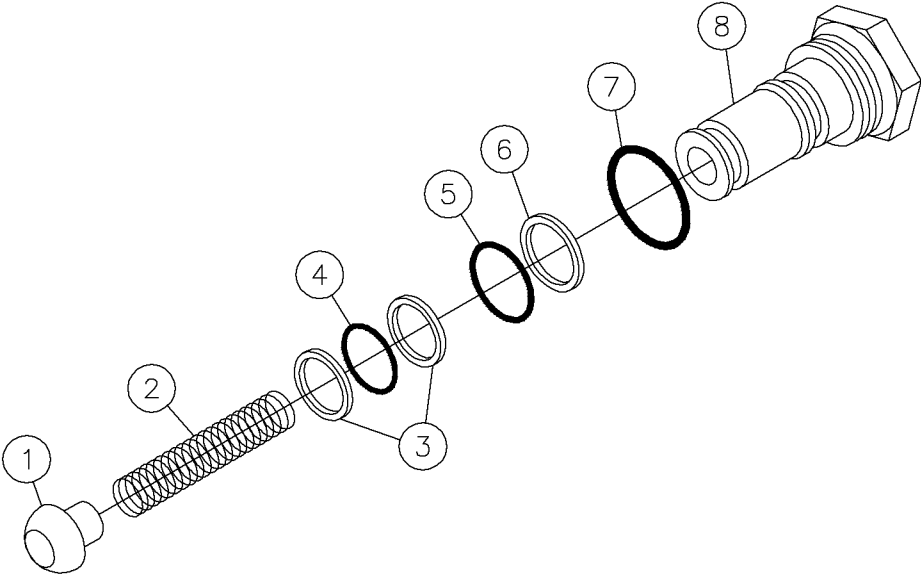




## Transport Valve Fig 10-1

REF. NO.	*	PART NO.	DESCRIPTION	QTY.	REMARKS
1		228113003	LEFT COVER PLATE COMPLETE	1	Inc Ref No 2
2		228113005	WH MAIN RELIEF (3500 PSI)	1	
3		87390001	REPAIR KIT-LOAD SENSING SECT.	4	
4		6149005	POSITIONER-STD. GRESEN K-6125	3	Breakdown Fig
5		3152011	PLUG SAE 12 GRESEN 1726-001	1	Include O-Ring
		3152013	SEAL-O-RING GRESEN 2708-001	1	
6		16358005	STUD KIT-3 SPOOL K-6106	1	Inc Ref No 7
7		446001	NUT-3/8 NF HEX	3	
8		102976001	COVER ASSY-RIGHT LOAD SEN.	1	Inc One Of Ref No's 3, 5 & 21
9		3147077	REPAIR KIT GRESEN K-6035	3	
10		3147029	BRACKET GRESEN 1801-001	3	
11		4333003	LINK-	3	
12		4333005	PLATE-LINK	3	
13		2110003	PIN - CLEVIS 1/4 X 7/8 - 47/64 UL ZINC	3	
14		3147035	PLUG-LOAD CHECK STEEL K-6030	6	Breakdown Fig
15		79704001	SCREW-1/4-20X7/8 SOC HD SELFLK	6	
16		3147081	RETAIN-PLT WASH GRN 6752-001	6	
17		510035	PIN-3/32 X 1/2 COTTER	9	
18		224397003	BODY ASSEMBLY-CENTER SECTION	1	Inc One Of Ref No's 3, 4, 9-11, 13, 19, 20 & 22, Inc Two Of Ref No's 14-16 & IncThree Ref No 17
19		87397001	PIN-SPRING	1	
20		87398001	BALL	1	
21		3213017	PLUG-RELIEF 3/8" GRESEN 73-001	1	
22	*	280625001	HANDLE-W/ ZINC PLATE & BLACK PLASTIC COAT	3	
23		236457003	BODY ASSY-CNTR SEC W/FREE FLOW	2	Inc One Of Ref No's 3, 4, 9-11, 13, 19, 20 & 22, Inc Two Of Ref No's 14-16 & IncThree Ref No 17
		236457001	VALVE-3 SPOOL CONTROL		Includes All Items In Figure

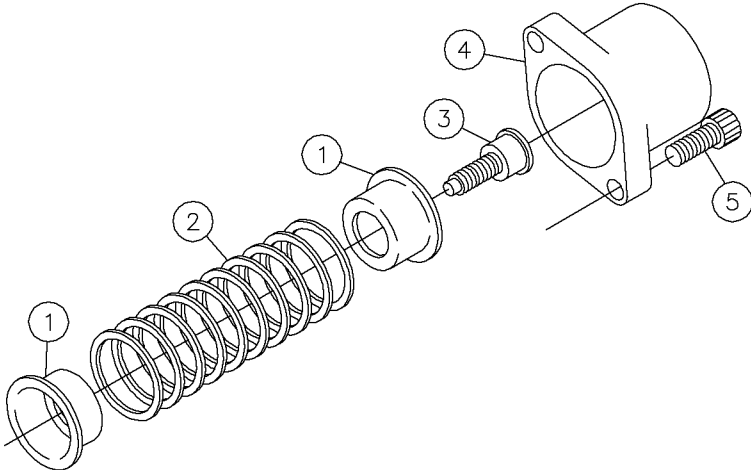
Load Check Plug Fig 10-2



Load Check Plug Fig 10-2

REF. NO.	*	PART NO.	DESCRIPTION	QTY.	REMARKS
1		3128009	POPPET-CHECK	1	
2		3147041	SPRING-CHECK	1	
3		NSS	WASHER-BACKUP (INNER)	2	
4		NSS	O-RING	1	
5		NSS	O-RING (OUTER)	1	
6		NSS	WASHER-BACKUP (OUTER)	1	
7		NSS	O-RING	1	
8		3147043	PLUG-LIFT CHECK	1	
		3147035	PLUG-LOAD CHECK STEEL		Inc Ref No's 1-8
		3147037	REPAIR KIT		Inc Ref No's 3-7

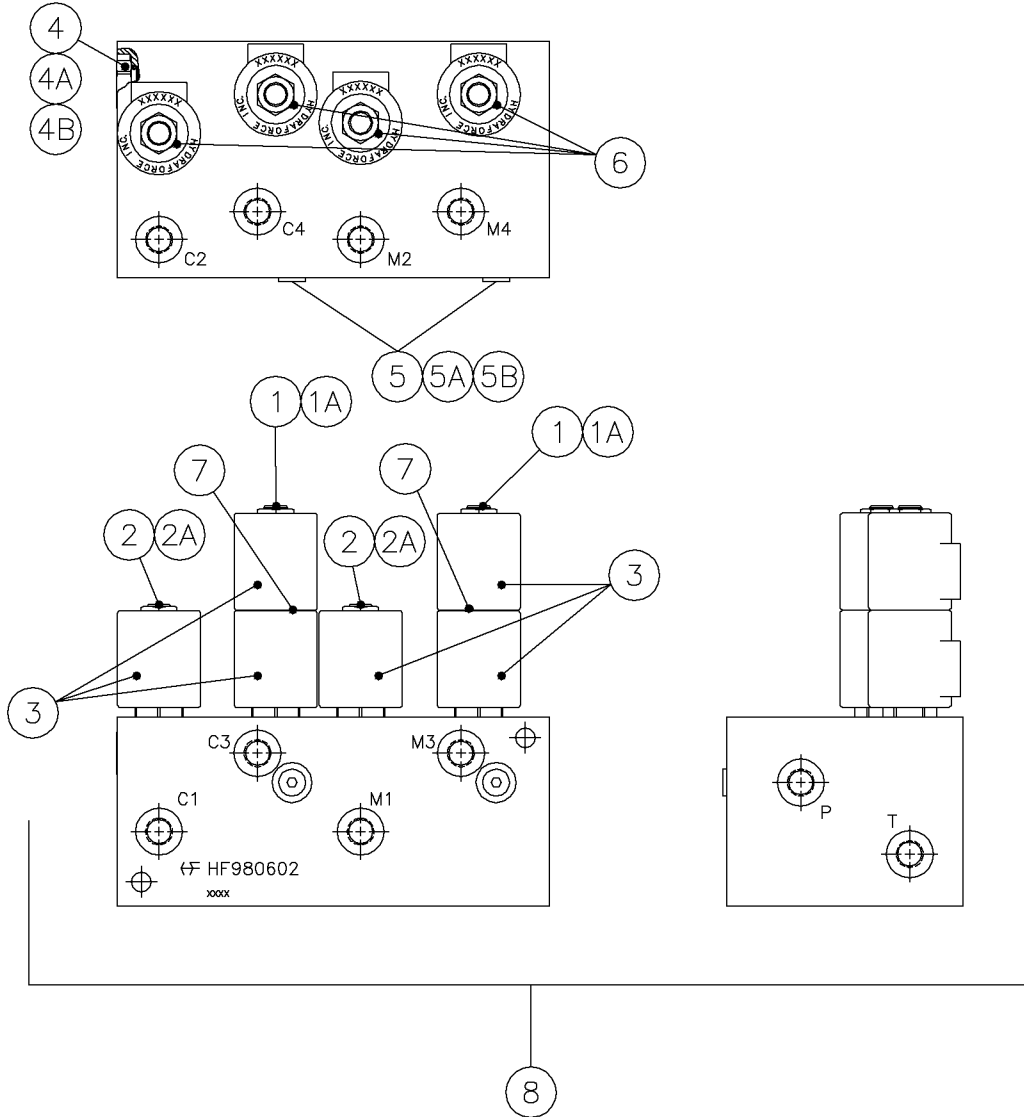
Std Spool Pos. Fig 10-3



## Std Spool Pos. Fig 10-3

REF. NO.	*	PART NO.	DESCRIPTION	QTY.	REMARKS
1		3149005	COLLAR-SPRING	2	
2		6149057	SPRING-RETURN	1	
3		3149013	COLLAR-SPOOL	1	
4		6149043	BONNET	1	
5		79704001	SCREW-1/4-20X7/8 SOC HD SELFLK	2	
		6149005	POSITIONER-STD.		Inc Ref No's1-5

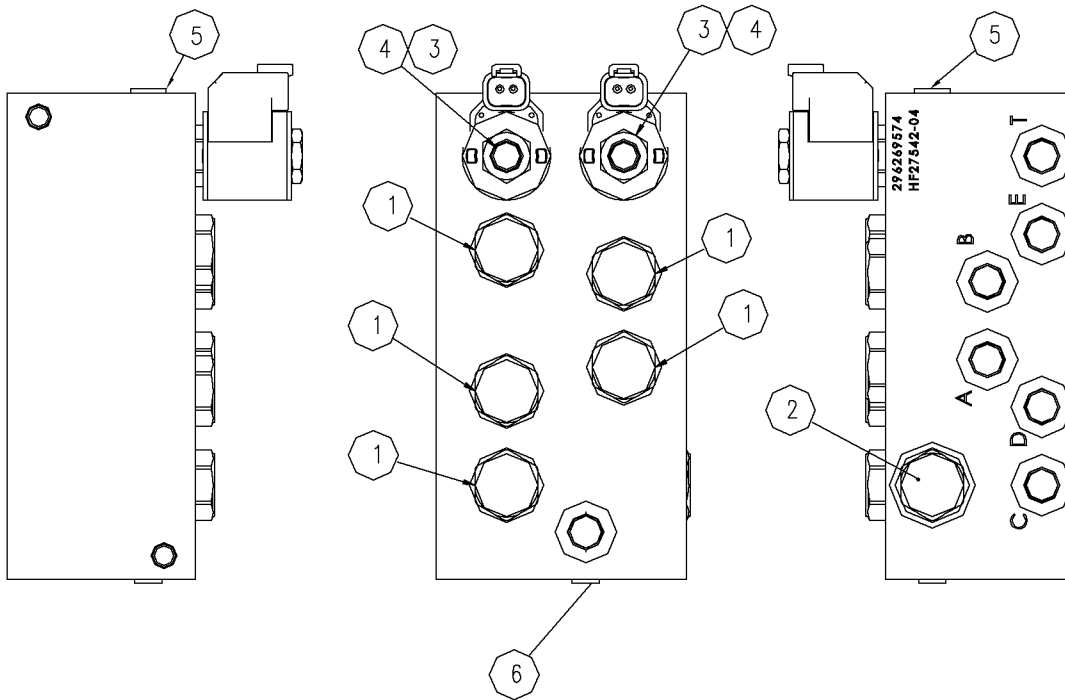
Stakedown Valve Fig 10-4



## Stakedown Valve Fig 10-4

REF. NO.	*	PART NO.	DESCRIPTION	QTY.	REMARKS
1		251112003	SOLENOID VALVE	2	Inc Repair Kit And Nut
1A		206271007	REPAIR KIT	2	
2		251072003	SOLENOID VALVE	2	Inc Repair Kit And Nut
2A		235500005	SEAL KIT	2	
3		251112005	COIL - 10 DL 12V/SPL	6	
4		205737003	CARTRIDGE - CHECK VALVE	1	
4A		228128009	SEAL KIT	1	
4B		246415003	PILOT PISTON	1	
5		251112007	ORFICE DISC	2	
5A		240324011	PLUG-SAE	2	
5B		240324013	SEAL KIT	2	
6		224886007	NUT	4	
7		228129007	SPACER	2	
8		288660001	VALVE-ELECTRIC STAKEDOWN	1	Inc All Items In Figure

Remote Lockout Valve Fig 10-5

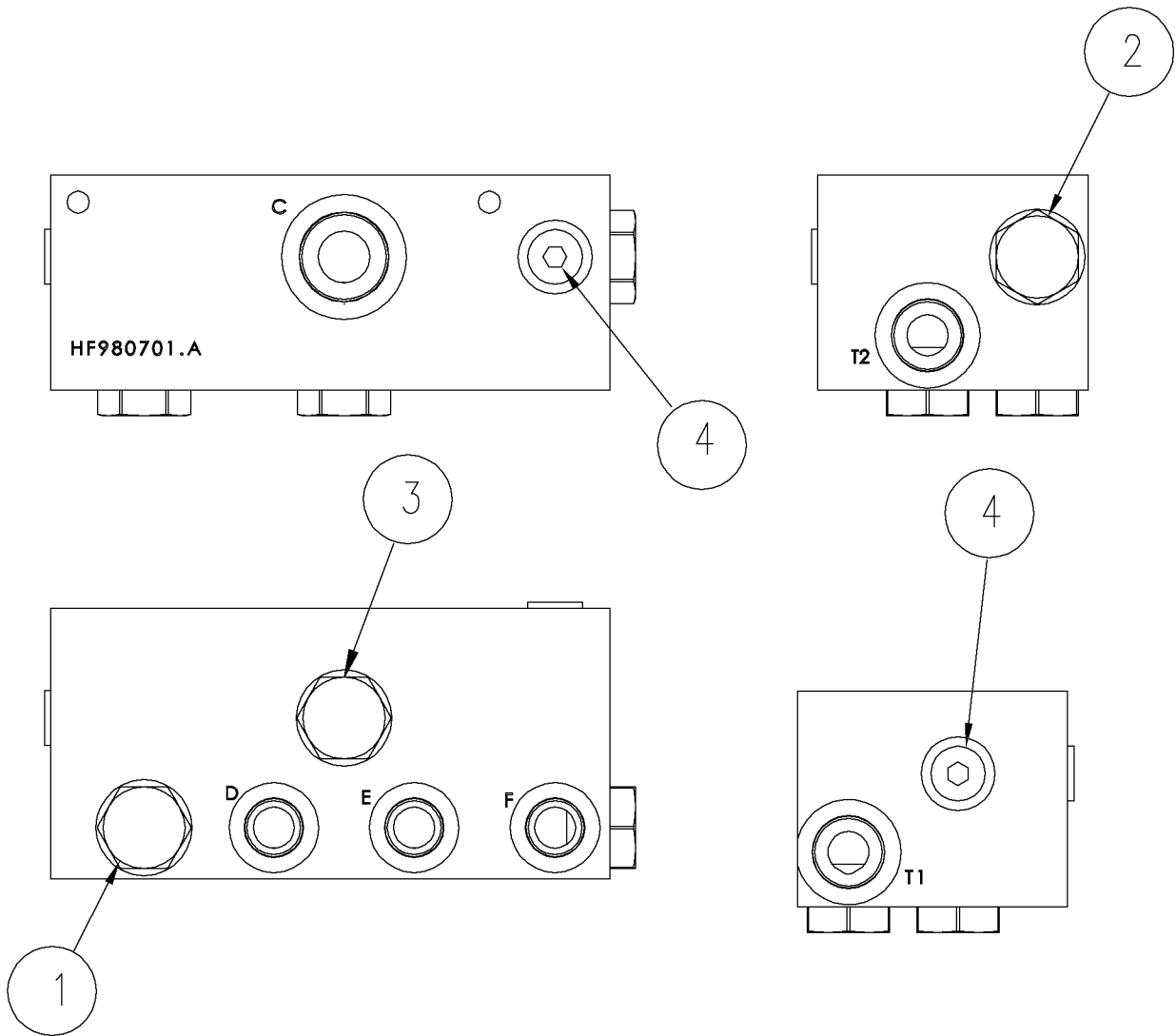




## Remote Lockout Valve Fig 10-5

REF. NO.	*	PART NO.	DESCRIPTION	QTY.	REMARKS
1		296251243	VALVE - HIGH PRESSURE CHECK	5	
2		251118003	CHECK VALVE	1	
3		250131005	CARTRIDGE - 2 WAY NC HP	2	
4		296271115	COIL	2	
5		240324011	PLUG-SAE	2	
6		240324015	PLUG-SAE	1	
		296269574	VALVE - COMBO DUMP		Inc. All Items in Figure

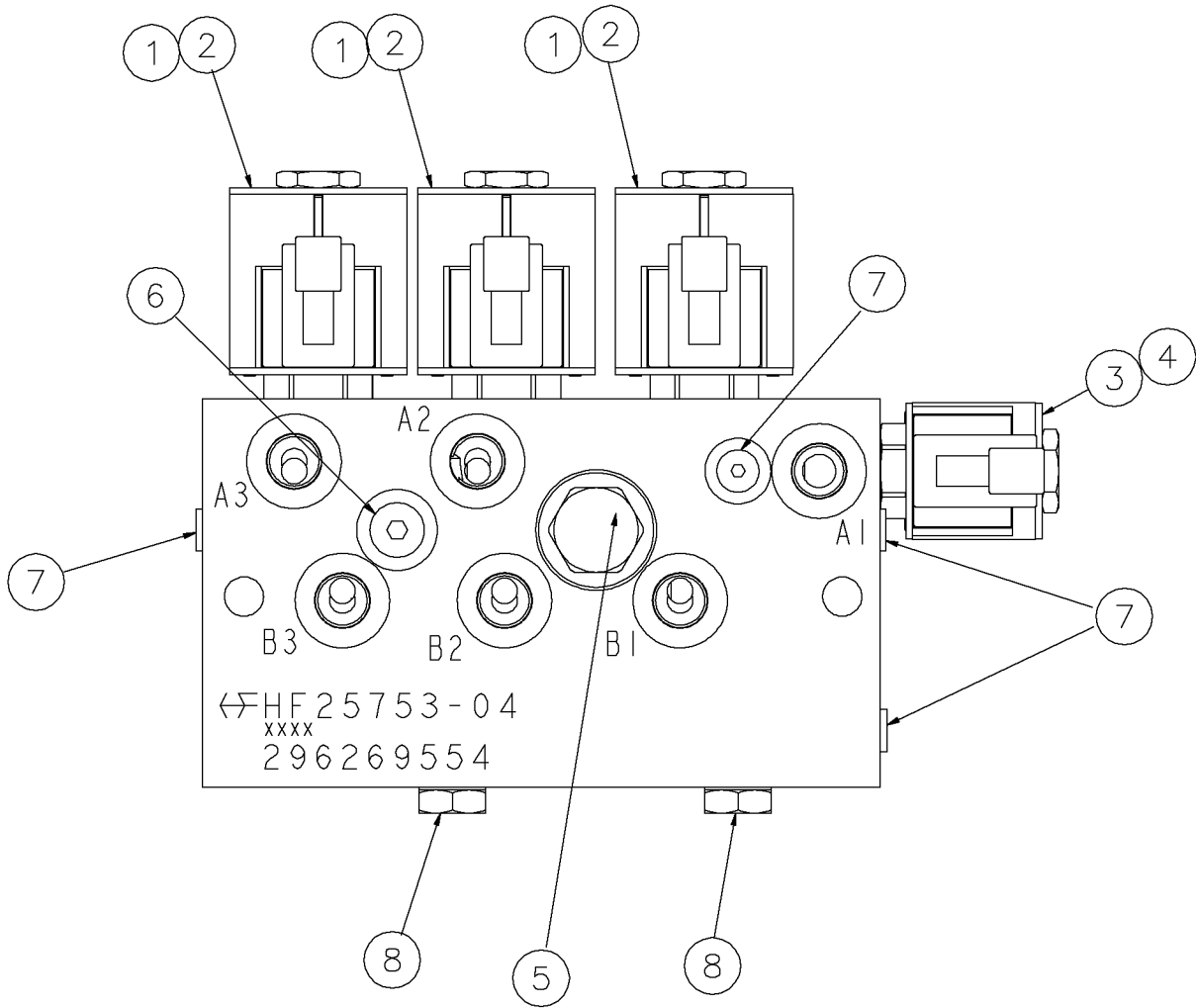
Return Manifold Fig 10-6



Return Manifold Fig 10-6

REF. NO.	*	PART NO.	DESCRIPTION	QTY.	REMARKS
1		251107007	VALVE - CHECK	1	
2		251107009	VALVE - CHECK	1	
3		251107003	VALVE - CHECK	1	
4		251107011	PORT PLUG - SAE 10	2	
		296273651	MANIFOLD - RETURN		Inc. All Items in Figure

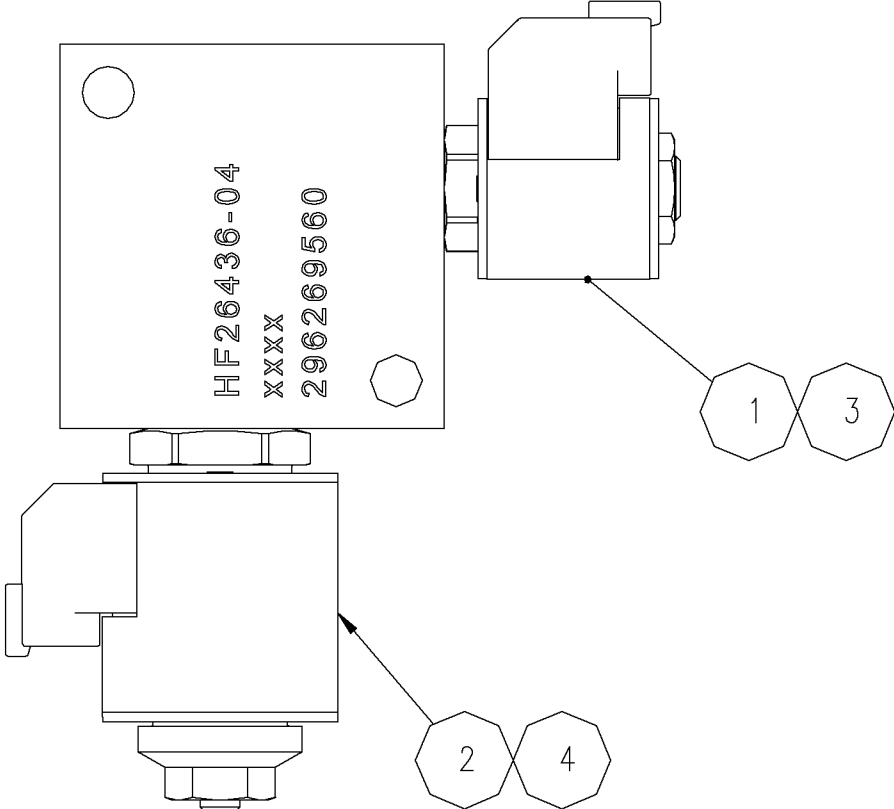
Vise Manifold Fig 10-7



Vise Manifold Fig 10-7

REF. NO.	*	PART NO.	DESCRIPTION	QTY.	REMARKS
1		296265596	CARTRIDGE - SOLENOID VALVE	3	
		296265599	SEAL KIT	3	
2		296271077	COIL	3	
		244725007	NUT - COIL	3	
3		296265600	CARTRIDGE - SOLENOID VALVE	1	
		296265595	SEAL KIT	1	
4		296271115	COIL	1	
		244725007	NUT - COIL	1	
5		296265594	VALVE - CHECK	1	
		296265595	SEAL KIT	1	
6		240324011	PLUG-SAE	1	
7		240324015	PLUG-SAE	4	
8		228128013	SENSE CHECK	1	
		296269554	WISE - MANIFOLD		Inc. All Items in Figure

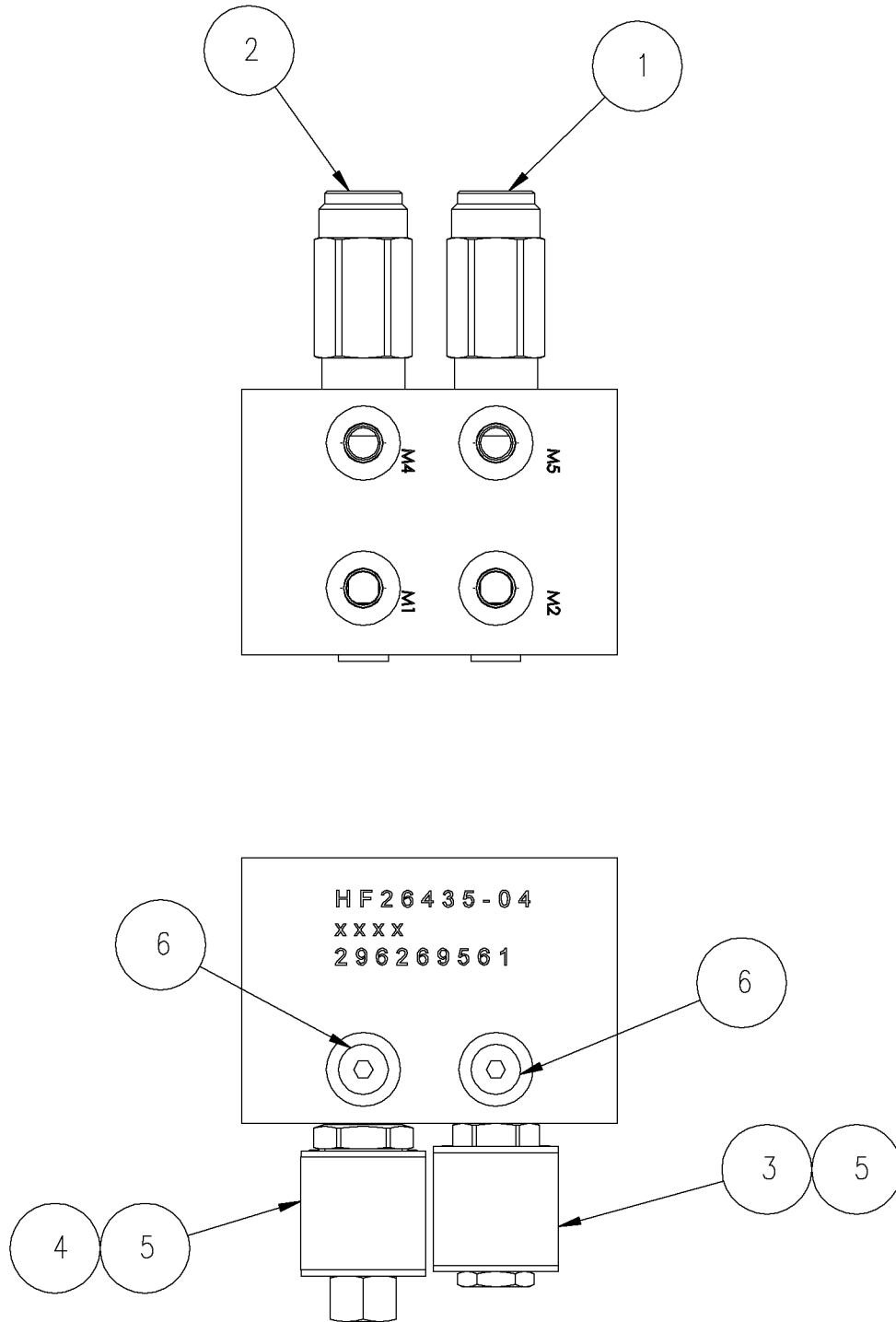
Thrust Limiter Valve Fig 10-8



## Thrust Limiter Valve Fig 10-8

REF. NO.	*	PART NO.	DESCRIPTION	QTY.	REMARKS
1		250131005	CARTRIDGE - 2 WAY NC HP	1	
		296265595	SEAL KIT	1	
2		296272924	PORPORTIONAL PRESSURE CONTROL	1	
		296251056	SEAL KIT	1	
3		296271115	COIL	1	
4		296271077	COILS	1	
		296269560	VALVE - THRUST LIMITER		Inc. All Items in Figure

Torque Limiter Valve Fig 10-9

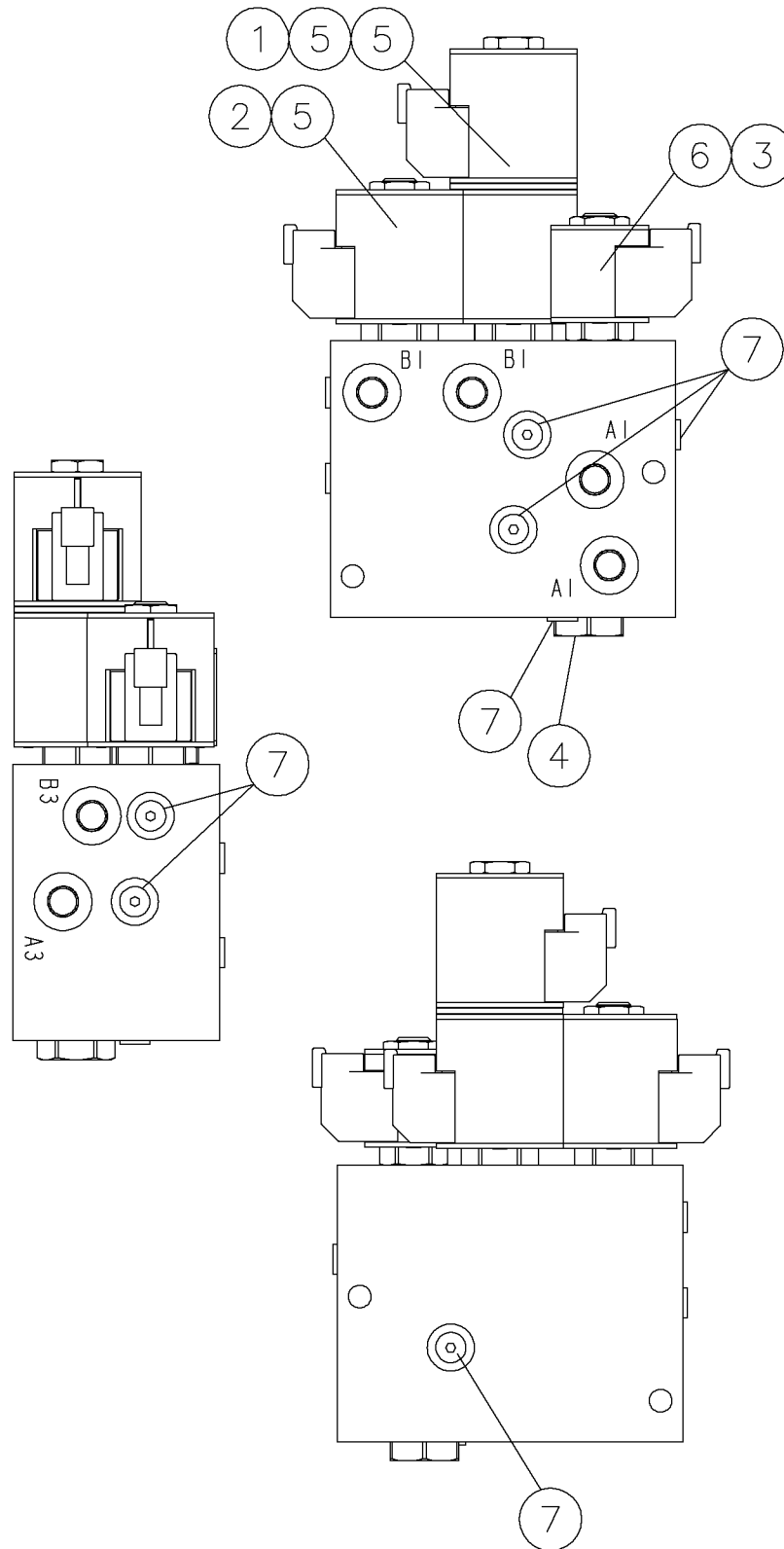




Torque Limiter Valve Fig 10-9

REF. NO.	*	PART NO.	DESCRIPTION	QTY.	REMARKS
1		251120007	RELIEF - HIGH PRESSURE	1	
		296271087	SEAL KIT	1	
2		296272925	RELIEF VALVE	1	
		296271087	SEAL KIT	1	
3		251120003	POPPET - 2 WAY N/C	1	
		296265595	SEAL KIT	1	
4		296272926	SOLENOID VALVE	1	
		296265595	SEAL KIT	1	
5		296271115	COIL	2	
6		240324011	PLUG-SAE	2	
		296269561	VALVE - TORQUE LIMITER		Inc. All Items in Figure

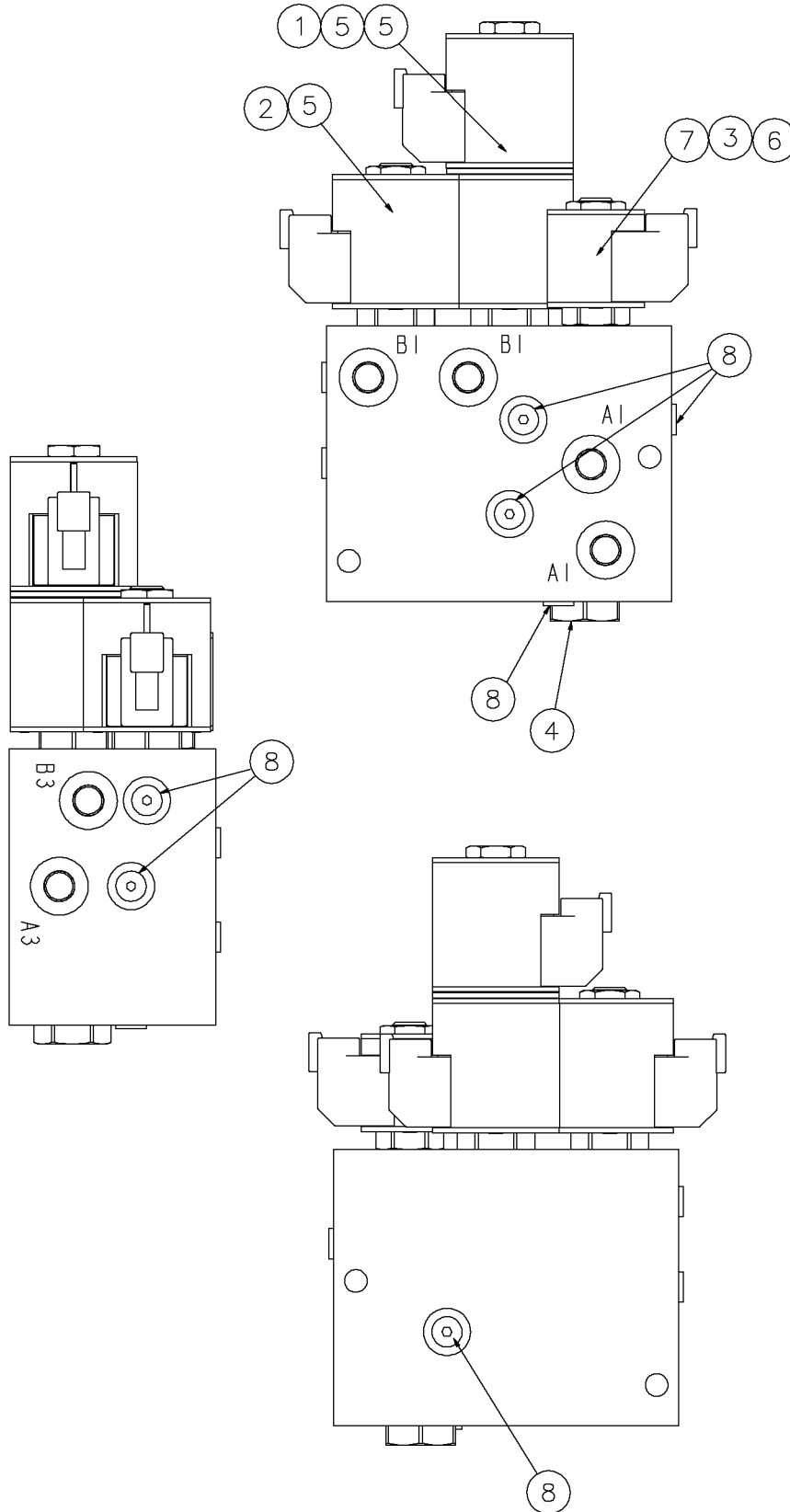
Rod Loader Manifold Fig 10-10r01



## Rod Loader Manifold Fig 10-10r01

REF NO.	*	PART NO.	DESCRIPTION	QTY.	REMARKS
		Revision Date	March, 2006		Update In Illustration & Parts List.
1		296272927	SOLENOID VALVE	1	
		296265599	SEAL KIT	1	
		244725007	NUT - COIL	1	
2		296265596	CARTRIDGE - SOLENOID VALVE	1	
		296265599	SEAL KIT	1	
		244725007	NUT - COIL	1	
3		296285067	CARTRIDGE	1	
		296265599	SEAL KIT	1	
		244725007	NUT - COIL	1	
4		296272929	FLOW DIVIDER	1	
5		296271077	COILS	3	
6		245016003	ORIFICE DISC	1	
7		240324015	PLUG-SAE	1	
		296269662	MANIFOLD - ROD LOADER		(Inc. All Items in Figure)

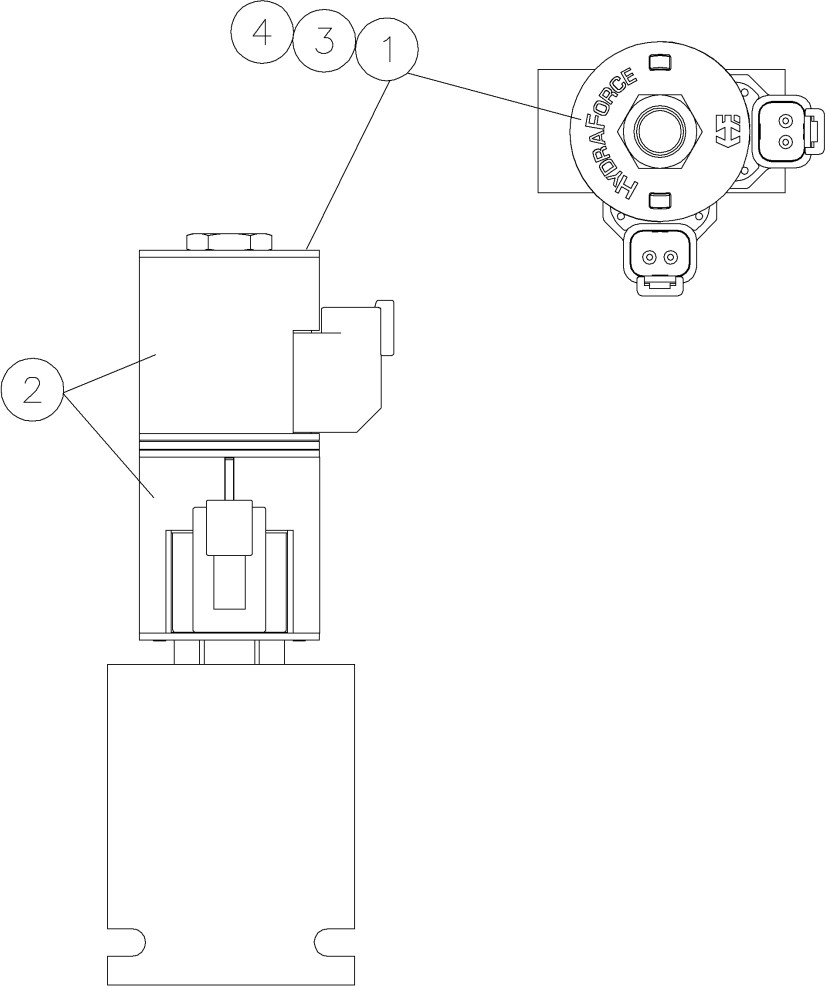
Rod Loader Manifold Fig 10-10



## Rod Loader Manifold Fig 10-10

REF. NO.	*	PART NO.	DESCRIPTION	QTY.	REMARKS
1		296272927	SOLENOID VALVE	1	
		296265599	SEAL KIT	1	
		244725007	NUT - COIL	1	
2		296265596	CARTRIDGE - SOLENOID VALVE	1	
		296265599	SEAL KIT	1	
		244725007	NUT - COIL	1	
3		296272928	SOLENOID VALVE	1	
		296265595	SEAL KIT	1	
		244725007	NUT - COIL	1	
4		296272929	FLOW DIVIDER	1	
		296251088	SEAL KIT	1	
5		296271077	COILS	3	
6		296271115	COIL	1	
7		245016003	ORIFICE DISC	1	
8		240324015	PLUG-SAE	1	
		296269555	MANIFOLD - ROD LOADER		Inc. All Items in Figure

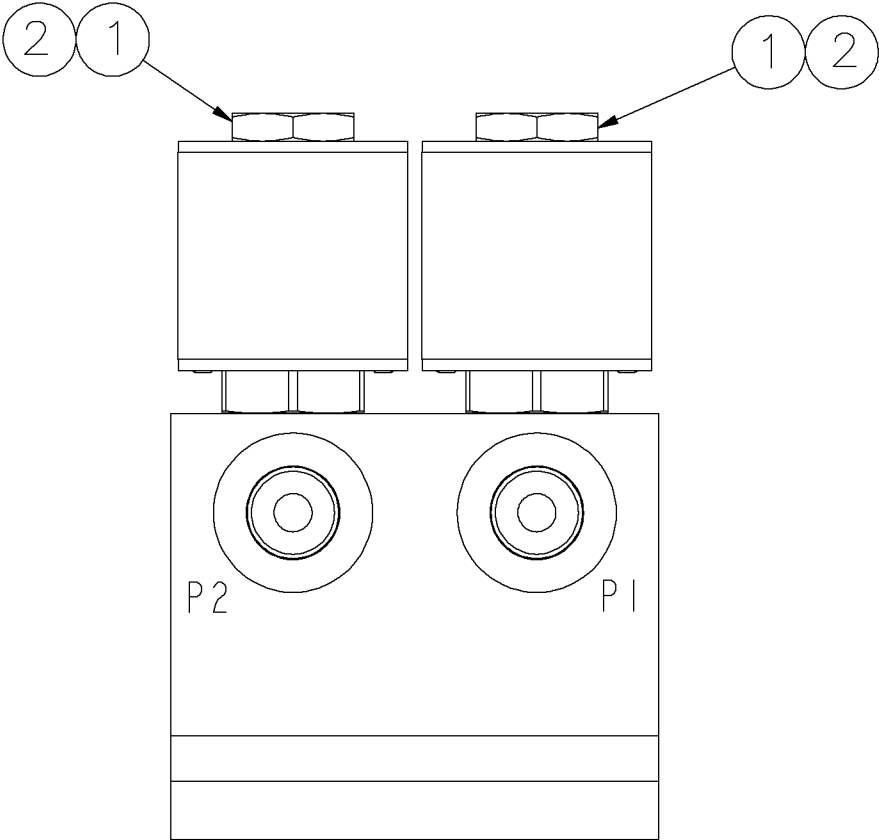
Outrigger Valve Fig 10-11



## Outrigger Valve Fig 10-11

REF. NO.	*	PART NO.	DESCRIPTION	QTY.	REMARKS
1		251109003	CARTRIDGE - SOLENOID	1	
2		296271077	COIL	2	
3		224886007	NUT	1	
4		296265599	SEAL KIT	1	
		296269565	VALVE - 3 POSITION, 4 WAY DUAL SOL.		Inc. All Items in Figure

Thrust Valve Fig 10-12

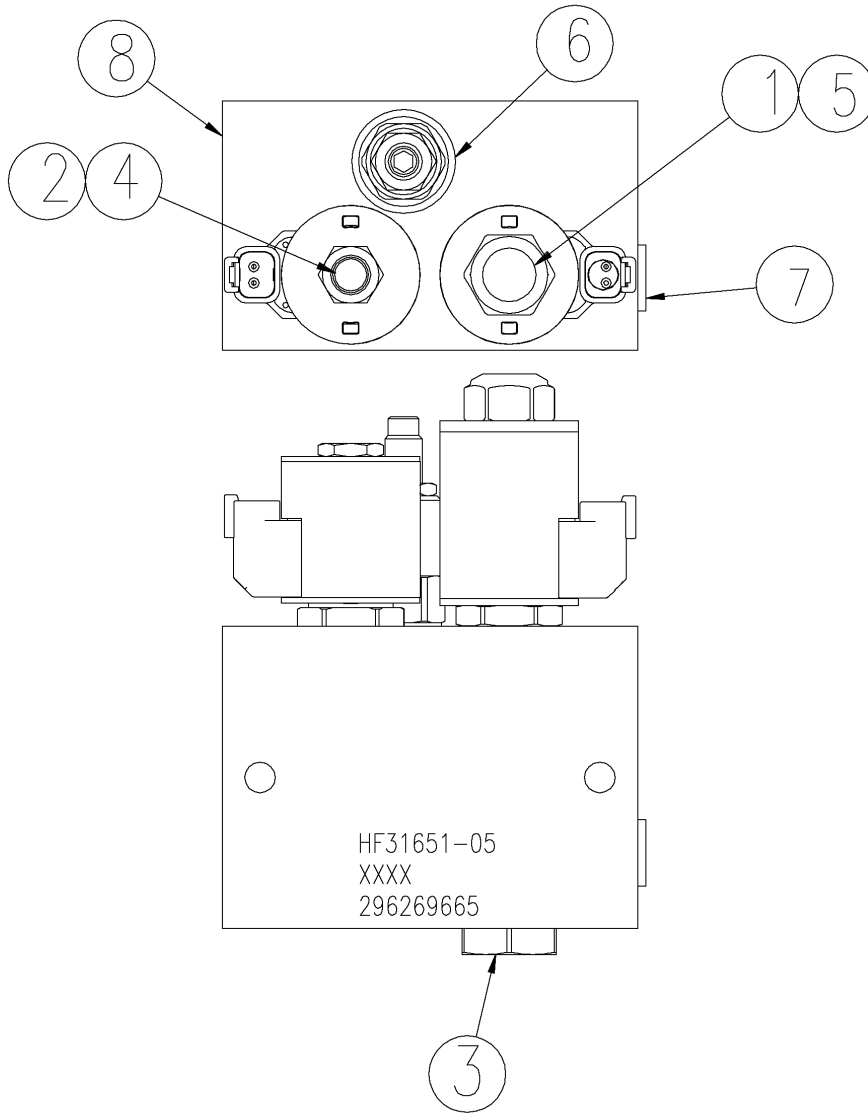




## Thrust Valve Fig 10-12

REF. NO.	*	PART NO.	DESCRIPTION	QTY.	REMARKS
1		296272930	SOLENOID VALVE	2	
		161159001	SEAL KIT	2	
2		296271115	COIL	2	
		244725007	NUT - COIL	2	
3		296272931	PLUG	2	Not Shown
		296269557	VALVE- TWO SPEED W/BRAKE		Inc. All Items in Figure

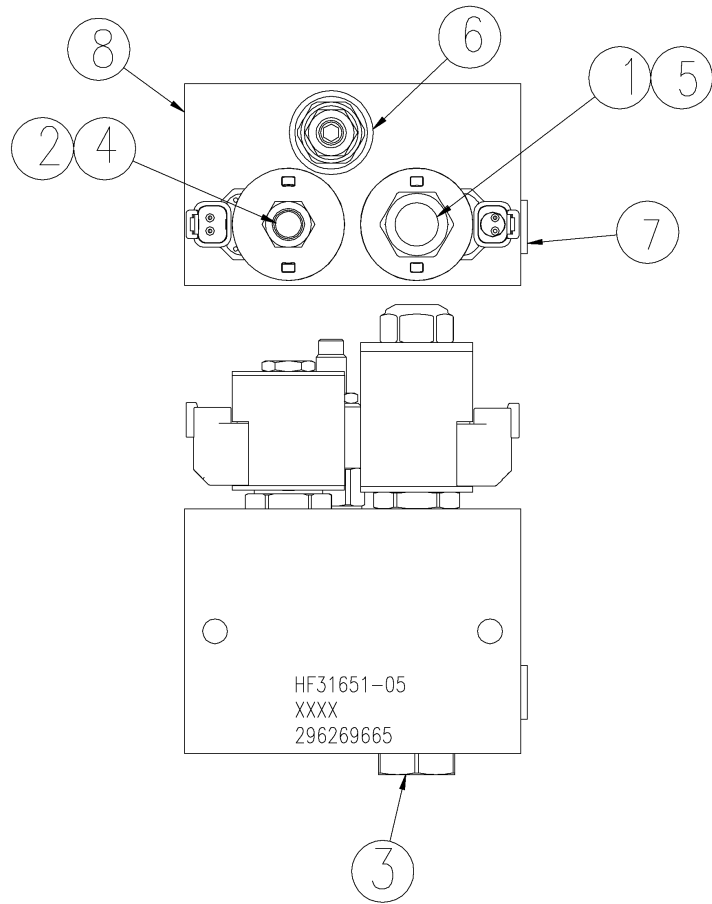
Water Control Valve(Aplex) Fig 10-13r01



## Water Control Valve(Aplex) Fig 10-13r01

REF. NO.	*	PART NO.	DESCRIPTION	QTY.	REMARKS
1		296272932	PROPORTIONAL VALVE	1	
		296251250	SEAL KIT	1	
2		296285185	SOLENOID VALVE	1	
		282520008	SEAL KIT	1	
3		296285186	CHECK VALVE	1	
		282520008	SEAL KIT	1	
4		296271077	COILS	1	
		244725007	NUT - COIL	1	
5		296285187	COIL	1	
		296272935	COIL NUT	1	
6		296272933	RELIEF VALVE	1	
		251117005	SEAL KIT	1	
7		236494005	PLUG-SAE	1	
		296269664	VALVE-H2O CONTROL		Inc. All Items In Figure

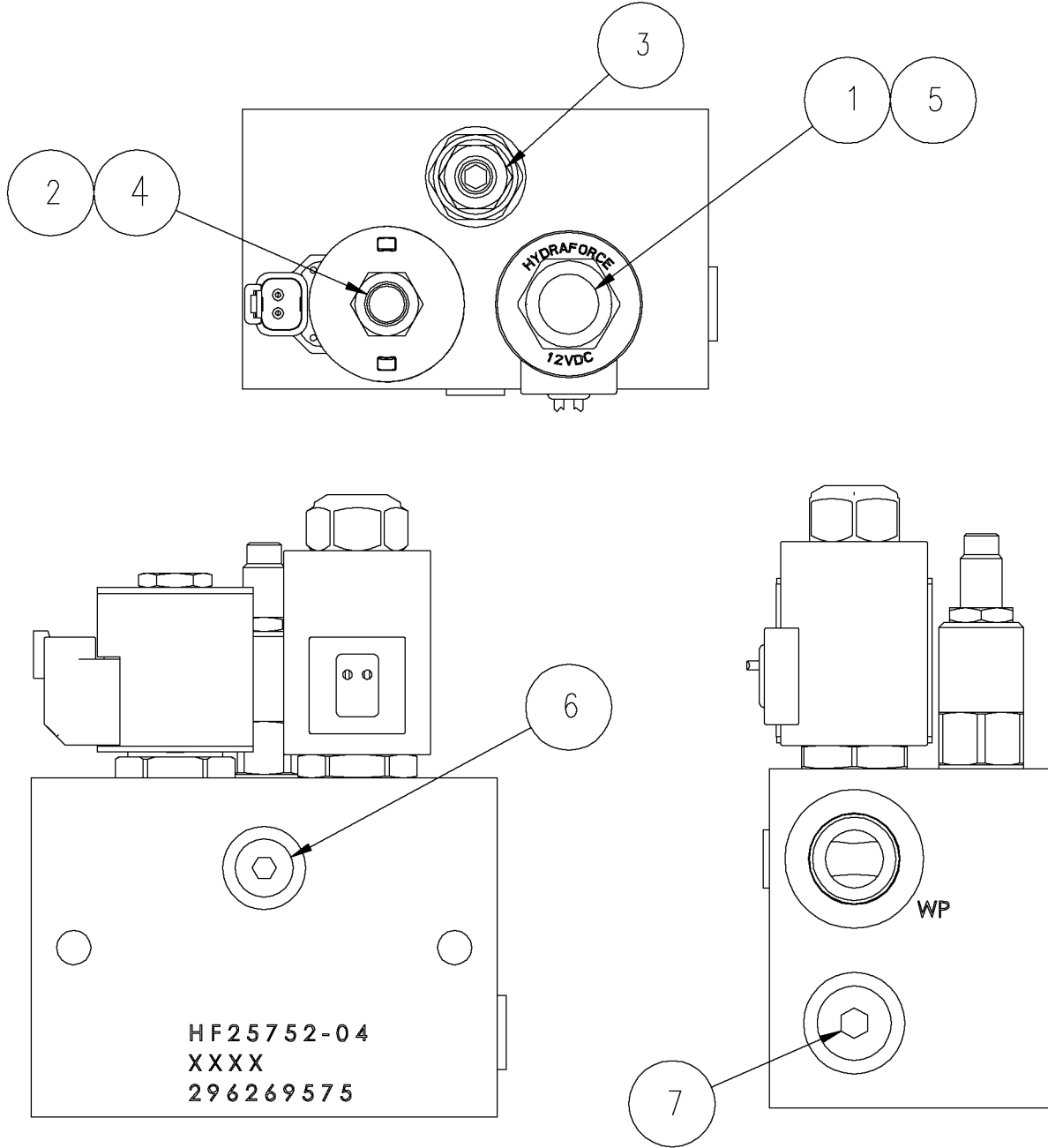
Water Control Valve(FMC) Fig 10-13x01



## Water Control Valve(FMC) Fig 10-13x01

REF. NO.	*	PART NO.	DESCRIPTION	QTY.	REMARKS
1		296285184	PROPORTIONAL VALVE	1	
		296251250	SEAL KIT	1	
2		296285185	SOLENOID VALVE	1	
		282520008	SEAL KIT	1	
3		296285186	CHECK VALVE	1	
		282520008	SEAL KIT	1	
4		296271077	COILS	1	
		244725007	NUT - COIL	1	
5		296285187	COIL	1	
		296272935	COIL NUT	1	
6		296272933	RELIEF VALVE	1	
		251117005	SEAL KIT	1	
7		236494005	PLUG-SAE	1	
		296269665	VALVE - H2O CONTROL - FMC		Inc. All Items In Figure

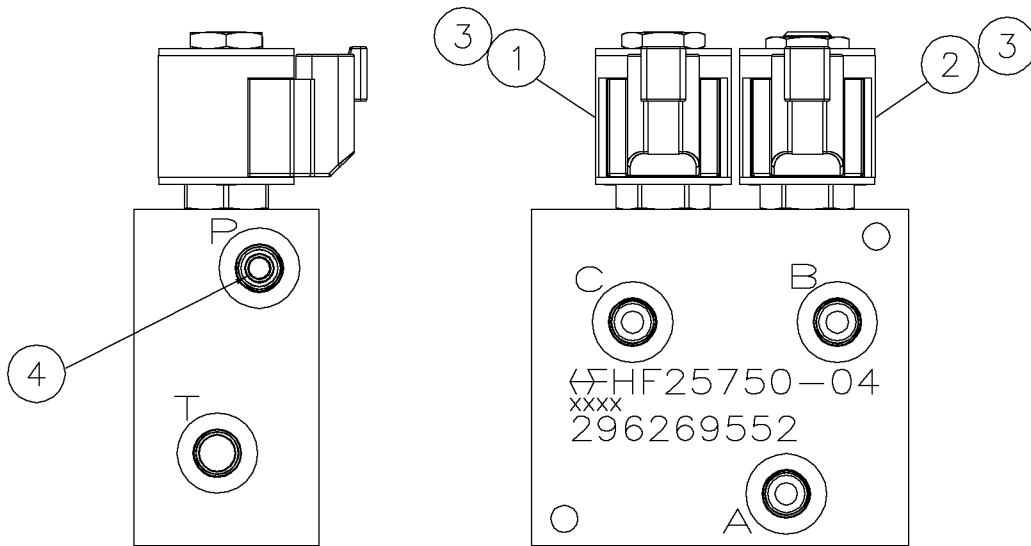
Water Control Valve Fig 10-13



Water Control Valve Fig 10-13

REF. NO.	*	PART NO.	DESCRIPTION	QTY.	REMARKS
1		296272932	PROPORTIONAL VALVE	1	
		296251250	SEAL KIT	1	
2		296272890	CARTRIDGE (NO COIL)	1	
		282520008	SEAL KIT	1	
3		296272933	RELIEF VALVE	1	
		296271089	SEAL KIT	1	
4		296271077	COILS	1	
		244725007	NUT - COIL	1	
5		296272934	COIL	1	
		296272935	COIL NUT	1	
6		500659021	SAE PLUG	1	
7		236494005	PLUG-SAE	1	
		296269575	VALVE - H2O CONTROL		Inc. All Items in Figure

Water On/Off Valve Fig 10-14

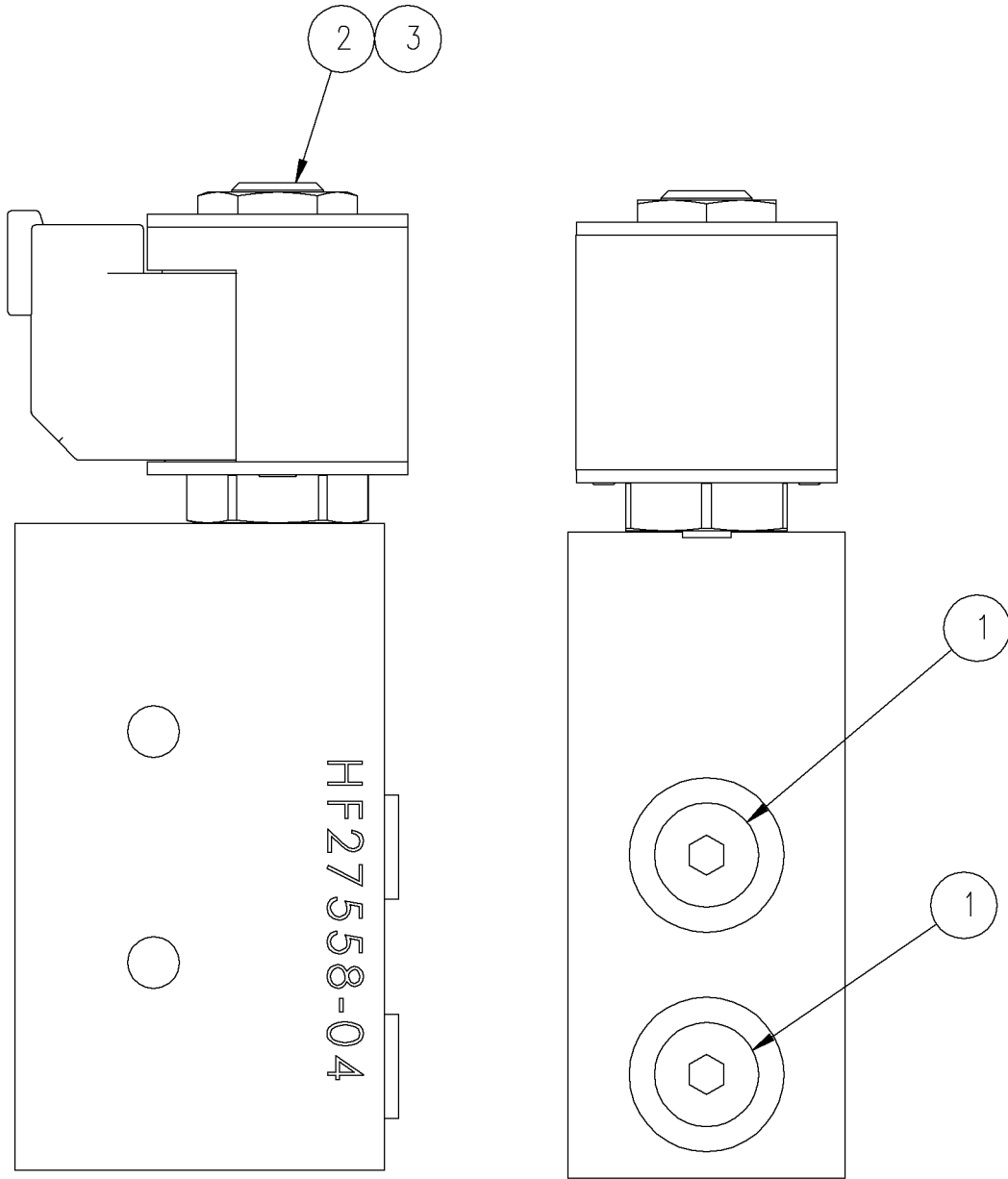




Water On/Off Valve Fig 10-14

REF. NO.	*	PART NO.	DESCRIPTION	QTY.	REMARKS
1		228124017	CARTRIDGE-SOLENOID	1	
		161159001	SEAL KIT	1	
		244725007	NUT - COIL	1	
2		234863005	CARTRIDGE	1	
		236409003	SEAL KIT	1	
		244725007	NUT - COIL	1	
3		296271115	COIL	2	
4		296251096	ORIFICE PLUG	1	
5		278267015	PLUG	1	Not Shown
		296269552	CONTROL - 2 SPEED/ON-OFF WATER PUMP		Inc. All Items in Figure

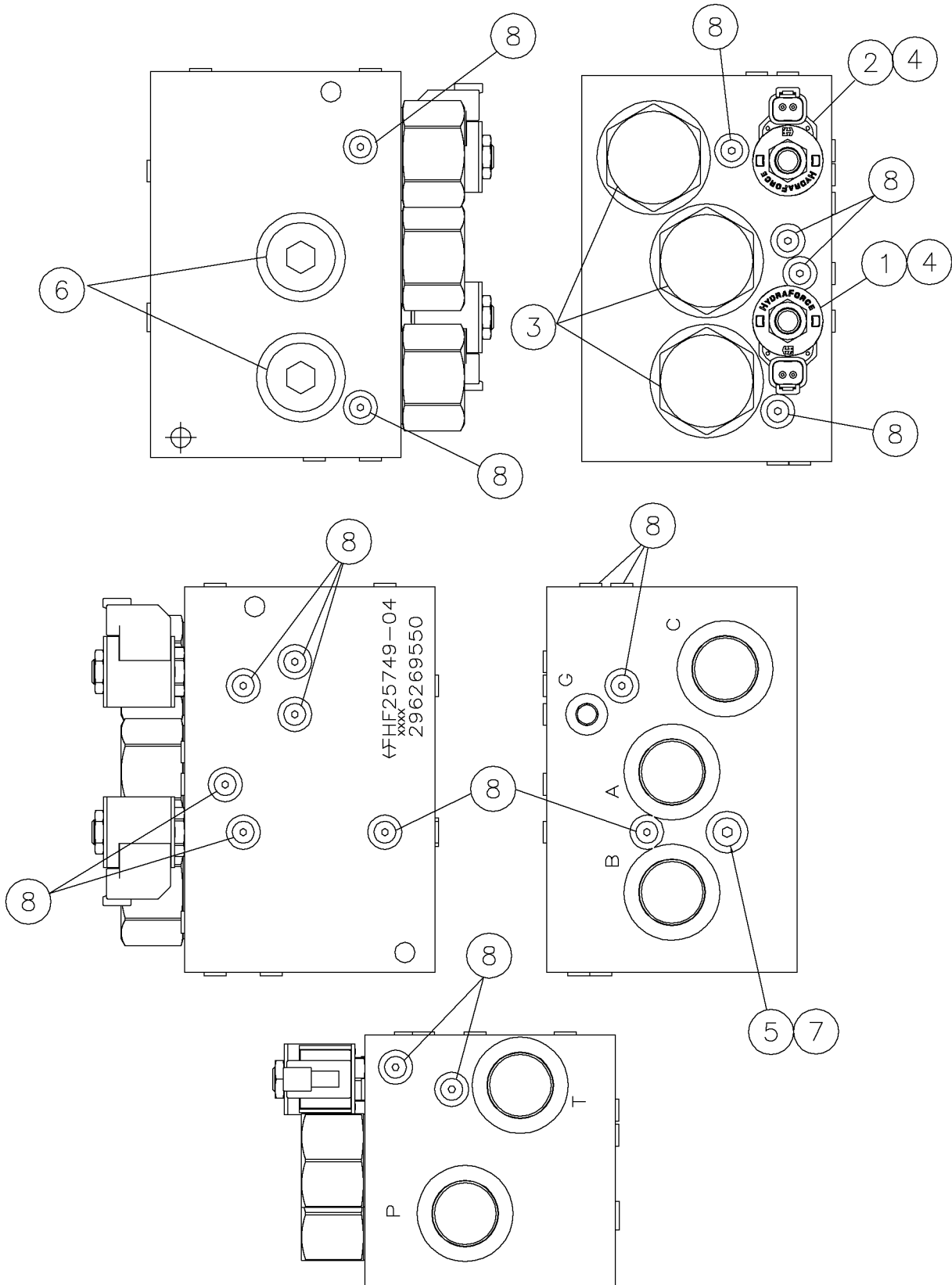
Load Sense Valve Fig 10-15



## Load Sense Valve Fig 10-15

REF. NO.	*	PART NO.	DESCRIPTION	QTY.	REMARKS
1		296251099	CHECK VALVE	2	
		296251060	SEAL KIT	2	
2		296272936	SOLENOID VALVE	1	
		296251054	SEAL KIT	1	
3		296271115	COIL	1	
		296269608	VALVE LS SHUTTLE ON/OFF		Inc. All Items in Figure

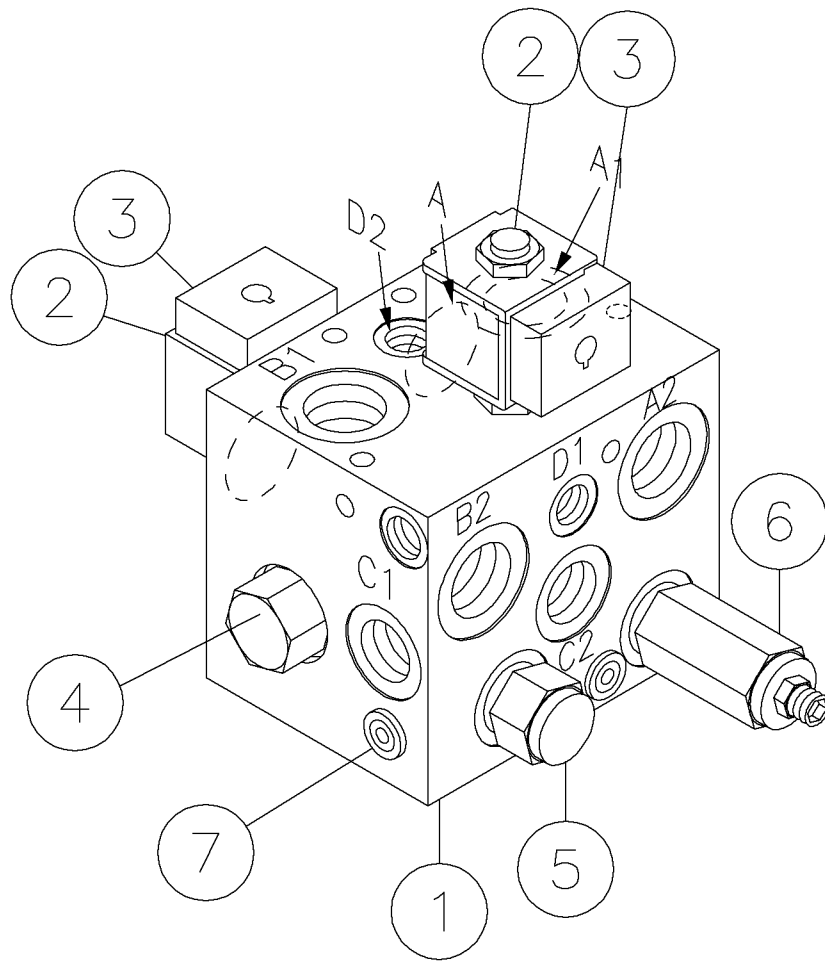
Diverter Valve Fig 10-16



Diverter Valve Fig 10-16

REF. NO.	*	PART NO.	DESCRIPTION	QTY.	REMARKS
1		296272937	SOLENOID VALVE	1	
		244725007	NUT - COIL	1	
		296251058	SEAL KIT	1	
2		296272938	SOLENOID VALVE	1	
		244725007	NUT - COIL	1	
		296251057	SEAL KIT	1	
3		296272939	LOGIC ELEMENT	3	
		296272941	SEAL KIT	3	
4		296271115	COIL	2	
5		296273303	ORIFICE-HF .040 PLUG	1	
6		296272940	PORT PLUG	2	
7		240324011	PLUG-SAE	1	
8		240324015	PLUG-SAE	18	
		296269550	DIVERTER MANIFOLD		Inc. All Items in Figure

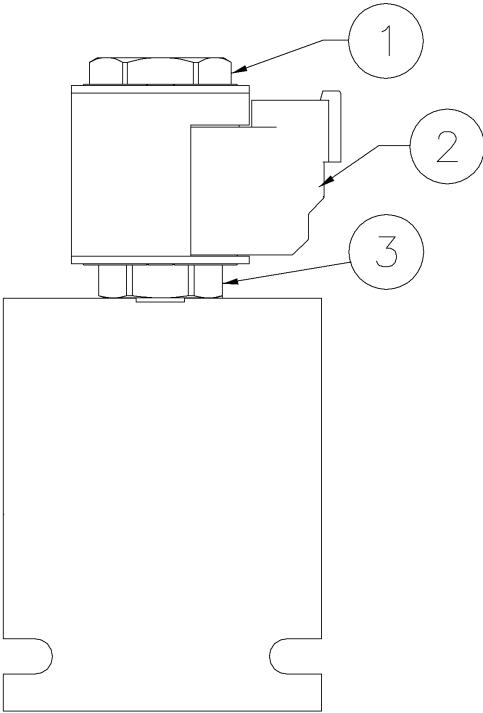
Rotation Shuttle Valve Fig 10-17



## Rotation Shuttle Valve Fig 10-17

REF. NO.	*	PART NO.	DESCRIPTION	QTY.	REMARKS
1		NSS	VALVE BODY	1	
2		224476005	CARTRIDGE-VALVE	2	
3		251061003	SOLENOID VALVE COIL-2 POST	2	
		207418009	REPAIR KIT-SOLENOID VALVE	2	
4		277838003	SHUTTLE VALVE	1	
		277838005	REPAIR KIT-SHUTTLE VALVE	1	
5		277838007	PRESSURE FLOW CONTROL VALVE	1	
		277838009	REPAIR KIT-PRESSURE FLOW CONTROL VALVE	1	
6		277838011	RELIEF VALVE	1	
		277838013	REPAIR KIT-RELIEF VALVE	1	
7		277838015	#2 EPCO PLUG	6	
		277838001	VALVE-3 SPEED SHUTTLE		Includes All Items In Figure

Auto Grease Valve Fig 10-18

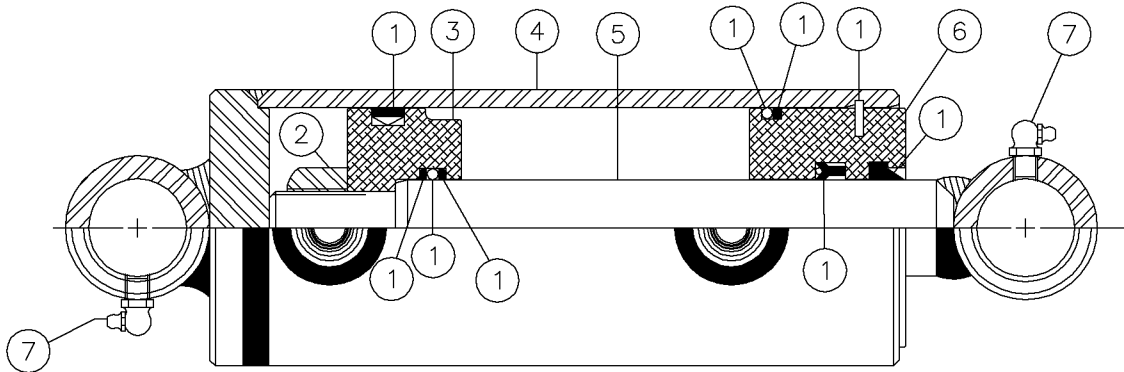




## Auto Grease Valve Fig 10-18

REF. NO.	*	PART NO.	DESCRIPTION	QTY.	REMARKS
1		296265526	NUT-COIL	1	
2		296265527	COIL	1	
3		244725009	CARTRIDGE - SOLENOID	1	
		244725011	SEAL KIT	1	
		294901001	VALVE - GREASER		Inc. All Items In Figure

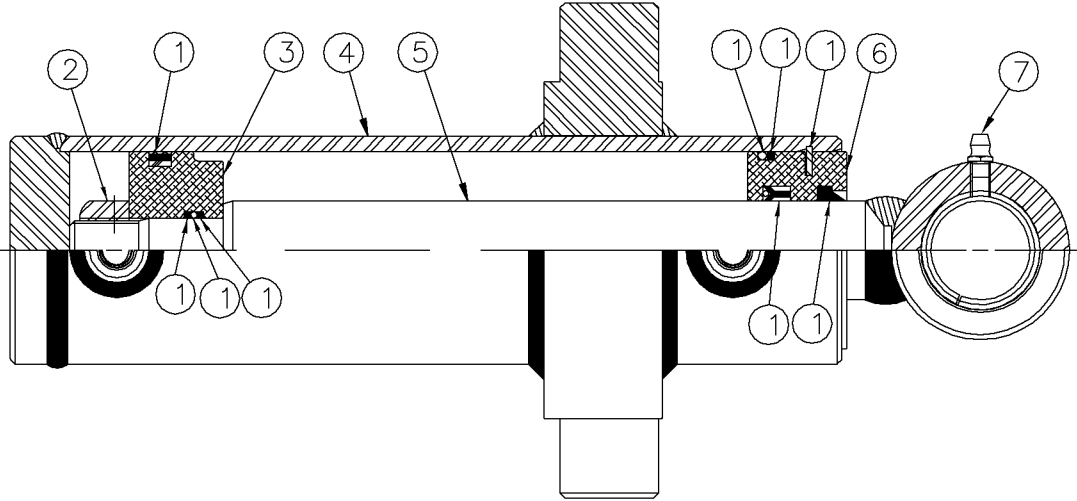
Vise Rotation Cylinder Fig 10-19



Vise Rotation Cylinder Fig 10-19

REF. NO.	*	PART NO.	DESCRIPTION	QTY.	REMARKS
1		228021009	SEAL KIT	1	
2		93180007	LOCKOUT .750-16 UNF	1	
3		228021003	PISTON	1	
4		228021005	BODY ASSEMBLY-CYLINDER	1	
5		228021007	ROD ASSEMBLY-CYLINDER	1	
6		200925001	GLAND	1	
7		597001	ZERK-1/4" NF 90 DEG GREASE	2	
		228021001	CYLINDER-2 1/2 X 3 HYD		Inc. All Items in Figure

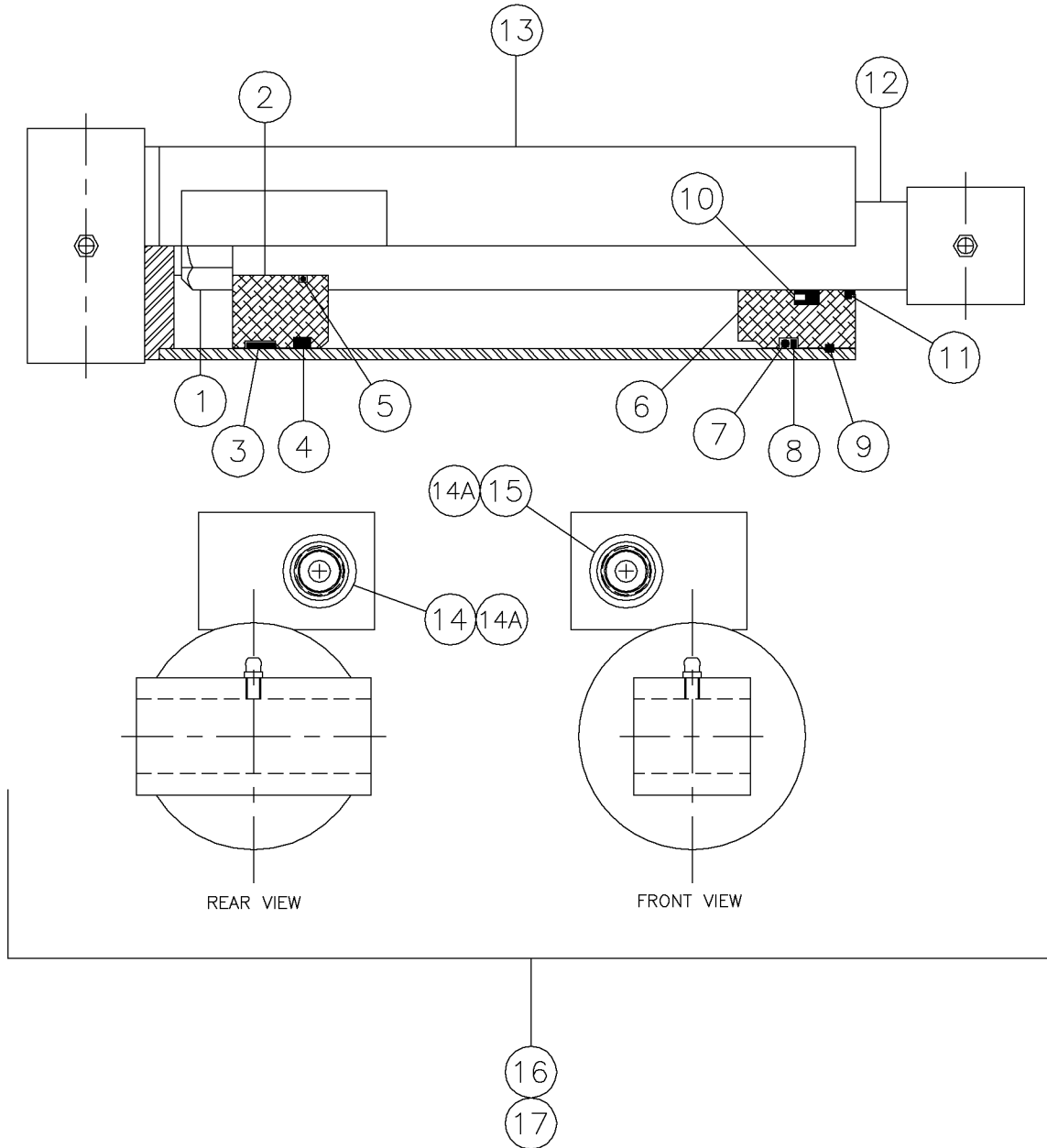
Vise Jaw Cylinder Fig 10-20



Vise Jaw Cylinder Fig 10-20

REF. NO.	*	PART NO.	DESCRIPTION	QTY.	REMARKS
1		296253319	SEAL KIT	1	
2		95631011	LOCK NUT	1	
3		296253320	PISTON	1	
4		296253321	BARREL ASSEMBLY	1	
5		296253322	BARREL ASSEMBLY	1	
6		296253323	SNAP RING HEAD	1	
7		598001	ZERK-1/4" NF ST GREASE	2	
		287590001	CYLINDER - 2-1/2 X 6-5/8		Inc. All Items in Figure

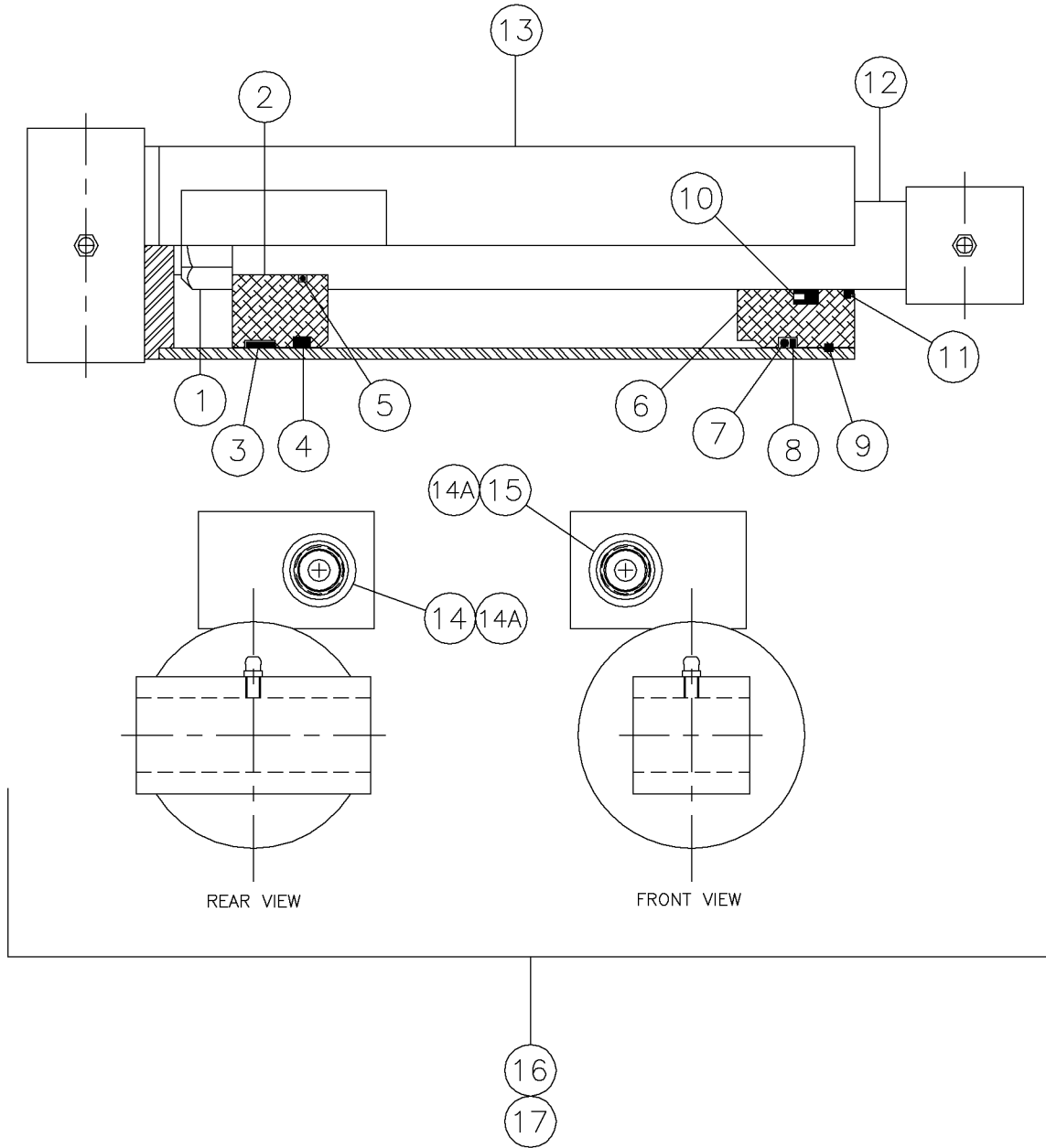
Rack Lift Cylinder Fig 10-21r01



## Rack Lift Cylinder Fig 10-21r01

REF. NO.	*	PART NO.	DESCRIPTION	QTY.	REMARKS
		Revision Date	May, 2005		Update In Illustration & Parts List.
1		306011	NUT-1-14 SL PRINCE 220000210 REF T11277	1	
2		610291001	PISTON	1	
3		278769003	WEAR RING	1	
4		278769005	PSP SEAL	1	
5		278769007	O-RING	1	
6		278769009	HEAD	1	
7		278769011	O-RING	1	
8		278769013	BACKUP	1	
9		610292001	RETAINING RING	1	
10		236113021	POLYPAK	1	
11		236113023	DUST SEAL	1	
12		278769015	SHAFT W/ CLEVIS	1	
13		278769017	BARREL ASSEMBLY (W/O VALVE)	1	
14		278769019	VALVE	1	
14A		278769021	REPAIR KIT	2	
15		278769023	VALVE	1	
16		278769025	REPAIR KIT	1	Inc. Ref. 3-5, 7, 8, 10, And 11
17		278769001	CYLINDER-3 1/2"BORE X 7"STROKE	1	Inc. All Items In Figure

Rack Lift Cylinder Fig 10-21

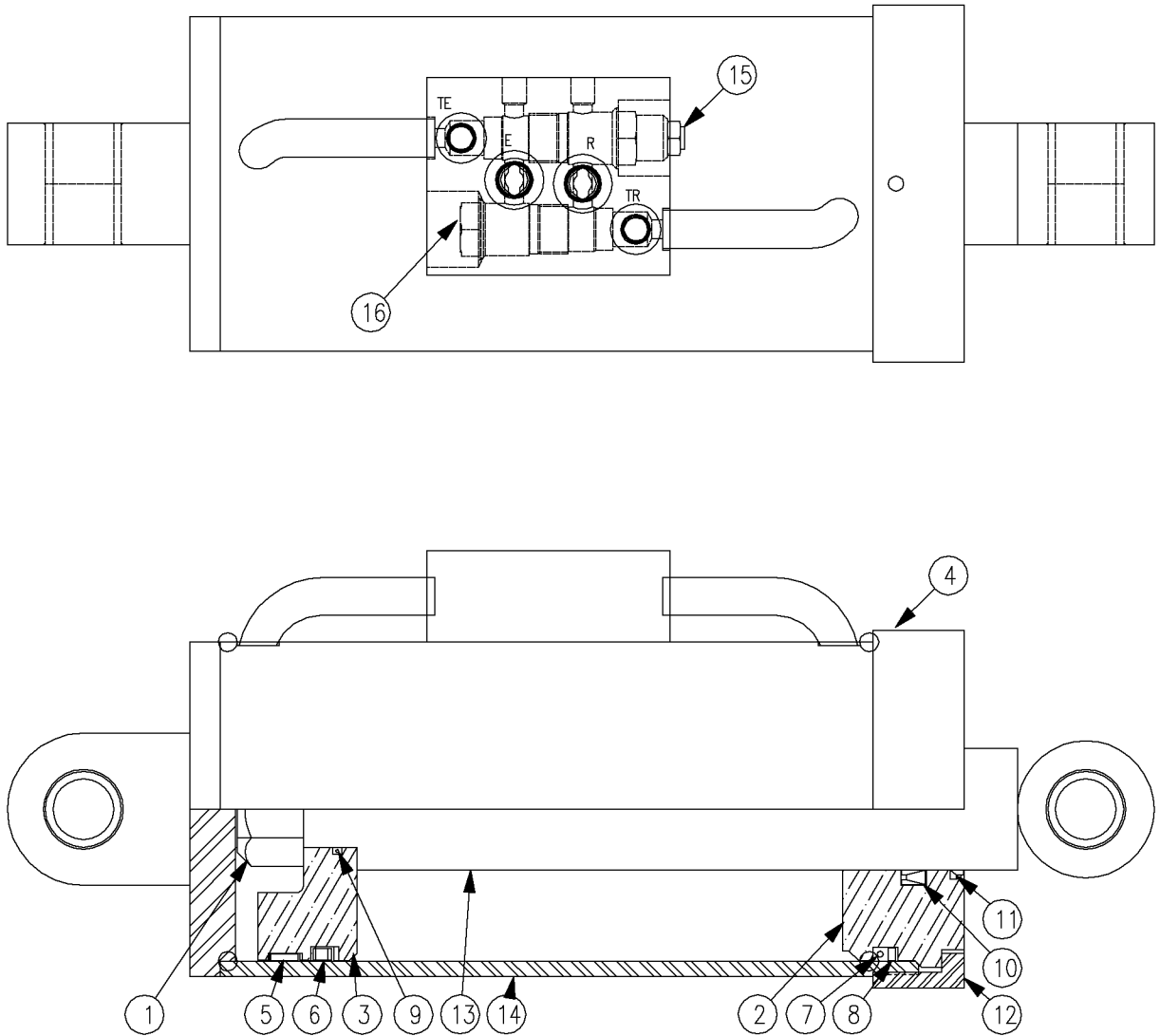




## Rack Lift Cylinder Fig 10-21

REF. NO.	*	PART NO.	DESCRIPTION	QTY.	REMARKS
1		230977003	NUT	1	
2		250494002	HEAD	1	
3		230977007	PISTON	1	
4		250494010	REPAIR KIT	1	
5		250494007	RETAINING RING	1	
6		250494008	SHAFT - (W/ CLEVIS)	1	
7		250494009	BARREL (W/ CLEVIS & PORTS)	1	
		250494001	CYLINDER - 2 X 5"		Inc. All Items In Figure

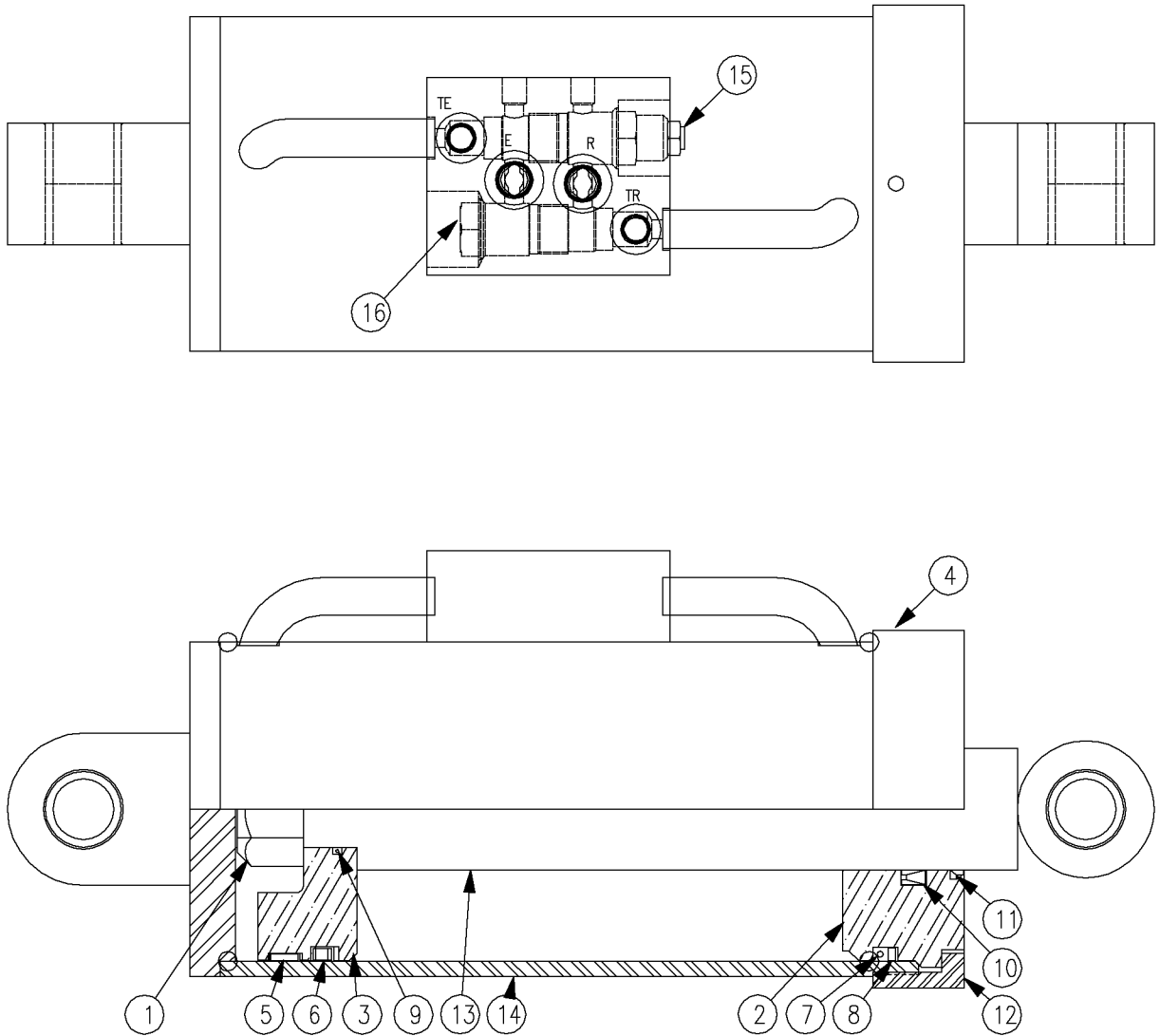
Outrigger Cylinder Fig 10-22r02



## Outrigger Cylinder Fig 10-22r02

REF NO.	*	PART NO.	DESCRIPTION	QTY.	REMARKS
		Revision Date	March, 2006		Update In Parts List.
1		296271143	NUT	1	
2		296271144	HEAD	1	
3		296271145	PISTON	1	
4		296271146	NYLOCK SET SCREW	1	
5		NSS	WEAR RING	1	
6		NSS	PSP SEAL	1	
7		NSS	O-RING	1	
8		NSS	BACKUP	1	
9		NSS	O-RING	1	
10		NSS	ROD SEAL	1	
11		NSS	DUST SEAL	1	
12		296271147	COLLAR	1	
13		296271148	SHAFT W/CLEVIS	1	
14		296271149	BARREL W/PORTS	1	
15		278769023	VALVE	1	
16		278769019	VALVE	1	
		296280124	CYLINDER - 5 X 8 3000PSI		Inc. All Items In Figure
		296271150	REPAIR KIT		Inc Ref. 5-11
		NSS	NOT SOLD SEPARATELY		

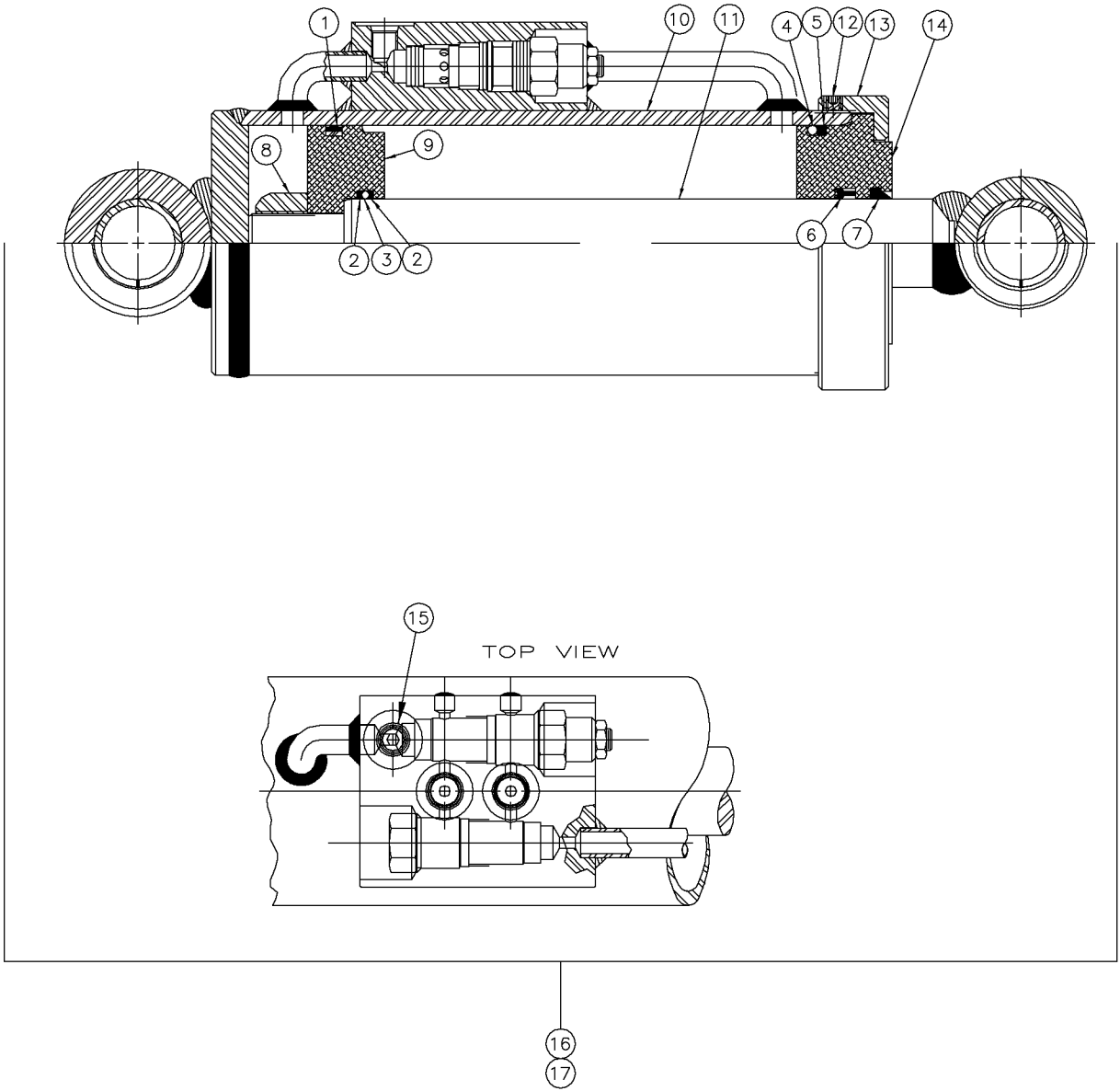
Outrigger Cylinder Fig 10-22r01



Outrigger Cylinder Fig 10-22r01

REF. NO.	*	PART NO.	DESCRIPTION	QTY.	REMARKS
		Revision Date	May, 2005		Update In Illustration & Parts List.
1		296271143	NUT	1	
2		296271144	HEAD	1	
3		296271145	PISTON	1	
4		296271146	NYLOCK SET SCREW	1	
5		NSS	WEAR RING	1	
6		NSS	PSP SEAL	1	
7		NSS	O-RING	1	
8		NSS	BACKUP	1	
9		NSS	O-RING	1	
10		NSS	ROD SEAL	1	
11		NSS	DUST SEAL	1	
12		296271147	COLLAR	1	
13		296271148	SHAFT W/CLEVIS	1	
14		296271149	BARREL W/PORTS	1	
15		278769023	VALVE	1	
16		278769019	VALVE	1	
		296280124	CYLINDER - 5 X 8 3000PSI		Inc. All Items In Figure
		296271150	REPAIR KIT		Inc Ref. 5-11
			NSS-NOT SOLD SPERATE		

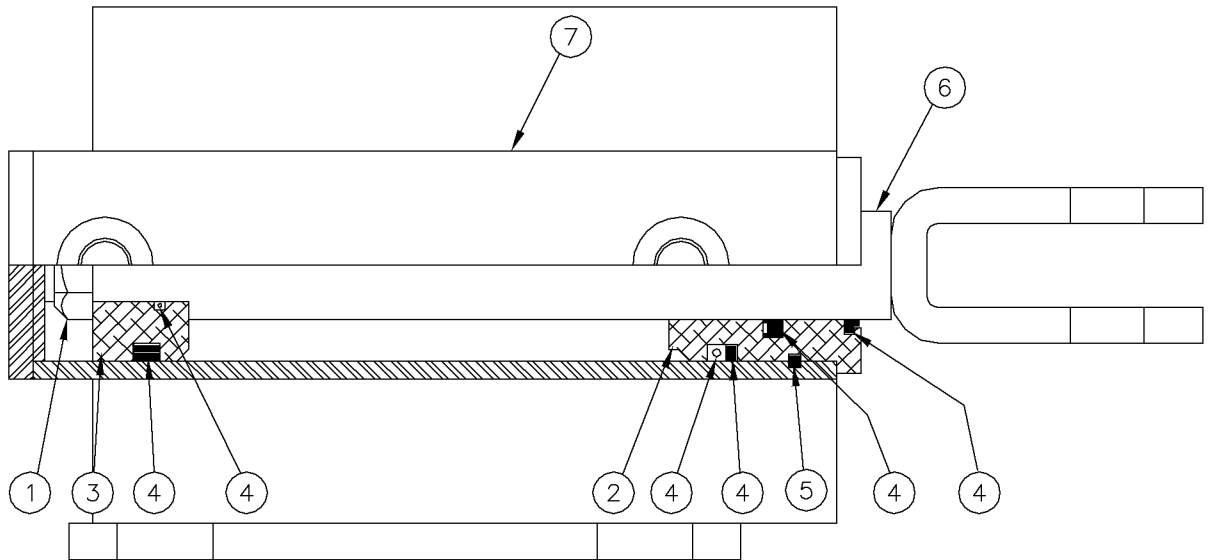
Outrigger Cylinder Fig 10-22



## Outrigger Cylinder Fig 10-22

REF. NO.	*	PART NO.	DESCRIPTION	QTY.	REMARKS
1			PSP SEAL	1	NSS
2			BACK-UP RING	2	NSS
3			O-RING	1	NSS
4			O-RING	1	NSS
5			BACK-UP RING	1	NSS
6			LOADED U-CUP	1	NSS
7			ROD WIPER	1	NSS
8		296251758	LOCKNUT	1	
9		296251759	PISTON	1	
10		296251760	BODY-CYLINDER	1	
11		296251762	ROD-CYLINDER	1	
12		296251757	SCREW-CUP POINT SET	1	
13		296251763	CAP-THREADED	1	
14		202527001	CAP-THREADED CYL	1	
15		296251008	STEEL PLUG	1	
16		282196001	CYLINDER - 4 X 7 HYD	1	Inc Ref 1-15
17		296251761	SEAL-KIT	1	Inc Ref 1-7
			NSS- NOT SOLD SEPARATELY		

Rod Loader Lift Cylinder Fig 10-23

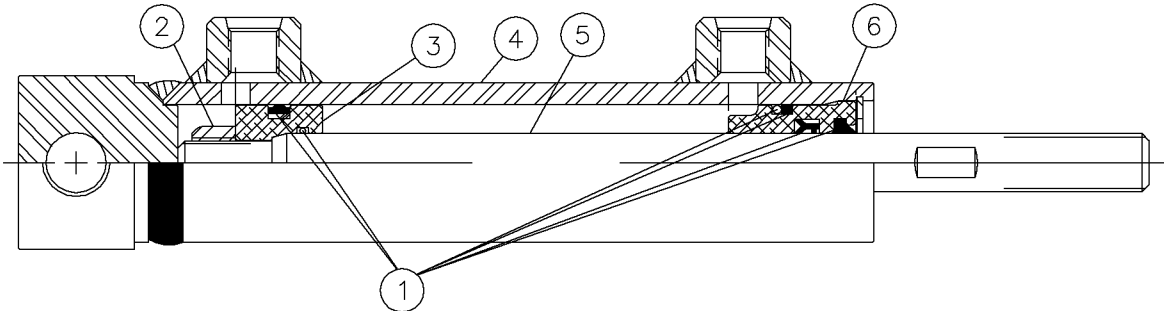




## Rod Loader Lift Cylinder Fig 10-23

REF. NO.	*	PART NO.	DESCRIPTION	QTY.	REMARKS
1		230977003	NUT	1	
2		250494002	HEAD	1	
3		230977007	PISTON	1	
4		250494010	REPAIR KIT	1	
5		250494007	RETAINING RING	1	
6		250494008	SHAFT - (W/ CLEVIS)	1	
7		250494009	BARREL (W/ CLEVIS & PORTS)	1	
		250494001	CYLINDER - 2 X 5"		Inc. All Items In Figure

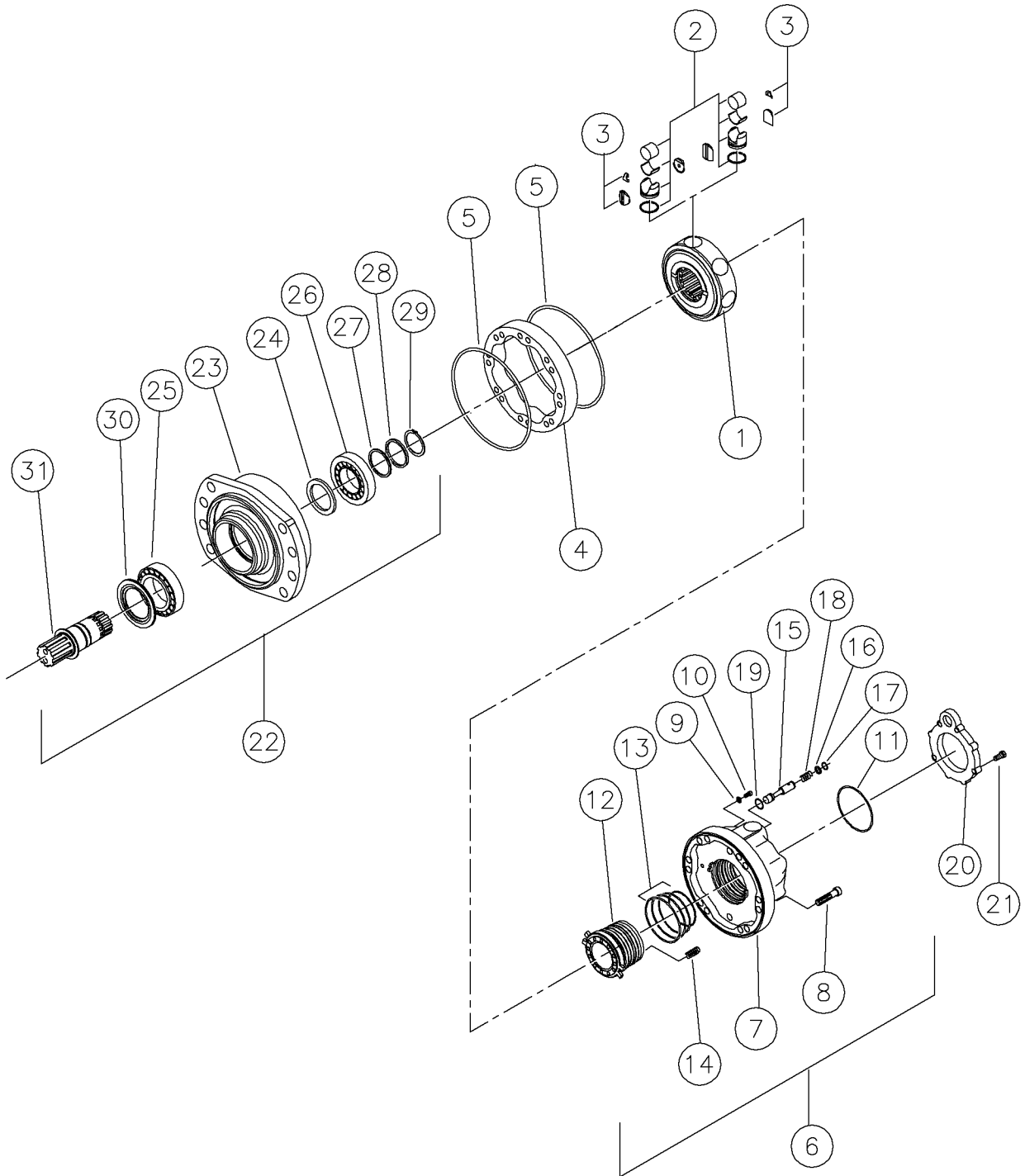
Water Shut Off Cylinder Fig 10-24



## Water Shut Off Cylinder Fig 10-24

REF. NO.	*	PART NO.	DESCRIPTION	QTY.	REMARKS
1		296253308	SEAL KIT	1	
2		296253309	LOCKNUT	1	
3		296253310	PISTON	1	
4		296253311	BARREL ASSEMBLY	1	
5		296253312	ROD	1	
6		296253313	SNAP RING HEAD	1	
		287591001	CYLINDER - 1 X 3-1/2		Includes All Items in Figure

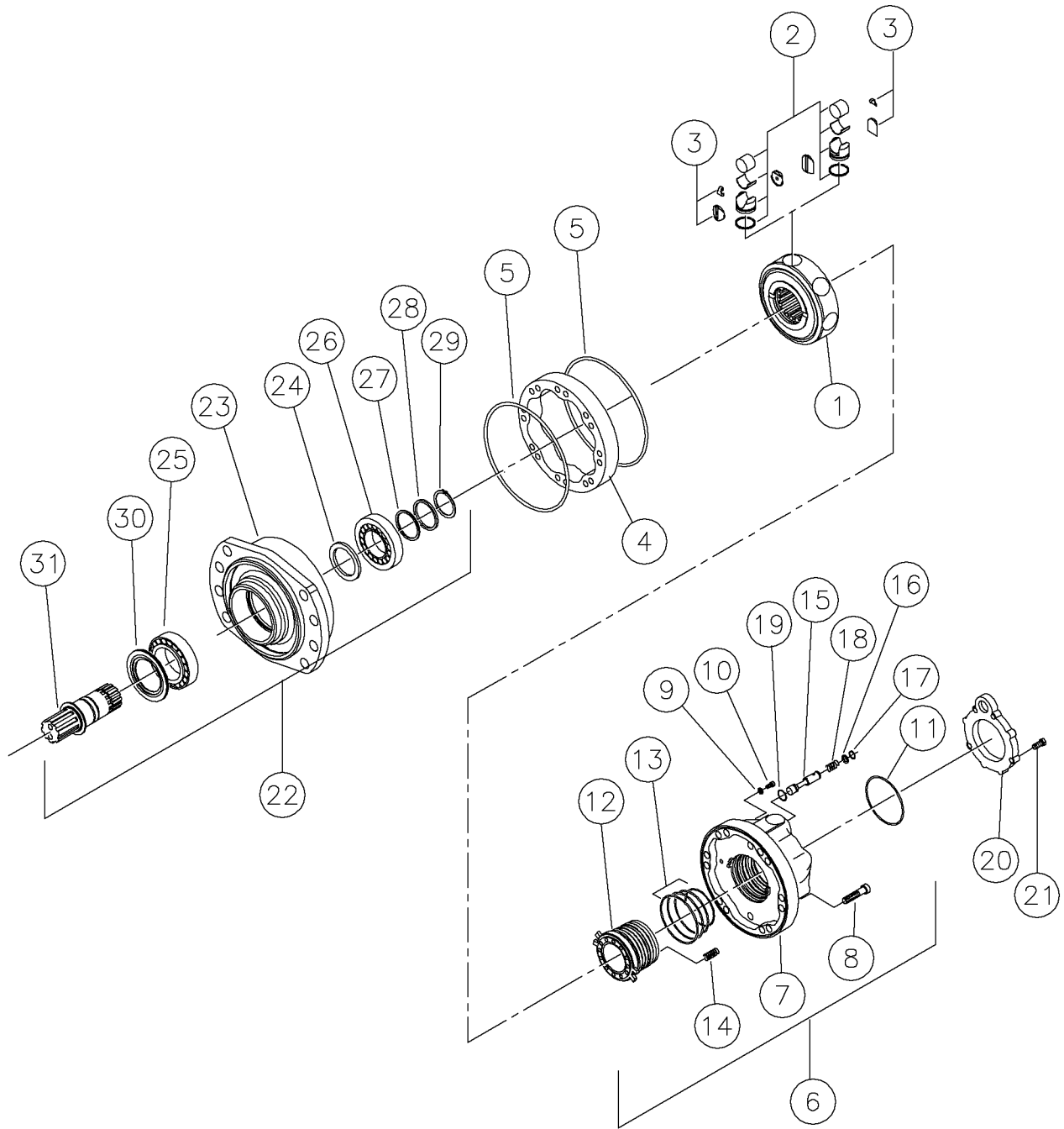
Rotation Hyd Motor Fig 10-25



## Rotation Hyd Motor Fig 10-25

REF. NO.	*	PART NO.	DESCRIPTION	QTY.	REMARKS
1		224897003	CYLINDER BLOCK	1	Inc. Ref. No's 2 & 3
2		224897005	PISTON CL "0"	1	
3		224897017	REPAIR KIT-PISTON	1	
4		208151001	CAM RING	1	Inc. Ref. No. 5
5		256555021	O-RING	2	
6		296278024	VALVING COVER ASSEMBLY	1	Inc. Ref. No's 7-19
7		235790005	VALVING COVER	1	
8		235790007	SCREW	16	
9		608383001	WASHER	2	
10		140255041	SCREW - BOLT	2	
11		608385001	O-RING	1	
12		296278025	VALVING	1	
13		256555027	SEAL KIT	1	
14		84550029	SPRING	8	
15		235790013	VALVE SPOOL	1	
16		235790017	WASHER	1	
17		235790019	SNAP RING	1	
18		235790015	SPRING	1	
19		235790011	O-RING	1	
20		235790021	BACK PLATE	1	Inc. Ref. No. 21
21		235790023	BOLT	6	
22		276258011	BEARING SUPPORT ASSEMBLY	1	Inc. Ref. No's 23-31
23		276258005	BEARING SUPPORT	1	
24		256555011	RUBBER SEAL RING	1	
25		256555007	BEARING	1	
26		256555013	BEARING	1	
27		256555015	SET OF SPUDS	1	
28		256555017	RING	1	
29		208165001	SNAP RING	1	
30		256555005	ENVIRONMENT SEAL	1	
31		276258009	SHAFT	1	
		296273602	MOTOR - HYD 38/19 (MSO8)('G')		Inc. All Items in Figure
		208170001	SEAL KIT-COMPLETE	1	

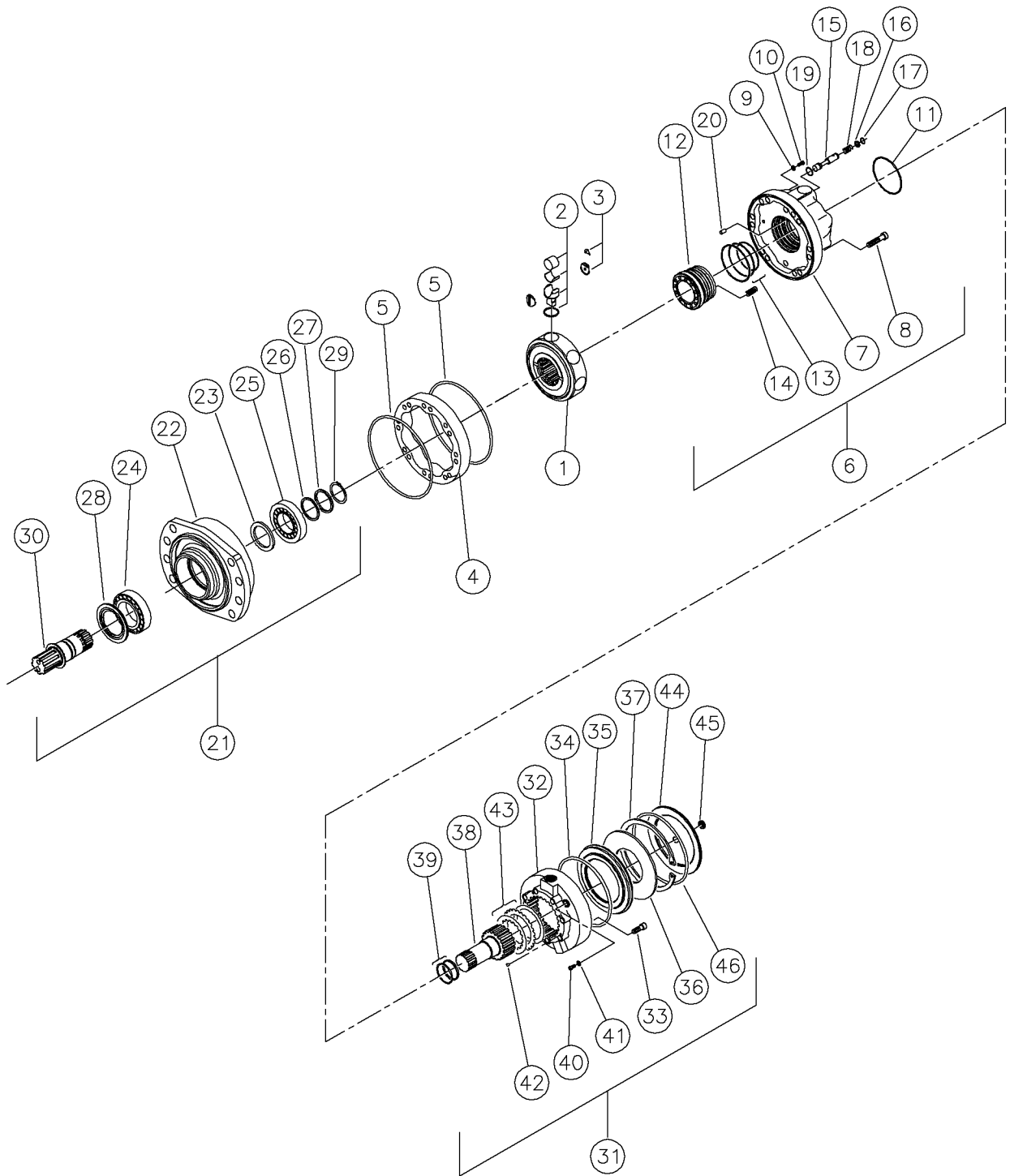
Rotation Hyd Motor Fig 10-26



## Rotation Hyd Motor Fig 10-26

REF. NO.	*	PART NO.	DESCRIPTION	QTY.	REMARKS
1		224897003	CYLINDER BLOCK	1	Inc. Ref. No's 2 & 3
2		224897005	PISTON CL "0"	1	
3		224897017	REPAIR KIT-PISTON	1	
4		208151001	CAM RING	1	Inc. Ref. No. 5
5		256555021	O-RING	2	
6		296278024	VALVING COVER ASSEMBLY	1	Inc. Ref. No's 7-19
7		235790005	VALVING COVER	1	
8		235790007	SCREW	16	
9		608383001	WASHER	2	
10		140255041	SCREW - BOLT	2	
11		608385001	O-RING	1	
12		296278025	VALVING	1	
13		256555027	SEAL KIT	1	
14		84550029	SPRING	8	
15		235790013	VALVE SPOOL	1	
16		235790017	WASHER	1	
17		235790019	SNAP RING	1	
18		235790015	SPRING	1	
19		235790011	O-RING	1	
20		235790021	BACK PLATE	1	Inc. Ref. No. 21
21		235790023	BOLT	6	
22		276258011	BEARING SUPPORT ASSEMBLY	1	Inc. Ref. No's 23-31
23		276258005	BEARING SUPPORT	1	
24		256555011	RUBBER SEAL RING	1	
25		256555007	BEARING	1	
26		256555013	BEARING	1	
27		256555015	SET OF SPUDS	1	
28		256555017	RING	1	
29		208165001	SNAP RING	1	
30		256555005	ENVIRONMENT SEAL	1	
31		276258009	SHAFT	1	
		296273528	MOTOR - HYD - 38/19 (MS08) ('D')		Inc. All Items in Figure
		208170001	SEAL KIT-COMPLETE	1	

Thrust Pullback Hyd Motor W/Brake Fig 10-27

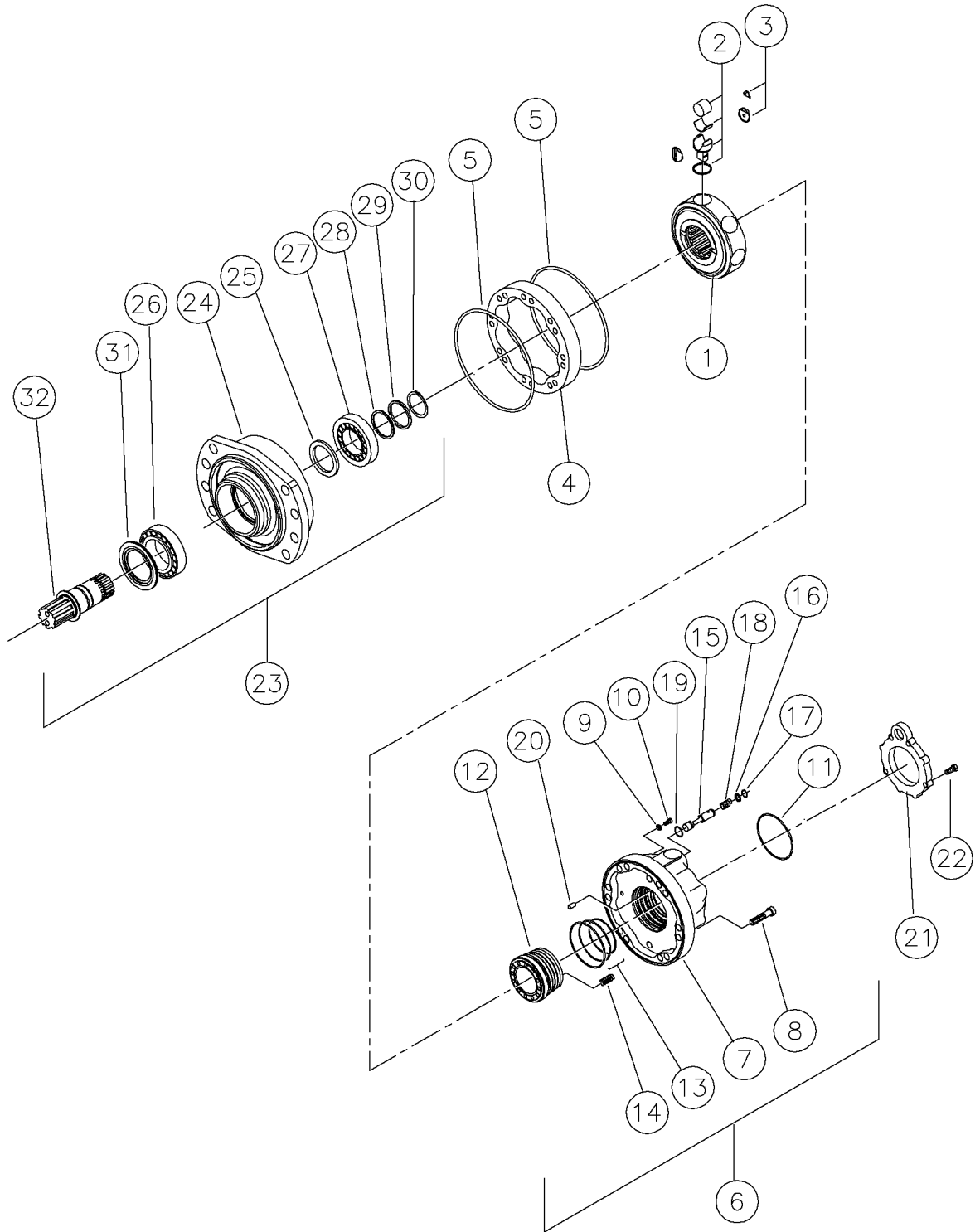




## Thrust Pullback Hyd Motor W/Brake Fig 10-27

REF. NO.	*	PART NO.	DESCRIPTION	QTY.	REMARKS
1		296251786	BLOCK - CYLINDER	1	Inc. Ref. No's 2 & 3
2		296251787	PISTON - CL.O	1	
3		296251789	REPAIR KIT	1	
4		296251790	CAM KIT	1	Inc. Ref. No. 5
5		296272980	O-RING	2	
6		296272981	VALVING COVER	1	Inc. Ref. No's 7-20
7		296272986	VALVING COVER	1	
8		235790007	SCREW	12	
9		608383001	WASHER	2	
10		140255041	SCREW - BOLT	2	
11		296251795	O-RING	1	
12		296251826	VALVE - DISTRIBUTION	1	
13		296251797	SEAL KIT	1	
14		84550029	SPRING	6	
15		296251827	SPOOL - VALVE	1	
16		296251828	WASHER	1	
17		296251829	SNAP RING	1	
18		296251830	SPRING	1	
19		296251831	O-RING	1	
20		296251832	PIN - SPLIT	1	
21		296251800	BEARING SUPPORT ASSEMBLY	1	Inc. Ref. No's 22-30
22		296251801	SUPPORT - BEARING	1	
23		296251802	SEAL - SHAFT	1	
24		296251803	BEARING	1	
25		296251804	BEARING	1	
26		296251805	SHIM KIT	1	
27		296251806	SPACER - BEARING	1	
28		296251807	SNAP RING	1	
29		296251808	SEAL - SHAFT	1	
30		296251809	SHAFT	1	
31		296272982	DISC BRAKE	1	Inc. Ref. No's 32-46
32		296272983	BRAKE BODY	1	
33		296251812	BOLT - M1 - X10	8	
34		296272984	O-RING	1	
35		296251814	PISTON - BRAKE	1	
36		296251815	WASHER-BELVILLE	1	
37		296251816	SNAP RING	1	
38		296251817	SHAFT - BRAKE	1	
39		296251818	SEAL KIT-BRAKE	1	
40		140255041	SCREW - BOLT	2	
41		608383001	WASHER	2	
42		296272985	BALL	6	
43		296251819	DISC KIT - BRAKE	1	
44		296251820	COVER - BRAKE	1	
45		608498001	PLUG	1	
46		296251821	O-RING	1	
		296273526	MOTOR - HYD 38/19 (MS05) W/BRAKE		Inc. All Items in Figure

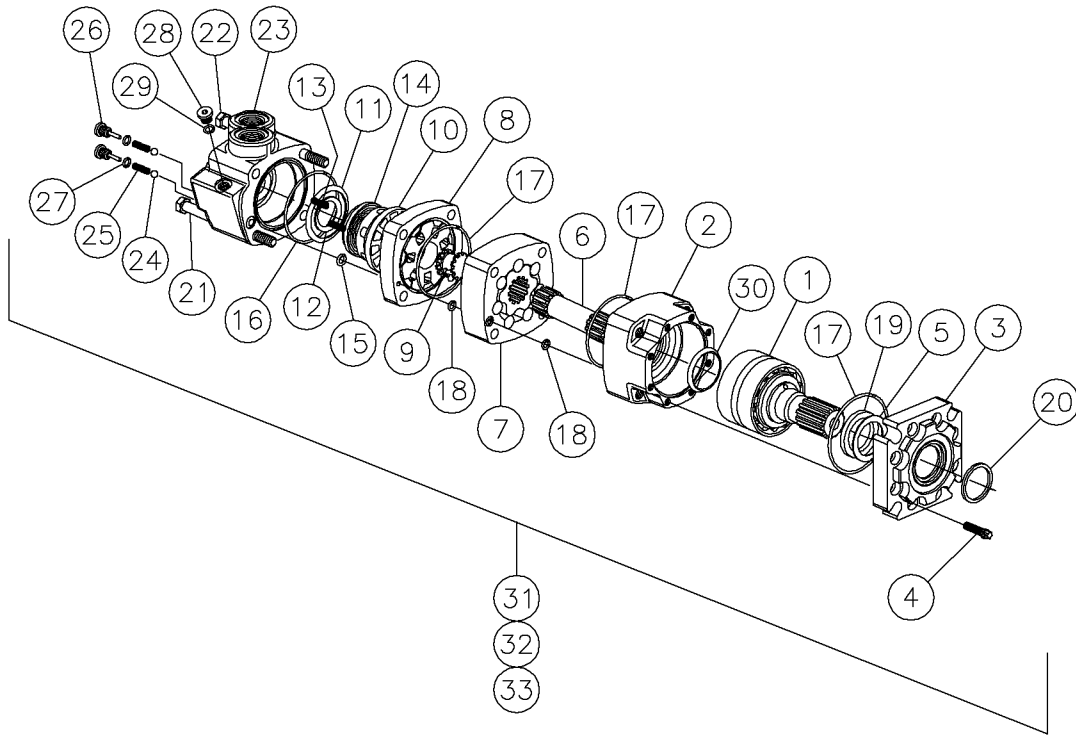
Thrust Pullback Hyd Motor Fig 10-28



## Thrust Pullback Hyd Motor Fig 10-28

REF. NO.	*	PART NO.	DESCRIPTION	QTY.	REMARKS
1		296251786	BLOCK - CYLINDER	1	Inc. Ref. No's 2 & 3
2		296251787	PISTON - CL.O	1	
3		296251789	REPAIR KIT	1	
4		296251790	CAM KIT	1	Inc. Ref. No. 5
5		296272980	O-RING	2	
6		296272981	VALVING COVER ASSEMBLY	1	Inc. Ref. No's 7-20
7		296272982	VALVING COVER	1	
8		235790007	SCREW	12	
9		608383001	WASHER	2	
10		140255041	SCREW - BOLT	2	
11		296251795	O-RING	1	
12		296251826	VALVE - DISTRIBUTION	1	
13		296251797	SEAL KIT	1	
14		84550029	SPRING	6	
15		296251827	SPOOL - VALVE	1	
16		296251828	WASHER	1	
17		296251829	SNAP RING	1	
18		296251830	SPRING	1	
19		296251831	O-RING	1	
20		296251832	PIN - SPLIT	1	
21		296251833	PLATE - BACK	1	Inc. Ref. No. 22
22		296251834	BOLT - M10X30	4	
23		296251800	BEARING SUPPORT ASSEMBLY	1	Inc. Ref. No's 24-32
24		296251801	SUPPORT - BEARING	1	
25		296251802	SEAL - SHAFT	1	
26		296251803	BEARING	1	
27		296251804	BEARING	1	
28		296251805	SHIM KIT	1	
29		296251806	SPACER - BEARING	1	
30		296251807	SNAP RING	1	
31		296251808	SEAL - SHAFT	1	
32		296251809	SHAFT	1	
		296273527	MOTOR - HYD 38/19 (MS05)		Inc. All Items in Figure

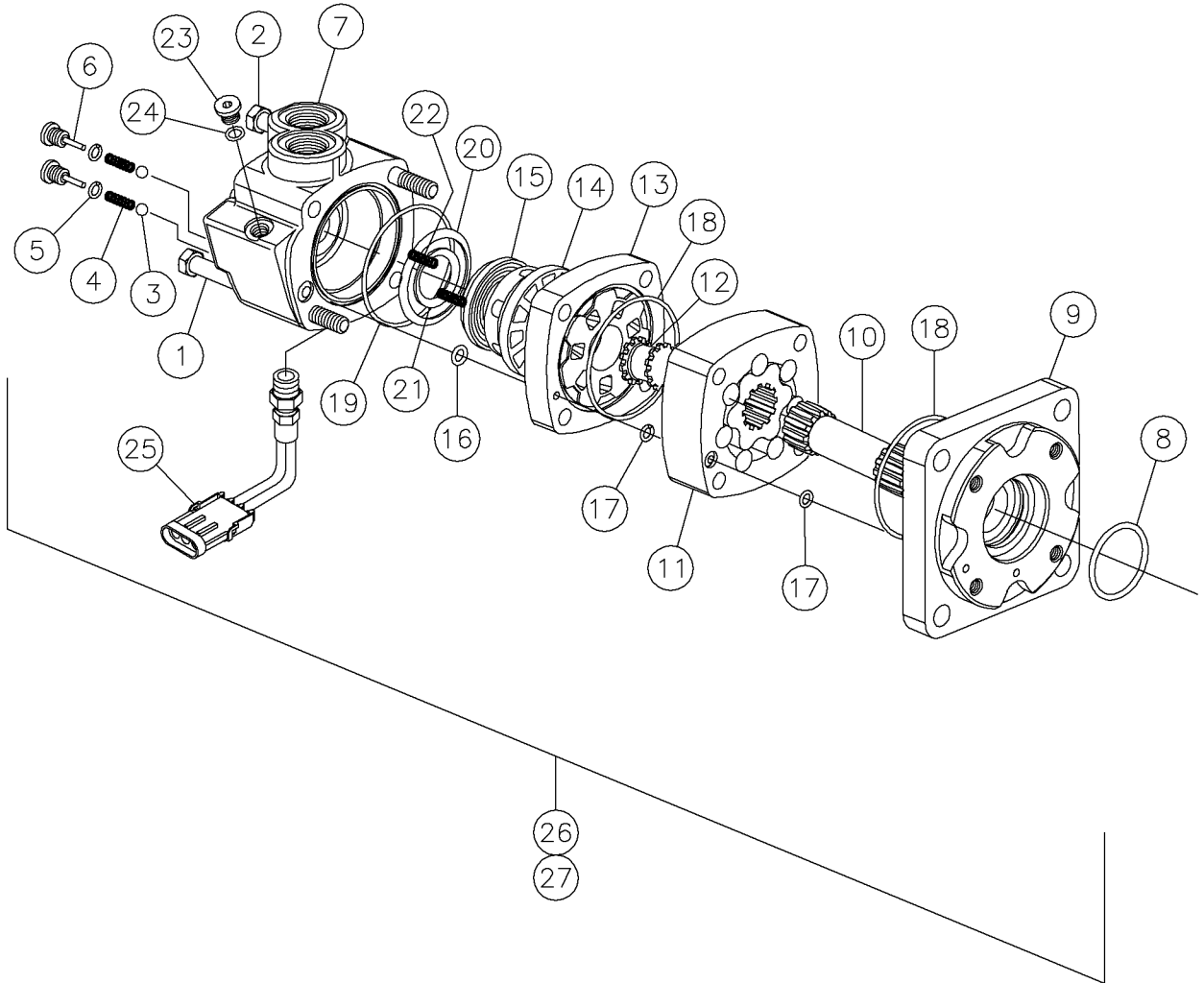
Track Drive Motor Fig 10-29r01



## Track Drive Motor Fig 10-29r01

REF NO.	*	PART NO.	DESCRIPTION	QTY.	REMARKS
		Revision Date	March, 2006		Update In Illustration & Parts List.
1		251105003	SHAFT - AND BEARING KIT	1	1.25 SPLINE - 14T
2		13514011	HOUSING-BEARING 8487	1	
3		13514009	SHAFT & BEARING KIT 8709-1	1	
4		57982013	SCREW	8	
5		775011	WASHER-BACKUP 6943	1	
6		251105005	DRIVE - MAIN	1	
7		NSS	GEROLER	1	
8		600076017	PLATE - VALVE	1	
9		600076019	VALVE	1	
10		600076021	VALVE	1	
11		775041	SEAL-OUTER FACE 6962	1	
12		775043	SEAL-FACE INNER 6961	1	
13		224408017	SPRING	2	
14		53853017	BALANCE RING&PINS 21316CHARLYN	1	
15		4485011	O-RING-250003-903 (90D)	2	
16		775049	SEAL-9022-7	1	
17		13514033	SEAL-3 1/2 ID	3	
18		215338009	SEAL	2	
19		53853005	SEAL-SHAFT 9057-12 CHAR-LYNN	1	
20		53853003	SEAL-DUST 9031-1 CHAR-LYNN	1	
21		251105007	SCREW - CAP	3	
22		251109009	SCREW-CAP	1	
23		57982023	VALVE-HOUSING ASSY	1	
24		224408035	BALL	2	
25		224408037	SPRING	2	
26		224408039	PLUG/O-RING S/A	2	
27		4485011	O-RING-250003-903 (90D)	2	
28		120872025	HEX PLUG	1	
29		1749025	SEAL-O RING 15007 (90D)	1	
30		600076033	SEAL - SHAFT FACE	1	
31		53853027	REPAIR KIT-MOTOR 61234 CHARLYN	1	INC REF 11,12,15,16,18,27,29
32		53853025	REPAIR KIT-SHAFT 61236 CHARLYN	1	INC REF 5, 17, 19, 20, 28
33		251105001	MOTOR-7.9 CID 4000 SERIES HYD.	1	INC ALL ITEMS IN THIS FIG
		NSS	NOT SOLD SEPARATELY		

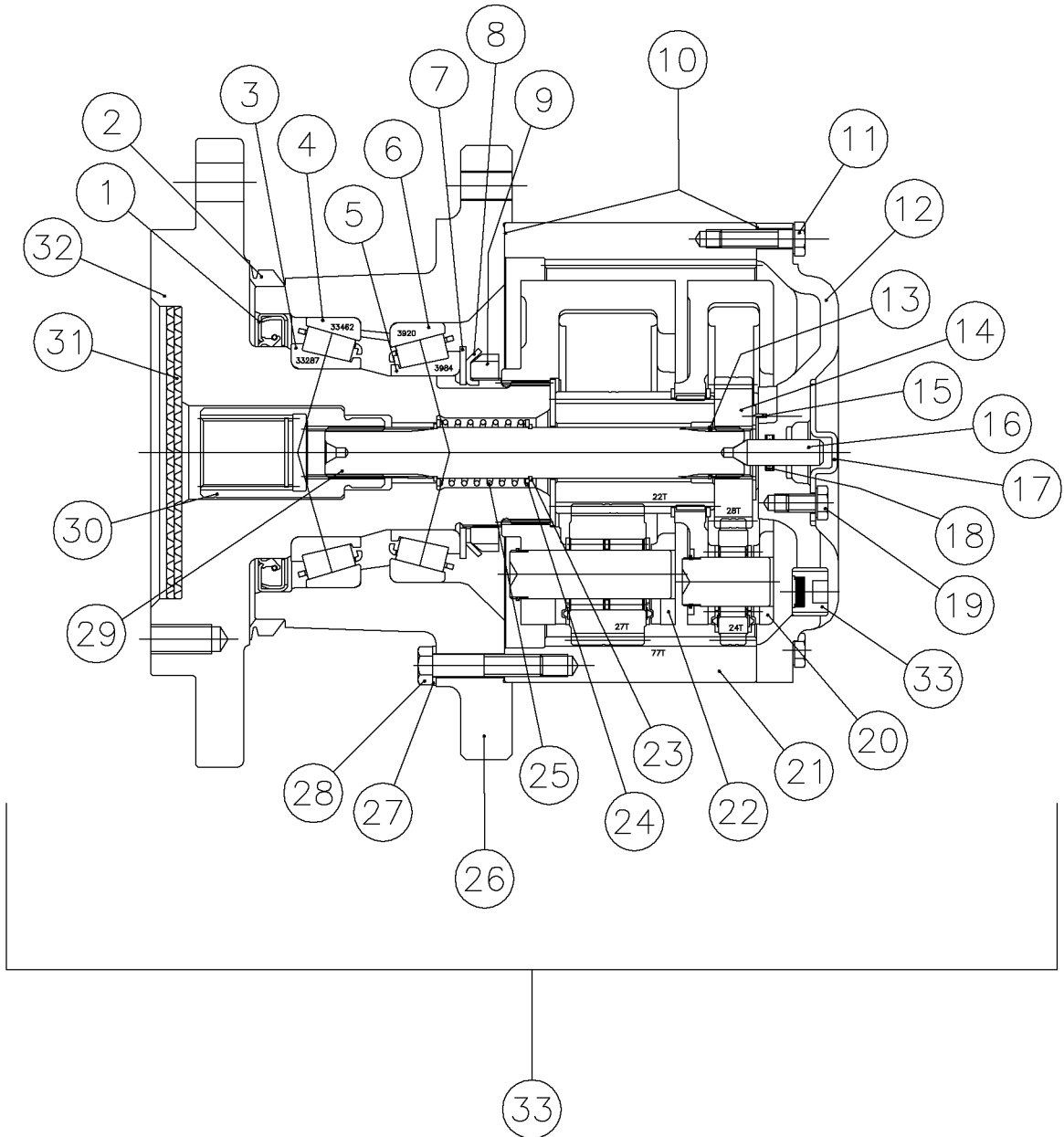
Track Drive Motor Fig 10-29



## Track Drive Motor Fig 10-29

REF. NO.	*	PART NO.	DESCRIPTION	QTY.	REMARKS
1		13514027	BOLT-14386-007	3	
2		13514025	BOLT-14386-009	1	
3		224408035	BALL	2	
4		224408037	SPRING	2	
5		4485011	O-RING-250003-903 (90D)	2	
6		224408039	PLUG/O-RING S/A	2	
7		251106007	HOUSING - VALVE	1	
8		215338003	SEAL	1	
9		251106003	FLANGE - MOUNTING	1	
10		217192005	DRIVE	1	
11			GEROLER	1	NSS
12		600076019	VALVE	1	
13		600076017	PLATE - VALVE	1	
14		600076021	VALVE	1	
15		53853017	BALANCE RING&PINS 21316CHARLYN	1	
16		4485011	O-RING-250003-903 (90D)	2	
17		215338009	SEAL	2	
18		13514033	SEAL-3 1/2 ID	2	
19		775049	SEAL-9022-7	1	
20		775041	SEAL-OUTER FACE 6962	1	
21		775043	SEAL-FACE INNER 6961	1	
22		224408017	SPRING	2	
23		120872025	HEX PLUG	1	
24		1749025	SEAL-O RING 15007 (90D)	1	
25		251106009	SPEED PICKUP - ELECTRONIC	1	
26		251106005	SEAL KIT	1	(INC REF 5, 16, 17, 19-24, 24)
27		251106001	MOTOR -12.5 CID 4000 SERIES HY	1	(INC ALL ITEMS IN THIS FIG)
			NSS-NOT SOLD SEPARATELY		

Planetary Gearbox Fig 10-30

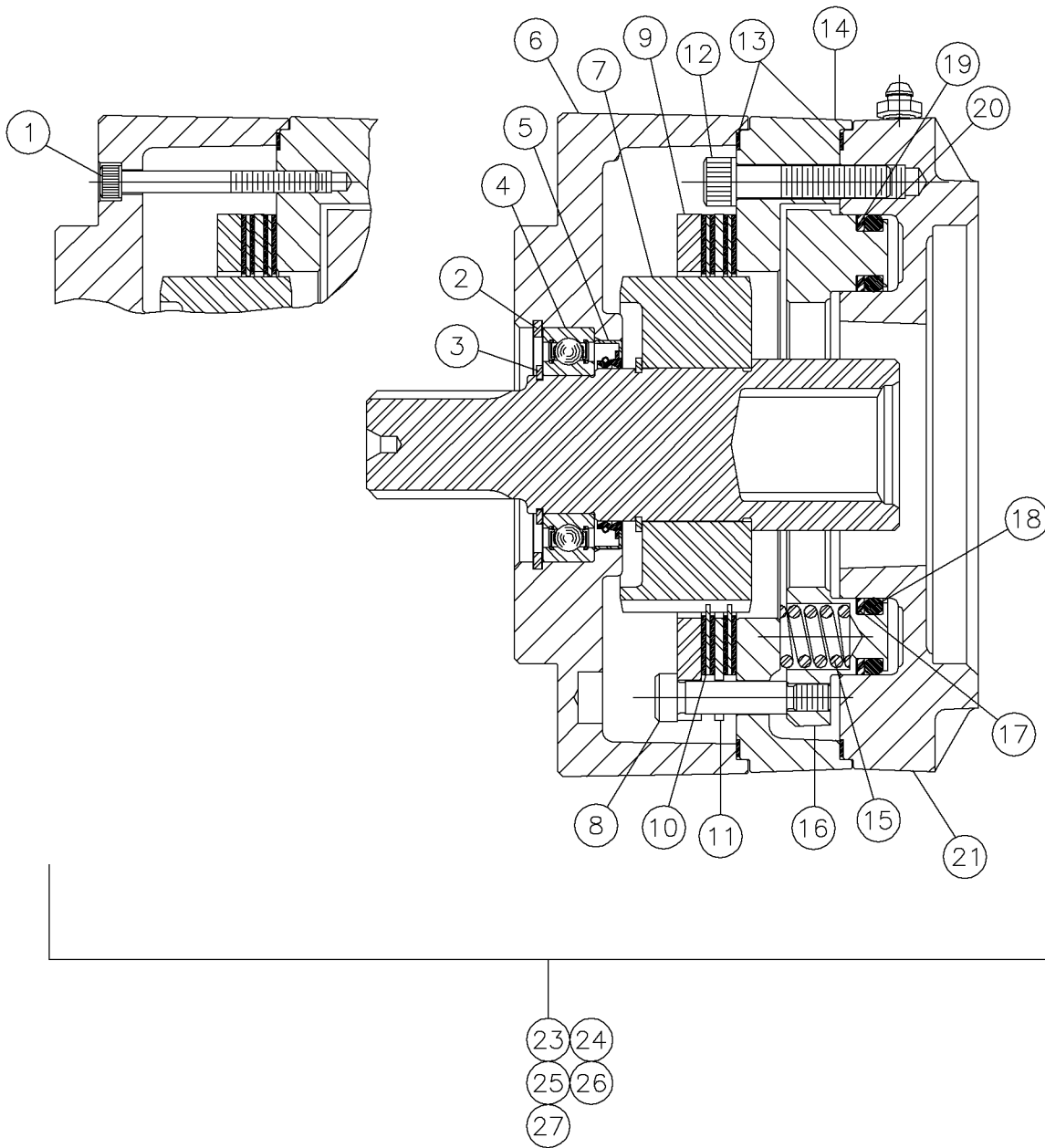




## Planetary Gearbox Fig 10-30

REF. NO.	*	PART NO.	DESCRIPTION	QTY.	REMARKS
1		244405057	SEAL - OIL	1	
2		244405055	SEAL - V RING	1	
3		244405053	BEARING - CONE	1	
4		244405051	BEARING - CUP	1	
5		244405049	BEARING - CONE	1	
6		244405047	BEARING - CUP	1	
7		244405045	WASHER - THRUST	1	
8		244405043	WASHER - LOCK	1	
9		244405041	NUT - LOCK	1	
10		244405039	COMPOUND - SEALING	2	
11		221652037	BOLT	8	
12		244405037	COVER	1	
13		244405035	RING - RETAINING	1	
14		244405033	GEAR - PRI SUN	1	
15		244405031	WASHER - THRUST	1	
16		244405029	PLUNGER	1	
17		244405027	COVER - DISENGAGE	1	
18		244405025	O-RING	1	
19		244405023	BOLT - HEX HEAD	2	
20		244405021	ASSEMBLY - PRI CARRIER	1	
21		244405019	GEAR - RING	1	
22		244405017	ASSEMBLY - SEC CARRIER	1	
23		244405015	RING - RETAINING	2	
24		244405013	WASHER - THRUST	2	
25		244405011	SPRING - DISENGAGE	1	
26		244405009	HUB	1	
27		221652013	WASHER	18	
28		221652011	BOLT	18	
29		244405007	SHAFT - IMPUT	1	
30		244405005	COUPLING	1	
31		244405003	SPINDLE	1	
32		221652035	MAGNETIC PLUG	1	
33		244405001	GEARBOX - PLANETARY 7WC14150ZX	1	INC ALL ITEMS IN THIS FIG

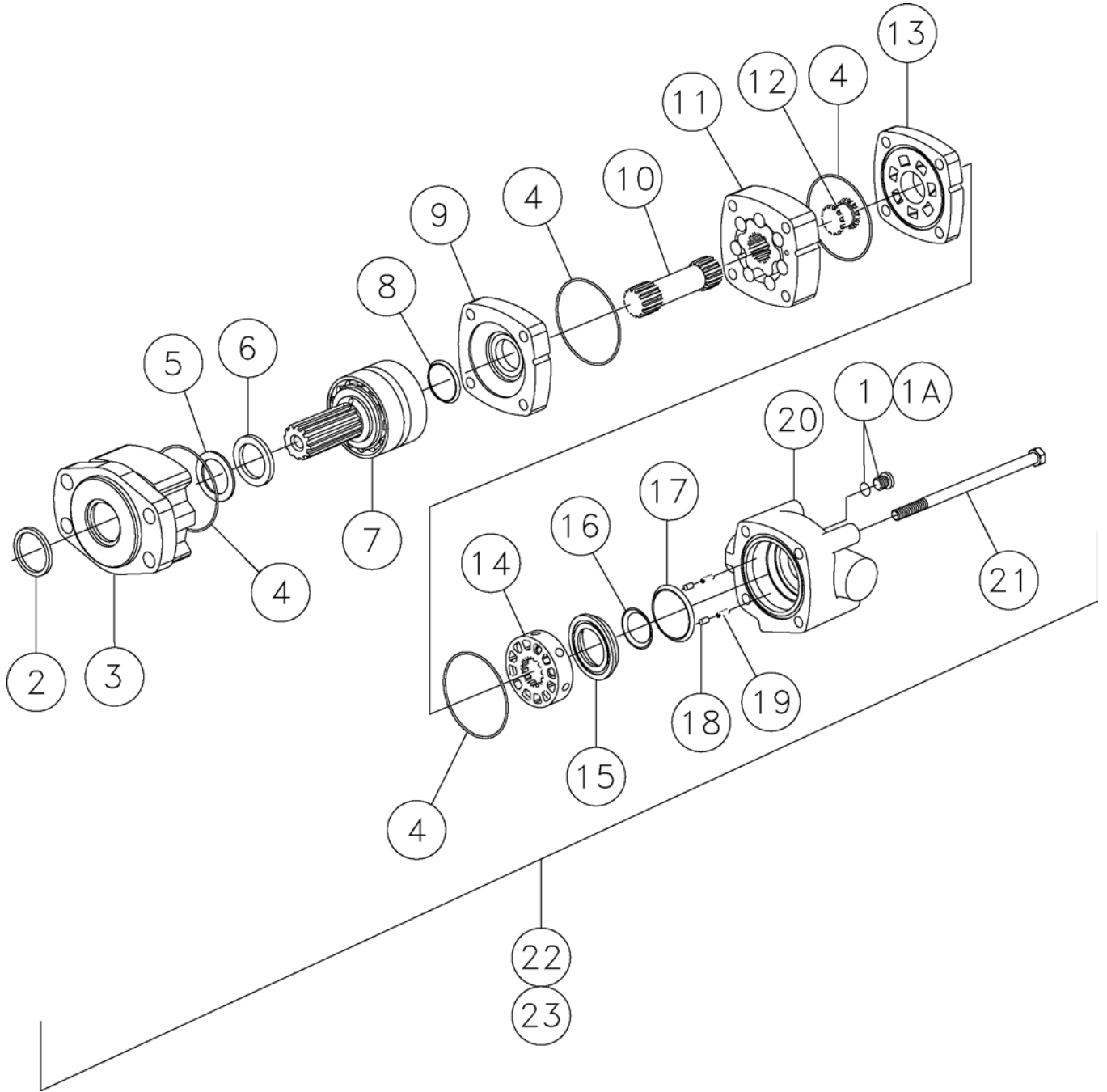
Park Brake Gearbox Fig 10-31



## Park Brake Gearbox Fig 10-31

REF. NO.	*	PART NO.	DESCRIPTION	QTY.	REMARKS
1			BOLT-SOCKET HEAD	2	NSS
2			RING-RETAINING	1	NSS
3			RING-RETAINING	1	NSS
4			BEARING	1	NSS
5			SEAL-OIL	1	NSS
6			COVER	1	NSS
7			SPLINE SHAFT ASSY	4	NSS
8			BOLT-SOCKET HEAD SHOULDER	4	NSS
9			DISC-PRIMARY	1	NSS
10			DISC-ROTOR	5	NSS
11			DISC-STATOR	4	NSS
12			SCREW-SOCKET HEAD CAP	4	NSS
13			GASKET	2	NSS
14			PLATE-SPRING	1	NSS
15			SPRING	8	NSS
16			PISTON	1	NSS
17			BACK-UP RING	1	NSS
18			O-RING	1	NSS
19			BACK-UP RING	1	NSS
20			O-RING	1	NSS
21			PLATE-PRESSURE	1	NSS
22			PIN-DOWEL	2	NSS (NOT SHOWN)
23		278785003	O-RING & BACK UP RING KIT	1	(INC REF 5,13,17-20&LOCTITE)
24		278785005	STANDARD TORQUE LINING KIT	1	(INC REF 4, 5, 13&LOCTITE)
25		278785007	BEARING KIT	1	(INC REF 13, 15&LOCTITE)
26		278785009	SPRING KIT	1	(INC REF 9-11, 13&LOCTITE)
27		278785001	BRAKE-TRACK DRIVE PARK	1	(INC ALL ITEMS IN THIS FIG)
			NSS-NOT SOLD SEPARATELY		

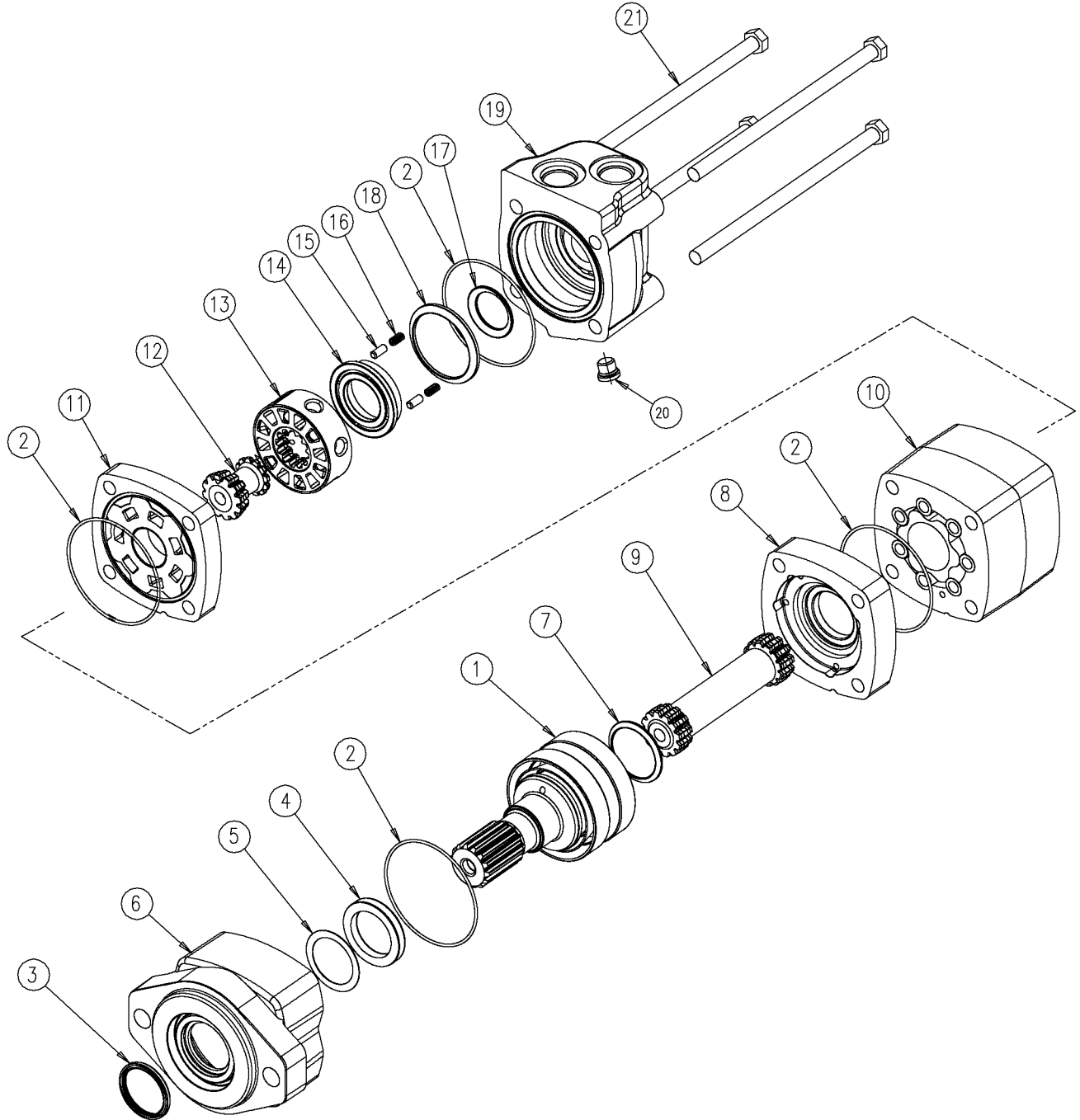
Rod Loader Hyd Motor Fig 10-32r01



## Rod Loader Hyd Motor Fig 10-32r01

REF NO.	*	PART NO.	DESCRIPTION	QTY.	REMARKS
		Revision Date	March, 2006		Update In Illustration & Parts List.
1		4485021	PLUG ASSY-9072-3	1	
1A		4485023	O-RING-250003-904	1	
2		770071	SEAL-DUST # 9121-1	1	
3		246413003	HOUSING - 4 BOLT MAGNET0	1	
4		770007	SEAL-O RING 9022-6	4	
5		770009	WASHER-BACKUP 7382	1	
6		770075	SEAL-SHAFT # 9057-9	1	
7		770099	SHAFT&BEARING KIT- #21618-2	1	INC REF 7A-7E
7A		NSS	SHAFT-OUTPUT	1	
7B		NSS	CONE-BEARING	2	
7C		NSS	CUP-BEARING	2	
7D		NSS	SPACER-BEARING	1	
7E		NSS	RING-RETAINING	1	
8		772003	KEY-5/16X5/16X1 1/4 14352	1	
9		770017	SEAL-SHAFT FACE 9050	1	
10		770079	PLATE-WEAR # 21623	1	
11		70020003	DRIVE- # 21371-7	1	
12		NSS	GEROLER ASSEMBLY	1	
13		774011	DRIVE-VALVE 8433	1	
14		770085	PLATE-VALVE # 21622	1	
15		770087	VALVE- # 21466	1	
16		770089	PLATE-BALANCE #8915	1	
17		770057	SEAL-FACE INNER 9049-1	1	
18		770091	SEAL-FACE OUTER #9135-2	1	
19		770037	PIN-14351	2	
20		770039	SPRING-7383	2	
21		246413005	HOUSING-VALVE(#10ENDPTS,#4CASE	1	
22		70020007	BOLT- #14384-012	4	
23		770097	REPAIR KIT- #61258	1	INC REF 2, 4-6, 9, 17, 18
		296275142	MOTOR- HYD 2000	1	INC ALL ITEMS IN THIS FIG
		NSS	NOT SOLD SEPARATELY		

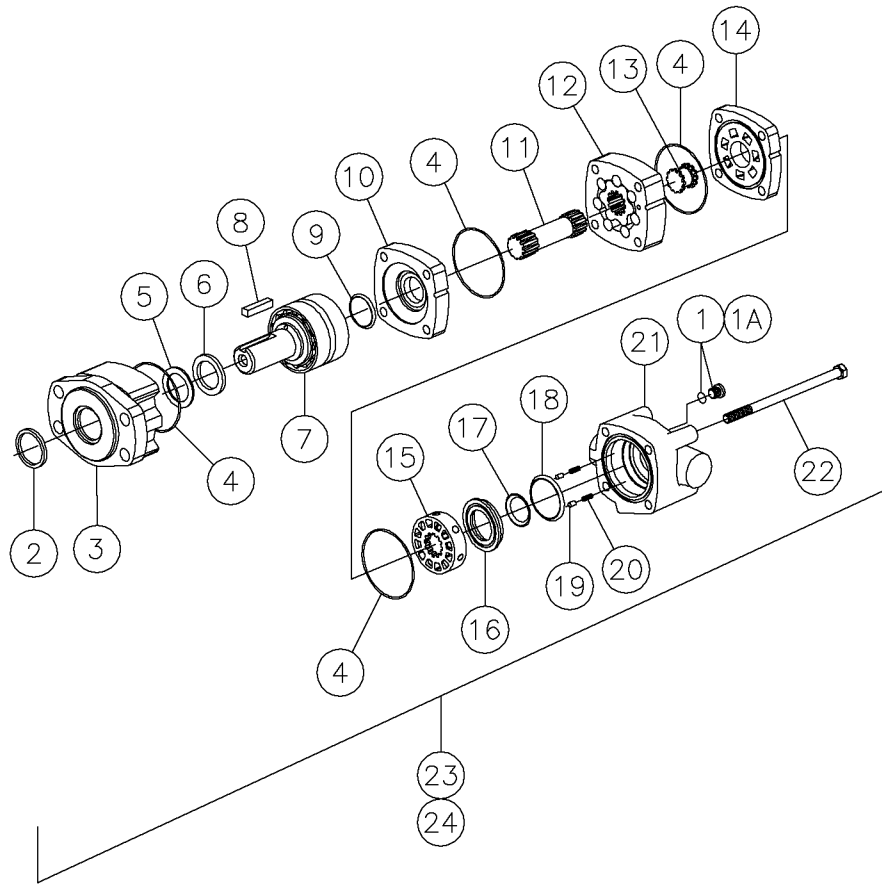
Rod Loader Hyd Motor Fig 10-32x01



## Rod Loader Hyd Motor Fig 10-32x01

REF. NO.	*	PART NO.	DESCRIPTION	QTY.	REMARKS
		Revision Date	April, 2006		Update In Illustration & Parts List.
1		180005753	SHAFT-SUB ASSY	1	
2		770007	SEAL-O RING 9022-6	4	
3		770071	SEAL-DUST # 9121-1	1	
4		296285188	SEAL-SHAFT	1	
5		260576013	WASHER-BACKUP	1	
6		26285189	HOUSING-BEARING	1	
7		296271183	SHAFT - SHAFT FACE	1	
8		180005755	PLATE WEAR	1	
9		180005756	DRIVE	1	
10		296285190	GEROLD SUB-ASSY	1	
11		180005757	PLATE - VALVE	1	
12		180005758	DRIVE - VALVE	1	
13		243316017	VALVE	1	
14		770089	PLATE-BALANCE #8915	1	
15		243316023	PIN	2	
16		770039	SPRING-7383	2	
17		770057	SEAL-FACE INNER 9049-1	1	
18		770091	SEAL-FACE OUTER #9135-2	1	
19		770093	HOUSING-(SAE 10 PORTS)#21564-1	1	
20		180005760	PLUG - SUB ASSY	1	
21		180005761	SCREW-CAP	4	
		296287807	MOTOR-HYD. 4K COMPACK		Inc. All Items In Figure
		296285191	SEAL KIT		

Rod Loader Hyd Motor Fig 10-32

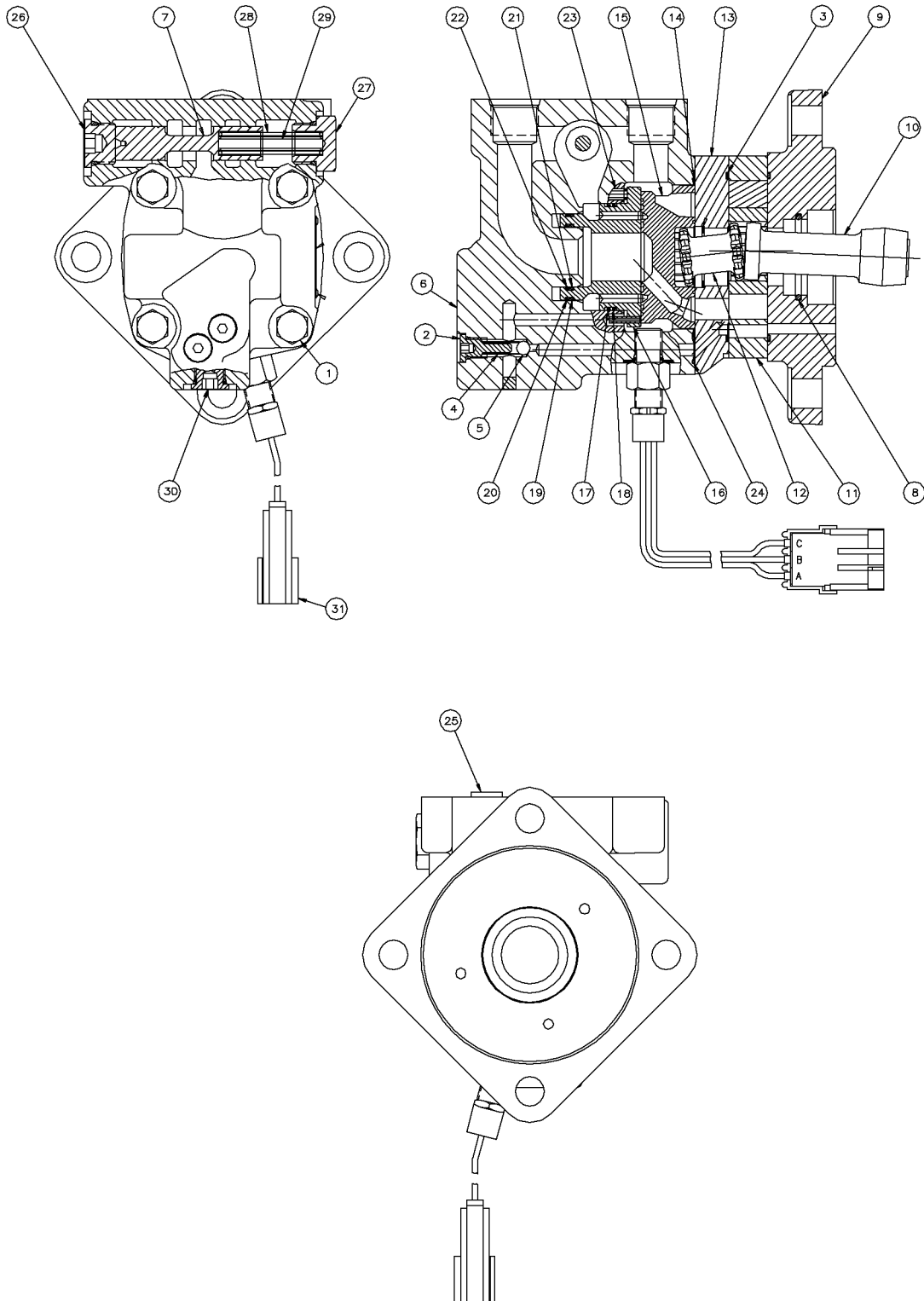




## Rod Loader Hyd Motor Fig 10-32

REF. NO.	*	PART NO.	DESCRIPTION	QTY.	REMARKS
1		4485021	PLUG ASSY-9072-3	1	
1A		4485023	O-RING-250003-904	1	
2		770071	SEAL-DUST # 9121-1	1	
3		246413003	HOUSING - 4 BOLT MAGNETO	1	
4		770007	SEAL-O RING 9022-6	4	
5		770009	WASHER-BACKUP 7382	1	
6		770075	SEAL-SHAFT # 9057-9	1	
7		770099	SHAFT&BEARING KIT- #21618-2	1	(INC REF 7A-7E)
7A			SHAFT-OUTPUT	1	NSS
7B			CONE-BEARING	2	NSS
7C			CUP-BEARING	2	NSS
7D			SPACER-BEARING	1	NSS
7E			RING-RETAINING	1	NSS
8		772003	KEY-5/16X5/16X1 1/4 14352	1	
9		770017	SEAL-SHAFT FACE 9050	1	
10		770079	PLATE-WEAR # 21623	1	
11		70020003	DRIVE- # 21371-7	1	
12			GEROLER ASSEMBLY	1	NSS
13		774011	DRIVE-VALVE 8433	1	
14		770085	PLATE-VALVE # 21622	1	
15		770087	VALVE- # 21466	1	
16		770089	PLATE-BALANCE #8915	1	
17		770057	SEAL-FACE INNER 9049-1	1	
18		770091	SEAL-FACE OUTER #9135-2	1	
19		770037	PIN-14351	2	
20		770039	SPRING-7383	2	
21		246413005	HOUSING-VALVE(#10ENDPTS,#4CASE	1	
22		70020007	BOLT- #14384-012	4	
23		770097	REPAIR KIT- #61258	1	(INC REF 2, 4-6, 9, 17, 18)
24		246413001	MOTOR- HYD 2000	1	(INC ALL ITEMS IN THIS FIG)
			NSS-NOT SOLD SEPARATELY		

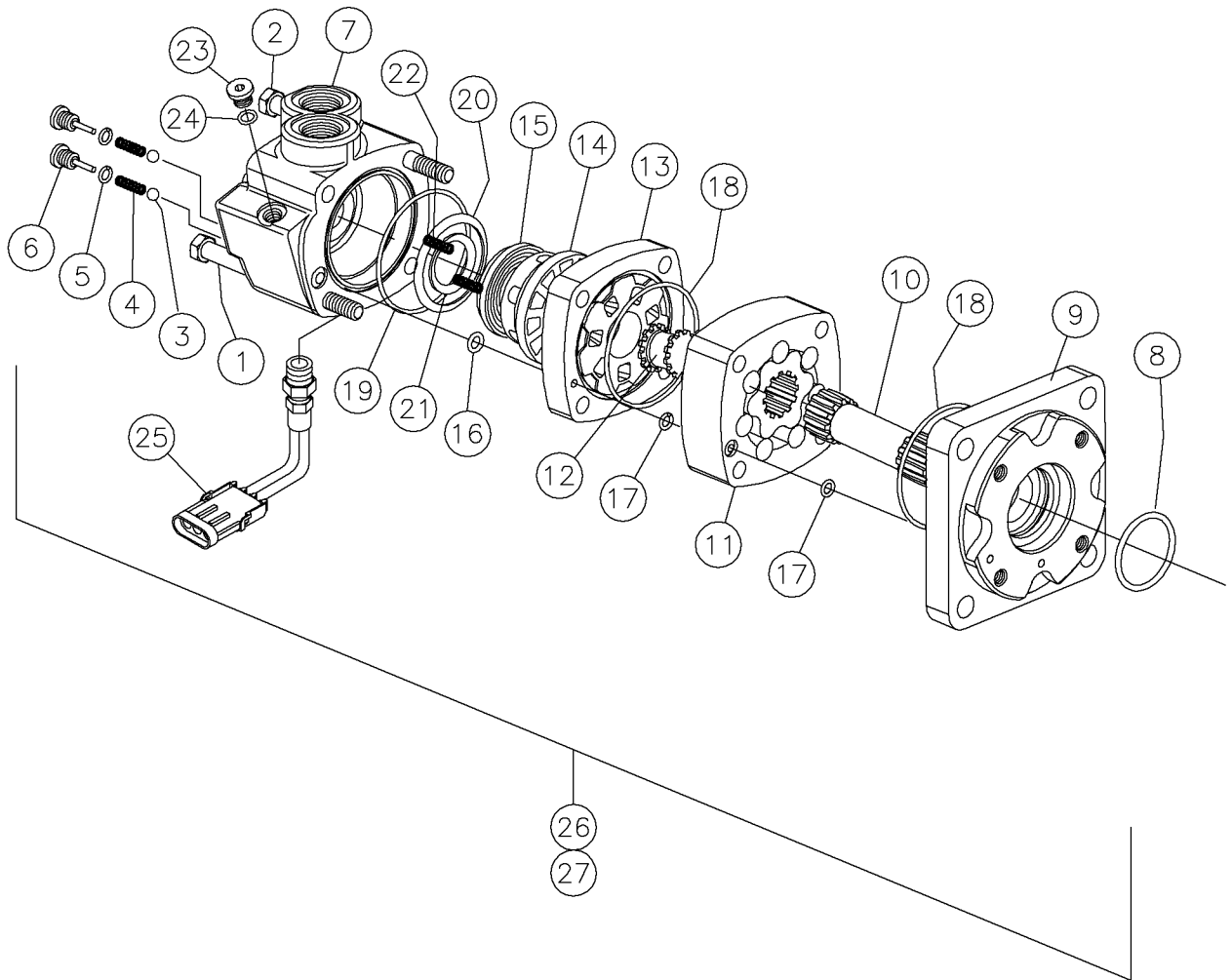
Hyd Motor(Aplex) Fig 10-33



## Hyd Motor(Aplex) Fig 10-33

REF. NO.	*	PART NO.	DESCRIPTION	QTY.	REMARKS
1		771017	BOLT	4	
2		4485015	CHECKING PLUG ASSY.	2	
3	*	4485011	O-RING-250003-903 (90D)	2	
4	*	770007	SEAL-O RING 9022-6	2	
5	*	770051	SPRING	2	
6	*	275996003	HOUSING	1	
7		20166043	SPOOL-CONTROL	1	
8		221557007	SEAL-O-RING	1	
9		221557009	FLANGE-MOUNTING (BEARING LESS)	1	
10		770081	DRIVE	1	
11		NSS	GEROLER ASSY.	1	
12		774011	DRIVE-VALVE	1	
13	*	275996002	PLATE - VALVE	1	
14		201666009	SEAL	1	
15		220749003	VALVE	1	
16		201666013	RING ASSY.-BALANCING	1	
		201666015	PIN-SPRING	2	
17		201666023	O-RING	1	
18		201666021	RING-BACKUP	2	
19		201666025	O-RING	1	
20		201666027	RING-BACKUP	1	
21		201666017	O-RING	1	
22		201666019	RING-BACKUP	1	
23		770039	SPRING	1	
24		1749025	SEAL-O-RING	1	
25		4485021	PLUG ASSY.	1	
		4485023	O-RING	1	
26		66845001	PLUG ASSY.	1	
		4343031	O-RING	1	
27		201666035	PLUG-ASSY.	1	
		4343031	O-RING	1	
28		201666041	SPRING-COMPRESSION	1	
29		201666039	SPRING-COMPRESSION	1	
30	*	500659021	SAE PLUG	1	
31	*	251106009	SPEED PICKUP - ELECTRONIC	1	
		275996001	MOTOR - HYD. (EATON) 2 SP.		Inc Ref No's 1-29
		221557003	REPAIR KIT		Inc Ref No's 3, 8, 14, 17-22 & 25-27

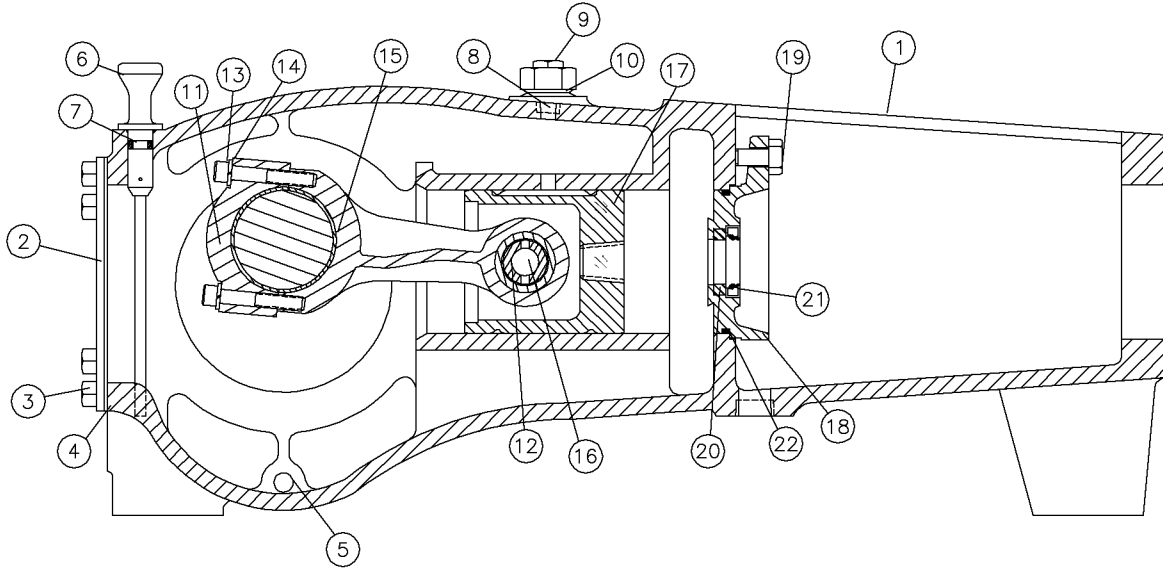
Hyd Motor(FMC) Fig 10-34



## Hyd Motor(FMC) Fig 10-34

REF. NO.	*	PART NO.	DESCRIPTION	QTY.	REMARKS
1		13514027	BOLT-14386-007	3	
2		13514025	BOLT-14386-009	1	
3		224408035	BALL	2	
4		224408037	SPRING	2	
5		4485011	O-RING-250003-903 (90D)	2	
6		224408039	PLUG/O-RING S/A	2	
7		251106007	HOUSING - VALVE	1	
8		215338003	SEAL	1	
9		251106003	FLANGE - MOUNTING	1	
10		217192005	DRIVE	1	
11			GEROLER	1	Not Sold Separately
12		600076019	VALVE	1	
13		600076017	PLATE - VALVE	1	
14		600076021	VALVE	1	
15		53853017	BALANCE RING&PINS 21316CHARLYN	1	
16		4485011	O-RING-250003-903 (90D)	2	
17		215338009	SEAL	2	
18		13514033	SEAL-3 1/2 ID	2	
19		775049	SEAL-9022-7	1	
20		775041	SEAL-OUTER FACE 6962	1	
21		775043	SEAL-FACE INNER 6961	1	
22		224408017	SPRING	2	
23		120872025	HEX PLUG	1	
24		1749025	SEAL-O RING 15007 (90D)	1	
25		251106009	SPEED PICKUP - ELECTRONIC	1	
26		251106005	SEAL KIT	1	(INC REF 5, 16, 17, 19-21, 24)
27		251106001	MOTOR -12.5 CID 4000 SERIES HY	1	(INC ALL ITEMS IN THIS FIGURE)

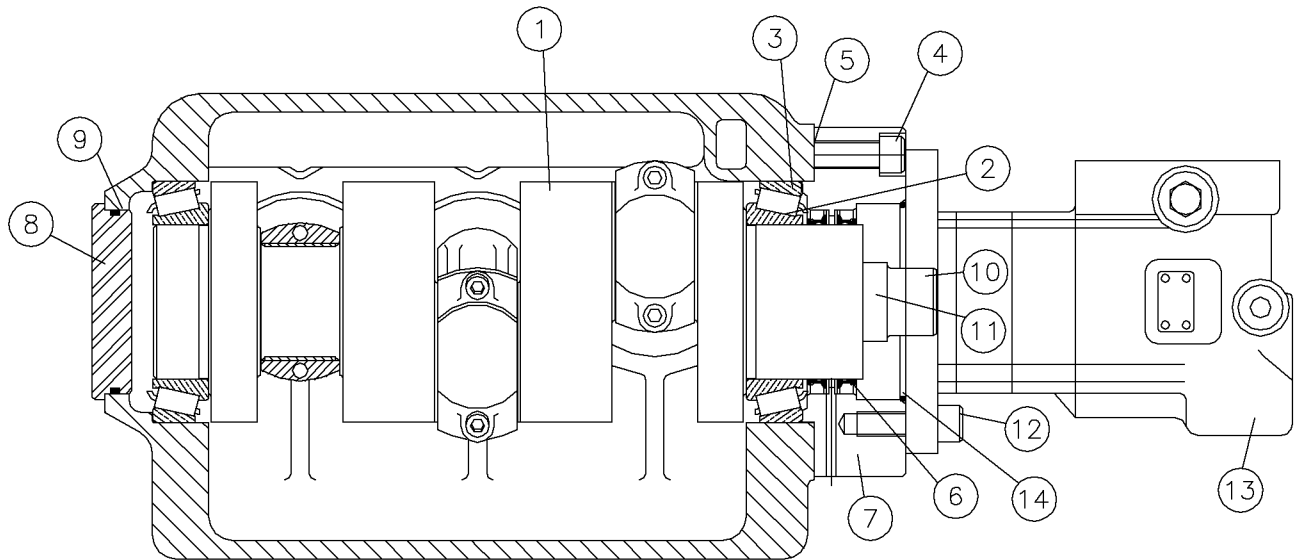
Aplex Power Frame Fig 10-35



## Aplex Power Frame Fig 10-35

REF. NO.	*	PART NO.	DESCRIPTION	QTY.	REMARKS
1		296272942	POWER FRAME	1	
2		220741007	CRANKCASE COVER	1	
3		220741009	3/8-16X5/8 HHCS	8	
4		220741011	GASKET-CRANKCASE COVER	1	
5		296272943	PIPE PLUG 3/8" SQUARE HEAD	2	
6		220741021	OIL LEVEL DIPSTICK	1	
7		220741023	O-RING 2-023	1	
8		296272944	PIPE PLUG 1/8" SOCKET HEAD	3	
9		277781019	FILTER - BREATHER	1	
10		220741017	1/2" NPT PLUG-SOCKET HEAD	1	
11		220741025	CONNECTING ROD	3	Inc. Ref. No's 12, 13, & 14
12		296272945	BUSHING-WRIST PIN	1	
13		220741029	5/16-18X2" SOCKET HD CAP SCREW	2	
14		220741031	5/16" LOCKWASHER	2	
15		220741033	CRANK PIN BEARING HALF	3	
16		220741035	WRIST PIN	3	
17		220741037	CROSSHEAD	3	
18		220741039	WIPER BOX	3	
19		296272946	SCREW-3/8"X1 1/4" HEX HEAD	6	
20		220741045	POLYPAK RING	3	
21		220741047	OIL SEAL	3	
22		220741049	O-RING	3	
		296269559	APLEX 50 GPM MUD PUMP W/CHARLYN HYD/DR M		Inc. All Items in Figure

Aplex Crankshaft Fig 10-36

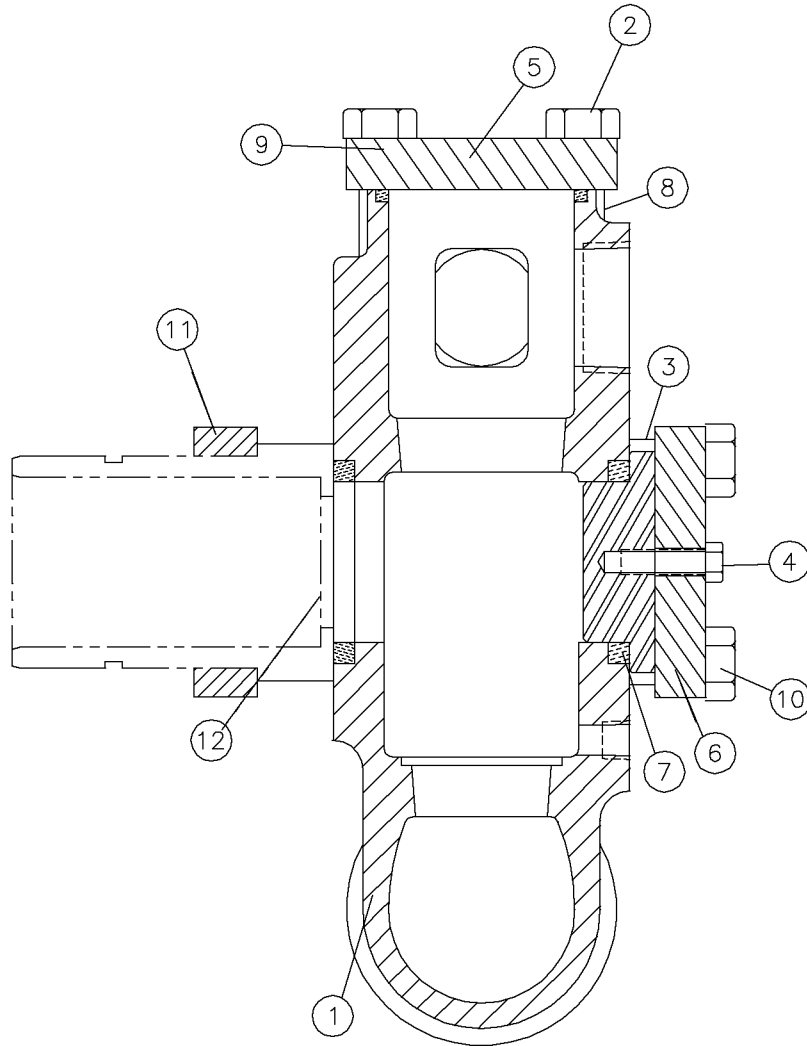




## Aplex Crankshaft Fig 10-36

REF. NO.	*	PART NO.	DESCRIPTION	QTY.	REMARKS
1		228098011	CRANKSHAFT	1	
2		228098013	CONE	2	
3		228098015	CUP	2	
4		296272949		6	
5		220741113	SHIM SET	1	
6		228098025	OIL SEAL	2	
7		228098019	BEARING RETAINER/MOTOR ADAPTER	1	
8		277781025	PLUG - CRANK SHAFT	1	
9		220741121	O-RING	1	
10		228098027	SPLINED COUPLER -SC45 PUMP	1	
11		224904009	SPACER-HARDENED SPLINE ADAPTER	1	
12		239383023	CAP SCREW-1/2 NC-1 1/4 HEX HD	4	
13		275996001	MOTOR - HYD. (EATON) 2 SP.	1	
14		220741125	O-RING NITRILE	1	
		296269559	APLEX 50 GPM MUD PUMP W/CHARLYN HYD/DR M		Inc. All Items in Figure

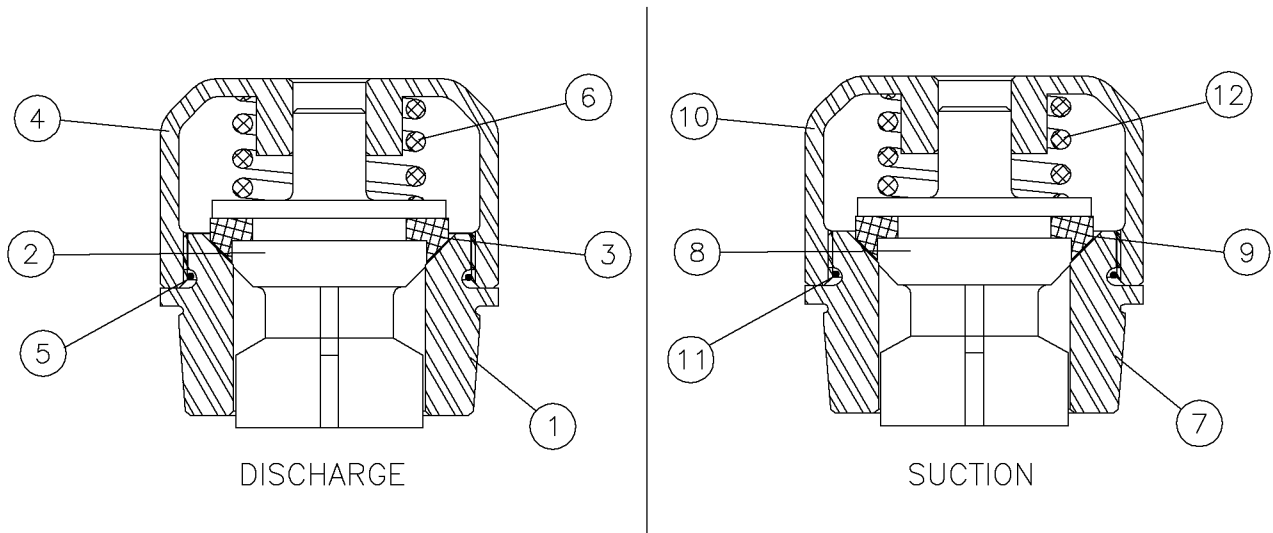
Aplex Fluid End Fig 10-37



## Aplex Fluid End Fig 10-37

REF. NO.	*	PART NO.	DESCRIPTION	QTY.	REMARKS
1		296272950	FLUID END	1	
2		296272951	SCREW-3/4"NC X 4 1/2" SOCKET HEAD CAP	2	
3		224408109	VALVE COVER AND CYL.HEAD PLUG	3	
4		220741057	3/8-16X1 1/4" HHCS	3	
5		296272952	VALVE COVER	1	
6		220741059	RETAINER PLATE	2	
7		224408131	SEAL-STUFFING BOX (RUBBER)	3	
8		296272953	O-RING #335	3	
9		277780030	HEX HD CAP SCREW - 5/8 NCX 1 3/4	8	
10		220741065	5/8-11X7 1/2" HHCS	8	
11		296272954	RETAINER PLATE	1	
12		220741069	3/8-16 X 1 1/2" HHCS	2	

Aplex Suction/Discharge Valve Fig 10-38

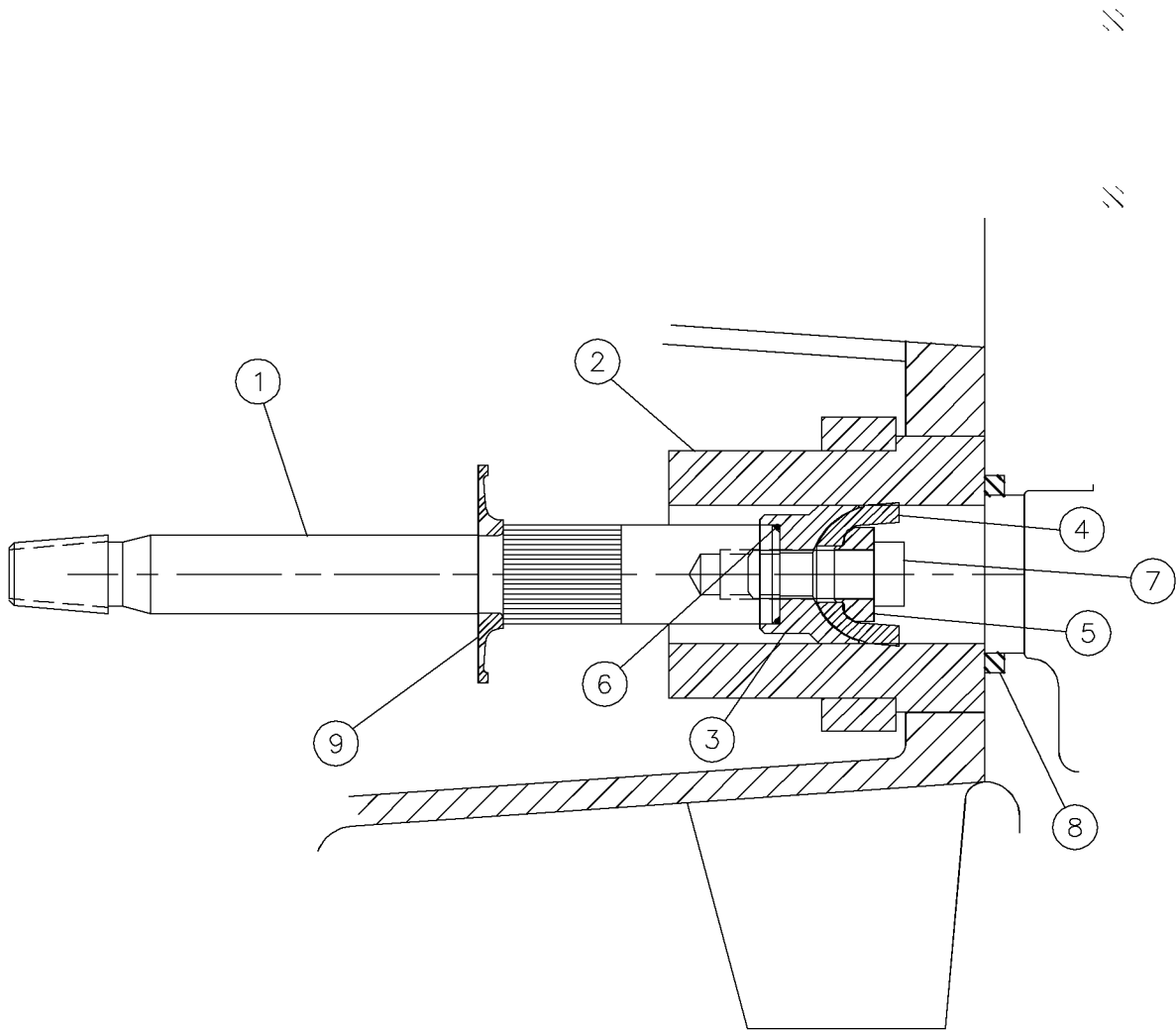


ABRASIVE RESISTANT VALVES

## Aplex Suction/Discharge Valve Fig 10-38

REF. NO.	*	PART NO.	DESCRIPTION	QTY.	REMARKS
1		244460033	VALVE SEAT - SUCTION	1	
2		244460029	VAVLE BODY	1	
3		244460023	POLYURETHANE INSERT	1	
4		244460027	GUIDE CAGE	1	
5		224408125	O-RING (RUBBER) SIZE 032	1	
6		220741141	SPRING - VALVE	1	
7		244460021	VALVE SEAT - DISCHARGE	1	
8		244460029	VAVLE BODY	1	
9		244460023	POLYURETHANE INSERT	1	
10		244460027	GUIDE CAGE	1	
11		224408125	O-RING (RUBBER) SIZE 032	1	
12		220741141	SPRING - VALVE	1	
		244460005	VALVE ASSY - ABRASIVE RESISTANT ( SUCTION)	3	Inc. Ref. No.'s 1-6
		244460007	VALVE ASSY - ABRASIVE RESISTANT (DISCHARGE)	3	inc. Ref. No.'s 7-12

Aplex Piston Fig 10-39



## Aplex Piston Fig 10-39

REF. NO.	*	PART NO.	DESCRIPTION	QTY.	REMARKS
1		296272955	PISTON ROD	1	
2		296272956	PISTON LINER-2 1/4" WHITE CERAMIC	1	
3		296272957	PISTON HUB	1	
4		296272958	PISTON CUP HSN & KEVLAR	1	
5		296272959	PISTON KEEPER	1	
6		220741075	O-RING-POLYURETHANE (SIZE 024)	1	
7		279264001	PISTON - FASTENER END	1	
8		224408131	SEAL-STUFFING BOX (RUBBER)	1	
9		220741091	BAFFLE PLATE-LOW TEMP. RUBBER	1	

FMC Pump(Deleted) Fig 10-40r01

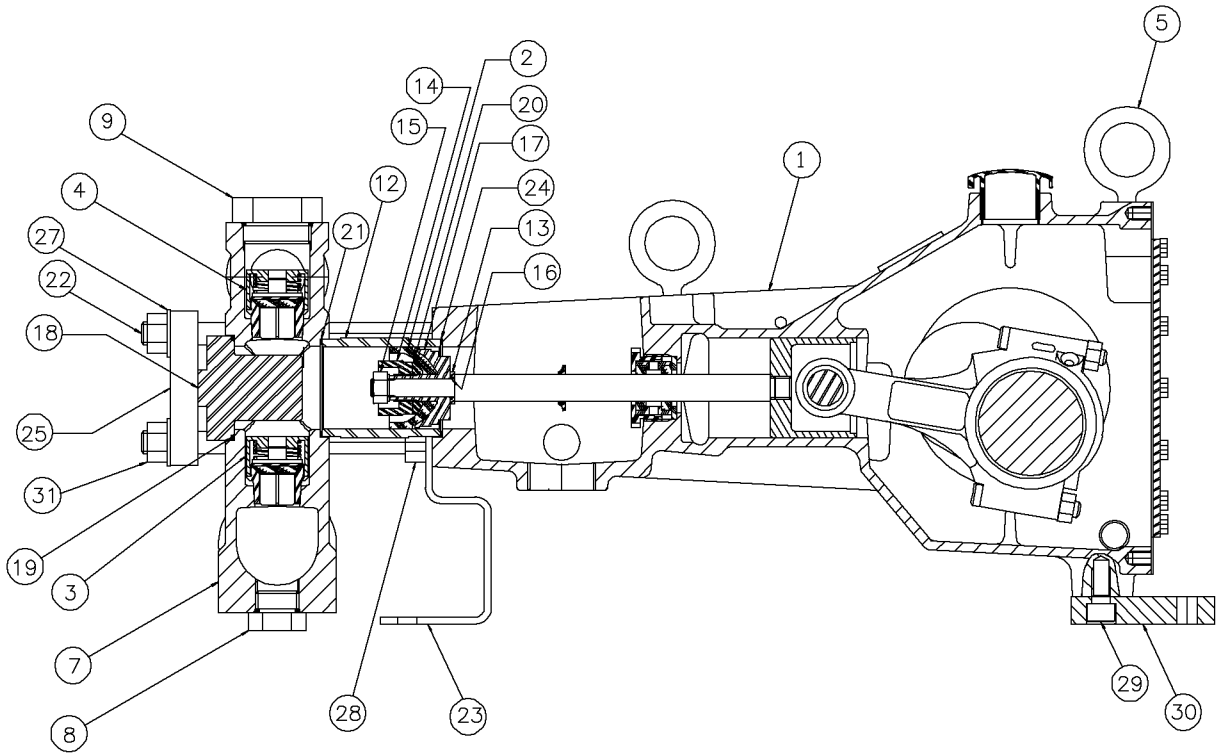
DELETED DUE TO UPDATE



FMC Pump(Deleted) Fig 10-40r01

REF. NO.	*	PART NO.	DESCRIPTION	QTY.	REMARKS
			DELETED DUE TO UPDATE		

FMC Pump Fig 10-40



## FMC Pump Fig 10-40

REF. NO.	*	PART NO.	DESCRIPTION	QTY.	REMARKS
1		296272960	POWER END ASSEMBLY	1	Inc. All Items in Figure
2		278882024	PISTON CUP	3	
3		225946033	VALVE ASSEMBLY-SUCTION	3	
4		225946025	VALVE ASSEMBLY-DISCHARGE	3	
5		278882036	EYE BOLT - 1/2 X 1-1/2	4	
6		296272964	BEARING SLEEVE	1	NOT SHOWN
7		240141005	FLUID CYLINDER	1	
8		225946017	PLUG-1 3/16-12 UN-2A	3	
9		225946011	PLUG-1 7/8-12 UN-2A	3	
10		296272965	CAP PLUG	2	NOT SHOWN
11		296272966	CAP PLUG	2	NOT SHOWN
12		278882028	PISTON CYLINDER	3	
13		240141009	SEAL HOLDER	3	
14		240141011	PISTON NUT	3	
15		228460023	HEX NUT-SPECIAL BRASS	3	
16		228460029	O-RING	3	
17		278882029	PISTON HOLDER	3	
18		228460027	CYLINDER COVER	3	
19		225946021	O-RING	3	
20		240141015	PISTON WASHER	3	
21		904540105	GASKET	3	
22		296272969	STUD	8	
23		278882031	FRONT FOOT	1	
24		904540105	GASKET	3	
25		296272967	CYLINDER COVER CLAMP	1	
26		278882032	LIQUID LEVEL GAUGE	1	
27		904540061	WASHER-5/8	8	
28		278882033	JAM NUT	2	
29		278882034	SOCKET HEAD CAP SCREW	2	
30		278882035	REAR FOOT	1	
31		296272968	NUT	1	
		296272961	FLUID CYLINDER GROUP	1	Inc. Ref. No's 7-11
		296272962	CYLINDER/PISTON GROUP	3	Inc. Ref. No's 12-21
		296272963	ATTACHING GROUP	1	Inc. Ref. No's 22-31

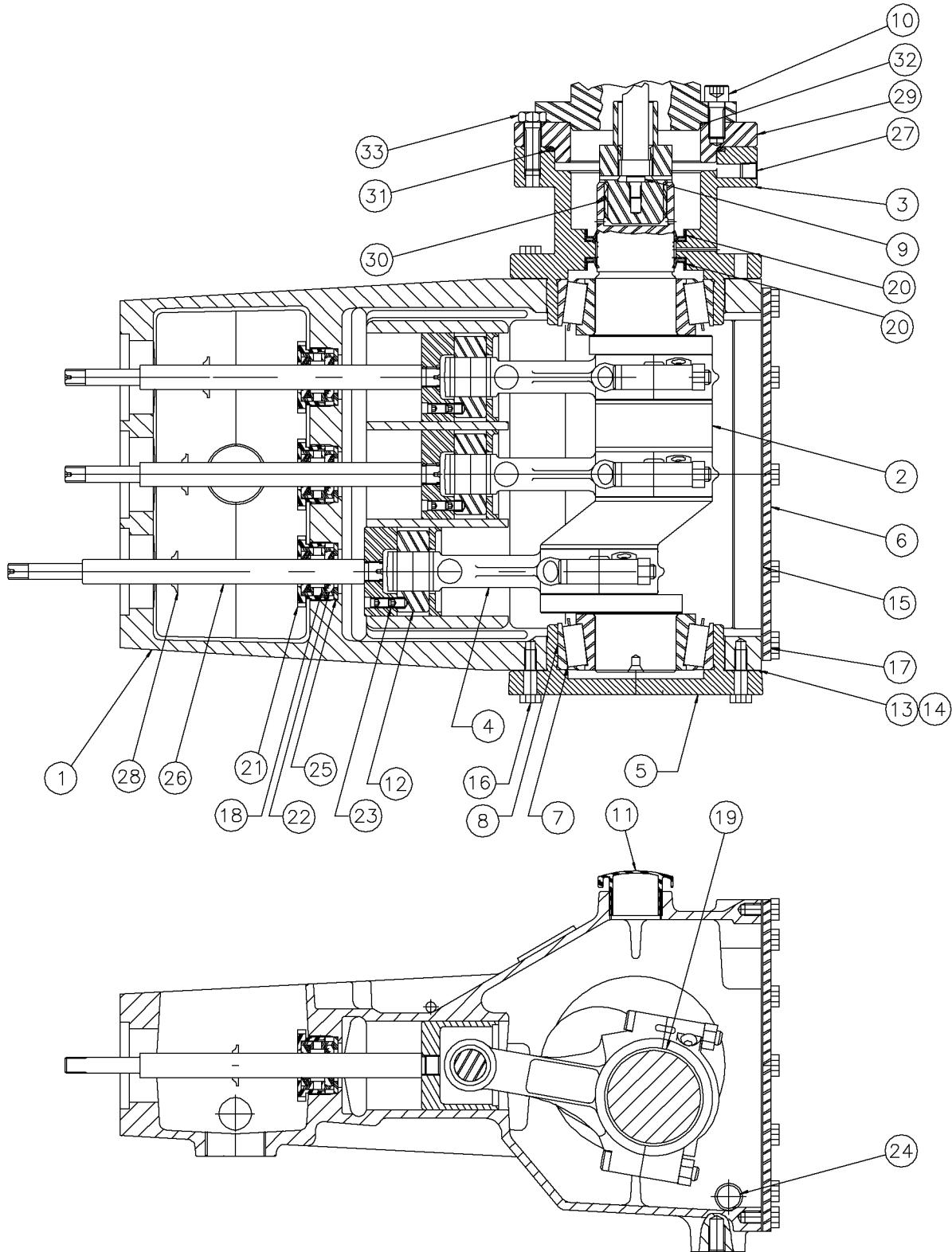
FMC Power End(Deleted) Fig 10-41r01

DELETED DUE TO UPDATE

FMC Power End(Deleted) Fig 10-41r01

REF. NO.	*	PART NO.	DESCRIPTION	QTY.	REMARKS
			DELETED DUE TO UPDATE		

FMC Power End Fig 10-41



## FMC Power End Fig 10-41

REF. NO.	*	PART NO.	DESCRIPTION	QTY.	REMARKS
1		278882002	PUMP CASE	1	
2		278882003	CRANK SHAFT	1	
3		278882004	BEARING HOUSING	1	
4		278882005	CONNECTING ROD	3	
5		278882006	BEARING HOUSING	1	
6		278882037	BACK COVER	1	
7		278882008	BEARING CONE	2	
8		278882009	BEARING CUP	2	
9		296272977	SCREW-LOW HD SOC CAP 3/8-16 UNC-3A X.50	1	
10		296272978	SCREW-HEX SOC HD CAP-1/2-13 X 1.12	4	
11		276521025	OIL CAP	1	
12		278882010	WRIST PIN	3	
13		278882011	GASKET	2	
14		278882012	SHIM	12	
15		278882013	GASKET COVER	1	
16		296272970	SCREW-HEX HD CAP 3/8-16X 1 1/4, GR R, C/Z	12	
17		278882014	HEX HEAD CAP SCREW	36	
18		278882015	SLEEVE	3	
19		296272971	BEARING		
20		278882017	SEAL	2	
21		278882018	ROD SEAL RETAINER	3	
22		904540035	OIL SEAL	6	
23		278882019	SET SCREW	6	
24		276521047	PLUG -1/2" PIPE, MAG	2	
25		278882020	WASHER PACKING	3	
26		278882021	CROSS HEAD ASSEMBLY	3	
27		296272972	PLUG=SQ HD PIPE-1/4" NPT, POLY	1	
28		904540049	WASHER-BARRIER	3	
29		296272973	ADAPTER	1	
30		296272974	SPLINE ADAPTER	1	
31		278882025	O-RING	1	
32		296272975	O-RING 4 ID X 4 1/8 OD X 1/6 NOM	1	
33		296272976	SCREW-HEX HD CAP-1/2-13 X 1.50-304 SST	4	
		296272960	FMC-POWER END ASSEMBLY		INC. ALL ITEMS IN FIGURE

FMC A/R Valve(Deleted Fig 10-42r02

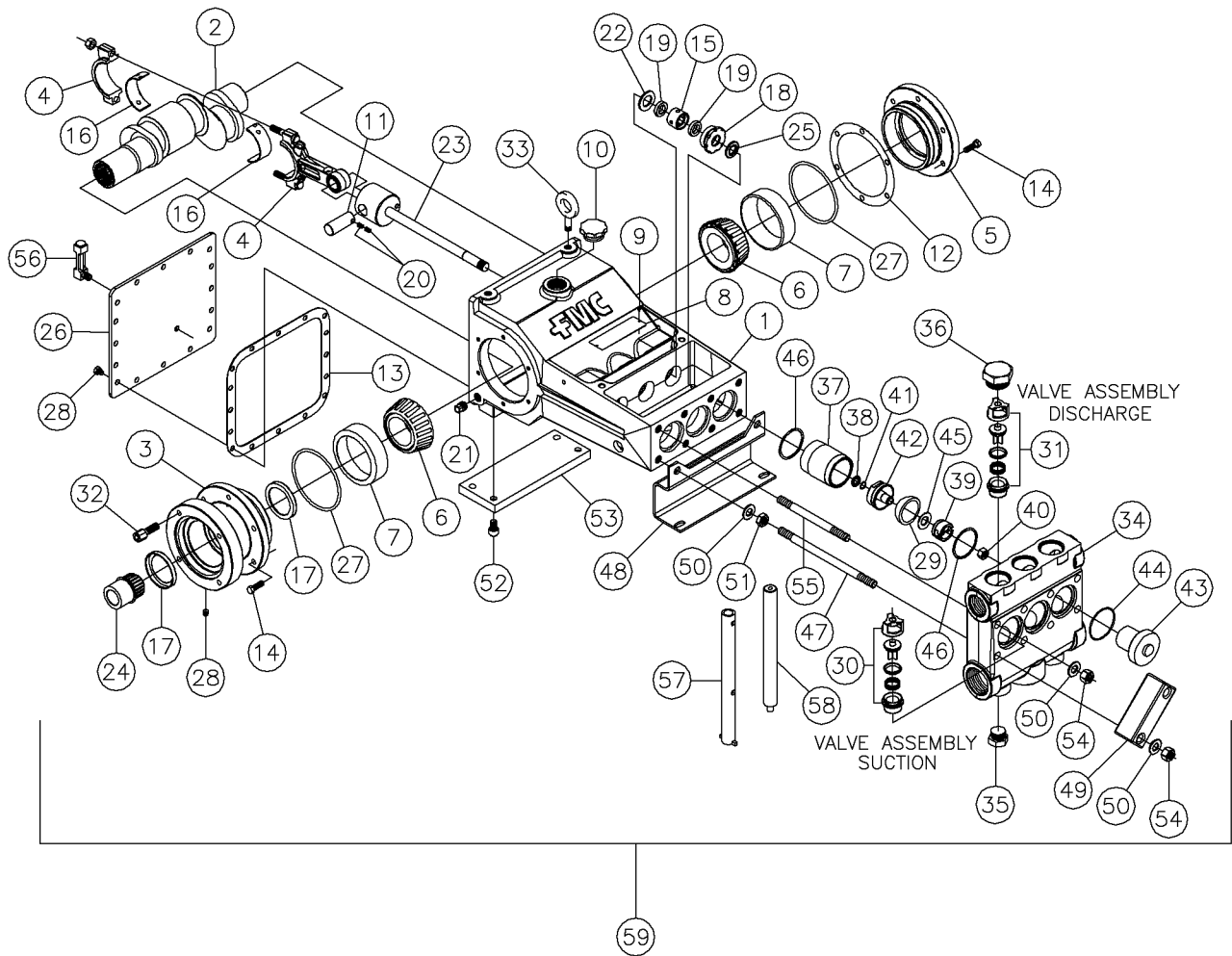
DELETED DUE TO UPDATE



FMC A/R Valve(Deleted Fig 10-42r02

REF. NO.	*	PART NO.	DESCRIPTION	QTY.	REMARKS
			DELETED DUE TO UPDATE		

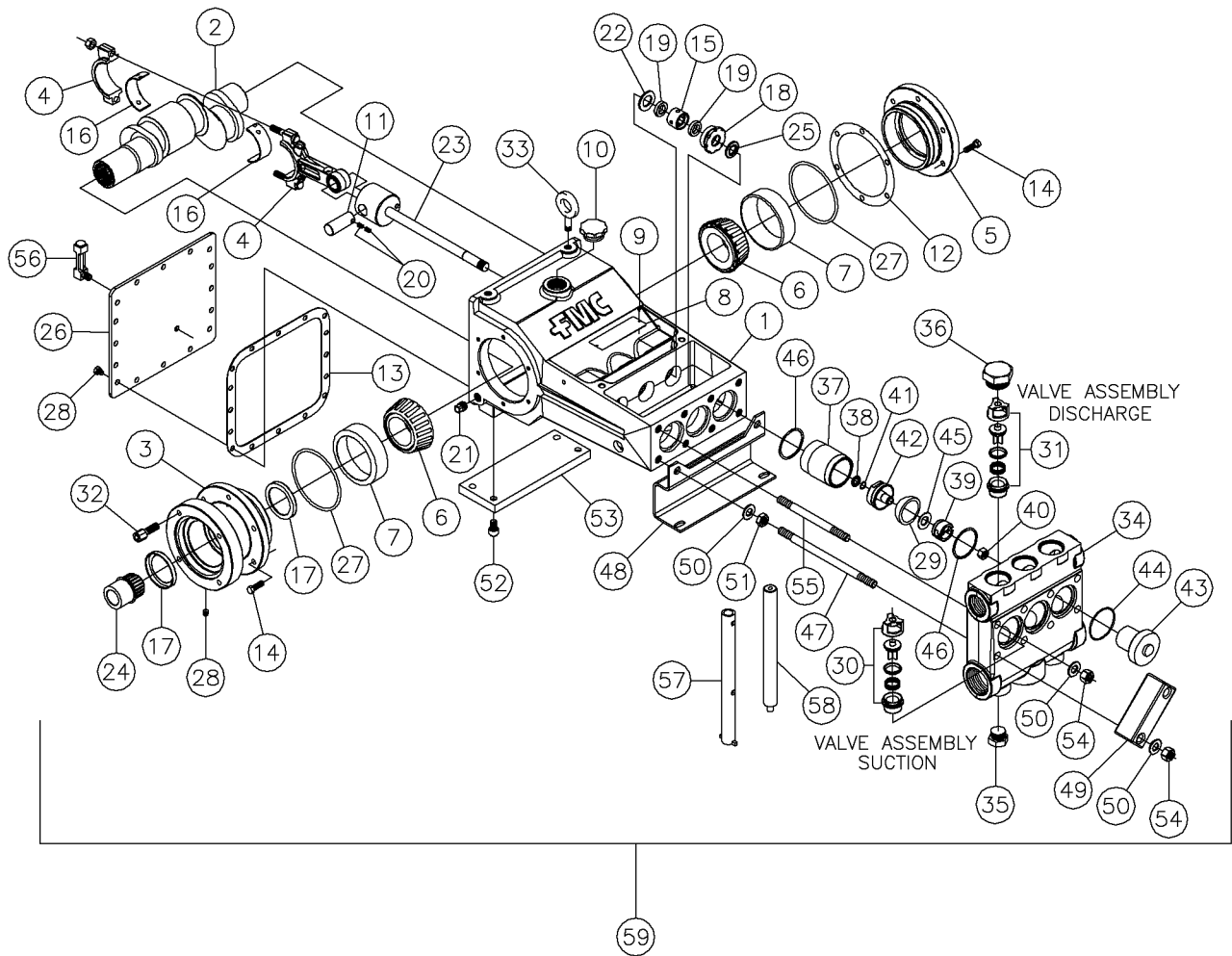
FMC Pump Fig 10-42x01



## FMC Pump Fig 10-42x01

REF. NO.	*	PART NO.	DESCRIPTION	QTY.	REMARKS
1		278882002	PUMP CASE	1	
2		278882003	CRANK SHAFT	1	
3		278882004	BEARING HOUSING	1	
4		278882005	CONNECTING ROD	3	
5		278882006	BEARING HOUSING	1	
6		278882008	BEARING CONE	2	
7		278882009	BEARING CUP	2	
8		NA	NAME PLATE	1	
9		248507009	SCREW - #4 X 3/16" LG SELF - TAPPING	2	
10		276521025	OIL CAP	1	
11		278882010	WRIST PIN	3	
12		278882012	SHIM	A/R	
13		278882013	GASKET COVER	1	
14		228460003	CAPSCREW-3/8-16X1 1/4 HEX HD	12	
15		278882015	SLEEVE	3	
16		278882016	SHELL BEARING (PAIR)	6	
17		278882017	SEAL	2	
18		278882018	ROD SEAL RETAINER	3	
19		904540035	OIL SEAL	6	
20		278882019	SET SCREW	6	
21		276521047	PLUG -1/2" PIPE, MAG	2	
22		278882020	WASHER PACKING	3	
23		278882021	CROSS HEAD ASSEMBLY	3	
24		278882022	CROSS OVER SUB	1	
25		904540049	WASHER-BARRIER	3	
26		278882037	BACK COVER	1	
27		278882007	O-RING - UNIFORM #160	2	
28		278882039	CAPSCREW - 3/8-16 X 3/4 LG HEX HEAD	16	
29		278882024	PISTON CUP	3	
30		225946033	VALVE ASSEMBLY-SUCTION	3	
			CONTINUE ON NEXT PAGE		

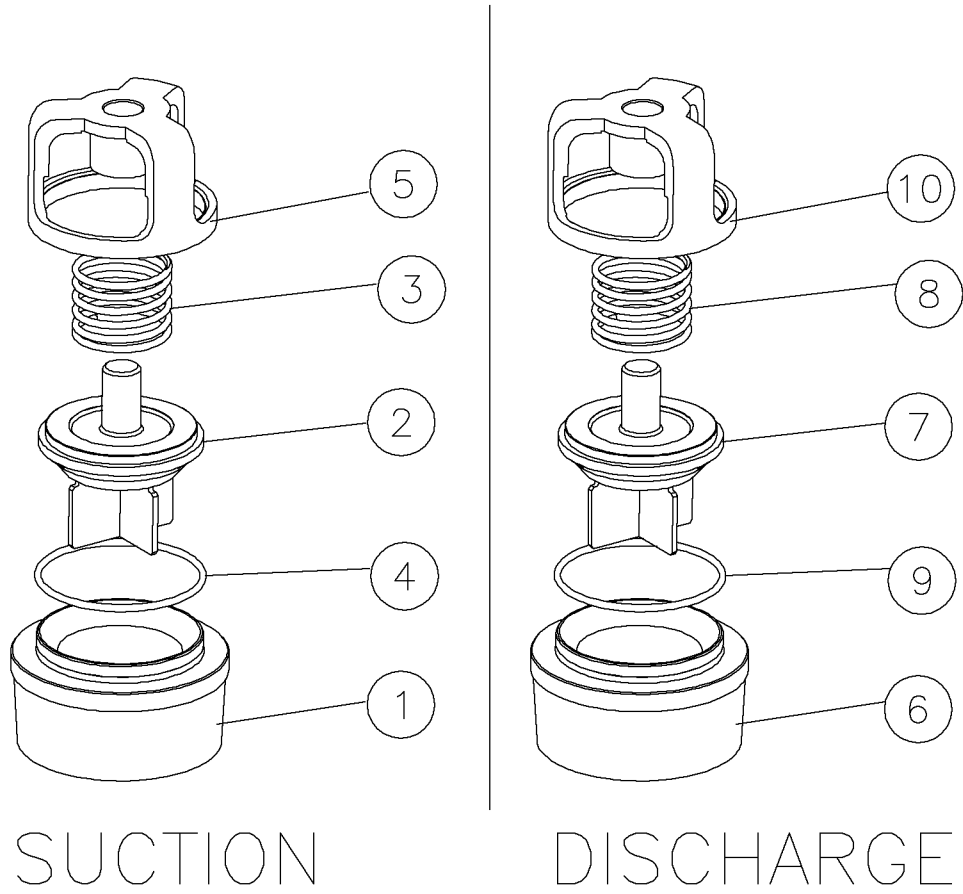
FMC Pump(Continued) Fig 10-42x01



## FMC Pump(Continued) Fig 10-42x01

REF. NO.	*	PART NO.	DESCRIPTION	QTY.	REMARKS
31		225946025	VALVE ASSEMBLY-DISCHARGE	3	
32		278882027	SOCKET HEAD CAP SCREW	4	
33		278882036	EYE BOLT - 1/2 X 1-1/2	4	
34		240141005	FLUID CYLINDER	1	
35		225946017	PLUG-1 3/16-12 UN-2A	3	
36		225946011	PLUG-1 7/8-12 UN-2A	3	
37		278882028	PISTON CYLINDER	3	
38		240141009	SEAL HOLDER	3	
39		240141011	PISTON NUT	3	
40		228460023	HEX NUT-SPECIAL BRASS	2	
41		228460029	O-RING	3	
42		278882029	PISTON HOLDER	3	
43		228460027	CYLINDER COVER	3	
44		225946021	O-RING	3	
45		240141015	PISTON WASHER	3	
46		904540105	GASKET	6	
47		278882030	STUD	6	
48		278882031	FRONT FOOT	1	
49		904540059	CLAMP-COVER	3	
50		904540061	WASHER-5/8	10	
51		278882033	JAM NUT	2	
52		278882034	SOCKET HEAD CAP SCREW	2	
53		278882035	REAR FOOT	1	
54		904540063	NUT- 5/8-11	8	
55		904540057	STUD-SHORT	2	
56		278882032	LIQUID LEVEL GAUGE	1	
57		240141019	TOOL - PISTON CUP REMOVAL	1	
58		240141017	TOOL - VALVE INSTALLATION	1	
59		278951001	PUMP - WATER		Inc. All Items In Figure

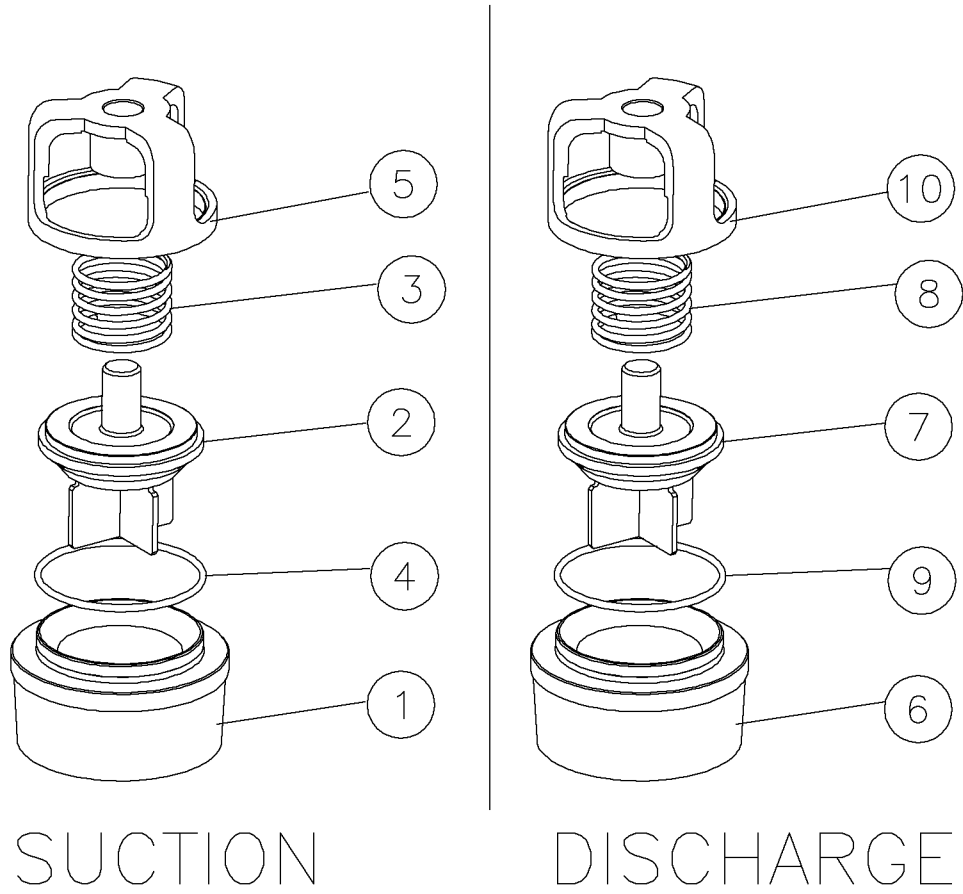
FMC A/R Valve Fig 10-42r01



FMC A/R Valve Fig 10-42r01

REF. NO.	*	PART NO.	DESCRIPTION	QTY.	REMARKS
		Revision Date	July, 2005		Update In Parts List.
1		228460039	SEAT:SUCTION	3	
2		228460041	VALVE	3	
3		228460045	SPRING	3	
4		228460043	INSERT	3	
5		228460047	CAGE	3	
		225946033	VALVE ASSEMBLY-SUCTION	3	Inc. Ref. 1-5
6		228460037	SEAT: DISCHARGE	3	
7		228460041	VALVE	3	
8		228460045	SPRING	3	
9		228460043	INSERT	3	
10		228460047	CAGE	3	
		225946025	VALVE ASSEMBLY-DISCHARGE		Inc. Ref. 6-10

FMC A/R Valve Fig 10-42

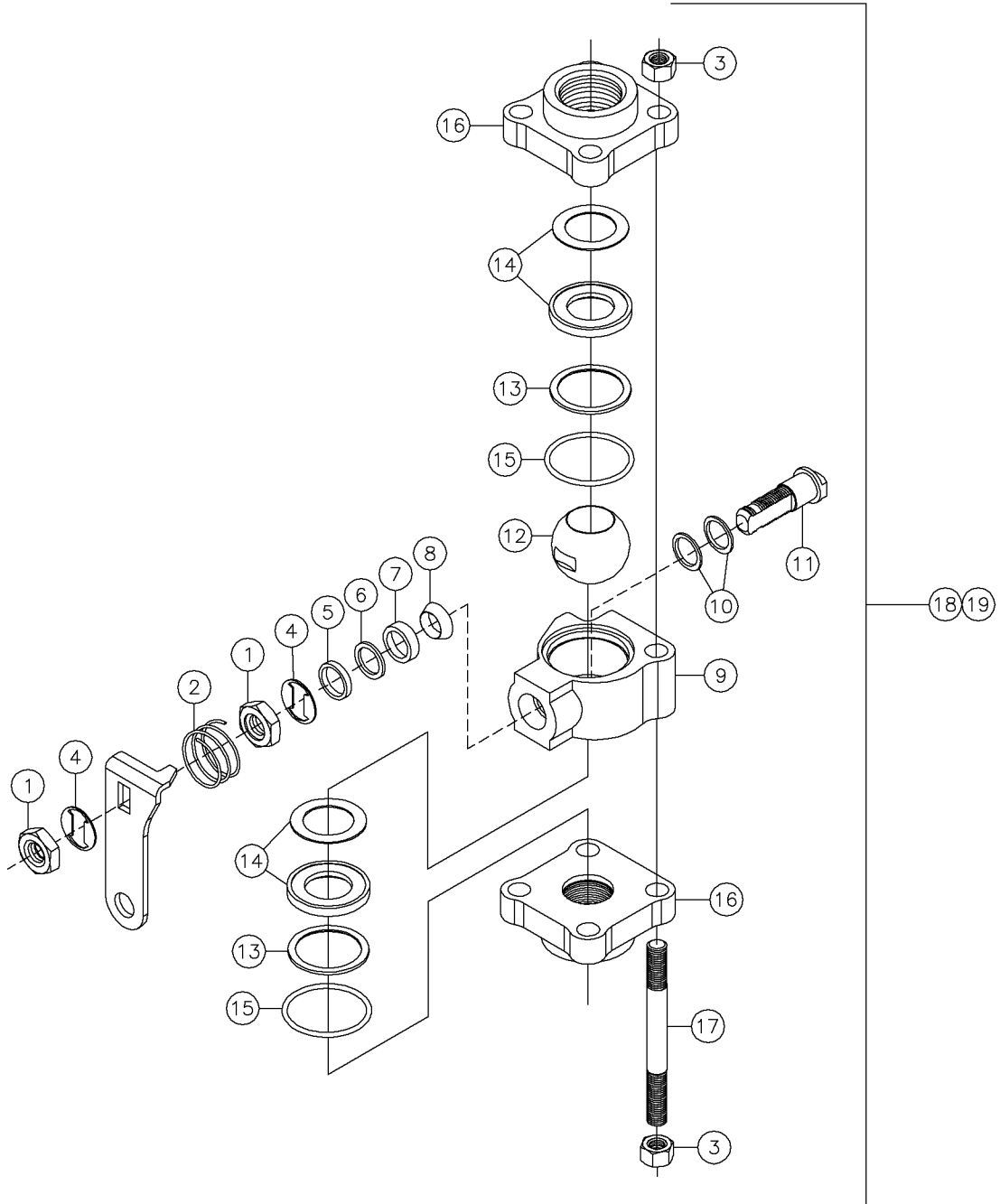




FMC A/R Valve Fig 10-42

REF. NO.	*	PART NO.	DESCRIPTION	QTY.	REMARKS
1		202722001	LOCKNUT	1	
2		287588004	PISTON	1	
3		287588005	BARREL ASSEMBLY	1	
4		287588006	ROD ASSEMBLY	1	
5		223998013	SET SCREW	1	
6		287588007	THREAD CAP	1	
7		287588008	THREAD CAP HEAD	1	
8			PSP SEAL	1	NSS
9			BACKUP	2	NSS
10			O-RING	1	NSS
11			O-RING	1	NSS
12			BACKUP	1	NSS
13			LOADED V-CUP	1	NSS
14			ROD WIPER	1	NSS
15		287588002	SEAL KIT	1	(INC REF 8-14)
16		287588001	CYLINDER - 1-1/2 X 24	1	(INC ALL ITEMS IN FIGURE)
			NSS-NOT SOLD SEPARATELY		

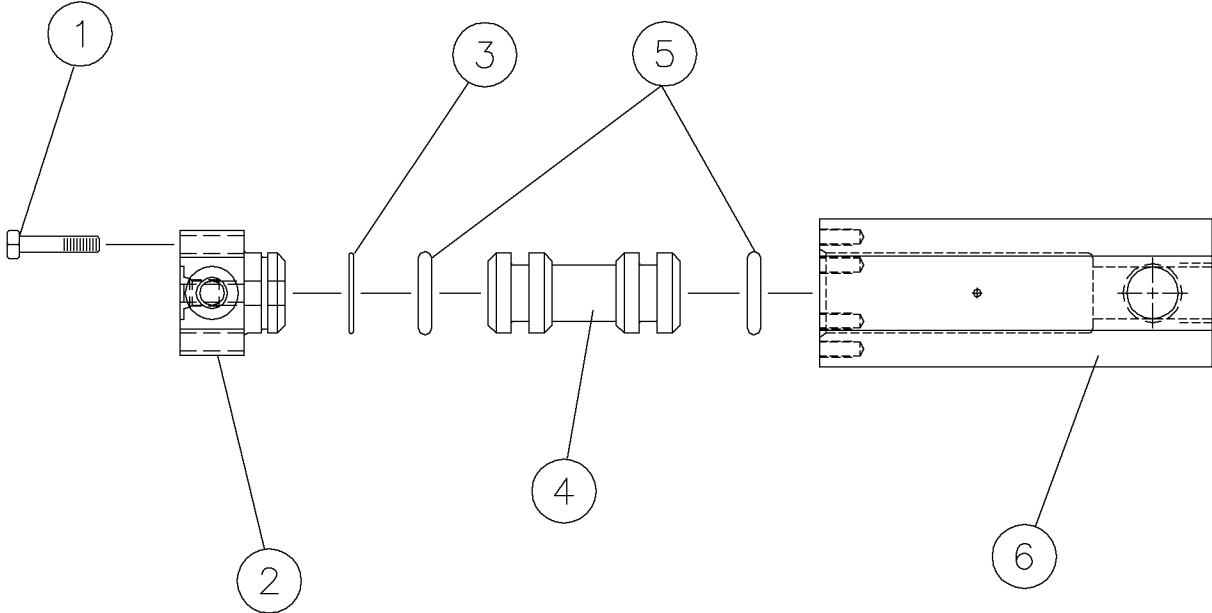
Water Ball Valve Fig 10-43



## Water Ball Valve Fig 10-43

REF. NO.	*	PART NO.	DESCRIPTION	QTY.	REMARKS
1		245079003	STEM NUT	2	
2		245079005	GROUNDING SPRING	1	
3		245079037	BODY NUT	8	
4		245079009	STEM SPRING	2	
5		278003003	GLAND	1	
6		245079013	PACKING SUPPORT	1	
7		245079015	TOP PACKING	1	
8		245079017	BOTTOM PACKING	1	
9		278003004	BODY CENTER	1	
10		278003005	BEARING - STEM	2	
11		245079023	STEM	1	
12		245079025	BALL	1	
13		245079027	SUPPORT RING	2	
14		245079029	SEAT/SEAT SPRING	2	
15		245079031	O-RING	2	
16		278003006	FLANGE	2	
17		245079035	BODY STUD	4	
18		245079039	KIT-MAINTENANCE	1	(INC REF 4-6, 10 & 15)
19		278003001	VALVE - 1" 1500 PSI BRASS BALL	1	(INC ALL ITEMS IN THIS FIGURE)

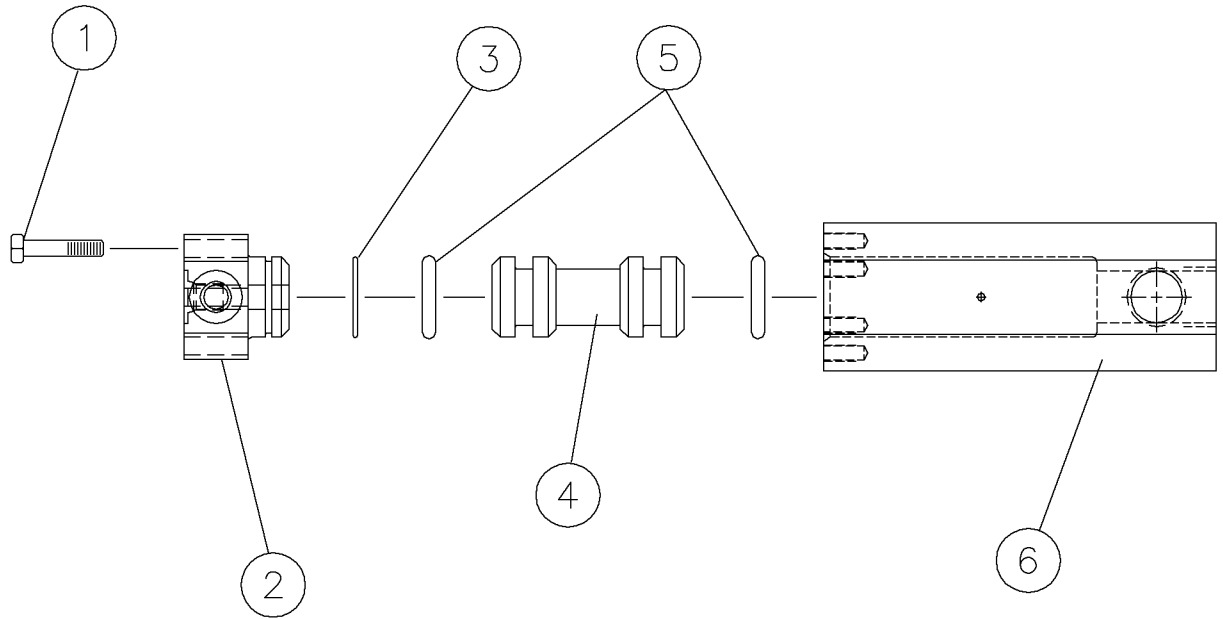
Water Pressure Manifold Fig 10-44r01



## Water Pressure Manifold Fig 10-44r01

REF. NO.	*	PART NO.	DESCRIPTION	QTY.	REMARKS
		Revision Date	July, 2005		Update In Parts List.
1		250008001	BOLT 1/4-20 X 1 1/4 ZINC PL	6	
2		238138001	ENDCAP-MANIFOLD OUTLET FITTING	1	
3		234818001	O-RING 1.254OD X1.114ID-.070	1	
4		296265885	PISTON - INSERT MANIFOLD	1	
5		250612001	O-RING - 316	2	
6		296265884	FITTING - WATER MANIFOLD PRESSURE	1	
		296265854	WATER PRESSURE DUMBELL PISTON MAN.ASSY		Inc. All Items In Figure

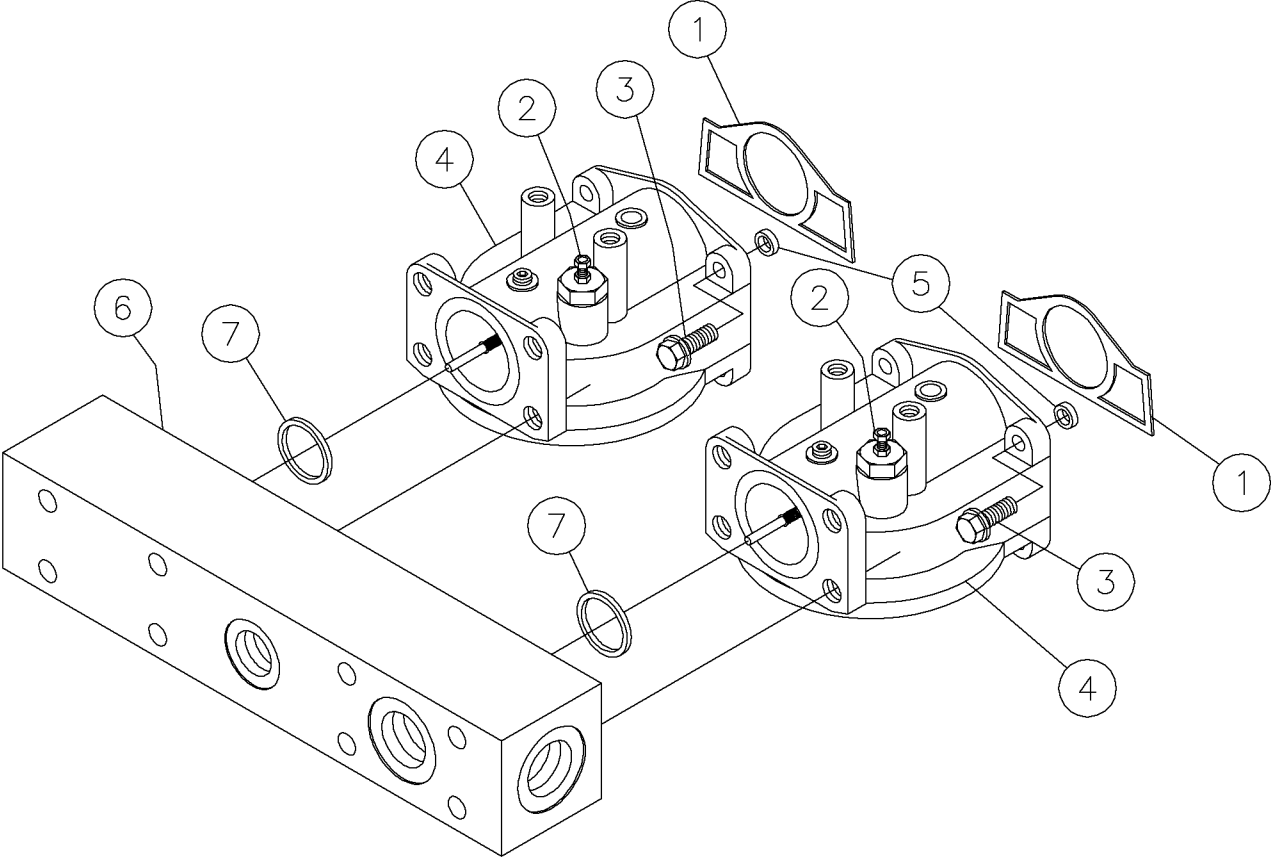
Water Pressure Manifold Fig 10-44



**Water Pressure Manifold Fig 10-44**

REF. NO.	*	PART NO.	DESCRIPTION	QTY.	REMARKS
1		250008001	BOLT 1/4-20 X 1 1/4 ZINC PL	6	
2		238138001	ENDCAP-MANIFOLD OUTLET FITTING	1	
3		234818001	O-RING 1.254OD X1.114ID-.070	1	
4		296265885	PISTON - INSERT MANIFOLD	1	
5		250612001	O-RING - 316	2	
6		296265884	FITTING - WATER MANIFOLD PRESSURE	1	
		296256854	DIAGNOSTIC MANIFOLD ASSEMBLY		Inc. All Items In Figure

Hyd Oil Filter Fig 10-45

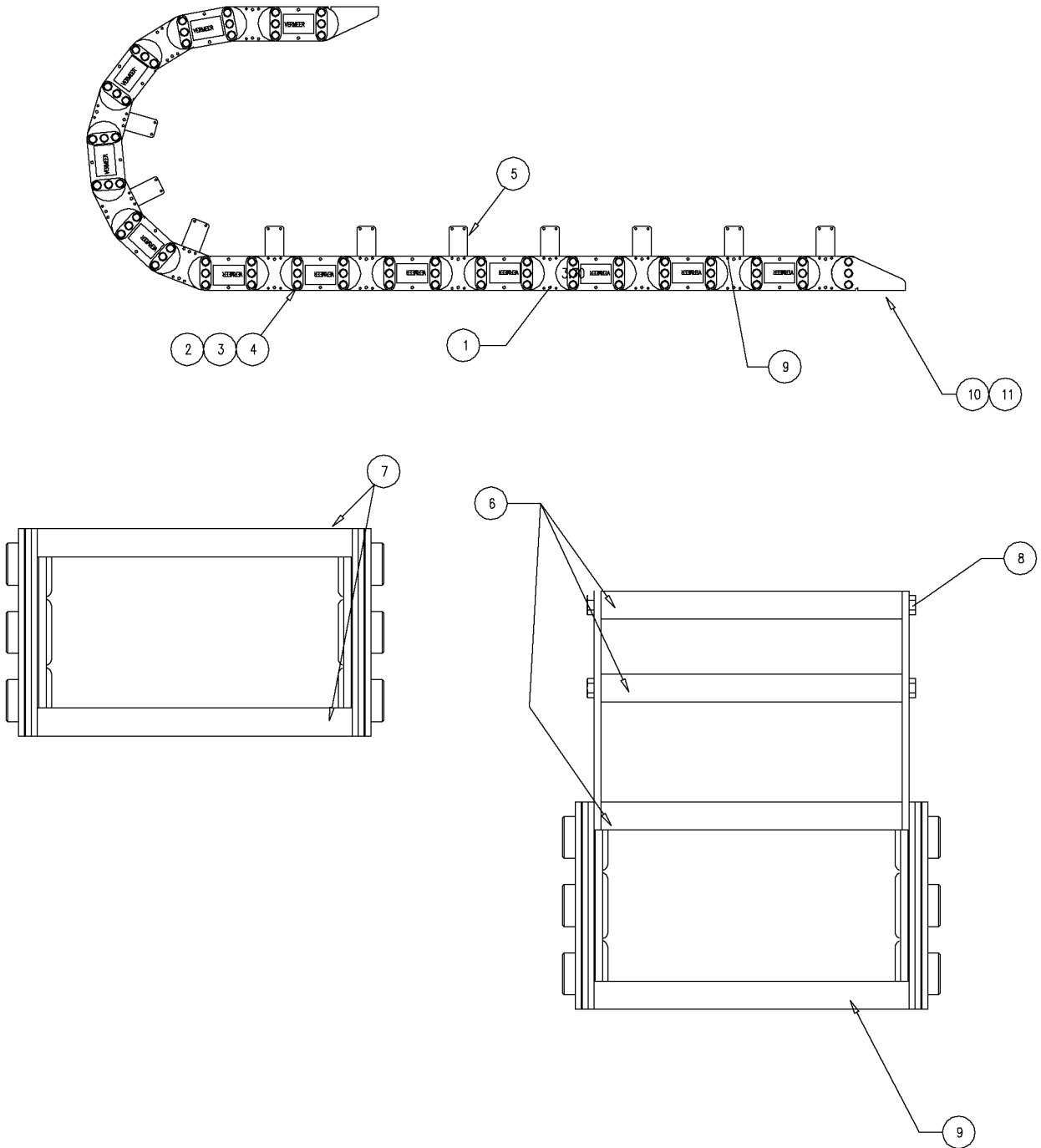




## Hyd Oil Filter Fig 10-45

REF. NO.	*	PART NO.	DESCRIPTION	QTY.	REMARKS
1		251140003	GASKET	2	
2		251140005	SWITCH - FILTER RESTRICTION	2	
3		4474010	BOLT-5/16-18X1 FLG.WHIZ PLATED	8	
4		251140001	HEAD - FILTER	2	
5		278858003	SEAL- FLANGE (FLUOROCARBON)	8	
6		251454001	BLOCK - MANIFOLD	1	
7		72895001	O RING-SQ. #16 FLANGE	2	
		296273660	ASSEMBLY - FILTER HEAD		Inc. All Items in Figure

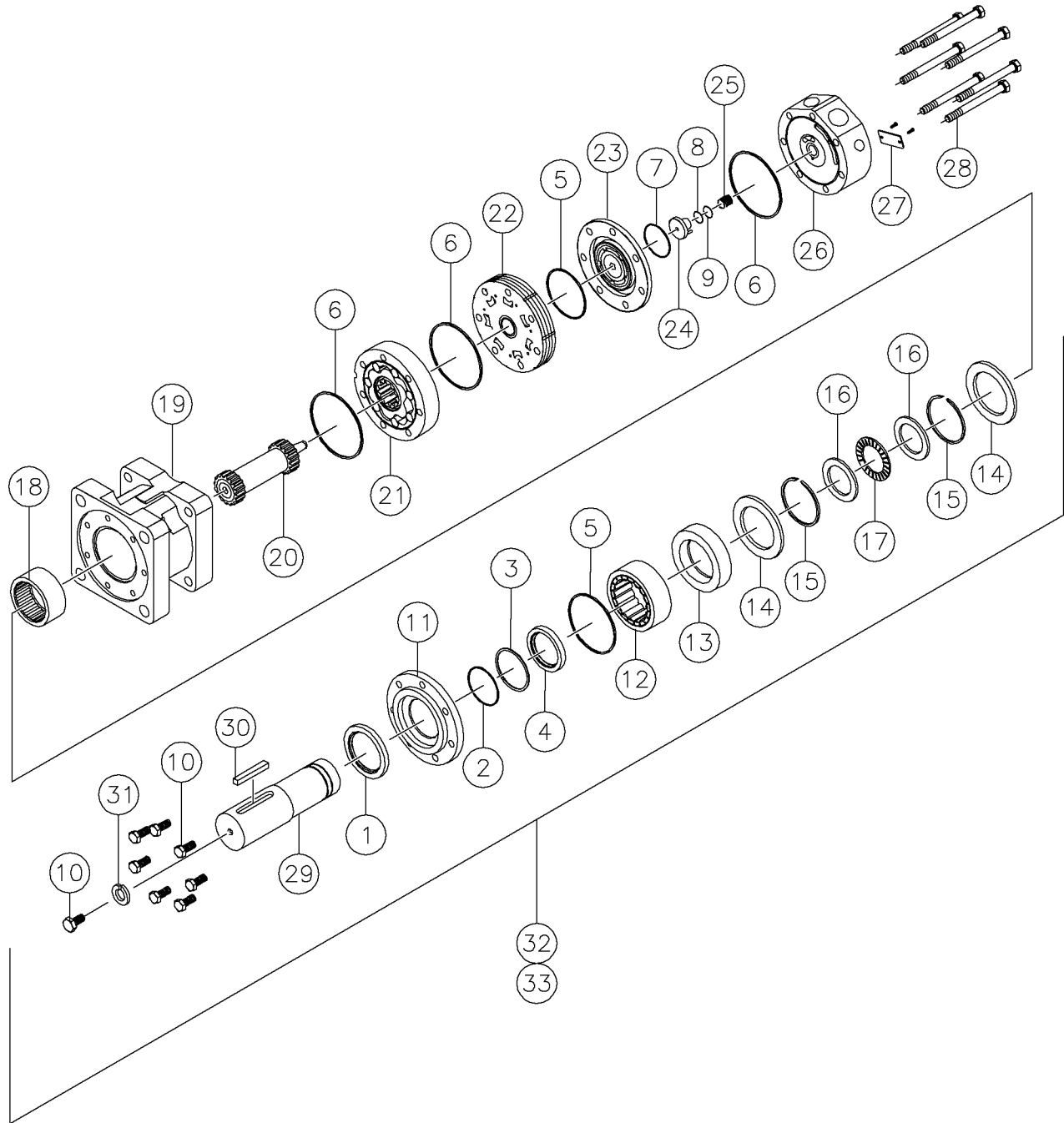
Hose Track Fig 10-46



## Hose Track Fig 10-46

REF. NO.	*	PART NO.	DESCRIPTION	QTY.	REMARKS
1		276280003	PT45E INNER LINK R13.39	48	
2		234256017	PT45E HINGE PIN-PUSH ON FASTNR	138	
3		296251021	PT45E ONE-PIECE PUSH ON	46	
4		234256011	PT45E ANTI-FRICTION DISC	100	
5		276280007	BRACKET - PT45E CARRIER	20	
6		276280009	PT45E ALUM CHANNEL 5.375"	30	
7		276280011	PT45E ALUM CHANNEL 5.825"	14	
8		215252017	SCREW-WHIZ LOCK	136	
9		276280005	SCREW - WHIZ LOCK 10-32 X .62	40	
10		234256003	PT45E MOUNTING BRACKET ASSY (L)	2	
11		234256005	PT45E MOUNTING BRACKET ASSY(R)	2	
		296273692	HOSE TRACK - D24X40 II		Inc All Items In Figure

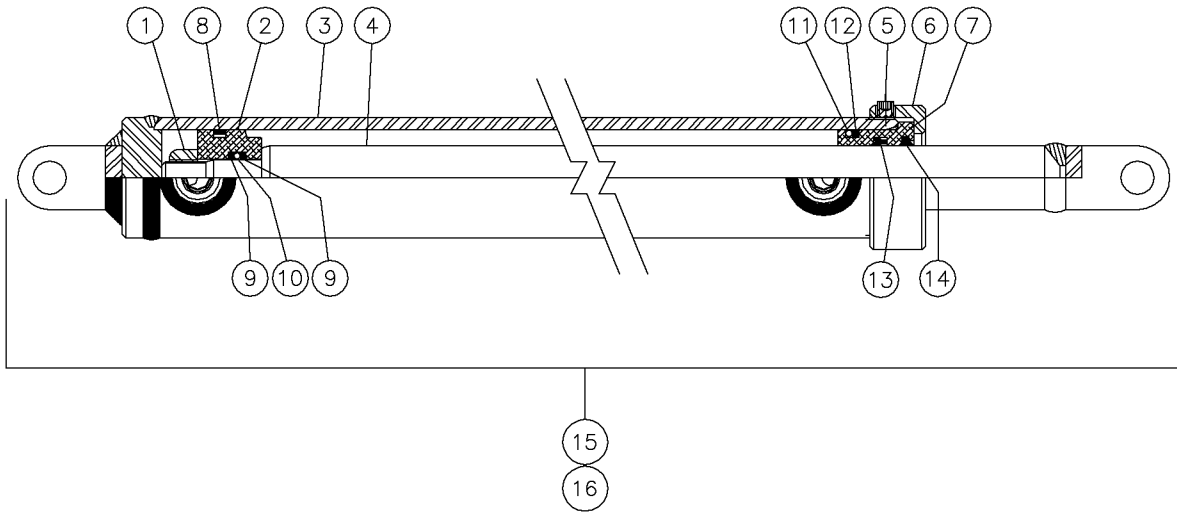
Stakedown Hyd Motor Fig 10-47



## Stakedown Hyd Motor Fig 10-47

REF. NO.	*	PART NO.	DESCRIPTION	QTY.	REMARKS
1			SEAL-DUST	1	NSS
2			SHIM-METAL BACKUP	1	NSS
3			SEAL-TEFLON BACKUP	1	NSS
4			SEAL-SHAFT	1	NSS
5			SEAL-LATHE CUT	2	NSS
6			SEAL-BODY	3	NSS
7			SEAL-COMMUTATOR	1	NSS
8			SEAL O-RING	1	NSS
9			SEAL-TEFLON BACKUP	1	NSS
10		383010	BOLT-1/2-20X1 GR.8 HEX HEAD	8	
11		236219007	RING-PILOT	1	
12		236219009	BEARING-2 1/2" ROLLER	1	
13		236219011	SPACER-BEARING	1	
14		236219013	WASHER-RETAINING	2	
15		236219015	SNAP RING	2	
16		236219017	WASHER-THRUST	2	
17		236219019	BEARING-THRUST	1	
18		236219021	BEARING-REAR HOUSING	1	
19		236219023	HOUSING	1	
20		236219025	DRIVE LINK	1	
21		236219027	ROTOR ASSEMBLY	1	
22		236219029	MANIFOLD	1	
23		236219031	COMMUTATOR ASSEMBLY	1	
24		236219033	PISTON-ENDCOVER	1	
25		236219035	SPRING-PISTON	1	
26		236219037	ENDCOVER	1	(INC REF 8, 9, 24, 25)
27			I.D. TAG ASSEMBLY	1	NSS
28		236219039	BOLT	7	
29		236219041	SHAFT-ASSEMBLY	1	(INC REF 1-5, 10-17, 29-31)
30		236219005	KEY-SHAFT	1	
31		480011	WASHER-1/2 S/T LOCK	1	
32		236219003	SEAL KIT-HYD. MOTOR	1	(INC REF 1-9)
33		236219001	HYD MOTOR-66CI	1	(INC ALL ITEMS IN THIS FIGURE)
			NSS-NOT SOLD SEPARATELY		

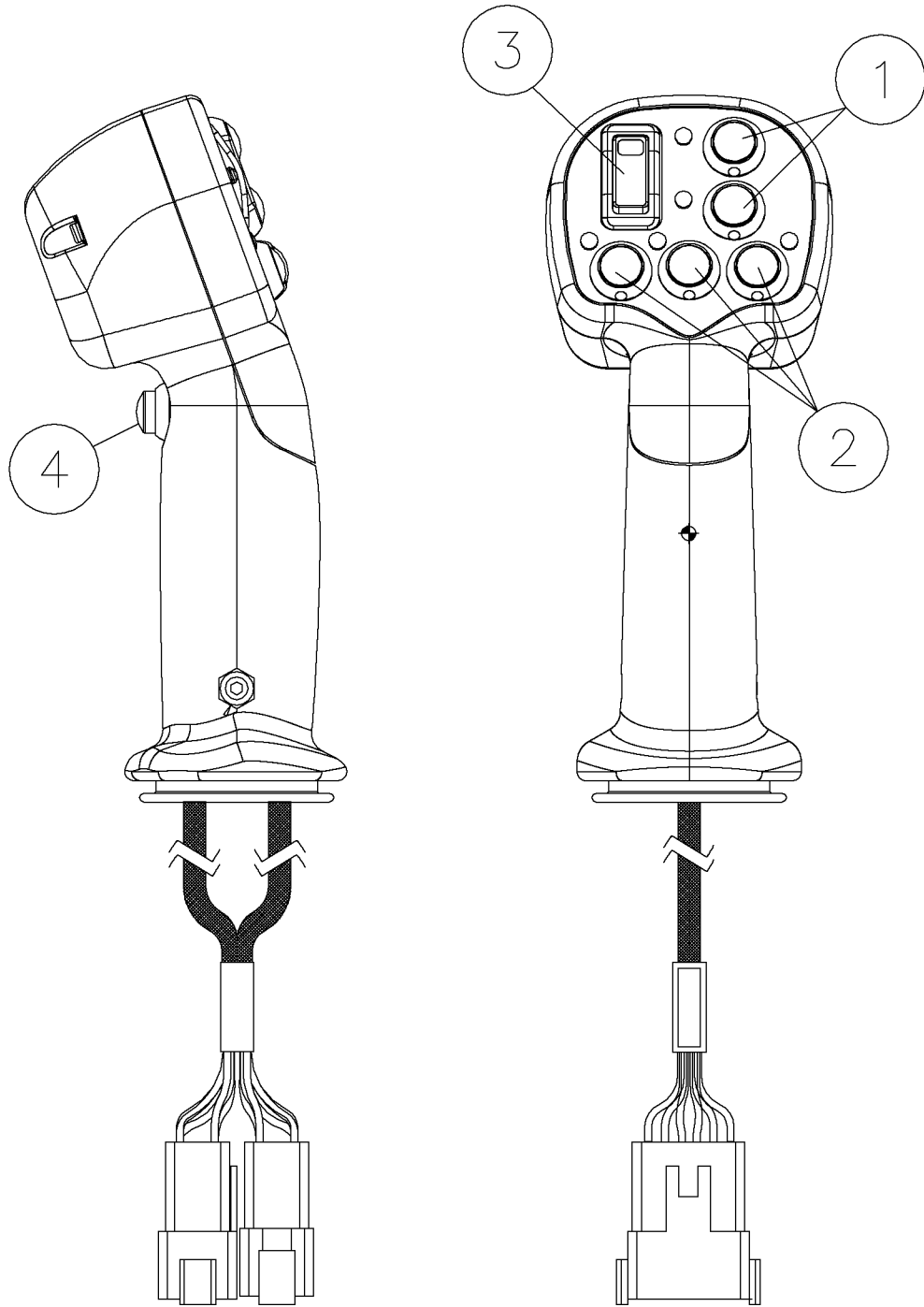
Stakedown Hyd Cylinder Fig 10-48



Stakedown Hyd Cylinder Fig 10-48

REF. NO.	*	PART NO.	DESCRIPTION	QTY.	REMARKS
1		202722001	LOCKNUT	1	
2		287588004	PISTON	1	
3		287588005	BARREL ASSEMBLY	1	
4		287588006	ROD ASSEMBLY	1	
5		223998013	SET SCREW	1	
6		287588007	THREAD CAP	1	
7		287588008	THREAD CAP HEAD	1	
8			PSP SEAL	1	NSS
9			BACKUP	2	NSS
10			O-RING	1	NSS
11			O-RING	1	NSS
12			BACKUP	1	NSS
13			LOADED V-CUP	1	NSS
14			ROD WIPER	1	NSS
15		287588002	SEAL KIT	1	(INC REF 8-14)
16		287588001	CYLINDER - 1-1/2 X 24	1	(INC ALL ITEMS IN FIGURE)
			NSS-NOT SOLD SEPARATELY		

Left Joystick Fig 10-49

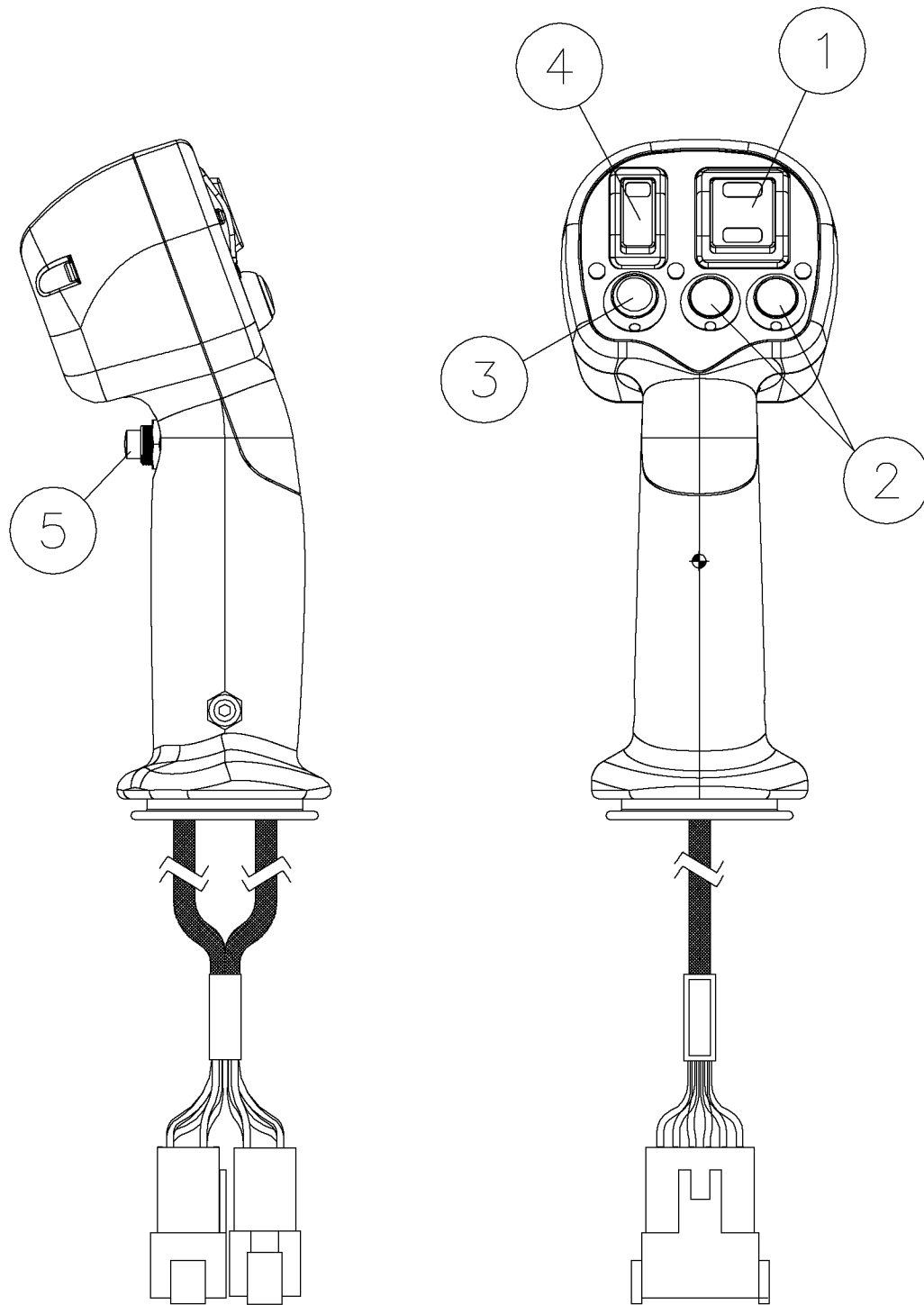




Left Joystick Fig 10-49

REF. NO.	*	PART NO.	DESCRIPTION	QTY.	REMARKS
1		296271136	SWITCH	2	
2		296271137	SWITCH	3	
3		296271141	ROCKER SWITCH	1	
4		296271138	SWITCH	1	

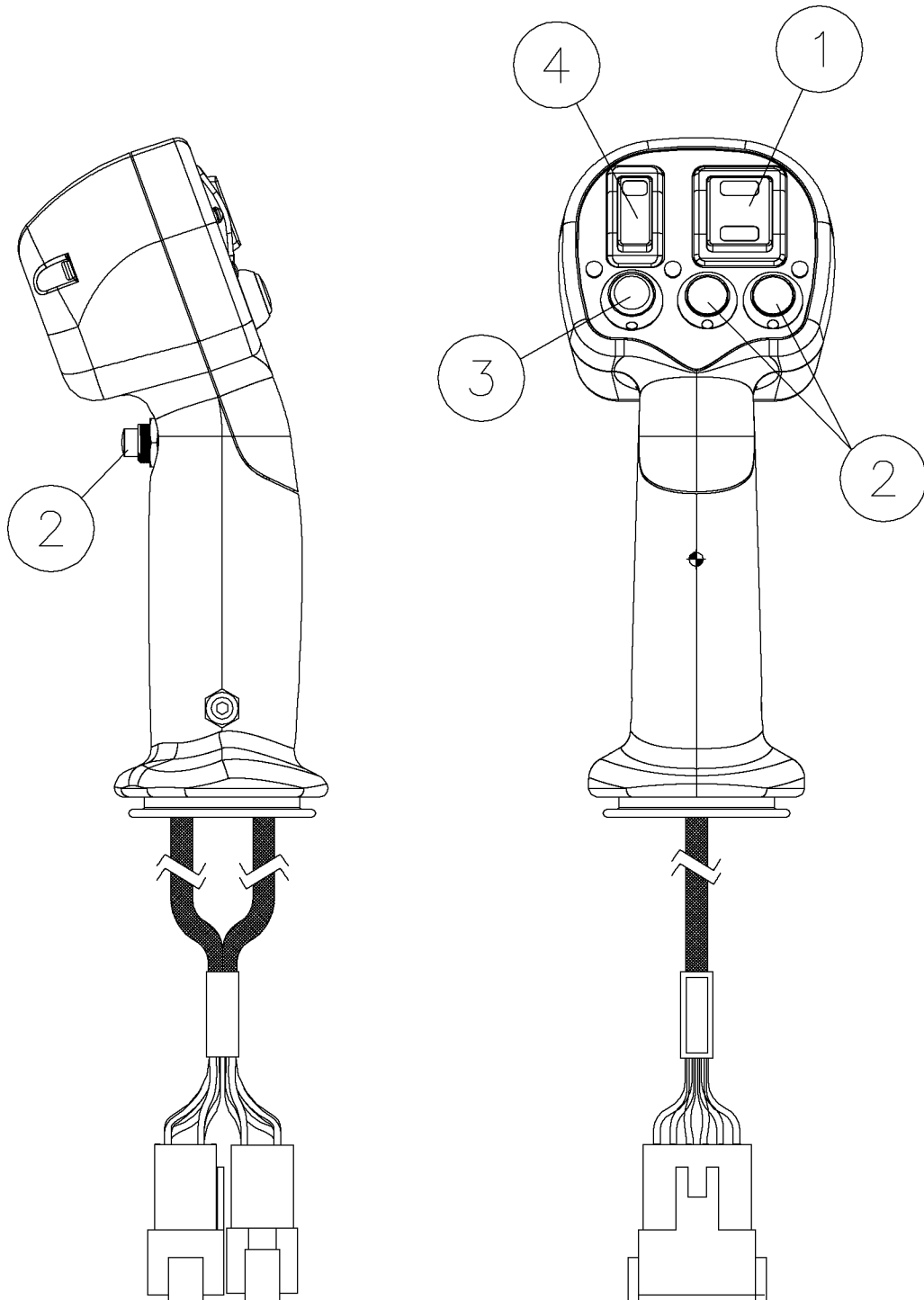
Right Joystick Fig 10-50r01



Right Joystick Fig 10-50r01

REF NO.	*	PART NO.	DESCRIPTION	QTY.	REMARKS
		Revision Date	March, 2006		Update In Illustration & Parts List.
1		296271142	ROCKER SWITCH	1	
2		296271137	SWITCH	2	
		296271135	BOOT -RUBBER	1	Not Shown
3		296271139	SWITCH	1	
		296271135	BOOT -RUBBER	1	Not Shown
4		296271141	ROCKER SWITCH	1	
5		296271140	SWITCH	1	

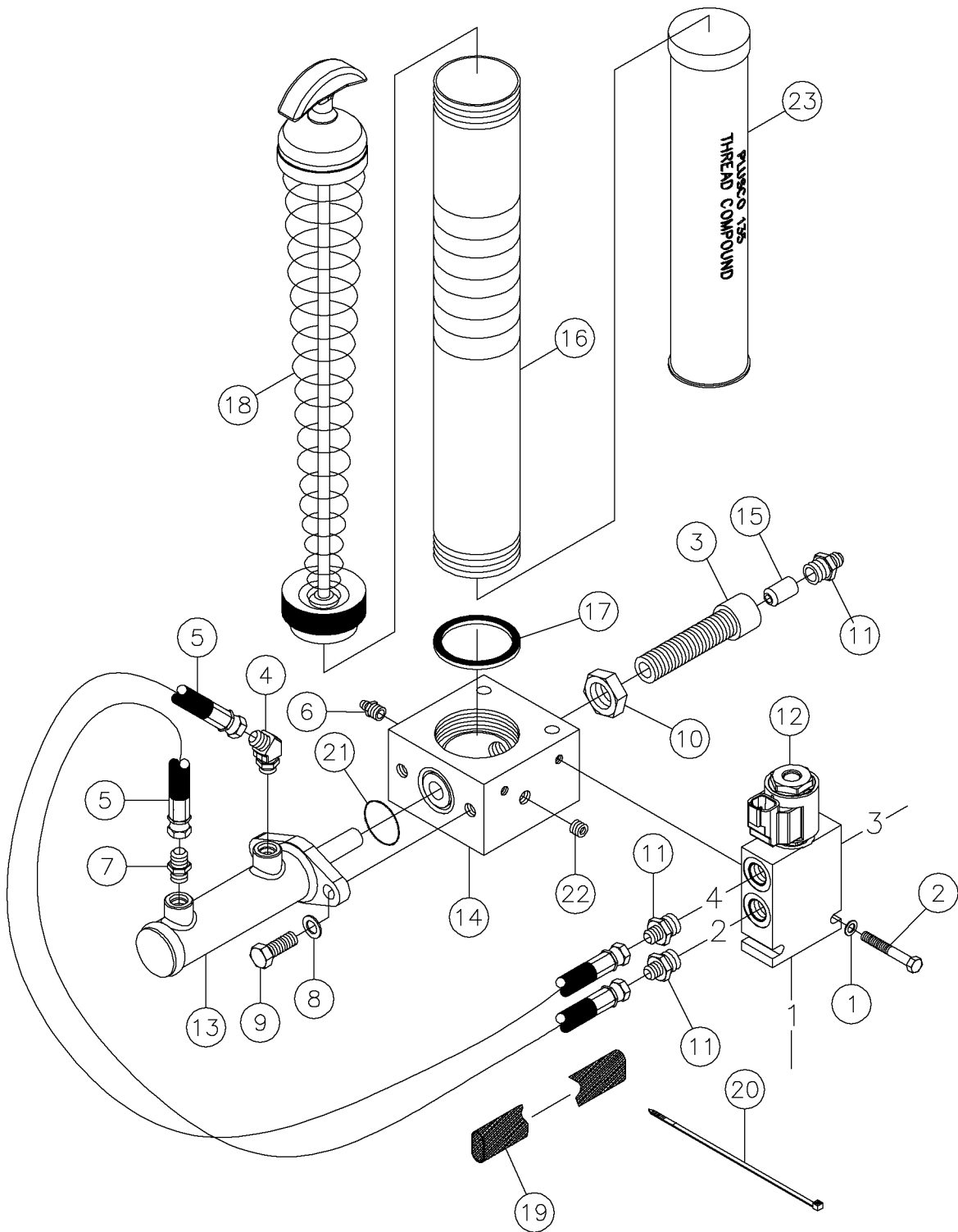
Right Joystick Fig 10-50



Right Joystick Fig 10-50

REF. NO.	*	PART NO.	DESCRIPTION	QTY.	REMARKS
1		296271142	ROCKER SWITCH	1	
2		296271137	SWITCH	3	
3		296271139	SWITCH	1	
4		296271141	ROCKER SWITCH	1	

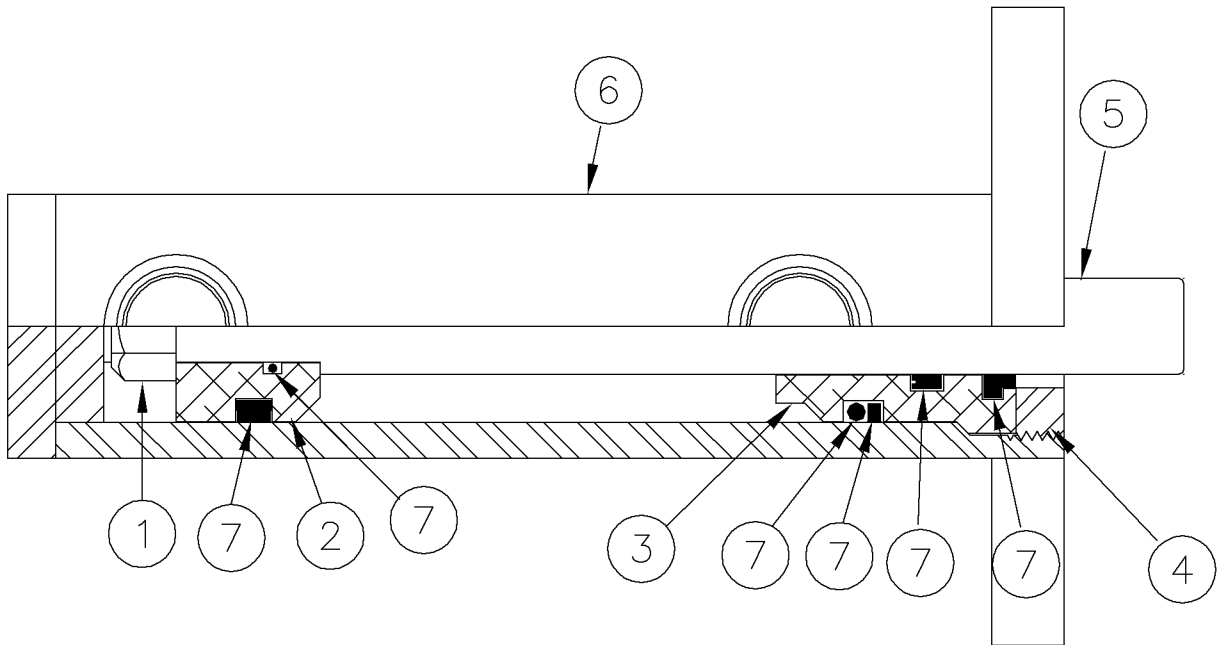
Auto Greaser Fig 10-51



## Auto Greaser Fig 10-51

REF. NO.	*	PART NO.	DESCRIPTION	QTY.	REMARKS
1		510337603	WASHER-FLATSTD-.25-.31X.75-.07-YZ	2	
2		248107001	BOLT-1/4-20X1 3/4 GR 8 ZINC PL	2	
3		294896001	SLEEVE - GREASE PUMP	1	
4		58295001	FITTING-4M OR X 4M JIC 45 DEG.	1	
5		53843195	HOSE-1/4X16 4FS JIC 3000 PSI	2	
6		586001	ZERK-1/8" ST NPT GREASE	1	
7		60908001	FITTING-4MX4M JIC STR ADAPTER	1	
8		235713001	WASHER - FLATSTRL - .38 - .41 X .81 - .06-YA-A325	2	
9		235727001	BOLT-3/8-16X1 GR8 HEX ZINC PLT	2	
10		456001	NUT-3/4 N.F. HEX JAM	1	
11		57968001	FITTING-STR-4MJ-6MORB	3	
12		294901001	VALVE - GREASER	1	Breakdown Fig. 10-18
13		294899001	CYLINDER - HYD 1 X 2-3/8	1	Breakdown Fig. 10-52
14		294895001	HOUSING - GREASE PUMP	1	
15		294905001	VALVE - INSERT CHECK, 1/2"	1	
16		294910001	TUBE - GREASE	1	
17		294902001	GASKET - GREASE TUBE	1	
18		294903001	FOLLOWER - GREASE TUBE AY	1	
19		235824001	CORDURA SLEEVE-NHS-090	A/R	
20		59634001	SINGLE NYTIE - 8"	4	
21		296262010	O-RING - 213 .139 X .921 ID	1	
22		296258613	FITTING -1/8 NPT HEX SOCKET - .25L	1	
23		296262012	THRD CMPND-PLUSCO 135-SINGLE CARTRIDGE	1	
		275927982	THRD CMPND - PLUSCO 135 - 10 PACK	A/R	
		275928982	THRD CMPND - CASE OF 4 / 10 PACKS	A/R	
		294900001	GREASE PUMP AY - VAR DISP		Inc. All Items In Figure

Auto Greaser Cylinder Fig 10-52

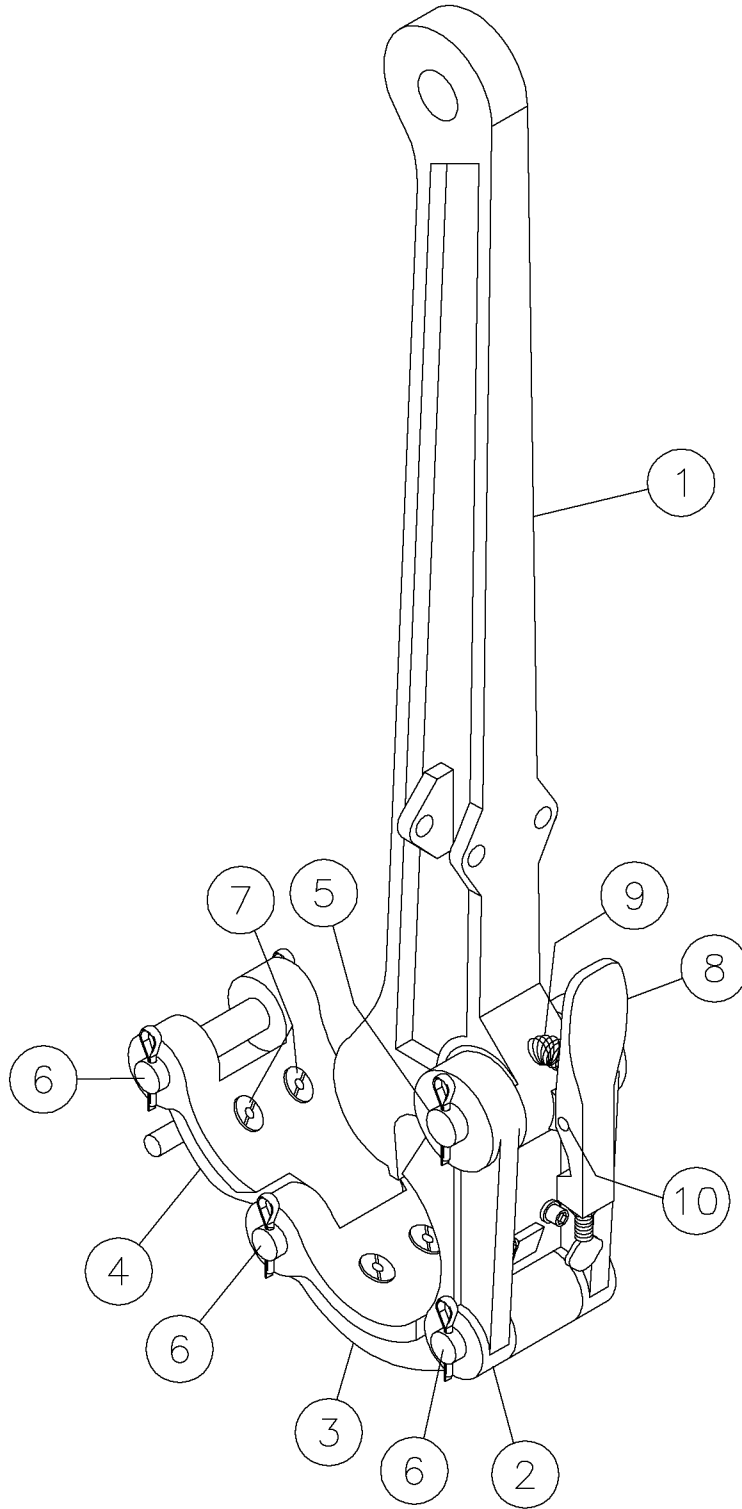




## Auto Greaser Cylinder Fig 10-52

REF. NO.	*	PART NO.	DESCRIPTION	QTY.	REMARKS
1		236113003	NUT	1	
2		296251772	PISTON	1	
3		234359007	HEAD	1	
4		234359013	COLLAR	1	
5		296265525	ROD-CYLINDER	1	
6		296265524	BODY-CYLINDER	1	
7		296251775	SEAL KIT	1	
		294899001	CYLINDER - HYD 1 X 2-3/8	1	Inc. All Items In Figure

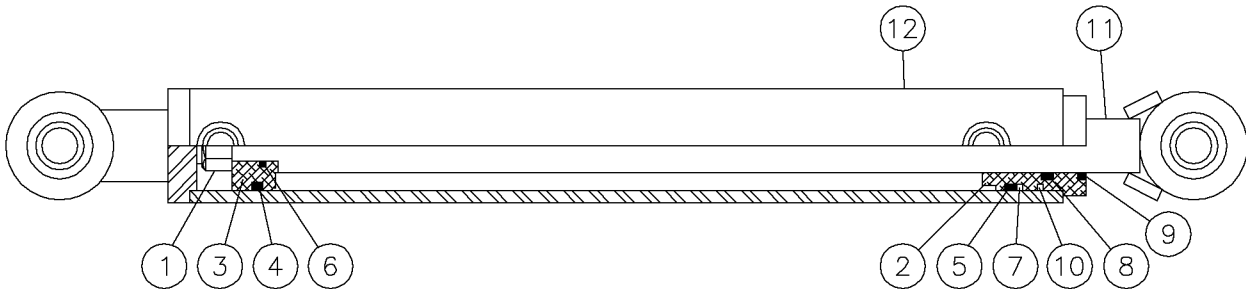
Tubing Tong Fig 10-53



Tubing Tong Fig 10-53

REF. NO.	*	PART NO.	DESCRIPTION	QTY.	REMARKS
1		230970003	TONG HANDLE	1	
2		230970005	HANDLE JAW	1	
3		230970007	CENTER JAW	1	
4		230970009	LATCH JAW	1	
5		230970011	HANDLE PIN	1	
6		230970013	JAW PIN	3	
7		230970015	BUSHING AND SCREW	6	
8		230970017	ADJUSTABLE TONG LATCH	1	
9		230970019	LATCH SPRING	1	
10		230970021	LATCH RIVET	1	
		230970001	TONG-K30 LIGHT WEIGHT TUBING		Inc All Items In Figure

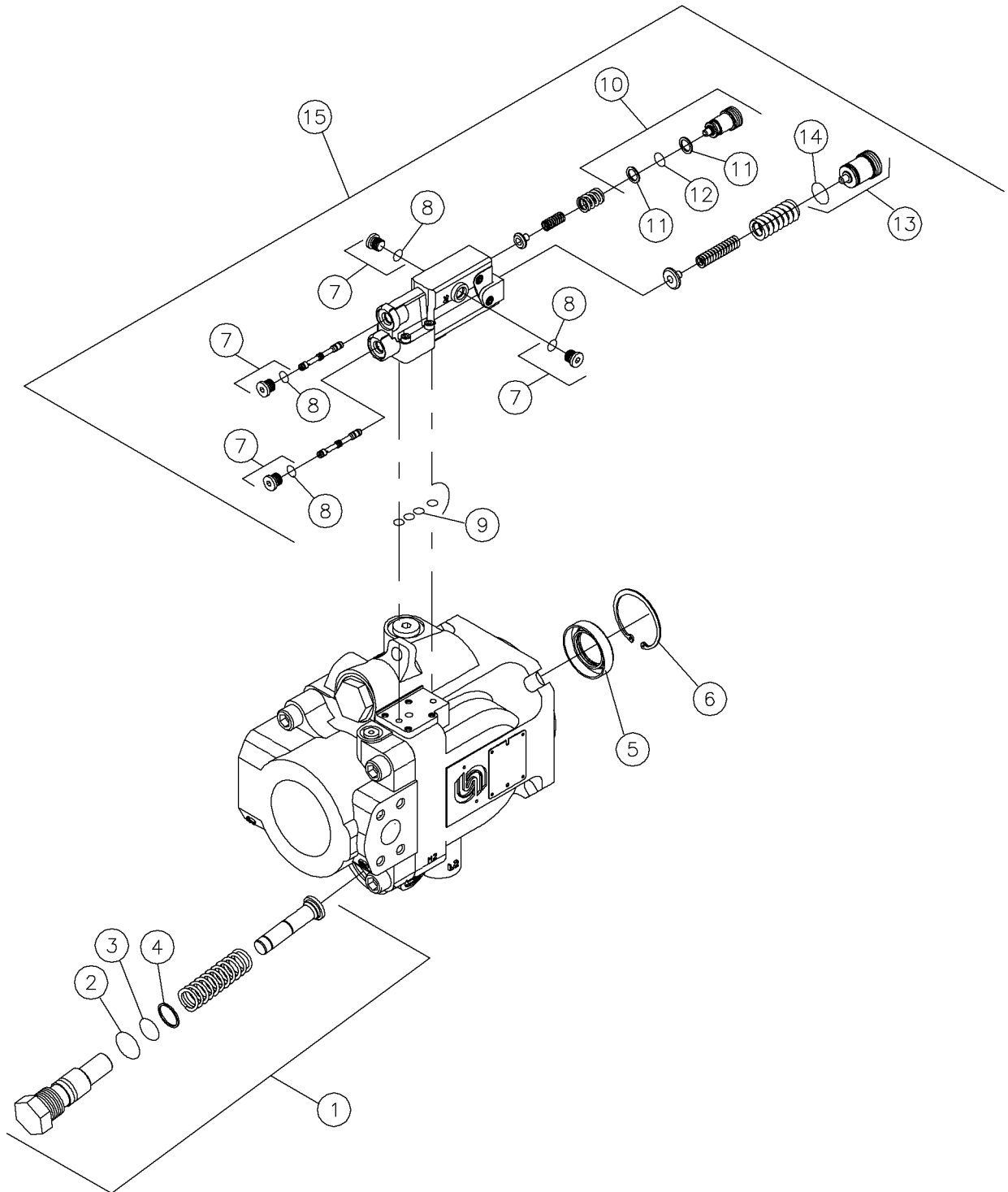
Tubing Tong Hyd Cylinder Fig 10-54



## Tubing Tong Hyd Cylinder Fig 10-54

REF. NO.	*	PART NO.	DESCRIPTION	QTY.	REMARKS
1		230977003	NUT	1	
2		230977005	HEAD	1	
3		230977007	PISTON	1	
4		230977009	PSP-SEAL	1	
5		51181001	O-RING #326	1	
6		792029	O-RING REF 119086-005-1	1	
7		230977011	BACK-UP	1	
8		230977013	ROD SEAL	1	
9		230977015	DUST SEAL	1	
10		230977017	RETAINING RING1	1	
11		230977019	SHAFT (W/CLEVIS)	1	
12		230977021	BARREL (W/CLEVIS AND PORTS	1	
		230977001	CYLINDER 2"X15 XCX		Inc Ref 1-12
		230977023	REPAIR KIT		Inc Ref 4-10

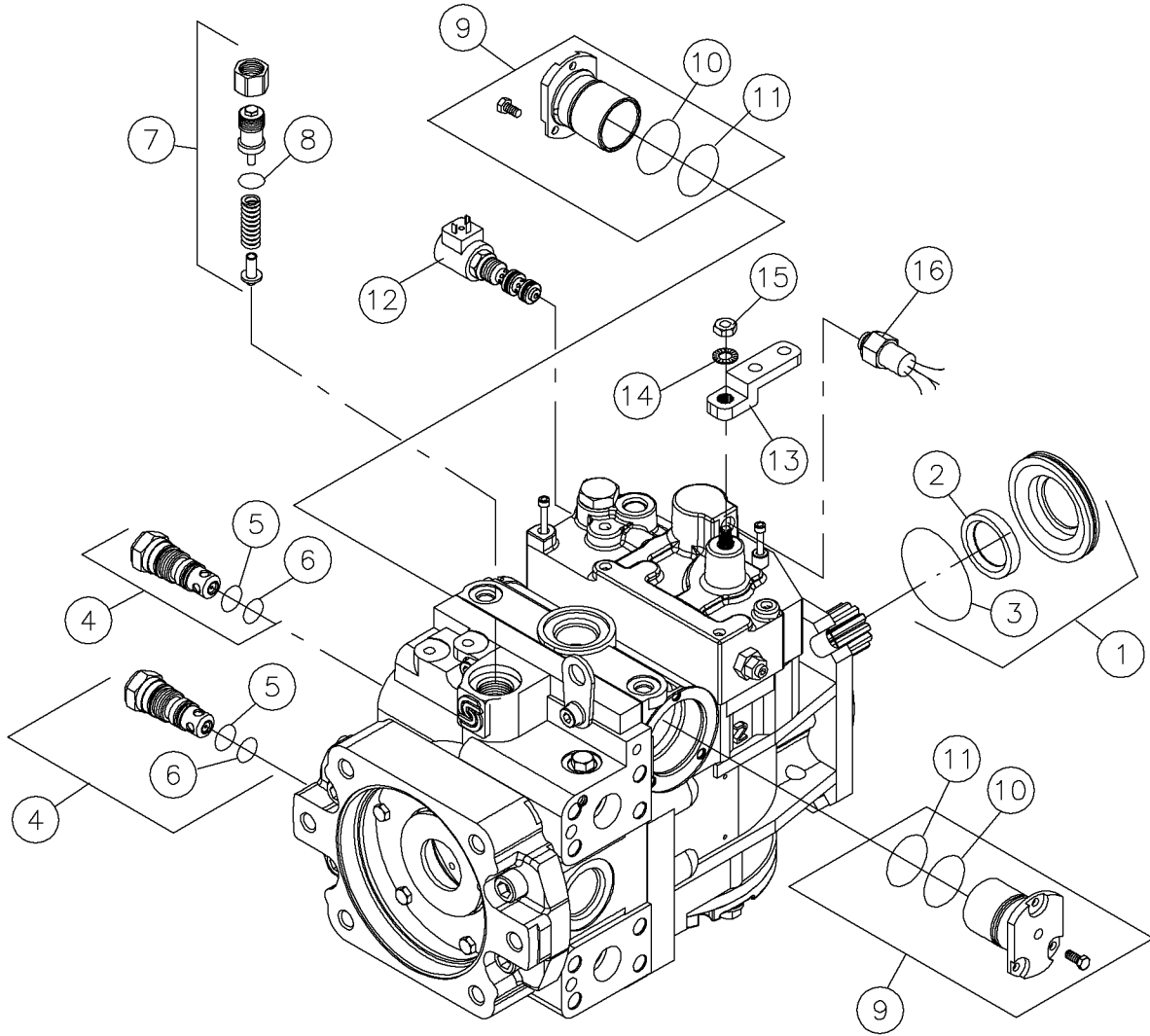
PFC Pump Fig 10-55



## PFC Pump Fig 10-55

REF. NO.	*	PART NO.	DESCRIPTION	QTY.	REMARKS
		Revision Date	May, 2005		Addition To Manual
1		296281261	BIAS PISTON ASSEMBLY	1	Inc. Ref. No's 2-4
2		296281262	O-RING	1	
3		296281273	O-RING	1	
4		296281274	O-RING	1	
5		278885007	LIP SEAL	1	
6		278885009	RETAINING RING	1	
7		296281264	PLUG	4	
8		261577009	STRAIGHT THREAD PLUG	4	
9		296265589	O - RING	4	
10		296281265	ADJUSTING PLUG-LS	1	
11		296281267	BACKUP RING	2	
12		296281266	O-RING	1	
13		296281271	ADJUSTING PLUG-PC	1	
14		296281272	O-RING	1	
15		296281263	CONTROL KIT	1	Inc. Ref. No's 7 - 14
		296254607	PUMP - HYD 45 SERIES 74CC		Inc. All Items in Figure
			*Order # for 296274692*		

Rotation Pump Fig 10-56

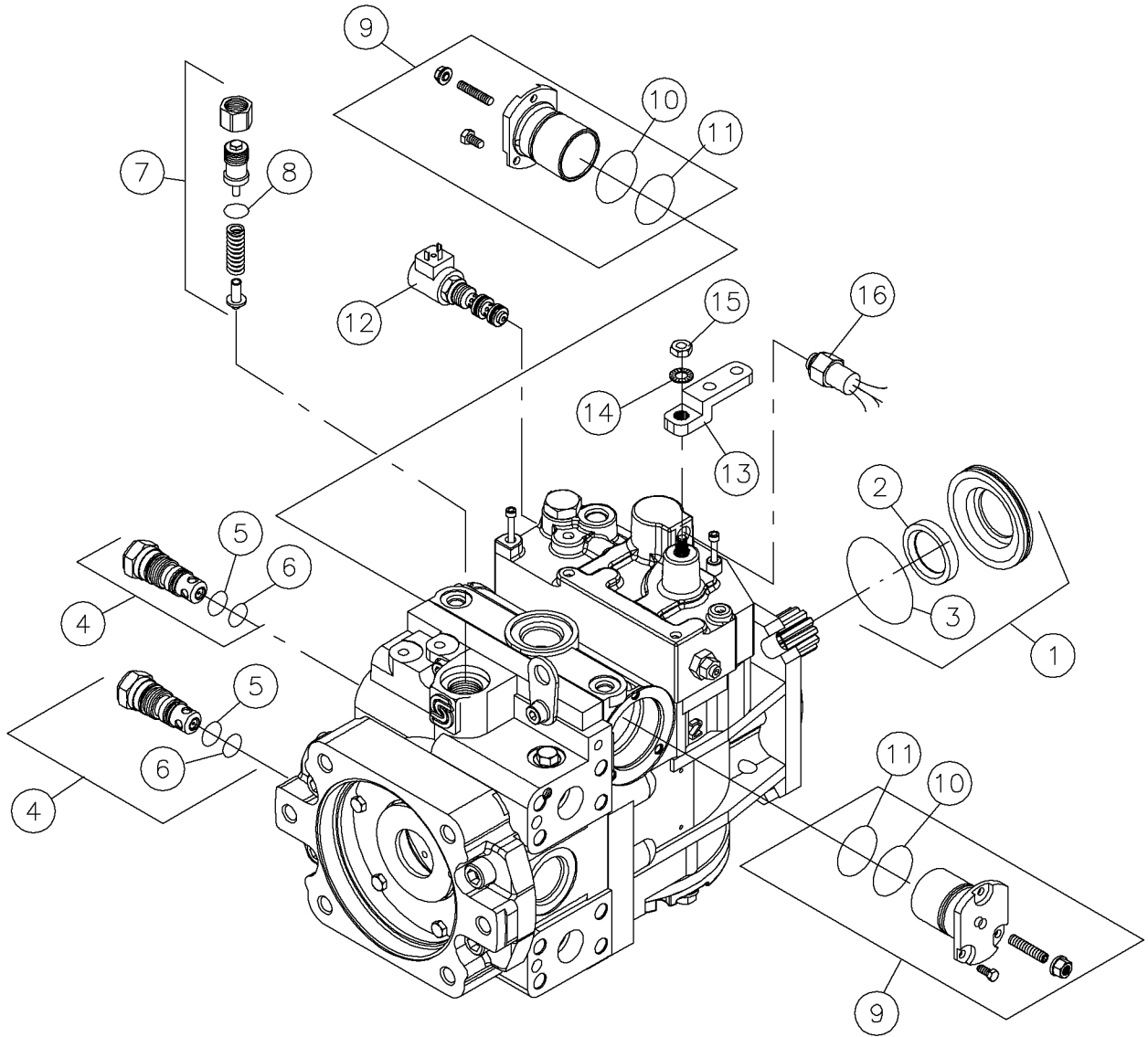




## Rotation Pump Fig 10-56

REF. NO.	*	PART NO.	DESCRIPTION	QTY.	REMARKS
		Revision Date	May, 2005		Addition To Manual
1		605213001	SHAFT SEAL ASSEMBLY	1	Inc. Ref. No's 2 & 3
2		85642081	SEAL LIP	1	
3		85642083	O-RING	1	
4		605212001	MULTI FUNCTION VALVE KIT	2	Inc. Ref. No's 5 & 6
5		113079009	O-RING	2	
6		85642011	O-RING	2	
7		85642173	KIT-ADJUSTABLE RELIEF VALVE	1	Inc. Ref. No. 8
8		113080023	O-RING	1	
9		296281256	SERVO CYLINDER KIT	2	Inc. Ref. No's 10 & 11
10		254674033	O-RING	2	
11		85642067	O-RING	2	
12		296281275	SOLENOID - 12 VOLT	1	
13		296272922	CONTROL HANDLE -PUMP	1	
14		85643009	WASHER	1	
15		296281258	NUT	1	
16		296281259	NEUTRAL START SWITCH KIT	1	
		296281257	CONTROL KIT	1	Inc. Ref. No's 12-16
		296274690	ROTATION PUMP		Inc. All Items in Figure

Thrust/Pullback Pump Fig 10-57



## Thrust/Pullback Pump Fig 10-57

REF. NO.	*	PART NO.	DESCRIPTION	QTY.	REMARKS
		Revision Date	May, 2005		Addition To Manual
1		605213001	SHAFT SEAL ASSEMBLY	1	Inc. Ref. No's 2 & 3
2		85642081	SEAL LIP	1	
3		85642083	O-RING	1	
4		605212001	MULTI FUNCTION VALVE KIT	2	Inc. Ref. No's 5 & 6
5		113079009	O-RING	2	
6		85642011	O-RING	2	
7		85642173	KIT-ADJUSTABLE RELIEF VALVE	1	Inc. Ref. No. 8
8		113080023	O-RING	1	
9		296281260	SERVO CYLINDER KIT	2	Inc. Ref. No's 10 & 11
10		254674033	O-RING	2	
11		85642067	O-RING	2	
12		296281275	SOLENOID - 12 VOLT	1	
13		296272922	CONTROL HANDLE -PUMP	1	
14		85643009	WASHER	1	
15		296281258	NUT	1	
16		296281259	NEUTRAL START SWITCH KIT	1	
		296281257	CONTROL KIT	1	Inc. Ref. No's 12-16
		296274691	THRUST/PULLBACK PUMP		Inc. All Items in Figure

This page intentionally left blank.

## Revision History

Revision	Date	Page(s)	Description
P1.00	March, 2005	All	First Edition
P1.01	May-05	TOC, 1-5, 1-13, 2-2, 2-11, 2-12, 3-5, 3-11, 3-13, 4-1, 4-2, 4-3, 4-5, 4-9, 4-10, 4-11, 4-20, 4-21, 4-22, 4-37, 5-6, 5-10, 5-13, 5-16, 5-17, 6-1, 6-3, 6-4, 7-1, 7-2, 8-1, 9-1, 9-2, 10-21, 10-22, New, 5-4x01, 5-4x02, 5-4x03, 9-5, 10-55, 10-56, 10-57	First Edition, First Revision
P1.02	Jul-05	TOC, 1-2, 1-10, 2-1, 2-8, 2-12, 3-1, 3-4, 3-6, 3-10, 4-6, 4-12, 4-19, 4-20, 4-21, 4-44, 5-4, 5-6, 5-9, 7-1, 7-2, 10-1, 10-42, 10-44,	First Edition, Second Revision
P1.03	May, 2006	TOC, 1-2, 1-5, 1-13, 1-14, 1-17, 2-1, 2-2, 2-3, 2-6, 2-11, 2-12, 2-14, 3-2, 3-4, 3-6, 3-7, 3-9, 3-10, 3-11, 3-13, 4-1, 4-3, 4-5, 4-8, 4-9, 4-10, 4-11, 4-12, 4-14, 4-17, 4-18, 4-19, 4-21, 4-22, 4-23, 4-24, 4-30, 4-33, 4-33, 4-35, 4-41, 5-1, 5-3, 5-5, 5-6, 5-7, 5-8, 5-9, 5-11, 5-12, 5-13, 5-14, 5-16, 5-17, 5-19, 6-1, 6-2, 6-3, 6-4, 6-6, 7-2, 8-1 9-1, 9-2, 10-10, 10-13, 10-22, 10-29, 10-32, 10-40, 10-41, 10-42, 10-50, New 2-14, 4-43x01, 6-7, 10-13x01, 10-32x01, 10-42x01	First Edition, Third Revision

